



ECOSTYLE KITCHENS



KINGSTON CABINETS CATALOGUE V2

Stylish. Affordable. Modern.

Ecostyle kitchens offer stylish and cost-efficient solutions. This Canadian made line of cabinetry is manufactured to stand the test of time; backed by a 10-year defect warranty. Within the Ecostyle line, there are two series; Select and Impressions. Find out more about the different features, colour options, cabinet sizes and pricing in this catalog.

CATALOGUE

1. ECOSTYLE- SELECT SERIES CABINETSRY - \$

SELECT series is a collection of thermofoil doors available in 15 different style/colour combinations. They offer traditional and modern designs with a durable, low-maintenance construction, that is easy to clean. They're the economical choice for quality and style, provided to you with industry leading delivery times. The variety of styles allow you to build everything from a minimalist starter kitchen to a grand cooking and dining centre. All cabinets are frameless with white interiors.



STANDARD FEATURES -

- European Frameless Build
- White Melamine – 5/8”
- 3/4” Doors
- Soft-Close Doors, Drawers
- Metabox Drawer Boxes

2. ECOSTYLE- IMPRESSIONS SERIES CABINETSRY - \$\$

Impressions series introduces a collection of doors available in a variety of style and colour combinations. Offering both modern and transitional designs with a durable, low-maintenance construction. With the look of re-purposed wood, Impressions doors feature unique colours and textures consistent with those found in modern industrial studio apartments. These doors will be your choice for creating a unique space that makes a statement.



STANDARD FEATURES -

- European Frameless Build
- Maple Melamine – 5/8”
- 3/4” Doors
- Soft-Close Doors, Drawers – Metabox
- Colour Matched Vertical Edge, Exterior

AVAILABLE UPGRADES :

- Intero Metabox Drawers
- Dovetail Drawers



ECOSTYLE – SELECT SERIES - DOOR OPTIONS

A - DOOR PROFILES (3)

Shaker



Slab



Raised Panel



B - DOOR FINISHES (10)

White



(Shaker, Raised Panel, Slab)

Smooth White



(Shaker, Slab)

Antique White



(Shaker)

Charcoal

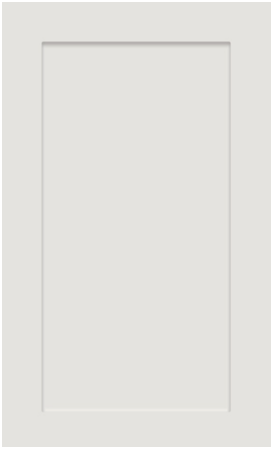


(Shaker, Slab)

Estimated wait times for Ecostyle - Select kitchens are an industry leading 4-6 weeks from point of order.

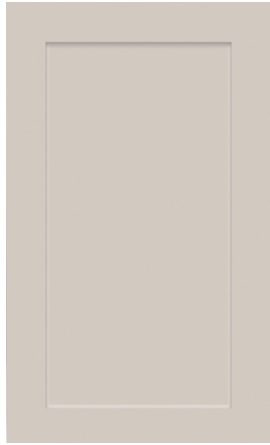
- Willow Grey, Smooth White, Dove Grey, Charcoal = Matte finishes
 - White, Antique White, Artic, Black River, Cliffstone = Soft Gloss finishes
-

Dove Grey



(Shaker)

Willow Grey



(Shaker)

Arctic



(Slab)

Black River



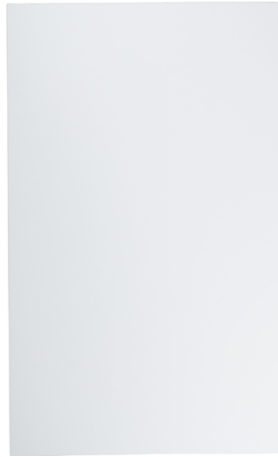
(Slab)

Cliffstone



(Slab)

High-Gloss White



(Slab)

Banff



(Slab)

Whistler



(Slab)



ECOSTYLE – IMPRESSIONS SERIES - DOOR OPTIONS

A- DOOR PROFILES (2)

Shaker



Transitional



B- DOOR FINISHES (10)

Banff



Jasper



Canmore



Whistler



- Both door profiles are available in all 10 finishes

- Composed of 99% post-industrial recyclable material with a permanent antibacterial surface. Highly resistant to heat, scratches, and stains.

- Mitred corner – 5-piece construction

Ashen



Fossil



Zambukka



Java



Antique White



White

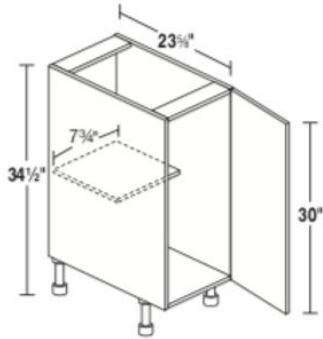


CATALOGUE

1. BASE CABINETS

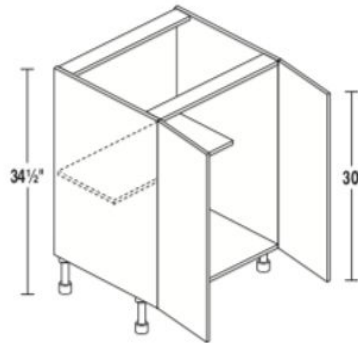
(Pricing may vary- contact us to receive an estimate)

1 – Door



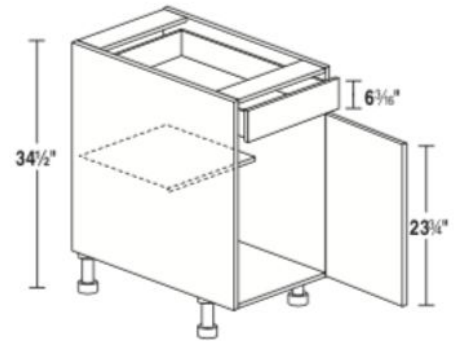
BH09- S - \$185-236, I- \$286
 BH12- S - \$205-261, I- \$315
 BH15- S - \$213-273, I- \$332
 BH18- S - \$233-298, I- \$362
 BH21- S - \$249-323, I- \$392

2 – Door



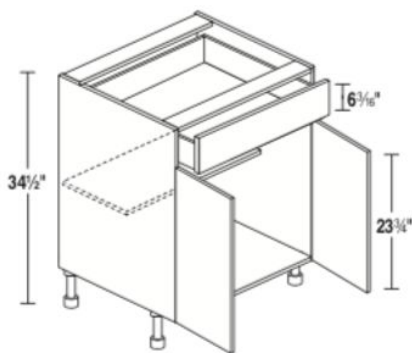
BH24- S - \$292-339, I- \$453
 BH27- S - \$312-397, I- \$483
 BH30- S - \$331-423, I- \$512
 BH33- S - \$351-448, I- \$543
 BH36- S - \$370-473, I- \$573

1 – Drawer – 1 Door



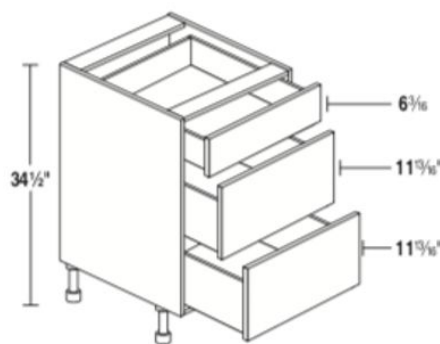
BD12- S- \$258-329, I- \$391
 BD15- S- \$277-353, I- \$424
 BD18- S - \$297-378, I- \$452
 BD21- S - \$316-403, I- \$483

1 – Drawer – 2 Door



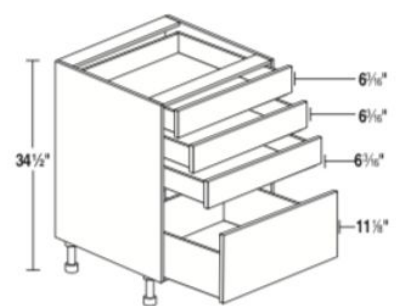
BD24- S - \$353-452, I- \$544
 BD27- S - \$374-478, I- \$573
 BD30- S - \$393-502, I- \$603
 BD33- S - \$413-526, I- \$635
 BD36- S - \$432-552, I- \$663

3 – Drawer



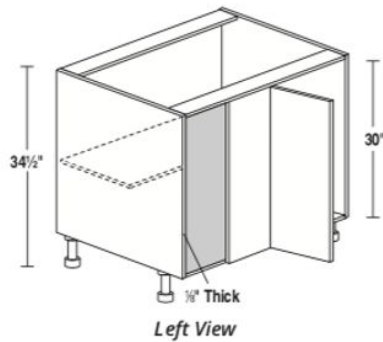
DB12-3- S - \$393-502, I- \$587
 DB15-3- S - \$432-552, I- \$649
 DB18-3- S - \$452-576, I- \$678
 DB21-3- S - \$491-627, I- \$738
 DB24-3- S - \$539-664, I- \$784
 DB27-3- S - \$539-689, I- \$815
 DB30-3- S - \$549-702, I- \$829
 DB33-3- S - \$578-739, I- \$876

4 – Drawer

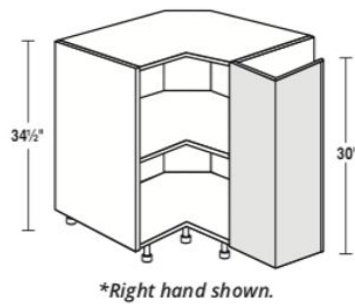


DB124- S - \$466-594, I- \$694
 DB154- S - \$505-645, I- \$755
 DB184- S - \$533-682, I- \$798

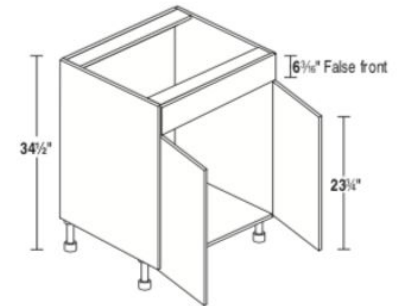
Blind Corner



Easy Reach Corner



Sink Base

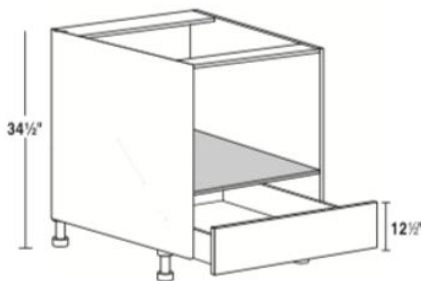


BC42- S - \$350-423, I- \$541
 BC48- S - \$428-548, I- \$662
 BC51- S - \$448-573, I- \$692
 BC54- S - \$467-598, I- \$722

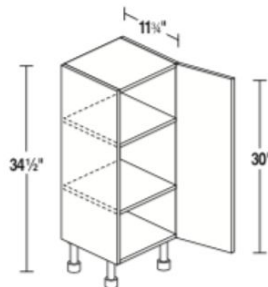
BE33(L/R)- S - \$484-621, I- \$752
 BE36(L/R)- S - \$506-646, I- \$781

SB24- S - \$301-384, I- \$467
 SB27- S - \$321-410, I- \$498
 SB30- S - \$331-422, I- \$514
 SB33- S - \$351-447, I- \$544
 SB36- S - \$370-474, I- \$572

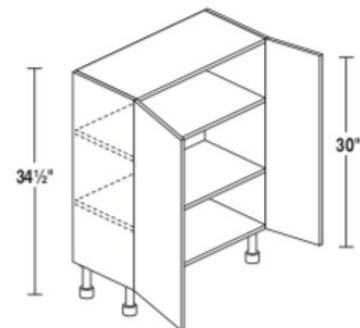
Microwave Base



1 – Door – 12” D



2 – Door – 12” D



BMD24- S - \$492-629, I- \$754
 BMD30- S - \$521-668, I- \$798

BFH09- S - \$185-236, I- \$287
 BFH12- S - \$194-248, I- \$301
 BFH15- S - \$204-261, I- \$316
 BFH18- S - \$214-273, I- \$332
 BFH21- S - \$224-284, I- \$346

BFH24- S - \$282-360, I- \$438
 BFH27- S - \$292-374, I- \$450
 BFH30- S - \$301-385, I- \$467
 BFH33- S - \$311-398, I- \$483
 BFH36- S - \$321-410, I- \$497

- Base cabinets have a standard depth of 24", a standard height of 34.5", and widths varying in 3" intervals.

- Example Reading- DB12-3 = Drawer Bank – 3 Drawer – 12" W x 24" D x 34.5" H

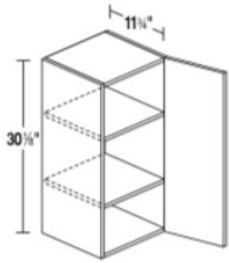
- BD30 = Base Cabinet – 1 Drawer 2 Door – 30" W x 24" D x 34.5" H

- Base cabinets come with adjustable feet

2. WALL CABINETS

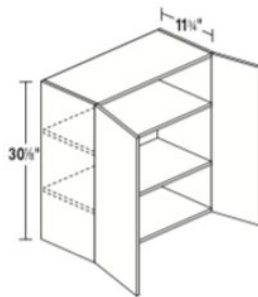
(Pricing may vary- contact us to receive an estimate)

1 – Door – Wall



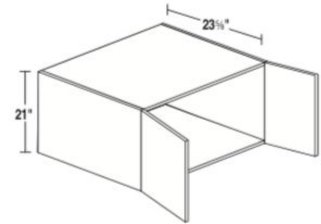
W''- (9-21'')
 H''- (25, 30, 36, 40'')
 S- \$159.00 - \$385.00
 I- \$244.00 - \$452.00

2 – Door – Wall



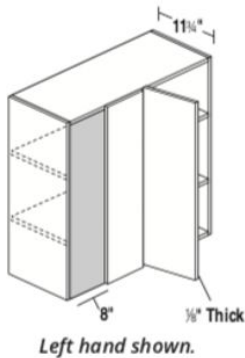
W''- (24-36'')
 H''- (12-25'', 30'', 36'', 40'')
 S- \$193.00 - \$573.00
 I- \$302.00 - \$655.00

2 – Door – Refrigerator



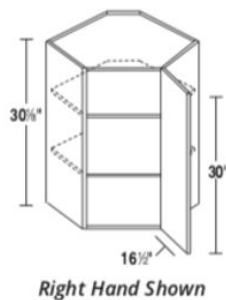
W''- (30, 33, 36'')
 H''- (12, 15, 18, 21, 25'')
 D- 24''
 S- \$246.00 - \$430.00
 I- \$381.00 - \$424.00

Blind Corner - Wall



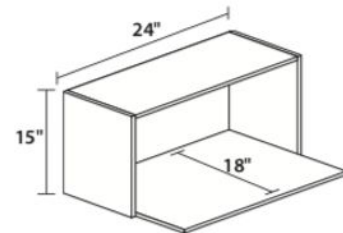
W''- (24-36'')
 H''- (30, 36, 40'')
 S- \$223.00 - \$522.00
 I- \$360.00 - \$630.00

Corner – Wall



WA2430- S - \$360-460, I- \$557
 WA2436- S - \$620, I- \$768
 WA2440- S - \$590-753, I- \$883

Microwave Shelf



MS2415- S- \$134-148, I- \$276

- Wall Cabinets come at a standard depth of 12'', varying widths and heights in 3'' intervals

- Refrigerator cabinets come at a standard depth of 24'', widths of 30, 33 & 36'', and heights from 12-25'', in 3'' intervals.

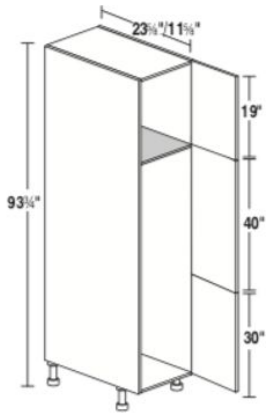
- Example reading- W1530 = Wall Cabinet – Single Door – 15'' W x 12'' D x 30'' H

W3321-24 = Refrigerator Cabinet – 2 Door – 33'' W x 24'' D x 21'' H

3. PANTRY CABINETS

(Pricing may vary- contact us to receive an estimate)

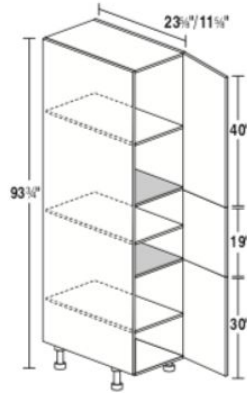
Broom Cabinet – 12/24”D



H- 84, 90, 94”

- UB15- S- \$545-817, I- \$822-963
- UB18- S- \$594-904, I- \$896-1067
- UB24- S- \$807-1224, I- \$1219-1444
- UB30- S- \$917-1394, I- \$1383-1647
- UB33- S- \$983-1481, I- \$1483-1794

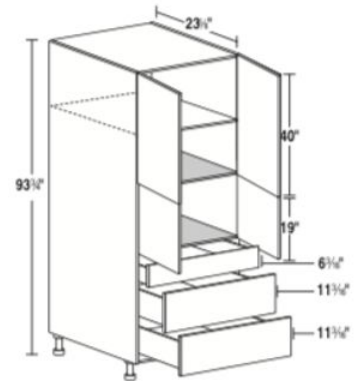
Pantry Cabinet – 12/24”D



H- 84, 90, 94”

(pricing & sizing = broom cabinet)

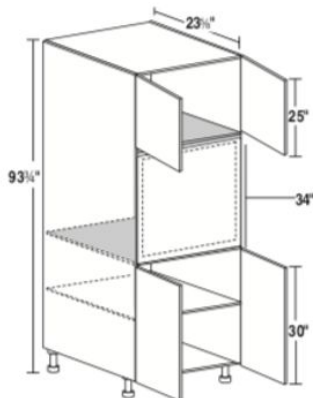
Utility Hutch – 24”D



H- 84, 90, 94”

- UH18- S- \$881-1275, I- \$1307-1521
- UH24- S- \$1084-1585, I- \$1619-1898
- UH30- S- \$1240-1798, I- \$1853-2154

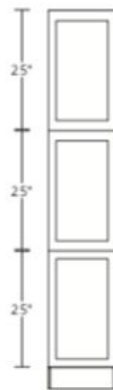
Single Oven Cabinet – 24”D



H- 84, 90, 94”

- OS3384 – S- \$994-1266, I- \$1499
- OS3390 – S- \$1407, I- \$1687
- OS3394 – S- \$1179-1508, I- \$1823

Linen Tower – 21”D



H- 80”

- VL80- S- \$564-721
- (select series only)

- Pantry cabinets come in 12” & 24” depths, varying widths (3” intervals) and standard heights of 84, 90 and 94”.

- Linen tower corresponds with bathroom vanities 21” depth.

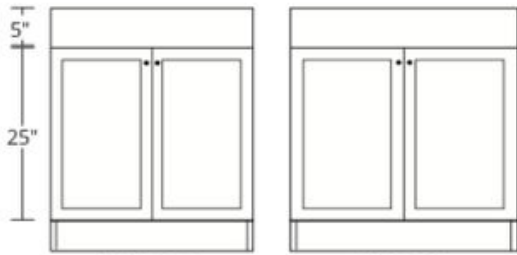
- Example reading:

- UH3084- Utility Hutch – 30” Width – 24” Depth – 84” Height
- UB1594-12- Broom Cabinet – 15” Width – 12” Depth – 94” Height

4. BATHROOM VANITIES

a. Select Series Vanities- (34-1/2" H – 21" D)

2-Door (30/36" W)



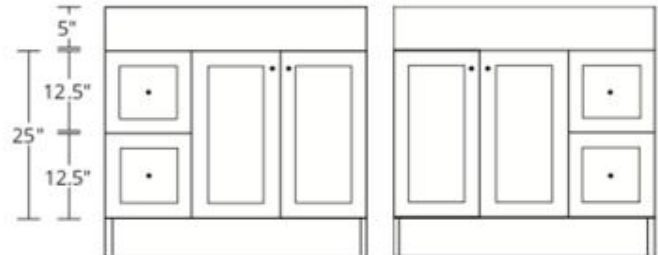
VFH3021

VFH3621

VFH3021- \$360 – 461

VFH3621- \$409 – 523

2- Door – 2 – Drawer (36" W)

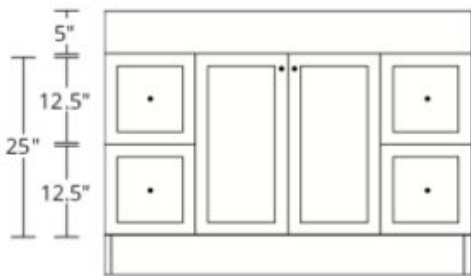


V2D3621L

V2D3621R

V2D3021(L/R)- \$486 – 622

2- Door – 4 – Drawer (48" W)



V4D4821

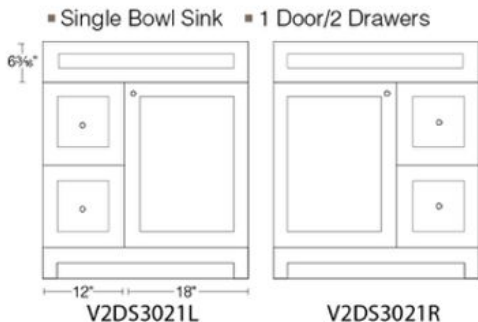
V4D4821- \$785 – 1005

- Bathroom vanities come in a standard depth of 21", a standard height of 34.5" and varying widths.

- Example reading:
VFH3621- VFH3621 -2-Door Vanity – 36" Width – 21" Depth – 34-1/2" Height.

b. Impressions Series Vanities (34-1/2" H – 21" D)

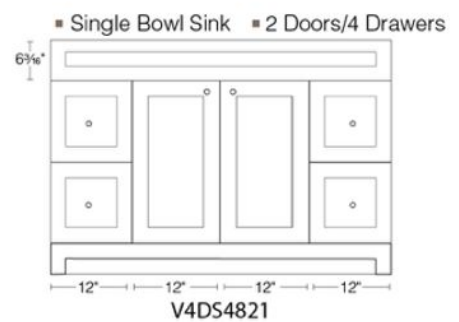
2-Door (30/36" W)



V2DS3021- \$833.00

V2DS3621- \$905.00

2- Door – 2 – Drawer (42/48/60" W)



V4DS4221- \$1164.00

V4DS4821- \$1269.00

V4DS6021- \$1228.00

5. BATHROOM VANITY TOPS

- Countertops come in 31", 37", 49", 61" W (*single + double sink*)
- 2cm thick top – built in bowl.

Engineered Stone – White Cultured Marble



White Cultured Marble

Each Top has a square bowl with built in overflow and comes pre-drilled for 4" faucets.

31" W- \$322.00
37" W- \$390.00
49" W- \$455.00
61" W (*single sink*)- \$621.00
61" W (*double sink*)- \$673.00

Quartz – Porcelain White



Quartz backsplash and end-splash are 4" H x 3/4" D. 2cm thick top with a rectangular centre and eased edge.

31" W- \$748.00
37" W- \$794.00
49" W- \$916.00
61" W (*single sink*)- \$1262.00
61" W (*double sink*)- \$1475.00

Quartz – Ocean Grey



Quartz backsplash and end-splash are 4" H x 3/4" D. 2cm thick top with a rectangular centre and eased edge.

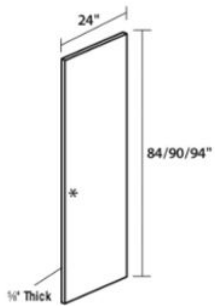
31" W- \$748.00
37" W- \$794.00
49" W- \$916.00
61" W (*single sink*)- \$1262.00
61" W (*double sink*)- \$1475.00

6. PANELS & FILLERS

- Use this collection of fridge panels, toe kicks, fillers, island panels, dishwasher panels and end panels to put the finishing touches on your kitchen.

- All non-white base and wall end cabinets – *Select series only* - require a colour-matched 5/8" end panel.

Fridge Panel (84/90/94"H)



-24" W-

FR84- S- \$105-140, I- \$223

FR90- S- \$128-146, I- \$236

FR94- S- \$130-146, I- \$251

-30" W-

FR8430- S- \$105-140, I- \$344

FR9030- S- \$128-146,

FR9430- S- \$130-146, I- \$371

3" Wide Filler (30/40/96"H)

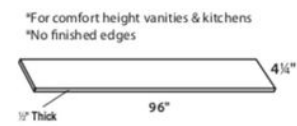


30FILLER- \$14-36

40FILLER- \$18-38

96FILLER- \$23-65

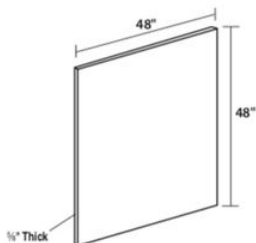
Toe Kick



96TK- \$23-65

(4.5" x 96")

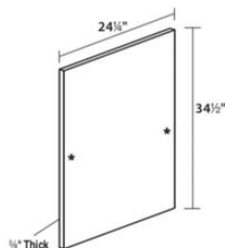
Island Panel



ISLAND48- \$87-222

(48" x 48")

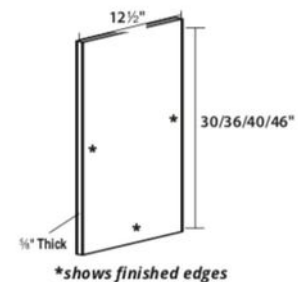
Dishwasher / Base End Panel



DWPANEL- \$47-126

(24-1/2" x 34-1/2")

Wall End Panel (30/36/40")



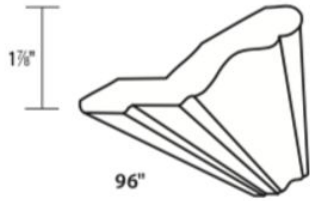
WEP1230- \$36-70

WEP1236- \$43-87

WEP1240- \$43-91

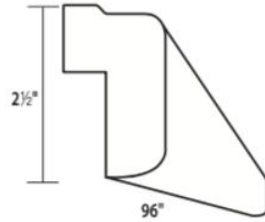
7. MOULDINGS (96")

Crown Moulding (1-7/8")



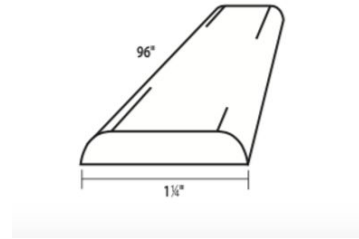
SMCROWN- \$73-104

Light Valence (2-1/2")



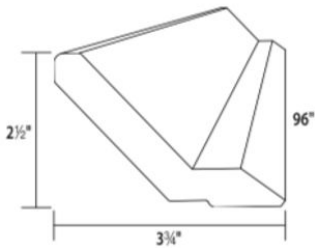
VALENCE- \$72-97

Batten Moulding (1-1/8")



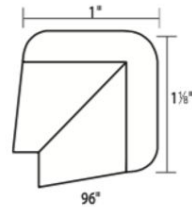
BATTEN- \$47-68

Shaker Crown (2-1/2")



SHKRCROWN- \$107-147

Corner Moulding (1 x 1-1/8")

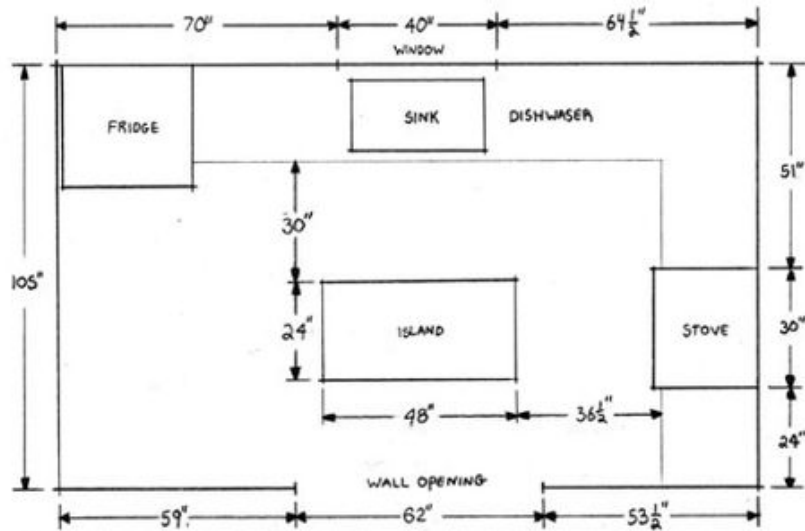


OUTCORNER- \$88-117



A) GET AN ESTIMATE & 3D RENDERING

- 1) Set up an on-site meeting by phone or email at quote@kingstoncabinetry.ca ; (613) 583-6831
- 2) For clients with existing plans- we offer online estimates. Email us a drawing of your space with as many measurements and photos as possible. Our team will reach out with any questions and put together an initial 3D layout with estimated pricing, providing a starting point. From here we go back and forth on specifics and finalize with an on-site meeting.



Pricing:

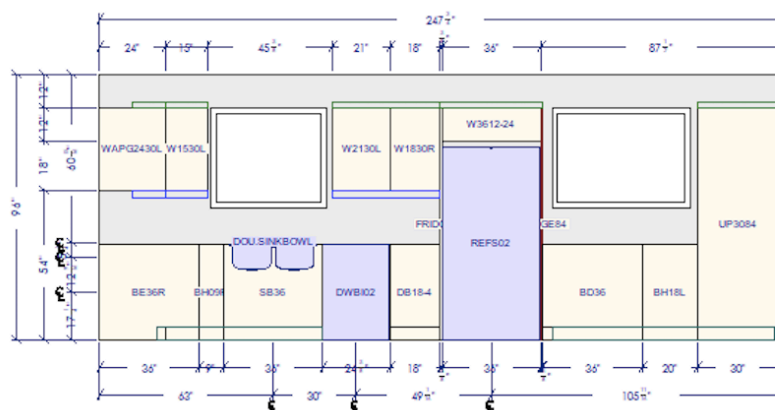
- | | |
|--------------------------|-----------|
| 1. Cabinetry: | |
| a. Wall Cabinets- | \$2413.00 |
| b. Base/Island Cabinets- | \$2660.00 |
| c. Pantry Cabinets- | \$785.00 |
| 2. Extras: | |
| a. Handles/Knobs- | \$300.00 |
| b. Toe Kicks + Panels- | \$700.00 |
| c. Installation: | \$3450.00 |

Estimated Total- **\$10'308.00**

(HST not included)

Estimated Timeline-

(8-12 weeks from order)



ECOSTYLE KITCHENS



KINGSTON CABINETRY CATALOGUE V1

