



PERMALOC CORPORATION
 Distributed by Prime Supply 1
 Toll Free: 866-452-4525
 Phone: 951-427-5711
 Fax: 888-847-7756
 www.1landscapesupply.com

SELECT DESIRED SIZE AND FINISH:

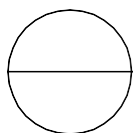
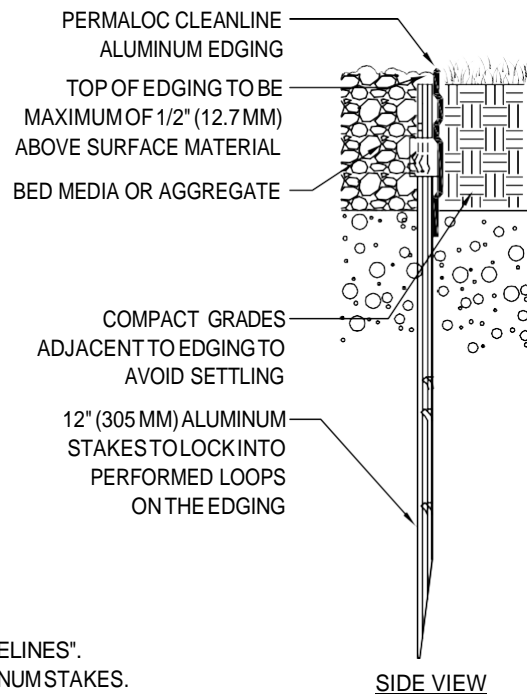
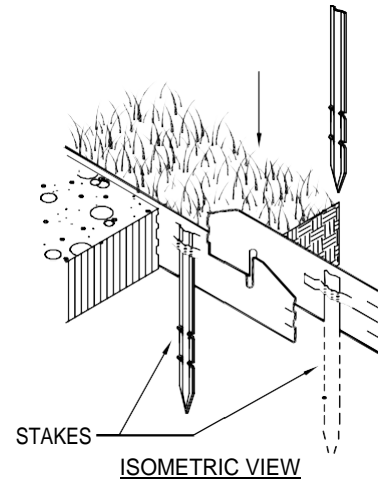
- 1/8" X 3" (3.2MM X 76MM), 0.072" (1.83MM) THICK WITH 0.135" (3.43 MM) EXPOSED TOP LIP
 - MF BL
- 1/8" X 4" (3.2 MM X 102 MM), 0.072" (1.83 MM) THICK WITH 0.135" (3.43 MM) EXPOSED TOP LIP
 - MF BL GR BR BLANO
- 3/16" X 4" (4.8 MM X 102 MM), 0.116" (2.95 MM) THICK WITH 0.187" (4.75 MM) EXPOSED TOP LIP
 - MF BL GR BR BLANO
- 1/8" X 5 1/2" (3.2MM X 140 MM), 0.072" (1.82MM) THICK WITH 0.135" (3.43MM) EXPOSED TOP LIP
 - MF BL GR BLANO
- 3/16" X 5 1/2" (4.8MM X 140MM), 0.116" (2.95MM) THICK WITH 0.187" (4.75 MM) EXPOSED TOP LIP
 - MF BL GR BLANO

FINISH LEGEND:

MF - MILL FINISH-NATURAL ALUMINUM
 BL - BLACK DURAFLEX-MEETS AAMA 2603
 GR - GREEN DURAFLEX-MEETS AAMA 2603
 BR - BRONZE DURAFLEX-MEETS AAMA 2603
 BLANO - BLACK ANODIZED-CLASS II,
 AA-M10C21A33

NOTES:

1. INSTALL PER MANUFACTURER'S "INSTALLATION GUIDELINES".
2. 8'-0" (2.44 M) SECTIONS TO INCLUDE (3) 12" (305MM) ALUMINUM STAKES.
3. 16'-0" (4.88 M) SECTIONS TO INCLUDE (5) 12" (305MM) ALUMINUM STAKES.
4. CORNERS - CUT BASE EDGING UP HALFWAY AND FOR A CONTINUOUS CORNER.
5. PERMALOC CLEANLINE AS MANUFACTURED BY PERMALOC CORPORATION.
6. DO NOT SCALE DRAWING.
7. THIS DRAWING IS INTENDED FOR USE BY ARCHITECTS, ENGINEERS, CONTRACTORS, CONSULTANTS AND DESIGN PROFESSIONALS FOR PLANNING PURPOSES ONLY. THIS DRAWING MAY NOT BE USED FOR CONSTRUCTION.
8. ALL INFORMATION CONTAINED HEREIN WAS CURRENT AT THE TIME OF DEVELOPMENT BUT MUST BE REVIEWED AND APPROVED BY THE PRODUCT MANUFACTURER TO BE CONSIDERED ACCURATE.
9. CONTRACTOR'S NOTE: FOR PRODUCT AND COMPANY INFORMATION VISIT www.CADdetails.com/info AND ENTER REFERENCE NUMBER 006-016.



CLEAN LINE COMMERCIAL GRADE LANDSCAPE EDGING

PLANTING BED EDGING DETAIL - BED MATERIAL AND TURF