

SELECT DESIRED SIZE AND FINISH:

1/8" X 4" (3.2 MM X 102 MM), 0.072" (1.83 MM) THICK  
WITH 0.135" (3.43 MM) EXPOSED TOP LIP

MF  BL  GR  BR  BLANO

3/16" X 4" (4.8 MM X 102 MM), 0.116" (2.95 MM) THICK  
WITH 0.187" (4.75 MM) EXPOSED TOP LIP

MF  BL  GR  BR  BLANO

1/8" X 5 1/2" (3.2 MM X 140 MM), 0.072" (1.82 MM)  
THICK WITH 0.135" (3.43 MM) EXPOSED TOP LIP

MF  BL  GR  BLANO

3/16" X 5 1/2" (4.8 MM X 140 MM), 0.116" (2.95 MM)  
THICK WITH 0.187" (4.75 MM) EXPOSED TOP LIP

MF  BL  GR  BLANO

**FINISH LEGEND:**

MF - MILL FINISH-NATURAL ALUMINUM

BL - BLACK DURAFLEX-MEETS AAMA 2603

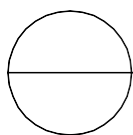
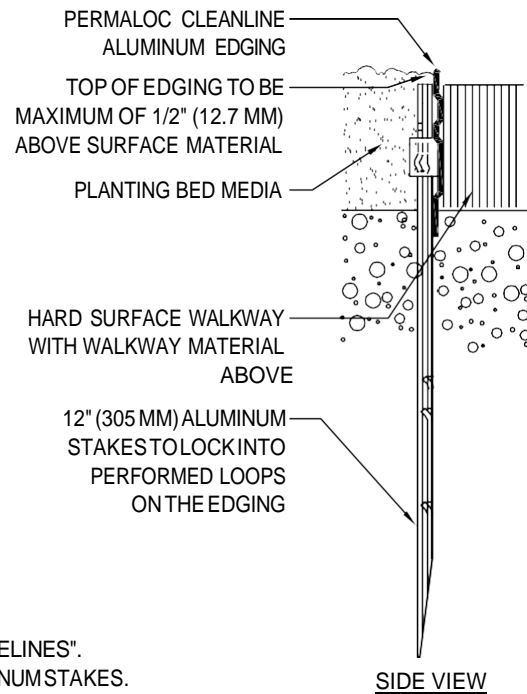
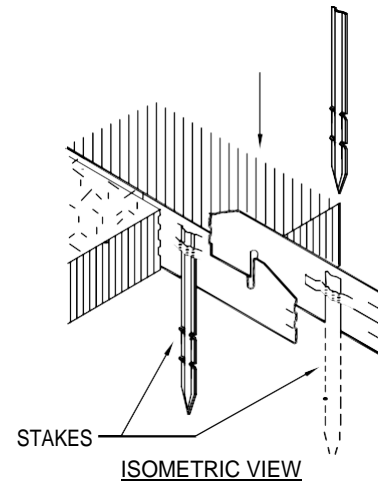
GR - GREEN DURAFLEX-MEETS AAMA 2603

BR - BRONZE DURAFLEX-MEETS AAMA 2603

BLANO - BLACK ANODIZED-CLASS II,  
AA-M10C21A33

**NOTES:**

1. INSTALL PER MANUFACTURER'S "INSTALLATION GUIDELINES".
2. 8'-0" (2.44 M) SECTIONS TO INCLUDE (3) 12" (305MM) ALUMINUM STAKES.
3. 16'-0" (4.88 M) SECTIONS TO INCLUDE (5) 12" (305MM) ALUMINUM STAKES.
4. CORNERS - CUT BASE EDGING UP HALFWAY AND FORM A CONTINUOUS CORNER.
5. PERMALOC CLEANLINE AS MANUFACTURED BY PERMALOC CORPORATION.
6. DO NOT SCALE DRAWING.
7. THIS DRAWING IS INTENDED FOR USE BY ARCHITECTS, ENGINEERS, CONTRACTORS, CONSULTANTS AND DESIGN PROFESSIONALS FOR PLANNING PURPOSES ONLY. THIS DRAWING MAY NOT BE USED FOR CONSTRUCTION.
8. ALL INFORMATION CONTAINED HEREIN WAS CURRENT AT THE TIME OF DEVELOPMENT BUT MUST BE REVIEWED AND APPROVED BY THE PRODUCT MANUFACTURER TO BE CONSIDERED ACCURATE.
9. CONTRACTOR'S NOTE: FOR PRODUCT AND COMPANY INFORMATION VISIT [www.CADdetails.com/info](http://www.CADdetails.com/info) AND ENTER REFERENCE NUMBER 006-018.



**LANDSCAPE EDGING DETAIL**

RAISED PLANTING BED ALONG WALKWAY