



Storage systems for artworks

Shelf and pole racks
in museums, galleries and external depositories



Shelf racks

For storage of different artworks



Shelving racks

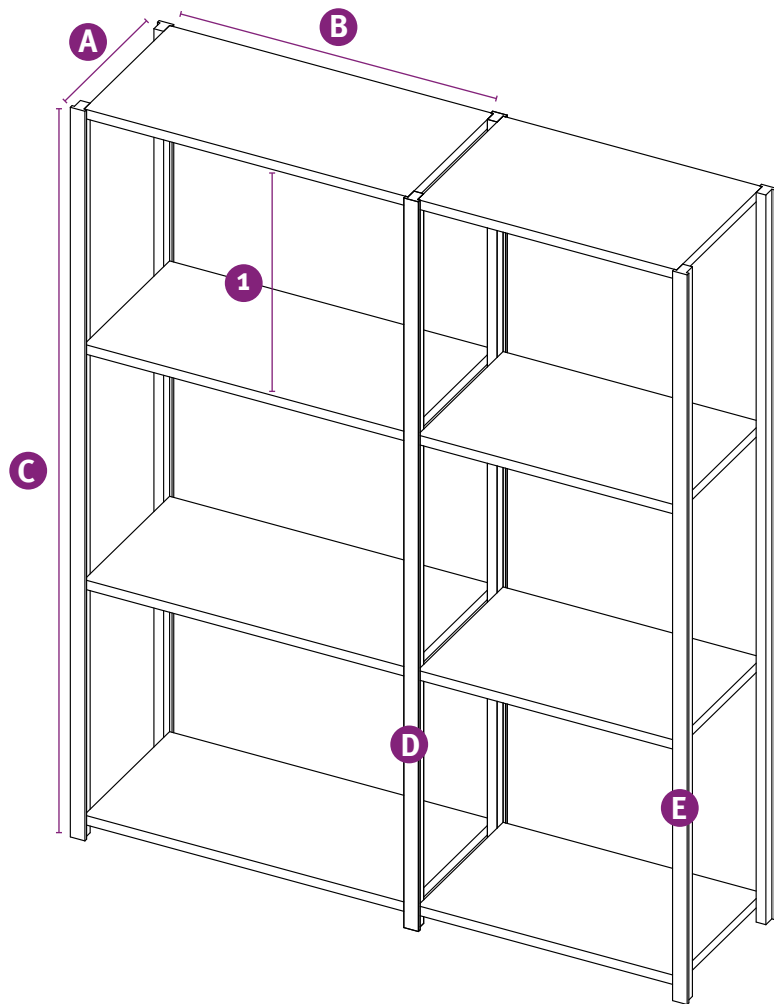
The shelving racks are suitable for storing smaller pictures, photos, paintings, sculptures and many other art objects.

With these, we offer you an inexpensive alternative without additional dividers.



Advantages of shelving racks

- ▶ Inexpensive storage systems
- ▶ Easy self-assembly
- ▶ Screwless plug-in system
- ▶ Available with the essential accessories, such as rear and side walls made of solid metal sheet, compartment dividers, threading rods and separators.
- ▶ Can be designed as a moveable shelf system
- ▶ Designed for field load up to 1800 kg
- ▶ Standard version RAL 9018 papyrus white or sendzimir galvanised – other colours on request
- ▶ Can be expanded according to needs with all standard widths and depths



Shelving racks – Technical Information

Dimensions of shelf for individual components (in mm)

A Depth	300	400	500	600	800	
B Width	600	800	1000	1200	1300	1500

Dimensions of shelving rack for shelving units (in mm)

C Height	2000	2250	2500	3000	3500	4000
D Centre support width	30					
E End support width	37.5					

1

Shelf spacing

The distance between the shelves can be selected individually. The height of the shelves can be adjusted in increments of 25 mm.



Shelf rack with poles

Painting storage for smaller objects

Poles

The shelving racks with poles are suitable for storing pictures, photos and paintings.

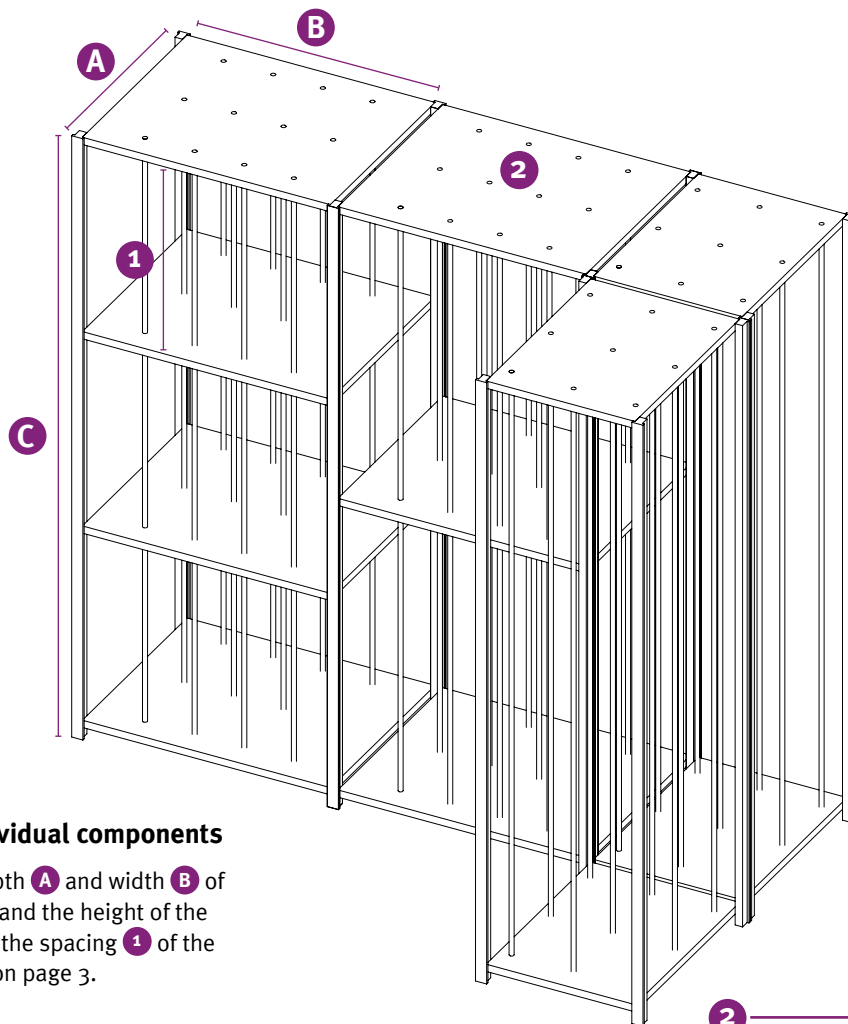
The additional dividers using poles provide a better overview.



Shelving rack with mixed dividers



Shelving rack with poles and closed side and rear walls



Dimensions of individual components

Information on the depth **A** and width **B** of the individual shelves and the height of the uprights **C** as well as the spacing **1** of the shelves can be found on page 3.

Standard pole rack from stock (in mm)

A Depth	500	600	800
B Width	1000	1300	
C Height	2000	2500	

2 Number of poles arranged symmetrically	
Depth A	500 mm: 2 poles 600 mm: 2 poles 800 mm: 3 poles
Width B	1000 mm: 3 poles 1300 mm: 4 poles

Shelving rack accessories

Half compartment dividers



Whole compartment dividers



Textile rods



Adjustable spikes



Side and rear walls closed



Pole racks

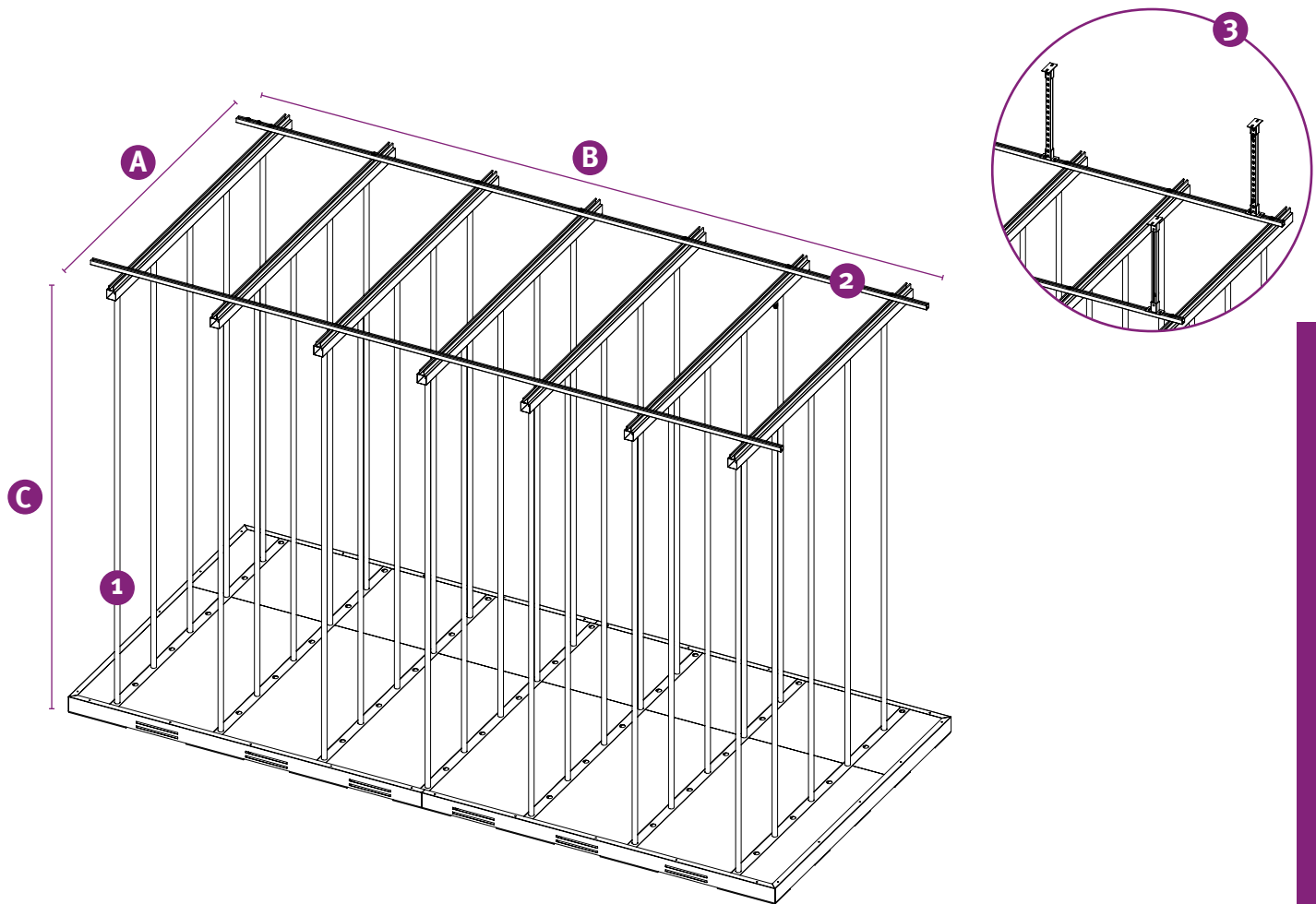
Painting storage for large objects



Pole racks

Pole rack

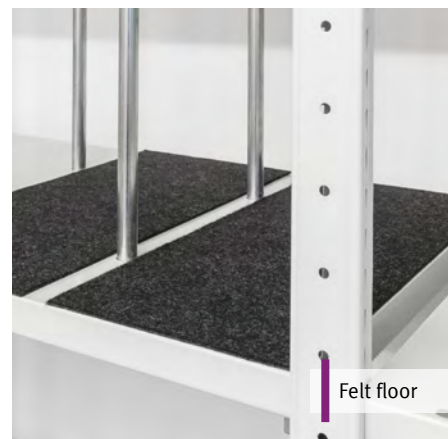
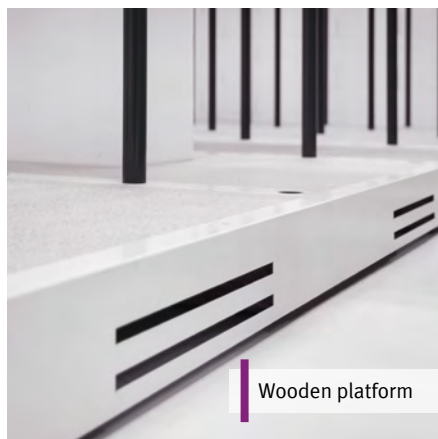
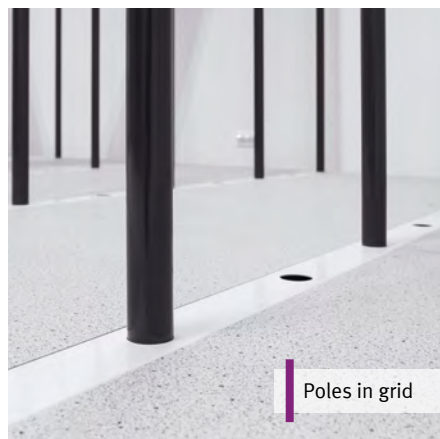
The pole rack is suitable for storing large and heavy art objects. The height is adapted to the space of the room and can be equipped with or without a platform on an individual basis.



1

Number of poles

The number and spacing of the poles can be freely selected.



Ceiling mounting options

2 The pole racks are secured directly to the ceiling.

3 The mounting is by means of a ceiling bracket. The distance from the ceiling can be freely selected.



Kern Studer Ltd.

Weberrütistrasse 9
CH-8833 Samstagern

Telephone +41 44 783 22 22

www.art-store.com
info@art-store.com

Kern Studer SA

Champs-Lovats 21
CH-1400 Yverdon-les-Bains

Telephone +41 24 445 66 00

www.art-store.com
contact@kern-studer.ch

Kern Studer GmbH

Gewerbering Süd 12
D-97359 Schwarzach am Main

Telephone +49 9324 97860-30

www.art-store.de
info@art-store.de

Your collection is stored safely in Art Storage Systems

Your local partner:



Asgard Systems
2949 Venture Drive, Suite 104
Janesville, WI 53546
USA

Phone +1 608 728 8063

www.asgaard-systems.com
info@asgaard-systems.com

Competitive worldwide!

