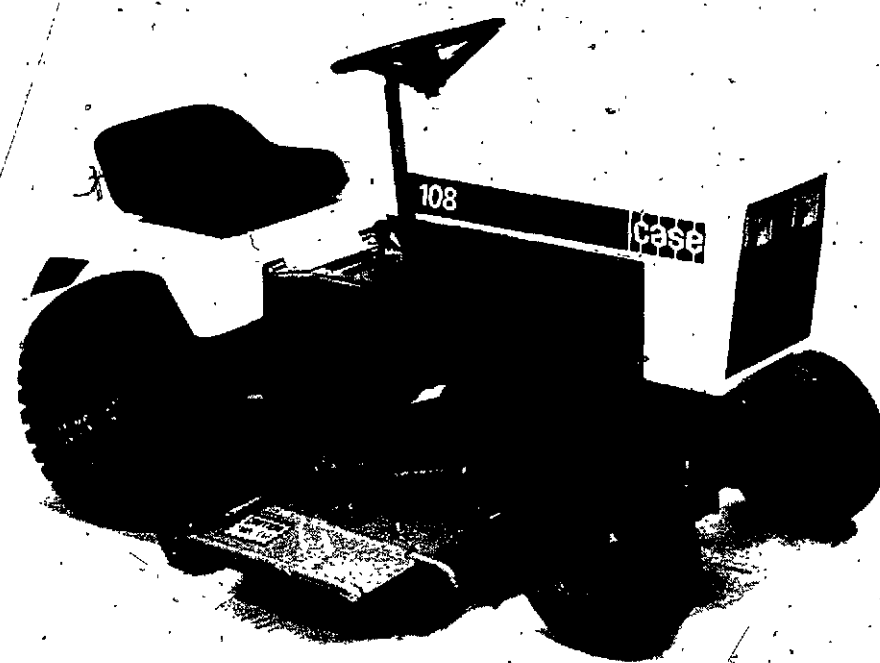


MODEL 108 COMPACT TRACTOR

Parts Catalog No. A1226

Hi-Liter 2500 6-75 PRINTED IN U.S.A.

NOTE: This catalog replaces the previous issue - 1226 - which is obsolete and should be discarded.



ALPHABETICAL INDEX

ENGINE SECTION

	PAGE	GRID		PAGE	GRID
Air Cleaner	11	A12	Flywheel	7	A8
Battery	31	C6	Fuel Strainer	11	A12
Breather, Crankcase	7	A8	Fuel System	11	A12
Camshaft	5	A6	Gasket Kits	9-13	A10-A14
Carburetor	11-13	A12-A14	Governor	7	A8
Connecting Rod	5	A6	Muffler	7	A8
Crankshaft	5	A6	Oil Pan	5	A6
Cylinder Block	5	A6	Piston	5	A6
Cylinder Head	7	A8	Points, Breaker Contact	31	C6
Electrical System	31-33	C6-C8	Spark Plug	9	A10
Engine Block & Attaching Parts	5-9	A6-A10	Starter	33-33B	C8-C12
Exhaust System	7	A8	Tank, Fuel	11	A12
Filter, Breather	11	A12	Throttle Linkage	11	A12
			Valves	5	A6

BASIC TRACTOR SECTION

	PAGE	GRID		PAGE	GRID
Axle, Front	21	B8	Hood	15	B2
Axle, Rear	25-27	B14-C2	Implement Lift	29	C4
Baffles & Shrouds	5-9	A6-A10	Model G14 Weight Box	15	B2
Belts & Pulleys	23	B10	Model J6 Headlamp Kit	37	C14
Brakes	23	B10	Plate, Engine Mounting	13	A14
Decals	35	C12	PTO Clutch	29	C4
Electrical System	31-33	C6-C8	Seat, Operator's	17	B4
Fenders	17	B4	Steering Wheel & Gear	19	B6
Frame	15	B2	Tool Tray	15	B2
Grille	15	B2	Transmission	25-27	B14-C2
Hitch	15	B2	Wheels, Front & Rear	21	B8

GENERAL INFORMATION

2

Indexes

This Parts Catalog is arranged for easy identification of Genuine CASE Service Parts. An alphabetical index is provided at the front of this Catalog to locate the major groups or assemblies. A numerical index at the rear of the Catalog gives the part numbers and the pages on which they are described.

Illustrations

All parts are illustrated in "Exploded Views" which show the individual parts in their normal relationship to each other. Reference numbers are used in the illustrations. These numbers correspond to those in the "Reference Number" column and are followed by the part number, description and quantity required.

Orders

Orders should plainly specify correct part number, full description, quantity required, machine model and engine model, machine and engine serial numbers, method of shipment and shipping address.

Changes

When changes to the machine make it necessary, revised pages for this book will be issued. The revised pages will be issued with the same page number as those they replace and the "issue" number and date will be advanced.

It is imperative that revised Parts Book pages be inserted into their respective Parts Books as soon as received. Failure to do so will lead to confusion and defeat the purpose of the book.

Indented Description

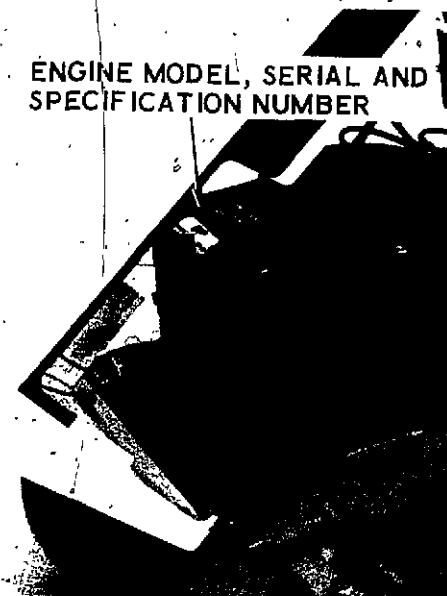
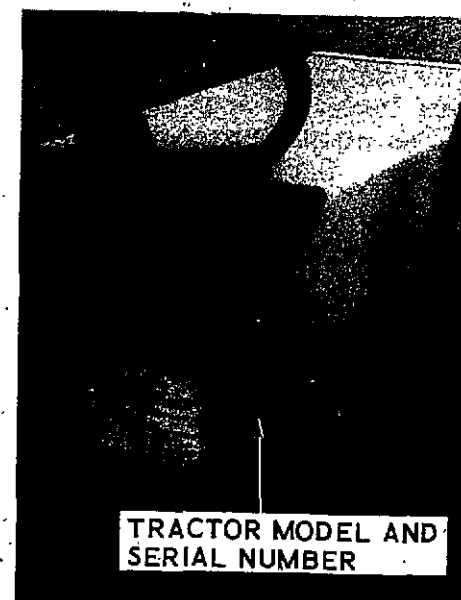
Indented parts in the descriptive list are a part of the preceding assembly or sub-assembly. The quantity shown in the "Number Required" column is the number of parts used on a machine except where parts are indented in descriptive list. In this case the quantity shown is the number required for the preceding assembly or sub-assembly.

REF.	PART NO.	DESCRIPTION	REQ'D
	A 55159	CYLINDER ASSY - rear steering	1
28	A 56208	SOCKET ASSY - rear cylinder	1
29	A 55956	PLUG - adjusting, socket assy	1
30	A 55957	SEAT - socket ball	2
31	A 56210	SPRING - socket	1
32	A 56209	SEAT - socket spring	1
33	G 45175	CLAMP ASSY - socket assy	1
	16- 836	BOLT - 1/2" x 2-1/4" N.F. hex.	1
34	132- 104	PIN - cotter, 3/16" x 3"	1
35	A 55889	STUD - ball, socket & cylinder	2
36	13- 410	BOLT - 1/4" x 5/8" N.C., hex.	4
37	92- 4	LOCKWASHER - 1/4" SAE	4

Terms "Right Hand" and "Left Hand"

"Right Hand" and "Left Hand" sides of this machine are determined by standing at the rear of the unit and facing in the direction of forward travel.

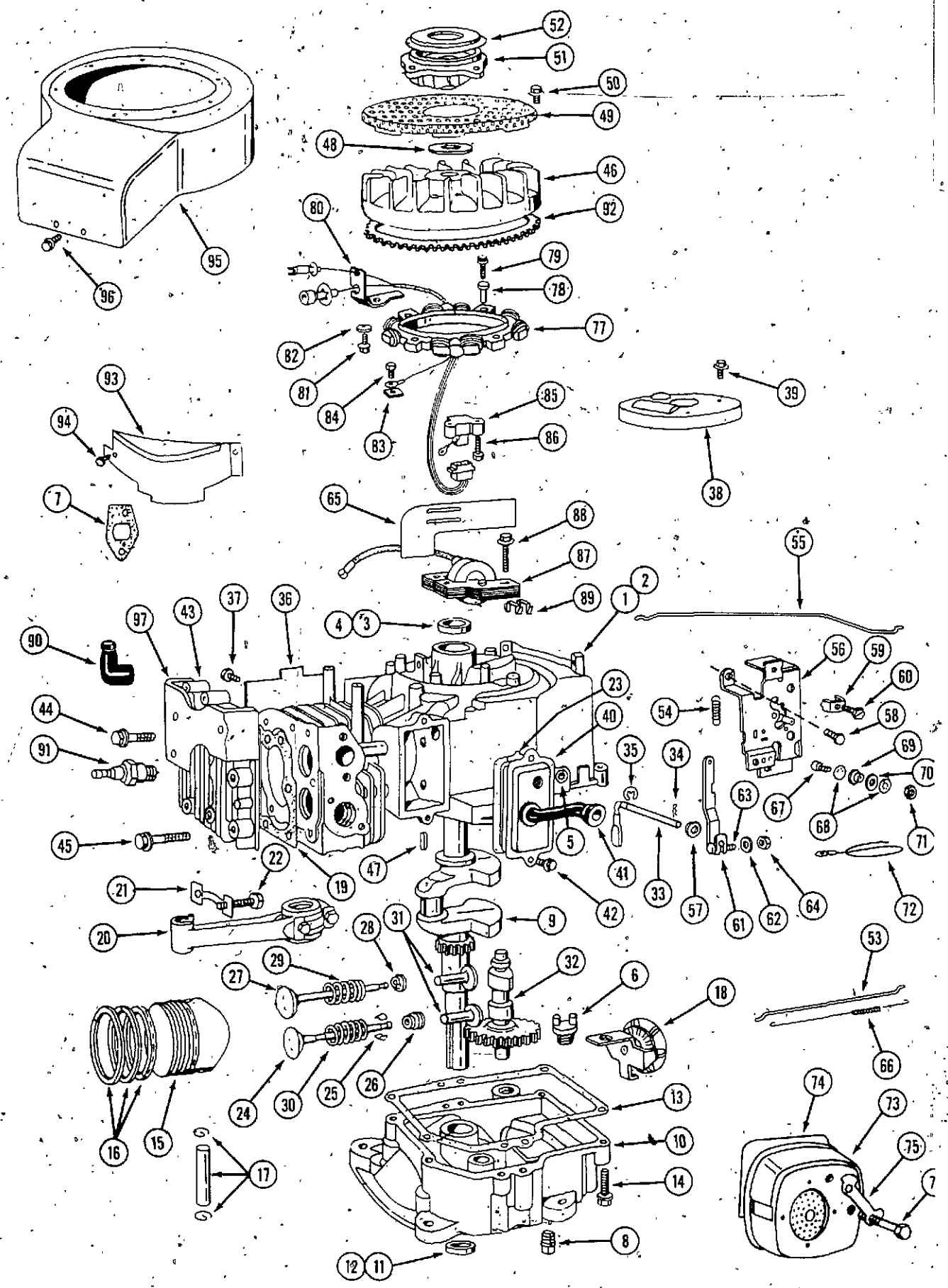
CASE MODEL 108 COMPACT TRACTOR



TRACTOR MODEL DESIGNATIONS	ENGINE MODEL DESIGNATIONS
108 TRACTOR	C19070

SERIAL NUMBERS

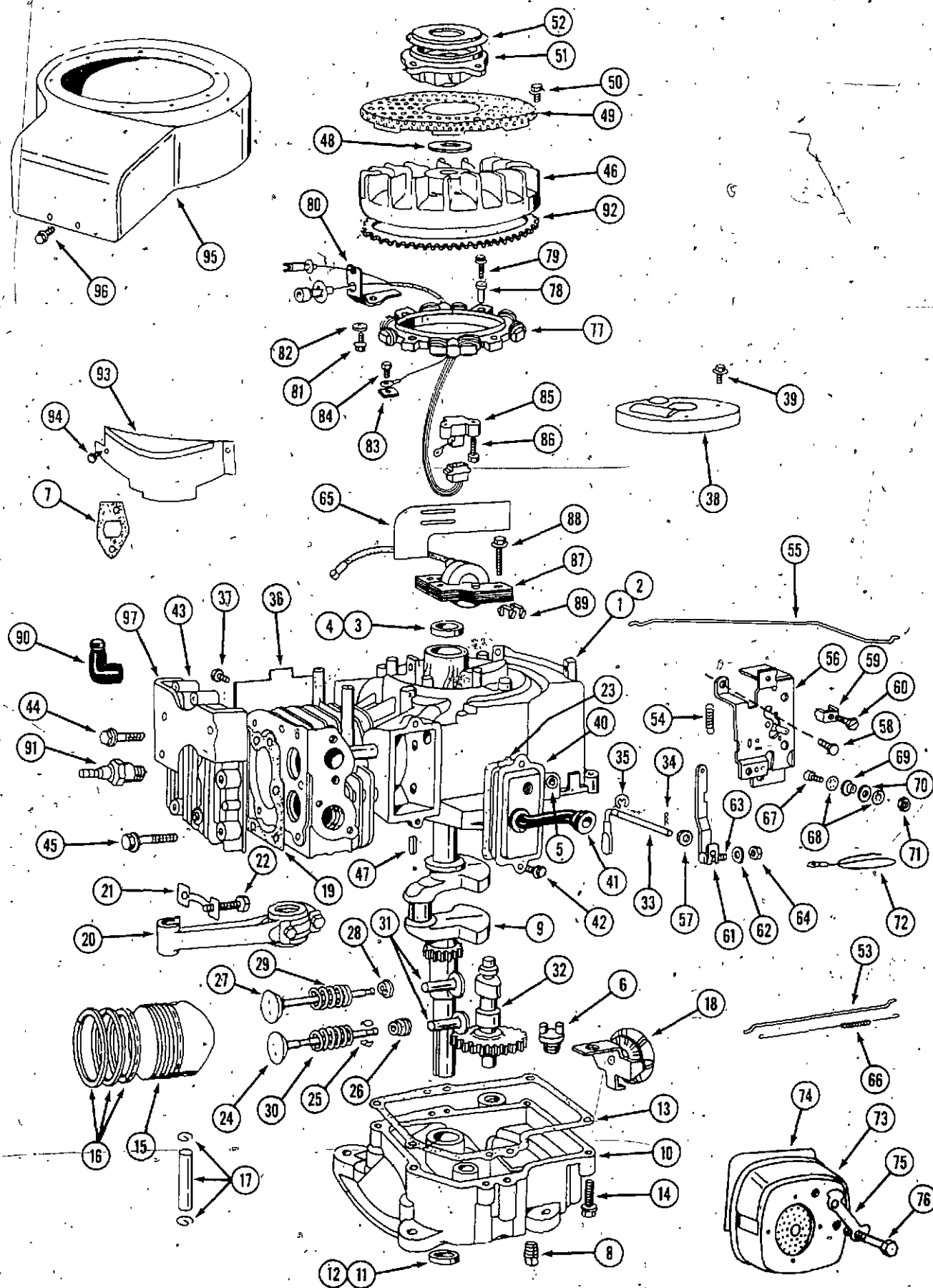
When using this catalog, notice the reference to serial numbers of various components noted here and listed in the "Description" copy. By referring to correct serial numbers, proper parts identification will be assured.



**CASE MODEL 108 COMPACT TRACTOR
C19070 ENGINE**

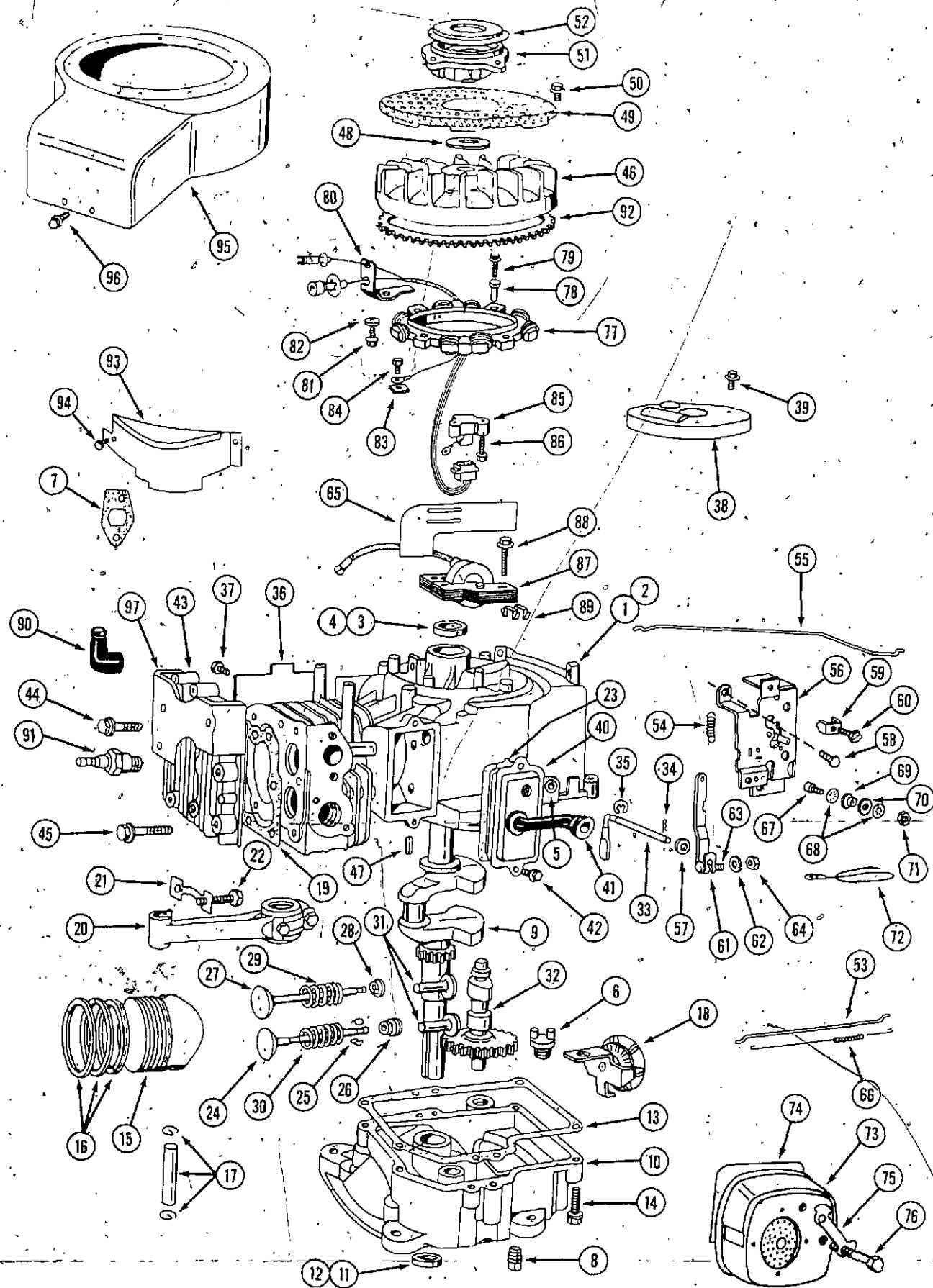
REF. PART NO.	DESCRIPTION	REQ'D
1 BR 390640	BLOCK ASSEMBLY - short	1
2 BR 390380	BLOCK - cylinder, stripped	1
3 BR 295962	BUSHING - cylinder	1
4 BR 294606	SEAL - oil	1
5 BR 230927	BUSHING - governor shaft	1
6 BR 66768	PLUG - oil filler	1
7 BR 270538	GASKET - carburetor mtg.	1
8 221- 13	PLUG - oil drain	1
9 BR 261038	CRANKSHAFT	1
10 BR 298616	OIL PAN ASSEMBLY	1
11 BR 295963	BUSHING - oil pan	1
12 BR 298923	SEAL - oil	1
13 BR 27750	GASKET - oil pan	1
14 BR 93585	SCREW - oil pan mtg.	4
15 BR 390347	PISTON ASSEMBLY - standard	1
15 BR 390348	PISTON ASSEMBLY - .010 oversize	1
15 BR 390349	PISTON ASSEMBLY - .020 oversize	1
15 BR 390350	PISTON ASSEMBLY - .030 oversize	1
16 BR 299569	RING SET - standard	1
16 BR 299570	RING SET - .010 oversize	1
16 BR 299571	RING SET - .020 oversize	1
16 BR 299572	RING SET - .030 oversize	1
17 BR 295840	PIN ASSEMBLY - piston, standard	1
17 BR 295841	PIN ASSEMBLY - piston, .005 oversize	1
18 BR 298614	BRACKET ASSEMBLY - governor gear & oil slinger	1
19 BR 270430	GASKET - cylinder head	1
20 BR 390402	CONNECTING ROD ASSEMBLY	1
21 BR 222114	LOCK - connecting rod bolt	1
22 BR 92659	BOLT - connecting rod	2
23 BR 27803	GASKET - valve cover	1
24 BR 390419	VALVE - exhaust	1
25 BR 93630	LOCK - exhaust valve	2
26 BR 292260	ROTATOR - exhaust valve	1
27 BR 261055	VALVE - intake	1
28 BR 221596	KEEPER - intake valve	1
29 BR 65906	SPRING - intake valve	1
30 BR 26828	SPRING - exhaust valve	1
31 BR 260933	TAPPET - valve	2
32 BR 210728	GEAR - cam	1
33 BR 230759	SHAFT - governor lever	1
34 136- 103	PIN - hair	1
35 A 27795	RETAINER	1
36 BR 221898	BAFFLE - cylinder	1
37 BR 93163	SCREW - baffle mtg.	1
38 BR 222117	COVER - breaker points	1
39 187- 1041	SCREW - sems	2

**CASE MODEL 108 COMPACT TRACTOR
C19070 ENGINE**



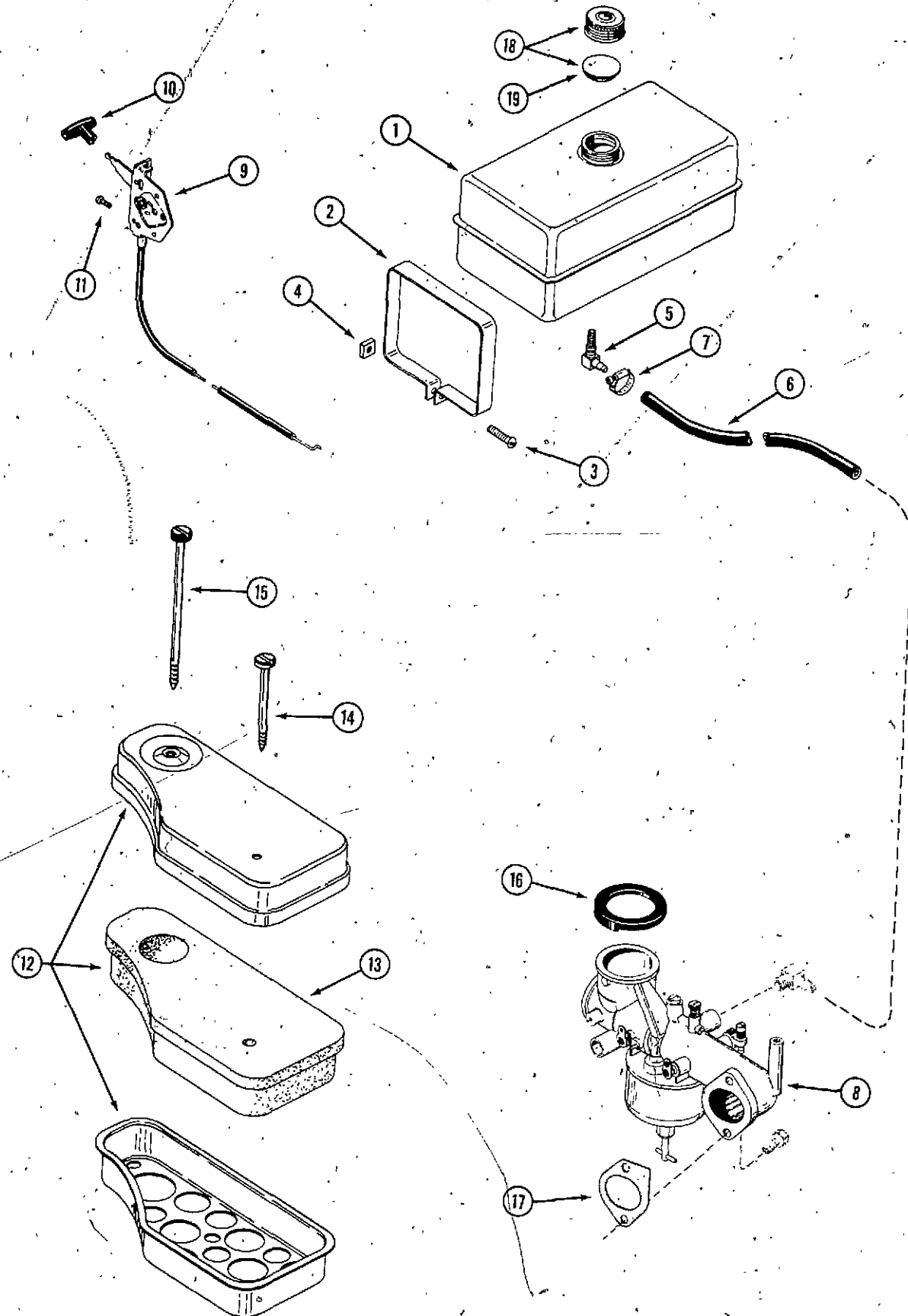
REF. PART NO.	DESCRIPTION	REQ'D
40 BR 299848	BREATHER ASSEMBLY - crankcase	1
41 BR 280005	TUBE - breather	1
42 BR 93536	SCREW - sems	2
43 BR 211778	HEAD - cylinder	1
44 BR 93210	BOLT - cylinder head, 2-9/32"	3
45 BR 93211	BOLT - cylinder head, 2-21/32"	4
46 BR 390180	FLYWHEEL	1
47 BR 61760	KEY - flywheel	1
48 BR 220865	WASHER - spring	1
49 BR 221796	SCREEN - flywheel	1
50 BR 93042	SCREW - sems	4
51 BR 211383	HOUSING - screen mounting	1
52 BR 222277	COVER - screen housing	1
53 BR 260971	LINK - governor	1
54 BR 261129	SPRING - governor	1
55 BR 261117	LINK - choke	1
56 BR 390662	PLATE - governor control	1
57 BR 221559	WASHER - governor lever	1
58 BR 93572	SCREW - governor lever	1
59 BR 221535	CLAMP	1
60 BR 93496	SCREW - sems	1
61 BR 298303	LEVER ASSEMBLY - governor	1
62 BR 220680	WASHER - # 10	1
63 11- 312	BOLT - # 10 NC round head	1
64 129- 7	NUT - # 10 NC hex	1
65 BR 221760	GUIDE - air	1
66 BR 260584	SPRING - governor link	1
67 BR 91920	SCREW - # 8 x 5/8" flat head mach.	1
68 193- 25	LOCKWASHER - # 8 internal tooth	2
69 BR 66554	COLLAR - insulating	1
70 BR 66068	WASHER - insulating	1
71 129- 6	NUT - # 8 NC hex	2
72 BR 299500	WIRE - ground	1
73 BR 390918	MUFFLER - exhaust	1
74 BR 221885	SHIELD - heat	1
75 BR 222263	LOCK - screw	1
76 BR 93704	SCREW - muffler	2
77 BR 390693	STATOR - alternator	1
78 BR 230976	BUSHING - stator	4
79 BR 93621	SCREW - stator mtg.	4
80 BR 222211	BRACKET - fuse holder	1
81 BR 93536	SCREW - bracket mtg.	1
82 BR 220680	WASHER - bracket mtg.	1
83 BR 222212	RETAINER - wire	1
84 BR 93438	SCREW - retainer	1

**CASE MODEL 108 COMPACT TRACTOR
C19070 ENGINE**

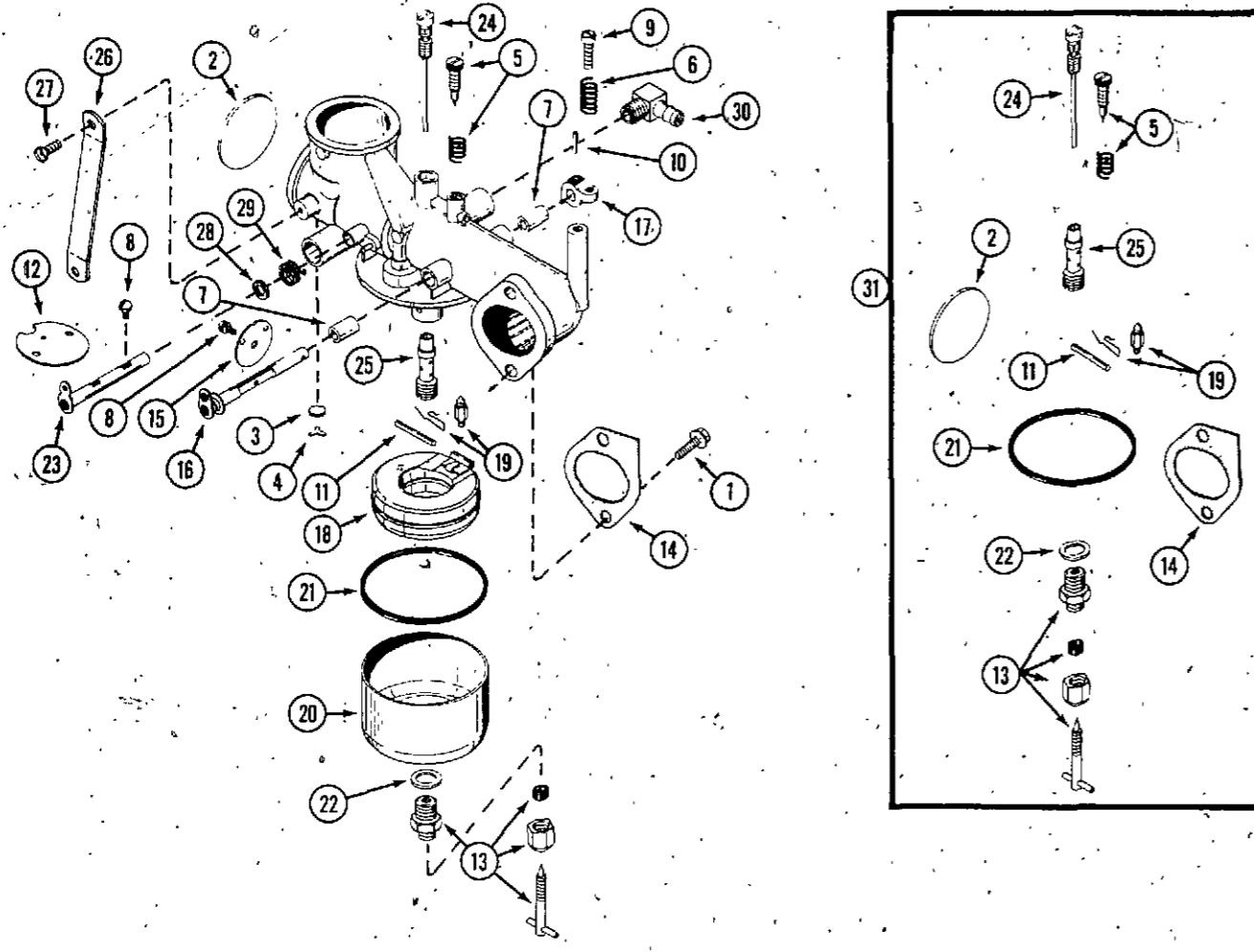


REF. PART NO.	DESCRIPTION	REQ'D
85 BR 390892	RECTIFIER - alternator	1
86 BR 93621	SCREW - rectifier	1
87 BR 298968	COIL ASSEMBLY	1
88 BR 93381	SCREW - coil mtg.	2
89 BR 221907	CLIP - wire	1
90 BR 66538	INSULATOR - spark plug	1
91 M 20677	SPARK PLUG	2
92 BR 299543	GEAR - ring	1
93 BR 390233	SHIELD - starter	1
94 BR 93410	SCREW - shield mtg.	2
95 BR 299392	HOUSING - blower	1
96 BR 93158	SCREW - blower housing mtg.	4
97 BR 221901	BAFFLE - cylinder head	1
BR 299577	KIT - engine gasket (includes items 7, 13, 19 & 23)	1

**CASE MODEL 108 COMPACT TRACTOR
FUEL SYSTEM**

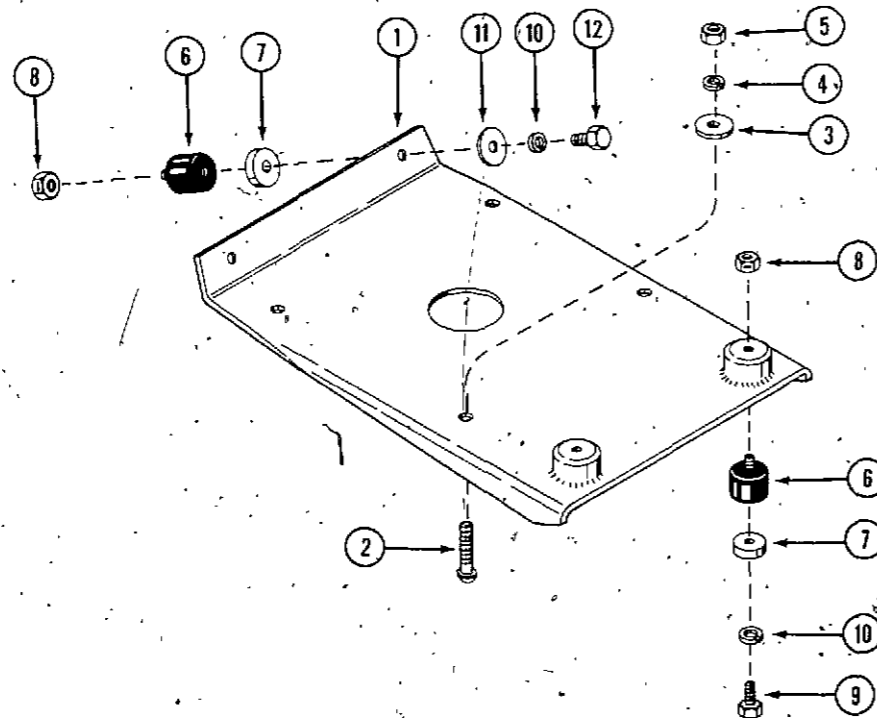


REF. PART NO.	DESCRIPTION	REQ'D
1 C 15519	TANK - fuel	1
2 C 15174	STRAP - tank	2
3 173- 215	SCREW - round head mach. 1/4" x 1-1/4"	2
4 129- 504	NUT - 1/4" sq.	2
5 C 10657	ELBOW	1
6 C 15526	FUEL LINE - 18"	1
7 214- 103	CLAMP - hose	2
8 BR 390811	CARBURETOR - (repairs page 13)	1
9 C 18206	CONTROL - choke and throttle	1
10 C 15540	HANDLE - T	1
11 187- 1047	SCREW - self tapping Phillips head	2
12 BR 390379	CLEANER ASSEMBLY - air	1
13 BR 270528	ELEMENT - air cleaner	1
14 BR 93622	SCREW - air cleaner	1
15 BR 93323	SCREW - air cleaner	1
16 BR 270539	GASKET - air cleaner	1
17 BR 270538	GASKET - carburetor mounting	1
18 C 11529	CAP - fuel (Includes insert)	1
19 C 11545	INSERT - fuel cap	1



**CASE MODEL 108 COMPACT TRACTOR
CARBURETOR**

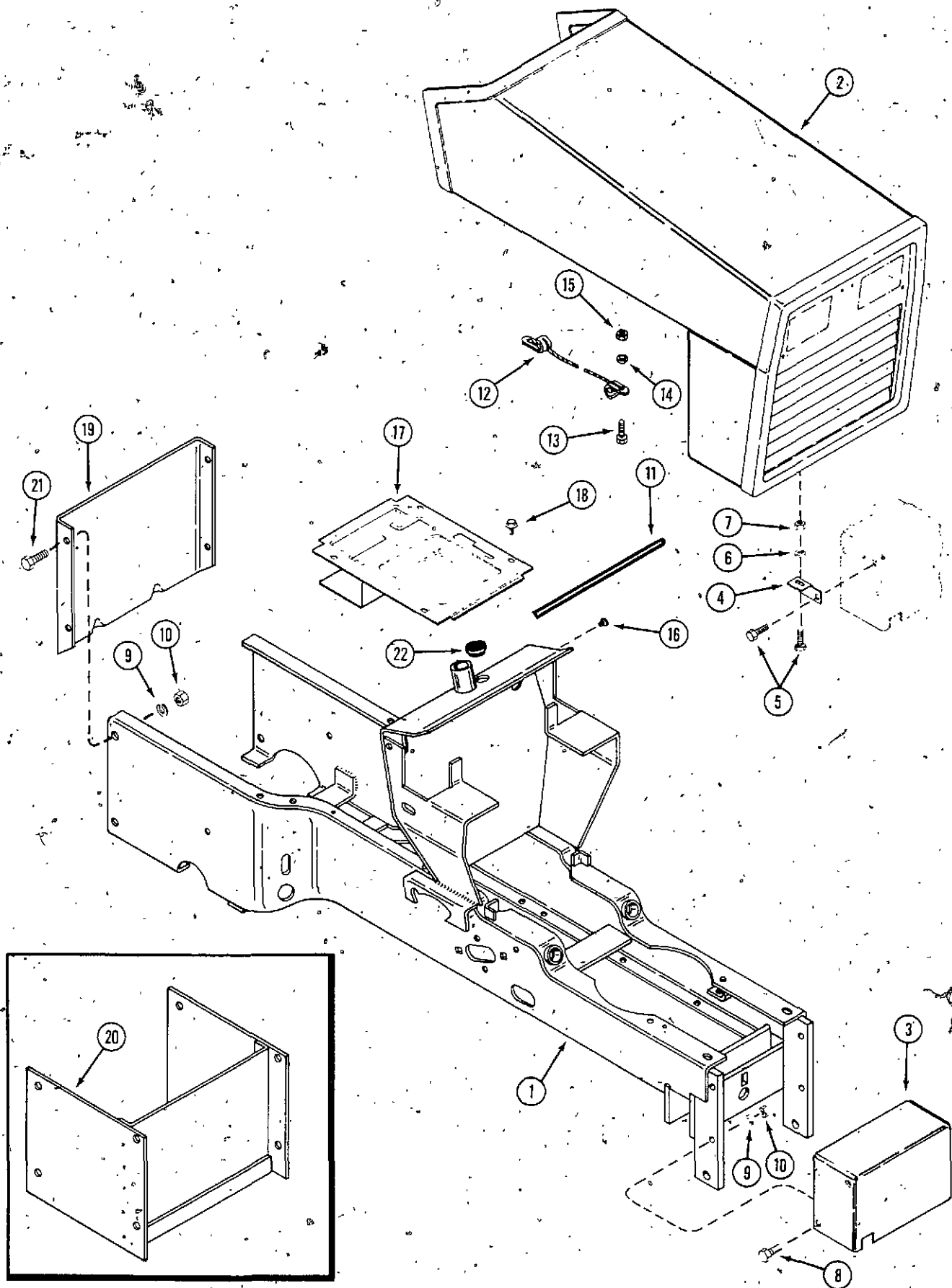
REF.	PART NO.	DESCRIPTION	REQ'D
1	BR 93357	SCREW - carburetor mtg.	2
2	41- 24	PLUG - welch	1
3	BR 27590	FILTER - carburetor drain	1
4	BR 220521	RETAINER - carburetor drain filter	1
5	BR 292681	VALVE ASSEMBLY - carburetor idle	1
6	BR 26157	SPRING - throttle adj.	1
7	BR 23108	BUSHING - throttle shaft	2
8	BR 93038	SCREW - throttle and choke mtg.	3
9	BR 91920	SCREW - # 8 x 5/8" mach.	1
10	138- 251	PIN - throttle stop	1
11	BR 230896	PIN - float hinge	1
12	BR 222010	VALVE - choke	1
13	BR 299762	VALVE ASSEMBLY - needle	1
14	BR 270538	GASKET - carburetor mtg.	1
15	BR 221986	VALVE - throttle	1
16	BR 299650	SHAFT AND LEVER - throttle	1
17	BR 211712	STOP - throttle	1
18	BR 299707	FLOAT - carburetor	1
19	BR 299096	VALVE - fuel inlet assembly	1
20	BR 221995	BOWL - float	1
21	BR 270511	GASKET - float bowl	1
22	BR 222014	WASHER - float bowl	1
23	BR 390684	SHAFT AND LEVER - choke	1
24	BR 299740	NOZZLE - carburetor	1
25	BR 230932	SCREW - nozzle	1
26	BR 222027	BRACKET - carburetor	1
27	BR 93572	SCREW - bracket mtg.	2
28	BR 270382	WASHER - choke shaft	1
29	BR 261116	SPRING - choke return	1
30	C. 10678	CONNECTOR - fuel pipe	1
31	BR 299852	KIT - carburetor overhaul	1



ENGINE MOUNTING PLATE

1	C 19012	PLATE - engine mtg.	1
2	164- 543	SCREW - cap hex socket head 5/16" x 1-1/2" NC	4
3	C 16752	WASHER - flat 5/16"	4
4	192- 20	LOCKWASHER - 5/16"	4
5	129- 102	NUT - 5/16" NC hex	4
6	C 19073	MOUNT - flex bolt	4
7	C 19008	SPACER	4
8	131- 1115	LOCKNUT - 1/4" NC hex	4
9	113- 2	BOLT - 1/4" x 5/8" NC hex	2
10	192- 19	LOCKWASHER - 1/4"	4
11	195- 102	WASHER - 1/4" flat	2
12	113- 3	BOLT - 1/4" x 3/4" NC hex	2

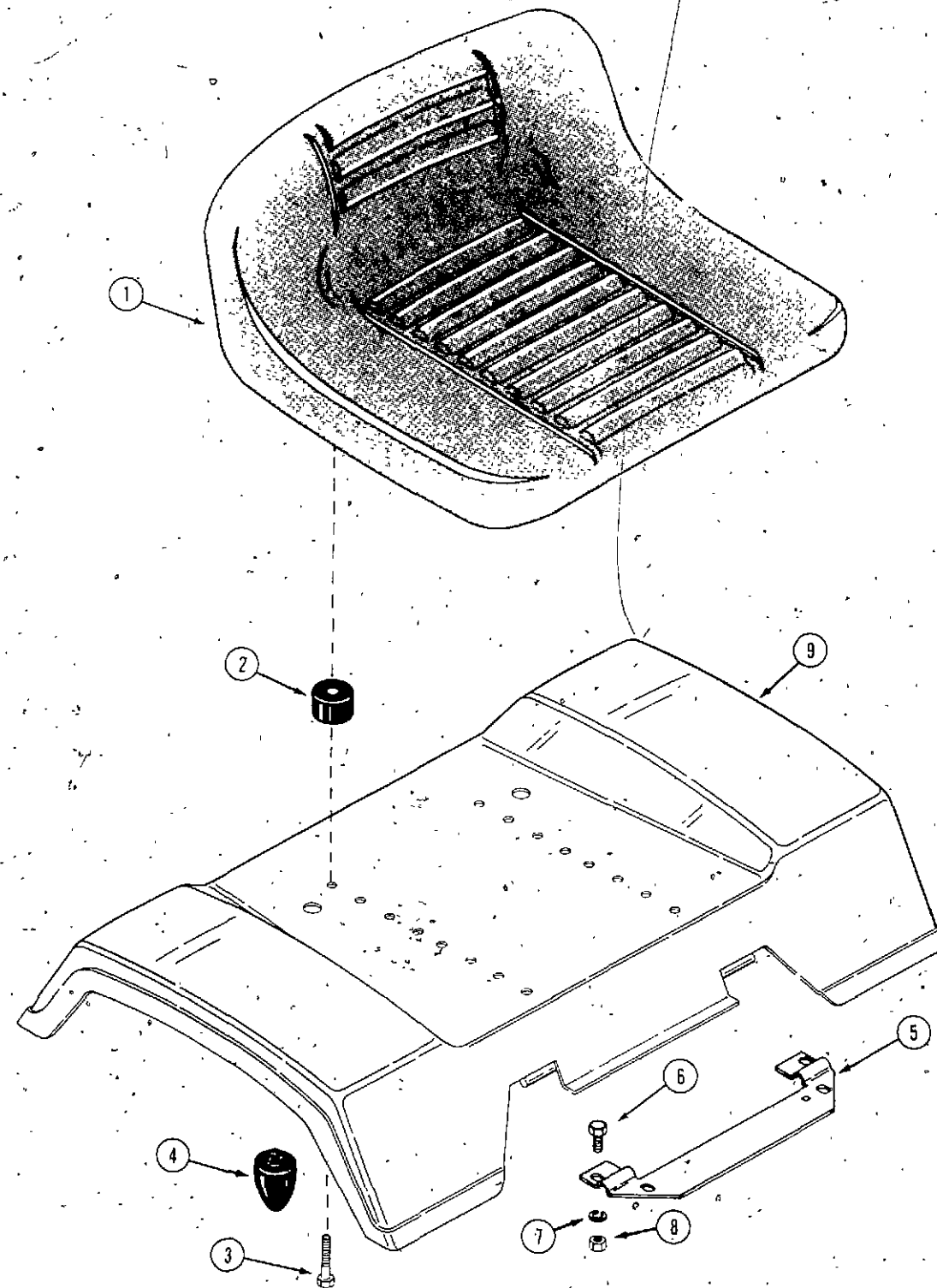
**CASE MODEL 108 COMPACT TRACTOR
HOOD, FRAME AND GRILLE**

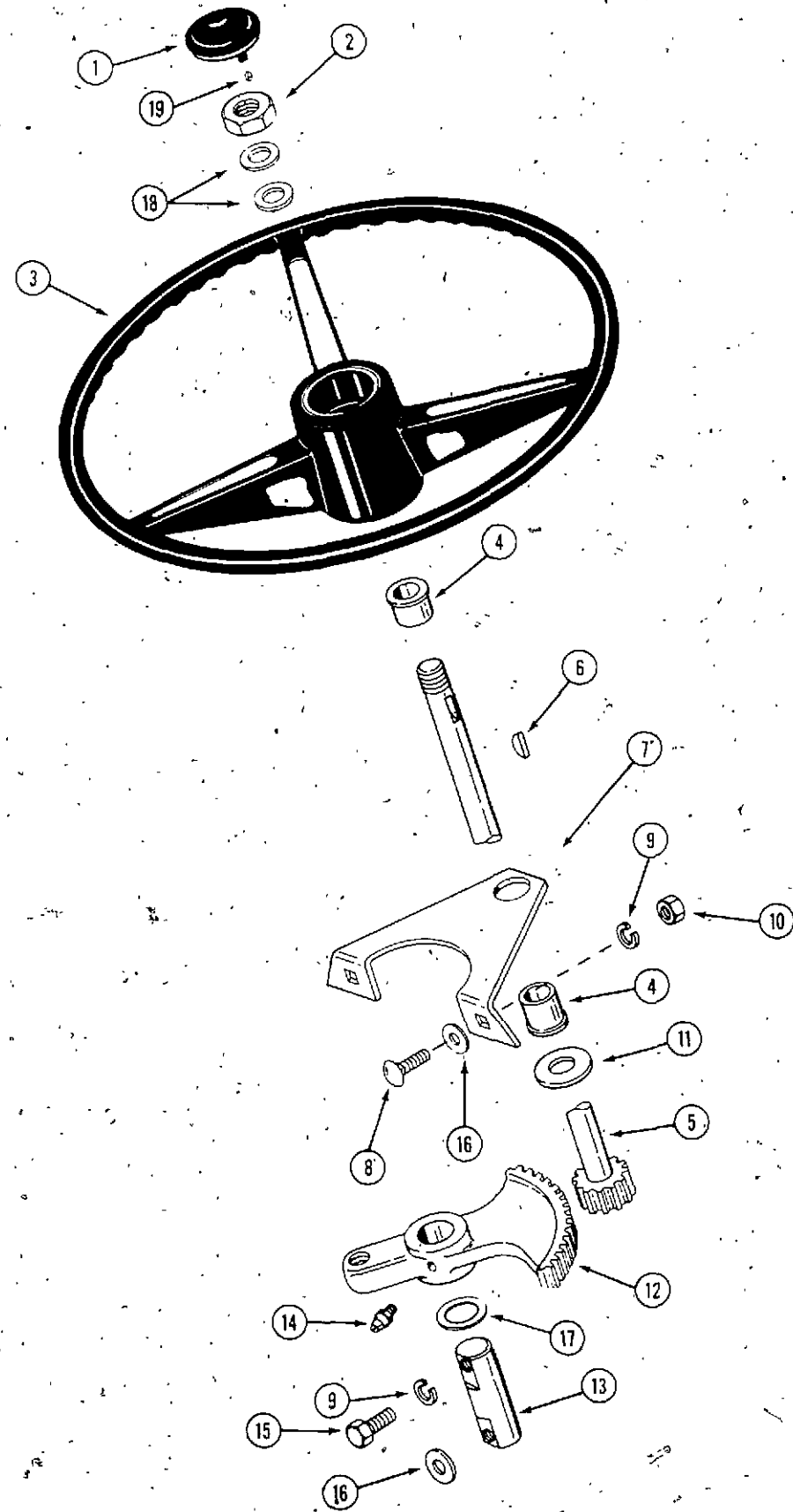


REF.	PART NO.	DESCRIPTION	REQ'D
1	C 19020	FRAME - main	1
2	C 18670	HOOD AND GRILLE	1
3	C 18664	COVER - PTO	1
4	C 18661	HINGE - hood, L.H.	1
4	C 18662	HINGE - hood, R.H.	1
5	113- 103	BOLT - 5/16" x 1" NC hex	4
6	192- 20	LOCKWASHER - 5/16"	2
7	129- 102	NUT - 5/16" NC hex	2
8	113- 207	BOLT - 3/8 x 1" NC hex	4
9	192- 21	LOCKWASHER - 3/8"	8
10	129- 103	NUT - 3/8" NC hex	6
11	C 18205	LINER - dash panel	1
12	C 19069	LANYARD - hood	1
13	113- 4	BOLT - 1/4 x 1" NC hex	1
14	192- 19	LOCKWASHER - 1/4"	1
15	129- 101	NUT - 1/4" NC hex	1
16	C 17038	BUMPER - rubber, hood	2
17	C 19117	TRAY - center	1
18	187- 1036	SCREW - 1/4 x 1/2" self tapping	4
19	C 15116	DRAWBAR	1
20	NSS	WEIGHT BOX (optional, order as G14 machinery item)	1
21	113- 206	BOLT - 3/8 x 3/4" NC hex	4
22	353- 406	PLUG - hole	1

**CASE MODEL 108 COMPACT TRACTOR
SEAT AND FENDERS**

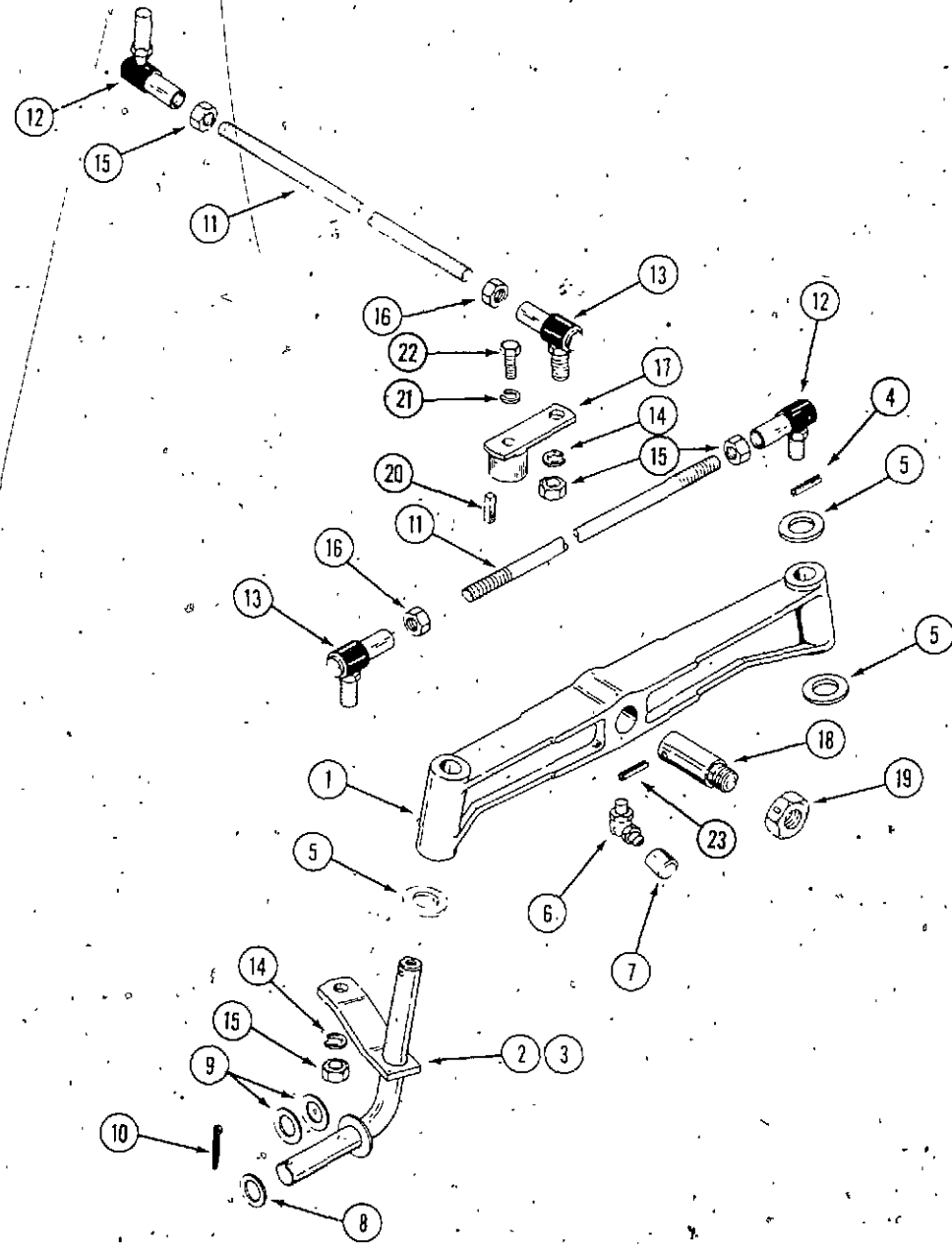
REF.	PART NO.	DESCRIPTION	REQ'D
1	☐ 16129	SEAT ASSEMBLY	1
2	C 15610	MOUNT - seat, rubber	4
3	113- 122	BOLT - 5/16" x 1-1/2" NC hex	4
4	C 14534	BUMPER - seat, rubber	2
5	C 19118	BRACKET - hinge	1
6	113- 102	BOLT - 5/16" x 3/4" NC hex	4
7	192- 20	LOCKWASHER - 5/16"	4
8	129- 102	NUT - 5/16" NC hex	2
9	C 18702	FENDER AND SUPPORT	1





**CASE MODEL 108 COMPACT TRACTOR
STEERING GEAR**

REF.	PART NO.	DESCRIPTION	REQ'D
1	C 18016	CAP - steering	1
2	131- 1113	NUT - jam 5/8" NC hex	1
3	C 18015	WHEEL - steering	1
4	C 15096	BUSHING - flanged nylon	2
5	C 15097	SHAFT - steering	1
6	126- 16	KEY - Woodruff 3/16" x 3/4"	1
7	C 17106	BRACKET - steering	1
8	111- 202	BOLT - 5/16" x 3/4" NC round head, square neck, ZP	2
9	192- 20	LOCKWASHER - 5/16" ZP	4
10	129- 102	NUT - 5/16" NC hex, ZP	2
11	195- 2069	WASHER - 5/8" plain, ZP	1
12	C 15104	GEAR - steering	1
13	C 15105	PIVOT - steering gear	1
14	219- 17	FITTING - lube	1
15	113- 103	BOLT - 5/16" x 1" NC hex, ZP	2
16	195- 521	WASHER - 5/16" plain, ZP	UAR
17	C 14201	WASHER - shim	1
18	C 12975	WASHER - 5/8"	2
19	C 18017	CLIP - tinnerman	2

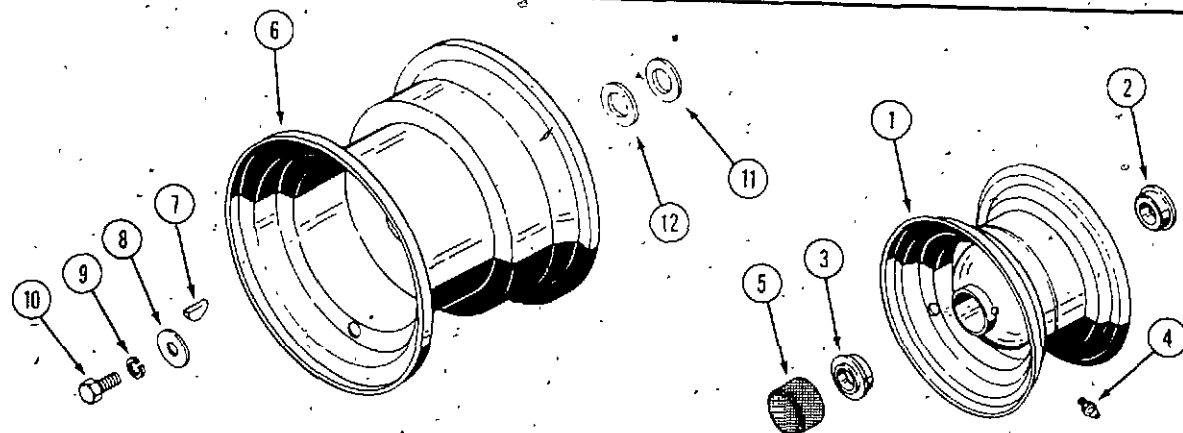


**CASE MODEL 108 COMPACT TRACTOR
FRONT AXLE**

REF.	PART NO.	DESCRIPTION	REQ'D
1	C 15066	AXLE - front	1
2	C 16946	SPINDLE - right hand	1
3	C 16724	SPINDLE - left hand	1
4	138- 2055	PIN - roll L.H. spindle 3/16" x 1-1/2"	1
5	C 11906	WASHER - thrust 13/16"	3
6	219- 404	FITTING - lube	3
7	C 13106	COVER - lube fitting	3
8	C 12975	WASHER - spindle	2
9	A 30881	WASHER - wheel spacer	UAR
10	132- 311	PIN - cotter 5/32" x 1-1/4"	2
11	C 15067	ROD - tie and drag link	2
12	C 15113	BALL JOINT - R.H. thread	2
13	C 15068	BALL JOINT - L.H. thread	2
14	192- 23	LOCKWASHER - 1/2" ZP	4
15	129- 125	NUT - 1/2" NF hex	5
16	129- 325	NUT - 1/2" NC hex, L.H. thread	2
17	C 16948	ARM - upper spindle	1
18	C 18626	PIN - axle pivot	1
19	131- 1127	NUT - jam 3/4" NC hex	1
20	T 33565	KEY - 1/4" x 1/4" x 1"	1
21	192- 20	LOCKWASHER - 5/16"	1
22	113- 103	BOLT - 5/16" x 1" NC hex	1
23	138- 2040	PIN - roll 1/4" x 1-1/2"	1

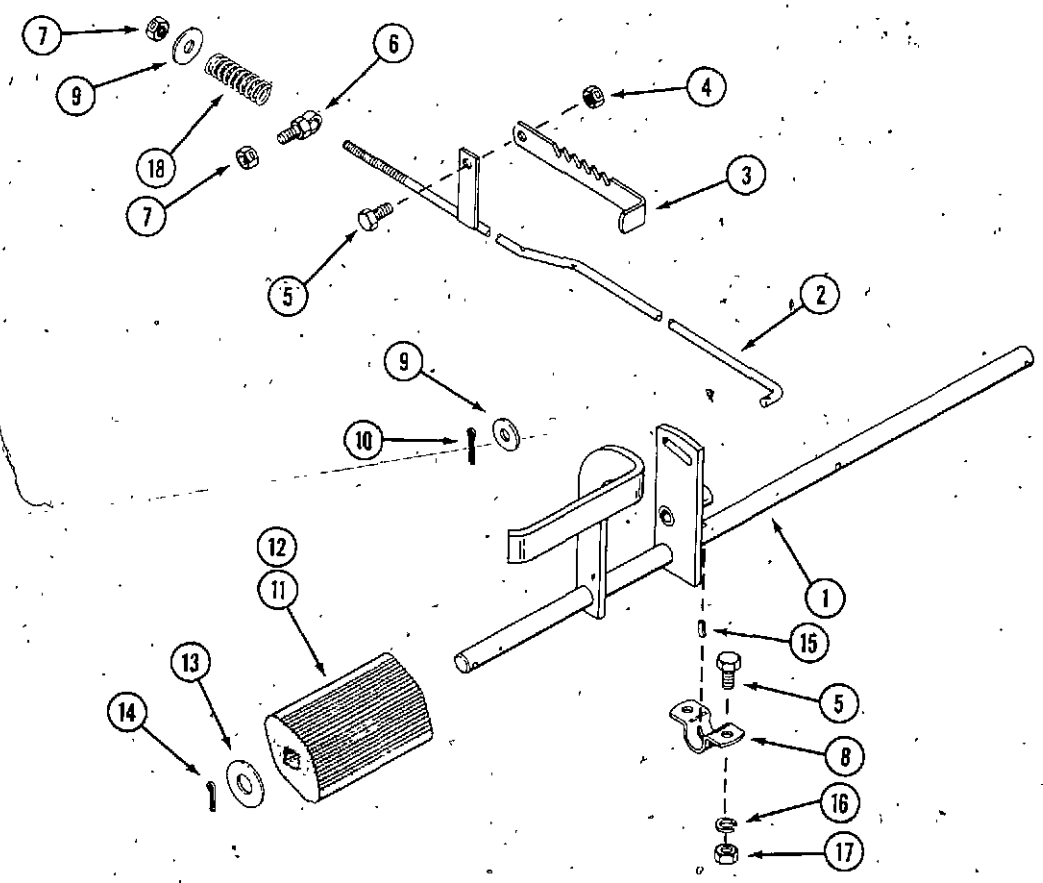
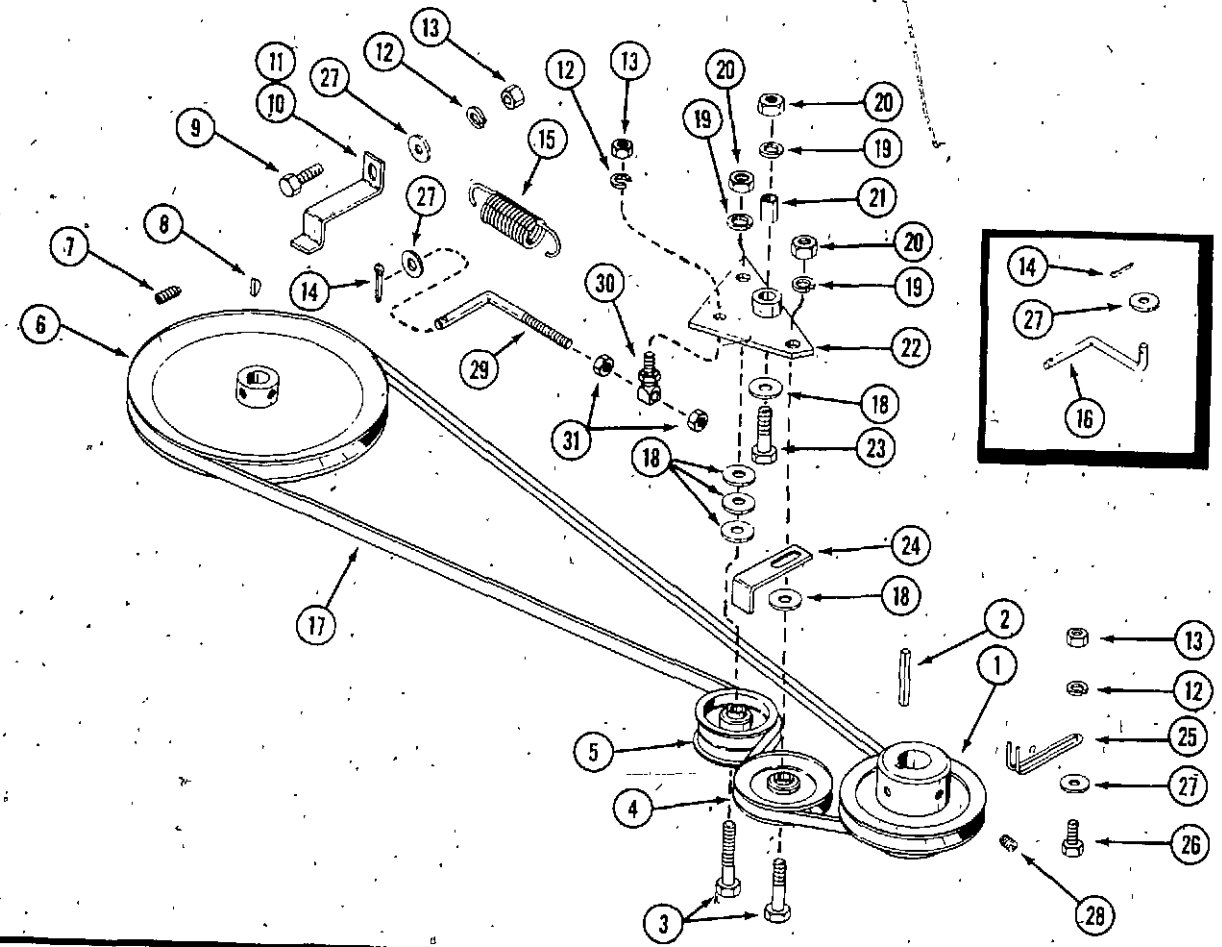
FRONT AND REAR WHEELS

1	C 15090	WHEEL - front (includes bearing)	2
2	C 12110	BEARING - sealed, inner	2
3	C 12111	BEARING - outer	2
4	219- 10	FITTING - lube	2
5	C 12370	CAP - hub	2
6	C 18644	WHEEL - rear	2
7	126- 19	KEY - Woodruff	2
8	195- 2027	WASHER - 3/16 x 7/8" plain, ZP	2
9	192- 20	LOCKWASHER - 5/16" ZP	2
10	113- 103	BOLT - 5/16" x 1" NC hex, ZP	2
11	195- 545	WASHER - 3/4"	2
12	A 30881	WASHER, spacer	UAR



**CASE MODEL 108 COMPACT TRACTOR
BELTS, PULLEYS AND IDLERS**

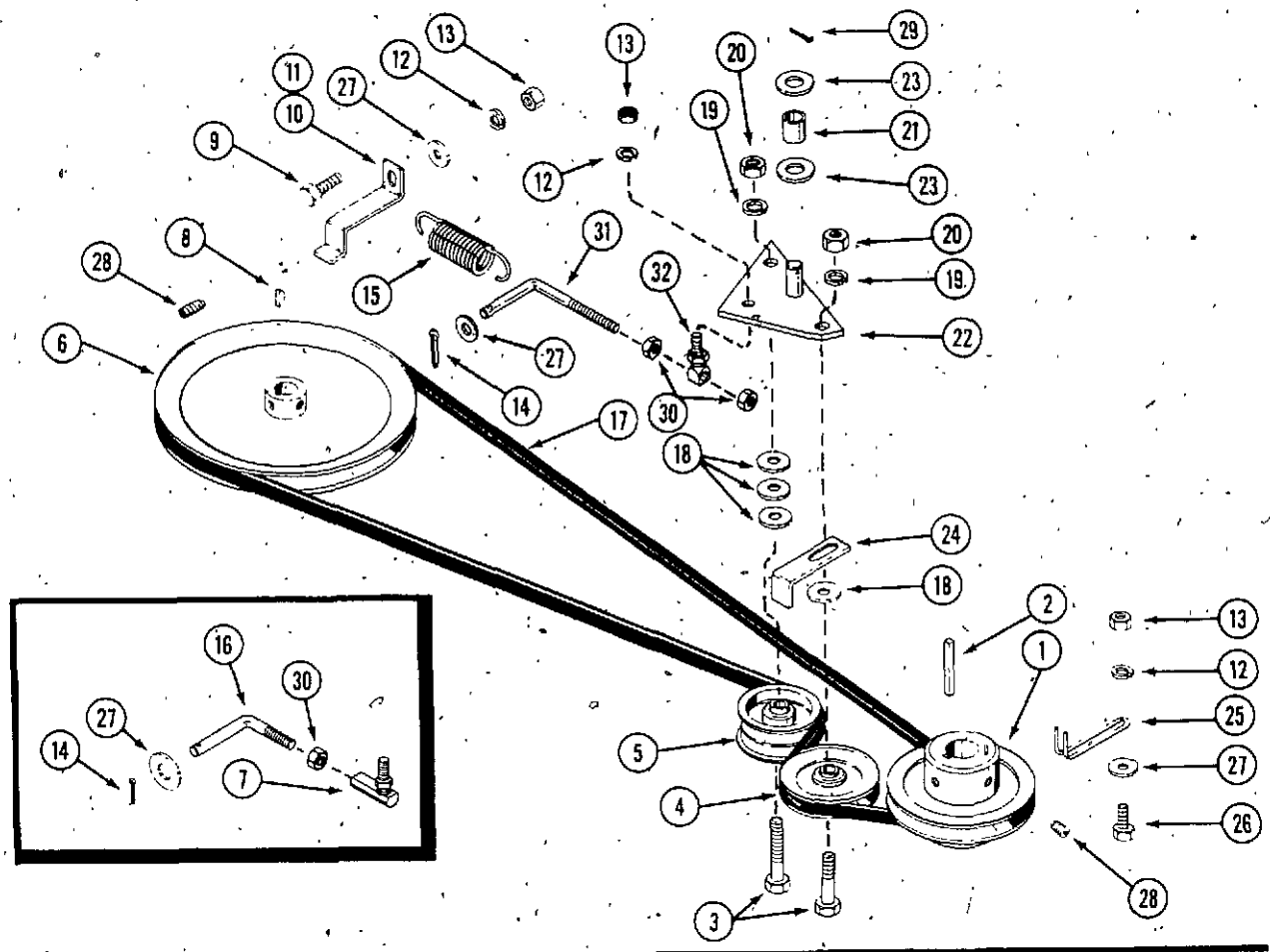
USED PRIOR TO S/N 9670643



REF.	PART NO.	DESCRIPTION	REQ'D
1	C 19071	PULLEY - engine	1
2	T 25070	KEY -	1
3	113- 233	BOLT - 3/8" x 1-3/4" NC hex ZP	2
4	C 17213	PULLEY - idler	1
5	C 15672	PULLEY - idler	1
6	C 19066	PULLEY - transaxle	1
7	83- 66	SETSCREW - 5/16" x 3/8" NC soc. head - cup point	2
8	126- 13	KEY - Woodruff 3/16" x 5/8"	1
9	113- 103	BOLT - 5/16" x 1" NC hex ZP (attaches rear keepers)	2
10	C 19035	KEEPER - belt L.H. rear	1
11	C 19034	KEEPER - belt R.H. rear	1
12	192- 20	LOCKWASHER - 5/16" ZP	4
13	129- 102	NUT - 5/16" NC hex ZP	5
14	132- 46	PIN - cotter 1/8" x 3/4"	2
15	C 15677	SPRING - clutch	1
16	NSS	ROD - clutch (order items 12, 13, 29, 30 and 31)	1
17	C 18634	BELT - traction drive	1
18	195- 525	WASHER - 3/8" plain ZP	5
19	192- 21	LOCKWASHER - 3/8" ZP	3
20	129- 103	NUT - 3/8" NC hex ZP	3
21	C 17203	SLEEVE - bearing	1
22	C 18632	PIVOT PLATE - idler pulley	1
23	113- 209	BOLT - 3/8" x 1-1/2" NC hex ZP	1
24	C 17164	KEEPER - belt idler pulley	1
25	C 19033	KEEPER - belt engine pulley	2
26	113- 102	BOLT - 5/16" x 3/4" NC hex ZP (attaches front keepers)	2
27	195- 521	WASHER - 5/16" plain ZP	2
28	178- 858	SETSCREW	UAR
29	C 21560	ROD - clutch	2
30	C 21559	BALL JOINT	1
31	129- 122	NUT - 5/16" NF hex	2

BRAKE ASSEMBLY

1	C 18681	PEDAL ASSEMBLY - brake	1
2	C 19866	ROD - brake	1
3	C 18695	LATCH - brake	1
4	131- 69	LOCKNUT - 5/16" NC hex ZP	1
5	113- 102	BOLT - 5/16" x 3/4" NC hex ZP	5
6	C 19103	BOLT - eye (on brake actuating arm on transaxle)	1
7	131- 176	NUT - 5/16" lock NC hex ZP	1
8	C 15156	BRACKET - saddle	2
9	195- 521	WASHER - 5/16" plain ZP	2
10	132- 26	PIN - cotter 3/32" x 3/4"	1
11	C 15498	PAD - footrest R.H. short	1
12	C 15499	PAD - footrest L.H. long	1
13	195- 541	WASHER - 5/8" plain	UAR
14	132- 48	PIN - cotter 1/8" x 1"	2
15	138- 92	PIN - roll 3/16" x 3/4"	4
16	192- 20	LOCKWASHER - 5/16" ZP	4
17	129- 102	NUT - 5/16" NC hex ZP	4
18	L 32763	SPRING - brake return	1

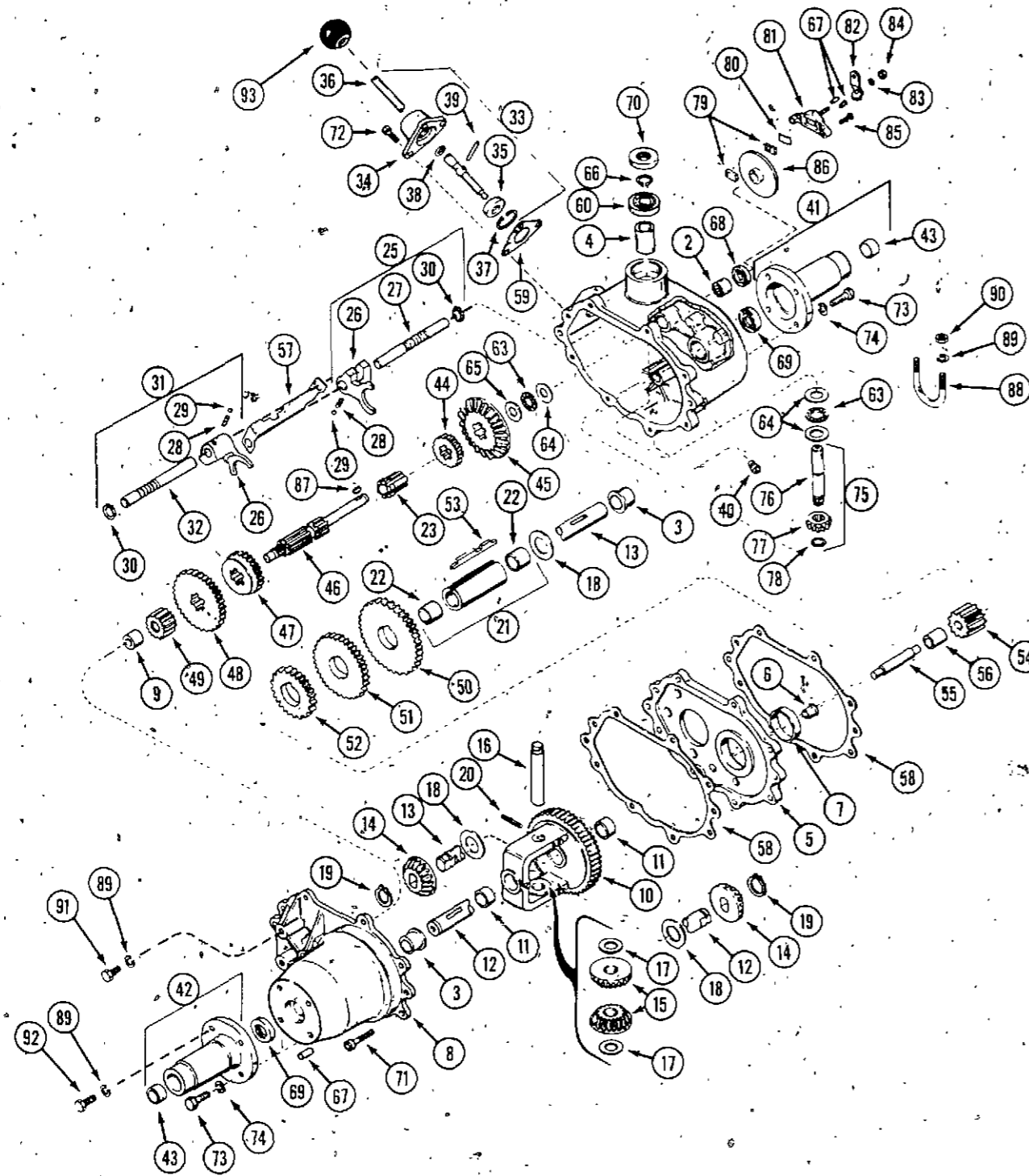


**CASE MODEL 108 AND 118 COMPACT TRACTOR
BELTS, PULLEYS AND IDLERS**

USED S/N 9670643 AND AFTER
DESCRIPTION

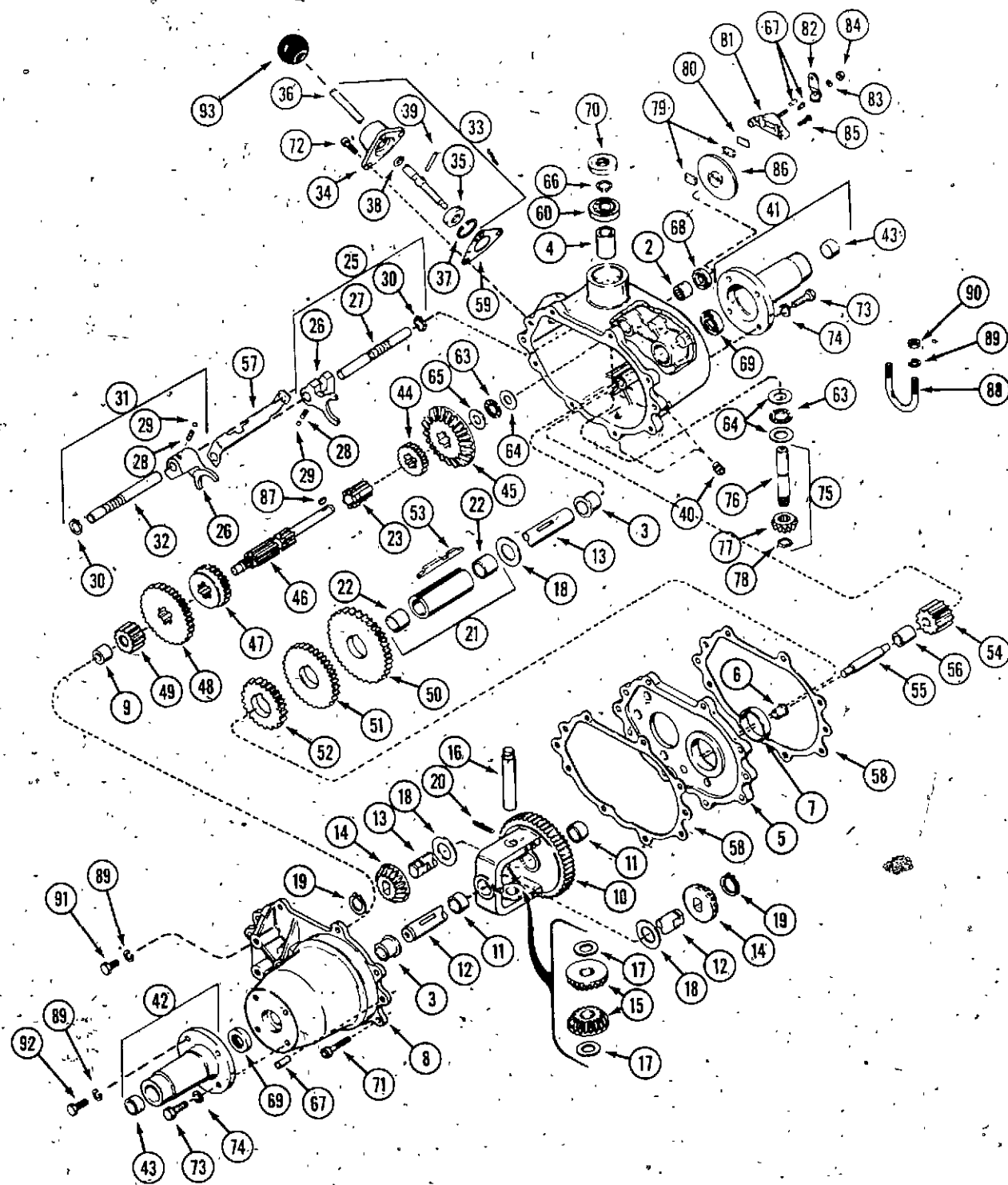
REF.	PART NO.	DESCRIPTION	REQ'D
1	C 19071	PULLEY - engine	1
2	T 25070	KEY -	1
3	113- 233	BOLT - 3/8" x 1-3/4" NC hex ZP	2
4	C 17213	PULLEY - idler	1
5	C 15672	PULLEY - idler	1
6	C 19066	PULLEY - transaxle	1
7	NSS	BALL JOINT - (order items 12, 13, 31 and 32)	1
8	126- 13	KEY - Woodruff 3/16" x 5/8"	1
9	113- 103	BOLT - 5/16" x 1" NC hex ZP (attaches rear keepers)	2
10	C 19035	KEEPER - belt L.H. rear	1
11	C 19034	KEEPER - belt R.H. rear	1
12	192- 20	LOCKWASHER - 5/16" ZP	1
13	129- 102	NUT - 5/16" NC hex ZP	5
14	132- 46	PIN - cotter 1/8" x 3/4"	5
15	C 15677	SPRING - clutch	1
16	NSS	ROD - clutch (order items 12, 13, 31 and 32)	1
17	C 18634	BELT - traction drive	1
18	195- 525	WASHER - 3/8" plain ZP	1
19	192- 21	LOCKWASHER - 3/8" ZP	4
20	129- 103	NUT - 3/8" NC hex ZP	2
21	A 27801	SLEEVE - bearing	2
22	C 20028	PIVOT PLATE - idler pulley	1
23	195- 533	WASHER - 1/2"	1
24	C 17164	KEEPER - belt idler pulley	2
25	C 19033	KEEPER - belt engine pulley	1
26	113- 103	BOLT - 5/16" x 3/4" NC hex ZP (attaches front keepers)	2
27	195- 521	WASHER - 5/16" plain ZP	2
28	178- 858	SETSCREW - 5/16" x 3/8"	UAR
29	132- 48	PIN - cotter 1/8" x 1"	4
30	129- 122	NUT - 5/16" NF hex	1
31	C 21560	ROD - clutch	2
32	C 21559	BALL JOINT	1

**CASE MODEL 108 COMPACT TRACTOR
TRANSMISSION AND FINAL DRIVE**

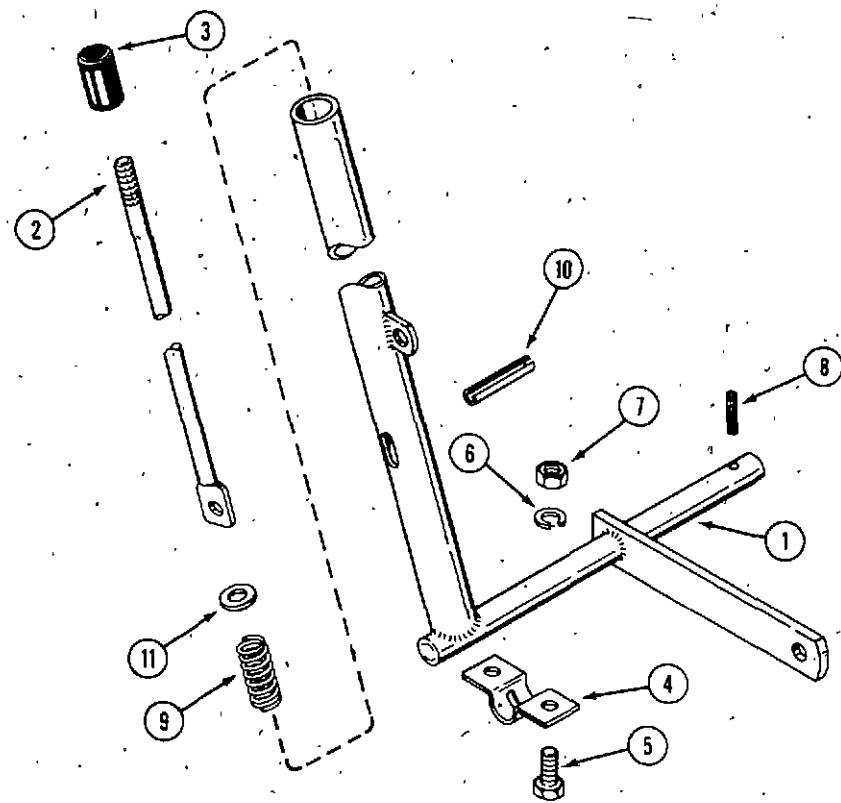
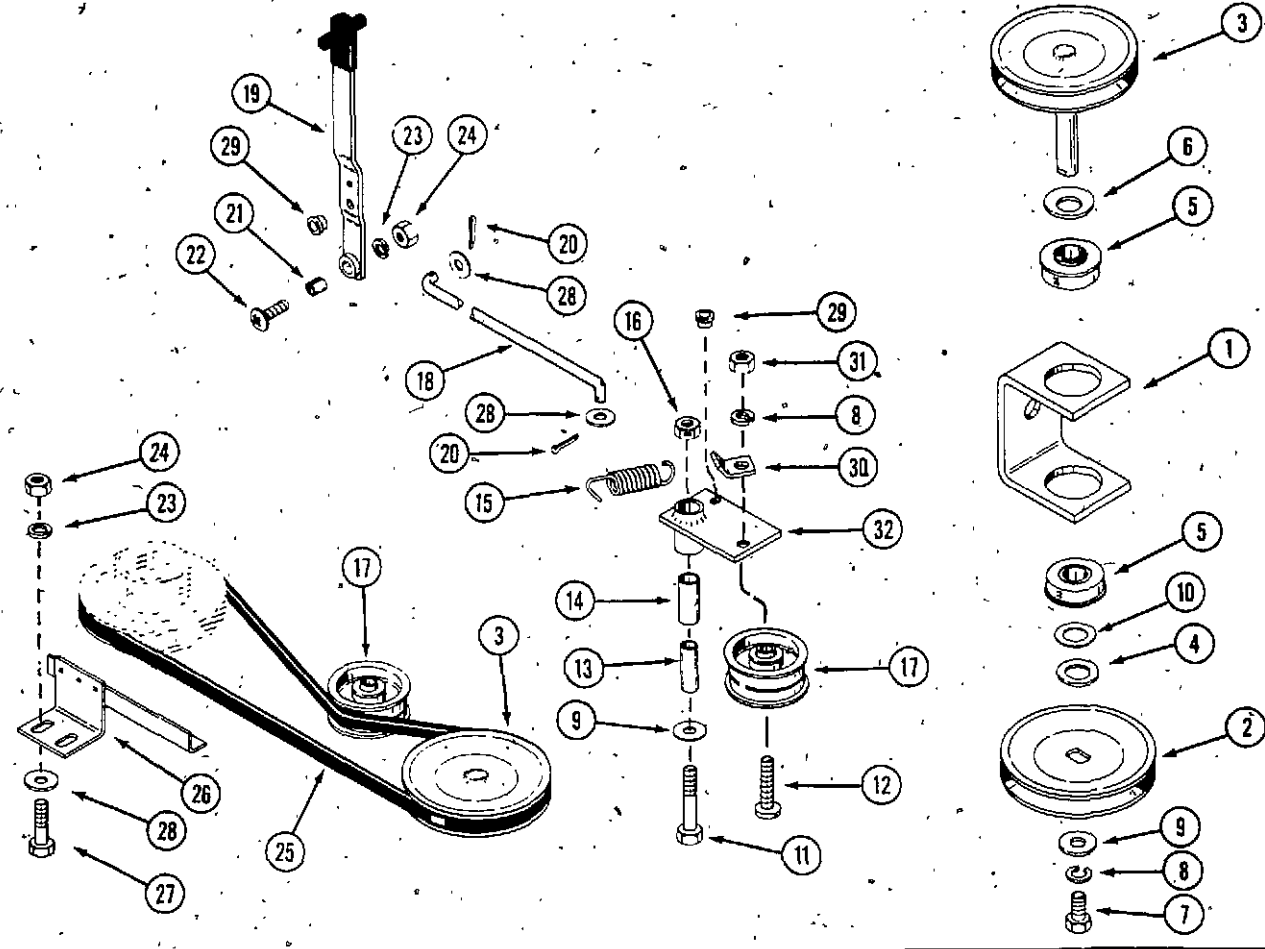


REF. PART NO.	DESCRIPTION	REQ'D
1 C 19297	CASE ASSEMBLY - transaxle	1
2 A 30586	BEARING - needle	1
3 C 19299	BEARING - bronze	2
4 C 19301	BEARING - bronze	1
5 C 19302	PLATE ASSEMBLY - center	1
6 C 19300	BEARING - bronze	1
7 C 19303	BEARING - bronze	1
8 C 19304	COVER ASSEMBLY - transaxle (includes # 3 & 9)	1
9 C 19305	BEARING - needle	1
10 C 19306	GEAR ASSEMBLY - differential	1
11 C 21576	BEARING - bronze	1
12 C 19307	AXLE - left hand	2
13 C 19308	AXLE - right hand	1
14 C 19309	GEAR - bevel	1
15 C 19310	PINION - bevel	2
16 C 19311	PIN - drive	2
17 C 19312	WASHER - thrust	1
18 C 11205	WASHER - thrust	1
19 A 27521	RING - snap	3
20 138- 97	PIN - roll	2
21 C 19315	SLEEVE ASSEMBLY - countershaft	1
22 C 19316	BEARING - bronze	1
23 C 19317	SHAFT - idler	1
25 C 19318	ROD ASSEMBLY - shift (1st. & reverse)	1
26 C 11167	FORK - shift	1
27 C 19319	ROD - shift	1
28 C 11166	SPRING	1
29 211- 5	BALL - steel	1
30 A 11538	RING - snap	1
31 C 19320	ROD ASSEMBLY - shift (2nd & 3rd)	1
C 11167	FORK - shift	1
C 11166	SPRING	1
211- 5	BALL - steel	1
A 11538	RING - snap	1
C 19321	ROD - shift	1
C 19322	LEVER AND HOUSING ASSEMBLY - shift	1
C 15780	HOUSING - shift lever	1
C 11163	KEEPER - shift lever	1
C 18675	LEVER - shift	1
C 11219	RING - snap	1
C 35012	RING - quad	1
C 19324	PIN - drive	1
211- 11	PLUG - 1/8" pipe	1
C 19327	HOUSING ASSEMBLY - axle	1
C 19328	BEARING - needle	1
C 19326	HOUSING ASSEMBLY - axle	1
C 19328	BEARING - needle	1
C 11191	GEAR - (16 teeth)	1
C 19329	GEAR - bevel (33 teeth)	1
C 19330	SHAFT - shifter & brake	1
C 19331	GEAR - shifting (2nd & 3rd)	1
C 19332	GEAR - shifting (1st & reverse)	1
C 19333	GEAR - spur, (12 teeth)	1
C 19334	GEAR - countershaft drive (39 teeth)	1
C 19335	GEAR - countershaft (34 teeth)	1

**CASE MODEL 108 COMPACT TRACTOR
TRANSMISSION AND FINAL DRIVE**



REF. PART NO.	DESCRIPTION	REQ'D
52 C 19336	GEAR - countershaft (25 teeth)	1
53 C 19337	KEY - countershaft	1
54 C 19338	IDLER - reverse	1
55 C 19339	SHAFT - reverse idler	1
56 C 19340	SPACER - reverse idler	1
57 C 19341	STOP - shifter	1
58 C 19342	GASKET - case & cover	2
59 C 15794	GASKET - shift lever housing	1
60 C 19343	BEARING - ball	1
63 C 19344	BEARING - thrust	2
64 C 19345	WASHER - thrust	3
65 C 19346	WASHER - thrust	1
66 C 19347	RING - snap	1
67 F 53650	PIN - dowel	2
68 C 19348	SEAL - oil	1
69 C 16011	SEAL - oil	2
70 C 19349	SEAL - oil	1
71 83- 420	SCREW - socket head cap, 1/4" x 1-1/4"	10
72 83- 412	SCREW - socket head cap 1/4" x 3/4"	3
73 13- 520	SCREW - hex. head 5/16" x 1"	8
74 92- 5	LOCKWASHER - 5/16"	8
75 C 19325	SHAFT & GEAR ASSEMBLY - input	1
76 C 19350	SHAFT - input	1
77 C 19351	PINION - input	1
78 C 19352	RING - retaining	1
79 C 19353	PAD - brake	2
80 C 19354	PLATE - brake pad	1
81 C 19355	HOLDER - brake pad	1
82 C 19356	LEVER - brake	1
83 C 19357	WASHER - flat	1
84 C 19358	LOCKNUT	1
85 13- 420	SCREW - hex head cap 1/4" x 1-1/4"	2
86 C 19359	DISK - brake	1
87 126- 13	KEY - Woodruff # 61	1
88 C 15134	BOLT - "U" 5/16"	1
89 192- 20	LOCKWASHER - 5/16"	6
90 129- 102	NUT - 5/16" NC hex	2
91 113- 103	BOLT - 5/16" x 1" NC hex	2
92 113- 104	BOLT - 5/16" x 1-1/4" NC hex	2
93 C 15618	KNOB - shift	1



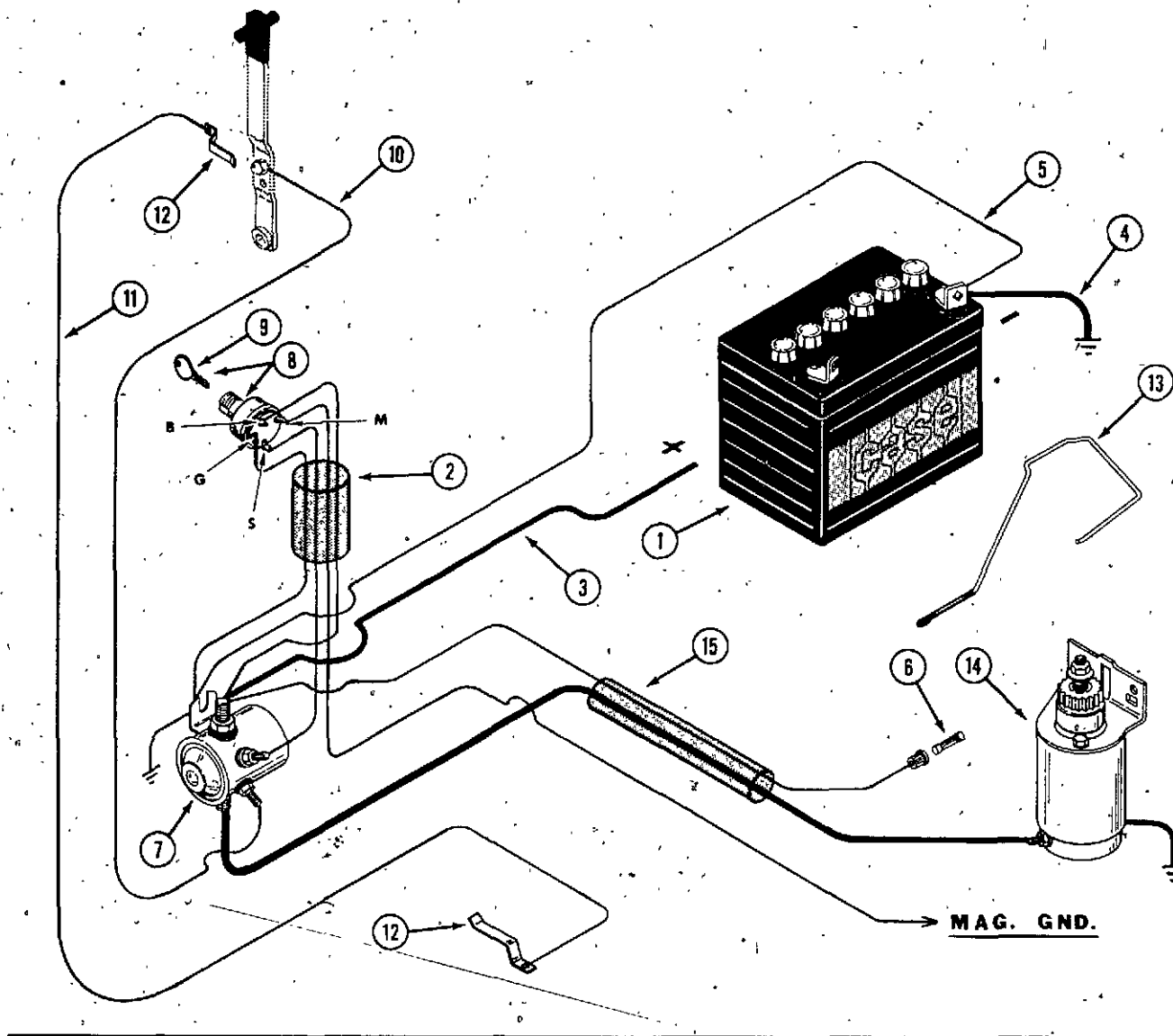
**CASE MODEL 108 COMPACT TRACTOR
ATTACHMENT DRIVE
POWER TAKE OFF (PTO) ASSEMBLY**

REF. PART NO.	DESCRIPTION	REQ'D
1 C 18621	HOUSING - PTO	1
2 C 15083	PULLEY - PTO bottom	1
3 C 20185	PULLEY ASSEMBLY - PTO top	1
4 C 10822	WASHER - plain	1
5 A 18915	BEARING - PTO	1
6 C 15272	WASHER - bell	2
7 113- 206	BOLT - 3/8" x 3/4" NC hex, ZP	1
8 192- 21	LOCKWASHER - 3/8" ZP	1
9 195- 104	WASHER - 3/8" plain, ZP	3
10 A 30881	WASHER - spacer	3
11 113- 213	BOLT - 3/8" x 2-1/4" NC hex	1
12 182- 286	SCREW - pan head 3/8" x 1-3/4" NC	1
13 C 17108	SLEEVE - inner	1
14 C 16714	BUSHING - bearing	1
15 C 18716	SPRING - PTO	1
16 131- 179	NUT - lock 3/8" NC hex	1
17 C 15672	PULLEY - idler	1
18 C 18608	ROD - PTO	1
19 C 19015	LEVER - engaging	1
20 132- 46	PIN - cotter 1/8" x 3/4"	1
21 C 15527	SPACER	2
22 175- 415	SCREW - 5/16" x 1" truss head, ZP	1
23 192- 20	LOCKWASHER - 5/16" ZP	3
24 129- 102	NUT - 5/16" NC hex, ZP	3
25 C 19171	BELT - PTO	1
26 C 20189	KEEPER - belt	2
27 113- 102	BOLT - 5/16" x 3/4" NC hex	2
28 195- 521	WASHER - 5/16"	3
29 C 20475	BUSHING - nylon	2
30 C 15545	BRACKET - spring attaching	1
31 129- 103	NUT - 3/8" NC hex	1
32 C 18607	ARM - idler	1

IMPLEMENT LIFT

1 C 19044	LEVER - implement lift	1
2 C 19172	ROD - push	1
3 C 14525	BUTTON - thumb	1
4 C 15156	BRACKET - saddle	2
5 113- 102	BOLT - 5/16" x 3/4" NC hex, ZP	4
6 192- 20	LOCKWASHER - 5/16" ZP	4
7 129- 102	NUT - 5/16" NC hex, ZP	4
8 138- 92	PIN - roll 3/16" x 3/4"	1
9 C 15564	SPRING	1
10 138- 2054	PIN - spiro 5/16" x 1-3/4"	1
11 195- 521	WASHER - 5/16" plain	1

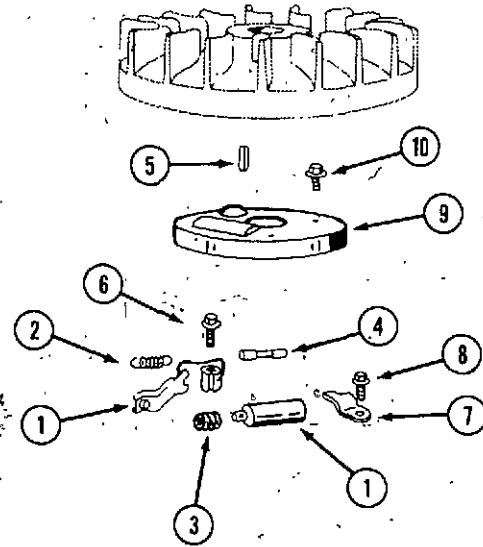
**CASE MODEL 108 COMPACT TRACTOR
ELECTRICAL SYSTEM**

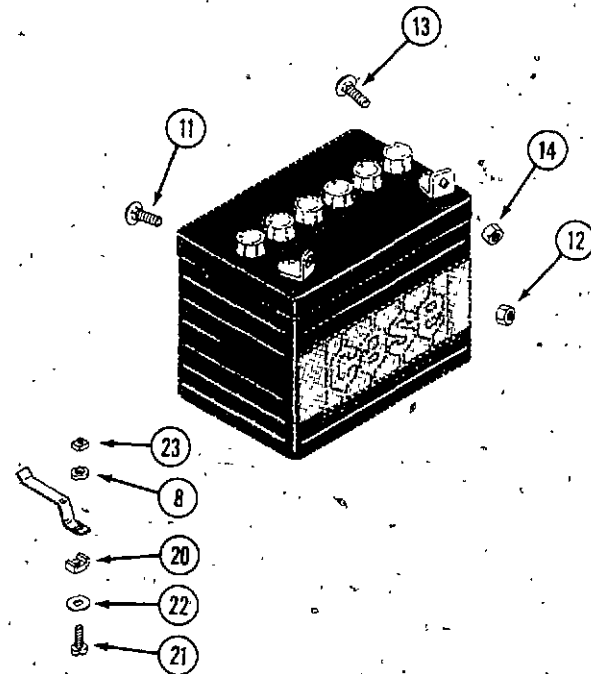
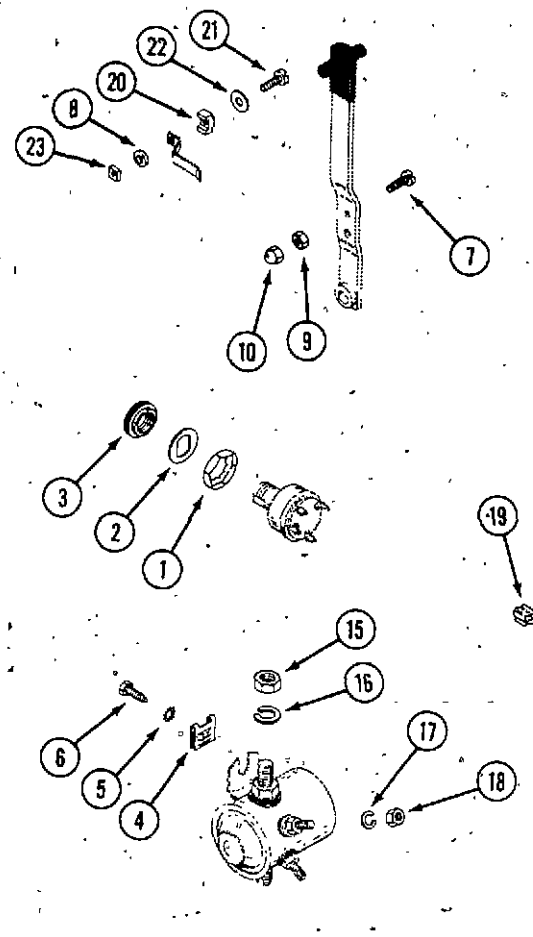


REF. PART NO.	DESCRIPTION	REQ'D
1 C 18197	BATTERY - 12 volt	1
2 C 18677	HARNESS - wire	1
3 C 14565	CABLE - battery positive (red 10-1/2")	1
4 C 14566	CABLE - battery negative (black 12")	1
5 C 17685	WIRE - battery negative to solenoid case	1
6 223-34	FUSE - 7.5 amp.	1
7 C 14553	SOLENOID - start	1
8 C 18816	SWITCH - ignition, includes key	1
9 C 17763	KEY - ignition	1
10 C 18203	WIRE - solenoid to PTO safety switch	1
11 C 18185	WIRE - PTO safety switch to clutch switch	1
12 C 18182	SWITCH - strip, PTO & clutch	2
13 C 15114	CLAMP - battery hold down	1
14 BR 390307	STARTER - engine, 12 volt (repairs page 33)	1
14 C 22701	STARTER - engine, 12 volt (repairs page 33B)	1
14 C 22702	STARTER - engine, 12 volt (repairs page 33B)	1
14 C 22709	STARTER - engine, 12 volt (repairs page 35)	1
15 C 21634	HARNESS - wire	1

BREAKER CONTACTS

BR 299061	KIT - ignition	1
1 BR 294628	POINTS AND CONDENSER	1
2 BR 26018	SPRING - breaker arm	1
3 BR 260374	SPRING - connector, condenser	1
4 BR 65704	PLUNGER - breaker point	1
5 BR 61760	KEY - flywheel, zinc	1
6 BR 93381	SCREW - breaker arm mtg.	1
7 BR 220477	CLAMP - condenser mtg.	1
8 BR 93042	SCREW - condenser mtg.	1
9 BR 222117	COVER - breaker point	1
10 187-1041	SCREW - sems, cover	2



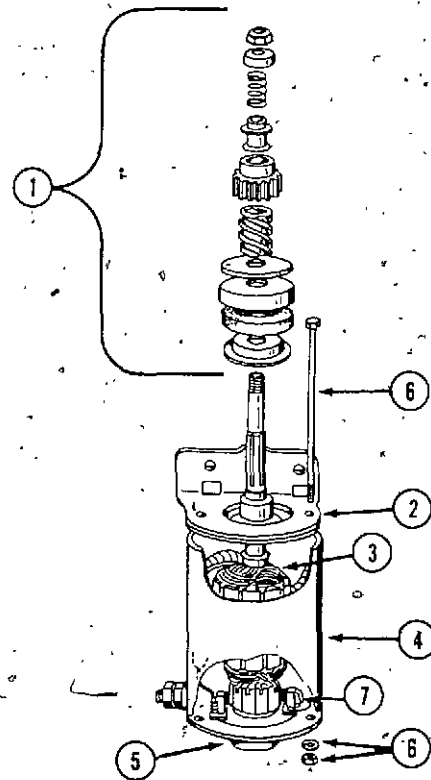


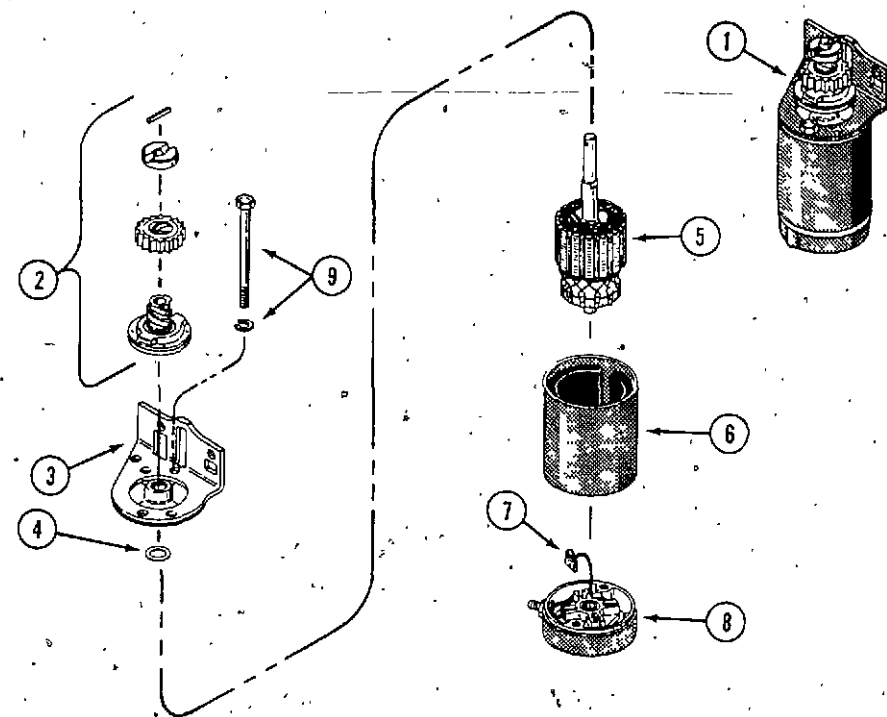
**CASE MODEL 108 COMPACT TRACTOR
ELECTRICAL SYSTEM HARDWARE**

REF.	PART NO.	DESCRIPTION	REQ'D
1	C 14060	NUT - back up	1
2	C 17426	WASHER - ignition switch	1
3	C 17921	NUT - escutcheon	1
4	C 10836	NUT - speed	2
5	193- 70	LOCKWASHER - #10 external tooth	2
6	187- 484	SCREW - #10 x 1/2" self tapping hex.	2
7	C 18204	SCREW - #10 x 1/4" binder hd., nylon	1
8	195- 513	WASHER - #10	2
9	C 15704	NUT - #10 N C hex, nylon	1
10	129- 642	NUT - #10 acorn	1
11	111- 202	BOLT - 5/16 x 3/4" rd. hd. sq. neck	1
12	129- 102	NUT - 5/16" NC hex	1
13	111- 108	BOLT - 1/4 x 3/4" rd. hd. sq. neck	1
14	129- 101	NUT - 1/4" NC hex	1
15	129- 122	NUT - 5/16" NF hex	2
16	192- 20	LOCKWASHER - 5/16"	2
17	192- 18	LOCKWASHER - 3/16"	2
18	129- 27	NUT - #10 hex	2
19	C 10472	CLIP - wire holder	2
20	C 19246	HOLDER - strip switch	2
21	182- 523	SCREW - #10 x 7/8" pan head	2
22	C 19254	WASHER - 13/64" nylon	2
23	129- 77	NUT - #10 square	2

BR 390307 STARTER - MITSUBISHI

	BR 390307	MOTOR - starting, 12 volt Mitsubishi (model MMD - SML)	1
1	BR 299963	DRIVE ASSEMBLY	1
2	BR 390454	CAP ASSEMBLY - drive end (includes bearing & bracket)	1
3	BR 390456	ARMATURE ASSEMBLY - (includes washers)	1
4	BR 390452	HOUSING - starter (includes field coils)	1
5	BR 390455	CAP ASSEMBLY - commutator end (includes bushing, brushes, and springs)	1
6	BR 299962	BOLT - thru (includes nuts and lockwashers)	2
7	BR 390990	BRUSH ASSEMBLY	1



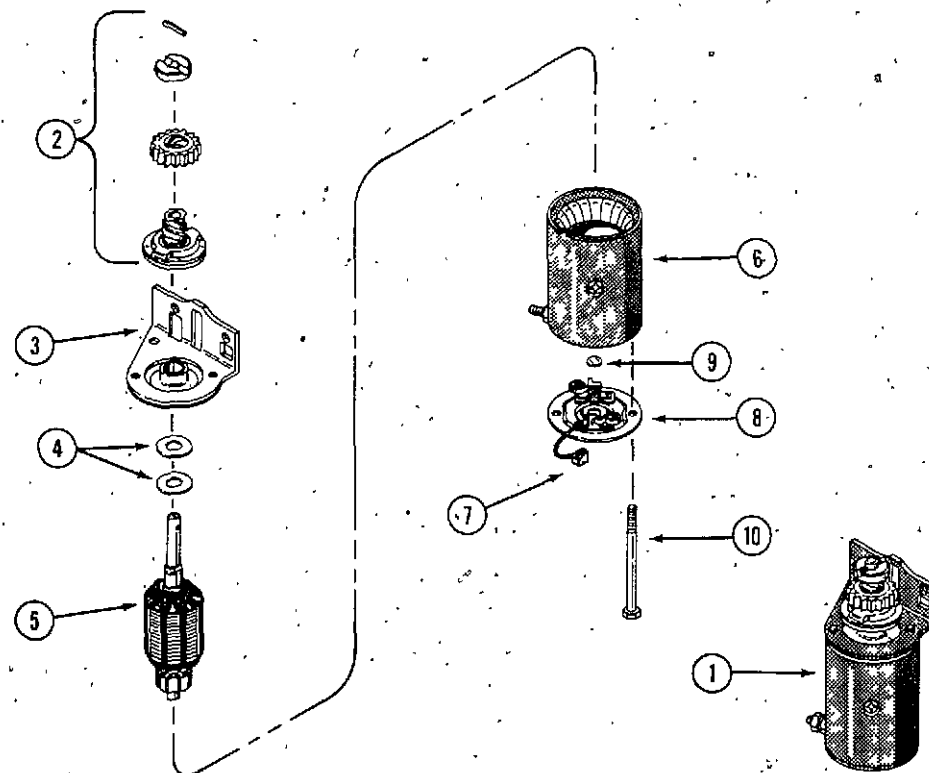


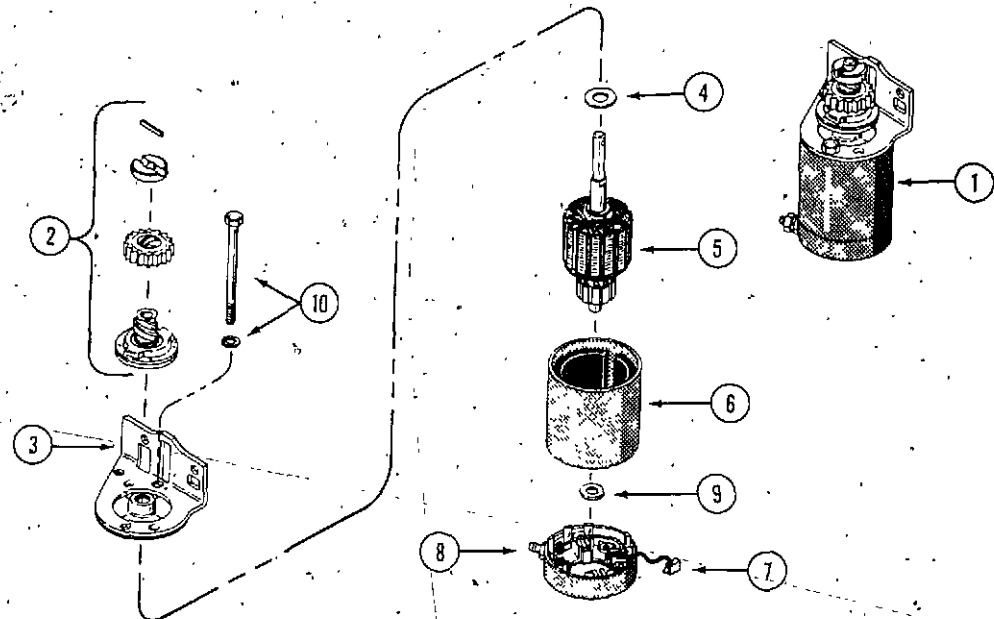
STARTER MOTOR - AMERICAN BOSCH

REF. PART NO.	DESCRIPTION	REQ'D
1 C 22701	MOTOR - starting 12 volt, Bosch Model 01965-23-MO-30-SM	1
2 BR 391471	DRIVE ASSEMBLY - starter	1
3 BR 390444	END CAP ASSEMBLY - drive end, Bosch	1
4 NSS	WASHER - thrust, (retain old washer for service)	1
5 BR 391607	ARMATURE - starter, Bosch	1
6 BR 390447	HOUSING - starter, Bosch	1
7 BR 390449	BRUSH ASSEMBLY - Bosch	1
8 BR 390448	END CAP ASSEMBLY - com. end, Bosch	1
9 BR 390450	BOLT - thru, Bosch (includes washer)	2

STARTER MOTOR - MITSUBISHI

1 C 22702	MOTOR - starting 12 volt, Mitsubishi Model MOOIT02271	1
2 BR 391461	DRIVE ASSEMBLY - starter	1
3 BR 391585	END CAP ASSEMBLY - drive end, Mitsubishi	1
4 NSS	WASHER - thrust (retain old washers for service)	2
5 BR 391584	ARMATURE - starter, Mitsubishi	1
6 BR 390452	HOUSING - starter, Mitsubishi	1
7 BR 390990	BRUSH ASSEMBLY - Mitsubishi	1
8 BR 390455	END CAP ASSEMBLY - com. end (includes brush set)	1
9 NSS	SPACER - starter (retain old spacer for service)	1
10 BR 93771	BOLT - thru, Mitsubishi	2





STARTER MOTOR - BRIGGS

REF. PART NO.	DESCRIPTION	REQ'D
1 C 22709	MOTOR - starting 12 volt, Briggs	1
2 BR 391461	DRIVE ASSEMBLY - starter	1
3 BR 390825	END CAP ASSEMBLY - starter (includes items 4 and 9)	1
4 NSS	WASHER - thrust (see item 3 or 8)	1
5 BR 390837	ARMATURE - starter, Briggs	1
6 BR 390849	HOUSING - starter, Briggs	1
7 BR 391705	BRUSH ASSEMBLY - starter	1
8 BR 390846	END CAP ASSEMBLY - com. end (includes Brush Set)	1
9 NSS	SPACER - (see item 3 or 8)	1
10 BR 391706	BOLT ASSEMBLY - thru (includes washer)	2

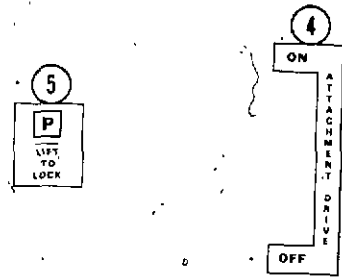
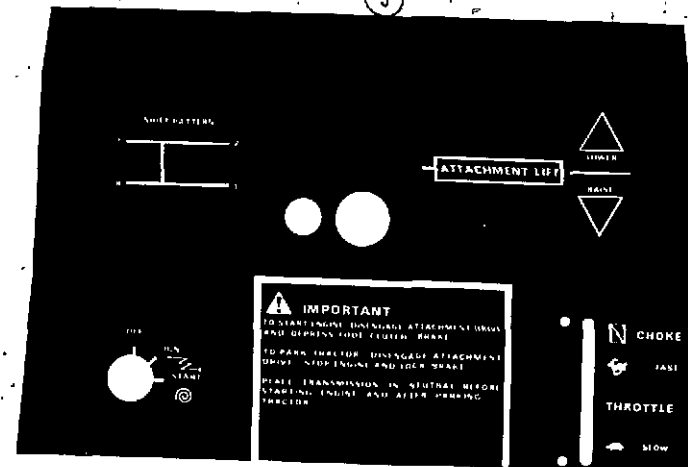
DECALS

1	321- 2472	DECAL (R.H.)	1
2	321- 2473	DECAL (L.H.)	1
3	321- 2476	DECAL - instrument panel	1
4	C 18186	DECAL - PTO	1
5	C 15658	DECAL - brake lock	1
6	321- 2487	DECAL - caution	1

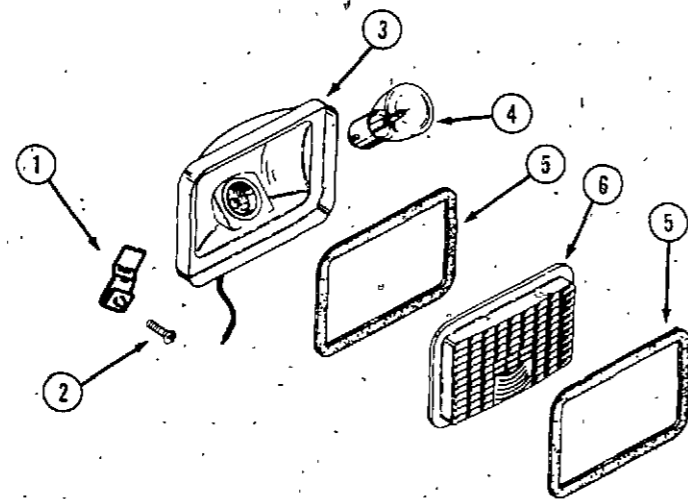
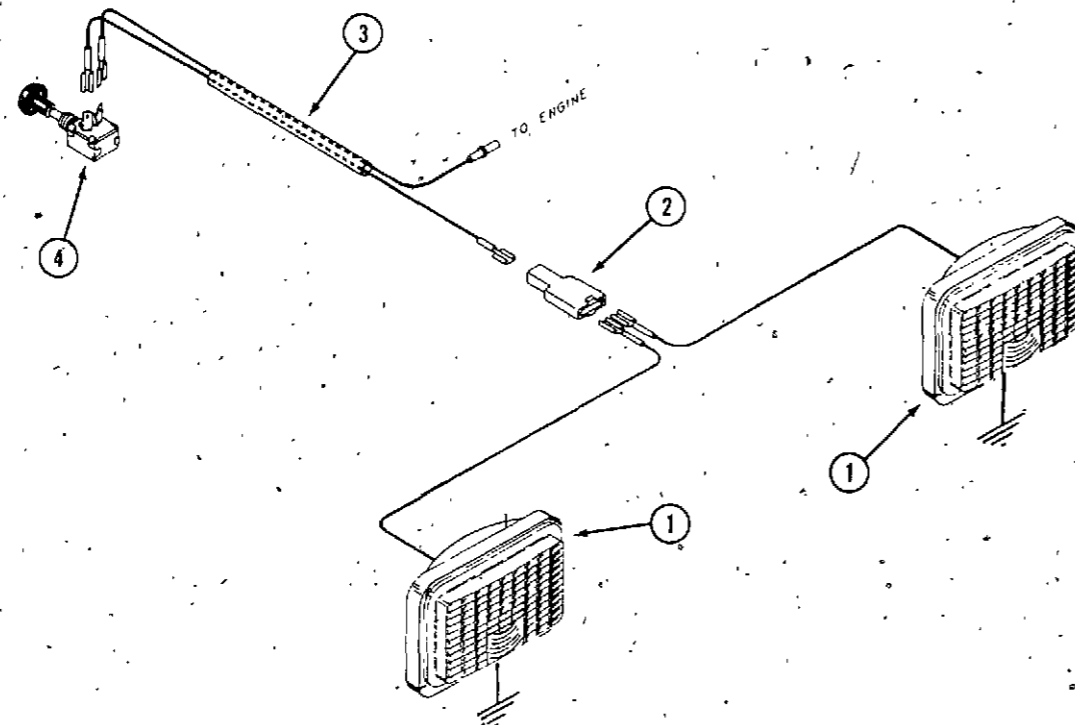
108

Case

108



CAUTION
 KEEP ALL SHIELDS IN PLACE.
 BEFORE LEAVING OPERATOR'S POSITION:
 SHIFT TRANSMISSION TO NEUTRAL
 SET PARKING BRAKE
 DISENGAGE ATTACHMENT CLUTCH
 SHUT OFF ENGINE
 REMOVE IGNITION KEY
 WAIT FOR ALL MOVEMENT TO STOP
 BEFORE SERVICING MACHINE.
 KEEP PEOPLE AND PETS A SAFE
 DISTANCE AWAY FROM MACHINE.



**CASE MODEL 108 COMPACT TRACTOR
HEAD LAMP KIT(OPTIONAL)**

REF. NO	PART NO	DESCRIPTION	REQ'D
	NSS	KIT - head lamp (order as J6 machinery item)	1
1	C 14302	HEAD LAMP	2
2	C 14537	CONNECTOR - head lamp	1
3	C 19177	HARNESS - wire	1
4	C 19222	SWITCH - headlight	1
321-	2484	DECAL - lights	1

HEAD LAMP

1	131-	629	NUT - speed	4
2	187-	1047	SCREW - #8 x 1/2" round head, Phillips, self-tapping	4
	C	14302	HEAD LAMP ASSEMBLY	2
3	NSS		RECEPTACLE - head lamp (order C14302)	1
4	C	14305	BULB - head lamp	1
5	C	14304	GASKET - head lamp	2
6	C	14303	LENS - head lamp	1

NUMERICAL INDEX

NUMERICAL INDEX

PART NO.	PAGE NO.	REF. NO.	PART NO.	PAGE NO.	REF. NO.	PART NO.	PAGE NO.	REF. NO.	PART NO.	PAGE NO.	REF. NO.	PART NO.	PAGE NO.	REF. NO.	PART NO.	PAGE NO.	REF. NO.
A 35012	25	38	BR 220680	7	62	BR 299096	13	19	C 10472	33	19	C 15618	27	93	C 19015	29	19
A 11538	25	-	BR 220680	7	82	BR 299392	9	95	C 10657	11	5	C 15658	35	5	C 19020	15	1
A 11538	25	30	BR 220865	7	48	BR 299500	7	72	C 10678	13	30	C 15672	23	5	C 19033	23	25
A 18915	29	5	BR 221535	7	59	BR 299543	9	92	C 10822	29	4	C 15672	23B	5	C 19033	23B	25
A 27521	25	19	BR 221559	7	57	BR 299569	5	16	C 10836	33	4	C 15672	29	17	C 19034	23	11
A 27801	23B	21	BR 221596	5	28	BR 299570	5	16	C 11163	25	35	C 15677	23	15	C 19034	23B	11
A 27795	5	35	BR 221760	7	65	BR 299571	5	16	C 11166	25	-	C 15677	23B	15	C 19035	23	10
A 30586	25	2	BR 221796	7	49	BR 299572	5	16	C 11166	25	28	C 15704	33	9	C 19035	23B	10
A 30881	21	9	BR 221885	7	74	BR 299577	9	-	C 11167	25	-	C 15780	25	34	C 19044	29	1
A 30881	21	12	BR 221898	5	36	BR 299650	13	16	C 11167	25	26	C 15794	27	59	C 19066	23	6
A 30881	29	10	BR 221901	9	97	BR 299707	13	18	C 11191	25	44	C 16011	27	69	C 19066	23B	6
BR 23108	13	7	BR 221907	9	89	BR 299740	13	24	C 11205	25	18	C 16129	17	1	C 19069	15	12
BR 26018	31	2	BR 221986	13	15	BR 299762	13	13	C 11219	25	37	C 16714	29	14	C 19071	23	1
BR 26157	13	6	BR 221995	13	20	BR 299848	7	40	C 11529	11	18	C 16724	21	3	C 19071	23B	1
BR 26828	5	30	BR 222010	13	12	BR 299852	13	31	C 11545	11	19	C 16752	13	3	C 19073	13	6
BR 27590	13	3	BR 222014	13	22	BR 299962	33	6	C 11906	21	5	C 16946	21	2	C 19103	23	6
BR 27750	5	13	BR 222027	13	26	BR 299963	33	1	C 12110	21	2	C 16948	21	17	C 19117	15	17
BR 27803	5	23	BR 222114	5	21	BR 390180	7	46	C 12111	21	3	C 17038	15	16	C 19118	17	5
BR 61760	7	47	BR 222117	5	38	BR 390233	9	93	C 12370	21	5	C 17106	19	7	C 19171	29	25
BR 61760	31	5	BR 222117	31	9	BR 390307	31	14	C 12975	19	18	C 17108	29	13	C 19172	29	2
BR 65704	31	4	BR 222211	7	80	BR 390307	33	-	C 12975	21	8	C 17164	23	24	C 19177	37	3
BR 65906	5	29	BR 222212	7	83	BR 390347	5	15	C 13106	21	7	C 17164	23B	24	C 19222	37	4
BR 66068	7	70	BR 222263	27	75	BR 390348	5	15	C 14060	33	1	C 17203	23	21	C 19246	33	20
BR 66538	9	90	BR 222277	7	52	BR 390349	5	15	C 14201	19	17	C 17213	23	4	C 19254	33	22
BR 66554	7	69	BR 230759	5	33	BR 390350	5	15	C 14302	37	-	C 17213	23B	4	C 19297	25	1
BR 66768	5	6	BR 230896	13	11	BR 390379	11	12	C 14302	37	1	C 17426	33	2	C 19299	25	3
BR 91920	7	67	BR 230927	5	5	BR 390380	5	2	C 14303	37	6	C 17685	31	5	C 19300	25	6
BR 91920	13	9	BR 230932	13	25	BR 390402	5	20	C 14304	37	5	C 17763	31	9	C 19301	25	4
BR 92659	5	22	BR 230976	7	78	BR 390419	5	24	C 14305	37	4	C 17921	33	3	C 19302	25	5
BR 93038	13	8	BR 260374	31	3	BR 390444	33B	3	C 14525	29	3	C 18015	19	3	C 19303	25	7
BR 93042	7	50	BR 260584	7	66	BR 390447	33B	6	C 14534	17	4	C 18016	19	1	C 19304	25	8
BR 93042	31	8	BR 260933	5	31	BR 390448	33B	8	C 14537	37	2	C 18017	19	19	C 19305	25	9
BR 93158	9	96	BR 260971	7	53	BR 390449	33B	7	C 14553	31	7	C 18182	31	12	C 19306	25	10
BR 93163	5	37	BR 261038	5	9	BR 390450	33B	9	C 14565	31	3	C 18185	31	11	C 19307	25	12
BR 93211	7	45	BR 261055	5	27	BR 390452	33	4	C 14566	31	4	C 18186	35	4	C 19308	25	13
BR 93210	7	44	BR 261116	13	29	BR 390452	33B	6	C 15066	21	1	C 18197	31	1	C 19309	25	14
BR 93323	11	15	BR 261117	7	55	BR 390454	33	2	C 15067	21	11	C 18203	31	10	C 19310	25	15
BR 93357	13	1	BR 261129	7	54	BR 390455	33	5	C 15068	21	13	C 18204	33	7	C 19311	25	16
BR 93381	9	88	BR 270382	13	28	BR 390455	33B	8	C 15083	29	2	C 18205	15	11	C 19312	25	17
BR 93381	31	6	BR 270430	5	19	BR 390456	33	3	C 15090	21	1	C 18206	11	9	C 19315	25	21
BR 93410	9	94	BR 270511	13	21	BR 390640	5	1	C 15096	19	4	C 18607	29	32	C 19316	25	22
BR 93438	7	84	BR 270528	11	13	BR 390662	7	56	C 15097	19	5	C 18608	29	18	C 19317	25	23
BR 93496	7	60	BR 270538	5	7	BR 390684	13	23	C 15104	19	12	C 18621	29	1	C 19318	25	25
BR 93536	7	42	BR 270538	11	17	BR 390693	7	77	C 15105	19	13	C 18626	21	18	C 19319	25	27
BR 93536	7	81	BR 270538	13	14	BR 390811	11	8	C 15113	21	12	C 18632	23	22	C 19320	25	31
BR 93572	7	58	BR 270539	11	16	BR 390825	35	3	C 15114	31	13	C 18634	23	17	C 19321	25	32
BR 93572	13	27	BR 280005	7	41	BR 390837	35	5	C 15116	15	19	C 18634	23B	17	C 19322	25	33
BR 93585	5	14	BR 292260	5	26	BR 390846	35	8	C 15134	27	88	C 18644	21	6	C 19324	25	39
BR 93621	7	79	BR 292681	13	5	BR 390849	35	6	C 15156	23	8	C 18661	15	4	C 19325	27	75
BR 93621	9	86	BR 294606	5	4	BR 390892	9	85	C 15156	29	4	C 18662	15	4	C 19326	25	42
BR 93622	11	14	BR 294628	31	1	BR 390918	7	73	C 15174	11	2	C 18664	15	3	C 19327	25	41
BR 93630	5	25	BR 295840	5	17	BR 390990	33	7	C 15272	29	6	C 18670	15	2	C 19328	25	-
BR 93704	7	76	BR 295841	5	17	BR 390990	33B	7	C 15498	23	11	C 18675	15	2	C 19328	25	43
BR 93771	33B	10	BR 295962	5	3	BR 391461	33B	2	C 15499	23	12	C 18677	25	36	C 19328	25	43
BR 210728	5	32	BR 295963	5	11	BR 391461	35	2	C 15519	11	1	C 18677	31	2	C 19329	25	45
BR 211383	7	51	BR 298303	7	61	BR 391471	33B	2	C 15526	11	6	C 18681	23	1	C 19330	25	46
BR 211712	13	17	BR 298614	5	18	BR 391584	33B	5	C 15527	29	21	C 18695	23	3	C 19331	25	47
BR 211778	7	43	BR 298616	5	10	BR 391585	33B	3	C 15540	11	10	C 18702	17	9	C 19332	25	48
BR 220477	31	7	BR 298923	5	12	BR 391607	33B	5	C 15545	29	30	C 18716	29	15	C 19333	25	49
BR 220521	13	4	BR 298968	9	87	BR 391705	35	7	C 15564	29	9	C 18816	31	8	C 19334	25	50
			BR 299061	31	-	BR 391706	35	10	C 15610	17	2	C 19008	13	7	C 19335	25	51
												C 19012	13	1	C 19336	27	52

NUMERICAL INDEX

PART NO.	PAGE NO.	REF. NO.	PART NO.	PAGE NO.	REF. NO.	PART NO.	PAGE NO.	REF. NO.
C 19337	27	53	113- 3	13	12	131- 1113	19	2
C 19338	27	54	113- 4	15	13	131- 1115	13	8
C 19339	27	55	113- 102	17	6	131- 1127	21	19
C 19340	27	56	113- 102	23	5	132- 26	23	10
C 19341	27	57	113- 102	23	26	132- 46	23	14
C 19342	27	58	113- 102	29	5	132- 46	23B	14
C 19343	27	60	113- 102	29	27	132- 46	29	20
C 19344	27	63	113- 103	15	5	132- 48	23	14
C 19345	27	64	113- 103	19	15	132- 48	23B	29
C 19346	27	65	113- 103	21	10	132- 311	21	10
C 19347	27	66	113- 103	21	22	136- 103	5	34
C 19348	27	68	113- 103	23	9	138- 92	23	15
C 19349	27	70	113- 103	23B	9	138- 92	29	8
C 19350	27	76	113- 103	23B	26	138- 97	25	20
C 19351	27	77	113- 103	27	91	138- 251	13	10
C 19352	27	78	113- 104	27	92	138- 2040	21	23
C 19353	27	79	113- 122	17	3	138- 2054	29	10
C 19354	27	80	113- 206	15	21	138- 2055	21	4
C 19355	27	81	113- 206	29	7	164- 543	13	2
C 19356	27	82	113- 207	15	8	173- 215	11	3
C 19357	27	83	113- 209	23	23	175- 415	29	22
C 19358	27	84	113- 213	29	11	178- 858	23	28
C 19359	27	86	113- 233	23	3	178- 858	23B	28
C 19866	23	2	113- 233	23B	3	182- 286	29	12
C 20028	23B	22	126- 13	23	8	182- 523	33	21
C 20185	29	3	126- 13	23B	8	187- 1036	15	18
C 20189	29	26	126- 13	27	87	187- 1041	5	39
C 20475	29	29	126- 16	19	6	187- 1041	31	10
C 21559	23	30	126- 19	21	7	187- 484	33	6
C 21559	23B	32	129- 6	7	71	187- 1047	11	11
C 21560	23	29	129- 7	7	64	187- 1047	37	2
C 21560	23B	31	129- 27	33	18	192- 18	33	17
C 21576	25	11	129- 77	33	23	192- 19	13	10
C 21634	31	15	129- 101	15	15	192- 19	15	14
C 22701	31	14	129- 101	33	14	192- 20	13	4
C 22701	33B	1	129- 102	13	5	192- 20	15	6
C 22702	31	14	129- 102	15	7	192- 20	17	7
C 22702	33B	1	120- 102	17	8	192- 20	19	9
C 22709	31	14	129- 102	19	10	192- 20	21	9
C 22709	35	1	129- 102	23	13	192- 20	21	21
F 53650	27	67	129- 102	23	17	192- 20	23	12
L 32763	23	18	129- 102	23B	13	192- 20	23	16
M 20677	9	91	129- 102	27	90	192- 20	23B	12
T 25070	23	2	129- 102	29	7	192- 20	27	89
T 25070	23B	2	129- 102	29	24	192- 20	29	6
T 33565	21	20	129- 102	33	12	192- 20	29	23
			129- 103	15	10	192- 20	33	16
			129- 103	23	20	192- 21	15	9
			129- 103	23B	20	192- 21	23B	19
			129- 103	29	31	192- 21	23	19
			129- 122	23	31	192- 21	29	8
			129- 122	23B	30	192- 23	21	14
			129- 122	33	15	193- 25	7	68
			129- 125	21	15	193- 70	33	5
			129- 325	21	16	195- 102	13	11
			129- 504	11	4	195- 104	29	9
			129- 642	33	10	195- 513	33	8
			131- 69	23	4	195- 521	19	16
			131- 176	23	7	195- 521	23	9
			131- 179	29	16	195- 521	23	27
			131- 629	37	1	195- 521	23B	27

HARDWARE CODE NUMBERS

11- 312	7	63
13- 420	27	85
13- 520	27	73
41- 24	13	2
83- 66	23	7
83- 412	27	72
83- 420	27	71
92- 5	27	74
111- 108	33	13
111- 202	19	8
111- 202	33	11
113- 2	13	9

NUMERICAL INDEX

PART NO.	PAGE NO.	REF. NO.	PART NO.	PAGE NO.	REF. NO.	PART NO.	PAGE NO.	REF. NO.
195- 521	29	11						
195- 521	29	28						
195- 525	23	18						
195- 525	23B	18						
195- 533	23B	23						
195- 541	23	13						
195- 545	21	11						
195- 2027	21	8						
195- 2069	19	11						
211- 5	25	-						
211- 5	25	29						
211- 11	25	40						
214- 103	11	7						
219- 10	21	4						
219- 17	19	14						
219- 404	21	6						
221- 13	5	8						
223- 34	31	6						
321- 2472	35	1						
321- 2473	35	2						
321- 2476	35	3						
321- 2484	37	-						
321- 2487	35	6						
353- 406	15	22						