

## GENERAL INFORMATION

### Indexes

This Parts Catalog is arranged for easy identification of Genuine CASE Service Parts. An alphabetical index is provided at the front of this Catalog to locate the major groups or assemblies. A numerical index at the rear of the Catalog gives the part numbers and the pages on which they are described.

### Illustrations

All parts are illustrated in "Exploded Views" which show the individual parts in their normal relationship to each other. Reference numbers are used in the illustrations. These numbers correspond to those in the "Reference Number" column and are followed by the part number, description and quantity required.

### Indented Description

Indented parts in the descriptive list are a part of the preceding assembly or sub-assembly. The quantity shown in the "Number Required" column is the number of parts used on a machine except where parts are indented in descriptive list. In this case the quantity shown is the number required for the preceding assembly or sub-assembly.

REF.	PART NO.	DESCRIPTION	REQ'D
	A 55159	CYLINDER ASSY - rear steering	1
28	A 56208	SOCKET ASSY - rear cylinder	1
29	A 55956	PLUG - adjusting, socket assy	1
30	A 55957	SEAT - socket ball	2
31	A 56210	SPRING - socket	1
32	A 56209	SEAT - socket spring	1
33	G 45175	CLAMP ASSY - socket assy	1
	16- 836	BOLT - 1/2" x 2-1/4" N.F.hex.	1
34	132- 104	PIN - cotter, 3/16" x 3"	1
35	A 55889	STUD - ball, socket & cylinder	2
36	13- 410	BOLT - 1/4" x 5/8" N.C., hex.	4
37	92- 4	LOCKWASHER - 1/4" SAE	4

### Terms "Right Hand" and "Left Hand"

"Right Hand" and "Left Hand" sides of this machine are determined by standing at the rear of the unit and facing in the direction of forward travel.

### Orders

Orders should plainly specify correct part number, full description, quantity required, machine model and engine model, machine and engine serial numbers, method of shipment and shipping address.

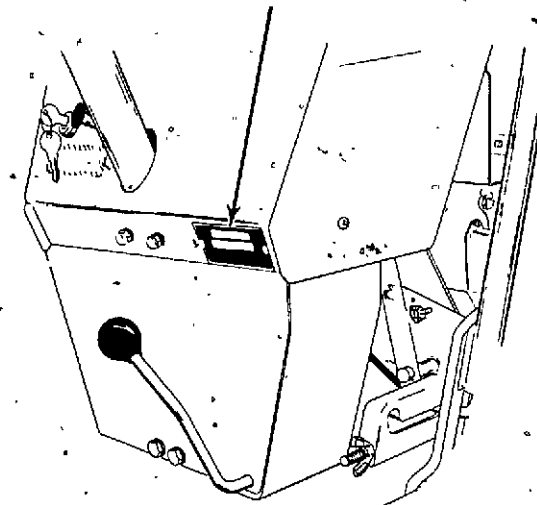
### Changes

When changes to the machine make it necessary, revised pages for this book will be issued. The revised pages will be issued with the same page number as those they replace and the "issue" number and date will be advanced.

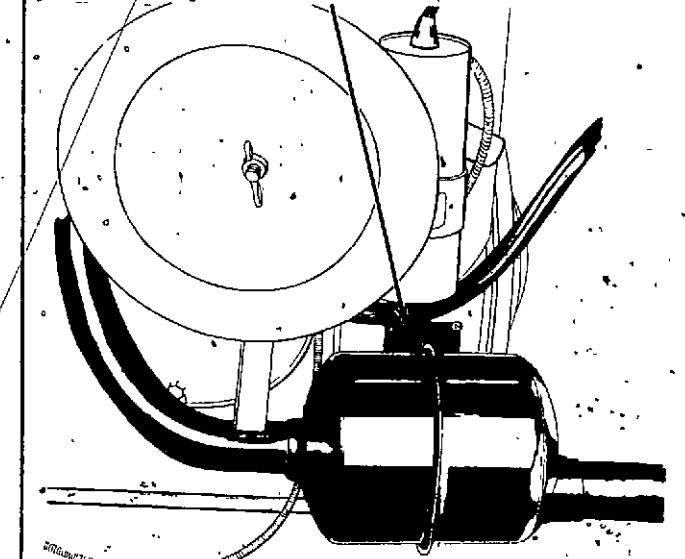
It is imperative that revised Parts Book pages be inserted into their respective Parts Books as soon as received. Failure to do so will lead to confusion and defeat the purpose of the book.

## CASE 120 GARDEN TRACTOR

TRACTOR MODEL AND SERIAL NUMBER



ENGINE MODEL, SERIAL AND SPECIFICATION NUMBER



### TRACTOR MODEL DESIGNATIONS

120 TRACTOR

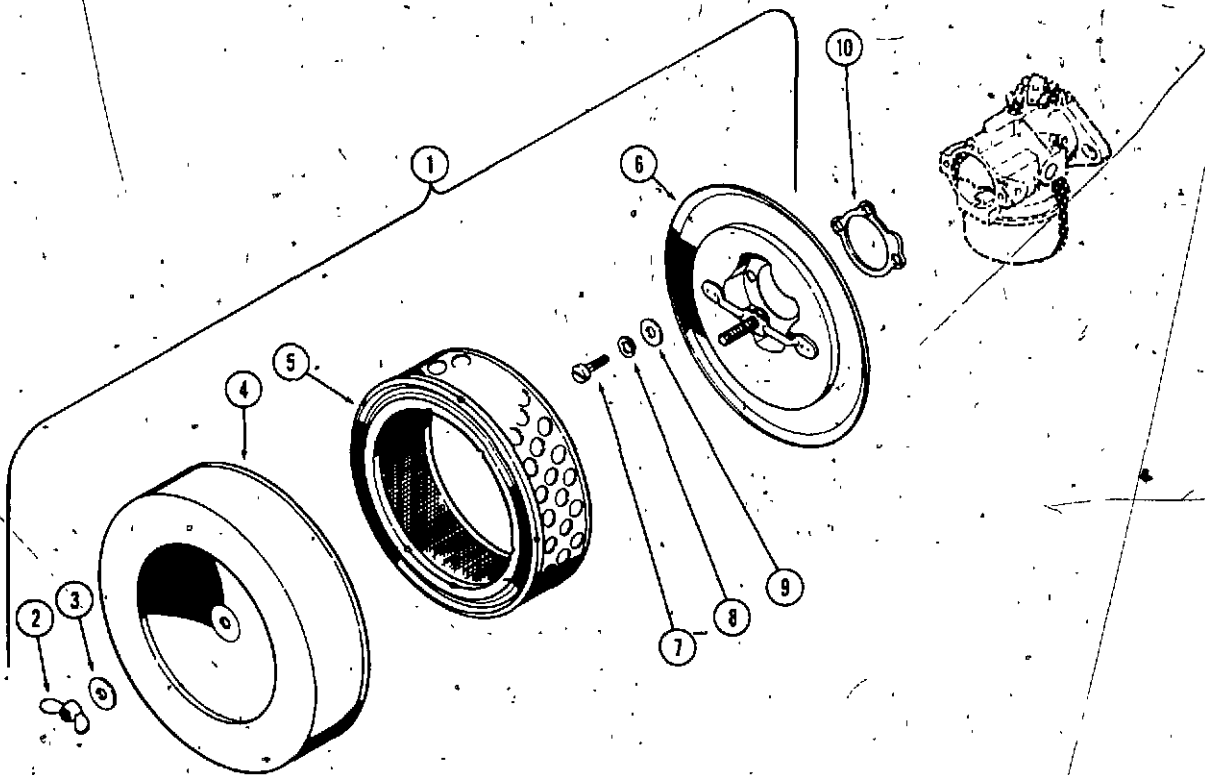
### ENGINE MODEL DESIGNATIONS

K241 A Engine

### Serial Numbers

When using this catalog, notice the reference to serial numbers of various components noted here and listed in the "description" copy. By referring to correct serial numbers, proper parts identification will be assured.

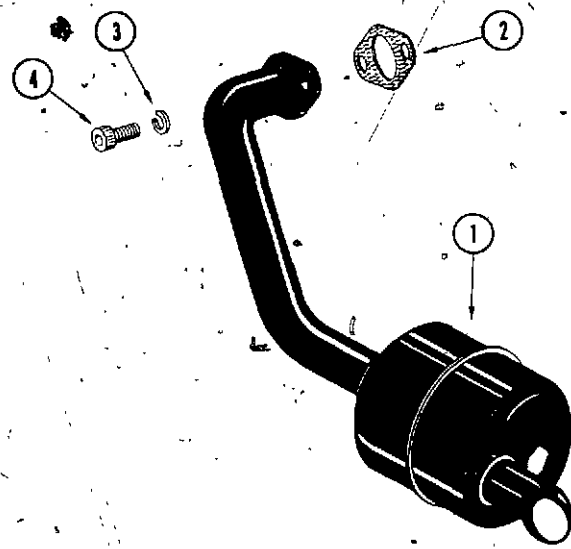
**AIR CLEANER**



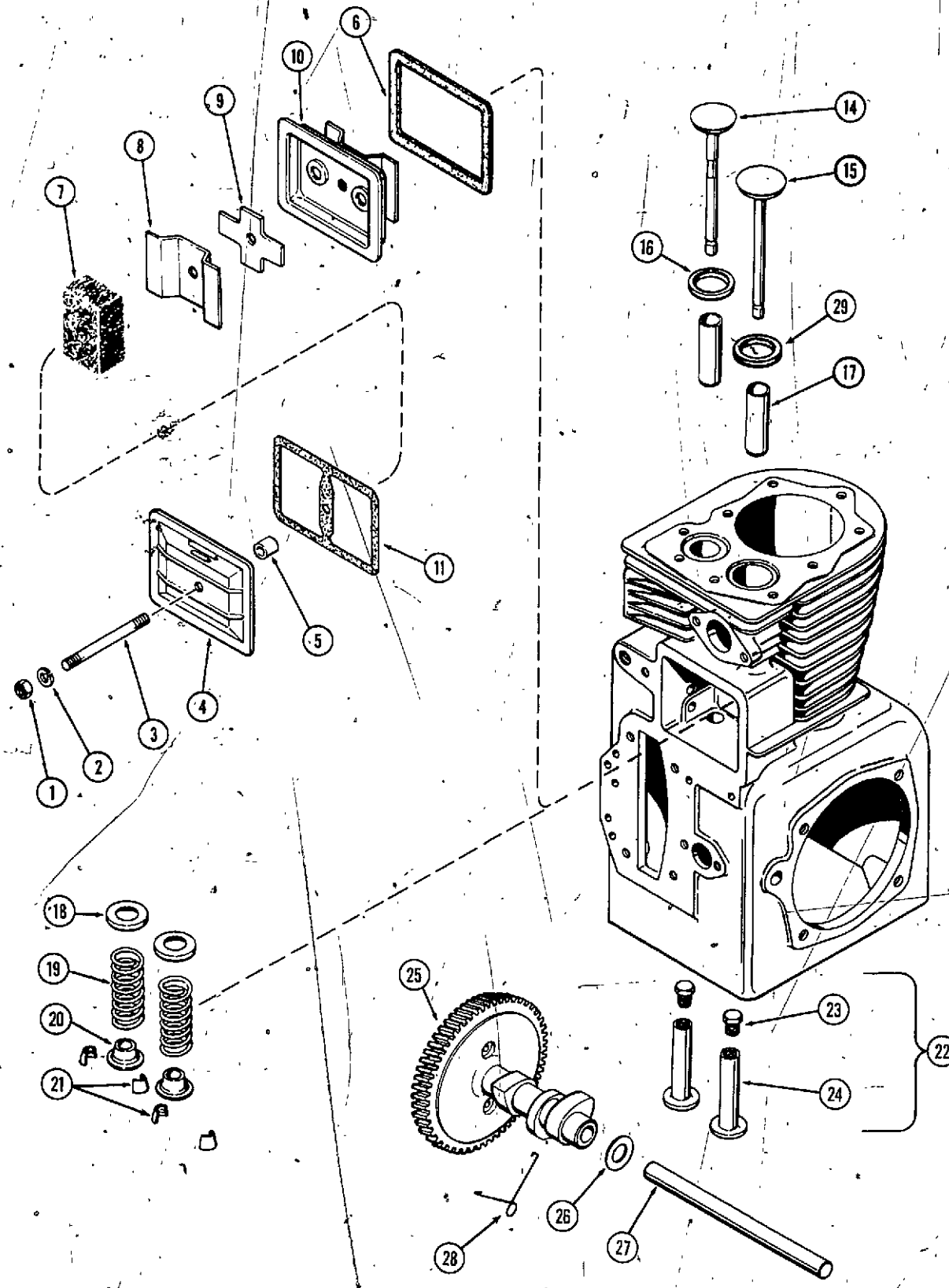
REF. PART NO.	DESCRIPTION	REQ'D
1 KOA235100	AIR CLEANER ASSY	1
2 129- 409	NUT - wing, 3/8" N.C.	1
3 KOA 536	WASHER - copper	1
4 NSS	COVER - air cleaner	1
5 A 70090	ELEMENT - air cleaner	1
6 NSS	BASE - air cleaner	1
7 177- 131	SCREW - fill, hd, 10-32 x 1/2"	3
8 192- 18	LOCKWASHER - 3/16"	3
9 195- 512	WASHER - plain, 3/16" SAE	3
10 KO 275341	GASKET - air horn	1

**EXHAUST SYSTEM**

1 C 12071	MUFFLER - exhaust	1
2 C 10372	GASKET - exhaust pad	1
3 92- 5	LOCKWASHER - 5/16"	2
4 61- 510	SCREW - 5/16-18 x 5/8" socket hd.	2



**CRANKCASE BREATHER**

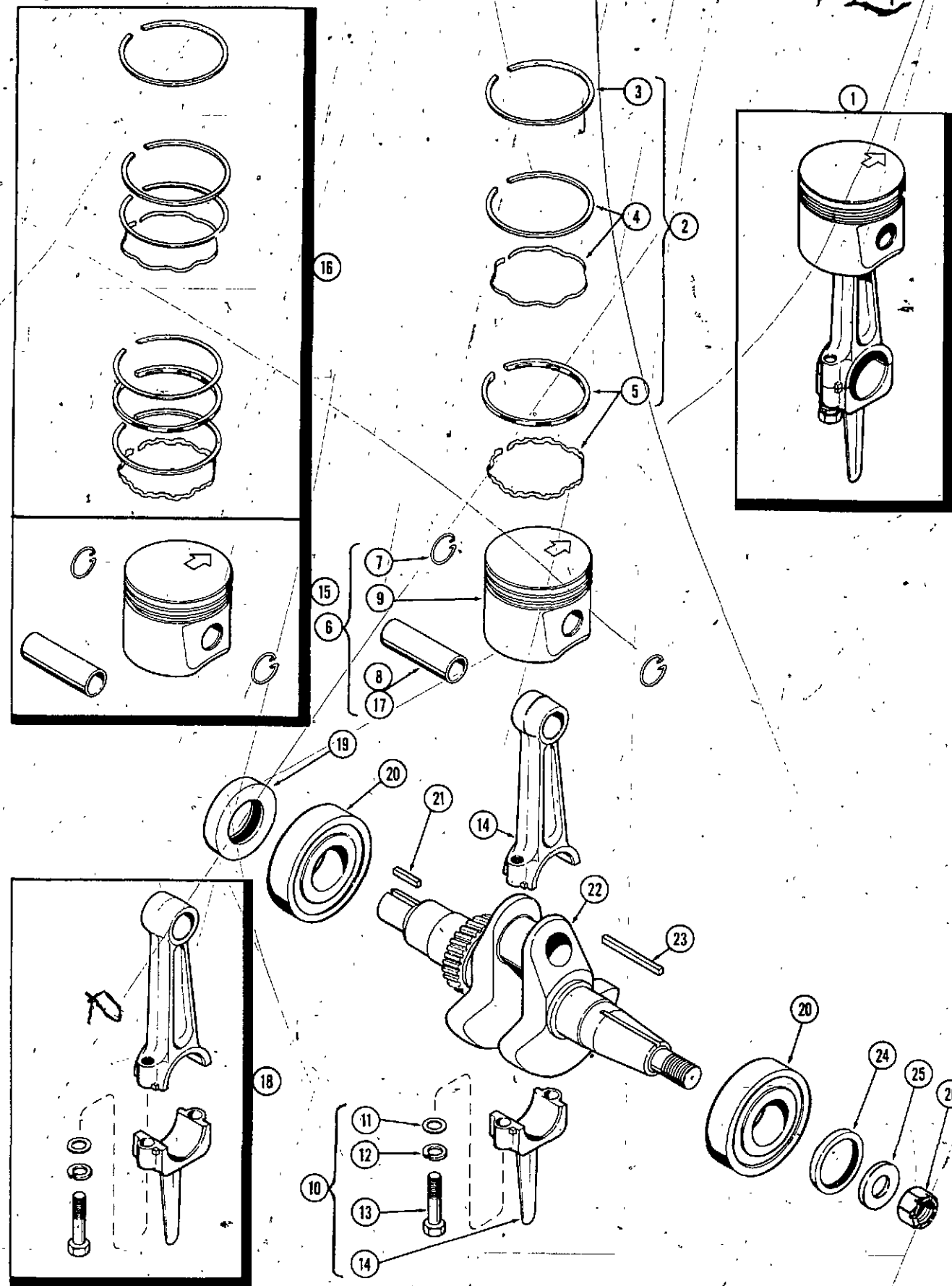


REF. PART NO.	DESCRIPTION	REQ'D
1 25- 104	NUT - 1/4" N.C. hex	1
2 92- 4	LOCKWASHER - 1/4" SAE	1
3 KO 275220	STUD - valve cover	1
4 KO 275143	COVER - valve	1
5 KO 231032	SEAL - breather	1
6 KO 235048	GASKET - valve cover	2
7 KO 235118	FILTER - breather	1
8 KO 235117	BAFFLE - breather	1
9 KO 235047	REED - breather	1
10 KO 235631	PLATE - breather	1
11 KO 275144	GASKET - valve cover	1

**120 CAMSHAFT AND VALVES**

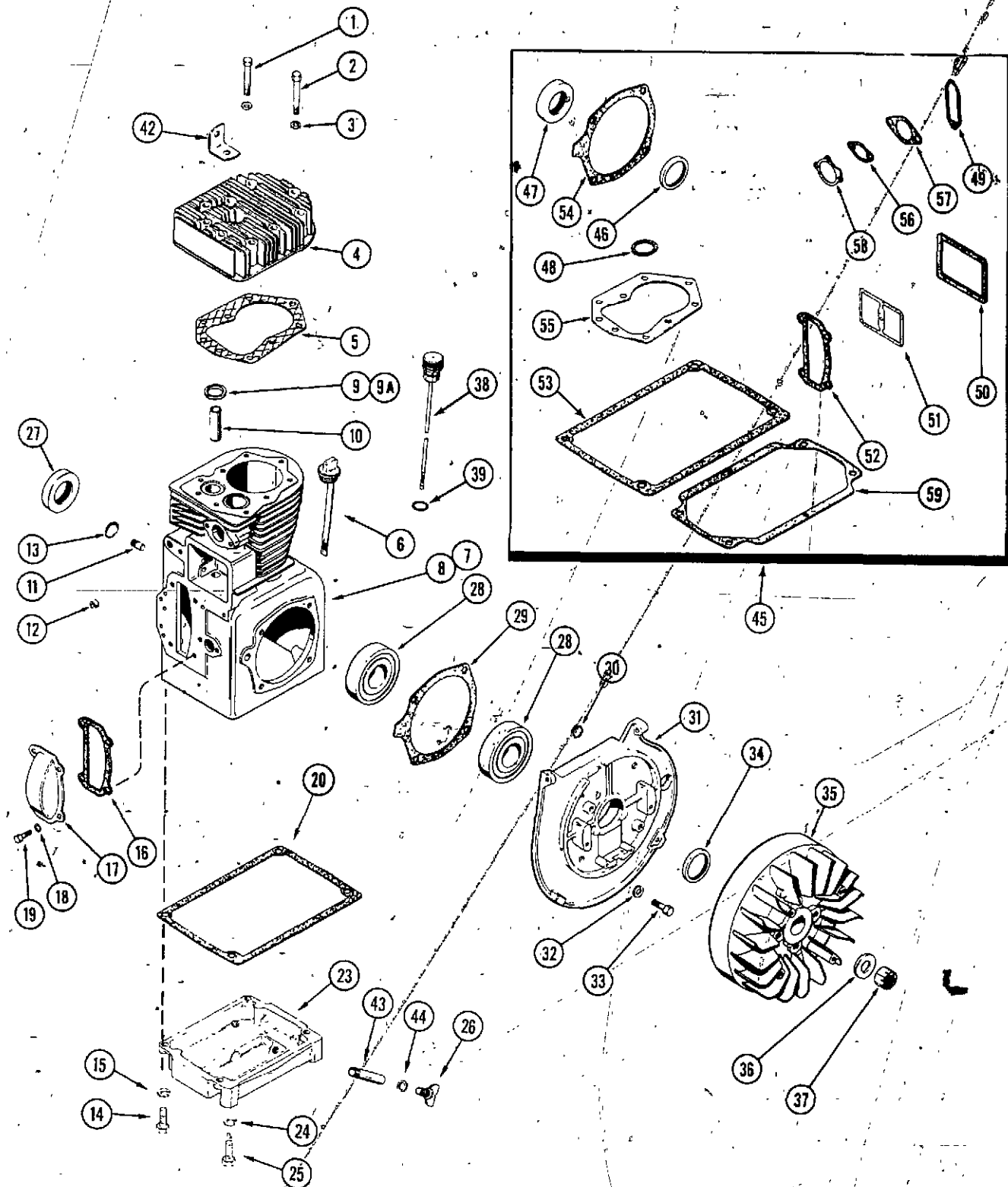
14 KO 235826	VALVE - exhaust	1
15 KO 235008	VALVE - intake	1
16 KO 230170-S	INSERT - exhaust valve seat	1
17 KO 235007-S	GUIDE - valve	2
18 KO 235011	SEAT - valve spring	2
19 KO 235010	SPRING - valve	2
20 KO 230011	RETAINER - valve spring	2
21 KO 240013	LOCK - valve retainer	4
22 KOA235327	LIFTER ASSY	2
23 NSS	SCREW - tappet adjusting	1
24 NSS	LIFTER - valve	1
25 KOA235646	CAMSHAFT ASSY	1
26 KO 275066	SPACER - camshaft, .005"	UAR
26 KO 275067	SPACER - camshaft, .010"	UAR
27 KO 235053	PIN - camshaft	1
28 KO 232770	SPRING - actuating	1
29 KO 230265-S	INSERT - intake valve seat	1

120 CRANKSHAFT, PISTON — CONNECTING ROD



REF. PART NO.	DESCRIPTION	REQ'D
1	NSS PISTON AND ROD ASSY. (Std. size)	1
2	KO 235287 RING SET - piston (for oversize see item 16)	1
3	NSS RING - top compression	1
4	NSS RING - 2nd compression (incl. expander)	1
5	NSS RING - oil (incl. expander)	1
6	KOA235611 PISTON ASSY (for oversize see item 15)	1
7	KO 235004 RETAINER - piston pin	2
8	KO 235572 PIN - piston	1
9	NSS PISTON	1
10	KOA235139 CONNECTING ROD ASSY (for undersize see item 18)	1
11	KO 235003 WASHER - special	2
12	KOX 22-35 LOCKWASHER	2
13	KO 235526 SCREW - cap, connecting rod	2
14	NSS ROD - connecting	1
15	KOA235569 PISTON ASSY - .010" oversize	1
15	KOA235571 PISTON ASSY - .020" oversize	1
15	KOA235616 PISTON ASSY - .030" oversize	1
16	KO 235288 RING SET - piston .010" oversize	1
16	KO 235289 RING SET - piston .020" oversize	1
16	KO 235290 RING SET - piston .030" oversize	1
17	KO 235573 PIN - piston, .005" oversize	1
18	KOA235139-10 CONNECTING ROD ASSY. - .010" undersize	1
19	KOX 379-6 OIL SEAL - crankshaft rear	1
20	40035 BEARING - crankshaft ball	2
21	W 5083-S KEY - 1/4" square x 3/4" (pump cplg)	1
22	KOA235711 CRANKSHAFT	1
23	KOX 366-1 KEY - flat 1/4" x 3/16" x 1-3/4" (flywheel)	1
24	KOX 271-30 OIL SEAL - crankshaft front	1
25	KOX 25-71 WASHER - 3/4"	1
26	KOX 119-16 NUT - special Marsden 3/4" NF	1

120 ENGINE BLOCK AND ATTACHING PARTS

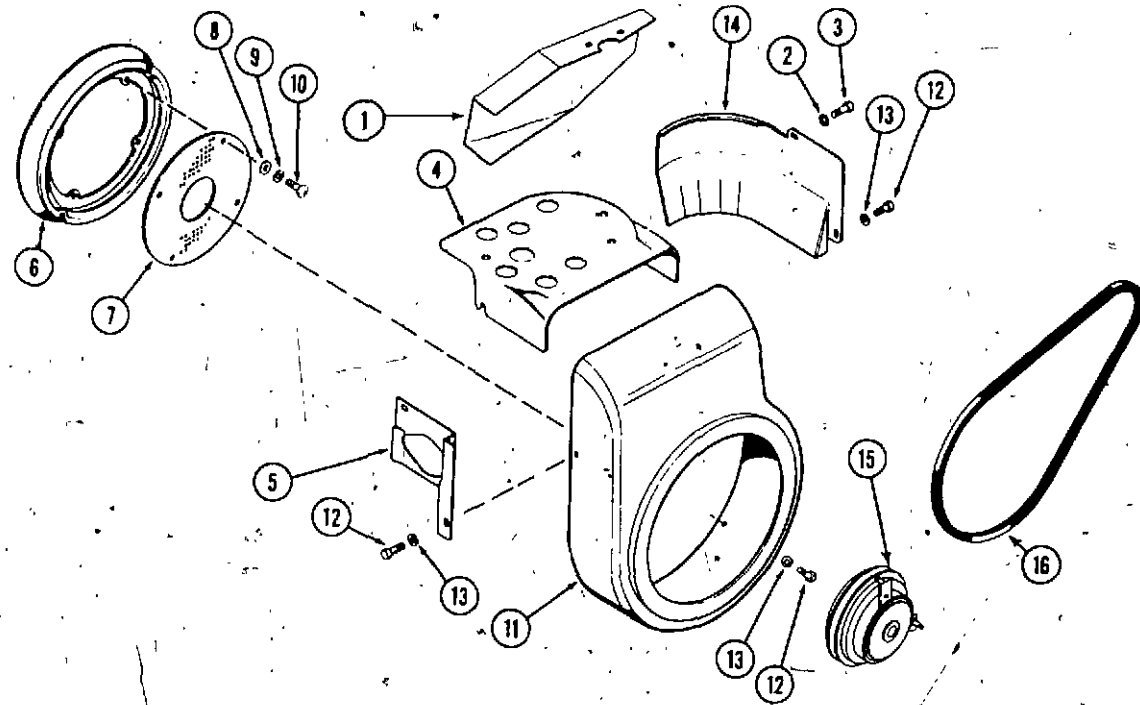


REF. PART NO.	DESCRIPTION	REQ'D
1 KO 271077	BOLT - cyl. hd. (length 2-1/4")	7
2 KO 235175	BOLT - cyl. hd. (length 2-1/2")	2
3 KO 270889	WASHER - cyl. hd. bolt	9
4 KO 235656	HEAD - cylinder	1
5 KO 235810	GASKET - head	1
6 KOA235747	DIPSTICK ASSY	1
7 KOA236303	BLOCK ASSY - cyl., short (incl. crankshaft, rod assy governor, camshaft, valves, bearings and plate)	1
8 KOA235737	BLOCK ASSY - cyl., stripped (Std. bore)	1
9 KO 230170-S	INSERT - exhaust valve	1
10 KO 235007-S	GUIDE - valve	2
11 KO 235125-S	SHAFT - stub, governor	1
12 KOX 293-4	BEARING - needle, governor shaft	1
13 41- 18	PLUG - expansion	1
14 113- 206	BOLT - 3/8" x 7/8" N.C. hex plated	4
15 192- 21	LOCKWASHER - 3/8" SAE plated	4
16 KO 235025	GASKET - camshaft cover	1
17 KO 235026	COVER - camshaft gear	1
18 192- 19	LOCKWASHER - 1/4" plated	4
19 113- 6	BOLT - 1/4" x 1/2" UNC, plated	4
20 KO 235353	GASKET - oil pan	1
23 KO 235950	BASE - oil pan	1
24 192- 21	LOCKWASHER - 3/8" plated	4
25 115- 204	BOLT - 3/8" x 1" N.C. hex plated	4
26 221- 2	PLUG - pipe, 1/4" sq. hd.	1
27 KOX 379-6	OIL SEAL - crankshaft rear	1
28 40035	BEARING - crankshaft ball	2
29 KO 235757	GASKET - shim, bearing plate, .010"	6
30 205- 27	PLUG - button, timing hole	1
31 KO 235062	PLATE - bearing	1
32 192- 21	LOCKWASHER - 3/8" plated	4
33 113- 207	BOLT - 3/8" x 1" N.C. plated	4
34 KOX 271-30	OIL SEAL - crankshaft front	1
35 KO 235818	FLYWHEEL	1
36 195- 545	WASHER - special, plated	1
37 KOX 119-16	NUT - special Marsden	1
38 KO 235954	SHAFT - frt. drive stub	1
39 192- 21	LOCKWASHER - 3/8" SAE plated	4
40 113- 208	BOLT - 3/8" x 1-1/4" N.C. hex	4
41 W 5063-S	KEY - 1/4" sq. x 3/4"	1

ENGINE GASKET AND SEAL KIT

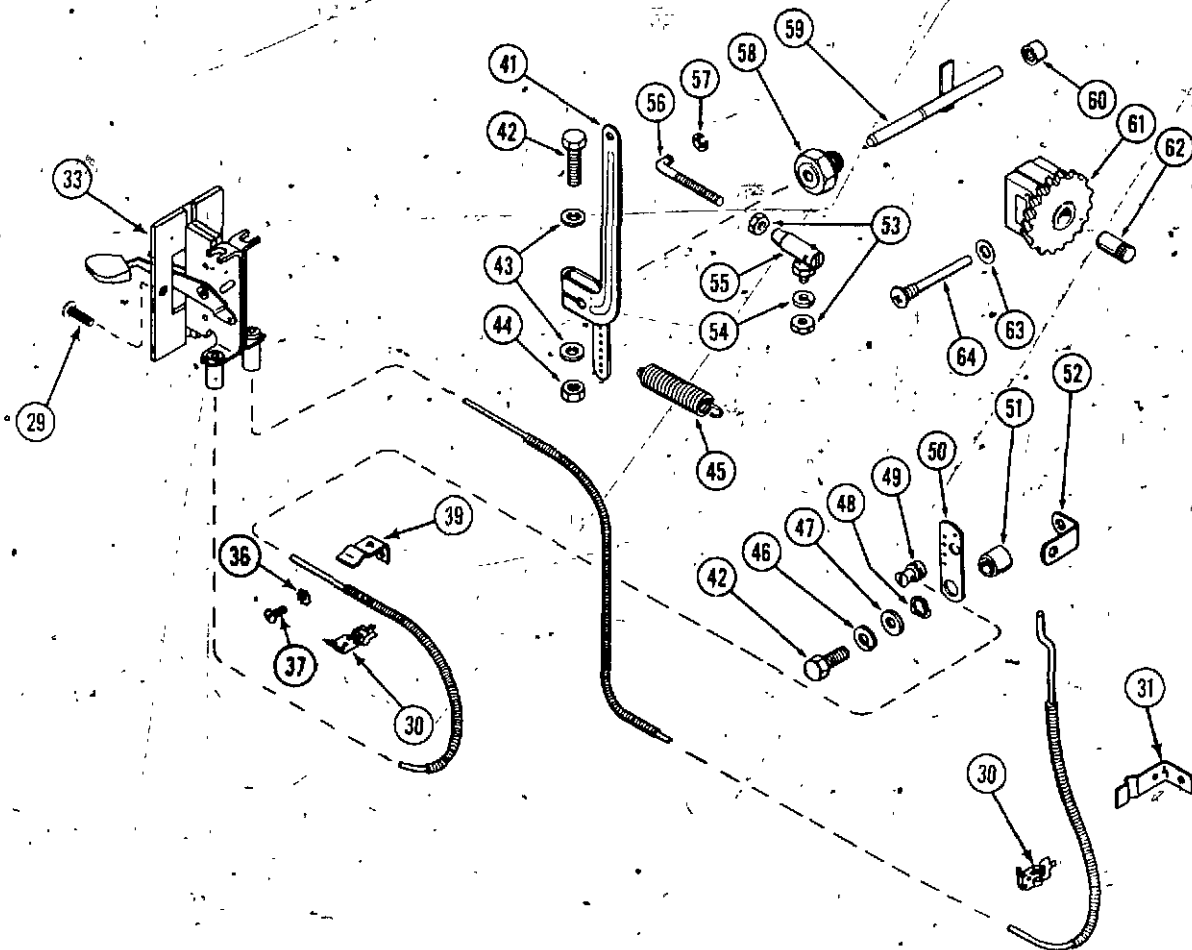
45 KO 235417	KIT - engine gasket and seal	1
46 KOX271-30	SEAL - crankshaft front oil	1
47 KOX 379-6	SEAL - crankshaft rear oil	1
48 B 59393	GASKET - fuel strainer bowl	1
49 KO 220174	GASKET - breaker cover	1
50 KO 231032	SEAL - breather	1
51 KO 235048	GASKET - valve cover	2
52 KO 235025	GASKET - camshaft gear cover	1
53 KO 235353	GASKET - oil pan	1
54 KO 235757	GASKET - shim, bearing plate .010"	6
55 KO 235810	GASKET - cyl. head	1
56 A 72108	GASKET - fuel pump flange	1
57 A 72100	GASKET - carburetor flange	1
58 KO 275341	GASKET - carburetor air horn	1

**BAFFLES, SHROUDS AND CLUTCH PULLEY**



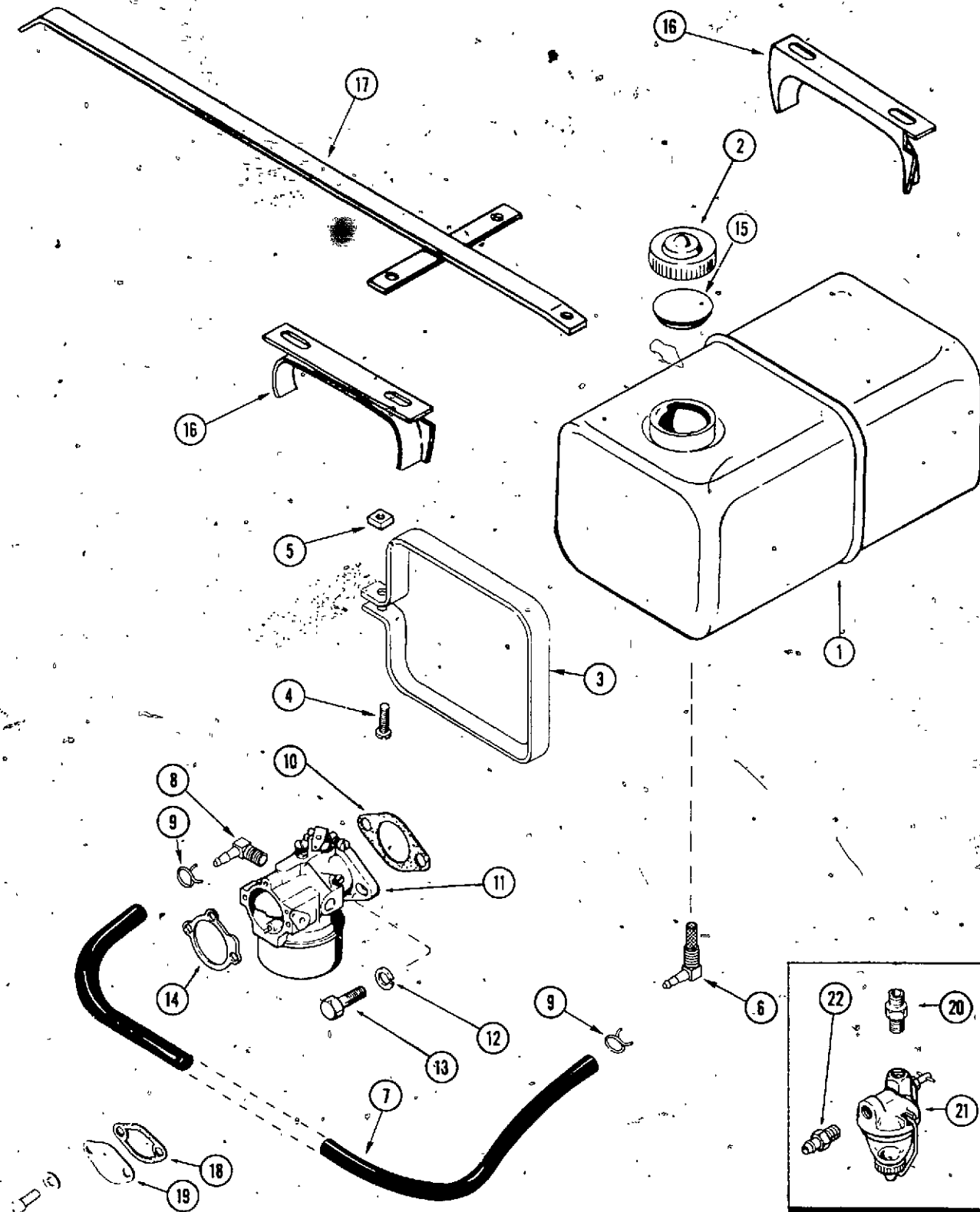
REF. PART NO.	DESCRIPTION	REQ'D
1	C. 10492 DEFLECTOR - engine air	1
2	192- 19 LOCKWASHER - 1/4", plated	2
3	113- 6 BOLT - 1/4" x 1/2" N.C. hex plated	2
4	KO 235955 Baffle - cyl. head	1
5	KO 235368 Baffle - carburetor side air	1
6	KO 235207 PULLEY - starter	1
7	KO 235052 SCREEN - blower air intake	1
8	195- 515 WASHER - 1/4" plated	4
9	192- 19 LOCKWASHER - 1/4" plated	4
10	175- 436 SCREW - 1/4" x 5/8" N.C. truss hd. Phillips, plated	4
11	KO 235951 HOUSING - blower	1
12	113- 2 BOLT - 1/4" x 3/4" N.C., hex hd. plated	4
13	192- 19 LOCKWASHER - 1/4" plated	4
14	KO 235054 Baffle - cylinder	1
15	C. 10311 CLUTCH - pulley	1
16	A 70205 BELT - drive, starter, generator	1

**CHOKE, THROTTLE AND GOVERNOR**



29	187- 1008	SCREW - #6 x 1/2" Phillips pan hd	1
30	KO 235603	CLAMP - choke control	2
31	KO 235680	BRACKET - choke control	1
33	C 10427	CONTROL - throttle and choke	1
36	193- 70	LOCKWASHER - #10 int. ext. shakeproof plated	1
37	177- 131	SCREW - #10-24 x 1/2" rd. fill. hd. plated	2
39	KO 235900	BRACKET - throttle	1
41	KO 235494	LEVER - governor	1
42	15- 420	BOLT - 1/4" x 1-1/4" N.C. hex	2
43	195- 515	WASHER - 1/4" plated	2
44	25- 104	NUT - 1/4" hex	1
45	KO 235495	SPRING - governor	1
46	192- 19	LOCKWASHER - 1/4" plated	1
47	KOX 25-67	WASHER - thrust	1
48	KO 275690	WASHER - wavy	1
49	KO 231052	CLAMP - swivel, wire	1
50	KO 235086	LEVER - speed control	1
51	KO 235085	SPACER - speed control bracket	1
52	KO 235084	BRACKET - high speed stop	1
53	129- 37	NUT - #10-32, hex	2
54	192- 18	LOCKWASHER - 3/16" plated	1
55	A 10326	JOINT - ball	1
56	KO 235277	ROD - throttle	1
57	KO 235278	RING - retaining, throttle rod	1
58	KO 235476	BUSHING - governor cross shaft	1
59	KOA235256	SHAFT ASSY - governor cross	1
60	KOX 293-4	BEARING - needle governor shaft	1
61	KOA235743	GEAR ASSY - governor	1
62	KO 235125-S	SHAFT - governor stub	1
63	KOX 25-55	WASHER - governor stop pin	1
64	KO 231355	PIN - governor stop	1

FUEL SYSTEM



REF. PART NO.	DESCRIPTION	REQ'D
1 C 10479	TANK - fuel	1
2 C 11529	CAP - fuel tank	1
3 A 70100	STRAP - fuel tank mounting	2
4 173- 215	SCREW - 1/4" x 1-1/4" rd. hd.	2
5 25- 224	NUT - 1/4" square	2
6* C 10657	ELBOW - fuel line	1
7 C 11359	HOSE - fuel line, 18-1/4"	1
8 C 10678	ELBOW - fuel line	1
9 214- 103	CLAMP - hose, 1/2"	2
10 A 72100	GASKET - carburetor flange	1
11 A 72073	CARBURETOR ASSY (Repairs see Page 17)	1
12 192- 20	LOCKWASHER - 5/16" plated	2
13 113- 103	BOLT - 5/16" x 1" N.C. hex head	2
14 KO 275341	GASKET - air horn	1
15 C 11545	INSERT - breather	1
16 A 70099	CLAMP - fuel tank mounting	2
17 C 10483	TIE BAR ASSY	1
18 A 72108	GASKET, fuel pump cover	1
19 KO 240282	COVER, fuel pump opening	1
20** 217- 200	NIPPLE - 1/8" x 3/4" close brass	1
21** B 53256	FUEL STRAINER ASSY (Repairs Page 21)	1
22** A 70103	FITTING - fuel line, nylon	1

\* Used on tractors after serial number 9608300  
 \*\* Used on tractors prior to serial number 9608301

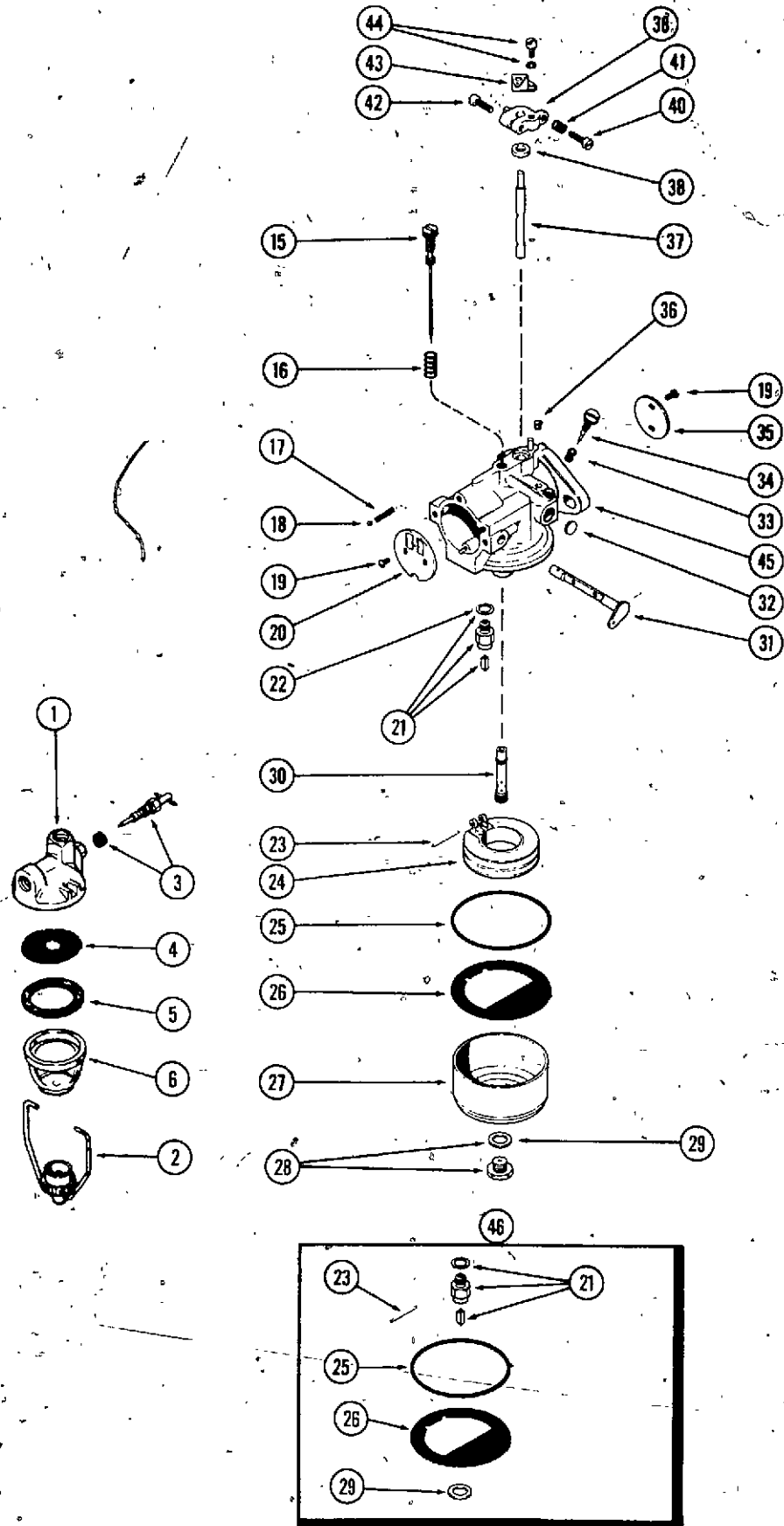
**FUEL STRAINER**

REF. PART NO.	DESCRIPTION	REQ'D
B 53256	FUEL STRAINER ASSY	1
1* B 51980	COVER - fuel strainer	1
2* B 51978	CLAMP ASSY - wire and thumb nut	1
3* B 51979	STEM - valve	1
4* B 51977	SCREEN - strainer	1
5* B 59393	GASKET - strainer	1
6* B 51975	BOWL - strainer	1

**A72073 CARBURETOR**

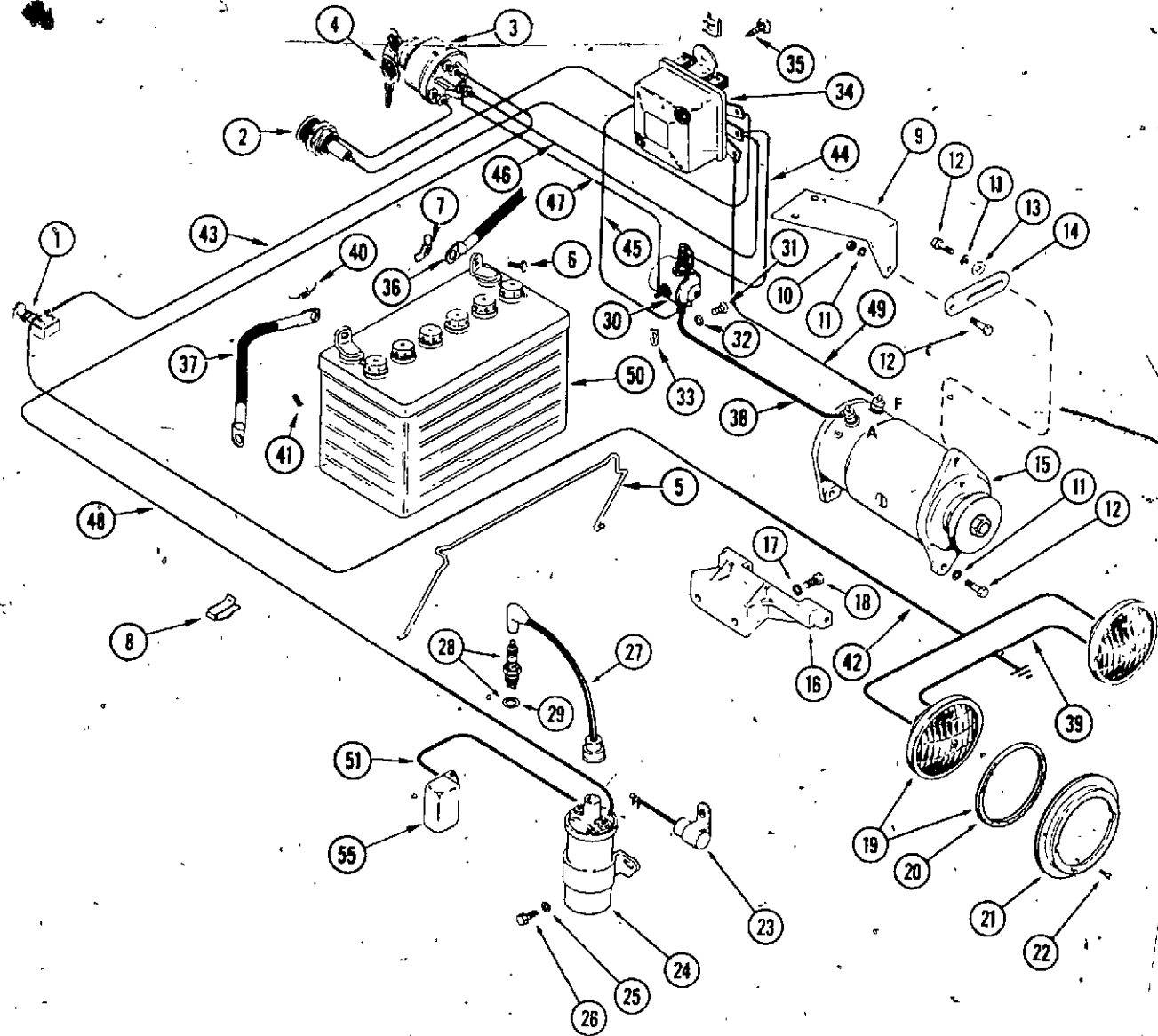
A 72073	CARBURETOR ASSY	1
15 A 72077	JET ASSY - high speed & idle adj.	1
16 A 72076	SPRING - idle jet	1
17 A 72085	SPRING - choke detent ball	1
18 211- 3	BALL - 1/8" steel	1
19 A 72091	SCREW - #3-48 rd. hd. mach., brass	4
20 A 72074	VALVE ASSY - choke disc	1
21 KO 200443	INLET NEEDLE & SEAT ASSY	1
22 A 72102	GASKET - needle seat	1
23 A 72079	PIN - carburetor float	1
24 A 72078	FLOAT ASSY	1
25 A 72081	GASKET - carburetor bowl ring	1
26 A 72082	GASKET - carburetor bowl	1
27 A 72080	BOWL - carburetor	1
28 A 72084	NUT & GASKET ASSY - bowl	1
29 A 72083	GASKET - bowl screw	1
30 A 72101	SEAT - high idle jet	1
31 A 72075	SHAFT & LEVER ASSY - choke	1
32 A 72087	PLUG - 3/8" expansion	1
33 A 72098	SPRING - lean-rich adjusting screw	1
34 A 72099	SCREW - adjusting (lean-rich)	1
35 A 72090	VALVE - throttle disc	1
36 A 72088	PLUG - carb. body passage	1
37 A 72089	SHAFT - throttle lever	1
38 A 72097	SEAL - throttle shaft	1
39 A 72094	DOG ASSY - throttle shaft	1
40 A 72092	SCREW - idle stop	1
41 KO 200380	SPRING - idle screw tension	1
42 169- 77	SCREW - throttle dog clamp #8 x 1/2" N.C. fill. hd.	1
43 A 72096	LEVER - throttle	1
44 A 72095	SCREW ASSY - throttle lever	1
45 NSS	BODY - carb. (Order A72073 Carb. Assy)	1
46 A 72103	KIT - carburetor repair	1

\* Used on Model 120 tractors with serial numbers below 9608301





ELECTRICAL WIRING AND HARDWARE

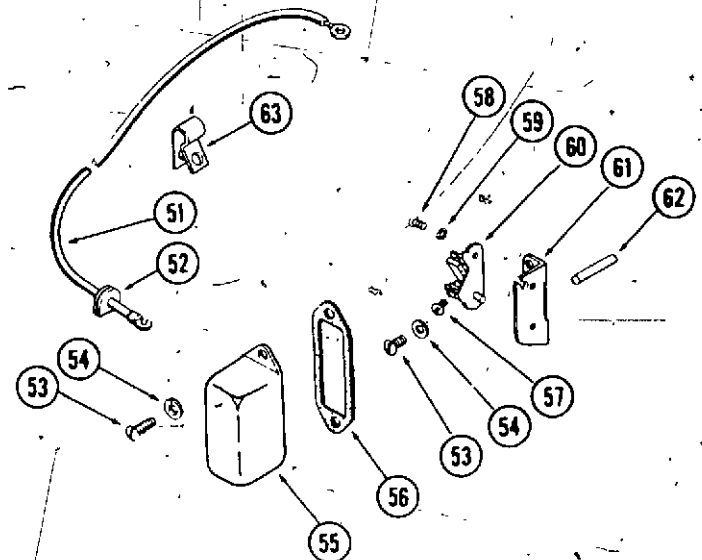
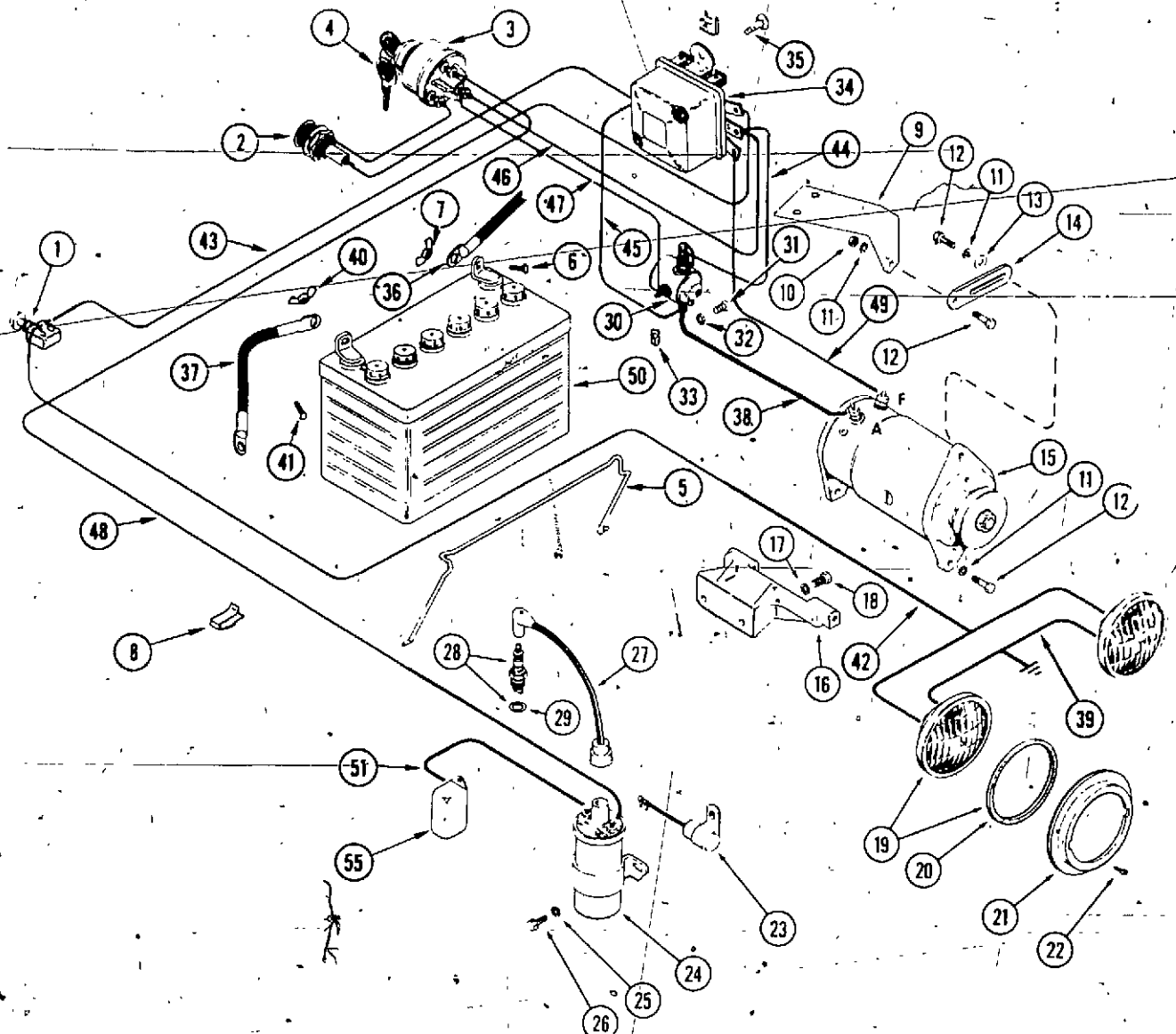


REF. PART NO.	DESCRIPTION	REQ'D
1 C 10474	SWITCH - light	1
2 C 10397	LIGHT - generator indicator (with leads)	1
3* C 11249	SWITCH - ignition (incl. key and nut) (Keys not furnished - must be made locally)	1
3** A 11373	SWITCH - ignition (incl. key and nut)	1
4 A 20346	KEY - ignition switch (for A11373 only)	2
5 C 10549	HOLD-DOWN - battery	1
6 C 10461	BOLT - carriage, battery positive	1
7 129- 419	NUT - wing, battery positive	1
8 C 10472	CLIP - wireholder	2
9 KO 235197	SUPPORT - starter generator adj. bracket	1
10 129- 102	NUT - 5/16" N. C. hex plated	2
11 192- 20	LOCKWASHER - 5/16" plated	4
12 113- 113	BOLT - 5/16" x 1" N.C. hex hd. plated	4
13 195- 520	WASHER - 5/16" plain plated	1
14 KO 235203	BRACKET - adjusting, starter generator	1
15 A 70202	STARTER-GENERATOR - Delco No. 1101970	1
16 KO 235196	SUPPORT - starter, generator	1
17 192- 21	LOCKWASHER - 3/8" plated	2
18 113- 221	BOLT - 3/8" x 7/8" N.C. hex hd. plated	2
19 A 24572	HEADLAMP - 12 volt	2
20 A 11276	GASKET - retainer ring	2
21 A 11275	RING - headlamp retainer	2
22 187- 1102	SCREW - #6 x 1/2" pan hd. self-tapping	6
23 KO 230722	CONDENSER	1
24 KO 231281	COIL - ignition	1
25 192- 19	LOCKWASHER - 1/4" plated	2
26 113- 1	BOLT - 1/4" x 1/2" N.C. hex hd. plated	2
27 KOA235095	CABLE - hi-tension	1
28 M 20007	SPARK PLUG - (includes gasket)	1
29 A 27251	GASKET - spark plug	1
30 A 21481	SOLENOID - starting	1
31 113- 101	BOLT - 5/16" x 1/2" UN hex hd. plated	2
32 192- 20	WASHER - 5/16" plated	2
33 C 10836	NUT - speed type "U"	2

\* Used on Model 120 tractor with serial nos. 9608001 to 9608237 and again beginning with serial no. 9608450 and up.

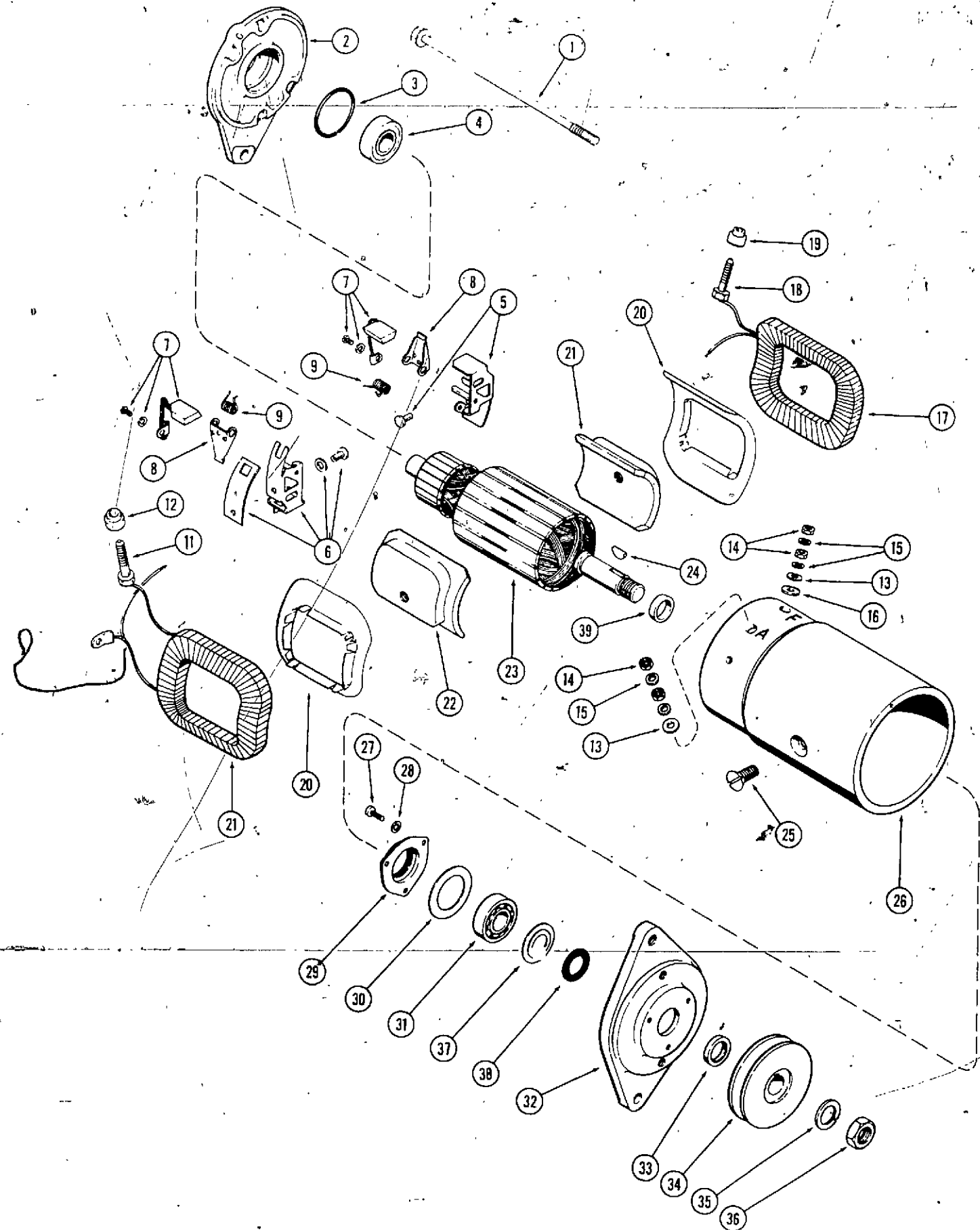
\*\* Used on Model 120 tractor with serial nos. 9608237 through 9608450.

ELECTRICAL WIRING AND HARDWARE



REF. PART NO.	DESCRIPTION	REQ'D
34 A 7022	REGULATOR - voltage Deico No. 1118988	1
35 187- 131	SCREW - 10" x 1.2", self-tapping flat head	2
36 C 10470	CABLE - battery - positive to solenoid	1
37 C 10473	CABLE - battery - negative to ground	1
38 C 10471	CABLE - solenoid to starter-generator	1
39 C -10985	WIRE ASSY - headlight to ground	1
40 129- 409	NUT - wing, battery negative	1
41 C 10469	BOLT - carriage, battery negative	1
42 C 10588	WIRE - switch to headlights, 40" black	1
43 C 10587	WIRE - regulator to light switch, 10" yellow	1
44 C 10590	WIRE - regulator to solenoid, 4-3/4" black	1
45 C 10586	WIRE - regulator ground to solenoid, 7-1/4" white	1
46 C 10589	WIRE - ignition switch to regulator, 6-1/2" red	1
47 C 10591	WIRE - ignition switch to solenoid, 10" blue	1
48 C 10592	WIRE - ignition switch to coil, 36" green	1
49 C 10585	WIRE - regulator field to generator field, 22-3/4" black	1
50 M 20164	BATTERY - 12 volt	1
51 KOA231533	LEAD - breaker contact (incl. grommet)	1
52 KO 220297	GROMMET - breaker contact lead	1
53 173- 210	SCREW - #10-24 x 3/8" rd. hd., plated	4
54 192- 18	LOCKWASHER - 3/16" plated	4
55 KO 232535	COVER - breaker contact	1
56 KO 220174	GASKET - cover, breaker contact	1
57 187- 408	SCREW - terminal, #6-32 x 3/8" self-tapping	1
58 173- 224	SCREW - breaker contact mtg. #8 x 1.4" N.C. rd. hd.	1
59 193- 5	LOCKWASHER - #8 internal shakeproof	1
60 KO 220475	POINT SET - breaker contact	1
61 KO 220476	BRACKET - mounting breaker contacts	1
62 KOX-389-1	ROD - breaker contact push	1
63 KO 275303	CLIP - breaker contact wire	1

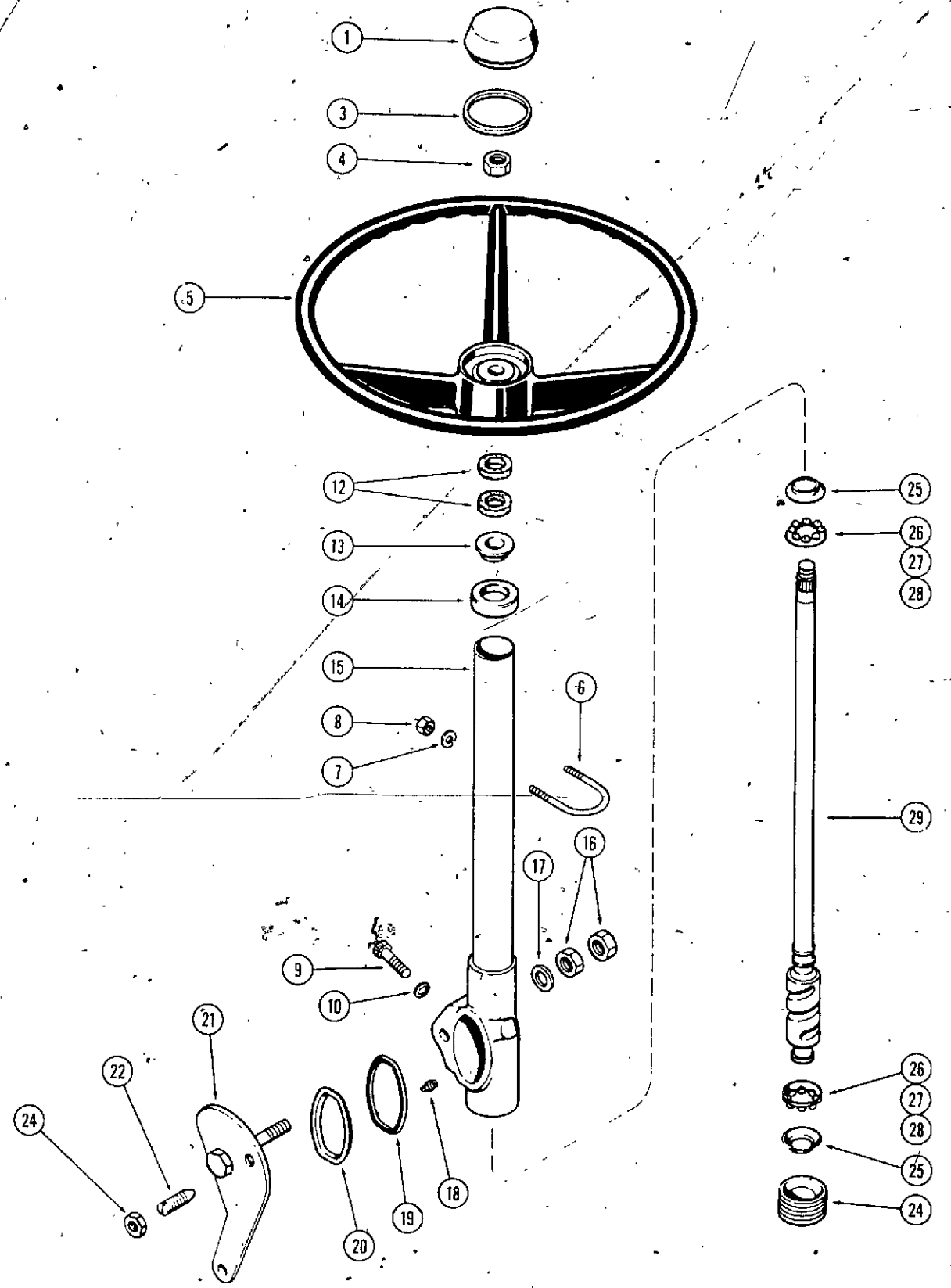
**A70202 STARTER-GENERATOR**



REF. PART NO.	DESCRIPTION	REQ'D
1 R 15106	BOLT - thru (includes washer)	2
2 A 72104	FRAME ASSY - commutator end	1
3 R 15087	RING - bearing retainer	1
4 A 25461	BEARING - commutator end ball	1
5 A 72039	HOLDER KIT - ground brush	1
6 A 72040	HOLDER KIT - insulated brush	1
7 A 72038	BRUSH ASSY	2
8 R 15090	ARM - brush pressure	2
9 A 25423	SPRING - brush arm	2
10 A 72042	COIL ASSY - field R.H.	1
11 A 72048	STUD - armature terminal	1
12 R 16147	BUSHING - insulated, armature stud	1
13 R 15079	WASHER - armature stud	2
14 192- 8	NUT - terminal stud 12-24 hex	4
15 192- 17	LOCKWASHER - terminal stud #12	4
16 R 16148	WASHER - insulated, field stud	1
17 A 72043	COIL ASSY - field, L.H.	1
18 A 72049	STUD - field terminal	1
19 R 15077	BUSHING - insulated, field stud	1
20 A 25447	INSULATOR - field coil	2
21 A 40736	SHOE - pole	1
22 A 40736	SHOE - pole	1
23 A 72041	ARMATURE	1
24 126- 111	KEY - Woodruff, armature	1
25 D 32477	SCREW - pole	2
26 NSS	BODY - starter generator (Order A70202)	1
27 173- 237	SCREW - 10-32 x 1/2" rd. Hd.	3
28 192- 18	LOCKWASHER - 3/16" plated	3
29 A 72050	RETAINER ASSY - bearing (includes ref. 37 & 38)	1
30 R 16170	GASKET - bearing retainer	1
31 A 25441	BEARING - ball, drive end	1
32 A 72046	FRAME ASSY - drive end	1
33 A 72047	SPACER - pulley	1
34 C 13413	PULLEY - starter - generator drive	1
35 192- 26	LOCKWASHER - 11/16" plated	1
36 R 15105	NUT - armature shaft, drive end	1
37 NSS	RETAINER - grease (Order A72050)	1
38 NSS	SEAL - felt (Order A72050)	1
39 NSS	SPACER - armature shaft, inner	1

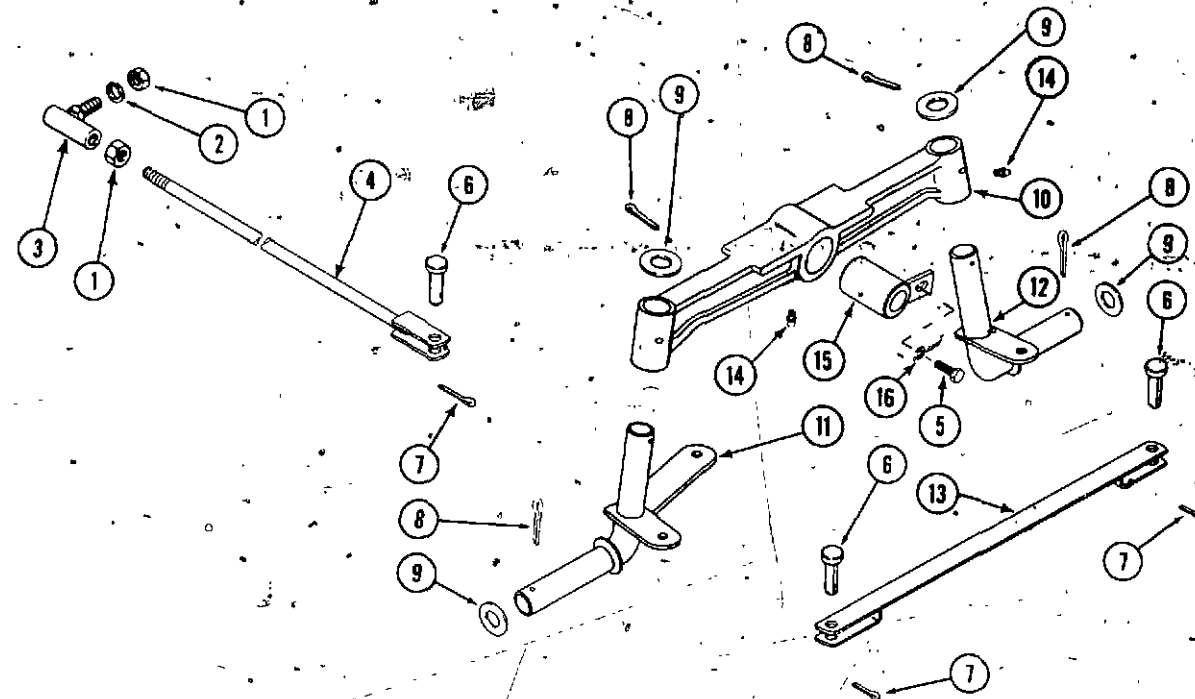
CASE 120 GARDEN TRACTOR

STEERING GEAR



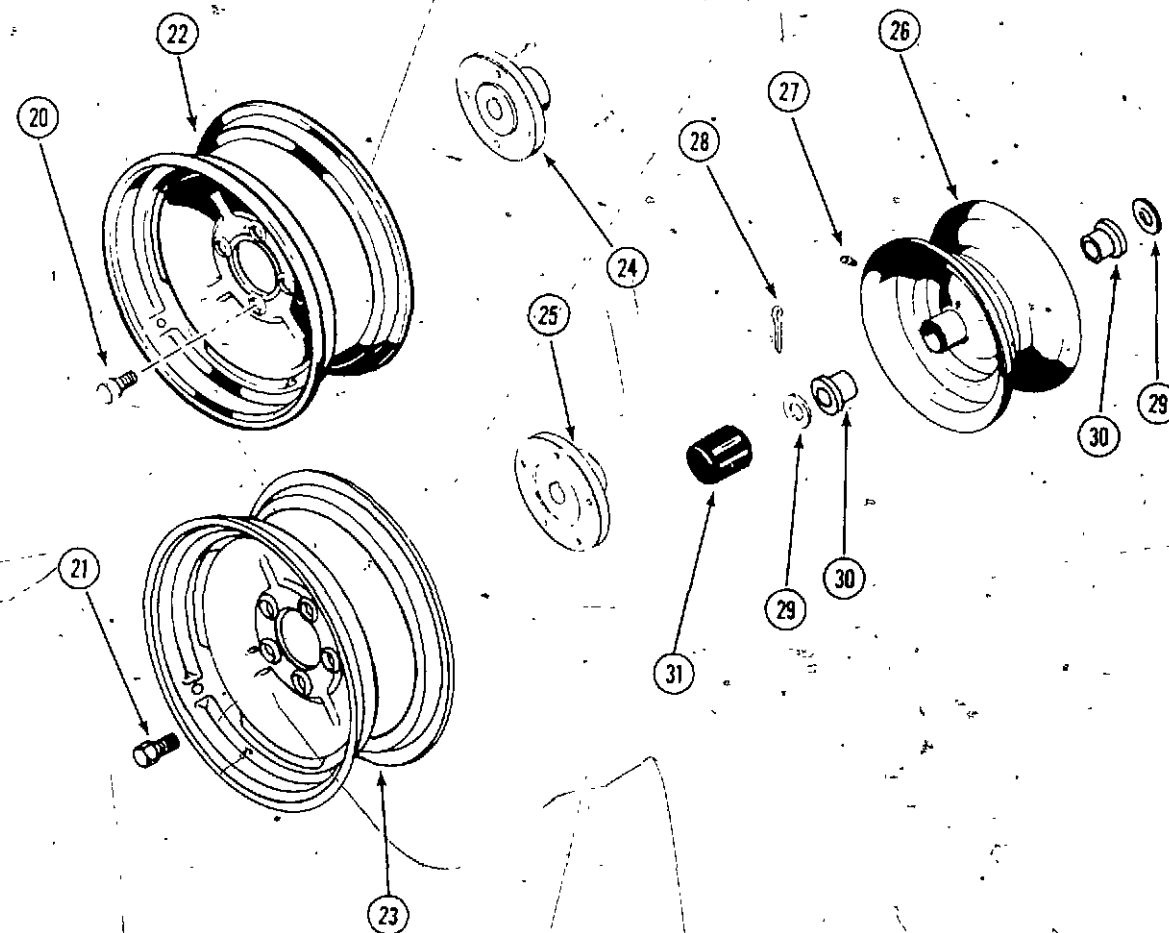
REF.	PART NO.	DESCRIPTION	REQ'D
1	L 15282	MEDALLION - steering wheel	1
3	A 70392	RING - medallion retaining	1
4	25- 1510	NUT - 5/8" N.F. hex	1
5	A 70058	WHEEL - steering	1
6	C 10364	U-bolt - strg. gear mtg.	1
7	92- 4	LOCKWASHER - 1/4" plated	2
8	129- 501	NUT - 1/4" N.C. hex Acorn	2
9	13- 644	BOLT - 3/8" x 2-3/4" N.C. hex hd, plated	2
10	92- 6	LOCKWASHER - 3/8" plated	2
	A 70056	STEERING GEAR ASSY	1
	F 19645	SEAL - felt	2
12	A 72011	BEARING - spacer (Nylon)	1
13	A 72012	RETAINER - bearing	1
14	NSS	HOUSING AND TUBE ASSY (Order A70056)	1
15	25- 1510	NUT - jam 5/8" N.F. hex	2
16	A 72014	WASHER - bronze	1
17	219- 14	FITTING - lube	1
18	A 72015	SEAL	1
19	A 72013	RETAINER - seal	1
20	A 72022	LEVER & BOLT ASSY	1
21	A 72017	STUD - adjusting	1
22	A 72010	NUT - adjusting	1
23	A 72021	PLUG - adjusting	1
24	A 72018	CUP - bearing	2
25	A 72020	BALL - retainer assembly	2
26	NSS	RETAINER - ball	1
27	211- 9	BALL - 5/16" dia.	8
28	NSS	CAM AND TUBE ASSY - (Order A70056)	1
29			

FRONT AXLE

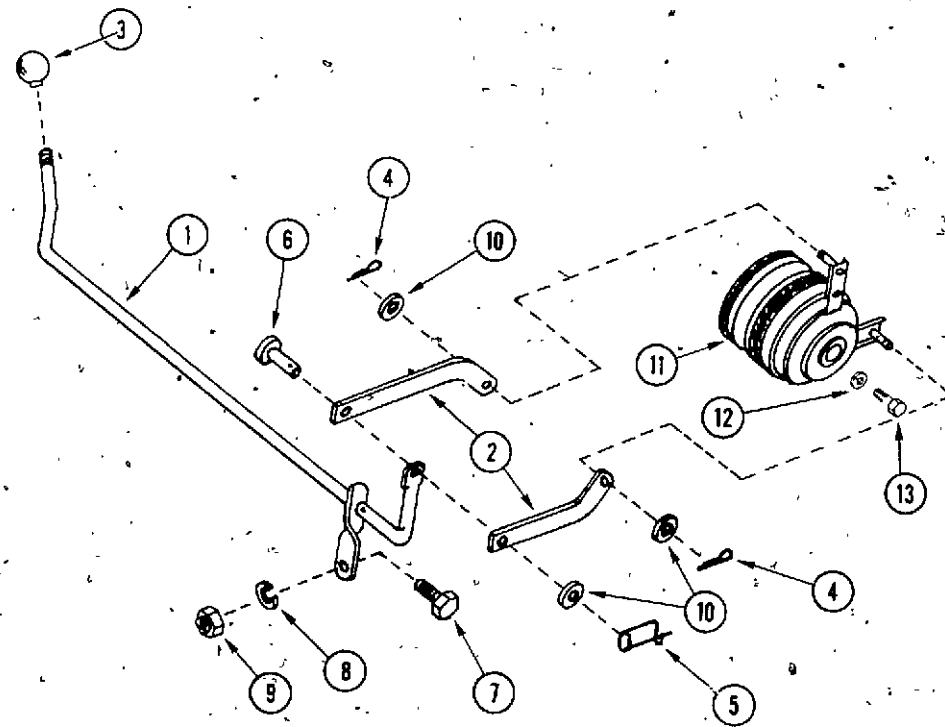


REF. PART NO.	DESCRIPTION	REQ'D
1 25- 118	NUT - 1/2" N.C., hex plated	2
2 92- 8	LOCKWASHER - 1/2" SAE, plated	2
3 C 12102	JOINT - ball, 1/2"	1
4 C 10247	ROD - drag link	1
5 113- 205	BOLT - 3/8" x 5/8" NC hex	1
6 141- 6	PIN - tie bar and drag link	3
7 132- 47	PIN - cotter, 1/8" x 7/8"	3
8 132- 73	PIN - cotter, 5/32" x 1-1/2"	2
9 195- 45	WASHER - plain, 3/4"	2
10 C 10209	AXLE - front	1
11 C 10240	SPINDLE - right hand	1
12 C 10241	SPINDLE - left hand	1
13 C 10235	TIE BAR - spindle	1
14 219- 8	FITTING - tube	3
15 C 10501	PIN - axle pivot (See C10500 for tractor w/PTO)	1
16 192- 21	LOCKWASHER - 3/8" SAE	1

FRONT AND REAR WHEELS



20 A 30064	BOLT - rear wheel lug	8
21 C 10314	BOLT - rear wheel lug	10
22 A 70183	WHEEL - rear (For four bolt hub)	2
23 C 10263	WHEEL - rear (For five bolt hub)	2
24 A 70144	HUB - rear wheel, 4 hole	2
25 C 10446	HUB - rear wheel, 5 hole	2
26 A 70479	WHEEL - front	2
27 219- 1	FITTING - lubrication, 1/8" NPT	2
28 132- 73	PIN - cotter, 5/32" x 1-1/2"	2
29 C 10552	WASHER - 3/4" x 1-1/4", spacer	2
30 A 70398	BUSHING - front wheel	4
31 C 10534	CAP - plastic front wheel	2
32 195- 45	WASHER - 3/4"	2
33 126- 28	KEY - Woodruff	2

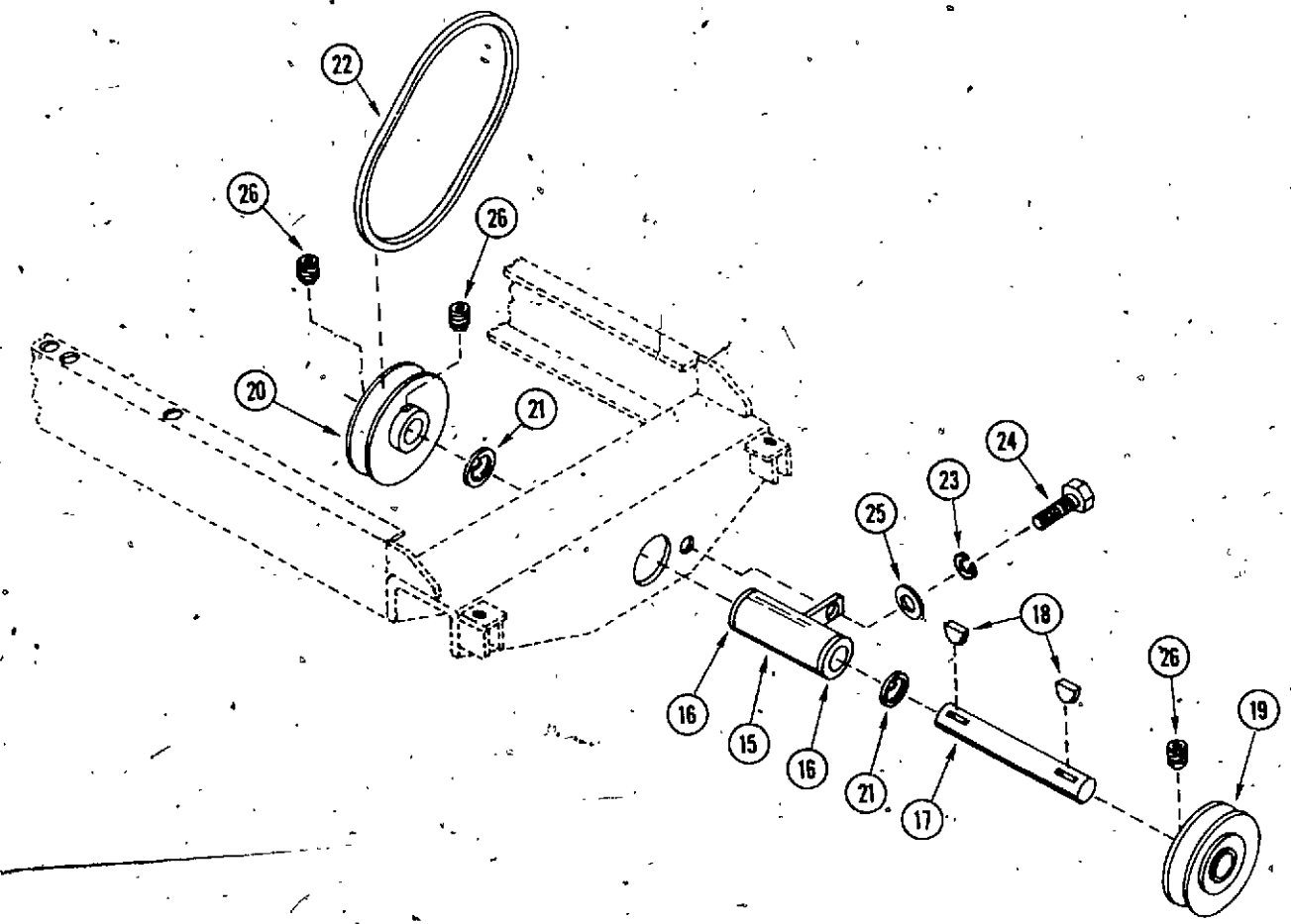


**PULLEY CLUTCH**

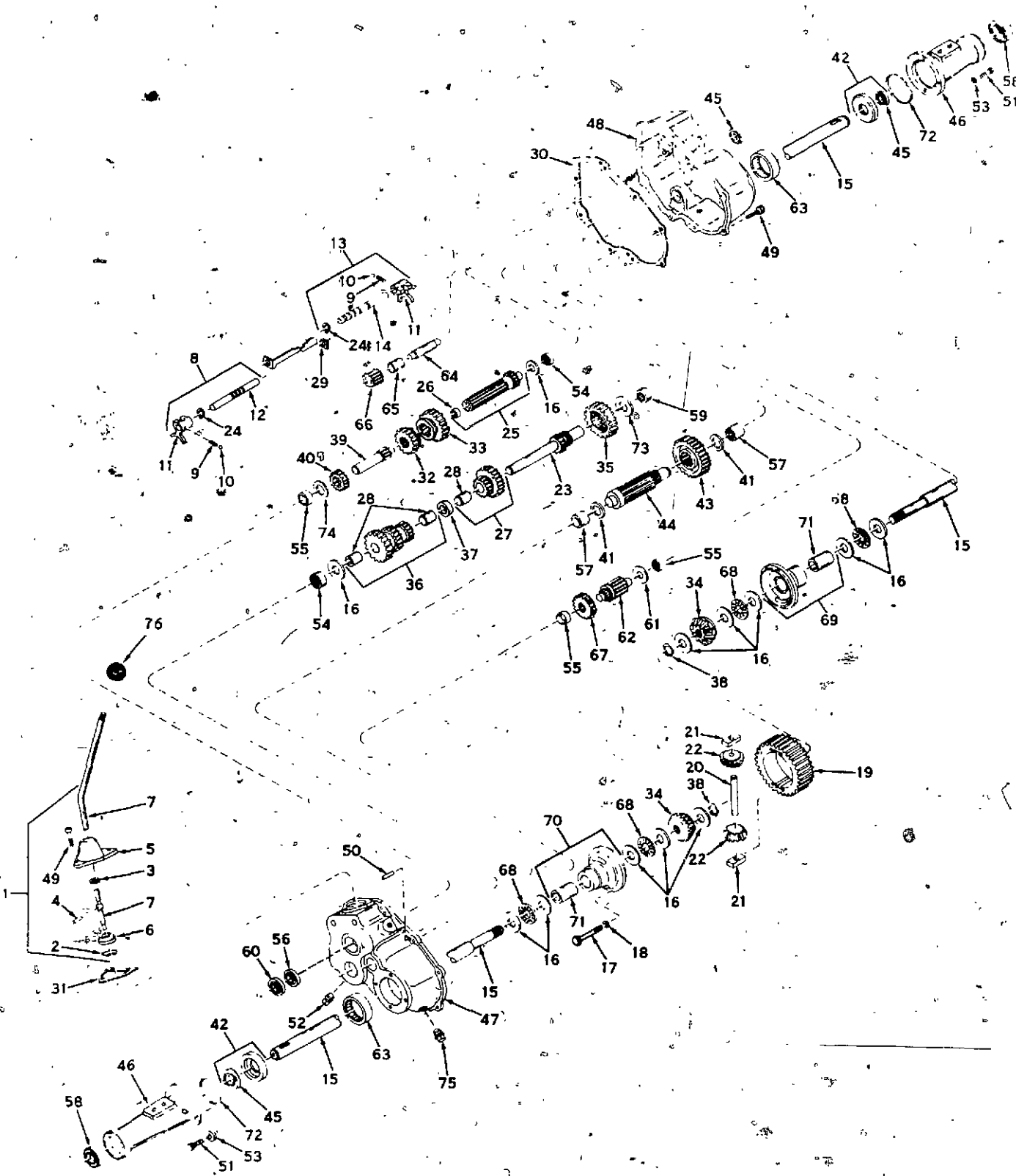
REF. PART NO.	DESCRIPTION	REQ'D
1 C 10880	LEVER - clutch control	1
2 C 10525	LINK - clutch control	2
3 C 10487	KNOB - lever	1
4 132- 24	PIN - cotter, 3/32" x 1, 2"	2
5 C 10883	PIN - safety	1
6 141- 2	PIN - clevis, 1/4" x 3/4"	1
7 15- 512	BOLT - 5/16"-18 N.C. x 3/4"	1
8 92- 5	LOCKWASHER - 5/16" SAE	1
9 25- 105	NUT - 5/16" 18 N.C.	1
10 195- 17	WASHER - 1/4" plain	3
11 C 10311	CLUTCH - PTO "V" belt (Parts not serviced)	1
12 92- 6	LOCKWASHER - 3/8" SAE	1
13 13- 640	BOLT - 3/8" - 16 x 2-1/2", hex head	1

**FRONT P.T.O. (OPTIONAL)**

15 C 10500	CARRIER - pivot and bearing	1
16 C 10502	BEARING - sintered bronze	2
17 C 10503	SHAFT - PTO pulley	1
18 126- 22	KEY - Woodruff #13 SAE	2
19 C 10504	PULLEY - drive	1
20 C 10505	PULLEY - driven adjustable	1
21 C 10506	WASHER - thrust	2
22 C 10507	BELT - 3 V section 30"	1
23 192- 21	LOCKWASHER - 3/8" SAE	1
24 113- 205	BOLT - 3/8"-16 x 5/8" hex head	1
25 195- 522	WASHER - 3/8" SAE plain	2
26 83- 56	SETSCREW - 5/16" x 3/8" socket head	3

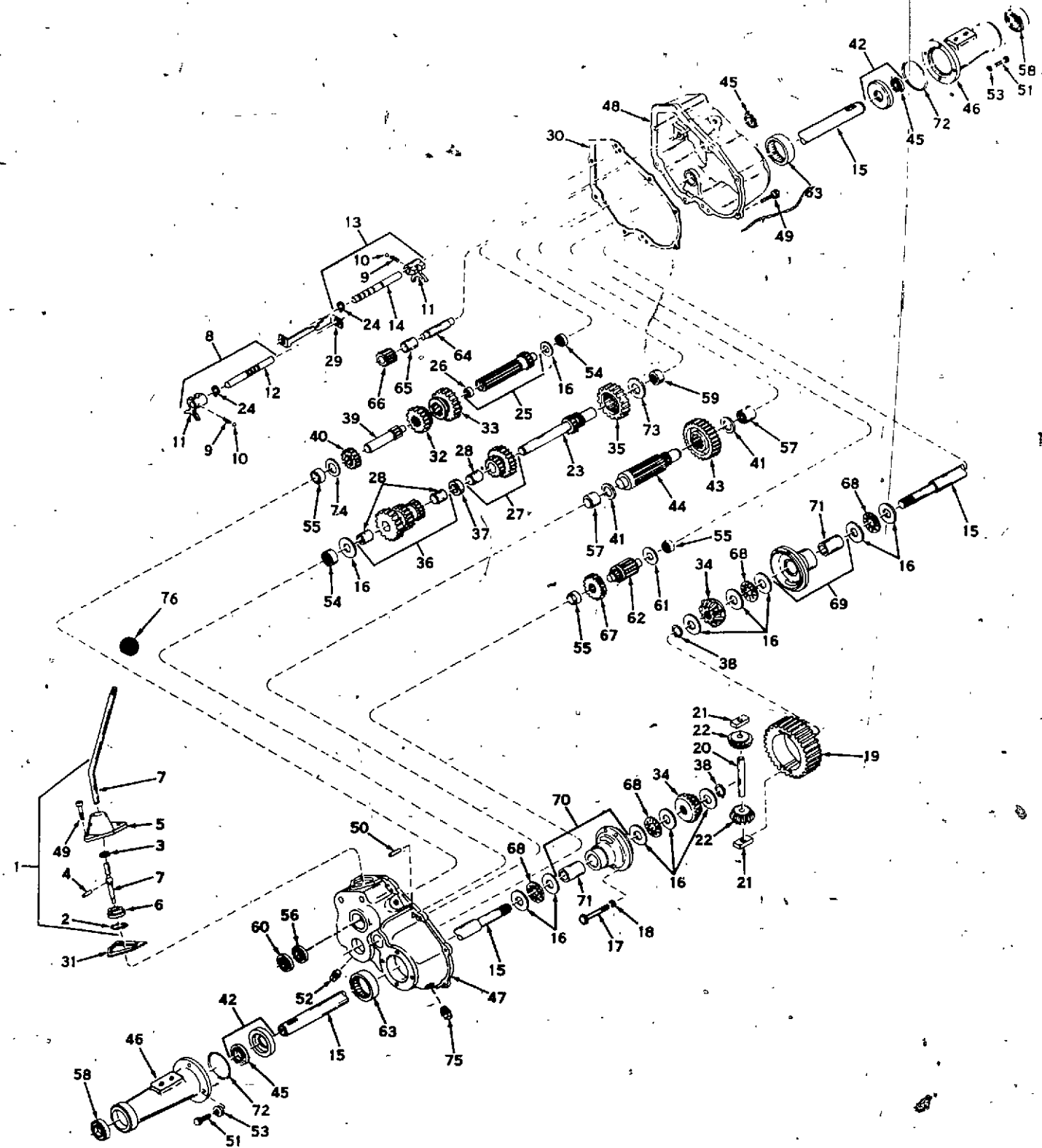


TRANSMISSION



REF. PART NO.	DESCRIPTION	REQ'D
C 10486	TRANSMISSION - Peerless - #2310	1
1 C 11161	LEVER & HOUSING ASSY - shift (Incl. Nos. 2 thru 7)	1
2 C 11219	RING - snap	1
3 35012	RING - quad	1
4 C 11220	PIN - roll	1
5 C 11162	HOUSING - shift lever	1
6 C 11163	KEEPER - shift lever	1
7 C 11164	LEVER - shift	1
8 C 11165	ROD ASSY - shift (Incl. Nos. 9 thru 12 and 24)	1
9 C 11166	SPRING	2
10 211- 5	BALL - steel	2
11 C 11167	FORK - snifter	2
12 C 11168	ROD - shifter	1
13 C 11169	ROD ASSY - shift (Incl. Nos. 9, 10, 11, 14 and 24)	1
14 C 11170	ROD - shifter	1
15 C 11171	AXLE	1
16 C 11178	WASHER - thrust	12
17 13- 440	SCREW - cap, hex head, 1/4"-20 x 2-1/2"	4
18 92- 4	LOCKWASHER - 1/4"	4
19 C 11172	GEAR - ring	1
20 C 11173	PIN - drive	1
21 C 11174	BLOCK - drive	2
22 C 11175	PINION - bevel	2
23 C 11176	SHAFT & GEAR - brake	1
24 A 11538	RING - snap	2
25 C 11177	SHAFT & BEARING ASSY - pinion (Incl. No. 26)	1
26 A 27287	BEARING	1
27 C 11179	GEAR CLUSTER ASSY - (Incl. No. 28)	1
28 C 11180	BUSHING	3
29 C 11181	STOP - shifter	1
30 C 11182	GASKET - case and cover	1
31 C 11183	GASKET - shift lever housing	1
32 C 11184	GEAR - shifting (3rd and 4th)	1
33 C 11185	GEAR - shifting (1st, 2nd and reverse)	1
34 C 11186	GEAR - bevel	2
35 C 11187	GEAR - idler	1
36 C 11188	GEAR CLUSTER ASSY - (Incl. No. 28)	1
37 C 11189	SPACER	1
38 C 11222	RING - snap	2
39 C 11190	SHAFT - input	1
40 C 11191	SPUR GEAR - input shaft	1

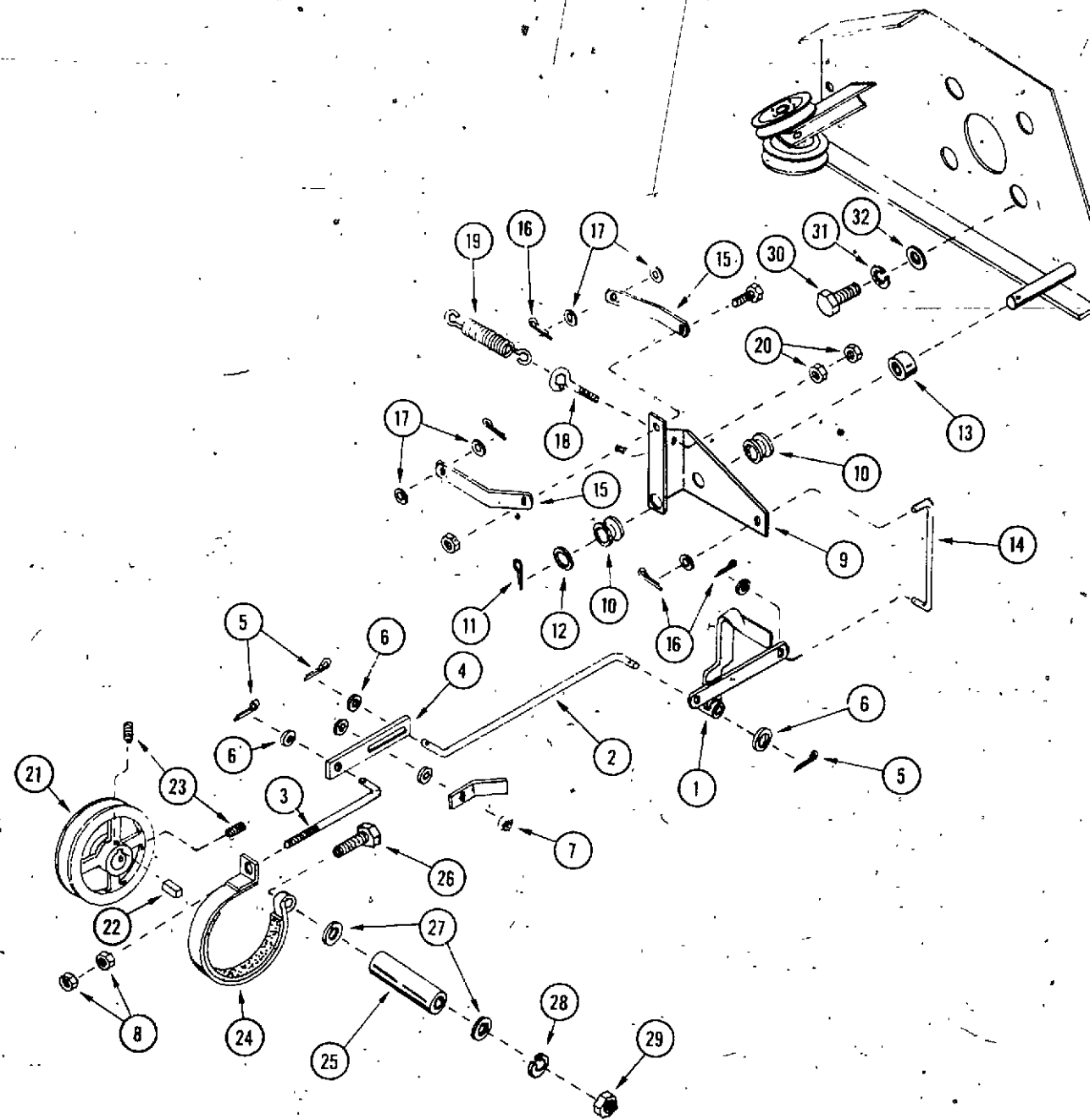
TRANSMISSION



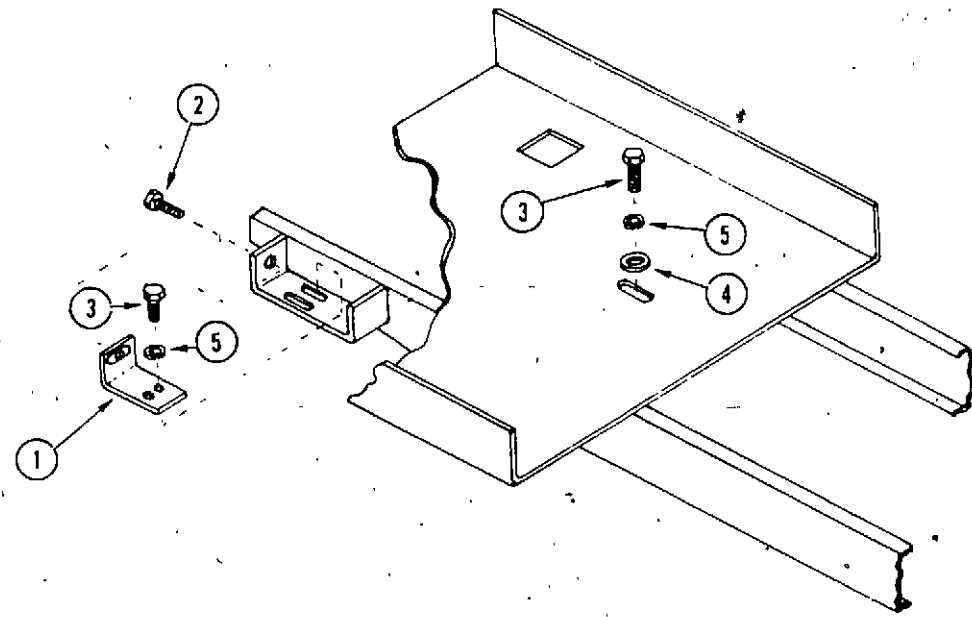
REF.	PART NO.	DESCRIPTION	REQ'D
41	C 11201	WASHER - thrust	2
42	C 11192	SEAL & RETAINER ASSY - oil (Incl. No. 45)	2
43	C 11193	GEAR - output	1
44	C 11194	PINION - output	1
45	C 11195	SEAL - oil	3
46	C 11196	HOUSING - axle	2
47	C 11197	CASE ASSY - Transaxle (Incl. Nos. 54, 55, 57, and 63) left hand	1
48	C 11218	COVER ASSY - Transaxle (Incl. Nos. 54, 55, 57, 59 and 63)	1
49	83- 412	SCREW - socket head cap, 1/4"-20 x 3/4"	9
50	F 53650	PIN - dowel	4
51	83- 514	SCREW - cap hex head, 5/16"-18 x 7/8"	8
52	221- 672	PLUG - magnetic drain	1
53	92- 5	LOCKWASHER - split 5/16"	8
54	C 11200	BEARING - needle	2
55	A 27999	BEARING - needle	3
56	C 11202	BEARING - ball	1
57	C 11203	BEARING - needle	2
58	C 11204	BEARING - ball	2
59	A 12652	BEARING - needle	1
60	C 11206	SEAL - oil	1
61	C 11205	WASHER	1
62	C 11207	SHAFT & PINION	1
63	R 21491	BEARING - needle	2
64	C 11209	SHAFT - reverse idler	1
65	C 11210	SPACER - reverse idler	1
66	C 11211	IDLER - reverse	1
67	C 11212	SPUR GEAR - (22 teeth)	1
68	C 11213	BEARING - thrust	4
69	C 11214	CARRIER ASSY - differential (Incl. No. 71)	1
70	C 11215	CARRIER ASSY - differential (Incl. No. 71)	1
71	C 11216	BUSHING	2
72	C 11208	"O" RING	2
73	C 11223	WASHER - thrust	1
74	C 10822	WASHER - thrust	1
75	C 11224	PLUG - pipe	1
76	C 10487	KNOB - gear shift	1



**CLUTCH AND BRAKE CONTROLS**



REF. PART NO.	DESCRIPTION	REQ'D
1 C 10310	PEDAL - foot brake and clutch.....	1
2 C 10774	LINK - brake, front.....	1
3 C 10775	LINK - brake, rear.....	1
4 C 10773	LINK - brake, lock.....	1
5 132- 24	PIN - cotter, 3/32" x 1/2".....	3
6 195- 103	WASHER - flat, 5/16".....	5
7 C 10776	NUT - brake, lock.....	1
8 129- 101	NUT - hex, brake adjusting.....	2
9 C 10794	BELLCRANK - clutch control.....	1
10 C 10571	NYLINER - 1/2" I.D. x 9/16" O.D.....	2
11 132- 46	PIN - cotter, 1/8" x 3/4".....	1
12 92- 8	WASHER - flat, 9/16".....	1
13 C 10750	SPACER - bellcrank.....	1
14 C 10518	LINK - clutch pedal.....	1
15 C 10519	LINK - clutch.....	2
16 126- 24	PIN - cotter, 3/32" x 1/2".....	4
17 192- 19	WASHER - flat, 1/4".....	4
18 C 10792	EYEBOLT.....	1
19 A 70418	SPRING - clutch.....	1
20 129- 101	NUT - 1/4"-20, hex plated.....	2
21 C 10307	DRUM - brake.....	1
22 126- 16	KEY - Woodruff #9.....	1
23 83- 46	SCREW - set, 1/4"-20 x 3/8" cup pt.....	2
24 C 11284	BAND - brake.....	1
25 C 10741	BUSHING - brake band support.....	1
26 13- 640	BOLT - 3/8"-16 N.C. x 2-1/2", hex head.....	1
27 95- 6	WASHER - flat, 3/8".....	2
28 92- 6	LOCKWASHER - 3/8".....	1
29 25- 106	NUT - 3/8"-16, hex.....	1
30 13- 612	BOLT - 3/8" x 3/4".....	4
31 92- 6	LOCKWASHER - 3/8".....	4
32 95- 6	WASHER - flat, 3/8".....	4

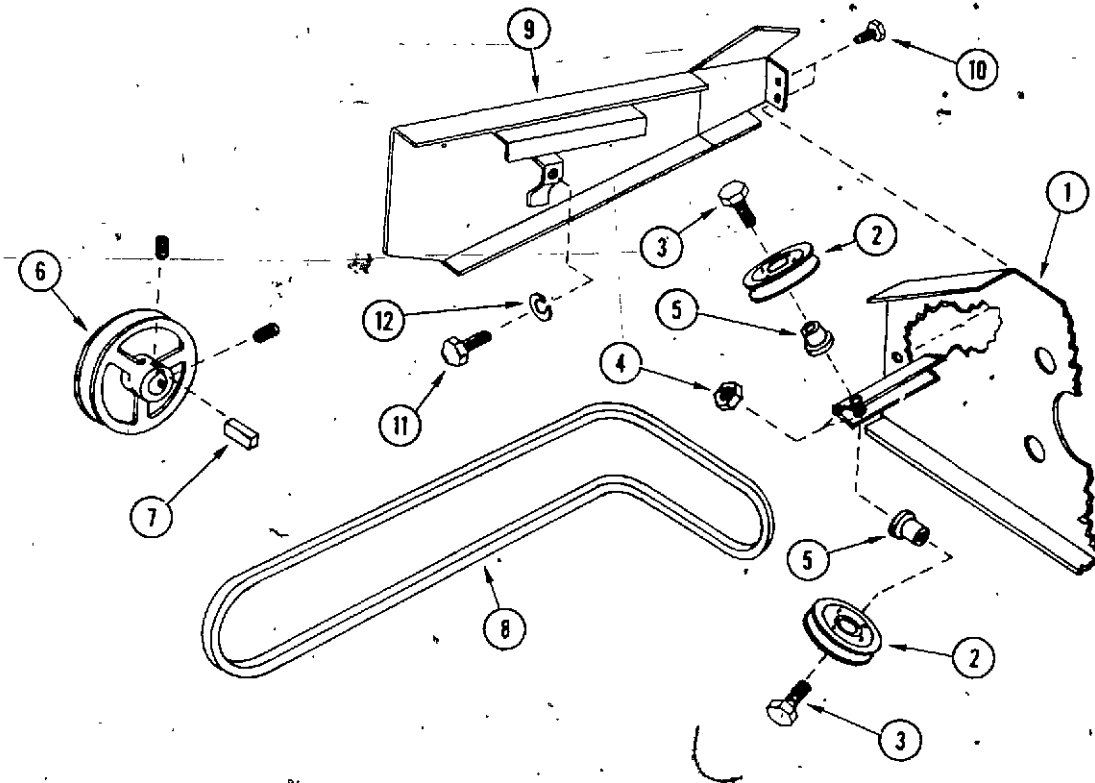


**ENGINE TO TRANSMISSION BELT ADJUSTMENT**

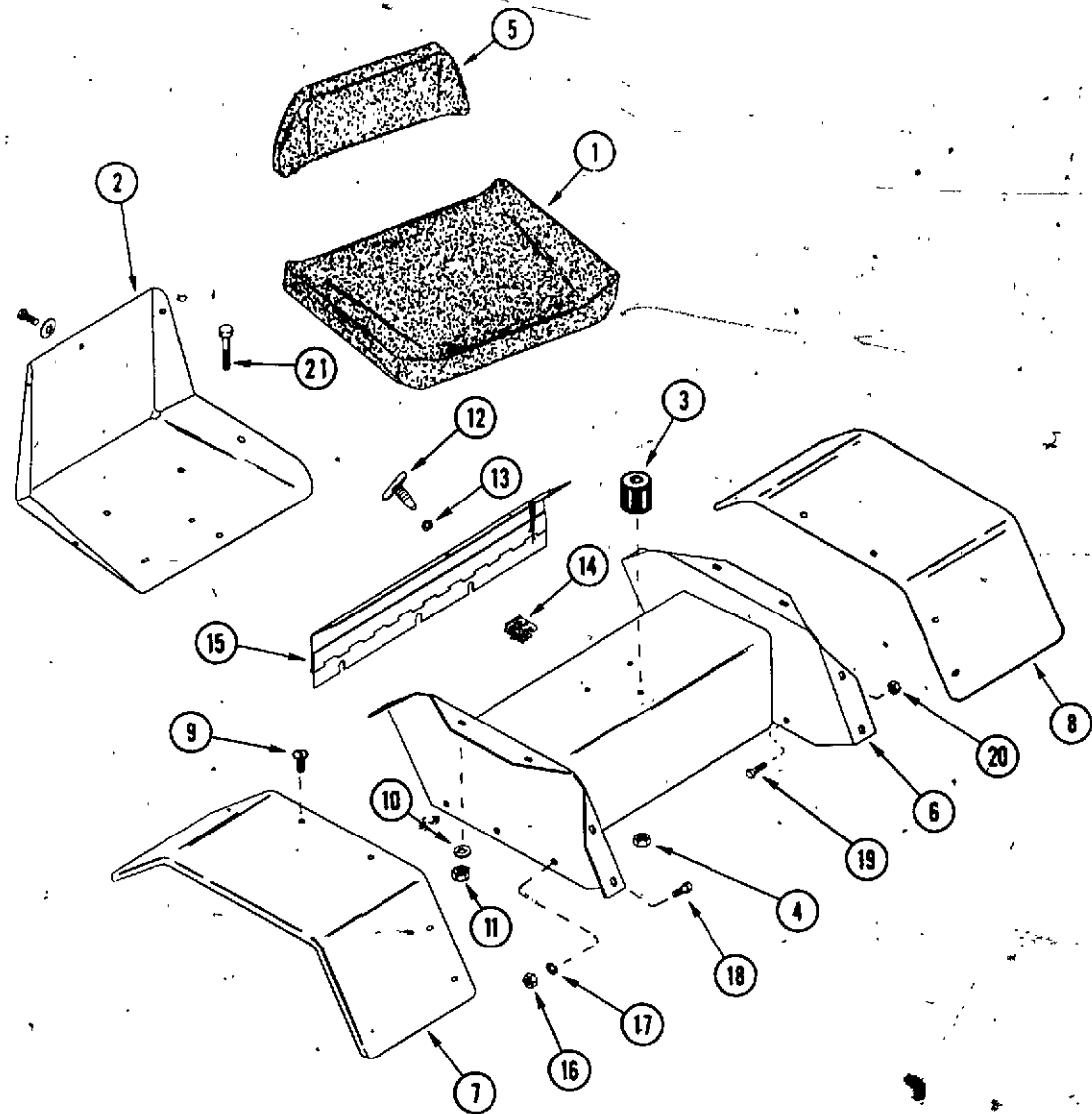
REF. PART NO.	DESCRIPTION	REQ'D
1 C 10718	BRACKET - belt adjusting	2
2 113- 250	BOLT - 3/8"-16 x 2-1/2", belt adjusting	2
3 13- 618	BOLT - 3/8"-16 x 1-1/8"	5
4 95- 6	WASHER - flat, 3/8"	1
5 92- 6	LOCKWASHER - 3/8"	5

**TRANSMISSION BELT DRIVE**

1 C 10409	BRACKET - idler	1
2 C 10463	SHEAVE - idler, 4" OD	2
3 13- 820	BOLT - 1/2" x 1-1/4", idler mounting	2
4 131- 354	NUT - 1/2", hex, idler mounting	2
5 C 10551	BUSHING - idler, sheave	2
6 G 10425	SHEAVE - 6" (on C11190 transmission shaft)	1
7 126- 16	KEY - Woodruff #9	1
8 C 10389	BELT - 76-1/8"	1
9 C 11259	GUARD - belt	1
10 187- 1014	SCREW - 1/4" x 1/2" self-tapping	2
11 13- 612	BOLT - 3/8"-16 x 3/4", hex head	1
12 92- 6	LOCKWASHER - 3/8"	1



SEAT, FENDERS AND TOOL BOX



REF. PART NO.	DESCRIPTION	REQ'D
1 C 10421	SEAT - assembly	1
2 Q 11636	CUSHION - seat	1
3 C 11637	PAN - seat	1
4 C 10433	MOUNTS - seat	3
5 131- 351	NUT - 5/16"-18 N.C.	3
6 C 11635	CUSHION - back rest	1
7 C 10380	SUPPORT - seat	1
8 C 10393	FENDER - right hand	1
9 C 10394	FENDER - left hand	1
10 175- 400	SCREW - 1/4"-20 x 1/2" truss head	10
11 192- 19	LOCKWASHER - 1/4" SAE, plated	10
12 129- 101	NUT - 1/4"-20 N.C., fl. head	10
13 C 10423	STUD - tool box latch	1
14 C 10489	WASHER - stud retainer	1
15 C 10490	RECEPTACLE - stud clip-on	1
16 C 10424	DOOR - tool box	1
17 129- 102	NUT - 5/8"-18 N.C., fl. hd., plated	5
18 192- 20	LOCKWASHER - 5/16" SAE, plated	5
19 115- 103	BOLT - 5/16"-18 x 3/4" rd. hd., plated	5
20 115- 104	BOLT - 5/16"-18 x 1/2" rd. hd., plated	1
21 131- 176	NUT - 5/16"-18 N.C. Gripco, plated	1
22 111- 207	BOLT - 5/16 - 18 x 2" rh, sq. neck	3

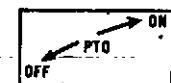
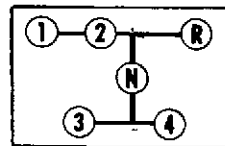
DECALS

28 C 11672	DECAL - right hand hood CASE	1
29 C 11673	DECAL - left hand hood, CASE	1
30 C 10930	DECAL - Model 120	1
31 C 10934	DECAL - shift pattern	1
32 C 10936	DECAL - PTO - OFF - ON	1
33 C 11647	DECAL - ignition - generator - lights	1
34 A 70234	DECAL - caution - start	1

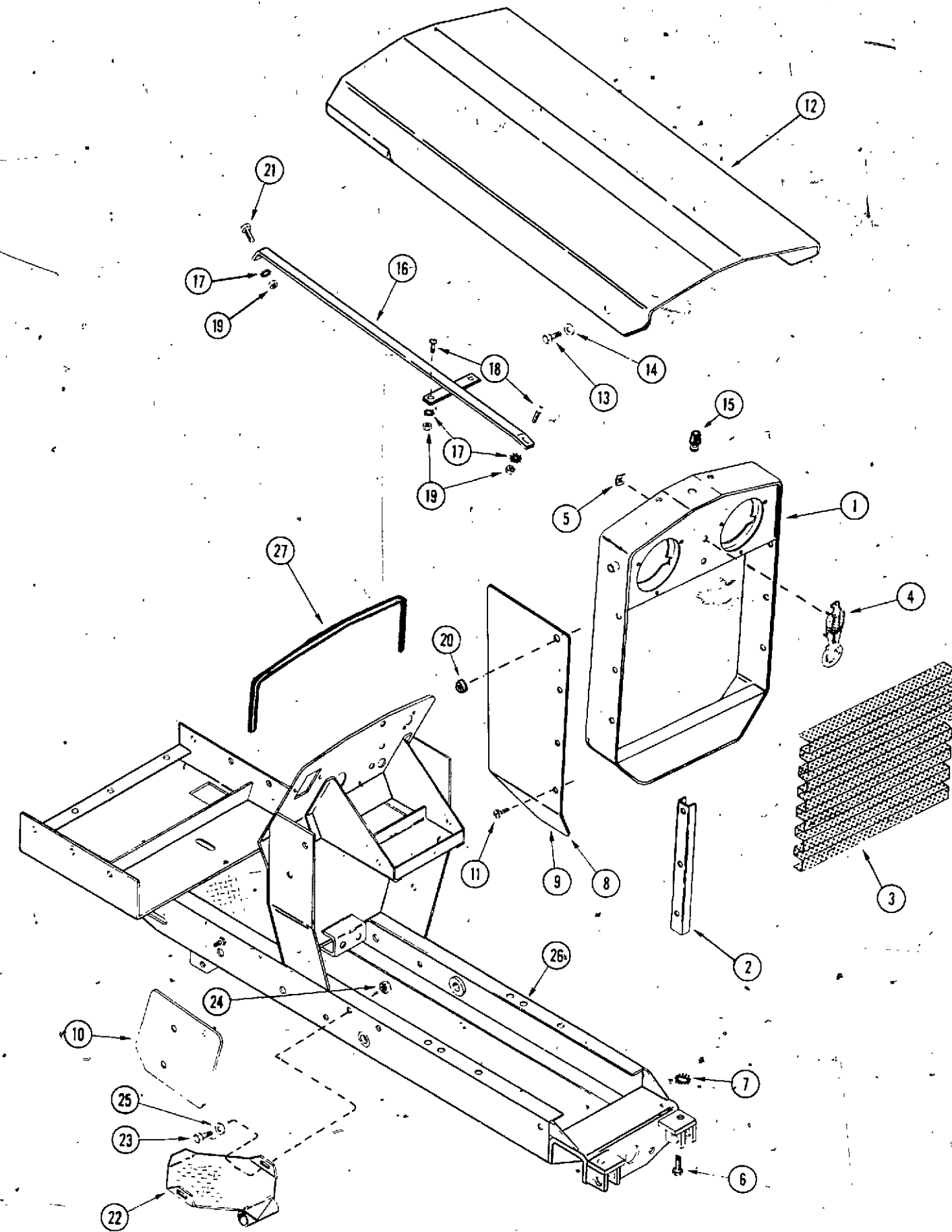
120

CAUTION: ALWAYS PLACE TRANS-  
MISSION OR SPEED CONTROL IN  
NEUTRAL TO START ENGINE

GEN  
IGN. LIGHTS

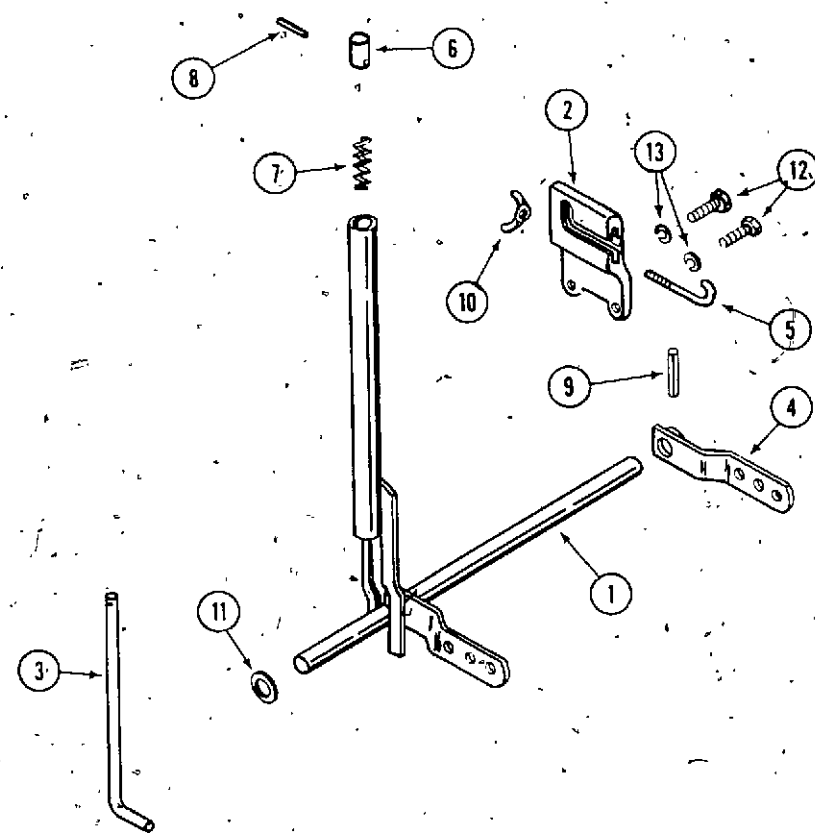


CASE



HOOD, FRAME AND GRILLE

REF. PART NO.	DESCRIPTION	REQ'D
1 C 14024	GRILLE	1
2 C 10349	BRACKET - grille mounting	2
3 C 10414	PANEL - grille	1
4 A 24526	MEDALLION - radiator grille	1
5 131- 138	NUT - 1/4" Timmerman	2
6 182- 509	SCREW - 5/16"-18 x 1" pan head, Phillips	2
7 193- 9	LOCKWASHER - 5/16" SAE external tooth	2
8 C 10370	PANEL - front, side, right hand	1
9 C 10371	PANEL - front, side, left hand	1
10 C 10408	PANEL - rear, side	2
11 C 10596	SCREW - #10 Phillips pan head	10
12 C 10360	HOOD	1
13 C 10361	SCREW - 1/4"-20 x 1/2" lock, plated	2
14 C 11534	BUSHING	2
15 NSS	CUSHION - rubber, hood	1
16 C 10483	BRACKET - fuel tank mounting	1
17 193- 8	WASHER - 1/4" shakeproof	3
18 173- 207	SCREW - 1/4" x 5/8" rd. hd. machine	3
19 25- 104	NUT - 1/4" NC, zinc plated	1
20 C 11533	SPACER - nylon	2
21 113- 3	BOLT - 1/4"-20 x 3/4" plated	1
22 C 10283	FOOTPAD	2
23 15- 514	BOLT - 5/16" x 7/8" NC, round head	2
24 25- 105	NUT - 5/16"	2
25 92- 5	LOCKWASHER - 5/16" SAE	2
26 C 11027	FRAME - instrument panel	1
27 C 11582	CHANNEL - instrument panel liner	1

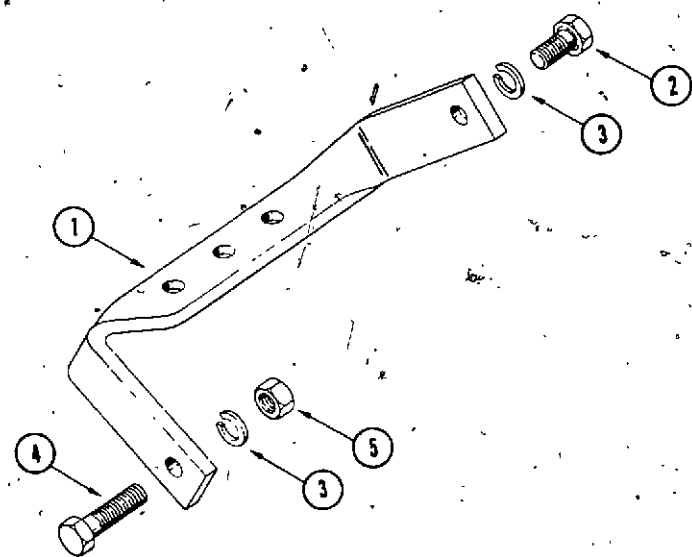


**IMPLEMENT LIFT**

REF. PART NO.	DESCRIPTION	REQ'D
1 C 10343	LEVER - implement lift	1
2 C 10336	PAD - lift lever	1
3 C 10338	ROD - lift lever	1
4 C 10342	LEVER - pivot	1
5 C 10347	ROD - depth adjusting	1
6 C 10356	BUTTON - thumb	1
7 C 10482	SPRING, compression	1
8 C 10485	PIN - spiral, 1/8" x 3/4"	1
9 138- 2007	PIN - spiral, 1/4" x 1-1/4"	1
10 129- 410	NUT - wing	1
11 195- 45	WASHER - 13/16 SAE, plain	1
12 15- 612	BOLT - 3/8 - 16 x 3/4" N.C. hex head	2
13 92- 6	LOCKWASHER - 3/8" SAE	2

**DRAWBAR AND TOW HITCH**

1 C 10449	DRAWBAR - hitch	1
2 15- 816	BOLT - 1/2" x 1" N.C., hex	1
3 92- 8	LOCKWASHER - 1/2"	2
4 15- 836	BOLT - 1/2" x 2-1/4" N.C., hex	1
5 25- 108	NUT - 1/2" N.C., hex	1



NUMERICAL INDEX

PART NO.	PAGE NO.	REF. NO.	PART NO.	PAGE NO.	REF. NO.
A 35012	31	3	A 72073	15	11
40035	9	20	A 72073	17	-
40035	11	28	A 72074	17	20
A 10326	13	55	A 72075	17	31
A 11373	19	3	A 72076	17	16
A 11275	19	21	A 72077	17	15
A 11276	19	20	A 72078	17	24
A 11538	31	24	A 72079	17	23
A 12652	33	59	A 72080	17	27
A 20346	19	4	A 72081	17	25
A 21481	19	30	A 72082	17	26
A 24526	41	4	A 72083	17	29
A 24572	19	19	A 72084	17	28
A 25423	23	9	A 72085	17	17
A 25441	23	31	A 72087	17	32
A 25447	23	20	A 72088	17	36
A 25461	23	4	A 72089	17	37
A 27251	19	29	A 72090	17	35
A 27287	31	26	A 72091	17	19
A 27999	33	55	A 72092	17	40
A 30064	27	20	A 72094	17	39
A 40736	23	21	A 72095	17	44
A 40736	23	22	A 72096	17	43
A 70056	25	-	A 72097	17	38
A 70058	25	5	A 72098	17	33
A 70090	5	5	A 72099	17	34
A 70099	15	16	A 72100	11	57
A 70100	15	3	A 72100	15	10
A 70103	15	22	A 72101	17	30
A 70144	27	24	A 72102	17	22
A 70183	27	22	A 72103	17	46
A 70202	19	15	A 72104	23	2
A 70205	13	16	A 72108	11	56
A 70221	21	34	A 72108	15	18
A 70234	39	34	B 51975	17	6
A 70392	25	3	B 51977	17	4
A 70398	27	30	B 51978	17	2
A 70418	35	19	B 51979	17	3
A 70479	27	26	B 51980	17	1
A 72010	25	23	B 53256	15	21
A 72011	25	13	B 53256	17	-
A 72012	25	14	B 59393	11	48
A 72013	25	20	B 59393	17	5
A 72014	25	17	C 10209	27	10
A 72015	25	19	C 10235	27	13
A 72017	25	22	C 10240	27	11
A 72018	25	25	C 10241	27	12
A 72020	25	26	C 10247	27	4
A 72021	25	24	C 10263	27	23
A 72022	25	21	C 10283	41	22
A 72038	23	7	C 10307	35	21
A 72039	23	5	C 10310	35	1
A 72040	23	6	C 10311	13	15
A 72041	23	23	C 10311	29	11
A 72042	23	10	C 10314	27	21
A 72043	23	17	C 10336	43	2
A 72046	23	32	C 10338	43	3
A 72047	23	33	C 10342	43	4
A 72048	23	11	C 10343	43	1
A 72049	23	18	C 10347	43	5
A 72050	23	29	C 10349	41	2

PART NO.	PAGE NO.	REF. NO.	PART NO.	PAGE NO.	REF. NO.
C 10356	43	6	C 10360	41	12
C 10360	41	13	C 10361	41	6
C 10364	25	6	C 10370	41	8
C 10370	41	9	C 10371	5	2
C 10372	39	6	C 10380	37	8
C 10389	39	7	C 10393	39	8
C 10394	39	8	C 10397	19	2
C 10408	41	10	C 10409	37	1
C 10414	41	3	C 10421	39	-
C 10421	39	12	C 10423	39	12
C 10424	39	15	C 10425	37	6
C 10425	37	6	C 10427	13	33
C 10433	39	3	C 10446	27	25
C 10446	27	25	C 10449	43	1
C 10461	19	6	C 10463	37	2
C 10469	21	41	C 10470	21	36
C 10470	21	38	C 10471	19	8
C 10472	19	8	C 10472	21	37
C 10473	19	1	C 10474	15	1
C 10474	19	1	C 10479	43	7
C 10482	15	17	C 10483	41	16
C 10483	41	16	C 10485	43	8
C 10485	43	8	C 10486	31	-
C 10486	31	-	C 10487	29	3
C 10487	29	3	C 10487	33	76
C 10487	33	76	C 10489	39	13
C 10489	39	13	C 10490	39	14
C 10490	39	14	C 10492	13	1
C 10492	13	1	C 10500	29	15
C 10500	29	15	C 10501	27	15
C 10501	27	15	C 10502	29	16
C 10502	29	16	C 10503	29	17
C 10503	29	17	C 10504	29	19
C 10504	29	19	C 10505	29	20
C 10505	29	20	C 10506	29	21
C 10506	29	21	C 10507	29	22
C 10507	29	22	C 10518	35	14
C 10518	35	14	C 10519	35	15
C 10519	35	15	C 10525	29	2
C 10525	29	2	C 10534	27	31
C 10534	27	31	C 10549	19	5
C 10549	19	5	C 10551	37	5
C 10551	37	5	C 10552	27	29
C 10552	27	29	C 10571	35	10
C 10571	35	10	C 10585	21	49
C 10585	21	49	C 10586	21	45
C 10586	21	45	C 10587	21	43

NUMERICAL INDEX

PART NO.	PAGE NO.	REF. NO.	PART NO.	PAGE NO.	REF. NO.
C 10588	21	42	C 11196	33	46
C 10589	21	46	C 11197	33	47
C 10590	21	44	C 11200	33	54
C 10591	21	47	C 11201	33	41
C 10592	21	48	C 11202	33	56
C 10596	41	11	C 11203	33	57
C 10657	15	6	C 11204	33	58
C 10678	15	8	C 11205	33	61
C 10718	37	1	C 11206	33	60
C 10741	35	25	C 11207	33	62
C 10750	35	13	C 11208	33	72
C 10773	35	4	C 11209	33	64
C 10774	35	2	C 11210	33	65
C 10775	35	3	C 11211	33	66
C 10776	35	7	C 11212	33	67
C 10792	35	18	C 11213	33	68
C 10794	35	9	C 11214	33	69
C 10822	33	74	C 11215	33	70
C 10836	19	33	C 11216	33	71
C 10880	29	1	C 11218	33	48
C 10883	29	5	C 11219	31	2
C 10930	39	30	C 11220	31	4
C 10934	39	31	C 11222	31	38
C 10936	39	32	C 11223	33	73
C 10985	21	39	C 11224	33	75
C 11027	41	26	C 11249	19	3
C 11161	31	1	C 11259	37	9
C 11162	31	5	C 11284	35	24
C 11163	31	6	C 11359	15	7
C 11164	31	7	C 11529	15	2
C 11165	31	8	C 11533	41	20
C 11166	31	9	C 11534	41	14
C 11167	31	11	C 11545	15	15
C 11168	31	12	C 11582	41	27
C 11169	31	13	C 11635	39	5
C 11170	31	14	C 11636	39	1
C 11171	31	15	C 11637	39	2
C 11172	31	19	C 11647	39	33
C 11173	31	20	C 11672	39	28
C 11174	31	21	C 11673	39	29
C 11175	31	22	C 12071	5	1
C 11176	31	23	C 12102	27	3
C 11177	31	25	C 13413	23	34
C 11178	31	16	C 14024	41	1
C 11179	31	27	D 32477	23	25
C 11180	31	28	F 19645	25	12
C 11181	31	29	F 53650	33	50
C 11182	31	30	KO 200380	17	41
C 11183	31	31	KO 200443	17	21
C 11184	31	32	KO 220297	21	52
C 11185	31	33	KO 220174	11	49
C 11186	31	34	KO 220174	21	56
C 11187	31	35	KO 220475	21	60
C 11188	31	36	KO 220476	21	61
C 11189	31	37	KO 230011	7	20
C 11190	31	39	KO 230170-S	7	16
C 11191	31	40	KO 230170-S	11	9
C 11192	33	42	KO 230265-S	7	29
C 11193	33	43	KO 230722	19	23
C 11194	33	44	KO 231032	7	5
C 11195	33	45	KO 231032	11	50

PART NO.	PAGE NO.	REF. NO.	PART NO.	PAGE NO.	REF. NO.
KO 231052	13	49	KO 231281	19	24
KO 231281	19	24	KO 231355	13	64
KO 231355	13	64	KO 232535	21	55
KO 232535	21	55	KO 232770	7	28
KO 232770	7	28	KO 235003	9	11
KO 235003	9	11	KO 235004	9	7
KO 235004	9	7	KO 235007-S	7	17
KO 235007-S	7	17	KO 235007-S	11	10
KO 235008	7	15	KO 235008	7	15
KO 235010	7	19	KO 235010	7	19
KO 235011	7	18	KO 235025	11	16
KO 235025	11	16	KO 235025	11	52
KO 235026	11	17	KO 235047	7	9
KO 235047	7	9	KO 235048	7	6
KO 235048	7	6	KO 235048	11	51
KO 235048	11	51	KO 235052	13	7
KO 235052	13	7	KO 235053	7	27
KO 235053	7	27	KO 235054	13	14
KO 235054	13	14	KO 235062	11	31
KO 235062	11	31	KO 235084	13	52
KO 235084	13	52	KO 235085	13	51
KO 235085	13	51	KO 235086	13	50
KO 235086	13	50	KO 235117	7	8
KO 235117	7	8	KO 235118	7	7
KO 235118	7	7	KO 235125-S	11	11
KO 235125-S	11	11	KO 235125-S	13	62
KO 235125-S	13	62	KO 235175	11	2
KO 235175	11	2	KO 235196	19	16
KO 235196	19	16	KO 235197	19	9
KO 235197	19	9	KO 235203	19	14
KO 235203	19	14	KO 235207	13	6
KO 235207	13	6	KO 235277	13	56
KO 235277	13	56	KO 235278	13	57
KO 235278	13	57	KO 235287	9	2
KO 235287	9	2	KO 235288	9	16
KO 235288	9	16	KO 235289	9	16
KO 235289	9	16	KO 235290	9	16
KO 235290	9	16	KO 235353	11	20
KO 235353	11	20	KO 235353	11	53
KO 235353	11	53	KO 235368	13	5
KO 235368	13	5	KO 235417	11	45
KO 235417	11	45	KO 235476	13	58
KO 235476	13	58	KO 235494	13	41
KO 235494	13	41	KO 235495	13	45
KO 235495	13	45	KO 235526	9	

NUMERICAL INDEX

PART NO.	PAGE NO.	REF. NO.	PART NO.	PAGE NO.	REF. NO.	PART NO.	PAGE NO.	REF. NO.
KO 235900	13	39	R 16147	23	12	113-	2	13
KO 235950	11	23	R 16148	23	16	113-	3	41
KO 235951	13	11	R 16170	23	30	113-	6	11
KO 235954	11	38	R 21491	33	63	113-	6	13
KO 235955	13	4	W 5063-S	9	21	113-	101	19
KO 240013	7	21	W 5063-S	11	41	113-	103	15
KO 240282	15	19				113-	113	19
KO 270889	11	3				113-	205	27
KO 271077	11	1	13- 440	31	17	113-	205	29
KO 275066	7	26	13- 612	35	30	113-	206	11
KO 275067	7	26	13- 612	37	11	113-	207	11
KO 275143	7	4	13- 618	37	3	113-	208	11
KO 275144	7	11	13- 640	29	13	113-	221	19
KO 275220	7	3	13- 640	35	26	113-	250	37
KO 275303	21	63	13- 644	25	9	115-	103	39
KO 275341	5	10	13- 820	37	3	115-	104	39
KO 275341	11	58	15- 420	13	42	115-	204	11
KO 275341	15	14	15- 512	29	7	126-	16	35
KO 275690	13	48	15- 514	41	23	126-	16	37
KOA 536	5	3	15- 612	43	12	126-	22	29
KOA 231533	21	51	15- 816	43	2	126-	24	35
KOA 235095	19	27	15- 836	43	4	126-	28	27
KOA 235100	5	1	25- 104	7	1	126-	111	23
KOA 235139	9	10	25- 104	13	44	129-	37	13
KOA 235139-10	9	18	25- 104	41	19	129-	101	35
KOA 235256	13	59	25- 105	29	9	129-	101	35
KOA 235327	7	22	25- 105	41	24	129-	101	39
KOA 235569	9	15	25- 106	35	29	129-	102	19
KOA 235571	9	15	25- 108	43	5	129-	102	39
KOA 235611	9	6	25- 118	27	1	129-	409	5
KOA 235616	9	15	25- 224	15	5	129-	409	21
KOA 235646	7	25	25- 1510	25	4	129-	410	43
KOA 235711	9	22	25- 1510	25	16	129-	419	19
KOA 235737	11	8	41- 18	11	13	129-	501	25
KOA 235743	13	61	61- 510	5	4	131-	138	41
KOA 235747	11	6	83- 46	35	23	131-	176	39
KOA 236303	11	7	83- 56	29	26	131-	351	39
KOX 22-35	9	12	83- 412	33	49	131-	354	37
KOX 25-55	13	63	83- 514	33	51	132-	24	29
KOX 25-67	13	47	92- 4	7	2	132-	24	35
KOX 25-71	9	25	92- 4	25	7	132-	46	35
KOX 119-16	9	26	92- 4	31	18	132-	47	27
KOX 119-16	11	37	92- 5	5	3	132-	73	27
KOX 271-30	9	24	92- 5	29	8	132-	73	27
KOX 271-30	11	34	92- 5	33	53	138-	2007	43
KOX 271-30	11	46	92- 5	41	25	141-	2	29
KOX 293- 4	11	12	92- 6	25	10	141-	6	27
KOX 293- 4	13	60	92- 6	29	12	169-	77	17
KOX 366- 1	9	23	92- 6	35	28	173-	207	41
KOX 379- 6	9	19	92- 6	35	31	173-	210	21
KOX 379- 6	11	27	92- 6	37	5	173-	215	15
KOX 379- 6	11	47	92- 6	37	12	173-	224	21
KOX 389- 1	21	62	92- 6	43	13	173-	237	23
L 15282	25	1	92- 8	27	2	175-	400	39
M 20007	19	28	92- 8	35	12	175-	436	13
M 20164	21	50	92- 8	43	3	177-	131	5
R 15077	23	19	95- 6	35	27	177-	131	13
R 15079	23	13	95- 6	35	32	182-	509	41
R 15087	23	3	95- 6	37	4	187-	131	21
R 15090	23	8	111-207	39	21	187-	408	21
R 15105	23	36	113-	1	19	26	187-1008	13
R 15106	23	1						

NUMERICAL INDEX

PART NO.	PAGE NO.	REF. NO.	PART NO.	PAGE NO.	REF. NO.	PART NO.	PAGE NO.	REF. NO.
187- 1014	37	10						
187- 1102	19	22						
192- 8	23	14						
192- 17	23	15						
192- 18	5	8						
192- 18	13	54						
192- 18	21	54						
192- 18	23	28						
192- 19	11	18						
192- 19	13	2						
192- 19	13	9						
192- 19	13	13						
192- 19	13	46						
192- 19	19	25						
192- 19	35	17						
192- 19	39	10						
192- 20	15	12						
192- 20	19	11						
192- 20	19	32						
192- 20	39	17						
192- 21	11	15						
192- 21	11	24						
192- 21	11	32						
192- 21	11	39						
192- 21	19	17						
192- 21	27	16						
192- 21	29	23						
192- 21	29	23						
192- 26	23	35						
193- 5	21	59						
193- 8	41	17						
193- 9	41	7						
193- 70	13	36						
195- 17	29	10						
195- 45	27	9						
195- 45	27	32						
195- 45	43	11						
195- 103	35	6						
195- 512	5	9						
195- 515	13	8						
195- 515	13	43						
195- 520	19	13						
195- 522	29	25						
195- 545	11	36						
205- 27	11	30						
211- 3	17	18						
211- 5	31	10						
211- 9	25	28						
214- 103	15	9						
217- 200	15	20						
219- 1	27	27						
219- 8	27	14						
219- 14	25	18						
221- 2	11	26						
221- 672	33	52						