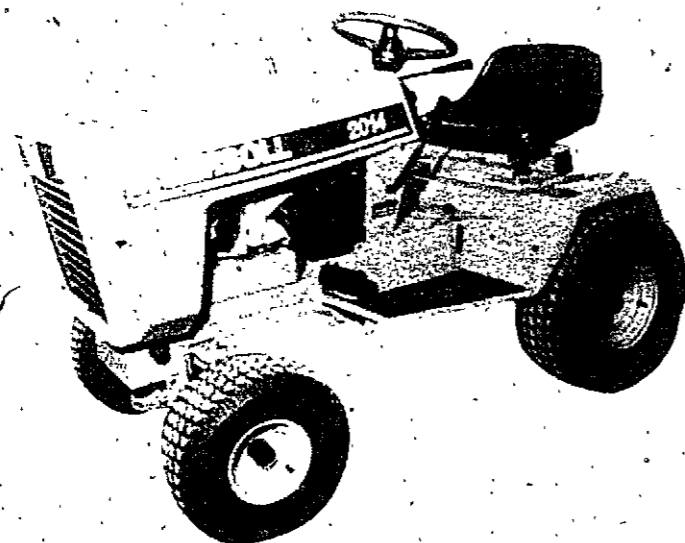


COMPACT TRACTORS  
2014  
Parts Catalog 8-3210

1-92-RP-500-258

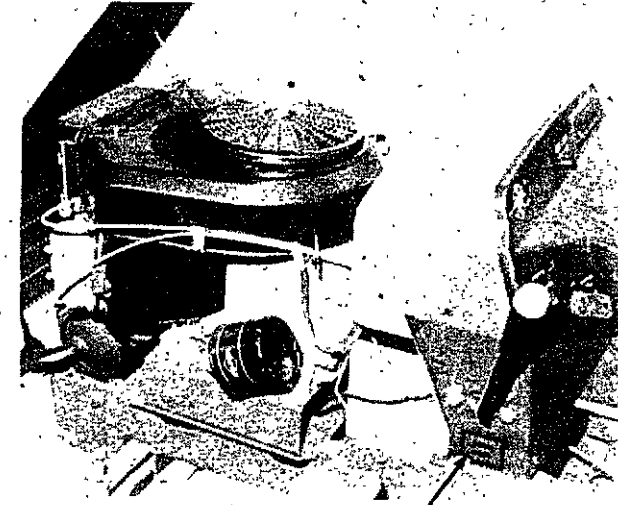


**INGERSOLL**  
Ingersoll Equipment Co., Inc.

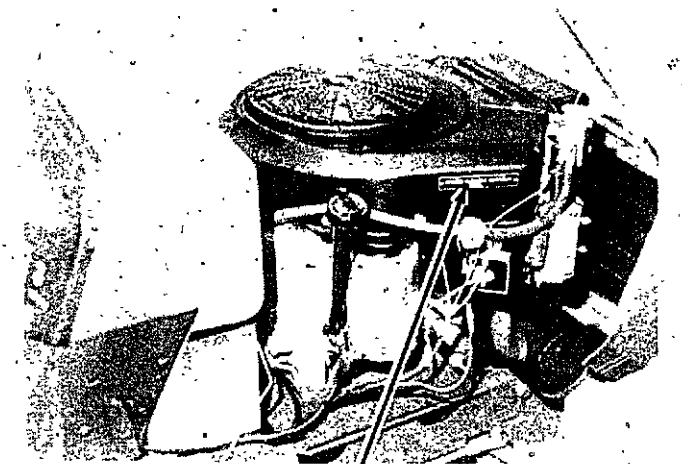
**PAINT AND OIL**

**PRODUCT IDENTIFICATION NUMBERS (P.I.N.)  
OR SERIAL NUMBERS (S/N)**

| REF.         | PART NO. | DESCRIPTION                                                      | REQ'D |
|--------------|----------|------------------------------------------------------------------|-------|
| <b>PAINT</b> |          |                                                                  |       |
| 1            | C 28849  | BLACK - semi - gloss, 12 oz spray (2 per carton)                 | 1     |
| 2            | C 28850  | BLACK - semi - gloss, quart (2 per carton)                       | 1     |
| 3            | C 28851  | BLACK - semi - gloss, heat resistant, 12 oz spray (2 per carton) | 1     |
| 4            | C 28484  | POWER RED - gloss, 12 oz spray (2 per carton)                    | 1     |
| 5            | C 28485  | POWER RED - gloss, quart (2 per carton)                          | 1     |
| 6            | C 30870  | SILVER - gloss, 12 oz. spray (2 per carton)                      | 1     |
| 7            | C 31643  | POWER RED - gloss, 1 oz touch up, (1 doz. per carton)            | 1     |
| <b>OIL</b>   |          |                                                                  |       |
| 1            | C 32776  | OIL - SAE 30, SF, quart (12 per case)                            | 1     |
| 2            | C 32777  | OIL - SAE 5W20, SF, quart (12 per case)                          | 1     |
| 3            | C 32778  | OIL - SAE 20W40, SF, quart (12 per case)                         | 1     |



**TRACTOR MODEL  
AND PIN**



**ENGINE MODEL  
AND PIN**

**ENGINE IDENTIFICATION**

**TRACTOR MODEL**  
2014

**ENGINE MODEL**  
C33753  
SPEC. 294777 - TYPE 0117

**NOTE:** In this catalog there are references to serial numbers. To order the correct part, use these serial numbers as a guide.

**GENERAL INFORMATION**

**INDEX**

There is an index at the front and rear of this catalog.

The front index is an alphabetical index of the major groups or assemblies.

The rear index is a numerical index of the part numbers and pages on which these numbers are shown:

**ILLUSTRATION**

Each illustration in this catalog shows a group of parts or components. These parts and components are aligned approximately as the parts and components on your machine. Each part and component in an illustration has a reference number. These reference numbers are in a list on the page opposite of the illustration. Next to the reference number is the part number, description and required quantity of the part shown in the illustration.

UAR - "Use as required" indicates that the part quantity is variable.

NSS - "Not sold separately" indicates that the part is only available as a component of an assembly or the part must be purchased locally. If the part is an assembly component, the description will be indented under the assembly description in the parts list.

O/L - "Obtain locally"

\*\* - "Footnotes" are added to a part number when more information is needed for identification. They only relate to the part numbers indicated.

**PARTS ORDERS**

All orders must include the following information:

1. Correct part number.
2. Complete description of part or component.
3. Total quantity of each part or component.
4. Product model number.
5. All necessary product identification numbers.
6. Method for sending the parts.
7. Complete and correct address.

**CATALOG REVISIONS**

As the product changes, new pages will be available for your catalog. A notice will be issued.

**IMPORTANT:** Put all revisions into the catalog as soon as possible.

**RIGHT HAND AND LEFT HAND IDENTIFICATION**

The words right hand (RH) and left hand (LH) as used in this catalog indicate the direction while you are in the operator's seat in the normal operating position.

**INDENTED DESCRIPTIONS**

An assembly can have many components. The components of an assembly are indicated by an indented description. The quantity for an indented part is the total needed for that complete assembly. See the example.

**ALPHABETICAL INDEX**

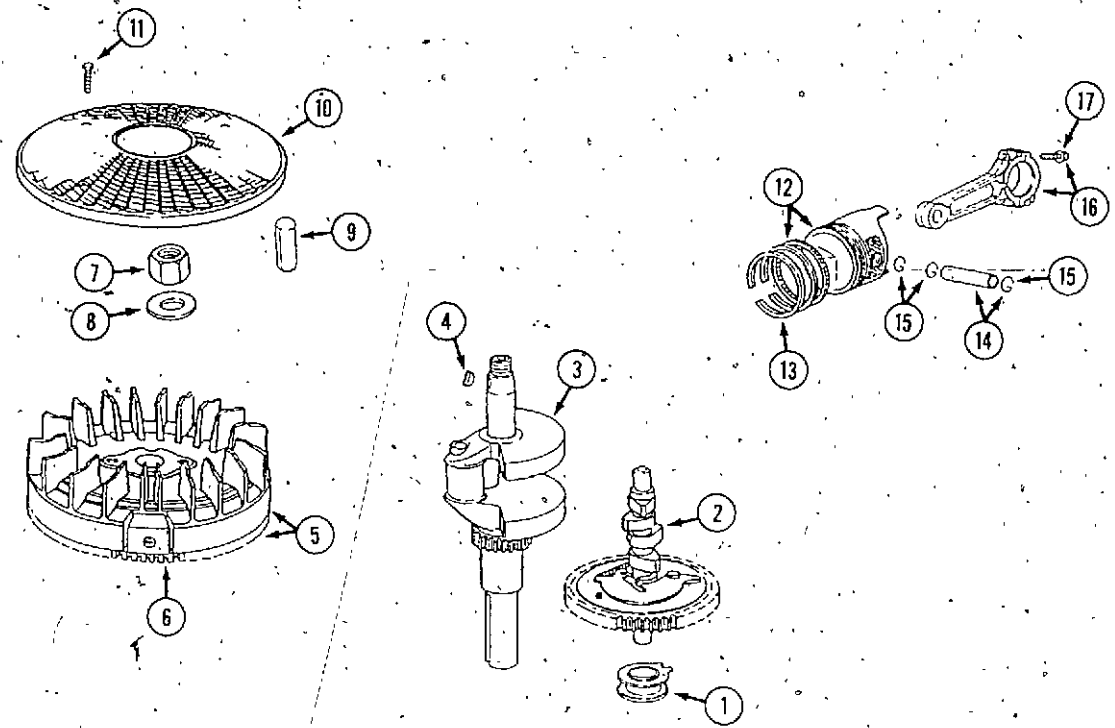
**ENGINE SECTION**

|                                | Page | Grid | Page             | Grid |     |
|--------------------------------|------|------|------------------|------|-----|
| Air Cleaner                    | 13   | B2   | Fuel Filter      | 21   | B10 |
| Battery                        | 45   | D6   | Fuel System      | 21   | B10 |
| Breather, Crankcase            | 13   | B2   | Gasket Kits      | 17   | B6  |
| Camshaft                       | 5    | A8   | Governor         | 9    | A12 |
| Carburetor                     | 11   | A14  | Magneto Armature | 5    | A8  |
| Choke Linkage                  | 21   | B10  | Manifold         | 11   | A14 |
| Connecting Rod                 | 5    | A8   | Mounts, Engine   | 19   | B8  |
| Crankcase Cover                | 9    | A12  | Muffler          | 19   | B8  |
| Crankshaft                     | 5    | A8   | Piston           | 5    | A8  |
| Cylinder Block                 | 7    | A10  | Spark Plug       | 5    | A8  |
| Cylinder Head                  | 7    | A10  | Starter          | 17   | B6  |
| Electrical System              | 5    | A8   | Tank, Fuel       | 21   | B10 |
| Engine Block & Attaching Parts | 7    | A10  | Throttle Linkage | 21   | B10 |
| Filter, Oil                    | 9    | A12  | Valves           | 7    | A10 |
| Flywheel                       | 5    | A8   |                  |      |     |

**BASIC TRACTOR SECTION**

|                   | Page | Grid | Page                  | Grid  |        |
|-------------------|------|------|-----------------------|-------|--------|
| Axle, Front       | 31   | C6   | Implement Lift        | 43    | D4     |
| Belts & Pulleys   | 37   | C12  | Mounts, Engine        | 19    | B8     |
| Brakes            | 33   | C8   | PTO Clutch            | 23    | B12    |
| Decals            | 49   | D10  | Seat, Operator's      | 27    | C2     |
| Electrical System | 45   | D6   | Steering Wheel & Gear | 29    | C4     |
| Fenders           | 27   | C2   | Transaxle             | 39-41 | C14-D2 |
| Frame             | 25   | B14  | Travel Control        | 35    | C10    |
| Grille            | 25   | B14  | Wheels, Front & Rear  | 31    | C6     |
| Hitch             | 25   | B14  | Weight Box M13        | 51    | D12    |
| Hood              | 25   | B14  |                       |       |        |

| REF. | PART NO. | DESCRIPTION                    | REQ'D |
|------|----------|--------------------------------|-------|
|      | C 55159  | CYLINDER ASSY - rear steering  | 1     |
| 28   | C 56208  | SOCKET ASSY - rear cylinder    | 1     |
| 29   | C 55956  | PLUG - adjusting, socket assy  | 1     |
| 30   | C 55957  | SEAT - socket ball             | 2     |
| 31   | C 56210  | SPRING - socket                | 1     |
| 32   | C 56209  | SEAT - socket spring           | 1     |
| 33   | G 45175  | CLAMP ASSY - socket assy       | 1     |
|      | 16- 836  | BOLT - 1/2" x 2-1/4" N.F. hex  | 1     |
| 34   | 132- 104 | PIN - cotter, 3/16" x 3"       | 1     |
| 35   | C 55889  | STUD - ball, socket & cylinder | 2     |
| 36   | 13- 410  | BOLT - 1/4" x 5/8" N.C., hex   | 4     |
| 37   | 92- 4    | LOCK WASHER - 1/4" SAE         | 4     |

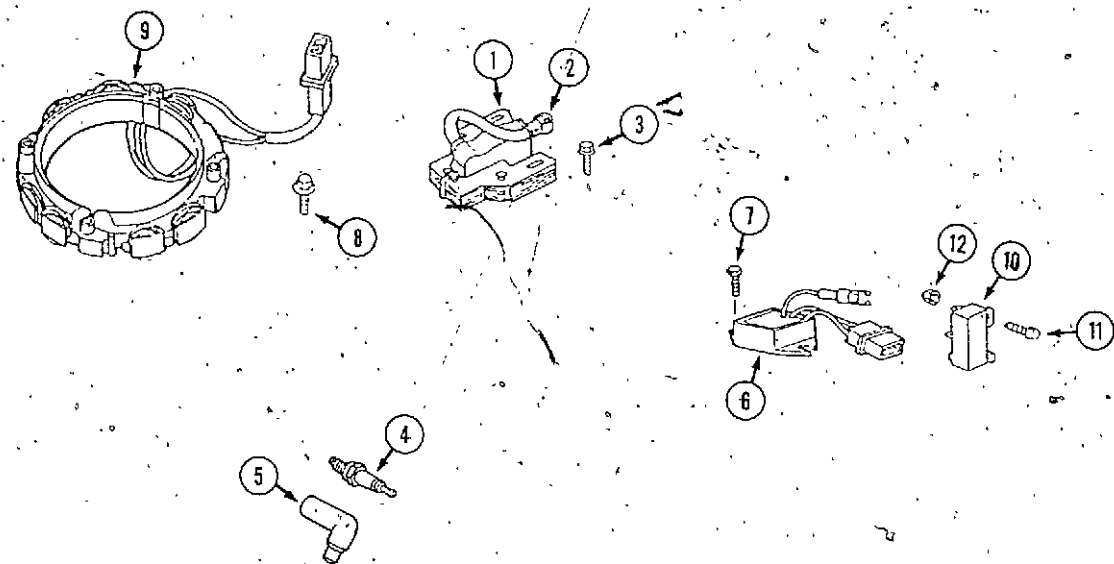


**FLYWHEEL, CRANKSHAFT, CAMSHAFT AND PISTONS**

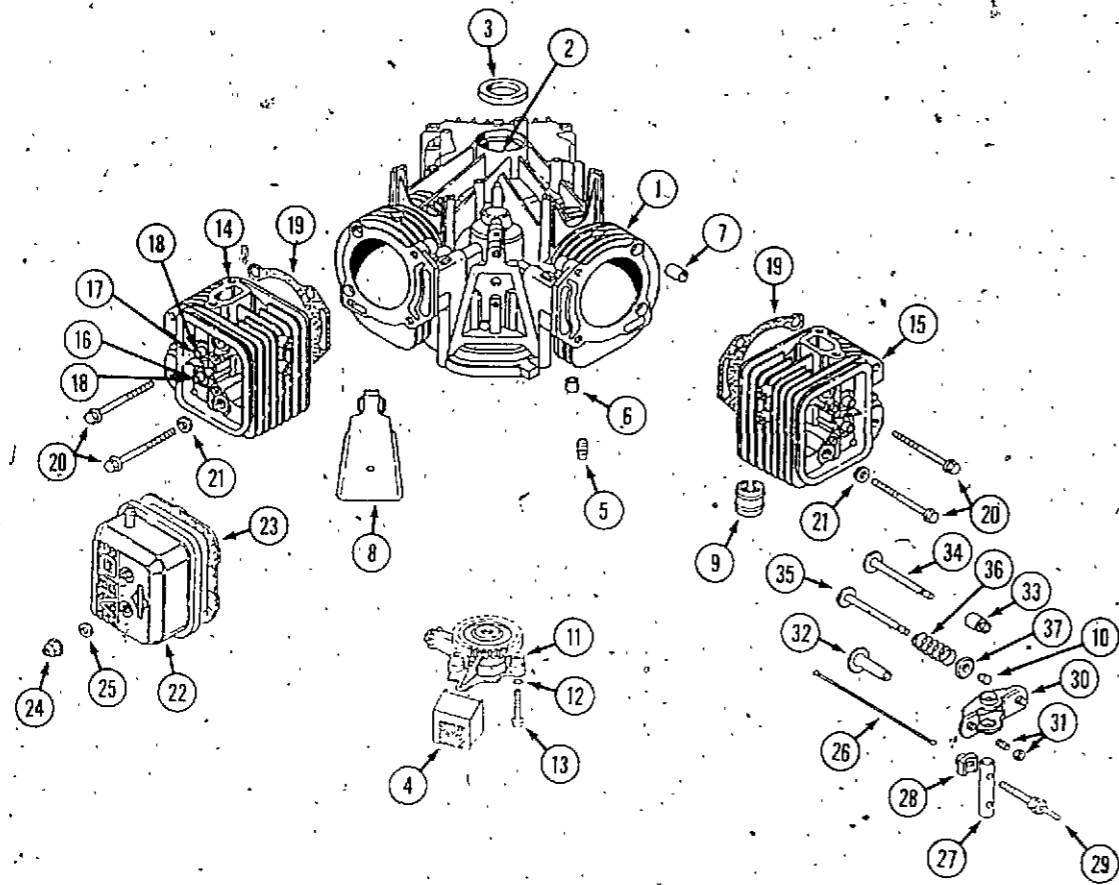
| REF. | PART NO. | DESCRIPTION                                       | REQ'D |
|------|----------|---------------------------------------------------|-------|
| 1    | C 34371  | SLIDER - governor                                 | 1     |
| 2    | C 34231  | CAMSHAFT                                          | 1     |
| 3    | C 34383  | CRANKSHAFT                                        | 1     |
| 4    | C 34211  | KEY - flywheel                                    | 1     |
| 5    | C 34210  | FLYWHEEL - includes ring gear                     | 1     |
| 6    | C 34331  | GEAR - ring                                       | 1     |
| 7    | C 34288  | NUT - flywheel                                    | 1     |
| 8    | C 34237  | WASHER - flywheel                                 | 1     |
| 9    | C 34326  | SPACER - screen                                   | 4     |
| 10   | C 34287  | SCREEN - flywheel                                 | 1     |
| 11   | C 34238  | SCREW - screen                                    | 4     |
| 12   | C 34212  | PISTON ASSEMBLY - standard (includes rings)       | 2     |
| 12   | C 34213  | PISTON ASSEMBLY - .010" oversize (includes rings) | 2     |
| 12   | C 34214  | PISTON ASSEMBLY - .020" oversize (includes rings) | 2     |
| 12   | C 34215  | PISTON ASSEMBLY - .030" oversize (includes rings) | 2     |
| 13   | C 34216  | RING SET - piston, standard                       | 1     |
| 13   | C 34217  | RING SET - piston .010" oversize                  | 1     |
| 13   | C 34218  | RING SET - piston .020" oversize                  | 1     |
| 13   | C 34219  | RING SET - piston .030" oversize                  | 1     |
| 14   | C 34221  | PIN - piston, standard                            | 2     |
| 15   | C 34220  | LOCK - piston pin                                 | 2     |
| 16   | C 34222  | ROD - connecting                                  | 2     |
| 17   | C 34223  | BOLT - connecting rod                             | 2     |

**IGNITION AND CHARGING SYSTEMS**

|    |          |                           |   |
|----|----------|---------------------------|---|
| 1  | C 34289  | ARMATURE - magnets        | 2 |
| 2  | BR221798 | TERMINAL - ignition cable | 1 |
| 3  | C 34290  | SCREW - mounting          | 4 |
| 4  | C 34291  | SPARK PLUG                | 2 |
| 5  | C 34324  | BOOT - spark plug         | 2 |
| 6  | C 34304  | REGULATOR - alternator    | 1 |
| 7  | C 34310  | SCREW - mounting          | 2 |
| 8  | C 34290  | SCREW - mounting          | 4 |
| 9  | C 34303  | STATOR - alternator       | 1 |
| 10 | C 34306  | TERMINAL - ground         | 1 |
| 11 | C 34292  | BOLT - mounting           | 1 |
| 12 | C 34293  | NUT                       | 1 |

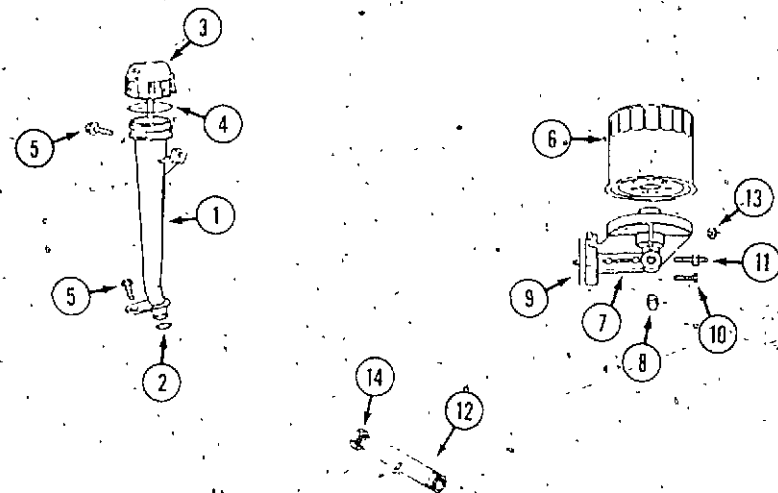


**ENGINE BLOCK AND CYLINDER HEADS**  
(for complete engine see page 1)



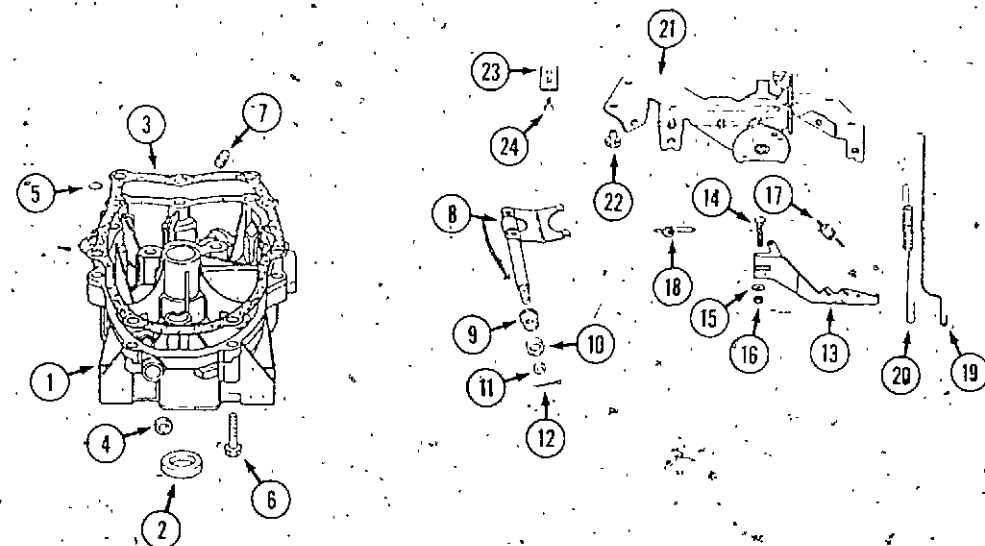
| REF. | PART NO. | DESCRIPTION                                   | REQ'D |
|------|----------|-----------------------------------------------|-------|
| 1    | C 34380  | BLOCK - cylinder (also includes Ref. 5, 6, 7) | 1     |
| 2    | C 34191  | BEARING - main                                | 1     |
| 3    | C 34192  | SEAL - oil                                    | 1     |
| 4    | C 34398  | SCREEN - oil pick-up                          | 1     |
| 5    | C 34239  | PLUG - pipe                                   | 1     |
| 6    | C 34327  | DOWEL - crankcase                             | UAR   |
| 7    | C 34328  | DOWEL - cylinder head                         | UAR   |
| 8    | C 34317  | BAFFLE - breather                             | 1     |
| 9    | C 34342  | LINER - exhaust port                          | 2     |
| 10   | C 34229  | RETAINER - valve                              | 4     |
| 11   | C 34400  | PUMP - oil                                    | 1     |
| 12   | C 34246  | "O" RING - pump                               | 2     |
| 13   | C 34338  | SCREW - pump mounting                         | 2     |
| 14   | C 34193  | HEAD - cylinder R.H., No. 1                   | 1     |
| 15   | C 34194  | HEAD - cylinder L.H., No. 2                   | 1     |
| 16   | C 34348  | SEAT - exhaust valve                          | 2     |
| 17   | C 34347  | SEAT - intake valve                           | 2     |
| 18   | C 34349  | GUIDE - valve                                 | 4     |
| 19   | C 34196  | GASKET - head                                 | 2     |
| 20   | C 34202  | BOLT - head                                   | 8     |
| 21   | C 34195  | WASHER - head bolt                            | 8     |
| 22   | C 34368  | COVER - valve No. 2 L.H.                      | 1     |
| 23   | C 34369  | COVER - valve No. 1 R.H.                      | 2     |
| 24   | C 34262  | GASKET - valve cover                          | 2     |
| 24   | C 34262  | NUT - lock, valve cover                       | 4     |
| 25   | C 34261  | WASHER                                        | 4     |
| 26   | C 34372  | ROD - push, intake                            | 2     |
| 26   | C 34373  | ROD - push, exhaust                           | 2     |
| 27   | C 34377  | SHAFT - rocker arm                            | 2     |
| 28   | C 34378  | SUPPORT - rocker arm                          | 4     |
| 29   | C 34259  | STUD - rocker arm                             | 4     |
| 30   | C 34376  | ARM - rocker                                  | 4     |
| 31   | C 34265  | SCREW AND NUT - valve adjust                  | 4     |
| 32   | C 34230  | TAPPET - valve                                | 4     |
| 33   | C 34346  | SEAL - valve guide                            | 4     |
| 34   | C 34224  | VALVE - exhaust                               | 2     |
| 35   | C 34225  | VALVE - intake                                | 2     |
| 36   | C 34226  | SPRING - valve                                | 4     |
| 37   | C 34228  | RETAINER - valve spring                       | 4     |

**OIL FILTER, FILLER TUBE AND DRAIN**



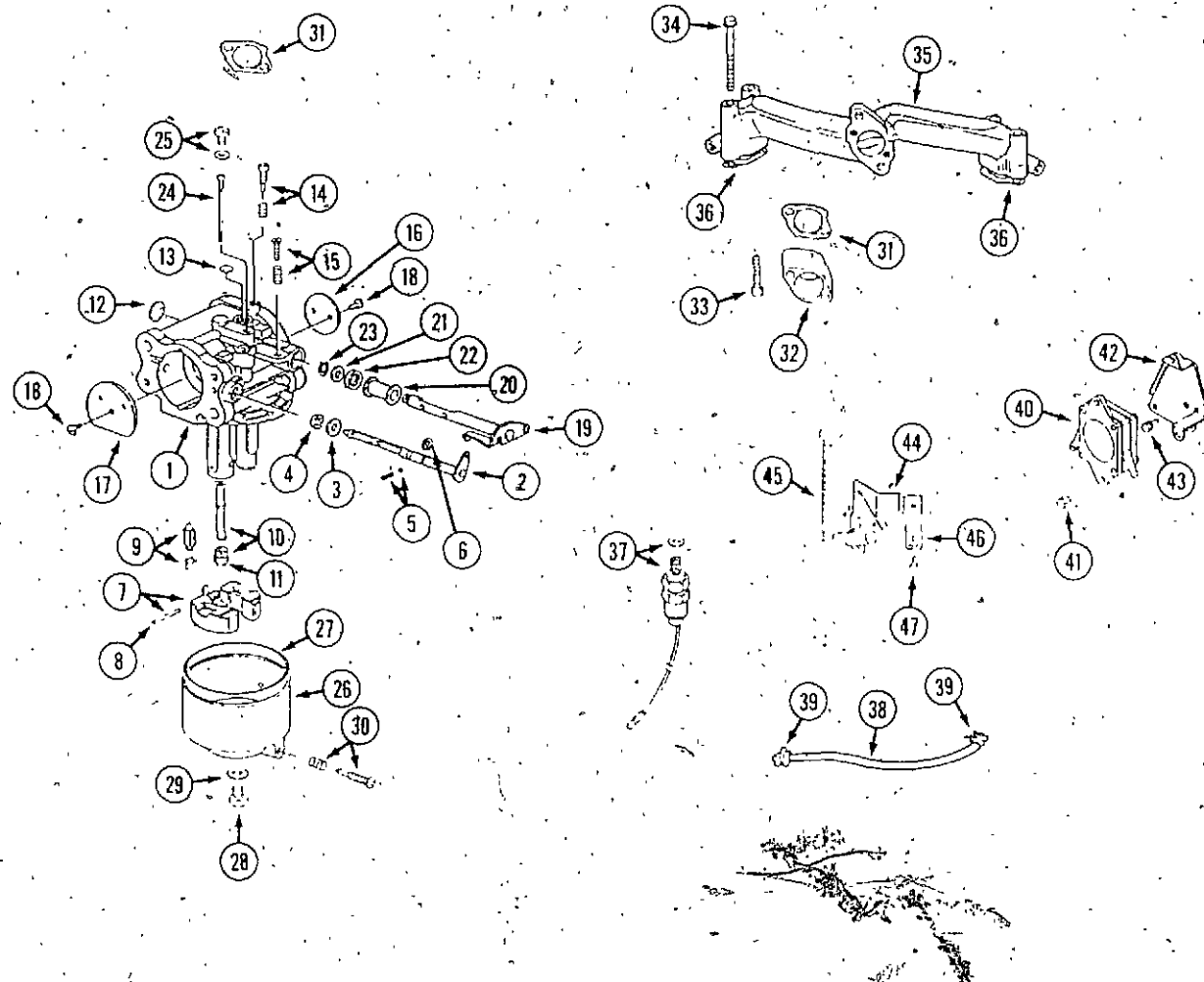
| REF. | PART NO.  | DESCRIPTION              | REQ'D |
|------|-----------|--------------------------|-------|
| 1    | C 34403   | TUBE - oil filler        | 1     |
| 2    | C 34402   | SEAL - filler tube       | 1     |
| 3    | C 34401   | DIPSTICK                 | 1     |
| 4    | C 34406   | "O" RING - filler tube   | 1     |
| 5    | C 34339   | SCREW                    | 1     |
| 6    | C 34374   | FILTER - oil             | 1     |
| 7    | C 34375   | ADAPTER - oil filter     | 1     |
| 8    | C 34239   | PLUG - pipe              | 1     |
| 9    | C 34361   | GASKET - adapter         | 1     |
| 10   | C 34362   | SCREW - adapter          | 3     |
| 11   | C 34260   | STUD - adapter           | 1     |
| 12   | C 37148   | NIPPLE - pipe, oil drain | 1     |
| 13   | C 34264   | LOCKWASHER               | 1     |
| 14   | -218-5154 | PLUG -oil drain          | 1     |

**CRANKCASE COVER AND GOVERNOR**

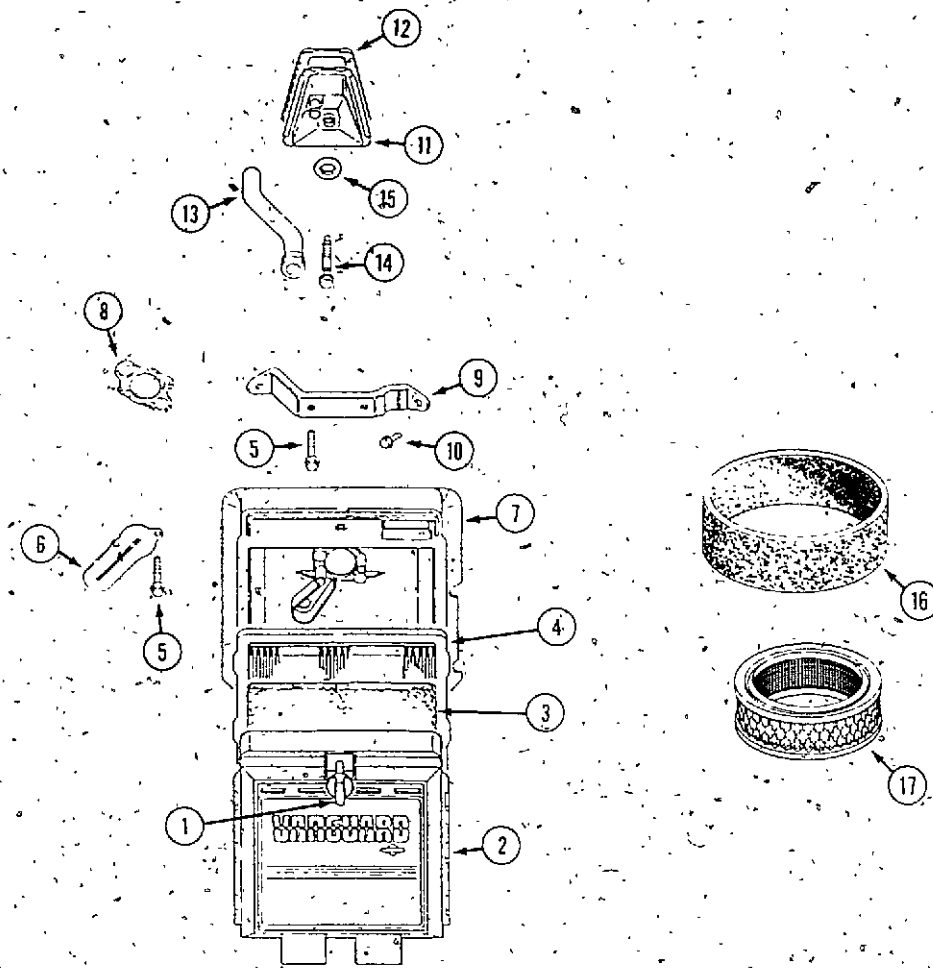


|    |          |                            |   |
|----|----------|----------------------------|---|
| 1  | C 34384  | COVER - crankcase          | 1 |
| 2  | C 34208  | SEAL - oil                 | 1 |
| 3  | C 34201  | GASKET - crankcase cover   | 1 |
| 4  | C 34323  | WASHER - governor shaft    | 1 |
| 5  | C 34247  | "O" RING - crankcase cover | 1 |
| 6  | C 34209  | BOLT - crankcase cover     | 8 |
| 7  | C 34203  | PLUG - pipe                | 1 |
| 8  | C 34322  | SHAFT - governor           | 1 |
| 9  | C 34314  | BUSHING - governor shaft   | 1 |
| 10 | C 34315  | BUSHING - governor shaft   | 1 |
| 11 | C 34240  | SEAL - governor shaft      | 1 |
| 12 | C 34321  | PIN - cotter               | 1 |
| 13 | C 34270  | LEVER ASSEMBLY - governor  | 1 |
| 14 | C 34316  | BOLT - lever               | 1 |
| 15 | C 34275  | WASHER - lever             | 1 |
| 16 | C 34319  | NUT - lever                | 1 |
| 17 | C 34267  | SPRING - governor          | 1 |
| 18 | C 34397  | SPRING - governed idle     | 1 |
| 19 | C 34266  | LINK - governor            | 1 |
| 20 | C 34271  | SPRING - governor link     | 1 |
| 21 | C 34269  | BRACKET - governor control | 1 |
| 22 | C 34281  | SCREW - bracket            | 4 |
| 23 | BR221535 | CLAMP - casing             | 1 |
| 24 | C 34292  | SCREW - clamp              | 1 |

**CARBURETOR, MANIFOLD AND FUEL PUMP**



|    |          |                                                           |   |
|----|----------|-----------------------------------------------------------|---|
| 1  | C 34392  | CARBURETOR                                                | 1 |
| 2  | NSS      | BODY - carburetor                                         | 1 |
| 3  | C 34396  | KIT - choke shaft                                         | 1 |
| 4  | NSS      | COLLAR - choke shaft (use overhaul kit)                   | 1 |
| 5  | NSS      | SEAL - choke shaft (use overhaul or gasket kit)           | 1 |
| 6  | NSS      | BALL - locator (use overhaul kit)                         | 1 |
| 7  | NSS      | RETAINER - shaft (use overhaul kit)                       | 1 |
| 8  | C 34395  | FLOAT - fuel                                              | 1 |
| 9  | NSS      | PIN - float-hinge (use overhaul kit)                      | 1 |
| 10 | NSS      | VALVE - fuel inlet (use overhaul kit)                     | 1 |
| 11 | NSS      | NOZZLE - (use overhaul kit)                               | 1 |
| 12 | NSS      | JET - main (use overhaul kit)                             | 1 |
| 13 | NSS      | PLUG - welch (use overhaul kit)                           | 1 |
| 14 | NSS      | PLUG - welch (use overhaul kit)                           | 1 |
| 15 | NSS      | VALVE - idle adjust (use overhaul kit)                    | 1 |
| 16 | C 34388  | SCREW AND SPRING - throttle adjust                        | 1 |
| 17 | C 34393  | VALVE - throttle                                          | 1 |
| 18 | C 34389  | VALVE - choke                                             | 1 |
| 19 | C 34387  | SCREW - mounting                                          | 3 |
| 20 | C 34394  | KIT - throttle shaft                                      | 1 |
| 21 | NSS      | COLLAR - throttle (use overhaul kit)                      | 1 |
| 22 | NSS      | COLLAR - throttle (use overhaul kit)                      | 1 |
| 23 | NSS      | SEAL - throttle shaft (use overhaul or gasket-kit)        | 1 |
| 24 | NSS      | RETAINER - throttle shaft (use overhaul kit)              | 1 |
| 25 | NSS      | NOZZLE - fuel (use overhaul kit)                          | 1 |
| 26 | C 34410  | PLUG - nozzle                                             | 1 |
| 27 | C 34411  | BOWL ASSEMBLY                                             | 1 |
| 28 | NSS      | GASKET - bowl (use overhaul or gasket kit)                | 1 |
| 29 | C 34409  | SCREW - bowl mounting                                     | 1 |
| 30 | NSS      | GASKET - sealing (use overhaul or gasket kit)             | 1 |
| 31 | C 34399  | DRAIN - bowl                                              | 1 |
| 32 | C 34385  | GASKET - mounting                                         | 2 |
| 33 | C 34391  | SPACER - carburetor                                       | 1 |
| 34 | C 34386  | BOLT - mounting                                           | 2 |
| 35 | C 34236  | BOLT - manifold                                           | 4 |
| 36 | C 34232  | MANIFOLD - intake                                         | 1 |
| 37 | C 34234  | GASKET - manifold                                         | 2 |
| 38 | C 34408  | SOLENOID - fuel shut off                                  | 1 |
| 39 | NSS      | HOSE - fuel (use C28937 cut to length)                    | 1 |
| 40 | 214- 251 | CLAMP - hose                                              | 1 |
| 41 | C 34300  | PUMP - fuel                                               | 1 |
| 42 | C 34339  | SCREW - mounting                                          | 2 |
| 43 | C 34404  | BRACKET - fuel pump                                       | 1 |
| 44 | C 34281  | SCREW - bracket                                           | 2 |
| 45 | C 34274  | BRACKET - choke control                                   | 1 |
| 46 | C 34268  | LINK - choke                                              | 1 |
| 47 | BR221535 | CLAMP - casing                                            | 1 |
|    | C 34292  | SCREW - clamp                                             | 1 |
|    | C 34412  | KIT - carburetor gaskets (includes Ref. 5, 23, 28 and 30) | 1 |
|    | C 34390  | KIT - carburetor overhaul                                 | 1 |

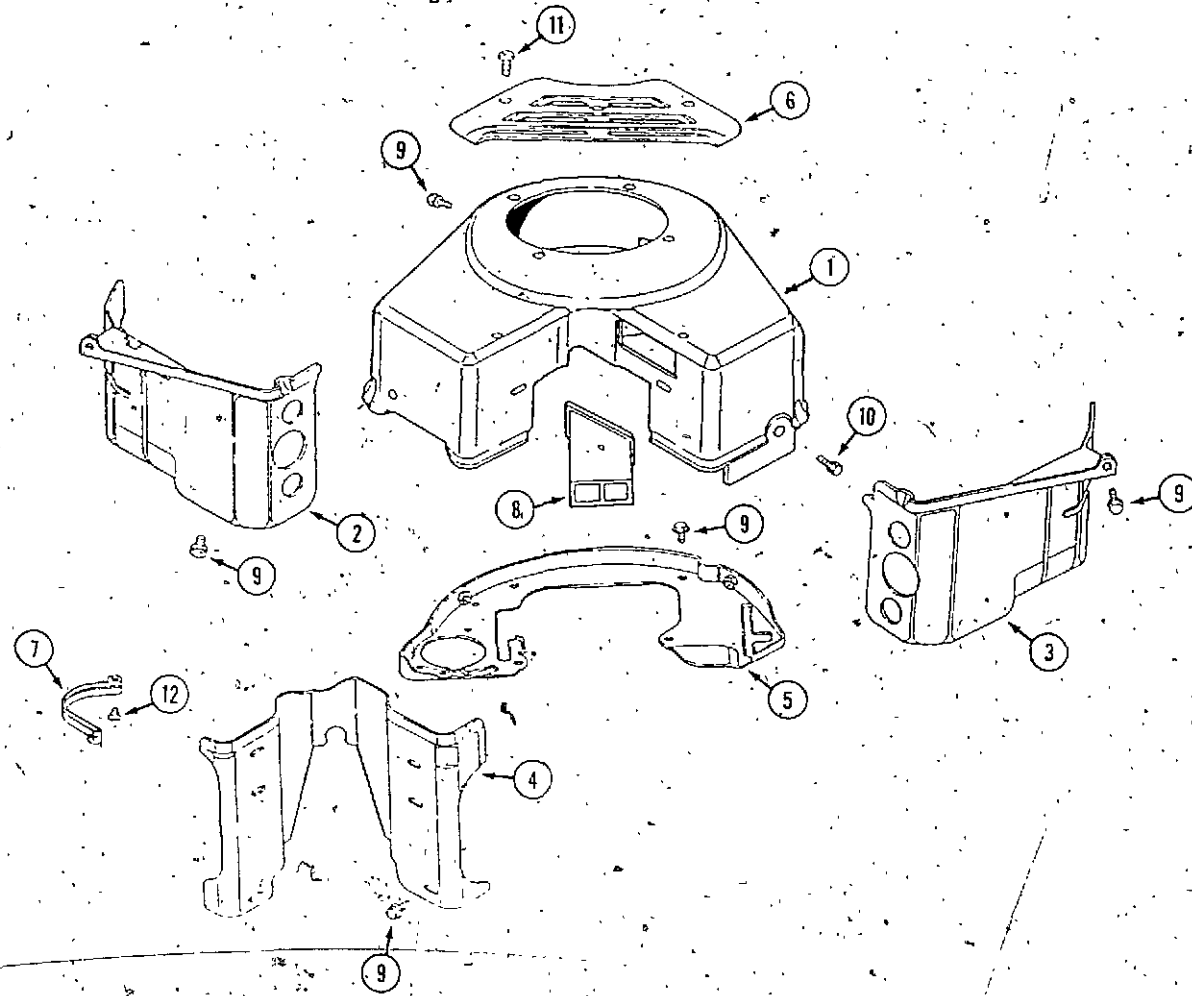


**AIR CLEANER AND CRANKCASE BREATHER**

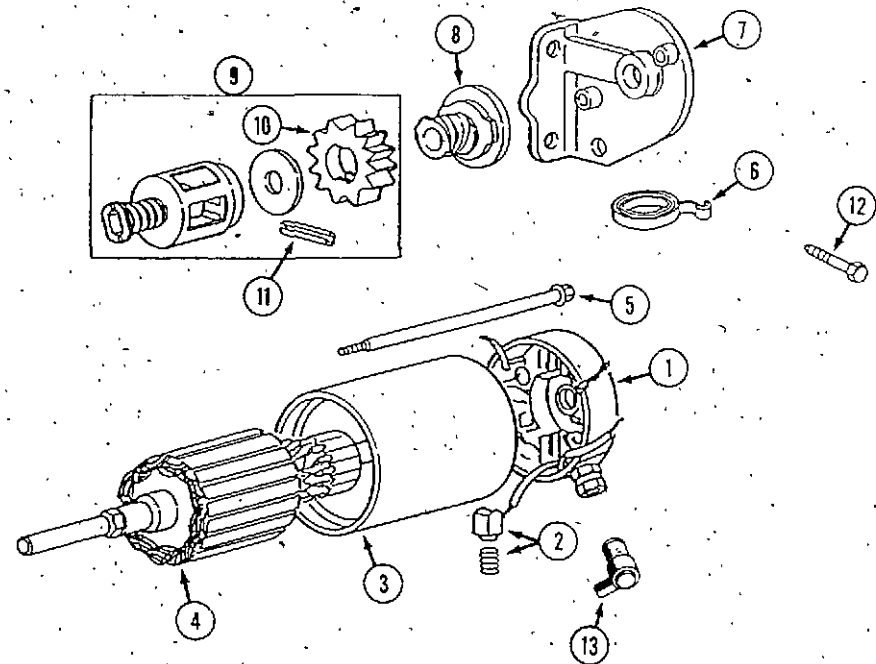
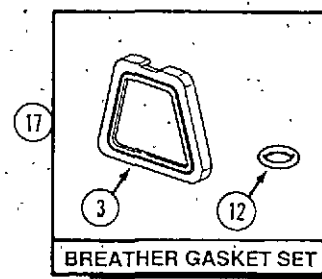
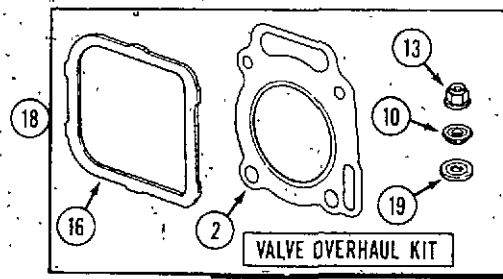
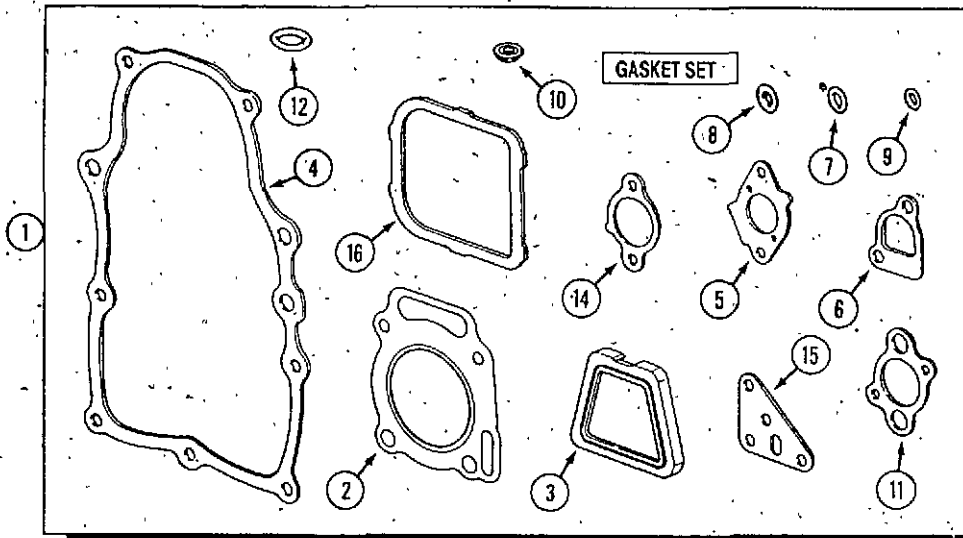
| REF. | PART NO. | DESCRIPTION                     | REQ'D |
|------|----------|---------------------------------|-------|
| 1    | C 34359  | SCREW - mounting                | 1     |
| 2    | C 34358  | COVER - air cleaner             | 1     |
| 3    | C 34363  | PRECLEANER - early production   | 1     |
| 4    | C 34357  | FILTER - air (early production) | 1     |
| 5    | C 34360  | BOLT - mounting                 | 2     |
| 6    | C 34366  | DEFLECTOR - breather            | 1     |
| 7    | C 34356  | BASE - air cleaner              | 1     |
| 8    | C 34312  | GASKET - air cleaner            | 1     |
| 9    | C 34407  | BRACKET - air cleaner           | 1     |
| 10   | C 34279  | SCREW - bracket                 | 2     |
| 11   | C 34381  | BREATHER ASSEMBLY               | 1     |
| 12   | C 34198  | GASKET - breather               | 1     |
| 13   | C 34200  | TUBE - breather                 | 1     |
| 14   | C 34382  | SCREW - mounting                | 1     |
| 15   | C 34329  | SEAL - breather screw           | 1     |
| 16   | C 29855  | PRECLEANER - late production    | 1     |
| 17   | C 37544  | FILTER - air (late production)  | 1     |



**BLOWER HOUSING AND ENGINE AIR GUIDES**



| REF. | PART-NO. | DESCRIPTION                 | REQ'D |
|------|----------|-----------------------------|-------|
| 1    | C 34278  | HOUSING - blower            | 1     |
| 2    | C 34282  | COVER - air guide (cyl. #1) | 1     |
| 3    | C 34283  | COVER - air guide (cyl. #2) | 1     |
| 4    | C 34345  | COVER - valley              | 1     |
| 5    | C 34318  | PLATE - back                | 1     |
| 6    | C 34350  | COVER - carburetor          | 1     |
| 7    | C 34332  | SHIELD - stater             | 1     |
| 8    | C 34365  | TUBE - air inlet            | 1     |
| 9    | C 34279  | SCREW - mounting            | UAR   |
| 10   | C 34281  | SCREW - blower housing      | UAR   |
| 11   | C 34325  | SCREW - carburetor cover    | 2     |
| 12   | C 34301  | SCREW - shield, starter     | 2     |



**GASKET SETS**

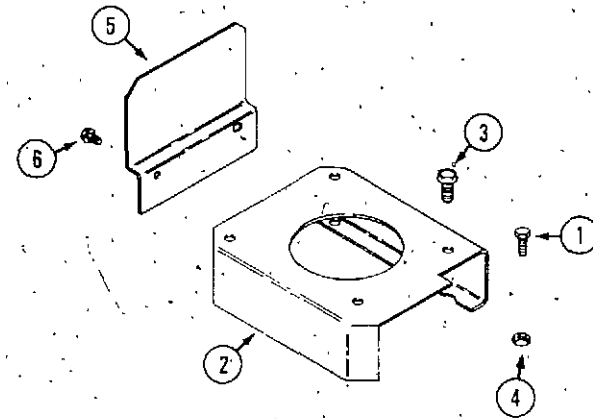
| REF. | PART NO. | DESCRIPTION                                                 | REQ'D |
|------|----------|-------------------------------------------------------------|-------|
| 1    | C 34297  | GASKET SET - complete                                       | 1     |
| 2    | C 34196  | GASKET - cylinder head                                      | 2     |
| 3    | C 34198  | GASKET - breather                                           | 1     |
| 4    | C 34201  | GASKET - crankcase                                          | 1     |
| 5    | C 34385  | GASKET - carburetor mounting                                | 2     |
| 6    | C 34234  | GASKET - intake manifold                                    | 2     |
| 7    | C 34246  | "O" RING - oil pump                                         | UAR   |
| 8    | C 34247  | "O" RING - crankcase cover                                  | UAR   |
| 9    | NSS      | "O" RING - oil pick-up tube                                 | 1     |
| 10   | C 34261  | WASHER - valve cover                                        | 4     |
| 11   | C 34312  | GASKET - air cleaner                                        | 1     |
| 12   | C 34329  | SEAL - breather screw                                       | 1     |
| 13   | C 34262  | NUT - lock, valve cover                                     | 4     |
| 14   | C 34351  | GASKET - exhaust                                            | 2     |
| 15   | C 34361  | GASKET - oil filter adapter                                 | 1     |
| 16   | C 34367  | GASKET - valve cover                                        | 2     |
| 17   | C 34249  | BREATHER GASKET SET - includes Ref. 3, 12                   | 1     |
| 18   | C 34279  | VALVE OVERHAUL GASKET KIT - includes Ref. 2, 10, 16, 19, 20 | 1     |
| 19   | C 34195  | WASHER - cylinder head bolt                                 | 8     |

**STARTER**

|    |         |                               |   |
|----|---------|-------------------------------|---|
| 1  | C 34284 | STARTER - 12 volt             | 1 |
| 2  | C 34336 | CAP ASSEMBLY - commutator end | 1 |
| 3  | C 34286 | BRUSH ASSEMBLY                | 4 |
| 4  | C 34405 | HOUSING - starter             | 1 |
| 5  | C 34313 | ARMATURE - starter            | 1 |
| 6  | C 34285 | BOLT - thru                   | 2 |
| 7  | C 34364 | SPRING - brush                | 4 |
| 8  | C 34335 | CAP ASSEMBLY - drive end      | 1 |
| 9  | C 30406 | CLUTCH - drive                | 1 |
| 10 | C 27424 | KIT - retainer                | 1 |
| 11 | C 27422 | GEAR - drive                  | 1 |
| 12 | C 34353 | PIN - roll                    | 1 |
| 13 | C 34263 | BOLT - starter mounting       | 2 |
|    | C 31618 | COVER - starter terminal      | 1 |

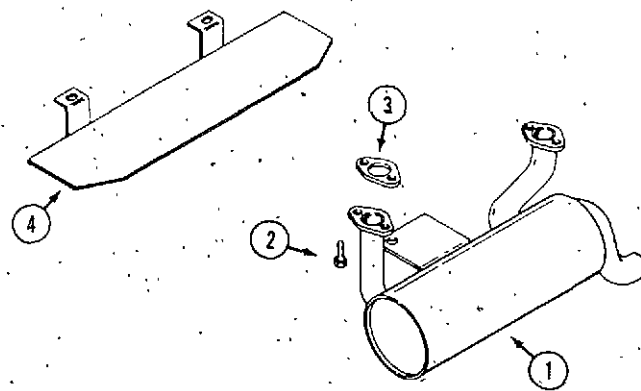
**ENGINE MOUNT AND BATTERY SHIELD**

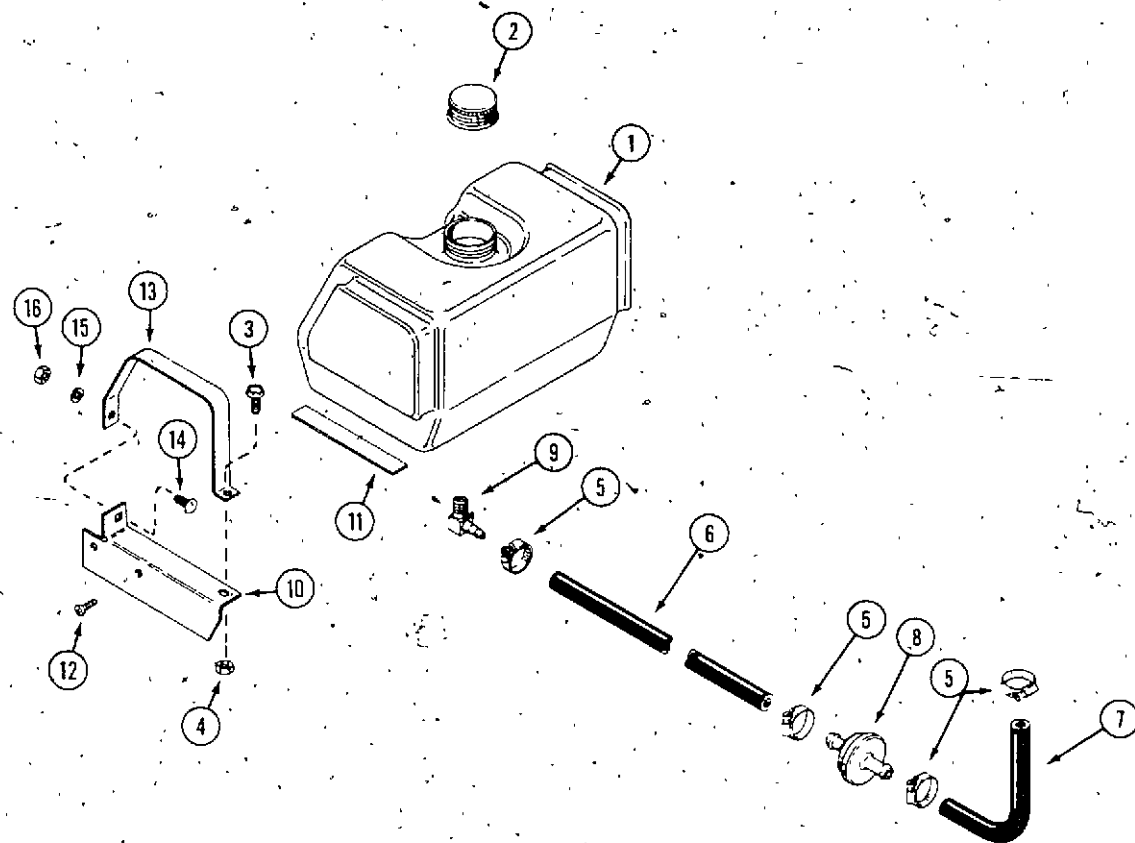
| REF. | PART. NO. | DESCRIPTION                      | REQ'D. |
|------|-----------|----------------------------------|--------|
| 1    | 113- 103  | BOLT - 5/16" - 18 x 1"           | 4      |
| 2    | C 36995   | MOUNT - engine                   | 1      |
| 3    | C 33644   | BOLT - 3/8" - 16 x 1-1/4" flange | 4      |
| 4    | 131- 69   | NUT - 5/16" lock                 | 8      |
| 5    | C 37107   | SHIELD - battery                 | 1      |
| 6    | 187- 1036 | SCREW - 1/4" - 20 x 1/2"         | 2      |



**MUFFLER AND SHIELD**

|   |         |                   |   |
|---|---------|-------------------|---|
| 1 | C 36955 | MUFFLER - exhaust | 1 |
| 2 | C 34351 | GASKET - exhaust  | 2 |
| 3 | C 34320 | BOLT - exhaust    | 4 |
| 4 | C 40650 | SHIELD - muffler  | 1 |



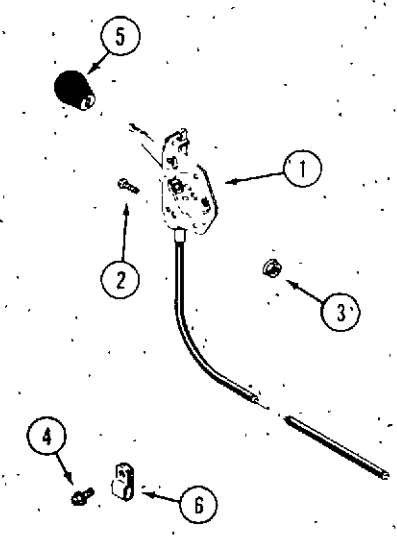


**FUEL SYSTEM**

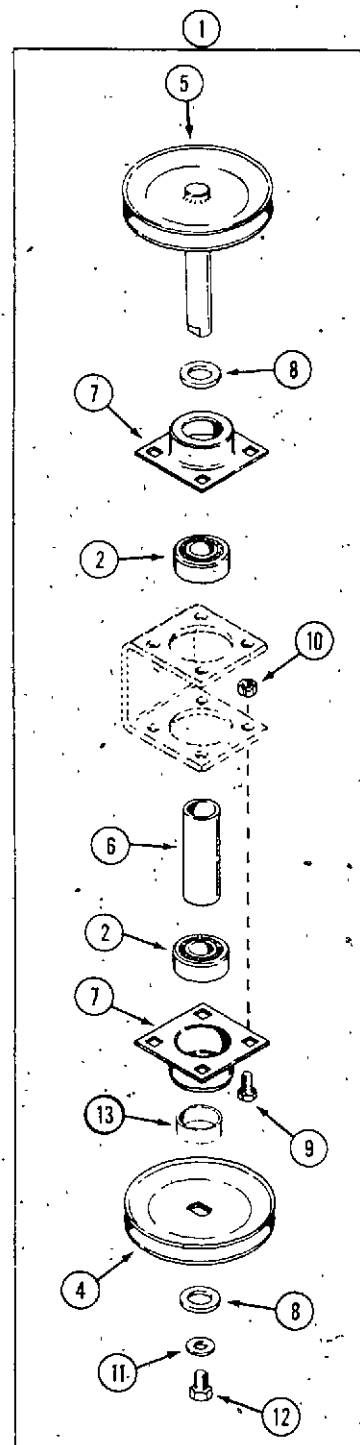
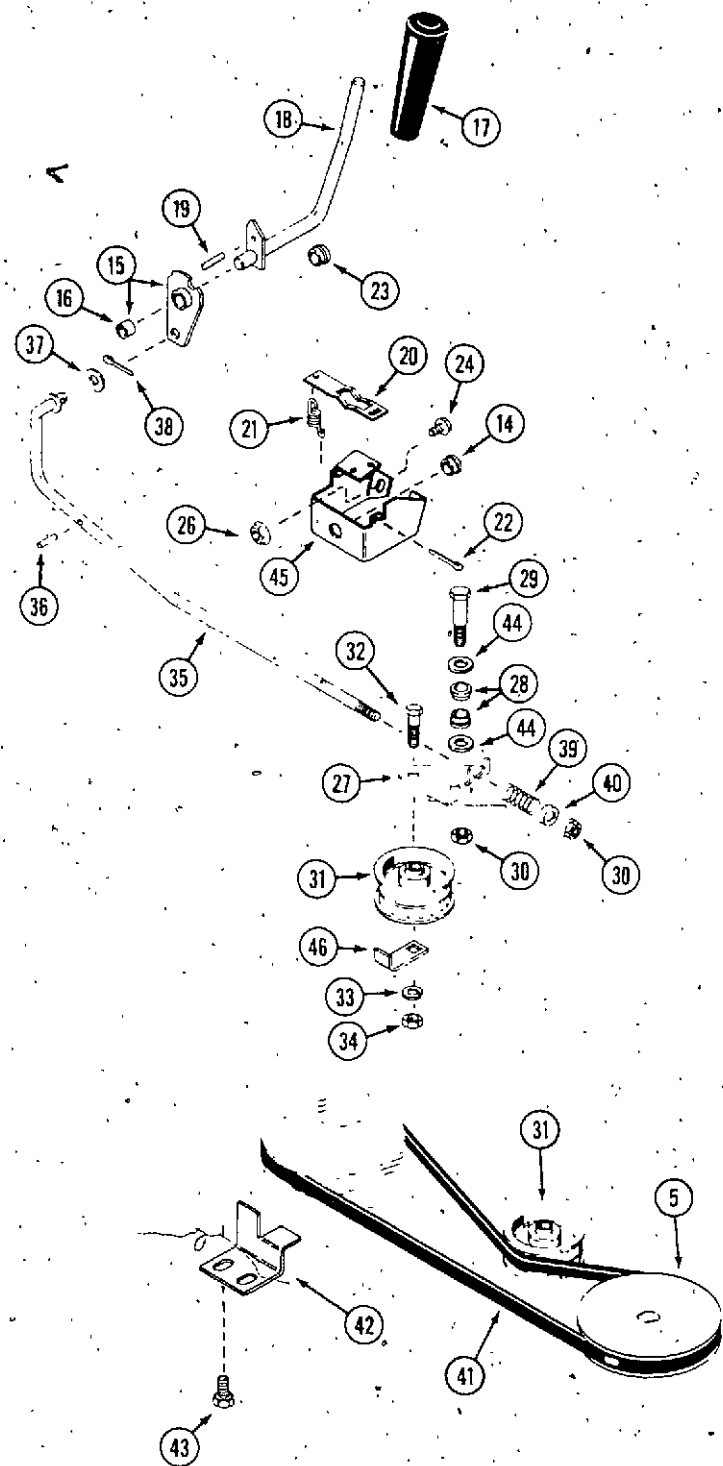
| REF. | PART NO. | DESCRIPTION                            | REQ'D |
|------|----------|----------------------------------------|-------|
| 1    | C 37202  | TANK - fuel                            | 1     |
| 2    | C 34160  | CAP - fuel                             | 1     |
| 3    | 187-1036 | SCREW - 1/4" - 20 x 1/2" flange        | 2     |
| 4    | 131-1180 | NUT - 1/4" - 20 lock                   | 2     |
| 5    | 214-252  | CLAMP - hose (service)                 | 4     |
| 6    | NSS      | HOSE - fuel (use C28937 cut to length) | 1     |
| 7    | NSS      | HOSE - fuel (use C28937 cut to length) | 1     |
| 8    | C 28935  | FILTER - fuel                          | 1     |
| 9    | C 10678  | CONNECTOR - fuel line 90°              | 1     |
| 10   | C 37303  | BRACKET - fuel tank R.H. shown         | 1     |
| 10   | C 37304  | BRACKET - fuel tank L.H.               | 1     |
| 11   | C 37308  | CUSHION - fuel tank                    | 2     |
| 12   | C 31597  | SCREW - 1/4" - 20 x 1/2"               | 4     |
| 13   | C 37307  | STRAP - fuel tank                      | 2     |
| 14   | 111-101  | BOLT - 1/4" - 20 x 5/8" carriage       | 2     |
| 15   | 192-19   | WASHER - 1/4" lock                     | 2     |
| 16   | 129-101  | NUT - 1/4" - 20                        | 2     |

**CHOKE AND THROTTLE**

|   |          |                               |   |
|---|----------|-------------------------------|---|
| 1 | C 37096  | CONTROL - throttle            | 1 |
| 1 | C 37097  | CONTROL - choke               | 1 |
| 2 | 182-559  | SCREW - No. 10 - 24 x 3/4"    | 2 |
| 3 | C 34117  | NUT - No. 10 - 24 flange lock | 2 |
| 4 | 187-1908 | SCREW - self tapping          | 1 |
| 5 | C 35291  | KNOB - control                | 2 |
| 6 | C 27233  | CLAMP - cable                 | 1 |

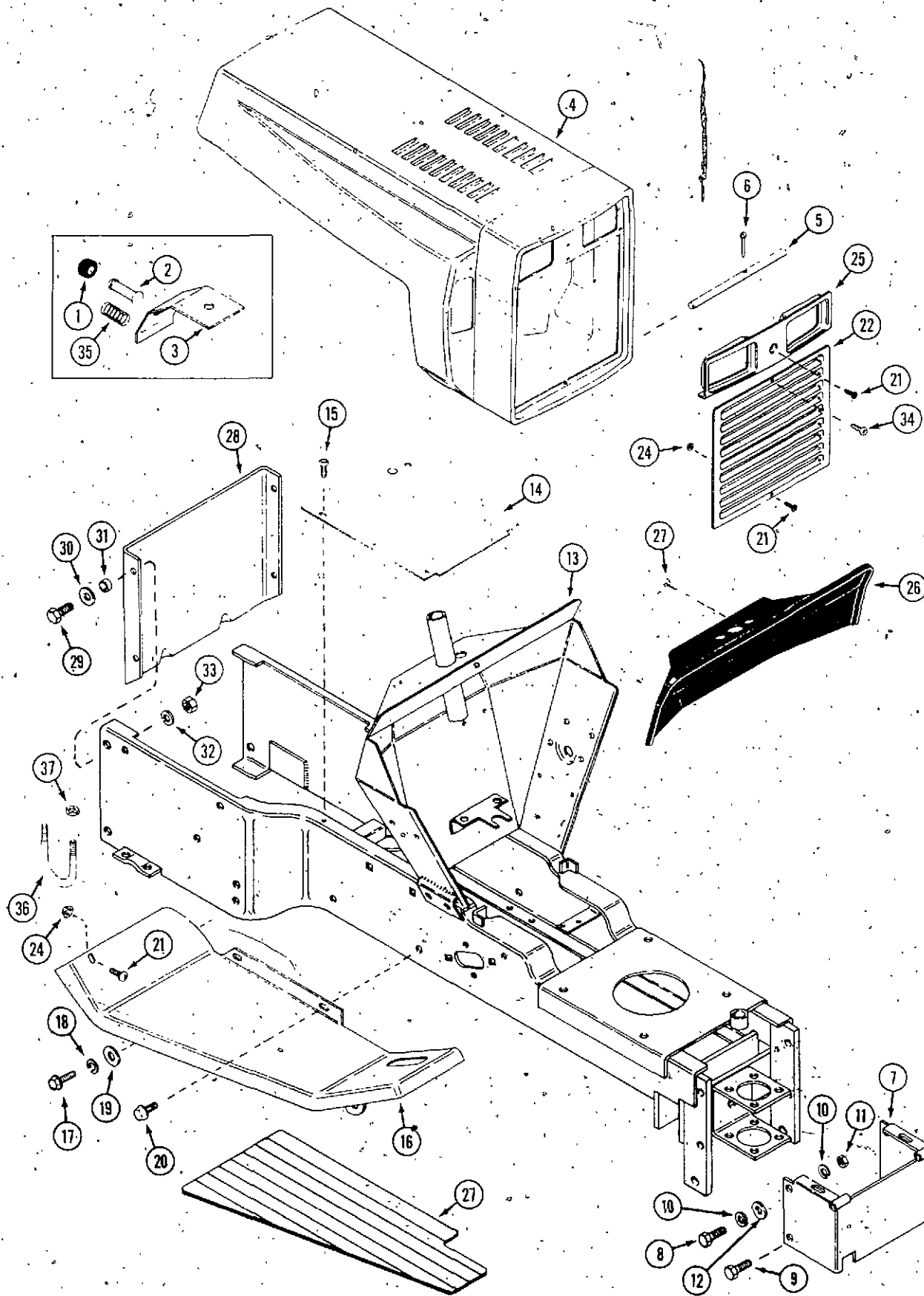


ATTACHMENT DRIVE POWER TAKE OFF (PTO)



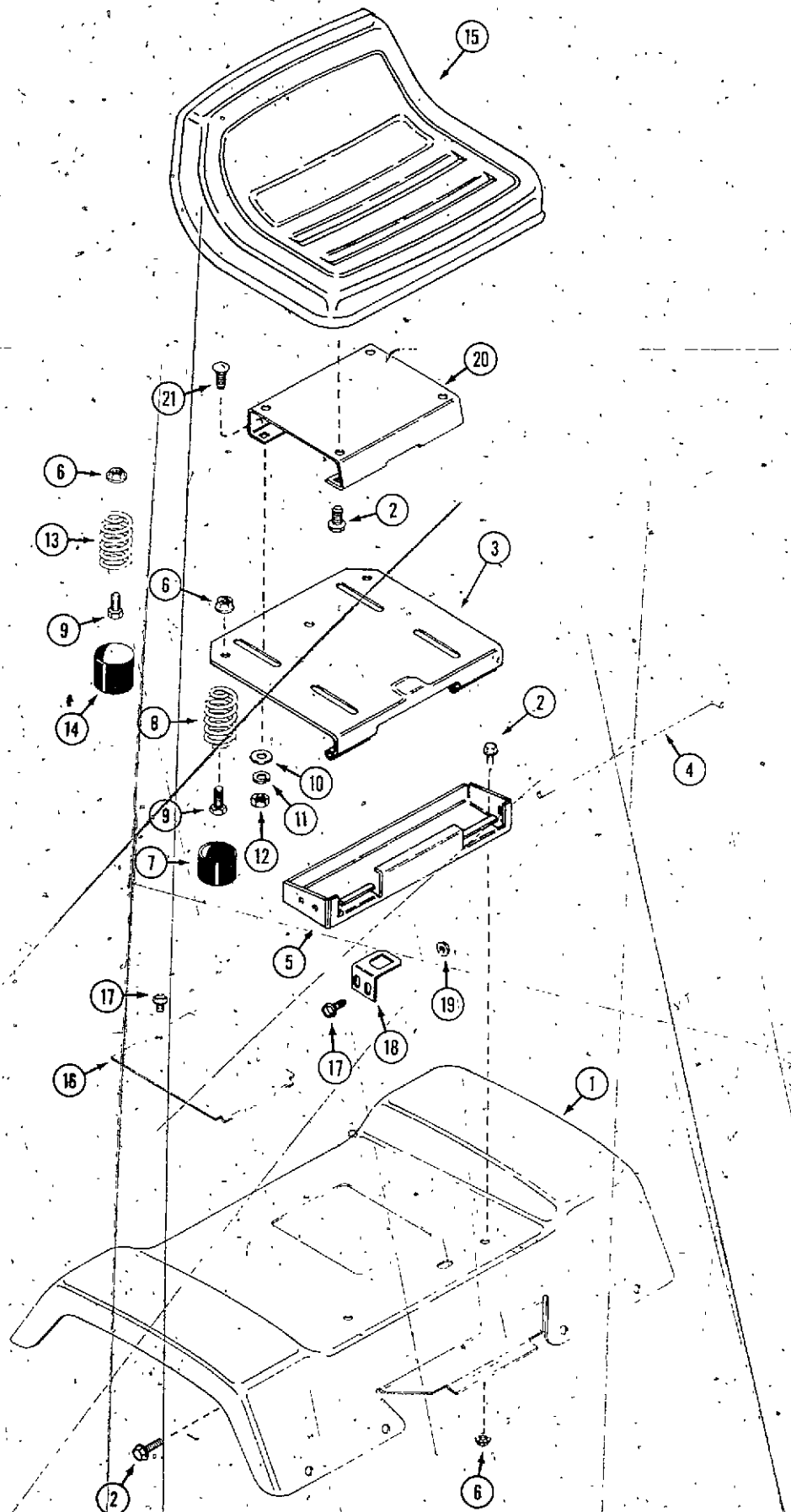
| REF. | PART NO.  | DESCRIPTION                                | REQ'D |
|------|-----------|--------------------------------------------|-------|
| 1    | NSS       | P.T.O. ASSEMBLY                            | 1     |
| 2    | C 28971   | BEARING                                    | 2     |
| 3    | NSS       | BRACKET - mounting                         | 1     |
| 4    | C 15083   | PULLEY - bottom                            | 1     |
| 5    | C 37053   | PULLEY - top                               | 1     |
| 6    | C 25233   | SPACER - bearing                           | 1     |
| 7    | C 23818   | FLANGETTE                                  | 2     |
| 8    | C 12975   | WASHER                                     | 2     |
| 9    | 113- 102  | BOLT - 5/16" - 18 x 3/4"                   | 8     |
| 10   | 131- 176  | NUT - 5/16" - 18 lock                      | 8     |
| 11   | C 28263   | WASHER - 3/8"                              | 1     |
| 12   | 113- 205  | BOLT - 3/8" - 18 x 5/8"                    | 1     |
| 13   | C 25643   | SPACER - pulley                            | 1     |
| 14   | C 25229   | BUSHING - flange                           | 1     |
| 15   | C 29326   | ARM ASSEMBLY - PTO                         | 1     |
| 16   | C 17597   | BUSHING - sleeve                           | 1     |
| 17   | C 28237   | HANDLE - PTO lever                         | 1     |
| 18   | C 37010   | LEVER - PTO                                | 1     |
| 19   | 138- 2071 | PIN - spirol 3/16" x 15/16"                | 1     |
| 20   | C 29316   | BAR - latch                                | 1     |
| 21   | C 29172   | SPRING - extension                         | 1     |
| 22   | 132- 320  | PIN - cotter 3/32" x 3/4"                  | 1     |
| 23   | 353- 462  | BUSHING - tower                            | 1     |
| 24   | 121- 106  | BOLT - 5/16" - 18 x 3/4" flange            | 2     |
| 25   | 192- 20   | LOCKWASHER - 5/16"                         | 2     |
| 26   | 131- 911  | NUT - 5/16" - 18 flange                    | 2     |
| 27   | C 30873   | ARM - idler                                | 1     |
| 28   | C 17597   | BUSHING - (press into hub on engine plate) | 2     |
| 29   | C 16745   | BOLT - shoulder                            | 1     |
| 30   | 131- 1352 | NUT - 3/8" lock                            | 2     |
| 31   | C 15672   | PULLEY - idler                             | 1     |
| 32   | 113- 233  | BOLT - 3/8" - 16 x 1-3/4" hex head         | 1     |
| 33   | 192- 21   | LOCK WASHER - 3/8"                         | 1     |
| 34   | 129- 103  | NUT - 3/8" - 16                            | 1     |
| 35   | C 30769   | ROD - PTO                                  | 1     |
| 36   | 138- 57   | PIN - roll 1/8" x 3/4"                     | 1     |
| 37   | 195- 525  | WASHER - 3/8"                              | 1     |
| 38   | 132- 332  | PIN - cotter 3/32" x 1"                    | 1     |
| 39   | C 27822   | SPRING - compression                       | 1     |
| 40   | C 17066   | WASHER - cup                               | 1     |
| 41   | C 31215   | BELT - PTO                                 | 1     |
| 42   | C 26345   | KEEPER - belt                              | 1     |
| 43   | C 29620   | BOLT - 5/16" - 18 x 3/4"                   | 1     |
| 44   | 195- 533  | WASHER - 1/2"                              | 2     |
| 45   | C 37007   | BRACKET - support                          | 1     |
| 46   | C 29243   | GUIDE - belt                               | 1     |

HOOD, FRAME AND ATTACHING PARTS



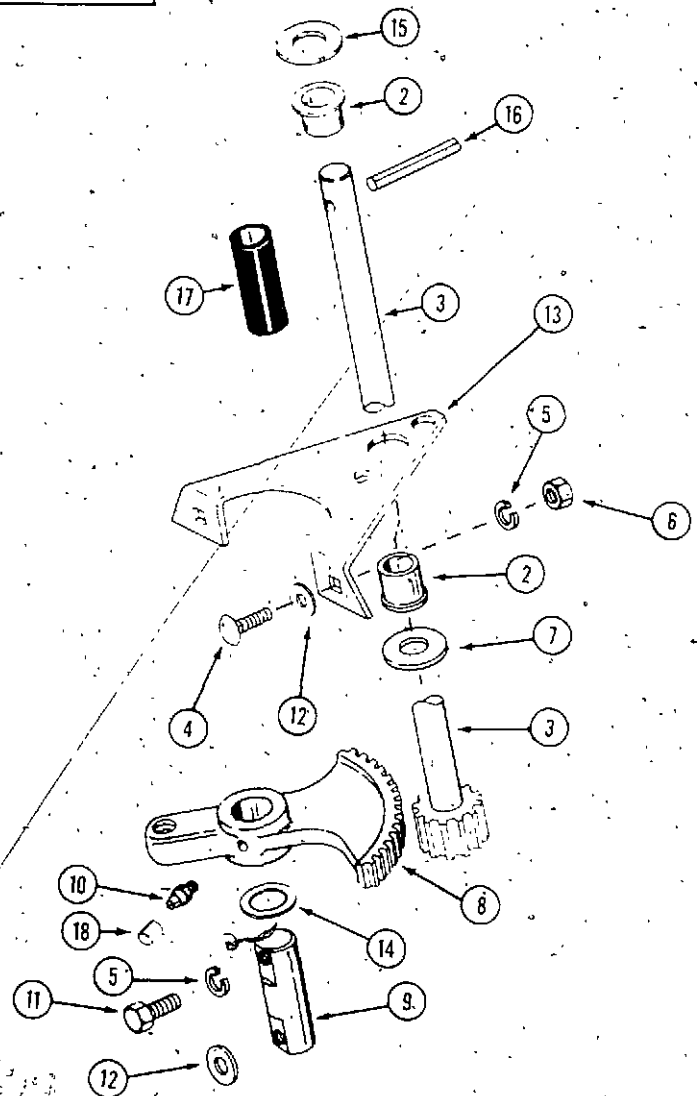
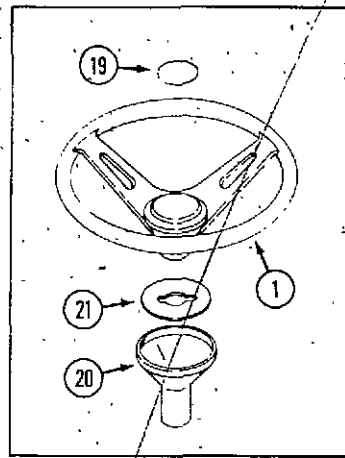
| REF. | PART NO.  | DESCRIPTION                          | REQ'D |
|------|-----------|--------------------------------------|-------|
| 1    | C 29314   | BUTTON - push, hood release          | 1     |
| 2    | C 30126   | ROD - push, hood release             | 1     |
| 3    | C 33467   | LATCH - hood                         | 1     |
| 4    | C 37041   | HOOD                                 | 1     |
| 5    | C 16362   | ROD - hinge                          | 1     |
| 6    | 132- 334  | PIN - cotter 1/8" x 3/4"             | 1     |
| 7    | C 37045   | COVER - PTO                          | 1     |
| 8    | 113- 205  | BOLT - 3/8" - 16 x 5/8"              | 2     |
| 9    | 113- 207  | BOLT - 3/8" - 16 x 1"                | 2     |
| 10   | 192- 21   | LOCK WASHER - 3/8"                   | 4     |
| 11   | 129- 103  | NUT - 3/8" - 16                      | 2     |
| 12   | 195- 522  | WASHER - 3/8"                        | 2     |
| 13   | C 36972   | FRAME - main                         | 1     |
| 14   | C 33770   | PLATE - center                       | 1     |
| 15   | C 31597   | SCREW - 1/4" - 20                    | 2     |
| 16   | C 37037   | FOOT REST - R.H. (shown)             | 1     |
| 16   | C 37038   | FOOT REST - L.H.                     | 1     |
| 17   | C 29620   | BOLT - 5/16" x 18 x 3/4" flange      | 4     |
| 18   | 192- 20   | LOCK WASHER - 5/16"                  | 4     |
| 19   | 195- 521  | WASHER - 5/16"                       | 4     |
| 20   | 121- 106  | BOLT - 5/16" - 18 x 1/2" flange lock | UAR   |
| 20   | C 29620   | BOLT - 5/16" - 18 x 1" flange        | UAR   |
| 21   | C 31597   | SCREW - 1/4" - 20 pan head, Phillips | 6     |
| 22   | C 31365   | INSERT - grille                      | 6     |
| 24   | 131- 934  | NUT - 1/4" - 20 flange lock          | 4     |
| 25   | C 31366   | SHROUD - head light                  | 1     |
| 26   | C 36966   | CAP - instrument panel               | 1     |
| 27   | C 37110   | PAD - footrest R.H. (shown)          | 1     |
| 27   | C 37111   | PAD - footrest L.H.                  | 1     |
| 28   | C 29199   | DRAWBAR                              | 1     |
| 29   | 113- 207  | BOLT - 3/8" - 16 x 1"                | 4     |
| 30   | 195- 525  | WASHER - 3/8" (top holes only)       | 2     |
| 31   | C 14768   | SPACER - mounting (top holes only)   | 2     |
| 32   | 192- 21   | LOCK WASHER - 3/8"                   | 4     |
| 33   | 129- 103  | NUT - 3/8" - 16                      | 4     |
| 34   | 187- 1328 | SCREW - #8 - 18 x 3/4"               | 1     |
| 35   | C 30004   | SPRING - latch                       | 1     |
| 36   | C 33797   | BOLT - "U"                           | 2     |
| 37   | 131- 176  | NUT                                  | 4     |

SEAT AND FENDERS



| REF. | PART NO.  | DESCRIPTION                          | REQ'D |
|------|-----------|--------------------------------------|-------|
| 1    | C 37013   | FENDERS AND SUPPORT                  | 1     |
| 2    | 121- 106  | BOLT - 5/16" - 18 x 1/2" flange lock | 10    |
| 3    | C 33474   | HINGE - seat                         | 1     |
| 4    | C 16429   | PIN - seat hinge                     | 1     |
| 5    | C 37017   | TRAY - tool                          | 1     |
| 6    | 131- 911  | NUT - 5/16" - 18 flange lock         | 5     |
| 7    | C 29305   | CAP - spring                         | 2     |
| 8    | C 29306   | SPRING - seat                        | 2     |
| 9    | 113- 102  | BOLT - 5/16" - 18 x 3/4"             | 3     |
| 10   | 195- 2175 | WASHER - .08" - .31" x 1.25"         | 4     |
| 11   | 192- 20   | LOCKWASHER - 5/16"                   | 4     |
| 12   | 129- 102  | NUT - 5/16" - 18                     | 4     |
| 13   | C 31006   | SPRING - actuating, seat switch      | 1     |
| 14   | C 26526   | CAP - actuating spring               | 1     |
| 15   | C 30065   | SEAT                                 | 1     |
| 16   | C 30785   | COVER - inspection                   | 1     |
| 17   | 187- 1036 | SCREW - 1/4" x 1/2" self-tap         | 1     |
| 18   | C 37060   | BRACKET - switch mount               | 1     |
| 19   | 131- 934  | NUT - 1/4" - 20 flange lock          | 2     |
| 20   | C 37463   | SPACER - seat                        | 1     |
| 21   | 111- 132  | BOLT - 5/16" - 18 x 3/4" carriage    | 4     |

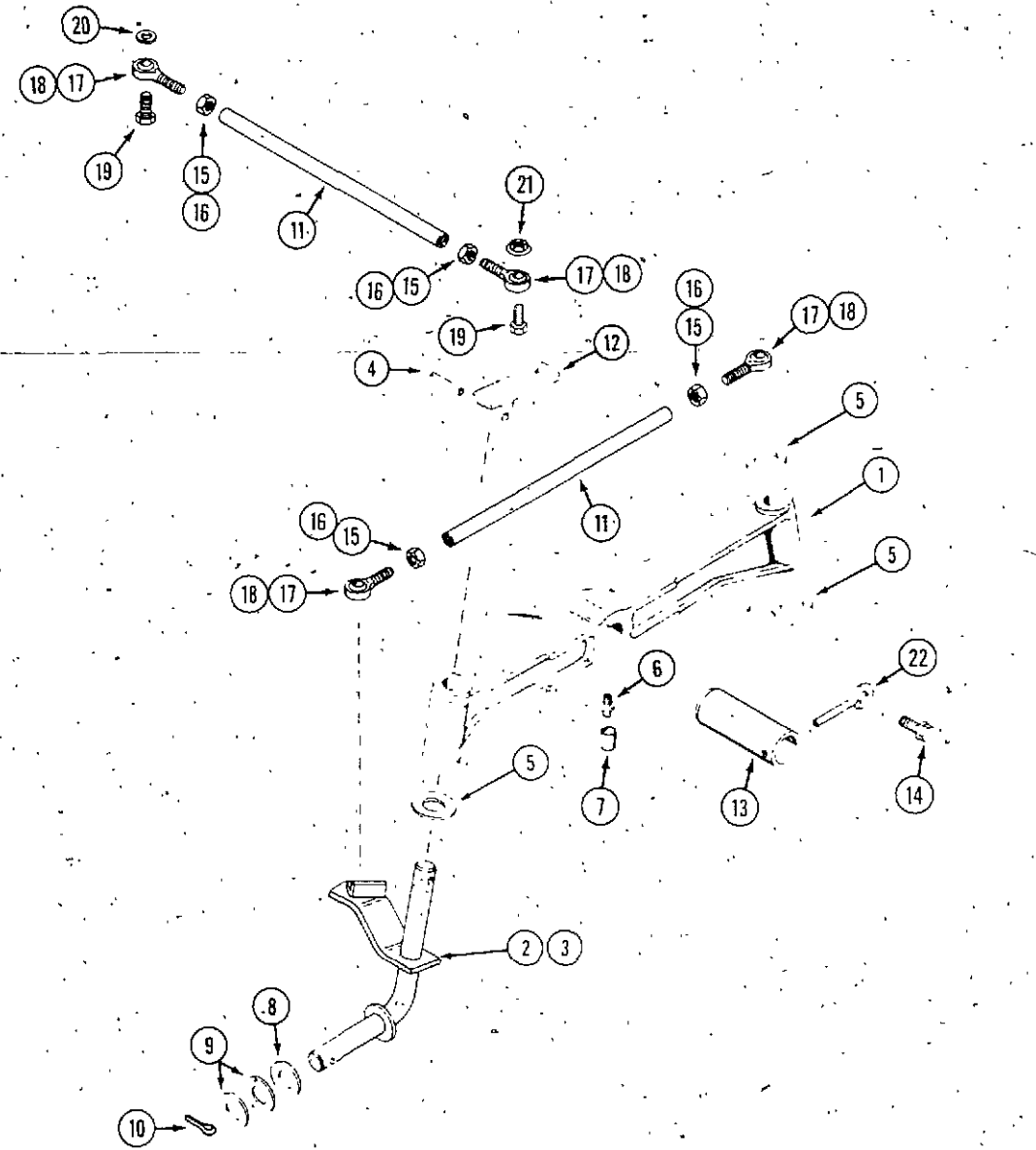
STEERING GEAR



| REF. | PART NO.  | DESCRIPTION                         | REQ'D |
|------|-----------|-------------------------------------|-------|
| 1    | C 40653   | WHEEL - steering                    | 1     |
| 2    | C 15096   | BUSHING - flanged nylon             | 2     |
| 3    | C 40656   | SHAFT - steering                    | 1     |
| 4    | 111- 132  | BOLT - 5/16" x 3/4" NC, ZP carriage | 2     |
| 5    | 192- 20   | LOCK WASHER - 5/16" ZP              | 4     |
| 6    | 129- 102  | NUT - 5/16" NC hex, ZP              | 2     |
| 7    | 195- 2069 | WASHER - 5/8" plain, ZP             | 1     |
| 8    | C 37036   | GEAR - steering                     | 1     |
| 9    | C 15105   | PIVOT - steering gear               | 1     |
| 10   | 219- 17   | FITTING - lube                      | 1     |
| 11   | 113- 103  | BOLT - 5/16" x 1" NC hex, ZP        | 2     |
| 12   | 195- 521  | WASHER - 5/16", plain, ZP           | UAR   |
| 13   | C 27045   | BRACKET - steering                  | 1     |
| 14   | C 14201   | WASHER - shim                       | UAR   |
| 15   | 195- 541  | WASHER - 5/8"                       | UAR   |
| 16   | 138- 2040 | PIN - roll 1/4" x 1-1/2"            | 1     |
| 17   | C 29168   | SLEEVE - steering shaft             | 1     |
| 18   | C 13106   | COVER - lube fitting                | 1     |
| 19   | C 37197   | INSERT - steering wheel (logo)      | 1     |
| 20   | C 40654   | BOOT - steering column              | 1     |
| 21   | C 40655   | INSERT - boot                       | 1     |



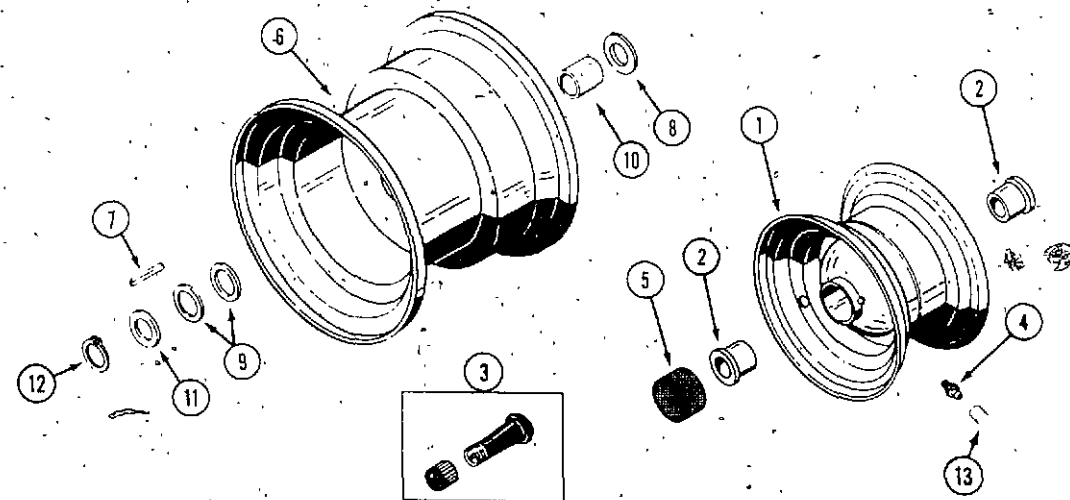
**FRONT AXLE**



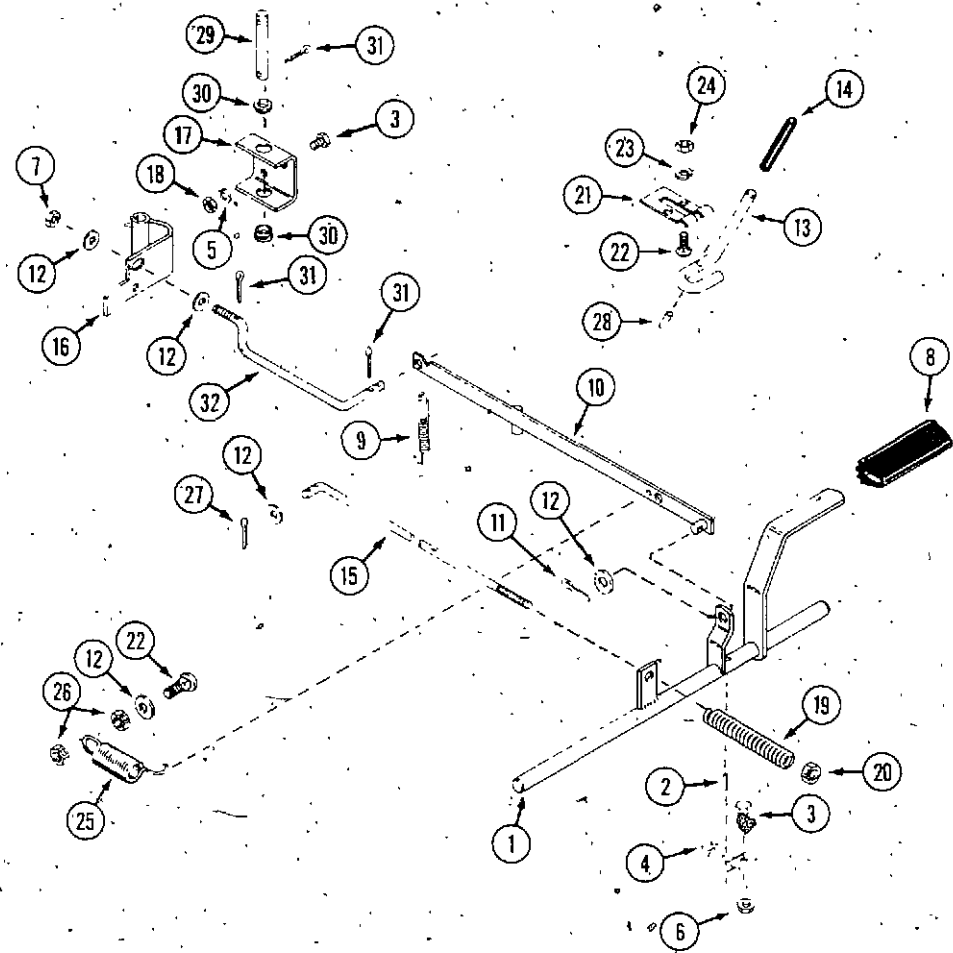
| REF. | PART NO. | DESCRIPTION                          | REQ'D |
|------|----------|--------------------------------------|-------|
| 1    | C 18812  | AXLE - front                         | 1     |
| 2    | C 36988  | SPINDLE - R.H. (shown)               | 1     |
| 3    | C 36987  | SPINDLE - L.H.                       | 1     |
| 4    | 138-2040 | PIN - spirol 1/4" x 1-1/2"           | 1     |
| 5    | C 11906  | WASHER - thrust 13/16"               | 3     |
| 6    | 219-17   | FITTING - lube                       | 3     |
| 7    | C 13106  | COVER - lube fitting                 | 3     |
| 8    | C 27597  | WASHER - spindle                     | 2     |
| 9    | C 28226  | WASHER - wheel spacer                | 4     |
| 10   | 132-311  | PIN - cotter 5/32" x 1-1/4"          | 2     |
| 11   | C 36990  | ROD - tie and drag link              | 2     |
| 12   | C 37034  | ARM - upper spindle                  | 1     |
| 13   | C 22568  | TUBE - axle pivot                    | 1     |
| 14   | 113-1910 | BOLT - 3/8" - 16 x 3/4"              | 1     |
| 15   | 129-163  | NUT - lock 3/8" - 24 hex             | 2     |
| 16   | 129-289  | NUT - lock 3/8" - 24 hex L.H. thread | 2     |
| 17   | C 37032  | BALL JOINT - R.H. thread             | 2     |
| 18   | C 37033  | BALL JOINT - L.H. thread             | 2     |
| 19   | 113-208  | BOLT - 3/8" x 1-1/4"                 | 4     |
| 20   | 192-21   | LOCKWASHER - 3/8"                    | 1     |
| 21   | 131-1352 | NUT - lock 3/8" - 16 flange          | 3     |
| 22   | C 22278  | PIN - retainer                       | 1     |

**FRONT AND REAR WHEELS**

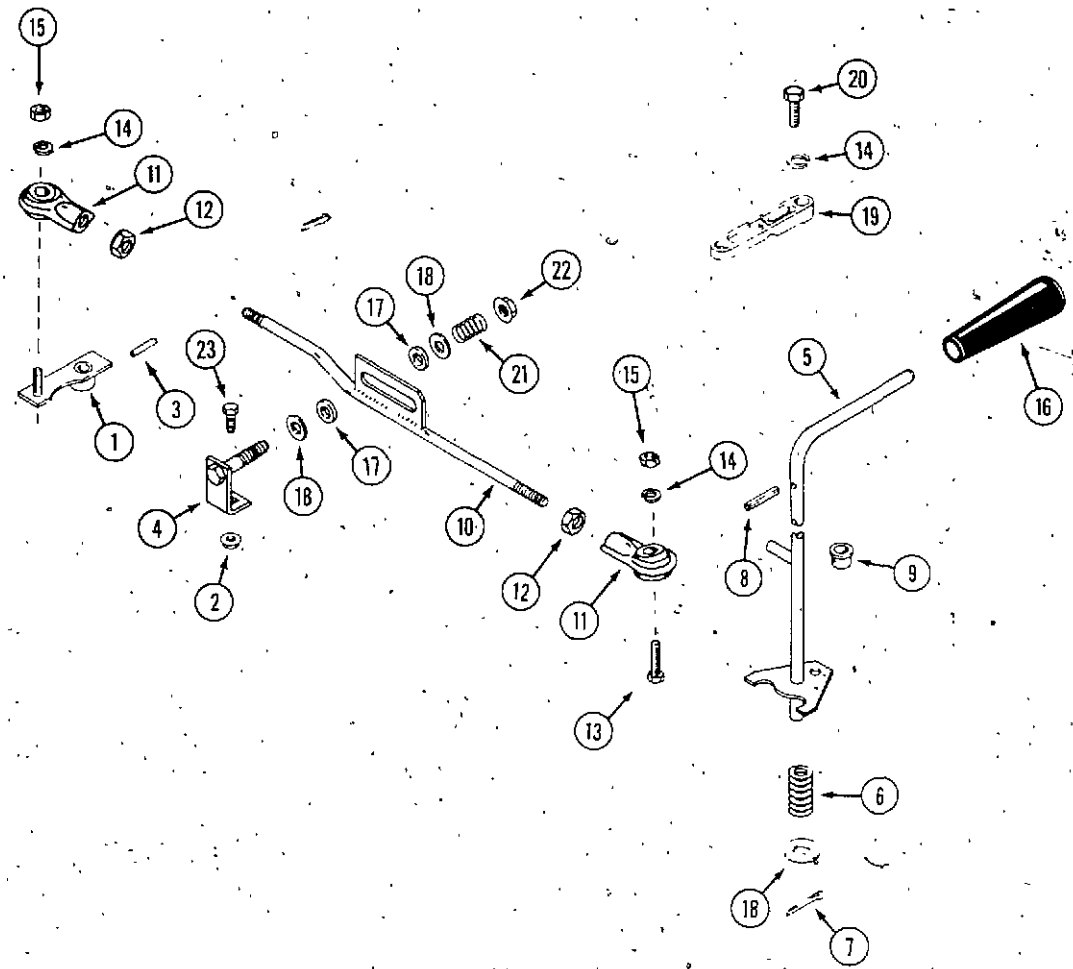
|    |         |                                                            |   |
|----|---------|------------------------------------------------------------|---|
| 1  | C 30781 | WHEEL - front (includes bearings) (for 15 x 6.00 - 6 tire) | 2 |
| 2  | C 24503 | BEARING - bushing                                          | 2 |
| 3  | C 28236 | STEM - valve                                               | 2 |
| 4  | 219-10  | FITTING - lube                                             | 2 |
| 5  | C 26021 | CAP - hub                                                  | 4 |
| 6  | C 42074 | WHEEL - rear (for 20 x 10.00 - 8 tire)                     | 2 |
| 7  | C 11796 | KEY - 3/16" x 3/16" x 2"                                   | 2 |
| 8  | C 27597 | WASHER - 3/4"                                              | 2 |
| 9  | C 28226 | WASHER - spacer .03" thick                                 | 4 |
| 10 | C 27047 | SPACER - sleeve                                            | 2 |
| 11 | C 27597 | WASHER - spacer                                            | 2 |
| 12 | C 27739 | RING - retaining                                           | 2 |
| 13 | C 13106 | COVER - lube fitting                                       | 2 |



**BRAKE ASSEMBLY**



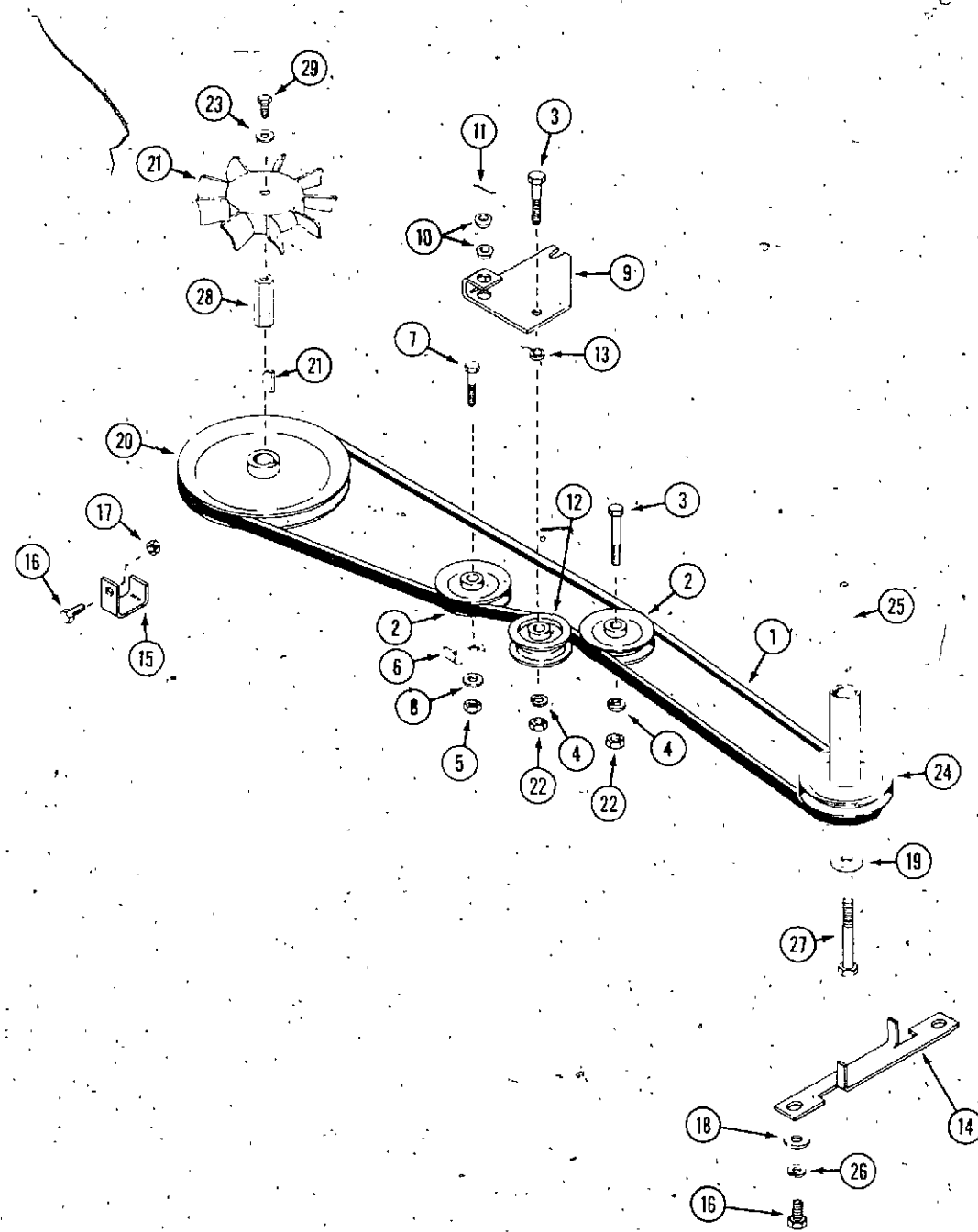
| REF. | PART NO. | DESCRIPTION                      | REQ'D |
|------|----------|----------------------------------|-------|
| 1    | C 37050  | SHAFT - brake                    | 1     |
| 2    | 138-2071 | PIN - spiral 3/16" x 15/16"      | 1     |
| 3    | 113-102  | BOLT - 5/16" - 18 x 3/4"         | 6     |
| 4    | C 15156  | BRACKET - saddle                 | 2     |
| 5    | 192-20   | LOCK WASHER - 5/16"              | 2     |
| 6    | 131-911  | NUT - 5/16" - 18 flange lock     | 4     |
| 7    | 131-176  | NUT - lock 5/16" - 18            | 1     |
| 8    | C 24345  | PAD - brake pedal                | 1     |
| 9    | C 33771  | SPRING - extension               | 1     |
| 10   | C 29246  | LINK - brake                     | 1     |
| 11   | 132-6    | PIN - cotter 3/32" x 5/8"        | 1     |
| 12   | 195-521  | WASHER - 5/16"                   | 3     |
| 13   | C 29207  | LEVER - parking brake            | 1     |
| 14   | C 29178  | HANDLE - lever                   | 1     |
| 15   | C 33808  | ROD - brake                      | 1     |
| 16   | C 33777  | ARM - neutral                    | 1     |
| 17   | C 33775  | BRACKET - pivot                  | 1     |
| 18   | 129-102  | NUT - 5/16" - 18                 | 2     |
| 19   | C 27442  | SPRING - compression             | 1     |
| 20   | 131-69   | NUT - 5/16" - 18 lock            | 1     |
| 21   | C 29177  | BRACKET - retaining              | 1     |
| 22   | 111-108  | BOLT - 1/4" - 20 x 3/4" carriage | 3     |
| 23   | 192-19   | LOCK WASHER - 1/4"               | 2     |
| 24   | 129-101  | NUT - 1/4" - 20                  | 2     |
| 25   | C 29917  | SPRING - extension               | 1     |
| 26   | 131-1180 | NUT - 1/4" 20 lock               | 2     |
| 27   | 132-310  | PIN - cotter 1/8" x 1"           | 2     |
| 28   | 138-51   | PIN - roll 1/8" x 3/8"           | 1     |
| 29   | C 33774  | PIN - pivot                      | 1     |
| 30   | C 33773  | BEARING - flange                 | 2     |
| 31   | 132-329  | PIN - cotter 1/16" x 3/4"        | 5     |
| 32   | C 33772  | ROD - neutral                    | 1     |



TRAVEL CONTROL

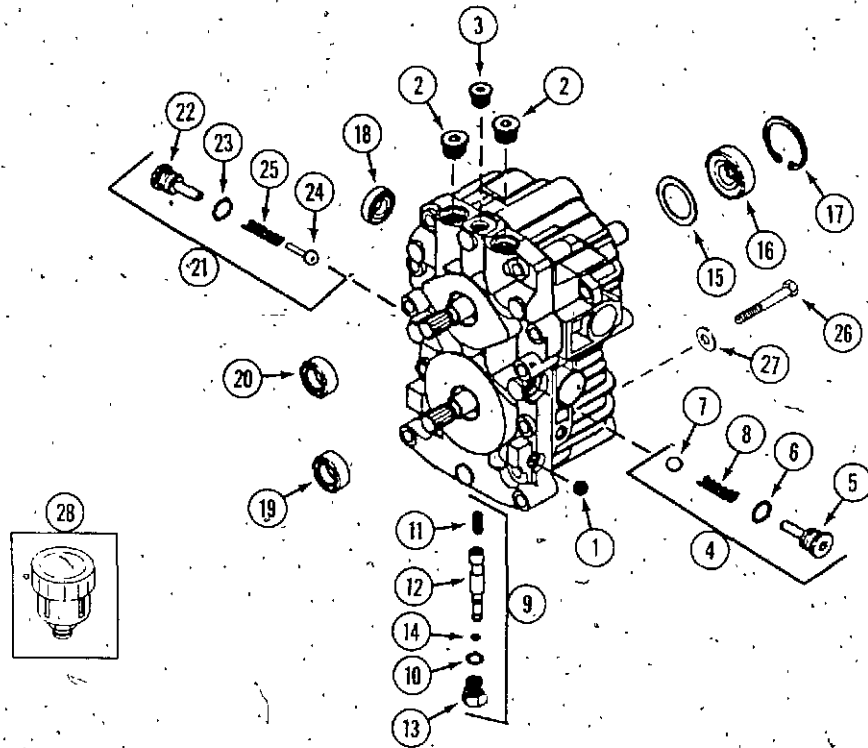
| REF. | PART NO.  | DESCRIPTION                 | REQ'D |
|------|-----------|-----------------------------|-------|
| 1    | C 34118   | ARM - speed control         | 1     |
| 2    | 131- 911  | NUT - 5/16" - 18 flange     | 1     |
| 3    | C 34173   | PIN - roll 5 mm x 26 mm     | 1     |
| 4    | C 37447   | BRACKET - friction retainer | 1     |
| 5    | C 37102   | LEVER - speed control       | 1     |
| 6    | C 10482   | SPRING - compression        | 1     |
| 7    | 132- 310  | PIN - cotter 1/8" x 1"      | 1     |
| 8    | 138- 2072 | PIN - roll 1/8" x 1-3/4"    | 1     |
| 9    | C 29636   | BUSHING - flip - lock       | 1     |
| 10   | C 37444   | ROD - control               | 1     |
| 11   | C 26332   | BALL JOINT                  | 2     |
| 12   | 129- 163  | NUT - 3/8" - 24             | 2     |
| 13   | 113- 208  | BOLT - 3/8" - 16 x 1-1/4"   | 1     |
| 14   | 192- 21   | LOCK WASHER - 3/8"          | 4     |
| 15   | 129- 103  | NUT - 3/8" - 16 hex         | 2     |
| 16   | C 28237   | HANDLE - shift              | 1     |
| 17   | C 21518   | WASHER - friction           | 1     |
| 18   | 195- 533  | WASHER - flat               | 4     |
| 19   | C 32362   | LOCATOR - travel            | 1     |
| 20   | 113- 207  | BOLT - 3/8" - 16 x 1"       | 2     |
| 21   | C 11942   | SPRING - compression        | 1     |
| 22   | 131- 930  | NUT - 1/2" - 13 flange      | 1     |
| 23   | 113- 118  | BOLT - 5/16" - 18 x 5/8"    | 1     |

BELTS, PULLEYS AND IDLERS (DRIVE)

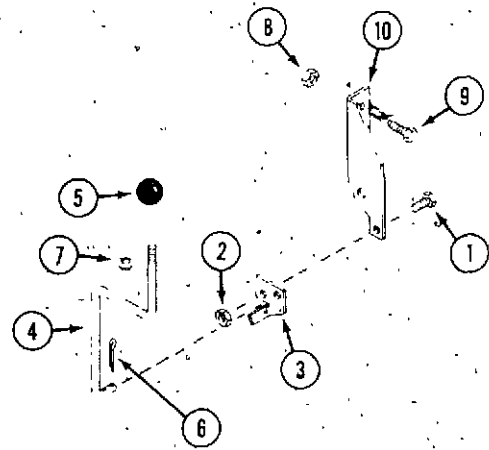


| REF. | PART NO. | DESCRIPTION                 | REQ'D |
|------|----------|-----------------------------|-------|
| 1    | C 33729  | BELT - drive                | 1     |
| 2    | C 23456  | PULLEY - "V" idler          | 2     |
| 3    | 113- 233 | BOLT - 3/8" - 16 x 1-3/4"   | 2     |
| 4    | 192- 21  | LOCK WASHER - 3/8"          | 2     |
| 5    | 131- 938 | NUT - 3/8" - 16 flange lock | 1     |
| 6    | C 29243  | GUIDE - belt, idler         | 1     |
| 7    | 113- 233 | BOLT - 3/8" - 16 x 1-3/4"   | 1     |
| 8    | 195- 525 | WASHER - 3/8"               | 1     |
| 9    | C 29236  | ARM - idler                 | 1     |
| 10   | C 20053  | BUSHING - flange            | 2     |
| 11   | 132- 310 | PIN - cotter 1/8" x 1"      | 1     |
| 12   | C 15672  | PULLEY - backside idler     | 1     |
| 13   | C 14768  | SPACER                      | 1     |
| 14   | C 40950  | GUIDE - belt, engine        | 1     |
| 15   | C 36858  | GUIDE - belt, transmission  | 1     |
| 16   | 113- 118 | BOLT - 5/16" - 18 x 5/8"    | 1     |
| 17   | 129- 102 | NUT - 5/16" - 18            | 3     |
| 18   | 195- 103 | WASHER - 5/16"              | 2     |
| 19   | C 33788  | WASHER - 7/16"              | 1     |
| 20   | C 33794  | PULLEY - transaxle          | 1     |
| 21   | C 33795  | FAN - transmission          | 1     |
| 22   | 129- 103 | NUT - 3/8" - 16             | 2     |
| 23   | C 25556  | WASHER 3/8" x 1-7/8         | 1     |
| 24   | C 33783  | PULLEY - drive              | 1     |
| 25   | C 33789  | KEY - square 1/4" x 5       | 1     |
| 26   | 192- 20  | LOCKWASHER - 5/16"          | 2     |
| 27   | 114- 314 | BOLT - 7/16" - 20 x 4"      | 1     |
| 28   | C 33793  | SPACER - fan                | 1     |
| 29   | 113- 101 | BOLT - 5/16" - 18 x 1/2"    | 1     |

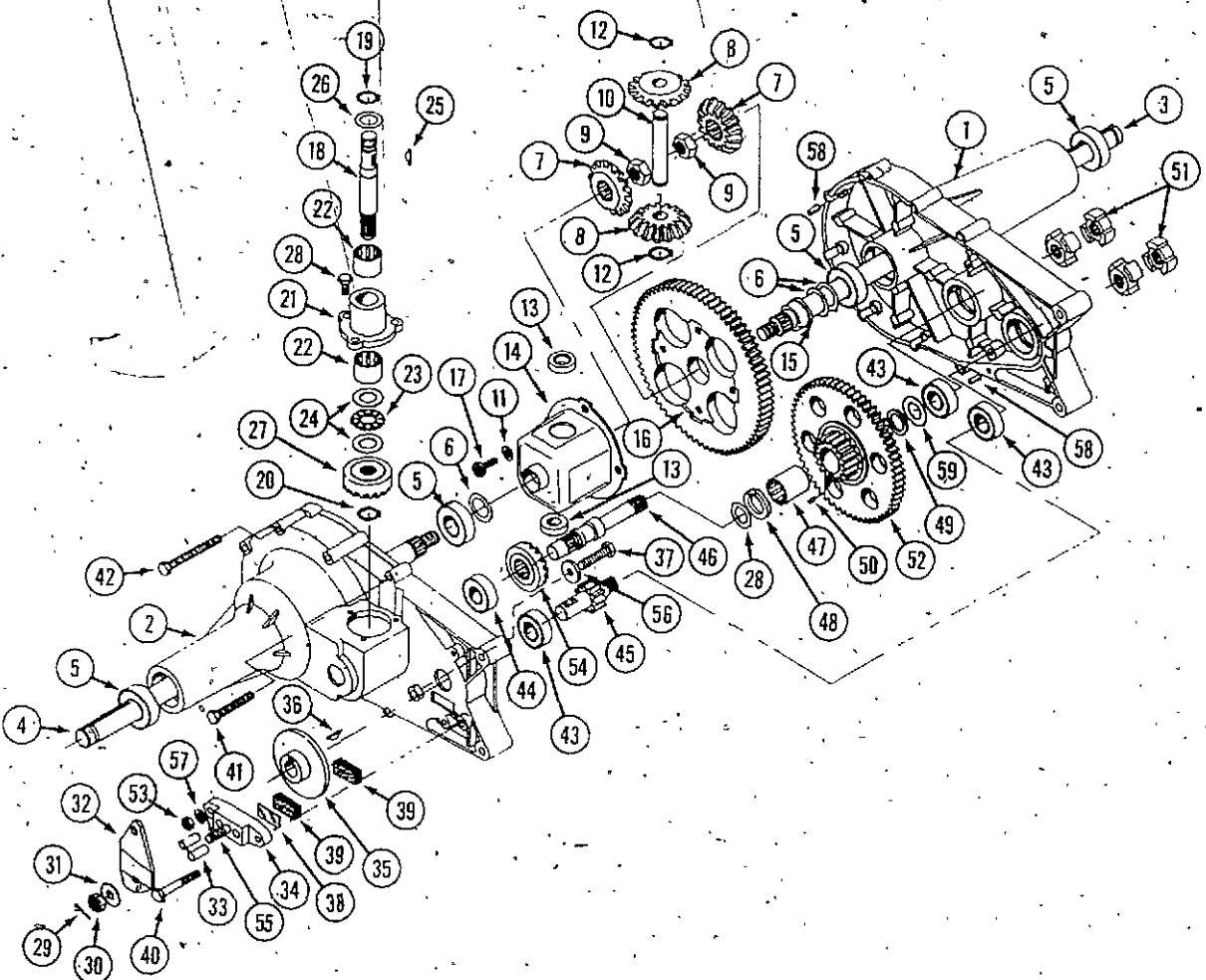
HYDROSTATIC TRANSMISSION



| REF. | PART NO. | DESCRIPTION                                                     | REQ'D |
|------|----------|-----------------------------------------------------------------|-------|
|      | C 33727  | TRANSMISSION - hydrostatic                                      | 1     |
| 1    | C 34124  | PLUG - pipe                                                     | 1     |
| 2    | C 34125  | PLUG - 9/16" - 18                                               | 2     |
| 3    | C 34126  | PLUG - 7/16" - 20                                               | 1     |
| 4    | C 34127  | KIT - check valve (with check ball)                             | 2     |
| 5    | NSS      | PLUG - check valve                                              | 1     |
| 6    | NSS      | "O" RING - .078" x .468"                                        | 1     |
| 7    | NSS      | BALL - check                                                    | 1     |
| 8    | NSS      | SPRING                                                          | 1     |
| 9    | C 34128  | KIT - by pass                                                   | 1     |
| 10   | NSS      | "O" RING - .072 x .351                                          | 1     |
| 11   | NSS      | SPRING                                                          | 1     |
| 12   | NSS      | SPOOL - by pass                                                 | 1     |
| 13   | NSS      | PLUG - by pass                                                  | 1     |
| 14   | NSS      | "O" RING                                                        | 1     |
| 15   | NSS      | SPACER                                                          | 1     |
| 16   | NSS      | SEAL - lip                                                      | 1     |
| 17   | NSS      | RING - retaining                                                | 1     |
| 18   | NSS      | SEAL - lip                                                      | 1     |
| 19   | NSS      | SEAL - lip                                                      | 1     |
| 20   | NSS      | SEAL - lip                                                      | 1     |
| 21   | C 34174  | KIT - check valve (with poppet)                                 | 1     |
| 22   | NSS      | PLUG - check valve                                              | 1     |
| 23   | NSS      | "O" RING - .078" x .468"                                        | 1     |
| 24   | NSS      | POPPET - check                                                  | 1     |
| 25   | NSS      | SPRING                                                          | 1     |
| 26   | 113- 178 | BOLT - 5/16" - 18 x 4-1/2"                                      | 4     |
| 27   | 195- 521 | WASHER - 5/16"                                                  | 4     |
|      | C 34129  | KIT - seal (includes ref. 6, 10, 14, 15, 16, 17, 18, 19 and 20) | 1     |
| 28   | C 33728  | RESERVOIR - oil                                                 | 1     |



| REF. | PART NO.  | DESCRIPTION                    | REQ'D |
|------|-----------|--------------------------------|-------|
| 1    | 113- 3    | BOLT - 1/4" - 20 x 3/4"        | 1     |
| 2    | 131- 1102 | NUT - lock 1/4" - 20           | 1     |
| 3    | C 33799   | BRACKET - pivot                | 1     |
| 4    | C 33800   | ROD - control                  | 1     |
| 5    | C 34716   | KNOB - control                 | 1     |
| 6    | 132- 329  | PIN - cotter 1/16" x 3/4"      | 2     |
| 7    | 353- 454  | BUSHING - flange               | 1     |
| 8    | 131- 176  | NUT - lock 5/16" - 18          | 2     |
| 9    | 113- 102  | BOLT - 5/16" - 18 x 3/4"       | 4     |
| 10   | C 33798   | BRACKET - transmission support | 1     |

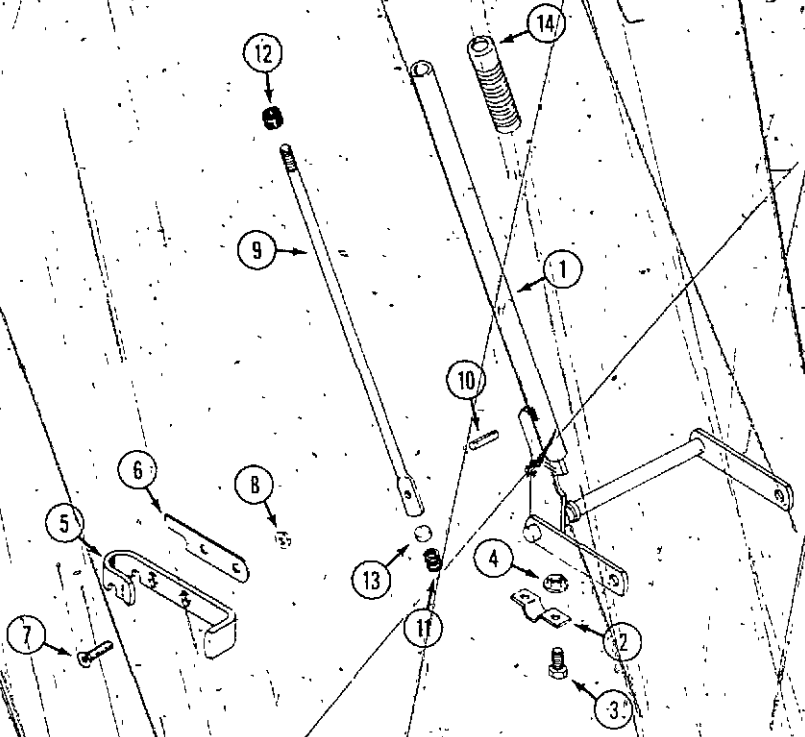


MODEL 2014 COMPACT TRACTOR  
C33726 TRANSAXLE

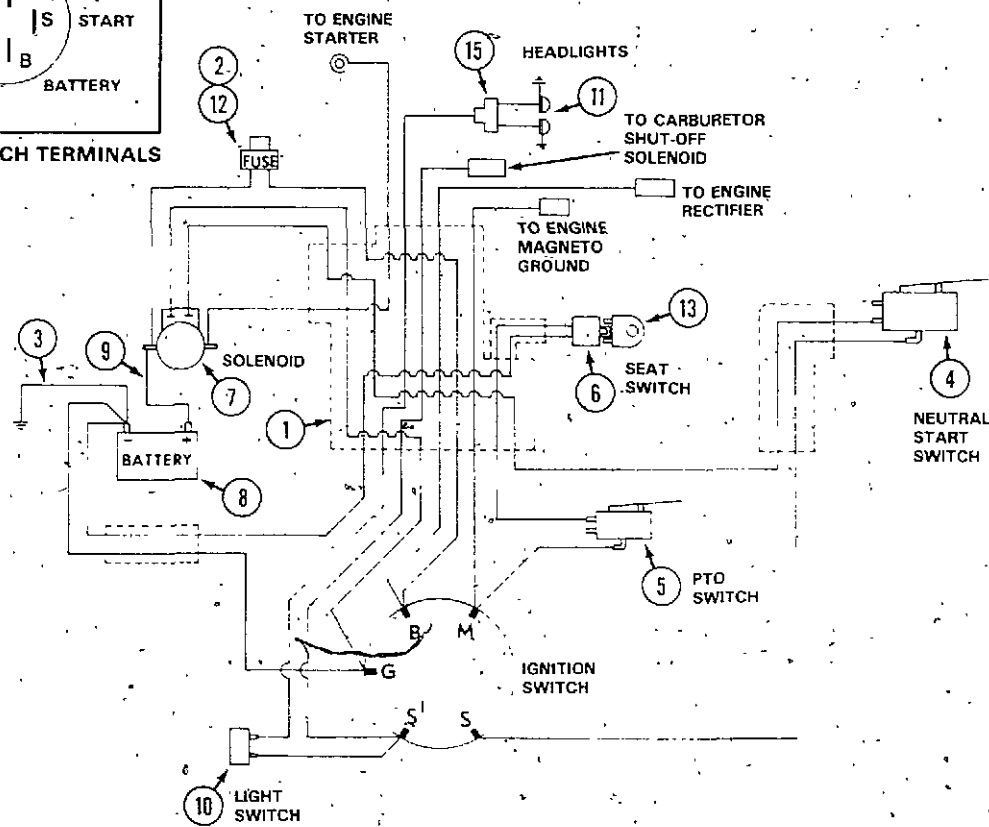
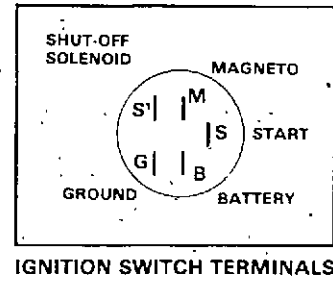
| REF. | PART NO. | DESCRIPTION                                                 | REQ'D |
|------|----------|-------------------------------------------------------------|-------|
| 1    | C 34422  | HOUSING - half L.H.                                         | 1     |
| 2    | C 34423  | HOUSING - half R.H.                                         | 1     |
| 3    | C 34424  | AXLE - L.H. 3/4" long                                       | 1     |
| 4    | C 34425  | AXLE - R.H. 3/4" short                                      | 1     |
| 5    | C 34426  | BEARING - ball                                              | 4     |
| 6    | C 34427  | WASHER - 3/4" x 1-1/8" x .030"                              | 3     |
| 7    | C 34428  | GEAR - bevel                                                | 2     |
| 8    | C 34429  | GEAR - bevel                                                | 2     |
| 9    | C 34430  | NUT - w/patch 1/2" - 20                                     | 2     |
| 10   | C 34431  | SHAFT - cross                                               | 1     |
| 11   | C 34480  | LOCKWASHER - 1/4" heavy duty                                | 4     |
| 12   | C 34432  | RING - retaining                                            | 2     |
| 13   | C 34433  | BEARING - thrust                                            | 2     |
| 14   | C 34434  | HOUSING - differential                                      | 1     |
| 15   | C 34435  | BEARING - flange                                            | 1     |
| 16   | C 34436  | GEAR - differential 72T                                     | 1     |
| 17   | C 34437  | BOLT - torx 1/4" - 28 x 5/8"                                | 4     |
| 17   | C 34438  | INPUT ASSEMBLY                                              | 1     |
| 18   | NSS      | SHAFT - input (use C34438 assembly)                         | 1     |
| 19   | C 34439  | RING - retaining                                            | 1     |
| 20   | C 34440  | RING - retaining 7/16"                                      | 1     |
| 21   | NSS      | HOUSING - input (use C34438 assembly)                       | 1     |
| 22   | C 34441  | BEARING - needle                                            | 2     |
| 23   | C 34442  | BEARING - thrust                                            | 1     |
| 24   | C 34443  | WASHER - 5/8" x 1-1/8" x .030"                              | 2     |
| 25   | C 34444  | KEY - 1/8" x 5/8"                                           | 1     |
| 26   | C 34447  | WASHER - .62" x 1" x .050"                                  | 1     |
| 26   | C 34448  | WASHER - .62" x 1.125" x .060"                              | 1     |
| 26   | C 34449  | WASHER - .62" x 1" x .040"                                  | 1     |
| 27   | C 34446  | GEAR - input pinion 17T                                     | 1     |
| 28   | C 34445  | SCREW - w/patch 1/4" - 20 x 3/4"                            | 3     |
| 29   | C 34450  | PIN - cotter                                                | 1     |
| 30   | C 34451  | NUT - castle 5/16" - 24                                     | 1     |
| 31   | C 34452  | WASHER - .343" x .88" x .062"                               | 1     |
| 32   | C 34453  | ARM - brake actuator                                        | 1     |
| 33   | C 34454  | PIN - brake actuating                                       | 2     |
| 34   | C 34455  | YOKE - brake                                                | 1     |
| 35   | C 34456  | DISC - brake                                                | 1     |
| 36   | C 34457  | KEY - 3/16" x 5/8"                                          | 1     |
| 37   | C 34458  | SCREW - hex 1/4" - 20 x 1.5"                                | 1     |
| 38   | C 34459  | PLATE - pad                                                 | 1     |
| 39   | C 34460  | PAD - brake                                                 | 2     |
| 40   | C 34461  | SCREW - hex w/patch 1/4" - 20 x 1"                          | 1     |
| 41   | C 34462  | SCREW - hex self-tap 1/4" - 20 x 2"                         | 4     |
| 42   | C 34463  | SCREW - hex self-tap 1/4" - 20 x 3"                         | 6     |
| 43   | C 34464  | BEARING - ball                                              | 3     |
| 44   | C 34465  | BEARING - ball                                              | 1     |
| 45   | C 34466  | SHAFT - pinion                                              | 1     |
| 46   | C 34467  | SHAFT - drive                                               | 1     |
| 47   | C 34468  | BEARING - needle                                            | 1     |
| 48   | C 34469  | BEARING - thrust                                            | 1     |
| 49   | C 34479  | SEAL - grease                                               | 1     |
| 50   | C 34478  | PIN - dowel 3/32" x 1/4"                                    | 1     |
| 51   | C 34470  | COUPLING                                                    | 4     |
| 52   | C 34482  | GEAR ASSEMBLY - reduction (includes Ref. 47, 48, 49 and 50) | 1     |
| 53   | C 34471  | NUT - 1/4" - 20                                             | 1     |
| 54   | C 34472  | GEAR - drive pinion 17T                                     | 1     |
| 55   | C 34473  | BOLT - square head                                          | 1     |
| 56   | C 34474  | WASHER - .265" x 15/16" x .125"                             | 1     |
| 57   | C 34475  | LOCKWASHER - 1/4"                                           | 1     |
| 58   | C 34476  | PIN - roll 3/16" x 1/2"                                     | 2     |
| 59   | C 34477  | WASHER - .62" x 1" x .030"                                  | 1     |

LIFT SYSTEM

| REF. | PART NO.  | DESCRIPTION                              | REQ'D |
|------|-----------|------------------------------------------|-------|
| 1    | C 37024   | LEVER - implement lift                   | 1     |
| 2    | C 15156   | BRACKET - saddle                         | 2     |
| 3    | 113- 102  | BOLT - 5/16" - 18                        | 4     |
| 4    | 131- 911  | NUT - 5/16" - 18 flange lock             | 4     |
| 5    | C 18811   | LATCH - lift lever                       | 1     |
| 6    | C 17281   | SPACER - latch                           | 1     |
| 7    | 164- 41   | SCREW - 5/16" - 18 x 1" flat head socket | 2     |
| 8    | 131- 911  | NUT - 5/16" - 18 flange lock             | 2     |
| 9    | C 37030   | ROD - push                               | 1     |
| 10   | 138- 2054 | PIN - spiral 5/16" x 1-3/4"              | 1     |
| 11   | C 10482   | SPRING - compression                     | 1     |
| 12   | C 14525   | BUTTON - thumb                           | 1     |
| 13   | C 37468   | PLUG - lift pipe                         | 1     |
| 14   | C 39510   | GRIP - lift handle                       | 1     |



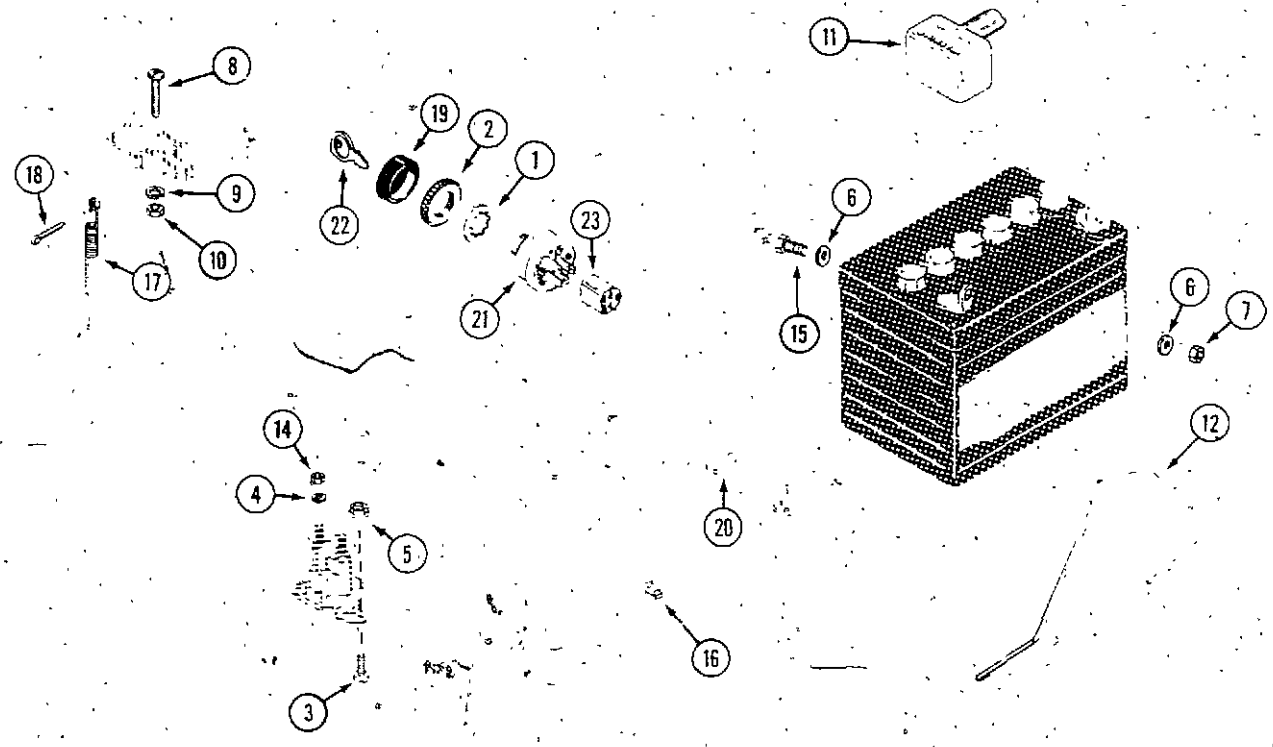
ELECTRICAL SYSTEM



| REF. | PART NO. | DESCRIPTION                                            | REQ'D |
|------|----------|--------------------------------------------------------|-------|
| 1    | C 37059  | HARNES - wire                                          | 1     |
| 2    | NSS      | HOLDER - fuse (use C31947 kit)                         | 2     |
| 3    | C 37414  | CABLE - battery negative to ground (black)             | 1     |
| 4    | C 30275  | SWITCH - neutral start                                 | 1     |
| 5    | C 30275  | SWITCH - interloc                                      | 2     |
| 6    | C 30937  | CONNECTOR - seat switch                                | 1     |
| 7    | C 33024  | SOLENOID - start                                       | 1     |
| 8    | C 41010  | BATTERY - 12 volt                                      | 1     |
| 9    | C 33022  | CABLE - solenoid to battery                            | 1     |
| 10   | C 29322  | SWITCH - headlights                                    | 1     |
| 11   | C 32178  | HEADLIGHT ASSEMBLY - 12 volt (see page 47 for service) | 2     |
| 12   | C 30260  | FUSE - 30 amp (included with harness)                  | 1     |
| 13   | C 33744  | SWITCH - inter-lock, seat                              | 1     |
| 15   | C 14537  | CONNECTOR - headlights                                 | 1     |

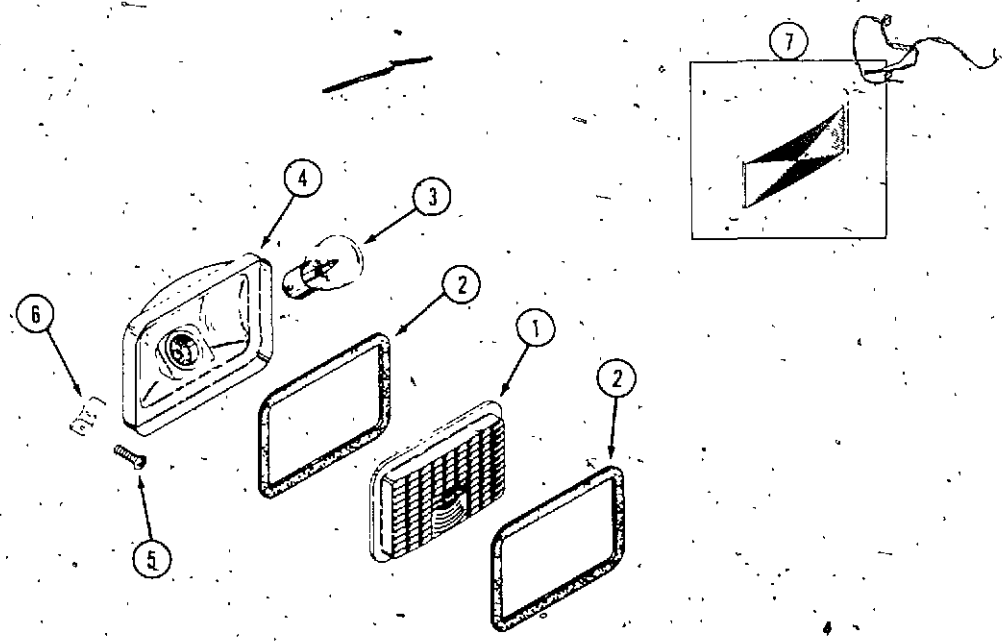


**ELECTRICAL SYSTEM HARDWARE**



| REF. | PART NO. | DESCRIPTION                           | REQ'D |
|------|----------|---------------------------------------|-------|
| 1    | C 23248  | WASHER - internal tooth 5/8"          | 1     |
| 2    | C 32396  | NUT - 5/8" - 32                       | 1     |
| 3    | C 31597  | SCREW - 1/4" - 20 x 1/2" black        | 2     |
| 4    | 192- 19  | LOCK WASHER - 1/4"                    | 2     |
| 5    | 131- 934 | NUT - 1/4"                            | 2     |
| 6    | 195- 518 | WASHER - 1/4"                         | 4     |
| 7    | 129- 101 | NUT - 1/4" - 20                       | 3     |
| 8    | 182- 10  | SCREW - No. 4 - 40 x 7/8"             | 6     |
| 9    | 192- 13  | LOCK WASHER - No. 4                   | 6     |
| 10   | 129- 13  | NUT - No. 4 - 40 (shown)              | 2     |
| 10   | C 33697  | NUT - No. 4 - 40 lock                 | 4     |
| 11   | C 24069  | COVER - terminal                      | 2     |
| 12   | C 15114  | CLAMP - battery hold down             | 1     |
| 14   | 129- 101 | NUT - 1/4" - 20                       | 4     |
| 15   | 113- 3   | BOLT - 1/4" - 20 x 3/4"               | 2     |
| 16   | C 19521  | CLIP - wire, headlight                | 1     |
| 16   | C 28962  | CLIP - wire                           | UAR   |
| 17   | C 29169  | SPRING - switch activating            | 1     |
| 18   | 132- 334 | PIN - cotter 1/8" x 3/4"              | 2     |
| 19   | C 32397  | CAP - nut                             | 1     |
| 20   | C 32455  | CLIP - "J"                            | 3     |
| 21   | C 30267  | SWITCH - ignition (includes hardware) | 1     |
| 22   | C 32407  | KEY - ignition                        | 1     |
| 23   | C 24460  | CONNECTOR - ignition switch           | 1     |

**HEADLIGHT AND REAR REFLECTOR**



|   |           |                                     |   |
|---|-----------|-------------------------------------|---|
| 1 | C 32178   | HEADLIGHT ASSEMBLY                  | 2 |
| 2 | C 22573   | LENS - headlight                    | 1 |
| 3 | C 14304   | GASKET - headlight                  | 2 |
| 4 | C 28932   | BULB - headlight                    | 1 |
| 5 | NSS       | RECERTACLE - headlight (use C32178) | 1 |
| 6 | 187- 1328 | SCREW - No. 8 - 18 x 5/8"           | 4 |
| 6 | C 29637   | RETAINER - headlight                | 4 |
| 7 | C 30942   | REFLECTOR - red, rear               | 2 |

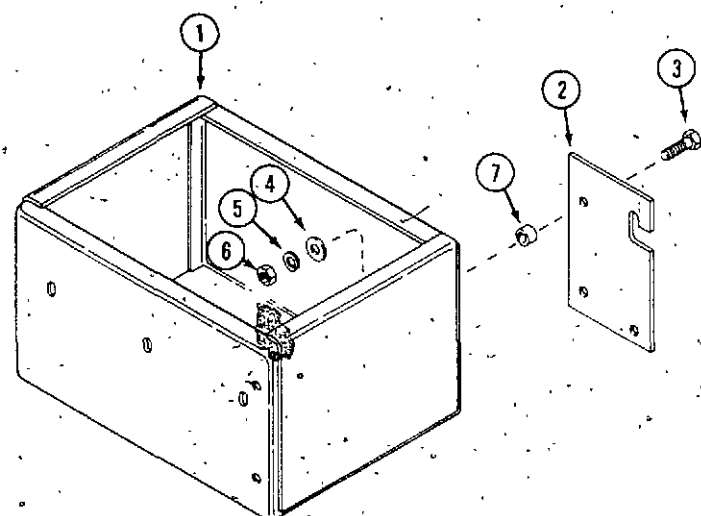
# 2014 INGERSOLL

## DECALS

| REF. | PART.NO. | DESCRIPTION                      | REQ'D |
|------|----------|----------------------------------|-------|
| 1    | C 37083  | DECAL - hood - L.H. (2014)       | 1     |
| 1    | C 37084  | DECAL - hood - R.H. shown (2014) | 1     |
| 2    | 321-6659 | DECAL - "caution"                | 1     |
| 3    | C 33835  | DECAL - instruction              | 1     |
| 4    | C 33838  | DECAL - brake                    | 1     |
| 5    | C 29478  | DECAL - pinch point              | 2     |
| 6    | C 32093  | DECAL - seat back (logo)         | 1     |
| 7    | C 30539  | MEDALLION - Ingersoll            | 1     |
| 8    | C 34184  | DECAL - flag                     | 1     |
| 9    | C 36968  | DECAL - panel insert             | 1     |
| 10   | C 37197  | INSERT - steering wheel (logo)   | 1     |



## M13 WEIGHT BOX



| REF. | PART NO. | DESCRIPTION                        | REQ'D |
|------|----------|------------------------------------|-------|
| 1    | NSS      | BOX - weight                       | 1     |
| 2    | C-29702  | BRACKET - mounting                 | 2     |
| 3    | 113-207  | BOLT - 3/8" - 16 x 1"              | 4     |
| 4    | 195-525  | WASHER - 3/8"                      | 4     |
| 5    | 192-21   | LOCK WASHER - 3/8"                 | 4     |
| 6    | 129-103  | NUT - 3/8" - 16                    | 4     |
| 7    | C-14768  | SPACER - mounting (left side only) | 2     |



## NUMERICAL INDEX

| PART NO. | PAGE NO. | REF. NO. | PART NO. | PAGE NO. | REF. NO. |
|----------|----------|----------|----------|----------|----------|
| C34459   | 41       | 38       | C37414   | 45       | 3        |
| C34460   | 41       | 39       | C37444   | 35       | 10       |
| C34461   | 41       | 40       | C37447   | 35       | 4        |
| C34462   | 41       | 41       | C37463   | 27       | 20       |
| C34463   | 41       | 42       | C37468   | 43       | 13       |
| C34464   | 41       | 43       | C39510   | 43       | 14       |
| C34465   | 41       | 44       | C40650   | 19       | 4        |
| C34466   | 41       | 45       | C40653   | 29       | 1        |
| C34467   | 41       | 46       | C40654   | 29       | 20       |
| C34468   | 41       | 47       | C40655   | 29       | 21       |
| C34469   | 41       | 48       | C40656   | 29       | 3        |
| C34470   | 41       | 51       | C40950   | 37       | 14       |
| C34471   | 41       | 53       | C41010   | 45       | 8        |
| C34472   | 41       | 54       | C42074   | 31       | 6        |
| C34473   | 41       | 55       | 111-101  | 21       | 14       |
| C34474   | 41       | 56       | 111-108  | 33       | 22       |
| C34475   | 41       | 57       | 111-132  | 27       | 21       |
| C34476   | 41       | 58       | 111-132  | 29       | 4        |
| C34477   | 41       | 59       | 113-3    | 39       | 1        |
| C34478   | 41       | 50       | 113-3    | 47       | 15       |
| C34479   | 41       | 49       | 113-101  | 37       | 29       |
| C34480   | 41       | 11       | 113-102  | 23       | 9        |
| C34482   | 41       | 52       | 113-102  | 27       | 9        |
| C34716   | 39       | 5        | 113-102  | 33       | 3        |
| C35291   | 21       | 5        | 113-107  | 39       | 9        |
| C36858   | 37       | 15       | 113-102  | 43       | 3        |
| C36955   | 19       | 1        | 113-103  | 19       | 1        |
| C36966   | 25       | 26       | 113-103  | 29       | 11       |
| C36968   | 49       | 9        | 113-118  | 35       | 23       |
| C36972   | 25       | 13       | 113-118  | 37       | 16       |
| C36987   | 31       | 3        | 113-178  | 39       | 26       |
| C36988   | 31       | 2        | 113-205  | 23       | 12       |
| C36990   | 31       | 11       | 113-205  | 25       | 8        |
| C36995   | 19       | 2        | 113-207  | 25       | 9        |
| C37007   | 23       | 45       | 113-207  | 25       | 29       |
| C37010   | 23       | 18       | 113-207  | 35       | 20       |
| C37013   | 27       | 1        | 113-207  | 51       | 3        |
| C37017   | 27       | 5        | 113-208  | 31       | 19       |
| C37024   | 43       | 1        | 113-208  | 35       | 13       |
| C37030   | 43       | 9        | 113-233  | 23       | 32       |
| C37032   | 31       | 17       | 113-233  | 37       | 3        |
| C37033   | 31       | 18       | 113-233  | 37       | 7        |
| C37034   | 31       | 12       | 113-1910 | 31       | 14       |
| C37036   | 29       | 8        | 114-214  | 37       | 27       |
| C37037   | 25       | 16       | 121-106  | 23       | 24       |
| C37038   | 25       | 16       | 121-106  | 25       | 20       |
| C37041   | 25       | 4        | 121-106  | 27       | 2        |
| C37045   | 25       | 7        | 129-13   | 47       | 10       |
| C37050   | 33       | 1        | 129-101  | 21       | 16       |
| C37053   | 23       | 5        | 129-101  | 33       | 24       |
| C37059   | 45       | 1        | 129-101  | 47       | 7        |
| C37060   | 27       | 18       | 129-101  | 47       | 14       |
| C37083   | 49       | 1        | 129-102  | 27       | 12       |
| C37084   | 49       | 1        | 129-102  | 29       | 6        |
| C37096   | 21       | 1        | 129-102  | 33       | 18       |
| C37097   | 21       | 1        | 129-102  | 37       | 17       |
| C37102   | 35       | 5        | 129-103  | 23       | 34       |
| C37107   | 19       | 5        | 129-103  | 25       | 11       |
| C37110   | 25       | 27       | 129-103  | 25       | 33       |
| C37111   | 25       | 27       | 129-103  | 35       | 15       |
| C37148   | 9        | 12       | 129-103  | 37       | 22       |
| C37197   | 29       | 19       | 129-103  | 51       | 6        |
| C37197   | 49       | 10       | 129-163  | 31       | 15       |
| C37202   | 21       | 1        | 129-163  | 35       | 12       |
| C37303   | 21       | 10       | 129-289  | 31       | 16       |
| C37304   | 21       | 10       | 131-69   | 19       | 4        |
| C37307   | 21       | 13       | 131-69   | 33       | 20       |
| C37308   | 21       | 11       | 131-176  | 23       | 10       |

| PART NO. | PAGE NO. | REF. NO. | PART NO. | PAGE NO. | REF. NO. |
|----------|----------|----------|----------|----------|----------|
| 131-176  | 25       | 37       | 131-176  | 33       | 7        |
| 131-176  | 33       | 7        | 131-176  | 39       | 8        |
| 131-911  | 23       | 26       | 131-911  | 27       | 6        |
| 131-911  | 33       | 6        | 131-911  | 35       | 2        |
| 131-911  | 43       | 4        | 131-911  | 43       | 8        |
| 131-911  | 43       | 8        | 131-930  | 35       | 22       |
| 131-934  | 25       | 24       | 131-934  | 27       | 19       |
| 131-934  | 27       | 19       | 131-938  | 37       | 5        |
| 131-938  | 37       | 5        | 131-1102 | 39       | 2        |
| 131-1180 | 21       | 4        | 131-1180 | 33       | 26       |
| 131-1180 | 33       | 26       | 131-1352 | 23       | 30       |
| 131-1352 | 23       | 30       | 131-1352 | 31       | 21       |
| 132-6    | 33       | 11       | 132-310  | 33       | 27       |
| 132-310  | 33       | 27       | 132-310  | 35       | 7        |
| 132-310  | 37       | 11       | 132-311  | 31       | 10       |
| 132-311  | 31       | 10       | 132-320  | 23       | 22       |
| 132-320  | 23       | 22       | 132-329  | 33       | 31       |
| 132-329  | 33       | 31       | 132-329  | 39       | 6        |
| 132-329  | 39       | 6        | 132-332  | 23       | 38       |
| 132-332  | 23       | 38       | 132-334  | 25       | 6        |
| 132-334  | 25       | 6        | 132-344  | 47       | 18       |
| 132-344  | 47       | 18       | 138-51   | 33       | 28       |
| 138-51   | 33       | 28       | 138-57   | 23       | 36       |
| 138-57   | 23       | 36       | 138-2040 | 29       | 16       |
| 138-2040 | 29       | 16       | 138-2040 | 31       | 4        |
| 138-2040 | 31       | 4        | 138-2071 | 43       | 10       |
| 138-2071 | 43       | 10       | 138-2071 | 23       | 19       |
| 138-2071 | 23       | 19       | 138-2071 | 33       | 2        |
| 138-2071 | 33       | 2        | 138-2072 | 35       | 8        |
| 138-2072 | 35       | 8        | 164-41   | 43       | 7        |
| 164-41   | 43       | 7        | 182-10   | 47       | 8        |
| 182-10   | 47       | 8        | 182-559  | 21       | 2        |
| 182-559  | 21       | 2        | 182-559  | 47       | 3        |
| 182-559  | 47       | 3        | 187-1036 | 19       | 6        |
| 187-1036 | 19       | 6        | 187-1036 | 21       | 3        |
| 187-1036 | 21       | 3        | 187-1036 | 27       | 17       |
| 187-1036 | 27       | 17       | 187-1328 | 25       | 34       |
| 187-1328 | 25       | 34       | 187-1328 | 47       | 5        |
| 187-1328 | 47       | 5        | 187-1908 | 21       | 4        |
| 187-1908 | 21       | 4        | 192-13   | 47       | 9        |
| 192-13   | 47       | 9        | 192-19   | 21       | 15       |
| 192-19   | 21       | 15       | 192-19   | 33       | 23       |
| 192-19   | 33       | 23       | 192-19   | 47       | 4        |
| 192-19   | 47       | 4        | 192-20   | 23       | 25       |
| 192-20   | 23       | 25       | 192-20   | 25       | 18       |
| 192-20   | 25       | 18       | 192-20   | 27       | 11       |
| 192-20   | 27       | 11       | 192-20   | 29       | 5        |
| 192-20   | 29       | 5        | 192-20   | 33       | 5        |
| 192-20   | 33       | 5        | 192-20   | 37       | 26       |
| 192-20   | 37       | 26       | 192-21   | 23       | 33       |
| 192-21   | 23       | 33       | 192-21   | 25       | 10       |
| 192-21   | 25       | 10       | 192-21   | 25       | 32       |
| 192-21   | 25       | 32       | 192-21   | 31       | 20       |
| 192-21   | 31       | 20       | 192-21   | 35       | 14       |
| 192-21   | 35       | 14       | 192-21   | 37       | 4        |
| 192-21   | 37       | 4        | 192-21   | 51       | 5        |
| 192-21   | 51       | 5        | 195-103  | 37       | 18       |
| 195-103  | 37       | 18       | 195-518  | 47       | 6        |
| 195-518  | 47       | 6        | 195-521  | 25       | 19       |
| 195-521  | 25       | 19       | 195-521  | 29       | 12       |
| 195-521  | 29       | 12       |          |          |          |

| PART NO. | PAGE NO. | REF. NO. | PART NO. | PAGE NO. | REF. NO. |
|----------|----------|----------|----------|----------|----------|
| 195-521  | 33       | 12       | 195-521  | 39       | 27       |
| 195-521  | 39       | 27       | 195-522  | 25       | 12       |
| 195-522  | 25       | 12       | 195-525  | 23       | 37       |
| 195-525  | 23       | 37       | 195-525  | 25       | 30       |
| 195-525  | 25       | 30       | 195-525  | 37       | 8        |
| 195-525  | 37       | 8        | 195-525  | 51       | 4        |
| 195-525  | 51       | 4        | 195-533  | 23       | 44       |
| 195-533  | 23       | 44       | 195-533  | 35       | 18       |
| 195-533  | 35       | 18       | 195-541  | 29       | 15       |
| 195-541  | 29       | 15       | 195-2069 | 29       | 7        |
| 195-2069 | 29       | 7        | 195-2175 | 27       | 10       |
| 195-2175 | 27       | 10       | 214-251  | 11       | 39       |
| 214-251  | 11       | 39       | 214-252  | 21       | 5        |
| 214-252  | 21       | 5        | 218-5154 | 9        | 14       |
| 218-5154 | 9        | 14       | 219-10   | 31       | 4        |
| 219-10   | 31       | 4        | 219-17   | 29       | 10       |
| 219-17   | 29       | 10       | 219-17   | 31       | 6        |
| 219-17   | 31       | 6        | 321-6659 | 49       | 2        |
| 321-6659 | 49       | 2        | 353-454  | 39       | 7        |
| 353-454  | 39       | 7        | 353-462  | 23       | 23       |
| 353-462  | 23       | 23       |          |          |          |

## NUMERICAL INDEX