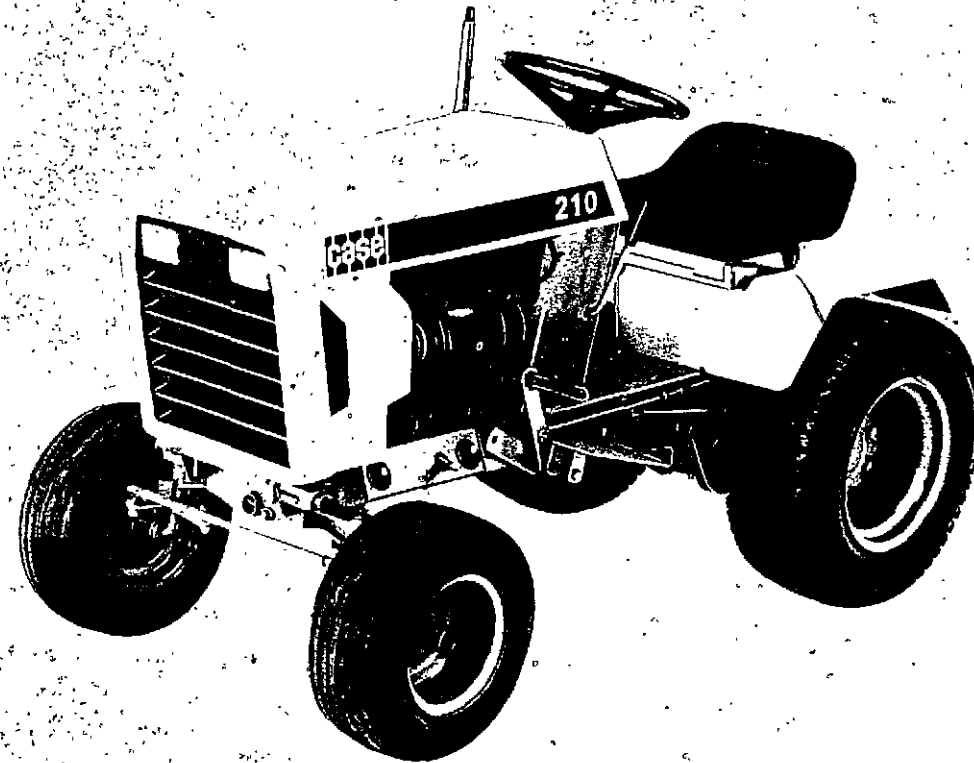


**CASE MODEL 210  
COMPACT TRACTOR  
S/N 9701396 AND AFTER  
Parts Catalog No. 1323**

Print Shop 2500 1-76



**ALPHABETICAL INDEX**

**ENGINE SECTION**

|                                      | PAGE  | GRID   |                         | PAGE  | GRID  |
|--------------------------------------|-------|--------|-------------------------|-------|-------|
| Air Cleaner .....                    | 5     | A6     | Filter, Breather .....  | 7     | A8    |
| Battery .....                        | 49    | D8     | Flywheel .....          | 11    | A12   |
| Belt, Starter-Generator .....        | 15    | B2     | Fuel Pump .....         | 15-17 | B2-B4 |
| Breather, Crankcase .....            | 7     | A8     | Fuel Strainer .....     | 15    | B2    |
| Camshaft .....                       | 7     | A8     | Fuel System .....       | 15    | B2    |
| Carburetor .....                     | 15-17 | B2-B4  | Gasket Kits .....       | 13    | A14   |
| Connecting Rod .....                 | 9     | A10    | Governor .....          | 11    | A12   |
| Crankshaft .....                     | 9     | A10    | Muffler .....           | 5     | A6    |
| Cylinder Block .....                 | 11    | A12    | Oil Pan .....           | 11    | A12   |
| Cylinder Head .....                  | 11    | A12    | Piston .....            | 9     | A10   |
| Electrical System .....              | 49-51 | D8-D10 | Pulley, Clutch .....    | 23    | B10   |
| Engine Block & Attaching Parts ..... | 11    | A12    | Spark Plug .....        | 49    | D8    |
| Engine Mounts .....                  | 19    | B6     | Starter-Generator ..... | 45-47 | D4-D6 |
| Exhaust System .....                 | 5     | A6     | Tank, Fuel .....        | 15    | B2    |
|                                      |       |        | Throttle Linkage .....  | 19    | B6    |
|                                      |       |        | Valves .....            | 7     | A8    |

**BASIC TRACTOR SECTION**

|                              | PAGE  | GRID    |   | PAGE  | GRID    |
|------------------------------|-------|---------|---|-------|---------|
| Axle, Front .....            | 31    | C4      | Model J21 Sleeve Hitch .....              | 55    | D14     |
| Axle, Rear .....             | 39-41 | C12-C14 | Model H13 Weight Box .....                | 59    | E4      |
| Baffles & Shrouds .....      | 15    | B2      | Model H18 Counterweight<br>Brackets ..... | 59    | E4      |
| Brakes .....                 | 37    | C10     | Pulleys, Belts and Idlers .....           | 33-35 | C6-C8   |
| Decals .....                 | 53    | D12     | PTO, Clutch .....                         | 21-23 | B8-B10  |
| Electrical System .....      | 49-51 | D8-D10  | Seat, Operator's .....                    | 27    | B14     |
| Fenders .....                | 27    | B14     | Shields, Muffler .....                    | 21    | B8      |
| Frame .....                  | 25    | B12     | Steering Wheel & Gear .....               | 31    | C4      |
| Grille .....                 | 25    | B12     | Tail Lamp .....                           | 49    | D8      |
| Hitch .....                  | 43    | D2      | Tool Box .....                            | 27    | B14     |
| Hood .....                   | 25    | B12     | Transmission .....                        | 39-41 | C12-C14 |
| Implement Lift Lever .....   | 43    | D2      | Wheels, Front & Rear .....                | 29    | C2      |
| Model D8 Wheel Weights ..... | 57    | E2      |   |       |         |

# GENERAL INFORMATION

## Indexes

This parts Catalog is arranged for easy identification of Genuine CASE Service Parts. An alphabetical index is provided at the front of this Catalog to locate the major groups or assemblies. A numerical index at the rear of the Catalog gives the part numbers and the pages on which they are described.

## Illustrations

All parts are illustrated in "Exploded Views" which show the individual parts in their normal relationship to each other. Reference numbers are used in the illustrations. These numbers correspond to those in the "Reference Number" column and are followed by the part number, description and quantity required.

## Orders

Orders should plainly specify correct part number, full description, quantity required, machine model and engine model, machine and engine serial numbers, method of shipment and shipping address.

## Changes

When changes to the machine make it necessary, revised pages for this book will be issued. The revised pages will be issued with the same page number as those they replace and the "issue" number and date will be advanced.

It is imperative that revised Parts Book pages be inserted into their respective Parts Books as soon as received. Failure to do so will lead to confusion and defeat the purpose of the book.

## Indented Description

Indented parts in the descriptive list are a part of the preceding assembly or sub-assembly.

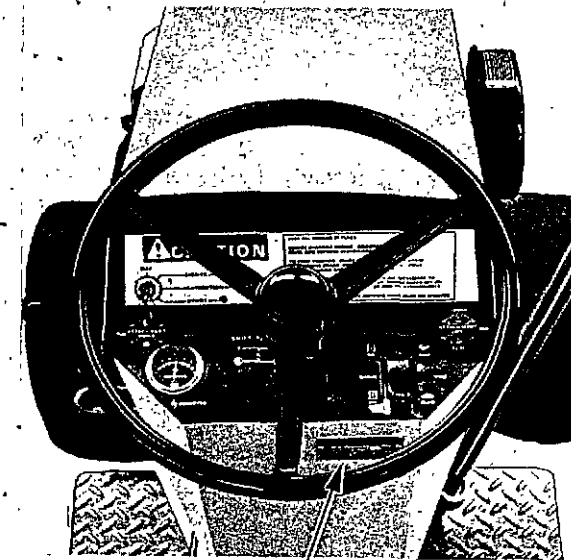
The quantity shown in the "Number Required" column is the number of parts used on a machine except where parts are indented in descriptive list. In this case the quantity shown is the number required for the preceding assembly or sub-assembly.

| REF. | PART NO. | DESCRIPTION                    | REQ'D |
|------|----------|--------------------------------|-------|
|      | A 55159  | CYLINDER ASSY - rear steering  | 1     |
| 28   | A 56208  | SOCKET ASSY - rear cylinder    | 1     |
| 29   | A 55956  | PLUG - adjusting, socket assy  | 1     |
| 30   | A 55957  | SEAT - socket ball             | 2     |
| 31   | A 56210  | SPRING - socket                | 1     |
| 32   | A 56209  | SEAT - socket spring           | 1     |
| 33   | G 45175  | CLAMP ASSY - socket assy       | 1     |
|      | 16- 836  | BOLT - 1/2" x 2-1/4" N.F. hex. | 1     |
| 34   | 132- 104 | PIN - cotter, 3/16" x 3"       | 1     |
| 35   | A 55889  | STUD - ball, socket & cylinder | 2     |
| 36   | 13- 410  | BOLT - 1/4" x 5/8" N.C., hex.  | 4     |
| 37   | 92- 4    | LOCKWASHER - 1/4" SAE          | 4     |

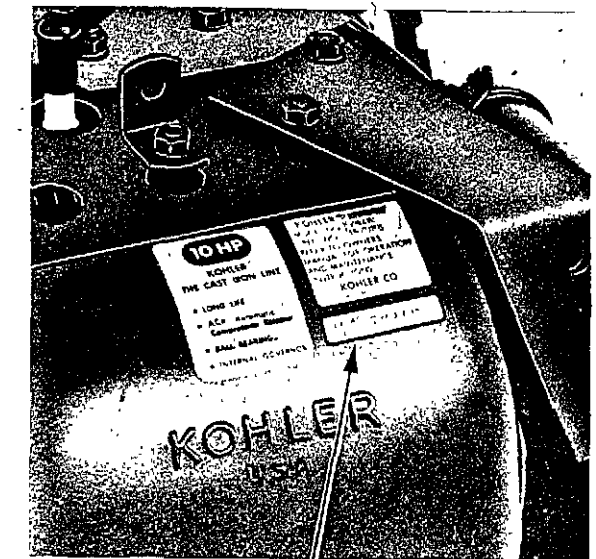
## Terms "Right Hand" and "Left Hand"

The terms "Right Hand", and "Left Hand" whenever used in this catalog refer to the machine as viewed when standing behind the machine and facing the direction of travel.

## CASE MODEL 210 COMPACT TRACTOR



TRACTOR MODEL AND SERIAL NUMBER



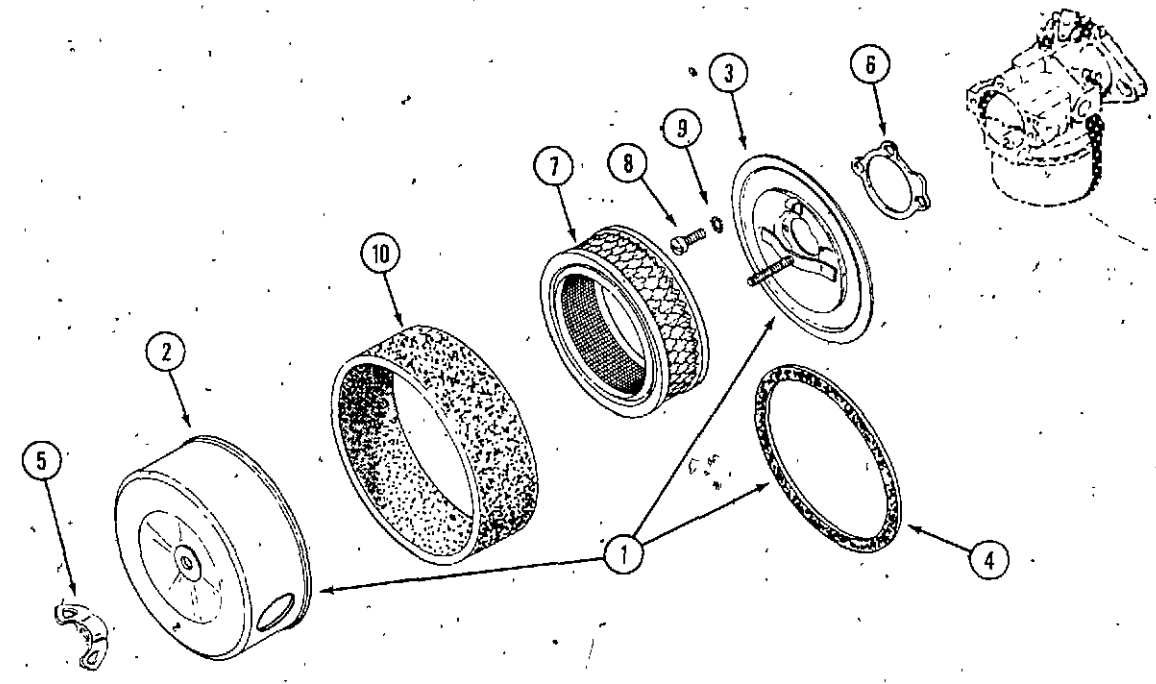
ENGINE MODEL, SERIAL AND SPECIFICATION NUMBER

| TRACTOR MODEL DESIGNATION | ENGINE MODEL DESIGNATION       |
|---------------------------|--------------------------------|
| 210 TRACTOR               | K-241-A C22857<br>SPEC. 46736D |

## SERIAL NUMBERS

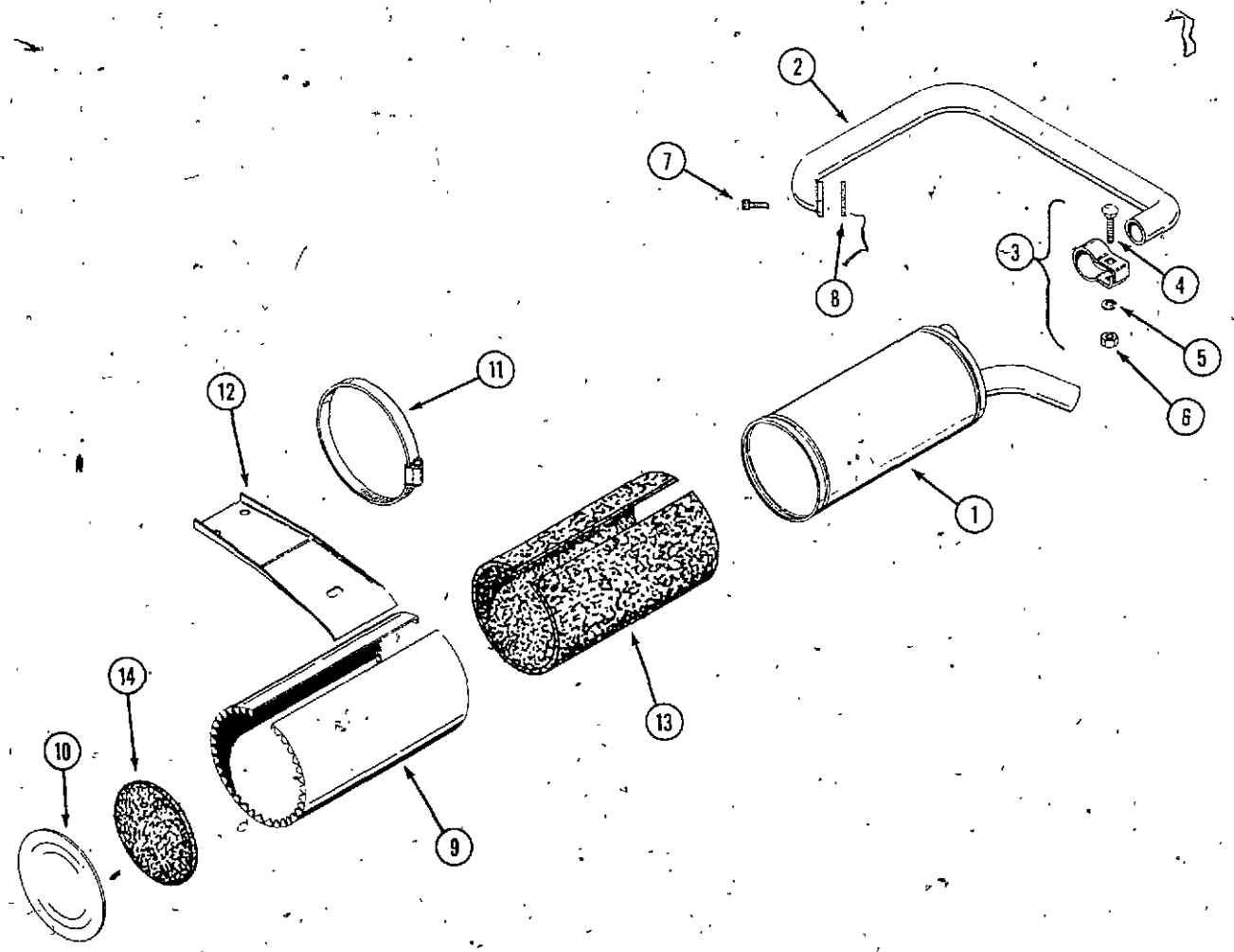
When using this catalog, notice the reference to serial numbers of various components noted here and listed in the "description" copy. By referring to correct serial numbers, proper parts identification will be assured.

AIR CLEANER



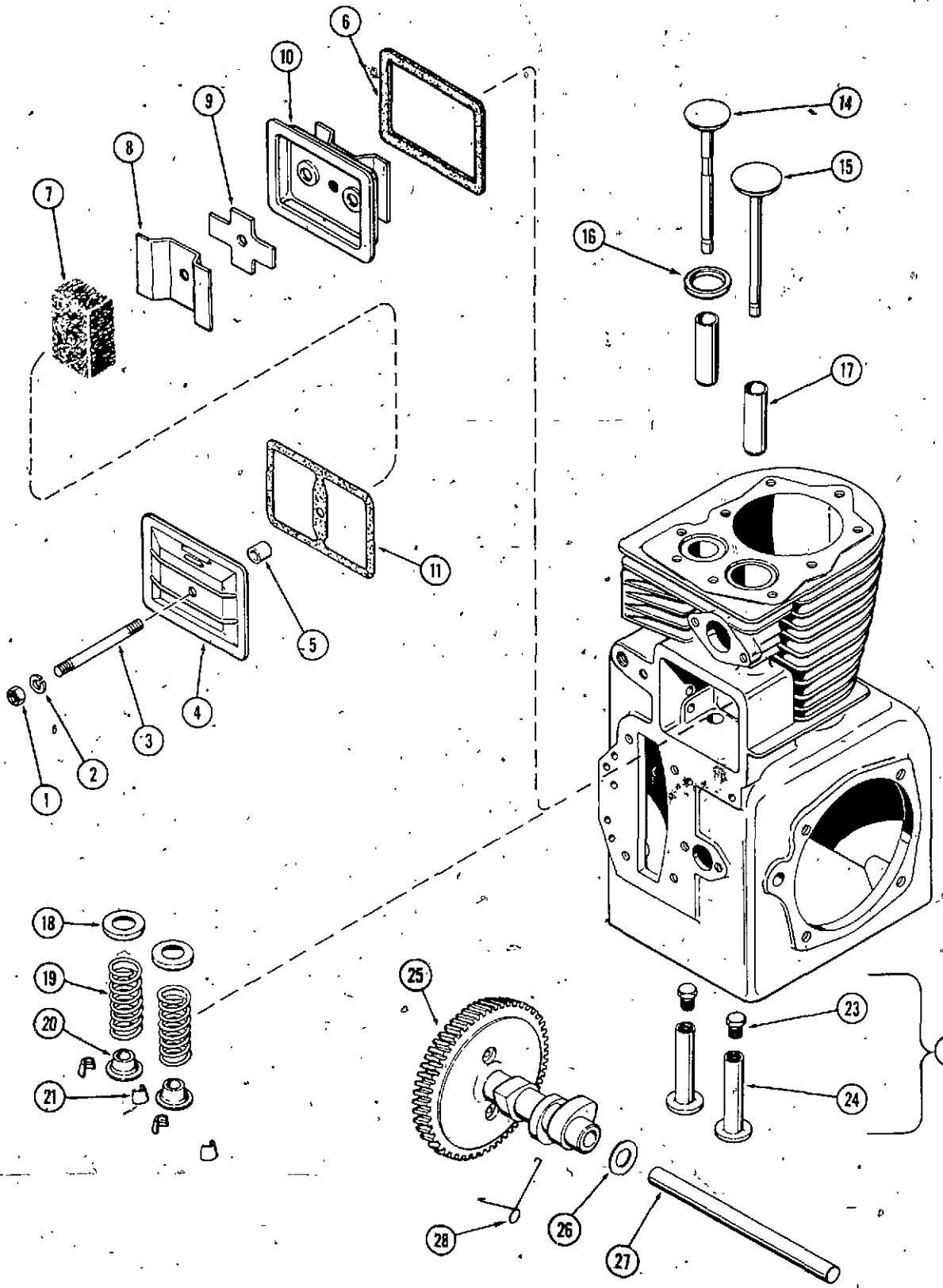
| REF. | PART NO.  | DESCRIPTION                          | REQ'D |
|------|-----------|--------------------------------------|-------|
| 1    | KO 237895 | AIR CLEANER ASSEMBLY                 | 1     |
| 2    | NSS       | COVER - air cleaner (order KO237895) | 1     |
| 3    | NSS       | BASE - air cleaner (order KO237895)  | 1     |
| 4    | KO 237423 | GASKET - cover, air cleaner          | 1     |
| 5    | 129- 409  | NUT - wing 1/4" N.C.                 | 1     |
| 6    | KO 275341 | GASKET - air horn                    | 1     |
| 7    | A 70090   | ELEMENT - air cleaner                | 1     |
| 8    | 177- 94   | SCREW - fillister head 10-32 x 5/16" | 3     |
| 9    | 193- 6    | LOCKWASHER - ext. tooth              | 3     |
| 10   | KO 237421 | PRE-CLEANER                          | 1     |

EXHAUST SYSTEM



|    |          |                                       |   |
|----|----------|---------------------------------------|---|
| 1  | C 22674  | MUFFLER - exhaust                     | 1 |
| 2  | C 22747  | PIPE - engine exhaust                 | 1 |
| 3  | C 18216  | CLAMP ASSEMBLY - muffler              | 1 |
| 4  | 111- 256 | BOLT - 5/16" x 1-1/4" round head N.C. | 1 |
| 5  | 192- 20  | LOCKWASHER - 5/16"                    | 1 |
| 6  | 129- 102 | NUT - 5/16" N.C. hex.                 | 1 |
| 7  | 61- 510  | BOLT - 5/16" x 5/8" socket head       | 2 |
| 8  | C 10372  | GASKET - exhaust                      | 1 |
| 9  | C 22863  | WRAPPER - muffler                     | 1 |
| 10 | C 22889  | COVER - muffler end                   | 1 |
| 11 | 214- 272 | CLAMP - muffler and wrapper mounting  | 3 |
| 12 | C 22819  | BRACKET - muffler mounting            | 1 |
| 13 | C 22859  | INSULATION - muffler, asbestos        | 1 |
| 14 | C 22860  | INSULATION - muffler end, asbestos    | 1 |

CRANKCASE BREATHER

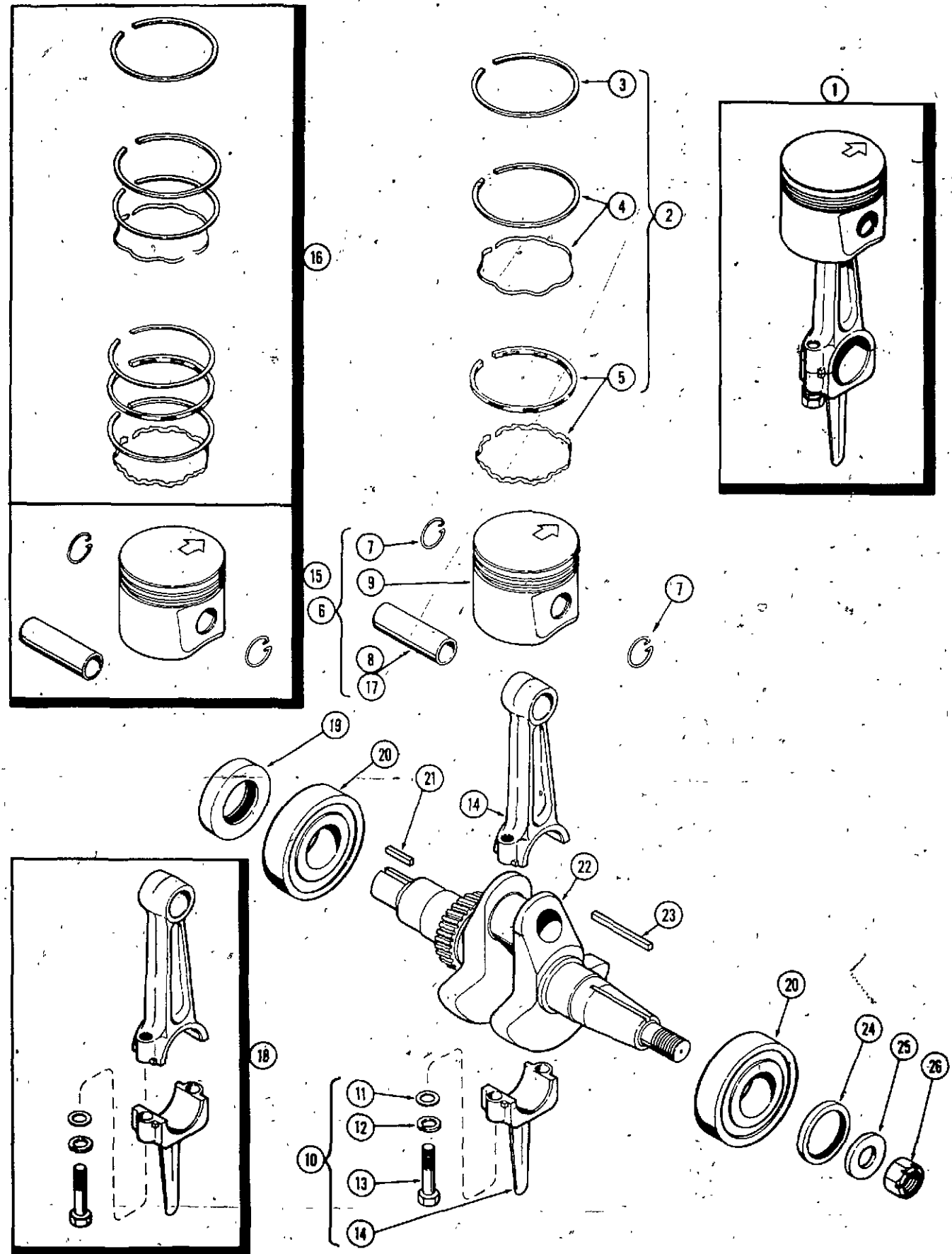


| REF. | PART NO.  | DESCRIPTION             | REQ'D |
|------|-----------|-------------------------|-------|
| 1    | 129-409   | NUT - 1/4" NC hex       | 1     |
| 2    | 92-4      | LOCKWASHER - 1/4"       | 1     |
| 3    | KO 275220 | STUD - valve cover      | 1     |
| 4    | KO 275143 | COVER - valve           | 1     |
| 5    | KO 231032 | SEAL - breather         | 1     |
| 6    | KO 235048 | GASKET - breather plate | 1     |
| 7    | KO 235118 | FILTER - breather       | 1     |
| 8    | KO 235117 | BAFFLE - breather       | 1     |
| 9    | KO 235047 | REED - breather         | 1     |
| 10   | KO 235631 | PLATE - breather        | 1     |
| 11   | KO 275144 | GASKET - valve cover    | 1     |

CAMSHAFT AND VALVES

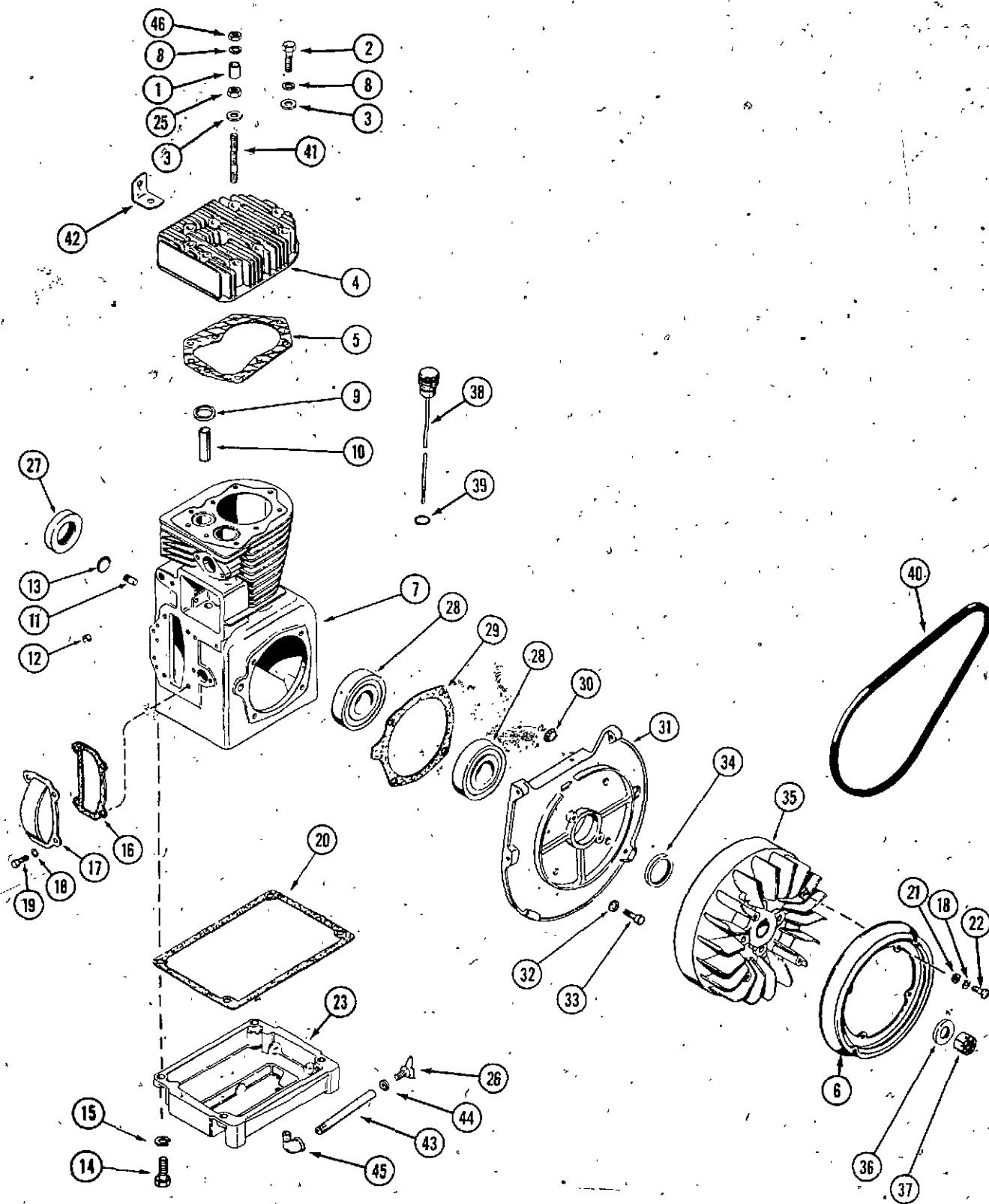
|    |             |                             |     |
|----|-------------|-----------------------------|-----|
| 14 | KO 235826   | VALVE - exhaust             | 1   |
| 15 | KO 235008   | VALVE - intake              | 1   |
| 16 | KO 230170   | INSERT - exhaust valve seat | 1   |
| 17 | KO 235007-S | GUIDE - valve               | 2   |
| 18 | KO 235011   | SEAT - valve spring         | 2   |
| 19 | KO 235010   | SPRING - valve              | 2   |
| 20 | KO 230011   | RETAINER - valve spring     | 2   |
| 21 | KO 240013   | LOCK - valve retainer       | 4   |
| 22 | KOD 235327  | LIFTER ASSEMBLY             | 2   |
| 23 | NSS         | SCREW - tappet adjusting    | 1   |
| 24 | NSS         | LIFTER - valve              | 1   |
| 25 | KOE 235646  | CAMSHAFT ASSEMBLY           | 1   |
| 26 | KO 275066   | SPACER - camshaft, .005"    | UAR |
| 26 | KO 275067   | SPACER - camshaft, .010"    | UAR |
| 27 | KO 235053   | PIN - camshaft              | 1   |
| 28 | V 34346     | SPRING - actuating          | 1   |

**CRANKSHAFT, PISTON AND CONNECTING ROD**

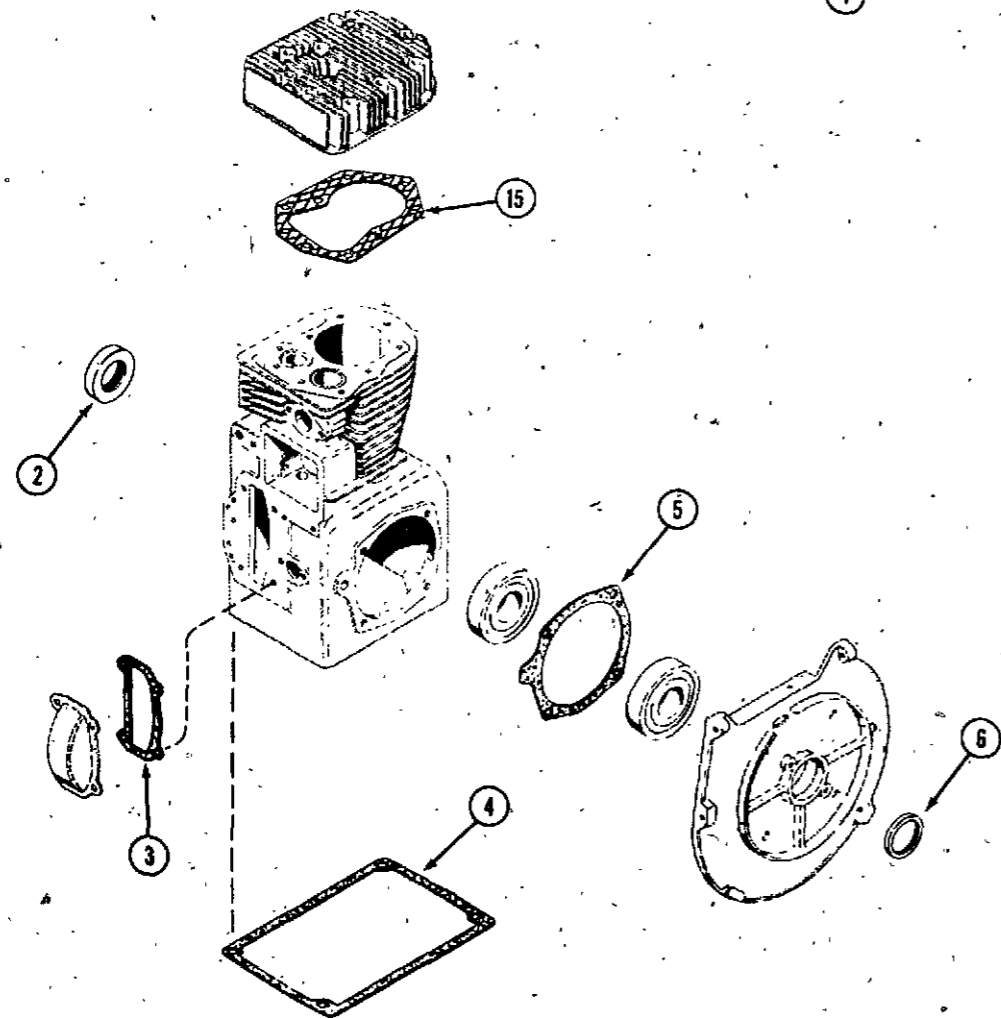
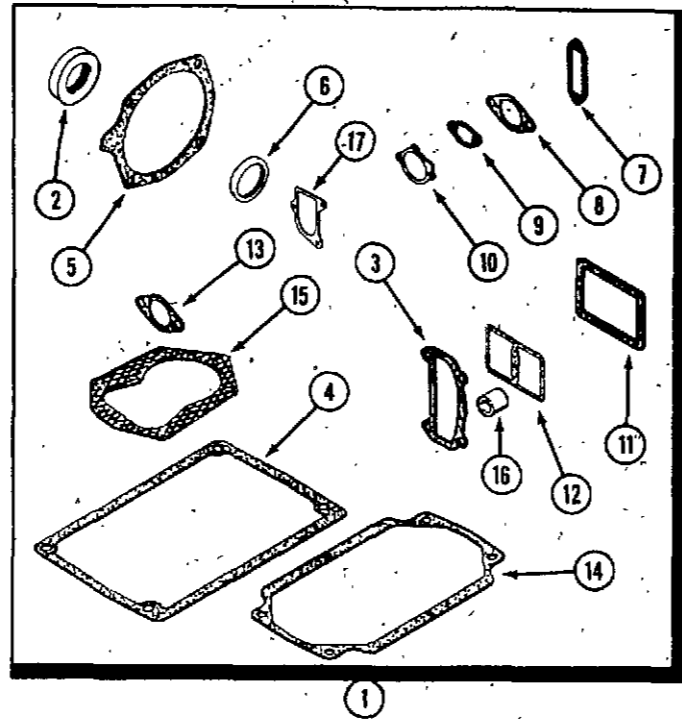


| REF. | PART NO.   | DESCRIPTION  | REQ'D |
|------|------------|--|-------|
| 1    | NSS        | PISTON AND ROD ASSEMBLY (Std. size)                      | 1     |
| 2    | KO 235287  | RING SET - piston (For oversize, see item 16)            | 1     |
| 3    | NSS        | RING - top compression                                   | 1     |
| 4    | NSS        | RING - 2nd compression (Includes expander)               | 1     |
| 5    | NSS        | RING - oil (Includes expander)                           | 1     |
| 6    | KOA 235611 | PISTON ASSEMBLY (For oversize, see item 15)              | 1     |
| 7    | KO 235094  | RETAINER - piston pin                                    | 2     |
| 8    | NSS        | PIN - piston   | 1     |
| 9    | NSS        | PISTON   | 1     |
| 10   | KOA 235139 | CONNECTING ROD AND ASSEMBLY (For undersize, see item 18) | 1     |
| 11   | KO 235003  | WASHER - special   | 2     |
| 12   | 92- 6      | LOCKWASHER   | 2     |
| 13   | C 22698    | SCREW - cap, connecting rod                              | 2     |
| 14   | NSS        | ROD - connecting   | 1     |
| 15   | KOA 235567 | PISTON ASSEMBLY - .003 oversize (use std. ring set)      | 1     |
| 15   | KOA 235569 | PISTON ASSEMBLY - .010" oversize                         | 1     |
| 15   | KOA 235571 | PISTON ASSEMBLY - .020" oversize                         | 1     |
| 15   | KOA 235616 | PISTON ASSEMBLY - .030" oversize                         | 1     |
| 16   | KO 235288  | RING SET - piston .010" oversize                         | 1     |
| 16   | KO 235289  | RING SET - piston .020" oversize                         | 1     |
| 16   | KO 235290  | RING SET - piston .030" oversize                         | 1     |
| 17   | NSS        | PIN - piston, .005" oversize                             | 1     |
| 18   | C 18101    | CONNECTING ROD ASSEMBLY - .010" undersize                | 1     |
| 19   | R 16287    | OIL SEAL - crankshaft rear                               | 1     |
| 20   | 40035      | BEARING - crankshaft, ball                               | 2     |
| 21   | W 5063-S   | KEY - 1/4" Sq. x 3/4" (Pump Coupling)                    | 1     |
| 22   | KOB 236364 | CRANKSHAFT   | 1     |
| 23   | A 27001    | KEY - flat 3/16" x 3/16" x 1-3/8" (Flywheel)             | 1     |
| 24   | C 18097    | OIL SEAL - crankshaft front                              | 1     |
| 25   | 195- 541   | WASHER - 5/8"  | 1     |
| 26   | 131- 301   | NUT - special Marsden 5/8" NF                            | 1     |

ENGINE BLOCK AND ATTACHING PARTS

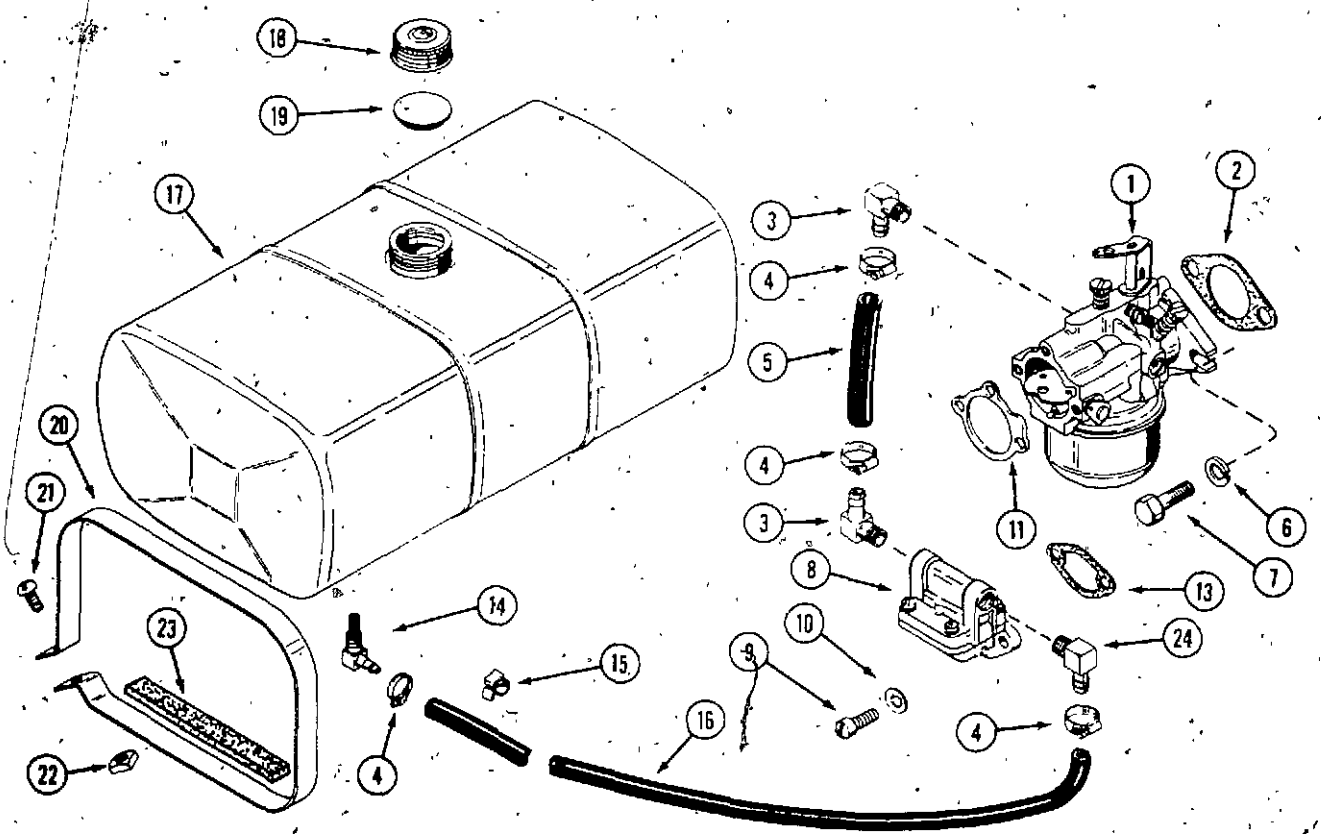
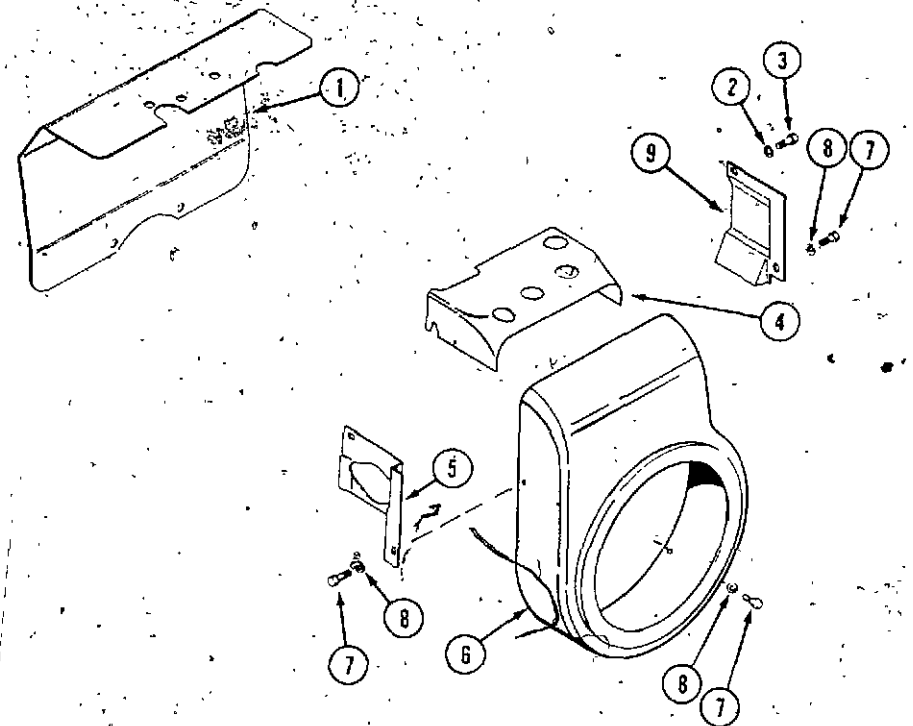


| REF. | PART NO.    | DESCRIPTION   | REQ'D |
|------|-------------|---|-------|
| 1    | C 21814     | SPACER - cylinder head  | 6     |
| 2    | KO 270158   | BOLT - cylinder head 3/8 x 1-1/2" NC hex  | 2     |
| 3    | KO 270889   | WASHER - cylinder head bolt   | 9     |
| 4    | KO 236675   | HEAD - cylinder   | 1     |
| 5    | KO 237658   | GASKET - head   | 1     |
| 6    | KO 235207   | PULLEY - starter  | 1     |
| 7    | KOA 237871  | BLOCK ASSEMBLY - mini (Includes camshaft assem., piston assem., ring set, one man bearing, valves, rod assembly, govn. gear assem., and cross shaft)  | 1     |
| 7    | C 23051     | BLOCK ASSEMBLY - short (Includes camshaft assem., crankshaft, piston assem., ring set, main bearings, crankshaft seals, bearing plate and gasket, rod assem., goven. gear assem. and cross shaft) | 1     |
| 8    | 92- 6       | LOCKWASHER - 3/8"   | 9     |
| 9    | KO 230170   | INSERT - exhaust valve  | 1     |
| 10   | KO 235007-S | GUIDE - valve   | 2     |
| 11   | KO 235125-S | SHAFT - stub, governor  | 1     |
| 12   | C 18103     | BEARING - needle, governor shaft  | 1     |
| 13   | 41- 18      | PLUG - expansion  | 1     |
| 14   | 113- 209    | BOLT - 3/8" x 1-1/2" NC hex plated  | 4     |
| 15   | 92- 6       | LOCKWASHER - 3/8" plated  | 4     |
| 16   | KO 235025   | GASKET - camshaft cover   | 1     |
| 17   | KO 235026   | COVER - camshaft gear   | 1     |
| 18   | 92- 4       | LOCKWASHER - 1/4" plated  | 8     |
| 19   | 13- 48      | BOLT - 1/4" x 1/2" NC plated  | 4     |
| 20   | KO 235353   | GASKET - oil pan  | 1     |
| 21   | 193- 107    | WASHER - 1/4" zinc plated   | 4     |
| 22   | 175- 436    | SCREW - 1/4" x 5/8" NC truss head Phillips, zinc plated   | 4     |
| 23   | C 22699     | BASE - oil pan  | 1     |
| 25   | 129- 103    | NUT - 3/8" NC hex   | 6     |
| 26   | C 14399     | PLUG - oil drain  | 1     |
| 27   | R 16287     | OIL SEAL - crankshaft, rear   | 1     |
| 28   | 40035       | BEARING - crankshaft, ball  | 2     |
| 29   | KO 235757   | GASKET - bearing plate  | 1     |
| 29   | KO 235070   | GASKET - shim, .010"  | 4     |
| 30   | 205- 27     | PLUG - button, timing hole  | 1     |
| 31   | C 22700     | PLATE - bearing   | 1     |
| 32   | 192- 21     | LOCKWASHER - 3/8" plated  | 4     |
| 33   | 113- 207    | BOLT - 3/8" x 1" NC plated  | 4     |
| 34   | C 18097     | OIL SEAL - crankshaft front   | 1     |
| 35   | KO 235818   | FLYWHEEL  | 1     |
| 36   | 195- 541    | WASHER - special, plated  | 1     |
| 37   | 131- 301    | NUT - special, Marsden  | 1     |
| 38   | C 14953     | DIPSTICK ASSEMBLY   | 1     |
| 39   | A 27365     | "O" RING - dipstick   | 1     |
| 40   | C 14345     | BELT - drive, starter - generator   | 1     |
| 41   | KO 237277   | STUD - cylinder head  | 7     |
| 42   | KO 235748   | STRAP - lifting   | 1     |
| 43   | C 18814     | NIPPLE - oil drain extension  | 1     |
| 44   | C 14906     | GASKET - plug, oil drain  | 1     |
| 45   | 221- 1412   | ELBOW - street  | 1     |
| 46   | 129- 143    | NUT - 3/8" NC hex, jam  | 6     |



ENGINE GASKET AND SEAL KIT

| REF. | PART NO.  | DESCRIPTION                    | REQ'D |
|------|-----------|--------------------------------|-------|
| 1    | KO 237727 | KIT - engine gasket            | 1     |
| 2    | R 16287   | SEAL - crankshaft, rear        | 1     |
| 3    | KO 235025 | GASKET - camshaft cover        | 1     |
| 4    | KO 235353 | GASKET - oil pan               | 1     |
| 5    | KO 235757 | GASKET - bearing plate         | 1     |
| 5    | KO 235070 | GASKET - shim (.010")          | UAR   |
| 6    | C 18097   | SEAL - crankshaft, front       | 1     |
| 7    | V 34423   | GASKET - breaker cover         | 1     |
| 8    | C 23108   | GASKET - carburetor flange     | 1     |
| 9    | C 22738   | GASKET - fuel pump flange      | 1     |
| 10   | KO 275341 | GASKET - carburetor air horn   | 1     |
| 11   | KO 235048 | GASKET - breather plate        | 1     |
| 12   | KO 275144 | GASKET - valve cover           | 1     |
| 13   | C 10372   | GASKET - exhaust               | 1     |
| 14   | KO 235057 | GASKET - pan (not used)        | 1     |
| 15   | KO 237658 | GASKET - cylinder head         | 1     |
| 16   | KO 231032 | SEAL - breather                | 1     |
| 17   | KO 237064 | GASKET - oil fill tube (14 hp) | 1     |



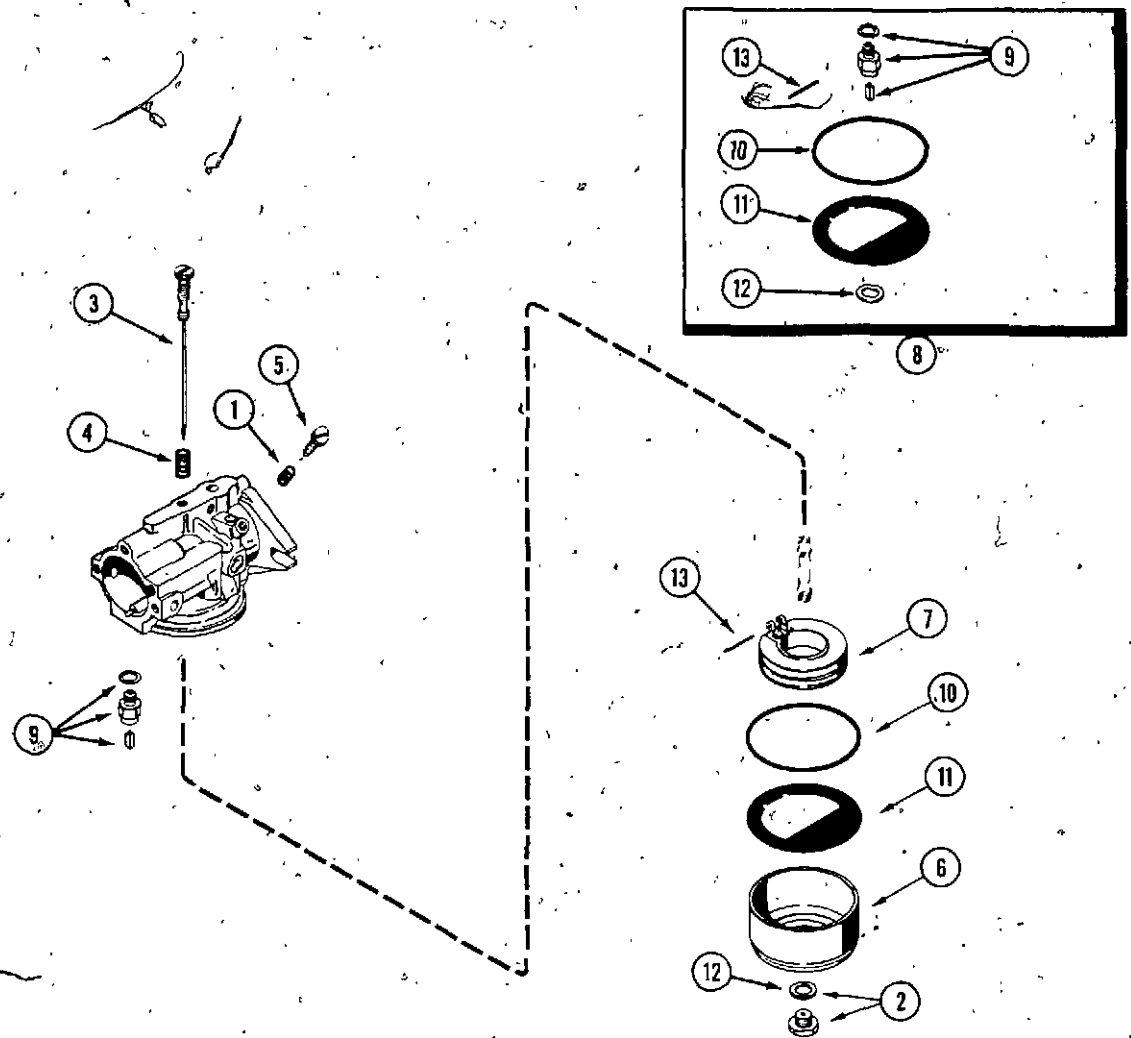
BAFFLES AND SHROUDS

| REF. | PART NO.  | DESCRIPTION                              | REQ'D |
|------|-----------|--|-------|
| 1    | C 22684   | DEFLECTOR - engine air                   | 1     |
| 2    | 92- 4     | LOCKWASHER - 1/4" zinc plated            | 2     |
| 3    | 13- 48    | BOLT - 1/4" x 1-1/2" NC hex, zinc plated | 2     |
| 4    | KO 237520 | BAFFLE - cylinder head                   | 1     |
| 5    | KO 235652 | BAFFLE - carburetor side, air            | 1     |
| 6    | KO 235951 | HOUSING - blower                         | 1     |
| 7    | 13- 410   | BOLT - 1/4" x 3/4" NC hex, zinc plated   | 4     |
| 8    | 92- 4     | LOCKWASHER - 1/4" zinc plated            | 4     |
| 9    | C 23171   | BAFFLE - cylinder                        | 1     |

FUEL SYSTEM

|    |            |   |   |
|----|------------|---|---|
| 1  | C 23049    | CARBURETOR ASSEMBLY                                       | 1 |
| 2  | C 23108    | GASKET - carburetor flange                                | 1 |
| 3  | C 10678    | ELBOW - fuel pump and carburetor                          | 2 |
| 4  | 214- 103   | CLAMP - hose  | 4 |
| 5  | V 34404    | HOSE - carburetor 5"                                      | 1 |
| 6  | 192- 20    | LOCKWASHER - 5/16"  | 2 |
| 7  | 113- 103   | BOLT - 5/16" x 1" NC hex                                  | 2 |
| 8  | KOA 235845 | PUMP - fuel, 10 h.p. (Repairs page 17)                    | 1 |
| 9  | 71- 412    | SCREW - 1/4" x 3/4" NC fillister head                     | 2 |
| 10 | 193- 28    | LOCKWASHER - 1/4" internal tooth                          | 2 |
| 11 | KO 275341  | GASKET - air horn   | 1 |
| 13 | C 22738    | GASKET - fuel pump mounting                               | 1 |
| 14 | C 10657    | ELBOW ASSEMBLY - fuel tank                                | 1 |
| 15 | C 14157    | CLIP - fuel line  | 2 |
| 16 | C 21984    | HOSE - fuel line - 38-1/2"                                | 1 |
| 17 | C 16363    | TANK - fuel   | 1 |
| 18 | C 11529    | CAP - fuel tank (Includes insert)                         | 1 |
| 19 | C 11545    | INSERT - fuel cap   | 1 |
| 20 | C 16796    | STRAP - fuel tank mounting                                | 2 |
| 21 | 173- 215   | SCREW - 1/4" x 1-1/2" NC round head, machine, zinc plated | 2 |
| 22 | 129- 504   | NUT - square 1/4" NC                                      | 2 |
| 23 | C 14690    | CUSHION - fuel tank                                       | 2 |
| 24 | 217- 292   | ELBOW - 90°, fuel pump inlet                              | 2 |



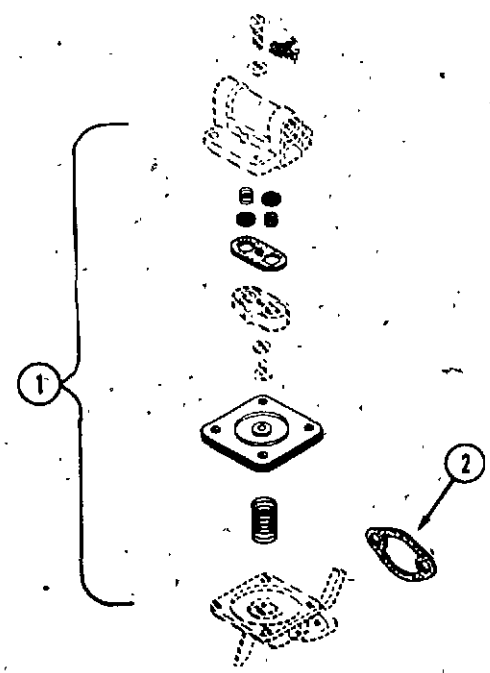


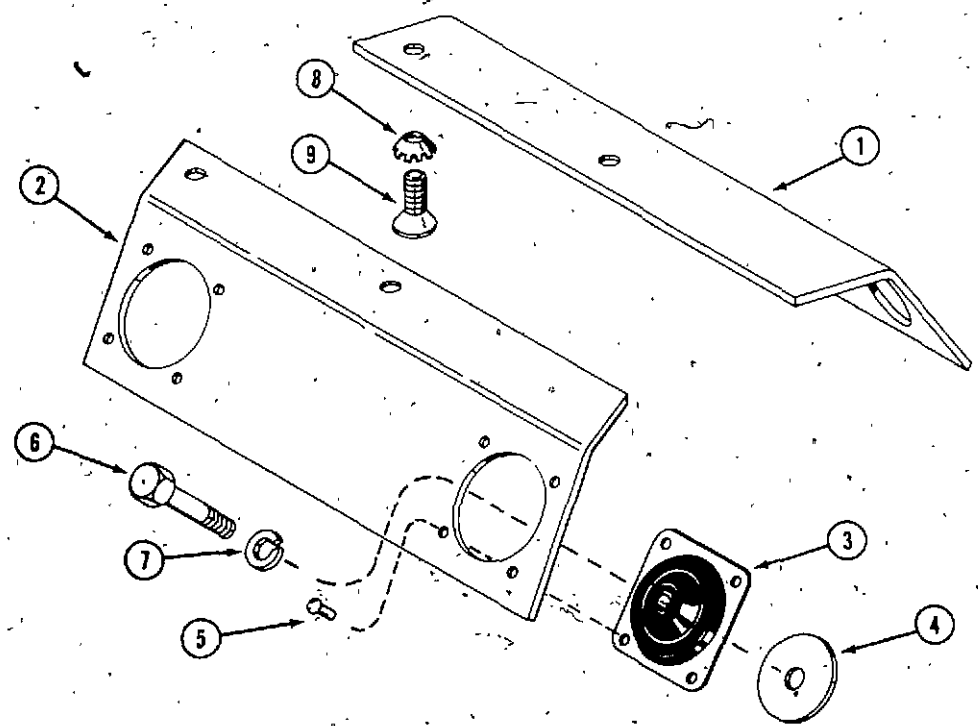
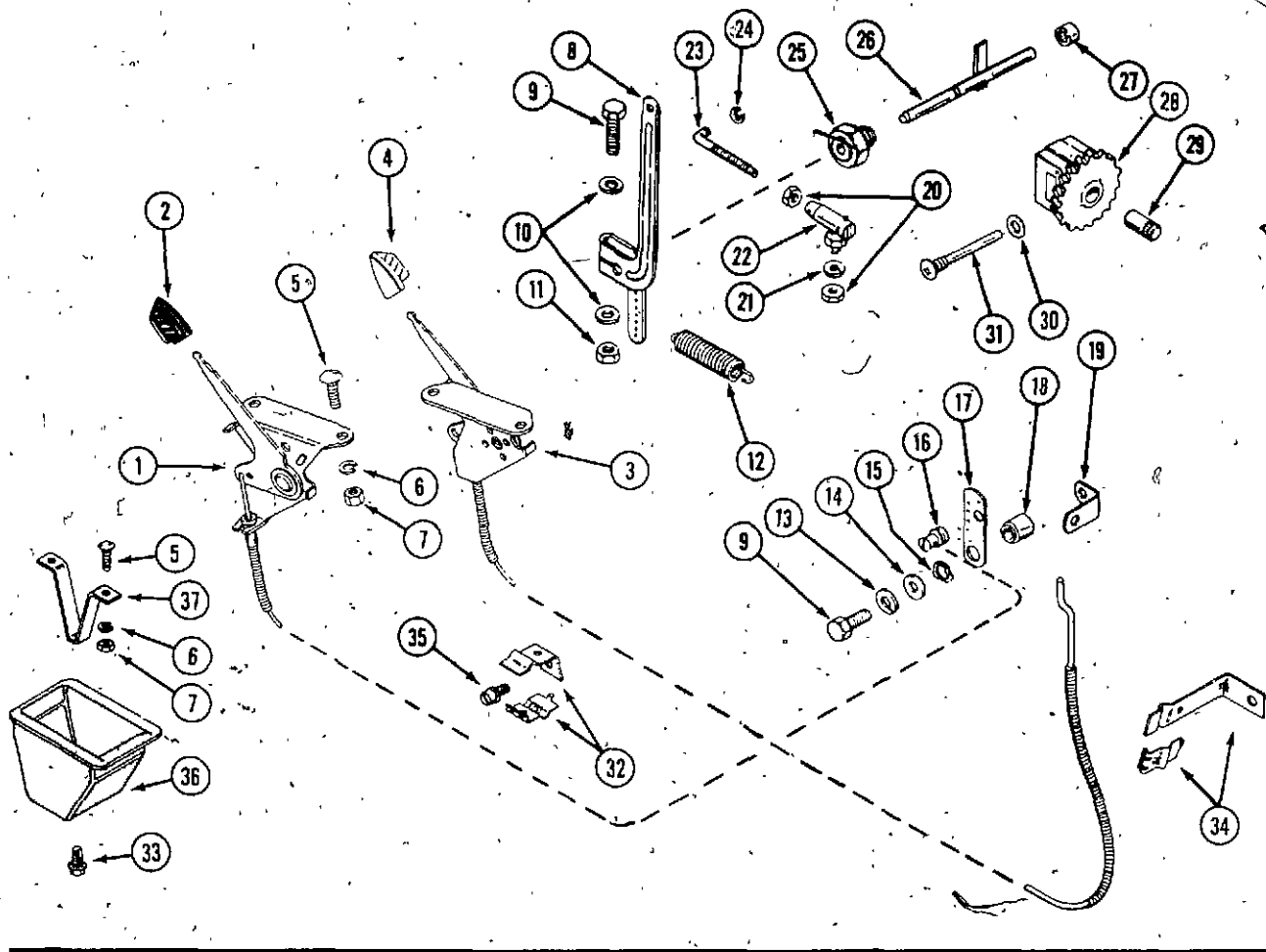
C 23049 CARBURETOR

| REF. | PART NO.  | DESCRIPTION                                 | REQ'D |
|------|-----------|---|-------|
|      | C 23049   | CARBURETOR ASSEMBLY                         | 1     |
| 1    | KO 200380 | SPRING - tension, idle adjust               | 1     |
| 2    | KO 235447 | SCREW AND GASKET ASSEMBLY - carburetor bowl | 1     |
| 3    | A 72077   | NEEDLE - main fuel adjust                   | 1     |
| 4    | KO 200383 | SPRING - main fuel adjust                   | 1     |
| 5    | A 72099   | NEEDLE - idle adjust                        | 1     |
| 6    | KO 235448 | BOWL - carburetor                           | 1     |
| 7    | KO 200408 | FLOAT - carburetor                          | 1     |
| 8    | A 72103   | KIT - carburetor repair                     | 1     |
| 9    | NSS       | INLET NEEDLE AND SEAT ASSEMBLY              | 1     |
| 10   | NSS       | GASKET - bowl ring                          | 1     |
| 11   | NSS       | GASKET - bowl baffle                        | 1     |
| 12   | KO 200372 | GASKET - bowl screw                         | 1     |
| 13   | F 19892   | PIN - float                                 | 1     |

FUEL PUMP

|   |           |                                       |   |
|---|-----------|---------------------------------------|---|
| 1 | KO 230675 | KIT - fuel pump (for KOA 235845 pump) | 1 |
|   | NSS       | SPRING - fuel pump valve              | 2 |
|   | NSS       | VALVE                                 | 2 |
|   | NSS       | GASKET - valve                        | 1 |
|   | NSS       | DIAPHRAGM ASSEMBLY                    | 1 |
| 2 | C 22738   | GASKET - fuel pump mounting           | 1 |





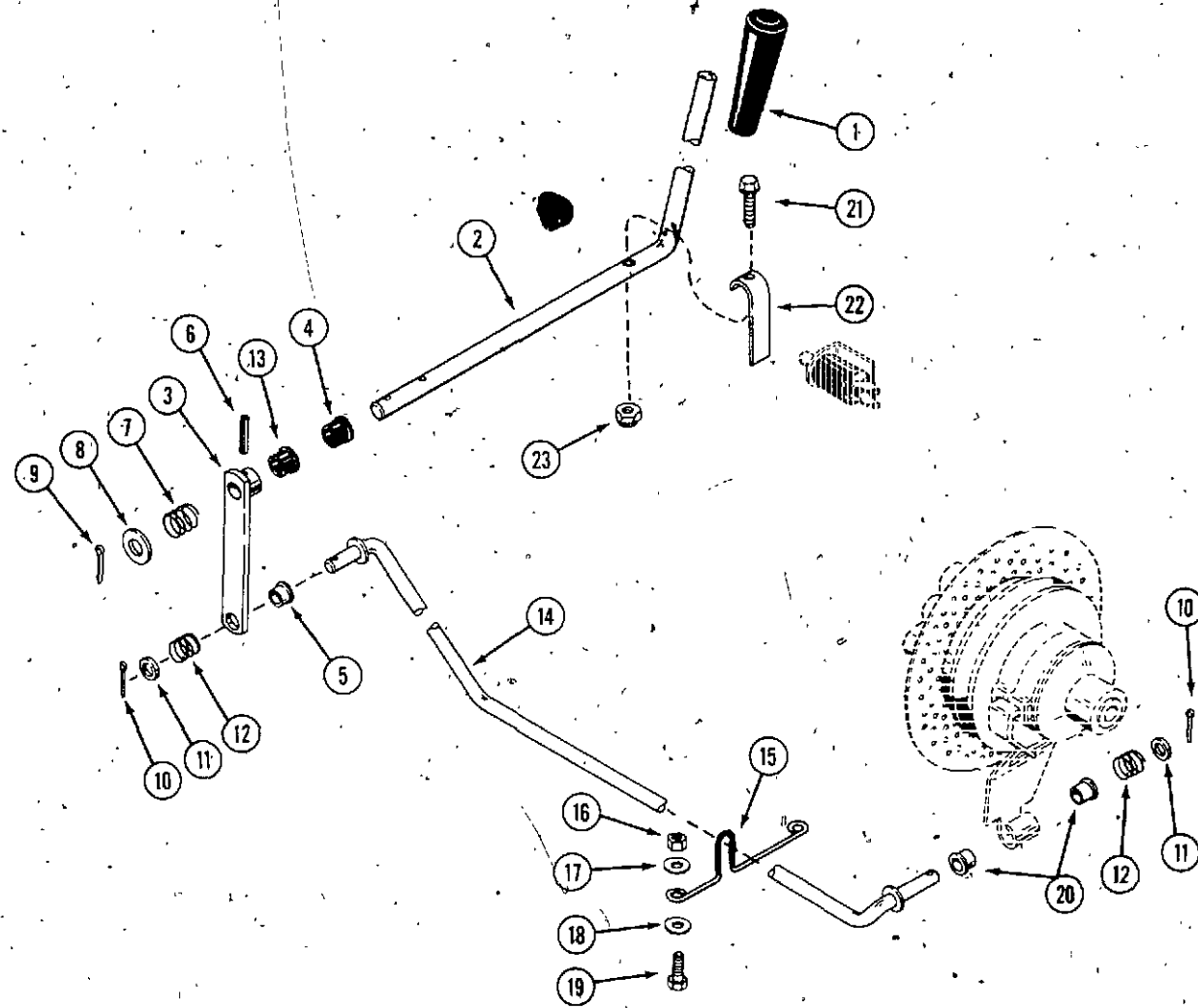
CASE MODEL 210 COMPACT TRACTOR

CHOKE, THROTTLE AND GOVERNOR

| REF. | PART NO.    | DESCRIPTION                                 | REQ'D |
|------|-------------|---|-------|
| 1    | C 16449     | CONTROL - throttle                          | 1     |
| 2    | C 12224     | HANDLE - throttle control, black            | 1     |
| 3    | C 16448     | CONTROL - choke                             | 1     |
| 4    | C 14506     | HANDLE - choke control, white               | 1     |
| 5    | 111- 3      | BOLT - 10-24 x 5/8" round head, square neck | 4     |
| 6    | 192- 18     | LOCKWASHER - #10 Std. plated                | 4     |
| 7    | 129- 17     | NUT - #10 - 24 plated                       | 4     |
| 8    | KOA 237653  | LEVER - governor                            | 1     |
| 9    | 113- 17     | BOLT - 1/4" x 1-1/4" NC hex                 | 2     |
| 10   | 195- 518    | WASHER - 1/4" plated                        | 2     |
| 11   | 129- 409    | NUT - 1/4" hex                              | 2     |
| 12   | KO 235496   | SPRING - governor                           | 1     |
| 13   | 92- 4       | LOCKWASHER - 1/4" plated                    | 1     |
| 14   | C 18098     | WASHER - thrust                             | 1     |
| 15   | KO 275690   | WASHER - wavy                               | 1     |
| 16   | KO 231052   | CLAMP - swivel, wire                        | 1     |
| 17   | KO 235086   | LEVER - speed control                       | 1     |
| 18   | KO 235085   | SPACER - speed control bracket              | 1     |
| 19   | KO 235084   | BRACKET - high speed stop                   | 1     |
| 20   | 129- 37     | NUT - #10 - 32 hex                          | 2     |
| 21   | 92- 3       | LOCKWASHER - 3/16" plated                   | 1     |
| 22   | A 10326     | JOINT - ball                                | 1     |
| 23   | KO 235277   | ROD - throttle                              | 1     |
| 24   | KO 235278   | RING - retaining, throttle rod              | 1     |
| 25   | KO 235476   | BUSHING - governor cross shaft              | 1     |
| 26   | KO 237455   | SHAFT ASSEMBLY - governor cross             | 1     |
| 27   | C 18103     | BEARING - needle, governor shaft            | 1     |
| 28   | V 34419     | GEAR ASSEMBLY - governor                    | 1     |
| 29   | KO 235125-S | SHAFT - governor stub                       | 1     |
| 30   | C 18099     | WASHER - governor stop pin                  | 1     |
| 31   | KO 231355   | PIN - governor stop                         | 1     |
| 32   | KOA 237559  | BRACKET - throttle cable                    | 1     |
| 33   | 187- 1036   | SCREW - 1/4" x 1/2" hex, self tapping       | 1     |
| 34   | KOA 236919  | BRACKET - choke cable                       | 1     |
| 35   | V 34421     | SCREW - #10 x 3/8" NC fillister head, sems  | 1     |
| 36   | C 20193     | ENCLOSURE - choke and throttle cable        | 1     |
| 37   | C 20194     | BRACKET - enclosure mtg.                    | 1     |

ENGINE MOUNTING PLATE

|   |          |  |    |
|---|----------|--|----|
| 1 | C 17717  | PLATE - engine mount, L.H.                   | 1  |
| 2 | C 22904  | PLATE - engine mount, R.H.                   | 1  |
| 3 | C 18793  | MOUNT - engine                               | 4  |
| 4 | D 22988  | WASHER - snubbing                            | 4  |
| 5 | 151- 210 | RIVET - semi tubular                         | 16 |
| 6 | 113- 219 | BOLT - 3/8" x 2" NC hex                      | 4  |
| 7 | 192- 21  | LOCKWASHER - 3/8"                            | 4  |
| 8 | 193- 56  | LOCKWASHER - 3/8" countersunk external tooth | 4  |
| 9 | 164- 50  | BOLT - flat head, hex. socket                | 4  |

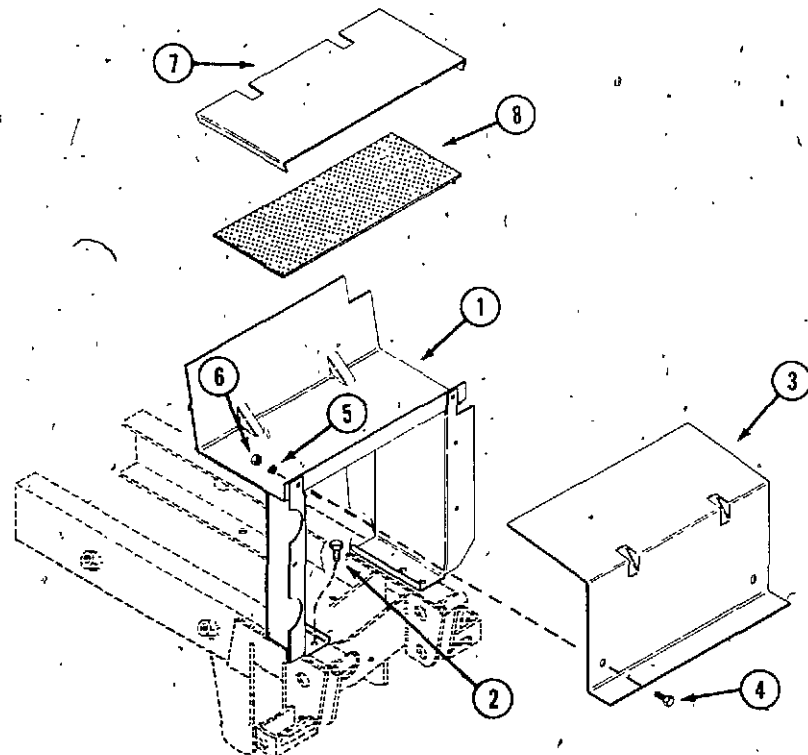


PTO CLUTCH AND LINKAGE

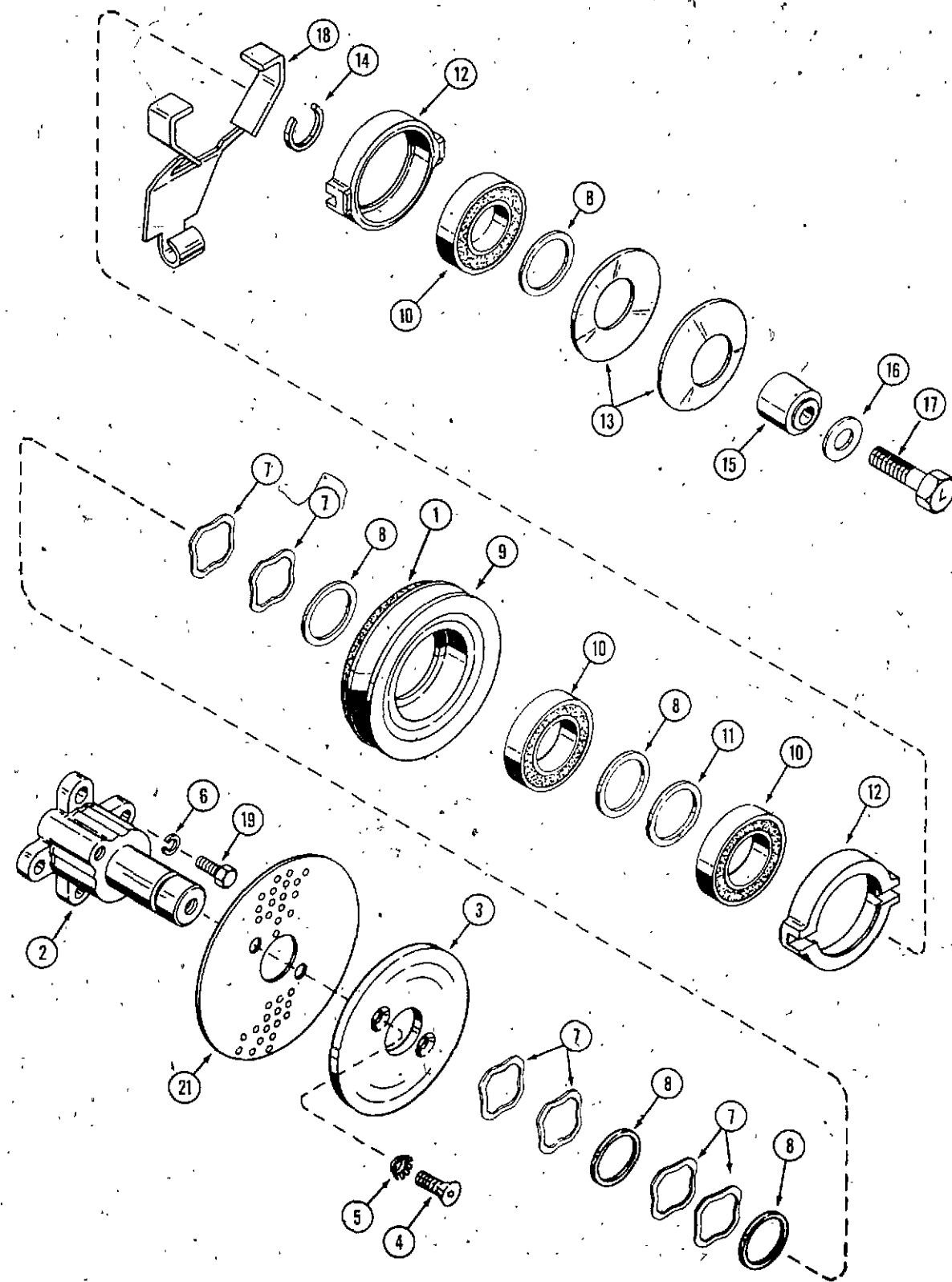
| REF. | PART NO. | DESCRIPTION                              | REQ'D |
|------|----------|--|-------|
| 1    | A 37247  | KNOB - lever, PTO                        | 1     |
| 2    | C 22998  | LEVER - PTO engaging                     | 1     |
| 3    | C 22921  | ARM ASSEMBLY - PTO                       | 1     |
| 4    | 353- 462 | BUSHING - lever, dash tower              | 1     |
| 5    | C 20093  | BUSHING - fliplock                       | 1     |
| 6    | 138- 96  | PIN - roll 3/16" x 1"                    | 1     |
| 7    | C 20036  | SPRING - lever, PTO                      | 1     |
| 8    | A 39519  | WASHER - nylon                           | 1     |
| 9    | 132- 91  | PIN - cotter 3/16" x 1"                  | 1     |
| 10   | 132- 48  | PIN - cotter 1/8" x 1"                   | 2     |
| 11   | C 14906  | WASHER - nylon 3/8"                      | 2     |
| 12   | C 19867  | SPRING - clutch rod                      | 2     |
| 13   | 353- 442 | BUSHING - heyco                          | 1     |
| 14   | C 20107  | ROD - clutch                             | 1     |
| 15   | C 19767  | GUIDE - clutch rod                       | 1     |
| 16   | 131- 178 | NUT - lock 3/8" N.C. hex                 | 2     |
| 17   | 195- 104 | WASHER - 3/8"                            | 2     |
| 18   | 195- 126 | WASHER - spacer                          | 2     |
| 19   | 113- 207 | BOLT - 3/8" x 1" N.C. hex                | 2     |
| 20   | C 20053  | BUSHING - nylon                          | 2     |
| 21   | 163- 24  | BOLT - #10 - 24 x 1-1/4" hex washer head | 1     |
| 22   | C 23004  | ACTUATOR - PTO switch                    | 1     |
| 23   | 131- 67  | NUT - #10 - 24 lock                      | 1     |

MUFFLER SHIELDS

|   |          |   |   |
|---|----------|---|---|
| 1 | C 22894  | MOUNTS AND SHIELD - heat                      | 1 |
| 2 | 113- 118 | BOLT - 5/16" x 5/8"                           | 4 |
| 3 | C 22778  | SHIELD - heat                                 | 1 |
| 4 | 113- 1   | BOLT - 1/4" - 20 x 1/2" hex head, zinc plated | 2 |
| 5 | 192- 19  | LOCKWASHER - 1/4" zinc plated                 | 2 |
| 6 | 129- 101 | NUT - 1/4" - 20 hex head, zinc plated         | 2 |
| 7 | C 22874  | RETAINER - insulation                         | 1 |
| 8 | C 22903  | INSULATION - heat                             | 1 |

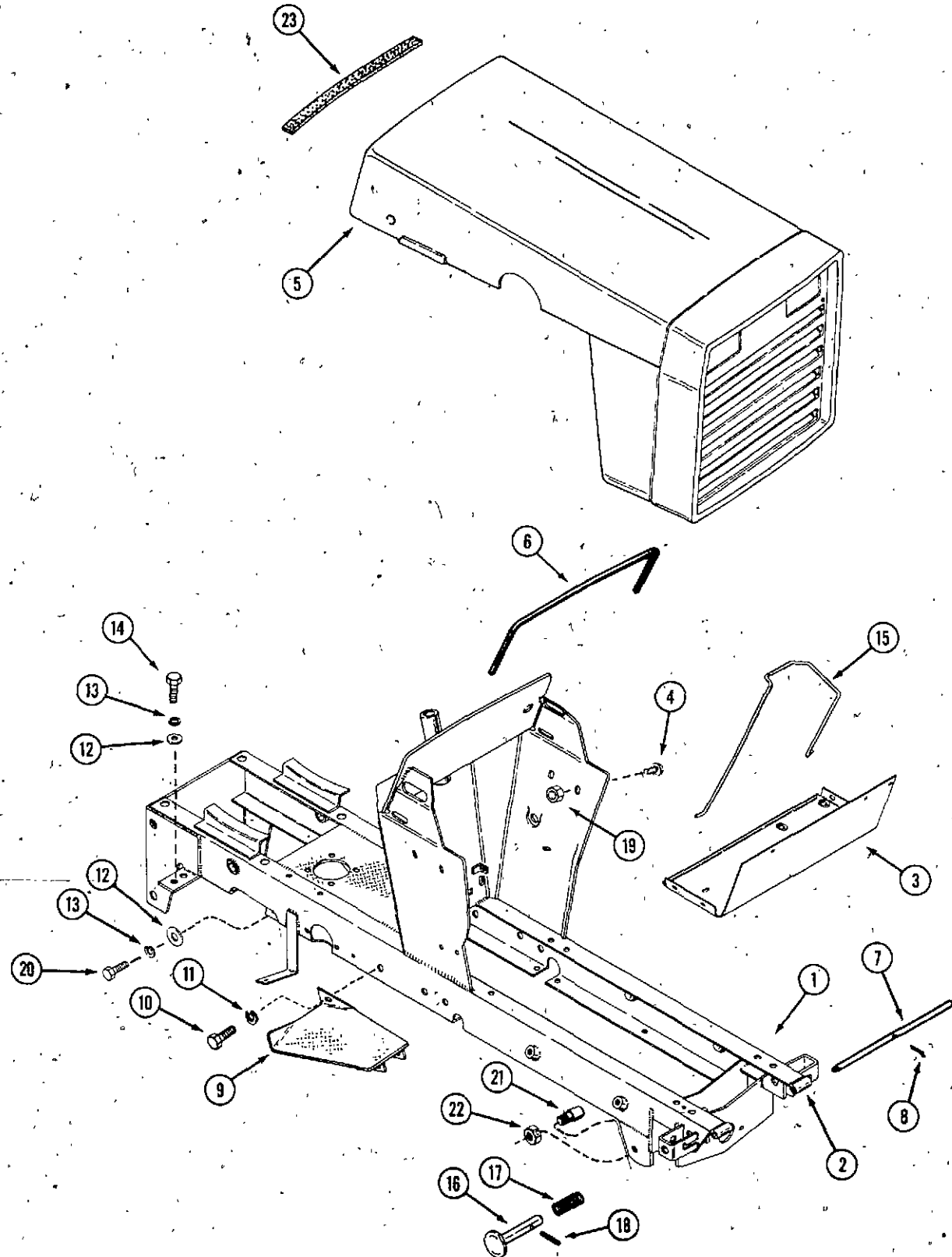


CLUTCH ASSEMBLY (PTO)

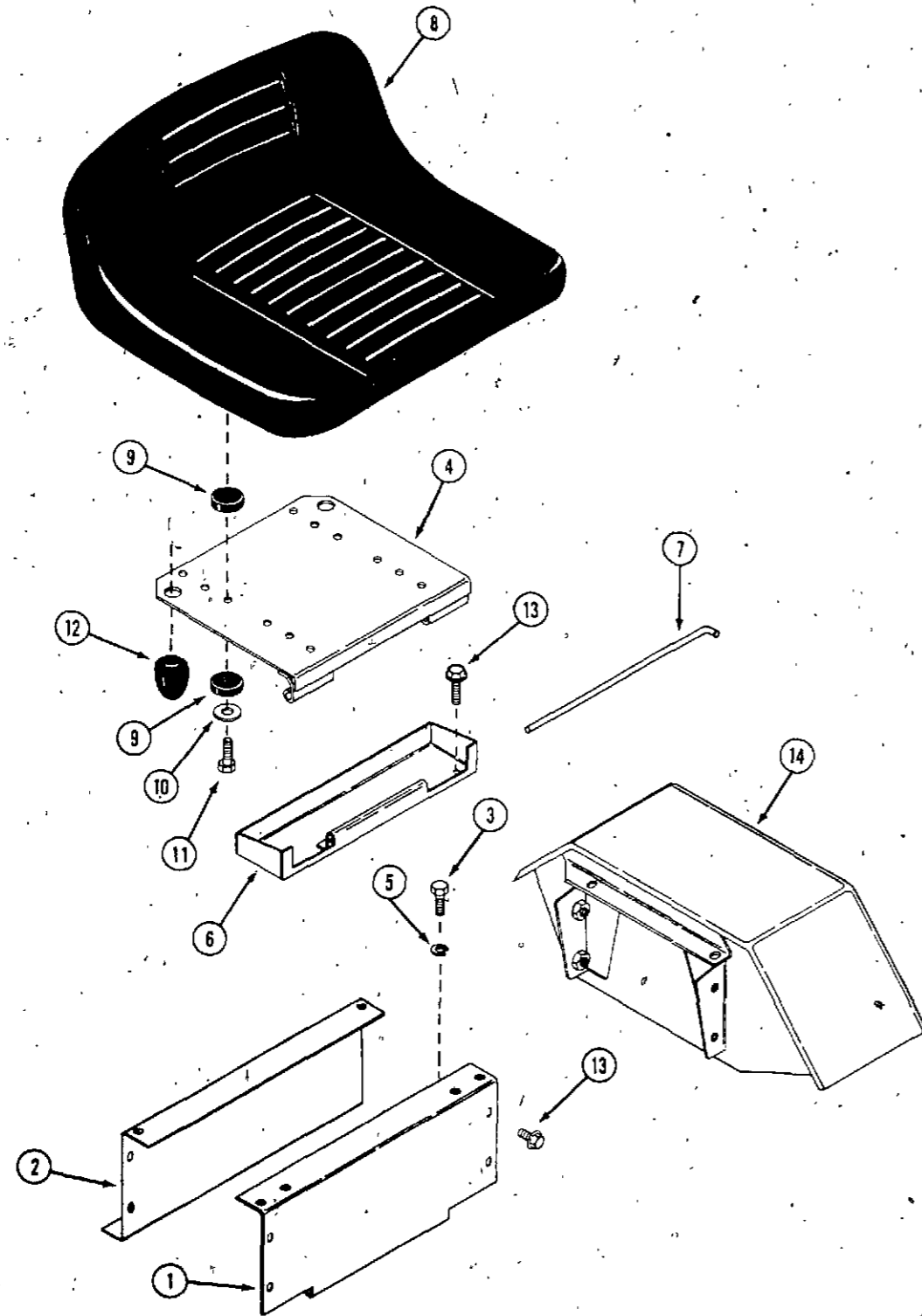


| REF. | PART NO. | DESCRIPTION  | REQ'D |
|------|----------|--|-------|
|      | C 19803  | CLUTCH ASSEMBLY - less screen  | 1     |
| 1    | C 14291  | DISC - clutch  | 1     |
| 2    | C 18907  | HUB - clutch   | 1     |
| 3    | C 15718  | PLATE - clutch   | 1     |
| 4    | 164-40   | BOLT - 5/16" x 3/4" NC flat head socket                                  | 2     |
| 5    | 193-76   | LOCKWASHER - 5/16" countersunk external tooth                            | 2     |
| 6    | 192-21   | LOCKWASHER - 3/8"  | 4     |
| 7    | C 15515  | WASHER - spring  | 6     |
| 8    | C 15557  | WASHER - spacer .050"  | UAR   |
| 9    | C 22671  | PULLEY ASSEMBLY - clutch (includes disc)                                 | 1     |
| 10   | C 23245  | BEARING - cam and pulley   | 3     |
| 11   | C 21596  | WASHER - spacer .005"  | UAR   |
| 11   | C 15556  | WASHER - spacer .010"  | UAR   |
| 12   | C 23033  | CAM - clutch   | 2     |
| 13   | C 16786  | SPRING - clutch load   | 2     |
| 14   | F 59014  | RING - retaining   | 1     |
| 15   | C 18908  | SPACER - hub   | 1     |
| 16   | O 2815-N | WASHER - fan 17/32"  | 1     |
| 17   | C 18940  | BOLT - 1/2" x 1-3/4" NC hex L.H. threads                                 | 1     |
| 18   | C 23391  | ARM - engaging   | 1     |
| 19   | 113-207  | BOLT - 3/8" x 1" NC hex ZP   | 4     |
| 21   | C 15721  | SCREEN - grass   | 1     |
|      | C 19472  | KIT - clutch stub shaft (includes items 2, 8, 11, 14, 15, 16, 17 and 19) |       |

HOOD, FRAME AND GRILLE



| REF. | PART NO.  | DESCRIPTION                      | REQ'D |
|------|-----------|----------------------------------|-------|
| 1    | C 22941   | FRAME - main                     | 1     |
| 2    | C 22023   | SPACER - hood hinge mtg.         | 2     |
| 3    | C 22817   | TRAY - battery                   | 1     |
| 4    | 121- 106  | SCREW - 5/16" x 1/2" whizlock.   | 4     |
| 5    | C 22775   | HOOD AND GRILLE ASSEMBLY         | 1     |
| 6    | C 18153   | CHANNEL - instrument panel liner | 1     |
| 7    | C 16362   | ROD - hood hinge                 | 1     |
| 8    | 132- 46   | PIN - cotter 1/8" x 3/4"         | 1     |
| 9    | C 18890   | PAD - foot L.H.                  | 1     |
| 9    | C 18150   | PAD - foot R.H.                  | 1     |
| 10   | 13- 514   | BOLT - 5/16" x 7/8" NC hex.      | 2     |
| 11   | 192- 20   | LOCKWASHER - 5/16"               | 2     |
| 12   | 195- 104  | WASHER - 3/8" flat               | 7     |
| 13   | 192- 21   | LOCKWASHER - 3/8"                | 7     |
| 14   | 113- 206  | BOLT - 3/8" x 3/4" NC hex.       | 4     |
| 15   | C 16239   | STRAP - battery hold down        | 1     |
| 16   | C 16373   | PIN - latch                      | 2     |
| 17   | C 16374   | SPRING - latch                   | 2     |
| 18   | 138- 319  | PIN - roll 3/16" x 1-1/4"        | 2     |
| 19   | 129- 102  | NUT - 5/16" NC hex               | 4     |
| 20   | 113- 207  | BOLT - 3/8" x 1" NC hex          | 3     |
| 21   | C 18733   | PIN - attachment                 | 2     |
| 22   | 131- 1318 | NUT - lock 1/2" - #20 NF jam     | 2     |
| 23   | C 20082   | LINER - hood                     | 1     |

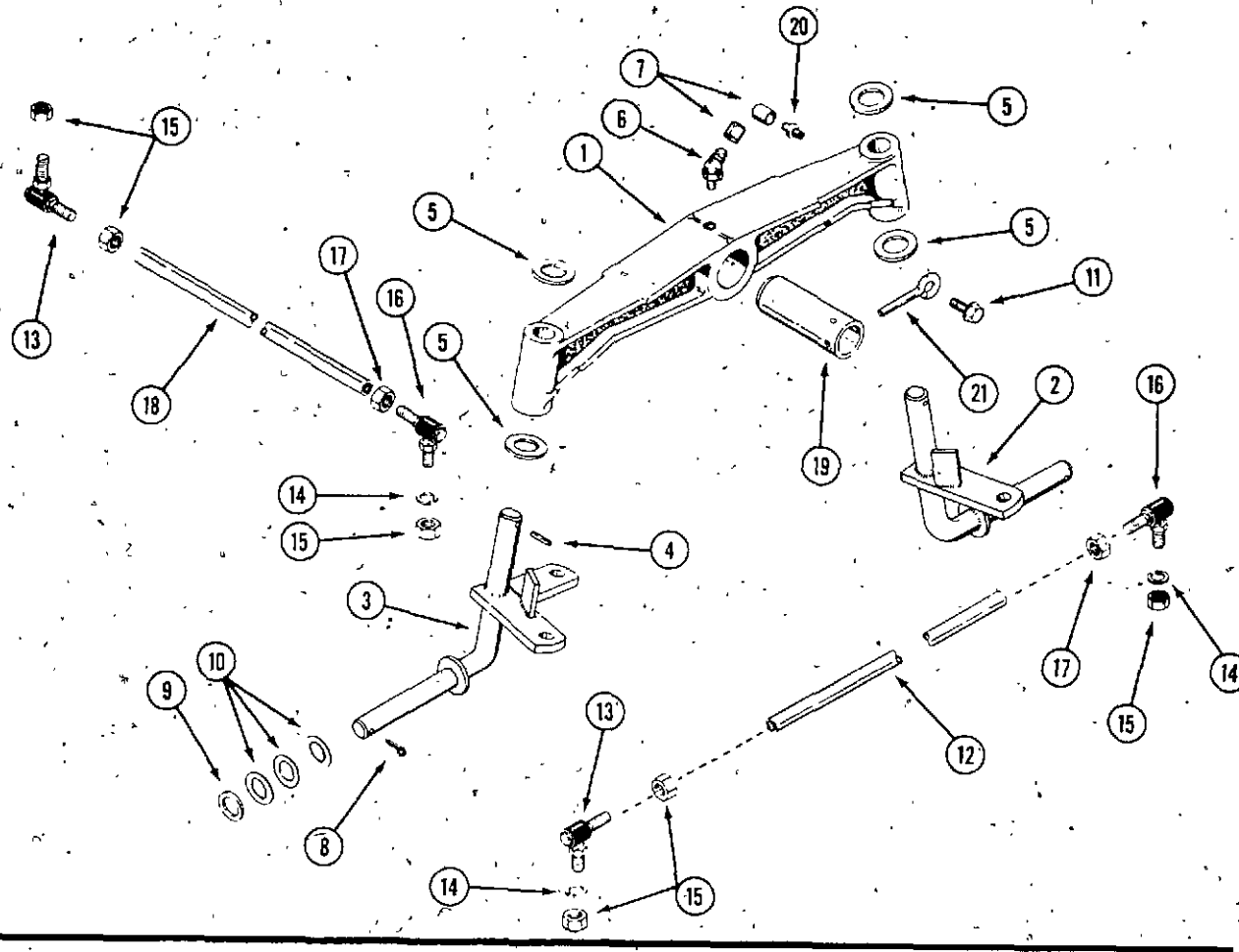


CASE MODEL 210 COMPACT TRACTOR

SEAT, FENDERS AND TOOL TRAY

| REF. | PART NO.  | DESCRIPTION                             | REQ'D |
|------|-----------|---|-------|
| 1    | C 18996   | SUPPORT - seat, front                   | 1     |
| 2    | C 16404   | SUPPORT - seat, rear                    | 1     |
| 3    | 113- 424  | BOLT - 1/2 x 1" NC hex                  | 4     |
| 4    | C 17152   | HINGE ASSEMBLY - seat                   | 1     |
| 5    | 192- 23   | LOCKWASHER - 1/2"                       | 4     |
| 6    | C 19417   | TRAY - tool                             | 1     |
| 7    | C 16429   | PIN - seat hinge                        | 1     |
| 8    | C 16129   | SEAT - operators                        | 1     |
| 9    | C 15410   | CUSHION - rubber                        | 8     |
| 10   | 195- 2021 | WASHER - 5/16" x 1-1/4" OD, zinc plated | 4     |
| 11   | 113- 122  | BOLT - 5/16 x 1-1/2"                    | 4     |
| 12   | C 14534   | BUMPER - seat                           | 2     |
| 13   | 121- 106  | BOLT - 5/16 x 1/2" flange whizlock      | 10    |
| 14   | C 16446   | FENDER - L.H.                           | 1     |
| 14   | C 16447   | FENDER - R.H.                           | 1     |

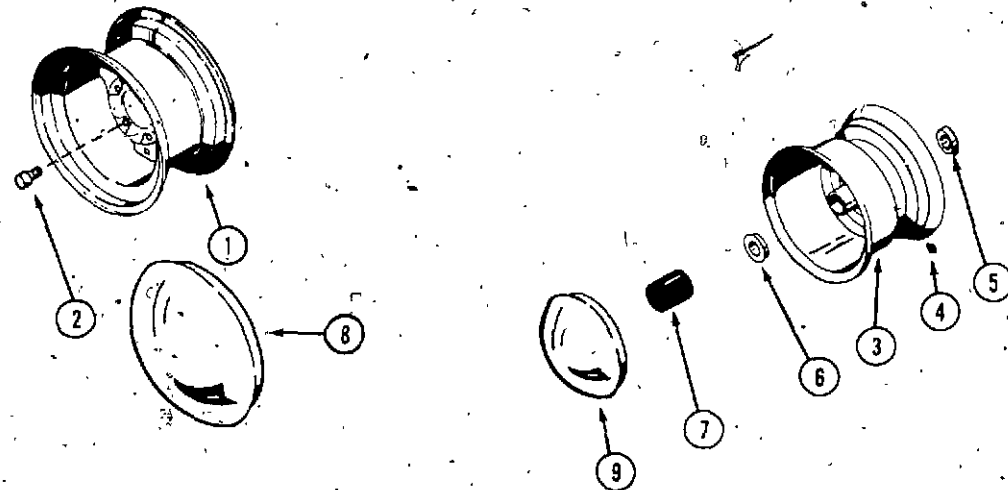
FRONT AXLE



| REF. | PART NO.  | DESCRIPTION                                | REQ'D |
|------|-----------|--|-------|
| 1    | C 18812   | AXLE - front                               | 1     |
| 2    | C 18777   | SPINDLE - left hand                        | 1     |
| 3    | C 18779   | SPINDLE - right hand                       | 1     |
| 4    | 138- 99   | PIN - roll                                 | 2     |
| 5    | C 11906   | WASHER - thrust                            | 4     |
| 6    | 219- 404  | FITTING - lube                             | 1     |
| 7    | C 13106   | COVER - lube fitting                       | 3     |
| 8    | 132- 311  | PIN - cotter 5/32" x 1-1/4"                | 2     |
| 9    | C 12975   | WASHER - wheel spindle                     | 2     |
| 10   | A 30881   | WASHER - wheel spacer                      | 6     |
| 11   | 187- 1046 | BOLT - 3/8" NC idented hex head            | 1     |
| 12   | C 21530   | TIE ROD                                    | 1     |
| 13   | C 21526   | BALL JOINT - 1/2" R.H. thread              | 2     |
| 14   | 192- 23   | LOCKWASHER - 1/2" zinc plated              | 3     |
| 15   | 129- 165  | NUT - 1/2" NF hex R.H. thread              | 6     |
| 16   | C 21527   | BALL JOINT - 1/2" L.H. thread              | 2     |
| 17   | 129- 365  | NUT - 1/2" NF hex L.H. thread              | 2     |
| 18   | NSS       | ROD - drag link (service with C 22992 kit) | 1     |
| 19   | C 22568   | TUBE - axle pivot                          | 1     |
| 20   | 219- 17   | FITTING - lube                             | 2     |
| 21   | C 22278   | PIN - retaining                            | 1     |

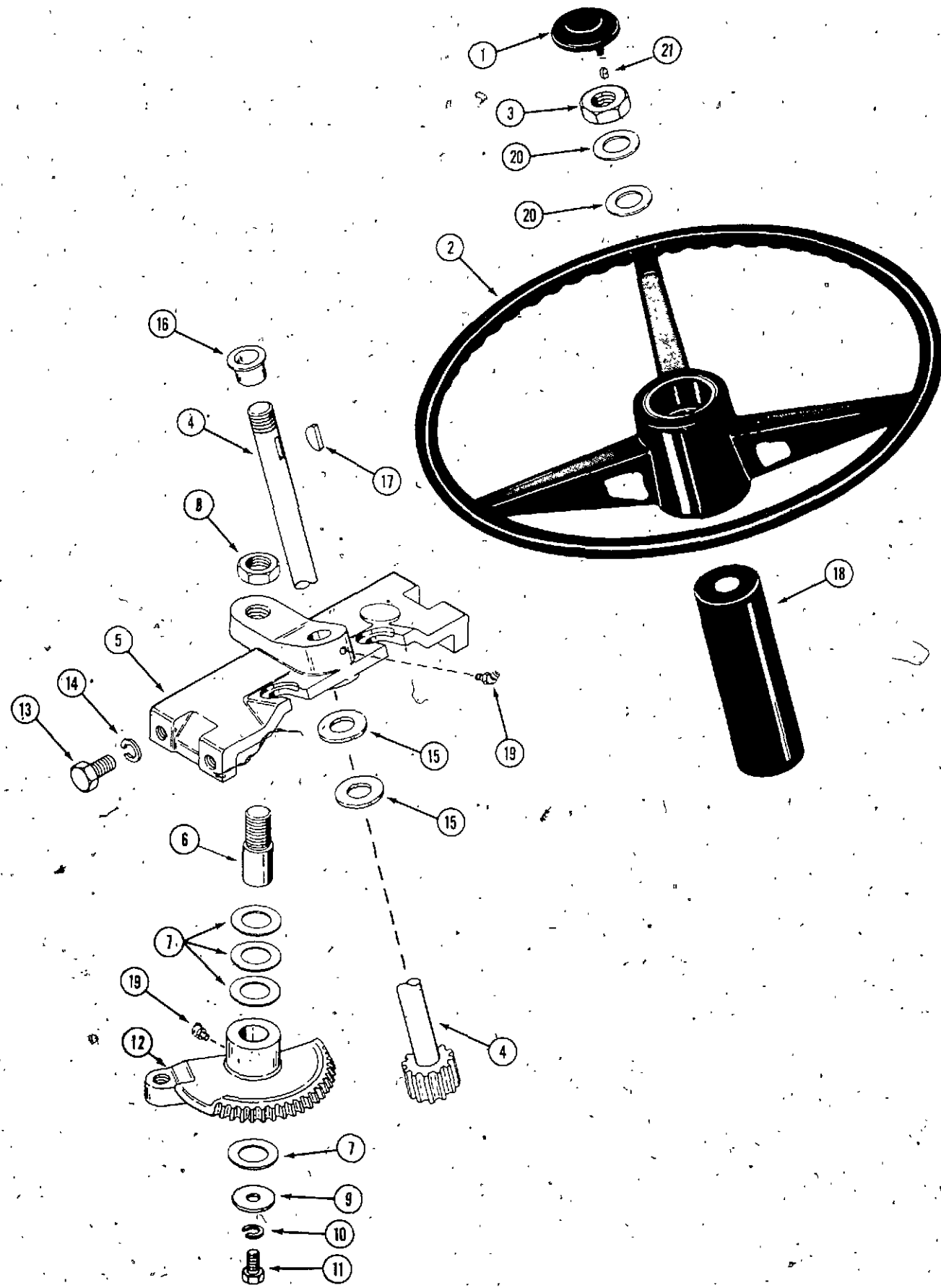
FRONT AND REAR WHEELS

|   |          |                                  |    |
|---|----------|----------------------------------|----|
| 1 | C 10263  | WHEEL - rear, 5 bolt (red)       | 2  |
| 1 | C 24436  | WHEEL - rear, 5 bolt (white)     | 2  |
| 2 | C 10314  | BOLT - rear wheel                | 10 |
| 3 | C 12081  | WHEEL - front (red)              | 2  |
| 3 | C 24433  | WHEEL - front (white)            | 2  |
| 4 | 219- 403 | FITTING - lube                   | 2  |
| 5 | C 12110  | BEARING - wheel, inner           | 2  |
| 6 | C 12111  | BEARING - wheel, outer           | 2  |
| 7 | C 12370  | CAP - plastic, front             | 2  |
| 8 | A 70185  | CAP - hub, rear (optional)       | 2  |
| 9 | A 70062  | CAP - hub front wheel (optional) | 2  |



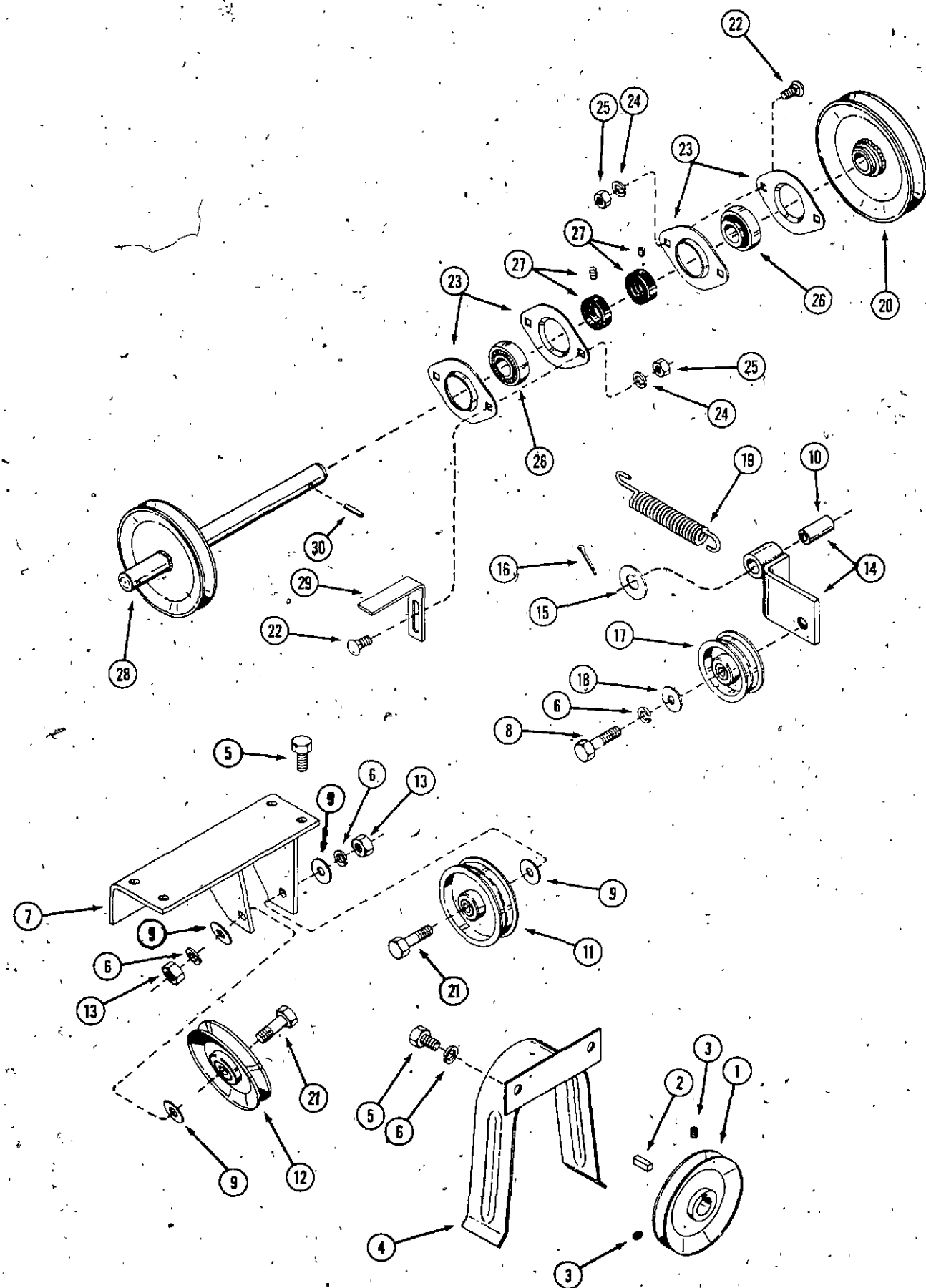
STEERING GEAR

| REF. | PART NO.  | DESCRIPTION                                       | REQ'D |
|------|-----------|---|-------|
| 1    | C 18016   | CAP - steering wheel                              | 1     |
| 2    | C 18014   | WHEEL - steering                                  | 1     |
| 3    | 131- 1113 | NUT - lock 5/8"                                   | 1     |
| 4    | C 16200   | SHAFT - steering                                  | 1     |
| 5    | C 18992   | SUPPORT - steering gear                           | 1     |
| 6    | C 14200   | PIN - pivot                                       | 1     |
| 7    | C 14201   | WASHER - shim                                     | 4     |
| 8    | 131- 1112 | NUT - jam 3/4"                                    | 1     |
| 9    | 195- 2021 | WASHER  | 1     |
| 10   | 192- 20   | LOCKWASHER - 5/16" zinc plated                    | 1     |
| 11   | 113- 113  | BOLT - 5/16" x 7/8" NC hex                        | 1     |
| 12   | C 18711   | GEAR - steering                                   | 1     |
| 13   | 113- 206  | BOLT - 3/8" x 3/4" NC hex                         | 4     |
| 14   | 192- 21   | LOCKWASHER - 3/8"                                 | 4     |
| 15   | 195- 2069 | WASHER - 5/8" zinc plated                         | 2     |
| 16   | C 15096   | BUSHING - flanged nylon                           | 1     |
| 17   | 126- 16   | KEY - Woodruff 3/16" x 3/4"                       | 1     |
| 18   | C 16692   | TUBE - steering                                   | 1     |
| 19   | 219- 404  | FITTING - lube 45°                                | 2     |
| 20   | C 12975   | WASHER - 5/8"                                     | 2     |
| 21   | C 18017   | CLIP - tinnerman (use with C18014 steering wheel) | 2     |
|      | C 13106   | COVER - lube fitting                              | 2     |



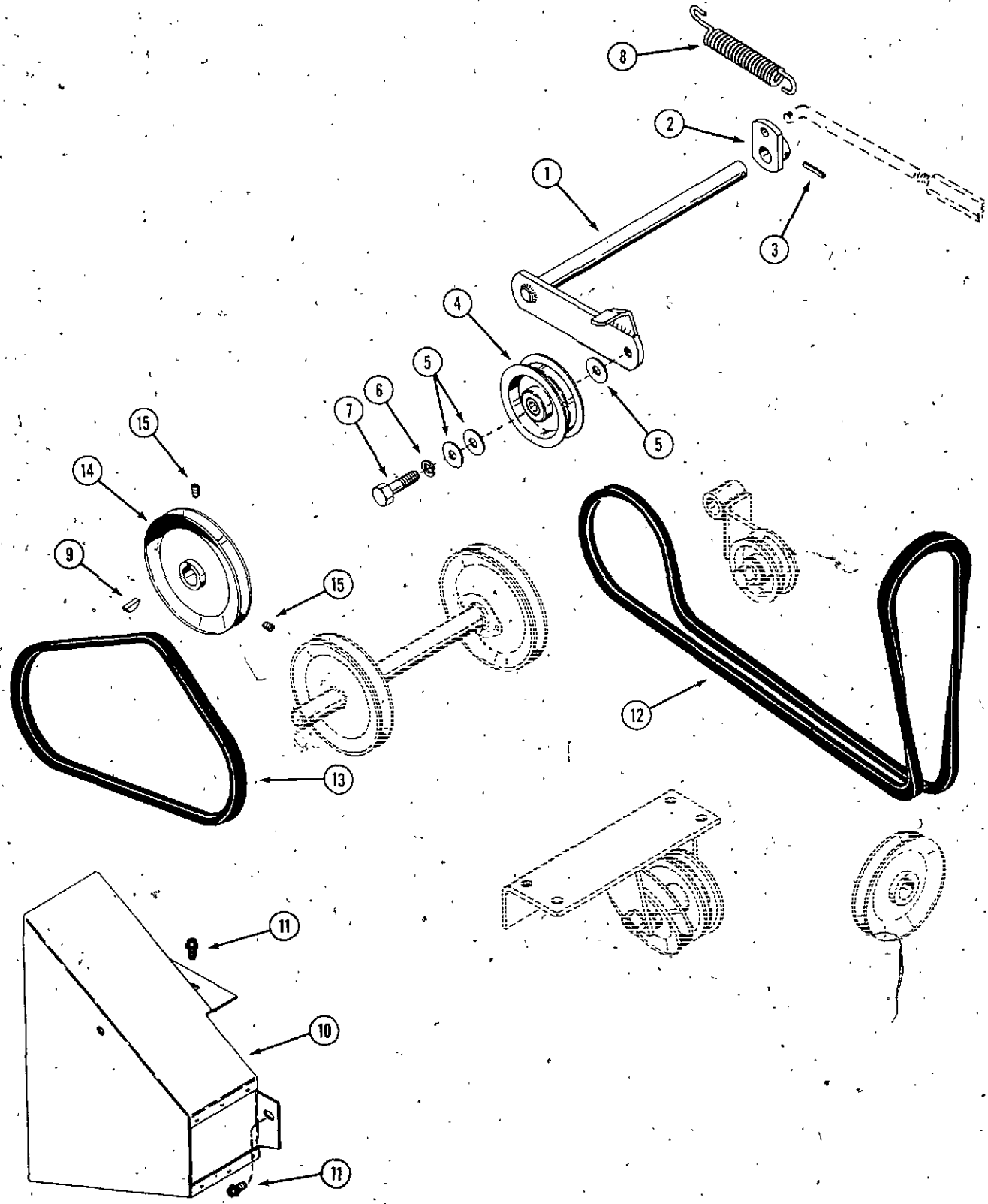


DRIVE PULLEYS, IDLERS AND JACKSHAFT



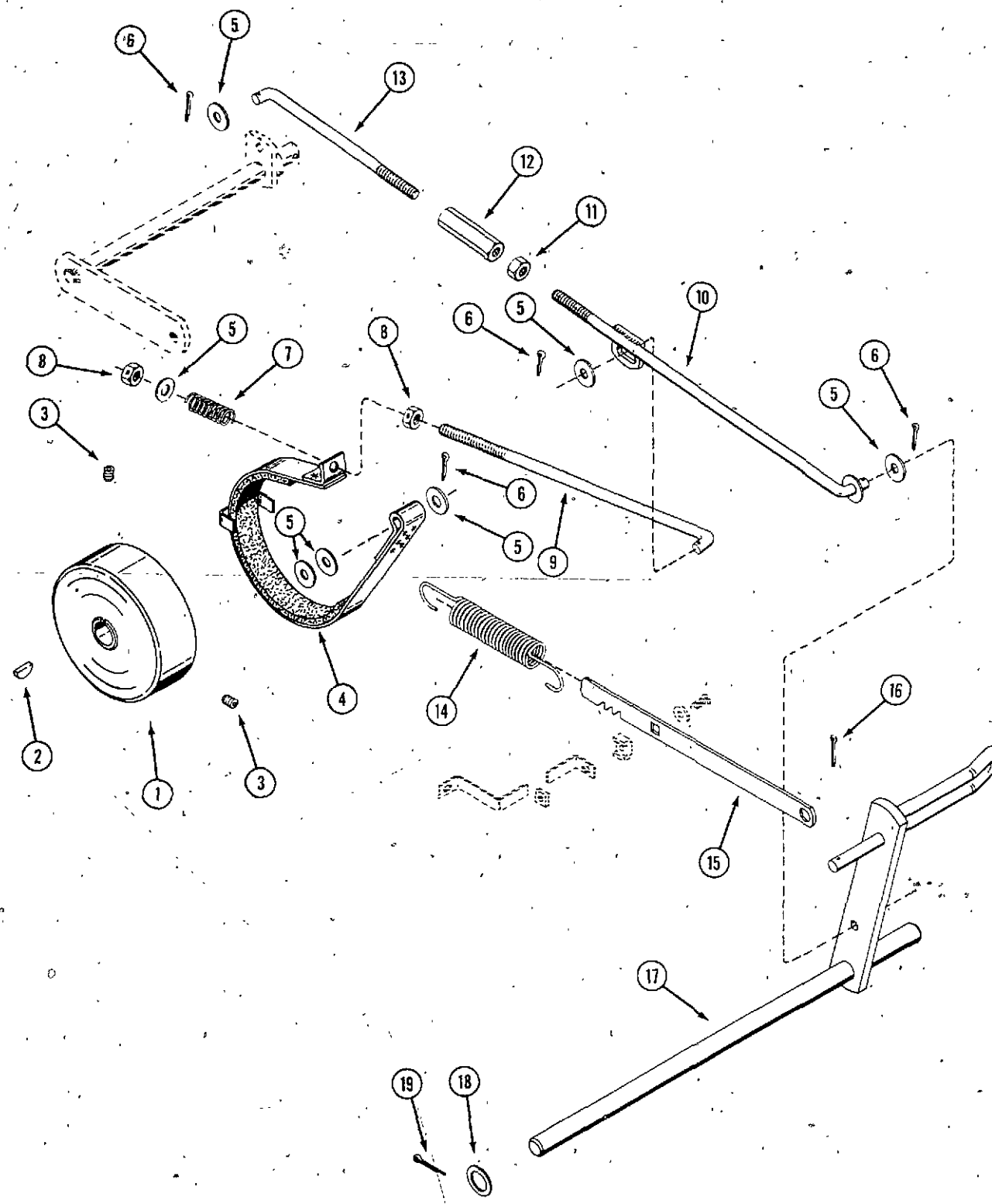
| REF. | PART NO.  | DESCRIPTION   | REQ'D |
|------|-----------|---|-------|
| 1    | C 23522   | PULLEY - engine   | 1     |
| 2    | W 5063-S  | KEY - square 1/2" x 3/4"  | 1     |
| 3    | 178- 858  | SETSCREW - 5/16" x 3/8"   | 2     |
| 4    | C 19869   | GUARD - belt  | 1     |
| 5    | 113- 206  | BOLT - 3/8" x 3/4" NC hex   | 6     |
| 6    | 192- 21   | LOCKWASHER - 3/8"   | 6     |
| 7    | C 18974   | BRACKET - drive, idler mounting                                   | 1     |
| 8    | 113- 208  | BOLT - 3/8" x 1-1/4" NC hex                                       | 1     |
| 9    | 195- 104  | WASHER - 3/8" flat  | 4     |
| 10   | C 23529   | BUSHING - arm, idler  | 1     |
| 11   | C 18966   | PULLEY - idler, flat  | 1     |
| 12   | C 23531   | PULLEY - idler, V-groove  | 1     |
| 13   | 129- 103  | NUT - 3/8" NC hex   | 2     |
| 14   | C 23530   | ARM AND BUSHING ASSEMBLY - belt tension, idler (includes item 10) | 1     |
| 15   | 195- 2069 | WASHER - 5/8" flat  | 1     |
| 16   | 132- 310  | PIN - cotter 1/8" x 1"  | 1     |
| 17   | C 23535   | PULLEY - idler, flat  | 1     |
| 18   | 195- 104  | WASHER - 3/8" flat  | 1     |
| 19   | C 19553   | SPRING - idler  | 1     |
| 20   | C 23516   | PULLEY - V-groove   | 1     |
| 21   | 113- 209  | BOLT - 3/8" x 1-1/2" N.C. hex                                     | 2     |
| 22   | 111- 202  | BOLT - round head, square-neck 5/16" x 3/4"                       | 4     |
| 23   | C 15514   | FLANGETTE   | 4     |
| 24   | 192- 20   | LOCKWASHER - 5/16"  | 4     |
| 25   | 129- 102  | NUT - 5/16" NC hex  | 4     |
| 26   | C 14419   | BEARING - 3/4" bore (includes locking collar)                     | 2     |
| 27   | C 21795   | COLLAR - locking (includes set screw)                             | 2     |
| 28   | C 23467   | JACKSHAFT   | 1     |
| 29   | C 19688   | KEEPER - belt   | 1     |
| 30   | 138- 2040 | PIN - roll 1/4" x 1-1/2"  | 1     |

CLUTCH, BELTS AND GUARD



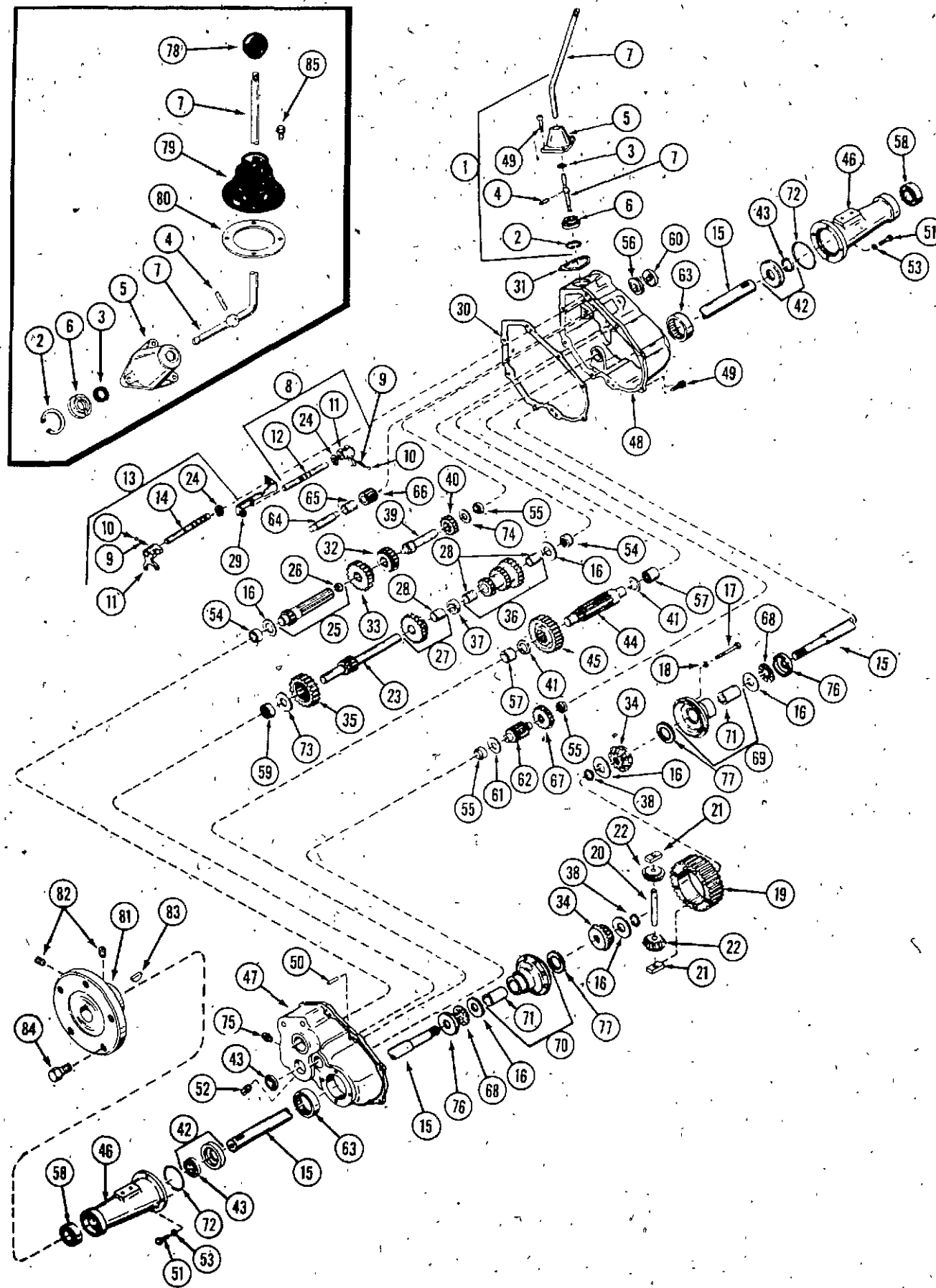
| REF. | PART NO.  | DESCRIPTION                                    | REQ'D |
|------|-----------|--|-------|
| 1    | C 18961   | SHAFT - clutch idler.....                      | 1     |
| 2    | C 18964   | LEVER - clutch.....                            | 1     |
| 3    | 138- 96   | PIN - roll 3/16" x 1".....                     | 1     |
| 4    | C 23456   | PULLEY - clutch idler.....                     | 1     |
| 5    | 195- 104  | WASHER - 3/8" flat.....                        | 1     |
| 6    | 192- 21   | LOCKWASHER - 3/8".....                         | 1     |
| 7    | 113- 208  | BOLT - 3/8" x 1-3/4" NC hex.....               | 1     |
| 8    | C 19553   | SPRING - clutch.....                           | 1     |
| 9    | 126- 16   | KEY - Woodruff #9.....                         | 1     |
| 10   | C 19397   | GUARD - belt.....                              | 1     |
| 11   | 187- 1036 | SCREW - 1/4" x 1/2" self tapping.....          | 4     |
| 12   | C 18918   | BELT - tractor drive.....                      | 1     |
| 13   | C 18919   | BELT - clutching.....                          | 1     |
| 14   | C 23452   | PULLEY - transaxle input.....                  | 1     |
| 15   | 178- 858  | SETSCREW - 5/16" x 3/8" knurled cup point..... | 2     |

BRAKE ASSEMBLY



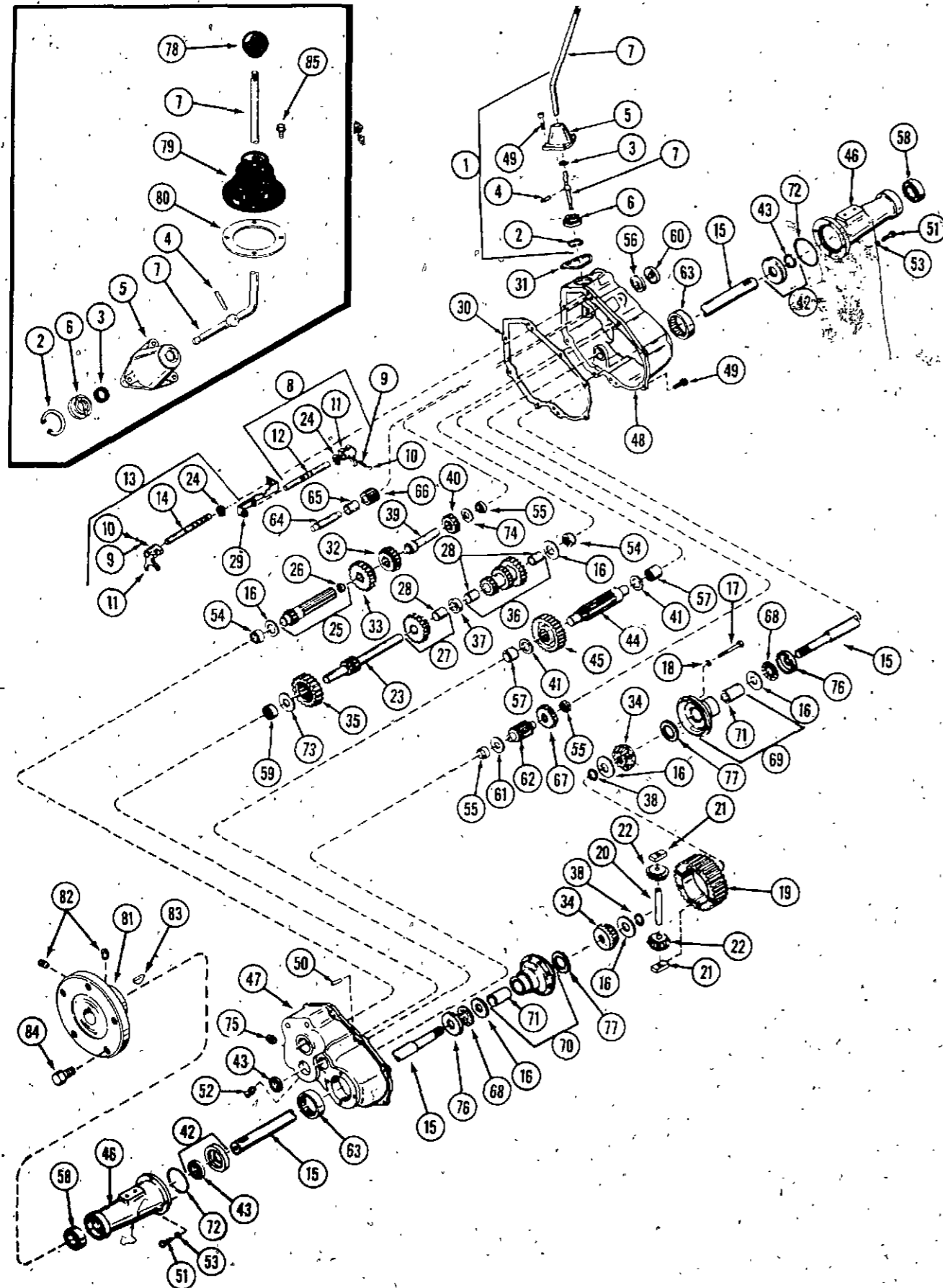
| REF. | PART NO. | DESCRIPTION                               | REQ'D |
|------|----------|---|-------|
| 1    | C 21587  | DRUM - brake                              | 1     |
| 2    | 126- 16  | KEY - Woodruff #9                         | 1     |
| 3    | 178- 858 | SETSCREW - 5/16" x 3/8" knurled cup point | 1     |
| 4    | C 21584  | BAND ASSEMBLY - brake                     | 1     |
| 5    | 195- 104 | WASHER - 3/8" flat                        | 7     |
| 6    | 132- 46  | PIN - cotter 1/8" x 3/4"                  | 4     |
| 7    | L 32763  | SPRING - compression                      | 1     |
| 8    | 131- 178 | LOCKNUT - 3/8" NC hex                     | 2     |
| 9    | C 18988  | LINK - brake                              | 1     |
| 10   | C 18985  | LINK - clutch, forward                    | 1     |
| 11   | 129- 103 | NUT - 3/8" NC hex                         | 1     |
| 12   | C 19552  | TURNBUCKLE - 3/8" hex NC                  | 1     |
| 13   | C 18986  | LINK - clutch, rear                       | 1     |
| 14   | C 16379  | SPRING - brake lock                       | 1     |
| 15   | C 18147  | LEVER - brake lock                        | 1     |
| 16   | 132- 310 | PIN - cotter                              | 1     |
| 17   | C 18983  | PEDAL ASSEMBLY - brake/clutch             | 1     |
| 18   | C 12975  | WASHER - brake shaft                      | 1     |
| 19   | 132- 336 | PIN - cotter 1/8" x 3/4"                  | 1     |

C 18956 TRANSAXLE

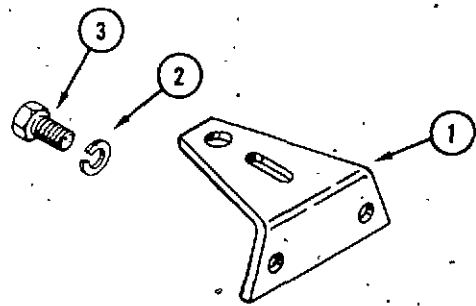
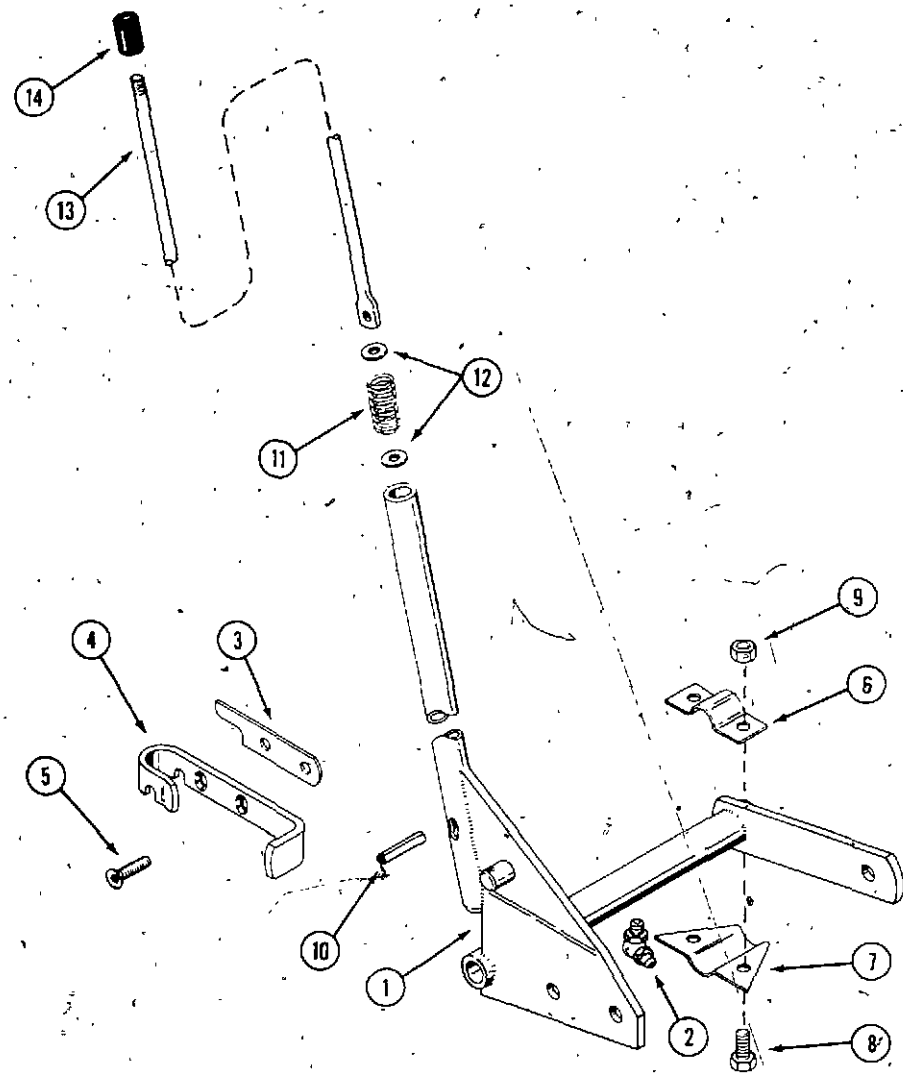


| REF. | PART NO. | DESCRIPTION  | REQ'D |
|------|----------|--|-------|
| 1    | C 19539  | LEVER AND HOUSING ASSY, shift (includes Ref. 2 thru 7) | 1     |
| 2    | A 32181  | RING - snap  | 1     |
| 3    | 35012    | RING - guard, shift lever                              | 1     |
| 4    | C 19324  | PIN - shift lever                                      | 1     |
| 5    | C 11162  | HOUSING - shift lever                                  | 1     |
| 6    | C 11163  | KEEPER - shift lever                                   | 1     |
| 7    | C 18957  | LEVER - shift  | 1     |
| 8    | C 11165  | ROD ASSY - shift (Includes Ref. 9 thru 12 and 24)      | 1     |
| 9    | C 11166  | SPRING   | 2     |
| 10   | 211-5    | BALL - steel   | 2     |
| 11   | C 11167  | FORK - shifter   | 2     |
| 12   | C 11168  | ROD - shifter (3rd and 4th)                            | 1     |
| 13   | C 11169  | ROD ASSY - shift (Includes Ref. 9, 10, 11 and 14)      | 1     |
| 14   | C 11170  | ROD - shifter (1st - 2nd and reverse)                  | 1     |
| 15   | C 11171  | AXLE - transmission                                    | 2     |
| 16   | C 11178  | WASHER - thrust  | 5     |
| 17   | 13-440   | SCREW - 1/4" x 2-1/2" NC hex cap.                      | 8     |
| 18   | 92-4     | LOCKWASHER - 1/4"                                      | 8     |
| 19   | C 19540  | GEAR - ring  | 1     |
| 20   | C 11173  | PIN - drive  | 1     |
| 21   | C 11174  | BLOCK - drive  | 2     |
| 22   | C 19546  | PINION - bevel   | 2     |
| 23   | C 19536  | SHAFT AND GEAR - brake                                 | 1     |
| 24   | A 11538  | RING - snap  | 2     |
| 25   | C 11177  | SHAFT AND BEARING ASSY - pinion                        | 1     |
| 26   | A 27287  | BEARING - pinion                                       | 1     |
| 27   | C 11179  | GEAR ASSEMBLY - cluster                                | 1     |
| 28   | C 11180  | BUSHING - cluster gear                                 | 3     |
| 29   | C 11181  | STOP - shifter   | 1     |
| 30   | C 11182  | GASKET - case and cover                                | 1     |
| 31   | C 11183  | GASKET - shift lever housing                           | 1     |
| 32   | C 11184  | GEAR - shifting (3rd and 4th)                          | 1     |
| 33   | C 11185  | GEAR - shifting (1st - 2nd and reverse)                | 1     |
| 34   | C 19547  | GEAR - bevel   | 2     |
| 35   | C 11187  | GEAR - idler   | 1     |
| 36   | C 11188  | GEAR ASSEMBLY - cluster (Includes two of Ref. 28)      | 1     |
| 37   | C 11189  | SPACER   | 1     |
| 38   | C 11222  | RING - snap  | 2     |
| 39   | C 11190  | SHAFT - input  | 1     |
| 40   | C 11191  | GEAR - spur, input shaft                               | 1     |
| 41   | C 11201  | WASHER - thrust  | 2     |
| 42   | C 11192  | SEAL AND RETAINER - oil (Includes ref. 45)             | 2     |
| 43   | C 11195  | SEAL - oil   | 3     |
| 44   | C 11194  | PINION - output  | 1     |
| 45   | C 11193  | GEAR - output  | 1     |

C 18956 TRANSAKLE



| REF. | PART NO.  | DESCRIPTION   | REQ'D |
|------|-----------|---|-------|
| 46   | C 11196   | HOUSING - axle  | 2     |
| 47   | C 19538   | COVER ASSY. - transaxle (Includes ref. 54, 55, 57, 59 & 63) | 1     |
| 48   | C 19537   | CASE ASSY. - transaxle (Includes ref. 54, 55, 57 & 63)      | 1     |
| 49   | 83- 412   | SCREW - 1/4" x 3/4" NC socket head                          | 11    |
| 50   | F 53650   | PIN - dowel   | 2     |
| 51   | 83- 514   | SCREW - 5/16" x 7/8" NC hex                                 | 8     |
| 52   | 221- 672  | PLUG - drain, magnetic                                      | 1     |
| 53   | 92- 5     | LOCKWASHER - 5/16"  | 8     |
| 54   | C 11200   | BEARING - needle  | 2     |
| 55   | A 27999   | BEARING - needle  | 2     |
| 56   | C 11202   | BEARING - ball  | 1     |
| 57   | C 11203   | BEARING - needle  | 2     |
| 58   | C 11204   | BEARING - ball  | 2     |
| 59   | A 12652   | BEARING - needle  | 1     |
| 60   | C 11206   | SEAL - oil  | 1     |
| 61   | C 11205   | WASHER - thrust   | 1     |
| 62   | C 11207   | SHAFT AND PINION  | 1     |
| 63   | R 21491   | BEARING - needle  | 2     |
| 64   | C 11209   | SHAFT - idler, reverse                                      | 1     |
| 65   | C 11210   | SPACER - idler, reverse                                     | 1     |
| 66   | C 11211   | IDLER - reverse   | 1     |
| 67   | C 11212   | GEAR - spur   | 1     |
| 68   | F 19633   | BEARING - thrust  | 2     |
| 69   | C 19541   | CARRIER ASSY. - differential                                | 1     |
| 70   | C 19542   | CARRIER ASSY. - differential                                | 1     |
| 71   | C 11216   | BUSHING - carrier assembly                                  | 2     |
| 72   | C 11208   | "O" RING - axle housing                                     | 2     |
| 73   | C 11223   | WASHER - thrust   | 1     |
| 74   | C 10822   | WASHER - thrust   | 1     |
| 75   | 221- 13   | PLUG - pipe   | 1     |
| 76   | C 19544   | RACE - thrust   | 2     |
| 77   | C 19545   | WASHER  | 2     |
| 78   | C 10487   | KNOB - shift lever  | 1     |
| 79   | C 19448   | BOOT - shift lever  | 1     |
| 80   | C 19450   | RING - boot mounting  | 1     |
| 81   | C 10446   | HUB - rear wheel  | 2     |
| 82   | 83- 68    | SETSCREW - 3/8" x 1/2" NC soc.                              | 4     |
| 83   | 126- 28   | KEY - Woodruff #18  | 2     |
| 84   | C 10314   | BOLT - mounting, rear wheel                                 | 10    |
| 85   | 187- 1073 | SCREW - 1/4" hex washer head - self tapping                 | 4     |



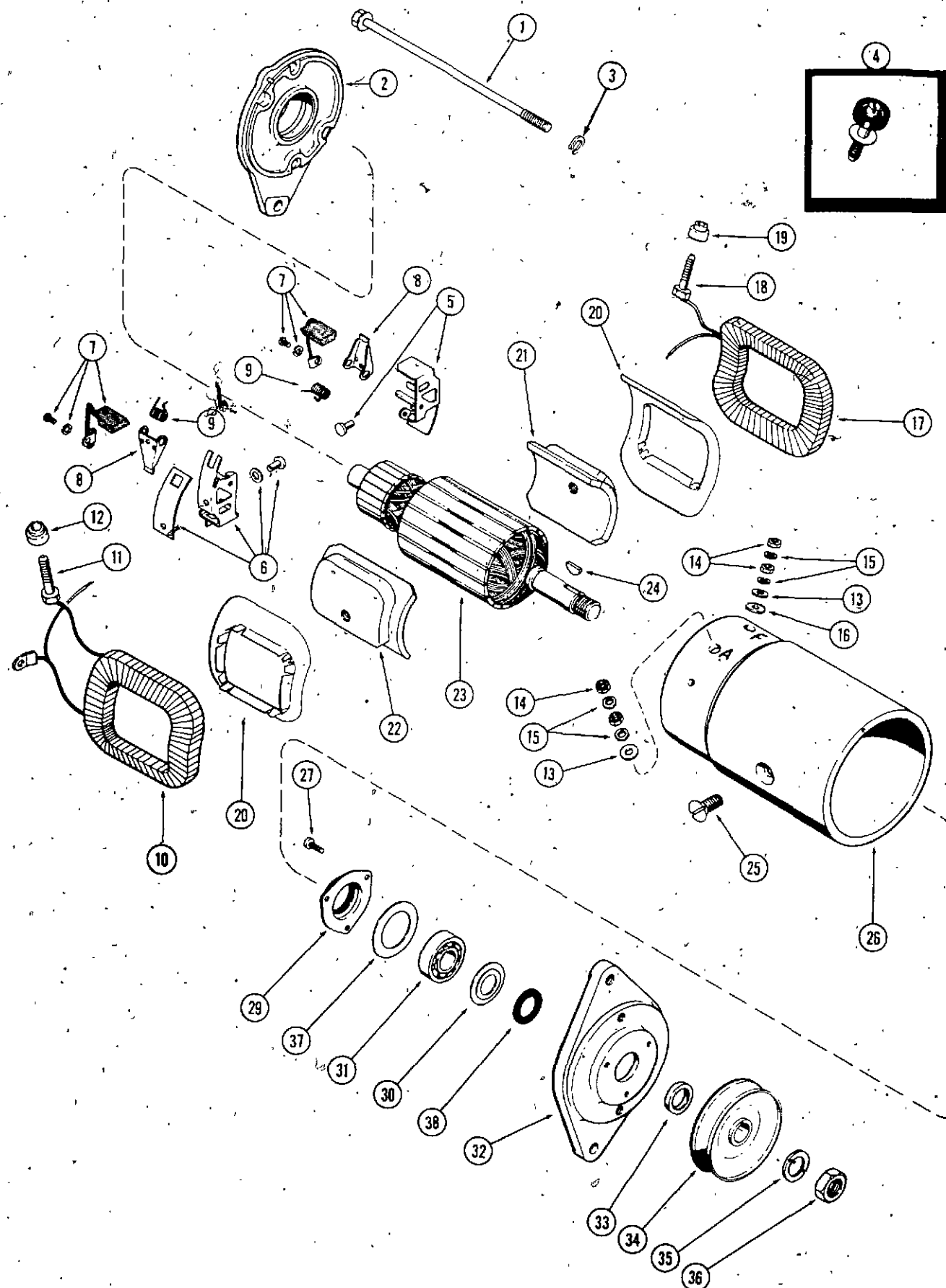
**IMPLEMENT LIFT**

| REF | PART NO.  | DESCRIPTION                             | REQ'D |
|-----|-----------|---|-------|
| 1   | C 18809   | LEVER ASSEMBLY - implement lift         | 1     |
| 2   | 219- 404  | FITTING - tube 45°                      | 1     |
| 3   | C 17281   | SPACER - latch                          | 4     |
| 4   | C 18811   | LIFT - latch                            | 1     |
| 5   | 164- 42   | SCREW - 5/16" x 1-1/4" flat head socket | 2     |
| 6   | C 17249   | BRACKET - mounting top                  | 1     |
| 7   | C 17250   | BRACKET - mounting bottom               | 1     |
| 8   | 13- 614   | BOLT - 3/8" x 7/8" NC hex               | 4     |
| 9   | 131- 178  | NUT - lock 3/8"                         | 4     |
| 10  | 138- 2054 | PIN - spiral 5/16" x 1-3/4"             | 1     |
| 11  | C 15564   | SPRING - lift lever                     | 1     |
| 12  | 195- 521  | WASHER - 3/8" x 11/16" OD               | 2     |
| 13  | C 17067   | ROD - lift lever, push                  | 1     |
| 14  | C 14525   | BUTTON - thumb                          | 1     |
| 15  | 138- 2054 | PIN - spiral 5/16" x 1-3/4"             | 1     |

**DRAWBAR AND TOW HITCH**

|   |          |                                     |   |
|---|----------|-------------------------------------|---|
| 1 | C 13360  | DRAWBAR                             | 1 |
| 2 | 192- 23  | LOCKWASHER - 1/2" zinc plated       | 2 |
| 3 | 113- 424 | BOLT - 1/2" x 1" NC hex zinc plated | 2 |

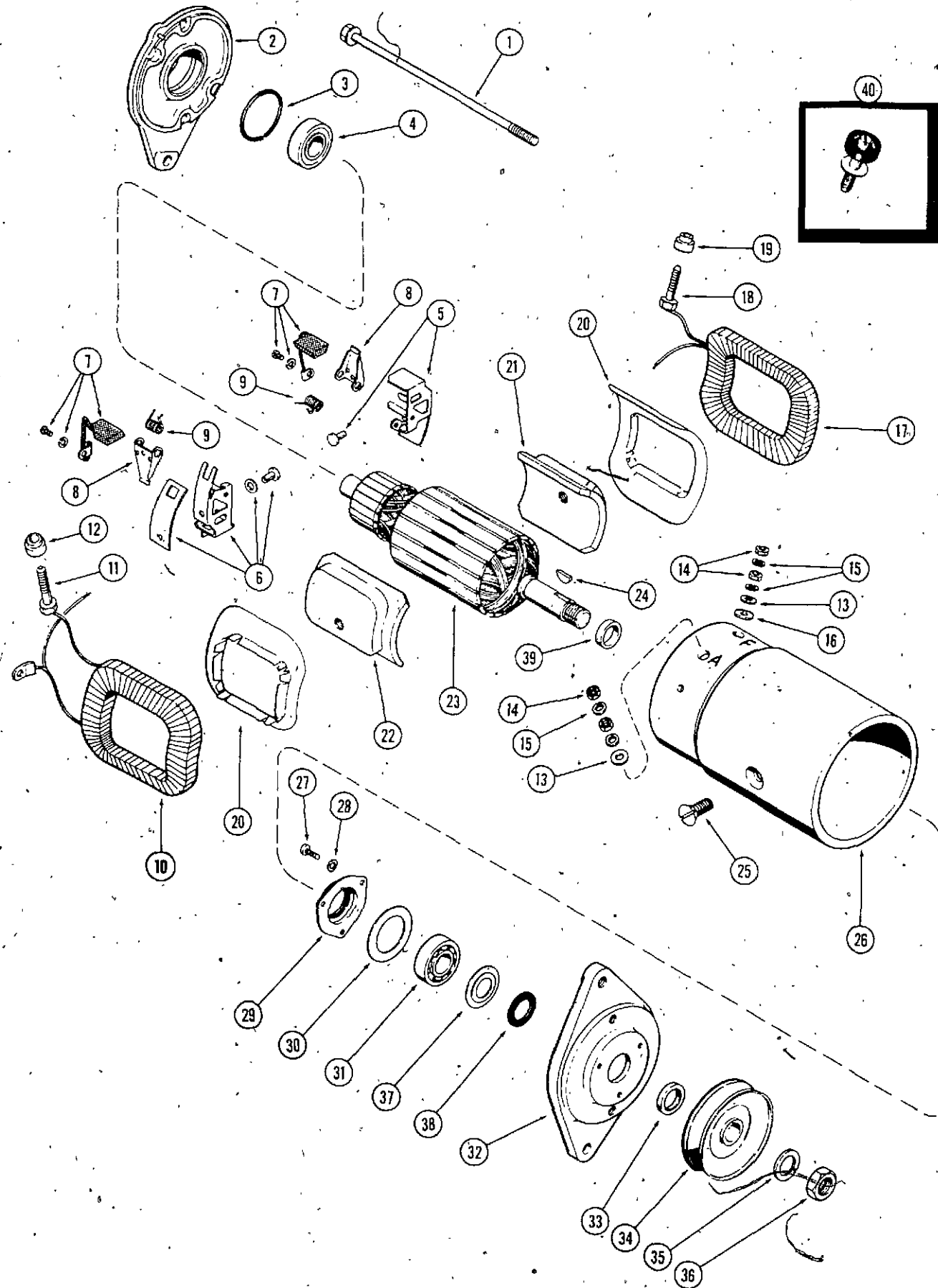
**C 16852 STARTER-GENERATOR.  
(DELCO NUMBER 1101875)  
(USE A.70202 FOR SERVICE)**



| REF. | PART NO. | DESCRIPTION                                    | REQ'D |
|------|----------|--|-------|
| 1    | R 15106  | BOLT - through                                 | 2     |
| 2    | A 43494  | FRAME ASSEMBLY - commutator end                | 1     |
| 3    | 192- 20  | LOCKWASHER - 5/16"                             | 2     |
| 4    | A 40702  | KIT - stud (Includes items 16, 18 and 19)      | 1     |
| 5    | A 72039  | HOLDER KIT - ground brush                      | 1     |
| 6    | A 72040  | HOLDER KIT - insulated brush                   | 1     |
| 7    | A 72038  | BRUSH ASSEMBLY                                 | 2     |
| 8    | R 15090  | ARM - brush pressure                           | 2     |
| 9    | R 16161  | SPRING - brush arm                             | 2     |
| 10   | A 72042  | COIL ASSEMBLY - field R.H.                     | 1     |
| 11   | A 72048  | STUD - armature terminal                       | 1     |
| 12   | R 16147  | BUSHING - insulated, armature stud             | 1     |
| 13   | A 41927  | WASHER - armature stud                         | 2     |
| 14   | 129- 18  | NUT - terminal stud #12-24-hex                 | 4     |
| 15   | 192- 17  | LOCKWASHER - terminal stud #12                 | 4     |
| 16   | R 16148  | WASHER - insulated, field stud (Order A40702)  | 1     |
| 17   | A 72043  | COIL ASSEMBLY - field L.H.                     | 1     |
| 18   | NSS      | STUD - field terminal (Order A40702)           | 1     |
| 19   | R 15077  | BUSHING - insulated, field stud (Order A40702) | 1     |
| 20   | A 25447  | INSULATOR - field coil                         | 2     |
| 21   | A 40736  | SHOE - pole                                    | 1     |
| 22   | A 40736  | SHOE - pole                                    | 1     |
| 23   | A 43495  | ARMATURE                                       | 1     |
| 24   | 126- 111 | KEY - Woodruff, armature                       | 1     |
| 25   | A 42127  | SCREW - pole                                   | 2     |
| 26   | NSS      | BODY - starter, generator (Order A70202)       | 1     |
| 27   | A 41959  | SCREW - #10-32 x 1/2" round head               | 3     |
| 29   | A 44433  | RETAINER ASSEMBLY - bearing                    | 1     |
| 30   | A 43499  | RETAINER - grease                              | 1     |
| 31   | A 43356  | BEARING - ball, drive end                      | 1     |
| 32   | A 72046  | FRAME ASSEMBLY - drive end                     | 1     |
| 33   | A 72047  | SPACER - pulley                                | 1     |
| 34   | C 14344  | PULLEY - starter, generator drive              | 1     |
| 35   | 192- 116 | LOCKWASHER - 11/16" plated                     | 1     |
| 36   | A 25546  | NUT - armature shaft, drive end                | 1     |
| *37  | NSS      | GASKET - bearing retainer (order item 29)      | 1     |
| *38  | NSS      | SEAL - felt (order item 29)                    | 1     |

\* Bearing retainer gasket and felt seal not required.  
New retainer assembly services all older starters.

**A 70202 STARTER-GENERATOR  
(DELCO NUMBER 1101970)**

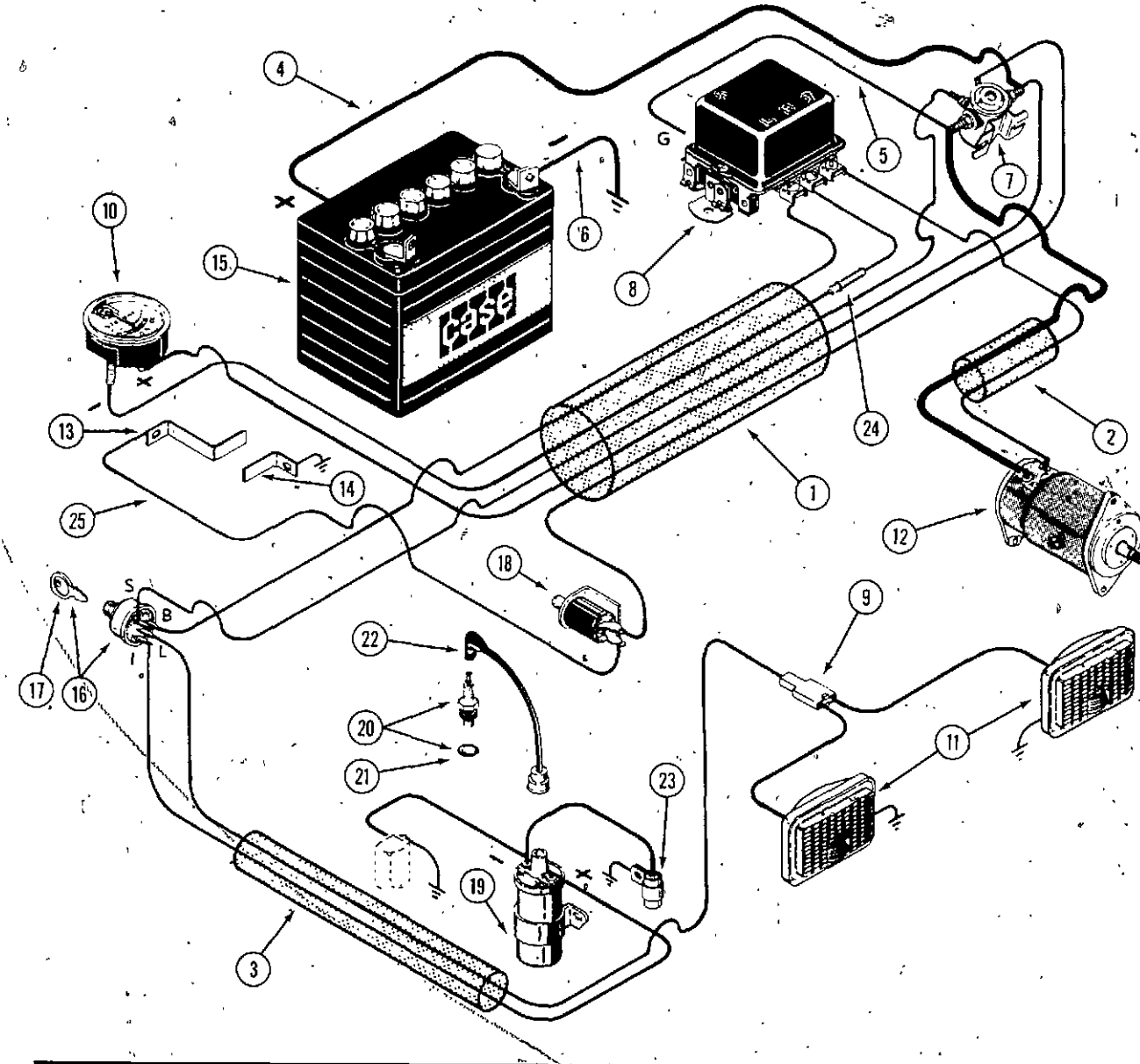


| REF. | PART NO. | DESCRIPTION                                    | REQ'D |
|------|----------|--|-------|
| 1    | R 15106  | BOLT - through (Includes washer)               | 2     |
| 2    | A 72104  | FRAME ASSEMBLY - commutator end                | 1     |
| 3    | R 15087  | RING - bearing retainer                        | 1     |
| 4    | A 25461  | BEARING - commutator end, ball                 | 1     |
| 5    | A 72039  | HOLDER KIT - ground brush                      | 1     |
| 6    | A 72040  | HOLDER KIT - insulated brush                   | 1     |
| 7    | A 72038  | BRUSH ASSEMBLY                                 | 2     |
| 8    | R 15090  | ARM - brush pressure                           | 2     |
| 9    | R 16161  | SPRING - brush arm                             | 2     |
| 10   | A 72042  | COIL ASSEMBLY - field R.H.                     | 1     |
| 11   | A 72048  | STUD - armature terminal                       | 1     |
| 12   | R 16147  | BUSHING - insulated, armature stud             | 1     |
| 13   | A 41927  | WASHER - armature stud                         | 2     |
| 14   | 129- 18  | NUT - terminal stud #12-24 hex                 | 4     |
| 15   | 192- 17  | LOCKWASHER - terminal stud #12                 | 4     |
| 16   | R 16148  | WASHER - insulated, field stud                 | 1     |
| 17   | A 72043  | COIL ASSEMBLY - field L.H.                     | 1     |
| 18   | NSS      | STUD - field terminal (See Ref. 40)            | 1     |
| 19   | R 15077  | BUSHING - insulated, field stud (Order A40702) | 1     |
| 20   | A 25447  | INSULATOR - field coil                         | 2     |
| 21   | A 40736  | SHOE - pole, plain                             | 1     |
| 22   | A 40736  | SHOE - pole, notched                           | 1     |
| 23   | A 72041  | ARMATURE                                       | 1     |
| 24   | 126- 111 | KEY - Woodruff, armature                       | 1     |
| 25   | 74- 610  | SCREW - pole                                   | 2     |
| 26   | NSS      | BODY - starter, generator (Order A70202)       | 1     |
| 27   | 173- 237 | SCREW - #10-32 x 1/2" rd. hd.                  | 3     |
| 28   | 192- 18  | LOCKWASHER - 3/16" plated                      | 3     |
| 29   | A 44433  | RETAINER ASSEMBLY - bearing                    | 1     |
| *30  | NSS      | GASKET - bearing retainer (order item 29)      | 1     |
| 31   | A 43356  | BEARING - ball, drive end                      | 1     |
| 32   | A 72046  | FRAME ASSEMBLY - drive end                     | 1     |
| 33   | A 72047  | SPACER - pulley                                | 1     |
| 34   | C 14344  | PULLEY - starter, generator drive              | 1     |
| 35   | 192- 26  | LOCKWASHER - 11/16" plated                     | 1     |
| 36   | A 25546  | NUT - armature shaft, drive end                | 1     |
| 37   | A 43499  | RETAINER - grease                              | 1     |
| *38  | NSS      | SEAL - felt (order item 29)                    | 1     |
| 39   | NSS      | SPACER - armature shaft, inner                 | 1     |
| 40   | A 40702  | KIT - stud (Includes items 16, 18 and 19)      | 1     |

\* Bearing retainer gasket and felt seal not required.  
New retainer assembly services all starters.

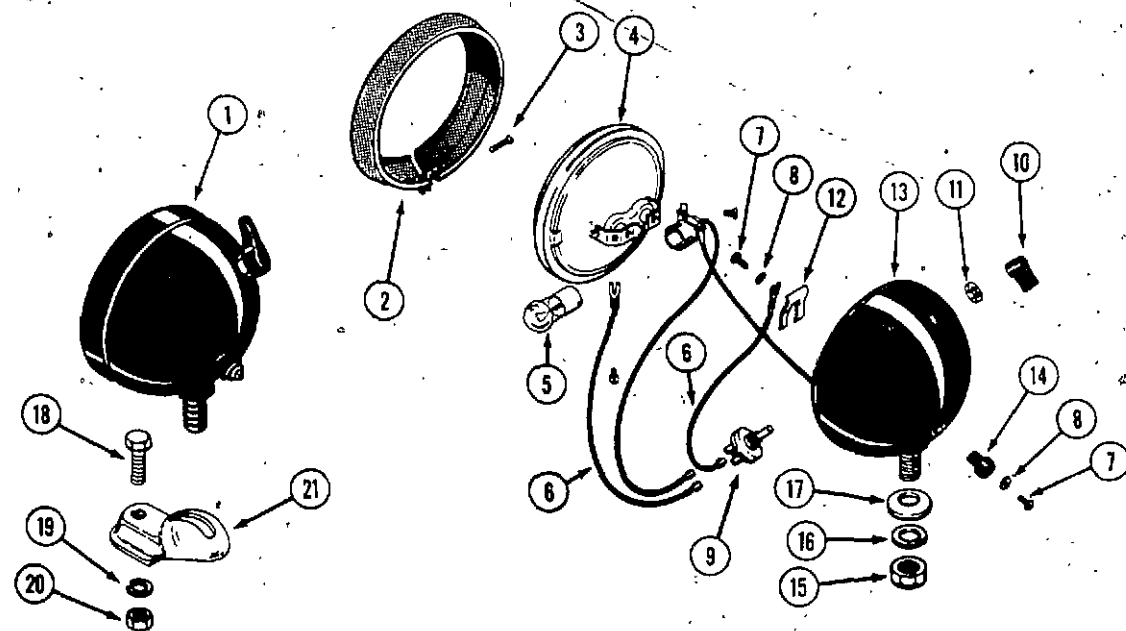


ELECTRICAL SYSTEM

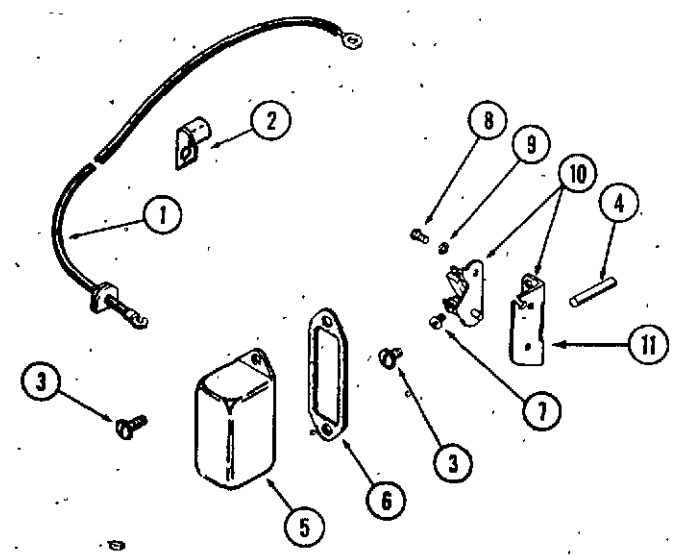
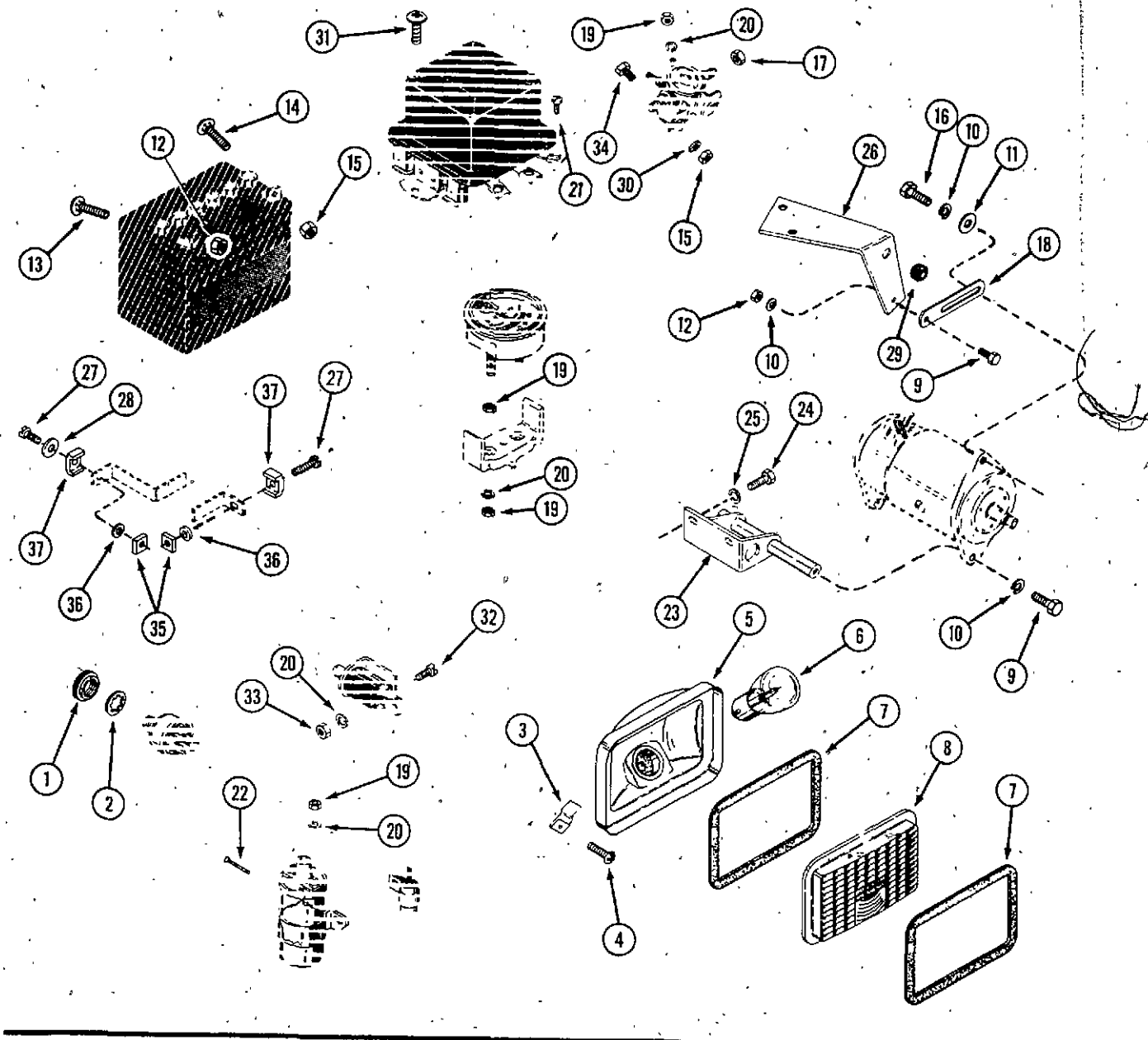


| REF. | PART NO.  | DESCRIPTION  | REQ'D |
|------|-----------|--|-------|
| 1    | C 23023   | HARNESS - wire   | 1     |
| 2    | C 23024   | HARNESS - wire   | 1     |
| 3    | C 23025   | HARNESS - wire   | 1     |
| 4    | C 14565   | CABLE - battery, positive to solenoid (red, 10-1/2")         | 1     |
| 5    | C 23030   | WIRE - regulator "A" terminal to solenoid (white, 10")       | 1     |
| 6    | C 23029   | CABLE - battery, negative (black, 18")                       | 1     |
| 7    | C 14553   | SOLENOID - start, 12V.                                       | 1     |
| 8    | A 70221   | REGULATOR - voltage, 12V.                                    | 1     |
| 9    | C 14537   | CONNECTOR - headlamp   | 1     |
| 10   | C 18389   | AMMETER - 30 amp.  | 1     |
| 11   | C 22571   | HEADLAMP ASSEMBLY - 12V. (repairs page 51)                   | 2     |
| 12   | C 16852   | STARTER-GENERATOR - 12V. (repairs page 45) Delco No. 1101875 | 1     |
| 12   | A 70202   | STARTER-GENERATOR - 12V. (repairs page 47) Delco No. 1101970 | 1     |
| 13   | C 18998   | SWITCH - strip   | 1     |
| 14   | C 18115   | SWITCH - strip   | 1     |
| 15   | C 18197   | BATTERY - 12V.   | 1     |
| 16   | C 23010   | SWITCH ASSEMBLY - ignition (includes key).                   | 1     |
| 17   | C 23013   | KEY - ignition.  | 1     |
| 18   | C 22765   | SWITCH - PTO   | 1     |
| 19   | KO 231281 | COIL - ignition, 12V.  | 1     |
| 20   | M 20007   | SPARK PLUG - (includes gasket).                              | 1     |
| 21   | A 27251   | GASKET - spark plug  | 1     |
| 22   | C 23401   | CABLE - high tension   | 1     |
| 23   | KO 230722 | CONDENSER  | 1     |
| 24   | 223- 20   | FUSE - 20 amp (included in C.23023 harness)                  | 1     |
| 25   | C 23027   | WIRE - PTO switch to strip switch (black 10")                | 1     |

TAIL LAMP (Optional)



|    |          |   |   |
|----|----------|---|---|
| 1  | A 20965  | LAMP ASSEMBLY - flood and tail          | 1 |
| 2  | B 50255  | MOLDING - lamp retaining                | 1 |
| 3  | 10934    | SCREW - molding                         | 1 |
| 4  | A 40855  | LAMP - sealed unit                      | 1 |
| 5  | B 50223  | BULB - red 15 c.p. 12 volt.             | 1 |
| 6  | B 50273  | WIRE - switch                           | 2 |
| 7  | 173- 73  | SCREW - wire                            | 2 |
| 8  | 193- 4   | LOCKWASHER - 1/4"                       | 2 |
| 9  | NSS      | SWITCH - (order A43182 kit below)       | 1 |
| 10 | NSS      | KNOB - switch (order A43182 kit below)  | 1 |
| 11 | A 39888  | NUT - switch                            | 1 |
| 12 | 10927    | SPRING - terminal                       | 1 |
| 13 | NSS      | BODY - (order A20965)                   | 1 |
| 14 | B 50293  | TERMINAL - wire                         | 1 |
| 15 | 129- 105 | NUT - 1/2" NC hex                       | 1 |
| 16 | 192- 23  | LOCKWASHER - 1/2"                       | 1 |
| 17 | 10923    | WASHER - bearing                        | 1 |
| 18 | 113- 209 | BOLT - 3/8" x 1-1/2" NC hex, Z.P.       | 1 |
| 19 | 192- 21  | LOCKWASHER - 3/8" Z.P.                  | 1 |
| 20 | 129- 103 | NUT - 3/8" NC hex, Z.P.                 | 1 |
| 21 | A 34046  | BRACKET - mounting, tail lamp.          | 1 |
|    | A 43182  | KIT - switch, tail-lamp (includes knob) | 1 |

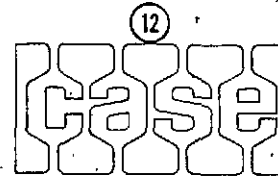
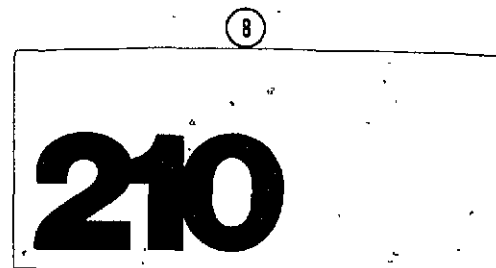
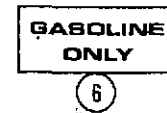
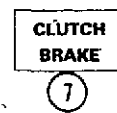
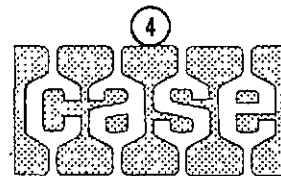
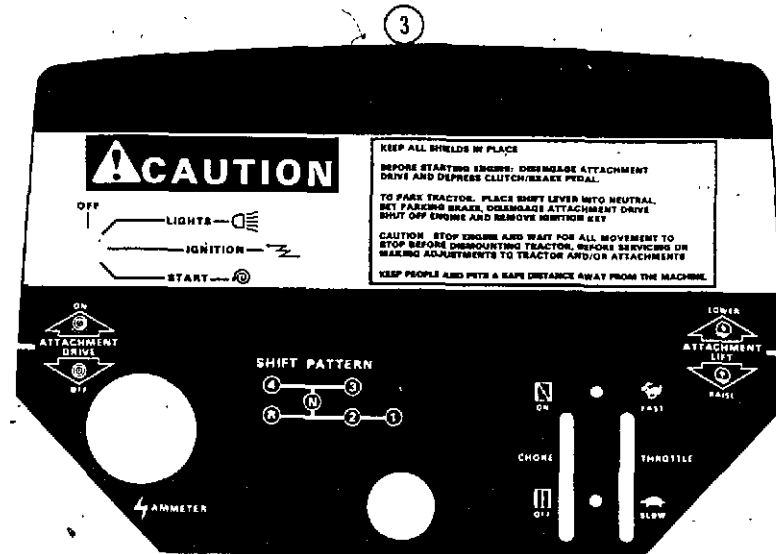
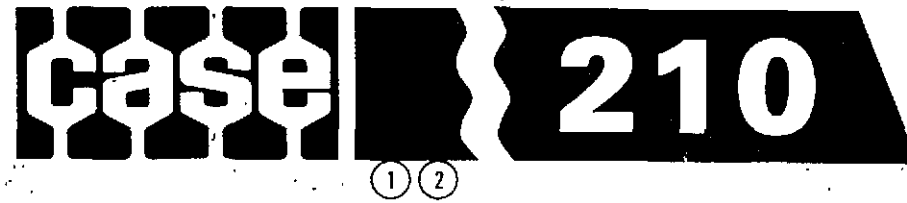
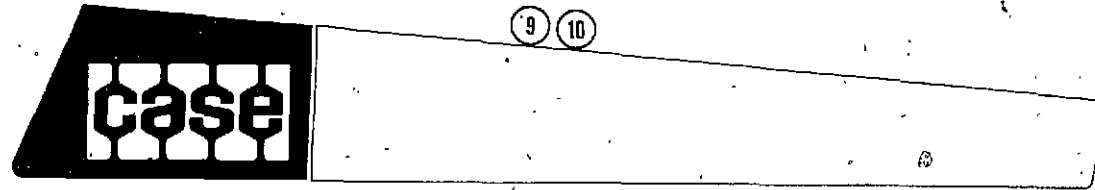


ELECTRICAL SYSTEM HARDWARE

| REF. | PART NO.  | DESCRIPTION   | REQ'D |
|------|-----------|---|-------|
| 1    | C 23011   | NUT - switch mounting.                                    | 1     |
| 2    | C 23012   | LOCKWASHER - internal tooth                               | 1     |
| 3    | 131- 629  | NUT - speed type "U"                                      | 4     |
| 4    | 187- 1047 | SCREW - #8 x 1/2" self tapping, round head, Phillips      | 4     |
|      | C 22571   | HEADLAMP ASSEMBLY   | 2     |
| 5    | NSS       | RECEPTACLE - headlamp (order C22571)                      | 1     |
| 6    | C 14305   | BULB - headlamp.  | 1     |
| 7    | C 14304   | GASKET - headlamp   | 2     |
| 8    | C 22573   | LENS - headlamp   | 1     |
| 9    | 113- 103  | BOLT - 5/16" x 1" NC hex, zinc plated                     | 3     |
| 10   | 192- 20   | LOCKWASHER - 5/16" zinc plated                            | 4     |
| 11   | 195- 520  | WASHER - 5/16" plain, zinc plated                         | 2     |
| 12   | 129- 102  | NUT - 5/16" plain, zinc plated                            | 2     |
| 13   | 111- 202  | BOLT - 5/16" x 3/4" NC round head, square neck            | 1     |
| 14   | 111- 108  | BOLT - 1/4" x 3/4" NC round head, square neck             | 1     |
| 15   | 129- 101  | NUT - 1/4" NC hex   | 3     |
| 16   | 113- 102  | BOLT - 5/16" x 3/4" NC hex, zinc plated                   | 1     |
| 17   | 129- 122  | NUT - 5/16" NF hex  | 2     |
| 18   | C 14599   | BRACKET - starter generator adjust                        | 1     |
| 19   | 129- 27   | NUT - #10 NF hex  | 8     |
| 20   | 192- 18   | LOCKWASHER - #10  | 8     |
| 21   | 169- 131  | SCREW - #8 x 5/16" NC fillister head                      | 3     |
| 22   | 187- 1844 | SCREW - #10 x 1-1/2" NF self tapping                      | 1     |
| 23   | C 18788   | SUPPORT - starter generator                               | 1     |
| 24   | 13- 612   | BOLT - 3/8" x 3/4" NC hex                                 | 2     |
| 25   | 192- 21   | LOCKWASHER - 3/8"   | 2     |
| 26   | NSS       | SUPPORT - starter generator adjust (service with C 18999) | 1     |
| 27   | 182- 523  | SCREW - #10 x 7/8" binder head                            | 2     |
| 28   | C 19254   | WASHER - nylon 13/64"                                     | 1     |
| 29   | C 17546   | GROMMET - wire  | 1     |
| 30   | 192- 19   | LOCKWASHER  | 2     |
| 31   | 173- 296  | SCREW - 1/4" - 20 x 1/4" zinc plated                      | 2     |
| 32   | 182- 528  | SCREW - #10 - 32 x 1/2" zinc plated, pan head             | 2     |
| 33   | 129- 37   | NUT - #10 - 32 zinc plated                                | 2     |
| 34   | 113- 1    | BOLT - 1/4" - 20 x 1/2" hex head, zinc plated             | 2     |
| 35   | 129- 77   | NUT - #10 - 32 square                                     | 2     |
| 36   | 195- 513  | WASHER - #10  | 2     |
| 37   | C 19246   | HOLDER - strip switch                                     | 2     |
|      | C 19521   | CLIP - wireholder   | 1     |

BREAKER CONTACTS

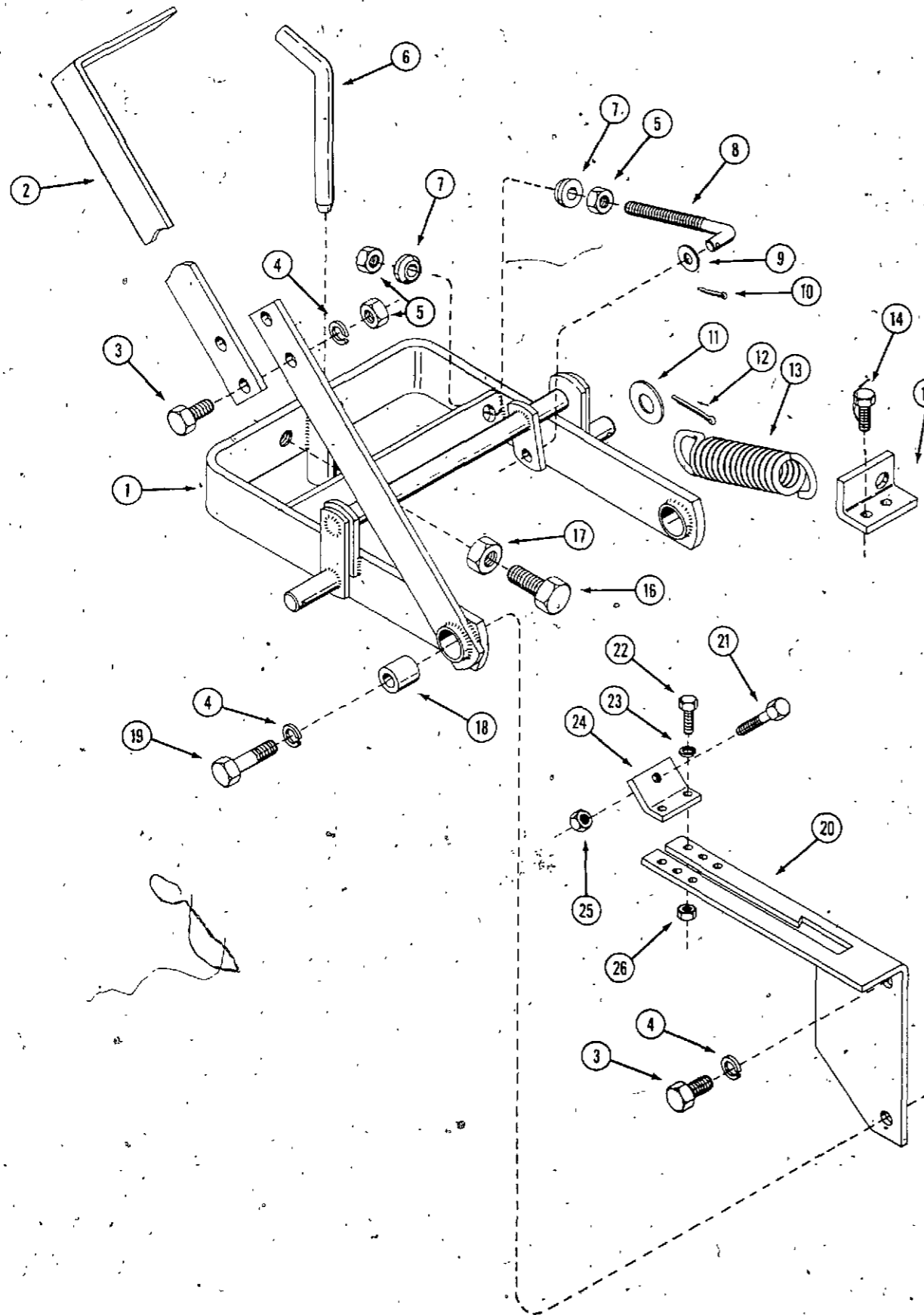
|    |           |  |   |
|----|-----------|--|---|
| 1  | NSS       | LEAD - breaker contact (order from local supplier) | 1 |
| 2  | KO 275182 | CLIP - wire  | 1 |
| 3  | V 34421   | SCREW - #10 x 3/8" fillister head, sems            | 4 |
| 4  | C 23870   | ROD - breaker contact push                         | 1 |
| 5  | V 34426   | COVER - breaker contact                            | 1 |
| 6  | V 34423   | GASKET - cover                                     | 1 |
| 7  | 187- 408  | SCREW - #6 x 3/8" Self-Tapping                     | 1 |
| 8  | 173- 224  | SCREW - #8 x 1/4" NC round head                    | 1 |
| 9  | 193- 5    | LOCKWASHER - #8 internal tooth                     | 1 |
| 10 | C 24135   | POINT SET - breaker contact                        | 1 |
| 11 | NSS       | BRACKET - breaker contact                          | 1 |



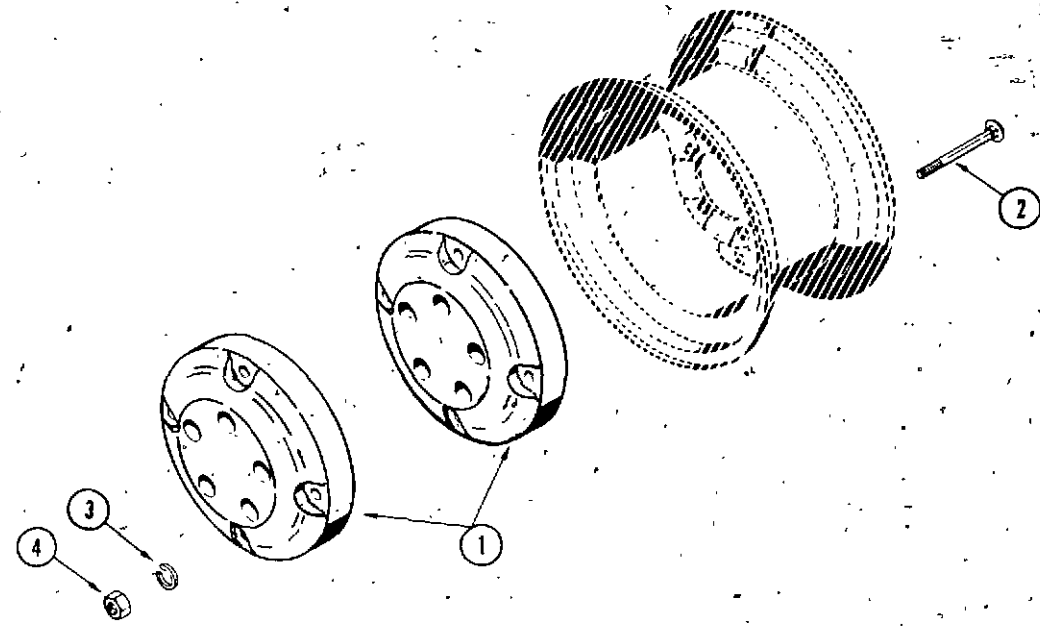
DECALS

| REF. | PART NO.  | DESCRIPTION   | REQ'D |
|------|-----------|---|-------|
| 1    | 321- 2499 | DECAL - hood L.H. (used prior to S/N 9720715)           | 1     |
| 2    | 321- 2498 | DECAL - hood R.H. (used prior to S/N 9720715)           | 1     |
| 3    | 321- 3588 | DECAL - instrument panel                                | 1     |
| 4    | 321- 1423 | DECAL - "CASE" on seat back (used prior to S/N 9720715) | 1     |
| 5    | 321- 2110 | DECAL - parking brake                                   | 1     |
| 6    | C 14066   | DECAL - gasoline  | 1     |
| 7    | 321- 3909 | DECAL - clutch, brake                                   | 1     |
| 8    | 321- 4161 | DECAL - hood top (used S/N 9720715 and after)           | 1     |
| 9    | 321- 4157 | DECAL - hood, R.H. (used S/N 9720715 and after) shown   | 1     |
| 10   | 321- 4158 | DECAL - hood, L.H. (used S/N 9720715 and after)         | 1     |
| 11   | 321- 4149 | DECAL - fender, "210" (used S/N 9720715 and after)      | 1     |
| 12   | 321- 2677 | DECAL - fender, "CASE" (used S/N 9720715 and after)     | 1     |

J 21 SLEEVE HITCH



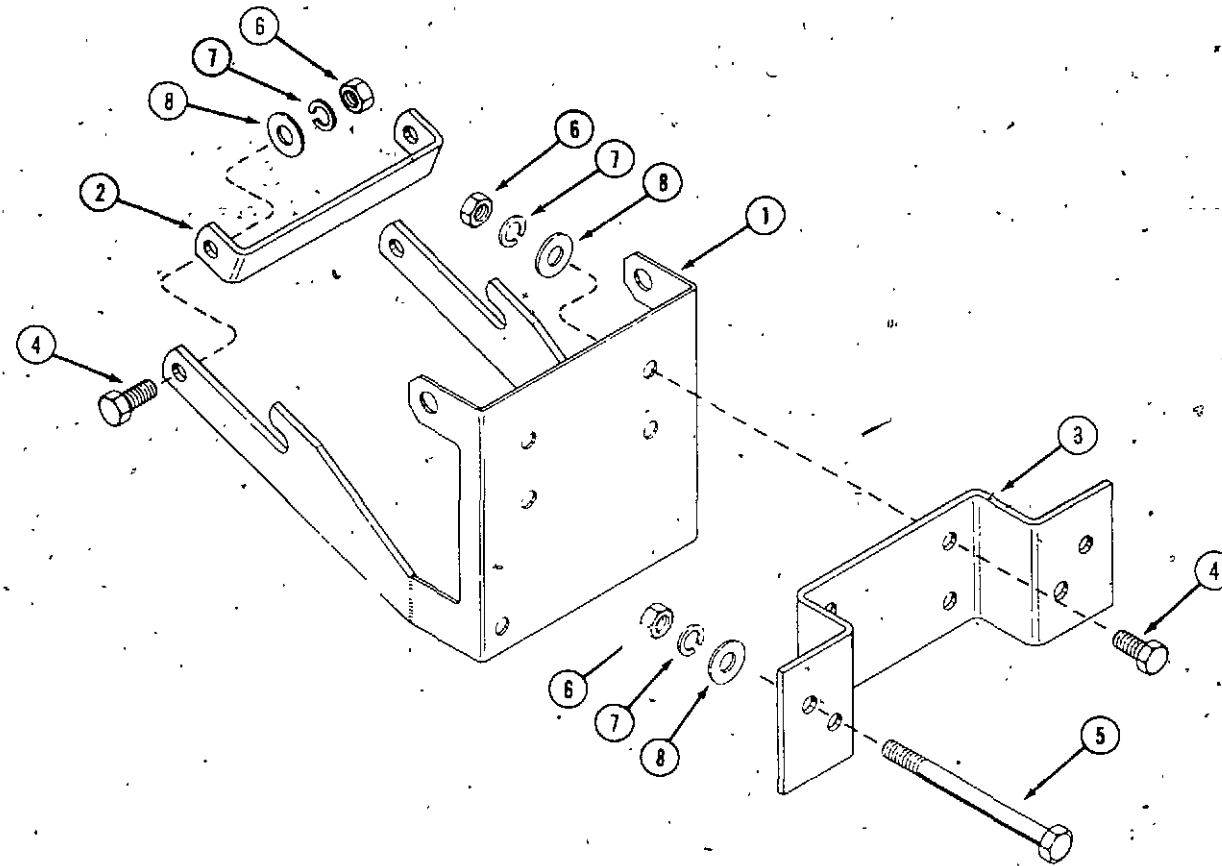
| REF. | PART NO. | DESCRIPTION  | REQ'D |
|------|----------|--|-------|
| 1    | C 19514  | HITCH ASSEMBLY   | 1     |
| 2    | C 19497  | HANDLE - lift  | 1     |
| 3    | 113- 424 | BOLT - 1/2" x 1" NC hex  | 3     |
| 4    | 192- 23  | LOCKWASHER - 1/2"  | 5     |
| 5    | 129- 105 | NUT - 1/2" NC hex  | 4     |
| 6    | C 14568  | PIN - drawbar  | 1     |
| 7    | C 16097  | WASHER - domed   | 2     |
| 8    | C 19502  | J-BOLT - adjusting   | 1     |
| 9    | 195- 529 | WASHER - 7/16" flat  | 1     |
| 10   | 132- 48  | PIN - cotter 1/8" x 1"   | 1     |
| 11   | 195- 545 | WASHER - 3/4" flat   | 2     |
| 12   | 132- 306 | PIN - cotter 3/16" x 1-3/4"  | 2     |
| 13   | C 19501  | SPRING - assist  | 2     |
| 14   | 113- 207 | BOLT - 3/8" x 1" NC (Replaces transaxle mounting bolts when attaching spring brackets) | 4     |
| 15   | C 19516  | BRACKET - spring attaching L.H. shown  | 1     |
|      | C 19517  | BRACKET - spring attaching R.H. not shown  | 1     |
| 16   | 113- 607 | BOLT - 5/8" x 1-1/2" NC hex  | 2     |
| 17   | 129- 107 | NUT - 5/8" NC hex  | 2     |
| 18   | C 19499  | SLEEVE - pivot   | 2     |
| 19   | 113- 421 | BOLT - 1/2" x 2" NC hex  | 2     |
| 20   | C 19496  | LATCH - hitch  | 1     |
| 21   | 113- 257 | BOLT - 3/8" x 2-1/2" NC hex  | 1     |
| 22   | 113- 103 | BOLT - 5/16" x 1" NC hex   | 2     |
| 23   | 192- 20  | LOCKWASHER - 5/16"   | 2     |
| 24   | C 19498  | BRACKET - lift stop  | 1     |
| 25   | 129- 103 | NUT - 3/8" hex   | 1     |
| 26   | 129- 102 | NUT - 5/16" hex  | 2     |



D8 WHEEL WEIGHTS

| REF. | PART NO. | DESCRIPTION   | REQ'D |
|------|----------|---|-------|
| 1    | NSS      | WEIGHT - wheel 12" (Order as Machinery Item)                  | 4     |
| 2    | 111- 532 | BOLT - 1/2" x 3-3/4" round head, square neck, NC, zinc plated | 8     |
| 3    | 192- 23  | LOCKWASHER - 1/2" zinc plated                                 | 8     |
| 4    | 129- 105 | NUT - 1/2" NC hex   | 8     |

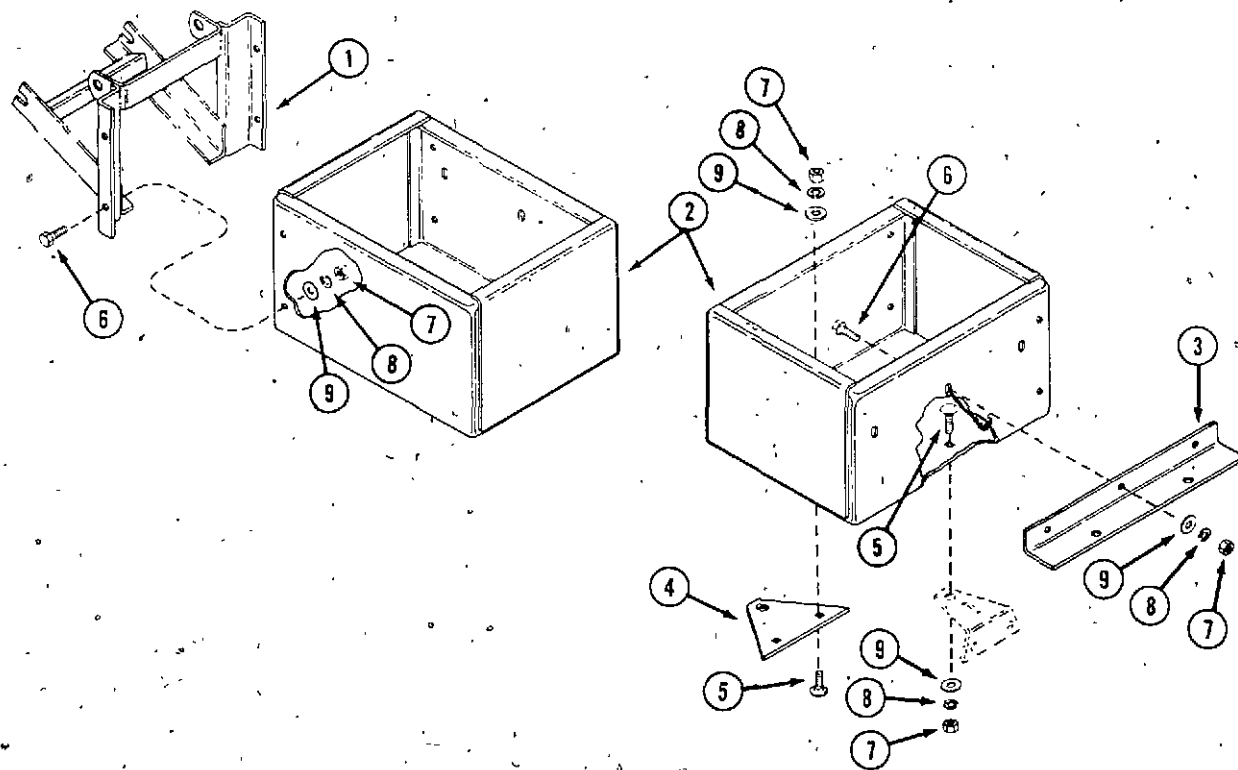
MODEL H18 FRONT END WEIGHT BRACKETS



| REF. | PART NO. | DESCRIPTION                              | REQ'D |
|------|----------|--|-------|
| 1    | C 16581  | BRACKET - mounting                       | 1     |
| 2    | C 17161  | BRACE - rear                             | 1     |
| 3    | C 17162  | BRACKET - weight mounting                | 1     |
| 4    | 113- 417 | BOLT - 1/2" x 1-1/4" NC hex, zinc plated | 6     |
| 5    | 113- 443 | BOLT - 1/2" x 6-1/2" NC hex              | 2     |
| 6    | 25- 108  | NUT - 1/2" NC hex, zinc plated           | 8     |
| 7    | 192- 23  | LOCKWASHER - 1/2"                        | 8     |
| 8    | 195- 533 | WASHER - 1/2" zinc plated                | 8     |

MODEL H13 WEIGHT BOX

|   |          |  |   |
|---|----------|--|---|
| 1 | C 17859  | FRAME - weight box                       | 1 |
| 2 | C 17863  | BOX - weight                             | 1 |
| 3 | C 17860  | SUPPORT - weight box                     | 1 |
| 4 | C 17636  | PLATE - hitch                            | 1 |
| 5 | 111- 317 | BOLT - 3/8" x 1" round head, square neck | 3 |
| 6 | 113- 207 | BOLT - 3/8" x 1" NC hex                  | 4 |
| 7 | 129- 103 | NUT - 3/8" NC hex                        | 7 |
| 8 | 192- 21  | LOCKWASHER - 3/8"                        | 7 |
| 9 | 195- 525 | WASHER - 3/8"                            | 7 |



NUMERICAL INDEX

| PART NO. | PAGE NO. | REF. NO. | PART NO. | PAGE NO. | REF. NO. |
|----------|----------|----------|----------|----------|----------|
|          | 10923    | 49       | A        | 72047    | 47 33    |
|          | 10927    | 49       | A        | 72048    | 45 11    |
|          | 10934    | 49       | A        | 72048    | 47 11    |
|          | 35012    | 39       | A        | 72077    | 17 3     |
|          | 40035    | 9        | A        | 72099    | 17 5     |
|          | 40035    | 11       | A        | 72103    | 17 8     |
| A        | 10326    | 19       | A        | 72104    | 47 2     |
| A        | 11538    | 39       | B        | 50223    | 49 5     |
| A        | 12652    | 41       | B        | 50255    | 49 2     |
| A        | 20965    | 49       | B        | 50273    | 49 6     |
| A        | 25447    | 45       | B        | 50293    | 49 14    |
| A        | 25447    | 47       | C        | 10263    | 29 1     |
| A        | 25461    | 47       | C        | 10314    | 29 2     |
| A        | 25546    | 45       | C        | 10314    | 41 84    |
| A        | 25546    | 47       | C        | 10372    | 5 8      |
| A        | 27001    | 9        | C        | 10372    | 13 13    |
| A        | 27251    | 49       | C        | 10446    | 41 81    |
| A        | 27287    | 39       | C        | 10487    | 41 78    |
| A        | 27365    | 11       | C        | 10657    | 15 14    |
| A        | 27999    | 41       | C        | 10678    | 15 3     |
| A        | 30881    | 29       | C        | 10822    | 41 74    |
| A        | 32181    | 39       | C        | 11162    | 39 5     |
| A        | 34046    | 49       | C        | 11163    | 39 6     |
| A        | 37247    | 21       | C        | 11165    | 39 8     |
| A        | 39519    | 21       | C        | 11166    | 39 9     |
| A        | 39888    | 49       | C        | 11167    | 39 11    |
| A        | 40702    | 45       | C        | 11168    | 39 12    |
| A        | 40702    | 47       | C        | 11169    | 39 13    |
| A        | 40736    | 45       | C        | 11170    | 39 14    |
| A        | 40736    | 45       | C        | 11171    | 39 15    |
| A        | 40736    | 47       | C        | 11173    | 39 20    |
| A        | 40736    | 47       | C        | 11174    | 39 21    |
| A        | 40855    | 49       | C        | 11177    | 39 25    |
| A        | 41927    | 45       | C        | 11178    | 39 16    |
| A        | 41927    | 47       | C        | 11179    | 39 27    |
| A        | 41959    | 45       | C        | 11180    | 39 28    |
| A        | 42127    | 45       | C        | 11181    | 39 29    |
| A        | 43182    | 49       | C        | 11182    | 39 30    |
| A        | 43356    | 45       | C        | 11183    | 39 31    |
| A        | 43356    | 47       | C        | 11184    | 39 32    |
| A        | 43494    | 45       | C        | 11185    | 39 33    |
| A        | 43495    | 45       | C        | 11187    | 39 35    |
| A        | 43499    | 45       | C        | 11188    | 39 36    |
| A        | 43499    | 47       | C        | 11189    | 39 37    |
| A        | 44433    | 45       | C        | 11190    | 39 39    |
| A        | 44433    | 47       | C        | 11191    | 39 40    |
| A        | 70062    | 29       | C        | 11192    | 39 42    |
| A        | 70090    | 5        | C        | 11193    | 39 45    |
| A        | 70185    | 29       | C        | 11194    | 39 44    |
| A        | 70202    | 49       | C        | 11195    | 39 43    |
| A        | 70221    | 49       | C        | 11196    | 41 46    |
| A        | 72038    | 45       | C        | 11200    | 41 54    |
| A        | 72038    | 47       | C        | 11201    | 39 41    |
| A        | 72039    | 45       | C        | 11202    | 41 56    |
| A        | 72039    | 47       | C        | 11203    | 41 57    |
| A        | 72040    | 45       | C        | 11204    | 41 58    |
| A        | 72040    | 47       | C        | 11205    | 41 61    |
| A        | 72041    | 47       | C        | 11206    | 41 60    |
| A        | 72042    | 45       | C        | 11207    | 41 62    |
| A        | 72042    | 47       | C        | 11208    | 41 72    |
| A        | 72043    | 45       | C        | 11209    | 41 64    |
| A        | 72043    | 47       | C        | 11210    | 41 65    |
| A        | 72046    | 45       | C        | 11211    | 41 66    |
| A        | 72046    | 47       | C        | 11212    | 41 67    |
| A        | 72047    | 45       | C        |          |          |

NUMERICAL INDEX

| PART NO. | PAGE NO. | REF. NO. | PART NO. | PAGE NO. | REF. NO. |
|----------|----------|----------|----------|----------|----------|
|          | 11216    | 41       | C        | 16448    | 19 3     |
|          | 11222    | 39       | C        | 16449    | 19 1     |
|          | 11223    | 41       | C        | 16581    | 59 1     |
|          | 11529    | 15       | C        | 16692    | 31 18    |
|          | 11545    | 15       | C        | 16786    | 23 13    |
|          | 11906    | 29       | C        | 16796    | 15 20    |
|          | 12081    | 29       | C        | 16852    | 49 12    |
|          | 12110    | 29       | C        | 17067    | 43 13    |
|          | 12111    | 29       | C        | 17152    | 27 4     |
|          | 12224    | 19       | C        | 17161    | 59 2     |
|          | 12370    | 29       | C        | 17162    | 59 3     |
|          | 12975    | 29       | C        | 17249    | 43 6     |
|          | 12975    | 31       | C        | 17250    | 43 7     |
|          | 12975    | 37       | C        | 17281    | 43 3     |
|          | 13106    | 29       | C        | 17546    | 51 29    |
|          | 13106    | 31       | C        | 17636    | 59 4     |
|          | 13360    | 43       | C        | 17717    | 19 1     |
|          | 14066    | 53       | C        | 17859    | 59 1     |
|          | 14157    | 15       | C        | 17860    | 59 3     |
|          | 14200    | 31       | C        | 17863    | 59 2     |
|          | 14201    | 31       | C        | 18014    | 31 2     |
|          | 14229    | 51       | C        | 18016    | 31 1     |
|          | 14291    | 23       | C        | 18017    | 31 21    |
|          | 14304    | 51       | C        | 18097    | 9 24     |
|          | 14305    | 51       | C        | 18097    | 11 34    |
|          | 14344    | 45       | C        | 18097    | 13 6     |
|          | 14344    | 47       | C        | 18098    | 19 14    |
|          | 14345    | 11       | C        | 18099    | 19 30    |
|          | 14399    | 11       | C        | 18101    | 9 18     |
|          | 14419    | 33       | C        | 18103    | 11 12    |
|          | 14506    | 19       | C        | 18103    | 19 27    |
|          | 14525    | 43       | C        | 18115    | 49 14    |
|          | 14534    | 27       | C        | 18147    | 37 15    |
|          | 14537    | 49       | C        | 18150    | 25 9     |
|          | 14553    | 49       | C        | 18153    | 25 6     |
|          | 14565    | 49       | C        | 18197    | 49 15    |
|          | 14568    | 55       | C        | 18216    | 5 3      |
|          | 14599    | 51       | C        | 18389    | 49 10    |
|          | 14690    | 15       | C        | 18711    | 31 12    |
|          | 14906    | 11       | C        | 18733    | 25 21    |
|          | 14906    | 21       | C        | 18777    | 29 2     |
|          | 14953    | 11       | C        | 18779    | 29 3     |
|          | 15096    | 31       | C        | 18788    | 51 23    |
|          | 15410    | 27       | C        | 18793    | 19 3     |
|          | 15514    | 33       | C        | 18809    | 43 1     |
|          | 15515    | 23       | C        | 18811    | 43 4     |
|          | 15556    | 23       | C        | 18812    | 29 1     |
|          | 15557    | 23       | C        | 18814    | 11 43    |
|          | 15564    | 43       | C        | 18890    | 25 9     |
|          | 15718    | 23       | C        | 18907    | 23 2     |
|          | 15721    | 23       | C        | 18908    | 23 15    |
|          | 16097    | 55       | C        | 18918    | 35 12    |
|          | 16129    | 27       | C        | 18919    | 35 13    |
|          | 16200    | 31       | C        | 18940    | 23 17    |
|          | 16239    | 25       | C        | 18957    | 39 7     |
|          | 16362    | 25       | C        | 18961    | 35 1     |
|          | 16363    | 15       | C        | 18964    | 35 2     |
|          | 16373    | 25       | C        | 18966    | 33 11    |
|          | 16374    | 25       | C        | 18974    | 33 7     |
|          | 16379    | 37       | C        | 18974    | 33 7     |
|          | 16404    | 27       | C        | 18983    | 37 17    |
|          | 16429    | 27       | C        | 18985    | 37 10    |
|          | 16446    | 27       | C        | 18986    | 37 13    |
|          | 16447    | 27       | C        | 18988    | 37 9     |
|          |          |          | C        | 18992    | 31 5     |
|          |          |          | C        | 18996    | 27 1     |
|          |          |          | C        |          |          |
|          | 18998    | 49       | C        | 18998    | 49 13    |
|          | 19246    | 51       | C        | 19246    | 51 37    |
|          | 19254    | 51       | C        | 19254    | 51 28    |
|          | 19324    | 39       | C        | 19324    | 39 4     |
|          | 19397    | 35       | C        | 19397    | 35 10    |
|          | 19417    | 27       | C        | 19417    | 27 6     |
|          | 19448    | 41       | C        | 19448    | 41 79    |
|          | 19450    | 41       | C        | 19450    | 41 80    |
|          | 19472    | 23       | C        | 19472    | 23       |
|          | 19496    | 55       | C        | 19496    | 55 20    |
|          | 19497    | 55       | C        | 19497    | 55 2     |
|          | 19498    | 55       | C        | 19498    | 55 24    |
|          | 19499    | 55       | C        | 19499    | 55 18    |
|          | 19501    | 55       | C        | 19501    | 55 13    |
|          | 19502    | 55       | C        | 19502    | 55 8     |
|          | 19514    | 55       | C        | 19514    | 55 1     |
|          | 19516    | 55       | C        | 19516    | 55 15    |
|          | 19517    | 55       | C        | 19517    | 55       |
|          | 19521    | 51       | C        | 19521    | 51       |
|          | 19536    | 39       | C        | 19536    | 39 23    |
|          | 19537    | 41       | C        | 19537    | 41 48    |
|          | 19538    | 41       | C        | 19538    | 41 47    |
|          | 19539    | 39       | C        | 19539    | 39 1     |
|          | 19540    | 39       | C        | 19540    | 39 19    |
|          | 19541    | 41       | C        | 19541    | 41 69    |
|          | 19542    | 41       | C        | 19542    | 41 70    |
|          | 19544    | 41       | C        | 19544    | 41 76    |
|          | 19545    | 41       | C        | 19545    | 41 77    |
|          | 19546    | 39       | C        | 19546    | 39 22    |
|          | 19547    | 39       | C        | 19547    | 39 34    |
|          | 19552    | 37       | C        | 19552    | 37 12    |
|          | 19553    | 33       | C        | 19553    | 33 19    |
|          | 19553    | 35       | C        | 19553    | 35 8     |
|          | 19688    | 33       | C        | 19688    | 33 29    |
|          | 19767    | 21       | C        | 19767    | 21 15    |
|          | 19803    | 23       | C        | 19803    | 23       |
|          | 19867    | 21       | C        | 19867    | 21 12    |
|          | 19869    | 33       | C        | 19869    | 33 4     |
|          | 20036    | 21       | C        | 20036    | 21 7     |
|          | 20053    | 21       | C        | 20053    | 21 20    |
|          | 20082    | 25       | C        | 20082    | 25 23    |
|          | 20093    | 21       | C        | 20093    | 21 5     |
|          | 20107    | 21       | C        | 20107    | 21 14    |
|          | 20193    | 19       | C        | 20193    | 19 36    |
|          | 20194    | 19       | C        | 20194    | 19 37    |
|          | 21526    | 29       | C        | 21526    | 29 13    |
|          | 21527    | 29       | C        | 21527    | 29 16    |
|          | 21528    | 29       | C        | 21528    | 29 18    |
|          | 21530    | 29       | C        | 21530    | 29 12    |
|          | 21584    | 37       | C        | 21584    | 37 4     |
|          | 21587    | 37       | C        | 21587    | 37 1     |
|          | 21596    | 23       | C        | 21596    | 23 11    |
|          | 21795    | 33       | C        | 21795    | 33 27    |
|          | 21814    | 11       | C        | 21814    | 11 1     |
|          | 21984    | 15       | C        | 21984    | 15 16    |
|          | 22023    | 25       | C        | 22023    | 25 2     |
|          | 22278    | 29       | C        | 22278    | 29 21    |
|          | 22568    | 29       | C        | 22568    | 29 19    |
|          | 22571    | 49       | C        | 22571    | 49 11    |
|          | 22571    | 51       | C        | 22571    | 51       |
|          | 22573    | 51       | C        | 22573    | 51 8     |
|          | 22671    | 23       | C        | 22671    | 23 9     |
|          | 22674    | 5        | C        | 22674    | 5 1      |
|          | 22684    | 15       | C        | 22684    | 15 1     |
|          | 22698    | 9        | C        | 22698    | 9 13     |
|          | 22699    | 11       | C        | 22699    | 11 23    |
|          | 22700    | 11       | C        | 22700    | 11 34    |
|          | 22738    | 13       | C        | 22738    | 13 9     |
|          | 22738    | 15       | C        | 22738    | 15 13    |
|          | 22738    | 17       | C        | 22738    | 17 2     |
|          | 22747    | 5        | C        | 22747    | 5 2      |
|          | 22765    | 49       | C        | 22765    | 49 18    |
|          | 22775    | 25       | C        | 22775    | 25 5     |
|          | 22778    | 21       | C        | 22778    | 21 3     |
|          | 22817    | 25       | C        | 22817    | 25 3     |
|          | 22819    | 5        | C        | 22819    | 5 12     |
|          | 22859    | 5        | C        | 22859    | 5 13     |
|          | 22860    | 5        | C        | 22860    | 5 14     |
|          | 22863    | 5        | C        | 22863    | 5 9      |
|          | 22874    | 21       | C        | 22874    | 21 7     |
|          | 22889    | 5        | C        | 22889    | 5 10     |
|          | 22894    | 21       | C        | 22894    | 21 1     |
|          | 22903    | 21       | C        | 22903    | 21 8     |
|          | 22904    | 19       | C        | 22904    | 19 2     |
|          | 22921    | 21       | C        | 22921    | 21 3     |
|          | 22941    | 25       | C        | 22941    | 25 1     |
|          | 22998    | 21       | C        | 22998    | 21 2     |
|          | 23004    | 21       | C        | 23004    | 21 22    |
|          | 23010    | 49       | C        | 23010    | 49 16    |
|          | 23011    | 51       | C        | 23011    | 51 1     |
|          | 23012    | 51       | C        | 23012    | 51 2     |
|          | 23013    | 49       | C        | 23013    | 49 17    |
|          | 23023    | 49       | C        | 23023    | 49 1     |
|          | 23024    | 49       | C        | 23024    | 49 2     |
|          | 23025    | 49       | C        | 23025    | 49 3     |
|          | 23027    | 49       | C        | 23027    | 49 25    |
|          | 23029    | 49       | C        | 23029    | 49 6     |
|          | 23030    | 49       | C        | 23030    | 49 5     |
|          | 23033    | 23       | C        | 23033    | 23 12    |
|          | 23049    | 15       | C        | 23049    | 15 1     |
|          | 23049    | 17       | C        | 23049    | 17       |
|          | 23051    | 11       | C        | 23051    | 11 7     |
|          | 23108    | 13       | C        | 23108    | 13 8     |
|          | 23108    | 15       | C        | 23108    | 15 2     |
|          | 23171    | 15       | C        | 23171    | 15 9     |
|          | 23245    | 23       | C        | 23245    | 23 10    |
|          | 23391    |          |          |          |          |

NUMERICAL INDEX

| PART NO. | PAGE NO. | REF. NO. | PART NO. | PAGE NO. | REF. NO. |    |    |
|----------|----------|----------|----------|----------|----------|----|----|
| KO       | 230170   | 11       | 9        | KO       | 270158   | 11 | 2  |
| KO       | 230675   | 17       | 1        | KO       | 270889   | 11 | 3  |
| KO       | 230722   | 49       | 23       | KO       | 275066   | 7  | 26 |
| KO       | 231032   | 7        | 5        | KO       | 275067   | 7  | 26 |
| KO       | 231032   | 13       | 16       | KO       | 275143   | 7  | 4  |
| KO       | 231052   | 19       | 16       | KO       | 275144   | 7  | 11 |
| KO       | 231281   | 49       | 19       | KO       | 275144   | 13 | 12 |
| KO       | 231355   | 19       | 31       | KO       | 275182   | 51 | 2  |
| KO       | 235003   | 9        | 11       | KO       | 275220   | 7  | 3  |
| KO       | 235004   | 9        | 7        | KO       | 275341   | 5  | 6  |
| KO       | 235007-S | 7        | 17       | KO       | 275341   | 13 | 10 |
| KO       | 235007-S | 11       | 10       | KO       | 275341   | 15 | 11 |
| KO       | 235008   | 7        | 15       | KO       | 275690   | 19 | 15 |
| KO       | 235010   | 7        | 19       | KOA      | 220474   | 51 | 10 |
| KO       | 235011   | 7        | 18       | KOA      | 235139   | 9  | 10 |
| KO       | 235025   | 11       | 16       | KOA      | 235567   | 9  | 15 |
| KO       | 235025   | 13       | 3        | KOA      | 235569   | 9  | 15 |
| KO       | 235026   | 11       | 17       | KOA      | 235571   | 9  | 15 |
| KO       | 235047   | 7        | 9        | KOA      | 235611   | 9  | 6  |
| KO       | 235048   | 7        | 6        | KOA      | 235616   | 9  | 15 |
| KO       | 235048   | 13       | 11       | KOA      | 235845   | 15 | 8  |
| KO       | 235053   | 7        | 27       | KOA      | 236919   | 19 | 34 |
| KO       | 235057   | 13       | 14       | KOA      | 237559   | 19 | 32 |
| KO       | 235070   | 11       | 29       | KOA      | 237653   | 19 | 8  |
| KO       | 235070   | 13       | 5        | KOA      | 237871   | 11 | 7  |
| KO       | 235084   | 19       | 19       | KOB      | 236364   | 9  | 22 |
| KO       | 235085   | 19       | 18       | KOD      | 235327   | 7  | 22 |
| KO       | 235086   | 19       | 17       | KOE      | 235646   | 7  | 25 |
| KO       | 235117   | 7        | 8        | L        | 32763    | 37 | 7  |
| KO       | 235118   | 7        | 7        | M        | 20007    | 49 | 20 |
| KO       | 235125-S | 11       | 11       | O        | 2815-N   | 23 | 16 |
| KO       | 235125-S | 19       | 29       | R        | 15077    | 45 | 19 |
| KO       | 235207   | 11       | 6        | R        | 15077    | 47 | 19 |
| KO       | 235277   | 19       | 23       | R        | 15087    | 47 | 3  |
| KO       | 235278   | 19       | 24       | R        | 15090    | 45 | 8  |
| KO       | 235287   | 9        | 2        | R        | 15090    | 47 | 8  |
| KO       | 235288   | 9        | 16       | R        | 15106    | 45 | 1  |
| KO       | 235289   | 9        | 16       | R        | 15106    | 47 | 1  |
| KO       | 235290   | 9        | 16       | R        | 16147    | 45 | 12 |
| KO       | 235353   | 11       | 20       | R        | 16147    | 47 | 12 |
| KO       | 235353   | 13       | 4        | R        | 16148    | 45 | 16 |
| KO       | 235447   | 17       | 2        | R        | 16148    | 47 | 16 |
| KO       | 235448   | 17       | 6        | R        | 16161    | 45 | 9  |
| KO       | 235476   | 19       | 25       | R        | 16161    | 47 | 9  |
| KO       | 235496   | 19       | 12       | R        | 16287    | 9  | 19 |
| KO       | 235631   | 7        | 10       | R        | 16287    | 11 | 27 |
| KO       | 235652   | 15       | 5        | R        | 16287    | 13 | 2  |
| KO       | 235748   | 11       | 42       | R        | 21491    | 41 | 63 |
| KO       | 235757   | 11       | 29       | V        | 34346    | 7  | 28 |
| KO       | 235757   | 13       | 5        | V        | 34404    | 15 | 5  |
| KO       | 235818   | 11       | 35       | V        | 34419    | 19 | 28 |
| KO       | 235826   | 7        | 14       | V        | 34421    | 19 | 35 |
| KO       | 235951   | 15       | 6        | V        | 34421    | 51 | 3  |
| KO       | 236675   | 11       | 4        | V        | 34423    | 13 | 7  |
| KO       | 237064   | 13       | 17       | V        | 34423    | 51 | 6  |
| KO       | 237277   | 11       | 41       | V        | 34426    | 51 | 5  |
| KO       | 237421   | 5        | 10       | V        | 34831    | 51 | 4  |
| KO       | 237423   | 5        | 4        | W        | 5063-S   | 9  | 21 |
| KO       | 237455   | 19       | 26       | W        | 5063-S   | 33 | 2  |
| KO       | 237520   | 15       | 4        |          |          |    |    |
| KO       | 237658   | 11       | 5        |          |          |    |    |
| KO       | 237658   | 13       | 15       |          |          |    |    |
| KO       | 237727   | 13       | 1        |          |          |    |    |
| KO       | 237895   | 5        | 1        |          |          |    |    |
| KO       | 240013   | 7        | 21       |          |          |    |    |

HARDWARE CODE NUMBERS

| PART NO. | PAGE NO. | REF. NO. |
|----------|----------|----------|
| 13-      | 48       | 11       |
| 13-      | 48       | 15       |
| 13-      | 410      | 15       |
| 13-      | 440      | 39       |
| 13-      | 514      | 25       |
| 13-      | 612      | 51       |
| 13-      | 614      | 43       |
| 25-      | 108      | 59       |
| 41-      | 18       | 11       |
| 61-      | 510      | 5        |
| 71-      | 412      | 15       |
| 74-      | 610      | 47       |
| 83-      | 68       | 41       |
| 83-      | 412      | 41       |
| 83-      | 514      | 41       |
| 92-      | 3        | 19       |
| 92-      | 4        | 7        |
| 92-      | 4        | 11       |
| 92-      | 4        | 15       |
| 92-      | 4        | 19       |
| 92-      | 4        | 39       |
| 92-      | 5        | 41       |
| 92-      | 6        | 9        |
| 92-      | 6        | 11       |
| 92-      | 6        | 11       |
| 111-     | 3        | 19       |
| 111-     | 108      | 51       |
| 111-     | 202      | 33       |
| 111-     | 202      | 51       |
| 111-     | 256      | 5        |
| 111-     | 317      | 59       |
| 111-     | 532      | 57       |
| 113-     | 1        | 21       |
| 113-     | 1        | 51       |
| 113-     | 17       | 19       |
| 113-     | 102      | 51       |
| 113-     | 103      | 15       |
| 113-     | 103      | 51       |
| 113-     | 103      | 51       |
| 113-     | 103      | 55       |
| 113-     | 113      | 31       |
| 113-     | 113      | 21       |
| 113-     | 118      | 21       |
| 113-     | 122      | 27       |
| 113-     | 206      | 25       |
| 113-     | 206      | 31       |
| 113-     | 206      | 33       |
| 113-     | 207      | 11       |
| 113-     | 207      | 21       |
| 113-     | 207      | 23       |
| 113-     | 207      | 25       |
| 113-     | 207      | 55       |
| 113-     | 207      | 59       |
| 113-     | 208      | 33       |
| 113-     | 208      | 35       |
| 113-     | 209      | 11       |
| 113-     | 209      | 33       |
| 113-     | 209      | 49       |
| 113-     | 219      | 19       |
| 113-     | 257      | 55       |
| 113-     | 417      | 59       |
| 113-     | 421      | 55       |

| PART NO. | PAGE NO. | REF. NO. | PART NO. | PAGE NO. | REF. NO. | PART NO. | PAGE NO. | REF. NO. | PART NO. | PAGE NO. | REF. NO. |
|----------|----------|----------|----------|----------|----------|----------|----------|----------|----------|----------|----------|
| 113-     | 424      | 27       | 3        | 132-     | 336      | 37       | 19       | 192-     | 23       | 59       | 7        |
| 113-     | 424      | 43       | 3        | 138-     | 96       | 21       | 6        | 192-     | 26       | 47       | 35       |
| 113-     | 424      | 55       | 3        | 138-     | 96       | 35       | 3        | 192-     | 116      | 45       | 35       |
| 113-     | 443      | 59       | 5        | 138-     | 99       | 29       | 4        | 193-     | 4        | 49       | 8        |
| 113-     | 607      | 55       | 16       | 138-     | 319      | 25       | 18       | 193-     | 5        | 51       | 9        |
| 121-     | 106      | 25       | 4        | 138-     | 2040     | 33       | 30       | 193-     | 6        | 5        | 9        |
| 121-     | 106      | 27       | 13       | 138-     | 2054     | 43       | 10       | 193-     | 28       | 15       | 10       |
| 126-     | 16       | 31       | 17       | 138-     | 2054     | 43       | 15       | 193-     | 56       | 19       | 8        |
| 126-     | 16       | 35       | 9        | 151-     | 210      | 19       | 5        | 193-     | 76       | 23       | 5        |
| 126-     | 16       | 37       | 2        | 163-     | 24       | 21       | 21       | 193-     | 107      | 11       | 21       |
| 126-     | 28       | 41       | 83       | 164-     | 40       | 23       | 4        | 195-     | 104      | 21       | 17       |
| 126-     | 111      | 45       | 24       | 164-     | 42       | 43       | 5        | 195-     | 104      | 25       | 12       |
| 126-     | 111      | 47       | 24       | 164-     | 50       | 19       | 9        | 195-     | 104      | 33       | 9        |
| 129-     | 17       | 19       | 7        | 169-     | 131      | 51       | 21       | 195-     | 104      | 33       | 18       |
| 129-     | 18       | 45       | 14       | 173-     | 73       | 18       | 7        | 195-     | 104      | 35       | 5        |
| 129-     | 18       | 47       | 14       | 173-     | 215      | 15       | 21       | 195-     | 104      | 37       | 5        |
| 129-     | 27       | 51       | 19       | 173-     | 224      | 51       | 8        | 195-     | 126      | 21       | 18       |
| 129-     | 37       | 19       | 20       | 173-     | 237      | 47       | 27       | 195-     | 513      | 51       | 36       |
| 129-     | 37       | 51       | 33       | 173-     | 296      | 51       | 31       | 195-     | 518      | 19       | 10       |
| 129-     | 77       | 51       | 35       | 175-     | 436      | 11       | 22       | 195-     | 520      | 51       | 11       |
| 129-     | 101      | 21       | 6        | 177-     | 94       | 5        | 8        | 195-     | 521      | 43       | 12       |
| 129-     | 101      | 51       | 15       | 178-     | 858      | 33       | 3        | 195-     | 525      | 59       | 9        |
| 129-     | 102      | 5        | 6        | 178-     | 858      | 35       | 15       | 195-     | 529      | 55       | 9        |
| 129-     | 102      | 25       | 19       | 178-     | 858      | 37       | 3        | 195-     | 533      | 59       | 8        |
| 129-     | 102      | 33       | 25       | 182-     | 523      | 51       | 27       | 195-     | 541      | 9        | 25       |
| 129-     | 102      | 51       | 12       | 182-     | 528      | 51       | 32       | 195-     | 541      | 11       | 36       |
| 129-     | 102      | 55       | 26       | 187-     | 408      | 51       | 7        | 195-     | 545      | 55       | 11       |
| 129-     | 103      | 11       | 25       | 187-     | 1036     | 19       | 33       | 195-     | 2021     | 27       | 10       |
| 129-     | 103      | 33       | 13       | 187-     | 1036     | 35       | 11       | 195-     | 2021     | 31       | 9        |
| 129-     | 103      | 37       | 11       | 187-     | 1046     | 29       | 11       | 195-     | 2069     | 31       | 15       |
| 129-     | 103      | 49       | 20       | 187-     | 1047     | 51       | 4        | 195-     | 2069     | 33       | 15       |
| 129-     | 103      | 55       | 25       | 187-     | 1073     | 41       | 85       | 205-     | 27       | 11       | 30       |
| 129-     | 103      | 59       | 7        | 187-     | 1844     | 51       | 22       | 211-     | 5        | 39       | 10       |
| 129-     | 105      | 49       | 15       | 192-     | 17       | 45       | 15       | 214-     | 103      | 15       | 4        |
| 129-     | 105      | 55       | 5        | 192-     | 17       | 47       | 15       | 214-     | 272      | 5        | 11       |
| 129-     | 105      | 57       | 4        | 192-     | 18       | 19       | 6        | 217-     | 292      | 15       | 24       |
| 129-     | 107      | 55       | 17       | 192-     | 18       | 47       | 28       | 219-     | 17       | 29       | 20       |
| 129-     | 122      | 51       | 17       | 192-     | 18       | 51       | 20       | 219-     | 403      | 29       | 4        |
| 129-     | 143      | 11       | 46       | 192-     | 19       | 21       | 5        | 219-     | 404      | 29       | 6        |
| 129-     | 165      | 29       | 15       | 192-     | 19       | 51       | 30       | 219-     | 404      | 31       | 19       |
| 129-     | 365      | 29       | 17       | 192-     | 20       | 5        | 5        | 219-     | 404      | 43       | 2        |
| 129-     | 409      | 5        | 5        | 192-     | 20       | 15       | 6        | 221-     | 13       | 41       | 75       |
| 129-     | 409      | 7        | 1        | 192-     | 20       | 25       | 11       | 221-     | 672      | 41       | 52       |
| 129-     | 409      | 19       | 11       | 192-     | 20       | 31       | 10       | 221-     | 1412     | 11       | 45       |
| 129-     | 504      | 15       | 22       | 192-     | 20       | 33       | 24       | 223-     | 20       | 49       | 24       |
| 131-     | 67       | 21       | 23       | 192-     | 20       | 45       | 3        | 321-     | 1423     | 53       | 4        |
| 131-     | 178      | 21       | 16       | 192-     | 20       | 51       | 10       | 321-     | 2110     | 53       | 5        |
| 131-     | 178      | 37       | 8        | 192-     | 20       | 55       | 23       | 321-     | 2498     | 53       | 2        |
| 131-     | 178      | 43       | 9        | 192-     | 21       | 11       | 32       | 321-     | 2499     | 53       | 1        |
| 131-     | 301      | 9        | 26       | 192-     | 21       | 19       | 7        | 321-     | 3588     | 53       | 3        |
| 131-     | 301      | 11       | 37       | 192-     | 21       | 23       | 6        | 353-     | 442      | 21       | 13       |
| 131-     | 629      | 51       | 3        | 192-     | 21       | 25       | 13       | 353-     | 462      | 21       | 4        |
| 131-     | 1112     | 31       | 8        | 192-     | 21       | 31       | 14       |          |          |          |          |
| 131-     | 1113     | 31       | 3        | 192-     | 21       | 33       | 6        |          |          |          |          |
| 131-     | 1318     | 25       | 22       | 192-     | 21       | 35       | 6        |          |          |          |          |
| 132-     | 46       | 25       | 8        | 192-     | 21       | 49       | 19       |          |          |          |          |
| 132-     | 46       | 37       | 6        | 192-     | 21       | 51       | 25       |          |          |          |          |
| 132-     | 48       | 21       | 10       | 192-     | 21       | 59       | 8        |          |          |          |          |
| 132-     | 48       | 55       | 10       | 192-     | 23       | 27       | 5        |          |          |          |          |
| 132-     | 91       | 21       | 9        | 192-     | 23       | 29       | 14       |          |          |          |          |
| 132-     | 306      | 55       | 12       | 192-     | 23       | 43       | 2        |          |          |          |          |
| 132-     | 310      | 33       | 16       | 192-     | 23       | 49       | 16       |          |          |          |          |
| 132-     | 310      | 37       | 16       | 192-     | 23       | 55       | 4        |          |          |          |          |
| 132-     | 311      | 29       | 8        | 192-     | 23       | 57       | 3        |          |          |          |          |