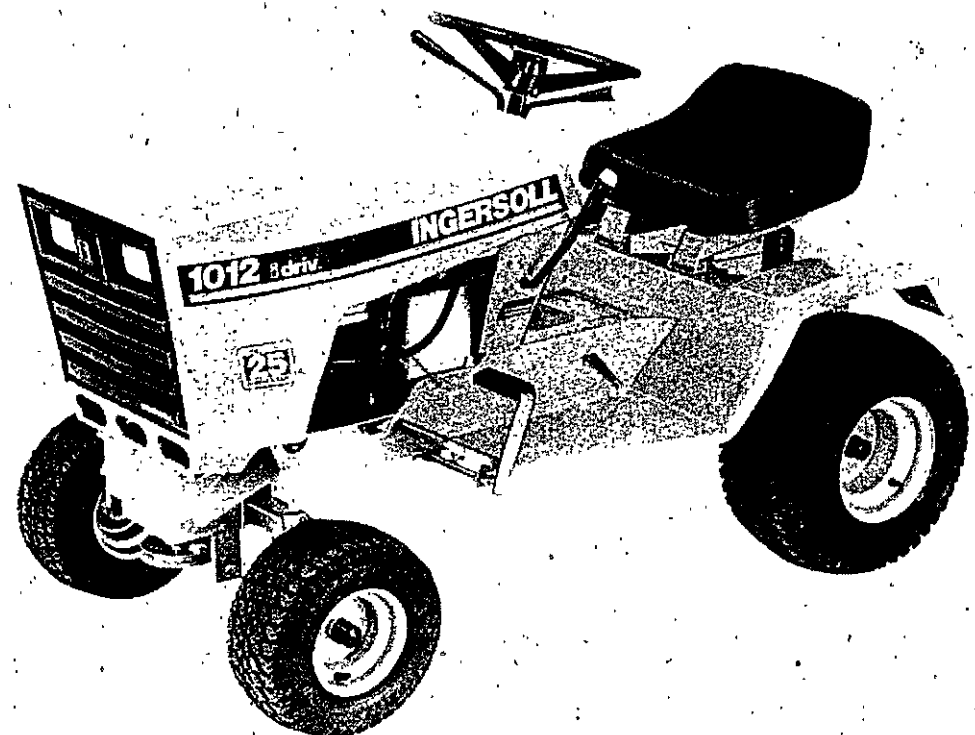


COMPACT TRACTORS
1012, 1014, 1016
Parts Catalog 8-3021

MODEL 1012, 1014 AND 1016 COMPACT TRACTORS

6-88-RP-400-385

NOTE: This Catalog replaces
Parts Catalog 8-3020



ALPHABETICAL INDEX

ENGINE SECTION

	PAGE	GRID		PAGE	GRID
Air Cleaner	13-17	A14-B4	Fuel Filter	11	A12
Battery	55	D14	Fuel System	11	A12
Breather, Crankcase	5, 21	A6, B8	Gasket Kits	5-7	A6-A8
Camshaft	5-7	A6, B8	Governor	19	B6
Carburetor	13, 15	A14, B2	Magneto Armature	9	A10
Choke Linkage (1014, 1016)	11	A12	Manifold (1014, 1016)	15	B2
Connecting Rod	5-7	A6-A8	Mounts, Engine	23	B10
Counter Weight	9	A10	Muffler	17	B4
Crankshaft	5-7	A6-A8	Oil pan	5-7	A6-A8
Cylinder Block	5-7	A6-A8	Piston	5-7	A6-A8
Cylinder Head	5-7	A6-A8	Spark Plug	9	A10
Electrical System	9	A10	Starter	53	D12
Engine Block & Attaching Parts	5-7	A6-A8	Tank, Fuel	11	A12
Exhaust System	17	B4	Throttle Linkage	11	A12
Filter, Breather	5, 21	A6, B8	Trigger, Ignition	9	A10
Flywheel	9	A10	Valves	5-7	A6-A8

BASIC TRACTOR SECTION

	PAGE	GRID		PAGE	GRID
Axle, Front	35	C8	Hood	27	B14
Baffles & Shrouds	21	B8	Implement Lift	37	C10
Belts & Pulleys	25, 47	B12, D6	Mounts, Engine	23	B10
Brakes	39-41	C12-C14	PTO Clutch	25	B12
Decals	63	E8	Seat, Operator's	29-31	C2-C4
Electrical System	55-59	D14-E4	Steering Wheel & Gear	31	C4
Fenders	29-31	C2-C4	Tool Tray	27	B14
Frame	27	B14	Traction Drive	49-53	D8-D12
Gear Case Assembly	41-43	C14-D2	Transaxle	41-43	C14-D2
Grille	27	B14	Travel Control	45	D4
Hitch	27	B14	Wheels, Front & Rear	35	C8

PAINT AND OIL

PAINT

REF.	PART NO.	DESCRIPTION	REQ'D
1	C 28849	BLACK - semi - gloss, 12 oz spray (2 per carton)	1
2	C 28850	BLACK - semi - gloss, quart (2 per carton)	1
3	C 28851	BLACK - semi - gloss, heat resistant, 12 oz spray (2 per carton)	1
4	C 28484	POWER RED - gloss, 12 oz spray (2 per carton)	1
5	C 28485	POWER RED - gloss, quart (2 per carton)	1
6	C 30870	SILVER - gloss, 12 oz. spray (2 per carton)	1
7	C 31643	POWER RED - gloss, 1 oz touch up, (1 doz. per carton)	1

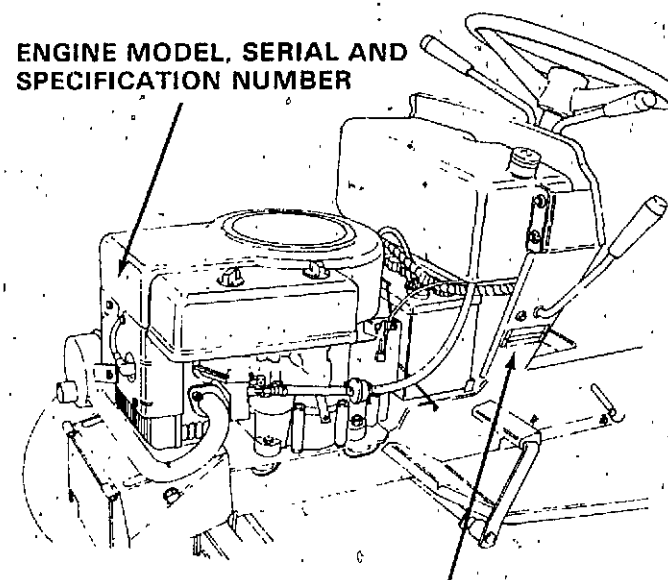
OIL

1	C 29805	5W20 - qt. (24 per carton)	1
2	C 29807	SAE30 - qt. (24 per carton)	1
3	C 29809	20W40 - qt. (24 per carton)	1

MODEL 1012, 1014 AND 1016 COMPACT TRACTORS

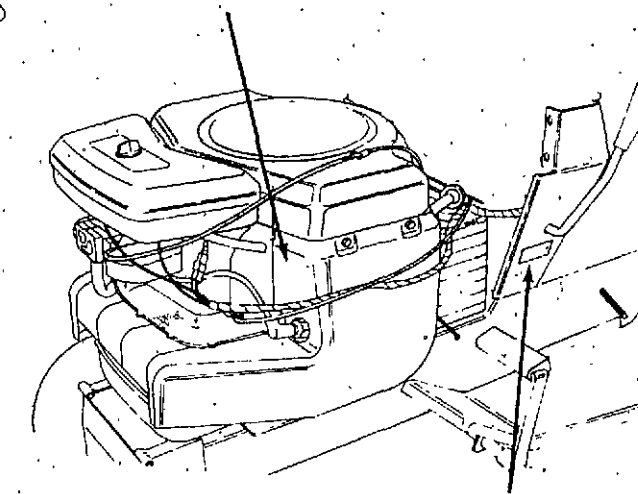
PRODUCT IDENTIFICATION NUMBERS (P.I.N.)

ENGINE MODEL, SERIAL AND SPECIFICATION NUMBER



TRACTOR MODEL AND SERIAL NUMBER (S/N)

ENGINE MODEL, SERIAL AND SPECIFICATION NUMBER



TRACTOR MODEL AND SERIAL NUMBER (S/N)

TRACTOR MODEL

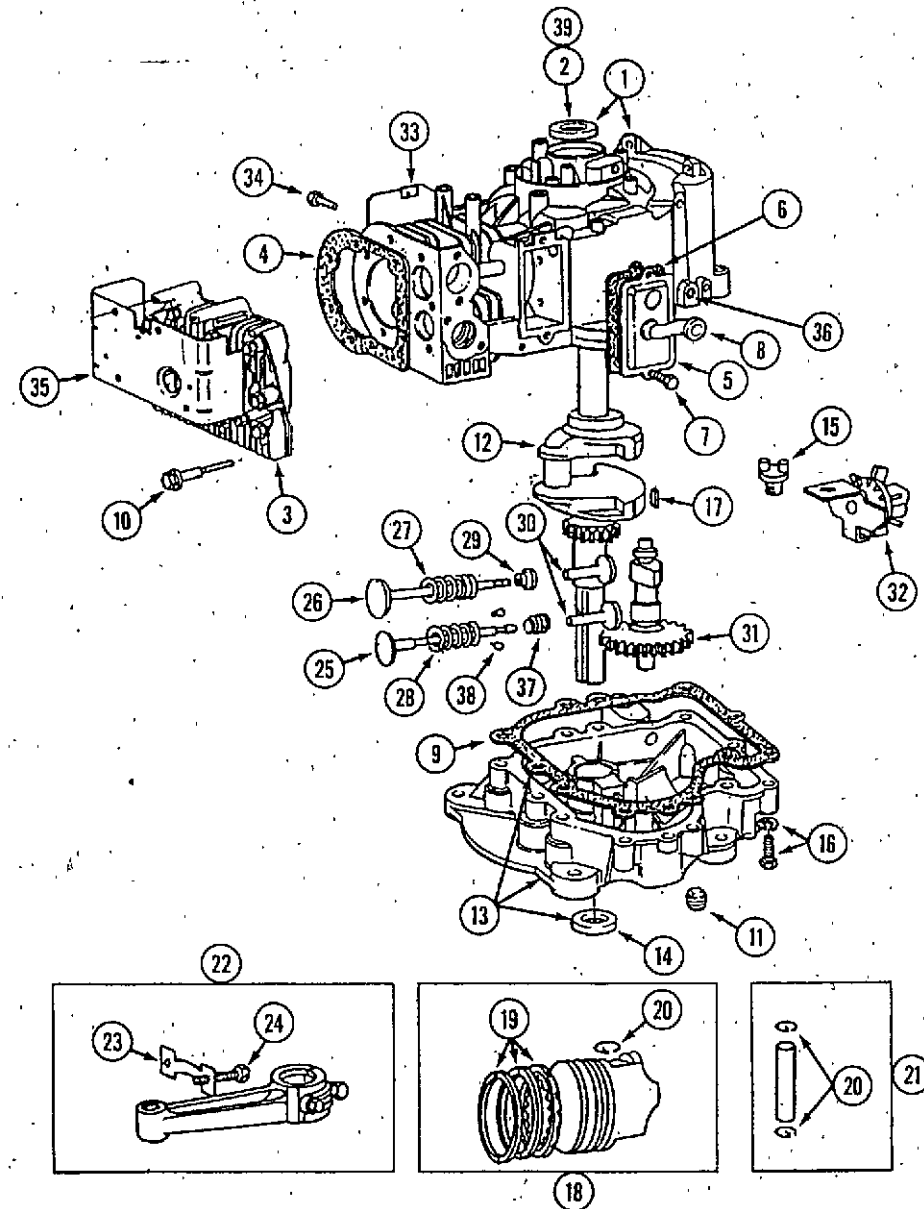
ENGINE MODEL

1012	C30146 SPEC. 281707 - TYPE 0135-01
1014	C29099 SPEC. 400707 - TYPE 0119
1016	C29100 SPEC. 402707 - TYPE 0145

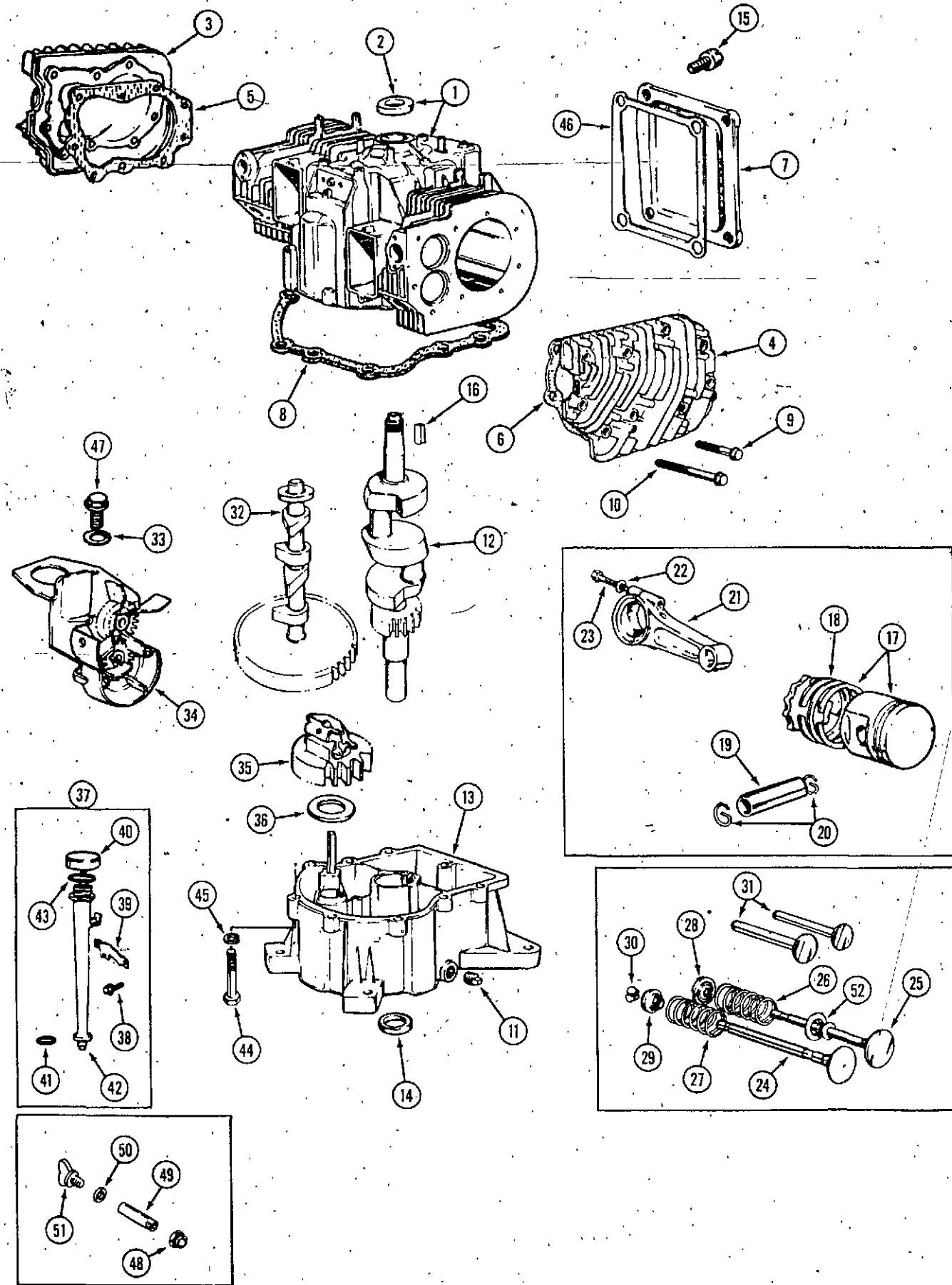
NOTE: In this catalog there are references to serial numbers. To order the correct part, use these serial numbers as a guide.

MODEL 1012, 1014 AND 1016 COMPACT TRACTORS

ENGINE BLOCK ASSEMBLY (1012)



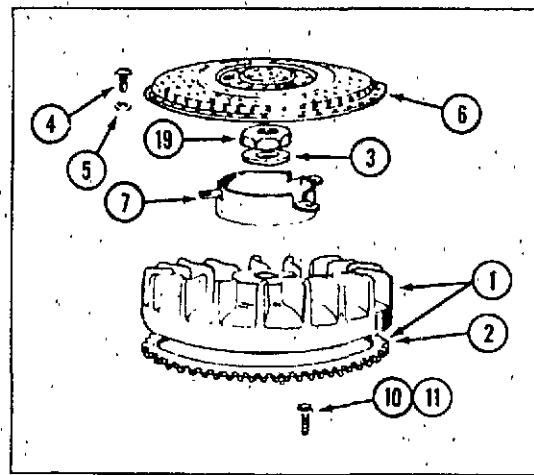
REF.	PART NO.	DESCRIPTION	REQ'D
1	C 30843	CYLINDER BLOCK ASSEMBLY - short (also includes item 39)	1
1	NSS	CYLINDER BLOCK ASSEMBLY	1
2	C 25709	SEAL - oil	1
3	C 30409	HEAD - cylinder	1
4	C 30410	GASKET - cylinder head	1
5	BR 391406	BREATHER ASSEMBLY	1
6	C 27350	GASKET - valve cover	1
7	187- 1508	SCREW - sems	2
8	C 25712	TUBE - breather	1
9	C 30411	GASKET - crankcase cover 1/64" thick	1
9	C 30412	GASKET - crankcase cover .005" thick	1
9	C 30413	GASKET - crankcase cover .009" thick	1
10	BR 93723	SCREW - cylinder head 3" long	6
11	221- 843	PLUG - oil drain	1
12	C 30414	CRANKSHAFT	1
13	C 30415	SUMP - oil (also includes item 9)	1
14	C 25718	SEAL - oil	1
15	BR 66768	PLUG - oil filler	1
16	NSS	SCREW - sump mounting, sems (use 113-120 and 192-20)	6
17	C 27236	KEY - flywheel	1
18	C 29826	PISTON ASSEMBLY - standard	1
18	C 29827	PISTON ASSEMBLY - .010" oversize	1
18	C 29828	PISTON ASSEMBLY - .020" oversize	1
18	C 29829	PISTON ASSEMBLY - .030" oversize	1
19	C 29830	RING SET - piston, standard	1
19	C 25725	RING SET - piston, .010" oversize	1
19	C 25726	RING SET - piston, .020" oversize	1
19	C 25727	RING SET - piston, .030" oversize	1
20	C 25728	LOCK - piston pin	2
21	C 25729	PIN ASSEMBLY - piston, standard	1
21	C 25730	PIN ASSEMBLY - piston, .005" oversize	1
22	C 30416	ROD ASSEMBLY - connecting	1
23	C 25732	LOCK - connecting rod screw	1
24	C 25733	SCREW - connecting rod	2
25	C 30417	VALVE - exhaust	1
26	C 30418	VALVE - intake	1
27	BR 65906	SPRING - intake valve	1
28	BR 26828	SPRING - exhaust valve	1
29	BR 221596	RETAINER - intake valve	2
30	C 30419	TAPPET - valve	2
31	C 29833	CAMSHAFT	1
32	C 25746	OIL SLINGER - governor gear and bracket assembly	1
33	C 30420	SHIELD - cylinder	1
34	NSS	SCREW - cylinder shield mounting (use 163-18 and 192-18)	1
35	C 30421	COVER - cylinder head	1
36	BR 231055	BUSHING - governor crank (1/4" I.D.)	1
37	BR 292260	ROTATOR - exhaust valve	1
38	BR 93630	RETAINER - exhaust valve	2
39	C 29778	BUSHING - crankshaft	1
	C 30422	GASKET SET - includes items 4, 6, 9 and carburetor mounting gasket)	1



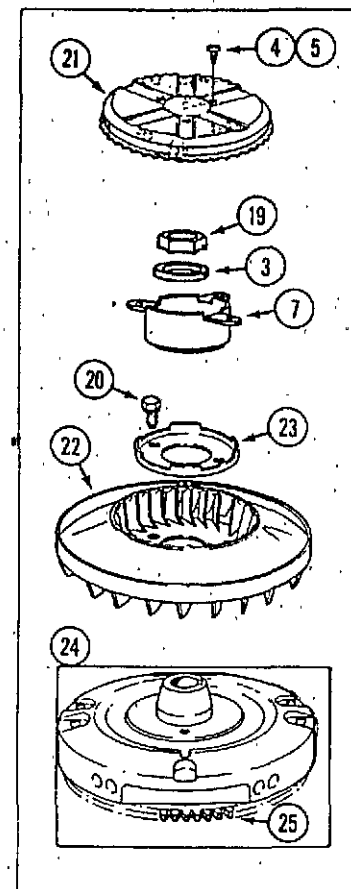
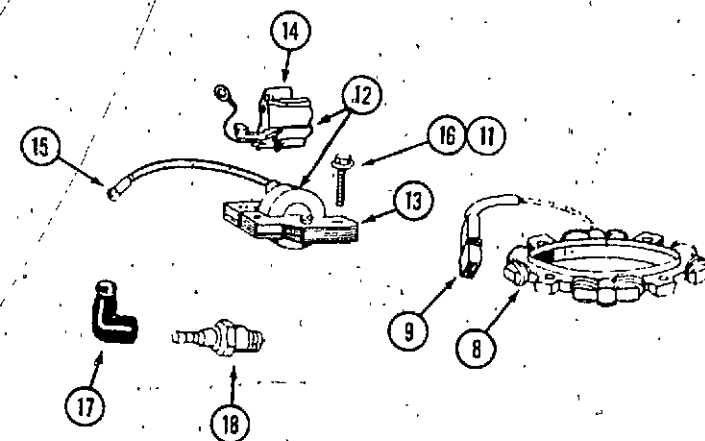
MODEL 1012, 1014 AND 1016 COMPACT TRACTORS

ENGINE BLOCK ASSEMBLY (1014, 1016)

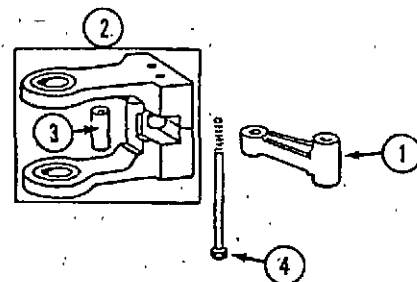
REF.	PART NO.	DESCRIPTION	REQ'D
1	C 29929	BLOCK ASSEMBLY - short	1
2	C 25709	SEAL - oil	1
3	C 27372	HEAD - cylinder R.H.	1
4	C 27373	HEAD - cylinder L.H.	1
5	C 27374	GASKET - cylinder head R.H.	1
6	C 27308	GASKET - cylinder head L.H.	1
7	C 27347	COVER - access	1
8	C 27310	GASKET - crankcase 1/64"	1
8	C 27311	GASKET - crankcase .005"	1
8	C 27312	GASKET - crankcase .009"	1
9	C 27313	BOLT - head 1-15/16"	12
10	BR 93113	BOLT - head 2-5/16"	6
11	221- 843	PLUG - oil drain	2
12	C 27314	CRANKSHAFT	1
13	C 27315	CRANKCASE	1
14	C 25718	SEAL - oil	1
15	NSS	SCREW - cover (use 113-221 and 192-161)	4
16	C 27236	KEY - flywheel	1
17	C 27316	PISTON ASSEMBLY - standard (also includes item 20)	2
17	C 27317	PISTON ASSEMBLY - .010" oversize (also includes item 20)	2
17	C 27318	PISTON ASSEMBLY - .020" oversize (also includes item 20)	2
17	C 27319	PISTON ASSEMBLY - .030" oversize (also includes item 20)	2
18	C 27320	RING SET - piston, standard	2
18	C 27321	RING SET - piston, .010" oversize	2
18	C 27322	RING SET - piston, .020" oversize	2
18	C 27323	RING SET - piston, .030" oversize	2
19	C 25729	PIN ASSEMBLY - piston, standard	2
19	C 25730	PIN ASSEMBLY - piston, .005" oversize	2
20	C 25728	LOCK - piston pin	2
21	C 27324	ROD ASSEMBLY - connecting	2
21	C 27582	ROD ASSEMBLY - connecting .020" undersize	2
22	C 27332	WASHER - 1/4" x 5/8" x 1/32"	2
23	C 25733	BOLT - connecting rod	2
24	BR 390419	VALVE - exhaust	2
25	C 27326	VALVE - intake	2
26	BR 65906	SPRING - intake valve	2
27	BR 26828	SPRING - exhaust valve	2
28	BR 221596	RETAINER - intake valve	2
29	BR 292260	ROTOCOIL - exhaust valve	2
30	BR 93630	RETAINER - valve rotocoil (1 pair)	2
31	C 27327	TAPPET - valve	4
32	C 27328	CAMSHAFT	1
33	92- 3	LOCKWASHER - No. 10 x 1/16" x 3/64"	1
34	C 27329	OIL SLINGER	1
35	C 27330	GEAR - governor	1
36	C 27331	WASHER - thrust	1
37	C 27346	DIPSTICK AND TUBE ASSEMBLY - oil check and fill	1
38	187- 1047	SCREW - No. 8 - 18 x 1/2" round head	2
39	C 27336	CLAMP - oil tube	1
40	C 27337	DIPSTICK - oil	1
41	C 27338	SEAL - oil tube	1
42	C 27339	TUBE - oil filler	1
43	C 27345	SEAL - oil fill cap	1
44	113- 120	BOLT - 5/16" - 18 x 1-3/4"	6
45	192- 20	LOCKWASHER - 5/16"	6
46	C 27342	GASKET - cover	1
47	C 25749	SCREW - No. 10 - 32 x 5/8"	1
48	221- 86	REDUCER - pipe 3/8" to 1/4" oil drain	1
49	C 18814	NIPPLE - pipe, oil drain	1
50	C 14906	GASKET - oil drain	1
51	C 14399	PLUG - oil drain	1
52	C 29860	RETAINER AND SEAL ASSEMBLY - valve (1016)	1
	C 27335	GASKET KIT - includes items 5, 6, 8, 48, valve cover gasket, intake manifold gasket and carburetor gasket	



MODEL 1014, 1016



MODEL 1012

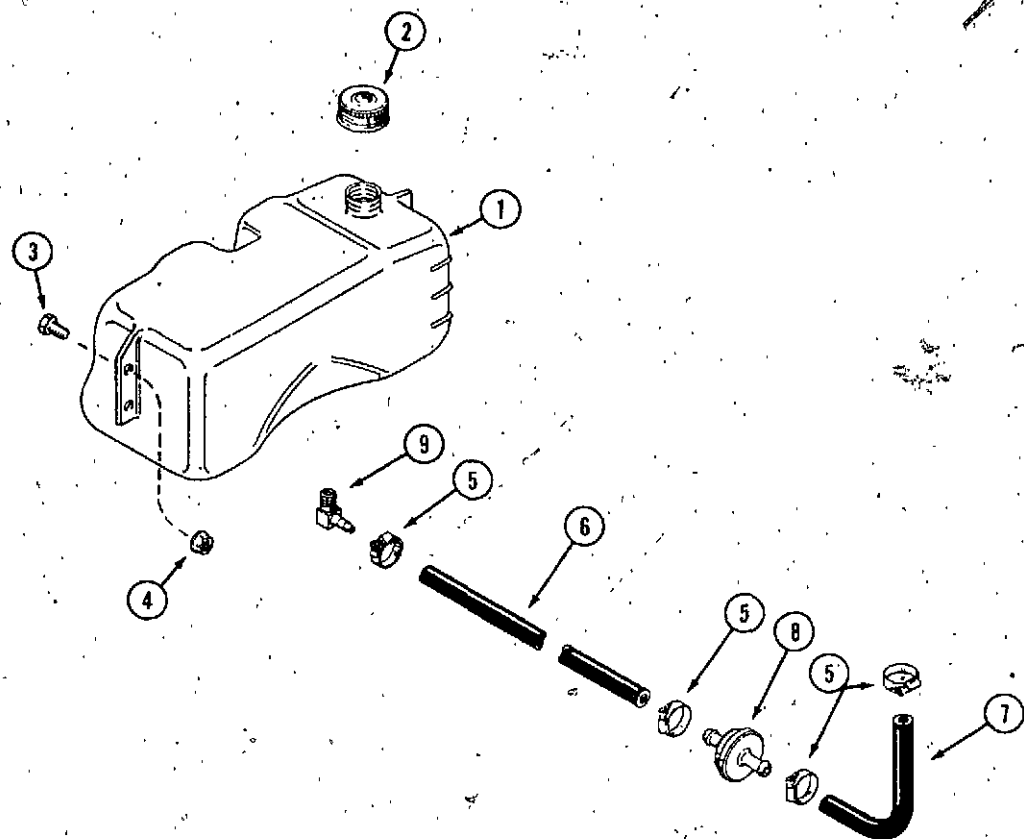


FLYWHEEL AND STATOR

REF.	PART NO.	DESCRIPTION	REQ'D
1	C 27351	FLYWHEEL AND RING GEAR ASSEMBLY - (1014, 1016)	1
2	C 27365	RING GEAR - (1014, 1016)	1
3	BR 220865	WASHER - spring (1012)	1
3	BR 27352	WASHER - spring (1014, 1016)	1
4	182- 84	SCREW - No. 8 - 32 x 3/8"	4
5	193- 25	LOCK WASHER - No. 8	4
6	C 27358	SCREEN - flywheel (1014, 1016)	1
7	BR 222561	CUP - screen mounting (1012)	1
7	C 27357	CUP - screen mounting (1014, 1016)	1
8	BR 393474	STATOR - alternator	1
9	BR 393456	DIODE AND CONNECTOR ASSEMBLY	1
10	182- 90	SCREW - No. 8 - 32 x 1"	4
11	193- 25	WASHER - No. 8	4
12	C 29785	ARMATURE ASSEMBLY - (1012) shown	1
12	C 27420	ARMATURE ASSEMBLY - (1014, 1016)	1
13	C 27419	ARMATURE - (1014, 1016)	1
14	C 27269	TRIGGER - ignition	1
15	BR 221798	TERMINAL - ignition cable	UAR
16	182- 549	SCREW - No. 8 - 32 x 3/4"	2
17	BR 66538	BOOT - spark plug	UAR
18	C 24329	SPARK PLUG - (1012)	1
18	C 27334	SPARK PLUG - (1014, 1016)	2
19	BR 92284	NUT - flywheel (1012)	1
19	C 27356	NUT - flywheel (1014, 1016)	1
20	NSS	SCREW - 3/4" long (use 113-102 and 92-5)	2
21	C 30440	SCREEN - flywheel (1012)	1
22	C 30447	FAN - flywheel (1012)	1
23	C 30448	RETAINER - fan (1012)	1
24	C 30436	FLYWHEEL AND RING GEAR ASSEMBLY (1012)	1
25	BR 392134	RING GEAR (1012)	1

ENGINE COUNTERWEIGHT (1012)

1	C 29816	LINK - counterweight	1
2	C 30423	COUNTERWEIGHT ASSEMBLY	1
3	C 29818	PIN - counterweight	1
4	C 29835	SCREW - counterweight	1

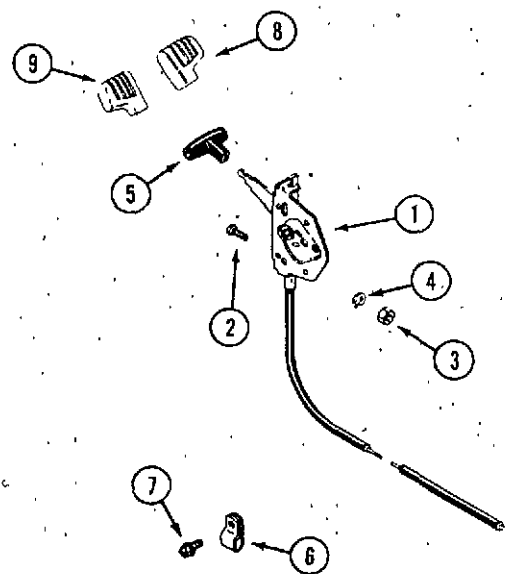


FUEL SYSTEM

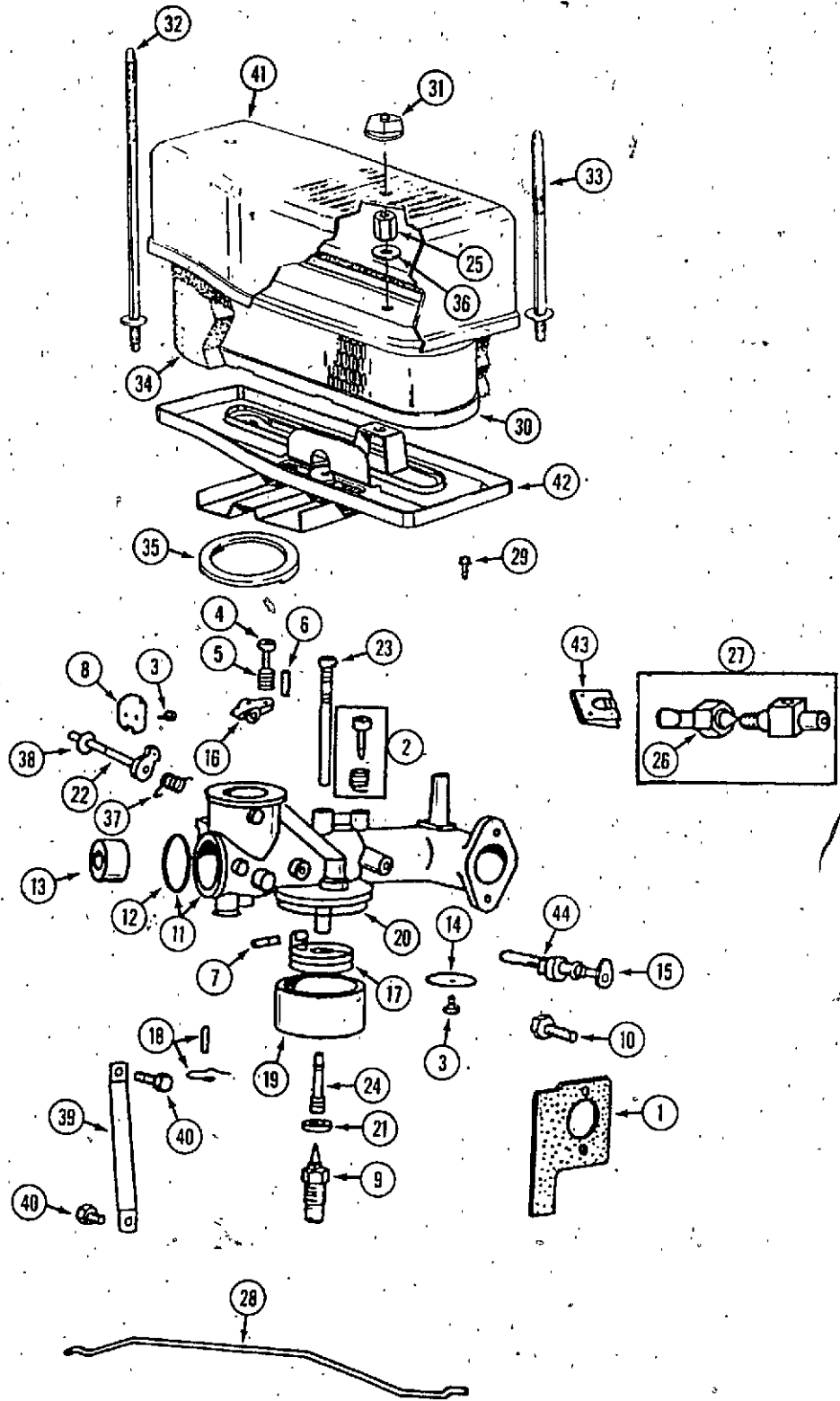
REF.	PART NO.	DESCRIPTION	REQ'D
1	C 29070	TANK - fuel	1
2	C 11529	CAP - fuel	1
3	113- 102	BOLT - 5/16" - 18 x 3/4"	4
4	131- 911	NUT - 5/16" - 18 flange lock	4
5	214- 252	CLAMP - hose	4
6	NSS	HOSE - fuel 13.5" (343 mm) (use C28937 cut to length)	1
7	NSS	HOSE - fuel 4" (102 mm) (use C28937 cut to length)	1
8	C 28935	FILTER - fuel	1
9	C 10678	CONNECTOR - fuel line 90°	1
	C 28030	INSULATION - full line (1014, 1016)	1

CHOKE AND THROTTLE

1	C 29267	CONTROL - choke and throttle (1012)	1
1	C 29186	CONTROL - throttle (1014, 1016)	1
1	C 29187	CONTROL - choke (1014, 1016)	1
2	182- 559	SCREW - No. 10 - 24 x 3/4"	2
3	129- 17	NUT - No. 10	2
4	192- 18	LOCK WASHER - 3/16"	2
5	C 15540	HANDLE - tee (1012)	1
6	C 27233	CLAMP - cable	1
7	187- 1908	SCREW - self tapping	1
8	C 30074	HANDLE - choke (1014, 1016)	1
9	C 30073	HANDLE - throttle (1014, 1016)	1

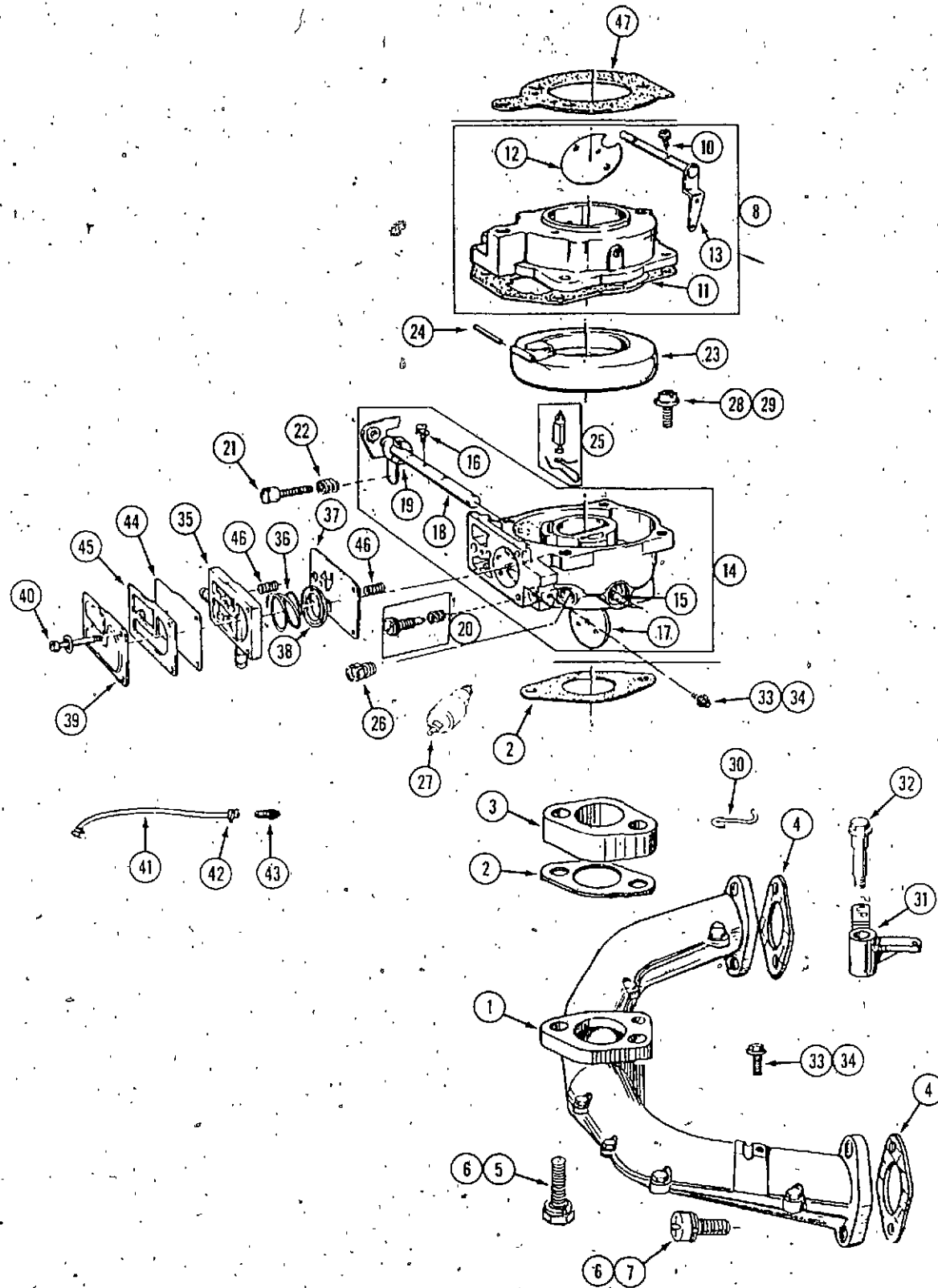


MODEL 1012, 1014 AND 1016 COMPACT TRACTORS
C 30424 CARBURETOR AND AIR CLEANER (1012)

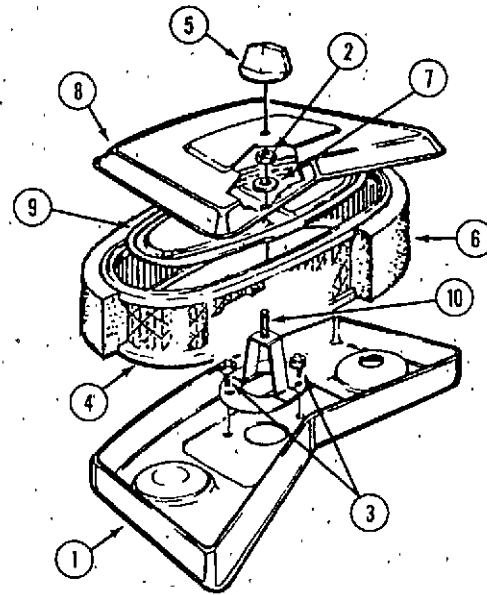


REF.	PART NO.	DESCRIPTION	REQ'D
1	C 25738	GASKET - carburetor mounting	1
2	BR 292681	VALVE ASSEMBLY - carburetor idle	2
3	BR 93499	SCREW - throttle and choke mounting, sems	2
4	182- 87	SCREW - machine fillister head No. 8-32 x 5/8"	1
5	BR 26157	SPRING - throttle adjustment	1
6	138- 251	PIN - throttle stop	1
7	BR 230896	PIN - float hinge	1
8	BR 222010	VALVE - choke	1
9	C 29779	VALVE - needle	1
10	BR 93357	SCREW - carburetor mounting	2
11	C 30425	BODY ASSEMBLY - carburetor	1
12	41- 24	PLUG - welch	1
13	C 25742	VENTURI - carburetor	1
14	C 27240	VALVE - throttle	1
15	C 30426	SHAFT AND LEVER - throttle	1
16	BR 211712	STOP - throttle	1
17	BR 299707	FLOAT - carburetor	1
18	C 27254	VALVE - fuel inlet	1
19	BR 221995	BOWL - float	1
20	BR 270511	GASKET - float bowl	1
21	BR 222014	WASHER - float bowl	1
22	BR 390684	SHAFT AND LEVER - choke	1
23	BR 299740	NOZZLE - carburetor	1
24	C 29780	SCREW - nozzle	1
25	C 30434	NUT - air cleaner	1
26	C 27267	VALVE - fuel shut off	2
27	C 30427	CONNECTOR - fuel line	1
28	C 27244	LINK - choke	1
29	177- 97	SCREW - sems	1
30	C 30428	ELEMENT - air cleaner	1
31	C 29854	KNOB - cover, air cleaner	2
32	C 30429	STUD - air cleaner	1
33	C 30430	STUD - air cleaner	1
34	C 30435	PRECLEANER - element	1
35	C 25760	GASKET - air cleaner	1
36	C 30431	WASHER - air cleaner	1
37	BR 261116	SPRING - choke return	1
38	BR 270382	WASHER - choke shaft	1
39	C 25764	BRACKET - carburetor mounting	1
40	187- 1510	SCREW	2
41	C 30432	COVER - air cleaner	1
42	C 30433	BASE - air cleaner	1
43	C 27266	HANDLE - fuel shut-off valve	1
44	C 30405	SEAL - throttle shaft	1
	C 27255	CARBURETOR OVERHAUL KIT - (includes items 2, 7, 9, 12, 18, 20, 21, 23 and 24)	1

CARBURETOR, FUEL PUMP AND MANIFOLD (1014, 1016)



REF.	PART NO.	DESCRIPTION	REQ'D
1	C 27375	MANIFOLD - intake	1
2	C 27376	GASKET - manifold to spacer and carburetor	2
3	C 27377	SPACER - carburetor	1
4	C 27378	GASKET - manifold mounting	2
5	113- 5	BOLT - 1/4" - 20 x 1-1/2"	2
6	192- 19	LOCK WASHER - 1/4"	2
7	71- 410	SCREW - 1/4" - 20 x 7/8"	4
	C 29861	CARBURETOR ASSEMBLY - (1016)	1
	C 29820	CARBURETOR ASSEMBLY - (1014)	1
8	C 29821	BODY ASSEMBLY - upper (1014)	1
8	C 29862	BODY ASSEMBLY - upper (1016)	1
10	BR 93499	SCREW - valve	2
11	C 29852	GASKET - body (1014)	1
11	C 29863	GASKET - body (1016)	1
12	BR 222010	VALVE - choke	1
13	C 27387	SHAFT - choke	1
14	C 29853	BODY ASSEMBLY - lower (1014)	1
14	C 29864	BODY ASSEMBLY - lower (1016)	1
15	C 27382	BUSHING - throttle shaft	1
16	BR 93499	SCREW - valve	2
17	C 27240	VALVE - throttle (1016)	1
17	C 29822	VALVE - throttle (1014)	1
18	C 27383	SHAFT - throttle	1
19	C 27409	WASHER - throttle	1
20	BR 292681	VALVE ASSEMBLY - idle fuel	1
21	182- 87	SCREW - No. 8 - 32 x 5/8"	1
22	BR 26157	SPRING - throttle adjustment	1
23	C 27385	FLOAT - carburetor	1
24	BR 230896	PIN - float hinge	1
25	C 27254	VALVE - fuel inlet	1
26	C 29857	VALVE - needle, main fuel, nonadjustable (1014)	1
26	C 29859	VALVE - needle, main fuel, nonadjustable (1016)	1
27	C 29858	SOLENOID - carburetor shut off	1
28	163- 4	SCREW - No. 10 - 32 x 5/8"	4
29	92- 3	WASHER - No. 10	4
30	C 27392	LINK - throttle	1
31	C 27393	BELLCRANK	1
32	C 27394	BOLT - shoulder	1
33	177- 97	SCREW - No. 10 - 32 x 1/2"	2
34	195- 513	WASHER - No. 10	2
35	C 27399	BODY - pump	1
36	C 27400	SPRING - pump	1
37	C 27401	DIAPHRAGM	1
38	C 27402	CAP - spring	1
39	C 27403	COVER - fuel pump	1
40	173- 65	SCREW - No. 6 - 32 x 7/8"	3
41	NSS	HOSE - vacuum; fuel pump 9" (use C28937 cut to length)	1
42	214- 251	CLAMP - hose	2
43	C 27333	CONNECTOR - fuel pump hose	1
44	C 27413	DIAPHRAGM - damping	1
45	C 27414	GASKET - pump cover	1
46	C 27415	SPRING	2
47	C 27407	GASKET - air cleaner	1
	C 27389	KIT - carburetor overhaul (includes items 11, 19, 20, 24, 25, 26 and fuel pump repair kit)	1
	C 27416	KIT - fuel pump repair (includes items 36, 37, 38, 44, 45 and 46)	1

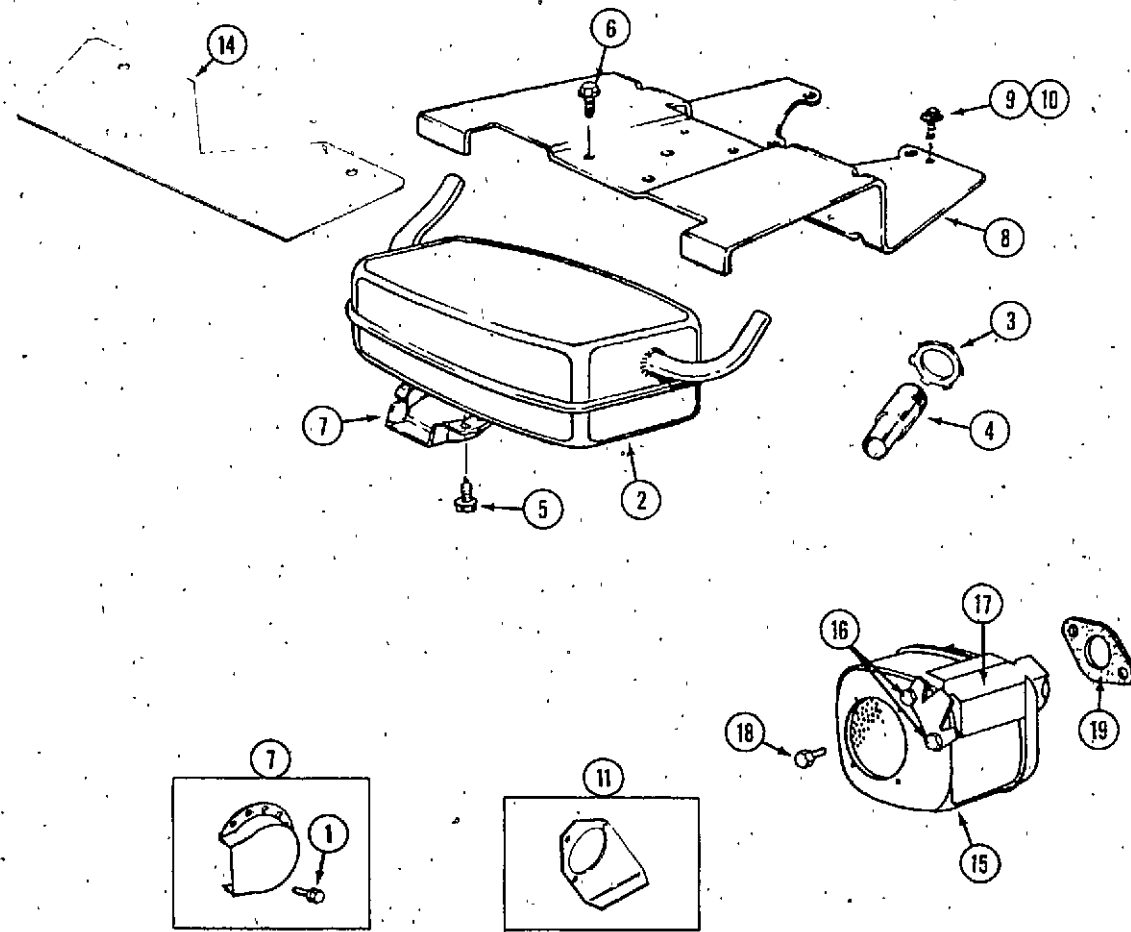


AIR CLEANER (1014, 1016)

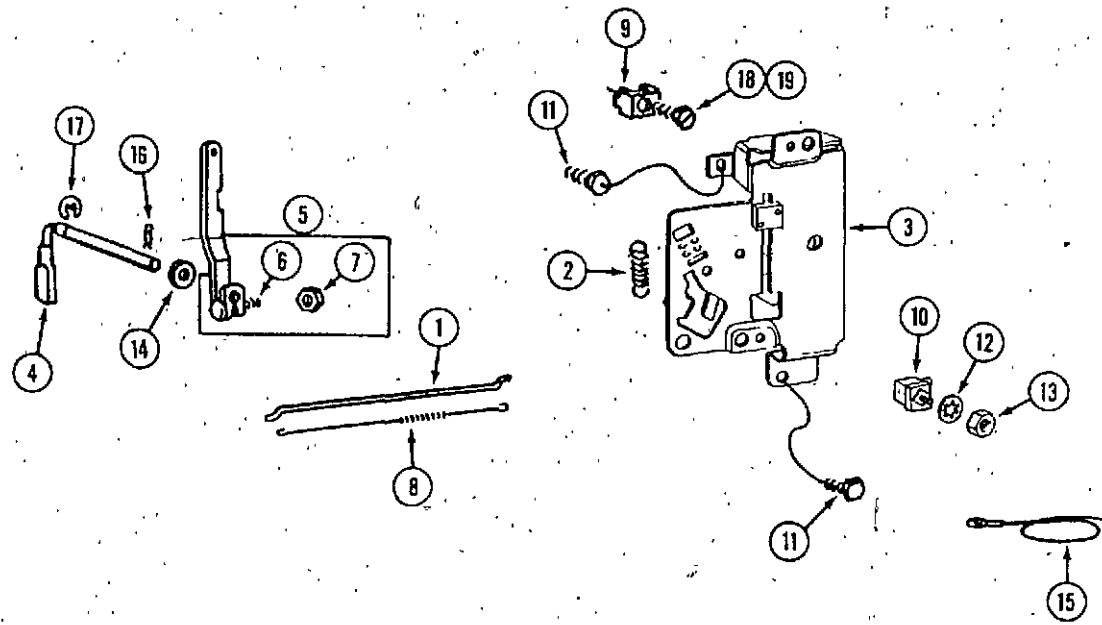
REF.	PART NO.	DESCRIPTION	REQ'D
1	C 27390	HOUSING - air cleaner	1
2	129- 101	NUT - 1/4" hex	1
3	169- 137	SCREW - No. 10 - 24 x 5/8"	2
4	C 27404	ELEMENT - air cleaner	1
5	C 29854	KNOB - cover, air cleaner	1
6	C 29855	PRECLEANER	1
7	C 27408	WASHER - element plate	1
8	C 29856	COVER - air cleaner	1
9	C 27411	PLATE - element	1
10	C 27417	BRACKET - mounting	1

MUFFLER

REF.	PART NO.	DESCRIPTION	REQ'D
1	187- 1041	SCREW - deflector	3
2	C 27353	MUFFLER - exhaust (1014, 1016)	1
3	C 27354	NUT - lock, muffler (1014, 1016)	2
4	C 27367	CONNECTOR - muffler (1014, 1016)	2
5	187- 1041	SCREW - No. 8 - 32 x 3/8" (1014, 1016)	4
6	113- 2	BOLT - 1/4" - 20 x 5/8" (1014, 1016)	4
7	C 27364	DEFLECTOR - exhaust	1
8	C 27366	BRACKET - muffler (1014, 1016)	1
9	22- 48	SCREW - 1/4" - 20 x 1/2" (1014, 1016)	UAR
10	192- 19	LOCK WASHER - 1/4" (1014, 1016)	UAR
11	C 29634	DEFLECTOR - exhaust (1012)	1
12	61- 512	SCREW - 5/16" - 18 x 3/4 socket head (1012)	2
13	192- 404	LOCK WASHER - 5/16" (1012)	2
14	C 30286	SHIELD - carburetor (1014, 1016)	1
15	C 31350	MUFFLER - exhaust (1012)	1
16	C 29848	BOLT - mounting (1012)	2
17	C 29849	SHIELD - muffler (1012)	1
18	NSS	SCREW - mounting (use 22-412, and 195-18) (1012)	1
19	C 26507	GASKET - exhaust (1012)	1

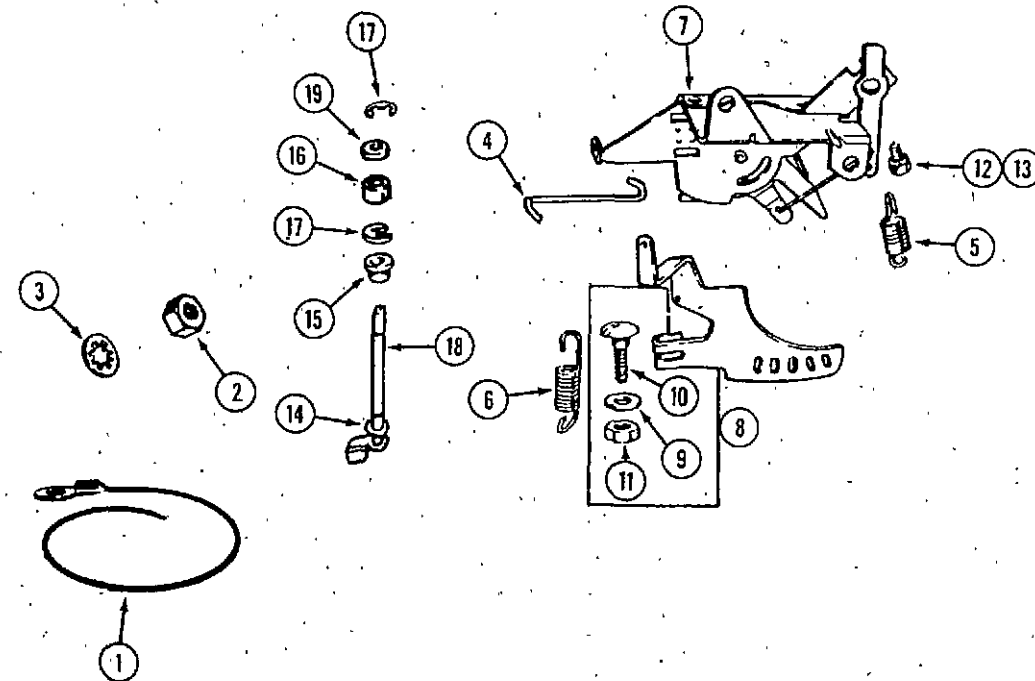


GOVERNOR (1012)



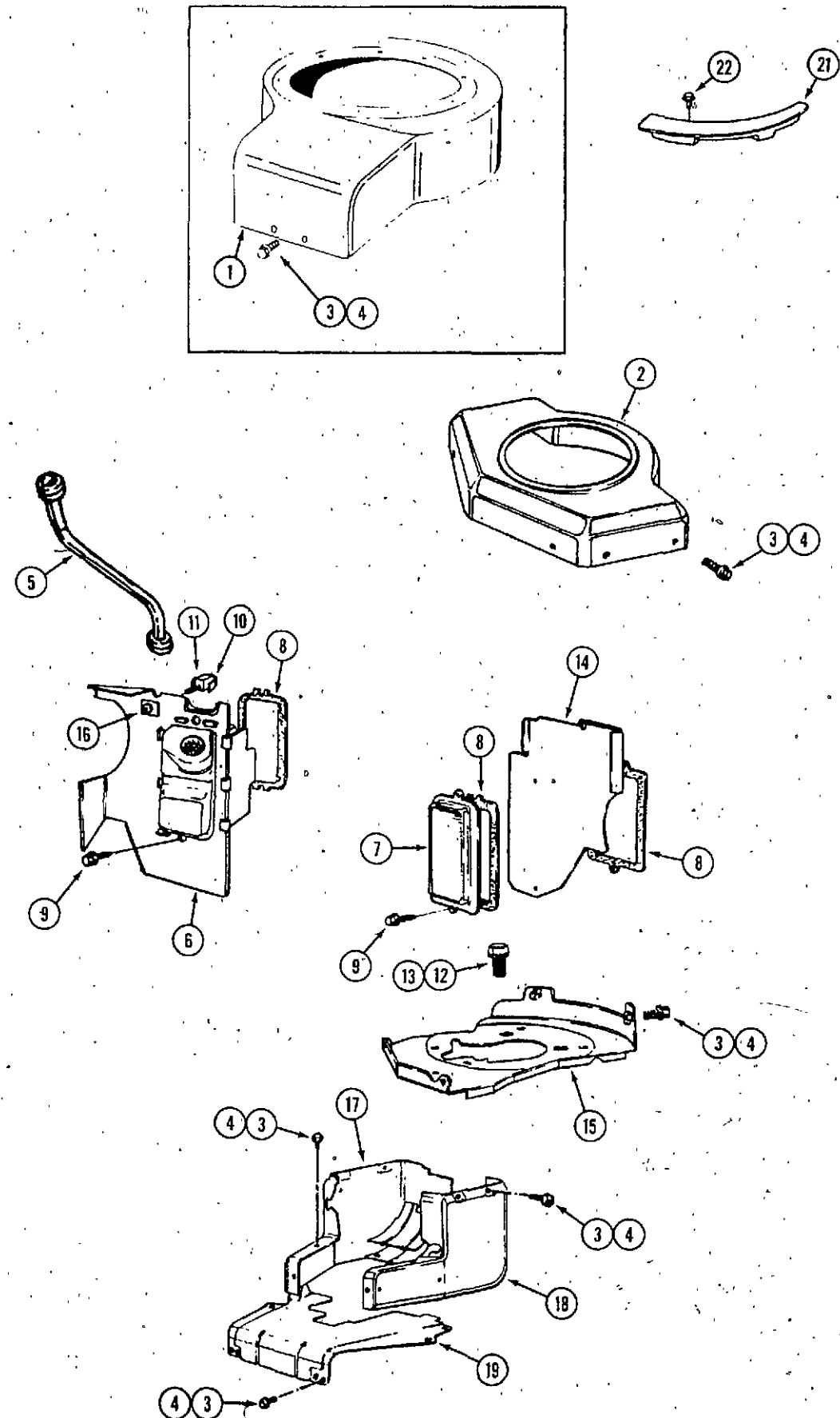
REF.	PART NO.	DESCRIPTION	REQ'D
1	C 29846	LINK - governor	1
2	BR 261129	SPRING - governor	1
3	C 30449	BRACKET - governor	1
4	BR 231058	CRANK - governor	1
5	BR 391733	LEVER ASSEMBLY	1
6	11- 312	BOLT - lever	1
7	129- 7	NUT - No. 10-24	1
8	BR 260584	SPRING - governor link	1
9	BR 221535	CLAMP - casing	1
10	C 29794	INSULATOR ASSEMBLY	1
11	187- 1510	SCREW - mounting	1
12	193- 25	LOCK WASHER	2
13	129- 6	NUT - No. 8-32	1
14	BR 222450	WASHER - governor crank	1
15	C 29796	WIRE - ground	1
16	136- 103	PIN - cotter hair pin	1
17	C 28643	RETAINER - "E" ring	1
18	163- 4	SCREW	1
19	192- 3	WASHER	1

GOVERNOR (1014, 1016)

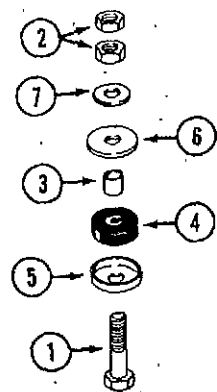
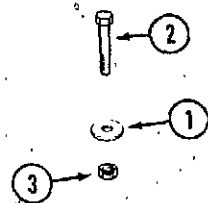


1	BR 299500	WIRE - ground	1
2	129- 6	NUT - No. 8-32	1
3	193- 25	LOCK WASHER - No. 8	1
4	C 27391	LINK - governor	1
5	C 27395	SPRING - governor	1
6	C 27396	SPRING - governor idle	1
7	C 27397	BRACKET - governor	1
8	C 27398	LEVER ASSEMBLY - governor	1
9	195- 518	WASHER - 1/4"	1
10	111- 420	BOLT - 1/4" - 20 x 1-1/4"	1
11	129- 101	NUT - 1/4" hex	1
12	22- 48	SCREW - 1/4" - 20 x 1/2"	2
13	192- 19	LOCK WASHER - 1/4"	2
14	C 27332	WASHER - governor crank, inside	1
15	C 27340	BUSHING - governor crank	1
16	C 27341	BUSHING - governor crank	1
17	C 14652	RETAINER - "E" ring	2
18	C 27343	CRANK - governor	1
19	C 27344	SEAL - foam	1

BLOWER HOUSING, ENGINE AIR Baffles AND BREATHER COVERS



REF.	PART NO.	DESCRIPTION	REQ'D
1	C 30437	HOUSING - blower (1012)	1
2	C 27355	HOUSING - blower (1014, 1016)	1
3	NSS	SCREW - 1/4" - 20 x 1/2" self-tap (use 22-48 and 192-19)	UAR
5	C 27309	TUBE - breather (1014, 1016)	1
6	C 27348	BREATHER ASSEMBLY - R.H. (1014, 1016)	1
7	C 27349	COVER - breather L.H. (1014, 1016)	1
8	C 27350	GASKET - valve cover (1014, 1016)	2
9	187- 1508	SCREW - No. 10 - 24 x 1/2"	4
10	C 27359	TERMINAL - (1014, 1016)	1
11	C 27360	GROMMET - insulator (1014, 1016)	1
12	113- 101	BOLT - 5/16" - 18 x 1/2"	4
13	92- 5	WASHER - 5/16"	4
14	C 27362	BAFFLE - L.H. rear, air (1014, 1016)	1
15	C 27363	PLATE - back (1014, 1016)	1
16	129- 16	NUT - No. 8-32	2
17	C 27368	BLAFFLE - cylinder R.H. (1014, 1016)	1
18	C 27369	BAFFLE - cylinder L.H. (1014, 1016)	1
19	C 27370	PLATE - top (1014, 1016)	1
21	C 30446	GUARD - flywheel (1012)	1
22	187- 1041	SCREW	2



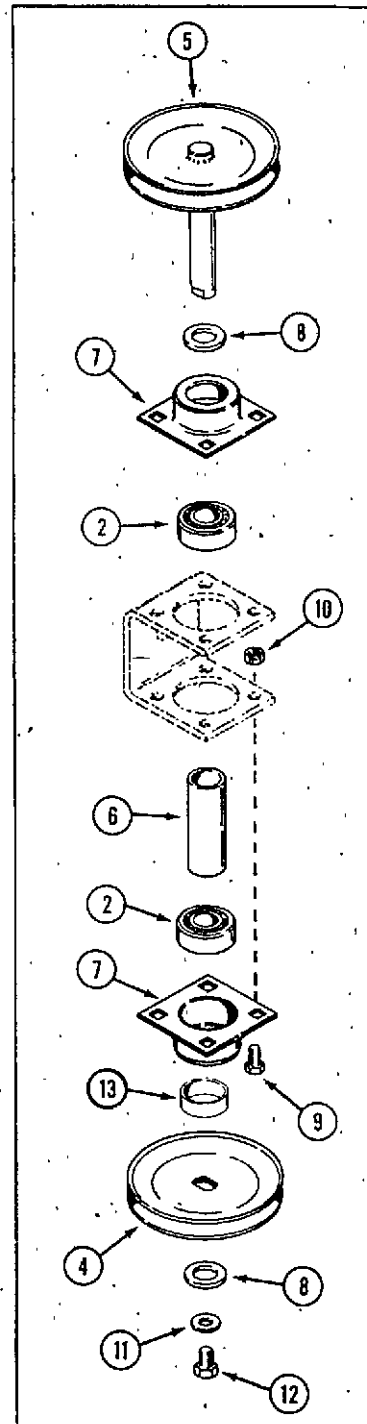
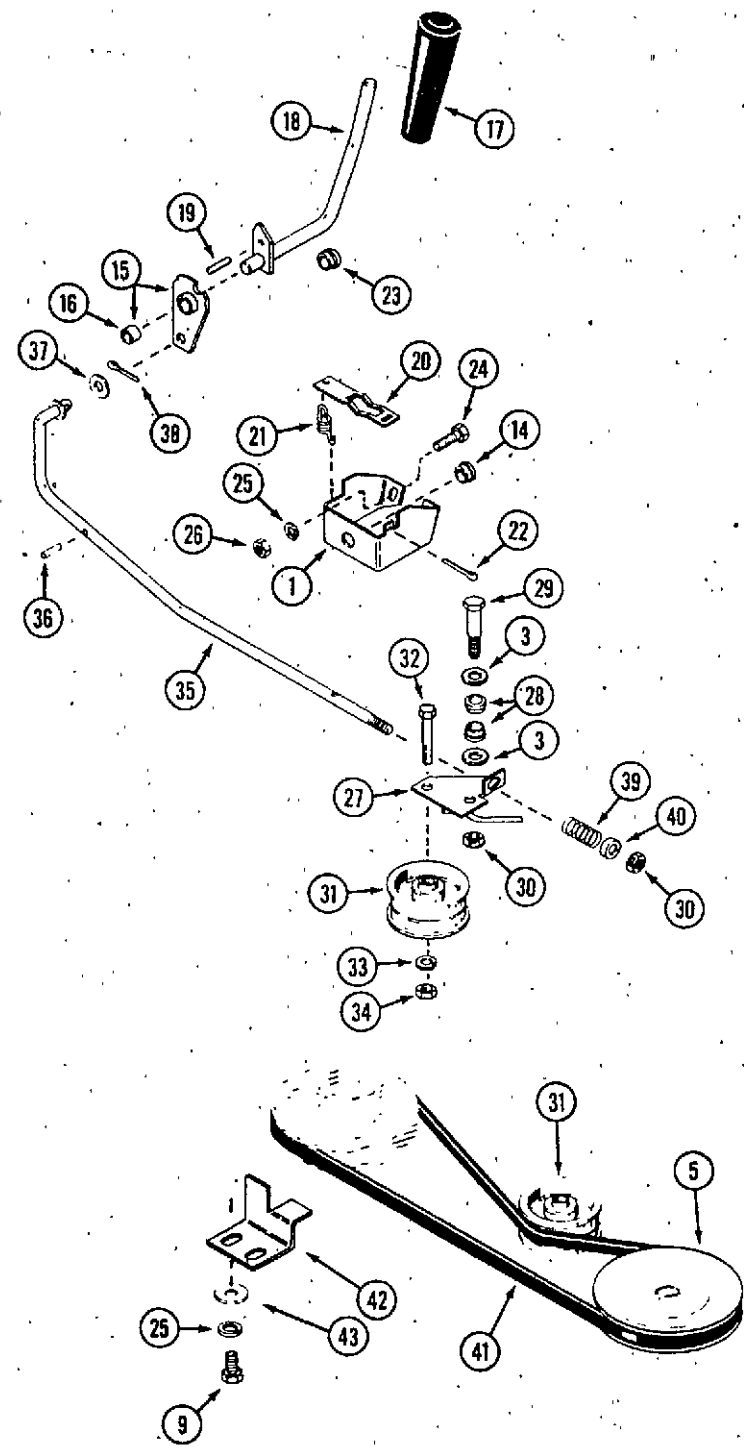
ENGINE MOUNTS
(1014, 1016)

REF.	PART NO.	DESCRIPTION	REQ'D
1	195- 2175	WASHER - flat.....	4
2	113- 122	BOLT - 5/16" - 18 x 1-1/2".....	4
3	131- 69	NUT - 5/16" lock.....	4

ENGINE MOUNT KIT*
(1012)

1	113- 121	BOLT - 5/16" - 18 x 2".....	4
2	129- 102	NUT - 5/16" - 18.....	8
3	C 30510	SPACER - sleeve.....	4
4	C 30508	WASHER - rubber.....	4
5	C 30509	CUP retaining.....	4
6	195- 2175	WASHER - 5/16".....	4
7	195- 521	WASHER - 5/16".....	4

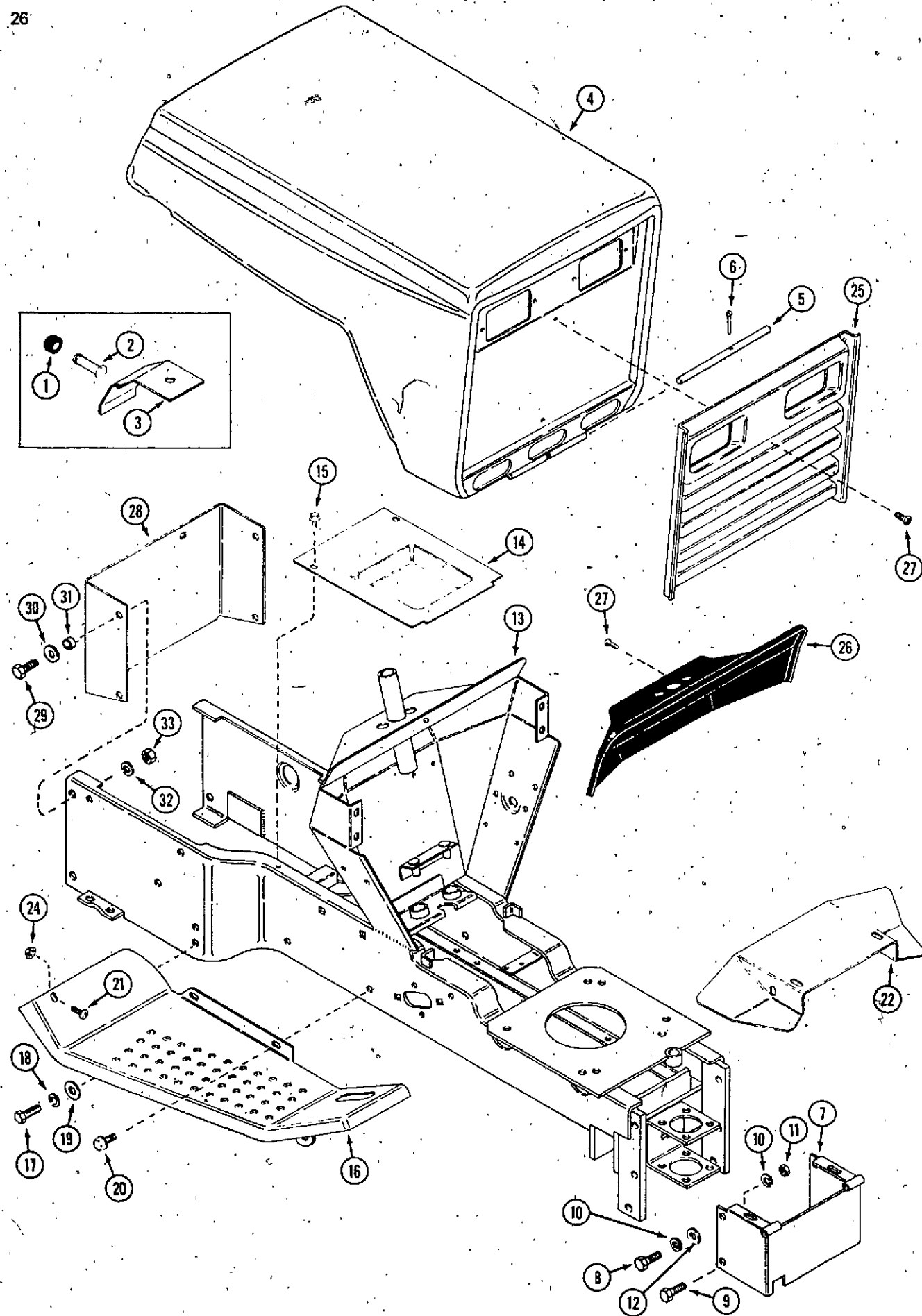
*Order C30507 to get 4 complete mounts



MODEL 1012, 1014 AND 1016 COMPACT TRACTORS
ATTACHMENT DRIVE POWER TAKE OFF (PTO)

REF.	PART NO.	DESCRIPTION	REQ'D
1	C 31009*	BRACKET - support (shown)	1
1	C 31437**	BRACKET - support	1
2	C 28971	BEARING	2
3	195- 533	WASHER - 1/2"	2
4	C 15083	PULLEY - bottom	1
5	C 30475	PULLEY - top	1
6	C 25233	SPACER - bearing	1
7	C 23818	FLANGETTE	2
8	C 12975	WASHER	3
9	113- 102	BOLT - 5/16" - 18 x 3/4"	9
10	131- 176	NUT - 5/16" - 18 lock	8
11	C 28263	WASHER - 3/8"	1
12	113- 205	BOLT - 3/8" - 18 x 5/8"	1
13	C 30477	SPACER - pulley	1
14	C 25229	BUSHING - flange	1
15	C 29326	ARM ASSEMBLY - PTO	1
16	C 17597	BUSHING - sleeve	1
17	C 29046	HANDLE - PTO lever	1
18	C 29252	LEVER - PTO	1
19	138- 2071	PIN - spirol 3/16" x 15/16"	1
20	C 29316	BAR - latch	1
21	C 29172	SPRING - extension	1
22	132- 320	PIN - cotter 3/32" x 3/4"	1
23	C 27593	BUSHING - flip - lock	1
24	111- 102	BOLT - 5/16" - 18 x 3/4"	2
25	192- 20	LOCKWASHER - 5/16"	3
26	129- 102	NUT - 5/16" - 18	2
27	C 30873	ARM - idler	1
28	C 17597	BUSHING - flange (press into hub on engine plate)	2
29	C 16745	BOLT - shoulder	1
30	131- 1181	NUT - 3/8" lock	2
31	C 23535	PULLEY - idler	1
32	113- 209	BOLT - 3/8" - 16 x 1-1/2"	1
33	192- 21	LOCK WASHER - 3/8"	1
34	129- 103	NUT - 3/8" - 16	1
35	C 30769	ROD - PTO	1
36	138- 57	PIN - roll 1/8" x 3/4"	1
37	195- 525	WASHER - 3/8"	1
38	132- 332	PIN - cotter 3/32" x 1"	1
39	C 27822	SPRING - compression	1
40	C 17066	WASHER - cup	1
41	C 31215	BELT - PTO	1
42	C 26345	KEEPER - belt	1
43	195- 521	WASHER - 5/16"	1

*Use Before S/N:
**Use S/N and after:
1012 - 14103745
1014 - 14105564
1016 - 14116701

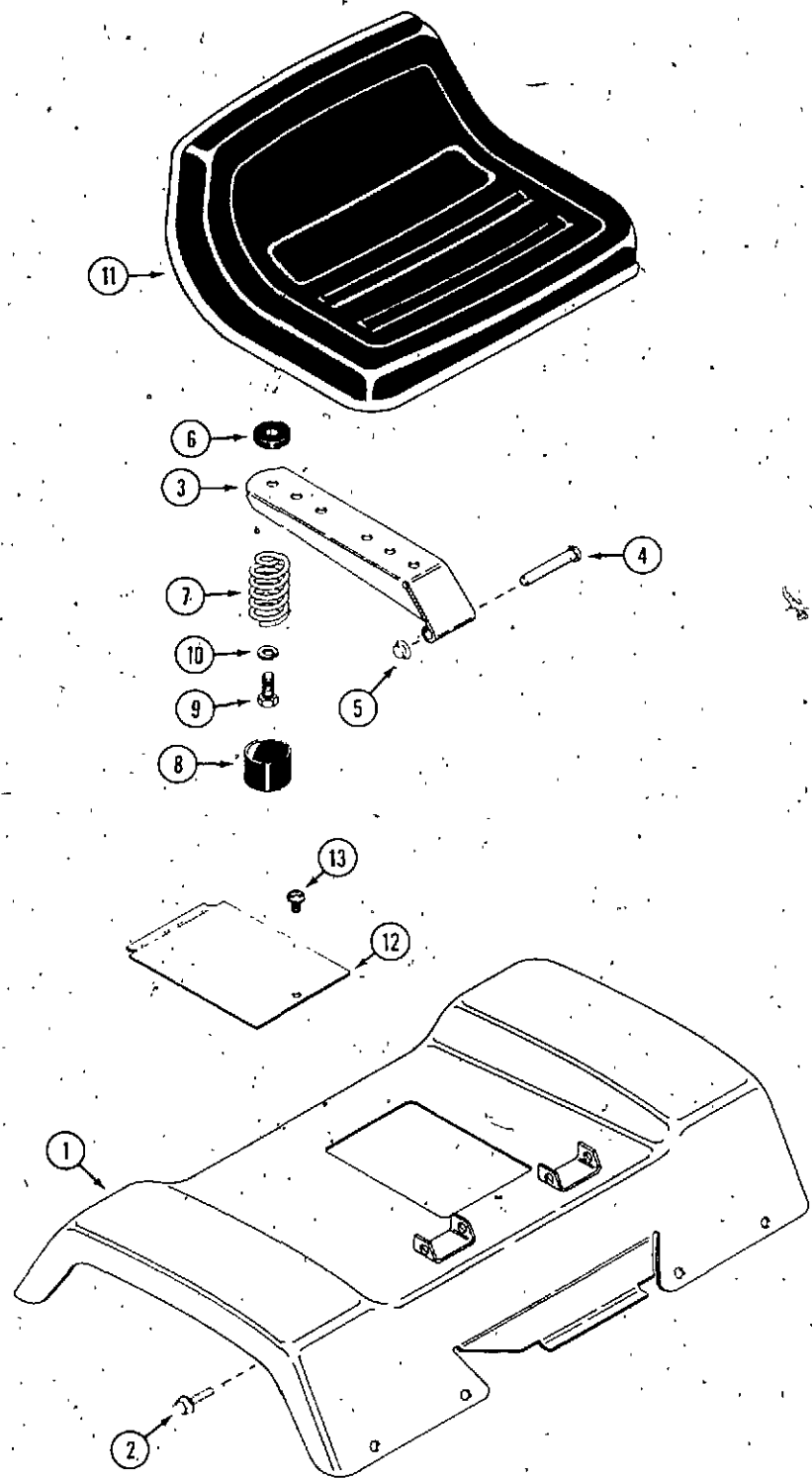


HOOD, FRAME AND ATTACHING PARTS

REF.	PART NO.	DESCRIPTION	REQ'D
1	C 29314	BUTTON - push, hood release	1
2	C 29315	ROD - push, hood release	1
3	C 29323	LATCH - hood	1
4	C 30292	HOOD	1
5	C 16362	ROD - hinge	1
6	132- 334	PIN - cotter 1/8" x 3/4"	1
7	C 29240	COVER - PTO	1
8	113- 205	BOLT - 3/8" - 16 x 5/8"	2
9	113- 207	BOLT - 3/8" - 16 x 1"	2
10	192- 21	LOCK WASHER - 3/8"	4
11	129- 103	NUT - 3/8" - 16	2
12	195- 522	WASHER - 3/8"	2
13	C 31135	FRAME - main	1
14	C 29064	TRAY - center	1
15	187- 1036	SCREW - 1/4" - 20	2
16	C 29203	FOOT REST - R.H. (shown)	1
16	C 29204	FOOT REST - L.H.	1
17	113- 103	BOLT - 5/16" - 18 x 1"	4
18	192- 20	LOCK WASHER - 5/16"	4
19	195- 521	WASHER - 5/16"	4
20	121- 106	BOLT - 5/16" - 18 x 1/2" flange lock	4
21	182- 547	SCREW - 1/4" - 20 pan head, Phillips	4
22	C 31192	DEFLECTOR - exhaust	1
24	131- 934	NUT - 1/4" - 20 flange lock	1
25	C 30289	GRILLE	1
26	C 30100	CAP - instrument panel (1012)	1
26	C 30101	CAP - instrument panel (1014, 1016)	1
27	187- 1334	SCREW	4
28	C 30689	DRAWBAR	1
29	113- 221	BOLT - 3/8" - 16 x 7/8"	4
30	195- 525	WASHER - 3/8" (top holes only)	2
31	C 14768	SPACER - mounting (top holes only)	2
32	192- 21	LOCK WASHER - 3/8"	4
33	129- 103	NUT - 3/8" - 16	4

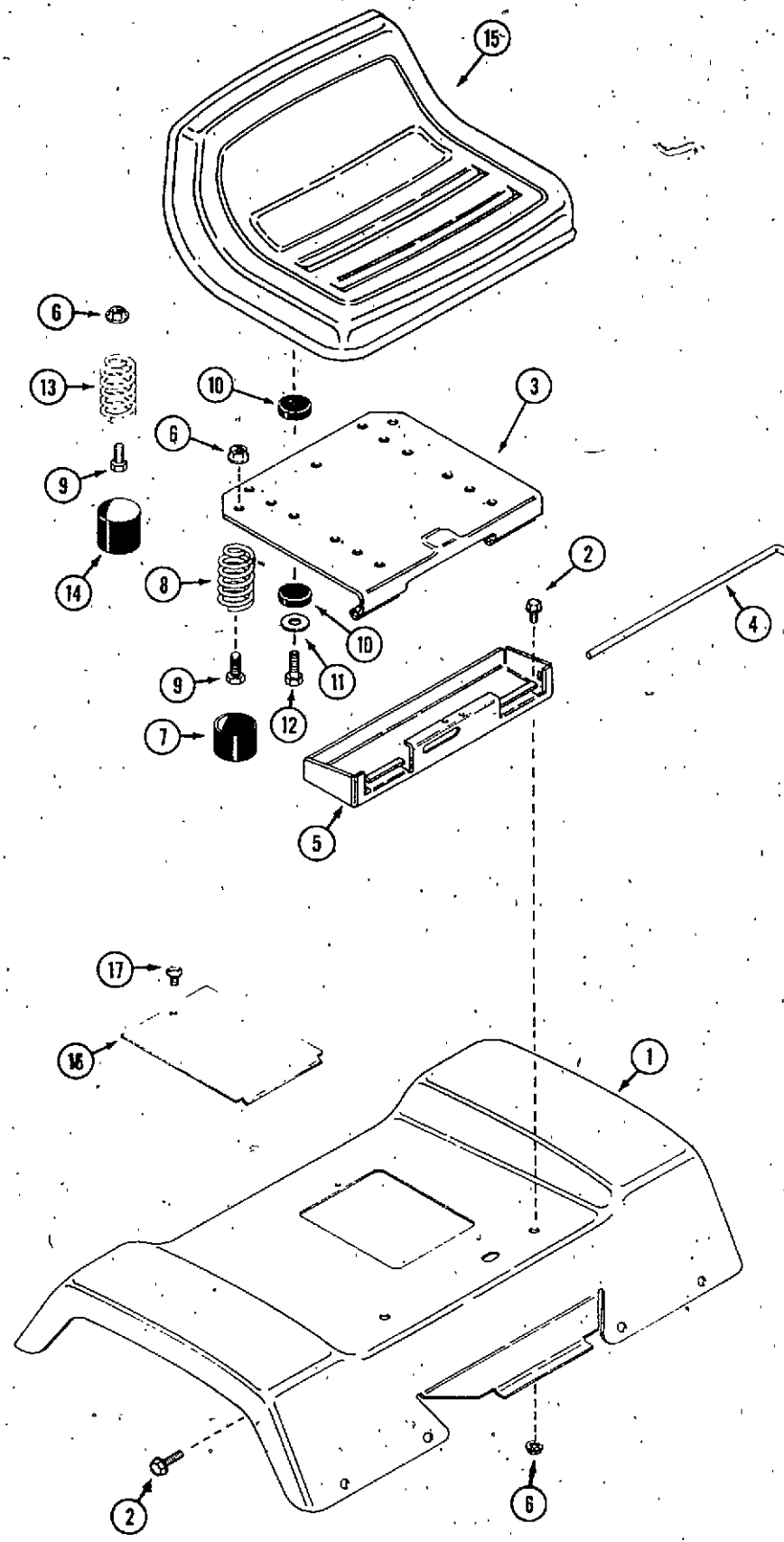
SEAT AND FENDERS

Use before PIN:
1012-14103745
1014-14105556



REF.	PART NO.	DESCRIPTION	REQ'D
1	NSS*	FENDERS AND SUPPORT	1
2	121- 106	BOLT - 5/16" - 18 x 1/2" flange lock	4
3	C 29197	HINGE - seat R.H. (shown)	1
3	C 29196	HINGE - seat L.H.	1
4	C 29173	PIN - hinge	2
5	C 29174	RETAINER - pin	2
6	C 15410	CUSHION - rubber	4
7	C 29192	SPRING - seat	2
8	C 29193	CAP - spring	2
9	113- 103	BOLT - seat front 5/16" - 18 x 1"	2
9	113- 104	BOLT - seat back 5/16" - 18 x 1-1/4" (shown)	2
10	192- 20	LOCK WASHER - 5/16"	4
11	C 30071	SEAT	1
12	C 30785	COVER - inspection	1
13	187- 1036	SCREW - 1/4" x 1/2" self tap	1

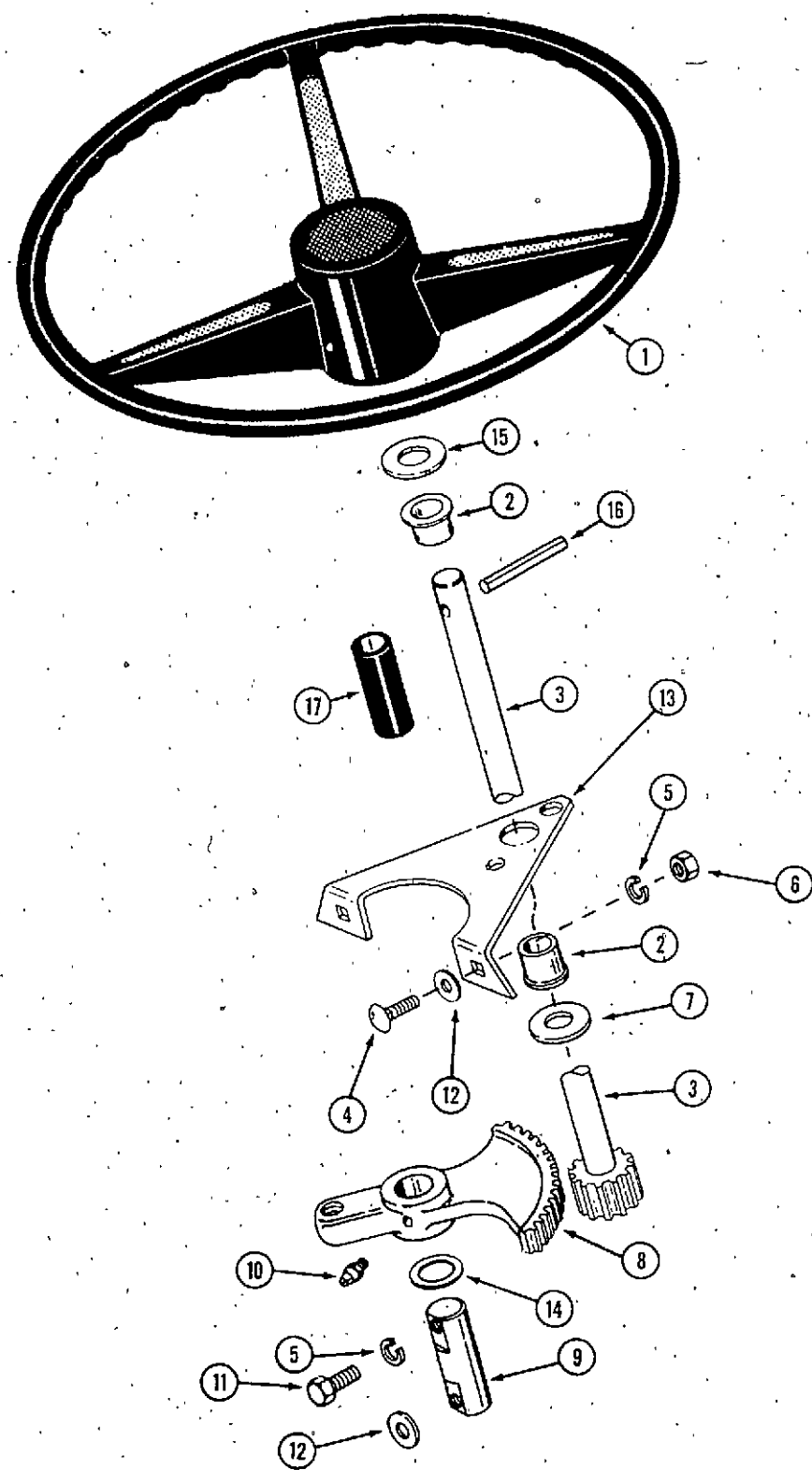
*Use C31031, C31005, C16429, C31004, C30785 and hardware



SEAT AND FENDERS

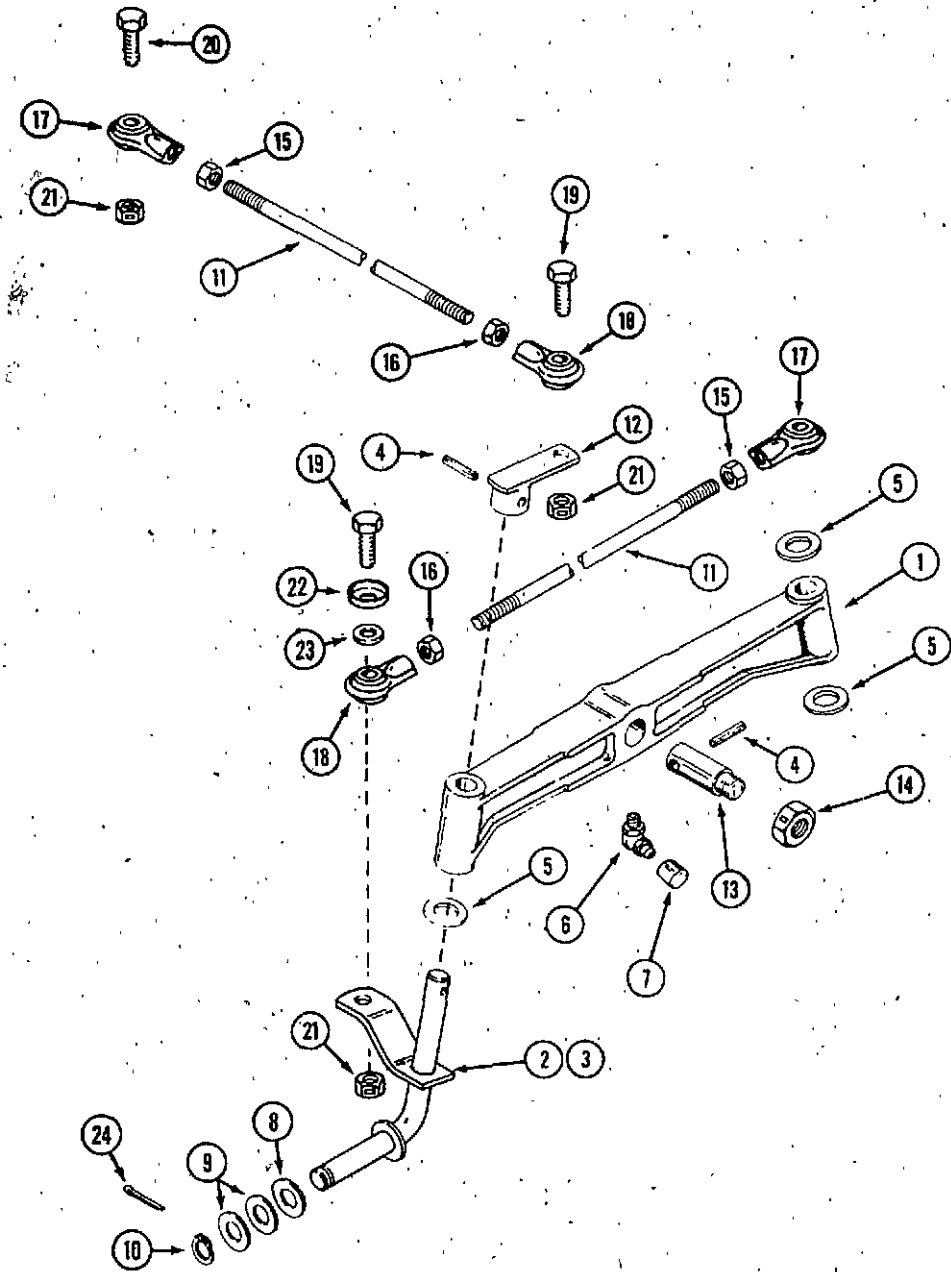
Use PIN and after:
 1012-14103745
 1014-14105556
 1016-14116701

REF.	PART NO.	DESCRIPTION	REQ'D
1	C 31031	FENDERS AND SUPPORT	1
2	121- 106	BOLT - 5/16" - 18 x 1/2" flange lock	6
3	C 31005	HINGE - seat	1
4	C 16429	PIN - seat hinge	1
5	C 31004	TRAY - tool	1
6	131- 911	NUT - 5/16" - 18 flange lock	5
7	C 29305	CAP - spring	2
8	C 29306	SPRING - seat	2
9	113- 102	BOLT - 5/16" - 18 x 3/4"	3
10	C 15410	CUSHION - rubber	8
11	195- 2175	WASHER - 5/16" x 1-1/4"	4
12	113- 122	BOLT - 5/16" - 18 x 1-1/2"	4
13	C 31006	SPRING - actuating, seat switch	1
14	C 26526	CAP - actuating spring	1
15	C 30071	SEAT	1
16	C 30785	COVER - inspection	1
17	187- 1036	SCREW - 1/4" x 1/2" self-tap	1



STEERING GEAR

REF.	PART NO.	DESCRIPTION	REQ'D
1	C 26325	WHEEL - steering	1
2	C 15096	BUSHING - flanged nylon	2
3	C 29181	SHAFT - steering	1
4	111- 202	BOLT - 5/16" x 3/4" NC, ZP carriage	2
5	192- 20	LOCK WASHER - 5/16" ZP	4
6	129- 102	NUT - 5/16" NC hex, ZP	2
7	195- 2069	WASHER - 5/8" plain, ZP	1
8	C 26039	GEAR - steering	1
9	C 15105	PIVOT - steering gear	1
10	219- 17	FITTING - lube	1
11	113- 103	BOLT - 5/16" x 1" NC hex, ZP	2
12	195- 521	WASHER - 5/16", plain, ZP	1
13	C 27045	BRACKET - steering	UAR
14	C 14201	WASHER - shim	1
15	195- 541	WASHER - 5/8"	UAR
16	138- 143	PIN - roll 1/4" x 2-1/4"	1
17	C 29168	SLEEVE - steering shaft	1

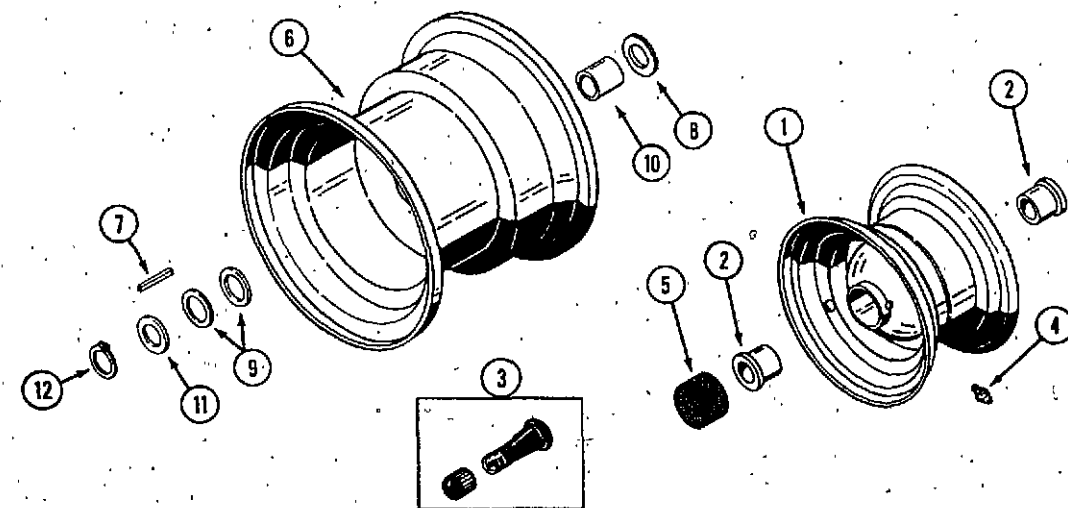


FRONT AXLE

REF.	PART NO.	DESCRIPTION	REQ'D
1	C 15066	AXLE - front	1
2	C 26371	SPINDLE - R.H. (shown)	1
3	C 26034	SPINDLE - L.H.	1
4	138- 2040	PIN - spirol 1/4" x 1-1/2"	2
5	C 11906	WASHER - thrust 13/16"	3
6	219- 404	FITTING - lube	3
7	C 13106	COVER - lube fitting	3
8	C 27597	WASHER - spindle	2
9	C 28226	WASHER - wheel spacer	4
10	C 28232	RING - retaining	2
11	C 26051	ROD - tie and drag link	2
12	C 26370	ARM - upper spindle	1
13	C 18626	PIN - axle pivot	1
14	131- 1331	NUT - lock 3/4" N.C. hex	1
15	129- 163	NUT - lock 3/8" - 24 hex	2
16	129- 289	NUT - lock 3/8" - 24 hex L.H. thread	2
17	C 26332	BALL JOINT - R.H. thread	2
18	C 26333	BALL JOINT - L.H. thread	2
19	13- 624	BOLT - 3/8" x 1-1/2"	3
20	13- 628	BOLT - 3/8" x 1-3/4"	1
21	131- 1181	NUT - lock 3/8" - 16	4
22	C 17066	WASHER - 3/8" x 5/8" cupped	2
23	C 30155	WASHER - 3/8" x 5/8" spacer	2
24	132- 311	PIN - cotter 5/32" x 1-1/4"	2

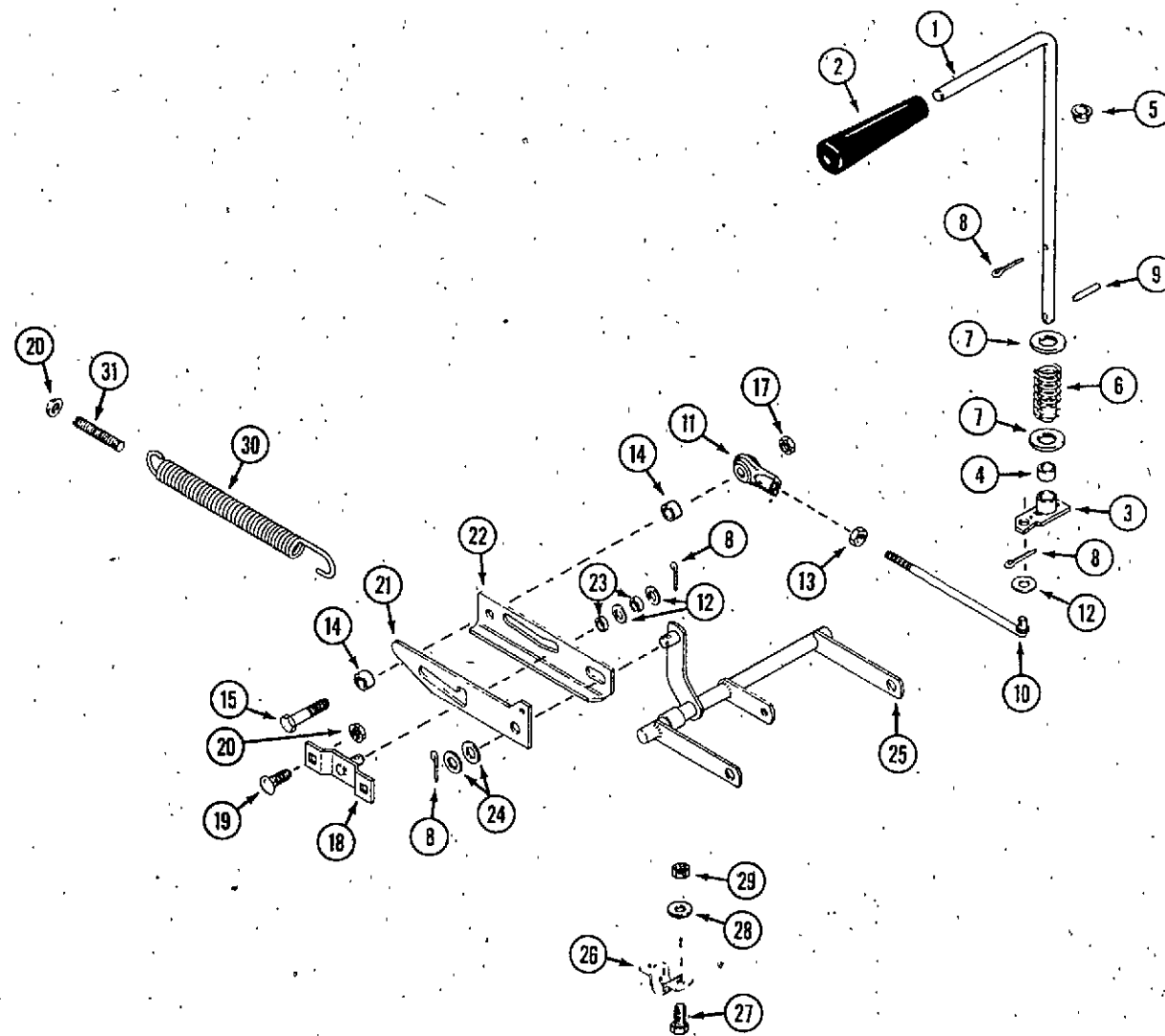
FRONT AND REAR WHEELS

1	C 30781	WHEEL - front (includes bearings)	2
2	C 24503	BEARING - bushing	2
3	C 10442	STEM - valve	2
4	219- 10	FITTING - lube	2
5	C 26526	CAP - hub	4
6	C 30780	WHEEL - rear	2
7	C 11796	KEY - 3/16" x 3/16" x 2"	2
8	195- 545	WASHER - 3/4"	2
9	C 28226	WASHER - spacer .03" thick	4
10	C 30555	SPACER - sleeve	2
11	C 28972	WASHER - spacer	2
12	C 27739	RING - retaining	2

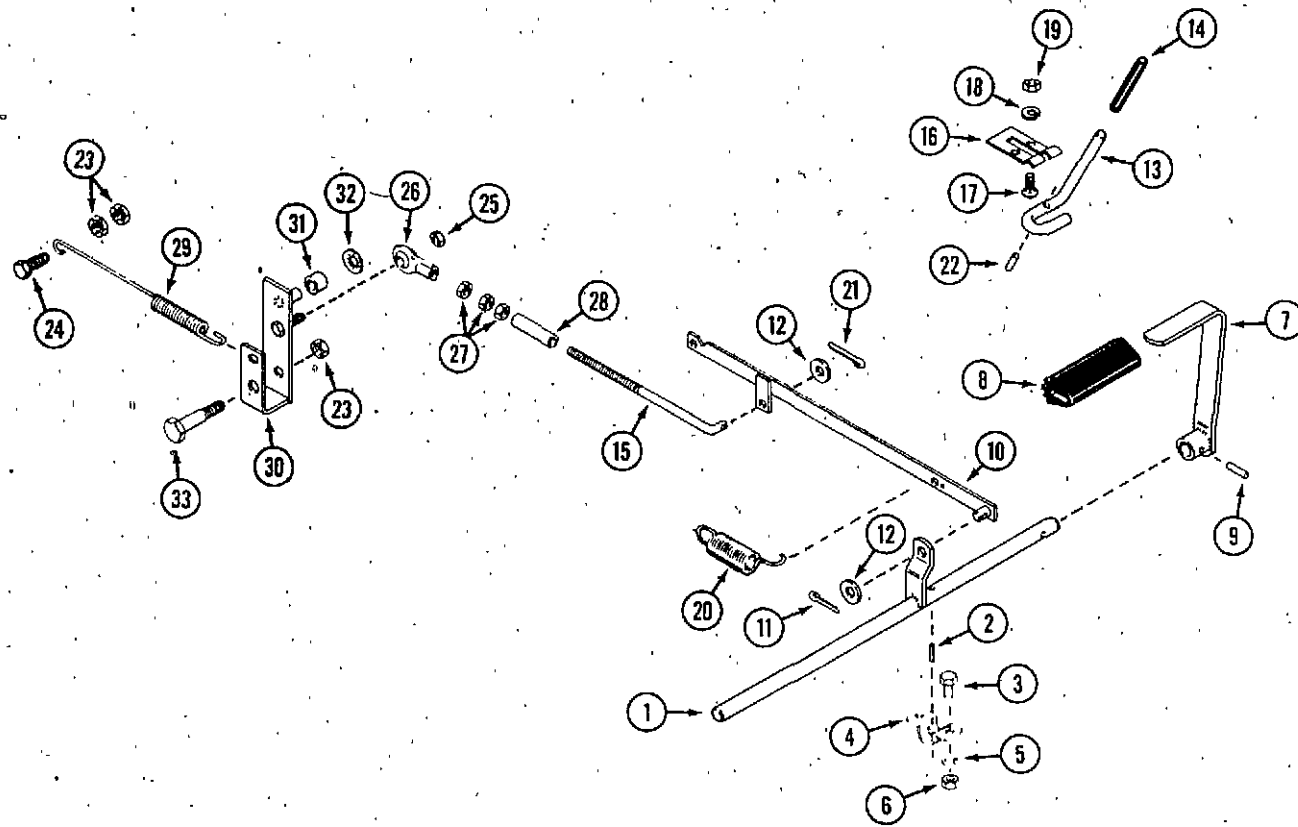


LIFT CONTROL

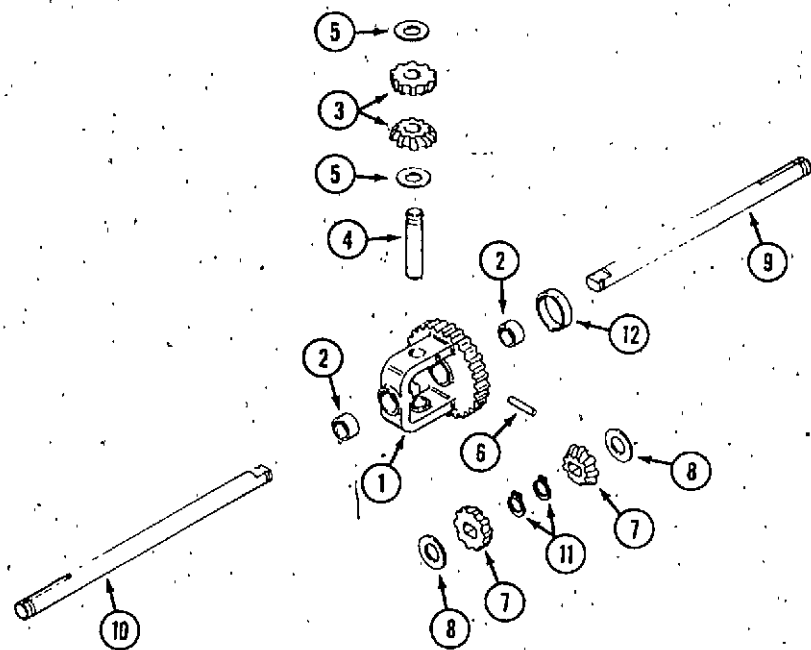
REF.	PART NO.	DESCRIPTION	REQ'D
1	C 30674	LEVER - lift	1
2	C 29045	HANDLE - lift lever	1
3	C 30157	ARM - lift	1
4	C 29706	BUSHING - sleeve	1
5	C 27593	BUSHING - flip lock	1
6	C 27822	SPRING - compression	1
7	195- 533	WASHER - 1/2"	2
8	132- 310	PIN - cotter 1/8" x 1"	4
9	138- 2071	PIN - spiral	1
10	C 30675	ROD - lift	1
11	C 26332	BALL JOINT	1
12	C 25556	WASHER 3/8"	2
13	129- 163	NUT - 3/8" - 24	1
14	C 16573	SPACER - sleeve	1
15	113- 219	BOLT - 3/8" - 16 x 2"	1
16	195- 522	WASHER - 3/8"	6
17	131- 1181	NUT - 3/8" - 16 lock	1
18	C 30676	BRACKET - anchor	1
19	111- 229	BOLT - 5/16" - 18 x 1/2" carriage	2
20	131- 911	NUT - 5/16" - 18 flange lock	2
21	C 30679	BAR - lift link	1
22	C 30680	BAR - lift latch	1
23	C 30681	SPACER - roller	2
24	C 24377	WASHER - 1/2"	2
25	C 30682	SHAFT - lift	1
26	C 15156	BRACKET - saddle	2
27	113- 102	BOLT - 5/16" - 18 x 3/4"	4
28	192- 20	WASHER - 5/16"	4
29	129- 102	NUT - 5/16" - 18 lock	4
30	C 30836	SPRING - tension	1
31	C 30684	ROD - spring adjust	1



BRAKE LINKAGE



1	C	30669	SHAFT - brake	1
2	138-	92	PIN - roll 3/16" x 3/4"	1
3	113-	102	BOLT - 5/16" - 18 x 3/4"	4
4	C	15156	BRACKET - saddle	2
5	192-	20	LOCK WASHER - 5/16"	4
6	129-	102	NUT - 5/16" - 18	4
7	C	29249	PEDAL - brake	1
8	C	24345	PAD - brake pedal	1
9	138-	2071	PIN - spiral 3/16" x 15/16"	1
10	C	30671	LINK - clutch and brake	1
11	132-	6	PIN - cotter 3/32" x 5/8"	1
12	195-	521	WASHER - 1/4"	2
13	C	29207	LEVER - parking brake	1
14	C	29178	HANDLE - lever	1
15	C	30652	ROD - brake	1
16	C	29177	BRACKET - retaining	1
17	111-	108	BOLT - 1/4" - 20 x 3/4" carriage	2
18	192-	19	LOCK WASHER - 1/4"	2
19	129-	101	NUT - 1/4" - 20	2
20	C	29917	SPRING - extension	1
21	132-	329	PIN - cotter 1/16" x 3/4"	1
22	138-	51	PIN - roll 1/8" x 3/8"	1
23	131-	1181	NUT - 3/8" - 16 lock	3
24	113-	207	BOLT - 3/8" - 16 x 1"	1
25	131-	1102	NUT - 1/4" - 20 lock	1
26	C	30615	BALL JOINT - R.H. thread	1
27	129-	121	NUT - 1/4" - 28	3
28	C	25538	SPACER - sleeve	1
29	C	30596	SPRING - extension	1
30	C	30616	ARM - rocker	1
31	C	16573	ROLLER - neutral	1
32	C	30817	NUT - push 3/8"	1
33	C	16745	BOLT - shoulder	1

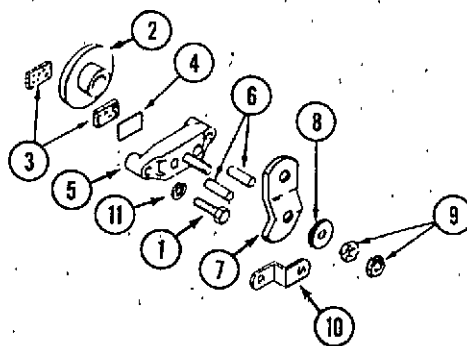


**C30887 GEAR CASE ASSEMBLY
DIFFERENTIAL ASSEMBLY**

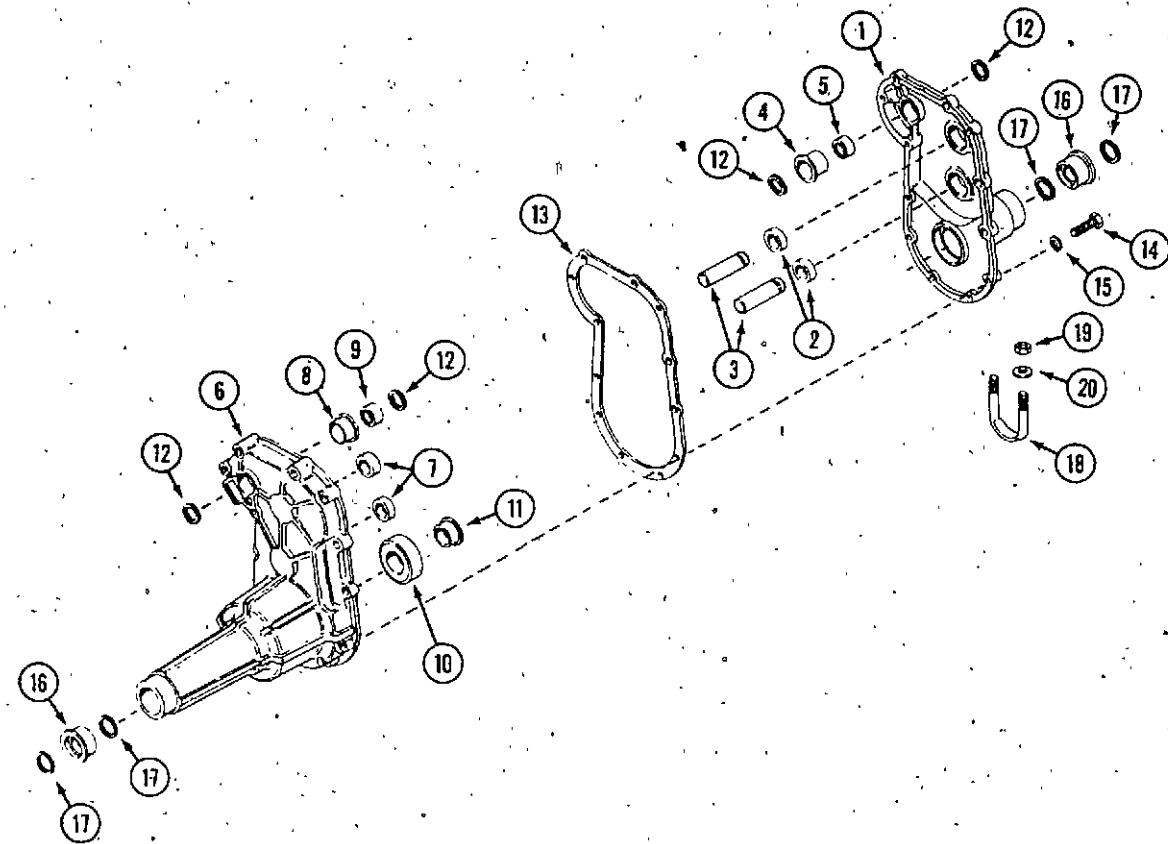
REF.	PART NO.	DESCRIPTION	REQ'D
	C 30589	DIFFERENTIAL ASSEMBLY	1
1	C 26111	HOUSING AND GEAR - differential	1
2	C 21576	BUSHING - sleeve	2
3	C 19310	GEAR - bevel	2
4	C 19311	PIN - drive	11
5	C 19312	WASHER - shim	2
6	138- 97	PIN - roll	1
7	C 19309	GEAR - bevel	2
8	C 11205	WASHER - shim	2
9	C 30592	SHAFT - axle L.H.	1
10	C 30593	SHAFT - axle R.H.	1
11	C 28232	RING - retaining	2
12	C 27566	BUSHING - sleeve (install in L.H. housing)	1

BRAKE

1	113- 17	BOLT - 1/4" - 20 x 1-1/4"	2
2	C 27563	DISK - brake	1
3	C 19353	PAD - brake	2
4	C 19354	PLATE - brake pad	1
5	C 19355	HOLDER - brake pad	1
6	C 28650	PIN - dowel	2
7	C 30595	LEVER - brake	1
8	195- 103	WASHER - 5/16"	1
9	131- 1169	NUT - 5/16" - 24 lock	2
10	C 28821	BRACKET - support	1
11	192- 19	LOCK WASHER - 1/4"	2

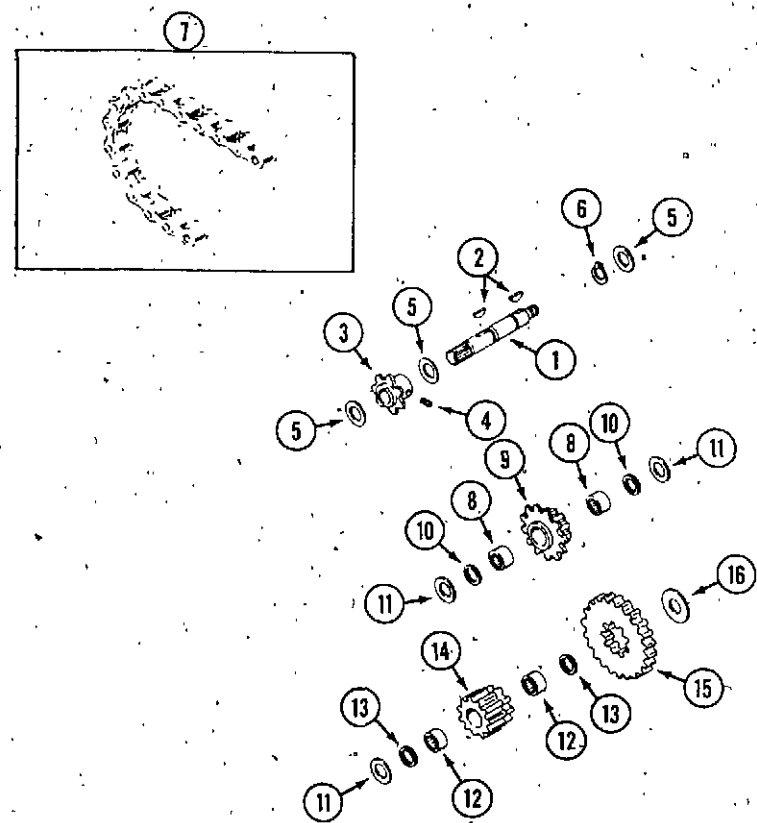


**C30887 GEAR CASE ASSEMBLY
HOUSING ASSEMBLIES**



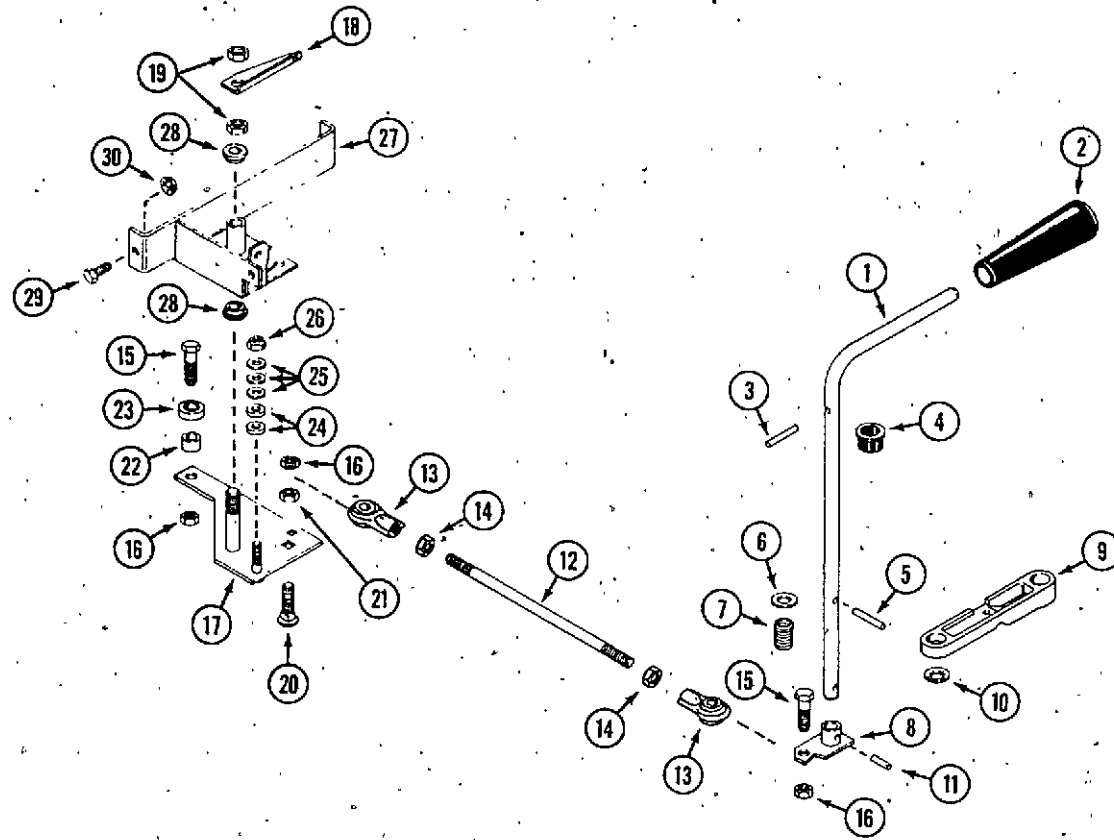
REF.	PART NO.	DESCRIPTION	REQ'D
1	C 30888	HOUSING ASSEMBLY - L.H.	1
2	NSS	HOUSING - L.H.	1
3	C 30564	BUSHING - sleeve	2
4	C 30588	SHAFT - pinion hub	2
5	C 30566	BUSHING - flange	1
6	C 30567	BEARING - needle 5/8"	1
7	C 30889	HOUSING ASSEMBLY - R.H.	1
8	NSS	HOUSING - R.H.	1
9	C 30564	BUSHING - sleeve	2
10	C 30566	BUSHING - flange	1
11	C 30567	BEARING - needle	1
12	C 30930	BUSHING - hub	1
13	C 27565	BUSHING - flange	1
14	C 27570	SEAL - bearing	4
15	C 30570	GASKET - gear case	1
16	113- 17	BOLT - 1/4" - 20 x 1-1/4"	8
17	192- 19	LOCK WASHER - 1/4"	8
18	C 30561	BEARING ASSEMBLY - axle	2
19	C 27581	SEAL - bearing 3/4"	4
20	C 30654	"U" BOLT - axle mount (not included with assembly)	2
	131- 69	NUT - 5/16" - 18 lock	4
	195- 521	WASHER - 5/16"	4

INPUT SHAFT AND PINION GEARS

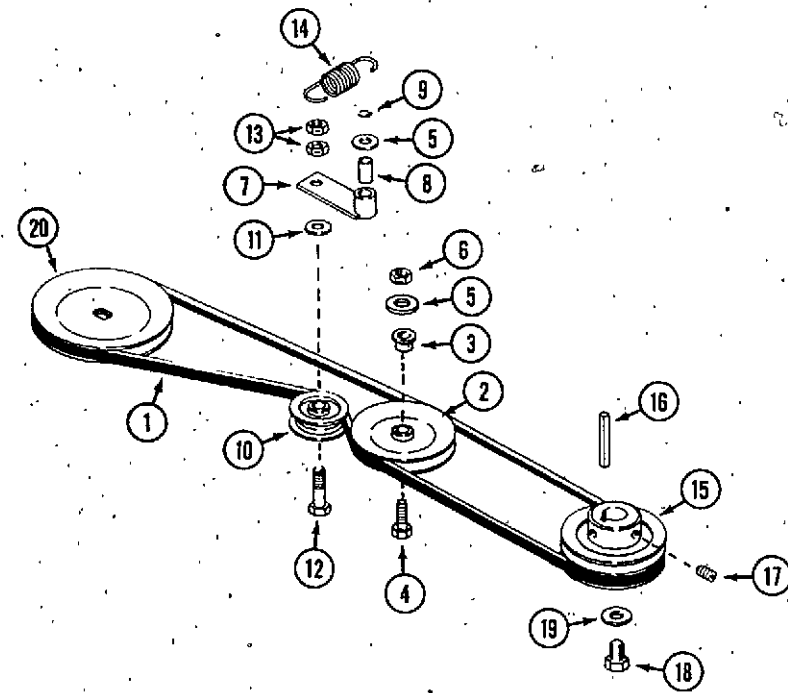


1	C 30575	SHAFT - input	1
2	126- 113	KEY - woodruff 5/8" x 3/16"	2
3	C 30576	SPROCKET - #40 (9 teeth)	1
4	C 31924	SCREW - set, No. 10 - 32 x 5/16"	1
5	C 19345	WASHER - shim 5/8"	3
6	C 30577	RING - retaining	1
7	C 30584	CHAIN - endless, #40, 22 pitches (used internal)	1
8	C 30580	SPROCKET AND GEAR ASSEMBLY - pinion	1
9	C 30567	BEARING - needle 5/8"	2
10	NSS	SPROCKET AND GEAR - pinion	1
11	C 27570	SEAL - bearing 5/8"	2
12	C 19312	WASHER - shim	2
13	C 30585	GEAR ASSEMBLY - pinion	1
14	C 30567	BEARING - needle 5/8"	2
15	C 27570	SEAL - bearing 5/8"	2
16	NSS	GEAR - pinion	1
	C 27562	GEAR	1
	C 30587	WASHER - shim	1

TRAVEL CONTROL

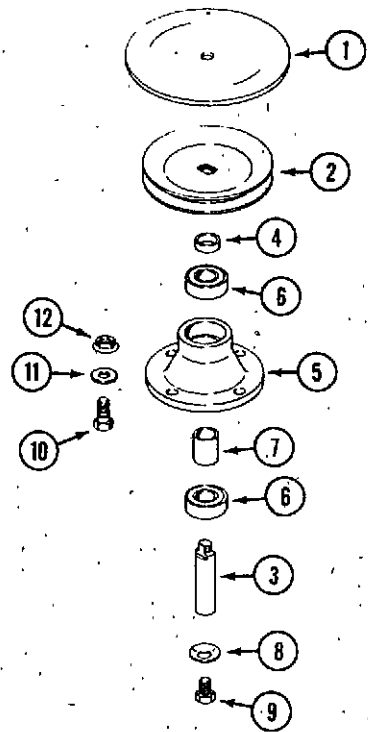


REF.	PART NO.	DESCRIPTION	REQ'D
1	C 30657	LEVER - travel	1
2	C 29047	HANDLE - control	1
3	138- 2072	PIN - roll 1/8" x 1-3/4"	1
4	C 29636	BUSHING - flip lock	1
5	138- 2055	PIN - spiral 3/16" x 1-1/2"	1
6	195- 533	WASHER	1
7	C 27822	SPRING - compression	1
8	C 30824	ARM - travel lever	1
9	C 29651	LOCATOR - neutral	1
10	C 30817	NUT - push 3/8"	2
11	138- 2071	PIN - spiral 3/16" x 15/16"	1
12	C 30660	ROD - travel	1
13	C 26332	BALL JOINT - R.H.	2
14	129- 163	NUT - 3/8" - 24	2
15	113- 208	BOLT - 3/8" - 16 x 1-1/4"	2
16	131- 1181	NUT - 3/8" - 16 lock	3
17	C 30664	ARM - travel control	1
18	C 30825	ARM - cable actuator	1
19	131- 1308	NUT - 1/2" - 13 lock	2
20	111- 330	BOLT - 3/8" 16 x 1-3/4 carriage	1
21	129- 103	NUT - 3/8" - 16	1
22	C 16573	SPACER - sleeve	1
23	C 30668	BEARING - ball 3/8"	1
24	C 31052	WASHER - nylon 5/16"	2
25	195- 521	WASHER - 5/16"	2
26	131- 69	NUT - 5/16" - 18 lock	1
27	C 30892	BRACKET - pivot	1
28	C 24182	BUSHING - flange	2
29	113- 102	BOLT - 5/16" - 18 x 3/4"	3
30	131- 911	NUT - 5/16" - 18 flange lock	3



BELTS, PULLEYS AND IDLERS (DRIVE)

REF.	PART NO.	DESCRIPTION	REQ'D
1	C 30876	BELT - drive, transmission	1
2	C 25370	PULLEY - "V" idler	1
3	C 12264	BUSHING - shoulder	1
4	113- 209	BOLT - 3/8" - 16 x 1-1/2"	1
5	195- 525	WASHER - 3/8"	2
6	131- 1181	NUT - 3/8" - 16 lock	1
7	C 30673	ARM - idler	1
8	C 14978	BUSHING - sleeve	1
9	C 30619	RING - retaining 3/8"	1
10	C 23535	PULLEY - flat idler	1
11	C 29812	WASHER - spacer	1
12	113- 213	BOLT - 3/8" - 16 x 2-1/4"	1
13	131- 1181	NUT - 3/8" - 16 lock	2
14	C 21942	SPRING - tension	1
15	C 30556	PULLEY - drive	1
16	C 28315	KEY - 1/4" square x 2"	1
17	178- 858	SCREW - set	1
18	14- 712	BOLT - 7/16" - 20 x 3/4"	1
19	195- 2029	WASHER - 7/16"	1
20	C 15083	PULLEY - transmission	1



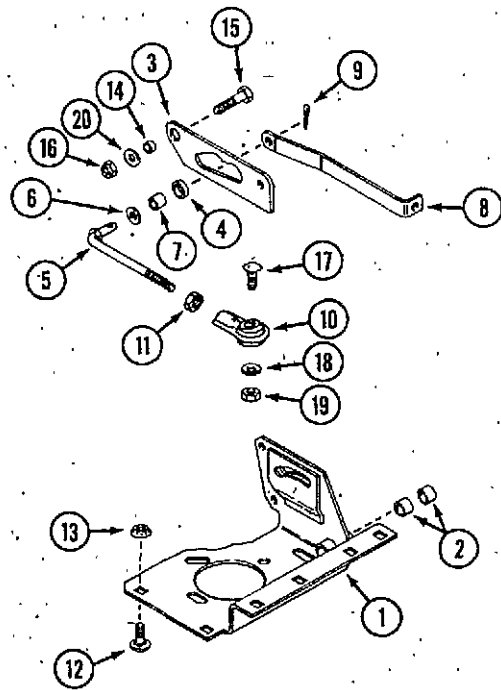
MODEL 1012, 1014 AND 1016 COMPACT TRACTORS

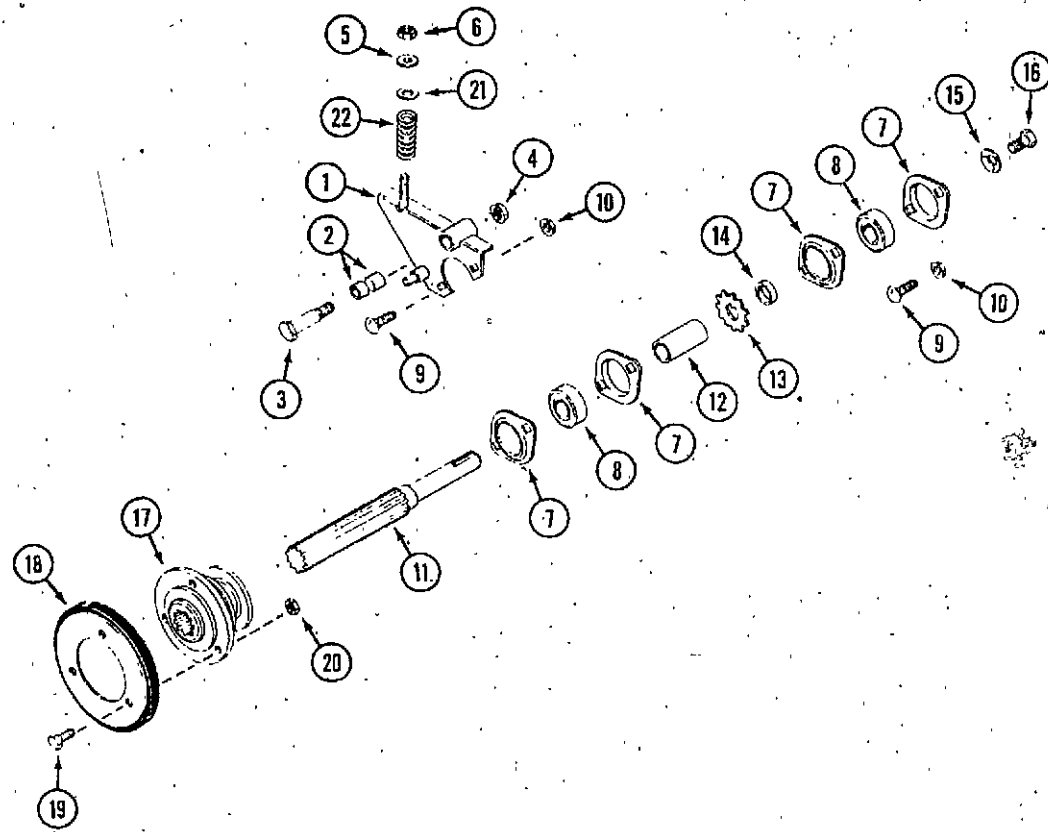
SPINDLE AND DRIVE DISC

REF.	PART NO.	DESCRIPTION	REQ'D
1	C 30610	DISC - drive	1
2	C 15083	PULLEY - drive	1
3	C 30606	SPINDLE - drive	1
4	C 30609	SPACER - pulley	1
5	C 30729	HOUSING - spindle	1
6	C 28971	BEARING - spindle	2
7	C 29453	SPACER - bearing	1
8	C 28263	WASHER - dished	1
9	113- 205	BOLT - 3/8" - 16 x 5/8"	1
10	113- 208	BOLT - 3/8" - 16 x 1"	4
11	195- 104	WASHER - 3/8"	3
12	131- 938	NUT - 3/8" - 16 flange lock	4

NEUTRAL CAM AND MOUNTING PLATE

1	C 30598	PLATE - mounting, spindle housing	1
2	C 17597	BUSHING - sleeve	2
3	C 30611	PLATE - cam, neutral	1
4	C 30612	ROLLER - cam	1
5	C 30613	ROD - return, neutral	1
6	195- 518	WASHER - 1/4"	1
7	C 30614	ROLLER - rod	1
8	C 30835	LINK - return, neutral	1
9	132- 329	PIN - cotter 1/16" x 3/4"	1
10	C 30615	BALL JOINT - 1/4"	1
11	129- 121	NUT - 1/4" x 28	1
12	111- 132	BOLT - 5/16" - 18 x 3/4" carriage	6
13	131- 911	NUT - 5/16" - 18 flange lock	6
14	C 31051	BUSHING - sleeve	1
15	113- 121	BOLT - 5/16" - 18 x 2"	2
16	131- 69	NUT - 5/16" - 18 lock	2
17	111- 111	BOLT - 1/4" - 20 x 1" carriage	1
18	192- 19	LOCK WASHER - 1/4"	1
19	129- 101	NUT - 1/4" - 20	1
20	195- 520	WASHER - 5/16"	1





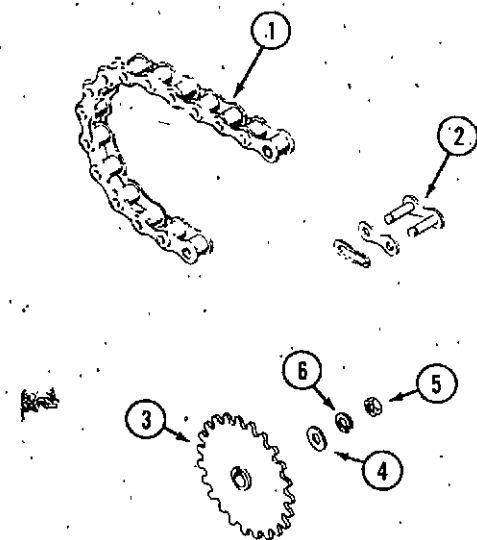
MODEL 1012, 1014 AND 1016 COMPACT TRACTORS

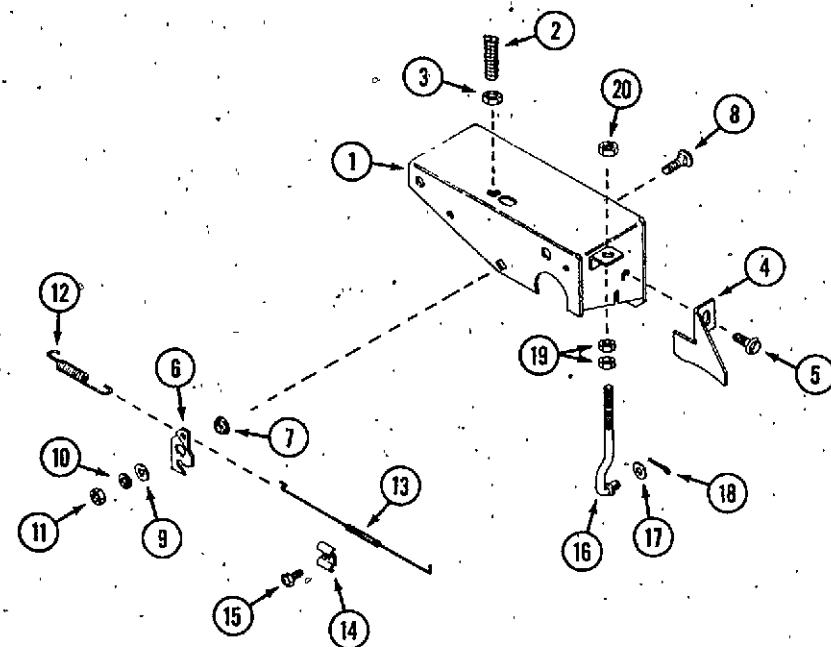
INPUT SHAFT

REF.	PART NO.	DESCRIPTION	REQ'D
1	C 31235	ARM - input shaft	1
2	C 17597	BUSHING - sleeve	1
3	C 16745	BOLT - shoulder	1
4	131- 938	NUT - 3/8" - 16 flange lock	1
5	195- 103	WASHER - 5/16"	1
6	131- 69	NUT - 5/16" - 18 lock	1
7	C 30629	FLANGETTE - bearing	4
8	C 30788	BEARING - input shaft	2
9	111- 217	BOLT - 5/16" - 18 x 5/8" carriage	4
10	131- 911	NUT - 5/16" - 18 flange lock	4
11	C 30642	SHAFT - input	1
12	C 30647	SPACER - sleeve	1
13	C 30787	SPROCKET - chain	1
14	C 30648	SPACER - sleeve	1
15	C 28263	WASHER - dished	1
16	113- 205	BOLT - 3/8" - 16 x 5/8"	1
17	C 30644	HUB - mounting	1
18	C 30840	WHEEL - drive	1
19	113- 102	BOLT - 5/16" - 18 x 3/4"	3
20	131- 176	NUT - 5/16" lock	3
21	C 31052	WASHER - nylon	1
22	C 31407	SPRING - compression	1

DRIVE CHAIN AND SPROCKET

1	C 31244	CHAIN - drive #35 (70 pitches)	1
2	C 28645	LINK - connector #35	1
3	C 30579	SPROCKET - drive #35 (48 teeth)	1
4	C 30649	WASHER - 3/8"	1
5	129- 163	NUT - 3/8" - 16 lock	1
6	192- 21	LOCKWASHER - 3/8"	1

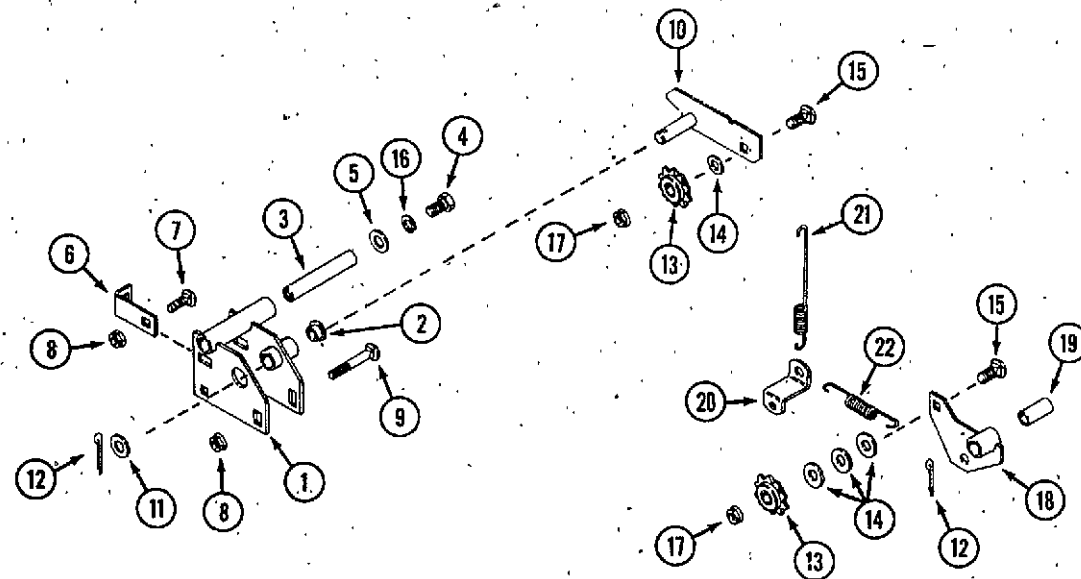




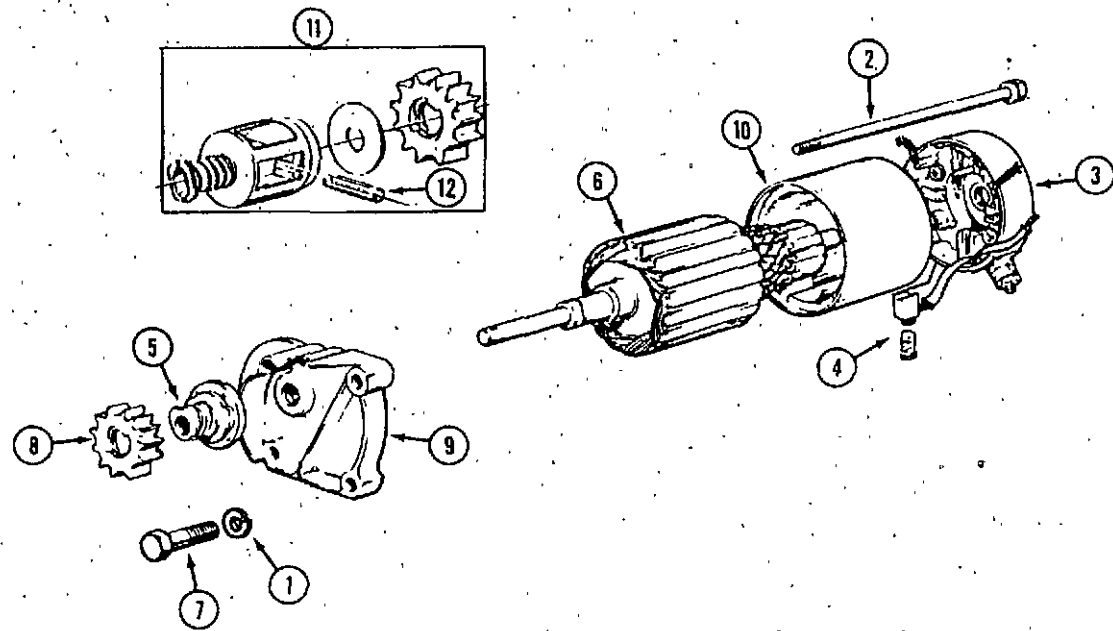
TRACTION ARM HOUSING AND HOLDING LATCH

REF.	PART NO.	DESCRIPTION	REQ'D
1	C 31232	HOUSING - traction arm	1
2	83- 520	SCREW - set 5/16" - 18 x 1-1/4"	1
3	129- 102	NUT - 5/16" - 18	1
4	C 31234	CAM - clutch	1
5	121- 106	BOLT - 5/16" - 18 x 1/2" flange lock	1
6	C 30813	LATCH - holding	1
7	C 30792	BUSHING - shoulder	1
8	111- 108	BOLT - 1/4" - 20 x 3/4" carriage	1
9	195- 518	WASHER - 1/4"	1
10	192- 19	LOCK WASHER - 1/4"	1
11	129- 101	NUT - 1/4" - 20	1
12	C 30812	SPRING - return	1
13	C 30811	WIRE - control	1
14	C 29506	CLIP - cable	1
15	187- 1511	SCREW - No. 10 - 32 x 1/2" self-tapping	1
16	C 30651	LINK - clutch	1
17	195- 520	WASHER - 5/16"	1
18	132- 321	PIN - cotter 3/32" x 1"	1
19	129- 102	NUT - 5/16" - 18	2
20	131- 176	NUT - 5/16" - 18 lock	1

TRACTION ARM PIVOT AND CHAIN IDLERS



1	C 30636	PIVOT - traction arm	1
2	C 24182	BUSHING - flange	2
3	C 30639	SHAFT - pivot	1
4	113- 206	BOLT - 3/8" - 16 x 3/4"	2
5	195- 2029	WASHER - 3/8"	2
6	C 30641	BRACKET - mounting, rear	1
7	111- 132	BOLT - 5/16" - 18 x 3/4" carriage	2
8	131- 911	NUT - 5/16" - 18 flange lock	1
9	C 30640	BOLT - 5/16" - 18 x 2-1/2" carriage	2
10	C 31238	ARM - idler, upper	1
11	195- 105	WASHER	1
12	132- 310	PIN - cotter 1/8" x 1"	2
13	C 30830	SPROCKET - idler	2
14	195- 522	WASHER - 3/8"	4
15	111- 371	BOLT - 3/8" - 16 x 1" carriage	2
16	192- 21	LOCK WASHER - 3/8"	1
17	131- 938	NUT - 3/8" - 16 flange lock	1
18	C 31241	ARM - idler, lower	1
19	C 30197	BUSHING - sleeve	1
20	C 31246	BRACKET - spring mounting	1
21	C 31240	SPRING - tension	1
22	C 31243	SPRING - tension	1

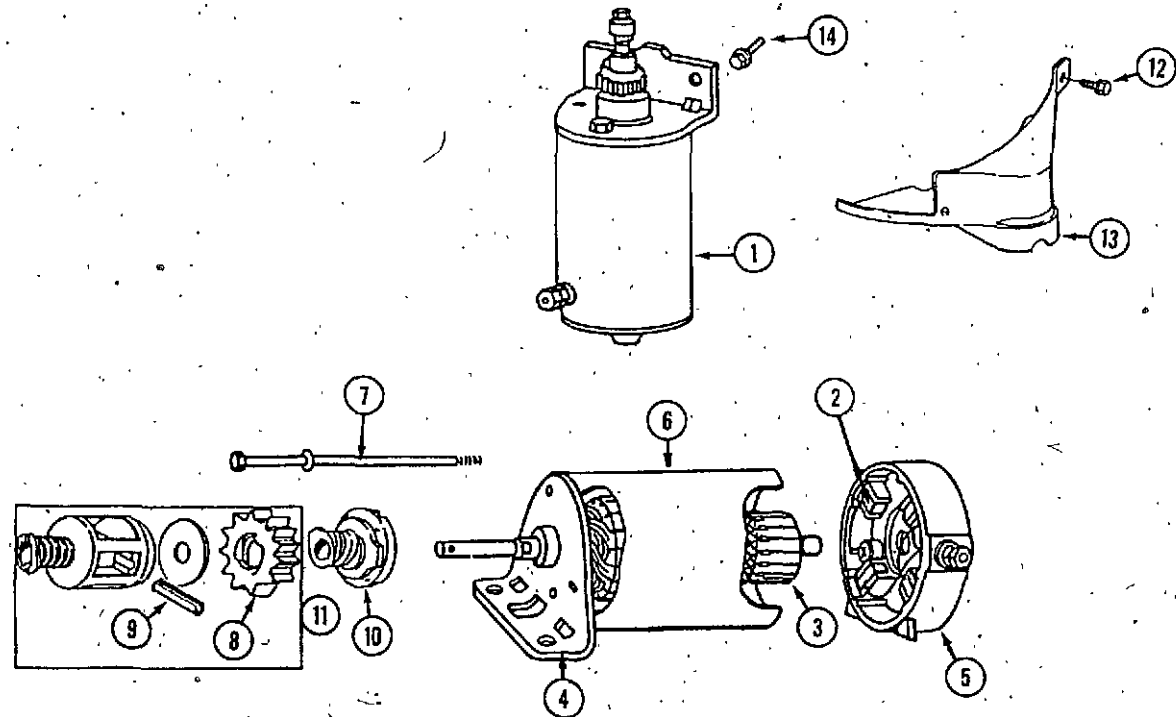


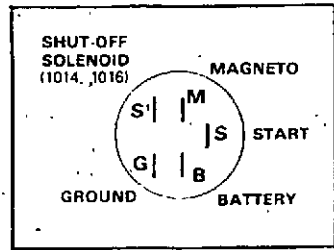
STARTER MOTOR (1014, 1016)

REF.	PART NO.	DESCRIPTION	REQ'D
	C 27418	MOTOR - starting	1
1	92- 5	LOCK WASHER - 5/16"	2
2	C 27260	BOLT - thru	2
3	C 27258	END CAP ASSEMBLY - commutator end	1
4	C 27259	BRUSH SET	2
5	C 30406	CLUTCH - drive	1
6	BR 390837	ARMATURE	1
7	113- 122	SCREW - mounting 5/16" - 18 x 1-1/2"	2
8	C 27422	GEAR - drive	1
9	C 27423	END CAP - drive end	1
10	C 27263	HOUSING - starter	1
11	C 27424	KIT - pinion spring	1
12	138- 75	PIN - roll 5/32" x 7/8"	1

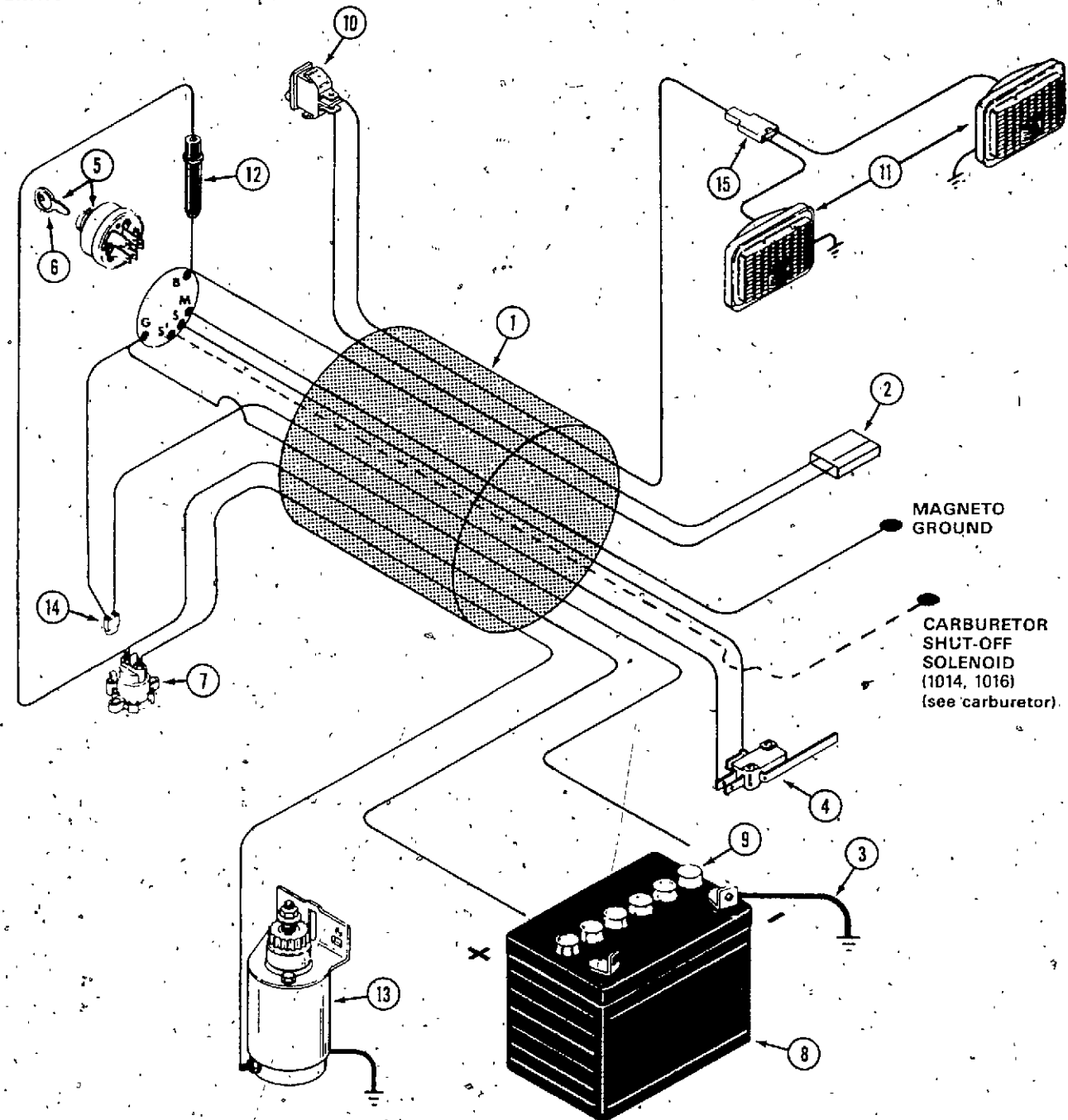
STARTER MOTOR (1012)

1	C 30438	MOTOR - starter, 12 volt	1
2	C 27259	BRUSH ASSEMBLY	1
3	C 30442	ARMATURE - starter	1
4	C 30444	END CAP - drive end	1
5	C 27258	END CAP - commutator end	1
6	C 30445	HOUSING - starter	1
7	C 30439	BOLT - thru (includes washer)	2
8	C 27422	GEAR - starter	1
9	138- 2032	PIN - roll	1
10	C 30406	CLUTCH - drive	1
11	C 30441	RETAINER KIT - drive	1
12	187- 1328	SCREW	2
13	C 30443	COVER AND SHIELD - starter	1
14	NSS	SCREW - mounting (use 113-102 and 92-5)	2





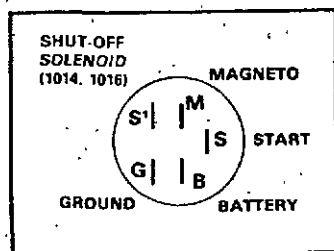
IGNITION SWITCH TERMINALS



ELECTRICAL SYSTEM

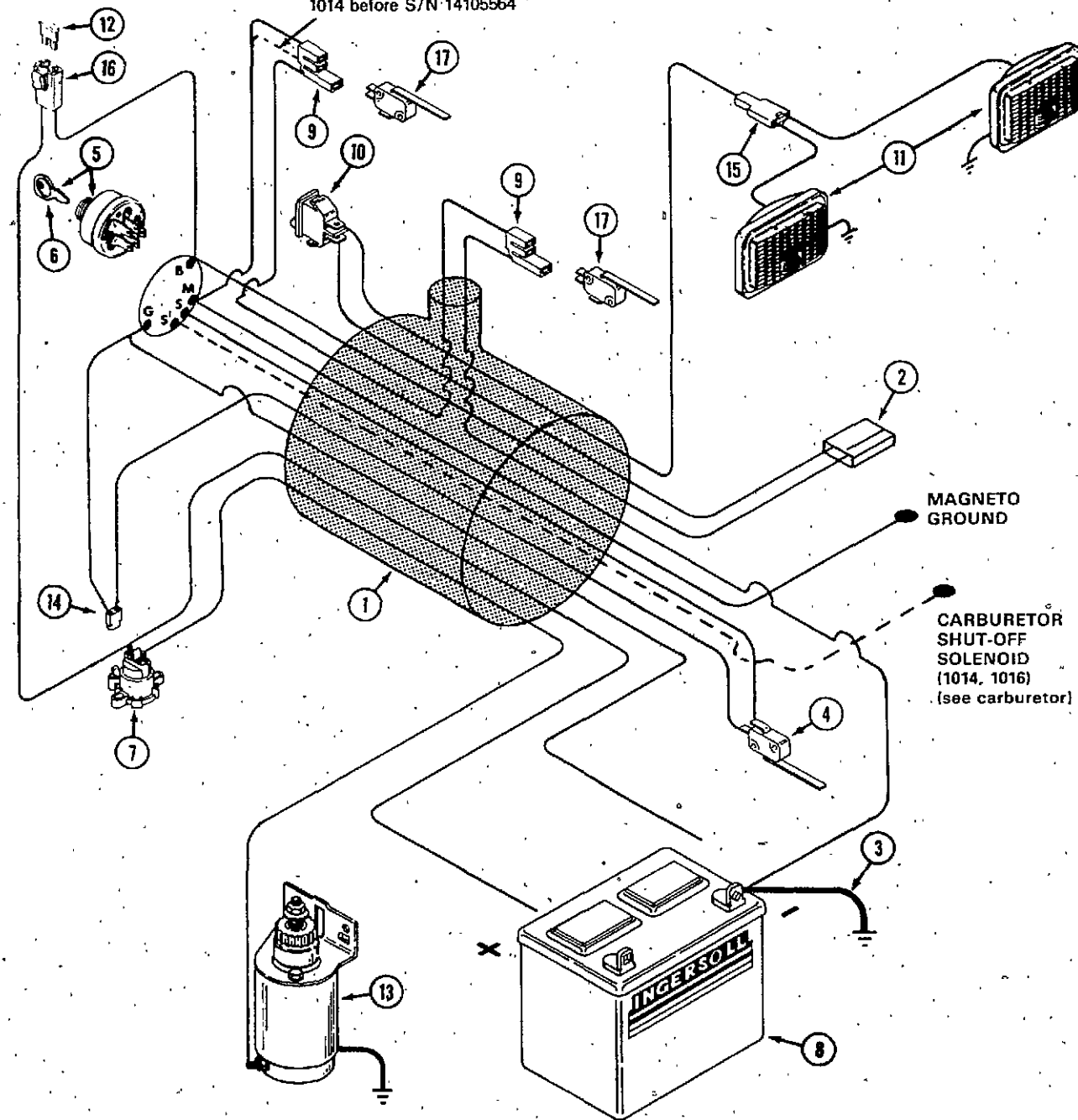
Use before PIN:
 1012-14103745
 1014-14105556
 1016-14116701

REF.	PART NO.	DESCRIPTION	REQ'D
1	NSS	HARNESS - wire (1012) (use C31035)	1
1	NSS	HARNESS - wire (1014, 1016) (use C31036)	1
2	C 25243	CONNECTOR - wire	1
3	C 29256	CABLE - battery negative to ground (black)	1
4	C 26108	SWITCH - neutral start	1
5	C 30267	SWITCH - ignition (includes hardware)	1
6	C 27751	KEY - ignition	1
7	C 27523	SOLENOID - start	1
8	NSS	BATTERY - 12 volt (use C31213)	1
9	C 18113	CAP - battery	6
10	C 29322	SWITCH - headlights	1
11	C 22571	HEADLIGHT ASSEMBLY - 12 volt (see page 61 for service)	2
12	223- 30	FUSE - 30 amp (included with harness)	1
13	C 27418	STARTER - engine, 12 volt (see page 55 for service) (1014, 1016)	1
13	C 30438	STARTER - engine, 1/2 volt (see page 55 for service) (1012)	1
14	C 27549	CONNECTOR - solenoid	1
15	C 14537	CONNECTOR - headlights	1



IGNITION SWITCH TERMINALS

Indicates connection on 1014 before S/N 14105564

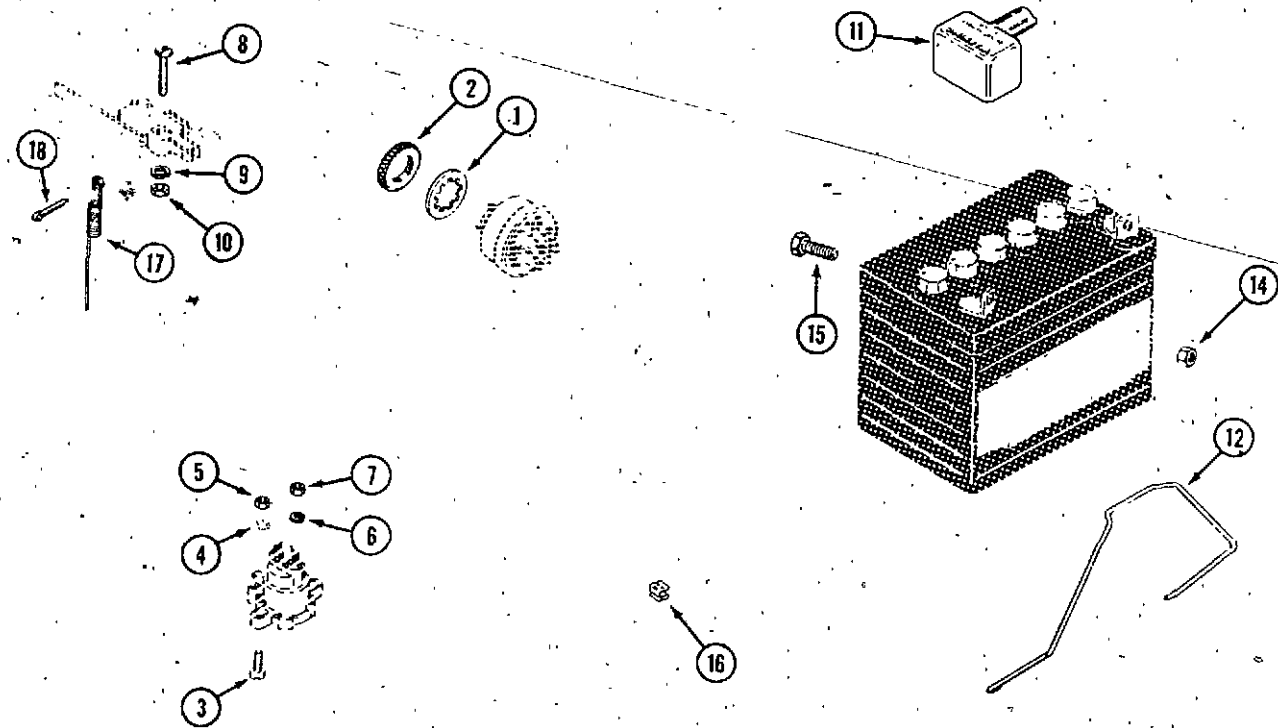


ELECTRICAL SYSTEM

Use PIN and after:
 1012-14103745
 1014-14105556
 1016-14116701

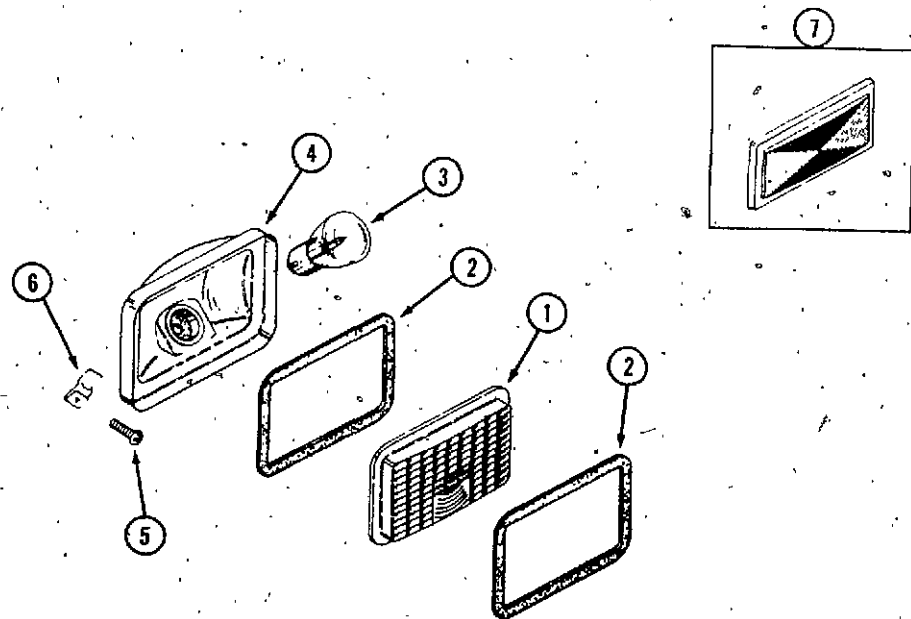
REF.	PART NO.	DESCRIPTION	REQ'D
1	C 31442	HARNES - wire (1012)	1
1	C 31443	HARNES - wire (1014 S/N 14105564 and after) (1016 all)	1
1	C 31036	HARNES - wire (1014, 1016)	1
2	C 25243	CONNECTOR - wire	1
3	C 29256	CABLE - battery negative to ground (black)	1
4	C 26108	SWITCH - neutral start	1
5	C 30267	SWITCH - ignition (includes hardware)	1
6	C 27751	KEY - ignition	1
7	C 27523	SOLENOID - start	1
8	C 31213	BATTERY - 12 volt	1
9	C 30279	CONNECTOR - interloc switch	2
10	C 29322	SWITCH - headlights	1
11	C 22571	HEADLIGHT ASSEMBLY - 12 volt (see page 61 for service)	2
12	C 30260	FUSE - 30 amp (included with harness)	1
13	C 27418	STARTER - engine, 12 volt (1014, 1016) (see page 55 for service)	1
13	C 30438	STARTER - engine, 12 volt (1012) (see page 55 for service)	1
14	C 27549	CONNECTOR - solenoid	1
15	C 14537	CONNECTOR - headlights	1
16	C 30261	HOLDER - fuse	1
17	C 30275	SWITCH - interloc	2

ELECTRICAL SYSTEM HARDWARE



REF.	PART NO.	DESCRIPTION	REQ'D
1	C 23248	WASHER - internal tooth 5/8"	1
2	C 24659	NUT - 5/8" - 32 knurled	1
3	182- 559	SCREW - No. 10 - 24 x 3/4" black	2
4	193- 70	LOCK WASHER - No. 10 external tooth	2
5	129- 17	NUT - No. 10 - 24 hex	2
6	192- 18	LOCK WASHER - 3/16"	2
7	129- 37	NUT - No. 10-32	3
8	182- 10	SCREW - No. 4 - 40 x 7/8"	6
9	192- 13	LOCK WASHER - No. 4	6
10	129- 13	NUT - No. 4 x 40	6
11	C 24069	COVER - terminal	1
12	C 15114	CLAMP - battery hold down	1
14	129- 101	NUT - 1/4" - 20	2
15	113- 3	BOLT - 1/4" - 20 x 3/4"	2
16	C 19521	CLIP - wire	1
17	C 29169	SPRING - switch activating	1
18	132- 310	PIN - cotter 1/8" x 1"	2
	C 28962	CLIP - neutral start switch wire	UAR

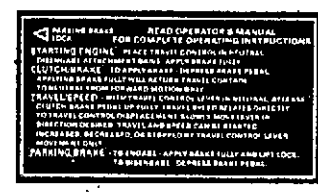
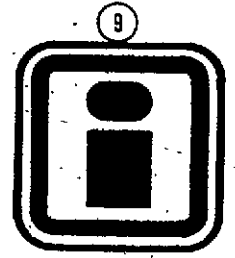
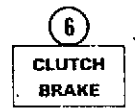
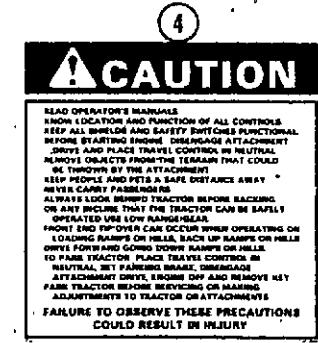
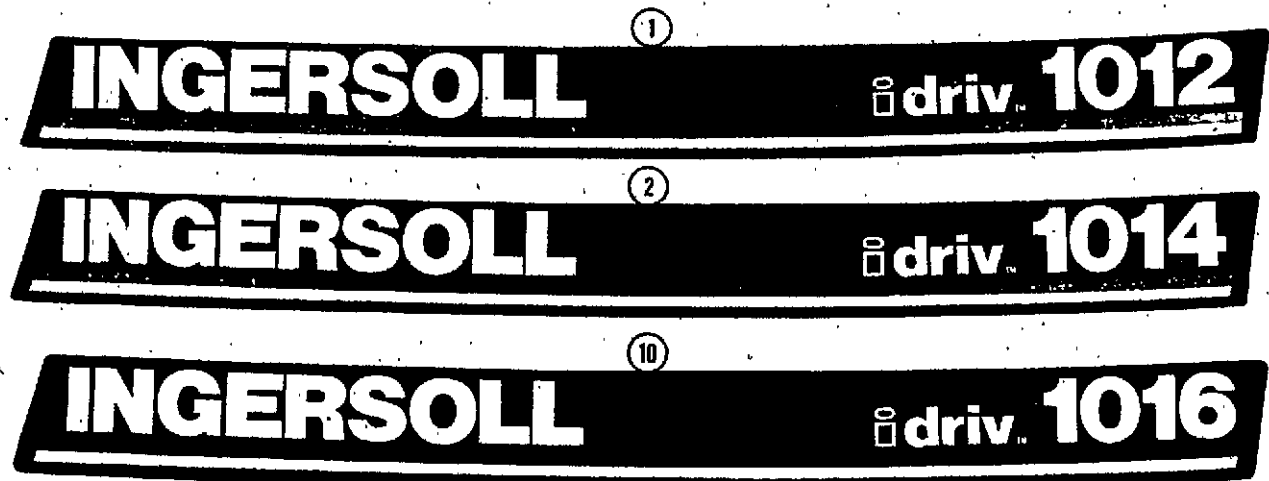
HEADLIGHT AND REAR REFLECTOR



	C 22571	HEADLIGHT ASSEMBLY	2
1	C 22573	LENS - headlight	1
2	C 14304	GASKET - headlight	2
3	C 28932	BULB - headlight	1
4	NSS	RECEPTACLE - headlight (use C22571)	1
5 ^k	187- 1334	SCREW - No. 8 - .18 x 1/2" black	4
6	C 29637	RETAINER - headlight	4
7	C 30942*	REFLECTOR - red, rear	2

*Will require 2
before S/N:
1012-14103738
1014-14105555
1016-14116700

DECALS



REF.	PART NO.	DESCRIPTION	REQ'D
1	C 30704*	DECAL - hood - L.H. (1012)	1
1	C 30705*	DECAL - hood - R.H. (1012) shown	1
1	C 31037**	DECAL - hood - L.H. (1012)	1
1	C 31038**	DECAL - hood - R.H. (1012)	1
2	C 30706*	DECAL - hood - L.H. (1014)	1
2	C 30707*	DECAL - hood - R.H. (1014) shown	1
2	C 31039**	DECAL - hood - L.H. (1014)	1
2	C 31040**	DECAL - hood - R.H. (1014)	1
3	NSS	DECAL - hood - L.H. (25th anniversary)	1
3	NSS	DECAL - hood - R.H. (25th anniversary)	1
4	321- 6659	DECAL - "caution"	1
5	C 30857	DECAL - instruction	1
6	C 27875	DECAL - clutch, brake	1
7	C 29478	DECAL - pinch point	2
8	C 31030	DECAL - seat back (logo)	1
9	C 30539	MEDALLION - Ingersoll	1
10	C 31041**	DECAL - hood L.H. (1016)	1
10	C 31042**	DECAL - hood R.H. (1016) shown	1

*Use before S/N:
1012-14103738
1014-14105555

**Use S/N and after:
1012-14103738
1014-14105555
1016-all

NUMERICAL INDEX

PART NO.	PAGE NO.	REF. NO.	PART NO.	PAGE NO.	REF. NO.
BR 26157	13	5	C14652	19	17
BR 26157	15	22	C14768	27	31
BR 26828	5	28	C14906	7	50
BR 26828	7	27	C14978	47	8
BR 27352	9	3	C15066	35	1
BR 65906	5	27	C15083	25	4
BR 65906	7	26	C15083	47	20
BR 66538	9	17	C15083	49	2
BR 66768	5	15	C15096	33	2
BR 92284	9	19	C15105	33	9
BR 93113	7	10	C15114	61	12
BR 93357	13	10	C15156	37	26
BR 93499	13	3	C15156	39	4
BR 93499	15	10	C15410	29	6
BR 93499	15	16	C15410	31	10
BR 93630	5	38	C15540	11	5
BR 93630	7	30	C16362	27	5
BR 93723	5	10	C16429	31	4
BR211712	13	16	C16573	37	14
BR220865	9	3	C16573	39	31
BR221535	19	9	C16573	45	22
BR221596	5	29	C16745	25	29
BR221596	7	28	C16745	39	33
BR221798	9	15	C16745	51	3
BR221995	13	19	C17066	25	40
BR222010	13	8	C17066	35	22
BR222010	15	12	C17597	25	16
BR222014	13	21	C17597	25	28
BR222450	19	14	C17597	49	2
BR222561	9	7	C17597	51	2
BR230896	13	7	C18113	57	9
BR230896	15	24	C18626	35	13
BR231055	5	36	C18814	7	49
BR231058	19	4	C19309	41	7
BR260584	19	8	C19310	41	3
BR261116	13	37	C19311	41	4
BR261129	19	2	C19312	41	5
BR270382	13	38	C19312	43	11
BR270511	13	20	C19345	43	5
BR292260	5	37	C19353	41	3
BR292260	7	29	C19354	41	4
BR292681	13	2	C19355	41	5
BR292681	15	20	C19521	61	16
BR299500	19	1	C21576	41	2
BR299707	13	17	C21942	47	14
BR299740	13	23	C22571	57	11
BR390419	7	24	C22571	59	11
BR390684	13	22	C22571	61	11
BR390837	55	6	C22573	61	1
BR391406	5	5	C23248	61	1
BR391733	19	5	C23535	25	31
BR392134	9	25	C23535	47	10
BR393456	9	9	C23818	25	7
BR393474	9	8	C24069	61	11
C10442	35	3	C24182	45	28
C10678	11	9	C24182	53	2
C11205	41	8	C24329	9	18
C11529	11	2	C24345	39	8
C11796	35	7	C24377	37	24
C11906	35	5	C24503	35	2
C12264	47	3	C24659	61	2
C12975	25	8	C25229	25	14
C13106	35	7	C25233	25	6
C14201	33	14	C25243	57	2
C14304	61	2	C25243	59	2
C14399	7	51	C25370	47	2
C14537	57	15	C25538	39	28
C14537	59	15	C25556	37	12

PART NO.	PAGE NO.	REF. NO.	PART NO.	PAGE NO.	REF. NO.
C25709	5	2	C25709	5	2
C25709	7	2	C25712	5	8
C25712	5	8	C25718	5	14
C25718	5	14	C25718	7	14
C25718	7	14	C25725	5	19
C25725	5	19	C25726	5	19
C25726	5	19	C25727	5	19
C25727	5	19	C25728	5	20
C25728	5	20	C25728	7	20
C25728	7	20	C25729	5	21
C25729	5	21	C25729	7	19
C25729	7	19	C25730	5	21
C25730	5	21	C25730	7	19
C25730	7	19	C25732	5	23
C25732	5	23	C25733	5	24
C25733	5	24	C25733	7	23
C25733	7	23	C25733	7	23
C25733	7	23	C25738	13	1
C25738	13	1	C25742	13	13
C25742	13	13	C25746	5	32
C25746	5	32	C25749	7	47
C25749	7	47	C25760	13	35
C25760	13	35	C25764	13	39
C25764	13	39	C26034	35	3
C26034	35	3	C26039	33	8
C26039	33	8	C26051	35	11
C26051	35	11	C26108	57	4
C26108	57	4	C26108	59	4
C26108	59	4	C26111	41	1
C26111	41	1	C26325	33	1
C26325	33	1	C26332	35	17
C26332	35	17	C26332	37	11
C26332	37	11	C26332	45	13
C26332	45	13	C26333	35	18
C26333	35	18	C26345	25	42
C26345	25	42	C26370	35	12
C26370	35	12	C26371	35	2
C26371	35	2	C26507	17	19
C26507	17	19	C26526	31	14
C26526	31	14	C26526	35	5
C26526	35	5	C27045	33	13
C27045	33	13	C27233	11	6
C27233	11	6	C27236	5	17
C27236	5	17	C27236	7	16
C27236	7	16	C27240	13	14
C27240	13	14	C27240	15	17
C27240	15	17	C27244	13	28
C27244	13	28	C27254	13	18
C27254	13	18	C27254	15	25
C27254	15	25	C27255	13	
C27255	13		C27258	55	3
C27258	55	3	C27258	55	5
C27258	55	5	C27259	55	4
C27259	55	4	C27259	55	2
C27259	55	2	C27260	55	2
C27260	55	2	C27263	55	10
C27263	55	10	C27266	13	43
C27266	13	43	C27267	13	26
C27267	13	26	C27269	9	14
C27269	9	14	C27308	7	6
C27308	7	6	C27309	21	5
C27309	21	5	C27310	7	8
C27310	7	8	C27311	7	8
C27311	7	8	C27312	7	8
C27312	7	8	C27313	7	9
C27313	7	9	C27314	7	12
C27314	7	12	C27315	7	13
C27315	7	13	C27316	7	17
C27316	7	17			

PART NO.	PAGE NO.	REF. NO.	PART NO.	PAGE NO.	REF. NO.
C27317	7	17	C27393	15	31
C27318	7	17	C27394	15	32
C27319	7	17	C27395	19	5
C27320	7	18	C27396	19	6
C27321	7	18	C27397	19	7
C27322	7	18	C27398	19	8
C27323	7	18	C27399	15	35
C27324	7	21	C27400	15	36
C27326	7	25	C27401	15	37
C27327	7	31	C27402	15	38
C27328	7	32	C27403	15	39
C27329	7	34	C27404	17	4
C27330	7	35	C27407	15	47
C27331	7	36	C27408	17	7
C27332	7	22	C27409	15	19
C27332	19	14	C27411	17	9
C27333	15	43	C27413	15	44
C27334	9	18	C27414	15	45
C27335	7		C27415	15	46
C27336	7	39	C27416	15	
C27337	7	40	C27417	17	10
C27338	7	41	C27418	55	
C27339	7	42	C27418	57	13
C27340	19	15	C27418	59	13
C27341	19	16	C27419	9	13
C27342	7	46	C27420	9	12
C27343	19	18	C27422	55	8
C27344	19	19	C27422	55	8
C27345	7	43	C27423	55	9
C27346	7	37	C27424	55	11
C27347	7		C27523	57	7
C27348	21	6	C27523	59	7
C27349	21	7	C27549	57	14
C27350	5	6	C27549	59	14
C27350	21	8	C27562	43	15
C27351	9	1	C27563	41	2
C27353	17	2	C27565	43	11
C27354	17	3	C27566	41	12
C27355	21	2	C27570	43	12
C27356	9	19	C27570	43	10
C27357	9		C27570	43	13
C27358	9	6	C27581	43	17
C27359	21	10	C27582	7	21
C27360	21	11	C27593	25	23
C27362	21	14	C27593	37	5
C27363	21	15	C27597	35	8
C27364	17	7	C27739	35	12
C27365	9	2	C27751	57	6
C27366	17	8	C27751	59	6
C27367	17	4	C27822	25	39
C27368	21	17	C27822	37	6
C27369	21	18	C27822	45	7
C27370	21	19	C27875	63	6
C27372	7	3	C28030	11	11
C27373	7	4	C28030	11	11
C27374	7	5	C28226	35	9
C27375	15	1	C28226	35	9
C27376	15	2	C28232	35	10
C27377	15	3	C28232	41	11
C27378	15	4	C28263	25	11
C27382	15	15	C28263	49	8
C27383	15	18	C28263	51	15
C27385	15	23	C28315	47	16
C27387	15	13	C28643	19	17
C27389	15		C28645	51	2
C27390	17	1	C28650	41	6
C27391	19	4	C28821	41	10
C27392	15	30	C28932	61	3
			C28935	11	8

PART NO.	PAGE NO.	REF. NO.	PART NO.	PAGE NO.	REF. NO.
C28962	61		C28962	61	
C28971	25	2	C28971	25	2
C28971	49	6	C28972	35	11
C28972	35	11	C29045	37	2
C29045	37	2	C29046	25	17
C29046	25	17	C29047	45	2
C29047	45	2	C29064	27	14
C29064	27	14	C29070	11	1
C29070	11	1	C29168	33	17
C29168	33	17	C29169	61	17
C29169	61	17	C29172	25	21
C29172	25	21	C29173	29	4
C29173	29	4	C29174	29	5
C29174	29	5	C29177	39	16
C29177	39	16	C29178	39	14
C29178	39	14	C29181	33	3
C29181	33	3	C29186	11	1
C29186	11	1	C29187	11	1
C29187	11	1	C29192	29	7
C29192	29	7	C29193	29	8
C29193	29	8	C29196	29	3
C29196	29	3	C29197	29	3
C29197	29	3	C29203	27	16

NUMERICAL INDEX

PART NO.	PAGE NO.	REF. NO.	PART NO.	PAGE NO.	REF. NO.
C29846	19	1	C30438	55	1
C29848	17	16	C30438	57	13
C29849	17	17	C30438	59	13
C29852	15	11	C30439	55	7
C29853	15	14	C30440	9	21
C29854	13	31	C30441	55	11
C29854	17	5	C30442	55	3
C29855	17	6	C30443	55	13
C29856	17	8	C30444	55	4
C29857	15	26	C30445	55	6
C29858	15	27	C30446	21	21
C29859	15	26	C30447	9	22
C29860	7	52	C30448	9	23
C29861	15		C30449	19	3
C29862	15	8	C30475	25	5
C29863	15	11	C30477	25	13
C29864	15	14	C30508	23	4
C29917	39	20	C30509	23	5
C29929	7	1	C30510	23	3
C30071	29	11	C30539	63	9
C30071	31	15	C30555	35	10
C30073	11	9	C30556	47	15
C30074	11	8	C30561	43	16
C30100	27	26	C30564	43	2
C30101	27	26	C30564	43	7
C30155	35	23	C30566	43	4
C30157	37	3	C30566	43	8
C30197	53	19	C30567	43	5
C30260	59	12	C30567	43	9
C30261	59	16	C30567	43	8
C30267	57	5	C30567	43	12
C30267	59	5	C30570	43	13
C30275	59	17	C30575	43	1
C30279	59	9	C30576	43	3
C30286	17	14	C30577	43	6
C30289	27	25	C30579	51	3
C30292	27	4	C30580	43	
C30405	13	44	C30584	43	7
C30406	55	5	C30585	43	
C30406	55	10	C30587	43	16
C30409	5	3	C30588	43	3
C30410	5	4	C30589	41	
C30411	5	9	C30592	41	9
C30412	5	9	C30593	41	10
C30413	5	9	C30595	41	7
C30414	5	12	C30596	39	29
C30415	5	13	C30598	49	1
C30416	5	22	C30606	49	3
C30417	5	25	C30609	49	4
C30418	5	26	C30610	49	1
C30419	5	30	C30611	49	3
C30420	5	33	C30612	49	4
C30421	5	35	C30613	49	5
C30422	5	5	C30614	49	7
C30423	9	2	C30615	39	26
C30425	13	11	C30615	49	10
C30426	13	15	C30616	39	30
C30427	13	27	C30619	47	9
C30428	13	30	C30629	51	7
C30429	13	32	C30636	53	1
C30430	13	33	C30639	53	3
C30431	13	36	C30640	53	9
C30432	13	41	C30641	53	6
C30433	13	42	C30642	51	11
C30434	13	25	C30644	51	17
C30435	13	34	C30647	51	12
C30436	9	24	C30648	51	14
C30437	21	1	C30649	51	4

PART NO.	PAGE NO.	REF. NO.	PART NO.	PAGE NO.	REF. NO.
C30651	53	16	C30651	53	16
C30652	39	15	C30652	39	15
C30654	43	18	C30654	43	18
C30657	45	1	C30657	45	1
C30660	45	12	C30660	45	12
C30664	45	17	C30664	45	17
C30668	45	23	C30668	45	23
C30669	39	1	C30669	39	1
C30671	39	10	C30671	39	10
C30673	47	7	C30673	47	7
C30674	37	1	C30674	37	1
C30675	37	10	C30675	37	10
C30676	37	18	C30676	37	18
C30679	37	21	C30679	37	21
C30680	37	22	C30680	37	22
C30681	37	23	C30681	37	23
C30682	37	25	C30682	37	25
C30684	37	31	C30684	37	31
C30689	27	28	C30689	27	28
C30704	63	1	C30704	63	1
C30705	63	1	C30705	63	1
C30706	63	2	C30706	63	2
C30707	63	2	C30707	63	2
C30729	49	5	C30729	49	5
C30769	25	35	C30769	25	35
C30780	35	6	C30780	35	6
C30781	35	1	C30781	35	1
C30785	29	12	C30785	29	12
C30785	31	16	C30785	31	16
C30787	51	13	C30787	51	13
C30788	51	8	C30788	51	8
C30792	53	7	C30792	53	7
C30811	53	13	C30811	53	13
C30812	53	12	C30812	53	12
C30813	53	6	C30813	53	6
C30817	39	32	C30817	39	32
C30817	45	10	C30817	45	10
C30824	45	8	C30824	45	8
C30825	45	18	C30825	45	18
C30830	53	13	C30830	53	13
C30835	49	8	C30835	49	8
C30836	37	30	C30836	37	30
C30840	51	18	C30840	51	18
C30843	5	1	C30843	5	1
C30857	63	5	C30857	63	5
C30873	25	27	C30873	25	27
C30876	47	1	C30876	47	1
C30888	43		C30888	43	
C30889	43		C30889	43	
C30892	45	27	C30892	45	27
C30930	43	10	C30930	43	10
C30942	61	7	C30942	61	7
C31004	31	5	C31004	31	5
C31005	31	3	C31005	31	3
C31006	31	13	C31006	31	13
C31009	25	1	C31009	25	1
C31030	63	8	C31030	63	8
C31031	31	1	C31031	31	1
C31036	59	1	C31036	59	1
C31037	63	1	C31037	63	1
C31038	63	1	C31038	63	1
C31039	63	2	C31039	63	2
C31040	63	2	C31040	63	2
C31041	63	10	C31041	63	10
C31042	63	10	C31042	63	10
C31051	49	14	C31051	49	14
C31052	45	24	C31052	45	24
C31052	51	21	C31052	51	21

PART NO.	PAGE NO.	REF. NO.	PART NO.	PAGE NO.	REF. NO.
C31135	27	13	C31135	27	13
C31192	27	22	C31192	27	22
C31213	59	8	C31213	59	8
C31215	25	41	C31215	25	41
C31232	53	1	C31232	53	1
C31234	53	4	C31234	53	4
C31235	51	1	C31235	51	1
C31238	53	10	C31238	53	10
C31240	53	21	C31240	53	21
C31241	53	18	C31241	53	18
C31243	53	22	C31243	53	22
C31244	51	1	C31244	51	1
C31246	53	20	C31246	53	20
C31350	17	15	C31350	17	15
C31407	51	22	C31407	51	22
C31437	25	1	C31437	25	1
C31442	59	1	C31442	59	1
C31443	59	1	C31443	59	1
C31924	43	4	C31924	43	4
011-312	19	6	011-312	19	6
013-624	35	19	013-624	35	19
013-628	35	20	013-628	35	20
014-712	47	18	014-712	47	18
022-48	17	9	022-48	17	9
022-48	19	12	022-48	19	12
041-24	13	12	041-24	13	12
061-512	17	12	061-512	17	12
071-410	15	7	071-410	15	7
083-520	53	2	083-520	53	2
092-3	7	33	092-3	7	33
092-3	15	29	092-3	15	29
092-5	21	13	092-5	21	13
092-5	55	1	092-5	55	1
111-102	25	24	111-102	25	24
111-108	39	17	111-108	39	17
111-108	53	8	111-108	53	8
111-111	49	17	111-111	49	17
111-132	49	12	111-132	49	12
111-132	53	7	111-132	53	7
111-202	33	4	111-202	33	4
111-217	51	9	111-217	51	9
111-229	37	19	111-229	37	19
111-310	45	20	111-310	45	20
111-371	53	15	111-371	53	15
111-420	19	10	111-420	19	10
113-2	17	6	113-2	17	6
113-3	61	15	113-3	61	15
113-5	15	5	113-5	15	5
113-17	41	1	113-17	41	1
113-17	43	14	113-17	43	14
113-101	21	12	113-101	21	12
113-102	11	3	113-102	11	3
113-102	25	9	113-102	25	9
113-102	31	9	113-102	31	9
113-102	37	27	113-102	37	27
113-102	39	6	113-102	39	6
113-102	53	3	113-102	53	3
113-102	51	6	113-102	51	6
113-102	45	29	113-102	45	29
113-102	51	19	113-102	51	19
113-103	27	17	113-103	27	17
113-103	29	9	113-103	29	9
113-103	33	11	113-103	33	11
113-104	29	9	113-104	29	9
113-120	7	44	113-120	7	44
113-121	23	1	113-121	23	1
113-121	49	15	113-121	49	15
113-122	23	2	113-122	23	2
113-122	31	12	113-122	31	12
113-122	55	7	113-122	55	7

PART NO.	PAGE NO.	REF. NO.	PART NO.	PAGE NO.	REF. NO.
113-205	25	12	113-205	25	12
113-205	27	8	113-205	27	8
113-205	49	9	113-205	49	9
113-205	51	16	113-205	51	16
113-206	53	4	113-206	53	4
113-207	27	9	113-207	27	9
113-207	39	24	113-207	39	24
113-208	45	15	113-208	45	15
113-208	49	10	113-208	49	10
113-209	25	32	113-209	25	32
113-209	47	4	113-209	47	4
113-213	47	12	113-213	47	12
113-219	37	15	113-219	37	15
113-221	27	29	113-221	27	29
121-106	27	20	121-106	27	20
121-106	29	2	121-106	29	2
121-106	31	2	121-106	31	2
121-106	53	5	121-106	53	5
126-113	4				

NUMERICAL INDEX

PART NO.	PAGE NO.	REF. NO.	PART NO.	PAGE NO.	REF. NO.
187-1510	13	40	214-251	15	42
187-1510	19	11	214-252	11	5
187-1511	53	15	219-10	35	4
187-1908	11	7	219-17	33	10
192-3	19	19	219-404	35	6
192-13	61	9	221-86	7	48
192-18	11	4	221-843	5	11
192-18	61	6	221-843	7	11
192-19	15	6	223-30	57	12
192-19	17	10	321-6659	63	4
192-19	19	13			
192-19	39	18			
192-19	41	11			
192-19	43	15			
192-19	49	18			
192-19	52	10			
192-20	7	45			
192-20	25	25			
192-20	27	18			
192-20	29	10			
192-20	33	5			
192-20	37	28			
192-20	39	5			
192-21	25	33			
192-21	27	10			
192-21	27	32			
192-21	51	6			
192-21	53	16			
192-404	17	13			
193-25	9	5			
193-25	9	11			
193-25	19	12			
193-25	19	3			
193-70	61	4			
195-103	41	8			
195-103	51	5			
195-104	49	11			
195-105	53	11			
195-513	15	34			
195-518	19	9			
195-518	49	6			
195-518	53	9			
195-520	49	20			
195-520	53	17			
195-521	23	7			
195-521	25	43			
195-521	27	19			
195-521	33	12			
195-521	39	12			
195-521	43	20			
195-521	45	25			
195-522	27	12			
195-522	37	16			
195-522	53	14			
195-525	25	37			
195-525	27	30			
195-525	47	5			
195-533	25	3			
195-533	37	7			
195-533	45	6			
195-541	33	15			
195-545	35	8			
195-2029	47	19			
195-2029	53	5			
195-2069	33	7			
195-2175	23	1			
195-2175	23	6			
195-2175	31	11			

INGERSOLL
Ingersoll Equipment Co., Inc.