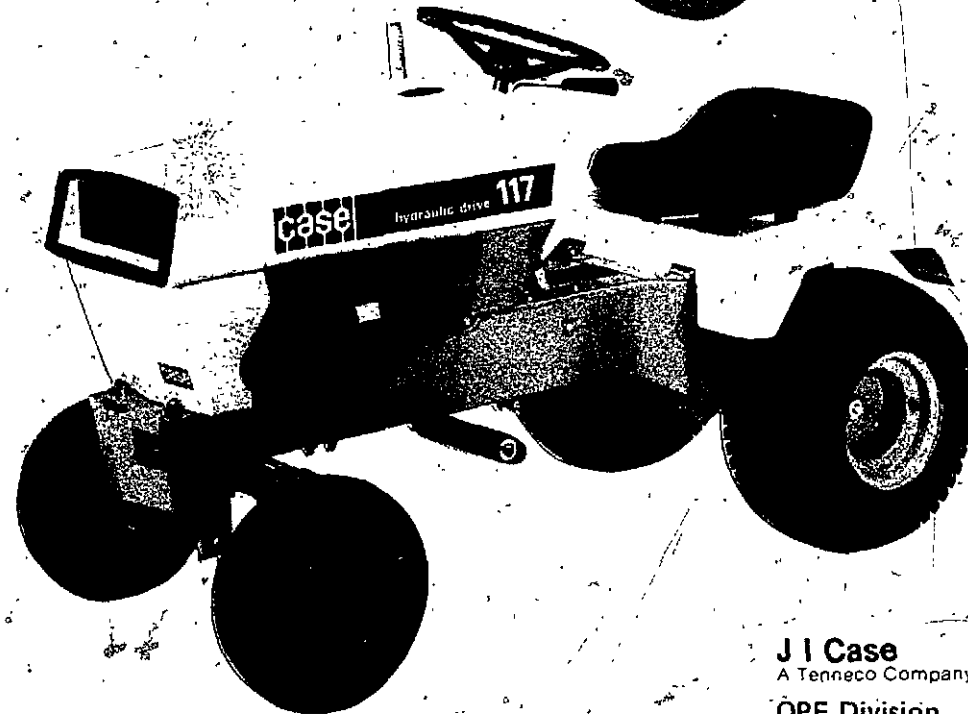
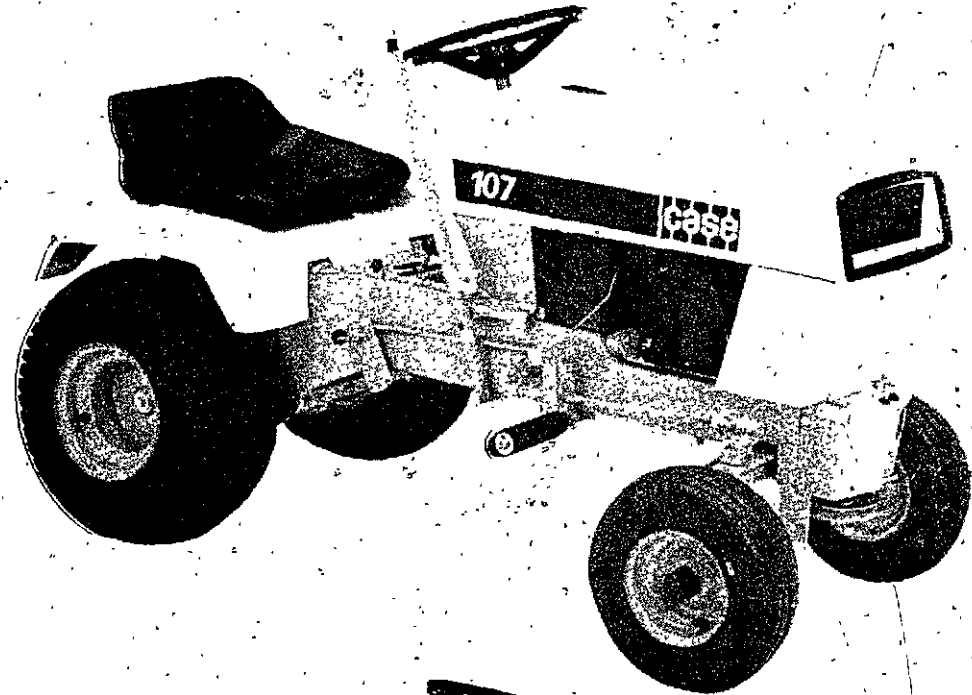


**MODEL 107 AND 117
COMPACT TRACTORS
Parts Catalog B1193**

7-81-OP-2000

NOTE: This catalog replaces catalogs A1155, A1156, A1192 and A1193. Please discard them.



ALPHABETICAL INDEX

ENGINE SECTION

	PAGE	GRID		PAGE	GRID
Air Cleaner	13	A14	Flywheel	5	A6
Battery	55	D14	Fuel Strainer	13	A14
Breather, Crankcase	9	A10	Fuel System	13	A14
Camshaft	9	A10	Gasket Kits	5-15	A6-B2
Carburetor	13-15	A14-B2	Governor	5	A6
Connecting Rod	7	A8	Muffler	5	A6
Crankshaft	7	A8	Oil Pan	5	A6
Cylinder Block	5	A6	Piston	7	A8
Cylinder Head	5	A6	Spark Plug	5	A6
Electrical System	55-57	D14-E2	Starter	53	D12
Engine Block & Attaching Parts	5	A6	Tank, Fuel	13	A14
Exhaust System	5	A6	Throttle Linkage	13	A14
Filter, Breather	9	A10	Valves	9	A10

BASIC TRACTOR SECTION

	PAGE	GRID		PAGE	GRID
Axle, Front	23	B10	Hood	17	B4
Axle, Rear	43-47	D2-D6	Implement Lift	49	D8
Baffles & Shrouds	11	A12	Model G14 Weight Box	17	B4
Belts & Pulleys	33	C6	Model G6 Headlamp Kit	59	E4
Brakes	29-33	C2-C6	Mounts, Engine	7-9	A8-A10
Decals	57	E2	PTO Clutch	49	D8
Electrical System	51-59	D10-E4	Seat, Operator's	19	B6
Fenders	19	B6	Steering Wheel & Gear	21	B8
Frame	17	B4	Tool Tray	17	B4
Grille	17	B4	Transmission	39-42	C12-D2
Hitch	17	B4	Wheels, Front & Rear	23	B10

J I Case
A Tenneco Company
OPE Division
Technical Publications
119 S. First Street
Winneconne, Wis. 54986



Indexes

This Parts Catalog is arranged for easy identification of Genuine CASE Service Parts. An alphabetical index is provided at the front of this Catalog to locate the major groups or assemblies. A numerical index at the rear of the Catalog gives the part numbers and the pages on which they are described.

Illustrations

All parts are illustrated in "Exploded Views" which show the individual parts in their normal relationship to each other. Reference numbers are used in the illustrations. These numbers correspond to those in the "Reference Number" column and are followed by the part number, description and quantity required.

Orders

Orders should plainly specify correct part number, full description, quantity required, machine model and engine model, machine and engine serial numbers, method of shipment and shipping address.

Changes

When changes to the machine make it necessary, revised pages for this book will be issued. The revised pages will be issued with the same page number as those they replace and the "issue" number and date will be advanced.

It is imperative that revised Parts Book pages be inserted into their respective Parts Books as soon as received. Failure to do so will lead to confusion and defeat the purpose of the book.

Indented Description

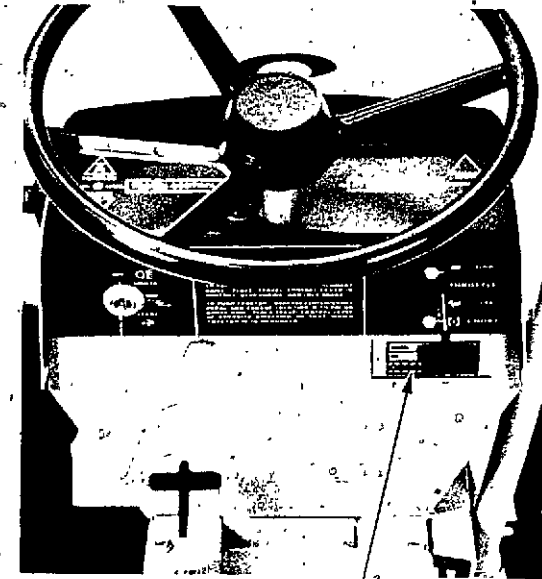
Indented parts in the descriptive list are a part of the preceding assembly or sub-assembly. The quantity shown in the "Number Required" column is the number of parts used on a machine except where parts are indented in descriptive list. In this case the quantity shown is the number required for the preceding assembly or sub-assembly.

REF.	PART NO.	DESCRIPTION	REQ'D
	A 55159	CYLINDER ASSY - rear steering	1
28	A 56208	SOCKET ASSY - rear cylinder	1
29	A 55956	PLUG - adjusting, socket assy	1
30	A 55957	SEAT - socket ball	2
31	A 56210	SPRING - socket	1
32	A 56209	SEAT - socket spring	1
33	G/ 45175	CLAMP ASSY - socket assy	1
	16- 836	BOLT - 1/2" x 2-1/4" N.F.hex.	1
34	132- 104	PIN - cotter, 3/16" x 3"	1
35	A 55889	STUD - ball, socket & cylinder	2
36	13- 410	BOLT - 1/4" x 5/8" N.C., hex.	4
37	92- 4	LOCKWASHER - 1/4" SAE	4

Terms "Right Hand" and "Left Hand"

"Right Hand" and "Left Hand" sides of this machine are determined by standing at the rear of the unit and facing in the direction of forward travel.

CASE MODEL 107 AND 117 COMPACT TRACTORS



TRACTOR MODEL AND SERIAL NUMBER



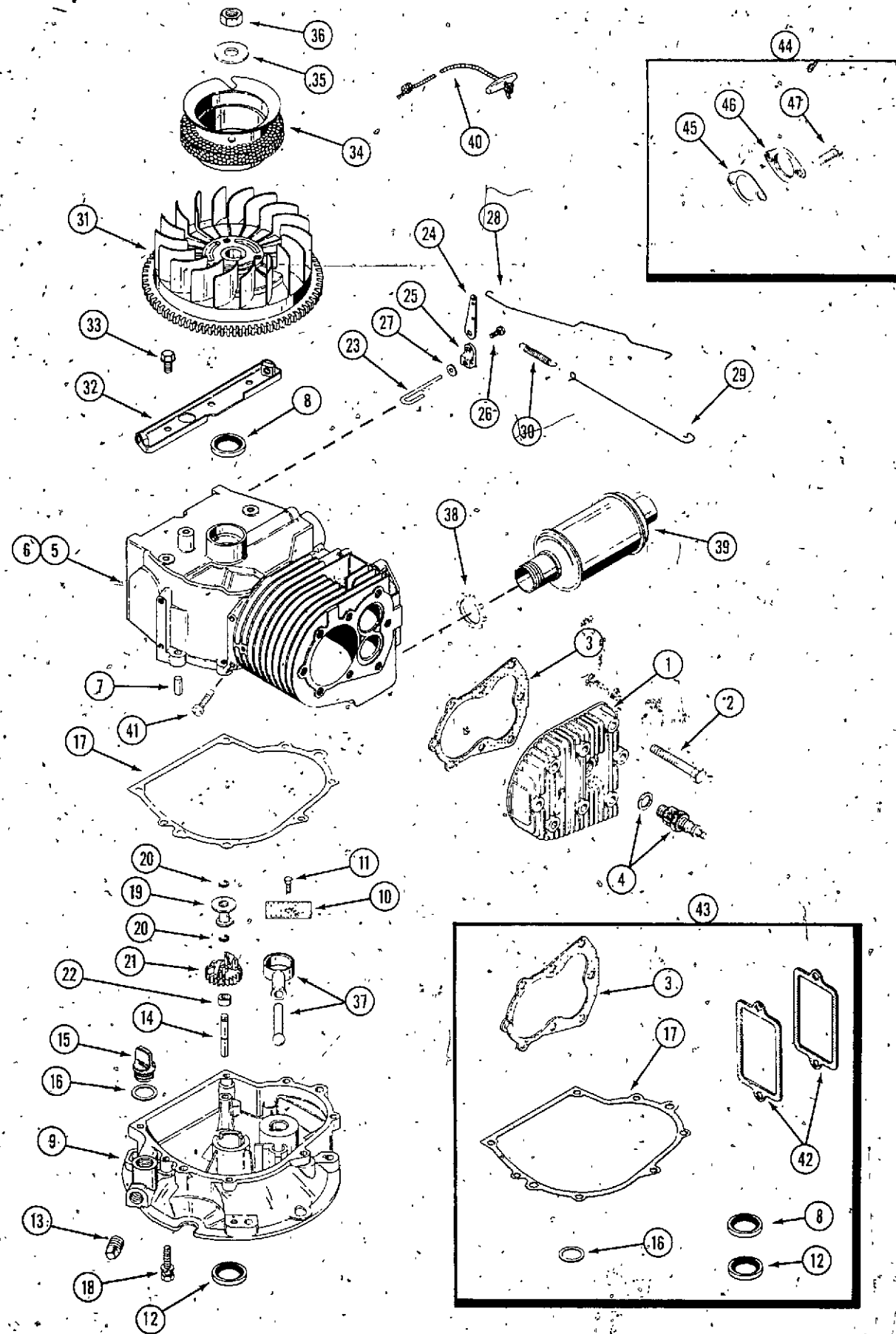
ENGINE MODEL, SERIAL AND SPECIFICATION NUMBER

TRACTOR MODEL DESIGNATIONS	ENGINE MODEL DESIGNATIONS
107 AND 117	C15513

SERIAL NUMBERS

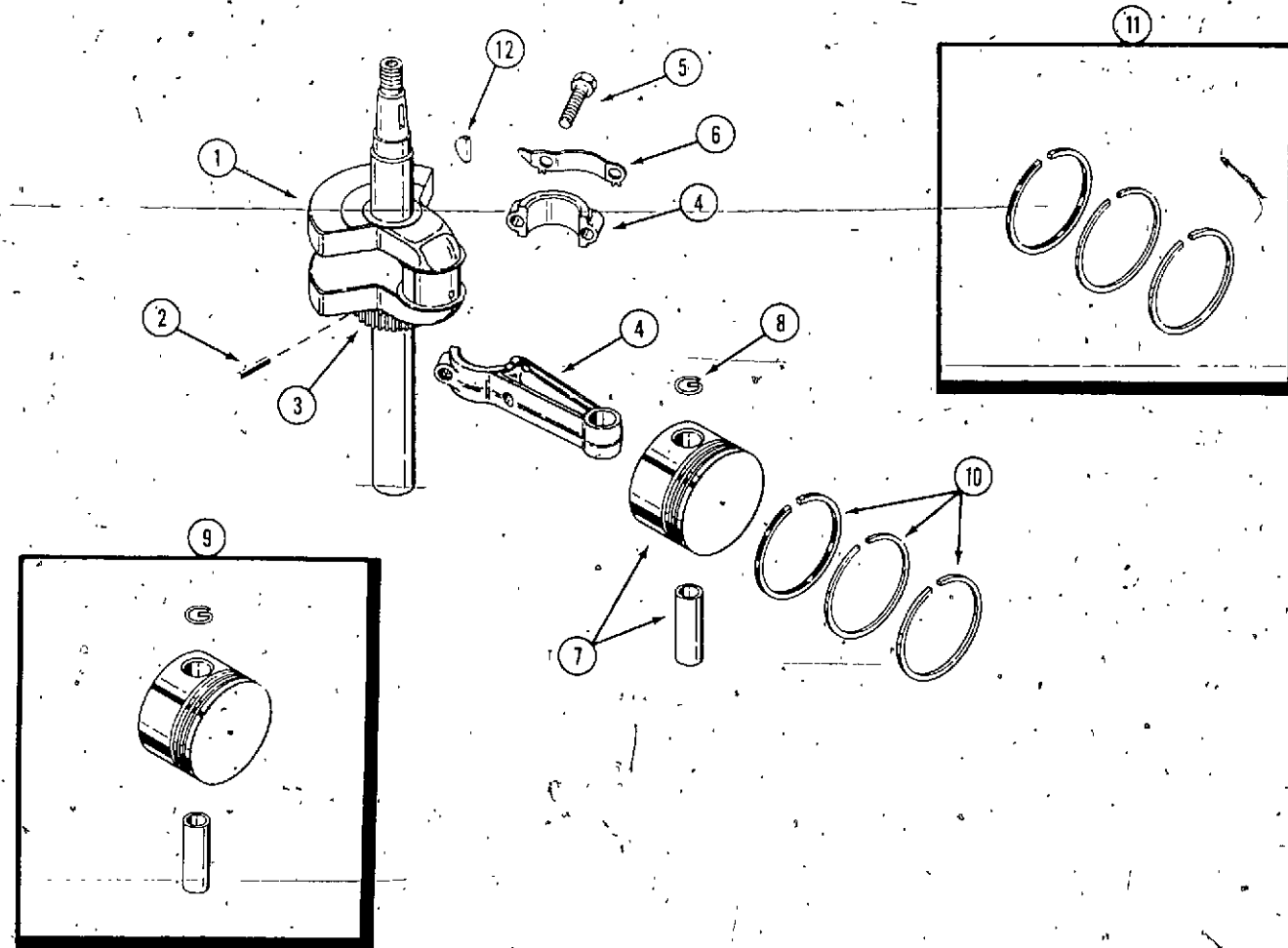
When using this catalog, notice the reference to serial numbers of various components noted here and listed in the "description" copy. By referring to correct serial numbers, proper parts identification will be assured.

ENGINE BLOCK AND ATTACHING PARTS



REF. PART NO.	DESCRIPTION	REQ'D
1 C 15847	HEAD - cylinder	1
2 113- 111	BOLT - cylinder head 5/16" x 2-1/2" NC hex	8
3 C 15980	GASKET - head	1
4 O 5999AB	SPARK PLUG - (includes gasket)	1
5 C 17261	BLOCK ASSEMBLY - short (includes cylinder, crankshaft rod assembly, camshaft, valves, piston and rings, pan and oil pump assembly, gaskets and seals)	1
6 C 15821	BLOCK - cylinder, stripped	1
7 C 15973	PIN - dowel	2
8 C 15974	SEAL - oil	1
9 C 15842	OIL PAN ASSEMBLY	1
10 C 15843	SCREEN - oil filter	1
11 187- 1003	SCREW - 8-32 x 5/16" self-tapping	1
12 C 15977	SEAL - oil	1
13 C 15978	PLUG - drain	1
14 C 15872	SHAFT - governor	1
15 C 15846	PLUG - filler	1
16 C 15979	GASKET - filler	1
17 C 15976	GASKET - oil pan	1
18 C 16032	SCREW - 1/4" x 1-1/4" NC hex sems	7
19 C 15874	SPOOL - governor	1
20 C 15986	RING - retaining, governor gear	2
21 C 15873	GEAR ASSEMBLY - governor	1
22 C 15871	SPACER - gear, governor	1
23 C 15868	ROD - governor	1
24 C 15870	LEVER - governor	1
25 C 15844	CLAMP - lever, governor	1
26 187- 1041	SCREW - 8-32 x 3/8" NC hex	1
27 C 16041	WASHER - governor	1
28 C 15869	LINK - throttle	1
29 C 15866	LINK - governor	1
30 C 15867	SPRING - governor	1
31 C 15905	FLYWHEEL	1
32 C 15864	BRACKET - blower housing	1
33 C 16040	BOLT - 1/4" x 5/8" NC hex sems	2
34 C 15885	HUB AND SCREEN	1
35 C 16045	WASHER - belleville	1
36 129- 125	NUT - 1/2" NF hex	1
37 C 15845	OIL PUMP ASSEMBLY	1
38 223- 202	LOCKNUT - muffler 3/4" NPT conduit	1
39 C 15518	MUFFLER - engine	1
40 C 15886	STARTER - rope	1
41 C 16048	SCREW - starter mounting 1/4" x 1/2" NC fillister head	4
42 C 15981	GASKET - engine breather	2
43 C 15972	KIT - engine gasket (includes items 3, 8, 12, 16, 17 and 42)	1
44 C 17287	KIT - muffler	1
45 C 17361	GASKET - exhaust flange	1
46 C 17362	ADAPTER - muffler	1
47 169- 154	SCREW - 5/16" x 3/4" NC fillister head, Phillips	2

CRANKSHAFT, PISTON - CONNECTING ROD

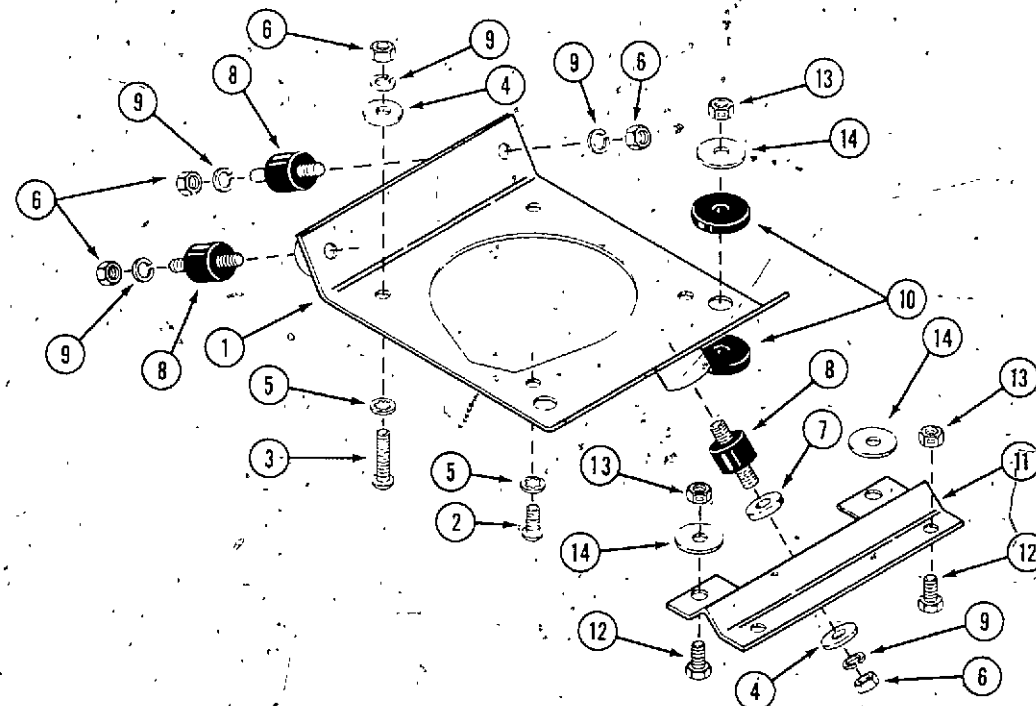


REF. PART NO.	DESCRIPTION	REQ'D
1 C 15829	CRANKSHAFT ASSEMBLY	1
2 C 15830	PIN - crankshaft gear	1
3 C 15831	GEAR - crankshaft	1
4 C 15838	CONNECTING ROD ASSEMBLY	1
5 113- 104	BOLT - 5/16" x 1-1/4" NC hex	2
6 C 15839	PLATE - lock	1
7 C 15832	PISTON AND PIN ASSEMBLY (standard) oversize see ref. 9	1
8 C 15975	RETAINER - piston pin	2
9 C 15833	PISTON AND PIN ASSEMBLY (.010 oversize)	1
9 C 15834	PISTON AND PIN ASSEMBLY (.020 oversize)	1
10 C 15835	RING SET - piston (standard) oversize see ref. 11	1
11 C 15836	RING SET - piston (.010 oversize)	1
11 C 15837	RING SET - piston (.020 oversize)	1
12 126- 14	KEY - Woodruff #7	1

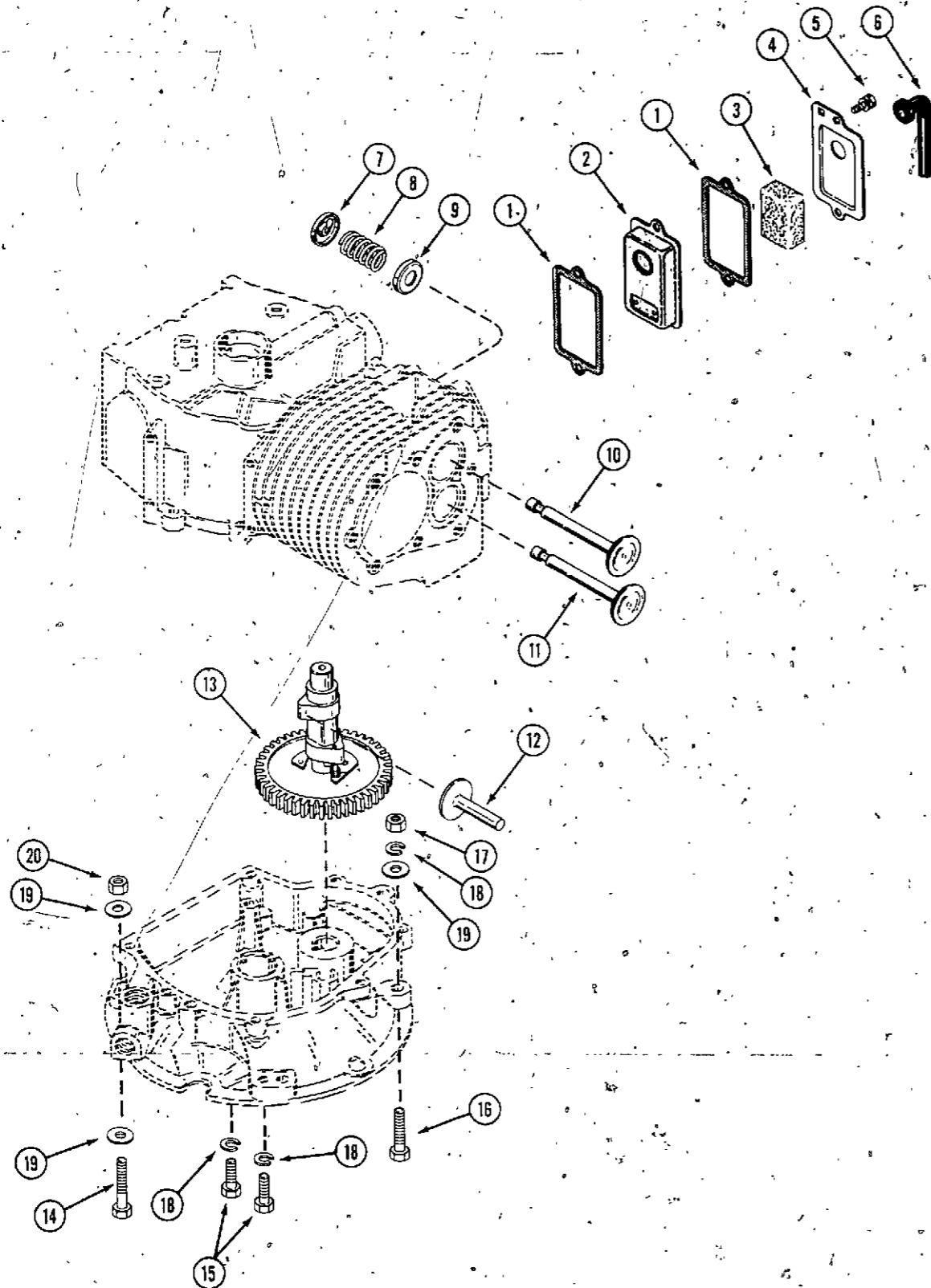
ENGINE MOUNTING PLATE

(use after S/N 9646801)

1 C 17393	PLATE - engine mounting	1
2 164- 540	SCREW - 5/16" x 3/4" button head socket	2
3 164- 543	SCREW - 5/16" x 1-1/2" button head socket	2
4 C 16752	WASHER - 5/16"	3
5 193- 29	LOCKWASHER - 5/16" internal tooth	4
6 129- 102	NUT - 5/16" NC hex	8
7 C 17391	SPACER	1
8 C 17394	MOUNT - engine	3
9 192- 20	LOCKWASHER - 5/16"	6
10 C 17333	CUSHION - rubber	4
11 C 17332	BRACKET - angle	1
12 113- 118	BOLT - 5/16" x 5/8" NC hex	4
13 131- 176	LOCKNUT - 5/16" NC hex	6
14 195- 2027	WASHER - 5/16"	4



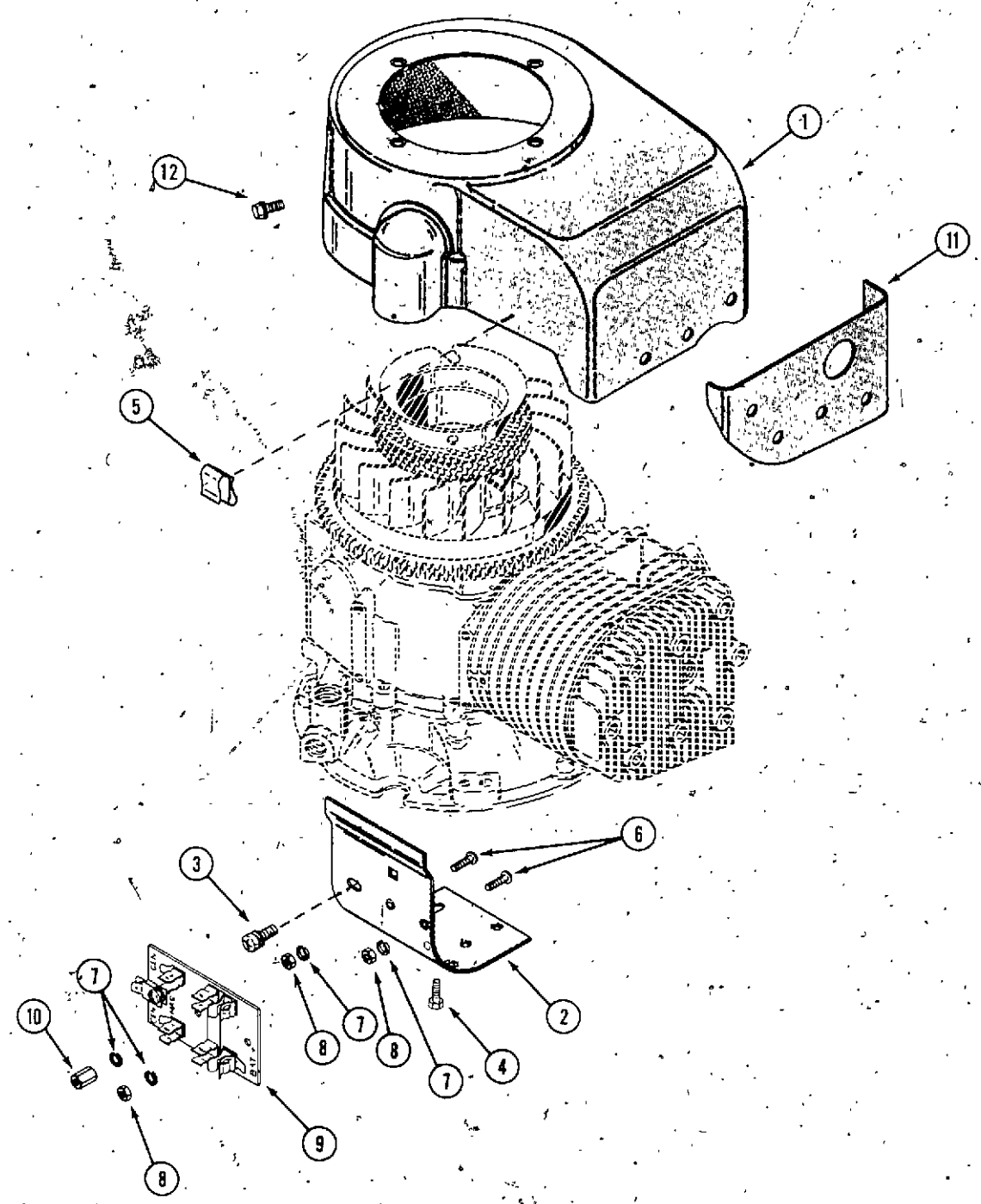
CRANKCASE BREATHER, CAMSHAFT AND VALVE ASSEMBLY



REF. PART NO.	DESCRIPTION	REQ'D
1 C 15981	GASKET - breather	2
2 15849	BODY ASSEMBLY - breather	1
3 C 15850	FILTER - breather	1
4 C 15851	COVER - valve	1
5 C 16033	SCREW - #10 x 1/2" NC	2
6 C 15852	TUBE - breather	1
7 C 15828	KEEPER - valve spring	2
8 C 15827	SPRING - valve	2
9 C 15826	SEAT - valve spring	2
10 C 15822	VALVE - intake (standard) includes C15828 keeper	1
10 C 15823	VALVE - intake (1/32" oversize) includes C15828 keeper	1
11 C 15824	VALVE - exhaust (standard) includes C15828 keeper	1
11 C 15824	VALVE - exhaust (1/32" oversize) includes C15828 keeper	1
12 C 15840	LIFTER - valve	2
13 C 15841	CAMSHAFT	1
14 113- 158 *	BOLT - 5/16 x 3-1/4" NC hex, engine mounting	1
15 113- 102 *	BOLT - 5/16 x 3/4" NC hex, engine mounting	2
16 113- 122 *	BOLT - 5/16 x 1-1/2" NC hex, engine mounting	1
17 129- 102 *	NUT - 5/16" NC hex	1
18 192- 20 *	LOCKWASHER - 5/16"	3
19 C 16752 *	WASHER - 5/16"	3
20 131- 176 *	NUT - lock 5/16" NC hex	1

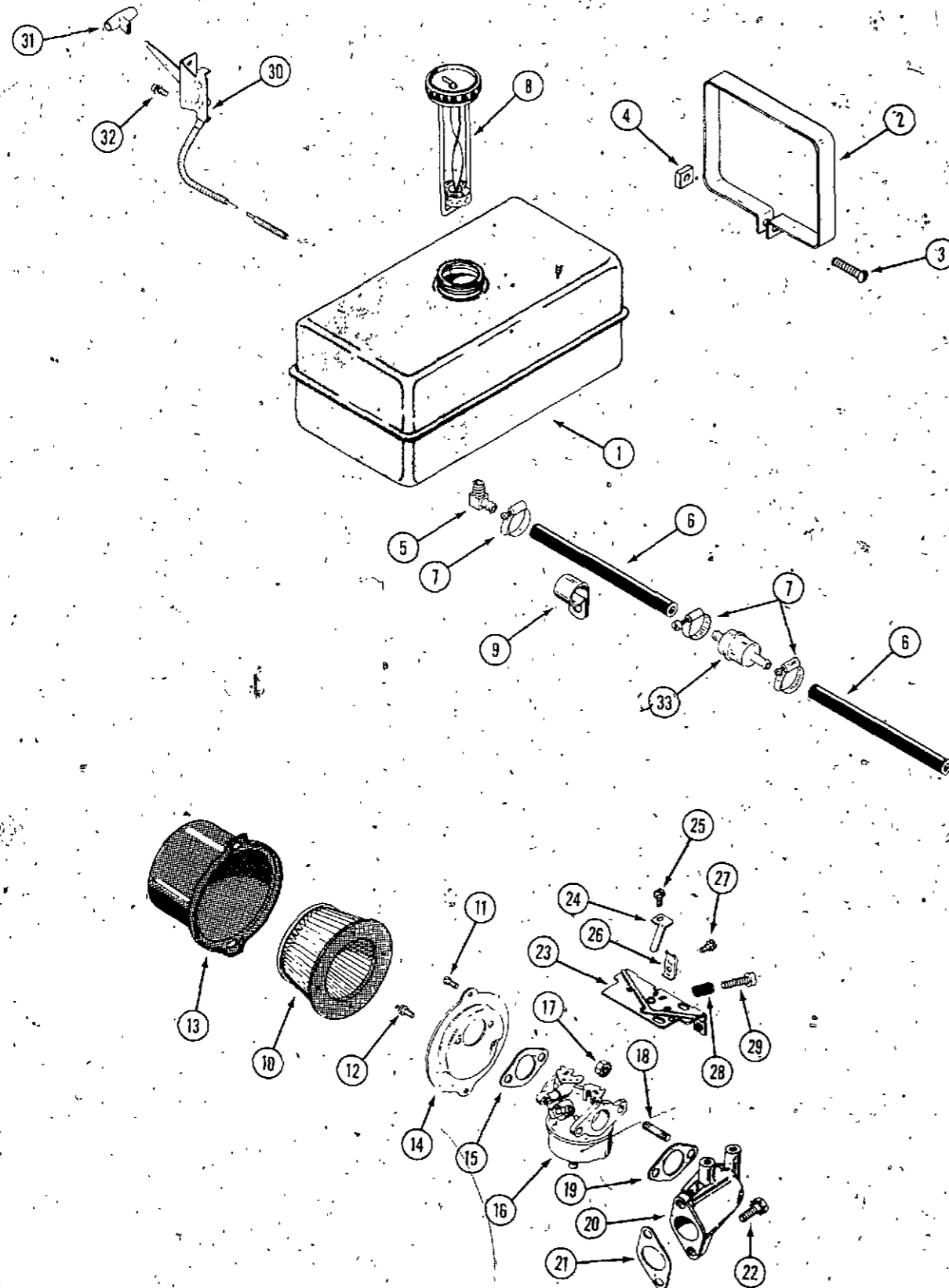
*use before S/N9646801

CASE MODEL 107 AND 117 COMPACT TRACTORS
ENGINE BAFFLES, SHROUDS AND RECTIFIER PANEL



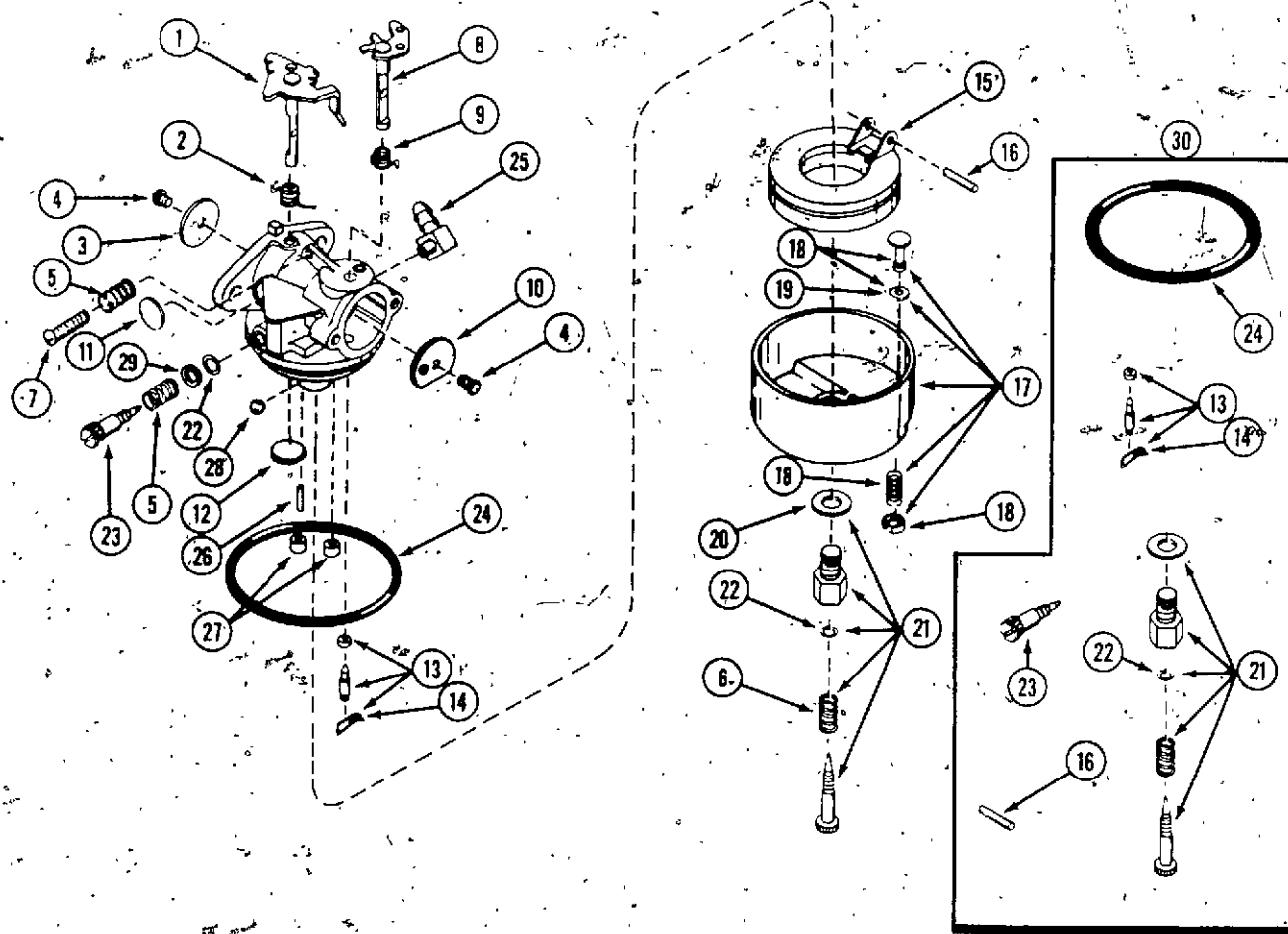
REF.	PART NO.	DESCRIPTION	REQ'D
1	C 15876	HOUSING - blower	1
2	C 15875	BAFFLE - cylinder	1
3	C 16033	SCREW - #10 x 1/2" NC fillister head, sems	1
4	C 16044	SCREW - 1/4" x 5/8" NC hex	1
5	C 15988	CLIP - retaining, high tension wire	1
6	173- 44	SCREW - 5-40 x 1/2" round head, machine	2
7	192- 14	LOCKWASHER - #5	5
8	129- 4	NUT - #5 hex	3
9	C 15923	PANEL - rectifier	1
10	C 16036	NUT - #5 NC hex, long	1
11	C 15865	BAFFLE - cylinder head	1
12	C 16046	SCREW - 5/16" x 3/4" NC hex, sems	2

FUEL SYSTEM



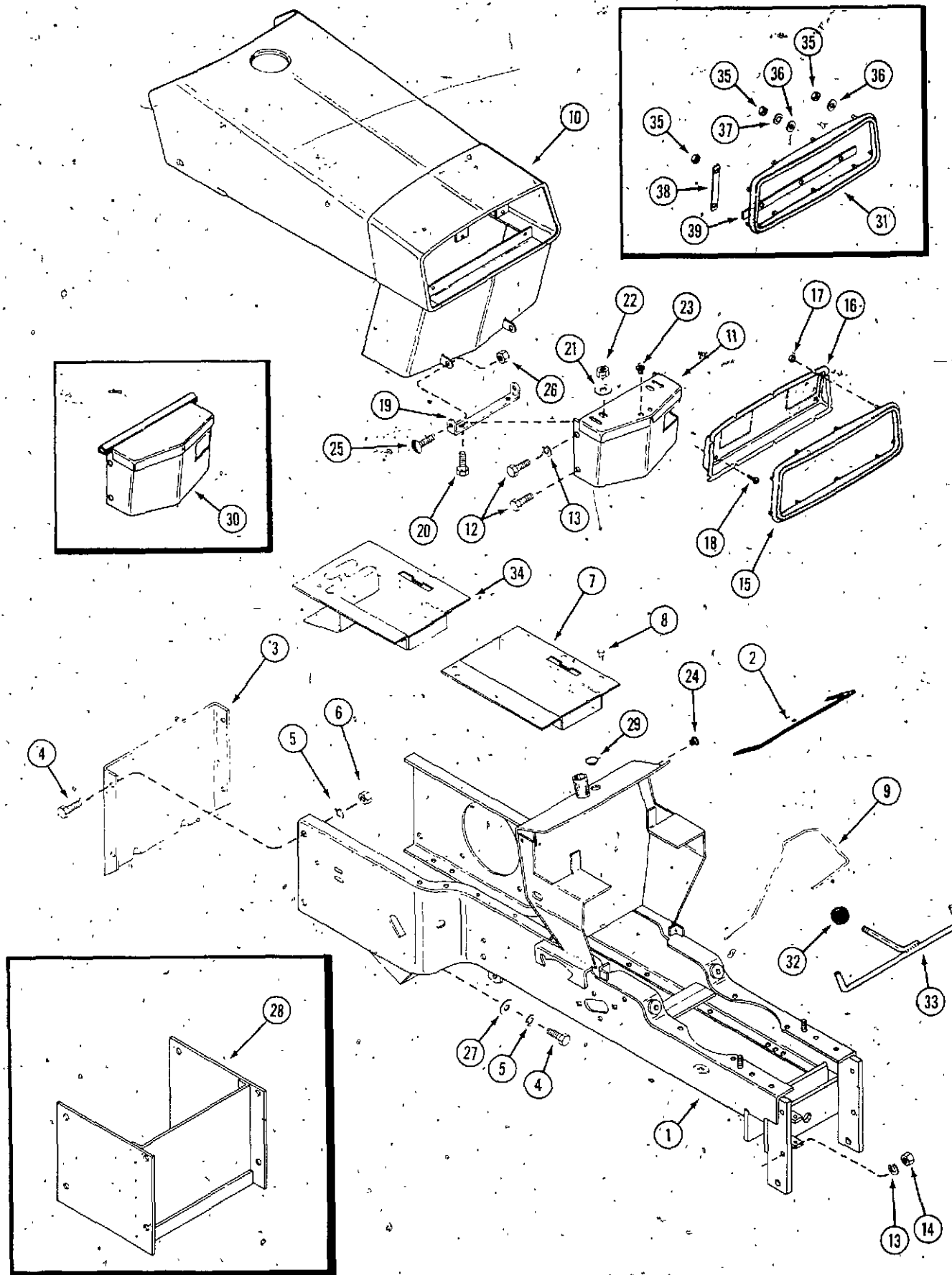
REF. PART NO.	DESCRIPTION	REQ'D
1 C 15519	TANK - fuel	1
2 C 15174	STRAP - tank mounting	2
3 173- 215	SCREW - 1/4" x 1-1/4" round head, machine, ZP	2
4 129- 504	NUT - 1/4" square, ZP	2
5 C 10678	ELBOW - fuel tank	1
6 C 16202	HOSE - fuel line 8"	2
7 214- 251	CLAMP - hose	4
8 C 15530	CAP AND FUEL GAUGE ASSEMBLY	1
9 C 15525	CLIP - mounting	1
10 C 15861	ELEMENT - air cleaner	1
11 169- 133	SCREW - #8 x 3/8" NC fillister head, sems	2
12 C 16038	SCREW - #10 x 1/2" NF fillister head, sems	2
13 C 15863	BODY - air cleaner	1
14 C 15860	BRACKET - air cleaner	1
15 C 15984	GASKET - air cleaner	1
16 C 24847	CARBURETOR - (repairs page 15)	1
17 193- 1001	NUT - 1/4" NF hex	2
18 C 15855	STUD - carburetor mounting	2
19 C 15983	GASKET - carburetor	1
20 C 15853	PIPE - intake	1
21 C 15982	GASKET - intake	1
22 C 16034	SCREW - 5/16" x 1-1/8" NC fillister head, sems	2
23 C 15859	CONTROL ASSEMBLY - speed	1
24 C 15882	CLIP	1
25 193- 539	SCREW - #10 x 1/2" NC hex, washer head	2
26 C 15987	CLIP - conduit	1
27 C 16043	SCREW - #10 x 3/8" NF hex, sems	1
28 C 15881	SPRING - compression	1
29 169- 43	SCREW - 5-40 x 7/16" fillister head	1
30 C 15112	CONTROL - choke and throttle (used prior to S/N 9654440)	1
30 C 18206	CONTROL - choke and throttle (used S/N 9654440 and after)	1
31 C 15540	HANDLE - control	1
32 187- 1054	SCREW - #10 x 1/2" NC hex, (used prior to S/N 9654440)	2
32 187- 1047	SCREW - #8 x 1/2" (used S/N 9654440 and after)	1
C 15862	DECAL - air cleaner	1
C 15858	DECAL - speed control	1
33 D 59949	FILTER - fuel	1

CARBURETOR



REF.	PART NO.	DESCRIPTION	REQ'D
1	C 15887	SHAFT AND LEVER ASSEMBLY - throttle	1
2	C 15888	SPRING - throttle return	1
3	C 15889	SHUTTER - throttle	1
4	C 16050	SCREW - 4-40 x 3/16" round head	2
5	C 15890	SPRING - idle-regulating	2
6	C 15891	SPRING - main adjust	1
7	C 16051	SCREW - idle regulating	1
8	C 15892	SHAFT AND LEVER ASSEMBLY - choke	1
9	C 15893	SPRING - choke return	1
10	C 15894	SHUTTER - choke	1
11	C 15991	PLUG - welch	1
12	C 15992	PLUG - welch	1
13	C 15993	INLET ASSEMBLY - needle, seat and clip	1
14	C 15895	CLIP - inlet needle	1
15	C 15896	FLOAT - carburetor	1
16	C 15999	SHAFT - float	1
17	C 15897	BOWL AND DRAIN ASSEMBLY - float	1
18	C 15898	PLUNGER ASSEMBLY - drain	1
19	C 15899	GASKET - drain plunger	1
20	C 15900	GASKET - bowl to body	1
21	C 16000	ADJUSTMENT SCREW ASSEMBLY - main (includes items 6, 20 and 22)	1
22	C 16001	"O" RING - adjust screw	2
23	C 16002	SCREW - idle adjust	1
24	C 16003	"O" RING - bowl to body	1
25	C 15901	FITTING - fuel inlet	1
26	C 16004	PIN	1
27	C 15902	PLUG - cup	2
28	C 15903	BALL - aluminum	1
29	C 16052	WASHER	1
30	C 15904	KIT - carburetor repair	1

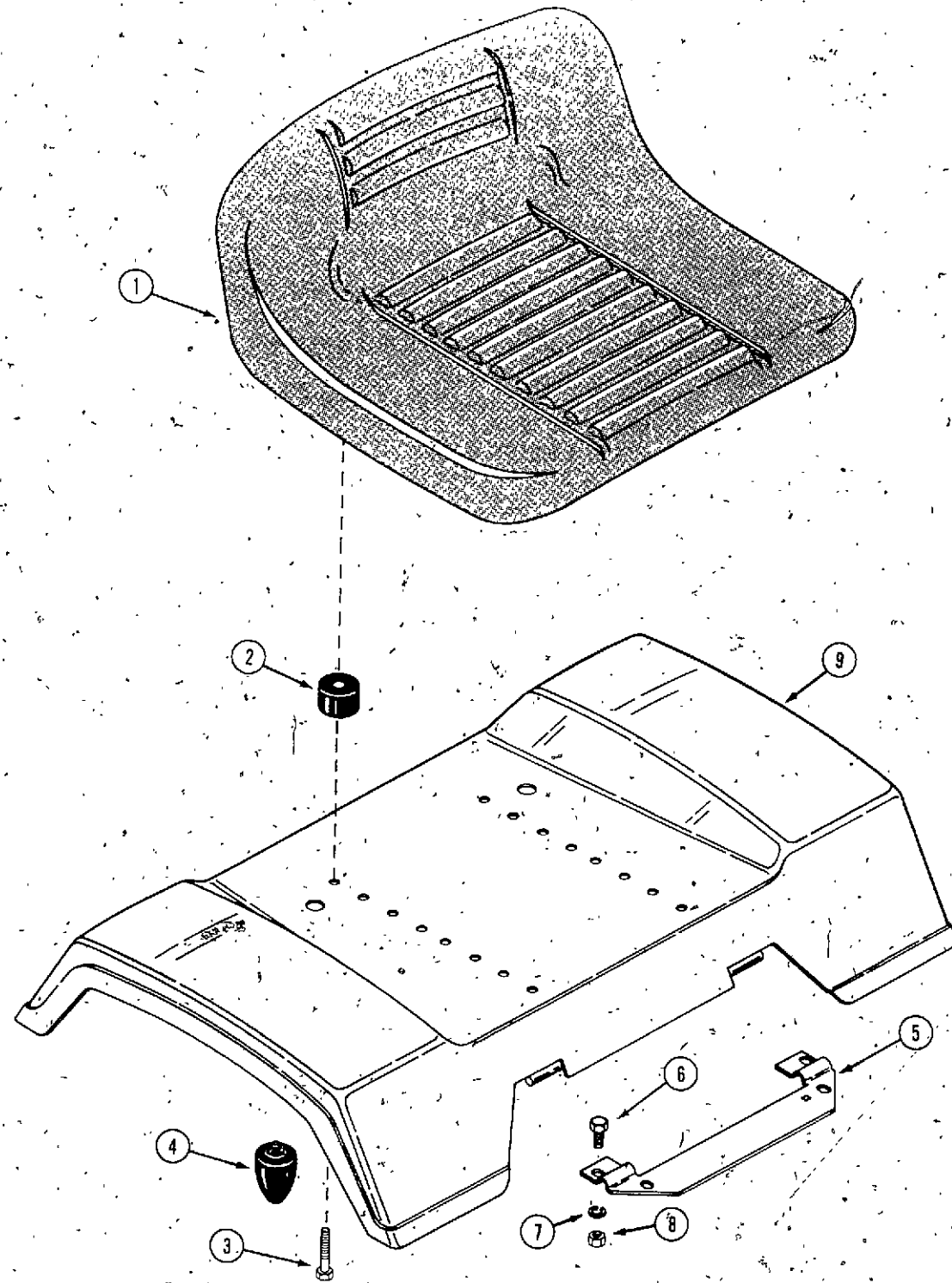
HOOD, FRAME AND GRILLE

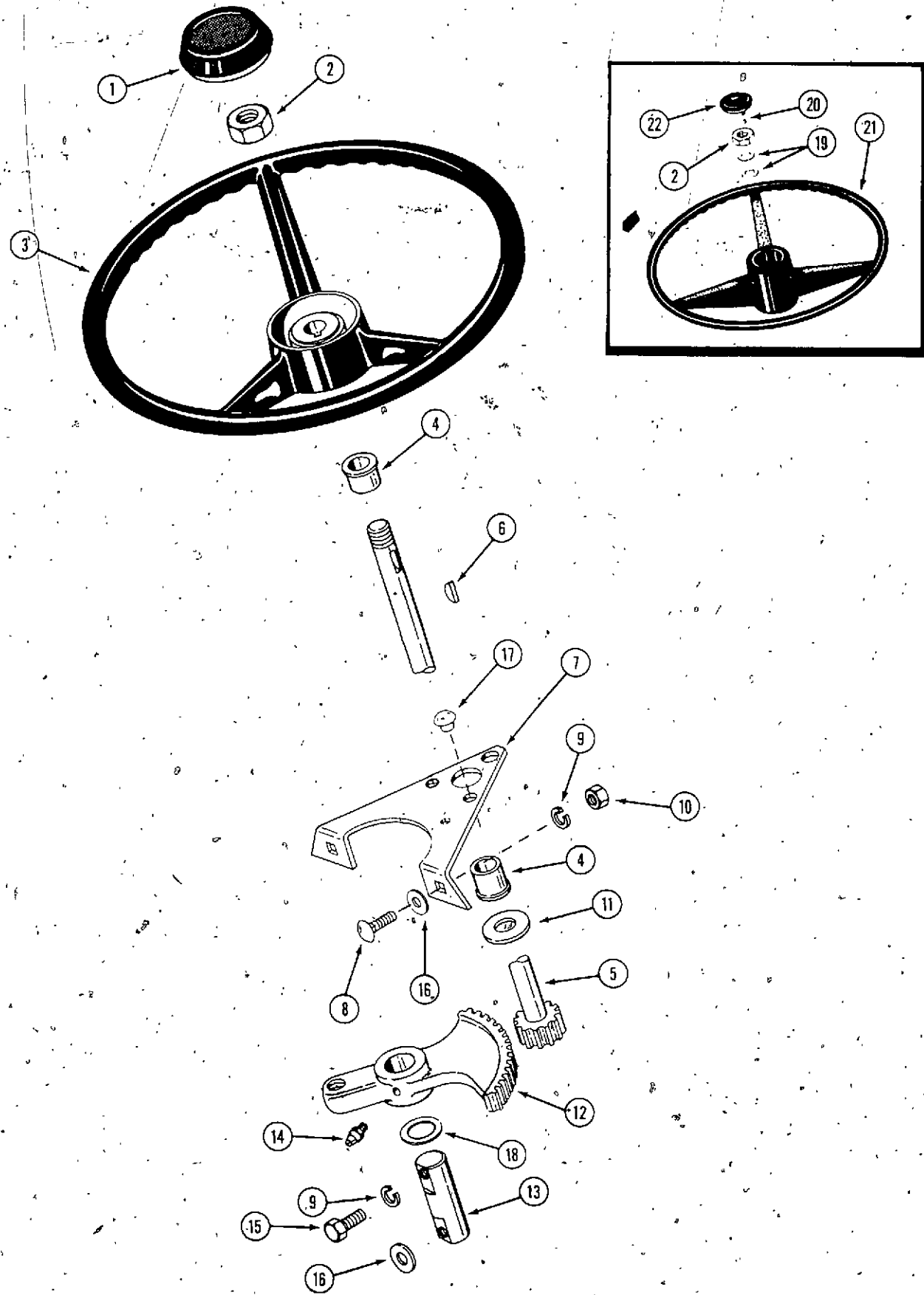


REF.	PART NO.	DESCRIPTION	REQ'D
1	C 18316	FRAME - main (107) (use S/N 9646801 and after)	1
1	C 15306	FRAME - main (107) (use before S/N 9646801)	1
1	C 15166	FRAME - main (117) (use before S/N 9646801)	1
1	C 16307	FRAME - main (117) shown (use S/N 9646801 and after)	1
2	C 18205	LINER - dash	1
3	C 15116	DRAWBAR	1
4	113- 206	BOLT - 3/8" x 3/4" NC hex	6
5	192- 21	LOCKWASHER - 3/8"	6
6	129- 103	NUT - 3/8" NC hex	4
7	C 15641	TRAY - tool (107)	1
8	187- 1036	SCREW - 1/4" x 1/2" NC hex self-tapping	4
9	C 15114	CLAMP - battery	1
10	C 16267	HOOD - (use S/N 9646801 and after) shown	1
10	C 15421	HOOD - (use before S/N 9646801)	1
11	C 17128	COVER - PTO (use S/N 9646801 and after)	1
12	113- 207	BOLT - 3/8" x 1" NC hex	4
13	192- 21	LOCKWASHER - 3/8"	4
14	129- 103	NUT - 3/8" NC hex	2
15	C 17473	SEAL - insert (use S/N 9646801 and after)	1
16	C 17043	INSERT - grille	1
17	129- 14	NUT - #5 NC hex	10
18	187- 1078	SCREW - #8 x 1/2" black anodized	4
19	C 17127	STRAP - hinge	1
20	113- 103	BOLT - 5/16" x 1" NC hex	2
21	195- 522	WASHER - 5/16"	2
22	131- 176	LOCKNUT - 5/16" NC hex	2
23	C 16942	BUMPER - PTO cover	2
24	C 17038	BUMPER - dash	2
25	175- 400	SCREW - 1/4" x 1/2" NC truss head	2
26	131- 1102	LOCKNUT - 1/4" NC hex	2
27	195- 104	WASHER - 3/8" transaxle mounting	2
28	NSS	WEIGHT BOX - (optional, order as G14 machinery item)	1
29	353- 406	PLUG - hole	1
30	C 15443	COVER - PTO (use before S/N 9646801)	1
31	C 15436	SEAL - insert (use before S/N 9646801)	1
32	C 15644	KNOB - hood latch (use before S/N 9646801)	1
33	C 15492	LATCH - hood (use before S/N 9646801)	1
34	C 15175	TRAY - tool (117)	1
35	129- 14	NUT - #5 x 40 NC hex	10
36	195- 513	WASHER - 3/16"	3
37	193- 41	LOCK WASHER - 3/16" internal tooth	1
38	C 16465	STRIP - short (use before S/N 9646801)	2
39	C 16466	STRIP - long (use before S/N 9646801)	1

SEAT AND FENDERS

REF. PART NO.	DESCRIPTION	REQ'D
1 C 26215	SEAT ASSEMBLY	1
2 C 15610	MOUNT - seat, rubber	4
3 113- 122	BOLT - 5/16" x 1-1/2" NC hex	4
4 C 14534	BUMPER - seat, rubber	2
5 C 15501	BRACKET - hinge	1
6 113- 102	BOLT - 5/16" x 3/4" NC hex	4
7 192- 20	LOCKWASHER - 5/16"	4
8 129- 102	NUT - 5/16" NC hex	2
9 C 15440	FENDER AND SUPPORT	1

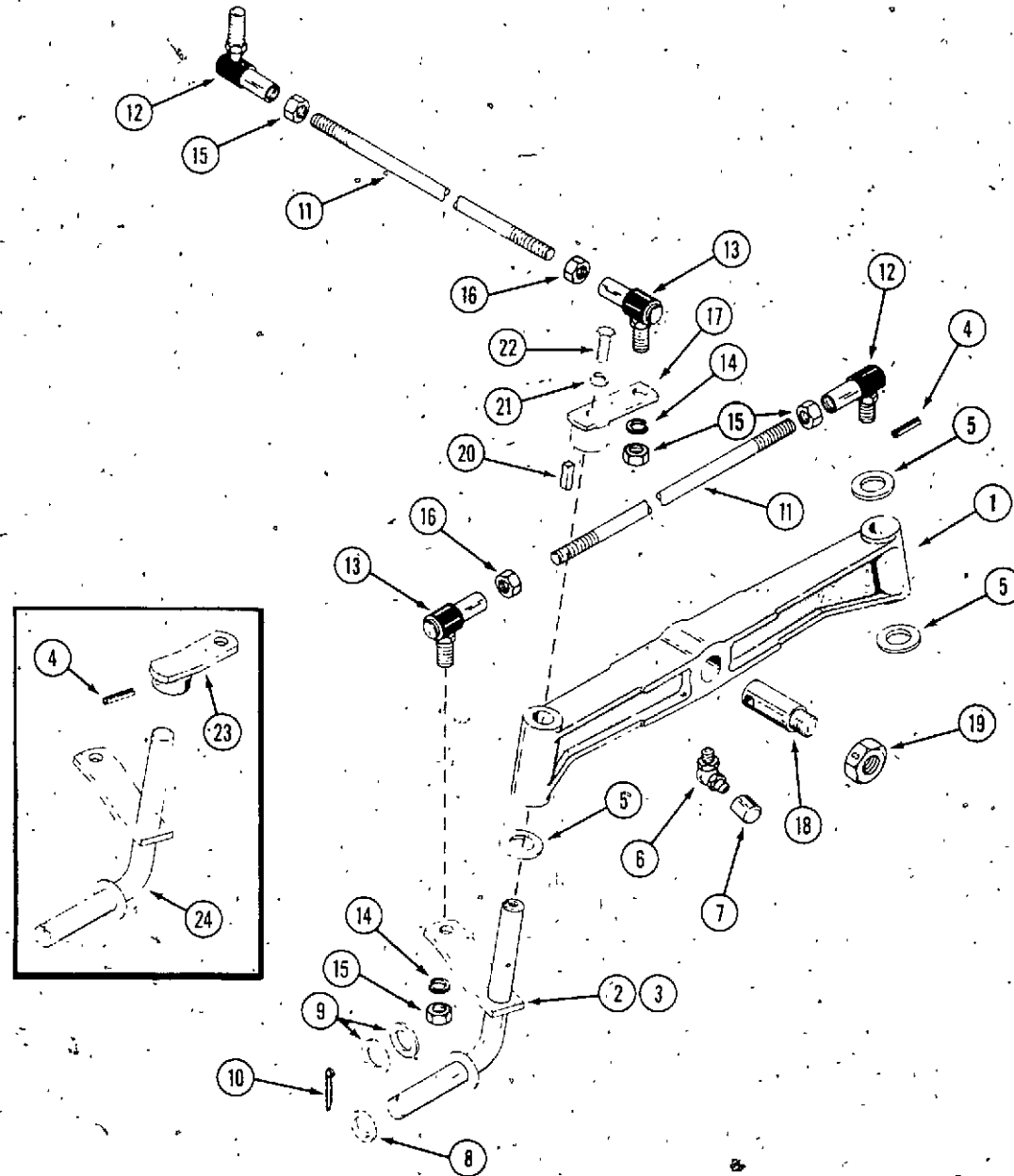




STEERING GEAR

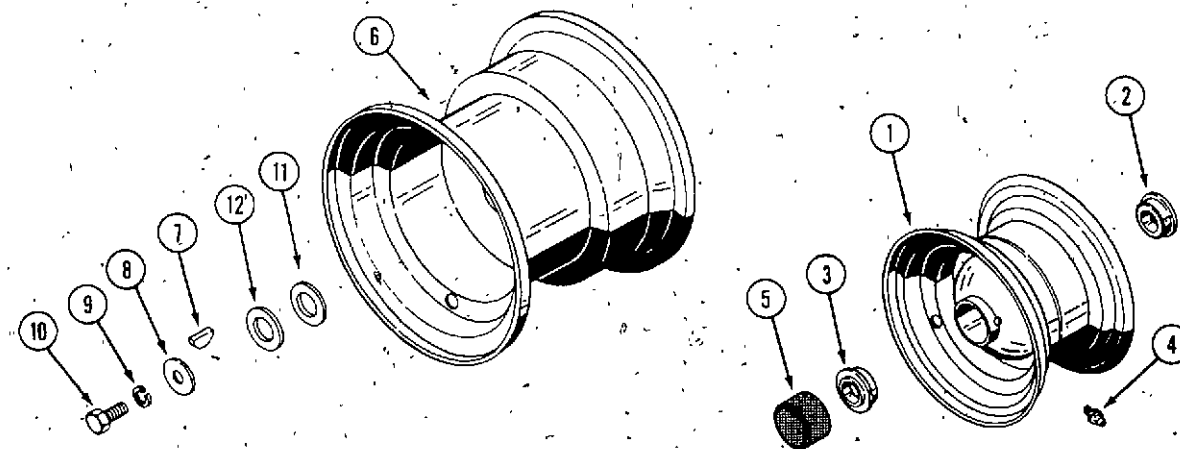
REF. PART NO.	DESCRIPTION	REQ'D
1 L 15282	CAP - steering (early production)	1
2 131- 1113	NUT - jam-5/8" NC hex	1
3 NSS	WHEEL - steering (early production) order items 19,20,21 and 22	1
4 C 15096	BUSHING - flanged nylon	2
5 C 15097	SHAFT - steering	1
6 126- 16	KEY - Woodruff 3/16" x 3/4"	1
7 C 16245	BRACKET - steering (117) shown (use S/N 9646801 and after)	1
7 C 15119	BRACKET - steering (117) (use before S/N 9646801)	1
7 C 15510	BRACKET - steering (107) (use before S/N 9646801)	1
7 C 17106	BRACKET - steering (107) (use S/N 9646801 and after)	1
8 111- 215	BOLT - 5/16" x 3/4" NC, round head, square neck, ZP	2
9 192- 20	LOCKWASHER - 5/16" ZP	4
10 129- 102	NUT - 5/16" NC hex, ZP	2
11 195- 2069	WASHER - 5/8" plain, ZP	1
12 C 15104	GEAR - steering	1
13 C 15105	PIVOT - steering gear	1
14 219- 17	FITTING - lube	1
15 113- 103	BOLT - 5/16" x 1" NC hex, ZP	2
16 195- 521	WASHER - 5/16" plain, ZP	UAR
17 C 17235	BUTTON - friction	2
18 C 14201	WASHER - shim	1
19 C 12975	WASHER - (late production)	2
20 C 18017	CLIP - tinnerman (late production)	2
21 C 18015	WHEEL - steering (late production)	1
22 C 16945	CAP - steering wheel (late production)	1

FRONT AXLE



REF. PART NO.	DESCRIPTION	REQ'D
1 C 15066	AXLE - front	1
2 C 16946	SPINDLE - right hand (use S/N 9646801 and after)	1
3 C 16724	SPINDLE - left hand	1
4 138- 2055	PIN - roll L. H. spindle 3/16" x 1-1/2"	1
5 C 11906	WASHER - thrust 13/16"	3
6 219- 404	FITTING - lube	3
7 C 13106	COVER - lube fitting	3
8 C 12975	WASHER - spindle	2
9 A 30881	WASHER - wheel spacer	2
10 132- 311	PIN - cotter 5/32" x 1-1/4"	2
11 C 15067	ROD - tie and drag link	2
12 C 15113	BALL JOINT - R. H. thread	2
13 C 15068	BALL JOINT - L. H. thread	2
14 192- 23	LOCKWASHER - 1/2" ZP	4
15 129- 125	NUT - 1/2" NF hex	5
16 129- 325	NUT - 1/2" NC hex, L. H. thread	2
17 C 16948	ARM - upper spindle (use S/N 9646801 and after)	1
18 C 15072	PIN - axle pivot	1
19 131- 1331	NUT - jam 3/4" NC hex	1
20 T 33565	KEY - 1/4" x 1/4" x 1"	1
21 192- 20	LOCKWASHER - 5/16"	1
22 113- 103	BOLT - 5/16" x 1" NC hex	1
23 C 15071	ARM - upper spindle (use before S/N 9646801)	1
24 C 16723	SPINDLE - right hand (use before S/N 9646801)	1

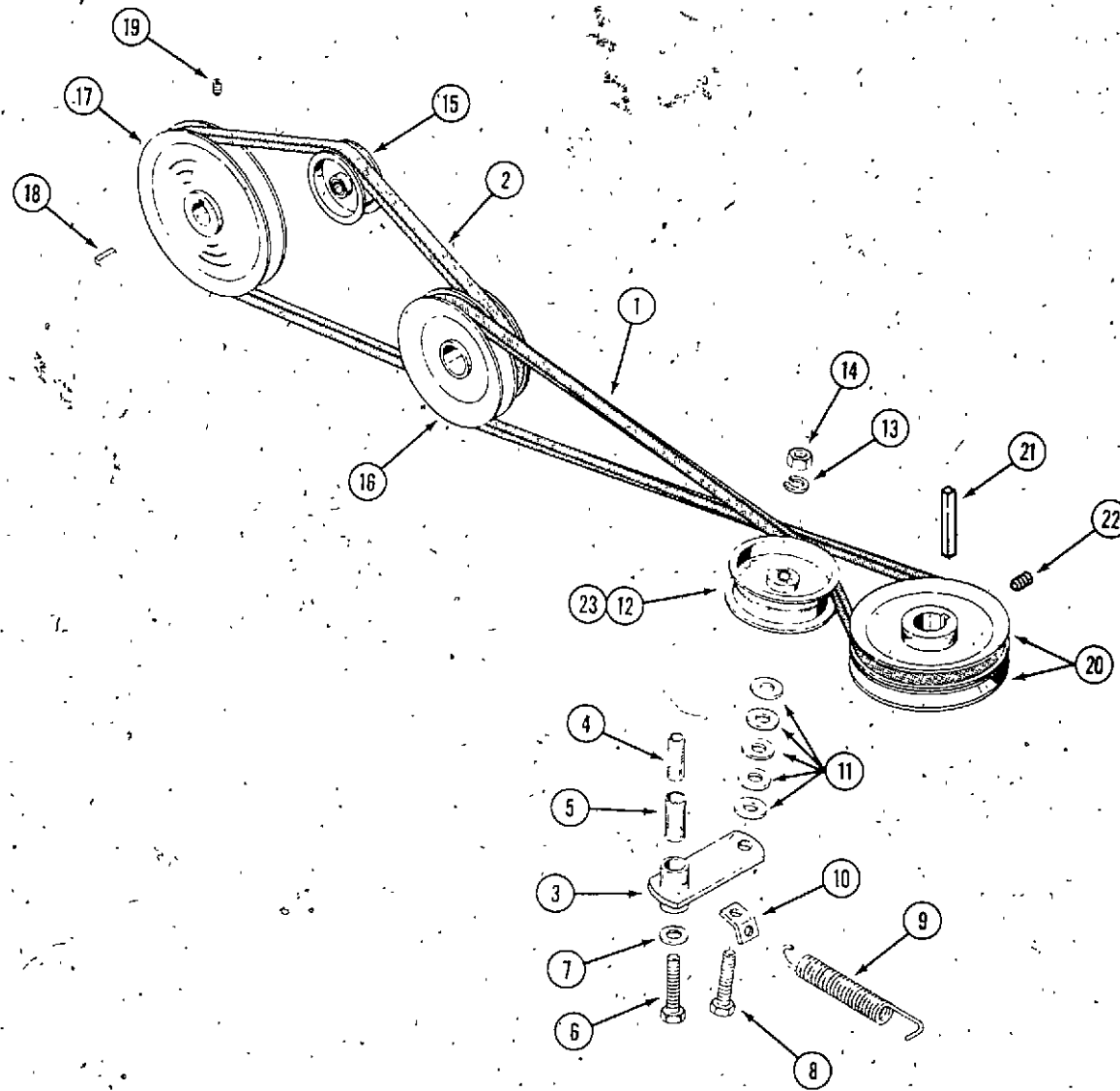
FRONT AND REAR WHEELS



1 C 24429	WHEEL - front (includes bearing)	2
2 C 12110	BEARING - sealed, inner	2
3 C 12110	BEARING - outer	2
4 219- 10	FITTING - lube	2
5 C 12370	CAP - hub	2
6 C 15093	WHEEL - rear	2
7 126- 21	KEY - Woodruff "A" 1/4" x 7/8"	2
8 195- 2029	WASHER - 3/8" plain, ZP	2
9 192- 21	LOCKWASHER - 3/8" ZP	2
10 113- 207	BOLT - 3/8" x 1" NC hex, ZP	2
11 C 13716	WASHER - 1", 10 gauge	2
12 C 10292	WASHER - 1", 18 gauge	2

BELTS, PULLEYS AND IDLERS (107)

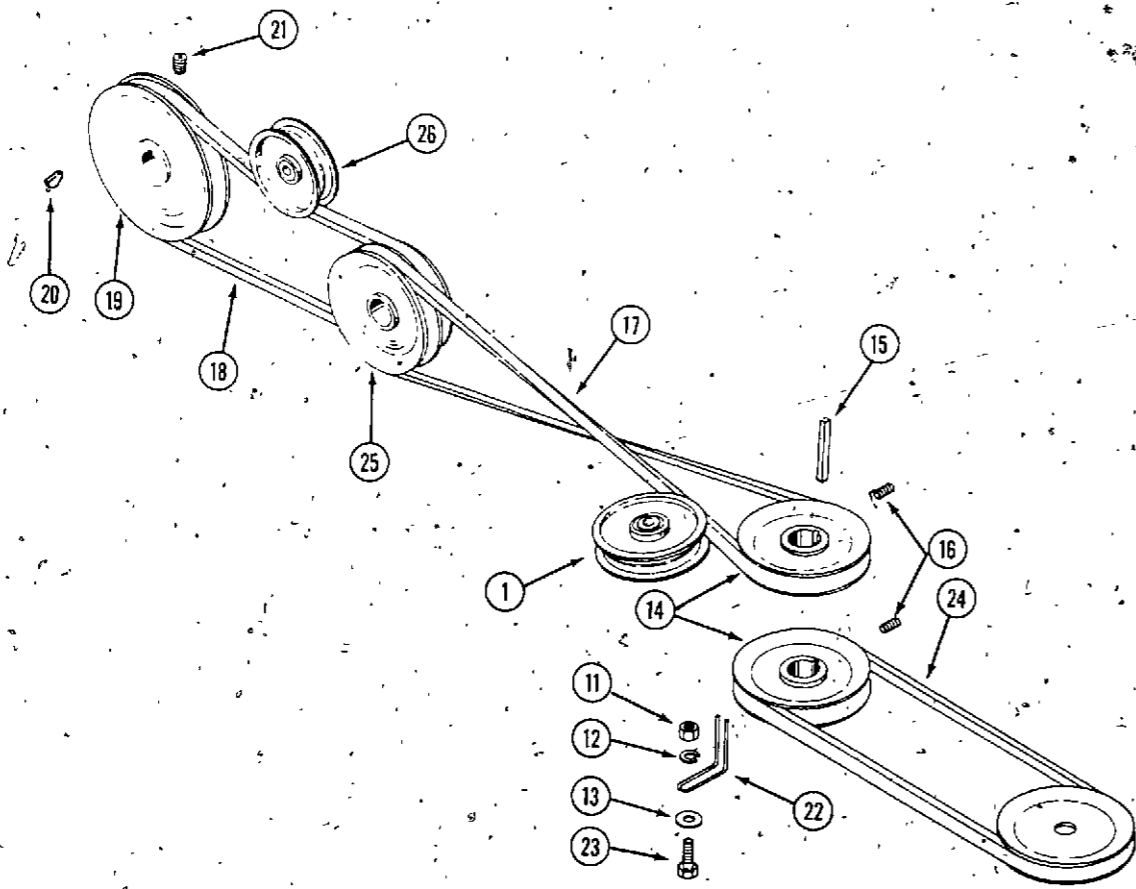
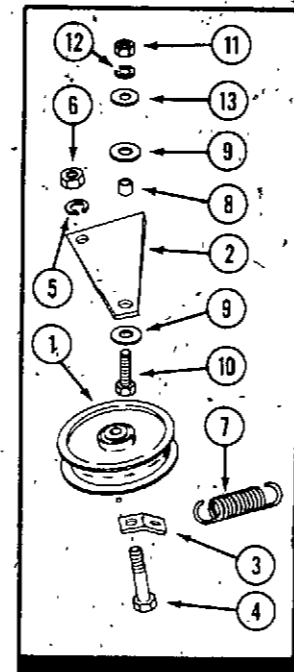
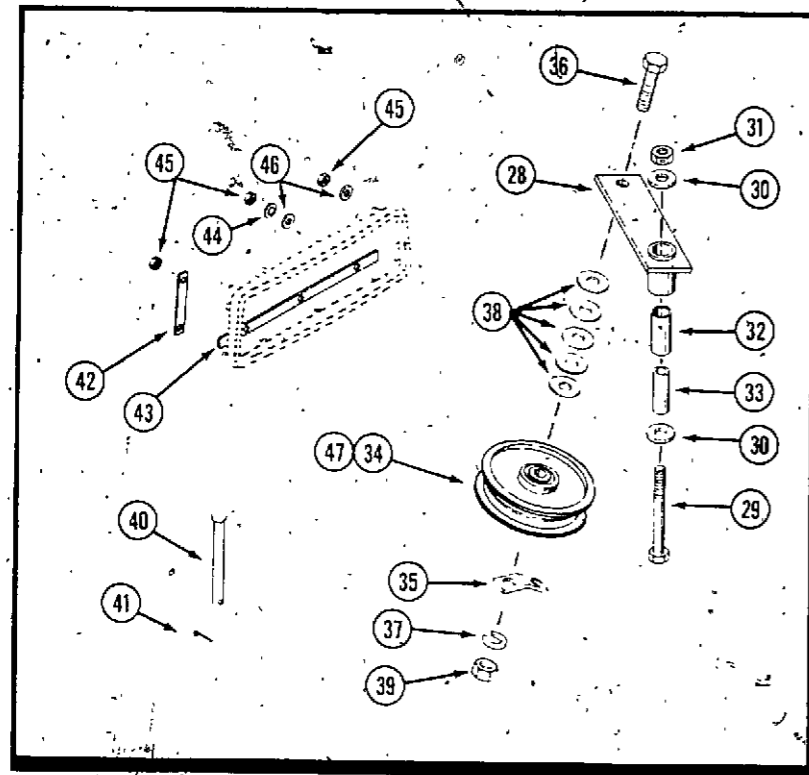
(use S/N 9646801 and after)



REF. PART NO.	DESCRIPTION	REQ'D
1 C 15370	BELT - engine drive	1
2 C 17413	BELT - rear clutch	1
3 NSS	ARM - idler (used prior to S/N 9654190) (use C17873)	1
3 C 17873	ARM - idler (used S/N 9654190 and after)	1
4 C 16714	BUSHING - idler arm	1
5 C 17108	SLEEVE - idler arm	1
6 26- 636	BOLT - 3/8" x 2-1/4" NC hex	1
7 195- 525	WASHER - 3/8"	1
8 113- 219	BOLT - 3/8" x 2" NC hex	1
9 C 15178	SPRING - idler	1
10 C 15545	BRACKET - spring attach	1
11 195- 103	WASHER - spacer 5/16"	5
12 C 16739	PULLEY - idler (see item 23)	1
13 192- 21	LOCKWASHER - 3/8"	1
14 129- 103	NUT - 3/8" NC hex	1
15 C 23535	PULLEY - clutch idler	1
16 C 15310	PULLEY - transaxle drive	1
17 C 15309	PULLEY - transaxle	1
18 126- 16	KEY - Woodruff #9	1
19 178- 858	SETSCREW - 5/16" x 5/16" NC socket head	1
20 C 15109	PULLEY - engine and PTO drive	2
21 T 25070	KEY - 1/4" square x 2"	1
22 178- 858	SETSCREW - 5/16" x 3/8" NC socket head	4
23 C 20465	PULLEY - idler, 1-1/2" wide flange (improved replacement for C 16739 pulley)	1

BELTS, PULLEYS AND IDLERS (107)

(use before S/N 9646801)

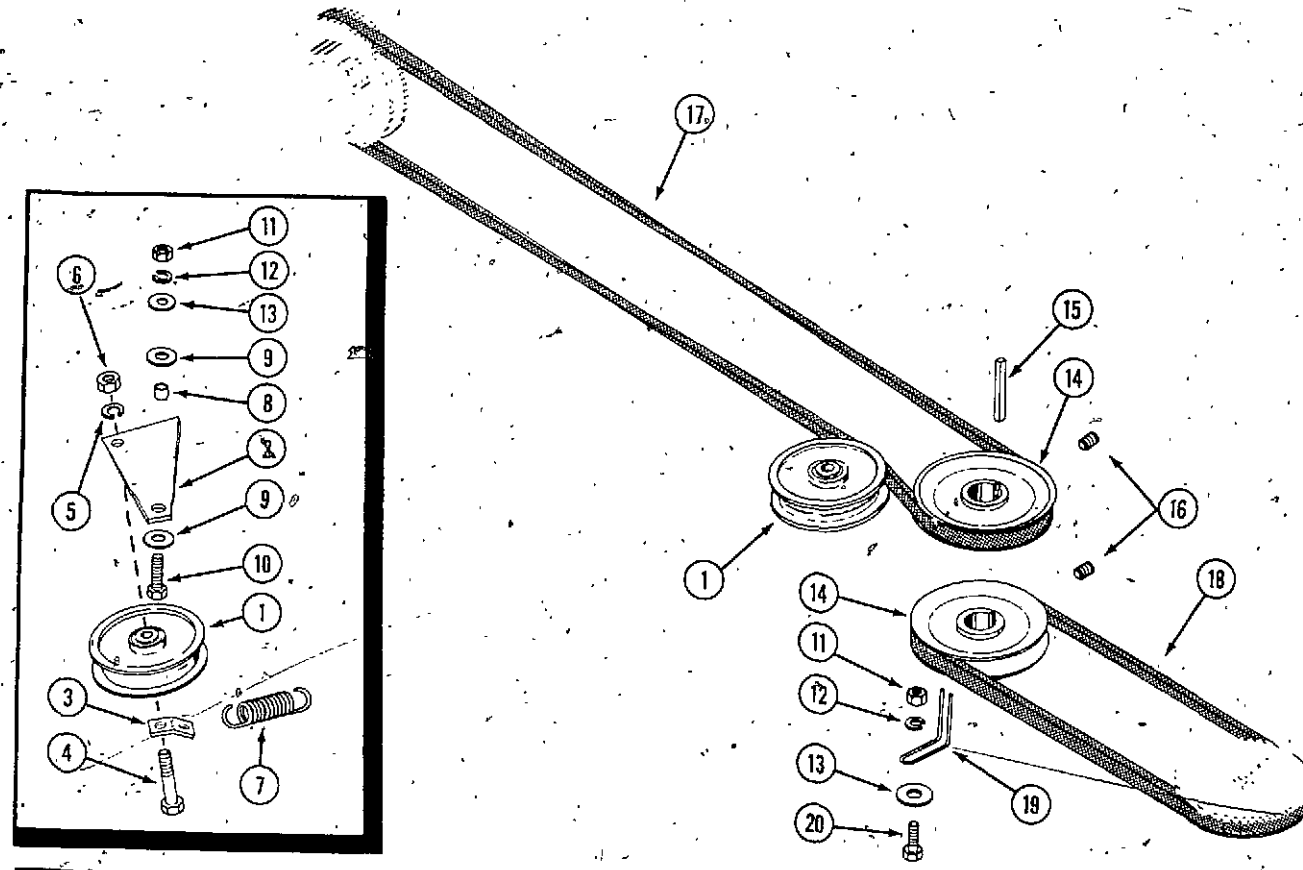


REF.	PART NO.	DESCRIPTION	REQ'D
1*	C 13012	PULLEY - idler	1
2*	C 15528	ARM - idler	1
3	C 15545	BRACKET - idler spring	1
4*	113- 219	BOLT - 3/8" x 2" NC hex	1
5*	192- 21	LOCKWASHER - 3/8"	1
6*	129- 103	NUT - 3/8" NC hex	1
7*	C 15178	SPRING - idler	1
8*	C 15527	SPACER - idler arm	1
9*	195- 104	WASHER - 3/8"	2
10*	113- 120	BOLT - 5/16" x 1-3/4" NC hex	1
11*	129- 102	NUT - 5/16" NC hex	3
12*	192- 20	LOCKWASHER - 5/16"	3
13	195- 521	WASHER - 5/16"	3
14	C 15109	PULLEY - engine drive	2
15	T 25070	KEY - 1/4" x 2" square	1
16	83- 54	SETSCREW - 5/16" x 1/4" socket head	2
17	C 15370	BELT - drive	1
18	C 15753	BELT - clutch	1
19	C 15309	PULLEY - transaxle	1
20	126- 16	KEY - Woodruff #9	1
21	83- 56	SETSCREW - 5/16" x 3/8" socket head	1
22	C 15252	KEEPER - PTO belt	2
23	113- 102	BOLT - 5/16" x 3/4" NC hex	2
24	C 15552	BELT - PTO	1
25	C 15310	PULLEY - transaxle drive	1
26	C 13012	PULLEY - clutch idler	1
27	C 16767	KIT - modification (used prior to S/N 9646800)	1
28	C 16717	BRACKET - idler	1
29	113- 158	BOLT - 5/16" x 3-1/4" NC hex, grade 8	1
30	C 16752	WASHER - special	2
31	131- 176	LOCKNUT - 5/16" NC hex	1
32	C 16714	BUSHING - bronze	1
33	C 16712	SLEEVE - inner	1
34	C 16739	PULLEY - idler (see item 47)	1
35	C 15545	BRACKET - spring	1
36	113- 219	BOLT - 3/8" x 2" NC hex	1
37	192- 21	LOCKWASHER - 3/8"	1
38	195- 103	WASHER - 5/16"	5
39	129- 103	NUT - 3/8" NC hex	1
40	C 16201	PIN - clevis 5/16" x 3-3/16" (see page 49)	1
41	132- 46	PIN - cotter	1
42	C 16465	STRIP - short	2
43	C 16466	STRIP - long	1
44	193- 91	LOCKWASHER - 3/16" internal	1
45	129- 14	NUT - 5 x 40 NC hex	10
46	195- 13	WASHER - 3/16"	3
47	C 20465	PULLEY - idler, 1-1/2" wide flange (improved replacement for C 16739 pulley)	1
	C 16638	DECAL - starting caution	1

*Parts not used if Tractor has C 16767 modification kit installed.

BELTS, PULLEYS AND IDLER (117)

(use before S/N 9646801)

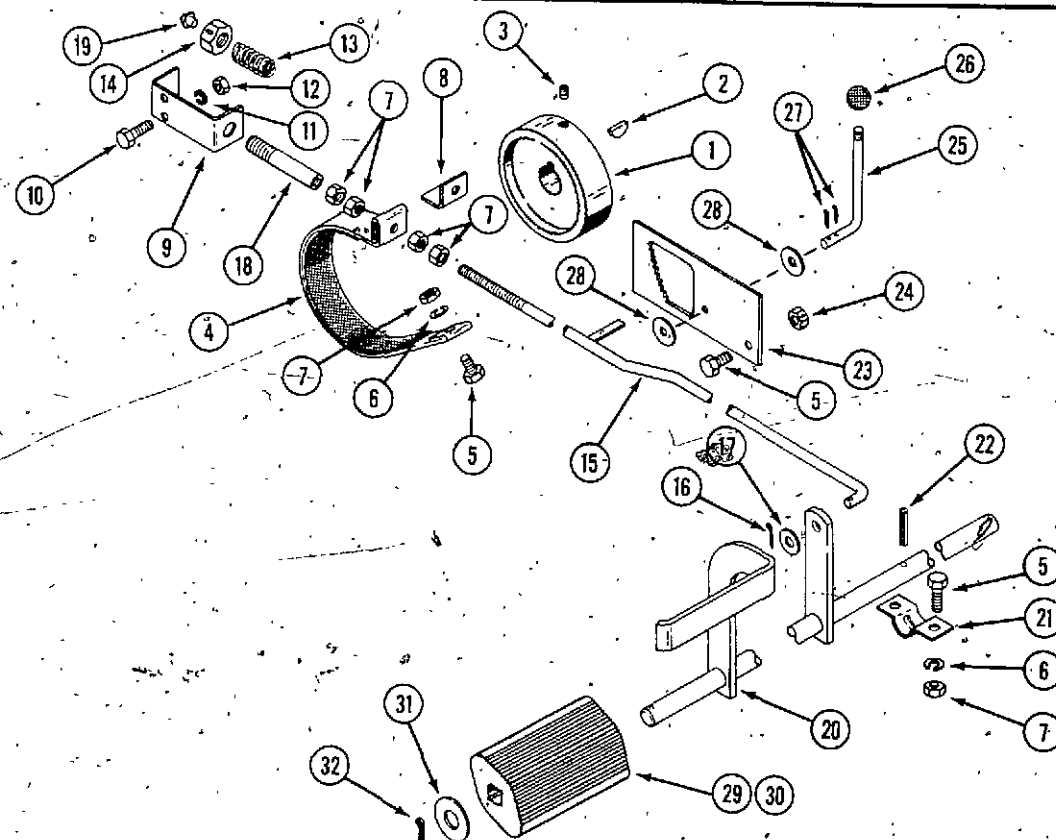


REF. PART NO.	DESCRIPTION	REQ'D
1*	C 15177 PULLEY - idler	1
2*	C 15176 ARM - idler	1
3	C 15545 BRACKET - idler spring	1
4	113- 219 BOLT - 3/8" x 2" NC hex, ZP	1
5	192- 21 LOCKWASHER - 3/8" ZP	1
6	129- 103 NUT - 3/8" NC hex, ZP	1
7	C 15178 SPRING - idler	1
8*	C 15527 SPACER - idler arm	1
9*	195- 104 WASHER - 3/8" plain	2
10*	113- 120 BOLT - 5/16" x 1-3/4" NC hex	1
11	129- 102 NUT - 5/16" NC hex, ZP	3
12	192- 20 LOCKWASHER - 5/16" ZP	3
13	195- 521 WASHER - 5/16" ZP	3
14	C 15109 PULLEY - engine drive	2
15	T 25070 KEY - 1/4" x 2" square	1
16	83- 54 SCREW - set 5/16" x 1/4" socket head	2
17	C 17251 BELT - engine drive	1
18	C 15552 BELT - PTO drive	1
19	C 15252 FINGER - PTO belt	2
20	113- 102 BOLT - 5/16" x 3/4" NC hex, ZP	2

*Refer to pages 30 and 31. Parts indicated are not used if tractor has C 16763 modification kit installed.

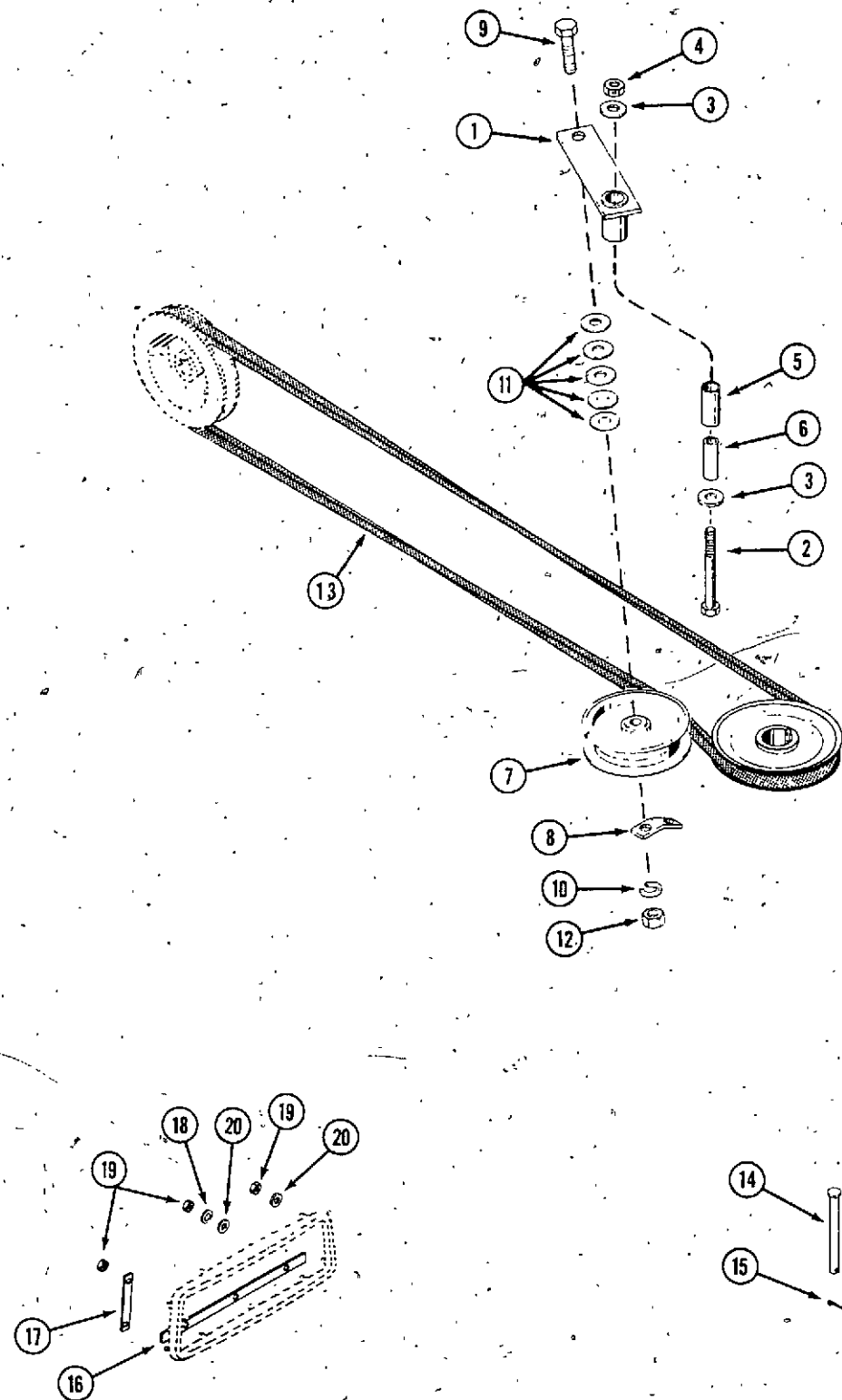
BRAKE ASSEMBLY (117)

(use before S/N 9646801)

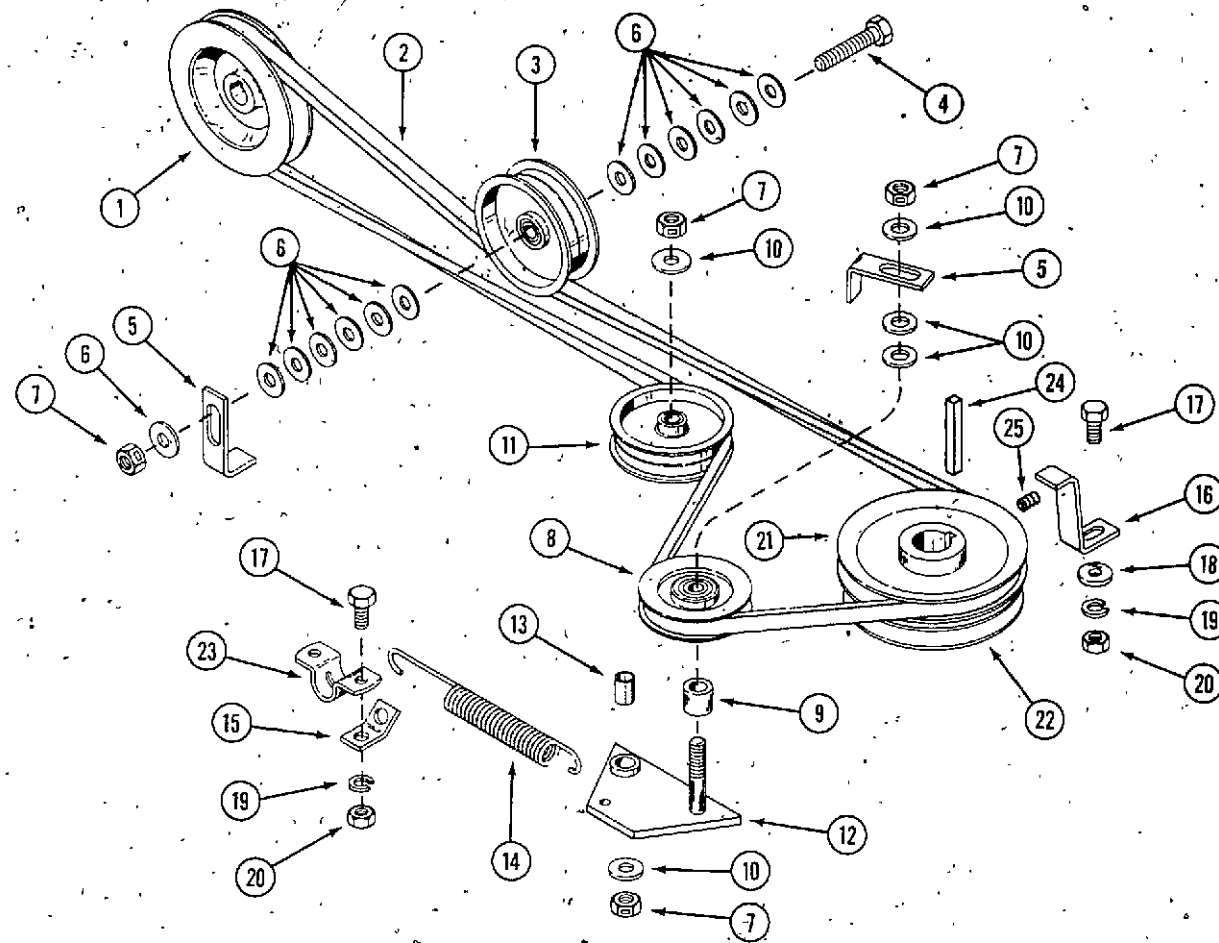


1	C 15106 DRUM - brake	1
2	126- 16 KEY - Woodruff #9	1
3	83- 46 SCREW - set 1/4" x 3/8" NC, socket head	2
4	C 15127 BAND - brake assembly	1
5	113- 102 BOLT - 5/16" x 3/4" NC hex	6
6	192- 20 LOCKWASHER - 5/16"	5
7	129- 102 NUT - 5/16" NC hex	10
8	C 15130 BRACKET - reinforcement	1
9	C 15132 BRACKET - friction control	1
10	113- 1 SCREW - 1/4" x 1/2" NC hex head, ZP	2
11	192- 49 LOCKWASHER - 1/4" ZP	2
12	129- 101 NUT - 1/4" NC hex, ZP	2
13	C 11942 SPRING - brake	1
14	129- 145 NUT - jam lock, 1/2" NC hex	1
15	C 15169 ROD - brake	1
16	132- 46 PIN - cotter 1/8" x 3/4"	1
17	195- 521 WASHER - 5/16" ZP	1
18	C 15131 ROD - extension	1
19	C 15260 BUTTON - nylon friction	1
20	C 15173 PEDAL - brake	1
21	C 15156 BRACKET - saddle	2
22	138- 92 PIN - roll 3/16" x 3/4"	1
23	C 15637 BRACKET - brake lock	1
24	131- 176 NUT - lock 5/16" NC hex	1
25	C 15643 LEVER - brake lock	1
26	C 15644 KNOB - brake lever	1
27	132- 26 PIN - cotter 3/32" x 3/4"	2
28	195- 518 WASHER - 1/4" ZP	2
29	C 15498 PAD - foot rest R.H.	1
30	C 15499 PAD - foot rest L.H.	1
31	195- 541 WASHER - 5/8" ZP	2
32	132- 48 PIN - cotter 1/8" x 1"	2

C-16763 MODIFICATION KIT (117) (USED PRIOR TO S/N 9646800)



REF. PART NO.	DESCRIPTION	REQ'D
1 C 16713	BRACKET - idler	1
2 113- 158	BOLT - 5/16" x 3-1/4" NC hex, grade 8	1
3 C 16752	WASHER - special	2
4 131- 176	LOCKNUT - 5/16" NC hex	1
5 C 16714	BUSHING - bronze	1
6 C 16712	SLEEVE - inner	1
7 C 16739	PULLEY - idler	1
8 C 15545	BRACKET - spring	1
9 113- 219	BOLT, - 3/8" x 2" NC hex	1
10 192- 21	LOCKWASHER - 3/8"	1
11 195- 103	WASHER - 5/16"	5
12 129- 103	NUT - 3/8" NC hex	1
13 C 17251	BELT - drive	1
14 C 16201	PIN - clevis 5/16" x 3-3/16" (see page 49)	1
15 132- 46	PIN - cotter	1
16 C 16466	STRIP - long	1
17 C 16465	STRIP - short	1
18 193- 91	LOCKWASHER - 3/16" internal	1
19 129- 14	NUT - 5 x 40 NC hex	10
20 195- 13	WASHER - 3/16"	3



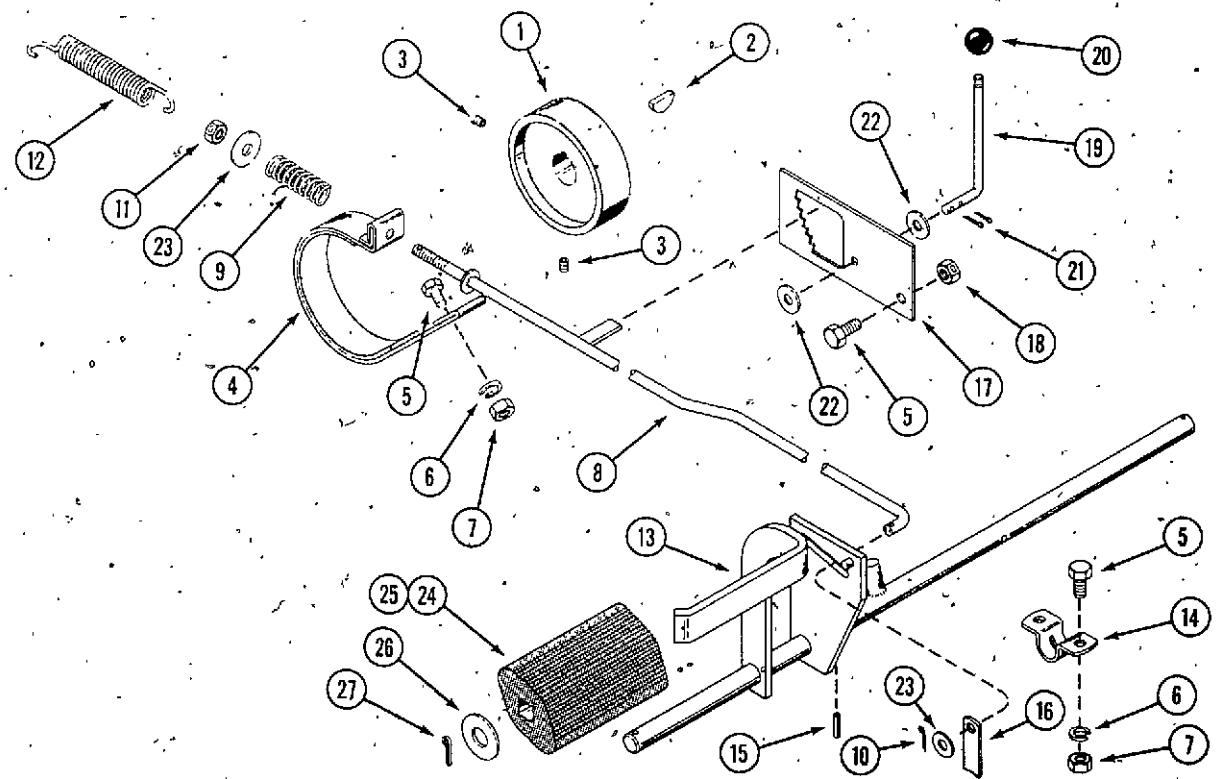
BELTS, PULLEYS AND IDLERS (117)

(use S/N 9646801 and after)

REF. PART NO.	DESCRIPTION	REQ'D
1 C 15511	PULLEY - transmission	1
2 C 17412	BELT - drive	1
3 C 16739	PULLEY - idler, flat	1
4 113- 219	BOLT - 3/8" x 2" NC hex	1
5 C 17164	KEEPER - belt	2
6 195- 104	WASHER - 3/8"	16
7 131- 178	LOCKNUT - 3/8" NC hex	4
8 C 17213	PULLEY - idler	1
9 C 17204	BUSHING - idler pulley	1
10 195- 525	WASHER - 3/8"	5
11 C 13012	PULLEY - idler, flat	1
12 C 17207	ARM - clutch idler	1
13 C 17203	BEARING - sleeve	1
14 C 15178	SPRING - idler	1
15 C 15545	BRACKET - spring, idler	1
16 C 17866	KEEPER - belt	1
17 113- 102	BOLT - 5/16" x 3/4" NC hex	1
18 C 16752	WASHER - 5/16"	1
19 192- 20	LOCKWASHER - 5/16"	1
20 129- 102	NUT - 5/16" NC hex	1
21 C 17214	PULLEY - engine, drive	1
22 C 15109	PULLEY - engine, PTO drive	1
23 C 15156	BRACKET - saddle	1
24 T 25070	KEY - 1/4" square x 2" long	1
25 178- 858	SETSCREW - 5/16" x 3/8" NC socket head	2

BRAKE ASSEMBLY (117)

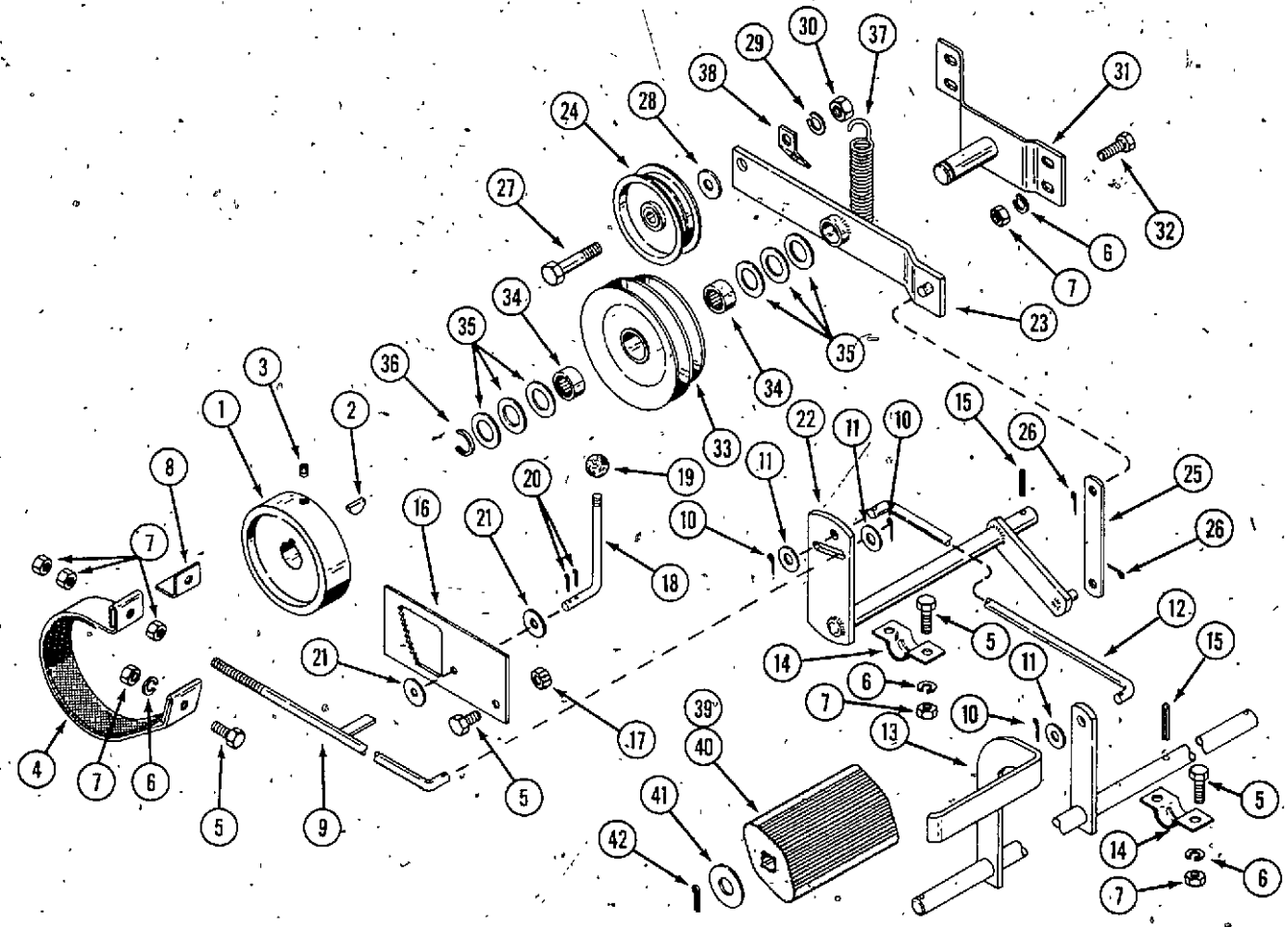
(use S/N 9646801 and after)



REF. PART NO.	DESCRIPTION	REQ'D
1 C 15106	DRUM - brake	1
2 126- 16	KEY - Woodruff #9	1
3 178- 858	SETSCREW - 5/16" x 3/8" NC hex socket	2
4 C 15127	BAND - brake assembly	1
5 113- 102	BOLT - 5/16" x 3/4" NC hex	6
6 192- 20	LOCKWASHER - 5/16"	5
7 129- 102	NUT - 5/16" NC hex	5
8 C 16883	ROD - brake	1
9 L 32763	SPRING - brake return	1
10 132- 26	PIN - cotter 3/32" x 3/4"	1
11 131- 176	LOCKNUT - 5/16" NC hex	1
12 C 16885	SPRING - brake	1
13 C 17211	PEDAL ASSEMBLY - brake	1
14 C 15156	BRACKET - saddle	2
15 138- 92	PIN - roll	1
16 C 17410	LOCK - clutch and brake	1
17 C 15637	LATCH - brake	1
18 131- 176	LOCKNUT - 5/16" NC hex	1
19 C 15643	LEVER - brake latch	1
20 C 15644	KNOB - brake latch	1
21 132- 26	PIN - cotter 3/32" x 3/4"	2
22 195- 518	WASHER - 1/4"	2
23 195- 521	WASHER - 5/16"	2
24 C 15498	PAD - footrest R. H. short	1
25 C 15499	PAD - footrest L. H. long	1
26 195- 541	WASHER - 5/8"	2
27 132- 48	PIN - cotter 1/8" x 1"	2

BRAKE ASSEMBLY (107)

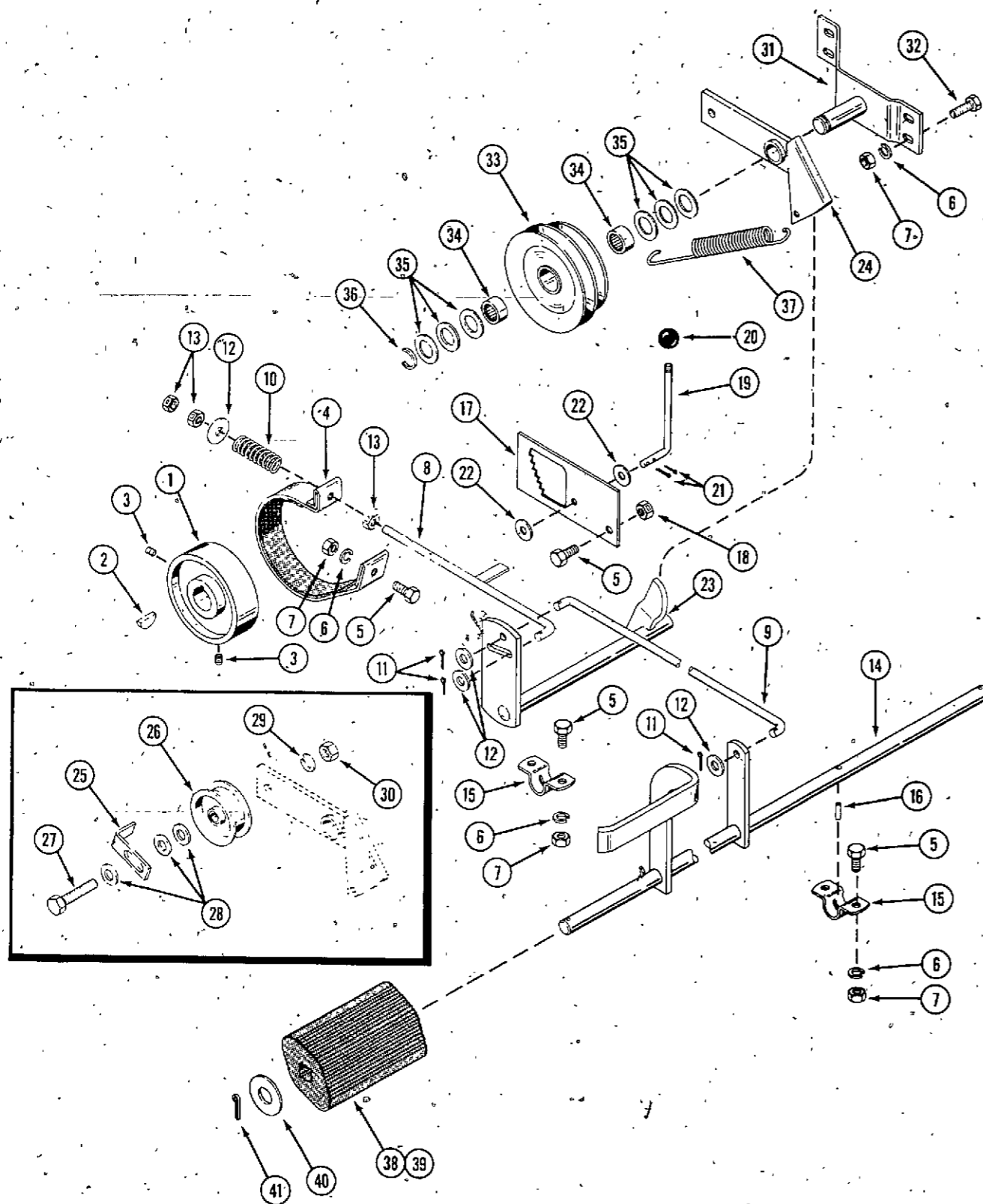
(use before S/N 9646801)



REF. PART NO.	DESCRIPTION	REQ'D
1 C 15106	DRUM - brake	1
2 126- 16	KEY - Woodruff #9	1
3 83- 46	SCREW - set 1/4" x 3/8" socket head	2
4 C 15321	BAND - brake assembly	1
5 113- 102	BOLT - 5/16" x 3/4" NC hex, ZP	10
6 192- 20	LOCKWASHER - 5/16" ZP	13
7 129- 102	NUT - 5/16" NC hex, ZP	17
8 C 15130	BRACKET - reinforcement	1
9 C 15636	ROD - brake, rear	1
10 132- 46	PIN - cotter 1/8" x 3/4"	4
11 195- 521	WASHER - 5/16" ZP	3
12 C 15312	ROD - brake, front	1
13 C 15173	PEDAL - brake	1
14 C 15156	BRACKET - saddle	4
15 138- 92	PIN - roll 3/16" x 3/4"	2
16 C 15637	BRACKET - brake lock	1
17 131- 176	NUT - lock 5/16" NC hex, ZP	1
18 C 15638	LEVER - brake lock	1
19 C 15644	KNOB - brake lever	1
20 132- 26	PIN - cotter 3/32" x 3/4" ZP	2
21 195- 518	WASHER - 1/4" ZP	2
22 C 15314	ROD - brake pivot assembly	1
23 C 15319	ARM - idler pulley	1
24 C 13012	PULLEY - idler	1
25 C 15554	ARM - idler	1
26 132- 26	PIN - cotter 3/32" x 3/4"	2
27 113- 219	BOLT - 3/8" x 2" NC hex, ZP	1
28 195- 104	WASHER - 3/8" ZP	1
29 192- 21	LOCKWASHER - 3/8" ZP	1
30 129- 103	NUT - 3/8" NC hex ZP	1
31 C 15324	BRACKET - transaxle pulley	1
32 113- 103	BOLT - 5/16" x 1" NC hex, ZP	4
33 C 15310	PULLEY - transaxle driven	1
34 C 15551	BEARING - needle	2
35 A 30881	WASHER - spacer	6
36 A 33531	RING - retaining	1
37 C 15178	SPRING - idler arm	1
38 C 15545	BRACKET - idler spring	1
39 C 15498	PAD - foot rest R.H.	1
40 C 15499	PAD - foot rest L.H.	1
41 195- 541	WASHER - 5/8" ZP	2
42 132- 48	PIN - cotter 1/8" x 1"	2

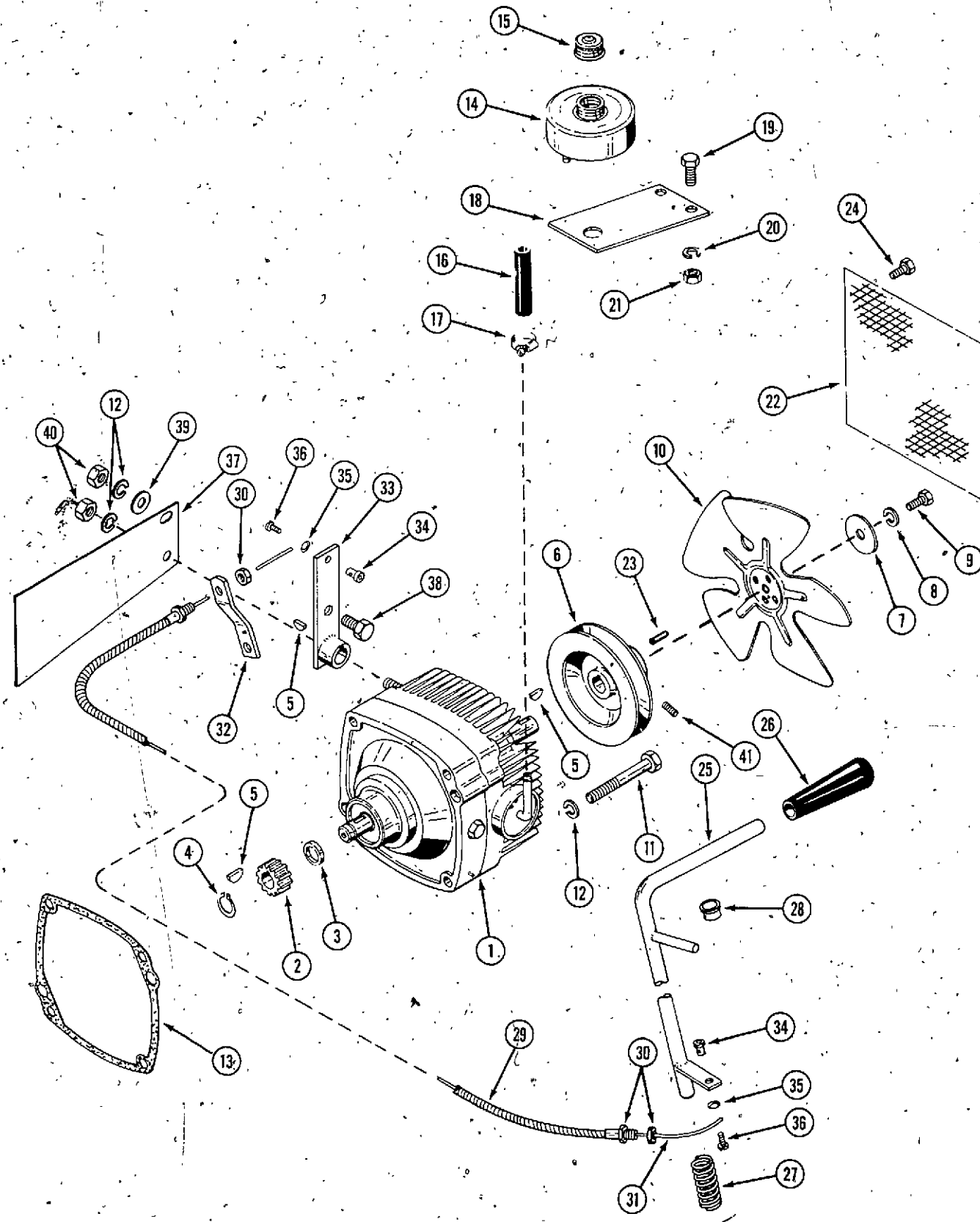
CLUTCH AND BRAKE ASSEMBLY (107)

(use S/N 9646801 and after)



REF. PART NO.	DESCRIPTION	REQ'D
1 C 15106	DRUM - brake	1
2 126- 16	KEY - Woodruff #9	1
3 178- 858	SETSCREW - 5/16" x 3/8" NC socket head	2
4 C 15321	BAND - brake	1
5 113- 102	BOLT - 5/16" x 3/4" NC hex	10
6 192- 20	LOCKWASHER - 5/16"	13
7 129- 102	NUT - 5/16" NC hex	13
8 C 16958	ROD - brake, rear	1
9 C 15312	ROD - brake, front	1
10 L 32763	SPRING - brake return	1
11 132- 26	PIN - cotter 3/32" x 3/4"	3
12 195- 521	WASHER - 5/16"	3
13 131- 176	LOCKNUT - 5/16" NC hex	3
14 C 15173	PEDAL ASSEMBLY - brake	1
15 C 15156	BRACKET - saddle	4
16 138- 92	PIN - roll 3/16" x 3/4"	2
17 C 15637	LATCH - brake	1
18 131- 176	LOCKNUT - 5/16" NC hex	1
19 C 15638	LEVER - brake latch	1
20 C 15644	KNOB - brake latch	1
21 132- 26	PIN - cotter 3/32" x 3/4"	2
22 195- 518	WASHER - 1/4"	2
23 C 17072	CROSS SHAFT - clutch and brake	1
24 C 17071	ARM - clutch idler	1
25 C 17164	KEEPER - belt	1
26 C 23535	PULLEY - clutch idler	1
27 113- 219	BOLT - 3/8" x 2" NC hex	1
28 195- 525	WASHER - 3/8"	3
29 192- 21	LOCKWASHER - 3/8"	1
30 129- 103	NUT - 3/8" NC hex	1
31 C 15324	BRACKET - pulley	1
32 113- 103	BOLT - 5/16" x 1" NC hex	4
33 C 15310	PULLEY - transaxle drive	1
34 C 15551	BEARING - needle	2
35 A 30881	WASHER - spacer	6
36 A 33531	RING - retaining	1
37 C 15178	SPRING - clutch	1
38 C 15498	PAD - foot rest R. H., short	1
39 C 15499	PAD - foot rest L. H., long	1
40 195- 541	WASHER - 5/8"	2
41 132- 48	PIN - cotter 1/8" x 1"	2

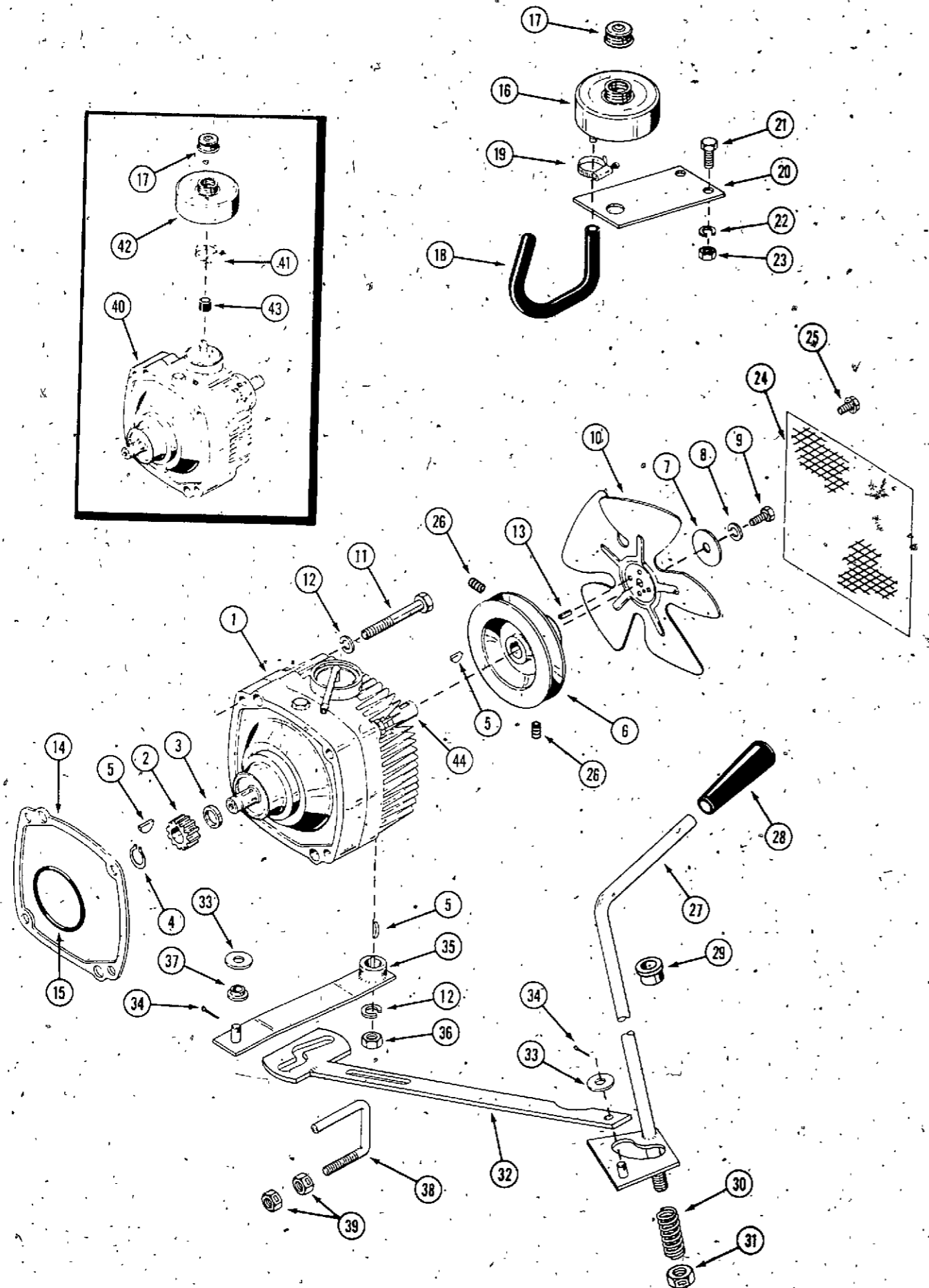
HYDRAULIC TRANSMISSION AND CONTROLS (117)



REF.	PART NO.	DESCRIPTION	REQ'D
1	C 15532	TRANSMISSION - hydraulic (includes items 2, 3, 4, and 5)	1
2	C 15546	GEAR - drive	1
3	C 15584	SPACER	1
4	C 15585	RING - retaining	1
5	126- 109	KEY - Woodruff #3	3
6	C 15511	PULLEY - transmission	1
7	195- 2012	WASHER - 5/16" plain	1
8	192- 19	LOCKWASHER - 1/4"	1
9	113- 2	BOLT - 1/4" x 5/8" NC hex, ZP	1
10	C 15155	FAN - transmission	5
11	113- 241	BOLT - 3/8" x 3" NC hex, ZP	4
12	192- 21	LOCKWASHER - 3/8" ZP	6
13	C 15534	GASKET - transmission	1
14	C 15253	TANK - surge	1
15	C 15549	CAP - tank	1
16	C 15256	HOSE - tank to transmission	1
17	214- 251	CLAMP - hose	2
18	C 15550	PLATE - mounting	1
19	113- 102	BOLT - 5/16" x 3/4" NC hex, ZP	1
20	192- 20	LOCKWASHER - 5/16" ZP	1
21	129- 102	NUT - 5/16" NC hex, ZP	1
22	C 15597	SCREEN	1
23	138- 51	PIN - roll 1/8" x 3/8"	1
24	C 14900	SCREW - #10 x 3/8" self tap	4
25	C 15122	ROD - speed control	1
26	A 37247	KNOB - speed control	1
27	C 15533	SPRING	1
28	C 12093	BUSHING - flip lock	1
29	C 15536	CABLE - speed control	1
30	129- 162	NUT - 5/16" NF hex, jam	4
31	C 15535	WIRE - speed control cable	1
32	C 15124	BRACKET - hydraulic control	1
33	C 15420	LEVER - speed control	1
34	C 15537	SWIVEL - wire	2
35	C 15538	WASHER - swivel	2
36	169- 133	SCREW - #8 x 3/8" fillister head	2
37	C 15126	PANEL - friction	1
38	113- 206	BOLT - 3/8" x 3/4" NC hex, ZP	1
39	195- 525	LOCKWASHER - 3/8" ZP	1
40	129- 103	NUT - 3/8" NC hex, ZP	2
41	83- 51	SCREW - set 1/4" x 3/8" NC, socket head	2

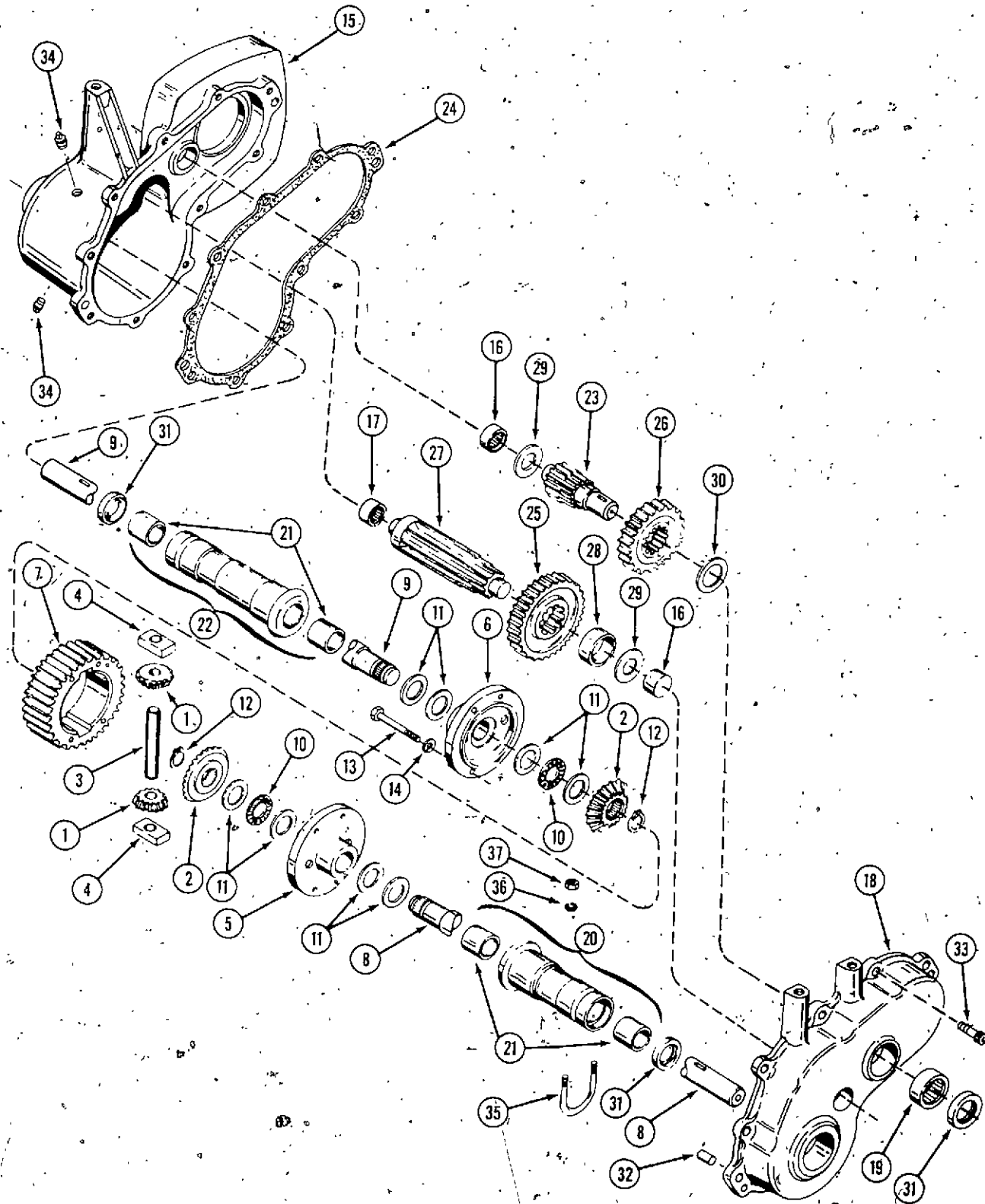
HYDRAULIC TRANSMISSION AND CONTROLS (117)

(Use S/N 9646801 and after)



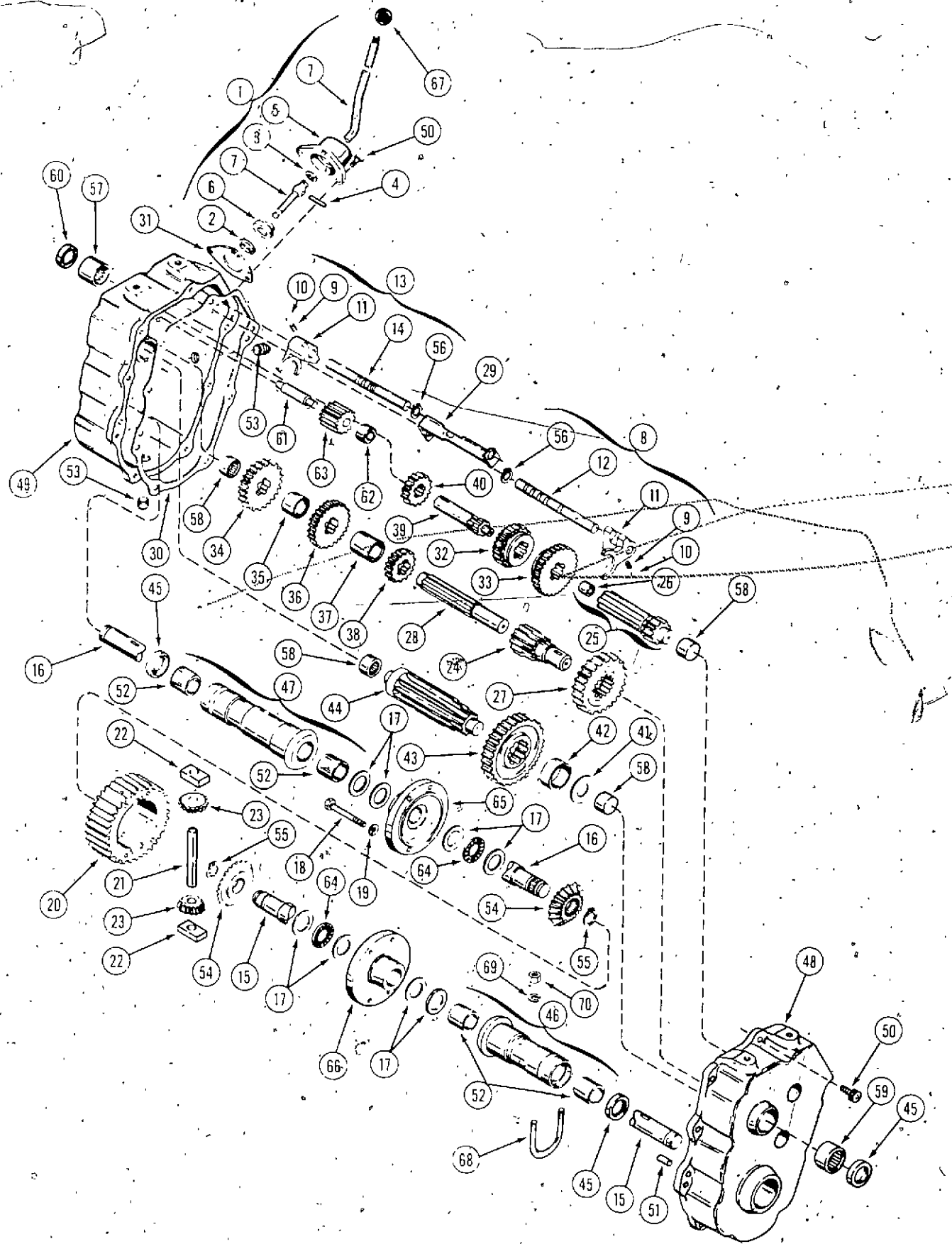
REF.	DESCRIPTION	REQ'D
1	NSS TRANSMISSION - hydraulic (early production) order items 40, 41, 42 and 43.	1
2	C 15546 GEAR - drive	1
3	C 15584 SPACER	1
4	C 15585 RING - retaining	1
5	126- 109 KEY - Woodruff #3	3
6	C 15511 PULLEY - transmission	1
7	195- 2012 WASHER - 1/4"	1
8	192- 19 LOCKWASHER - 1/4"	1
9	113- 2 BOLT - 1/4" x 5/8" NC hex	1
10	C 15155 FAN - transmission	1
11	113- 241 BOLT - 3/8" x 3" NC hex	4
12	192- 21 LOCKWASHER - 3/8"	5
13	138- 51 PIN - roll 1/8" x 3/8"	1
14	C 15534 GASKET - transmission	1
15	A 62549 SEAL - "O" ring, transmission	1
16	C 15253 TANK - surge (early production)	1
17	C 15549 CAP - tank	1
18	C 17408 HOSE - transmission to tank (early production)	1
19	214- 251 CLAMP - hose (early production)	2
20	C 15550 PLATE - mounting, tank (early production)	1
21	113- 102 BOLT - 5/16" x 3/4" NC hex (early production)	1
22	192- 20 LOCKWASHER - 5/16" (early production)	1
23	129- 102 NUT - 5/16" NC hex (early production)	1
24	C 15597 SCREEN	1
25	C 14900 SCREW - #10 x 3/8" NC hex self-tapping	4
26	178- 858 SETSCREW - 5/16" x 3/8" NC	2
27	C 19624 LEVER - speed control	1
28	A 37247 KNOB - speed control	1
29	C 12093 BUSHING - flip lock	1
30	C 11942 SPRING - control lever	1
31	131- 165 LOCKNUT - 1/2" NC hex	1
32	C 17234 LEVER - cam control	1
33	195- 521 WASHER - 5/16"	3
34	132- 26 PIN - cotter 3/32" x 3/4"	2
35	C 17229 LEVER - transmission control	1
36	129- 103 NUT - 3/8" NC hex	1
37	C 23514 BUSHING - cam	1
38	C 17231 GUIDE - neutral	1
39	131- 178 LOCKNUT - 3/8" NC hex	2
40	C 18207 TRANSMISSION - hydraulic (late production) includes items 2, 3, 4 and 5	1
41	214- 4 CLAMP - hose (late production)	1
42	C 18209 TANK - surge (late production)	1
43	C 18210 SEAL - oil tank (late production)	1
44	C 18233 KIT - input shaft and bearing	1

DIFFERENTIAL AND FINAL DRIVE (117)



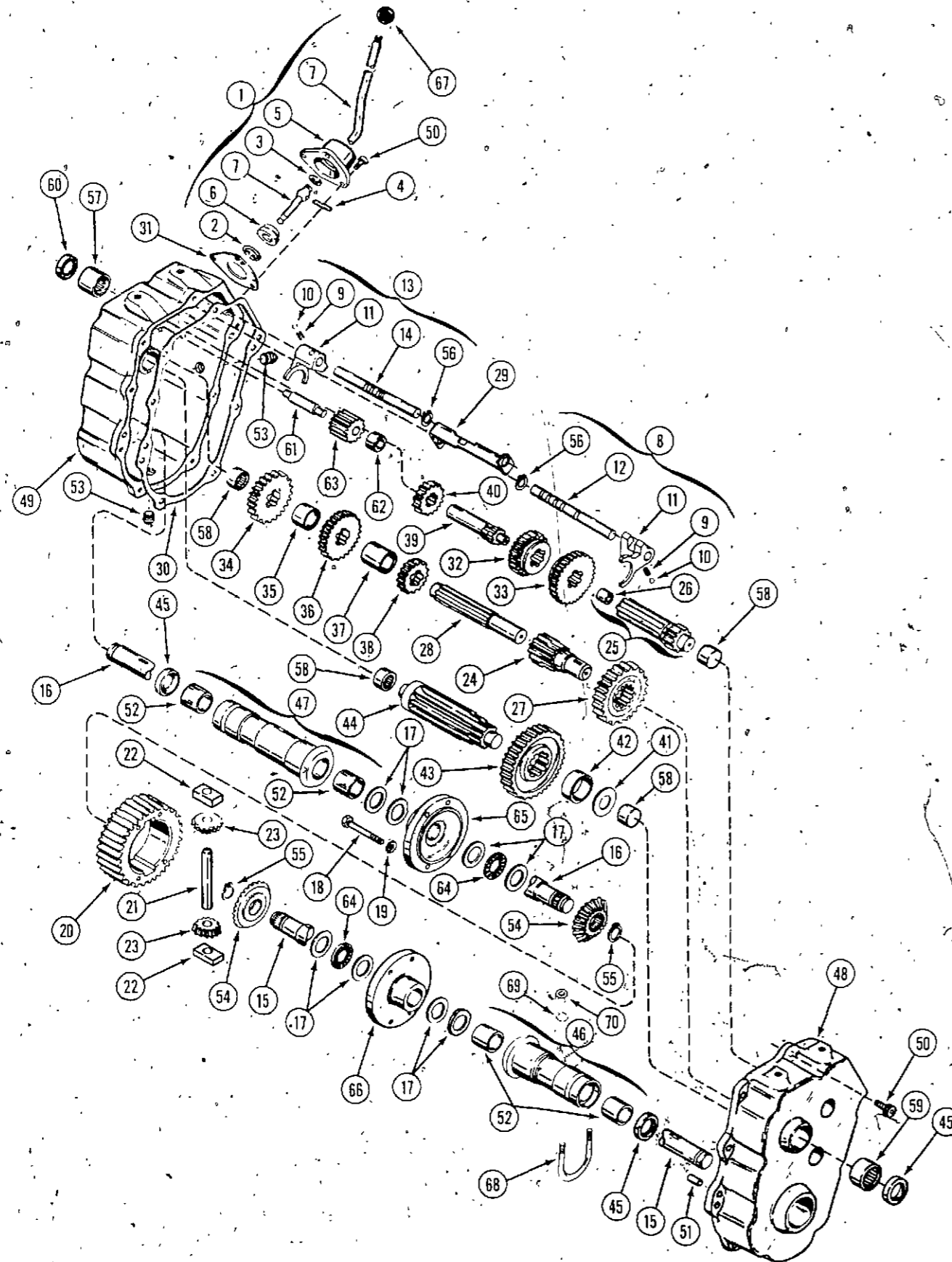
REF. PART NO.	DESCRIPTION	REQ'D
1 C 15788	PINION - bevel	2
2 C 15808	GEAR - bevel	2
3 C 11173	PIN - drive	1
4 C 11174	BLOCK - drive	2
5 C 15812	CARRIER - differential	1
6 C 15811	CARRIER - differential	1
7 C 11172	GEAR - ring	1
8 C 15786	AXLE - L. H.	1
9 C 15787	AXLE - R. H.	1
10 F 19633	BEARING - thrust	2
11 C 11178	WASHER - thrust	8
12 C 11222	RING - retaining	1
13 113- 15	BOLT - 1/4" x 2-1/4" NC hex	4
14 92- 4	LOCKWASHER - 1/4"	4
15 C 15813	HOUSING - differential	1
16 C 16005	BEARING - needle	2
17 C 16006	BEARING - needle	1
18 C 15814	COVER - differential housing	1
	BEARING - needle (see Ref. 16)	1
19 C 16007	BEARING - needle	1
20 C 15803	HOUSING AND BUSHING ASSEMBLY - L. H.	1
21 C 15807	BUSHING	2
22 C 15804	HOUSING AND BUSHING ASSEMBLY - R. H.	1
	BUSHING - (see Ref. 21)	2
23 C 15815	SHAFT - brake	1
24 C 15816	GASKET - housing to cover	1
25 C 11193	GEAR - output	1
26 C 11187	GEAR - idler	1
27 C 15802	SHAFT - output	1
28 C 15801	SPACER	1
29 C 11205	WASHER	1
30 C 16009	WASHER	1
31 C 11195	SEAL - oil	2
32 F 53650	PIN - dowel	2
33 187- 996	SCREW - 1/4" x 1" NC hex head, self-tapping	10
34 221- 1013	PLUG - oil filler and drain	2
35 C 15134	BOLT - "U" 5/16"	2
36 192- 20	LOCKWASHER - 5/16" ZP	4
37 129- 102	NUT - 5/16" NC hex, ZP	4

TRANSMISSION AND FINAL DRIVE (107)



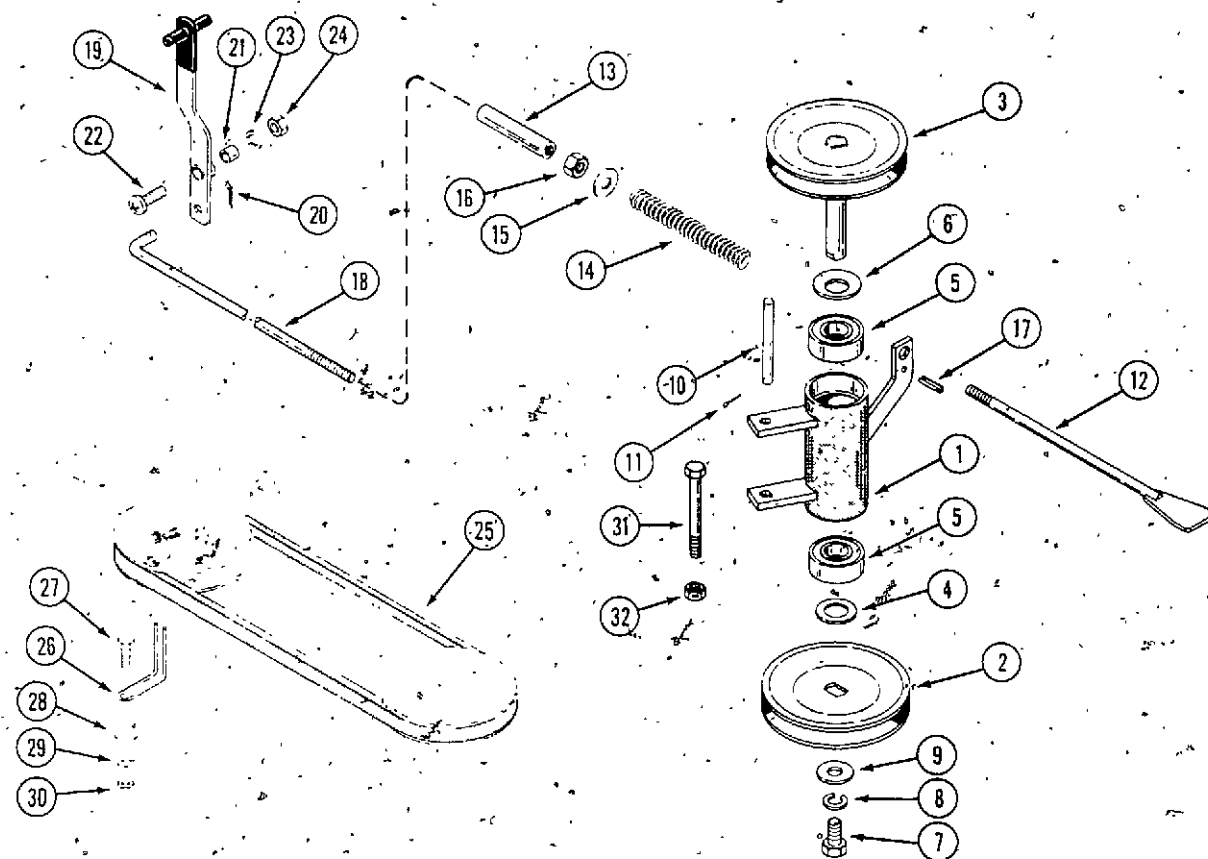
REF. PART NO.	DESCRIPTION	REQ'D
1 NSS	LEVER AND HOUSING ASSEMBLY	1
2 A 32181	RING - retaining	1
3 35012	RING - quad	1
4 138- 98	PIN - roll	1
5 C 15780	HOUSING - shift lever	1
6 C 11163	KEEPER - shift lever	1
7 C 15512	LEVER - shift	1
8 C 15782	ROD ASSEMBLY - shift (includes items 9, 10, 11, 12 and 56)	1
9 C 11166	SPRING	2
10 211- 5	BALL - steel	2
11 C 11167	FORK - shifter	2
12 C 15783	ROD - shifter	1
13 C 15784	ROD ASSEMBLY - shift (includes items 9, 10, 11, 14 and 56)	1
14 C 15785	ROD - shifter	1
15 C 15786	AXLE - L. H.	1
16 C 15787	AXLE - R. H.	1
17 C 11178	WASHER - thrust	8
18 113- 15	BOLT - 1/4" x 2-1/4" NC hex	4
19 192- 19	LOCKWASHER - 1/4"	4
20 C 11172	GEAR - ring	1
21 C 11173	PIN - drive	1
22 C 11174	BLOCK - drive	2
23 C 15788	PINION - bevel	2
24 C 15789	PINION AND BUSHING ASSEMBLY - idler	1
25 C 15790	SHAFT AND BEARING ASSEMBLY - shifter	1
26 A 27287	BEARING	1
27 C 11187	GEAR - idler	1
28 C 15791	SHAFT - idler	1
29 C 11181	STOP - shifter	1
30 C 15793	GASKET - housing to cover	1
31 C 15794	GASKET - shift lever housing	1
32 C 11184	GEAR - shifting	1
33 C 11185	GEAR - shifting	1
34 C 15795	GEAR - spur 26T	1
35 C 15796	SPACER	1
36 C 15797	GEAR - spur 22T	1
37 C 15798	SPACER	1
38 C 15799	GEAR - spur 16T	1
39 C 15800	SHAFT - input	1
40 C 11191	GEAR - spur, input shaft	1

TRANSMISSION AND FINAL DRIVE (CONT) (107)

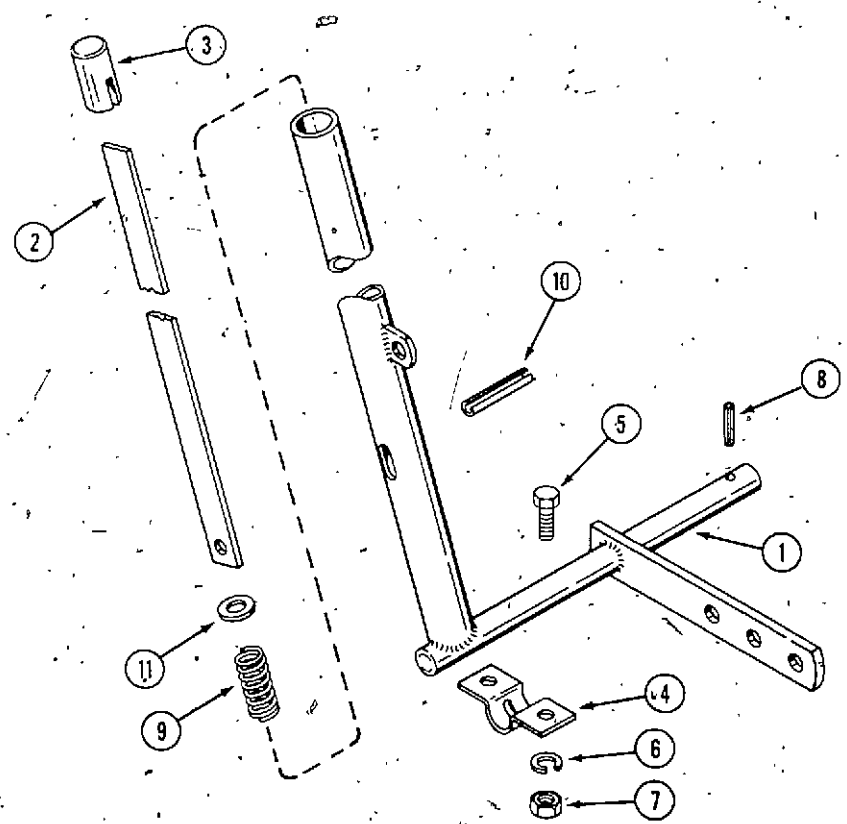


REF. PART NO.	DESCRIPTION	REQ'D
41 C 11205	WASHER	1
42 C 15801	SPACER	1
43 C 11193	GEAR - output	1
44 C 15802	PINION - output	1
45 C 11195	SEAL - oil	2
46 C 15803	HOUSING AND BUSHING ASSEMBLY - L. H. (includes item 52)	1
47 C 15804	HOUSING AND BUSHING ASSEMBLY - R. H. (includes item 52)	1
48 C 15805	COVER ASSEMBLY - (includes items 58 and 59)	1
49 C 15806	HOUSING ASSEMBLY - (includes items 58 and 59)	1
50 83- 412	SCREW - 1/4" x 3/4" socket head	8
51 F 53650	PIN - dowel	2
52 C 15807	BUSHING	4
53 221- 1013	PLUG - pipe, filler and drain	2
54 C 15808	GEAR - bevel	2
55 C 11222	RING - retaining	1
56 A 11538	RING - retaining	1
57 C 16008	BEARING	1
58 C 16005	BEARING	1
59 A 14858	BEARING	1
60 C 10450	SEAL - oil	1
61 C 15809	SHAFT - reverse idler	4
62 C 15810	SPACER - reverse idler	1
63 C 11211	IDLER - reverse	1
64 F 19633	BEARING - thrust	2
65 C 15811	CARRIER - differential	1
66 C 15812	CARRIER - differential	1
67 C 15618	KNOB - shift lever	1
68 C 15134	BOLT - "U" 5/16"	2
69 192- 20	LOCKWASHER - 5/16" ZP	4
70 129- 102	NUT - 5/16" NC hex, ZP	4

**ATTACHMENT DRIVE
POWER TAKE OFF (PTO) ASSEMBLY IMPLEMENT LIFT**

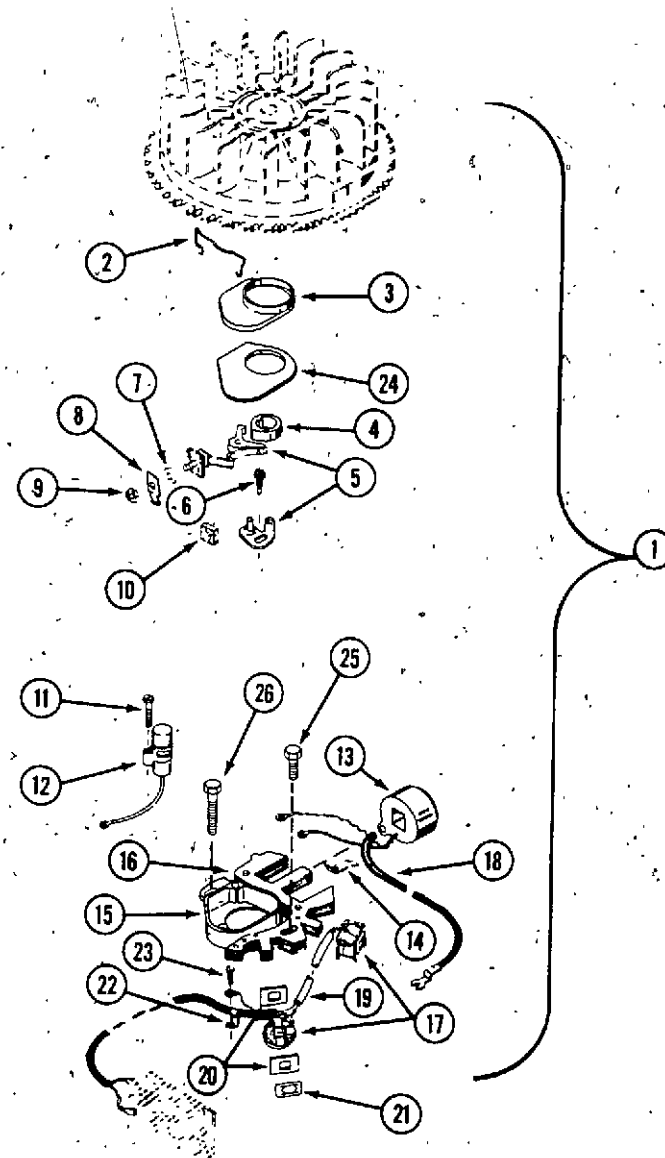


REF. PART NO.	DESCRIPTION	REQ'D
1 C 17037	HOUSING - PTO (use S/N 9646801 and after)	1
1 C 15136	HOUSING - PTO (use before S/N 9646801)	1
2 C 15083	PULLEY - PTO bottom	1
3 C 15086	PULLEY ASSEMBLY - PTO top	1
4 C 10822	WASHER - plain	1
5 A 70280	BEARING - PTO	2
6 C 15272	WASHER - bell	1
7 113- 206	BOLT - 3/8" x 3/4" NC hex, ZP	1
8 192- 21	LOCKWASHER - 3/8" ZP	1
9 195- 104	WASHER - 3/8" plain, ZP	1
10 C 17035	PIN - pivot	1
11 132- 46	PIN - cotter 1/8" x 3/4"	2
12 C 15143	ROD - belt adjust front	1
13 C 15140	SLEEVE	1
14 C 15141	SPRING	1
15 192- 21	WASHER - 3/8" plain	1
16 129- 103	NUT - jam 3/8" NC hex	1
17 138- 92	PIN - roll 3/16" x 3/4"	1
18 C 15147	ROD - PTO rear (used prior to S/N 9654460)	1
18 C 18048	ROD - PTO, rear (used S/N 9654460 and after)	1
19 C 17313	LEVER - engaging (used S/N 9646801 to S/N 9654460)	1
19 C 18062	LEVER - engaging (used S/N 9654460 and after)	1
19 C 15207	LEVER - engaging (use before S/N 9646801)	1
20 132- 46	PIN - cotter 1/8" x 3/4"	1
21 C 15527	SPACER	1
22 175- 415	SCREW - 5/16" x 1" truss head, ZP	1
23 192- 20	LOCKWASHER - 5/16" ZP	1
24 129- 102	NUT - 5/16" NC hex, ZP	1
25 C 15552	BELT - PTO	1
26 C 15252	KEEPER - belt	2
27 113- 102	BOLT - 5/16" x 3/4" NC hex	2
28 195- 521	WASHER - 5/16"	2
29 192- 20	LOCKWASHER - 5/16"	2
30 129- 102	NUT - 5/16" NC hex	2
31 113- 138	BOLT - 5/16" x 3-1/2" (early production)	1
32 131- 176	NUT - lock 5/16" (early production)	1



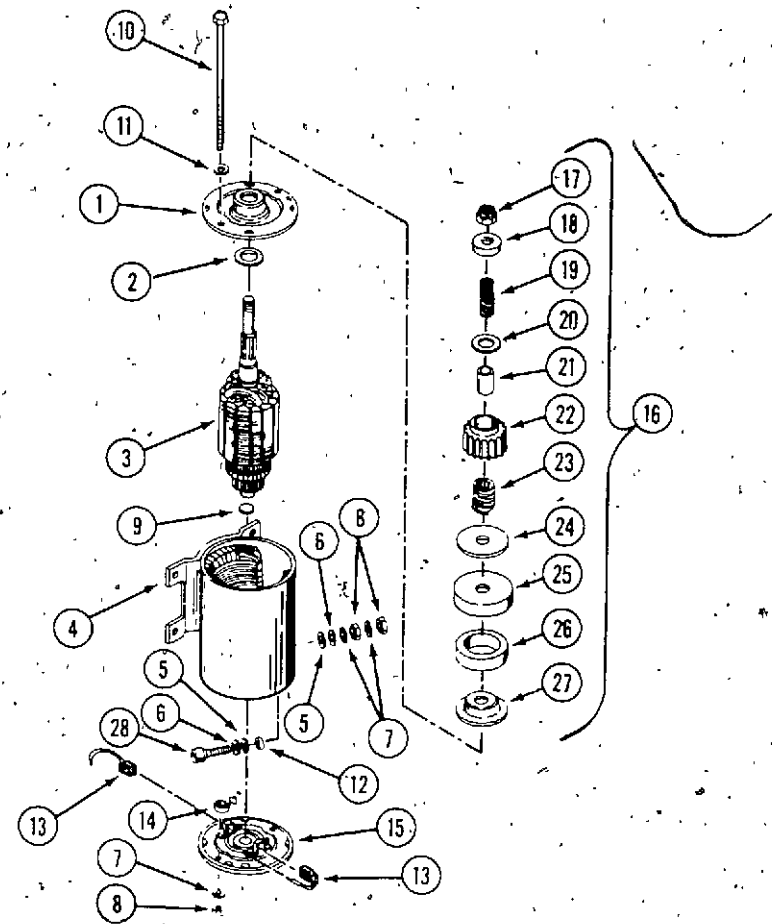
REF. PART NO.	DESCRIPTION	REQ'D
1 C 17414	LEVER - implement lift (117)	1
1 C 15164	LEVER - implement lift (107)	1
2 C 15159	ROD - push	1
3 C 15157	BUTTON - thumb	1
4 C 15156	BRACKET - saddle	2
5 113- 102	BOLT - 5/16" x 3/4" NC hex, ZP	4
6 192- 20	LOCKWASHER - 5/16" ZP	4
7 129- 102	NUT - 5/16" NC hex, ZP	4
8 138- 92	PIN - roll 3/16" x 3/4"	1
9 C 15564	SPRING	1
10 138- 2054	PIN - spirol 5/16" x 1-3/4"	1
11 195- 521	WASHER - 5/16" plain	1

BREAKER CONTACTS, MAGNETO AND ALTERNATOR



REF.	PART NO.	DESCRIPTION	REQ'D
1	C 15884	MAGNETO AND ALTERNATOR.....	1
2	C 15906	SPRING - dust cover.....	1
3	C 15907	COVER - breaker box dust.....	1
4	C 15908	CAM - breaker.....	1
5	C 15909	BREAKER ASSEMBLY - contact.....	1
6	C 16053	SCREW.....	1
7	C 16054	WASHER.....	1
8	C 15910	TAB - terminal.....	1
9	129- 5	NUT.....	1
10	C 15911	FELT - cam wiper.....	1
11	129- 15	SCREW.....	1
12	C 15912	CONDENSER.....	1
13	C 15913	COIL ASSEMBLY - magneto (includes items 12, 14 and 18).....	1
14	C 15914	SPRING - coil wedge.....	1
15	C 15915	STATOR PLATE ASSEMBLY.....	1
16	C 15916	CORE AND PLATE.....	1
17	C 15917	GENERATOR COILS AND LEADS.....	1
18	C 15918	WIRE - lead.....	1
19	C 15919	SLEEVE - insulation.....	1
20	C 15920	SHIELD - coil.....	2
21	C 15921	CLIP - coil fastening.....	2
22	C 15922	CLIP - ground.....	1
23	173- 244	SCREW.....	1
24	C 15927	GASKET - dust cover.....	1
25	193- 509	SCREW - 1/4" x 3/4" NC hex, sems.....	1
26	C 16042	SCREW - 1/4" x 1-1/8" NC hex, sems.....	1

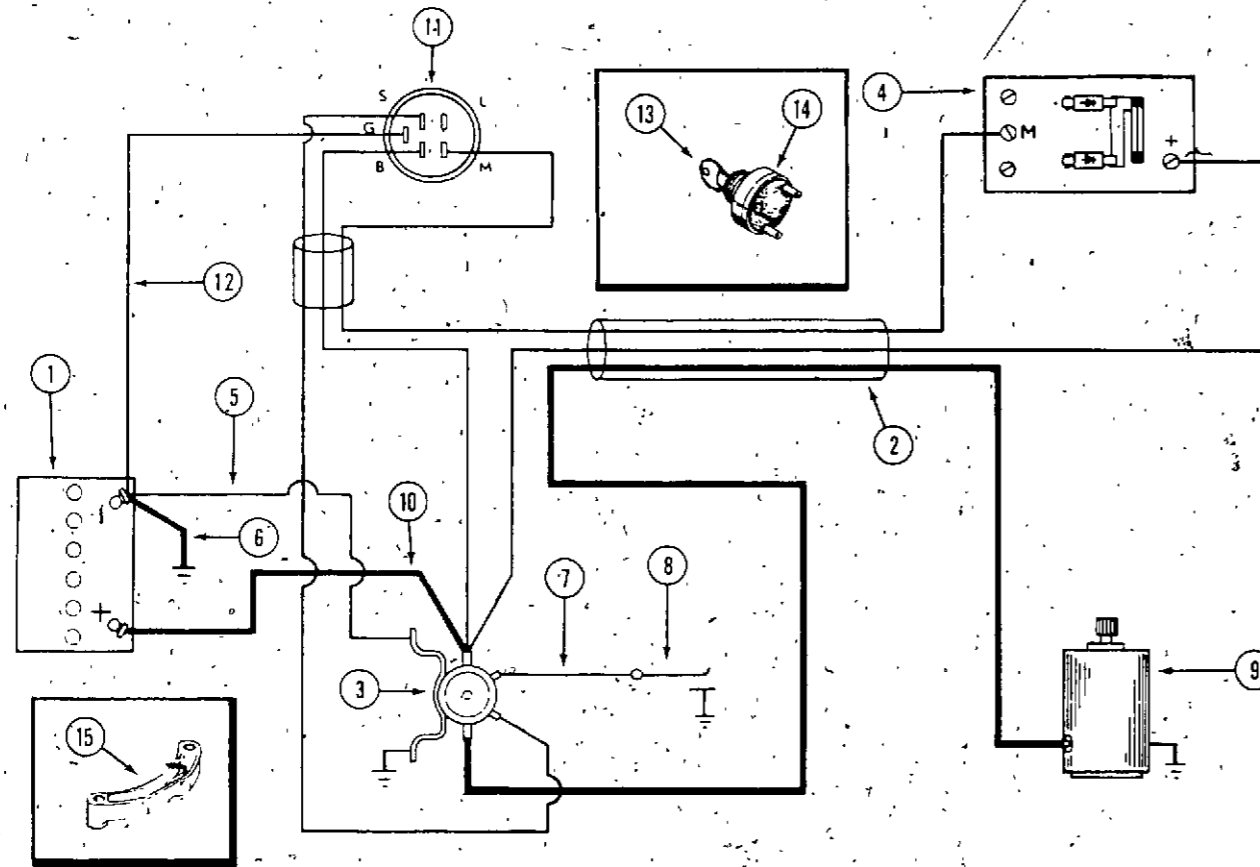
C 15989 STARTER



REF. PART NO.	DESCRIPTION	REQ'D
C 15989	STARTER - engine 12 volt	1
1 C 16022	CAP ASSEMBLY - end (includes bearing)	1
2 C 16067	WASHER - spacer (.024)	2
2 C 16068	WASHER - spacer (.008)	2
3 C 15990	ARMATURE	1
4 C 16024	HOUSING - starter	1
5 C 16025	WASHER - insulating	2
6 C 16069	WASHER - plain	2
7 192- 19	LOCKWASHER	4
8 C 16064	NUT	4
9 C 16072	WASHER - spacer	1
10 C 16071	BOLT - thru	2
11 C 16009	WASHER	2
12 C 16026	BUSHING - insulating	1
13 C 16027	BRUSH AND SPRING KIT	1
14 C 16028	SPRING - brush	2
15 C 16029	CAP ASSEMBLY - commutator end	1
16 C 16030	BENDIX ASSEMBLY	1
17 NSS	NUT - hex	1
18 NSS	STOP - pinion	1
19 NSS	SPRING - anti-drift	1
20 NSS	WASHER - pinion	1
21 NSS	SLEEVE - anti-drift	1
22 NSS	GEAR - pinion	1
23 NSS	SHAFT - screw	1
24 NSS	WASHER - thrust	1
25 NSS	CUP - cushion	1
26 NSS	CUSHION - rubber	1
27 C 16031	WASHER - thrust	1
28 C 16066	BOLT - terminal	1

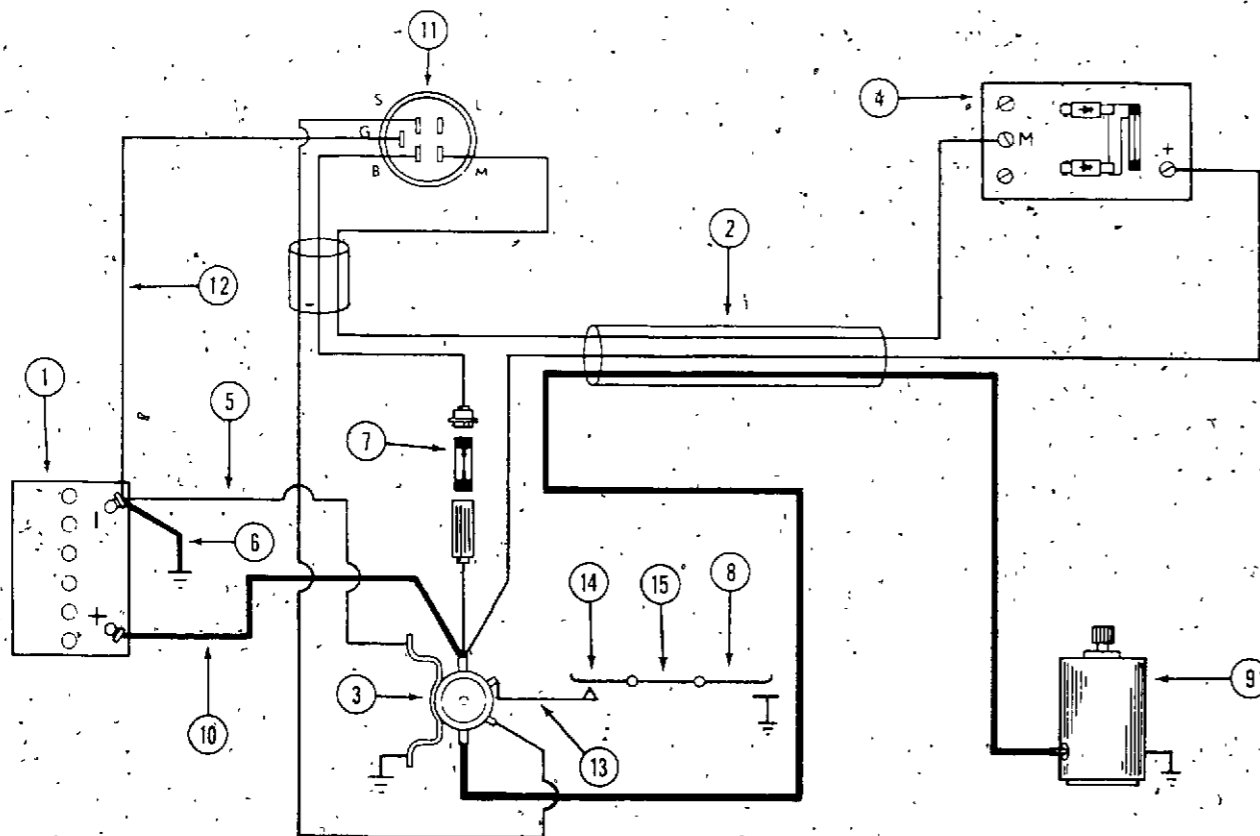
CASE MODEL 107 AND 117 COMPACT TRACTORS

ELECTRICAL SYSTEM
USED PRIOR TO S/N 9655647

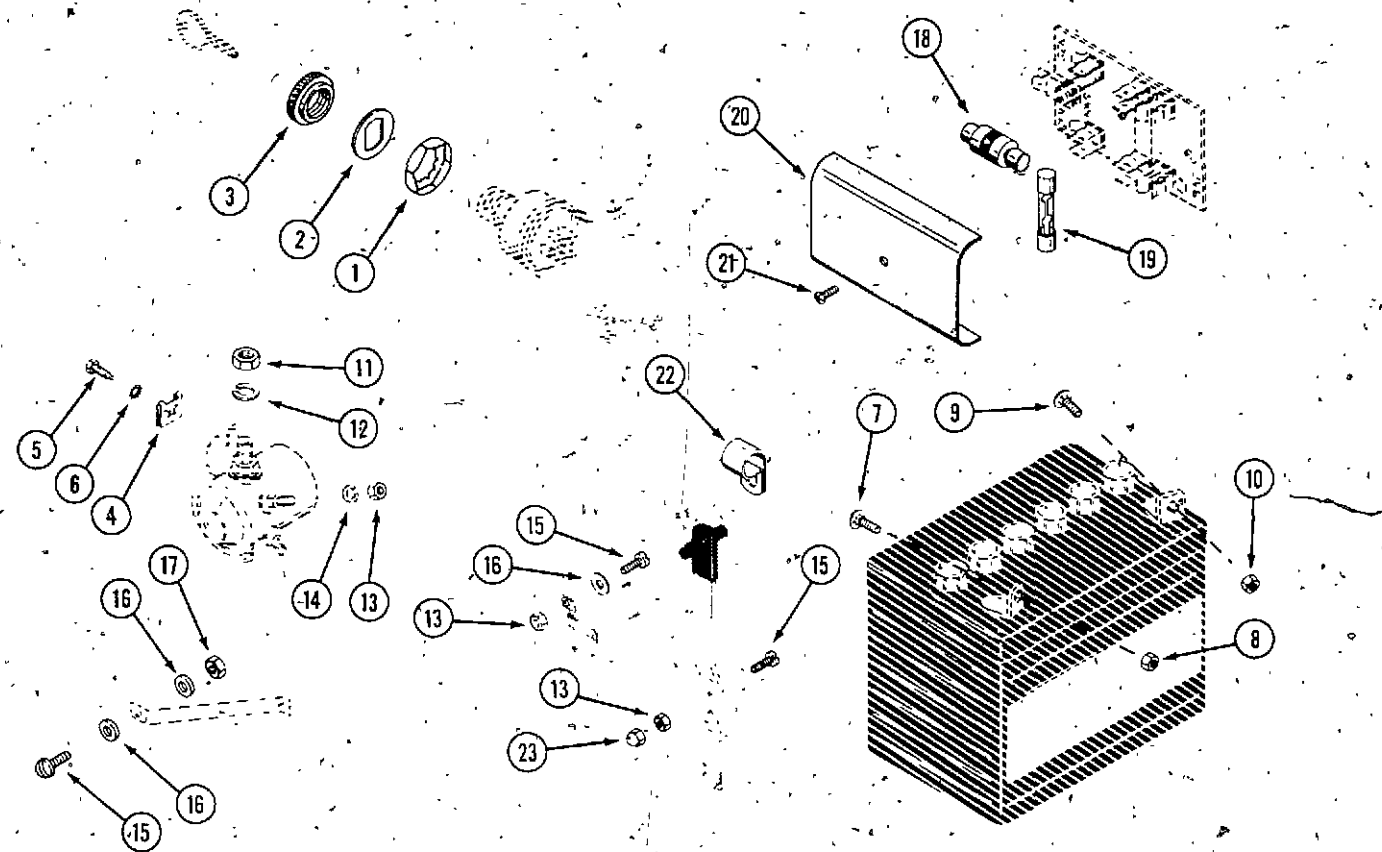


REF.	PART NO.	DESCRIPTION	REQ'D
1	C 10458	BATTERY - 12 volt	1
2	C 18006	HARNES - wire	1
3	C 14553	SOLENOID - start	1
4	C 15923	PLATE - rectifier mounting	1
5	C 24859	WIRE - battery to solenoid mounting screw (late production)	1
6	C 14566	CABLE - battery negative (black 12")	1
7	C 15684	WIRE - neutral start switch	1
8	C 17114	SWITCH - strip, neutral start	1
9	C 15989	STARTER - 12 volt (repairs page 53)	1
10	C 14565	CABLE - battery positive (red 10 - 1/2")	1
11	C 17746	SWITCH - ignition (used S/N 9655494 and after)	1
11	C 17809	KEY - ignition switch (used prior to S/N 9655494)	1
12	C 17807	WIRE - ground	1
	C 17763	KEY - ignition	1
	C 17808	DECAL - ignition switch (see page 57)	1
13	NSS	SWITCH - ignition (use item 11)	1
14	C 12684	KEY - ignition	1
15	C 15539	SWITCH - neutral start (117 early production)	1

ELECTRICAL SYSTEM
USED S/N 9655647 AND AFTER



REF.	PART NO.	DESCRIPTION	REQ'D
1	C 10458	BATTERY - 12 volt	1
2	C 18006	HARNES - wire	1
3	C 14553	SOLENOID - start	1
4	C 15923	PLATE - rectifier mounting	1
5	C 24859	WIRE - battery to solenoid mounting screw	1
6	C 14566	CABLE - battery negative (black 12")	1
7	223- 20	FUSE - 20 amp	1
8	C 17114	SWITCH - strip, neutral start	1
9	C 15989	STARTER - 12 volt (repairs page 53)	1
10	C 14565	CABLE - battery positive (red 10 - 1/2")	1
11	C 17746	SWITCH - ignition (includes key)	1
	C 17763	KEY - ignition	1
12	C 17807	WIRE - ground, switch	1
13	C 18203	WIRE - PTO switch to solenoid	1
14	C 18182	SWITCH - strip, PTO	1
15	C 8185	WIRE - switch to switch	1



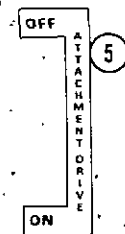
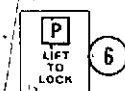
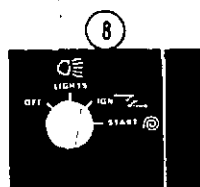
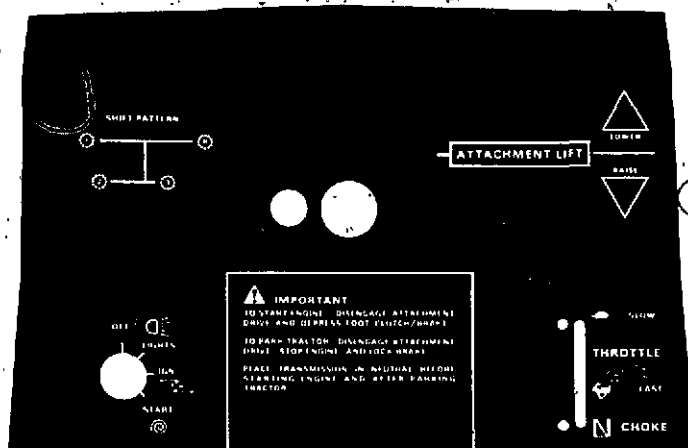
ELECTRICAL SYSTEM HARDWARE

REF. PART NO.	DESCRIPTION	REQ'D
1 C 14060	NUT - back up	1
2 C 17426	WASHER - ignition switch	1
3 C 17921	NUT - escutcheon	1
4 C 10836	NUT - speed	2
5 187- 484	SCREW - #10 x 1/2" self-tapping	2
6 193- 70	LOCKWASHER - #10 external tooth	2
7 111- 202	BOLT - 5/16" x 3/4" NC round head, square neck	1
8 129- 102	NUT - 5/16" NC hex	1
9 111- 108	BOLT - 1/4" x 3/4" NC round head, square neck	1
10 129- 101	NUT - 1/4" NC hex	1
11 129- 122	NUT - 5/16" NF hex	2
12 192- 20	LOCKWASHER - 5/16"	2
13 129- 27	NUT - #10 NC hex brass	2
14 192- 18	LOCKWASHER - 3/16"	2
15 C 18204	BOLT - #10 x 5/8" NC nylon	3
16 C 15703	WASHER - 3/16" nylon	2
17 C 15704	NUT - #10 NC hex nylon	3
18 C 15925	RECTIFIER - diode	2
19 233- 6	FUSE - 6 amp	1
20 C 15857	COVER - rectifier	1
21 173- 42	SCREW - #5 x 3/8" round head machine	1
22 C 15525	CLIP - insulated	1
23 129- 642	NUT - crown	1
C 15960	CLIP - "J" wire	1

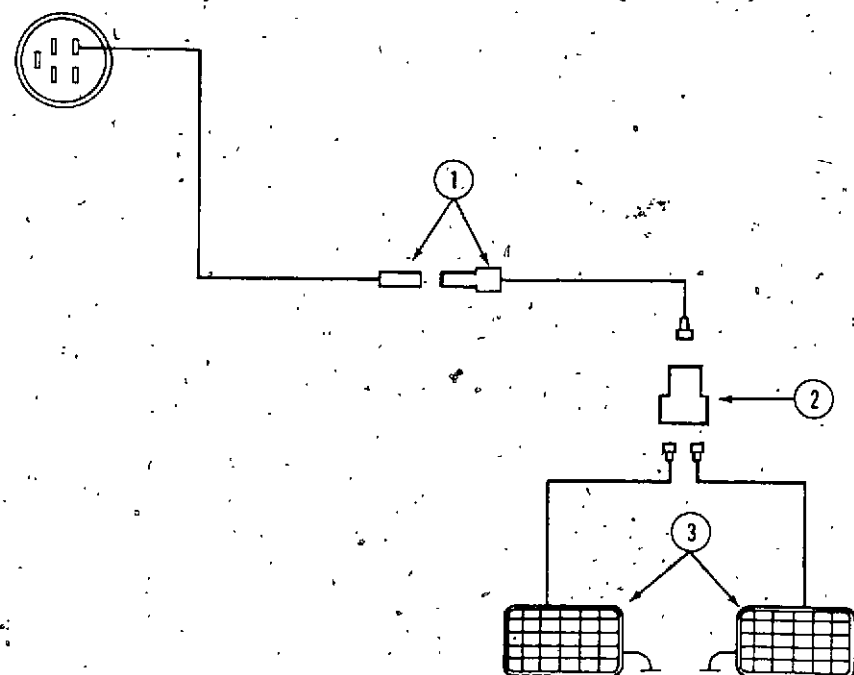
DECALS

1 C 15645	DECAL - hood (R.H.)(117)	1
1 C 15647	DECAL - hood R.H. (107)	1
2 C 15648	DECAL - hood L.H. (107)	1
2 C 15646	DECAL - hood (L.H.)(117)	1
3 321- 1902	DECAL - instrument panel (used S/N 9646801 to S/N 9655494) (117)	1
3 321- 2116	DECAL - instrument panel (used S/N 9655494 and after) (117)	1
3 C 15654	DECAL - instrument panel (117) (use before S/N 9646801)	1
3 C 15653	DECAL - instrument panel (107) (use before S/N 9646801)	1
3 321- 1901	DECAL - instrument panel (107) (use S/N 9646801 to S/N 9654440)	1
3 321- 2117	DECAL - instrument panel (107) (use S/N 9654440 and after)	1
4 C 15655	DECAL - grille insert	1
5 C 15657	DECAL - PTO (used prior to S/N 9655647)	1
5 C 18186	DECAL - PTO (used S/N 9655647 and after)	1
6 321- 6228	DECAL - brake lock	1
7 321- 1628	DECAL - "CASE"	1
8 C 17808	DECAL - ignition switch (used with C17809 ignition switch kit)	1
9 C 15656	DECAL - air scoop (early production)	1

117 hydraulic drive



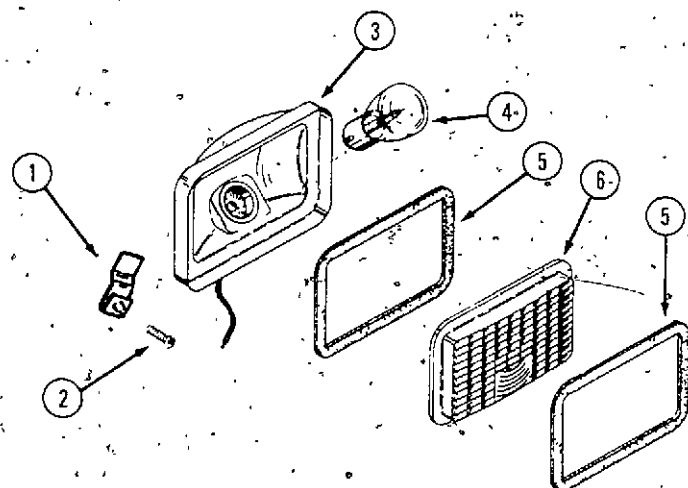
HEAD LAMP KIT (OPTIONAL)



REF. PART NO.	DESCRIPTION	REQ'D
C NSS	KIT - head lamp (order as G6 machinery item)	1
1 C 16087	WIRE ASSEMBLY	1
2 C 14537	CONNECTOR - head lamp	1
3 C 22571	HEAD LAMP	2

HEAD LAMP

1 131- 629	NUT - speed	4
2 187- 1047	SCREW - #8 x 1/2" round head, Phillips, self-tapping	4
C 22571	HEAD LAMP ASSEMBLY	2
3 NSS	RECEPTACLE - head lamp (order C22571)	1
4 A 41264	BULB - head lamp	1
5 C 14304	GASKET - head lamp	2
6 C 22573	LENS - head lamp	1



NUMERICAL PARTS INDEX

PART NO.	PAGE NO.	REF. NO.	PART NO.	PAGE NO.	REF. NO.	PART NO.	PAGE NO.	REF. NO.			
A	35012	45	3	C	13012	27	26	C	15156	29	21
A	11538	47	56	C	13012	33	11	C	15156	33	14
A	14858	47	59	C	13012	35	24	C	15156	33	23
A	27287	45	26	C	13106	23	7	C	15156	35	14
A	30881	23	9	C	13716	23	11	C	15156	37	15
A	30881	35	35	C	14060	57	1	C	15156	49	4
A	30881	37	35	C	14201	21	18	C	15157	49	3
A	32181	45	2	C	14304	59	5	C	15159	49	2
A	33531	35	36	C	14534	19	4	C	15164	49	1
A	33531	37	36	C	14537	59	2	C	15166	17	1
A	37247	39	26	C	14553	55	3	C	15169	29	15
A	37247	41	28	C	14565	55	10	C	15173	29	20
A	41264	59	4	C	14566	55	6	C	15173	35	13
A	62549	41	15	C	14900	39	24	C	15173	37	14
A	70280	49	5	C	14900	41	25	C	15174	13	2
C	10292	23	12	C	15066	23	1	C	15175	17	34
C	10458	55	1	C	15067	23	11	C	15176	29	2
C	10678	13	5	C	15068	23	13	C	15177	29	1
C	10822	49	4	C	15071	23	23	C	15178	25	9
C	10836	57	4	C	15072	23	18	C	15178	27	7
C	11163	45	6	C	15083	49	2	C	15178	29	7
C	11166	45	9	C	15086	49	3	C	15178	33	14
C	11167	45	11	C	15093	23	6	C	15178	35	37
C	11172	43	7	C	15096	21	4	C	15178	37	37
C	11172	45	20	C	15097	21	5	C	15207	49	19
C	11173	43	3	C	15104	21	12	C	15252	27	22
C	11173	45	21	C	15105	21	13	C	15252	29	19
C	11174	43	4	C	15106	29	1	C	15252	49	26
C	11174	45	22	C	15106	33	1	C	15253	39	14
C	11178	43	11	C	15106	35	1	C	15256	39	16
C	11178	45	17	C	15106	37	1	C	15260	29	19
C	11181	45	29	C	15109	25	20	C	15272	49	6
C	11184	45	32	C	15109	27	14	C	15306	17	1
C	11185	45	33	C	15109	29	14	C	15309	25	17
C	11187	43	26	C	15109	33	22	C	15309	27	19
C	11187	45	27	C	15112	13	30	C	15310	25	16
C	11191	45	40	C	15113	23	12	C	15310	27	25
C	11193	43	25	C	15114	17	9	C	15310	35	33
C	11193	47	43	C	15116	17	3	C	15310	37	33
C	11195	43	31	C	15119	21	7	C	15312	35	12
C	11195	47	45	C	15122	39	25	C	15312	37	9
C	11205	43	29	C	15124	39	32	C	15314	35	22
C	11205	47	41	C	15126	39	37	C	15319	35	23
C	11211	47	63	C	15127	29	4	C	15321	35	4
C	11222	43	12	C	15127	33	4	C	15321	37	4
C	11222	47	55	C	15130	29	8	C	15324	35	31
C	11906	23	5	C	15130	35	8	C	15324	37	31
C	11942	29	13	C	15131	29	18	C	15370	25	1
C	11942	41	30	C	15132	29	9	C	15370	27	17
C	12093	39	28	C	15134	43	35	C	15420	39	33
C	12093	41	29	C	15134	47	68	C	15421	17	10
C	12110	23	2	C	15136	49	1	C	15436	17	31
C	12110	23	3	C	15140	49	13	C	15440	19	9
C	12370	23	5	C	15141	49	14	C	15443	17	30
C	12684	55	14	C	15143	49	12	C	15492	17	33
C	12975	21	19	C	15147	49	18	C	15498	29	29
C	12975	23	8	C	15155	39	10	C	15498	29	29
C	13012	27	1	C	15155	41	10	C	15498	33	24

NUMERICAL PARTS INDEX

PART NO.	PAGE NO.	REF. NO.	PART NO.	PAGE NO.	REF. NO.	PART NO.	PAGE NO.	REF. NO.			
C	15498	35	39	C	15618	47	67	C	15804	47	47
C	15498	37	38	C	15636	35	9	C	15805	47	48
C	15499	29	30	C	15637	29	23	C	15806	47	49
C	15499	33	25	C	15637	33	17	C	15807	43	21
C	15499	35	40	C	15637	35	16	C	15807	47	52
C	15499	37	39	C	15637	37	17	C	15808	43	2
C	15501	19	5	C	15638	35	18	C	15808	47	54
C	15510	21	7	C	15638	37	19	C	15809	47	61
C	15511	33	1	C	15641	17	7	C	15810	47	62
C	15511	39	6	C	15643	29	25	C	15811	43	6
C	15511	41	6	C	15643	33	19	C	15811	47	65
C	15512	45	7	C	15644	17	32	C	15812	43	5
C	15518	5	39	C	15644	17	32	C	15812	47	66
C	15519	13	1	C	15644	29	26	C	15812	47	66
C	15525	13	9	C	15644	33	20	C	15813	43	15
C	15525	57	22	C	15644	35	19	C	15813	43	15
C	15527	27	8	C	15644	37	20	C	15814	43	18
C	15527	29	8	C	15645	57	1	C	15815	43	23
C	15527	49	21	C	15646	57	2	C	15816	43	24
C	15528	27	2	C	15646	57	2	C	15821	5	6
C	15530	13	8	C	15647	57	1	C	15822	9	10
C	15532	39	1	C	15648	57	2	C	15822	9	10
C	15533	39	27	C	15653	57	3	C	15823	9	10
C	15534	39	13	C	15654	57	3	C	15824	9	11
C	15534	41	14	C	15655	57	4	C	15824	9	11
C	15535	39	31	C	15656	57	9	C	15826	9	9
C	15536	39	29	C	15657	57	5	C	15827	9	8
C	15537	39	34	C	15684	55	7	C	15828	9	7
C	15538	39	35	C	15703	57	16	C	15829	7	1
C	15539	55	15	C	15704	57	16	C	15830	7	2
C	15540	13	31	C	15704	57	17	C	15830	7	2
C	15545	25	10	C	15705	57	17	C	15831	7	3
C	15545	27	3	C	15753	27	18	C	15832	7	7
C	15545	27	35	C	15780	45	5	C	15832	7	7
C	15545	29	3	C	15782	45	8	C	15833	7	9
C	15545	31	8	C	15783	45	12	C	15834	7	9
C	15545	33	15	C	15784	45	13	C	15835	7	10
C	15545	35	38	C	15785	45	14	C	15835	7	10
C	15546	39	2	C	15786	45	14	C	15836	7	11
C	15546	41	2	C	15786	43	8	C	15837	7	11
C	15549	39	15	C	15786	45	15	C	15838	7	4
C	15549	41	17	C	15786	45	15	C	15839	7	6
C	15550	39	18	C	15787	43	9	C	15840	9	12
C	15550	41	20	C	15787	45	16	C	15841	9	13
C	15551	35	34	C	15787	45	16	C	15842	5	9
C	15551	37	34	C	15788	43	1	C	15842	5	9
C	15552	27	24	C	15788	45	23	C	15843	5	10
C	15552	29	18	C	15788	45	23	C	15843	5	10
C	15552	49	25	C	15789	45	24	C	15844	5	25
C	15554	35	25	C	15790	45	25	C	15844	5	25
C	15564	49	9	C	15791	45	28	C	15845	5	37
C	15584	39	3	C	15791	45	28	C	15846	5	15
C	15584	41	3	C	15793	45	30	C	15847	5	1
C	15585	39	4	C	15794	45	31	C	15847	5	1
C	15585	41	4	C	15794	45	31	C	15849	9	2
C	15597	39	22	C	15795	45	34	C	15849	9	2
C	15597	41	24	C	15795	45	34	C	15850	9	3
C	15610	19	2	C	15796	45	35	C	15850	9	3
C	15610	19	2	C	15796	45	35	C	15851	9	4
C	15618	47	67	C	15797	45	36	C	15852	9	6
C	15636	35	9	C	15797	45	36	C	15852	9	6
C	15637	29	23	C	15798	45	37	C	15852	9	6
C	15637	33	17	C	15798	45	37	C	15853	13	20
C	15637	35	16	C	15799	45	38	C	15853	13	20
C	15637	37	17	C	15799	45	38	C	15855	13	18
C	15638	35	18	C	15800	45	39	C	15857	57	20
C	15638	37	19	C	15801	43	28	C	15858	13	23
C	15641	17	7	C	15801	47	42	C	15859	13	23
C	15643	29	25	C	15802	43	27	C	15860	13	14
C	15643	33	19	C	15802	47	44	C	15861	13	10
C	15644	17	32	C	15802	47	44	C	15862	13	10
C	15644	29	26	C	15803	43	20	C	15862	13	10
C	15644	33	20	C	15803	47	46	C	15863	13	13
C	15644	35	19	C	15803	47	46	C	15863	13	13
C											

PART NO.	PAGE NO.	REF. NO.	PART NO.	PAGE NO.	REF. NO.	PART NO.	PAGE NO.	REF. NO.
C	15865	11	C	15960	57	C	16046	11
C	15866	5	C	15972	5	C	16048	5
C	15867	5	C	15973	5	C	16050	15
C	15868	5	C	15974	5	C	16051	15
C	15869	5	C	15975	7	C	16052	15
C	15870	5	C	15976	5	C	16053	51
C	15871	5	C	15977	5	C	16054	51
C	15872	5	C	15978	5	C	16056	51
C	15873	5	C	15979	5	C	16064	53
C	15874	5	C	15980	5	C	16066	53
C	15875	11	C	15981	5	C	16067	53
C	15876	11	C	15982	13	C	16068	53
C	15881	13	C	15983	13	C	16069	53
C	15882	13	C	15984	13	C	16071	53
C	15884	51	C	15985	13	C	16072	53
C	15885	5	C	15986	5	C	16072	53
C	15886	5	C	15987	13	C	16087	59
C	15887	15	C	15988	11	C	16201	27
C	15888	15	C	15989	11	C	16201	31
C	15889	15	C	15989	53	C	16202	31
C	15890	15	C	15989	55	C	16245	21
C	15891	15	C	15990	53	C	16267	17
C	15892	15	C	15991	15	C	16307	17
C	15893	15	C	15992	15	C	16307	17
C	15894	15	C	15993	15	C	16465	17
C	15895	15	C	15993	15	C	16465	27
C	15896	15	C	15999	15	C	16465	31
C	15897	15	C	16000	15	C	16466	17
C	15898	15	C	16001	15	C	16466	27
C	15899	15	C	16002	15	C	16466	31
C	15900	15	C	16003	15	C	16638	27
C	15901	15	C	16004	15	C	16712	27
C	15902	15	C	16005	43	C	16712	31
C	15903	15	C	16005	47	C	16712	31
C	15904	15	C	16006	43	C	16713	31
C	15905	5	C	16007	43	C	16714	25
C	15906	51	C	16008	47	C	16714	27
C	15907	51	C	16009	43	C	16714	31
C	15908	51	C	16009	53	C	16717	27
C	15909	51	C	16009	53	C	16717	27
C	15910	51	C	16022	53	C	16723	23
C	15911	51	C	16022	53	C	16723	23
C	15912	51	C	16024	53	C	16724	23
C	15913	51	C	16024	53	C	16739	25
C	15914	51	C	16025	53	C	16739	27
C	15915	51	C	16026	53	C	16739	31
C	15916	51	C	16027	53	C	17408	41
C	15917	51	C	16028	53	C	17410	33
C	15918	51	C	16028	53	C	17412	33
C	15919	51	C	16029	53	C	17412	33
C	15920	51	C	16030	53	C	17413	25
C	15921	51	C	16030	53	C	17413	25
C	15922	51	C	16031	53	C	17414	49
C	15923	11	C	16031	53	C	17414	49
C	15923	55	C	16032	5	C	17426	57
C	15923	55	C	16032	5	C	17473	17
C	15925	57	C	16033	9	C	17476	17
C	15927	51	C	16033	11	C	17746	55
			C	16033	11	C	17763	55
			C	16034	13	C	17807	55
			C	16036	11	C	17807	55
			C	16038	13	C	17808	55
			C	16040	5	C	17808	57
			C	16041	5	C	17808	57
			C	16042	51	C	17809	55
			C	16043	13	C	17809	55
			C	16044	11	C	17866	33
			C	16045	5	C	17873	25
						C	17921	57
						C	18006	55
						C	18006	55
						C	18015	21

PART NO.	PAGE NO.	REF. NO.	PART NO.	PAGE NO.	REF. NO.	PART NO.	PAGE NO.	REF. NO.
C	17038	17	C	18017	21	111-	215	21
C	17043	17	C	18048	49	113-	1	29
C	17071	37	C	18062	49	113-	2	39
C	17072	37	C	18182	55	113-	2	41
C	17106	21	C	18185	55	113-	15	43
C	17108	25	C	18186	57	113-	15	45
C	17114	55	C	18203	55	113-	102	9
C	17114	55	C	18204	57	113-	102	19
C	17127	17	C	18205	17	113-	102	27
C	17128	17	C	18206	13	113-	102	29
C	17164	33	C	18207	41	113-	102	29
C	17164	37	C	18209	41	113-	102	33
C	17203	33	C	18210	41	113-	102	33
C	17204	33	C	18233	41	113-	102	35
C	17207	33	C	18316	17	113-	102	37
C	17211	33	C	19624	41	113-	102	39
C	17213	33	C	20465	25	113-	102	41
C	17214	33	C	20465	27	113-	102	49
C	17229	41	C	22571	59	113-	102	49
C	17231	41	C	22571	59	113-	103	17
C	17234	41	C	22573	59	113-	103	21
C	17235	21	C	23514	41	113-	103	23
C	17251	29	C	23535	25	113-	103	35
C	17251	31	C	23535	37	113-	103	37
C	17261	5	C	24429	23	113-	104	7
C	17287	5	C	24847	13	113-	111	5
C	17313	49	C	24859	55	113-	118	7
C	17332	7	C	26215	19	113-	118	15
C	17332	15	D	59949	13	113-	120	27
C	17333	7	F	19633	43	113-	120	29
C	17333	15	F	19633	47	113-	122	9
C	17361	5	F	53650	43	113-	122	19
C	17362	5	F	53650	47	113-	138	49
C	17391	7	G	10450	47	113-	158	9
C	17391	15	L	15282	21	113-	158	27
C	17393	7	L	32763	33	113-	158	31
C	17393	15	L	32763	37	113-	206	39
C	17394	7	O	5999AB	5	113-	206	17
C	17394	15	T	25070	25	113-	206	49
C	17408	41	T	25070	27	113-	207	17
C	17410	33	T	25070	29	113-	207	23
C	17412	33	T	25070	33	113-	219	25
C	17412	33	T	25070	33	113-	219	27
C	17413	25	T	33565	23	113-	219	27
C	17414	49				113-	219	27
C	17426	57				113-	219	29
C	17473	17				113-	219	31
C	17746	55				113-	219	33
C	17763	55				113-	219	35
C	17807	55	26-	636	25	113-	219	37
C	17808	55	83-	412	47	113-	241	39
C	17808	57	83-	46	29	113-	241	41
C	17809	55	83-	46	35	126-	14	7
C	17866	33	83-	51	39	126-	16	21
C	17873	25	83-	54	27	126-	16	25
C	17921	57	83-	54	29	126-	16	27
C	18006	55	83-	56	27	126-	16	29
C	18006	55	92-	4	43	126-	16	33
C	18015	21	111-	108	57	126-	16	35
			111-	202	57			

HARDWARE CODE NUMBERS

PART NO.	PAGE NO.	REF. NO.	PART NO.	PAGE NO.	REF. NO.	PART NO.	PAGE NO.	REF. NO.	PART NO.	PAGE NO.	REF. NO.	PART NO.	PAGE NO.	REF. NO.	PART NO.	PAGE NO.	REF. NO.		
126	16	37	2	131	176	27	31	175	415	49	22	192	23	23	14	219	404	23	6
126	21	23	7	131	176	29	24	178	858	25	19	193	29	7	5	221	1013	43	34
126	109	39	5	131	176	31	4	178	858	25	22	193	29	15	5	221	1013	47	53
126	109	41	5	131	176	33	11	178	858	33	3	193	41	17	37	233	6	57	19
129	4	11	8	131	176	33	18	178	858	33	25	193	70	57	6	223	20	55	7
129	14	17	17	131	176	35	17	178	858	37	3	193	91	27	44	223	202	5	38
129	14	17	35	131	176	37	13	178	858	41	26	193	91	31	18	321	1628	57	7
129	14	27	45	131	176	37	18	187	484	57	5	193	509	51	25	321	1901	57	3
129	14	31	19	131	176	49	32	187	996	43	33	193	539	13	25	321	1902	57	3
129	15	51	9	131	178	33	7	187	1003	5	11	193	1001	13	17	321	2116	57	3
129	27	57	13	131	178	41	39	187	1036	17	8	195	13	27	46	321	2117	57	3
129	101	29	12	131	629	59	1	187	1041	5	26	195	13	31	20	321	6228	57	6
129	101	57	10	131	1102	17	26	187	1047	13	32	195	103	25	11	353	406	17	29
129	102	7	6	131	1113	21	2	187	1047	59	2	195	103	27	38				
129	102	9	17	131	1331	23	19	187	1054	13	32	195	103	31	11				
129	102	15	6	132	26	29	27	187	1078	17	18	195	104	17	27				
129	102	19	8	132	26	33	10	192	14	11	7	195	104	27	9				
129	102	21	10	132	26	33	21	192	18	57	14	195	104	29	9				
129	102	27	11	132	26	35	20	192	19	29	11	195	104	33	6				
129	102	29	7	132	26	35	26	192	19	39	8	195	104	35	28				
129	102	29	11	132	26	37	11	192	19	41	8	195	104	49	9				
129	102	33	7	132	26	37	21	192	19	45	19	195	513	17	36				
129	102	33	20	132	26	41	34	192	19	53	7	195	518	29	28				
129	102	35	7	132	46	27	41	192	20	7	9	195	518	33	22				
129	102	37	7	132	46	29	16	192	20	9	18	195	518	35	21				
129	102	39	21	132	46	31	15	192	20	15	9	195	518	37	22				
129	102	41	23	132	46	35	10	192	20	19	7	195	521	21	16				
129	102	43	37	132	46	49	11	192	20	21	9	195	521	27	13				
129	102	47	70	132	46	49	20	192	20	23	21	195	521	29	13				
129	102	49	7	132	48	29	32	192	20	27	12	195	521	29	17				
129	102	49	24	132	48	33	27	192	20	29	6	195	521	33	23				
129	102	49	30	132	48	35	42	192	20	29	12	195	521	35	11				
129	102	57	8	132	48	37	41	192	20	33	6	195	521	37	12				
129	103	17	6	132	311	23	10	192	20	33	19	195	521	41	33				
129	103	17	14	138	51	39	23	192	20	35	6	195	521	49	11				
129	103	25	14	138	51	41	13	192	20	37	6	195	521	49	28				
129	103	27	6	138	92	29	22	192	20	39	20	195	522	17	21				
129	103	27	39	138	92	33	15	192	20	41	22	195	525	25	7				
129	103	29	6	138	92	35	15	192	20	43	36	195	525	33	10				
129	103	31	12	138	92	37	16	192	20	47	69	195	525	37	28				
129	103	35	30	138	92	49	8	192	20	49	6	195	525	39	39				
129	103	37	30	138	92	49	17	192	20	49	23	195	541	29	31				
129	103	39	40	138	98	45	4	192	20	49	29	195	541	33	26				
129	103	41	36	138	2054	49	10	192	20	57	12	195	541	35	41				
129	103	49	16	138	2055	23	4	192	21	17	5	195	541	37	40				
129	122	57	11	164	540	7	2	192	21	17	13	195	2012	39	7				
129	125	5	36	164	540	15	2	192	21	23	9	195	2012	41	7				
129	125	23	15	164	543	7	3	192	21	25	13	195	2027	7	14				
129	145	29	14	164	543	15	3	192	21	27	5	195	2027	15	14				
129	162	39	30	169	133	13	11	192	21	27	37	195	2029	23	8				
129	325	23	16	169	133	39	36	192	21	29	5	195	2069	21	11				
129	504	13	4	169	43	13	29	192	21	31	10	211	5	45	10				
129	642	57	23	169	154	5	47	192	21	35	29	214	4	41	41				
131	165	41	31	173	42	57	21	192	21	37	29	214	251	13	7				
131	176	7	13	173	44	11	6	192	21	39	12	214	251	39	17				
131	176	9	20	173	215	13	3	192	21	41	12	214	251	41	19				
131	176	15	13	173	244	51	23	192	21	49	8	219	10	23	4				
131	176	17	22	175	400	17	25	192	21	49	15	219	17	21	14				