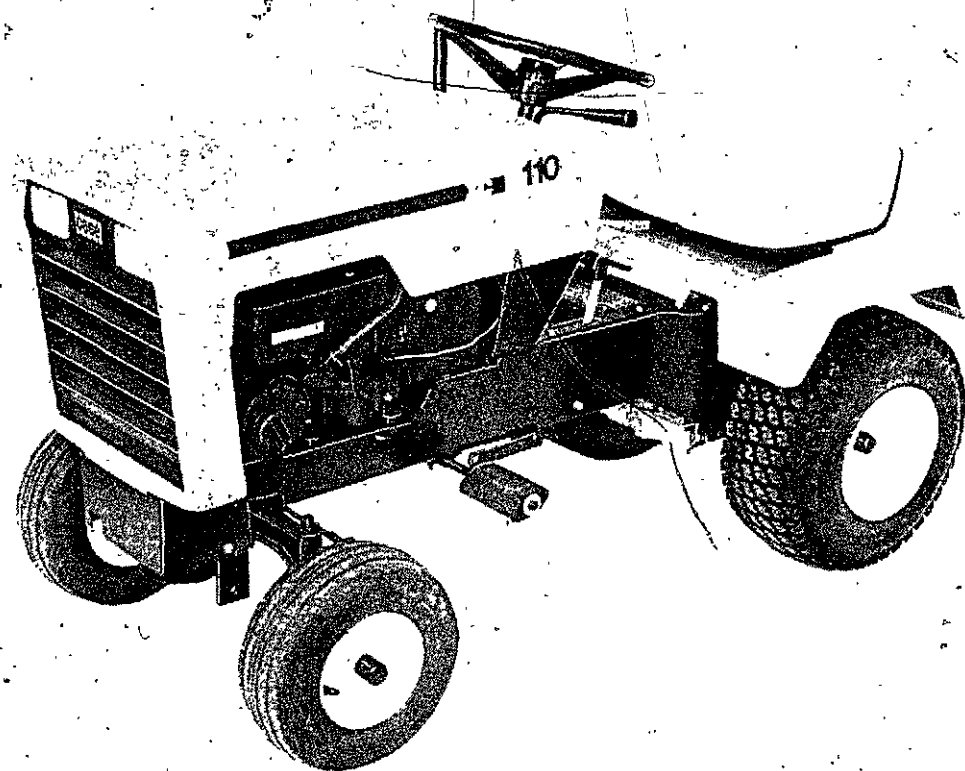
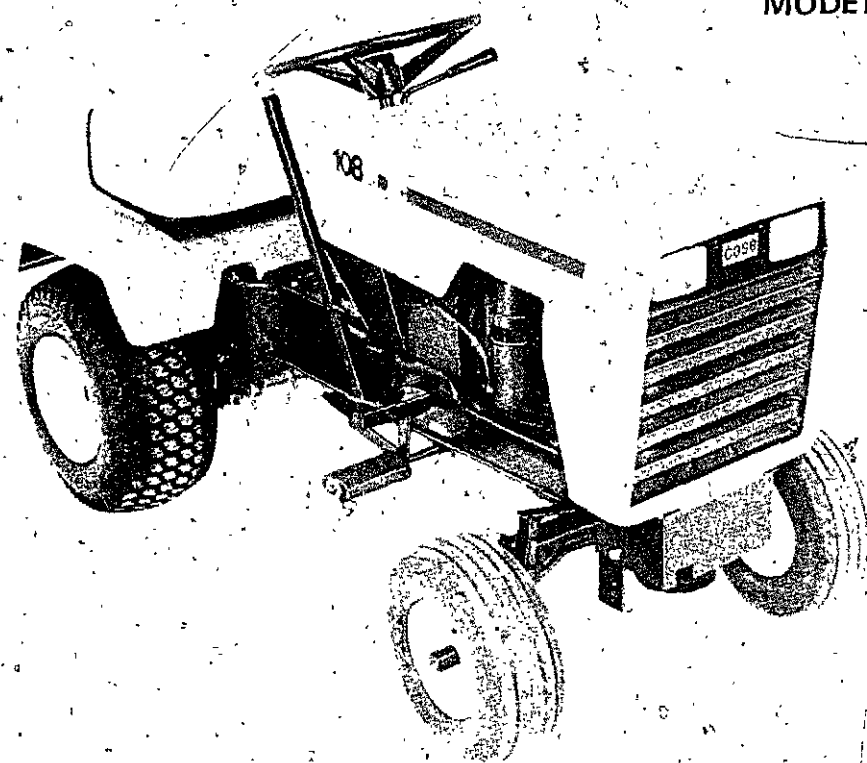


COMPACT TRACTORS
 MODEL 108 S/N 14031940 AND AFTER
 MODEL 110 S/N 14032840 AND AFTER
 MODEL 116 S/N 14047500 AND AFTER
 Parts Catalog 8-2700

2-84-RP-1500



INGERSOLL EQUIPMENT CO., INC.

Technical Publications
 119 S. First Street
 Winneconne, WI 54986

ALPHABETICAL INDEX

ENGINE SECTION

	PAGE	GRID		PAGE	GRID
Air Cleaner	15-21	B2-B8	Fuel Strainer	13	A14
Battery	51	D10	Fuel System	13	A14
Breather, Crankcase	5-7-25	A6-A8-B12	Gasket Kits	5-9	A6-A10
Camshaft	5-9	A6-A10	Governor	23	B10
Carburetor	15-19	B2-B6	Manifold (116)	19	B6
Choke Linkage (116)	13	A14	Mounts, Engine	27	B14
Connecting Rod	5-9	A6-A10	Muffler	21	B8
Counter Weight	11	A12	Oil Pan	5-9	A6-A10
Crankshaft	5-9	A6-A10	Piston	5-9	A6-A10
Cylinder Block	5-9	A6-A10	Spark Plug	11	A12
Cylinder Head	5-9	A6-A10	Starter	49	D8
Electrical System	11	A12	Tank, Fuel	13	A14
Engine Block & Attaching Parts	5-9	A6-A10	Throttle Linkage	13	A14
Exhaust System	21	B8	Trigger, Ignition	11	A12
Filter, Breather	5-7-25	A6-A8-B12	Valves	5-9	A6-A10
Flywheel	11	A12			

BASIC TRACTOR SECTION

	PAGE	GRID		PAGE	GRID
Axle, Front	37	C10	Implement Lift	47	D6
Baffles & Shrouds	25	B12	Model G14 Weight Box	31	C4
Belts & Pulleys	29-41	C2-C14	Mounts, Engine	27	B14
Brakes	39-43	C12-D2	PTO Clutch	28	C2
Decals	55	D14	Seat, Operator's	33	C6
Electrical System	51-53	D10-D12	Steering Wheel & Gear	35	C8
Fenders	33	C6	Tool Tray	31	C4
Frame	31	C4	Transaxle	43-45	D2-D4
Grille	31	C4	Travel Control	39	C12
Hitch	23	B10	Wheels, Front & Rear	37	C10
Hood	31	C4			

INDEX

There is an index at the front and rear of this catalog.

The front index is an alphabetical index of the major groups or assemblies.

The rear index is a numerical index of the part numbers and pages on which these numbers are shown.

ILLUSTRATION

Each illustration in this catalog shows a group of parts or components. These parts and components are aligned approximately as the parts and components on your machine. Each part and component in an illustration has a reference number. These reference numbers are in a list on the page opposite of the illustration. Next to the reference number is the part number, description and required quantity of the part shown in the illustration.

ABBREVIATIONS

UAR - "Use as required" indicates that the part quantity is variable.

NSS - "Not sold separately" indicates that the part is only available as a component of an assembly or the part must be purchased locally. If the part is an assembly component, the description will be indented under the assembly description in the parts list.

INDENTED DESCRIPTIONS

An assembly can have many components. The components of an assembly are indicated by an indented description. The quantity for an indented part is the total needed for that complete assembly. See the example.

REF.	PART NO.	DESCRIPTION	REQ
	A 55159	CYLINDER ASSY - rear steering	1
28	A 56208	SOCKET ASSY - rear cylinder	1
29	A 55956	PLUG - adjusting, socket assy.	1
30	A 55957	SEAT - socket ball	2
31	A 56210	SPRING - socket	1
32	A 56209	SEAT - socket spring	1
33	G 45175	CLAMP ASSY - socket assy.	1
	16- 836	BOLT - 1/2" x 2-1/4" N.F. hex.	1
34	132- 104	PIN - cotter, 3/16" x 3"	1
35	A 55889	STUD - ball, socket & cylinder	2
36	13- 410	BOLT - 1/4" x 5/8" N.C., hex.	4
37	92- 4	LOCKWASHER - 1/4" SAE	4

PARTS ORDERS

All orders must include the following information:

1. Correct part number.
2. Complete description of part or component.
3. Total quantity of each part or component.
4. Product model number.
5. All necessary product identification numbers.
6. Method for sending the parts.
7. Complete and correct address.

CATALOG REVISIONS

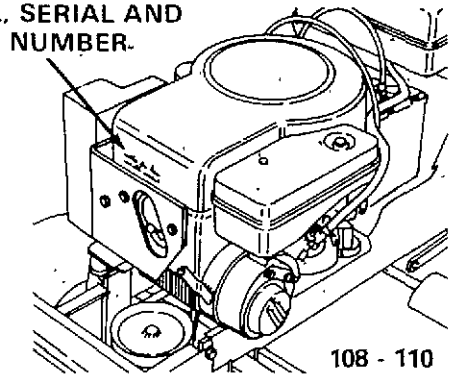
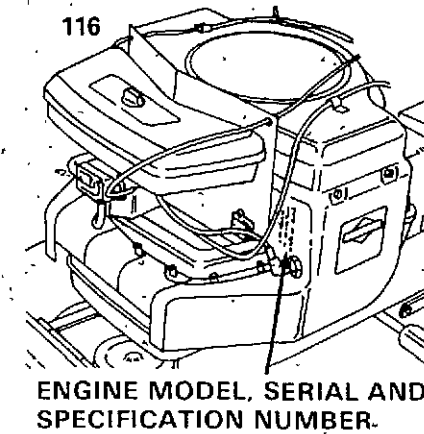
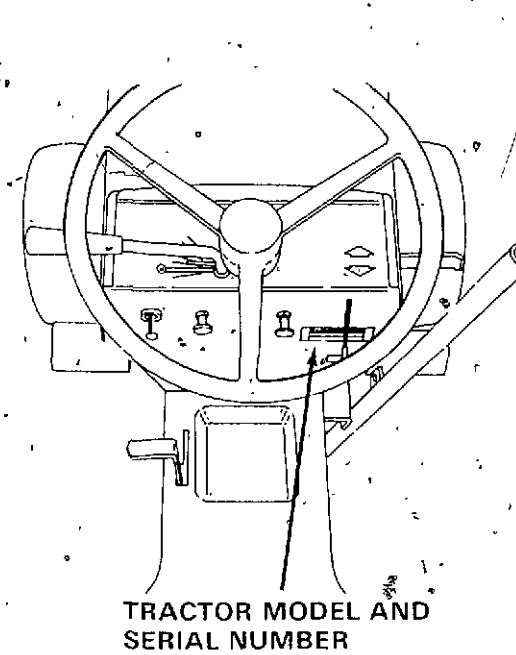
As the product changes, we will send you new pages your catalog.

IMPORTANT: Put all revisions into the catalog as possible.

RIGHT HAND AND LEFT HAND IDENTIFICATION

The words right hand (RH) and left hand (LH) as used in this catalog indicate the direction while you are in the operator's seat in the normal operating position.

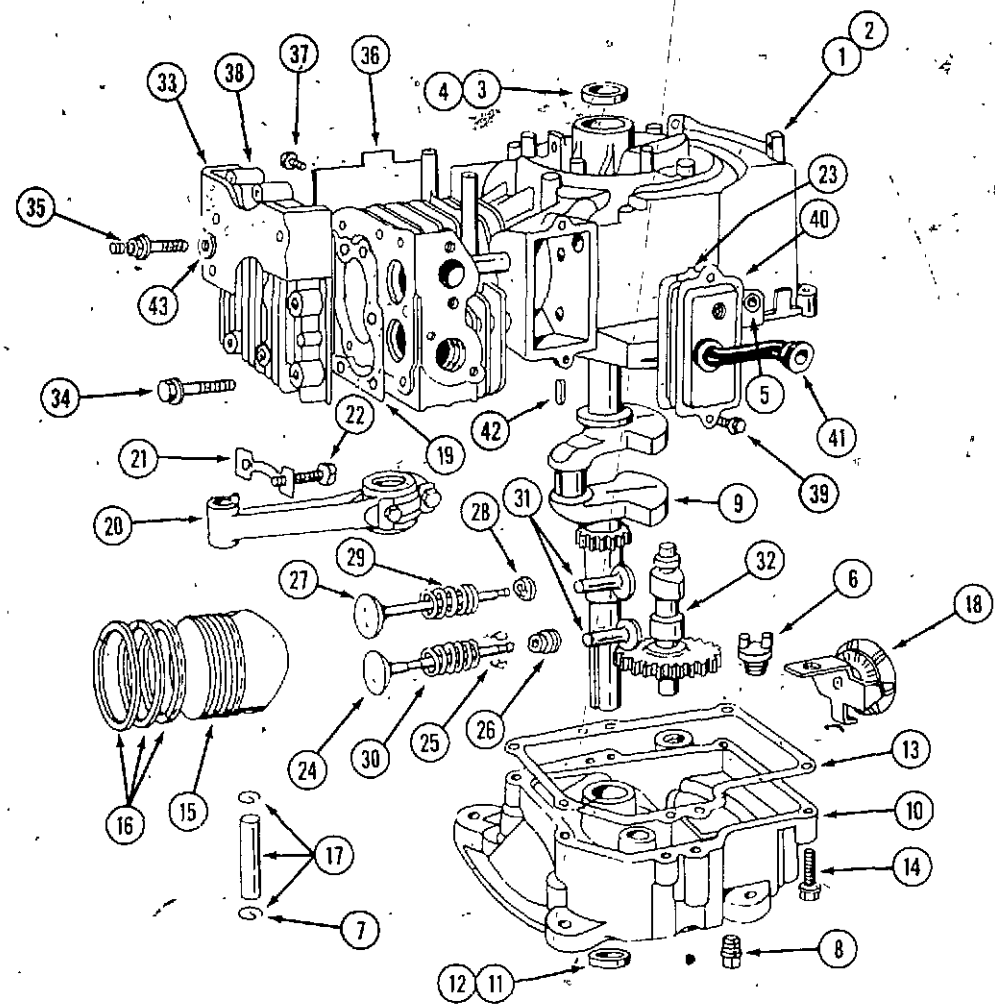
PRODUCT IDENTIFICATION NUMBERS



TRACTOR MODEL	ENGINE MODEL
108	C26661 SPEC. 190707 - TYPE 5820-01
110	C26662 SPEC. 220707 - TYPE 0631-01
116	C26986 SPEC. 402707 - TYPE 0132-06

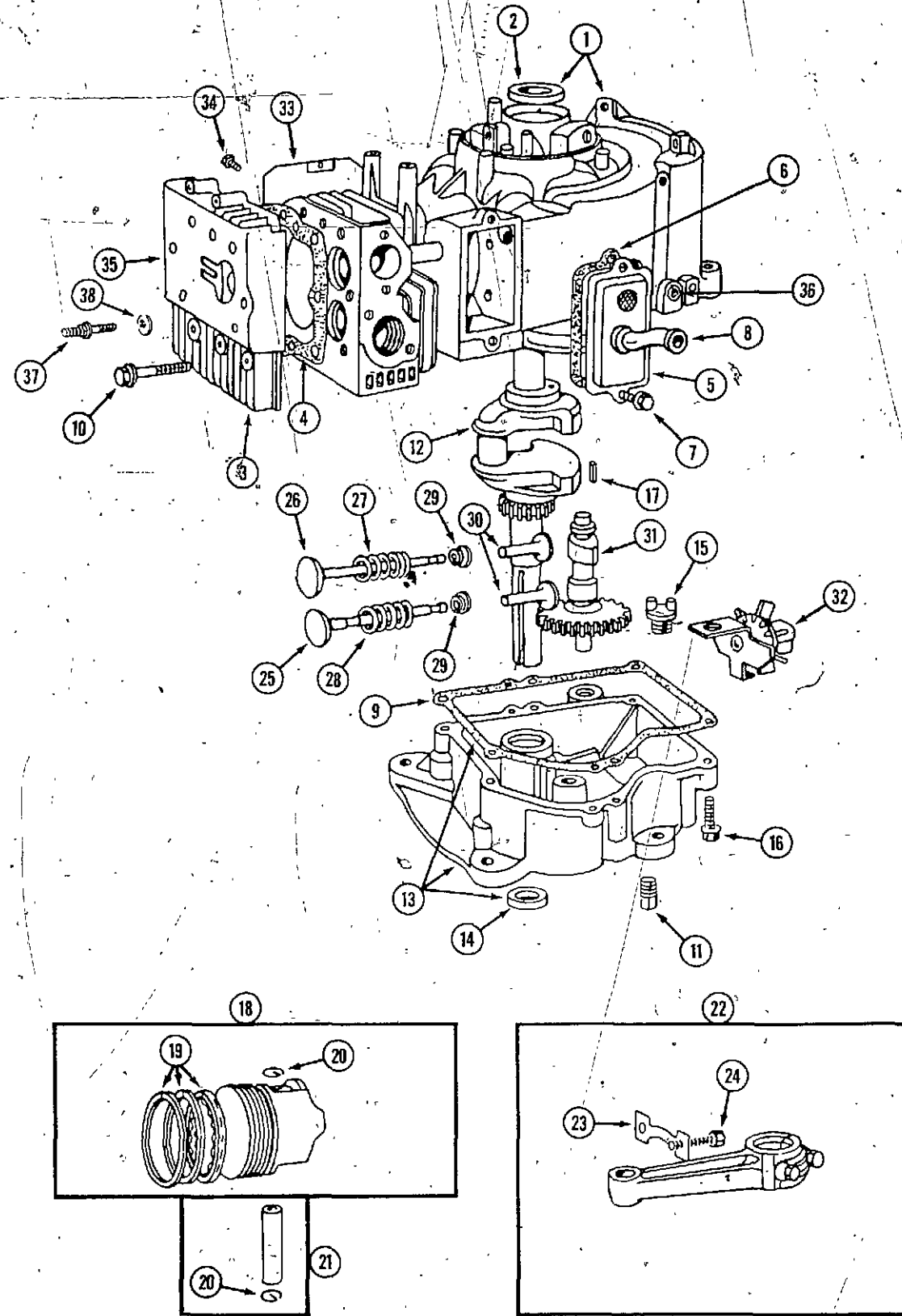
NOTE: In this catalog there are references to serial numbers. To order the correct part, use these serial numbers as a guide.

ENGINE BLOCK ASSEMBLY (108)



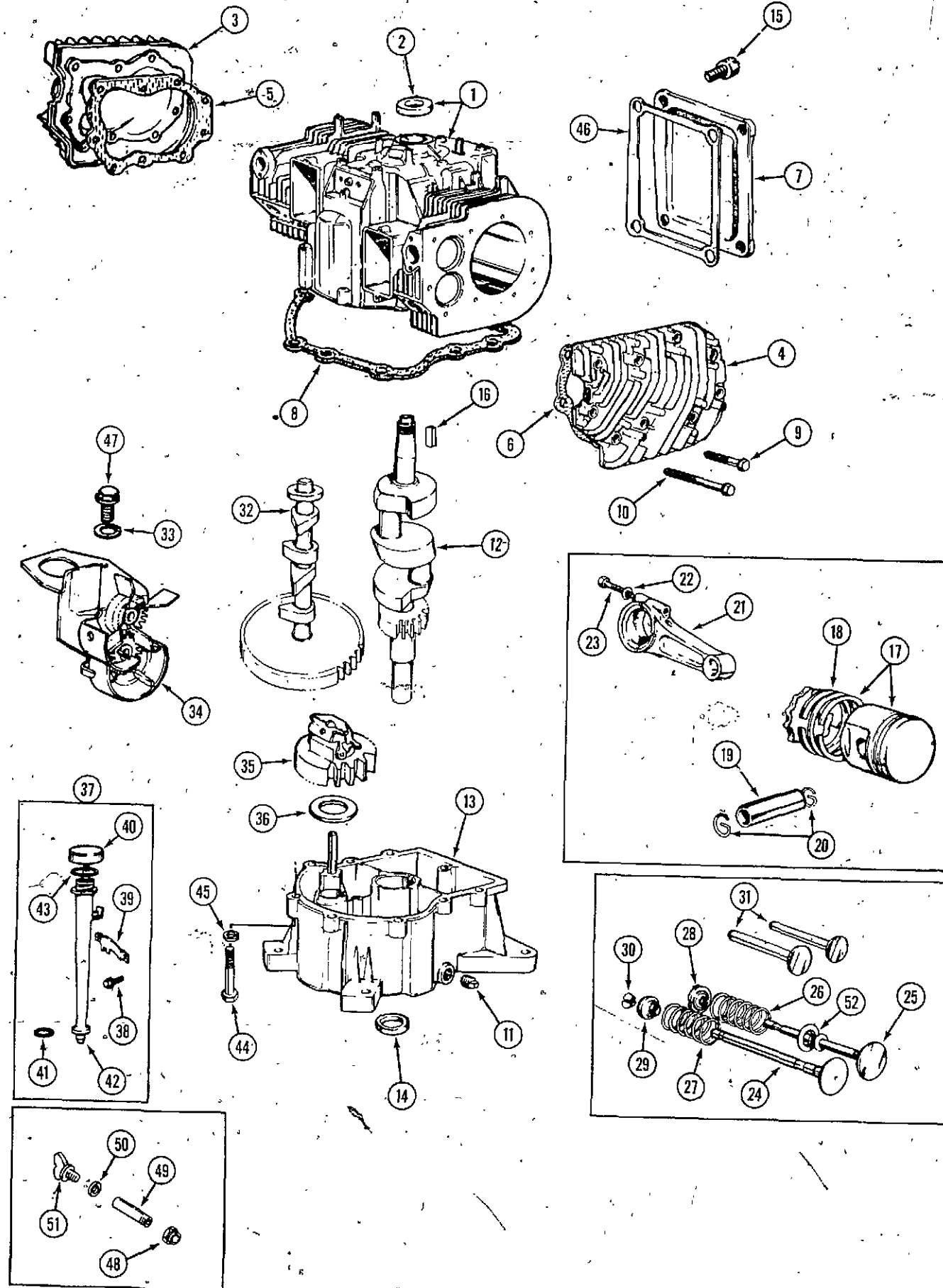
REF.	PART NO.	DESCRIPTION	REQ.D.
1	BR 390640	BLOCK ASSEMBLY - short	1
2	NSS	BLOCK - cylinder, stripped	1
3	BR 295962	BUSHING - cylinder	1
4	BR 294606	SEAL - oil	1
5	BR 231055	BUSHING - governor shaft	1
6	BR 66768	PLUG - oil filler	1
7	BR 68546	LOCK - piston pin	1
8	221- 843	PLUG - oil drain	1
9	BR 261038	CRANKSHAFT	1
10	BR 392548	OIL PAN ASSEMBLY	1
11	BR 295963	BUSHING - oil pan	1
12	C 25709	SEAL - oil	1
13	BR 27750	GASKET - oil pan 1/64"	1
13	BR 27876	GASKET - oil pan .005"	1
13	BR 27877	GASKET - oil pan .009"	1
14	NSS	SCREW - oil pan mtg. (use 113-120 and 192-20)	4
15	BR 391673	PISTON ASSEMBLY - standard	1
15	BR 391674	PISTON ASSEMBLY - .010 oversize (includes rings)	1
15	BR 391675	PISTON ASSEMBLY - .020 oversize (includes rings)	1
15	BR 391676	PISTON ASSEMBLY - .030 oversize (includes rings)	1
16	BR 391669	RING SET - standard	1
16	BR 391670	RING SET - .010 oversize	1
16	BR 391671	RING SET - .020 oversize	1
16	BR 391672	RING SET - .030 oversize	1
17	BR 295840	PIN ASSEMBLY - piston, standard (includes locks)	1
17	BR 295841	PIN ASSEMBLY - piston, .005 oversize (includes locks)	1
18	BR 392718	BRACKET ASSEMBLY - governor gear & oil slinger	1
19	BR 270430	GASKET - cylinder head	1
20	BR 390402	CONNECTING ROD ASSEMBLY	1
21	BR 222114	LOCK - connecting rod bolt	1
22	BR 92659	BOLT - connecting rod	2
23	BR 27803	GASKET - valve cover	1
24	BR 390419	VALVE - exhaust	1
25	BR 93630	LOCK - exhaust	2
26	BR 292260	ROTATOR - exhaust valve	1
27	BR 261055	VALVE - intake	1
28	BR 221596	KEEPER - intake valve	1
29	BR 65906	SPRING - intake valve	1
30	BR 26828	SPRING - exhaust valve	1
31	BR 260933	TAPPET - valve	2
32	BR 211689	CAMSHAFT	1
33	BR 222636	BAFFLE - cylinder head	1
34	BR 93723	BOLT - cylinder head, 3"	3
35	BR 93211	STUD - cylinder head, 2-21/32"	3
36	BR 222830	BAFFLE - cylinder	1
37	NSS	SCREW - baffle mtg. (use 163-18 and 192-18)	1
38	BR 212286	HEAD - cylinder	1
39	187- 1508	SCREW - sems	2
40	BR 391406	BREATHER - crankcase	1
41	BR 280005	TUBE - breather	1
42	C 27236	KEY - flywheel	1
43	BR 22963	WASHER	3
	BR 299577	GASKET SET - includes items 13, 19, 23 and carburetor mounting gasket	1

ENGINE BLOCK ASSEMBLY (110)

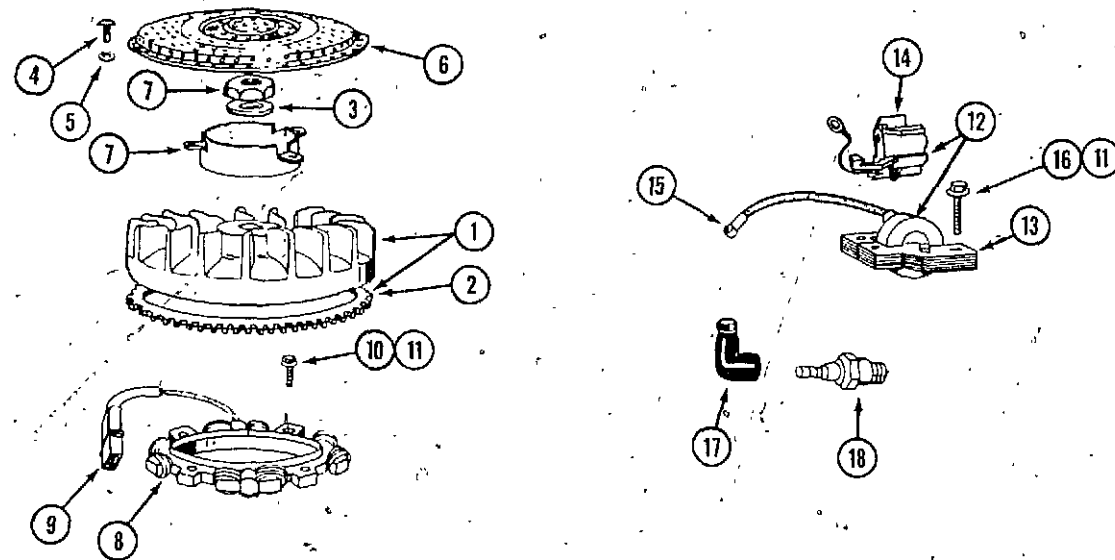


REF.	PART NO.	DESCRIPTION	REQ'D.
1	C 25827	CYLINDER BLOCK ASSEMBLY - short	1
1	NSS	CYLINDER BLOCK ASSEMBLY	1
2	C 25709	SEAL - oil	1
3	C 25710	HEAD - cylinder	1
4	C 25711	GASKET - cylinder head	1
5	BR 391406	BREATHER ASSEMBLY	1
6	BR 27803	GASKET - valve cover	1
7	187- 1508	SCREW - sems	2
8	C 25712	TUBE - breather	1
9	C 25713	GASKET - crankcase cover 1/64" thick	1
9	C 25714	GASKET - crankcase cover .005" thick	1
9	C 25715	GASKET - crankcase cover .009" thick	1
10	BR 93723	SCREW - cylinder head 3" long	6
11	221- 843	PLUG - oil drain	1
12	C 25716	CRANKSHAFT	1
13	C 25717	SUMP - oil (also includes item 9)	1
14	C 25718	SEAL - oil	1
15	BR 66768	PLUG - oil filler	1
16	NSS	SCREW - sump mounting, sems (use 113-120 and 1192-20)	6
17	C 27236	KEY - flywheel	1
18	C 25720	PISTON ASSEMBLY - standard	1
18	C 25721	PISTON ASSEMBLY - .010" oversize	1
18	C 25722	PISTON ASSEMBLY - .020" oversize	1
18	C 25723	PISTON ASSEMBLY - .030" oversize	1
19	C 25724	RING SET - piston, standard	1
19	C 25725	RING SET - piston, .010" oversize	1
19	C 25726	RING SET - piston, .020" oversize	1
19	C 25727	RING SET - piston, .030" oversize	1
20	C 25728	LOCK - piston pin	2
21	C 25729	PIN ASSEMBLY - piston, standard	1
21	C 25730	PIN ASSEMBLY - piston, .005" oversize	1
22	C 25731	ROD ASSEMBLY - connecting	1
23	C 25732	LOCK - connecting rod screw	1
24	C 25733	SCREW - connecting rod	2
25	C 25734	VALVE - exhaust	1
26	C 25735	VALVE - intake	1
27	BR 65906	SPRING - intake valve	1
28	BR 26828	SPRING - exhaust valve	1
29	BR 221596	RETAINER - valve	2
30	C 25736	TAPPET - valve	2
31	C 25737	CAMSHAFT	1
32	C 25746	OIL SLINGER - governor gear and bracket assembly	1
33	C 25751	SHIELD - cylinder	1
34	NSS	SCREW - cylinder shield mounting (use 163-18 and 192-18)	1
35	C 25752	COVER - cylinder head	1
36	BR 231055	BUSHING - governor crank (1/4" I.D.)	1
37	C 27238	STUD - cylinder head	3
38	BR 22963	WASHER	3
	C 25757	GASKET SET - includes items 4, 6, 9 and carburetor mounting gasket	1

ENGINE BLOCK ASSEMBLY (116)

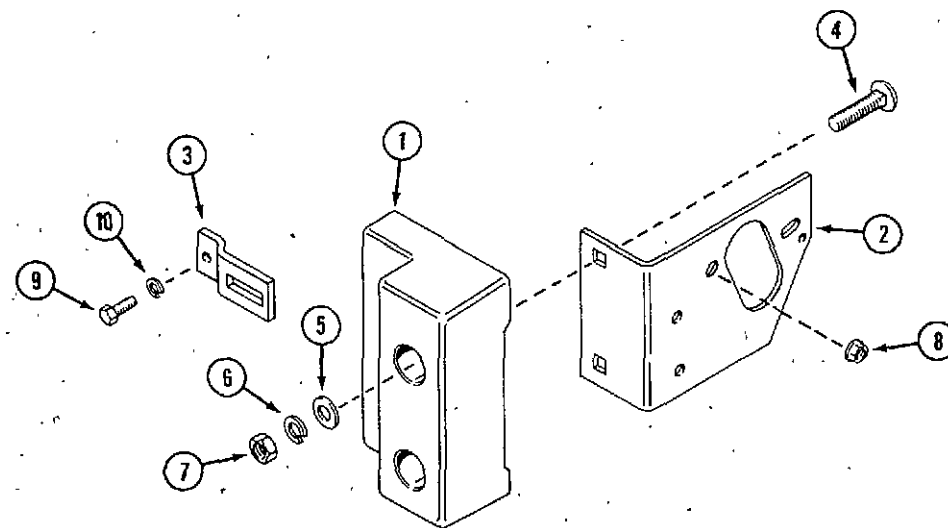


REF.	PART NO.	DESCRIPTION	REQ'D.
1	C 27371	CYLINDER ASSEMBLY	1
2	C 25709	SEAL - oil	1
3	C 27372	HEAD - cylinder R.H.	1
4	C 27373	HEAD - cylinder L.H.	1
5	C 27374	GASKET - cylinder head R.H.	1
6	C 27308	GASKET - cylinder head L.H.	1
7	C 27347	COVER - access	1
8	C 27310	GASKET - crankcase 1/64"	1
8	C 27311	GASKET - crankcase .005"	1
8	C 27312	GASKET - crankcase .009"	1
9	C 27313	BOLT - head 1-15/16"	1
10	BR 93113	BOLT - head 2-5/16"	12
11	221-843	PLUG - oil drain	6
12	C 27314	CRANKSHAFT	2
13	C 27315	CRANKCASE	1
14	C 25718	SEAL - oil	1
15	NSS	SCREW - cover (use 113-221 and 192-161)	4
16	C 27236	KEY - flywheel	1
17	C 27316	PISTON ASSEMBLY - standard (also includes item 20)	2
17	C 27317	PISTON ASSEMBLY - .010 oversize (also includes item 20)	2
17	C 27318	PISTON ASSEMBLY - .020 oversize (also includes item 20)	2
17	C 27319	PISTON ASSEMBLY - .030 oversize (also includes item 20)	2
18	C 27320	RING SET - piston, standard	2
18	C 27321	RING SET - piston, .010 oversize	2
18	C 27322	RING SET - piston, .020 oversize	2
18	C 27323	RING SET - piston, .030 oversize	2
19	C 25729	PIN ASSEMBLY - piston, standard	2
19	C 25730	PIN ASSEMBLY - piston, .005" oversize	2
20	C 25728	LOCK - piston pin	2
21	C 27324	ROD ASSEMBLY - connecting	2
21	C 27582	ROD ASSEMBLY - connecting .020 undersize	2
22	C 27325	WASHER - 1/4" x 5/8" x 1/32"	2
23	C 25733	BOLT - connecting rod	2
24	BR 390419	VALVE - exhaust	2
25	C 27326	VALVE - intake	2
26	BR 65906	SPRING - intake valve	2
27	BR 26828	SPRING - exhaust valve	2
28	BR 221596	RETAINER - intake valve	2
29	BR 292260	ROTOCOIL - exhaust valve	2
30	BR 93630	RETAINER - valve rotocoil (1 pair)	2
31	C 27327	TAPPET - valve	4
32	C 27328	CAMSHAFT	1
33	192-18	LOCKWASHER - No. 10 x 1/16" x 3/64"	1
34	C 27329	OIL SLINGER	1
35	C 27330	GEAR - governor	1
36	C 27331	WASHER - thrust	1
37	C 27346	DIPSTICK AND TUBE ASSEMBLY - oil check and fill	1
38	187-1047	SCREW - No. 8 - 18 x 1/2" round head	2
39	C 27336	CLAMP - oil tube	1
40	C 27337	DIPSTICK - oil	1
41	C 27338	SEAL - oil tube	1
42	C 27339	TUBE - oil filler	1
43	C 27345	SEAL - oil fill cap	1
44	113-120	BOLT - 5/16" - 18 x 1-3/4"	6
45	192-20	LOCK WASHER - 5/16"	6
46	C 27342	GASKET - cover	1
47	C 25749	SCREW - No. 10 - 32 x 5/8"	1
48	221-86	REDUCER - pipe 3/8" to 1/4" oil drain	1
49	C 19473	NIPPLE - pipe, oil drain	1
50	C 14906	GASKET - oil drain	1
51	C 14399	PLUG - oil drain	1
52	C 27583	RETAINER AND SEAL ASSEMBLY - valve	1
	C 27335	GASKET KIT - includes items 5, 6, 8, 48, valve cover gasket, intake manifold gasket and carburetor gasket	1



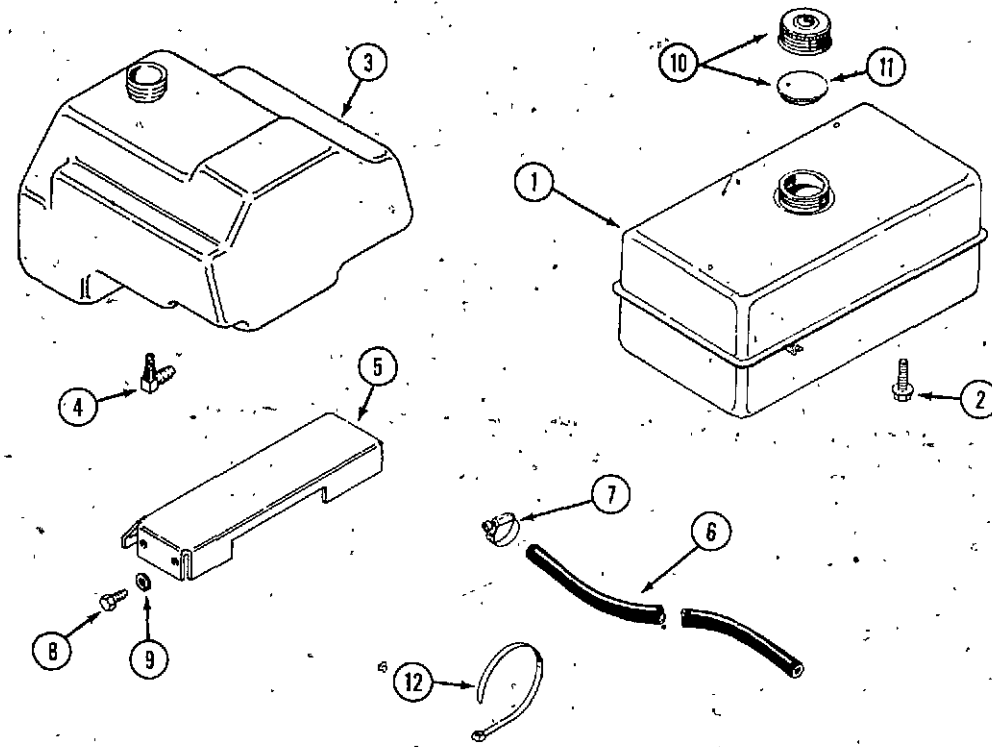
FLYWHEEL AND STATOR

REF.	PART NO.	DESCRIPTION	REQ'D.
1	BR 391983	FLYWHEEL AND RING GEAR ASSEMBLY - 108	1
1	C 25719	FLYWHEEL AND RING GEAR ASSEMBLY - 110	1
1	C 27351	FLYWHEEL AND RING GEAR ASSEMBLY - 116	1
2	BR 392134	RING GEAR - 108 and 110	1
2	C 27365	RING GEAR - 116	1
3	BR 220865	WASHER - spring (108 and 110)	1
3	C 27352	WASHER - spring (116)	1
4	182- 84	SCREW - No. 8 - 32 x 3/8"	3
5	193- 25	LOCK WASHER - No. 8	3
6	BR 222562	SCREEN - flywheel (108 and 110)	1
6	C 27358	SCREEN - flywheel (116)	1
7	BR 222561	CUP - screen mounting (108 and 110)	1
7	C 27357	CUP - screen mounting (116)	1
8	BR 393474	STATOR - alternator	1
9	BR 393456	DIODE AND CONNECTOR ASSEMBLY	1
10	182- 90	SCREW - No. 8 - 32 x 1"	4
11	195- 10	WASHER - No. 8	4
12	C 27253	ARMATURE ASSEMBLY - (108 and 110)	1
12	C 27420	ARMATURE ASSEMBLY - (116)	1
13	C 27270	ARMATURE - (108 and 110)	1
13	C 27419	ARMATURE - (116)	1
14	C 27269	TRIGGER - ignition	1
15	BR 221798	TERMINAL - ignition cable	UAR
16	182- 549	SCREW - No. 8 - 32 x 3/4"	2
17	BR 66538	BOOT - spark plug	UAR
18	C 24329	SPARK PLUG - (108 and 110) resistor	1
18	C 27334	SPARK PLUG - (116) resistor	2



ENGINE COUNTERWEIGHT (108 - 110)

REF.	PART NO.	DESCRIPTION	REQ'D.
1	C 26197	COUNTERWEIGHT - engine	1
2	C 26198	BRACKET - weight mount	1
3	C 26199	BRACKET - weight mount	1
4	111- 539	BOLT - 1/2" - 13 x 2" carriage	3
5	195- 533	WASHER - 1/2"	3
6	192- 23	LOCK WASHER 1/2"	3
7	129- 105	NUT - 1/2" - 13 hex	3
8	131- 911	NUT - 5/16" - 18 flange lock	3
9	113- 102	BOLT - 5/16" - 18 x 3/4"	1
10	192- 20	LOCK WASHER - 5/16"	1



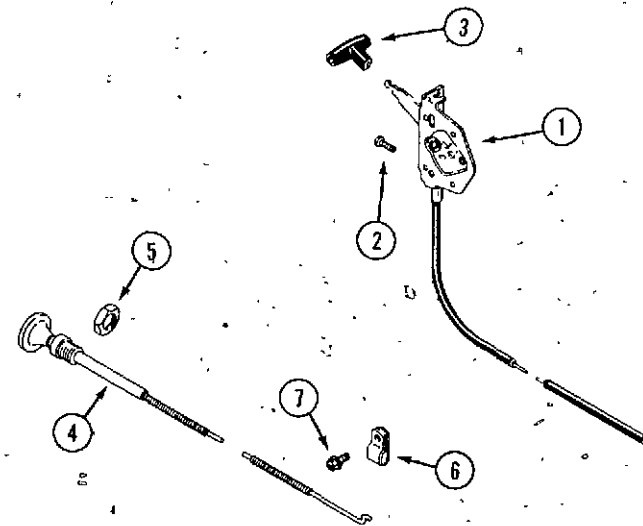
FUEL SYSTEM

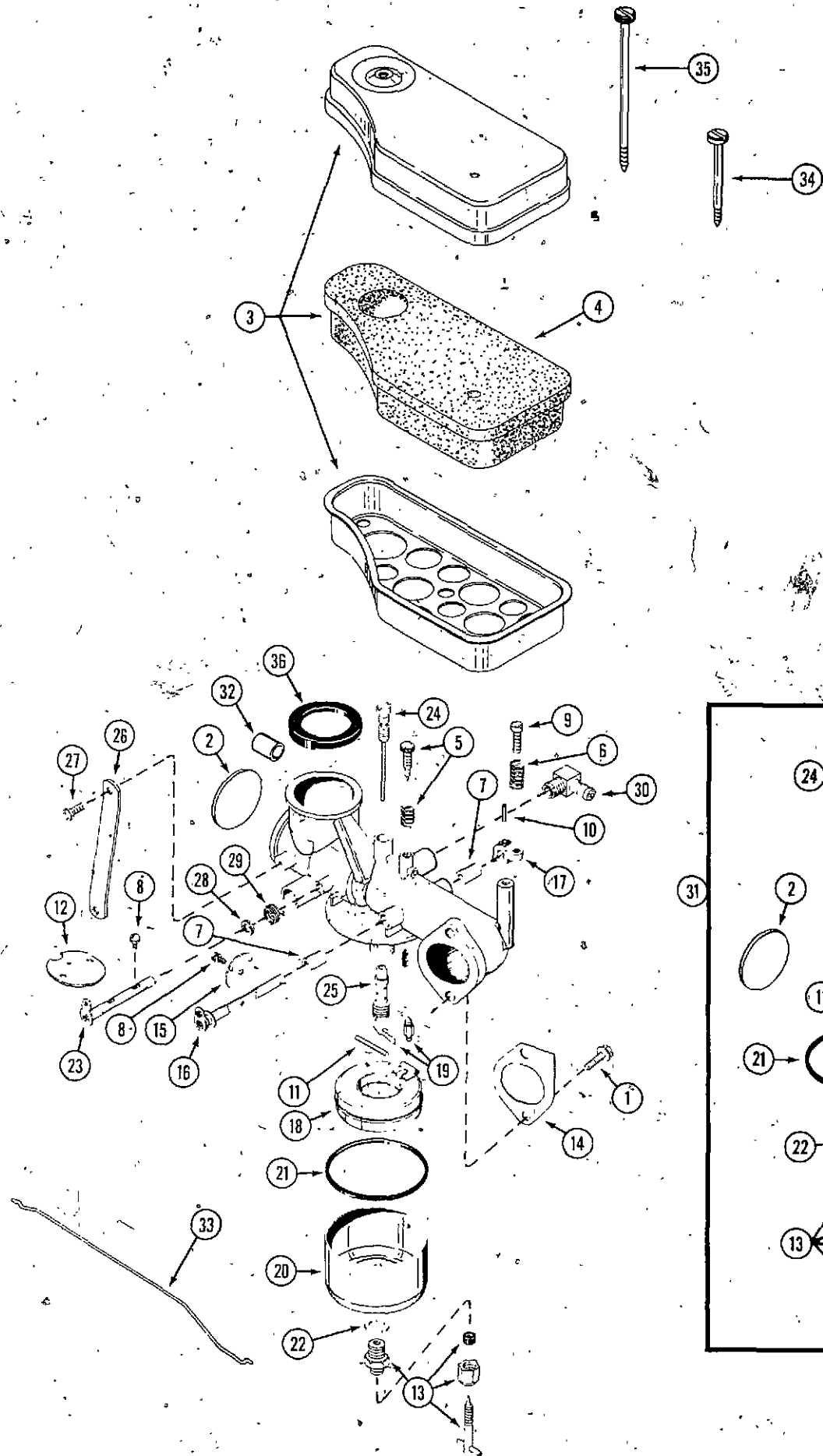
REF.	PART NO.	DESCRIPTION	REQ'D
1	C 27079	TANK - fuel (108 - 110)	1
2	187- 1036	SCREW - 1/4" - 20 x 1/2" hex self tap	2
3	C 27060	TANK - fuel (116)	1
4	C 10657	FITTING - elbow, filter (116)	1
5	C 27061	BRACKET - tank mounting (116)	1
6	NSS*	FUEL LINE - 18" (460 mm) 108-110	1
6	NSS*	FUEL LINE - 40-1/2" (1030 mm) 116	1
7	214- 251	CLAMP - hose	2
8	113- 1	BOLT - 1/4" - 20 x 1/2" hex	4
9	192- 19	LOCK WASHER - 1/4"	4
10	C 11529	CAP - fuel tank	1
11	C 11545	INSERT - fuel cap	1
12	A 169433	TIE - fuel line (116)	1

* Use A21561 bulk 25 ft. roll.
Cut to length.

CHOKE AND THROTTLE

REF.	PART NO.	DESCRIPTION	REQ'D
1	C 25765	CONTROL - choke and throttle (108 - 110)	1
1	C 27063	CONTROL - throttle (116)	1
2	187- 1334	SCREW - No. 8 - 18 x 1/2" self tapping, black	2
3	C 15540	HANDLE - "T"	1
4	C 27064	CONTROL - choke (116)	1
5	129- 163	NUT - retaining (116)	1
6	C 27233	CLAMP - cable	1
7	187- 1908	SCREW - No. 10 - 16 x 5/8" hex	1

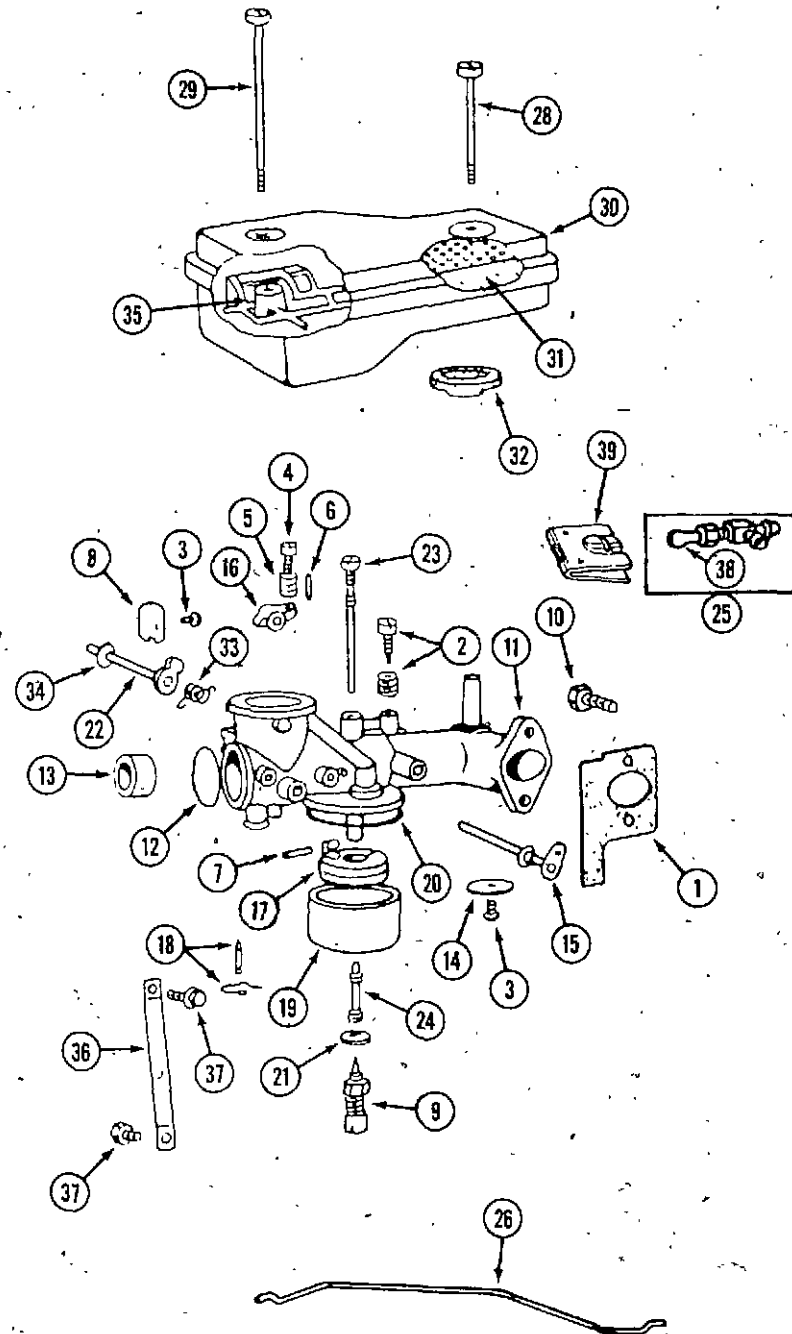




BR 390811 CARBURETOR (108)

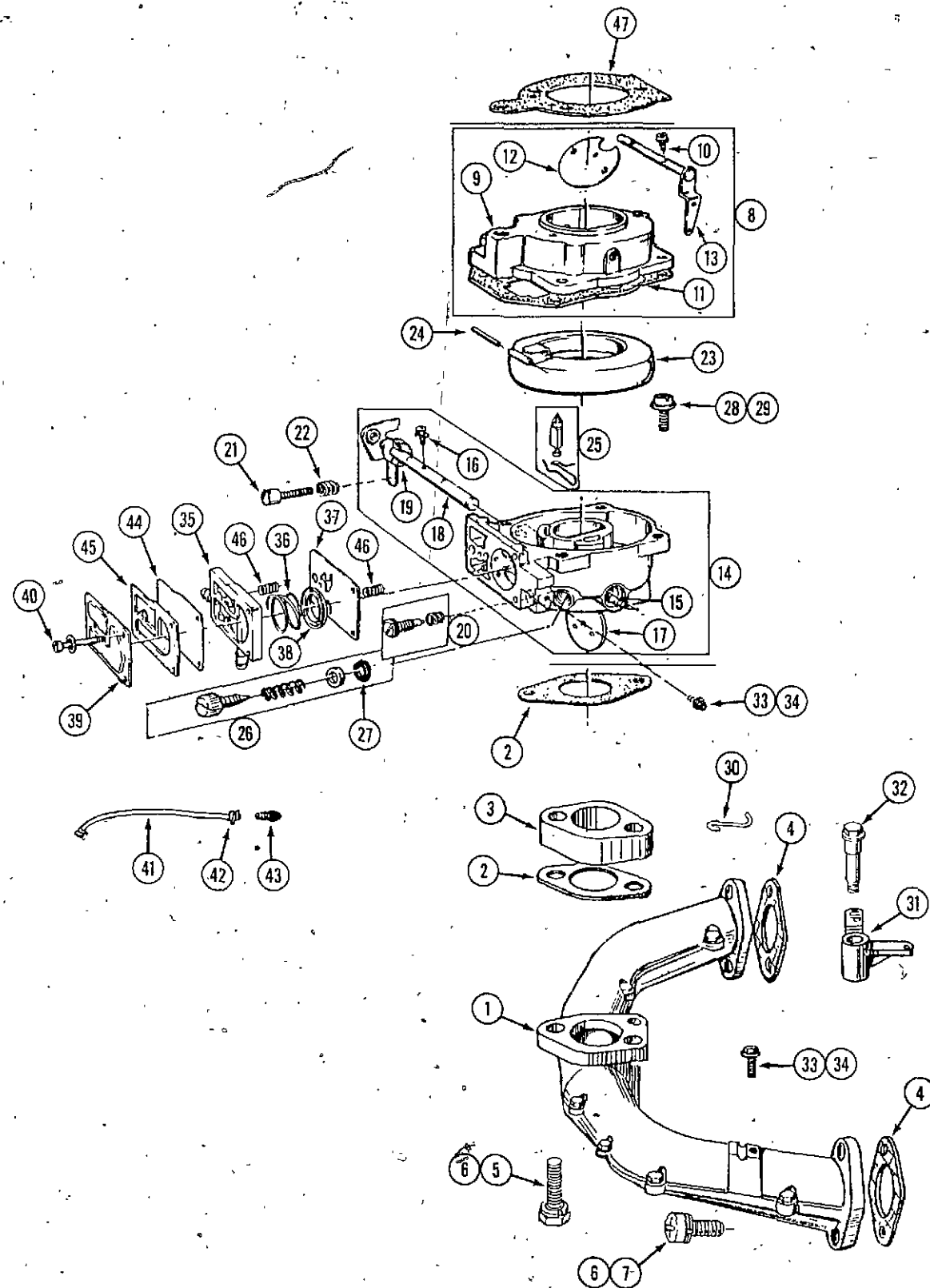
REF.	PART NO.	DESCRIPTION	REQ'D
1	BR 93357	SCREW - carburetor mtg.	2
2	41- 24	PLUG - welch	1
3	BR 391399	CLEANER ASSEMBLY - air	1
4	BR 270528	ELEMENT - air cleaner	1
	C 26358	CUP - air cleaner	1
5	BR 292681	VALVE ASSEMBLY - carburetor idle	1
6	BR 26157	SPRING - throttle adjust	1
7	NSS	BUSHING - throttle shaft	2
8	BR 93499	SCREW - throttle and choke mounting	3
9	182- 87	SCREW - #8 x 5/8" machine	1
10	138- 251	PIN - throttle stop	1
11	BR 230896	PIN - float hinge	1
12	BR 222010	VALVE - choke	1
13	BR 391233	VALVE ASSEMBLY - needle	1
14	BR 270824	GASKET - carburetor mounting	1
15	BR 221986	VALVE - throttle	1
16	BR 391512	SHAFT AND LEVER - throttle	1
17	BR 211712	STOP - throttle	1
18	BR 299707	FLOAT - carburetor	1
19	C 27254	VALVE - fuel inlet assembly	1
20	BR 221995	BOWL - float	1
21	BR 270511	GASKET - float bowl	1
22	BR 222014	WASHER - float bowl	1
23	BR 390684	SHAFT AND LEVER - choke	1
24	BR 299740	NOZZLE - carburetor	1
25	BR 230932	SCREW - nozzle	1
26	BR 222027	BRACKET - carburetor	1
27	187- 1510	SCREW - bracket mounting	2
28	BR 270382	WASHER - choke shaft	1
29	BR 261116	SPRING - choke return	1
30	C 10678	CONNECTOR - fuel pipe	1
31	C 27255	KIT - carburetor overhaul	1
32	BR 211682	VENTURI	1
33	C 27243	LINK - choke	1
34	BR 93622	SCREW - air cleaner	1
35	BR 93323	SCREW - air cleaner	1
36	BR 270539	GASKET - air cleaner	1

C25740 CARBURETOR (110)



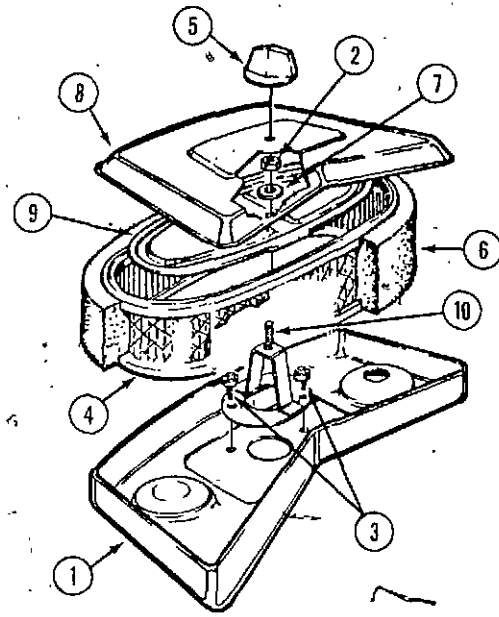
REF.	PART NO.	DESCRIPTION	REQ'D
1	C 25738	GASKET - carburetor mounting	1
2	BR 292681	VALVE ASSEMBLY - carburetor idle	1
3	BR 93499	SCREW - throttle and choke valve mounting, sems	2
4	182- 87	SCREW - machine fillister head 8-32 x 5/8"	1
5	BR 26157	SPRING - throttle adjustment	1
6	138- 251	PIN - throttle stop	1
7	BR 230896	PIN - float hinge	1
8	BR 222010	VALVE - choke	1
9	BR 391233	VALVE - needle	1
10	BR 93357	SCREW - carburetor mounting	2
11	NSS	BODY ASSEMBLY - carburetor (use C25740 carburetor)	1
12	41- 24	PLUG - welch	1
13	C 25742	VENTURI - carburetor	1
14	C 27240	VALVE - throttle	1
15	BR 391512	SHAFT & LEVER - throttle	1
16	BR 211712	STOP - throttle	1
17	BR 299707	FLOAT - carburetor	1
18	BR 299096	VALVE - fuel inlet	1
19	BR 221995	BOWL - float	1
20	BR 270511	GASKET - float bowl	1
21	BR 222014	WASHER - float bowl	1
22	BR 390684	SHAFT & LEVER - choke	1
23	BR 299740	NOZZLE - carburetor	1
24	BR 230932	SCREW - nozzle	1
25	C 27268	CONNECTOR - fuel line	1
26	C 27244	LINK - choke	1
28	BR 93622	SCREW - air cleaner	1
29	BR 93323	SCREW - air cleaner	1
30	C 25759	CLEANER ASSEMBLY - air	1
31	C 25758	ELEMENT - air cleaner	1
	C 26358	CUP - air cleaner	1
32	C 25760	GASKET - air cleaner	1
33	BR 261116	SPRING - choke return	1
34	BR 270382	WASHER - choke shaft	1
35	C 25762	SUPPORT - air cleaner element	1
36	C 25764	BRACKET - carburetor	1
37	187- 1510	SCREW	2
38	C 27267	VALVE - fuel shut off	1
39	C 27266	HANDLE - fuel shut off valve	1
	BR 299852	CARBURETOR OVERHAUL KIT - (includes items 2, 7, 9, 12, 18, 20, 21, 23, and 24)	1

CARBURETOR, FUEL PUMP AND MANIFOLD (116)



REF.	PART NO.	DESCRIPTION	REQ'D
1	C 27375	MANIFOLD - intake	1
2	C 27376	GASKET - manifold to spacer and carburetor	2
3	C 27377	SPACER - carburetor	1
4	C 27378	GASKET - manifold mounting	2
5	113- 5	BOLT - 1/4" - 20 x 1-1/2"	2
6	192- 19	LOCK WASHER - 1/4"	2
7	182- 205	SCREW - 1/4" - 20 x 7/8"	4
	C 27379	CARBURETOR ASSEMBLY	1
8	C 27380	BODY ASSEMBLY - upper	1
9	C 27381	BODY - upper carburetor	1
10	BR 93499	SCREW - valve	2
11	C 27384	GASKET - body	1
12	BR 222010	VALVE - choke	1
13	C 27387	SHAFT - choke	1
14	C 27386	BODY ASSEMBLY - lower	1
15	C 27382	BUSHING - throttle shaft	1
16	BR 93499	SCREW - valve	2
17	C 27240	VALVE - throttle	1
18	C 27383	SHAFT - throttle	1
19	C 27409	WASHER - throttle	1
20	BR 292681	VALVE ASSEMBLY - idle fuel	1
21	182- 87	SCREW - No. 8 - 32 x 5/8"	1
22	BR 26157	SPRING - throttle adjustment	1
23	C 27385	FLOAT - carburetor	1
24	BR 230896	PIN - float hinge	1
25	BR 299096	VALVE - fuel inlet	1
26	C 27412	VALVE ASSEMBLY - needle	1
27	C 27388	PACKING - needle valve	1
28	163- 4	SCREW - No. 10 - 32 x 5/8"	4
29	192- 18	WASHER - No. 10	4
30	C 27392	LINK - throttle	1
31	C 27393	BELLCRANK	1
32	C 27394	BOLT - shoulder	1
33	177- 97	SCREW - No. 10 - 32 x 1/2"	2
34	195- 513	WASHER - No. 10	2
35	C 27399	BODY - pump	1
36	C 27400	SPRING - pump	1
37	C 27401	DIAPHRAGM	1
38	C 27402	CAP - spring	1
39	C 27403	COVER - fuel pump	1
40	182- 49	SCREW - No. 6 - 32 x 7/8"	3
41	NSS*	HOSE - vacuum, fuel pump 9'	1
42	214- 251	CLAMP - hose	2
43	C 27333	CONNECTOR - fuel pump hose	1
44	C 27413	DIAPHRAGM - damping	1
45	C 27414	GASKET - pump cover	1
46	C 27415	SPRING	2
47	C 27407	GASKET - air cleaner	1
	C 27389	KIT - carburetor overhaul (includes items 11, 19, 20, 24, 25, 26, 27 and fuel pump repair kit)	1
	C 27416	KIT - fuel pump repair (includes items 36, 37, 38, 44, 45 and 46)	1

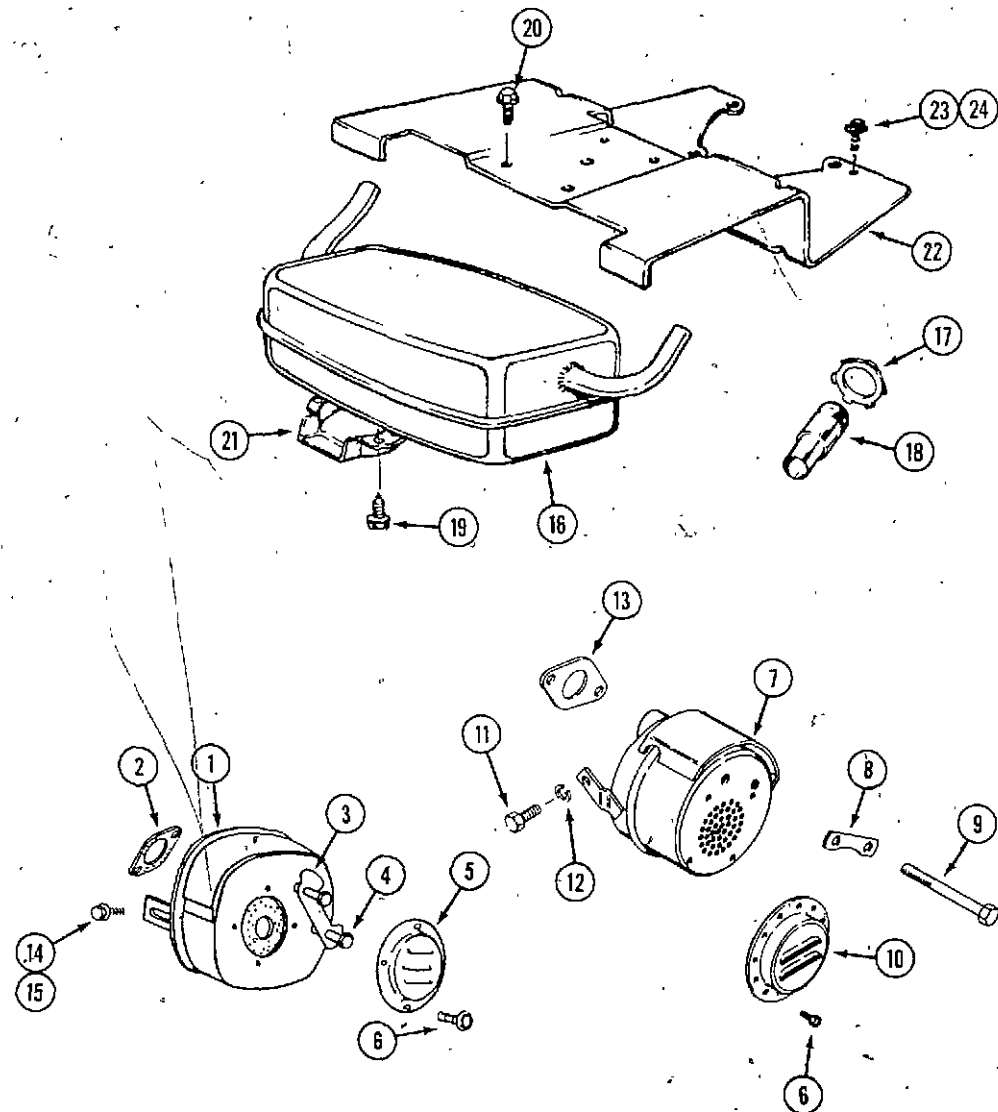
* Use A21581 bulk 25 ft.
Cut to length.



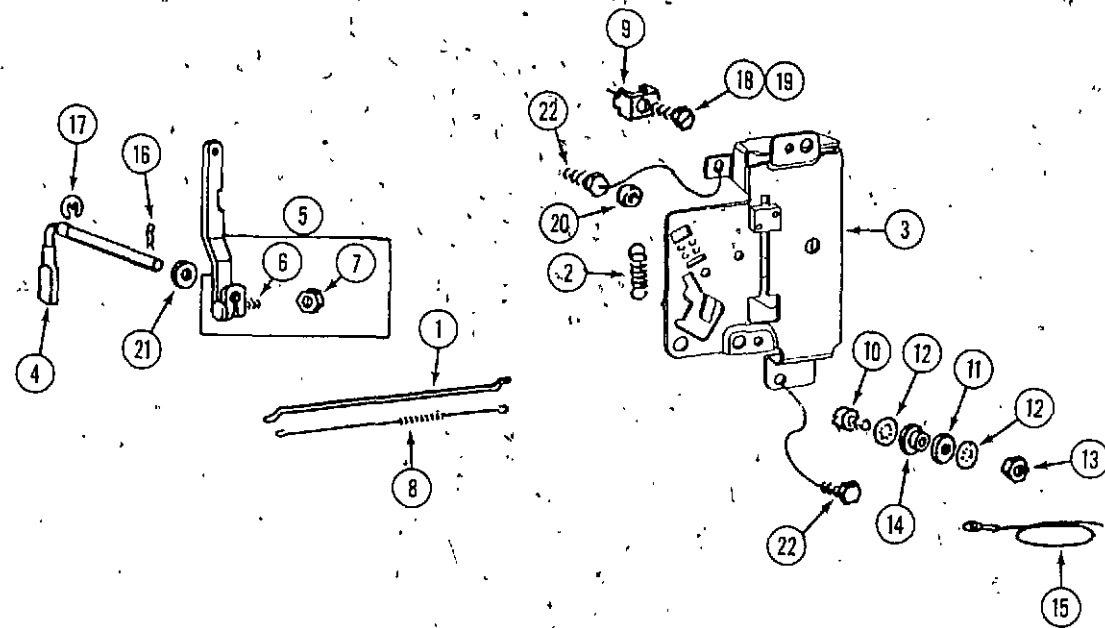
AIR CLEANER (116)

REF.	PART NO.	DESCRIPTION	REQ'D
1	C 27390	HOUSING - air cleaner	1
2	129- 101	NUT - 1/4" hex	1
3	169- 137	SCREW - No. 10 - 24 x 5/8"	2
4	C 27404	ELEMENT - air cleaner	1
5	C 27405	KNOB - cover; air cleaner	1
6	C 27406	PRECLEANER	1
7	C 27408	WASHER - element plate	1
8	C 27410	COVER - air cleaner	1
9	C 27411	PLATE - element	1
10	C 27417	BRACKET - mounting	1

MUFFLER

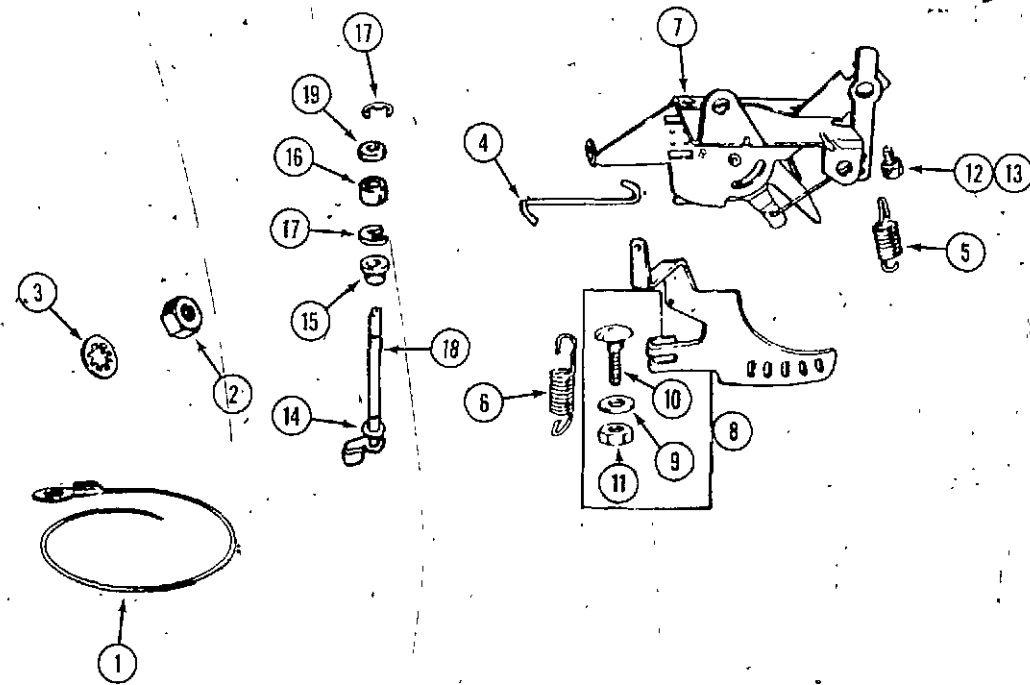


REF.	PART NO.	DESCRIPTION	REQ'D.
1	BR 391313	MUFFLER - exhaust (108)	1
2	C 24340	GASKET - exhaust (108)	1
3	BR 222263	LOCK - bolt (108)	1
4	C 27237	BOLT - muffler (108)	2
5	C 27239	DEFLECTOR - exhaust (108)	1
6	187- 1041	SCREW - special	8
7	C 25469	MUFFLER - exhaust (110)	1
8	C 25701	LOCK - bolt (110)	1
9	113- 138	BOLT - (110)	2
10	C 25500	DEFLECTOR - exhaust (110)	1
11	113- 1	BOLT - 1/4" - 20 x 1/2" (110)	1
12	192- 19	LOCK WASHER - 1/4" (110)	1
13	C 26507	GASKET - exhaust (110)	1
14	22- 412	BOLT - (108)	1
15	195- 18	LOCK WASHER - (108)	1
16	C 27353	MUFFLER - exhaust (116)	1
17	C 27354	NUT - lock, muffler	2
18	C 27367	CONNECTOR - muffler (116)	2
19	187- 1041	SCREW - No. 8 - 32 x 3/8"	4
20	113- 2	BOLT - 1/4" - 20 x 5/8"	4
21	C 27364	DEFLECTOR - exhaust (116)	1
22	C 27366	BRACKET - muffler (116)	1
23	22- 48	SCREW - 1/4" - 20 x 1/2"	UAR
24	192- 19	LOCK WASHER - 1/4"	UAR



- GOVERNOR (108, 110)

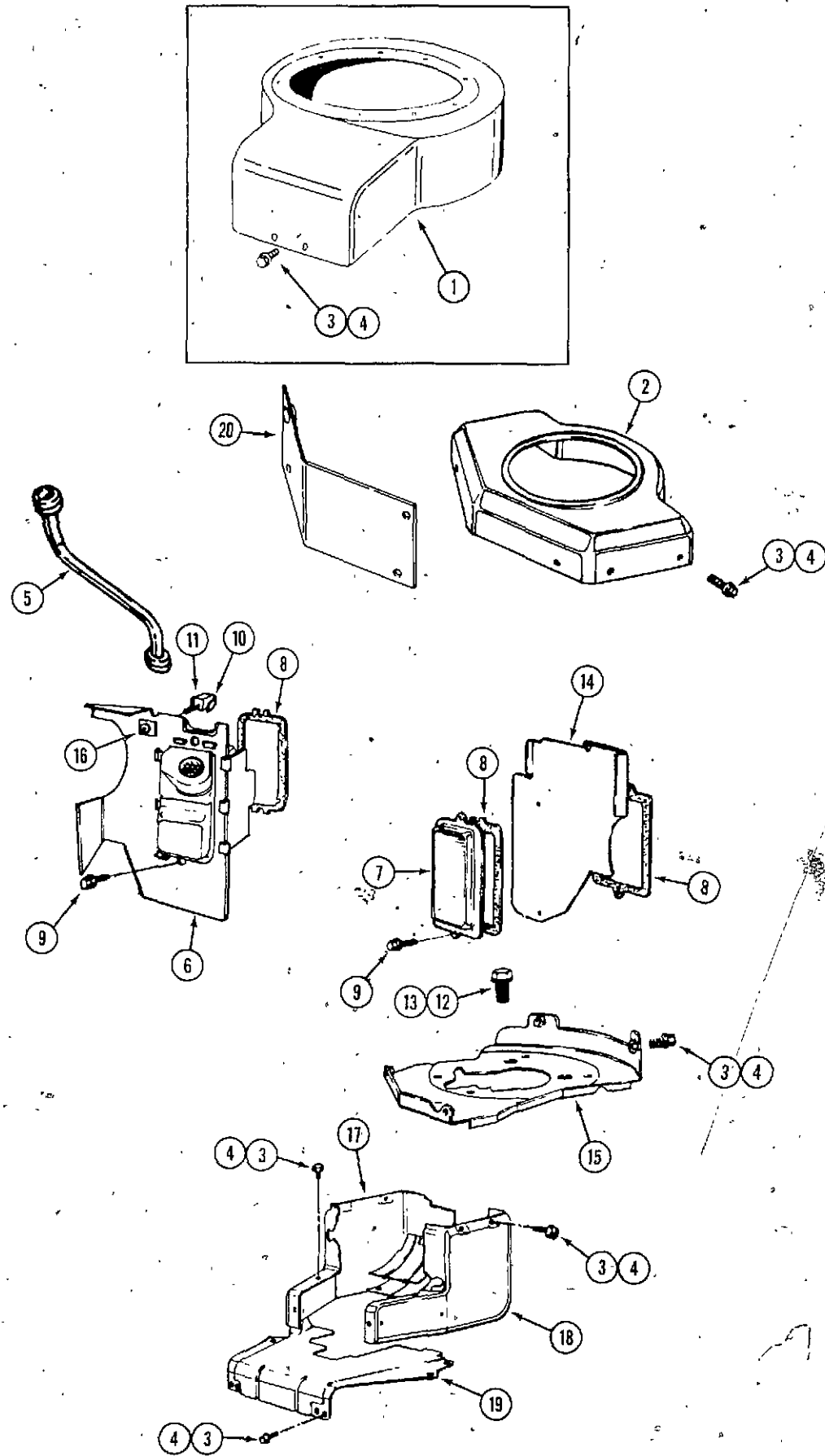
REF.	PART NO.	DESCRIPTION	REQ'D.
1	C 27242	LINK - governor (108)	1
1	C 25744	LINK - governor (110)	1
2	BR 261306	SPRING - governor (108)	1
2	BR 261129	SPRING - governor (110)	1
3	C 27257	BRACKET governor	1
4	BR 231058	CRANK - governor	1
5	BR 391733	LEVER ASSEMBLY	1
6	111- 2	BOLT lever	1
7	129- 17	NUT No. 10 - 24	1
8	C 27241	SPRING governor link (108)	1
8	C 25747	SPRING governor link (110)	1
9	BR 221535	CLAMP casing	1
10	182- 87	SCREW - terminal	1
11	BR 66068	WASHER - insulating	1
12	193- 25	LOCK WASHER	2
13	129- 16	NUT - No. 8 - 32	2
14	BR 66554	COLLAR - insulating	1
15	BR 299500	WIRE - ground	1
16	136- 103	PIN cotter hair pin	1
17	A 27795	RETAINER - "E" ring	1
18	163 4	SCREW	1
19	192- 18	WASHER	1
20	C 25763	SPACER mounting (110)	1
21	BR 222450	WASHER governor crank	1
22	187 1510	SCREW mounting	1



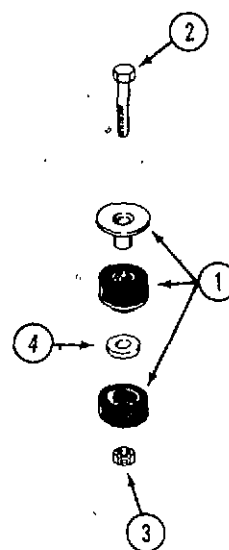
GOVERNOR (116)

REF.	PART NO.	DESCRIPTION	REQ'D.
1	BR 299500	WIRE - ground	1
2	129- 16	NUT - No. 8 - 32	1
3	193- 25	LOCK WASHER - No. 8	1
4	C 27391	LINK - governor	1
5	C 27395	SPRING - governor	1
6	C 27396	SPRING - governor idle	1
7	C 27397	BRACKET - governor	1
8	C 27398	LEVER ASSEMBLY - governor	1
9	195- 518	WASHER - 1/4"	1
10	111- 404	BOLT - 1/4" - 20 x 1-1/4"	1
11	129- 101	NUT - 1/4" hex	1
12	22- 48	SCREW - 1/4" - 20 x 1/2"	2
13	192- 19	LOCKWASHER - 1/4"	2
14	C 27332	WASHER - governor crank, inside	1
15	C 27340	BUSHING - governor crank	1
16	C 27341	BUSHING - governor crank	1
17	C 14652	RETAINER - "E" ring	2
18	C 27343	CRANK - governor	1
19	C 27344	SEAL - foam	1

BLOWER HOUSING, ENGINE AIR BAFFLES AND BREATHER COVERS



REF.	PART NO.	DESCRIPTION	REQ'D.
1	BR 391379	HOUSING - blower (108)	1
1	C 27273	HOUSING - blower (110)	1
2	C 27355	HOUSING - blower (116)	1
3	22- 48	SCREW - 1/4" - 20 x 1/2"	UAR
4	192- 19	LOCK WASHER - 1/4"	UAR
5	C 27309	TUBE - breather (116)	1
6	C 27348	BREATHER ASSEMBLY - R.H. (116)	1
7	C 27349	COVER - breather L.H. (116)	1
8	C 27350	GASKET - valve cover (116)	2
9	187- 1508	SCREW - No. 10 - 24 x 1/2"	4
10	C 27359	TERMINAL	1
11	C 27360	GROMMET - insulator	1
12	113- 101	BOLT - 5/16" - 18 x 1/2"	4
13	192- 20	WASHER - 5/16"	4
14	C 27362	BAFFLE - L.H. rear, air	1
15	C 27363	PLATE - back	1
16	129- 16	NUT - No. 8 - 32	2
17	C 27368	BAFFLE - cylinder R.H.	1
18	C 27369	BAFFLE - cylinder L.H.	1
19	C 27370	PLATE - top	1
20	C 27059	BAFFLE - engine, front	1

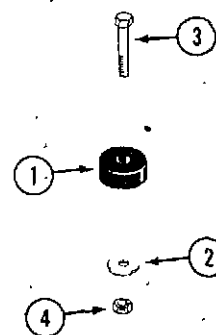


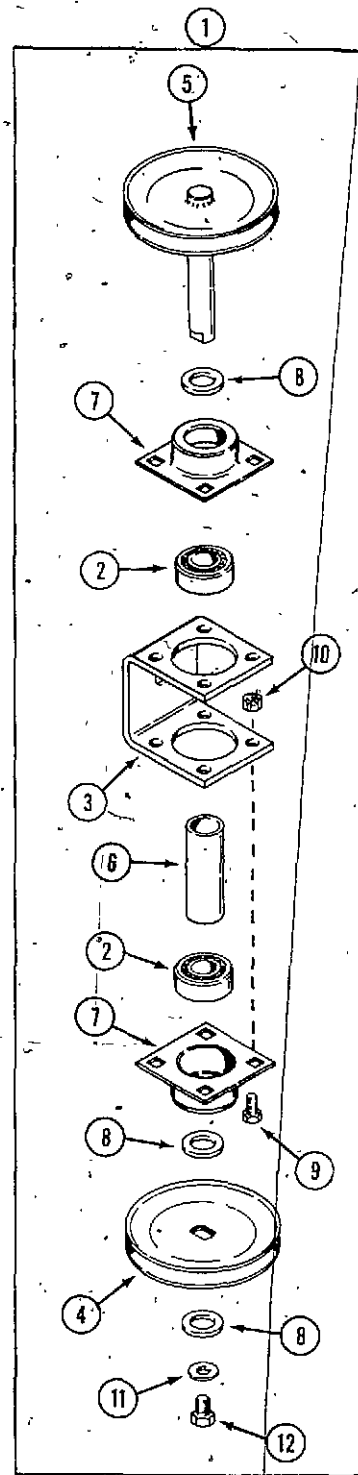
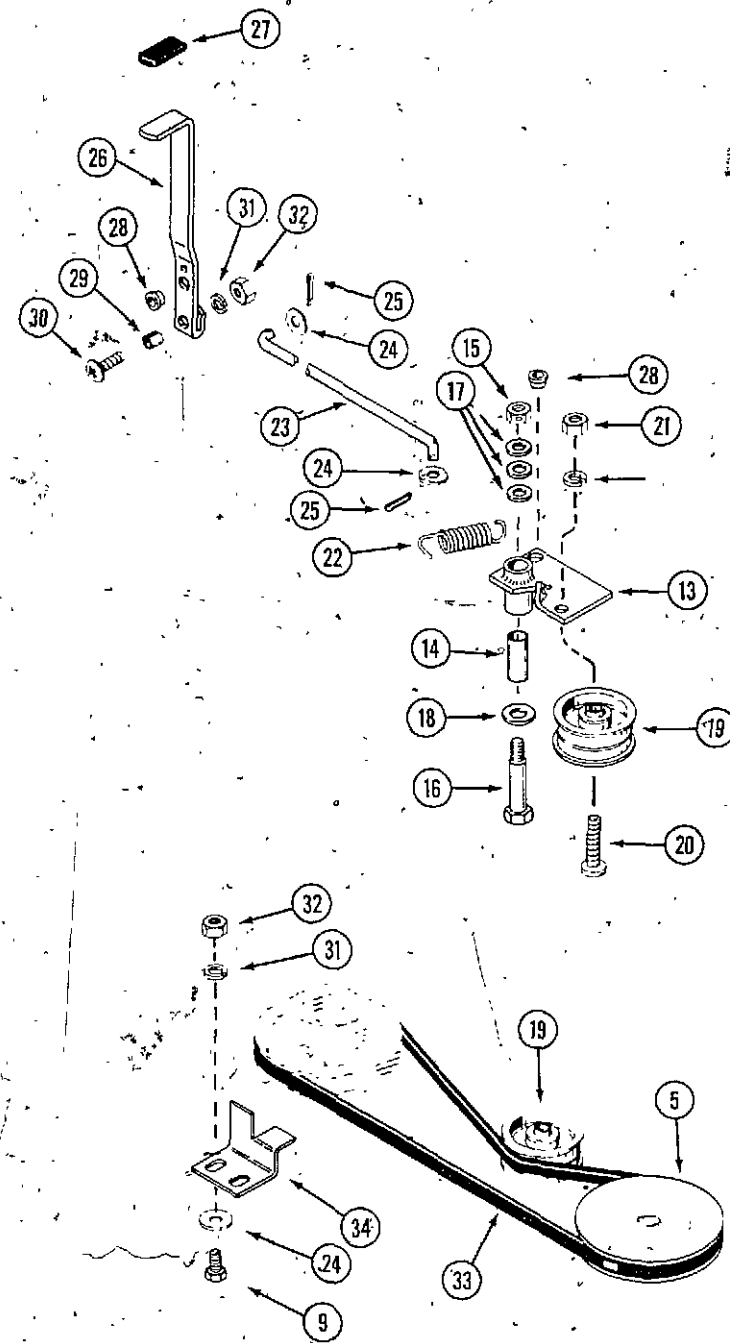
ENGINE MOUNTS (108 - 110)

REF.	PART NO.	DESCRIPTION	REQ'D.
1	C 25468	MOUNT - engine	4
2	113- 110	BOLT - 5/16" - 18 x 2-1/4" hex	4
3	131- 176	NUT - 5/16" lock	4
4	195- 525	WASHER - spacer	4

ENGINE MOUNTS (116)

REF.	PART NO.	DESCRIPTION	REQ'D.
1	D 59705	WASHER - rubber	4
2	195- 2175	WASHER - flat	4
3	113- 120	BOLT - 5/16" - 18 x 1-3/4"	4
4	131- 176	NUT - 5/16" lock	4

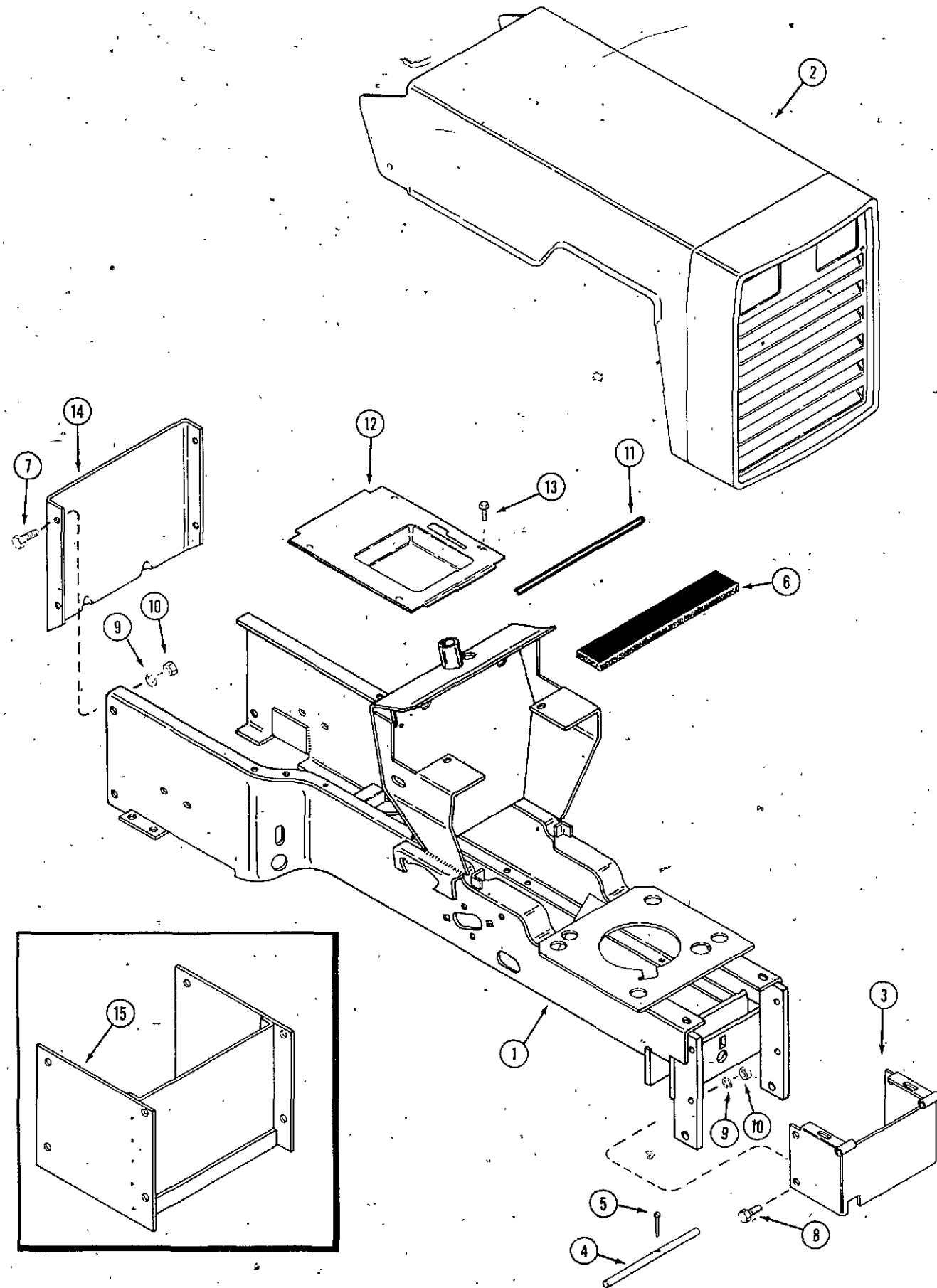




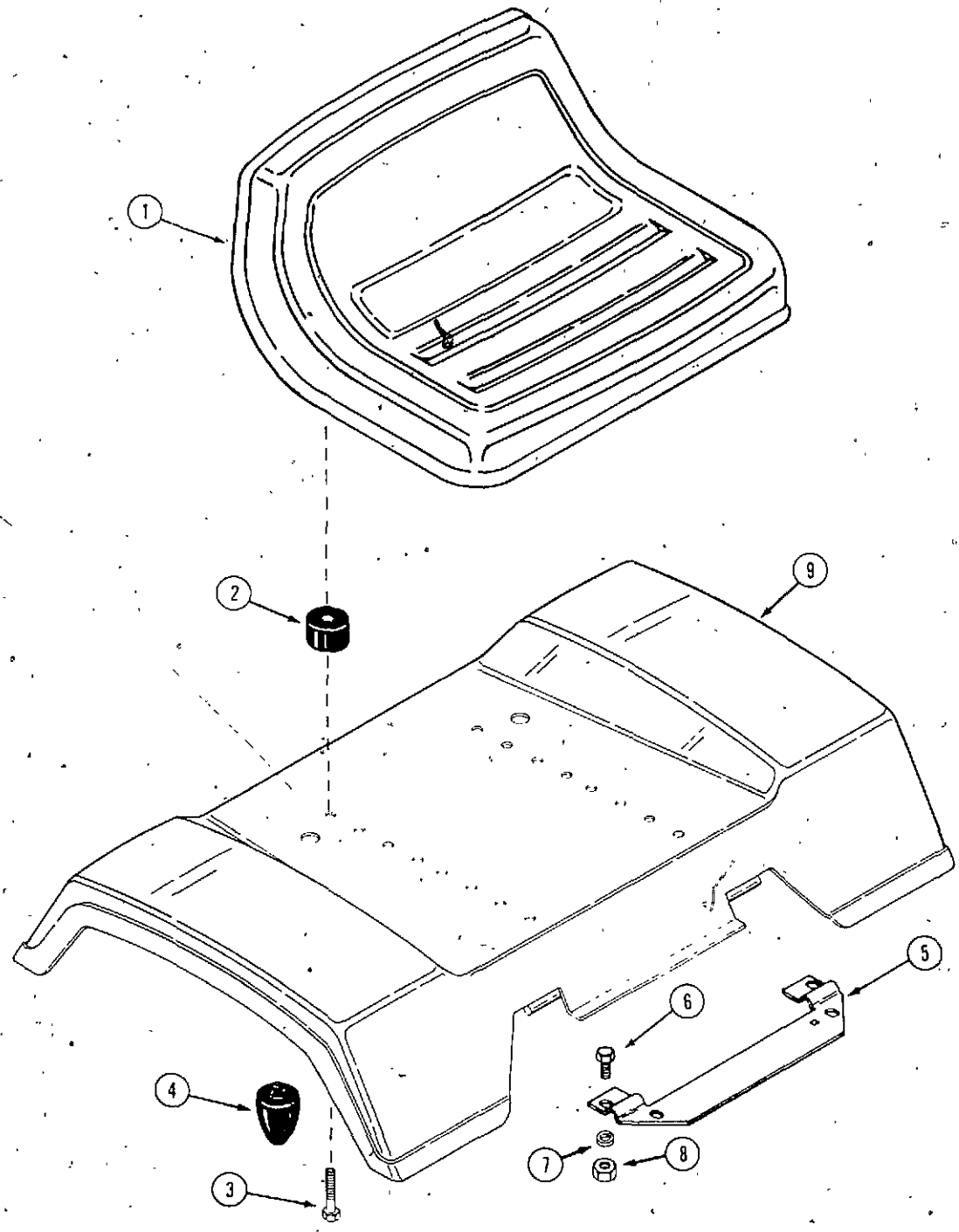
ATTACHMENT DRIVE POWER TAKE OFF (PTO) ASSEMBLY

REF.	PART NO.	DESCRIPTION	REQ'D.
1	C 25231	P.T.O. ASSEMBLY	1
2	A 70280	BEARING	2
3	C 25232	BRACKET - mounting	1
4	C 15083	PULLEY - bottom	1
5	C 25234	PULLEY - top	1
6	E 25233	SPACER - bearing	1
7	C 23818	FLANGETTE	2
8	C 12975	WASHER	3
9	113- 102	BOLT - 5/16" - 18 x 3/4"	8
10	131- 176	NUT - 5/16" - 18 lock	8
11	D 33544	WASHER	1
12	113- 205	BOLT - 3/8" - 16 x 5/8" hex	1
13	C 23757	ARM - idler	1
14	C 16714	BUSHING - bearing	1
15	131- 1181	NUT - 3/8" - 16 hex, lock	1
16	C 16745	BOLT - shoulder	1
17	195- 522	WASHER - .375" x .734"	3
18	195- 533	WASHER - .531" x 1.062"	1
19	C 23535	PULLEY - idler	1
20	182- 581	SCREW - 3/8" - 16 x 1-3/4" pan head	1
21	129- 103	NUT - 3/8" hex	1
22	C 21942	SPRING - tension	1
23	C 23758	ROD - P.T.O.	1
24	195- 521	WASHER - 5/16"	2
25	132- 46	PIN - cotter 1/8" x 3/4"	2
26	C 26496	LEVER - P.T.O.	1
27	C 26497	GRIP - lever	1
28	C 20475	BUSHING - nylon	2
29	C 15527	SPACER	1
30	175- 415	SCREW - 5/16" - 18 x 1"	1
31	192- 20	LOCK WASHER - 5/16"	1
32	129- 102	NUT - 5/16" - 18 hex	1
33	C 19171	BELT - P.T.O.	1
34	C 26345	KEEPER - belt	1

FRAME, HOOD AND GRILLE



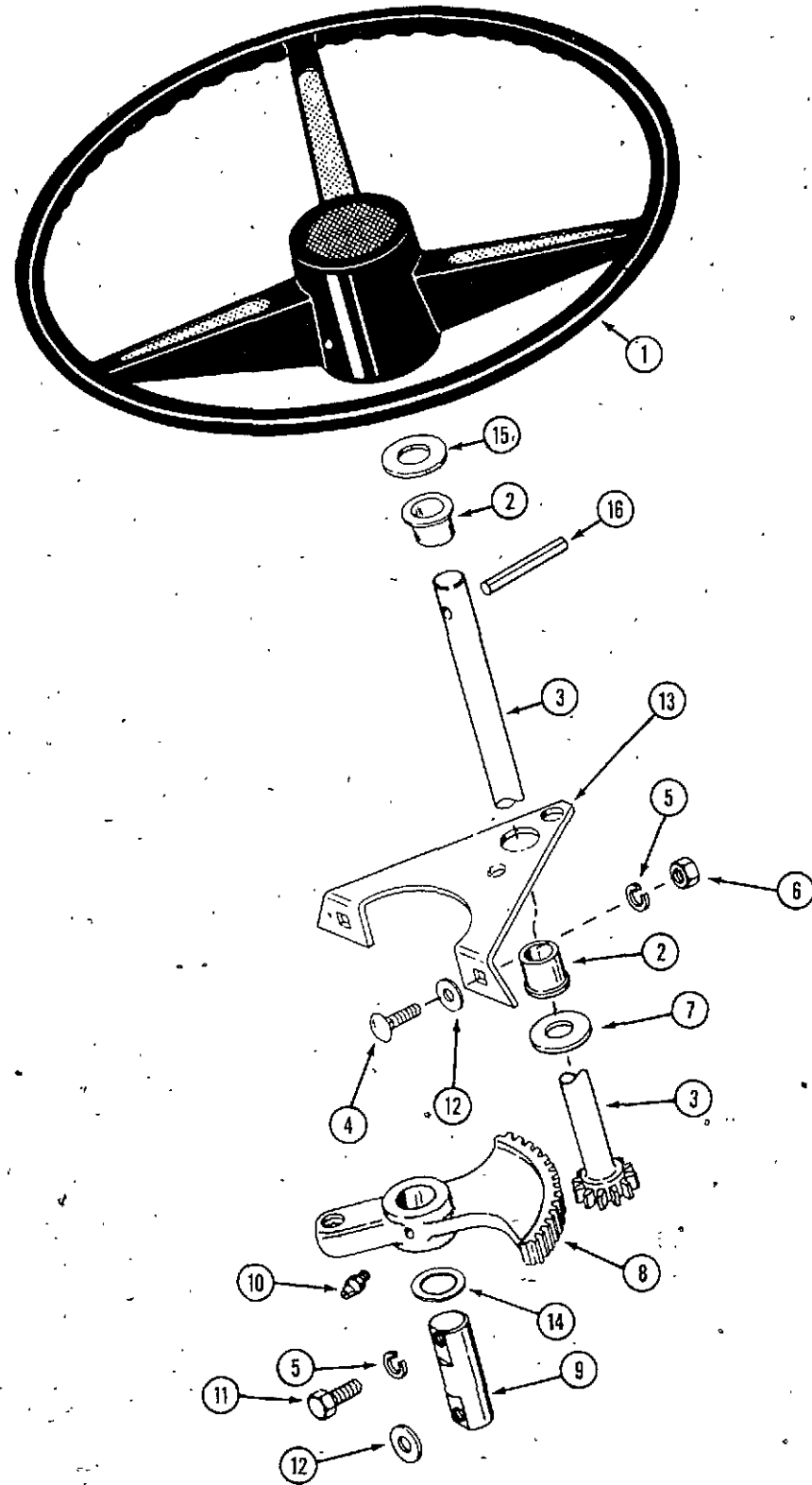
REF.	PART NO.	DESCRIPTION	REQ'D.
1	C 27033	FRAME - main (108 - 110) shown	1
1	C 27034	FRAME - main (116)	1
2	C 27048	HOOD AND GRILLE - (108 - 110) shown	1
2	C 27049	HOOD AND GRILLE - (116)	1
3	C 27055	COVER - PTO	1
4	C 16362	ROD - hood hinge	1
5	132- 46	PIN - cotter 1/8" x 3/4"	1
6	C 27058	LINER - hood	1
7	113- 206	BOLT - 3/8" x 3/4" NC hex	4
8	113- 207	BOLT - 3/8" x 1" NC hex	4
9	192- 21	LOCK WASHER - 3/8"	8
10	129- 103	NUT - 3/8" NC hex	8
11	C 18153	LINER - dash panel	1
12	C 19112	TRAY - center	1
13	187- 1036	SCREW - 1/4" x 1/2" self tapping	4
14	C 15116	DRAWBAR	1
15	NSS	WEIGHT BOX - (optional, order as G 14 machinery item)	1



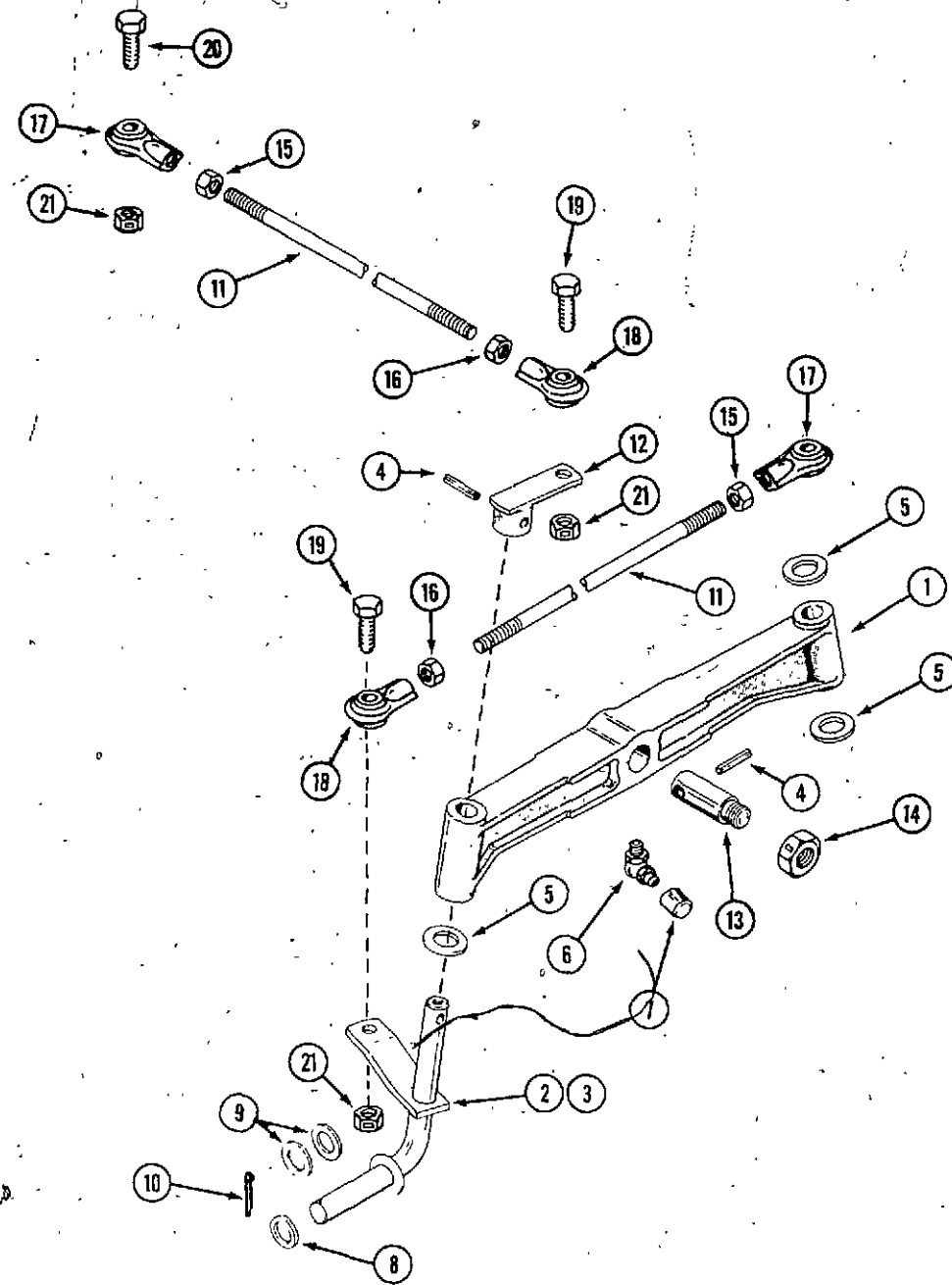
SEAT AND FENDERS

REF.	PART NO.	DESCRIPTION	REQ'D
1	C 26979	SEAT ASSEMBLY	1
2	C 15610	MOUNT - seat, rubber	4
3	113- 122	BOLT - 5/16" x 1-1/2" NC hex	4
4	C 14534	BUMPER - seat, rubber	2
5	C 19118	BRACKET - hinge	1
6	113- 102	BOLT - 5/16" x 3/4" NC hex	4
7	192- 20	LOCK WASHER - 5/16"	4
8	129- 102	NUT - 5/16" NC hex	2
9	C 18702	FENDER AND SUPPORT	1

STEERING GEAR



REF.	PART NO.	DESCRIPTION	REQ'D
1	C 26325	WHEEL - steering	1
2	C 15096	BUSHING - flanged nylon	2
3	C 26633	SHAFT - steering	1
4	111- 202	BOLT - 5/16" x 3/4" NC, ZP carriage	2
5	192- 20	LOCK WASHER - 5/16" ZP	4
6	129- 102	NUT - 5/16" NC hex, ZP	2
7	195- 2069	WASHER - 5/8" plain, ZP	1
8	C 26039	GEAR - steering	1
9	C 15105	PIVOT - steering gear	1
10	219- 17	FITTING - lube	1
11	113- 103	BOLT - 5/16" x 1" NC hex, ZP	2
12	195- 521	WASHER - 5/16", plain, ZP	UAR
13	C 27045	BRACKET - steering	1
14	C 14201	WASHER - shim	1
15	195- 541	WASHER - 5/8"	UAR
16	138- 143	PIN - roll 1/4" x 2-1/4"	1

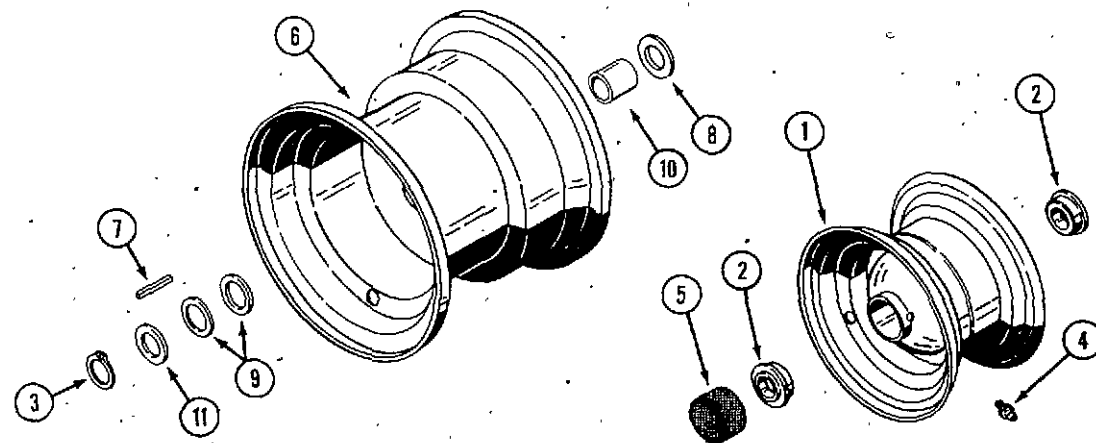


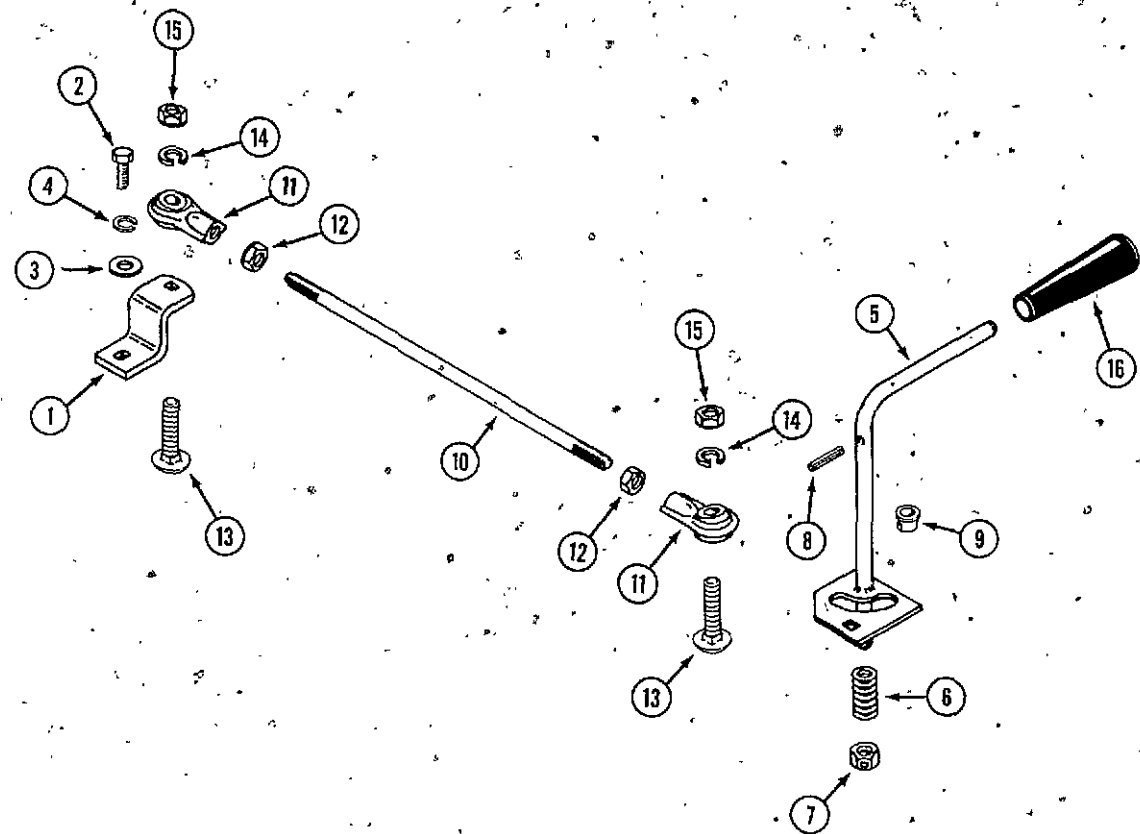
FRONT AXLE

REF.	PART NO.	DESCRIPTION	REQ'D.
1	C 15066	AXLE - front	1
2	C 26371	SPINDLE - R.H. (shown)	1
3	C 26034	SPINDLE - L.H.	1
4	138- 2040	PIN - spirol 1/4" x 1-1/2"	2
5	C 11906	WASHER - thrust 13/16"	3
6	219- 404	FITTING - lube	3
7	C 13106	COVER - lube fitting	3
8	C 12975	WASHER - spindle	2
9	A 30881	WASHER - wheel spacer	UAR
10	132- 311	PIN - cotter 5/32" x 1-1/4"	2
11	C 26051	ROD - tie and drag link	2
12	C 26370	ARM - upper spindle	1
13	C 18626	PIN - axle pivot	1
14	131- 1331	NUT - lock 3/4" N.C. hex	1
15	129- 163	NUT - lock 3/8" - 24 hex	2
16	129- 289	NUT - lock 3/8" - 24 hex L.H. thread	2
17	C 26332	BALL JOINT - R.H. thread	2
18	C 26333	BALL JOINT - L.H. thread	2
19	113- 209	BOLT - 3/8" x 1-1/2"	3
20	113- 233	BOLT - 3/8" x 1-3/4"	1
21	131- 1181	NUT - lock 3/8" - 16	4

FRONT AND REAR WHEELS

REF.	PART NO.	DESCRIPTION	REQ'D.
1	C 24429	WHEEL - front (includes bearings)	2
2	C 12110	BEARING - sealed	2
3	T 25683	RING - snap	2
4	219- 10	FITTING - lube	2
5	C 26526	CAP - hub	4
6	C 24431	WHEEL - rear	2
7	C 11796	KEY - 3/16" x 3/16" x 2"	2
8	195- 545	WASHER - 3/4"	2
9	A 30881	WASHER - spacer .03 thick	4
10	C 27047	SPACER - sleeve	2
11	A 70282	WASHER - spacer	2



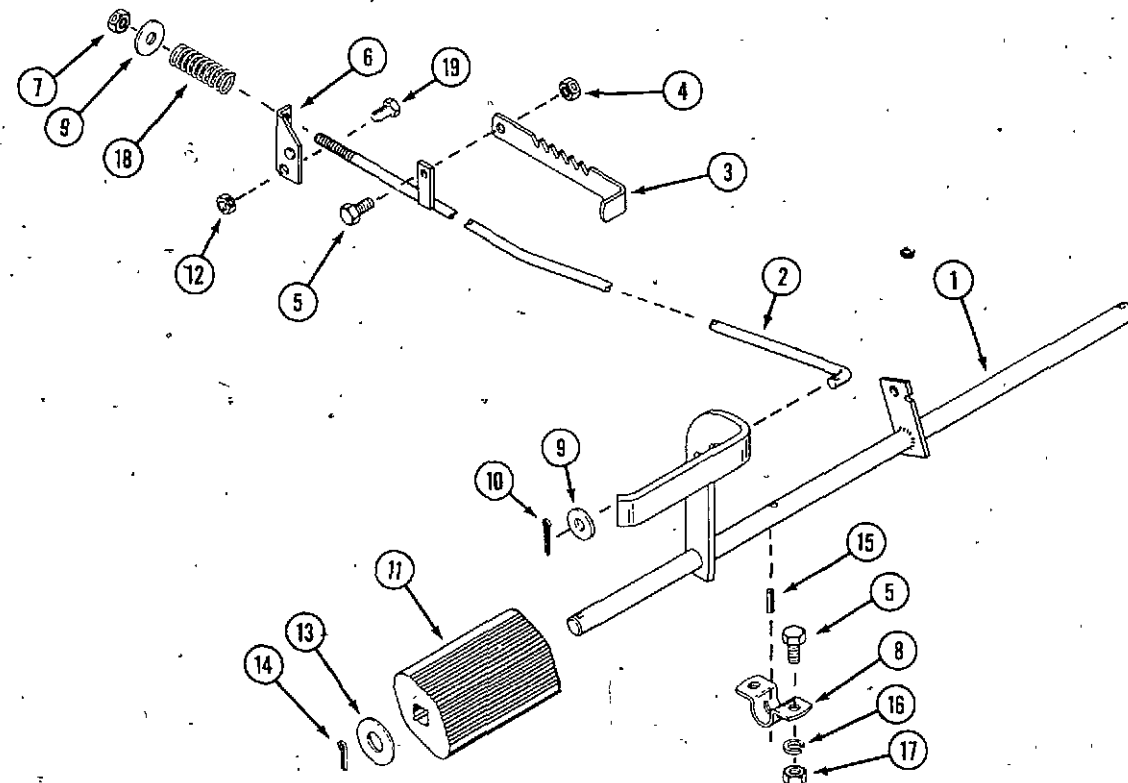


TRAVEL CONTROL

REF.	PART NO.	DESCRIPTION	REQ'D.
1	C 27069	CRANK - shift	1
2	114- 2	BOLT - 1/4" - 28 x 1/2" hex	1
3	195- 518	WASHER - 1/4"	1
4	192- 19	LOCK WASHER - 1/4"	1
5	C 27070	LEVER - shift	1
6	C 11942	SPRING - compression	1
7	131- 165	NUT - 1/2" - 13 lock	1
8	138- 2072	PIN - roll 1/8" x 1-3/4"	1
9	353- 462	BUSHING - nylon	1
10	C 27072	ROD - shift	1
11	C 26332	BALL JOINT	2
12	129- 163	NUT - 3/8" - 24	2
13	111- 366	BOLT - 3/8" - 16 x 1-1/4" carriage	2
14	192- 21	LOCK WASHER - 3/8"	2
15	129- 103	NUT - 3/8" - 16 hex	2
16	A 37247	HANDLE - shift	1

BRAKE ASSEMBLY

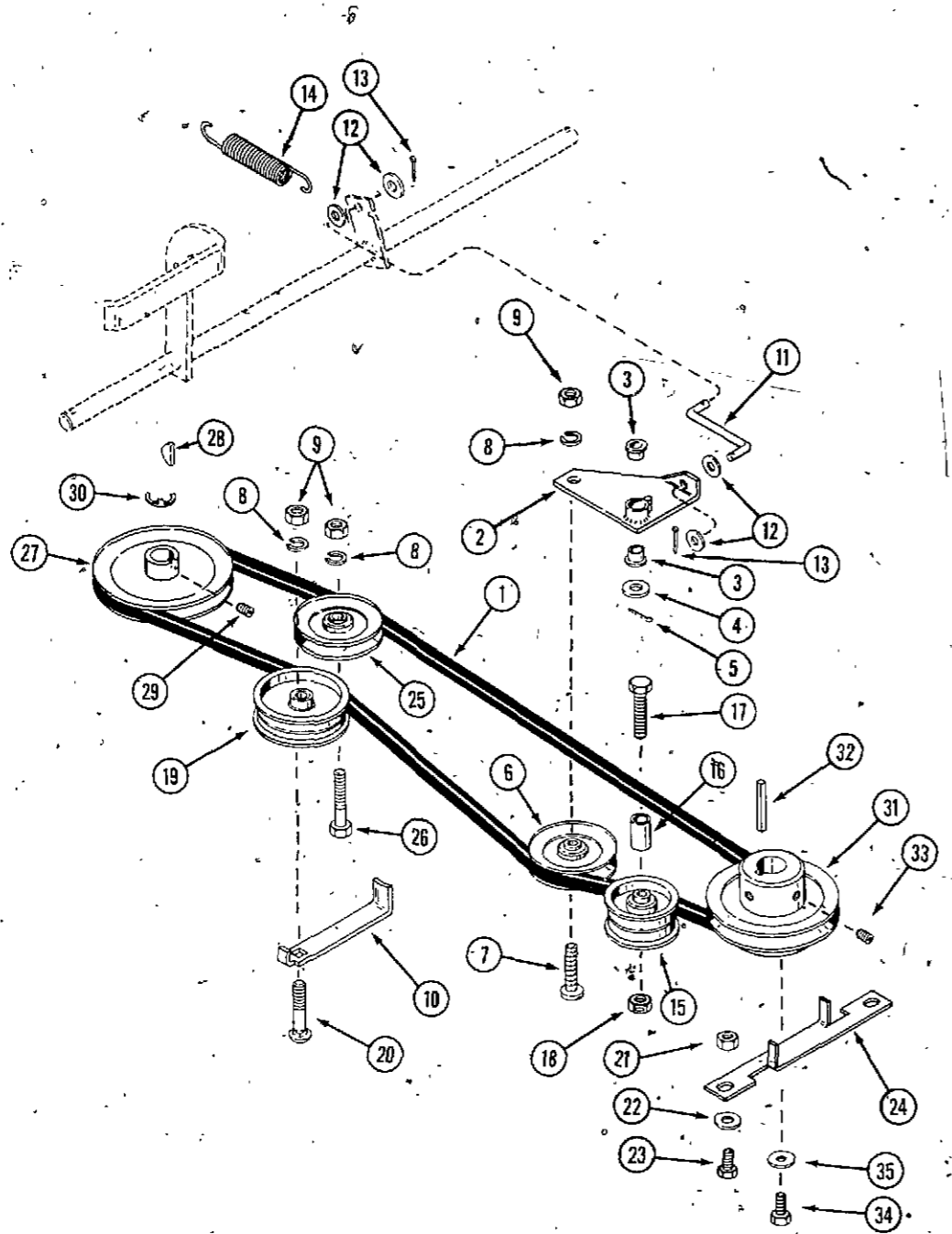
REF.	PART NO.	DESCRIPTION	REQ'D.
1	C 26043	PEDAL ASSEMBLY - brake	1
2	NSS*	ROD - brake 1/4" thread (use C27441, C27442, 195 - 521 and 131 - 176)	1
2	C 27441**	ROD - brake 5/16" thread	1
3	C 18695	LATCH - parking brake	1
4	131- 176	NUT - 5/16" N.C. hex lock	1
5	113- 102	BOLT - 5/16" x 3/4" N.C.	5
6	C 27218	ARM - brake	1
7	131- 1102*	NUT - 1/4" lock	1
7	131- 176**	NUT - 5/16" lock	1
8	C 15156	BRACKET - saddle	2
9	195- 513*	WASHER - 1/4"	2
9	195- 521**	WASHER - 5/16"	2
10	132- 6	PIN - cotter 1/16" x 5/8"	2
11	C 15498	PAD foot rest	2
12	131- 1181	NUT - 3/8" - 16 lock	1
13	195- 541	WASHER - 5/8"	1
14	132- 310	PIN - cotter 1/8" x 1"	2
15	138- 92	PIN - roll	1
16	192- 20	LOCK WASHER - 5/16"	4
17	129- 102	NUT - 5/16" N.C. hex	4
18	C 24565*	SPRING - brake return	1
18	L 32763**	SPRING - brake return	1
19	61- 612	BOLT - 3/8" - 16 x 3/4"	1



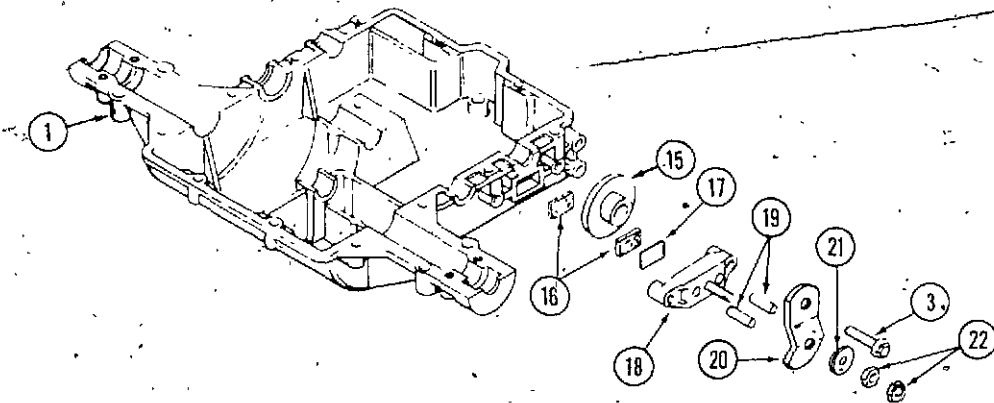
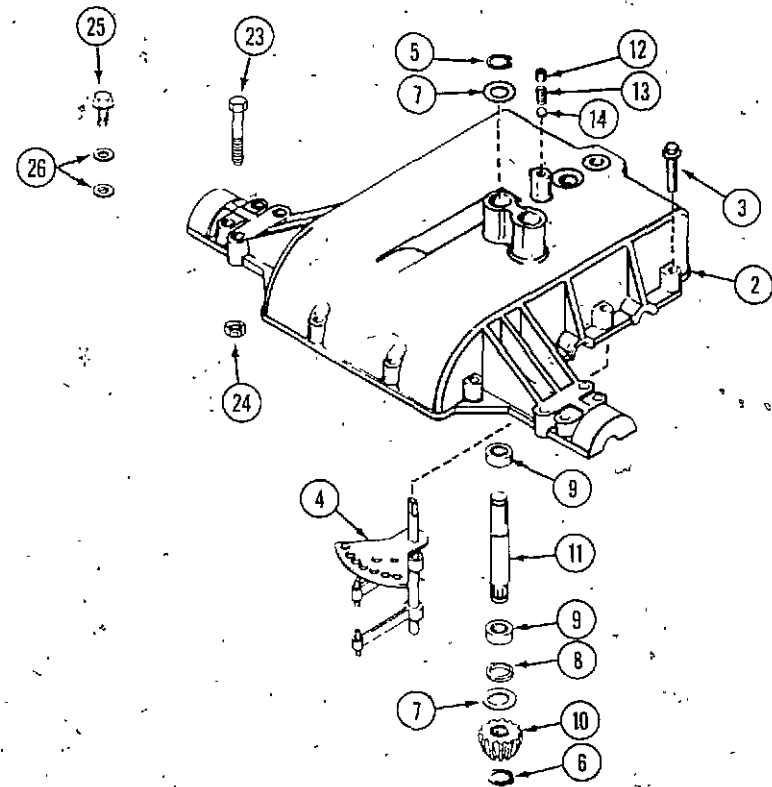
* used before S/N:
 108 - 14031974
 110 - 14032990
 116 - 14047827

** used S/N and after:
 108 - 14031974
 110 - 14032990
 116 - 14047827

BELT, PULLEYS AND IDLERS - DRIVE

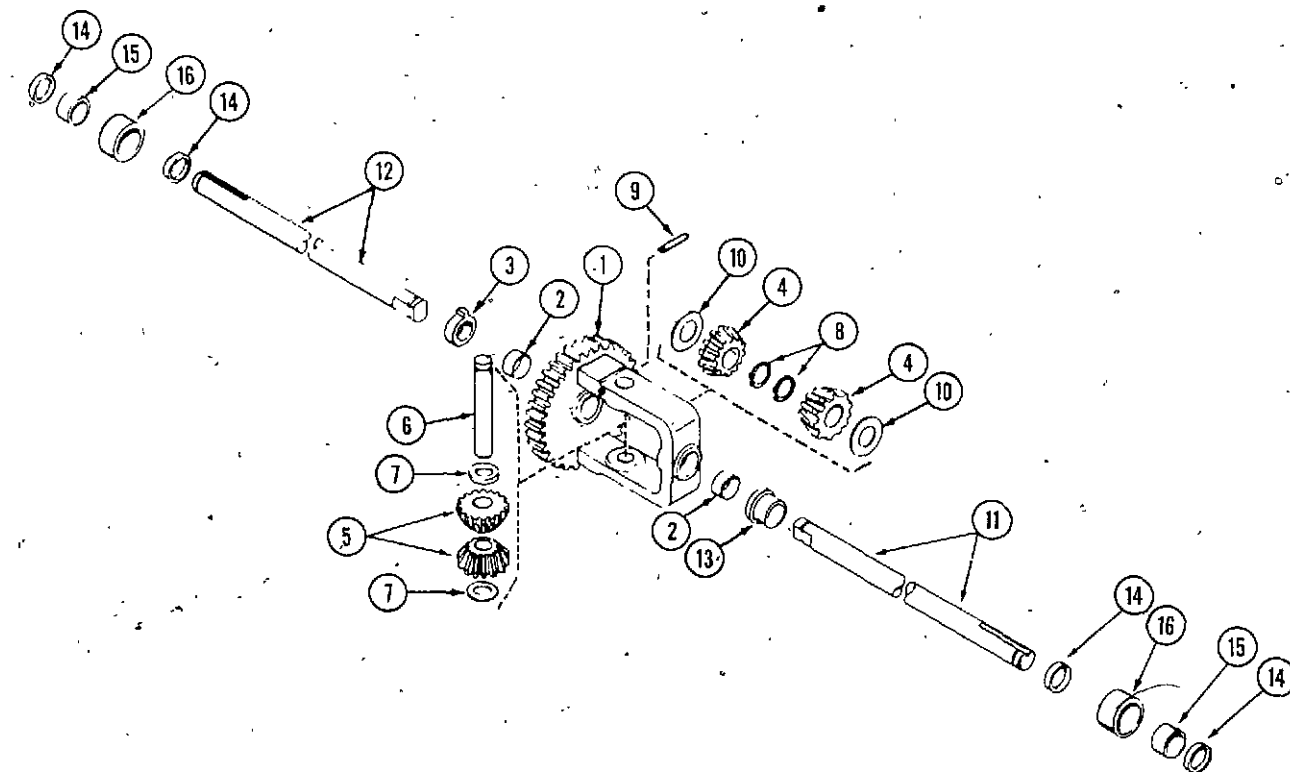
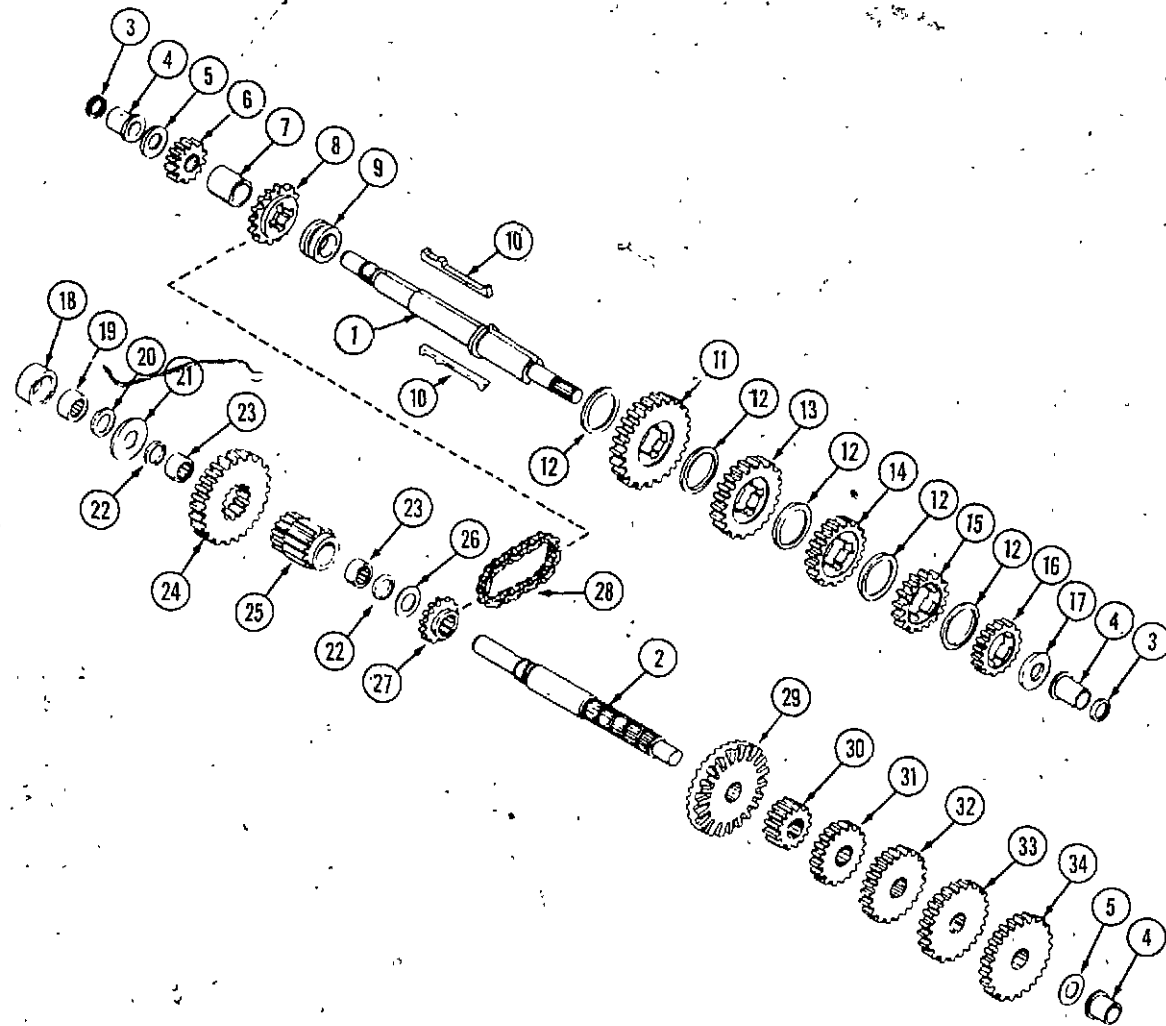


REF.	PART NO.	DESCRIPTION	REQ'D.
1	C 27067	BELT - traction drive	1
2	C 25250	BRACKET - clutch idler	2
3	C 20053	BUSHING - nylon	1
4	195-104	WASHER - 3/8"	1
5	132-310	PIN - cotter 1/8" x 1"	1
6	C 23456	PULLEY - clutch idler "V"	1
7	182-581	SCREW - 3/8" - 16 x 1-3/4"	1
8	192-21	LOCK WASHER - 3/8"	3
9	129-103	NUT - 3/8" - 16 hex	3
10	C 21631	KEEPER - belt	1
11	C 25253	ROD - clutch	1
12	195-518	WASHER - 1/4"	4
13	132-330	PIN - cotter 3/32" x 1/2"	2
14	R 15380	SPRING - return, clutch and brake	1
15	C 23535	PULLEY - idler, front	1
16	C 17622	SPACER - pulley	1
17	113-257	BOLT - 3/8" x 2-1/2" N.C.	1
18	131-1181	NUT - 3/8" N.C. lock	1
19	C 18966	PULLEY - idler, rear adjust	1
20	111-330	BOLT - 3/8" x 1-3/4" carriage	1
21	129-102	NUT - 5/16" N.C. hex	2
22	195-103	WASHER - 5/16"	2
23	113-118	BOLT - 5/16" - 18 x 5/8"	2
24	C 25113	GUIDE - belt	1
25	C 17213	PULLEY - "V" idler	1
26	113-233	BOLT - 3/8" - 16 x 1-3/4"	1
27	C 27068	PULLEY - transaxle	1
28	126-16	KEY - 3/16" x 3/4" woodruff	1
29	83-55	SET SCREW - 5/16" - 18 x 5/16"	1
30	A 27785	RING - snap	1
31	C 19071	PULLEY - drive	1
32	T 25070	KEY - 1/4" x 1/4" x 2"	1
33	178-858	SET SCREW - 5/16" - 18 x 3/8"	2
34	114-308	BOLT - 7/16" - 20 x 3/4"	1
35	195-529	WASHER - 7/16"	1



**C26987 TRANSAXLE - 5 SPEED
CASE, INPUT SHAFT AND BRAKE**

REF.	PART NO.	DESCRIPTION	REQ'D.
1	C 27552	CASE - transaxle, bottom	1
2	C 27576	COVER - transaxle, top	1
3	113- 17	SCREW - 1/4" - 20 x 1-1/4" hex	19
4	C 27577	ROD AND FORK ASSEMBLY - shift	1
5	C 19347	RING - retaining	1
6	G 46176	RING - retaining	1
7	C 19345	WASHER - thrust	2
8	35012	"O" RING	1
9	A 30586	BEARING - needle	2
10	H 296277	GEAR - bevel pinion, input	1
11	H 296269	SHAFT - input	1
12	178- 53	SCREW - set 3/8" - 16 x 3/8"	1
13	H 296301	SPRING - retaining	1
14	H 754440	BALL - detent, steel	1
15	C 27563	DISK - brake	1
16	C 19353	PAD - brake	2
17	C 19354	PLATE - brake pad	1
18	C 19355	HOLDER - brake pad	1
19	F 53650	PIN - dowel	2
20	C 27580	LEVEL - brake	1
21	C 19357	WASHER	1
22	19358	NUT - 5/16" - 24 lock	2
23	113- 111	BOLT - 5/16" - 18 x 2-1/2"	4
24	131- 176	NUT - 5/16" lock	4
25	187- 1070	BOLT - 5/16" self-tapping (front mounting)	2
26	195- 521	WASHER - 5/16" spacer	4
	C 27588	PLUG - hex head	1



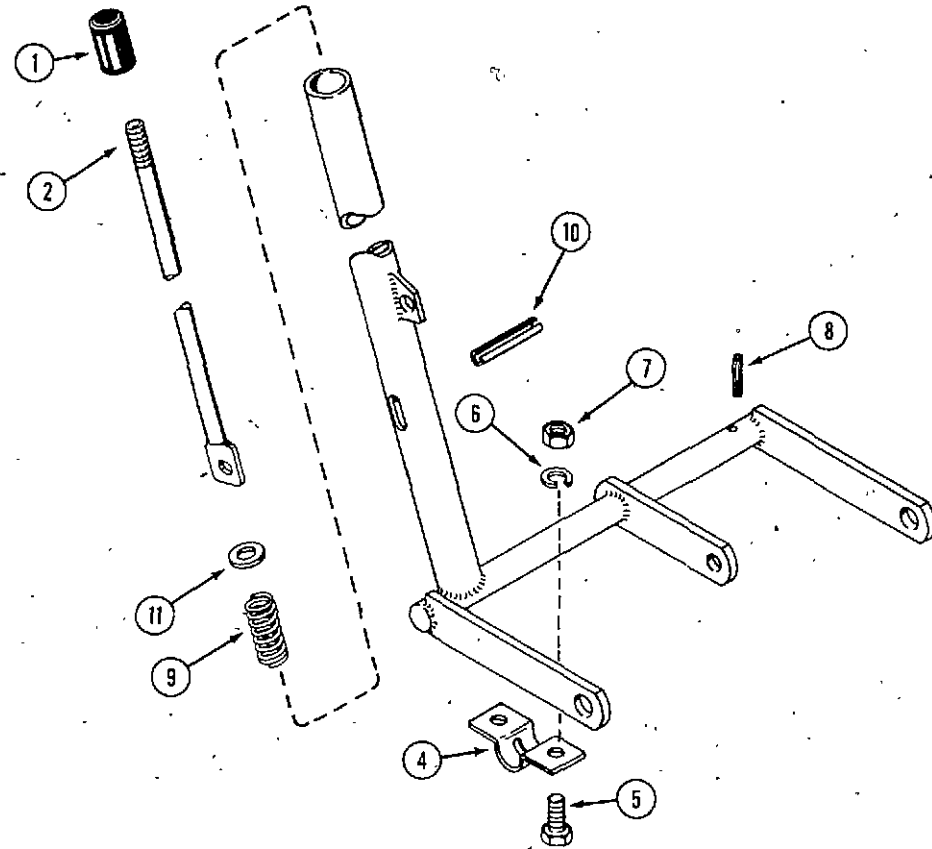
**C26987 TRANSAXLE - 5 SPEED
SHIFTER AND BRAKE SHAFT AND COUNTER SHAFT**

REF.	PART NO.	DESCRIPTION	REQ'D.
1	C 27578	SHAFT - shifter and brake	1
2	C 27559	SHAFT - counter	1
3	C 27570	RING - square cut	2
4	H 296293	BUSHING - flanged	3
5	C 19345	WASHER - thrust	2
6	C 27553	GEAR - spur 15 teeth	1
7	C 27560	SPACER	1
8	H 379123	SPROCKET - 18 teeth	1
9	H 372862	COLLAR - shift	1
10	H 392938	KEY	2
11	C 27557	GEAR - spur 35 teeth	1
12	H 372946	WASHER - thrust	4
13	H 372847	GEAR - spur 30 teeth	1
14	H 372839	GEAR - spur 25 teeth	1
15	C 27555	GEAR - spur 22 teeth	1
16	H 372821	GEAR - spur 20 teeth	1
17	H 372920	WASHER - thrust	1
18	C 27564	SPACER	1
19	C 27567	BEARING - needle	1
20	C 27574	RING - square cut	1
21	C 27568	WASHER	1
22	C 27575	RING - square cut	2
23	C 27572	BEARING - needle	2
24	C 27562	GEAR - output	1
25	C 27561	PINION - output	1
26	C 27573	WASHER	1
27	H 369131	SPROCKET - 9 teeth	1
28	H 758276	CHAIN - roller No. 41 (24 links)	1
29	C 27558	GEAR - bevel 42 teeth	1
30	C 27554	GEAR - spur 12 teeth	1
31	H 372870	GEAR - spur 20 teeth	1
32	H 372888	GEAR - spur 25 teeth	1
33	C 27556	GEAR - spur 28 teeth	1
34	H 372896	GEAR - spur 30 teeth	1

DIFFERENTIAL

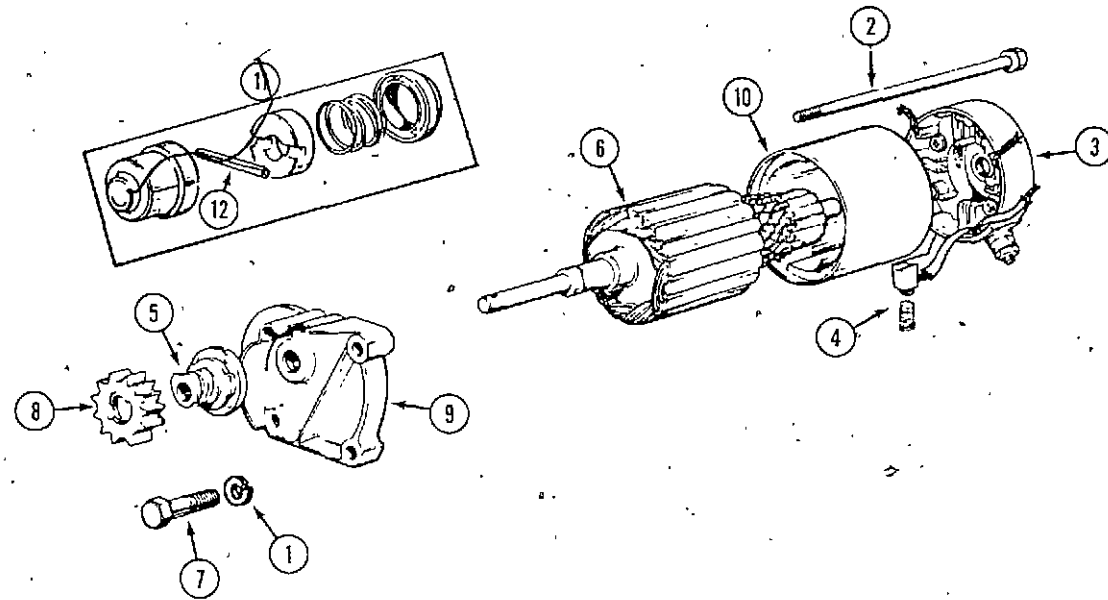
REF.	PART NO.	DESCRIPTION	REQ'D.
1	C 26111	GEAR ASSEMBLY - differential	1
2	C 21576	BUSHING	2
3	C 27566	BEARING - bronze	1
4	C 19309	GEAR - bevel	2
5	C 19310	PINION - bevel	2
6	C 19311	PIN - drive	1
7	C 19312	WASHER - thrust	2
8	C 11222	RING - retaining	2
9	138- 97	PIN - roll	1
10	C 11205	WASHER - thrust	2
11	C 27571	AXLE - R.H. 14-5/8" (371 mm)	1
12	C 27579	AXLE - L.H. 12-3/4" (324 mm)	1
13	C 27565	BUSHING - flanged	1
14	C 27581	SEAL - oil and dirt	2
15	NSS*	BEARING - needle (use C27569 ball bearing)	2
16	NSS*	SLEEVE - bearing (use C27569 ball bearing)	2

*Discard the needle bearing, sleeve and seals when replacing with C27569 ball bearing.



IMPLEMENT LIFT

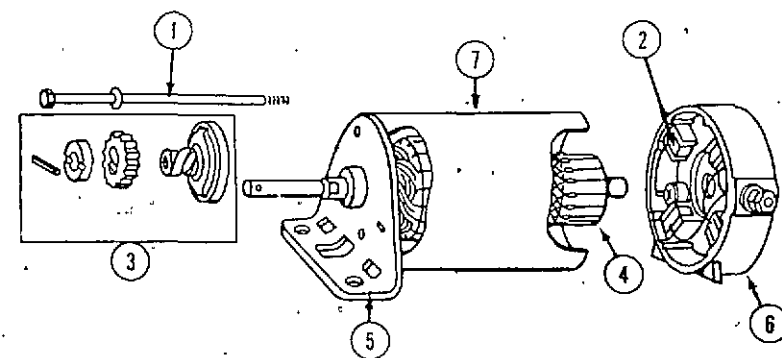
REF.	PART NO.	DESCRIPTION	REQ'D.
1	C 27073	LEVER - implement lift	1
2	C 19172	ROD - push	1
3	C 14525	BUTTON - thumb	1
4	C 15156	BRACKET - saddle	2
5	113- 102	BOLT - 5/16" x 3/4" NC hex, ZP	4
6	192- 20	LOCK WASHER - 5/16" ZP	4
7	129- 102	NUT - 5/16" NC hex, ZP	4
8	138- 92	PIN - roll 3/16" x 3/4"	1
9	C 15564	SPRING	1
10	138- 2054	PIN spirol 5/16" x 1-3/4"	1
11	195- 521	WASHER - 5/16" plain	1



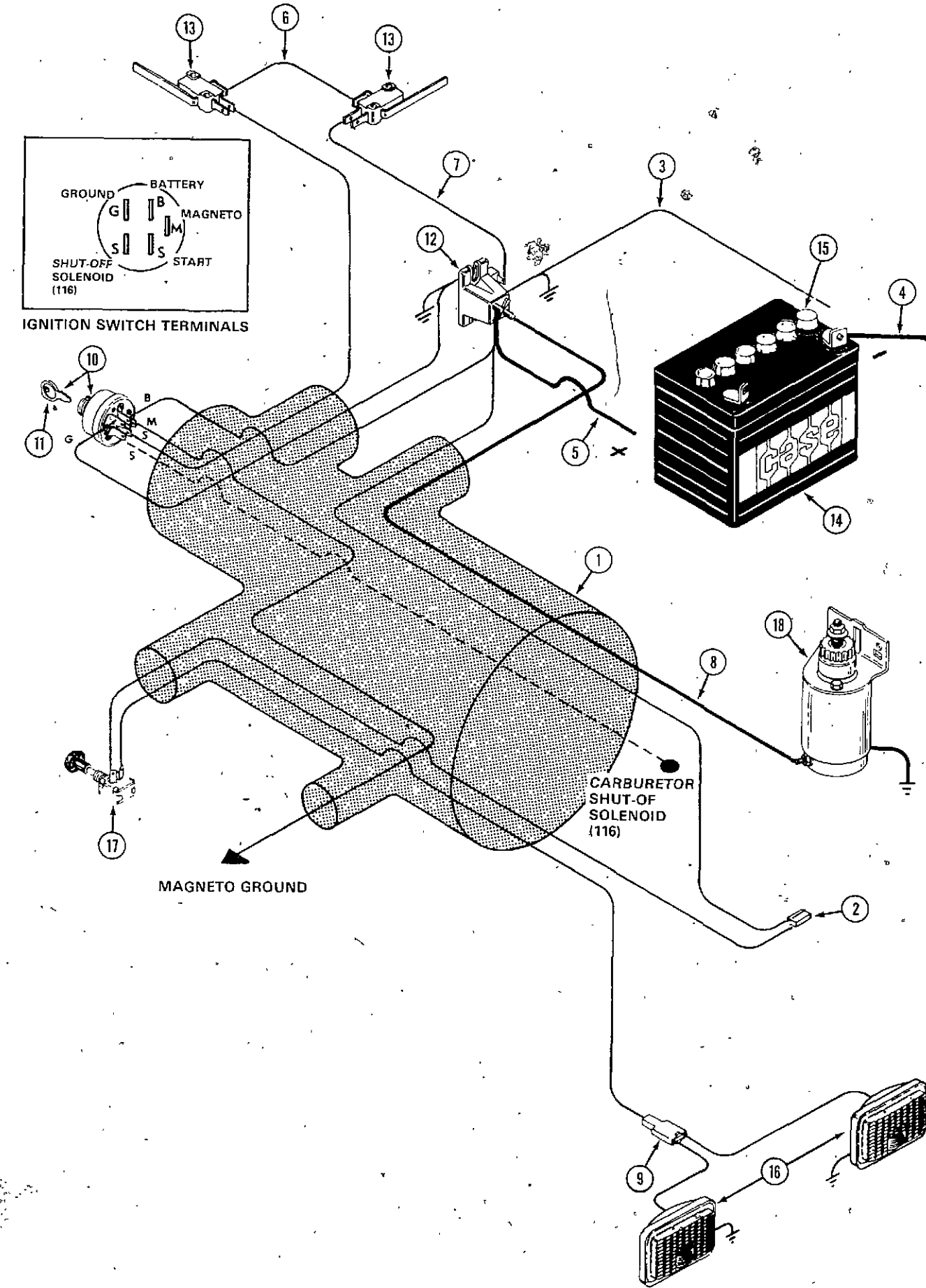
STARTER MOTOR (116)

REF.	PART NO.	DESCRIPTION	REQ'D
	C 27418	MOTOR - starting	1
1	192- 20	LOCK WASHER - 5/16"	2
2	C 27260	BOLT - thru	2
3	C 27258	END CAP ASSEMBLY - commutator end	1
4	C 27259	BRUSH SET	2
5	C 27421	CLUTCH - drive	1
6	BR 390837	ARMATURE	1
7	113- 122	SCREW - mounting 5/16" - 18 x 1-1/2"	2
8	C 27422	GEAR - drive	1
9	C 27423	END CAP - drive end	1
10	C 27263	HOUSING - starter	1
11	C 27424	KIT - pinion spring	1
12	138- 75	PIN - roll 5/32" x 7/8"	1

STARTER MOTOR (108 - 110)

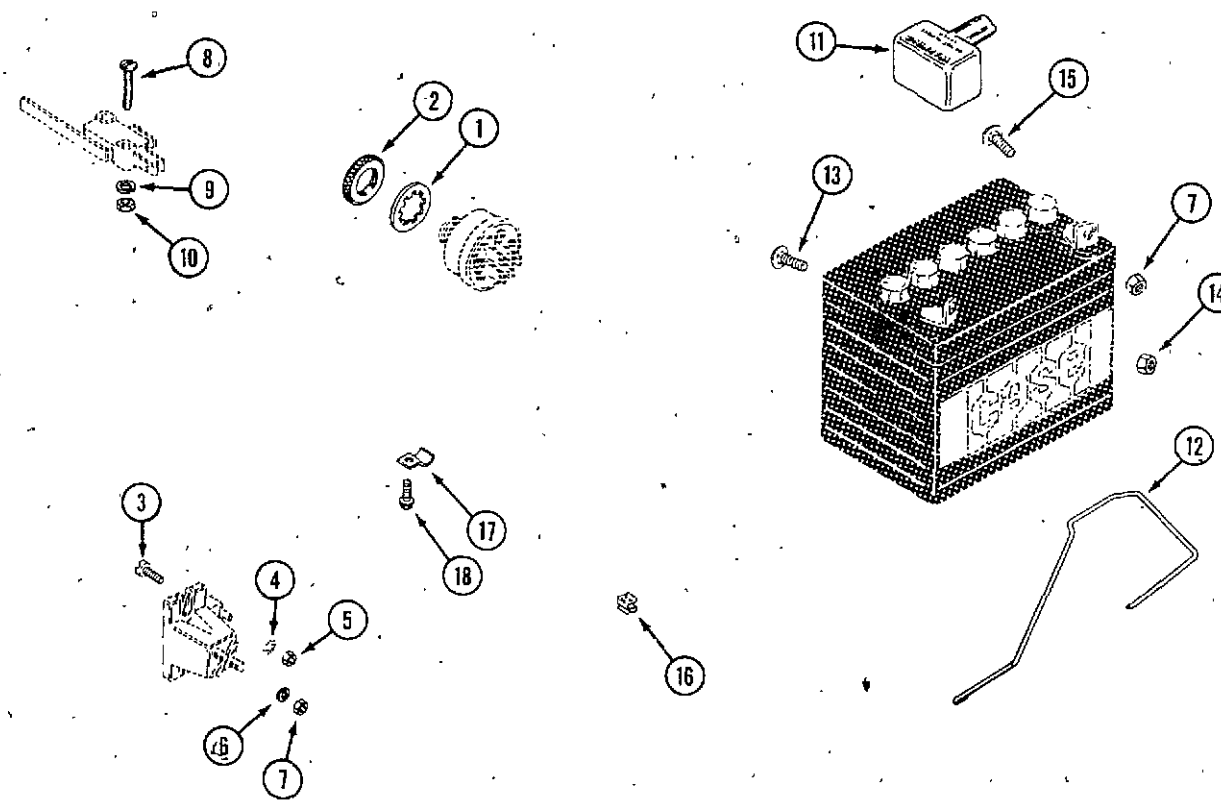


REF.	PART NO.	DESCRIPTION	REQ'D.
	C 27264	MOTOR - starter, 12 volt	1
1	C 27260	BOLT - thru (includes washer)	2
2	C 27259	BRUSH ASSEMBLY	1
3	BR 391461	DRIVE ASSEMBLY - starter	1
4	BR 390837	ARMATURE - starter	1
5	C 27262	END CAP - drive end	1
6	C 27258	END CAP - commutator end	1
7	C 27263	HOUSING - starter	1



ELECTRICAL SYSTEM

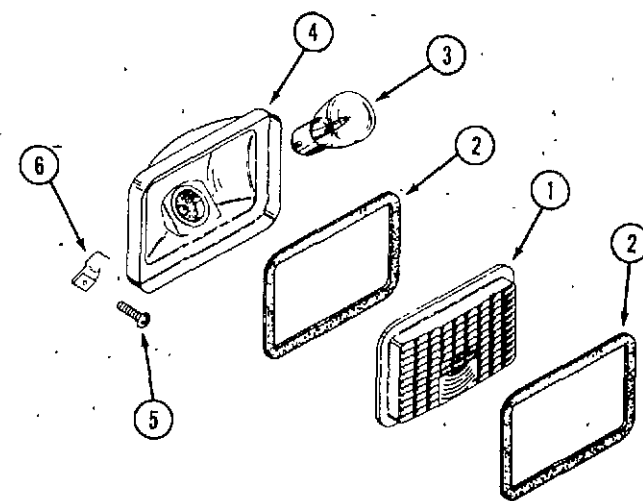
REF.	PART NO.	DESCRIPTION	REQ'D.
1	C 27162	HARNES - wire (108 - 110)	1
1	C 27163	HARNES - wire (116)	1
2	C 25243	CONNECTOR - wire	1
3	C 25559	WIRE - battery negative to solenoid to ground	1
4	C 24816	CABLE - battery negative to ground (black)	1
5	C 14565	CABLE - battery positive to solenoid (red)	1
6	C 24856	WIRE - switch to switch	1
7	C 25558	WIRE - switch to solenoid	1
8	C 24816	CABLE - solenoid to starter (116) is not included in wire harness (black)	1
9	C 14537	CONNECTOR - lights	1
10	C 24145	SWITCH - ignition (108 - 110) includes key and lock washer only	1
10	C 27121	SWITCH - ignition (116) includes key and lock washer only	1
11	A 24509	KEY - ignition	1
12	C 26525	SOLENOID - start	1
13	C 26108	SWITCH - neutral start	2
14	C 18197	BATTERY - 12 volt	1
15	C 18113	CAP - battery	6
16	C 22571	HEADLIGHT ASSEMBLY - 12 volt (repairs page 53)	2
17	C 19222	SWITCH - headlights	1
18	C 27418	STARTER - engine, 12 volt (116) repairs page 49	1
18	C 27264	STARTER - engine, 12 volt (108 - 110) repairs page 49	1



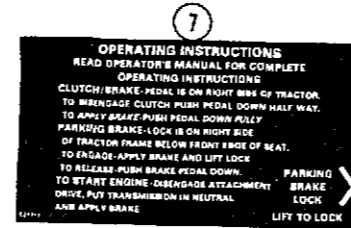
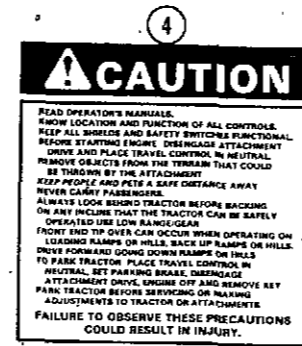
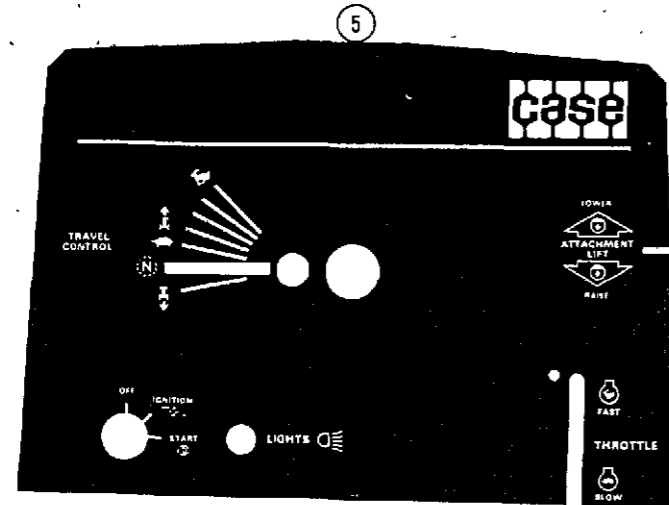
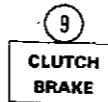
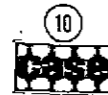
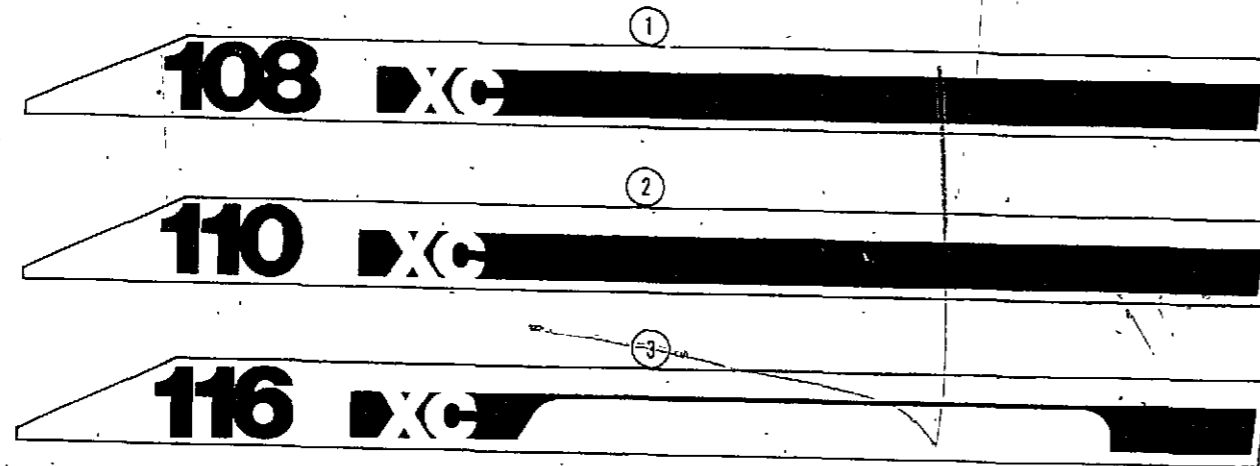
ELECTRICAL SYSTEM HARDWARE

REF.	PART NO.	DESCRIPTION	REQ'D.
1	C 23248	WASHER - internal tooth 5/8"	1
2	C 24655	NUT - 5/8" - 32 knurled	1
3	182- 559	SCREW - No. 10 - 24 x 3/4" black	2
4	193- 70	LOCK WASHER - No. 10 external tooth	2
5	129- 17	NUT - No. 10 - 24 hex	2
6	192- 19	LOCK WASHER - 1/4"	2
7	129- 101	NUT - 1/4" - 20 hex	3
8	182- 10	SCREW - No. 4 - 40 x 7/8"	4
9	192- 13	LOCK WASHER - No. 4	4
10	129- 13	NUT - No. 4 - 40	4
11	C 24069	COVER - terminal	1
12	C 15114	CLAMP - battery hold down	1
13	111- 202	BOLT - 5/16" - 18 x 3/4" carriage	1
14	129- 102	NUT - 5/16" - 18 hex	1
15	111- 108	BOLT - 1/4" - 20 x 3/4" carriage	1
16	C 19521	CLIP - wire	3
17	C 25164	CLIP - half, wire (116)	1
18	187- 1908	SCREW - No. 10 - 16 x 5/8" (116)	1

HEADLIGHT



REF.	PART NO.	DESCRIPTION	REQ'D.
	C 22571	HEADLIGHT ASSEMBLY	2
1	C 22573	LENS - headlight	1
2	C 14304	GASKET - headlight	2
3	A 41264	BULB - headlight	1
4	NSS	RECEPTACLE - headlight (use C22571)	1
5	187- 1334	SCREW - No. 8 - 18 x 1/2" black	4
6	131- 629	NUT - speed	4



DECALS (ENGLISH)

REF.	PART NO.	DESCRIPTION	REQ'D
1	C 27167	DECAL - hood L.H. (108)	1
1	C 27170	DECAL - hood R.H. (108) shown	1
2	C 27168	DECAL - hood L.H. (110)	1
2	C 27171	DECAL - hood R.H. (110) shown	1
3	C 27169	DECAL - hood L.H. (116)	1
3	C 27172	DECAL - hood R.H. (116) shown	1
4	321- 6659	DECAL - "caution"	1
5	C 27209	DECAL - instrument panel	1
6	C 27210	DECAL - choke	1
7	C 27211	DECAL - instruction	1
8	C 26930	DECAL - P.T.O.	1
9	C 26932	DECAL - clutch, brake	1
10	321- 5040	MEDALLION - "Case"	1

DECALS (FRENCH)

8	C 26933	DECAL - P.T.O.	1
9	C 26935	DECAL - clutch, brake	1

NUMERICAL INDEX

PART NO.	PAGE NO.	REF. NO.	PART NO.	PAGE NO.	REF. NO.
A	35012	43	BR	221596	5
A	24509	51	BR	221596	7
A	27785	41	BR	221596	9
A	27795	23	BR	221798	11
A	30586	43	BR	221986	15
A	30881	37	BR	221995	15
A	30881	37	BR	221995	17
A	37247	39	BR	222010	15
A	41264	53	BR	222010	17
A	70280	29	BR	222010	19
A	70282	37	BR	222014	15
A	169433	13	BR	222014	17
BR	22963	5	BR	222027	15
BR	22963	7	BR	222114	5
BR	26157	15	BR	222263	21
BR	26157	17	BR	222450	23
BR	26157	19	BR	222561	11
BR	26828	5	BR	222562	11
BR	26828	7	BR	222636	5
BR	26828	9	BR	222830	5
BR	27750	5	BR	230896	15
BR	27803	5	BR	230896	17
BR	27803	7	BR	230896	19
BR	27876	5	BR	230932	15
BR	27877	5	BR	230932	17
BR	65906	5	BR	231055	5
BR	65906	7	BR	231055	7
BR	65906	9	BR	231058	23
BR	66068	23	BR	260933	5
BR	66538	11	BR	261038	5
BR	66554	23	BR	261055	5
BR	66768	5	BR	261116	15
BR	66768	7	BR	261116	17
BR	68546	5	BR	261129	23
BR	92659	5	BR	261306	23
BR	93113	9	BR	270382	15
BR	93211	5	BR	270382	17
BR	93323	15	BR	270430	5
BR	93323	17	BR	270511	15
BR	93357	15	BR	270511	17
BR	93357	17	BR	270528	15
BR	93499	15	BR	270539	15
BR	93499	17	BR	270824	15
BR	93499	19	BR	280005	5
BR	93499	19	BR	292260	5
BR	93622	15	BR	292260	9
BR	93622	17	BR	292681	15
BR	93630	5	BR	292681	17
BR	93630	9	BR	292681	19
BR	93723	5	BR	294606	5
BR	93723	7	BR	295840	5
BR	211682	15	BR	295841	5
BR	211689	5	BR	295962	5
BR	211712	15	BR	295963	5
BR	211712	17	BR	299096	17
BR	212286	5	BR	299096	19
BR	220865	11	BR	299500	23
BR	221535	23	BR	299500	23

PART NO.	PAGE NO.	REF. NO.	PART NO.	PAGE NO.	REF. NO.
BR	299577	5	BR	299707	15
BR	299707	15	BR	299707	17
BR	299707	17	BR	299740	15
BR	299740	15	BR	299740	17
BR	299852	17	BR	299852	17
BR	390402	5	BR	390402	5
BR	390419	5	BR	390419	5
BR	390419	9	BR	390419	9
BR	390640	5	BR	390640	5
BR	390684	15	BR	390684	15
BR	390684	17	BR	390684	17
BR	390837	49	BR	390837	49
BR	390837	49	BR	390837	49
BR	391233	15	BR	391233	15
BR	391233	17	BR	391233	17
BR	391313	21	BR	391313	21
BR	391379	25	BR	391379	25
BR	391399	15	BR	391399	15
BR	391406	5	BR	391406	5
BR	391406	7	BR	391406	7
BR	391461	49	BR	391461	49
BR	391512	15	BR	391512	15
BR	391512	17	BR	391512	17
BR	391669	5	BR	391669	5
BR	391670	5	BR	391670	5
BR	391671	5	BR	391671	5
BR	391672	5	BR	391672	5
BR	391673	5	BR	391673	5
BR	391674	5	BR	391674	5
BR	391675	5	BR	391675	5
BR	391676	5	BR	391676	5
BR	391733	23	BR	391733	23
BR	391983	11	BR	391983	11
BR	392134	11	BR	392134	11
BR	392548	5	BR	392548	5
BR	392718	5	BR	392718	5
BR	393456	11	BR	393456	11
BR	393474	11	BR	393474	11
C	10657	13	C	10657	13
C	10678	15	C	10678	15
C	11205	45	C	11205	45
C	11222	45	C	11222	45
C	11529	13	C	11529	13
C	11545	13	C	11545	13
C	11796	37	C	11796	37
C	11906	37	C	11906	37
C	11942	39	C	11942	39
C	12110	37	C	12110	37
C	12975	29	C	12975	29
C	12975	37	C	12975	37
C	13106	37	C	13106	37
C	14201	35	C	14201	35
C	14304	53	C	14304	53
C	14399	9	C	14399	9
C	14525	47	C	14525	47
C	14534	33	C	14534	33
C	14537	51	C	14537	51

PART NO.	PAGE NO.	REF. NO.	PART NO.	PAGE NO.	REF. NO.
C	14565	51	C	14565	51
C	14652	23	C	14652	23
C	14906	9	C	14906	9
C	15066	37	C	15066	37
C	15083	29	C	15083	29
C	15096	35	C	15096	35
C	15105	35	C	15105	35
C	15114	53	C	15114	53
C	15116	31	C	15116	31
C	15156	39	C	15156	39
C	15156	47	C	15156	47
C	15498	39	C	15498	39
C	15527	29	C	15527	29
C	15540	13	C	15540	13
C	15564	47	C	15564	47
C	15610	33	C	15610	33
C	16362	31	C	16362	31
C	16714	29	C	16714	29
C	16745	29	C	16745	29
C	17213	41	C	17213	41
C	17622	41	C	17622	41
C	18113	51	C	18113	51
C	18153	31	C	18153	31
C	18197	51	C	18197	51
C	18626	37	C	18626	37
C	18695	39	C	18695	39
C	18702	33	C	18702	33
C	18966	41	C	18966	41
C	19071	41	C	19071	41
C	19112	31	C	19112	31
C	19118	33	C	19118	33
C	19171	29	C	19171	29
C	19172	47	C	19172	47
C	19222	51	C	19222	51
C	19309	45	C	19309	45
C	19310	45	C	19310	45
C	19311	45	C	19311	45
C	19312	45	C	19312	45
C	19345	43	C	19345	43
C	19345	45	C	19345	45
C	19347	43	C	19347	43
C	19353	43	C	19353	43
C	19354	43	C	19354	43
C	19355	43	C	19355	43
C	19357	43	C	19357	43
C	19358	43	C	19358	43
C	19473	9	C	19473	9
C	19521	53	C	19521	53
C	20053	41	C	20053	41
C	20475	29	C	20475	29
C	21576	45	C	21576	45
C	21631	41	C	21631	41
C	21942	29	C	21942	29
C	22571	51	C	22571	51
C	22571	53	C	22571	53
C	22573	53	C	22573	53
C	23248	53	C	23248	53
C	23456	41	C	23456	41
C	23535	29	C	23535	29
C	23535	41	C	23535	41
C	23757	29	C	23757	29
C	23758	29	C	23758	29
C	23818	29	C	23818	29
C	24069	53	C	24069	53
C	24145	51	C	24145	51
C	24329	11	C	24329	11
C	24340	21	C	24340	21
C	24429	37	C	24429	37
C	24431	37	C	24431	37
C	24565	39	C	24565	39
C	24655	53	C	24655	53
C	24816	51	C	24816	51
C	24816	51	C	24816	51
C	24856	51	C	24856	51
C	25113	41	C	25113	41
C	25164	53	C	25164	53
C	25231	29	C	25231	29
C	25232	29	C	25232	29
C	25233	29	C	25233	29
C	25234	29	C	25234	29
C	25243	51	C	25243	51
C	25250	41	C	25250	41
C	25253	41	C	25253	41
C	25468	27	C	25468	27
C	25469	21	C	25469	21
C	25500	21	C	25500	21
C	25558	51	C	25558	51
C	25559	51	C	25559	51
C	25701	21	C	25701	21
C	25709	5	C	25709	5
C	25709	7	C	25709	7
C	25709	9	C	25709	9
C	25710	7	C	25710	7
C	25711	7	C	25711	7
C	25712	7	C	25712	7
C	25713	7	C	25713	7
C	25714	7	C	25714	7
C	25715	7	C	25715	7
C	25716	7	C	25716	7
C	25717	7	C	25717	7
C	25718	7	C	25718	7
C	25718	9	C	25718	9
C	25719	11	C	25719	11
C	25720	7	C	25720	7
C	25721	7	C	25721	7
C	25722	7	C	25722	7
C	25723	7	C	25723	7
C	25724	7	C	25724	7
C	25725	7	C	25725	7
C	25726	7	C	25726	7
C	25727	7	C	25727	7
C	25728	7	C	25728	7
C	25728	9	C	25728	9
C	25729	7	C	25729	7
C	25729	9	C	25729	9
C	25730	7	C	25730	7
C	25730	9	C	25730	9
C	25731	7	C	25731	7
C	25732	7	C	25732	7
C	25733	7	C	25733	7
C	25733	9	C	25733	9
C	25734	7	C	25734	7
C	25735	7	C	25735	7
C	25736	7	C	25736	7
C	25737	7	C	25737	7
C	25738	17	C	25738	17
C					

NUMERICAL INDEX

PART NO.	PAGE NO.	REF. NO.	PART NO.	PAGE NO.	REF. NO.	PART NO.	PAGE NO.	REF. NO.			
C	27047	37	10	C	27266	17	39	C	27362	25	14
C	27048	31	2	C	27267	17	38	C	27363	25	15
C	27049	31	2	C	27268	17	25	C	27364	21	21
C	27055	31	3	C	27269	11	14	C	27365	11	2
C	27058	31	6	C	27270	11	13	C	27366	21	22
C	27059	25	20	C	27273	25	1	C	27367	21	18
C	27060	13	3	C	27308	9	6	C	27368	25	17
C	27061	13	5	C	27309	25	5	C	27369	25	18
C	27063	13	1	C	27310	9	8	C	27370	25	19
C	27064	13	4	C	27311	9	8	C	27371	9	1
C	27067	41	1	C	27312	9	8	C	27372	9	3
C	27068	41	27	C	27313	9	9	C	27373	9	4
C	27069	39	1	C	27314	9	12	C	27374	9	5
C	27070	39	5	C	27315	9	13	C	27375	19	1
C	27072	39	10	C	27316	9	17	C	27376	19	2
C	27073	47	1	C	27317	9	17	C	27377	19	3
C	27079	13	1	C	27318	9	17	C	27378	19	4
C	27121	51	10	C	27319	9	17	C	27379	19	8
C	27162	51	1	C	27320	9	18	C	27380	19	9
C	27163	51	1	C	27321	9	18	C	27381	19	15
C	27167	55	1	C	27322	9	18	C	27382	19	18
C	27168	55	2	C	27323	9	18	C	27383	19	11
C	27169	55	3	C	27324	9	21	C	27384	19	23
C	27170	55	1	C	27325	9	22	C	27385	19	14
C	27171	55	2	C	27326	9	25	C	27386	19	13
C	27172	55	3	C	27327	9	31	C	27387	19	27
C	27209	55	5	C	27328	9	32	C	27388	19	1
C	27210	55	6	C	27329	9	34	C	27389	19	4
C	27211	55	7	C	27330	9	35	C	27390	21	30
C	27218	39	6	C	27331	9	36	C	27391	23	31
C	27233	13	6	C	27332	23	14	C	27392	19	32
C	27236	5	42	C	27333	19	43	C	27393	19	5
C	27236	7	17	C	27334	11	18	C	27394	19	6
C	27236	9	16	C	27335	9		C	27395	23	7
C	27237	21	4	C	27336	9	39	C	27396	23	8
C	27238	7	37	C	27337	9	40	C	27397	23	9
C	27239	21	5	C	27338	9	41	C	27398	23	10
C	27240	17	14	C	27339	9	42	C	27399	19	11
C	27240	19	17	C	27340	23	15	C	27400	19	12
C	27241	23	8	C	27341	23	16	C	27401	19	13
C	27242	23	1	C	27342	9	46	C	27402	19	14
C	27243	15	33	C	27343	23	18	C	27403	19	15
C	27244	17	26	C	27344	23	19	C	27404	21	16
C	27253	11	12	C	27345	9	43	C	27405	21	17
C	27254	15	19	C	27346	9	37	C	27406	21	18
C	27255	15	31	C	27347	9	7	C	27407	19	19
C	27257	23	3	C	27348	25	6	C	27408	21	20
C	27258	49	3	C	27349	25	7	C	27409	19	21
C	27258	49	6	C	27350	25	8	C	27410	21	22
C	27259	49	2	C	27351	11	1	C	27411	21	23
C	27259	49	4	C	27352	11	3	C	27412	19	24
C	27260	49	1	C	27353	21	16	C	27413	19	25
C	27260	49	2	C	27354	21	17	C	27414	19	26
C	27262	49	5	C	27355	25	2	C	27415	19	27
C	27263	49	7	C	27357	11	7	C	27416	19	28
C	27263	49	10	C	27358	11	6	C	27417	21	29
C	27264	49		C	27359	25	10	C	27418	49	30
C	27264	51	18	C	27360	25	11	C	27418	51	18

NUMERICAL INDEX

PART NO.	PAGE NO.	REF. NO.	PART NO.	PAGE NO.	REF. NO.	PART NO.	PAGE NO.	REF. NO.			
C	27419	11	13	H	392938	45	10	129-	16	23	2
C	27420	11	12	H	754440	43	14	129-	16	23	13
C	27421	49	5	H	758276	45	28	129-	16	25	16
C	27422	49	8	L	32763	39	18	129-	17	23	7
C	27423	49	9	R	15380	41	14	129-	17	53	5
C	27424	49	11	T	25070	41	32	129-	101	21	2
C	27441	39	2	T	25683	37	3	129-	101	23	11
C	27552	43	1					129-	101	53	7
C	27553	45	6					129-	102	29	32
C	27554	45	30					129-	102	33	8
C	27555	45	15					129-	102	35	6
C	27556	45	33					129-	102	39	17
C	27557	45	11					129-	102	41	21
C	27558	45	29					129-	102	47	7
C	27559	45	2					129-	102	53	14
C	27560	45	7					129-	103	29	21
C	27561	45	25					129-	103	31	10
C	27562	45	24					129-	103	39	15
C	27563	43	15					129-	103	41	9
C	27564	45	18					129-	105	11	7
C	27565	45	13					129-	163	13	5
C	27566	45	3					129-	163	37	15
C	27567	45	19					129-	163	39	12
C	27568	45	21					129-	289	37	16
C	27570	45	3					131-	165	39	7
C	27571	45	11					131-	176	27	3
C	27572	45	23					131-	176	27	4
C	27573	45	26					131-	176	29	10
C	27574	45	20					131-	176	29	4
C	27575	45	22					131-	176	39	4
C	27576	43	2					131-	176	39	7
C	27577	43	4					131-	176	43	24
C	27578	45	1					131-	629	53	6
C	27579	45	12					131-	911	11	8
C	27580	43	20					131-	1102	39	7
C	27581	45	14					131-	1181	29	15
C	27582	9	21					131-	1181	37	21
C	27583	9	52					131-	1181	39	12
C	27588	43						131-	1181	41	18
D	33544	29	11					131-	1331	37	14
D	59705	27	1					132-	6	39	10
F	53650	43	19					132-	46	29	25
G	46176	43	6					132-	46	31	5
H	296269	43	11					132-	310	39	14
H	296277	43	10					132-	310	41	5
H	296293	45	4					132-	311	37	10
H	296301	43	13					132-	330	41	13
H	369131	45	27					136-	103	23	16
H	372821	45	16					138-	75	49	12
H	372839	45	14					138-	92	39	15
H	372847	45	13					138-	92	47	8
H	372862	45	9					138-	97	45	9
H	372870	45	31					138-	143	35	16
H	372888	45	32					138-	251	15	10
H	372896	45	34					138-	251	17	6
H	372920	45	17					138-	2040	37	4
H	372946	45	12					138-	2054	47	10
H	379123	45	8					138-	2072	39	8
								163-	4	19	28

HARDWARE CODE NUMBERS

22-	48	21	23
22-	48	23	12
22-	48	25	8
22-	412	21	14
41-	24	15	2
41-	24	17	12
61-	612	39	19
83-	55	41	29
111-	2	23	6
111-	108	53	15
111-	202	35	4
111-	202	53	13
111-	330	41	20
111-	366	39	13
111-	404	23	10
111-	539	11	4
113-	1	13	8
113-	1	21	11
113-	2	21	20
113-	5	19	5
113-	17	43	3
113-	101	25	12
113-	102	11	9
113-	102	29	9
113-	102	33	6
113-	102	39	5
113-	102	47	5
113-	103	35	11
113-	110	27	2
113-	111	43	23
113-	118	41	23
113-	120	9	44
113-	120	27	3
113-	122	33	3
113-	122	49	7
113-	138	21	9
113-	205	29	12
113-	206	31	7
113-	207	31	8
113-	209	37	19
113-	233	37	20
113-	233	41	26
113-	257	41	17
114-	2	39	2
114-	308	41	34
126-	16	41	28
129-	13	53	10

NUMERICAL INDEX

PART NO.	PAGE NO.	REF. NO.	PART NO.	PAGE NO.	REF. NO.	PART NO.	PAGE NO.	REF. NO.
163-	4	23	18	192-	21	41	8	
169-	137	21	3	192-	23	11	6	
175-	415	29	30	193-	25	11	5	
177-	97	19	33	193-	25	23	3	
178-	53	43	12	193-	25	23	12	
178-	858	41	33	193-	70	53	4	
182-	10	53	8	195-	10	11	11	
182-	49	19	40	195-	18	21	15	
182-	84	11	4	195-	103	41	22	
182-	87	15	9	195-	104	41	4	
182-	87	17	4	195-	513	19	34	
182-	87	19	21	195-	513	39	9	
182-	87	23	10	195-	518	23	9	
182-	90	11	10	195-	518	39	3	
182-	205	19	7	195-	518	41	12	
182-	549	11	16	195-	521	29	24	
182-	559	53	3	195-	521	35	12	
182-	581	29	20	195-	521	39	9	
182-	581	41	7	195-	521	43	26	
187-	1036	13	2	195-	521	47	11	
187-	1036	31	13	195-	522	29	17	
187-	1041	21	6	195-	525	27	4	
187-	1041	21	19	195-	529	41	35	
187-	1047	9	38	195-	533	11	5	
187-	1070	43	25	195-	533	29	18	
187-	1334	13	2	195-	541	35	15	
187-	1334	53	5	195-	541	39	13	
187-	1508	5	39	195-	545	37	8	
187-	1508	7	7	195-	2069	35	7	
187-	1508	25	9	195-	2175	27	2	
187-	1510	15	27	214-	251	13	7	
187-	1510	17	37	214-	251	19	42	
187-	1510	23	22	219-	10	37	4	
187-	1908	13	7	219-	17	35	10	
187-	1908	53	18	219-	404	37	6	
192-	13	53	9	221-	86	9	48	
192-	18	9	33	221-	843	5	8	
192-	18	19	29	221-	843	7	11	
192-	18	23	19	221-	843	9	11	
192-	19	13	9	321-	5040	55	10	
192-	19	19	6	321-	6659	55	4	
192-	19	21	12	353-	462	39	9	
192-	19	21	24					
192-	19	23	13					
192-	19	25	4					
192-	19	39	4					
192-	19	53	6					
192-	20	9	45					
192-	20	11	10					
192-	20	25	13					
192-	20	29	31					
192-	20	33	7					
192-	20	35	5					
192-	20	39	16					
192-	20	47	6					
192-	20	49	1					
192-	21	31	9					
192-	21	39	14					

INGERSOLL

Ingersoll Equipment Co., Inc.