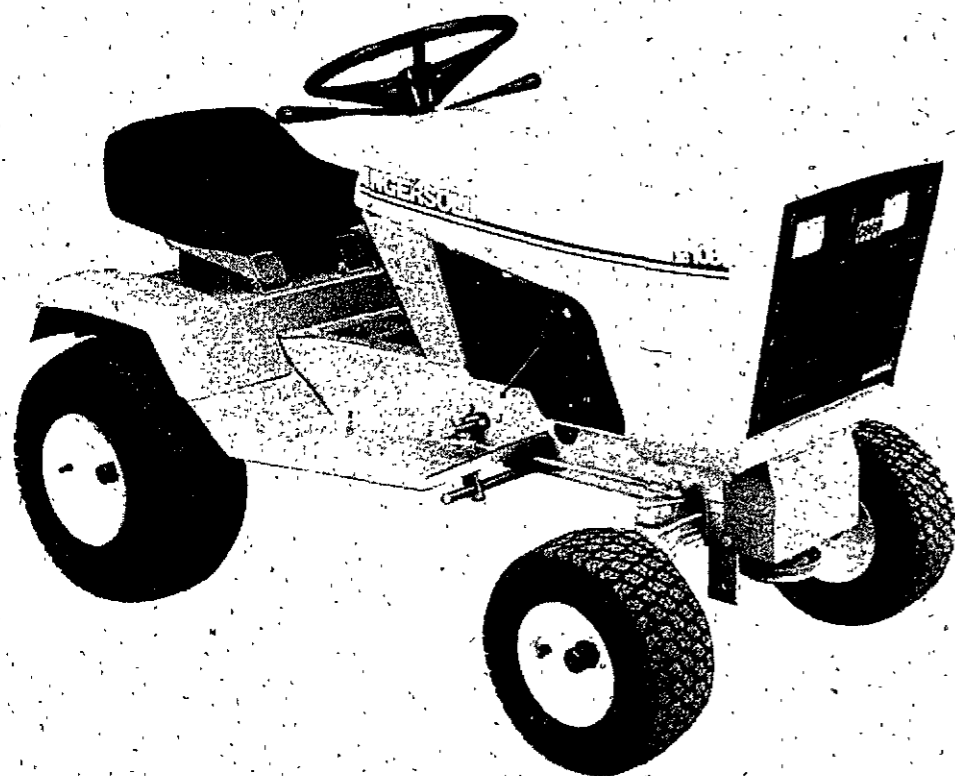


COMPACT TRACTORS
 108 - S/N 14065370 AND AFTER
 111 - ALL
 112 - ALL
 114 - ALL
 116 - S/N 14066900 AND AFTER
 Parts Catalog 8-2992

**NOTE: This catalog replaces
 catalog 8-2991**

6-96-RP-300-286



ALPHABETICAL INDEX

	Page	Grid
Axle, Front	21	B8
Belts and Pulleys	25	B12
Brakes	23-29	B10-C2
Decals	41-43	C14-D2
Electrical System	35-39	C8-C12
Fenders	15-17	B2-B4
Frame	13	A14
Grille	13	A14
Hitch	13	A14
Hood	13	A14
Implement Lift	27	B14
Mounts, Engine	7	A8
PTO Clutch	9	A10
PTO Clutch Kit	11	A12
Seat, Operator's	15-17	B2-B4
Steering Wheel and Gear	19	B6
Tool Tray	17	B4
Transaxle	29-33	C2-C6
Travel Control	23	B10
Weight Box M13	45	D4
Weight, Wheel WW10	45	D4
Wheels, Front and Rear	21	B8

**NOTE: Engine Parts and Warranty Should be Obtained From Your Local
 Briggs & Stratton Dealer.**

INDEX

There is an index at the front and rear of this catalog.

The front index is an alphabetical-index of the major groups or assemblies.

The rear index is a numerical index of the part numbers and pages on which these numbers are shown.

ILLUSTRATION

Each illustration in this catalog shows a group of parts or components. These parts and components are aligned approximately as the parts and components on your machine. Each part and component in an illustration has a reference number. These reference numbers are in a list on the page opposite of the illustration. Next to the reference number is the part number, description and required quantity of the part shown in the illustration.

UAR - "Use as required" indicates that the part quantity is variable.

NSS - "Not sold separately" indicates that the part is only available as a component of an assembly or the part must be purchased locally. If the part is an assembly component, the description will be indented under the assembly description in the parts list.

O/L - "Obtain locally"

NLA - No longer available

** - "Footnotes" are added to a part number when more information is needed for identification. They only relate to the part numbers indicated.

PARTS ORDERS

All orders must include the following information:

1. Correct part number.
2. Complete description of part or component.
3. Total quantity of each part or component.
4. Product model number.
5. All necessary product identification numbers.
6. Method for sending the parts.
7. Complete and correct address.

CATALOG REVISIONS

As the product changes, new pages will be available for your catalog. A notice will be issued.

IMPORTANT: Put all revisions into the catalog as soon as possible.

RIGHT HAND AND LEFT HAND IDENTIFICATION

The words right hand (RH) and left hand (LH) as used in this catalog indicate the direction while you are in the operator's seat in the normal operating position.

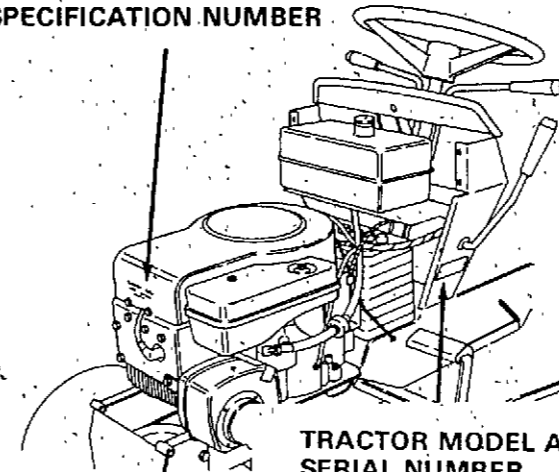
INDENTED DESCRIPTIONS

An assembly can have many components. The components of an assembly are indicated by an indented description. The quantity for an indented part is the total needed for that complete assembly. See the example.

REF.	PART NO.	DESCRIPTION	REQ'D
	C 55159	CYLINDER ASSY - rear steering	1
28	C 56208	SOCKET ASSY - rear cylinder	1
29	C 55956	PLUG - adjusting, socket assy	1
30	C 55957	SEAT - socket ball	2
31	C 56210	SPRING - socket	1
32	C 56209	SEAT - socket spring	1
33	G 45175	CLAMP ASSY - socket assy	1
	16- 836	BOLT - 1/2" x 2-1/4" N.F. hex	1
34	132- 104	PIN - cotter, 3/16" x 3"	1
35	C 55889	STUD - ball, socket & cylinder	2
36	13- 410	BOLT - 1/4" x 5/8" N.C., hex	4
37	92- 4	LOCK WASHER - 1/4" SAE	4

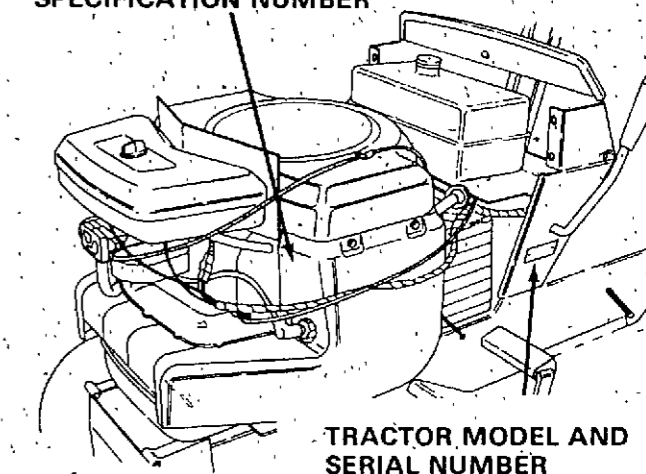
PRODUCT IDENTIFICATION NUMBERS

ENGINE MODEL, SERIAL AND SPECIFICATION NUMBER



TRACTOR MODEL AND SERIAL NUMBER

ENGINE MODEL, SERIAL AND SPECIFICATION NUMBER

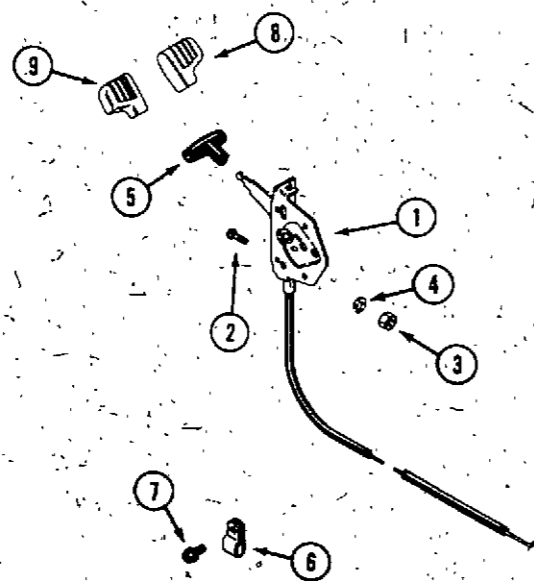
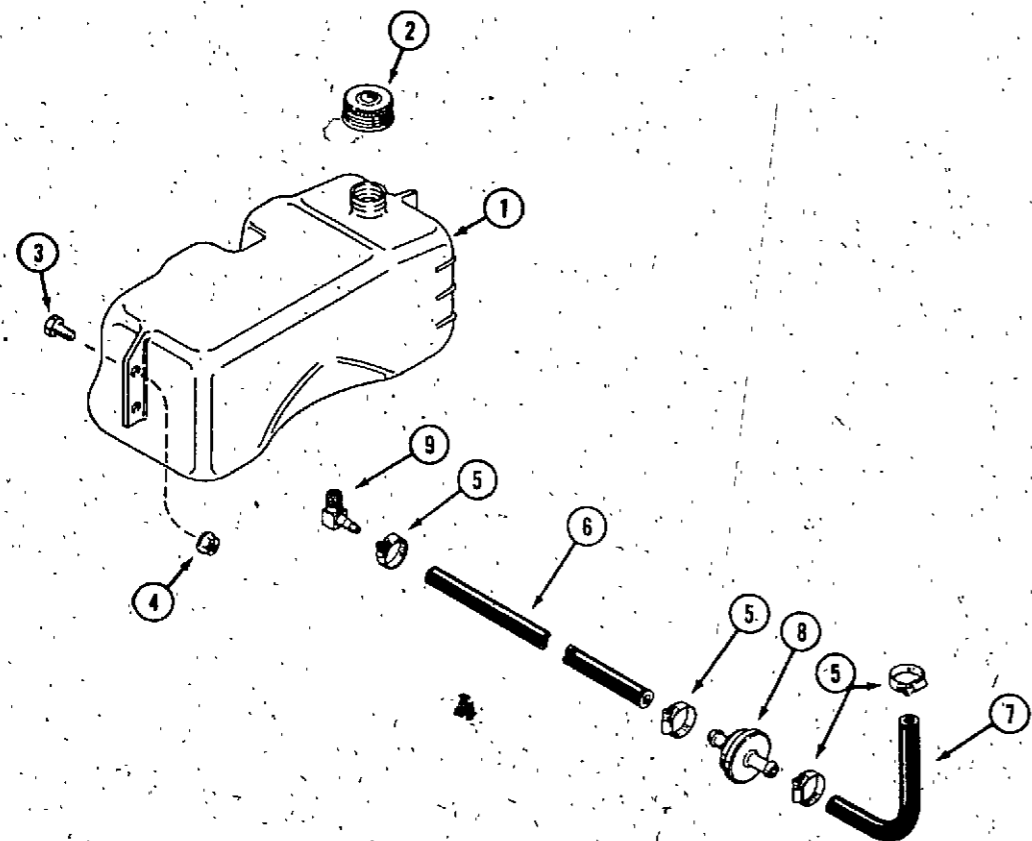


TRACTOR MODEL AND SERIAL NUMBER

NOTE: Engine Parts and Warranty should be obtained from your local Briggs and Stratton Distributor.

TRACTOR MODEL	ENGINE MODEL
108	C29097 SPEC. 191707 - TYPE 5843-01
111	C29098 SPEC. 253707 - TYPE 0194-01
112	C30146 SPEC. 281707 - TYPE 0135-01 Use before S/N 14134908
112	C33279 SPEC. 281707 - TYPE 4001-01 Use after S/N 14134908
114	C29099 SPEC. 400707 - TYPE 0119
116	C29100 SPEC. 402707 - TYPE 0145
116	C33280 SPEC. 402707 - TYPE 4001-02

NOTE: In this catalog there are references to serial numbers. To order the correct part, use these serial numbers as a guide.

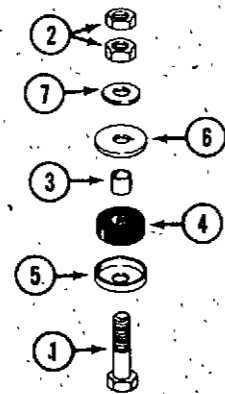
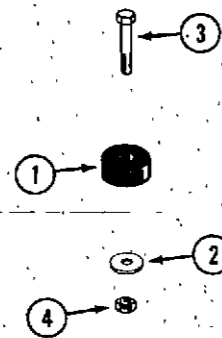


FUEL SYSTEM

REF.	PART NO.	DESCRIPTION	REQ'D
1	C29070	TANK - fuel	1
2	C11529	CAP - fuel	1
3	113-102	BOLT - 5/16" - 18 x 3/4"	4
4	131-911	NUT - 5/16" - 18 flange lock	4
5	214-252	CLAMP - hose	4
6	NSS	HOSE - fuel 13.5" (343 mm) (use C28937 cut to length)	1
7	NSS	HOSE - fuel 4" (102 mm) (use C28937 cut to length)	1
8	C28935	FILTER - fuel	1
9	C10678	CONNECTOR - fuel line 90°	1
	C28030	INSULATION - fuel line (114, 116)	1

CHOKE AND THROTTLE

1	C29267	CONTROL - choke and throttle (108, 111, 112)	1
1	C29186	CONTROL - throttle (114, 116)	1
1	C29187	CONTROL - choke (114, 116)	1
2	182-559	SCREW - No. 10 - 24 x 3/4"	2
3	129-17	NUT - No. 10	2
4	192-18	LOCKWASHER - 3/16"	2
5	C15540	HANDLE - tee (108, 111, 112)	1
6	C27233	CLAMP - cable	1
7	187-1908	SCREW - self tapping #10 x 5/8"	1
8	NSS	HANDLE - choke, (114, 116) (use C35291)	1
9	NSS	HANDLE - throttle, (114, 116) (use C35291)	1



MODEL 108, 111, 112, 114 AND 116 COMPACT TRACTORS

ENGINE MOUNTS

Use before S/N:
108, 111, 114, 116 - all
112 - 14102824

Use S/N and after:
112 - 14122270

REF.	PART NO.	DESCRIPTION	REQ'D
1	C15410	WASHER - rubber (not required)	4
2	195-2175	WASHER - flat 5/16" x 1-1/4"	4
2	195-521	WASHER - flat 5/16" x 11/16"	4
3	113-121	BOLT - 5/16" - 18 x 1-3/4"	4
3	113-122	BOLT - 5/16" - 18 x 1-1/2"	4
4	131-69	NUT - 5/16" lock	4

ENGINE MOUNT KIT*

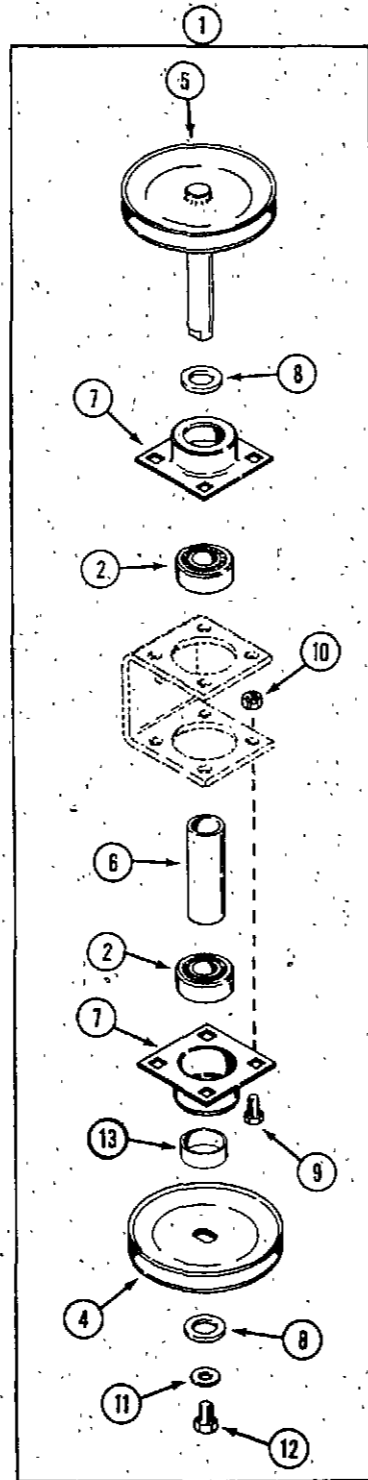
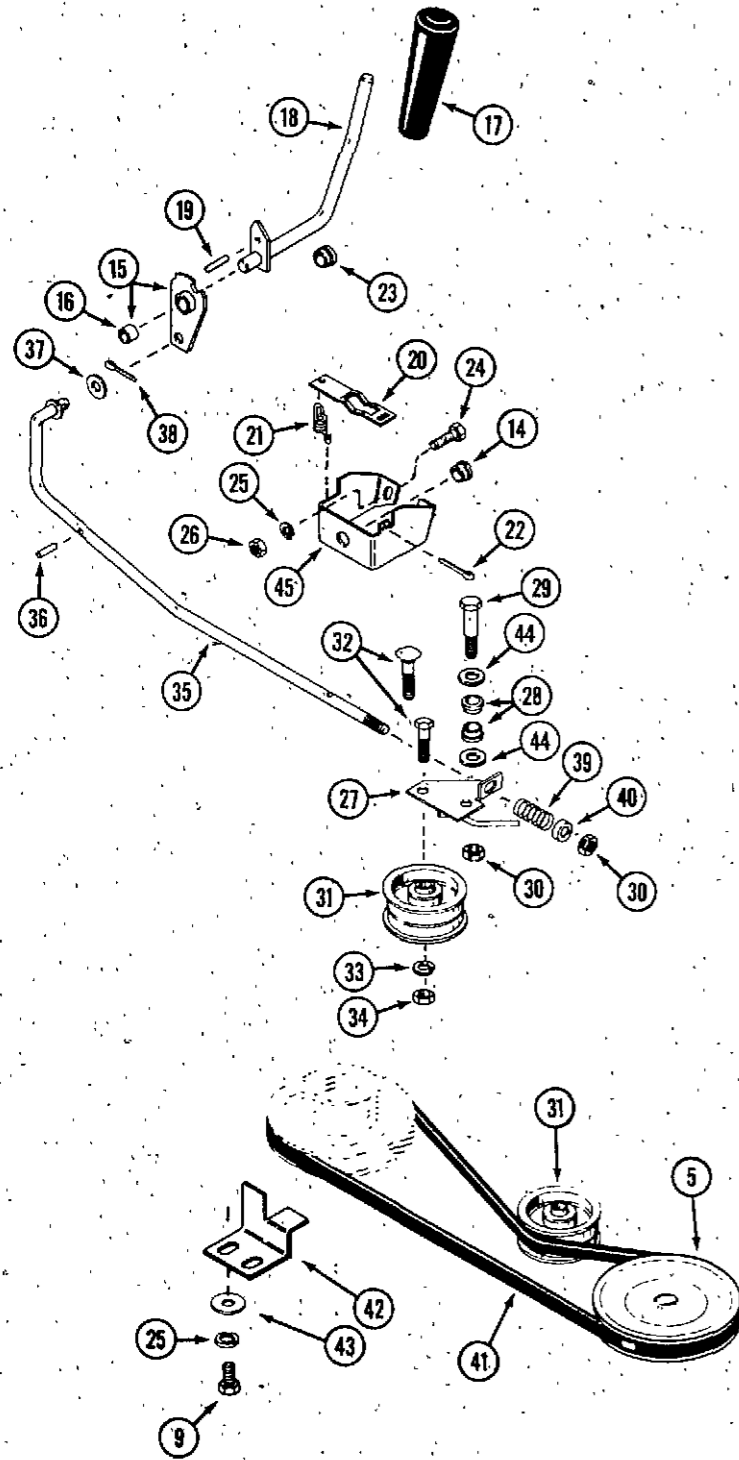
112 - Use S/N 14102824 to 14122270

1	113-121	BOLT - 5/16" - 18 x 2"	4
2	129-102	NUT - 5/16" - 18	8
3	C30510	SPACER - sleeve	4
4	C30508	WASHER - rubber	4
5	C30509	CUP - retaining	4
6	195-2175	WASHER - 5/16"	4
7	195-521	WASHER - 5/16"	4

* Order C33171 to get 4 complete solid mounts to eliminate rubber washers.
KIT - includes (4) 195-521, 113-122, 131-69 and C33170 bushing)

ATTACHMENT DRIVE POWER TAKE OFF (PTO)

(See page 11 if unit has C44781 PTO Kit installed)



REF.	PART NO.	DESCRIPTION	REQ'D
1	NSS	P.T.O. ASSEMBLY	1
2	C28971	BEARING	2
3	NSS	BRACKET - mounting	1
4	C15083	PULLEY - bottom	1
5	C30475	PULLEY - top	1
6	C25233	SPACER - bearing	1
7	C23818	FLANGETTE	2
8	C12975	WASHER	2
9	113-102	BOLT - 5/16" - 18 x 3/4"	9
10	131-176	NUT - 5/16" - 18 lock	8
11	C28263	WASHER - 3/8"	1
12	113-205	BOLT - 3/8" - 16 x 5/8"	1
13	C30477	SPACER - pulley	1
14	C25229	BUSHING - flange	1
15	C29326	ARM ASSEMBLY - PTO	1
16	C17597	BUSHING - sleeve	1
17	C29046	HANDLE - PTO lever	1
18	C29252	LEVER - PTO	1
19	138-2071	PIN - spirol 3/16" x 15/16"	1
20	C29316	BAR - latch	1
21	C29172	SPRING - extension	1
22	132-320	PIN - cotter 3/32" x 3/4"	1
23	C27593	BUSHING - flip - lock	1
24	121-106	BOLT - 5/16" - 18 x 3/4" flange	2
25	192-20	LOCKWASHER - 5/16"	3
26	131-911	NUT - 5/16" - 18 flange lock	2
27	C30873	ARM - idler	1
28	C17597	BUSHING - flange (press into hub on engine plate)	2
29	C16745	BOLT - shoulder	1
30	131-1352	NUT - 3/8" lock flange	2
31	C15672	PULLEY - idler	1
32	111-330	BOLT - 3/8" - 16 x 1-3/4" carriage	1
33	113-209	BOLT - 3/8" - 16 x 1-1/2" hex head	1
34	192-21	LOCKWASHER - 3/8"	1
35	129-103	NUT - 3/8" - 16	1
36	C30769	ROD - PTO	1
37	138-57	PIN - roll 1/8" x 3/4"	1
38	195-525	WASHER - 3/8"	1
39	132-332	PIN - cotter 3/32" x 1"	1
40	C27822	SPRING - compression	1
41	C17066	WASHER - cup	1
42	C42098	BELT - PTO	1
43	C26345	KEEPER - belt	1
44	195-521	WASHER - 5/16"	1
45	195-533	WASHER - 1/2"	2
45	C31009*	BRACKET - support (shown)	1
45	C31437**	BRACKET - support	1

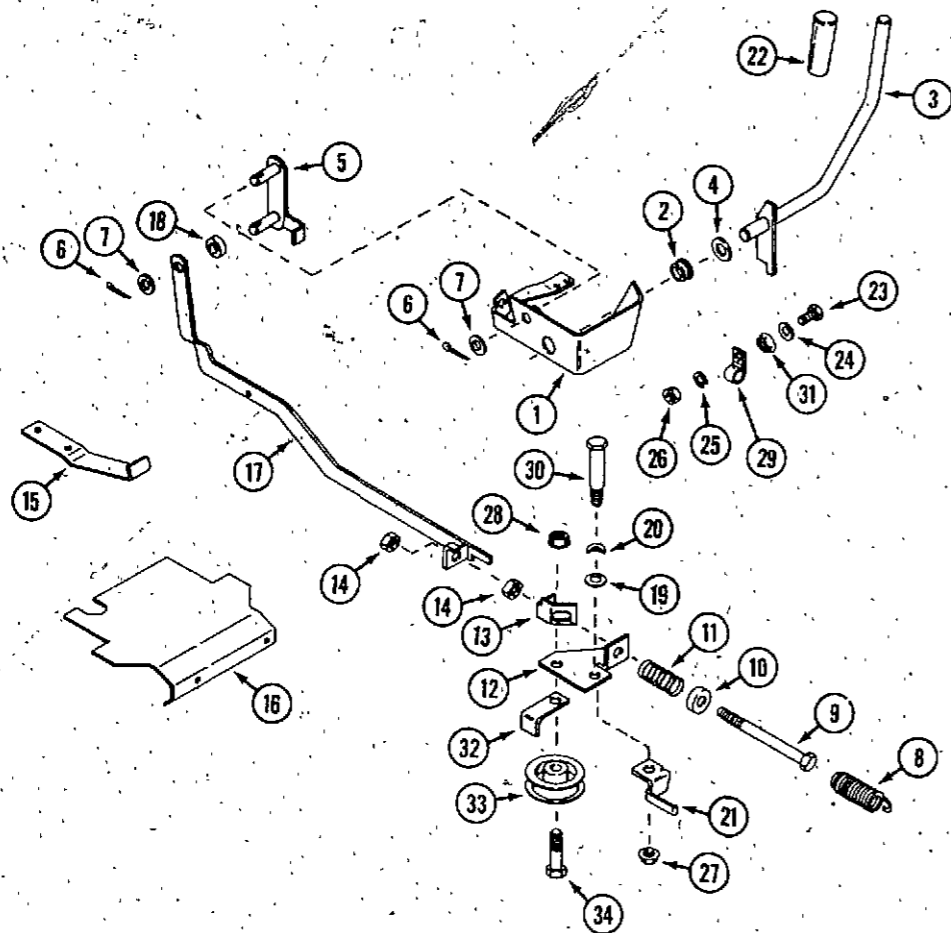
* Use before S/N

** Use S/N and after:

112 - 14103055

114 - 14104919

116 - 14106472



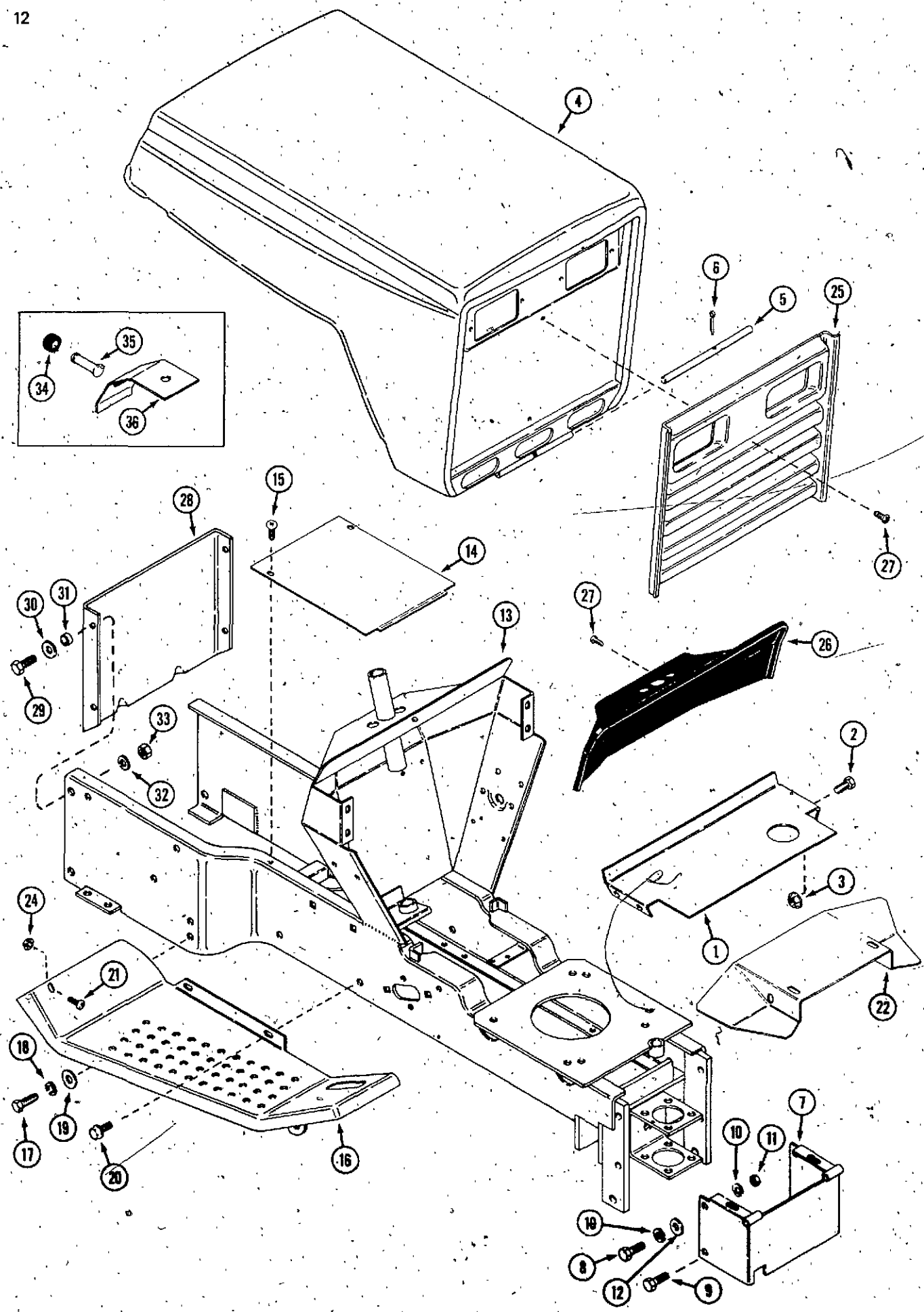
C44781 PTO CLUTCH KIT

REF.	PART NO.	DESCRIPTION	REQ'D
1	C44784	BRACKET - lever	1
2	C25229	BUSHING - flange	1
3	C44703	LEVER - PTO	1
4	195-533	WASHER - 1/2"	1
5	C44705	LINK	1
6	132-334	PIN - cotter 1/8" x 3/4"	2
7	195-525	WASHER - 3/8"	2
8	C44713	SPRING - extension	1
9	113-253	BOLT - 3/8" - 16 x 5"	1
10	C17066	WASHER - cup	1
11	C27822	SPRING - compression	1
12	C29221	PLATE - idler	1
13	C44715	CLIP - PTO spring	1
14	131-1181	NUT - 3/8" - 16 lock	2
15	C44719	STRAP - guide	1
16	C44717	BAFFLE - heat (for twin cylinder models only)	1
17	C44710	ROD - PTO	1
18	C44708	ROLLER - link	1
19	C37004	WASHER - 1/2"	1
20	C45145	WASHER - spring	1
21	C44716	SHOE - belt brake	1
22	C28237	KNOB - handle	1
23	113-103	BOLT - 5/16" - 18 x 1"	1
23	113-118	BOLT - 5/16" - 18 x 5/8"	1
24	195-521	WASHER - 5/16"	2
25	192-20	LOCKWASHER - 5/16"	1
26	129-102	NUT - 5/16" - 18	1
27	131-1352	NUT - 3/8" - 16 flange lock	1
28	131-938	NUT - 3/8" - 16 flange lock	1
29	C32455	CLIP - "J"	1

THE FOLLOWING PARTS NOT INCLUDED IN KIT

30	C16745	BOLT - shoulder 1/2"	1
31	131-911	NUT - 5/16" - 18 flange	1
32	C29243	RETAINER - belt	1
33	C15672	PULLEY - idler	1
34	113-233	BOLT - 3/8" 16 x 1-3/4"	1

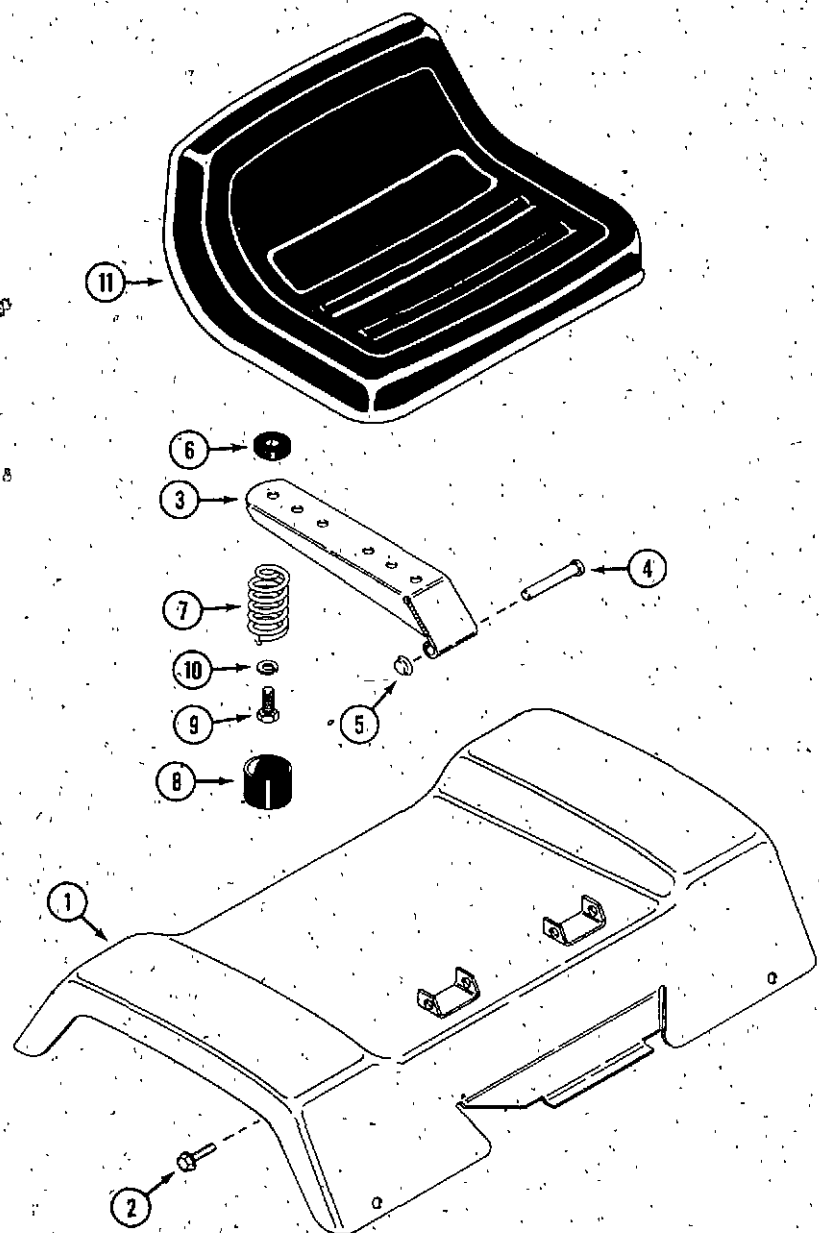
HOOD, FRAME AND ATTACHING PARTS



REF.	PART NO.	DESCRIPTION	REQ'D
1	NSS	SUPPORT - fuel tank (not required)	1
2	113-102	BOLT - 5/16" - 18 x 3/4"	4
3	131-911	NUT - 5/16" - 18 flange lock	4
4	C30292	HOOD	1
5	C16362	ROD - hinge	1
6	132-334	PIN - cotter 1/8" x 3/4"	1
7	C29240	COVER - PTO	1
8	113-205	BOLT - 3/8" - 16 x 5/8"	2
9	113-207	BOLT - 3/8" - 16 x 1"	2
10	192-21	LOCKWASHER - 3/8"	4
11	129-103	NUT - 3/8" - 16	2
12	195-522	WASHER - 3/8"	2
13	C33173	FRAME - main	1
14	C33081	TRAY - center	1
15	C31597	SCREW - 1/4" - 20 pan head	2
16	C29203	FOOT REST - R.H. (shown)	1
16	C29204	FOOT REST - R.H.	1
17	113-103	BOLT - 5/16" - 18 x 1"	4
18	192-20	LOCKWASHER - 5/16"	4
19	195-521	WASHER - 5/16"	4
20	121-106	BOLT - 5/16" - 18 x 1/2" flange lock	4
21	182-547	SCREW - 1/4" - 20 pan head, Phillips	UAR
22	C31192	DEFLECTOR - exhaust	1
24	131-934	NUT - 1/4" - 20 flange lock	UAR
25	C30289	GRILLE	1
26	C30100	CAP - instrument panel (108, 111)	1
26	C30101	CAP - instrument panel (114, 116)	1
27	187-1334	SCREW	4
28	C29199	DRAWBAR	1
29	113-207	BOLT - 3/8" - 16 x 1"	4
30	195-525	WASHER - 3/8" (top holes only)	2
31	C14768	SPACER - mounting (top holes only)	2
32	192-21	LOCKWASHER - 3/8"	4
33	129-103	NUT - 3/8" - 16	4
34	C29314	BUTTON - push, hood release	1
35	C29315	ROD - push, hood release	1
36	C33467	LATCH - hood	1

SEAT AND FENDERS

Use before S/N:
 108 - all
 111 - all
 112 - 14102824
 114 - 14104697
 116 - 14106421

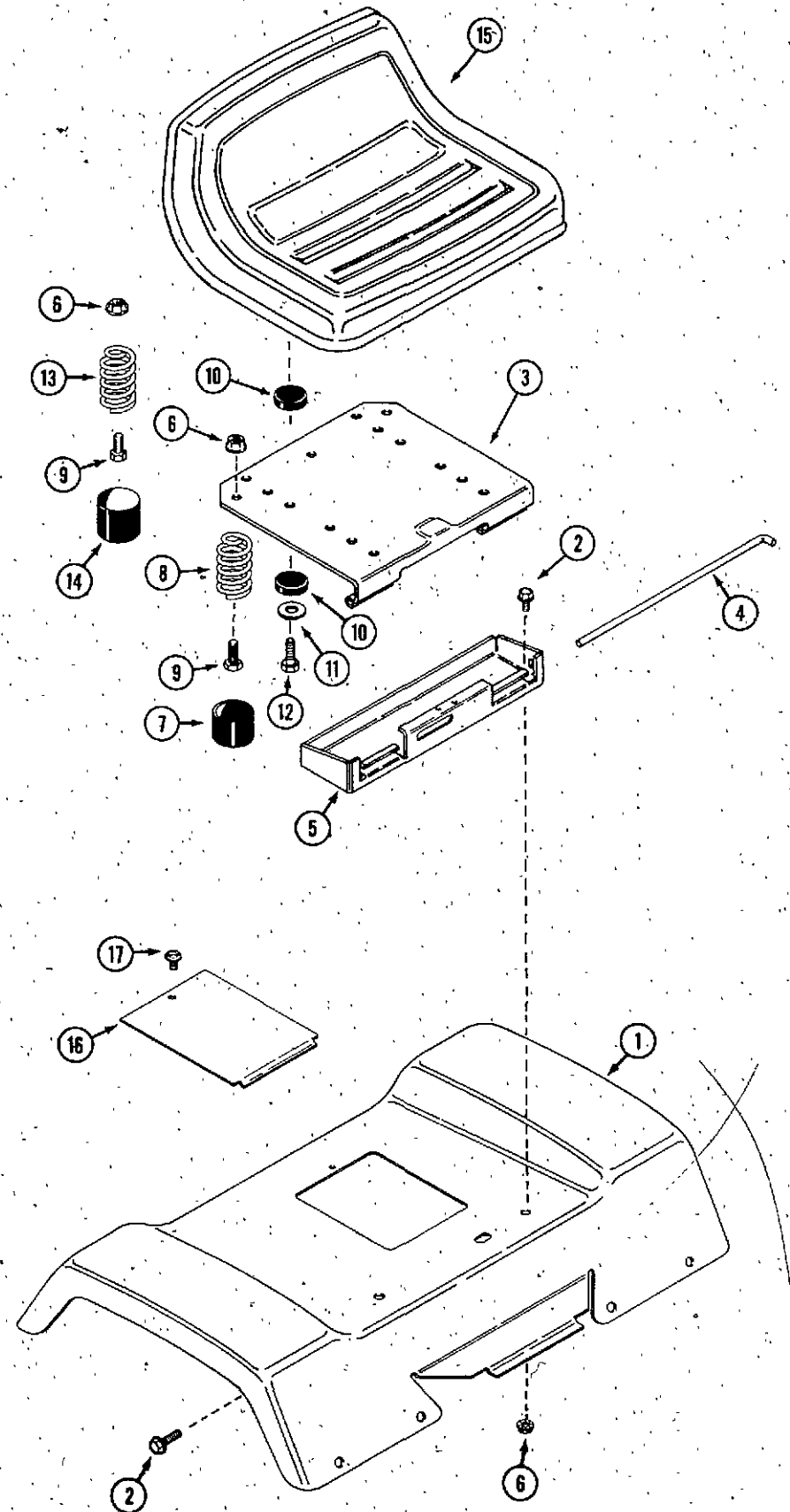


REF.	PART NO.	DESCRIPTION	REQ'D
1	NSS*	FENDERS AND SUPPORT.....	1
2	121-106	BOLT - 5/16" - 18 x 1/2" flange lock.....	4
3	C29197	HINGE - seat R.H. (shown).....	1
3	C29196	HINGE - seat L.H.	1
4	C29173	PIN - hinge.....	2
5	C29174	RETAINER - pin.....	2
6	C15410	CUSHION - rubber.....	4
7	C29192	SPRING - seat.....	2
8	C29193	CAP - spring.....	2
9	113-103	BOLT - seat front 5/16" - 18 x 1".....	2
9	113-104	BOLT - seat back 5/16" - 18-x 1-1/4 (shown).....	2
10	192-20	LOCKWASHER - 5/16".....	4
11	C30070	SEAT.....	1

*(Use C31031, C33474, C16429, C31004, C30785 and hardware)

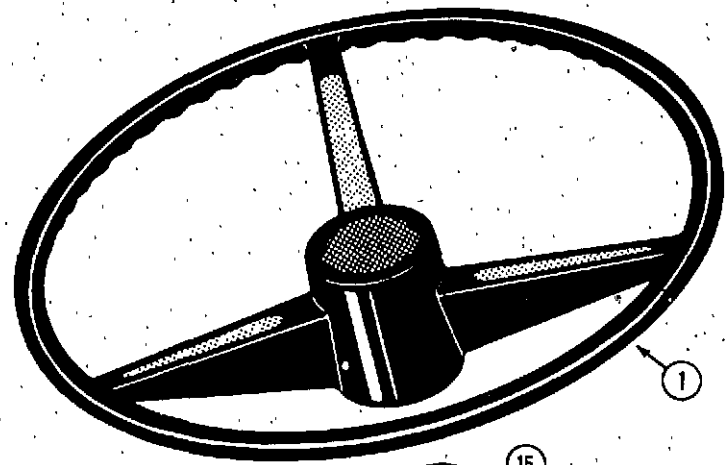
SEAT AND FENDERS

Use S/N and after:
 112 - 14102824
 114 - 14104697
 116 - 14106421

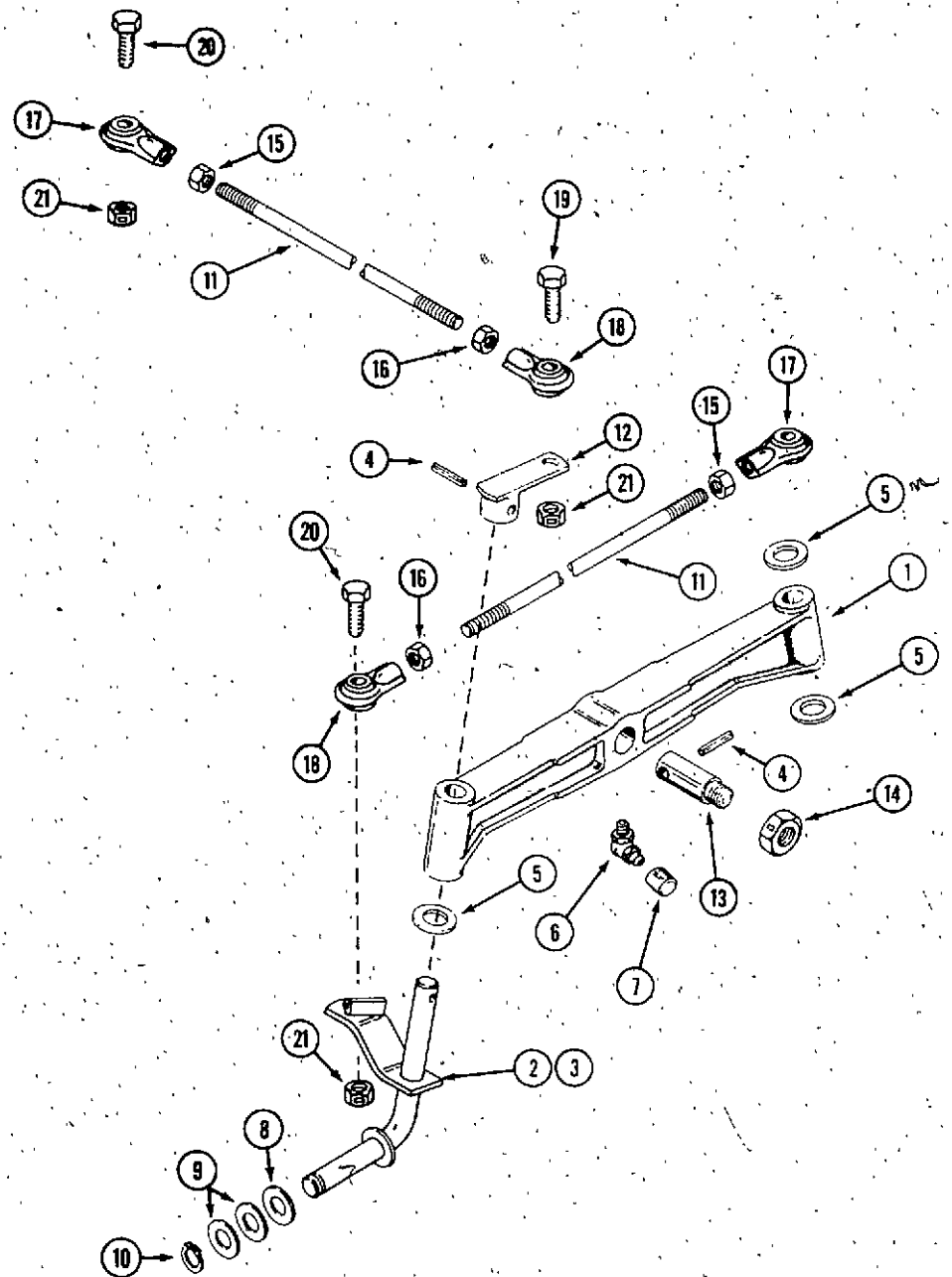


REF.	PART NO.	DESCRIPTION	REQ'D
1	C31031	FENDERS AND SUPPORT.....	1
2	121-106	BOLT - 5/16" - 18 x 1/2" flange lock.....	6
3	C33474	HINGE - seat.....	1
4	C16429	PIN - seat hinge.....	1
5	C31004	TRAY - tool.....	1
6	131-911	NUT - 5/16" - 18 flange lock.....	5
7	C29305	CAP - spring.....	2
8	C29306	SPRING - seat.....	2
9	113-102	BOLT - 5/16" - 18 x 3/4".....	3
10	C15410	CUSHION - rubber (early production).....	8
11	195-2175	WASHER - 5/16" x 1-1/4".....	4
12	113-102	BOLT - 5/16" - 18 x 3/4".....	4
12	113-122	BOLT - 5/16" - 18 x 1-1/2".....	4
13	C31006	SPRING - actuating, seat switch.....	1
14	C26526	CAP - actuating spring.....	1
15	C30070	SEAT.....	1
16	C30785	COVER - inspection.....	1
17	187-1036	SCREW - 1/4" x 1/2" self tap.....	1
18	C29812	WASHER - late production.....	4

STEERING GEAR



REF.	PART NO.	DESCRIPTION	REQ'D
1	C26325	WHEEL - steering	1
2	C15096	BUSHING - flanged nylon	2
3	C29181	SHAFT - steering	1
4	111-132	BOLT - 5/16" x 3/4" NC, ZP carriage	2
5	192-20	LOCKWASHER - 5/16" ZP	4
6	129-102	NUT - 5/16" NC hex, ZP	2
7	195-2069	WASHER - 5/18" plain, ZP	1
8	C26039	GEAR - steering	1
9	C15105	PIVOT - steering gear	1
10	219-17	FITTING - lube	1
11	113-103	BOLT - 5/16" x 1" NC hex, ZP	2
12	195-521	WASHER - 5/16", plain, ZP	UAR
13	C27045	BRACKET - steering	1
14	C14201	WASHER - shim	UAR
15	195-541	WASHER - 5/8"	UAR
16	138-143	PIN - roll 1/4" x 2-1/4"	1
17	C29168	SLEEVE - steering shaft	1

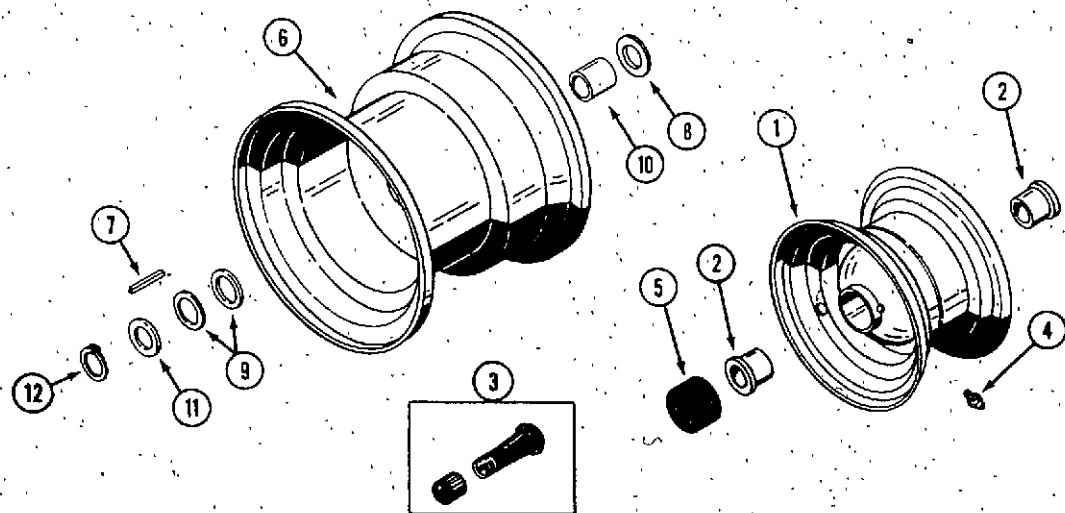


FRONT AXLE

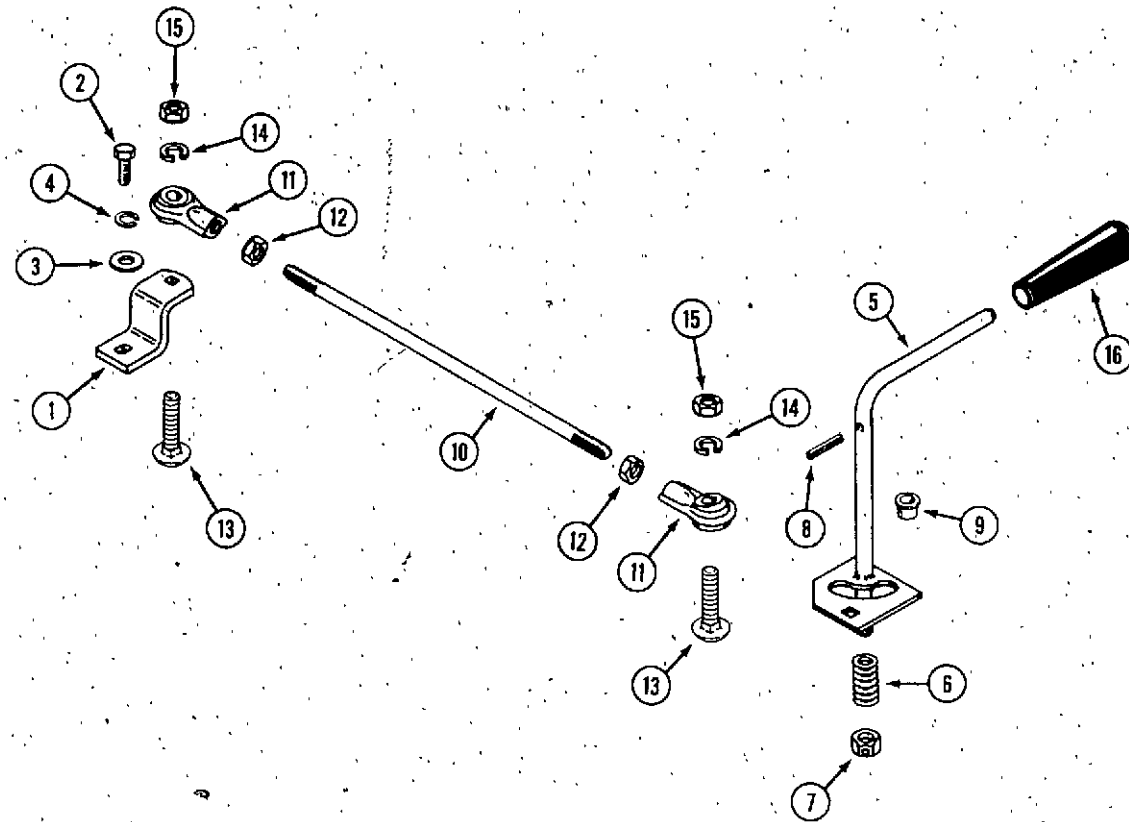
REF.	PART NO.	DESCRIPTION	REQ'D
1	C15066	AXLE - front	1
2	NSS	SPINDLE - R.H. (shown) (use C31336, 132-311)	1
3	NSS	SPINDLE - L.H. (use C31335, 132-311)	1
4	138-2040	PIN - spirol 1/4" x 1-1/2"	2
5	C11906	WASHER - thrust 13/16"	3
6	219-404	FITTING - lube	3
7	C13106	COVER - lube fitting	3
8	195-545	WASHER - spindle	2
9	C28226	WASHER - wheel spacer	4
10	C28232	RING - retaining	2
11	C26051	ROD - tie and drag link	2
12	C26370	ARM - upper spindle	1
13	C18626	PIN - axle pivot	1
14	131-1331	NUT - lock 3/4" N.C. hex	1
15	129-163	NUT - lock 3/8" - 24 hex	2
16	129-289	NUT - lock 3/8" - 24 hex L.H. thread	2
17	C26332	BALLJOINT - R.H. thread	2
18	C26333	BALLJOINT - L.H. thread	2
19	13-624	BOLT - 3/8" x 1-1/2"	3
20	13-628	BOLT - 3/8" x 1-3/4"	1
21	131-938	NUT - lock 3/8" - 16 flange	4

FRONT AND REAR WHEELS

1	C30781	WHEEL - front (includes bearings)	2
2	C24503	BEARING - bushing	2
3	C28236	STEM - valve	2
4	219-10	FITTING - lube	2
5	C26526	CAP - hub	4
6	C30780	WHEEL - rear	2
7	C11796	KEY - 3/16" x 3/16" x 2"	2
8	195-545	WASHER - 3/4"	2
9	C28226	WASHER - spacer .03" thick	4
10	C27047	SPACER - sleeve	2
11	C28972	WASHER - spacer	2
12	C28808	RING - retaining	2

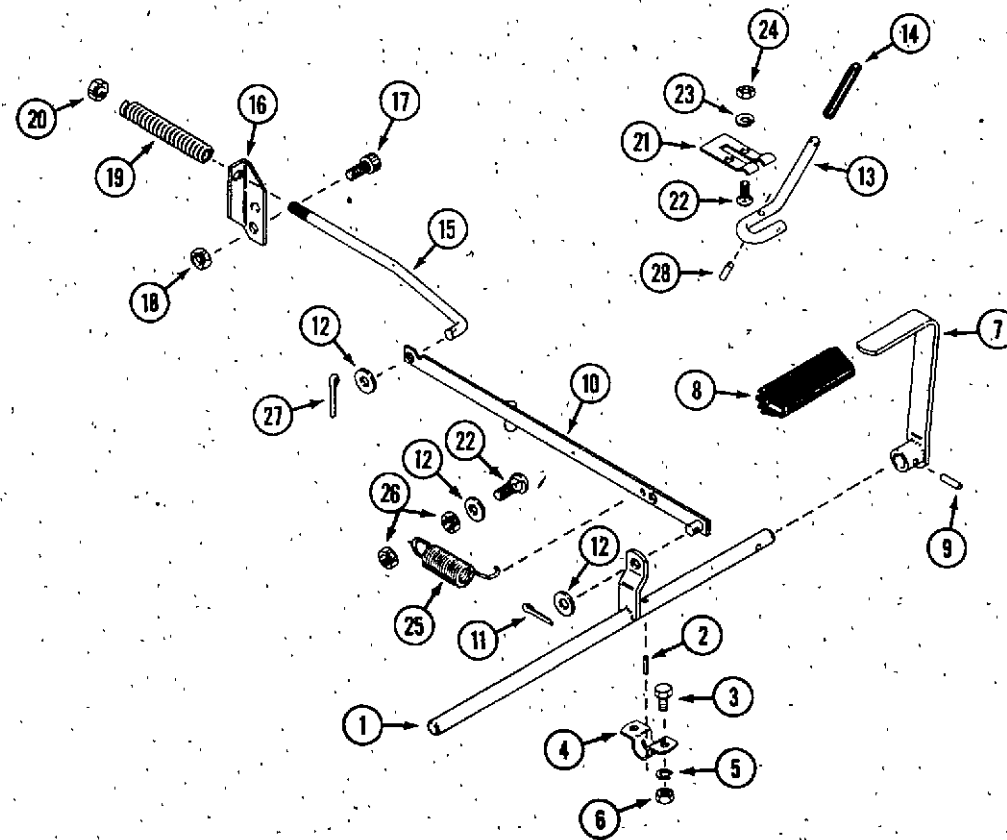


TRAVEL CONTROL



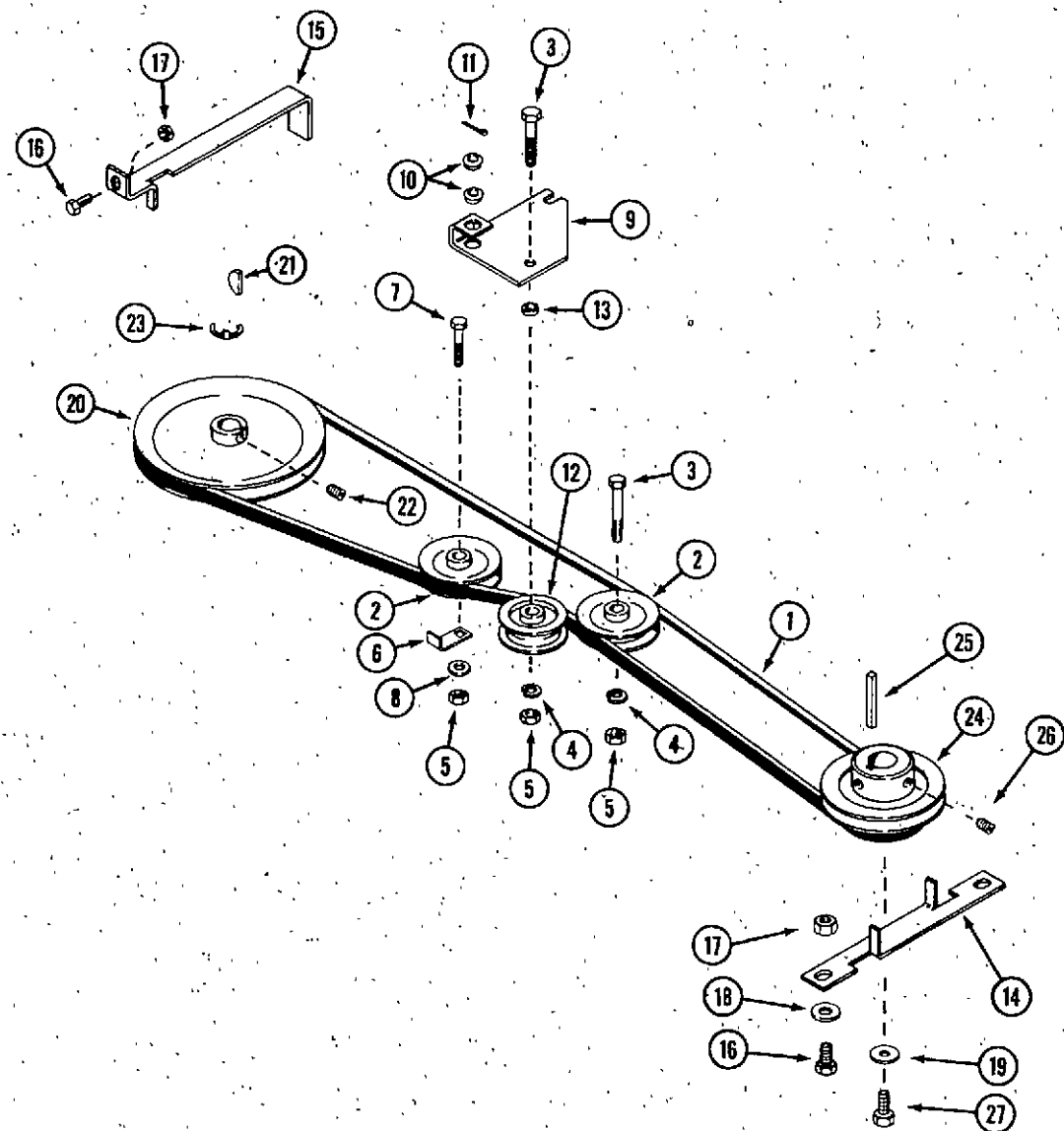
REF.	PART NO.	DESCRIPTION	REQ'D
1	C27069	CRANK - shift	1
2	114-2	BOLT - 1/4" - 28 x 1/2" hex	1
3	195-518	WASHER - 1/4"	1
4	192-19	LOCKWASHER - 1/4"	1
5	C29238	LEVER - shift	1
6	C25688	SPRING - compression	1
7	131-165	NUT - 1/2" - 13 lock	1
8	138-2072	PIN - roll 1/8" x 1-3/4"	1
9	C27593	BUSHING - flip - lock	1
10	C27072	ROD - shift	1
11	C26332	BALLJOINT	2
12	129-163	NUT - 3/8" - 24	2
13	111-366	BOLT - 3/8" - 16 x 1-1/4" carriage	2
14	192-21	LOCKWASHER - 3/8"	2
15	129-103	NUT - 3/8" - 16 hex	2
16	C29047	HANDLE - shift	1

BRAKE ASSEMBLY



1	C29317	SHAFT - brake	1
2	138-2071	PIN - spiral 3/16" x 15/16"	1
3	113-102	BOLT - 5/16" - 18 x 3/4"	4
4	C15156	BRACKET - saddle	2
5	192-20	LOCKWASHER - 5/16"	4
6	129-102	NUT - 5/16" - 18	4
7	C29249	PEDAL - brake	1
8	C24345	PAD - brake pedal	1
9	138-2071	PIN - spiral 3/16" x 15/16"	1
10	C29246	LINK - brake	1
11	132-6	PIN - cotter 3/32" x 5/8"	1
12	195-521	WASHER - 5/16"	3
13	C29207	LEVER - parking brake	1
14	C29178	HANDLE - lever	1
15	C29216	ROD - brake	1
16	C29188	ARM - brake	1
17	61-612	SCREW - 3/8" - 16 x 3/4" socket head	1
18	131-1181	NUT - 3/8" - 16 lock	1
19	C27442	SPRING - compression	1
20	131-69	NUT - 15/16" - 18 lock	1
21	C29177	BRACKET - retaining	1
22	111-108	BOLT - 1/4" - 20 x 3/4" carriage	3
23	192-19	LOCKWASHER - 1/4"	2
24	129-101	NUT - 1/4" - 20	2
25	C29917	SPRING - extension	1
26	131-1180	NUT - 1/4" 20 lock	2
27	132-310	PIN - cotter 1/8" x 1"	1
28	138-51	PIN - roll 1/8" x 3/8"	1

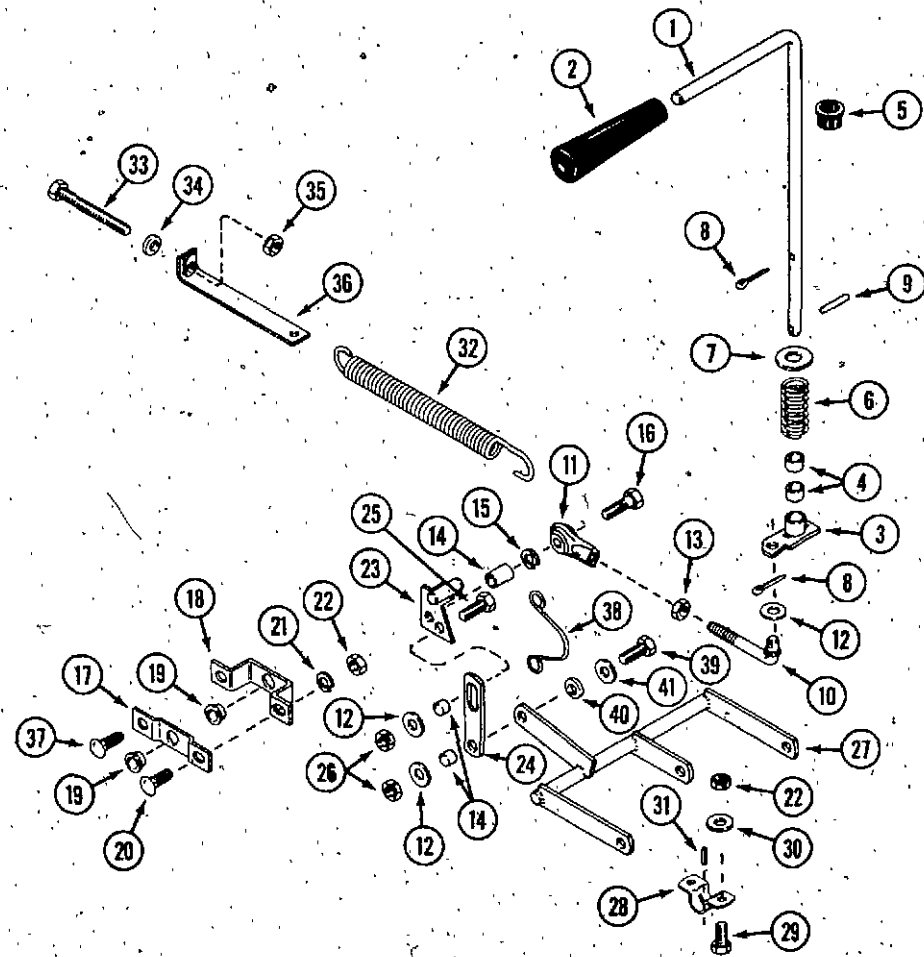
BELTS, PULLEYS AND IDLERS (DRIVE)



REF.	PART NO.	DESCRIPTION	REQ'D
1	C29699**	BELT - drive (112 - all) (for others see below)	1
1	C29878*	BELT - drive	1
2	C23456	PULLEY - "V" idler	2
3	113-233	BOLT - 3/8" - 16 x 1-3/4"	2
4	192-21	LOCKWASHER - 3/8"	2
5	131-938	NUT - 3/8" - 16 flange lock	3
6	C29243	GUIDE - belt, idler	1
7	113-233	BOLT - 3/8" - 16 x 1-3/4"	1
8	195-525	WASHER - 3/8"	1
9	C29236	ARM - idler	1
10	C20053	BUSHING - flange	2
11	132-310	PIN - cotter 1/8" x 1"	1
12	C23535	PULLEY - backside idler	1
13	C14768	SPACER	1
14	C25113	GUIDE - belt, engine	1
15	C30103**	KIT - guide, transaxle belt	1
15	C29245*	GUIDE - belt, transaxle	1
16	113-118	BOLT - 5/16" - 18 x 5/8"	3
17	129-102	NUT - 5/16" - 18	3
18	195-103	WASHER - 5/16"	2
19	195-2029	WASHER - 7/16"	1
20	C33208**	PULLEY - transaxle	1
20	C27068*	PULLEY - transaxle	1
21	126-16	KEY - 3/16" x 3/4" woodruff	1
22	C32199	SETSCREW - 5/16" - 18 x 5/16"	1
23	NLA	RING - retaining "E" (early production)	1
24	C19071	PULLEY - drive	1
25	C28315	KEY - 1/4" x 2"	1
26	178-858	SETSCREW	2
27	14-712	BOLT - 7/16" - 20 x 3/4"	1

*Use before S/N:
**Use S/N and after:

- 108-14084847
- 111 -14085810
- 114 -14087760
- 116 -14089591



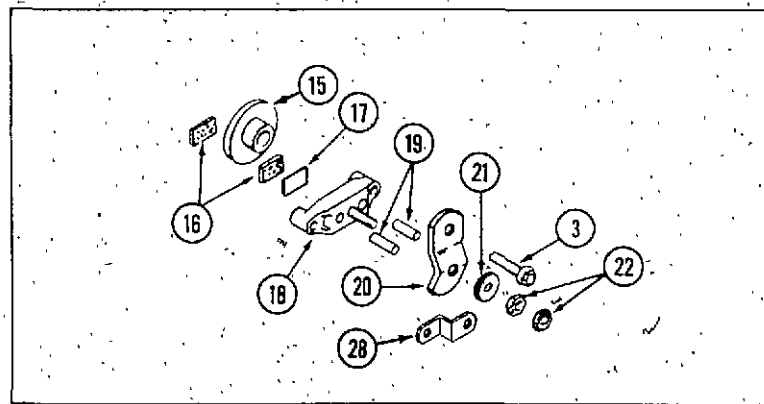
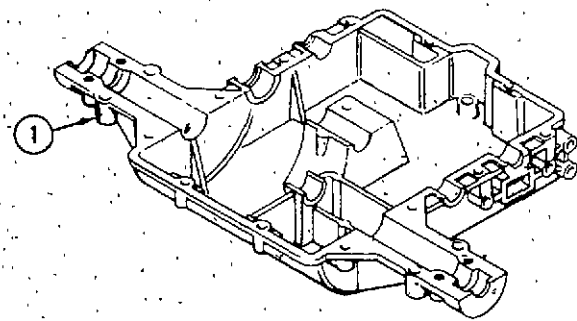
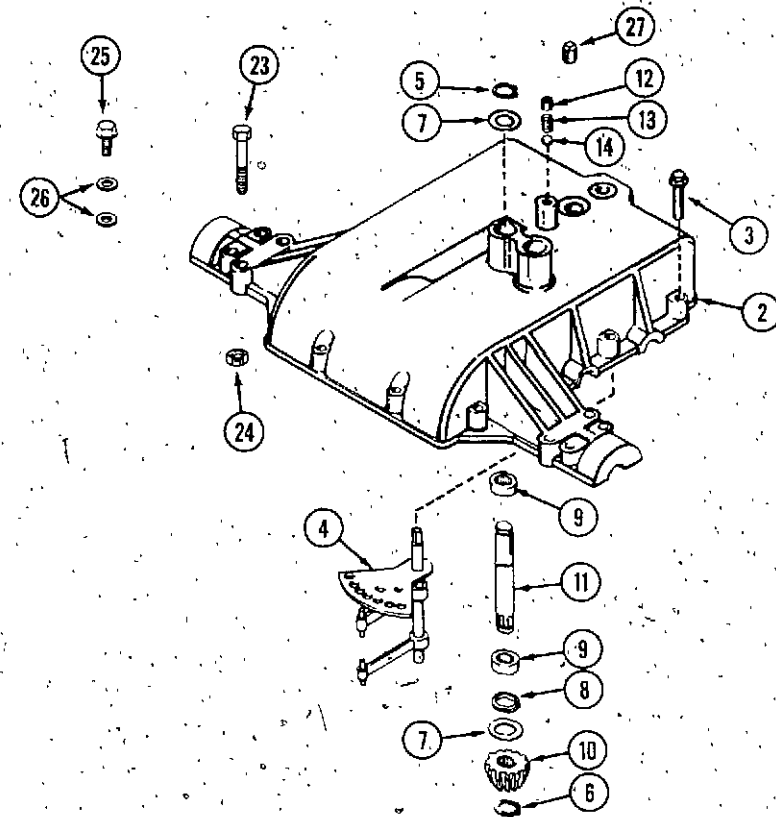
LIFT SYSTEM

REF.	PART NO.	DESCRIPTION	REQ'D
1	NSS*	LEVER - lift (use C42572, C30157)	1
1	C42572**	LEVER - lift	1
2	C29045	HANDLE - lift lever	1
3	C29213*	ARM - lift	1
3	C30157**	ARM - lift	1
4	C29706	BUSHING - sleeve, lift arm and mounting bracket	1
5	C27593	BUSHING - flip lock	1
6	C15564	SPRING - compression	1
7	195-533	WASHER - 1/2"	1
8	132-310	PIN - cotter 1/8" x 1"	2
9	138-2071	PIN - spiral	1
10	C29218	ROD - lift	1
11	C26332	BALLJOINT	1
12	195-522	WASHER - 3/8"	3
13	129-163	NUT - 3/8" lock	1
14	C14768	SPACER	3
15	192-21	LOCKWASHER - 3/8"	1
16	113-209	BOLT - 3/8" - 16 x 1-1/2"	1
17	C29235	PLATE - bellcrank pivot	1
18	C29234	BRACKET - bellcrank	1
19	C24182	BUSHING - flange	2
20	111-132	BOLT - 5/16" - 18 x 3/4" carriage	1
21	195-103	LOCKWASHER - 5/16"	2
22	129-102	NUT - 5/16"	6
23	C29214	BELLCRANK	1
24	C29176	LINK - lift	1
25	113-207	BOLT - 3/8" - 16 x 1"	2
26	131-1181	NUT - 3/8" - 16" lock	2
27	C30391	SHAFT - lift	1
28	C15156	BRACKET - saddle	2
29	113-102	BOLT - 5/16" - 18 x 3/4"	4
30	192-20	WASHER - 5/16"	4
31	138-2071	PIN - spiral 3/16" x 15/16"	1
32	C29189	SPRING - assist (included in C30162 kit)	1
33	123-101	BOLT - 5/16" - 18 x 4	1
34	C14906	WASHER - nylon	1
35	131-176	NUT - 5/16" lock	1
36	C29233	BAR - spring adjust	1
37	111-256	BOLT - 5/16" - 18 x 1-1/4" carriage	1
38	C30154	SPRING - torsion (included in C30161 kit)	1
39	113-208	BOLT - 3/8" - 16 x 1-1/4"	1
40	C30155	WASHER	1
41	195-104	WASHER	1

NOTE: C30162 Extension Spring Kit (use to lift heavy attachments)
C30161 Torsion Spring Kit (use to lift light attachments)

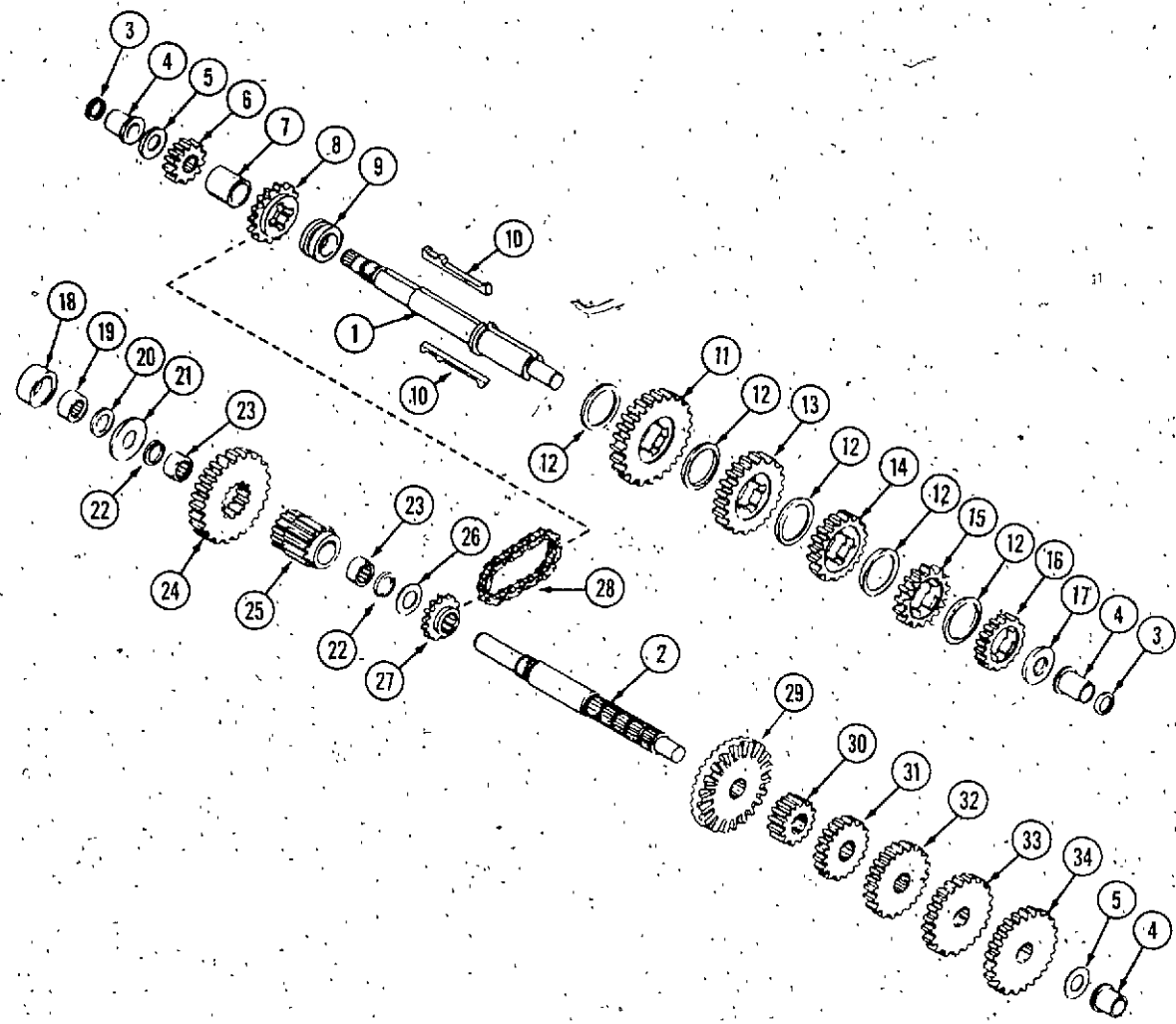
*Use before S/N:
**Use S/N and after:

- 108-14084946
- 111 - ALL
- 112 - ALL
- 114 - 14088189
- 116 - 14089708



**C29241 TRANSAXLE - 5 SPEED
CASE, INPUT SHAFT AND BRAKE**

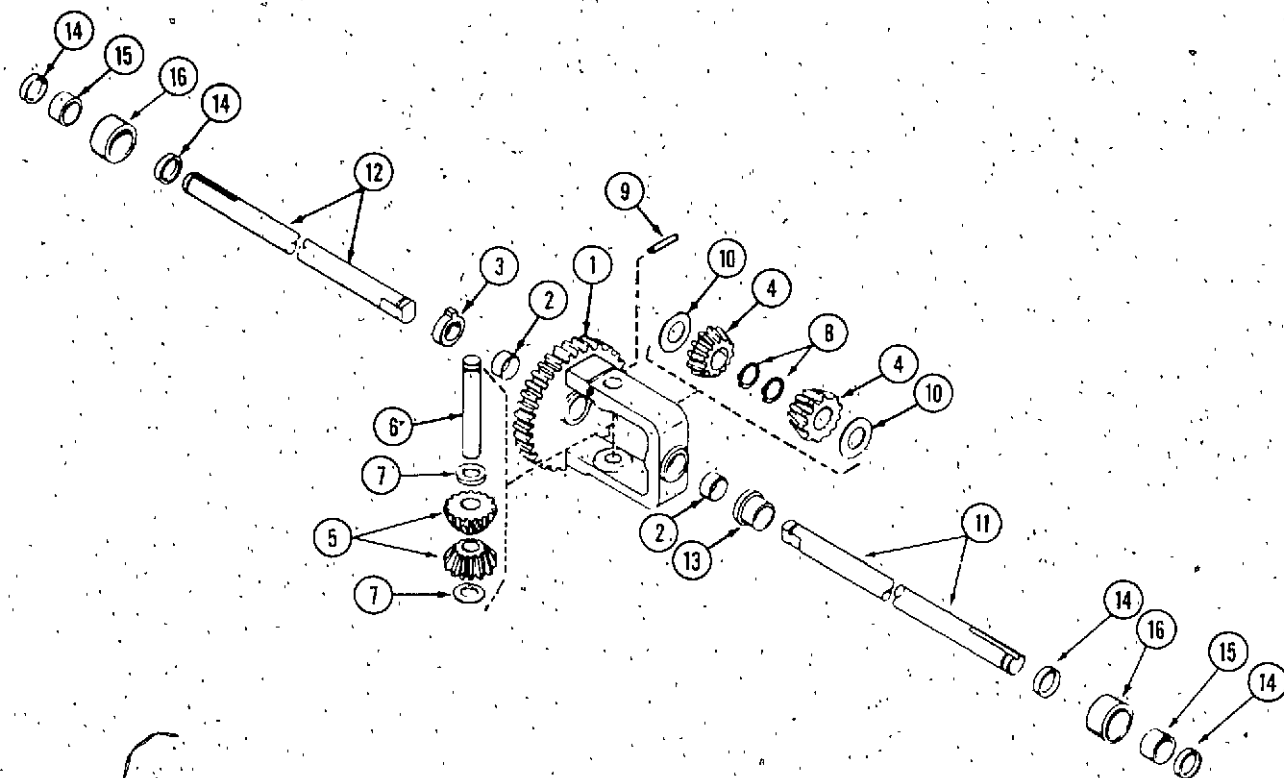
REF.	PART NO.	DESCRIPTION	REQ'D
1	C27552	CASE - transaxle, bottom.....	1
2	C27576	COVER - transaxle, top.....	1
3	113-17	SCREW - 1/4" - 20 x 1-1/4" hex.....	19
4	C27577	ROD AND FORK ASSEMBLY - shift.....	1
5	C19347	RING - retaining.....	1
6	C19352	RING - retaining.....	1
7	C19345	WASHER - thrust.....	2
8	C28648	"O" RING.....	1
9	C28649	BEARING - needle.....	2
10	C28652	GEAR - bevel pinion, input.....	1
11	C28651	SHAFT - input.....	1
12	C34148	SCREW - set 3/8" - 16 x 3/8".....	1
13	C28654	SPRING - retaining.....	1
14	C28667	BALL - detent, steel.....	1
15	C27563	DISK - brake.....	1
16	C19353	PAD - brake.....	2
17	C19354	PLATE - brake pad.....	1
18	C19355	HOLDER - brake pad.....	1
19	C28650	PIN - dowel.....	2
20	C27580	LEVER - brake.....	1
21	C19357	WASHER.....	1
22	C19358	NUT - 5/16" - 24 lock.....	2
23	113-111	BOLT - 5/16" - 18 x 2-1/2".....	4
24	131-176	NUT - 5/16" lock.....	4
25	187-1070	BOLT - 5/16" self-tapping (front mounting).....	2
26	195-521	WASHER - 5/16" spacer.....	4
27	353-10	PLUG - hex head.....	1
28	C28821	BRACKET.....	1



**C29241 TRANSAXLE - 5 SPEED
SHIFTER AND BRAKE SHAFT AND COUNTER SHAFT**

REF.	PART NO.	DESCRIPTION	REQ'D
1	C29919	SHAFT - shifter and brake.....	1
2	C27559	SHAFT - counter.....	1
3	C27570	RING - square cut.....	2
4	C28653	BUSHING - flanged.....	3
5	C19345	WASHER - thrust.....	2
6	C27553	GEAR - spur 15 teeth.....	1
7	C27560	SPACER.....	1
8	C28665	SPROCKET - 18 teeth.....	1
9	C28659	COLLAR - shift.....	1
10	C28666	KEY.....	2
11	C27557	GEAR - spur 37 teeth.....	1
12	C28664	WASHER - thrust.....	1
13	C28658	GEAR - spur 30 teeth.....	1
14	C28657	GEAR - spur 25 teeth.....	1
15	C27555	GEAR - spur 22 teeth.....	1
16	C28656	GEAR - spur 20 teeth.....	1
17	C28663	WASHER - thrust.....	1
18	C27564	SPACER.....	1
19	C27567	BEARING - needle.....	1
20	C27574	RING - square cut.....	1
21	C27568	WASHER.....	1
22	C27575	RING - square cut.....	2
23	C27572	BEARING - needle.....	2
24	C27562	GEAR - output.....	1
25	C27561	PINION - output.....	1
26	C27573	WASHER.....	1
27	C28655	SPROCKET - 9 teeth.....	1
28	C28668	CHAIN - roller No. 41 (24 links).....	1
29	C27558	GEAR - bevel 42 teeth.....	1
30	C27554	GEAR - spur 12 teeth.....	1
31	C28660	GEAR - spur 20 teeth.....	1
32	C28661	GEAR - spur 25 teeth.....	1
33	C27556	GEAR - spur 28 teeth.....	1
34	C28662	GEAR - spur 30 teeth.....	1

**C29241 TRANSAXLE - 5 SPEED
DIFFERENTIAL**

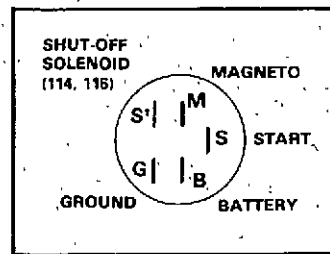


REF.	PART NO.	DESCRIPTION	REQ'D
1	C26111	GEAR ASSEMBLY - differential	1
2	C21576	BUSHING	2
3	C27566	BEARING - bronze	1
4	C19309†	GEAR - bevel (shown) for double-D axle shafts	2
4	C30500††	GEAR - bevel (for splined axle shafts)	2
5	C19310	PINION - bevel	2
6	C19311	PIN - drive	1
7	C19312	WASHER - thrust	2
8	C11222	RING - retaining	2
9	138-97	PIN - roll	1
10	C11205	WASHER - thrust	2
11	C27571†	AXLE - R.H. 14-5/8" (371 mm) shown (double-D style)	1
11	C30501††	AXLE - R.H. 14-5/8" (371 mm) (splined style)	1
12	C27579†	AXLE - L.H. 12-3/4" (324 mm) shown (double-D style)	1
12	C30502††	AXLE - L.H. 12-3/4" (324 mm) (splined style)	1
13	C27565	BUSHING - flanged	1
14	C27581	SEAL - oil and dirt	2
15	NSS*	BEARING - needle (use C27569 ball bearing)	2
16	NSS*	SLEEVE - bearing (use C27569 ball bearing)	2

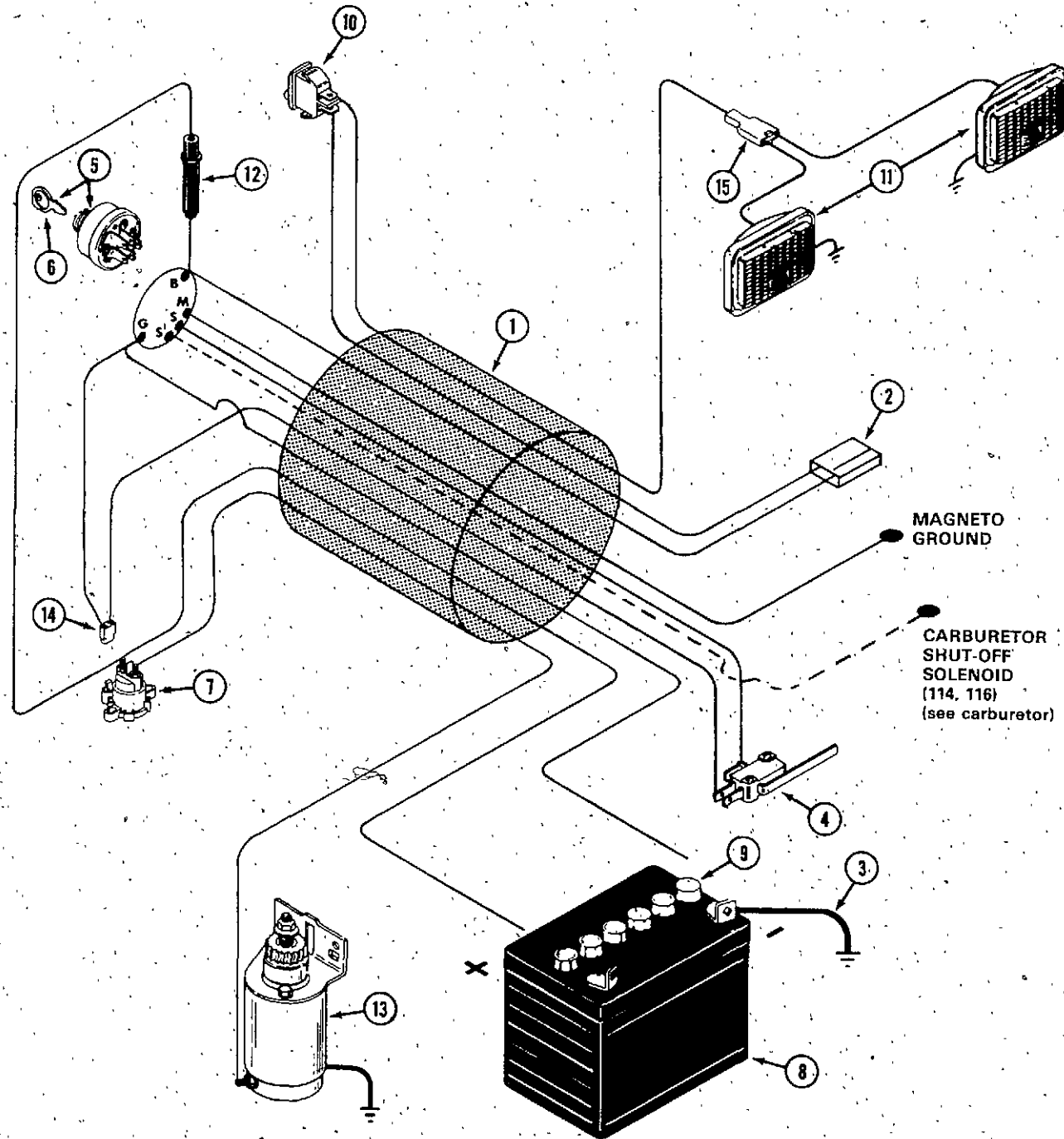
*Discard the needle bearing, sleeve and seals when replacing with C27569 ball bearing.

† used in transaxle Model No. 826

†† used in transaxle Model No. 843



IGNITION SWITCH TERMINALS



ELECTRICAL SYSTEM

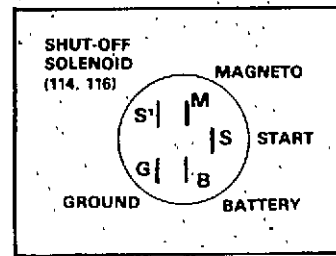
Use before S/N:
108 - all
111 - all
112 - 14102824
114 - 14104697
116 - 14106421

REF.	PART NO.	DESCRIPTION	REQ'D
1	C31035	HARNESS - wire (108, 111, 112)	1
1	C31036	HARNESS - wire (114, 116)	1
2	C25243	CONNECTOR - wire	1
3	C29256	CABLE - battery negative to ground (black)	1
4	C26108	SWITCH - neutral start	1
5	C30267	SWITCH - ignition (includes key and lock washer only)	1
6	C32407	KEY - ignition	1
7	C27523	SOLENOID - start	1
8	C41010	BATTERY - 12 volt	1
9	NLA	CAP - battery	6
10	C43044	SWITCH - headlights	1
11	C32178	HEADLIGHT ASSEMBLY - 12 volt (see page 39 for service)	2
12	223-30	FUSE - 30 amp (included with harness)	1
13	NSS*	STARTER - engine, 12 volt	1
14	C27549	CONNECTOR - solenoid	1
15	C14537	CONNECTOR - headlights	1

* See your local B & S distributor for parts.

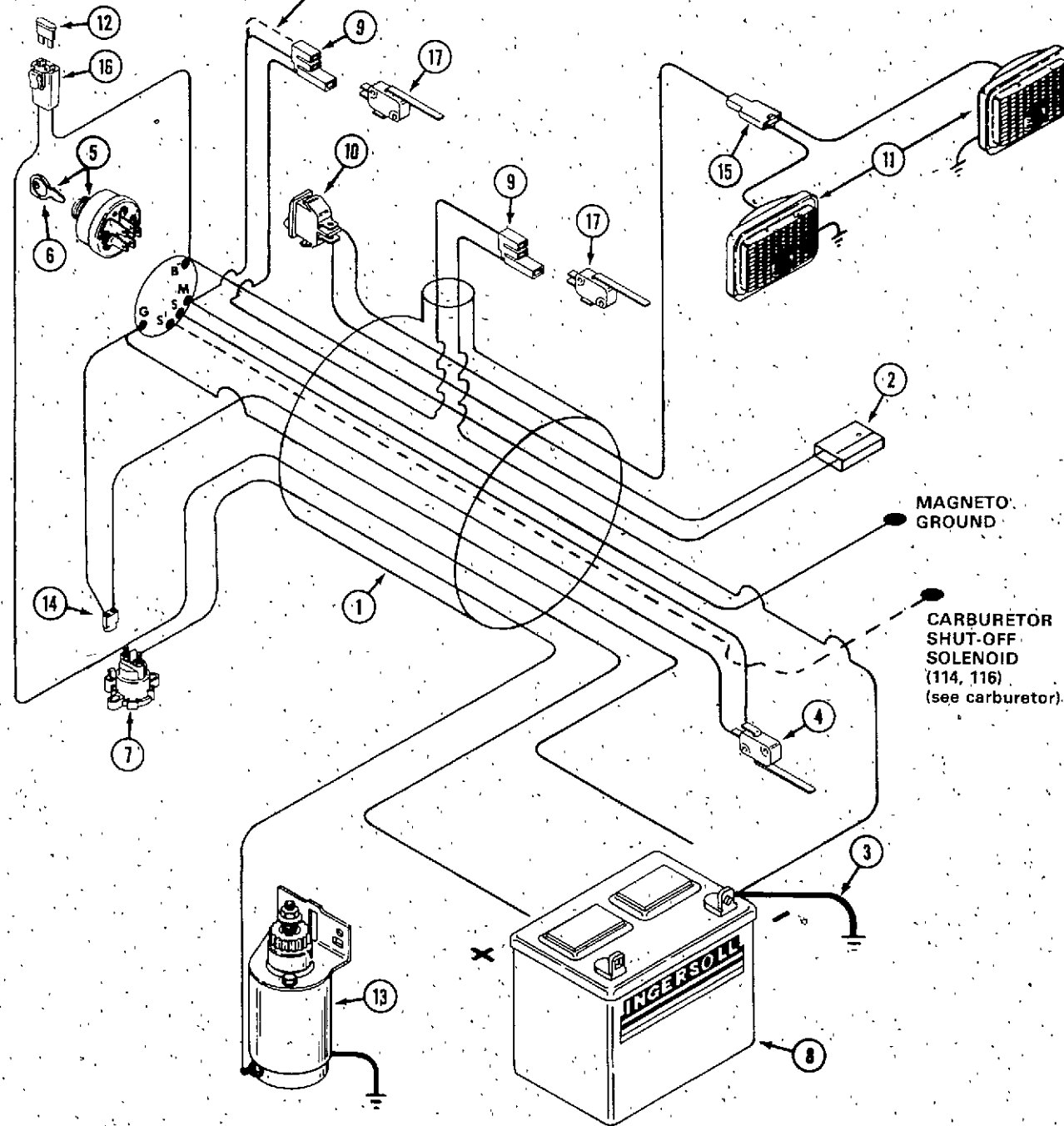
ELECTRICAL SYSTEM

Use S/N and after:
 112 - 14102824
 114 - 14104697
 116 - 14106421



CONNECTION AFTER S/N:
 112 - 14103055
 114 - 14104919
 116 - 14106472

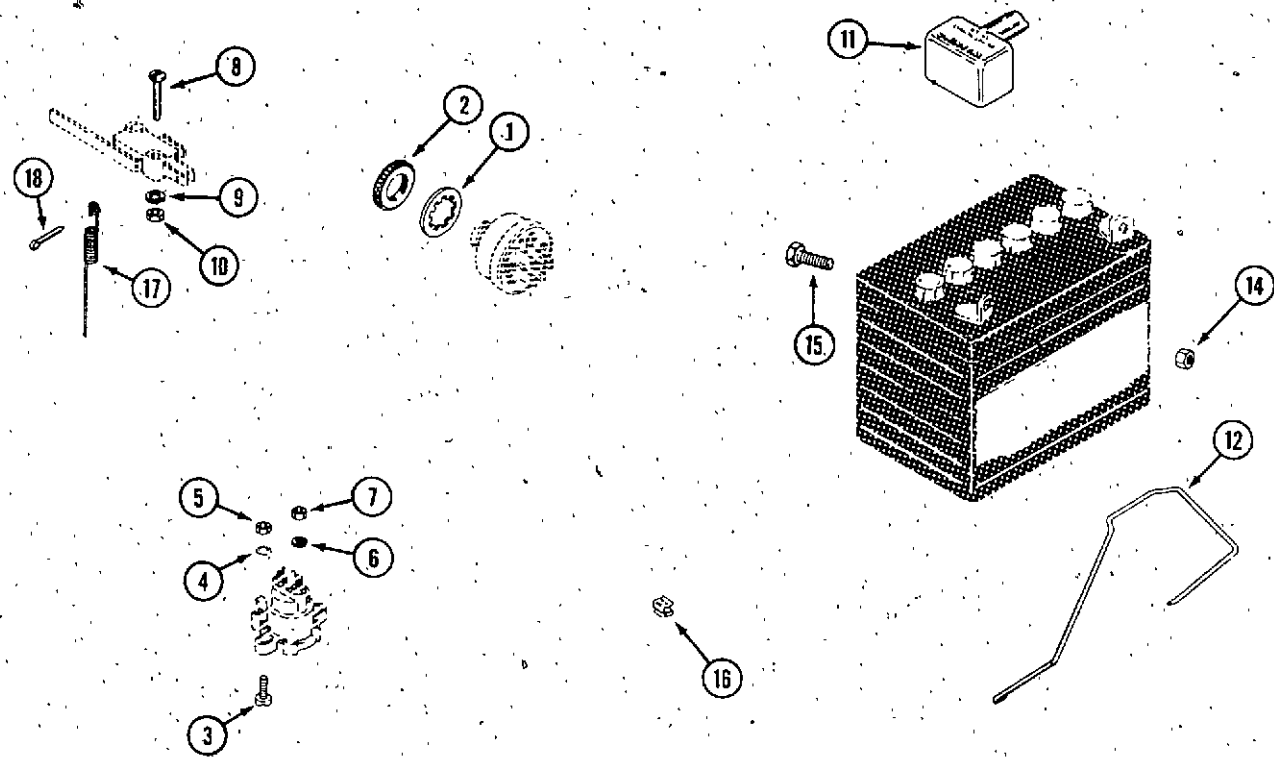
IGNITION SWITCH TERMINALS



REF.	PART NO.	DESCRIPTION	REQ'D
1	C31035	HARNESS - wire (112) (use before S/N 14103055)	1
1	C31036*	HARNESS - wire (114, 116)	1
1	C33095	HARNESS - wire (112) (use S/N 14103055 and after)	1
1	C33096**	HARNESS - wire (114, 116)	1
2	C25243	CONNECTOR - wire	1
3	C29256	CABLE - battery negative to ground (black)	1
4	C26108	SWITCH - neutral start	1
5	C30267	SWITCH - ignition (includes key and lock washer only)	1
6	C32407	KEY - ignition	1
7	NSS	SOLENOID - start (use C33025)	1
8	C41010	BATTERY - 12 volt	1
9	30279	CONNECTOR - interloc switch	2
10	C43044	SWITCH - headlights	1
11	C32178	HEADLIGHT ASSEMBLY - 12 volt (see page 39 for service)	2
12	30260	FUSE - 30 amp (included with harness)	1
13	NSS	STARTER - engine (see your local B & S distributor)	1
14	C27549†	CONNECTOR - solenoid	1
15	C14537	CONNECTOR - headlights	1
16	C31947	HOLDER - fuse (includes fuse)	1
17	C30275	SWITCH - interloc	2
18	C33088††	CABLE - solenoid to starter (112)	1
18	C33023††	CABLE - solenoid to starter (114, 116)	1
19	C33022††	CABLE - solenoid to battery	1
	C33300	HARNESS - wire, engine charge (116 - motor type 4001)	1

* Use before S/N:
 ** Use S/N and after:
 114 - 14104919
 116 - 14106472

† Use before S/N:
 †† Use S/N and after:
 112 - 1412349
 114 - 14123089
 116 - 14123800



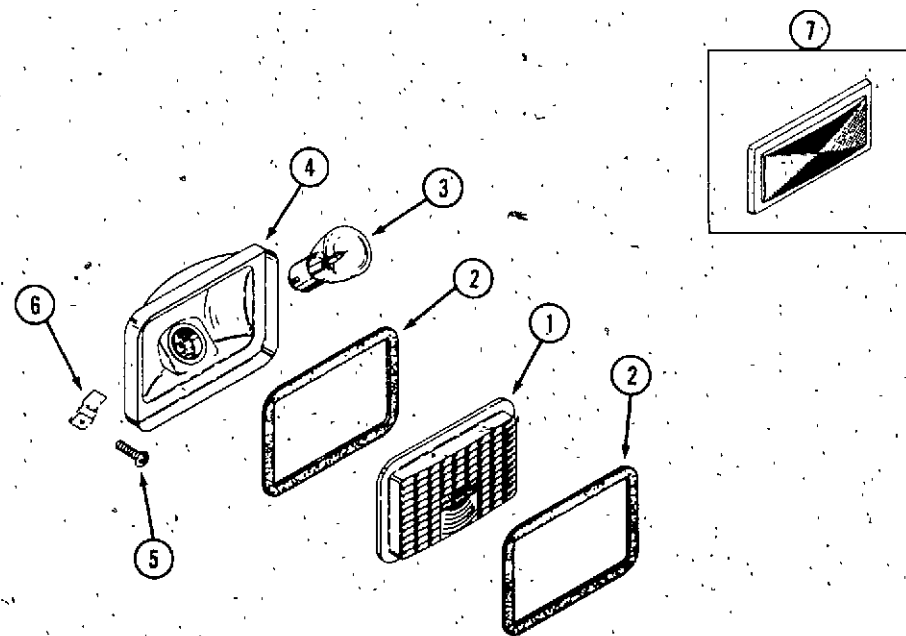
ELECTRICAL SYSTEM HARDWARE

REF.	PART NO.	DESCRIPTION	REQ'D
1	C23248	WASHER - internal tooth 5/8"	1
2	NSS	NUT - 5/8" - 32 knurled (use C32396, C32397)	1
3	182-559	SCREW - No. 10 - 24 x 3/4" black	2
4	193-70	LOCKWASHER - No. 10 external tooth	2
5	129-17	NUT - No. 10 - 24 hex	2
6	192-18	LOCKWASHER - 3/16"	2
6	192-19	LOCKWASHER - 1/4"	2
7	129-37	NUT - No. 10-32	3
7	129-101	NUT - 1/4" - 20	2
8	182-10	SCREW - No. 4 - 40 x 7/8"	6
9	192-13	LOCKWASHER - No. 4	6
10	C33697	NUT - No. 4 - 40	6
11	C24069	COVER - terminal	1
12	C15114	CLAMP - battery hold down	1
14	129-101	NUT - 1/4" - 20	2
14	129-102	NUT - 5/16" - 18	2
15	111-132	BOLT - 5/16" - 18 x 3/4" carriage	2
15	113-3	BOLT - 1/4" - 20 x 3/4"	2
16	C19521	CLIP - wire, headlight	1
17	C29169	SPRING - switch activating	1
18	132-334	PIN - cotter 1/8" x 3/4"	2
	C28962	CLIP - wire	UAR

HEADLIGHT AND REAR REFLECTOR

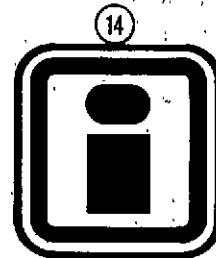
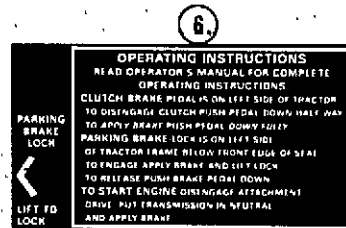
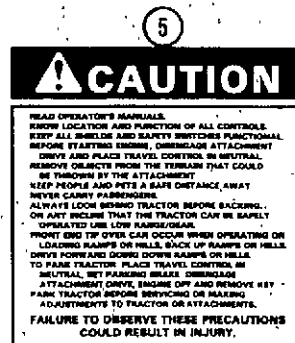
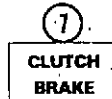
	C32178	HEADLIGHT ASSEMBLY	2
1	C22573	LENS - headlight	1
2	C14304	GASKET - headlight	2
3	C28932	BULB - headlight	1
4	NSS	RECEPTACLE - headlight (use C32178)	1
5	187-1334	SCREW - No. 8 - 18 x 1/2" black	4
6	C29637	RETAINER - headlight	4
7	C30942*	REFLECTOR - red, rear	2

* will require 2.
before S/N:
108 - all
111 - all
112 - 14102824
114 - 14104697
116 - 14106421



INGERSOLL

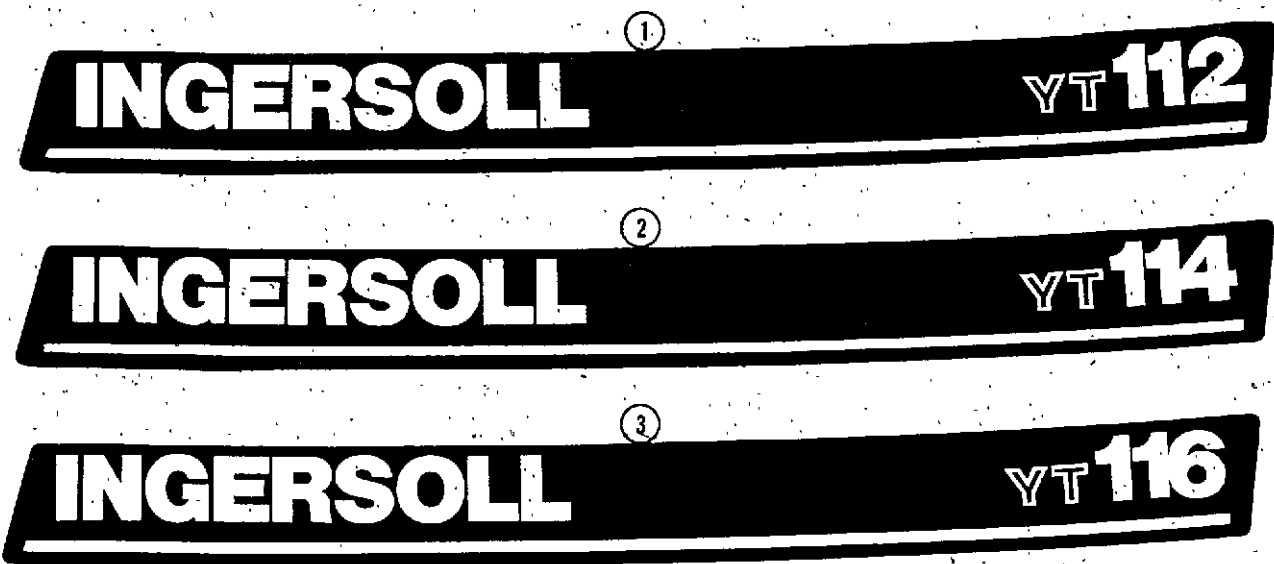
108¹YT 111²YT 112¹²YT 114³YT 116⁴YT



DECALS

Use before S/N:
 108 - all
 111 - all
 112 - 14102824
 114 - 14104697
 116 - 14106421

REF.	PART NO.	DESCRIPTION	REQ'D
1	C29253	DECAL - hood - L.H. (108) shown	1
1	C29254	DECAL - hood - R.H. (108)	1
2	C29224	DECAL - hood - L.H. (111) shown	1
2	C29225	DECAL - hood - R.H. (111)	1
3	C29226	DECAL - hood - L.H. (114) shown	1
3	C29227	DECAL - hood - R.H. (114)	1
4	C29228	DECAL - hood - L.H. (116) shown	1
4	C29229	DECAL - hood - R.H. (116)	1
5	321-6659	DECAL - "caution"	1
6	C29201	DECAL - instruction	1
7	C27875	DECAL - clutch; brake	1
8	NLA	MEDALLION - "Case"	1
9	C29202	DECAL - seat back (Ingersoll)	1
10	C27962	DECAL - "Ingersoll" stripe L.H. (shown)	1
10	C27963	DECAL - "Ingersoll" strip R.H.	1
11	C29478	DECAL - pinch point	2
12	C30149	DECAL - hood L.H. (112) shown	1
12	C30150	DECAL - hood R.H. (112)	1
13	C32093	DECAL - seat back (logo)	1
14	C30539	MEDALLION - Ingersoll	1



DECALS

Use S/N and after:

112 - 14102824

114 - 14104697

116 - 14106421

REF.	PART NO.	DESCRIPTION	REQ'D
1	C30947*	DECAL - hood - L.H. (112)	1
1	C30948*	DECAL - hood - R.H. (112) shown	1
1	C32141**	DECAL - hood - L.H. (112)	1
1	C32157**	DECAL - hood - R.H. (112)	1
2	C30949*	DECAL - hood - L.H. (114)	1
2	C30950*	DECAL - hood - R.H. (114) shown	1
2	C32142**	DECAL - hood - L.H. (114)	1
2	C32158**	DECAL - hood - R.H. (114)	1
3	C30951*	DECAL - hood - L.H. (116)	1
3	C30952*	DECAL - hood - R.H. (116) shown	1
3	C32143**	DECAL - hood - L.H. (116)	1
3	C32159**	DECAL - hood - R.H. (116)	1
4	321-6659	DECAL - "caution"	1
5	C29201	DECAL - instruction	1
6	C33585	DECAL - clutch, brake	1
7	C29478	DECAL - pinch point	2
8	C32093	DECAL - seat back (logo)	1
9	C30539	MEDALLION - INGERSOLL	1
10	C34184	DECAL - flag.(made in U.S.A.)	1

* Use before S/N:

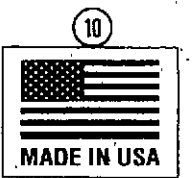
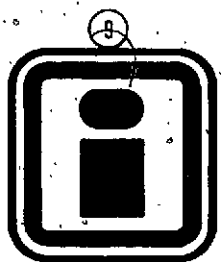
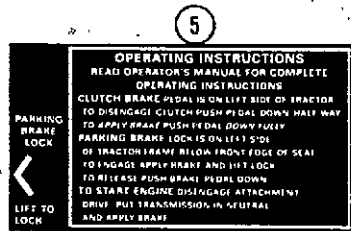
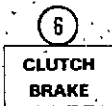
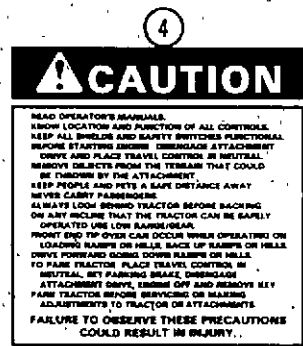
** Use S/N and after:

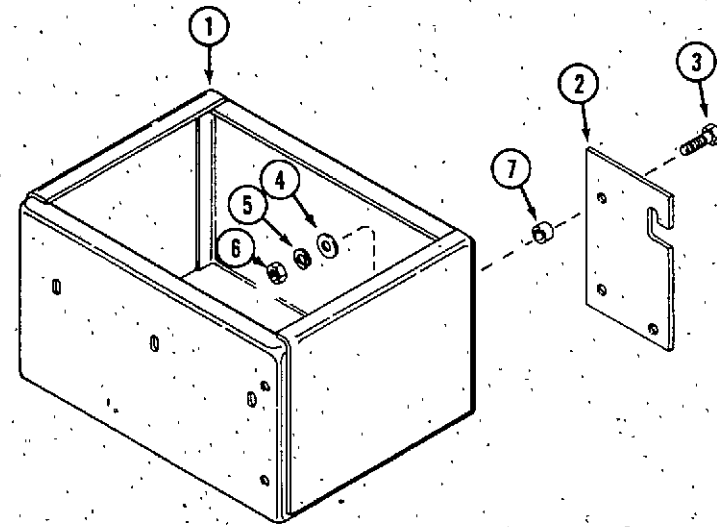
112 - 14122100

114 - 14122900

116 - 14123700

New decals will service old if both sides are replaced



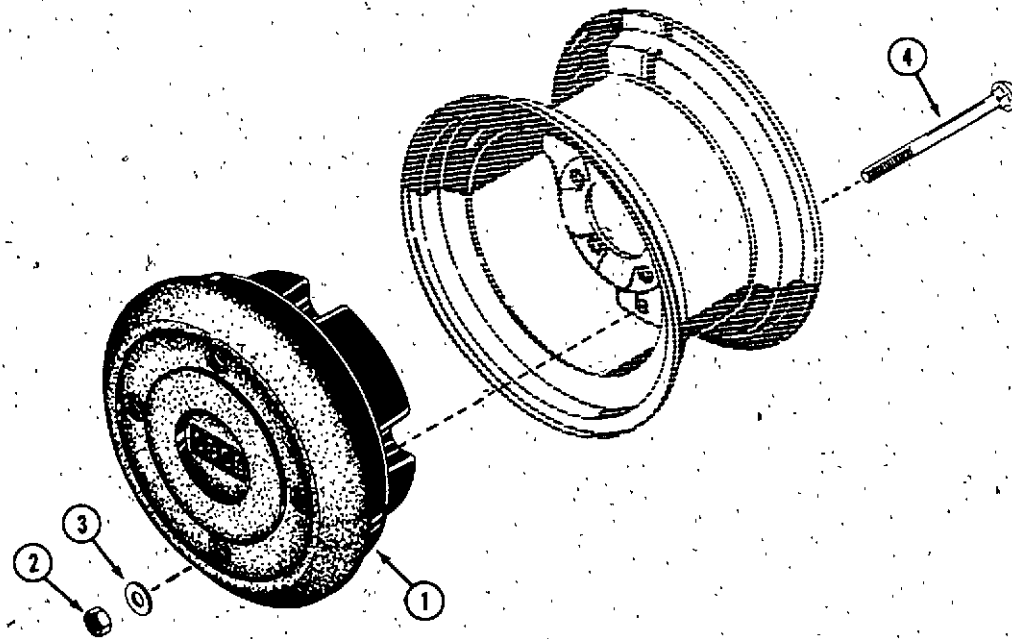


M13 WEIGHT BOX

REF.	PART NO.	DESCRIPTION	REQ'D
1	NSS	BOX - weight (order M13 from wholegoods)	1
2	C29702	BRACKET - mounting	2
3	113-207	BOLT - 3/8" - 16 x 1"	4
4	195-525	WASHER - 3/8"	4
5	192-21	LOCKWASHER - 3/8"	4
6	129-103	NUT - 3/8" - 16	4
7	C14768	SPACER - mounting (left side only)	2

WW10 WHEEL WEIGHTS

1	NSS	WEIGHT - wheel 31 lbs (order WW10 from whole goods)	2
2	113-251	BOLT - 3/8" - 16 x 7-1/2"	4
3	195-522	WASHER - 3/8"	4
4	192-21	LOCKWASHER - 3/8"	4
5	129-103	NUT - 3/8" - 16	4



PART NO.	PAGE NO.	REF. NO.	PART NO.	PAGE NO.	REF. NO.	PART NO.	PAGE NO.	REF. NO.	PART NO.	PAGE NO.	REF. NO.	PART NO.	PAGE NO.	REF. NO.	PART NO.	PAGE NO.	REF. NO.
C10678	5	9	C25688	23	6	C28650	29	19	C29243	11	32	C31031	17	1	113-102	5	3
C11205	33	10	C26039	19	8	C28651	29	11	C29243	25	6	C31035	35	1	113-102	9	9
C11222	33	8	C26051	21	11	C28652	29	10	C29245	23	15	C31035	35	1	113-102	13	2
C11529	5	2	C26108	35	4	C28653	31	4	C29246	23	10	C31035	37	1	113-102	17	9
C11796	21	7	C26108	37	4	C28654	29	13	C29249	23	7	C31036	35	1	113-102	17	12
C11906	21	5	C26111	33	1	C28655	31	27	C29252	9	18	C31036	37	1	113-102	23	3
C12975	9	8	C26325	19	2	C28656	31	16	C29253	41	1	C31092	13	22	113-102	27	29
C13106	21	7	C26332	21	17	C28657	31	14	C29254	41	1	C31437	9	45	113-103	11	23
C14201	19	14	C26332	23	11	C28658	31	13	C29256	35	3	C31597	13	15	113-103	13	17
C14304	39	2	C26332	27	11	C28659	31	9	C29256	37	3	C31947	37	16	113-103	15	9
C14537	35	15	C26333	21	18	C28660	31	31	C29267	5	1	C32093	41	13	113-103	19	11
C14537	37	15	C26345	9	42	C28661	31	32	C29305	17	7	C32093	43	8	113-104	15	9
C14768	13	31	C26370	21	12	C28662	31	34	C29306	17	8	C32141	43	1	113-111	29	23
C14768	25	13	C26526	17	14	C28663	31	17	C29314	13	34	C32142	43	2	113-118	11	23
C14768	27	14	C26526	21	5	C28664	31	12	C29315	13	35	C32143	43	3	113-118	25	16
C14768	45	7	C27045	19	13	C28665	31	8	C29316	9	20	C32157	43	1	113-121	7	3
C14906	27	34	C27047	21	10	C28666	31	10	C29317	23	1	C32158	43	2	113-121	7	1
C15066	21	1	C27068	25	20	C28667	29	14	C29326	9	15	C32159	43	3	113-122	7	3
C15083	9	4	C27069	23	1	C28668	31	28	C29478	41	11	C32178	35	11	113-122	17	12
C15105	19	9	C27072	23	10	C28808	21	12	C29478	43	7	C32178	37	11	113-205	9	12
C15114	39	12	C27233	5	6	C28821	29	28	C29637	39	6	C32178	39	9	113-205	13	8
C15156	23	4	C27442	23	19	C28932	39	3	C29699	25	1	C32199	25	22	113-207	13	9
C15156	27	28	C27523	35	7	C28935	5	8	C29702	45	2	C32407	35	6	113-207	13	29
C15410	7	1	C27549	35	14	C28962	39	9	C29706	27	4	C32407	37	6	113-207	27	25
C15410	15	6	C27549	37	14	C28971	9	2	C29812	17	18	C32455	11	29	113-207	45	3
C15410	17	10	C27552	29	1	C28972	21	11	C29878	25	1	C33022	37	19	113-208	27	39
C15540	5	5	G27553	31	6	C29045	27	2	C29917	23	25	C33023	37	18	113-209	9	32
C15564	27	6	C27554	31	30	G29046	9	17	C29919	31	1	C33081	13	14	113-209	27	16
C15672	9	31	C27555	31	15	C29047	23	16	C30070	15	11	C33088	37	18	113-233	11	34
C15672	11	33	C27556	31	33	C29070	5	1	C30070	17	15	C33095	37	1	113-233	25	3
C16362	13	5	C27557	31	11	C29168	19	17	C30100	13	26	C33096	37	1	113-233	25	7
C16429	17	4	C27558	31	29	C29169	39	17	C30101	13	26	C33173	13	13	113-251	45	2
C16745	9	29	C27559	31	2	C29172	9	21	C30103	25	15	C33208	25	20	113-253	11	9
C16745	11	30	C27560	31	7	C29173	15	4	C30149	41	12	C33300	37	3	114-2	23	2
C17066	9	40	C27562	31	24	C29174	15	5	C30150	41	12	C33467	13	36	121-106	9	24
C17066	11	10	C27563	29	15	C29176	27	24	C30154	27	38	C33474	17	3	121-106	13	20
C17597	9	16	C27564	31	18	C29177	23	21	C30155	27	40	C33585	43	6	121-106	15	2
C17597	9	28	C27565	33	13	C29178	23	14	C30157	27	3	C33697	39	10	121-106	17	2
C18626	21	13	C27566	33	3	C29181	19	3	C30260	37	12	C34148	29	12	123-101	27	33
C19071	25	24	C27567	31	19	C29186	5	1	C30267	35	5	C34184	43	10	126-16	25	21
C19309	33	4	C27568	31	21	C29187	5	1	C30267	37	5	C37004	11	19	129-17	5	3
C19310	33	5	C27570	31	3	C29188	23	16	C30275	37	17	C41010	35	8	129-17	39	5
C19311	33	6	C27571	33	11	C29189	27	32	C30279	37	9	C41010	37	8	129-37	39	7
C19312	33	7	C27572	31	23	C29192	15	5	C30289	13	25	C42098	9	41	129-101	23	24
C19345	29	7	C27573	31	26	C29193	15	8	C30292	13	4	C42572	27	1	129-101	39	7
C19345	31	5	C27574	31	20	C29196	15	3	C30391	27	27	C43044	34	50	129-101	39	14
C19347	29	5	C27575	31	22	C29197	15	3	C30475	9	5	C43044	37	10	129-102	7	2
C19352	29	6	C27576	29	2	C29199	13	28	C30477	9	13	C44703	11	3	129-102	11	26
C19353	29	16	C27577	29	4	C29201	41	6	C30500	33	4	C44705	11	5	129-102	19	6
C19354	29	17	C27579	33	12	C29201	43	5	C30501	33	11	C44708	11	18	129-102	23	6
C19355	29	18	C27580	29	20	C29202	41	9	C30502	33	12	C44710	11	17	129-102	25	17
C19357	29	21	C27581	33	14	C29203	13	16	C30508	7	4	C44713	11	8	129-102	27	22
C19358	29	22	C27593	9	23	C29204	13	16	C30509	7	5	C44715	11	13	129-102	39	14
C19521	39	16	C27593	23	9	C29207	23	13	C30510	7	3	C44716	11	21	129-103	9	34
C20053	25	10	C27593	27	5	C29213	27	3	C30539	41	14	C44717	11	16	129-103	13	11
C21576	33	2	C27651	31	25	C29214	27	23	C30539	43	9	C44719	11	15	129-103	13	33
C22573	39	1	C27822	9	39	C29216	23	15	C30769	9	35	C44784	11	1	129-103	23	15
C23248	39	1	C27822	11	11	C29218	27	10	C30780	21	6	C45145	11	20	129-103	45	6
C23456	25	2	C27875	41	7	C29221	11	12	C30781	21	1	013-624	21	19	129-103	45	5
C23535	25	12	C27962	41	10	C29224	41	2	C30785	17	16	013-628	21	20	129-163	21	15
C23818	9	7	C27963	41	10	C29225	41	2	C30873	9	27	014-712	25	9	129-163	23	12
C24069	39	11	C28030	5	5	C29226	41	3	C30942	39	7	061-612	23	17	129-163	27	13
C24182	27	19	C28226	21	9	C29227	41	3	C30947	43	1	111-108	23	22	129-289	21	16
C24345	23	8	C28226	21	9	C29228	41	4	C30948	43	1	111-132	19	4	129-2175	7	6
C24503	21	2	C28232	21	10	C29229	41	4	C30949	43	2	111-132	27	20	131-69	7	4
C25113	25	14	C28236	21	3	C29233	27	36	C30950	43	2	111-132	39	15	131-69	23	20
C25229	9	14	C28237	11	22	C29234	27	18	C30951	43	3	111-256	27	37	131-165	23	7
C25229	11	2	C28263	9	11	C29235	27	17	C30952	43	3	111-330	9	32	131-176	9	10
C25233	9	6	C28315	25	25	C29236	25	9	C31004	17	5	111-366	23	13	131-176	27	35
C25243	35	2	C28648	29	8	C29238	23	5	C31006	17	13	113-3	39	15	131-176	29	24
C25243	37	2	C28649	29	9	C29240	13	7	C31009	9	45	113-17	29	3	131-911	5	4

NUMERICAL INDEX

PART NO.	PAGE NO.	REF. NO.	PART NO.	PAGE NO.	REF. NO.	PART NO.	PAGE NO.	REF. NO.
131- 911	9	26	195- 521	7	2			
131- 911	11	31	195- 521	7	7			
131- 911	13	3	195- 521	9	43			
131- 911	17	6	195- 521	11	24			
131- 934	13	24	195- 521	13	19			
131- 938	11	28	195- 521	19	12			
131- 938	21	21	195- 521	23	12			
131- 938	25	5	195- 521	29	26			
131-1180	23	26	195- 522	13	12			
131-1181	11	14	195- 522	27	12			
131-1181	23	18	195- 522	45	3			
131-1181	27	26	195- 525	9	37			
131-1331	21	14	195- 525	11	7			
131-1352	9	30	195- 525	13	30			
131-1352	11	27	195- 525	25	8			
132- 6	23	11	195- 525	45	4			
132- 310	23	27	195- 533	9	44			
132- 310	25		195- 533	11	4			
132- 310	27	8	195- 533	27	7			
132- 320	9	22	195- 541	19	15			
132- 332	9	38	195- 545	21	8			
132- 334	11	6	195- 545	21	8			
132- 334	13	6	195-2029	25	19			
132- 334	39	18	195-2069	19	7			
138- 51	23	28	195-2175	7	2			
138- 57	9	36	195-2175	17	11			
138- 97	33	9	214- 252	5	5			
138- 143	19	16	219- 10	21	4			
138-2040	21	4	219- 17	19	10			
138-2071	9	19	219- 404	21	6			
138-2071	23	2	223- 30	35	12			
138-2071	23	9	321-6659	41	5			
138-2071	27	9	321-6659	43	4			
138-2071	27	31	353- 10	29	27			
138-2072	23	8						
178- 858	25	26						
182- 10	39	8						
182- 547	13	21						
182- 559	5	2						
182- 559	39	3						
187-1036	17	17						
187-1070	29	25						
187-1334	13	27						
187-1334	39	5						
187-1908	5	7						
192- 13	39	9						
192- 18	5	4						
192- 18	39	6						
192- 19	23	4						
192- 19	23	23						
192- 19	39	6						
192- 20	9	25						
192- 20	11	25						
192- 20	13	18						
192- 20	15	10						
192- 20	19	5						
192- 20	23	5						
192- 20	27	30						
192- 21	9	33						
192- 21	13	10						
192- 21	13	32						
192- 21	23	14						
192- 21	25	4						
192- 21	27	15						
192- 21	45	5						
192- 21	45	4						
193- 70	39	4						
195- 103	25	18						
195- 103	27	21						
195- 104	27	41						
195- 518	23	3						

INGERSOLL
Ingersoll Equipment Co., Inc.