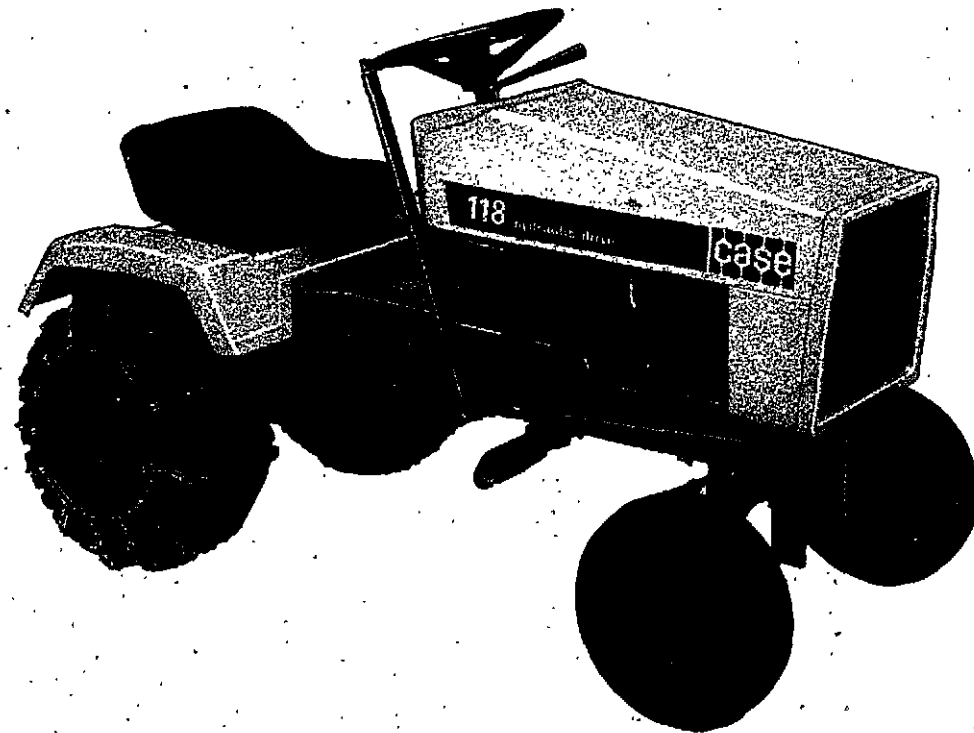


CASE MODEL 118 COMPACT TRACTOR

Parts Catalog No. A1227

Hi-Liter 7-75 2500 MADE IN U.S.A.

NOTE: This catalog replaces the previous issue - 1227 - which is obsolete and should be discarded.



ALPHABETICAL INDEX

ENGINE SECTION

	PAGE	GRID		PAGE	GRID
Air Cleaner	11	A12	Flywheel	7	A8
Battery	31	C4	Fuel Strainer	11	A12
Breather, Crankcase	7	A8	Fuel System	11	A12
Camshaft	5	A6	Gasket Kits	9-13	A10-A14
Carburetor	11-13	A12-A14	Governor	7	A8
Connecting Rod	5	A6	Muffler	7	A8
Crankshaft	5	A6	Oil Pan	5	A6
Cylinder Block	5	A6	Piston	5	A6
Cylinder Head	7	A8	Points, Breaker Contact	31	C4
Electrical System	31-33	C4-C6	Spark Plug	9	A10
Engine Block & Attaching Parts	5-9	A6-A10	Starter	33	C6
Exhaust System	7	A8	Tank, Fuel	11	A12
Filter, Breather	11	A12	Throttle Linkage	11	A12
			Valves	5	A6

BASIC TRACTOR SECTION

	PAGE	GRID		PAGE	GRID
Axle, Front	21	B8	Hydraulics	25	B12
Axle, Rear	27	B14	Implement Lift	29	C2
Baffles & Shrouds	7-9	A8-A10	Model G14 Weight Box	15	B2
Brakes	23	B10	Model J6 Headlamp Kit	37	C12
Decals	35	C10	Plate, Engine Mounting	13	A14
Electrical System	31-33	C4-C6	PTO Clutch	29	C2
Fenders	17	B4	Seat, Operator's	17	B4
Frame	15	B2	Steering Wheel & Gear	19	B6
Grille	15	B2	Tool Tray	15	B2
Hitch	15	B2	Transmission	27	B14
Hood	15	B2	Wheels, Front & Rear	21	B8

Indexes

This Parts Catalog is arranged for easy identification of Genuine CASE Service Parts. An alphabetical index is provided at the front of this Catalog to locate the major groups or assemblies. A numerical index at the rear of the Catalog gives the part numbers and the pages on which they are described.

Illustrations

All parts are illustrated in "Exploded Views" which show the individual parts in their normal relationship to each other. Reference numbers are used in the illustrations. These numbers correspond to those in the "Reference Number" column and are followed by the part number, description and quantity required.

Orders

Orders should plainly specify correct part number, full description, quantity required, machine model and engine model, machine and engine serial numbers, method of shipment and shipping address.

Changes

When changes to the machine make it necessary, revised pages for this book will be issued. The revised pages will be issued with the same page number as those they replace and the "issue" number and date will be advanced.

It is imperative that revised Parts Books be inserted into their respective Parts Books as soon as received. Failure to do so will lead to confusion and defeat the purpose of the book.

Indented Description

Indented parts in the descriptive list are a part of the preceding assembly or sub-assembly. The quantity shown in the "Number Required" column is the number of parts used on a machine except where parts are indented in descriptive list. In this case the quantity shown is the number required for the preceding assembly or sub-assembly.

REF.	PART NO.	DESCRIPTION	REQ'D
	A 55159	CYLINDER ASSY - rear steering	1
28	A 56208	SOCKET ASSY - rear cylinder	1
29	A 55956	PLUG - adjusting, socket assy	1
30	A 55957	SEAT - socket ball	2
31	A 56210	SPRING - socket	1
32	A 56209	SEAT - socket spring	1
33	G 45175	CLAMP ASSY - socket assy	1
	16- 836	BOLT - 1/2" x 2-1/4" N.F.hex.	1
34	132- 104	PIN - cotter, 3/16" x 3"	1
35	A 55889	STUD - ball, socket & cylinder	2
36	13- 410	BOLT - 1/4" x 5/8" N.C., hex.	4
37	92- 4	LOCKWASHER - 1/4" SAE	4

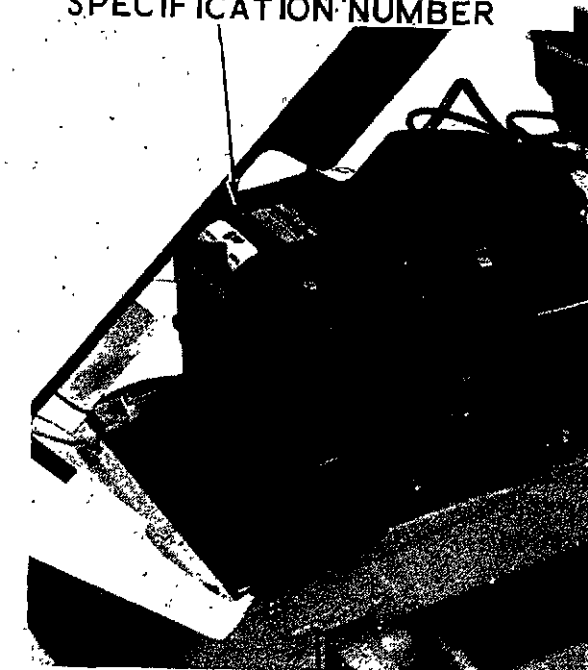
Terms "Right Hand" and "Left Hand"

"Right Hand" and "Left Hand" sides of this machine are determined by standing at the rear of the unit and facing in the direction of forward travel.

CASE MODEL 118 COMPACT TRACTOR



ENGINE MODEL, SERIAL AND SPECIFICATION NUMBER

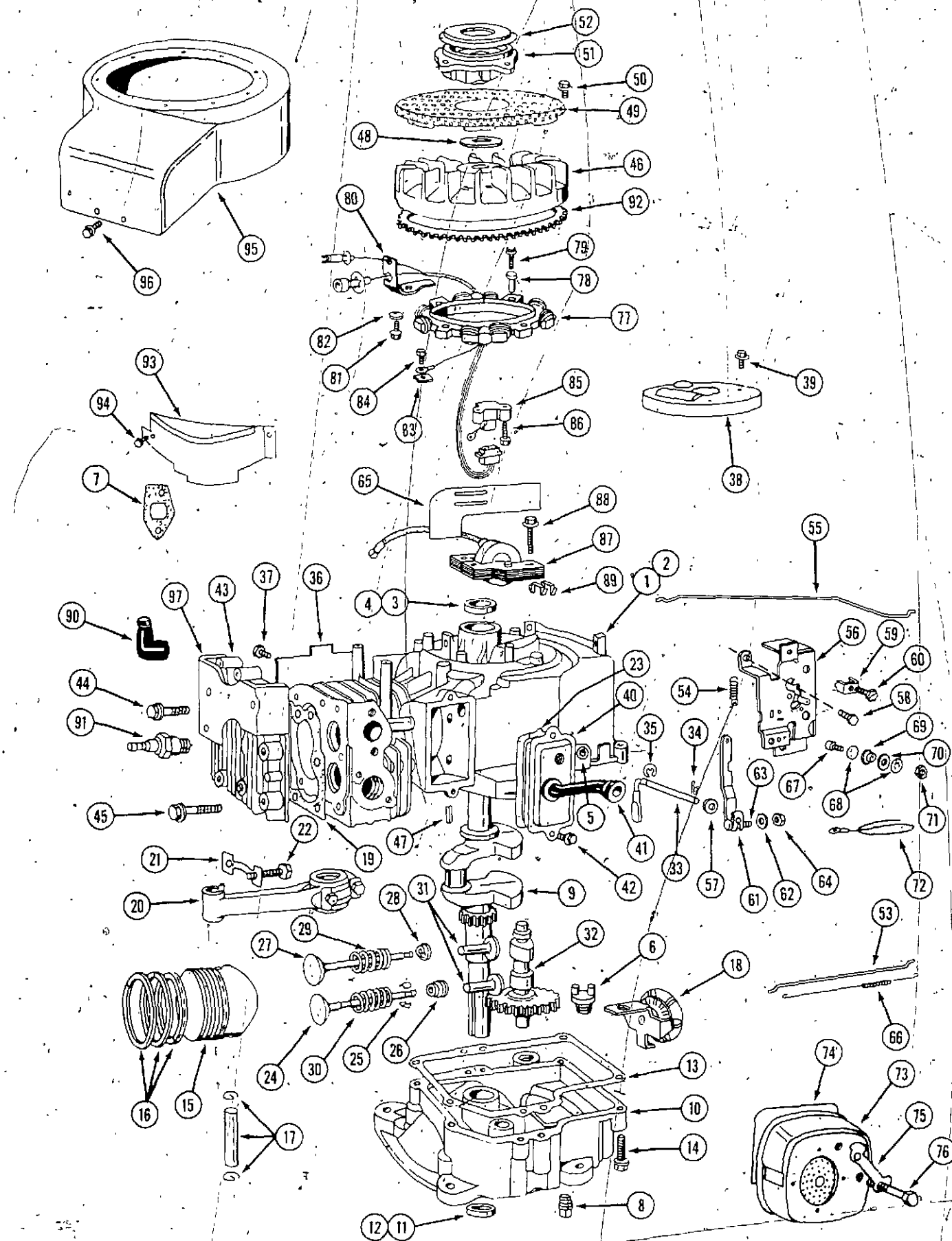


TRACTOR MODEL DESIGNATIONS	ENGINE MODEL DESIGNATIONS
118 TRACTOR	C19070

SERIAL NUMBERS

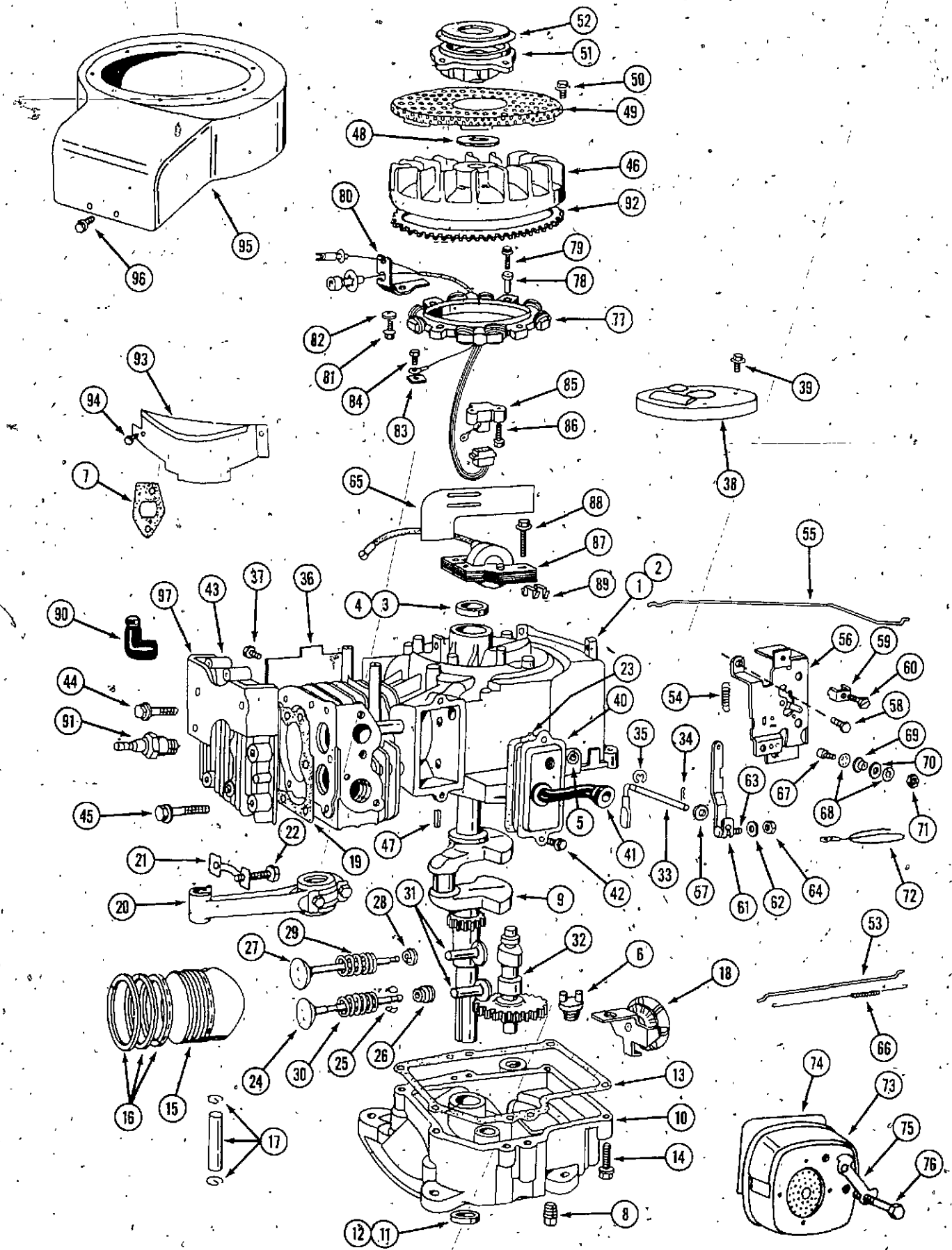
When using this catalog, notice the reference to serial numbers of various components noted here and listed in the "description" copy. By referring to correct serial numbers, proper parts identification will be assured.

**CASE MODEL 118 COMPACT TRACTOR
C19070 ENGINE**



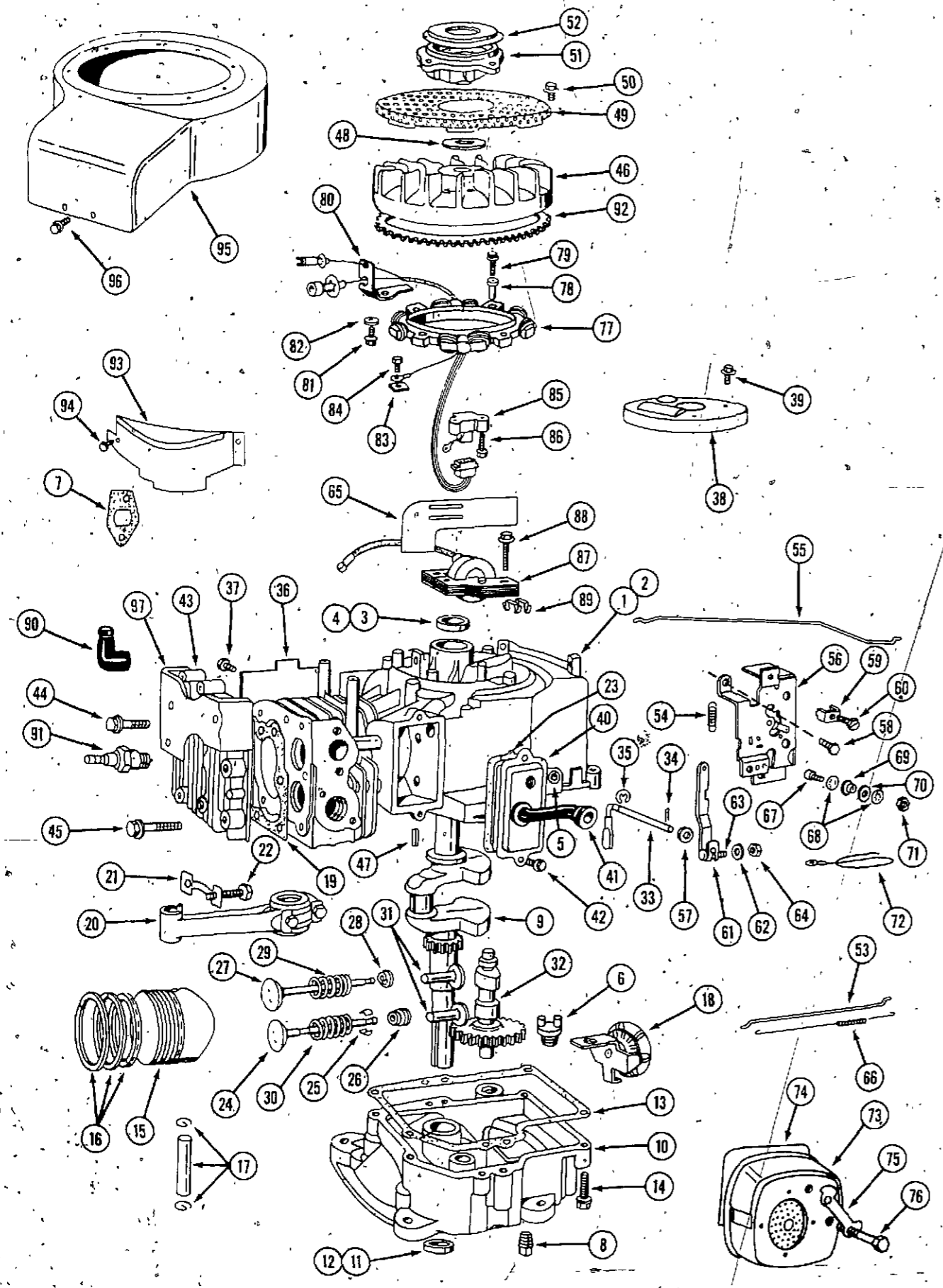
REF. PART NO.	DESCRIPTION	REQ'D
1 BR 390640	BLOCK ASSEMBLY - short	1
2 BR 390380	BLOCK - cylinder, stripped	1
3 BR 295962	BUSHING - cylinder	1
4 BR 294606	SEAL - oil	1
5 BR 230927	BUSHING - governor shaft	1
6 BR 66768	PLUG - oil filler	1
7 BR 270538	GASKET - carburetor mtg.	1
8 221- 13	PLUG - pipe, oil drain	1
9 BR 261038	CRANKSHAFT	1
10 BR 298616	OIL PAN ASSEMBLY	1
11 BR 295963	BUSHING - oil pan	1
12 BR 298923	SEAL - oil	1
13 BR 27750	GASKET - oil pan 1/64"	1
14 BR 93585	SCREW - oil pan mtg.	4
15 BR 390347	PISTON ASSEMBLY - standard	1
15 BR 390348	PISTON ASSEMBLY - .010 oversize	1
15 BR 390349	PISTON ASSEMBLY - .020 oversize	1
15 BR 390350	PISTON ASSEMBLY - .030 oversize	1
16 BR 299569	RING SET - standard	1
16 BR 299570	RING SET - .010 oversize	1
16 BR 299571	RING SET - .020 oversize	1
16 BR 299572	RING SET - .030 oversize	1
17 BR 295840	PIN ASSEMBLY - piston, standard	1
17 BR 295841	PIN ASSEMBLY - piston, .005 oversize	1
18 BR 298614	BRACKET ASSEMBLY - governor gear & oil slinger	1
19 BR 270430	GASKET - cylinder head	1
20 BR 390402	CONNECTING ROD ASSEMBLY	1
21 BR 222114	LOCK - connecting rod bolt	1
22 BR 92659	BOLT - connecting rod	2
23 BR 27803	GASKET - valve cover	1
24 BR 390419	VALVE - exhaust	1
25 BR 93630	LOCK - exhaust valve	2
26 BR 292260	ROTATOR - exhaust valve	1
27 BR 261055	VALVE - intake	1
28 BR 221596	KEEPER - intake valve	1
29 BR 65906	SPRING - intake valve	1
30 BR 26828	SPRING - exhaust valve	1
31 BR 260933	TAPPET - valve	2
32 BR 210728	GEAR - cam	1
33 BR 230759	SHAFT - governor lever	1
34 136- 103	PIN - hair	1
35 A 27795	RETAINER	1
36 BR 221898	BAFFLE - cylinder	1
37 BR 93163	SCREW - baffle mtg.	1
38 BR 222117	COVER - breaker points	1
39 187- 1041	SCREW - sems	2

**CASE MODEL 118 COMPACT TRACTOR
C19070 ENGINE**



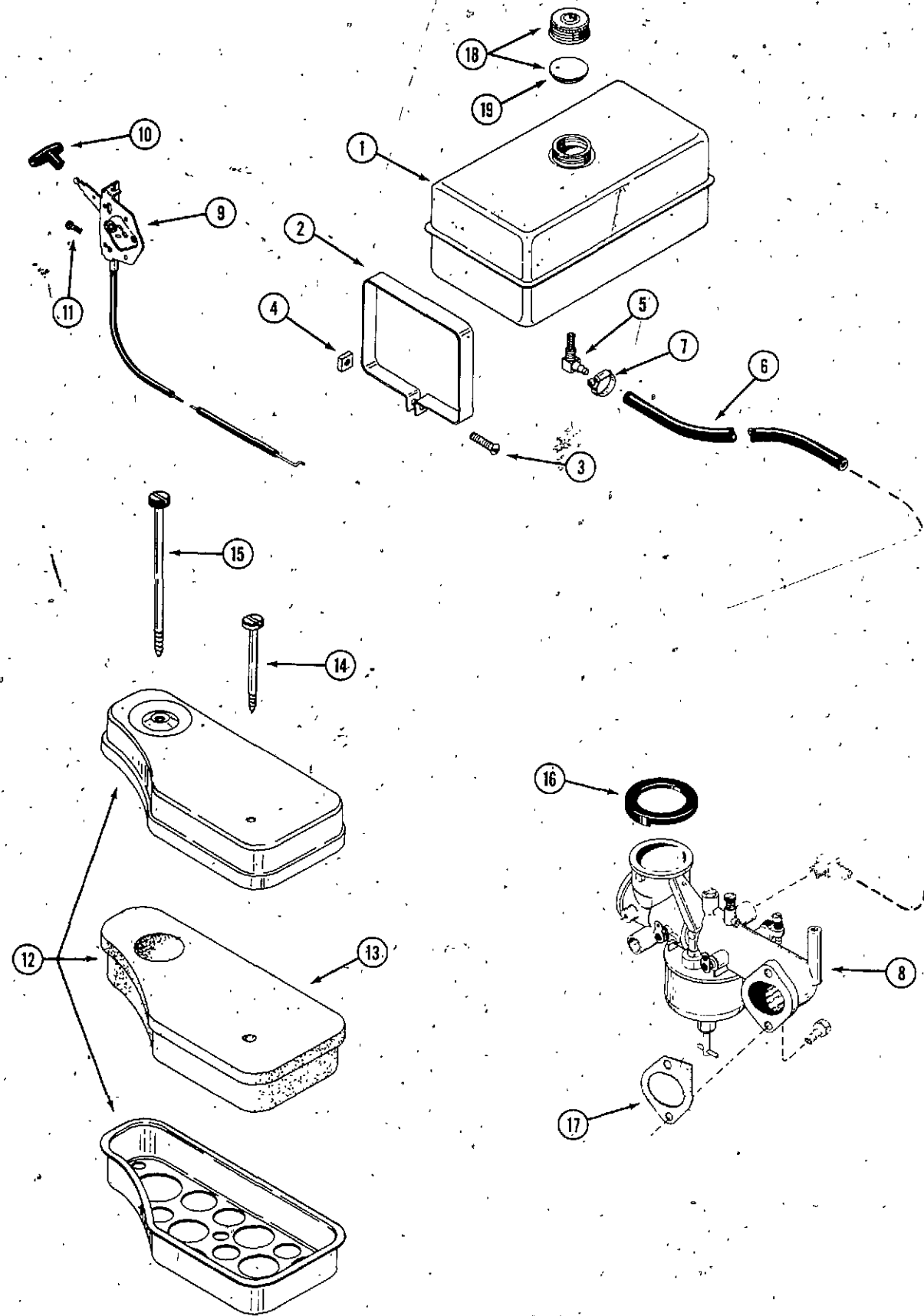
REF. PART NO.	DESCRIPTION	REQ'D
40 BR 299848	BREATHER ASSEMBLY - crankcase	1
41 BR 280005	TUBE - breather	1
42 BR 93536	SCREW - sems	2
43 BR 211778	HEAD - cylinder	1
44 BR 93210	BOLT - cylinder head, 2-9/32"	3
45 BR 93211	BOLT - cylinder head, 2-21/32"	4
46 BR 390180	FLYWHEEL	1
47 BR 61760	KEY - flywheel	1
48 BR 220865	WASHER - spring	1
49 BR 221796	SCREEN - flywheel	1
50 BR 93042	SCREW - sems	4
51 BR 211383	HOUSING - screen mounting	1
52 BR 222277	COVER - screen housing	1
53 BR 260971	LINK - governor	1
54 BR 261129	SPRING - governor	1
55 BR 261117	LINK - choke	1
56 BR 390662	PLATE - governor control	1
57 BR 221559	WASHER - governor lever	1
58 BR 93572	SCREW - governor lever	1
59 BR 221535	CLAMP	1
60 BR 93496	SCREW - sems	1
61 BR 298303	LEVER ASSEMBLY - governor	1
62 BR 220680	WASHER - #10	1
63 11- 312	BOLT - #10 NC round head	1
64 129- 7	NUT - # 10 NC hex	1
65 BR 221760	GUIDE - air	1
66 BR 260584	SPRING - governor link	1
67 BR 91920	SCREW - # 8 x 5/8" flat hd, mach.	1
68 193- 25	LOCKWASHER - # 8 internal tooth	2
69 BR 66554	COLLAR - insulating	1
70 BR 66068	WASHER - insulating	1
71 129- 6	NUT - # 8 NC hex	2
72 BR 299500	WIRE - ground	1
73 BR 390918	MUFFLER - exhaust	1
74 BR 221885	SHIELD - heat	1
75 BR 222263	LOCK - screw	1
76 BR 93704	SCREW - muffler	2
77 BR 390693	STATOR - alternator	1
78 BR 230976	BUSHING - stator	4
79 BR 93621	SCREW - stator mtg.	4
80 BR 222211	BRACKET - fuse holder	1
81 BR 93536	SCREW - bracket mtg.	1
82 BR 220680	WASHER - bracket mtg.	1
83 BR 222212	RETAINER - wire	1
84 BR 93438	SCREW - retainer	1

**CASE MODEL 118 COMPACT TRACTOR
C19070 ENGINE**



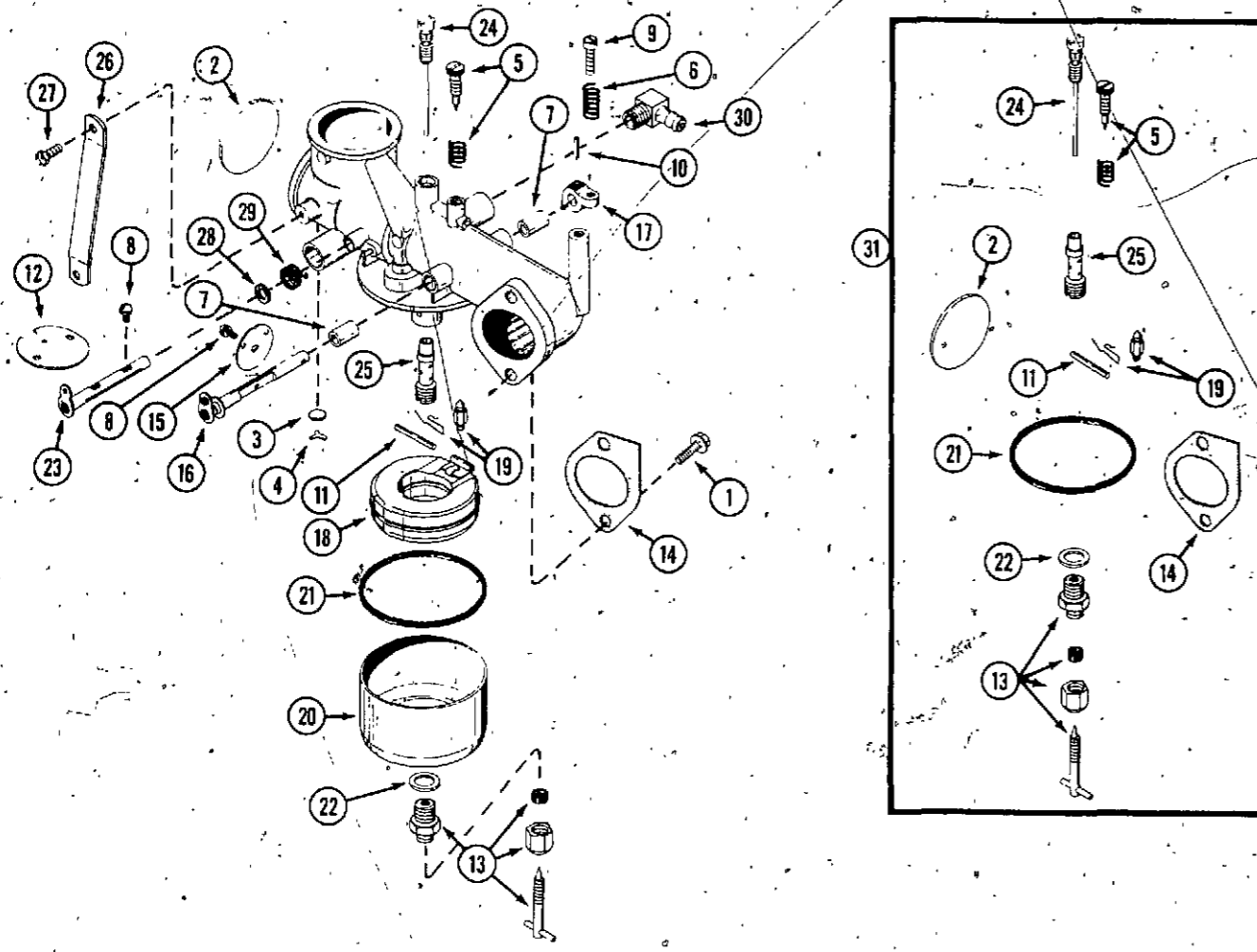
REF. PART NO.	DESCRIPTION	REQ'D
85 BR 390892	RECTIFIER - alternator	1
86 BR 93621	SCREW - rectifier	1
87 BR 298968	COIL ASSEMBLY	1
88 BR 93381	SCREW - coil mtg.	2
89 BR 221907	CLIP - wire	1
90 BR 66538	INSULATOR - spark plug	1
91 M 20677	SPARK PLUG	2
92 BR 299543	GEAR - ring	1
93 BR 390233	SHIELD - starter	1
94 BR 93410	SCREW - shield mtg.	2
95 BR 299392	HOUSING - blower	1
96 BR 93158	SCREW - blower housing mtg.	4
97 BR 221901	BAFFLE - cylinder head	1
BR 299577	KIT - engine gasket (includes items 7, 13, 19 & 23)	1

**CASE MODEL 118 COMPACT TRACTOR
FUEL SYSTEM**



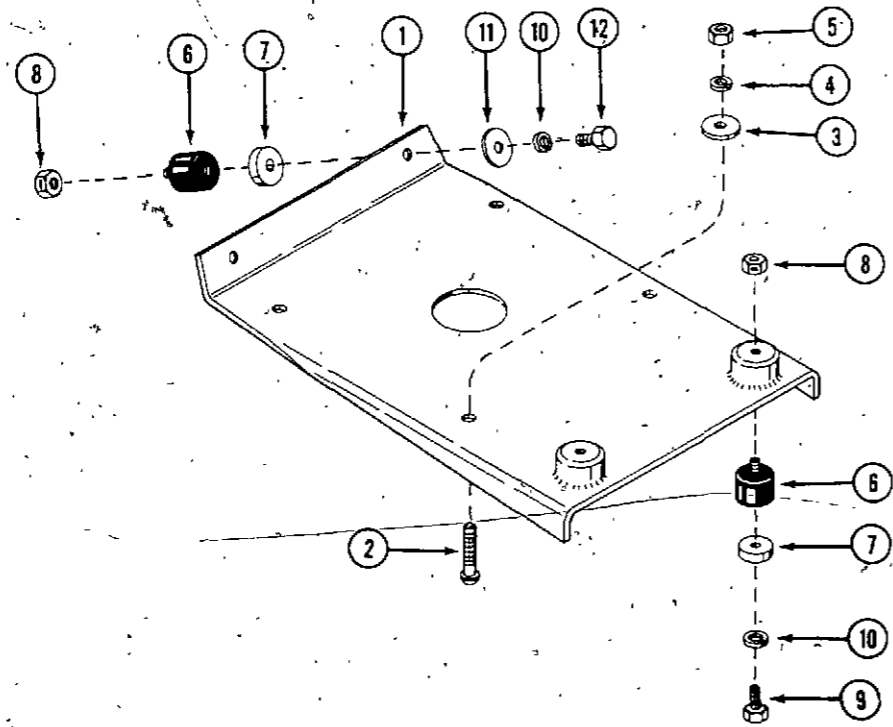
REF.	PART NO.	DESCRIPTION	REQ'D
1	C 15519	TANK - fuel	1
2	C 15174	STRAP - tank	2
3	173- 215	SCREW - round head mach. 1/4" x 1-1/4"	2
4	129- 504	NUT - 1/4" sq.	2
5	C 10657	ELBOW	1
6	C 15526	FUEL LINE - 18"	1
7	214- 103	CLAMP - hose	2
8	BR 390811	CARBURETOR - (repairs page 13)	1
9	C 18206	CONTROL - choke and throttle	1
10	C 15540	HANDLE - T	1
11	187- 1047	SCREW - self tapping Phillips head	2
12	BR 390379	CLEANER ASSEMBLY - air	1
13	BR 270528	ELEMENT - air cleaner	1
14	BR 93622	SCREW - air cleaner	1
15	BR 93323	SCREW - air cleaner	1
16	BR 270539	GASKET - air cleaner	1
17	BR 270538	GASKET - carburetor mounting	1
18	C 11529	CAP - fuel tank	1
19	C 11545	INSERT - fuel cap	1

**CASE MODEL 118 COMPACT TRACTOR
CARBURETOR**



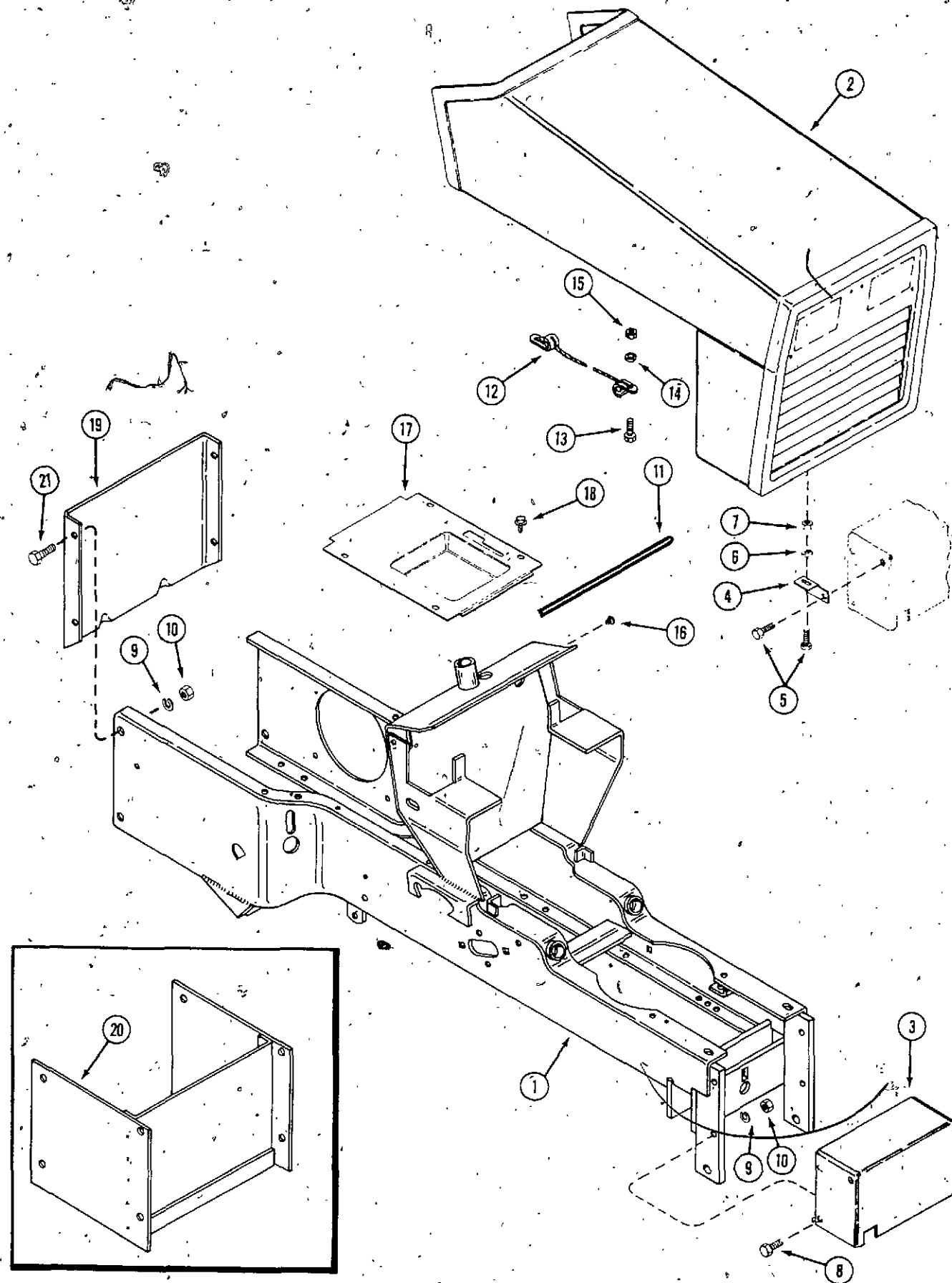
REF. PART NO.	DESCRIPTION	REQ'D
1 BR 93357	SCREW - carburetor mtg.	2
2 41- 24	PLUG - welch	1
3 BR 27590	FILTER - carburetor drain	1
4 BR 220521	RETAINER - carburetor drain filter	1
5 BR 292681	VALVE ASSEMBLY - carburetor idle	1
6 BR 26157	SPRING - throttle adj.	1
7 BR 23108	BUSHING - throttle shaft	2
8 BR 93038	SCREW - throttle and choke mtg.	3
9 BR 91920	SCREW - #8 x 5/8" mach.	1
10 138- 251	PIN - throttle stop	1
11 BR 230896	PIN - float hinge	1
12 BR 222010	VALVE - choke	1
13 BR 299762	VALVE ASSEMBLY - needle	1
14 BR 270538	GASKET - carburetor mounting	1
15 BR 221986	VALVE - throttle	1
16 BR 299650	SHAFT AND LEVER - throttle	1
17 BR 211712	STOP - throttle	1
18 BR 299707	FLOAT - carburetor	1
19 BR 299096	VALVE - fuel inlet assembly	1
20 BR 221995	BOWL - float	1
21 BR 270511	GASKET - float bowl	1
22 BR 222014	WASHER - float bowl	1
23 BR 390684	SHAFT AND LEVER - choke	1
24 BR 299740	NOZZLE - carburetor	1
25 BR 230932	SCREW - nozzle	1
26 BR 222027	BRACKET - carburetor	1
27 BR 93572	SCREW - bracket mounting	2
28 BR 270382	WASHER - choke shaft	1
29 BR 261116	SPRING - choke return	1
30 C 10678	CONNECTOR - fuel pipe	1
31 BR 299852	KIT - carburetor overhaul	1

ENGINE MOUNTING PLATE



1 C 19012	PLATE - engine mtg.	1
2 164- 543	SCREW - cap hex socket head 5/16" x 1-1/2" NC	4
3 C 16752	WASHER - flat 5/16"	4
4 192- 20	LOCKWASHER - 5/16"	4
5 129- 102	NUT - 5/16" NC hex	4
6 C 19073	MOUNT - flex bolt	4
7 C 19008	SCACER	4
8 131- 1115	LOCKNUT - 1/4" NC hex	4
9 113- 2	BOLT - 1/4" x 5/8" NC hex	2
10 192- 19	LOCKWASHER - 1/4"	4
11 195- 102	WASHER - 1/4" flat	2
12 113- 3	BOLT - 1/4" x 3/4" NC hex	2

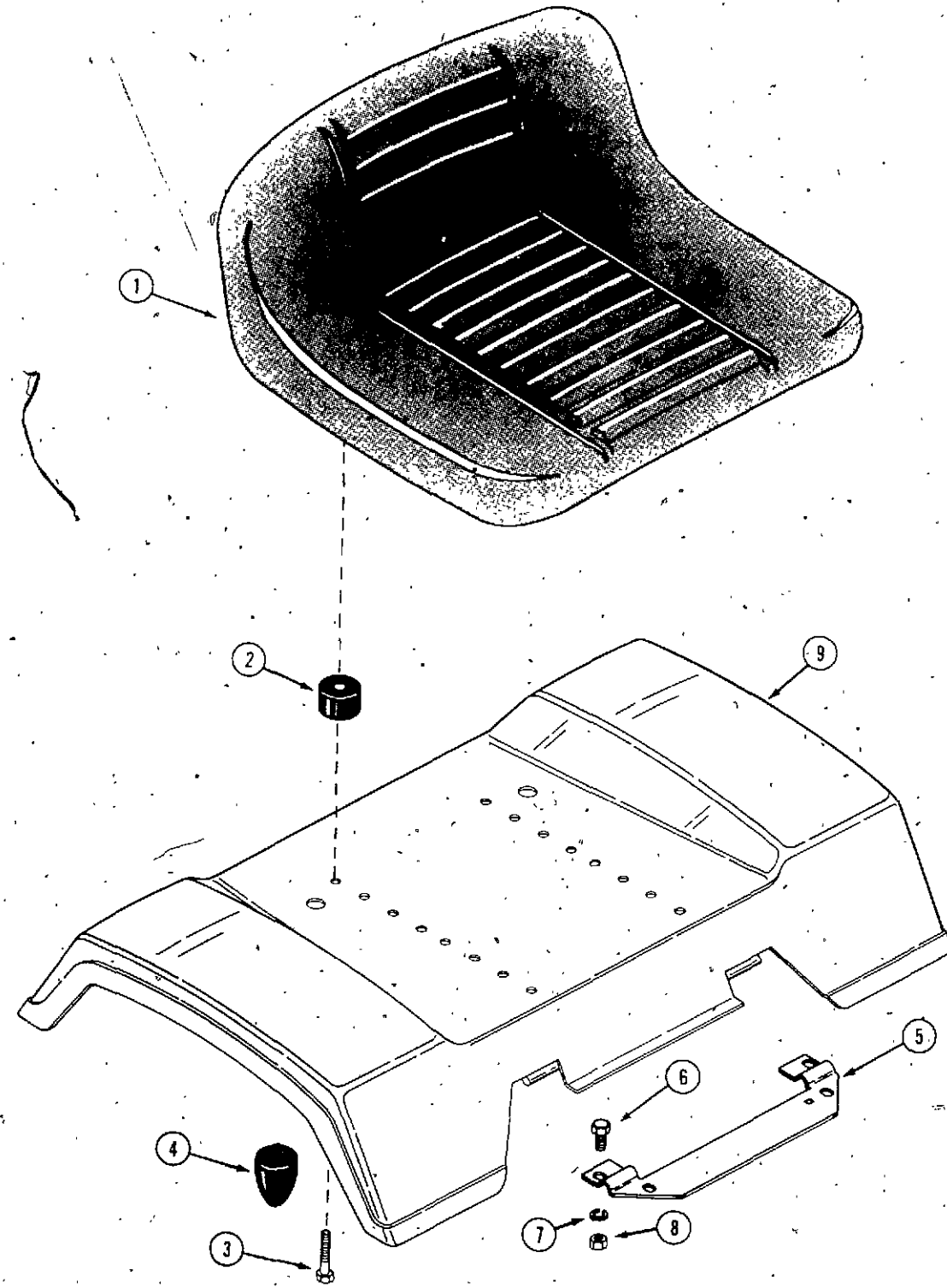
**CASE MODEL 118 COMPACT TRACTOR
HOOD, FRAME AND GRILLE**

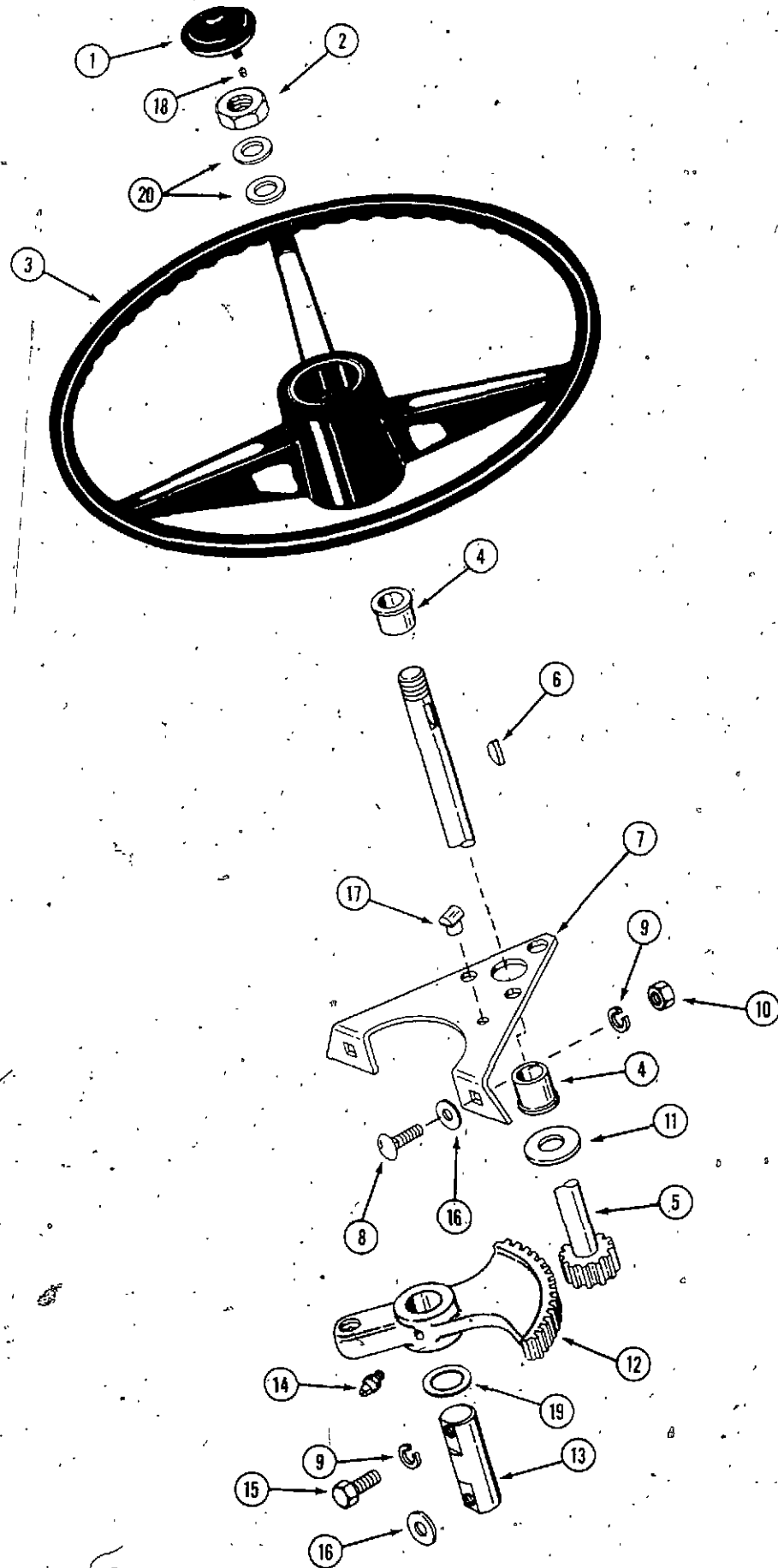


REF.	PART NO.	DESCRIPTION	REQ'D
1	C 18479	FRAME - main	1
2	C 18670	HOOD AND GRILLE ASSEMBLY	1
3	C 18664	COVER - PTO	1
4	C 18662	CLIP - hood hinge R.H.	1
	C 18661	CLIP - hood hinge L.H.	1
5	113- 103	BOLT - 5/16" x 1" NC	4
6	192- 20	LOCKWASHER - 5/16"	2
7	129- 102	NUT - 5/16" hex NC	2
8	113- 207	BOLT - 3/8" x 1" NC	4
9	192- 21	LOCKWASHER - 3/8"	8
10	129- 103	NUT - 3/8" NC hex	8
11	C 18205	CHANNEL - instrument panel liner	1
12	C 19069	LANYARD - hood	1
13	113- 4	BOLT - 1/4" x 1" NC	1
14	192- 19	LOCKWASHER - 1/4"	1
15	129- 101	NUT - 1/4" NC hex	1
16	C 17038	BUMPER - plug	2
17	C 19112	PLATE - center	1
18	187- 1036	SCREW - 1/4" x 1/2" self tapping	4
19	C 15116	DRAWBAR	1
20	NSS	WEIGHT BOX - (optional - order as machinery item)	1
21	113- 206	BOLT - 3/8" x 3/4" NC hex	4

**CASE MODEL 118 COMPACT TRACTOR
SEAT AND FENDERS**

REF. PART NO.	DESCRIPTION	REQ'D
1 C 16129	SEAT ASSEMBLY	1
2 C 15610	MOUNT - seat, rubber	4
3 113- 122	BOLT - 5/16" x 1-1/2" NC hex	4
4 C 14534	BUMPER - seat, rubber	2
5 C 19118	BRACKET - hinge	2
6 113- 102	BOLT - 5/16" x 3/4" NC hex	4
7 192- 20	LOCKWASHER - 5/16"	4
8 129- 102	NUT - 5/16" NC hex	2
9 C 18702	FENDER AND SUPPORT	1

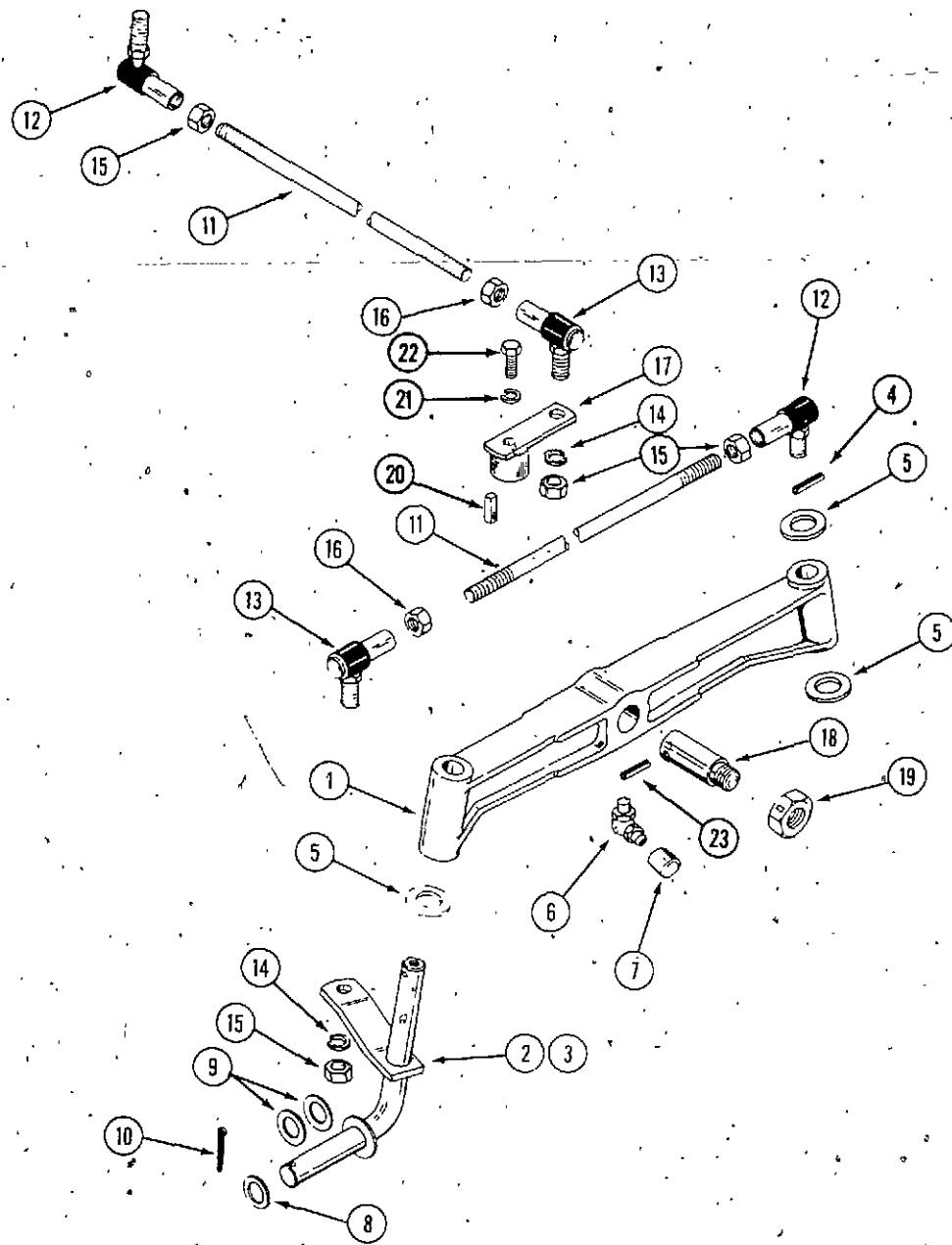




**CASE MODEL 118 COMPACT TRACTOR
STEERING GEAR**

REF. PART NO.	DESCRIPTION	REQ'D
1 C 18016	CAP - steering	1
2 131- 1113	NUT - jam 5/8" NC hex	1
3 C 18015	WHEEL - steering	1
4 C 15096	BUSHING - flanged nylon	2
5 C 15097	SHAFT - steering	1
6 126- 16	KEY - Woodruff 3/16" x 3/4"	1
7 C 16245	BRACKET - steering	1
8 111- 202	BOLT - 5/16" x 3/4" NC, round head, square neck ZP	2
9 192- 20	LOCKWASHER - 5/16" ZP	4
10 129- 102	NUT - 5/16" NC hex, ZP	2
11 195- 2069	WASHER - 5/8" plain, ZP	1
12 C 15104	GEAR - steering	1
13 C 15105	PIVOT - steering gear	1
14 219- 17	FITTING - lube	1
15 113- 103	BOLT - 5/16" x 1" NC hex, ZP	2
16 195- 521	WASHER - 5/16" plain, ZP	UAR
17 C 19641	BUTTON - friction	1
18 C 18017	CLIP - tinnerman	2
19 C 14201	WASHER - shim	1
20 C 12975	WASHER - 5/8"	2

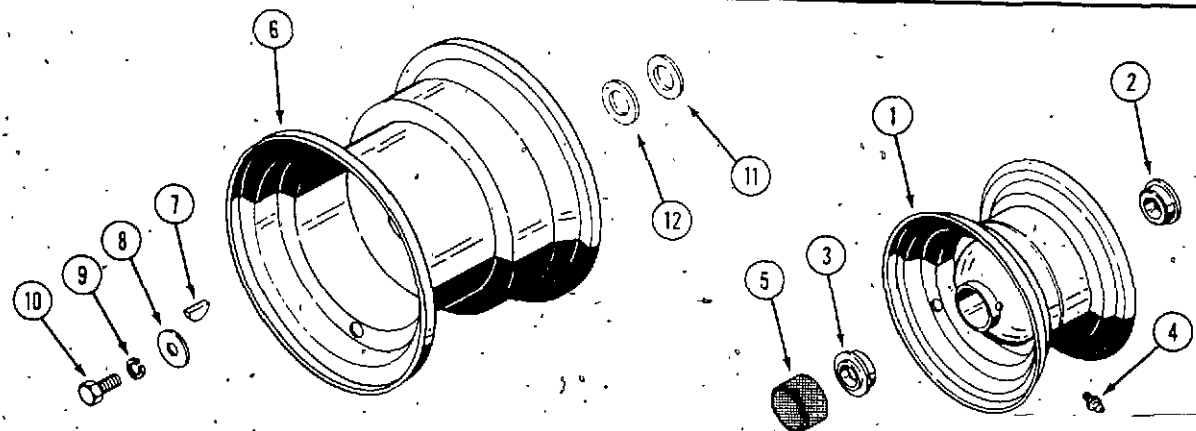
**CASE MODEL 118 COMPACT TRACTOR
FRONT AXLE**

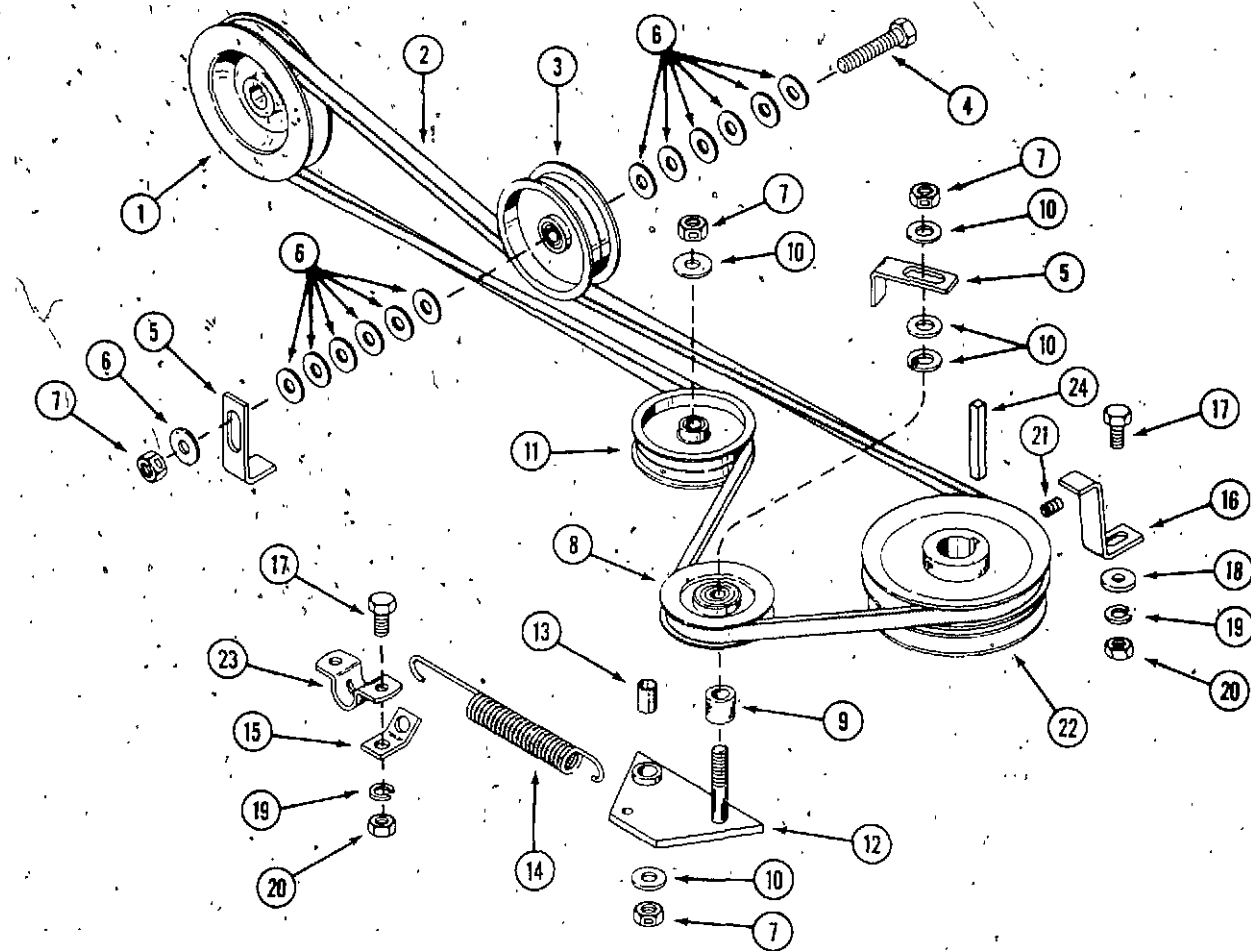


REF.	PART NO.	DESCRIPTION	REQ'D
1	C 15066	AXLE - front	1
2	C 16946	SPINDLE - right hand	1
3	C 16724	SPINDLE - left hand	1
4	138- 2055	PIN - roll L.H. spindle 3/16" x 1-1/2"	1
5	C 11906	WASHER - thrust 13/16"	3
6	219- 404	FITTING - lube	3
7	C 13106	COVER - lube fitting	3
8	C 12975	WASHER - spindle	2
9	A 30881	WASHER - wheel spacer	2
10	132- 311	PIN - cotter 5/32" x 1-1/4"	2
11	C 15067	ROD - tie and drag link	2
12	C 15113	BALL JOINT - R.H. thread	2
13	C 15068	BALL JOINT - L.H. thread	2
14	192- 23	LOCKWASHER - 1/2" ZP	4
15	129- 125	NUT - 1/2" NF hex	5
16	129- 325	NUT - 1/2" NC hex, L.H. thread	2
17	C 16948	ARM - upper spindle	1
18	C 18626	PIN - axle pivot	1
19	131- 1127	NUT - jam 3/4" NC hex	1
20	T 33565	KEY - 1/4" x 1/4" x 1"	1
21	192- 20	LOCKWASHER - 5/16"	1
22	113 103	BOLT - 5/16" x 1" NC hex	1
23	138- 2040	PIN - spirol roll 1/4" x 1-1/2"	1

FRONT AND REAR WHEELS

1	C 15090	WHEEL - front (includes bearing)	2
2	C 12110	BEARING - sealed, inner	2
3	C 12111	BEARING - outer	2
4	219- 10	FITTING - lube	2
5	C 12370	CAP - hub	2
6	C 15093	WHEEL - rear	2
7	126- 21	KEY - Woodruff "A" 1/4" x 7/8"	2
8	195- 2029	WASHER - 3/8" plain, ZP	2
9	192- 21	LOCKWASHER - 3/8" ZP	2
10	113- 207	BOLT - 3/8" x 1" NC hex, ZP	2
11	C 13716	WASHER - 1" 10 gauge	2
12	C 10292	WASHER - 1" 18 gauge	2

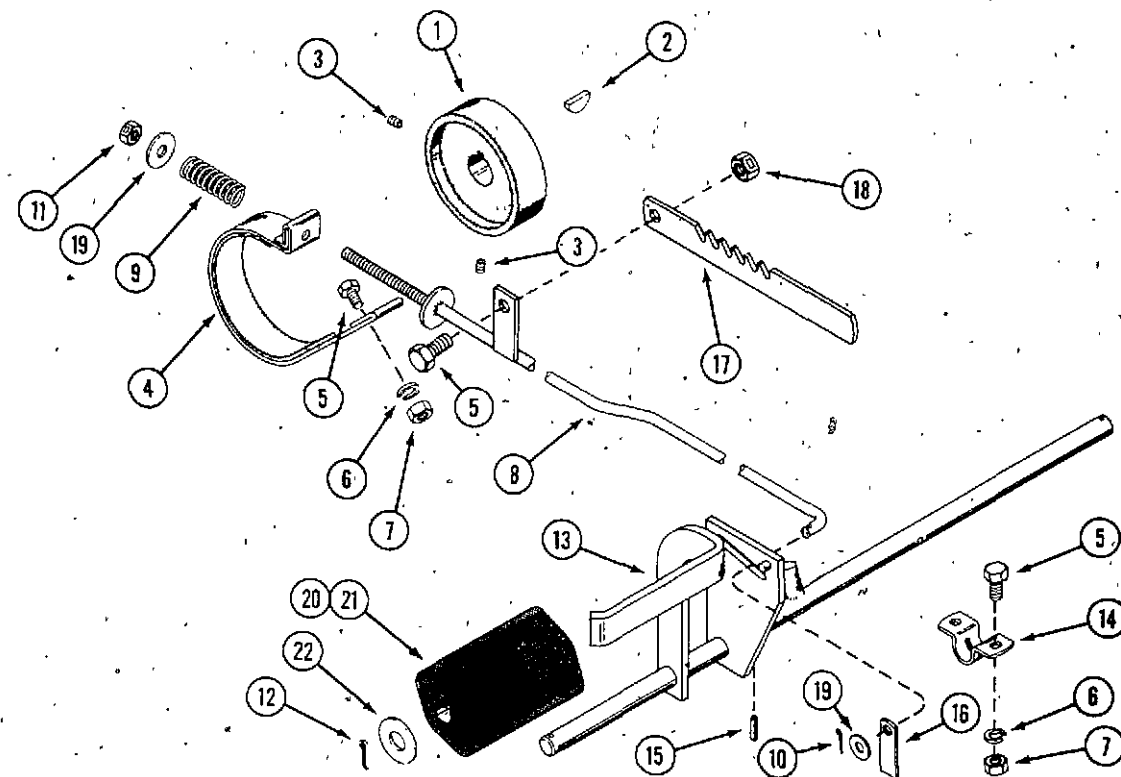




**CASE MODEL 118 COMPACT TRACTOR
BELTS, PULLEYS AND IDLERS**

REF.	PART NO.	DESCRIPTION	REQ'D
1	C 15511	PULLEY - transmission	1
2	C 18468	BELT - drive	1
3	C 16739	PULLEY - idler, flat	1
4	113- 219	BOLT - 3/8" x 2" NC hex	1
5	C 17164	KEEPER - belt	2
6	195- 104	WASHER - 3/8"	16
7	131- 178	LOCKNUT - 3/8" NC hex	4
8	C 17213	PULLEY - idler	1
9	C 17204	BUSHING - idler pulley	1
10	195- 525	WASHER - 3/8"	5
11	C 13012	PULLEY - idler, flat	1
12	C 17207	ARM - clutch idler	1
13	C 17203	BEARING - sleeve	1
14	C 15178	SPRING - idler	1
15	C 15545	BRACKET - spring, idler	1
16	C 17866	KEEPER - belt	1
17	113- 102	BOLT - 5/16" x 3/4" NC hex	1
18	C 16752	WASHER - 5/16"	1
19	192- 20	LOCKWASHER - 5/16"	1
20	129- 102	NUT - 5/16" NC hex	1
21	178- 858	SETSCREW - 5/16" x 3/8" NC socket head	2
22	C 19072	PULLEY - engine, drive & PTO	1
23	C 15156	BRACKET - saddle	1
24	T 25070	KEY - 1/4" square x 2" long	1

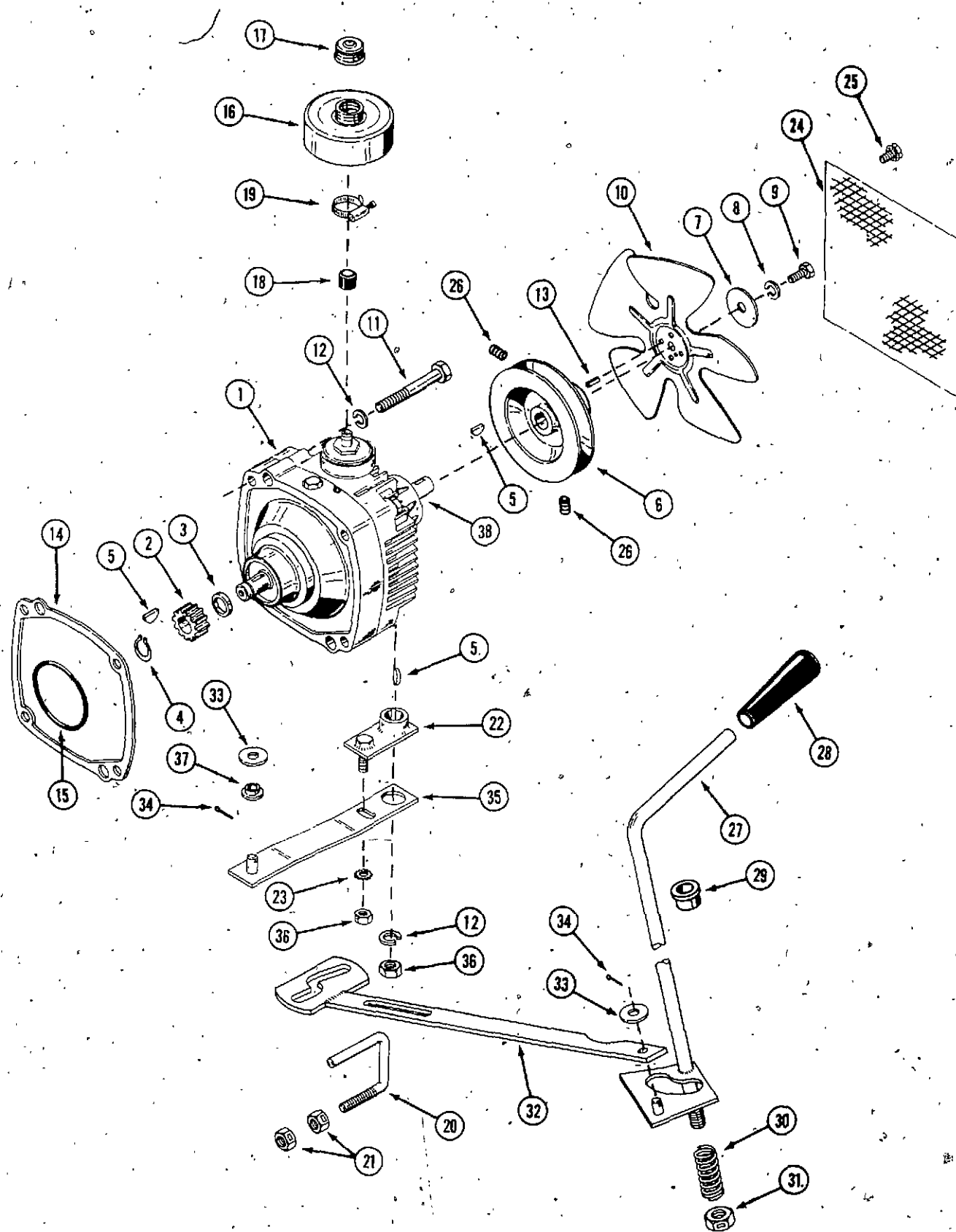
BRAKE ASSEMBLY



1	C 15106	DRUM - brake	1
2	126- 16	KEY - Woodruff #9	1
3	178- 858	SETSCREW - 5/16" x 3/8" NC hex socket	2
4	C 15127	BAND - brake assembly	1
5	113- 102	BOLT - 5/16" x 3/4" NC hex	6
6	192- 20	LOCKWASHER - 5/16"	5
7	129- 102	NUT - 5/16" NC hex	5
8	C 19107	ROD - brake	1
9	L 32763	SPRING - brake return	1
10	132- 26	PIN - cotter 3/32" x 3/4"	1
11	131- 176	LOCKNUT - 5/16" NC hex	1
12	132- 48	PIN - cotter 1/8" x 1	2
13	C 17211	PEDAL ASSEMBLY - brake	1
14	C 15156	BRACKET - saddle	2
15	138- 92	PIN - roll	1
16	C 17410	LOCK - clutch and brake	1
17	C 18695	LATCH - brake	1
18	131- 69	LOCKNUT - 5/16" NC hex	1
19	195- 521	WASHER - 5/16"	2
20	C 15498	PAD - footrest R.H. short	1
21	C 15499	PAD - footrest L.H. long	1
22	195- 541	WASHER - 5/8"	1

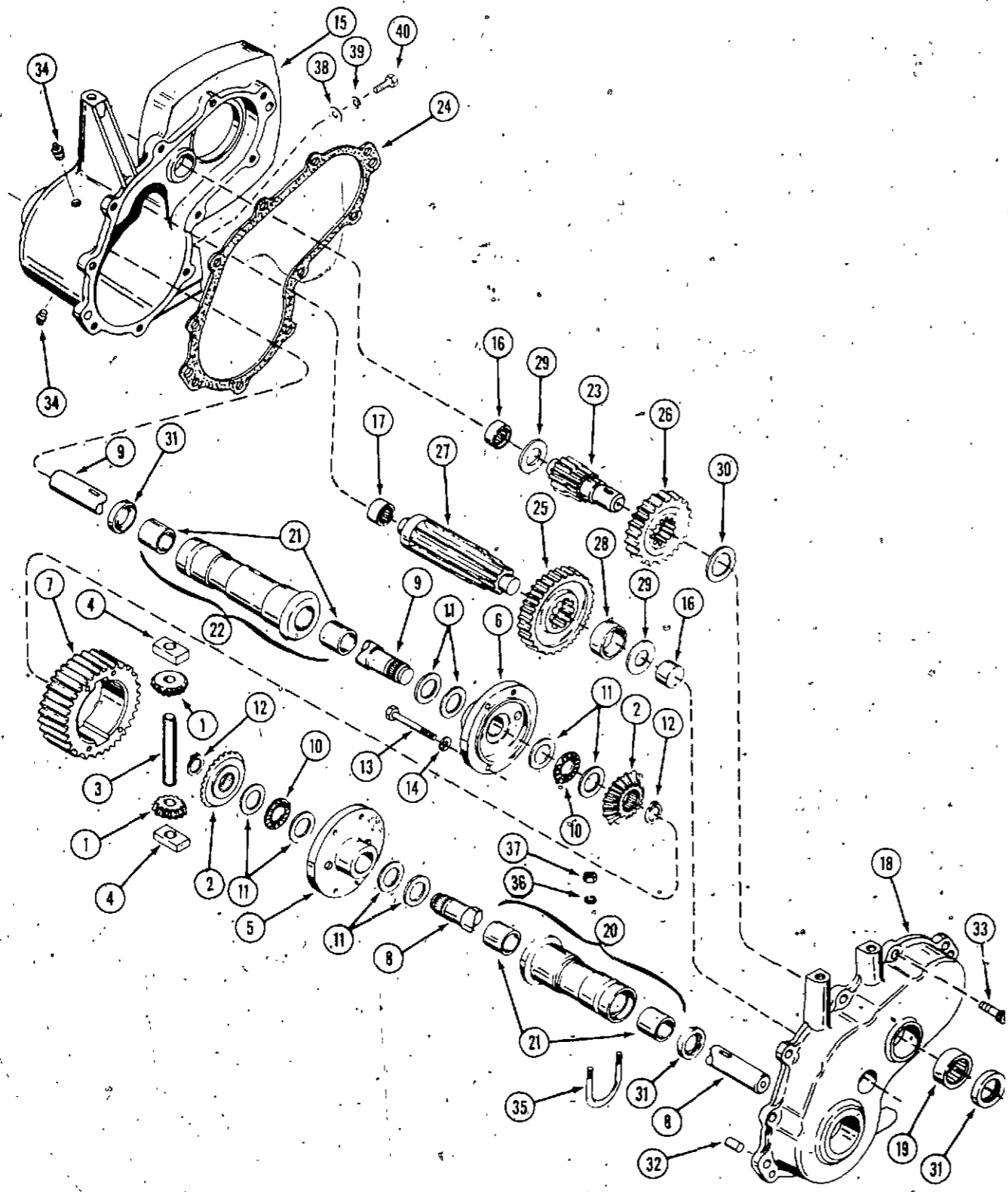
UAR

**CASE MODEL 118 COMPACT TRACTOR
HYDRAULIC TRANSMISSION AND CONTROLS**

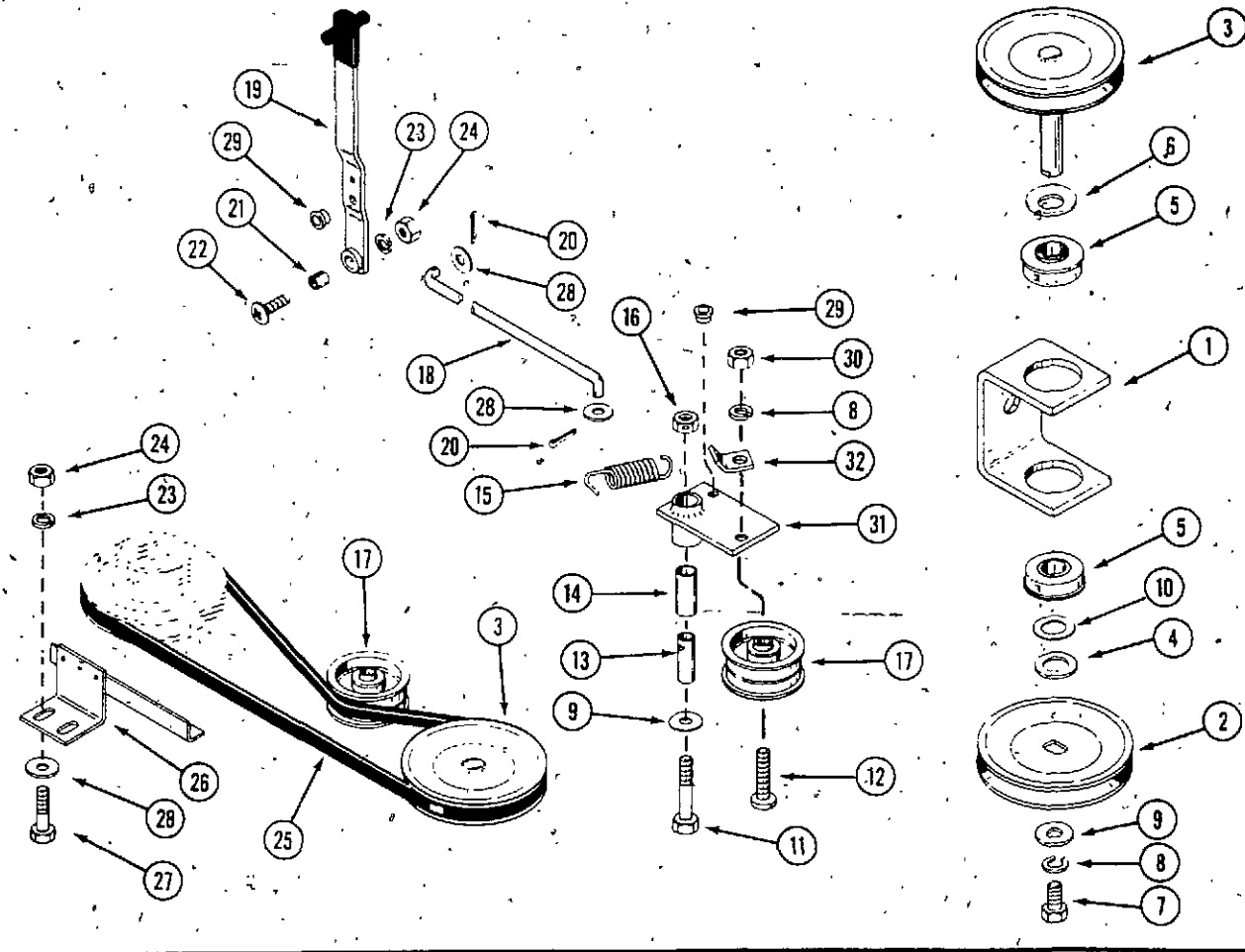


REF.	PART NO.	DESCRIPTION	REQ'D
1	C 18207	TRANSMISSION - hydraulic (includes items 2, 3, 4 and 5)	1
2	C 15546	GEAR - drive	1
3	C 15584	SPACER	1
4	C 15585	RING - retaining	1
5	126- 109	KEY - Woodruff #3	3
6	C 15511	PULLEY - transmission	1
7	195- 2012	WASHER - 1/4"	1
8	192- 19	LOCKWASHER - 1/4"	1
9	113- 2	BOLT - 1/4" x 5/8" NC hex	1
10	C 15155	FAN - transmission	1
11	113- 241	BOLT - 3/8" x 3" NC hex	4
12	192- 21	LOCKWASHER - 3/8"	5
13	138- 51	PIN - roll 1/8" x 3/8"	1
14	C 15534	GASKET - transmission	1
15	A 62549	SEAL - "O" ring, transmission	1
16	C 18209	TANK - surge	1
17	C 15549	CAP - tank	1
18	C 18210	SEAL - oil tank	1
19	214- 4	CLAMP - hose 3/4"	2
20	C 17231	GUIDE - neutral	1
21	131- 178	LOCKNUT - 3/8" NC hex	2
22	C 18837	HUB - travel control	1
23	193- 53	LOCKWASHER - 3/8" external tooth	1
24	C 15597	SCREEN	1
25	C 14900	SCREW - #10 x 3/8" NC hex self-tapping	4
26	178- 858	SETSCREW - 5/16" x 3/8" NC	2
27	C 19624	LEVER - speed control	1
28	A 37247	KNOB - speed control	1
29	C 12093	BUSHING - flip lock	1
30	C 11942	SPRING - control lever	1
31	131- 165	LOCKNUT - 1/2" NC hex	1
32	C 17234	LEVER - cam control	1
33	195- 521	WASHER - 5/16"	3
34	132- 320	PIN - cotter 3/32" x 3/4"	2
35	C 18839	LEVER - transmission control	1
36	129- 103	NUT - 3/8" NC hex	2
37	C 16898	BUSHING - cam	1
38	C 18233	KIT - input shaft and bearing	1

**CASE MODEL 118 COMPACT TRACTOR
DIFFERENTIAL AND FINAL DRIVE**

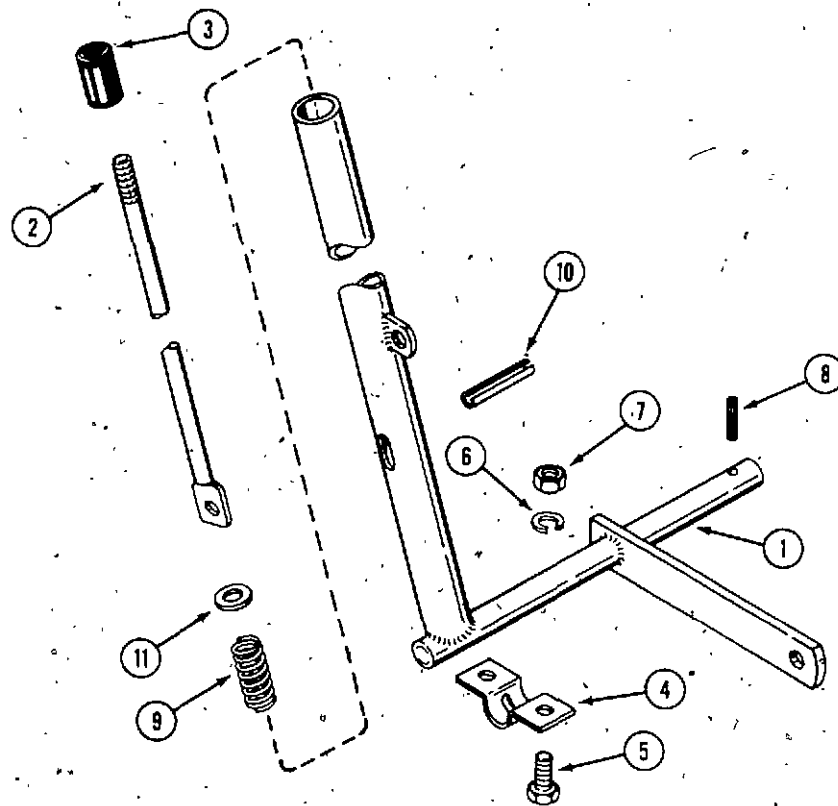


REF.	PART NO.	DESCRIPTION	REQ'D
1	C 15788	PINION - bevel	2
2	C 15808	GEAR - bevel	2
3	C 11173	PIN - drive	1
4	C 11174	BLOCK - drive	2
5	C 15812	CARRIER - differential	1
6	C 15811	CARRIER - differential	1
7	C 11172	GEAR - ring	1
8	C 15786	AXLE - L.H.	1
9	C 15787	AXLE - R.H.	1
10	F 19633	BEARING - thrust	2
11	C 11178	WASHER - thrust	8
12	C 11222	RING - retaining	1
13	13- 436	BOLT - 1/4" x 2-1/4" NC hex	4
14	92- 4	LOCKWASHER - 1/4"	4
15	C 15813	HOUSING - differential	1
16	C 16005	BEARING - needle	2
17	C 16006	BEARING - needle	1
18	C 15814	COVER - differential housing	1
		BEARING - needle (see Ref. 16)	1
19	C 16007	BEARING - needle	1
20	C 15803	HOUSING AND BUSHING ASSEMBLY - L.H.	1
21	C 15807	BUSHING	2
22	C 15804	HOUSING AND BUSHING ASSEMBLY - R.H.	1
		BUSHING - (see Ref. 21)	2
23	C 15815	SHAFT - brake	1
24	C 15816	GASKET - housing to cover	1
25	C 11193	GEAR - output	1
26	C 11187	GEAR - idler	1
27	C 15802	SHAFT - output	1
28	C 15801	SPACER	1
29	C 11205	WASHER	1
30	C 16009	WASHER	1
31	C 11195	SEAL - oil	2
32	F 53650	PIN - dowel	2
33	187- 996	SCREW - 1/4" x 1" NC hex head, self-tapping	10
34	221- 13	PLUG - oil filler and drain	2
35	C 15134	BOLT - "U" 5/16"	2
36	192- 20	LOCKWASHER - 5/16" ZP	4
37	129- 102	NUT - 5/16" NC hex, ZP	4
38	195- 104	WASHER - 3/8" flat	2
39	192- 21	LOCKWASHER - 3/8"	2
40	113- 206	BOLT - 3/8" x 3/4" NC hex	2



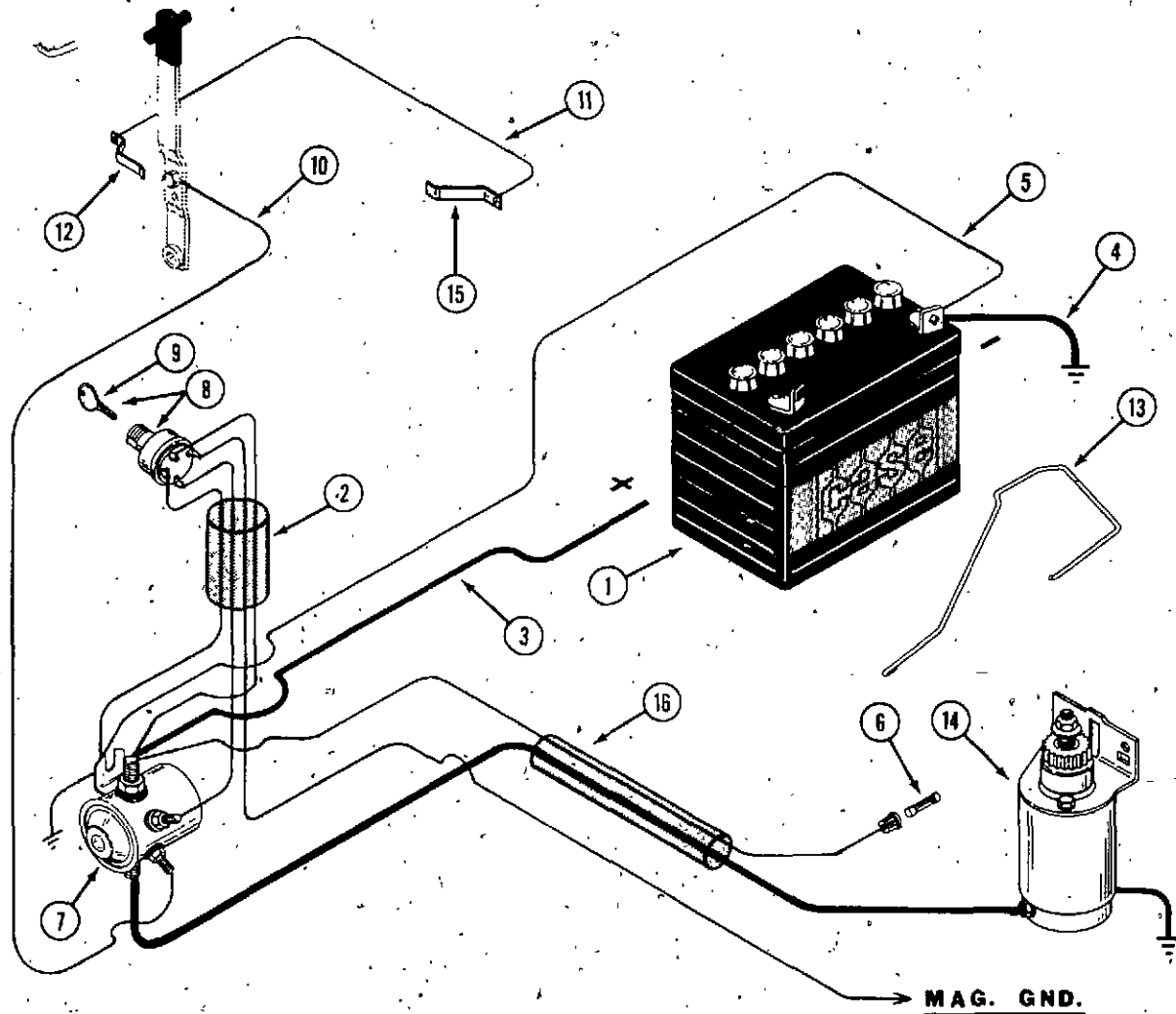
**CASE MODEL 118 COMPACT TRACTOR
ATTACHMENT DRIVE
POWER TAKE OFF (PTO) ASSEMBLY**

REF. PART NO.	DESCRIPTION	REQ'D
1 C 18621	HOUSING - PTO	1
2 C 15083	PULLEY - PTO bottom	1
3 C 20185	PULLEY ASSEMBLY - PTO top	1
4 C 10822	WASHER - plain	1
5 C 18915	BEARING - PTO	1
6 C 15272	WASHER - bell	2
7 113- 206	BOLT - 3/8" x 3/4" NC hex, ZP	1
8 192- 21	LOCKWASHER - 3/8" ZP	1
9 195- 104	WASHER - 3/8" plain, ZP	2
10 A 30881	WASHER - spacer	3
11 113- 213	BOLT - 3/8" x 2-1/4" NC hex	1
12 182- 286	SCREW - pan head 3/8" x 1-3/4" NC	1
13 C 17108	SLEEVE - inner	1
14 C 16714	BUSHING - bearing	1
15 C 18716	SPRING - PTO	1
16 131- 179	NUT - 3/8" NC hex lock	1
17 C 15672	PULLEY - idler	1
18 C 18608	ROD - PTO	1
19 C 19015	LEVER - engaging	1
20 132- 46	PIN - cotter 1/8" x 3/4"	1
21 C 15527	SPACER	1
22 175- 415	SCREW - 5/16" x 1" truss head, ZP	1
23 192- 20	LOCKWASHER - 5/16" ZP	3
24 129- 102	NUT - 5/16" NC hex, ZP	3
25 C 19171	BELT - PTO	1
26 C 15252	KEEPER - belt	2
27 113- 102	BOLT - 5/16" x 3/4" NC hex	2
28 195- 521	WASHER - 5/16"	3
29 C 20475	BUSHING - nylon	2
30 129- 103	NUT - 3/8" NC hex	1
31 C 18607	ARM - idler	1
32 C 15545	BRACKET - spring attaching	1



IMPLEMENT LIFT

1 C 19044	LEVER - implement lift	1
2 C 19172	ROD - push	1
3 C 14525	BUTTON - thumb	1
4 C 15156	BRACKET - saddle	2
5 113- 102	BOLT - 5/16" x 3/4" NC hex, ZP	4
6 192- 20	LOCKWASHER - 5/16" ZP	4
7 129- 102	NUT - 5/16" NC hex, ZP	4
8 138- 92	PIN - roll 3/16" x 3/4"	1
9 C 15564	SPRING	1
10 138- 2054	PIN - spirol 5/16" x 1-3/4"	1
11 195- 521	WASHER - 5/16" plain	1

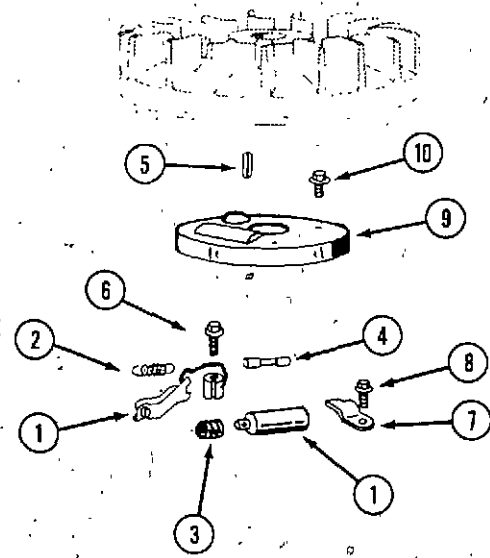


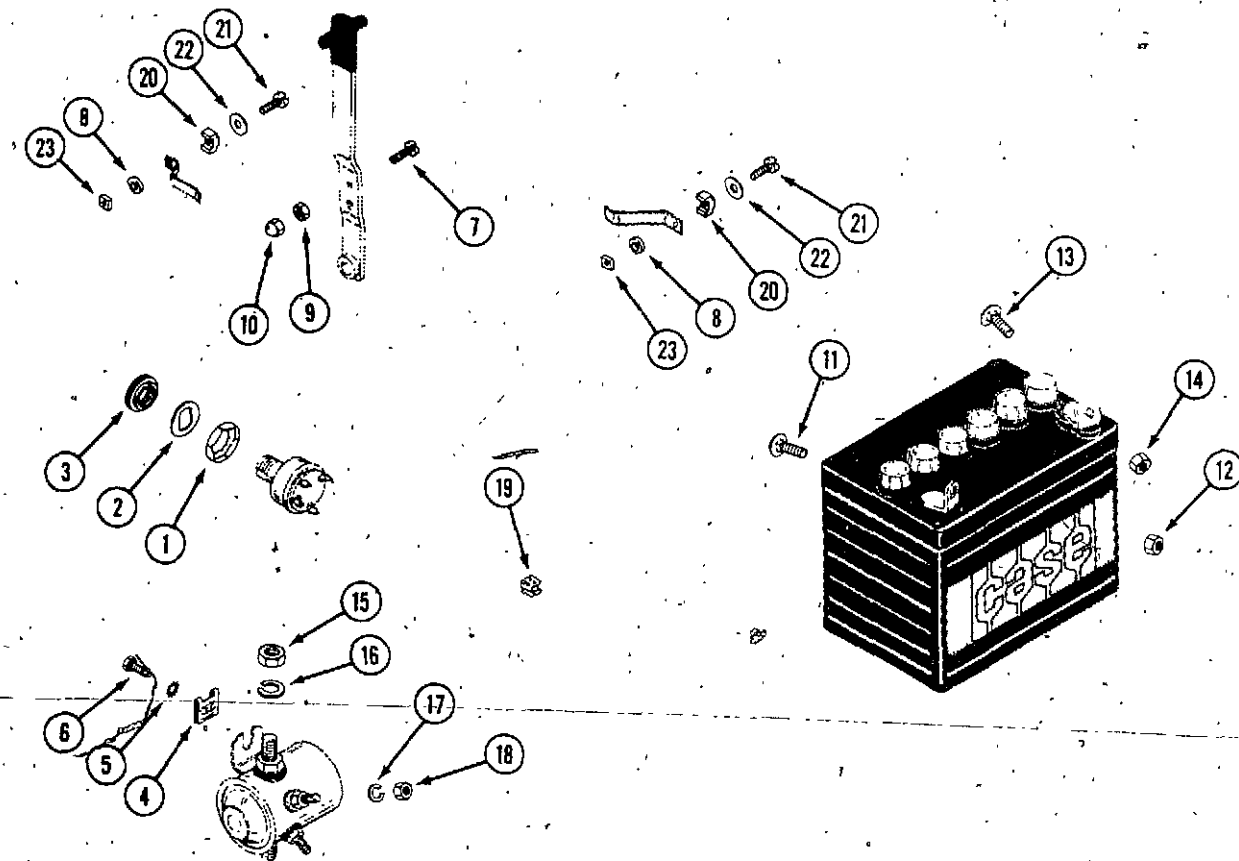
**CASE MODEL 118 COMPACT TRACTOR
ELECTRICAL SYSTEM**

REF.	PART NO.	DESCRIPTION	REQ'D
1	C 10458	BATTERY - 12 volt	1
2	C 18677	HARNESS - wire	1
3	C 14565	CABLE - battery positive (red 10-1/2")	1
4	C 14566	CABLE - battery negative (black 12")	1
5	C 17685	WIRE - battery negative to solenoid case	1
6	223- 7	FUSE - 7.5 amp.	1
7	C 14553	SOLENOID - start	1
8	C 18816	SWITCH - ignition, includes key	1
9	C 17763	KEY - ignition	1
10	C 18203	WIRE - solenoid to PTO safety switch	1
11	C 19055	WIRE - PTO safety switch to clutch switch	1
12	C 18182	SWITCH - strip PTO & clutch	2
13	C 15114	CLAMP - battery hold down	1
14	BR 390307	STARTER - engine, 12 volt (repairs page 33)	1
14	C 22701	STARTER - engine, 12 volt (repairs page 33B)	1
14	C 22702	STARTER - engine, 12 volt (repairs page 33B)	1
15	C 19453	SWITCH - strip	1
16	C 21634	HARNESS - wire	1

BREAKER CONTACTS

1	BR 299061	KIT - ignition	1
2	BR 294628	POINTS AND CONDENSER	1
3	BR 26018	SPRING - breaker arm	1
3	BR 260374	SPRING - connector, condenser	1
4	BR 65704	PLUNGER - breaker point	1
5	BR 61760	KEY - flywheel, zinc	1
6	BR 93381	SCREW - breaker arm mounting	1
7	BR 220477	CLAMP - condenser mounting	1
8	BR 93042	SCREW - condenser mounting	1
9	BR 222117	COVER - breaker point	1
10	187- 1041	SCREW - sems, cover	2



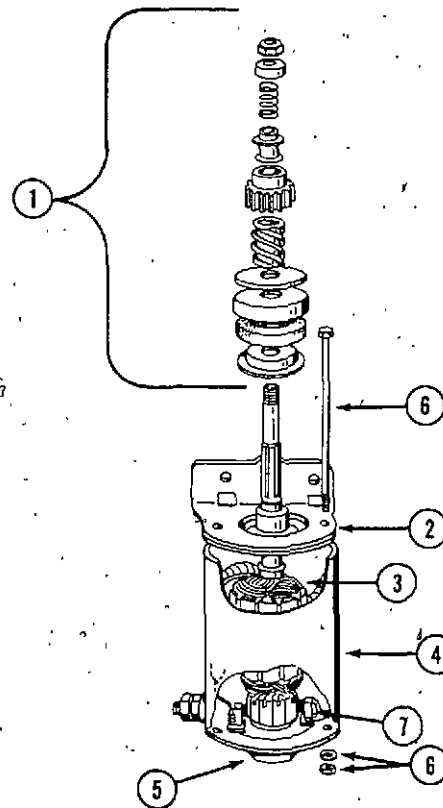


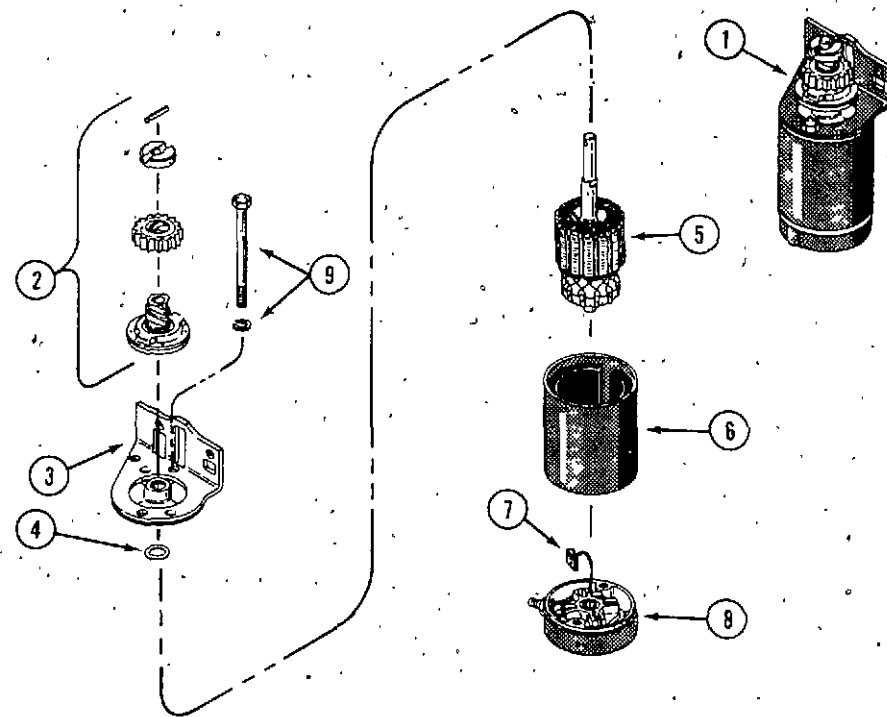
**CASE MODEL 118 COMPACT TRACTOR
ELECTRICAL SYSTEM HARDWARE**

REF. PART NO.	DESCRIPTION	REQ'D
1 C 14060	NUT - back up	1
2 C 17426	WASHER - ignition switch	1
3 C 17921	NUT - escutcheon	1
4 C 10836	NUT - speed	2
5 193- 70	LOCKWASHER - #10 external tooth	2
6 187- 484	SCREW - #10 x 1/2" self-tapping hex	2
7 C 18204	SCREW - #10 x 1/4" binder hd. nylon	1
8 195- 513	WASHER - # 10	2
9 C 15704	NUT - # 10 NC hex, nylon	1
10 129- 642	NUT - # 10 acorn	1
11 111- 202	BOLT - 5/16" x 3/4" round head, square neck	1
12 129- 102	NUT - 5/16" NC hex	1
13 111- 108	BOLT - 1/4" x 3/4" round head, square neck	1
14 129- 101	NUT - 1/4" NC hex.	1
15 129- 122	NUT - 5/16" NF hex	2
16 192- 20	LOCKWASHER - 5/16"	2
17 192- 18	LOCKWASHER - 3/16"	2
18 129- 27	NUT - # 10 hex	2
19 C 19521	CLIP - wire holder	2
20 C 19246	HOLDER - strip switch	2
21 182- 523	SCREW - # 10 x 7/8" pan head	2
22 C 19254	WASHER - 13/64" nylon	2
23 129- 77	NUT - # 10 square	2

BR 390307 STARTER - MITSUBISHI

BR 390307	MOTOR - starting, 12V. Mitsubishi, (Model MMD-SML)	1
1 BR 299963	DRIVE ASSEMBLY	1
2 BR 390454	CAP ASSEMBLY - drive end (includes bearing & bracket)	1
3 BR 390456	ARMATURE ASSEMBLY - (includes washers)	1
4 BR 390452	HOUSING - (starter includes field coils)	1
5 BR 390455	CAP ASSEMBLY - commutator end (includes bushing, brushes and springs)	1
6 BR 299962	BOLT - thru (includes nuts and lockwashers)	2
7 BR 390990	BRUSH ASSEMBLY	1



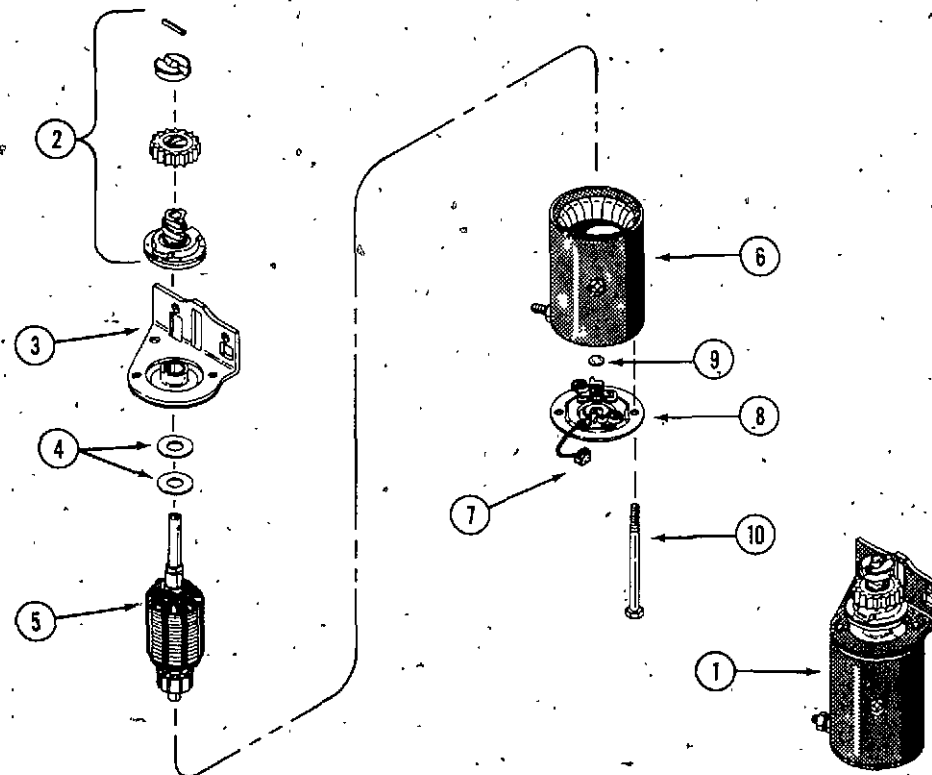


STARTER MOTOR - AMERICAN BOSCH

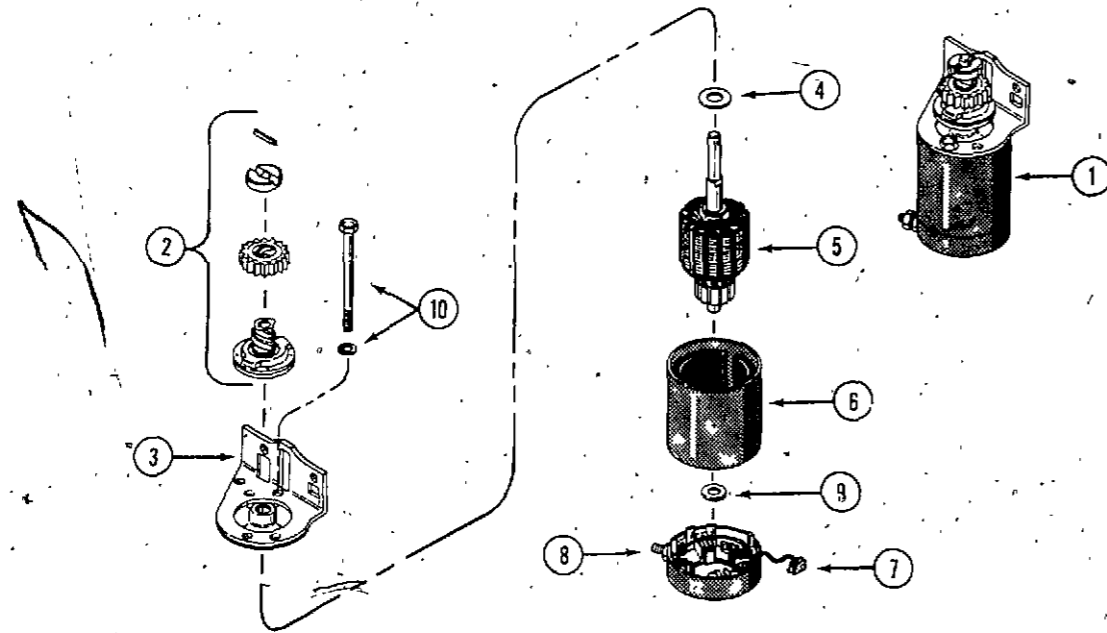
REF. PART NO	DESCRIPTION	REQ'D
1 C 22701	MOTOR - starting 12V. Bosch (Model 01965-23-MO-30-SM) . . .	1
2 BR 391461	DRIVE ASSEMBLY - starter	1
3 BR 390444	END CAP ASSEMBLY - drive end, Bosch	1
4 NSS	WASHER - thrust (retain old washer for service)	1
5 BR 391607	ARMATURE - starter, Bosch	1
6 BR 390447	HOUSING - starter, Bosch	1
7 BR 390449	BRUSH ASSEMBLY - Bosch	1
8 BR 390448	END CAP ASSEMBLY - com. end, Bosch	1
9 BR 390450	BOLT - thru - Bosch (includes washer)	2

STARTER MOTOR - MITSUBISHI

1 C 22702	MOTOR - starting 12V. Mitsubishi (Model M00IT02271)	1
2 BR 391461	DRIVE ASSEMBLY - starter	1
3 BR 391585	END CAP ASSEMBLY - drive end, Mitsubishi	1
4 NSS	WASHER - thrust (retain old washers for service)	2
5 BR 391584	ARMATURE - starter, Mitsubishi	1
6 BR 390452	HOUSING - starter, Mitsubishi	1
7 BR 390990	BRUSH ASSEMBLY - Mitsubishi	1
8 BR 390455	END CAP ASSEMBLY - com. end (includes brush set)	1
9 NSS	SPACER - starter (retain old spacer for service)	1
10 BR 93771	BOLT - thru, Mitsubishi	2



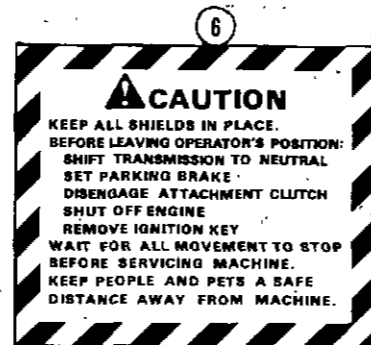
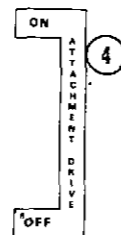
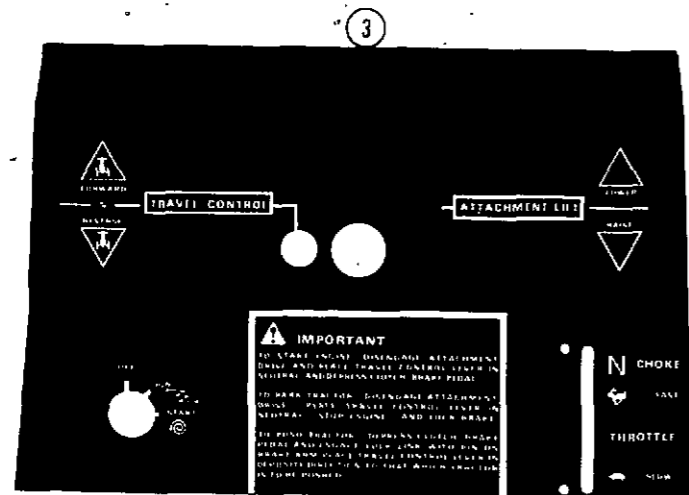
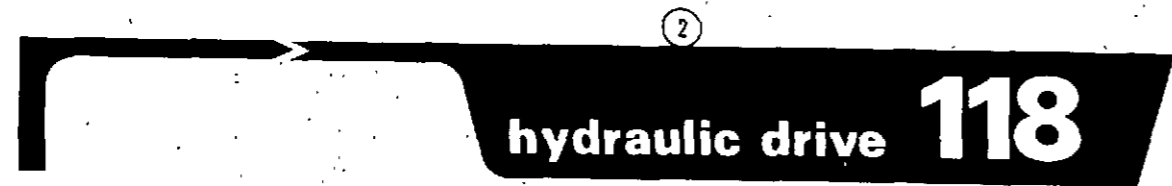
**CASE MODEL 118 COMPACT TRACTOR
STARTER MOTOR - BRIGGS**



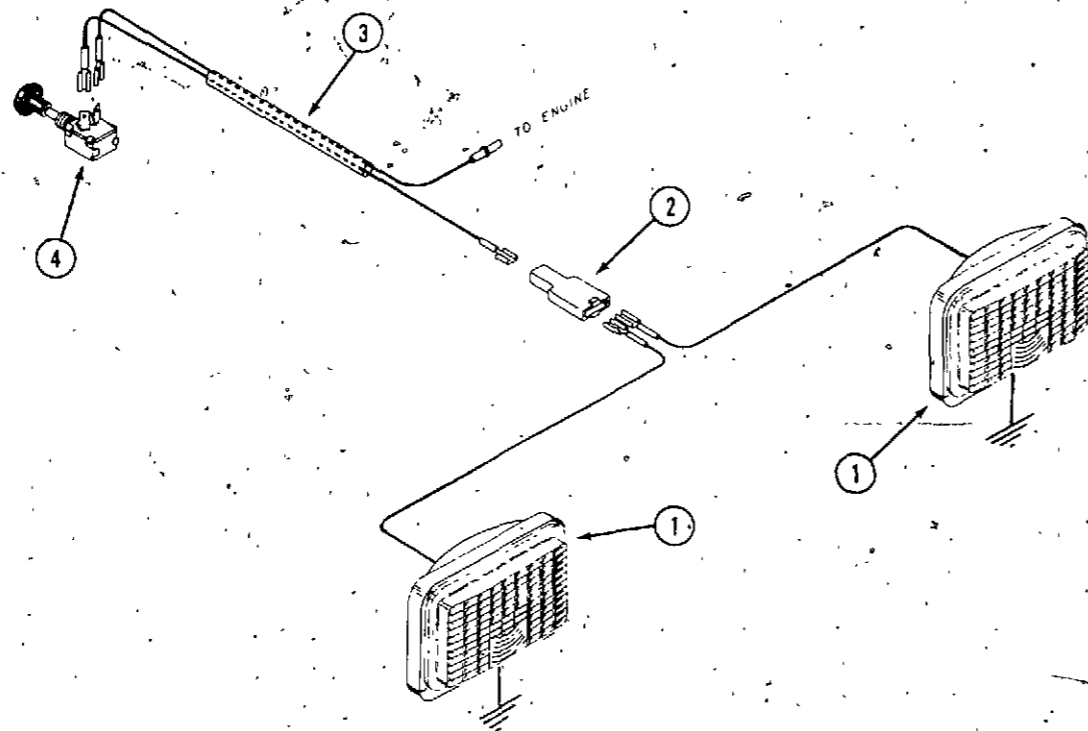
REF. PART NO.	DESCRIPTION	REQ'D
1 C 22709	MOTOR - starting 12 V. Briggs	1
2 BR 391461	DRIVE ASSEMBLY - starter	1
3 BR 390825	END CAP ASSEMBLY - starter (includes items 4 & 9)	1
4 NSS	WASHER - thrust (see item 3 or 8)	1
5 BR 390837	ARMATURE - starter, Briggs	1
6 BR 390849	HOUSING - starter, Briggs	1
7 BR 391705	BRUSH ASSEMBLY - starter	1
8 BR 390846	END CAP ASSEMBLY - com. end (includes brush set)	1
9 NSS	SPACER - (see item 3 or 8)	1
10 BR 391706	BOLT ASSEMBLY - thru (includes washer)	2

DECALS

REF. PART NO.	DESCRIPTION	REQ'D
1 321- 2474	DECAL - R.H.	1
2 321- 2475	DECAL - L.H.	1
3 321- 2477	DECAL - instrument panel	1
4 C 18186	DECAL - PTO	1
5 C 15658	DECAL - brake lock	1
6 321- 2487	DECAL - "Caution" (optional)	1



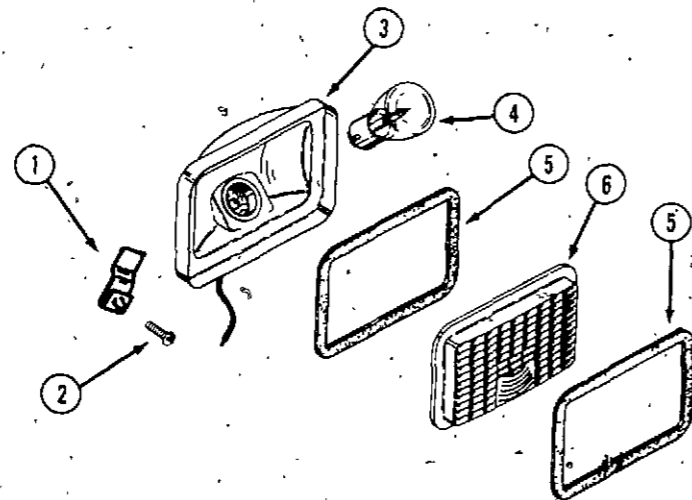
**CASE MODEL 118 COMPACT TRACTOR
HEAD LAMP KIT(OPTIONAL)**



REF. PART NO.	DESCRIPTION	REQ'D
NSS	KIT - head lamp (order as J6 machinery item)	1
1 C 14302	HEAD LAMP	2
2 C 14537	CONNECTOR - head lamp	1
3 C 19177	HARNESS - wire	1
4 C 19222	SWITCH - headlight	1
321- 2484	DECAL - lights	1

HEAD LAMP

1 131- 629	NUT - speed	4
2 187- 1047	SCREW - #8 x 1/2" round head, Phillips, self-tapping	4
C 14302	HEAD LAMP ASSEMBLY	2
3 NSS	RECEPTACLE - head lamp (order C14302)	1
4 C 14305	BULB - head lamp	1
5 C 14304	GASKET - head lamp	2
6 C 14303	LENS - head lamp	1



NUMERICAL INDEX

PART NO.	PAGE NO.	REF. NO.	PART NO.	PAGE NO.	REF. NO.	PART NO.	PAGE NO.	REF. NO.
F 19633	27	10	129- 325	21	16	192- 23	21	14
F 53650	27	32	129- 504	11	4	193- 25	7	68
L 32763	23	9	129- 642	33	10	193- 53	25	23
M 20677	9	91	131- 69	23	18	193- 70	33	5
T 25070	23	24	131- 165	25	31	195- 102	13	11
T 33565	21	20	131- 176	23	11	195- 104	23	6
			131- 178	23	7	195- 104	27	38
			131- 178	25	21	195- 104	29	9
			131- 179	29	16	195- 513	33	8
			131- 629	37	1	195- 521	19	16
			131- 1113	19	2	195- 521	23	19
			131- 1115	13	8	195- 521	25	33
			131- 1127	21	19	195- 521	29	11
			132- 26	23	10	195- 521	29	28
			132- 46	29	20	195- 525	23	10
			132- 48	23	12	195- 541	23	22
			132- 311	21	10	195- 2012	25	7
			132- 320	25	34	195- 2029	21	8
			136- 103	5	34	195- 2069	19	11
			138- 51	25	13	214- 4	25	19
			138- 92	23	15	214- 103	11	7
			138- 92	29	8	219- 10	21	4
			138- 251	13	10	219- 17	19	14
			138- 2040	21	23	219- 404	21	6
			138- 2054	29	10	221- 13	5	8
			138- 2055	21	4	221- 13	27	34
			164- 543	13	2	223- 7	31	6
			173- 215	11	3	321- 2474	35	1
			175- 415	29	22	321- 2475	35	2
			178- 858	23	3	321- 2477	35	3
			178- 858	23	21	321- 2484	37	-
			178- 858	25	26	321- 2487	35	6
			182- 286	29	12			
			182- 523	33	21			
			187- 484	33	6			
			187- 996	27	33			
			187- 1036	15	18			
			187- 1041	5	39			
			187- 1041	31	10			
			187- 1047	11	11			
			187- 1047	37	2			
			192- 18	33	17			
			192- 19	13	10			
			192- 19	15	14			
			192- 19	25	8			
			192- 20	13	4			
			192- 20	15	6			
			192- 20	17	7			
			192- 20	19	9			
			192- 20	21	21			
			192- 20	23	6			
			192- 20	23	19			
			192- 20	27	36			
			192- 20	29	6			
			192- 20	29	23			
			192- 20	33	16			
			192- 21	15	9			
			192- 21	21	9			
			192- 21	25	12			
			192- 21	27	39			
			192- 21	29	8			

HARDWARE CODE NUMBERS

INGERSOLL
Ingersoll Equipment Co., Inc.