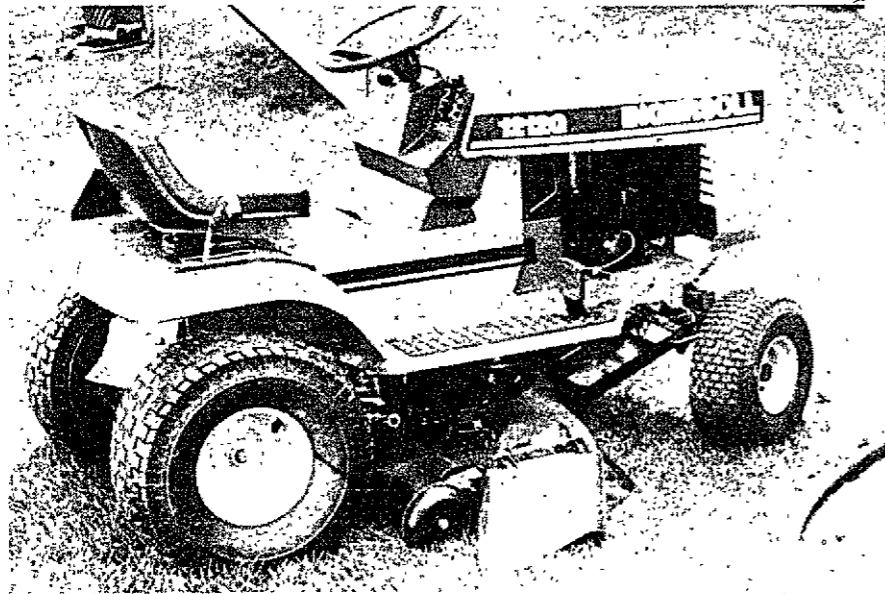


COMPACT TRACTORS
1212G, 1212H
Parts Catalog 8-3260

7-92-RP-500-217



PAINT AND OIL

		PAINT		
REF.	PART NO.	DESCRIPTION	REQ'D	
1	C 28849	BLACK - semi - gloss, 12 oz spray (2 per carton)	1	
2	C 28850	BLACK - semi - gloss, quart (2 per carton)	1	
3	C 28851	BLACK - semi - gloss, heat resistant, 12 oz spray (2 per carton)	1	
4	C 28484	POWER RED - gloss, 12 oz spray (2 per carton)	1	
5	C 28485	POWER RED - gloss, quart (2 per carton)	1	
6	C 30870	SILVER - gloss, 12 oz. spray (2 per carton)	1	
7	C 31643	POWER RED - gloss, 1 oz touch up, (1 doz. per carton)	1	
OIL				
1	C 32776	OIL - SAE 30, SF, quart (12 per case)	1	
2	C 32777	OIL - SAE 5W20, SF, quart (12 per case)	1	
3	C 32778	OIL - SAE 20W40, SF, quart (12 per case)	1	

GENERAL INFORMATION

INDEX

There is an index at the front and rear of this catalog.

The front index is an alphabetical index of the major groups or assemblies.

The rear index is a numerical index of the part numbers and pages on which these numbers are shown.

ILLUSTRATION

Each illustration in this catalog shows a group of parts or components. These parts and components are aligned approximately as the parts and components on your machine. Each part and component in an illustration has a reference number. These reference numbers are in a list on the page opposite of the illustration. Next to the reference number is the part number, description and required quantity of the part shown in the illustration.

UAR - "Use as required" indicates that the part quantity is variable.

NSS - "Not sold separately" indicates that the part is only available as a component of an assembly or the part must be purchased locally. If the part is an assembly component, the description will be indented under the assembly description in the parts list.

O/L - "Obtain locally"

** - "Footnotes" are added to a part number when more information is needed for identification. They only relate to the part numbers indicated.

PARTS ORDERS

All orders must include the following information:

1. Correct part number.
2. Complete description of part or component.
3. Total quantity of each part or component.
4. Product model number.
5. All necessary product identification numbers.
6. Method for sending the parts.
7. Complete and correct address.

CATALOG REVISIONS

As the product changes, new pages will be available for your catalog. A notice will be issued.

IMPORTANT: Put all revisions into the catalog as soon as possible.

RIGHT HAND AND LEFT HAND IDENTIFICATION

The words right hand (RH) and left hand (LH) as used in this catalog indicate the direction while you are in the operator's seat in the normal operating position.

INDENTED DESCRIPTIONS

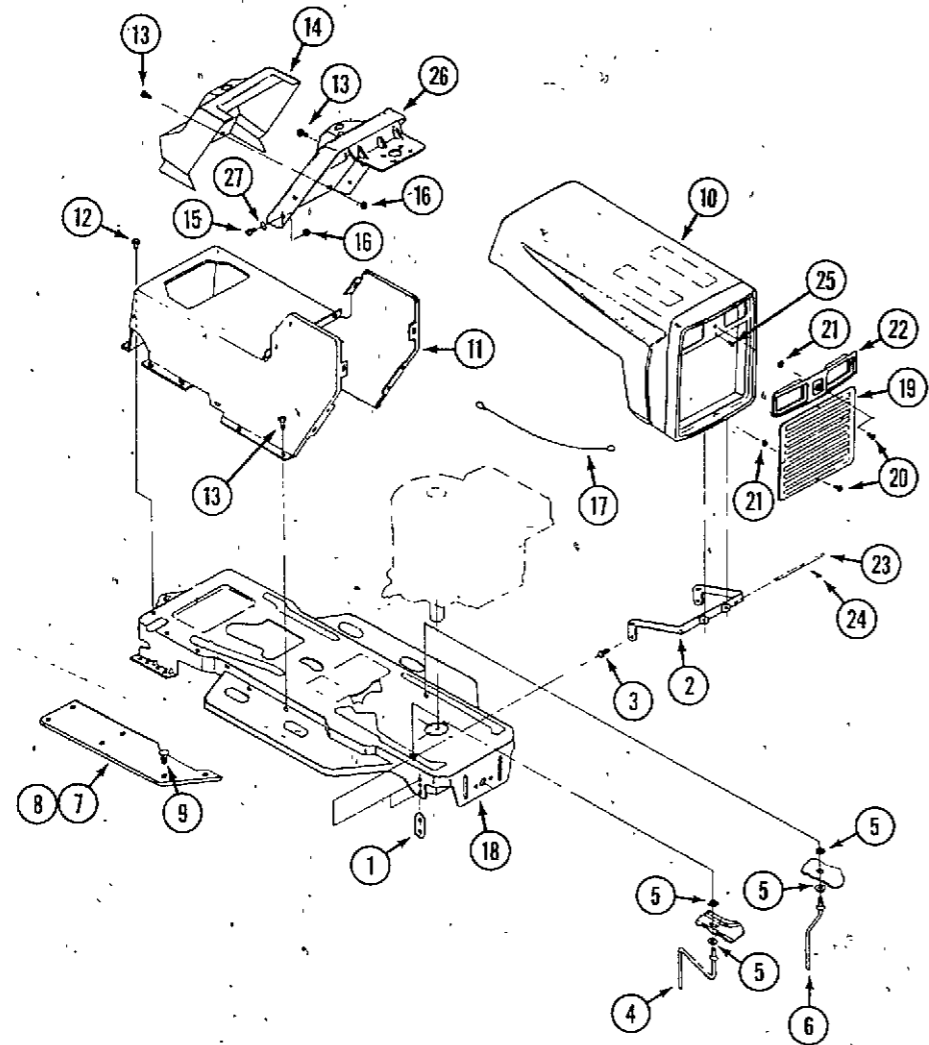
An assembly can have many components. The components of an assembly are indicated by an indented description. The quantity for an indented part is the total needed for that complete assembly. See the example.

REF.	PART NO.	DESCRIPTION	REQ'D
	C 55159	CYLINDER ASSY - rear steering	1
28	C 56208	SOCKET ASSY - rear cylinder	1
29	C 55956	PLUG - adjusting, socket assy	1
30	C 55957	SEAT - socket ball	2
31	C 56210	SPRING - socket	1
32	C 56209	SEAT - socket spring	1
33	G 45175	CLAMP ASSY - socket assy	1
	16- 836	BOLT - 1/2" x 2-1/4" N.F. hex	1
34	132- 104	PIN - cotter, 3/16" x 3"	1
35	C 55889	STUD - ball, socket & cylinder	2
36	13- 410	BOLT - 1/4" x 5/8" N.C., hex	4
37	92- 4	LOCK WASHER - 1/4" SAE	4

TABLE OF CONTENTS

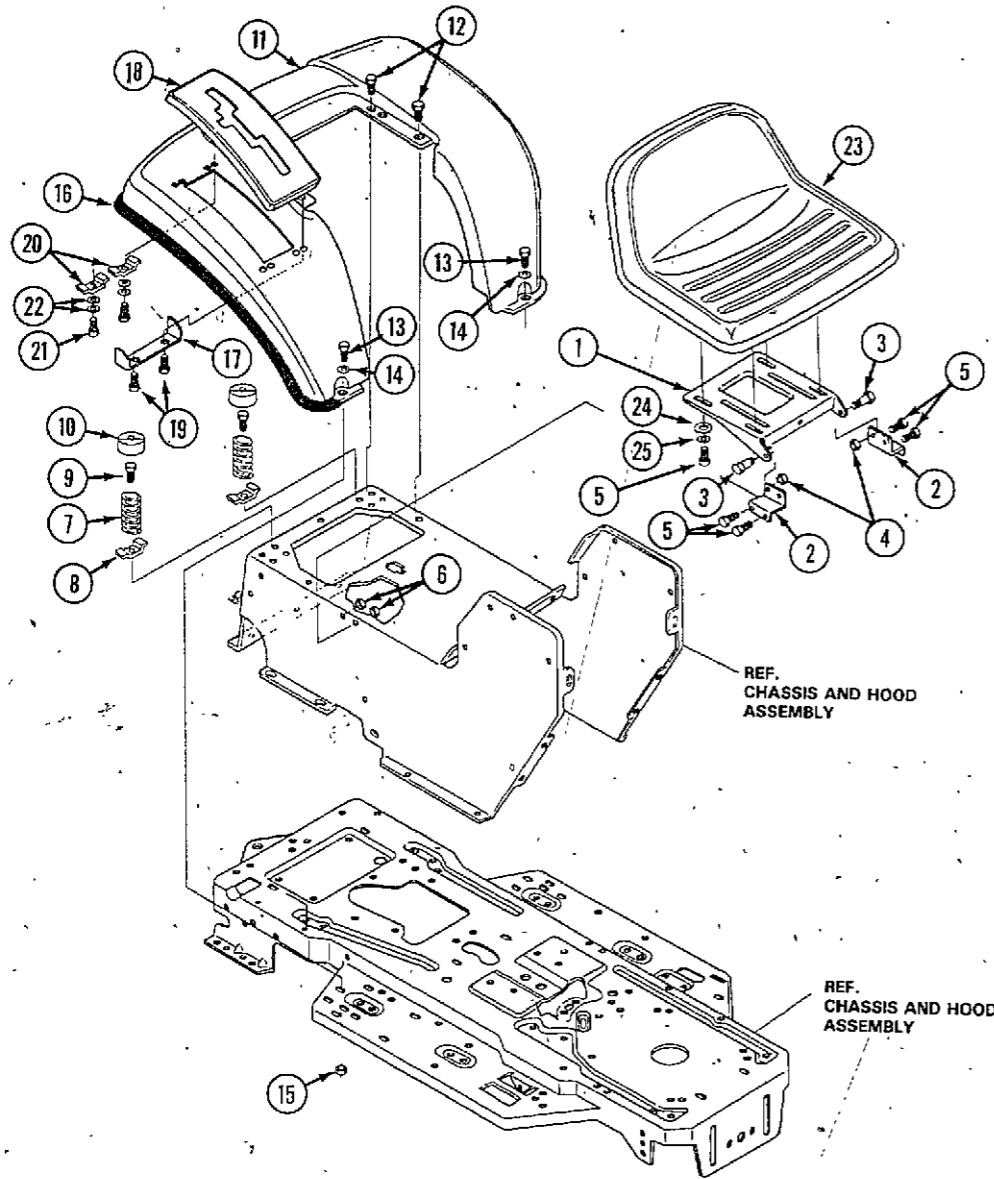
	Page	Grid
Chasis and Hood	5	A6
Fender and Seat Plate	7	A8
Mower Suspension Assembly	9	A10
Transaxle and Gear Shift Lever (1212G)	11	A12
Motion Drive Assembly (1212H)	13	A14
Clutch, Brake and Rear Wheels	15	B2
Steering and Front Axle	17	B4
Engine and Control Assembly	19	B6
Pre-painted Deck Assembly	21	B8
Final Deck Assembly	23	B10
Electrical Assembly	25	B12
Decals	27	B14
Transaxle (1212H)	29	C2
Hydrostatic Pump (1212H)	31	C4
Transaxle (1212G)	33	C6
Engine Block	35	C8
Flywheel and Stator	37	C10
Counter Weight	37	C10
Air Cleaner	39	C12
Carburetor	39	C12
Governor	41	C14
Oil Filler	41	C14
Starter	43	D2

CHASIS AND HOOD



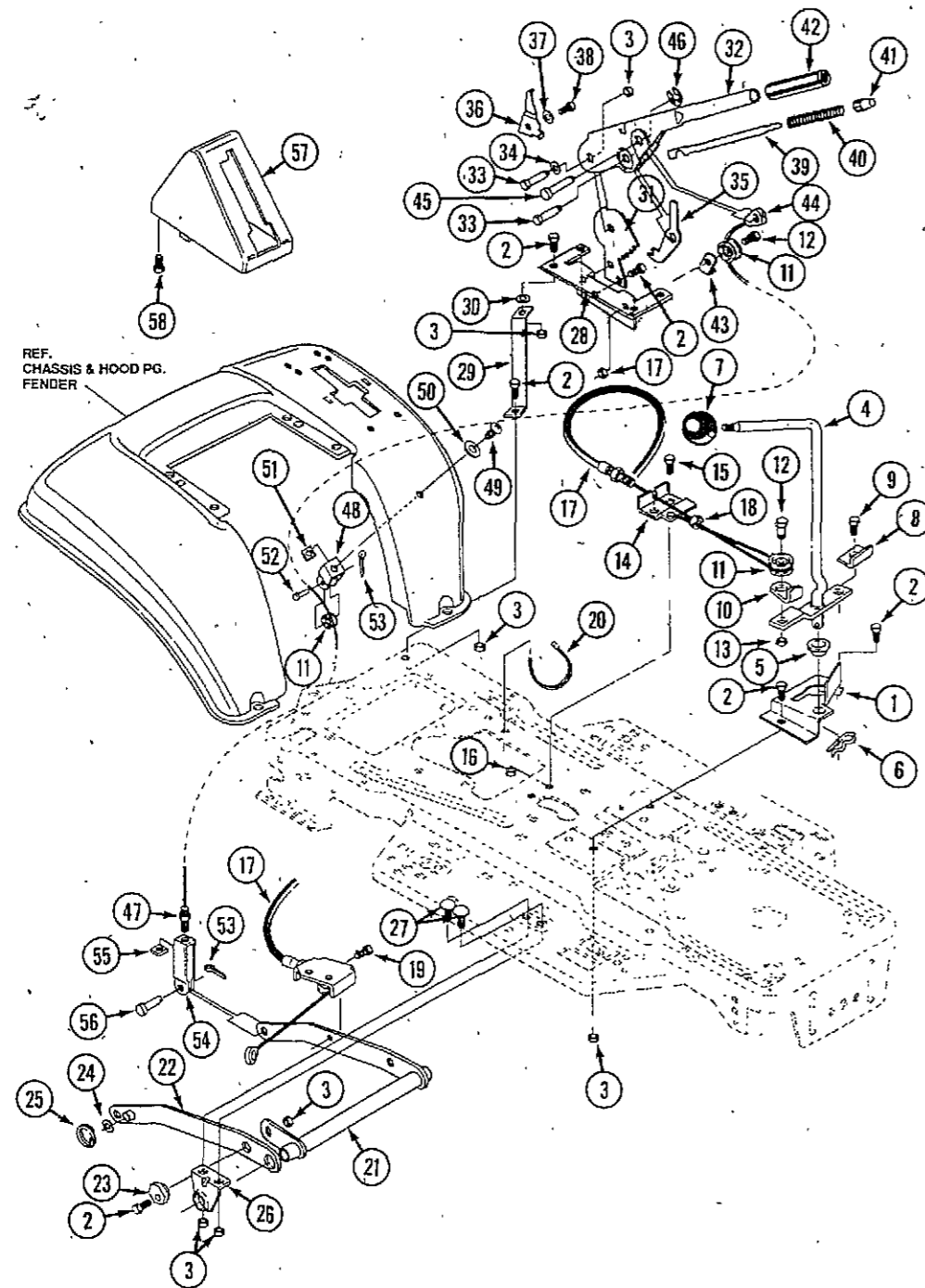
REF.	PART NO.	DESCRIPTION	REQ'D
1	C 40714	PLATE - backing	2
2	C 40715	BRACKET - hood pin	1
3	113- 102	BOLT - 5/16" - 18 x 3/4"	4
4	C 35073	GUIDE - belt	1
5	131- 911	NUT - 5/16" - 18 flange lock	4
6	C 35077	GUIDE - belt	1
7	C 35065	PAD - foot L.H.	1
8	C 35066	PAD - foot R.H.	1
9	C 35067	FASTENER - ratchet	12
10	C 39521	HOOD	1
11	C 40660	CONSOLE	1
12	C 34848	SCREW - 5/16" - 18 x 1/2" tapping	1
13	187- 1036	SCREW - 1/4" - 20 x 1/2" tapping	12
14	C 35377	DASH	1
15	C 34834	SCREW - 1/4" - 20 x 5/8"	4
16	131- 934	NUT - 1/4" - 20 flange lock	6
17	C 37147	LANYARD	1
18	C 39506	FRAME - main	1
19	C 31365	GRILLE	1
20	C 31597	SCREW - 1/4" - 20 x 1/2"	2
21	131- 934	NUT - 1/4" - 20 flange lock	2
22	C 31366	SHROUD - headlight	1
23	C 16362	ROD - hinge	1
24	132- 334	PIN - cotter	1
25	187- 1328	SCREW - #8 - 18 x 3/8"	1
26	C 35082	TOWER	1
27	195- 520	WASHER - 1/4"	2

FENDER AND SEAT PLATE



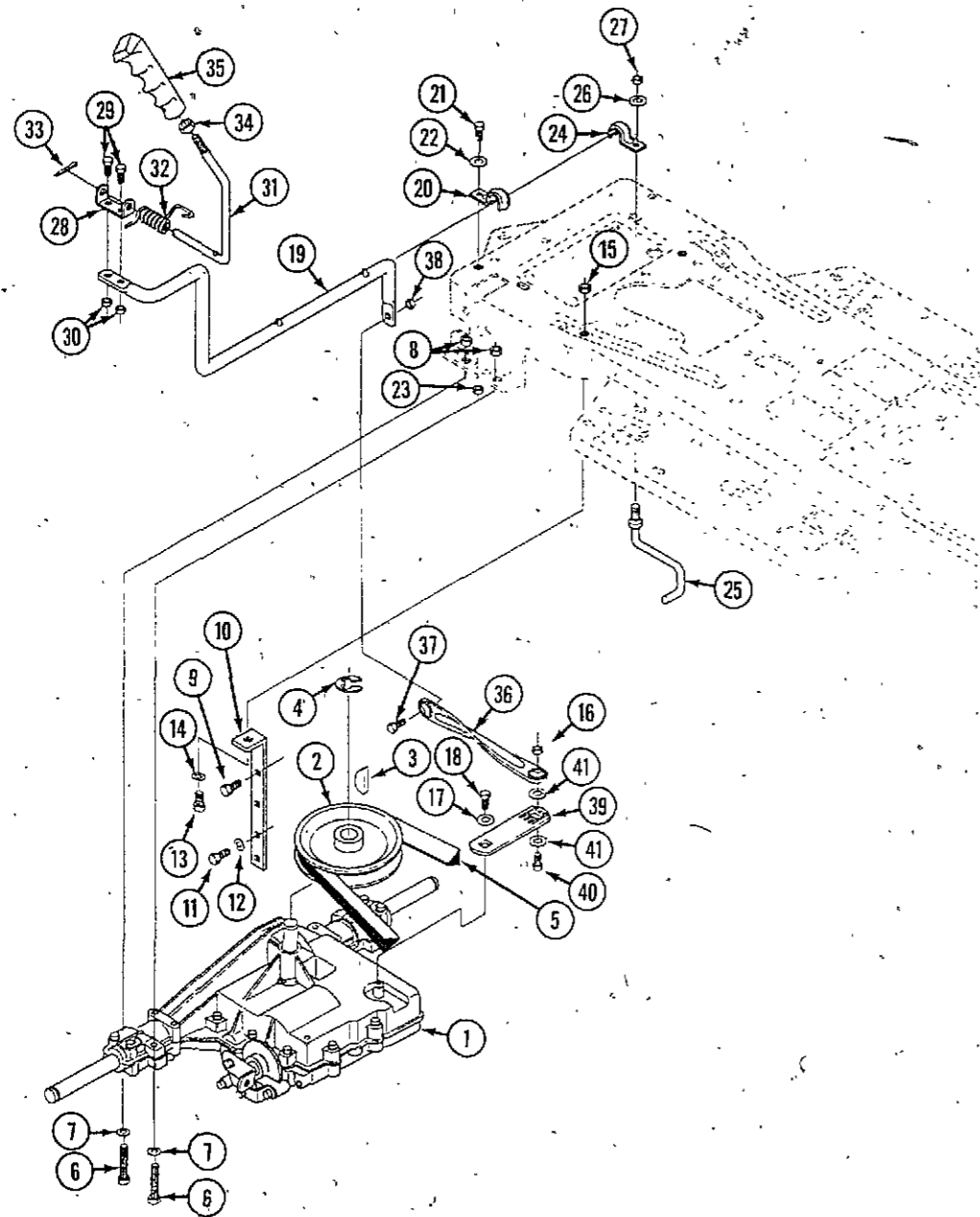
REF.	PART NO.	DESCRIPTION	REQ'D
1	C 40661	PLATE - seat	1
2	C 35667	BRACKET - seat support	2
3	C 34816	BOLT - .437" x .156", 5/16"-18	2
4	131- 176	NUT - 5/16"-18 lock	2
5	113- 102	SCREW - 5/16"-18 x 3/4"	8
6	131- 911	NUT - 5/16"-18 lock	4
7	C 35112	SPRING - seat 2.63" LG, 1.49" OD	2
8	C 35113	CLAMP - spring	2
9	C 34808	SCREW - 1/4"-20 x .75" TAP	2
10	C 35114	COVER - seat spring	2
11	C 35385	FENDER	1
12	187- 1036	SCREW - 1/4"-20 x .50" TAP	4
13	113- 103	SCREW - 5/16"-18 x 1.00"	2
14	195- 102	WASHER - flat 3/8"	4
15	131- 911	NUT - 5/16"-18 lock	2
16	C 35117	TRIM - strip, black 77.5"	1
17	C 35118	BRACKET - cover, fender shift	1
18	C 35119	COVER - plastic (1212H)	1
18	C 35386	COVER - plastic (1212G)	1
19	C 35120	SCREW - 1/4" - 15 x 1/2"	2
20	C 35113	CLAMP - spring 1.17" ID	2
21	C 35120	SCREW - 1/4-15 x .44"/.53"	2
22	195- 518	WASHER - FLAT 1/4"	4
23	C 35567	SEAT	1
24	195- 521	WASHER - 5/16"	4
25	192- 20	LOCK WASHER - 5/16"	4

MOWER SUSPENSION ASSEMBLY



REF.	PART NO.	DESCRIPTION	REQ'D
1	C 35123	BRACKET - clutch, engage lever	1
2	113- 103	SCREW - 5/16" - 18 x 1.00	9
3	131- 911	NUT - 5/16" - 18 flange	16
4	C 35125	LEVER - clutch, attachment	1
5	C 35126	BEARING - .503" ID x .628" OD flange	1
6	C 16450	PIN - hair .091" DIA. x 1.66" LG	1
7	C 35053	KNOB - shift	1
8	C 35127	BRACKET - switch engage	1
9	C 29620	SCREW - 5/16" - 18 x .75 tap	1
10	C 35128	BRACKET - cable retainer	1
11	C 35129	PULLEY - .906" x .305" nylon	3
12	C 35130	BOLT - .375" x .375", 1/4" - 20	2
13	131- 934	NUT - 1/4" - 20 flange lock	1
14	C 35131	BRACKET - frame cable	1
15	113- 3	SCREW - 1/4" - 20 x .75"	2
16	131- 934	NUT - 1/4" - 20 lock	3
17	C 35133	CABLE - blade engage	1
18	C 35134	NUT - 1/4" - 28 Jam	1
19	C 29620	SCREW - 5/16" - 18 x .75" tap	1
20	C 35334	TIE - cable, black nylon	1
21	C 35388	BRACKET - rear lift	1
22	C 35137	LINK - right side	1
23	C 35139	NUT - adjusting	1
24	195- 533	WASHER - flat .53" x 1.06" x .095"	2
25	C 28105	RING - retaining	2
26	C 35140	BRACKET - suspension, rear	2
27	111- 202	BOLT - 5/16" - 18 x .63" carriage	4
28	C 35141	BRACKET - height adjust support	1
29	C 35142	BRACE - fender	1
30	195- 521	WASHER - flat .333" x .87" x .119"	1
31	C 35143	QUADRANT - height adjust	1
32	C 35144	HANDLE - lift	1
33	C 35145	BOLT - 5/16" - 18	2
34	C 28806	WASHER - flat .506" x .75" x .024"	1
35	C 35147	PAWL - height adjust	1
36	C 35148	POINTER	1
37	193- 6	WASHER - .195" x .41" x .03" lock	1
38	C 34968	SCREW - #8 - 32 x .38"	1
39	C 35150	ROD - actuator, short	1
40	C 35151	SPRING - height adjust	1
41	C 35152	KNOB - height adjust push button	1
42	C 35153	GRIP - .750" OD w/hole	1
43	C 35154	BRACKET - cable retaining	1
44	C 34823	CABLE - lift 21.70"	1
45	C 35156	PIN - clevis .310" dia. x .475" LG	1
46	C 35157	RING - retaining	1
47	129- 101	NUT - 1/4" - 20	1
48	C 35159	CLEVIS	1
49	C 35160	SCREW - 5/16" - 18 x .56"	1
50	C 35161	WASHER - .344" ID x 1.5" OD	1
51	C 35162	NUT - 5/16" - 18 sq.	1
52	C 35163	PIN - clevis .38" dia. x 1.00" lg	1
53	132- 329	PIN - cotter	1
54	C 34825	CLEVIS - lift cable	1
55	C 34824	NUT - 1/4" - 20 square	1
56	C 34826	PIN clevis .312" x .812"	1
57	C 35165	LIFT COVER	1
58	C 35166	SCREW - #10 x .75"	3

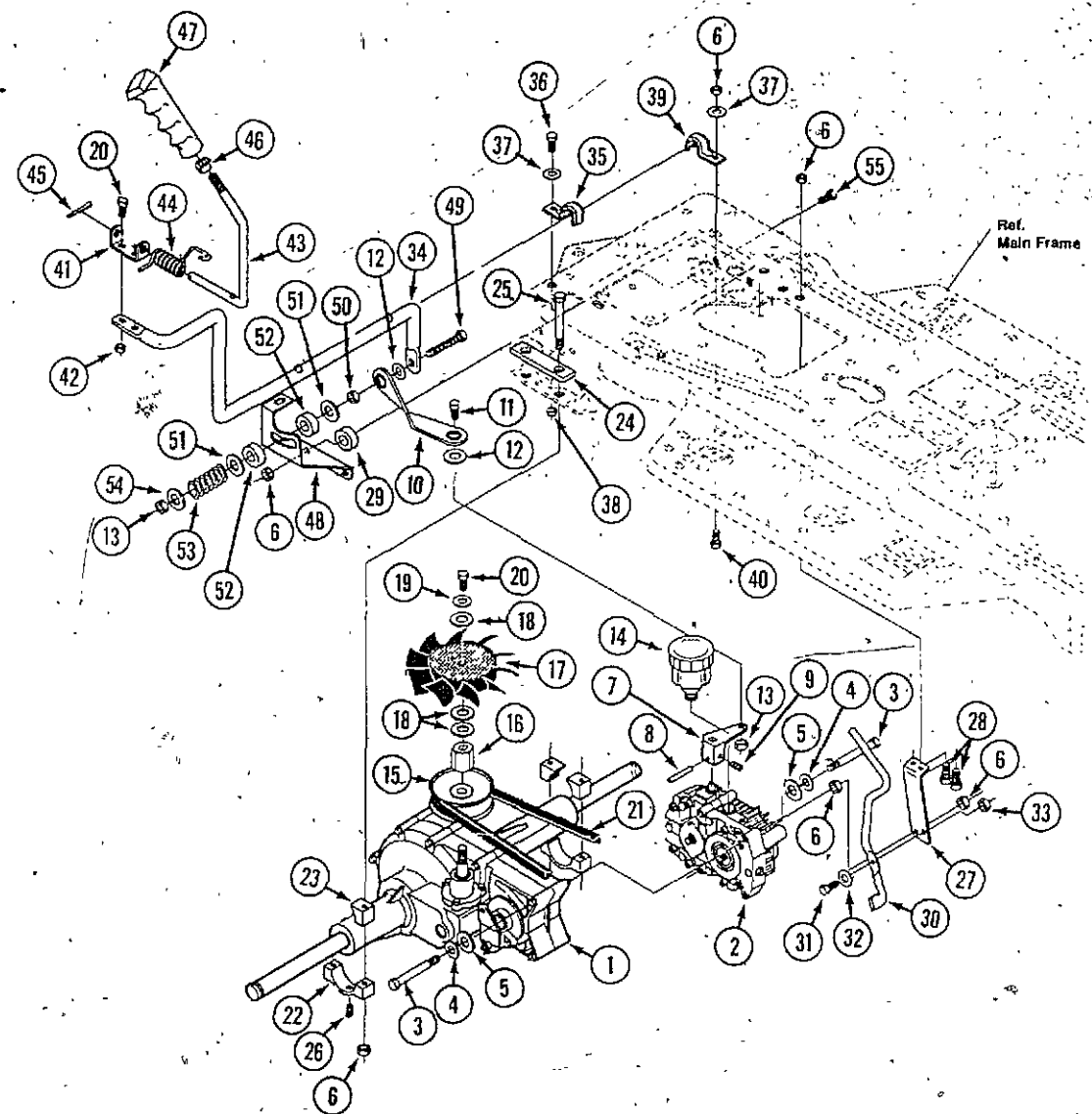
LAWN TRACTOR MODEL 1212G
TRANSAXLE AND GEAR SHIFT LEVER



REF.	PART NO.	DESCRIPTION	REQ'D
1	C 40733*	TRANSAXLE	1
2	C 35552	PULLEY	1
3	C 34909	KEY - WDRF 606 .750" x .187" x .312"	1
4	C 34874	RING - retaining	1
5	C 35233	BELT - drive	1
6	113- 110	SCREW - 5/16" - 18 x 2.25"	4
7	195- 521	WASHER - flat 5/16"	4
8	131- 911	NUT - 5/16" - 18 lock	4
9	C 35264	SCREW - 3/8" - 16 x 1.25" tap	1
10	C 35235	BRACKET - stabilizer	1
11	C 34800	SCREW - 5/16" 18 x .75" tap	2
12	192- 20	LOCKWASHER - 5/16"	2
13	113- 103	SCREW - 5/16" - 18 x 1.00"	1
14	195- 521	WASHER - flat .344" x .69" x .065"	1
15	131- 911	NUT - 5/16" - 18 lock	1
16	131-1216	NUT - 3/8" - 16 lock	1
17	C 34886	WASHER - .750" x .250"	1
18	C 34887	SCREW - 1/4" - 28 x .75"	1
19	C 35238	LEVER - shift, lower	1
20	C 35239	CLIP - shift lever	1
21	113- 103	SCREW - 5/16" - 18 x 1"	1
22	195- 104	WASHER - flat .391" x 1.00" x .125"	1
23	131- 911	NUT - 5/16" - 18 lock	1
24	C 35239	CLIP - shift lever	1
25	C 35241	GUIDE - belt 5/16" - 18 THD	1
26	195- 104	WASHER - flat .391" x 1.00" x .125"	1
27	131- 911	NUT - 5/16" - 18 lock	1
28	C 35242	BRACKET - pivot	1
29	113- 2	SCREW - 1/4" - 20 x .62"	2
30	131- 934	NUT - 1/4" 20 lock	2
31	C 35244	LEVER - shift upper	1
32	C 35426	SPRING - .56" x .95 x .095 torsion	1
33	132- 310	PIN - cotter .125" dia. x 1.00" lg	1
34	129- 105	NUT - 1/2" - 13 hex jam	1
35	C 35247	HANDLE - 1/2" - 13 molded	1
36	C 35248	LINK - tie rod shifter	1
37	113- 208	SCREW - 3/8" - 16 x 1.25"	1
38	131-1216	NUT - 3/8" - 16 lock	1
39	C 35250	BRACKET - shift	1
40	113- 208	SCREW - 3/8" - 16 x 1.25"	1
41	195- 103	WASHER - flat .406" x .81" x .065"	2

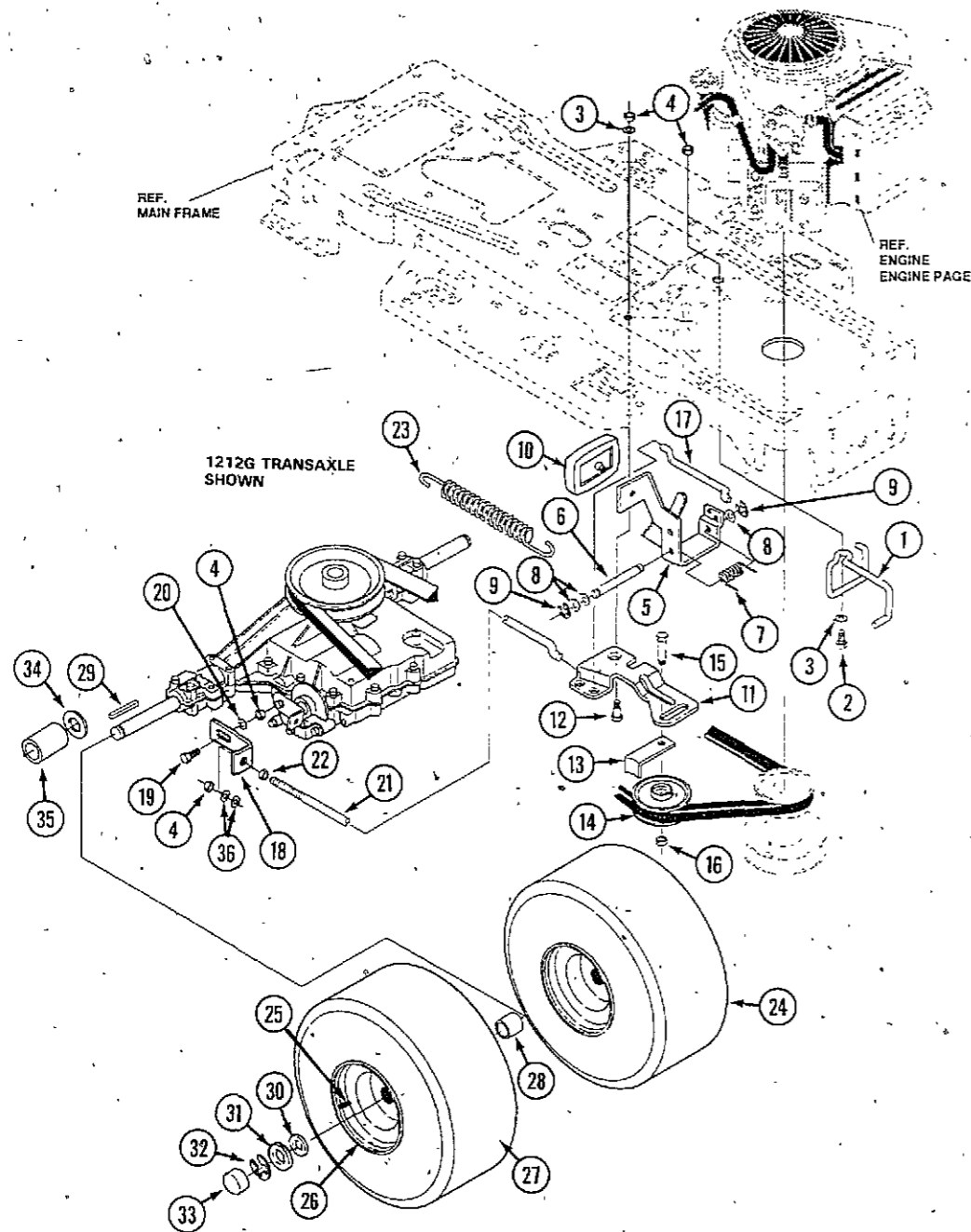
*See Transaxle Section for Service Parts

MOTION DRIVE ASSEMBLY



REF.	PART NO.	DESCRIPTION	REQ'D
1	C 40675	TRANSAXLE - see page 29 for repairs	1
2	C 35405*	HYDROSTATIC PUMP - see page 31 for repairs	1
3	C 35406	SCREW - 5/16" - 18 x 4.50"	4
4	192- 20	WASHER - 5/16" lock	4
5	195- 521	WASHER - flat 5/16"	4
6	131- 176	NUT - 5/16" - 18 lock	3
7	C 35407	ARM - speed control	1
8	138-2071	PIN - spring, .187" dia. x .88" lg.	1
9	178- 860	SCREW - 1/4" - 20 x .38" set	1
10	C 35248	LINK - shift, hydro	1
11	113- 207	SCREW - 3/8" - 16 x 1.25"	1
12	192- 21	WASHER - .393" x .68" x .10" lock	1
13	131- 1352	NUT - 3/8" - 16 lock	1
14	C 35411	RESERVOIR - hydro	1
15	C 40894	DIAPHRAGM - reservoir (not shown)	1
16	C 35412	PULLEY - hydro	1
17	C 35413	NUT - pulley 1/2" - 20 and 1/4" - 20	1
18	C 35414	FAN - hydro 7.00" dia. - 10 blades	1
19	129-2175	WASHER - .28" x 1.38" x .07"	3
20	192- 19	WASHER - .263" x .49" x .07" lock	1
21	113- 2	SCREW - 1/4" - 20 x .62"	1
22	C 35416	BELT - "V" 4L 80.16"	1
23	C 35417	BLOCK - mounting, lower	2
24	C 35418	BLOCK - mounting, upper	4
25	C 35419	PLATE - guide	2
26	C 35420	SCREW - 5/16" - 18 x 2.75"	4
27	C 35421	SCREW - #10 - 32 x .25"	2
28	C 35422	BRACKET - stabilizer	1
29	113- 103	SCREW - 5/16" - 18 x 1.00"	2
30	C 35432	SPACER - .344" x 1.00" x .500"	2
31	C 35423	ROD - dump valve	1
32	C 35424	BOLT - .250" x .312", 5/16" - 18	1
33	C 34997	WASHER - .39" ID x 1.25" OD x .07" spring	1
34	131-1102	NUT - 1/4" - 20 lock	1
35	C 40676	LEVER - shift	1
36	C 35239	CLIP - shift lever	1
37	113- 103	SCREW - 5/16" - 18 x .75"	1
38	195- 104	WASHER - .391" x 1.00" x .125"	1
39	131- 911	NUT - 5/16" - 18 lock	1
40	C 35239	CLIP - shift lever	1
41	113- 103	SCREW - 5/16" - 18 lock	1
42	C 35242	BRACKET - pivot	1
43	131- 934	NUT - 1/4" - 20 lock	2
44	C 40677	LEVER - shift, upper	1
45	C 40678	SPRING - .56" x .95" x .095" torsion	1
46	132- 310	PIN - cotter .125" dia. x 1.00" lg.	1
47	129- 105	NUT - 1/2" - 13 jam	1
48	C 35247	HANDLE - molded, black	1
49	C 35427	QUADRANT - speed control	1
50	C 35428	SCREW - 3/8" - 16 x 3.00"	1
51	131- 938	NUT - 3/8" flange	1
52	C 34939	WASHER - .390" x 1.25" x .119"	4
53	C 35429	WASHER	2
54	C 35430	SPRING	1
55	C 34904	WASHER - .406" x .73" x .063"	1
	113- 104	SCREW - 5/16" - 18 x 1.25"	2

CLUTCH BRAKE AND REAR WHEELS

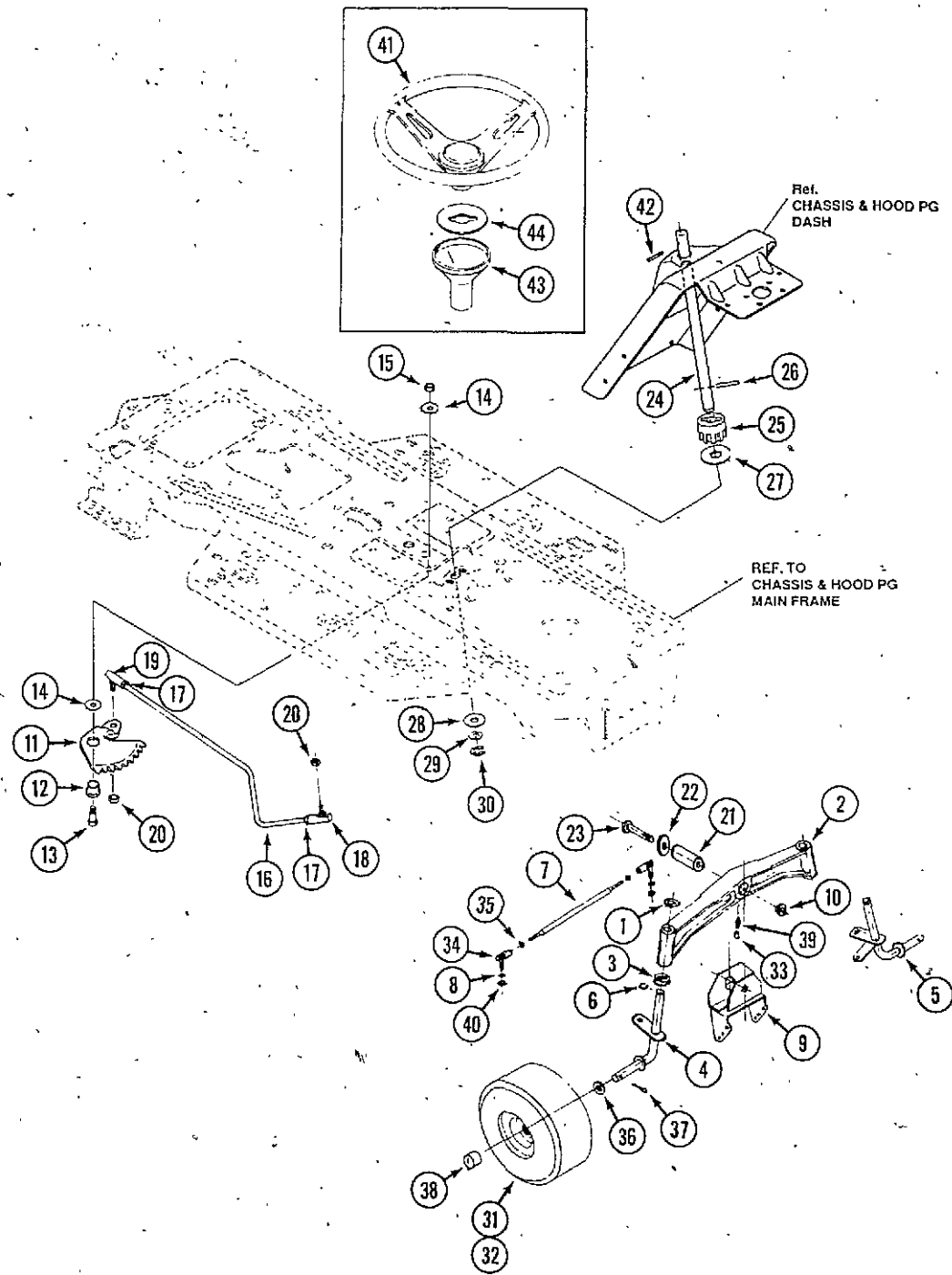


REF.	PART NO.	DESCRIPTION	REQ'D
1	C 35433	GUIDE - belt and drag link	1
2	113- 103	SCREW - 5/16" - 18 x 1.00"	1
3	195- 521	WASHER - flat 5/16"	2
4	131- 176	NUT - 5/16" - 18 lock	4
5	C 35254	PEDAL - brake, clutch	1
6	C 34980	ROD - pivot .50 OD	1
7	C 35255	SPRING - brake pedal	1
8	195- 533	WASHER - flat .504" x .75" x .059"	3
9	C 34979	RING - retaining	2
10	C 35256	PAD - clutch brake	1
11	C 35257	ARM - idler, traction drive	1
12	C 35258	BOLT - .625" x .135", 5/16" - 18	1
13	C 34903	RETAINER - belt	1
14	C 34902	PULLEY - idler "V" 4L 3.06" x .62"	1
15	111- 330	BOLT - 3/8" - 16 x 1-3/4" carriage	1
16	131- 1216	NUT - 3/8" - 16 lock	1
17	C 35259	ROD - clutch	1
18	C 34993	BRACKET - brake rod	1
19	C 34816	BOLT - 5/16" - 18	1
20	C 30649	WASHER - flat .333" x .87" x .119"	1
21	C 35555	ROD - brake	1
22	131- 911	NUT - 5/16" - 18 (1212G)	1
23	C 35435	SPRING - clutch	1
24	*	TIRE & RIM - 20 x 10-8	2
25	C 34920	VALVE - air	2
26	C 35438	RIM - wheel	2
27	**	TIRE	2
28	C 35437	SPACER	2
29	C 40664	KEY	2
30	C 28226	WASHER - flat .755" x 1.31" x .075"	2
31	C 28972	WASHER - flat .755" x 1.53" x .07"	2
32	C 27739	RING - retaining	2
33	C 34918	CAP - hub	2
34	C 34916	WASHER - 3/4" x 1-1/2" (1212H)	2
35	C 35436	SPACER - sleeve 3/4" x 1-1/4" (1212H)	2
36	C 34876	WASHER - spacer (1212H)	2

* Order Individual Parts.

** Order Tires From Your Local Tire Dealer

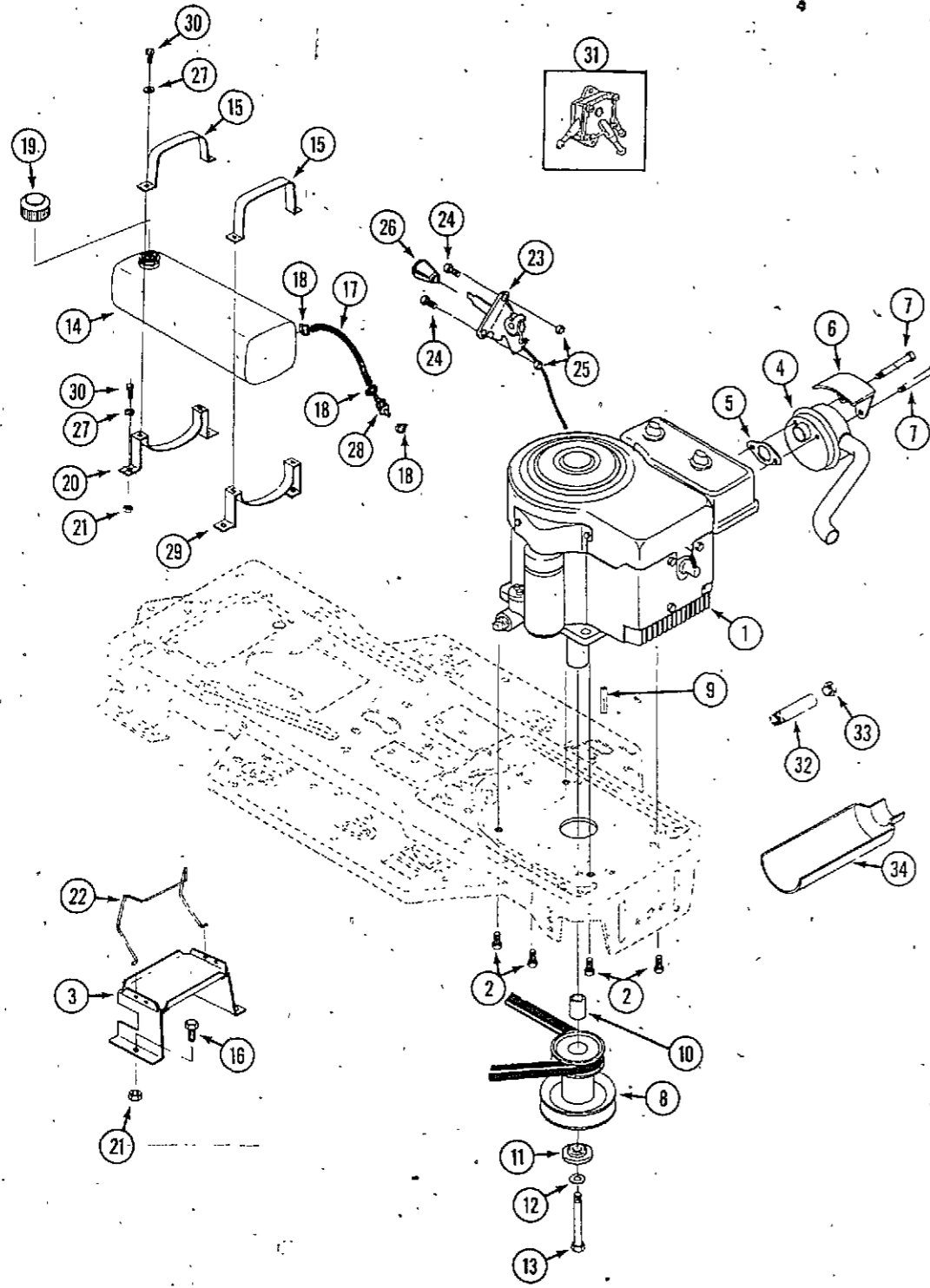
STEERING AND FRONT AXLE



REF.	PART NO.	DESCRIPTION	REQ'D
1	195- 545	WASHER	2
2	C 18812	AXLE - front	1
3	C 11906	WASHER - thrust	4
4	C 39496	SPINDLE - R.H.	1
5	C 40702	SPINDLE L.H.	1
6	C 28232	RING - retaining	2
7	C 40658	TIE ROD	1
8	192- 23	WASHER - 1/2" lock	2
9	C 39502	BRACKET - pivot	1
10	C 39497	NUT - axle pivot	1
11	C 35393	GEAR - sector, steering	1
12	C 35394	BEARING - flange	1
13	113- 412	SCREW - 1/2" 13 x 1-3/4"	1
14	C 35396	WASHER - flat .515" x 1.38" x .119"	2
15	131- 1182	NUT - 1/2" - 13 lock	1
16	C 40705	LINK - steering	1
17	129- 163	NUT - 3/8" - 24	2
18	C 35183	BALL JOINT - short stud 3/8"	1
19	C 35398	BALL JOINT - long stud 3/8"	1
20	131- 938	NUT - 3/8" - 24 lock	1
21	C 39498	PIN - axle pivot	1
22	C 39499	WASHER - axle pivot	1
23	113- 447	BOLT - 1/2" - 13 x 3-1/2"	1
24	C 35399	SHAFT - steering	1
25	C 35400	PINION - steering	1
26	C 35401	PIN - dowel .2500" OD x 1.75"	1
27	C 35402	BEARING - flanged	1
28	C 35403	WASHER - formed 1.135" x 1.53" x .12"	1
29	C 35207	WASHER - flat .765" x 1.25" x .042"	1
30	C 27739	RING - retaining	1
31	*	TIRE & RIM - 15 x 6.0 x 6 silver	2
32	**	TIRE	1
	C 34920	VALVE STEM	1
	C 35193	WHEEL - includes bearings	1
	C 35404	BEARING - flanged 1.38" OD x .753" ID	2
33	C 13106	COVER - lubrication fitting	3
34	C 12102	BALLJOINT - R.H. thread	1
34	C 13605	BALLJOINT - L.H. thread	1
35	129- 165	NUT - 1/2" N.F. R.H. thread	1
35	129- 365	NUT - 1/2" N.F. L.H. thread	1
36	C 28226	WASHER - flat	UAR
37	132- 311	PIN - cotter	2
38	C 26526	CAP - 1.500" ID x 7/8" LG HUB	2
39	219- 17	FITTING - lubrication	3
40	129- 165	NUT - 1/2" N.F. R.H. thread	2
41	C 40666	WHEEL - steering	1
42	138- 143	PIN - roll 1/4" x 2"	1
43	C 40654	BOOT - steering shaft	1
44	C 40655	INSERT - boot	1

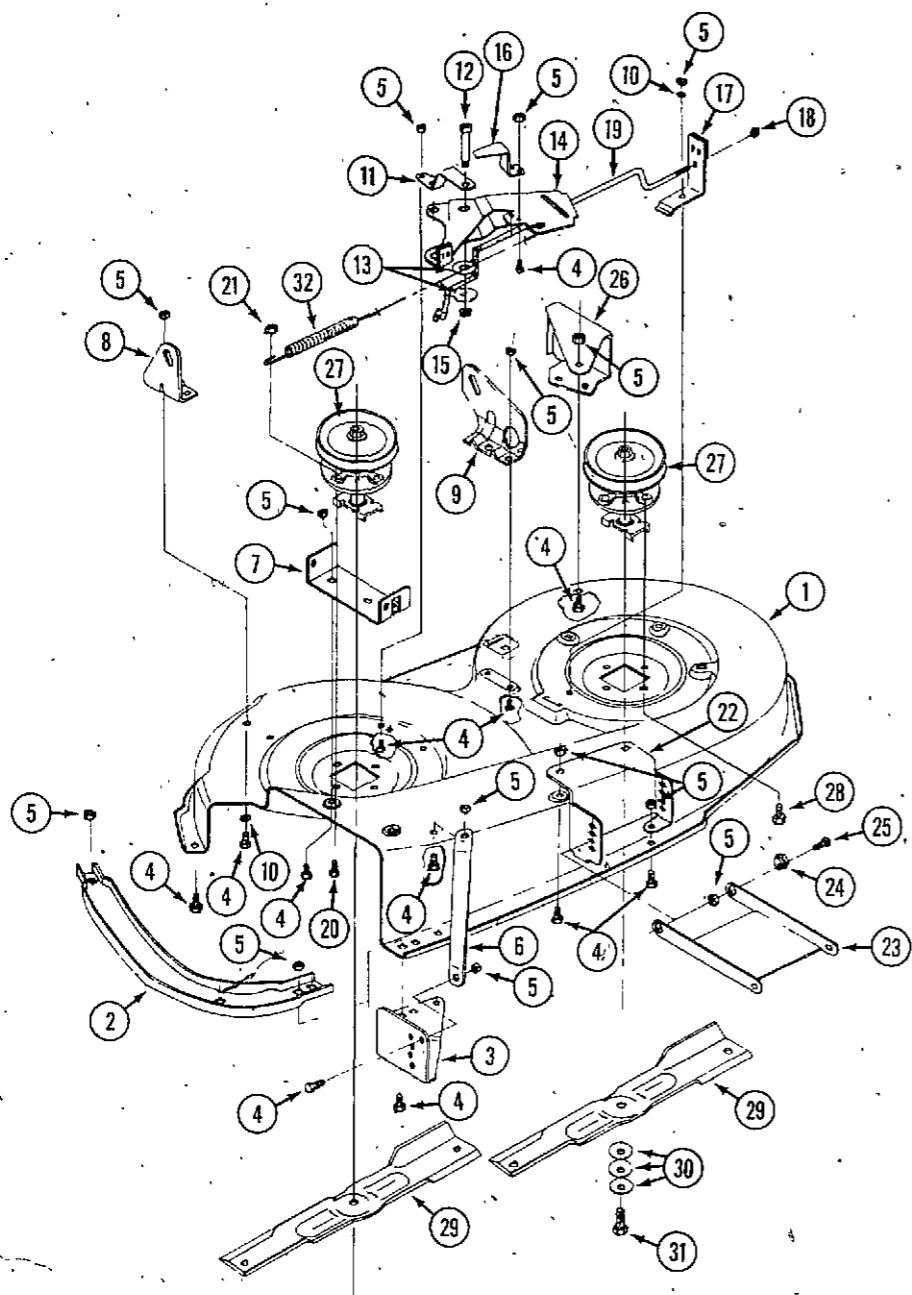
*Order individual parts.
**Order tires at your local tire dealer.

ENGINE AND CONTROL ASSEMBLY



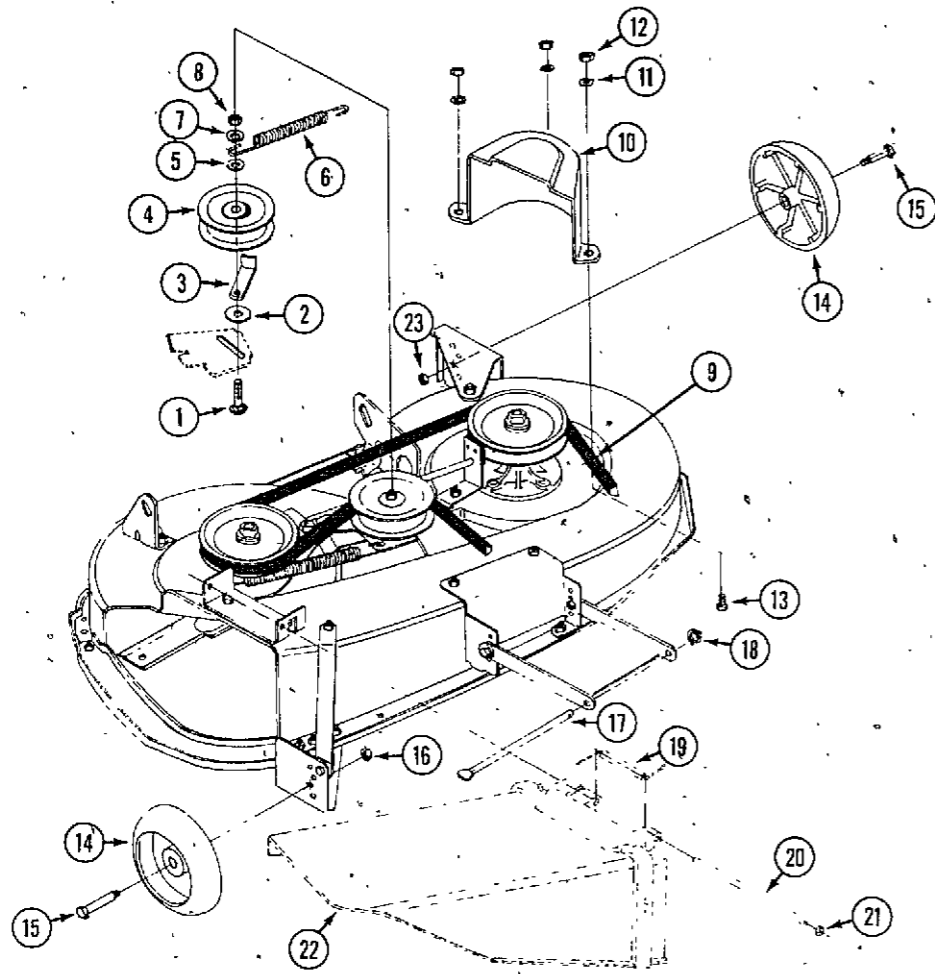
REF.	PART NO.	DESCRIPTION	REQ'D
1	C 37477	ENGINE - 12 HP B&S I/C 283707 type 0126	1
2	C 33644	SCREW - 3/8" - 16 x 1.25" TAP	4
3	C 39514	BRACKET - battery	1
4	C 35439	MUFFLER - w/tube	1
5	C 35440	GASKET - muffler	1
6	C 35441	SHIELD - heat	1
7	C 35442	SCREW - 5/16" - 18 x 3.50"	2
8	C 35443	PULLEY	1
9	C 35278	KEY - square .250" sq. x 5.00" LG	1
10	C 35279	SPACER - 1.01" x 1.484" engine pulley	1
11	C 34925	WASHER - .980" ID x 1.38" OD x .437" pilot	1
12	193- 31	WASHER - 7/16" lock	1
13	C 35280	SCREW - 7/16" - 20 x 5.00"	1
14	C 37472	TANK - fuel	1
15	C 37481	STRAP - fuel tank	1
16	113- 102	BOLT - 5/16" - 18 x 3/4"	2
17	NSS	FUEL LINE (use C28937 cut to length)	1
18	C 32376	CLAMP - fuel line	4
19	C 37094	CAP - fuel tank	1
20	C 37482	BRACKET - fuel tank, rear	1
21	131- 911	NUT - 5/16" - 18 flange lock	6
22	C 42363	RETAINER - battery	1
23	C 35447	CONTROL - throttle	1
24	C 35289	SCREW - #10-24 x .63"	2
25	C 35290	NUT - #10 - 24 hex keps	2
26	C 35291	KNOB - round throttle	1
27	195- 521	WASHER - 5/16"	8
28	C 31978	FILTER - fuel	1
29	C 40737	BRACKET - fuel tank, front	1
30	113- 103	BOLT - 5/16" - 18 x 1"	8
31	C 34300	PUMP - fuel	1
32	C 37148	NIPPLE - pipe	1
33	218- 5154	PLUG - oil drain	1
34	C 35369	TROUGH - oil drain	1

PRE-PAINTED DECK ASSEMBLY



REF.	PART NO.	DESCRIPTION	REQ'D
1	C 42123	DECK - mower 40"	1
2	C 35294	GUARD - toe	1
3	C 35313	BRACKET - gage wheel R.H.	1
4	113- 118	BOLT - 5/16" - 18 x 5/8"	27
5	131- 911	NUT - 5/16" - 18 flange lock	29
6	C 35314	BRACKET - stabilizer	1
7	C 35296	BRACKET - chute mount	1
8	C 35297	BRACKET - lift R.H. rear	1
9	C 42124	BRACKET - lift L.H. rear	1
10	195- 521	WASHER - 5/16"	10
11	C 42125	BRACE - idler	1
12	C 35318	BOLT - shoulder 1/2" x 2.15"	1
13	C 35319	WASHER - .391"	2
14	C 42126	ARM - idler	1
15	131- 938	NUT - 3/8" - 16 flange lock	1
16	C 42127	BRACKET - extension, idler	1
17	C 42128	BRAKE - blade	1
18	131- 1102	NUT - 1/4" - 20 lock	1
19	C 42129	ROD - brake	1
20	C 35307	SCREW - 5/16" - 18 x 1-3/8"	1
21	131- 176	NUT - 5/16" - 18 lock	1
22	C 42130	BRACKET - front deck	1
23	C 35309	BRACKET - link	1
24	C 35139	NUT - adjusting	2
25	113- 103	BOLT - 5/16" - 18 x 1"	2
26	C 35312	BRACKET - gage wheel L.H.	1
27	C 35300	SPINDLE ASSEMBLY - see page 23 for service	2
28	C 34992	SCREW - 5/16" - 18 x 7/8" tapping	7
29	C 42132	BLADE	2
30	C 34997	WASHER - bellville	6
31	C 34998	BOLT - 3/8" - 24 x 1"	2
32	C 34901	SPRING - tension	1

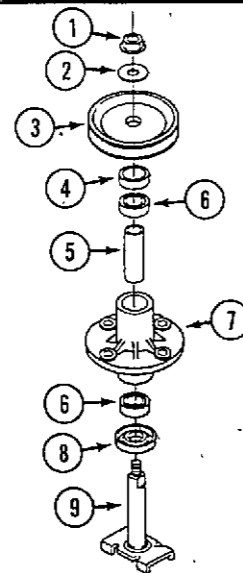
FINAL DECK ASSEMBLY



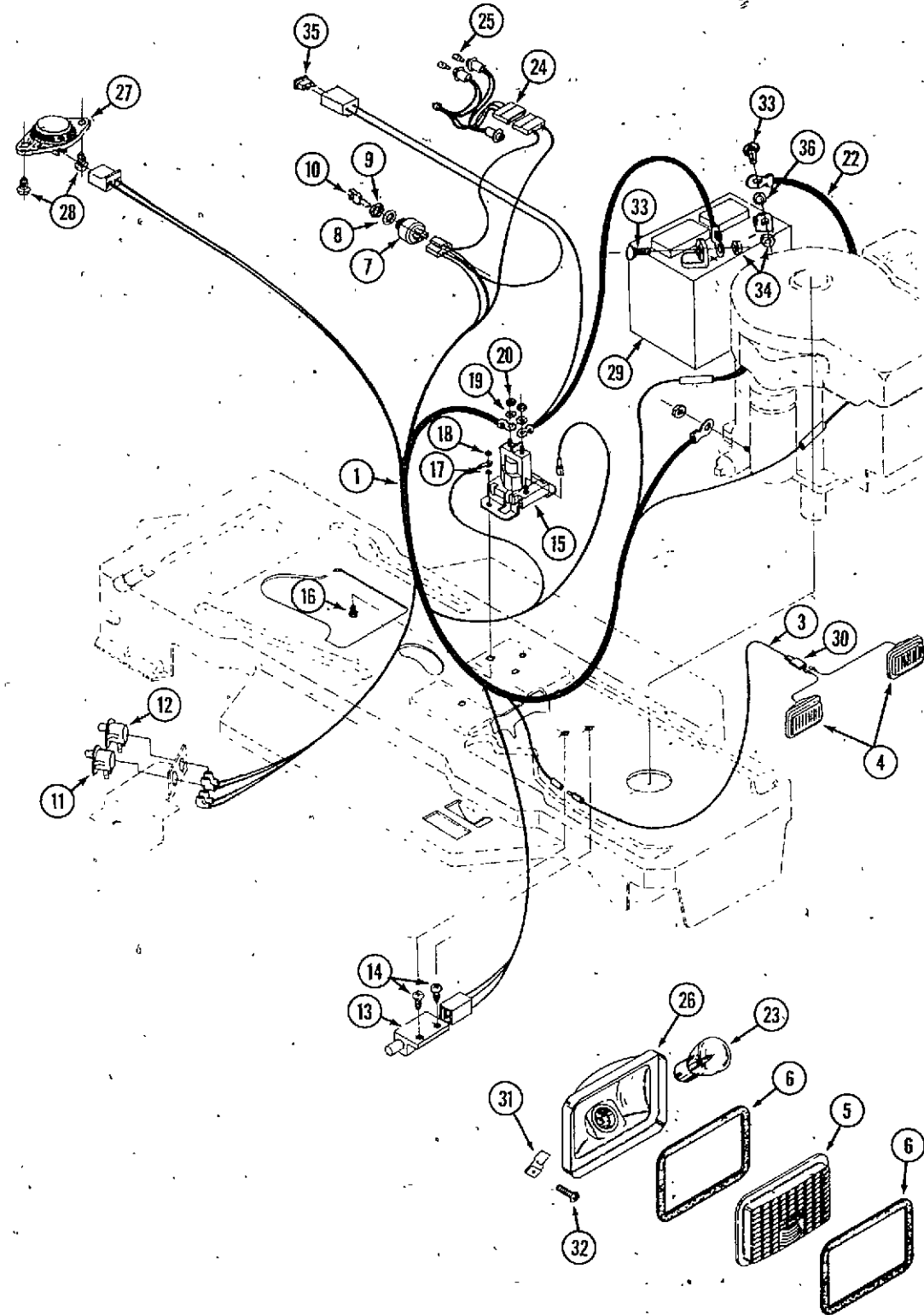
REF.	PART NO.	DESCRIPTION	REQ'D
1	111- 323	BOLT - 3/8" - 16 x 2-1/4" carriage	1
2	195- 2029	WASHER - .438" x 1.25"	1
3	C 35457	RETAINER - belt	1
4	C 35458	PULLEY - idler	1
5	C 35319	WASHER - .391" x 1" x .209"	1
6	C 35324	SPRING - tension	1
7	195- 104	WASHER - .438" x 1"	1
8	131- 1216	NUT - 3/8" - 16 lock	1
9	C 42133	BELT - 81"	1
10	C 35466	GUARD - belt	1
11	195- 521	WASHER - 5/16"	3
12	131- 176	NUT - 5/16" - 18 lock	3
13	113- 118	BOLT - 5/16" - 18 x .62"	3
14	C 35373	WHEEL - deck	2
15	C 34828	BOLT - shoulder	2
16	131- 938	NUT - 3/8" - 16 flange lock	2
17	C 35316	ROD - deck hitch	1
18	C 28105	RING - retaining	1
19	C 34839	SPRING - torsion	1
20	C 35370	ROD - pivot	1
21	C 35371	NUT - push	2
22	C 35372	CHUTE - deflector	1
23	131- 938	NUT - 3/8" flange	2

SPINDLE ASSEMBLY

1	C 34991	NUT - 7/16" - 20 flange lock	1
2	C 34990	WASHER - special	1
3	C 34989	PULLEY - spindle	1
4	C 35304	SPACER - pulley	1
5	C 35303	SPACER - bearing	1
6	C 34983	BEARING - spindle	2
7	C 35302	HOUSING - spindle	1
8	C 34985	SHIELD - dust	1
9	C 35301	SHAFT - spindle	1

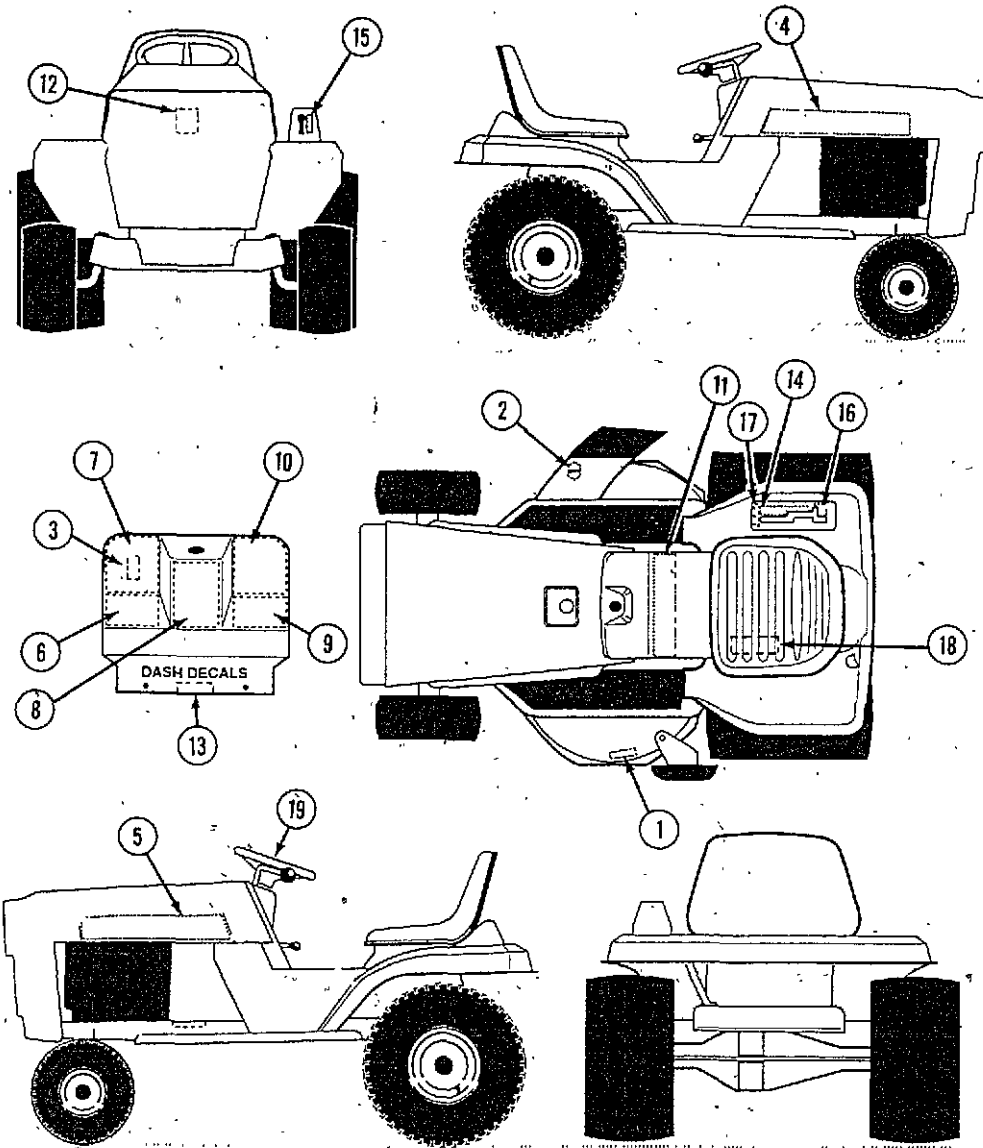


ELECTRICAL ASSEMBLY



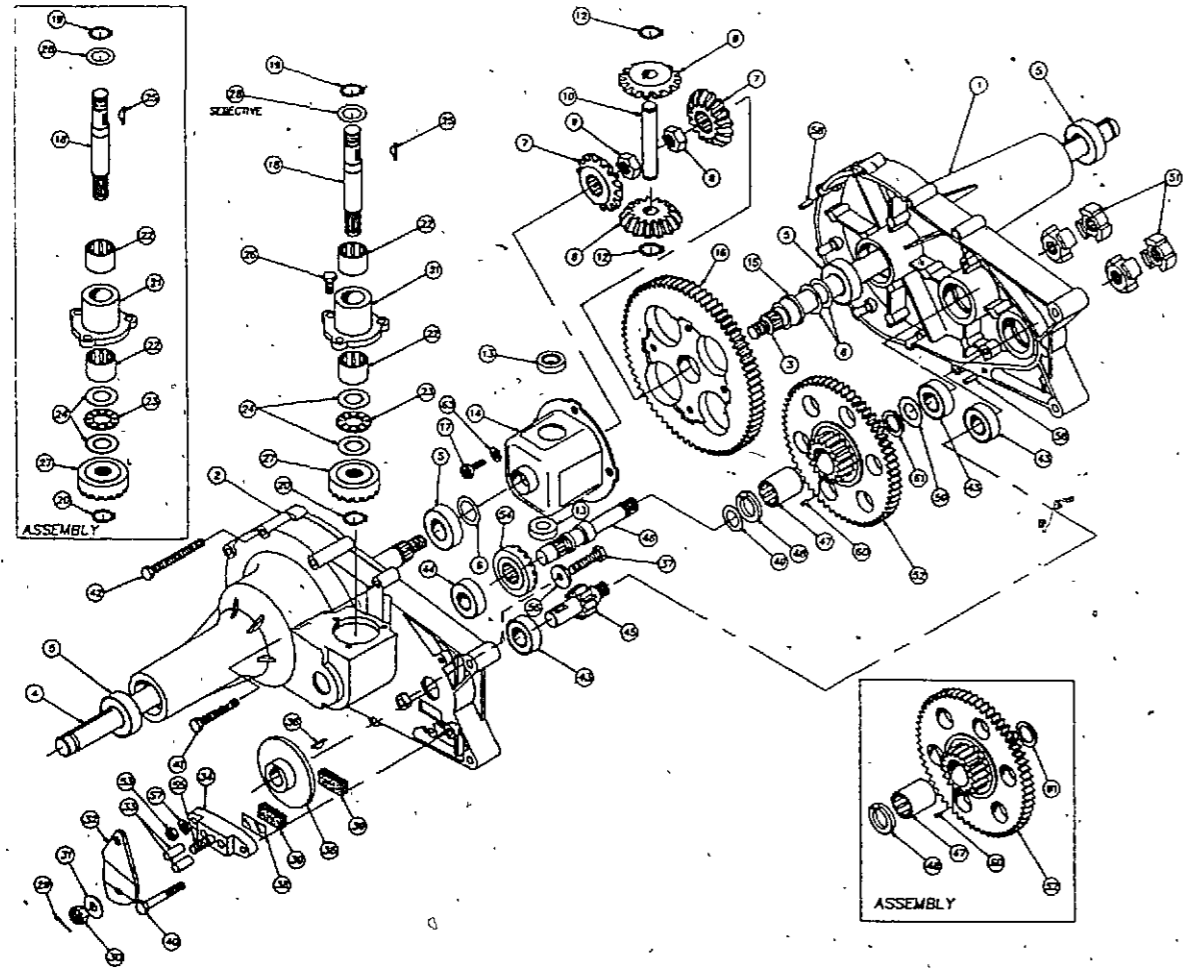
REF.	PART NO.	DESCRIPTION	REQ'D.
1	C 42364	HARNASS - wire	1
2	C 35030	CLIP - 1.380" LG, .255" ID press, wire	2
3	C 42490	WIRE - light	1
4	C 32178	HEADLIGHT	2
5	C 22573	LENS - headlight	2
6	C 14304	GASKET - headlight	4
7	C 35018	SWITCH - ignition and lights	1
8	193- 63	WASHER - .640" x 1.1" x .05" lock	1
9	C 32396	NUT - 5/8" - 32	1
9	C 32397	CAP - nut	1
10	C 32407	KEY - ignition switch	1
11	C 37298	SWITCH - N.O.	1
12	C 33744	SWITCH - N.C.	1
13	C 35015	SWITCH - N.C.	1
14	C 35016	SCREW - #12 x .50" tap	2
15	C 35022	SOLENOID	1
16	113- 3	SCREW - 1/4" - 20 x .75"	2
17	131- 1102	NUT - 1/4" - 20 lock	3
18	129- 101	NUT - 1/4" - 20	1
19	192- 20	WASHER - 5/16" lock	2
20	129- 102	NUT - 5/16" - 24	2
21	C 35334	TIE - cable, nylon	1
22	C 35033	WIRE - ground, 12.5"	1
23	C 28932	BULB - headlight	2
24	C 35468	HARNASS - light	1
25	C 35343	BULB - indicator	2
26	NSS	RECEPTACLE - headlight (use C32178)	2
27	C 30938	SWITCH - seat	1
28	C 35346	SCREW - 1/4" - 20 x .38"	2
29	C 41010	BATTERY - 12 volt	1
30	C 14537	CONNECTOR - wire	1
31	131- 629	NUT - speed	4
32	187- 1334	SCREW - #8 x 1/2"	4
33	113- 3	BOLT - 1/4" - 20 x 3/4"	2
34	131- 934	NUT - 1/4" - 20 flange lock	2
35	C 35036	FUSE - 15 AMP spade type	1
36	195- 518	WASHER - 1/4"	4

DECALS



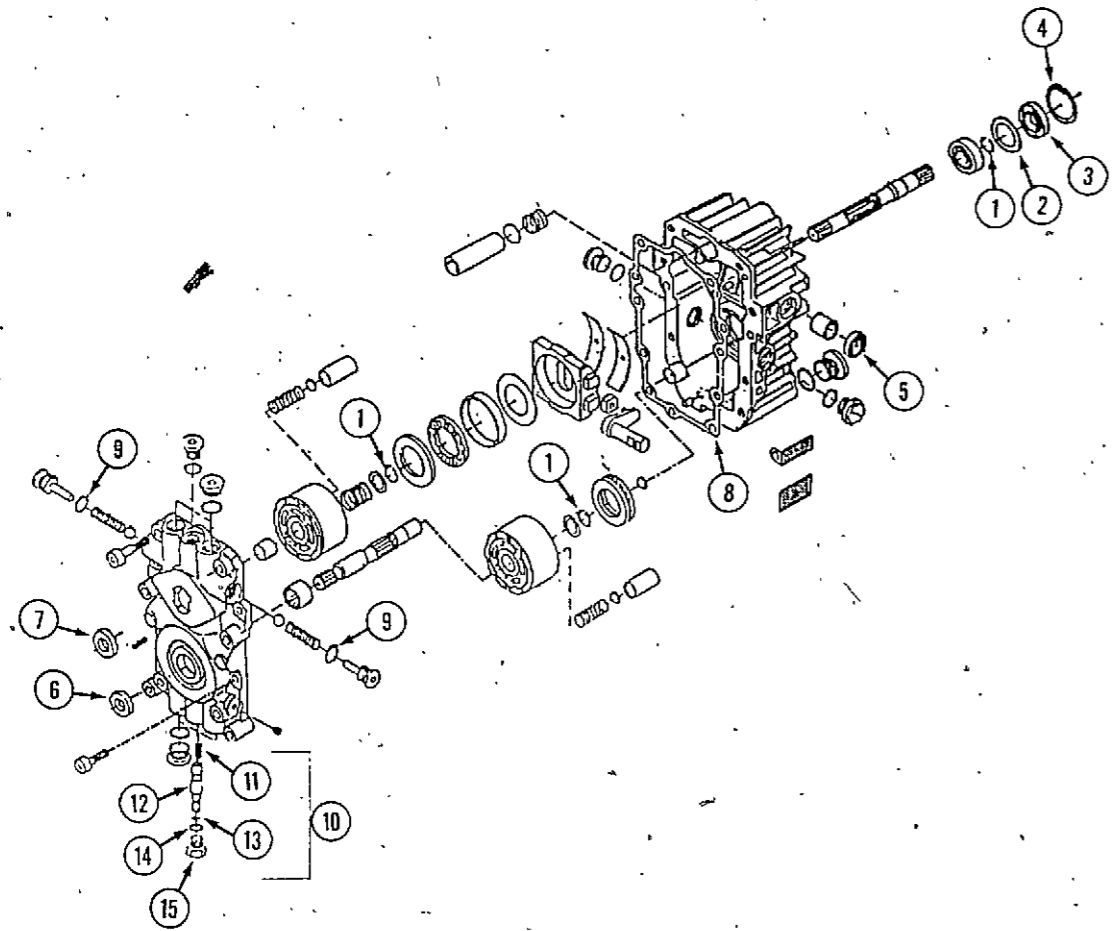
REF.	PART NO.	DESCRIPTION	REQ'D
1	C 35050	DECAL - no step	1
2	C 31087	DECAL - cut hand warning label	1
3	C 42451	DECAL - PTO	1
4	C 37074	DECAL - hood R.H. (1212H)	1
4	C 37076	DECAL - hood side R.H. (1212G)	1
5	C 37073	DECAL - hood L.H. (1212H)	1
5	C 37075	DECAL - hood side L.H. (1212G)	1
6	C 35354	DECAL - dash L.H.	1
7	C 35472	DECAL - dash L.H. throttle	1
8	C 35357	DECAL - center	1
9	C 35474	DECAL - dash R.H. charge O.K.	1
10	C 35473	DECAL - dash R.H. ignition w/lights (1212H)	1
10	C 35562	DECAL - dash R.H. ignition w/lights (1212G)	1
11	C 42473	DECAL - caution console top	1
12	C 30539	MEDALLION	3
13	C 34184	DECAL - flag	1
14	C 35365	DECAL - shifter position (1212G)	1
14	C 35475	DECAL - shift hydro forward (1212H)	1
15	C 35362	DECAL - lift deck blade height	1
16	C 35363	DECAL - shift rev/neutral (1212G)	1
16	C 35476	DECAL - shift hydro reverse (1212H)	1
17	C 35477	DECAL - clutch/brake (1212H)	1
18	C 35478	DECAL - relief valve operation (1212H)	1
19	C 37197	DECAL - steering wheel	1

LAWN TRACTOR MODEL 1212H
TRANSAXLE



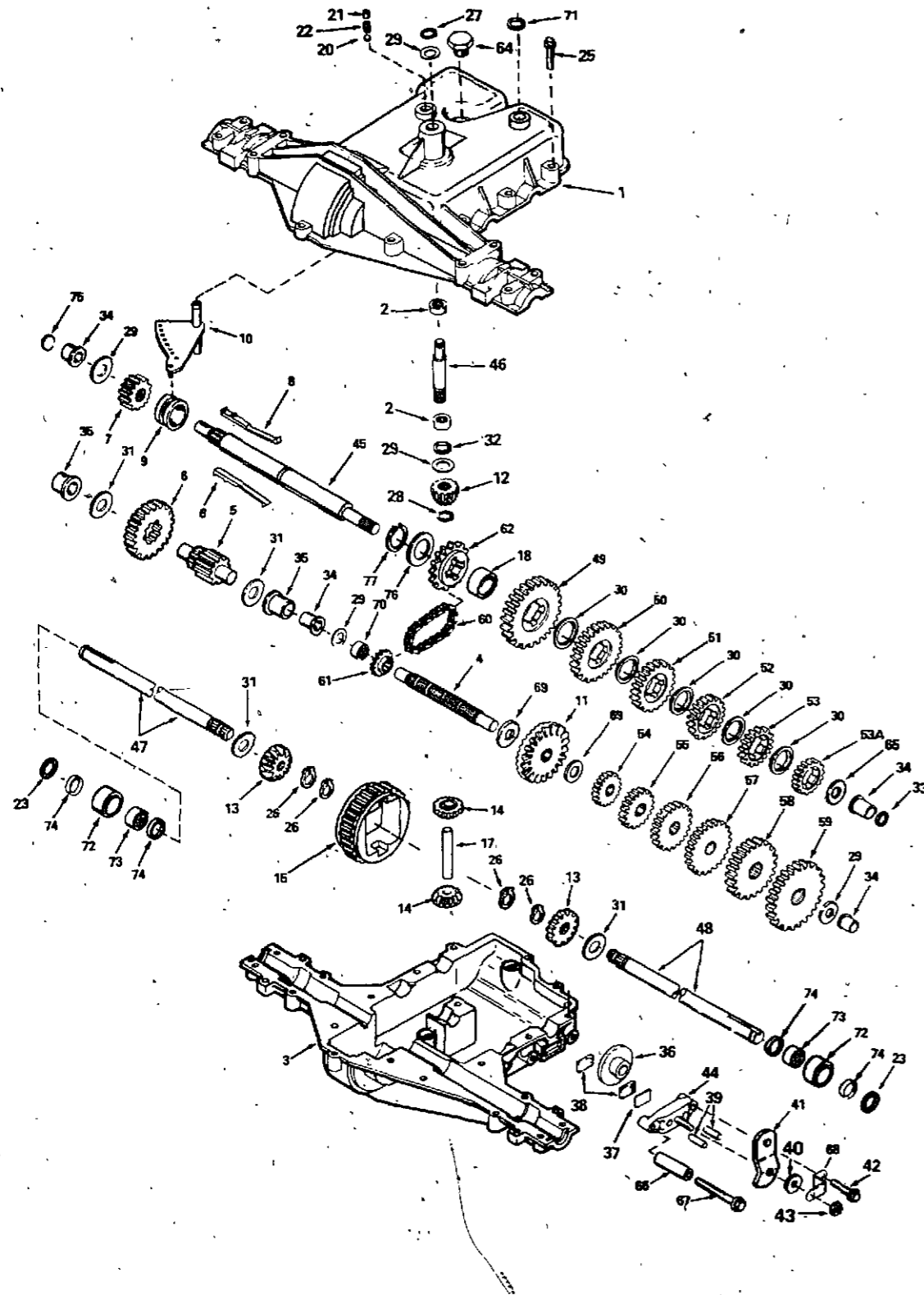
REF.	PART NO.	DESCRIPTION	REQ'D
1	C 40675	TRANSAXLE ASSEMBLY	1
2	C 34422	HOUSING - half L.H.	1
3	C 34423	HOUSING - half R.H.	1
4	C 34424	AXLE - 3/4" L.H.	1
5	C 34425	AXLE - 3/4" R.H.	1
6	C 34426	BEARING - ball	4
7	C 34427	WASHER - flat 3/4" x 1-18" x .030"	3
8	C 34428	GEAR - miter	2
9	C 34429	GEAR - miter	2
10	C 34430	NUT - 1/2" - 20	2
11	C 34431	SHAFT - cross	1
12	C 34432	RING - snap	2
13	C 34433	BEARING - thrust	2
14	C 34434	HOUSING - differential	1
15	C 34435	BEARING - flange	1
16	C 34436	GEAR - differential 72T	1
17	C 34437	BOLT - torx 1/4" - 28 x 5/8"	4
18	NSS	SHAFT - input (use C35497 assembly)	1
19	C 34439	RING - snap	1
20	C 34440	RING - retaining 7/16" ext. dia.	1
21	NSS	HOUSING - input (use C35497 assembly)	1
22	C 34441	BEARING - needle	2
23	C 34442	BEARING - thrust	1
24	C 34443	WASHER - flat 5/8" x 1-1/8" x .030"	2
25	C 34444	KEY - 1/8" x 5/8"	1
26	C 34445	SCREW - 1/4" - 20 x 3/4"	3
27	C 34446	GEAR - input pinion 17T	1
28	C 34447	WASHER - flat .62" ID x 1" OD x .050"	1
28	C 34448	WASHER - flat .62" ID x 1.125" OD x .060"	UAR
28	C 34449	WASHER - flat .62 ID x 1" OD x .040"	UAR
29	C 34450	PIN - cotter	1
30	C 34451	NUT - castle 5/16" - 24	1
31	C 34452	WASHER - flat .343" ID x .88" OD x .062"	1
32	C 34453	ARM - brake actuator	1
33	C 34454	PIN - brake actuating	2
34	C 34455	YOKE - brake	1
35	C 34456	DISC - brake	1
36	C 34457	KEY - 3/16" x 5/8"	1
37	C 34458	SCREW - 1/4" - 20 x 1.5"	1
38	C 34459	PLATE - brake pad	1
39	C 34460	PAD - brake	2
40	C 34461	SCREW - 1/4" - 20 x 1"	1
41	C 34462	SCREW - self tap 1/4" - 20 x 2"	4
42	C 34463	SCREW - self tap 1/4" - 20 x 3"	6
43	C 34464	BEARING - ball	3
44	C 34465	BEARING - ball	1
45	C 34466	SHAFT - pinion	1
46	C 34467	SHAFT - drive	1
47	C 34468	BEARING - needle	1
48	C 34469	BEARING - thrust 5/8" ID x 1-1/4" OD x 7/64"	1
49	C 34447	WASHER - flat .62 ID x 1" OD x .050"	1
49	C 34449	WASHER - flat .62" ID x 1" OD x .040"	UAR
51	C 34470	COUPLING	4
52	NSS	GEAR - reduction (use C34482 assembly)	1
53	C 34471	NUT - 1/4" - 20	1
54	C 34472	GEAR - drive pinion 17T	1
55	C 34473	BOLT - square head	1
56	C 34474	WASHER - .265" ID x 15/16" OD x .125"	1
57	C 34475	LOCKWASHER - 1/4"	1
58	C 34476	PIN - roll 3/16" x 1/2"	2
59	C 34477	WASHER - flat .62" ID x 1" OD x .030"	1
60	C 34478	PIN - dowel 3/32" x 1/4"	1
61	C 34479	SEAL - grease, bronze	1
63	C 34480	LOCKWASHER - 1/4"	4

HYDROSTATIC PUMP



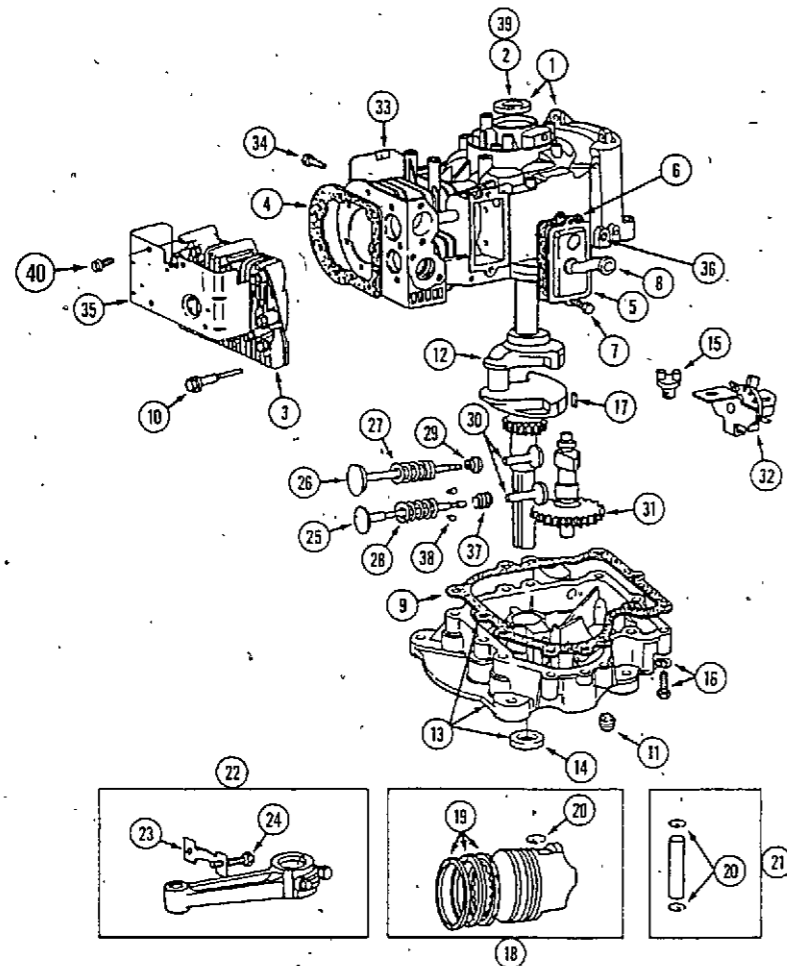
REF.	PART NO.	DESCRIPTION	REQ'D
	C 35405	PUMP - hydrostatic	1
	C 35546	KIT - seal (also includes ref. 13 and 14)	1
1	NSS	RING - retaining	3
2	NSS	SPACER	1
3	NSS	SEAL - lip	1
4	NSS	RING - retaining	1
5	NSS	SEAL - lip	1
6	NSS	SEAL - lip	1
7	NSS	SEAL - lip	1
8	NSS	GASKET - housing	1
9	NSS	"O" RING	2
10	C 35547	KIT - by-pass valve	1
11	NSS	SPRING	1
12	NSS	SPOOL - by-pass	1
13	NSS	"O" RING	1
14	NSS	"O" RING	1
15	NSS	PLUG - by-pass	1
	C 35411	RESERVOIR - (not shown)	1
	C 40895	DIAPHRAGM - reservoir (not shown)	1

LAWN TRACTOR MODEL 1212G
TRANSAXLE ASSEMBLY



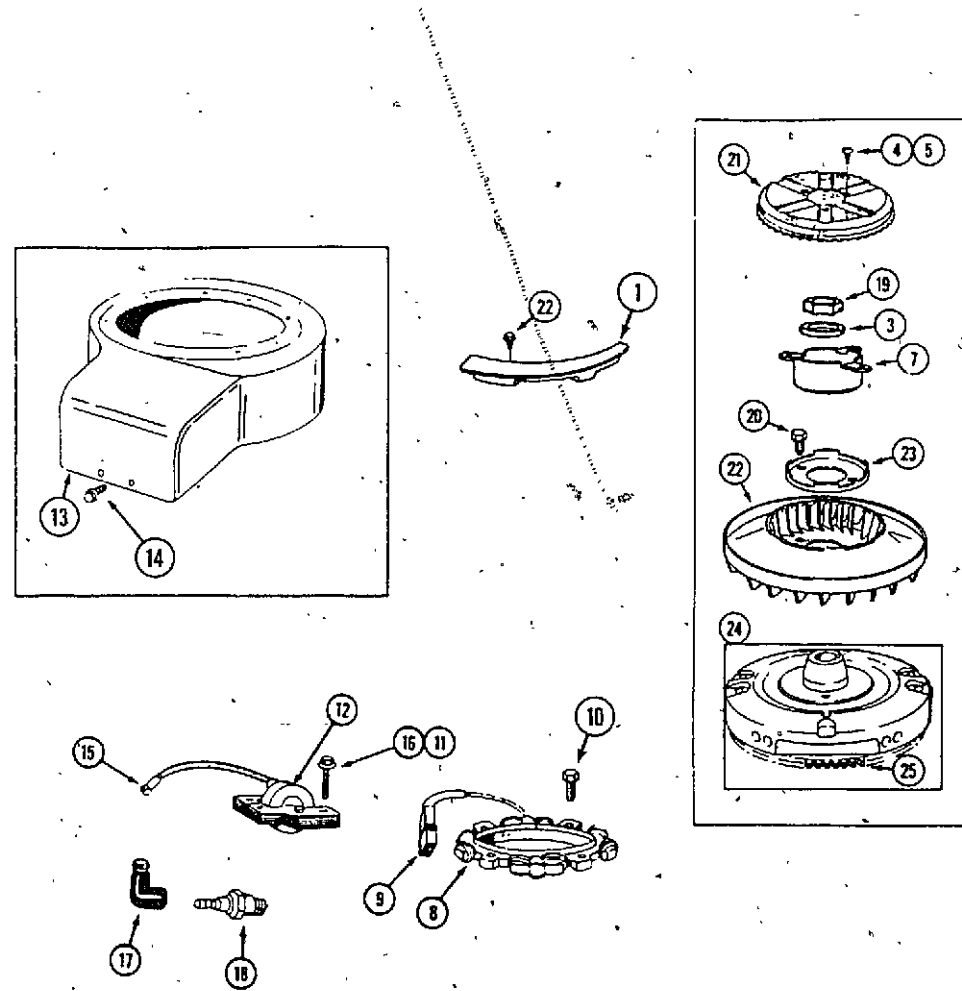
REF.	PART NO.	DESCRIPTION	REQ'D
1	C 34518	COVER - transaxle	1
2	C 28649	BEARING - needle	2
3	C 34519	CASE - transaxle	1
4	C 34488	SHAFT - counter	1
5	C 34489	SHAFT & PINION ASSY. - output	1
6	C 27562	GEAR - output	1
7	C 27553	GEAR - spur 15T	1
8	C 34490	KEY - shifter	1
9	C 34491	COLLAR - shifter	4
10	C 34492	ROD & FORK ASSY. - shift	1
11	C 34493	GEAR - bevel 42T	1
12	C 28652	GEAR - bevel pinion, input	1
13	C 34520	GEAR - bevel	2
14	C 34521	GEAR - bevel pinion	2
15	C 34494	GEAR - ring	1
17	C 34495	PIN - drive	1
18	C 24496	SPACER	1
20	C 28667	BALL - steel 5/16" dia.	1
21	C 34148	SCREW - set 3/8" - 16 x 3/8"	1
22	C 28654	SPRING	1
23	C 34497	RING - seal	2
25	C 34147	SCREW - 1/4" - 20 x 1-1/4" flanged, tapping	17
26	C 34156	RING - retainer (pkg. of 2)	4
27	C 19347	RING - retainer	1
28	C 19352	RING - retainer	1
29	C 19345	WASHER - thrust	5
30	C 28664	WASHER - thrust	5
31	C 11205	WASHER	4
32	C 28648	"O" RING	1
33	C 27570	SEAL - square cut	1
34	C 28653	BUSHING - flanged	4
35	C 27565	BUSHING - flanged	2
36	C 27563	DISK - brake	1
37	C 19354	PLATE - brake pad	1
38	C 19353	PAD - brake	2
39	C 28650	PIN - dowel	2
40	C 19357	WASHER - flat	1
41	C 34498	LEVER - brake	1
42	C 34147	SCREW - 1/4" - 20 x 1-1/4" flanged, tapping	1
43	C 19358	NUT - lock 5/16" - 24	1
44	C 34144	HOLDER - brake pad	1
45	C 34499	SHAFT - brake	1
46	C 28651	SHAFT - input	1
47	C 34522	AXLE - 11 - 5/16" long	1
48	C 34523	AXLE - 15 - 7/8" long	1
49	C 34502	GEAR - spur 37T	1
50	C 28658	GEAR - spur 30T	1
51	C 34503	GEAR - spur 27T	1
52	C 28657	GEAR - spur 25T	1
53	C 27555	GEAR - spur 22T	1
53A	C 28656	GEAR - spur 20T	1
54	C 34504	GEAR - spur 12T	1
55	C 28660	GEAR - spur 20T	1
56	C 34505	GEAR - spur 23T	1
57	C 28661	GEAR - spur 25T	1
58	C 27556	GEAR - spur 28T	1
59	C 28662	GEAR - spur 30T	1
60	C 34506	CHAIN - roller no. 41, 22 links	1
61	C 34507	SPROCKET - 10T	1
62	C 34508	SPROCKET - 14T	1
64	C 27588	PLUG - hex. 9/16" - 18	1
65	C 28663	WASHER - thrust	1
66	C 34514	SPACER	1
67	C 34515	SCREW - 1/4" - 20 x 2-1/4" flanged, tapping	1
68	C 28821	BRACKET - brake lever	1
69	C 34511	WASHER - thrust	2
70	C 34512	SPACER	1
71	C 34149	SEAL - square cut	1
72	C 34524	SPACER	1
73	C 34525	BEARING - needle	2
74	C 27581	RING - square cut	4
75	C 34513	DISK	1
76	C 34509	WASHER - thrust	1
77	C 34510	RING - retaining	1

ENGINE BLOCK



REF.	PART NO.	DESCRIPTION	REQ'D
1	C 40879	GASKET SET - includes ref. 4, 6, 9 and carb. mtg. gasket	1
2	C 30843	CYLINDER BLOCK ASSEMBLY - short	1
3	C 25709	SEAL - oil	1
3	C 40880	HEAD - cylinder	1
4	C 30410	GASKET - cylinder head	1
5	C 40881	BREATHER ASSEMBLY	1
6	C 27350	GASKET - valve cover	1
7	187-1508	SCREW - sems no. 10-24 x1/2"	2
8	C 25712	TUBE - breather	1
9	C 30411	GASKET - crankcase cover 1/64" thick	1
9	C 30412	GASKET - crankcase cover .005" thick	1
9	C 30413	GASKET - crankcase cover .009" thick	1
10	BR 93723	SCREW - cylinder head 3" long	6
11	221-843	PLUG - oil drain	1
12	C 30414	CRANKSHAFT	1
13	C 40882	SUMP - oil (also includes ref. no. 9)	1
14	C 25718	SEAL - oil	1
15	BR 66768	PLUG - oil filler	1
16	NSS	SCREW - sump mounting (use 113-120 and 192-20)	6
17	C 27236	KEY - flywheel	1
18	C 29826	PISTON ASSEMBLY - standard	1
18	C 29827	PISTON ASSEMBLY - .010" oversize	1
18	C 29828	PISTON ASSEMBLY - .020" oversize	1
18	C 29829	PISTON ASSEMBLY - .030" oversize	1
19	C 25725	RING SET - piston .010" oversize	1
19	C 25726	RING SET - piston .020" oversize	1
19	C 25727	RING SET - piston .030" oversize	1
19	C 29830	RING SET - piston, standard	1
20	C 25728	LOCK - piston pin	2
21	C 25729	PIN ASSEMBLY - piston, standard	1
21	C 25730	PIN ASSEMBLY - piston .005" oversize	1
22	C 30416	ROD ASSEMBLY - connecting, standard	1
22	C 33373	ROD ASSEMBLY - connecting (.020" undersize)	1
23	C 25732	LOCK - connecting rod screw	1
24	C 25733	SCREW - connecting rod	2
25	C 30417	VALVE - exhaust	1
26	C 30418	VALVE - intake	1
27	BR 65906	SPRING - intake valve	1
28	BR 26828	SPRING - exhaust valve	1
29	BR221596	RETAINER - intake valve	2
30	C 30419	TAPPET - valve	2
31	C 29833	CAMSHAFT	1
32	C 25746	OIL SLINGER - governor gear and bracket	1
33	C 40883	SHIELD - cylinder	1
34	NSS	SCREW - shield mounting (use 163-18 and 192-18)	1
35	C 33377	COVER - cylinder head	1
36	C 33379	BUSHING - governor crank (1/4" I.D.)	1
37	BR292260	ROTATOR - exhaust valve	1
38	BR 93630	RETAINER - exhaust valve	2
39	C 29778	BEARING - crankshaft	1
40	C 34539	BOLT - cover	UAR

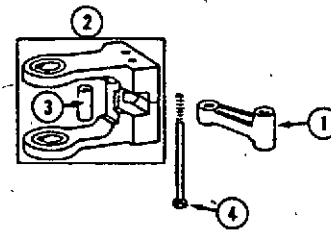
FLYWHEEL AND STATOR



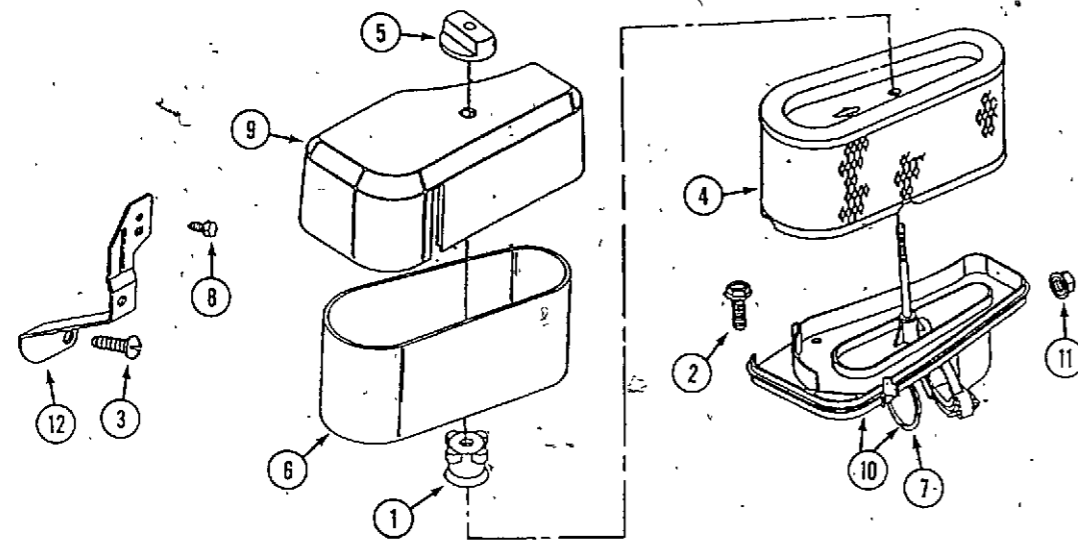
REF.	PART NO.	DESCRIPTION	REQ'D
1	C 30446	GUARD - flywheel	1
3	C 33317	WASHER - spring	1
4	182- 84	SCREW - No. 8-32 x 3/8"	4
5	193- 25	LOCKWASHER - No. 8	4
7	BR222561	CUP - screen mounting	1
8	C 29867	STATOR - alternator	1
9	C 29865	DIODE and connector assembly	1
10	182- 90	SCREW - No. 8-32 x 1"	4
11	193- 25	WASHER - No. 8	4
12	C 34289	ARMATURE ASSEMBLY	1
13	C 40884	HOUSING - blower	1
14	C 34539	SCREW - mounting	4
15	BR221798	TERMINAL - ignition cable	1
16	182- 549	SCREW - No. 8-32 x 3/4"	2
17	BR 66538	BOOT - spark plug	1
18	C 24329	SPARK PLUG - resistor	1
19	BR 92284	NUT - flywheel	1
20	NSS	SCREW - 3/4" long (use 113-102 and 92-5)	2
21	BR222562	SCREEN - flywheel	1
22	C 30447	FAN - flywheel	1
23	C 30448	RETAINER - fan	1
24	C 33372	FLYWHEEL AND RING GEAR	1
25	BR392134	RING GEAR	1

COUNTERWEIGHT

1	C 29816	LINK - counterweight	1
2	C 30423	COUNTERWEIGHT ASSEMBLY	1
3	C 29818	PIN - counterweight	1
4	C 29835	SCREW - counterweight	1

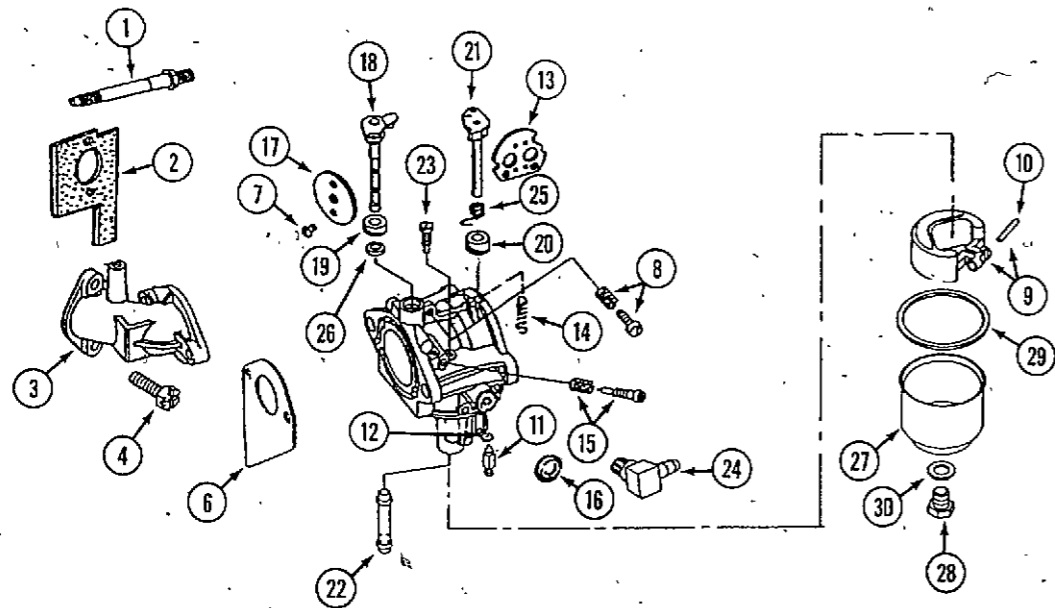


AIR CLEANER



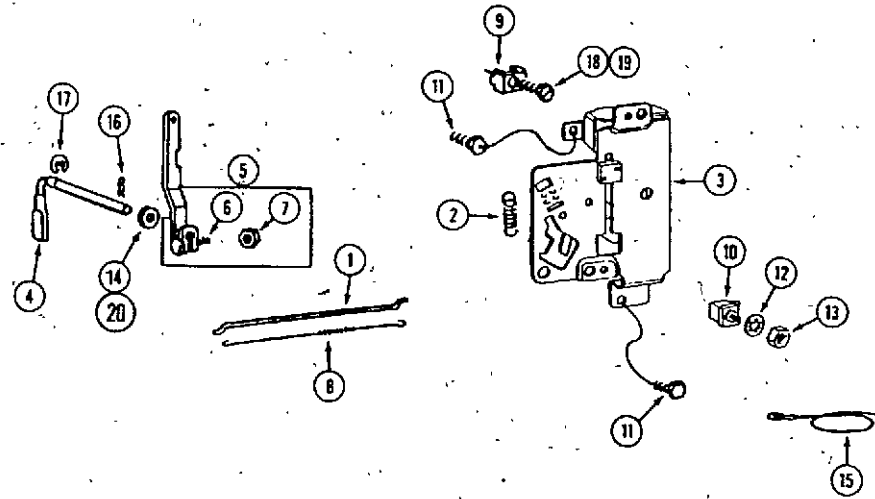
REF.	PART NO.	DESCRIPTION	REQ'D
1	C 33344	NUT - air cleaner mounting	1
2	O/L	SCREW - mounting	1
3	O/L	SCREW - mounting	1
4	C 40859	CARTRIDGE - air cleaner	1
5	C 40860	KNOB - air cleaner	1
6	C 40861	PRECLEANER	1
7	C 40862	"O" RING - air cleaner	1
8	O/L	SCREW - mounting	1
9	C 40864	COVER - air cleaner	1
10	C 40865	BODY - air cleaner	1
11	O/L	LOCKNUT - mounting	1
12	C 40863	BRACE - air cleaner	1

C40872 CARBURETOR



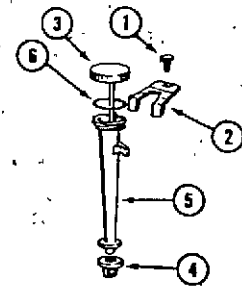
1	C 40866	STUD - mounting	UAR
2	C 25738	GASEKT - elbow	1
3	C 40874	ELBOW - carburetor	1
4	C 40871	SCREW - mounting	UAR
5	C 40872	CARBURETOR ASSEMBLY (not shown)	1
6	NSS	GASKET - carburetor (see kits below)	1
7	NSS	SCREW - throttle and choke plate (see kits below)	2
8	C 40867	SCREW - idle speed	1
9	C 40873	FLOAT - carburetor	1
10	NSS	PIN - float (also see kits below)	1
11	NSS	VALVE - inlet (see kits below)	1
12	NSS	SEAT - inlet valve (see kits below)	1
13	NSS	VALVE - choke (order complete carburetor)	1
14	C 40868	SPRING - choke	1
15	C 40869	VALVE - needle	1
16	NSS	PLUG - welch (see kits below)	1
17	NSS	VALVE - throttle (order complete carburetor)	1
18	NSS	SHAFT - throttle (order complete carburetor)	1
19	NSS	SEAL - throttle shaft (see kits below)	1
20	NSS	SEAL - choke shaft (see kits below)	1
21	NSS	SHAFT - choke (order complete carburetor)	1
22	NSS	NOZZLE - carburetor (see kits below)	1
23	NSS	PILOT - jet	1
24	C 40875	FITTING - fuel	1
25	C 40876	SPRING - return	1
26	NSS	WASHER - throttle shaft (see kits below)	1
27	C 40877	BOWL ASSEMBLY - fuel	1
28	NSS	SCREW - fuel bowl	1
29	NSS	GASKET - fuel bowl (also see kits below)	1
30	NSS	WASHER - fuel bowl (also see kits below)	1
	C 40870	KIT - carburetor overhaul (includes ref. 6, 7, 10, 11, 12, 16, 19, 20, 22, 23, 28, 29 and 30)	
	C 40878	KIT - carburetor gaskets (includes ref. 6, 29 and 30)	

GOVERNOR



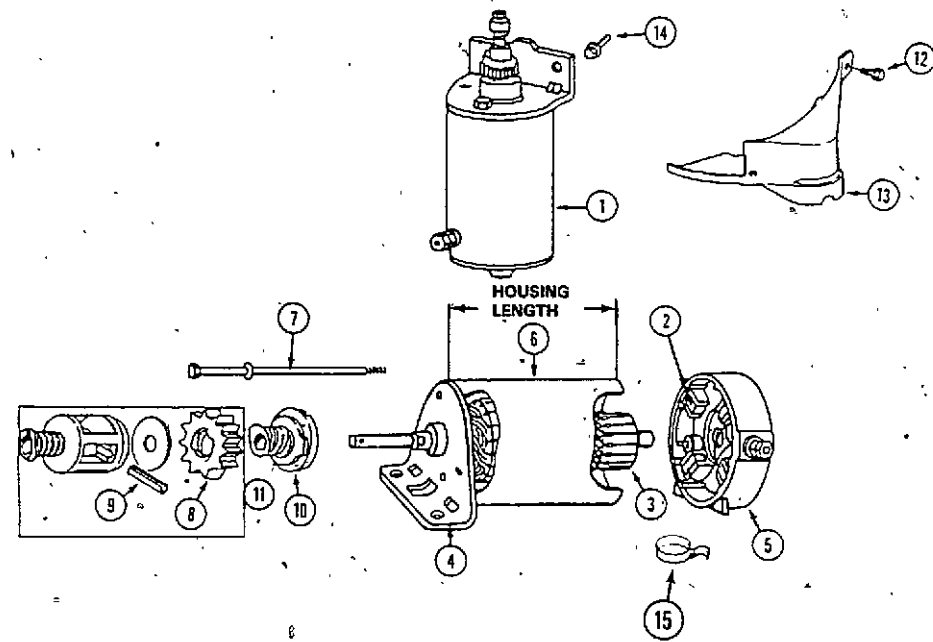
REF.	PART NO.	DESCRIPTION	REQ'D
1	C 40885	LINK - governor	1
2	C 33319	SPRING - governor	1
3	NSS	BRACKET - governor	1
4	BR231058	CRANK - governor	1
5	C 40886	LEVER ASSEMBLY	1
6	11- 312	BOLT - lever	1
7	129- 7	NUT - No. 10-24	1
8	C 40887	SPRING - governor link	1
9	BR221535	CLAMP - casing	1
10	C 29794	INSULATOR ASSEMBLY	1
11	187- 1510	SCREW - mounting, no. 10-32 x 3/8" self tap	1
12	193- 25	LOCKWASHER -No. 8	1
13	129- 6	NUT - No. 8-32	2
14	BR222450	WASHER - governor crank	1
15	C 29796	WIRE - ground	1
16	136- 103	PIN - cotter hair pin	1
17	C 28643	RETAINER - "E" ring	1
18	163- 4	SCREW - no. 10-32 x 5/8"	1
19	192- 3	WASHER	1
20	C 33380	SEAL - governor	1

OIL FILLER



1	187- 1037	SCREW - clamp mounting	1
2	C 34540	CLAMP - oil filler tube	1
3	C 34541	DIPSTICK - oil	1
4	BR 68838	SEAL - filler tube	1
5	C 34542	TUBE - oil filler	1
6	BR270920	SEAL - filler cap	1

STARTER



REF.	PART NO.	DESCRIPTION	REQ'D
1	C 27264	MOTOR - starter, 12 volt (3-21/32" housing length)	1
1	C 34284	MOTOR - starter, 12 volt (4-9/16" housing length)	1
2	C 27259	BRUSH ASSEMBLY - (for C27264 starter)	1
2	C 34286	BRUSH ASSEMBLY - (for C34284 starter)	1
3	NSS	ARMATURE - starter (order complete starter)	1
4	C 34335	END CAP - drive end	1
5	C 34336	END CAP - commutator end (for C34284 starter)	1
5	C 27258	END CAP - commutator end (for C27264 starter)	1
6	NSS	HOUSING - starter (order complete starter)	1
7	C 27260	BOLT - thru (includes washer) (for C27264 starter)	2
7	C 34285	BOLT - thru (includes washer) (for C34284 starter)	1
8	C 27422	GEAR - starter	1
9	138-2032	PIN - roll	1
10	C 30406	CLUTCH - drive	1
11	C 30441	KIT - drive retainer	1
12	187-1328	SCREW - No. 8-18 x 3/8"	2
13	C 30443	COVER AND SHIELD - starter	1
14	NSS	SCREW - mounting (use 113-102 and 92-5)	2
15	C 34364	SPRING SET - brush (for C34284 starter)	1

NUMERICAL INDEX

NUMERICAL INDEX

PART NO.	PAGE NO.	REF. NO.	PART NO.	PAGE NO.	REF. NO.	PART NO.	PAGE NO.	REF. NO.	PART NO.	PAGE NO.	REF. NO.	PART NO.	PAGE NO.	REF. NO.	
C35319	21	13	C35468	25	24	C40871	39	4	129- 105	13	46	192-	19	13	19
C35319	23	5	C35472	27	7	C40872	39	5	129- 163	17	17	192-	20	7	25
C35324	23	6	C35473	27	10	C40873	39	8	129- 165	17	35	192-	20	11	12
C35334	9	20	C35474	27	9	C40874	39	3	129- 165	17	40	192-	20	13	4
C35334	25	21	C35475	27	14	C40875	39	24	129- 365	17	35	192-	20	25	19
C35343	25	25	C35476	27	16	C40876	39	25	129-2175	13	18	192-	21	13	12
C35346	25	28	C35477	27	17	C40879	35		131- 176	7	4	192-	23	17	8
C35354	27	6	C35478	27	18	C40880	35	3	131- 176	13	6	193-	6	9	37
C35357	27	8	C35546	31		C40881	35	5	131- 176	15	4	193-	25	37	5
C35362	27	15	C35547	31	10	C40882	35	13	131- 176	21	21	193-	25	37	11
C35363	27	16	C35552	11	2	C40883	35	33	131- 176	23	12	193-	25	41	12
C35365	27	14	C35555	15	21	C40884	37	13	131- 176	25	31	193-	31	19	12
C35369	19	34	C35556	27	10	C40885	41	1	131- 629	5	5	193-	63	25	8
C35370	23	20	C35567	7	23	C40886	41	5	131- 911	7	6	195-	102	7	14
C35371	23	21	C35667	7	2	C40887	41	8	131- 911	7	15	195-	103	11	41
C35372	23	22	C37073	27	5	C41010	25	29	131- 911	9	3	195-	104	11	22
C35373	23	14	C37074	27	4	C42123	21	1	131- 911	11	8	195-	104	11	26
C35377	5	14	C37075	27	5	C42124	21	9	131- 911	11	15	195-	104	13	37
C35385	7	11	C37076	27	4	C42125	21	11	131- 911	11	23	195-	104	23	7
C35386	7	18	C37094	19	19	C42126	21	14	131- 911	11	27	195-	518	7	22
C35388	9	21	C37147	5	17	C42127	21	16	131- 911	13	38	195-	518	25	33
C35393	17	11	C37148	19	32	C42128	21	17	131- 911	15	22	195-	520	5	27
C35394	17	12	C37197	27	19	C42129	21	19	131- 911	19	21	195-	521	7	24
C35396	17	14	C37259	43	5	C42130	21	22	131- 911	21	5	195-	521	9	30
C35398	17	19	C37298	25	11	C42132	21	29	131- 911	5	16	195-	521	11	7
C35399	17	24	C37472	19	14	C42133	23	9	131- 934	5	21	195-	521	11	14
C35400	17	25	C37477	19	1	C42363	19	22	131- 934	9	13	195-	521	13	5
C35401	17	26	C37481	19	15	C42364	25	1	131- 934	9	16	195-	521	15	3
C35402	17	27	C37482	19	20	C42451	27	3	131- 934	11	30	195-	521	19	27
C35403	17	28	C39056	5	18	C42473	27	11	131- 934	13	42	195-	521	21	10
C35404	17		C39496	17	4	C42490	25	3	131- 934	25	34	195-	521	23	11
C35405	13	2	C39497	17	10	011- 312	41	6	131- 934	13	50	195-	533	9	24
C35405	31		C39498	17	21	111- 202	9	27	131- 938	17	20	195-	533	15	8
C35406	13	3	C39499	17	22	111- 323	23	1	131- 938	21	15	195-	545	17	1
C35407	13	7	C39502	17	9	111- 330	15	15	131- 938	23	16	195-2029		23	2
C35411	13	14	C39514	19	3	113- 2	11	29	131- 938	23	23	218-5154		19	33
C35412	13	15	C39521	5	10	113- 2	13	20	131- 1102	13	33	219- 17		17	39
C35413	13	16	C39620	9	9	113- 3	9	15	131-1102	21	18	221- 843		35	11
C35414	13	17	C39620	9	19	113- 3	25	16	131-1102	25	17				
C35416	13	21	C40654	17	43	113- 3	25	33	131-1182	17	15				
C35417	13	22	C40655	17	44	113- 102	5	3	131-1216	11	38				
C35418	13	23	C40658	17	7	113- 102	7	5	131-1216	11	16				
C35419	13	24	C40660	5	11	113- 102	19	16	131-1216	15	16				
C35420	13	25	C40661	7	1	113- 103	7	13	131-1216	23	8				
C35421	13	26	C40664	15	29	113- 103	9	2	131-1352	13	13				
C35422	13	27	C40666	17	41	113- 103	11	13	132- 310	11	33				
C35423	13	30	C40675	13	1	113- 103	11	21	132- 310	13	45				
C35424	13	31	C40675	29		113- 103	13	28	132- 311	17	37				
C35426	11	32	C40676	13	34	113- 103	13	36	132- 329	9	53				
C35427	13	48	C40677	13	43	113- 103	15	40	132- 334	5	24				
C35428	13	49	C40678	13	44	113- 103	19	2	136- 103	41	16				
C35429	13	52	C40702	17	5	113- 103	21	30	138- 143	17	42				
C35430	13	53	C40705	17	16	113- 104	13	25	138-2032	43	9				
C35432	13	29	C40714	5	1	113- 110	11	55	138-2071	13	8				
C35433	15	1	C40715	5	2	113- 110	11	6	163- 4	41	18				
C35435	15	23	C40733	11	1	113- 118	21	4	178- 860	13	9				
C35436	15	35	C40737	19	29	113- 118	23	13	182- 84	37	4				
C35437	15	28	C40859	39	4	113- 207	13	11	182- 90	37	10				
C35438	15	26	C40860	39	5	113- 208	11	37	182- 549	37	16				
C35439	19	4	C40861	39	6	113- 208	11	40	187-1036	5	13				
C35440	19	5	C40862	39	7	113- 412	17	13	187-1036	7	12				
C35441	19	6	C40863	39	12	113- 447	17	23	187-1037	41	1				
C35442	19	7	C40864	39	9	129- 6	41	13	187-1328	5	25				
C35443	19	8	C40865	39	10	129- 7	41	7	187-1328	43	12				
C35447	19	23	C40866	39	1	129- 101	9	47	187-1334	25	32				
C35457	23	3	C40867	39	8	129- 101	25	18	187-1508	35	7				
C35458	23	4	C40868	39	14	129- 102	25	20	187-1510	41	11				
C35466	23	10	C40869	39	15	129- 105	11	34	192-	3	41				