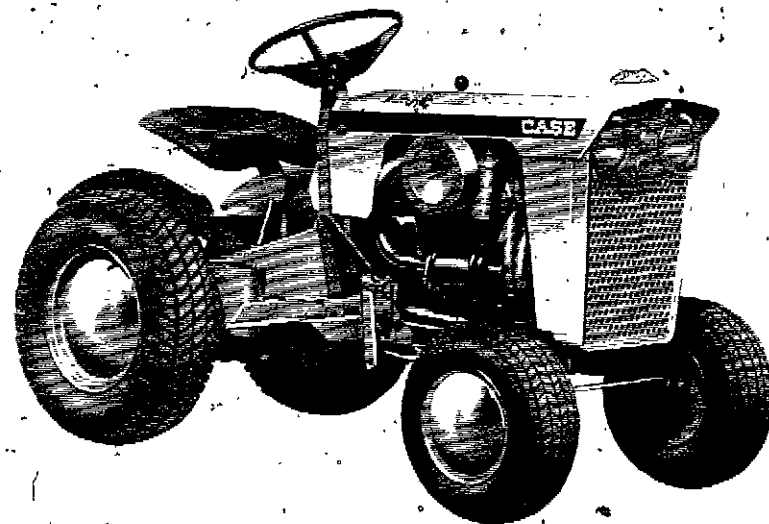


CASE

130 and 180 GARDEN TRACTOR



PRICE 75 CENTS



J. I. CASE COMPANY
Racine, Wisconsin, U.S.A.

ALPHABETICAL INDEX

ENGINE SECTION

| | PAGE | GRID | | PAGE | GRID |
|-------------------------|-------|---------|-------------------|-------|---------|
| Air Cleaner | 5 | A6 | Fuel Pump | 21 | B8 |
| Battery | 23 | B10 | Fuel Strainer | 21 | B8 |
| Belt, Starter-Generator | 17 | B4 | Fuel System | 19-21 | B6-B8 |
| Camshaft | 7 | A8 | Gasket Kits | 13-21 | A13-B8 |
| Carburetor | 21 | B8 | Governor | 17 | B4 |
| Connecting Rod | 9-11 | A10-A12 | Muffler | 5 | A6 |
| Crankshaft | 9-11 | A10-A12 | Oil Pan | 13-15 | A13-B2 |
| Cylinder Block | 13-15 | A14-B2 | Piston | 9-11 | A10-A12 |
| Cylinder Head | 13-15 | A14-B2 | Spark Plug | 23 | B10 |
| Electrical System | 23 | B10 | Starter-Generator | 25 | B12 |
| Exchanger, Heat | 35 | C8 | Tank, Fuel | 21 | B8 |
| Fan | 17 | B4 | Throttle Linkage | 17 | B4 |
| Filter, Breather | 7 | A8 | Valves | 7 | A8 |
| Flywheel | 13-15 | A14-B2 | | | |

BASIC TRACTOR SECTION

| | PAGE | GRID | | PAGE | GRID |
|-------------------------|-------|--------|------------------------|------|------|
| Axle, Front | 29 | C2 | Hydraulics (Continued) | | |
| Rear | 33 | C6 | Motor, Hydraulic Drive | 41 | C14 |
| Baffles & Shrouds | 17 | B4 | Pump | 39 | C12 |
| Decals | 43 | D2 | Valve, Control | 37 | C10 |
| Fenders | 43 | D2 | Valve, Control Linkage | 37 | C10 |
| Frame | 45 | D4 | Implement Lift Lever | 47 | D6 |
| Grille | 45 | D4 | Instruments | 23 | B10 |
| Headlights | 23 | B10 | Parking Brake | 31 | C4 |
| Hitch | 47 | D6 | Seat, Operator's | 43 | D2 |
| Hood | 45 | D4 | Steering Wheel & Gear | 27 | B14 |
| Hydraulics | 35-41 | C8-C14 | Tool Box | 43 | D2 |
| Coupling, Pump Drive | 39 | C12 | Transmission | 33 | C6 |
| Hoses, Lines & Fittings | 35 | C8 | Wheels, Front & Rear | 31 | C4 |

Indexes

This Parts Catalog is arranged for easy identification of Genuine CASE Service Parts. An alphabetical index is provided at the front of this Catalog to locate the major groups or assemblies. A numerical index at the rear of the Catalog gives the part numbers and the pages on which they are described.

Illustrations

All parts are illustrated in "Exploded Views" which show the individual parts in their normal relationship to each other. Reference numbers are used in the illustrations. These numbers correspond to those in the "Reference Number" column and are followed by the part number, description and quantity required.

Orders

Orders should plainly specify correct part number, full description, quantity required, machine model and engine model, machine and engine serial numbers, method of shipment and shipping address.

Changes

When changes to the machine make it necessary, revised pages for this book will be issued. The revised pages will be issued with the same page number as those they replace and the "issue" number and date will be advanced.

It is imperative that revised Parts Book pages be inserted into their respective Parts Books as soon as received. Failure to do so will lead to confusion and defeat the purpose of the book.

Indented Description

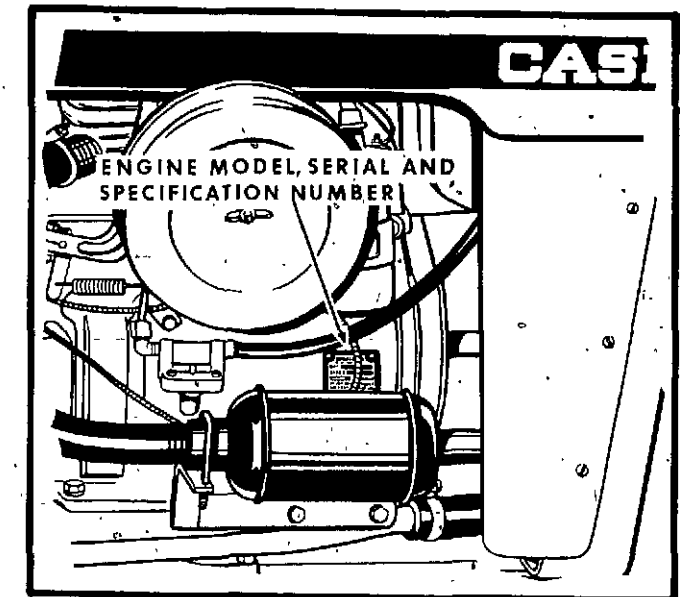
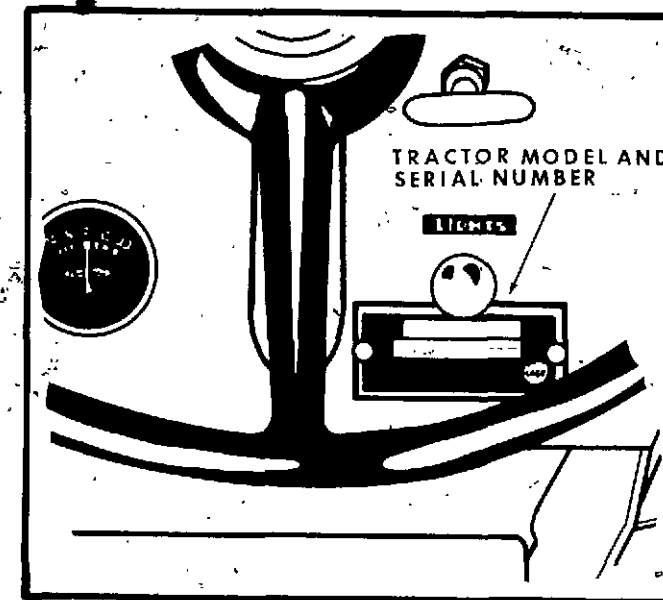
Indented parts in the descriptive list are a part of the preceding assembly or sub-assembly. The quantity shown in the "Number Required" column is the number of parts used on a machine except where parts are indented in descriptive list. In this case the quantity shown is the number required for the preceding assembly or sub-assembly.

| REF. | PART NO. | DESCRIPTION | REQ'D |
|------|----------|--------------------------------|-------|
| | A 55159 | CYLINDER ASSY - rear steering | 1 |
| 28 | A 56208 | SOCKET ASSY - rear cylinder | 1 |
| 29 | A 55956 | PLUG - adjusting, socket assy | 1 |
| 30 | A 55957 | SEAT - socket ball | 2 |
| 31 | A 56210 | SPRING - socket | 1 |
| 32 | A 56209 | SEAT - socket spring | 1 |
| 33 | G 45175 | CLAMP ASSY - socket assy | 1 |
| | 16- 836 | BOLT - 1/2" x 2-1/4" N.F. hex. | 1 |
| 34 | 132- 104 | PIN - cotter, 3/16" x 3" | 1 |
| 35 | A 55889 | STUD - ball, socket & cylinder | 2 |
| 36 | 13- 410 | BOLT - 1/4" x 5/8" N.C., hex. | 4 |
| 37 | 92- 4 | LOCKWASHER - 1/4" SAE | 4 |

Terms "Right Hand" and "Left Hand"

"Right Hand" and "Left Hand" sides of this machine are determined by standing at the rear of the unit and facing in the direction of forward travel.

CASE 130-180 GARDEN TRACTORS

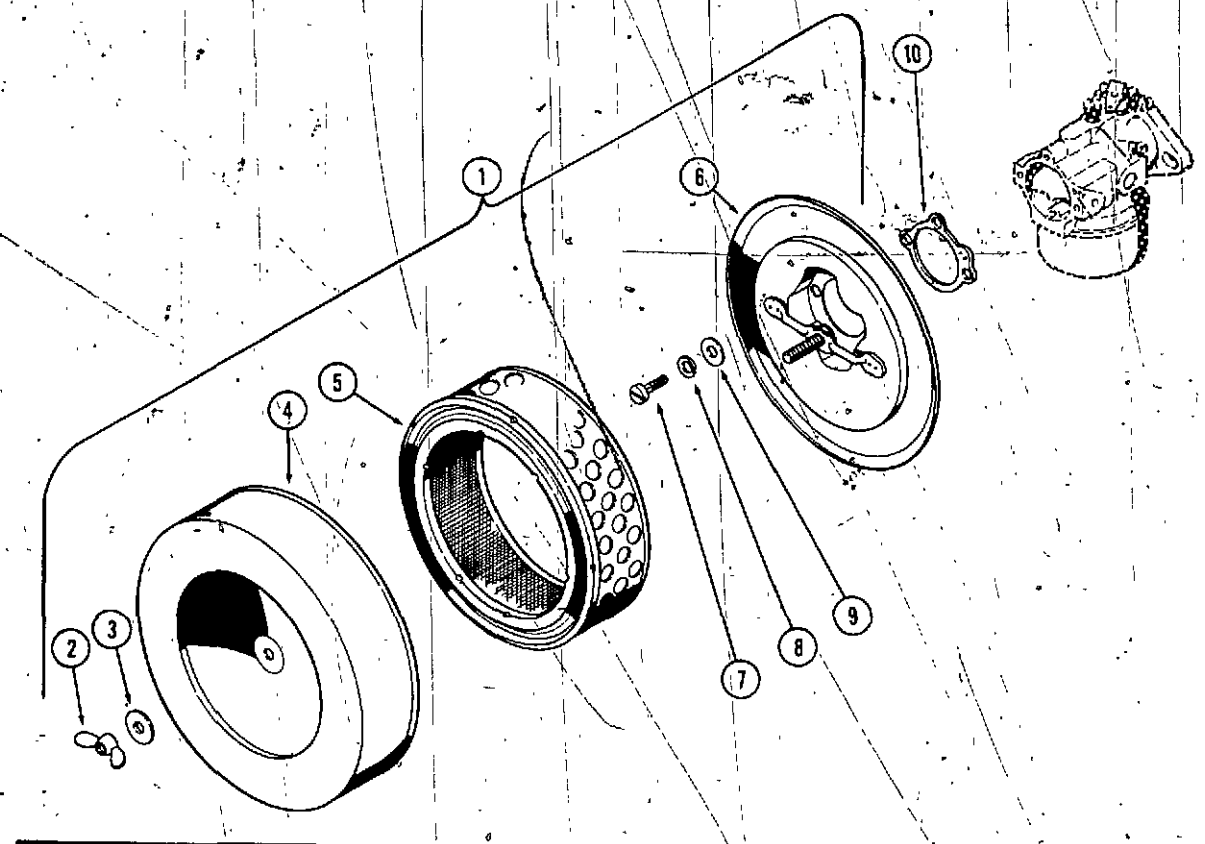


| TRACTOR MODEL DESIGNATIONS | ENGINE MODEL DESIGNATIONS |
|----------------------------|---------------------------|
| 130 Tractor | K241 S Engine |
| 180 Tractor | K301 S Engine |

Serial Numbers

When using this catalog, notice the reference to serial and specification numbers of various components noted here and listed in the "description" copy. By referring to correct serial numbers, proper parts identification will be assured.

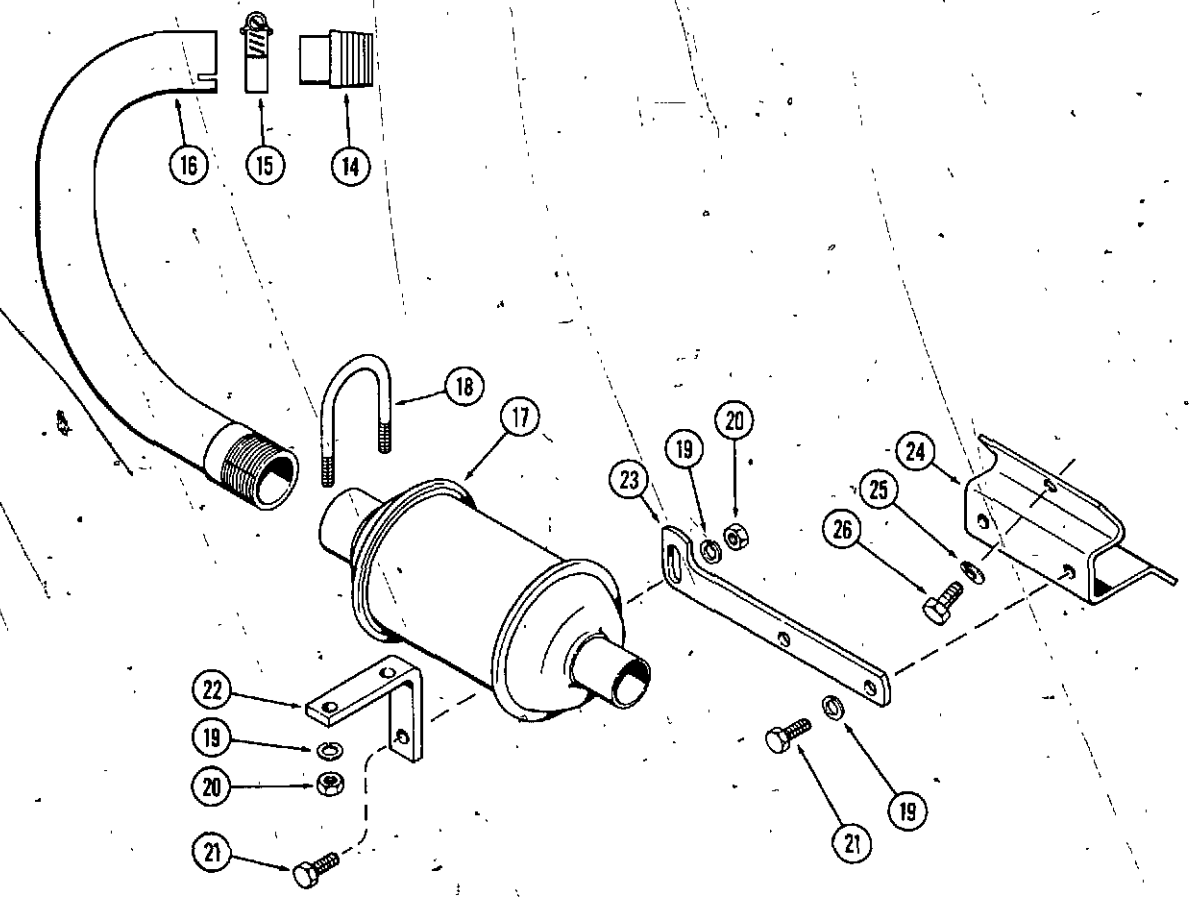
AIR CLEANER



| REF. | PART NO. | DESCRIPTION | REQ'D |
|------|-----------|-------------------------------|-------|
| 1 | KOA235100 | AIR CLEANER ASSY | 1 |
| 2 | 129- 409 | NUT - wing, 3/8" N.C. | 1 |
| 3 | KOA 536 | WASHER - copper | 1 |
| 4 | NSS | COVER - air cleaner | 1 |
| 5 | A 70090 | ELEMENT - air cleaner | 1 |
| 6 | NSS | BASE - air cleaner | 1 |
| 7 | 177- 131 | SCREW - fill.hd. 10-32 x 1/2" | 3 |
| 8 | 192- 18 | LOCKWASHER - 3/16" | 3 |
| 9 | 195- 512 | WASHER - plain, 3/16" SAE | 3 |
| 10 | KO 275341 | GASKET - air horn | 1 |

EXHAUST SYSTEM

| | | | |
|----|-----------|---------------------------------------|---|
| 14 | A 70399 | NIPPLE - exh. pipe to engine | 1 |
| 15 | 214- 256 | CLAMP - hose, 1-3/16" to 1-3/4" | 1 |
| 16 | A 70085 | PIPE - exhaust | 1 |
| 17 | A 70088 | MUFFLER | 1 |
| 18 | A 70057 | U-BOLT - exh. pipe to bracket | 1 |
| 19 | 92- 4 | LOCKWASHER - 1/4" SAE | 5 |
| 20 | 25- 104 | NUT - 1/4" N.C. hex | 3 |
| 21 | 13- 412 | BOLT - 1/4" x 3/4" N.C. hex | 3 |
| 22 | A 70097 | BRACKET - muffler support | 1 |
| 23 | A 70052 | BRACKET - muffler mounting | 1 |
| 24 | KO 235563 | BRACKET - muffler mtg. support | 1 |
| 25 | 192- 19 | LOCKWASHER - 1/4" SAE (plated) | 3 |
| 26 | 113- 6 | BOLT - 1/4" x 1/2" N.C. hex. (plated) | 3 |



CRANKCASE BREATHER

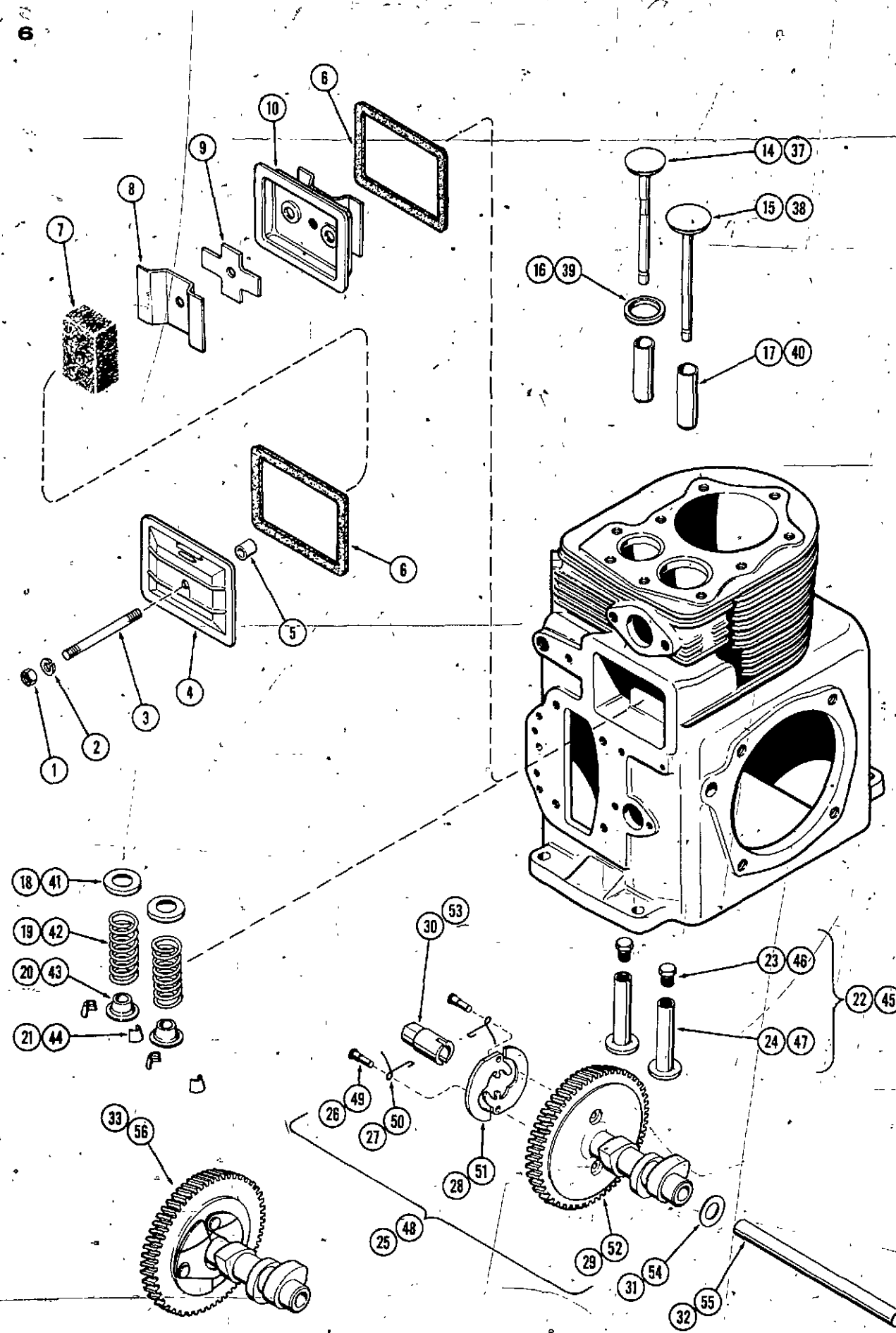
| REF. | PART NO. | DESCRIPTION | REQ'D |
|------|-----------|-----------------------|-------|
| 1 | 25- 104 | NUT - 1/4" N.C.hex | 1 |
| 2 | 92- 4 | LOCKWASHER - 1/4" SAE | 1 |
| 3 | KO 275220 | STUD - valve cover | 1 |
| 4 | KO 275143 | COVER - valve | 1 |
| 5 | KO 231032 | SEAL - breather | 1 |
| 6 | KO 235048 | GASKET - valve cover | 2 |
| 7 | KO 235118 | FILTER - breather | 1 |
| 8 | KO 235117 | BAFFLE - breather | 1 |
| 9 | KO 235047 | REED - breather | 1 |
| 10 | KO 235631 | PLATE - breather | 1 |

130 CAMSHAFT AND VALVES

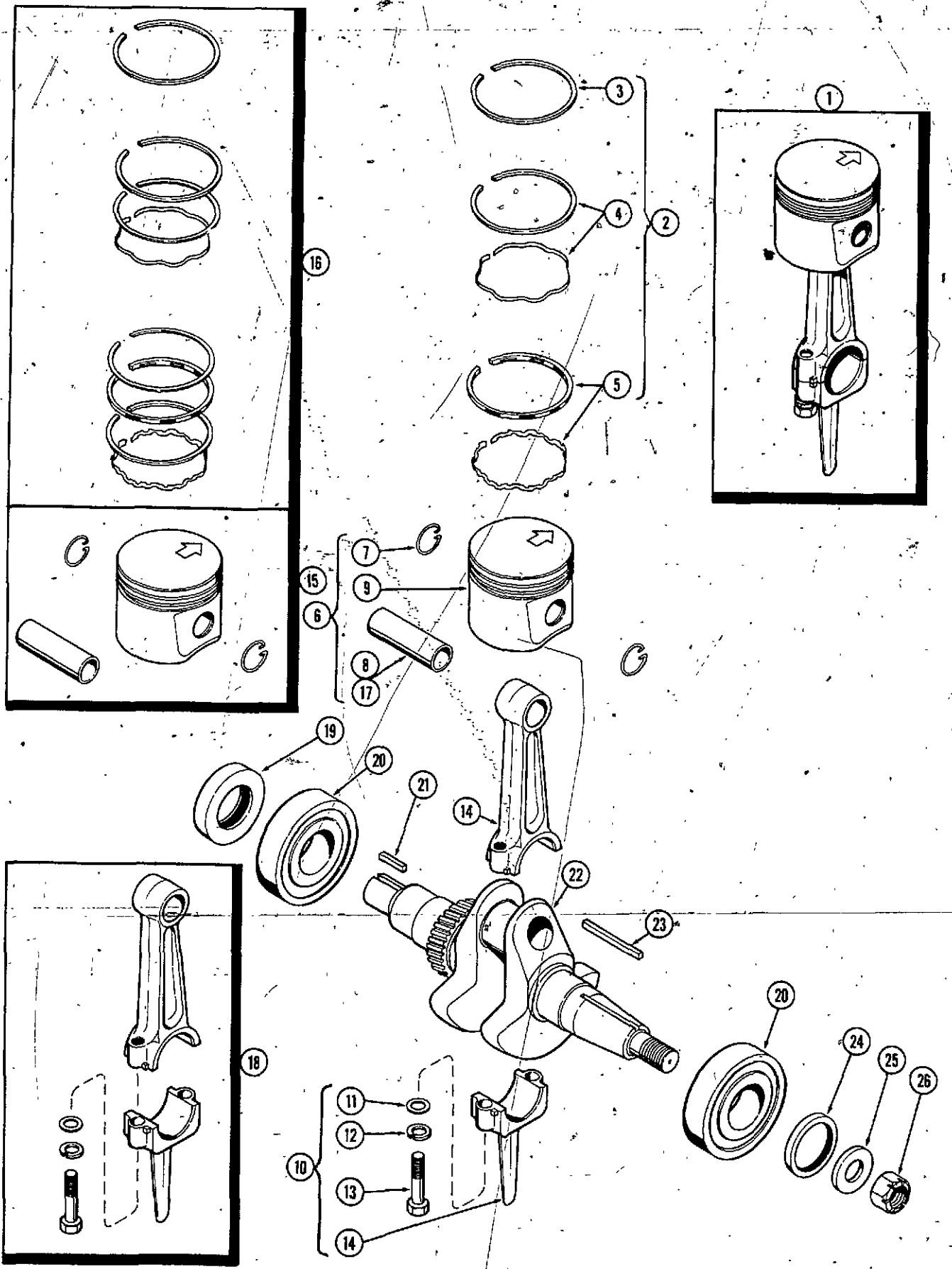
| | | | |
|----|-------------|--|-----|
| 14 | KO 235009 | VALVE - exhaust | 1 |
| 15 | KO 235008 | VALVE - intake | 1 |
| 16 | KO 230170-S | INSERT - exhaust valve seat | 1 |
| 17 | KO 235007-S | GUIDE - valve | 2 |
| 18 | KO 235011 | SEAT - valve spring | 2 |
| 19 | KO 235010 | SPRING - valve | 2 |
| 20 | KO 230011 | RETAINER - valve spring | 2 |
| 21 | KO 240013 | LOCK - valve retainer | 4 |
| 22 | KOA235327 | LIFTER ASSY | 2 |
| 23 | NSS | SCREW - tappet adjusting | 1 |
| 24 | NSS | LIFTER - valve | 1 |
| 26 | KO 230080 | PIN - flyweight pivot | 2 |
| 25 | KOA235155 | CAMSHAFT ASSY. - w/flyweight (See item 33) | 1 |
| 27 | KO 275267 | SPRING - flyweight | 2 |
| 28 | KO 230087 | FLYWEIGHT - spark advance | 2 |
| 29 | NSS | CAMSHAFT | 1 |
| 30 | KO 235690 | CAM - ignition breaker | 1 |
| 31 | KO 275066 | SPACER - camshaft, .005" | UAR |
| 31 | KO 275067 | SPACER - camshaft, .010" | UAR |
| 32 | KO 235193 | PIN - camshaft | 1 |
| 33 | KOA235675 | CAMSHAFT ASSY. - automatic comp. release | 1 |

180 CAMSHAFT AND VALVES

| | | | |
|----|-------------|--|-----|
| 37 | KO 235826 | VALVE - exhaust | 1 |
| 38 | KO 235008 | VALVE - intake | 1 |
| 39 | KO 230170-S | INSERT - exhaust valve seat | 1 |
| 40 | KO 235007-S | GUIDE - valve | 2 |
| 41 | KO 235011 | SEAT - valve spring | 2 |
| 42 | KO 235010 | SPRING - valve | 2 |
| 43 | KO 230011 | RETAINER - valve spring | 2 |
| 44 | KO 240013 | LOCK - valve retainer | 4 |
| 45 | KOA235327 | LIFTER ASSY | 2 |
| 46 | NSS | SCREW - tappet adjusting | 1 |
| 47 | NSS | LIFTER - valve | 1 |
| 49 | KO 230080 | PIN - flyweight pivot | 2 |
| 50 | KO 275267 | SPRING - flyweight | 2 |
| 48 | KOA235857 | CAMSHAFT ASSY. - w/flyweight (See item 56) | 1 |
| 51 | KO 230087 | FLYWEIGHT - spark advance | 2 |
| 52 | NSS | CAMSHAFT | 1 |
| 53 | KO 235690 | CAM - ignition breaker | 1 |
| 54 | KO 275066 | SPACER - camshaft, .005" | UAR |
| 54 | KO 275067 | SPACER - camshaft .010" | UAR |
| 55 | KO 235193 | PIN - camshaft | 1 |
| 56 | KOA235646 | CAMSHAFT ASSY. - automatic comp. release | 1 |

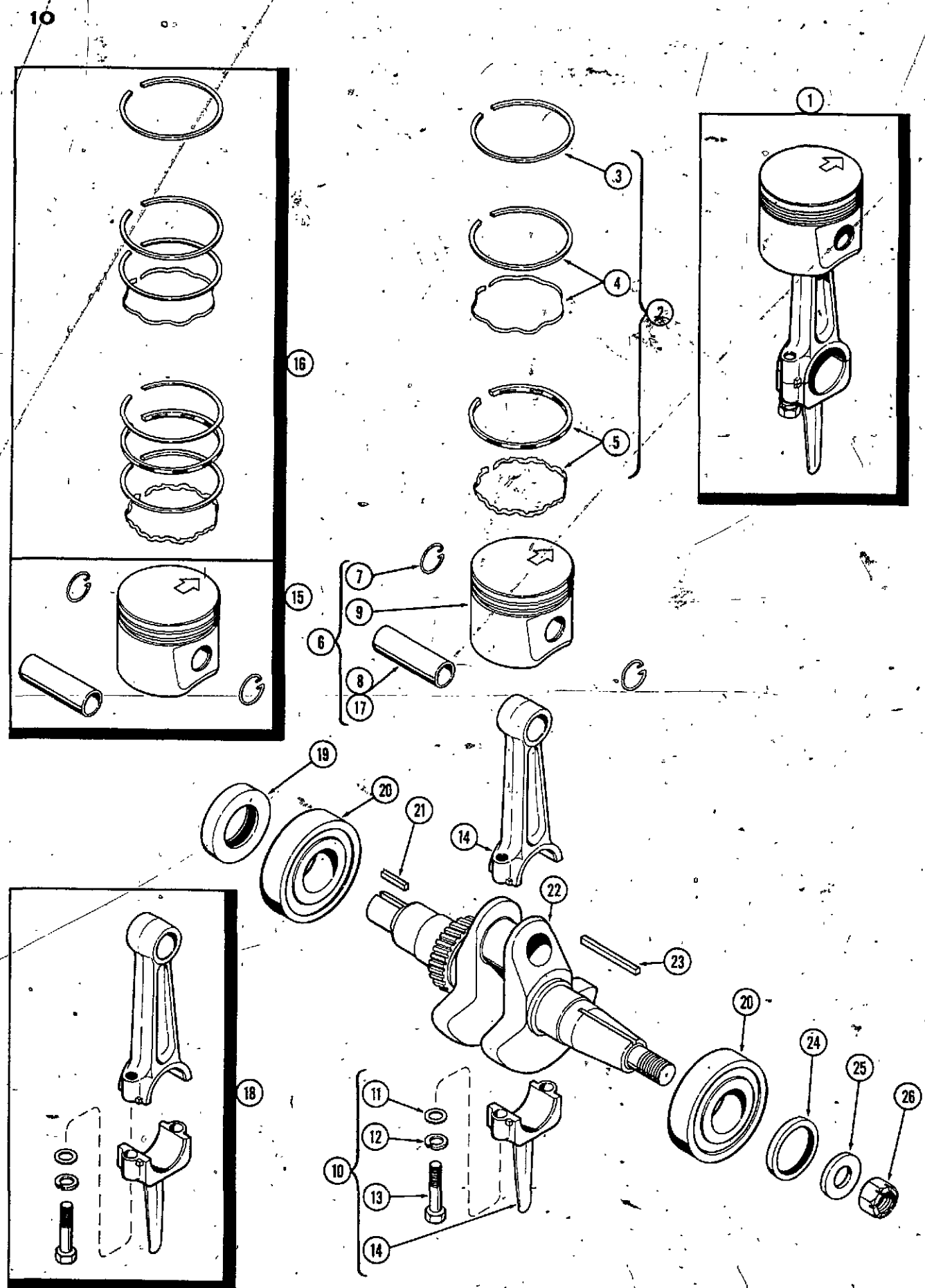


130 CRANKSHAFT, PISTON- CONNECTING ROD



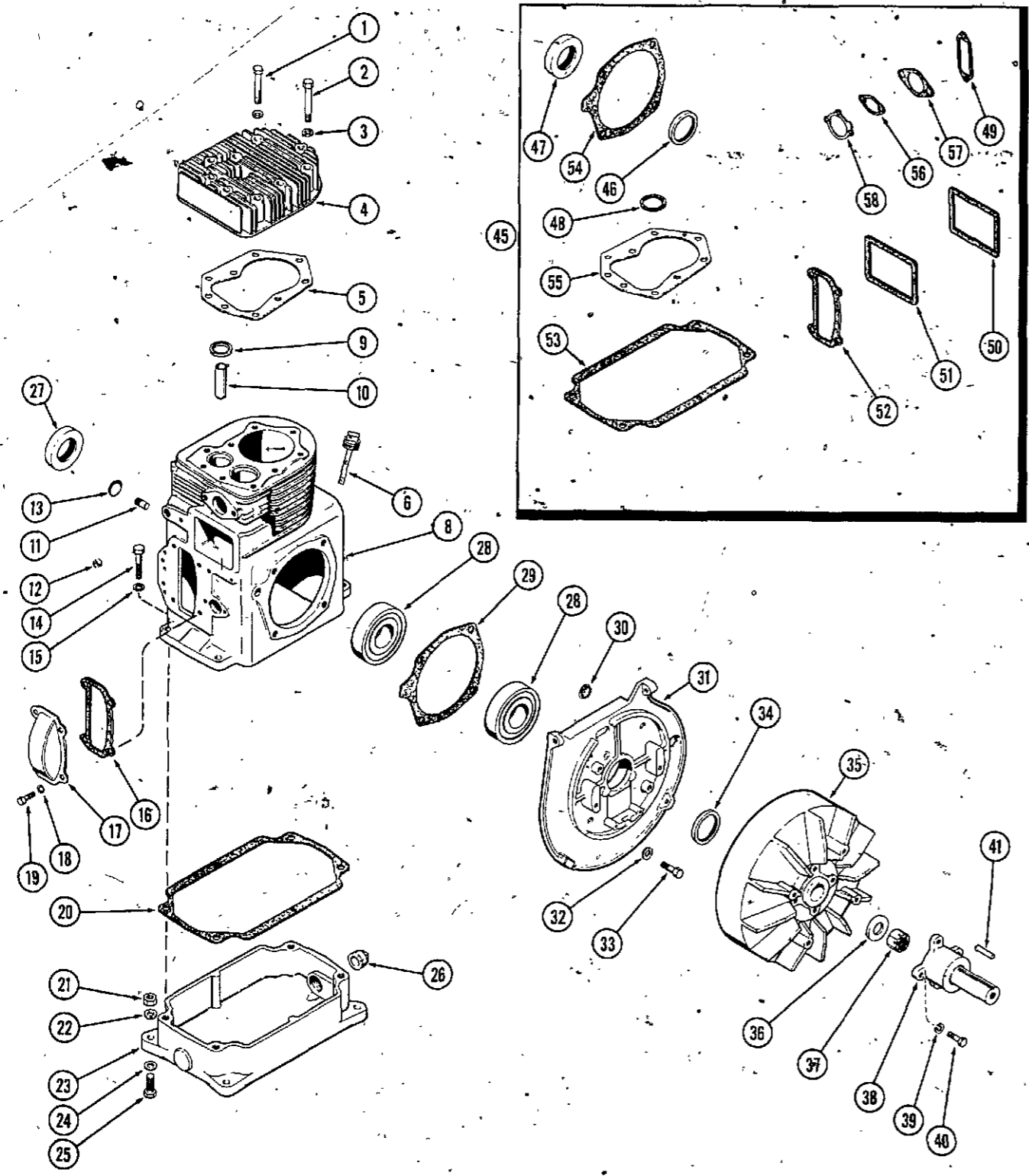
| REF. | PART NO. | DESCRIPTION | REQ'D |
|------|--------------|---|-------|
| 1 | NSS | PISTON AND ROD ASSY. (Std. size) | 1 |
| 2 | KO 235287 | RING SET - piston (for oversize see item 16) | 1 |
| 3 | NSS | RING - top compression | 1 |
| 4 | NSS | RING - 2nd compression (incl. expander) | 1 |
| 5 | NSS | RING - oil (incl. expander) | 1 |
| 6 | KOA235611 | PISTON ASSY (for oversize see item 15) | 1 |
| 7 | KO 235004 | RETAINER - piston pin | 2 |
| 8 | KO 235572 | PIN - piston | 1 |
| 9 | NSS | PISTON | 1 |
| 10 | KOA235139 | CONNECTING ROD ASSY (for undersize see item 18) | 1 |
| 11 | KO 235003 | WASHER - special | 2 |
| 12 | KOX 22-35 | LOCKWASHER | 2 |
| 13 | KO 235526 | SCREW - cap, connecting rod | 2 |
| 14 | NSS | ROD - connecting | 1 |
| 15 | KOA235569 | PISTON ASSY - .010" oversize | 1 |
| 15 | KOA235571 | PISTON ASSY - .020" oversize | 1 |
| 15 | KOA235616 | PISTON ASSY - .030" oversize | 1 |
| 16 | KO 235288 | RING SET - piston .010" oversize | 1 |
| 16 | KO 235289 | RING SET - piston .020" oversize | 1 |
| 16 | KO 235290 | RING SET - piston .030" oversize | 1 |
| 17 | KO 235573 | PIN - piston .005" oversize | 1 |
| 18 | KOA235139-10 | CONNECTING ROD ASSY. - .010" undersize | 1 |
| 19 | KOX379-6 | OIL SEAL - crankshaft rear | 1 |
| 20 | 40035 | BEARING - crankshaft ball | 2 |
| 21 | W 5063-S | KEY - 1/4" square x 3/4" (pump cplg) | 1 |
| 22 | KOA235555 | CRANKSHAFT | 1 |
| 23 | KOX 366-1 | KEY - flat 1/4" x 3/16" x 1-3/4" (flywheel) | 1 |
| 24 | KOX 271-30 | OIL SEAL - crankshaft front | 1 |
| 25 | KOX 25-71 | WASHER - 3/4" | 1 |
| 26 | KOX 119-16 | NUT - special Marsden 3/4"NF | 1 |

180 CRANKSHAFT, PISTON - CONNECTING ROD



| REF. | PART NO. | DESCRIPTION | REQ'D |
|------|--------------|---|-------|
| 1 | NSS | PISTON AND ROD ASSY. (Std. size) | 1 |
| 2 | KO 235889 | RING SET - piston (for oversize see item 16) | 1 |
| 3 | NSS | RING - top compression | 1 |
| 4 | NSS | RING - 2nd compression (incl. expander) | 1 |
| 5 | NSS | RING - oil (incl. expander) | 1 |
| 6 | KOA235827 | PISTON ASSY (for oversize see item 15) | 1 |
| 7 | KO 235811 | RETAINER - piston pin | 2 |
| 8 | KO 235803 | PIN - piston | 1 |
| 9 | NSS | PISTON | 1 |
| 10 | KOA235828 | CONNECTING ROD ASSY (for undersize see item 18) | 1 |
| 11 | KO 235003 | WASHER - special | 2 |
| 12 | KOX 22-35 | LOCKWASHER | 2 |
| 13 | KO 235526 | SCREW - cap, connecting rod | 2 |
| 14 | NSS | ROD - connecting | 1 |
| 15 | KOA235865 | PISTON ASSY - .010" oversize | 1 |
| 15 | KOA235866 | PISTON ASSY - .020" oversize | 1 |
| 15 | KOA235867 | PISTON ASSY - .030" oversize | 1 |
| 16 | KO 235890 | RING SET - piston .010" oversize | 1 |
| 16 | KO 235891 | RING SET - piston .020" oversize | 1 |
| 16 | KO 235892 | RING SET - piston .030" oversize | 1 |
| 17 | KO 235868 | PIN - piston .005" oversize | 1 |
| 18 | KOA235828-10 | CONNECTING ROD ASSY. - .010" undersize | 1 |
| 19 | KOX 379-6 | OIL SEAL - crankshaft rear | 1 |
| 20 | 40035 | BEARING - crankshaft ball | 2 |
| 21 | W 5063-S | KEY - 1/4" square x 3/4" (pump cplg.) | 1 |
| 22 | KOA235849 | CRANKSHAFT | 1 |
| 23 | KOX 366-1 | KEY - flat 1/4" x 3/16" x 1-3/4" (flywheel) | 1 |
| 24 | *KOX271-30 | OIL SEAL - crankshaft front | 1 |
| 25 | KOX 25-71 | WASHER - 3/4" | 1 |
| 26 | KOX119-16 | NUT - special Marsden 3/4" NF | 1 |

130 ENGINE BLOCK AND ATTACHING PARTS

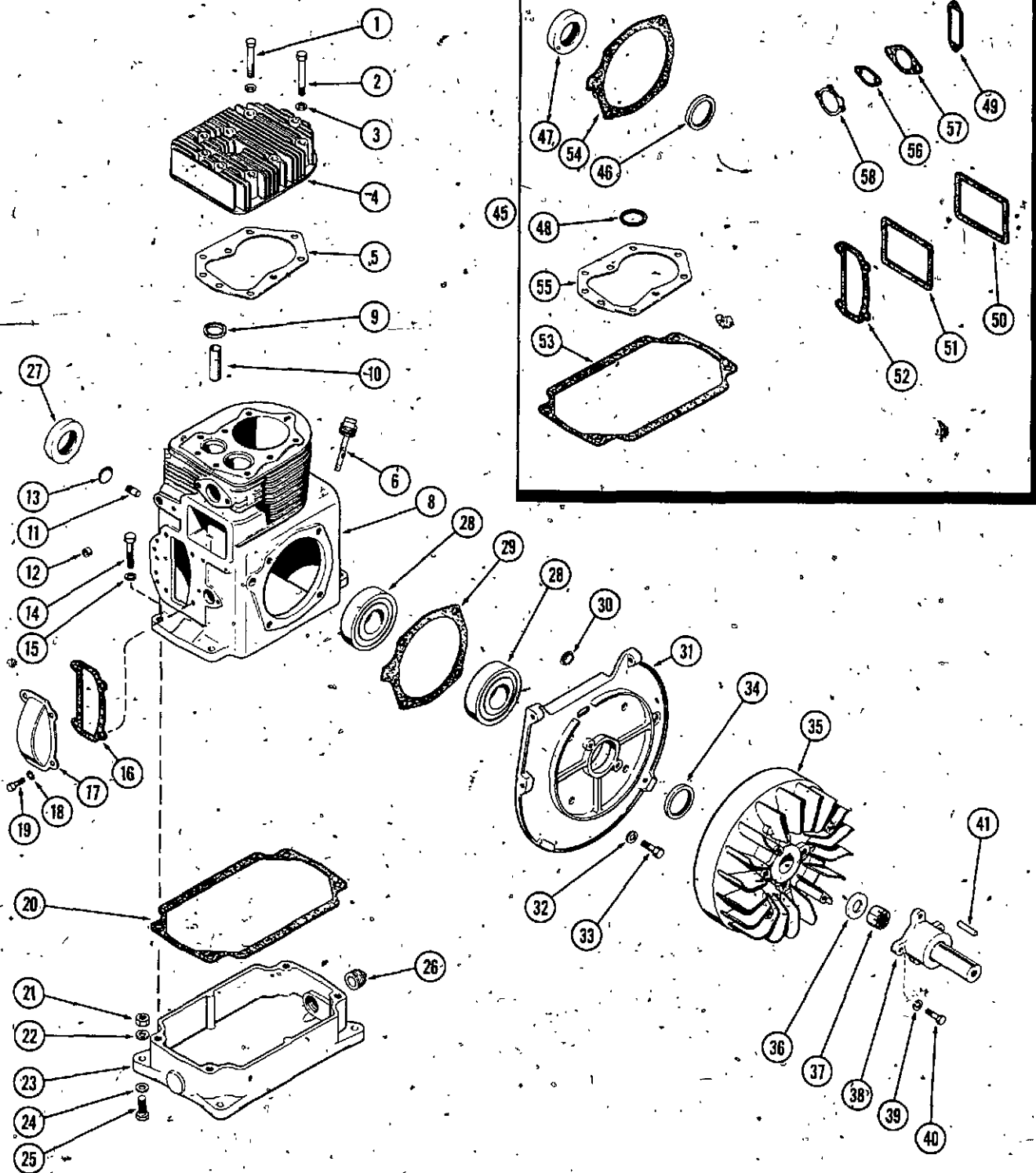


| REF. | PART NO. | DESCRIPTION | REQ'D |
|------|-------------|--|-------|
| 1 | KO 271077 | BOLT - cyl.hd(length 2-1/4") | 7 |
| 2 | KO 235175 | BOLT - cyl. hd.(length 2-1/2") | 2 |
| 3 | KO 270889 | WASHER - cyl. hd. bolt. | 9 |
| 4 | KO 235461 | HEAD - cylinder | 1 |
| 5 | KO 235810 | GASKET - head | 1 |
| 6 | KOA235092 | DIPSTICK ASSY | 1 |
| 7 | KOB235699 | BLOCK ASSY - cyl.,short (incl. crankshaft, rod assy governor, camshaft, valves, bearings and plate). | 1 |
| 8 | KOA235314 | BLOCK ASSY - cyl.,stripped (Std. bore) | 1 |
| 9 | KO 230170-S | INSERT - exhaust valve | 1 |
| 10 | KO 235007-S | GUIDE - valve | 2 |
| 11 | KO 235125-S | SHAFT - stub, governor | 1 |
| 12 | KOX293-4 | BEARING - needle, governor shaft | 1 |
| 13 | 41- 18 | PLUG - expansion | 1 |
| 14 | 113- 206 | BOLT - 3/8" X 7/8" N.C.hex. plated | 4 |
| 15 | 192- 21 | LOCKWASHER - 3/8" SAE plated | 4 |
| 16 | KO 235025 | GASKET - camshaft cover | 1 |
| 17 | KO 235026 | COVER - camshaft gear | 1 |
| 18 | 192- 19 | LOCKWASHER - 1/4" plated | 4 |
| 19 | 113- 6 | BOLT - 1/4" x 1/2" UNC, plated | 4 |
| 20 | KO 235057 | GASKET - oil pan | 1 |
| 21 | 129- 103 | NUT - 3/8" N.C. hex. plated | 4 |
| 22 | 192- 21 | LOCKWASHER - 3/8"plated | 4 |
| 23 | KO 235115 | BASE - oil pan | 1 |
| 24 | 195- 522 | WASHER - 3/8" plated | 4 |
| 25 | 113- 209 | BOBT - 3/8" x 1-1/2" N.C.hex.plated | 4 |
| 26 | 221- 5 | PLUG - pipe, 3/4" sq.hd. | 1 |
| 27 | KOX 379-6 | OIL SEAL - crankshaft rear | 1 |
| 28 | 40035 | BEARING - crankshaft ball | 2 |
| 29 | KO 235071 | GASKET - shim, bearing plate .005" | UAR |
| 29 | KO 235070 | GASKET - shim, bearing plate .010" | UAR |
| 30 | 205- 27 | PLUG - button, timing hole | 1 |
| 31 | KO 235062 | PLATE - bearing | 1 |
| 32 | 192- 21 | LOCKWASHER - 3/8" plated | 4 |
| 33 | 113- 207 | BOLT - 3/8"-x 1" N.C. plated | 4 |
| 34 | KOX 271-30 | OIL SEAL - crankshaft front | 1 |
| 35 | KO 235080 | FLYWHEEL | 1 |
| 36 | 195- 545 | WASHER - special, plated | 1 |
| 37 | KOX 119-16 | NUT - special Marsden | 1 |
| 38 | KO 235556 | SHAFT - frt. drive stub | 1 |
| 39 | 192- 21 | LOCKWASHER - 3/8" SAE plated | 4 |
| 40 | 113- 208 | BOLT - 3/8" x 1-1/4" N.C.hex | 4 |
| 41 | W 5063-S | KEY - 1/4" sq. x 3/4" | 1 |

ENGINE GASKET AND SEAL KIT

| | | | |
|----|-----------|------------------------------------|---|
| 45 | KO 235165 | KIT - engine gasket and seal | 1 |
| 46 | KOX271-30 | SEAL - crankshaft front oil | 1 |
| 47 | KOX 379-6 | SEAL - crankshaft rear oil | 1 |
| 48 | B 59393 | GASKET - fuel strainer bowl | 1 |
| 49 | KO 220174 | GASKET - breaker cover | 1 |
| 50 | KO 231032 | SEAL - breather | 1 |
| 51 | KO 235048 | GASKET - valve cover | 2 |
| 52 | KO 235025 | GASKET - camshaft gear cover | 1 |
| 53 | KO 235057 | GASKET - oil pan | 1 |
| 54 | KO 235070 | GASKET - shim, bearing plate .010" | 6 |
| 55 | KO 235810 | GASKET - cyl.head | 1 |
| 56 | KO 240281 | GASKET - fuel pump flange | 1 |
| 57 | A 72100 | GASKET - carburetor flange | 1 |
| 58 | KO 275341 | GASKET - carburetor air horn | 1 |

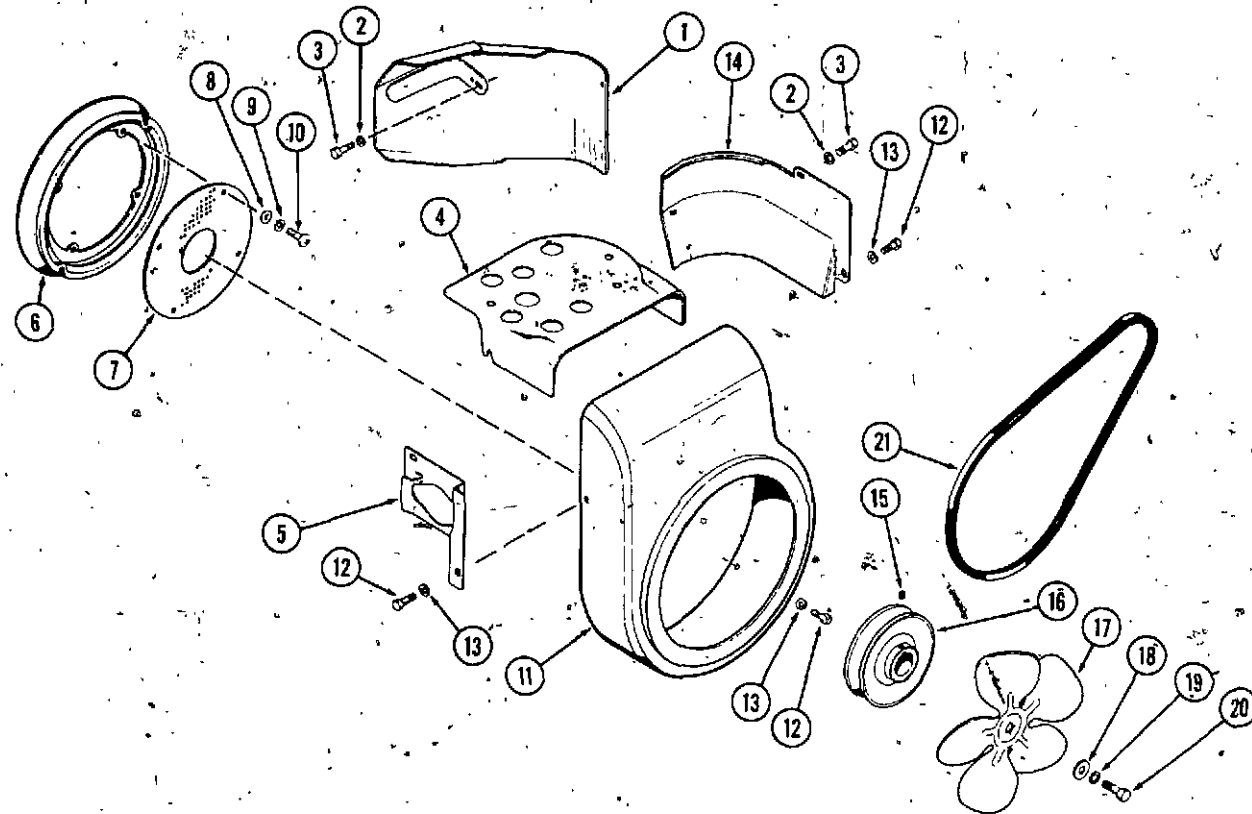
180 ENGINE BLOCK AND ATTACHING PARTS



| REF. | PART NO. | DESCRIPTION | REQ'D |
|------|-------------|--------------------------------------|-------|
| 1 | KO 271077 | BOLT - cyl. hd. (length 2-1/4) | 7 |
| 2 | KO 235175 | BOLT - cyl. hd. (length 2-1/2") | 2 |
| 3 | KO 270889 | WASHER - cyl.hd. bolt | 9 |
| 4 | KO 235820 | HEAD - cyl. | 1 |
| 5 | KO 235810 | GASKET - head | 1 |
| 6 | KOA 235092 | DIPSTICK ASSY. | 1 |
| 8 | KOA 235851 | BLOCK ASSY - cyl., standard bore | 1 |
| 9 | KO 230170-S | INSERT - exhaust valve | 1 |
| 10 | KO 235007-S | GUIDE - valve | 2 |
| 11 | KO 235125-S | SHAFT - stub, governor | 1 |
| 12 | KOX 293-4 | BEARING - needle, governor shaft | 1 |
| 13 | 41- 18 | PLUG - expansion | 1 |
| 14 | 113- 208 | BOLT - 3/8" x 1-1/4" N.C. hex. pltd. | 4 |
| 15 | 192- 21 | LOCKWASHER - 3/8" pltd. | 4 |
| 16 | KO 235025 | GASKET - camshaft cover | 1 |
| 17 | KO 235026 | COVER - camshaft gear | 1 |
| 18 | 192- 19 | LOCKWASHER - 1/4" pltd. | 4 |
| 19 | 113- 8 | BOLT - 1/4" x 1/2" UNC pltd. | 4 |
| 20 | KO 235057 | GASKET - oil pan | 1 |
| 21 | 129- 103 | NUT - 3/8" N.C. hex. pltd. | 4 |
| 22 | 192- 21 | LOCKWASHER - 3/8" pltd. | 4 |
| 23 | KO 235115 | BASE - oil pan | 1 |
| 24 | 195- 522 | WASHER - 3/8" pltd. | 4 |
| 25 | 113- 209 | BOLT - 3/8" x 1-1/2" N.C. hex. pltd. | 4 |
| 26 | 221- 5 | PLUG - pipe 3/4" sq. hd. | 1 |
| 27 | KO 379-6 | OIL SEAL - crankshaft rear | 1 |
| 28 | 40035 | BEARING - crankshaft ball | 2 |
| 29 | KO 235071 | GASKET - shim, bearing plate .005" | UAR |
| 29 | KO 235070 | GASKET - shim, bearing plate .010" | UAR |
| 30 | 205- 27 | PLUG - button, timing hole | 1 |
| 31 | KO 235815 | PLATE - bearing | 1 |
| 32 | 192- 21 | LOCKWASHER - 3/8" pltd. | 4 |
| 33 | 113- 207 | BOLT - 3/8" x 1" N.C. pltd. | 4 |
| 34 | KOX271-30 | OIL SEAL - crankshaft front | 1 |
| 35 | KO 235818 | FLYWHEEL | 1 |
| 36 | 195- 545 | WASHER - special, plated | 1 |
| 37 | KOX119-16 | NUT - special Marsden | 1 |
| 38 | KO 235556 | SHAFT - frt. drive stub | 1 |
| 39 | 192- 21 | LOCKWASHER - 3/8" SAE, plated | 4 |
| 40 | 113- 208 | BOLT - 3/8" x 1-1/4" N.C. hex. pltd. | 4 |
| 41 | W 5063-S | KEY - 1/4" sq. x 3/4" | 1 |

ENGINE GASKET AND SEAL KIT

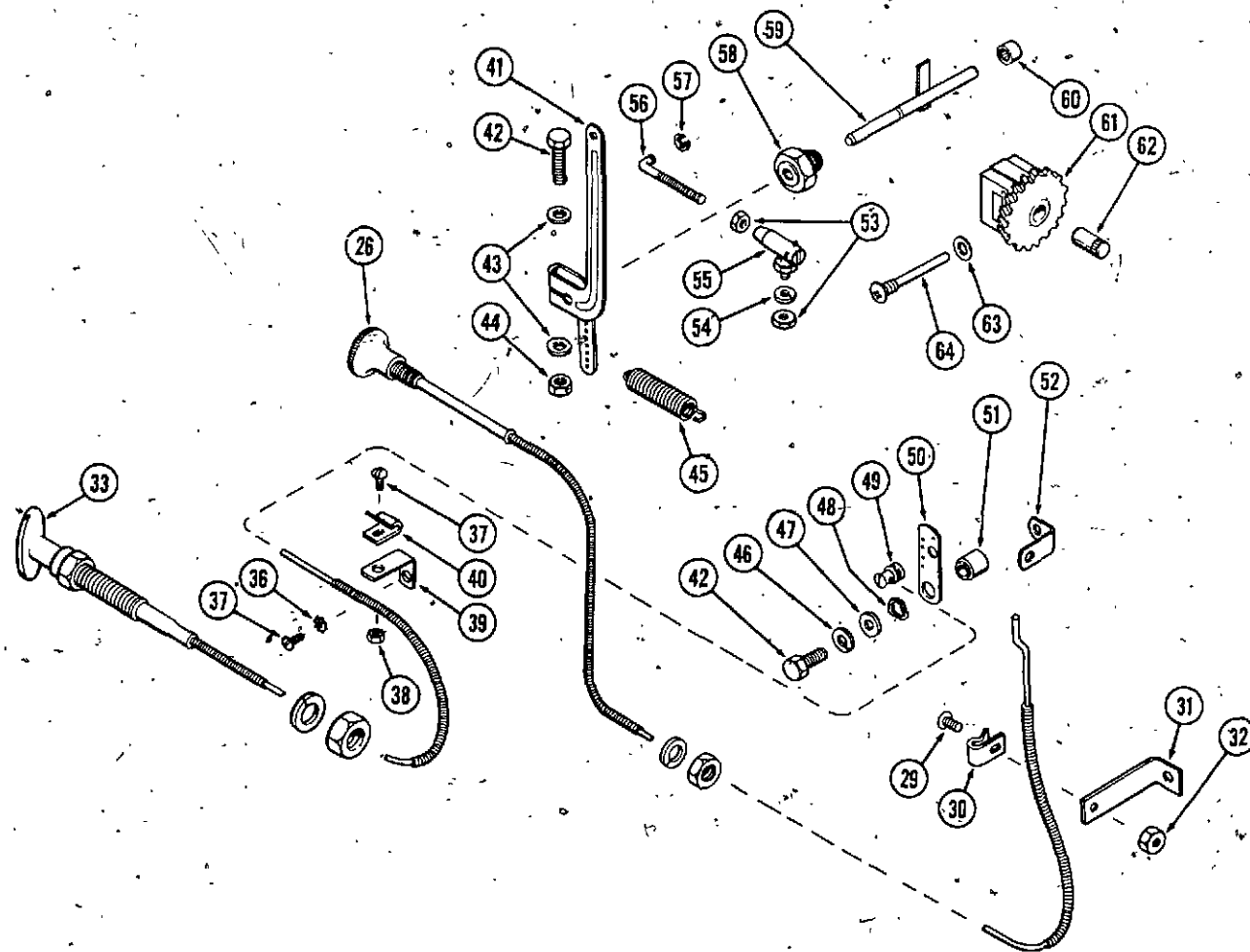
| | | | |
|----|-----------|------------------------------------|---|
| 45 | KO 235165 | KIT - engine gasket and seal | 1 |
| 46 | KOX271-30 | SEAL - crankshaft front oil | 1 |
| 47 | KOX 379-6 | SEAL - crankshaft rear oil | 1 |
| 48 | B 59393 | GASKET - fuel strainer bowl | 1 |
| 49 | KO 220174 | GASKET - breaker cover | 1 |
| 50 | KO 231032 | SEAL - breather | 1 |
| 51 | KO 235048 | GASKET - valve cover | 2 |
| 52 | KO 235025 | GASKET - camshaft gear cover | 1 |
| 53 | KO 235057 | GASKET - oil pan | 1 |
| 54 | KO 235070 | GASKET - shim, bearing plate .010" | 6 |
| 55 | KO 235810 | GASKET - cyl. head | 1 |
| 56 | KO 240281 | GASKET - fuel pump flange | 1 |
| 57 | A 72100 | GASKET - carburetor flange | 1 |
| 58 | KO 275341 | GASKET - carburetor air horn | 1 |



BAFFLES, SHROUDS, FAN AND PULLEYS

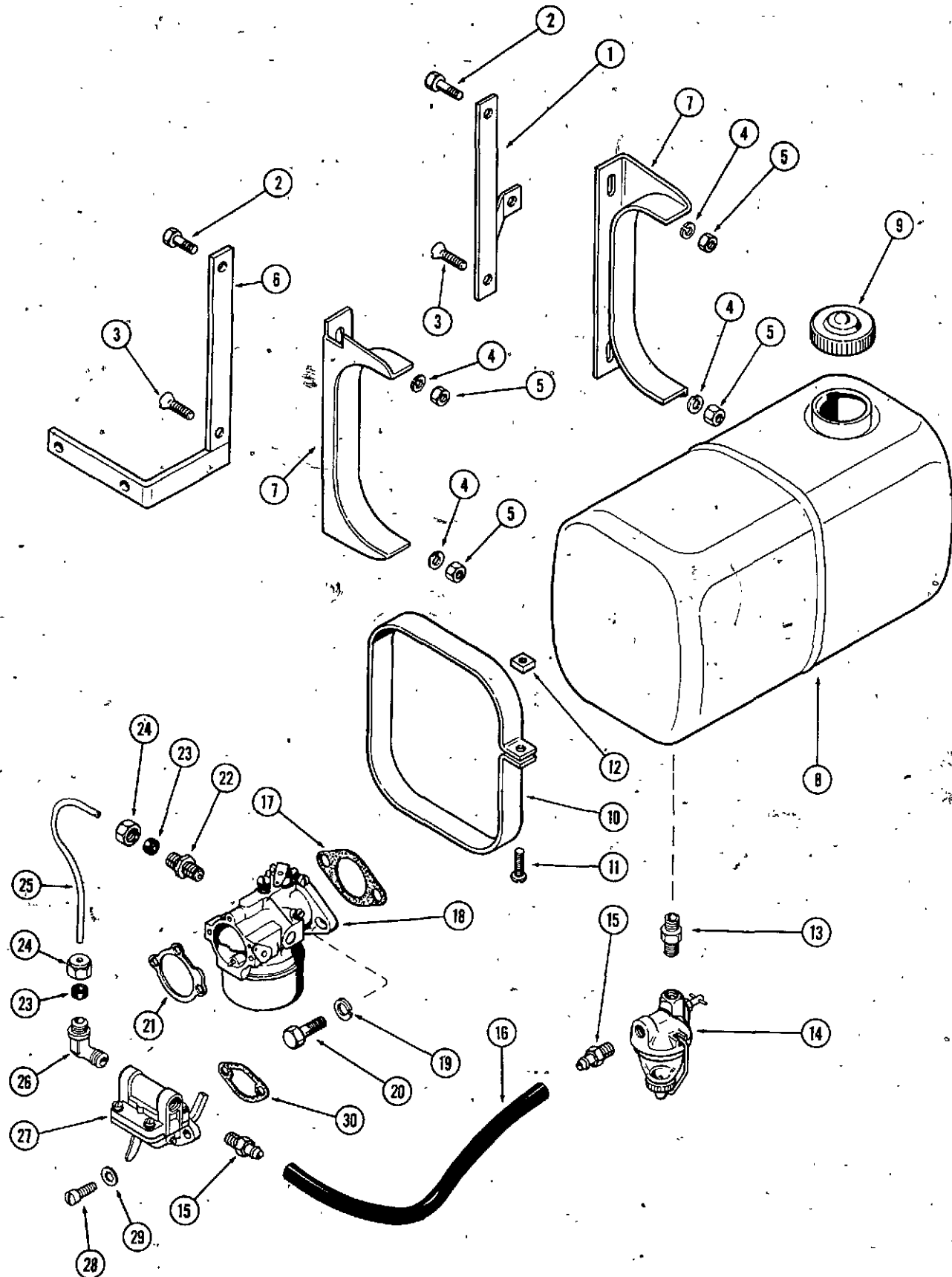
| REF. | PART NO. | DESCRIPTION | REQ'D |
|------|-----------|--|-------|
| 1 | A 70006 | DEFLECTOR - engine air | 1 |
| 2 | 192- 19 | LOCKWASHER - 1/4", pltd. | 2 |
| 3 | 113- 6 | BOLT - 1/4" x 1/2" N.C. hex. pltd. | 2 |
| 4 | KO 235049 | BAFFLE - cyl. head | 1 |
| 5 | KO 235368 | BAFFLE - carb. side air | 1 |
| 6 | KO 235207 | PULLEY - starter | 1 |
| 7 | KO 235052 | SCREEN - blower air intake | 1 |
| 8 | 195- 515 | WASHER - 1/4" plated | 4 |
| 9 | 192- 19 | LOCKWASHER - 1/4" pltd. | 4 |
| 10 | 175- 436 | SCREW - 1/4" x 5/8" N.C. truss hd. Phillips, pltd. | 4 |
| 11 | KO 235883 | HOUSING - blower | 1 |
| 12 | 113- 2 | BOLT - 1/4" x 3/4" N.C., hex. hd. pltd. | 4 |
| 13 | 192- 19 | LOCKWASHER - 1/4" pltd. | 4 |
| 14 | KO 235054 | BAFFLE - cylinder | 1 |
| 15 | 83- 55 | SETSCREW - 5/16" x 5/16" N.C. hollow hd. cup pt. | 1 |
| 16 | A 70082 | PULLEY - engine | 1 |
| 17 | A 70084 | FAN - engine | 1 |
| 18 | 95- 6 | WASHER - 3/8" plain | 1 |
| 19 | 92- 6 | LOCKWASHER - 3/8" SAE | 1 |
| 20 | 13- 616 | BOLT - 3/8" x 1" N.C., hex. | 1 |
| 21 | A 70205 | BELT - drive, starter, generator | 1 |

CHOKE, THROTTLE AND GOVERNOR



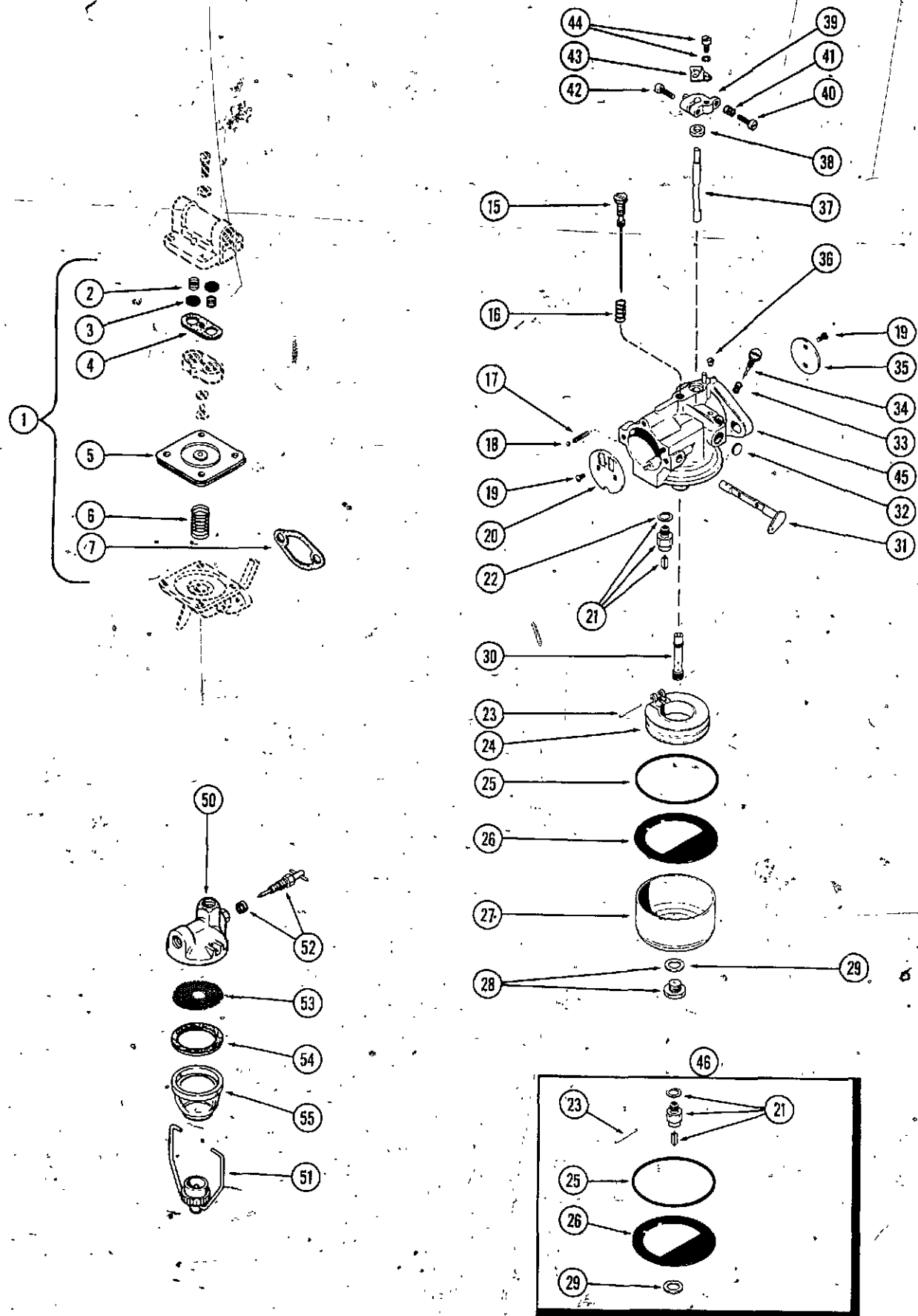
| | | | |
|----|-------------|---|---|
| 26 | A 70108 | CONTROL - choke (incl. lockwasher & nut) | 1 |
| 29 | 173- 212 | SCREW #10-24 x 1/2" rd. hd. | 1 |
| 30 | A 70106 | CLAMP - choke control | 1 |
| 31 | KO 235056 | BRACKET - choke control | 1 |
| 32 | 129- 7 | NUT - #10 - 24 hex. | 1 |
| 33 | A 70107 | CONTROL - throttle (incl. lockwasher & nut) | 1 |
| 36 | 193- 70 | LOCKWASHER - #10 int. ext. shakeproof pltd. | 1 |
| 37 | 177- 131 | SCREW - #10-24 x 1/2" rd. fill. hd. pltd. | 2 |
| 38 | 129- 7 | NUT - #10-24 N.C. | 1 |
| 39 | A 70105 | BRACKET - throttle | 1 |
| 40 | A 70106 | CLAMP - cable | 1 |
| 41 | KO 235494 | LEVER - governor | 1 |
| 42 | 15- 420 | BOLT - 1/4" x 1-1/4" N.C. hex | 2 |
| 43 | 195- 515 | WASHER - 1/4" pltd. | 2 |
| 44 | 25- 104 | NUT - 1/4" Hex. | 1 |
| 45 | KO 235496 | SPRING - governor | 1 |
| 46 | 192- 19 | LOCKWASHER - 1/4" pltd. | 1 |
| 47 | KOX 25-67 | WASHER - thrust | 1 |
| 48 | KO 275690 | WASHER - wavy | 1 |
| 49 | KO 231052 | CLAMP - swivel, wire | 1 |
| 50 | KO 235086 | LEVER - speed control | 1 |
| 51 | KO 235085 | SPACER - speed control brkt. | 1 |
| 52 | KO 235084 | BRACKET - high speed stop | 1 |
| 53 | 129- 37 | NUT - #10-32, hex | 2 |
| 54 | 192- 18 | LOCKWASHER - 3/16" pltd. | 1 |
| 55 | A 10326 | JOINT - ball | 1 |
| 56 | KO 235277 | ROD - throttle | 1 |
| 57 | KO 235278 | RING - retaining, throttle rod | 1 |
| 58 | KO 235476 | BUSHING - governor cross shaft | 1 |
| 59 | KOA235256 | SHAFT ASSY - governor cross | 1 |
| 60 | KOX 293-4 | BEARING - needle governor shaft | 1 |
| 61 | KOA235157 | GEAR ASSY - governor | 1 |
| 62 | KO 235125-S | SHAFT - governor stub | 1 |
| 63 | KOX 25-55 | WASHER - governor stop pin | 1 |
| 64 | KO 231355 | PIN - governor stop | 1 |

FUEL SYSTEM



| REF. | PART NO. | DESCRIPTION | REQ'D |
|------|-----------|---|-------|
| 1 | A 70094 | BRACKET - L.H. fuel tank support | 1 |
| 2 | 113- 1 | BOLT - 1/4" x 1/2" N.C. hex., plated | 2 |
| 3 | 171- 2 | SCREW - 1/4" x 1/2" N.C. flt. hd. plated | 2 |
| 4 | 192- 19 | LOCKWASHER - 1/4" plated | 4 |
| 5 | 129- 101 | NUT - 1/4" N.C. hex. plated | 4 |
| 6 | A 70091 | BRACKET - R.H. fuel tank support | 1 |
| 7 | A 70099 | CLAMP - fuel tank mtg. | 2 |
| 8 | A 70101 | TANK - fuel (includes cap A70526) | 1 |
| 9 | A 70526 | CAP - tank | 1 |
| 10 | A 70100 | STRAP - fuel tank mtg. | 2 |
| 11 | 173- 239 | SCREW - 1/4" x 1" rd. hd. plated | 2 |
| 12 | 129- 504 | NUT - 1/4" N.C. sq. | 2 |
| 13 | 217- 200 | NIPPLE - 1/8" x 3/4" close-brass | 1 |
| 14 | B 53256 | FUEL STRAINER ASSY (Repairs see Page 21) | 1 |
| 15 | A 70103 | FITTING - fuel line, Nylon | 2 |
| 16 | A 70102 | HOSE - fuel line | 1 |
| 17 | A 72100 | GASKET - carburetor flange | 1 |
| 18 | A 72073 | CARBURETOR ASSY (Repairs see page 21) | 1 |
| 19 | 192- 20 | LOCKWASHER - 5/16" plated | 2 |
| 20 | 113- 103 | BOLT - 5/16" x 1" N.C. hex. hd. | 2 |
| 21 | KO 275341 | GASKET - air horn | 1 |
| 22 | 222- 4021 | CONNECTOR ASSY (includes sleeve and nut) | 1 |
| 23 | 222- 101 | SLEEVE - (For 3/16" O.D. tube) | 2 |
| 24 | 222- 112 | NUT - (For 3/16" O.D. tube) | 2 |
| 25 | KO 235097 | LINE - fuel pump to carburetor | 1 |
| 26 | 222- 41 | ELBOW - (includes sleeve and nut) | 1 |
| 27 | KOA235361 | FUEL PUMP (130) Ident. no. on primer lever (Repairs see page 21) | 1 |
| 27 | KOA235807 | FUEL PUMP (180) Ident. no. on primer lever (Repairs see page 21) | 1 |
| 28 | 71- 410 | SCREW - 1/4" x 5/8" N.C. fillister hd. | 2 |
| 29 | 193- 60 | LOCKWASHER - 1/4" plated | 2 |
| 30 | A 72108 | GASKET - fuel pump mtg. | 1 |

CASE 130 AND 180 GARDEN TRACTOR
KOA235361 AND KOA235807 FUEL PUMPS



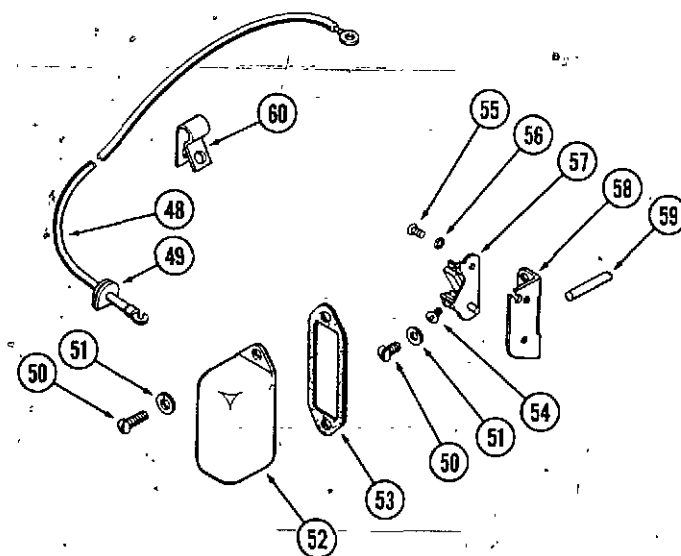
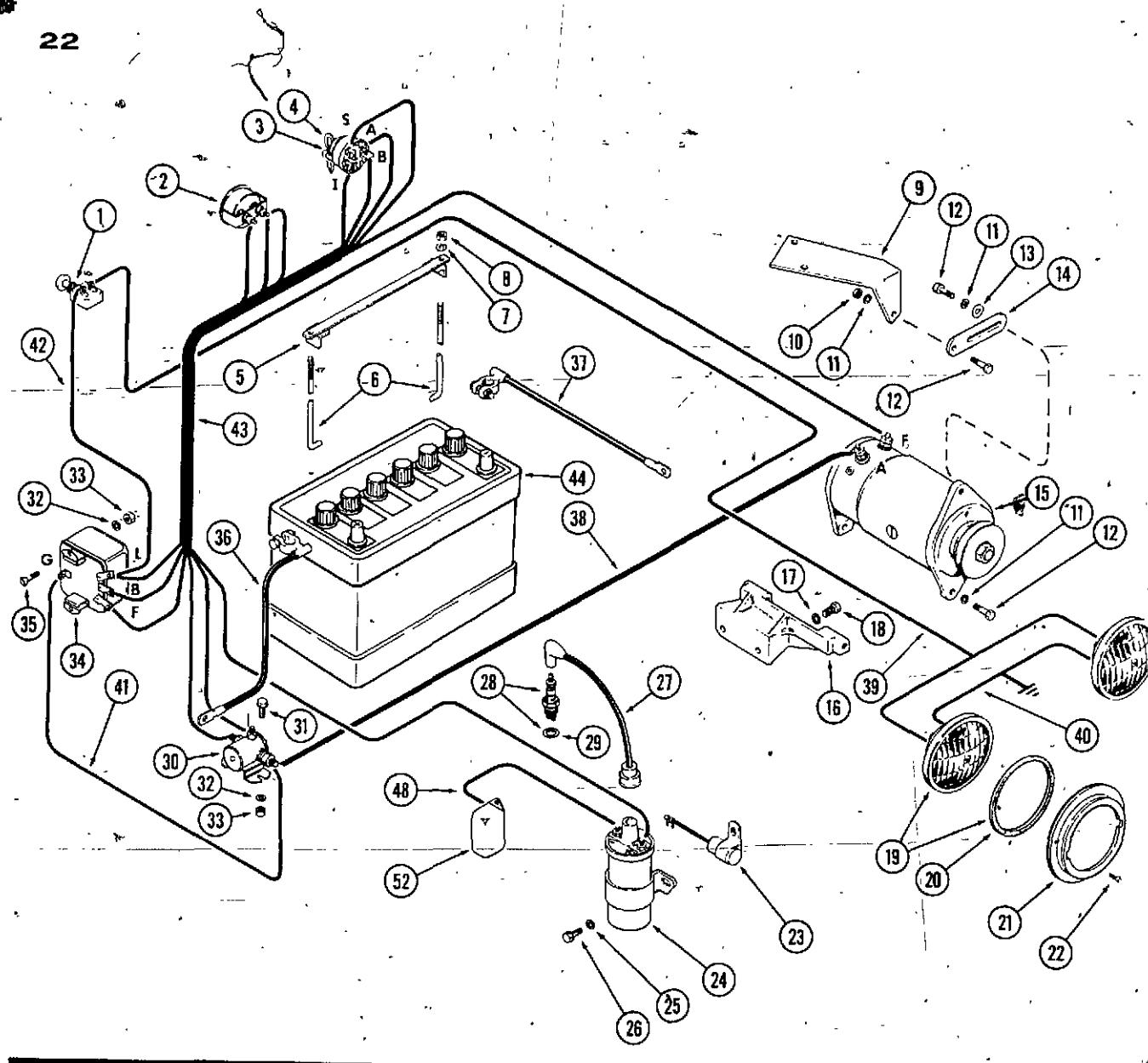
| REF. | PART NO. | DESCRIPTION | REQ'D |
|------|----------|--------------------------|-------|
| 1 | A 72111 | FUEL PUMP REPAIR KIT | 1 |
| 2 | A 72105 | SPRING - fuel pump valve | 2 |
| 3 | A 72107 | VALVE - fuel pump | 2 |
| 4 | A 72106 | GASKET - valve | 1 |
| 5 | A 72109 | DIAPHRAGM ASSY. | 1 |
| 6 | A 72110 | SPRING - diaphragm | 1 |
| 7 | A 72108 | GASKET - fuel pump mtg. | 1 |

A72073 CARBURETOR

| | | | |
|----|---------|---|---|
| A | 72073 | CARBURETOR ASSY. | 1 |
| 15 | A 72077 | JET ASSY - high speed & idle adj. | 1 |
| 16 | A 72076 | SPRING - idle jet | 1 |
| 17 | A 72085 | SPRING - choke detent ball | 1 |
| 18 | 211- 3 | BALL - 1/8" steel | 1 |
| 19 | A 72091 | SCREW - #3-48 rd.hd.mach., brass | 4 |
| 20 | A 72074 | VALVE ASSY - choke disc | 1 |
| 21 | A 72086 | INLET NEEDLE & SEAT ASSY | 1 |
| 22 | A 72102 | GASKET - needle seat | 1 |
| 23 | A 72079 | PIN - carburetor float | 1 |
| 24 | A 72078 | FLOAT ASSY. | 1 |
| 25 | A 72081 | GASKET - carburetor bowl ring | 1 |
| 26 | A 72082 | GASKET - carburetor bowl | 1 |
| 27 | A 72080 | BOWL - carburetor | 1 |
| 28 | A 72084 | NUT & GASKET ASSY - bowl | 1 |
| 29 | A 72083 | GASKET - bowl screw | 1 |
| 30 | A 72101 | SEAT - high idle jet | 1 |
| 31 | A 72075 | SHAFT & LEVER ASSY - choke | 1 |
| 32 | A 72087 | PLUG - 3/8" expansion | 1 |
| 33 | A 72098 | SPRING - lean-rich adjusting screw | 1 |
| 34 | A 72099 | SCREW - adjusting (lean-rich) | 1 |
| 35 | A 72090 | VALVE - throttle disc | 1 |
| 36 | A 72088 | PLUG - carb. body passage | 1 |
| 37 | A 72089 | SHAFT - throttle lever | 1 |
| 38 | A 72097 | SEAL - throttle shaft | 1 |
| 39 | A 72094 | DOG ASSY - throttle shaft | 1 |
| 40 | A 72092 | SCREW - idle stop | 1 |
| 41 | A 72093 | SPRING - idlescrew tension | 1 |
| 42 | 169- 77 | SCREW - throttle dog clamp #8x1/2" N.C.fill.hd. | 1 |
| 43 | A 72096 | LEVER - throttle | 1 |
| 44 | A 72095 | SCREW ASSY - throttle lever | 1 |
| 45 | NSS | BODY - carb. (Order A72073 Carb. Assy.) | 1 |
| 46 | A 72103 | KIT - carburetor repair | 1 |

B53256 FUEL STRAINER

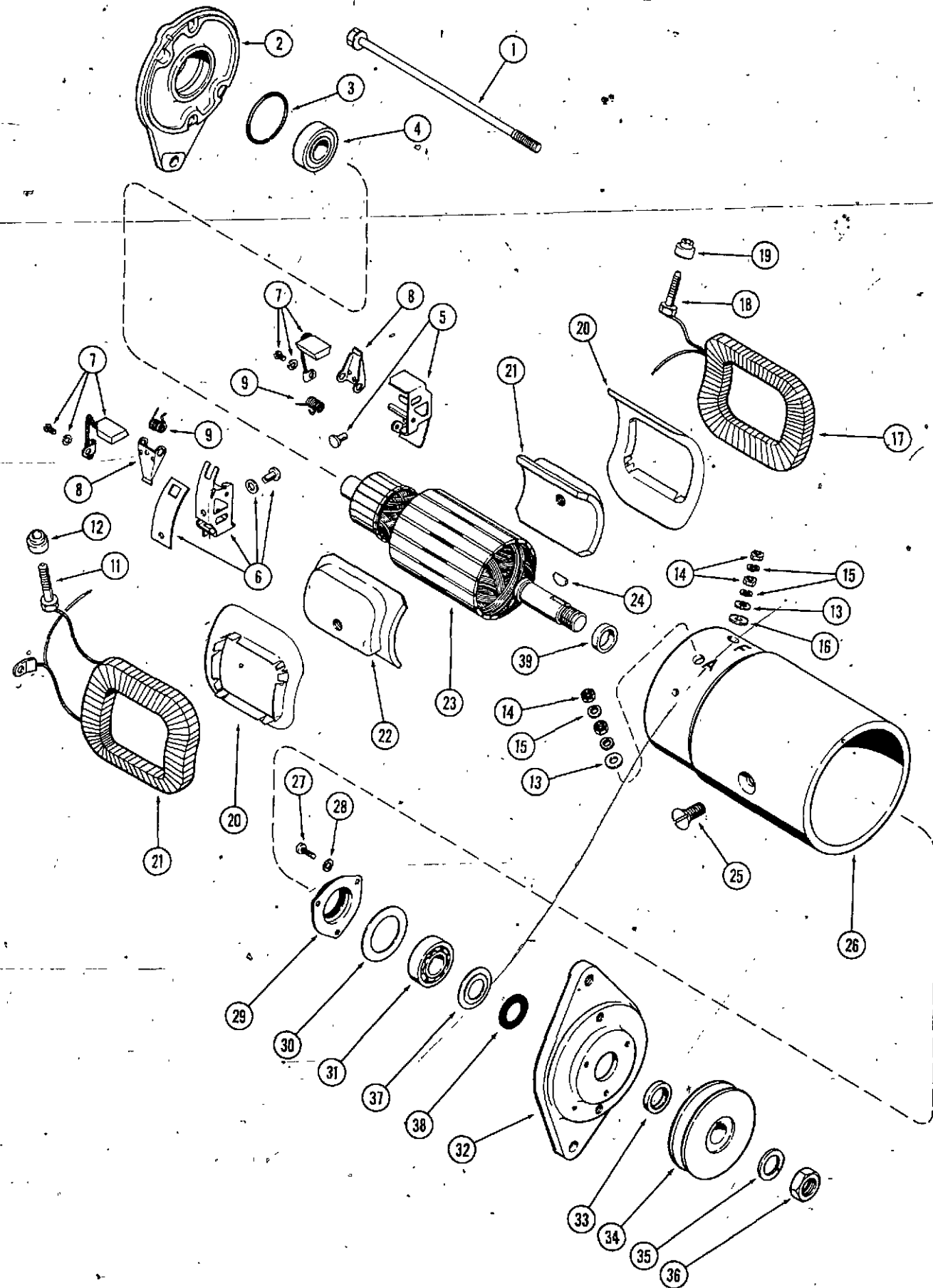
| | | | |
|----|---------|--------------------------------|---|
| B | 53256 | FUEL STRAINER ASSY. | 1 |
| 50 | B 51980 | COVER - fuel strainer | 1 |
| 51 | B 51978 | CLAMP ASSY. - wire & thumb nut | 1 |
| 52 | B 51979 | STEM - valve | 1 |
| 53 | B 51977 | SCREEN - strainer | 1 |
| 54 | B 59393 | GASKET - strainer | 1 |
| 55 | B 51975 | BOWL - strainer | 1 |



CASE 130 AND 180 GARDEN TRACTOR 23
ELECTRICAL WIRING AND HARDWARE

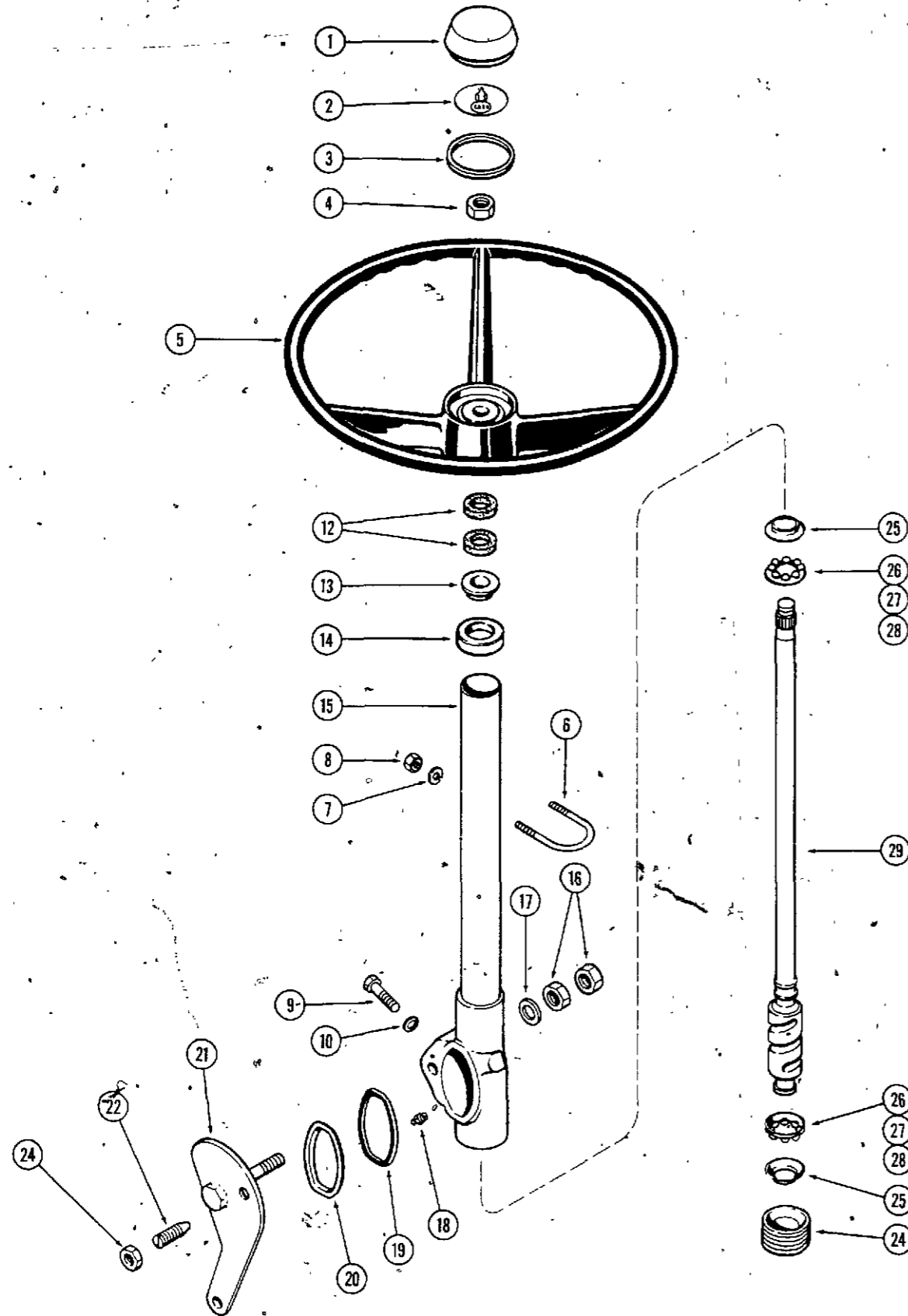
| REF. | PART NO. | DESCRIPTION | REQ'D |
|------|------------|--|-------|
| 1 | A 70222 | SWITCH - light | 1 |
| 2 | R 18748 | AMMETER - 30 amp. | 1 |
| 3 | A 11373 | SWITCH - ignition (incl. keys and nut) | 1 |
| 4 | A 20348 | KEY - ignition switch | 2 |
| 5 | A 70208 | HOLD-DOWN - battery | 1 |
| 6 | A 70207 | ROD - battery hold-down | 2 |
| 7 | 192- 19 | LOCKWASHER - 1/4", pltd. | 2 |
| 8 | 129- 101 | NUT - 1/4" N.C. hex., plated | 2 |
| 9 | KO 235197 | SUPPORT - starter generator adj.brkt. | 1 |
| 10 | 129- 102 | NUT - 5/16" N.C. hex. plated | 1 |
| 11 | 195- 20 | LOCKWASHER - 5/16" plated | 4 |
| 12 | 113- 103 | BOLT - 5/16" x 1" N.C. hex.hd. plated | 4 |
| 13 | 195- 520 | WASHER - 5/16" plain plated | 1 |
| 14 | KO 235203 | BRACKET - adjusting, starter generator | 1 |
| 15 | A 70202 | STARTER-GENERATOR DELCO NO. 1101970 | 1 |
| 16 | KO 235196 | SUPPORT - starter, generator | 1 |
| 17 | 192- 21 | LOCKWASHER - 3/8" plated | 2 |
| 18 | 113- 221 | BOLT - 3/8" x 7/8" N.C. hex.hd., plated | 2 |
| 19 | A 24572 | HEADLAMP - 12 volt | 2 |
| 20 | A 11276 | GASKET - retainer ring | 2 |
| 21 | A 11275 | RING - headlamp retainer | 2 |
| 22 | 187- 1102 | SCREW - #6 x 1/2 pan hd. self tapping | 6 |
| 23 | KO 230722 | CONDENSER | 1 |
| 24 | KO 231281 | COIL - ignition | 1 |
| 25 | 192- 19 | LOCKWASHER - 1/4" plated | 2 |
| 26 | 113- 1 | BOLT - 1/4" x 1/2" N.C. hex.hd. plated | 2 |
| 27 | KOA 235095 | CABLE - hi-tension | 1 |
| 28 | M 20007 | SPARK PLUG - (includes gasket) | 1 |
| 29 | O 7768 | GASKET - spark plug | 1 |
| 30 | A 21481 | SOLENOID - starting Delco No. 1498 | 1 |
| 31 | 113- 1 | BOLT - 1/4" x 1/2" UN hex.hd. plated | 2 |
| 32 | 192- 19 | LOCKWASHER - 1/4 plated | 4 |
| 33 | 129- 101 | NUT - 1/4" N.C. hex., plated | 4 |
| 34 | A 70221 | REGULATOR - voltage Delco No. 1118988 | 1 |
| 35 | 73- 46 | SCREW - 1/4" x 3/8" N.C. flt. hd. mach. | 2 |
| 36 | A 70211 | CABLE - battery-positive to solenoid 10" | 1 |
| 37 | A 70212 | CABLE - battery negative to ground 12" | 1 |
| 38 | A 70213 | CABLE - solenoid to starter generator, 16" | 1 |
| 39 | A 70446 | WIRE ASSY. - headlight 42" lt. green | 1 |
| 40 | A 70447 | WIRE ASSY. - headlight 9" lt. green | 1 |
| 41 | A 70219 | WIRE - sol. to reg. grd. 8-1/2" white | 1 |
| 42 | A 70214 | WIRE - light sw. to volt. reg. 8" white | 1 |
| 43 | A 70403 | WIRE HARNESS ASSY. | 1 |
| 44 | M 20149 | BATTERY - 12 volt | 1 |
| 48 | KOA 231533 | LEAD - breaker contact (incl. grommet) | 1 |
| 49 | KO 220297 | GROMMET - breaker contact lead | 1 |
| 50 | 173- 210 | SCREW - 10-24 x 3/8" rd. hd. plated | 4 |
| 51 | 192- 18 | LOCKWASHER - 3/16" plated | 4 |
| 52 | KO 232535 | COVER - breaker contact | 1 |
| 53 | KO 220174 | GASKET - cover, breaker contact | 1 |
| 54 | 187- 408 | SCREW - terminal, #6-32 x 3/8" self-tapping | 1 |
| 55 | 173- 224 | SCREW - breaker contact mtg. #8 x 1/4" N. C. rd. hd. | 1 |
| 56 | 193- 5 | LOCKWASHER - #8 internal shakeproof | 1 |
| 57 | KO 220475 | POINT SET - breaker contact | 1 |
| 58 | KO 220476 | BRACKET - mtg. breaker contacts | 1 |
| 59 | KOX 389-1 | ROD - breaker contact push | 1 |
| 60 | KO 275303 | CLIP - breaker contact wire | 1 |

A70202 STARTER-GENERATOR

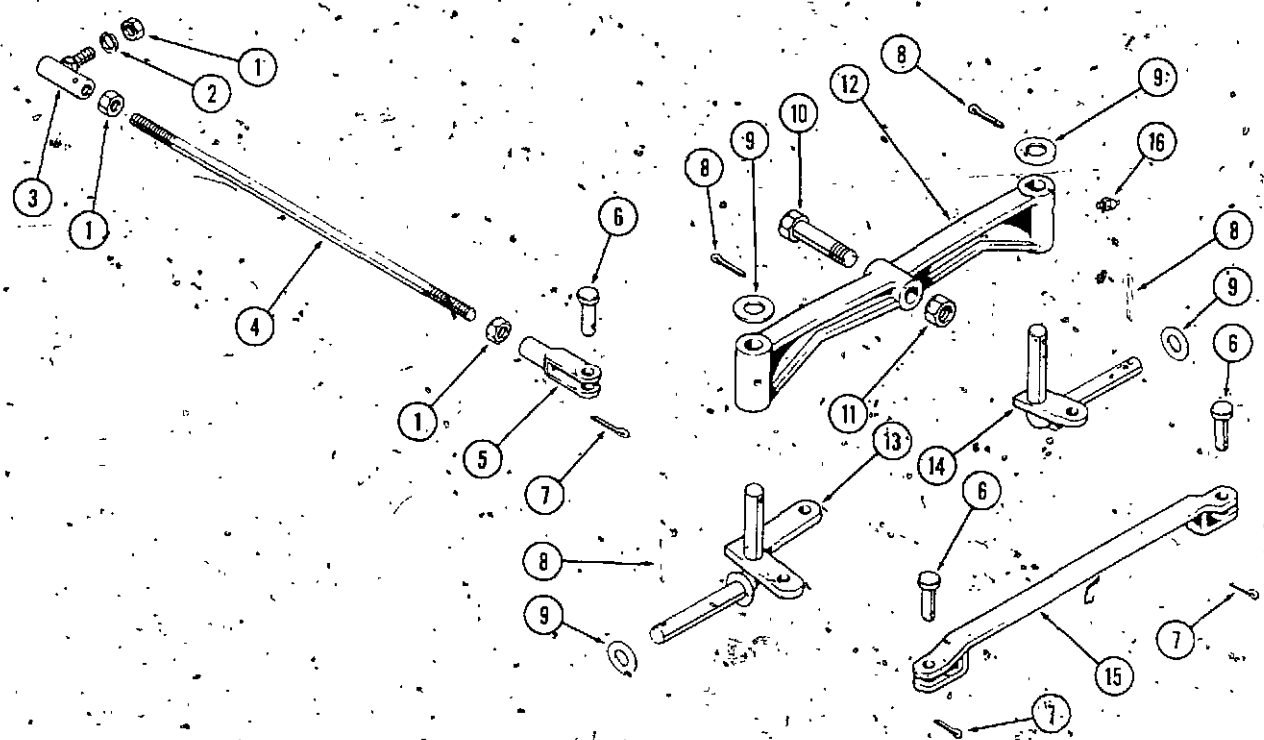


| REF. | PART NO. | DESCRIPTION | REQ'D |
|------|-----------|--|-------|
| 1 | R 15106 | BOLT - thru (includes washer) | 2 |
| 2 | A 72104 | FRAME ASSY - commutator end | 1 |
| 3 | R 15087 | RING - bearing retainer | 1 |
| 4 | A 25461 | BEARING - commutator end ball | 1 |
| 5 | A 72039 | HOLDER KIT - ground brush | 1 |
| 6 | A 72040 | HOLDER KIT - insulated brush | 1 |
| 7 | A 72038 | BRUSH ASSY | 2 |
| 8 | R 15090 | ARM - brush pressure | 2 |
| 9 | A 25423 | SPRING - brush arm | 2 |
| 10 | A 72042 | COIL ASSY. - field R. H. | 1 |
| 11 | A 72048 | STUD - armature terminal | 1 |
| 12 | R 16147 | BUSHING - insulated, armature stud | 1 |
| 13 | R 15079 | WASHER - armature stud | 2 |
| 14 | 129- 18 | NUT - terminal stud 12-24 hex. | 4 |
| 15 | 192- 17 | LOCKWASHER - terminal stud #12 | 4 |
| 16 | R 16148 | WASHER - insulated, field stud | 1 |
| 17 | A 72043 | COIL ASSY. - field, L. H. | 1 |
| 18 | A 72049 | STUD - field terminal | 1 |
| 19 | R 15077 | BUSHING - insulated, field stud | 1 |
| 20 | A 25447 | INSULATOR - field coil | 2 |
| 21 | A 72044 | SHOE - pole, plain | 1 |
| 22 | A 40736 | SHOE - pole, notched | 1 |
| 23 | A 72041 | ARMATURE | 1 |
| 24 | 126- 111 | KEY - Woodruff, armature | 1 |
| 25 | D 32477 | SCREW - pole | 2 |
| 26 | NSS | BODY - starter generator (Order A70202) | 1 |
| 27 | 173- 237 | SCREW - 10-32 x 1/2" rd.hd. | 3 |
| 28 | 192- 18 | LOCKWASHER - 3/16" plated | 3 |
| 29 | A 72050 | RETAINER ASSY. - bearing (includes rer. 37 & 38) | 1 |
| 30 | R 16170 | GASKET - bearing retainer | 1 |
| 31 | A 25441 | BEARING - ball, drive end | 1 |
| 32 | A 72046 | FRAME ASSY - drive end | 1 |
| 33 | A 72047 | SPACER - pulley | 1 |
| 34 | KO 235260 | PULLEY - starter - generator drive | 1 |
| 35 | 192- 26 | LOCKWASHER - 11/16" plated | 1 |
| 36 | R 15105 | NUT - armature shaft, drive end | 1 |
| 37 | NSS | RETAINER - grease (Order A72050) | 1 |
| 38 | NSS | SEAL - felt (Order A72050) | 1 |
| 39 | NSS | SPACER - armature shaft, inner | 1 |

STEERING GEAR



| REF. | PART NO. | DESCRIPTION | REQ'D |
|------|----------|--------------------------------------|-------|
| 1 | A 70391 | MEDALLION - steering wheel | 1 |
| 2 | A 70393 | DECAL - medallion | 1 |
| 3 | A 70392 | RING - medallion retaining | 1 |
| 4 | 25- 1510 | NUT - 5/8" N.F. hex. | 1 |
| 5 | A 70058 | WHEEL - steering | 1 |
| 6 | A 70057 | U-bolt - strg. gear mtg. | 1 |
| 7 | 192- 19 | LOCKWASHER - 1/4" plated | 2 |
| 8 | 129- 121 | NUT - 1/4" N.C. hex. plated | 2 |
| 9 | 113- 207 | BOLT - 3/8" x 1" N.C. hex.hd.plated. | 2 |
| 10 | 192- 21 | LOCKWASHER - 3/8" plated | 2 |
| | A 70056 | STEERING GEAR ASSY | 1 |
| 12 | F 19645 | SEAL - felt | 2 |
| 13 | A 72011 | BEARING - spacer (Nylon) | 1 |
| 14 | A 72012 | RETAINER - bearing | 1 |
| 15 | NSS | HOUSING AND TUBE ASSY (Order A70056) | 1 |
| 16 | 25- 1510 | NUT - jam 5/8" N.F.hex. | 2 |
| 17 | A 72014 | WASHER - bronze | 1 |
| 18 | 219- 14 | FITTING - lube | 1 |
| 19 | A 72015 | SEAL | 1 |
| 20 | A 72013 | RETAINER - seal | 1 |
| 21 | A 72022 | LEVER & BOLT ASSY | 1 |
| 22 | A 72017 | STUD - adjusting | 1 |
| 23 | A 72010 | NUT - adjusting | 1 |
| 24 | A 72021 | PLUG - adjusting | 1 |
| 25 | A 72018 | CUP - bearing | 2 |
| 26 | A 72020 | BALL - retainer assembly | 2 |
| 27 | NSS | RETAINER - ball | 1 |
| 28 | 211- 9 | BALL - 5/16" dia. | 8 |
| 29 | NSS | CAM AND TUBE ASSY - (Order A70056) | 1 |

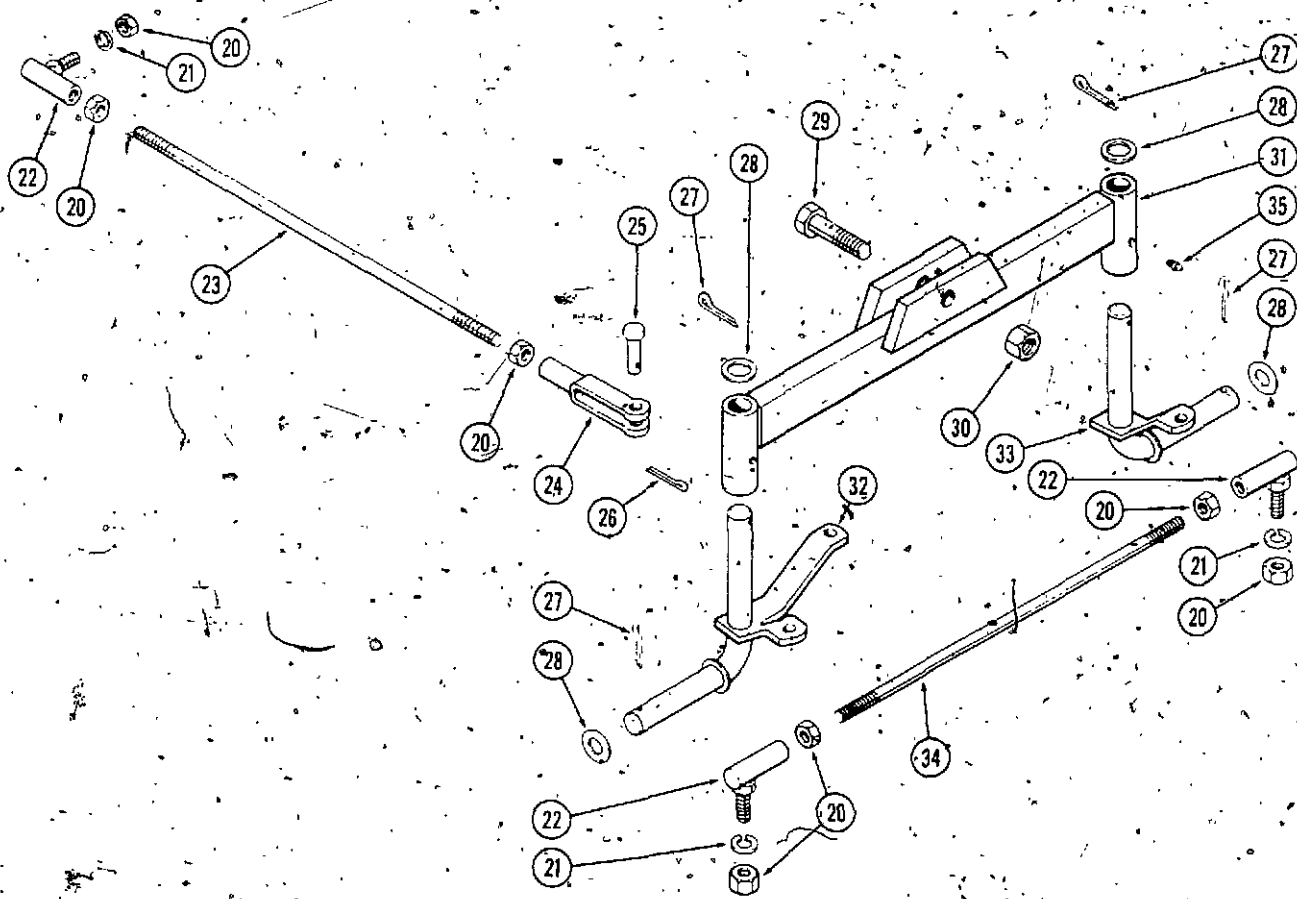


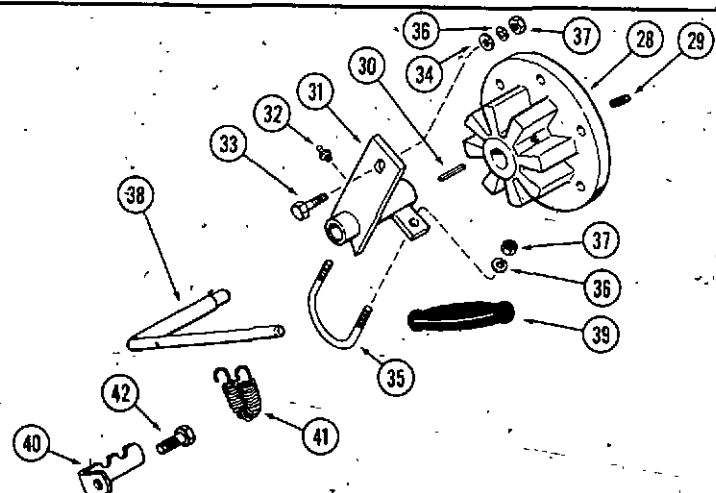
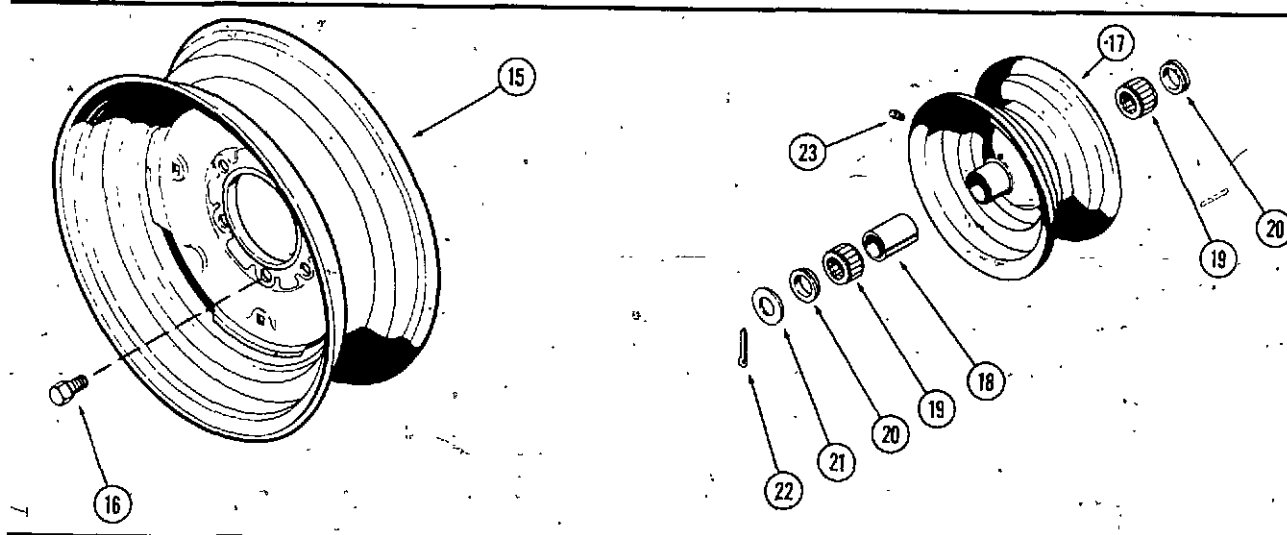
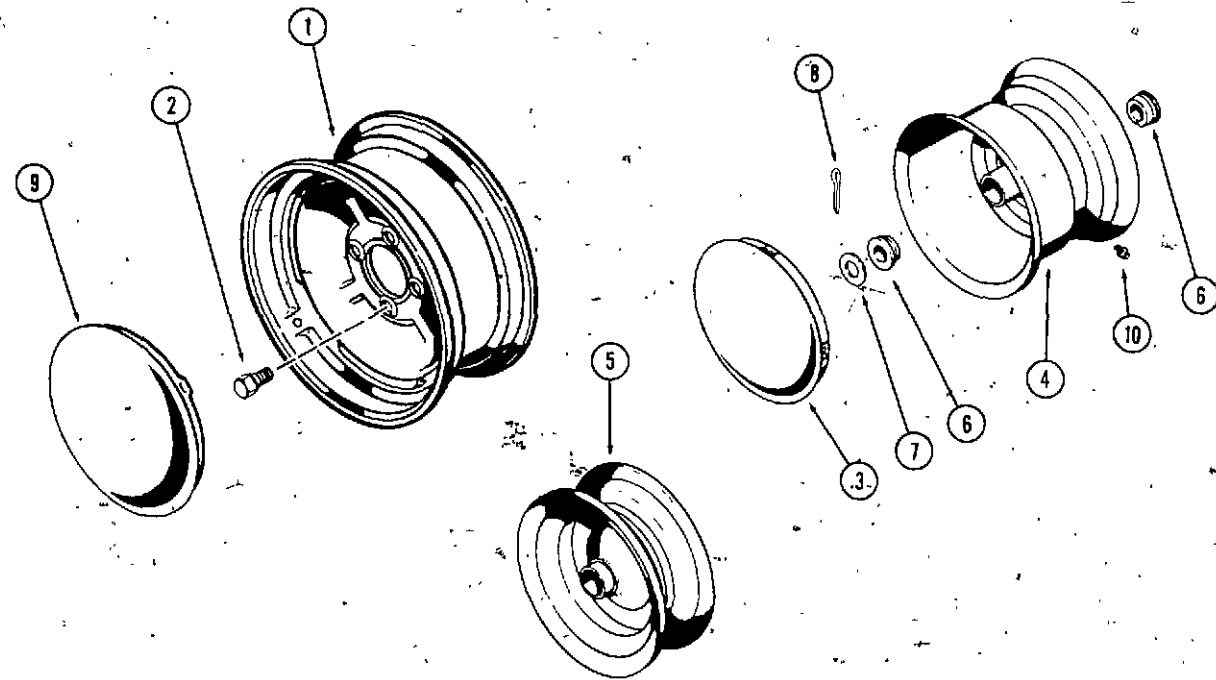
130 FRONT AXLE

| REF. | PART NO. | DESCRIPTION | REQ'D |
|------|----------|--------------------------------|-------|
| 1 | 129- 105 | NUT - 1/2" N.C. hex., plated | 3 |
| 2 | 192- 23 | LOCKWASHER - 1/2" SAE, plated | 1 |
| 3 | A 70055 | JOINT - ball, 1/2" | 1 |
| 4 | A 70054 | ROD - drag link (length 21") | 1 |
| 5 | 213- 6 | CLEVIS - drag link rod. | 1 |
| 6 | 141- 6 | PIN - clevis | 3 |
| 7 | 132- 50 | PIN - cotter (1/8" x 1-1/4") | 3 |
| 8 | 132- 77 | PIN - cotter (5/32" x 2") | 4 |
| 9 | 195- 545 | WASHER - 13/16" plated | 4 |
| 10 | 15- 1260 | BOLT - 3/4" x 3-3/4" N.C. hex. | 1 |
| 11 | 131- 357 | NUT - Gripco 3/4" N.C. hex. | 1 |
| 12 | A 70040 | AXLE - front. | 1 |
| 13 | A 70041 | SPINDLE KING PIN ASSY - R.H. | 1 |
| 14 | A 70047 | SPINDLE KING PIN ASSY - L.H. | 1 |
| 15 | A 70048 | TIE BAR - spindle | 1 |
| 16 | 219- 1 | FITTING - lube | 2 |

180 FRONT AXLE

| | | | |
|----|----------|--------------------------------|---|
| 20 | 129- 105 | NUT - 1/2" N.C. hex. plated | 7 |
| 21 | 192- 23 | LOCKWASHER - 1/2" SAE, plated | 3 |
| 22 | A 70055 | JOINT - ball, 1/2" | 3 |
| 23 | A 70054 | RQD - drag link (length 21") | 1 |
| 24 | 213- 6 | CLEVIS - drag link rod. | 1 |
| 25 | 141- 6 | PIN - clevis | 1 |
| 26 | 132- 50 | PIN - cotter (1/8" x 1-1/4") | 1 |
| 27 | 132- 77 | PIN - cotter (5/32" x 2") | 4 |
| 28 | A 70463 | WASHER | 4 |
| 29 | 15- 1260 | BOLT - 3/4" x 3-3/4" N.C. hex. | 1 |
| 30 | 131- 357 | NUT - Gripco 3/4" N.C. hex. | 1 |
| 31 | A 70455 | AXLE - front | 1 |
| 32 | A 70460 | SPINDLE - KING PIN ASSY - R.H. | 1 |
| 33 | A 70461 | SPINDLE - KING PIN ASSY - L.H. | 1 |
| 34 | A 70054 | TIE ROD | 1 |
| 35 | 219- 1 | FITTING - lube | 2 |





130 FRONT AND REAR WHEELS

| REF. | PART NO. | DESCRIPTION | REQ'D |
|------|----------|--|-------|
| 1 | A 70183 | WHEEL - rear (8.50 x 12 Xtra-Traction, G1 lug cleat, and 6.00 x 12 G2 Lawn and Garden tires) | 2 |
| 2 | A 70184 | BOLT - rear wheel lug | 8 |
| 3 | A 70062 | COVER - frt. wheel disc (for A70061 wheel) | 2 |
| 4 | A 70061 | WHEEL - frt. (16/6.50 x 8 Terra or Rib tread tire) | 2 |
| 5 | A 70066 | WHEEL - frt. (16.5/4.80 x 8 Rib tread tire) | 2 |
| 6 | A 70398 | BUSHING - frt. wheel | 4 |
| 7 | 195- 545 | WASHER - front wheel retaining | 2 |
| 8 | 132- 77 | PIN - cotter (5/32" x 2") | 2 |
| 9 | A 70185 | CAP - rear wheel hub | 2 |
| 10 | 219- 1 | FITTING - lub. | 2 |

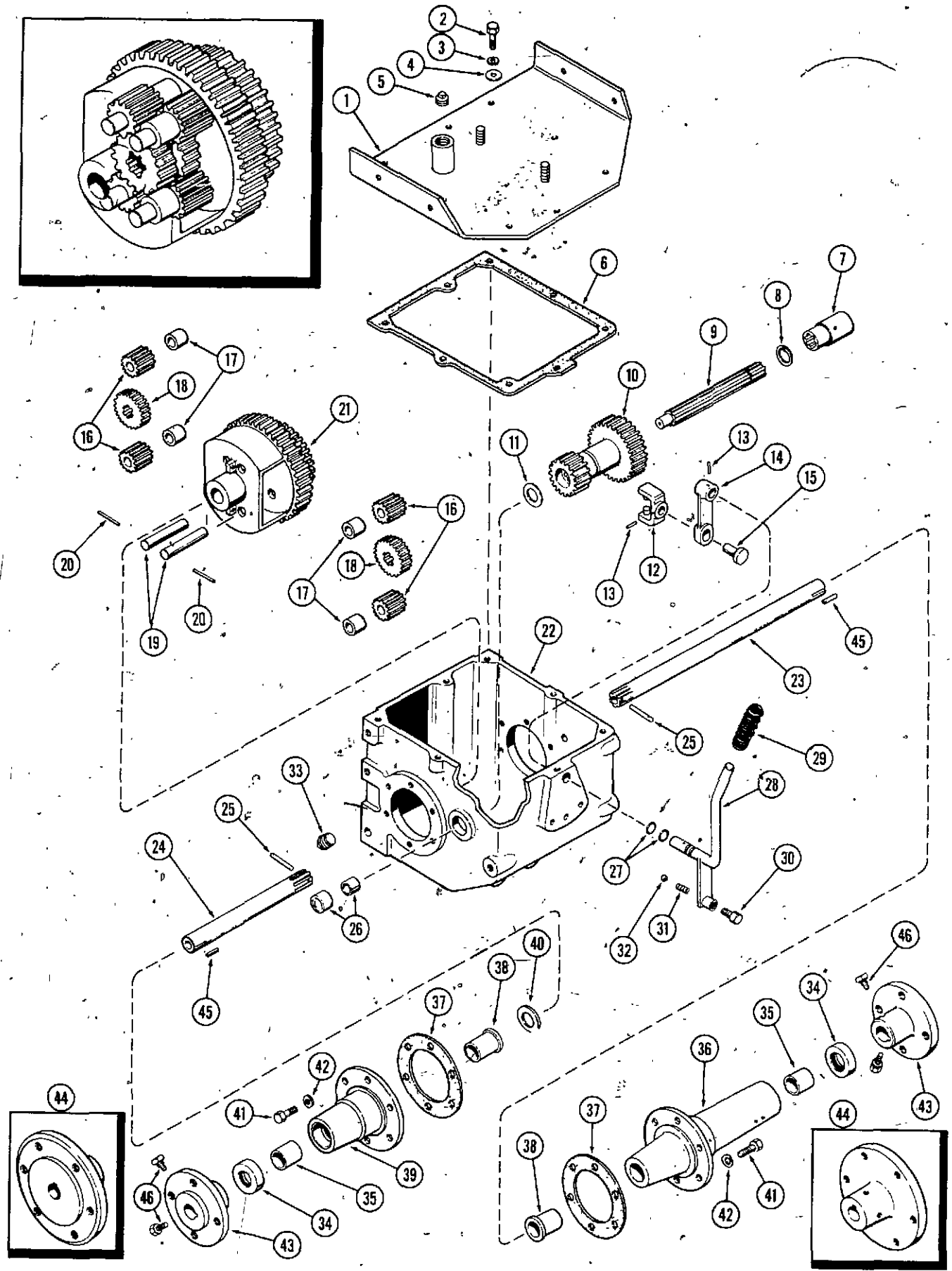
180 FRONT AND REAR WHEELS

| | | | |
|----|---------|--|----|
| 15 | A 70467 | WHEEL - rear (8.00 x 16 G1 Lug Cleat tire) | 2 |
| 16 | O 4557 | AB BOLT - rear wheel lug | 12 |
| 17 | A 70479 | WHEEL - frt. (16.5/4.8 x 8 Rib tread tire) | 2 |
| 18 | A 70482 | SPACER - front wheel bearing | 2 |
| 19 | A 70480 | BEARING - front wheel roller | 4 |
| 20 | A 70481 | RETAINER - front wheel bearing | 4 |
| 21 | A 70463 | WASHER - front wheel retaining | 2 |
| 22 | 132- 77 | PIN - cotter (5/32" x 2") | 2 |
| 23 | 219- 1 | FITTING - lube | 2 |

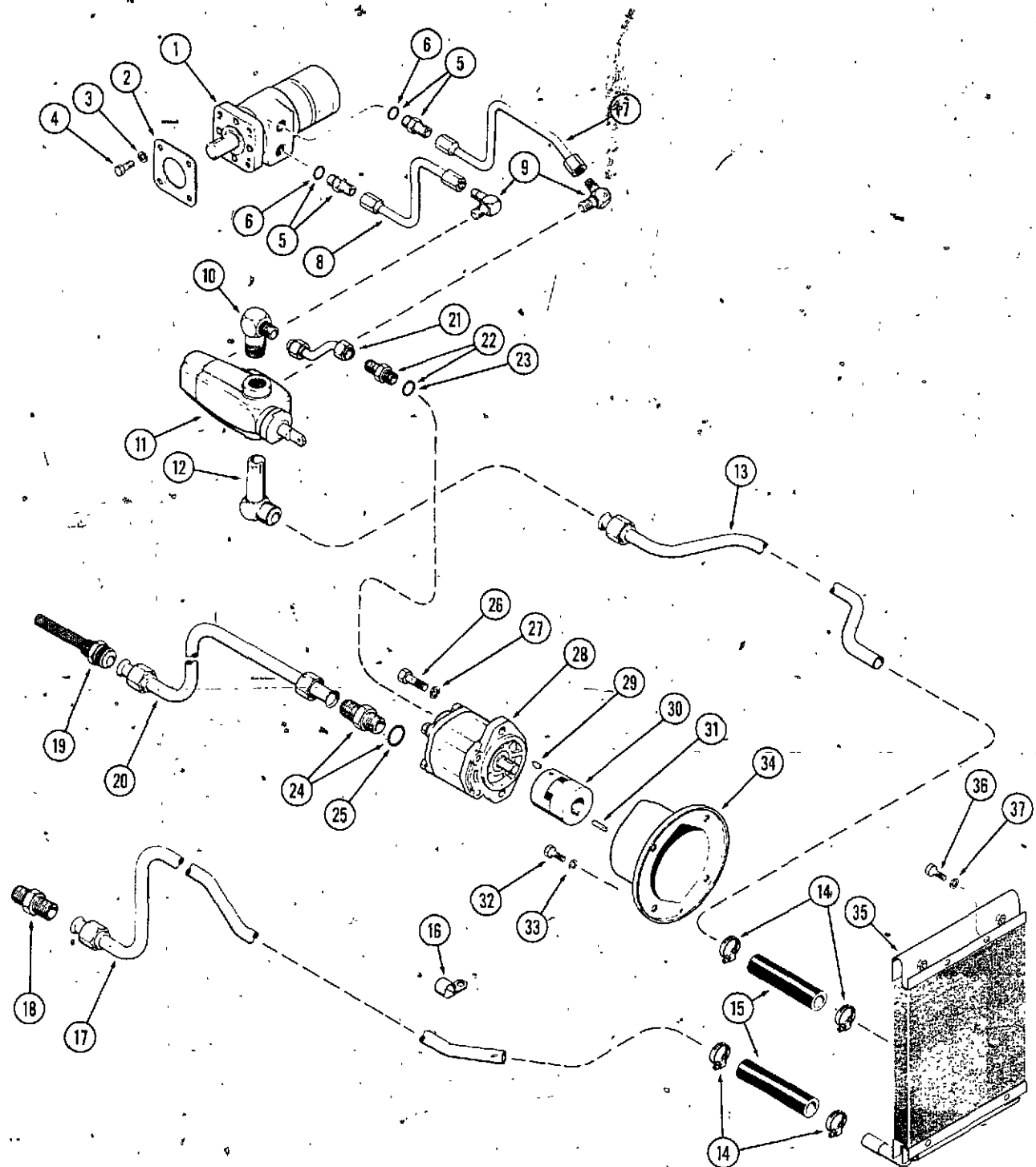
PARKING BRAKE

| | | | |
|----|---------|--|---|
| 28 | C 10681 | HUB - wheel (130)(4 hole) | 1 |
| 28 | C 10682 | HUB - wheel (180)(6 hole) | 1 |
| 29 | 83- 512 | SCREW - set, wheel hub (130) (5/16 x 3/4" N. C., sckt. hd., cup pt.) | 2 |
| 29 | 83- 614 | SCREW - set, wheel hub (180) (3/8 x 7/8" N. C., sckt. hd., cup pt.) | 2 |
| 30 | O 3312 | AB KEY - hub (1/4" sq. x 1-1/2") | 1 |
| 31 | C 10683 | BRACKET - anchor | 1 |
| 32 | 219- 8 | FITTING - grease (1/4-28 str.) | 1 |
| 33 | 13- 620 | BOLT - bracket (3/8 x 1-1/4" N. C. hex.) | 1 |
| 34 | 95- 6 | WASHER - (5/32 x 5/16 x 1/32") | 1 |
| 35 | C 10691 | "U" BOLT - bracket | 1 |
| 36 | 92- 6 | WASHER - (3/8" lock) | 3 |
| 37 | 25- 106 | NUT - (3/8" N. C. hex.) | 3 |
| 38 | C 10687 | LEVER - lock | 1 |
| 39 | C 10692 | GRIP - lever handle | 1 |
| 40 | C 10688 | PLATE - lever latch | 1 |
| 41 | VT 2888 | SPRING - lever latch | 1 |
| 42 | 13- 820 | BOLT - latch plate (1/2 x 1-1/4" N. C. hex.) | 1 |

TRANSMISSION AND FINAL DRIVE



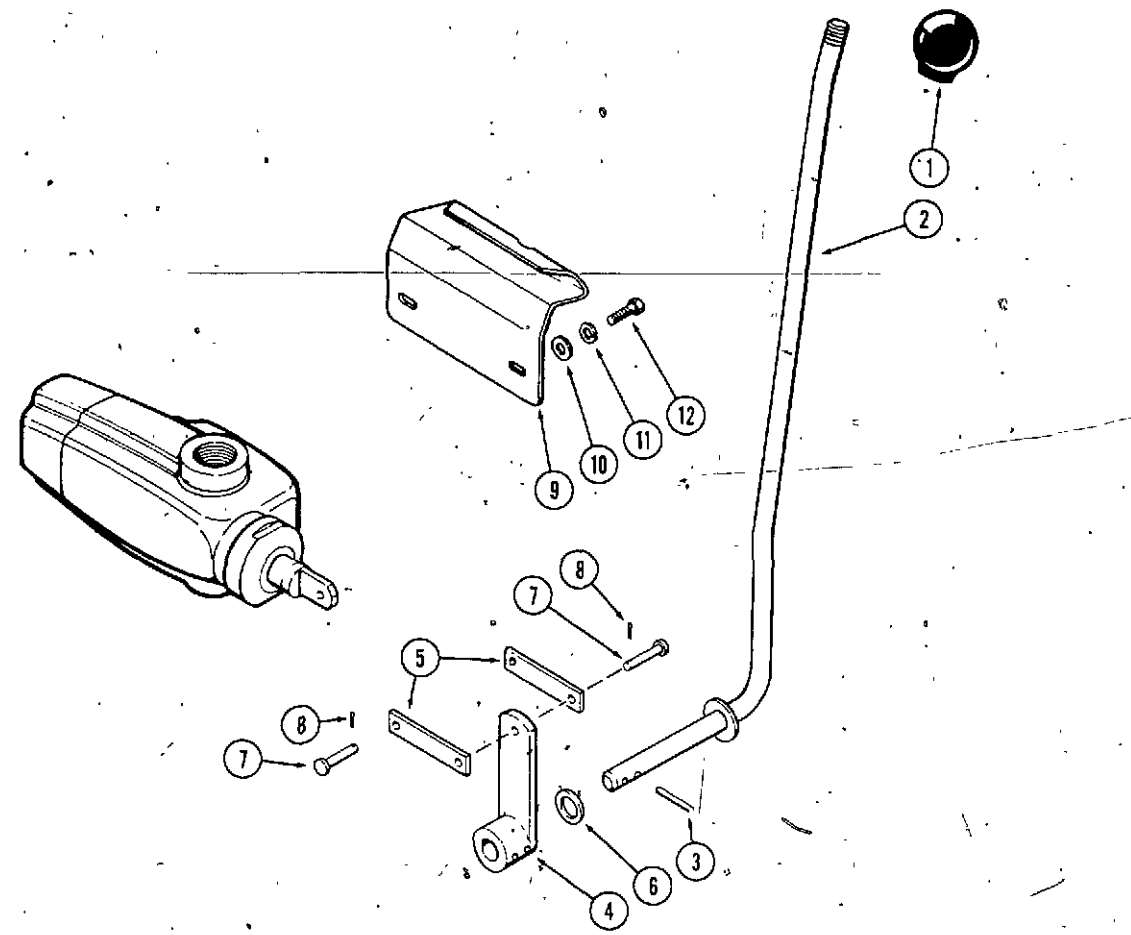
| REF. | PART NO. | DESCRIPTION | REQ'D |
|------|-----------|---|-------|
| 1 | A 70178 | COVER ASSY - transmission case | 1 |
| 2 | 113- 102 | BOLT - 5/16" x 3/4" N.C. hex. plated | 8 |
| 3 | 192- 20 | LOCKWASHER - 5/16" plated | 8 |
| 4 | 195- 103 | WASHER - 5/16" plated | 8 |
| 5 | 221- 5 | PLUG - 3/4" sq. hd. pipe | 1 |
| 6 | A 70177 | GASKET - transmission case | 1 |
| 7 | A 70158 | COUPLING - input shaft to hyd. mtr. (130) | 1 |
| 7 | C 10835 | COUPLING - input shaft to hyd. mtr. (180) | 1 |
| 8 | B 18208 | RING - coupling retaining | 1 |
| 9 | A 70154 | SHAFT - transmission input | 1 |
| 10 | A 70156 | CLUSTER - input gear | 1 |
| 11 | 195- 2080 | WASHER - 3/4" plain | 1 |
| 12 | A 70152 | YOKE - shifter (also order Ref. Nos. 13 and 15) | 1 |
| 13 | 138- 98 | PIN - roll (3/16" x 1-1/4") | 2 |
| 14 | A 70163 | LEVER - yoke (also order Ref. Nos. 13 and 28) | 1 |
| 15 | A 70161 | PIN - yoke to pivot lever | 1 |
| 16 | A 70149 | PINION - differential | 4 |
| 17 | A 70131 | SPACER - differential pinion | 4 |
| 18 | A 70150 | GEAR - differential | 2 |
| 19 | A 70151 | PIN - differential pinion | 4 |
| 20 | 138- 102 | PIN - roll (3/16" x 1-3/4") | 2 |
| 21 | A 70148 | HOUSING - differential gear | 1 |
| 22 | A 70136 | CASE - transmission | 1 |
| 23 | A 70146 | AXLE - rear, L. H. | 1 |
| 24 | A 70145 | AXLE - rear, R.H. | 1 |
| 25 | 138- 102 | PIN - roll 3/16" x 1-3/4" | 2 |
| 26 | A 70153 | BEARING - needle, input shaft | 1 |
| 27 | VT 2983 | "O" RING - shift lever | 2 |
| 28 | A 70164 | LEVER - shift(also order Ref.No. 13 and 14) | 1 |
| 29 | A 70170 | GRIP - shift lever hand | 1 |
| 30 | 178- 453 | SCREW - detent, 3/8" x 3/8" sckt. hd. | 1 |
| 31 | A 70169 | SPRING - lever detent | 1 |
| 32 | 211- 11 | BALL - steel, 3/8" dia. | 1 |
| 33 | 221- 674 | PLUG - drain, magnetic 1/2" NPT, sq. hd. | 1 |
| 34 | A 70143 | OIL SEAL - rear axle hsg. | 2 |
| 35 | A 70141 | BUSHING - rear axle hsg. | 2 |
| 36 | A 70139 | HOUSING - rear axle, L.H. | 1 |
| 37 | A 70137 | GASKET - rear axle hsg. | 2 |
| 38 | A 70142 | BUSHING - rear axle hsg., flanged | 2 |
| 39 | A 70138 | HOUSING - rear axle, R.H. | 1 |
| 40 | C 10292 | SHIM - axle hsg. & diff. hsg. | 3 |
| 41 | A 70127 | BOLT - Jay-Lok" spec. sealing (3/8" x 1-1/4" N. C.) | 12 |
| 42 | 92- 6 | LOCKWASHER - 3/8" SAE. | 12 |
| 43 | A 70144 | HUB - rear wheel (130) | 2 |
| 44 | A 70485 | HUB - rear wheel(180) | 2 |
| 45 | O 3312 | AB KEY - 1/4" sq. x 1-1/2" | 2 |
| 46 | A 70223 | BOLT - 3/8" x 3/4" N. C. Jay-lock | 4 |



HYDRAULIC SYSTEM

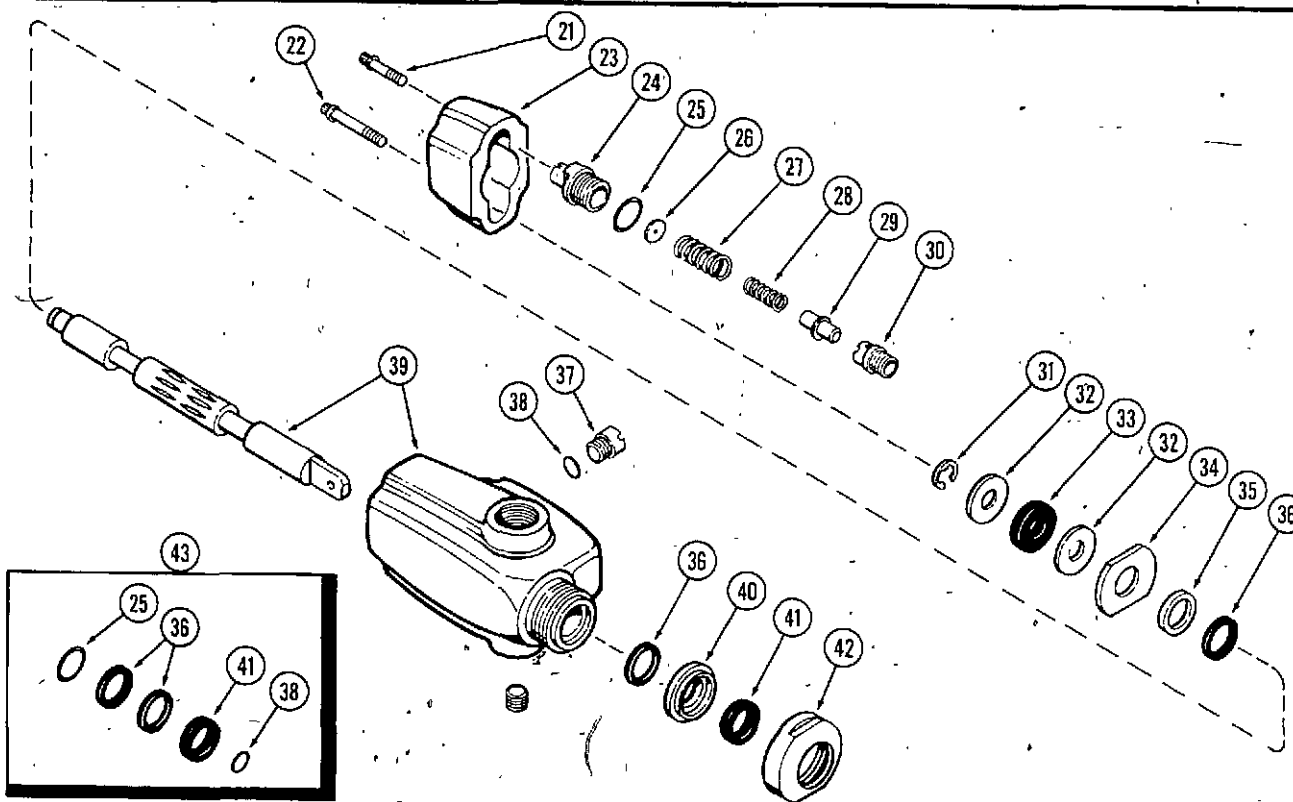
| REF. | PART NO. | DESCRIPTION | REQ'D |
|------|-----------|---|-------|
| 1 | A 70123 | MOTOR - hyd. (130) Repairs Page 41) | 1 |
| 1 | A 70483 | MOTOR - hydraulic (180) Repair Page 41 | 1 |
| 2 | A 70128 | GASKET - motor to trans. case | 1 |
| 3 | 92- 6 | LOCKWASHER - 3/8" SAE | 4 |
| 4 | A 70127 | BOLT - special, Jay-Lock | 4 |
| 5 | 218- 5060 | FITTING - "O" ring 1/2"x 7/8" thd. | 2 |
| 6 | 218- 5006 | "O" RING - 1/2" | 2 |
| 7 | A 70124 | TUBE - frt. valve port to motor | 1 |
| 8 | A 70125 | TUBE - rear valve port to motor | 1 |
| 9 | A 70126 | FITTING - hyd.valve pressure | 2 |
| 10 | A 70390 | FITTING - 90°, 1/2" Tube x 3/4" NPT | 1 |
| 11 | A 70140 | VALVE - control (Repairs Page 37) | 1 |
| 12 | A 70122 | FITTING - 90°, 3/4" Tube x 3/4" NPT | 1 |
| 13 | A 70121 | TUBE - heat exchanger to valve | 1 |
| 14 | 214- 253 | CLAMP - hose | 4 |
| 15 | A 70119 | HOSE | 2 |
| 16 | A 70389 | CLIP - tube | 2 |
| 17 | A 70118 | TUBE - trans. to heat exchanger | 1 |
| 18 | 218- 446 | FITTING - 3/4" Tube x 3/4" N.P.T. | 1 |
| 19 | A 70117 | FITTING - w/filter | 1 |
| 20 | A 70116 | TUBE - pump to transmission | 1 |
| 21 | A 70115 | TUBE - pump to valve | 1 |
| 22 | 218- 5059 | FITTING - "O" ring - 1/2" tube x 3/4" thd. | 1 |
| 23 | 218- 5005 | "O" RING - 1/2" | 1 |
| 24 | 218- 5064 | FITTING - "O" ring 3/4" Tube x 1-1/16" thd. | 1 |
| 25 | 218- 5008 | "O" RING - 3/4" | 1 |
| 26 | 113- 312 | BOLT - 7/16" x 1-1/4" N. C. hex. plated. | 2 |
| 27 | 192- 22 | WASHER - 7/16" plated | 2 |
| 28 | A 70110 | PUMP - hydraulic - (Repairs Page 39) | 1 |
| 29 | 126- 12 | KEY - Woodruff | 1 |
| 30 | A 70111 | COUPLING - (Repairs Page 39) | 1 |
| 31 | W 5063-S | KEY - 1/4" square x 3/4" | 1 |
| 32 | 113- 207 | BOLT - 3/8" x 1" N.C. hex. plated | 4 |
| 33 | 192- 21 | WASHER - 3/8" plated | 4 |
| 34 | A 70109 | SUPPORT - hydraulic pump mtg. | 1 |
| 35 | A 70120 | EXCHANGER - heat | 1 |
| 36 | 113- 3 | BOLT - 1/4" x 3/4" N.C. hex., plated | 4 |
| 37 | 192- 19 | LOCKWASHER - 1/4" plated | 4 |

HYDRAULIC CONTROL VALVE LINKAGE

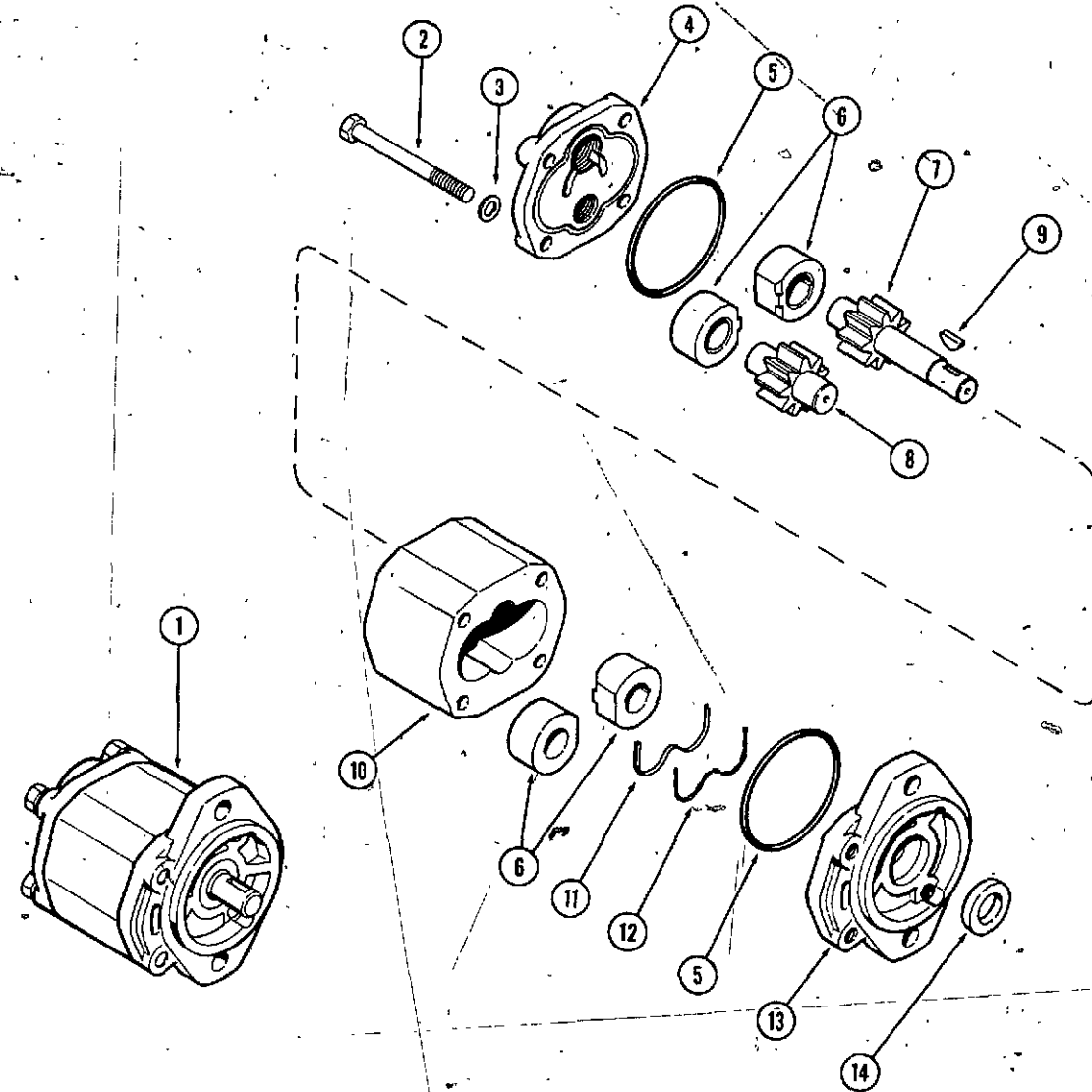


| REF. | PART NO. | DESCRIPTION | REQ'D |
|------|----------|--|-------|
| 1 | A 23885 | KNOB - hand lever | 1 |
| 2 | A 70008 | LEVER ASSY. - hand control (incl. Ref. Nos. 3 & 4) | 1 |
| 3 | 138- 98 | PIN - roll (3/16" x 1-1/4") | 2 |
| 4 | NSS | LEVER - control valve lever | 1 |
| 5 | A 70129 | LINK - valve spool | 2 |
| 6 | 195- 534 | WASHER - spacer, 9/16" plated | 2 |
| 7 | A 70130 | PIN - valve spool link | 2 |
| 8 | 132- 7 | PIN - cotter 1/16 x 3/4" | 2 |
| 9 | A 70135 | PLATE - hand lever pressure | 2 |
| 10 | 195- 515 | WASHER - 1/4" plated | 2 |
| 11 | 192- 19 | LOCKWASHER - 1/4" plated | 2 |
| 12 | 113- 1 | BOLT - 1/4" x 1/2" N.C. hex.hd.plated | 2 |

A70140 HYDRAULIC CONTROL VALVE



| | | | |
|----|---------|--|---|
| 21 | 166- 6 | CAPSCREW - 1/4" x 1" N.C.ferry hd. | 1 |
| 22 | 166- 8 | CAPSCREW - 1/4" x 1-1/2" N.C.ferry hd. | 1 |
| 23 | A 72065 | CAP - valve end | 1 |
| 24 | A 72059 | PLUG - relief valve | 1 |
| 25 | A 7982 | "O" RING - relief valve plug | 1 |
| 26 | A 72069 | SHIM - relief valve | 2 |
| 27 | A 72058 | SPRING - relief valve (outer) | 1 |
| 28 | A 72071 | SPRING - valve relief (inner) | 1 |
| 29 | A 72057 | SPOOL - relief valve poppet | 1 |
| 30 | A 72055 | SEAT - relief valve | 1 |
| 31 | 0 9638 | AB SNAP RING - valve | 1 |
| 32 | A 72060 | WASHER - valve spool end spacer | 2 |
| 33 | A 72063 | SPACER - valve spool end | 1 |
| 34 | A 72066 | WASHER - retainer relief valve plug | 1 |
| 35 | A 72067 | RING - back up | 1 |
| 36 | A 72062 | SEAL - quad ring | 2 |
| 37 | A 72056 | PLUG | 1 |
| 38 | A 72061 | "O" RING - plug | 1 |
| 39 | A 72052 | BODY AND SPOOL ASSY | 1 |
| 40 | A 72068 | RETAINER - seal | 1 |
| 41 | A 72070 | SEAL - vee | 1 |
| 42 | A 72064 | CAP - valve end | 1 |
| 43 | A 72072 | KIT - valve seal repair | 1 |
| 41 | A 72070 | SEAL - vee | 1 |
| 38 | A 72061 | "O" RING - 5/8" | 1 |
| 25 | A 7982 | "O" RING - 13/16" | 1 |
| 36 | A 72062 | QUAD RING | 2 |

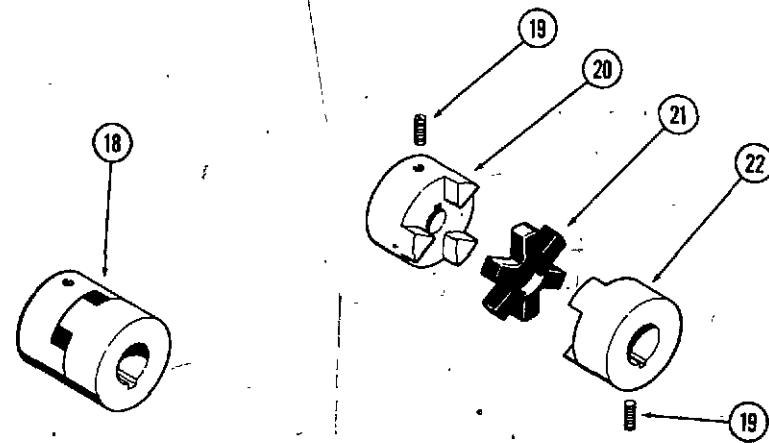


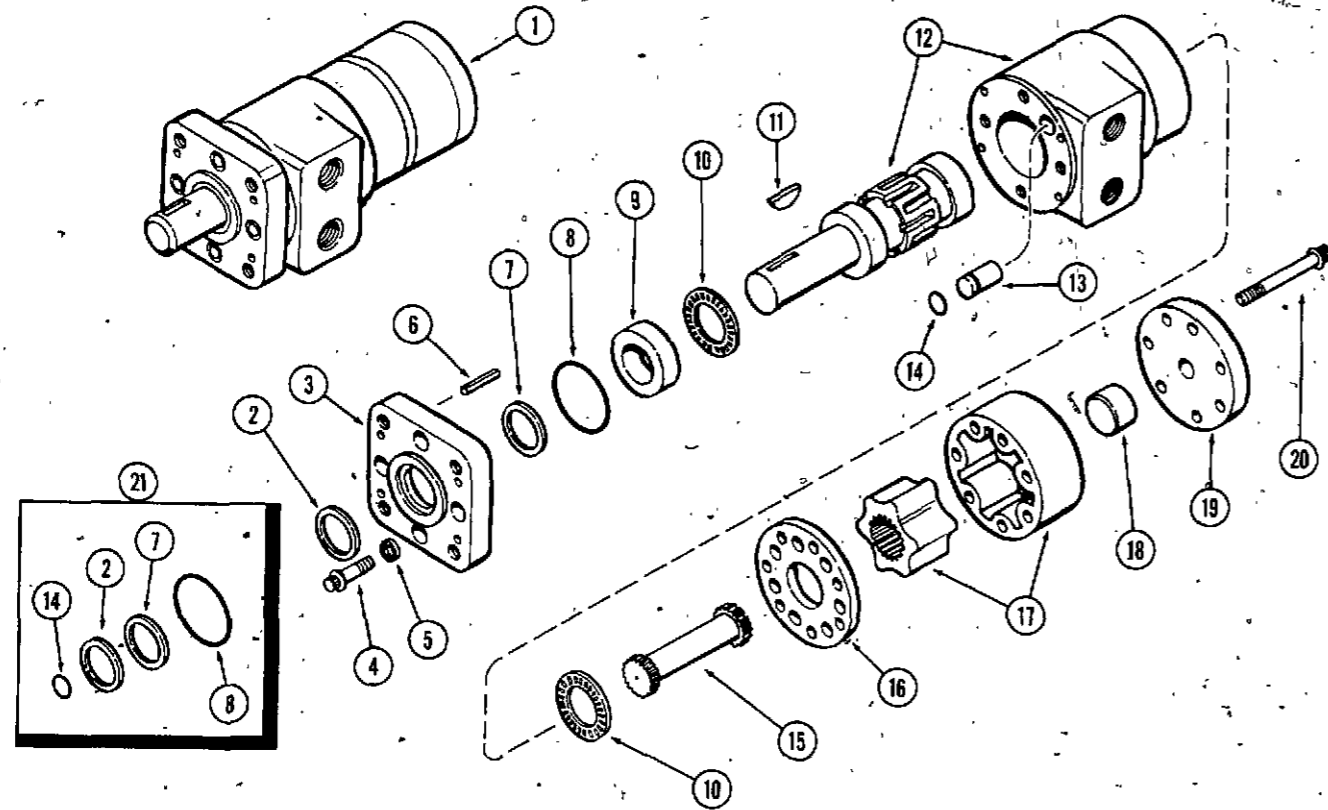
A70110 HYDRAULIC PUMP

| REF. | PART NO. | DESCRIPTION | REQ'D |
|------|----------|-------------------------------------|-------|
| 1 | A 70110 | PUMP - hydraulic | 1 |
| 2 | 13- 652 | BOLT - 3/8" x 3-1/4" N. C. hex. hd. | 4 |
| 3 | A 72000 | WASHER - special | 4 |
| 4 | A 72006 | COVER - rear, pump body | 1 |
| 5 | A 72003 | SEAL - pump cover | 2 |
| 6 | A 35956 | BEARING - pump gear | 4 |
| 7 | A 72005 | GEAR - pump, drive | 1 |
| 8 | A 72004 | GEAR - pump, driven | 1 |
| 9 | 126- 12 | KEY - Woodruff #6 | 1 |
| 10 | NSS | BODY - pump (Order A70110 pump) | 1 |
| 11 | A 72001 | GASKET - brass, front cover | 1 |
| 12 | A 72002 | SPACER - gasket, front cover | 1 |
| 13 | A 72007 | COVER - front pump body | 1 |
| 14 | A 35960 | SEAL - pump shaft | 1 |

A70111 PUMP DRIVE COUPLING

| | | | |
|----|---------|--|---|
| 18 | A 70111 | COUPLING - pump drive | 1 |
| 19 | 83- 55 | SCREW - 5/16" x 5/16" N. C. sokt. hd. set. | 2 |
| 20 | NSS | HUB - half, 5/8" dia. bore (Order A70111) | 1 |
| 21 | A 70112 | SPIDER - coupling | 1 |
| 22 | NSS | HUB - half, 1" dia. bore (Order A70111) | 1 |

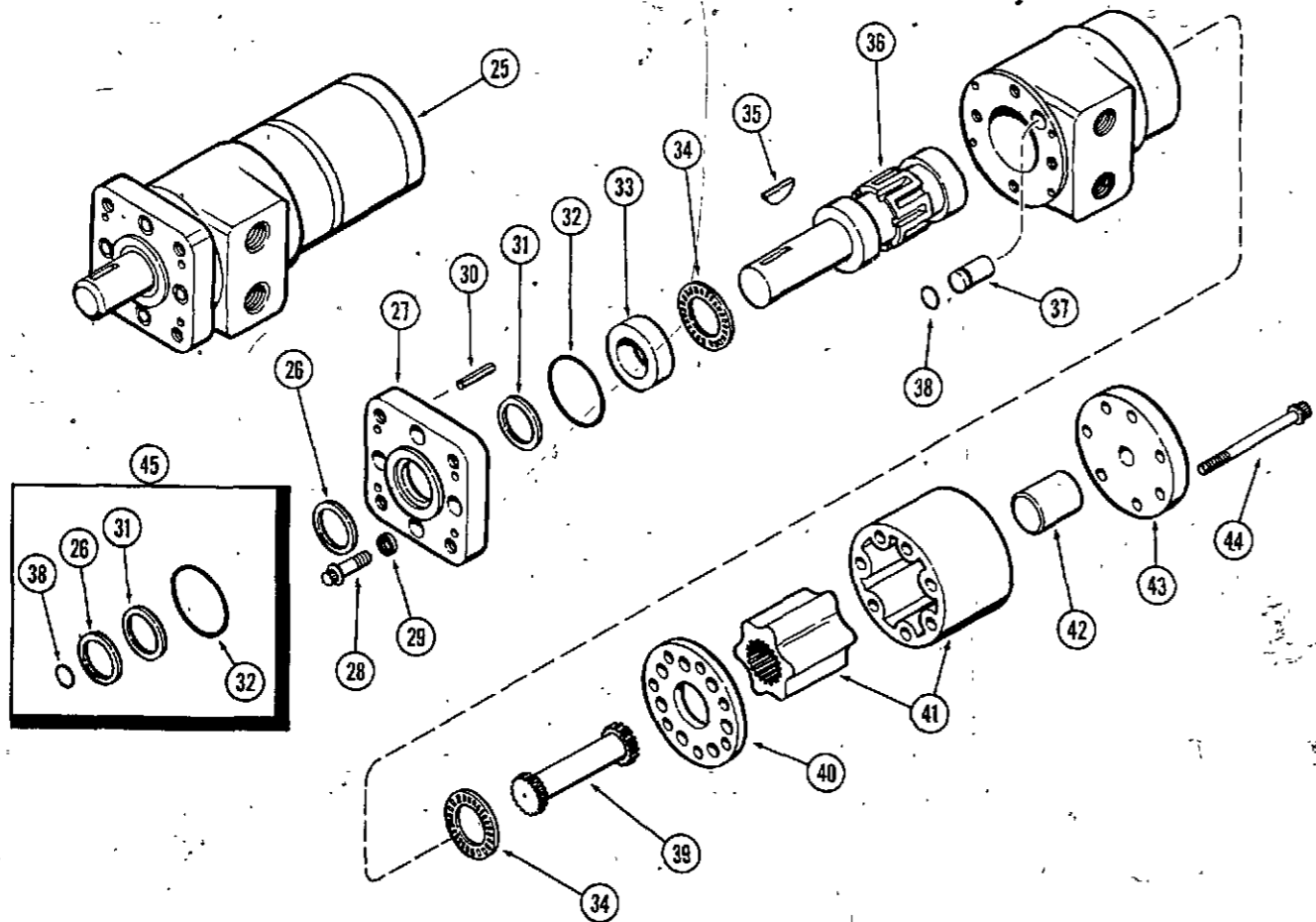




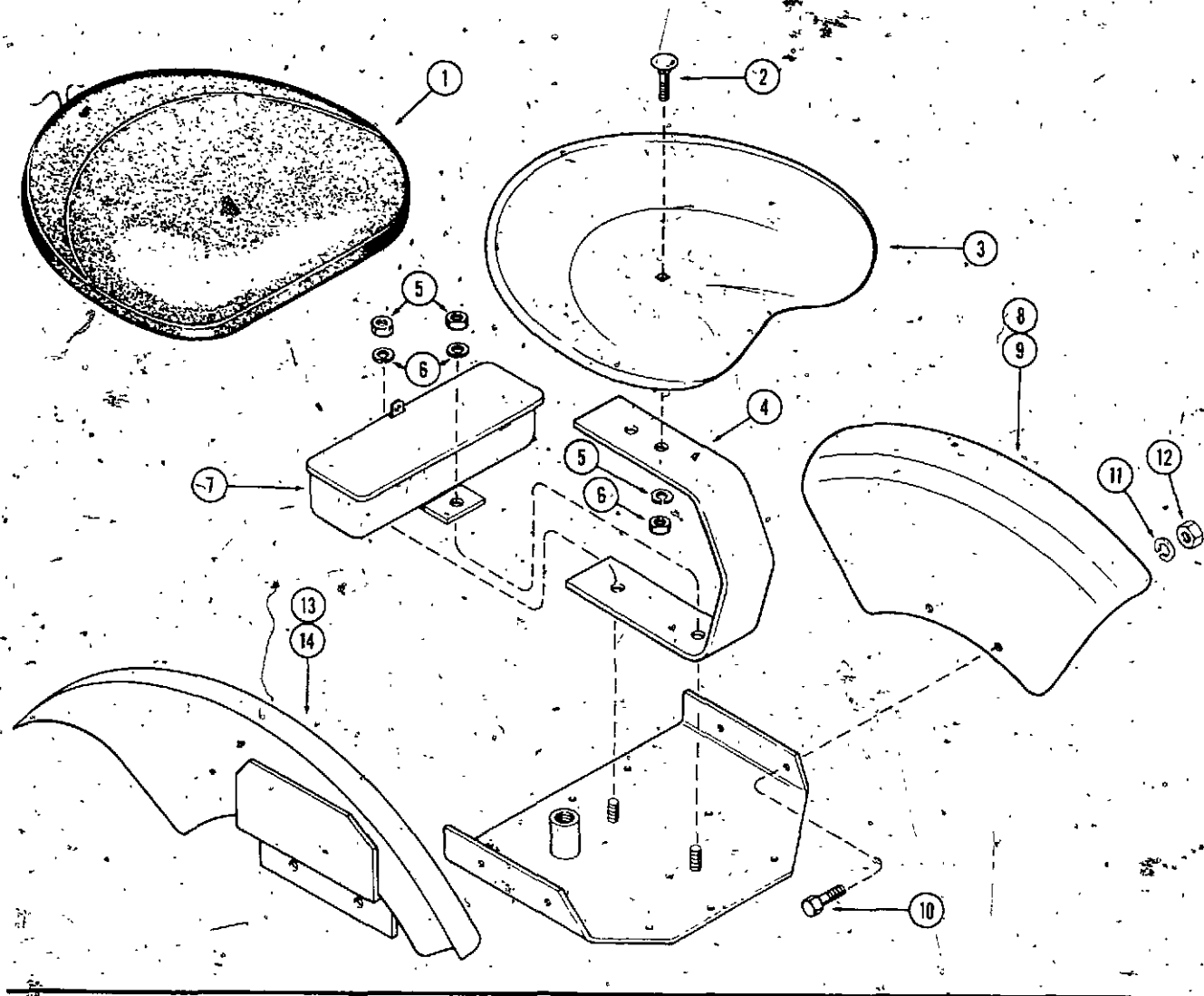
A70123 HYDRAULIC DRIVE MOTOR (130)

| REF. | PART NO. | DESCRIPTION | REQ'D |
|------|----------|---|-------|
| 1 | A 70123 | MOTOR - hydraulic drive (130) | 1 |
| 2* | NSS | OIL SEAL - mtg. plate (See ref. 21) | 1 |
| 3 | A 72028 | PLATE - mounting | 1 |
| 4 | 166- 23 | CAPSCREW - ferry 5/16" x 5/8" N.C. | 4 |
| 5 | 193- 29 | LOCKWASHER - int. shakeproof 5/16" | 4 |
| 6 | 138- 134 | PIN - roll 1/4" x 1" | 4 |
| 7* | NSS | QUAD RING - mtg. plate (See ref. 21) | 1 |
| 8* | NSS | "O" RING - mtg. plate to hsg. (See ref. 21) Case A17528 | 1 |
| 9 | A 72030 | RACE - output shaft bearing | 1 |
| 10 | A 72031 | BEARING - thrust, output shaft thrust | 2 |
| 11 | 126- 24 | KEY - Woodruff | 1 |
| 12 | A 72035 | SHAFT AND HOUSING | 1 |
| 13 | A 72034 | PLUG - housing | 1 |
| 14* | NSS | "O" RING - hsg. plug (See ref. 21) | 1 |
| 15 | A 72027 | COUPLING - drive | 1 |
| 16 | A 72026 | PLATE - spacer | 1 |
| 17 | A 72025 | GEROTOR SET (1-1/4" thick) | 1 |
| 18 | A 72051 | SPACER - cplg. drive (3/4" thick) | 1 |
| 19 | A 72024 | CAP - end | 1 |
| 20 | 166- 531 | CAPSCREW - ferry 5/16" x 2-1/2" N.F. | 7 |
| 21 | A 72036 | KIT - "O" ring and seal (Incl. items marked w/*) | 1 |

A70483 HYDRAULIC DRIVE MOTOR (180)



| | | | |
|-----|----------|---|---|
| 25 | A 70483 | MOTOR - hydraulic drive (180) | 1 |
| 26* | NSS | OIL SEAL - mtg. plate (See ref. 45) | 1 |
| 27 | A 72028 | PLATE - mounting | 1 |
| 28 | 166- 23 | CAPSCREW - ferry 5/16" x 5/8" N.C. | 4 |
| 29 | 193- 29 | LOCKWASHER - int. Shakeproof 5/16" | 4 |
| 30 | 138- 134 | PIN - roll, 1/4" x 1" | 4 |
| 31* | NSS | QUAD RING - mtg. plate (See ref. 45) | 1 |
| 32 | NSS | "O" RING - (See ref. 45) | 1 |
| 33 | A 72030 | RACE - output shaft bearing | 1 |
| 34 | A 72031 | BEARING - thrust, output shaft | 2 |
| 35 | 126- 24 | KEY - Woodruff | 1 |
| 36 | A 72035 | SHAFT AND HOUSING | 1 |
| 37 | A 72034 | PLUG - housing | 1 |
| 38* | NSS | "O" RING - housing plug (See ref. 45) | 1 |
| 39 | A 72027 | COUPLING - drive | 1 |
| 40 | A 72026 | PLATE - spacer | 1 |
| 41 | A 72112 | GEROTOR SET (2" thick) | 1 |
| 42 | A 72113 | SPACER - cplg. drv. (1-1/2" thick) | 1 |
| 43 | A 72024 | CAP - end | 1 |
| 44 | 166- 532 | CAPSCREW - ferry, 5/16" x 3-1/4" N.F. | 7 |
| 45 | A 72036 | KIT - "O" ring and seal (incl. item marked w/*) | 1 |



SEAT, FENDERS AND TOOL BOX

| REF. | PART NO. | DESCRIPTION | REQ'D |
|------|----------|---------------------------------------|-------|
| 1 | A 70192 | CUSHION - seat | 1 |
| 2 | 111- 517 | BOLT - 1/2" x 1" rd.hd.sq.neck,plated | 1 |
| 3 | A 70191 | SEAT | 1 |
| 4 | A 70190 | SPRING - seat support | 1 |
| 5 | 192- 23 | LOCKWASHER - 1/2" plated | 3 |
| 6 | 129- 105 | NUT - 1/2" N.C. hex. plated | 3 |
| 7 | A 70000 | BOX - tool | 1 |
| 8 | A 70193 | FENDER - rear R.H. (130) | 1 |
| 9 | A 70194 | FENDER - rear L.H. (130) | 1 |
| 10 | 113- 102 | BOLT - 5/16" x 3/4" N.C.hex.hd.plated | 4 |
| 11 | 192- 20 | LOCKWASHER - 5/16" plated | 4 |
| 12 | 129- 102 | NUT - 5/16" N.C. hex.,plated | 4 |
| 13 | A 70472 | FENDER - rear RH (180) | 1 |
| 14 | A 70473 | FENDER - rear L.H. (180) | 1 |

DECALS

| | | |
|--------------|---|---|
| A 72114 | DECAL KIT - includes Ref. Nos. 19 thru 29 | 1 |
| 19 A 70231 | TRANSMISSION - lubrication | 1 |
| 20 A 70234 | CAUTION - brake instruction | 1 |
| 21 A 70533 | LIGHTS | 1 |
| 22 A 70230 | IGNITION | 1 |
| 23 A 70232 | FORWARD - BRAKE - REVERSE | 1 |
| 24 A 70233 | HI-LO- shift | 1 |
| 25 321- 846 | "CASE" - hood R.H. | 1 |
| 26 321- 847 | "CASE" - hood L.H. | 1 |
| 27 KO 220720 | AIR CLEANER SERVICE INSTRUCTIONS | 1 |
| 28 KO 235472 | 10 H. P. KOHLER | 1 |
| 29 KO 235881 | 12 H. P. KOHLER | 1 |

19

TRANSMISSION OIL CAP - 10/011
MAINTAIN OIL LEVEL ONE INCH FROM TOP OF COVER USE SAE LOW SHELL ROTELLA 10W/30W SAE 30W/40 (MILL ROTELLA 10W/30W)

20

CAUTION PLACE SPEED CONTROL IN NEUTRAL WHEN STARTING AND ON STEEP INCLINES IN LOW RANGE

21

LIGHTS

23

FORWARD
↑
BRAKE
↓
REVERSE

24

HIGH RANGE NEUTRAL LOW RANGE
← | | | →

27

AIR CLEANER SERVICE INSTRUCTIONS
CARTRIDGE SHOULD BE CLEANED BY GENTLY TAPPING ON A FLAT SURFACE. BE SURE CARTRIDGE FITS ON BOTTOM ADAPTER PLATE AND WING NUT ON TOP ADAPTER PLATE IS FINGER TIGHT. REPLACE CARTRIDGE IF BENT, CRUSHED, OR DAMAGED AND UNDER EXTREME DUST CONDITIONS AFTER 100 TO 200 HOURS OPERATION. CLEAN OR REPLACE CARTRIDGE WHEN LOSS OF POWER IS NOTICEABLE.

28

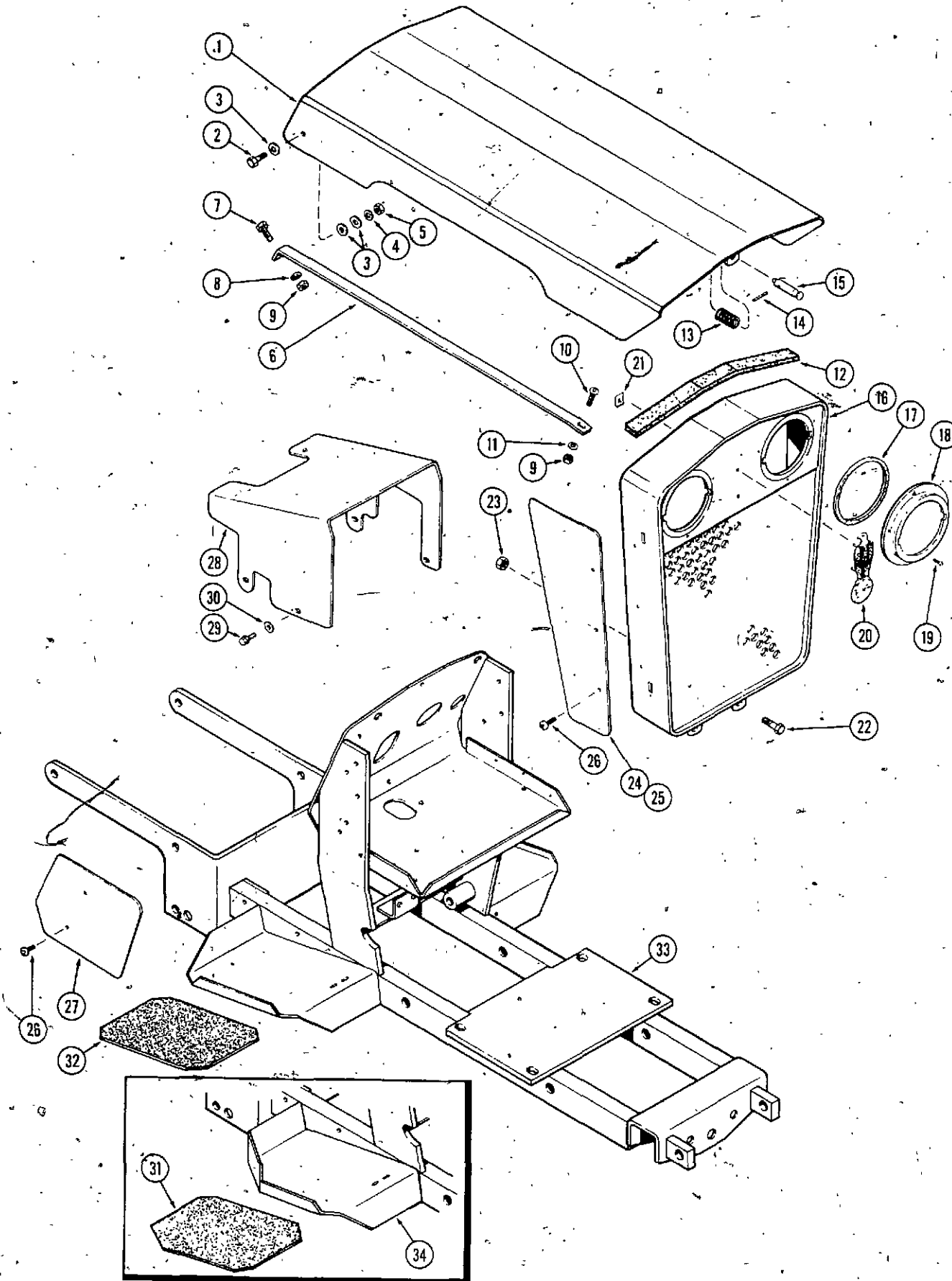
10HP KOHLER
THE CAST IRON LINE
• CAST IRON - LONGER LIFE, SMOOTHER-QUIETER
• BALL BEARINGS - GREATER LOAD CAPACITY
• MECHANICAL GOVERNOR - INSTANTANEOUS POWER RESPONSE

29

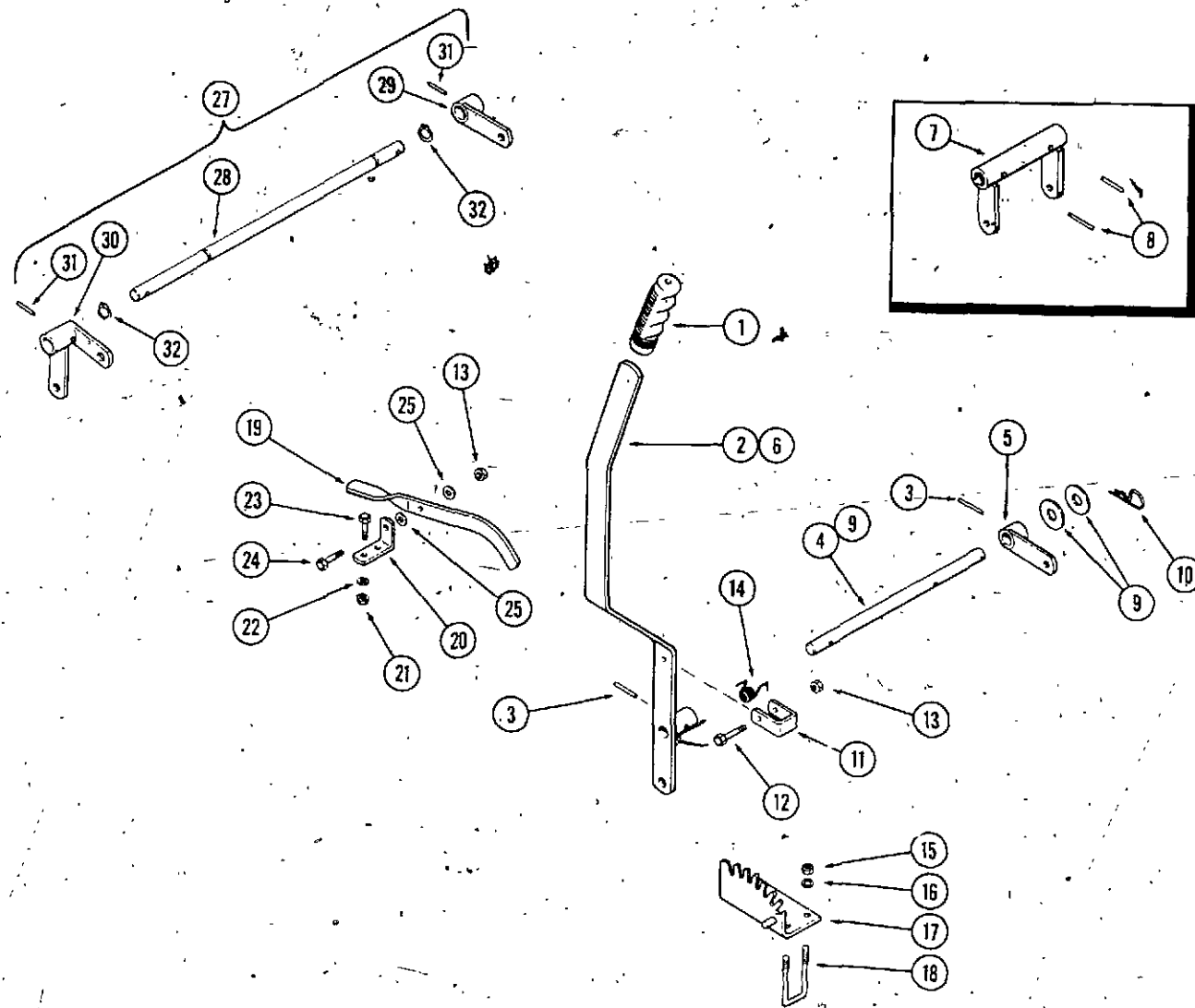
12HP KOHLER
THE CAST IRON LINE
• CAST IRON - LONGER LIFE, SMOOTHER QUIETER
• BALL BEARINGS - GREATER LOAD CAPACITY
• MECHANICAL GOVERNOR - INSTANTANEOUS POWER RESPONSE

25 26

HOOD, FRAME AND GRILLE



| REF. | PART NO. | DESCRIPTION | REQ'D |
|------|-----------|---|-------|
| 1 | A 70079 | HOOD | 1 |
| 2 | 113- 102 | BOLT - 5/16" x 3/4" N.C. hex. hd. plated | 2 |
| 3 | 195- 103 | WASHER - 5/16" plain | 6 |
| 4 | 192- 20 | LOCKWASHER - 5/16" plated | 2 |
| 5 | 129- 102 | NUT - 5/16" N.C. hex. | 2 |
| 6 | A 70078 | BAR - grille stabilizer | 1 |
| 7 | 113- 3 | BOLT - 1/4" x 3/4" N.C., hex. hd. plated | 1 |
| 8 | 192- 19 | LOCKWASHER - 1/4" plated | 1 |
| 9 | 129- 101 | NUT - 1/4" N.C. hex. plated | 2 |
| 10 | 73- 410 | SCREW - 1/4" x 5/8" N.C. flt. hd. mach. | 1 |
| 11 | 193- 8 | WASHER - shakeproof internal 1/4" | 1 |
| 12 | A 70077 | CUSHION - hood, rubber | 1 |
| 13 | A 70009 | SPRING - hood catch | 1 |
| 14 | 138- 92 | PIN - roll, 3/16" x 3/4" | 1 |
| 15 | A 70448 | PIN - hood latch | 1 |
| 16 | A 70005 | GRILLE | 1 |
| 17 | A 11276 | GASKET - headlamp retaining | 2 |
| 18 | A 11275 | RING - headlamp retaining | 2 |
| 19 | 187- 1102 | SCREW - #6 x 1/2" N.C., self-tap pan hd. ph. | 6 |
| 20 | A 24526 | MEDALLION - radiator grille | 1 |
| 21 | 131- 138 | NUT - 1/4" Tinnerman push-on | 2 |
| 22 | 113- 207 | BOLT - 3/8" x 1" N.C. hex. hd. plated (130) | 2 |
| 22 | 113- 206 | BOLT - 3/8" x 3/4" N.C. hex. hd. plated (180) | 1 |
| 23 | 131- 352 | LOCKNUT - 3/8" N.C. hex. | 2 |
| 24 | A 70012 | PANEL - grille side R.H. | 1 |
| 25 | A 70011 | PANEL grille side L.H. | 1 |
| 26 | 187- 1117 | SCREW - Phillips taptite 10-24 x 3/8" pan hd. | 10 |
| 27 | A 70147 | PANEL - hood side | 2 |
| 28 | A 70195 | SHROUD - hyd. control valve | 1 |
| 29 | 187- 1014 | SCREW - 1-1/4" x 1/2" self-tap type 1 | 4 |
| 30 | 195- 102 | WASHER - plain 1/4" plated | 4 |
| 31 | A 70454 | PAD - foot pad, rubber R.H. (180) | 1 |
| 32 | A 70038 | PAD - foot pad, rubber L.H. (180) | 1 |
| 32 | A 70038 | PAD - foot pad, rubber (130) | 2 |
| 33 | A 70018 | FRAME - main (130) | 1 |
| 34 | A 70450 | FRAME - main (180) | 1 |

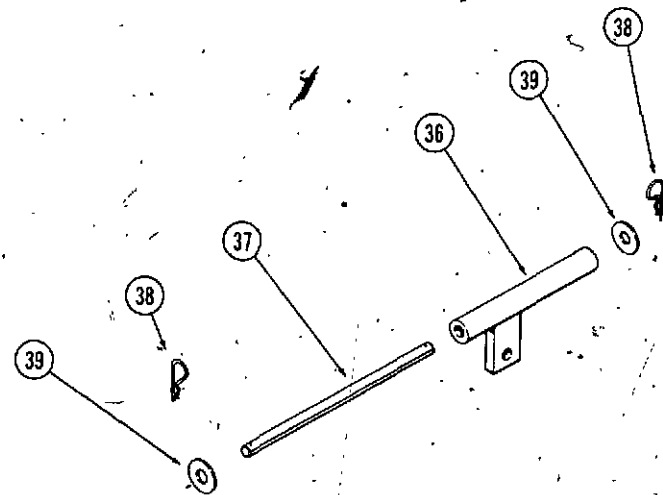


IMPLEMENT LIFT

| REF. | PART NO. | DESCRIPTION | REQ'D |
|------|-----------|--|-------|
| 1 | A 70396 | GRIP - hand, implement lever | 1 |
| 2 | A 70224 | LEVER - assm., impl. lift hand, includes Ref. Nos. 3, 4 and 5 (130) | 1 |
| 3 | 138- 136 | PIN - roll 1/4" x 1-1/4" | 2 |
| 4 | NSS | SHAFT - implement lever pivot | 1 |
| 5 | NSS | LEVER - center implement link (130) | 1 |
| 6 | A 70532 | LEVER - assm., impl. lift hand, includes ref. Nos. 3, 7, 8 and 9 (180) | 1 |
| 7 | NSS | LEVER - center, implement link (180) | 1 |
| 8 | 138- 2007 | PIN - spiral 1/4" x 1-1/4" (180) | 2 |
| 9 | NSS | SHAFT - implement lever pivot | 1 |
| 10 | A 70176 | PIN - hair cotter | 1 |
| 11 | A 70487 | RATCHET - trip, foot lever | 1 |
| 12 | 13- 432 | BOLT - 1/4" x 2" N.C. hex. | 1 |
| 13 | 131- 2 | LOCKNUT - Essna 1/4" N.C. hex. | 2 |
| 14 | A 70395 | SPRING - trip, ratchet | 1 |
| 15 | 129- 103 | NUT - 3/8" N.C. plated | 4 |
| 16 | 192- 21 | LOCKWASHER - 3/8" SAE plated | 4 |
| 17 | A 70032 | QUADRANT - implement lift ratchet | 1 |
| 18 | A 70039 | U-BOLT - quadrant 3/8" N.C. | 2 |
| 19 | A 70197 | LEVER - foot, implement trip | 1 |
| 20 | A 70196 | BRACKET - implement foot trip lever | 1 |
| 21 | 129- 101 | NUT - 1/4" N.C. hex. plated | 2 |
| 22 | 192- 19 | LOCKWASHER - 1/4" plated | 2 |
| 23 | 113- 3 | BOLT - 1/4" x 3/4" N.C. hex., plated | 2 |
| 24 | 113- 4 | BOLT - 1/4" x 1" N.C. hex., plated | 1 |
| 25 | 195- 102 | WASHER - 1/4" plated | 2 |
| 26 | 195- 108 | WASHER - 5/8" plated | 2 |
| 27 | A 70225 | LEVER - assm. impl. rear lift includes Ref. Nos. 28, 29, 30 and 31 (130) | 1 |
| 28 | NSS | SHAFT - impl. rear lift | 1 |
| 29 | NSS | LEVER - rear lift L. H. | 1 |
| 30 | NSS | LEVER - rear lift R. H. | 1 |
| 31 | 138- 136 | ROLL PIN - 1/4" x 1-1/4" | 2 |
| 32 | 0 1038 | FH RING - shaft retainer | 2 |

DRAWBAR AND TOW HITCH

| | | | |
|----|----------|--------------------------------|---|
| 36 | A 70171 | HITCH - assy., drawbar and tow | 1 |
| 37 | A 70175 | SHAFT - pivot, hitch | 1 |
| 38 | A 70176 | PIN - hair, cotter | 2 |
| 39 | 195- 106 | WASHER - 1/2" wrought | 2 |



NUMERICAL INDEX

| PART NO. | PAGE NO. | REF. NO. | PART NO. | PAGE NO. | REF. NO. | PART NO. | PAGE NO. | REF. NO. |
|----------|----------|----------|----------|----------|----------|----------|----------|----------|
| | | | 70103 | 19 | 15 | | | |
| | | | 70105 | 17 | 39 | | | |
| | | | 70106 | 17 | 30 | | | |
| | | | 70106 | 17 | 40 | | | |
| A | | | 70107 | 17 | 33 | | | |
| A | | | 70108 | 17 | 26 | | | |
| A | | | 70109 | 35 | 34 | | | |
| A | | | 70110 | 35 | 28 | | | |
| A | | | 70110 | 39 | 1 | | | |
| A | | | 70111 | 35 | 30 | | | |
| A | | | 70111 | 39 | 18 | | | |
| A | | | 70112 | 39 | 21 | | | |
| A | | | 70115 | 35 | 21 | | | |
| A | | | 70116 | 35 | 20 | | | |
| A | | | 70117 | 35 | 19 | | | |
| A | | | 70118 | 35 | 17 | | | |
| A | | | 70119 | 35 | 15 | | | |
| A | | | 70120 | 35 | 35 | | | |
| A | | | 70121 | 35 | 13 | | | |
| A | | | 70122 | 35 | 12 | | | |
| A | | | 70123 | 35 | 1 | | | |
| A | | | 70123 | 41 | 1 | | | |
| A | | | 70124 | 35 | 7 | | | |
| A | | | 70125 | 35 | 8 | | | |
| A | | | 70126 | 35 | 9 | | | |
| A | | | 70127 | 33 | 41 | | | |
| A | | | 70127 | 35 | 4 | | | |
| A | | | 70128 | 35 | 2 | | | |
| A | | | 70129 | 37 | 5 | | | |
| A | | | 70130 | 37 | 7 | | | |
| A | | | 70131 | 33 | 17 | | | |
| A | | | 70135 | 37 | 9 | | | |
| A | | | 70136 | 33 | 22 | | | |
| A | | | 70137 | 33 | 37 | | | |
| A | | | 70138 | 33 | 39 | | | |
| A | | | 70139 | 33 | 36 | | | |
| A | | | 70140 | 35 | 11 | | | |
| A | | | 70141 | 33 | 35 | | | |
| A | | | 70142 | 33 | 38 | | | |
| A | | | 70143 | 33 | 34 | | | |
| A | | | 70144 | 33 | 43 | | | |
| A | | | 70145 | 33 | 24 | | | |
| A | | | 70146 | 33 | 23 | | | |
| A | | | 70147 | 45 | 27 | | | |
| A | | | 70148 | 33 | 21 | | | |
| A | | | 70149 | 33 | 16 | | | |
| A | | | 70150 | 33 | 18 | | | |
| A | | | 70151 | 33 | 19 | | | |
| A | | | 70152 | 33 | 12 | | | |
| A | | | 70153 | 33 | 26 | | | |
| A | | | 70154 | 33 | 9 | | | |
| A | | | 70156 | 33 | 10 | | | |
| A | | | 70158 | 33 | 7 | | | |
| A | | | 70161 | 33 | 15 | | | |
| A | | | 70163 | 33 | 14 | | | |
| A | | | 70164 | 33 | 28 | | | |
| A | | | 70169 | 33 | 31 | | | |
| A | | | 70170 | 33 | 29 | | | |
| A | | | 70171 | 47 | 36 | | | |
| A | | | 70175 | 47 | 37 | | | |
| A | | | 70176 | 47 | 10 | | | |
| A | | | 70176 | 47 | 38 | | | |
| A | | | 70177 | 33 | 6 | | | |
| A | | | 70178 | 33 | 1 | | | |
| A | | | 70183 | 31 | 1 | | | |
| A | | | 70184 | 31 | 2 | | | |
| A | | | 70185 | 31 | 9 | | | |
| A | | | 70190 | 43 | 4 | | | |

NUMERICAL INDEX

| PART NO. | PAGE NO. | REF. NO. | PART NO. | PAGE NO. | REF. NO. | PART NO. | PAGE NO. | REF. NO. |
|----------|----------|----------|----------|----------|----------|----------|----------|----------|
| A | | | 72010 | 27 | 23 | | | |
| A | | | 72011 | 27 | 13 | | | |
| A | | | 72012 | 27 | 14 | | | |
| A | | | 72013 | 27 | 20 | | | |
| A | | | 72014 | 27 | 17 | | | |
| A | | | 72015 | 27 | 19 | | | |
| A | | | 72017 | 27 | 22 | | | |
| A | | | 72018 | 27 | 25 | | | |
| A | | | 72020 | 27 | 26 | | | |
| A | | | 72021 | 27 | 24 | | | |
| A | | | 72022 | 27 | 21 | | | |
| A | | | 72024 | 41 | 19 | | | |
| A | | | 72024 | 41 | 43 | | | |
| A | | | 72025 | 41 | 17 | | | |
| A | | | 72026 | 41 | 16 | | | |
| A | | | 72026 | 41 | 40 | | | |
| A | | | 72027 | 41 | 15 | | | |
| A | | | 72027 | 41 | 39 | | | |
| A | | | 72028 | 41 | 3 | | | |
| A | | | 72028 | 41 | 27 | | | |
| A | | | 72030 | 41 | 9 | | | |
| A | | | 72030 | 41 | 33 | | | |
| A | | | 72031 | 41 | 10 | | | |
| A | | | 72031 | 41 | 34 | | | |
| A | | | 72034 | 41 | 13 | | | |
| A | | | 72034 | 41 | 37 | | | |
| A | | | 72035 | 41 | 12 | | | |
| A | | | 72035 | 41 | 36 | | | |
| A | | | 72036 | 41 | 21 | | | |
| A | | | 72036 | 41 | 45 | | | |
| A | | | 72038 | 25 | 7 | | | |
| A | | | 72039 | 25 | 5 | | | |
| A | | | 72040 | 25 | 6 | | | |
| A | | | 72041 | 25 | 23 | | | |
| A | | | 72042 | 25 | 10 | | | |
| A | | | 72043 | 25 | 17 | | | |
| A | | | 72044 | 25 | 21 | | | |
| A | | | 72046 | 25 | 32 | | | |
| A | | | 72047 | 25 | 33 | | | |
| A | | | 72048 | 25 | 11 | | | |
| A | | | 72049 | 25 | 18 | | | |
| A | | | 72050 | 25 | 9 | | | |
| A | | | 72051 | 41 | 18 | | | |
| A | | | 72052 | 37 | 39 | | | |
| A | | | 72055 | 37 | 30 | | | |
| A | | | 72056 | 37 | 37 | | | |
| A | | | 72057 | 37 | 29 | | | |
| A | | | 72058 | 37 | 27 | | | |
| A | | | 72059 | 37 | 24 | | | |
| A | | | 72060 | 37 | 32 | | | |
| A | | | 72061 | 37 | 38 | | | |
| A | | | 72061 | 37 | 38 | | | |
| A | | | 72062 | 37 | 36 | | | |
| A | | | 72062 | 37 | 36 | | | |
| A | | | 72063 | 37 | 33 | | | |
| A | | | 72064 | 37 | 42 | | | |
| A | | | 72065 | 37 | 23 | | | |
| A | | | 72066 | 37 | 34 | | | |
| A | | | 72067 | 37 | 35 | | | |
| A | | | 72068 | 37 | 40 | | | |
| A | | | 72069 | 37 | 26 | | | |
| A | | | 72070 | 37 | 41 | | | |
| A | | | 72070 | 37 | 41 | | | |
| A | | | 72071 | 37 | 28 | | | |
| A | | | 72072 | 37 | 43 | | | |
| A | | | 72073 | 19 | 18 | | | |
| A | | | 72073 | 21 | 18 | | | |
| A | | | 72074 | 21 | 20 | | | |
| A | | | 72075 | 21 | 31 | | | |
| A | | | 72076 | 21 | 16 | | | |
| A | | | 72077 | 21 | 15 | | | |
| A | | | 72078 | 21 | 24 | | | |
| A | | | 72079 | 21 | 23 | | | |
| A | | | 72080 | 21 | 27 | | | |
| A | | | 72081 | 21 | 25 | | | |
| A | | | 72082 | 21 | 26 | | | |
| A | | | 72083 | 21 | 29 | | | |
| A | | | 72084 | 21 | 28 | | | |
| A | | | 72085 | 21 | 17 | | | |
| A | | | 72086 | 21 | 21 | | | |
| A | | | 72087 | 21 | 32 | | | |
| A | | | 72088 | 21 | 36 | | | |
| A | | | 72089 | 21 | 37 | | | |
| A | | | 72090 | 21 | 35 | | | |
| A | | | 72091 | 21 | 19 | | | |
| A | | | 72092 | 21 | 40 | | | |
| A | | | 72093 | 21 | 41 | | | |
| A | | | 72094 | 21 | 39 | | | |
| A | | | 72095 | 21 | 44 | | | |
| A | | | 72096 | 21 | 43 | | | |
| A | | | 72097 | 21 | 38 | | | |
| A | | | 72098 | 21 | 33 | | | |
| A | | | 72099 | 21 | 34 | | | |
| A | | | 72100 | 13 | 57 | | | |
| A | | | 72100 | 15 | 57 | | | |
| A | | | 72100 | 19 | 17 | | | |
| A | | | 72101 | 21 | 30 | | | |
| A | | | 72102 | 21 | 22 | | | |
| A | | | 72103 | 21 | 46 | | | |
| A | | | 72104 | 25 | 2 | | | |
| A | | | 72105 | 21 | 2 | | | |
| A | | | 72106 | 21 | 4 | | | |
| A | | | 72107 | 21 | 3 | | | |
| A | | | 72108 | 19 | 30 | | | |
| A | | | 72108 | 21 | 7 | | | |
| A | | | 72109 | 21 | 5 | | | |
| A | | | 72110 | 21 | 6 | | | |
| A | | | 72111 | 21 | 1 | | | |
| A | | | 72112 | 41 | 41 | | | |
| A | | | 72113 | 41 | 42 | | | |
| A | | | 72114 | 43 | | | | |
| A | | | 18208 | 33 | 8 | | | |
| A | | | 51975 | 21 | 55 | | | |
| A | | | 51977 | 21 | 53 | | | |
| A | | | 51978 | 21 | 51 | | | |
| A | | | 51979 | 21 | 52 | | | |
| A | | | 51980 | 21 | 50 | | | |
| A | | | 53256 | 19 | 14 | | | |
| A | | | 53256 | 21 | | | | |
| A | | | 59393 | 21 | 54 | | | |
| A | | | 59393 | 13 | 48 | | | |
| A | | | 59393 | 15 | 48 | | | |
| A | | | 10292 | 33 | 40 | | | |
| A | | | 10681 | 31 | 28 | | | |
| A | | | 10682 | 31 | 28 | | | |
| A | | | 10683 | 31 | 31 | | | |
| A | | | 10687 | 31 | 38 | | | |
| A | | | 10688 | 31 | 40 | | | |
| A | | | 10691 | 31 | 35 | | | |
| A | | | 10692 | 31 | 39 | | | |
| A | | | 10835 | 33 | 7 | | | |
| A | | | 32477 | 25 | 25 | | | |
| A | | | 19645 | 27 | 12 | | | |
| KO | | | 220174 | 15 | 49 | | | |
| KO | | | 220174 | 13 | 49 | | | |
| KO | | | 220174 | 23 | 53 | | | |
| KO | | | 220297 | 23 | 49 | | | |
| KO | | | 220475 | 23 | 57 | | | |
| KO | | | 220476 | 23 | 58 | | | |
| KO | | | 220720 | 43 | 27 | | | |
| KO | | | 230011 | 7 | 20 | | | |
| KO | | | 230011 | 7 | 43 | | | |
| KO | | | 230080 | 7 | 26 | | | |
| KO | | | 230080 | 7 | 49 | | | |
| KO | | | 230087 | 7 | 28 | | | |
| KO | | | 230087 | 7 | 51 | | | |
| KO | | | 230170 | 7 | 16 | | | |
| KO | | | 230170 | 7 | 39 | | | |
| KO | | | 230170 | 13 | 9 | | | |
| KO | | | 230170 | 15 | 9 | | | |
| KO | | | 230722 | 23 | | | | |

NUMERICAL INDEX

| PART NO. | PAGE NO. | REF. NO. | PART NO. | PAGE NO. | REF. NO. | PART NO. | PAGE NO. | REF. NO. |
|-----------|----------|----------|------------|----------|----------|-----------|----------|----------|
| KO 235117 | 7 | 8 | KO 275220 | 7 | 3 | KOX 379-6 | 15 | 47 |
| KO 235118 | 7 | 7 | KO 275267 | 7 | 27 | KOX 389-1 | 23 | 59 |
| KO 235125 | 13 | 11 | KO 275267 | 7 | 50 | M 20007 | 23 | 28 |
| KO 235125 | 15 | 11 | KO 275303 | 23 | 60 | M 20149 | 23 | 44 |
| KO 235125 | 17 | 62 | KO 275341 | 5 | 10 | O 3312AB | 31 | 30 |
| KO 235165 | 13 | 45 | KO 275341 | 13 | 58 | O 3312AB | 33 | 45 |
| KO 235165 | 15 | 45 | KO 275341 | 15 | 58 | O 4557AB | 31 | 16 |
| KO 235175 | 13 | 2 | KO 275341 | 19 | 21 | O 7768AB | 23 | 29 |
| KO 235175 | 15 | 2 | KO 275690 | 17 | 48 | O 9638AB | 37 | 31 |
| KO 235193 | 7 | 32 | KO 379-6 | 15 | 27 | O 1038FH | 47 | 32 |
| KO 235193 | 7 | 55 | KOA 536 | 5 | 3 | R 15077 | 25 | 19 |
| KO 235196 | 23 | 16 | KOA 231533 | 23 | 48 | R 15079 | 25 | 13 |
| KO 235197 | 23 | 9 | KOA 235092 | 13 | 6 | R 15087 | 25 | 3 |
| KO 235203 | 23 | 14 | KOA 235092 | 15 | 6 | R 1509C | 25 | 8 |
| KO 235207 | 17 | 6 | KOA 235095 | 23 | 27 | R 15105 | 25 | 36 |
| KO 235260 | 25 | 34 | KOA 235100 | 5 | 1 | R 15106 | 25 | 1 |
| KO 235277 | 17 | 56 | KOA 235139 | 9 | 10 | R 16147 | 25 | 12 |
| KO 235278 | 17 | 57 | KOA 235139 | 9 | 18 | R 16148 | 25 | 16 |
| KO 235287 | 9 | 2 | KOA 235155 | 7 | 25 | R 16170 | 25 | 30 |
| KO 235288 | 9 | 16 | KOA 235157 | 17 | 61 | R 18748 | 23 | 2 |
| KO 235289 | 9 | 16 | KOA 235256 | 17 | 59 | VT 2888 | 31 | 41 |
| KO 235290 | 9 | 16 | KOA 235314 | 13 | 8 | VT 2983 | 33 | 27 |
| KO 235368 | 17 | 5 | KOA 235327 | 7 | 22 | W 5063S | 9 | 21 |
| KO 235461 | 13 | 4 | KOA 235327 | 7 | 45 | W 5063S | 11 | 21 |
| KO 235472 | 43 | 28 | KOA 235361 | 19 | 27 | W 5063S | 13 | 41 |
| KO 235476 | 17 | 58 | KOA 235555 | 9 | 22 | W 5063S | 15 | 41 |
| KO 235494 | 17 | 41 | KOA 235569 | 9 | 15 | W 5063S | 35 | 31 |
| KO 235496 | 17 | 45 | KOA 235571 | 9 | 15 | | | |
| KO 235526 | 9 | 13 | KOA 285611 | 9 | 6 | | | |
| KO 235526 | 11 | 13 | KOA 235616 | 9 | 15 | | | |
| KO 235556 | 13 | 38 | KOA 235646 | 7 | 56 | 13 412 | 5 | 21 |
| KO 235556 | 15 | 38 | KOA 235675 | 7 | 33 | 13 432 | 47 | 12 |
| KO 235563 | 5 | 24 | KOA 235807 | 19 | 27 | 13 616 | 17 | 20 |
| KO 235572 | 9 | 8 | KOA 235827 | 11 | 6 | 13 620 | 31 | 33 |
| KO 235573 | 9 | 17 | KOA 235828 | 11 | 10 | 13 652 | 39 | 2 |
| KO 235631 | 7 | 10 | KOA 235828 | 11 | 18 | 13 820 | 31 | 42 |
| KO 235690 | 7 | 30 | KOA 235849 | 11 | 22 | 15 420 | 17 | 42 |
| KO 235690 | 7 | 53 | KOA 235851 | 15 | 8 | 15 1260 | 29 | 10 |
| KO 235803 | 11 | 8 | KOA 235857 | 7 | 48 | 15 1260 | 29 | 29 |
| KO 235810 | 13 | 5 | KOA 235865 | 11 | 15 | 25 104 | 5 | 20 |
| KO 235810 | 13 | 55 | KOA 235866 | 11 | 15 | 25 104 | 7 | 1 |
| KO 235810 | 15 | 5 | KOA 235867 | 11 | 15 | 25 104 | 17 | 44 |
| KO 235810 | 15 | 55 | KOB 235699 | 13 | 7 | 25 106 | 31 | 37 |
| KO 235811 | 11 | 7 | KOX 22-35 | 9 | 12 | 25 1510 | 27 | 4 |
| KO 235815 | 15 | 31 | KOX 22-35 | 11 | 12 | 25 1510 | 27 | 16 |
| KO 235818 | 15 | 35 | KOX 25-55 | 17 | 63 | 41 18 | 13 | 13 |
| KO 235820 | 15 | 4 | KOX 25-67 | 17 | 47 | 41 18 | 15 | 13 |
| KO 235826 | 7 | 37 | KOX 25-71 | 9 | 25 | 71 410 | 19 | 28 |
| KO 235868 | 11 | 17 | KOX 25-71 | 11 | 25 | 73 46 | 23 | 35 |
| KO 235881 | 43 | 29 | KOX 119-16 | 9 | 26 | 73 410 | 45 | 10 |
| KO 235883 | 17 | 11 | KOX 119-16 | 11 | 26 | 83 55 | 17 | 15 |
| KO 235889 | 11 | 2 | KOX 119-16 | 13 | 37 | 83 55 | 39 | 19 |
| KO 235890 | 11 | 16 | KOX 119-16 | 15 | 37 | 83 512 | 31 | 29 |
| KO 235891 | 11 | 16 | KOX 271-30 | 15 | 46 | 83 614 | 31 | 29 |
| KO 235892 | 11 | 16 | KOX 271-30 | 15 | 34 | 92 4 | 5 | 19 |
| KO 240013 | 7 | 21 | KOX 271-30 | 13 | 46 | 92 4 | 7 | 2 |
| KO 240013 | 7 | 44 | KOX 271-30 | 11 | 24 | 92 6 | 17 | 19 |
| KO 240281 | 13 | 56 | KOX 271-30 | 9 | 24 | 92 6 | 31 | 36 |
| KO 240281 | 15 | 56 | KOX 271-30 | 13 | 34 | 92 6 | 33 | 42 |
| KO 270889 | 13 | 3 | KOX 293-4 | 13 | 12 | 92 6 | 35 | 3 |
| KO 270889 | 15 | 3 | KOX 293-4 | 15 | 12 | 95 6 | 17 | 18 |
| KO 271077 | 13 | 1 | KOX 293-4 | 17 | 60 | 95 6 | 31 | 34 |
| KO 271077 | 15 | 1 | KOX 366-1 | 9 | 23 | 111 517 | 43 | 2 |
| KO 275066 | 7 | 31 | KOX 366-1 | 11 | 23 | 113 1 | 19 | 2 |
| KO 275066 | 7 | 54 | KOX 379-6 | 9 | 19 | 113 1 | 23 | 26 |
| KO 275067 | 7 | 31 | KOX 379-6 | 19 | 19 | 113 1 | 23 | 31 |
| KO 275067 | 7 | 54 | KOX 379-6 | 13 | 27 | 113 1 | 37 | 12 |
| KO 275143 | 7 | 4 | KOX 379-6 | 13 | 47 | 113 2 | 17 | 12 |

HARDWARE CODE NUMBERS

NUMERICAL INDEX

| PART NO. | PAGE NO. | REF. NO. | PART NO. | PAGE NO. | REF. NO. | PART NO. | PAGE NO. | REF. NO. |
|----------|----------|----------|----------|----------|----------|----------|----------|----------|
| 113 3 | 35 | 36 | 188 102 | 33 | 20 | 192 22 | 35 | 27 |
| 113 3 | 45 | 7 | 138 102 | 33 | 25 | 192 23 | 29 | 2 |
| 113 3 | 47 | 23 | 138 134 | 41 | 6 | 192 23 | 29 | 21 |
| 113 4 | 47 | 24 | 138 134 | 41 | 30 | 192 23 | 43 | 5 |
| 113 6 | 5 | 26 | 138 136 | 47 | 3 | 192 26 | 25 | 35 |
| 113 6 | 13 | 19 | 138 136 | 47 | 31 | 193 5 | 23 | 56 |
| 113 6 | 15 | 19 | 138 2007 | 47 | 8 | 193 8 | 45 | 11 |
| 113 6 | 17 | 3 | 141 6 | 29 | 6 | 193 29 | 41 | 5 |
| 113 6 | 33 | 2 | 141 6 | 29 | 25 | 193 29 | 41 | 29 |
| 113 102 | 43 | 10 | 166 6 | 37 | 21 | 193 60 | 19 | 29 |
| 113 102 | 45 | 2 | 166 8 | 37 | 22 | 193 70 | 17 | 36 |
| 113 103 | 19 | 20 | 166 23 | 41 | 4 | 195 20 | 23 | 11 |
| 113 103 | 23 | 12 | 166 23 | 41 | 28 | 195 102 | 45 | 30 |
| 113 206 | 13 | 14 | 169 77 | 21 | 42 | 195 102 | 47 | 25 |
| 113 206 | 15 | 14 | 166 531 | 41 | 20 | 195 103 | 33 | 4 |
| 113 206 | 45 | 22 | 166 532 | 41 | 44 | 195 103 | 45 | 3 |
| 113 207 | 13 | 33 | 171 2 | 19 | 3 | 195 106 | 47 | 39 |
| 113 207 | 15 | 33 | 173 210 | 23 | 50 | 195 108 | 47 | 26 |
| 113 207 | 27 | 9 | 173 212 | 17 | 29 | 195 512 | 5 | 9 |
| 113 207 | 35 | 32 | 173 224 | 23 | 55 | 195 515 | 17 | 8 |
| 113 207 | 45 | 22 | 173 237 | 25 | 7 | 195 515 | 17 | 43 |
| 113 208 | 13 | 40 | 173 239 | 19 | 11 | 195 515 | 37 | 10 |
| 113 208 | 15 | 40 | 175 436 | 17 | 10 | 195 520 | 23 | 13 |
| 113 209 | 13 | 25 | 177 131 | 5 | 7 | 195 522 | 13 | 24 |
| 113 209 | 15 | 25 | 177 131 | 17 | 37 | 195 522 | 15 | 24 |
| 113 221 | 23 | 18 | 178 453 | 33 | 30 | 195 534 | 37 | 6 |
| 113 312 | 35 | 26 | 187 408 | 23 | 54 | 195 545 | 13 | 36 |
| 126 12 | 35 | 29 | 187 1014 | 45 | 29 | 195 545 | 15 | 36 |
| 126 12 | 39 | 9 | 187 1102 | 23 | 22 | 195 545 | 29 | 9 |
| 126 24 | 41 | 11 | 187 1102 | 45 | 19 | 195 545 | 31 | 7 |
| 126 24 | 41 | 35 | 187 1117 | 45 | 26 | 195 2080 | 33 | 11 |
| 126 111 | 25 | 24 | 192 17 | 25 | 15 | 205 27 | 13 | 30 |
| 129 7 | 17 | 38 | 192 18 | 5 | 8 | 205 27 | 15 | 30 |
| 129 7 | 17 | 32 | 192 18 | 17 | 54 | 211 3 | 21 | 18 |
| 129 18 | 25 | 14 | 192 18 | 23 | 51 | 211 9 | 27 | 28 |
| 129 37 | 17 | 53 | 192 18 | 25 | 28 | 211 11 | 33 | 32 |
| 129 101 | 19 | 5 | 192 19 | 5 | 25 | 213 6 | 29 | 5 |
| 129 101 | 23 | 8 | 192 19 | 13 | 18 | 213 6 | 29 | 24 |
| 129 101 | 23 | 33 | 192 19 | 15 | 18 | 214 253 | 35 | 14 |
| 129 101 | 45 | 9 | 192 19 | 17 | 2 | 214 256 | 5 | 15 |
| 129 101 | 47 | 21 | 192 19 | 17 | 9 | 217 200 | 19 | 13 |
| 129 102 | 23 | 10 | 192 19 | 17 | 13 | 218 446 | 35 | 18 |
| 129 102 | 43 | 12 | 192 19 | 17 | 46 | 218 5005 | 35 | 23 |
| 129 102 | 45 | 5 | 192 19 | 19 | 4 | 218 5006 | 35 | 6 |
| 129 103 | 13 | 21 | 192 19 | 23 | 7 | 218 5008 | 35 | 25 |
| 129 103 | 15 | 21 | 192 19 | 23 | 25 | 218 5059 | 35 | 22 |
| 129 103 | 47 | 15 | 192 19 | 23 | 32 | 218 5060 | 35 | 5 |
| 129 105 | 29 | 1 | 192 19 | 27 | 7 | 218 5064 | 35 | 24 |
| 129 105 | 29 | 20 | 192 19 | 35 | 37 | 219 1 | 29 | 16 |
| 129 105 | 43 | 6 | 192 19 | 37 | 11 | 219 1 | 29 | 35 |
| 129 121 | 27 | 8 | 192 19 | 45 | 8 | 219 1 | 31 | 10 |
| 129 409 | 5 | 2 | 192 19 | 47 | 22 | 219 1 | 31 | 23 |
| 129 504 | 19 | 12 | 192 20 | 19 | 19 | 219 8 | 31 | 32 |
| 131 2 | 47 | 13 | 192 20 | 33 | 3 | 219 14 | 27 | 18 |
| 131 138 | 45 | 21 | 192 20 | 43 | 11 | 221 5 | 13 | 26 |
| 131 352 | 45 | 23 | 192 20 | 45 | 4 | 221 5 | 15 | 26 |
| 131 357 | 29 | 11 | 192 21 | 13 | 15 | 221 5 | 33 | 5 |
| 131 357 | 29 | 30 | 192 21 | 13 | 22 | 221 674 | 33 | 33 |
| 132 7 | 37 | 8 | 192 21 | 13 | 32 | 222 41 | 19 | 26 |
| 132 50 | 29 | 7 | 192 21 | 13 | 39 | 222 101 | 19 | 23 |
| 132 50 | 29 | 26 | 192 21 | 15 | 15 | 222 112 | 19 | 24 |
| 132 77 | 29 | 8 | 192 21 | 15 | 22 | 222 4021 | 19 | 22 |
| 132 77 | 29 | 27 | 192 21 | 15 | 32 | 321 846 | 43 | 25 |
| 132 77 | 31 | 8 | 192 21 | 15 | 39 | 321 847 | 43 | 26 |
| 132 77 | 31 | 22 | 192 21 | 23 | 17 | | | |
| 138 92 | 45 | 14 | 192 21 | 27 | 10 | | | |
| 138 98 | 33 | 13 | 192 21 | 35 | 33 | | | |
| 138 98 | 37 | 3 | 192 21 | 47 | 16 | | | |