

REVISION RECORD LOG

REVISION NO.	DATE INSERTED
1.	
2.	
3.	
4.	
5.	

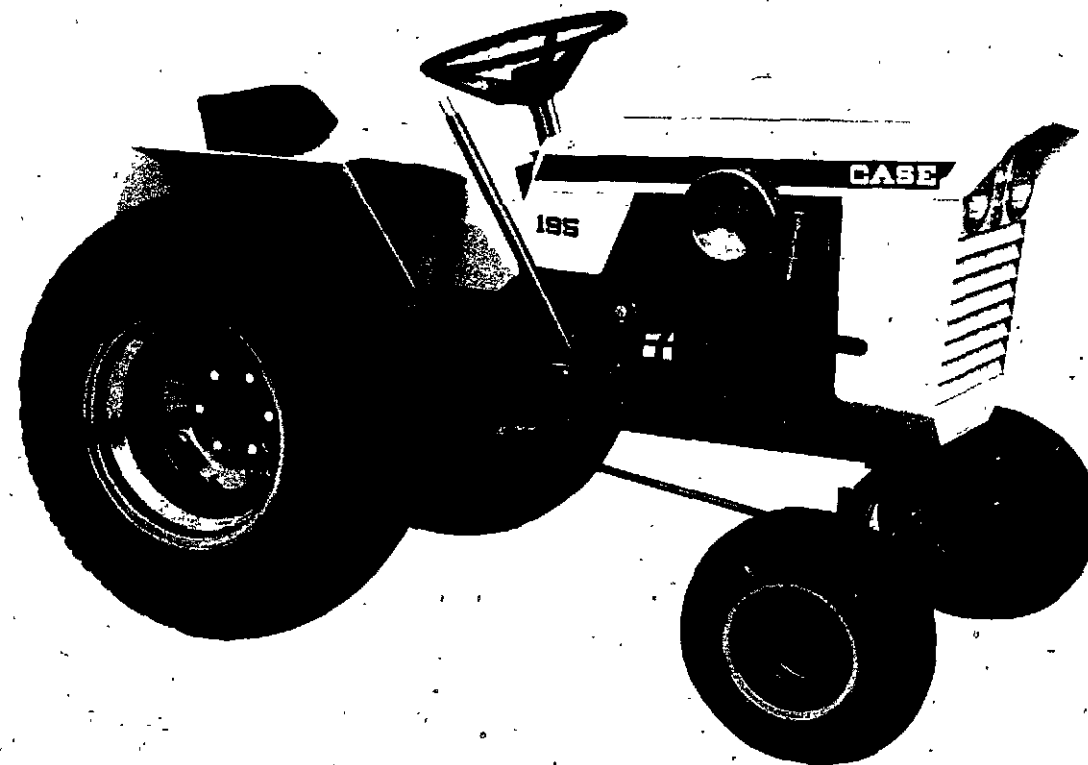
TS/6-6-76

**MODELS 155 AND 195
COMPACT TRACTORS**

Parts Catalog B997

Hi-Liter 2500 10-76

Note: This parts catalog replaces the previous issue - A997 - which is obsolete and should be discarded.



ALPHABETICAL INDEX

ENGINE SECTION

	PAGE	GRID		PAGE	GRID
Air Cleaner	5	A6	Filter, Breather	7	A8
Battery	51-53	E4-E6	Flywheel	13-15	A14-B2
Belt, Starter-Generator	25	C2	Fuel Strainer	21	B8
Breather, Crankcase	7	A8	Fuel System	19	B6
Camshaft	7	A8	Gasket Kits	13-15	A14-B2
Carburetor	21	B8	Governor	17	B4
Connecting Rod	9-11	A10-A12	Muffler	5	A6
Crankshaft	9-11	A10-A12	Oil Pan	13-15	A14-B2
Cylinder Block	13-15	A14-B2	Piston	9-11	A10-A12
Cylinder Head	13-15	A14-B2	PTO, Clutch	23	B10
Electrical System	51-53	E4-E6	Pulley, Clutch	23	B10
Engine Block & Attaching Parts	13-15	A14-B2	Spark Plug	51	E4
Exchanger, Heat	35	C14	Starter-Generator	25	C2
Exhaust System	5	A6	Tank, Fuel	19	B6
Fan	17	B4	Throttle Linkage	17	B4
			Valves	7	A8

BASIC TRACTOR SECTION

	PAGE	GRID		PAGE	GRID
Axle, Front (155)	29	C6	Hydraulics (Continued)		
Axle, Front (195)	29B	C8	Motor, Hydraulic Drive	41	D8
Rear	33	C12	Pump	39	D6
Baffles & Shrouds	17	B4	Valve, Control	37	D4
Brakes, Disc Type	31-49	C10-E2	Valve, Control Linkage	37	D4
Decals	43	D10	Hydraulic Lift Kit (E-25)	57-59	E10-E12
Drawbar	47	D14	Implement Lift Lever	47	D14
Fenders	43	D10	Instruments	51-53	E4-E6
Frame	45	D12	Seat, Operator's	43	D10
Grille	45	D12	Speed Control	49	E2
Headlights	51	E4	Steering Wheel & Gear	27	C4
Hitch	47	D14	Tool Box	43	D10
Hood	45	D12	Tow Hitch	47	D14
Hydraulics	35-41	C14-D8	Transmission	33	C12
Coupling, Pump Drive	39	D6	Wheels, Front & Rear	31	C10
Hoses, Lines & Fittings	35	C14	Wheel Weights	55	E8

GENERAL INFORMATION

Parts Catalog No. B997

Indexes

This Parts Catalog is arranged for easy identification of Genuine CASE Service Parts. An alphabetical index is provided at the front of this Catalog to locate the major groups or assemblies. A numerical index at the rear of the Catalog gives the part numbers and the pages on which they are described.

Illustrations

All parts are illustrated in "Exploded Views" which show the individual parts in their normal relationship to each other. Reference numbers are used in the illustrations. These numbers correspond to those in the "Reference Number" column and are followed by the part number, description and quantity required.

Orders

Orders should plainly specify correct part number, full description, quantity required, machine model and engine model, machine and engine serial numbers, method of shipment and shipping address.

Changes

When changes to the machine make it necessary, revised pages for this book will be issued. The revised pages will be issued with the same page number as those they replace and the "issue" number and date will be advanced.

It is imperative that revised Parts Book pages be inserted into their respective Parts Books as soon as received. Failure to do so will lead to confusion and defeat the purpose of the book.

Indented Description

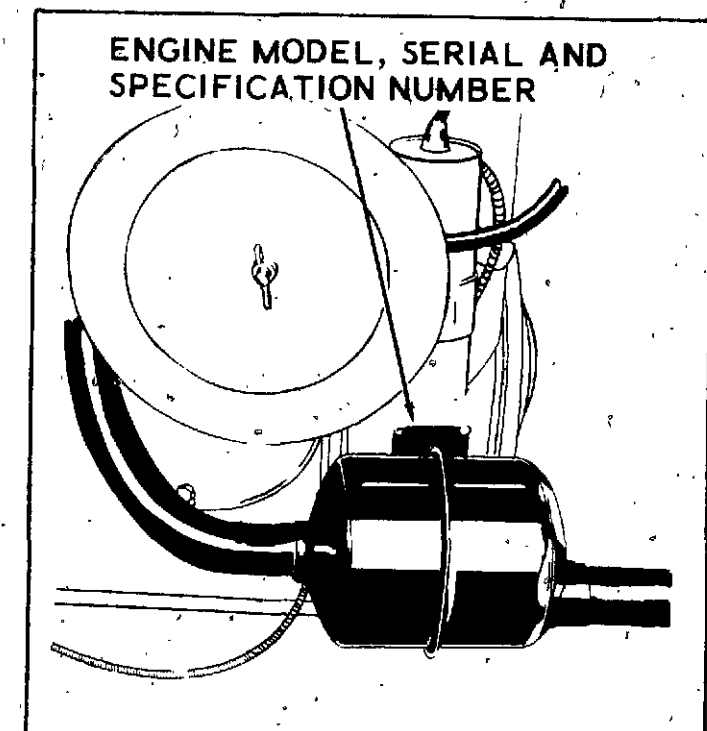
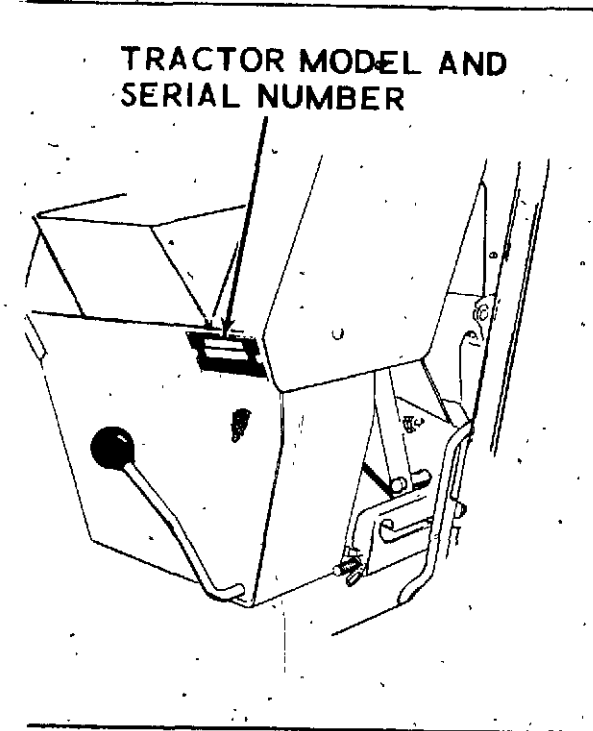
Indented parts in the descriptive list are a part of the preceding assembly or sub-assembly. The quantity shown in the "Number Required" column is the number of parts used on a machine except where parts are indented in descriptive list. In this case the quantity shown is the number required for the preceding assembly or sub-assembly.

REF.	PART NO.	DESCRIPTION	REQ'D
	A 55159	CYLINDER ASSY - rear steering	1
28	A 56208	SOCKET ASSY - rear cylinder	1
29	A 55956	PLUG - adjusting, socket assy	1
30	A 55957	SEAT - socket ball	2
31	A 56210	SPRING - socket	1
32	A 56209	SEAT - socket spring	1
33	G 45175	CLAMP ASSY - socket assy	1
	16- 836	BOLT - 1/2" x 2-1/4" N.F. hex.	1
34	132- 104	PIN - cotter, 3/16" x 3"	1
35	A 55889	STUD - ball, socket & cylinder	2
36	13- 410	BOLT - 1/4" x 5/8" N.C. hex.	4
37	92- 4	LOCKWASHER - 1/4" SAE	4

Terms "Right Hand" and "Left Hand"

The terms "Right Hand" and "Left Hand" whenever used in this Catalog refers to the machine as viewed when seated in the operator's seat facing the direction of travel.

CASE 155 AND 195 GARDEN TRACTORS



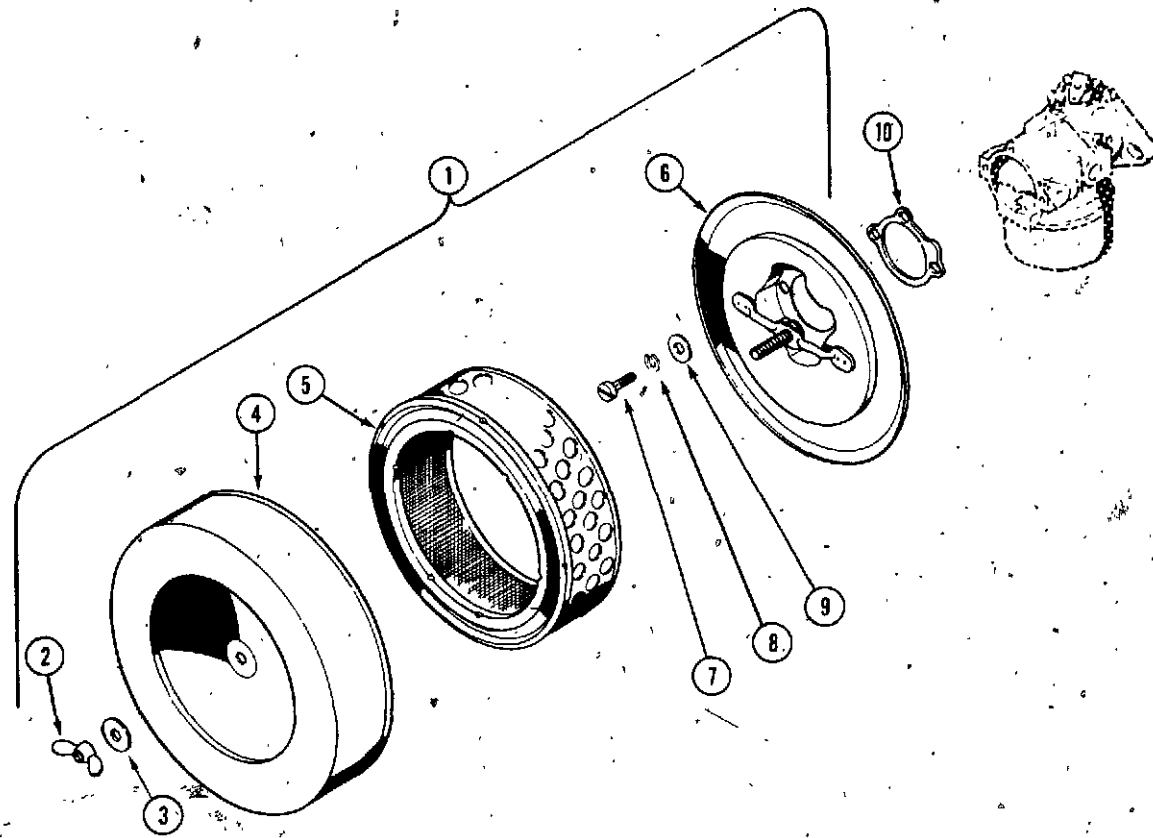
E: THIS CATALOG IS FOR USE WITH MODEL 155 TRACTORS WITH SERIAL NUMBERS 9615882 AND AFTER AND MODEL 195 TRACTORS WITH SERIAL NUMBERS 9620622 AND AFTER. USE PARTS CATALOG NO. 989 FOR MODEL 155 AND 195 TRACTORS WITH SERIAL NUMBERS PRIOR TO THOSE LISTED ABOVE.

TRACTOR MODEL DESIGNATIONS	ENGINE MODEL DESIGNATIONS
155 TRACTOR	K241 A Engine - C12178 SPEC. NO. 46352-D
195 TRACTOR	K301 A Engine - C12179 SPEC. NO. 4770-B

Serial Numbers

When using this catalog, notice the reference to serial numbers of various components noted here and listed in the "description" copy. By referring to correct serial numbers, proper parts identification will be assured.

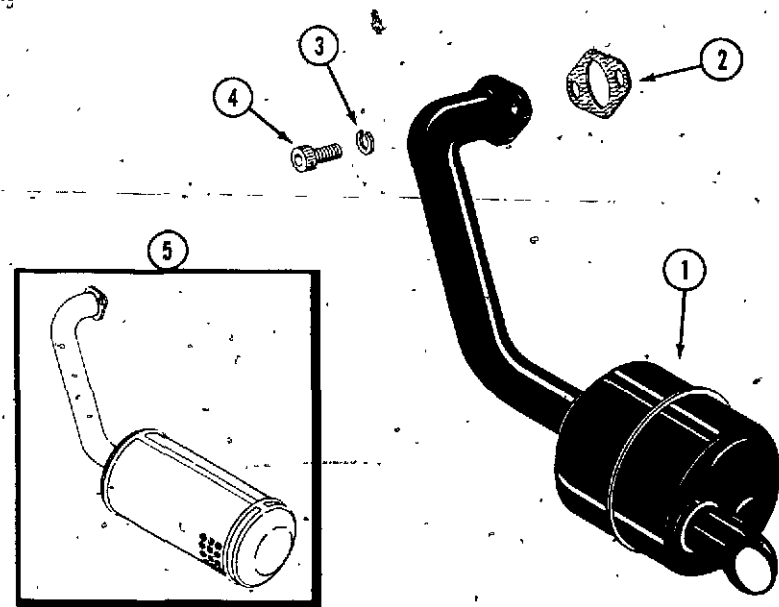
AIR CLEANER



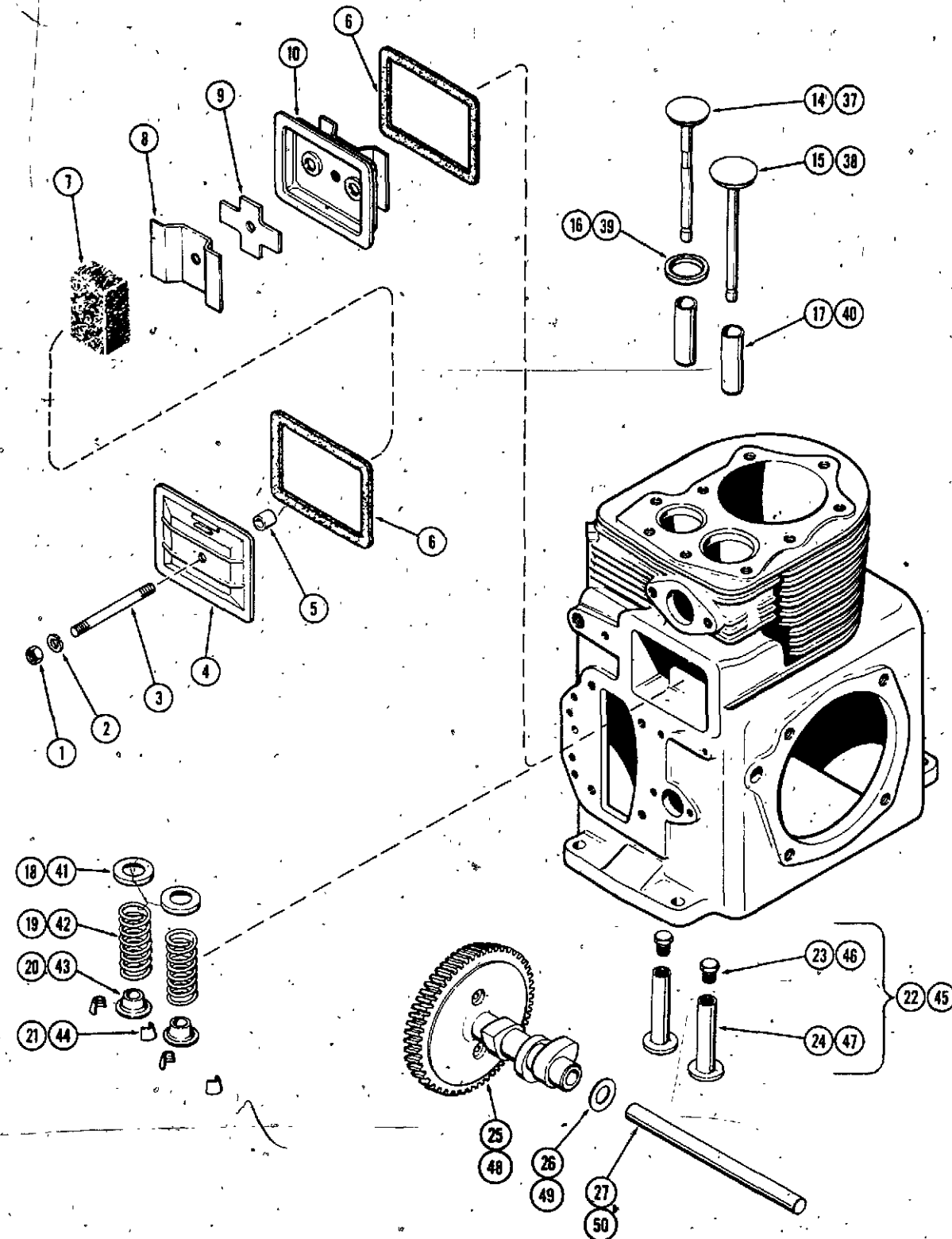
REF. PART NO.	DESCRIPTION	REQ'D
1 KOA235100	AIR CLEANER ASSY	1
2 129- 409	NUT - wing, 3/8" N.C.	1
3 KOA 536	WASHER - copper	1
4 NSS	COVER - air cleaner (Order KOA235100)	1
5 A 70090	ELEMENT - air cleaner	1
6 NSS	BASE - air cleaner (Order KOA235100)	1
7 177- 94	SCREW - fill, hd. 10-32 5/16"	3
8 192- 18	LOCKWASHER - 3/16"	3
9 195- 512	WASHER - plain, 3/16"	3
10 KO 275341	GASKET - air horn	1

EXHAUST SYSTEM

1 NSS	MUFFLER - exhaust (Order item 5)	1
2 C 10372	GASKET - exhaust pad	1
3 92- 5	LOCKWASHER - 5/16"	2
4 61- 510	SCREW - 5/16-18 x 5/8" socket hd.	2
5 C 18039	MUFFLER - exhaust	1



CRANKCASE BREATHER



REF. PART NO.	DESCRIPTION	REQ'D
1 25- 1Q4	NUT - 1/4" N. C. hex	1
2 92- 4	LOCKWASHER - 1/4"	1
3 KO 275220	STUD - valve cover	1
4 KO 275143	COVER - valve	1
5 KO 231032	SEAL - breather	1
6 KO 235048	GASKET - valve cover	2
7 KO 235118	FILTER - breather	1
8 KO 235117	BAFFLE - breather	1
9 KO 235047	REED - breather	1
10 KO 235631	PLATE - breather	1

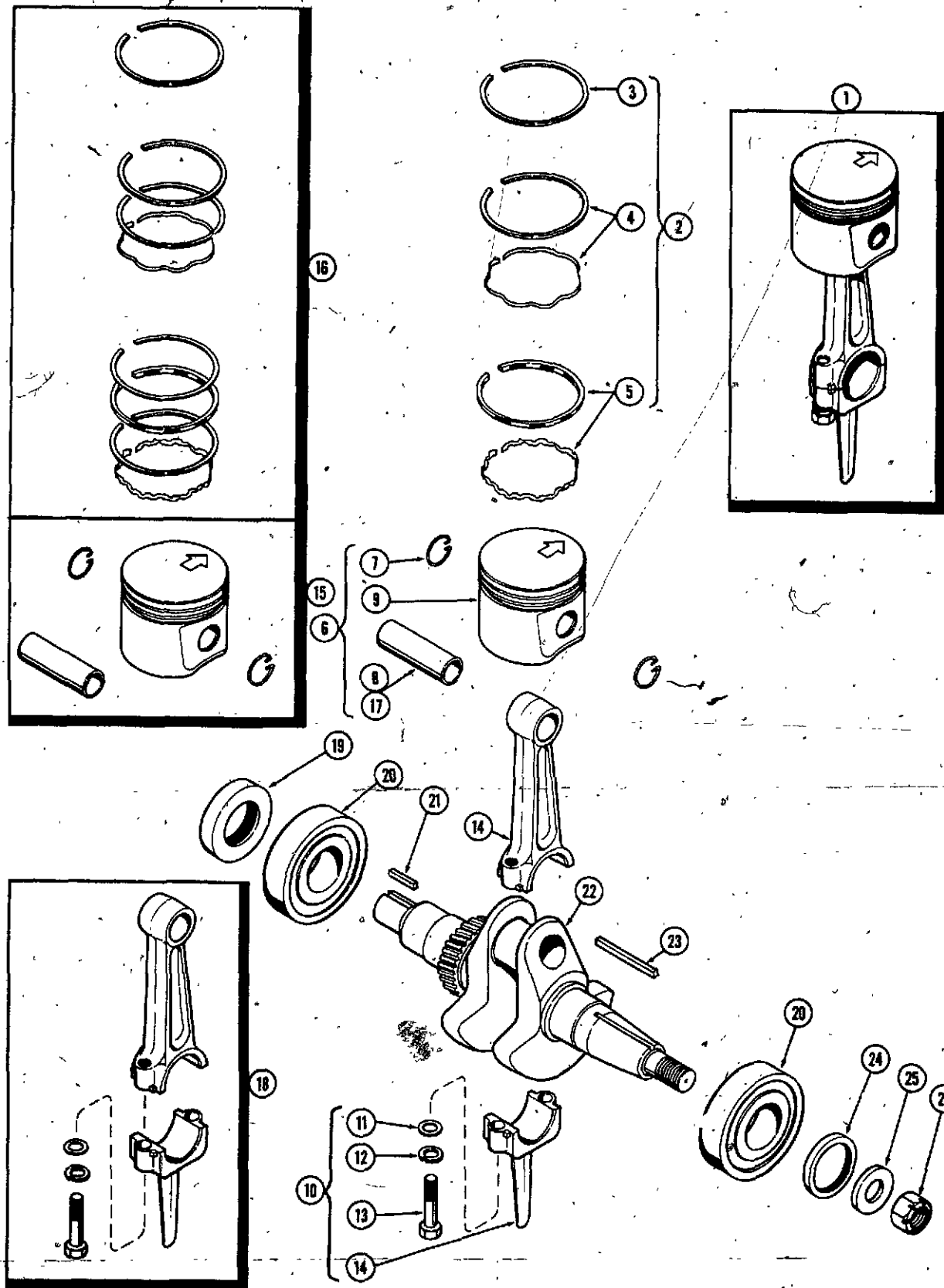
155 CAMSHAFT AND VALVES

14 KO 235826	VALVE - exhaust	1
15 KO 235008	VALVE - intake	1
16 KO 230170	INSERT - exhaust valve seat	1
17 KO 235007-S	GUIDE - valve	2
18 KO 235011	SEAT - valve spring	2
19 KO 235010	SPRING - valve	2
20 KO 230011	RETAINER - valve spring	2
21 KO 240013	LOCK - valve retainer	4
22 KOA235327	LIFTER ASSY	2
23 NSS	SCREW - tappet adjusting	1
24 NSS	LIFTER - valve	1
25 KOE235646	CAMSHAFT ASSY	1
26 KO 275086	SPACER - camshaft, .005"	UAR
26 KO 275087	SPACER - camshaft, .010"	UAR
27 KO 235053	PIN - camshaft	1

195 CAMSHAFT AND VALVES

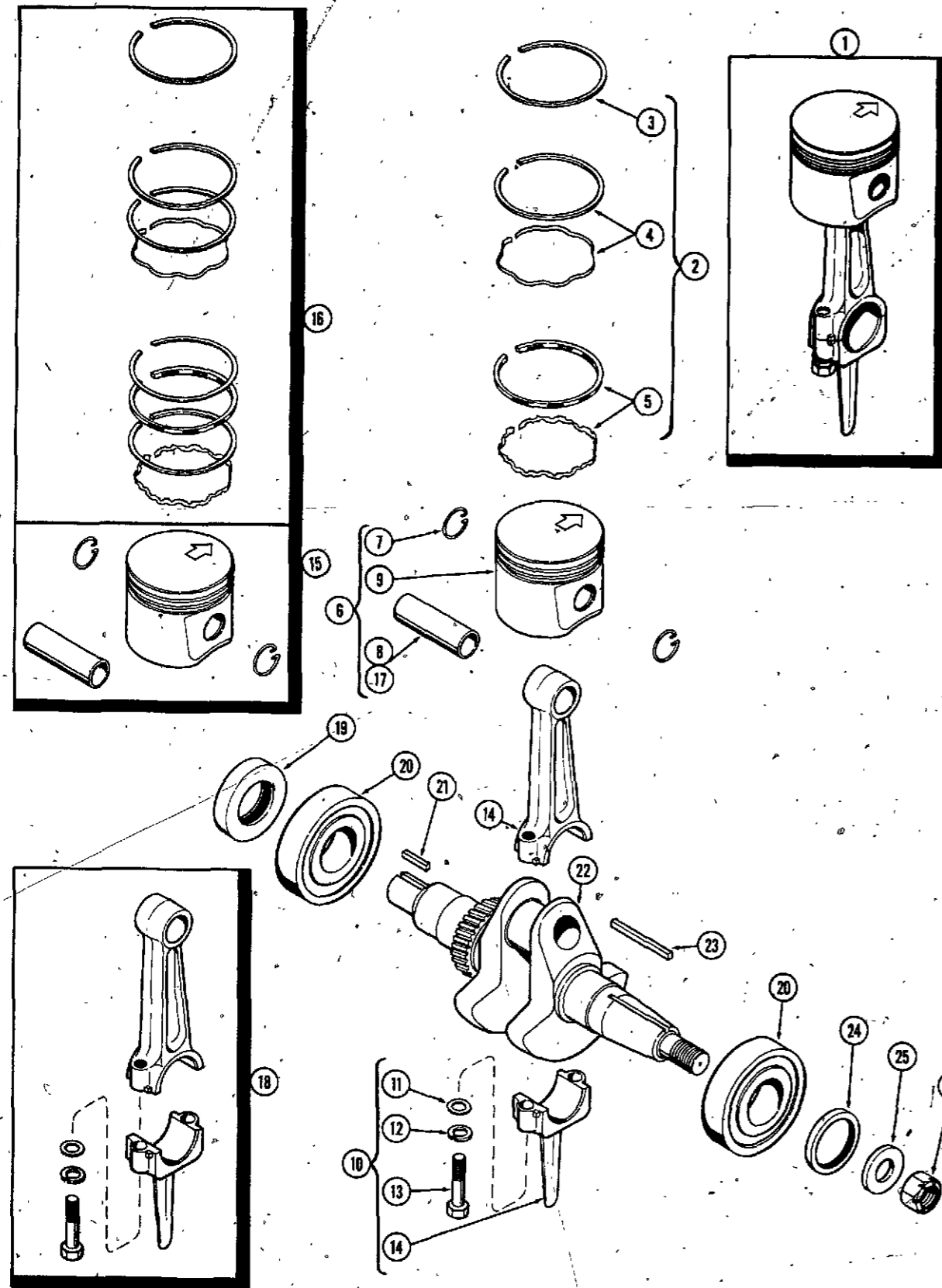
37 KO 235826	VALVE - exhaust	1
38 KO 235008	VALVE - intake	1
39 KO 230170	INSERT - exhaust valve seat	1
40 KO 235007-S	GUIDE - valve	2
41 KO 235011	SEAT - valve spring	2
42 KO 235010	SPRING - valve	2
43 KO 230011	RETAINER - valve spring	2
44 KO 240013	LOCK - valve retainer	4
45 KOA235327	LIFTER ASSY	2
46 NSS	SCREW - tappet adjusting	1
47 NSS	LIFTER - valve	1
48 KOE235646	CAMSHAFT ASSY	1
49 KO 275086	SPACER - camshaft, .005"	UAR
49 KO 275087	SPACER - camshaft, .010"	UAR
50 KO 235053	PIN - camshaft	1

155 CRANKSHAFT, PISTON - CONNECTING ROD



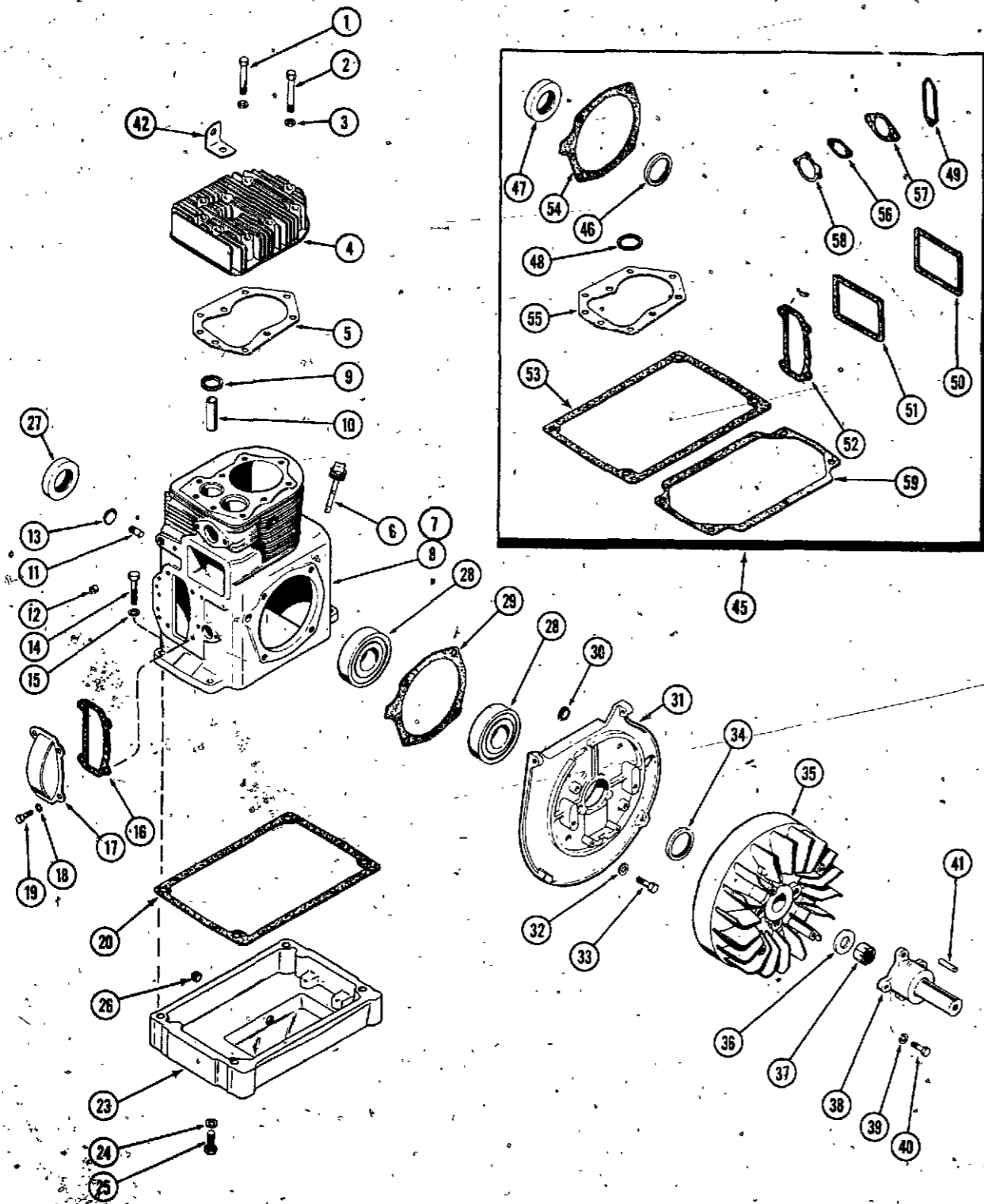
REF. PART NO.	DESCRIPTION	REQ'D
1	NSS	
2	KO 235287	PISTON AND ROD ASSY. (Std. size) 1
3	NSS	RING SET - piston (for oversize see item 16) 1
4	NSS	RING - top compression 1
5	NSS	RING - 2nd compression (incl. expander) 1
6	KOA235611	RING - oil (incl. expander) 1
7	KO 235004	PISTON ASSY (for oversize see item 15) 1
8	KO 235572	RETAINER - piston pin 2
9	NSS	PIN - piston 1
10	KOA235139	PISTON 1
11	KO 235003	CONNECTING ROD ASSY (for undersize see item 18) 1
12	192- 111	WASHER - special 2
13	KO 235526	LOCKWASHER 2
14	NSS	SCREW - cap, connecting rod 2
15	KOA235569	ROD - connecting 1
15	KOA235571	PISTON ASSY - .010" oversize 1
15	KOA235616	PISTON ASSY - .020" oversize 1
16	KO 235288	PISTON ASSY - .030" oversize 1
16	KO 235289	RING SET - piston .010" oversize 1
16	KO 235290	RING SET - piston .020" oversize 1
17	KO 235573	RING SET - piston .030" oversize 1
18	C 18101	PIN - piston, .005" oversize 1
19	R 16287	CONNECTING ROD ASSY. - .010" undersize 1
20	40035	OIL SEAL - crankshaft rear 1
21	W 5063-S	BEARING - crankshaft ball 2
22	KOB235711	KEY - 1/4" square x 3/4" (pump cplg) 1
23	C 18104	CRANKSHAFT 1
24	C 18097	KEY - flat-1/4" x 3/16" x 1-3/4" (flywheel) 1
25	C 18096	OIL SEAL - crankshaft front 1
26	131- 301	WASHER - 3/4" 1
		NUT - special Marsden 3/4" NF 1

195 CRANKSHAFT, PISTON — CONNECTING ROD



REF. PART NO.	DESCRIPTION	REQ'D
1	NSS PISTON AND ROD ASSY. (Std. size)	1
2	KO 235889 RING SET - piston (for oversize see item 16)	1
3	NSS RING - top compression	1
4	NSS RING - 2nd compression (incl. expander)	1
5	NSS RING - oil (incl. expander)	1
6	KOA235827 PISTON ASSY (for oversize see item 15)	1
7	KO 235811 RETAINER - piston pin	2
8	KO 235803 PIN - piston	1
9	NSS PISTON	1
10	KOA237344 CONNECTING ROD ASSY (for undersize see item 18)	1
11	KO 235003 WASHER - special	2
12	192- 111 LOCKWASHER	2
13	KO 235526 SCREW - cap, connecting rod	2
14	NSS ROD - connecting	1
15	KOA235865 PISTON ASSY - .010" oversize	1
15	KOA235866 PISTON ASSY - .020" oversize	1
15	KOA235867 PISTON ASSY - .030" oversize	1
16	KO 235890 RING SET - piston .010" oversize	1
16	KO 235891 RING SET - piston .020" oversize	1
16	KO 235892 RING SET - piston .030" oversize	1
17	KO 235868 PIN - piston .005" oversize	1
18	C 18102 CONNECTING ROD ASSY. - .010" undersize	1
19	R 16287 OIL SEAL - crankshaft rear	1
20	40035 BEARING - crankshaft ball	2
21	W 5063-S KEY - 1/4" square x 3/4" (pump cplg.)	1
22	KOB235949 CRANKSHAFT	1
C	C 18104 KEY - flat 1/4" x 3/16" x 1-3/4" (flywheel)	1
24	C 18097 OIL SEAL - crankshaft front	1
25	C 18096 WASHER - 3/4"	1
26	131- 301 NUT - special Marsden 3/4" NF	1

155 ENGINE BLOCK AND ATTACHING PARTS

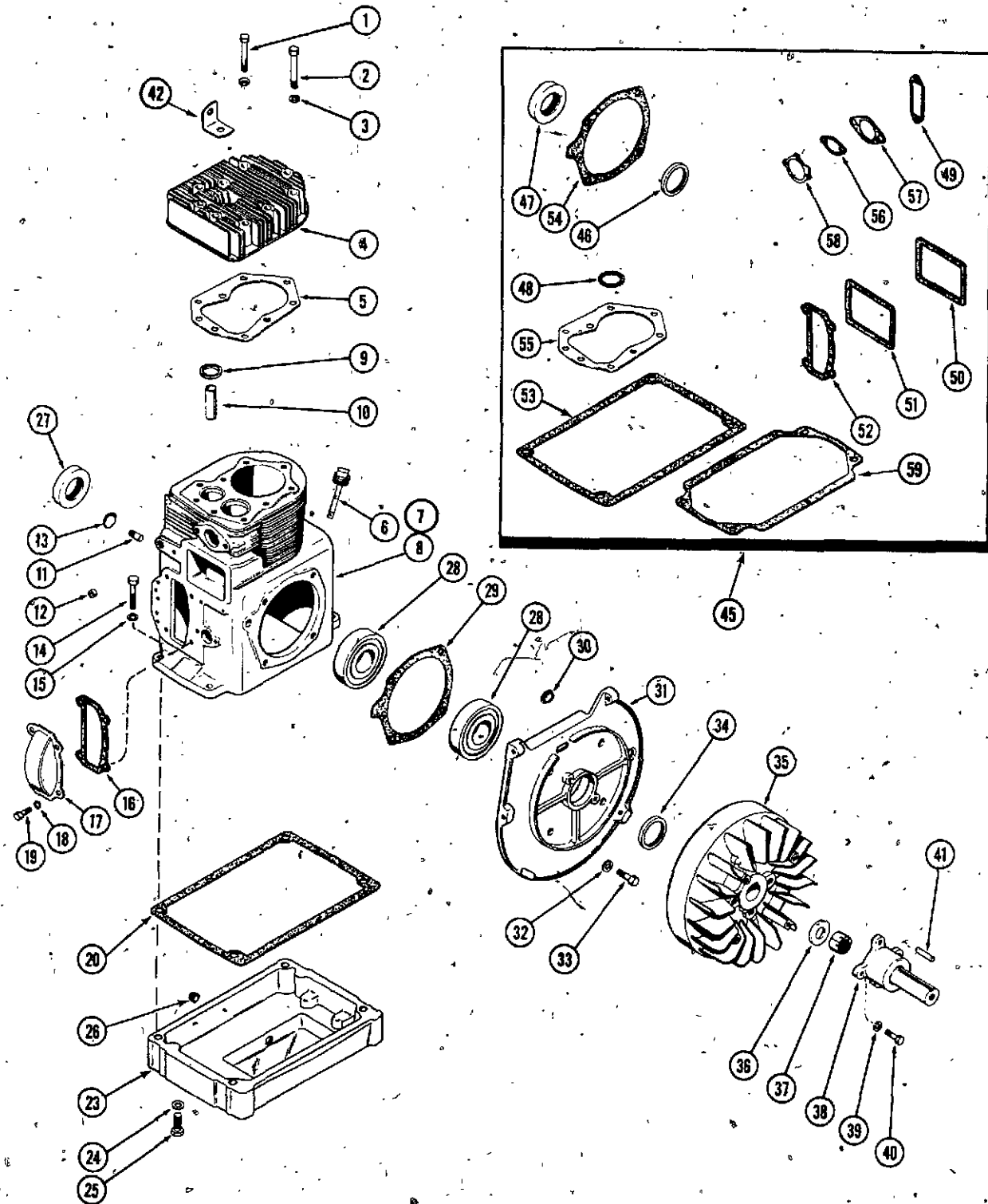


REF. PART NO.	DESCRIPTION	REQ'D
1 KO 271077	BOLT - cyl. hd. (length 2-1/4")	6
2 KO 235175	BOLT - cyl. hd. (length 2-1/2")	3
3 KO 270889	WASHER - cyl. hd. bolt	9
4 KO 235656	HEAD - cylinder	1
5 KO 237658	GASKET - head	1
6 KO 235747	DIPSTICK ASSY	1
7 KOB 236303	BLOCK ASSY - cyl., short (incl. crankshaft, rod assy governor, camshaft, valves, bearings and plate)	1
8 KOA 237871	BLOCK ASSY - cyl., stripped (Std. bore)	1
9 KO 230170	INSERT - exhaust valve	1
10 KO 235007-S	GUIDE - valve	2
11 KO 235125-S	SHAFT - stub, governor	1
12 C 18103	BEARING - needle, governor shaft	1
13 41- 18	PLUG - expansion	1
14 113- 206	BOLT - 3/8" x 7/8" N.C. hex plated	4
15 192- 21	LOCKWASHER - 3/8" SAE plated	4
16 KO 235025	GASKET - camshaft cover	1
17 KO 235026	COVER - camshaft gear	1
18 192- 19	LOCKWASHER - 1/4" plated	4
19 113- 6	BOLT - 1/4" x 1/2" UNC, plated	4
20 KO 235353	GASKET - oil pan	1
23 KO 237808	BASE - oil pan	1
24 192- 21	LOCKWASHER - 3/8" plated	4
25 115- 204	BOLT - 3/8" x 1" N.C. hex plated	4
26 221- 2	PLUG - pipe, 1/4" sq. hd.	1
27 R 16287	OIL SEAL - crankshaft rear	1
28 40035	BEARING - crankshaft ball	2
29 KO 235757	GASKET - shim, bearing plate, .010"	6
29 KO 235070	GASKET - shim, .010"	UAR
30 205- 27	PLUG - button, timing hole	1
31 KO 235815	PLATE - bearing	1
32 192- 21	LOCKWASHER - 3/8" plated	4
33 113- 207	BOLT - 3/8" x 1" N.C. plated	4
34 C 18097	OIL SEAL - crankshaft front	1
35 KO 235818	FLYWHEEL	1
36 195- 545	WASHER - special, plated	1
37 131- 301	NUT - special Marsden	1
38 KO 235954	SHAFT - frt. drive stub	1
39 192- 21	LOCKWASHER - 3/8" SAE plated	4
40 113- 208	BOLT - 3/8" x 1-1/4" N.C. hex	4
41 W 5063-S	KEY - 1/4" sq. x 3/4"	1
42 KO 235748	STRAP - lifting	1

ENGINE GASKET AND SEAL KIT

45 KO 237727	KIT - engine gasket and seal	1
46 C 18097	SEAL - crankshaft front oil	1
47 R 16287	SEAL - crankshaft rear oil	1
48 B 59393	GASKET - fuel strainer bowl	1
49 KO 220174	GASKET - breaker cover	1
50 KO 231032	SEAL - breather	1
51 KO 235048	GASKET - valve cover	2
52 KO 235025	GASKET - camshaft gear cover	1
53 KO 235353	GASKET - oil pan	1
54 KO 235757	GASKET - shim, bearing plate .010"	6
54 KO 235070	GASKET - shim, .010"	UAR
55 KO 237658	GASKET - cyl. head	1
56 A 72108	GASKET - fuel pump flange	1
57 A 72100	GASKET - carburetor flange	1
58 KO 275341	GASKET - carburetor air horn	1
59 KO 235057	GASKET - oil pan (not used on this model)	1

195 ENGINE BLOCK AND ATTACHING PARTS

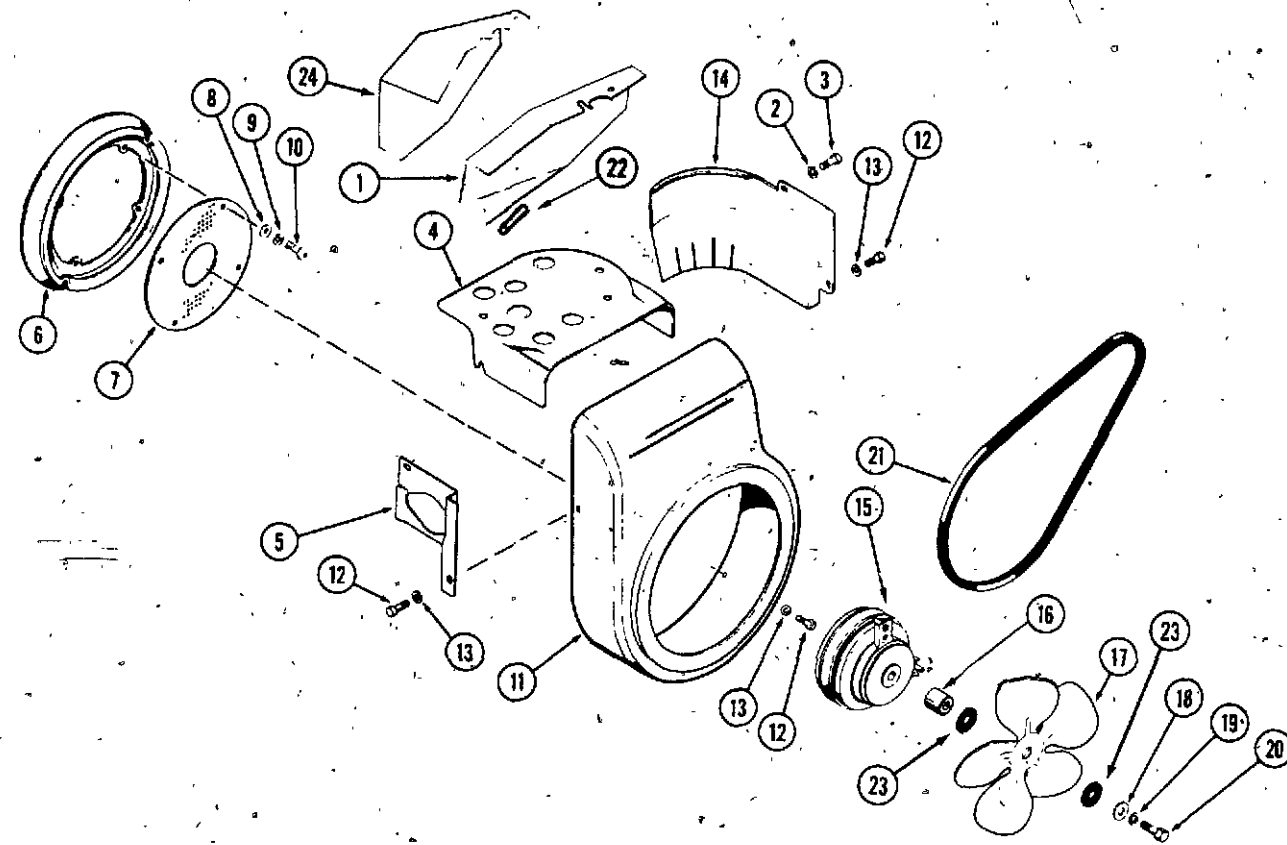


REF. PART NO.	DESCRIPTION	REQ'D
1	KO 271077 BOLT - cyl. hd. (length 2-1/4")	6
2	KO 235175 BOLT - cyl. hd. (length 2-1/2")	3
3	KO 270889 WASHER - cyl. hd. bolt	9
4	KO 235820 HEAD - cyl.	1
5	KO 237658 GASKET - head	1
6	KO 235747 DIPSTICK ASSY	1
7	KOB 236293 BLOCK ASSY - cyl., short (incl. crankshaft, rod assy governor, camshaft, valves, bearings and plate)	1
8	C 23145 BLOCK ASSY - cyl., standard bore	1
9	KO 230170 INSERT - exhaust valve	1
10	KO 235007-S GUIDE - valve	2
11	KO 235125-S SHAFT - stub, governor	1
12	C 18103 BEARING - needle, governor shaft	1
13	41- 18 PLUG - expansion	1
14	113- 208 BOLT - 3/8" x 1-1/4" N.C. hex plated	4
15	192- 21 LOCKWASHER - 3/8" plated	4
16	KO 235025 GASKET - camshaft cover	1
17	KO 235026 COVER - camshaft gear	1
18	192- 19 LOCKWASHER - 1/4" plated	4
19	113- 6 BOLT - 1/4" x 1/2" UNC plated	4
20	KO 235353 GASKET - oil pan	1
23	KO 237808 BASE - oil pan	1
24	192- 21 LOCKWASHER - 3/8" plated	4
25	115- 204 BOLT - 3/8" x 1" N.C. hex plated	4
26	221- 2 PLUG - pipe, 1/4" sq. hd.	1
27	R 16287 OIL SEAL - crankshaft rear	1
28	40035 BEARING - crankshaft ball	2
29	KO 235757 GASKET - shim, bearing plate .010"	6
29	KO 235070 GASKET - shim, .010"	UAR
30	205- 27 PLUG - button, timing hole	1
31	KO 235815 PLATE - bearing	1
32	192- 21 LOCKWASHER - 3/8" plated	4
33	113- 207 BOLT - 3/8" x 1" N.C. plated	4
34	C 18097 OIL SEAL - crankshaft front	1
35	KO 235818 FLYWHEEL	1
36	195- 545 WASHER - special, plated	1
37	131- 301 NUT - special Marsden	1
38	KO 235954 SHAFT - frt. drive stub	1
39	192- 21 LOCKWASHER - 3/8" SAE plated	4
40	113- 208 BOLT - 3/8" x 1-1/4" N. C. hex plated	4
41	W 5063-S KEY - 1/4" sq. x 3/4"	1
42	KO 235748 STRAP - lifting	1

ENGINE GASKET AND SEAL KIT

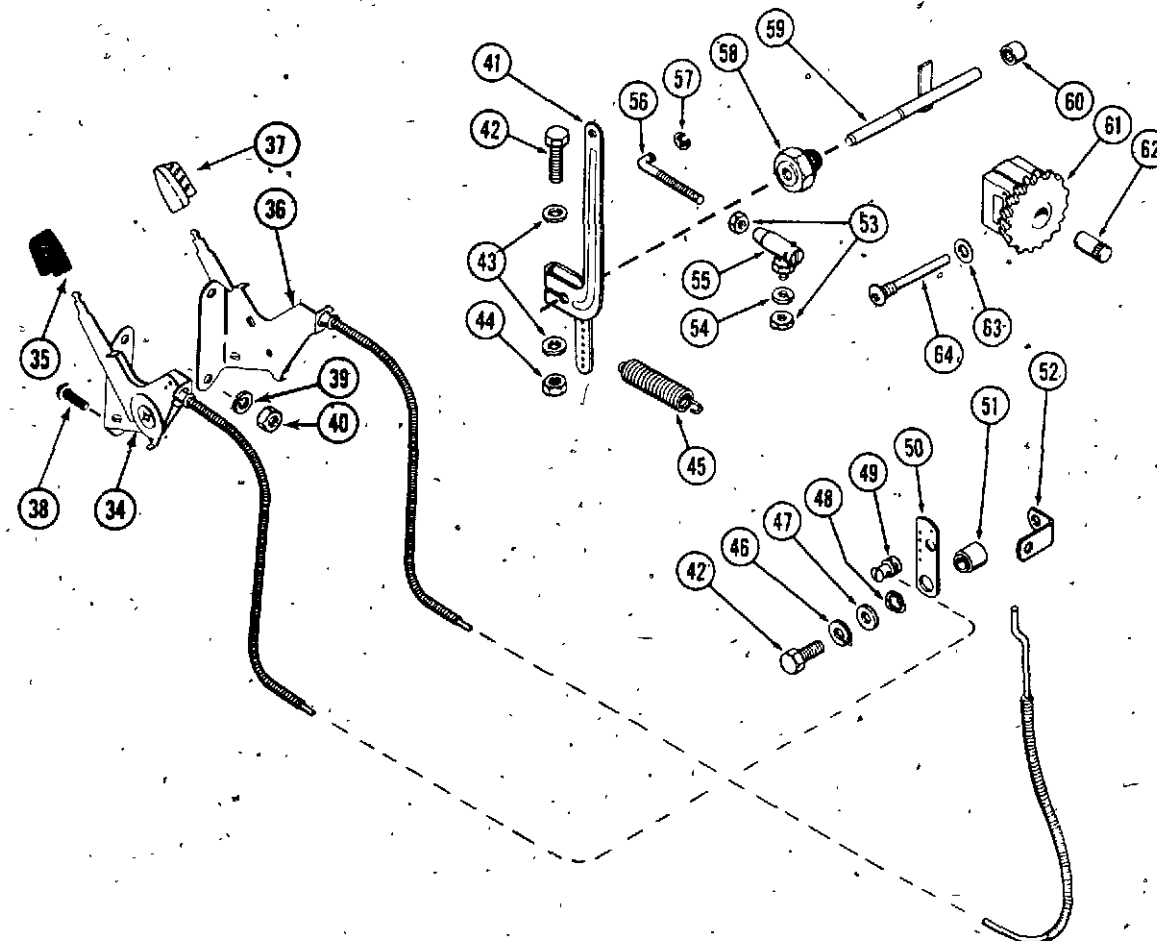
45	KO 237727 KIT - engine gasket and seal	1
46	C 18097 SEAL - crankshaft front oil	1
47	R 16287 SEAL - crankshaft rear oil	1
48	B 59393 GASKET - fuel strainer bowl	1
49	KO 220174 GASKET - breaker cover	1
50	KO 231032 SEAL - breather	1
51	KO 235048 GASKET - valve cover	2
52	KO 235025 GASKET - camshaft gear cover	1
53	KO 235353 GASKET - oil pan	1
54	KO 235757 GASKET - shim, bearing plate, .010"	6
54	KO 235070 GASKET - shim, .010"	UAR
55	KO 237658 GASKET - cyl. head	1
56	A 72108 GASKET - fuel pump flange	1
57	A 72100 GASKET - carburetor flange	1
58	KO 275341 GASKET - carburetor air horn	1
59	KO 235057 GASKET - oil pan (not used on this model)	1

BAFFLES, SHROUDS AND CLUTCH PULLEY

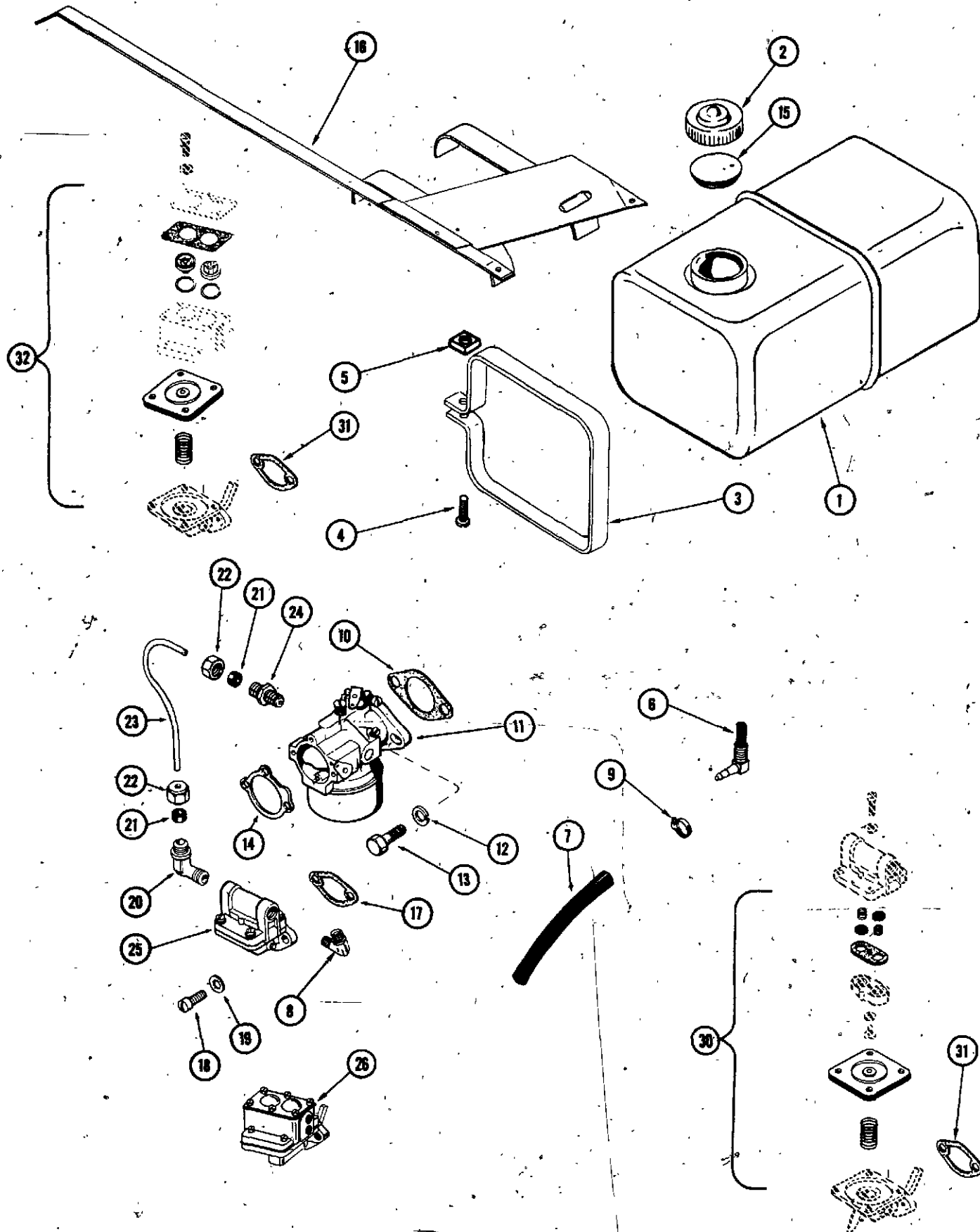


REF. PART NO.	DESCRIPTION	REQ'D
1	NSS DEFLECTOR - engine air (Order item 24)	1
2	192- 19 LOCKWASHER - 1/4", plated	2
3	113- 6 BOLT - 1/4" x 1/2" N.C. hex plated	2
4	KO 235955 BAFFLE - cylinder head	1
5	KO 235368 BAFFLE - carburetor side air	1
6	KO 235207 PULLEY - starter	1
7	KO 235052 SCREEN - blower air intake	1
8	195- 515 WASHER - 1/4" plated	4
9	192- 19 LOCKWASHER - 1/4" plated	4
10	175- 436 SCREW - 1/4" x 5/8" N.C. truss hd. Phillips, plated	4
11	KO 235951 HOUSING - blower	1
12	113- 2 BOLT 1/4" x 3/4" N.C. hex hd. plated	4
13	192- 19 LOCKWASHER - 1/4" plated	4
14	KO 235054 BAFFLE - cylinder	1
15	NSS CLUTCH - pulley (Order C19696 kit)	1
16	C 10312 SPACER - short	1
17	NSS FAN - engine (order C17217 kit)	1
18	195- 104 WASHER - 3/8" plain	1
19	192- 21 LOCKWASHER - 3/8" SAE	1
20	115- 208 BOLT - 3/8" x 3-1/2" N.C., hex (for pulley clutch)	1
21	A 70205 BELT - drive, starter, generator	1
22	C 12603 CHANNEL - deflector	1
23	C 13756 WASHER - fan, rubber	2
24	C 18296 DEFLECTOR - engine air	1

CHOKE, THROTTLE AND GOVERNOR



34	C 13848 CONTROL - throttle	1
35	C 12224 HANDLE - throttle control	1
36	C 12187 CONTROL - choke	1
37	C 12223 HANDLE - choke control	1
38	111- 1 BOLT - 10-24 x 1/2" rd. hd., square neck	2
39	192- 18 LOCKWASHER - #10 std. plated	2
40	129- 7 NUT - #10-24 plated	2
41	KO 235494 LEVER - governor	1
42	15- 420 BOLT - 1/4" x 1/4" N/C. hex	2
43	195- 515 WASHER, 1/4" plated	2
44	25- 104 NUT - 1/4" hex	1
45	KO 235496 SPRING - governor	1
46	192- 19 LOCKWASHER - 1/4" plated	1
47	C 18098 WASHER - thrust	1
48	KO 275690 WASHER - wavy	1
49	KO 231052 CLAMP - swivel, wire	1
50	KO 235086 LEVER - speed control	1
51	KO 235085 SPACER - speed control bracket	1
52	KO 235084 BRACKET - high speed stop	1
53	129- 37 NUT - #10-32, hex	2
54	192- 18 LOCKWASHER - 3/16" plated	1
55	A 10326 JOINT - ball	1
56	KO 235277 ROD - throttle	1
57	KO 235278 RING - retaining, throttle rod	1
58	KO 235476 BUSHING - governor cross shaft	1
59	KOA235256-S SHAFT ASSY - governor cross	1
60	C 18103 BEARING - needle governor shaft	1
61	KOA235743-S GEAR ASSY - governor	1
62	KO 235125-S SHAFT - governor stud	1
63	C 18099 WASHER - governor stop pin	1
64	KO 231355 PIN - governor stop	1



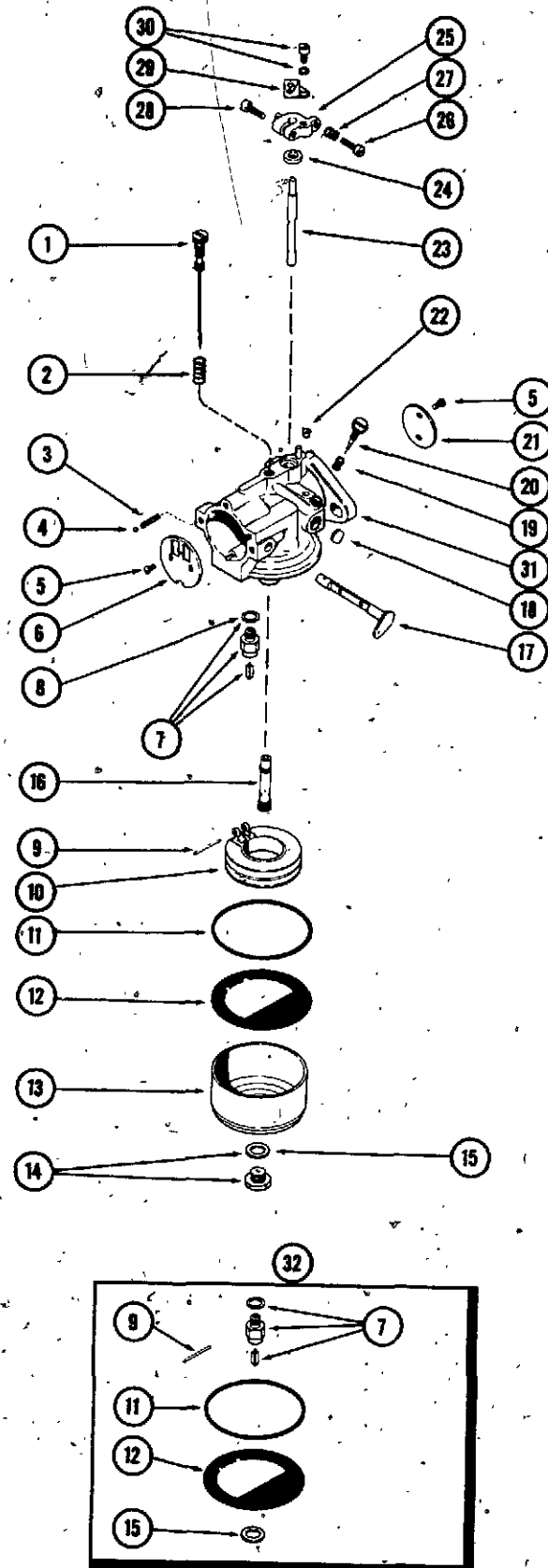
FUEL SYSTEM

REF. PART NO.	DESCRIPTION	REQ'D
1 C 10479	TANK - fuel	1
2 C 11529	CAP - fuel tank	1
3 A 70100	STRAP - fuel tank mounting	2
4 173- 215	SCREW - 1/4" x 1-1/4" rd. hd.	2
5 129- 294	NUT - square, 1/4" N.C.	2
6 C 10657	ELBOW - fuel line	1
7 C 12211	HOSE - fuel line	1
8 C 10678	FITTING - elbow, fuel line, nylon	1
9 214- 253	CLAMP - 1/2" hose	2
10 A 72100	GASKET - carburetor flange	1
11 A 72073	CARBURETOR ASSEMBLY (Repairs Page 21)	1
12 192- 20	LOCKWASHER - 5/16" SAE std.	2
13 113- 103	BOLT - 5/16" x 1" N.C. hex head	2
14 KO275341	GASKET - air horn	1
15 C 11545	INSERT - fuel cap	1
16 C 12203	BRACKET - fuel tank mounting	1
17 A 72108	GASKET - fuel pump mounting	1
18 71- 410	SCREW - 1/4" x 5/8" N.C. fillister head	2
19 193- 60	LOCKWASHER - 1/4" SAE std.	2
20 222- 41	ELBOW - includes sleeve and nut	1
21 222- 101	SLEEVE - for 3/16" O.D. tube	2
22 222- 112	NUT - for 3/16" O.D. tube	2
23 KO235097	LINE - fuel pump to carburetor	1
24 222- 4021	CONNECTOR ASSEMBLY - includes sleeve and nut	1
25 KOA235845	FUEL PUMP - (for 10 HP model) (155)	1
26 C 22987	FUEL PUMP - (for 12 HP model) (195)	1

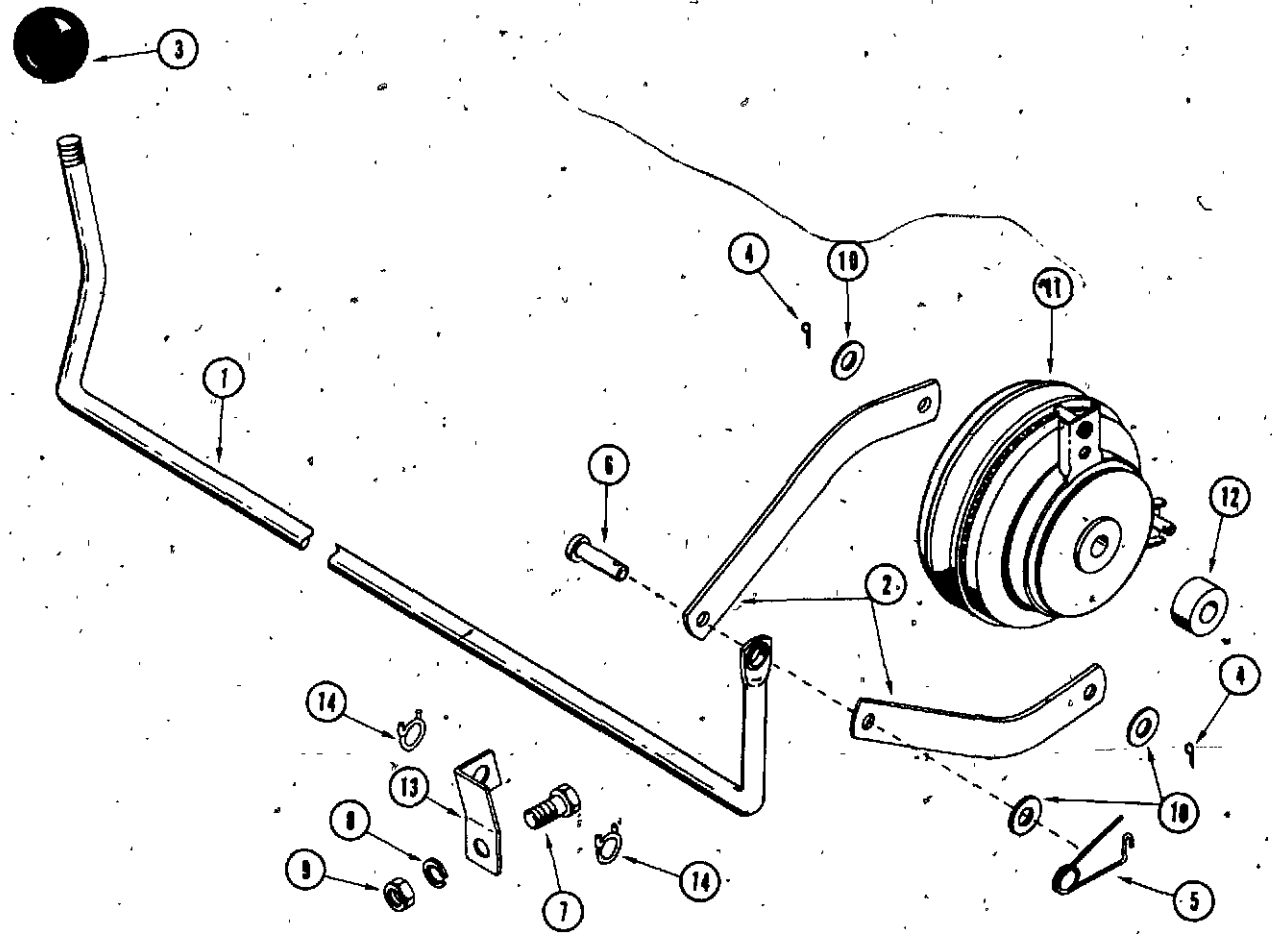
FUEL PUMP

30 KO 230675	FUEL PUMP KIT - for KOA235845 pump	1
NSS	SPRING - fuel pump valve	2
NSS	VALVE - fuel pump	2
NSS	GASKET - valve	1
NSS	DIAPHRAGM ASSEMBLY	1
NSS	SPRING - diaphragm	1
31 A 72108	GASKET - fuel pump mounting	1
32 KO 236387	FUEL PUMP KIT - for C22987 pump	1
NSS	GASKET - valve housing	1
NSS	VALVE ASSEMBLY	2
NSS	GASKET - valve	2
NSS	DISPHRAGM ASSEMBLY	1
NSS	SPRING - diaphragm	1
31 A 72108	GASKET - fuel pump mounting	1

A72073 CARBURETOR



REF. PART NO.	DESCRIPTION	REQ'D
	CARBURETOR ASSY	1
1	A 72073 JET ASSY - high speed & idle adj.	1
2	A 72077 SPRING - idle jet.	1
3	KO 200383 SPRING - choke detent ball	1
4	A 72085 BALL - 1/8" steel	1
5	211- 3 SCREW - #3-48 rd. hd. mach., brass.	4
6	F 19895 VALVE ASSY - choke disc	1
7	A 72074 INLET NEEDLE & SEAT ASSY.	1
8	KO200443 GASKET - needle seat	1
9	A 72102 PIN - carburetor float	1
10	F 19892 FLOAT ASSY	1
11	KO 200408 GASKET - carburetor bowl ring	1
12	KO 200439 GASKET - carburetor bowl	1
13	KO 235448 BOWL - carburetor	1
14	KO 235447 NUT & GASKET ASSY - bowl	1
15	KO 200372 GASKET - bowl screw	1
16	A 72101 SEAT - high idle jet	1
17	A 72075 SHAFT & LEVER ASSY - choke	1
18	A 72087 PLUG - 3/8" expansion	1
19	A 72098 SPRING - lean-rich adjusting screw	1
20	A 72099 SCREW - adjusting (lean-rich)	1
21	A 72090 VALVE - throttle disc	1
22	A 72088 PLUG - carb. body passage	1
23	A 72089 SHAFT - throttle lever	1
24	A 72097 SEAL - throttle shaft	1
25	A 72094 DOG ASSY - throttle shaft	1
26	A 72092 SCREW - idle stop	1
27	KO200380 SPRING - idle screw tension	1
28	169- 77 SCREW - throttle dog clamp #8 x 1/2" N.C. fill. hd.	1
29	A 72096 LEVER - throttle	1
30	A 72095 SCREW ASSY - throttle lever	1
31	NSS BODY - carb. (Order A72073 Carb. Assy)	1
32	A 72103 KIT - carburetor repair	1

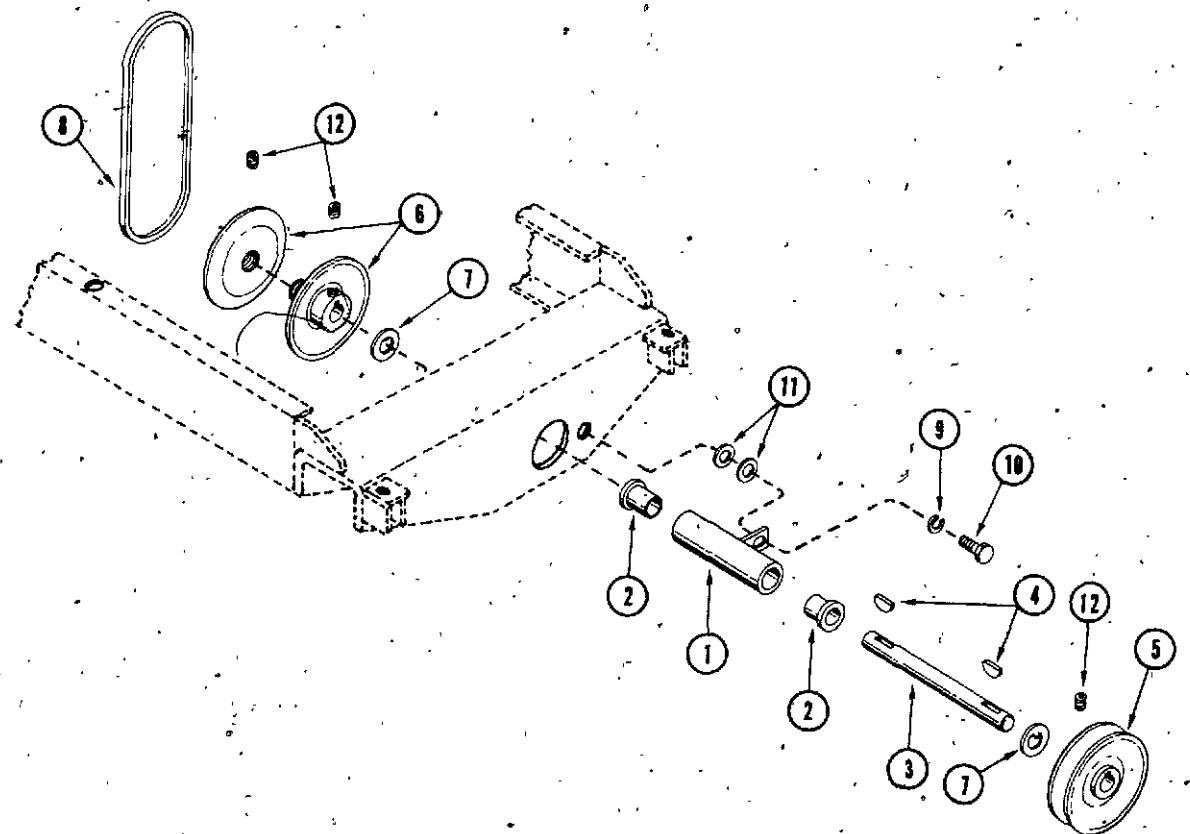


PULLEY CLUTCH

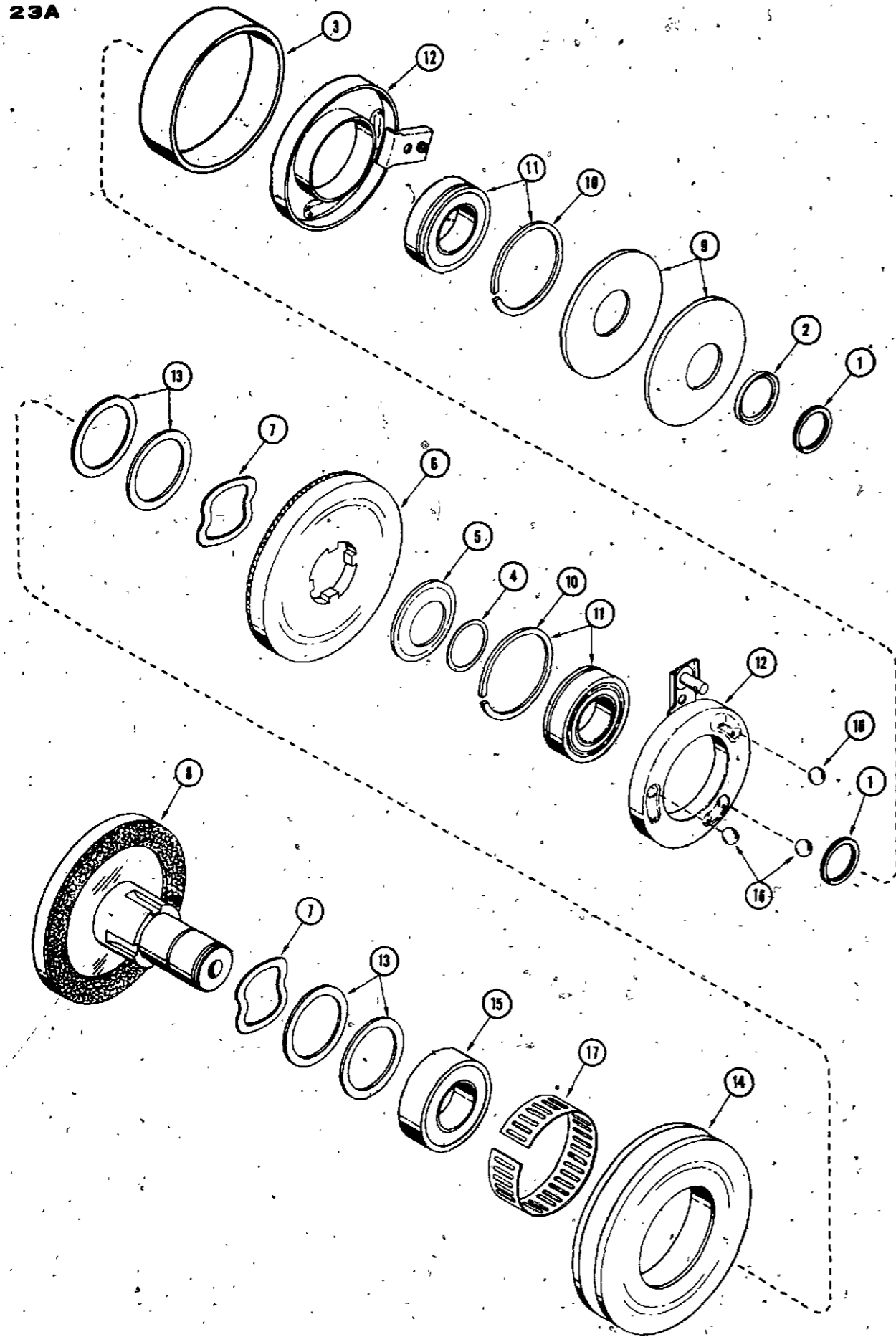
REF. PART NO.	DESCRIPTION	REQ'D.
1 C 14094 NSS	LEVER - clutch control with bushing	1
2 C 12094	BUSHING - fliplock (Order part number C14094)	1
3 C 10487	LINK - clutch control	2
4 132- 24	KNOB - lever	1
5 C 10883	PIN - cotter 3/32" x 1/2"	2
6 D 23693	PIN - safety	1
7 115- 103	PIN - clevis 1/4" x 3/4"	1
8 192- 20	BOLT - 5/16"-18 N.C. x 3/4" plated	1
9 129- 102	LOCKWASHER - 5/16" SAE plated	1
10 195- 517	NUT - 5/16" N.C., plated	1
11 NSS	WASHER - 1/4" plain plated	3
12 C 10312	CLUTCH - PTO "V" belt (Repairs see page 60)	1
13 C 12608	SPACER - fan, short	1
14 C 12813	BRACKET - PTO control	1
	CLAMP - 3/8" I.D.	2

E-6 FRONT P. T. O. (OPTIONAL)

1 C 13244	CARRIER - pivot (Includes 2 C10502 bearings)	1
2 C 10502	BEARING - sintered bronze	2
3 C 10503	SHAFT - PTO pulley	1
4 126- 22	KEY - Woodruff #13	2
5 C 10504	PULLEY - drive	1
6 C 10505	PULLEY - driven adjustable	1
7 C 10506	WASHER - thrust	2
8 C 10507	BELT - 3 V section 30"	1
9 192- 21	LOCKWASHER - 3/8"	1
10 115- 203	BOLT - 3/8" x 7/8" N.C., hex	1
11 195- 522	WASHER - 3/8" plain	1
12 83- 56	SETSCREW - 5/16" x 3/8" socket head	3



23A



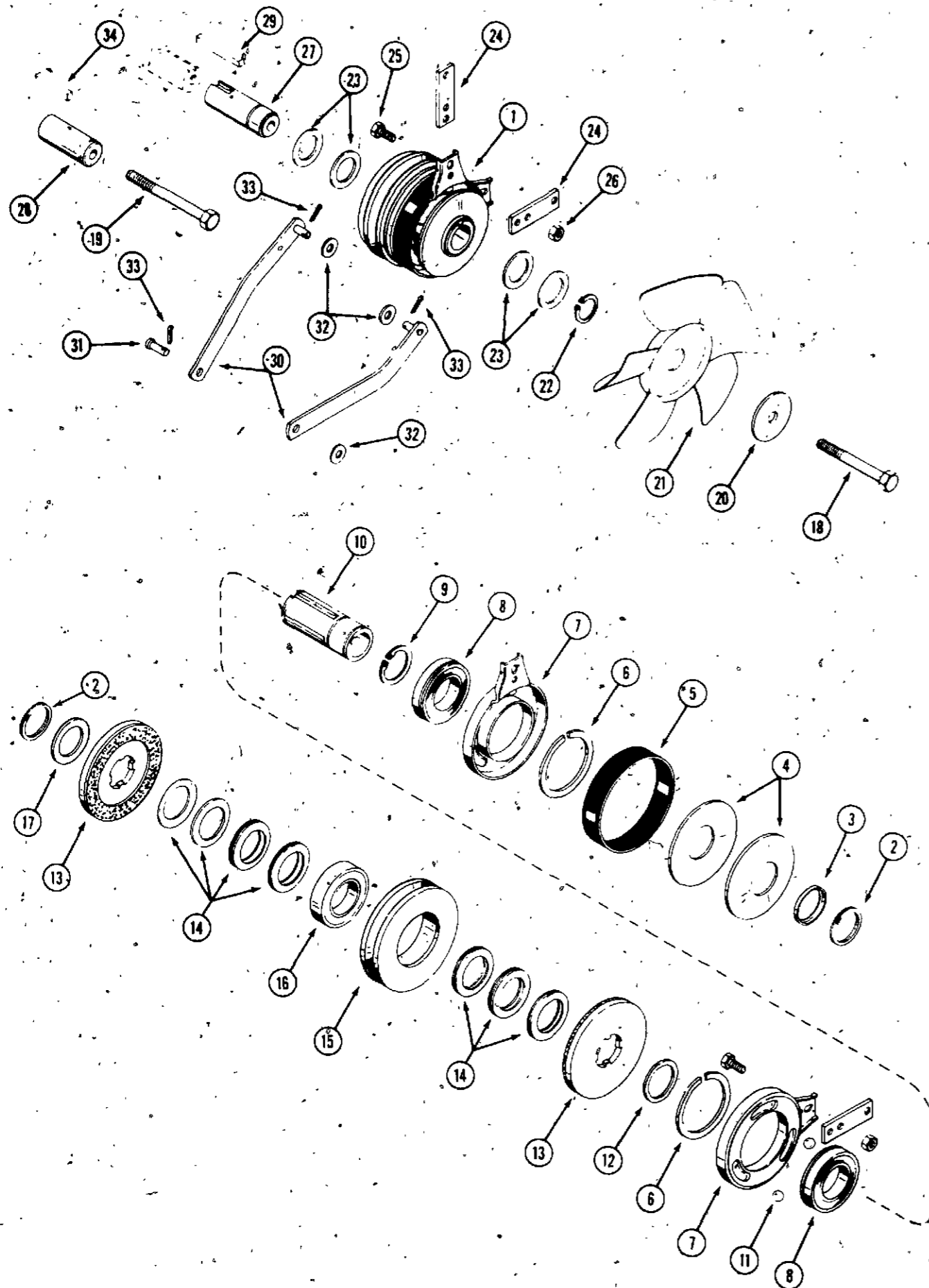
CASE 155 AND 195 GARDEN TRACTORS

23B

C10311 PULLEY CLUTCH

(ORDER C19696 KIT FOR REPLACEMENT)

REF. PART NO.	DESCRIPTION	REQ'D.
1 C 13086	RING - retainer.....	2
2 C 13089	RETAINER.....	1
3 T 36619	COVER - cam.....	1
4 T 36615	SPACER - shim.....	1
5 C 13081	SPACER - drive plate.....	1
6 C 13080	PLATE - friction.....	1
7 C 13077	WASHER - spring.....	2
8 NSS	HUB - assembly (order C19696 kit).....	1
9 C 13087	SPRING - load.....	2
10 NSS	RING - stop (furnished with Part No. C 13085).....	2
11 C 13085	BEARING - cam w/ stop ring.....	2
12 C 13083	CAM - assembly.....	2
13 C 13076	SPACER - pulley bearing.....	4
14 C 14095	PULLEY - (Requires C14039 ring).....	1
15 C 13079	BEARING - pulley.....	1
16 211- 9	BALL - cam.....	3
17 C 14039	RING - pulley tolerance.....	1



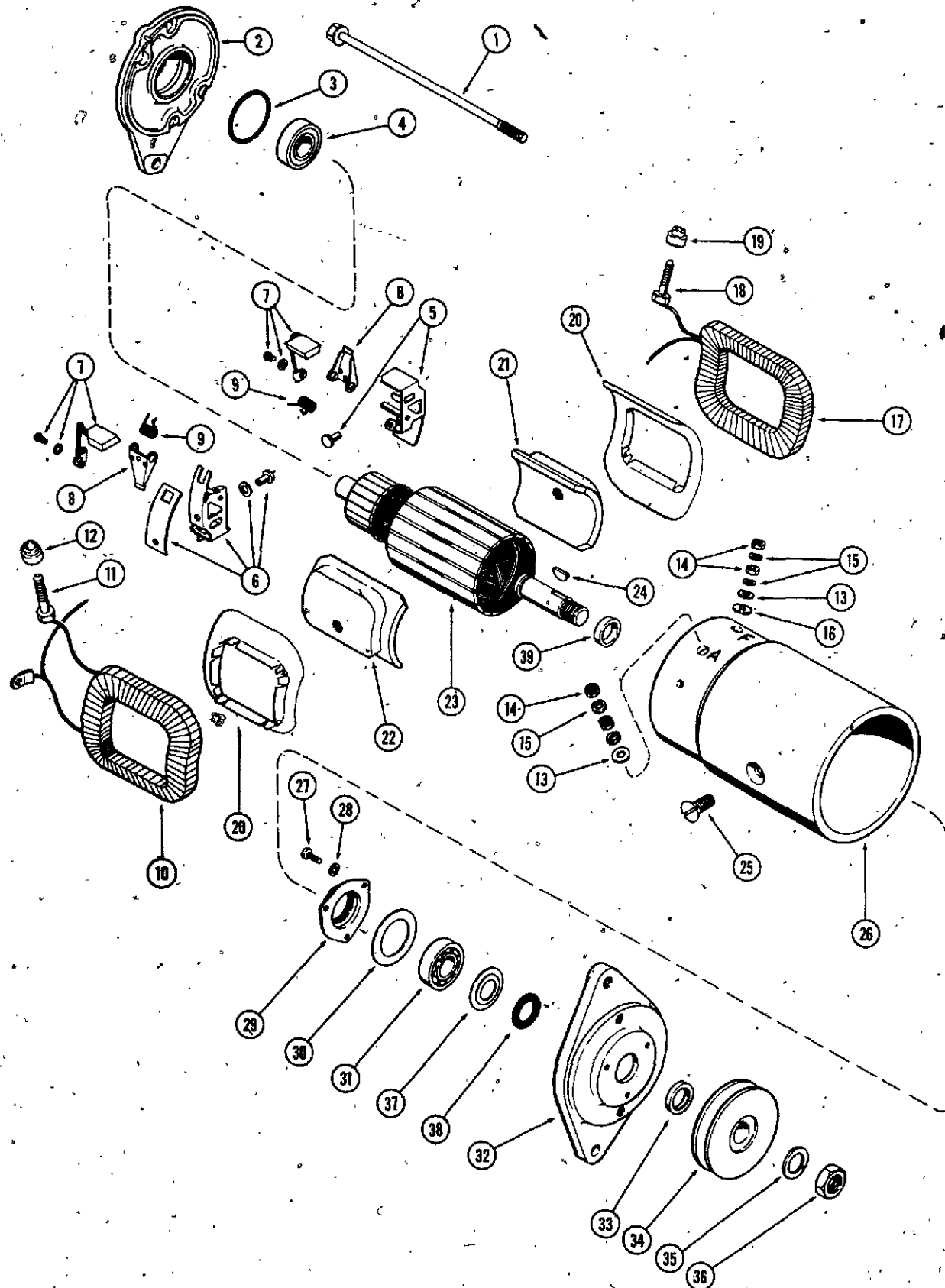
C19696 CLUTCH KIT

(FOR REPLACEMENT OF C10311 CLUTCH)

REF. PART NO.	DESCRIPTION	REQ'D
1 C 19493	CLUTCH ASSEMBLY	1
2 C 19891	RING - snap	2
3 C 19892	RETAINER - snap ring	1
4 C 19890	SPRING - load	2
5 C 19889	COVER - cam	1
6 NSS	RING - bearing (see ref. No. 8)	2
7 C 19894	CAM - clutch	2
8 C 19893	BEARING - cam (includes ring)	2
9 C 19896	RING - snap, hub	1
10 C 19895	HUB - clutch	1
11 211- 12	BALL - cam	3
12 C 19898	SPACER	1
13 C 13080	PLATE ASSEMBLY - pressure	2
14 C 19897	WASHER - spring, belleville	12
15 C 19706	PULLEY - clutch	1
16 C 13079	BEARING - pulley	1
17 C 19899	SHIM	1
18 13- 656	BOLT - 3/8 x 3-1/2" NC hex	1
19 13- 664	BOLT - 3/8 x 4" NC hex	1
20 195- 2036	WASHER - 13/32 x 2" O.D.	1
21 C 16616	FAN	1
22 B 18208	RING - snap	1
23 F 41695	WASHER - spacer 1"	2
24 C 19492	ARM - clutch extension	4
25 26- 410	BOLT - 1/4 x 5/8" NC hex	2
26 131- 350	NUT - lock 1/4"	4
27 C 19494	SHAFT - clutch, front PTO	1
28 C 19638	SHAFT - clutch, rear traction drive	1
29 127- T	KEY - 1/4" x 1/4 x 2-1/4" long	1
30 C 19491	LINK - clutch control	2
31 141- 2	PIN - clevis 1/4 x 3/4"	3
32 195- 17	WASHER - 1/4"	8
33 132- 24	PIN - cotter	5
34 O 1117-CH	KEY - 1/4 x 1/4 x 1-3/4" long	1

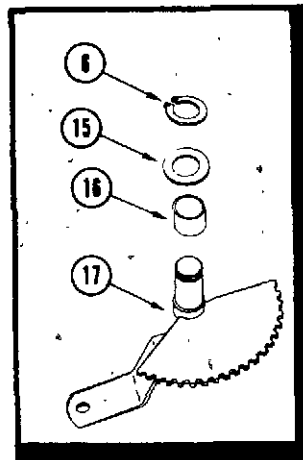
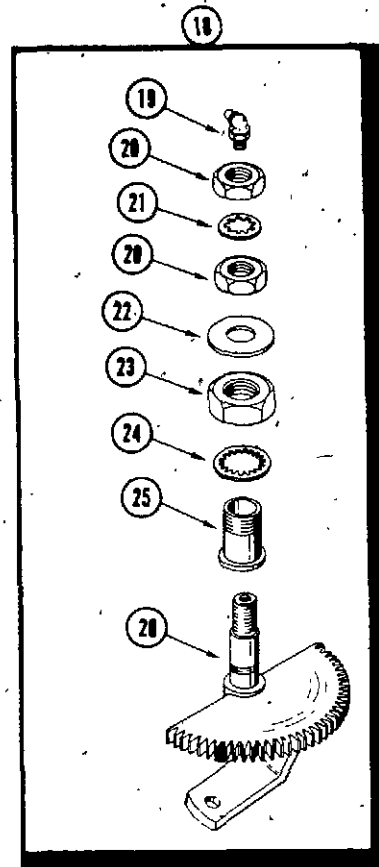
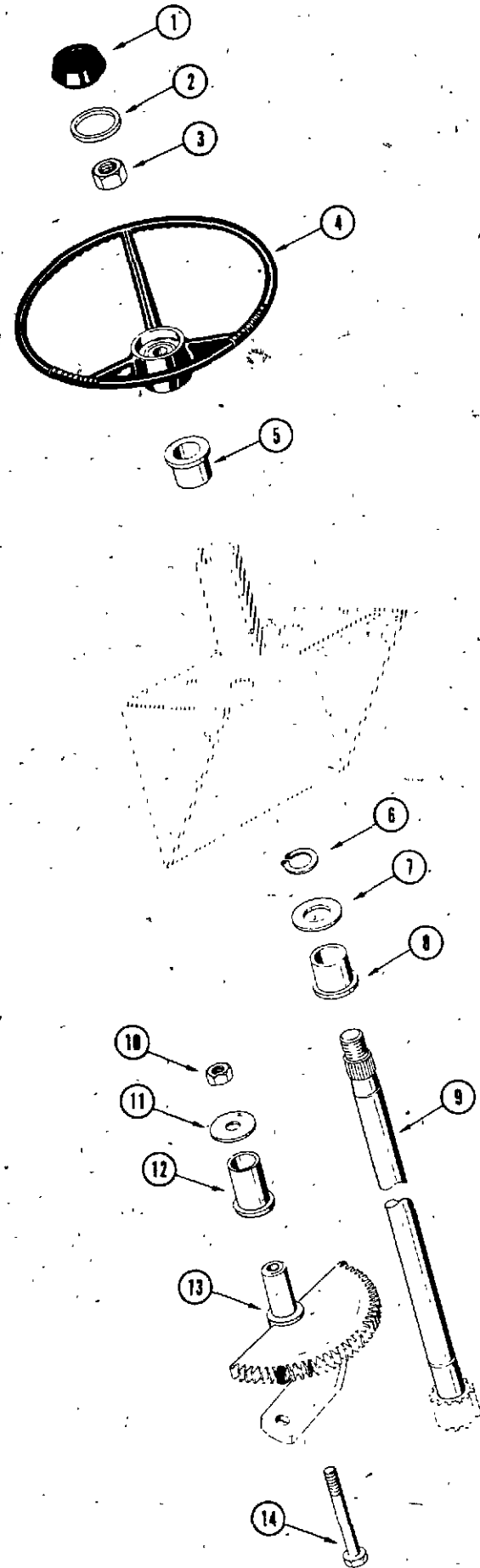
A70202 STARTER-GENERATOR

(DELCO NO. 1101970)



REF. PART NO.	DESCRIPTION	REQ'D
1 R 15106	BOLT - thru (includes washer)	2
2 A 72104	FRAME ASSY - commutator end	1
3 R 15087	RING - bearing retainer	1
4 A 25461	BEARING - commutator end ball	1
5 A 72039	HOLDER KIT - ground brush	1
6 A 72040	HOLDER KIT - insulated brush	1
7 A 72038	BRUSH ASSY	2
8 R 15090	ARM - brush pressure	2
9 A 25423	SPRING - brush arm	2
10 A 72042	COIL ASSY - field R. H.	1
11 A 72048	STUD - armature terminal	1
12 R 16147	BUSHING - insulated, armature stud	1
13 A 41927	WASHER - armature stud	2
14 192- 8	NUT - terminal stud 12-24 hex	4
15 192- 17	LOCKWASHER - terminal stud #12	4
16 R 16148	WASHER - insulated, field stud	1
17 A 72043	COIL ASSY - field, L.H.	1
18 NSS	STUD - field terminal (Order item 40)	1
19 R 15077	BUSHING - insulated, field stud	1
20 A 25447	INSULATOR - field coil	2
21 A 40736	SHOE - pole, plain	1
22 A 40736	SHOE - pole, notched	1
23 A 72041	ARMATURE	1
24 126- 111	KEY - woodruff, armature	1
25 74- 610	SCREW - pole	2
26 NSS	BODY - starter generator (order A70202)	1
27 173- 237	SCREW - 10-32 x 1/2" rd. hd.	3
28 192- 18	LOCKWASHER - 3/16" plated	3
29 A 44433	RETAINER ASSY - bearing	1
30* NSS	GASKET - bearing retainer (Order A44433)	1
31 A 43356	BEARING - ball, drive end	1
32 A 72046	FRAME ASSY - drive end	1
33 A 72047	SPACER - pulley	1
34 C 14344	PULLEY - starter - generator drive	1
35 192- 26	LOCKWASHER - 11/16" plated	1
36 A 25546	NUT - armature shaft, drive end	1
37 A 43499	RETAINER - grease	1
38* NSS	SEAL - felt (Order A44433)	1
39 NSS	SPACER - armature shaft, inner	1
40 A 40702	KIT - stud (includes items 16, 18 and 19)	1

*Bearing retainer gasket and felt seal, no longer required. Service with new retainer assembly.

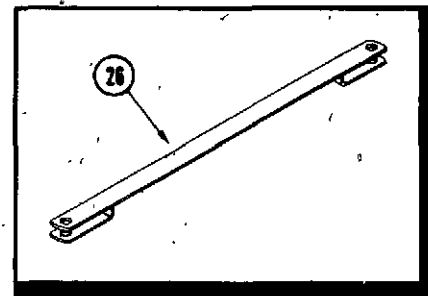


STEERING GEAR

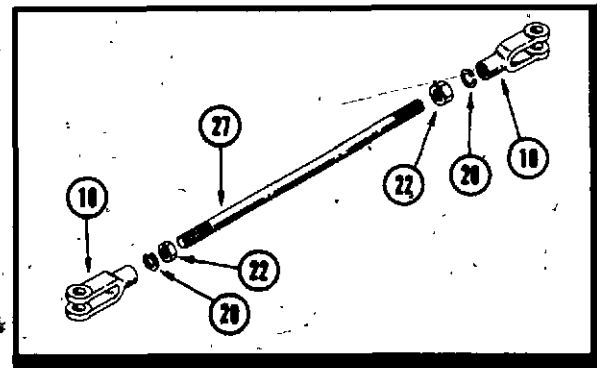
REF. PART NO.	DESCRIPTION	REQ'D
1	CAP - steering wheel	1
2	RING - cap retainer	1
3	NUT - jam 5/8" N.F. hex	1
4	WHEEL - steering	1
5	BUSHING - nylon	1
6	RING - retaining	1
7	WASHER - thrust	1
8	BUSHING - flanged	1
9	SHAFT - steering (155)	1
9	SHAFT - steering (195)	1
10*	NUT - lock 5/16" N.C. hex	1
11*	WASHER - plain	1
12*	BUSHING - flanged	1
13*	GEAR - steering	1
14*	BOLT - 5/16" x 2-1/2" N.C. hex	1
15**	WASHER	1
16**	BUSHING	1
17**	GEAR - steering (Order C13801 Kit)	1
18**	KIT - steering gear (Includes Ref. No's. 19 through 26)	1
19	FITTING - lube	1
20	NUT - jam 5/8" N.C. hex Z.P.	2
21	LOCKWASHER - 5/8" internal tooth	1
22	WASHER - plain	1
23	NUT - jam 7/8" N.C. hex Z.P.	1
24	LOCKWASHER - 7/8" internal tooth	1
25	BUSHING - flanged	1
26	GEAR - steering	1

* Used on Model 155 Tractors with Serial Number 9618951 and above.
 * Used on Model 195 Tractors with Serial Number 9622282 and above.

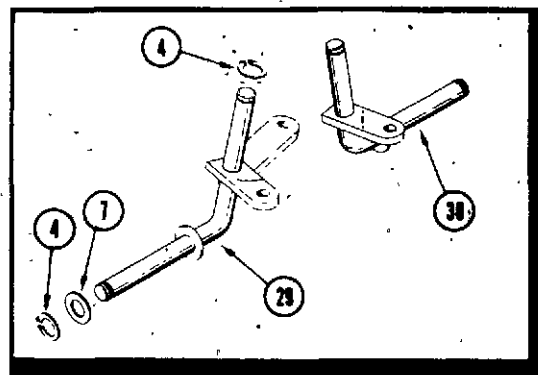
** Applicable to Model 155 Tractors with Serial Number 9618950 and below.
 ** Applicable to Model 195 Tractors with Serial Number 9622281 and below.



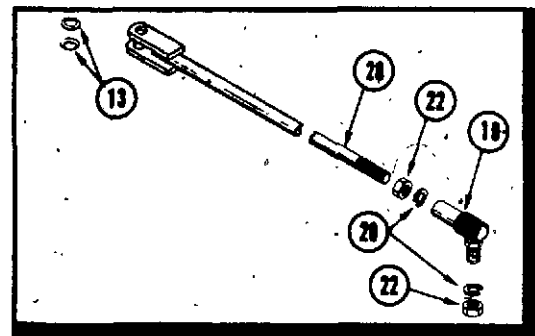
USED PRIOR TO S/N 9616833



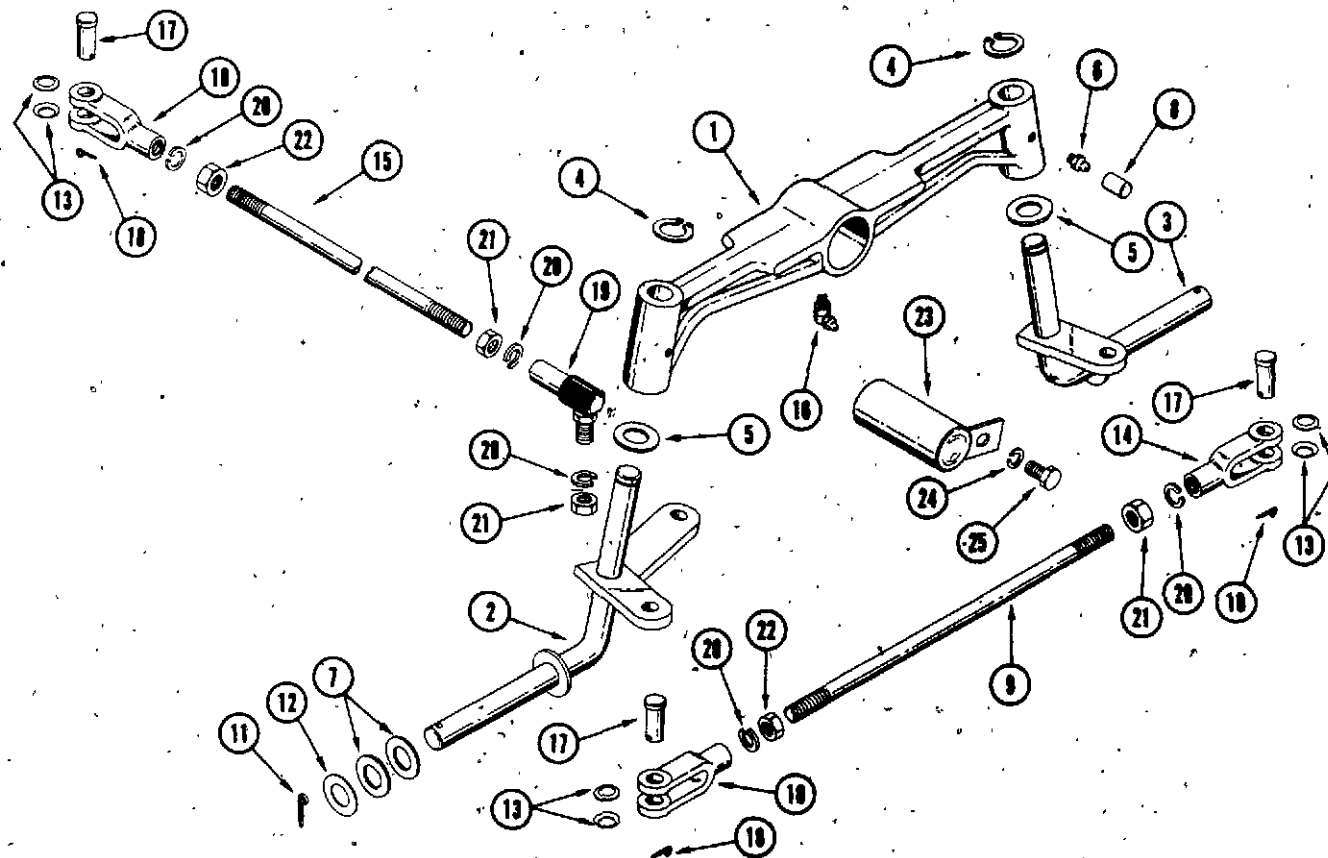
USED FROM S/N 9616833 TO 9622667



USED PRIOR TO S/N 9618948

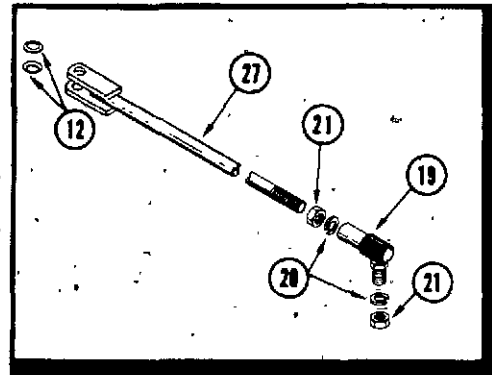


USED PRIOR TO S/N 9622668

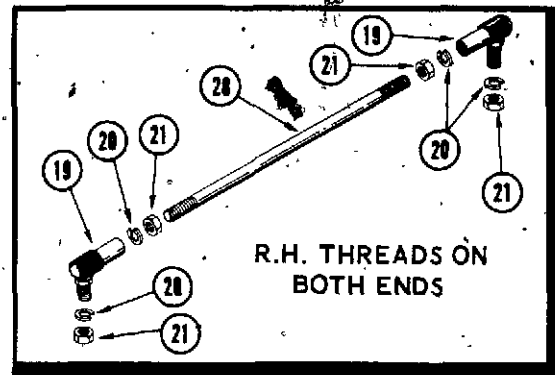


155 FRONT AXLE

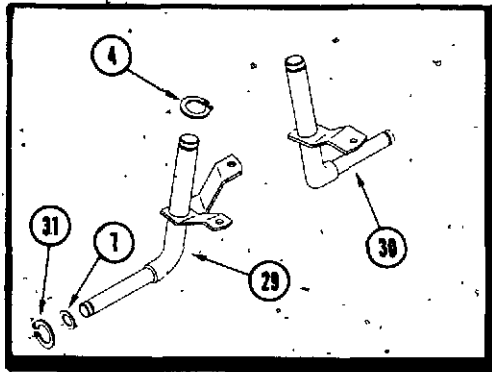
REF. PART NO.	DESCRIPTION	REQ'D
1 C 11999	AXLE - front	1
2 C 13583	SPINDLE - R.H. (Used S/N 9618948 and after)	1
3 C 13584	SPINDLE - L.H. (Used S/N 9618948 and after)	1
4 T 25683	RING - external retaining, 3/4"	2
5 C 11906	WASHER - thrust	2
6 219- 8	FITTING - lube	2
7 A 30881	WASHER - wheel spacer	UAR
8 C 13106	COVER - lube fitting	3
9 C 13677	TIE ROD - (Used in production S/N 9622668 and after)	1
10 C 10952	YOKE - tie rod N.C. thread	2
11 132- 311	PIN - cotter 5/32" x 1-1/4" (For C13583 & C13584 spindles)	2
12 C 12975	WASHER - wheel spindle (For C13583 & C13584 spindles)	2
13 C 12115	WASHER - wavy	6
14 C 13603	YOKE - tie rod N.F. thread (Used with C13677 tie rod)	1
15 C 12526	ROD - drag link (Used in production S/N 9622668 and after)	1
16 219- 38	FITTING - lube 45°	1
17 141- 56	PIN - clevis	3
18 132- 47	PIN - cotter 1/8" x 7/8"	3
19 C 12102	JOINT - ball	1
20 92- 8	LOCKWASHER - 1/2"	5
21 25- 118	NUT - 1/2" N.F. hex (For C13677 tie rod & C12526 drag link)	3
22 25- 108	NUT - 1/2" N.C. hex	2
23 C 19009	PIN - axle pivot	1
24 192- 21	LOCKWASHER - 3/8"	1
25 113- 205	BOLT - 3/8" x 5/8" N.C. hex	1
26 NSS	TIE BAR - not available (Order items 9, 10, 13, 14, 17, 18, 20, 21, & 22)	1
27 NSS	TIE ROD - not available (Order items 9, 14, 17, 18, 20, & 21)	1
28 NSS	ROD - drag link (Order items 10, 13, 15, 17, 18, 20, & 22)	1
29 NSS	SPINDLE, R.H., not available (Order items 2, 11, & 12)	1
30 NSS	SPINDLE, L.H., not available (Order items 3, 11, & 12)	1



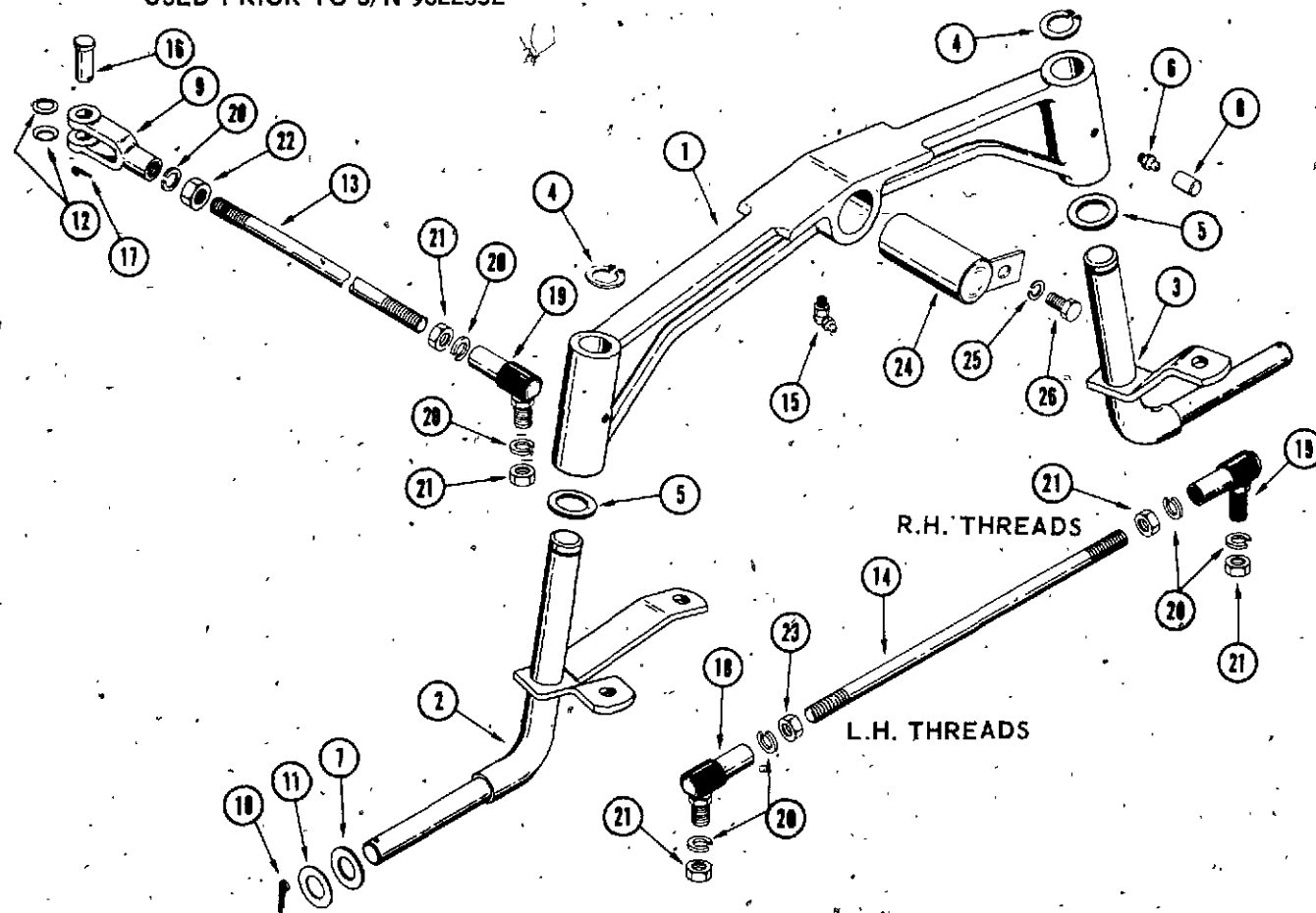
USED PRIOR TO S/N 9627170



USED PRIOR TO S/N 9627190

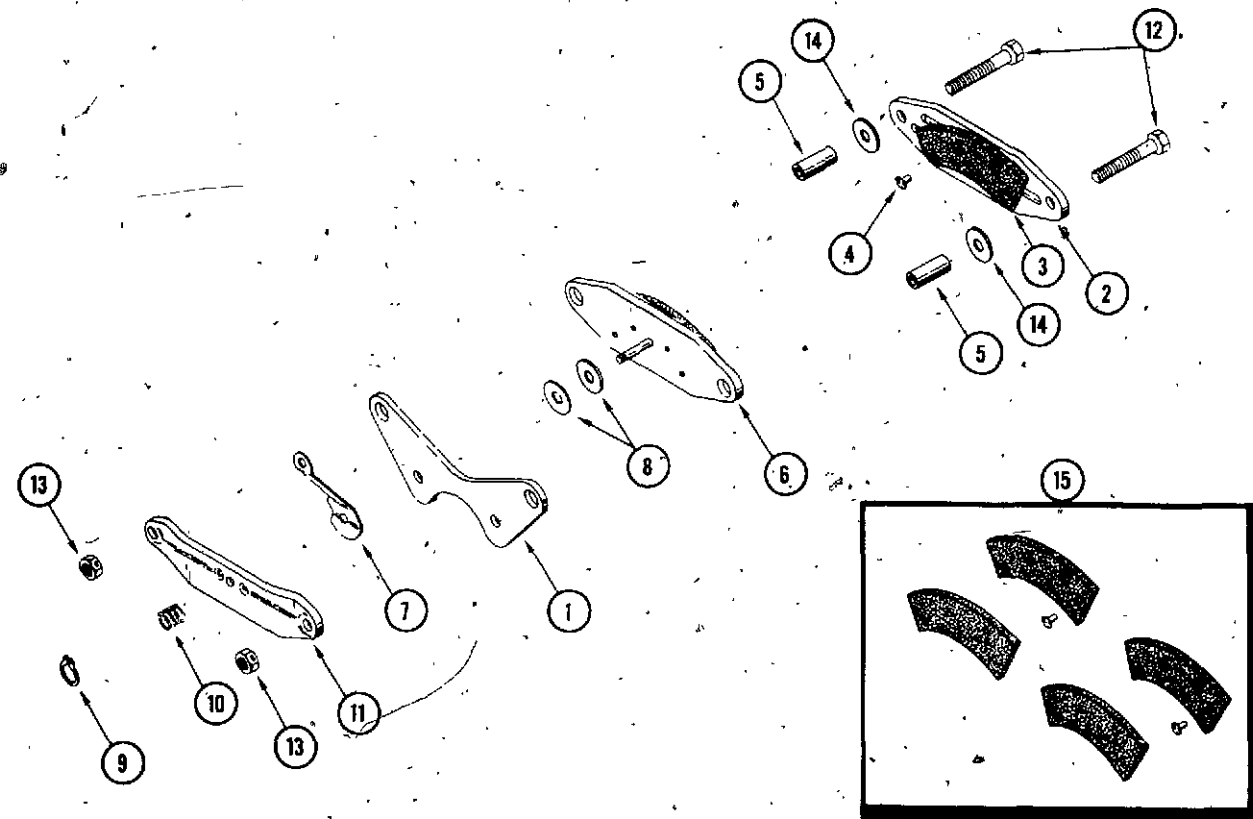
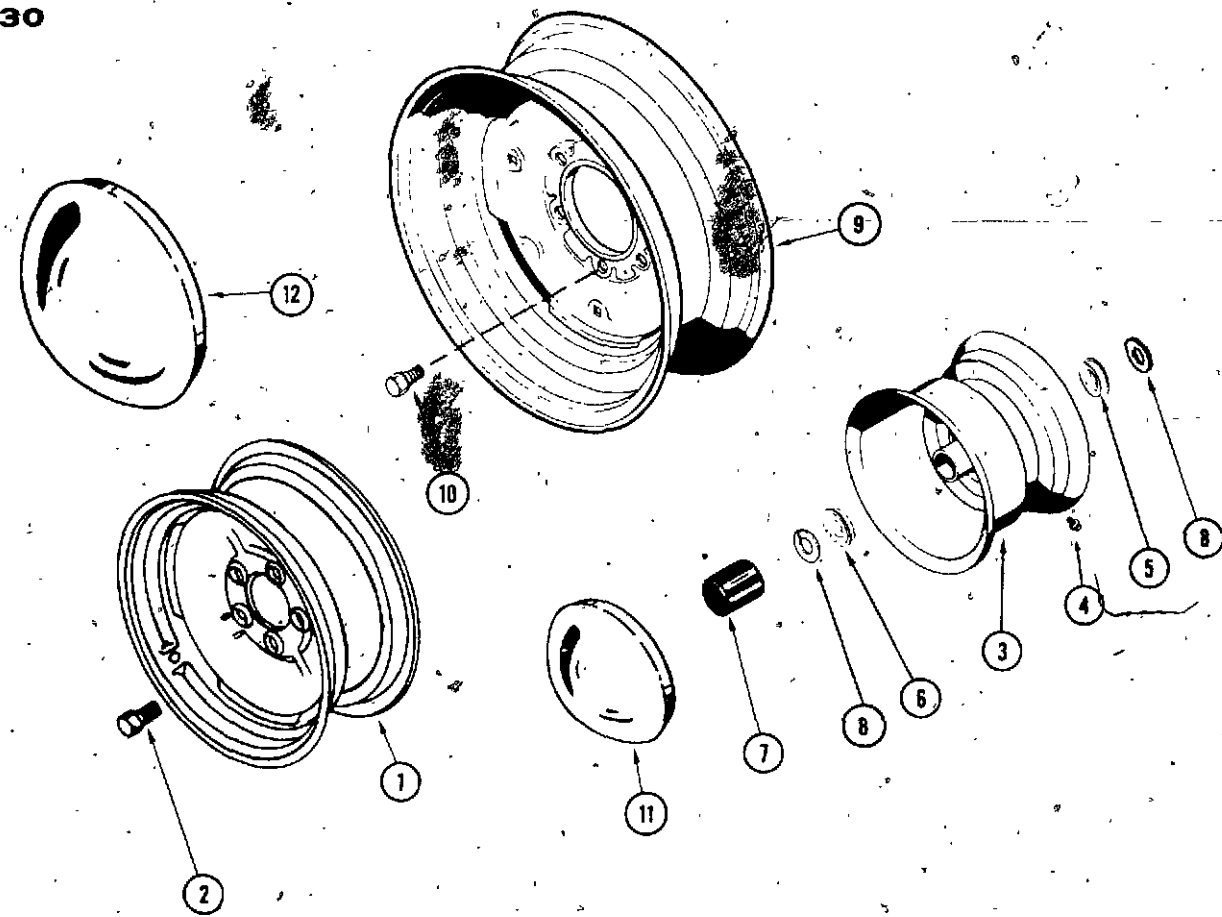


USED PRIOR TO S/N 9622352



195 FRONT AXLE

REF. PART NO.	DESCRIPTION	REQ'D
1 C 12000	AXLE - front	1
2 C 13586	SPINDLE - R.H. (Used in production S/N 9622352 and after)	1
3 C 13587	SPINDLE - L.H. (Used in production S/N 9622352 and after)	1
4 B 18208	RING - external retaining, 1"	2
5 C 13716	WASHER - thrust	2
6 219- 8	FITTING - lube	2
7 A 30881	WASHER - wheel spacer	2
8 C 13106	COVER - lube fitting	3
9 C 10952	YOKE - adjustable	1
10 132- 311	PIN - cotter 5/32" x 1-1/4" (For C13586 & C13587 spindles)	2
11 C 12975	WASHER - wheel spindle (For C13586 & C13587 spindles)	2
12 C 12115	WASHER - wavy	2
13 C 12103	ROD - drag link (Used in production S/N 9627170 and after)	1
14 C 13679	TIE ROD - (Used in production S/N 9627170 and after)	1
15 219- 38	FITTING - lube 45°	1
16 141- 56	PIN - clevis	1
17 132- 47	PIN - cotter 1/8" x 7/8"	1
18 C 13605	JOINT - ball 1/2" L.H. thread (For C13679 tie rod)	1
19 C 12102	JOINT - ball 1/2" R.H. thread	2
20 92- 8	LOCKWASHER - 1/2"	7
21 25- 118	NUT - 1/2" N.F. hex	5
22 25- 108	NUT - 1/2" N.C. hex	1
23 129- 325	NUT - 1/2" N.F. hex L.H. thread (For C13679 tie rod)	1
24 C 19009	PIN - axle pivot	1
25 192- 21	LOCKWASHER - 3/8"	1
26 113- 205	BOLT - 3/8" x 5/8" N.C. Hex	1
27 NSS	ROD - drag link, not available (Order items 9, 12, 13, 16, 17, 20, & 22)	1
28 NSS	TIE ROD - not available (Order items 14, 18, 21, & 23)	1
29 NSS	SPINDLE - R.H., not available (Order items 2, 10, & 11)	1
30 NSS	SPINDLE - L.H., not available (Order items 3, 10, & 11)	1
31 T 25683	RING - external retaining, 3/4"	2



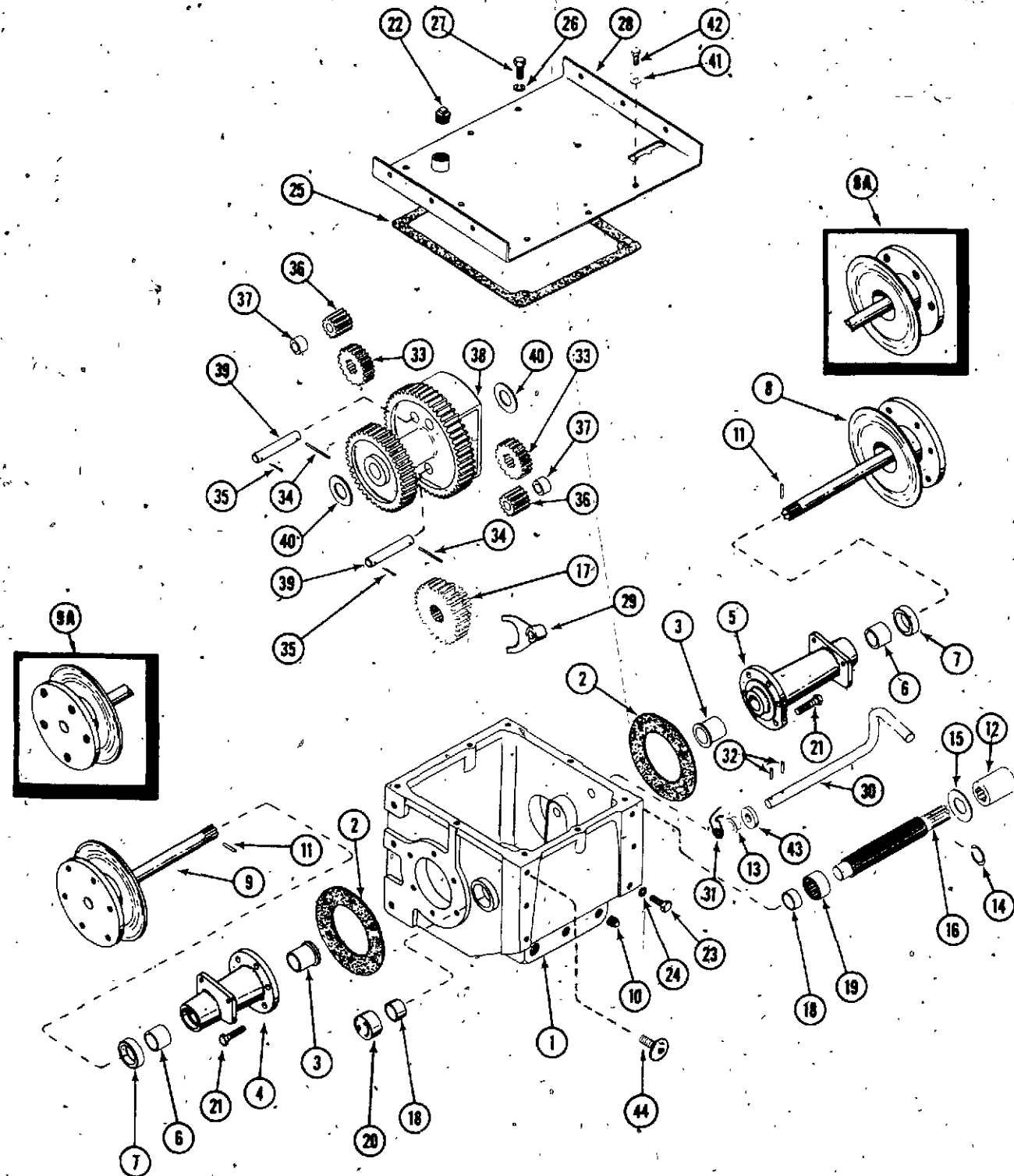
FRONT AND REAR WHEELS

REF. PART NO.	DESCRIPTION	Model	Model
		155	195
1 C 10263	WHEEL - rear (uses 5 bolts)	2	
2 C 10314	BOLT - rear wheel	10	
3 C 12081	WHEEL - front	2	2
4 219- 403	FITTING - lube, 1/8" NPT	2	2
5 C 12110	BEARING - front wheel (inner)	2	2
6 C 12111	BEARING - front wheel (outer)	2	2
7 C 12370	CAP - plastic, front wheel	2	2
8 T 25683	RING - external retainer	2	2
9 C 10317	WHEEL - rear (uses 6 bolts)	2	2
10 A 30064	BOLT - rear wheel		12
11 A 70062	CAP - hub cover front wheel (optional)	2	2
12 A 70185	CAP - hub cover rear wheel (optional)	2	

BRAKE ASSEMBLY

1 C 12140	BRACKET - brake - 155	1
1 C 12141	BRACKET - brake - 195	1
2 C 12621	CARRIER - solid side (includes lining)	1
3 NSS	LINING - friction	2
4 151- 106	RIVET - lining	8
5 C 12624	SPACER	2
6 C 12620	CARRIER - cam side (includes lining)	1
7 C 12623	CAM - actuating	1
8 C 13811	WASHER	2
9 C 14652	RING - external retaining	1
10 C 12625	SPRING - compression	1
11 C 12619	CAM - actuator	1
12 114- 201	BOLT - 3/8" x 2-1/4" N.F. Hex.	2
13 131- 366	NUT - lock, 3/8" N.F.	2
14 O 1594-N	WASHER	2
15 C 12656	KIT - brake lining	1
NSS	LINING - friction	4
114- 213	RIVET - lining	16

TRANSMISSION AND FINAL DRIVE

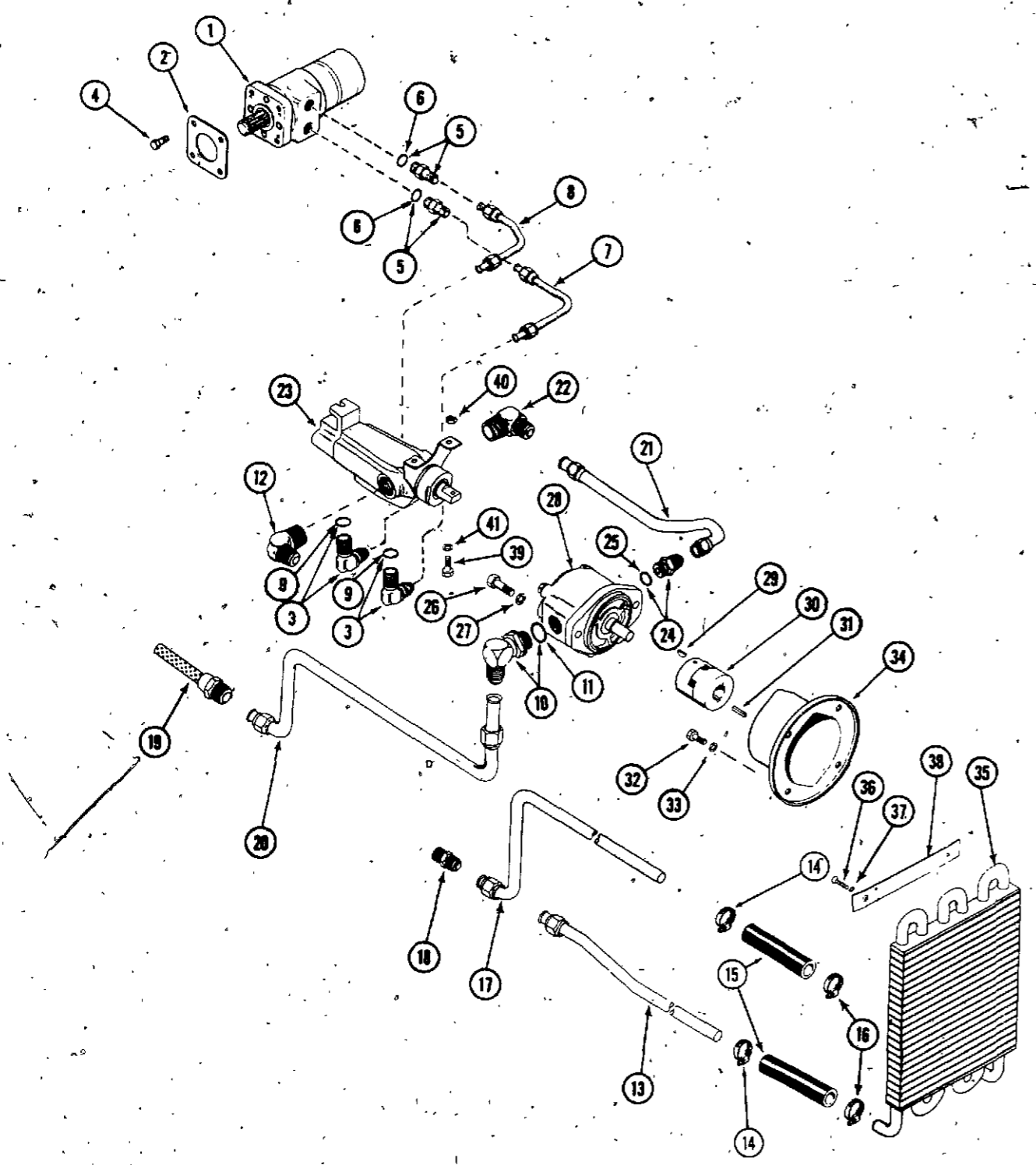


REF. PART NO.	DESCRIPTION	REQ'D
1 C 11640	CASE - transmission	1
2 A 70137	GASKET - housing to case	2
3 A 70142	BUSHING - flanged, rear axle housing	2
4 C 12147	HOUSING - rear axle, right hand	1
5 C 12146	HOUSING - rear axle, left hand	1
6 A 70141	BUSHING - plain, rear axle housing	2
7 A 70143	SEAL - rear axle housing	2
8 C 12144	SHAFT - axle, left hand (195)	1
8A C 12584	SHAFT - axle, left hand (155)	1
9 C 12143	SHAFT - axle, right hand (195)	1
9A C 12583	SHAFT - axle, right hand (155)	1
10 221- 4	PLUG - pipe, 1/2" square head	1
11 138- 102	PIN - axle retaining	2
12 C 10259	COUPLING - motor input	1
13 C 12156	BUSHING - nylon	1
14 B 18208	RING - coupling, retaining	1
15 C 10291	WASHER - input shaft stop	1
16 C 11998	SHAFT, transmission input	1
17 C 12009	CLUSTER - input gear	1
18 C 10299	RACE - bearing inner	2
19 F 19478	BEARING - input shaft, middle	1
20 C 12013	BEARING - input shaft, end	1
21 A 70127	BOLT - 3/8" x 1-1/4" N.C., special sealing	12
22 C 10303	PLUG - breather, transmission	1
23 13- 820	BOLT - 1/2" x 1-1/4", case to frame	6
24 92- 8	LOCKWASHER, 1/2" SAE	6
25 C 10302	GASKET - transmission case cover	1
26 92- 5	LOCKWASHER - 5/16" SAE	7
27 13- 512	BOLT - 5/16" x 3/4" N.C., trans. cover	7
28 C 10296	COVER - transmission case	1
29 C 12011	FORK - gear shift	1
30 C 10254	LEVER - shift	1
31 C 10261	SPRING - shift lever	1
32 138- 2002	PIN - shift fork, locating	2
33 C 10253	GEAR - differential	2
34 138- 2036	PIN - differential pin, locking	2
35 132- 69	PIN - cotter, 5/32" x 1"	4
36 C 10252	PINION - differential	4
37 A 70131	SPACER - differential pinion	4
38 C 10243	HOUSING - differential gear	1
39 C 10298	PIN - differential pinion	4
40 C 10292	WASHER - transmission	2
41 95- 5	WASHER - 5/16" SAE, plain	3
42 13- 510	BOLT - 5/16" x 5/8" trans. cover	1
43 C 11332	SEAL - shift shaft oil	1
44 C 12729	BOLT - 1/2" x 1" N.C. Hex, Socket Button Head (155)	1

HYDRAULIC SYSTEM

Used on Model 155 Tractors Prior to Serial Number 9623328
 Used on Model 195 Tractors Prior to Serial Number 9627528

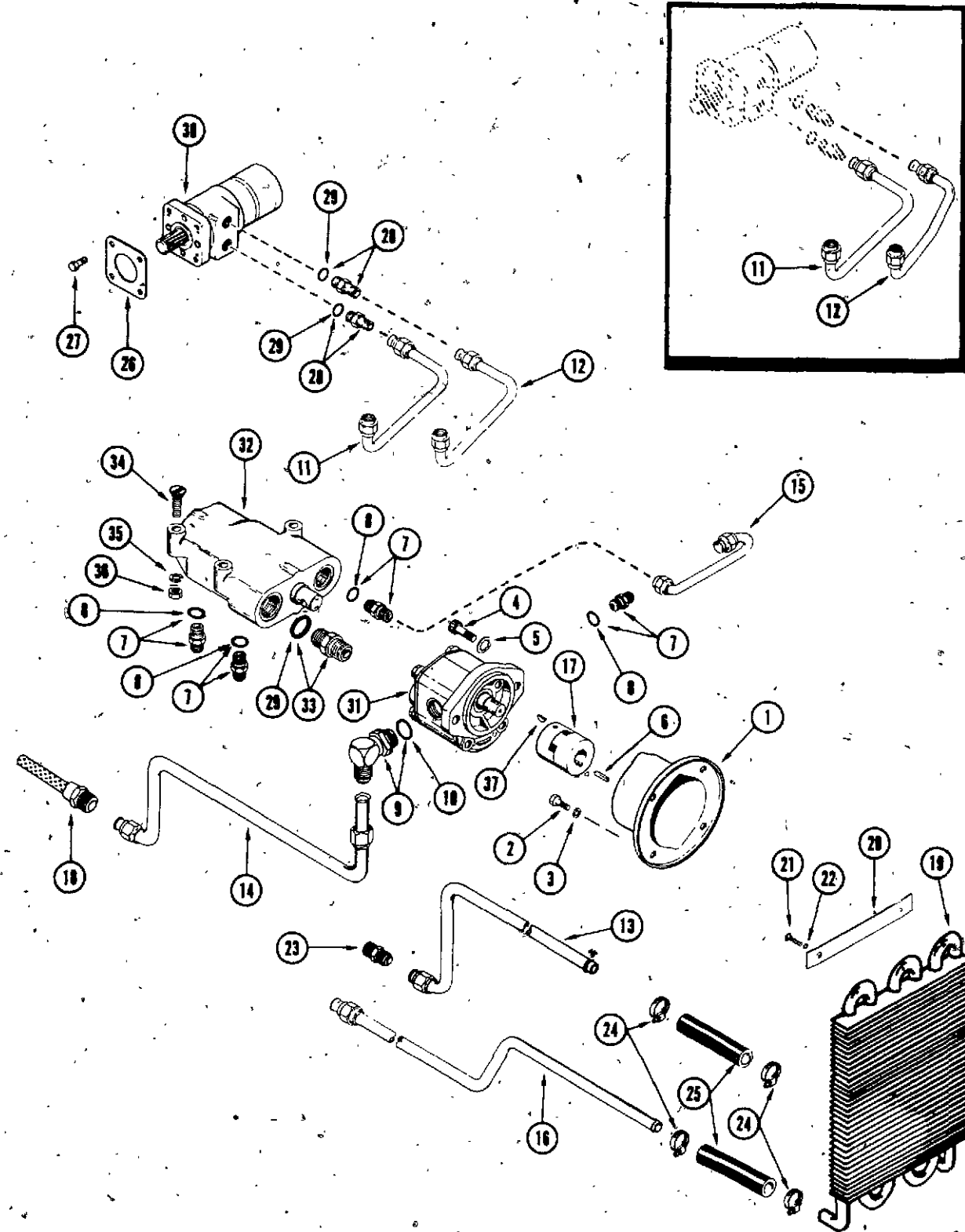
REF. PART NO.	DESCRIPTION	REQ'D
1 C 12304	MOTOR - hydraulic (195) Repairs Page 41	1
1 C 12305	MOTOR - hydraulic (155) Repairs Page 41	1
2 A 70128	GASKET - motor to transfer case	1
3 218- 5106	FITTING - 90° elbow, 1/2" tube x 3/4"-16 "O" ring	2
4 A 70127	BOLT - special, Jay-Lock	4
5 218- 5080	FITTING - 1/2" tube x 7/8" thread	2
6 218- 5007	"O" RING - 5/8"	2
7 C 12394	TUBE - frt. valve port to motor (195)	1
7 C 12396	TUBE - frt. valve port to motor (155)	1
8 C 12395	TUBE - rear valve port to motor (195)	1
8 C 12397	TUBE - rear valve port to motor (155)	1
9 218- 5008	"O" RING - 1/2"	2
10 218- 5108	FITTING - 90°, 3/4" tube x 1-1/16" thread	1
11 218- 5008	"O" RING - 3/4"	1
12 218- 494	FITTING - 90°, 5/8" tube x 3/4" NPT	1
13 C 10266	TUBE - heat exchanger to valve	1
14 214- 253	CLAMP - hose	2
15 C 18721	HOSE	2
16 214- 253	CLAMP - hose	2
17 C 10267	TUBE - trans. to heat exchanger (195)	1
17 C 12067	TUBE - trans. to heat exchanger (155)	1
18 218- 445	FITTING - 3/4" tube x 3/4" NPT	1
19 A 70117	FITTING - w/filter	1
20 C 10264	TUBE - pump to transmission (195)	1
20 C 12070	TUBE - pump to transmission (155)	1
21 C 12142	TUBE - pump to valve	1
22 218- 1056	FITTING - 90° elbow, 1/2" tube x 3/4" thread	1
23 C 12149	VALVE - control (Repairs Page 37)	1
24 218- 5059	FITTING - "O" ring, 1/2" tube x 3/4" thread	1
25 218- 5006	"O" RING - 1/2"	1
26 166- 561	SCREW - ferry cap, 7/16"-20 x 1"	2
27 193- 31	LOCKWASHER - 7/16" external tooth	2
28 C 10493	PUMP - hydraulic (195) (Repairs Page 39)	1
28 C 10258	PUMP - hydraulic (155) (Repairs Page 39)	1
29 126- 12	KEY - Woodruff	1
30 A 70111	COUPLING - (Repairs Page 39)	1
31 W 5083-S	KEY - 1/4" square x 3/4"	1
32 115- 204	BOLT - 3/8" x 1" N.C. hex plated	4
33 192- 21	WASHER - 3/8" plated	4
34 A 70109	SUPPORT - hydraulic pump mounting	1
35 C 12072	EXCHANGER - heat	1
36 171- 209	SCREW - 1/4" x 1" N.C. hex plated	4
37 193- 52	LOCKWASHER - 1/4" external tooth	4
38 C 10348	BRACKET - heat exchanger	2
39 73- 410	SCREW - 1/4"-20 x 5/8" N.C. flat head	2
40 25- 104	NUT - 1/4"-20 N.C.	2
41 92- 4	LOCKWASHER - 1/4" SAE	2



(USED ON MODEL 195 TRACTORS)

HYDRAULIC SYSTEM

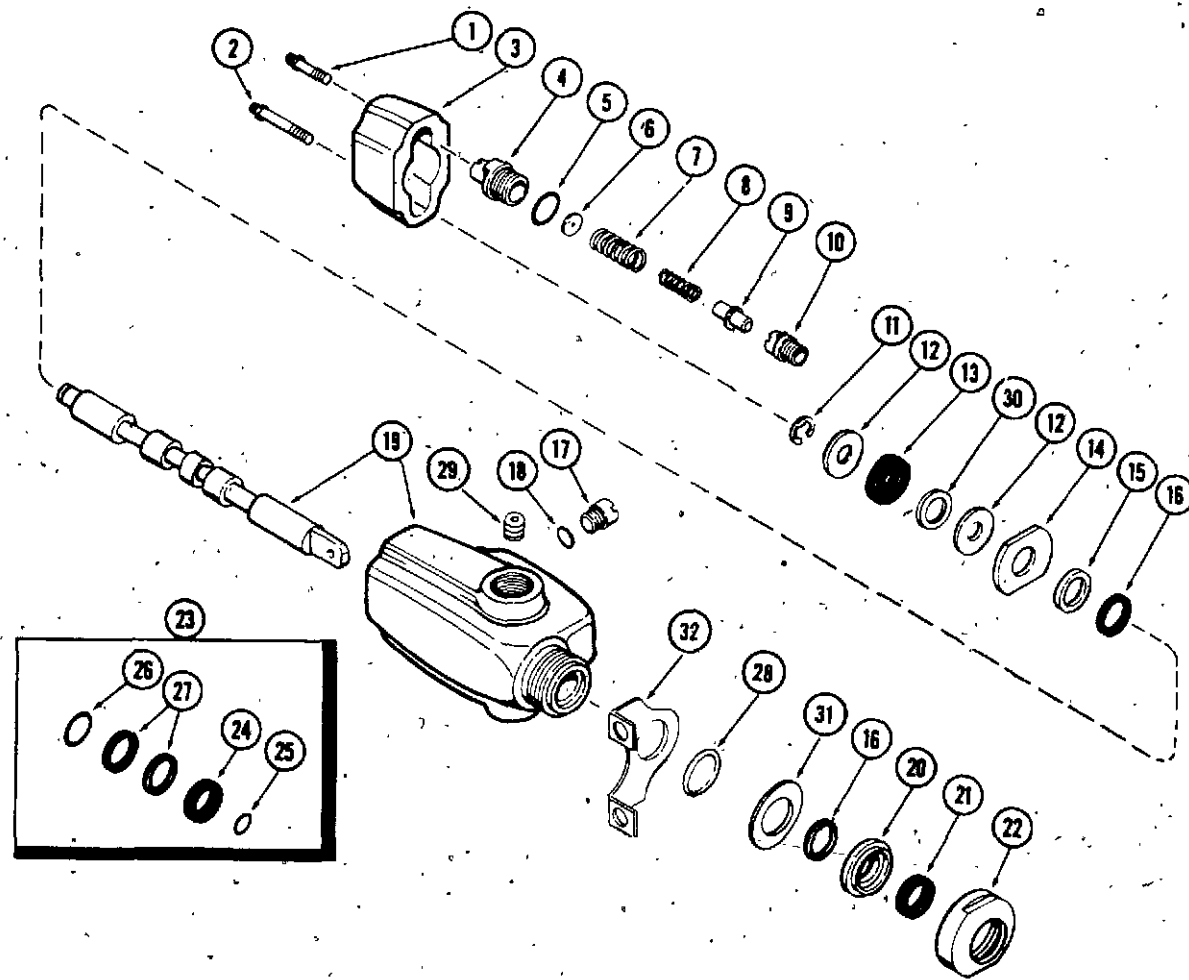
Used on Model 155 Tractors with S/N 9623328 and after.
Used on Model 195 Tractors with S/N 9627528 and after.



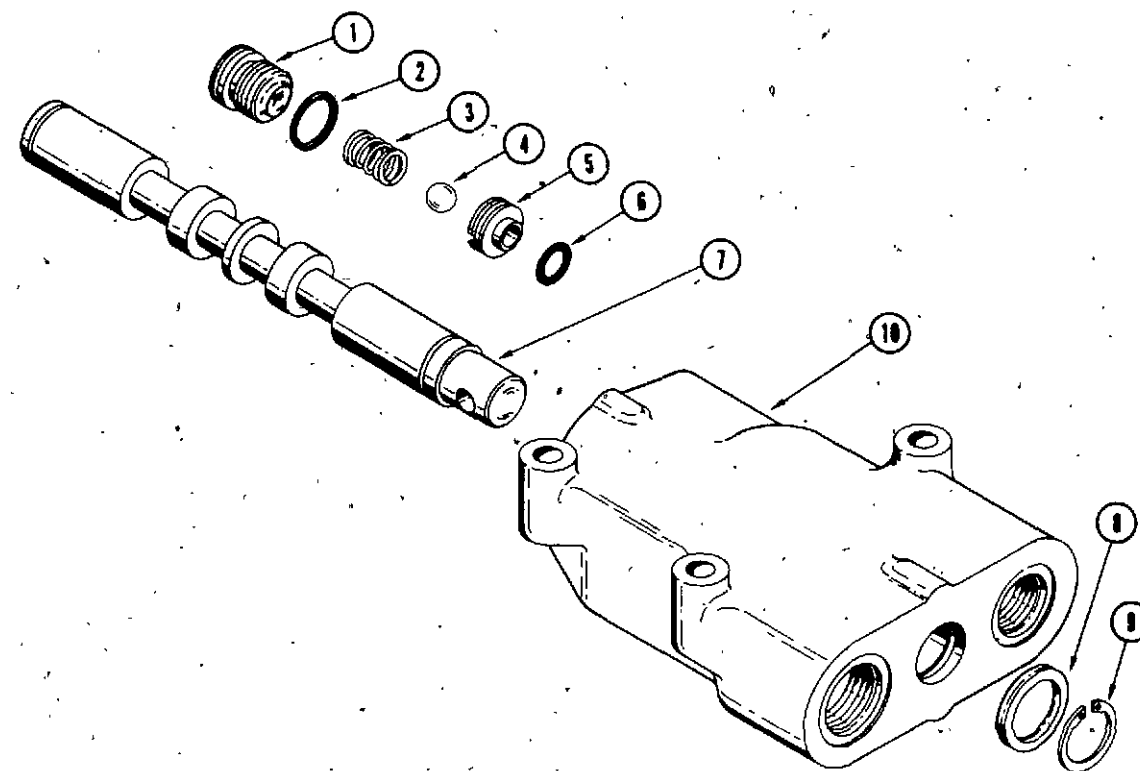
REF. PART NO.	DESCRIPTION	REQ'D
1 A 70109	SUPPORT - hydraulic pump mounting	1
2 115- 204	BOLT - 3/8" x 1" N.C. hex Z.P.	4
3 192- 21	LOCKWASHER - 3/8" Z.P.	4
4 166- 561	BOLT - 7/16" x 1" Ferry Cap Z.P.	2
5 193- 31	LOCKWASHER - 7/16" internal tooth	2
6 W. 5063S	KEY - 1/4" square x 3/4"	1
7 218- 5059	FITTING - "O" ring 1/2 tube x 3/4" thread	4
8 218- 5006	"O" RING - 1/2"	4
9 218- 5108	FITTING - "O" ring 90° 3/4" tube x 1-1/16" thread	1
10 218- 5008	"O" RING - 3/4"	1
11 C 14091	TUBE - rear valve to upper motor port (155)	1
12 C 14090	TUBE - front valve to lower motor port (155)	1
13 C 12067	TUBE - transmission to heat exchanger (155)	1
13 C 10267	TUBE - transmission to heat exchanger (195)	1
14 C 12070	TUBE - pump to transmission (155)	1
14 C 10264	TUBE - pump to transmission (195)	1
15 C 13414	TUBE - pump to valve	1
16 C 13663	TUBE - valve to heat exchanger	1
17 A 70111	COUPLING - pump drive	1
18 A 70117	FITTING - transmission w/filter	1
19 C 12072	EXCHANGER - heat	1
20 C 10348	BRACKET - heat exchanger mounting	2
21 171- 209	SCREW - 1/4" x 1" N.C. flat hd. Phillips Z.P.	4
22 193- 52	LOCKWASHER - 1/4" external tooth	4
23 218- 455	FITTING - 5/8" tube x 1/2" male pipe	1
24 214- 253	CLAMP - hose	4
25 C 18721	HOSE - 5/8" heat exchanger	2
26 A 70128	GASKET - motor to case	1
27 A 70127	BOLT - special 3/8" x 1-1/4" jay lock	4
28 218- 5060	FITTING - "O" ring 1/2 tube x 7/8 thread	2
29 218- 5007	"O" RING - 5/8"	3
30 C 12305	MOTOR - hydraulic (155) (Repairs see page 41)	1
30 C 12304	MOTOR - hydraulic (195) (Repairs see page 41)	1
31 C 10258	PUMP - hydraulic (155) (Repairs see page 39)	1
31 C 10493	PUMP - hydraulic (195) (Repairs see page 39)	1
32 C 13341	VALVE - hydraulic control (Repairs see page 37)	1
33 218- 5062	FITTING - "O" ring 5/8 tube x 7/8 thread	1
34 73- 528	SCREW - 5/16" x 1-3/4" N.C. flat head	3
35 92- 5	LOCKWASHER - 5/16"	3
36 25- 105	NUT - 5/16" N.C. hex	3
37 126- 12	KEY - Woodruff	1
38 C 14093	TUBE - rear valve to lower motor post (195)	1
39 C 14092	TUBE - rear valve to upper motor post (195)	1

C-12149 HYDRAULIC CONTROL VALVE

Used on Model 155 Tractors prior to Serial Number 9623328.
 Used on Model 195 Tractors prior to Serial Number 9627528.



REF. PART NO.	DESCRIPTION	REQ'D
1 166- 6	CAPSCREW - 1/4" x 1" N.C. ferry head	1
2 166- 8	CAPSCREW - 1/4" x 1-1/2" N.C. ferry head	1
3 A 72065	CAP - valve end	1
4 A 72059	PLUG - relief valve	1
5 A 7982	"O" RING - relief valve plug	1
6 A 72069	SHIM - relief valve	2
7 A 72058	SPRING - relief valve (outer)	1
8 A 72071	SPRING - relief valve (inner)	1
9 A 72057	SPOOL - relief valve poppet	1
10 A 72055	SEAT - relief valve	1
11 O 9638AB	SNAP RING - valve	1
12 A 72060	WASHER - valve spool end spacer	2
13 A 72063	SPACER - valve spool end	1
14 A 72066	WASHER - retainer relief valve plug	1
15 A 72067	RING - back up	1
16 A 72062	SEAL - quad ring	2
17 A 72056	PLUG	1
18 D 26872	"O" RING - plug	1
19 C 12524	BODY AND SPOOL ASSEMBLY - SAE ports	1
20 A 72068	RETAINER - seal	1
21 A 72070	SEAL - vee	1
22 A 72064	CAP - valve end	1
23 A 72072	KIT - valve seal repair	1
24 A 72070	SEAL - vee	1
25 D 26872	"O" RING - 5/8"	1
26 A 7982	"O" RING - 13/16"	1
27 A 72C62	QUAD RING	2
28 T 13224	SEAL - "O" ring	1
29 221- 841	PLUG - conversion	1
30 C 10989	WASHER	1
31 C 10988	WASHER - special	1
32 C 10987	BRACKET MOUNTING	1

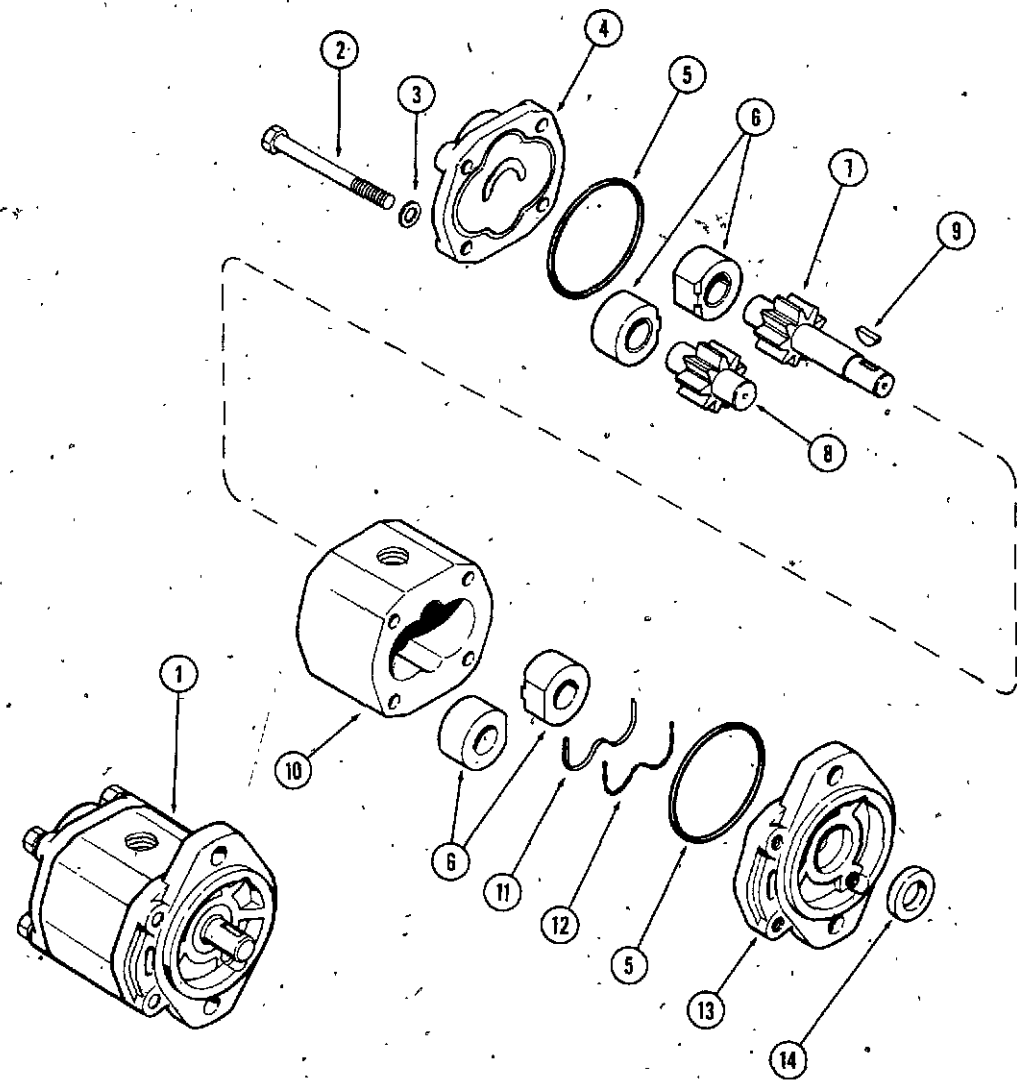


C-13341 HYDRAULIC CONTROL VALVE

Used on Model 155 Tractors Serial Number 9623328 and after.
 Used on Model 195 Tractors Serial Number 9627528 and after.

1 C 13512	PLUG - adjusting	1
2 16905	SEAL - "O" ring	1
3 C 13515	SPRING - relief	1
4 211- 10	BALL	1
5 C 13510	SEAT - ball	1
6 A 27891	SEAL - "O" ring	1
7 NSS	SPOOL (Order C13341 valve)	1
8 C 13514	SEAL - quad ring	2
9 C 13513	RING - retainer	2
10 NSS	BODY - valve (Order C13341 valve)	1
11 221- 12	PLUG - pipe 1/4" NPT	1

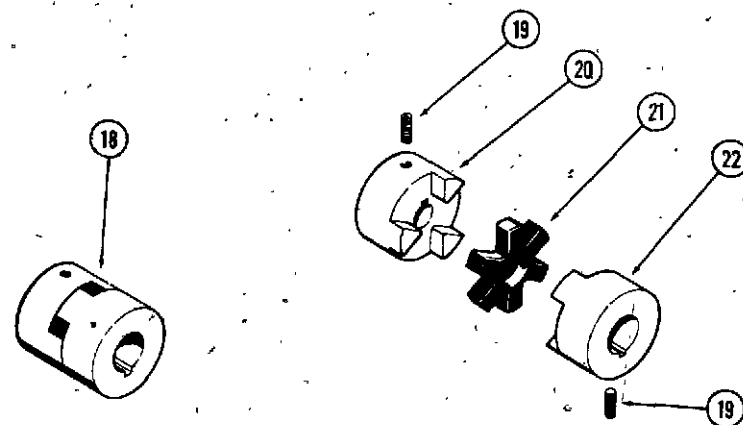
HYDRAULIC PUMP



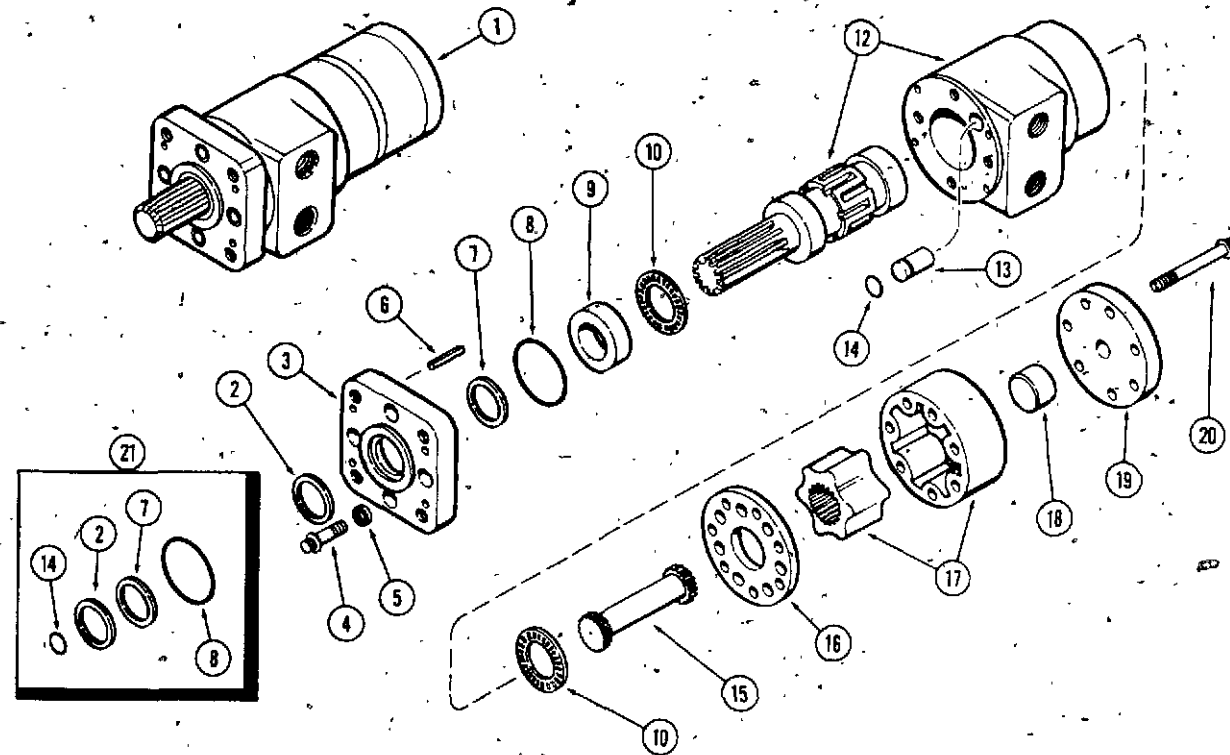
REF. PART NO.	DESCRIPTION	REQ'D
1 C 10493	PUMP - hydraulic (195)	1
1 C 10258	PUMP - hydraulic (155)	1
2 13- 652	BOLT - 3/8" x 3-1/4" N.C. hex head	4
3 195- 2028	WASHER - special	4
4 C 11644	COVER - rear, pump body	1
5 A 72003	SEAL - pump cover	2
6 A 35956	BEARING - pump gear	4
7 C 11642	GEAR - pump drive (For C10258 pump on Model 155)	1
7 A 72005	GEAR - pump drive (For C10493 pump on Model 195)	1
8 C 11643	GEAR - pump driven (For C10258 pump on Model 155)	1
8 A 72004	GEAR - pump driven (For C10493 pump on Model 195)	1
9 126- 12	KEY - Woodruff #6	1
10 NSS	BODY - pump (Order C10258 or C10493)	1
11 A 72001	GASKET - brass, front cover	1
12 A 72002	SPACER - gasket, front cover	1
13 A 72007	COVER - front pump body	1
14 A 50421	SEAL - pump shaft	1

PUMP DRIVE COUPLING

18 A 70111	COUPLING - pump drive	1
19 83- 55	SCREW - 5/16" x 5/16" N.C. socket head set	2
20 NSS	HUB - half, 5/8" dia. bore (Order A70111)	1
21 A 70112	SPIDER - coupling	1
22 NSS	HUB - half, 1" dia. bore (Order A70111)	1



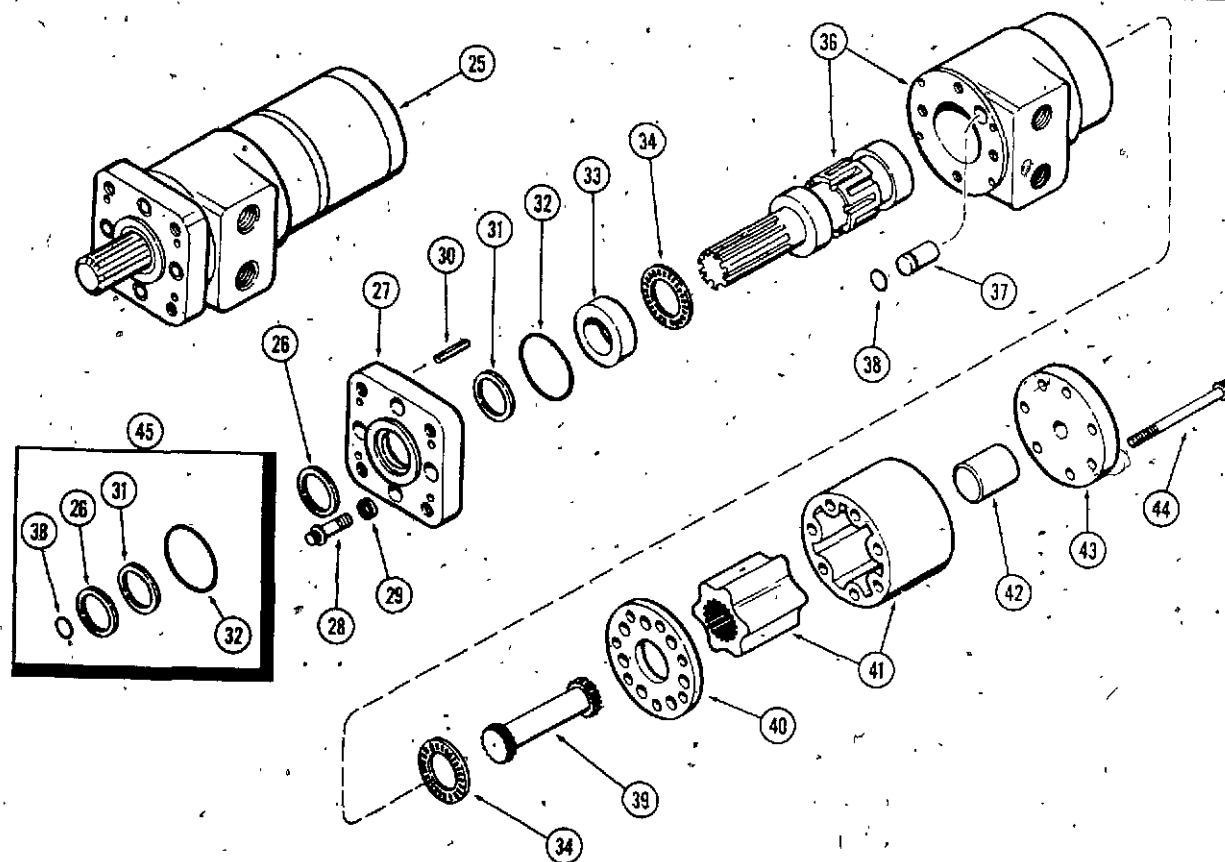
155 HYDRAULIC DRIVE MOTOR



REF. PART NO.		
1	C	12305
2*		NSS
3	A	72028
4	166-	23
5	193-	82
6	138-	134
7*		NSS
8*	A	17528
9	A	72030
10	A	72031
12	C	12682
13	A	72034
14*		NSS
15	A	72027
16	A	72026
17	A	72025
18	A	72051
19	A	72024
20	166-	531
21	A	72036

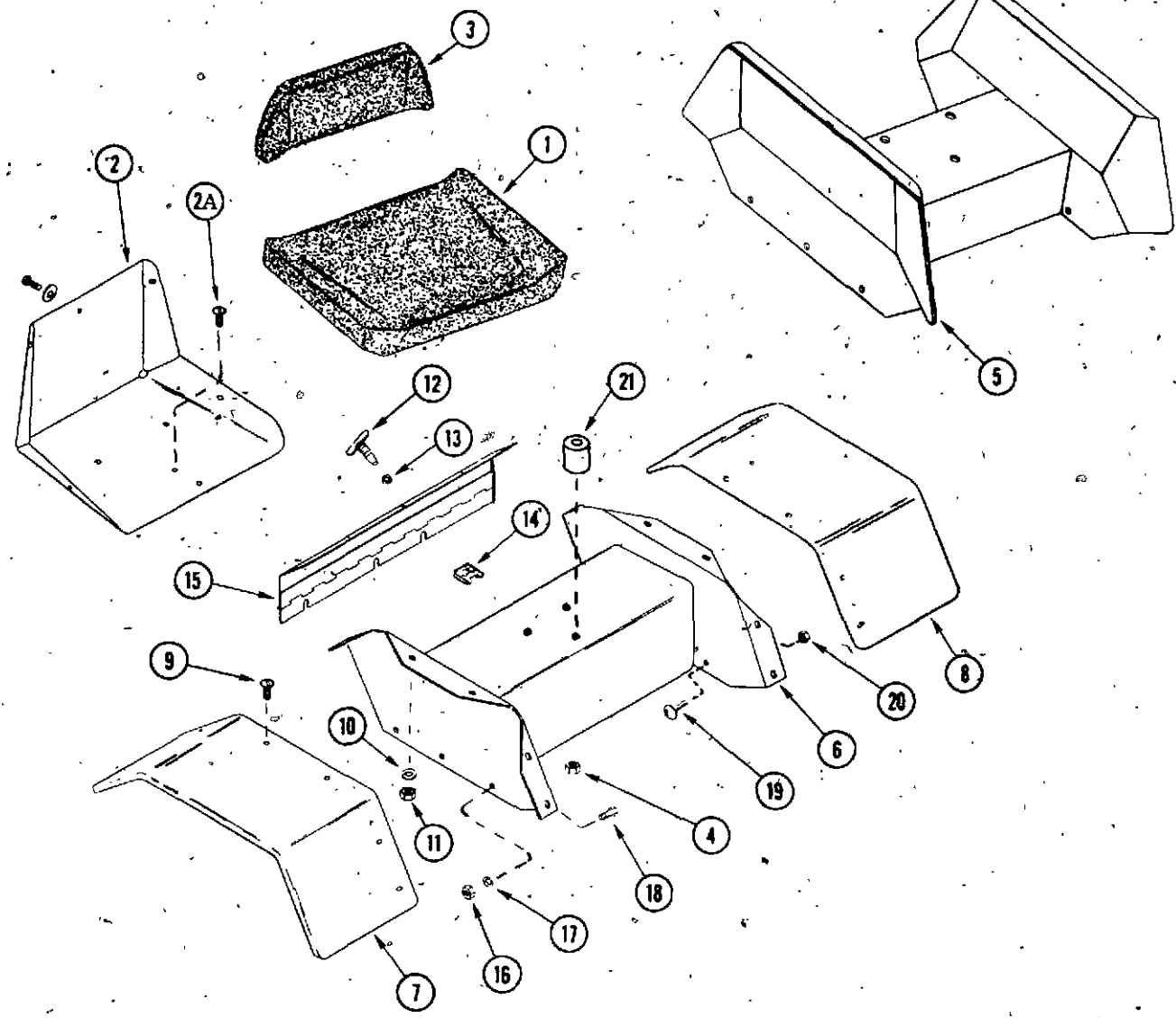
DESCRIPTION	REQ'D
MOTOR - hydraulic drive (155)	1
OIL SEAL - mtg. plate (See ref. 21)	1
PLATE - mounting	1
CAPSCREW - ferry 5/16" x 5/8" N.C.	4
LOCKWASHER - int; shakeproof 5/16"	4
PIN - roll 1/4" x 1"	4
QUAD RING - mtg. plate (See ref. 21)	1
"O" RING - mtg. plate to hsg. (See ref. 21)	1
RACE - output shaft bearing	1
BEARING - thrust, output shaft thrust	2
SHAFT AND HOUSING	1
PLUG - housing	1
"O" RING - hsg. plug (See ref. 21)	1
COUPLING - drive	1
PLATE - spacer	1
GEROTOR SET (1-1/4" thick)	1
SPACER - cplg. drive (3/4" thick)	1
CAP - end	1
CAPSCREW - ferry 5/16" x 2-1/2" N.F.	7
KIT - "O" ring and seal (Incl. items marked w/*)	1

195 HYDRAULIC DRIVE MOTOR



25	C	12304
26*		NSS
27	A	72028
28	166-	23
29	193-	82
30	138-	134
31*		NSS
32*		NSS
33	A	72030
34	A	72031
36	C	12682
37	A	72034
38*		NSS
39	A	72027
40	A	72026
41	A	72112
42	A	72113
43	A	72024
44	166-	532
45	A	72036

MOTOR - hydraulic drive (195)	1
OIL SEAL - mtg. plate (See ref. 45)	1
PLATE - mounting	1
CAPSCREW - ferry 5/16" x 5/8" N.C.	4
LOCKWASHER - int, shakeproof 5/16"	4
PIN - roll, 1/4" x 1"	4
QUAD RING - mtg. plate (See ref. 45)	1
"O" RING - (See ref. 45)	1
RACE - output shaft bearing	1
BEARING - thrust, output shaft	2
SHAFT AND HOUSING	1
PLUG - housing	1
"O" RING - housing plug (See ref. 45)	1
COUPLING - drive	1
PLATE - spacer	1
GEROTOR SET (2" thick)	1
SPACER - cplg. drv. (1-1/2" thick)	1
CAP - end	1
CAPSCREW - ferry, 5/16" x 3-1/4" N.F.	7
KIT - "O" ring and seal (incl. item marked w/*)	1

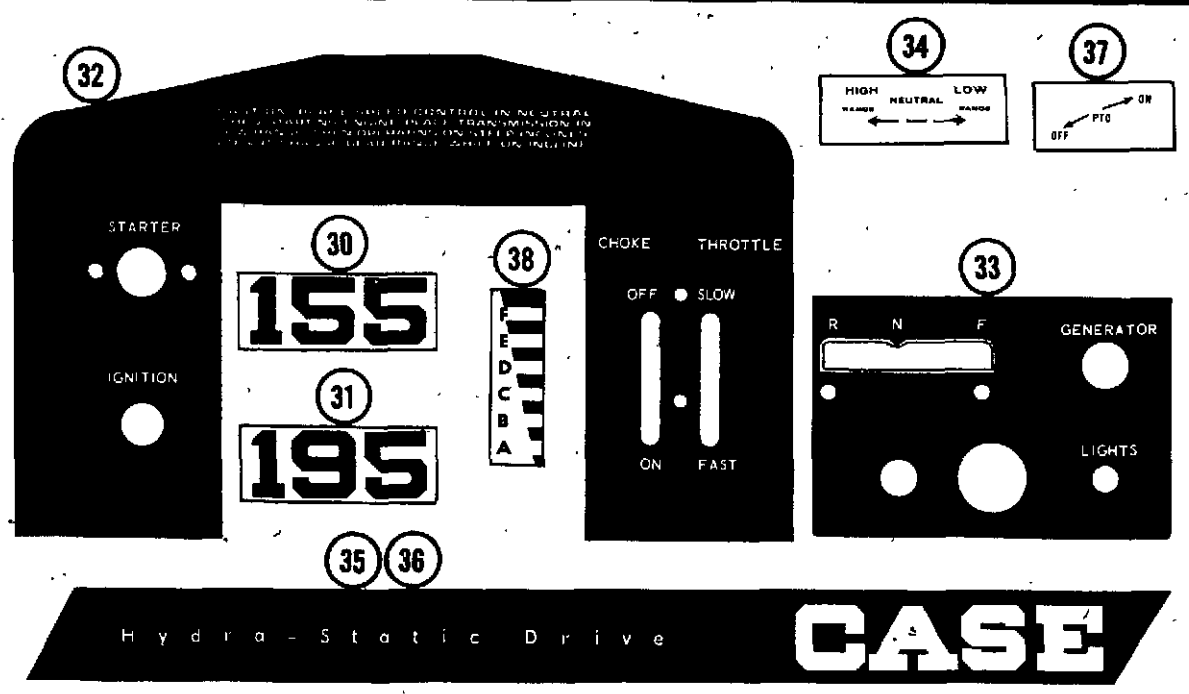


SEAT, FENDERS AND TOOL BOX

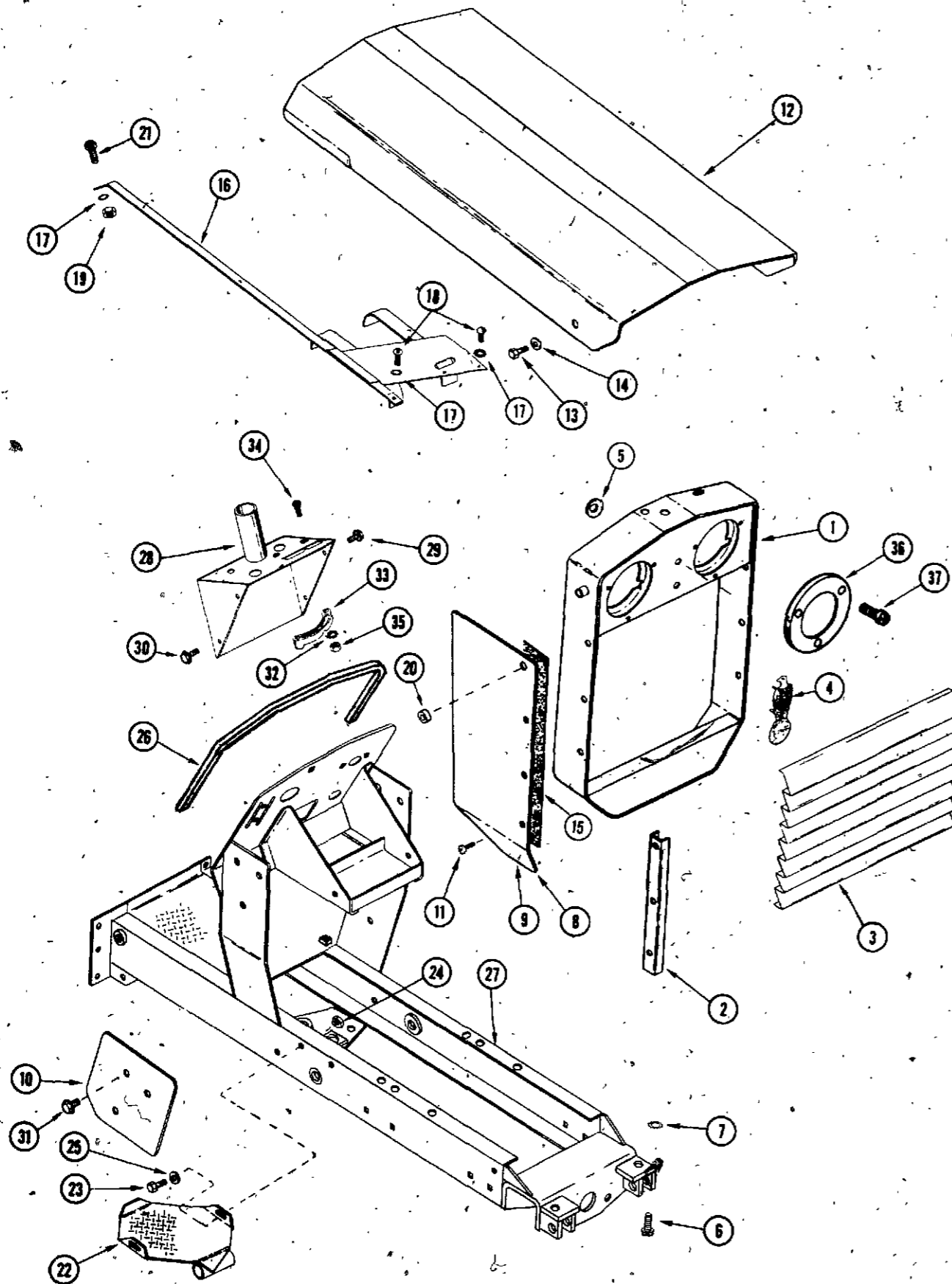
REF. PART NO.	DESCRIPTION	REQ'D
	SEAT ASSEMBLY	1
1 ^o C 10421	CUSHION - seat	1
2 C 11636	PAN - seat	1
2A 111- 207	BOLT - Rd. Hd. Short Sq. Neck, 5/16" x 2" N.C.	3
3 C 11635	CUSHION - back	1
4 131- 351	NUT - 5/16" N.C., hex	3
5 C 10429	SUPPORT - seat (195)	1
6 C 10380	SUPPORT - seat (155)	1
7 C 10395	FENDER - right hand (155)	1
8 C 10396	FENDER - left hand (155)	1
9 175- 400	SCREW - 1/4"-20 x 1/2" truss head	10
10 192- 19	LOCKWASHER - 1/4" Z.P.	10
11 129- 101	NUT - 1/4" N.C., hex, Z.P.	10
12 C 10423	STUD - tool box latch	1
13 C 10489	WASHER - stud retainer	1
14 C 10490	RECEPTACLE - stud clip-on	1
15 C 10424	DOOR - tool box	1
16 129- 102	NUT - 5/8" N.C., hex, Z.P.	5
17 192- 20	LOCKWASHER - 5/16" Z.P.	5
18 115- 103	BOLT - 5/16"-18 x 3/4" rd. hd., plated	5
19 175- 46	SCREW - 5/16" x 3/8" truss head, plated	1
20 131- 176	NUT - 5/16" N.C., Gripco, plated	1
21 C 10433	MOUNTS - seat	3

DECALS

30 C 12180	DECAL - Model 155	2
31 C 12181	DECAL - Model 195	2
32 C 12212	DECAL - instrument panel (large)	1
33 C 13934	DECAL - instrument panel (small)	1
34 A 70233	DECAL - Hi-Lo shift	1
35 C 12276	DECAL - hood stripe, R. H.	1
36 C 12277	DECAL - hood stripe, L. H.	1
37 C 10936	DECAL - PTO ON-OFF	1
38 C 12506	DECAL - level indicator	1



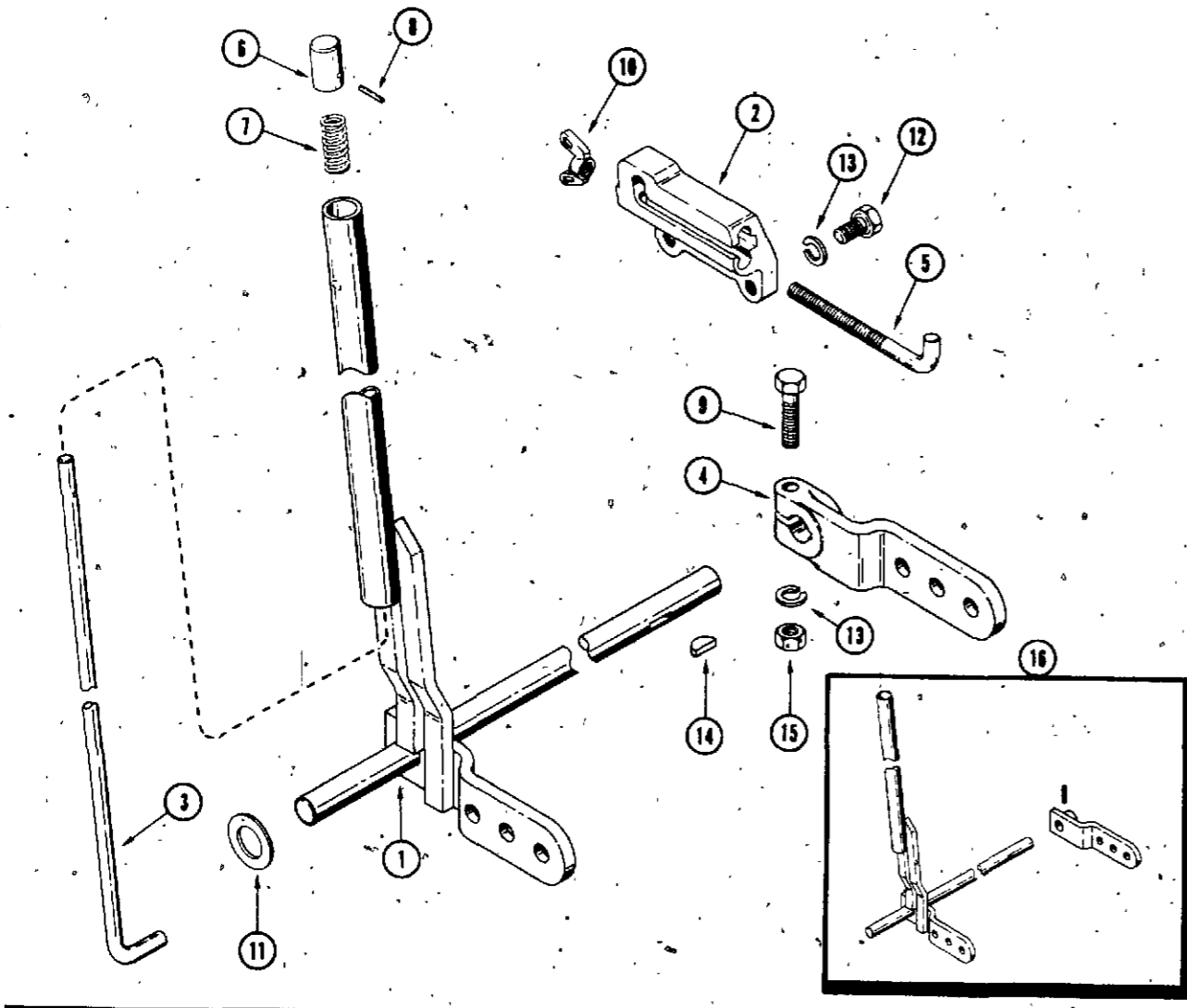
HOOD, FRAME AND GRILLE



REF. PART NO.	DESCRIPTION	REQ'D
1 C 14024	GRILLE	1
2 C 10349	BRACKET - grille mounting	2
3 C 10413	PANEL - grille	1
4 A 24526	MEDALLION - radiator grille	1
5 131- 413	NUT - 1/4"	2
6 182- 509	SCREW - 5/16"-18 x 1" pan head, Phillips	2
7 193- 9	LOCKWASHER - 5/16" SAE external tooth	2
8 C 10370	PANEL - front, side, right hand	1
9 C 10371	PANEL - front, side, left hand	1
10 C 12234	PANEL - rear, side, right hand	1
10 C 12114	PANEL - rear, side, left hand	1
11 C 10596	SCREW - #10 Phillips pan head	6
12 C 10360	HOOD	1
13 C 10361	SCREW - 1/4"-20 x 1/2", lock, plated	2
14 C 11534	BUSHING - hood	2
15 C 12165	WRAPPER - front panel	2
16 C 12203	BRACKET - fuel tank mounting	1
17 193- 8	WASHER - 1/4" shakeproof	3
18 173- 207	SCREW - 1/4" x 5/8" rd. hd. machine	3
19 129- 101	NUT - 1/4" N.C., zinc plated	1
20 C 11533	SPACER - hood	2
21 111- 128	BOLT - 1/4"-20, x 3/4" rd. hd., square neck	1
22 C 10283	FOOTPAD	2
23 15- 514	BOLT - 5/16" x 7/8" N.C., hex	2
24 25- 105	NUT - 5/16" N.C., hex	2
25 92- 5	LOCKWASHER - 5/16" SAE	2
26 C 11582	CHANNEL - instrument panel liner	1
27 C 14077	FRAME - main (195)(used prior to S/N 9628317)	1
27 C 14076	FRAME - main (155)(used prior to S/N 9624443)	1
27 C 14315	FRAME - main (195) (used S/N 9628317 and after)	1
27 C 14314	FRAME - main (155) (used S/N 9624443 and after)	1
28 C 13983	SUPPORT - steering (195)(used prior to S/N 9628317)	1
28 C 13984	SUPPORT - steering (155)(used prior to S/N 9624443)	1
28 C 14312	SUPPORT - steering (195) (used S/N 9628317 and after)	1
28 C 14311	SUPPORT - steering (155) (used S/N 9624443 and after)	1
29 187- 1009	SCREW - 1/4"-20 x 3/8" shakeproof	1
30 187- 1043	SCREW - 1/4"-20 x 1/2" self-tapping, hex head	3
31 187- 1036	SCREW - 1/4"-20 x 1/2" self-tapping	6
* C 14063	KIT - speed control locator	1
32 193- 57	WASHER - 1/4" external tooth	2
33 C 13388	LOCATOR - speed control	1
34 111- 129	SCREW - 1/4"-20 x 1" rd. hd., square neck, Z.P.	2
35 129- 101	NUT - 1/4" N.C., hex, Z.P.	2
36 A 11275,	RING - headlamp retainer	1
37 187- 1008	SCREW - #6 x 1/2" pan head, self-tapping	6

*Use as replacement on Model 155 tractors prior to s/n 9622668 and on Model 195 tractors prior to s/n 9627170.

IMPLEMENT LIFT

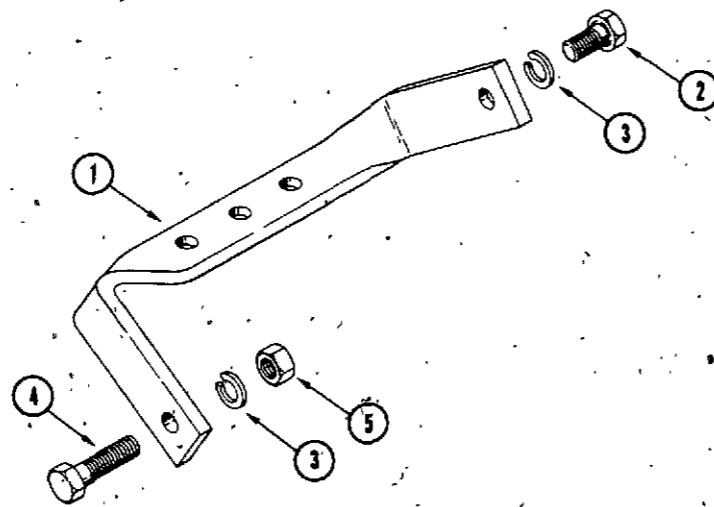


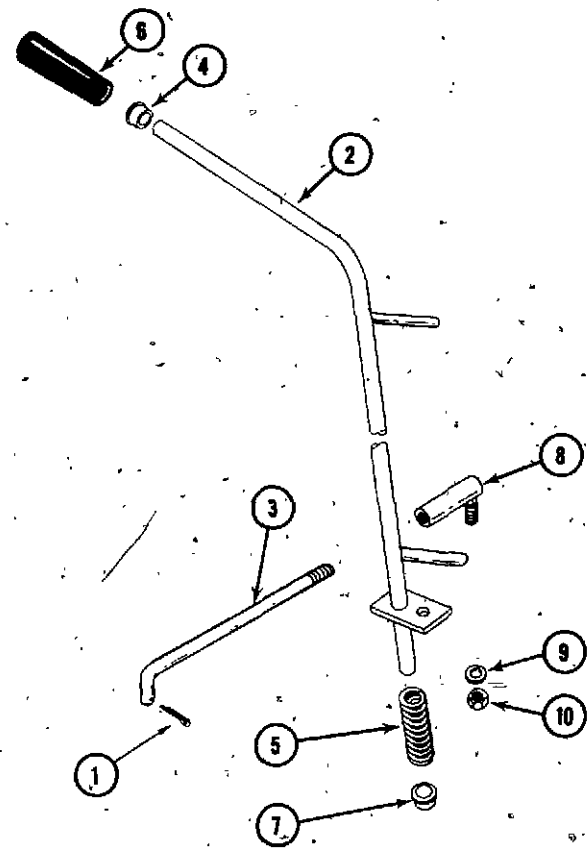
REF. PART NO.	DESCRIPTION	REQ'D
1 C 13356	LEVER - implement lift (keyed type)	1
2 C 13289	PAD - lift lever	1
3 C 10338	ROD - lift lever	1
4* C 14528	LEVER - pivot	1
5 C 12280	ROD - depth adjusting	1
6 C 10356	BUTTON - thumb	1
7 C 10482	SPRING - compression	1
8 138- 2026	PIN - spiral, 1/8" x 3/4"	1
9* 113- 219	BOLT - 3/8" x 2" N.C., hex, Z.P.	1
10 129- 601	NUT - wing 3/8" Z.P.	1
11 195- 545	WASHER - 13/16" plain	1
12 115- 203	BOLT - 3/8"-16 x 3/4" N.C., hex head	2
13 192- 21	LOCKWASHER - 3/8" Z.P.	3
14* 129- 601	KEY - Woodruff #11	1
15* 129- 103	NUT - 3/8" N.C., hex, Z.P.	1
16** C 12570	LEVER ASSEMBLY - implement lift, pinned type, (Not available) (Order one each items 1, 4, 9, 13, 14, & 15)	1
17** 135- 137	PIN - drive 10k 1/4" x 1-1/2"	1

DRAWBAR AND TOW HITCH

1 C 10449	DRAWBAR - hitch	1
2 15- 816	BOLT - 1/2" x 1" N.C., hex	1
3 92- 8	LOCKWASHER - 1/2"	2
4 15- 836	BOLT - 1/2" x 2-1/4" N.C., hex	1
5 25- 108	NUT - 1/2" N.C., hex	1

* Used on Model 155 S/N 9622882 and after and Model 195 S/N 9627208 and after.
 ** Used on Model 155 prior to S/N 9622882 and Model 195 prior to S/N 9627208.





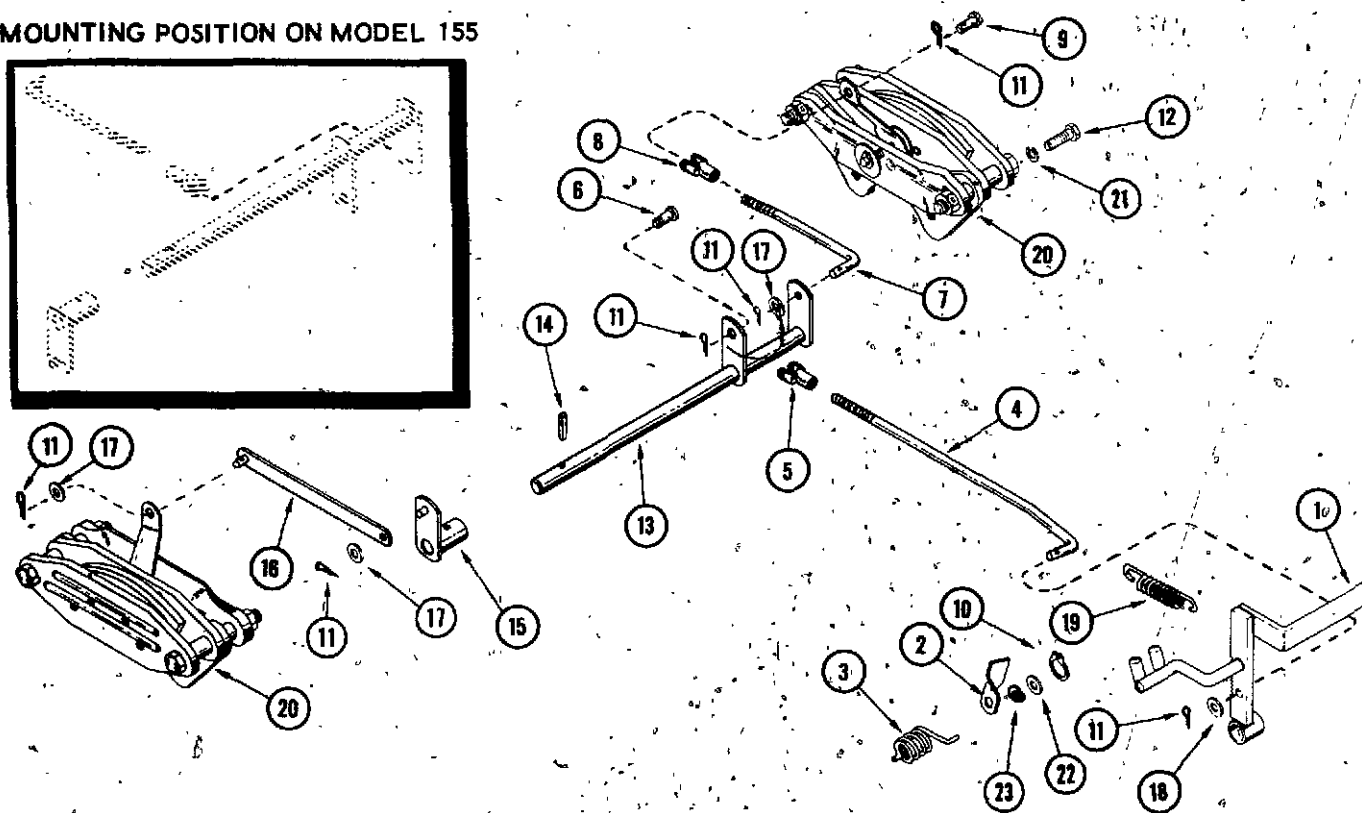
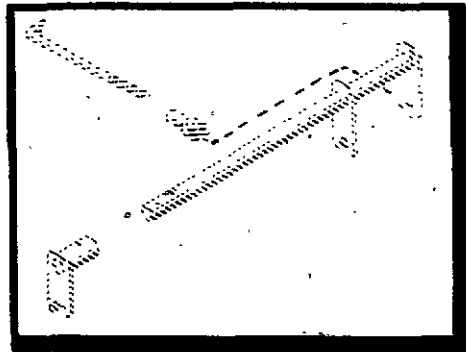
SPEED CONTROL

REF. PART NO.	DESCRIPTION	REQ'D
1 132- 320	PIN - cotter 3/32" x 3/4" Z.P.	1
2 C 12139	LEVER - speed control	1
3 C 11943	ROD - speed control (Use with C12149 control valve)	1
4 C 14059	ROD - speed control (Use with C13341 control valve)	1
4 C 12093	BUSHING - fliplock	1
5 C 11942	SPRING - compression	1
6 A 37247	KNOB - speed control lever	1
7 C 12127	BUSHING - nylon	1
8 C 12168	JOINT - ball	1
9 192- 20	LOCKWASHER - 5/16" std. plated	1
10 129- 102	NUT - 5/16" N.C., hex, Z.P.	1

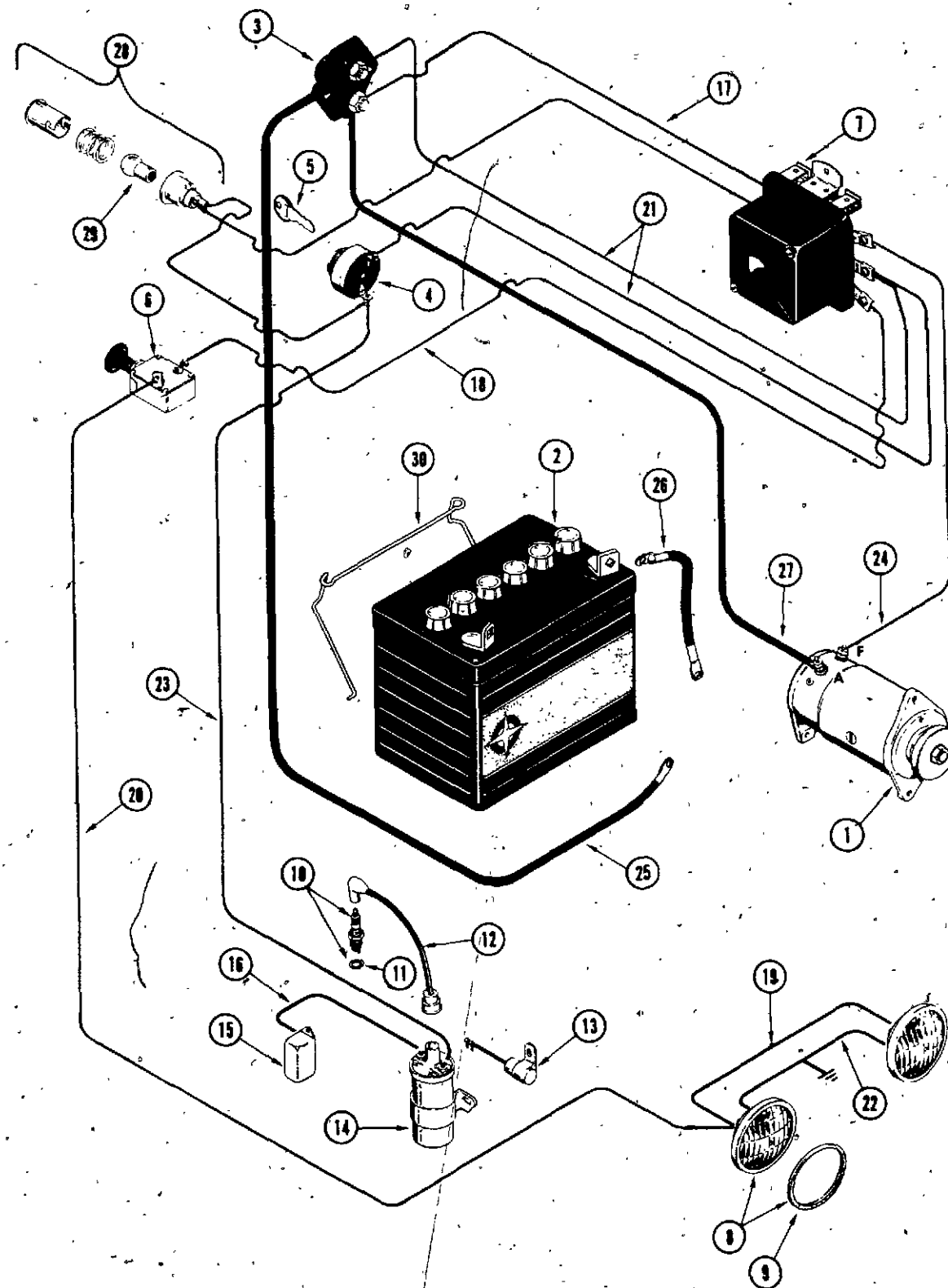
BRAKE MOUNTING

1 C 12597	PEDAL - brake	1
2 C 12604	LOCK - brake	1
3 C 13357	SPRING - brake lock	1
4 C 12135	ROD - brake	1
5 213- 4	CLEVIS - 3/8"	1
6 141- 4	PIN - clevis, 3/8"	1
7 C 12145	ROD - pull, L.H.	1
8 213- 3	CLEVIS - 5/16"	1
9 141- 3	PIN - clevis, 5/16"	1
10 A 11538	RING - external retaining	1
11 132- 26	PIN - cotter, 3/32" x 3/4"	6
12 113- 206	BOLT - 3/8" x 3/4" N.C., hex	4
13 C 12132	SHAFT - brake (195)	1
13 C 14147	SHAFT - brake (155)	1
14 138- 2005	PIN - spiral, 1/4" x 1"	1
15 NSS	LEVER (order items 24 and 25)	1
16 NSS	STRAP - pull, R.H. (order items 24 and 25)	1
17 195- 521	WASHER - plain plated	3
18 195- 104	WASHER - 3/8" plain plated	1
19 C 12612	SPRING - brake extension	1
20 NSS	BRAKE - (155) (See page 31)	2
20 NSS	BRAKE - (195) (See page 31)	2
21 192- 21	LOCKWASHER - 3/8" Z.P.	4
22 195- 533	WASHER - Z.P.	1
23 C 12115	WASHER - wavy 1/2"	1
24 C 14018	ROD - pull	1
25 C 14019	LEVER	1

MOUNTING POSITION ON MODEL 155



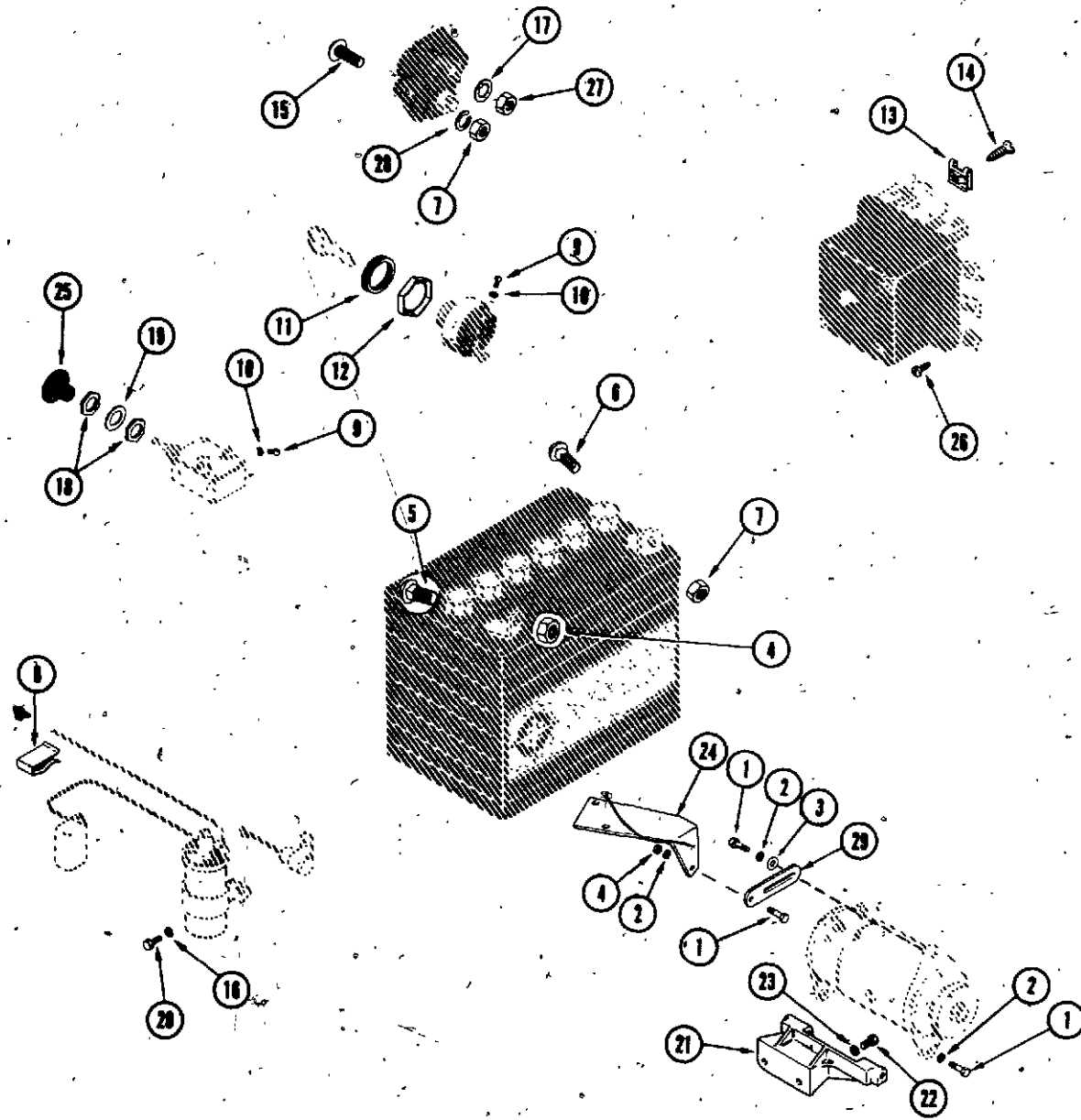
ELECTRICAL SYSTEM



REF. PART NO.	DESCRIPTION	REQ'D
1 A 70202	STARTER - generator	1
2 C 10458	BATTERY - 12 volt	1
3 C 11247	SWITCH - starter	1
4 C 13985	SWITCH - ignition (Includes key)	1
5 C 12684	KEY - ignition	1
6 C 10474	SWITCH - light	1
7 A 70221	REGULATOR - voltage 12 volt	1
8 A 24572	HEADLAMP - 12 volt	2
9 A 11276	GASKET - headlight retainer	2
10 M 20007	SPARK PLUG (Includes gasket)	1
11 A 27251	GASKET - spark plug	1
12 KO 238057	CABLE - high tension	1
13 KO 230722	CONDENSER	1
14 KO 231281	COIL - ignition 12 volt	1
15 KO 232535	COVER - breaker contact	1
16 KO 231533	WIRE - breaker contact (Includes grommet)	1
17 C 12193	WIRE - regulator ground to starter switch (White 12")	1
18 C 12194	WIRE - regulator to light switch (Yellow 19")	1
19 C 12269	WIRE - connector to lights (Black)	1
20 C 12270	WIRE - light switch to head lamp (Black)	1
21 C 13812	WIRE ASSEMBLY - regulator (Red 9") (Black 13")	1
22 C 10985	WIRE - head lamp to head lamp ground (Black 9" and 5")	1
23 C 10592	WIRE - ignition switch to coil (Green 36")	1
24 C 12192	WIRE - regulator to generator field (Black 17")	1
25 C 12197	CABLE - battery to starter switch (Black 18")	1
26 C 12198	CABLE - battery to ground (Black 10-3/4")	1
27 C 12199	CABLE - starter switch to generator (Black 20-1/2")	1
28* C 13618	LAMP ASSEMBLY - warning generator indicator	1
29* A 24354	BULB - warning lamp (Red)	1
28** C 12209	LAMP ASSEMBLY - generator warning (Red lens)	1
29** B 50213	BULB - warning lamp (White)	1
30 C 10549	BRACKET - battery hold down	1

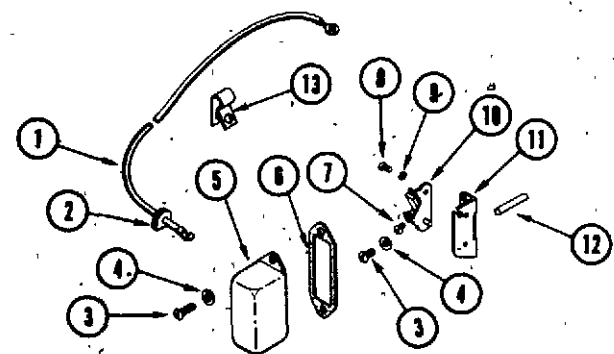
* Used on Model 155 Tractors Serial Number 9622668 and after.
 * Used on Model 195 Tractors Serial Number 9627170 and after.
 ** Used on Model 155 Tractors prior to Serial Number 9622668.
 ** Used on Model 195 Tractors prior to Serial Number 9627170.

ELECTRICAL SYSTEM HARDWARE

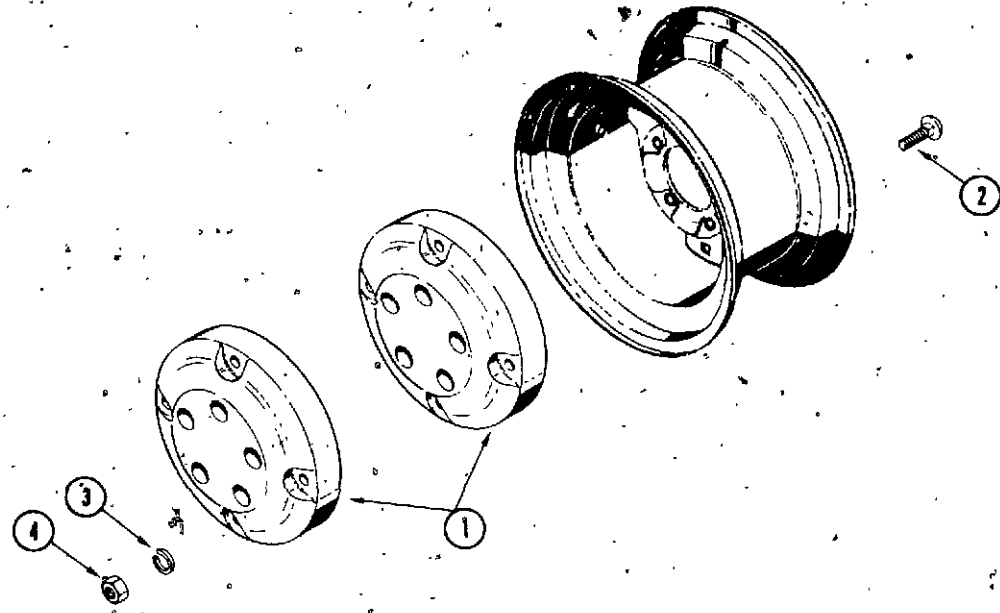


REF.	PART NO.	DESCRIPTION	REQ'D
1	113- 103	BOLT - 5/16" x 1" N.C., hex, Z.P.	3
2	192- 20	LOCKWASHER - 5/16" Z.P.	2
3	195- 520	WASHER - plain 5/16" Z.P.	1
4	129- 102	NUT - 5/16" N.C., hex, Z.P.	2
5	11- 512	BOLT - 5/16" N.C., rd. hd., square neck, battery positive cable	1
6	11- 412	BOLT - 1/4" N.C., rd. hd., square neck, battery ground cable	1
7	129- 101	NUT - 1/4" N.C., hex, Z.P.	3
8	C 10472	CLIP - wire holder	2
9	173- 224	SCREW - #8 x 1/4" round head	4
10	193- 91	WASHER - #8 internal tooth	2
11	C 12683	NUT - 3/4" escutcheon	1
12	C 14060	NUT - 3/4" back up	1
13	C 10836	NUT - speed type U	2
14	187- 131	SCREW - #10 x 3/4" Self-tapping, flat head, Z.P.	2
15	111- 128	BOLT - 1/4" x 3/4" N.C., rd. hd., square neck, blk., Z.P.	2
16	192- 19	LOCKWASHER - 1/4" Z.P.	2
17	193- 82	WASHER - 5/16" internal tooth, Z.P.	2
18	C 14088	NUT - 3/8"	2
19	C 12617	WASHER - 3/8" plain	1
20	113- 1	BOLT - 1/4" x 1/2" N.C., hex, Z.P.	2
21	KO 235196	SUPPORT - starter generator	1
22	113- 221	BOLT - 3/8" x 7/8" N.C., hex, Z.P.	2
23	192- 21	LOCKWASHER - 3/8"	2
24	KO 235197	SUPPORT - starter generator adjust	1
25	C 14089	KNOB - light switch	1
26	169- 131	SCREW - #8 N.C. x 5/16" fillister head	3
27	129- 122	NUT - 5/16" N.F. hex, Z.P.	2
28	193- 57	WASHER - 1/4" external tooth, Z.P.	2
29	C 14599	BRACKET - starter generator adjust	1

BREAKER CONTACTS



1.	KOA231533	LEAD - breaker contact (includes grommet)	1
2	KO 220297	GROMMET - contact lead	1
3	173- 210	SCREW - #10-24 x 3/8" rd. hd., Z.P.	4
4	192- 18	LOCKWASHER - 3/16" Z.P.	4
5	KO 232535	COVER - breaker contact	1
6	KO 220174	GASKET - cover	1
7	187- 408	SCREW - #6-32 x 3/8" Self-tapping	1
8	173- 224	SCREW - breaker contact mounting #8 x 1/4" N.C., rd. hd.	1
9	193- 5	LOCKWASHER - #8 internal tooth	1
10	KOA 220474	POINT SET - breaker contact	1
11	KO 220476	BRACKET - breaker contact mounting	1
12	C 18100	ROD - breaker contact push	1
13	KO 275303	CLIP - wire	1

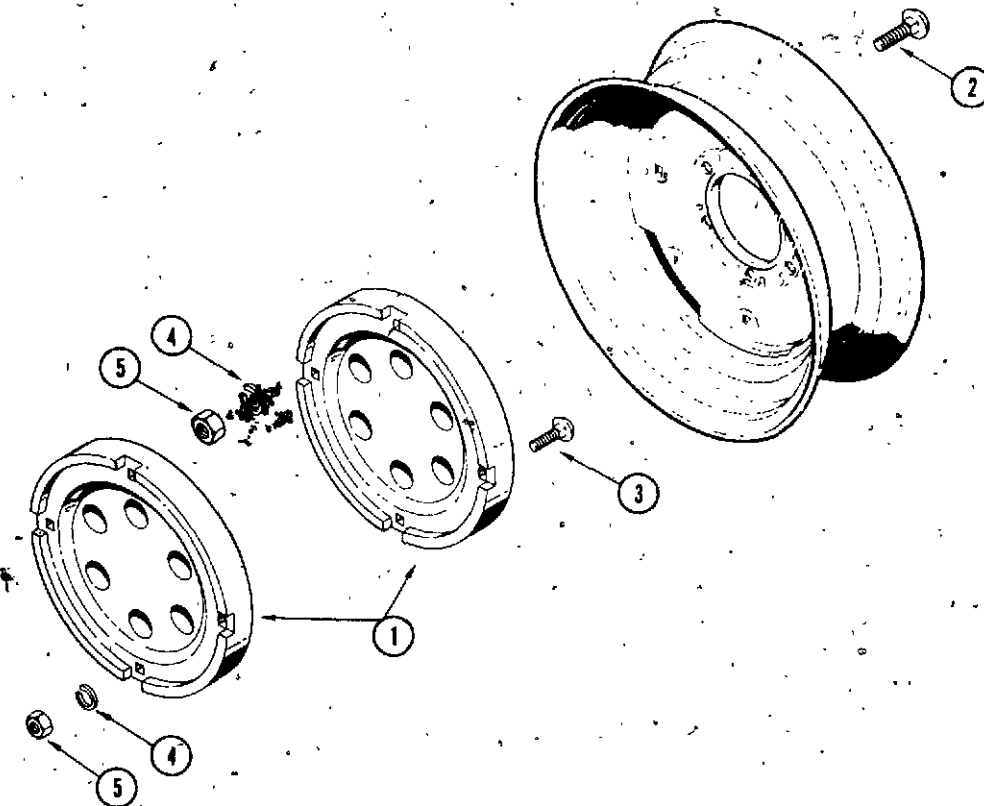


D8 WHEEL WEIGHTS - MODEL 155

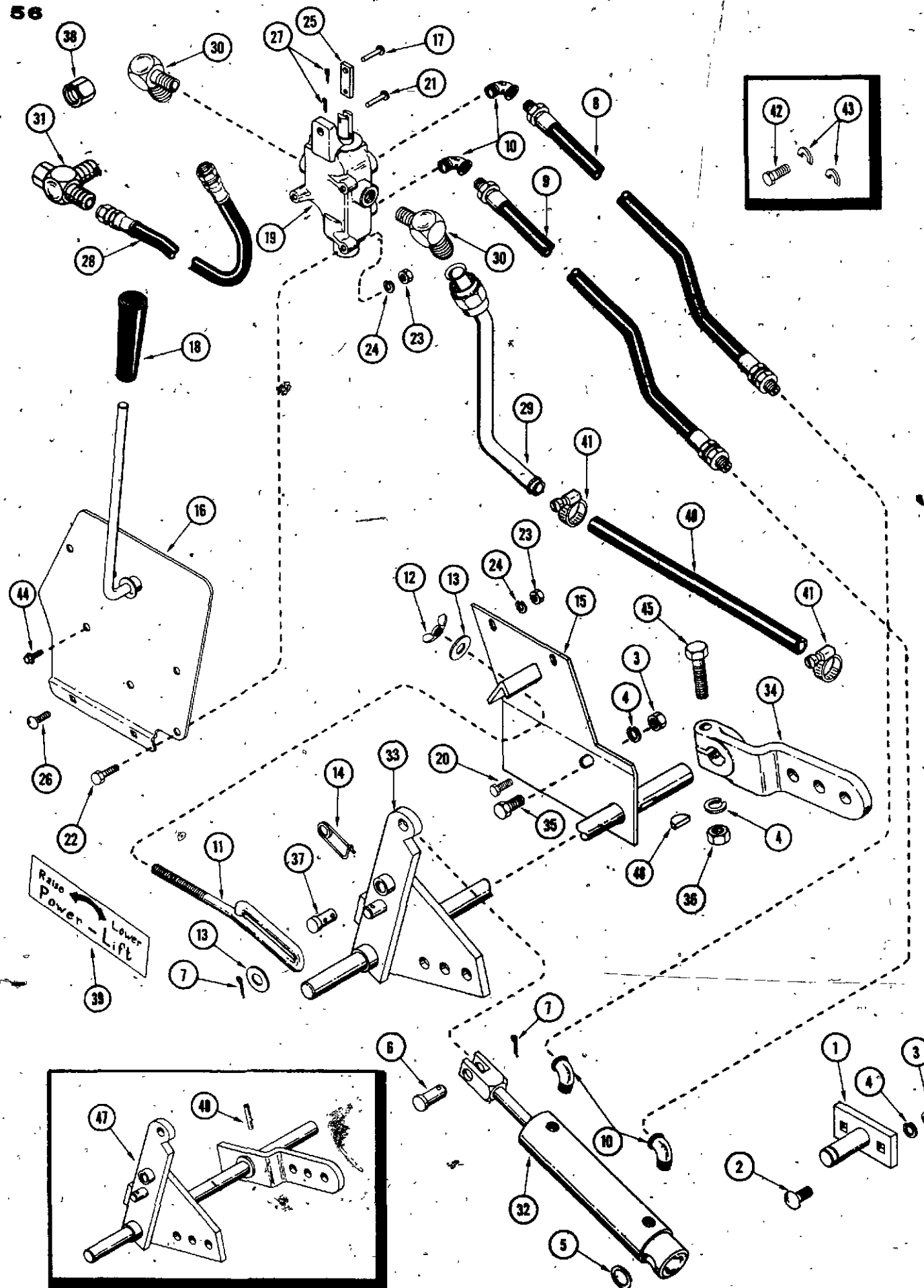
REF. PART NO.	DESCRIPTION	REQ'D
1 NSS	WEIGHT - wheel, 12" (order as machinery item)	4
2 111- 532	BOLT - 1/2" x 3-3/4" rd. hd., square neck, N.C., Z.P.	8
3 192- 23	LOCKWASHER - 1/2" Z.P.	8
4 129- 105	NUT - 1/2" N.C., hex	8

D10 WHEEL WEIGHTS - MODEL 195

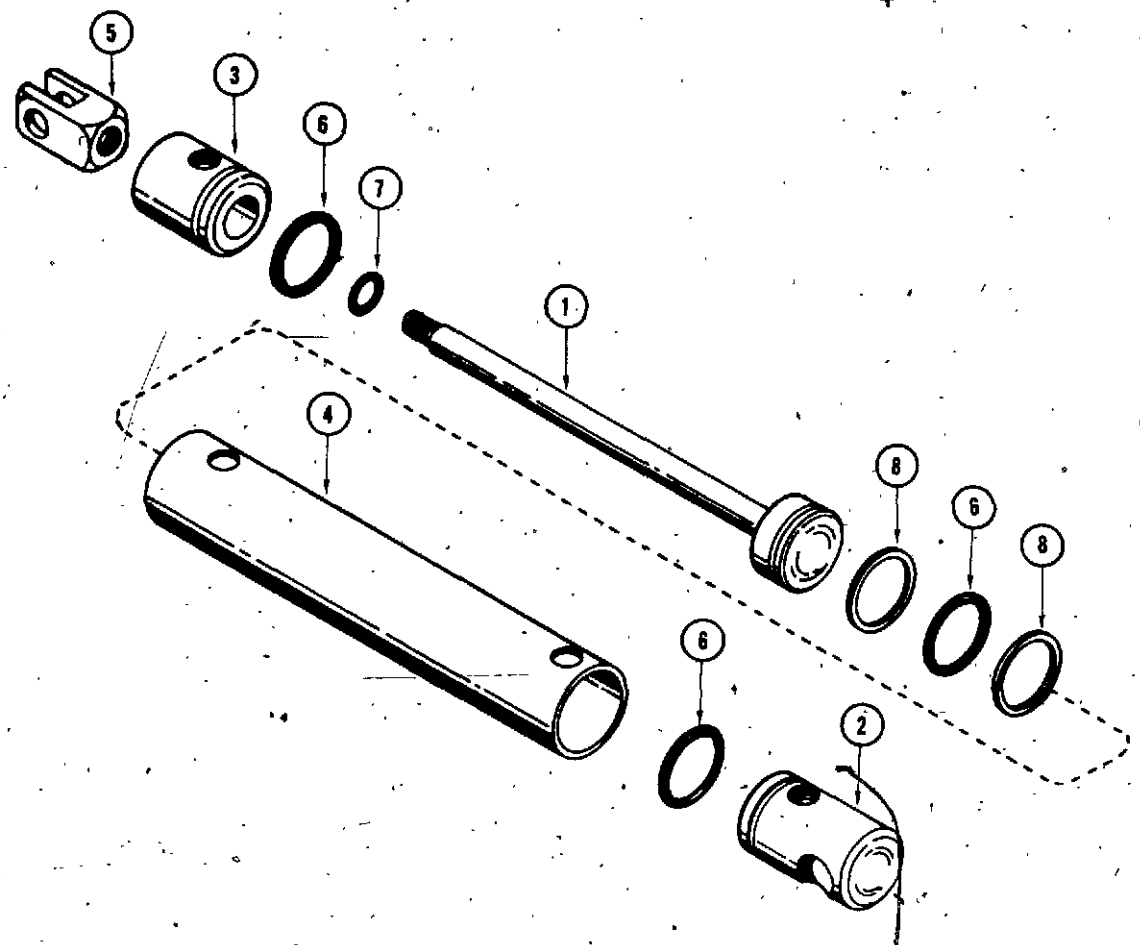
1 NSS	WEIGHT - wheel, 15" & 16" (order as machinery item)	4
2 111- 530	BOLT - 1/2" x 2-1/2" rd. hd., square neck, N.C., Z.P.	4
3 111- 531	BOLT - 1/2" x 2-3/4" rd. hd., square neck, N.C., Z.P.	4
4 92- 8	LOCKWASHER - 1/2" Z.P.	8
5 129- 105	NUT - 1/2" N.C., hex	8



MODEL E25 HYDRAULIC LIFT KIT



REF. PART NO.	DESCRIPTION	REQ'D
1 C 12750	BRACKET - cylinder mounting	1
2 111- 319	BOLT - rd. hd., square neck, 3/8" x 1-1/4" N.C.	2
3 129- 103	NUT - 3/8" N.C., hex, Z.P.	3
4 192- 21	LOCKWASHER - 3/8" Z.P.	4
5 T 25683	RING - retaining	1
6 141- 56	PIN - clevis 1/2"	1
7 132- 310	PIN - cotter, 1/8" x 1" Z.P.	2
8 C 12674	HOSE - 12-1/2"	1
9 C 12675	HOSE - 20"	1
10 221- 412	ELBOW - street 1/4" NPTF	1
11 C 12792	LINK - stop	4
12 129- 601	NUT - wing 3/8" N.C., Z.P.	1
13 195- 530	WASHER - plain 1/2" Z.P.	1
14 C 10898	PIN - safety	2
15 C 12758	PLATE - stop	1
16 C 14154	PLATE - valve mounting	1
17 135- 137	PIN - Drive-Lok, 1/4" x 1-1/2"	1
18 C 12678	GRIP - lever	1
19 C 14153	VALVE - lift (Repairs see page 59)	1
20 115- 105	BOLT - 5/16" x 1" N.C., hex, Z.P.	1
21 141- 2	PIN - clevis 1/4" x 3/4"	2
22 113 4	BOLT - 1/4" x 1" N.C., hex, Z.P.	3
23 129- 101	NUT - 1/4" N.C., hex, Z.P.	5
24 192- 19	LOCKWASHER - 1/4" Z.P.	5
25 C 12633	LINK - valve	1
26 111- 112	BOLT - rd. hd., short square neck, 1/4" x 3/4" N.C., Z.P.	2
27 132- 5	PIN - cotter, 1/16" x 1/2" Z.P.	2
28 C 13317	HOSE - pressure	1
29 C 13329	TUBE - cooler	1
30 218- 1057	FITTING - 90° 5/8" tube x 3/8" NPTF	2
31 C 11430	TEE - 5/8" x 5/8" x 1/2" tube	1
32 C 12676	CYLINDER - hydraulic (Repairs see page 59)	1
33 C 13804	LIFT LEVER ASSEMBLY	1
34 C 14528	LEVER - pivot	1
35 115- 204	BOLT - 3/8" x 1" N.C., hex, Z.P.	1
36 129- 103	NUT - 3/8" N.C., hex, Z.P.	1
37 C 12777	PIN - clevis 1/2"	1
38 218- 755	CAP - C11430 tee (For tube removal)	1
39 C 13210	DECAL - power lift	1
40 C 13330	HOSE - cooler	1
41 214- 253	CLAMP - hose	2
42 115- 204	BOLT - 3/8" x 1" N.C. (Required when installing E36 Snow Thrower)	1
43 C 13331	SHIM - 3/8" flat (Required when installing E36 Snow Thrower)	2
44 187 1036	SCREW - 1/4" x 1/2" N.C., hex, self-tapping	3
45 113 219	BOLT - 3/8" x 2" N.C., hex, Z.P.	1
46 126- 119	KEY - Woodruff #11	1
47 NSS	LIFT LEVER ASSEMBLY - not available (Order one each Ref. No. 4, 33, 34, 36, 45, & 46)	1



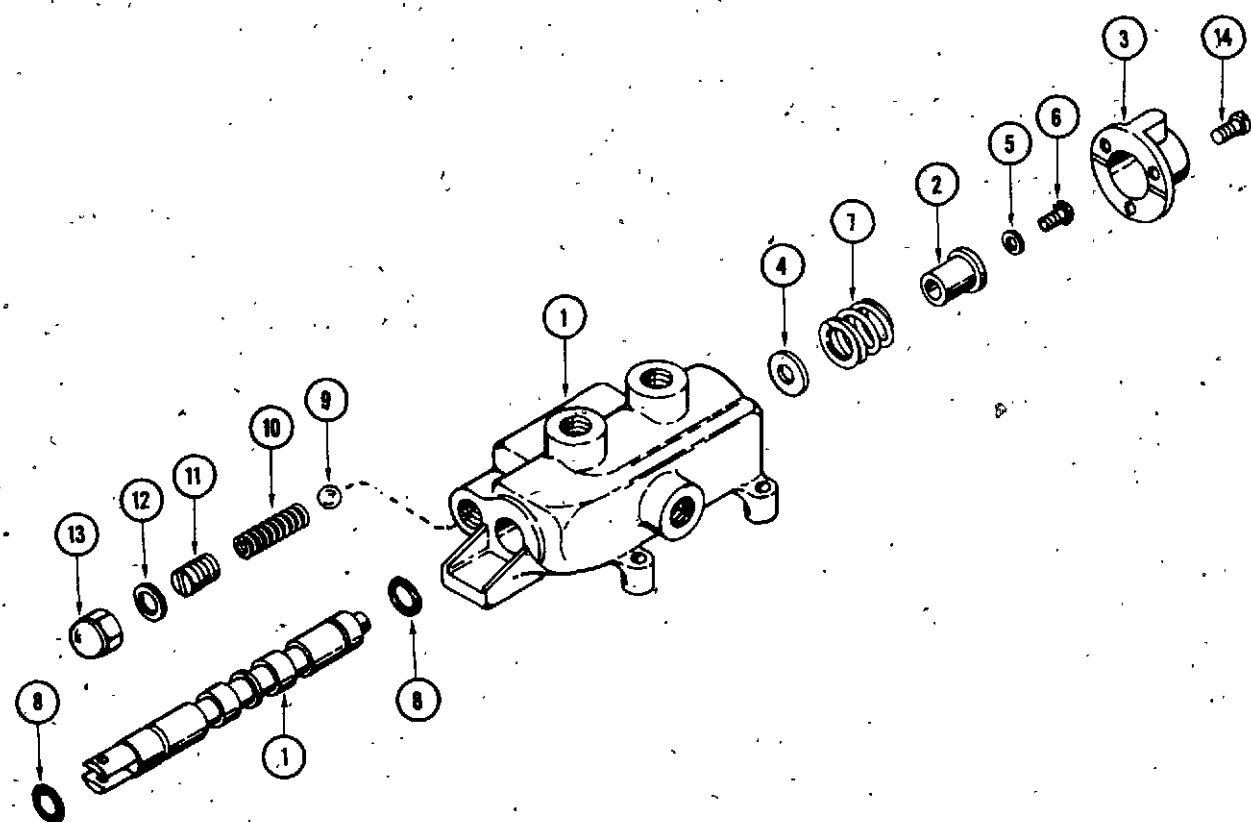
**MODEL E25 HYDRAULIC LIFT KIT
C12676 LIFT CYLINDER**

REF. PART NO.	DESCRIPTION	REQ'D
1 C 12880	ROD - cylinder	1
2 C 12883	HEAD - cylinder	1
3 C 12884	HEAD - cylinder rod end	1
4 C 12885	TUBE - cylinder	1
5 C 12886	CLEVIS - rod end	1
6 D 26819	"O" RING - 1-1/2" OD	3
7 A 27410	"O" RING - 3/4" OD	1
8 C 12903	WASHER - back up	2

C14153 DIRECTIONAL VALVE

(REPLACES C12677 VALVE)

1 NSS	BODY AND SPOOL ASSEMBLY	1
2 C 13200	SPACER	1
3 C 13201	CAP - end	1
4 195- 521	WASHER - plain 3/8"	1
5 195- 510	WASHER - plain 3/16"	1
6 193- 524	SCREW - rd. hd. slotted w/ext. lockwasher #10-32 x 3/8"	1
7 C 18850	SPRING - return	1
8 D 40816	SEAL - "O" ring	2
9 211- 9	BALL - steel	1
10 C 13203	SPRING - relief	1
11 C 13207	SCREW - relief adj. 7/16-20 x 5/8"	1
12 C 13204	GASKET - relief cap	1
13 129- 531	CAP - acorn 7/16" N.F.	1
14 169-2 146	SCREW - fill. hd., #8-32 x 3/8" N. C. ZP	3



NUMERICAL INDEX

NUMERICAL INDEX

PART NO.	PAGE NO.	REF. NO.	PART NO.	PAGE NO.	REF. NO.	PART NO.	PAGE NO.	REF. NO.	PART NO.	PAGE NO.	REF. NO.	PART NO.	PAGE NO.	REF. NO.	PART NO.	PAGE NO.	REF. NO.						
127-T	23D	29	A	70205	17	21	A	72085	21	3	C	10348	35B	20	C	11640	33	1	C	12205	27	8	
16905	37	2	A	70221	51	7	A	72087	21	18	C	10349	45	2	C	11642	39	7	C	12206	27	16	
40035	9	20	A	70233	43	34	A	72088	21	22	C	10356	47	6	C	11643	39	8	C	12209	51	28	
40035	11	20	A	70392	27	2	A	72089	21	23	C	10360	45	12	C	11644	39	4	C	12211	19	7	
40035	13	28	A	72001	39	11	A	72090	21	21	C	10361	45	13	C	11685	27	9	C	12212	43	32	
40035	15	28	A	72002	39	12	A	72092	17	26	C	10370	45	8	C	11906	29	5	C	12223	17	37	
A 7982	37	5	A	72003	39	5	A	72094	21	25	C	10371	45	9	C	11942	49	5	C	12224	17	35	
A 7982	37	26	A	72004	39	8	A	72095	21	30	C	10372	5	2	C	11943	49	3	C	12234	45	10	
A 10326	17	55	A	72005	39	7	A	72096	21	29	C	10380	43	6	C	11998	33	16	C	12269	51	19	
A 11275	45	36	A	72007	39	13	A	72097	21	24	C	10395	43	7	C	11999	29	1	C	12270	51	20	
A 11276	51	9	A	72025	41	17	A	72098	21	19	C	10396	43	8	C	12000	29B	1	C	12276	43	35	
A 11538	49	10	A	72026	41	16	A	72099	21	20	C	10413	45	3	C	12011	33	29	C	12277	43	36	
A 17528	41	8	A	72026	41	40	A	72100	13	57	C	10421	43	-	C	12013	33	20	C	12280	47	5	
A 24354	51	29	A	72027	41	15	A	72100	15	57	C	10423	43	12	C	12067	35	17	C	12304	35	1	
A 24526	45	4	A	72027	41	39	A	72100	9	10	C	10424	43	15	C	12067	35B	13	C	12304	35B	30	
A 24526	51	8	A	72028	41	3	A	72101	21	16	C	10429	43	5	C	12070	35	20	C	12304	41	25	
A 25423	25	9	A	72028	41	27	A	72102	21	8	C	10433	43	21	C	12070	35B	14	C	12305	35	1	
A 25447	25	20	A	72030	41	9	A	72103	21	32	C	10449	47	1	C	12072	35	35	C	12305	35B	30	
A 25461	25	4	A	72030	41	33	A	72104	25	2	C	10458	51	2	C	12072	35B	19	C	12305	41	1	
A 25546	25	36	A	72031	41	10	A	72108	13	56	C	10472	53	8	C	12081	31	3	C	12305	41	1	
A 27251	51	11	A	72031	41	34	A	72108	15	56	C	10474	51	6	C	12093	49	4	C	12370	31	7	
A 27410	59	7	A	72034	41	13	A	72108	19	17	C	10479	19	1	C	12094	23	2	C	12394	35	7	
A 27891	37	6	A	72034	41	37	A	72108	19	31	C	10482	47	7	C	12094	23	2	C	12395	35	8	
A 30064	31	10	A	72036	41	21	A	72108	19	31	C	10487	23	3	C	12094	23	2	C	12396	35	7	
A 30881	29	7	A	72036	41	45	A	72108	19	31	C	10490	43	14	C	12102	29B	19	C	12397	35	8	
A 30881	29B	7	A	72038	25	7	A	72112	41	41	C	10490	43	14	C	12103	29B	13	C	12506	43	38	
A 35956	39	6	A	72039	25	5	A	72113	41	42	C	10493	35	28	C	12110	31	5	C	12524	37	19	
A 36041	43	13	A	72040	25	6	B	18208	23D	22	C	10493	35B	31	C	12111	31	6	C	12526	29	15	
A 37247	49	6	A	72041	25	23	B	18208	29B	4	C	10493	39	1	C	12114	45	10	C	12570	47	16	
A 40702	25	40	A	72042	25	10	B	18208	33	14	C	10502	23	2	C	12115	29	13	C	12570	47	16	
A 40736	25	22	A	72043	25	17	B	50213	51	29	C	10503	23	3	C	12115	29B	12	C	12583	33	9A	
A 40736	25	21	A	72046	25	32	B	59393	13	48	C	10504	23	5	C	12115	49	23	C	12584	33	8A	
A 41927	25	13	A	72047	25	33	B	59393	15	48	C	10505	23	6	C	12116	27	9	C	12597	49	1	
A 43356	25	31	A	72048	25	11	C	10243	33	38	C	10506	23	7	C	12125	27	7	C	12603	17	22	
A 43499	25	37	A	72051	41	18	C	10252	33	36	C	10507	23	8	C	12126	27	5	C	12604	49	2	
A 50421	39	14	A	72054	41	19	C	10253	33	33	C	10549	51	30	C	12127	49	7	C	12608	23	13	
A 44433	25	29	A	72054	41	43	C	10254	33	30	C	10592	51	23	C	12132	49	13	C	12612	49	19	
A 70058	27	4	A	72055	37	10	C	10258	35	28	C	10596	45	11	C	12135	49	4	C	12617	53	19	
A 70062	31	11	A	72056	37	17	C	10258	35B	31	C	10657	19	6	C	12139	49	2	C	12619	31	11	
A 70090	5	5	A	72057	37	9	C	10258	39	1	C	10678	19	8	C	12140	49	2	C	12620	31	6	
A 70100	19	3	A	72058	37	7	C	10258	39	1	C	10678	19	8	C	12141	31	1	C	12621	31	2	
A 70109	35	34	A	72059	37	4	C	10259	33	12	C	10836	53	13	C	12142	35	21	C	12621	31	2	
A 70109	35B	1	A	72060	37	12	C	10261	33	31	C	10883	23	5	C	12143	33	9	C	12623	31	7	
A 70111	35	30	A	72062	37	16	C	10263	31	1	C	10898	57	14	C	12143	33	9	C	12624	31	5	
A 70111	35B	17	A	72062	37	27	C	10264	35	20	C	10936	43	37	C	12144	33	8	C	12625	31	10	
A 70111	39	18	A	72063	37	13	C	10264	35B	14	C	10952	29	10	C	12145	49	7	C	12633	57	25	
A 70112	39	21	A	72064	37	22	C	10266	35	13	C	10952	29B	9	C	12146	33	5	C	12656	31	15	
A 70117	35	19	A	72065	37	3	C	10267	35	17	C	10985	51	22	C	12147	33	4	C	12674	57	8	
A 70117	35B	18	A	72066	37	14	C	10267	35B	13	C	10987	37	32	C	12149	35	23	C	12675	57	9	
A 70127	33	21	A	72067	37	15	C	10283	45	22	C	10988	37	31	C	12156	33	13	C	12676	57	32	
A 70127	35	4	A	72068	37	20	C	10291	33	15	C	10989	37	30	C	12165	45	15	C	12678	57	18	
A 70128	35B	27	A	72069	37	6	C	10292	33	40	C	11247	51	3	C	12168	49	8	C	12682	41	12	
A 70128	35	2	A	72070	37	21	C	10296	33	28	C	11332	33	43	C	12180	43	30	C	12682	41	36	
A 70128	35B	26	A	72070	37	24	C	10298	33	39	C	11430	57	31	C	12181	43	31	C	12683	53	11	
A 70131	33	37	A	72071	37	8	C	10299	33	18	C	11529	19	2	C	12187	17	36	C	12684	51	5	
A 70137	33	2	A	72072	37	23	C	10302	33	25	C	11533	45	20	C	12192	51	24	C	12750	57	1	
A 70141	33	6	A	72073	19	11	C	10303	33	22	C	11534	45	14	C	12193	51	17	C	12758	57	15	
A 70142	33	3	A	72074	21	-	C	10312	17	16	C	11545	19	15	C	12194	51	18	C	12777	57	37	
A 70143	33	7	A	72075	21	17	C	10312	23	12	C	11582	45	26	C	12197	51	25	C	12792	57	11	
A 70185	31	12	A	72077	21	1	C	10314	31	2	C	11635	43	3	C	12198	51	26	C	12813	23	14	
A 70202	51	1	A	72077	21	1	C	10317	31	9	C	11636	43	1	C	12199	51	27	C	12880	59	1	
			C	10348	35	38	C	10338	47	3	C	11637	43	2	C	12203	19	16	C	12883	59	2	
															C	12203	45	16	C	12884	59	3	
																				C	12885	59	4

NUMERICAL INDEX

PART NO.	PAGE NO.	REF. NO.
C 12886	59	5
C 12903	59	8
C 12975	29	12
C 12975	29B	11
C 13076	23B	13
C 13077	23B	7
C 13079	23B	15
C 13079	23D	16
C 13080	23B	6
C 13080	23D	13
C 13081	23B	5
C 13083	23B	12
C 13085	23B	11
C 13086	23B	1
C 13087	23B	9
C 13089	23B	2
C 13106	29	8
C 13106	29B	8
C 13200	59	2
C 13201	59	3
C 13203	59	10
C 13204	59	12
C 13207	59	11
C 13210	57	39
C 13244	23	1
C 13289	47	2
C 13317	57	28
C 13329	57	29
C 13330	57	40
C 13331	57	43
C 13341	35B	32
C 13356	47	1
C 13357	49	3
C 13388	45	33
C 13414	35B	15
C 13510	37	5
C 13512	37	1
C 13513	37	9
C 13514	37	8
C 13515	37	3
C 13583	29	2
C 13584	29	3
C 13586	29B	2
C 13587	29B	3
C 13596	29	12
C 13603	29	14
C 13605	29B	18
C 13614	27	13
C 13618	51	28
C 13663	35B	16
C 13677	29	9
C 13679	29B	14
C 13716	29B	5
C 13756	17	23
C 13795	27	25
C 13800	27	26
C 13801	27	18
C 13804	57	33
C 13811	31	8
C 13812	51	21
C 13848	17	34

PART NO.	PAGE NO.	REF. NO.
C 13934	43	33
C 13983	45	28
C 13984	45	28
C 13985	51	4
C 14018	49	24
C 14019	49	25
C 14024	45	1
C 14039	23B	17
C 14051	33	17
C 14059	49	3
C 14060	53	12
C 14063	45	27
C 14076	45	27
C 14077	45	27
C 14088	53	18
C 14089	53	25
C 14090	35B	12
C 14091	35B	11
C 14092	35B	39
C 14093	35B	38
C 14094	23	1
C 14095	23B	14
C 14147	49	13
C 14153	57	19
C 14154	57	18
C 14311	45	28
C 14312	45	28
C 14314	45	27
C 14315	45	27
C 14344	25	34
C 14528	47	4*
C 14528	57	34
C 14599	53	29
C 14652	31	9
C 16616	23D	21
C 18039	5	5
C 18096	9	25
C 18096	11	25
C 18097	9	24
C 18097	11	24
C 18097	13	34
C 18097	13	46
C 18097	15	34
C 18097	15	46
C 18098	17	47
C 18099	17	63
C 18100	53	12
C 18101	9	18
C 18102	11	18
C 18103	13	12
C 18103	15	12
C 18103	17	60
C 18104	9	23
C 18104	11	23
C 18296	17	24
C 18721	35	15
C 18721	35B	25
C 18850	59	7
C 19009	29	23
C 19009	29B	24
C 19491	23D	30

PART NO.	PAGE NO.	REF. NO.
C 19492	23D	24
C 19493	23D	1
C 19494	23D	27
C 19638	23D	28
C 19706	23D	15
C 19889	23D	5
C 19890	23D	4
C 19891	23D	2
C 19892	23D	3
C 19893	23D	8
C 19894	23D	7
C 19895	23D	10
C 19896	23D	9
C 19897	23D	14
C 19898	23D	12
C 19899	23D	17
C 22987	19	26
C 23145	15	8
D 23693	23	6
D 26819	59	6
D 26872	37	18
D 26872	37	25
D 40816	59	8
F 19478	33	19
F 19892	21	9
F 19895	21	5
F 41695	23D	23
F 62147	27	22
G 13827	39	14
G 49048	27	11
KO 200372	21	15
KO 200375	21	11
KO 200380	21	27
KO 200383	21	2
KO 200408	21	10
KO 200439	21	12
KO 200443	21	7
KO 220174	13	49
KO 220174	15	49
KO 220174	53	4
KO 220297	53	2
KO 220476	53	11
KO 230011	7	20
KO 230011	7	43
KO 230170	15	9
KO 230170	7	16
KO 230170	7	39
KO 230170	13	9
KO 230675	19	30
KO 230722	51	13
KO 231032	7	5
KO 231032	13	50
KO 231032	15	50
KO 231052	17	49
KO 231281	51	14
KO 231355	17	64
KO 231533	51	16
KO 232535	51	15
KO 232535	53	5
KO 235003	9	11
KO 235003	11	11
KO 235004	9	7

PART NO.	PAGE NO.	REF. NO.
KO 235007-S	7	17
KO 235007-S	7	40
KO 235007-S	13	10
KO 235007-S	15	10
KO 235008	7	15
KO 235008	7	38
KO 235010	7	19
KO 235010	7	42
KO 235011	7	18
KO 235011	7	41
KO 235025	13	16
KO 235025	13	52
KO 235025	15	16
KO 235025	15	52
KO 235026	13	17
KO 235026	15	17
KO 235047	7	9
KO 235048	7	6
KO 235048	13	51
KO 235048	15	51
KO 235052	17	7
KO 235053	7	27
KO 235054	17	14
KO 235057	13	59
KO 235057	15	59
KO 235070	13	29
KO 235070	13	54
KO 235070	15	29
KO 235070	15	54
KO 235084	17	52
KO 235085	17	51
KO 235086	17	50
KO 235097	19	23
KO 235117	7	8
KO 235118	7	7
KO 235125-S	13	11
KO 235125-S	15	11
KO 235125-S	17	62
KO 235175	13	2
KO 235175	15	2
KO 235196	53	21
KO 235197	53	24
KO 235207	17	6
KO 235277	17	56
KO 235278	17	57
KO 235287	9	2
KO 235288	9	16
KO 235289	9	16
KO 235290	9	16
KO 235353	13	20
KO 235353	13	53
KO 235353	15	20
KO 235353	15	53
KO 235368	17	5
KO 235447	21	14
KO 235448	21	13
KO 235476	17	58
KO 235494	17	41
KO 235496	17	45
KO 235526	9	13

PART NO.	PAGE NO.	REF. NO.
KO 235526	11	13
KO 235572	9	8
KO 235573	9	17
KO 235631	7	10
KO 235656	13	4
KO 235747	13	6
KO 235747	15	6
KO 235748	13	42
KO 235748	15	42
KO 235757	13	29
KO 235757	13	54
KO 235757	15	29
KO 235757	15	54
KO 235803	11	8
KO 235811	11	7
KO 235815	13	31
KO 235815	15	31
KO 235818	13	35
KO 235818	15	35
KO 235820	15	4
KO 235826	7	14
KO 235826	7	37
KO 235868	11	17
KO 235889	11	2
KO 235890	11	16
KO 235891	11	16
KO 235892	11	16
KO 235951	17	11
KO 235954	13	38
KO 235954	15	38
KO 235955	17	4
KO 236387	19	32
KO 237658	13	5
KO 237658	13	55
KO 237658	15	5
KO 237658	15	55
KQ 237727	13	45
KO 237727	15	45
KO 237808	13	23
KO 237808	15	23
KO 238057	51	12
KO 240013	7	21
KO 240013	7	44
KO 270889	13	3
KO 270889	15	3
KO 271077	13	1
KO 271077	15	1
KO 275066	7	26
KO 275066	7	49
KO 275067	7	26
KO 275067	7	49
KO 275143	7	4
KO 275220	7	3
KO 275303	53	13
KO 275341	5	10
KO 275341	13	58
KO 275341	15	58
KO 275341	19	14
KO 275690	17	48
KOA 536	5	3
KOA 220474	53	10

PART NO.	PAGE NO.	REF. NO.
KOA 231533	53	1
KOA 235100	5	1
KOA 235139	9	10
KOA 235256-S	17	59
KOA 235327	7	22
KOA 235327	7	45
KOA 235569	9	15
KOA 235571	9	15
KOA 235611	9	6
KOA 235616	9	15
KOA 235743-S	17	61
KOA 235827	11	6
KOA 235845	19	25
KOA 235865	11	15
KOA 235866	11	15
KOA 235867	11	15
KOA 237344	11	10
KOA 237871	13	8
KOB 235711	9	22
KOB 235949	11	22
KOB 236293	15	7
KOB 236303	13	7
KOE 235646	7	25
KOE 235646	7	48
L 15282	27	1
M 20007	51	10
O 1117-CH	23D	34
O 1594-N	31	14
O 9638AB	37	11
R 15077	25	19
R 15087	25	3
R 15090	25	8
R 15106	25	1
R 16147	25	12
R 16148	25	16
R 16287	9	19
R 16287	11	19
R 16287	13	27
R 16287	13	47
R 16287	15	47
T 13224	37	28
T 25683	27	6
T 25683	29	4
T 25683	29B	31
T 25683	31	8
T 25683	57	5
T 36615	23B	4
T 36619	23B	23
W 5063-S	9	21
W 5063-S	11	21
W 5063-S	13	41
W 5063-S	15	41
W 5063-S	35	31
W 5063-S	35B	6

HARDWARE CODE NUMBERS

11- 412	53	6
11- 512	53	5
13- 510	33	42
13- 512	33	27

NUMERICAL INDEX

NUMERICAL INDEX

PART NO.	PAGE NO.	REF. NO.	PART NO.	PAGE NO.	REF. NO.	PART NO.	PAGE NO.	REF. NO.	PART NO.	PAGE NO.	REF. NO.	PART NO.	PAGE NO.	REF. NO.	PART NO.	PAGE NO.	REF. NO.						
13-	652	39	2	113-	206	13	14	131-	350	23D	26	187-	1009	45	29	193-	82	53	17	219-	38	29B	15
13-	656	23D	18	113-	206	15	14	131-	351	27	10	187-	1036	45	31	193-	91	53	10	219-	57	27	19
13-	664	23D	19	113-	206	49	12	131-	351	43	4	187-	1036	57	44	193-	524	59	6	219-	403	31	4
13-	820	33	23	113-	207	13	33	131-	366	31	13	187-	1043	45	30	195-	17	23D	32	221-	2	13	26
15-	420	17	42	113-	207	15	33	131-	413	45	5	192-	8	25	14	195-	104	17	18	221-	2	15	26
15-	514	45	23	113-	208	13	40	132-	5	57	27	192-	17	25	15	195-	104	49	18	221-	4	33	10
15-	540	27	14	113-	208	15	40	132-	24	23	4	192-	18	5	8	195-	510	59	5	221-	12	37	11
15-	816	47	2	113-	219	47	9	132-	24	23D	33	192-	18	17	39	195-	515	17	8	221-	412	57	10
15-	836	47	4	113-	219	57	45	132-	26	49	11	192-	18	17	54	195-	515	17	43	221-	841	37	29
25-	104	7	1	113-	221	53	22	132-	47	29	18	192-	18	25	28	195-	515	17	43	222-	41	19	20
25-	104	17	44	114-	201	31	12	132-	47	29B	17	192-	18	53	4	195-	517	23	10	222-	101	19	21
25-	104	35	40	114-	213	31	-	132-	69	33	35	192-	19	13	18	195-	520	53	3	222-	112	19	22
25-	105	35B	36	115-	103	23	7	132-	310	57	7	192-	19	15	18	195-	521	49	17	222-	4021	19	24
25-	105	45	24	115-	103	43	18	132-	311	29	11	192-	19	17	2	195-	521	59	4				
25-	108	29	22	115-	105	57	20	132-	311	29B	10	192-	19	17	9	195-	522	23	11				
25-	108	29B	22	115-	203	23	10	132-	320	49	1	192-	19	17	13	195-	530	57	13				
25-	108	47	5	115-	203	47	12	135-	137	47	17	192-	19	17	46	195-	533	49	22				
25-	118	29	21	115-	204	13	25	135-	137	57	17	192-	19	43	10	195-	545	13	36				
25-	118	29B	21	115-	204	15	25	138-	102	33	11	192-	19	53	16	195-	545	15	36				
25-	1510	27	3	115-	204	35	32	138-	134	41	6	192-	19	57	24	195-	545	47	11				
26-	410	23D	25	115-	204	35B	2	138-	134	41	30	192-	20	19	12	195-	545	47	11				
41-	18	13	13	115-	204	57	35	138-	2002	33	32	192-	20	23	8	195-	2028	39	3				
41-	18	15	13	115-	204	57	42	138-	2005	49	14	192-	20	43	17	195-	2036	23D	20				
61-	510	5	4	115-	204	57	42	138-	2026	47	8	192-	20	49	9	205-	2082	27	15				
71-	410	19	18	115-	208	17	20	138-	2026	47	8	192-	20	49	9	205-	27	13	30				
73-	410	35	39	126-	12	35	29	138-	2049	33	34	192-	20	53	2	205-	27	15	30				
73-	528	35B	34	126-	12	35B	37	141-	2	23D	31	192-	21	13	15	211-	3	21	4				
74-	610	25	25	126-	12	39	9	141-	2	57	21	192-	21	13	24	211-	9	23B	16				
83-	55	39	19	126-	22	23	4	141-	3	49	9	192-	21	13	32	211-	9	59	9				
83-	56	23	12	126-	111	25	24	141-	4	49	6	192-	21	13	39	211-	10	37	4				
92-	4	7	2	126-	119	57	46	141-	56	29	17	192-	21	15	15	211-	12	23D	11				
92-	4	35	41	129-	7	17	40	141-	56	29B	16	192-	21	15	24	213-	3	49	8				
92-	5	5	3	129-	37	17	53	141-	56	57	6	192-	21	15	32	213-	4	49	5				
92-	5	33	26	129-	101	43	11	151-	106	31	4	192-	21	15	39	214-	253	19	9				
92-	5	35B	35	129-	101	45	19	164-	571	33	44	192-	21	17	19	214-	253	35	14				
92-	5	45	25	129-	101	45	35	166-	6	37	1	192-	21	23	9	214-	253	35	16				
92-	8	29	20	129-	101	53	7	166-	8	37	2	192-	21	29	24	214-	253	35B	24				
92-	8	29B	20	129-	101	57	23	166-	23	41	4	192-	21	29B	25	214-	253	57	41				
92-	8	33	24	129-	102	23	9	166-	23	41	28	192-	21	35	33	218-	445	35	18				
92-	8	47	3	129-	102	43	16	166-	531	41	20	192-	21	35B	3	218-	455	35B	23				
92-	8	55	4	129-	102	49	10	166-	532	41	44	192-	21	47	13	218-	494	35	12				
95-	5	33	41	129-	102	53	4	166-	561	35	26	192-	21	49	21	218-	494	35	12				
111-	1	17	38	129-	103	47	15	166-	561	35B	4	192-	21	53	23	218-	755	57	38				
111-	112	57	26	129-	103	57	3	169-	77	21	28	192-	21	57	4	218-	1056	35	22				
111-	128	45	21	129-	103	57	36	169-	77	21	28	192-	21	57	4	218-	1057	57	30				
111-	128	53	15	129-	105	55	2	169-	131	53	26	192-	23	55	3	218-	5006	35	9				
111-	129	45	34	129-	105	55	4	171-	146	59	14	192-	26	25	35	218-	5006	35	25				
111-	207	43	2A	129-	122	53	27	171-	209	35	36	192-	26	9	12	218-	5006	35B	8				
111-	319	57	2	129-	167	27	20	171-	209	35B	21	193-	111	11	12	218-	5006	35	6				
111-	531	55	3	129-	167	27	20	173-	207	45	18	193-	5	53	9	218-	5007	35	6				
111-	532	55	2	129-	294	19	5	173-	207	45	18	193-	8	45	17	218-	5007	35B	29				
113-	1	53	20	129-	325	29B	23	173-	210	53	3	193-	9	45	7	218-	5008	35	11				
113-	2	17	12	129-	409	5	2	173-	215	19	4	193-	31	35	27	218-	5008	35B	10				
113-	4	57	22	129-	531	59	13	173-	224	53	8	193-	31	35B	5	218-	5008	35B	10				
113-	6	13	19	129-	582	27	23	173-	224	53	9	193-	34	27	21	218-	5059	35	24				
113-	6	15	19	129-	601	47	10	173-	237	25	27	193-	36	27	24	218-	5059	35B	7				
113-	6	17	3	129-	601	47	14	175-	400	43	9	193-	52	35	37	218-	5060	35	5				
113-	103	19	13	129-	601	57	12	175-	416	43	19	193-	52	35B	22	218-	5060	35B	28				
113-	103	53	1	131-	176	43	20	175-	436	17	10	193-	57	45	32	218-	5062	35B	33				
113-	205	29	25	131-	301	9	26	177-	94	5	7	193-	57	45	32	218-	5106	35	3				
113-	205	29B	26	131-	301	11	26	182-	509	45	6	193-	57	53	28	218-	5108	35	10				
				131-	301	13	37	187-	131	53	14	193-	60	19	19	218-	5108	35B	9				
				131-	301	15	37	187-	408	53	7	193-	82	41	5	219-	8	29	6				
								187-	1008	45	37	193-	82	41	29	219-	8	29B	6				