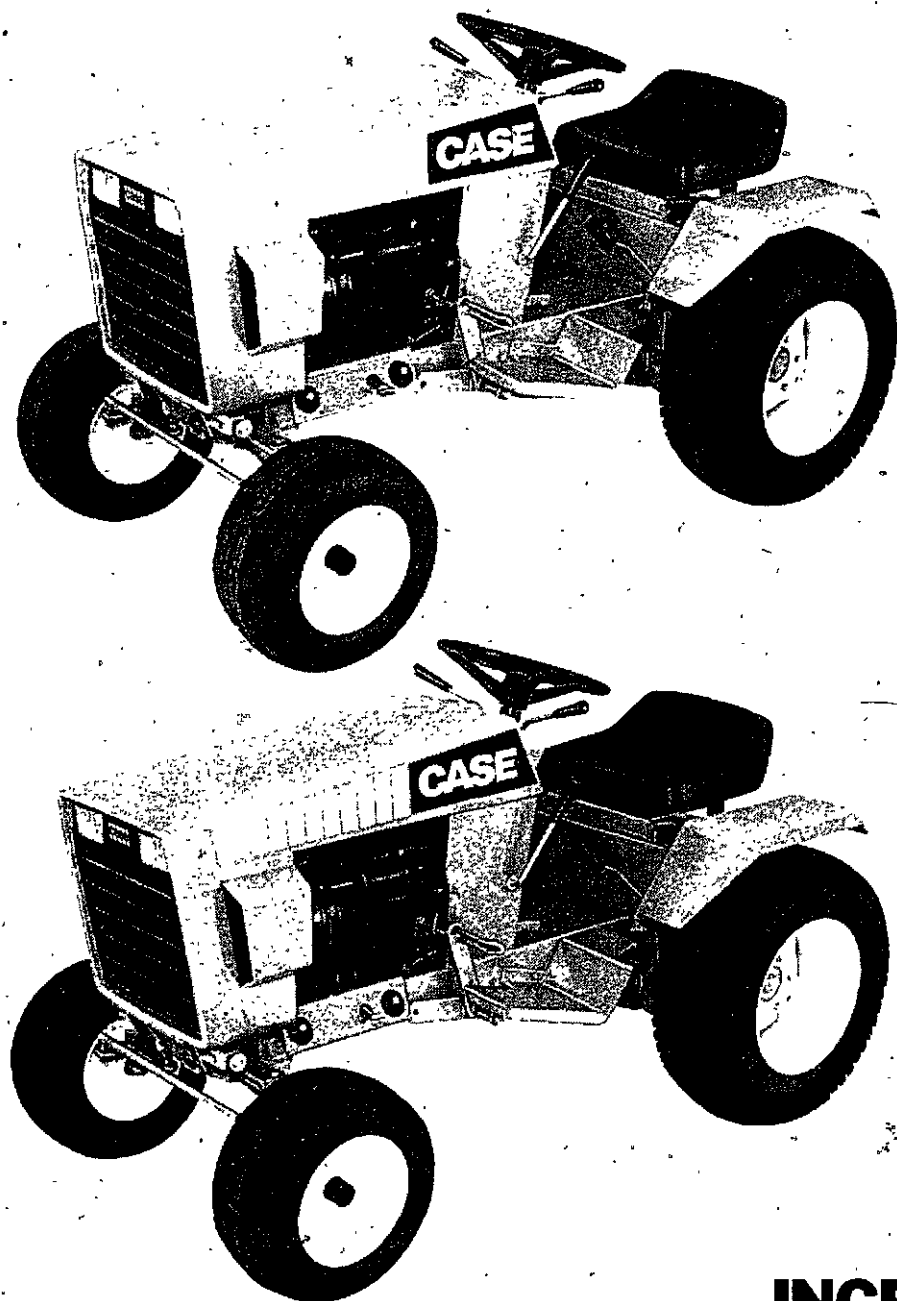


COMPACT TRACTORS
 220-S/N 9734870 TO 14035005
 222-S/N 9736998 TO 14036630
 224-S/N 9738335 TO 14038300
 444-S/N 9739739 TO 14039740
 Parts Catalog B1375

5-84-RP-1500-150

NOTE: This catalog replaces catalog A1375 and all revisions.



INGERSOLL

Ingersoll Equipment Co., Inc.

Technical Publications
 119 South First Street
 Winneconne, WI 54986-9576

ALPHABETICAL INDEX

ENGINE SECTION

PAGE	GRID	PAGE	GRID
Air Cleaner	5 A6	Flywheel	17-21 B4-B8
Battery	65 F2	Fuel Pump	25 B12
Breaker Contacts	71 F8	Fuel Strainer	25 B12
Breather, Crankcase	7-9 A8-A10	Fuel System	25 B12
Camshaft	7-9 A8-A10	Gasket Kits	23 B10
Carburetor	25-27 B12-B14	Governor	29 C2
Connecting Rod	11-15 A12-B2	Muffler	5 A6
Crankshaft	11-15 A12-B2	Shields	57 E2
Cylinder Block	17-21 B4-B8	Oil Pan	17-21 B4-B8
Cylinder Head	17-21 B4-B8	Piston	11-15 A12-B2
Electrical System	65-71 F2-F8	PTO Clutch	31-33 C4-C6
Engine Block & Attaching Parts	17-21 B4-B8	Spark Plug	65 F2
Exchanger, Heat	53 D12	Starter	63 E14
Exhaust System	5 A6	Tank, Fuel	25 B12
Fan	33 C6	Throttle Linkage	29 C2
Filter, Breather	7-9 A8-A10	Valves	7-9 A8-A10

BASIC TRACTOR SECTION

PAGE	GRID	PAGE	GRID
Axle, Front	41 C14	L19 and M19 Flow Control Valve Kit	93 A4*
Axle, Rear	49-51 D8-D10	L29 PTO	97 A8*
Baffles & Shrouds	25 B12	M9 Holding Valve	95 A6*
Brakes	45 D4	Models K8 & K10 Wheel Weights	77 F14
Control - Speed	61 E12	Models H26 & J26 Three Point Hitch	81-83 G4-G6
Decals	73-75 F10-F12	Model F27 Three Point Hitch Adapter	83 G6
Electrical System	65-71 F2-F8	Model J22, J24, K22 and K24 Sleeve Hitch	85 G8
Fenders	39 C12	Model H13 Weight Box	87 G10
Frame	35-37 C8-C10	Model H18 Counterweight Brackets	87 G10
Grille	35-37 C8-C10	Model J30 Hydraulic Lift	79 G2
Hitch	47 D6	Mounts, Engine	29 C2
Hood	35-37 C8-C10	Mounts, Heat Exchanger	55 D14
Hydraulics	53 D12	PTO Clutch	31-33 C4-C6
Coupling, Pump Drive	53-57B D12-E4	Seat, Operator's	39 C12
Hoses, Lines & Fittings	53 D12	Steering Wheel & Gear	43 D2
Motor, Hydraulic Drive	53-61 D12-E12	Tail Lamp	71 F8
Pump	53-57B D12-E4	Tool Box	39 C12
Valve, Control	53-59D D12-E10	Transmission	49-51 D8-D10
Valve, Control Linkage	61 E12	Wheels, Front & Rear	45 D4
Implement Lift Lever	47 D6		
Instruments	65 F2		
J17, K17 and L17 Hydraulic PTO	89-91 G12-G14		
L7 Holding Valve	95 A6*		
L9 Holding Valve	95 A6*		
L11 Counterweight Kit	95 A6*		

* contained on microfiche 25

GENERAL INFORMATION

CASE 220, 222, 224 AND 444 COMPACT TRACTORS

Indexes

This parts Catalog is arranged for easy identification of Genuine CASE Service Parts. An alphabetical index is provided at the front of this Catalog to locate the major groups or assemblies. A numerical index at the rear of the Catalog gives the part numbers and the pages on which they are described.

Illustrations

All parts are illustrated in "Exploded Views" which show the individual parts in their normal relationship to each other. Reference numbers are used in the illustrations. These numbers correspond to those in the "Reference Number" column and are followed by the part number, description and quantity required.

Orders

Orders should plainly specify correct part number, full description, quantity required, machine model and engine model, machine and engine serial numbers, method of shipment, and shipping address.

Changes

When changes to the machine make it necessary, revised pages for this book will be issued. The revised pages will be issued with the same page number as those they replace and the "issue" number and date will be advanced.

It is imperative that revised Parts Book pages be inserted into their respective Parts Books as soon as received. Failure to do so will lead to confusion and defeat the purpose of the book.

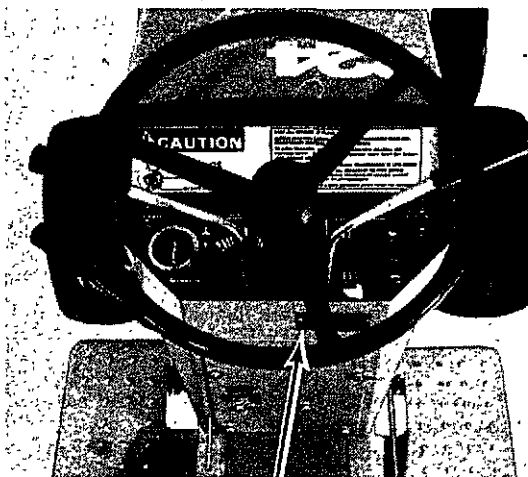
Indented Description

Indented parts in the descriptive list are a part of the preceding assembly or sub-assembly. The quantity shown in the "Number Required" column is the number of parts used on a machine except where parts are indented in descriptive list. In this case the quantity shown is the number required for the preceding assembly or sub-assembly.

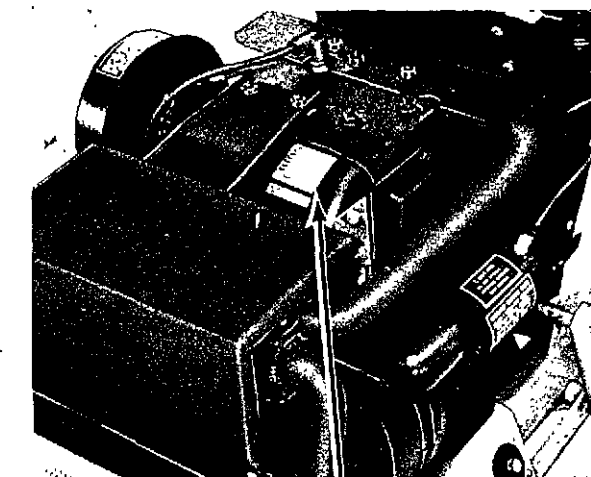
REF.	PART NO.	DESCRIPTION	REQ'D
	A 55159	CYLINDER ASSY - rear steering	1
28	A 56208	SOCKET ASSY - rear cylinder	1
29	A 55956	PLUG - adjusting, socket assy	1
30	A 55957	SEAT - socket ball	2
31	A 56210	SPRING - socket	1
32	A 56209	SEAT - socket spring	1
33	G 45175	CLAMP ASSY - socket assy	1
	16- 836	BOLT - 1/2" x 2-1/4" N.F. hex.	1
34	132- 104	PIN - cotter, 3/16" x 3"	1
35	A 55889	STUD - ball, socket & cylinder	2
36	13- 410	BOLT - 1/4" x 5/8" N.C., hex.	4
37	92- 4	LOCKWASHER - 1/4" SAE	4

Terms "Right Hand" and "Left Hand"

"Right Hand" and "Left Hand" sides of this machine are determined by standing at the rear of the unit and facing in the direction of forward travel.



TRACTOR MODEL AND SERIAL NUMBER

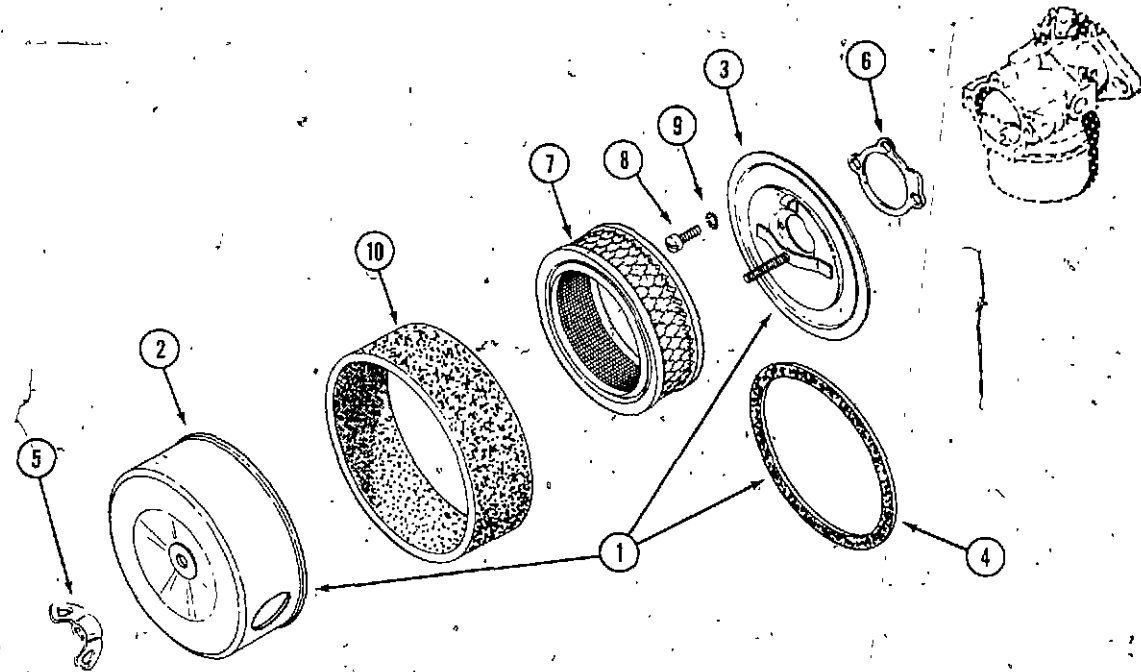


ENGINE MODEL, SERIAL AND SPECIFICATION NUMBER

TRACTOR MODEL DESIGNATIONS	ENGINE MODEL DESIGNATIONS
220 TRACTOR	C26982 K - 241 - AS SPEC. PF46746D
222 TRACTOR	C26983 K - 301 - AS SPEC. PF47612D
224 TRACTOR	C26984 K - 321 - AS SPEC. PF60324D
444 TRACTOR	C26984 K - 321 - AS SPEC. PF60324D

SERIAL NUMBERS

When using this catalog, notice the reference to serial numbers of various components noted here and listed in the "description" copy. By referring to correct serial numbers, proper parts identification will be assured.

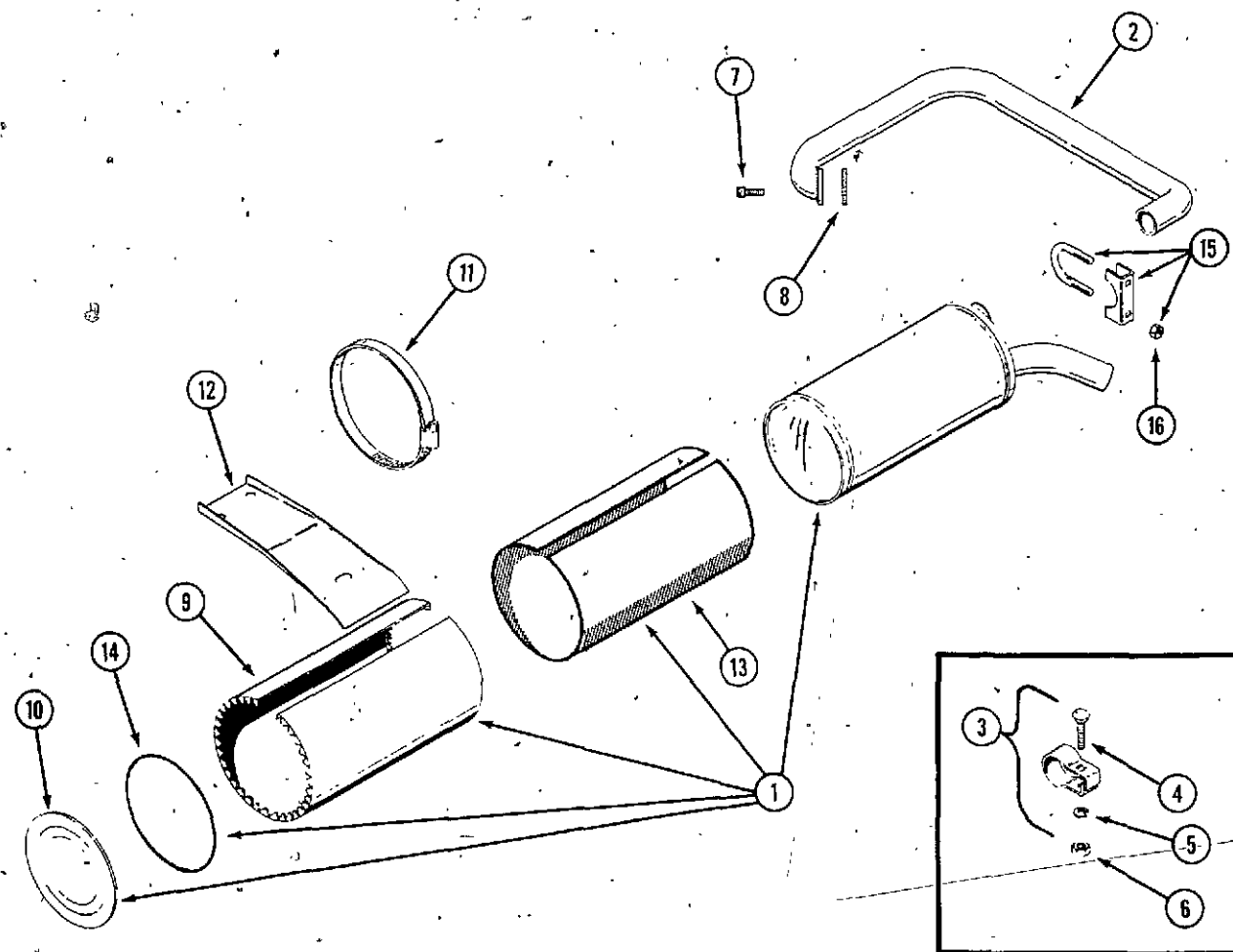


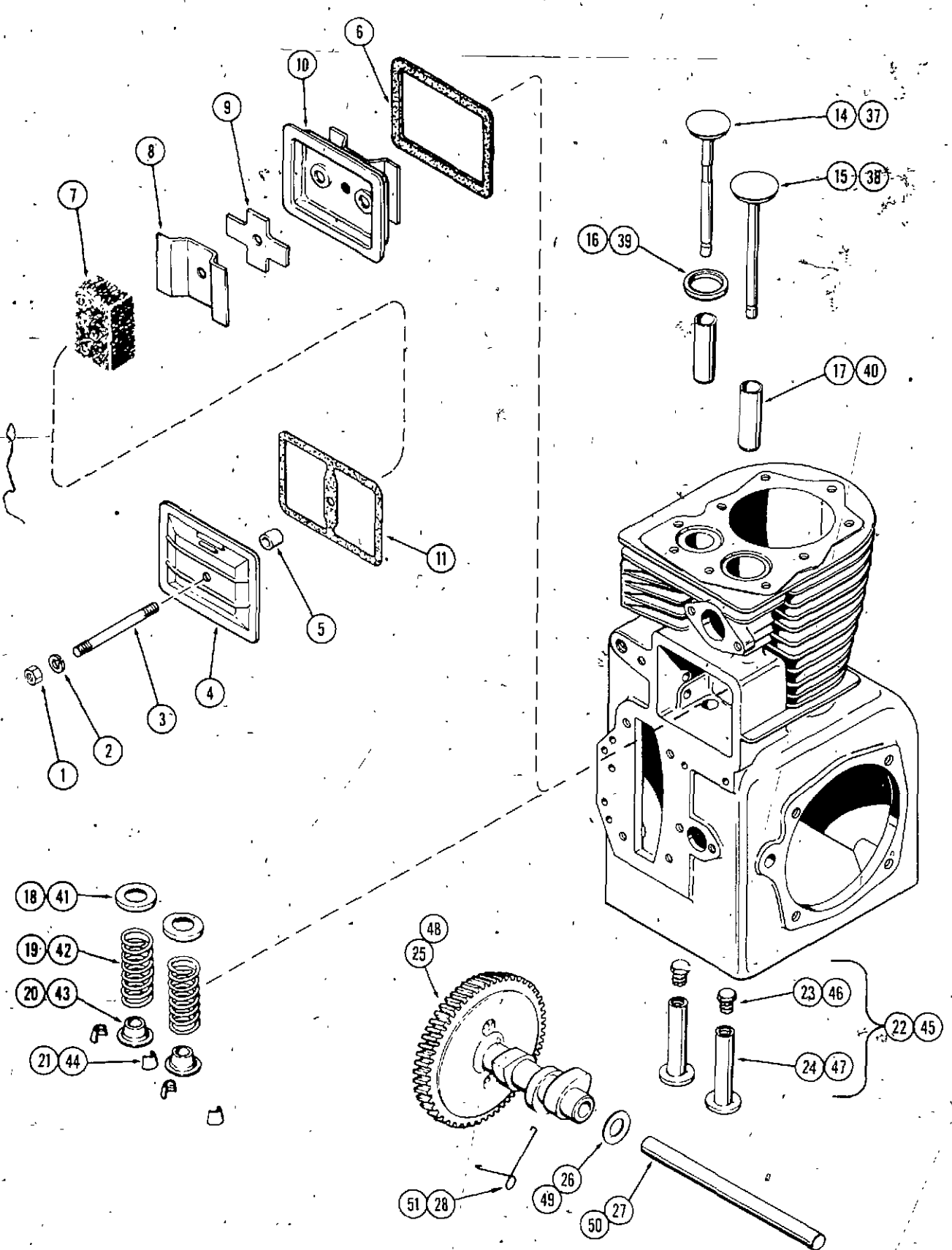
AIR CLEANER

REF.	PART NO.	DESCRIPTION	REQ'D
1	KO 237895	AIR CLEANER ASSEMBLY	1
2	NSS	COVER - air cleaner (order KO237895)	1
3	NSS	BASE - air cleaner (order KO237895)	1
4	KO, 237423	GASKET - cover, air cleaner	1
5	C 26703	NUT - wing 1/4" N.C.	1
6	KO 275341	GASKET - air horn	1
7	A 70090	ELEMENT - air cleaner	1
8	177- 94	SCREW - fillister head 10-32 x 5/16"	3
9	193- 6	LOCKWASHER - ext. tooth	3
10	KO 237421	PRE-CLEANER	1

EXHAUST SYSTEM

C	26063	MUFFLER ASSEMBLY - exhaust (includes items 9, 10, 13 and 14 banded together)	1
2	C 22747	PIPE - engine exhaust	1
3	NSS	CLAMP ASSEMBLY - muffler (use H315176)	1
4	111- 256	BOLT - 5/16" x 1-1/4" round head NC (package of 100)	1
5	192- 20	LOCKWASHER - 5/16"	1
6	129- 102	NUT - 5/16" N.C. hex	1
7	61- 512	BOLT - 5/16" x 5/8" socket head	2
8	C 10372	GASKET - exhaust	1
9	C 26062	WRAPPER - muffler	1
10	C 22889	COVER - muffler end	1
11	214- 272	CLAMP - muffler and wrapper mounting	3
12	C 22819	BRACKET - muffler mounting	1
13	C 26058	INSULATION - muffler	1
14	C 22860	INSULATION - muffler end	1
15	H 315176	CLAMP - muffler	1
16	129- 102	NUT - 5/16" - 18 hex	2
17	192- 404	LOCK WASHER	2





220 AND 222 CRANKCASE BREATHER

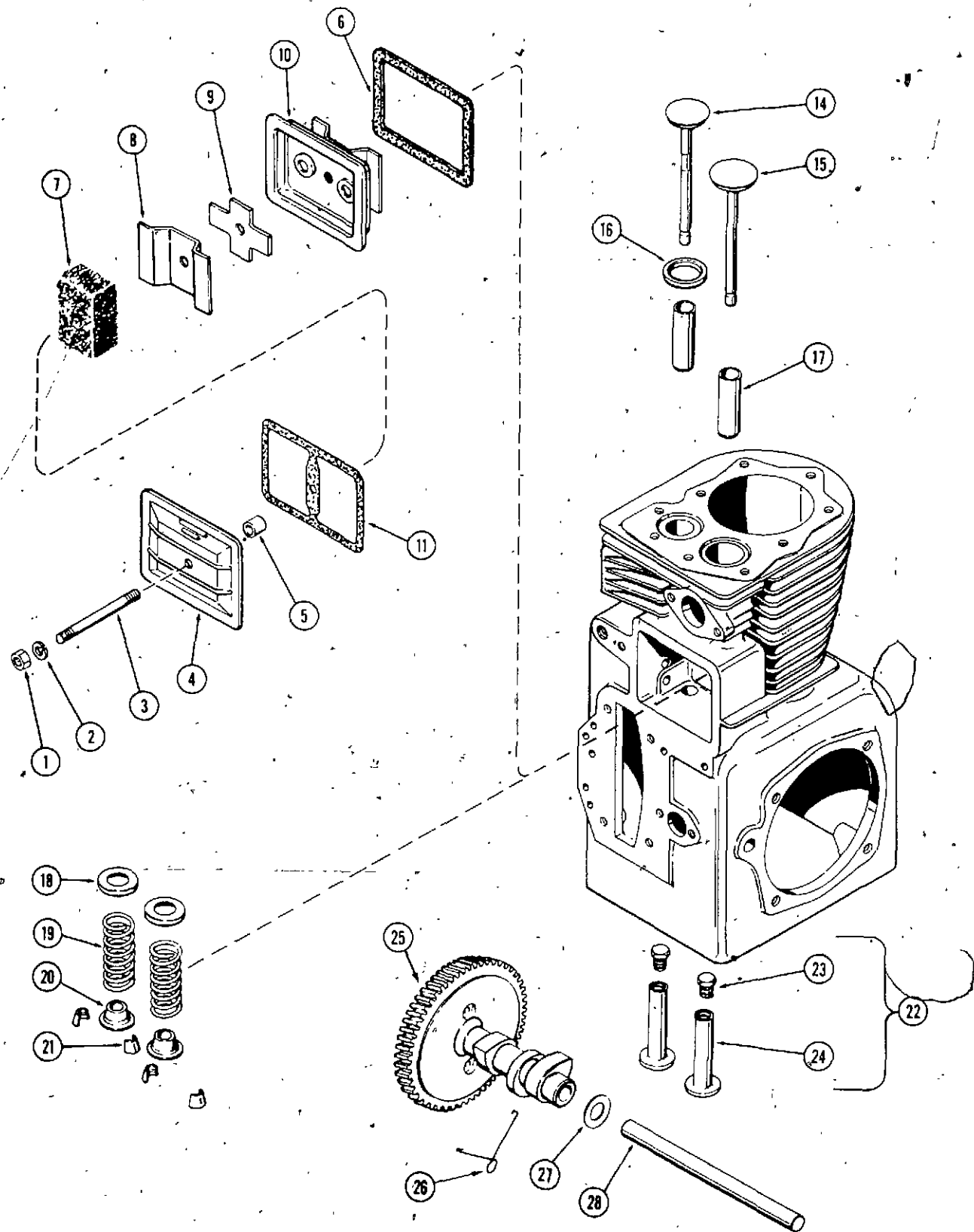
REF.	PART NO.	DESCRIPTION	REQ'D
1	129- 409	NUT - 1/4" NC hex	1
2	192- 19	LOCKWASHER - 1/4"	1
3	KO 275220	STUD - valve cover	1
4	KO 275143	COVER - valve	1
5	KO 231032	SEAL - breather	1
6	KO 235048	GASKET - breather plate	1
7	KO 235118	FILTER - breather	1
8	KO 235117	BAFFLE - breather	1
9	KO 235047	REED - breather	1
10	KO 235631	PLATE - breather	1
11	KO 275144	GASKET - valve cover	1

220 CAMSHAFT AND VALVES

14	KO 235826	VALVE - exhaust	1
15	KO 235008	VALVE - intake	1
16	KO 230170	INSERT - exhaust valve seat	1
17	KO 235007-S	GUIDE - valve	2
18	KO 235011	SEAT - valve spring	2
19	KO 235010	SPRING - valve	2
20	KO 230011	RETAINER - valve spring	2
21	C 24884	KIT - valve retainer (includes both halves)	2
22	KOD 235327	LIFTER ASSEMBLY	2
23	NSS	SCREW - tappet adjusting	1
24	NSS	LIFTER - valve	1
25	C 25043	CAMSHAFT ASSEMBLY	1
26	KO 275066	SPACER - camshaft, .005"	UAR
26	KO 275067	SPACER - camshaft, .010"	UAR
27	KO 235053	PIN - camshaft	1
28	V 34346	SPRING - actuating	1

222 CAMSHAFT AND VALVES

37	KO 235826	VALVE - exhaust	1
38	KO 235008	VALVE - intake	1
39	KO 230170	INSERT - exhaust valve seat	1
40	KO 235007-S	GUIDE - valve	2
41	KO 235011	SEAT - valve spring	2
42	KO 235010	SPRING - valve	2
43	KO 230011	RETAINER - valve spring	2
44	C 24884	KIT - valve retainer (includes both halves)	2
45	KOD 235327	LIFTER ASSEMBLY	2
46	NSS	SCREW - tappet adjusting	1
47	NSS	LIFTER - valve	1
48	C 25043	CAMSHAFT ASSEMBLY	1
49	KO 275066	SPACER - camshaft, .005"	UAR
49	KO 275067	SPACER - camshaft, .010"	UAR
50	KO 235053	PIN - camshaft	1
51	V 34346	SPRING - actuating	1



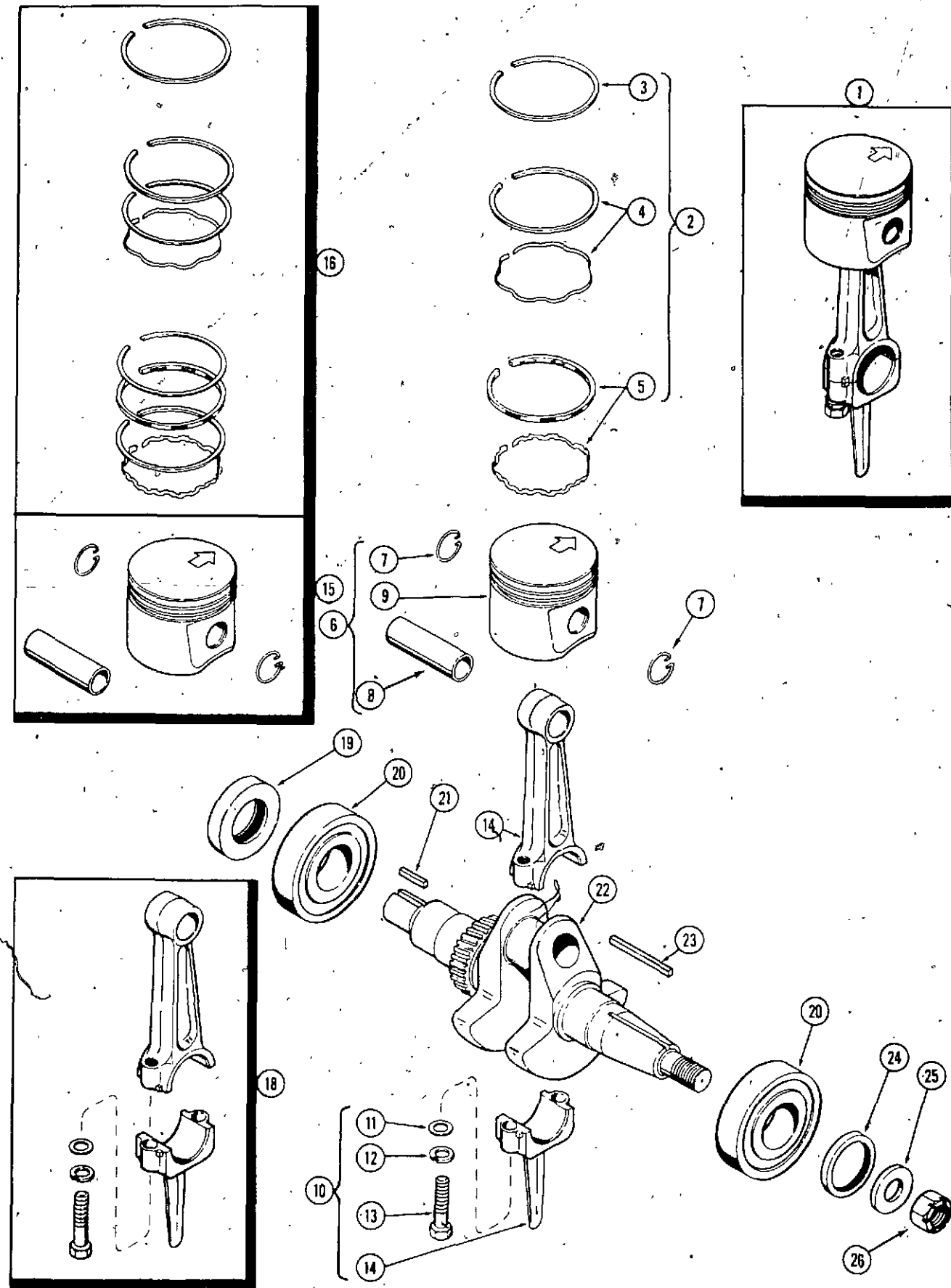
224 AND 444 CRANKCASE BREATHER

REF.	PART NO.	DESCRIPTION	REQ'D
1	129- 409	NUT - 1/4" NC hex	1
2	192- 19	LOCKWASHER - 1/4"	1
3	KO 275220	STUD - valve cover	1
4	KO 275143	COVER - valve	1
5	KO 231032	SEAL - breather	1
6	KO 235048	GASKET - breather plate	1
7	KO 235118	FILTER - breather	1
8	KO 235117	BAFFLE - breather	1
9	KO 235047	REED - breather	1
10	KO 235631	PLATE - breather	1
11	KO 275144	GASKET - valve cover	1

224 AND 444 CAMSHAFT AND VALVES

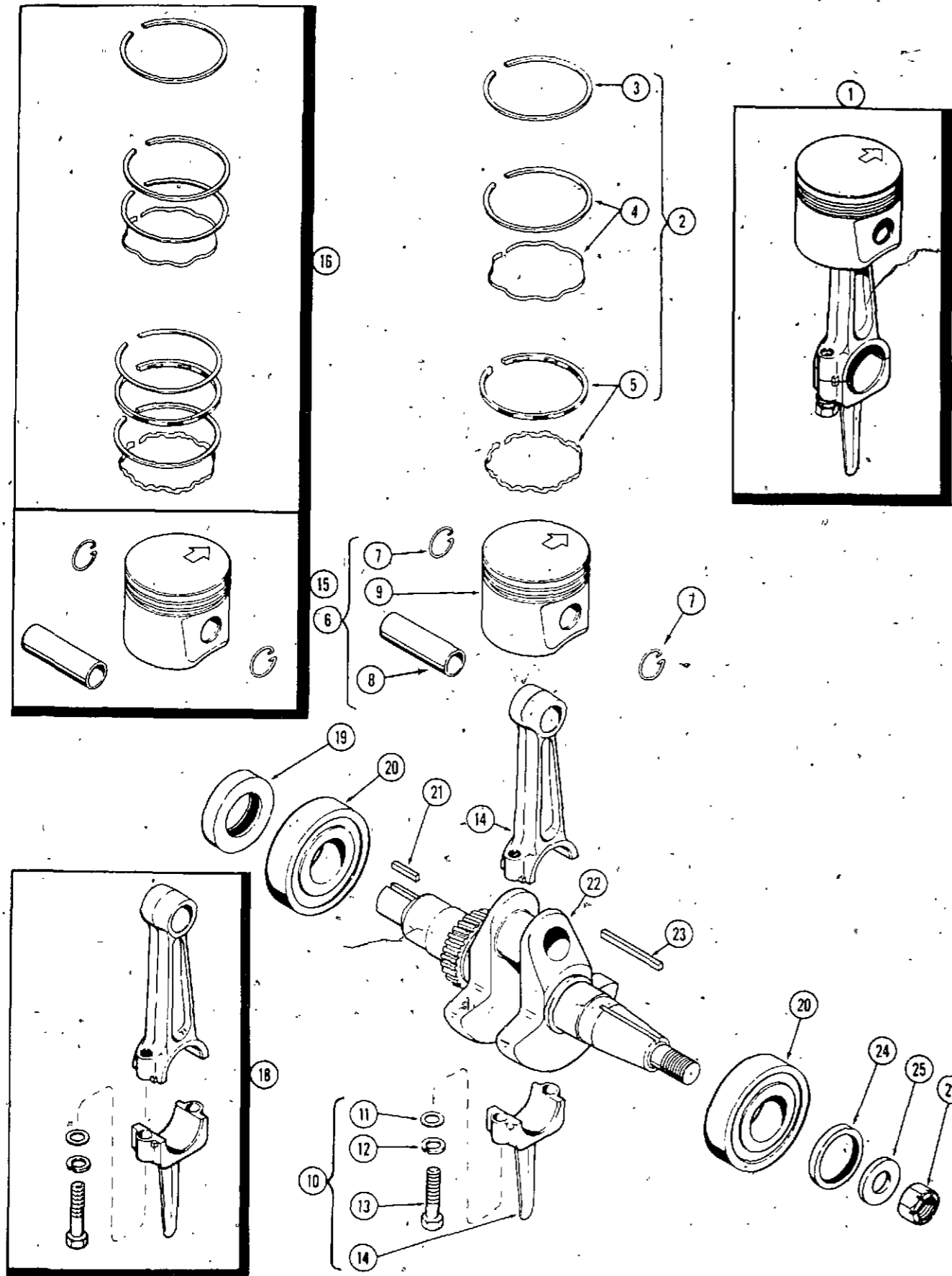
14	KO 237672	VALVE - exhaust	1
15	KO 235582	VALVE - intake	1
16	KO 230170	INSERT - exhaust valve seat	1
17	KO 235007-S	GUIDE - valve	2
18	KO 235011	SEAT - valve spring	2
19	KO 235168	SPRING - valve	2
20	KO 230020	ROTATOR - valve (Furnished in pairs only)	2
21	C 24884	KIT - valve retainer (includes both halves)	2
22	KOD 235327	LIFTER ASSEMBLY	2
23	NSS	SCREW - tappet adjusting	1
24	NSS	LIFTER - valve	1
25	C 25043	CAMSHAFT ASSEMBLY	1
26	V 34346	SPRING - actuating	1
27	KO 275066	SPACER - camshaft, .005"	UAR
27	KO 275067	SPACER - camshaft, .010"	UAR
28	KO 235053	PIN - camshaft	1

220 CRANKSHAFT, PISTON - CONNECTING ROD



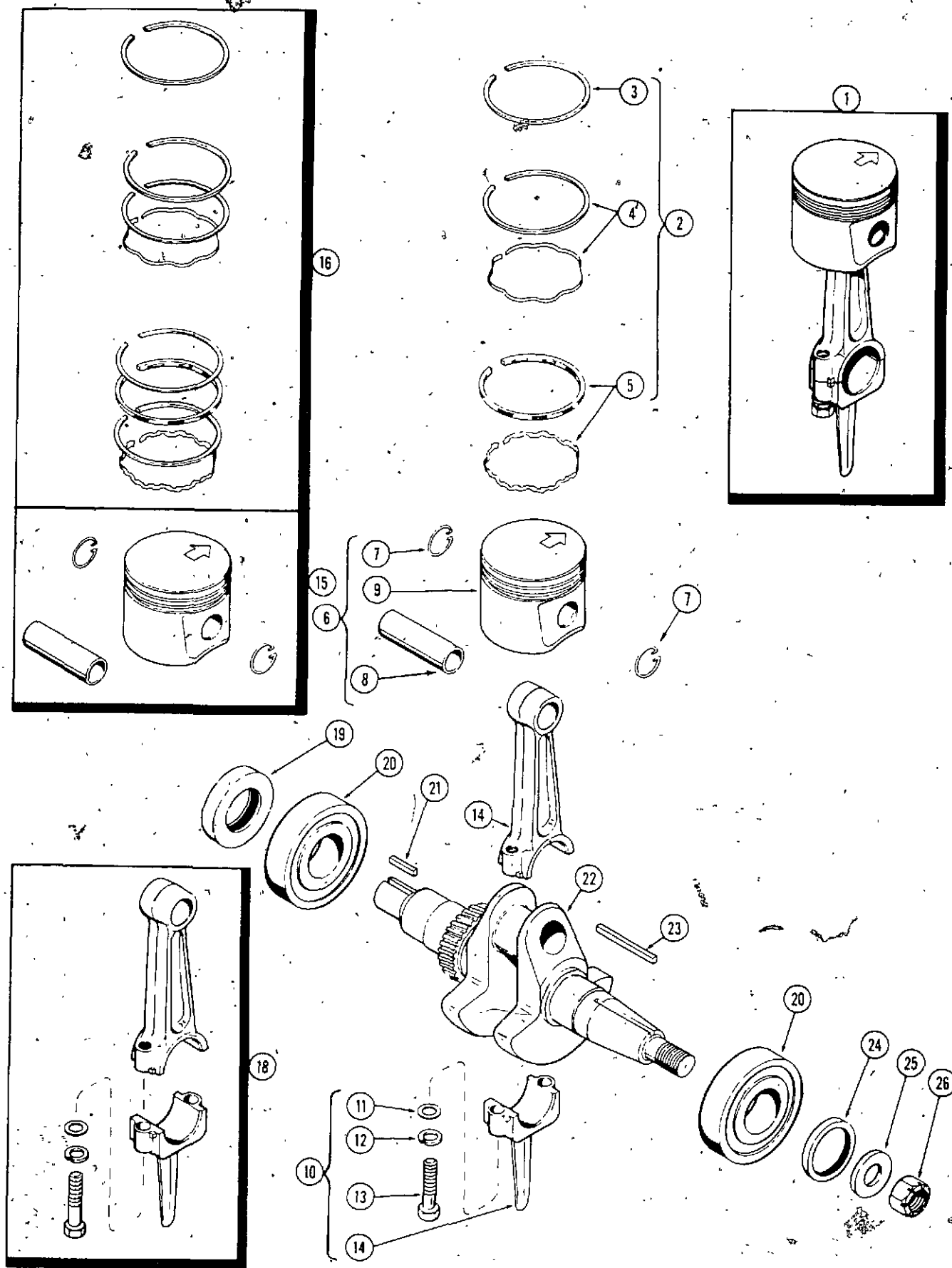
REF.	PART NO.	DESCRIPTION	REQ'D
1	NSS	PISTON AND ROD ASSEMBLY (Std. size)	1
2	KO 235287	RING SET - piston (For oversize, see item 16)	1
3	NSS	RING - top compression	1
4	NSS	RING - 2nd compression (Includes expander)	1
5	NSS	RING - oil (Includes expander)	1
6	C 26509	PISTON ASSEMBLY (For oversize, see item 15)	1
7	KO 235004	RETAINER - piston pin	2
8	NSS	PIN - piston	1
9	NSS	PISTON	1
10	KOA 235139	CONNECTING ROD ASSEMBLY (For undersize, see item 18)	1
11	KO 235003	WASHER - special	2
12	92- 6	LOCKWASHER	2
13	NSS	SCREW - cap connecting rod	2
14	NSS	ROD - connecting	1
15	C 26511	PISTON ASSEMBLY - .010" oversize	1
15	C 26512	PISTON ASSEMBLY - .020" oversize	1
15	C 26513	PISTON ASSEMBLY - .030" oversize	1
15	C 26510	PISTON ASSEMBLY - .003" oversize (order KO235287 std. ring set)	1
16	KO 235288	RING SET - piston .010" oversize	1
16	KO 235289	RING SET - piston .020" oversize	1
16	KO 235290	RING SET - piston .030" oversize	1
18	C 18101	CONNECTING ROD ASSEMBLY - .010" undersize	1
19	R 16287	OIL SEAL - crankshaft rear	1
20	40035	BEARING - crankshaft ball	2
21	H 26492	KEY - 1/4" Sq. x 3/4" (Pump Coupling)	1
22	KOB 236364	CRANKSHAFT	1
23	H 233346	KEY - flat 3/16" x 3/16" x 1-3/8" (Flywheel)	1
24	C 18097	OIL SEAL - crankshaft front	1
25	C 26421	WASHER - 5/8"	1
26	131- 580	NUT - special Marsden 5/8" NF	1

222 CRANKSHAFT, PISTON - CONNECTING ROD



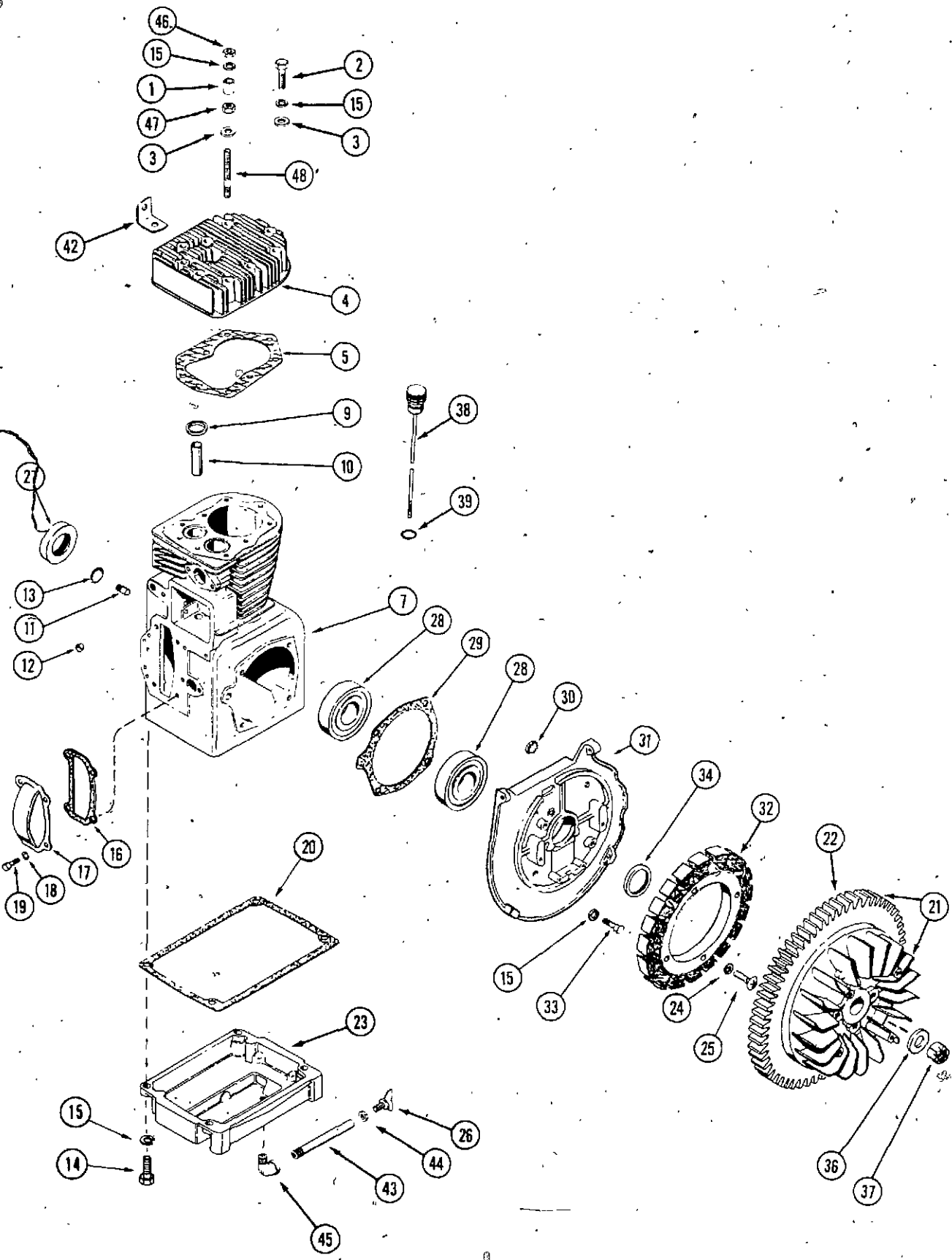
REF.	PART NO.	DESCRIPTION	REQ'D
1	NSS	PISTON AND ROD ASSEMBLY (Std. size)	1
2	KO 235889	RING SET - piston (For oversize, see item 16)	1
3	NSS	RING - top compression	1
4	NSS	RING - 2nd compression (Includes expander)	1
5	NSS	RING - oil (Includes expander)	1
6	C 26514	PISTON ASSEMBLY (For oversize, see item 15)	1
7	KO 235004	RETAINER - piston pin	2
8	NSS	PIN - piston	1
9	NSS	PISTON	1
10	KOA 237344	CONNECTING ROD ASSEMBLY (For undersize, see item 18)	1
11	KO 235003	WASHER - special	2
12	92 6	LOCKWASHER	2
13	NSS	SCREW - cap, connecting rod	2
14	NSS	ROD - connecting	1
15	C 26516	PISTON ASSEMBLY - .010" oversize	1
15	C 26517	PISTON ASSEMBLY - .020" oversize	1
15	C 26361	PISTON ASSEMBLY - .030" oversize	1
15	C 26515	PISTON ASSEMBLY - .003" oversize (order KO235889 std. ring set)	1
16	KO 235890	RING SET - piston .010" oversize	1
16	KO 235891	RING SET - piston .020" oversize	1
16	KO 235892	RING SET - piston .030" oversize	1
18	C 23135	CONNECTING ROD ASSEMBLY - .010" undersize	1
19	R 16287	OIL SEAL - crankshaft rear	1
20	40035	BEARING - crankshaft ball	2
21	H 26492	KEY - 1/4" Sq. x 3/4" (Pump Coupling)	1
22	KOB 235949	CRANKSHAFT	1
23	H 233346	KEY - flat 3/16" x 3/16" x 1-3/8" (Flywheel)	1
24	C 18097	OIL SEAL - crankshaft front	1
25	C 26421	WASHER - 5/8"	1
26	131- 580	NUT - special Marsden 5/8" NF	1

224 AND 444 CRANKSHAFT, PISTON - CONNECTING ROD



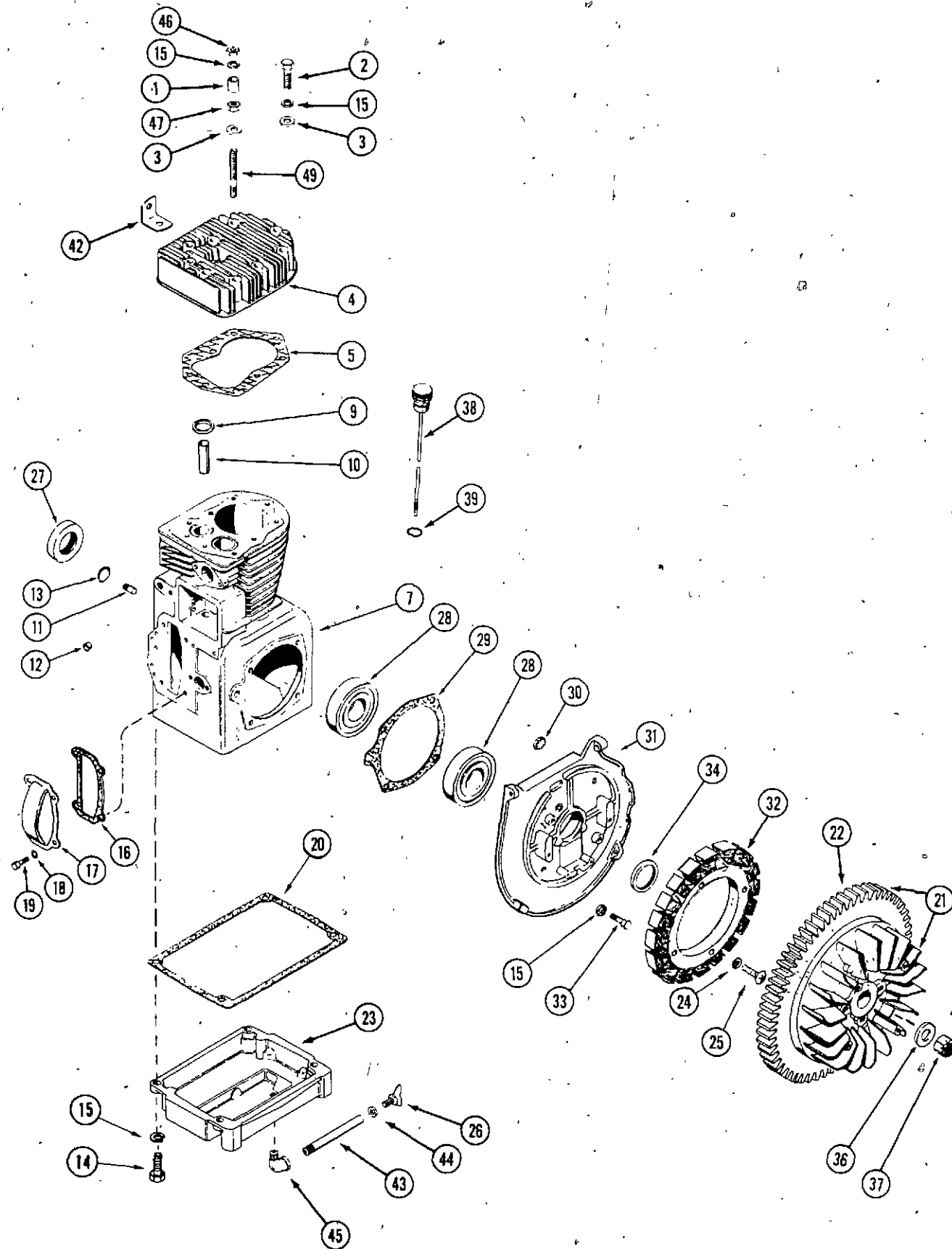
REF.	PART NO	DESCRIPTION	REQ'D
1	NSS	PISTON AND ROD ASSEMBLY (Std. size)	1
2	KO 236763	RING SET - piston (For oversize, see item 16)	1
3	NSS	RING - top compression	1
4	NSS	RING - 2nd compression (Includes expander)	1
5	NSS	RING - oil (Includes expander)	1
6	C 26282	PISTON ASSEMBLY (For oversize, see item 15)	1
7	KO 235004	RETAINER - piston pin	2
8	NSS	PIN - piston	1
9	NSS	PISTON	1
10	KOA 237344	CONNECTING ROD ASSEMBLY (For undersize, see item 18)	1
11	KO 235003	WASHER - special	2
12	92- 6	LOCKWASHER - 3/8"	2
13	NSS	SCREW - cap, connecting rod	2
14	NSS	ROD - connecting	1
15	C 26284	PISTON ASSEMBLY - .010" oversize	1
15	C 26190	PISTON ASSEMBLY - .020" oversize	1
15	C 26285	PISTON ASSEMBLY - .030" oversize	1
15	C 26283	PISTON ASSEMBLY - .003" oversize (order KO236763 std. ring set)	1
16	KO 236764	RING SET - piston .010" oversize	1
16	KO 236765	RING SET - piston .020" oversize	1
16	KO 236766	RING SET - piston .030" oversize	1
18	C 23135	CONNECTING ROD ASSEMBLY - .010" undersize	1
19	R 16287	OIL SEAL - crankshaft rear	1
20	40035	BEARING - crankshaft ball	2
21	H 26492	KEY - 1/4" Sq. x 3/4" (Pump Coupling)	1
22	C 25054	CRANKSHAFT	1
23	H 233346	KEY - flat 3/16" x 3/16" x 1-3/8" (Flywheel)	1
24	C 18097	OIL SEAL - crankshaft front	1
25	C 26421	WASHER - 5/8"	1
26	131- 580	NUT - special Marsden 5/8" NF	1

220 ENGINE BLOCK AND ATTACHING PARTS
To Order Complete Engine See Page 1



REF.	PART NO.	DESCRIPTION	REQ'D
1	C 21814	SPACER - cylinder head	6
2	KO 270158	BOLT - cylinder head	2
3	KO 270889	WASHER - cylinder head	9
4	KO 236675	HEAD - cylinder	1
5	KO 237658	GASKET - head	1
7	C 24139	BLOCK ASSEMBLY - cylinder, short (Includes crankshaft, piston assembly, ring set, crankshaft seals, rod assembly, camshaft assembly, valves, bearings, plate and plate gasket, governor gear assembly and cross shaft) (also includes gaskets)	1
9	KO 230170	INSERT - exhaust valve	1
10	KO 235007-S	GUIDE - valve	2
11	KO 235125-S	SHAFT - stub, governor	1
12	34418	BEARING - needle, governor shaft	1
13	41-18	PLUG - expansion	1
14	113-209	BOLT - 3/8" x 1-1/2" NC hex plated (pack of 50)	4
15	92-6	LOCKWASHER - 3/8" plated	17
16	KO 235025	GASKET - camshaft cover	1
17	KO 235026	COVER - camshaft gear	1
18	192-19	LOCKWASHER - 1/4" plated	4
19	113-1	BOLT - 1/4" x 1/2" NC plated	4
20	KO 235353	GASKET - oil pan	1
21	C 27279	FLYWHEEL ASSEMBLY	1
22	NSS	RING GEAR	1
23	C 22699	BASE - oil pan	1
24	193-99	LOCKWASHER - internal tooth	4
25	182-541	SCREW - stator	4
26	C 14399	PLUG - oil drain	1
27	R 16287	OIL SEAL - crankshaft rear	1
28	40035	BEARING - crankshaft ball	2
29	KO 235757	GASKET - bearing plate	1
29	KO 235070	GASKET - shim, .010	1
30	205-27	PLUG - button, timing hole	1
31	C 24290	PLATE - bearing	1
32	V 34427	STATOR - 15 amp	1
33	C 25338	CONNECTOR - stator	1
34	113-207	BOLT - 3/8" x 1" NC plated (pack of 100)	4
34	C 18097	OIL SEAL - crankshaft front	1
36	C 26421	WASHER - special, plated	1
37	131-580	NUT - special, Marsden	1
38	C 14953	DIPSTICK ASSEMBLY	1
39	A 27365	"O" RING - dipstick	1
42	KO 235748	STRAP - lifting	1
43	C 18814	NIPPLE - oil drain extension	1
44	C 14906	GASKET - plug, oil drain	1
45	221-1412	ELBOW - street	1
46	129-143	NUT - 3/8" NC hex, jam	6
47	129-103	NUT - 3/8" NC hex	6
48	KO 237277	STUD - cylinder head	7

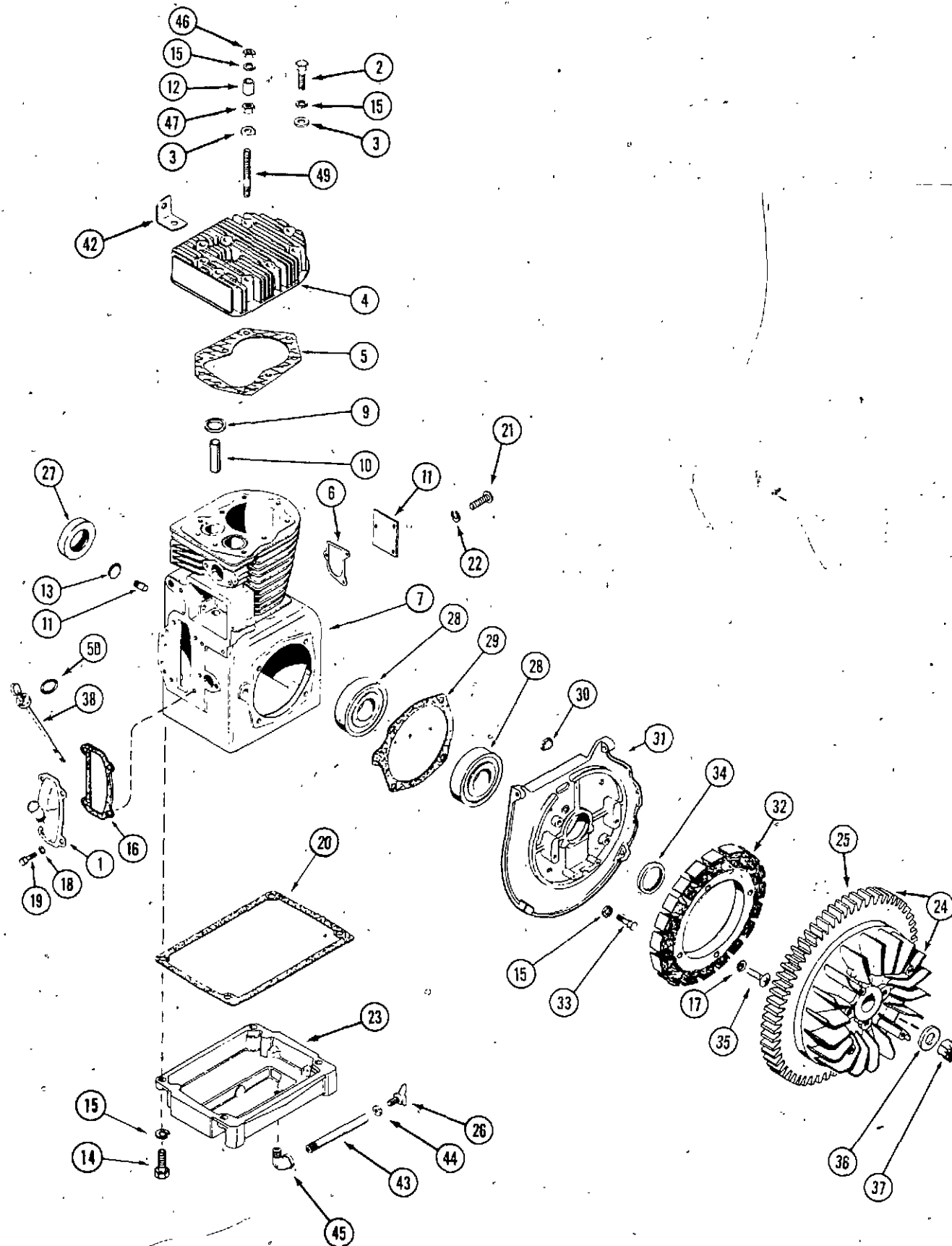
222 ENGINE BLOCK AND ATTACHING PARTS
To Order Complete Engine See Page 1



REF.	PART NO.	DESCRIPTION	REQ'D
1	C 21814	SPACER - cylinder head	6
2	KO 270158	BOLT - cylinder head 3/8" x 1-1/2" NC hex.	2
3	KO 270889	WASHER - cylinder head	9
4	KO 237670	HEAD - cylinder	1
5	KO 237658	GASKET - head	1
7	C 24141	BLOCK ASSEMBLY - cylinder, short (Includes crankshaft, piston assembly, ring set, crankshaft seals, rod assembly, camshaft assembly, valves, bearings, plate and plate gasket, governor gear assembly and cross shaft) (also includes gasket set)	1
9	KO 230170	INSERT - exhaust valve	1
10	KO 235007-S	GUIDE - valve	2
11	KO 235125-S	SHAFT - stub, governor	1
12	V 34418	BEARING - needle, governor shaft	1
13	41- 18	PLUG - expansion.	1
14	113- 209	BOLT - 3/8" x 1-1/2" NC hex plated (pack of 50)	4
15	92- 6	LOCKWASHER - 3/8" plated.	17
16	KO 235025	GASKET - camshaft cover	1
17	KO 235026	COVER - camshaft gear	1
18	192- 19	LOCKWASHER - 1/4" plated	4
19	113- 1	BOLT - 1/4" x 1/2" NC plated	4
20	KO 235353	GASKET - oil pan	1
21	C 27279	FLYWHEEL ASSEMBLY	1
22	NSS	RING GEAR	1
23	C 22699	BASE - oil pan	1
24	193- 99	LOCKWASHER - internal tooth	4
25	182- 541	SCREW - stator	4
26	C 14399	PLUG - oil drain	1
27	R 16287	OIL SEAL - crankshaft rear	1
28	40035	BEARING - crankshaft ball	2
29	KO 235757	GASKET - bearing plate	6
29	KO 235070	GASKET - shim, .020"	1
30	205- 27	PLUG - button, timing hole	1
31	C 24290	PLATE - bearing	1
32	V 34427	STATOR	1
33	C 25338	CONNECTOR - stator	1
34	113- 107	BOLT - 3/8" x 1" NC plated (pack of 100)	4
36	C 18097	OIL SEAL - crankshaft front	1
37	C 26421	WASHER - special, plated	1
37	131- 580	NUT - special, Marsden	1
38	C 14953	DIPSTICK ASSEMBLY	1
39	A 27365	"O" RING - dipstick	1
42	KO 235748	STRAP - lifting	1
43	C 18814	NIPPLE - oil drain extension	1
44	C 14906	GASKET - plug, oil drain	1
45	221- 1412	ELBOW - street	1
46	129- 143	NUT - 3/8" NC hex, jam	6
47	129- 103	NUT - 3/8" NC hex	6
48	92- 6	LOCKWASHER - 3/8"	9
49	KO 237277	STUD - cylinder head	7

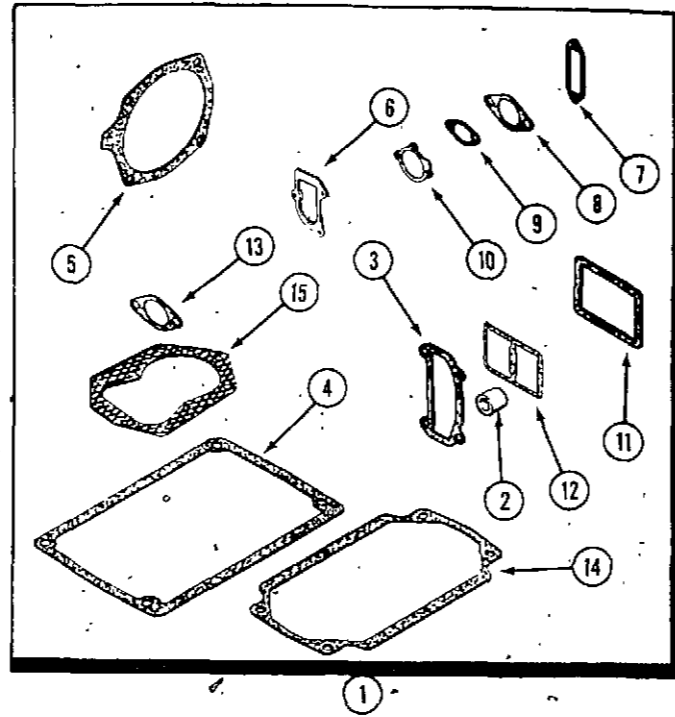
224 AND 444 ENGINE BLOCK AND ATTACHING PARTS

To Order Complete Engine See Page 1

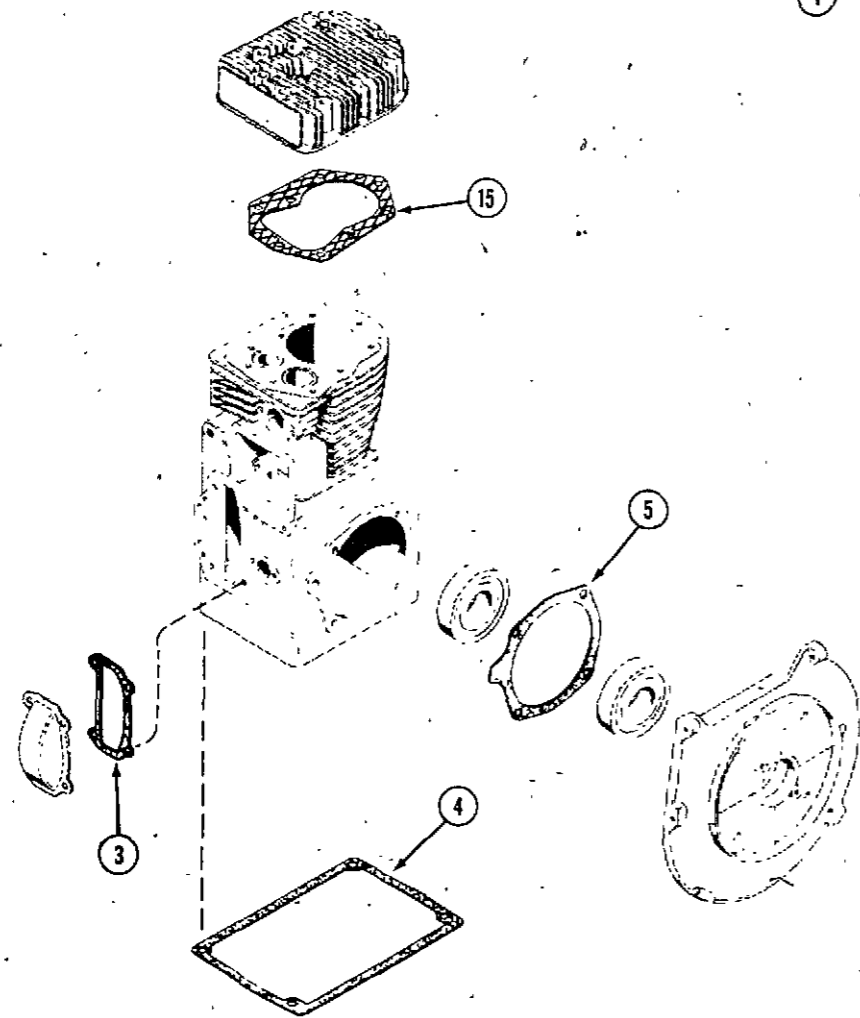


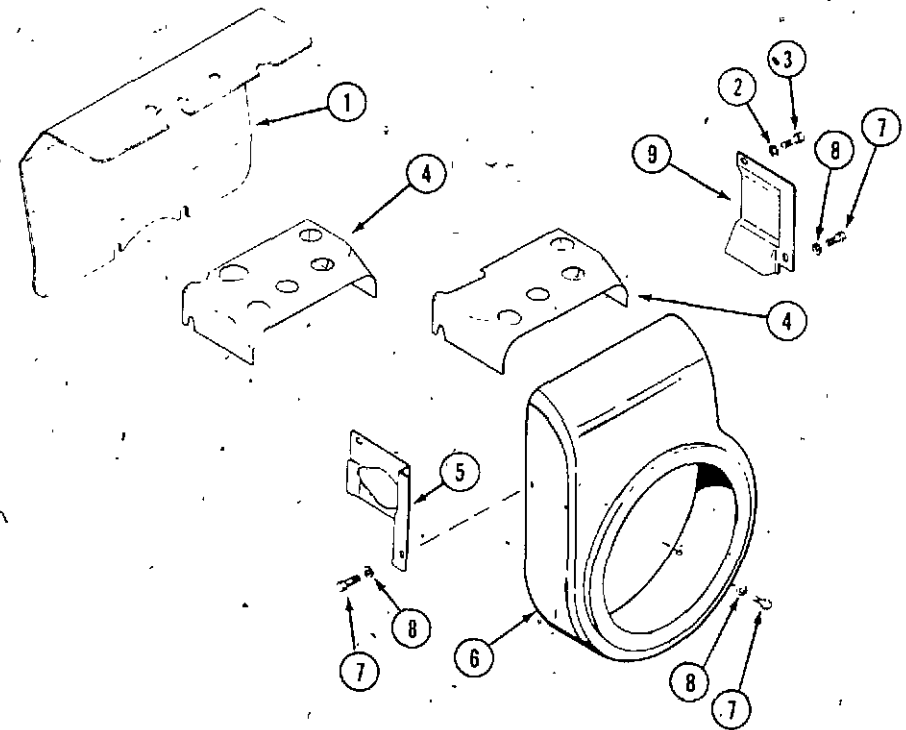
REF.	PART NO.	DESCRIPTION	REQ'D
1	C 24490	FILLER TUBE	1
2	KO 270158	BOLT - cylinder head special 3/8" x 1-1/2" NC hex	2
3	KO 270889	WASHER - cylinder head bolt	9
4	KO 237670	HEAD - cylinder	1
5	KO 237658	GASKET - head	1
6	KO 237064	GASKET - filler tube	1
7	C 24143	BLOCK ASSEMBLY - cylinder, short (Includes crankshaft and seals, ring set, piston assembly, rod assembly, camshaft assembly, valves, bearing, plate and plate gasket, governor gear assembly and cross shaft) (also includes gasket set)	1
9	KO 230170	INSERT - exhaust valve	1
10	KO 235007-S	GUIDE - valve	2
11	C 24495	COVER	1
12	C 21814	SPACER - cylinder head	1
13	41- 18	PLUG - expansion	1
14	113- 209	BOLT - 3/8" x 1-1/2" NC hex plated (pack of 50)	4
15	92- 6	LOCKWASHER - 3/8" plated	4
16	KO 235025	GASKET - camshaft cover, oil fill tube	1
17	193- 99	LOCKWASHER	4
18	192- 19	LOCKWASHER - 1/4" plated	4
19	113- 1	BOLT - 1/4" x 1/2" NC plated	4
20	KO 235353	GASKET - oil pan	1
21	173- 96	SCREW - #10 x 7/16" round head machine	3
22	193- 99	LOCKWASHER - #10 internal tooth	7
23	C 22699	BASE - oil pan	1
24	C 27279	FLYWHEEL ASSEMBLY	1
25	NSS	RING GEAR	1
26	C 14399	PLUG - oil drain	1
27	R 16287	OIL SEAL - crankshaft rear	1
28	40035	BEARING - crankshaft ball	2
29	KO 235757	GASKET - bearing plate	1
29	KO 235070	GASKET - shim, .010"	1
30	205- 27	PLUG - button, timing hole	1
31	C 24290	PLATE - bearing	1
32	V 34427	STATOR	1
	C 25338	CONNECTOR - stator	1
33	113- 207	BOLT - 3/8" x 1" NC plated (pack of 100)	4
34	C 18097	OIL SEAL - crankshaft front	1
35	182- 541	SCREW - stator	4
36	C 26421	WASHER - special, plated 21/32" ID x 1-3/8" OD x 1/4"	1
37	131- 580	NUT - special Marsden 5/8"	1
38	C 24491	DIPSTICK ASSEMBLY	1
42	KO 235748	STRAP - lifting	1
43	C 18814	NIPPLE - oil drain extension	1
44	C 14906	GASKET - plug, oil drain	1
45	221- 1412	ELBOW - street	1
46	129- 143	NUT - 3/8" NC hex, jam	6
47	129- 103	NUT - 3/8" NC hex	6
49	KO 237277	STUD - cylinder head	7
50	F 62075	O-RING - dipstick	1

ENGINE GASKET AND SEAL KIT



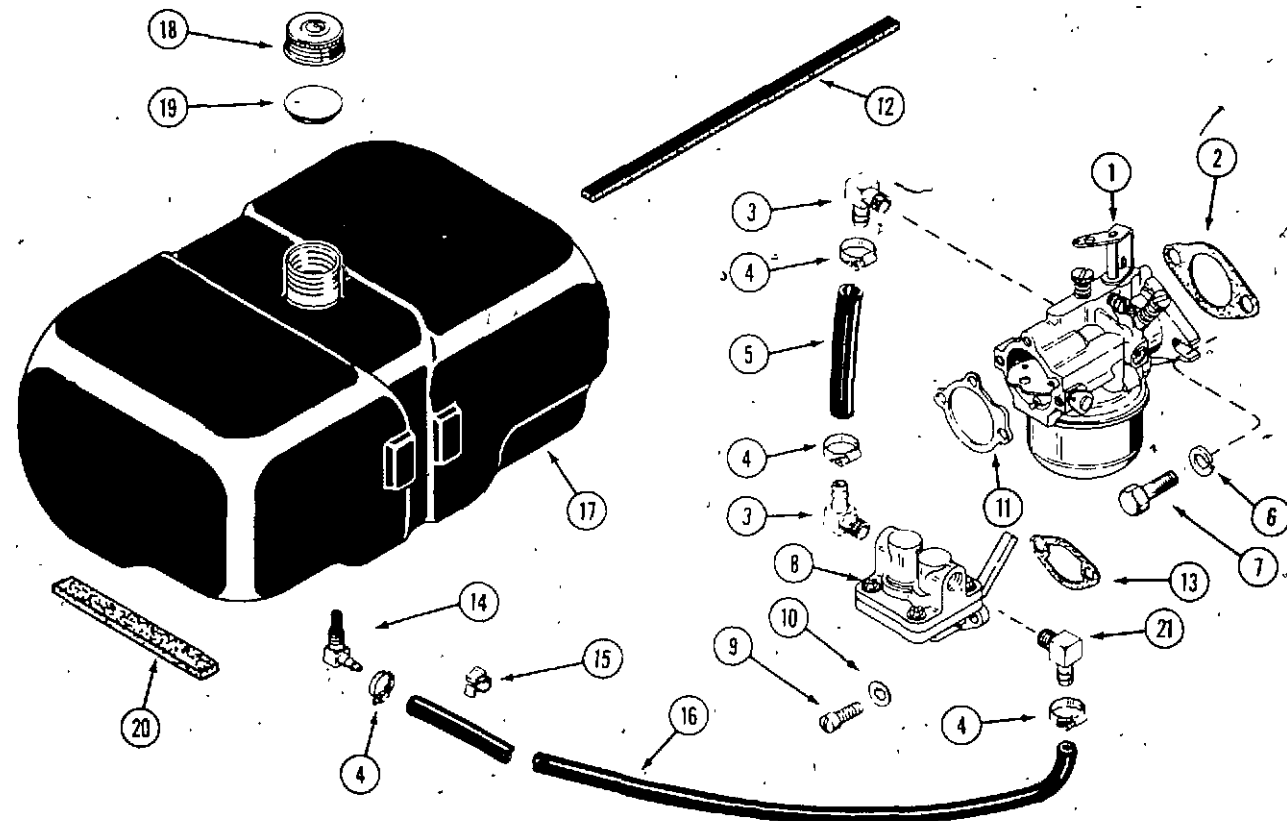
REF.	PART NO.	DESCRIPTION	REQ'D
1	C 23858	KIT - engine gasket (10 thru 14 hp engines)	1
2	KO 231032	SEAL - breather (14 hp engine)	1
3	KO 235025	GASKET - camshaft cover	1
4	KO 235353	GASKET - oil pan	1
5	KO 235757	GASKET - bearing plate	6
6	KO 235070	GASKET - shim (.010")	UAR
7	KO 237064	GASKET - oil fill tube (used on 14 hp)	1
8	C 26518	GASKET - breaker cover	1
9	C 23860	GASKET - carburetor flange	1
10	C 24887	GASKET - fuel pump flange	1
11	KO 275341	GASKET - carburetor air horn	1
12	KO 235048	GASKET - breather plate	1
13	KO 275144	GASKET - valve cover	1
14	C 10372	GASKET - exhaust	1
15	KO 235057	GASKET - pan (not used)	1
	KO 237658	GASKET - cylinder head	1





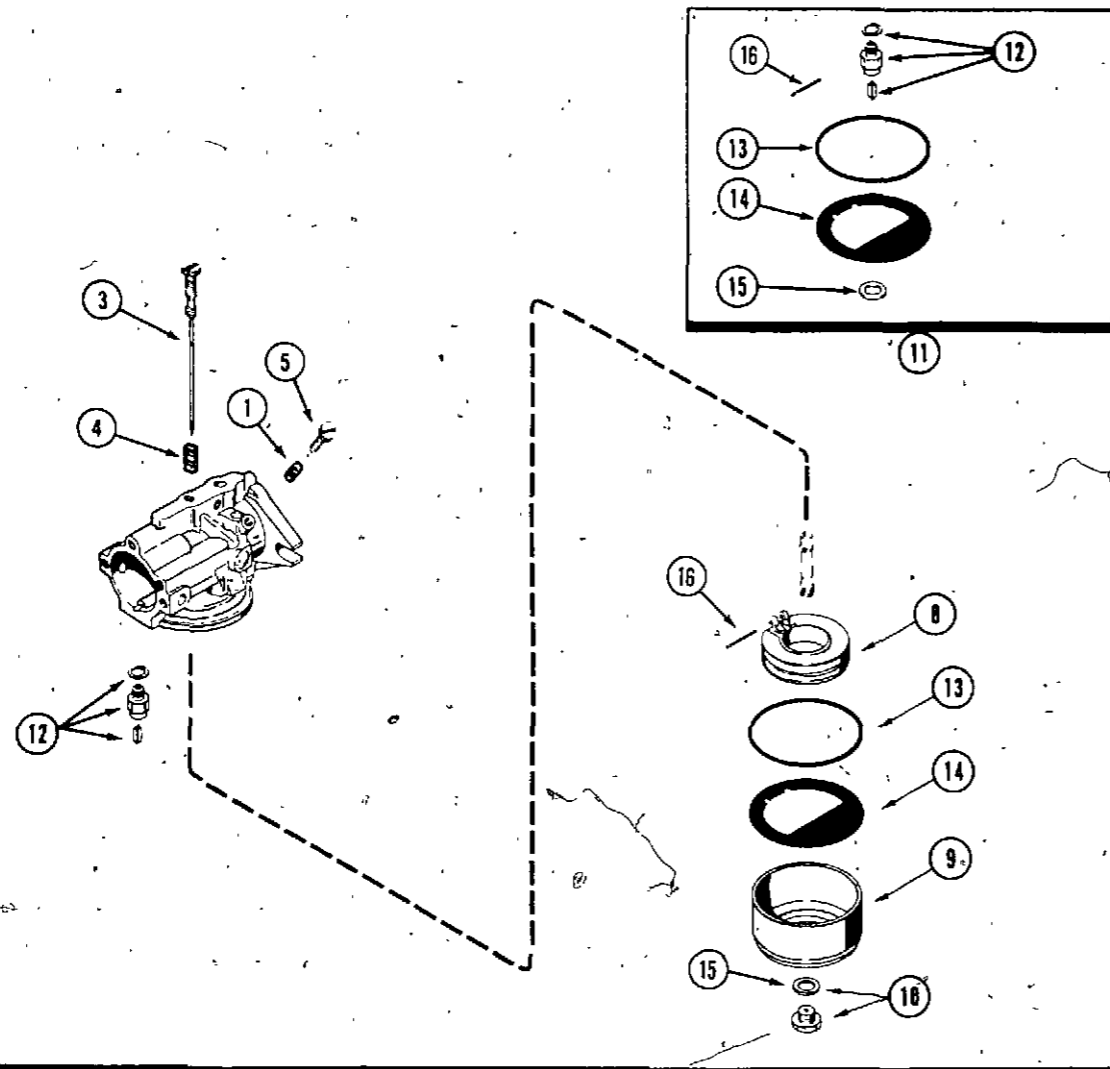
BAFFLES AND SHROUDS

REF.	PART NO.	DESCRIPTION	REQ'D
1	C 26985	DEFLECTOR - engine air	1
2	192- 19	LOCKWASHER - 1/4" zinc plated	2
3	113- 1	BOLT - 1/4" x 1/2" NC hex, zinc plated	2
4	KO 237520	BAFFLE - cylinder head (10 hp engine)	1
4	KO 237677	BAFFLE - cylinder head (12 - 14 hp engine)	1
5	KO 235652	BAFFLE - carburetor side air	1
6	C 24879	HOUSING - blower	1
7	113- 2	BOLT - 1/4" x 3/4" NC hex, zinc plated	4
8	192- 19	LOCKWASHER - 1/4" zinc plated	4
9	KO 236676	BAFFLE - cylinder	1



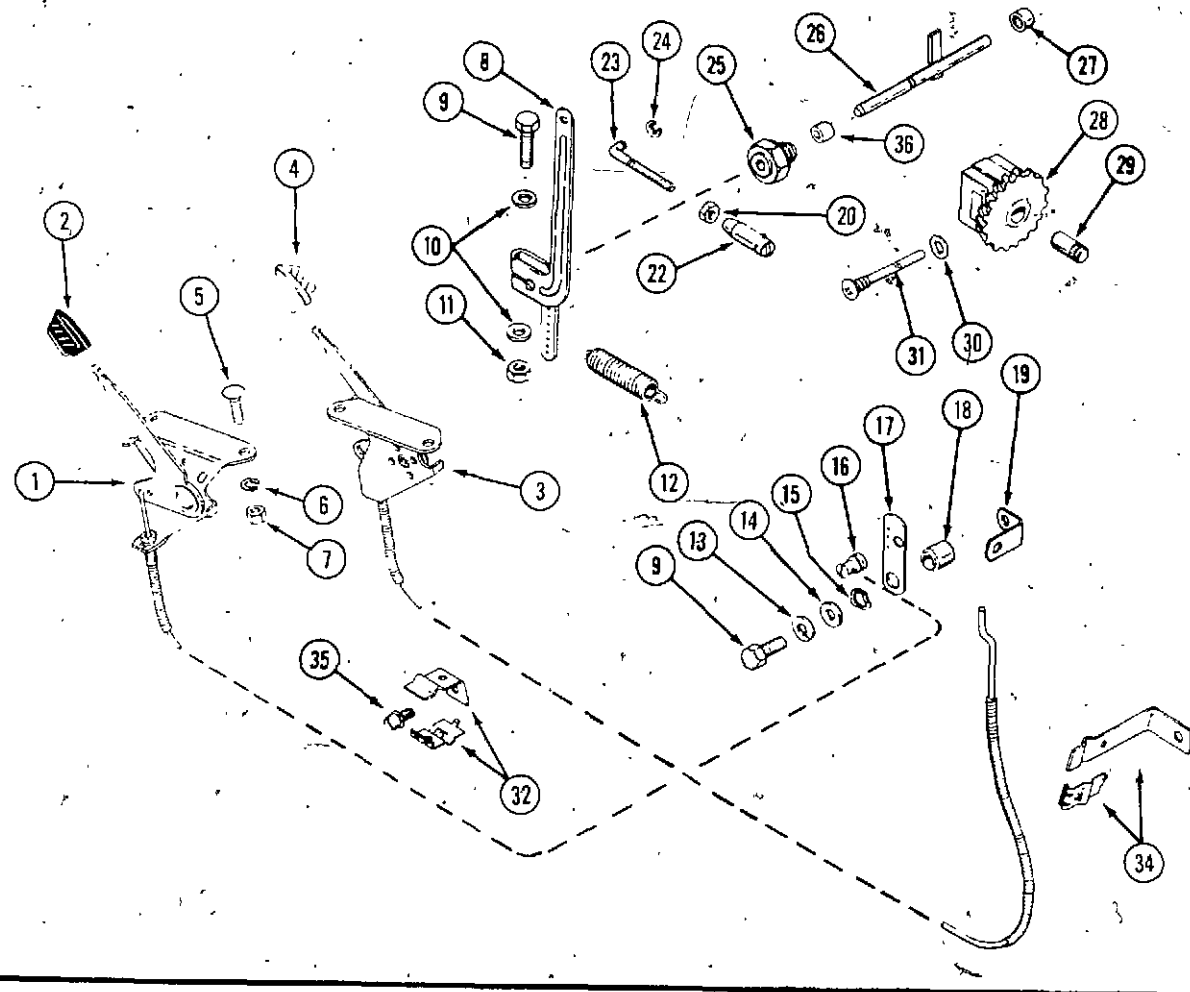
FUEL SYSTEM

1	C 24408	CARBURETOR ASSEMBLY - 444 & 224 (Repairs page 27)	1
1	C 23049	CARBURETOR ASSEMBLY - 220 & 222 (Repairs page 27)	1
2	C 23860	GASKET - carburetor flange	1
3	C 10678	ELBOW - fuel pump and carburetor	2
4	214- 252	CLAMP - hose 1/2"	4
5	C 18274	HOSE - carburetor 5-1/4"	1
6	192- 20	LOCKWASHER 5/16" (pack of 100)	2
7	113- 103	BOLT - 5/16" x 1" NC hex	2
8	C 24851	PUMP - fuel, all models (includes gasket & washers)	1
9	71- 412	SCREW - 1/4" x 3/4" NC fillister head	2
10	193- 28	LOCKWASHER - 1/4"	2
11	KO 275341	GASKET - air horn	1
12	C 23527	LINER - fuel tank	1
13	C 24887	GASKET - fuel pump mounting, all models	1
14	C 10657	ELBOW ASSEMBLY - fuel tank	1
15	A 62079	CLIP - fuel line	2
16	C 18274	HOSE - fuel line	1
17	NSS	TANK - fuel (use C26697)	1
18	C 11529	CAP - fuel tank (Includes insert)	1
19	NSS	INSERT - fuel cap	1
20	C 14690	CUSHION - fuel tank	2
21	217- 292	ELBOW - hose 90°	1



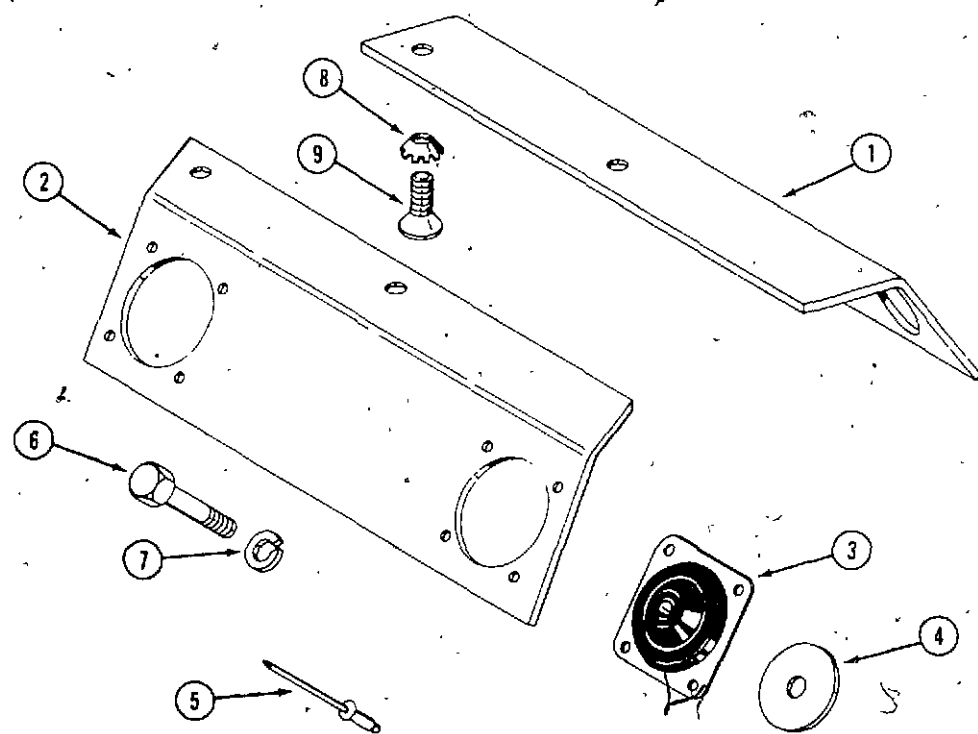
CARBURETOR

REF.	PART NO.	DESCRIPTION	REQ'D
	C 23049	CARBURETOR ASSEMBLY - 220, 222	1
	C 24408	CARBURETOR ASSEMBLY - 224 & 444	1
1	KO 200380	SPRING - tension, idle adjust	1
3	A 72077	NEEDLE - main fuel adjust, 220, 222	1
3	C 24652	NEEDLE - main fuel adjust, 224 & 444	1
4	KO 200383	SPRING - main fuel adjust	1
5	A 72099	NEEDLE - idle adjust (220, 222)	1
5	KO 275231	NEEDLE - idle adjust (224 & 444)	1
8	C 27276	FLOAT - carburetor	1
9	KO 235448	BOWL - carburetor	1
10	C 26422	SCREW AND GASKET ASSEMBLY - carburetor bowl	1
11	C 27278	KIT - carburetor repair	1
12	NSS	INLET NEEDLE AND SEAT ASSEMBLY	1
13	NSS	GASKET - bowl ring	1
14	NSS	GASKET - bowl baffle	1
15	NSS	GASKET - bowl screw	1
16	F 19892	PIN - float	1



CHOKE, THROTTLE AND GOVERNOR

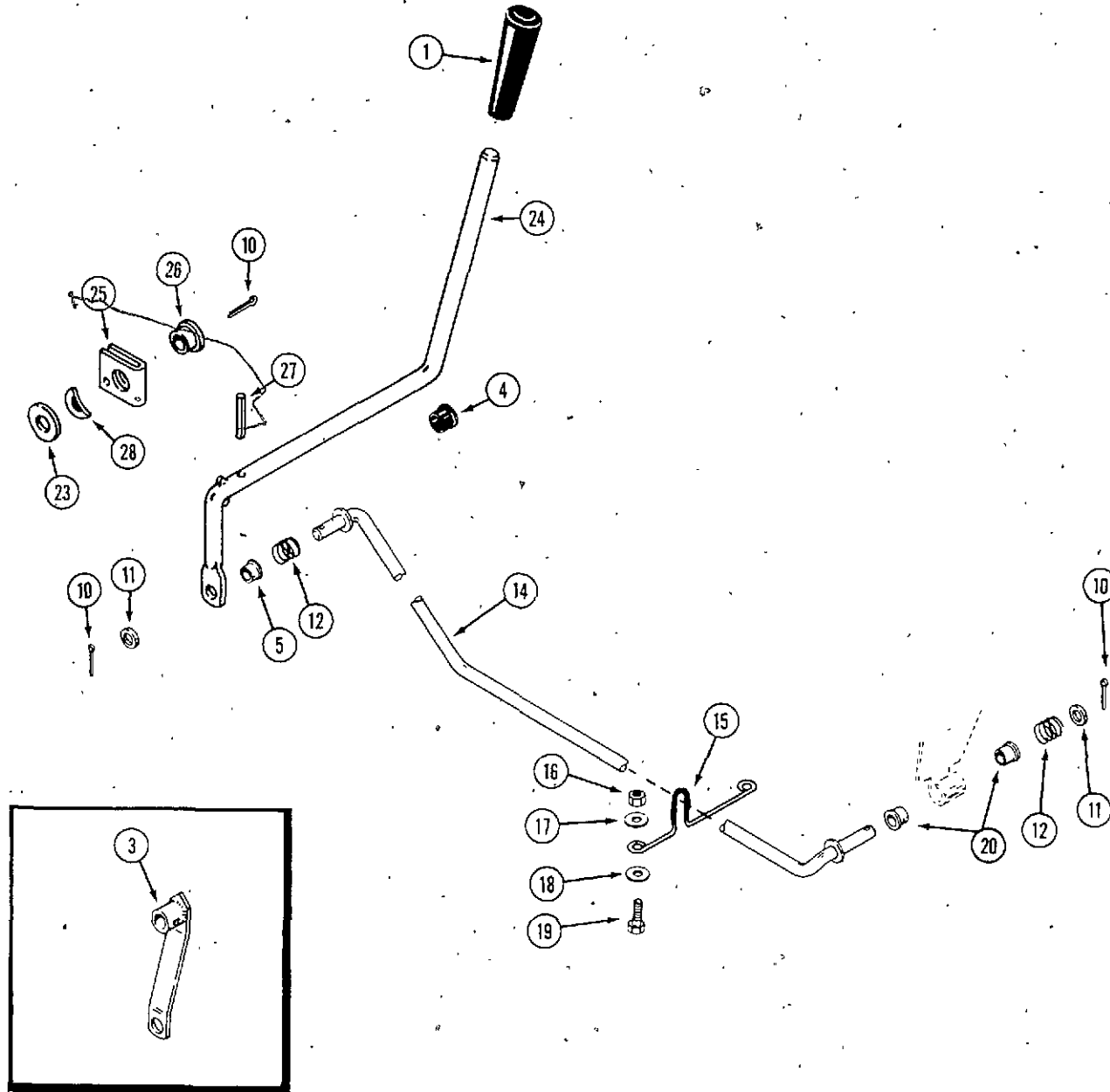
REF.	PART NO.	DESCRIPTION	REQ'D
1	C 25603	CONTROL - throttle	1
2	C 12224	HANDLE - throttle control, black	1
3	C 25605	CONTROL - choke	1
4	C 14506	HANDLE - choke control, white	1
5	111- 5	BOLT - 10-24 x 5/8" round head, square neck	2
6	192- 18	LOCKWASHER - #10 Std. plated	2
7	129- 17	NUT - #10-24, plated	2
8	KOA 237653	LEVER - governor	1
9	113- 17	BOLT - 1/4" x 1-1/4" NC hex	2
10	195- 518	WASHER - 1/4" plated	2
11	129- 101	NUT - 1/4" hex	1
12	KO 235496	SPRING - governor	1
13	192- 19	LOCKWASHER - 1/4" plated	1
14	C 18098	WASHER - thrust	1
15	KO 275690	WASHER - wavy	1
16	H 43034	CLAMP - swivel, wire	1
17	KO 235086	LEVER - speed control	1
18	KO 235085	SPACER - speed control bracket	1
19	KO 235084	BRACKET - high speed stop	1
20	129- 37	NUT - #10-32 hex	1
22	C 25020	JOINT - ball	1
23	KO 235277	ROD - throttle	1
24	49485	RING - retaining, throttle rod	1
25	KO 235476	BUSHING - governor cross shaft	1
26	C 23126	SHAFT - governor cross	1
27	V 34418	BEARING - needle, governor shaft	1
28	C 27274	GEAR ASSEMBLY - governor	1
29	KO 235125-S	SHAFT - governor stub	1
30	C 18099	WASHER - governor stop pin	1
31	V 34416	PIN - governor stop	1
32	KOA 237559	BRACKET - throttle cable	1
34	KOA 236919	BRACKET - choke cable	1
35	V 34421	SCREW - #10 x 3/8" NC fillister head	1
36	E 78369	SPACER - shaft (used engine S/N 3173783 and after)	1



ENGINE MOUNT PLATES

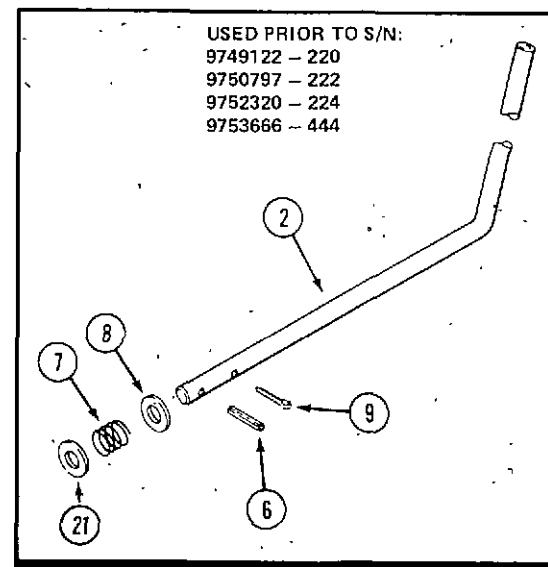
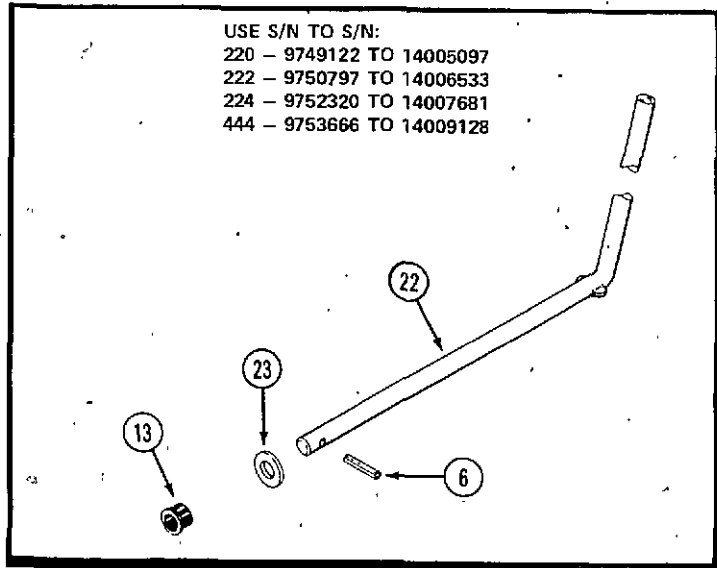
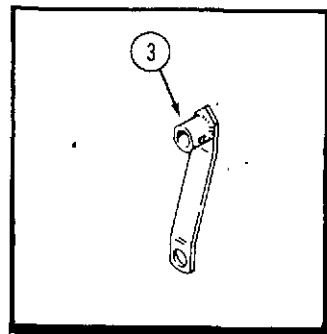
1	C 17717	PLATE - engine mount L.H.	1
2	C 17718	PLATE - engine mount R.H.	1
3	C 18793	MOUNT - engine	4
4	D 22988	WASHER - snubbing	4
5	151- 544	RIVET - 3/16"	16
6	113- 219	BOLT - 3/8" x 2" NC hex	4
7	192- 21	LOCKWASHER - 3/8"	4
8	193- 56	LOCKWASHER - 3/8" countersunk external tooth	4
9	164- 50	BOLT - flat head hex socket	4

PTO CLUTCH LINKAGE



REF.	PART NO.	DESCRIPTION	REQ'D
1	A 37247	KNOB - lever, PTO	1
2	NSS	LEVER - PTO engaging (order item 22 and 23)	1
3	C 24872*	ARM ASSEMBLY - PTO	1
3	C 24792	ARM ASSEMBLY - PTO (used prior to 220 - S/N 9734921, 222 - S/N 9737066, 224 - S/N 9738351 and 444 - S/N 9739749)	1
4	353- 462	BUSHING - lever, dash tower	1
5	C 20093	BUSHING - fliplock	1
6	138- 96	PIN - roll - 3/16" x 1"	1
7	C 20036	SPRING - lever, PTO	1
8	A 39519	WASHER - nylon	1
9	132- 91	PIN - cotter 3/16 x 1"	1
10	132- 310	PIN - cotter 1/8 x 1"	2
11	C 14906	WASHER - nylon 3/8"	2
12	C 19867	SPRING - clutch rod	2
13	C 26266	BUSHING - heyco	1
14	C 20041	ROD - clutch	1
15	C 19767	GUIDE - clutch rod	1
16	131- 1181	NUT - lock 3/8" n.c hex	2
17	195- 104	WASHER - 3/8"	2
18	195- 137	WASHER - spacer (used on models without hyd. lift)	2
19	113- 207	BOLT - 3/8 x 1" n.c hex	2
20	C 20053	BUSHING - nylon	2
21	195- 2069	WASHER - 5/8"	1
22	C 25013	LEVER - PTO engaging	1
23	195- 533	WASHER - 1/2"	1
24	C 26265	LEVER - PTO engaging	1
25	C 26264	BRACKET - support, PTO lever	1
26	C 26266	BUSHING - flange, nylon	1
27	138- 63	PIN - roll 1/8" x 1-1/4"	1
28	H 202325	WASHER - spring	1

*use S/N to S/N:
 220 - 9734921 to 14005097
 222 - 9737066 to 14006533
 224 - 9738351 to 14007681
 444 - 9739749 to 14009128

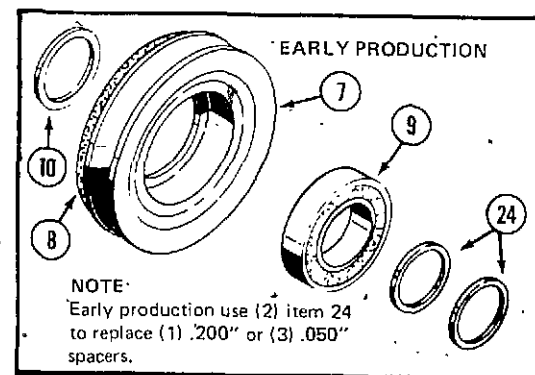


CLUTCH ASSEMBLY (PTO)

REF.	PART NO.	DESCRIPTION	REQ'D
	NSS	CLUTCH AND FAN ASSEMBLY (use C27150)	1
1	C 16616	FAN - cooling	1
2	C 23677	HUB - clutch	1
3	C 15718	PLATE - clutch	1
4	164- 40	BOLT - 5/16" - 18 x 3/4"	2
5	193- 76	LOCKWASHER - 5/16" countersunk external tooth	2
6	C 15515	WASHER - spring	6
7	C 26353	KIT - pulley and disc assembly (includes item 24)	1
8	C 23740	KIT - friction disc	1
9	C 23245	BEARING - ball	3
10	C 15557	WASHER - spacer .050	3
11	C 23033	CAM - clutch	2
12	C 16786	SPRING - clutch load	2
13	C 23630	SPACER - hub	1
14	C 23625	NUT - adjust	1
15	O 2815N	WASHER - fan 17/32"	1
16	C 24743	BOLT - 1/2" - 20 x 5-1/2" NF	1
17	129- 125	NUT - 1/2" - 20 NF	1
18	C 23627	GUIDE - adjusting nut	1
19	C 23624	WASHER - spacer	1
20	NSS	ARM - engaging (use C26166)	1
21	NSS	SCREEN - grass (use (2) C26758)	1
22	113- 207	BOLT - 3/8" - 16 x 1" NC	4
23	192- 21	LOCKWASHER - 3/8"	4
24	C 26346*	SPACER - washer .100" (see note on opposite page for early production)	2

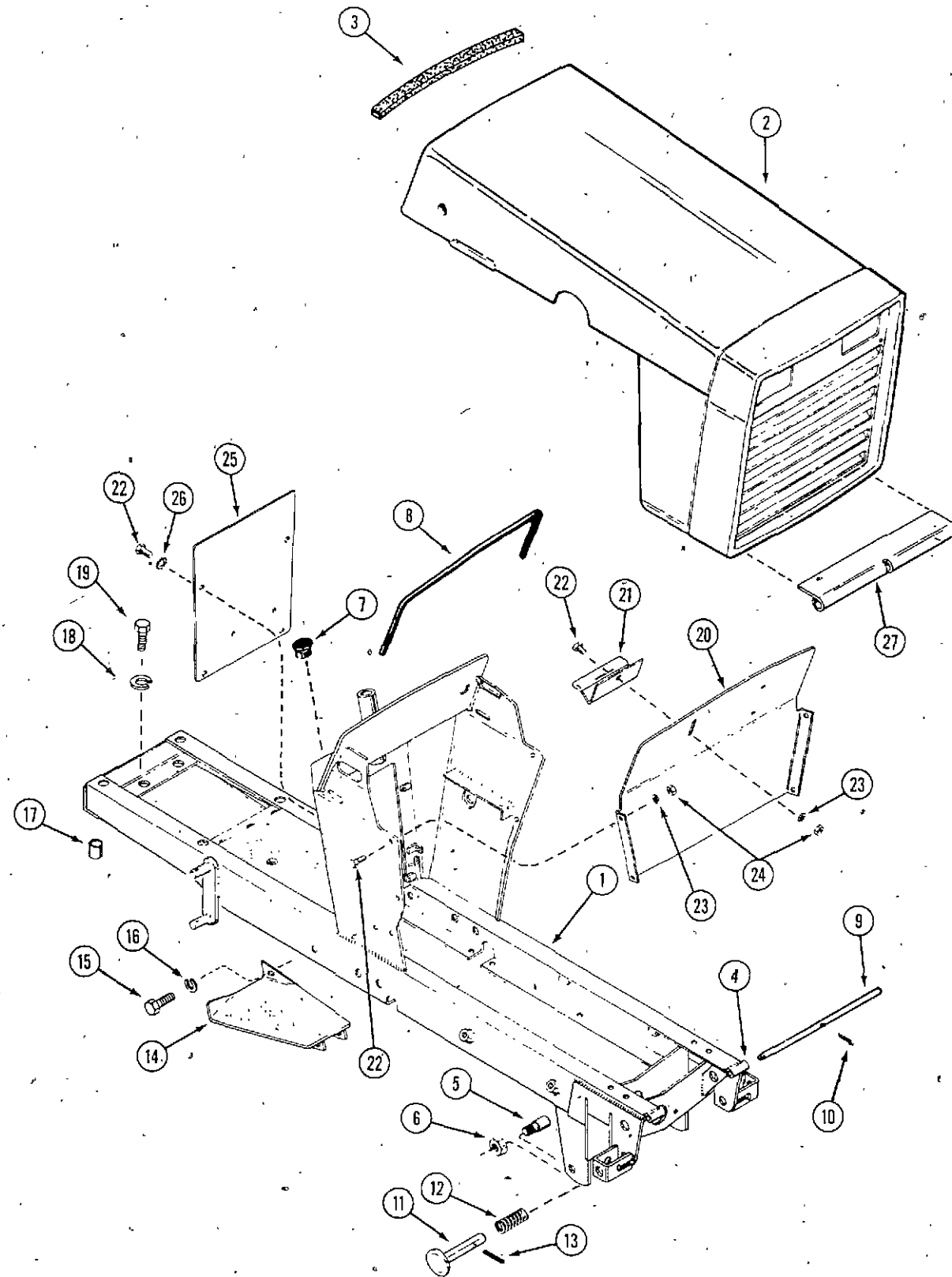
*Use S/N and after:
 220 - 14017905
 222 - 14020602
 224 - 14022473
 444 - 14023967
 On some late production, item 24 is replaced by (2) .050" spacers. Use item 24 for service.

Use before S/N:
 220 - 14017905
 222 - 14020602
 224 - 14022473
 444 - 14023967



HOOD, FRAME AND GRILLE

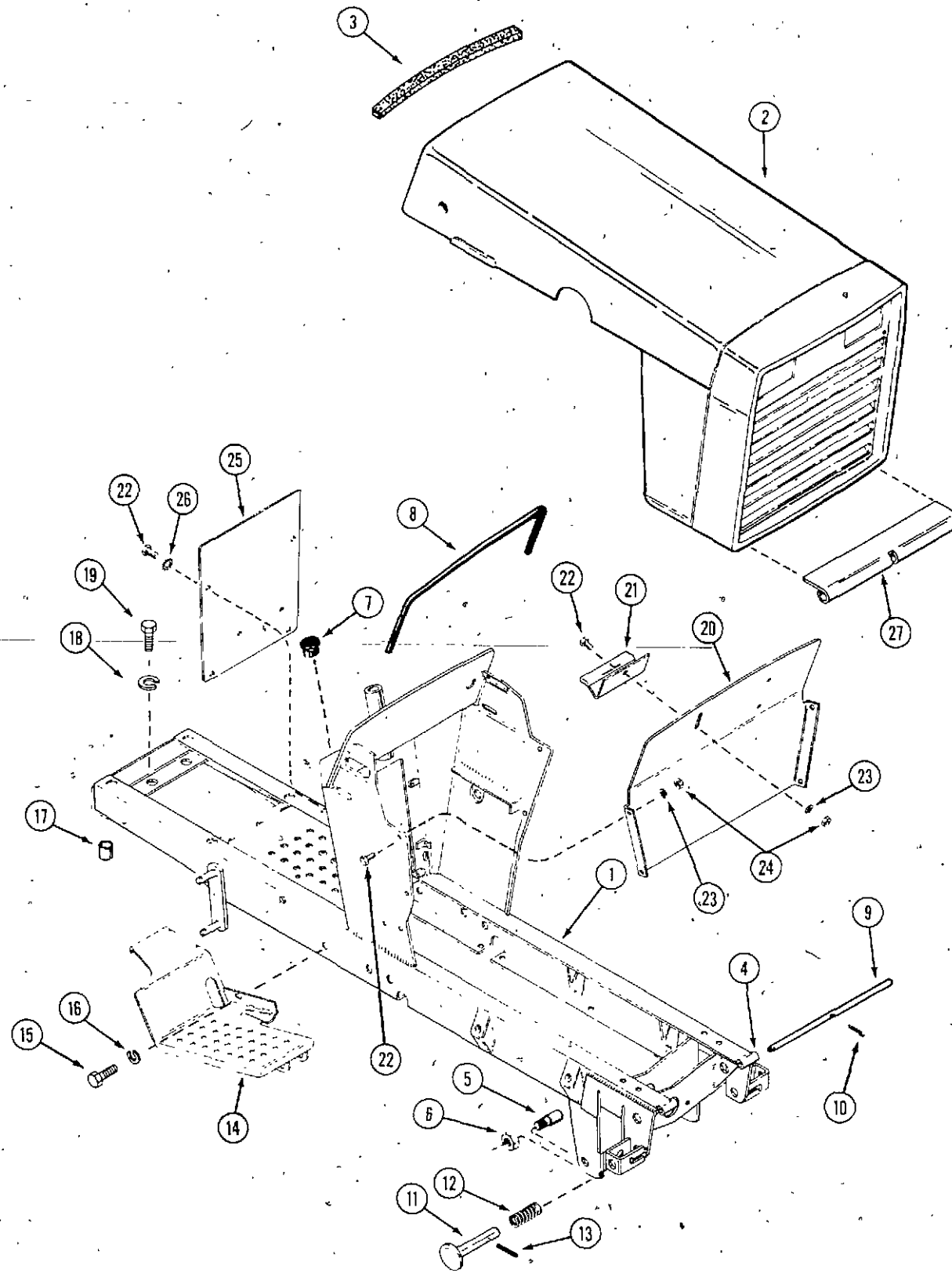
220 - USE BEFORE S/N 9762275
 222 - USE BEFORE S/N 9763700
 224 - USE BEFORE S/N 9765195
 444 - USE BEFORE S/N 9766840



REF	PART NO.	DESCRIPTION	REQ'D
1	C 25307	FRAME - main (220, 222 and 224) (also order C24872 arm prior to 220 - S/N 9734921, 222 - S/N 9737066, 224 - S/N 9738351)(shown)	1
1	C 24771	FRAME - main (444) (also order C24872 arm prior to S/N 9739749)	1
2	C 22775	HOOD AND GRILLE ASSEMBLY (includes item 27)	1
3	C 23527	LINER - hood	1
4	C 22023	HINGE - frame	2
5	C 18733	PIN - attachment	2
6	131- 1318	NUT - lock 1/2" NF jam	2
7	353- 406	PLUG - hole (models without hydraulic lift)	1
8	C 18153	CHANNEL - instrument panel	1
9	C 16362	ROD - hood hinge	1
10	132- 46	PIN - cotter 1/8" x 3/4"	1
11	C 16373	PIN - latch	2
12	C 24137	SPRING latch	2
13	138- 319	PIN - roll 3/16" x 1-1/4"	2
14	C 18890	PAD - foot rest, L.H.	1
14	C 18150	PAD - foot rest, R.H.	1
15	113- 113	BOLT - 5/16" x 7/8" N.C. hex	2
16	192- 20	LOCKWASHER - 5/16"	2
17	C 14729	SPACER - frame, rear (444)	2
17	C 14730	SPACER - frame, rear (220, 222 and 224)	2
18	192- 23	LOCKWASHER - 1/2"	4
19	113- 424	BOLT - 1/2" x 1" N.C. hex	4
20	C 24821	SHIELD - heat	1
21	C 24820	CLIP - battery hold down	1
22	113- 1	BOLT - 1/4" - 20 x 1/2	9
23	192- 19	LOCKWASHER - 1/4"	5
24	129- 101	NUT - 1/4" - 20	5
25	C 24822	COVER - access	1
26	193- 57	LOCKWASHER	4
27	C 16361	HING - hood	1

HOOD, FRAME AND GRILLE

220 - USE S/N 9762275 AND AFTER
 222 - USE S/N 9763700 AND AFTER
 224 - USE S/N 9765195 AND AFTER
 444 - USE S/N 9766840 AND AFTER

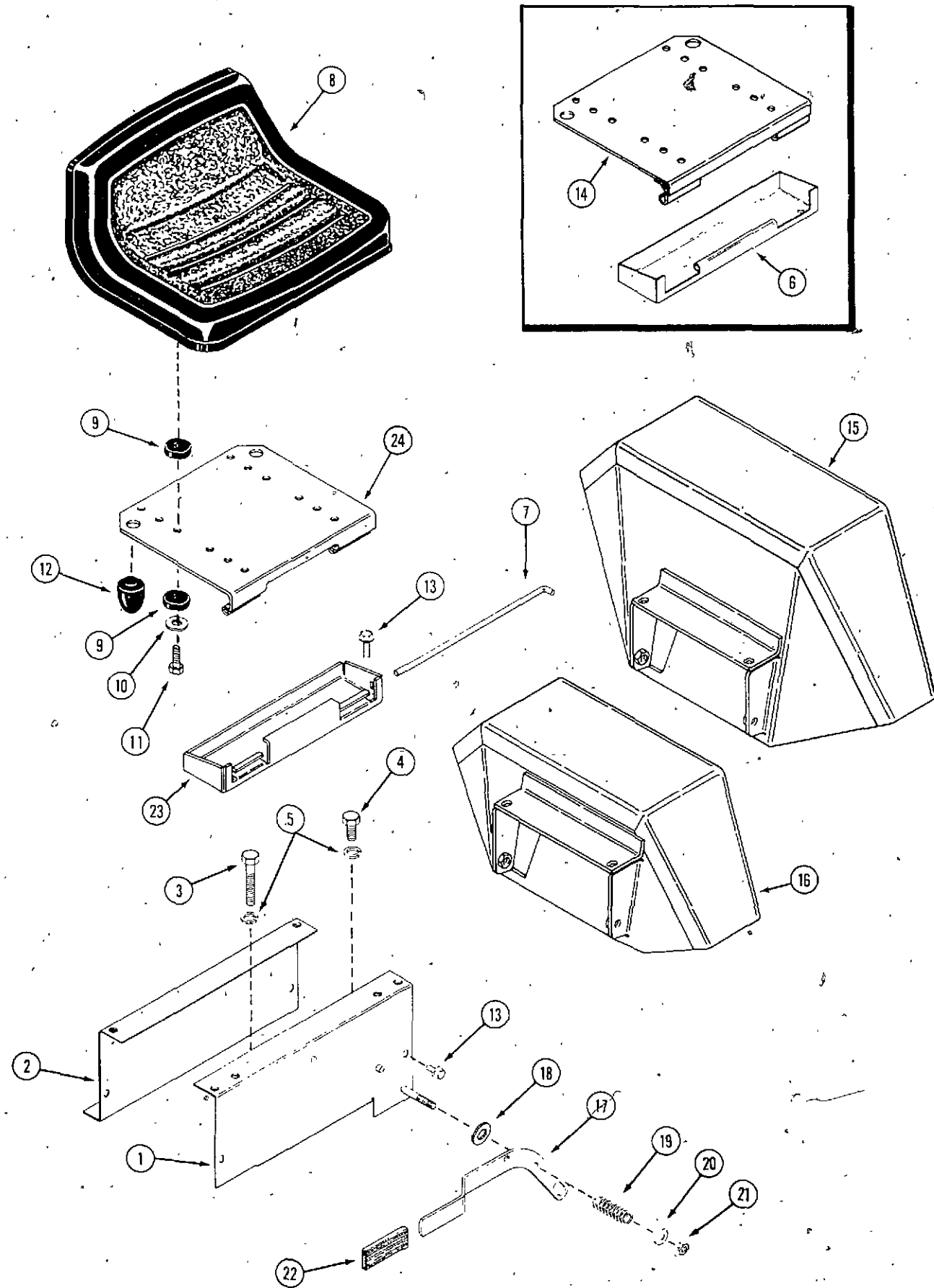


REF.	PART NO.	DESCRIPTION	REQ'D
1	C 26938†	FRAME - main (220, 222 and 224)(shown)	1
1	C 26940†	FRAME - main (444)	1
2	C 22775	HOOD AND GRILLE ASSEMBLY (includes item 27)	1
3	C 23527	LINER - hood	1
4	C 22023	HINGE - frame	2
5	C 18733	PIN - attachment	2
6	131- 1318	NUT - lock 1/2" NF	2
7	353- 406	PLUG - hole (models without hydraulic lift)	1
8	C 18153	CHANNEL - instrument panel	1
9	C 16362	ROD - hood hinge	1
10	132- 46	PIN - cotter 1/8" x 3/4"	1
11	C 16373	PIN - latch	2
12	C 24137	SPRING - latch	2
13	138- 319	PIN - roll 3/16" x 1-1/4"	2
14	C 25317	PAD - foot rest, L.H.	1
14	C 25318	PAD - foot rest, R.H.	1
15	113- 113	BOLT - 5/16" x 7/8" N.C. hex	4
16	192- 20	LOCKWASHER 5/16"	4
17	C 14729	SPACER - frame, rear (444)	2
17	C 14730	SPACER - frame, rear (220, 222 and 224)	2
18	192- 23	LOCKWASHER - 1/2"	4
19	113- 424	BOLT - 1/2" x 1" N.C. hex	4
20	C 24821	SHIELD - heat	1
21	C 24820	CLIP - battery hold down	1
22	113- 1	BOLT - 1/4" - 20 x 1/2"	9
23	192- 19	LOCKWASHER - 1/4"	5
24	129- 101	NUT - 1/4" - 20	5
25	C 24822*	COVER - access	1
25	C 26506**	COVER - access	1
26	193- 57	LOCKWASHER	4
27	C 16361	HING - hood	1

†also use C26266, C26265, C26264, 195-533, 138-63 and 132-310 before S/N:
 220 - 14005097
 222 - 14006533
 224 - 14007681
 444 - 14009128

*use 220 - before S/N 9779774
 222 - before S/N 9781310
 224 - before S/N 9782979
 444 - before S/N 9784373

**use 220 - S/N 9779774 and after
 222 - S/N 9781310 and after
 224 - S/N 9782979 and after
 444 - S/N 9784373 and after

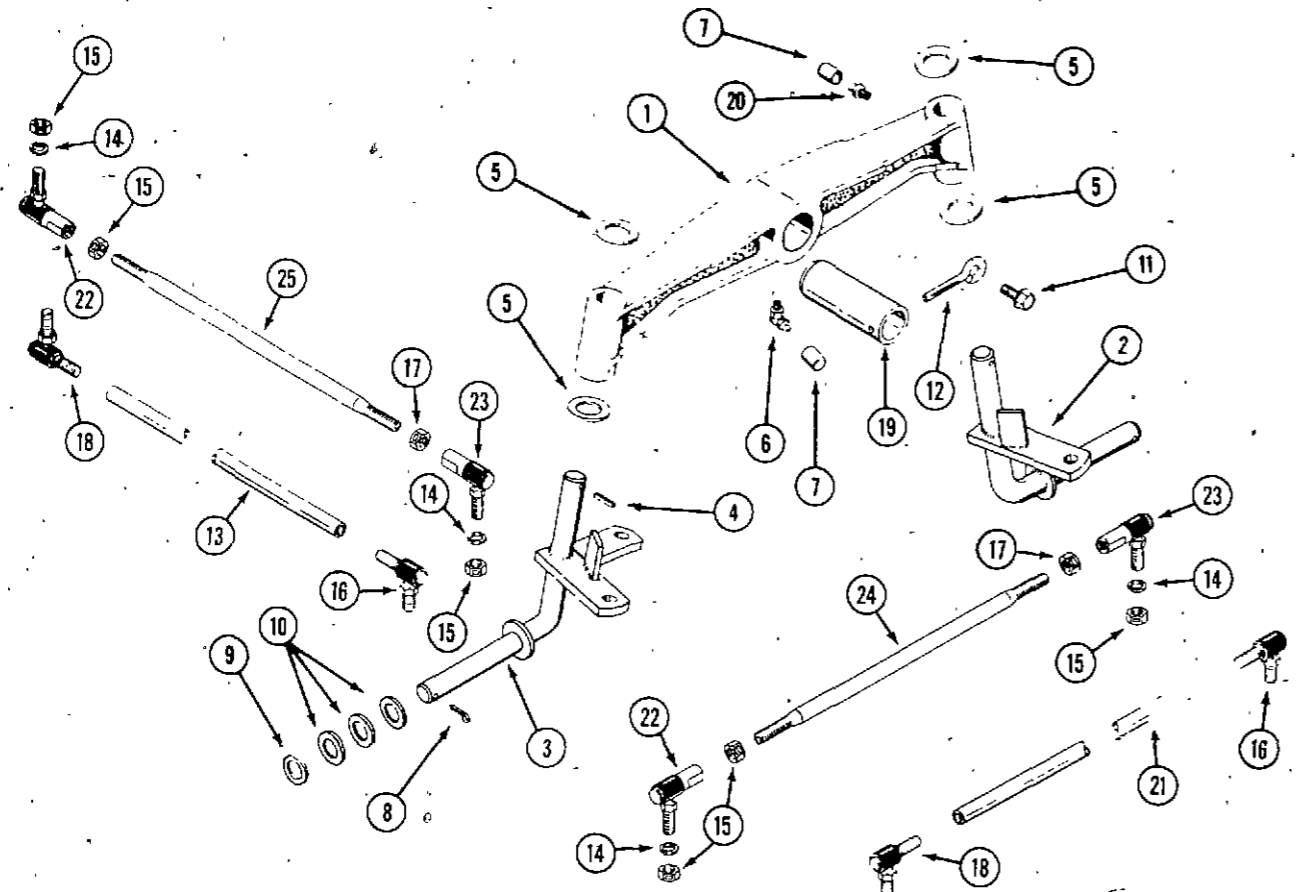


SEAT, FENDERS AND TOOL TRAY

REF.	PART NO.	DESCRIPTION	REQ'D
1	C 26066	SUPPORT - seat, front	1
2	NSS	SUPPORT - seat, rear (use C26695)	1
3	113- 441	BOLT - 1/2 x 2-1/4" NC hex (444)	2
3	113- 427	BOLT - 1/2 x 3-1/4" NC hex (220, 222 and 224)	2
4	113- 424	BOLT - 1/2 x 1" NC hex	2
4	113- 118	BOLT - 5/16" x 5/8"	1
5	192- 20	LOCKWASHER - 5/16"	1
5	192- 23	LOCKWASHER - 1/2"	4
6	C 19417*	TRAY - tool	1
7	C 16429	PIN - seat hinge	1
8	C 26214	SEAT - (220, 222 and 224)	1
8	C 26215	SEAT - (444)	1
9	D 59705	CUSHION - rubber	8
10	195- 2175	WASHER - 5/16 x 1-1/4" OD, zinc plated	4
11	113- 122	BOLT - 5/16 x 1-1/2"	4
12	C 14534	BUMPER - seat	2
13	121- 106	BOLT - 5/16 x 1/2" flange whizlock	10
14	C 17152*	HINGE ASSEMBLY - seat	1
15	C 16444	FENDER - L.H. (444) use before S/N 9766840	1
15	C 16445	FENDER - R.H. (444) use before S/N 9766840	1
15	C 25303	FENDER - L.H. (444) use S/N 9766840 and after	1
15	C 25304	FENDER - R.H. (444) use S/N 9766840 and after	1
16	C 25297	FENDER - L.H. (use 220 - S/N 9762275, 222 - S/N 9763700, 224 - S/N 9765195 and after)	1
16	C 25298	FENDER - R.H. (use 220 - S/N 9762275, 222 - S/N 9763700, 224 - S/N 9765195 and after)	1
16	C 16446	FENDER - L.H. (use before 220 - S/N 9762275, 222 - S/N 9763700, 224 - S/N 9765195)	1
16	C 16447	FENDER - R.H. (use before 220 - S/N 9762275, 222 - S/N 9763700, 224 - S/N 9765195)	1
17	C 16393	LEVER - shift	1
18	195- 525	WASHER - 7/16 x 1-1/4" OD	1
19	C 17216	SPRING - shift lever	1
20	C 17066	WASHER - cupped	1
21	131- 1181	NUT - lock 3/8" NC hex	1
22	C 14728	GRIP - shift lever	1
23	C 26028**	TRAY - tool	1
24	C 26029**	HINGE - seat	1

*use before S/N:
 220 - 9780394
 222 - 9782118
 224 - 9783605
 444 - 9785020

**use S/N and after:
 220 - 9780394
 222 - 9782118
 224 - 9783605
 444 - 9785020

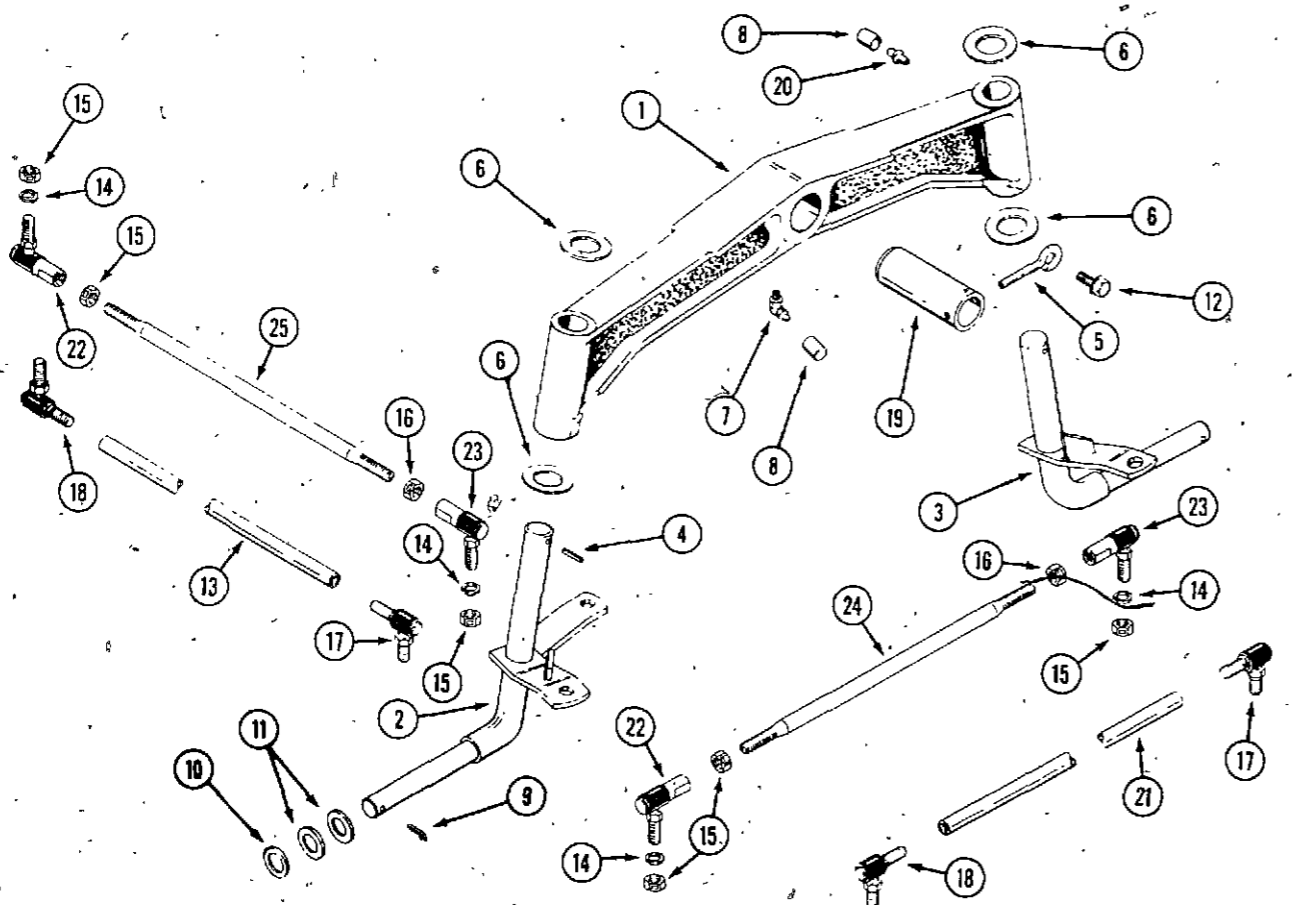


220, 222 AND 224 FRONT AXLE

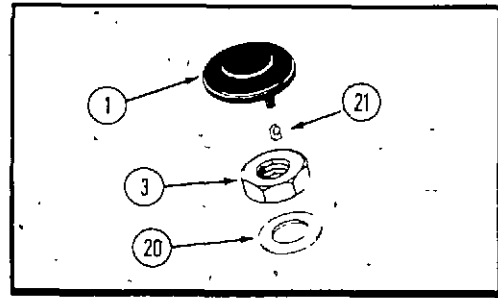
REF	PART NO.	DESCRIPTION	REQ'D
1	C 18812	AXLE - front	1
2	C 18777	SPINDLE - left hand	1
3	C 18779	SPINDLE - right hand	1
4	138- 99	PIN - roll	2
5	C 11906	WASHER - thrust	4
6	219- 404	FITTING - lube	1
7	C 13106	COVER - lube fitting	3
8	132- 311	PIN - cotter 5/32 x 1-1/4"	2
9	C 12975	WASHER - wheel spindle	2
10	A 30881	WASHER - wheel spacer	4
11	187- 1910	BOLT - 3/8" NC indented hex head	1
12	C 22278	PIN - retaining, axle pivot	1
13	C 22992*	KIT - drag link rod	1
14	192- 23	LOCKWASHER - 1/2" zinc plated	3
15	129- 165	NUT - jam 1/2" N.F. hex R.H. thread	6
16	C 21527*	BALL JOINT - 1/2" L.H. thread	2
17	129- 376	NUT - jam 1/2" N.F. hex L.H. thread	2
18	C 21526*	BALL JOINT - R.H. thread	2
19	C 22568	TUBE - axle pivot	1
20	219- 17	FITTING - lube	2
21	C 21530*	TIE ROD	1
22	C 12102**	BALL JOINT - R.H. thread	2
23	C 13605**	BALL JOINT - L.H. thread	2
24	C 25856**	TIE ROD	1
25	C 25857**	ROD - drag link	1

*use before S/N: **use S/N and after:
 220 - 9780558 220 - 9780558
 222 - 9782235 222 - 9782235
 224 - 9783760 224 - 9783760

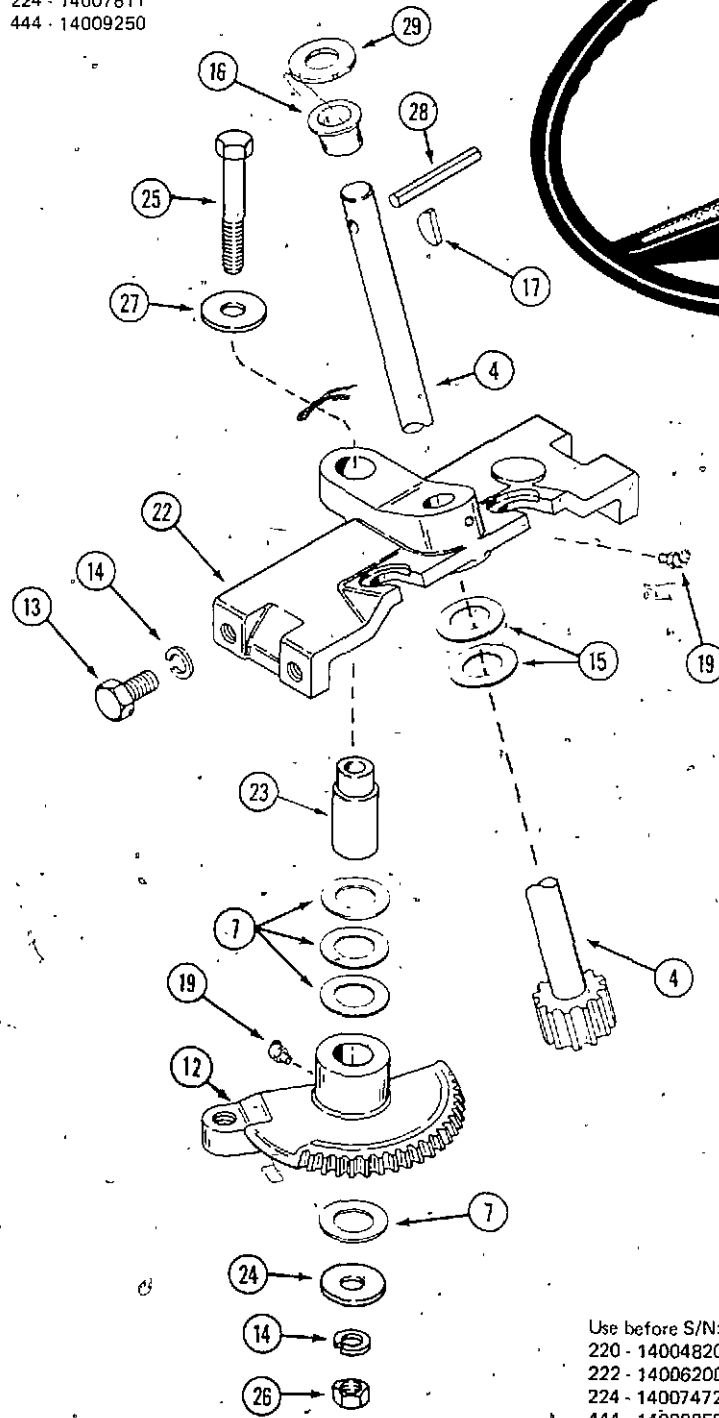
444 FRONT AXLE



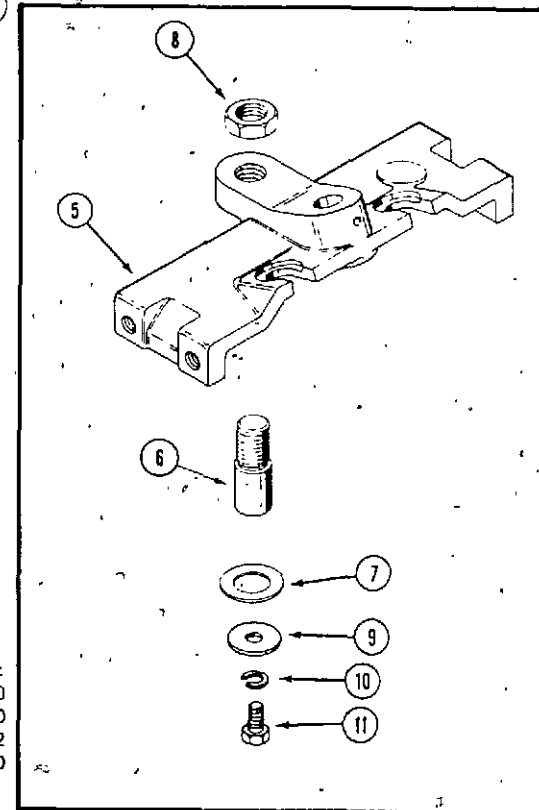
1	C 18813	AXLE - front	1
2	C 26205	SPINDLE - right hand	1
3	C 26206	SPINDLE - left hand	1
4	138- 99	PIN - roll	2
5	C 22278	PIN - retaining, axle pivot	1
6	C 13716	WASHER - thrust	4
7	219- 404	FITTING - lube	1
8	C 13106	COVER - lube fitting	3
9	132- 311	PIN - cotter 5/32 x 1-1/4"	2
10	C 12975	WASHER - wheel spindle	2
11	A 30881	WASHER - wheel spacer	4
12	187- 1910	BOLT - 3/8" NC indented hex head	1
13	C 22992	KIT - drag link rod (use before S/N 9785170)	1
14	192- 23	LOCKWASHER - 1/2" zinc plated	3
15	129- 165	NUT - jam 1/2" N.F. hex R.H. thread	6
16	129- 376	NUT - jam 1/2" N.F. hex L.H. thread	2
17	C 21527	BALL JOINT - L.H. thread (use before S/N 9785170)	2
18	C 21526	BALL JOINT - R.H. thread (use before S/N 9785170)	2
19	C 22568	TUBE - axle pivot	1
20	219- 17	FITTING - lube	2
21	C 21529	TIE ROD - (use before S/N 9785170)	1
22	C 12102	BALL JOINT - R.H. thread (use after S/N 9785170)	2
23	C 13605	BALL JOINT - L.H. thread (use after S/N 9785170)	2
24	C 25855	TIE ROD - (use after S/N 9785170)	1
25	C 25857	ROD - drag link (use after S/N 9785170)	1



Use before S/N:
220 - 14005231
222 - 14006712
224 - 14007811
444 - 14009250



Use before S/N:
220 - 14004820
222 - 14006200
224 - 14007472
444 - 14008850

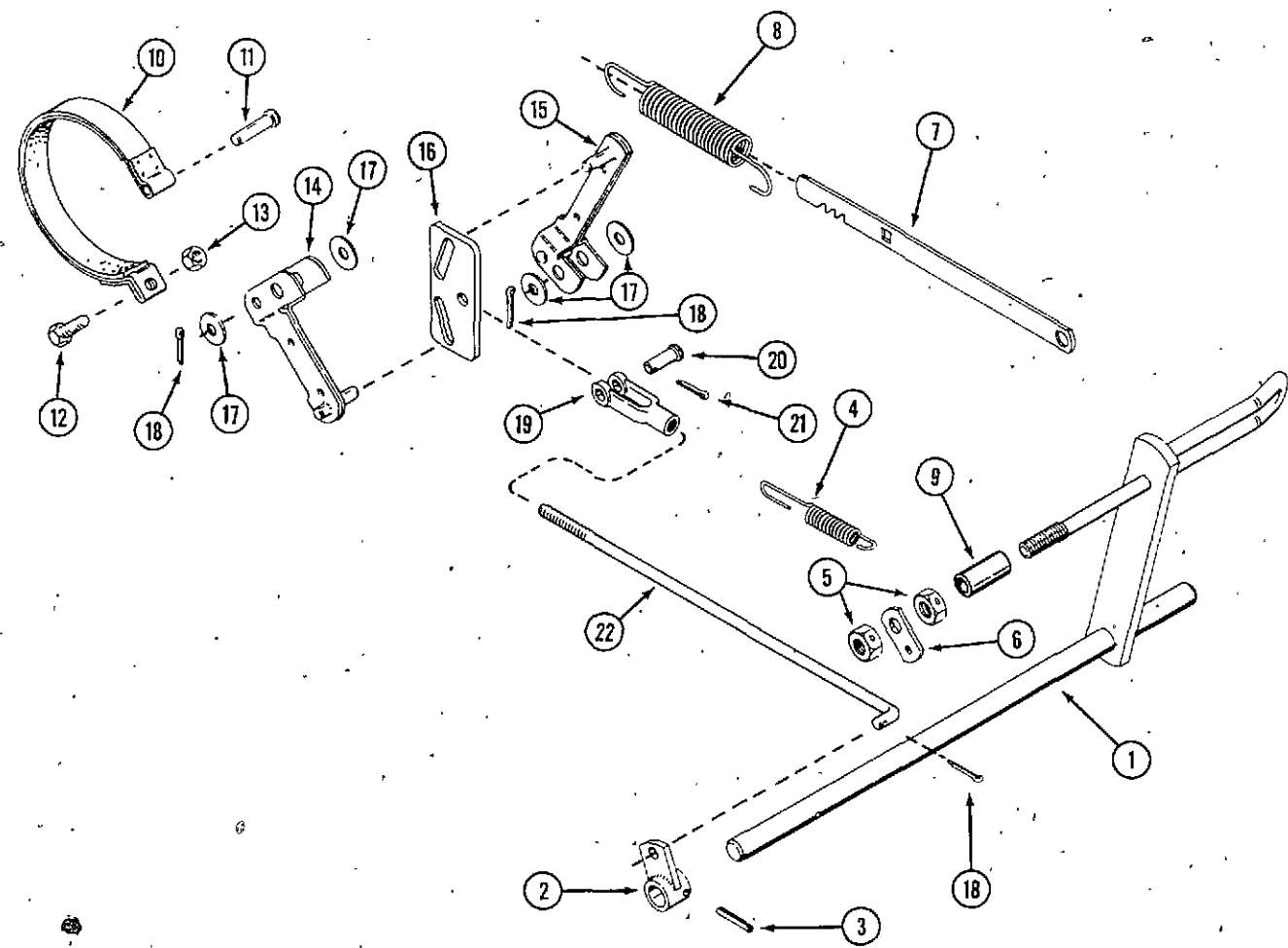


STEERING GEAR

REF	PART NO.	DESCRIPTION	REQ'D
1	C 16945	CAP steering wheel	1
2	C 18014*	WHEEL - steering	1
2	C 26325**	WHEEL - steering	1
3	131- 1113	NUT - lock 5/8" Gripco	1
4	C 16200*	SHAFT - steering	1
4	C 26326**	SHAFT - steering	1
5	NSS	SUPPORT steering gear (use items 14, 22, 23, 24, 25, 26 and 27)	1
6	C 14200	PIN - pivot	1
7	C 14201	WASHER - shim	4
8	129- 148	NUT - jam 3/4"	1
9	195- 2021	WASHER	1
10	192- 20	LOCKWASHER - 5/16" zinc plated	1
11	113- 102	BOLT - 5/16" x 3/4" NC hex	1
12	C 18711	GEAR - steering	1
13	113- 206	BOLT - 3/8" x 3/4" NC hex	4
14	192- 21	LOCKWASHER - 3/8"	5
15	195- 2069	WASHER 5/8" zinc plated	2
16	C 15096	BUSHING - flanged nylon	1
17	126- 16	KEY - Woodruff 3/16" x 3/4" (early production)	1
18	C 24098	TUBE steering	1
19	219- 404	FITTING - lube 45°	2
20	C 12975	WASHER - 5/8"	2
21	C 18017	CLIP - tinnerman	2
22	C 25788	SUPPORT - steering gear	1
23	C 25787	PIN - pivot	1
24	195- 2029	WASHER - 7/16" x 1.25	2
25	113- 241	BOLT - 3/8" - 16 x 3" hex	1
26	129- 103	NUT - 3/8" - 16 hex	1
27	195- 137	WASHER - 1-1/8" O.D.	1
28	138- 143	PIN - roll 1/4" x 2-1/4"	1
29	195- 541	WASHER - 5/8"	1
	C 13106	COVER lube fitting	2

*use before S/N:
220 - 14005231
222 - 14006712
224 - 14007811
444 - 14009250

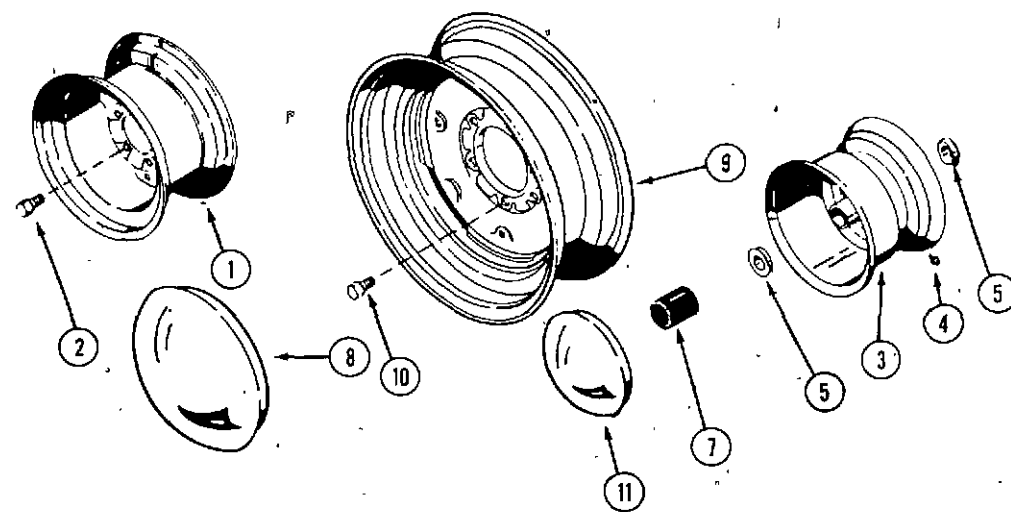
**use S/N and after:
220 - 14005231
222 - 14006712
224 - 14007811
444 - 14009250



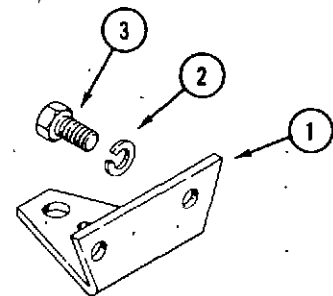
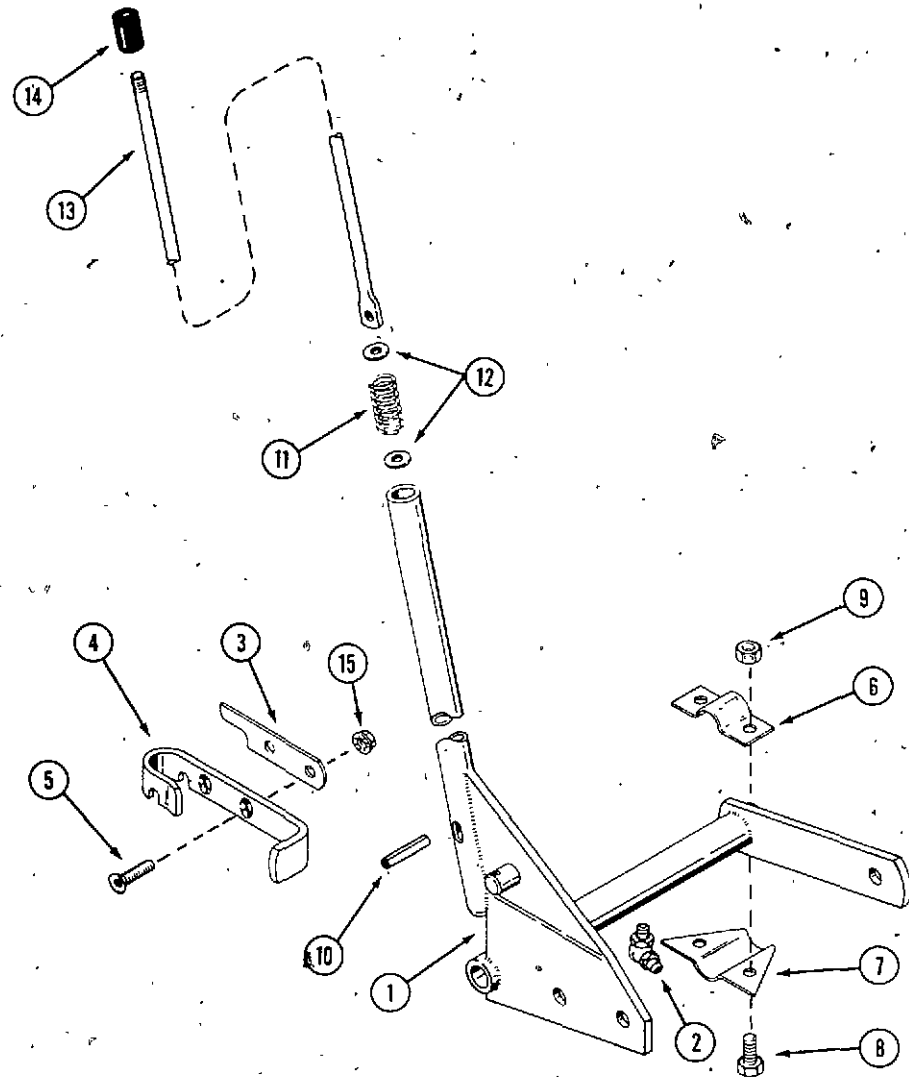
BRAKE ASSEMBLY

REF.	PART NO.	DESCRIPTION	REQ'D
1	C 21872	PEDAL - brake actuating	1
2	C 26381	ARM - brake pedal	1
3	138- 2073	PIN - spirol 3/16" x 1-1/4"	1
4	C 25022	SPRING - return	1
5	131- 1308	NUT - centerlock, jam	2
6	C 16164	TAB - lift	1
7	C 18147	LEVER - brake lock	1
8	C 27755	SPRING - brake lock	1
9	C 21857	SPACER - brake pedal	1
10	C 23909	BAND - brake	1
11	C 23910	PIN - clevis	1
12	113- 2262	BOLT - 3/8" - 16 x 1-1/2" hex	1
13	129- 143	NUT - 3/8" - 16 jam	1
14	C 23899	ARM - brake	1
15	C 24761	ARM - brake (includes adjustment nut)	1
16	C 23883	GUIDE - brake actuation	1
17	195- 533	WASHER - .531 I.D.	4
18	132- 310	PIN - cotter 1/8" x 1"	3
19	213- 41	CLEVIS	1
20	141- 54	PIN - clevis	1
21	132- 321	PIN - cotter	1
22	C 24796	ROD - brake (use before 220 - S/N 9762275, 222 - S/N 9763700, 224 - S/N 9765195)	1
22	C 24795	ROD - brake (444) use before S/N 9766840	1
22	C 25305	ROD - brake (use 220 - S/N 9762275, 222 - S/N 9763700, 224 - S/N 9765195 and after)	1
22	C 25306	ROD - brake (444) use S/N 9766840 and after	1

FRONT AND REAR WHEELS



REF.	PART NO.	DESCRIPTION	220	222	224	444
1	C 24435	WHEEL - rear, 5 bolt (white)	2			
2	C 10314	BOLT - rear wheel				
3	C 24433	WHEEL - front (white) (includes items 5 and 6)	2			2
4	219- 403	FITTING - lube	2			2
5	C 12110	BEARING - wheel, inner	4			4
7	C 26021	CAP - plastic, front	2			2
8	A 70185	CAP - hub, rear (optional)	2			2
9	C 24438	WHEEL - rear, 6 bolt (white)				2
10	A 30064	BOLT - rear wheel				12
11	A 70062	CAP - hub front wheel (optional)	2			2
	C 13106	COVER - lube fitting	2			2



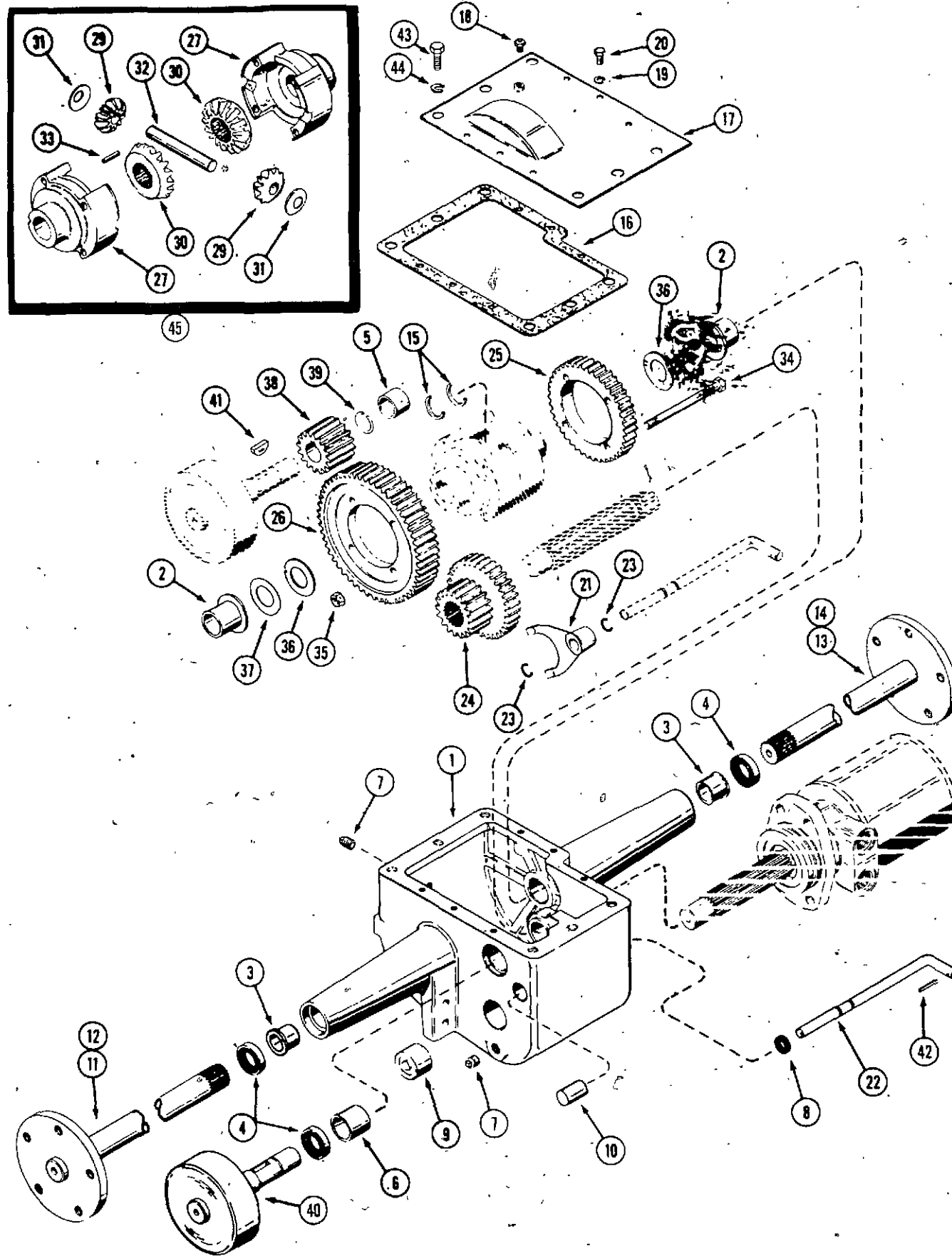
MOUNTING POSITION FOR 220, 222 AND 224 TRACTORS.

IMPLEMENT LIFT

REF.	PART NO.	DESCRIPTION	REQ'D
1	C 18809	LEVER ASSEMBLY - implement lift	1
2	219- 404	FITTING - lube 45°	1
3	C 17281	SPACER - latch	5
4	C 18811	LATCH - lever	1
5	164- 42	SCREW - 5/16 x 1-1/4" flat head socket	2
6	C 17249	BRACKET - mounting top	1
7	C 17250	BRACKET - mounting bottom	1
8	113- 207	BOLT - 3/8 x 1" NC hex	4
9	131- 1181	NUT - lock 3/8"	4
10	138- 2054	PIN - spirol 5/16 x 1-3/4"	1
11	C 15564	SPRING - lift lever	1
12	195- 521	WASHER - 3/8 x 11/16" OD	2
13	C 17067	ROD - lift lever push	1
14	C 14525	BUTTON - release	1
15	131- 911	NUT - lock 5/16 - 18 flanged	2
	C 13106	COVER - lube fitting	1

DRAWBAR AND TOW HITCH

1	C 13360	DRAWBAR	1
2	192- 23	LOCKWASHER - 1/2" zinc plated	2
3	113 424	BOLT - 1/2 x 1" NC hex zinc plated	2

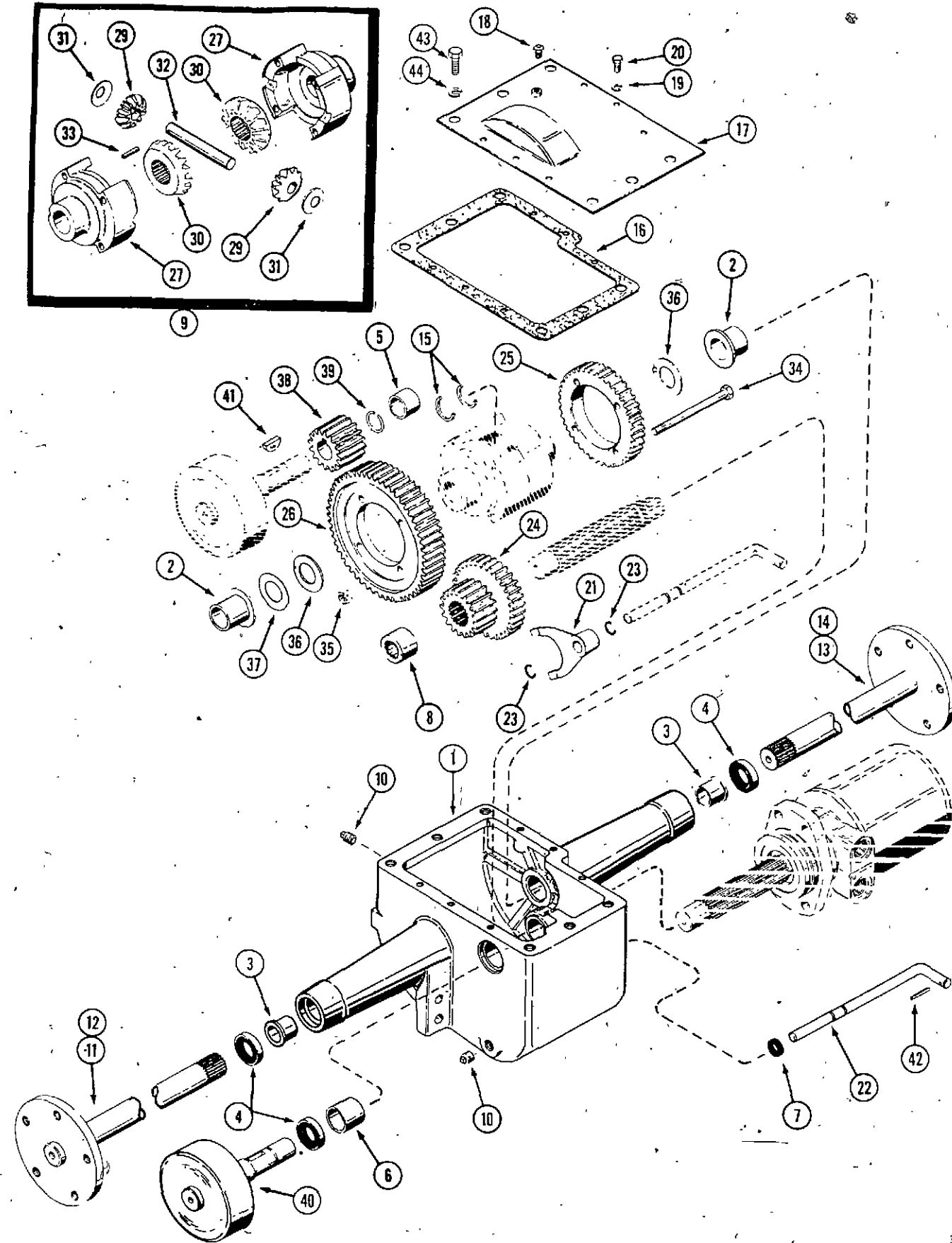


TRANSMISSION AND FINAL DRIVE

220 - USED PRIOR TO S/N 9748634
 222 - USED PRIOR TO S/N 9750308
 224 - USED PRIOR TO S/N 9751888
 444 - USED PRIOR TO S/N 9753175

REF.	PART NO.	DESCRIPTION	REQ'D
1	NSS	CASE - transmission (Use C24843 and C24802)	1
2	C 12713	BEARING - flange	2
3	C 16744	BEARING - flanged	2
4	D 31945	SEAL - axle	3
5	C 13241	BEARING - sleeve	1
6	C 13385	BEARING - sleeve	1
7	221- 844	PLUG - filler and drain 1/2"	2
8	C 13266	SEAL - shift rod	1
9	C 13211	BEARING - roller, input shaft	1
10	C 12723	CAP - shift rod	1
11	C 16699	SHAFT - axle, short R.H. (220, 222 and 224)	1
12	C 22638	SHAFT - axle, short R.H. (444)	1
13	C 16700	SHAFT - axle, long L.H. (220, 222 and 224)	1
14	C 22637	SHAFT - axle, long L.H. (444)	1
15	B 52144	RING - retainer, axle	2
16	C 13196	GASKET - transmission cover	1
17	C 13197	COVER - transmission	1
18	A 50096	BREATHER - transmission	1
19	192- 19	LOCKWASHER - 1/4"	6
20	113- 1	BOLT - 1/4 x 1/2" NC hex	6
21	C 12725	FORK - shift	1
22	C 16339	ROD - gear shift	1
23	C 14168	RING - retaining	2
24	C 14644	GEAR - cluster input	1
25	C 12551	GEAR - high 41 tooth	1
26	C 12552	GEAR - low 55 tooth	1
27	NSS	KIT - diff. case (includes Ref. 34 and 35)	1
29	NSS	GEAR - differential pinion	2
30	NSS	GEAR - differential	2
31	NSS	WASHER - pinion thrust	2
32	NSS	PIN - differential cross	1
33	NSS	PIN - differential cross lock	1
34	28- 680	SCREW - 3/8 x 5" NF hex cap	4
35	131- 1133	NUT - lock 3/8" NF hex	4
36	C 12718	WASHER - differential	2
37	C 14223	WASHER - spacer	1
38	C 25254	GEAR - brake idler (also use C25258)	1
39	C 14222	RING - retainer, brake idler	1
40	C 25258	BRAKE DRUM (also use C25254)	1
41	126- 128	KEY - Woodruff, brake idler	1
42	138- 319	PIN - roll 3/16 x 1-1/4"	1
43	113- 424	BOLT - 1/2" - 13 x 1" hex	5
43	166- 86	BOLT - 1/2" - 13 x 1-1/4" flanged	1
44	192- 23	LOCKWASHER - 1/2"	4
45	C 25177	DIFFERENTIAL ASSEMBLY	1

UAR



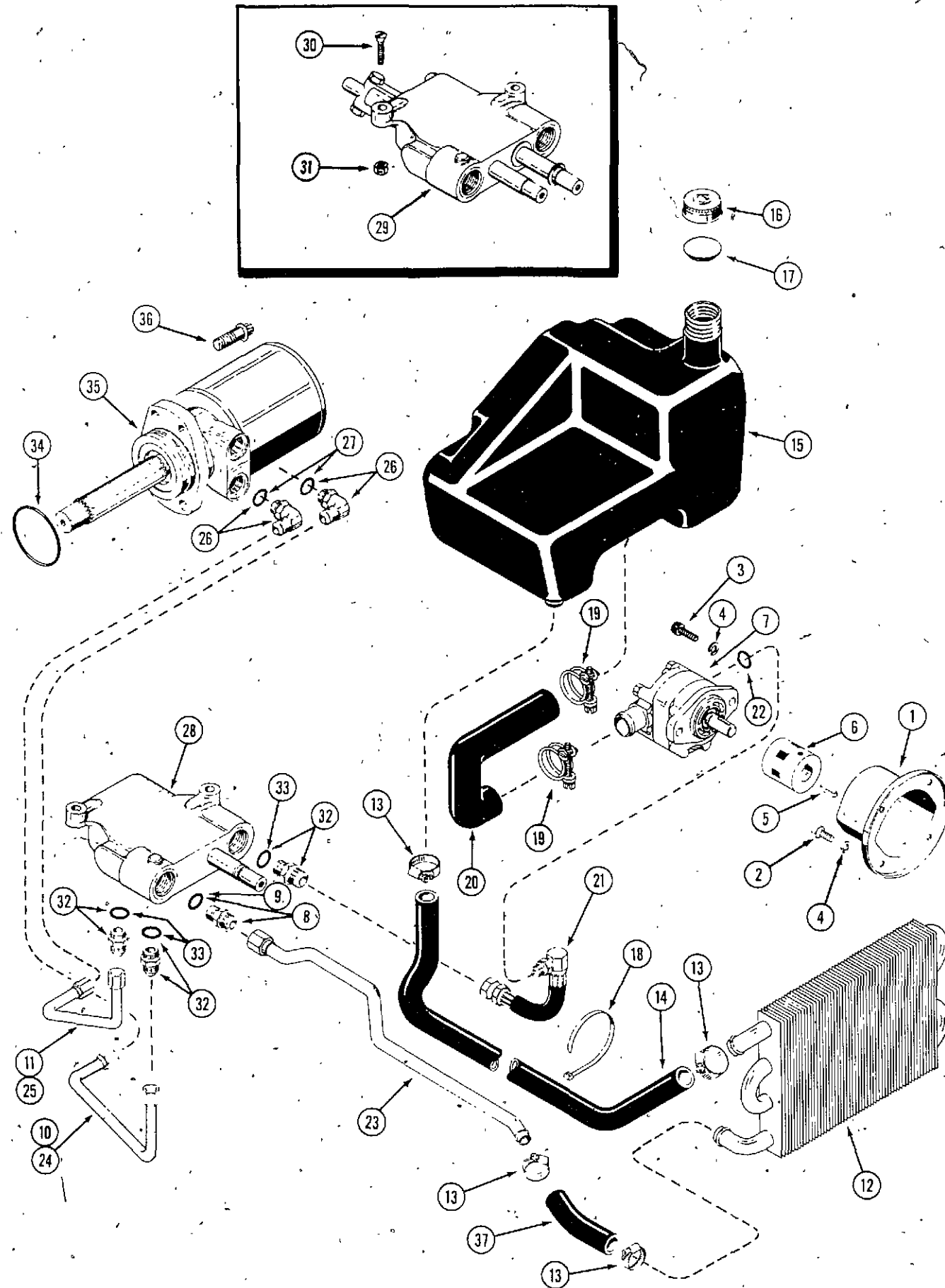
TRANSMISSION AND FINAL DRIVE

220 - USED S/N 9748634 AND AFTER
 222 - USED S/N 9750308 AND AFTER
 224 - USED S/N 9751888 AND AFTER
 444 - USED S/N 9753175 AND AFTER

REF.	PART NO.	DESCRIPTION	REQ'D
1	C 24843	CASE ASSEMBLY - transmission	1
2	NSS	CASE - transmission	1
3	C 12713	BEARING - flange	2
4	C 24804	BEARING - flange	2
5	C 24803	SEAL - shaft	3
6	C 13241	BEARING - sleeve	1
7	C 13385	BEARING - sleeve	1
8	C 13266	SEAL - shift rod	1
9	F 7232	BEARING - roller	1
10	C 25177	DIFFERENTIAL ASSEMBLY	1
10	221- 844	PLUG - 1/2" filler and drain	2
10	221- 1843	PLUG - 3/8" filler and drain	3
11	C 16699	SHAFT - axle, short R.H. (220, 222 and 224)	1
12	C 22638	SHAFT - axle, short R.H. (444)	1
13	C 16700	SHAFT - axle, long L.H. (220, 222 and 224)	1
14	C 22637	SHAFT - axle, long L.H. (444)	1
15	B 52144	RING - retainer, axle	2
16	C 13196	GASKET - transmission cover	1
17	C 13197	COVER - transmission	1
18	A 50096	BREATHER - transmission	1
19	192- 19	LOCKWASHER - 1/4" (early production)	6
20	121- 21	BOLT - 1/4 x 1/2" NC lock	6
21	C 12725	FORK - shift	1
22	C 24802	ROD - gear shift	1
23	C 14168	RING - retaining	2
24	C 14644	GEAR - cluster input	1
25	C 12551	GEAR - high 41 tooth	1
26	C 12552	GEAR - low 55 tooth	1
27	NSS	KIT - diff base (includes Ref. 34 and 35)	1
29	NSS	GEAR - differential pinion	2
30	NSS	GEAR - differential	2
31	NSS	WASHER - pinion thrust	1
32	NSS	PIN - differential cross	2
33	NSS	PIN - differential cross lock	1
34	28- 680	SCREW - 3/8 x 5" NF hex cap	4
35	131- 1133	NUT - lock 3/8" NF hex	4
36	C 12718	WASHER - differential	2
37	C 14223	WASHER - spacer	1
38	C 25254*	GEAR - brake idler	1
39	C 14222	RING - retainer, brake idler	1
40	C 25258*	BRAKE DRUM	1
41	126- 128	KEY - Woodruff, brake idler	1
42	138- 319	PIN - roll 3/16 x 1-1/4"	1
43	113- 424	BOLT - 1/2" - 13 x 1" hex	4
44	192- 23	LOCKWASHER - 1/2"	4

* Also use C25254 gear before S/N:
 ** Also use C25258 drum before S/N:
 220 - 9779894
 222 - 9781505
 224 - 9783155
 444 - 9784545

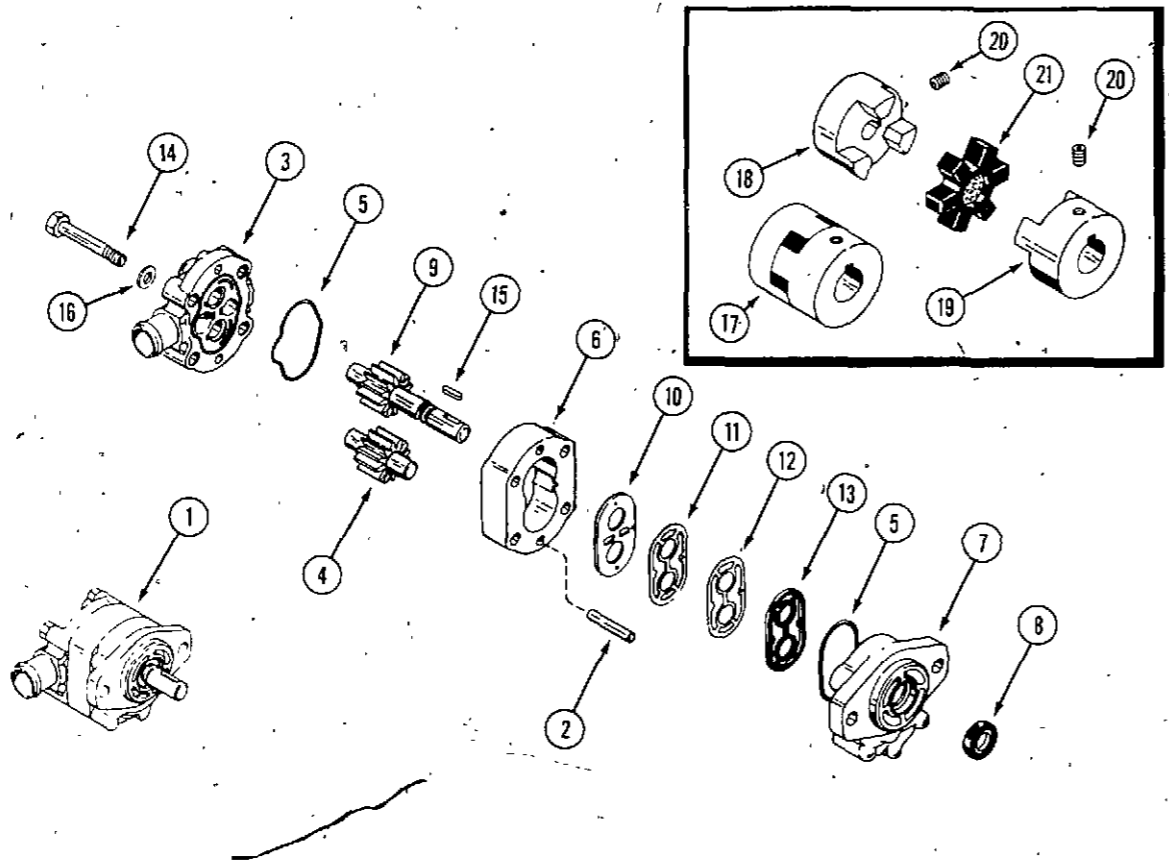
HYDRAULIC SYSTEM



REF.	PART NO.	DESCRIPTION	REQ'D
1	C 15335	SUPPORT - pump mounting	1
2	113- 206	BOLT - 3/8" x 3/4" .NC hex. support mounting	4
3	62- 616	BOLT - 3/8" x 1" NF hex soc. hd., pump mounting	2
4	192- 21	LOCKWASHER - 3/8" zinc plated	6
5	H 26492	KEY square 1/4" x 3/4" (engine shaft)	1
6	C 25207	COUPLING - pump, 9/16" shaft (220, 222) (See page 55 or 57)	1
6	C 25208	COUPLING - pump, 9/16" shaft (224, 444) (See page 55 or 57)	1
6	C 15726	COUPLING - pump, 1/2" shaft (220, 222) repairs page 57B	1
6	C 17298	COUPLING - pump, 1/2" shaft (224, 444) repairs page 57B	1
7	C 26278	PUMP - hydraulic, 1/2" shaft (repairs page 57B)	1
7	NSS	PUMP - hyd. 9/16" shaft (repairs page 55 or 57)	1
8	218- 5065	FITTING - hyd. 3/4" x 7/8" "O" Ring	1
9	218- 5007	"O" RING - 5/8" (for C17263 fitting)	1
10	C 16794	TUBE - valve to lower motor port (220, 222 and 224)	1
11	C 16793	TUBE - valve to upper motor port (220, 222 and 224)	1
12	C 22769	EXCHANGER - heat	1
13	214- 254	CLAMP - hose	4
14	D 55911	HOSE - rubber, tank to heat exchanger	1
15	C 24818	RESERVOIR - hydraulic oil	1
16	C 25237	CAP reservoir (includes insert)	1
17	NSS	INSERT - reservoir cap	1
18	L 76746	TIE hose clamp	2
19	C 23326	CLAMP hose	2
20	C 24827	HOSE - suction	1
21	C 18797	HOSE hydraulic, pump to valve	1
22	218- 5006	"O" RING - 1/2" (for C18797)	1
23	C 26182	TUBE valve to heat exchanger	1
24	C 16687	TUBE valve to lower motor port (444) (use before S/N 9766840)	1
24	C 25333	TUBE - valve to lower motor port (444) (use S/N 9766840 and after)	1
25	C 25334	TUBE - valve to upper motor port (444) (use S/N 9766840 and after)	1
25	C 17898	TUBE valve to upper motor port (444) (use before S/N 9766840)	1
26	218- 5107	FITTING motor port, 90° elbow, "O" Ring	2
27	218- 5007	"O" RING - 5/8" (for 218-5107 fitting)	2
28	NSS	VALVE hydraulic control, single spool (220, 222) (repairs page 59)	1
29	NSS	VALVE hydraulic control, two spool (all models with hydraulic lift) (repairs page 59) (use C27217)	1
30	182- 246	SCREW 5/16" x 1 1/4" N.C.	2
31	131- 351	NUT lock 5/16" N.C. hex.	2
32	218- 5062	FITTING hydraulic valve 5/8" x 7/8" "O" Ring	3
33	218- 5007	"O" RING 5/8"	3
34	A 30095	SEAL motor to transmission	1
35	C 16697	MOTOR hydraulic (220, 222 and 224) (repairs page 61)	1
35	C 14655	MOTOR - hydraulic (444) (repairs page 61)	1
36	166- 86	SCREW 1/2" x 1 1/4" N.C. flanged 12 pt	4
37	NSS	HOSE - rubber, 4" (use C22902 cut to length)	1

HYDRAULIC PUMP AND COUPLING (PARKER-HANNIFIN)

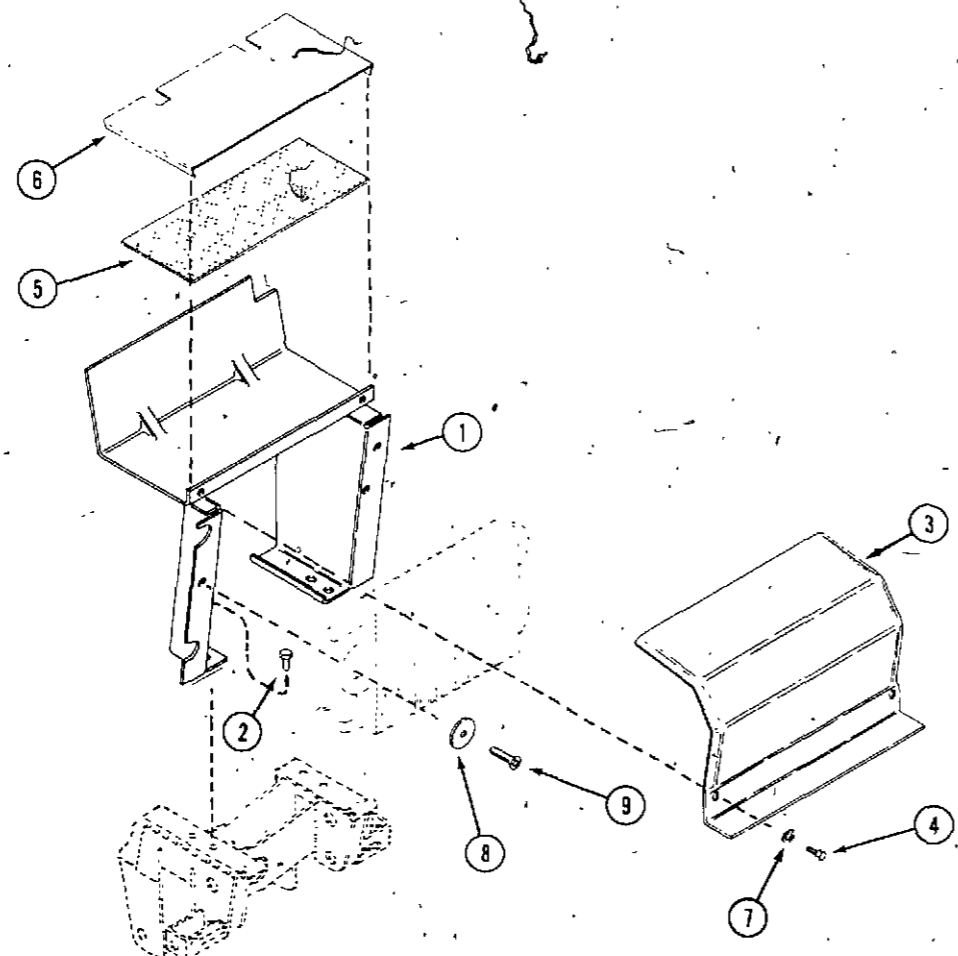
use before S/N: 220 - S/N 14005348 (FOR 220 S/N 9748821 TO 9749036 SEE PAGE 57)
 222 - S/N 14006848 (FOR 222 S/N 9750516 TO 9750723 SEE PAGE 57)
 224 - S/N 14007911
 444 - S/N 14009356



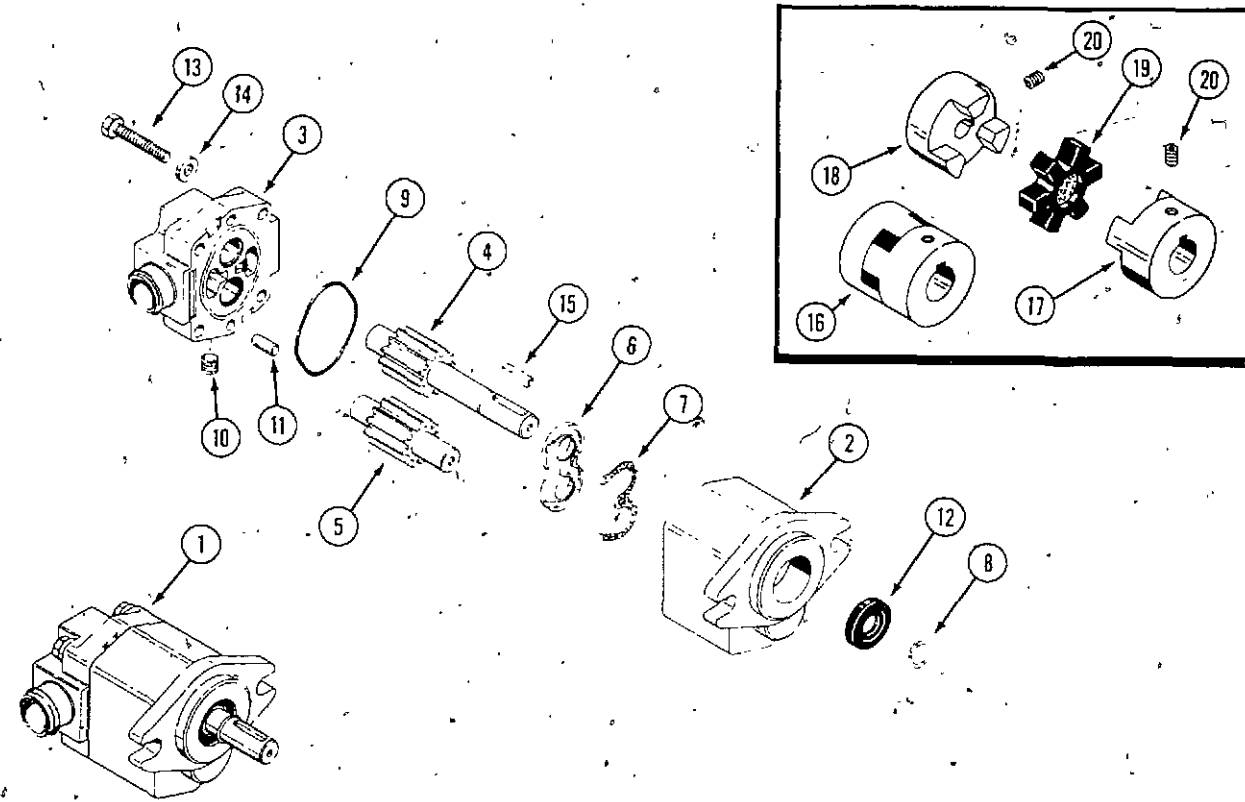
REF.	PART NO.	DESCRIPTION	REQ'D
1	NSS*	PUMP - hyd. 9/16" shaft	1
2	F 53109	PIN - dowel	2
3	C 24861	COVER - rear	1
4	C 15731	GEAR ASSEMBLY - driven	1
5	C 15732	"O" RING - cover	2
6	C 15733	BODY - pump	1
7	C 15734	COVER - front	1
8	C 15735	SEAL - shaft	1
9	NSS	GEAR ASSEMBLY - drive (9/16" shaft)	1
	C 24862	SHAFT - drive (9/16" shaft)	1
	C 24863	GEAR - drive (9/16" shaft)	1
	C 24864	KEY - gear (9/16" shaft)	1
	C 24865	RING - retaining (9/16" shaft)	2
10	C 15737	PLATE - wear	1
11	C 15738	SHIELD - heat	1
12	C 15739	GASKET	1
13	C 15740	SEAL	1
14	113- 111	BOLT	4
15	A 21075	KEY - 3/16" square (for 9/16" shaft)	1
16	A 50773	WASHER	4
17	C 25207	COUPLING - pump (220 and 222) (for 9/16" shaft)	1
17	C 25208	COUPLING - pump (224 and 444) (for 9/16" shaft)	1
18	NSS	HUB - (order item 17)	1
19	NSS	HUB - (order item 17)	1
20	83- 55	SCREW - set 5/16" x 5/16" NC socket head	2
21	A 70112	SPIDER - (for C25207 coupling)	1
21	C 15036	SPIDER - (for C25208 coupling)	1

*use C26278 and C17300 on 224 and 444
 use C26278 and C15724 on 220 and 222

HEAT EXCHANGER MOUNTS AND MUFFLER SHIELDS

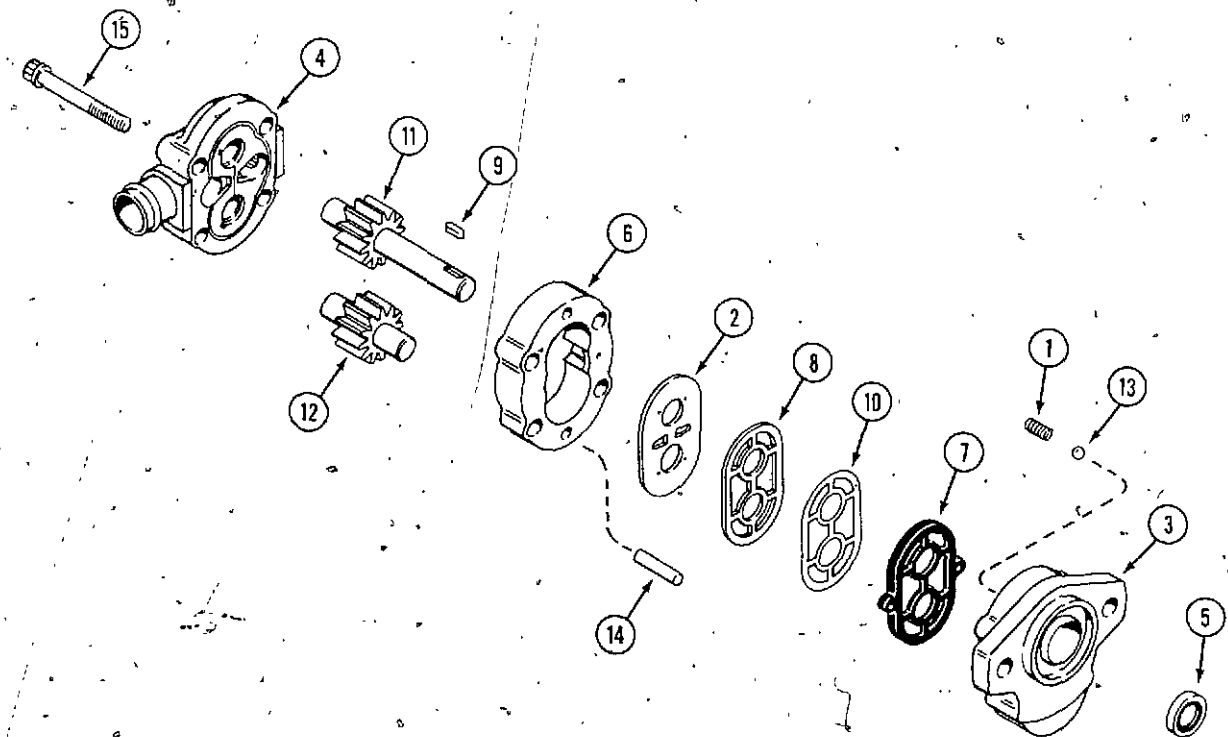


1	C 22894	SUPPORT heat exchanger	1
2	113- 118	BOLT 5/16" x 5/8"	4
3	C 26098	SHIELD heat, muffler	1
4	113- 1	BOLT 1/4" x 1/2" hex zip	2
5	C 22903	PAD - insulation	1
6	C 22874	RETAINER - insulation	1
7	192- 19	LOCKWASHER - 1/4"	2
8	C 25556	WASHER - heat exchanger bracket	2
9	187- 1252	SCREW - 1/4" x 1-1/2" N.C. flat hrl. Phillips	3



**HYDRAULIC PUMP AND COUPLING
(BORG-WARNER)**
(USED 220 S/N 9748821 TO 9749036)
(USED 222 S/N 9750516 TO 9750723)

REF.	PART NO.	DESCRIPTION	REQ'D
1	NSS	PUMP - hyd. 9/16" shaft (use C26278 and C15724)	1
2	C 20456	BODY - pump	1
3	NSS	COVER ASSEMBLY - pump (use C26278 and C15724)	1
4	C 20460	GEAR - drive, pump	1
5	C 20461	GEAR - driven, pump	1
6	C 20462	PLATE - wear	1
7	C 24070	SEAL - wear plate	1
7	C 24071	SPACER - seal	1
8	A 35690	RING - retaining	1
9	D 58196	SEAL - "O" Ring	1
10	221- 849	PLUG - pipe	1
11	D 58188	PIN - dowel	2
12	C 20464	SEAL - shaft	1
13	113- 5	BOLT - 1/4" x 1-1/2" NC hex, grade 5	4
14	D 58189	WASHER - 1/4"	4
15	C 20455	KEY - square 3/16" x 13/16"	1
16	C 25207	COUPLING - 220, 222	1
17	NSS	HUB - coupling (order item 16)	1
18	NSS	HUB - coupling (order item 16)	1
19	A 70112	SPIDER - coupling	1
20	83- 55	SETSCREW - 5/16" x 5/16" N.C. soc. hd.	2



HYDRAULIC PUMP (CESSNA)

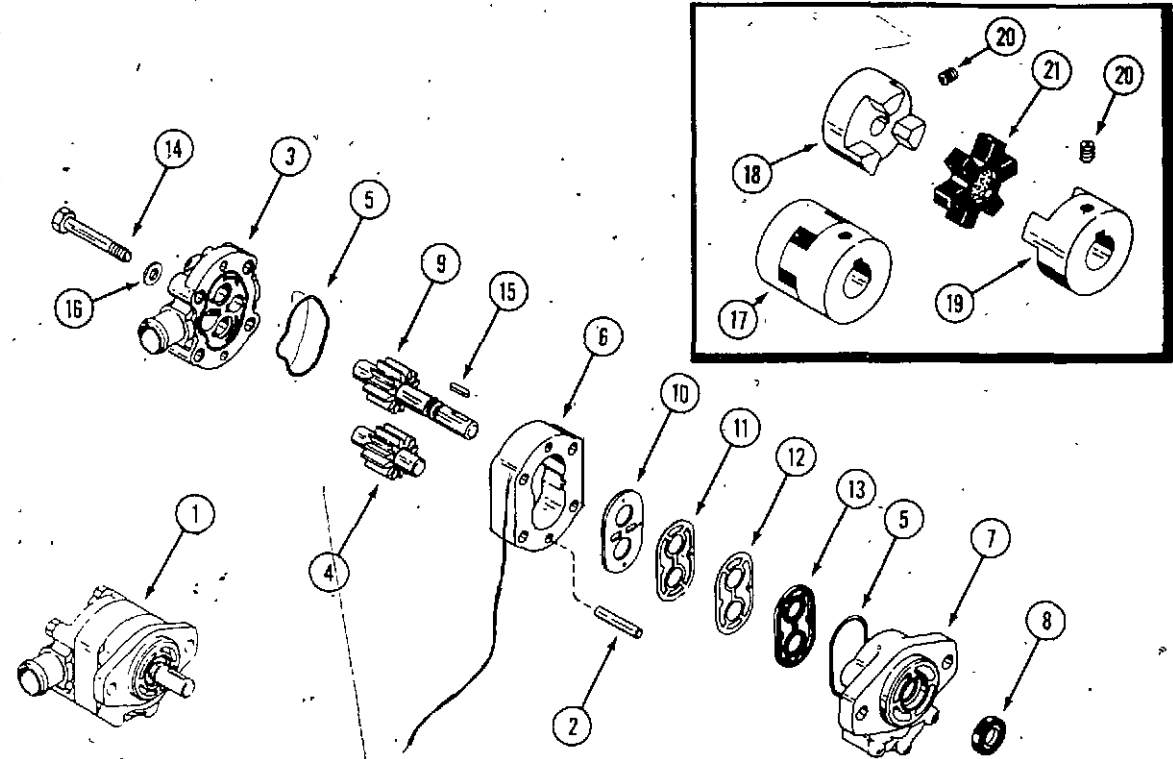
use before S/N: 220 - S/N 14005348
222 - S/N 14006848
224 - S/N 14007911
444 - S/N 14009356

REF.	PART NO.	DESCRIPTION	REQ'D
	NSS*	PUMP - hyd. (9/16")	1
1	F 9883	SPRING	2
2	H 89524	DIAPHRAGM - wear plate	1
3	NSS*	COVER - front	1
4	NSS*	COVER - rear	1
5	H 89540	SEAL - shaft	1
6	NSS*	BODY - pump	1
7	H 218347	SEAL - diaphragm	1
8	H 218362	GASKET - back up	1
9	A 21075	KEY - 3/16" square x .609	1
10	H 218354	GASKET - protector	1
11	NSS*	GEAR ASSEMBLY - drive	1
12	NSS*	GEAR ASSEMBLY - driven	1
13	211- 306	BALL - steel 7/32"	2
14	H 755413	PIN - dowel 1/4" x 1-1/4"	2
15	166- 32	BOLT - 5/16" - 18 x 2-1/2" 12 pt. flange	4

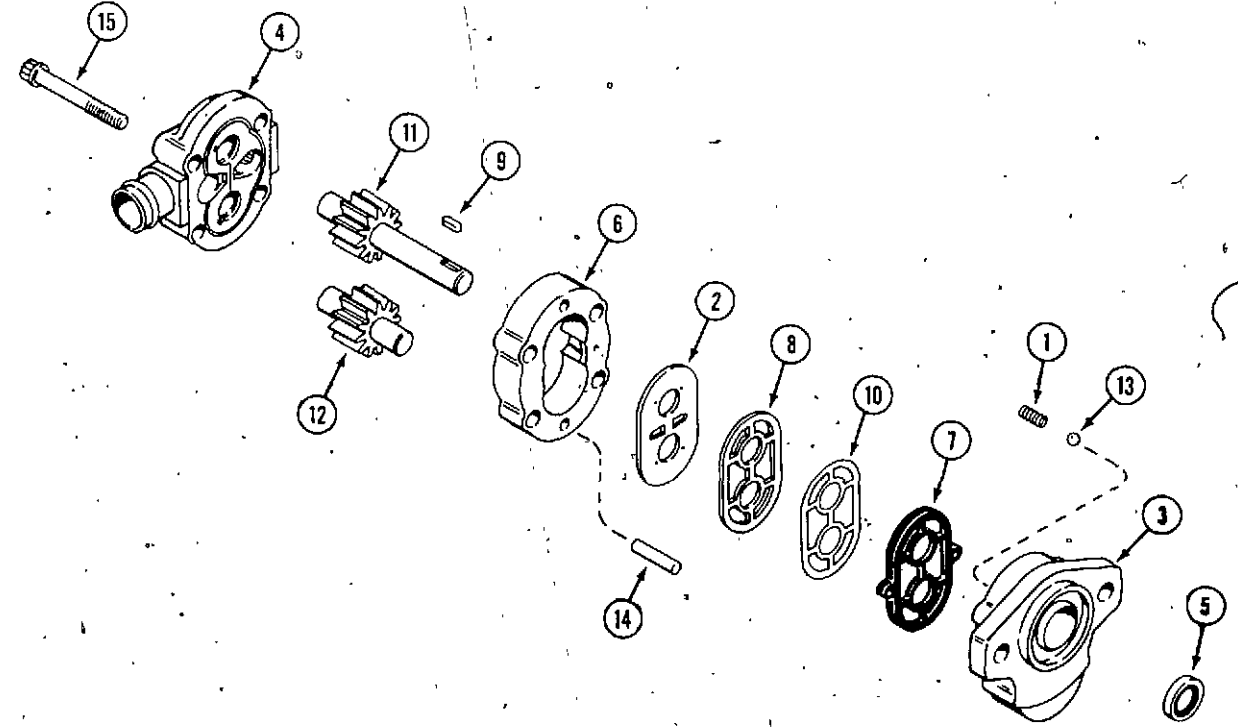
*use C26278 and C15724 on 220 and 222
use C26278 and C17300 on 224 and 444

HYDRAULIC PUMP AND COUPLING (PARKER-HANNIFIN)

use: 220-S/N 14005348 and after
 222-S/N 14006848 and after
 224-S/N 14007911 and after
 244-S/N 14009356 and after



REF.	PART NO.	DESCRIPTION	REQ'D
1	C 26278	PUMP - hydraulic 1/2" shaft	1
2	F 53109	PIN - dowel	2
3	C 24861	COVER - rear	1
4	C 15731	GEAR ASSEMBLY - driven	1
5	C 15732	"O" RING - cover	2
6	C 15733	BODY - pump	1
7	C 15734	COVER - front	1
8	C 15735	SEAL - shaft	1
9	NSS	GEAR ASSEMBLY - drive (1/2" shaft) (use C26278)	1
10	C 15737	PLATE - wear	1
11	C 15738	SHIELD - heat	1
12	C 15739	GASKET	1
13	C 15740	SEAL	1
14	113- 111	BOLT	4
15	C 19207	KEY - 1/8" square x 3/4" long	1
16	A 50773	WASHER	4
17	C 17298	COUPLING - pump (224, 444)	1
17	C 15724	COUPLING - pump (220, 222)	1
18	C 15724	HUB - pump drive (220, 222)	1
18	C 17300	HUB - pump drive (224, 444)	1
19	NSS	HUB - (order item 17)	1
20	83- 55	SCREW - set 5/16" x 5/16" NC socket head	2
21	C 15036	SPIDER - (224, 444)	1
21	A 70112	SPIDER - (220, 222)	1



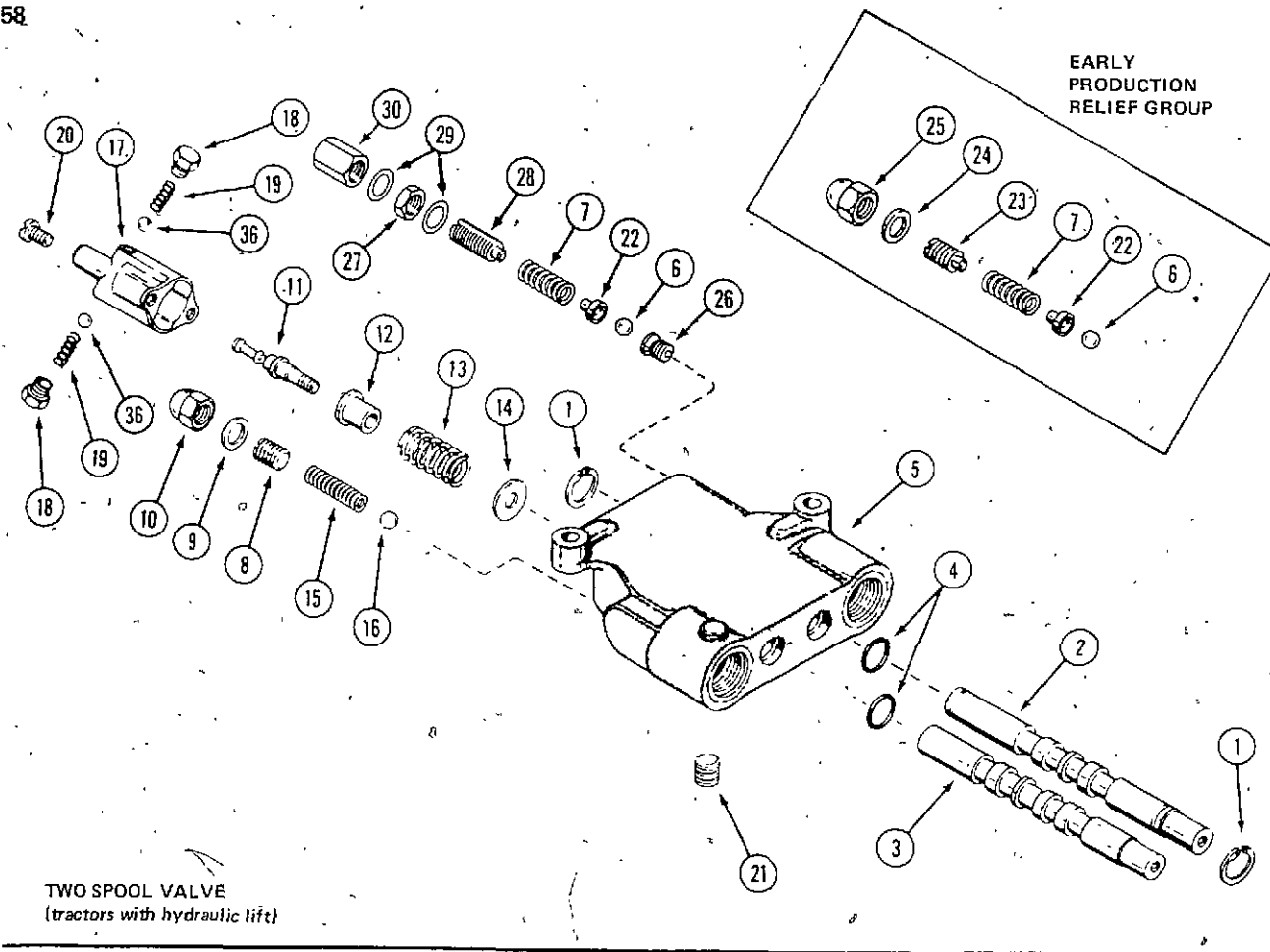
HYDRAULIC PUMP (CESSNA)

use: 220-S/N 14005348 and after
 222-S/N 14006848 and after
 224-S/N 14007911 and after
 244-S/N 14009356 and after

REF.	PART NO.	DESCRIPTION	REQ'D
	NSS	PUMP - hyd. 1/2" shaft (use C26278)	1
1	F 9883	SPRING	2
2	H 89524	DIAPHRAGM - wear plate	1
3	NSS	COVER - front (use C26278)	1
4	NSS	COVER - rear (use C26278)	1
5	H 89540	SEAL - shaft	1
6	NSS	BODY - pump (use C26278)	1
7	H 218347	SEAL - diaphragm	1
8	H 218362	GASKET - back up	1
9	C 19207	KEY - 1/2" square x 3/4" long	1
10	H 218354	GASKET - protector	1
11	NSS	GEAR ASSEMBLY - drive (use C26278)	1
12	NSS	GEAR ASSEMBLY - driven (use C26278)	1
13	211- 306	BALL - steel 7/32"	2
14	H 755413	PIN - dowel 1/4" x 1-1/4"	2
15	166- 32	BOLT - 5/16" - 18 x 2-1/2" 12 point flange	4

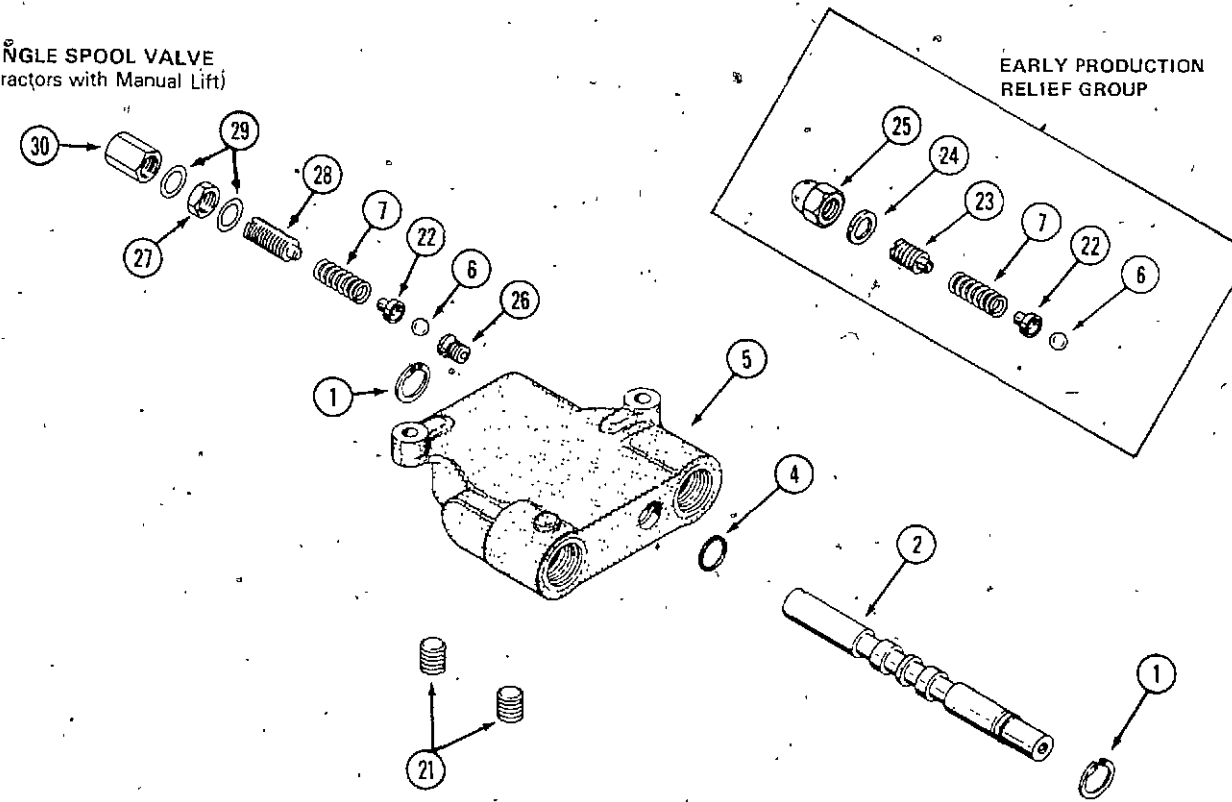
HYDRAULIC CONTROL VALVE

use before S/N: 220 - 9780390
 222 - 9782106
 224 - 9783598
 444 - 9785020



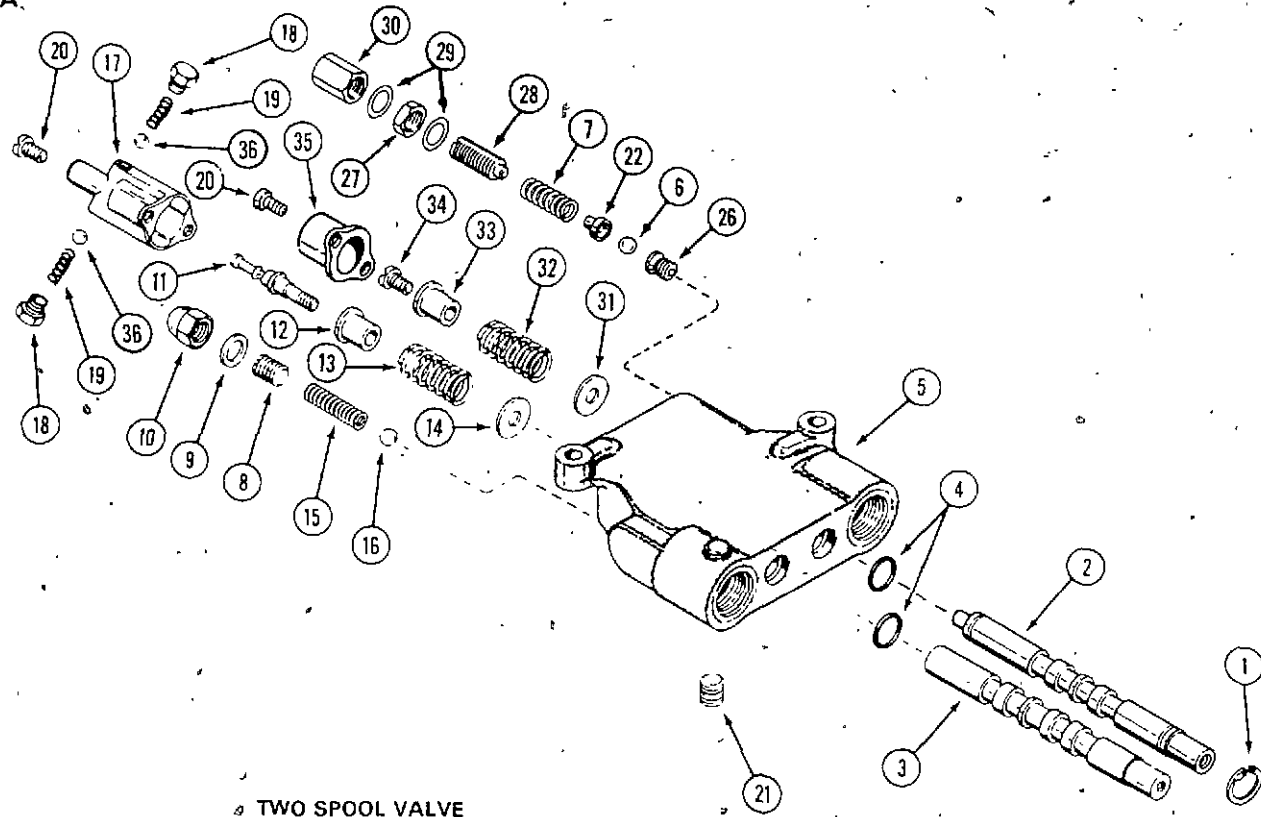
TWO SPOOL VALVE
(tractors with hydraulic lift)

SINGLE SPOOL VALVE
(Tractors with Manual Lift)

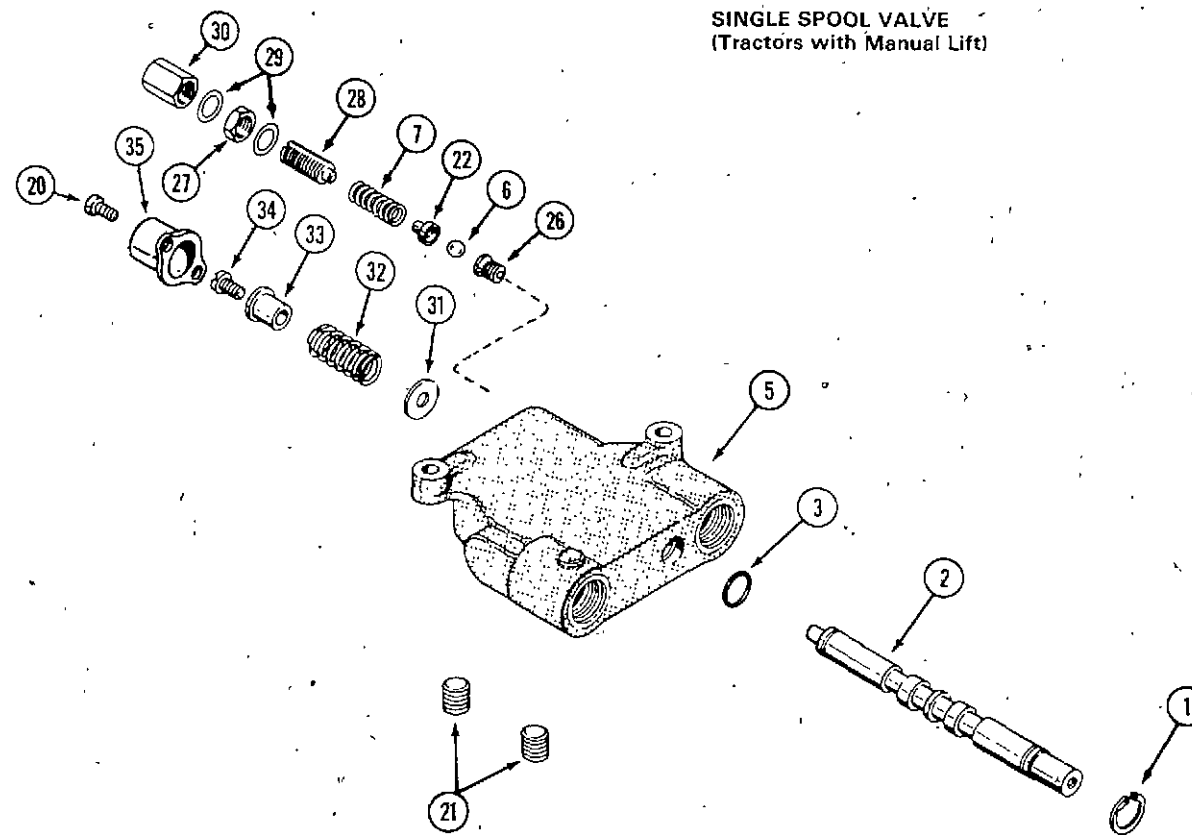


REF.	PART NO.	DESCRIPTION	REQ'D
	NSS	VALVE - control, single spool (use C27271 and 2 (218-5154))	1
	NSS	VALVE - control, two spool (use C27217)*	1
1	A 60273	RING - retaining	1
2	NSS	SPOOL - motor (order C27217)*	1
3	NSS	SPOOL - lift (order C27217)*	1
4	A 7982	SEAL - spool	4
5	NSS	BODY - valve (order C27217)*	1
6	211- 9	BALL - steel 5/16" (7.94 mm)	1
7	C 21507	SPRING - relief	2
8	C 17433	SCREW - relief adjust	1
9	C 17435	GASKET - relief adjust cap	1
10	129- 531	CAP - adjust screw	2
11	C 26668	DETENT - spool	1
12	D 86559	SPACER - detent	1
13	D 86558	SPRING - detent return	1
14	D 86557	WASHER - return	1
15	C 21505	SPRING - relief	1
16	211- 7	BALL - steel 1/4" (6.35 mm)	3
17	C 17438	COVER - detent	1
18	D 86560	SCREW - detent	2
19	C 17444	SPRING - detent	2
20	169- 114	SCREW - cover	4
21	221- 841	PLUG - pipe	1
22	C 21506	RETAINER - ball seat	1
23	C 21509	SCREW - adjust, relief	1
24	C 21508	GASKET - adjust cap	1
25	C 21510	CAP - adjust screw	1
26	C 26663	SEAT - relief ball	1
27	129- 166	NUT - lock	1
28	C 26665	SCREW - adjust, relief	1
29	C 26664	GASKET - adjust cap	2
30	C 26666	CAP - adjust screw	1
	C 21504	KIT - relief (includes items 6, 7, 22, 23, 24 and 25)	1
	C 21511	KIT - relief (includes items 8, 9, 10, 15 and 16)	1
	C 18851	KIT - detent (includes items 11, 12, 13, 14, 16, 17, 18, 19 and 20)	1

*also use (2) 218-5154 when replacing single spool valve



TWO SPOOL VALVE
(Tractors with Hydraulic Lift)



SINGLE SPOOL VALVE
(Tractors with Manual Lift)

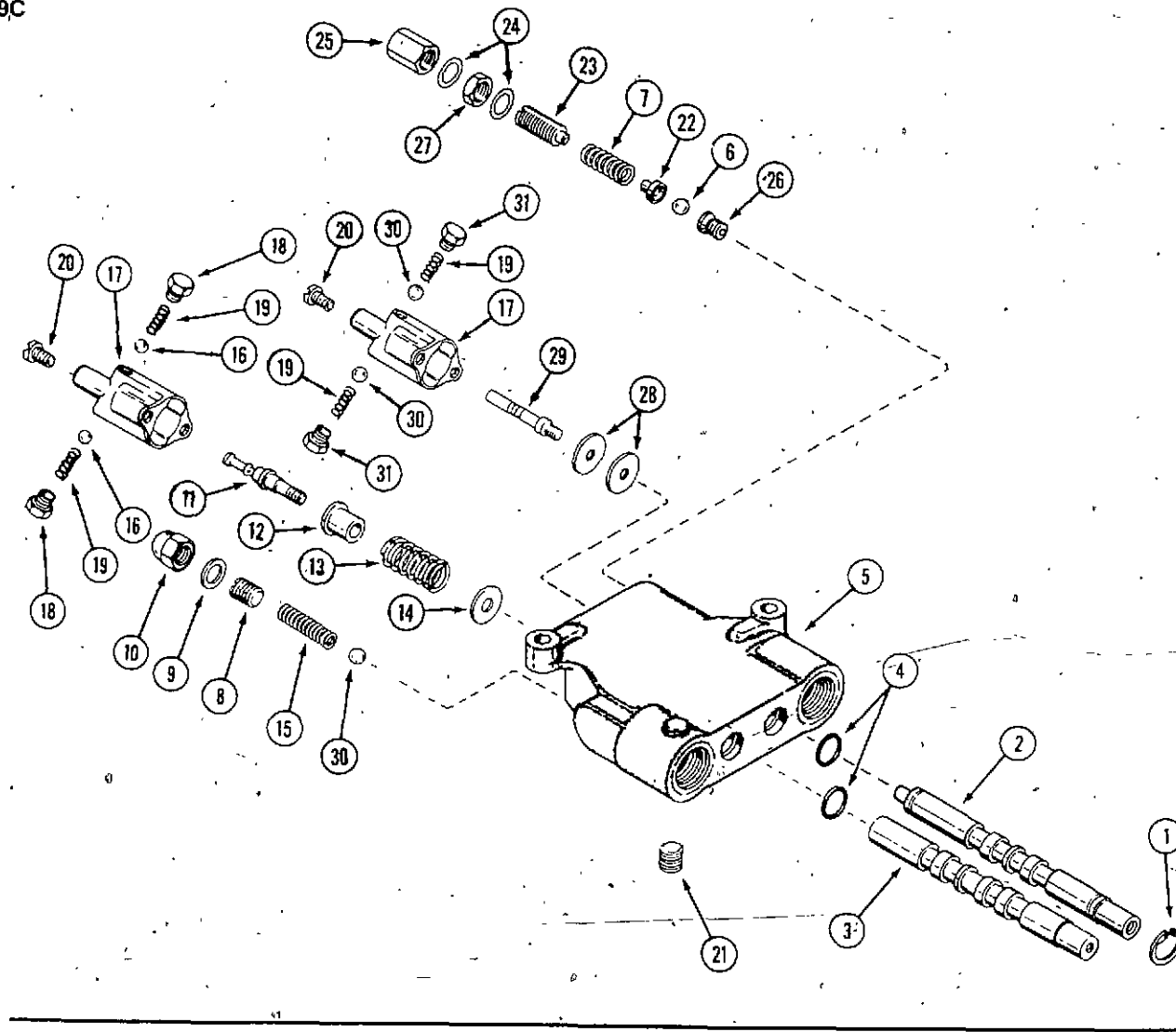
HYDRAULIC CONTROL VALVE

use S/N and after: 220 - S/N 9780390
222 - S/N 9782106
224 - S/N 9783598
444 - S/N 9785020

REF.	PART NO.	DESCRIPTION	REQ'D
	NSS	VALVE - control, single spool (use C27271 and (2) 218-5154)	1
	NSS	VALVE - control, two spool (use C27217)*	1
1	A 60273	RING - retaining	1
2	NSS	SPOOL - motor (order C27217)*	1
3	NSS	SPOOL - lift (order C27217)*	1
4	A 7982	SEAL - spool	4
5	NSS	BODY - valve (order C27217)*	1
6	211- 9	BALL - steel 5/16" (7.94 mm)	1
7	C 21507	SPRING - relief	2
8	C 17433	SCREW - relief adjust	1
9	C 17435	GASKET - relief adjust cap	1
10	129- 531	CAP - adjust screw	2
11	C 26668	DETENT - spool	1
12	D 86559	SPACER - detent	1
13	D 86558	SPRING - detent return	1
14	D 86557	WASHER - return	1
15	C 21505	SPRING - relief	1
16	211- 7	BALL - steel 1/4" (6.35 mm)	3
17	C 17438	COVER - detent	1
18	D 86560	SCREW - detent	2
19	C 17444	SPRING - detent	2
20	169- 114	SCREW - cover	4
21	221- 841	PLUG - pipe	1
22	C 21506	RETAINER - ball seat	1
26	C 26663	SEAT - relief ball	1
27	129- 166	NUT - lock	1
28	C 26665	SCREW - adjust, relief	1
29	C 26664	GASKET - adjust cap	2
30	C 26666	CAP - adjust screw	1
31	195- 521	WASHER - return, travel	1
32	C 26382	SPRING - return, travel	1
33	C 26667	SPACER - return, travel	1
34	193- 524	SCREW - return spacer, travel	1
35	C 18847	COVER - return, travel	1
36	211- 5	BALL - steel 3/16"	2
	C 21504	KIT - relief (includes items 6, 7, 22, 23, 24 and 25)	1
	C 21511	KIT - relief (includes items 8, 9, 10, 15 and 16)	1
	C 18851	KIT - detent (includes items 11, 12, 13, 14, 16, 17, 18, 19 and 20)	1

*also use (2) 218-5154 when replacing single spool valve

NOTE: C27271 Travel control detent kit is available to change this valve over to the current travel detent style. See page 59D.

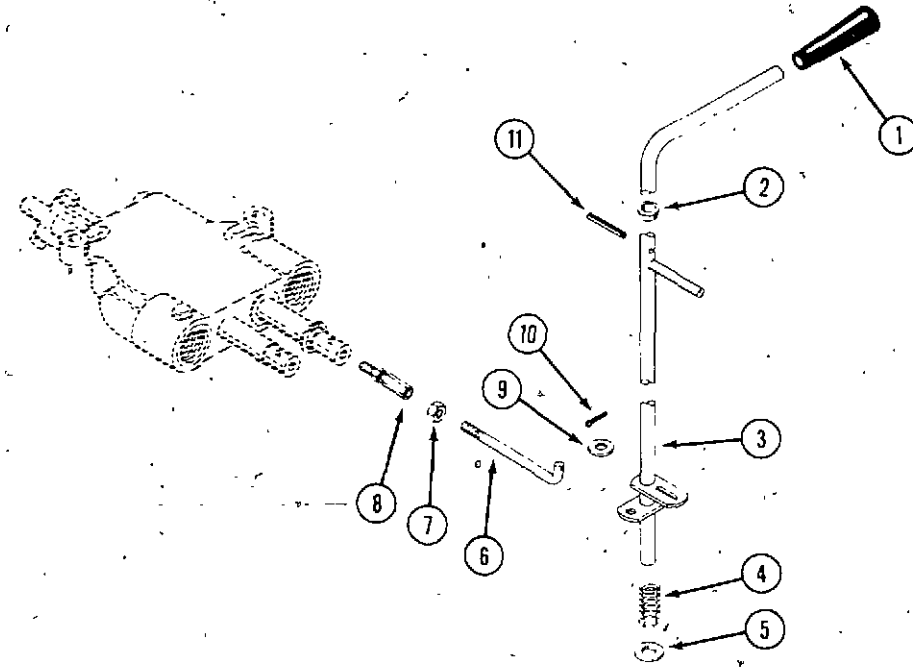


HYDRAULIC CONTROL VALVE
(Service Valve)

REF.	PART NO.	DESCRIPTION	REQ'D
1	C 27217	VALVE - control, two spool	1
	A 60273	RING - retaining	2
2	NSS	SPOOL - motor (order C27217)	1
3	NSS	SPOOL - lift (order C27217)	1
4	A 7982	SEAL - spool	4
5	NSS	BODY - valve (order C27217)	1
6	211- 9	BALL - steel 5/16" (7.94 mm)	1
7	C 21507	SPRING - relief	2
8	C 17433	SCREW - relief adjust	1
9	C 17435	GASKET - relief adjust cap	1
10	129- 531	CAP - adjust screw	2
11	C 26668	DETENT - spool	1
12	D 86559	SPACER - detent	1
13	D 86558	SPRING - detent return	1
14	D 86557	WASHER - return	1
15	C 21505	SPRING - relief	1
16	211- 5	BALL - steel 3/16" (4.76 mm)	3
17	C 17438	COVER - detent	1
18	D 86560	SCREW - detent	2
19	C 17444	SPRING - detent	2
20	169- 114	SCREW - cover	4
21	221- 841	PLUG - pipe	1
22	C 21506	RETAINER - ball seat	1
23	C 26665	SCREW - adjust, relief	1
24	C 26664	GASKET - adjust cap	1
25	C 26666	CAP - adjust screw	1
26	C 26663	SEAT - relief ball	1
27	129- 166	NUT - lock	1
28	195- 521	WASHER	2
29	C 27219	DETENT - spool	1
30	211- 7	BALL - steel 1/4" (6.35 mm)	2
31	C 17443	SCREW - detent	2

C27211 TRAVEL CONTROL DETENT KIT

17	C 17438	COVER - detent	1
19	C 17444	SPRING - detent	2
20	169- 114	SCREW - cover	2
28	195- 521	WASHER - detent	2
29	C 27219	DETENT - spool	1
30	211- 7	BALL - steel 1/4" (6.35 mm)	2
31	C 17443	SCREW - detent	2
	C 27215	SWITCH - neutral start	1

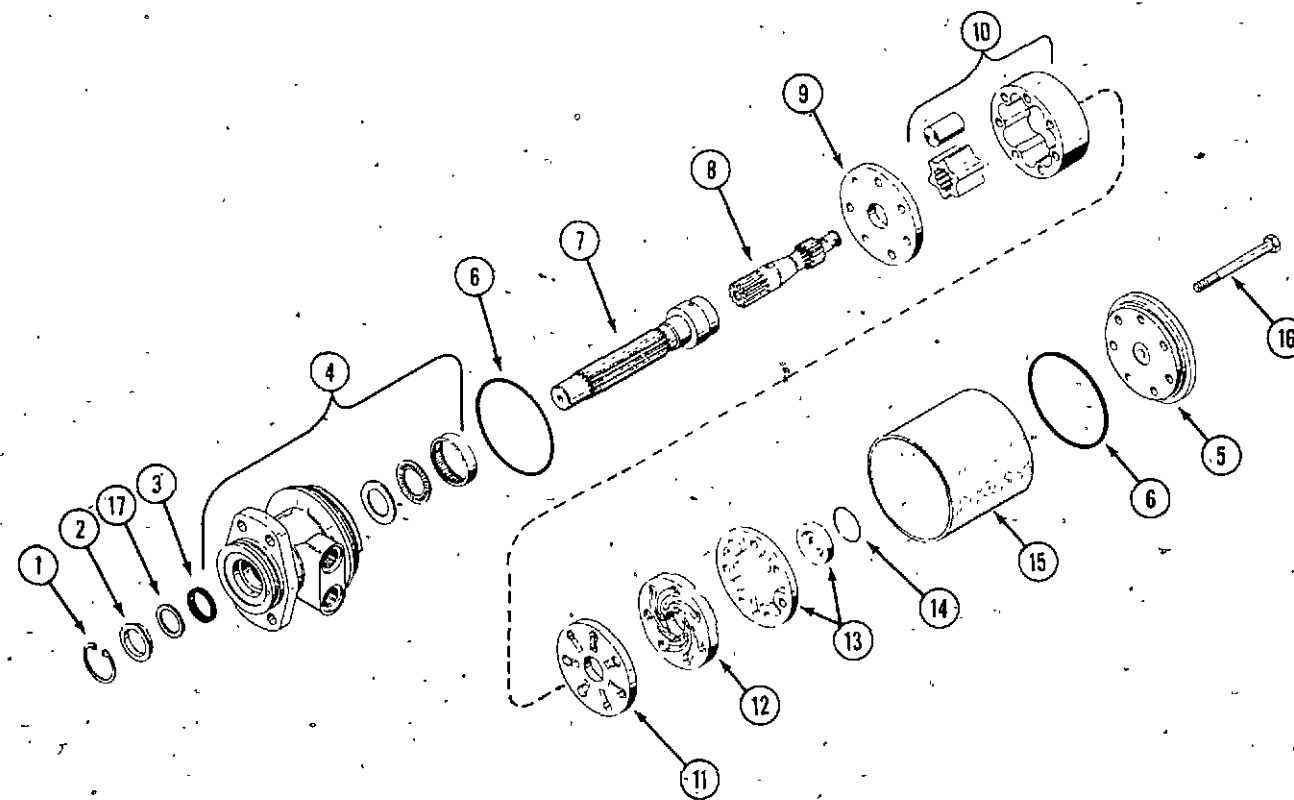


SPEED CONTROL

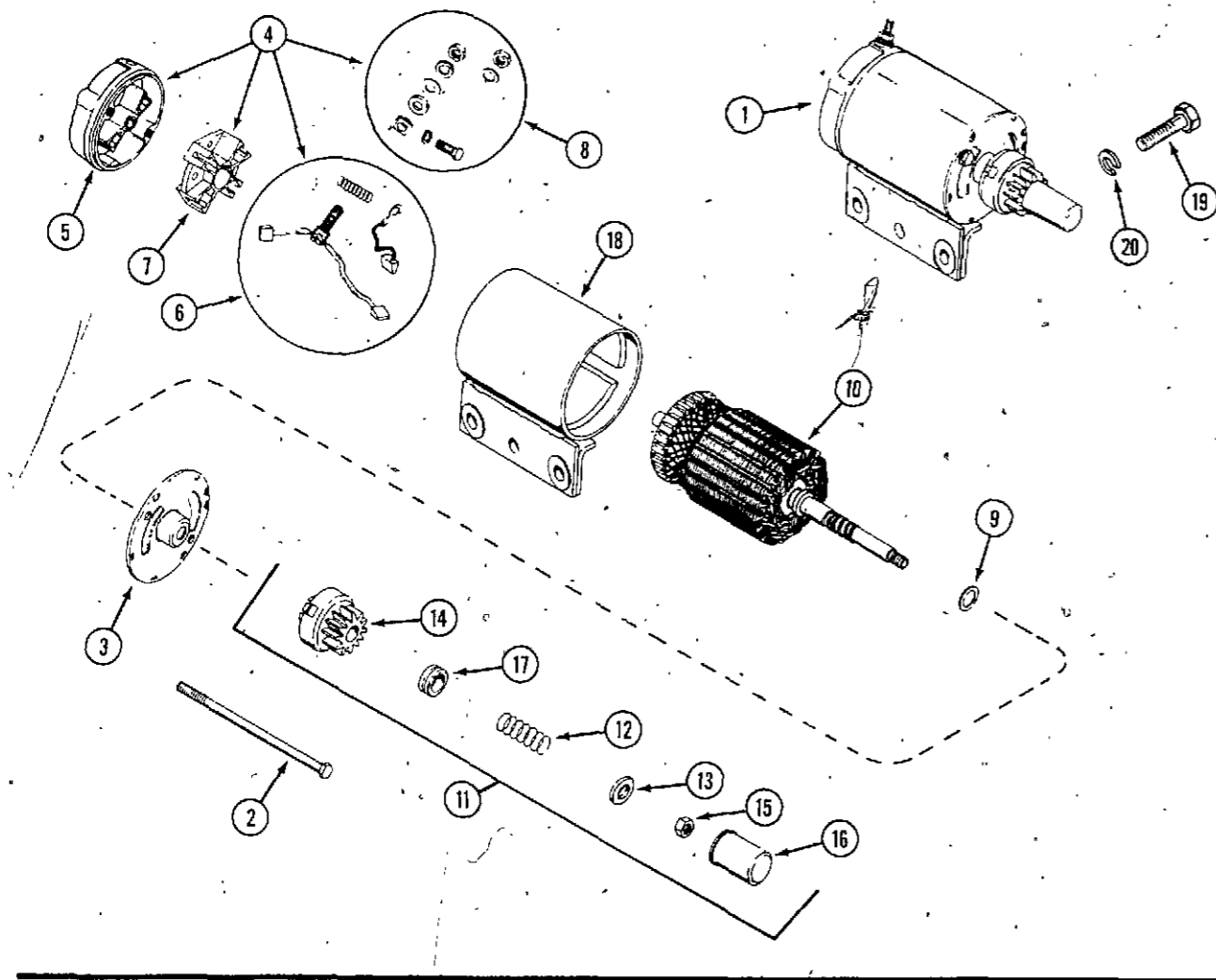
REF.	PART NO.	DESCRIPTION	REQ'D
1	A 37247	KNOB - speed control	1
2	C 12093	BUSHING - lever	1
3	NSS	LEVER - speed control (use C27213 and C27215)	1
4	C 25595	SPRING - compression	1
5	C 21518	WASHER - nylon	1
6	C 18742	ROD - control	1
7	129- 122	NUT - 5/16" NF hex, zinc plated	1
8	C 19025	JOINT - ball	1
9	195- 521	WASHER - 5/16"	1
10	132- 26	PIN - cotter 3/32" x 3/4"	1
11	138- 2072	PIN - roll 1/8" x 1-3/4"	1

HYDRAULIC DRIVE MOTOR

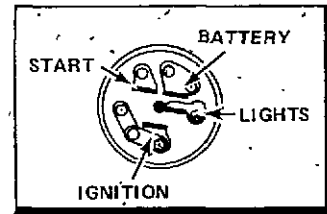
	C 16697	MOTOR - hydraulic, 220, 222 and 224	1
	C 14655	MOTOR - hydraulic, 444	1
1	C 16516	RING - retaining	1
2	C 19040	SPACER	1
3	C 25048	SEAL - oil	1
4	C 14827	HOUSING ASSEMBLY	1
5	C 14837	END CAP	1
6	C 18382	SEAL	2
7	C 14828	SHAFT - coupling	1
8	D 72853	DRIVE LINK - 220, 222 and 224	1
8	C 14829	DRIVE LINK - 444	1
9	C 14830	PLATE - wear	1
10	C 18110	ROTOR ASSEMBLY - 220, 222 and 224	1
10	C 14831	ROTOR ASSEMBLY - 444	1
	NSS	KIT - manifold (also use item 8 before code 86-75)	1
11	D 71234	PLATE - manifold	1
12	D 71235	MANIFOLD	1
13	D 60857	COMMUTATOR AND RING SET	1
14	C 19041	RING - sealing	1
15	C 18092	SLEEVE - 220, 222 and 224	1
15	C 14836	SLEEVE - 444	1
16	28- 662	BOLT - 3/8" x 3-7/8" NF hex, 220, 222 and 224	7
16	C 14838	BOLT - 3/8" x 4-3/8" NF hex, 444	7
17	C 19212	WASHER - back up, .010"	1



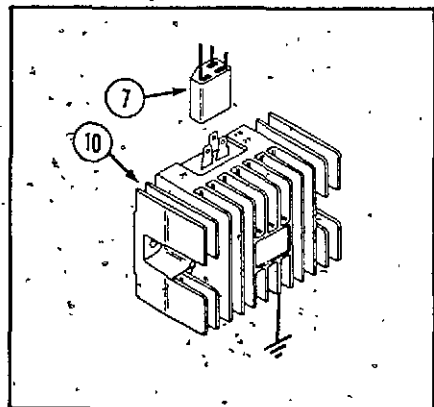
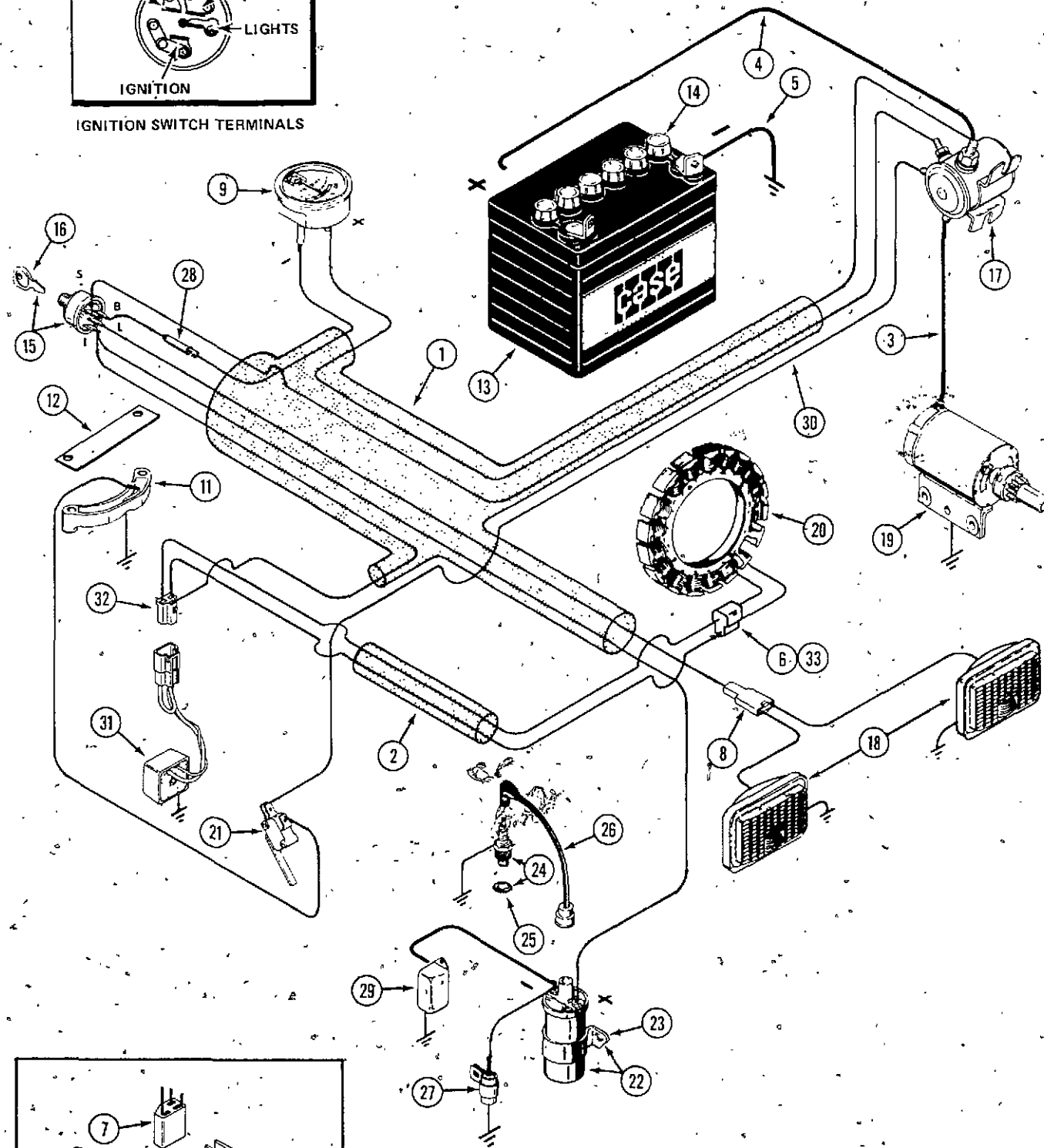
STARTER



REF.	PART NO.	DESCRIPTION	REQ'D
1	C 24889	STARTER ASSEMBLY	1
2	V 34381	BOLT - thru	2
3	V 34392	CAP - end	1
4	V 34384	KIT - commutator cap	1
5	NSS	CAP - commutator	1
6	V 34383	KIT - brush and spring	1
7	NSS	KIT - brush holder	1
8	NSS	KIT - hardware	1
9	V 34382	WASHER - armature thrust	1
10	C 24890	ARMATURE	1
11	C 24891	KIT - drive	1
12	V 34386	SPRING - anti-drift	1
13	V 34387	SPACER - gear stop	1
14	NSS	GEAR - drive	1
15	V 34388	NUT - gear stop	1
16	C 24892	COVER - dust	1
17	V 34391	SPACER - dust cover	1
18	NSS	BODY - starter	1
19	C 24886	BOLT - shoulder 3/8" - 20 x 1-5/16"	2
20	192- 21	LOCKWASHER - 3/8"	2
	321- 1834	DECAL - alternator electrical system	1
	C 24880	DECAL - "DO NOT STRIKE"	1



IGNITION SWITCH TERMINALS



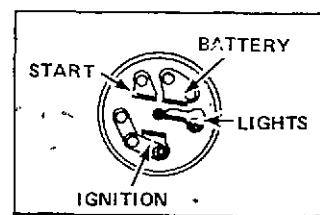
ELECTRICAL SYSTEM

220 - use before S/N 9779977
 222 - use before S/N 9781649
 224 - use before S/N 9783251
 444 - use before S/N 9784625

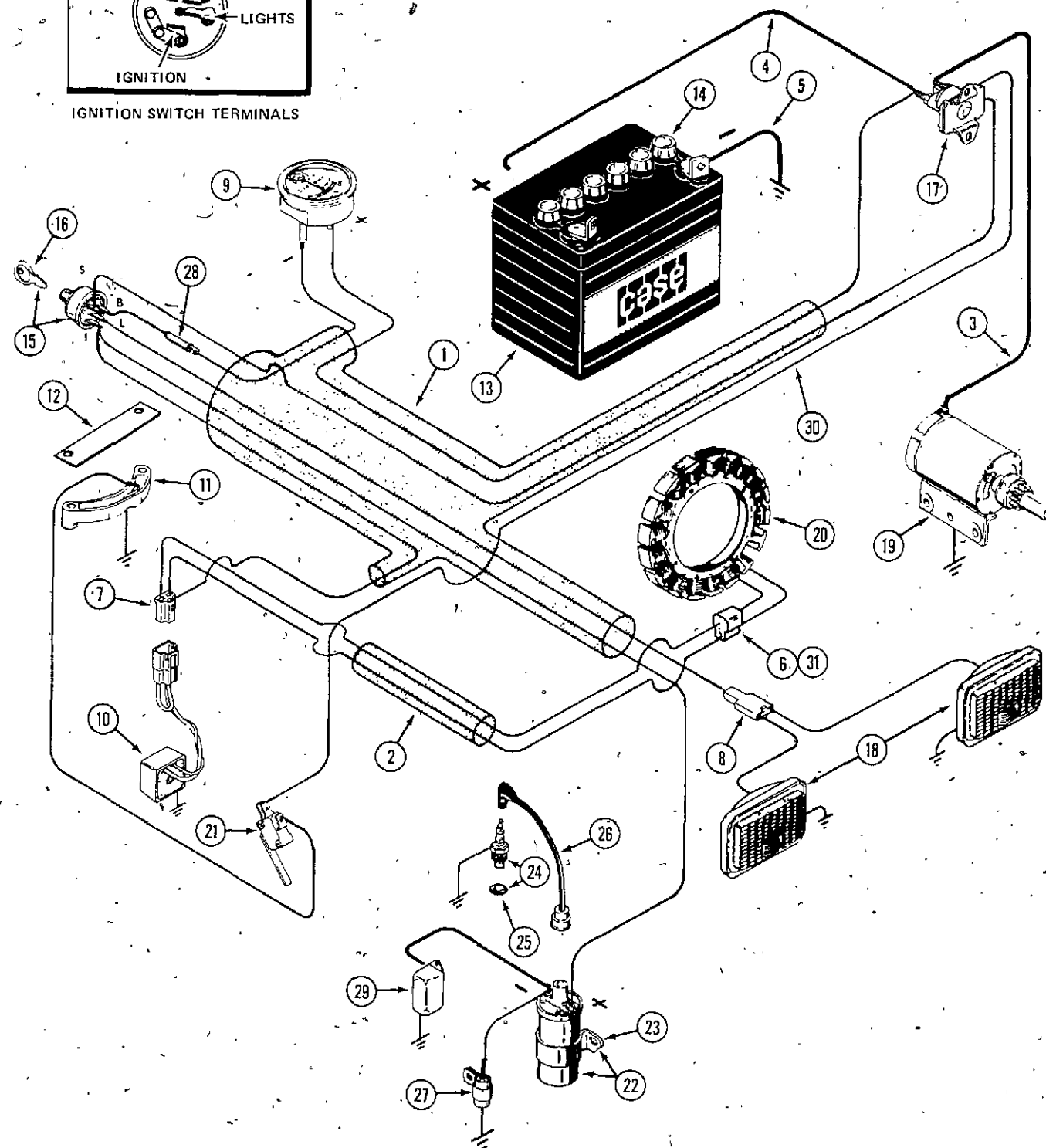
REF.	PART NO.	DESCRIPTION	REQ'D
1	C 24898	HARNESS - wire	1
2	C 24815	HARNESS - wire	1
3	C 24816	CABLE - solenoid to starter (black)	1
4	C 14565	CABLE - solenoid to battery positive (red)	1
5	C 24814	CABLE - battery negative to ground (black)	1
6	C 24813	CONNECTOR - to stator (included in C24815 harness)	1
7	C 19378	CONNECTOR - rectifier (early production)	1
8	C 14537	CONNECTOR - lights	1
9	C 18389	AMMETER - 30 amps, 12v	1
10	NSS	RECTIFIER - voltage, 12v (early production) (use C27509)	1
11	C 23002	SWITCH - neutral start (includes wire)	1
12	C 21989	INSULATOR - locator	1
13	C 18197	BATTERY - 12v	1
14	C 18113	CAP - battery	6
15	C 23010	SWITCH ASSEMBLY - ignition (includes key and lockwasher)	1
16	A 24509	KEY - ignition	1
17	C 14553	SOLENOID - start 12v	1
18	C 22571	HEADLAMP ASSEMBLY - 12v (repairs page 69)	2
19	C 24889	STARTER - bendix drive (repairs page 63)	1
20	V 34427	STATOR	1
21	C 24800	SWITCH - neutral start, PTO	1
22	KO 231281	COIL - ignition, 12v (includes bracket)	1
23	V 34435	BRACKET - coil mounting	1
24	C 24301	SPARK PLUG - (includes gasket)	1
25	A 27251	GASKET - spark plug	1
26	V 34433	KIT - high tension cable	1
27	KO 230722	CONDENSER	1
28	223- 20	FUSE - 20 amp (included in harness)	1
29	NSS	BREAKER CONTACT ASSEMBLY - ignition (repairs page 71)	1
30	C 24896	WIRE - solenoid to micro switch	1
31	C 27509	RECTIFIER - voltage, 12v (late production)	1
32	C 25486	CONNECTOR - rectifier (late production)	1
33	C 25338	CONNECTOR - from stator	1

ELECTRICAL SYSTEM

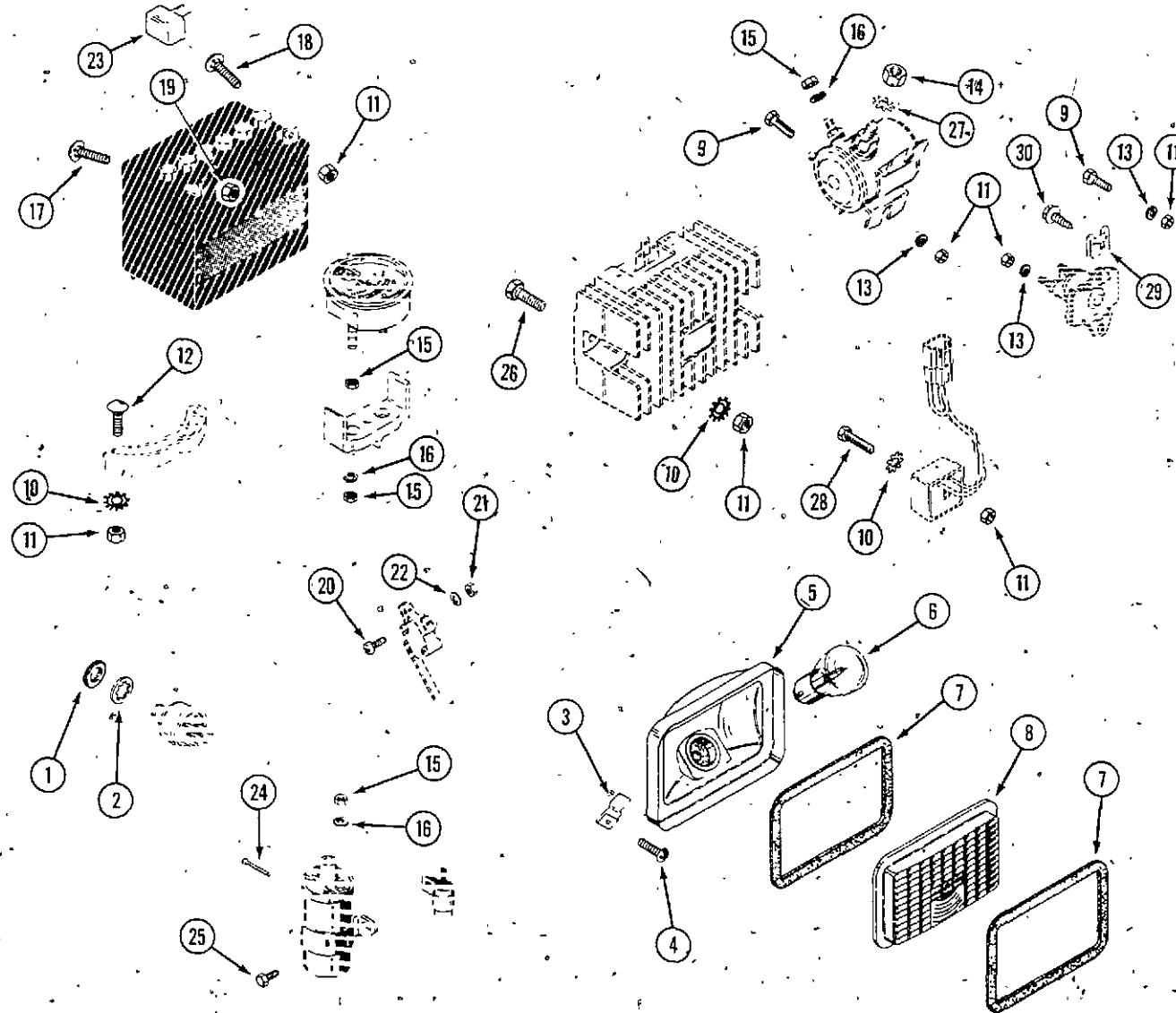
220 - use S/N 9779977 and after
 222 - use S/N 9781649 and after
 224 - use S/N 9783251 and after
 444 - use S/N 9784625 and after



IGNITION SWITCH TERMINALS



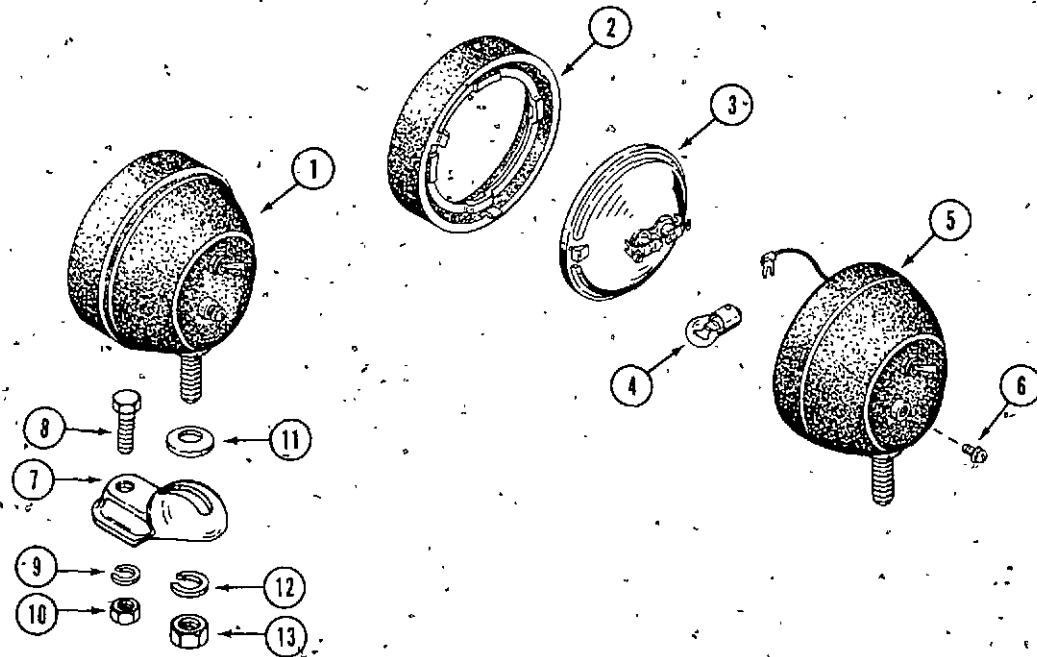
REF.	PART NO.	DESCRIPTION	REQ'D
1	C 25564	HARNES - wire	1
2	C 24815	HARNES - wire	1
3	C 24816	CABLE - solenoid to starter (black)	1
4	C 14565	CABLE - solenoid to battery positive (red)	1
5	C 24814	CABLE - battery negative to ground (black)	1
6	C 24813	CONNECTOR - to stator (included in C24815 harness)	1
7	C 25486	CONNECTOR - rectifier	1
8	C 14537	CONNECTOR - lights	1
9	C 18389	AMMETER - 30 amps, 12v	1
10	C 27509	RECTIFIER - voltage, 12v	1
11	C 23002	SWITCH - neutral start (includes wire)	1
12	C 21989	INSULATOR - locator	1
13	C 18197	BATTERY - 12v	1
14	C 18113	CAP - battery	6
15	C 23010	SWITCH ASSEMBLY - ignition (includes key and lockwasher)	1
16	A 24509	KEY - ignition	1
17	NSS	SOLENOID - start 12v (use C26525)	1
18	C 22571	HEADLAMP ASSEMBLY - 12v (repairs page 69)	2
19	C 24889	STARTER - bendix drive (repairs page 63)	1
20	V 34427	STATOR	1
21	C 24800	SWITCH - neutral start, PTO	1
22	KO 231281	COIL - ignition, 12v (includes bracket)	1
23	V 34435	BRACKET - coil mounting	1
24	C 24301	SPARK PLUG - (includes gasket)	1
25	A 27251	GASKET - spark plug	1
26	V 34433	KIT - high tension cable	1
27	KO 230722	CONDENSER	1
28	223-20	FUSE - 20 amp (included in harness)	1
29	NSS	BREAKER CONTACT ASSEMBLY - ignition (repairs page 71)	1
30	C 25563	WIRE - solenoid to micro switch	1
31	C 25338	CONNECTOR - from stator	1



ELECTRICAL SYSTEM HARDWARE

REF.	PART NO.	DESCRIPTION	REQ'D
1	C 23330	NUT - switch mounting	1
2	C 23012	LOCKWASHER - internal tooth	1
3	131- 629	NUT - speed type "U"	4
4	187- 1334	SCREW - #8 x 1/2" self tapping, rd. head Phillips	4
	C 22571	HEADLAMP ASSEMBLY	2
5	NSS	RECEPTACLE - headlamp (order C22571)	1
6	A 41264	BULB - headlamp	1
7	C 14304	GASKET - headlamp	2
8	C 22573	LENS - headlamp	1
9	113- 1	BOLT - 1/4" - 20 x 1/2" hex	2
10	193- 57	LOCKWASHER - 1/4" external tooth	5
11	129- 101	NUT - 1/4" - 20 hex	3
12	111- 139	BOLT - 1/4" - 20 x 1" rd. head sq. neck	2
13	192- 19	LOCKWASHER - 1/4"	2
14	129- 162	NUT - 5/16" NF hex	2
15	129- 37	NUT - #10 N.F. hex	2
16	193- 99	LOCKWASHER #10	2
17	111- 202	BOLT - 5/16" x 3/4" N.C. rd. head sq. neck	1
18	111- 108	BOLT - 1/4" x 3/4" N.C. rd. head sq. neck	1
19	129- 102	NUT - 5/16" NC hex	1
20	182- 10	SCREW - #4 - 40 x 7/8" N.C. pan head	2
21	129- 13	NUT - #4 - 40 hex	2
22	192- 13	LOCKWASHER - #4	2
23	C 24069	COVER - terminal	1
24	187- 1844	SCREW - #10 x 1-1/2" N.F. self tap	1
25	22- 58	BOLT - 5/16 x 1/2 N.C. hex, self tap	2
26	113- 3	BOLT - 1/4" - 20 x 3/4" hex	2
27	193- 29	LOCK WASHER - 5/16"	2
28	113- 17	BOLT - 1/4" - 20 x 1-1/4" hex	1
29	C 10836	NUT - speed type	2
30	187- 1908	SCREW - self-tapping	2
	C 19521	CLIP - headlight wire	1

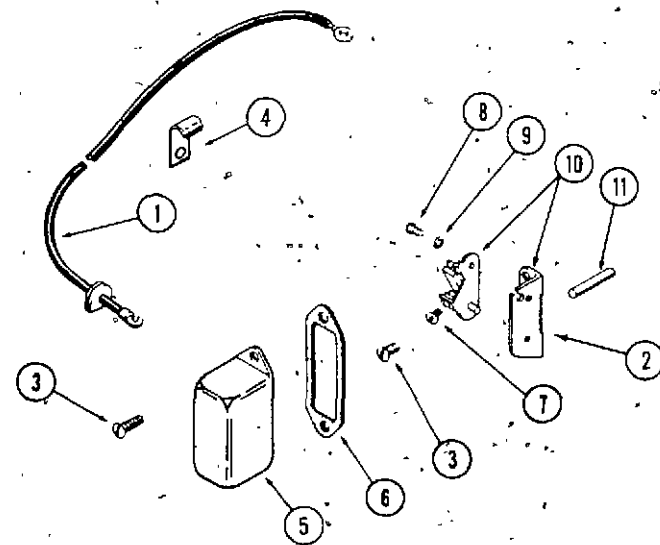
D70115 FLOOD AND TAIL LAMP (OPTIONAL)

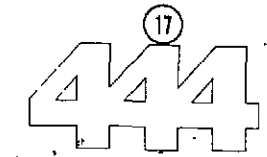
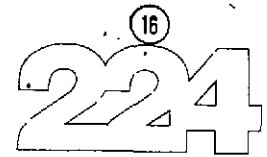
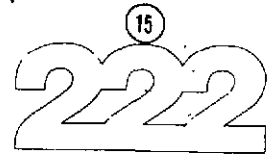
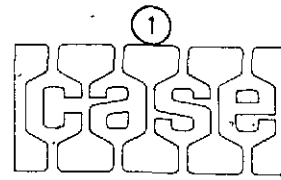
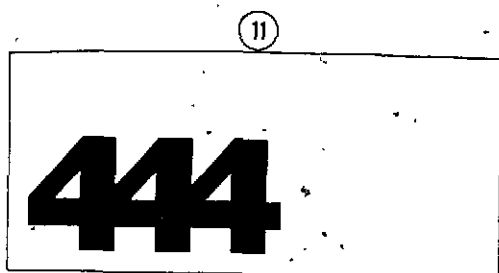
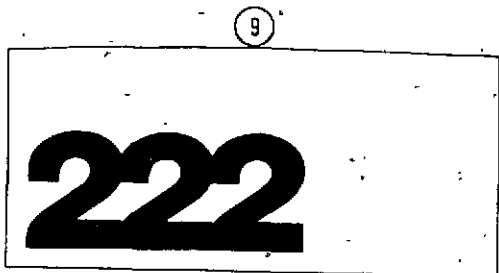
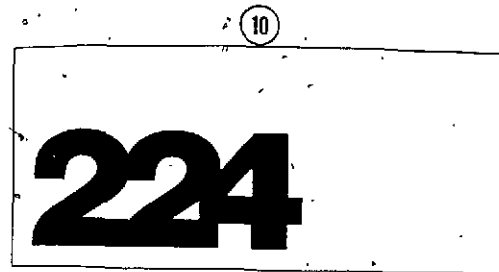
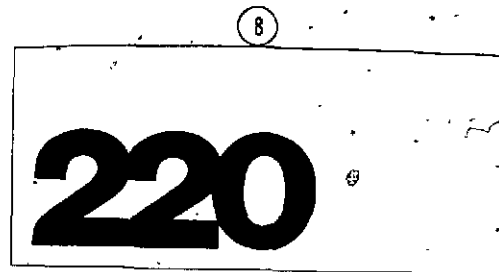
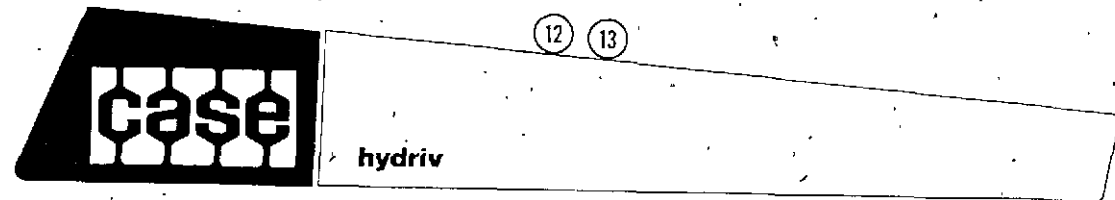
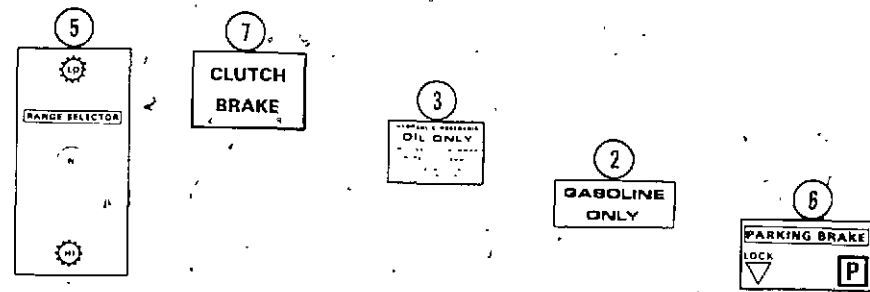
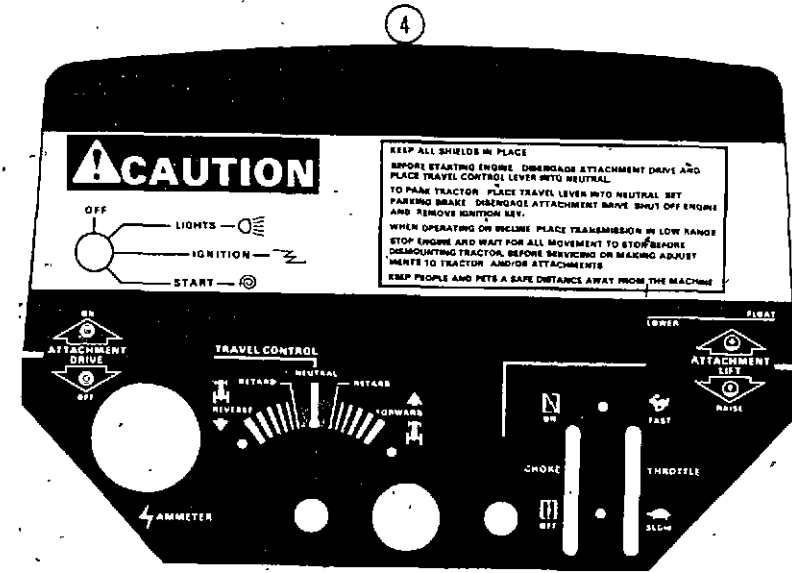


REF.	PART NO.	DESCRIPTION	REQ'D
1	D 70115	LIGHT ASSEMBLY - flood and tail	1
2	A 25213	RETAINER - sealed beam	1
3	A 40855	LAMP - sealed beam #4409X	1
4	33686	BULB - tail #1141	1
5	NSS	BODY - light (order D70115 light assembly)	1
6	193- 543	SCREW AND LOCKWASHER - #8 - 32 x 3/8" N.C.	1
7	A 34046	BRACKET - mounting	1
8	113- 209	BOLT - 3/8" x 1-1/2" N.C. hex	1
9	192- 21	LOCKWASHER - 3/8"	1
10	129- 103	NUT - 3/8" N.C. hex	1
11	10923	WASHER - bearing	1
12	192- 23	LOCKWASHER - 1/2"	1
13	129- 105	NUT - 1/2" N.C. hex	1

BREAKER CONTACTS

1	NSS	LEAD - breaker contact (order from local supplier)	1
2	NSS	BRACKET - breaker contacts	1
3	V 34421	SCREW - #10 x 3/8" round head, zinc plated	4
4	KO 275182	RETAINER - wire	1
5	V 35060	COVER - breaker contact	1
6	C 26518	GASKET - cover	1
7	187- 408	SCREW - #6 x 3/8" self-tapping	1
8	173- 224	SCREW - #8 x 1/4" N.C. round head	1
9	193- 90	LOCKWASHER - #8 internal tooth	1
10	C 24135	POINT SET - breaker contact assembly	1
11	C 27440	ROD - breaker contact push	1





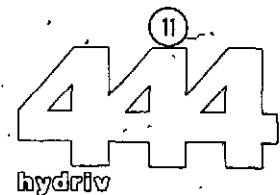
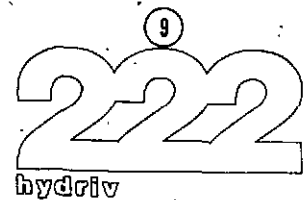
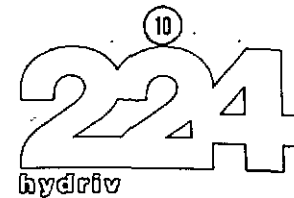
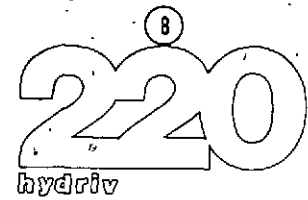
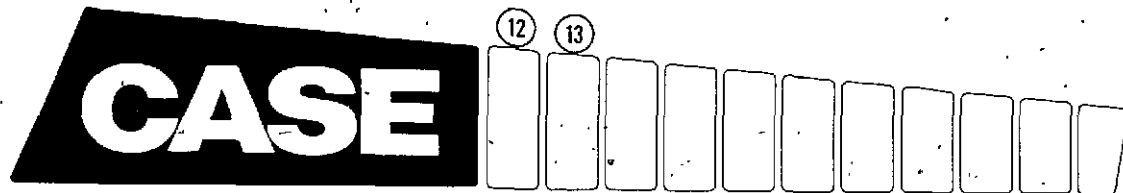
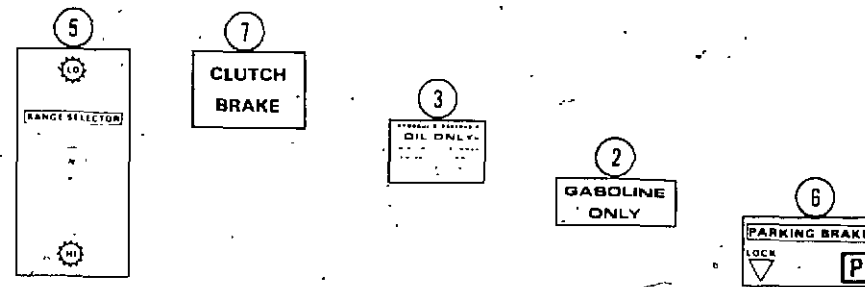
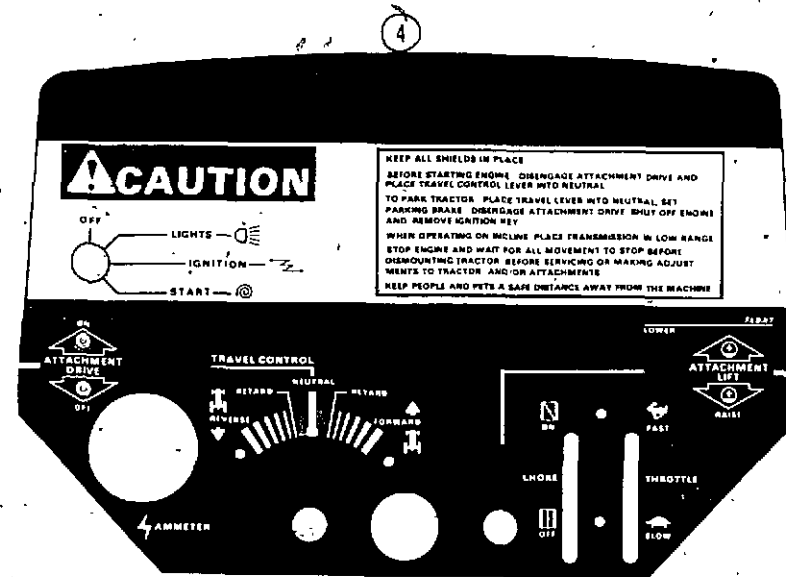
DECALS
 USED PRIOR TO S/N:
 9749188 - 220
 9750875 - 222
 9752340 - 224
 9753695 - 444

(English)

REF.	PART NO.	DESCRIPTION	REQ'D
1	321- 2677	DECAL - "CASE", fender	1
2	321- 18	DECAL - gasoline	1
3	321- 4767	DECAL - hydraulic reservoir	1
4	321- 3585	DECAL - instrument panel	1
5	321- 1788	DECAL - shift range	1
6	NSS	DECAL - parking brake (use 321-6227)	1
7	NSS	DECAL - clutch, brake (use 321-6227)	1
8	321- 4162	DECAL - hood top, 220	1
9	321- 4163	DECAL - hood top, 222	1
10	321- 4164	DECAL - hood top, 224	1
11	321- 4165	DECAL - hood top, 444	1
12	321- 4155	DECAL - hood, R.H. (shown)	1
13	321- 4156	DECAL - hood, L.H.	1
14	321- 4147	DECAL - fender, "220"	1
15	321- 4150	DECAL - fender, "222"	1
16	321- 4151	DECAL - fender, "224"	1
17	321- 4152	DECAL - fender, "444"	1

(French and English)

2	321- 4728	DECAL - gasoline	1
3	321- 4764	DECAL - hydraulic reservoir	1
4	321- 4734	DECAL - instrument panel	1
5	321- 4693	DECAL - shift range	1
6	321- 4697	DECAL - parking brake	1
7	321- 6324	DECAL - clutch, brake	1



DECALS

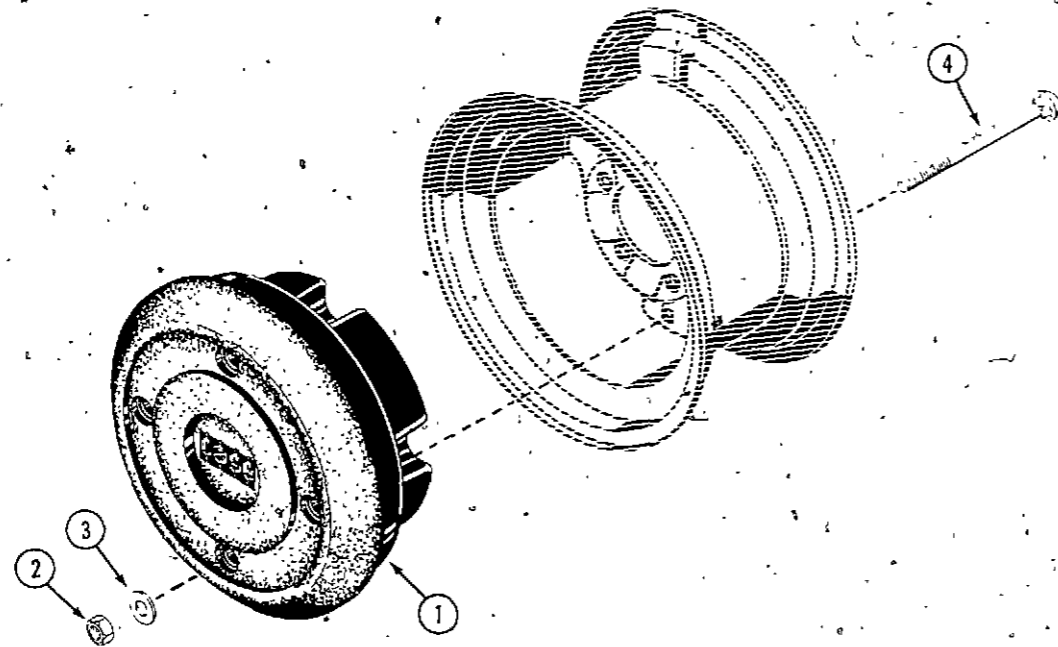
USE S/N AND AFTER
 9749188 - 220
 9750875 - 222
 9752340 - 224
 9753695 - 444

(English)

REF.	PART NO.	DESCRIPTION	REQ'D
1	321- 5097	DECAL - "Case" seat back	1
2	321- 18	DECAL - gasoline	1
3	321- 4767	DECAL - hydraulic reservoir	1
4	321- 3585	DECAL - instrument panel	1
5	321- 1788	DECAL - shift range	1
6	NSS	DECAL - parking brake (use C27481)	1
7	NSS	DECAL - clutch, brake (use C27481)	1
8	321- 5103	DECAL - hood top, 220	1
9	321- 5104	DECAL - hood top, 222	1
10	321- 5105	DECAL - hood top, 224	1
11	321- 5106	DECAL - hood top, 444	1
12	321- 5100	DECAL - hood R. H. (shown)	1
13	321- 5101	DECAL - hood L. H.	1
14	321- 5040	MEDALLION - "CASE"	1

(French)

1	NSS	DECAL - "Case" seat back	1
2	321- 4728	DECAL - gasoline	1
3	321- 4764	DECAL - hydraulic reservoir	1
4	321- 4734	DECAL - instrument panel	1
5	321- 4693	DECAL - shift range	1
6	NSS	DECAL - parking brake (use 321- 6324)	1
7	321- 6324	DECAL - clutch, brake	1
8	NSS	DECAL - hood top, 220	1
9	NSS	DECAL - hood top, 222	1
10	NSS	DECAL - hood top, 224	1
11	NSS	DECAL - hood top, 444	1
12	NSS	DECAL - hood R. H. (shown)	1
13	NSS	DECAL - hood L. H.	1
14	NSS	MEDALLION - "Case"	1

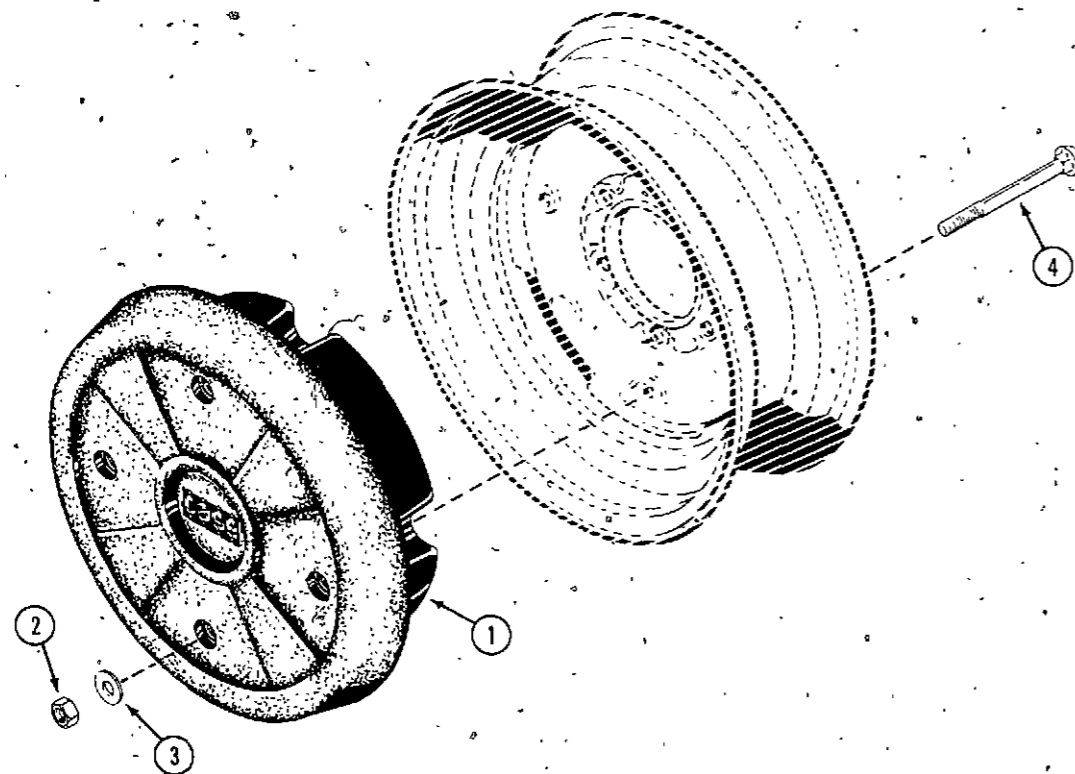


K8 WHEEL WEIGHTS - MODEL 220, 222, AND 224

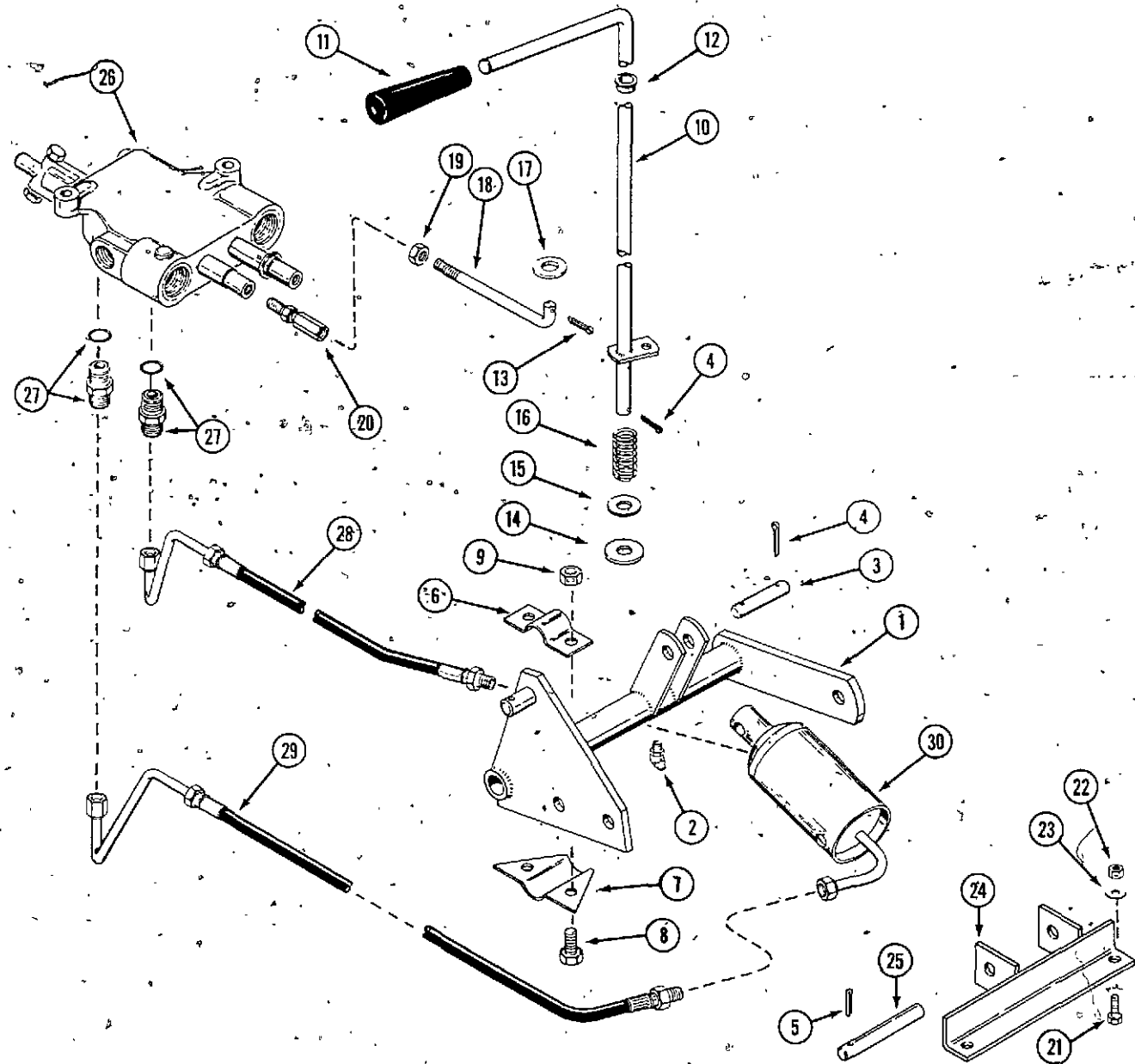
REF.	PART NO.	DESCRIPTION	REQ'D
1	NSS	WEIGHT - wheel 55 lb. (Order as Machinery Item)	2
2	131- 1182	NUT - 1/2" NC hex lock	8
3	195- 533	WASHER - 1/2"	8
4	111- 521	BOLT - 1/2" x 7" Rd. head Sq. neck	8

K10 WHEEL WEIGHTS - MODEL 444

1	NSS	WEIGHT - wheel 75 lb. (Order as Machinery Item)	2
2	131- 1182	NUT - 1/2" NC hex lock	8
3	195- 533	WASHER - 1/2"	8
4	111- 525	BOLT - 1/2" x 6" Rd. head Sq. neck	8

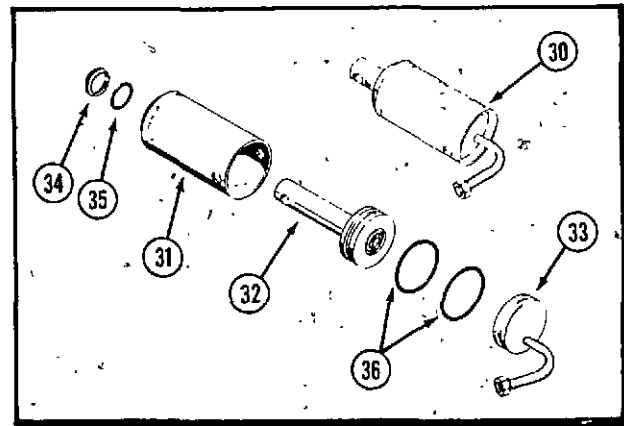


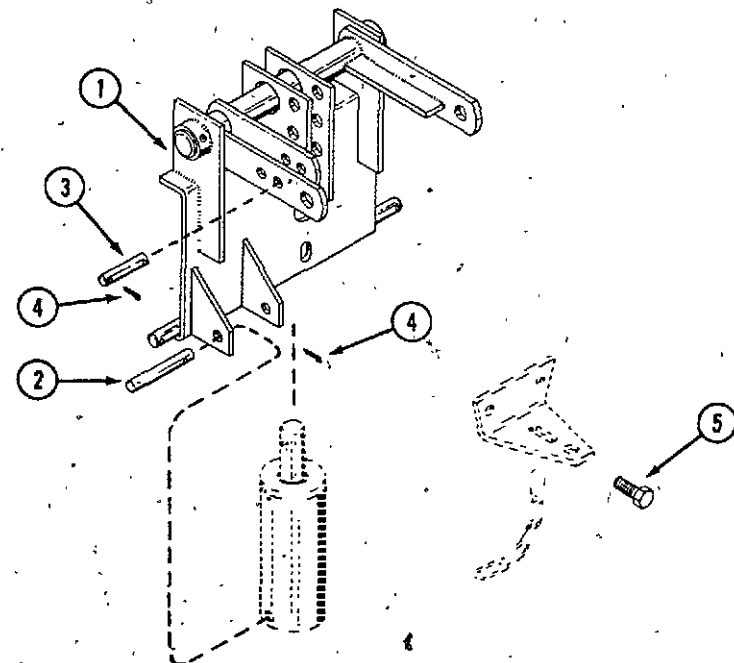
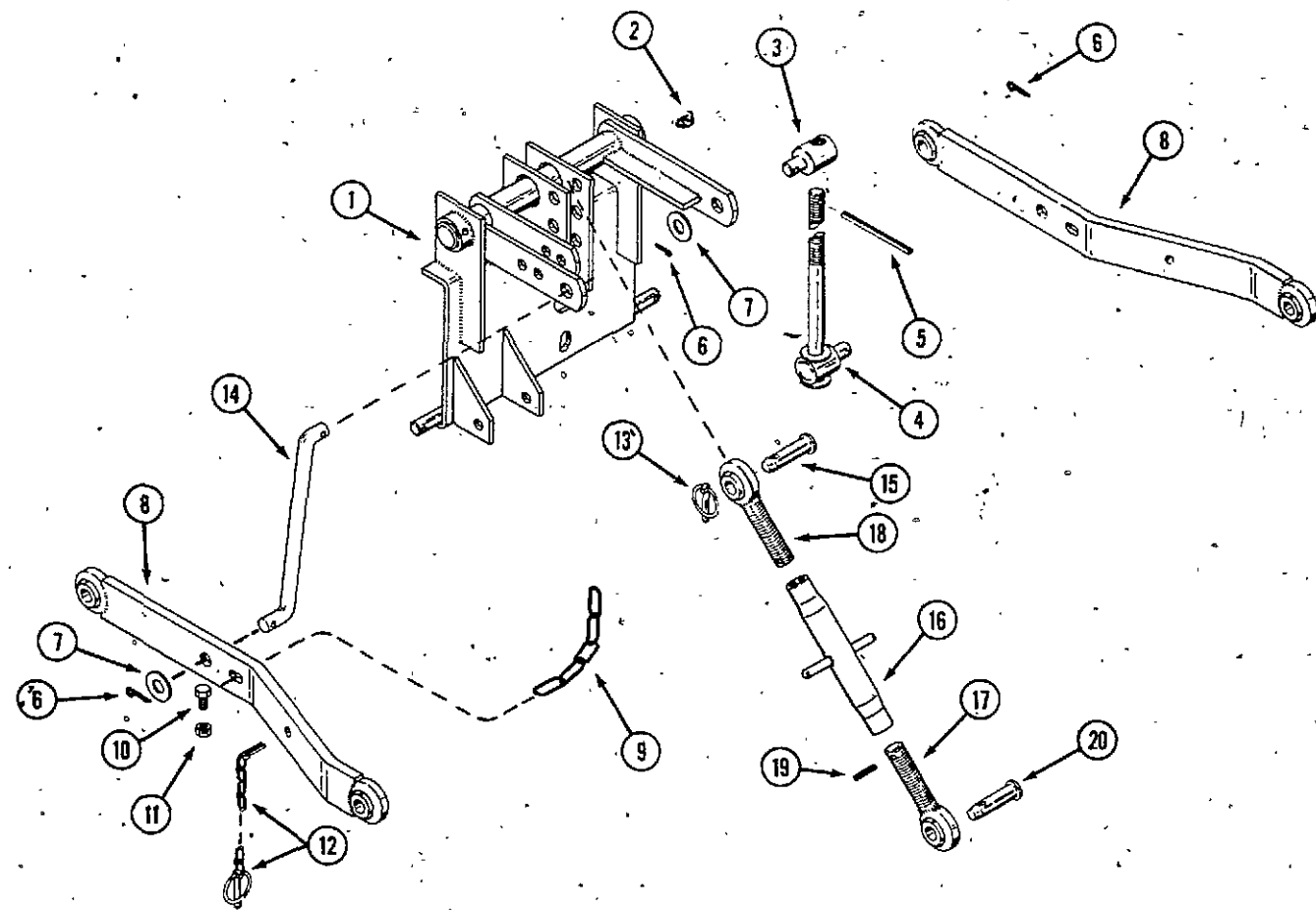
MODEL J30 HYDRAULIC LIFT



REF.	PART NO.	DESCRIPTION	REQ'D
1	C 19661	ROCKSHAFT ASSEMBLY - (444)	1
1	C 18808	ROCKSHAFT ASSEMBLY - (220, 222 and 224) shown	1
2	219- 404	FITTING - lube	1
3	C 18251	PIN - cylinder to lever	1
4	132- 310	PIN - cotter 1/8" x 1"	3
5	132- 361	PIN - cotter 1/8" x 2-1/2" (early production)	1
5	132- 310	PIN - cotter 1/8" x 1"	1
6	C 17249	BRACKET - mounting, top	2
7	C 17250	BRACKET - mounting, bottom	2
8	113- 207	BOLT - 3/8" x 1" NC hex	4
9	131- 1181	NUT - 3/8" NC hex	2
10	C 16163	LEVER - lift control	1
11	A 37247	KNOB - control lever	1
12	C 12093	BUSHING - lift lever	1
13	132- 26	PIN - cotter 3/32" x 3/4"	1
14	195- 533	WASHER - 1/2"	1
15	C 21518	WASHER - nylon	1
16	C 25595	SPRING - control lever	1
17	195- 521	WASHER - 5/16"	1
18	C 18742	ROD - control	1
19	129- 122	NUT - 5/16 NF hex	1
20	C 19025	BALL JOINT	1
21	113- 207	BOLT - 3/8" x 1" NC hex	2
22	131- 1181	LOCKNUT - 3/8" NC hex	2
23	195- 104	WASHER - 3/8" x 1-1/8" OD	2
24	C 26185	BRACKET - cylinder	1
25	C 26188	PIN - cylinder foot	1
26	C 27217	VALVE - hydraulic, 2 spool	1
27	218- 5056	FITTING - valve (includes 218-5004 "O" ring)	2
28	C 17224	HOSE - short	1
29	C 17734	HOSE - long	1
30	NSS	CYLINDER - lift (order C19475 and D63720 pin)	1
31	C 16133	BODY - cylinder	1
32	C 19104	ROD AND PISTON ASSEMBLY	1
33	C 17732	FOOT - cylinder	1
34	C 14970	SEAL	1
35	A 7623	"O" RING	1
36	A 30971	"O" RING	2
	C 13106	COVER - lube fitting	1

*also requires D63720 pin before S/N:
 220 - 14005176
 222 - 14006635
 224 - 14007760
 444 - 14009197



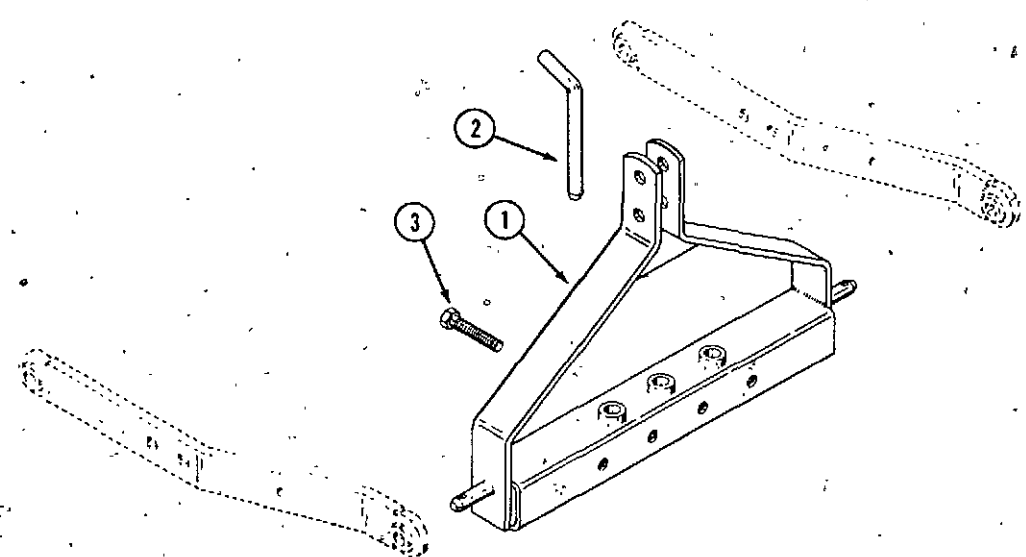
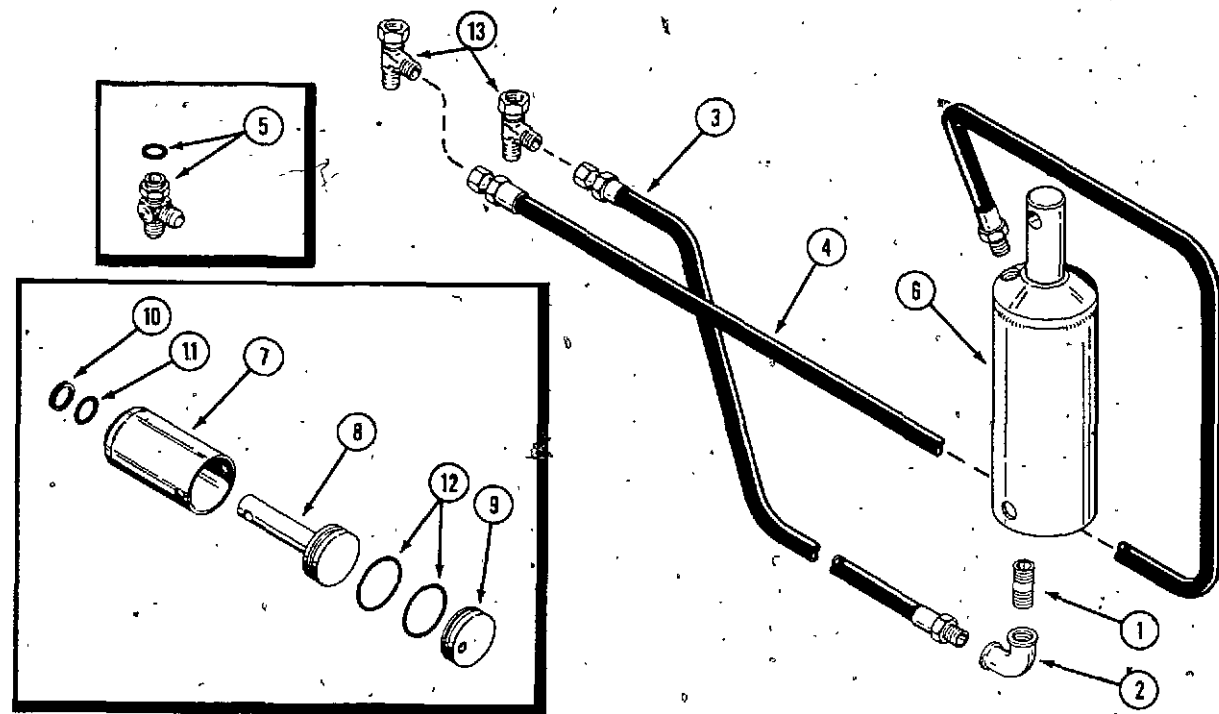


**H26 AND J26 THREE POINT HITCH
FRAME, LIFT RODS AND ARMS**

REF.	PART NO.	DESCRIPTION	REQ'D
1	C 19740	HITCH PLATE ASSEMBLY	1
2	219- 405	FITTING - lube	2
	C 24447	ROD ASSEMBLY - lift R.H.	1
3	C 14722	NUT - lift rod	1
4	C 14724	ROD ASSEMBLY - R.H. lift	1
5	138- 308	PIN - roll 1/4 x 3"	1
6	132- 91	PIN - cotter 3/16 x 1"	6
7	195- 541	WASHER - plain 5/8"	4
8	C 14715	ARM - lift	2
9	C 14991	CHAIN - stay 19 links	1
10	113- 118	BOLT - 5/16 x 5/8" hex, zinc plated	2
11	131- 176	NUT - lock 5/16" NC hex	2
12	B- 52118	PIN - klik	2
13	A 30338	PIN - klik	3
14	C 14725	ROD - lift L.H.	1
15	C 14717	PIN - clevis	1
	C 14712	LINK ASSEMBLY	1
16	C 14703	CENTER TUBE ASSEMBLY	1
17	C 14709	BALL END ASSEMBLY R.H. THREAD	1
18	C 14710	BALL END ASSEMBLY L.H. THREAD	1
19	138- 59	PIN - roll 1/8 x 7/8" (early production)	2
20	C 16128	PIN - clevis 5/8 x 3"	1

**H26 AND J26 THREE POINT HITCH
CYLINDER AND DRAWBAR MOUNTING**

1	C 19740	HITCH PLATE ASSEMBLY	1
2	C 19481	PIN - lower cylinder mounting	1
3	C 14976	PIN - upper cylinder mounting	1
4	132- 310	PIN - cotter 1/8 x 1"	3
5	113- 417	BOLT - 1/2 x 1-1/4" NC, hex, zinc plated	2



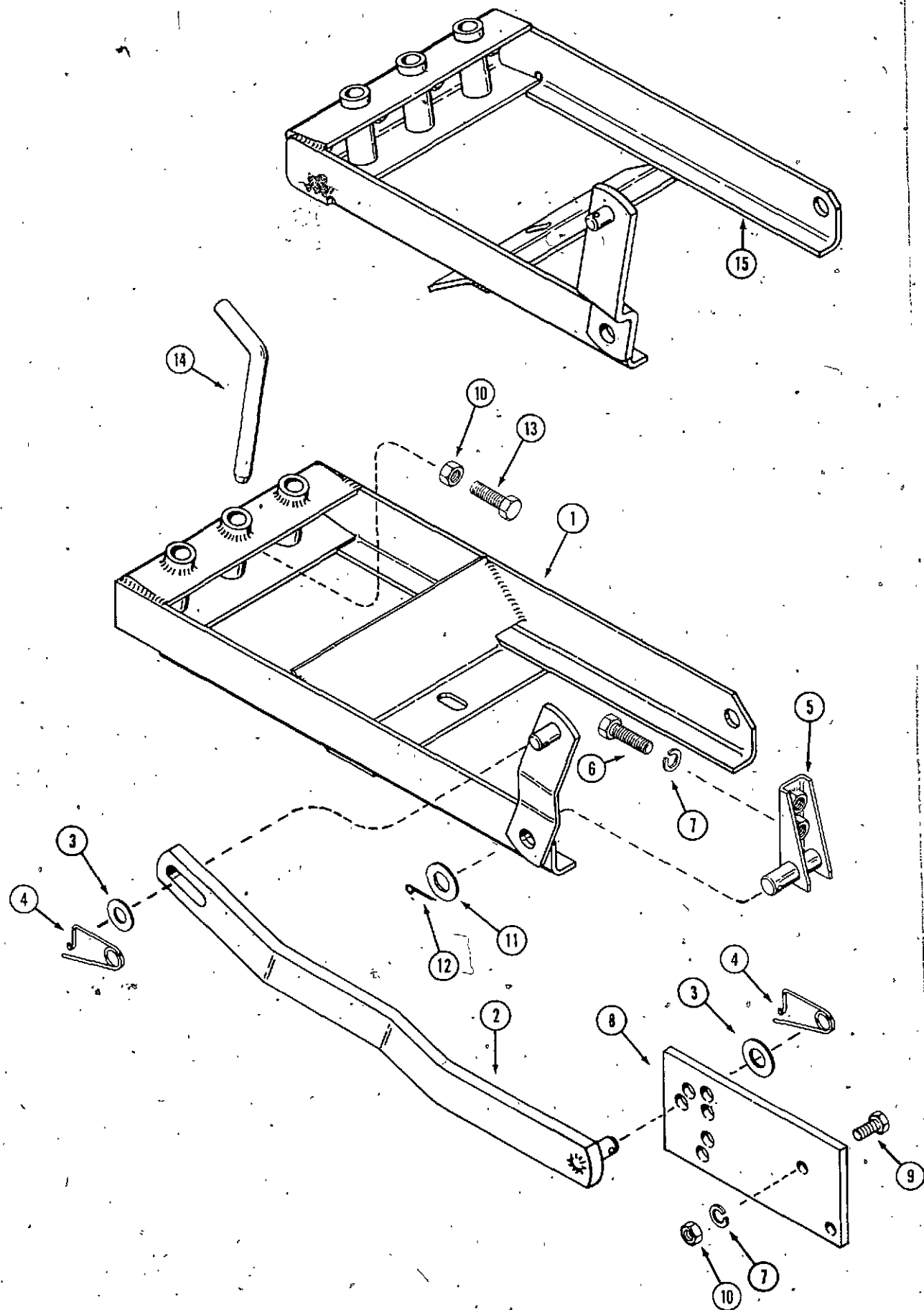
MODEL H26 AND J26 THREE POINT HITCH AND HYDRAULIC CONNECTIONS AND COMPONENTS

REF.	PART NO.	DESCRIPTION	REQ'D
1	221- 1139	NIPPLE - 1/4 x 3"	1
2	221- 1375	ELBOW - 90°	1
3	C 25369	HOSE - hydraulic short	1
4	C 25368	HOSE - hydraulic long	1
5	218- 5291	FITTING - tee (Includes 218-5004 "O" ring)(early production)	2
6	NSS	CYLINDER ASSEMBLY - (order (1) C19480 cylinder and (1) S10817 pin)	1
7	C 19476	BODY - cylinder (also use S10817 pin)	1
8	C- 19469	ROD AND PISTON ASSEMBLY	1
9	C 14692	FOOT - cylinder	1
10	C 14970	SEAL - wiper	1
11	A 7623	"O" RING	1
12	A 30971	"O" RING	2
13	218- 5479	FITTING - tee, swivel (late production)	2

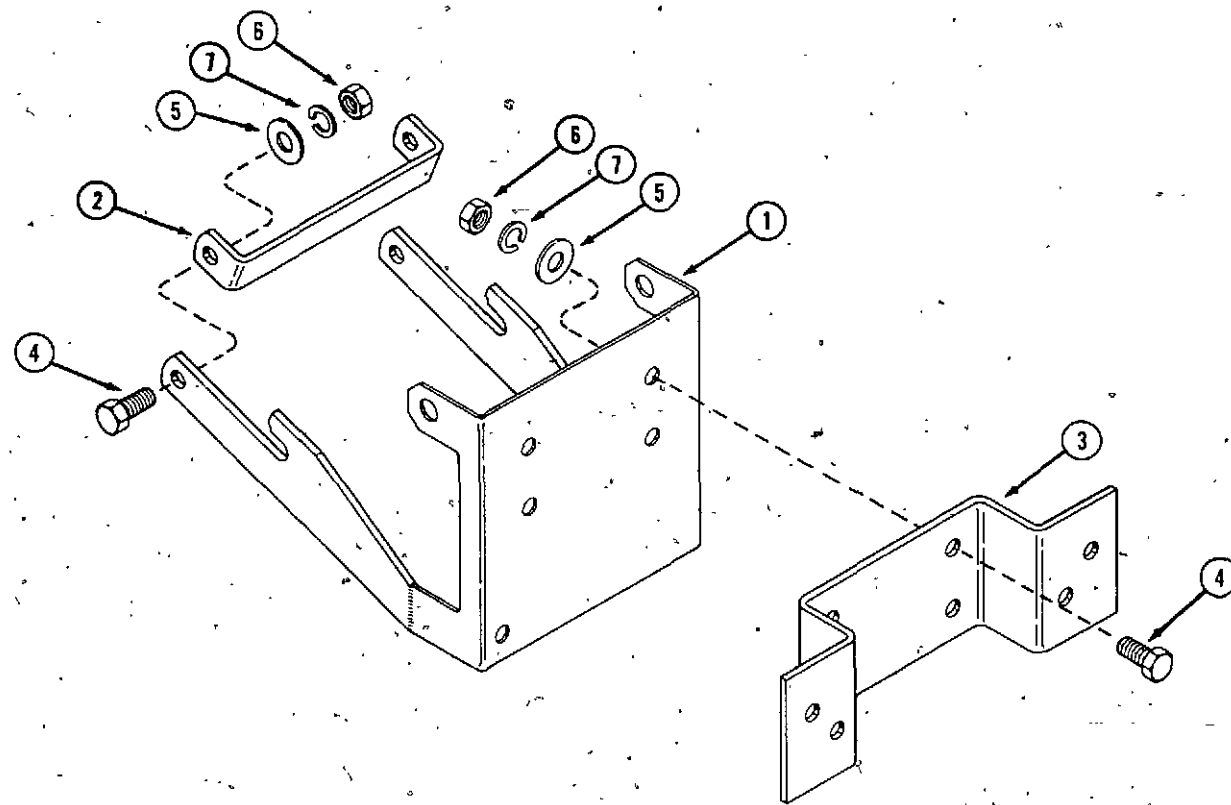
MODEL F-27 HITCH ADAPTER

1	C 14872	BRACKET - hitch adapter	1
2	C 14568	PIN - drawbar	1
3	113- 425	BOLT - 1/2 x 3" NC hex, zinc plated	4

MODEL J22, J24, K22 AND K24 SLEEVE HITCH



REF.	PART NO.	DESCRIPTION	REQ'D
1	C 22218	HITCH FRAME ASSEMBLY (444) (J24, K24)	1
2	C 14457	ARM - lift (J22, J24)	1
2	C 25371	ARM - lift (K22, K24)	1
3	195- 541	WASHER - plain 21/32"	2
4	C 10898	PIN - safety	2
5	C 14459	BRACKET - hitch mounting R.H. shown	1
5	C 25789	BRACKET - hitch mounting L.H.	1
6	113- 410	BOLT - 1/2 x 1-1/2" NC hex, zinc plated	4
7	192- 23	LOCKWASHER - 1/2" zinc plated	6
8	C 25382	PLATE - lift lever	1
9	113- 417	BOLT - 1/2 x 1-1/4" NC hex, zinc plated	2
10	129- 105	NUT - 1/2" NC hex, zinc plated	4
11	195- 545	WASHER - plain 3/4"-zinc plated	2
12	132- 306	PIN - cotter 3/16 x 1-3/4"	2
13	22- 844	BOLT - 1/2 x 2-3/4" NC hex, zinc plated	2
14	C 14568	PIN - drawbar	1
15	C 23707	HITCH FRAME ASSEMBLY (220, 222 and 224) (J22, K22)	1

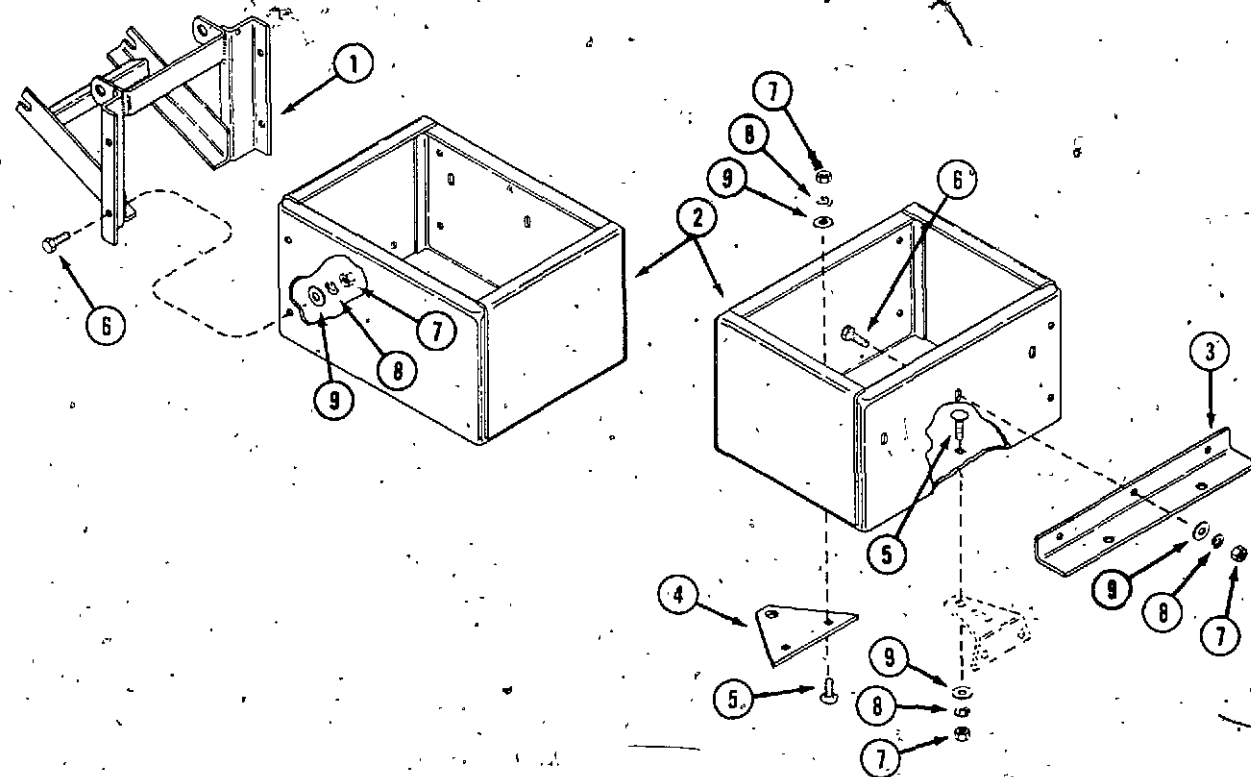


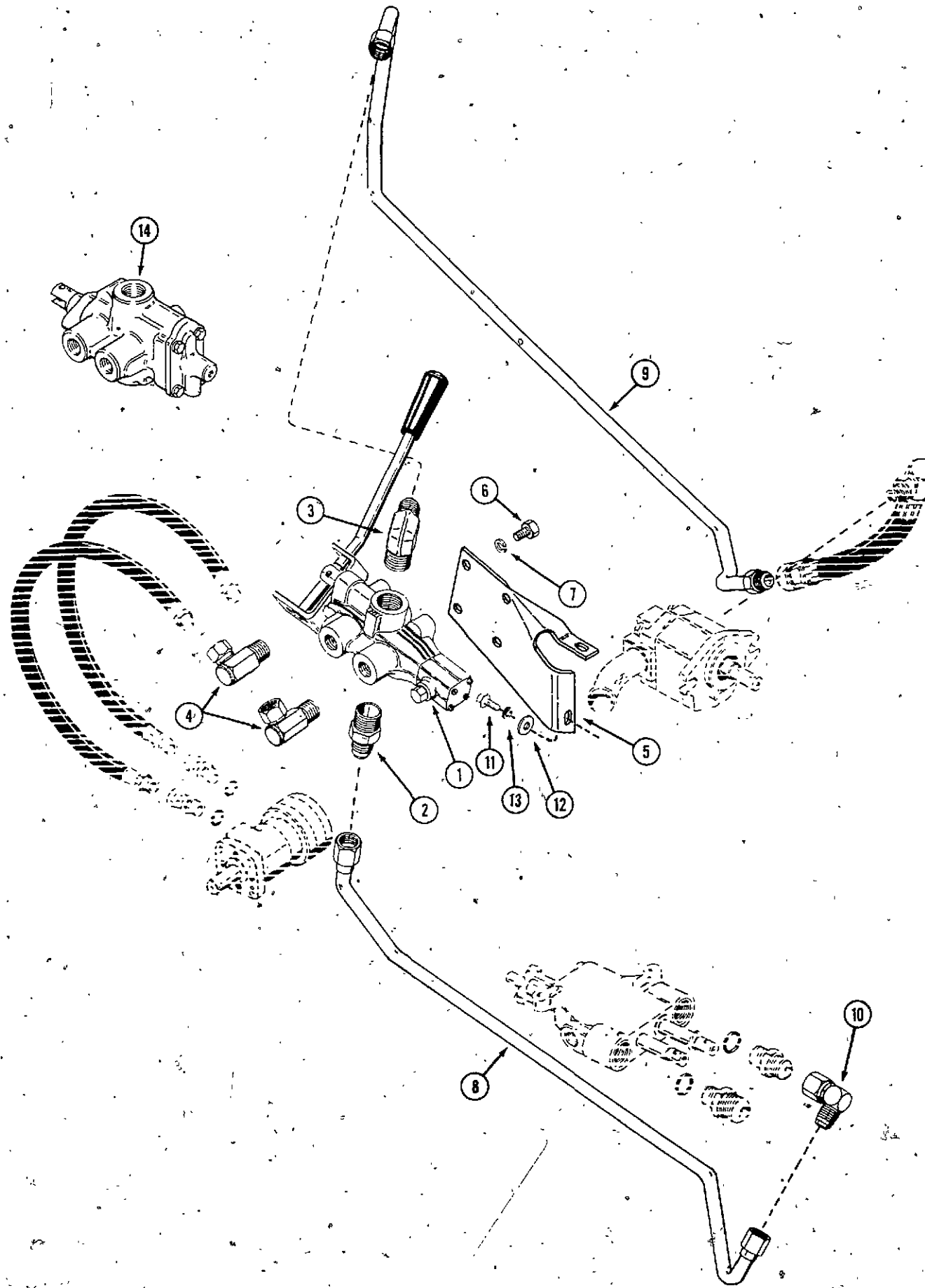
MODEL H18 FRONT END WEIGHT BRACKETS

REF.	PART NO.	DESCRIPTION	REQ'D
1	C 16581	BRACKET - mounting	1
2	C 17161	BRACE - rear	1
3	C 17162	BRACKET - weight mounting	1
4	113- 417	BOLT - 1/2 x 1-1/4" NC hex, zinc plated	6
5	195- 533	WASHER - 1/2" zinc plated	8
6	25- 108	NUT - 1/2" NC hex, zinc plated	8
7	192- 23	LOCKWASHER - 1/2"	8

MODEL H13 WEIGHT BOX

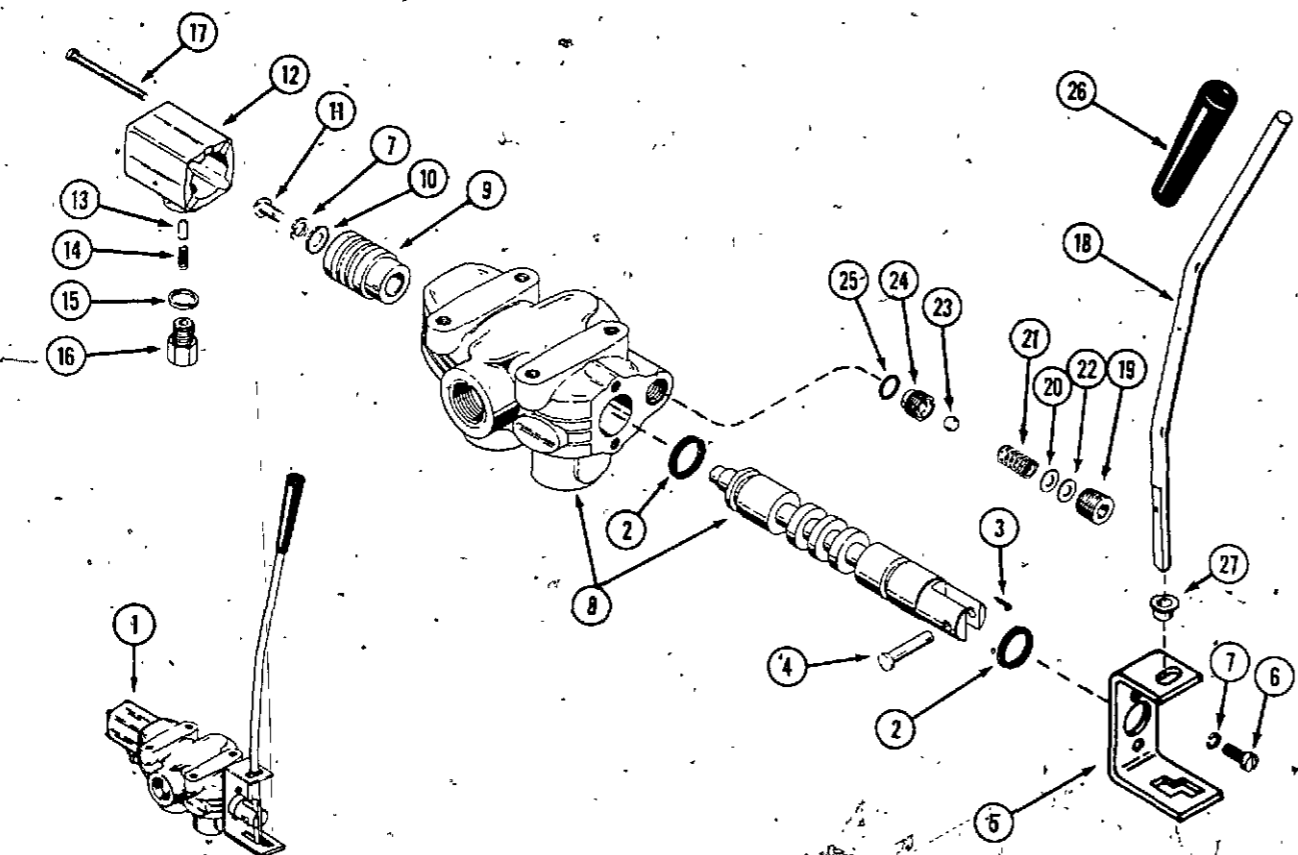
1	C 17859	FRAME - weight box	1
2	C 17863	BOX - weight	1
3	C 17860	SUPPORT - weight box	1
4	C 17636	PLATE - hitch	1
5	111- 371	BOLT - 3/8" x 1" round head, square neck	3
6	113- 207	BOLT - 3/8" x 1" NC hex	4
7	129- 103	NUT - 3/8" NC hex	7
8	192- 21	LOCKWASHER - 3/8"	7
9	195- 525	WASHER - 3/8"	7



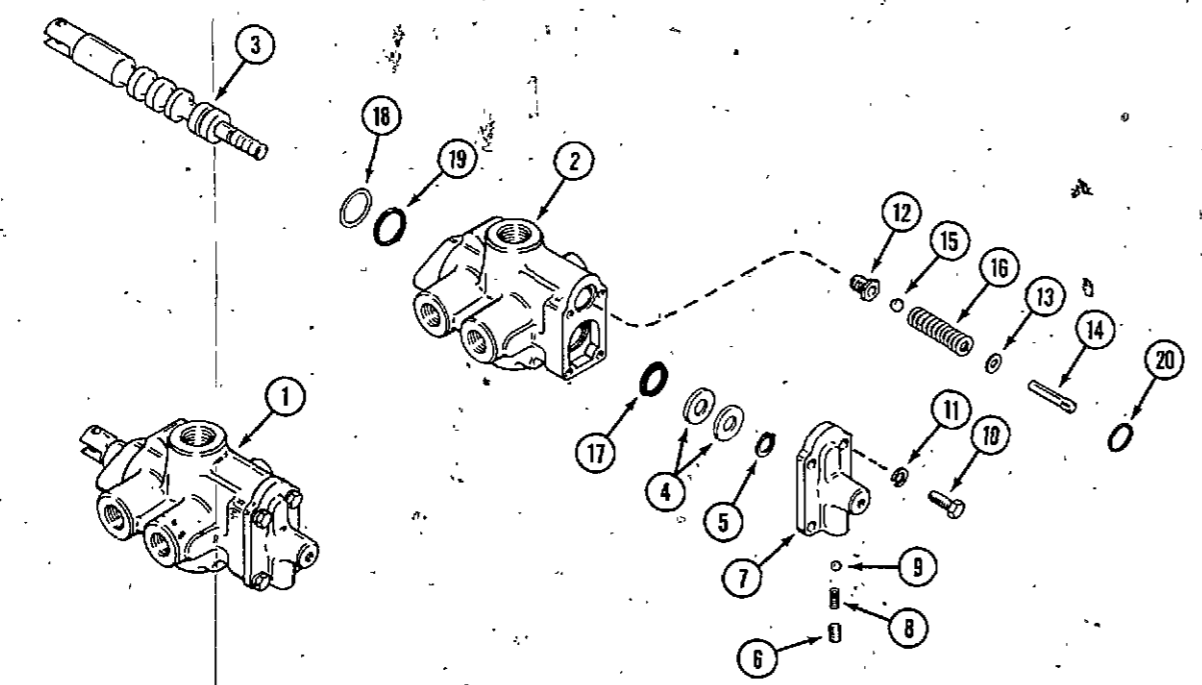


J17, K17 AND L17 HYDRAULIC PTO KIT

REF.	PART NO.	DESCRIPTION	REQ'D
1	C 18281	VALVE - PTO control (J17, L17)	1
2	218- 457	FITTING - straight 3/4" NPT x 5/8" tube	1
3	218- 494	FITTING - elbow 90° 3/4" NPT x 5/8" tube	1
4	218- 927	FITTING - elbow 90° 1/2" NPT x 1/2" female NPSM swivel	2
5	C 23337	BRACKET - valve mounting	1
6	113- 206	BOLT - 3/8" hex NC x 3/4"	4
7	192- 21	LOCKWASHER - 3/8"	4
8	C 23888	TUBE - PTO valve to travel control valve (J17, K17)	1
8	C 25343	TUBE - PTO valve to travel control valve (L17)	1
9	C 25344	TUBE - pump to PTO valve (L17)	1
9	C 23962	TUBE - pump to PTO valve (J17, K17)	1
10	218- 5232	FITTING - 90° swivel elbow 37° x 37° flare 3/4" NPT x 5/8" tube	1
11	113- 103	BOLT - 5/16" x 1" NC hex	3
12	195- 521	WASHER - 5/16"	3
13	192- 20	LOCKWASHER - 5/16"	3
14	NSS	VALVE - control (K17) (use C18281)	1



REF.	PART NO.	DESCRIPTION	REQ'D
1	C 18281	VALVE - control	1
2	C 11891	SEAL - U-cup	2
3	132- 5	PIN - cotter 1/16" x 1/2"	1
4	36627	PIN - handle	1
5	C 19422	BRACKET - handle	1
6	71- 410	SCREW - 1/4" x 5/8" NC fillister head	2
7	36628	LOCKWASHER - 1/4"	3
8	NSS	BODY AND SPOOL ASSEMBLY (use C18281 valve)	1
9	C 11895	ADAPTER - spool	1
10	195- 102	WASHER - plain 1/4"	1
11	75- 48	SCREW - 1/4" x 1/2" rd. hd. machine	1
12	C 11893	BONNET - detent	1
13	C 11901	PIN - detent	1
14	C 11892	SPRING - detent	1
15	C 11886	WASHER - detent spring	1
16	C 11887	CAP - detent	1
17	169- 88	SCREW - bonnet #8-32 x 2" fillister head	4
18	C 19423	LEVER - valve	1
19	221- 1842	PLUG - relief 3/8" NPT	1
20	D 39712	SHIM - .010" thick	1
21	T 40189	SPRING - relief	1
22	A 55894	SHIM - .020" thick	1
23	211- 11	BALL - relief 3/8"	1
24	C 18417	SEAT - relief	1
25	A 27891	"O" RING - relief seat	1
26	A 37247	KNOB - hand throttle	1
27	C 26266	BUSHING - nylon	1



REF.	PART NO.	DESCRIPTION	REQ'D
1	NSS	VALVE - control (use C18281 valve)	1
2	NSS	BODY - valve (order C18281 valve)	1
3	NSS	SPOOL - valve (order C18281 valve)	1
4	195- 533	WASHER - spool	2
5	H 202416	RETAINER - spool	1
6	173- 38	SCREW - set	1
7	NSS	COVER - detent and relief	1
8	NSS	SPRING - detent	1
9	211- 7	BALL - detent, 1/4" steel	1
10	113- 3	BOLT - 1/4" - 20 x 3/4" hex	4
11	192- 19	LOCKWASHER - 1/4"	4
12	H 35592	SEAT - relief	1
13	NSS	SHIM - pressure adjust	1
14	NSS	PIN - limit	1
15	211- 103	BALL - relief, 5/16" steel	1
16	NSS	SPRING - relief	1
17	NSS	V-PACKING	1
18	NSS	WASHER - backup	1
19	L 32176	"O" RING	1
20	A 15888	"O" RING	1

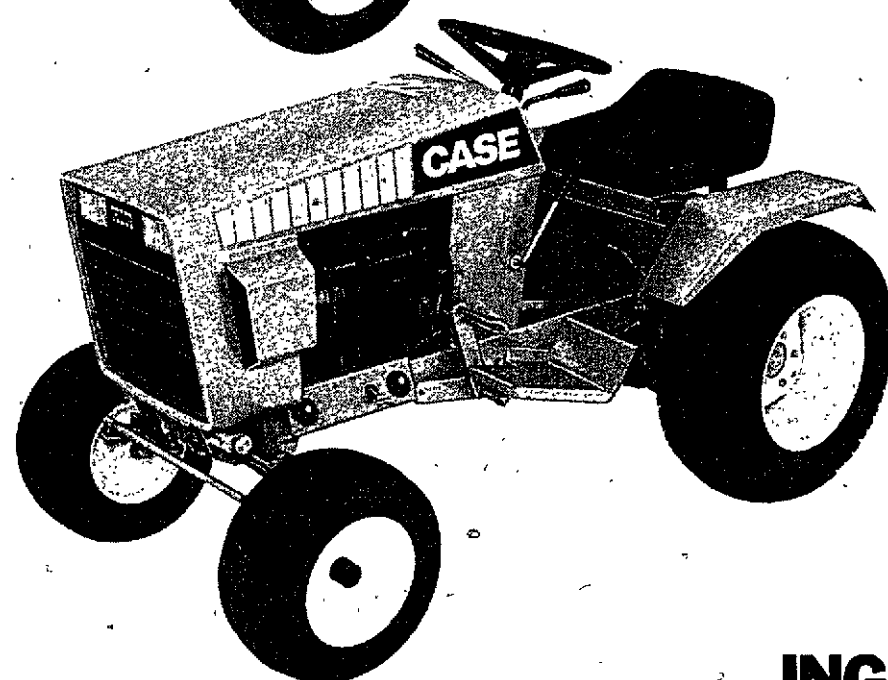
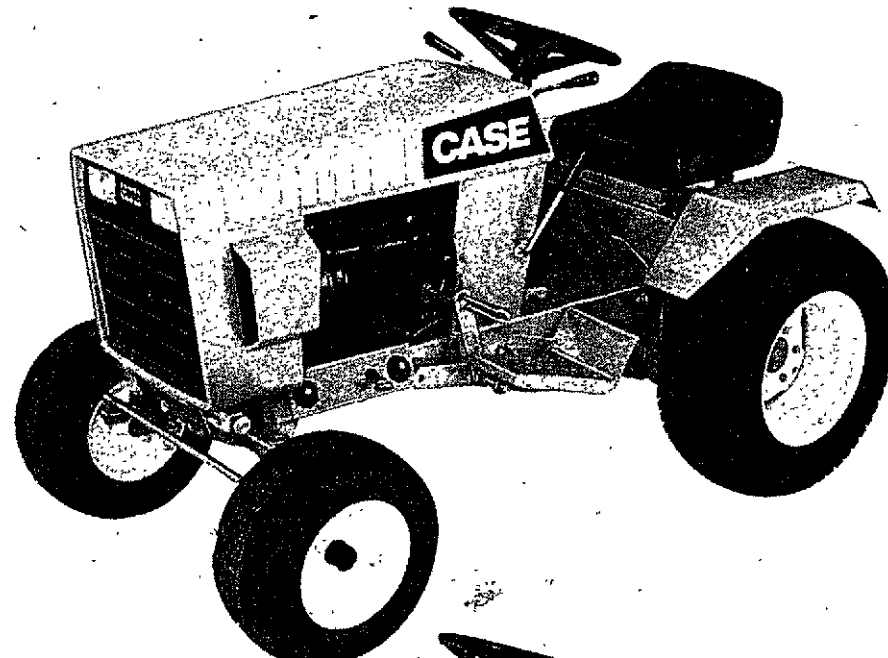
**J17 AND L17 HYDRAULIC PTO VALVE
J17, K17 AND L17 LEVER ASSEMBLY**

K-17 HYDRAULIC PTO VALVE

COMPACT TRACTORS
 220-S/N 9734870 TO 14035005
 222-S/N 9736998 TO 14036630
 224-S/N 9738335 TO 14038300
 444-S/N 9739739 TO 14039740
 Parts Catalog B1375

5-84, RP-1500-150

NOTE: This catalog replaces catalog A1375 and all revisions.



INGERSOLL
 Ingersoll Equipment Co., Inc.

Technical Publications
 119 South First Street
 Winneconne, WI 54986-9576

ALPHABETICAL INDEX

ENGINE SECTION

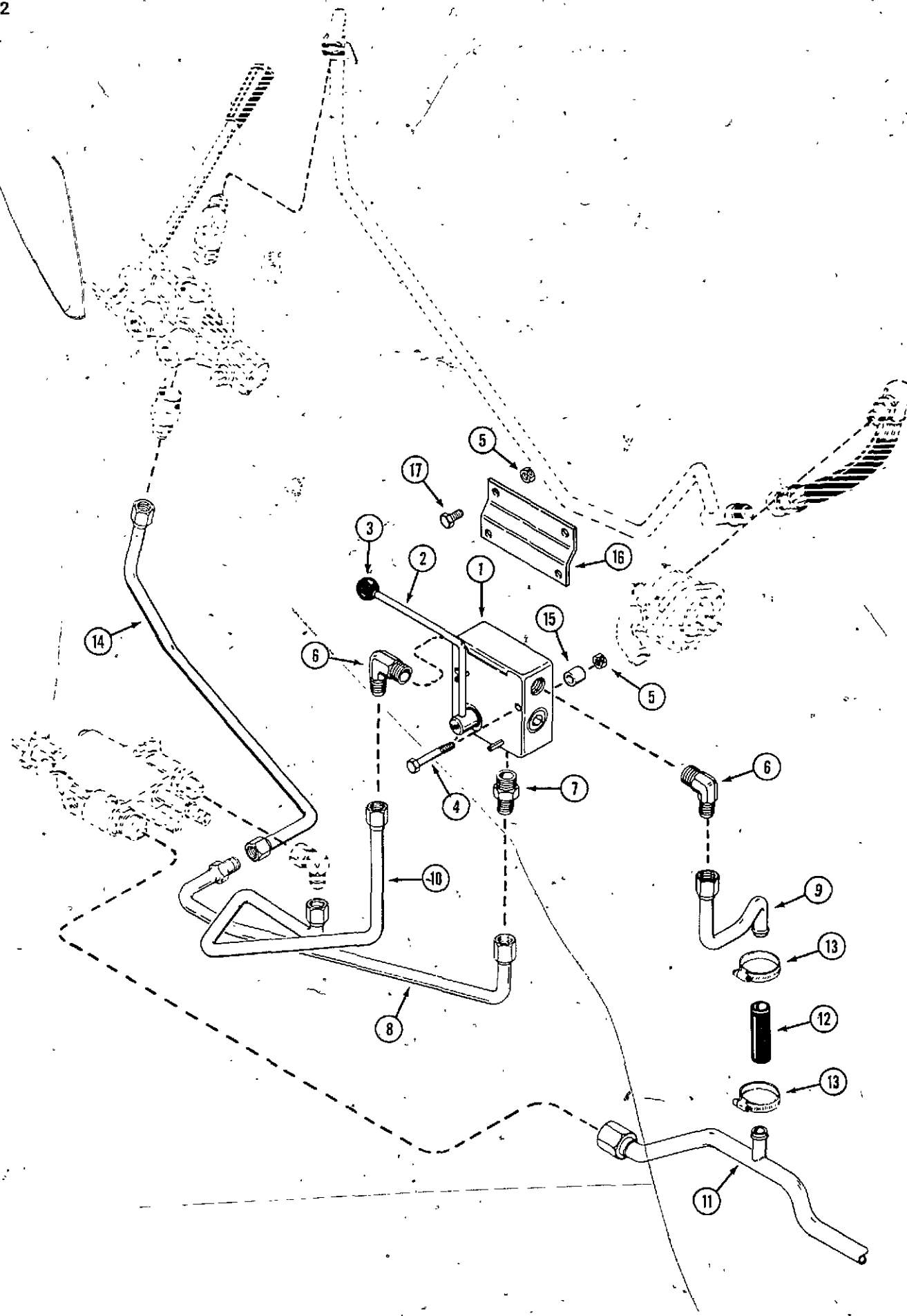
	PAGE	GRID		PAGE	GRID
Air Cleaner	5	A6	Flywheel	17-21	B4-B8
Battery	65	F2	Fuel Pump	25	B12
Breaker Contacts	71	F8	Fuel Strainer	25	B12
Breather, Crankcase	7-9	A8-A10	Fuel System	25	B12
Camshaft	7-9	A8-A10	Gasket Kits	23	B10
Carburetor	25-27	B12-B14	Governor	29	C2
Connecting Rod	11-15	A12-B2	Muffler	5	A6
Crankshaft	11-15	A12-B2	Shields	57	E2
Cylinder Block	17-21	B4-B8	Oil Pan	17-21	B4-B8
Cylinder Head	17-21	B4-B8	Piston	11-15	A12-B2
Electrical System	65-71	F2-F8	PTO Clutch	31-33	C4-C6
Engine Block & Attaching Parts	17-21	B4-B8	Spark Plug	65	F2
Exchanger, Heat	53	D12	Starter	63	E14
Exhaust System	5	A6	Tank, Fuel	25	B12
Fan	33	C6	Throttle Linkage	29	C2
Filter, Breather	7-9	A8-A10	Valves	7-9	A8-A10

BASIC TRACTOR SECTION

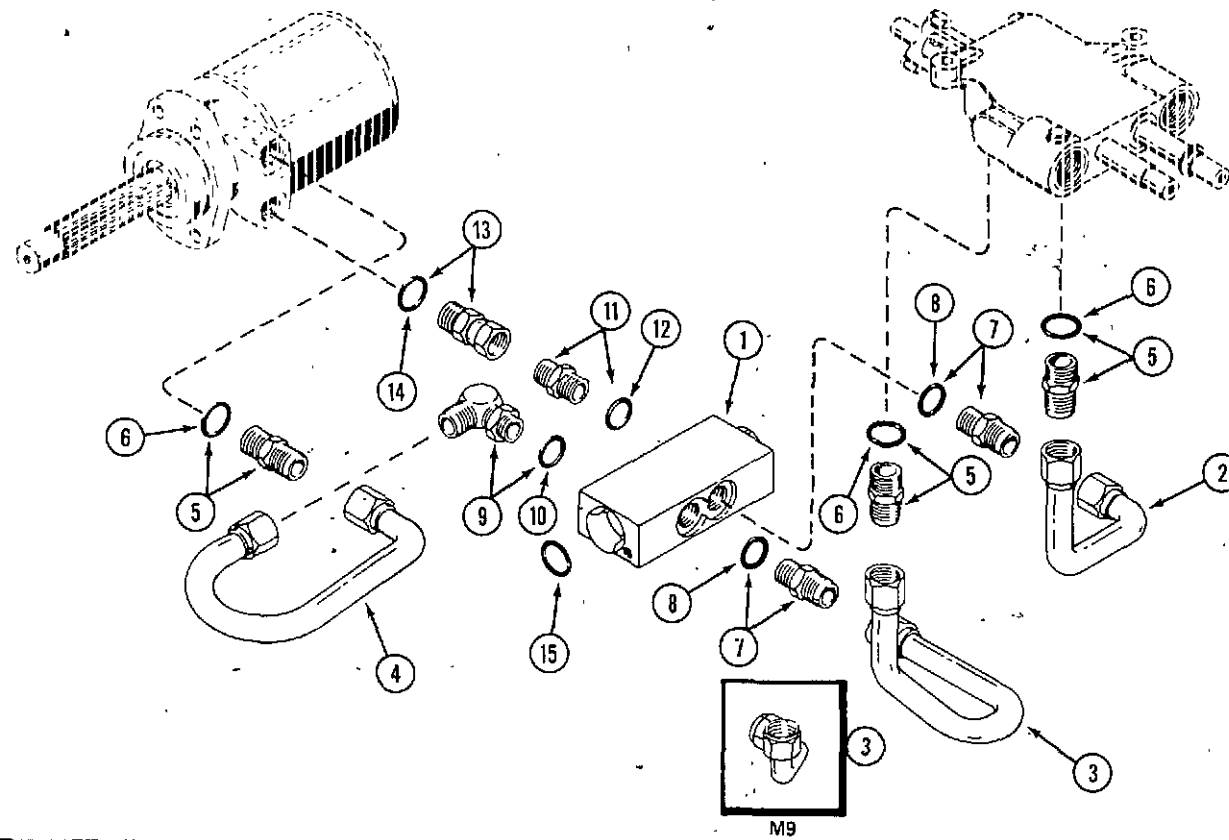
	PAGE	GRID		PAGE	GRID
Axle, Front	41	C14	L19 and M19 Flow Control Valve Kit	93	A4*
Axle, Rear	49-51	D8-D10	L29 PTO	97	A8*
Baffles & Shrouds	25	B12	M9 Holding Valve	95	A6*
Brakes	45	D4	Models K8 & K10 Wheel Weights	77	F14
Control - Speed	61	E12	Models H26 & J26 Three Point Hitch	81-83	G4-G6
Decals	73-75	F10-F12	Model F27 Three Point Hitch Adapter	83	G6
Electrical System	65-71	F2-F8	Model J22, J24, K22 and K24 Sleeve Hitch	85	G8
Fenders	39	C12	Model H13 Weight Box	87	G10
Frame	35-37	C8-C10	Model H18 Counterweight Brackets	87	G10
Grille	35-37	C8-C10	Model J30 Hydraulic Lift	79	G2
Hitch	47	D6	Mounts, Engine	29	C2
Hood	35-37	C8-C10	Mounts, Heat Exchanger	55	D14
Hydraulics	53	D12	PTO Clutch	31-33	C4-C6
Coupling, Pump Drive	53-57B	D12-E4	Seat, Operator's	39	C12
Hoses, Lines & Fittings	53	D12	Steering Wheel & Gear	43	D2
Motor, Hydraulic Drive	53-61	D12-E12	Tail Lamp	71	F8
Pump	53-57B	D12-E4	Tool Box	39	C12
Valve, Control	53-59D	D12-E10	Transmission	49-51	D8-D10
Valve, Control Linkage	61	E12	Wheels, Front & Rear	45	D4
Implement Lift Lever	47	D6			
Instruments	65	F2			
J17, K17 and L17 Hydraulic PTO	89-91	G12-G14			
L7 Holding Valve	95	A6*			
L9 Holding Valve	95	A6*			
L11 Counterweight Kit	95	A6*			

* contained on microfiche 25

MODEL L19 AND M19 FLOW CONTROL VALVE KIT



REF.	PART NO.	DESCRIPTION	REQ'D
1	C 23618	VALVE - flow control	1
	A 27365	"O" RING - shaft 3/4" x 15/16"	2
	F 62023	RING - retaining - shaft .862 L.D.	1
2	C 18720	LEVER - valve	1
3	A 61683	KNOB - lever	1
4	113- 12	BOLT - 1/4" x 2-1/2" NC hex (L19)	2
4	113- 15	BOLT - 1/4" - 20 x 2-1/4" NC hex (M19)	2
5	131- 1180	NUT - lock 1/4" NC hex	4
6	218- 485	FITTING - elbow 90° 1/2" NPT	2
7	218- 445	FITTING - straight 1/2" NPT	1
8	C 25390	TUBE - flow control valve to tube	1
9	C 23407	TUBE - bypass to return line	1
10	C 23600	TUBE - valve to tractor valve	1
11	C 26181	TUBE - heat exchanger	1
12	C 18721	HOSE - return	1
13	214- 254	CLAMP - hose	2
14	C 25392	TUBE - PTO valve to tube (M19)	1
14	C 23879	TUBE - PTO valve to tube (L19)	1
15	C 21592	SPACER - (L19)	2
16	C 25391	BRACKET - mounting (M19)	1
17	113- 2	BOLT - 1/4" - 20 x 5/8" NC hex (M19)	2
	C 18719	DECAL - valve, "slow - fast" (English)	1
	321- 4699	DECAL - valve, "slow - fast" (French)	1

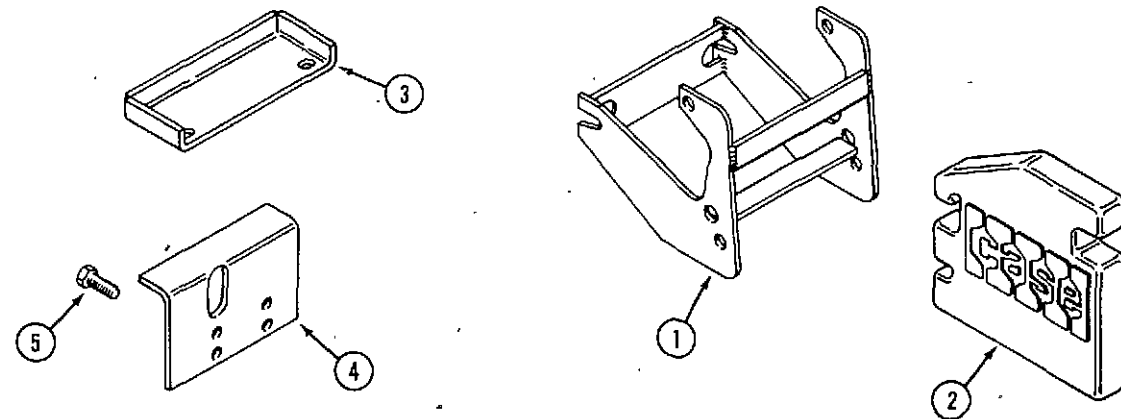


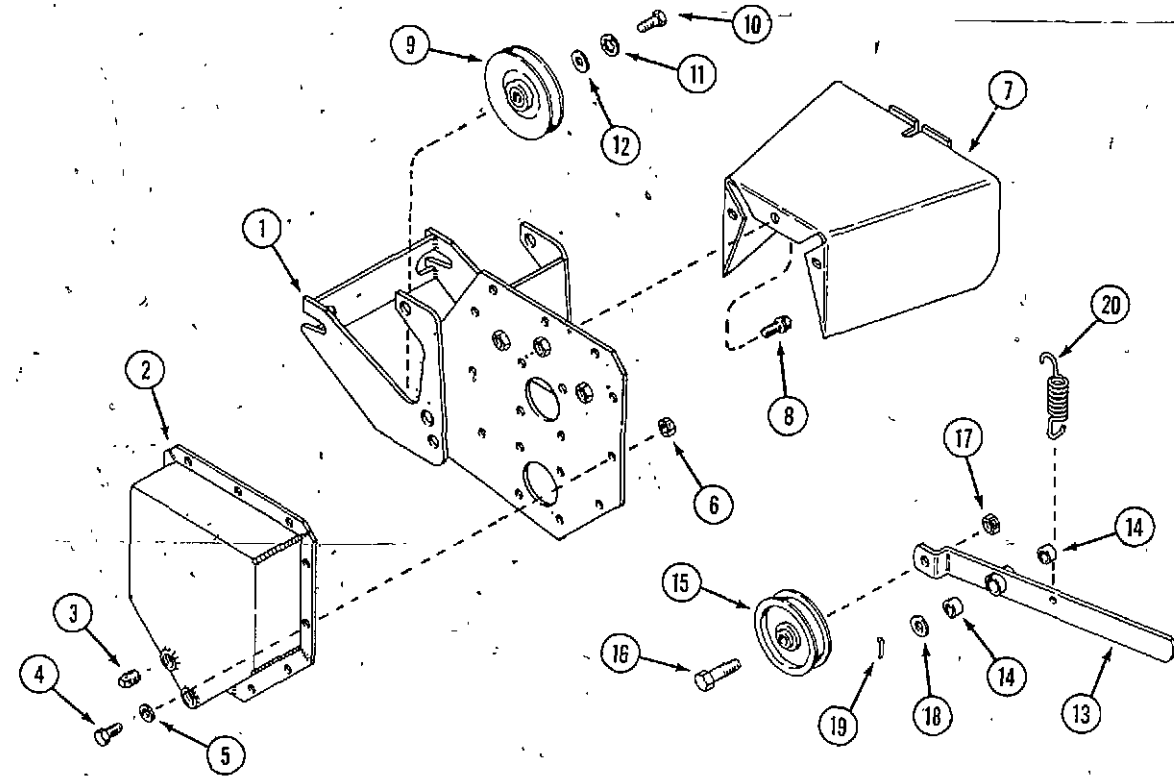
CASE 220, 222, 224 AND 444 COMPACT TRACTORS
 L7 HOLDING VALVE (220, 222 AND 224 ALL)
 L9 HOLDING VALVE (444 BEFORE S/N 9766840)
 M9 HOLDING VALVE (444 S/N 9766840 AND AFTER)

REF.	PART NO.	DESCRIPTION	REQ'D
1	C 24995	VALVE - holding (includes "O" ring)	1
2	C 24990	TUBE - valve to valve (L-7)	1
2	C 24992	TUBE - valve to valve (L-9)	1
2	C 25341	TUBE - valve to valve (M9)	1
3	C 25342	TUBE - valve to valve (M9)	1
3	C 24991	TUBE - valve to valve (L-7)	1
3	C 24993	TUBE - valve to valve (L-9)	1
4	C 24994	TUBE - valve to motor	1
5	218- 5062	CONNECTOR - straight, male	3
6	218- 5007	"O" RING	1
7	218- 5066	CONNECTOR - straight, male	2
8	218- 5006	"O" RING	1
9	218- 5117	ELBOW - adjustable	1
10	218- 5006	"O" RING	1
11	218- 5404	CONNECTOR - straight, male	1
12	218- 5006	"O" RING	1
13	218- 5251	CONNECTOR - straight, male/female swivel	1
14	218- 5007	"O" RING	1
15	A 7623	"O" RING - end caps	2

L11 WEIGHT KIT

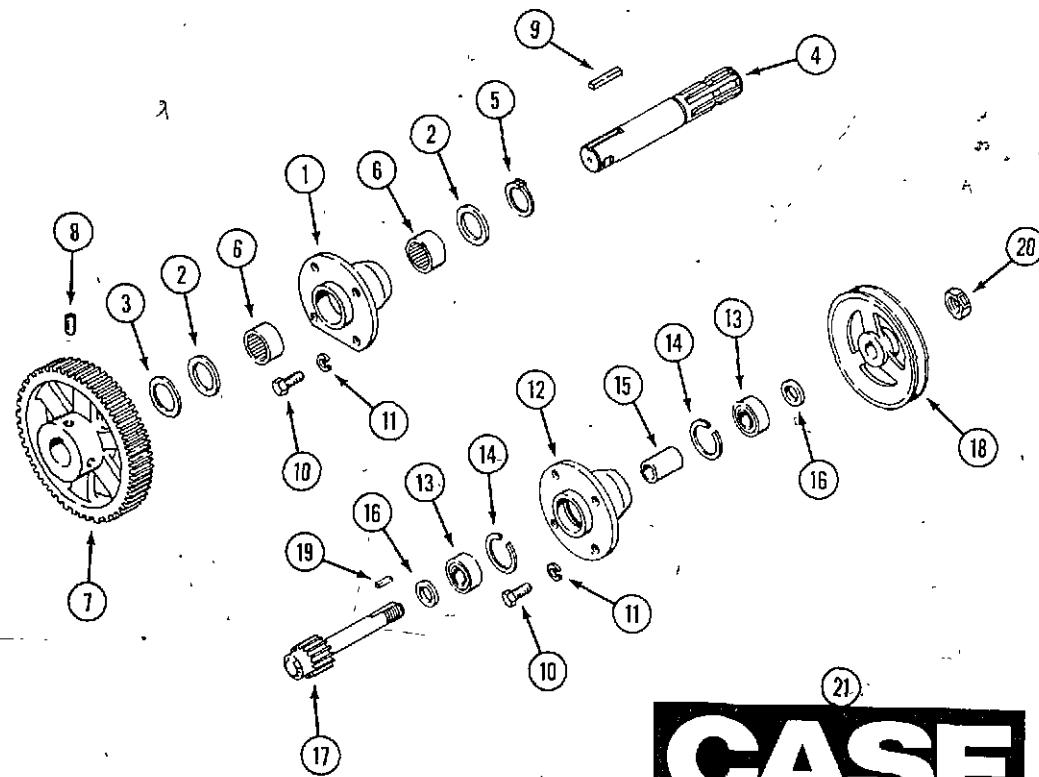
1	C 25572	BRACKET - mounting, front	1
2	C 25574	WEIGHT - 40 lb. (18 kg)	4
3	C 25791	BRACKET - mounting, rear, upper	1
4	C 25792	BRACKET - mounting, rear, lower	1
5	113- 417	BOLT - 1/2" - 13 x 1-1/4" hex	2





L29 PTO MOUNTING FRAME, SHIELD, IDLERS AND GEAR COVER

REF.	PART NO.	DESCRIPTION	REQ'D.
1	C 25800	FRAME - mounting	1
2	C 25815	COVER - gear	1
3	221- 844	PLUG - oil 1/2"	1
3	221- 843	PLUG - oil 3/8"	2
4	113- 3	BOLT - 1/4" - 20 x 3/4" hex	9
5	195- 521	WASHER - 5/16"	9
6	131- 1180	NUT - 1/4" - 20 hex	9
7	C 25817	SHIELD - PTO	1
8	121- 106	BOLT - 5/16" - 18 x 1/2", special	3
9	C 25370	PULLEY - "V" groove	1
10	113- 206	BOLT - 3/8" - 16 x 3/4"	1
11	193- 68	LOCK WASHER - special	1
12	195- 103	WASHER - 3/8"	1
13	C 25822	ARM - idler	1
14	R 30880	BUSHING - sleeve	2
15	C 26090	PULLEY - flat idler	1
16	113- 412	BOLT - 1/2" - 13 x 1-3/4" hex	1
17	131- 165	NUT - 1/2" lock, hex	1
18	195- 541	WASHER - 5/8"	1
19	132- 318	PIN - cotter 5/32" x 1"	1
20	C 16870	SPRING - tension	1



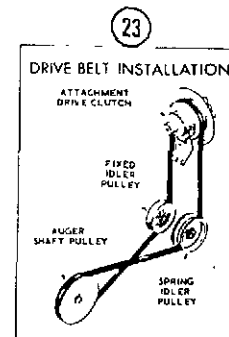
L29 SPINDLES, DECALS AND BELT

1	C 25806	HOUSING - PTO shaft	1
2	C 25807	WASHER - thrust	2
3	195- 2131	WASHER - spacer	1
4	C 25808	SHAFT - spline	1
5	A 7409	RING - retainer	1
6	C 25828	BEARING - roller	2
7	C 25814	GEAR - driven	1
8	83- 68	SET SCREW - 3/8"	2
9	B 18323	KEY - 5/16" x 2"	1
10	113- 206	BOLT - 3/8" - 16 x 3/4" hex	8
11	192- 21	LOCK WASHER - 3/8"	8
12	C 17666	HOUSING - spindle	1
13	A 70280	BEARING	2
14	C 16516	RING - retaining	2
15	C 10810	SPACER - bearing	1
16	C 25541	WASHER - spacer	2
17	C 25810	SPINDLE - input	1
18	C 25813	PULLEY - spindle	1
19	H 61168	KEY - 3/16" square x 7/8"	1
20	131- 1331	NUT - 3/4" - 16 lock, hex	1
21	321- 6379	DECAL - "Case"	1
22	321- 3710	DECAL - "Warning" (English)	1
22	321- 6647	DECAL - "Warning" (French)	1
23	321- 4745	DECAL - drive belt (French)	1
23	C 17462	DECAL - drive belt (English)	1
	C 23539	BELT - drive (444, 446, 448)	1
	C 23538	BELT - drive (210, 220, 222, 224)	1

CASE

WARNING

ROTATING MACHINE PARTS
STAY CLEAR. KEEP
SHIELDS INSTALLED TO HELP
PROTECT FROM CLOTHING
ENTANGLEMENT AND INJURY.



NUMERICAL INDEX

PART NO.	PAGE NO.	REF. NO.	PART NO.	PAGE NO.	REF. NO.	PART NO.	PAGE NO.	REF. NO.
221-	849	57						
221-	1139	83						
221-	1375	83						
221-	1412	17						
221-	1412	19						
221-	1412	21						
221-	1842	91						
221-	1843	51						
223-	20	65						
223-	20	67						
321-	18	73						
321-	18	75						
321-	1788	73						
321-	1788	75						
321-	1834	63						
321-	2677	73						
321-	3585	73						
321-	3585	75						
321-	3710	97						
321-	4147	73						
321-	4150	73						
321-	4151	73						
321-	4152	73						
321-	4155	73						
321-	4156	73						
321-	4162	73						
321-	4163	73						
321-	4164	73						
321-	4165	73						
321-	4693	73						
321-	4693	75						
321-	4697	73						
321-	4699	93						
321-	4728	73						
321-	4728	75						
321-	4734	73						
321-	4734	75						
321-	4745	97						
321-	4764	73						
321-	4764	75						
321-	4767	73						
321-	4767	75						
321-	5040	75						
321-	5097	75						
321-	5100	75						
321-	5101	75						
321-	5103	75						
321-	5104	75						
321-	5105	75						
321-	5106	75						
321-	6324	73						
321-	6324	75						
321-	6379	97						
321-	6647	97						
353-	406	35						
353-	406	37						
353-	462	31						

INGERSOLL
Ingersoll Equipment Co., Inc.

INGERSOLL
Ingersoll Equipment Co., Inc.

INGERSOLL
Ingersoll Equipment Co., Inc.

INGERSOLL

Ingersoll Equipment Co., Inc.

INGERSOLL

Ingersoll Equipment Co., Inc.

INGERSOLL
Ingersoll Equipment Co., Inc.

INGERSOLL
Ingersoll Equipment Co., Inc.

INGERSOLL

Ingersoll Equipment Co., Inc.

INGERSOLL

Ingersoll Equipment Co., Inc.

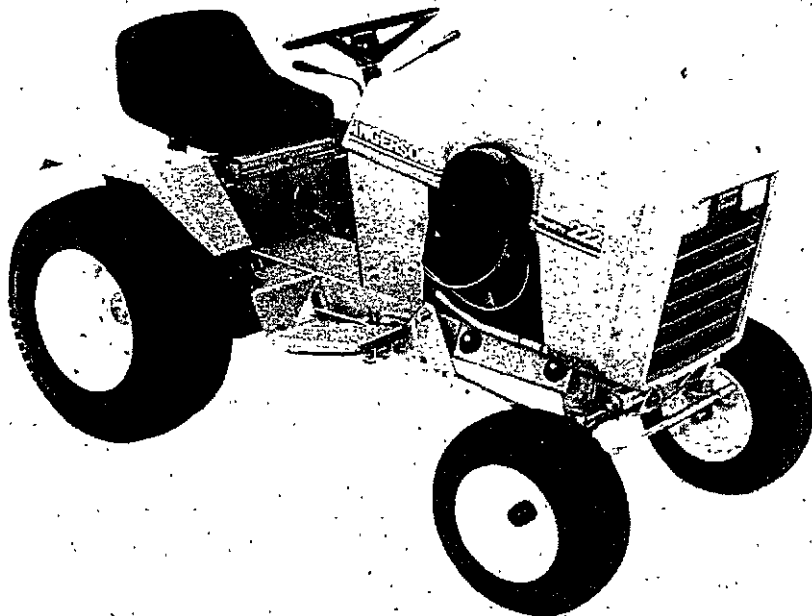
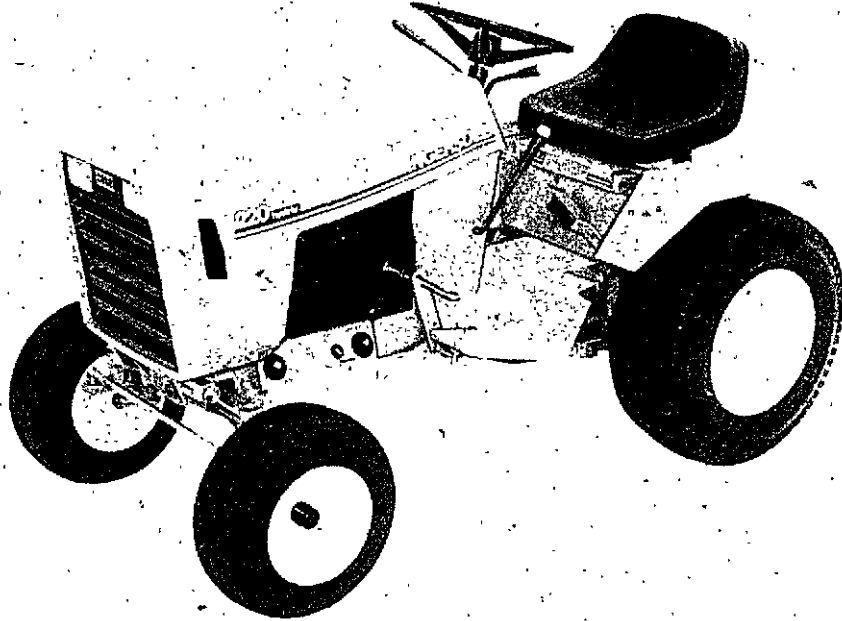
INGERSOLL
Ingersoll Equipment Co., Inc.

INGERSOLL
Ingersoll Equipment Co., Inc.

COMPACT TRACTORS
220 - S/N 14035005 and AFTER
222 - S/N 14036630 and AFTER
224 - S/N 14038300 and AFTER
444 - S/N 14039740 and AFTER
Parts Catalog 8-2742

NOTE: This catalog replaces
Catalog 8-2741

2-92-RP-500-494



PAINT AND OIL

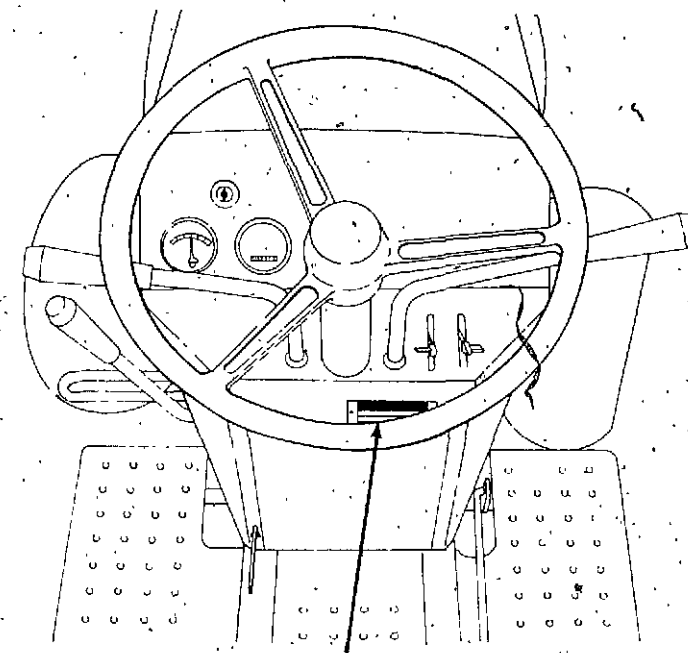
PAINT

REF.	PART NO.	DESCRIPTION	REQ'D
1	C 28849	BLACK - semi - gloss, 12 oz spray (2 per carton)	1
2	C 28850	BLACK - semi - gloss, quart (2 per carton)	1
3	C 28851	BLACK - semi - gloss, heat resistant, 12 oz spray (2 per carton)	1
4	C 28484	POWER RED - gloss, 12 oz spray (2 per carton)	1
5	C 28485	POWER RED - gloss, quart (2 per carton)	1
6	C 30870	SILVER - gloss, 12 oz spray (2 per carton)	1
7	C 31643	POWER RED - gloss, 1 oz touch up, (1 doz. per carton)	1

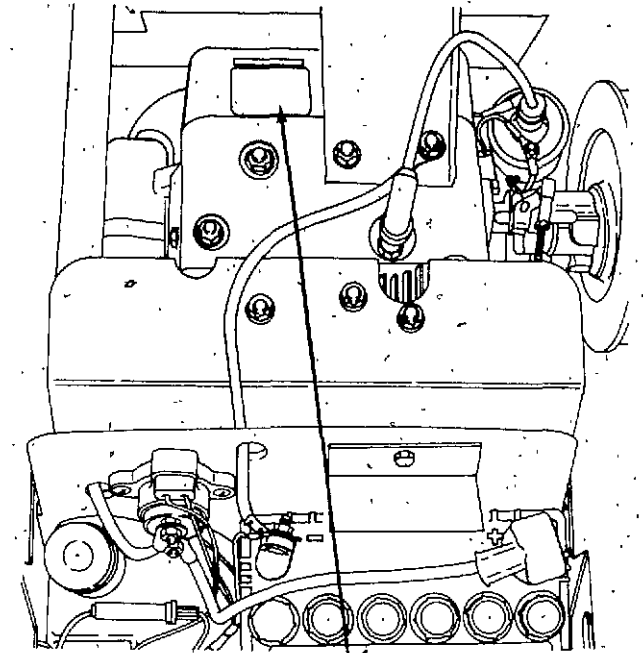
OIL

1	C 32776	OIL - SAE 30, SF, quart (12 per case)	1
2	C 32777	OIL - SAE 5W20, SF, quart (12 per case)	1
3	C 32778	OIL - SAE 20W40, SF, quart (12 per case)	1

PRODUCT IDENTIFICATION NUMBERS



TRACTOR MODEL AND SERIAL NUMBER



ENGINE MODEL, SERIAL AND SPECIFICATION NUMBER

TRACTOR MODEL	ENGINE MODEL
220	C26982 K-241-AS SPEC. PF46837
222	C26983 K-301-AS SPEC. PF47803
224-444	C26984 K-321-AS SPEC. PF 60410

NOTE: This catalog contains references to serial numbers. Use these serial numbers as a guide to order the correct part.

GENERAL INFORMATION

INDEX

There is an index at the front and rear of this catalog.

The front index is an alphabetical index of the major groups or assemblies.

The rear index is a numerical index of the part numbers and pages on which these numbers are shown.

ILLUSTRATION

Each illustration in this catalog shows a group of parts or components. These parts and components are aligned approximately as the parts and components on your machine. Each part and component in an illustration has a reference number. These reference numbers are in a list on the page opposite of the illustration. Next to the reference number is the part number, description and required quantity of the part shown in the illustration.

UAR - "Use as required" indicates that the part quantity is variable.

NSS - "Not sold separately" indicates that the part is only available as a component of an assembly or the part must be purchased locally. If the part is an assembly component, the description will be indented under the assembly description in the parts list.

O/L - "Obtain locally"

** - "Footnotes" are added to a part number when more information is needed for identification. They only relate to the part numbers indicated.

INDENTED DESCRIPTIONS

An assembly can have many components. The components of an assembly are indicated by an indented description. The quantity for an indented part is the total needed for that complete assembly. See the example.

REF.	PART NO.	DESCRIPTION	REQ'D
	C 55159	CYLINDER ASSY - rear steering	1
28	C 56208	SOCKET ASSY - rear cylinder	1
29	C 55956	PLUG - adjusting, socket assy	1
30	C 55957	SEAT - socket ball	2
31	C 56210	SPRING - socket	1
32	C 56209	SEAT - socket spring	1
33	G 45175	CLAMP ASSY - socket assy	1
	16- 836	BOLT - 1/2" x 2-1/4" N.F. hex	1
34	132- 104	PIN - cotter, 3/16" x 3"	1
35	C 55889	STUD - ball, socket & cylinder	2
36	13- 410	BOLT - 1/4" x 5/8" N.C., hex	4
37	92- 4	LOCK WASHER - 1/4" SAE	4

PARTS ORDERS

All orders must include the following information:

1. Correct part number.
2. Complete description of part or component.
3. Total quantity of each part or component.
4. Product model number.
5. All necessary product identification numbers.
6. Method for sending the parts.
7. Complete and correct address.

CATALOG REVISIONS

As the product changes, new pages will be available for your catalog. A notice will be issued.

IMPORTANT: Put all revisions into the catalog as soon as possible.

RIGHT HAND AND LEFT HAND IDENTIFICATION

The words right hand (RH) and left hand (LH) as used in this catalog indicate the direction while you are in the operator's seat in the normal operating position.

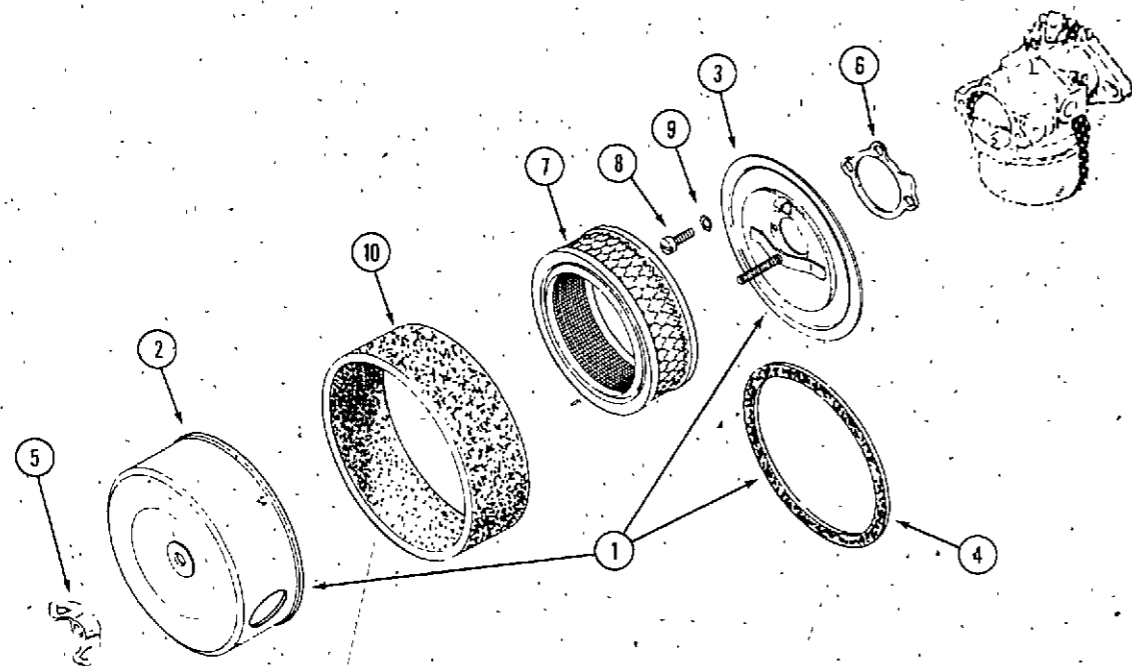
ALPHABETICAL INDEX

ENGINE SECTION

	Page	Grid		Page	Grid
Air Cleaner	5	A8	Flywheel	17-21	B6-B10
Battery	69-75	F2-F8	Fuel Pump	27	C2
Breaker Contacts	79	F12	Fuel Strainer	27	C2
Breather, Crankcase	7-9	A10-A12	Fuel System	27	C2
Camshaft	7-9	A10-A12	Gasket Kits	23	B12
Carburetor	27-29	C2-C4	Governor	31	C6
Connecting Rod	11-15	A14-B4	Muffler	5	A8
Crankshaft	11-15	A14-B4	Shields	25	B14
Cylinder Block	17-21	B6-B10	Oil Pan	17-21	B6-B10
Cylinder Head	17-21	B6-B10	Piston	11-15	A14-B4
Electrical System	69-79	F2-F12	Spark Plug	69-75	F2-F8
Engine Block & Attaching Parts	17-21	B6-B10	Starter	67	E14
Electrical System	5	A8	Tank, Fuel	27	C2
Fan	35	C10	Throttle Control	31	C6
Filter, Breather	7-9	A10-A12	Valves	7-9	A10-A12

BASIC TRACTOR SECTION

	Page	Grid		Page	Grid
Axle, Front	43	D4	J17 and L17 Hydraulic PTO	101-103	A6-A8
Axle, Rear	51	D12	L7 Holding Valve	109	A14
Baffles & Shroud	25	B14	L29 PTO	111	B2
Brakes	47	D8	M9 Holding Valve	109	A14
Control, Speed	65	E12	M19 Flow Control Valve Kit	107	A12
Decals	81-87	F14-G6	Models K8 & K10 Wheel		
Electrical System	69-79	F2-F12	Weights	89	G8
Fenders	41	D2	Model J26 Three Point Hitch	93-95	G12-G14
Framé	37-39	C12-C14	Model F27 Three Point Hitch		
Grille	37-39	C12-C14	Adapter	95	G14
Hitch	49	D10	Model H13 Weight Box	99	A4
Hood	37-39	C12-C14	Model H18 Counterweight		
Hydraulics	53-63	D14-E10	Brackets	99	A4
Coupling, Pump Drive	57	E4	Model J30 Hydraulic Lift	91	G10
Hoses, Lines & Fittings	53-55	D14-E2	Model K22 and K24		
Motor, Hydraulic Drive	63	E10	Sleeve Hitch	97	A2
Pump	57	E4	Mounts, Engine	31	C6
Valve, Control	59-61	E6-E8	Mounts, Heat Exchanger	25	B14
Linkage, Valve, Control	65	E12	N9 Holding Valve	109	A14
Implement Lift Lever	49	D10	N19 Flow Control Valve Kit	107	A12
Instruments	69-75	F2-F8	PTO Clutch	33-35	C8-C10
			Reflector, rear	77	F10
			Seat, Operator's	41	D2
			Steering Wheel & Gear	45	D6
			Tool Box	41	D2
			Transmission	51	D12
			Wheels, Front & Rear	47	D8

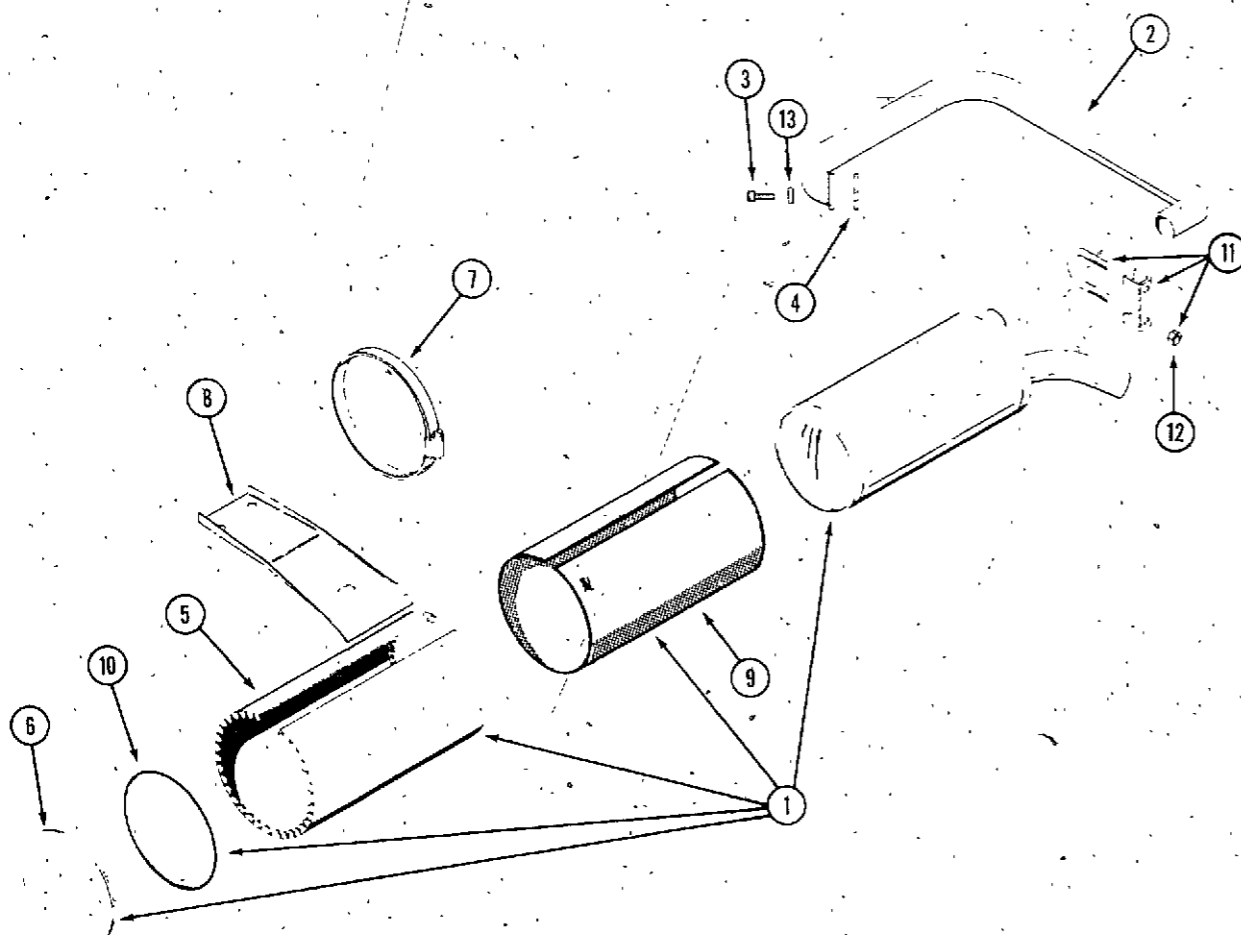


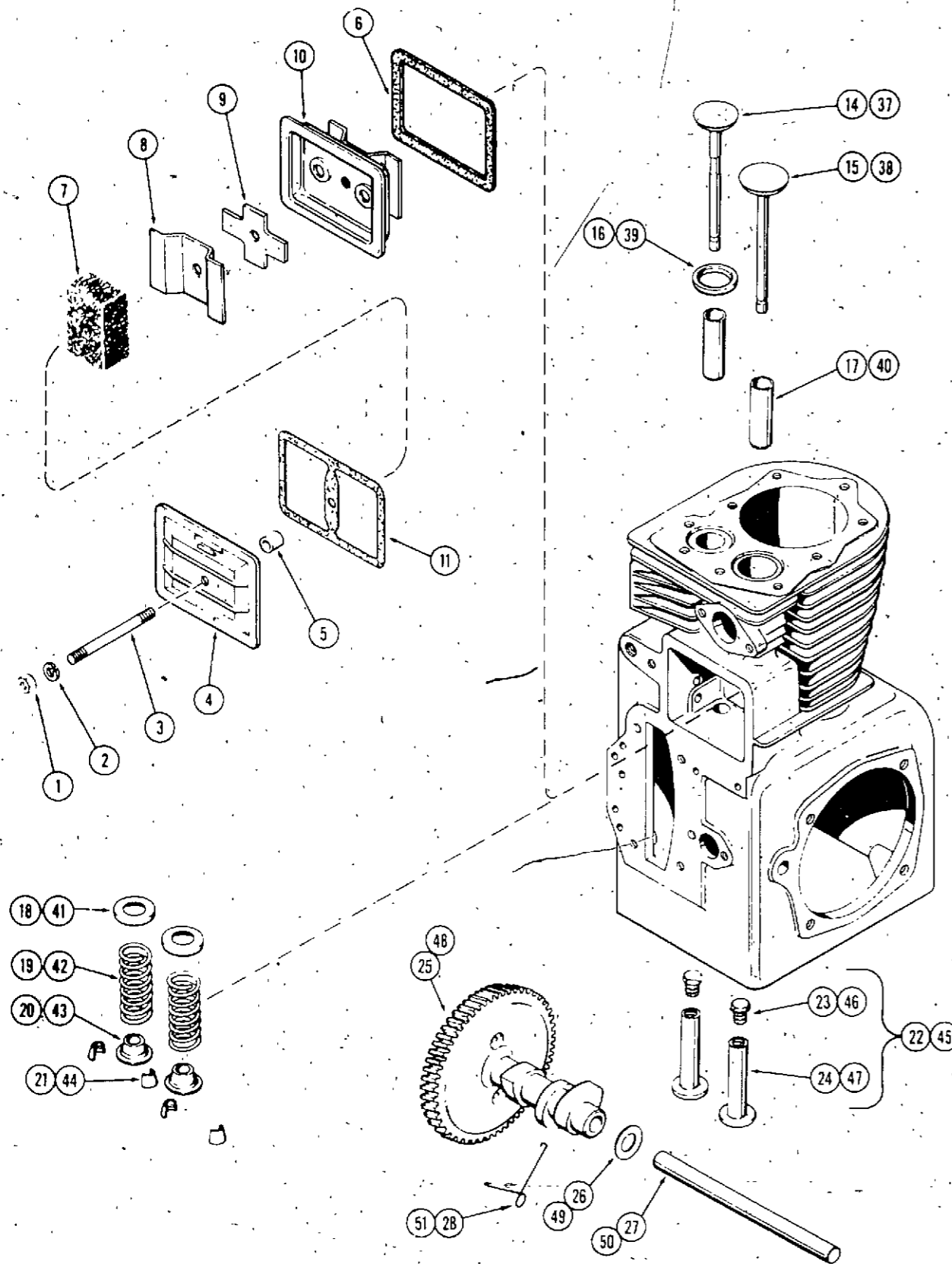
AIR CLEANER

REF.	PART NO.	DESCRIPTION	REQ'D
1	KO 237895	AIR CLEANER ASSEMBLY	1
2	NSS	COVER - air cleaner (order KO237895)	1
3	NSS	BASE - air cleaner (order KO237895)	1
4	KO 237423	GASKET - cover, air cleaner	1
5	C 26703	NUT - wing 1/4" N.C.	1
6	KO 275341	GASKET - air horn	1
7	C 28883	ELEMENT - air cleaner	1
8	177- 94	SCREW - fillister head 10-32 x 5/16"	3
9	193- 6	LOCKWASHER - ext. tooth # 10	3
10	KO 237421	PRE-CLEANER	1

EXHAUST SYSTEM

REF.	PART NO.	DESCRIPTION	REQ'D
1	C 26063	MUFFLER ASSEMBLY - exhaust (includes items 9, 10, 13 and 14 banded together)	1
2	C 22747	PIPE - engine exhaust	1
3	61- 512	BOLT - 5/16" x 5/8" socket head	2
4	C 10372	GASKET - exhaust	1
5	C 26062	WRAPPER - muffler	1
6	C 22889	COVER - muffler end	1
7	214- 272	CLAMP - muffler and wrapper mounting	3
8	C 22819	BRACKET - muffler mounting	1
9	C 26058	INSULATION - muffler	1
10	C 29290	INSULATION - muffler end	1
11	C 28294	CLAMP - muffler	1
12	129- 102	NUT - 5/16" - 18 hex	2
13	192- 404	LOCK WASHER - 5/16"	2





220 AND 222 CRANKCASE BREATHER

REF.	PART NO.	DESCRIPTION	REQ'D
1	129- 101	NUT - 1/4" N.C. hex	1
2	192- 19	LOCK WASHER - 1/4"	1
3	KO 275220	STUD - valve cover	1
4	KO 275143	COVER - valve	1
5	KO 231032	SEAL - breather	1
6	KO 235048	GASKET - breather plate	1
7	KO 235118	FILTER - breather	1
8	KO 235117	BAFFLE - breather	1
9	KO 235047	REED - breather	1
10	KO 235631	PLATE - breather	1
11	KO 275144	GASKET - valve cover	1

220 CAMSHAFT AND VALVES

14	KO 235826	VALVE - exhaust	1
15	KO 235008	VALVE - intake	1
16	KO 230170	INSERT - exhaust valve seat	1
17	KO 235007 S	GUIDE - valve	2
18	KO 235011	SEAT - valve spring	2
19	KO 235010	SPRING - valve	2
20	KO 230011	RETAINER - valve spring	2
21	C 24884	KIT - valve retainer (includes both halves)	2
22	KOD 235327	LIFTER ASSEMBLY	2
23	NSS	SCREW - tappet adjusting	1
24	NSS	LIFTER - valve	1
25	C 25043	CAMSHAFT ASSEMBLY	1
26	KO 275066	SPACER - camshaft, .005" (0.13 mm)	UAR
26	KO 275067	SPACER - camshaft, .010" (0.25 mm)	UAR
27	C 30487	PIN - camshaft	1
28	C 28680	SPRING - actuating	1

222 CAMSHAFT AND VALVES

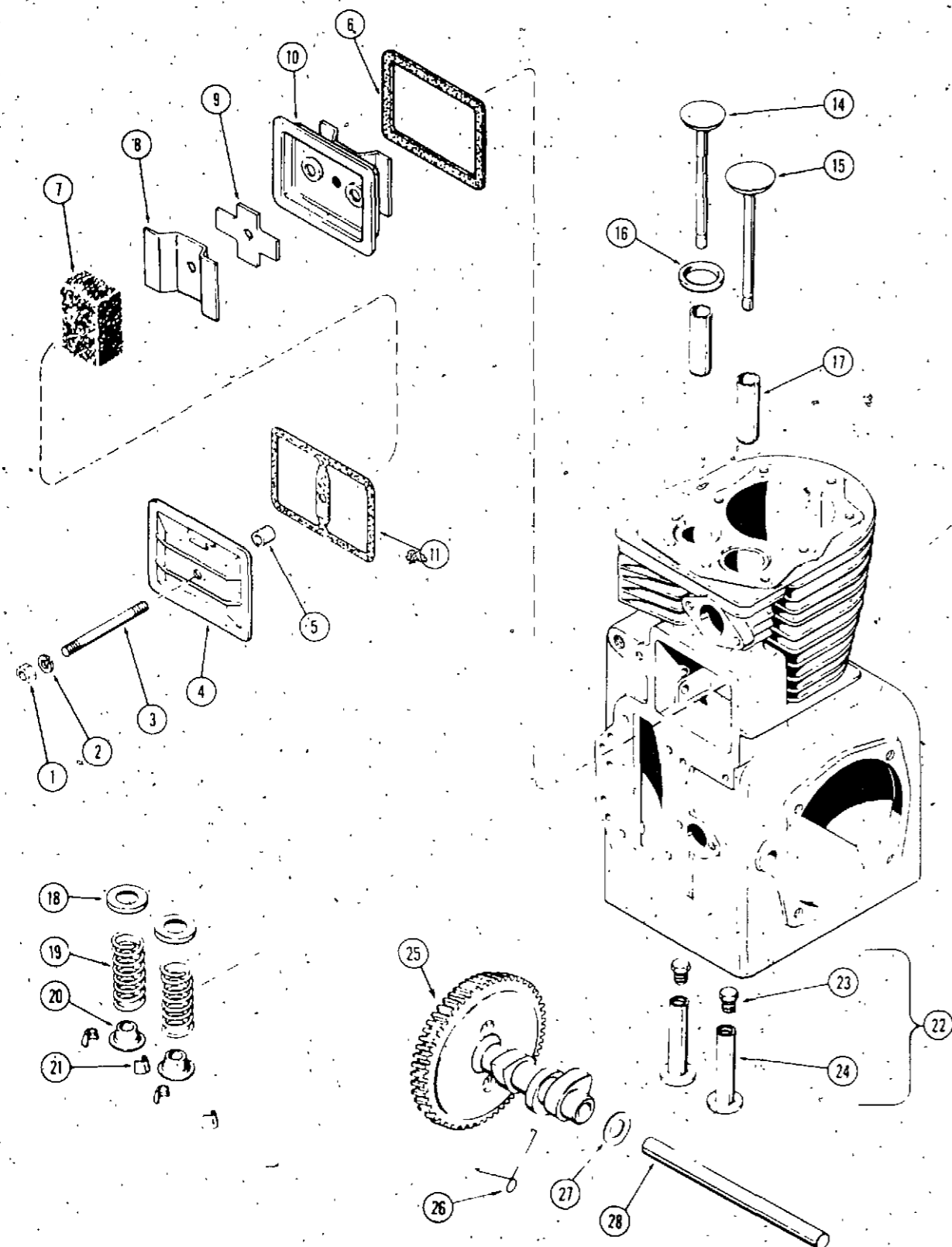
REF.	PART NO.	DESCRIPTION	REQ'D
37	KO 235826	VALVE - exhaust	1
38	KO 235008	VALVE - intake	1
39	KO 230170	INSERT - exhaust valve seat	1
40	KO 235007 S	GUIDE - valve	2
41	KO 235011	SEAT - valve spring	2
42	KO 235010	SPRING - valve	2
43	KO 230011	RETAINER - valve spring	2
44	C 24884	KIT - valve retainer (includes both halves)	2
45	KOD 235327	LIFTER ASSEMBLY	2
46	NSS	SCREW - tappet adjusting	1
47	NSS	LIFTER - valve	1
48	C 25043	CAMSHAFT ASSEMBLY	1
49	KO 275066	SPACER - camshaft, .005" (0.13 mm)	UAR
49	KO 275067	SPACER - camshaft, .010" (0.25 mm)	UAR
50	C 30487	PIN - camshaft	1
51	C 28680	SPRING - actuating	1

224 AND 444 CRANKCASE BREATHER

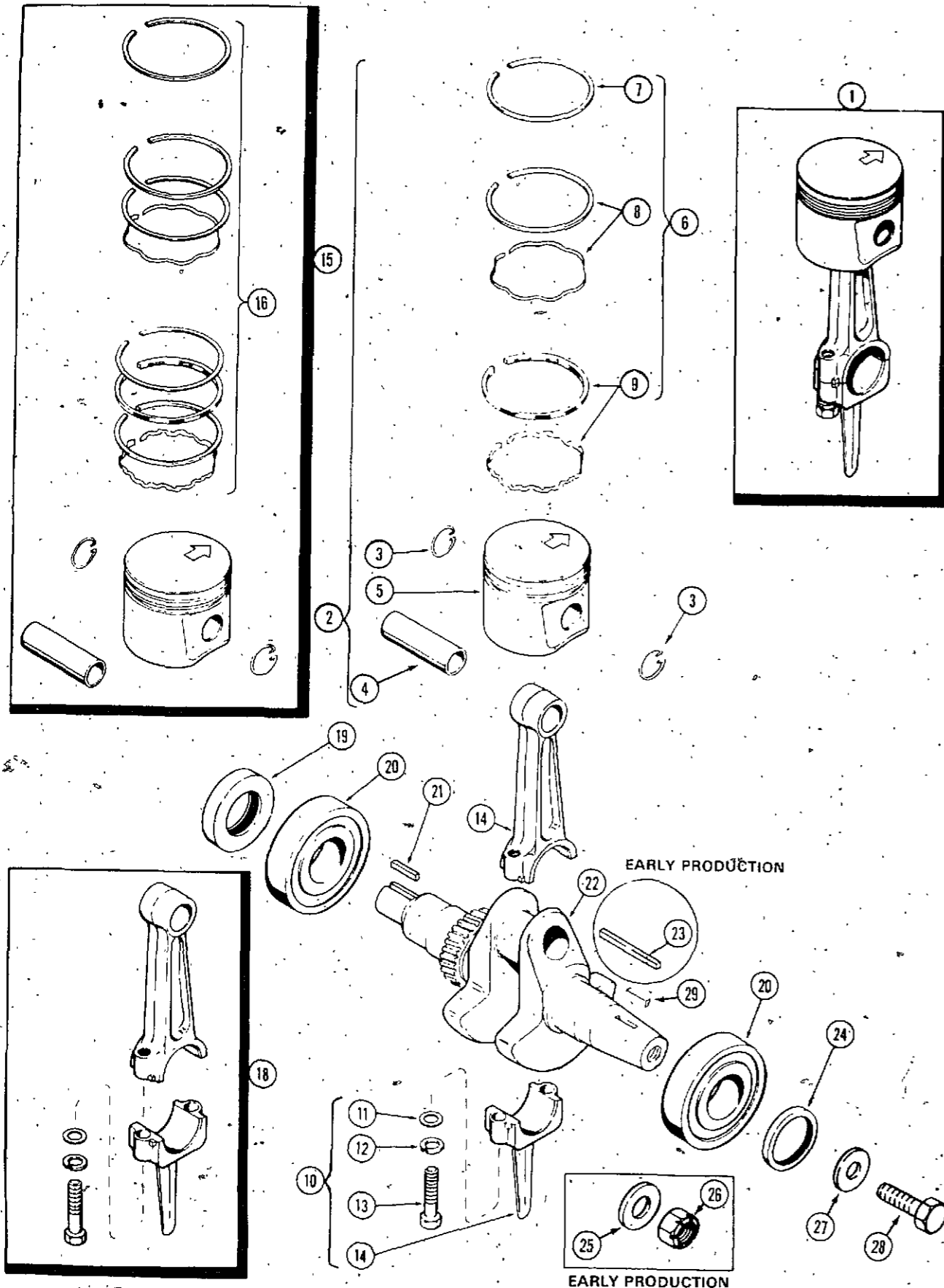
REF.	PART NO.	DESCRIPTION	REQ'D
1	129- 101	NUT - 1/4" N.C. hex	1
2	192- 19	LOCK WASHER - 1/4"	1
3	KO 275220	STUD - valve cover	1
4	KO 275143	COVER - valve	1
5	KO 235048	SEAL - breather	1
6	KO 235048	GASKET - breather plate	1
7	KO 235118	FILTER - breather	1
8	KO 235117	BAFFLE - breather	1
9	KO 235047	REED - breather	1
10	KO 235631	PLATE - breather	1
11	KO 275144	GASKET - valve cover	1

224 AND 444 CAMSHAFT AND VALVES

REF.	PART NO.	DESCRIPTION	REQ'D
14	KO 237672	VALVE - exhaust	1
15	KO 235582	VALVE - intake	1
16	KO 230170	INSERT - exhaust valve seat	1
17	KO 235007 S	GUIDE - valve	2
18	KO 235011	SEAT - valve spring	2
19	KO 235168	SPRING - valve	2
20	KO 230020	ROTATOR - valve (Furnished in pairs only)	2
21	C 24884	KIT - valve retainer (includes both halves)	2
22	KOD 235327	LIFTER ASSEMBLY	2
23	NSS	SCREW - tappet adjusting	1
24	NSS	LIFTER - valve	1
25	C 25043	CAMSHAFT ASSEMBLY	1
26	C 28680	SPRING - actuating	1
27	KO 275066	SPACER - camshaft, .005" (0.13 mm)	UAR
27	KO 275067	SPACER - camshaft, .010" (0.25 mm)	UAR
28	C 30487	PIN - camshaft	1

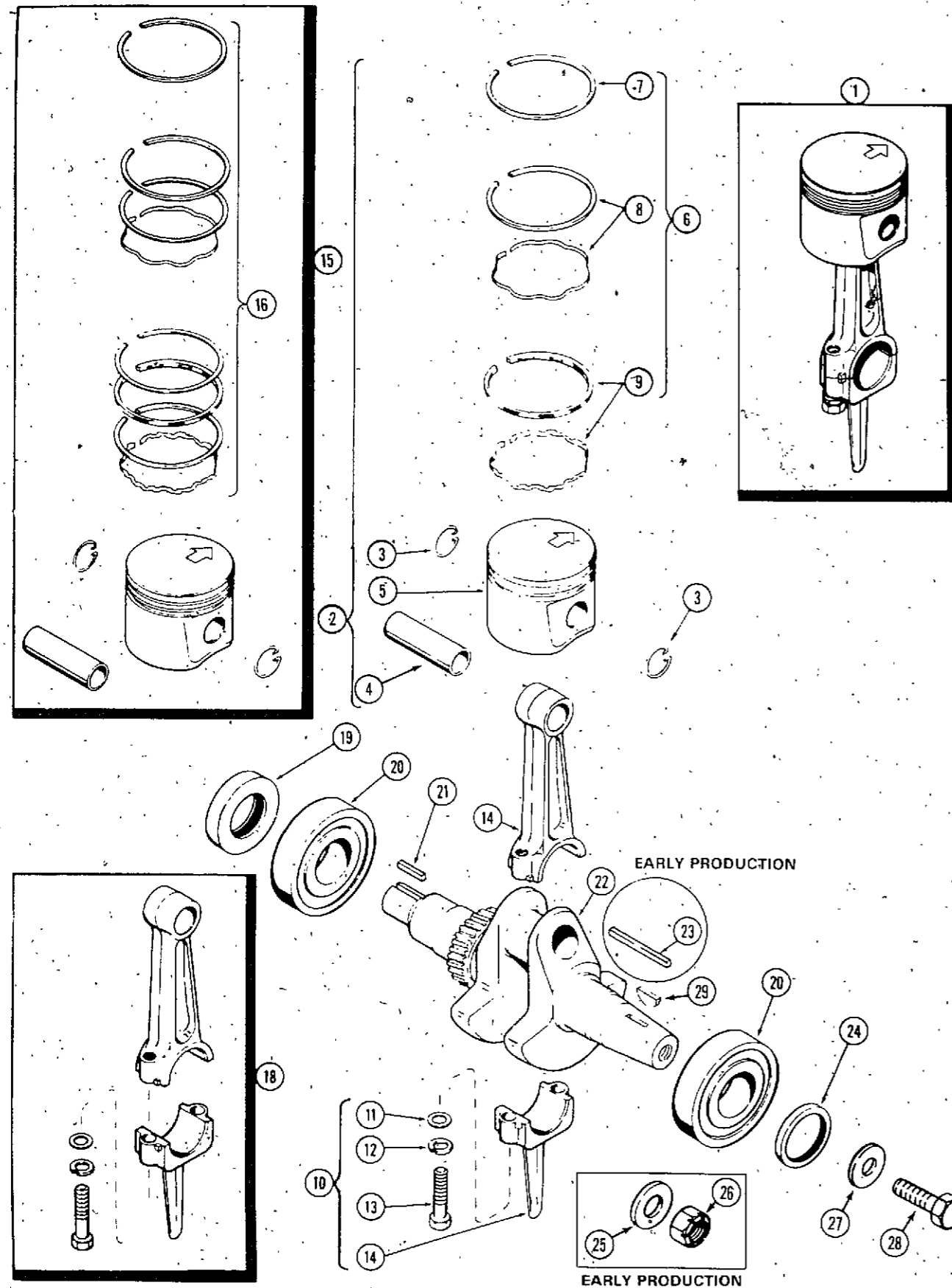


220 CRANKSHAFT, PISTON - CONNECTING ROD



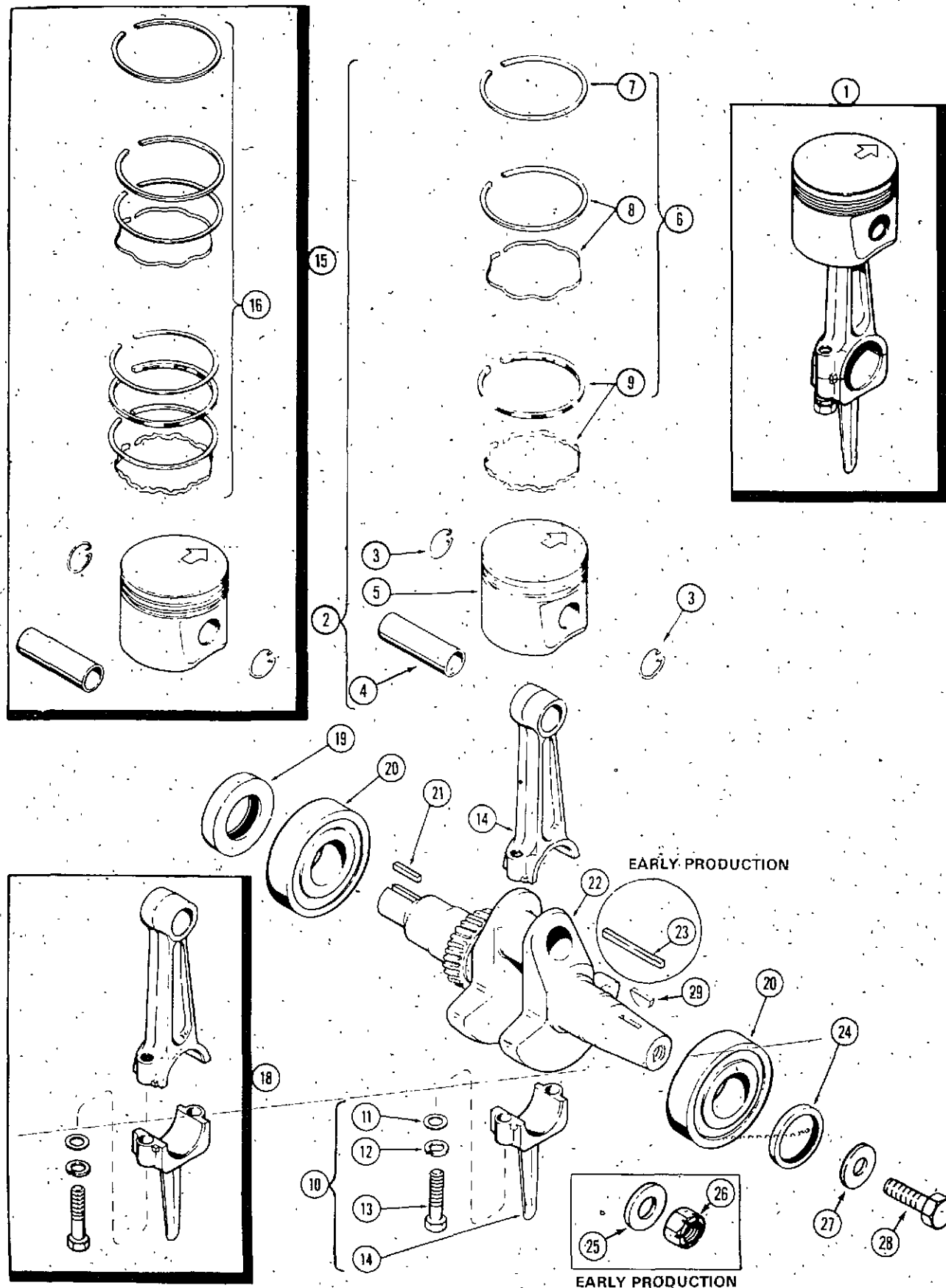
REF.	PART NO.	DESCRIPTION	REQ'D
1	NSS	PISTON AND ROD ASSEMBLY (Std. size)	1
2	C 29516	PISTON ASSEMBLY (For oversize, see item 15)	1
3	KO 235004	RETAINER - piston pin	2
4	NSS	PIN - piston	1
5	NSS	PISTON	1
6	KO 235287	RING SET - piston (For oversize, see item 16)	1
7	NSS	RING - top compression	1
8	NSS	RING - 2nd compression (Includes expander)	1
9	NSS	RING - oil (Includes expander)	1
10	C 30484	CONNECTING ROD ASSEMBLY (For undersize, see item 18)	1
11	KO 235003	WASHER - special	2
12	192- 21	LOCK WASHER	2
13	NSS	SCREW - cap connecting rod	2
14	NSS	ROD - connecting	1
15	C 29518	PISTON ASSEMBLY - .010" (0.25 mm) oversize	1
15	C 29519	PISTON ASSEMBLY - .020" (0.51 mm) oversize	1
15	C 29520	PISTON ASSEMBLY - .030" (0.76 mm) oversize	1
15	C 29517	PISTON ASSEMBLY - .003" (0.08 mm) oversize (use std. ring set)	1
16	KO 235288	RING SET - piston .010" (0.25 mm) oversize	1
16	KO 235289	RING SET - piston .020" (0.51 mm) oversize	1
16	KO 235290	RING SET - piston .030" (0.76 mm) oversize	1
18	C 18101	CONNECTING ROD ASSEMBLY - .010" (0.25 mm) undersize	1
19	C 28678	OIL SEAL - crankshaft rear	1
20	C 28669	BEARING - ball, crankshaft	2
21	C 28321	KEY - 1/4" Sq. x 3/4" (Pump Coupling)	1
22	C 29025	KIT - crankshaft includes hardware, ref. 27, 28	1
23	C 28289	KEY - flat 3/16" x 3/16" x 3/4" (Flywheel)	1
24	C 32891	OIL SEAL - crankshaft, front	1
25	C 26421	WASHER - 5/8"	1
26	131- 580	NUT - special Marsden 5/8" N.F.	1
27	C 29812	WASHER - flat	1
28	28- 620	BOLT - 3/8" - 24 x 1-1/4"	1
29	NSS 22	KEY - 3/16" x 1" Woodruff, flywheel (obtain locally)	1

222 CRANKSHAFT, PISTON — CONNECTING ROD



REF.	PART NO.	DESCRIPTION	REQ'D
1	NSS	PISTON AND ROD ASSEMBLY (Std. size)	1
2	C 29521	PISTON ASSEMBLY (For oversize, see item 15)	1
3	KO 235004	RETAINER - piston pin	2
4	NSS	PIN - piston	1
5	NSS	PISTON	1
6	KO 235889	RING SET - piston (For oversize, see item 16)	1
7	NSS	RING - top compression	1
8	NSS	RING - 2nd compression (Includes expander)	1
9	NSS	RING - oil (Includes expander)	1
10	C 30483	CONNECTING ROD ASSEMBLY (For undersize, see item 18)	1
11	KO 235003	WASHER - special	2
12	192- 21	LOCK WASHER	2
13	NSS	SCREW - cap, connecting rod	2
14	NSS	ROD - connecting	1
15	C 29523	PISTON ASSEMBLY - .010" (0.25 mm) oversize	1
15	C 29524	PISTON ASSEMBLY - .020" (0.51 mm) oversize	1
15	C 29525	PISTON ASSEMBLY - .030" (0.76 mm) oversize	1
15	C 29522	PISTON ASSEMBLY - .003" (0.08 mm) oversize (use std. ring set)	1
16	KO 235890	RING SET - piston .010" (0.25 mm) oversize	1
16	KO 235891	RING SET - piston .020" (0.51 mm) oversize	1
16	KO 235892	RING SET - piston .030" (0.76 mm) oversize	1
18	C 23135	CONNECTING ROD ASSEMBLY - .010" (0.25 mm) undersize	1
19	C 28678	OIL SEAL - crankshaft rear	1
20	C 28669	BEARING - ball, crankshaft	2
21	C 28321	KEY - 1/4" Sq. x 3/4" (Pump Coupling)	1
22	KOB 235949	KIT - crankshaft (includes hardware, ref 27, 28)	1
23	C 28289	KEY - flat 3/16" x 3/16" x 3/4" (Flywheel)	1
24	C 32891	OIL SEAL - crankshaft, front	1
25	C 26421	WASHER - 5/8"	1
26	131- 580	NUT - special Marsden 5/8" N.F.	1
27	C 29812	WASHER - flat	1
28	28- 620	BOLT - 3/8" - 24 x 1-1/4"	1
29	NSS	KEY - 3/16" x 1" Woodruff (Flywheel) (obtain locally)	1

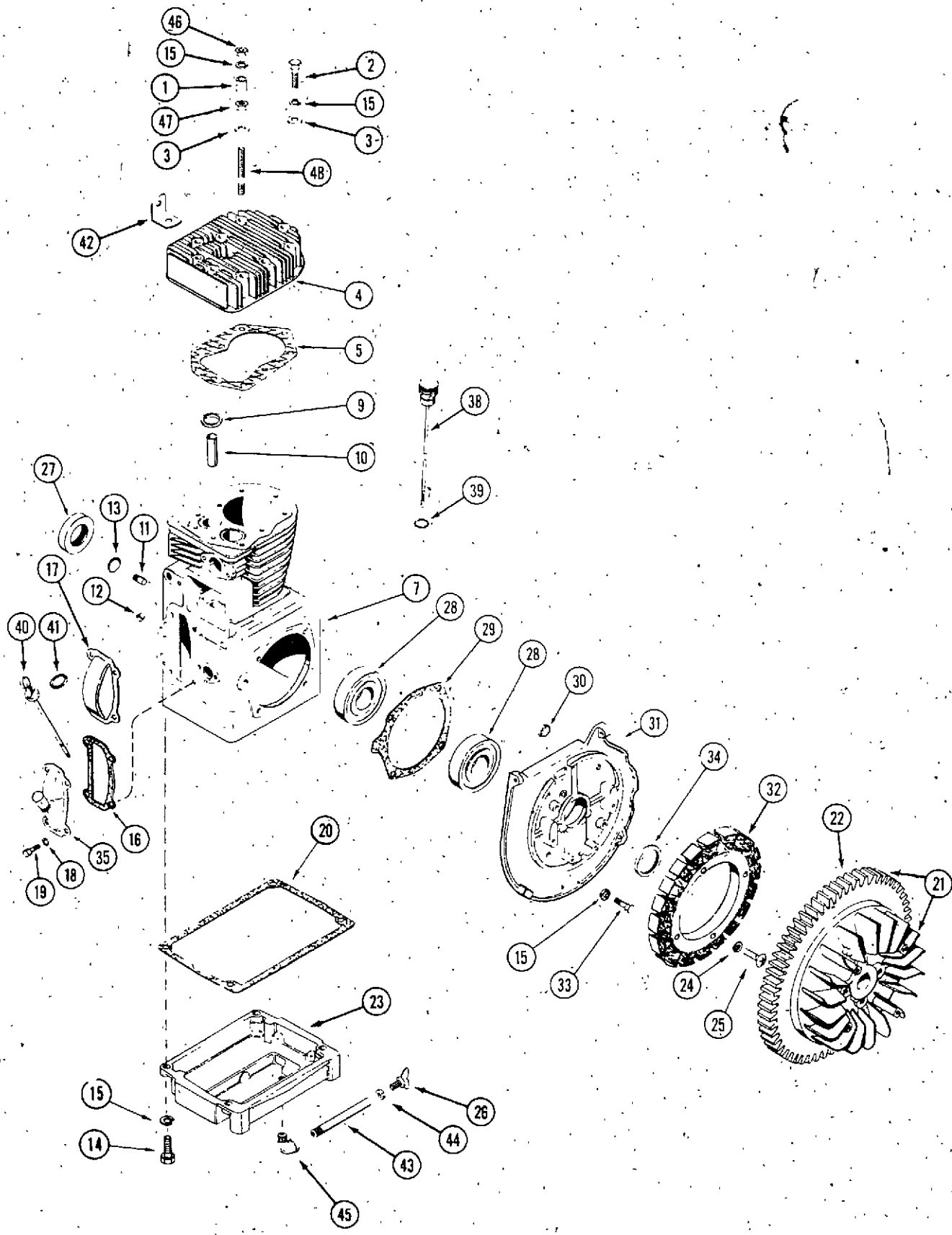
224 AND 444 CRANKSHAFT, PISTON — CONNECTING ROD



REF.	PART NO.	DESCRIPTION	REQ'D
1	NSS	PISTON AND ROD ASSEMBLY (Std. size)	1
2	C 29526	PISTON ASSEMBLY (For oversize; see item 15)	1
3	KO 235004	RETAINER - piston pin	2
4	NSS	PIN - piston	1
5	NSS	PISTON	1
6	KO 236763	RING SET - piston (For oversize, see item 16)	1
7	NSS	RING - top compression	1
8	NSS	RING - 2nd compression (Includes expander)	1
9	NSS	RING - oil (Includes expander)	1
10	C 30483	CONNECTING ROD ASSEMBLY (For undersize, see item 18)	1
11	KO 235003	WASHER - special	2
12	192- 21	LOCK WASHER - 3/8"	2
13	NSS	SCREW - cap, connecting rod	2
14	NSS	ROD - connecting	1
15	C 29528	PISTON ASSEMBLY - .010" (0.25 mm) oversize	1
15	C 29529	PISTON ASSEMBLY - .020" (0.51 mm) oversize	1
15	C 29530	PISTON ASSEMBLY - .030" (0.76 mm) oversize	1
15	C 29527	PISTON ASSEMBLY - .003" (0.08 mm) oversize (use std. ring set)	1
16	KO 236764	RING SET - piston .010" (0.25 mm) oversize	1
16	KO 236765	RING SET - piston .020" (0.51 mm) oversize	1
16	KO 236766	RING SET - piston .030" (0.76 mm) oversize	1
18	C 23135	CONNECTING ROD ASSEMBLY - .010" (0.25 mm) undersize	1
19	C 28678	OIL SEAL - crankshaft, rear	1
20	C 28669	BEARING - ball, crankshaft	2
21	C 28321	KEY - 1/4" Sq. x 3/4" (Pump Coupling)	1
22	C 30504	KIT - crankshaft (includes hardware, ref. 27, 28)	1
23	C 28289	KEY - flat 3/16" x 3/16" x 3/4" (Flywheel)	1
24	C 32891	OIL SEAL - crankshaft, front	1
25	C 26421	WASHER - 5/8"	1
26	131- 580	NUT - special Marsden 5/8" N.F.	1
27	C 29812	WASHER - flat	1
28	28- 620	BOLT - 3/8" - 24 x 1-1/4"	1
29	NSS	KEY - 3/16" x 1" woodruff (flywheel) obtain locally	1

220 ENGINE BLOCK AND ATTACHING PARTS

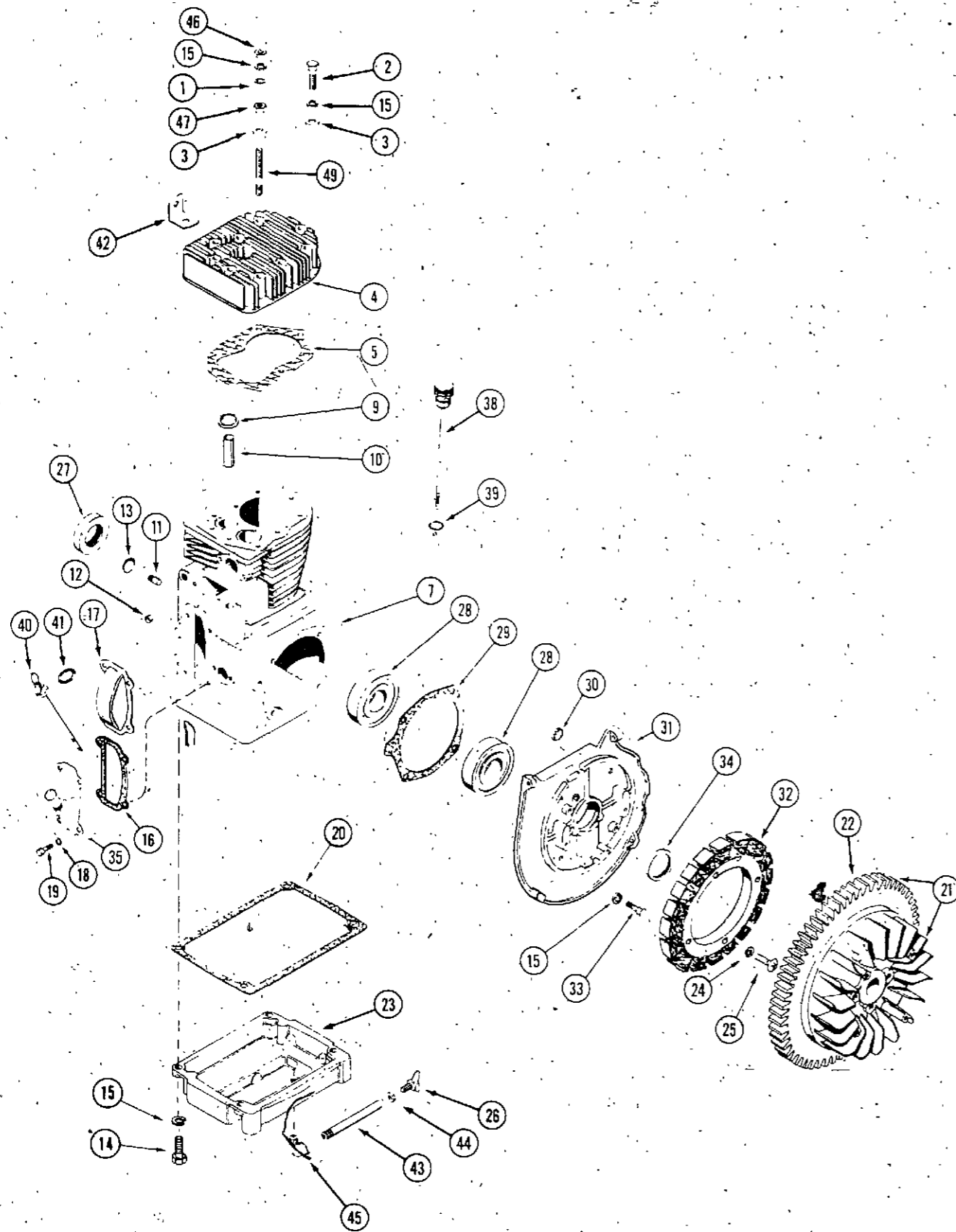
NOTE: To order complete engine see page 1.



REF.	PART NO.	DESCRIPTION	REQ'D
1	C 21814	SPACER - cylinder head	6
2	KO 270158	BOLT - cylinder head	2
3	KO 270889	WASHER - cylinder head	9
4	KO 236675	HEAD - cylinder	1
5	C 30482	GASKET - head	1
7	C 27283	BLOCK ASSEMBLY - cylinder, short (Includes crankshaft, piston assembly, ring set, crankshaft seals, rod assembly, camshaft assembly, valves, bearings, plate and plate gasket, governor gear assembly and cross shaft) (also includes gaskets and hardware for mtg. flywheel)	1
9	KO 230170	INSERT - exhaust valve	1
10	KO 235007 S	GUIDE - valve	2
11	KO 235125 S	SHAFT - stub, governor	1
12	C 28691	BEARING - needle, governor shaft	1
13	41- 18	PLUG - expansion	1
14	113- 209	BOLT - 3/8" x 1-1/2" N.C. hex plated	4
15	192- 21	LOCK WASHER - 3/8" plated	17
16	KO 235025	GASKET - camshaft cover	1
17	KO 235026	COVER - camshaft gear	1
18	192- 19	LOCK WASHER - 1/4" plated	4
19	113- 1	BOLT - 1/4" x 1/2" N.C. plated	4
20	KO 235353	GASKET - oil pan	1
21	C 27279	FLYWHEEL ASSEMBLY	1
22	NSS	RING GEAR	1
23	C 22699	BASE - oil pan	1
24	192- 18	LOCK WASHER - internal tooth	4
25	C 32947	SCREW - stator #10 - 24 x 3/4"	4
26	C 14399	PLUG - oil drain	1
27	C 28678	OIL SEAL - crankshaft rear	1
28	C 28669	BEARING - ball, crankshaft	2
29	KO 235757	GASKET - bearing plate	1
29	KO 235070	GASKET - shim, .010 (0.25 mm)	1
30	NSS	PLUG - button, timing hole (obtain locally)	1
31	C 24290	PLATE - bearing	1
32	C 28692	STATOR - 15 amp	1
32	C 25338	CONNECTOR - stator	1
33	113- 207	BOLT - 3/8" x 1" N.C. plated	4
34	C 32891	OIL SEAL - crankshaft front	1
35	C 24490	FILLER TUBE - crankcase	1
38	NSS	DIPSTICK ASSEMBLY (use C30868 kit, includes plug)	1
39	C 28217	"O" RING - dipstick	1
40	C 24491	DIPSTICK - oil	1
41	C 28217	"O" RING - dipstick	1
42	KO 235748	STRAP - lifting	1
43	C 18814	NIPPLE - oil drain extension	1
44	C 14906	GASKET - plug, oil drain	1
45	221- 1412	ELBOW - street	1
46	129- 143	NUT - 3/8" N.C. hex, jam	6
47	129- 103	NUT - 3/8" N.C. hex	6
48	KO 237277	STUD - cylinder head	7
41-	1015	PLUG - welch 15/16" x 1/2" (use to plug dipstick hole)	1

222 ENGINE BLOCK AND ATTACHING PARTS

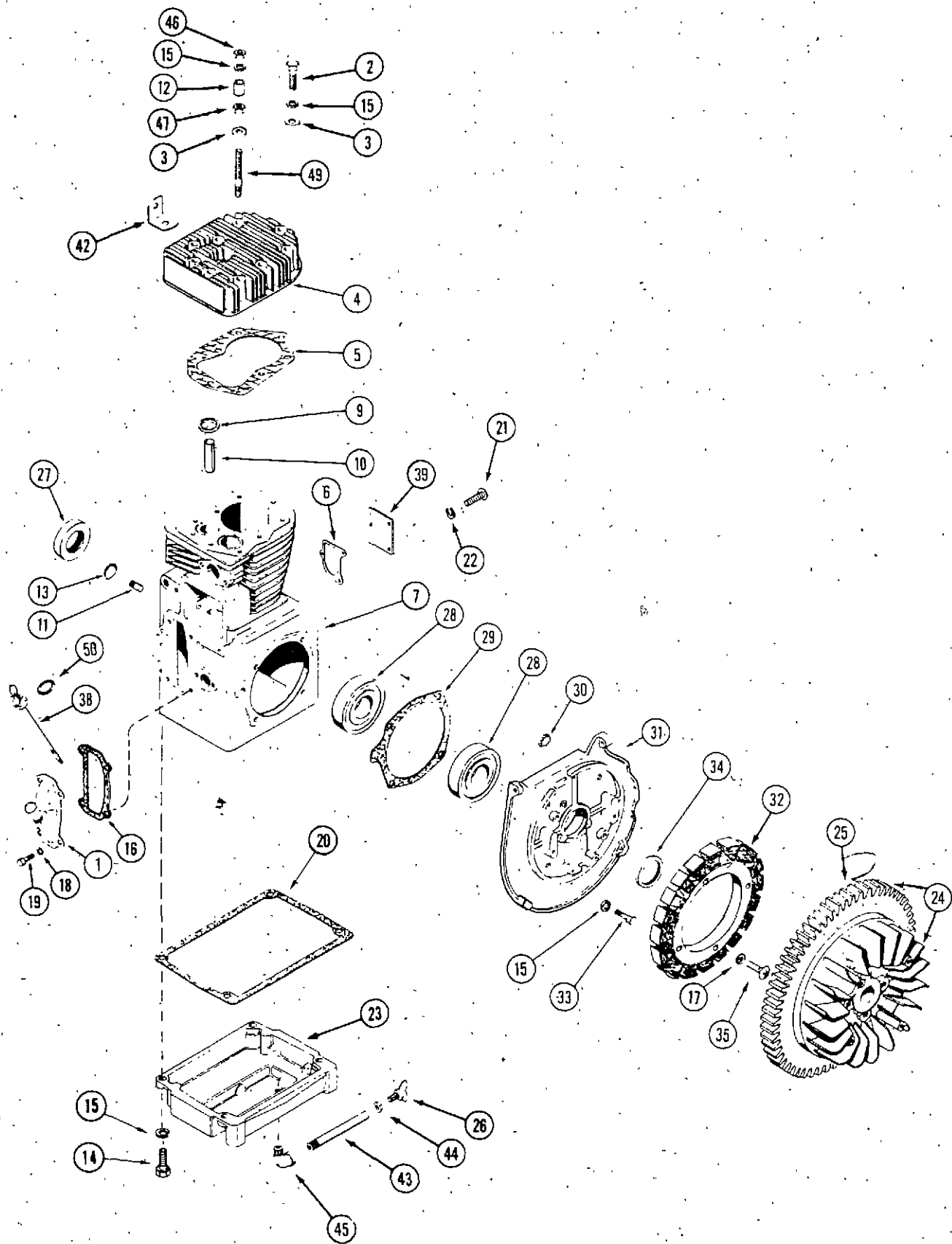
NOTE: To order complete engine see page 1.



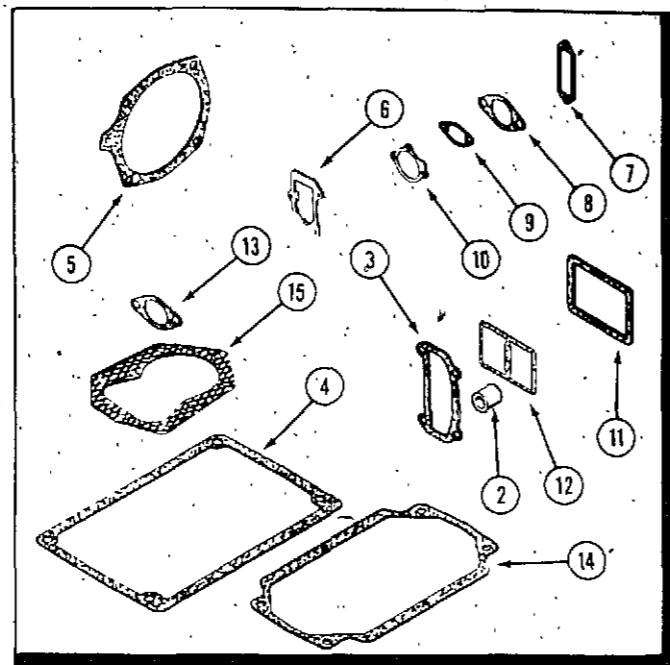
REF.	PART NO.	DESCRIPTION	REQ'D
1	C 21814	SPACER - cylinder head	6
2	KO 270158	BOLT - cylinder head 3/8" x 1-1/2" N.C. hex	2
3	KO 270889	WASHER - cylinder head	9
4	KO 237670	HEAD - cylinder	1
5	C 30482	GASKET - head	1
7	C 30505	BLOCK ASSEMBLY - cylinder, short (Includes crankshaft, piston assembly, ring set; crankshaft seals, rod assembly, camshaft assembly, valves, bearings, plate and plate gasket, governor gear assembly and cross shaft) (also includes gasket set) and hardware for mtg. flywheel	1
9	KO 230170	INSERT - exhaust valve	1
10	KO 235007 S	GUIDE - valve	2
11	KO 235125 S	SHAFT - stub, governor	1
12	C 28691	BEARING - needle, governor shaft	1
13	41- 18	PLUG - expansion	1
14	113- 209	BOLT - 3/8" x 1-1/2" N.C. hex plated	4
15	192- 21	LOCK WASHER - 3/8" plated	17
16	KO 235025	GASKET - camshaft cover	1
17	KO 235026	COVER - camshaft gear	1
18	192- 19	LOCK WASHER - 1/4" plated	4
19	113- 1	BOLT - 1/4" x 1/2" N.C. plated	4
20	KO 235353	GASKET - oil pan	1
21	C 27279	FLYWHEEL ASSEMBLY	1
22	NSS	RING GEAR	1
23	C 22699	BASE - oil pan	1
24	192- 18	LOCK WASHER - internal tooth	4
25	C 32947	SCREW - stator	4
26	C 14399	PLUG - oil drain	1
27	C 28678	OIL SEAL - crankshaft rear	1
28	C 28669	BEARING - ball, crankshaft	2
29	KO 235757	GASKET - bearing plate	6
29	KO 235070	GASKET - shim, .010" (0.25 mm)	1
30	NSS	PLUG - button, timing hole (obtain locally)	1
31	C 24290	PLATE - bearing	1
32	C 28692	STATOR	1
	C 25338	CONNECTOR - stator	1
33	113- 207	BOLT - 3/8" x 1" N.C. plated	4
34	C 32891	OIL SEAL - crankshaft, front	1
35	C 24490	FILLER TUBE - crankcase	1
38	NSS	DIPSTICK ASSEMBLY (use C30868 kit - includes welsh plug)	1
39	C 28217	"O" RING - dipstick	1
40	C 24491	DIPSTICK - oil	1
41	C 28217	"O" RING - dipstick	1
42	KO 235748	STRAP - lifting	1
43	C 18814	NIPPLE - oil drain extension	1
44	C 14906	GASKET - plug, oil drain	1
45	221- 1412	ELBOW - street	1
46	129- 143	NUT - 3/8" N.C. hex, jam	6
47	129- 103	NUT - 3/8" N.C. hex	6
49	KO 237277	STUD - cylinder head	7

224 AND 444 ENGINE BLOCK AND ATTACHING PARTS

NOTE: To order complete engine see page 1.

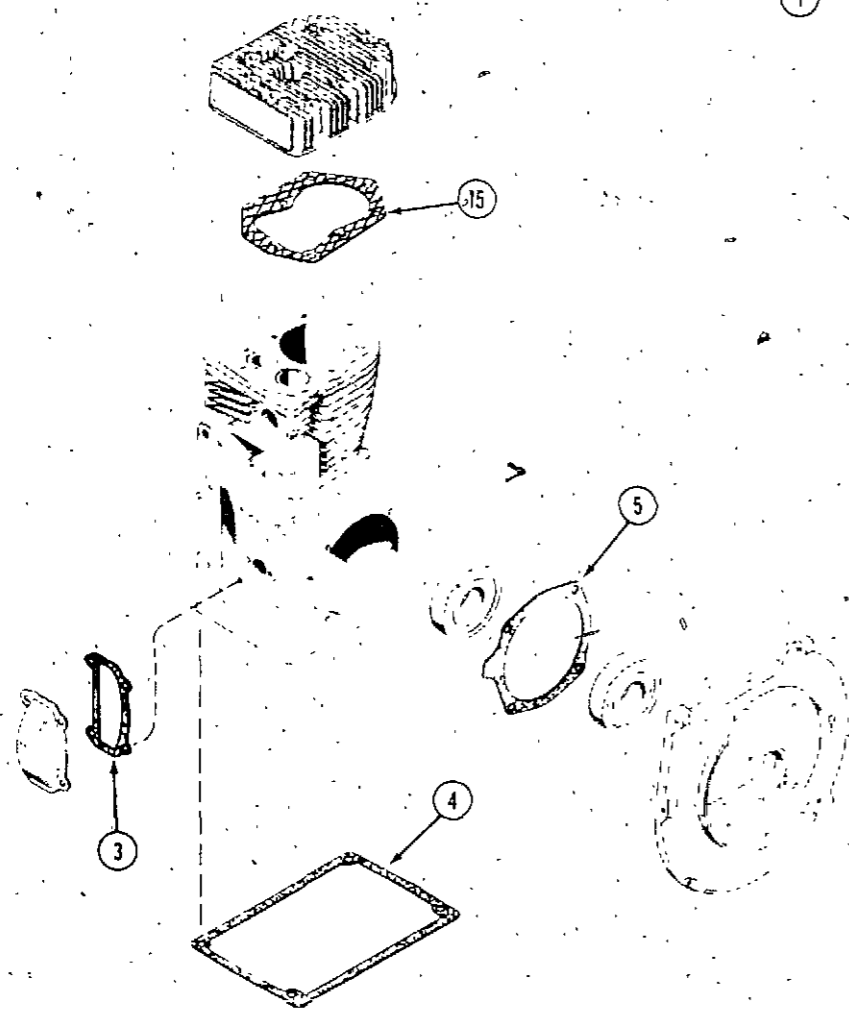


REF.	PART NO.	DESCRIPTION	REQ'D
1	C 24490	FILLER TUBE	1
2	KO 270158	BOLT - cylinder head special 3/8" x 1-1/2" N.C. hex	2
3	KO 270889	WASHER - cylinder head bolt	9
4	KO 237670	HEAD - cylinder	1
5	C 30482	GASKET - head	1
6	KO 237064	GASKET - filler tube	1
7	C 30506	BLOCK ASSEMBLY - cylinder, short (Includes crankshaft and seals, ring set, piston assembly, rod assembly, camshaft assembly, valves, bearing, plate and plate gasket, governor gear assembly and cross shaft) (also includes gasket set) and hardware for mtg. flywheel	1
9	KO 230170	INSERT - exhaust valve	1
10	KO 235007 S	GUIDE - valve	2
11	KO 235125 S	SHAFT - stub, governor	1
12	C 21814	SPACER - cylinder head	1
13	41- 18	PLUG - expansion	1
14	113- 209	BOLT - 3/8" x 1-1/2" N.C. hex plated	4
15	192- 21	LOCK WASHER - 3/8" plated	4
16	KO 235025	GASKET - camshaft cover, oil fill tube	1
17	192- 18	LOCK WASHER	4
18	192- 19	LOCK WASHER - 1/4" plated	4
19	113- 1	BOLT - 1/4" x 1/2" N.C. plated	4
20	KO 235353	GASKET - oil pan	1
21	173- 96	SCREW - #10 x 7/16" round head machine	3
22	192- 18	LOCK WASHER - #10 internal tooth	7
23	C 22699	BASE - oil pan	1
24	C 27279	FLYWHEEL ASSEMBLY	1
25	NSS	RING GEAR	1
26	C 14399	PLUG - oil drain	1
27	C 28678	OIL SEAL - crankshaft, rear	1
28	C 28669	BEARING - ball, crankshaft	2
29	KO 235757	GASKET - bearing plate	1
29	KO 235070	GASKET - shim, .010" (0.25 mm)	UAR
30	NSS	PLUG - button, timing hole (obtain locally)	1
31	C 24290	PLATE - bearing	1
32	C 28692	STATOR	1
33	113- 207	BOLT - 3/8" x 1" N.C. plated	4
34	C 32891	OIL SEAL - crankshaft, front	1
35	C 32947	SCREW - stator	4
38	C 24491	DIPSTICK ASSEMBLY	1
39	NSS	COVER - use C27275	1
42	KO 235748	STRAP - lifting	1
43	C 18814	NIPPLE - oil drain extension	1
44	C 14906	GASKET - plug, oil drain	1
45	221- 1412	ELBOW - street	1
46	129- 143	NUT - 3/8" N.C. hex, jam	6
47	129- 103	NUT - 3/8" N.C. hex	6
49	KO 237277	STUD - cylinder head	7
50	C 28217	O-RING - dipstick	1



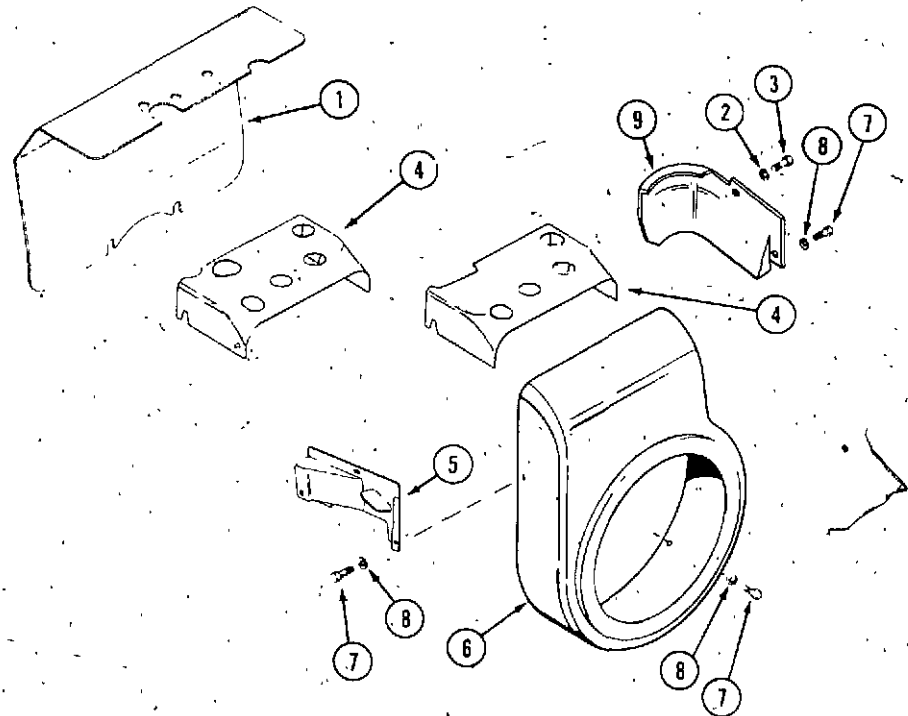
ENGINE GASKET AND SEAL KIT

REF.	PART NO.	DESCRIPTION	REQ'D
1	C 29737	KIT - engine gasket	1
2	KO 231032	SEAL - breather	1
3	KO 235025	GASKET - camshaft cover	1
4	KO 235353	GASKET - oil pan	1
5	KO 235757	GASKET - bearing plate	6
5	KO 235070	GASKET - shim .010" (0.25 mm)	UAR
6	KO 237064	GASKET - oil fill tube	1
7	C 26518	GASKET - breaker cover	1
8	C 23860	GASKET - carburetor flange	1
9	C 24887	GASKET - fuel pump flange	1
10	KO 275341	GASKET - carburetor air horn	1
11	KO 235048	GASKET - breather plate	1
12	KO 275144	GASKET - valve cover	1
13	C 10372	GASKET - exhaust	1
14	KO 235057	GASKET - pan (not used)	1
15	C 30482	GASKET - cylinder head	1



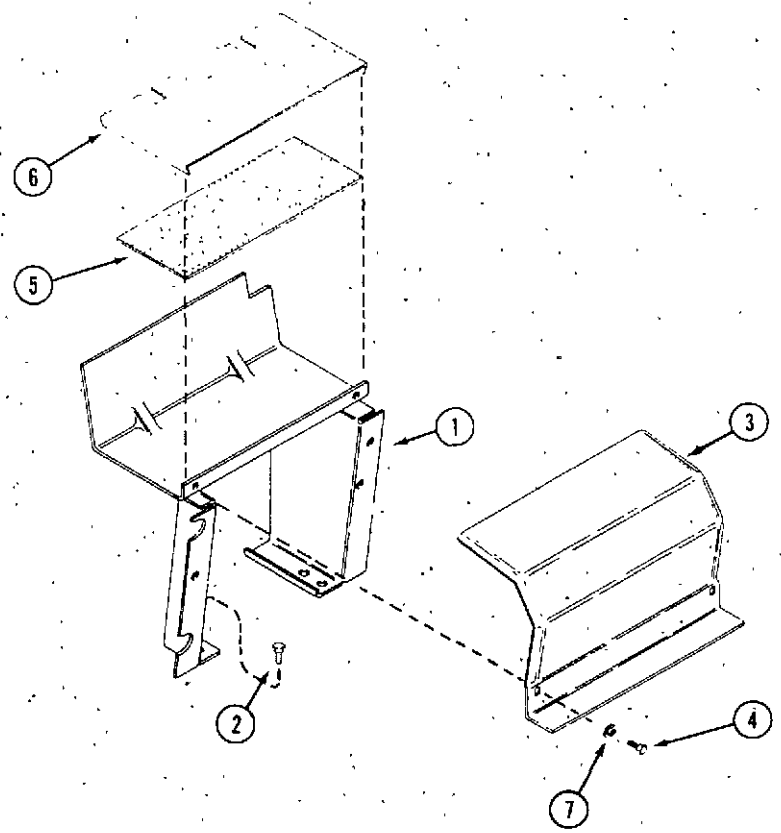
BAFFLES AND SHROUDS

REF.	PART NO.	DESCRIPTION	REQ'D
1	C 26985	DEFLECTOR - engine air	1
2	192- 19	LOCK WASHER - 1/4" zinc plated	2
3	113- 1	BOLT - 1/4" x 1/2" N.C. hex, zinc plated	2
4	KO 237520	BAFFLE - cylinder head (10 hp engine)	1
4	KO 237677	BAFFLE - cylinder head (12-14 hp engine)	1
5	C 27280	BAFFLE - carburetor side air	1
6	C 24879	HOUSING - blower	1
7	113- 2	BOLT - 1/4" x 3/4" N.C. hex, zinc plated	4
8	192- 19	LOCK WASHER - 1/4" zinc plated	4
9	C 27281	BAFFLE - cylinder	1

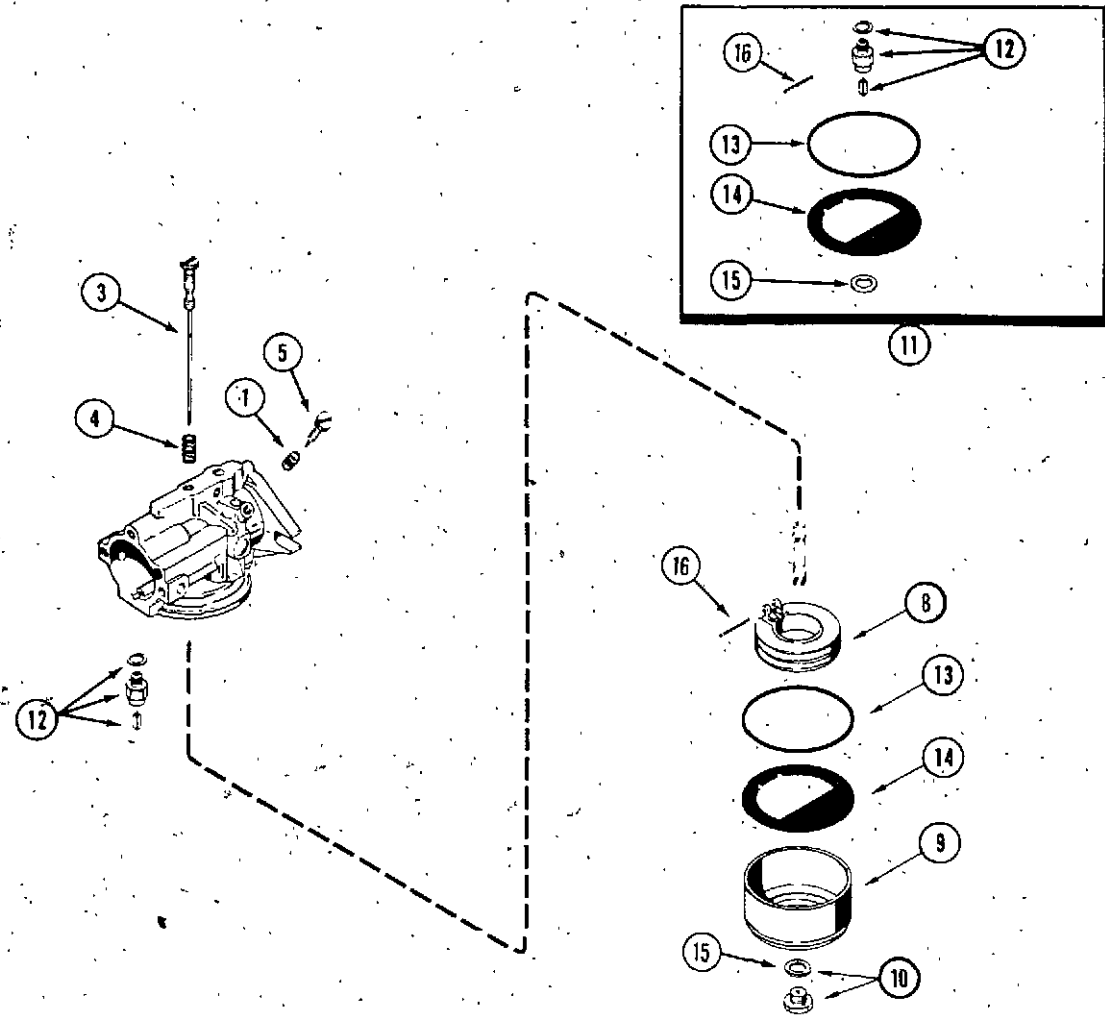


HEAT EXCHANGER MOUNTS AND MUFFLER SHIELDS

1	C 27602	SUPPORT - heat exchanger	1
2	113- 118	BOLT - 5/16" x 5/8"	4
3	C 26098	SHIELD - heat, muffler	1
4	113- 1	BOLT - 1/4" x 1/2" hex z.p.	2
4	187- 1036	BOLT - 1/4"-20 x 1/2" self - tap	2
5	C 22903	PAD - insulation	1
6	C 22874	RETAINER - insulation	1
7	192- 19	LOCK WASHER - 1/4"	2



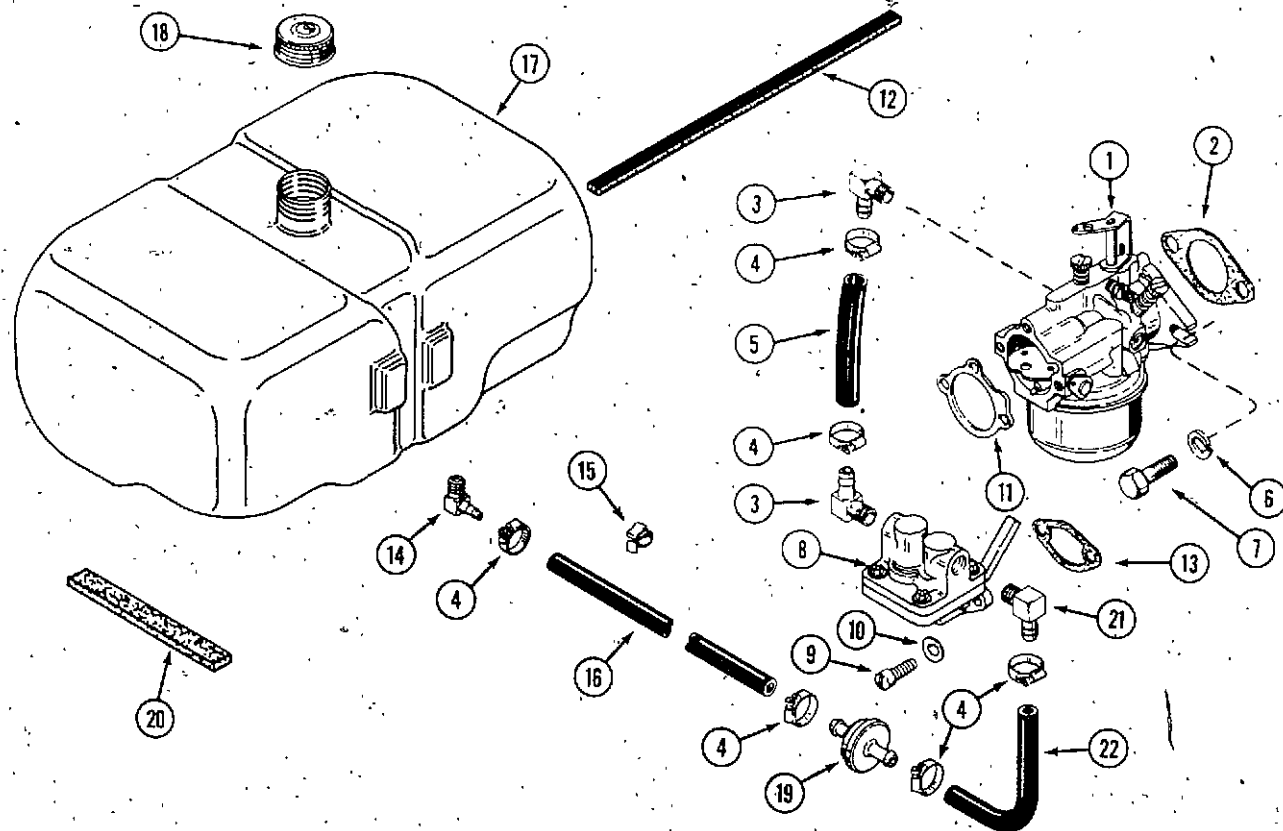
KOHLER CARBURETOR
With adjustable main fuel jet



REF.	PART NO.	DESCRIPTION	REQ'D
	NSS	CARBURETOR ASSEMBLY - 220, 222 (use C33213)	1
	NSS	CARBURETOR ASSEMBLY - 224 & 444 (use C33214)	1
1	A 72098	SPRING - tension, idle adjust	1
3	C 28879	NEEDLE - main fuel adjust, 220, 222	1
3	C 24652	NEEDLE - main fuel adjust, 224 & 444	1
4	KO 200383	SPRING - main fuel adjust	1
5	C 28880	NEEDLE - idle adjust (220, 222)	1
5	KO 275231	NEEDLE - idle adjust (224 & 444)	1
8	C 27276	FLOAT - carburetor	1
9	KO 235448	BOWL - carburetor	1
10	C 26422	SCREW AND GASKET ASSEMBLY - carburetor bowl	1
11	C 27278	KIT - carburetor repair	1
12	NSS	INLET NEEDLE AND SEAT ASSEMBLY	1
13	NSS	GASKET - bowl ring	1
14	C 27277	GASKET - bowl baffle	1
15	NSS	GASKET - bowl screw	1
16	C 28676	PIN - float	1

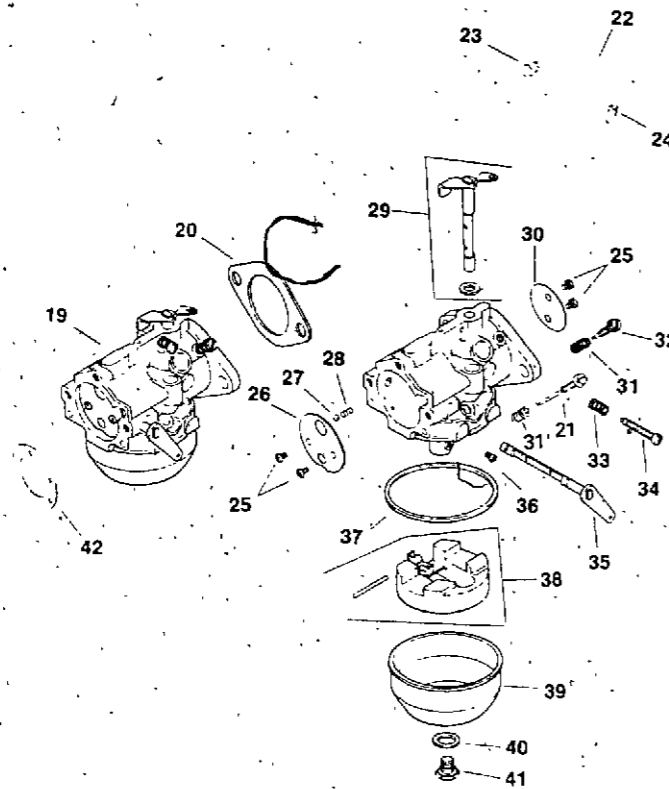
FUEL SYSTEM

REF.	PART NO.	DESCRIPTION	REQ'D
1	NSS	CARBURETOR - 224 & 444 (use C33214)	1
1	NSS	CARBURETOR - 220 & 222 (use C33213)	1
2	C 23860	GASKET - carburetor flange	1
3	C 10678	ELBOW - fuel pump and carburetor	2
4	214- 103	CLAMP - hose 1/2"	4
5	NSS	HOSE - carburetor 5-1/4" (use C28937 cut to length)	1
6	192- 20	LOCK WASHER 5/16"	2
7	113- 103	BOLT - 5/16" x 1" N.C. hex	2
8	C 24851	PUMP - fuel, all models (includes gasket & washers)	1
9	71- 412	SCREW - 1/4" x 3/4" N.C. fillister head	2
10	NSS	LOCKWASHER - 1/4" (obtain locally)	2
11	KO 275341	GASKET - air horn	1
12	C 23527	LINER - fuel tank	1
13	C 24887	GASKET - fuel pump mounting, all models	1
14	C 10657*	ELBOW ASSEMBLY - fuel tank, filter	1
14	C 10678**	ELBOW - hose 90° (shown)	1
15	C 28962	CLIP - fuel line	2
16	NSS	HOSE - fuel line 31-1/2" (use C28937 cut to length)	1
17	NSS*	TANK - fuel (use C28940, C31978 and (2) 214-103)	1
17	C 28940**	TANK - fuel	1
18	C 11529	CAP - fuel tank (Includes insert)	1
19	C 29296**	FILTER - fuel	1
20	C 14630	CUSHION - fuel tank	2
21	217- 292	ELBOW - hose 90°	1
22	NSS	HOSE - fuel line 7" (use C28937 cut to length)	1



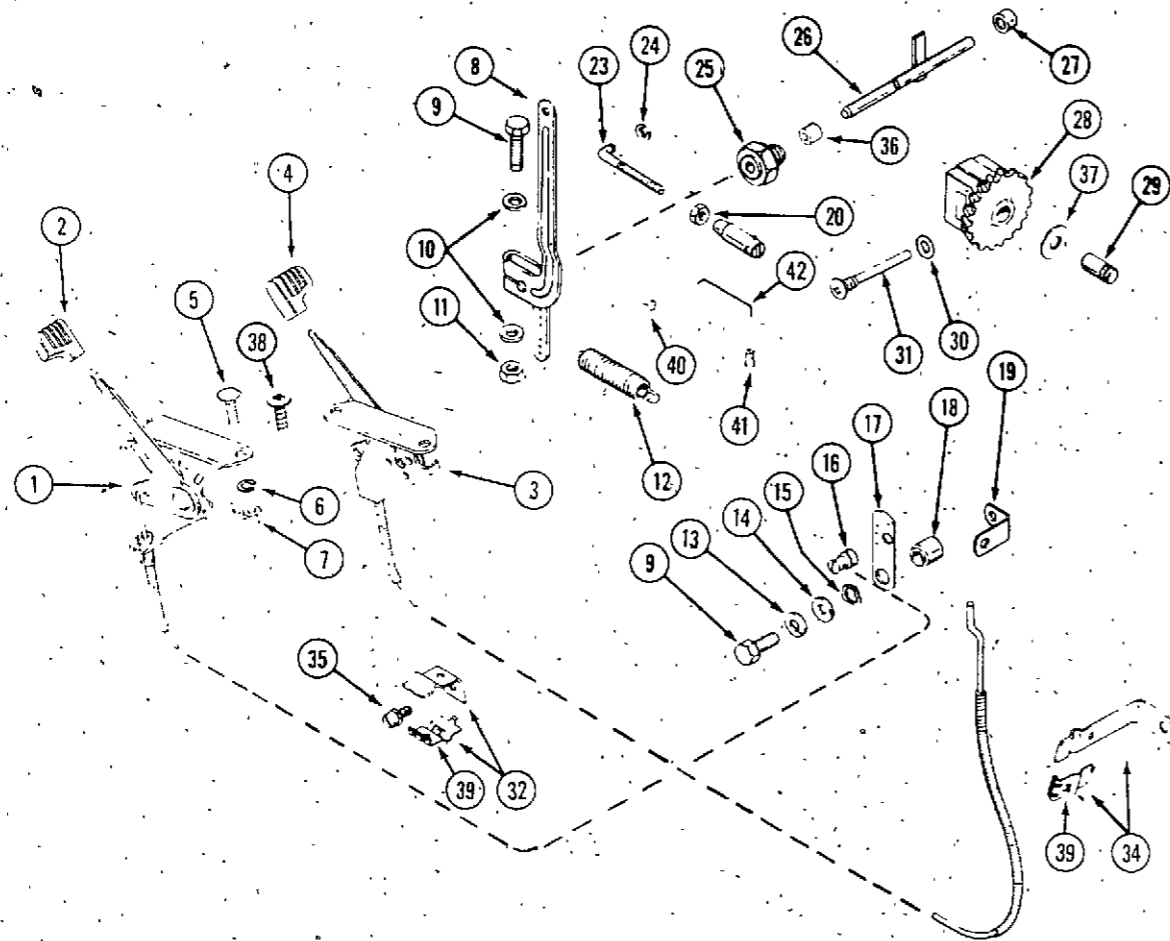
*Use before S/N
**Use S/N and after
220 - 14068705
222 - 14069642
224 - 14070741
444 - 14072850

WALBRO CARBURETOR
With Fixed and Adjustable Main Fuel Jet



REF.	PART NO.	DESCRIPTION	REQ'D
19	NSS	CARBURETOR ASSEMBLY - 220, 222 (Use C33213)	1
19	NSS	CARBURETOR ASSEMBLY - 224, 444 (Use C33214)	1
20	C 23860	GASKET - carburetor mounting	1
21	C 33310	NEEDLE - main fuel adjust	1
22	C 33130	LINKAGE - carburetor	1
23	C 32860	BUSHING - retaining (natural)	1
24	C 32861	BUSHING - retaining (yellow)	1
25	C 32862	SCREW - throttle and choke plate	4
26	C 32863	PLATE - choke (220, 222)	1
26	C 32864	PLATE - choke (224, 444)	1
27	C 32865	BALL - choke friction	1
28	C 32866	SPRING - choke friction	1
29	C 32867	SHAFT - throttle (includes lever and seal) 220, 222	1
29	C 32868	SHAFT - throttle (includes lever and seal) 224, 444	1
30	C 32869	PLATE - 220, 222	1
30	C 32870	PLATE - throttle 224, 444	1
31	C 32871	SPRING - idle fuel	1
32	C 32872	NEEDLE - idle fuel adjust	1
33	C 32873	SPRING - idle speed	1
34	C 32874	SCREW - idle speed adjust	1
35	C 32875	LEVER - choke	1
36	C 32876	JET - main fuel, fixed 220, 222	1
36	C 32877	JET - main fuel, fixed 224, 444	1
37	C 32878	GASKET - bowl	1
38	C 32879	KIT - float	1
39	C 32880	BOWL - fuel	1
40	C 32881	GASKET - bowl retaining screw	1
41	C 32882	SCREW - bowl retaining	1
42	C 32799	GASKET - air cleaner	1
	C 34416	KIT - carburetor repair	1

CHOKE, THROTTLE AND GOVERNOR

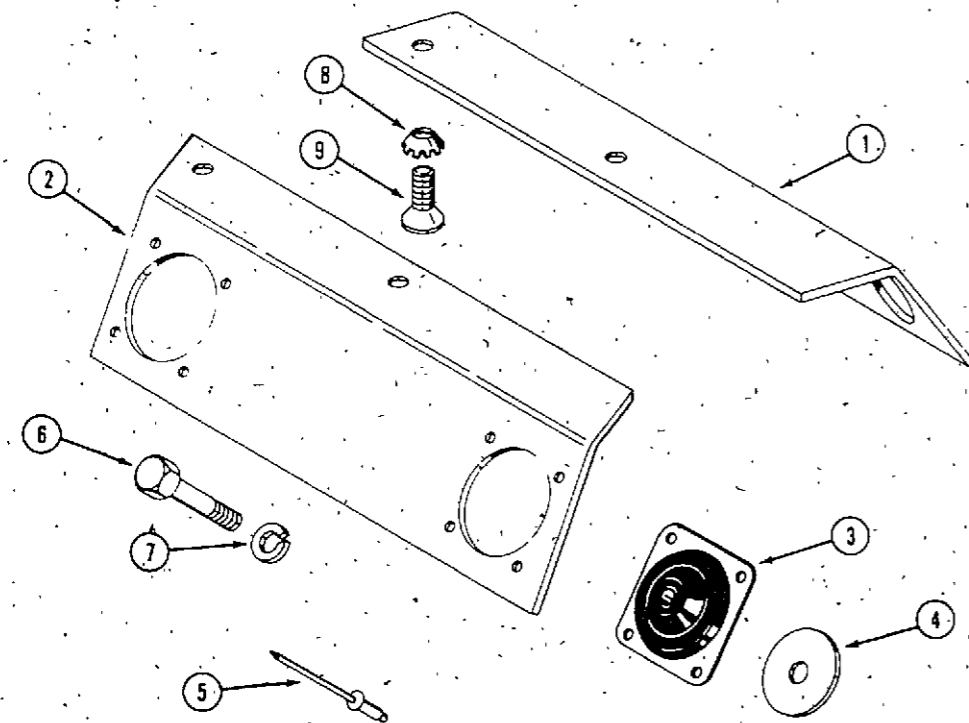


REF.	PART NO.	DESCRIPTION	REQ'D
1	C 33411	CONTROL - throttle	1
1	C 33412	CONTROL - throttle	1
2	NSS	HANDLE - throttle control, orange (use C35291)	1
3	C 25805*	CONTROL - choke	1
3	C 30076**	CONTROL - choke	1
4	C 30074	HANDLE - choke control, black	1
5	111- 5	BOLT - No. 10 - 24 x 5/8" carriage	2
6	192- 18	LOCK WASHER - No. 10	2
7	129- 17	NUT - No. 10 - 24	2
8	C 27282	LEVER - governor	1
9	113- 17	BOLT - 1/4" x 1-1/4" N.C. hex	2
10	195- 518	WASHER - 1/4" plated	2
11	129- 101	NUT - 1/4" hex	1
12	KO 235496	SPRING - governor	1
13	192- 19	LOCK WASHER - 1/4" plated	1
14	C 18098	WASHER - thrust	1
15	KO 275690	WASHER - wavy	1
16	NSS	CLAMP - swivel, wire (use C32935)	1
17	KO 235086	LEVER - speed control	1
18	KO 235085	SPACER - speed control bracket	1
19	KO 235084	BRACKET - high speed stop	1
20	129- 37	NUT - No. 10 - 32 hex	1
22	C 25020	JOINT - ball	1
23	KO 235277	ROD - throttle	1
24	C 28670	RING - retaining, throttle rod	1
25	KO 235476	BUSHING - governor cross shaft	1
26	C 23126	SHAFT - governor cross	1
27	C 28691	BEARING - needle, governor shaft	1
28	C 27274	GEAR ASSEMBLY - governor	1
29	KO 235125S	SHAFT - governor stub	1
30	C 18099	WASHER - governor stop pin	1
31	C 28690	PIN - governor stop	1
32	KOA 237559	BRACKET - throttle cable	1
34	KOA 236919	BRACKET - choke cable	1
35	182- 516	SCREW - No. 10 x 3/8" N.C. fillister head	1
36	C 28878	SPACER - shaft (used engine S/N 3173783 and after)	1
37	KO 237022	WASHER - spacer	1
38	182- 559	BOLT - No. 10 - 24 x 3/4" phillips, black	2
39	KO 235603	CLIP - cable	1
40	C 32860	BUSHING - retaining (natural)	1
41	C 32861	BUSHING - retaining (yellow)	1
42	C 32926	LINKAGE - governor	1

*Use before S/N

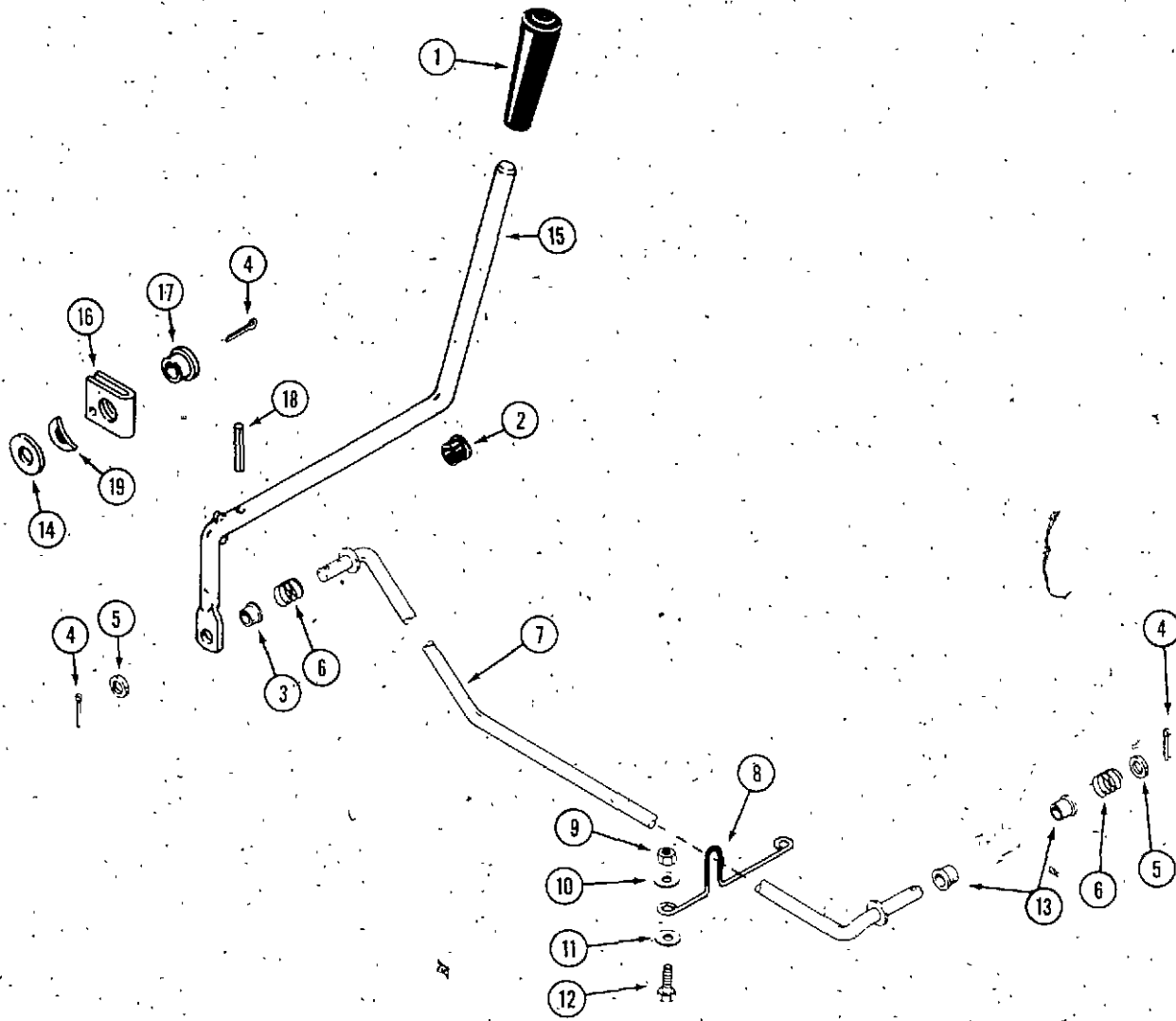
**Use S/N and after:

220 - 14091130 222 - 14092090
224 - 14093065 444 - 14094825



ENGINE MOUNT PLATES

REF.	PART NO.	DESCRIPTION	REQ'D
1	C 17717	PLATE - engine mount L.H.	1
2	C 17718	PLATE - engine mount R.H.	1
3	C 29731	MOUNT - engine	4
4	C 25556	WASHER - snubbing	4
5	151- 539	RIVET - 3/16"	16
6	113- 219	BOLT - 3/8" x 2" N.C. hex	4
7	192- 21	LOCK WASHER - 3/8"	4
8	193- 56	LOCK WASHER - 3/8" countersunk external tooth	4
9	164- 50	BOLT - flat head hex socket	4

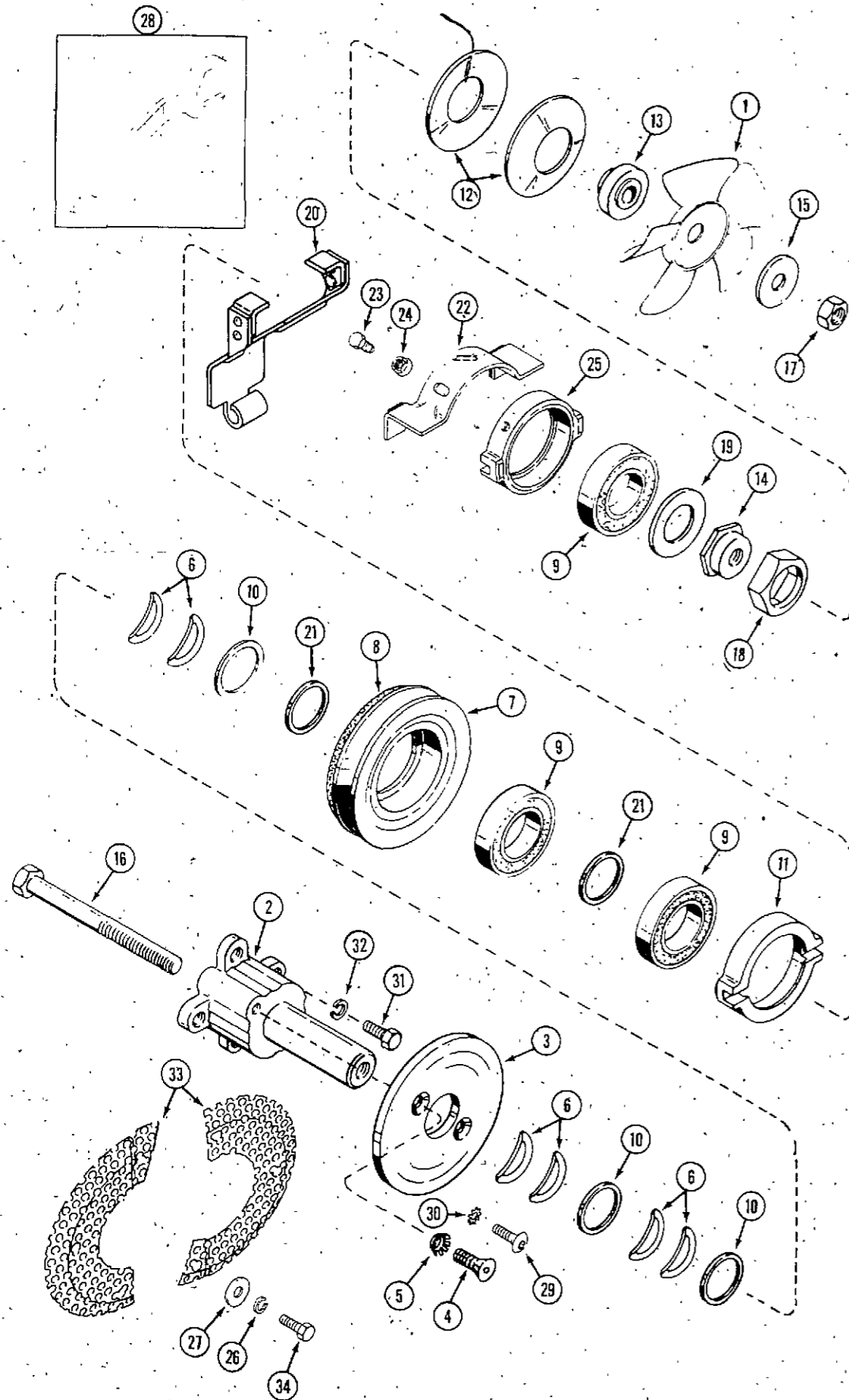


PTO CLUTCH LINKAGE

REF.	PART NO.	DESCRIPTION	REQ'D
1	C 29046	KNOB - lever, PTO	1
2	353- 462	BUSHING - lever, dash tower	1
3	C 20093	BUSHING - fliplock	1
4	132- 310	PIN - cotter 1/8" x 1"	2
4	132- 320	PIN - cotter 3/32" x 3/4"	2
5	C 14906	WASHER - nylon 3/8" (early production)	2
6	C 19867	SPRING - clutch rod (early production)	2
7	C 27734*	ROD - clutch	1
8	C 30488	GUIDE - clutch rod	1
9	131- 1181	NUT - lock 3/8" N.C. hex	2
10	195- 104	WASHER - 3/8"	2
11	195- 137	WASHER - spacer (used on models without hyd. lift)	2
12	113- 207	BOLT - 3/8" x 1" N.C. hex	2
13	C 20053	BUSHING - nylon	2
14	195- 533	WASHER - 1/2"	1
15	C 29409	LEVER - PTO engaging	1
16	C 26264	BRACKET - support, PTO lever	1
17	C 26266	BUSHING - flange, nylon	1
18	138- 63	PIN - roll 1/8" x 1-1/4"	1
19	C 28288	WASHER - spring	1

* when replacing early style clutch rod:
 1. discard nylon washers and springs
 2. also requires (2) 132-320 cotter pins

CLUTCH ASSEMBLY (PTO)

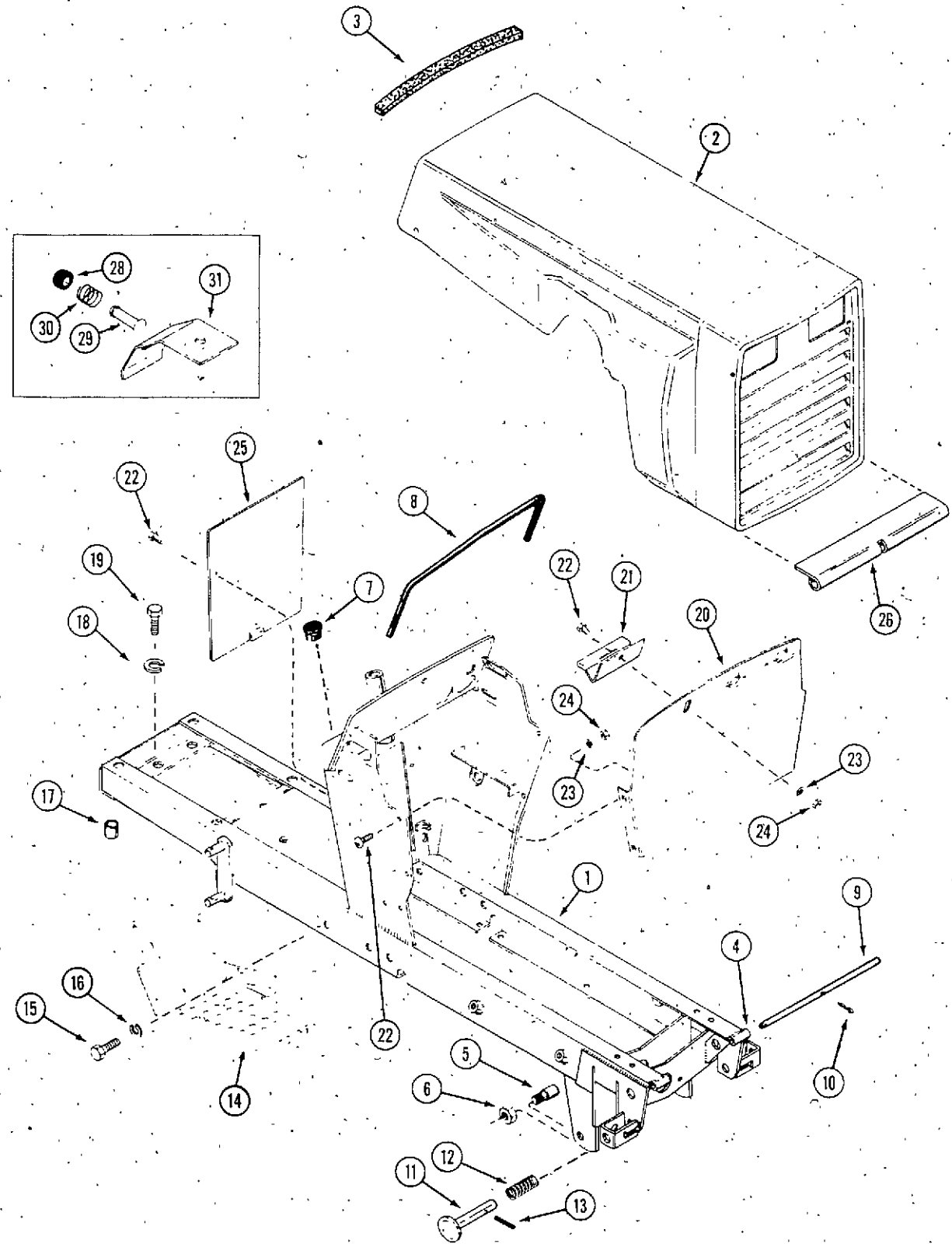


REF.	PART NO.	DESCRIPTION	REQ'D
	C 31024	CLUTCH FAN ASSEMBLY	1
1	C 16616	FAN - cooling	1
2	C 23677	HUB - clutch	1
3	C 29766**	PLATE - clutch	1
3	C 15718*	PLATE - clutch	1
4	164- 40*	SCREW - 5/16" - 18 x 3/4"	2
5	193- 76*	LOCK WASHER - 5/16" countersunk external tooth	2
6	C 15515	WASHER - spring	6
7	C 31045	KIT - pulley and disc assembly (includes item 21)	1
8	C 23740	KIT - friction disc	1
9	C 29735	BEARING - ball	3
10	C 15557	WASHER - spacer .050	3
11	C 32169	CAM - clutch	2
12	C 16786	SPRING - clutch load	2
13	C 23630	SPACER - hub	1
14	C 23625	NUT - adjust	1
15	C 28677	WASHER - fan 17/32"	1
16	C 24743	BOLT - 1/2" - 20 x 5-1/2" N.F.	1
17	129- 125	NUT - 1/2" - 20 N.F. lock	1
18	C 23627	GUIDE - adjusting nut	1
19	C 23624	WASHER - spacer	1
20	C 26166	ARM - engaging	1
21	C 29811	SPACER - washer .100"	2
22	C 31018	CLEVIS - PTO brake	1
23	113- 3	BOLT - 1/4" - 20 x 3/4"	2
24	131- 934	NUT - 1/4" - 20 flange lock	2
25	C 32168	CAM - clutch	1
26	192- 19	LOCK WASHER - 1/4"	4
27	195- 518	WASHER - 1/4"	4
28	C 29772	WRENCH - clutch adjust	1
29	164- 541**	SCREW - socket hd. 5/16" - 18 x 3/4"	2
30	193- 95**	LOCK WASHER - external tooth	2
31	113- 207	BOLT - 3/8" - 16 x 1" N.C.	4
32	192- 21	LOCK WASHER - 3/8"	4
33	C 26758	SCREEN - grass	2
34	113- 2	BOLT - 1/4" - 5/8"	4

*Use before S/N:
 **Use S/N and after:
 220 - 14091116
 222 - 14092063
 224 - 14093038
 444 - 14094812

HOOD, FRAME AND GRILLE

Use before S/N:
 220 - 14091130 222 - 14092090
 224 - 14093065 444 - 14094825



REF.	PART NO.	DESCRIPTION	REQ'D
1	C 26938*	FRAME - main (220, 222 and 224)	1
1	C 26940*	FRAME - main (444)	1
1	C 29717**	FRAME - main (220, 222, and 224) shown	1
1	C 29718**	FRAME - main (444)	1
2	C 26815*	HOOD AND GRILLE ASSEMBLY (includes item 26)	1
2	C 30115**	HOOD AND GRILLE ASSEMBLY - (includes item 26)	1
3	C 23527	LINER - hood	1
4	C 22023	HINGE - frame	2
5	C 27508	PIN - attachment	2
6	131- 1318	NUT - lock 1/2" N.F.	2
7	353- 406	PLUG - hole (models without hydraulic lift)	1
8	C 18153	CHANNEL - instrument panel	1
9	C 16362	ROD - hood hinge	1
10	132- 334	PIN - cotter 1/8" x 3/4"	1
11	C 16373	PIN - latch	2
12	C 24137	SPRING - latch	2
13	138- 2073	PIN - roll 3/16" x 1-1/4"	2
14	C 25317	PAD - foot rest, L.H.	1
14	C 25318	PAD - foot rest, R.H.	1
15	13- 514	BOLT - 5/16" x 7/8" N.C. hex	4
16	192- 20	LOCK WASHER - 5/16"	4
17	C 14729	SPACER - frame, rear (444)	2
17	C 14730	SPACER - frame, rear (220, 222 and 224)	2
18	192- 23	LOCK WASHER - 1/2"	4
19	113- 424	BOLT - 1/2" x 1" N.C. hex	4
20	C 24821*	SHIELD - heat	1
20	C 30143**	SHIELD - heat (shown)	1
21	C 24820*	CLIP - battery hold down	1
21	C 29308**	CLIP - battery hold down	1
22	182- 547	SCREW - 1/4" 20 x 1/2" pan hd.	9
23	192- 19	LOCK WASHER - 1/4"	7
24	129- 101	NUT - 1/4" - 20	5
25	C 26506	COVER - access	1
26	C 16361	HINGE - hood	1
27	187- 1036	SCREW - 1/4" - 20 x 1/2"	2
28	C 29314**	BUTTON - push, hood release	1
29	C 29315**	ROD - push, hood release	1
30	C 30004**	SPRING - release	1
31	C 33467**	LATCH - hood	1

*Use before S/N:

**Use S/N and after:

220 - 14068672

222 - 14069604

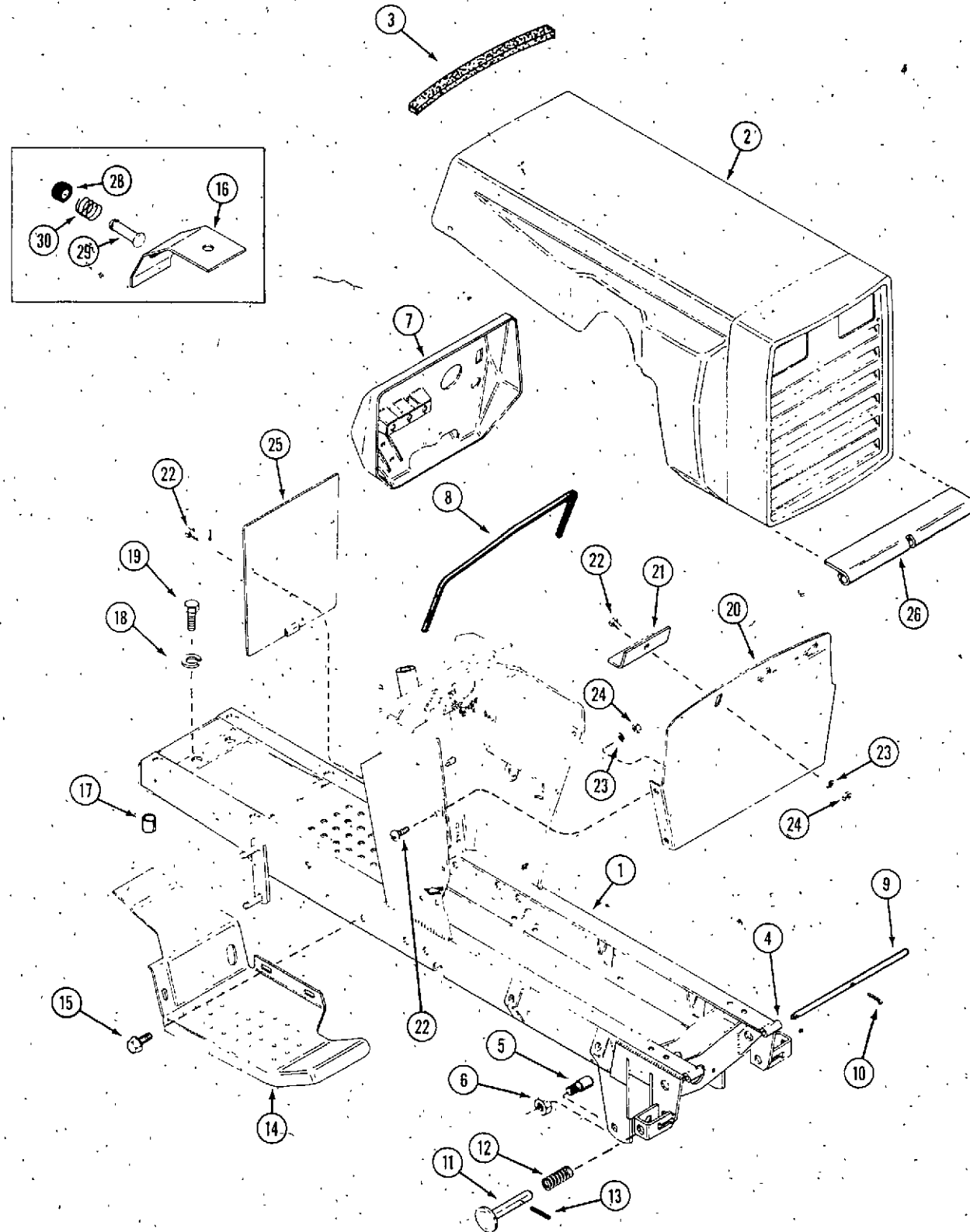
224 - 14070707

444 - 14072835

HOOD, FRAME AND GRILLE

Use S/N and after:

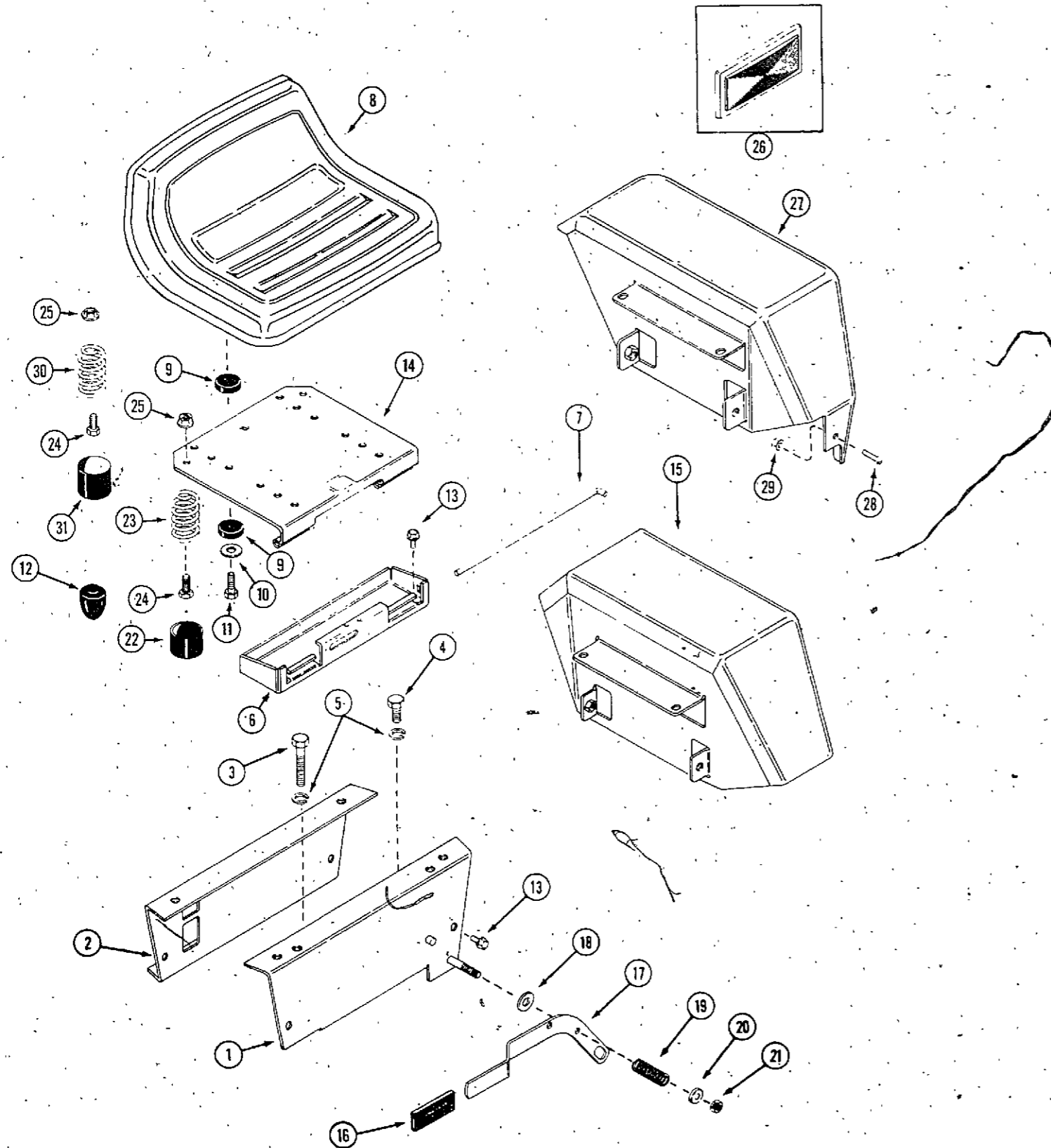
220 - 14091130 222 - 14092090
224 - 14093065 444 - 14094825



REF.	PART NO.	DESCRIPTION	REQ'D
1	C 30524*	FRAME - main (220, 222, and 224) shown	1
1	C 30525*	FRAME - main (444)	1
2	C 30115	HOOD AND GRILLE ASSEMBLY (includes item 26)	1
3	C 23527	LINER - hood	1
4	C 22023	HINGE - frame	2
5	C 27508	PIN - attachment	2
6	131- 1318	NUT - lock 1/2" N.F.	2
7	C 30134	CAP - instrument panel	1
9	C 16362	ROD - hood hinge	1
10	132- 334	PIN - cotter 1/8" x 3/4"	1
11	C 16373	PIN - latch	2
12	C 24137	SPRING - latch	2
13	138- 2073	PIN - roll 3/16" x 1-1/4"	2
14	C 30458	PAD - foot rest, L.H. (220, 222, 224)	1
14	C 30460	PAD - foot rest, R.H. (220, 222, 224) shown	1
14	C 30462	PAD - foot rest, L.H. (444)	1
14	C 30464	PAD - foot rest, R.H. (444)	1
15	121- 106	BOLT - 5/16" x 1/2" N.C. hex	4
16	C 33467	LATCH - hood	1
17	C 14729	SPACER - frame, rear (444)	2
17	C 14730	SPACER - frame, rear (220, 222 and 224)	2
18	192- 23	LOCK WASHER - 1/2"	4
19	113- 424	BOLT - 1/2" x 1" N.C. hex	4
20	C 30143	SHIELD - heat	1
21	C 30142	CLIP - battery hold down	1
22	182- 547	SCREW - 1/4" 20 x 1/2" pan hd.	9
23	192- 19	LOCK WASHER - 1/4"	7
24	129- 101	NUT - 1/4" - 20	5
25	C 26506	COVER - access	1
26	C 16361	HINGE - hood	1
27	187- 1036	SCREW - 1/4" - 20 x 1/2"	2
28	C 29314	BUTTON - push, hood release	1
29	C 30126	ROD - push, hood release	1
30	C 30004	SPRING - release	1

*Also requires C30530
before S/N:
220-14106917
222-14108020
224-14109118
444-14111235

SEAT, FENDERS AND TOOL TRAY



REF.	PART NO.	DESCRIPTION	REQ'D
1	C 31021	SUPPORT - seat, front (444)	1
1	C 31020	SUPPORT - seat, front (220, 222, 224)	1
2	C 27224	SUPPORT - seat, rear (444)	1
2	C 26827	SUPPORT - seat, rear (220, 222, 224)	1
3	113- 441	BOLT - 1/2" x 2-1/4" N.C. hex (444)	2
3	113- 427	BOLT - 1/2" x 3-1/4" N.C. hex (220, 222 and 224)	2
4	113- 424	BOLT - 1/2" x 1" N.C. hex	2
4	113- 118	BOLT - 5/16" x 5/8"	1
5	192- 20	LOCK WASHER - 5/16"	1
5	192- 23	LOCK WASHER - 1/2"	4
6	C 31004	TRAY - tool	1
7	C 16429	PIN - seat hinge	1
8	C 30071	SEAT - (220, 222 and 224) shown (black)	1
8	C 30066	SEAT - (444) (black)	1
9	C 15410	CUSHION - rubber	8
10	195- 2175	WASHER - 5/16" x 1-1/4" OD, zinc plated	4
11	113- 122	BOLT - 5/16" x 1-1/2"	4
12	C 14534*	BUMPER - seat	2
13	121- 106	BOLT - 5/16" x 1/2" flange whizlock	10
14	NSS*	HINGE ASSEMBLY - seat (use C31005 and 2 each of C29305, C29306, 113-102, 131-911)	1
14	C 31005**	HINGE ASSEMBLY - seat hinge (shown)	1
15	C 26835†	FENDER - L.H. (444)	1
15	C 26833†	FENDER - R.H. (444)	1
15	C 26831†	FENDER - L.H. (220, 222, 224) shown	1
15	C 26829†	FENDER - R.H. (220, 222, 224)	1
16	C 14728	GRIP - shift lever	1
17	C 27594	LEVER - shift	1
18	195- 525	WASHER - 7/16" x 1-1/4" OD	1
19	C 17216	SPRING - shift lever	1
20	C 30489	WASHER - cupped	1
21	131- 1181	NUT - lock 3/8" N.C. hex	1
22	C 29305**	CAP - spring	2
23	C 29306**	SPRING - seat	2
24	113- 102	BOLT - 5/16"-18 x 3/4"	3
25	131- 911	NUT - 5/16"-18 flange lock	3
26	NSS	REFLECTOR - red. rear fender (use C30942)	2
27	C 30467††	FENDER R.H. (220, 222, 224)	1
27	C 30466††	FENDER - L.H. (220, 222, 224) shown	1
27	C 30471††	FENDER - R.H. (444)	1
27	C 30470††	FENDER - L.H. (444)	1
28	182- 547	SCREW - 1/4" - 20 x 1/2"	2
29	131- 934	NUT - 1/4"	2
30	C 31006	SPRING - seat switch	1
31	C 26526	CAP - spring	1

*Use before S/N:

**Use S/N and after:

220 - 14068672

222 - 14069604

224 - 14070707

444 - 14072835

†Use before S/N:

††Use S/N and after:

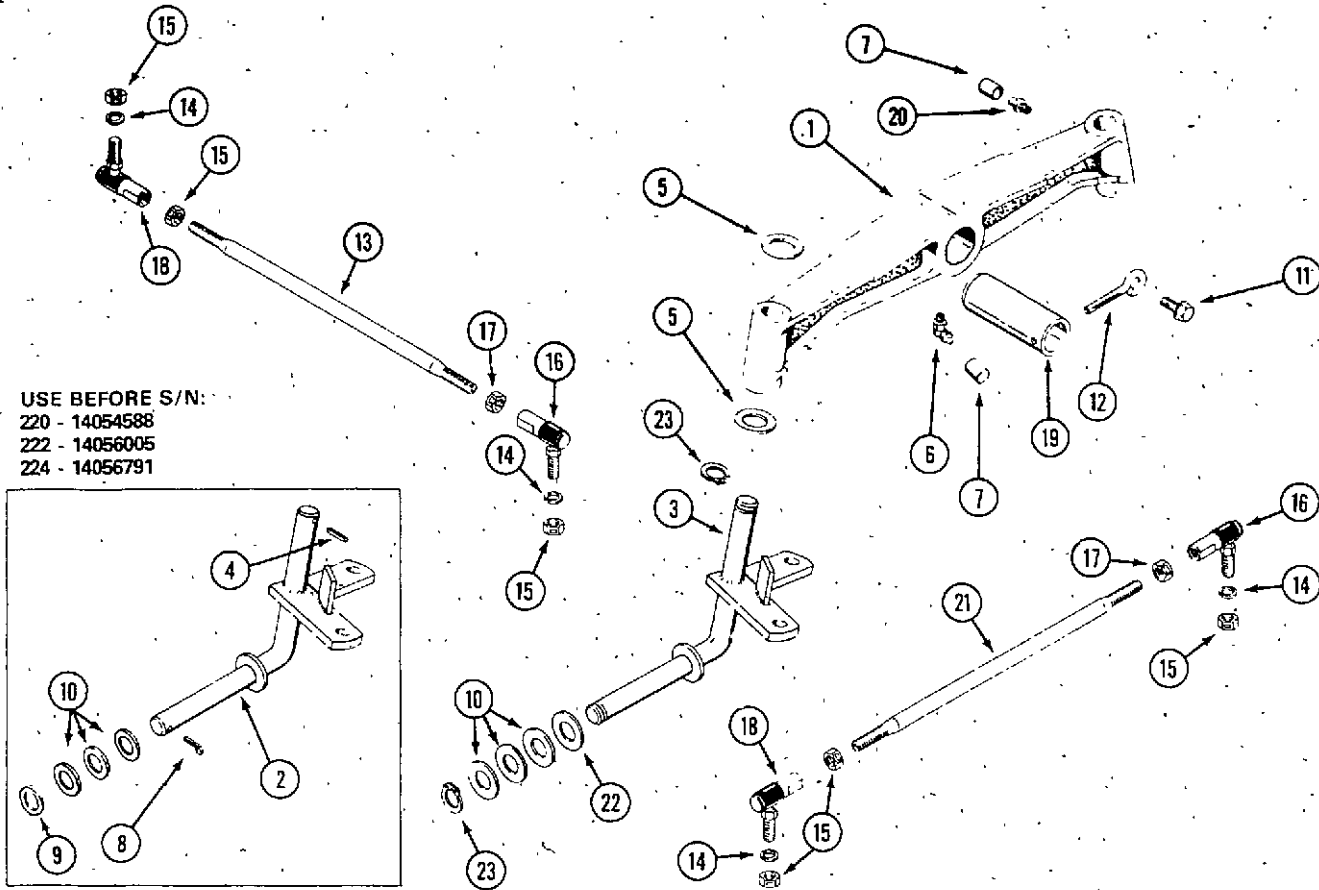
220 - 14091130

222 - 14092090

224 - 14093065

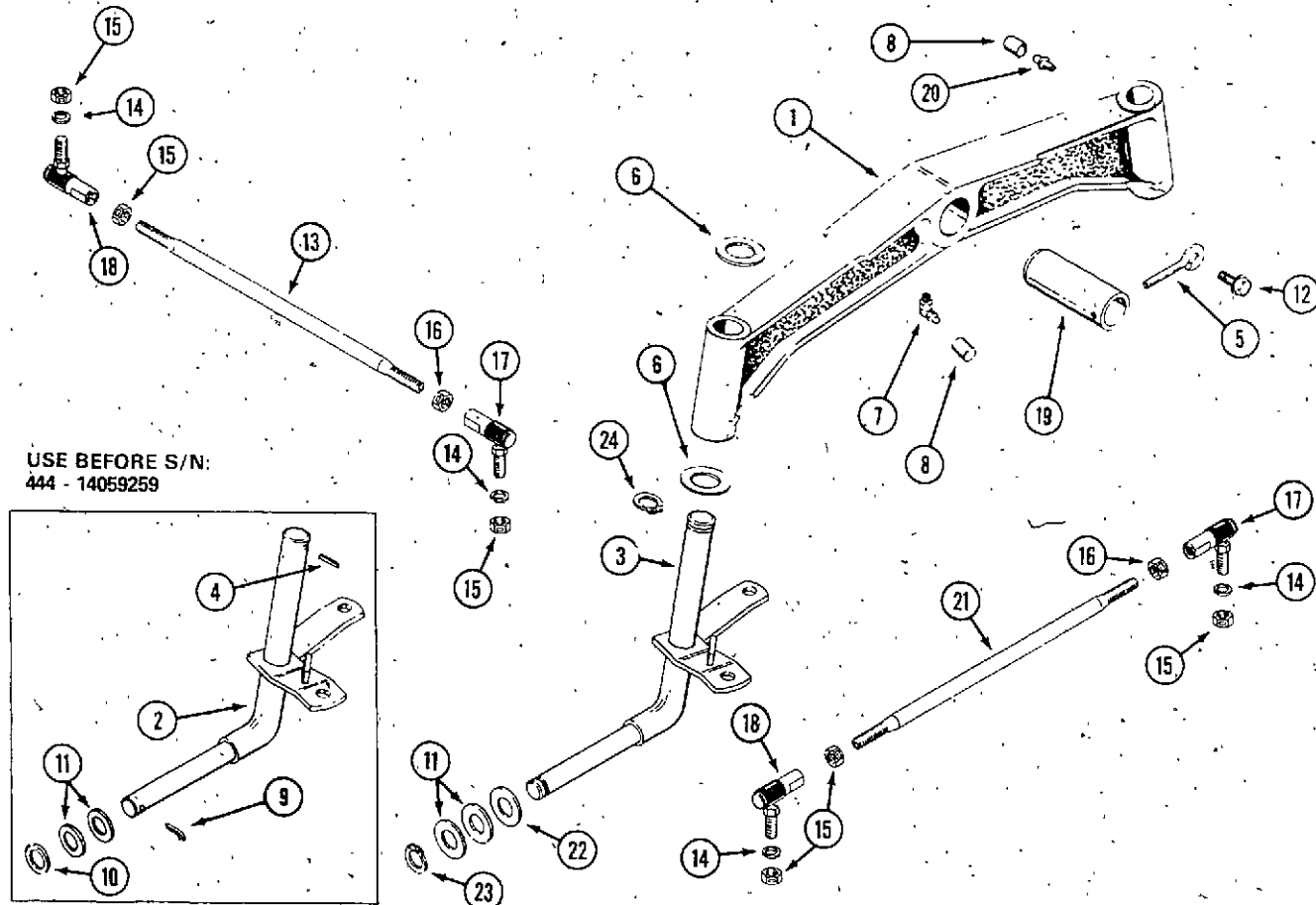
444 - 14094825

220, 222 AND 224 FRONT AXLE



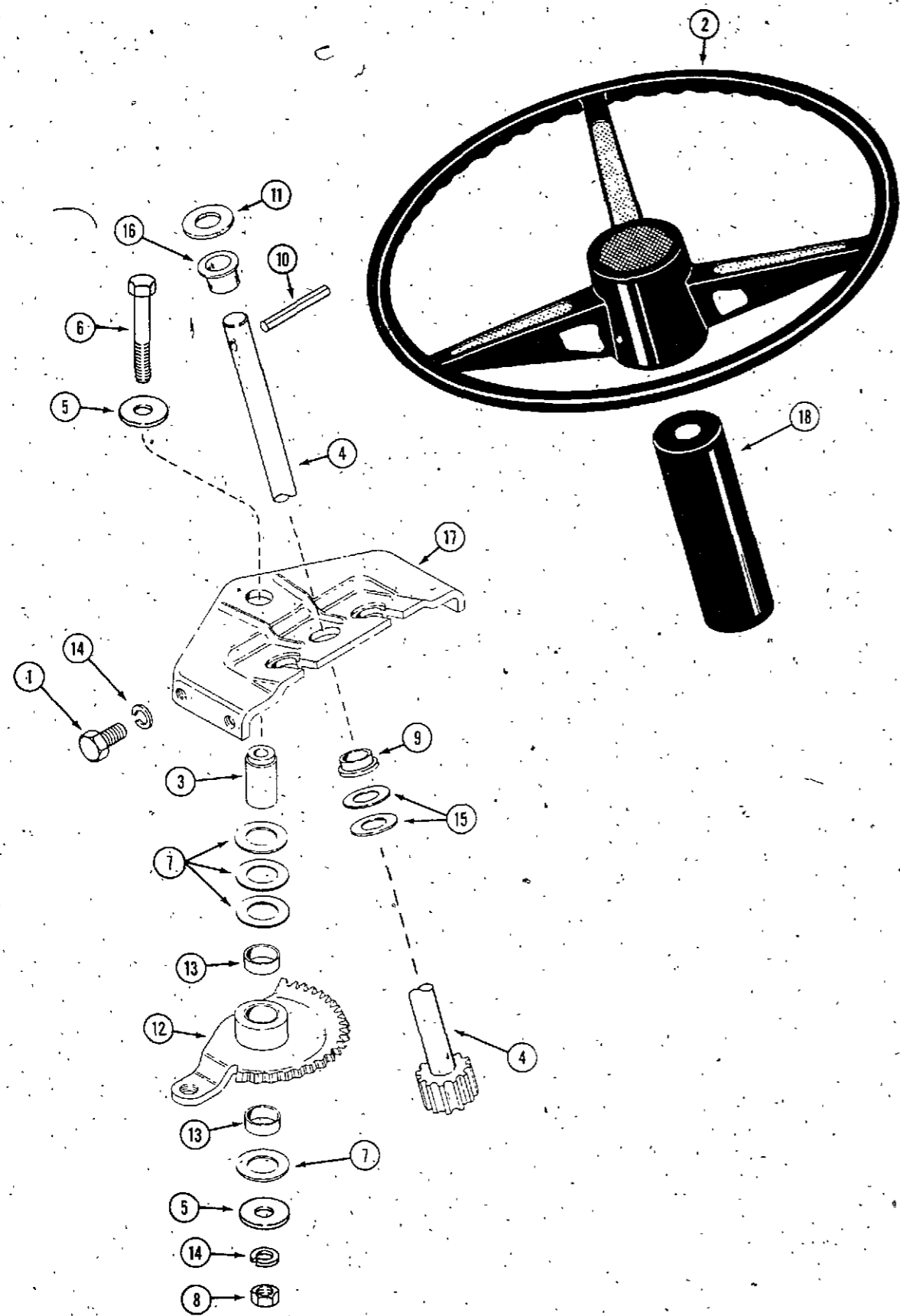
REF.	PART NO.	DESCRIPTION	REQ'D
1	C 18812	AXLE - front	1
2	NSS	SPINDLE - L.H. (use C31337, C28232)	1
2	NSS	SPINDLE - R.H. shown (use C31338, C28232)	1
3	NSS	SPINDLE - R.H. shown (use C31338, 132-311)	1
3	NSS	SPINDLE - L.H. (use C31337, 132-311)	1
4	138- 99	PIN - roll	2
5	C 11906	WASHER - thrust	4
6	219- 404	FITTING - lube	1
7	C 13106	COVER - lube fitting	3
8	132- 311	PIN - cotter 5/32 x 1-1/4"	2
9	C 12975	WASHER - wheel spindle	2
10	C 28226	WASHER - wheel spacer	6
11	187- 1910	BOLT - 3/8" N.C. indented hex head	1
12	C 22278	PIN - retaining, axle pivot	1
13	C 25857	ROD - drag link	1
14	192- 23	LOCK WASHER - 1/2" zinc plated	3
15	129- 165	NUT - jam 1/2" N.F. hex R.H. thread	6
16	C 13605	BALL JOINT - 1/2" L.H. thread	2
17	129- 365	NUT - jam 1/2" N.F. hex L.H. thread	2
18	C 12102	BALL JOINT - R.H. thread	2
19	C 22568	TUBE - axle pivot	1
20	219- 17	FITTING - lube	2
21	C 25856	TIE ROD	1
22	C 27597	WASHER	2
23	C 28232	RING - retaining	4

444 FRONT AXLE



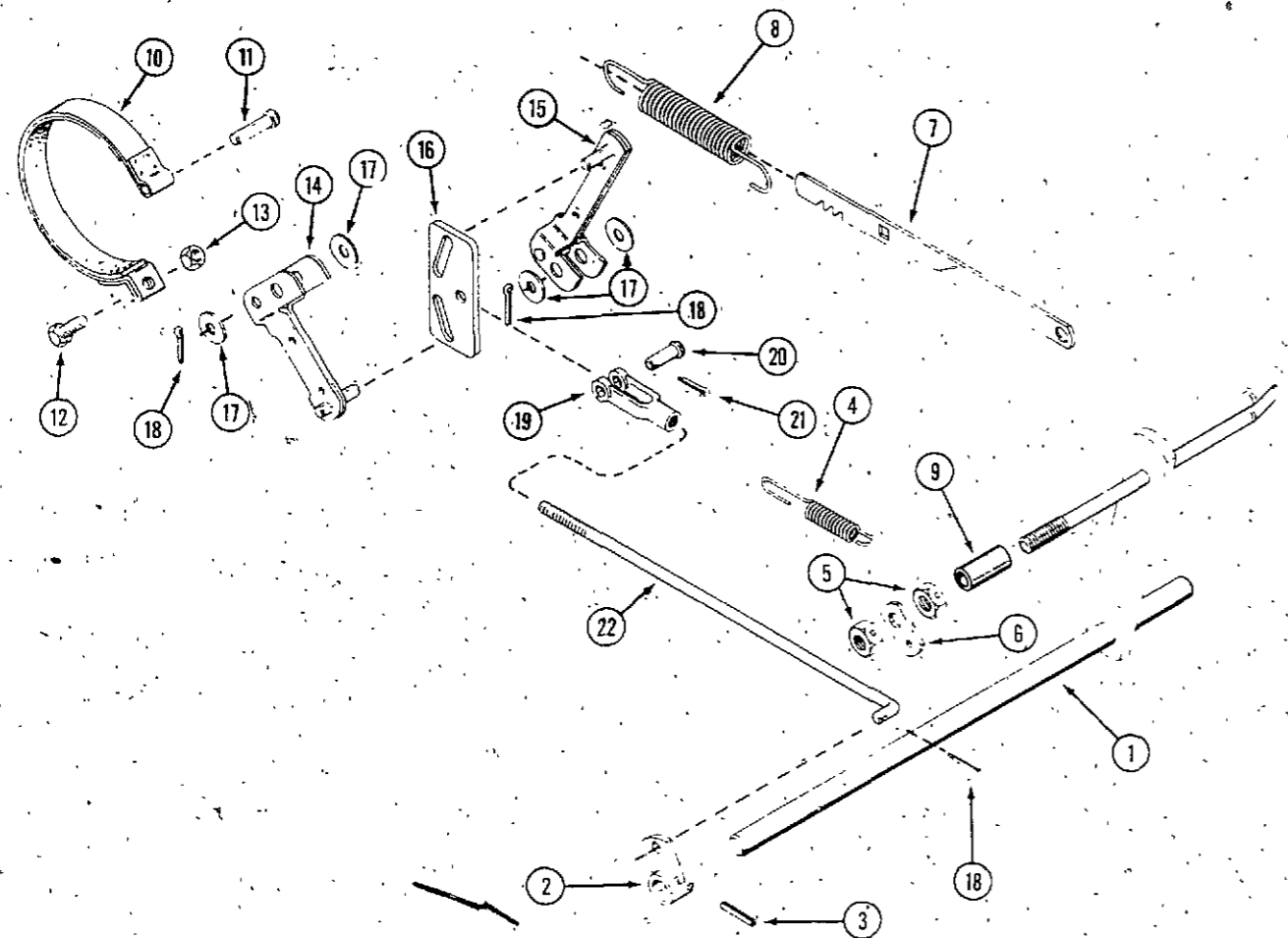
1	C 18813	AXLE - front	1
2	NSS	SPINDLE - R.H. shown (use C31341, C27902)	1
2	NSS	SPINDLE - L.H. (use C31340, C27902)	1
3	NSS	SPINDLE - R.H. shown (use C31341, 132-311)	1
3	NSS	SPINDLE - L.H. (use C31340, 132-311)	1
4	138- 99	PIN - roll	2
5	C 22278	PIN - retaining, axle pivot	1
6	C 13716	WASHER - thrust	4
7	219- 404	FITTING - lube	1
8	C 13106	COVER - lube fitting	3
9	132- 311	PIN - cotter 5/32" x 1-1/4"	2
10	C 12975	WASHER - wheel spindle	2
11	C 28226	WASHER - wheel spacer	4
12	187- 1910	BOLT - 3/8" N.C. indented hex head	1
13	C 25857	ROD - drag link	1
14	192- 23	LOCK WASHER - 1/2" zinc plated	3
15	129- 165	NUT - jam 1/2" N.F. hex R.H. thread	6
16	129- 365	NUT - jam 1/2" N.F. hex L.H. thread	2
17	C 13605	BALL JOINT - L.H. thread	2
18	C 12102	BALL JOINT - R.H. thread	2
19	C 22568	TUBE - axle pivot	1
20	219- 17	FITTING - lube	2
21	C 25855	TIE ROD	1
22	C 27597	WASHER	2
23	C 28232	RING - retaining	2
24	C 27902	RING - retaining	2

STEERING GEAR



REF.	PART NO.	DESCRIPTION	REQ'D
1	113- 206	BOLT - 3/8" x 3/4" N.C. hex	4
2	C 26325	WHEEL - steering	1
3	NSS*	PIN - pivot (use C29044)	1
3	C 29044**	PIN - pivot	1
4	C 26326	SHAFT - steering	1
5	C 29812	WASHER - 3/8" x 1.4"	2
6	113- 241*	BOLT - 3/8" - 16 x 3" hex	1
6	113- 248**	BOLT - 3/8" - 16 x 2-3/4"	1
7	C 14201	WASHER - shim	4
8	129- 103	NUT - 3/8" - 16 hex	1
9	C 27501**	BUSHING	1
10	138- 143	PIN - roll 1/4" x 2-1/4"	1
11	195- 541†	WASHER - 5/8"	UAR
12	C 33309	GEAR - steering	1
13	C 33308	BUSHING - sleeve	2
14	192- 21	LOCK WASHER - 3/8"	5
15	195- 2069	WASHER - 5/8" zinc plated	2
16	C 15096	BUSHING - flanged nylon	1
17	C 30019**	SUPPORT - steering gear (includes bushing)	1
17	NSS*	SUPPORT - steering (use C29812, C30019 and C29044)	1
18	C 24098†	TUBE - steering	1
18	C 30127††	TUBE - steering	1

*Use before S/N: †Use before S/N:
 **Use S/N and after: ††Use S/N and after:
 220 - 14068708 220 - 14091130
 222 - 14069648 222 - 14092090
 224 - 14070747 224 - 14093065
 444 - 14072850 444 - 14094825

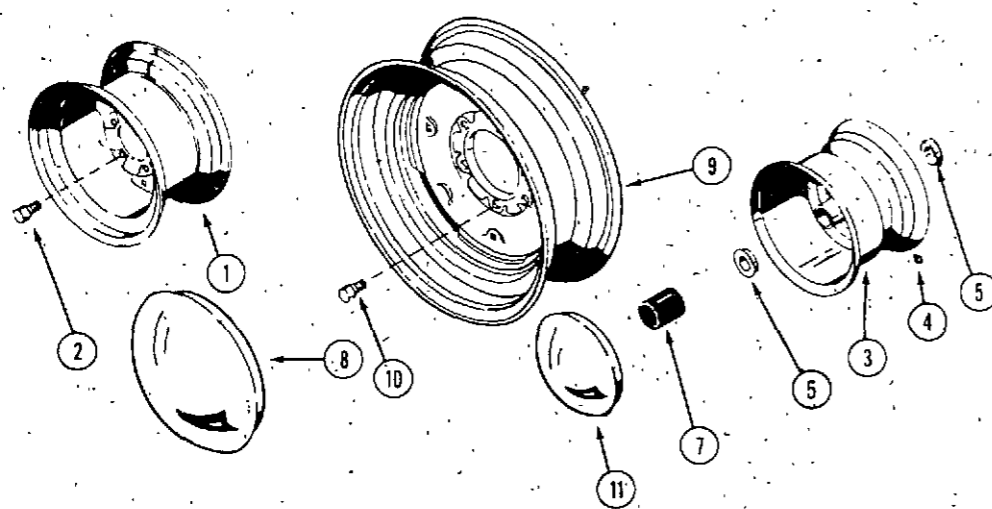


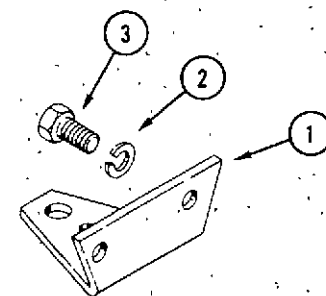
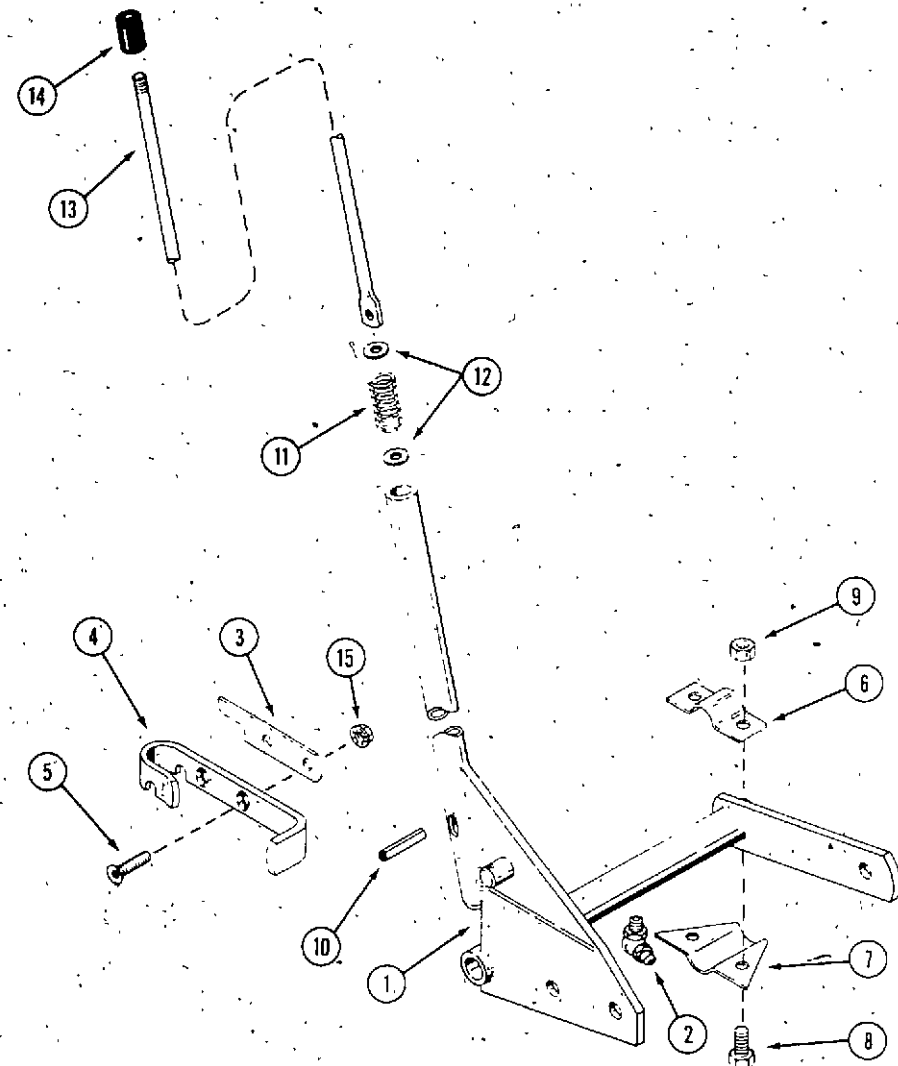
BRAKE ASSEMBLY

REF.	PART NO.	DESCRIPTION	REQ'D
1	C 21872	PEDAL - brake actuating	1
2	C 26381	ARM - brake pedal	1
3	138- 2073	PIN - spirol 3/16" x 1-1/4"	1
4	C 25022	SPRING - return	1
5	131- 1308	NUT - centerlock, jam	2
6	C 16164	TAB - lift	1
7	C 18147	LEVER - brake lock	1
8	C 27755	SPRING - brake lock	1
9	C 21857	SPACER - brake pedal	1
10	C 33427	BAND - brake	1
11	C 23910	PIN - clevis	1
12	113- 2262	BOLT - 3/8" - 16 x 1-1/2" hex	1
13	129- 143	NUT - 3/8" - 16 jam	1
14	C 23899	ARM - brake	1
15	C 24761	ARM - brake (includes adjustment nut)	1
16	C 31994	GUIDE - brake actuation	1
17	195- 533	WASHER - .531" I.D.	4
18	132- 310	PIN - cotter 1/8" x 1"	3
19	C 28978	CLEVIS	1
20	141- 4	PIN - clevis	1
21	132- 321	PIN - cotter 3/32" x 1"	1
22	C 31992	ROD - brake (220, 222, 224)	1
22	C 31993	ROD - brake (444)	1

FRONT AND REAR WHEELS

REF.	PART NO.	DESCRIPTION	REQ'D
1	C 30913	WHEEL - rear, 5 bolt (220, 222, 224) for 23 x 8.50 - 12 tire	2
1	C 30922	WHEEL - rear, 5 bolt (220, 222, 224) for 23 x 10.50 - 12 tire	2
2	C 10314	BOLT - rear wheel (220, 222, 224)	10
3	C 30912	WHEEL - front (white) (includes items 5)	2
4	219- 403	FITTING - lube	2
5	C 12110	BEARING - wheel	4
7	C 26021	CAP - plastic, front	2
8	C 28970	CAP - hub, rear (optional) (220, 222, 224)	2
9	C 30917	WHEEL - rear, 6 bolt (444)	2
10	C 27763	BOLT - rear wheel (444)	12
11	C 28965	CAP - hub front wheel (optional)	2
	C 13106	COVER - lube fitting	2
	C 28236	STEM - valve	4





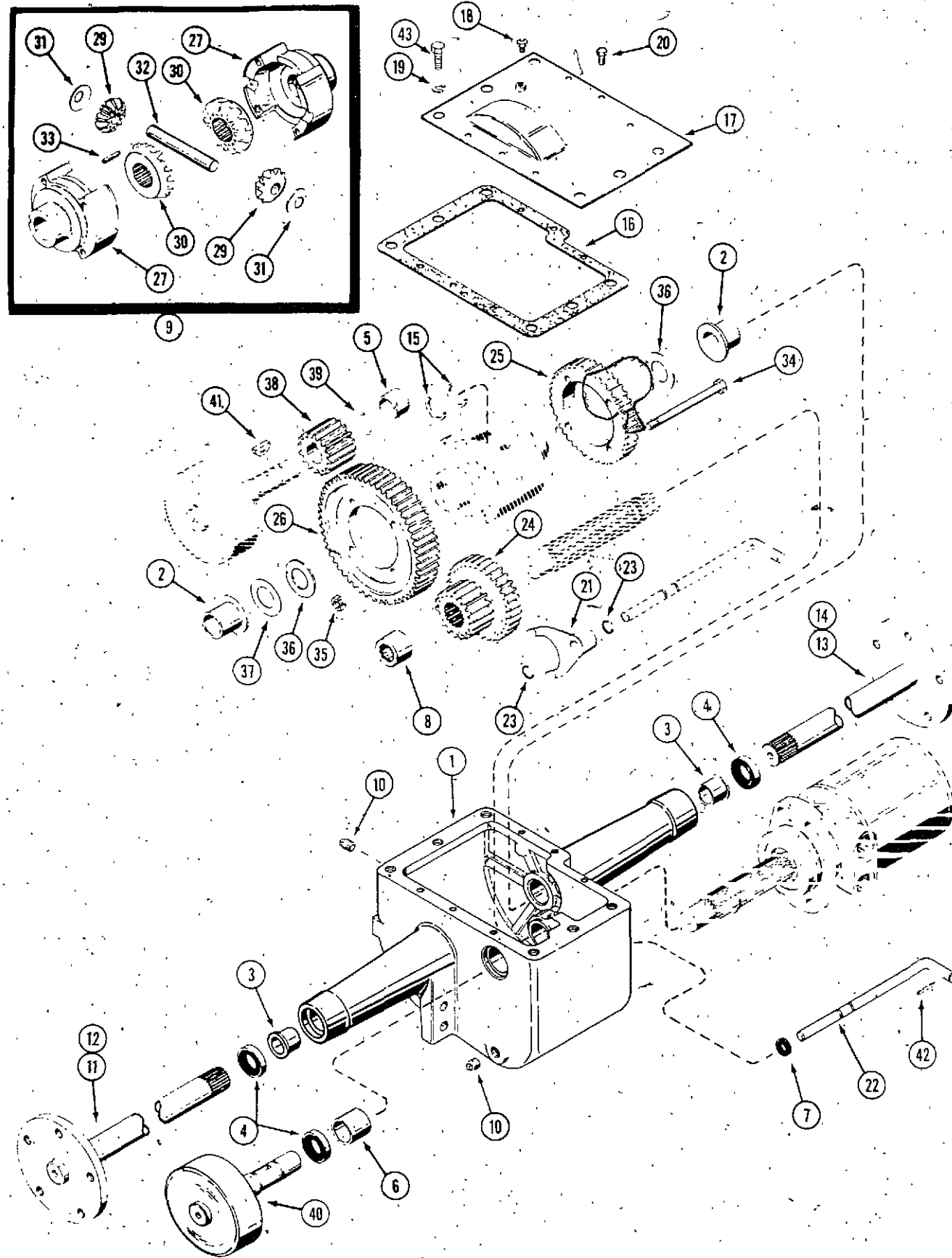
MOUNTING POSITION FOR 220, 222 AND 224 TRACTORS.

IMPLEMENT LIFT

REF.	PART NO.	DESCRIPTION	REQ'D
1	C 18809	LEVER ASSEMBLY - implement lift	1
2	219- 404	FITTING - lube 45°	1
3	C 17281	SPACER - latch	5
4	C 18811	LATCH - lever	1
5	164- 42	SCREW - 5/16" x 1-1/4" flat head socket	2
6	C 17249	BRACKET - mounting top	1
7	C 17250	BRACKET - mounting bottom	1
8	113- 207	BOLT - 3/8" x 1" N.C.	4
9	131- 1181	NUT - lock 3/8"	4
10	138- 2054	PIN - spirol 5/16" x 1-3/4"	1
11	C 15564	SPRING - lift lever	1
12	195- 521	WASHER - 3/8" x 11/16" OD	2
13	C 17067	ROD - lift lever push	1
14	C 14525	BUTTON - release	1
15	131- 911	NUT - lock 5/16" - 18 flanged	2
	C 13106	COVER - lube fitting	1

DRAWBAR AND TOW HITCH

REF.	PART NO.	DESCRIPTION	REQ'D
1	C 13360	DRAWBAR	1
2	192- 23	LOCK WASHER - 1/2" zinc plated	2
3	113- 424	BOLT - 1/2" x 1" N.C. hex zinc plated	2



TRANSMISSION AND FINAL DRIVE

REF.	PART NO.	DESCRIPTION	REQ'D
	C 24843	CASE ASSEMBLY - transmission	1
1.	NSS	CASE - transmission	1
2	C 12713	BEARING - flange	2
3	C 24804	BEARING - flange	2
4	C 24803	SEAL - shaft	3
5	C 13241	BEARING - sleeve	1
6	C 13385	BEARING - sleeve	1
7	C 13266	SEAL - shift rod	1
8	C 28281	BEARING - roller	1
9	C 30027	DIFFERENTIAL ASSEMBLY	1
10	221- 3	PLUG - 3/8" filler and drain	3
11	C 16699	SHAFT - axle, short R.H. (220, 222 and 224)	1
12	C 22638	SHAFT - axle, short R.H. (444)	1
13	C 16700	SHAFT - axle, long L.H. (220, 222 and 224)	1
14	C 22637	SHAFT - axle, long L.H. (444)	1
15	C 26342	RING - retainer, axle	2
16	C 13196	GASKET - transmission cover	1
17	C 13197	COVER - transmission	1
18	C 28241	BREATHER - transmission	1
19	192- 23	LOCK WASHER - 1/2"	4
20	121- 21	BOLT - 1/4" x 1/2" N.C. lock	6
21	C 12725	FORK - shift	1
22	C 32486	ROD - gear shift	1
23	C 14168	RING - retaining	2
24	C 14644	GEAR - cluster input	1
25	NSS*	GEAR - high 41 tooth (shown) use C30030 and C30031	1
25	C 30030**	GEAR - high 41 tooth	1
26	C 12552	GEAR - low 55 tooth	1
27	NSS	KIT - diff. case (includes Ref. 34 and 35)	1
29	NSS	GEAR - differential pinion	2
30	NSS	GEAR - differential	2
31	NSS	WASHER - pinion thrust	2
32	NSS	PIN - differential cross	1
33	NSS	PIN - differential cross lock	1
34	28- 680*	SCREW - 3/8" x 5" N.F. hex cap (shown)	4
34	C 30031**	KIT - screw (set of four)	1
35	131- 1133	NUT - lock 3/8" N.F. hex	4
36	C 12718	WASHER - differential	2
37	C 14223	WASHER - spacer	1
38	C 33417	GEAR - brake idler	1
39	C 14222	RING - retainer, brake idler	1
40	C 25258	BRAKE DRUM	1
41	126- 128	KEY - Woodruff, brake idler 1/4" x 1-1/8"	1
42	138- 2073	PIN - roll 3/16" x 1-1/4"	1
43	113- 424	BOLT - 1/2" - 13 x 1" hex	4

*Use Before S/N:
 **Use S/N and after:
 220 - 14091014
 222 - 14091935
 224 - 14092962
 444 - 14094720

HYDRAULIC SYSTEM

USE BEFORE S/N:

220 - 14090930 224 - 14070796

222 - 14069687 444 - 14094620

Use for all model 220 and 222 tractors with manual lift

REF.	PART NO.	DESCRIPTION	REQ'D
1	C 15335	SUPPORT - pump mounting	1
2	113- 206	BOLT - 3/8" x 3/4" N.C. hex. support mounting	4
3	62- 616	BOLT - 3/8" x 1" N.F. hex soc. hd., pump mounting	2
4	192- 21	LOCK WASHER - 3/8" zinc plated	6
5	C 28321	KEY - square 1/4" x 3/4" (engine shaft)	1
6	C 15726	COUPLING - pump, 1/2" shaft (220, 222) repairs page 57	1
6	C 17298	COUPLING - pump, 1/2" shaft (224, 444) repairs page 57	1
7	C 26278	PUMP - hydraulic, 1/2" shaft (repairs page 57)	1
8	218- 5065	FITTING - hyd. 3/4" x 7/8" "O" Ring	1
9	218- 5007	"O" RING - 5/8"	1
10	C 16794	TUBE - valve to lower motor port (220, 222 and 224)	1
11	C 16793	TUBE - valve to upper motor port (220, 222, and 224)	1
12	C 25784	EXCHANGER - heat	1
13	214- 254	CLAMP - hose	4
14	NSS	HOSE - tank to heat exchanger (use C29697 cut to length)	1
15	NSS*	RESERVOIR - hydraulic oil (use C33167 kit)	1
15	NSS**	RESERVOIR - hydraulic oil (shown) (use C33177 kit)	1
16	C 25237	CAP - reservoir (includes insert)	1
18	C 22947	TIE - hose clamp	2
19	C 23326	CLAMP - hose	2
20	C 33423*	HOSE - suction	1
20	C 29309**	HOSE - suction	1
21	C 18797	HOSE - hydraulic, pump to valve	1
22	218- 5006	"O" RING - 1/2" (for C18797)	1
23	C 26182	TUBE - valve to heat exchanger	1
24	C 25333	TUBE - valve to lower motor port (444)	1
25	C 25334	TUBE - valve to upper motor port (444)	1
26	218- 5107	FITTING - motor port, 90° elbow, "O" Ring	2
27	218- 5007	"O" RING - 5/8" (for 218-5107 fitting)	2
28	NSS	VALVE - hydraulic control single spool (220, 222) (repairs page 59)	1
29	C 27217	VALVE - hydraulic control, two spool (all models with hydraulic lift) (repairs page 59)	1
30	182- 246	SCREW - 5/16" x 1-1/4" N.C.	2
31	131- 351	NUT - lock 5/16" N.C. hex	2
32	218- 5062	FITTING - hydraulic valve 5/8" x 7/8" "O" Ring	3
33	218- 5007	"O" RING - 5/8"	3
34	C 28949	SEAL - motor to transmission	1
35	C 16697	MOTOR - hydraulic (220, 222 and 224) (repairs page 63)	1
35	C 33233	MOTOR - hydraulic (444) (repairs page 63)	1
36	166- 86	SCREW - 1/2" x 1-1/4" N.C. flanged 12 pt.	4
37	NSS	HOSE - rubber (use C29697) cut to length 7"	1
38	C 25556	WASHER - heat exchanger bracket	3
39	187- 1252	SCREW - 1/4" x 1-1/2" N.C. flat hd. Phillips	3

*Use before S/N:

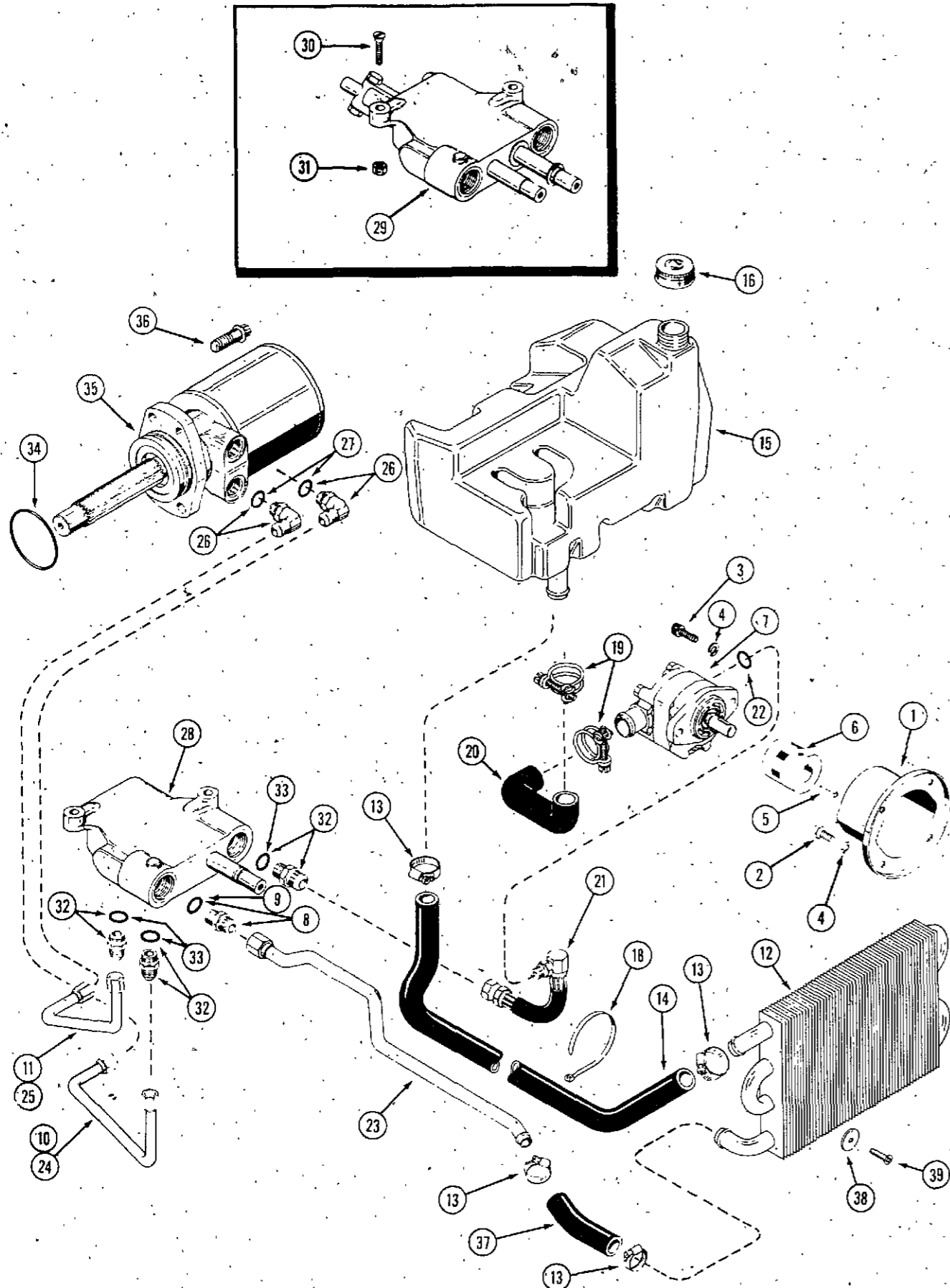
**Use S/N and after

220 - 14068672

222 - 14069604

224 - 14070707

444 - 14072835



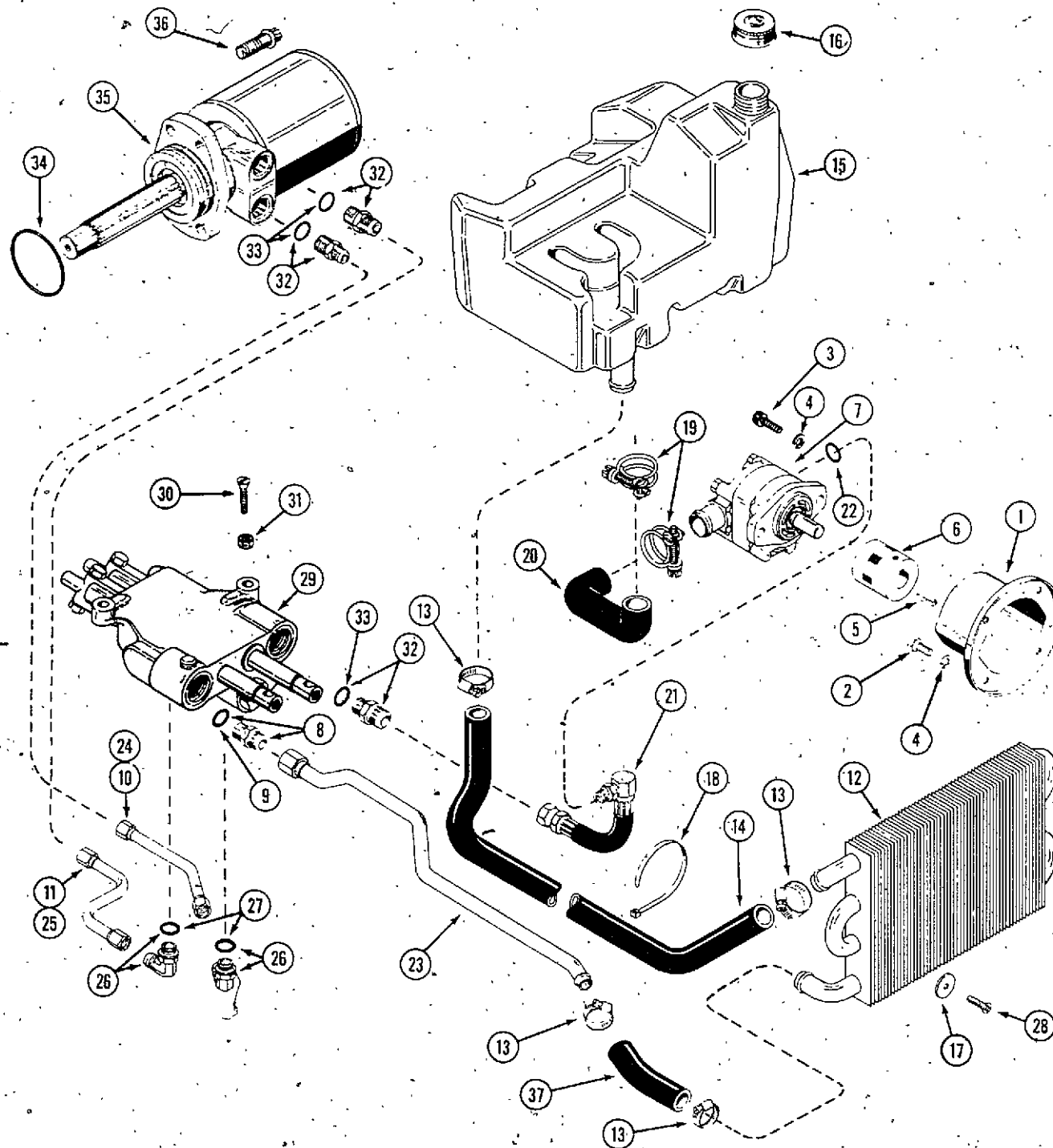
HYDRAULIC SYSTEM

Use S/N and after:

220 - 14090930, 222 - 14069687,

224 - 14070796, 444 - 14094620

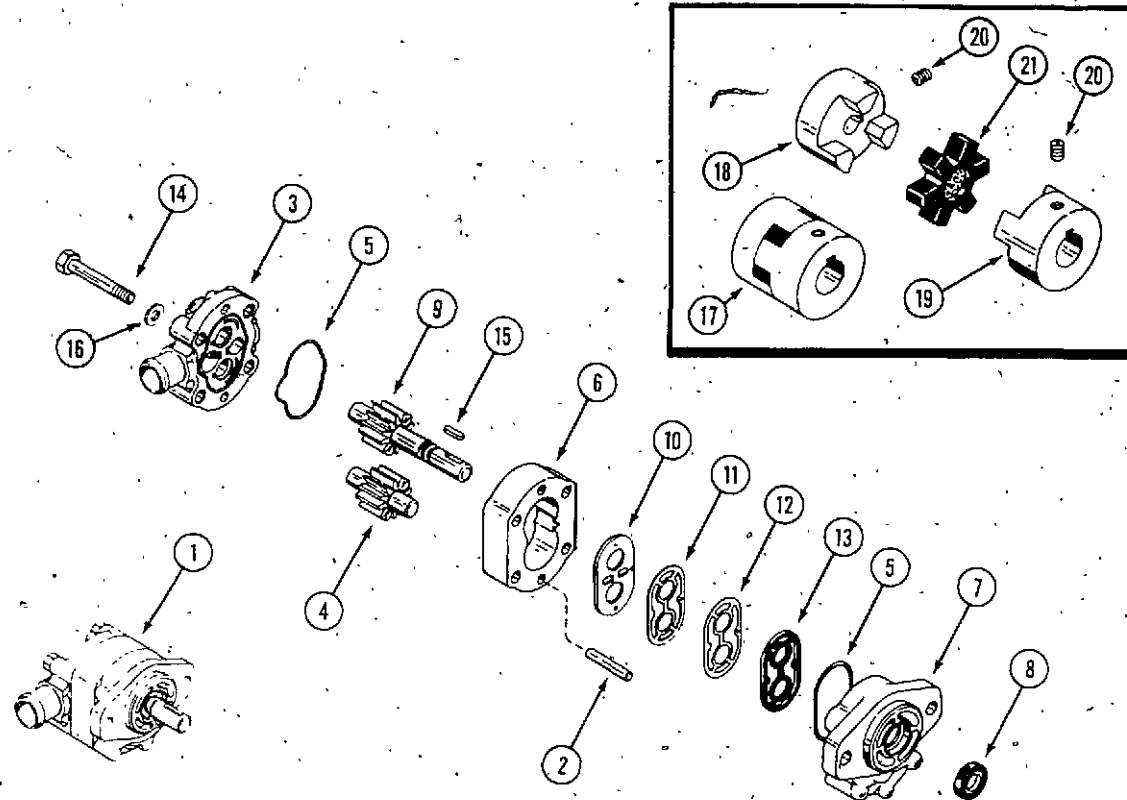
See page 49 for model 220 and 222 manual lift tractors



REF.	PART NO.	DESCRIPTION	REQ'D
1	C 15335	SUPPORT - pump mounting	1
2	113- 206	BOLT - 3/8" x 3/4" N.C. hex. support mounting	4
3	62- 616	BOLT - 3/8" x 1/2" N.F. hex soc. hd., pump mounting	2
4	192- 21	LOCK WASHER - 3/8" zinc plated	6
5	C 28321	KEY - square 1/4" x 3/4" (engine shaft)	1
6	C 15726	COUPLING - pump, 1/2" shaft (220,222) repairs page 57	1
6	C 17298	COUPLING - pump, 1/2" shaft (224,444) repairs page 57	1
7	C 26278	PUMP - hydraulic, 1/2" shaft (repairs page 57)	1
8	218- 5065	FITTING - hyd. 3/4" x 7/8" "O" Ring	1
9	218- 5007	"O" RING - 5/8"	1
10	C 29656	TUBE - valve to lower motor port (220, 222 and 224)	1
11	C 29655	TUBE - valve to upper motor port (220, 222, and 224)	1
12	C 25784	EXCHANGER - heat	1
13	214- 254	CLAMP - hose	4
14	NSS	HOSE - rubber, tank to heat exchanger (use C29697 cut to length)	1
15	NSS	RESERVOIR - hydraulic oil (shown) (use C33177 kit)	1
16	C 25237	CAP - reservoir (includes insert)	1
17	C 25556	WASHER - heat exchanger bracket	3
18	C 22947	TIE - hose clamp	2
19	214- 14	CLAMP - hose	2
20	C 29309	HOSE - suction	1
21	C 18797	HOSE - hydraulic, pump to valve	1
22	218- 5006	"O" RING - 1/2" (for C18797)	1
23	C 26182	TUBE - valve to heat exchanger	1
24	C 29658	TUBE - valve to lower motor port (444)	1
25	C 29657	TUBE - valve to upper motor port (444)	1
26	218- 5107	FITTING - motor port, 90° elbow, "O" Ring	2
27	218- 5007	"O" RING - 5/8" (for 218-5107 fitting)	2
28	187- 1252	SCREW - 1/4" x 1-1/2" N.C. flat hd. Phillips	3
29	NSS	VALVE - hydraulic control, two spool (models with hydraulic lift) (repairs page 61 - use C33473 and 218-5154)	1
30	182- 246	SCREW - 5/16" x 1-1/4" N.C.	2
31	131- 351	NUT - lock 5/16" N.C. hex.	2
32	218- 5062	FITTING - hydraulic valve 5/8" x 7/8" "O" Ring	3
33	218- 5007	"O" RING - 5/8"	3
34	C 28949	SEAL - motor to transmission	1
35	C 30939	MOTOR - hydraulic (220, 222 and 224) (repairs page 63)	1
35	C 33234	MOTOR - hydraulic (444) (repairs page 63)	1
36	166- 86*	SCREW - 1/2" x 1-1/4" N.C. flanged 12 pt.	4
36	166- 85**	SCREW - 1/2" x 1" flanged 12 pt.	4
37	NSS	HOSE - rubber, (use C29699) cut to length 7"	1

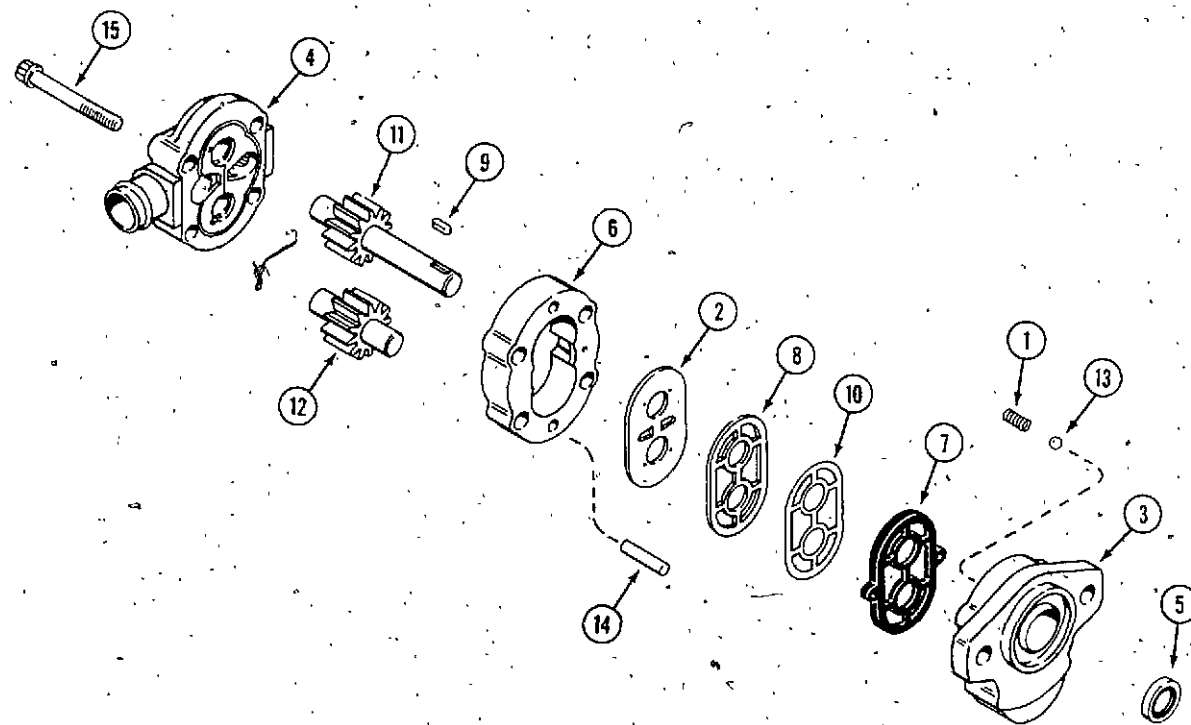
*use before S/N:
 **use S/N and after:
 220 - 14107095
 222 - 14108205
 224 - 14109285
 444 - 14111340

HYDRAULIC PUMP AND COUPLING (PARKER-HANNIFIN)



REF.	PART NO.	DESCRIPTION	REQ'D
1	C 26278	PUMP - hydraulic 1/2" shaft	1
2	F 53109	PIN - dowel	2
3	C 24861	COVER - rear	1
4	C 15731	GEAR ASSEMBLY - driven	1
5	C 15732	"O" RING - cover	2
6	C 15733	BODY - pump	1
7	C 15734	COVER - front	1
8	C 15735	SEAL - shaft	1
9	NSS	GEAR ASSEMBLY - drive (1/2" shaft) (use C26278)	1
10	C 15737	PLATE - wear	1
11	C 15738	SHIELD - heat	1
12	C 15739	GASKET	1
13	C 15740	SEAL	1
14	113- 111	BOLT	4
15	C 19207	KEY - 1/8" square x 3/4" long	1
16	NSS	WASHER - obtain locally	4
17	C 17298	COUPLING - pump (224, 444)	1
17	C 15726	COUPLING - pump (220, 222)	1
18	NSS	HUB - (order item 17)	1
19	NSS	HUB - (order item 17)	1
20	C 32199	SCREW - set 5/16" x 5/16" NC socket head	2
21	C 15036	SPIDER - (224, 444)	1
21	C 28966	SPIDER - (220, 222)	1

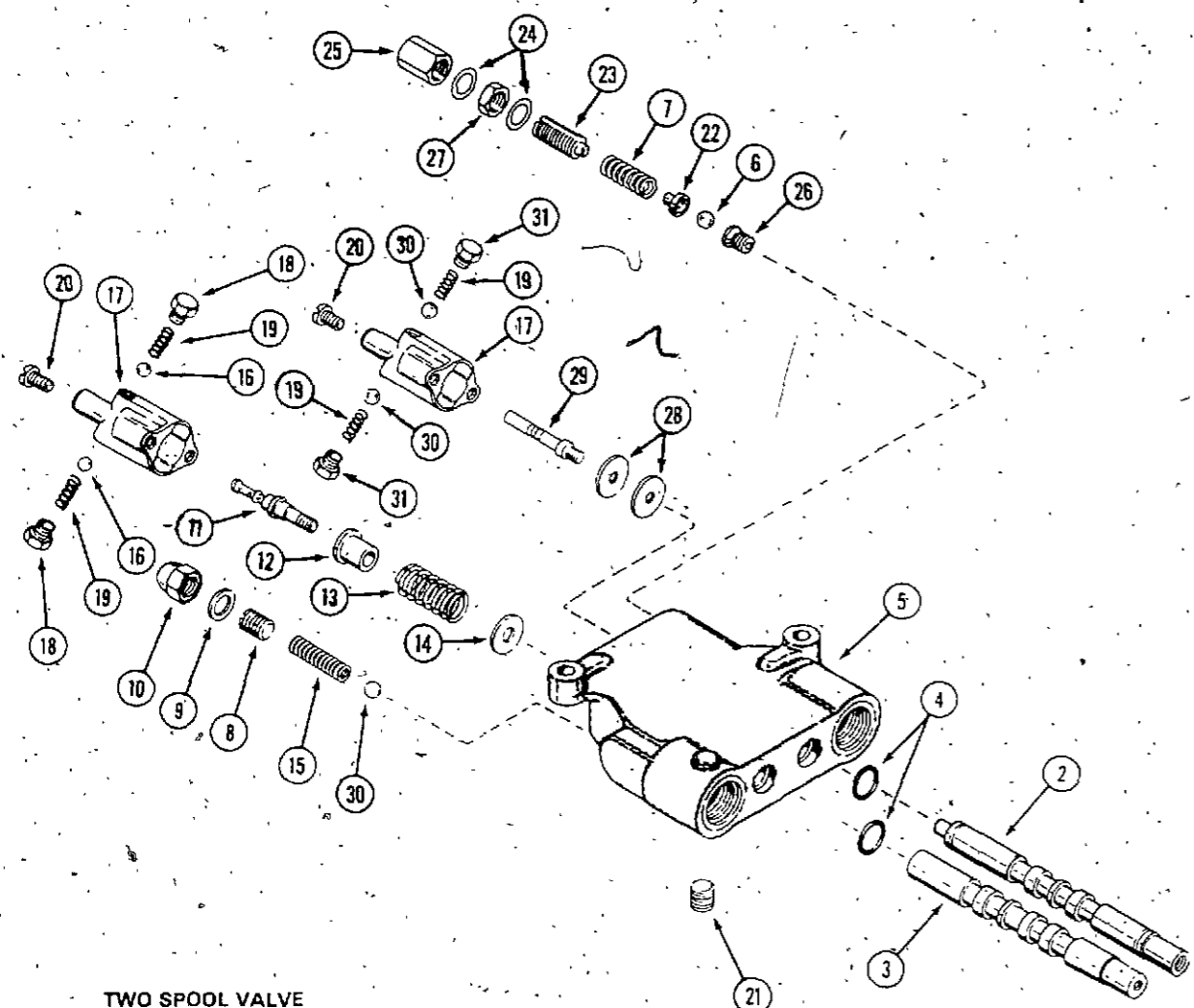
HYDRAULIC PUMP (CESSNA)



REF.	PART NO.	DESCRIPTION	REQ'D
	NSS	PUMP - hyd. 1/2" shaft (use C26278)	1
1	C 28709	SPRING	2
2	C 28718	DIAPHRAGM - wear plate	1
3	NSS	COVER - front (use C26278)	1
4	NSS	COVER - rear (use C26278)	1
5	C 28711	SEAL - shaft	1
6	NSS	BODY - pump (use C26278)	1
7	C 28712	SEAL - diaphragm	1
8	C 28714	GASKET - back up	1
9	C 19207	KEY - 1/8" square x 3/4" long	1
10	C 28713	GASKET - protector	1
11	NSS	GEAR ASSEMBLY - drive (use C26278)	1
12	NSS	GEAR ASSEMBLY - driven (use C26278)	1
13	211- 306	BALL - steel 7/32"	2
14	C 28715	PIN - dowel 1/4" x 1-1/4"	2
15	NSS	BOLT - 5/16" - 18 x 2-1/2" 12 point flange (obtain locally)	4

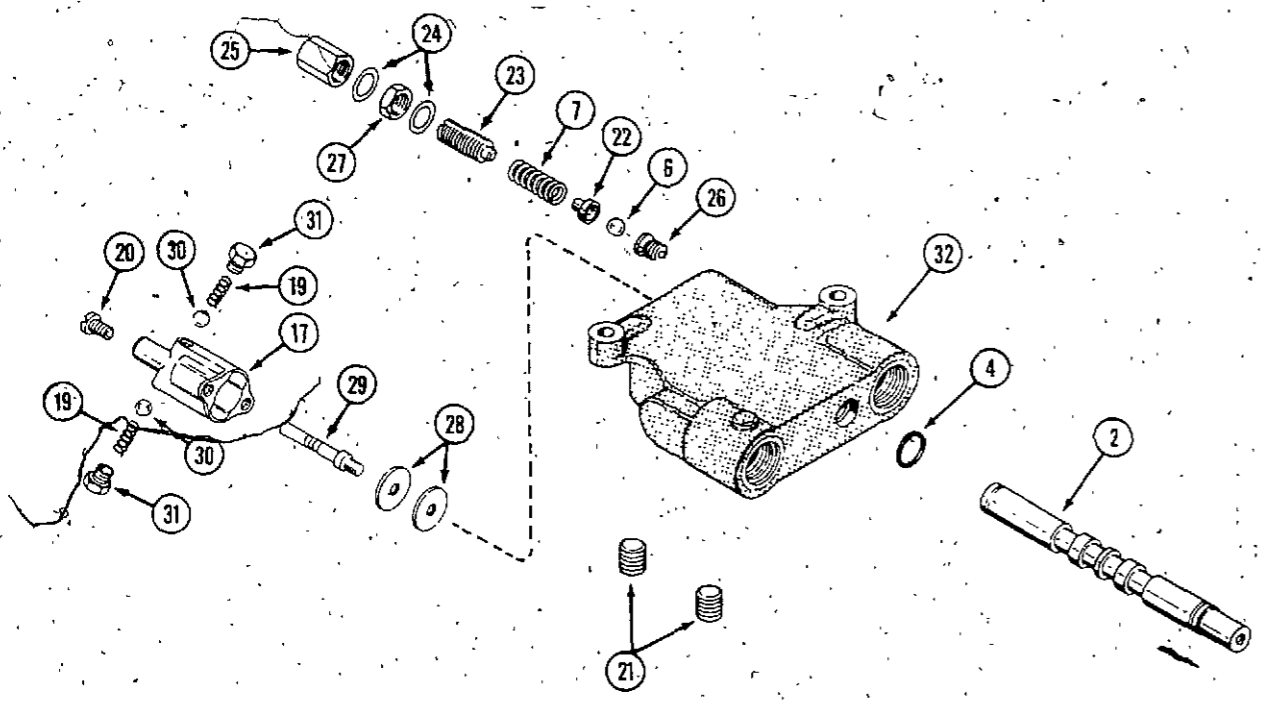
HYDRAULIC CONTROL VALVE

Use before S/N:
 220 - 14090930, 222 - 14069687
 224 - 14070796, 444 - 14094620
 And All Single Spool Valves



TWO SPOOL VALVE
 (Tractors with Hydraulic Lift)

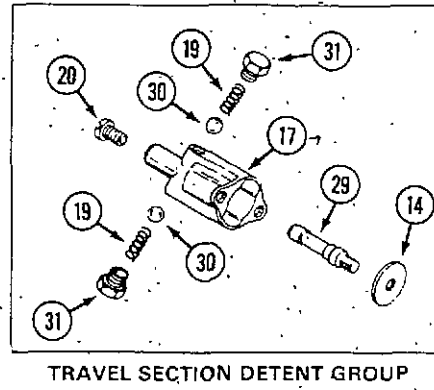
SINGLE SPOOL VALVE
 (Tractors with Manual Lift)



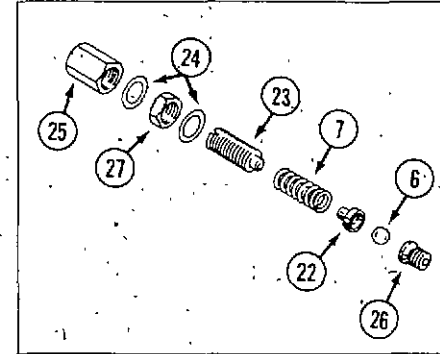
REF.	PART NO.	DESCRIPTION	REQ'D
1	C 27217	VALVE - control, two spool	1
2	C 28699	RING - retaining	2
3	NSS	SPOOL - motor (order C27217)	1
4	NSS	SPOOL - lift (order C27217)	1
5	C 28856	SEAL - spool	4
6	NSS	BODY - valve (order C27217)	1
7	211- 208	BALL - steel 5/16" (7.94 mm)	1
8	C 21507	SPRING - relief	2
9	C 17433	SCREW - relief adjust	1
10	C 17435	GASKET - relief adjust cap	1
11	129- 531	CAP - adjust screw	2
12	C 26668	DETENT - spool	1
13	C 28707	SPACER - detent	1
14	C 28706	SPRING - detent return	1
15	C 28705	WASHER - return	1
16	NSS	SPRING - relief (use C21511 relief kit)	1
17	211- 5	BALL - steel 3/16" (4.76 mm)	3
18	C 17438	COVER - detent	1
19	C 28708	SCREW - detent	2
20	C 17444	SPRING - detent	2
21	169- 114	SCREW - cover	4
22	221- 841	PLUG - pipe	1
23	C 21506	RETAINER - ball seat	1
24	C 26665	SCREW - adjust, relief	1
25	C 26664	GASKET - adjust cap	1
26	C 26666	CAP - adjust screw	1
27	C 26663	SEAT - relief ball	1
28	C 34555	NUT - lock	1
29	195- 521	WASHER	2
30	C 27219	DETENT - spool	1
31	211- 7	BALL - steel 1/4" (6.35 mm)	2
32	C 17443	SCREW - detent	2
	NSS	VALVE - control, single spool (use 27217 and (2) 218-5154)	1

HYDRAULIC CONTROL VALVE

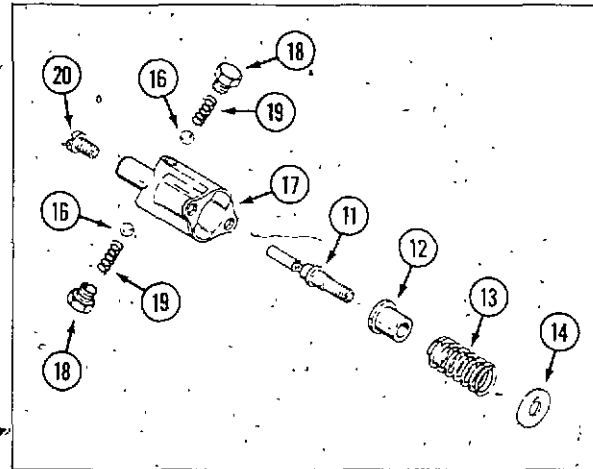
Use S/N and after:
 220 - 14090930, 222 - 14069687
 224 - 14070796, 444 - 14094620
 Single spool valve repair Page 55



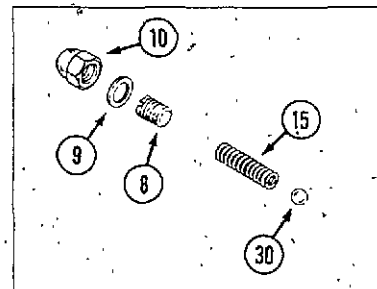
TRAVEL SECTION DETENT GROUP



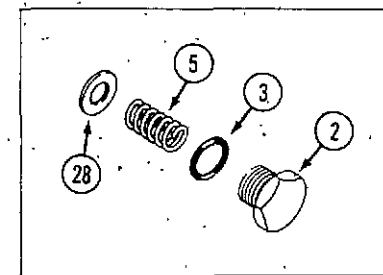
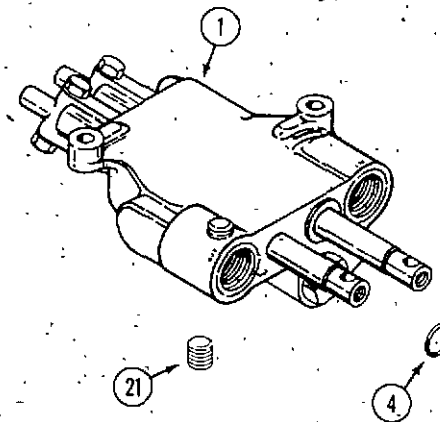
TRAVEL SECTION RELIEF GROUP



LIFT SECTION DETENT GROUP



LIFT SECTION RELIEF GROUP

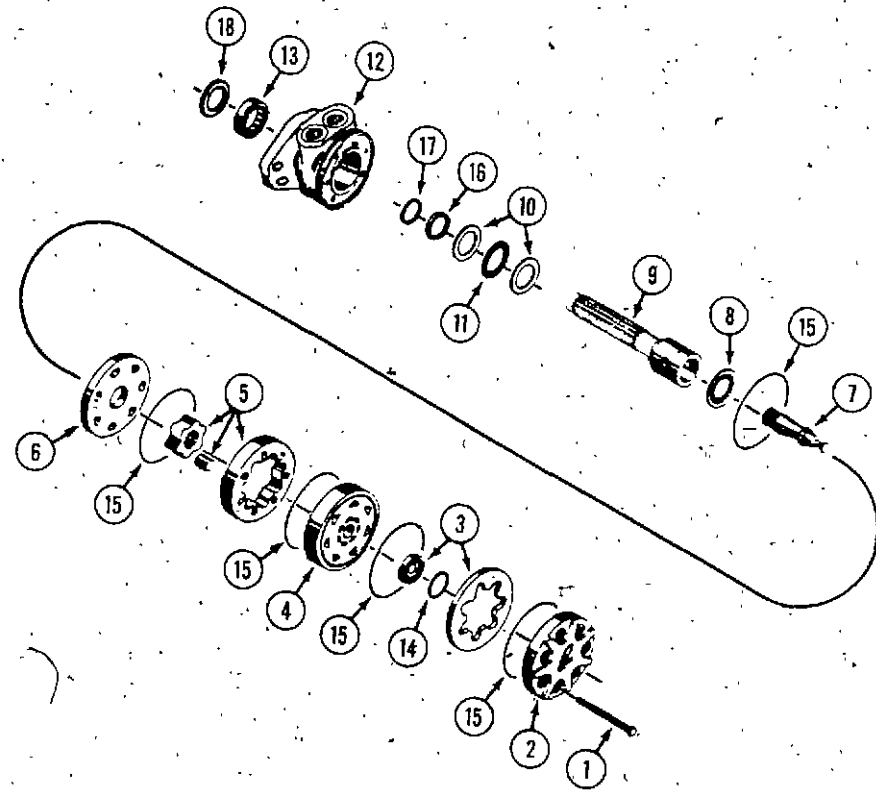


HOLDING SECTION GROUP

REF.	PART NO.	DESCRIPTION	REQ'D
1	NSS	VALVE - control, two spool (use C33473 and 218-5154)	1
2	C 29956	CAP - end	2
3	C 28217	"O" RING - end cap	1
4	C 28856	SEAL - spool	4
5	C 29951	SPRING - centering	2
6	211- 208	BALL - steel 5/16" (7.94 mm)	1
7	C 21507	SPRING - relief	2
8	C 17433	SCREW - relief adjust	1
9	C 17435	GASKET - relief adjust cap	1
10	129- 531	CAP - adjust screw	2
11	C 26668	DETENT - spool	1
12	C 28707	SPACER - detent	1
13	C 28706	SPRING - detent return	1
14	C 28705	WASHER - return	2
15	NSS	SPRING - relief (use C21511 relief kit)	1
16	211- 5	BALL - steel 3/16" (4.76 mm)	2
17	C 17438	COVER - detent	1
18	C 28708	SCREW - detent	2
19	C 17444	SPRING - detent	4
20	169- 114	SCREW - cover	4
21	221- 841	PLUG - pipe	1
22	C 21506	RETAINER - ball seat	1
23	C 26665	SCREW - adjust, relief	1
24	C 26664	GASKET - adjust cap	1
25	C 26666	CAP - adjust screw	1
26	C 26663	SEAT - relief ball	1
27	C 34555	NUT - lock	1
28	C 29950	WASHER - spring retaining	2
29	C 29958	DETENT - spool	1
30	211- 7	BALL - steel 1/4" (6.35 mm)	3
31	C 17443	SCREW - detent	2
	C 30002	KIT - seal	1
	C 30481	PLUG - holding-spool (use to replace rear plug only)	1

HYDRAULIC DRIVE MOTOR

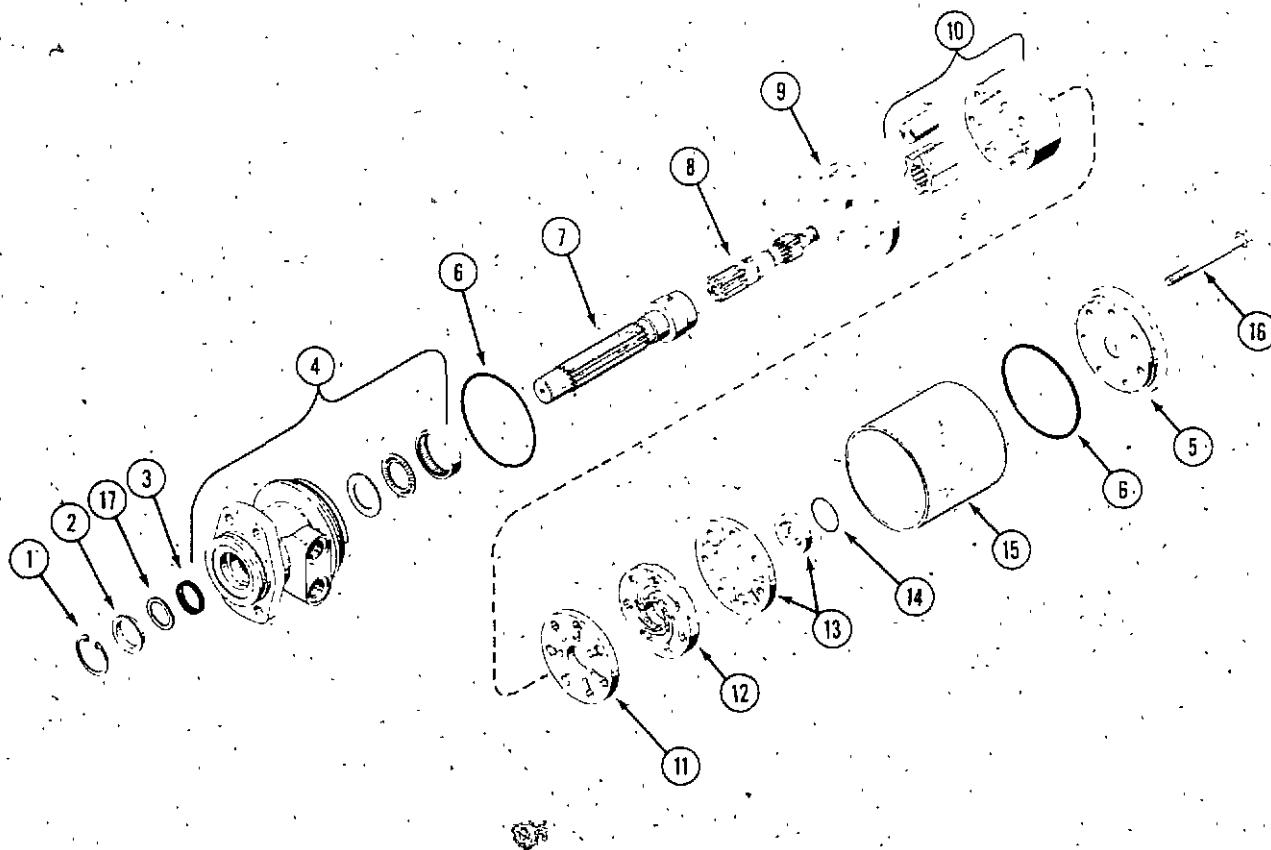
Use S/N and after:
 220 - 14107095
 222 - 14108205
 224 - 14109285
 444 - 14111340



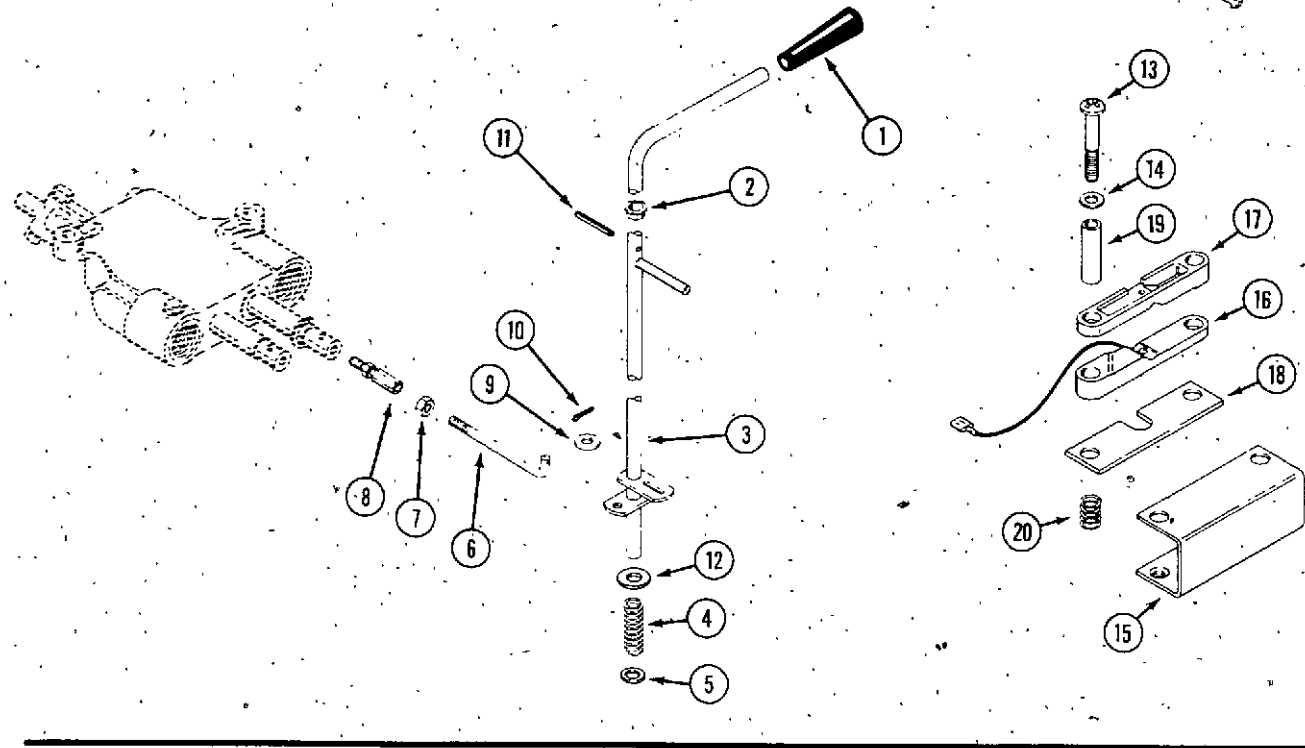
REF.	PART NO.	DESCRIPTION	REQ'D
	C 33234	MOTOR - hydraulic (444)	1
	C 30939	MOTOR - hydraulic (220, 222, 224)	1
1	28- 668	BOLT - 3/8" - 24 x 4-1/4" (220, 222, 224)	7
1	C 31327	BOLT - 3/8" - 24 x 4-5/8" (444)	7
2	C 31309	COVER - end	1
3	C 31310	COMMUTATOR AND RING SET	1
4	C 31311	MANIFOLD	1
5	C 31312	ROTOR ASSEMBLY (220, 222, 224)	1
5	C 31313	ROTOR ASSEMBLY (444)	1
6	C 31314	PLATE - wear	1
7	C 31315	LINK - drive (220, 222, 224)	1
7	C 31316	LINK - drive (444)	1
8	C 31317	BEARING - thrust	1
9	C 31318	SHAFT - coupling	1
10	C 31319	WASHER - thrust	2
11	C 31320	BEARING - thrust	1
12	C 31321	HOUSING - drive end	1
13	C 31322	BEARING - outer	1
	C 31323	KIT - seal	1
14	NSS	SEAL - commutator ring	1
15	NSS	SEAL - ring	5
16	NSS	SEAL - ring	1
17	NSS	WASHER - backup	1
18	NSS	SEAL - dirt (not used)	1

HYDRAULIC DRIVE MOTOR

Use Before S/N: 220 - 14107095 224 - 14109285
 222 - 14108205 444 - 14111340



	NSS	MOTOR - hydraulic 220, 222, and 224 (use C30939 and 8-56770)	1
	C 33233	MOTOR - hydraulic 444	1
1	C 16516	RING - retaining	1
2	C 19040	SPACER - (see kit below)	1
3	C 25048	SEAL - oil (see kit below)	1
4	C 14827	HOUSING ASSEMBLY	1
5	C 14837	END CAP	1
6	C 18382	SEAL - (see kit below)	2
7	C 14828	SHAFT - coupling	1
8	C 28704	DRIVE LINK - 220, 222, 224	1
8	C 14829	DRIVE LINK - 444	1
9	C 14830	PLATE - wear	1
10	C 18110	ROTOR ASSEMBLY - 220, 222 and 224	1
10	C 14831	ROTOR ASSEMBLY - 444	1
11	C 28703	PLATE - manifold	1
12	C 28874	MANIFOLD	1
13	C 28701	COMMUTATOR AND RING SET	1
14	C 19041	RING - sealing (see kit below)	1
15	C 18092	SLEEVE - 220, 222 and 224	1
15	C 14836	SLEEVE - 444	1
16	NSS	BOLT - 3/8" x 3-7/8" N.F. hex, 220, 222 and 224 (obtain locally)	7
16	C 14838	BOLT - 3/8" x 4-3/8" N.F. hex, 444	7
17	C 19212	WASHER - backup .010" (0.25mm) (see kit below)	1
	C 29732	KIT - "O" ring and seal	1



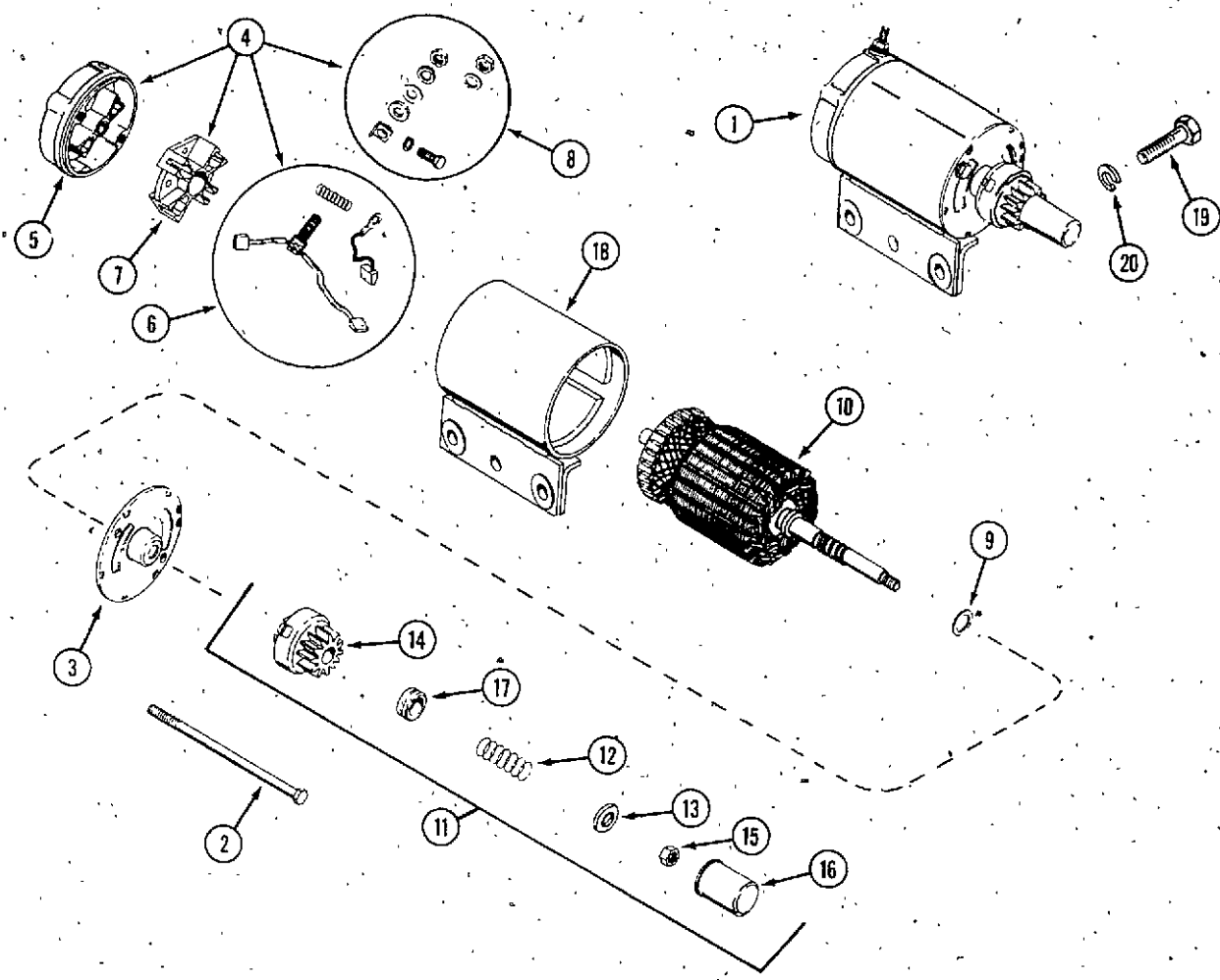
SPEED CONTROL

REF.	PART NO.	DESCRIPTION	REQ'D
1	C 29047	KNOB - speed control	1
2	NSS	BUSHING - lever (use C27593)	1
3	C 29407*	LEVER - speed control (shown)	1
3	C 30128**	LEVER - speed control	1
4	C 29645	SPRING - compression	1
5	C 21518	WASHER - nylon	1
6	C 18742	ROD - control	1
7	129- 122	NUT - 5/16" N.F. hex, zinc plated	1
8	C 19025	JOINT - ball	1
9	195- 521	WASHER - 5/16"	1
10	132- 320	PIN - cotter 3/32" x 3/4"	1
11	138- 2072	PIN - roll 1/8" x 1-3/4"	1
12	195- 533	WASHER	1
	C 29646*	LOCATOR ASSEMBLY - neutral start	1
	C 30130**	LOCATOR ASSEMBLY - neutral start	1
13	C 29647	SCREW - 1/4" - 20 black	2
14	C 29648	WASHER - nylon	2
15	C 29649*	CARRIER - locator	1
15	C 30133**	CARRIER - locator	1
16	C 29650	SWITCH - neutral start	1
17	C 29651*	LOCATOR - half	1
17	C 30450**	LOCATOR - light switch	1
18	C 29652	SUPPORT - locator	1
19	C 29653	SPACER - tube	2
20	C 30827	SPRING - locator	2

*Use before S/N:

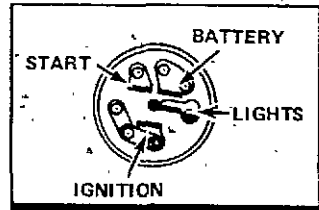
**Use S/N and after:

220 - 14091130 224 - 14093065
 222 - 14092090 444 - 14094825

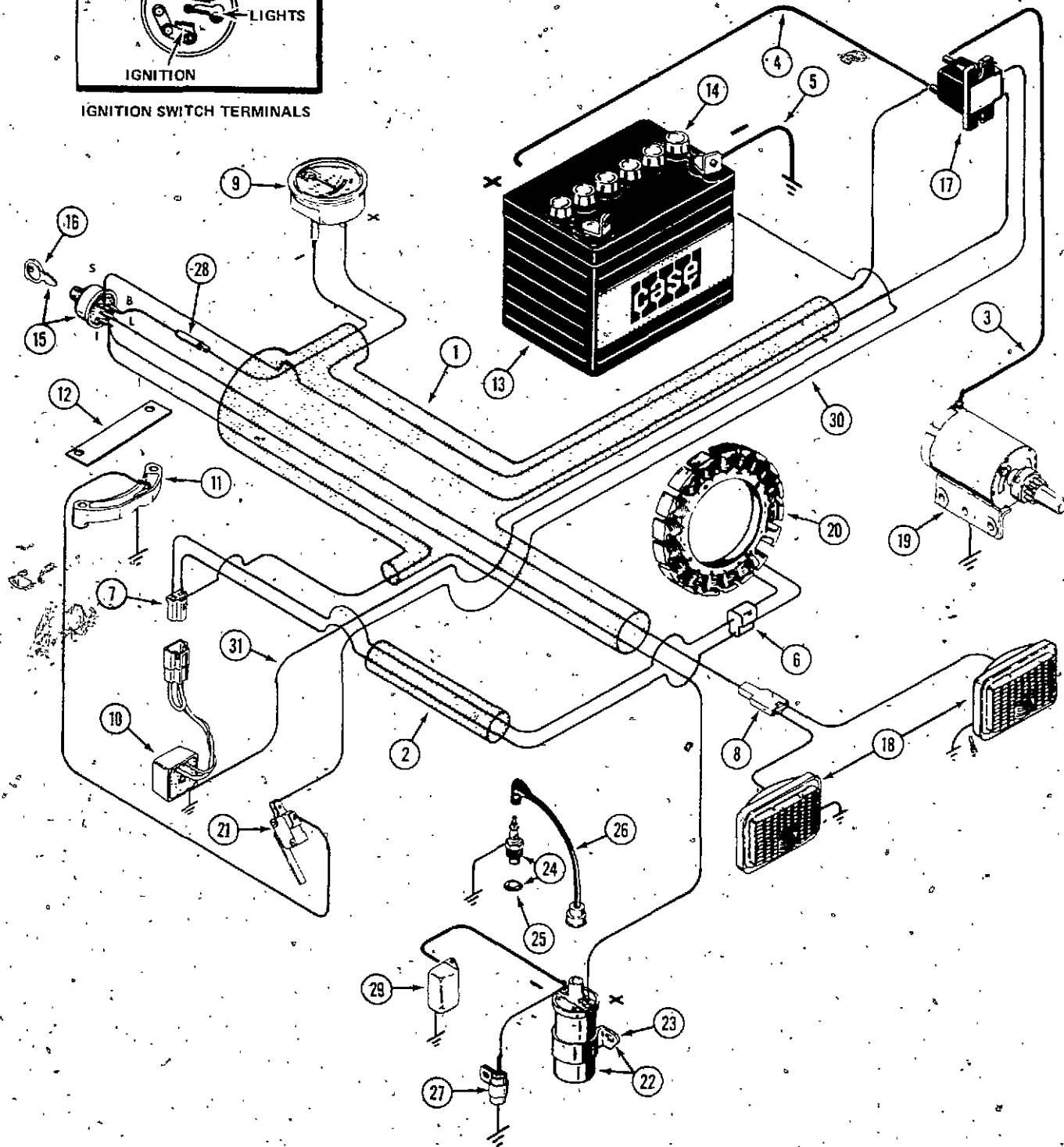


STARTER

REF.	PART NO.	DESCRIPTION	REQ'D
1	C 24889	STARTER ASSEMBLY	1
2	C 28681	BOLT - thru	2
3	C 28689	CAP - end	1
4	C 28684	KIT - commutator cap	1
5	NSS	CAP - commutator	1
6	C 28683	KIT - brush and spring	1
7	NSS	KIT - brush holder	1
8	NSS	KIT - hardware	1
9	C 28682	WASHER - armature thrust	1
10	C 24890	ARMATURE	1
11	C 24891	KIT - drive	1
12	C 28685	SPRING - anti-drift	1
13	NSS	SPACER - gear stop	1
14	NSS	GEAR - drive	1
15	NSS	NUT - gear stop	1
16	C 24892	COVER - dust	1
17	NSS	SPACER - dust cover	1
18	NSS	BODY - starter	1
19	C 24886	BOLT - shoulder 3/8" - 20 x 1-5/16"	2
20	192- 21	LOCK WASHER - 3/8"	2
	C 24880	DECAL - "DO NOT STRIKE"	1



IGNITION SWITCH TERMINALS

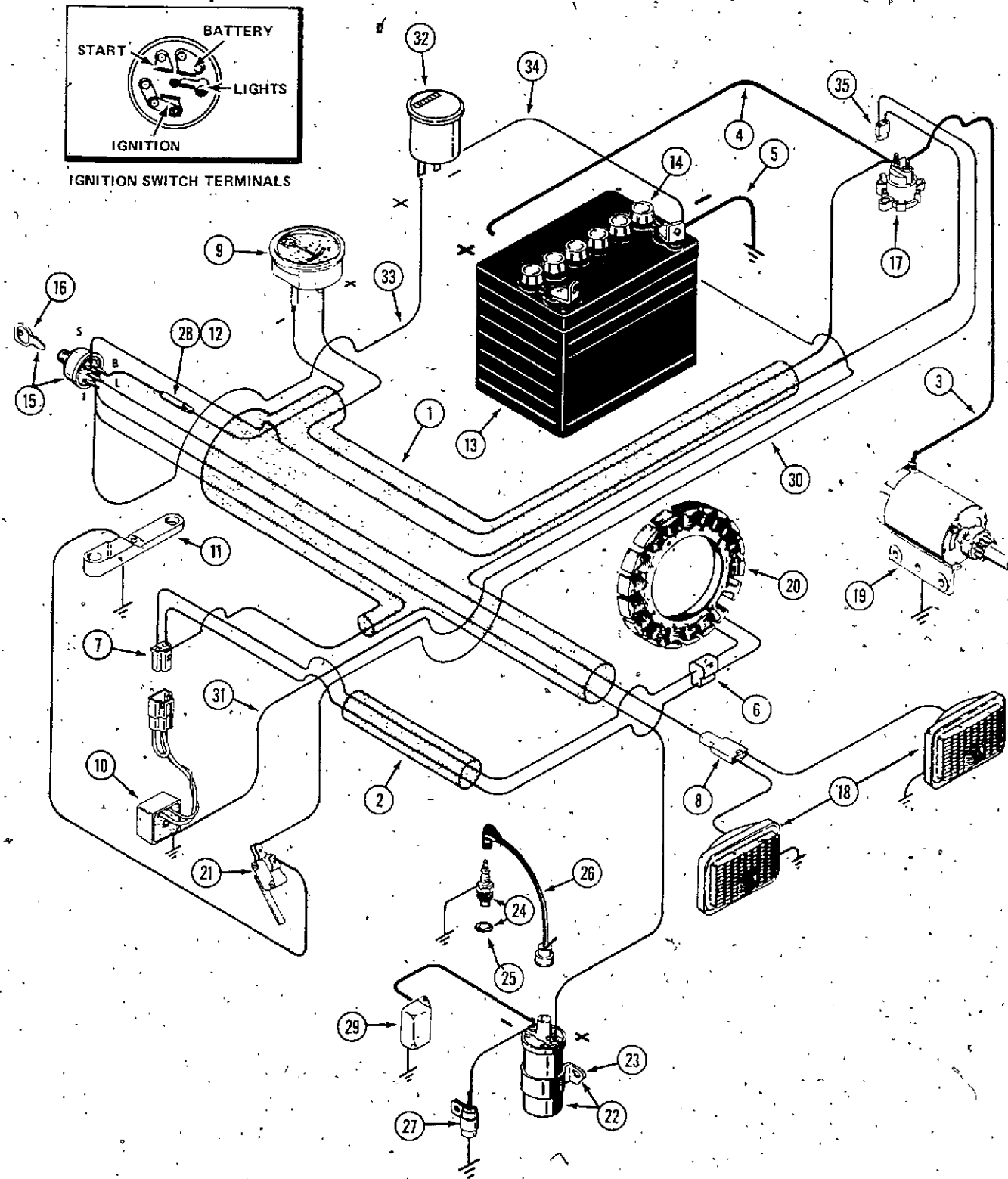


ELECTRICAL SYSTEM

USE BEFORE S/N:

220 - 14054346 222 - 14055580
 224 - 14056610 444 - 14059000

REF.	PART NO.	DESCRIPTION	REQ'D
1	C 25564	HARNESS - wire	1
2	C 24815	HARNESS - wire	1
3	C 24816	CABLE - solenoid to starter (black)	1
4	C 14565	CABLE - solenoid to battery positive (red)	1
5	C 24814	CABLE - battery negative to ground (black)	1
6	C 24813	CONNECTOR - wire harness	1
6	C 25338	CONNECTOR - stator	1
7	C 25486	CONNECTOR - rectifier	1
8	C 14537	CONNECTOR - lights	1
9	C 29413	AMMETER - 30 amperes, 12v	1
10	C 31249	RECTIFIER - voltage, 12v	1
11	C 28003	SWITCH - neutral start (includes wire)	1
12	C 21989	INSULATOR - locator	1
13	NSS	BATTERY - 12v (use C31213)	1
14	C 18113	CAP - battery	6
15	C 30268	SWITCH ASSEMBLY - ignition (includes key and lock washer)	1
16	C 32407	KEY - ignition	1
17	C 26525	SOLENOID - start, 12v	1
18	C 32178	HEADLAMP ASSEMBLY - 12v (repairs page 77)	2
19	C 24889	STARTER - bendix drive (repairs page 67)	1
20	C 28692	STATOR	1
21	C 26108	SWITCH - neutral start, PTO	1
22	KO 231281	COIL - ignition, 12v (includes bracket)	1
23	C 28694	BRACKET - coil mounting	1
24	C 29738	SPARK PLUG - (includes gasket)	1
25	C 28673	GASKET - spark plug	1
26	C 28693	KIT - high tension cable	1
27	KO 230722	CONDENSER	1
28	223- 30	FUSE - 30 amperes (included in harness)	1
28	NSS	HOLDER - fuse, 30 amp (use C31947)	1
29	NSS	BREAKER CONTACT ASSEMBLY - ignition (repairs page 79)	1
30	C 25563	WIRE - solenoid to neutral start	1
31	C 26670	WIRE - ground, rectifier to battery negative	1



ELECTRICAL SYSTEM

USE S/N:

(220) 14054264 to 14091130
(222) 14055580 to 14092090

(224) 14056610 to 14093065
(444) 14059000 to 14094825

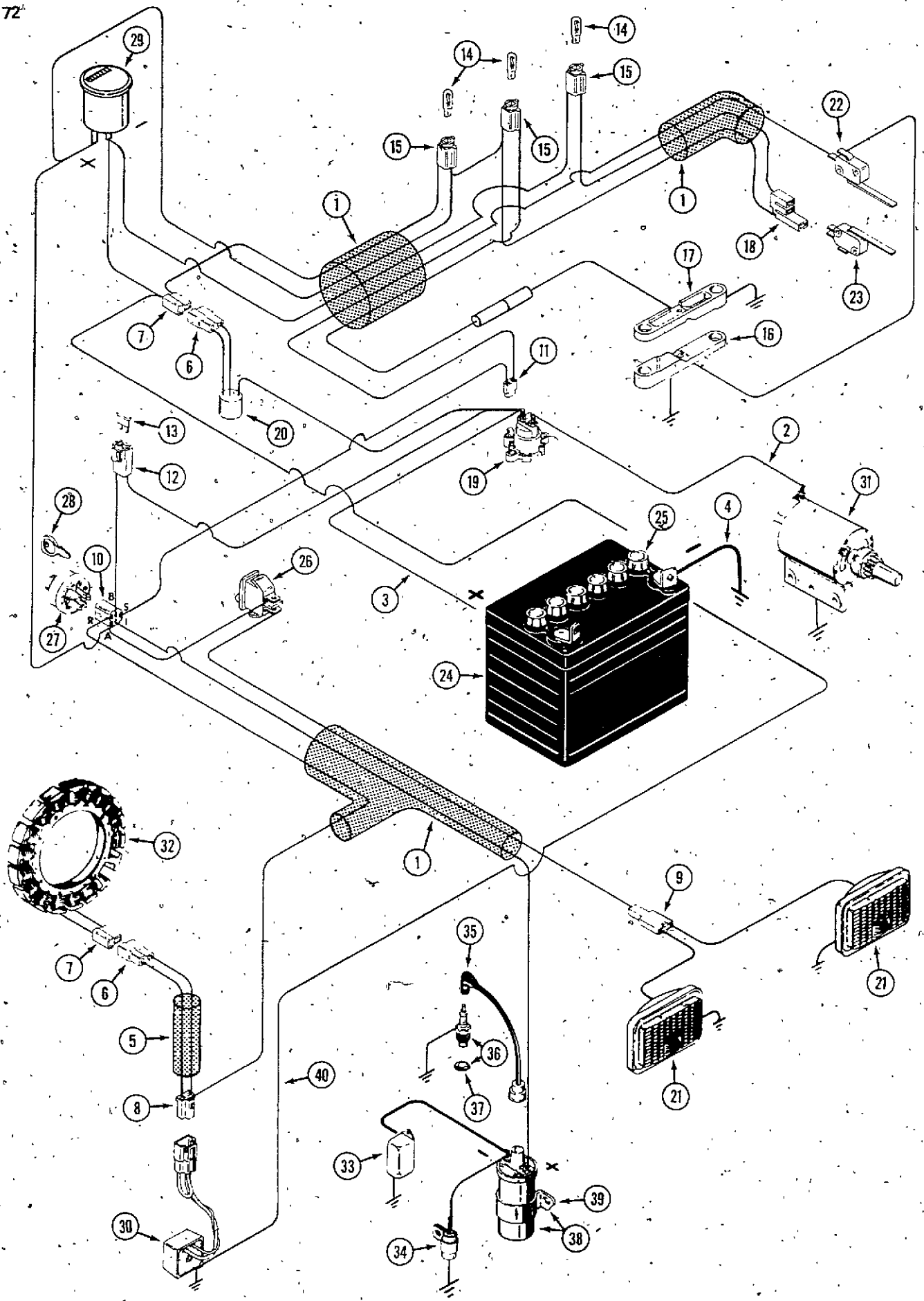
REF.	PART NO.	DESCRIPTION	REQ'D
1	C 27527	HARNES - wire	1
2	C 24815	HARNES - wire	1
3	C 31944	CABLE - solenoid to starter (black)	1
4	C 14565	CABLE - solenoid to battery positive (red)	1
5	C 24814	CABLE - battery negative to ground (black)	1
6	C 24813	CONNECTOR - wire harness	1
6	C 25338	CONNECTOR - stator	1
7	C 25486	CONNECTOR - rectifier	1
8	C 14537	CONNECTOR - lights	1
9	C 29413	AMMETER - 30 amperes, 12v	1
10	C 31249	RECTIFIER - voltage, 12v	1
11	C 28003†	SWITCH - neutral start (includes wire)	1
11	C 29646††	LOCATOR ASSEMBLY - neutral start (see page 65)	1
12	NSS	HOLDER - fuse 30 amp (use C31947)	1
13	NSS	BATTERY - 12v (use C31213)	1
14	C 18113	CAP - battery (screw type)	6
14	C 29074	CAP - battery (push type)	6
15	C 30268	SWITCH - ignition (includes key, mounting hardware)	1
16	C 32407	KEY - ignition	1
17	C 27523	SOLENOID - start, 12v	1
18	C 22571	HEADLAMP ASSEMBLY - 12v (repairs page 77)	2
19	C 32178	STARTER - bendix drive (repairs page 67)	1
20	C 28692	STATOR	1
21	C 26108	SWITCH - neutral start, PTO	1
22	KO 231281	COIL - ignition, 12v (includes bracket)	1
23	C 28694	BRACKET - coil mounting	1
24	C 29738	SPARK PLUG - (includes gasket)	1
25	C 28673	GASKET - spark plug	1
26	C 28693	KIT - high tension cable	1
27	KO 230722	CONDENSER	1
28	223- 30	FUSE - 30 amperes (included in harness)	1
29	NSS	BREAKER CONTACT ASSEMBLY - ignition (repairs page 79)	1
30	C 27530	WIRE - solenoid to neutral start	1
31	C 26670	WIRE - ground, rectifier to battery negative	1
32	C 28304*	HOURMETER	1
32	C 33415**	HOURMETER - (shown)	1
33	C 29411	WIRE - hourmeter to ignition switch	1
34	C 29412	WIRE - hourmeter to battery negative (-)	1
35	C 27549	CONNECTOR - solenoid	1

*Use before S/N:
**Use S/N and after:
220 - 14068672
222 - 14069604
224 - 14070707
444 - 14072835

†Use before S/N:
††Use S/N and after:
220 - 14068705
222 - 14069635
224 - 14070733
444 - 14072850

ELECTRICAL SYSTEM

Use S/N:
 220 - 14091130 to 14107095
 222 - 14092090 to 14108205
 224 - 14093065 to 14109285
 444 - 14094825 to 14111340



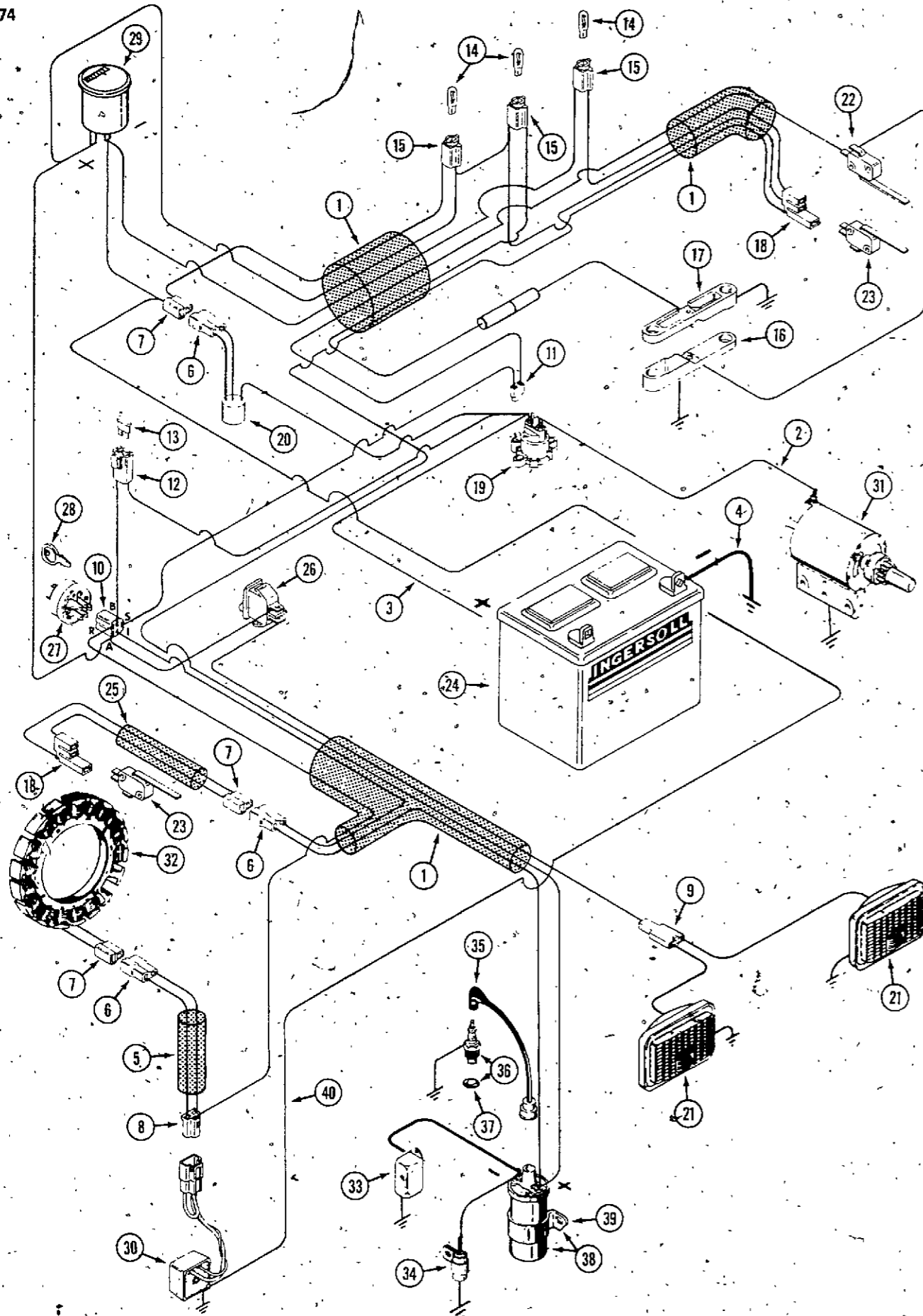
REF.	PART NO.	DESCRIPTION	REQ'D
1	C 30264	HARNES - wire	1
2	C 31944	CABLE - solenoid to starter	1
3	C 14565	CABLE - solenoid to battery positive	1
4	C 24814	CABLE - battery negative to ground	1
5	C 24815	HARNES - wire	1
6	C 24813	CONNECTOR - wire	2
7	C 25338	CONNECTOR - wire	2
8	C 25486	CONNECTOR - rectifier	1
9	C 14537	CONNECTOR - lights	1
10	C 24460	CONNECTOR - switch	1
11	C 27549	CONNECTOR - solenoid	1
12	C 31947	HOLDER - fuse	1
13	C 30260	FUSE - 30 AMP	1
14	C 30262	BULB - light	3
15	C 30263	SOCKET - bulb	3
16	C 29650	LOCATOR HALF - neutral start (see page 65)	1
17	C 30450	SWITCH - neutral light (see page 65)	1
18	C 30279	CONNECTOR - switch	1
19	C 27523	SOLENOID - start, 12v	1
20	C 30265	SENSOR - voltage	1
21	C 32178	HEADLAMP ASSEMBLY - 12v (repairs page 77)	2
22	C 26108	SWITCH - neutral start	1
23	C 30275	SWITCH - PTO light	1
24	NSS	BATTERY - 12v (use C31213)	1
25	C 29074	CAP - battery	6
26	C 29322	SWITCH - head lamp	1
27	C 30480*	SWITCH ASSEMBLY - ignition (includes key and mounting hardware)	1
27	C 30530**	SWITCH ASSEMBLY - ignition (includes key and mounting hardware)	1
28	C 32407	Key - ignition	1
29	C 33415	HOURMETER	1
30	C 31249	RECTIFIER - voltage 12v	1
31	C 24889	STARTER - bendix drive (repairs page 67)	1
32	C 28692	STATOR	1
33	NSS	BREAKER CONTACT ASSEMBLY - ignition (repairs page 79)	1
34	KO 230722	CONDENSER	1
35	C 28693	KIT - high tension cable	1
36	C 29738	SPARK PLUG - includes gasket	1
37	C 28673	GASKET - spark plug	1
38	KO 231281	COIL - ignition, 12v (includes bracket)	1
39	C 28694	BRACKET - coil mounting	1
40	C 26670	WIRE - solenoid lower mounting bolt to battery (-)	1

*Use before S/N:
 220 - 14106917
 222 - 14108020
 224 - 14109118
 444 - 14111235

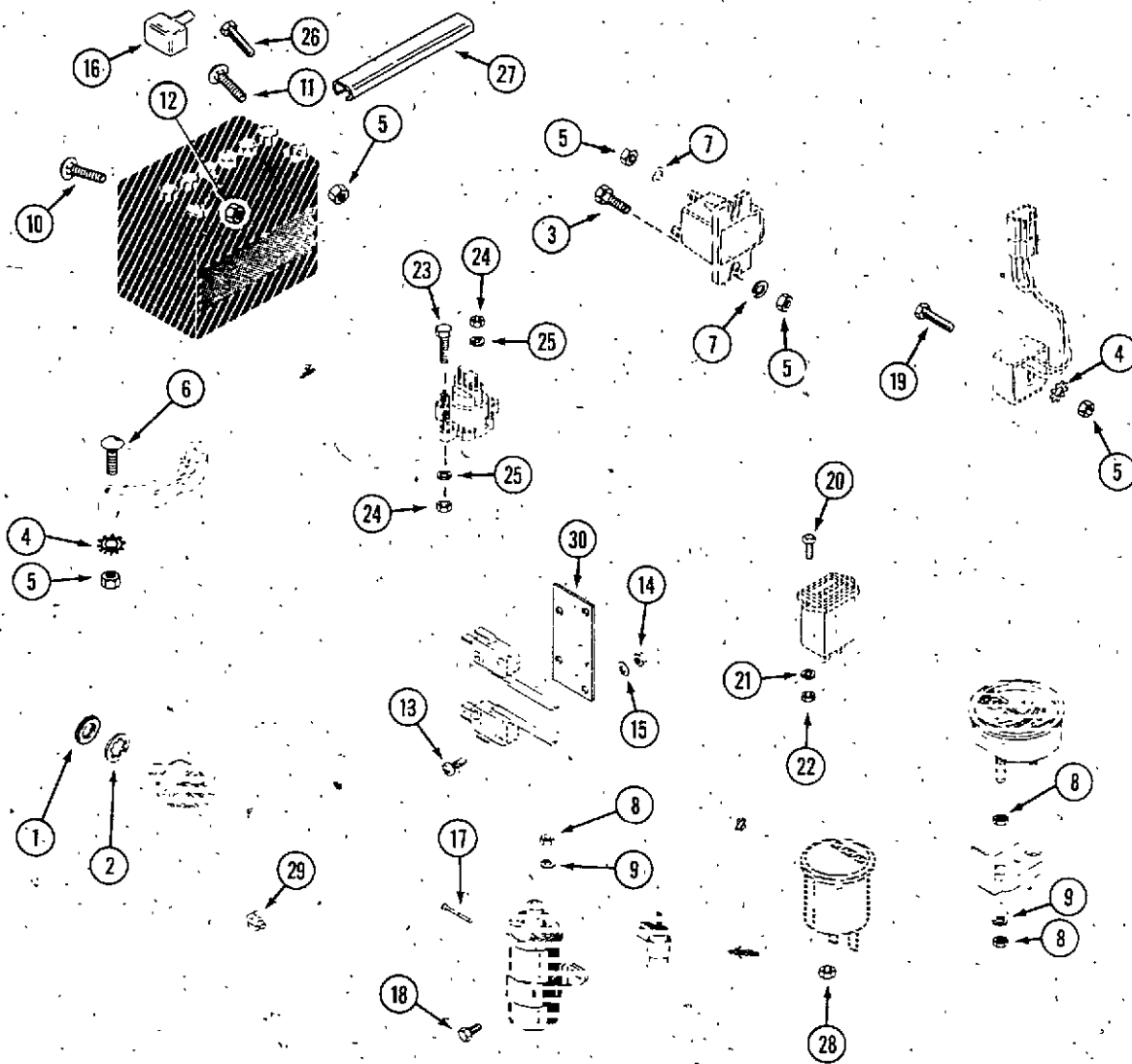
ELECTRICAL SYSTEM

Use S/N and after:

- 220 - 14107095
- 222 - 14108205
- 224 - 14109285
- 444 - 14111340



REF.	PART NO.	DESCRIPTION	REQ'D
1	C 31029	HARNESS - wire	1
2	C 31944	CABLE - solenoid to starter	1
3	C 14565	CABLE - solenoid to battery positive	1
4	C 24814	CABLE - battery negative to ground	1
5	C 24815	HARNESS - wire	1
6	C 24813	CONNECTOR - wire	2
7	C 25338	CONNECTOR - wire	2
8	C 25486	CONNECTOR - rectifier	1
9	C 14537	CONNECTOR - lights	1
10	C 24460	CONNECTOR - switch	1
11	C 27549	CONNECTOR - solenoid	1
12	C 31947	HOLDER - fuse	1
13	C 30260	FUSE - 30 AMP	1
14	C 30262	BULB - light	3
15	C 30263	SOCKET - bulb	3
16	C 29650	LOCATOR HALF - neutral start (see page 65)	1
17	C 30450	SWITCH - neutral light (see page 65)	1
18	C 30279	CONNECTOR - switch	1
19	C 27523	SOLENOID - start, 12v	1
20	C 30265	SENSOR - voltage	1
21	C 32178	HEADLAMP ASSEMBLY - 12v (repairs page 77)	2
22	C 26108	SWITCH - neutral start	1
23	C 30275	SWITCH - interloc	1
24	C 31213	BATTERY - 12v	1
25	C 31044	HARNESS - seat interlock switch	1
26	C 29322	SWITCH - head lamp	1
27	C 30530	SWITCH ASSEMBLY - ignition (includes key and mounting hardware)	1
28	C 32407	KEY - ignition	1
29	C 33415	HOURMETER	1
30	C 31249	RECTIFIER - voltage 12v	1
31	C 24889	STARTER - bendix drive (repairs page 67)	1
32	C 28692	STATOR	1
33	NSS	BREAKER CONTACT ASSEMBLY - ignition (repairs page 79)	1
34	KO 230722	CONDENSER	1
35	C 28693	KIT - high tension cable	1
36	C 29738	SPARK PLUG - includes gasket	1
37	C 28673	GASKET - spark plug	1
38	KO 231281	COIL - ignition, 12v (includes bracket)	1
39	C 28694	BRACKET - coil mounting	1
40	C 26670	WIRE - solenoid lower mounting bolt to battery (-)	1



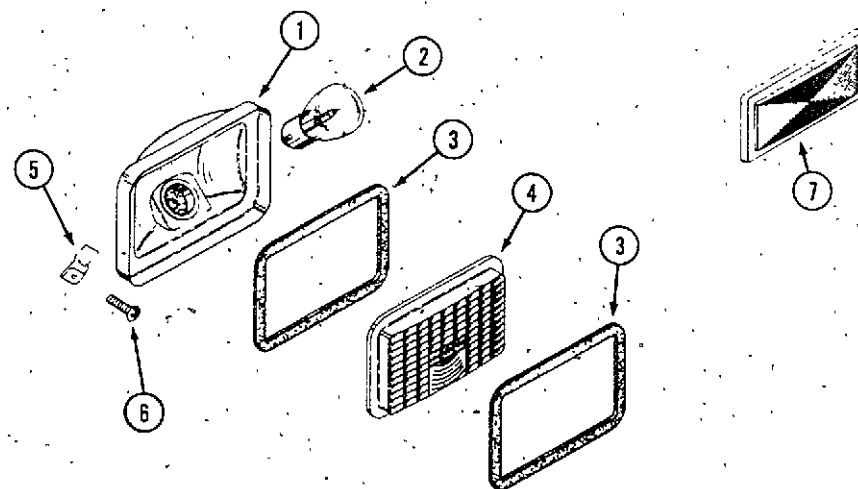
ELECTRICAL SYSTEM HARDWARE

REF.	PART NO.	DESCRIPTION	REQ'D
1	NSS	NUT - switch mounting 5/8" (use C32396, C32397)	1
1	C 23330	NUT - switch mounting 9/16"	1
2	C 23012	LOCK WASHER - internal tooth	1
3	113- 3	BOLT - 1/4" - 20 x 3/4" hex	2
4	193- 57	LOCK WASHER - 1/4" external tooth	3
5	129- 101	NUT - 1/4" - 20 hex	UAR
6	111- 139	BOLT - 1/4" - 20 x 1" rd. head sq. neck	2
7	192- 19	LOCK WASHER - 1/4"	4
8	129- 27	NUT - #10 N.F. hex	2
9	192- 18	LOCK WASHER - #10	2
10	111- 202	BOLT - 5/16" x 3/4" N.C. rd. head sq. neck	1
11	111- 108	BOLT - 1/4" x 3/4" N.C. rd. head sq. neck	1
12	129- 102	NUT - 5/16" N.C. hex	1
13	182- 10	SCREW - #4 - 40 x 7/8" N.C. pan head	UAR
14	129- 13	NUT - #4 - 40 hex	UAR
15	192- 13	LOCK WASHER - #4	UAR
16	C 24069	COVER - terminal	1
17	NSS	SCREW - #10 x 1-1/2" N.F. self tap (obtain locally)	1
18	NSS	BOLT - 5/16" x 1/2" N.C. hex, self tap (obtain locally)	2
19	113- 17	BOLT - 1/4" - 20 x 1-1/4" hex	1
20	182- 571	SCREW - #6 - 32 x 1/2" pan head, black	2
21	192- 15	LOCKWASHER - #6	2
22	129- 15	NUT - #6 - 32 hex	2
23	182- 147	BOLT - #10 - 32 x 3/4"	2
24	129- 37	NUT - #10 - 32 hex	4
25	192- 18	LOCKWASHER - #10	4
26	113- 3	BOLT - 1/4" - 20 x 3/4" hex head	2
27	NSS	COVER - battery vent (no longer available)	1
28	129- 36	NUT - #8-36	2
29	C 19521	CLIP - headlight wire	1
30	C 30276*	PLATE - switch mounting	1
	KO 275182	CLIP - breaker contact wire	1

*Use S/N:

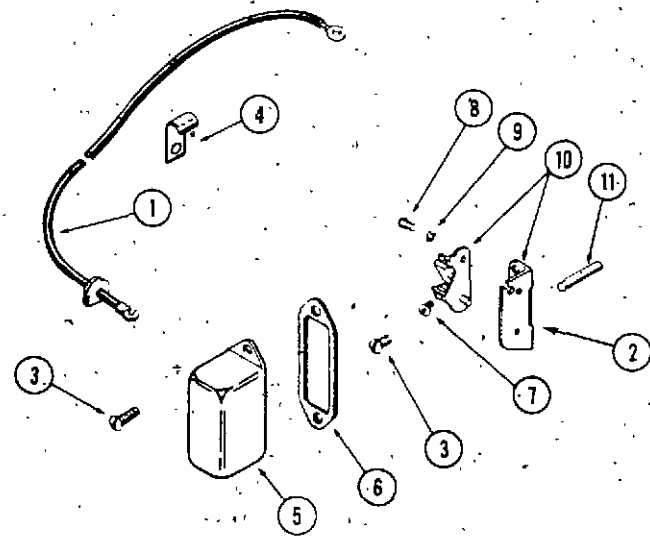
- 220 - 14091130 to 14091218
- 222 - 14092090 to 14092185
- 224 - 14093065 to 14093127
- 444 - 14094825 to 14097742

HEADLAMP ASSEMBLY AND REAR REFLECTORS

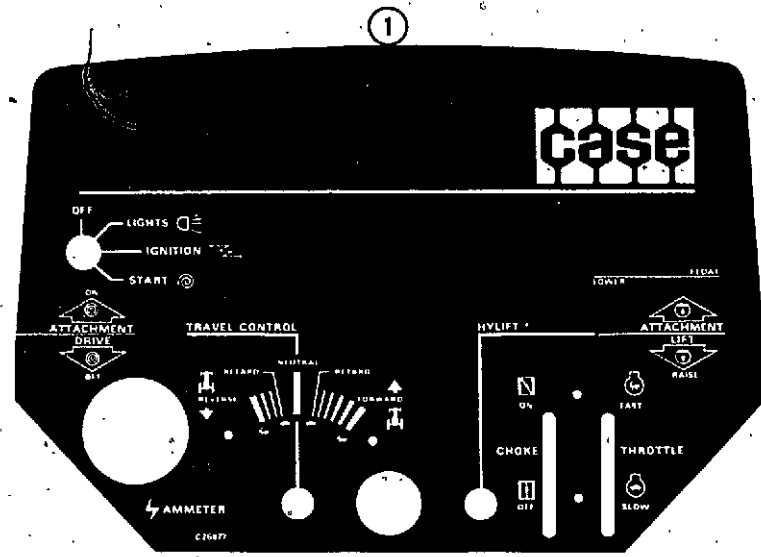


REF.	PART NO.	DESCRIPTION	REQ'D
	C 32178	HEADLAMP ASSEMBLY	2
1	NSS	RECEPTACLE - headlamp (order C22571)	1
2	C 28932	BULB - headlamp	1
3	C 14304	GASKET - headlamp	2
4	C 22573	LENS - headlamp	1
5	131- .629	NUT - speed type "U"	4
6	187- 1334	SCREW - No. 8 x 1/2" self-tapping, round hd. Phillips	4
7	NSS	REFLECTOR - red (use C30942)	2

BREAKER CONTACTS



REF.	PART NO.	DESCRIPTION	REQ'D
1	NSS	LEAD - breaker contact (order from local supplier)	1
2	NSS	BRACKET - breaker contacts	1
3	182- 516	SCREW - #10 x 3/8" round head, zinc plated	4
4	KO 275182	RETAINER - wire	1
5	C 28695	COVER - breaker contact	1
6	C 26518	GASKET - cover	1
7	NSS	SCREW - #6 x 3/8" self-tapping (obtain locally)	1
8	NSS	SCREW - #8 x 1/4" N.C. round head (obtain locally)	1
9	193- 91	LOCK WASHER - #8 internal tooth	1
10	C 27439	POINT SET - breaker contact assembly	1
11	C 27440	ROD - breaker contact push	1

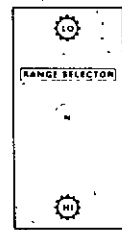
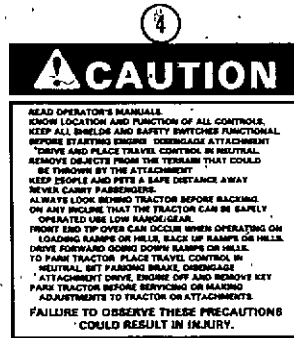
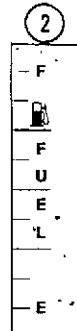


DECALS

USE BEFORE S/N:
 220 - 14054525 222 - 14055920
 224 - 14056730 444 - 14059200

(English)

REF.	PART NO.	DESCRIPTION	REQ'D
1	C 26877	DECAL - instrument panel	1
2	C 26699	DECAL - fuel tank gauge	1
3	321- 4767	DECAL - hydraulic reservoir	1
4	321- 6659	DECAL - "caution"	1
5	321- 1788	DECAL - shift range	1
6	C 27481	DECAL - brake	1
7	C 27173	DECAL - hood, L.H. (220)	1
7	C 27184	DECAL - hood, R.H. (220) shown	1
8	C 27174	DECAL - hood, L.H. (222)	1
8	C 27185	DECAL - hood, R.H. (222) shown	1
9	C 27175	DECAL - hood, L.H. (224)	1
9	C 27186	DECAL - hood, R.H. (224) shown	1
10	C 27177	DECAL - hood, L.H. (444)	1
10	C 27187	DECAL - hood, R.H. (444) shown	1
11	NSS	MEDALLION - "CASE" (no longer available)	1

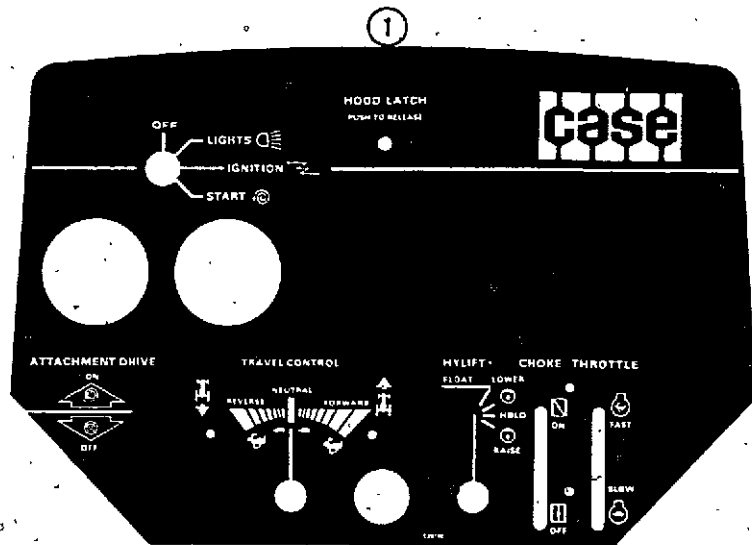


220 hydriiv ⁷

222 hydriiv ⁸

224 hydriiv ⁹

444 hydriiv ¹⁰



220 hydriv. 13

222 hydriv. 14

224 hydriv. 15

444 hydriv. 16

220 hydriv. 6

222 hydriv. 7

224 hydriv. 8

444 hydriv. 9

5
BRAKE - PEDAL IS ON LEFT SIDE OF TRACTOR
PARKING BRAKE LOCK
TO ENGAGE - APPLY BRAKE AND PUSH LOCK DOWN
TO RELEASE - PUSH BRAKE PEDAL DOWN

12
INGERSOLL

17
INGERSOLL



2
- F
- F
- U
- E
- L
- E

11
CAUTION
READ OPERATOR'S MANUALS.
KNOW LOCATION AND FUNCTION OF ALL CONTROLS.
KEEP ALL SHIELDS AND SAFETY SWITCHES FUNCTIONAL.
REMOVE STARTING BARRIERS, DISCONNECT ATTACHMENT
DRIVE AND PLACE TRAVEL CONTROL IN NEUTRAL.
REMOVE OBJECTS FROM THE TRIMMERS THAT COULD
BE THROWN BY THE ATTACHMENT.
KEEP PEOPLE AND PETS A SAFE DISTANCE AWAY.
NEVER CARRY PASSENGERS.
ALWAYS LOCK BONDING TRACTOR BEFORE BACKING.
ON ANY INCLINE THAT THE TRACTOR CAN BE SAFELY
OPERATED USE LOW RANGE/GEAR.
FRONT END TIP OVER CAN OCCUR WHEN OPERATING ON
LOADING RAMPS OR HILLS. BACK UP RAMPS OR HILLS.
DRIVE FORWARD DOWN RAMPS OR HILLS.
TO PARK TRACTOR, PLACE TRAVEL CONTROL IN
NEUTRAL, SET PARKING BRAKE, DISCONNECT
ATTACHMENT DRIVE, ENGINE OFF AND REMOVE KEY.
PARK TRACTOR BEFORE SERVICING OR MAKING
ADJUSTMENTS TO TRACTOR OR ATTACHMENTS.
FAILURE TO OBSERVE THESE PRECAUTIONS
COULD RESULT IN INJURY.

3
OIL ONLY

18
GASOLINE
ONLY

4
RANGE SELECTOR

DECALS

USE S/N:

(220) 14054525 to 14091130 (224) 14056730 to 14093065
(222) 14055920 to 14092090 (444) 14059200 to 14094825

(ENGLISH)

REF.	PART NO.	DESCRIPTION	REQ'D
1	C 29740**	DECAL - instrument	1
1	C 27944*	DECAL - instrument panel	1
2	C 26699	DECAL - fuel tank gauge	1
3	321- 4767	DECAL - hydraulic reservoir	1
4	321- 1788	DECAL - shift range	1
5	C 27871	DECAL - brake	1
6	C 27914	DECAL - hood "220 hydriv" L.H. (shown)	1
6	C 27925	DECAL - hood "220 hydriv" R.H.	1
7	C 27915	DECAL - hood "222 hydriv" L.H. (shown)	1
7	C 27926	DECAL - hood "222 hydriv" R.H.	1
8	C 27916	DECAL - hood "224 hydriv" L.H. (shown)	1
8	C 27927	DECAL - hood "224 hydriv" R.H.	1
9	C 27918	DECAL - hood "444 hydriv" L.H. (shown)	1
9	C 27928	DECAL - hood "444 hydriv" R.H.	1
10	NSS	MEDALLION - "CASE" (no longer available)	1
11	321- 6659	DECAL - "Caution"	1
12	C 27962	DECAL - "Ingersoll" stripe L.H. (shown)	1
12	C 27964	DECAL - "Ingersoll" stripe R.H.	1
13	C 27953*	DECAL - seat back "220 hydriv"	1
14	C 27954*	DECAL - seat back "222 hydriv"	1
15	C 27955*	DECAL - seat back "224 hydriv"	1
16	C 27957*	DECAL - seat back "444 hydriv"	1
17	C 29202**	DECAL - "INGERSOLL" seat back	1

*Use before S/N:
**Use S/N and after:
220 - 14068672
222 - 14069604
224 - 14070707
444 - 14072835

220 hydriv. **222** hydriv. **224** hydriv. **444** hydriv.

6

7

8

9

5

BRAKE - PEDAL IS ON LEFT SIDE OF TRACTOR
 PARKING BRAKE LOCK
 TO ENGAGE - APPLY BRAKE AND PUSH LOCK DOWN
 TO RELEASE - PUSH BRAKE PEDAL DOWN

12

INGERSOLL



10



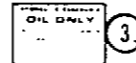
13

INGERSOLL

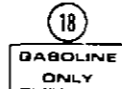
1

2
 F
 F
 U
 E
 L
 E

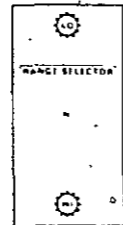
11
CAUTION
 READ OPERATOR'S MANUALS
 KNOW LOCATION AND FUNCTION OF ALL CONTROLS
 KEEP ALL HANDS AND FEET AWAY FROM SAFETY SWITCHES FUNCTIONAL
 BEFORE STARTING ENGINE. DISCONNECT ATTACHMENT
 DRIVE AND PLACE TRAVEL CONTROL IN NEUTRAL.
 REMOVE OBJECTS FROM THE YARDIAN THAT COULD
 BE THROWN BY THE ATTACHMENT.
 KEEP PEOPLE AND PETS A SAFE DISTANCE AWAY.
 NEVER CARRY PASSENGERS.
 ALWAYS LOCK BRAKE TRACTOR BEFORE BACKING
 OR ANY INCLINE THAT THE TRACTOR CAN BE SAFELY
 OPERATED USE LOW RANGE/GEAR.
 FRONT END TIP OVER CAN OCCUR WHEN OPERATING ON
 LEADING RAMP OR HILLS. BACK UP RAMP OR HILLS
 DRIVE FORWARD DOWN DOWN RAMP OR HILLS
 TO PARK TRACTOR PLACE TRAVEL CONTROL IN
 NEUTRAL SET PARKING BRAKE. DISCONNECT
 ATTACHMENT DRIVE, REMOVE KEY AND REMOVE KEY
 PARK TRACTOR BEFORE SERVICING OR MAKING
 ADJUSTMENTS TO TRACTOR OR ATTACHMENTS.
 FAILURE TO OBSERVE THESE PRECAUTIONS
 COULD RESULT IN INJURY



3



18



4



14

DECALS

Use S/N to S/N:

220 - 14091130 to 14107095

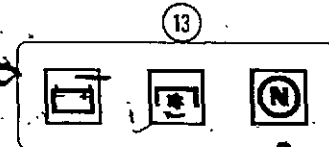
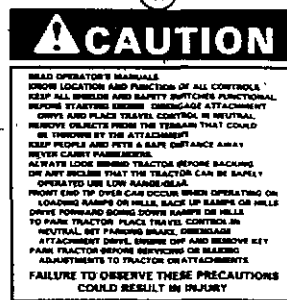
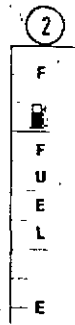
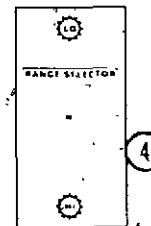
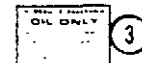
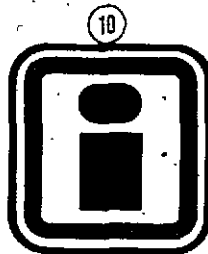
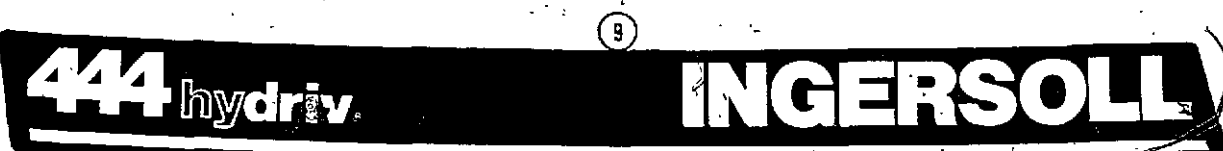
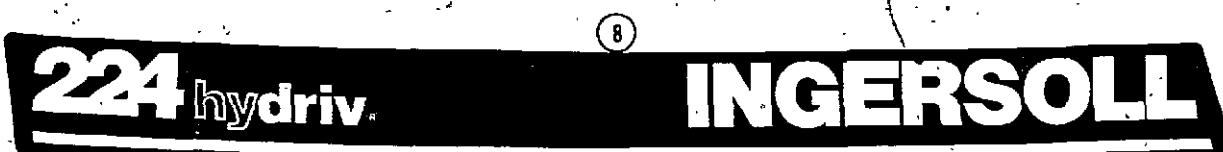
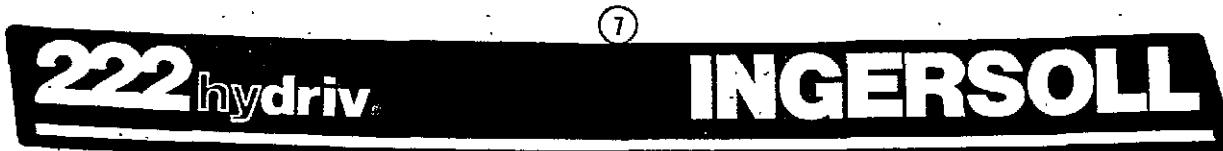
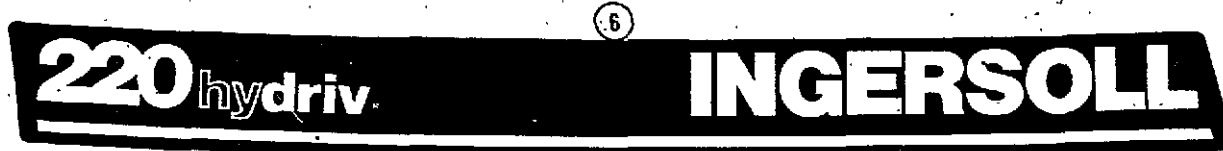
222 - 14092090 to 14108205

224 - 14093065 to 14109285

444 - 14094825 to 14111340

(ENGLISH)

REF.	PART NO.	DESCRIPTION	REQ'D
1	NSS	DECAL - "Ingersoll" (use C31050)	1
2	C 26699	DECAL - fuel tank gauge	1
3	321- 4767	DECAL - hydraulic reservoir	1
4	321- 1788	DECAL - shift range	1
5	C 27871	DECAL - brake	1
6	C 27914	DECAL - hood "220 hydriv" L.H. (shown)	1
6	C 27925	DECAL - hood "220 hydriv" R.H.	1
7	C 27915	DECAL - hood "222 hydriv" L.H. (shown)	1
7	C 27926	DECAL - hood "222 hydriv" R.H.	1
8	C 27916	DECAL - hood "224 hydriv" L.H. (shown)	1
8	C 27927	DECAL - hood "224 hydriv" R.H.	1
9	C 27918	DECAL - hood "444 hydriv" L.H. (shown)	1
9	C 27928	DECAL - hood "444 hydriv" R.H.	1
10	NSS	MEDALLION - "CASE" (no longer available)	1
11	321- 6659	DECAL - "Caution"	1
12	C 27962	DECAL - "Ingersoll" stripe L.H. (shown)	1
12	C 27964	DECAL - "Ingersoll" stripe R.H.	1
13	C 32093	DECAL - "INGERSOLL" seat back	1
14	C 30274	LENS - display	1

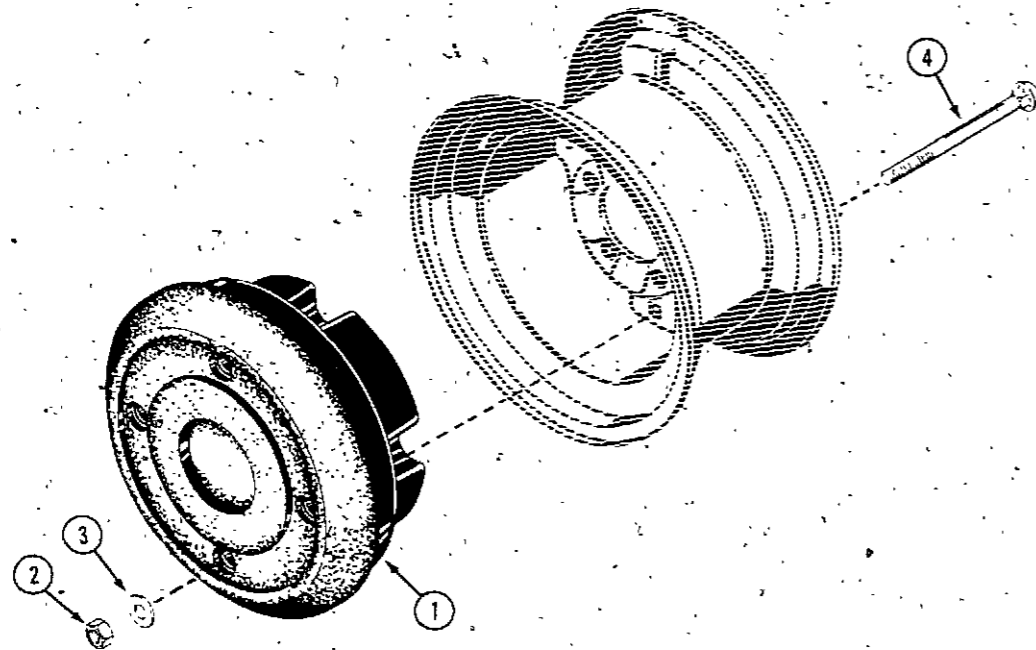


DECALS

Use S/N and after:
 220 - 14107095
 222 - 14108205
 224 - 14109285
 444 - 14111340

(ENGLISH)

REF.	PART NO.	DESCRIPTION	REQ'D
1	C 31050	DECAL - "Ingersoll"	1
2	C 26699	DECAL - fuel tank gauge	1
3	321- 4767	DECAL - hydraulic reservoir	1
4	321- 1788	DECAL - shift range	1
5	C 27871	DECAL - brake	1
6	C 30954	DECAL - hood "220 hydriv" L.H. (shown)	1
6	C 30955	DECAL - hood "220 hydriv" R.H.	1
7	C 30956	DECAL - hood "222 hydriv" L.H. (shown)	1
7	C 30957	DECAL - hood "222 hydriv" R.H.	1
8	C 30958	DECAL - hood "224 hydriv" L.H. (shown)	1
8	C 30959	DECAL - hood "224 hydriv" R.H.	1
9	C 30962	DECAL - hood "444 hydriv" L.H. (shown)	1
9	C 30963	DECAL - hood "444 hydriv" R.H.	1
10	C 30539	MEDALLION - logo	1
11	321- 6659	DECAL - "Caution"	1
12	C 32093	DECAL - "INGERSOLL" seat back	1
13	C 30274	LENS - display	1

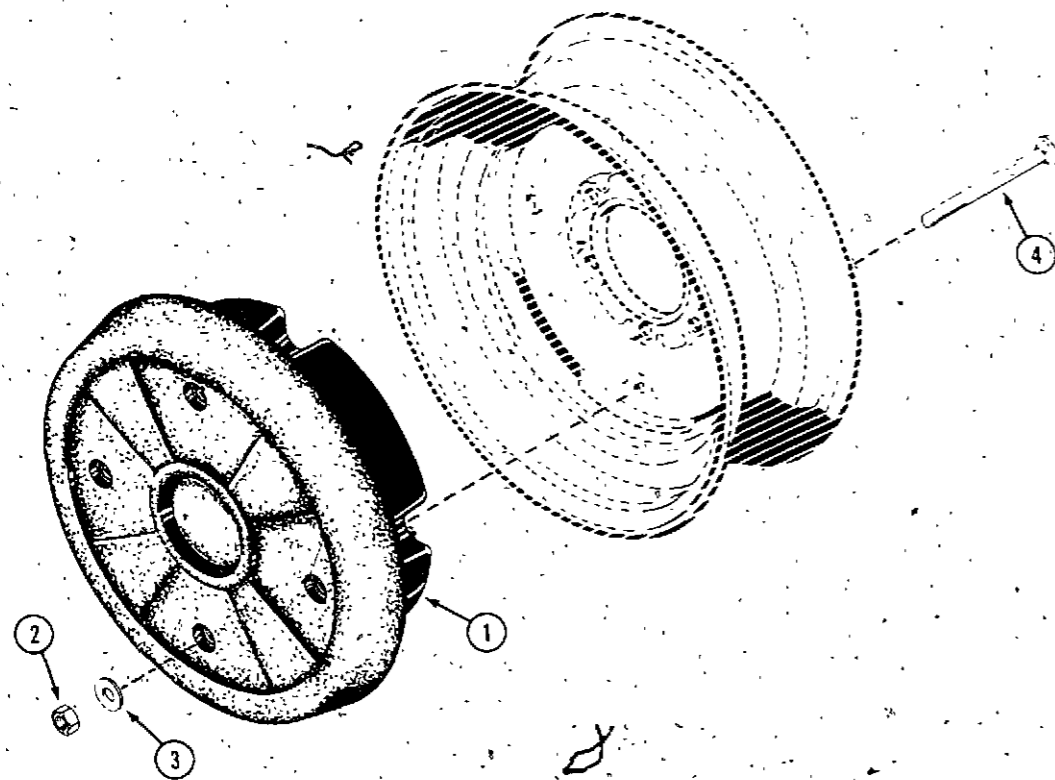


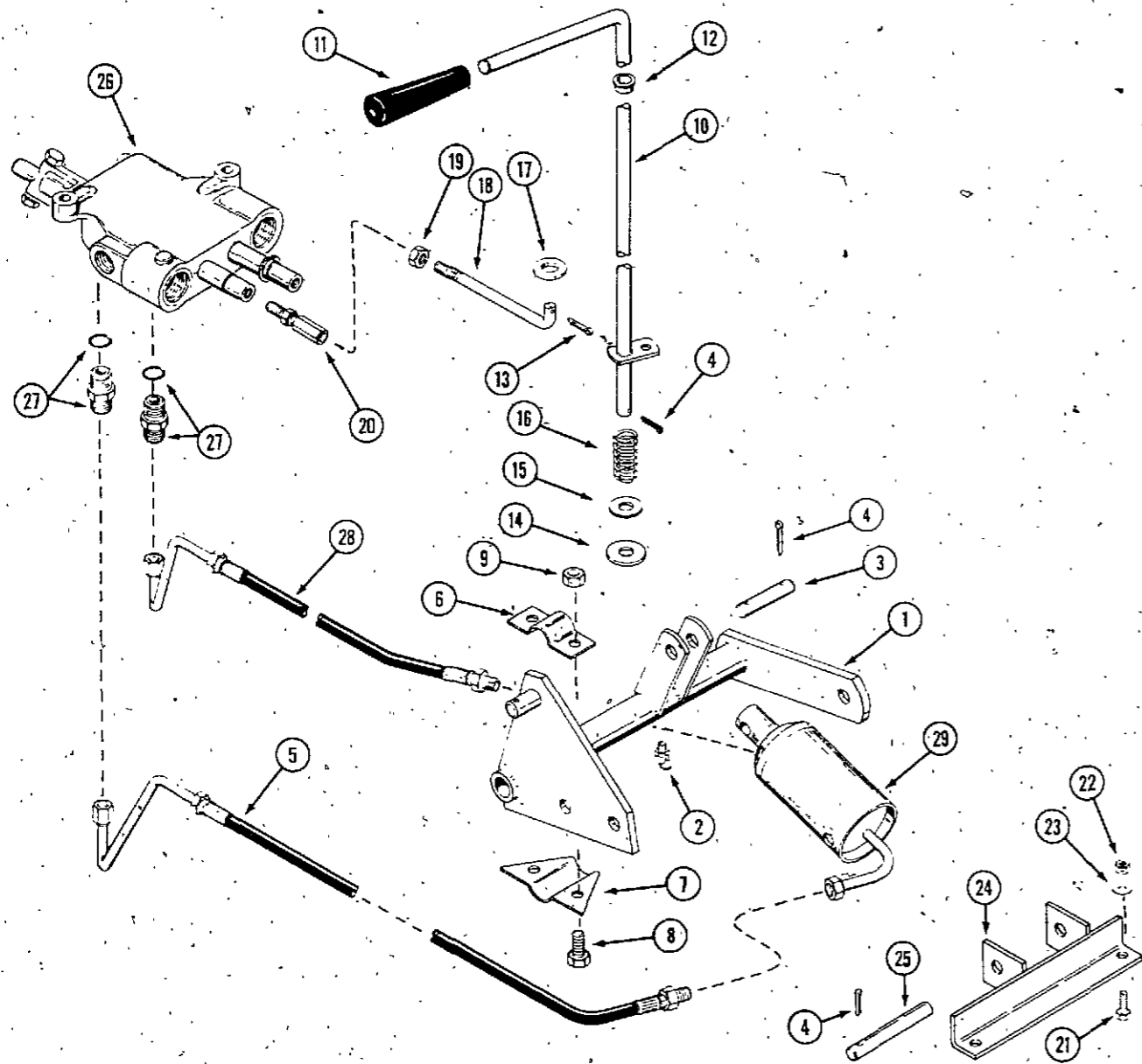
K8 WHEEL WEIGHTS — MODEL 220, 222, AND 224

REF.	PART NO.	DESCRIPTION	REQ'D
1	NSS	WEIGHT - wheel 55 lb. (Order as Machinery Item)	2
2	131- 1182	NUT - 1/2" N.C. hex lock	8
3	195- 533	WASHER - 1/2"	8
4	111- 521	BOLT - 1/2" x 7" carriage	8
4	C 30545	BOLT - 1/2" - 13 x 8-1/2" carriage	8

K10 WHEEL WEIGHTS — MODEL 444

REF.	PART NO.	DESCRIPTION	REQ'D
1	NSS	WEIGHT - wheel 75 lb. (Order as Machinery Item)	2
2	131- 1182	NUT - 1/2" N.C. hex lock	8
3	195- 533	WASHER - 1/2"	8
4	111- 525	BOLT - 1/2" x 6" Rd. head Sq. neck	8

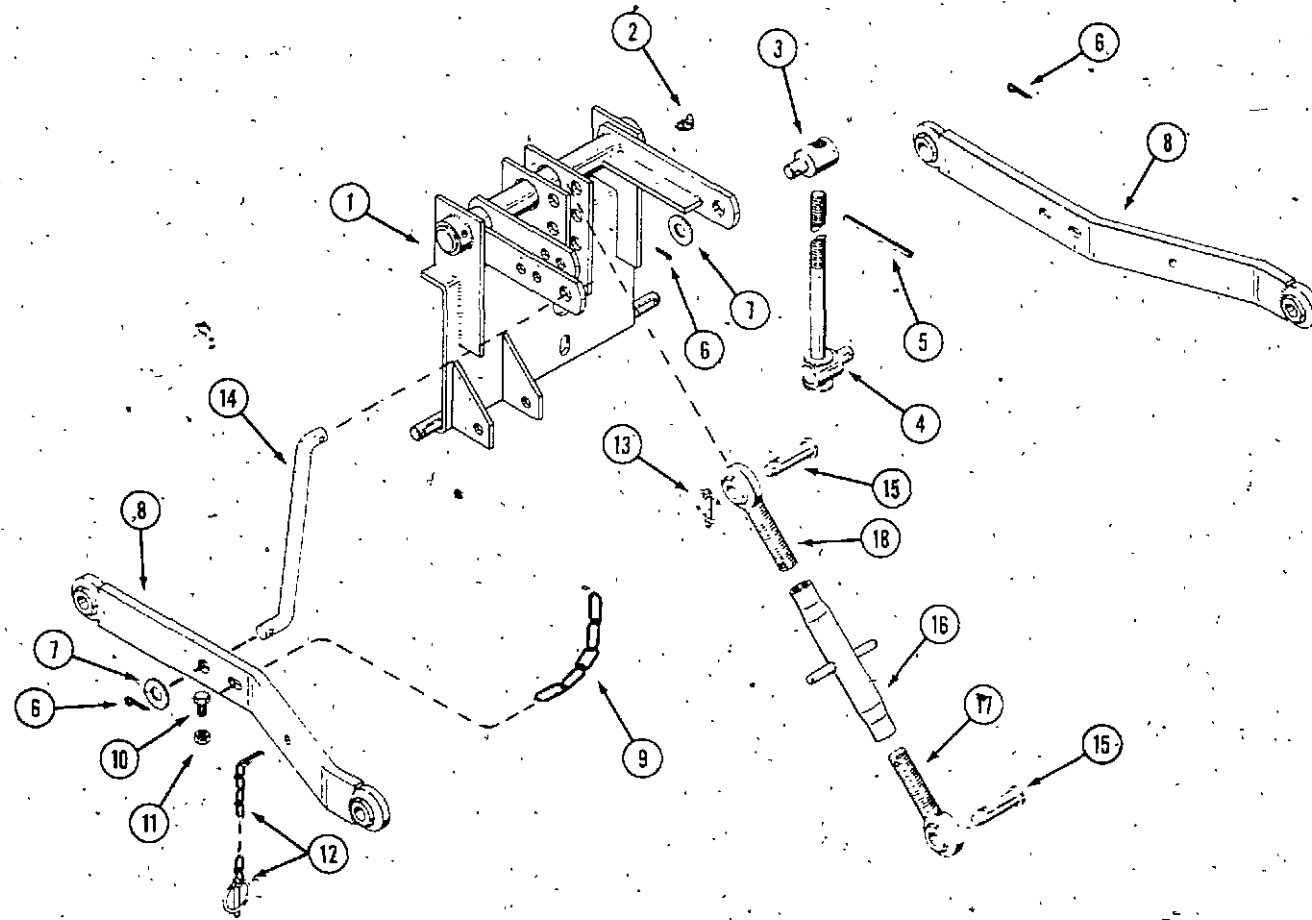




MODEL J30-HYDRAULIC LIFT

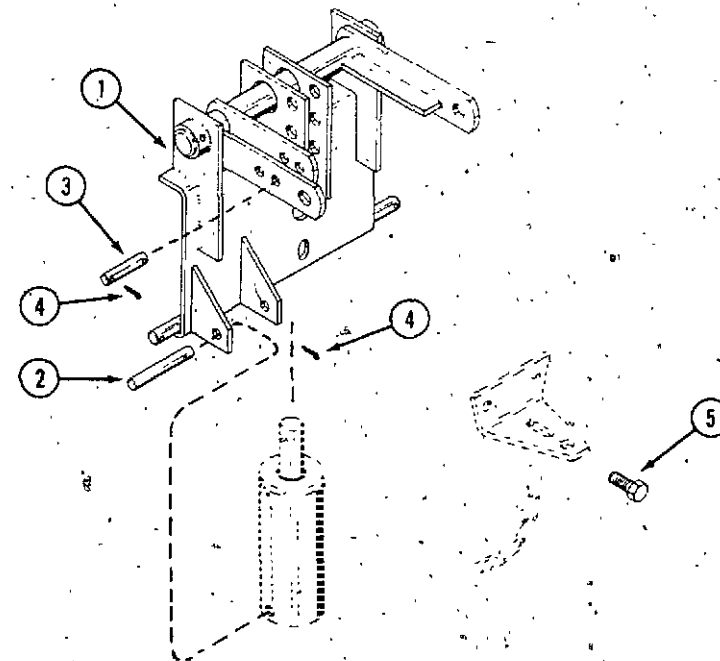
REF.	PART NO.	DESCRIPTION	REQ'D
1	C 19661	ROCKSHAFT ASSEMBLY - (444)	1
1	C 18808	ROCKSHAFT ASSEMBLY - (220, 222 and 224) shown	1
2	219- 404	FITTING - lube	1
3	C 18251	PIN - cylinder to lever	1
4	132- 310	PIN - cotter 1/8" x 1"	4
5	C 17734	HOSE - long	1
6	C 17249	BRACKET - mounting, top	2
7	C 17250	BRACKET - mounting, bottom	2
8	113- 207	BOLT - 3/8" x 1" N.C. hex	4
9	131- 1181	NUT - 3/8" N.C. hex	4
10	C 29408	LEVER - lift control	1
11	C 29045	KNOB - control lever	1
12	C 27593	BUSHING - lift lever	1
13	132- 320	PIN - cotter 3/32" x 3/4"	1
14	195- 533	WASHER - 1/2"	1
15	C 21518	WASHER - nylon	1
16	C 27822	SPRING - control lever	1
17	195- 521	WASHER - 5/16"	1
18	C 18742	ROD - control	1
19	129- 122	NUT - 5/16" N.F. hex	1
20	C 19025	BALL JOINT	1
21	113- 207	BOLT - 3/8" x 1" N.C. hex	2
22	131- 1181	LOCK NUT - 3/8" N.C. hex	2
23	195- 104	WASHER - 3/8" x 1-1/8" OD	2
24	C 33138	BRACKET - cylinder	1
25	C 26188	PIN - cylinder foot	1
26	C 27217	VALVE - hydraulic, 2 spool	1
27	218- 5056	FITTING - valve (includes 218-5004 "O" ring)	2
28	NSS	HOSE - short (use C31682, 218-1093)	1
29	NSS	CYLINDER - lift (order C27590, C30049)	1
	C 30054	KIT - seal	1
	C 13106	COVER - lube fitting	1

J26 THREE POINT HITCH FRAME, LIFT RODS AND ARMS



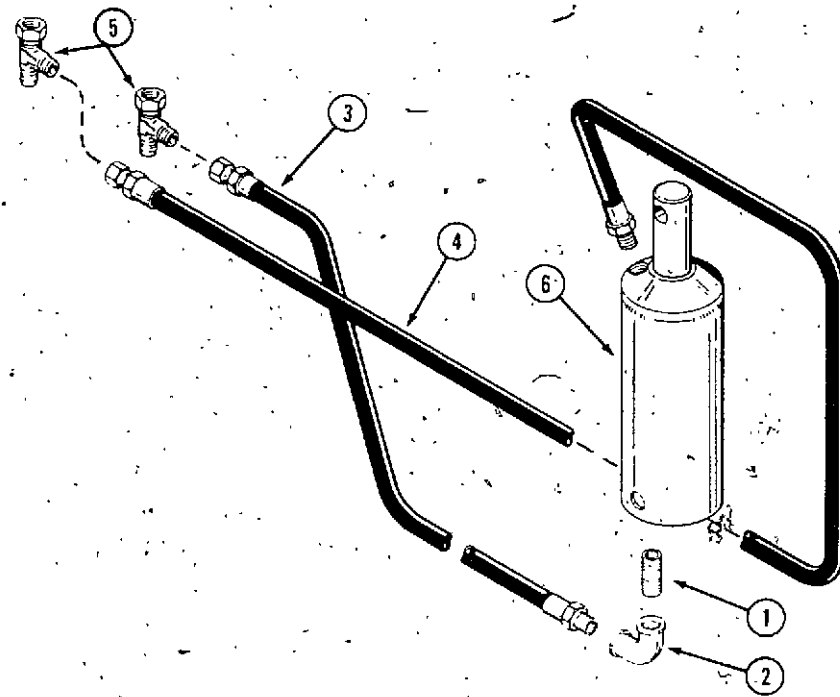
REF.	PART NO.	DESCRIPTION	REQ'D
1	C 19740	HITCH PLATE ASSEMBLY	1
2	219- 405	FITTING - lube	2
	C 24447	ROD ASSEMBLY - lift R.H.	1
3	G 14722	NUT - lift rod	1
4	C 14724	ROD ASSEMBLY - R.H. lift	1
5	138- 308	PIN - roll 1/4" x 3"	1
6	132- 91	PIN - cotter 3/16" x 1"	6
7	195- 541	WASHER - plain 5/8"	4
8	C 14715	ARM - lift	2
9	C 14991	CHAIN - stay 19 links	1
10	113- 118	BOLT - 5/16" x 5/8" hex, zinc plated	2
11	131- 176	NUT - lock 5/16" N.C. hex	2
12	C 28985	PIN - klik	2
13	C 28222	PIN - klik	3
14	C 14725	ROD - lift L.H.	1
15	C 14717	PIN - clevis	2
	C 14712	LINK ASSEMBLY	1
16	C 14703	CENTER TUBE ASSEMBLY	1
17	C 14709	BALL END ASSEMBLY - R.H. thread	1
18	C 32427	BALL END ASSEMBLY - L.H. thread	1

J26 THREE POINT HITCH CYLINDER AND DRAWBAR MOUNTING



REF.	PART NO.	DESCRIPTION	REQ'D
1	C 19740	HITCH PLATE ASSEMBLY	1
2	C 26188	PIN - lower cylinder mounting	1
3	C 14976	PIN - upper cylinder mounting	1
4	132- 310	PIN - cotter 1/8" x 1"	3
5	113- 417	BOLT - 1/2" x 1-1/4" N.C. hex, zinc plated	2

**J26 THREE POINT HITCH AND
HYDRAULIC CONNECTIONS AND COMPONENTS**



REF.	PART NO.	DESCRIPTION	REQ'D
1	221- 1139	NIPPLE - 1/4" x 3"	1
2	221- 1375	ELBOW - 90°	1
3	C 25369	HOSE - hydraulic short	1
4	C 25368	HOSE - hydraulic long	1
5	218- 5479	FITTING - tee, swivel	2
6	NSS	CYLINDER ASSEMBLY - (order C26494 and C30049)	1
	C 30054	KIT - seal, cylinder	1

MODEL F-27 HITCH ADAPTER

REF.	PART NO.	DESCRIPTION	REQ'D
1	NSS	BRACKET - hitch adapter (order as machinery item)	1
2	C 14568	PIN - drawbar	1
3	113- 476	BOLT - 1/2" x 2-3/4" N.C. hex, zinc plated	2
4	129- 105	NUT - 1/2" - 13	2

