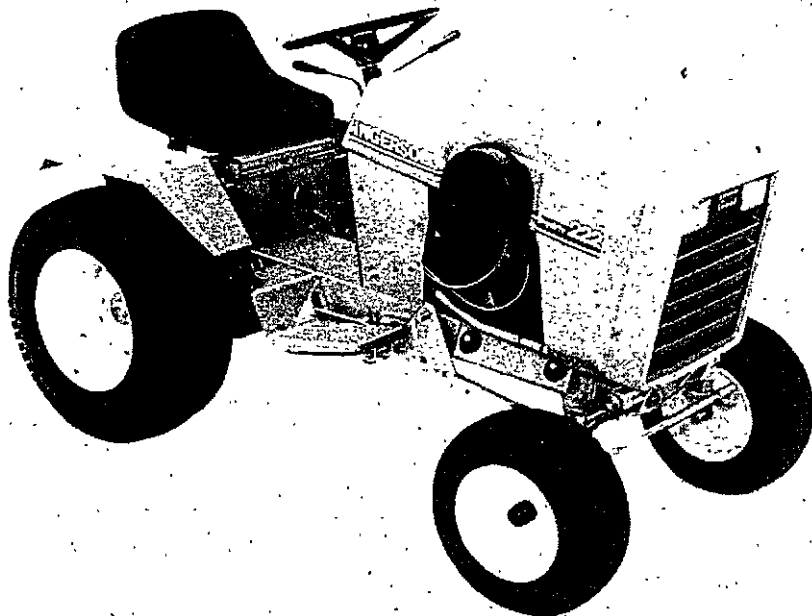
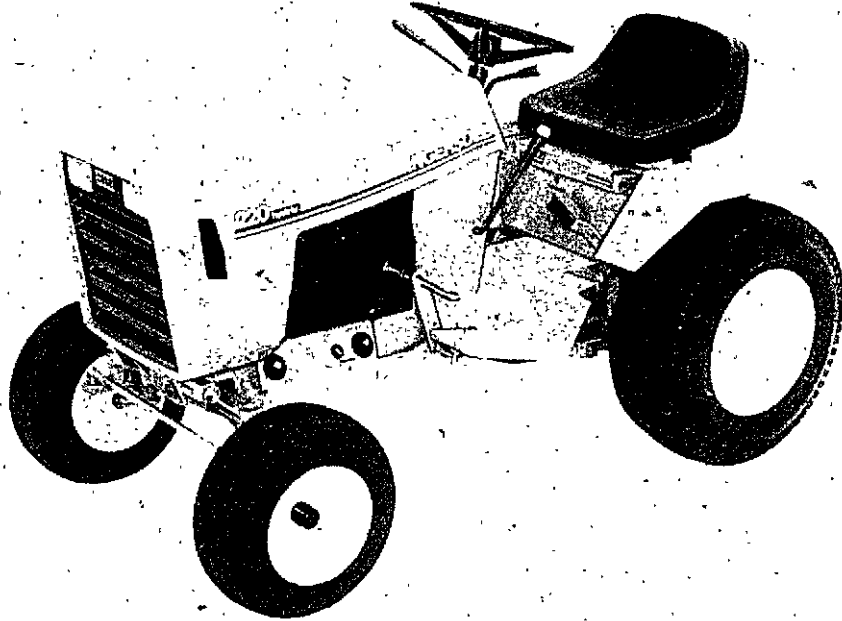


**COMPACT TRACTORS**  
220 - S/N 14035005 and AFTER  
222 - S/N 14036630 and AFTER  
224 - S/N 14038300 and AFTER  
444 - S/N 14039740 and AFTER  
Parts Catalog 8-2742

NOTE: This catalog replaces  
Catalog 8-2741

2-92-RP-500-494



**PAINT AND OIL**

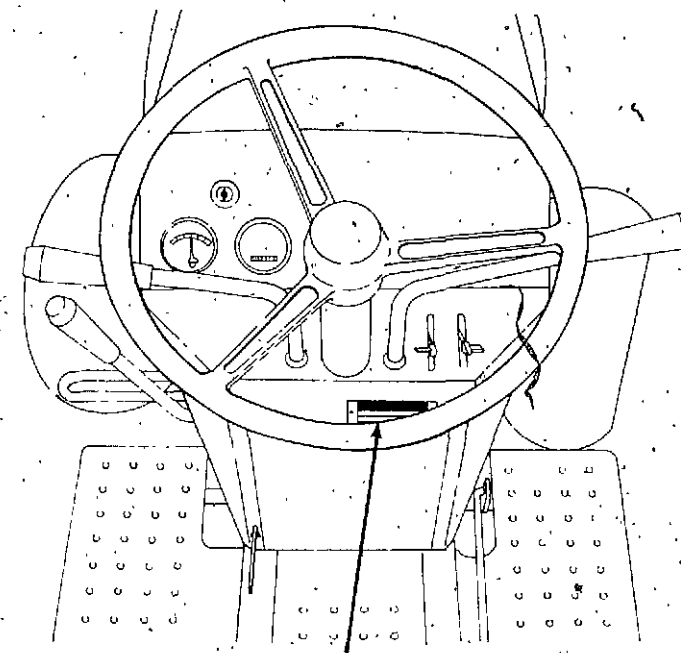
**PAINT**

REF.	PART NO.	DESCRIPTION	REQ'D
1	C 28849	BLACK - semi - gloss, 12 oz spray (2 per carton)	1
2	C 28850	BLACK - semi - gloss, quart (2 per carton)	1
3	C 28851	BLACK - semi - gloss, heat resistant, 12 oz spray (2 per carton)	1
4	C 28484	POWER RED - gloss, 12 oz spray (2 per carton)	1
5	C 28485	POWER RED - gloss, quart (2 per carton)	1
6	C 30870	SILVER - gloss, 12 oz spray (2 per carton)	1
7	C 31643	POWER RED - gloss, 1 oz touch up, (1 doz. per carton)	1

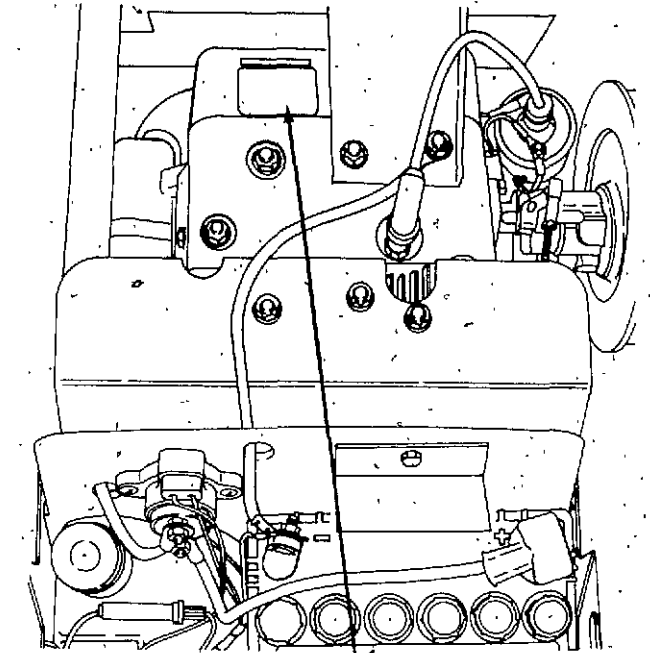
**OIL**

1	C 32776	OIL - SAE 30, SF, quart (12 per case)	1
2	C 32777	OIL - SAE 5W20, SF, quart (12 per case)	1
3	C 32778	OIL - SAE 20W40, SF, quart (12 per case)	1

**PRODUCT IDENTIFICATION NUMBERS**



**TRACTOR MODEL AND SERIAL NUMBER**



**ENGINE MODEL, SERIAL AND SPECIFICATION NUMBER**

**TRACTOR MODEL**

**ENGINE MODEL**

220	C26982 K-241-AS SPEC. PF46837
222	C26983 K-301-AS SPEC. PF47803
224-444	C26984 K-321-AS SPEC. PF 60410

**NOTE:** This catalog contains references to serial numbers. Use these serial numbers as a guide to order the correct part.

**GENERAL INFORMATION**

**INDEX**

There is an index at the front and rear of this catalog.

The front index is an alphabetical index of the major groups or assemblies.

The rear index is a numerical index of the part numbers and pages on which these numbers are shown.

**ILLUSTRATION**

Each illustration in this catalog shows a group of parts or components. These parts and components are aligned approximately as the parts and components on your machine. Each part and component in an illustration has a reference number. These reference numbers are in a list on the page opposite of the illustration. Next to the reference number is the part number, description and required quantity of the part shown in the illustration.

UAR - "Use as required" indicates that the part quantity is variable.

NSS - "Not sold separately" indicates that the part is only available as a component of an assembly or the part must be purchased locally. If the part is an assembly component, the description will be indented under the assembly description in the parts list.

O/L - "Obtain locally"

\*\* - "Footnotes" are added to a part number when more information is needed for identification. They only relate to the part numbers indicated.

**INDENTED DESCRIPTIONS**

An assembly can have many components. The components of an assembly are indicated by an indented description. The quantity for an indented part is the total needed for that complete assembly. See the example.

REF.	PART NO.	DESCRIPTION	REQ'D
	C 55159	CYLINDER ASSY - rear steering	1
28	C 56208	SOCKET ASSY - rear cylinder	1
29	C 55956	PLUG - adjusting, socket assy	1
30	C 55957	SEAT - socket ball	2
31	C 56210	SPRING - socket	1
32	C 56209	SEAT - socket spring	1
33	G 45175	CLAMP ASSY - socket assy	1
	16- 836	BOLT - 1/2" x 2-1/4" N.F. hex	1
34	132- 104	PIN - cotter, 3/16" x 3"	1
35	C 55889	STUD - ball, socket & cylinder	2
36	13- 410	BOLT - 1/4" x 5/8" N.C., hex	4
37	92- 4	LOCK WASHER - 1/4" SAE	4

**PARTS ORDERS**

All orders must include the following information:

1. Correct part number.
2. Complete description of part or component.
3. Total quantity of each part or component.
4. Product model number.
5. All necessary product identification numbers.
6. Method for sending the parts.
7. Complete and correct address.

**CATALOG REVISIONS**

As the product changes, new pages will be available for your catalog. A notice will be issued.

**IMPORTANT:** Put all revisions into the catalog as soon as possible.

**RIGHT HAND AND LEFT HAND IDENTIFICATION**

The words right hand (RH) and left hand (LH) as used in this catalog indicate the direction while you are in the operator's seat in the normal operating position.

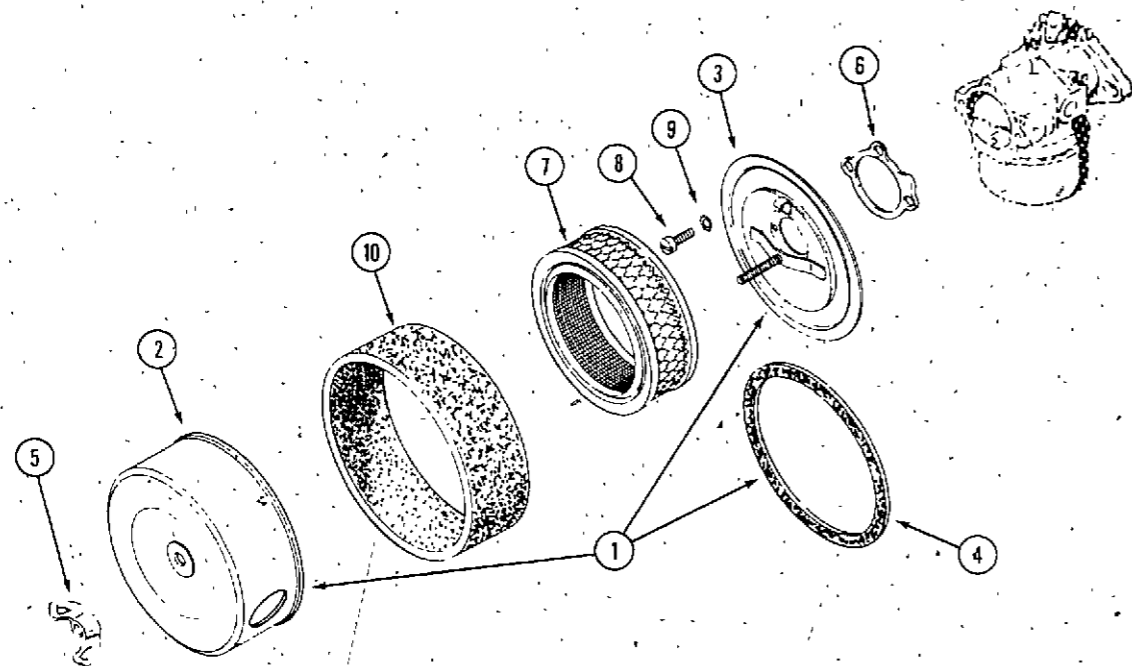
**ALPHABETICAL INDEX**

**ENGINE SECTION**

	Page	Grid		Page	Grid
Air Cleaner	5	A8	Flywheel	17-21	B6-B10
Battery	69-75	F2-F8	Fuel Pump	27	C2
Breaker Contacts	79	F12	Fuel Strainer	27	C2
Breather, Crankcase	7-9	A10-A12	Fuel System	27	C2
Camshaft	7-9	A10-A12	Gasket Kits	23	B12
Carburetor	27-29	C2-C4	Governor	31	C6
Connecting Rod	11-15	A14-B4	Muffler	5	A8
Crankshaft	11-15	A14-B4	Shields	25	B14
Cylinder Block	17-21	B6-B10	Oil Pan	17-21	B6-B10
Cylinder Head	17-21	B6-B10	Piston	11-15	A14-B4
Electrical System	69-79	F2-F12	Spark Plug	69-75	F2-F8
Engine Block & Attaching Parts	17-21	B6-B10	Starter	67	E14
Electrical System	5	A8	Tank, Fuel	27	C2
Fan	35	C10	Throttle Control	31	C6
Filter, Breather	7-9	A10-A12	Valves	7-9	A10-A12

**BASIC TRACTOR SECTION**

	Page	Grid		Page	Grid
Axle, Front	43	D4	J17 and L17 Hydraulic PTO	101-103	A6-A8
Axle, Rear	51	D12	L7 Holding Valve	109	A14
Baffles & Shroud	25	B14	L29 PTO	111	B2
Brakes	47	D8	M9 Holding Valve	109	A14
Control, Speed	65	E12	M19 Flow Control Valve Kit	107	A12
Decals	81-87	F14-G6	Models K8 & K10 Wheel		
Electrical System	69-79	F2-F12	Weights	89	G8
Fenders	41	D2	Model J26 Three Point Hitch	93-95	G12-G14
Framé	37-39	C12-C14	Model F27 Three Point Hitch		
Grille	37-39	C12-C14	Adapter	95	G14
Hitch	49	D10	Model H13 Weight Box	99	A4
Hood	37-39	C12-C14	Model H18 Counterweight		
Hydraulics	53-63	D14-E10	Brackets	99	A4
Coupling, Pump Drive	57	E4	Model J30 Hydraulic Lift	91	G10
Hoses, Lines & Fittings	53-55	D14-E2	Model K22 and K24		
Motor, Hydraulic Drive	63	E10	Sleeve Hitch	97	A2
Pump	57	E4	Mounts, Engine	31	C6
Valve, Control	59-61	E6-E8	Mounts, Heat Exchanger	25	B14
Linkage, Valve, Control	65	E12	N9 Holding Valve	109	A14
Implement Lift Lever	49	D10	N19 Flow Control Valve Kit	107	A12
Instruments	69-75	F2-F8	PTO Clutch	33-35	C8-C10
			Reflector, rear	77	F10
			Seat, Operator's	41	D2
			Steering Wheel & Gear	45	D6
			Tool Box	41	D2
			Transmission	51	D12
			Wheels, Front & Rear	47	D8

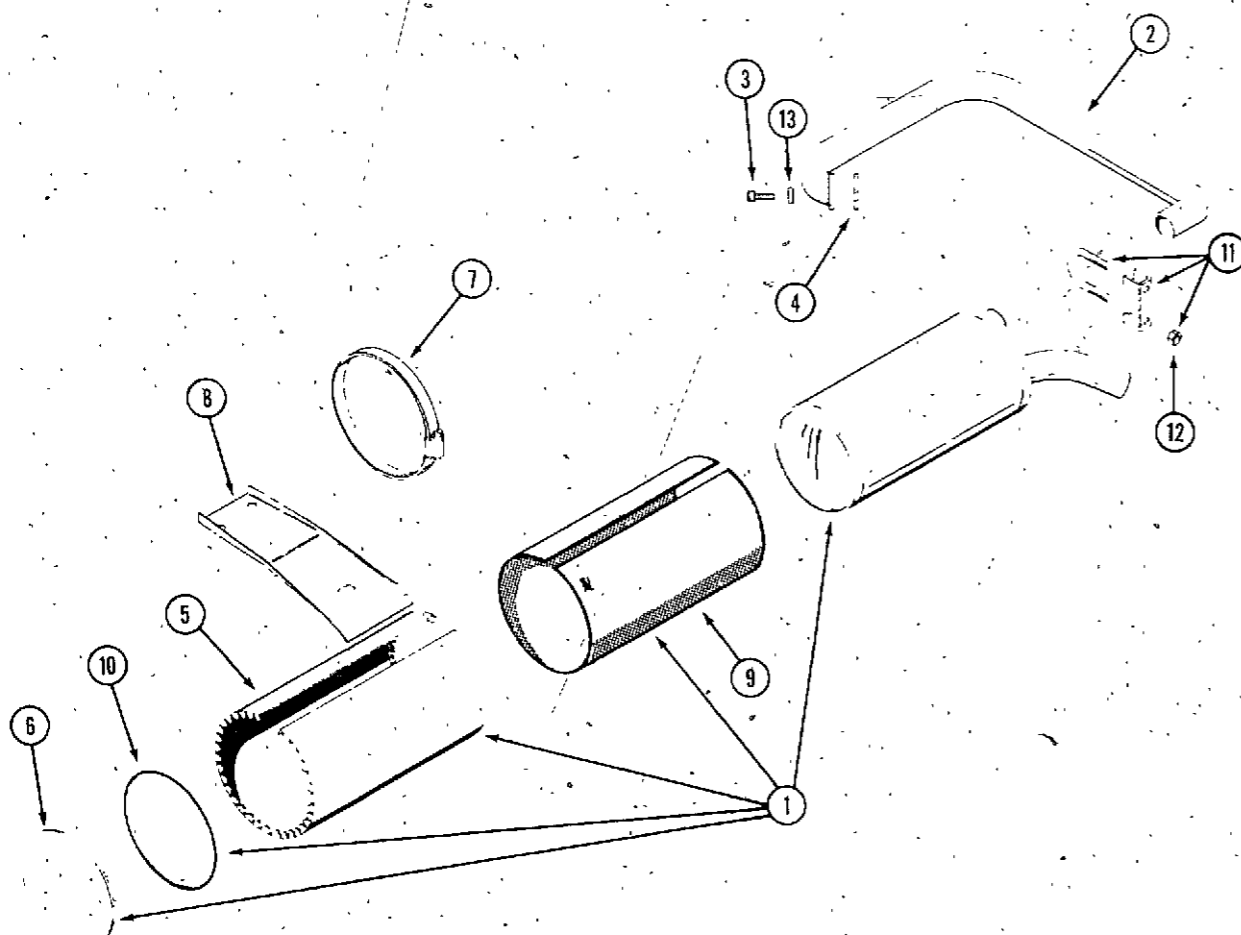


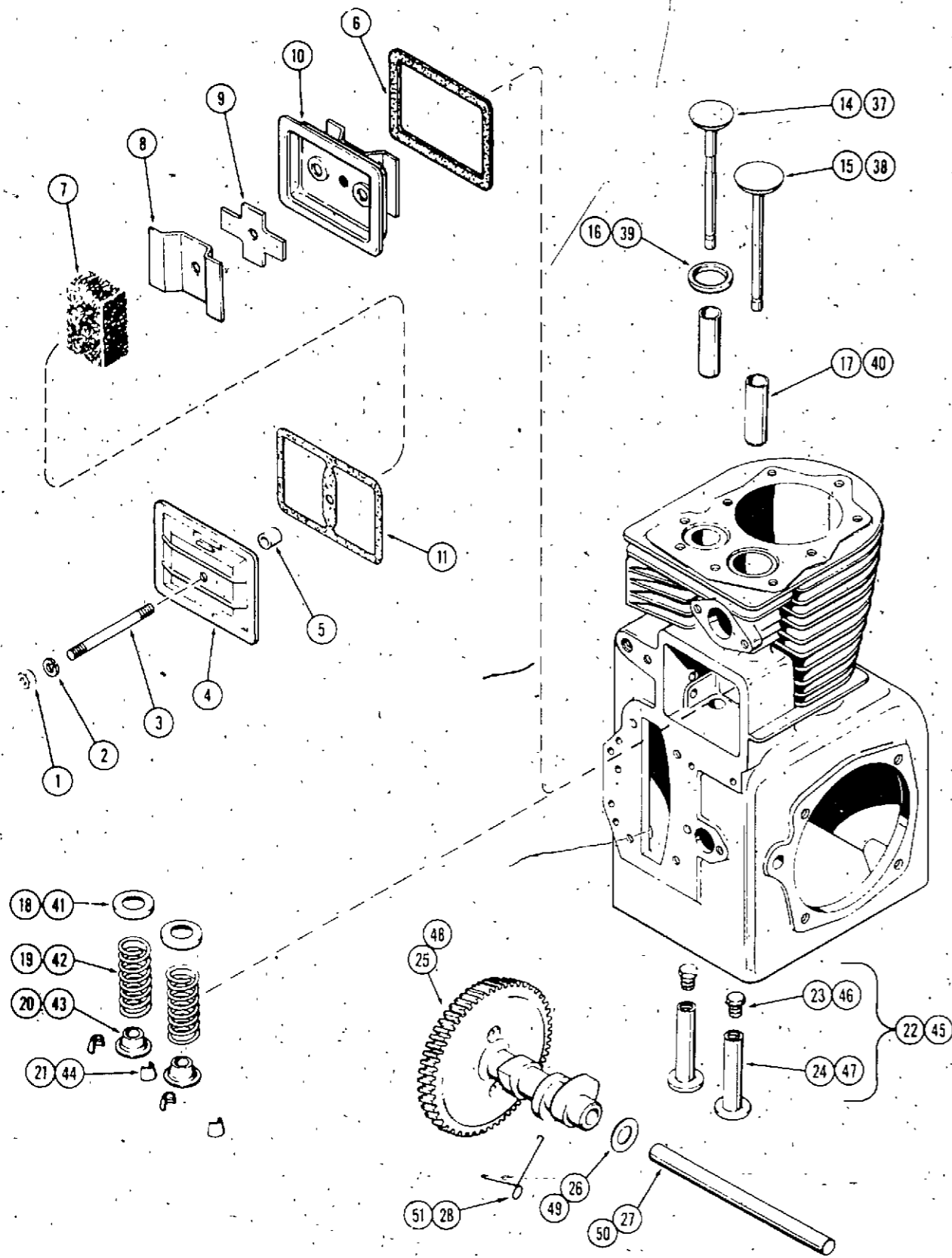
**AIR CLEANER**

REF.	PART NO.	DESCRIPTION	REQ'D
1	KO 237895	AIR CLEANER ASSEMBLY	1
2	NSS	COVER - air cleaner (order KO237895)	1
3	NSS	BASE - air cleaner (order KO237895)	1
4	KO 237423	GASKET - cover, air cleaner	1
5	C 26703	NUT - wing 1/4" N.C.	1
6	KO 275341	GASKET - air horn	1
7	C 28883	ELEMENT - air cleaner	1
8	177- 94	SCREW - fillister head 10-32 x 5/16"	3
9	193- 6	LOCKWASHER - ext. tooth # 10	3
10	KO 237421	PRE-CLEANER	1

**EXHAUST SYSTEM**

REF.	PART NO.	DESCRIPTION	REQ'D
1	C 26063	MUFFLER ASSEMBLY - exhaust (includes items 9, 10, 13 and 14 banded together)	1
2	C 22747	PIPE - engine exhaust	1
3	61- 512	BOLT - 5/16" x 5/8" socket head	2
4	C 10372	GASKET - exhaust	1
5	C 26062	WRAPPER - muffler	1
6	C 22889	COVER - muffler end	1
7	214- 272	CLAMP - muffler and wrapper mounting	3
8	C 22819	BRACKET - muffler mounting	1
9	C 26058	INSULATION - muffler	1
10	C 29290	INSULATION - muffler end	1
11	C 28294	CLAMP - muffler	1
12	129- 102	NUT - 5/16" - 18 hex	2
13	192- 404	LOCK WASHER - 5/16"	2





**220 AND 222 CRANKCASE BREATHER**

REF.	PART NO.	DESCRIPTION	REQ'D
1	129- 101	NUT - 1/4" N.C. hex	1
2	192- 19	LOCK WASHER - 1/4"	1
3	KO 275220	STUD - valve cover	1
4	KO 275143	COVER - valve	1
5	KO 231032	SEAL - breather	1
6	KO 235048	GASKET - breather plate	1
7	KO 235118	FILTER - breather	1
8	KO 235117	BAFFLE - breather	1
9	KO 235047	REED - breather	1
10	KO 235631	PLATE - breather	1
11	KO 275144	GASKET - valve cover	1

**220 CAMSHAFT AND VALVES**

14	KO 235826	VALVE - exhaust	1
15	KO 235008	VALVE - intake	1
16	KO 230170	INSERT - exhaust valve seat	1
17	KO 235007 S	GUIDE - valve	2
18	KO 235011	SEAT - valve spring	2
19	KO 235010	SPRING - valve	2
20	KO 230011	RETAINER - valve spring	2
21	C 24884	KIT - valve retainer (includes both halves)	2
22	KOD 235327	LIFTER ASSEMBLY	2
23	NSS	SCREW - tappet adjusting	1
24	NSS	LIFTER - valve	1
25	C 25043	CAMSHAFT ASSEMBLY	1
26	KO 275066	SPACER - camshaft, .005" (0.13 mm)	UAR
26	KO 275067	SPACER - camshaft, .010" (0.25 mm)	UAR
27	C 30487	PIN - camshaft	1
28	C 28680	SPRING - actuating	1

**222 CAMSHAFT AND VALVES**

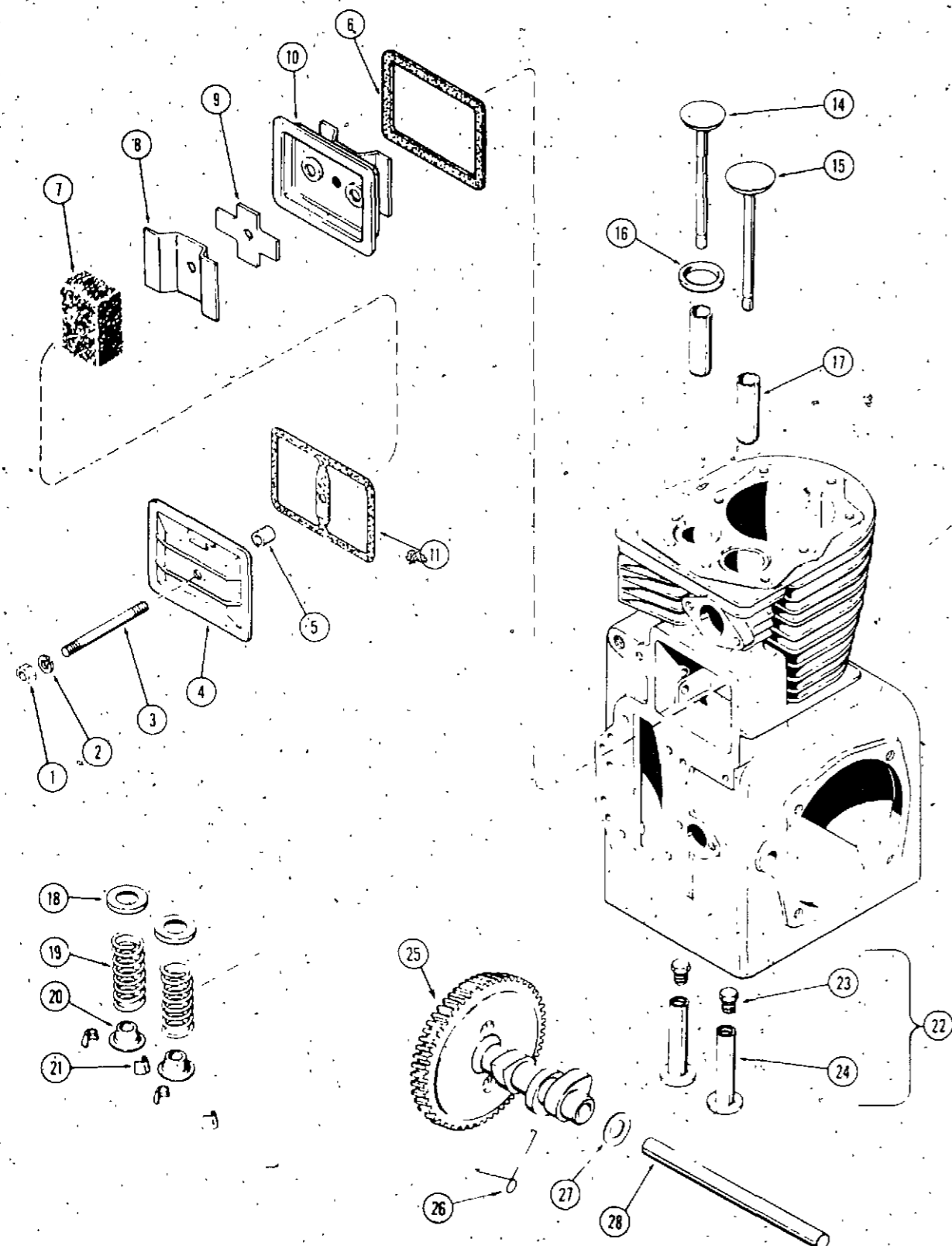
REF.	PART NO.	DESCRIPTION	REQ'D
37	KO 235826	VALVE - exhaust	1
38	KO 235008	VALVE - intake	1
39	KO 230170	INSERT - exhaust valve seat	1
40	KO 235007 S	GUIDE - valve	2
41	KO 235011	SEAT - valve spring	2
42	KO 235010	SPRING - valve	2
43	KO 230011	RETAINER - valve spring	2
44	C 24884	KIT - valve retainer (includes both halves)	2
45	KOD 235327	LIFTER ASSEMBLY	2
46	NSS	SCREW - tappet adjusting	1
47	NSS	LIFTER - valve	1
48	C 25043	CAMSHAFT ASSEMBLY	1
49	KO 275066	SPACER - camshaft, .005" (0.13 mm)	UAR
49	KO 275067	SPACER - camshaft, .010" (0.25 mm)	UAR
50	C 30487	PIN - camshaft	1
51	C 28680	SPRING - actuating	1

**224 AND 444 CRANKCASE BREATHER**

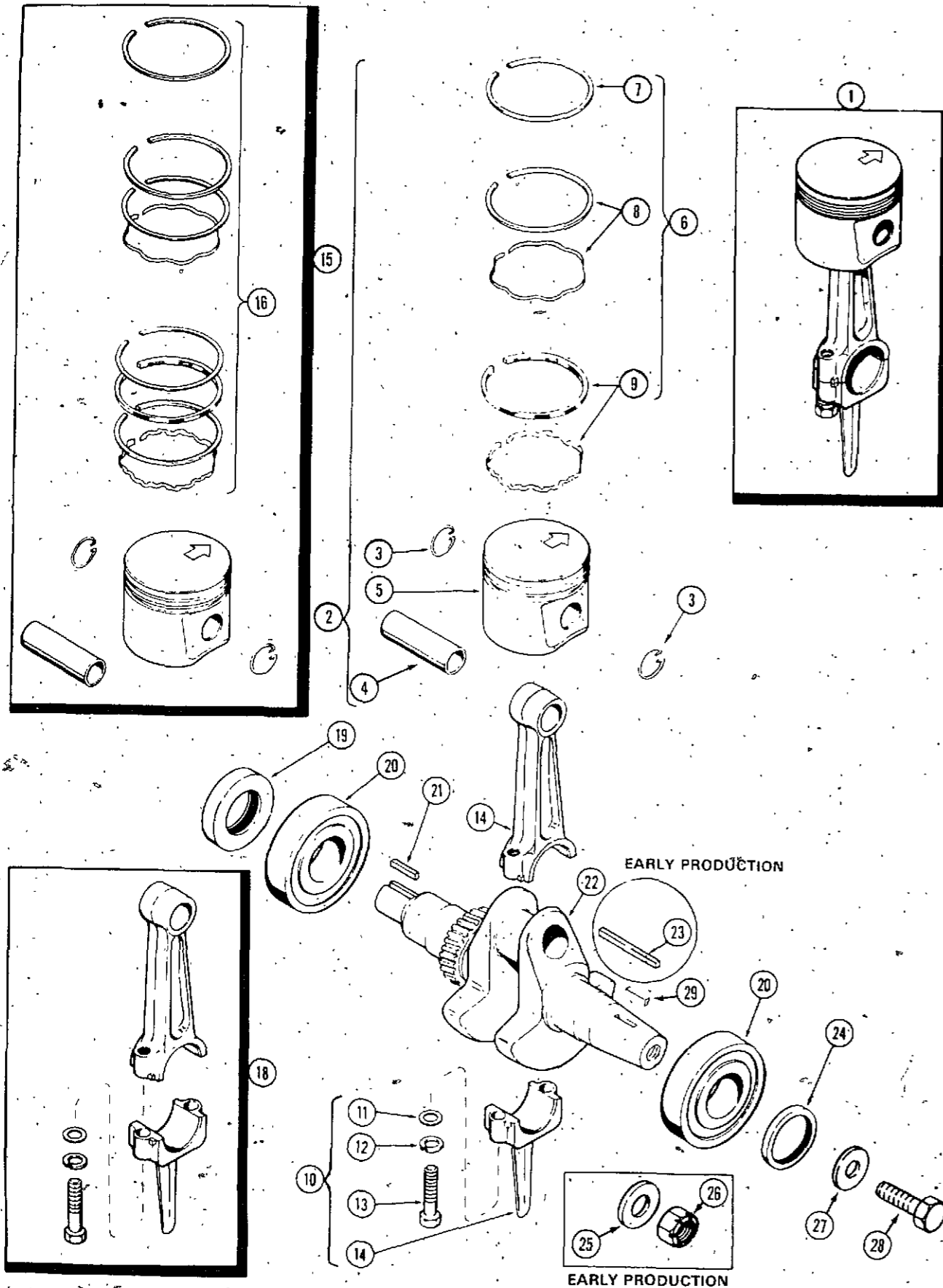
REF.	PART NO.	DESCRIPTION	REQ'D
1	129- 101	NUT - 1/4" N.C. hex	1
2	192- 19	LOCK WASHER - 1/4"	1
3	KO 275220	STUD - valve cover	1
4	KO 275143	COVER - valve	1
5	KO 235048	SEAL - breather	1
6	KO 235048	GASKET - breather plate	1
7	KO 235118	FILTER - breather	1
8	KO 235117	BAFFLE - breather	1
9	KO 235047	REED - breather	1
10	KO 235631	PLATE - breather	1
11	KO 275144	GASKET - valve cover	1

**224 AND 444 CAMSHAFT AND VALVES**

REF.	PART NO.	DESCRIPTION	REQ'D
14	KO 237672	VALVE - exhaust	1
15	KO 235582	VALVE - intake	1
16	KO 230170	INSERT - exhaust valve seat	1
17	KO 235007 S	GUIDE - valve	2
18	KO 235011	SEAT - valve spring	2
19	KO 235168	SPRING - valve	2
20	KO 230020	ROTATOR - valve (Furnished in pairs only)	2
21	C 24884	KIT - valve retainer (includes both halves)	2
22	KOD 235327	LIFTER ASSEMBLY	2
23	NSS	SCREW - tappet adjusting	1
24	NSS	LIFTER - valve	1
25	C 25043	CAMSHAFT ASSEMBLY	1
26	C 28680	SPRING - actuating	1
27	KO 275066	SPACER - camshaft, .005" (0.13 mm)	UAR
27	KO 275067	SPACER - camshaft, .010" (0.25 mm)	UAR
28	C 30487	PIN - camshaft	1

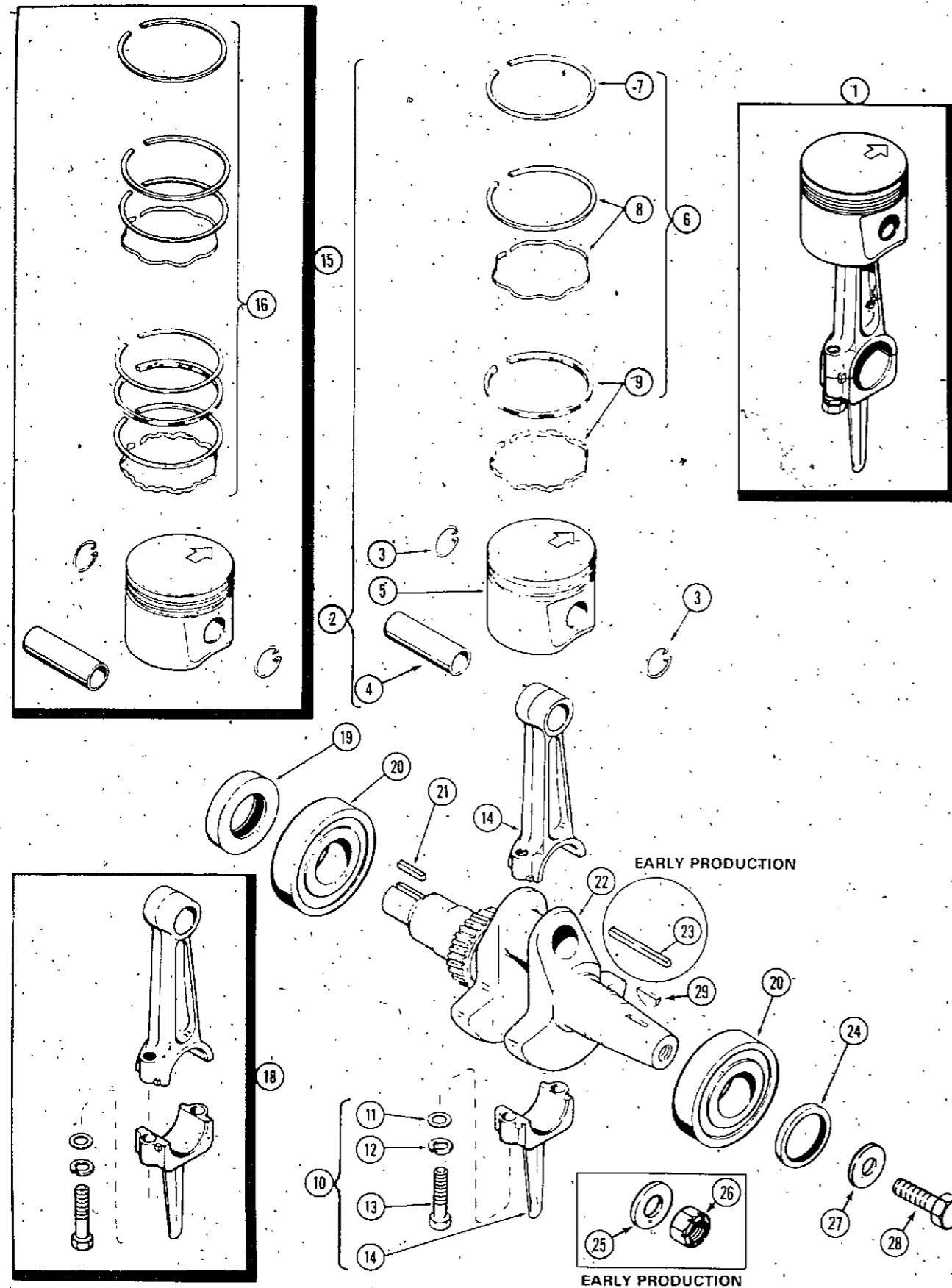


220 CRANKSHAFT, PISTON - CONNECTING ROD



REF.	PART NO.	DESCRIPTION	REQ'D
1	NSS	PISTON AND ROD ASSEMBLY (Std. size)	1
2	C 29516	PISTON ASSEMBLY (For oversize, see item 15)	1
3	KO 235004	RETAINER - piston pin	2
4	NSS	PIN - piston	1
5	NSS	PISTON	1
6	KO 235287	RING SET - piston (For oversize, see item 16)	1
7	NSS	RING - top compression	1
8	NSS	RING - 2nd compression (Includes expander)	1
9	NSS	RING - oil (Includes expander)	1
10	C 30484	CONNECTING ROD ASSEMBLY (For undersize, see item 18)	1
11	KO 235003	WASHER - special	2
12	192- 21	LOCK WASHER	2
13	NSS	SCREW - cap connecting rod	2
14	NSS	ROD - connecting	1
15	C 29518	PISTON ASSEMBLY - .010" (0.25 mm) oversize	1
15	C 29519	PISTON ASSEMBLY - .020" (0.51 mm) oversize	1
15	C 29520	PISTON ASSEMBLY - .030" (0.76 mm) oversize	1
15	C 29517	PISTON ASSEMBLY - .003" (0.08 mm) oversize (use std. ring set)	1
16	KO 235288	RING SET - piston .010" (0.25 mm) oversize	1
16	KO 235289	RING SET - piston .020" (0.51 mm) oversize	1
16	KO 235290	RING SET - piston .030" (0.76 mm) oversize	1
18	C 18101	CONNECTING ROD ASSEMBLY - .010" (0.25 mm) undersize	1
19	C 28678	OIL SEAL - crankshaft rear	1
20	C 28669	BEARING - ball, crankshaft	2
21	C 28321	KEY - 1/4" Sq. x 3/4" (Pump Coupling)	1
22	C 29025	KIT - crankshaft includes hardware, ref. 27, 28	1
23	C 28289	KEY - flat 3/16" x 3/16" x 3/4" (Flywheel)	1
24	C 32891	OIL SEAL - crankshaft, front	1
25	C 26421	WASHER - 5/8"	1
26	131- 580	NUT - special Marsden 5/8" N.F.	1
27	C 29812	WASHER - flat	1
28	28- 620	BOLT - 3/8" - 24 x 1-1/4"	1
29	NSS 22	KEY - 3/16" x 1" Woodruff, flywheel (obtain locally)	1

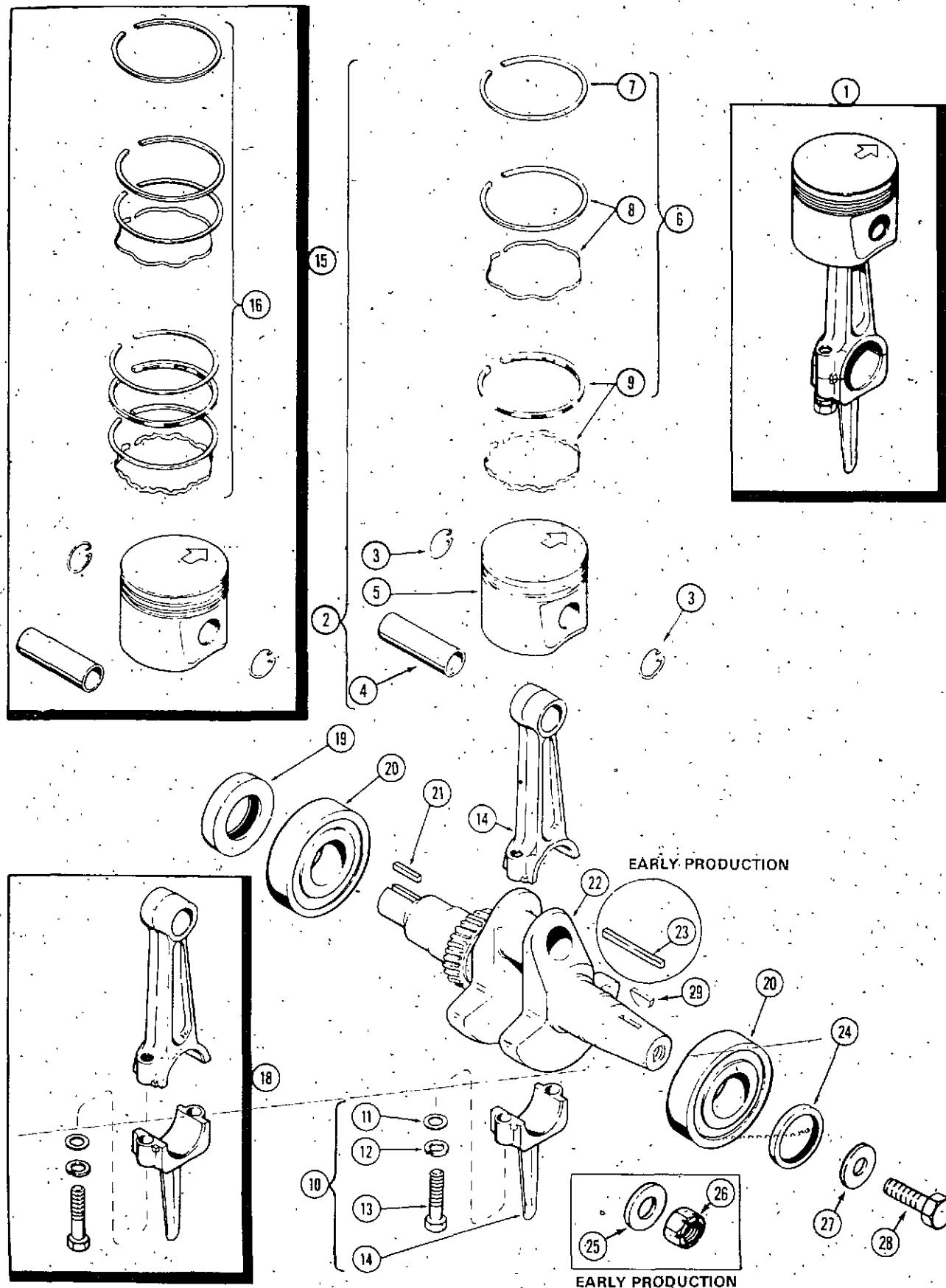
222 CRANKSHAFT, PISTON — CONNECTING ROD



REF.	PART NO.	DESCRIPTION	REQ'D
1	NSS	PISTON AND ROD ASSEMBLY (Std. size)	1
2	C 29521	PISTON ASSEMBLY (For oversize, see item 15)	1
3	KO 235004	RETAINER - piston pin	2
4	NSS	PIN - piston	1
5	NSS	PISTON	1
6	KO 235889	RING SET - piston (For oversize, see item 16)	1
7	NSS	RING - top compression	1
8	NSS	RING - 2nd compression (Includes expander)	1
9	NSS	RING - oil (Includes expander)	1
10	C 30483	CONNECTING ROD ASSEMBLY (For undersize, see item 18)	1
11	KO 235003	WASHER - special	2
12	192- 21	LOCK WASHER	2
13	NSS	SCREW - cap, connecting rod	2
14	NSS	ROD - connecting	1
15	C 29523	PISTON ASSEMBLY - .010" (0.25 mm) oversize	1
15	C 29524	PISTON ASSEMBLY - .020" (0.51 mm) oversize	1
15	C 29525	PISTON ASSEMBLY - .030" (0.76 mm) oversize	1
15	C 29522	PISTON ASSEMBLY - .003" (0.08 mm) oversize (use std. ring set)	1
16	KO 235890	RING SET - piston .010" (0.25 mm) oversize	1
16	KO 235891	RING SET - piston .020" (0.51 mm) oversize	1
16	KO 235892	RING SET - piston .030" (0.76 mm) oversize	1
18	C 23135	CONNECTING ROD ASSEMBLY - .010" (0.25 mm) undersize	1
19	C 28678	OIL SEAL - crankshaft rear	1
20	C 28669	BEARING - ball, crankshaft	2
21	C 28321	KEY - 1/4" Sq. x 3/4" (Pump Coupling)	1
22	KOB 235949	KIT - crankshaft (includes hardware, ref 27, 28)	1
23	C 28289	KEY - flat 3/16" x 3/16" x 3/4" (Flywheel)	1
24	C 32891	OIL SEAL - crankshaft, front	1
25	C 26421	WASHER - 5/8"	1
26	131- 580	NUT - special Marsden 5/8" N.F.	1
27	C 29812	WASHER - flat	1
28	28- 620	BOLT - 3/8" - 24 x 1-1/4"	1
29	NSS	KEY - 3/16" x 1" Woodruff (Flywheel) (obtain locally)	1



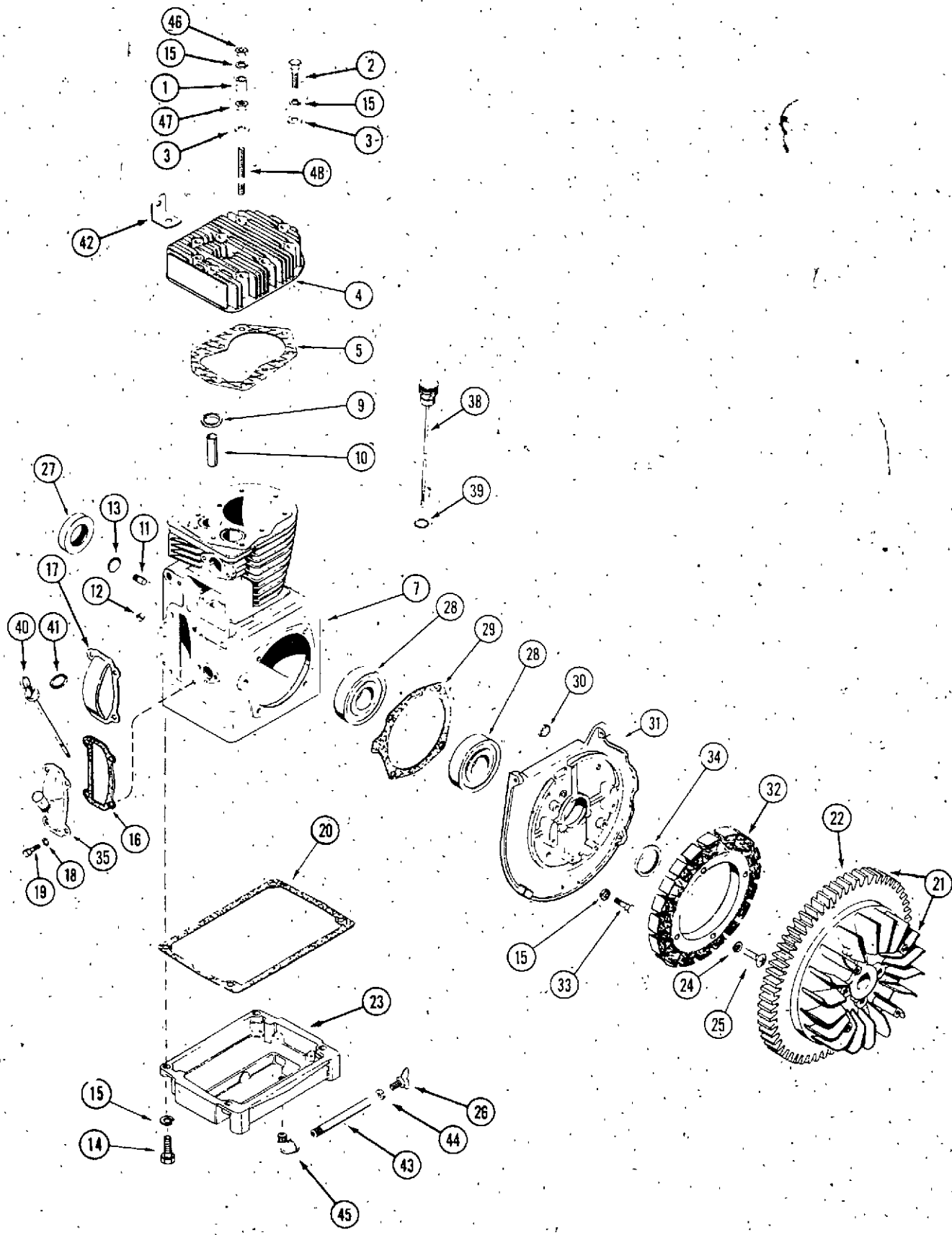
224 AND 444 CRANKSHAFT, PISTON — CONNECTING ROD



REF.	PART NO.	DESCRIPTION	REQ'D
1	NSS	PISTON AND ROD ASSEMBLY (Std. size)	1
2	C 29526	PISTON ASSEMBLY (For oversize; see item 15)	1
3	KO 235004	RETAINER - piston pin	2
4	NSS	PIN - piston	1
5	NSS	PISTON	1
6	KO 236763	RING SET - piston (For oversize, see item 16)	1
7	NSS	RING - top compression	1
8	NSS	RING - 2nd compression (Includes expander)	1
9	NSS	RING - oil (Includes expander)	1
10	C 30483	CONNECTING ROD ASSEMBLY (For undersize, see item 18)	1
11	KO 235003	WASHER - special	2
12	192- 21	LOCK WASHER - 3/8"	2
13	NSS	SCREW - cap, connecting rod	2
14	NSS	ROD - connecting	1
15	C 29528	PISTON ASSEMBLY - .010" (0.25 mm) oversize	1
15	C 29529	PISTON ASSEMBLY - .020" (0.51 mm) oversize	1
15	C 29530	PISTON ASSEMBLY - .030" (0.76 mm) oversize	1
15	C 29527	PISTON ASSEMBLY - .003" (0.08 mm) oversize (use std. ring set)	1
16	KO 236764	RING SET - piston .010" (0.25 mm) oversize	1
16	KO 236765	RING SET - piston .020" (0.51 mm) oversize	1
16	KO 236766	RING SET - piston .030" (0.76 mm) oversize	1
18	C 23135	CONNECTING ROD ASSEMBLY - .010" (0.25 mm) undersize	1
19	C 28678	OIL SEAL - crankshaft, rear	1
20	C 28669	BEARING - ball, crankshaft	2
21	C 28321	KEY - 1/4" Sq. x 3/4" (Pump Coupling)	1
22	C 30504	KIT - crankshaft (includes hardware, ref. 27, 28)	1
23	C 28289	KEY - flat 3/16" x 3/16" x 3/4" (Flywheel)	1
24	C 32891	OIL SEAL - crankshaft, front	1
25	C 26421	WASHER - 5/8"	1
26	131- 580	NUT - special Marsden 5/8" N.F.	1
27	C 29812	WASHER - flat	1
28	28- 620	BOLT - 3/8" - 24 x 1-1/4"	1
29	NSS	KEY - 3/16" x 1" woodruff (flywheel) obtain locally	1

**220 ENGINE BLOCK AND ATTACHING PARTS**

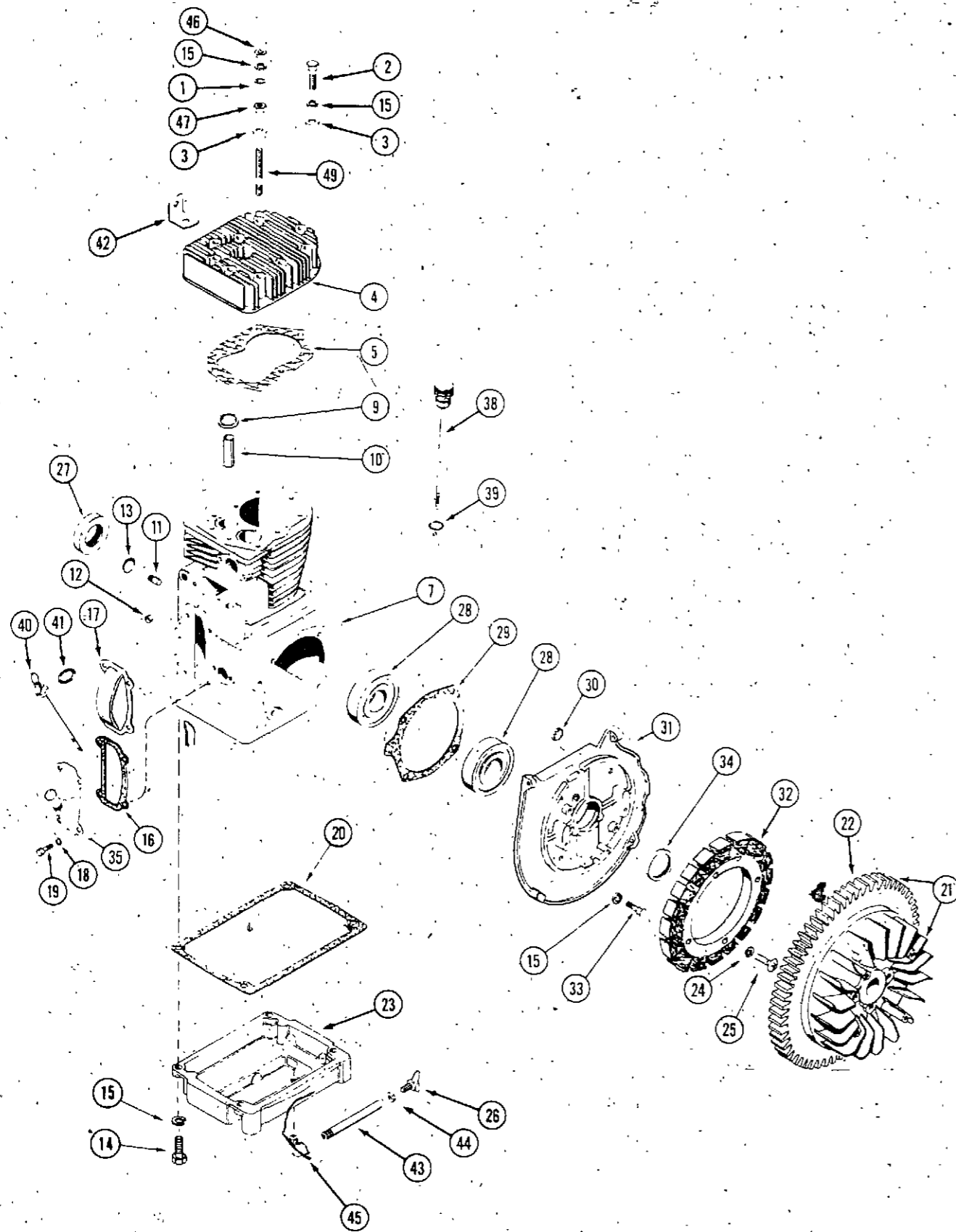
NOTE: To order complete engine see page 1.



REF.	PART NO.	DESCRIPTION	REQ'D
1	C 21814	SPACER - cylinder head	6
2	KO 270158	BOLT - cylinder head	2
3	KO 270889	WASHER - cylinder head	9
4	KO 236675	HEAD - cylinder	1
5	C 30482	GASKET - head	1
7	C 27283	BLOCK ASSEMBLY - cylinder, short (Includes crankshaft, piston assembly, ring set, crankshaft seals, rod assembly, camshaft assembly, valves, bearings, plate and plate gasket, governor gear assembly and cross shaft) (also includes gaskets and hardware for mtg. flywheel)	1
9	KO 230170	INSERT - exhaust valve	1
10	KO 235007 S	GUIDE - valve	2
11	KO 235125 S	SHAFT - stub, governor	1
12	C 28691	BEARING - needle, governor shaft	1
13	41- 18	PLUG - expansion	1
14	113- 209	BOLT - 3/8" x 1-1/2" N.C. hex plated	4
15	192- 21	LOCK WASHER - 3/8" plated	17
16	KO 235025	GASKET - camshaft cover	1
17	KO 235026	COVER - camshaft gear	1
18	192- 19	LOCK WASHER - 1/4" plated	4
19	113- 1	BOLT - 1/4" x 1/2" N.C. plated	4
20	KO 235353	GASKET - oil pan	1
21	C 27279	FLYWHEEL ASSEMBLY	1
22	NSS	RING GEAR	1
23	C 22699	BASE - oil pan	1
24	192- 18	LOCK WASHER - internal tooth	4
25	C 32947	SCREW - stator #10 - 24 x 3/4"	4
26	C 14399	PLUG - oil drain	1
27	C 28678	OIL SEAL - crankshaft rear	1
28	C 28669	BEARING - ball, crankshaft	2
29	KO 235757	GASKET - bearing plate	1
29	KO 235070	GASKET - shim, .010 (0.25 mm)	1
30	NSS	PLUG - button, timing hole (obtain locally)	1
31	C 24290	PLATE - bearing	1
32	C 28692	STATOR - 15 amp	1
32	C 25338	CONNECTOR - stator	1
33	113- 207	BOLT - 3/8" x 1" N.C. plated	4
34	C 32891	OIL SEAL - crankshaft front	1
35	C 24490	FILLER TUBE - crankcase	1
38	NSS	DIPSTICK ASSEMBLY (use C30868 kit, includes plug)	1
39	C 28217	"O" RING - dipstick	1
40	C 24491	DIPSTICK - oil	1
41	C 28217	"O" RING - dipstick	1
42	KO 235748	STRAP - lifting	1
43	C 18814	NIPPLE - oil drain extension	1
44	C 14906	GASKET - plug, oil drain	1
45	221- 1412	ELBOW - street	1
46	129- 143	NUT - 3/8" N.C. hex, jam	6
47	129- 103	NUT - 3/8" N.C. hex	6
48	KO 237277	STUD - cylinder head	7
41-	1015	PLUG - welch 15/16" x 1/2" (use to plug dipstick hole)	1

**222 ENGINE BLOCK AND ATTACHING PARTS**

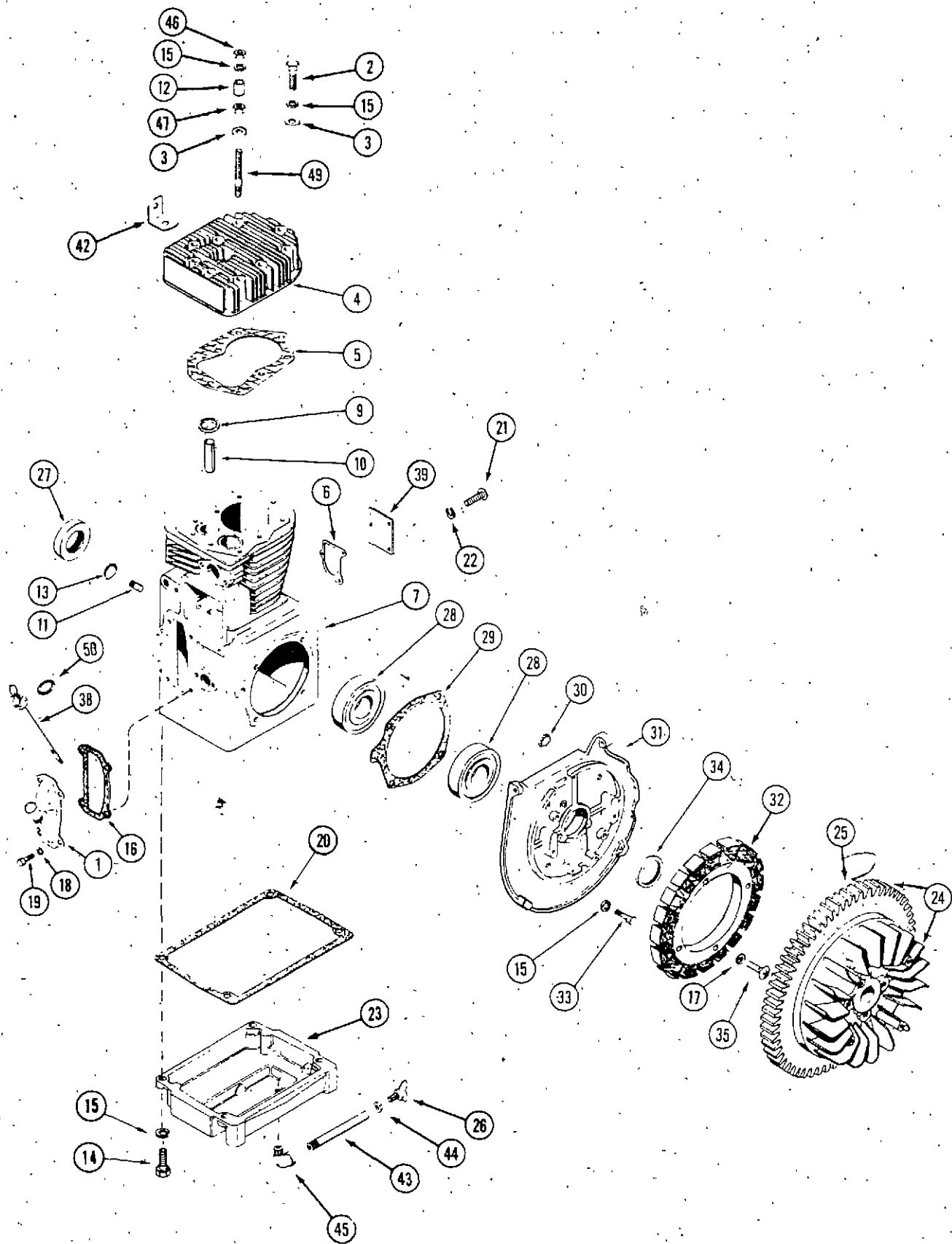
NOTE: To order complete engine see page 1.



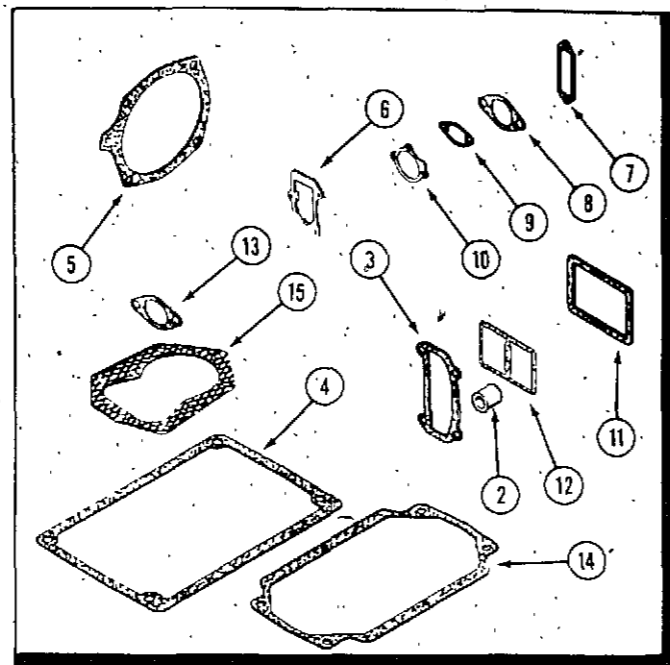
REF.	PART NO.	DESCRIPTION	REQ'D
1	C 21814	SPACER - cylinder head	6
2	KO 270158	BOLT - cylinder head 3/8" x 1-1/2" N.C. hex	2
3	KO 270889	WASHER - cylinder head	9
4	KO 237670	HEAD - cylinder	1
5	C 30482	GASKET - head	1
7	C 30505	BLOCK ASSEMBLY - cylinder, short (Includes crankshaft, piston assembly, ring set; crankshaft seals, rod assembly, camshaft assembly, valves, bearings, plate and plate gasket, governor gear assembly and cross shaft) (also includes gasket set) and hardware for mtg. flywheel	1
9	KO 230170	INSERT - exhaust valve	1
10	KO 235007 S	GUIDE - valve	2
11	KO 235125 S	SHAFT - stub, governor	1
12	C 28691	BEARING - needle, governor shaft	1
13	41- 18	PLUG - expansion	1
14	113- 209	BOLT - 3/8" x 1-1/2" N.C. hex plated	4
15	192- 21	LOCK WASHER - 3/8" plated	17
16	KO 235025	GASKET - camshaft cover	1
17	KO 235026	COVER - camshaft gear	1
18	192- 19	LOCK WASHER - 1/4" plated	4
19	113- 1	BOLT - 1/4" x 1/2" N.C. plated	4
20	KO 235353	GASKET - oil pan	1
21	C 27279	FLYWHEEL ASSEMBLY	1
22	NSS	RING-GEAR	1
23	C 22699	BASE - oil pan	1
24	192- 18	LOCK WASHER - internal tooth	4
25	C 32947	SCREW - stator	4
26	C 14399	PLUG - oil drain	1
27	C 28678	OIL SEAL - crankshaft rear	1
28	C 28669	BEARING - ball, crankshaft	2
29	KO 235757	GASKET - bearing plate	6
29	KO 235070	GASKET - shim, .010" (0.25 mm)	1
30	NSS	PLUG - button, timing hole (obtain locally)	1
31	C 24290	PLATE - bearing	1
32	C 28692	STATOR	1
	C 25338	CONNECTOR - stator	1
33	113- 207	BOLT - 3/8" x 1" N.C. plated	4
34	C 32891	OIL SEAL - crankshaft, front	1
35	C 24490	FILLER TUBE - crankcase	1
38	NSS	DIPSTICK ASSEMBLY (use C30868 kit - includes welsh plug)	1
39	C 28217	"O" RING - dipstick	1
40	C 24491	DIPSTICK - oil	1
41	C 28217	"O" RING - dipstick	1
42	KO 235748	STRAP - lifting	1
43	C 18814	NIPPLE - oil drain extension	1
44	C 14906	GASKET - plug, oil drain	1
45	221- 1412	ELBOW - street	1
46	129- 143	NUT - 3/8" N.C. hex, jam	6
47	129- 103	NUT - 3/8" N.C. hex	6
49	KO 237277	STUD - cylinder head	7

**224 AND 444 ENGINE BLOCK AND ATTACHING PARTS**

NOTE: To order complete engine see page 1.

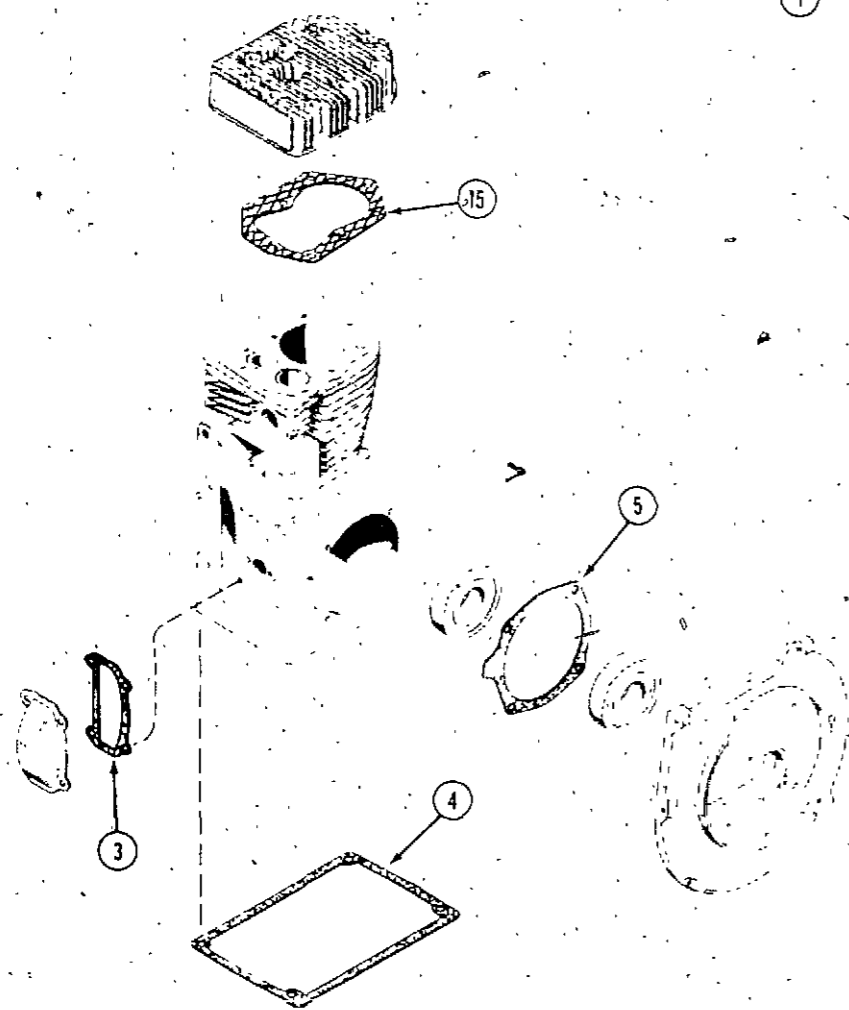


REF.	PART NO.	DESCRIPTION	REQ'D
1	C 24490	FILLER TUBE	1
2	KO 270158	BOLT - cylinder head special 3/8" x 1-1/2" N.C. hex	2
3	KO 270889	WASHER - cylinder head bolt	9
4	KO 237670	HEAD - cylinder	1
5	C 30482	GASKET - head	1
6	KO 237064	GASKET - filler tube	1
7	C 30506	BLOCK ASSEMBLY - cylinder, short (Includes crankshaft and seals, ring set, piston assembly, rod assembly, camshaft assembly, valves, bearing, plate and plate gasket, governor gear assembly and cross shaft) (also includes gasket set) and hardware for mtg. flywheel	1
9	KO 230170	INSERT - exhaust valve	1
10	KO 235007 S	GUIDE - valve	2
11	KO 235125 S	SHAFT - stub, governor	1
12	C 21814	SPACER - cylinder head	1
13	41- 18	PLUG - expansion	1
14	113- 209	BOLT - 3/8" x 1-1/2" N.C. hex plated	4
15	192- 21	LOCK WASHER - 3/8" plated	4
16	KO 235025	GASKET - camshaft cover, oil fill tube	1
17	192- 18	LOCK WASHER	4
18	192- 19	LOCK WASHER - 1/4" plated	4
19	113- 1	BOLT - 1/4" x 1/2" N.C. plated	4
20	KO 235353	GASKET - oil pan	1
21	173- 96	SCREW - #10 x 7/16" round head machine	3
22	192- 18	LOCK WASHER - #10 internal tooth	7
23	C 22699	BASE - oil pan	1
24	C 27279	FLYWHEEL ASSEMBLY	1
25	NSS	RING GEAR	1
26	C 14399	PLUG - oil drain	1
27	C 28678	OIL SEAL - crankshaft, rear	1
28	C 28669	BEARING - ball, crankshaft	2
29	KO 235757	GASKET - bearing plate	1
29	KO 235070	GASKET - shim, .010" (0.25 mm)	UAR
30	NSS	PLUG - button, timing hole (obtain locally)	1
31	C 24290	PLATE - bearing	1
32	C 28692	STATOR	1
33	113- 207	BOLT - 3/8" x 1" N.C. plated	4
34	C 32891	OIL SEAL - crankshaft, front	1
35	C 32947	SCREW - stator	4
38	C 24491	DIPSTICK ASSEMBLY	1
39	NSS	COVER - use C27275	1
42	KO 235748	STRAP - lifting	1
43	C 18814	NIPPLE - oil drain extension	1
44	C 14906	GASKET - plug, oil drain	1
45	221- 1412	ELBOW - street	1
46	129- 143	NUT - 3/8" N.C. hex, jam	6
47	129- 103	NUT - 3/8" N.C. hex	6
49	KO 237277	STUD - cylinder head	7
50	C 28217	O-RING - dipstick	1



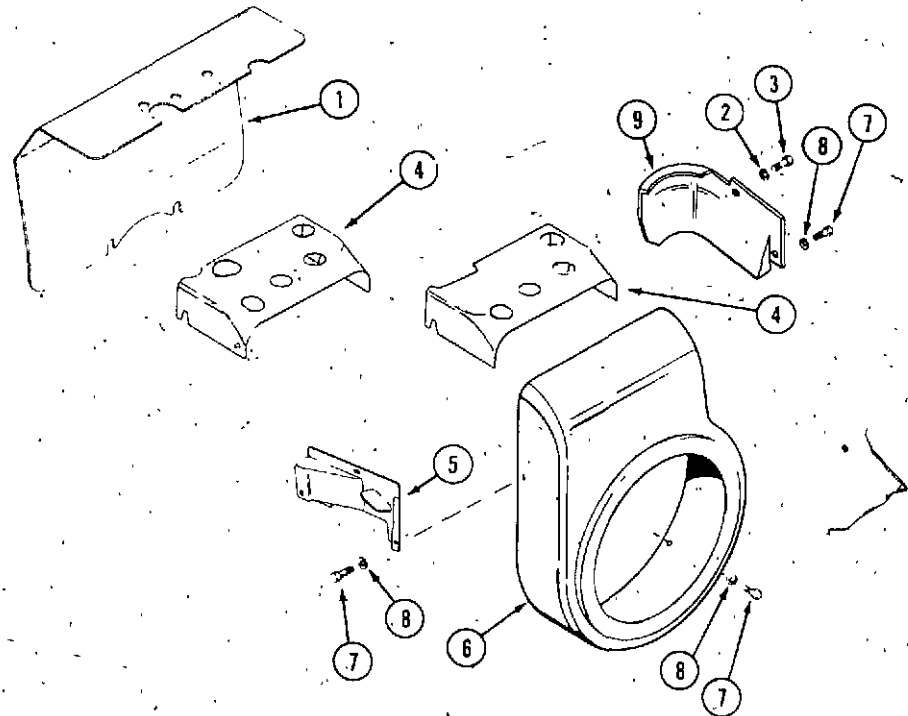
**ENGINE GASKET AND SEAL KIT**

REF.	PART NO.	DESCRIPTION	REQ'D
1	C 29737	KIT - engine gasket	1
2	KO 231032	SEAL - breather	1
3	KO 235025	GASKET - camshaft cover	1
4	KO 235353	GASKET - oil pan	1
5	KO 235757	GASKET - bearing plate	6
5	KO 235070	GASKET - shim .010" (0.25 mm)	UAR
6	KO 237064	GASKET - oil fill tube	1
7	C 26518	GASKET - breaker cover	1
8	C 23860	GASKET - carburetor flange	1
9	C 24887	GASKET - fuel pump flange	1
10	KO 275341	GASKET - carburetor air horn	1
11	KO 235048	GASKET - breather plate	1
12	KO 275144	GASKET - valve cover	1
13	C 10372	GASKET - exhaust	1
14	KO 235057	GASKET - pan (not used)	1
15	C 30482	GASKET - cylinder head	1



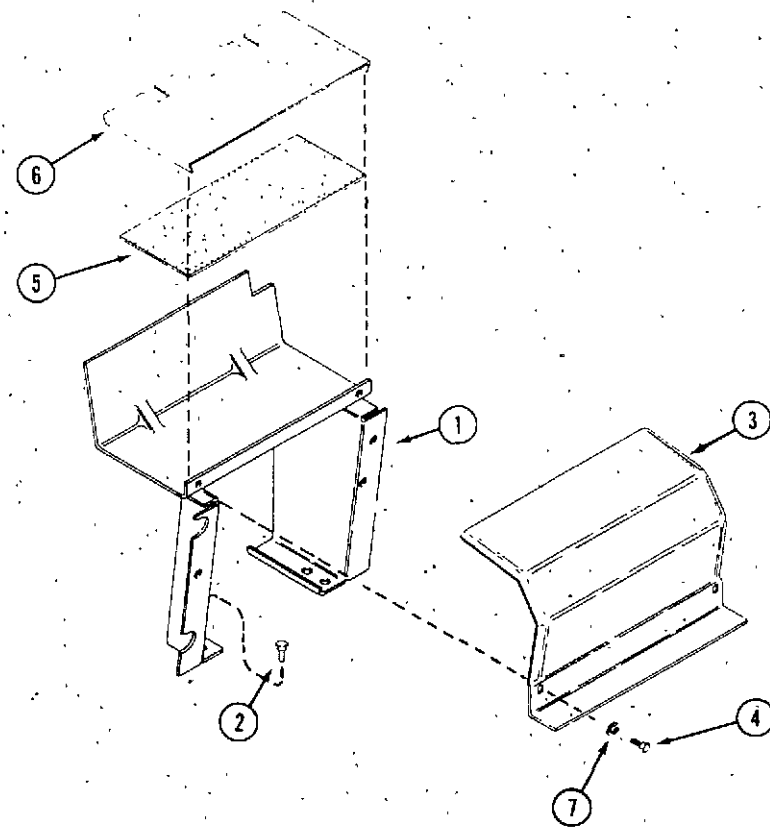
**BAFFLES AND SHROUDS**

REF.	PART NO.	DESCRIPTION	REQ'D
1	C 26985	DEFLECTOR - engine air	1
2	192- 19	LOCK WASHER - 1/4" zinc plated	2
3	113- 1	BOLT - 1/4" x 1/2" N.C. hex, zinc plated	2
4	KO 237520	BAFFLE - cylinder head (10 hp engine)	1
4	KO 237677	BAFFLE - cylinder head (12-14 hp engine)	1
5	C 27280	BAFFLE - carburetor side air	1
6	C 24879	HOUSING - blower	1
7	113- 2	BOLT - 1/4" x 3/4" N.C. hex, zinc plated	4
8	192- 19	LOCK WASHER - 1/4" zinc plated	4
9	C 27281	BAFFLE - cylinder	1

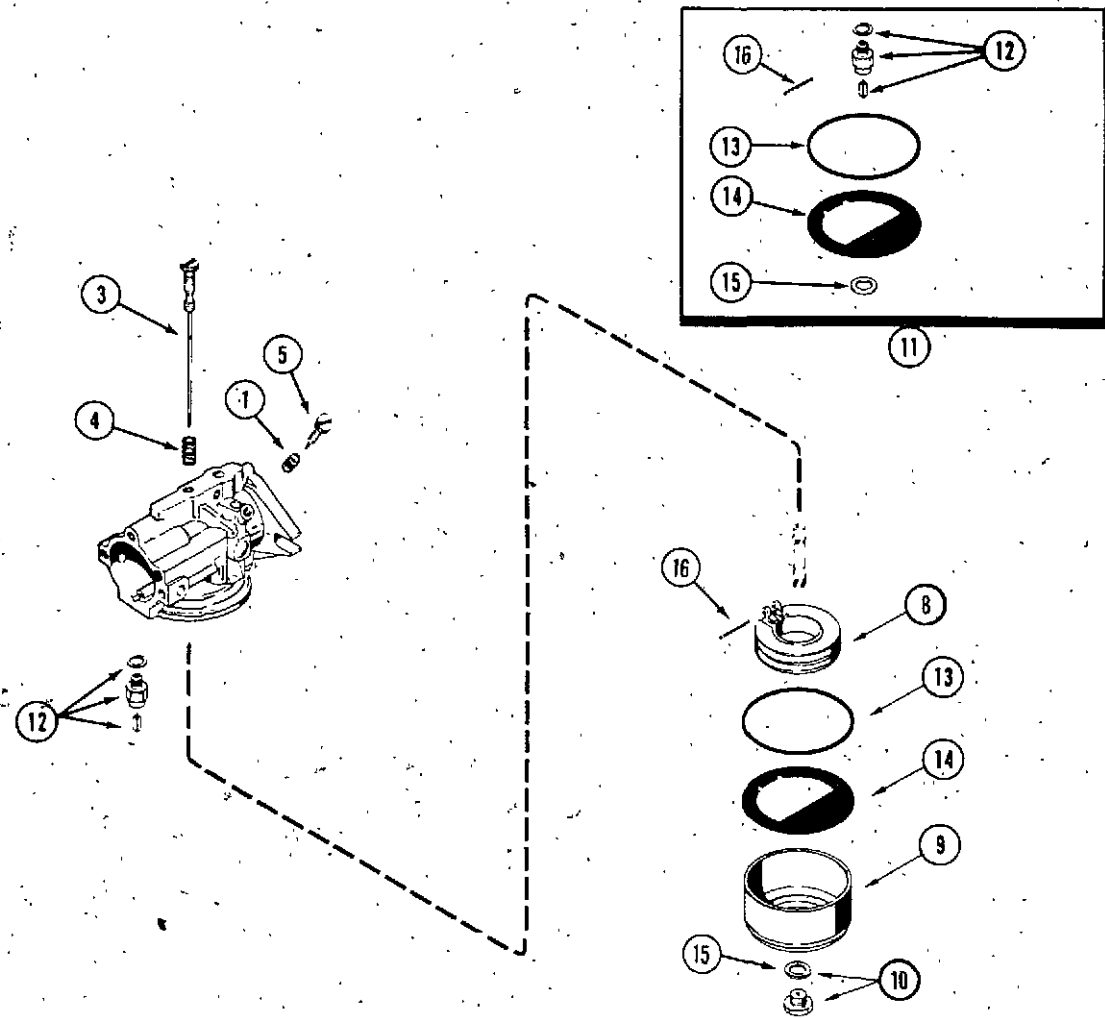


**HEAT EXCHANGER MOUNTS AND MUFFLER SHIELDS**

1	C 27602	SUPPORT - heat exchanger	1
2	113- 118	BOLT - 5/16" x 5/8"	4
3	C 26098	SHIELD - heat, muffler	1
4	113- 1	BOLT - 1/4" x 1/2" hex z.p.	2
4	187- 1036	BOLT - 1/4"-20 x 1/2" self - tap	2
5	C 22903	PAD - insulation	1
6	C 22874	RETAINER - insulation	1
7	192- 19	LOCK WASHER - 1/4"	2



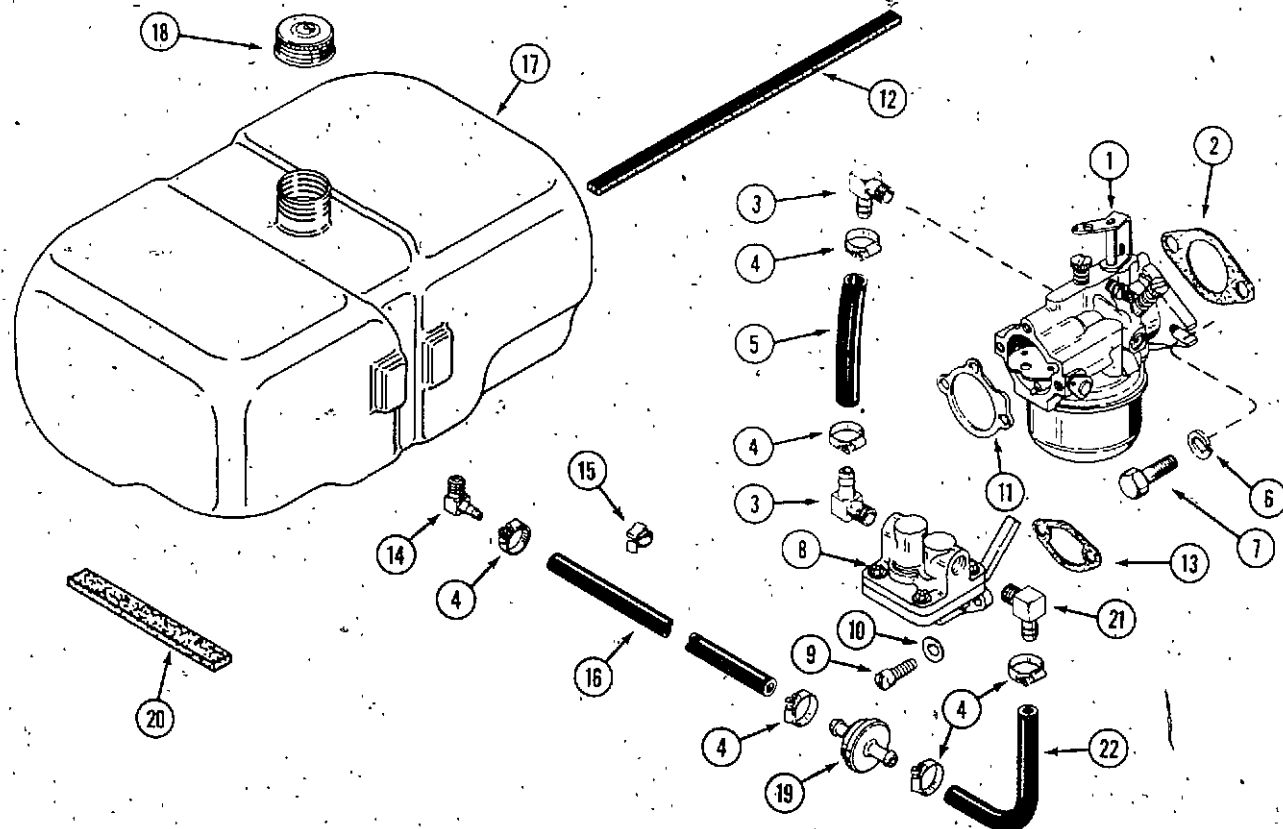
**KOHLER CARBURETOR**  
With adjustable main fuel jet



REF.	PART NO.	DESCRIPTION	REQ'D
	NSS	CARBURETOR ASSEMBLY - 220, 222 (use C33213)	1
	NSS	CARBURETOR ASSEMBLY - 224 & 444 (use C33214)	1
1	A 72098	SPRING - tension, idle adjust	1
3	C 28879	NEEDLE - main fuel adjust, 220, 222	1
3	C 24652	NEEDLE - main fuel adjust, 224 & 444	1
4	KO 200383	SPRING - main fuel adjust	1
5	C 28880	NEEDLE - idle adjust (220, 222)	1
5	KO 275231	NEEDLE - idle adjust (224 & 444)	1
8	C 27276	FLOAT - carburetor	1
9	KO 235448	BOWL - carburetor	1
10	C 26422	SCREW AND GASKET ASSEMBLY - carburetor bowl	1
11	C 27278	KIT - carburetor repair	1
12	NSS	INLET NEEDLE AND SEAT ASSEMBLY	1
13	NSS	GASKET - bowl ring	1
14	C 27277	GASKET - bowl baffle	1
15	NSS	GASKET - bowl screw	1
16	C 28676	PIN - float	1

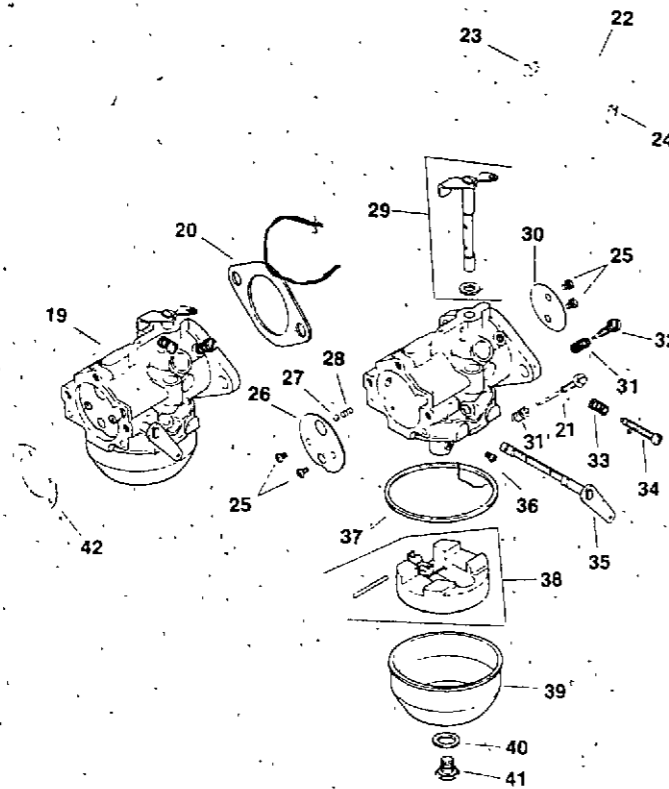
**FUEL SYSTEM**

REF.	PART NO.	DESCRIPTION	REQ'D
1	NSS	CARBURETOR - 224 & 444 (use C33214)	1
1	NSS	CARBURETOR - 220 & 222 (use C33213)	1
2	C 23860	GASKET - carburetor flange	1
3	C 10678	ELBOW - fuel pump and carburetor	2
4	214- 103	CLAMP - hose 1/2"	4
5	NSS	HOSE - carburetor 5-1/4" (use C28937 cut to length)	1
6	192- 20	LOCK WASHER 5/16"	2
7	113- 103	BOLT - 5/16" x 1" N.C. hex	2
8	C 24851	PUMP - fuel, all models (includes gasket & washers)	1
9	71- 412	SCREW - 1/4" x 3/4" N.C. fillister head	2
10	NSS	LOCKWASHER - 1/4" (obtain locally)	2
11	KO 275341	GASKET - air horn	1
12	C 23527	LINER - fuel tank	1
13	C 24887	GASKET - fuel pump mounting, all models	1
14	C 10657*	ELBOW ASSEMBLY - fuel tank, filter	1
14	C 10678**	ELBOW - hose 90° (shown)	1
15	C 28962	CLIP - fuel line	2
16	NSS	HOSE - fuel line 31-1/2" (use C28937 cut to length)	1
17	NSS*	TANK - fuel (use C28940, C31978 and (2) 214-103)	1
17	C 28940**	TANK - fuel	1
18	C 11529	CAP - fuel tank (Includes insert)	1
19	C 29296**	FILTER - fuel	1
20	C 14630	CUSHION - fuel tank	2
21	217- 292	ELBOW - hose 90°	1
22	NSS	HOSE - fuel line 7" (use C28937 cut to length)	1



\*Use before S/N  
\*\*Use S/N and after  
220 - 14068705  
222 - 14069642  
224 - 14070741  
444 - 14072850

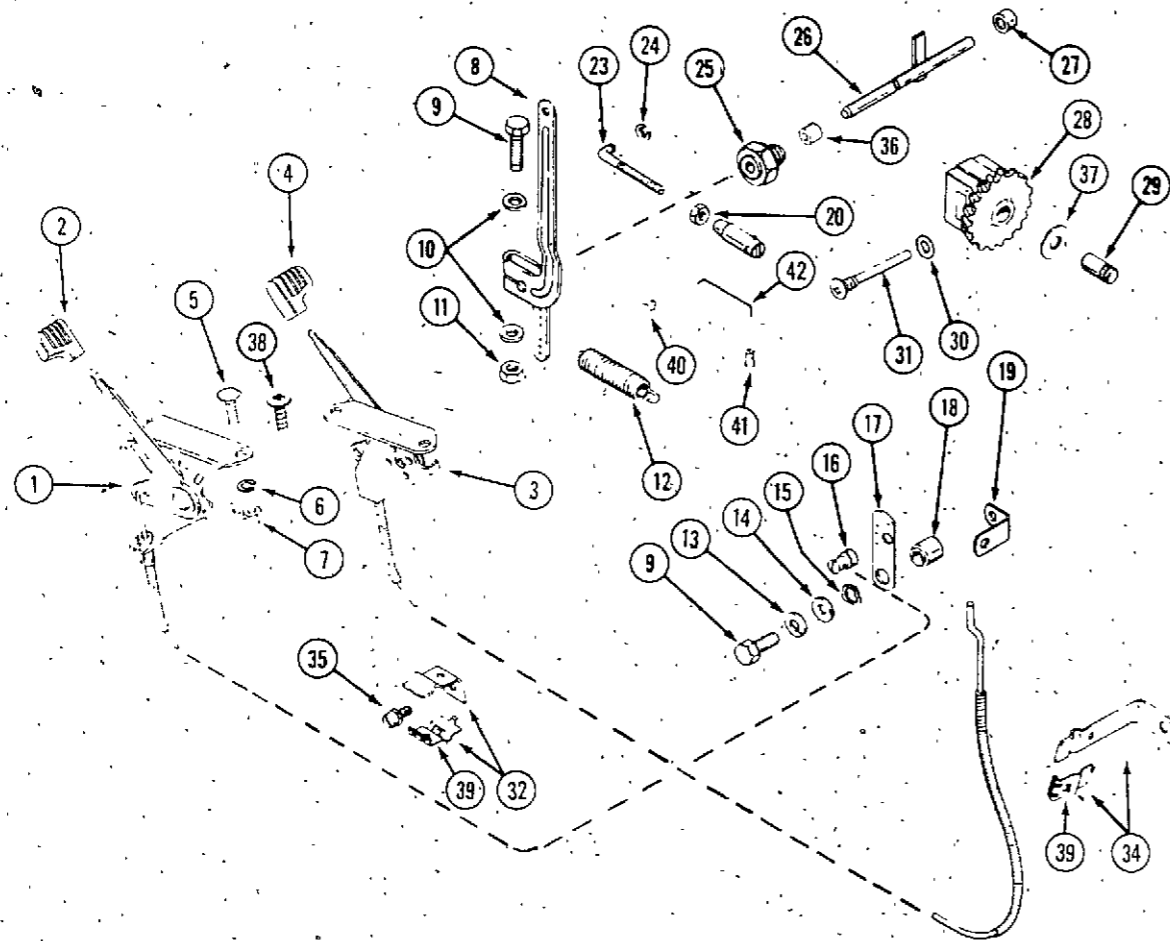
**WALBRO CARBURETOR**  
**With Fixed and Adjustable Main Fuel Jet**



REF.	PART NO.	DESCRIPTION	REQ'D
19	NSS	CARBURETOR ASSEMBLY - 220, 222 (Use C33213)	1
19	NSS	CARBURETOR ASSEMBLY - 224, 444 (Use C33214)	1
20	C 23860	GASKET - carburetor mounting	1
21	C 33310	NEEDLE - main fuel adjust	1
22	C 33130	LINKAGE - carburetor	1
23	C 32860	BUSHING - retaining (natural)	1
24	C 32861	BUSHING - retaining (yellow)	1
25	C 32862	SCREW - throttle and choke plate	4
26	C 32863	PLATE - choke ( 220, 222 )	1
26	C 32864	PLATE - choke ( 224, 444 )	1
27	C 32865	BALL - choke friction	1
28	C 32866	SPRING - choke friction	1
29	C 32867	SHAFT - throttle (includes lever and seal) 220, 222	1
29	C 32868	SHAFT - throttle (includes lever and seal) 224, 444	1
30	C 32869	PLATE - 220, 222	1
30	C 32870	PLATE - throttle 224, 444	1
31	C 32871	SPRING - idle fuel	1
32	C 32872	NEEDLE - idle fuel adjust	1
33	C 32873	SPRING - idle speed	1
34	C 32874	SCREW - idle speed adjust	1
35	C 32875	LEVER - choke	1
36	C 32876	JET - main fuel, fixed 220, 222	1
36	C 32877	JET - main fuel, fixed 224, 444	1
37	C 32878	GASKET - bowl	1
38	C 32879	KIT - float	1
39	C 32880	BOWL - fuel	1
40	C 32881	GASKET - bowl retaining screw	1
41	C 32882	SCREW - bowl retaining	1
42	C 32799	GASKET - air cleaner	1
	C 34416	KIT - carburetor repair	1



**CHOKE, THROTTLE AND GOVERNOR**

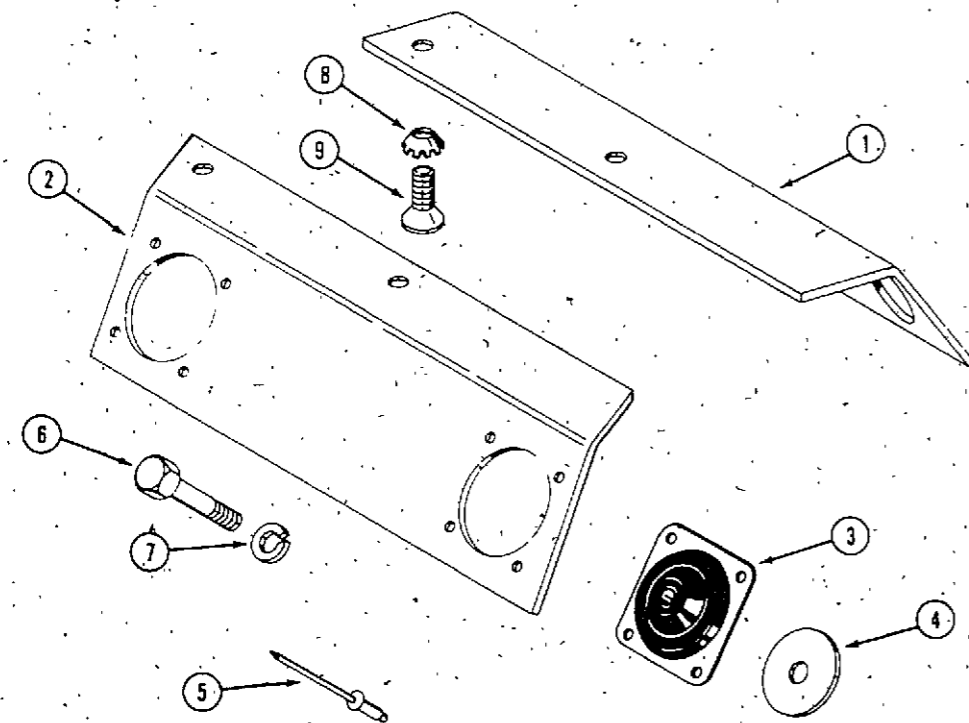


REF.	PART NO.	DESCRIPTION	REQ'D
1	C 33411	CONTROL - throttle	1
1	C 33412	CONTROL - throttle	1
2	NSS	HANDLE - throttle control, orange (use C35291)	1
3	C 25805*	CONTROL - choke	1
3	C 30076**	CONTROL - choke	1
4	C 30074	HANDLE - choke control, black	1
5	111- 5	BOLT - No. 10 - 24 x 5/8" carriage	2
6	192- 18	LOCK WASHER - No. 10	2
7	129- 17	NUT - No. 10 - 24	2
8	C 27282	LEVER - governor	1
9	113- 17	BOLT - 1/4" x 1-1/4" N.C. hex	2
10	195- 518	WASHER - 1/4" plated	2
11	129- 101	NUT - 1/4" hex	1
12	KO 235496	SPRING - governor	1
13	192- 19	LOCK WASHER - 1/4" plated	1
14	C 18098	WASHER - thrust	1
15	KO 275690	WASHER - wavy	1
16	NSS	CLAMP - swivel, wire (use C32935)	1
17	KO 235086	LEVER - speed control	1
18	KO 235085	SPACER - speed control bracket	1
19	KO 235084	BRACKET - high speed stop	1
20	129- 37	NUT - No. 10 - 32 hex	1
22	C 25020	JOINT - ball	1
23	KO 235277	ROD - throttle	1
24	C 28670	RING - retaining, throttle rod	1
25	KO 235476	BUSHING - governor cross shaft	1
26	C 23126	SHAFT - governor cross	1
27	C 28691	BEARING - needle, governor shaft	1
28	C 27274	GEAR ASSEMBLY - governor	1
29	KO 235125S	SHAFT - governor stub	1
30	C 18099	WASHER - governor stop pin	1
31	C 28690	PIN - governor stop	1
32	KOA 237559	BRACKET - throttle cable	1
34	KOA 236919	BRACKET - choke cable	1
35	182- 516	SCREW - No. 10 x 3/8" N.C. fillister head	1
36	C 28878	SPACER - shaft (used engine S/N 3173783 and after)	1
37	KO 237022	WASHER - spacer	1
38	182- 559	BOLT - No. 10 - 24 x 3/4" phillips, black	2
39	KO 235603	CLIP - cable	1
40	C 32860	BUSHING - retaining (natural)	1
41	C 32861	BUSHING - retaining (yellow)	1
42	C 32926	LINKAGE - governor	1

\*Use before S/N

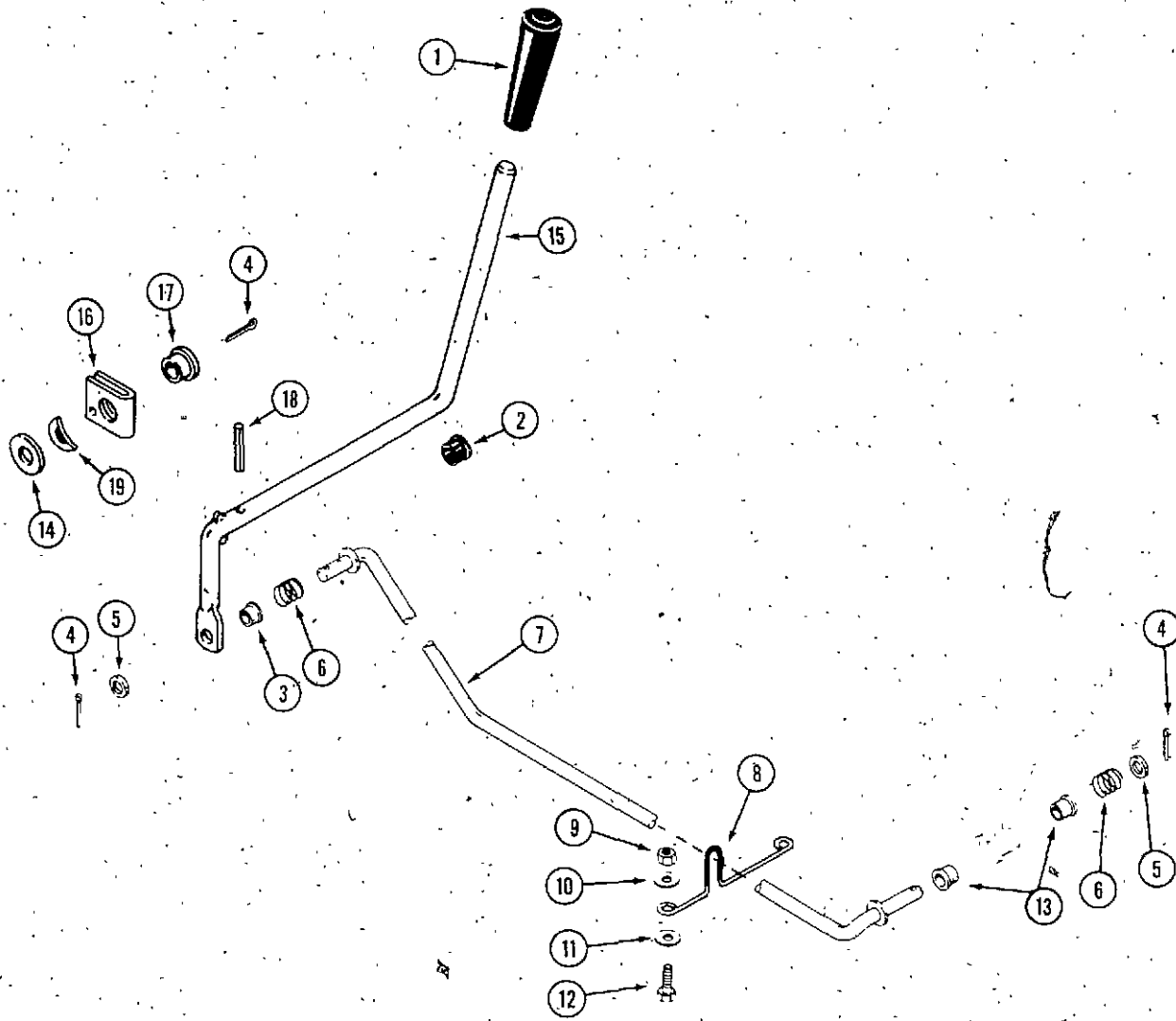
\*\*Use S/N and after:

220 - 14091130 222 - 14092090  
224 - 14093065 444 - 14094825



**ENGINE MOUNT PLATES**

REF.	PART NO.	DESCRIPTION	REQ'D
1	C 17717	PLATE - engine mount L.H.	1
2	C 17718	PLATE - engine mount R.H.	1
3	C 29731	MOUNT - engine	4
4	C 25556	WASHER - snubbing	4
5	151- 539	RIVET - 3/16"	16
6	113- 219	BOLT - 3/8" x 2" N.C. hex	4
7	192- 21	LOCK WASHER - 3/8"	4
8	193- 56	LOCK WASHER - 3/8" countersunk external tooth	4
9	164- 50	BOLT - flat head hex socket	4

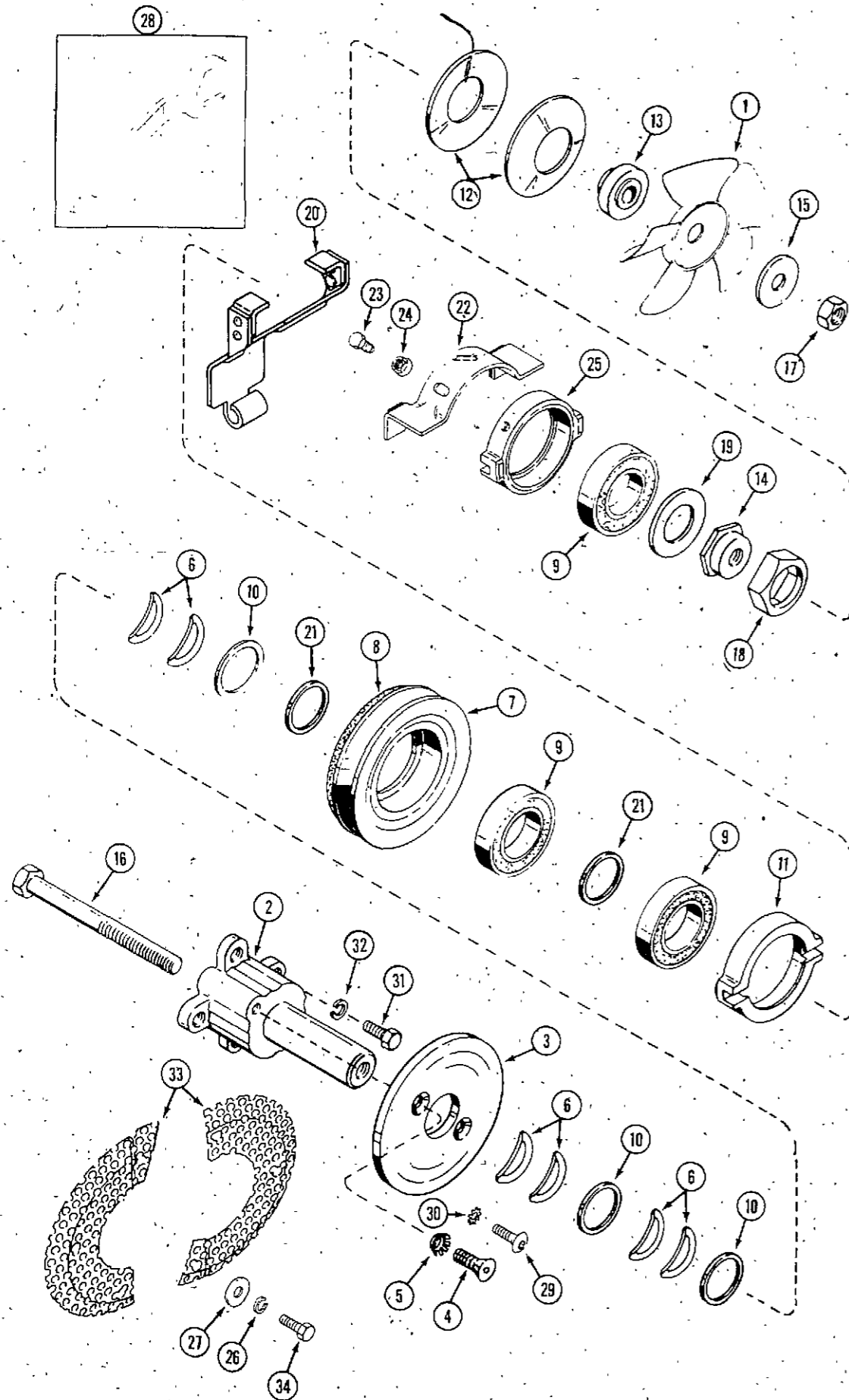


PTO CLUTCH LINKAGE

REF.	PART NO.	DESCRIPTION	REQ'D
1	C 29046	KNOB - lever, PTO	1
2	353- 462	BUSHING - lever, dash tower	1
3	C 20093	BUSHING - fliplock	1
4	132- 310	PIN - cotter 1/8" x 1"	2
4	132- 320	PIN - cotter 3/32" x 3/4"	2
5	C 14906	WASHER - nylon 3/8" (early production)	2
6	C 19867	SPRING - clutch rod (early production)	2
7	C 27734*	ROD - clutch	1
8	C 30488	GUIDE - clutch rod	1
9	131- 1181	NUT - lock 3/8" N.C. hex	2
10	195- 104	WASHER - 3/8"	2
11	195- 137	WASHER - spacer (used on models without hyd. lift)	2
12	113- 207	BOLT - 3/8" x 1" N.C. hex	2
13	C 20053	BUSHING - nylon	2
14	195- 533	WASHER - 1/2"	1
15	C 29409	LEVER - PTO engaging	1
16	C 26264	BRACKET - support, PTO lever	1
17	C 26266	BUSHING - flange, nylon	1
18	138- 63	PIN - roll 1/8" x 1-1/4"	1
19	C 28288	WASHER - spring	1

\* when replacing early style clutch rod:  
 1. discard nylon washers and springs  
 2. also requires (2) 132-320 cotter pins

**CLUTCH ASSEMBLY (PTO)**

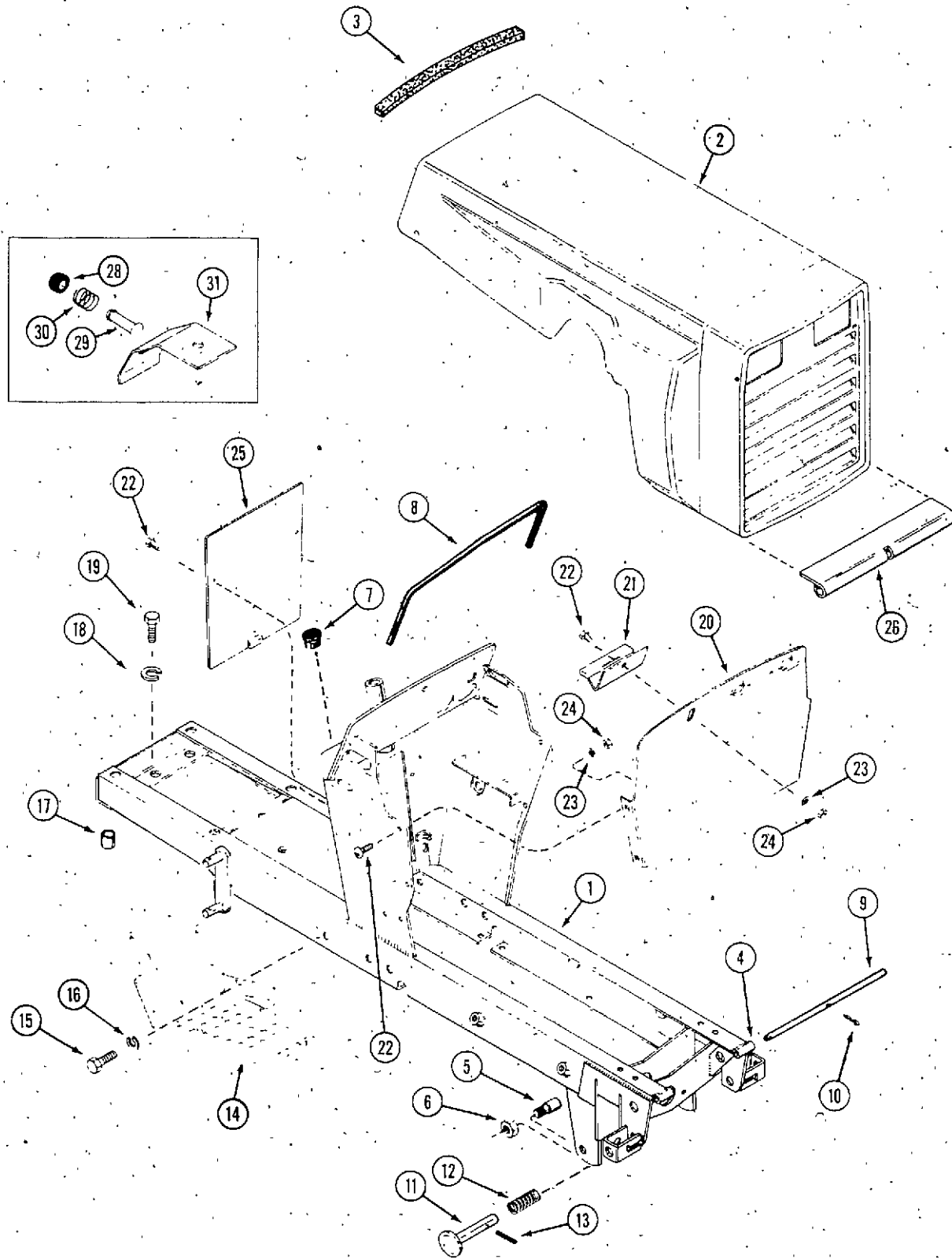


REF.	PART NO.	DESCRIPTION	REQ'D
	C 31024	CLUTCH FAN ASSEMBLY	1
1	C 16616	FAN - cooling	1
2	C 23677	HUB - clutch	1
3	C 29766**	PLATE - clutch	1
3	C 15718*	PLATE - clutch	1
4	164- 40*	SCREW - 5/16" - 18 x 3/4"	2
5	193- 76*	LOCK WASHER - 5/16" countersunk external tooth	2
6	C 15515	WASHER - spring	6
7	C 31045	KIT - pulley and disc assembly (includes item 21)	1
8	C 23740	KIT - friction disc	1
9	C 29735	BEARING - ball	3
10	C 15557	WASHER - spacer .050	3
11	C 32169	CAM - clutch	2
12	C 16786	SPRING - clutch load	2
13	C 23630	SPACER - hub	1
14	C 23625	NUT - adjust	1
15	C 28677	WASHER - fan 17/32"	1
16	C 24743	BOLT - 1/2" - 20 x 5-1/2" N.F.	1
17	129- 125	NUT - 1/2" - 20 N.F. lock	1
18	C 23627	GUIDE - adjusting nut	1
19	C 23624	WASHER - spacer	1
20	C 26166	ARM - engaging	1
21	C 29811	SPACER - washer .100"	2
22	C 31018	CLEVIS - PTO brake	1
23	113- 3	BOLT - 1/4" - 20 x 3/4"	2
24	131- 934	NUT - 1/4" - 20 flange lock	2
25	C 32168	CAM - clutch	1
26	192- 19	LOCK WASHER - 1/4"	4
27	195- 518	WASHER - 1/4"	4
28	C 29772	WRENCH - clutch adjust	1
29	164- 541**	SCREW - socket hd. 5/16" - 18 x 3/4"	2
30	193- 95**	LOCK WASHER - external tooth	2
31	113- 207	BOLT - 3/8" - 16 x 1" N.C.	4
32	192- 21	LOCK WASHER - 3/8"	4
33	C 26758	SCREEN - grass	2
34	113- 2	BOLT - 1/4" - 5/8"	4

\*Use before S/N:  
 \*\*Use S/N and after:  
 220 - 14091116  
 222 - 14092063  
 224 - 14093038  
 444 - 14094812

**HOOD, FRAME AND GRILLE**

Use before S/N:  
 220 - 14091130 222 - 14092090  
 224 - 14093065 444 - 14094825



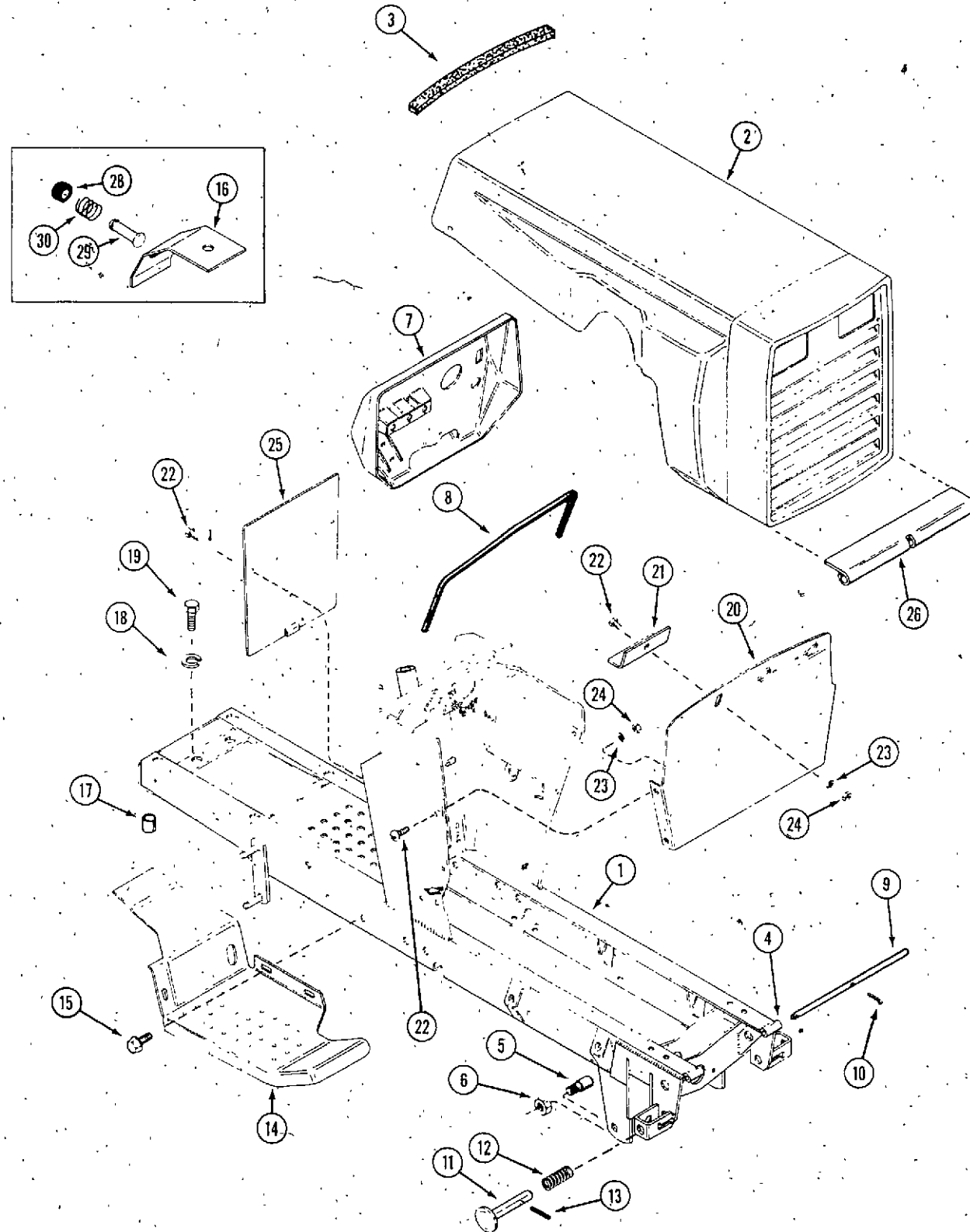
REF.	PART NO.	DESCRIPTION	REQ'D
1	C 26938*	FRAME - main (220, 222 and 224)	1
1	C 26940*	FRAME - main (444)	1
1	C 29717**	FRAME - main (220, 222, and 224) shown	1
1	C 29718**	FRAME - main (444)	1
2	C 26815*	HOOD AND GRILLE ASSEMBLY (includes item 26)	1
2	C 30115**	HOOD AND GRILLE ASSEMBLY - (includes item 26)	1
3	C 23527	LINER - hood	1
4	C 22023	HINGE - frame	2
5	C 27508	PIN - attachment	2
6	131- 1318	NUT - lock 1/2" N.F.	2
7	353- 406	PLUG - hole (models without hydraulic lift)	1
8	C 18153	CHANNEL - instrument panel	1
9	C 16362	ROD - hood hinge	1
10	132- 334	PIN - cotter 1/8" x 3/4"	1
11	C 16373	PIN - latch	2
12	C 24137	SPRING - latch	2
13	138- 2073	PIN - roll 3/16" x 1-1/4"	2
14	C 25317	PAD - foot rest, L.H.	1
14	C 25318	PAD - foot rest, R.H.	1
15	13- 514	BOLT - 5/16" x 7/8" N.C. hex	4
16	192- 20	LOCK WASHER - 5/16"	4
17	C 14729	SPACER - frame, rear (444)	2
17	C 14730	SPACER - frame, rear (220, 222 and 224)	2
18	192- 23	LOCK WASHER - 1/2"	4
19	113- 424	BOLT - 1/2" x 1" N.C. hex	4
20	C 24821*	SHIELD - heat	1
20	C 30143**	SHIELD - heat (shown)	1
21	C 24820*	CLIP - battery hold down	1
21	C 29308**	CLIP - battery hold down	1
22	182- 547	SCREW - 1/4" 20 x 1/2" pan hd.	9
23	192- 19	LOCK WASHER - 1/4"	7
24	129- 101	NUT - 1/4" - 20	5
25	C 26506	COVER - access	1
26	C 16361	HINGE - hood	1
27	187- 1036	SCREW - 1/4" - 20 x 1/2"	2
28	C 29314**	BUTTON - push, hood release	1
29	C 29315**	ROD - push, hood release	1
30	C 30004**	SPRING - release	1
31	C 33467**	LATCH - hood	1

\*Use before S/N:  
 \*\*Use S/N and after:  
 220 - 14068672  
 222 - 14069604  
 224 - 14070707  
 444 - 14072835

**HOOD, FRAME AND GRILLE**

Use S/N and after:

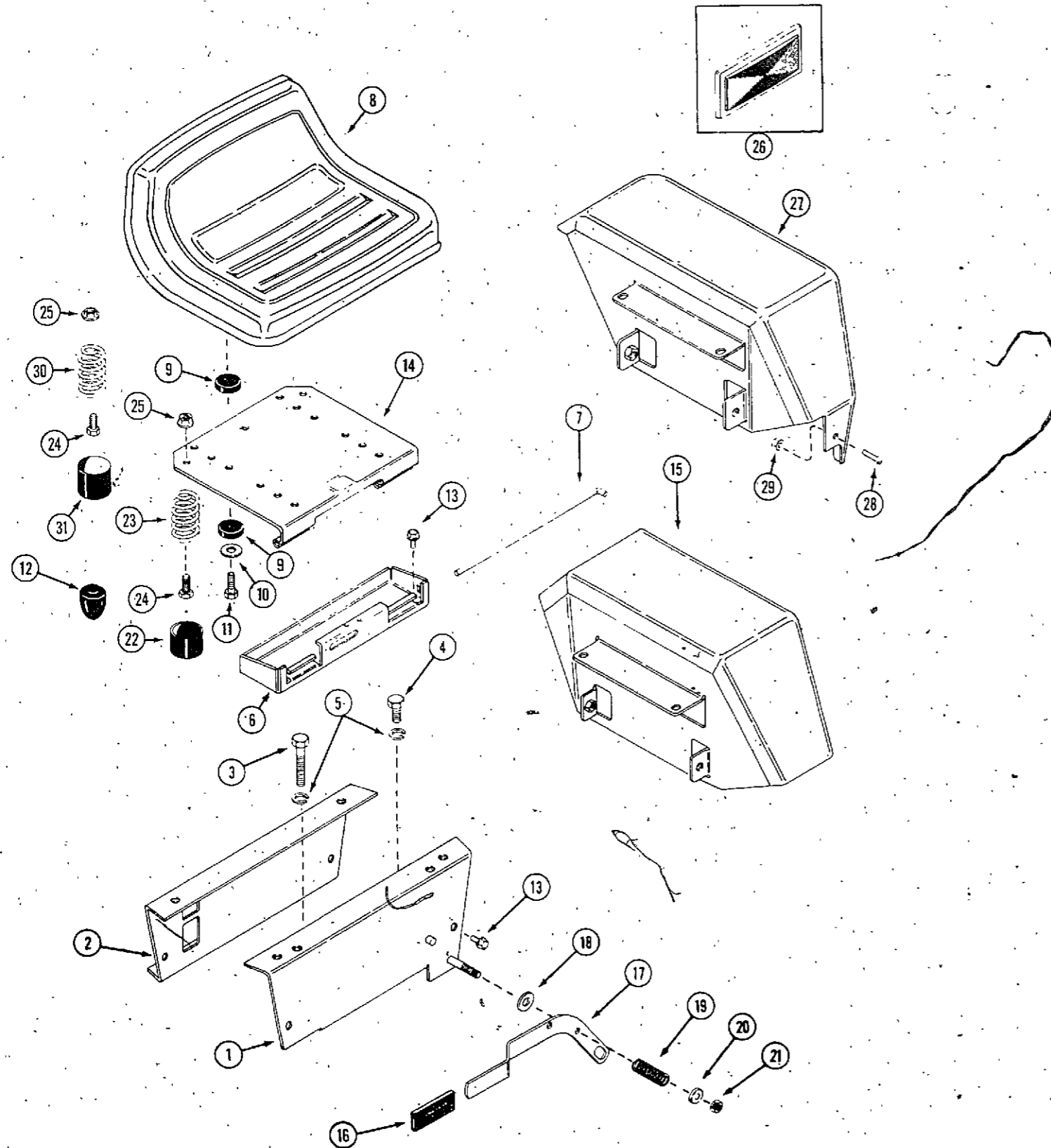
220 - 14091130 222 - 14092090  
224 - 14093065 444 - 14094825



REF.	PART NO.	DESCRIPTION	REQ'D
1	C 30524*	FRAME - main (220, 222, and 224) shown	1
1	C 30525*	FRAME - main (444)	1
2	C 30115	HOOD AND GRILLE ASSEMBLY (includes item 26)	1
3	C 23527	LINER - hood	1
4	C 22023	HINGE - frame	2
5	C 27508	PIN - attachment	2
6	131- 1318	NUT - lock 1/2" N.F.	2
7	C 30134	CAP - instrument panel	1
9	C 16362	ROD - hood hinge	1
10	132- 334	PIN - cotter 1/8" x 3/4"	1
11	C 16373	PIN - latch	2
12	C 24137	SPRING - latch	2
13	138- 2073	PIN - roll 3/16" x 1-1/4"	2
14	C 30458	PAD - foot rest, L.H. (220, 222, 224)	1
14	C 30460	PAD - foot rest, R.H. (220, 222, 224) shown	1
14	C 30462	PAD - foot rest, L.H. (444)	1
14	C 30464	PAD - foot rest, R.H. (444)	1
15	121- 106	BOLT - 5/16" x 1/2" N.C. hex	4
16	C 33467	LATCH - hood	1
17	C 14729	SPACER - frame, rear (444)	2
17	C 14730	SPACER - frame, rear (220, 222 and 224)	2
18	192- 23	LOCK WASHER - 1/2"	4
19	113- 424	BOLT - 1/2" x 1" N.C. hex	4
20	C 30143	SHIELD - heat	1
21	C 30142	CLIP - battery hold down	1
22	182- 547	SCREW - 1/4" 20 x 1/2" pan hd.	9
23	192- 19	LOCK WASHER - 1/4"	7
24	129- 101	NUT - 1/4"-20	5
25	C 26506	COVER - access	1
26	C 16361	HINGE - hood	1
27	187- 1036	SCREW - 1/4" - 20 x 1/2"	2
28	C 29314	BUTTON - push, hood release	1
29	C 30126	ROD - push, hood release	1
30	C 30004	SPRING - release	1

\*Also requires C30530  
before S/N:  
220-14106917  
222-14108020  
224-14109118  
444-14111235

SEAT, FENDERS AND TOOL TRAY



REF.	PART NO.	DESCRIPTION	REQ'D
1	C 31021	SUPPORT - seat, front (444)	1
1	C 31020	SUPPORT - seat, front (220, 222, 224)	1
2	C 27224	SUPPORT - seat, rear (444)	1
2	C 26827	SUPPORT - seat, rear (220, 222, 224)	1
3	113- 441	BOLT - 1/2" x 2-1/4" N.C. hex (444)	2
3	113- 427	BOLT - 1/2" x 3-1/4" N.C. hex (220, 222 and 224)	2
4	113- 424	BOLT - 1/2" x 1" N.C. hex	2
4	113- 118	BOLT - 5/16" x 5/8"	1
5	192- 20	LOCK WASHER - 5/16"	1
5	192- 23	LOCK WASHER - 1/2"	4
6	C 31004	TRAY - tool	1
7	C 16429	PIN - seat hinge	1
8	C 30071	SEAT - (220, 222 and 224) shown (black)	1
8	C 30066	SEAT - (444) (black)	1
9	C 15410	CUSHION - rubber	8
10	195- 2175	WASHER - 5/16" x 1-1/4" OD, zinc plated	4
11	113- 122	BOLT - 5/16" x 1-1/2"	4
12	C 14534*	BUMPER - seat	2
13	121- 106	BOLT - 5/16" x 1/2" flange whizlock	10
14	NSS*	HINGE ASSEMBLY - seat (use C31005 and 2 each of C29305, C29306, 113-102, 131-911)	1
14	C 31005**	HINGE ASSEMBLY - seat hinge (shown)	1
15	C 26835†	FENDER - L.H. (444)	1
15	C 26833†	FENDER - R.H. (444)	1
15	C 26831†	FENDER - L.H. (220, 222, 224) shown	1
15	C 26829†	FENDER - R.H. (220, 222, 224)	1
16	C 14728	GRIP - shift lever	1
17	C 27594	LEVER - shift	1
18	195- 525	WASHER - 7/16" x 1-1/4" OD	1
19	C 17216	SPRING - shift lever	1
20	C 30489	WASHER - cupped	1
21	131- 1181	NUT - lock 3/8" N.C. hex	1
22	C 29305**	CAP - spring	2
23	C 29306**	SPRING - seat	2
24	113- 102	BOLT - 5/16" - 18 x 3/4"	3
25	131- 911	NUT - 5/16" - 18 flange lock	3
26	NSS	REFLECTOR - red. rear fender (use C30942)	2
27	C 30467††	FENDER R.H. (220, 222, 224)	1
27	C 30466††	FENDER - L.H. (220, 222, 224) shown	1
27	C 30471††	FENDER - R.H. (444)	1
27	C 30470††	FENDER - L.H. (444)	1
28	182- 547	SCREW - 1/4" - 20 x 1/2"	2
29	131- 934	NUT - 1/4"	2
30	C 31006	SPRING - seat switch	1
31	C 26526	CAP - spring	1

\*Use before S/N:

\*\*Use S/N and after:

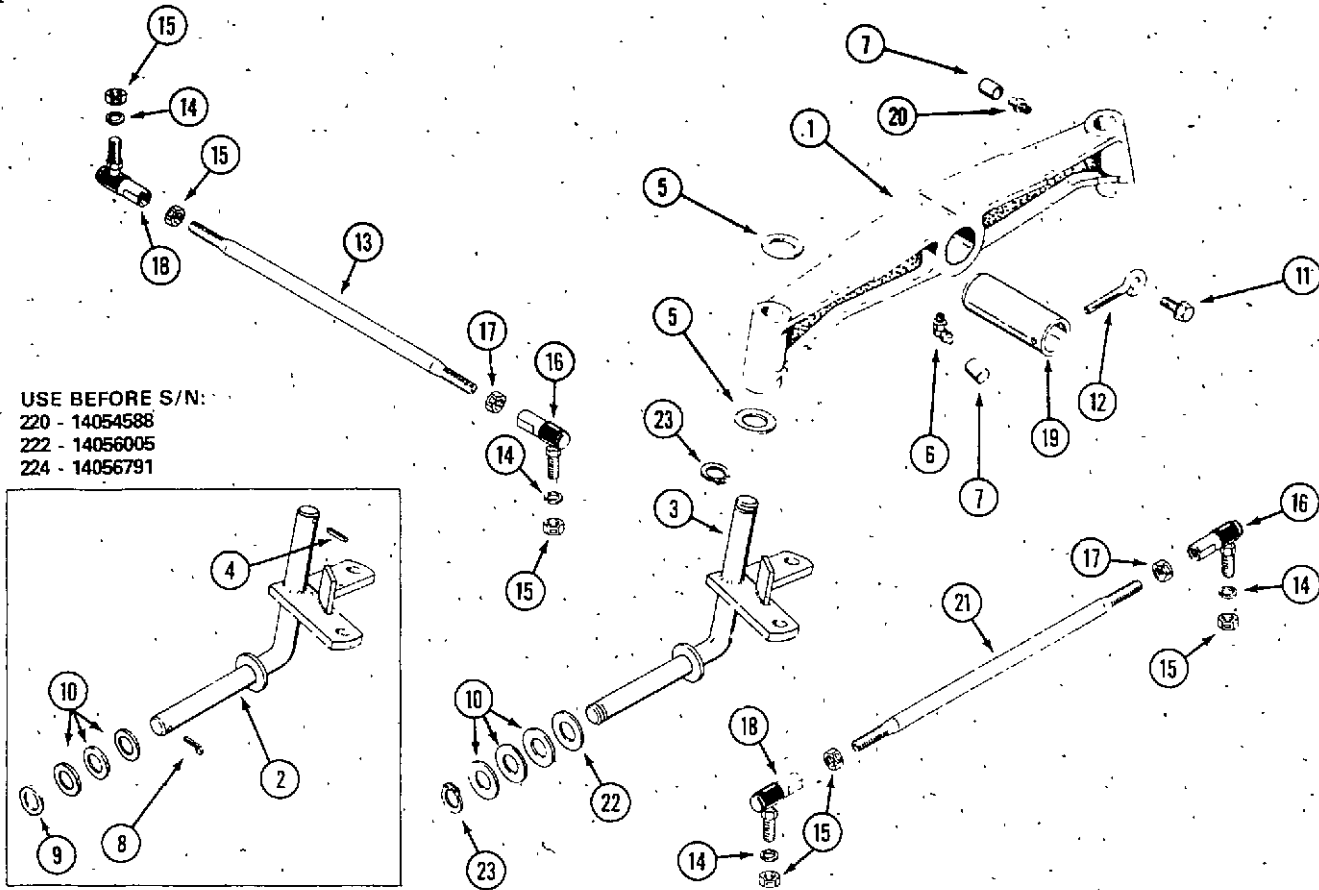
- 220 - 14068672
- 222 - 14069604
- 224 - 14070707
- 444 - 14072835

†Use before S/N:

††Use S/N and after:

- 220 - 14091130
- 222 - 14092090
- 224 - 14093065
- 444 - 14094825

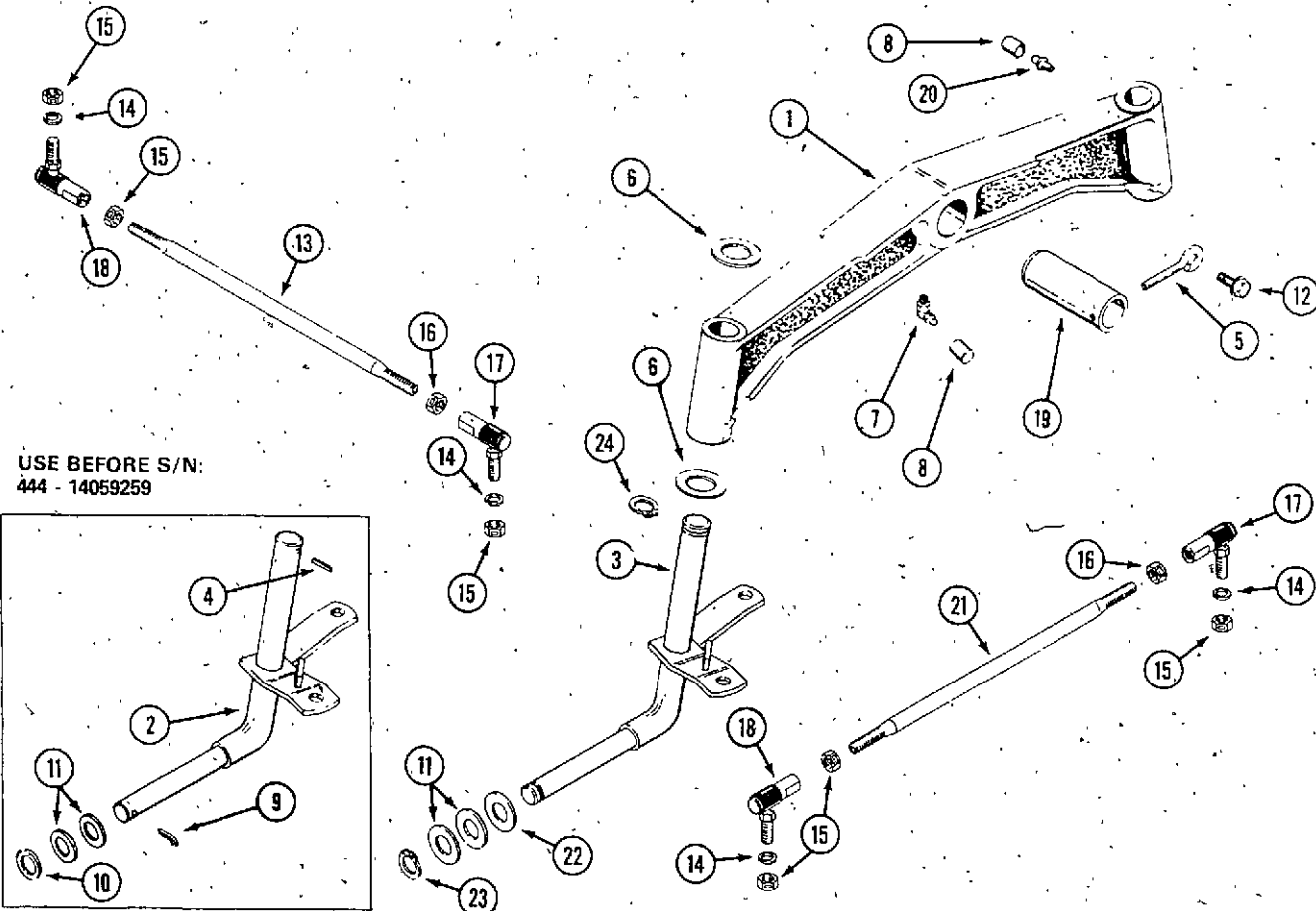
220, 222 AND 224 FRONT AXLE



USE BEFORE S/N:  
220 - 14054588  
222 - 14056005  
224 - 14056791

REF.	PART NO.	DESCRIPTION	REQ'D
1	C 18812	AXLE - front	1
2	NSS	SPINDLE - L.H. (use C31337, C28232)	1
2	NSS	SPINDLE - R.H. shown (use C31338, C28232)	1
3	NSS	SPINDLE - R.H. shown (use C31338, 132-311)	1
3	NSS	SPINDLE - L.H. (use C31337, 132-311)	1
4	138- 99	PIN - roll	2
5	C 11906	WASHER - thrust	4
6	219- 404	FITTING - lube	1
7	C 13106	COVER - lube fitting	3
8	132- 311	PIN - cotter 5/32 x 1-1/4"	2
9	C 12975	WASHER - wheel spindle	2
10	C 28226	WASHER - wheel spacer	6
11	187- 1910	BOLT - 3/8" N.C. indented hex head	1
12	C 22278	PIN - retaining, axle pivot	1
13	C 25857	ROD - drag link	1
14	192- 23	LOCK WASHER - 1/2" zinc plated	3
15	129- 165	NUT - jam 1/2" N.F. hex R.H. thread	6
16	C 13605	BALL JOINT - 1/2" L.H. thread	2
17	129- 365	NUT - jam 1/2" N.F. hex L.H. thread	2
18	C 12102	BALL JOINT - R.H. thread	2
19	C 22568	TUBE - axle pivot	1
20	219- 17	FITTING - lube	2
21	C 25856	TIE ROD	1
22	C 27597	WASHER	2
23	C 28232	RING - retaining	4

444 FRONT AXLE



USE BEFORE S/N:  
444 - 14059259

1	C 18813	AXLE - front	1
2	NSS	SPINDLE - R.H. shown (use C31341, C27902)	1
2	NSS	SPINDLE - L.H. (use C31340, C27902)	1
3	NSS	SPINDLE - R.H. shown (use C31341, 132-311)	1
3	NSS	SPINDLE - L.H. (use C31340, 132-311)	1
4	138- 99	PIN - roll	2
5	C 22278	PIN - retaining, axle pivot	1
6	C 13716	WASHER - thrust	4
7	219- 404	FITTING - lube	1
8	C 13106	COVER - lube fitting	3
9	132- 311	PIN - cotter 5/32" x 1-1/4"	2
10	C 12975	WASHER - wheel spindle	2
11	C 28226	WASHER - wheel spacer	4
12	187- 1910	BOLT - 3/8" N.C. indented hex head	1
13	C 25857	ROD - drag link	1
14	192- 23	LOCK WASHER - 1/2" zinc plated	3
15	129- 165	NUT - jam 1/2" N.F. hex R.H. thread	6
16	129- 365	NUT - jam 1/2" N.F. hex L.H. thread	2
17	C 13605	BALL JOINT - L.H. thread	2
18	C 12102	BALL JOINT - R.H. thread	2
19	C 22568	TUBE - axle pivot	1
20	219- 17	FITTING - lube	2
21	C 25855	TIE ROD	1
22	C 27597	WASHER	2
23	C 28232	RING - retaining	2
24	C 27902	RING - retaining	2

STEERING GEAR

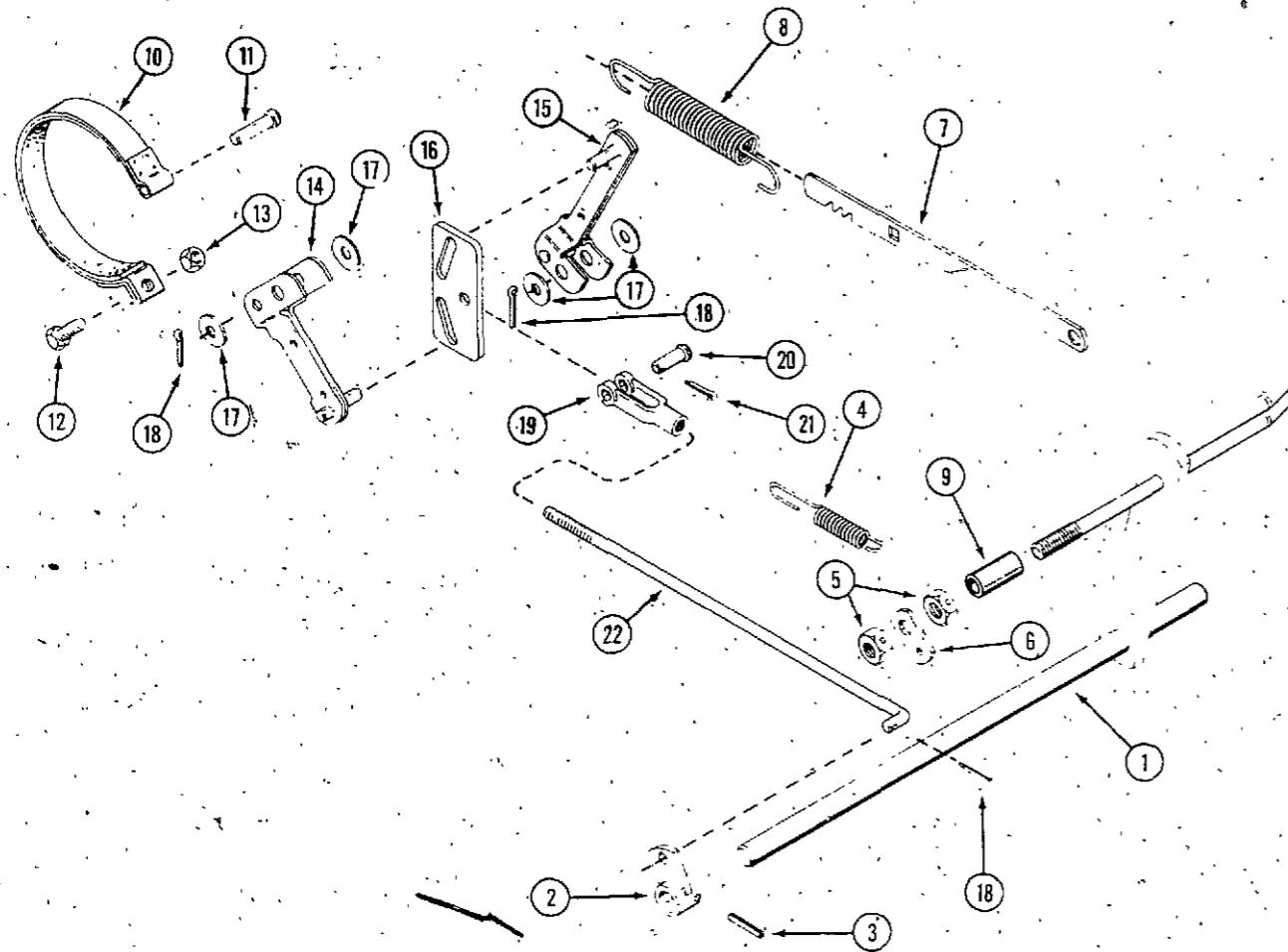


REF.	PART NO.	DESCRIPTION	REQ'D
1	113- 206	BOLT - 3/8" x 3/4" N.C. hex	4
2	C 26325	WHEEL - steering	1
3	NSS*	PIN - pivot (use C29044)	1
3	C 29044**	PIN - pivot	1
4	C 26326	SHAFT - steering	1
5	C 29812	WASHER - 3/8" x 1.4"	2
6	113- 241*	BOLT - 3/8" - 16 x 3" hex	1
6	113- 248**	BOLT - 3/8" - 16 x 2-3/4"	1
7	C 14201	WASHER - shim	4
8	129- 103	NUT - 3/8" - 16 hex	1
9	C 27501**	BUSHING	1
10	138- 143	PIN - roll 1/4" x 2-1/4"	1
11	195- 541†	WASHER - 5/8"	UAR
12	C 33309	GEAR - steering	1
13	C 33308	BUSHING - sleeve	2
14	192- 21	LOCK WASHER - 3/8"	5
15	195- 2069	WASHER - 5/8" zinc plated	2
16	C 15096	BUSHING - flanged nylon	1
17	C 30019**	SUPPORT - steering gear (includes bushing)	1
17	NSS*	SUPPORT - steering (use C29812, C30019 and C29044)	1
18	C 24098†	TUBE - steering	1
18	C 30127††	TUBE - steering	1

\*Use before S/N:                    †Use before S/N:  
 \*\*Use S/N and after:            ††Use S/N and after:

220 - 14068708	220 - 14091130
222 - 14069648	222 - 14092090
224 - 14070747	224 - 14093065
444 - 14072850	444 - 14094825



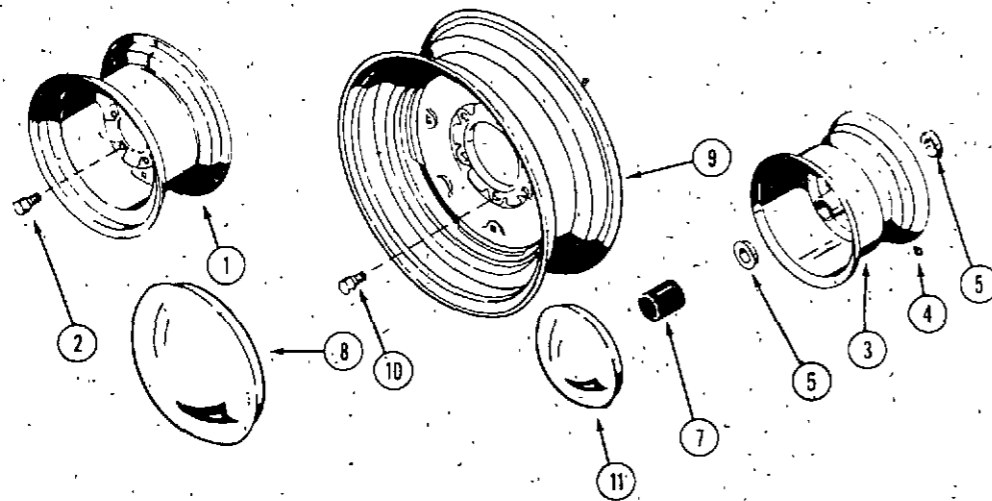


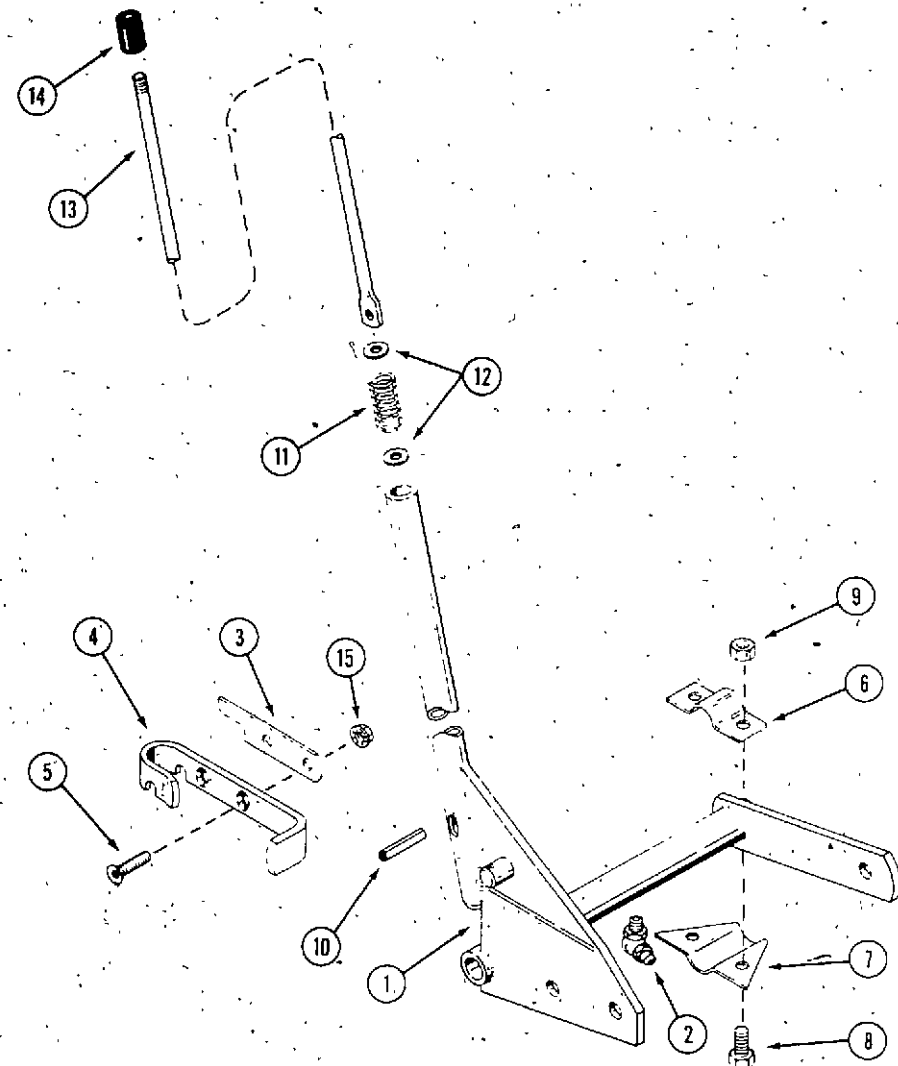
**BRAKE ASSEMBLY**

REF.	PART NO.	DESCRIPTION	REQ'D
1	C 21872	PEDAL - brake actuating	1
2	C 26381	ARM - brake pedal	1
3	138- 2073	PIN - spirol 3/16" x 1-1/4"	1
4	C 25022	SPRING - return	1
5	131- 1308	NUT - centerlock, jam	2
6	C 16164	TAB - lift	1
7	C 18147	LEVER - brake lock	1
8	C 27755	SPRING - brake lock	1
9	C 21857	SPACER - brake pedal	1
10	C 33427	BAND - brake	1
11	C 23910	PIN - clevis	1
12	113- 2262	BOLT - 3/8" - 16 x 1-1/2" hex	1
13	129- 143	NUT - 3/8" - 16 jam	1
14	C 23899	ARM - brake	1
15	C 24761	ARM - brake (includes adjustment nut)	1
16	C 31994	GUIDE - brake actuation	1
17	195- 533	WASHER - .531" I.D.	4
18	132- 310	PIN - cotter 1/8" x 1"	3
19	C 28978	CLEVIS	1
20	141- 4	PIN - clevis	1
21	132- 321	PIN - cotter 3/32" x 1"	1
22	C 31992	ROD - brake (220, 222, 224)	1
22	C 31993	ROD - brake (444)	1

**FRONT AND REAR WHEELS**

REF.	PART NO.	DESCRIPTION	REQ'D
1	C 30913	WHEEL - rear, 5 bolt (220, 222, 224) for 23 x 8.50 - 12 tire	2
1	C 30922	WHEEL - rear, 5 bolt (220, 222, 224) for 23 x 10.50 - 12 tire	2
2	C 10314	BOLT - rear wheel (220, 222, 224)	10
3	C 30912	WHEEL - front (white) (includes items 5)	2
4	219- 403	FITTING - lube	2
5	C 12110	BEARING - wheel	4
7	C 26021	CAP - plastic, front	2
8	C 28970	CAP - hub, rear (optional) (220, 222, 224)	2
9	C 30917	WHEEL - rear, 6 bolt (444)	2
10	C 27763	BOLT - rear wheel (444)	12
11	C 28965	CAP - hub front wheel (optional)	2
	C 13106	COVER - lube fitting	2
	C 28236	STEM - valve	4





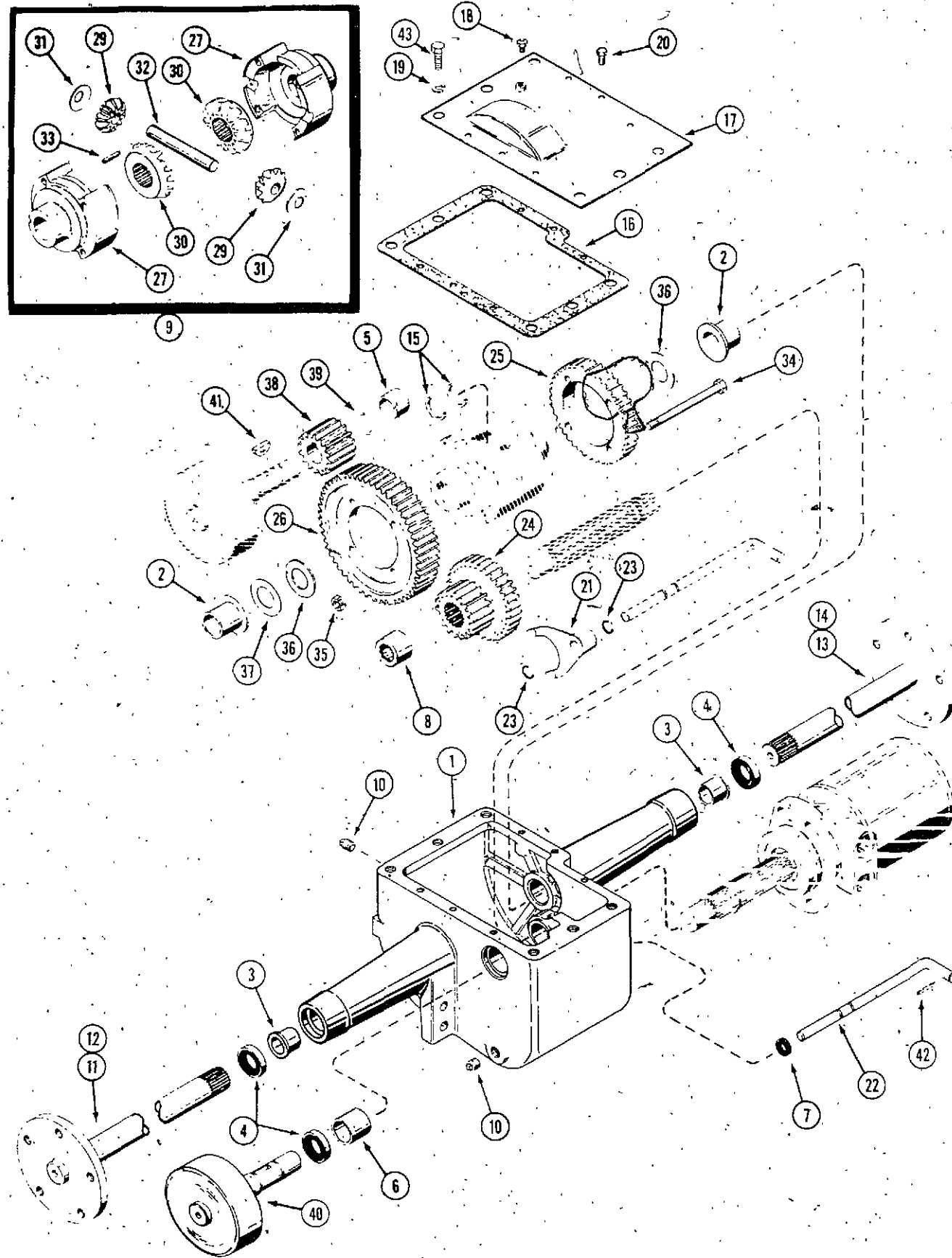
MOUNTING POSITION FOR 220, 222 AND 224 TRACTORS.

**IMPLEMENT LIFT**

REF.	PART NO.	DESCRIPTION	REQ'D
1	C 18809	LEVER ASSEMBLY - implement lift	1
2	219- 404	FITTING - lube 45°	1
3	C 17281	SPACER - latch	5
4	C 18811	LATCH - lever	1
5	164- 42	SCREW - 5/16" x 1-1/4" flat head socket	2
6	C 17249	BRACKET - mounting top	1
7	C 17250	BRACKET - mounting bottom	1
8	113- 207	BOLT - 3/8" x 1" N.C.	4
9	131- 1181	NUT - lock 3/8"	4
10	138- 2054	PIN - spirol 5/16" x 1-3/4"	1
11	C 15564	SPRING - lift lever	1
12	195- 521	WASHER - 3/8" x 11/16" OD	2
13	C 17067	ROD - lift lever push	1
14	C 14525	BUTTON - release	1
15	131- 911	NUT - lock 5/16" - 18 flanged	2
	C 13106	COVER - lube fitting	1

**DRAWBAR AND TOW HITCH**

REF.	PART NO.	DESCRIPTION	REQ'D
1	C 13360	DRAWBAR	1
2	192- 23	LOCK WASHER - 1/2" zinc plated	2
3	113- 424	BOLT - 1/2" x 1" N.C. hex zinc plated	2



**TRANSMISSION AND FINAL DRIVE**

REF.	PART NO.	DESCRIPTION	REQ'D
	C 24843	CASE ASSEMBLY - transmission	1
1.	NSS	CASE - transmission	1
2	C 12713	BEARING - flange	2
3	C 24804	BEARING - flange	2
4	C 24803	SEAL - shaft	3
5	C 13241	BEARING - sleeve	1
6	C 13385	BEARING - sleeve	1
7	C 13266	SEAL - shift rod	1
8	C 28281	BEARING - roller	1
9	C 30027	DIFFERENTIAL ASSEMBLY	1
10	221- 3	PLUG - 3/8" filler and drain	3
11	C 16699	SHAFT - axle, short R.H. (220, 222 and 224)	1
12	C 22638	SHAFT - axle, short R.H. (444)	1
13	C 16700	SHAFT - axle, long L.H. (220, 222 and 224)	1
14	C 22637	SHAFT - axle, long L.H. (444)	1
15	C 26342	RING - retainer, axle	2
16	C 13196	GASKET - transmission cover	1
17	C 13197	COVER - transmission	1
18	C 28241	BREATHER - transmission	1
19	192- 23	LOCK WASHER - 1/2"	4
20	121- 21	BOLT - 1/4" x 1/2" N.C. lock	6
21	C 12725	FORK - shift	1
22	C 32486	ROD - gear shift	1
23	C 14168	RING - retaining	2
24	C 14644	GEAR - cluster input	1
25	NSS*	GEAR - high 41 tooth (shown) use C30030 and C30031	1
25	C 30030**	GEAR - high 41 tooth	1
26	C 12552	GEAR - low 55 tooth	1
27	NSS	KIT - diff. case (includes Ref. 34 and 35)	1
29	NSS	GEAR - differential pinion	2
30	NSS	GEAR - differential	2
31	NSS	WASHER - pinion thrust	2
32	NSS	PIN - differential cross	1
33	NSS	PIN - differential cross lock	1
34	28- 680*	SCREW - 3/8" x 5" N.F. hex cap (shown)	4
34	C 30031**	KIT - screw (set of four)	1
35	131- 1133	NUT - lock 3/8" N.F. hex	4
36	C 12718	WASHER - differential	2
37	C 14223	WASHER - spacer	1
38	C 33417	GEAR - brake idler	1
39	C 14222	RING - retainer, brake idler	1
40	C 25258	BRAKE DRUM	1
41	126- 128	KEY - Woodruff, brake idler 1/4" x 1-1/8"	1
42	138- 2073	PIN - roll 3/16" x 1-1/4"	1
43	113- 424	BOLT - 1/2" - 13 x 1" hex	4

\*Use Before S/N:  
 \*\*Use S/N and after:  
 220 - 14091014  
 222 - 14091935  
 224 - 14092962  
 444 - 14094720

**HYDRAULIC SYSTEM**

USE BEFORE S/N:

220 - 14090930 224 - 14070796

222 - 14069687 444 - 14094620

Use for all model 220 and 222 tractors with manual lift

REF.	PART NO.	DESCRIPTION	REQ'D
1	C 15335	SUPPORT - pump mounting	1
2	113- 206	BOLT - 3/8" x 3/4" N.C. hex. support mounting	4
3	62- 616	BOLT - 3/8" x 1" N.F. hex soc. hd., pump mounting	2
4	192- 21	LOCK WASHER - 3/8" zinc plated	6
5	C 28321	KEY - square 1/4" x 3/4" (engine shaft)	1
6	C 15726	COUPLING - pump, 1/2" shaft (220, 222) repairs page 57	1
6	C 17298	COUPLING - pump, 1/2" shaft (224, 444) repairs page 57	1
7	C 26278	PUMP - hydraulic, 1/2" shaft (repairs page 57)	1
8	218- 5065	FITTING - hyd. 3/4" x 7/8" "O" Ring	1
9	218- 5007	"O" RING - 5/8"	1
10	C 16794	TUBE - valve to lower motor port (220, 222 and 224)	1
11	C 16793	TUBE - valve to upper motor port (220, 222, and 224)	1
12	C 25784	EXCHANGER - heat	1
13	214- 254	CLAMP - hose	4
14	NSS	HOSE - tank to heat exchanger (use C29697 cut to length)	1
15	NSS*	RESERVOIR - hydraulic oil (use C33167 kit)	1
15	NSS**	RESERVOIR - hydraulic oil (shown) (use C33177 kit)	1
16	C 25237	CAP - reservoir (includes insert)	1
18	C 22947	TIE - hose clamp	2
19	C 23326	CLAMP - hose	2
20	C 33423*	HOSE - suction	1
20	C 29309**	HOSE - suction	1
21	C 18797	HOSE - hydraulic, pump to valve	1
22	218- 5006	"O" RING - 1/2" (for C18797)	1
23	C 26182	TUBE - valve to heat exchanger	1
24	C 25333	TUBE - valve to lower motor port (444)	1
25	C 25334	TUBE - valve to upper motor port (444)	1
26	218- 5107	FITTING - motor port, 90° elbow, "O" Ring	2
27	218- 5007	"O" RING - 5/8" (for 218-5107 fitting)	2
28	NSS	VALVE - hydraulic control single spool (220, 222) (repairs page 59)	1
29	C 27217	VALVE - hydraulic control, two spool (all models with hydraulic lift) (repairs page 59)	1
30	182- 246	SCREW - 5/16" x 1-1/4" N.C.	2
31	131- 351	NUT - lock 5/16" N.C. hex	2
32	218- 5062	FITTING - hydraulic valve 5/8" x 7/8" "O" Ring	3
33	218- 5007	"O" RING - 5/8"	3
34	C 28949	SEAL - motor to transmission	1
35	C 16697	MOTOR - hydraulic (220, 222 and 224) (repairs page 63)	1
35	C 33233	MOTOR - hydraulic (444) (repairs page 63)	1
36	166- 86	SCREW - 1/2" x 1-1/4" N.C. flanged 12 pt.	4
37	NSS	HOSE - rubber (use C29697) cut to length 7"	1
38	C 25556	WASHER - heat exchanger bracket	3
39	187- 1252	SCREW - 1/4" x 1-1/2" N.C. flat hd. Phillips	3

\*Use before S/N:

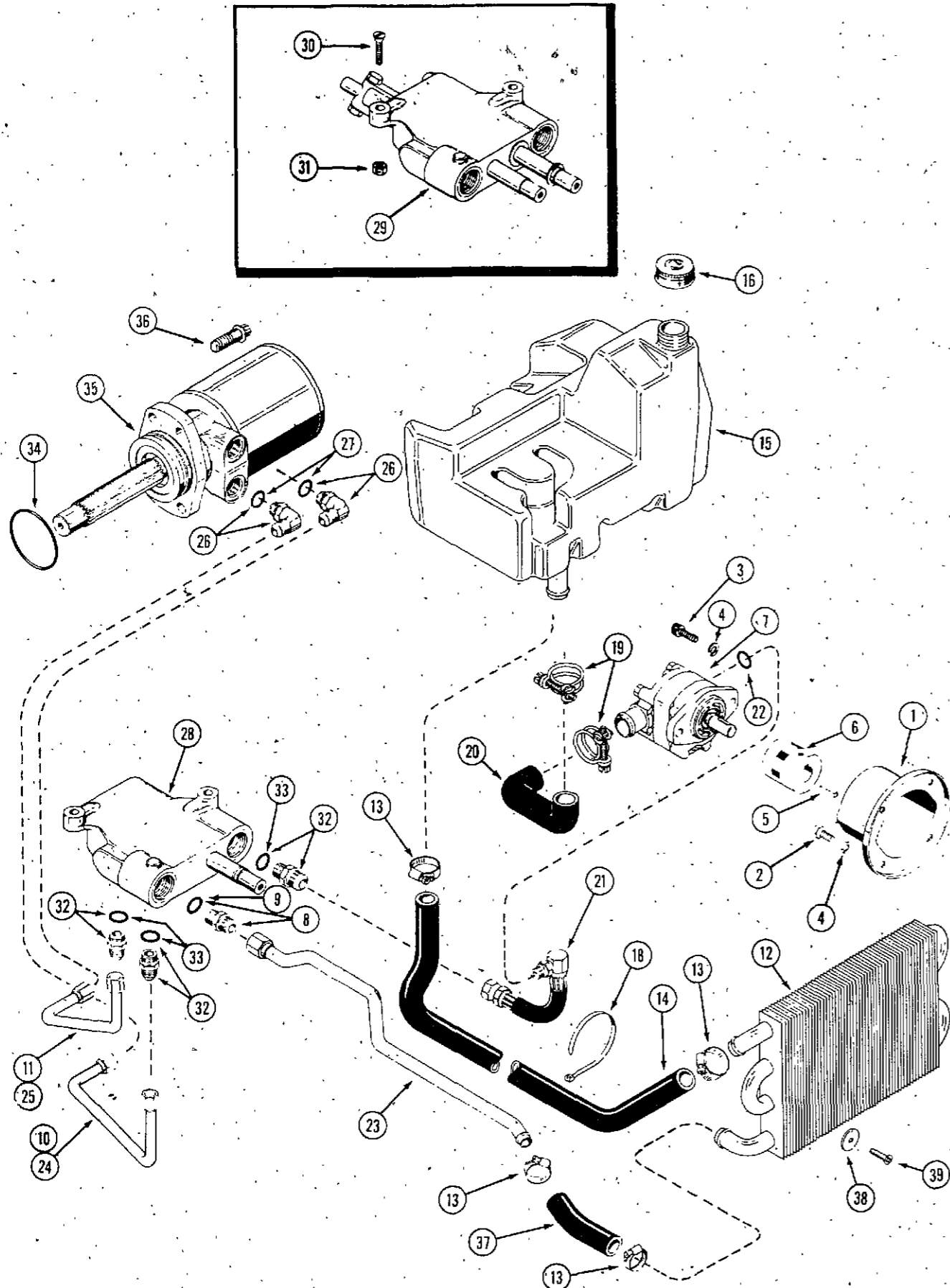
\*\*Use S/N and after

220 - 14068672

222 - 14069604

224 - 14070707

444 - 14072835



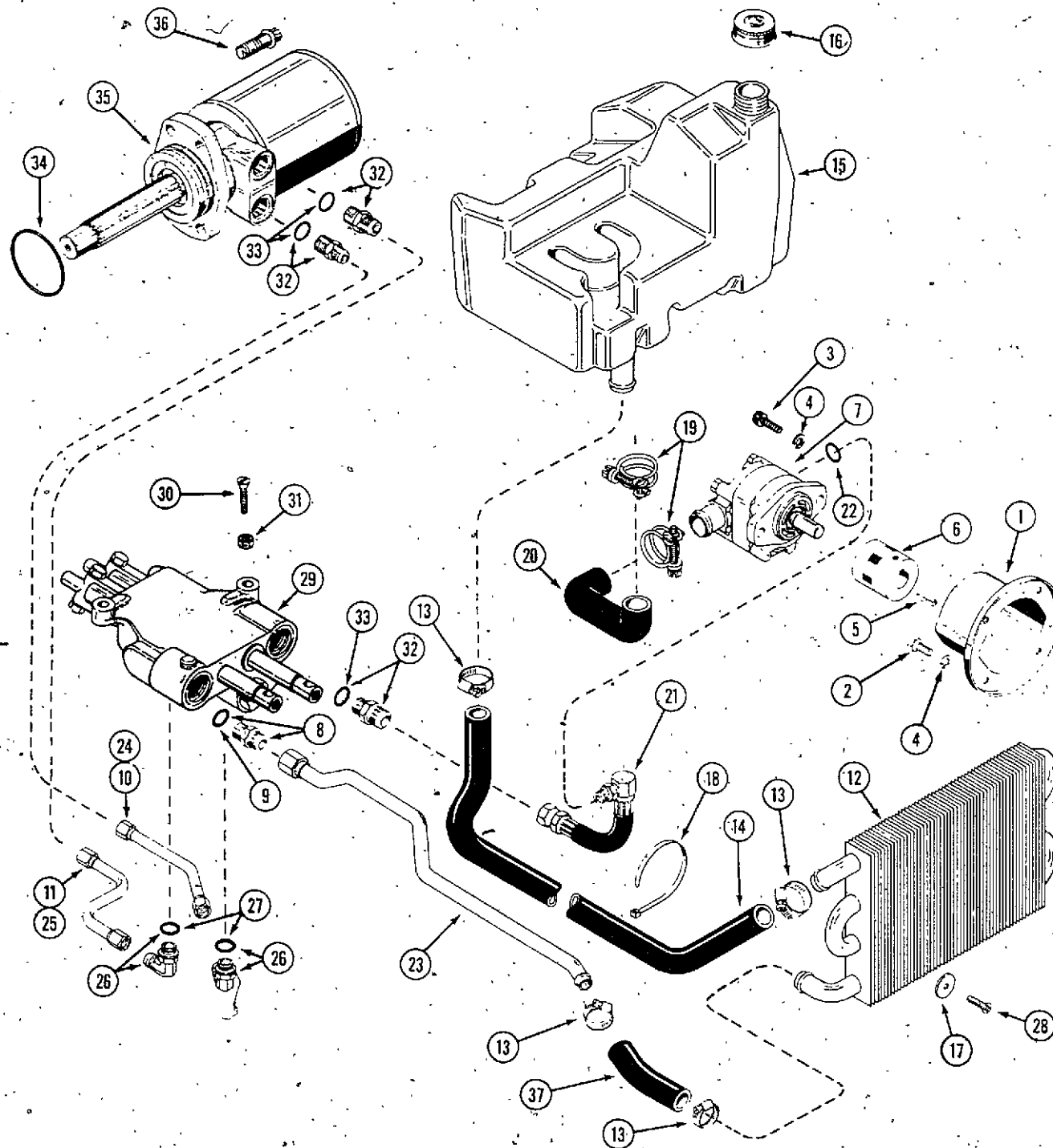
HYDRAULIC SYSTEM

Use S/N and after:

220 - 14090930, 222 - 14069687,

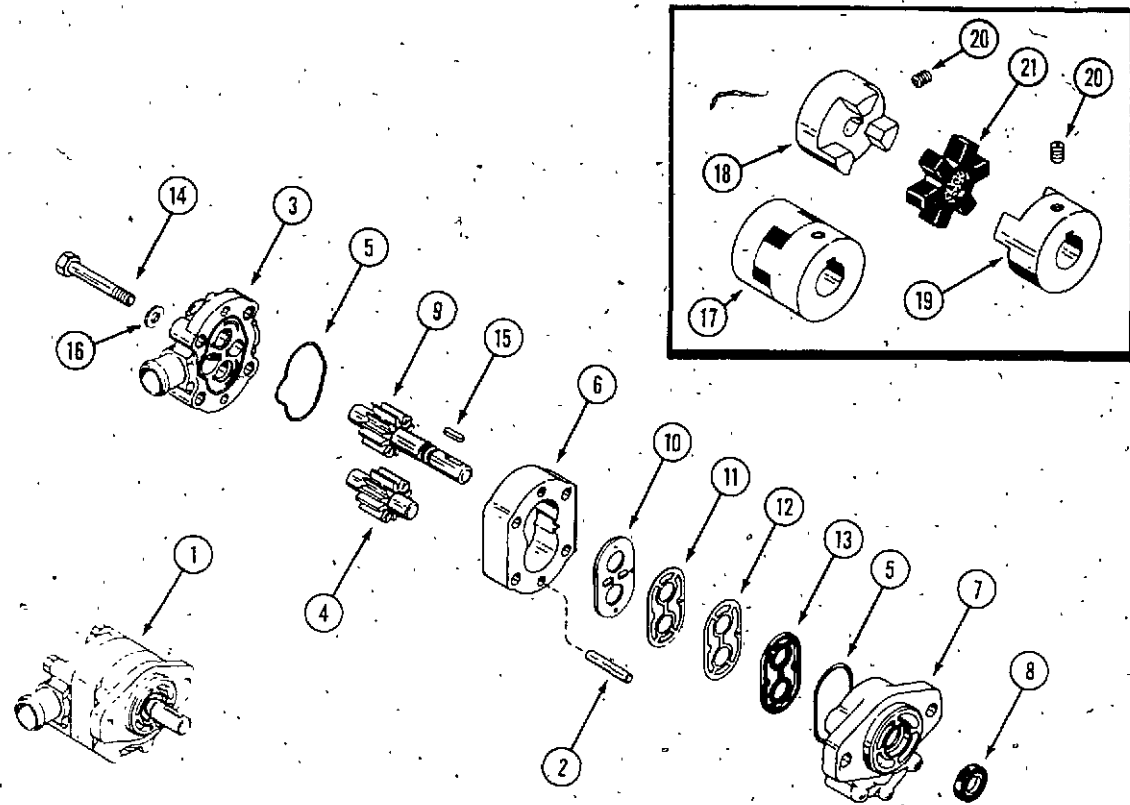
224 - 14070796, 444 - 14094620

See page 49 for model 220 and 222 manual lift tractors



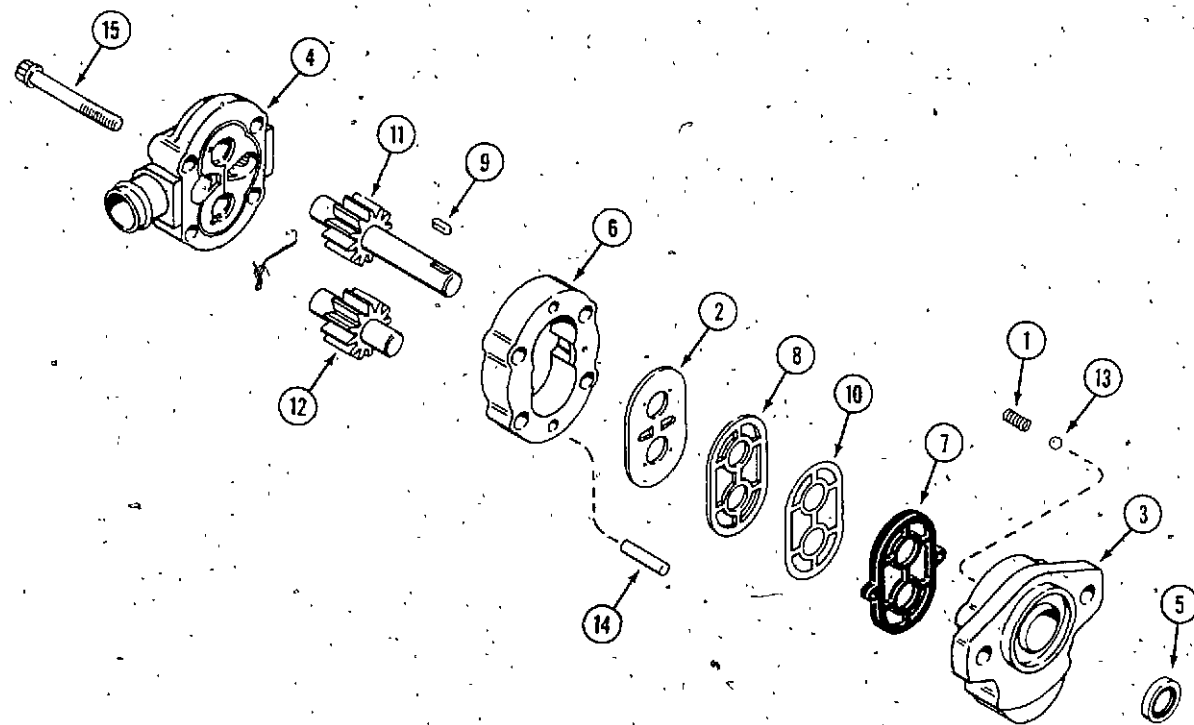
REF.	PART NO.	DESCRIPTION	REQ'D
1	C 15335	SUPPORT - pump mounting	1
2	113- 206	BOLT - 3/8" x 3/4" N.C. hex. support mounting	4
3	62- 616	BOLT - 3/8" x 1/2" N.F. hex soc. hd., pump mounting	2
4	192- 21	LOCK WASHER - 3/8" zinc plated	6
5	C 28321	KEY - square 1/4" x 3/4" (engine shaft)	1
6	C 15726	COUPLING - pump, 1/2" shaft (220,222) repairs page 57	1
6	C 17298	COUPLING - pump, 1/2" shaft (224,444) repairs page 57	1
7	C 26278	PUMP - hydraulic, 1/2" shaft (repairs page 57)	1
8	218- 5065	FITTING - hyd. 3/4" x 7/8" "O" Ring	1
9	218- 5007	"O" RING - 5/8"	1
10	C 29656	TUBE - valve to lower motor port (220, 222 and 224)	1
11	C 29655	TUBE - valve to upper motor port (220, 222, and 224)	1
12	C 25784	EXCHANGER - heat	1
13	214- 254	CLAMP - hose	4
14	NSS	HOSE - rubber, tank to heat exchanger (use C29697 cut to length)	1
15	NSS	RESERVOIR - hydraulic oil (shown) (use C33177 kit)	1
16	C 25237	CAP - reservoir (includes insert)	1
17	C 25556	WASHER - heat exchanger bracket	3
18	C 22947	TIE - hose clamp	2
19	214- 14	CLAMP - hose	2
20	C 29309	HOSE - suction	1
21	C 18797	HOSE - hydraulic, pump to valve	1
22	218- 5006	"O" RING - 1/2" (for C18797)	1
23	C 26182	TUBE - valve to heat exchanger	1
24	C 29658	TUBE - valve to lower motor port (444)	1
25	C 29657	TUBE - valve to upper motor port (444)	1
26	218- 5107	FITTING - motor port, 90° elbow, "O" Ring	2
27	218- 5007	"O" RING - 5/8" (for 218-5107 fitting)	2
28	187- 1252	SCREW - 1/4" x 1-1/2" N.C. flat hd. Phillips	3
29	NSS	VALVE - hydraulic control, two spool (models with hydraulic lift) (repairs page 61 - use C33473 and 218-5154)	1
30	182- 246	SCREW - 5/16" x 1-1/4" N.C.	2
31	131- 351	NUT - lock 5/16" N.C. hex.	2
32	218- 5062	FITTING - hydraulic valve 5/8" x 7/8" "O" Ring	3
33	218- 5007	"O" RING - 5/8"	3
34	C 28949	SEAL - motor to transmission	1
35	C 30939	MOTOR - hydraulic (220, 222 and 224) (repairs page 63)	1
35	C 33234	MOTOR - hydraulic (444) (repairs page 63)	1
36	166- 86*	SCREW - 1/2" x 1-1/4" N.C. flanged 12 pt.	4
36	166- 85**	SCREW - 1/2" x 1" flanged 12 pt.	4
37	NSS	HOSE - rubber, (use C29699) cut to length 7"	1

\*use before S/N:  
 \*\*use S/N and after:  
 220 - 14107095  
 222 - 14108205  
 224 - 14109285  
 444 - 14111340



**HYDRAULIC PUMP AND COUPLING (PARKER-HANNIFIN)**

REF.	PART NO.	DESCRIPTION	REQ'D
1	C 26278	PUMP - hydraulic 1/2" shaft	1
2	F 53109	PIN - dowel	2
3	C 24861	COVER - rear	1
4	C 15731	GEAR ASSEMBLY - driven	1
5	C 15732	"O" RING - cover	2
6	C 15733	BODY - pump	1
7	C 15734	COVER - front	1
8	C 15735	SEAL - shaft	1
9	NSS	GEAR ASSEMBLY - drive (1/2" shaft) (use C26278)	1
10	C 15737	PLATE - wear	1
11	C 15738	SHIELD - heat	1
12	C 15739	GASKET	1
13	C 15740	SEAL	1
14	113- 111	BOLT	4
15	C 19207	KEY - 1/8" square x 3/4" long	1
16	NSS	WASHER - obtain locally	4
17	C 17298	COUPLING - pump (224, 444)	1
17	C 15726	COUPLING - pump (220, 222)	1
18	NSS	HUB - (order item 17)	1
19	NSS	HUB - (order item 17)	1
20	C 32199	SCREW - set 5/16" x 5/16" NC socket head	2
21	C 15036	SPIDER - (224, 444)	1
21	C 28966	SPIDER - (220, 222)	1

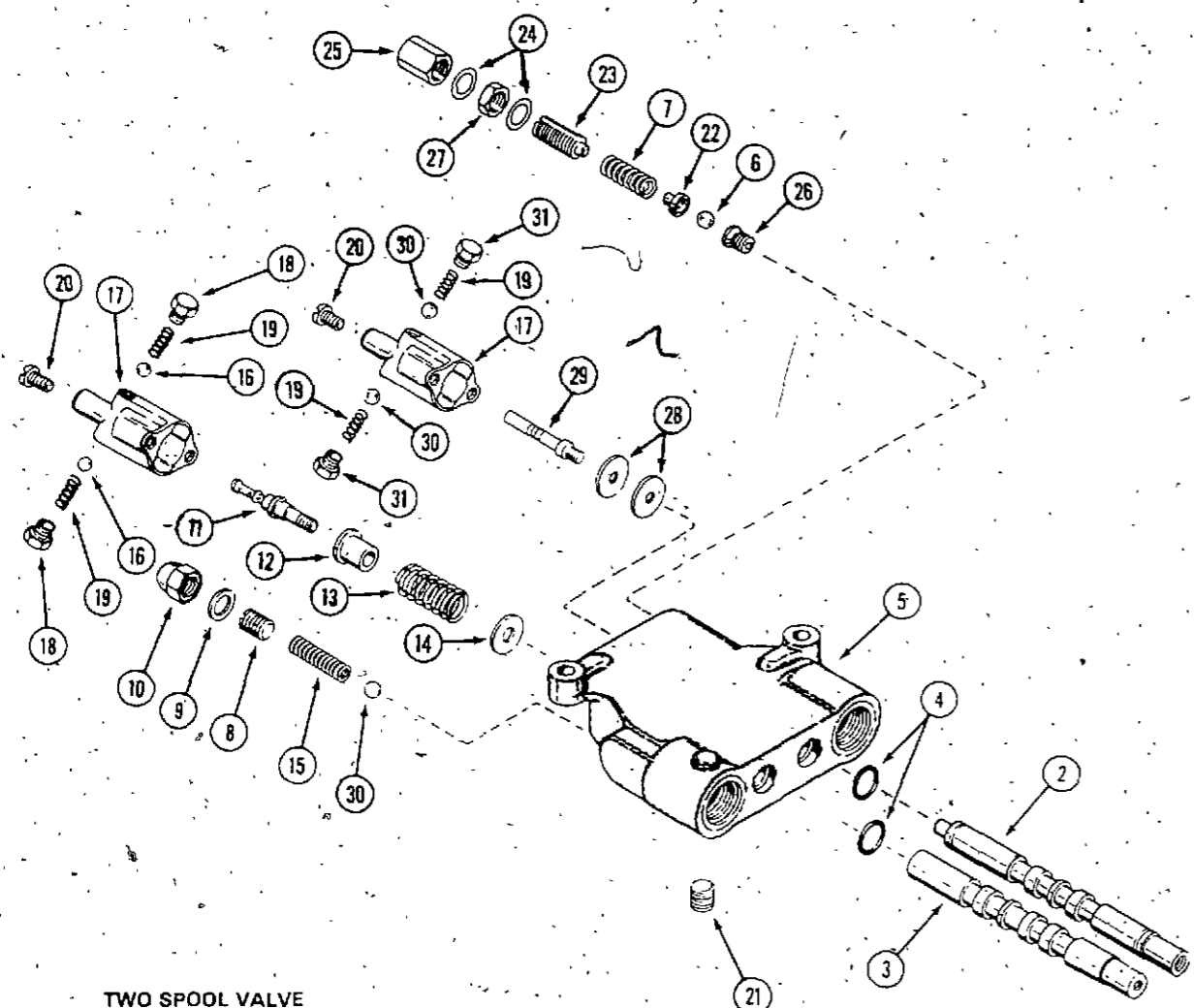


**HYDRAULIC PUMP (CESSNA)**

REF.	PART NO.	DESCRIPTION	REQ'D
	NSS	PUMP - hyd. 1/2" shaft (use C26278)	1
1	C 28709	SPRING	2
2	C 28718	DIAPHRAGM - wear plate	1
3	NSS	COVER - front (use C26278)	1
4	NSS	COVER - rear (use C26278)	1
5	C 28711	SEAL - shaft	1
6	NSS	BODY - pump (use C26278)	1
7	C 28712	SEAL - diaphragm	1
8	C 28714	GASKET - back up	1
9	C 19207	KEY - 1/8" square x 3/4" long	1
10	C 28713	GASKET - protector	1
11	NSS	GEAR ASSEMBLY - drive (use C26278)	1
12	NSS	GEAR ASSEMBLY - driven (use C26278)	1
13	211- 306	BAJL - steel 7/32"	2
14	C 28715	PIN - dowel 1/4" x 1-1/4"	2
15	NSS	BOLT - 5/16" - 18 x 2-1/2" 12 point flange (obtain locally)	4

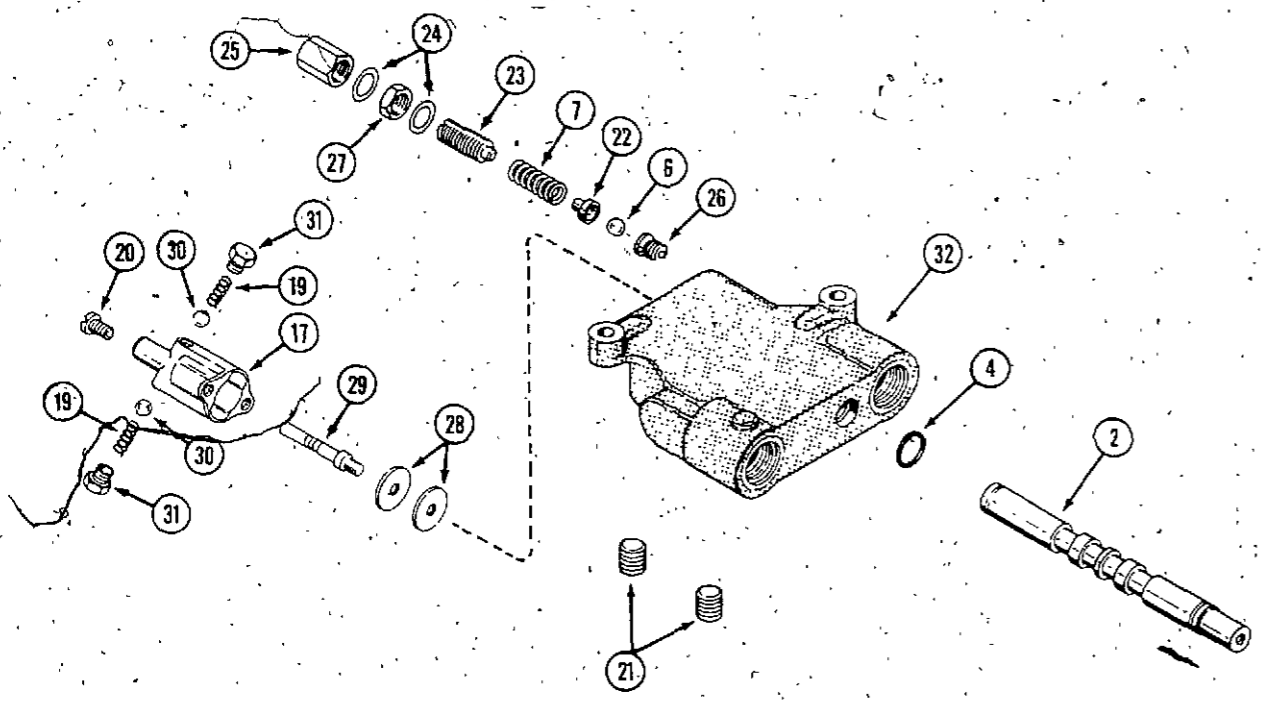
HYDRAULIC CONTROL VALVE

Use before S/N:  
 220 - 14090930, 222 - 14069687  
 224 - 14070796, 444 - 14094620  
 And All Single Spool Valves



TWO SPOOL VALVE  
 (Tractors with Hydraulic Lift)

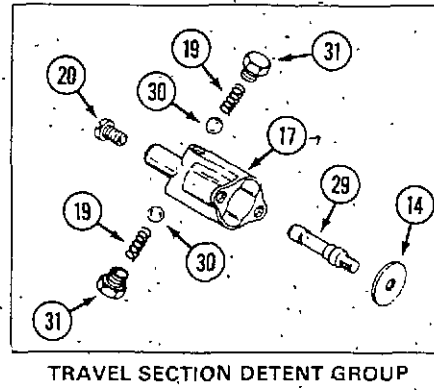
SINGLE SPOOL VALVE  
 (Tractors with Manual Lift)



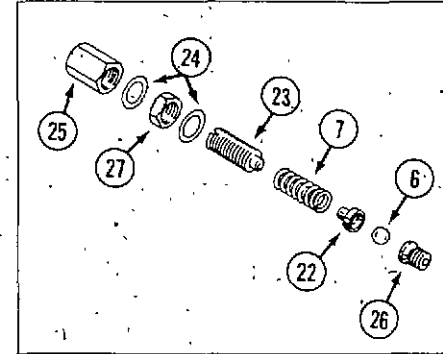
REF.	PART NO.	DESCRIPTION	REQ'D
1	C 27217	VALVE - control, two spool	1
2	C 28699	RING - retaining	2
3	NSS	SPOOL - motor (order C27217)	1
4	NSS	SPOOL - lift (order C27217)	1
5	C 28856	SEAL - spool	4
6	NSS	BODY - valve (order C27217)	1
7	211- 208	BALL - steel 5/16" (7.94 mm)	1
8	C 21507	SPRING - relief	2
9	C 17433	SCREW - relief adjust	1
10	C 17435	GASKET - relief adjust cap	1
11	129- 531	CAP - adjust screw	2
12	C 26668	DETENT - spool	1
13	C 28707	SPACER - detent	1
14	C 28706	SPRING - detent return	1
15	C 28705	WASHER - return	1
16	NSS	SPRING - relief (use C21511 relief kit)	1
17	211- 5	BALL - steel 3/16" (4.76 mm)	3
18	C 17438	COVER - detent	1
19	C 28708	SCREW - detent	2
20	C 17444	SPRING - detent	2
21	169- 114	SCREW - cover	4
22	221- 841	PLUG - pipe	1
23	C 21506	RETAINER - ball seat	1
24	C 26665	SCREW - adjust, relief	1
25	C 26664	GASKET - adjust cap	1
26	C 26666	CAP - adjust screw	1
27	C 26663	SEAT - relief ball	1
28	C 34555	NUT - lock	1
29	195- 521	WASHER	2
30	C 27219	DETENT - spool	1
31	211- 7	BALL - steel 1/4" (6.35 mm)	2
32	C 17443	SCREW - detent	2
	NSS	VALVE - control, single spool (use 27217 and (2) 218-5154)	1

HYDRAULIC CONTROL VALVE

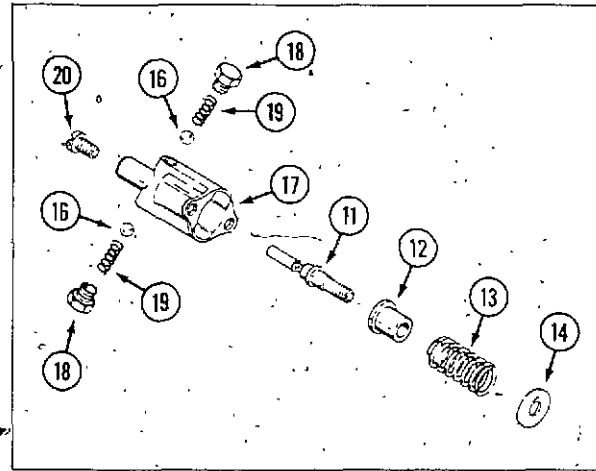
Use S/N and after:  
 220 - 14090930, 222 - 14069687  
 224 - 14070796, 444 - 14094620  
 Single spool valve repair Page 55



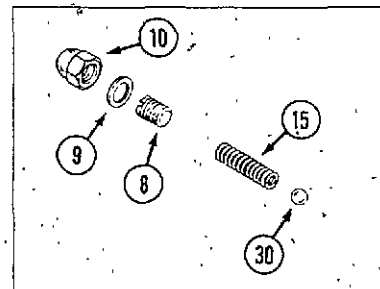
TRAVEL SECTION DETENT GROUP



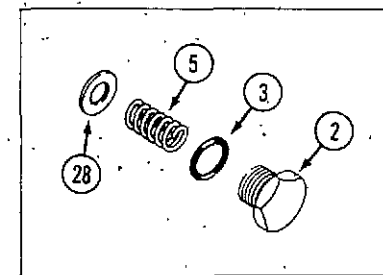
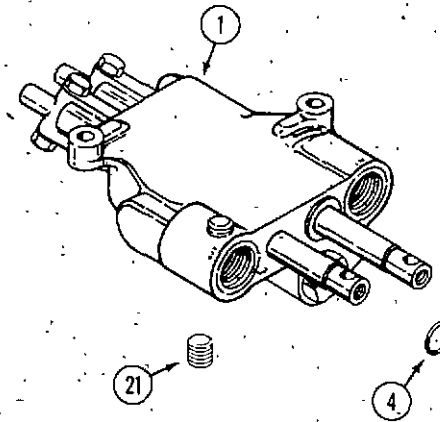
TRAVEL SECTION RELIEF GROUP



LIFT SECTION DETENT GROUP



LIFT SECTION RELIEF GROUP



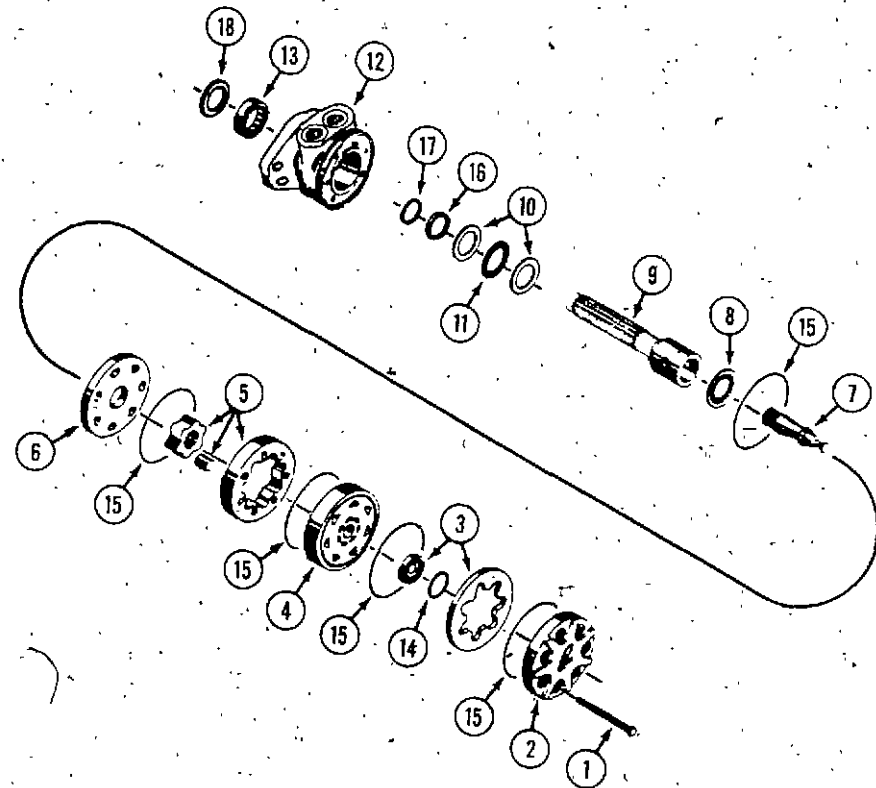
HOLDING SECTION GROUP

REF.	PART NO.	DESCRIPTION	REQ'D
1	NSS	VALVE - control, two spool (use C33473 and 218-5154)	1
2	C 29956	CAP - end	2
3	C 28217	"O" RING - end cap	1
4	C 28856	SEAL - spool	4
5	C 29951	SPRING - centering	2
6	211- 208	BALL - steel 5/16" (7.94 mm)	1
7	C 21507	SPRING - relief	2
8	C 17433	SCREW - relief adjust	1
9	C 17435	GASKET - relief adjust cap	1
10	129- 531	CAP - adjust screw	2
11	C 26668	DETENT - spool	1
12	C 28707	SPACER - detent	1
13	C 28706	SPRING - detent return	1
14	C 28705	WASHER - return	2
15	NSS	SPRING - relief (use C21511 relief kit)	1
16	211- 5	BALL - steel 3/16" (4.76 mm)	2
17	C 17438	COVER - detent	1
18	C 28708	SCREW - detent	2
19	C 17444	SPRING - detent	4
20	169- 114	SCREW - cover	4
21	221- 841	PLUG - pipe	1
22	C 21506	RETAINER - ball seat	1
23	C 26665	SCREW - adjust, relief	1
24	C 26664	GASKET - adjust cap	1
25	C 26666	CAP - adjust screw	1
26	C 26663	SEAT - relief ball	1
27	C 34555	NUT - lock	1
28	C 29950	WASHER - spring retaining	2
29	C 29958	DETENT - spool	1
30	211- 7	BALL - steel 1/4" (6.35 mm)	3
31	C 17443	SCREW - detent	2
	C 30002	KIT - seal	1
	C 30481	PLUG - holding-spool (use to replace rear plug only)	1



**HYDRAULIC DRIVE MOTOR**

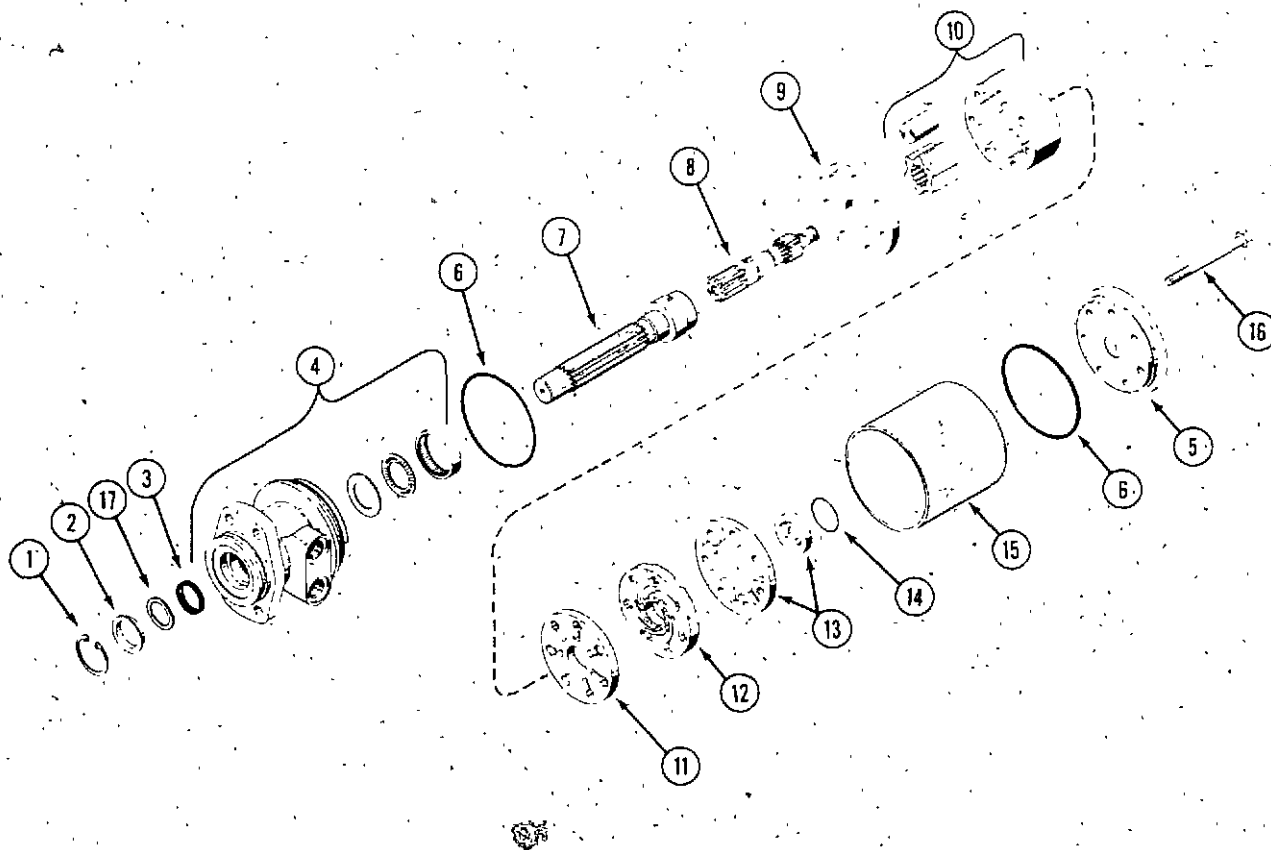
Use S/N and after:  
 220 - 14107095  
 222 - 14108205  
 224 - 14109285  
 444 - 14111340



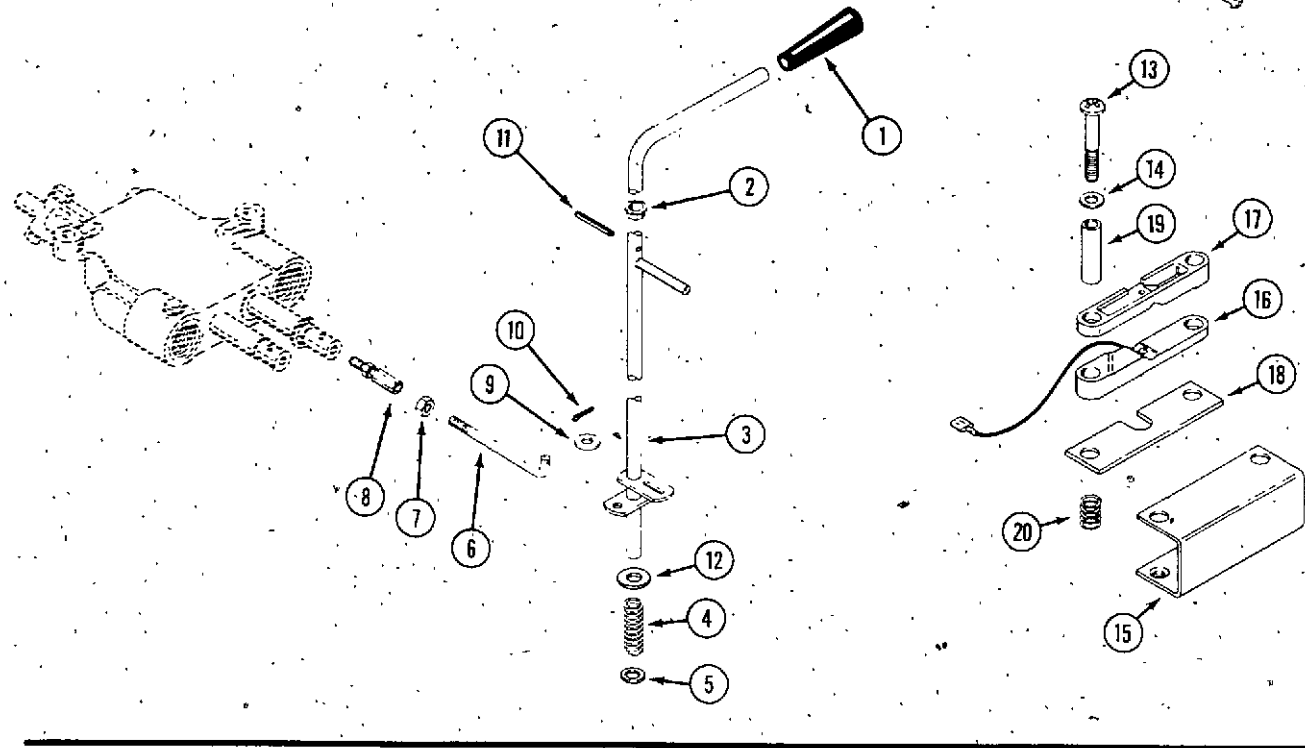
REF.	PART NO.	DESCRIPTION	REQ'D
	C 33234	MOTOR - hydraulic (444)	1
	C 30939	MOTOR - hydraulic (220, 222, 224)	1
1	28- 668	BOLT - 3/8" - 24 x 4-1/4" (220, 222, 224)	7
1	C 31327	BOLT - 3/8" - 24 x 4-5/8" (444)	7
2	C 31309	COVER - end	1
3	C 31310	COMMUTATOR AND RING SET	1
4	C 31311	MANIFOLD	1
5	C 31312	ROTOR ASSEMBLY (220, 222, 224)	1
5	C 31313	ROTOR ASSEMBLY (444)	1
6	C 31314	PLATE - wear	1
7	C 31315	LINK - drive (220, 222, 224)	1
7	C 31316	LINK - drive (444)	1
8	C 31317	BEARING - thrust	1
9	C 31318	SHAFT - coupling	1
10	C 31319	WASHER - thrust	2
11	C 31320	BEARING - thrust	1
12	C 31321	HOUSING - drive end	1
13	C 31322	BEARING - outer	1
	C 31323	KIT - seal	1
14	NSS	SEAL - commutator ring	1
15	NSS	SEAL - ring	5
16	NSS	SEAL - ring	1
17	NSS	WASHER - backup	1
18	NSS	SEAL - dirt (not used)	1

**HYDRAULIC DRIVE MOTOR**

Use Before S/N: 220 - 14107095 224 - 14109285  
 222 - 14108205 444 - 14111340



	NSS	MOTOR - hydraulic 220, 222, and 224 (use C30939 and 8-56770)	1
	C 33233	MOTOR - hydraulic 444	1
1	C 16516	RING - retaining	1
2	C 19040	SPACER - (see kit below)	1
3	C 25048	SEAL - oil (see kit below)	1
4	C 14827	HOUSING ASSEMBLY	1
5	C 14837	END CAP	1
6	C 18382	SEAL - (see kit below)	2
7	C 14828	SHAFT - coupling	1
8	C 28704	DRIVE LINK - 220, 222, 224	1
8	C 14829	DRIVE LINK - 444	1
9	C 14830	PLATE - wear	1
10	C 18110	ROTOR ASSEMBLY - 220, 222 and 224	1
10	C 14831	ROTOR ASSEMBLY - 444	1
11	C 28703	PLATE - manifold	1
12	C 28874	MANIFOLD	1
13	C 28701	COMMUTATOR AND RING SET	1
14	C 19041	RING - sealing (see kit below)	1
15	C 18092	SLEEVE - 220, 222 and 224	1
15	C 14836	SLEEVE - 444	1
16	NSS	BOLT - 3/8" x 3-7/8" N.F. hex, 220, 222 and 224 (obtain locally)	7
16	C 14838	BOLT - 3/8" x 4-3/8" N.F. hex, 444	7
17	C 19212	WASHER - backup .010" (0.25mm) (see kit below)	1
	C 29732	KIT - "O" ring and seal	1



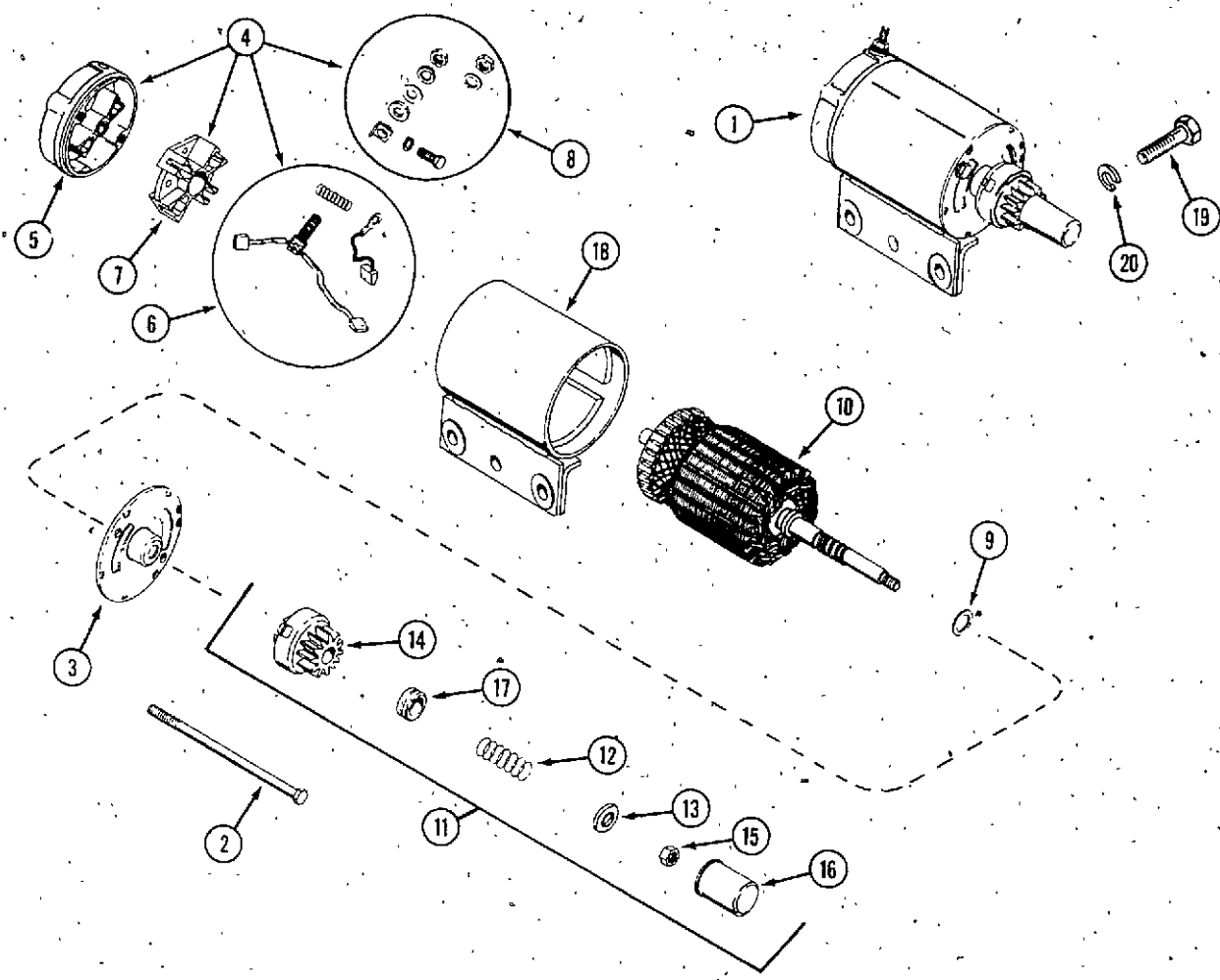
**SPEED CONTROL**

REF.	PART NO.	DESCRIPTION	REQ'D
1	C 29047	KNOB - speed control	1
2	NSS	BUSHING - lever (use C27593)	1
3	C 29407*	LEVER - speed control (shown)	1
3	C 30128**	LEVER - speed control	1
4	C 29645	SPRING - compression	1
5	C 21518	WASHER - nylon	1
6	C 18742	ROD - control	1
7	129- 122	NUT - 5/16" N.F. hex, zinc plated	1
8	C 19025	JOINT - ball	1
9	195- 521	WASHER - 5/16"	1
10	132- 320	PIN - cotter 3/32" x 3/4"	1
11	138- 2072	PIN - roll 1/8" x 1-3/4"	1
12	195- 533	WASHER	1
	C 29646*	LOCATOR ASSEMBLY - neutral start	1
	C 30130**	LOCATOR ASSEMBLY - neutral start	1
13	C 29647	SCREW - 1/4" - 20 black	2
14	C 29648	WASHER - nylon	2
15	C 29649*	CARRIER - locator	1
15	C 30133**	CARRIER - locator	1
16	C 29650	SWITCH - neutral start	1
17	C 29651*	LOCATOR - half	1
17	C 30450**	LOCATOR - light switch	1
18	C 29652	SUPPORT - locator	1
19	C 29653	SPACER - tube	2
20	C 30827	SPRING - locator	2

\*Use before S/N:

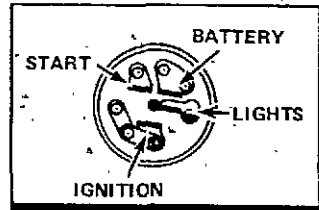
\*\*Use S/N and after:

220 - 14091130 224 - 14093065  
 222 - 14092090 444 - 14094825

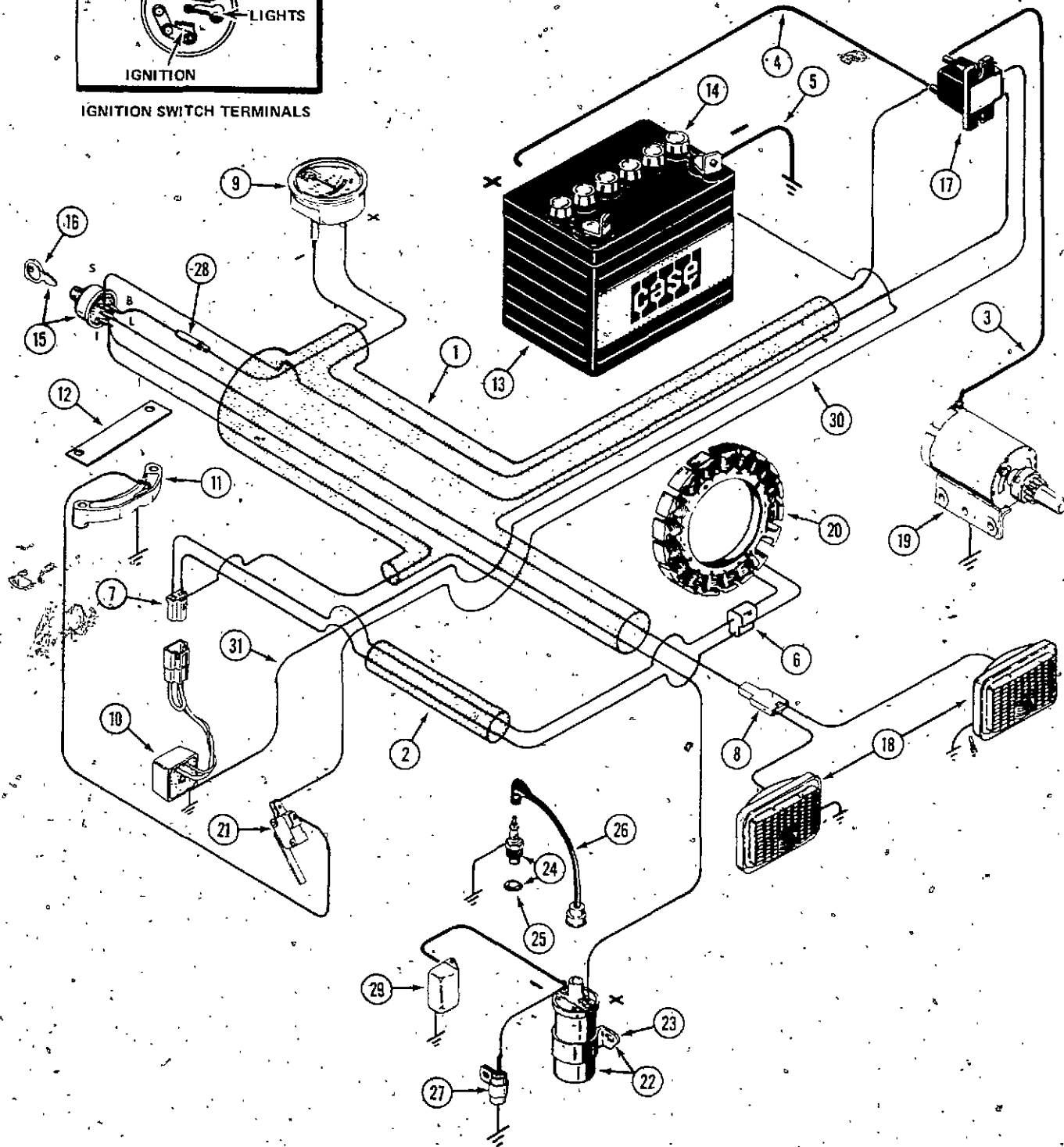


**STARTER**

REF.	PART NO.	DESCRIPTION	REQ'D
1	C 24889	STARTER ASSEMBLY	1
2	C 28681	BOLT - thru	2
3	C 28689	CAP - end	1
4	C 28684	KIT - commutator cap	1
5	NSS	CAP - commutator	1
6	C 28683	KIT - brush and spring	1
7	NSS	KIT - brush holder	1
8	NSS	KIT - hardware	1
9	C 28682	WASHER - armature thrust	1
10	C 24890	ARMATURE	1
11	C 24891	KIT - drive	1
12	C 28685	SPRING - anti-drift	1
13	NSS	SPACER - gear stop	1
14	NSS	GEAR - drive	1
15	NSS	NUT - gear stop	1
16	C 24892	COVER - dust	1
17	NSS	SPACER - dust cover	1
18	NSS	BODY - starter	1
19	C 24886	BOLT - shoulder 3/8" - 20 x 1-5/16"	2
20	192- 21	LOCK WASHER - 3/8"	2
	C 24880	DECAL - "DO NOT STRIKE"	1



IGNITION SWITCH TERMINALS

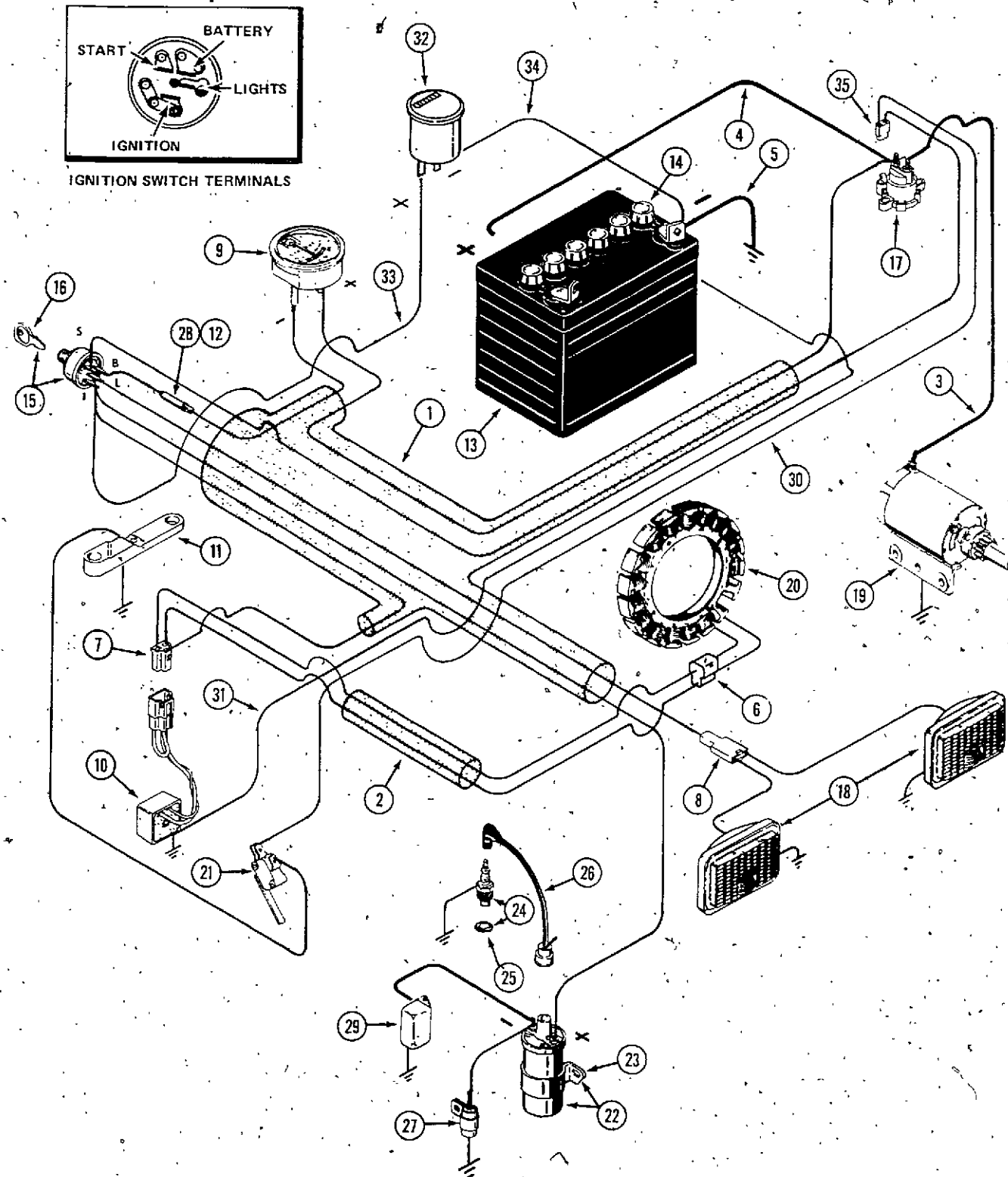


**ELECTRICAL SYSTEM**

USE BEFORE S/N:

220 - 14054346    222 - 14055580  
 224 - 14056610    444 - 14059000

REF.	PART NO.	DESCRIPTION	REQ'D
1	C 25564	HARNESS - wire	1
2	C 24815	HARNESS - wire	1
3	C 24816	CABLE - solenoid to starter (black)	1
4	C 14565	CABLE - solenoid to battery positive (red)	1
5	C 24814	CABLE - battery negative to ground (black)	1
6	C 24813	CONNECTOR - wire harness	1
6	C 25338	CONNECTOR - stator	1
7	C 25486	CONNECTOR - rectifier	1
8	C 14537	CONNECTOR - lights	1
9	C 29413	AMMETER - 30 amperes, 12v	1
10	C 31249	RECTIFIER - voltage, 12v	1
11	C 28003	SWITCH - neutral start (includes wire)	1
12	C 21989	INSULATOR - locator	1
13	NSS	BATTERY - 12v (use C31213)	1
14	C 18113	CAP - battery	6
15	C 30268	SWITCH ASSEMBLY - ignition (includes key and lock washer)	1
16	C 32407	KEY - ignition	1
17	C 26525	SOLENOID - start, 12v	1
18	C 32178	HEADLAMP ASSEMBLY - 12v (repairs page 77)	2
19	C 24889	STARTER - bendix drive (repairs page 67)	1
20	C 28692	STATOR	1
21	C 26108	SWITCH - neutral start, PTO	1
22	KO 231281	COIL - ignition, 12v (includes bracket)	1
23	C 28694	BRACKET - coil mounting	1
24	C 29738	SPARK PLUG - (includes gasket)	1
25	C 28673	GASKET - spark plug	1
26	C 28693	KIT - high tension cable	1
27	KO 230722	CONDENSER	1
28	223- 30	FUSE - 30 amperes (included in harness)	1
28	NSS	HOLDER - fuse, 30 amp (use C31947)	1
29	NSS	BREAKER CONTACT ASSEMBLY - ignition (repairs page 79)	1
30	C 25563	WIRE - solenoid to neutral start	1
31	C 26670	WIRE - ground, rectifier to battery negative	1



**ELECTRICAL SYSTEM**

USE S/N:

(220) 14054264 to 14091130  
(222) 14055580 to 14092090

(224) 14056610 to 14093065  
(444) 14059000 to 14094825

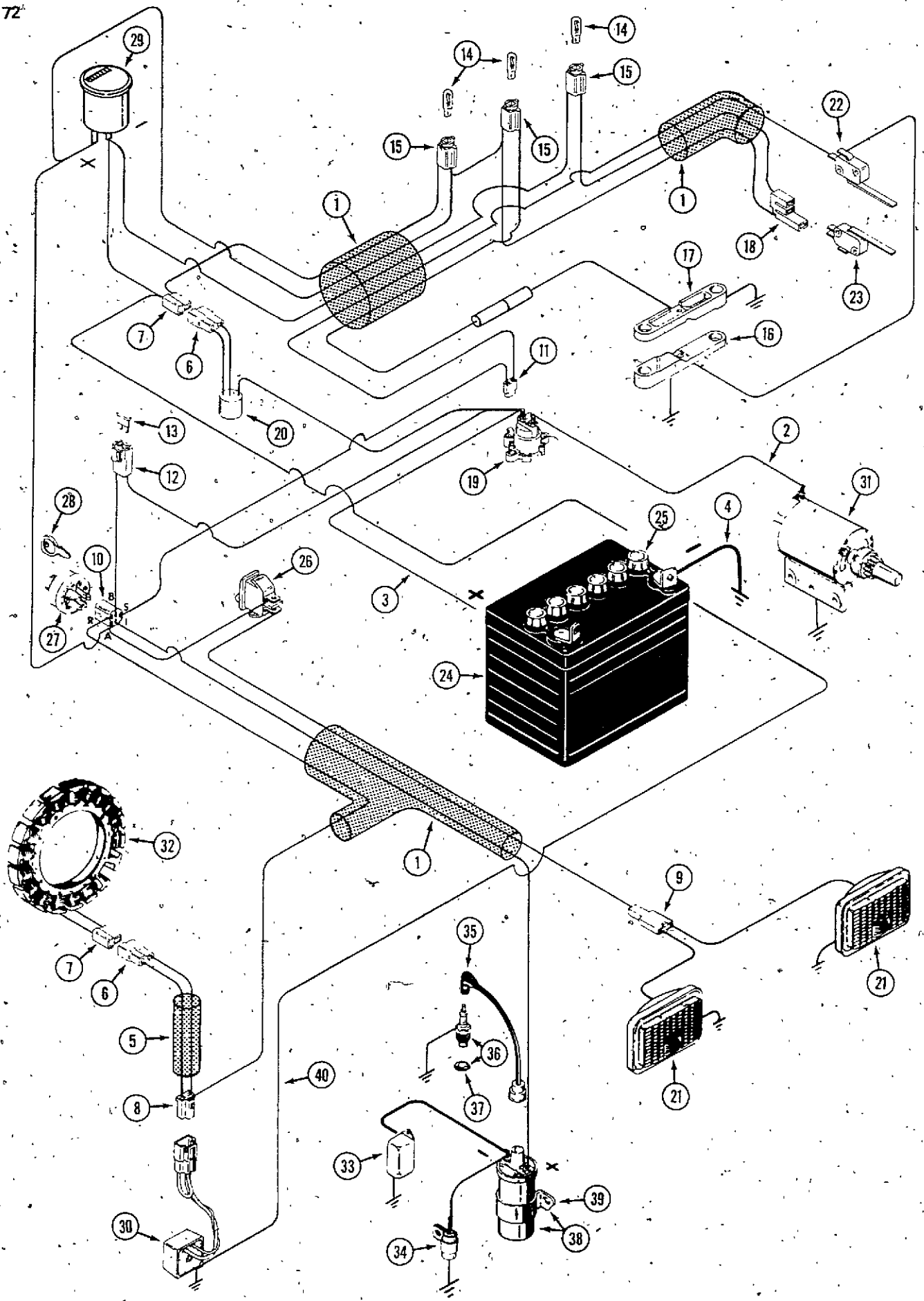
REF.	PART NO.	DESCRIPTION	REQ'D
1	C 27527	HARNES - wire	1
2	C 24815	HARNES - wire	1
3	C 31944	CABLE - solenoid to starter (black)	1
4	C 14565	CABLE - solenoid to battery positive (red)	1
5	C 24814	CABLE - battery negative to ground (black)	1
6	C 24813	CONNECTOR - wire harness	1
6	C 25338	CONNECTOR - stator	1
7	C 25486	CONNECTOR - rectifier	1
8	C 14537	CONNECTOR - lights	1
9	C 29413	AMMETER - 30 amperes, 12v	1
10	C 31249	RECTIFIER - voltage, 12v	1
11	C 28003†	SWITCH - neutral start (includes wire)	1
11	C 29646††	LOCATOR ASSEMBLY - neutral start (see page 65)	1
12	NSS	HOLDER - fuse 30 amp (use C31947)	1
13	NSS	BATTERY - 12v (use C31213)	1
14	C 18113	CAP - battery (screw type)	6
14	C 29074	CAP - battery (push type)	6
15	C 30268	SWITCH - ignition (includes key, mounting hardware)	1
16	C 32407	KEY - ignition	1
17	C 27523	SOLENOID - start, 12v	1
18	C 22571	HEADLAMP ASSEMBLY - 12v (repairs page 77)	2
19	C 32178	STARTER - bendix drive (repairs page 67)	1
20	C 28692	STATOR	1
21	C 26108	SWITCH - neutral start, PTO	1
22	KO 231281	COIL - ignition, 12v (includes bracket)	1
23	C 28694	BRACKET - coil mounting	1
24	C 29738	SPARK PLUG - (includes gasket)	1
25	C 28673	GASKET - spark plug	1
26	C 28693	KIT - high tension cable	1
27	KO 230722	CONDENSER	1
28	223- 30	FUSE - 30 amperes (included in harness)	1
29	NSS	BREAKER CONTACT ASSEMBLY - ignition (repairs page 79)	1
30	C 27530	WIRE - solenoid to neutral start	1
31	C 26670	WIRE - ground, rectifier to battery negative	1
32	C 28304*	HOURMETER	1
32	C 33415**	HOURMETER - (shown)	1
33	C 29411	WIRE - hourmeter to ignition switch	1
34	C 29412	WIRE - hourmeter to battery negative (-)	1
35	C 27549	CONNECTOR - solenoid	1

\*Use before S/N:  
\*\*Use S/N and after:  
220 - 14068672  
222 - 14069604  
224 - 14070707  
444 - 14072835

†Use before S/N:  
††Use S/N and after:  
220 - 14068705  
222 - 14069635  
224 - 14070733  
444 - 14072850

**ELECTRICAL SYSTEM**

Use S/N:  
 220 - 14091130 to 14107095  
 222 - 14092090 to 14108205  
 224 - 14093065 to 14109285  
 444 - 14094825 to 14111340



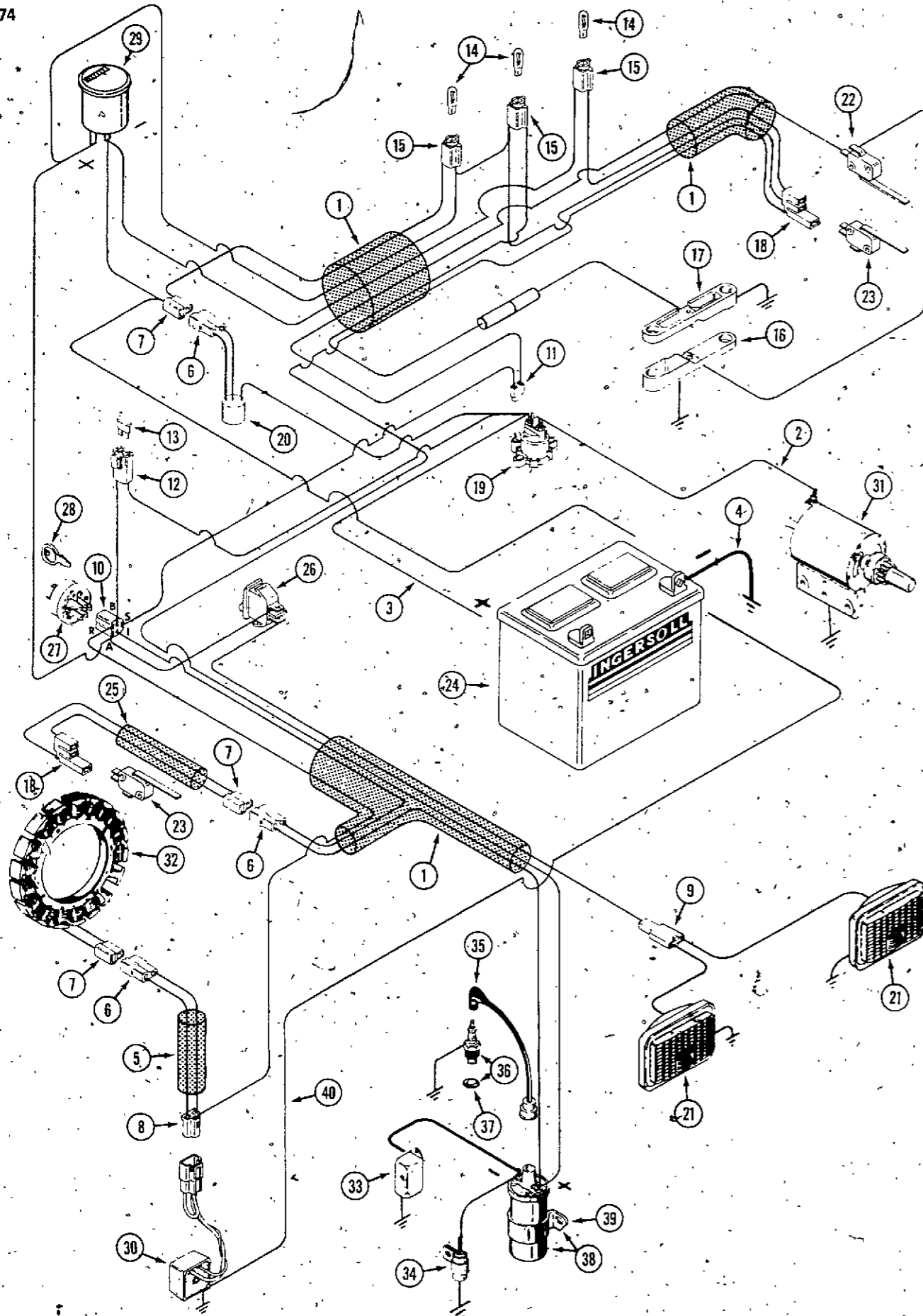
REF.	PART NO.	DESCRIPTION	REQ'D
1	C 30264	HARNES - wire	1
2	C 31944	CABLE - solenoid to starter	1
3	C 14565	CABLE - solenoid to battery positive	1
4	C 24814	CABLE - battery negative to ground	1
5	C 24815	HARNES - wire	1
6	C 24813	CONNECTOR - wire	2
7	C 25338	CONNECTOR - wire	2
8	C 25486	CONNECTOR - rectifier	1
9	C 14537	CONNECTOR - lights	1
10	C 24460	CONNECTOR - switch	1
11	C 27549	CONNECTOR - solenoid	1
12	C 31947	HOLDER - fuse	1
13	C 30260	FUSE - 30 AMP	1
14	C 30262	BULB - light	3
15	C 30263	SOCKET - bulb	3
16	C 29650	LOCATOR HALF - neutral start (see page 65)	1
17	C 30450	SWITCH - neutral light (see page 65)	1
18	C 30279	CONNECTOR - switch	1
19	C 27523	SOLENOID - start, 12v	1
20	C 30265	SENSOR - voltage	1
21	C 32178	HEADLAMP ASSEMBLY - 12v (repairs page 77)	2
22	C 26108	SWITCH - neutral start	1
23	C 30275	SWITCH - PTO light	1
24	NSS	BATTERY - 12v (use C31213)	1
25	C 29074	CAP - battery	6
26	C 29322	SWITCH - head lamp	1
27	C 30480*	SWITCH ASSEMBLY - ignition (includes key and mounting hardware)	1
27	C 30530**	SWITCH ASSEMBLY - ignition (includes key and mounting hardware)	1
28	C 32407	Key - ignition	1
29	C 33415	HOURMETER	1
30	C 31249	RECTIFIER - voltage 12v	1
31	C 24889	STARTER - bendix drive (repairs page 67)	1
32	C 28692	STATOR	1
33	NSS	BREAKER CONTACT ASSEMBLY - ignition (repairs page 79)	1
34	KO 230722	CONDENSER	1
35	C 28693	KIT - high tension cable	1
36	C 29738	SPARK PLUG - includes gasket	1
37	C 28673	GASKET - spark plug	1
38	KO 231281	COIL - ignition, 12v (includes bracket)	1
39	C 28694	BRACKET - coil mounting	1
40	C 26670	WIRE - solenoid lower mounting bolt to battery (-)	1

\*Use before S/N:  
 220 - 14106917  
 222 - 14108020  
 224 - 14109118  
 444 - 14111235

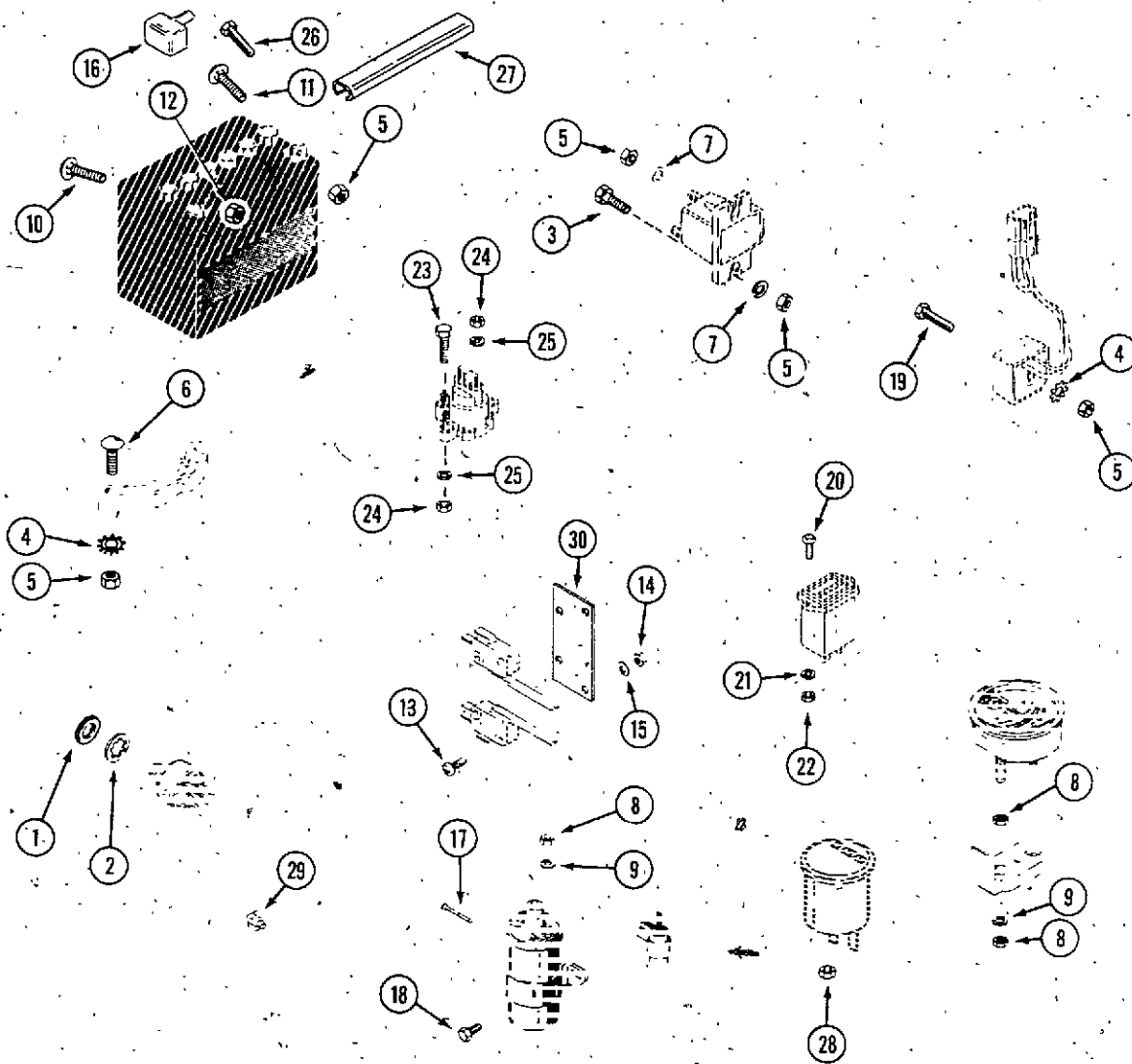
**ELECTRICAL SYSTEM**

Use S/N and after:

- 220 - 14107095
- 222 - 14108205
- 224 - 14109285
- 444 - 14111340



REF.	PART NO.	DESCRIPTION	REQ'D
1	C 31029	HARNESS - wire	1
2	C 31944	CABLE - solenoid to starter	1
3	C 14565	CABLE - solenoid to battery positive	1
4	C 24814	CABLE - battery negative to ground	1
5	C 24815	HARNESS - wire	1
6	C 24813	CONNECTOR - wire	2
7	C 25338	CONNECTOR - wire	2
8	C 25486	CONNECTOR - rectifier	1
9	C 14537	CONNECTOR - lights	1
10	C 24460	CONNECTOR - switch	1
11	C 27549	CONNECTOR - solenoid	1
12	C 31947	HOLDER - fuse	1
13	C 30260	FUSE - 30 AMP	1
14	C 30262	BULB - light	3
15	C 30263	SOCKET - bulb	3
16	C 29650	LOCATOR HALF - neutral start (see page 65)	1
17	C 30450	SWITCH - neutral light (see page 65)	1
18	C 30279	CONNECTOR - switch	1
19	C 27523	SOLENOID - start, 12v	1
20	C 30265	SENSOR - voltage	1
21	C 32178	HEADLAMP ASSEMBLY - 12v (repairs page 77)	2
22	C 26108	SWITCH - neutral start	1
23	C 30275	SWITCH - interloc	1
24	C 31213	BATTERY - 12v	1
25	C 31044	HARNESS - seat interlock switch	1
26	C 29322	SWITCH - head lamp	1
27	C 30530	SWITCH ASSEMBLY - ignition (includes key and mounting hardware)	1
28	C 32407	KEY - ignition	1
29	C 33415	HOURLY METER	1
30	C 31249	RECTIFIER - voltage 12v	1
31	C 24889	STARTER - bendix drive (repairs page 67)	1
32	C 28692	STATOR	1
33	NSS	BREAKER CONTACT ASSEMBLY - ignition (repairs page 79)	1
34	KO 230722	CONDENSER	1
35	C 28693	KIT - high tension cable	1
36	C 29738	SPARK PLUG - includes gasket	1
37	C 28673	GASKET - spark plug	1
38	KO 231281	COIL - ignition, 12v (includes bracket)	1
39	C 28694	BRACKET - coil mounting	1
40	C 26670	WIRE - solenoid lower mounting bolt to battery (-)	1



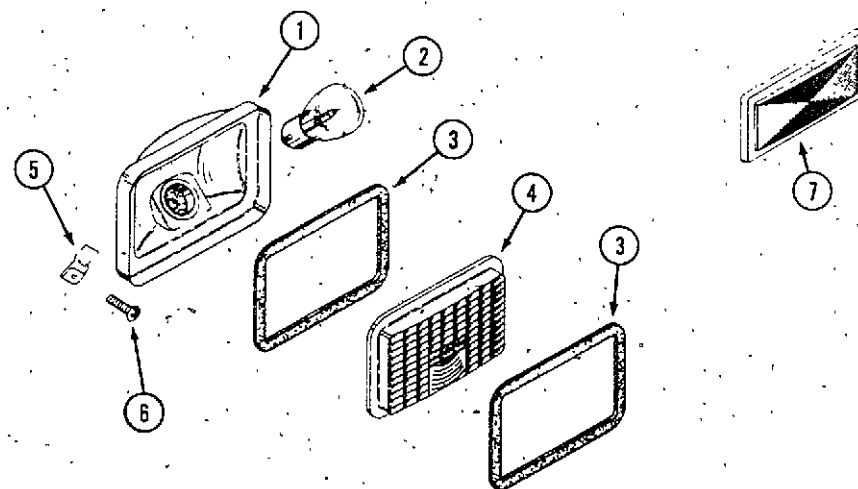
**ELECTRICAL SYSTEM HARDWARE**

REF.	PART NO.	DESCRIPTION	REQ'D
1	NSS	NUT - switch mounting 5/8" (use C32396, C32397)	1
1	C 23330	NUT - switch mounting 9/16"	1
2	C 23012	LOCK WASHER - internal tooth	1
3	113- 3	BOLT - 1/4" - 20 x 3/4" hex	2
4	193- 57	LOCK WASHER - 1/4" external tooth	3
5	129- 101	NUT - 1/4" - 20 hex	UAR
6	111- 139	BOLT - 1/4" - 20 x 1" rd. head sq. neck	2
7	192- 19	LOCK WASHER - 1/4"	4
8	129- 27	NUT - #10 N.F. hex	2
9	192- 18	LOCK WASHER - #10	2
10	111- 202	BOLT - 5/16" x 3/4" N.C. rd. head sq. neck	1
11	111- 108	BOLT - 1/4" x 3/4" N.C. rd. head sq. neck	1
12	129- 102	NUT - 5/16" N.C. hex	1
13	182- 10	SCREW - #4 - 40 x 7/8" N.C. pan head	UAR
14	129- 13	NUT - #4 - 40 hex	UAR
15	192- 13	LOCK WASHER - #4	UAR
16	C 24069	COVER - terminal	1
17	NSS	SCREW - #10 x 1-1/2" N.F. self tap (obtain locally)	1
18	NSS	BOLT - 5/16" x 1/2" N.C. hex, self tap (obtain locally)	2
19	113- 17	BOLT - 1/4" - 20 x 1-1/4" hex	1
20	182- 571	SCREW - #6 - 32 x 1/2" pan head, black	2
21	192- 15	LOCKWASHER - #6	2
22	129- 15	NUT - #6 - 32 hex	2
23	182- 147	BOLT - #10 - 32 x 3/4"	2
24	129- 37	NUT - #10 - 32 hex	4
25	192- 18	LOCKWASHER - #10	4
26	113- 3	BOLT - 1/4" - 20 x 3/4" hex head	2
27	NSS	COVER - battery vent (no longer available)	1
28	129- 36	NUT - #8-36	2
29	C 19521	CLIP - headlight wire	1
30	C 30276*	PLATE - switch mounting	1
	KO 275182	CLIP - breaker contact wire	1

\*Use S/N:

- 220 - 14091130 to 14091218
- 222 - 14092090 to 14092185
- 224 - 14093065 to 14093127
- 444 - 14094825 to 14097742

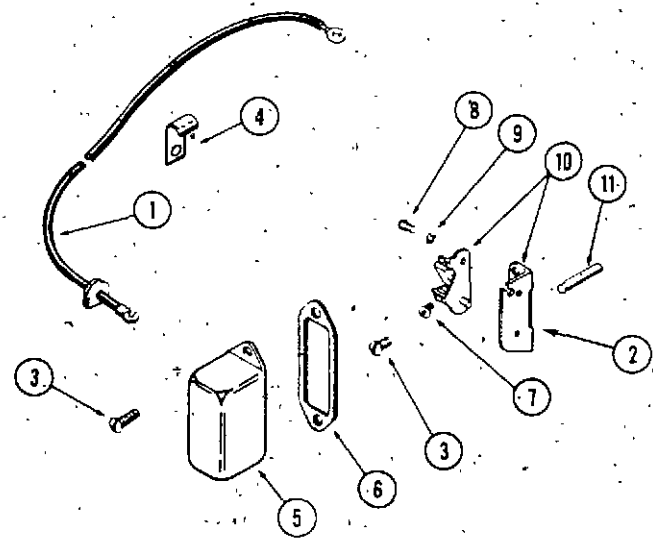
**HEADLAMP ASSEMBLY AND REAR REFLECTORS**



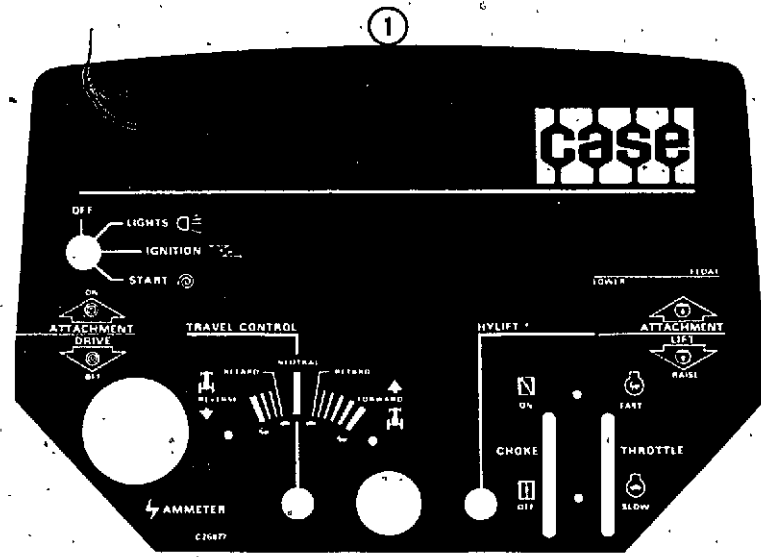
REF.	PART NO.	DESCRIPTION	REQ'D
	C 32178	HEADLAMP ASSEMBLY	2
1	NSS	RECEPTACLE - headlamp (order C22571)	1
2	C 28932	BULB - headlamp	1
3	C 14304	GASKET - headlamp	2
4	C 22573	LENS - headlamp	1
5	131- .629	NUT - speed type "U"	4
6	187- 1334	SCREW - No. 8 x 1/2" self-tapping, round hd. Phillips	4
7	NSS	REFLECTOR - red (use C30942)	2



**BREAKER CONTACTS**



REF.	PART NO.	DESCRIPTION	REQ'D
1	NSS	LEAD - breaker contact (order from local supplier)	1
2	NSS	BRACKET - breaker contacts	1
3	182- 516	SCREW - #10 x 3/8" round head, zinc plated	4
4	KO 275182	RETAINER - wire	1
5	C 28695	COVER - breaker contact	1
6	C 26518	GASKET - cover	1
7	NSS	SCREW - #6 x 3/8" self-tapping (obtain locally)	1
8	NSS	SCREW - #8 x 1/4" N.C. round head (obtain locally)	1
9	193- 91	LOCK WASHER - #8 internal tooth	1
10	C 27439	POINT SET - breaker contact assembly	1
11	C 27440	ROD - breaker contact push	1

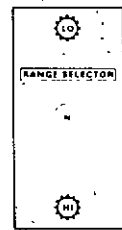
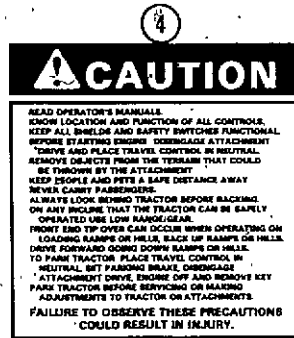
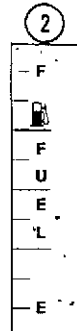


DECALS

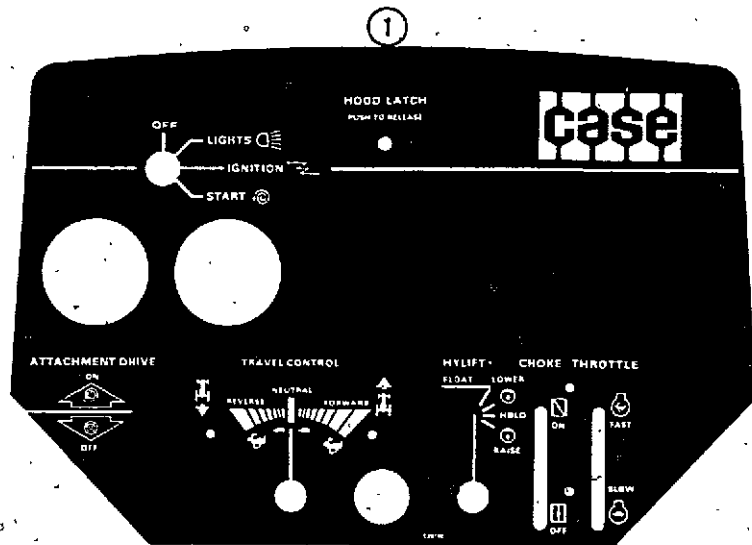
USE BEFORE S/N:  
 220 - 14054525    222 - 14055920  
 224 - 14056730    444 - 14059200

(English)

REF.	PART NO.	DESCRIPTION	REQ'D
1	C 26877	DECAL - instrument panel	1
2	C 26699	DECAL - fuel tank gauge	1
3	321- 4767	DECAL - hydraulic reservoir	1
4	321- 6659	DECAL - "caution"	1
5	321- 1788	DECAL - shift range	1
6	C 27481	DECAL - brake	1
7	C 27173	DECAL - hood, L.H. (220)	1
7	C 27184	DECAL - hood, R.H. (220) shown	1
8	C 27174	DECAL - hood, L.H. (222)	1
8	C 27185	DECAL - hood, R.H. (222) shown	1
9	C 27175	DECAL - hood, L.H. (224)	1
9	C 27186	DECAL - hood, R.H. (224) shown	1
10	C 27177	DECAL - hood, L.H. (444)	1
10	C 27187	DECAL - hood, R.H. (444) shown	1
11	NSS	MEDALLION - "CASE" (no longer available)	1



220 hydriiv  
 222 hydriiv  
 224 hydriiv  
 444 hydriiv



**220** hydriv. 13

**222** hydriv. 14

**224** hydriv. 15

**444** hydriv. 16

**220** hydriv. 6

**222** hydriv. 7

**224** hydriv. 8

**444** hydriv. 9

5  
BRAKE - PEDAL IS ON LEFT SIDE OF TRACTOR  
PARKING BRAKE LOCK  
TO ENGAGE - APPLY BRAKE AND PUSH LOCK DOWN  
TO RELEASE - PUSH BRAKE PEDAL DOWN

12  
**INGERSOLL**

17  
**INGERSOLL**



2  
F  
F  
U  
E  
L  
E

11  
**CAUTION**  
READ OPERATOR'S MANUALS.  
KNOW LOCATION AND FUNCTION OF ALL CONTROLS.  
KEEP ALL SHIELDS AND SAFETY SWITCHES FUNCTIONAL.  
REMOVE STARTING BARRIERS, DISCONNECT ATTACHMENT  
DRIVE AND PLACE TRAVEL CONTROL IN NEUTRAL.  
REMOVE OBJECTS FROM THE TRIMMERS THAT COULD  
BE THROWN BY THE ATTACHMENT.  
KEEP PEOPLE AND PETS A SAFE DISTANCE AWAY.  
NEVER CARRY PASSENGERS.  
ALWAYS LOCK BONDING TRACTOR BEFORE BACKING.  
ON ANY INCLINE THAT THE TRACTOR CAN BE SAFELY  
OPERATED USE LOW RANGE/GEAR.  
FRONT END TIP OVER CAN OCCUR WHEN OPERATING ON  
LOADING RAMPS OR HILLS. BACK UP RAMPS OR HILLS.  
DRIVE FORWARD DOWN RAMPS OR HILLS.  
TO PARK TRACTOR, PLACE TRAVEL CONTROL IN  
NEUTRAL, SET PARKING BRAKE, DISCONNECT  
ATTACHMENT DRIVE, ENGINE OFF AND REMOVE KEY.  
PARK TRACTOR BEFORE SERVICING OR MAKING  
ADJUSTMENTS TO TRACTOR OR ATTACHMENTS.  
FAILURE TO OBSERVE THESE PRECAUTIONS  
COULD RESULT IN INJURY.

3  
OIL ONLY

18  
GASOLINE  
ONLY

4  
RANGE SELECTOR

**DECALS**

USE S/N:

(220) 14054525 to 14091130 (224) 14056730 to 14093065  
(222) 14055920 to 14092090 (444) 14059200 to 14094825

(ENGLISH)

REF.	PART NO.	DESCRIPTION	REQ'D
1	C 29740**	DECAL - instrument	1
1	C 27944*	DECAL - instrument panel	1
2	C 26699	DECAL - fuel tank gauge	1
3	321- 4767	DECAL - hydraulic reservoir	1
4	321- 1788	DECAL - shift range	1
5	C 27871	DECAL - brake	1
6	C 27914	DECAL - hood "220 hydriv" L.H. (shown)	1
6	C 27925	DECAL - hood "220 hydriv" R.H.	1
7	C 27915	DECAL - hood "222 hydriv" L.H. (shown)	1
7	C 27926	DECAL - hood "222 hydriv" R.H.	1
8	C 27916	DECAL - hood "224 hydriv" L.H. (shown)	1
8	C 27927	DECAL - hood "224 hydriv" R.H.	1
9	C 27918	DECAL - hood "444 hydriv" L.H. (shown)	1
9	C 27928	DECAL - hood "444 hydriv" R.H.	1
10	NSS	MEDALLION - "CASE" (no longer available)	1
11	321- 6659	DECAL - "Caution"	1
12	C 27962	DECAL - "Ingersoll" stripe L.H. (shown)	1
12	C 27964	DECAL - "Ingersoll" stripe R.H.	1
13	C 27953*	DECAL - seat back "220 hydriv"	1
14	C 27954*	DECAL - seat back "222 hydriv"	1
15	C 27955*	DECAL - seat back "224 hydriv"	1
16	C 27957*	DECAL - seat back "444 hydriv"	1
17	C 29202**	DECAL - "INGERSOLL" seat back	1

\*Use before S/N:  
\*\*Use S/N and after:  
220 - 14068672  
222 - 14069604  
224 - 14070707  
444 - 14072835

**220** hydriv.    **222** hydriv.    **224** hydriv.    **444** hydriv.

6

7

8

9

5

BRAKE - PEDAL IS ON LEFT SIDE OF TRACTOR  
 PARKING BRAKE LOCK  
 TO ENGAGE - APPLY BRAKE AND PUSH LOCK DOWN  
 TO RELEASE - PUSH BRAKE PEDAL DOWN

12

**INGERSOLL**



10



13

**INGERSOLL**

1

F  
 F  
 U  
 E  
 L  
 E

2

**CAUTION**  
 READ OPERATOR'S MANUALS  
 KNOW LOCATION AND FUNCTION OF ALL CONTROLS  
 KEEP ALL HANDS AND FEET AWAY FROM SAFETY SWITCHES FUNCTIONAL  
 BEFORE STARTING ENGINE. DISCONNECT ATTACHMENT  
 DRIVE AND PLACE TRAVEL CONTROL IN NEUTRAL.  
 REMOVE OBJECTS FROM THE YARDIAN THAT COULD  
 BE THROWN BY THE ATTACHMENT.  
 KEEP PEOPLE AND PETS A SAFE DISTANCE AWAY.  
 NEVER CARRY PASSENGERS.  
 ALWAYS LOCK BRAKE TRACTOR BEFORE BACKING  
 OR ANY INCLINE THAT THE TRACTOR CAN BE SAFELY  
 OPERATED USE LOW RANGE/GEAR.  
 FRONT END TIP OVER CAN OCCUR WHEN OPERATING ON  
 LEADING RAMP OR HILLS. BACK UP RAMP OR HILLS  
 DRIVE FORWARD DOWN DOWN RAMP OR HILLS  
 TO PARK TRACTOR PLACE TRAVEL CONTROL IN  
 NEUTRAL SET PARKING BRAKE, DISCONNECT  
 ATTACHMENT DRIVE, REMOVE KEY AND REMOVE KEY  
 PARK TRACTOR BEFORE SERVICING OR MAKING  
 ADJUSTMENTS TO TRACTOR OR ATTACHMENTS.  
 FAILURE TO OBSERVE THESE PRECAUTIONS  
 COULD RESULT IN INJURY

11

OIL ONLY

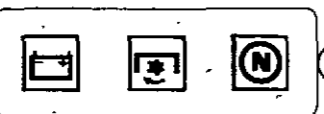
3

GASOLINE  
 ONLY

18

RANGE SELECTOR

4



14

**DECALS**

Use S/N to S/N:

220 - 14091130 to 14107095

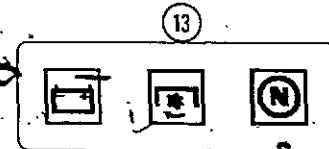
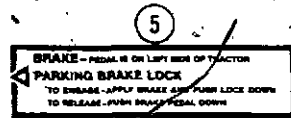
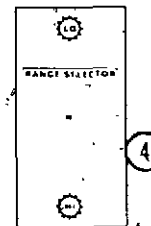
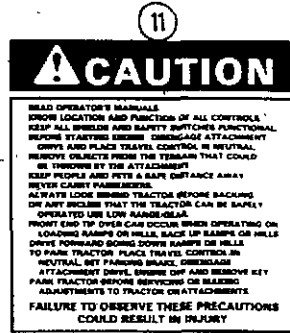
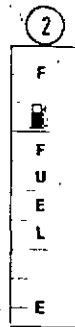
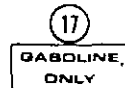
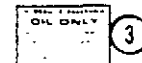
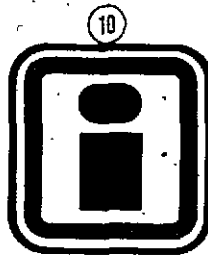
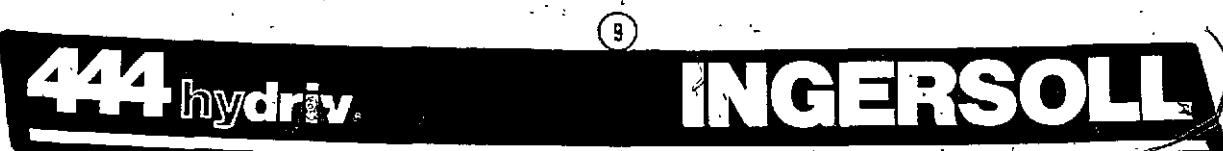
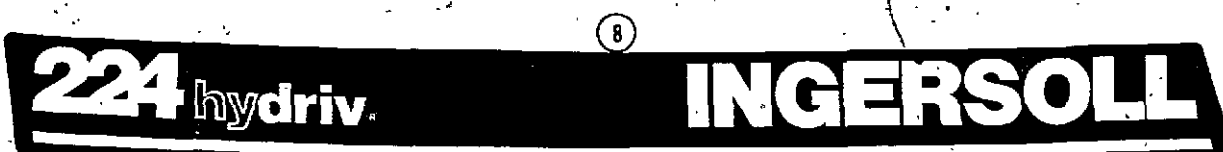
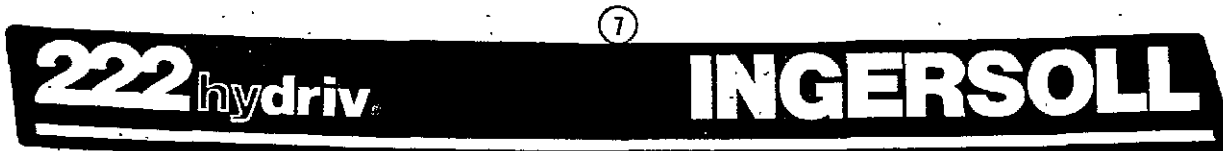
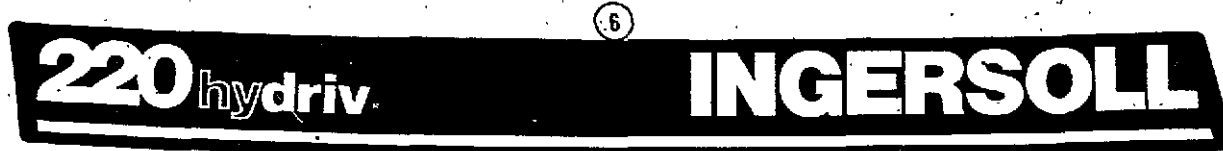
222 - 14092090 to 14108205

224 - 14093065 to 14109285

444 - 14094825 to 14111340

(ENGLISH)

REF.	PART NO.	DESCRIPTION	REQ'D
1	NSS	DECAL - "Ingersoll" (use C31050)	1
2	C 26699	DECAL - fuel tank gauge	1
3	321- 4767	DECAL - hydraulic reservoir	1
4	321- 1788	DECAL - shift range	1
5	C 27871	DECAL - brake	1
6	C 27914	DECAL - hood "220 hydriv" L.H. (shown)	1
6	C 27925	DECAL - hood "220 hydriv" R.H.	1
7	C 27915	DECAL - hood "222 hydriv" L.H. (shown)	1
7	C 27926	DECAL - hood "222 hydriv" R.H.	1
8	C 27916	DECAL - hood "224 hydriv" L.H. (shown)	1
8	C 27927	DECAL - hood "224 hydriv" R.H.	1
9	C 27918	DECAL - hood "444 hydriv" L.H. (shown)	1
9	C 27928	DECAL - hood "444 hydriv" R.H.	1
10	NSS	MEDALLION - "CASE" (no longer available)	1
11	321- 6659	DECAL - "Caution"	1
12	C 27962	DECAL - "Ingersoll" stripe L.H. (shown)	1
12	C 27964	DECAL - "Ingersoll" stripe R.H.	1
13	C 32093	DECAL - "INGERSOLL" seat back	1
14	C 30274	LENS - display	1

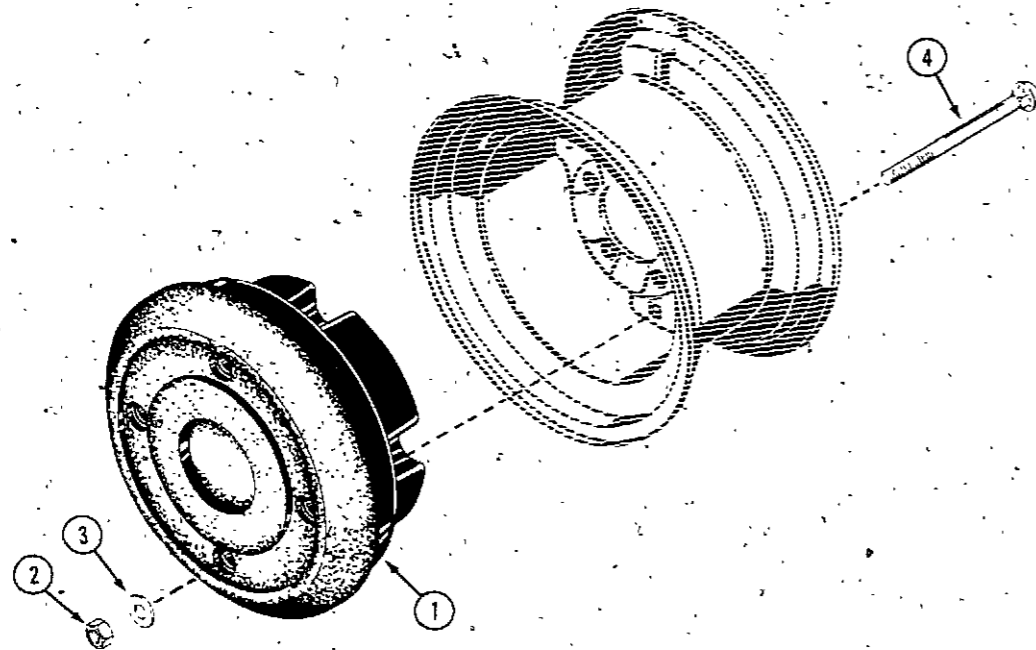


DECALS

Use S/N and after:  
 220 - 14107095  
 222 - 14108205  
 224 - 14109285  
 444 - 14111340

(ENGLISH)

REF.	PART NO.	DESCRIPTION	REQ'D
1	C 31050	DECAL - "Ingersoll"	1
2	C 26699	DECAL - fuel tank gauge	1
3	321- 4767	DECAL - hydraulic reservoir	1
4	321- 1788	DECAL - shift range	1
5	C 27871	DECAL - brake	1
6	C 30954	DECAL - hood "220 hydriv" L.H. (shown)	1
6	C 30955	DECAL - hood "220 hydriv" R.H.	1
7	C 30956	DECAL - hood "222 hydriv" L.H. (shown)	1
7	C 30957	DECAL - hood "222 hydriv" R.H.	1
8	C 30958	DECAL - hood "224 hydriv" L.H. (shown)	1
8	C 30959	DECAL - hood "224 hydriv" R.H.	1
9	C 30962	DECAL - hood "444 hydriv" L.H. (shown)	1
9	C 30963	DECAL - hood "444 hydriv" R.H.	1
10	C 30539	MEDALLION - logo	1
11	321- 6659	DECAL - "Caution"	1
12	C 32093	DECAL - "INGERSOLL" seat back	1
13	C 30274	LENS - display	1

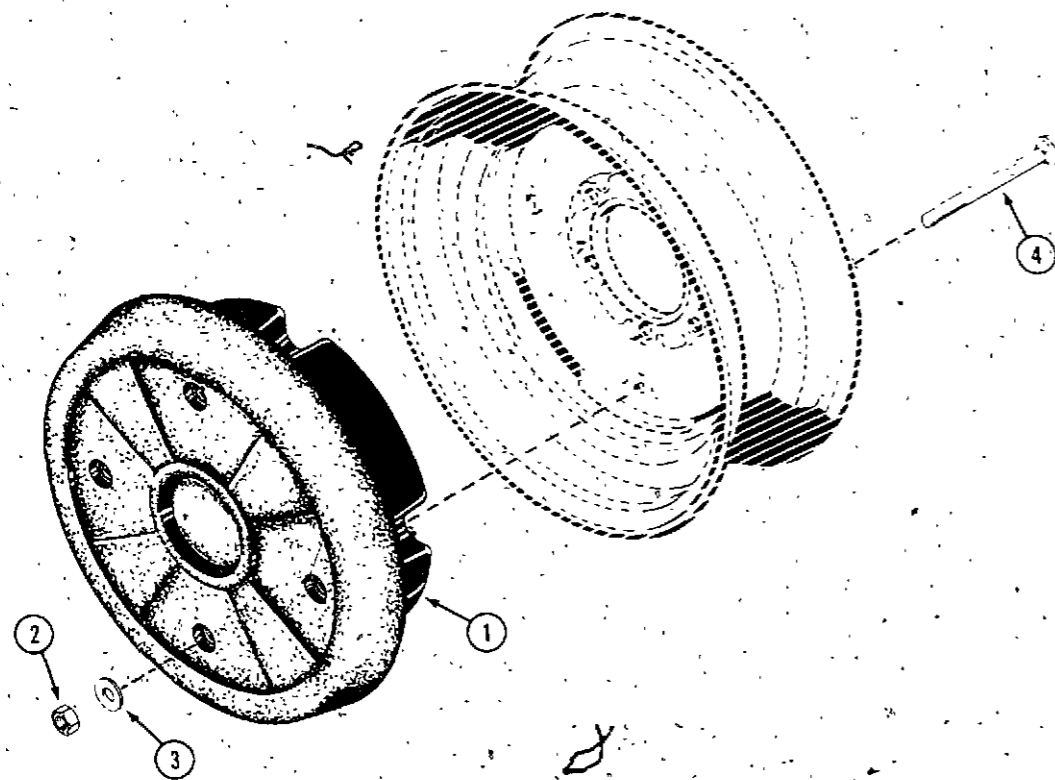


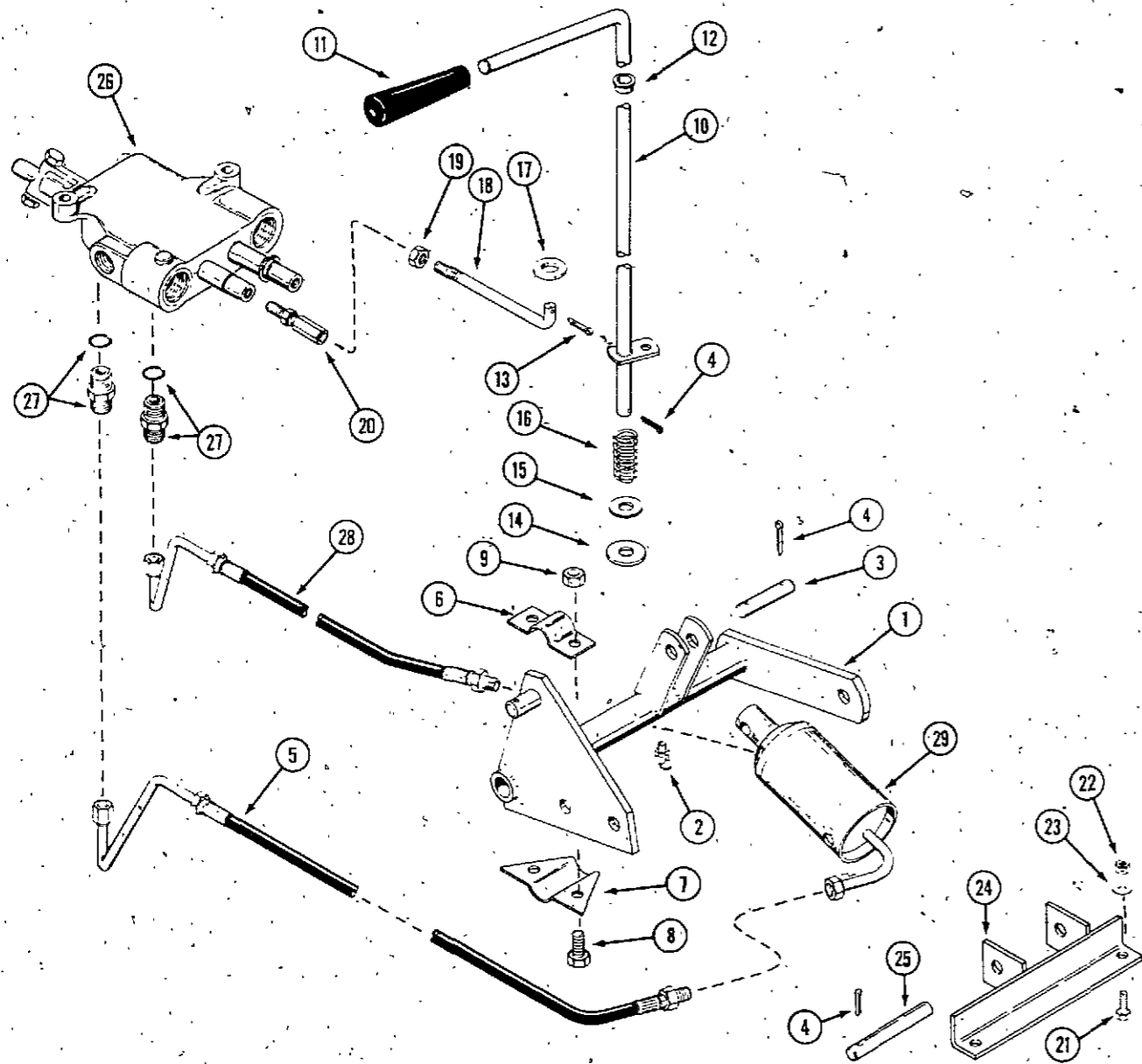
**K8 WHEEL WEIGHTS — MODEL 220, 222, AND 224**

REF.	PART NO.	DESCRIPTION	REQ'D
1	NSS	WEIGHT - wheel 55 lb. (Order as Machinery Item)	2
2	131- 1182	NUT - 1/2" N.C. hex lock	8
3	195- 533	WASHER - 1/2"	8
4	111- 521	BOLT - 1/2" x 7" carriage	8
4	C 30545	BOLT - 1/2" - 13 x 8-1/2" carriage	8

**K10 WHEEL WEIGHTS — MODEL 444**

REF.	PART NO.	DESCRIPTION	REQ'D
1	NSS	WEIGHT - wheel 75 lb. (Order as Machinery Item)	2
2	131- 1182	NUT - 1/2" N.C. hex lock	8
3	195- 533	WASHER - 1/2"	8
4	111- 525	BOLT - 1/2" x 6" Rd. head Sq. neck	8

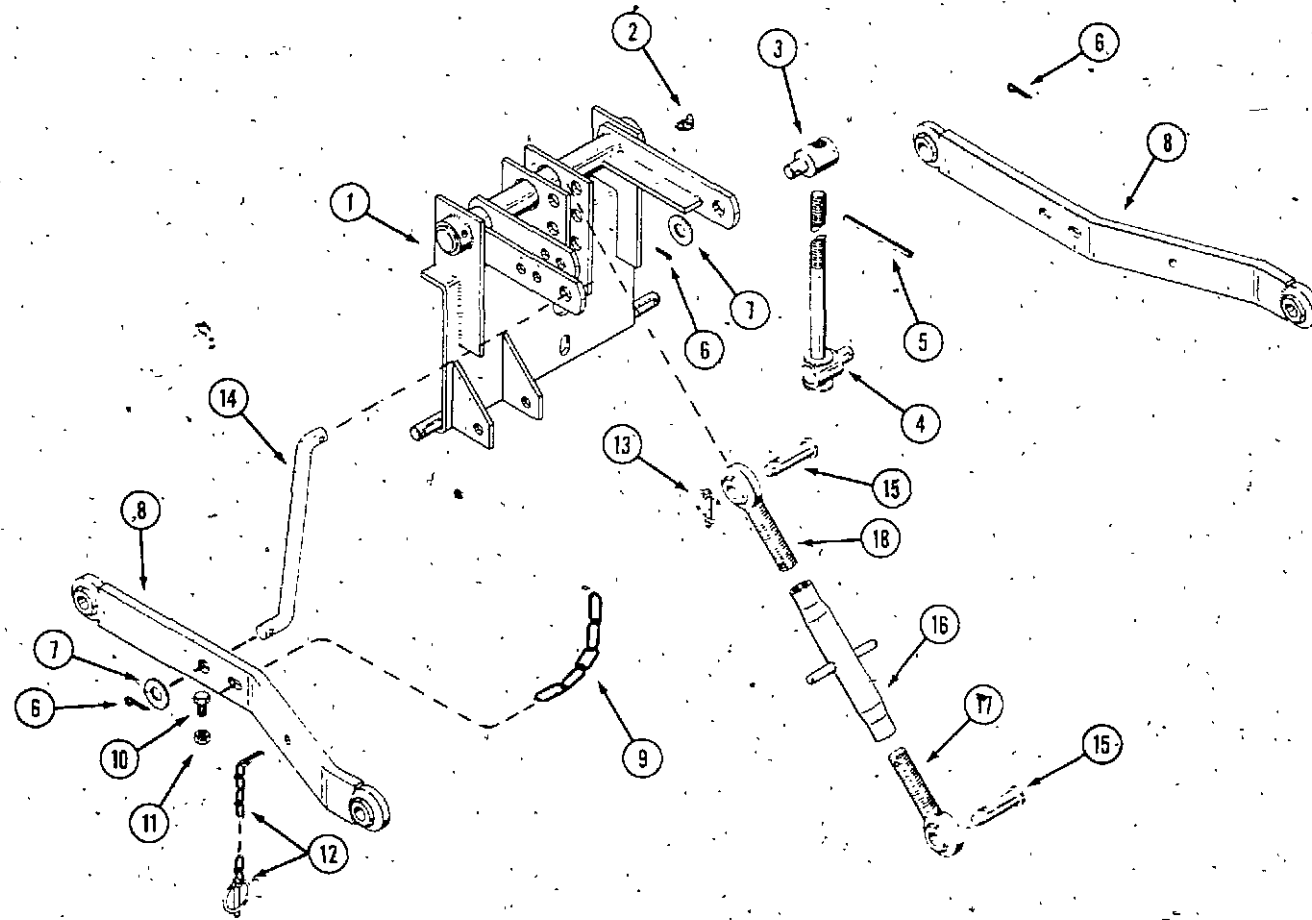




**MODEL J30-HYDRAULIC LIFT**

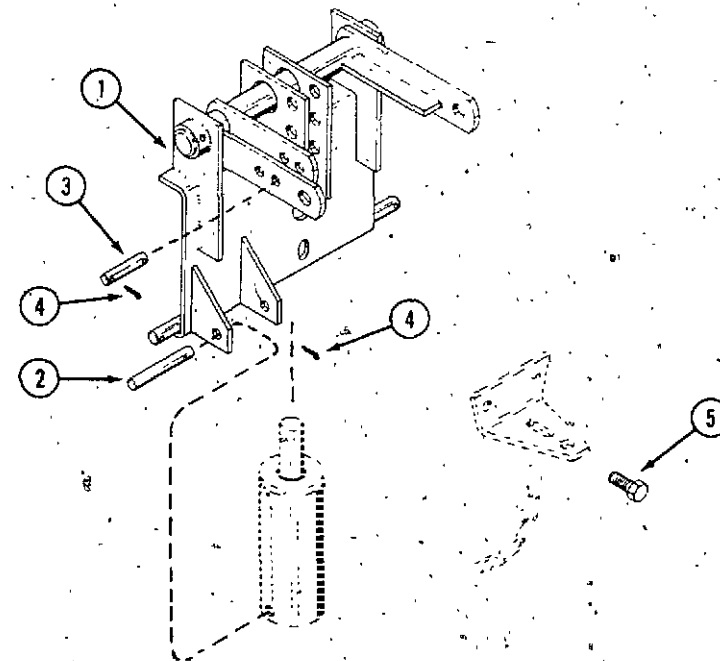
REF.	PART NO.	DESCRIPTION	REQ'D
1	C 19661	ROCKSHAFT ASSEMBLY - (444)	1
1	C 18808	ROCKSHAFT ASSEMBLY - (220, 222 and 224) shown	1
2	219- 404	FITTING - lube	1
3	C 18251	PIN - cylinder to lever	1
4	132- 310	PIN - cotter 1/8" x 1"	4
5	C 17734	HOSE - long	1
6	C 17249	BRACKET - mounting, top	2
7	C 17250	BRACKET - mounting, bottom	2
8	113- 207	BOLT - 3/8" x 1" N.C. hex	4
9	131- 1181	NUT - 3/8" N.C. hex	4
10	C 29408	LEVER - lift control	1
11	C 29045	KNOB - control lever	1
12	C 27593	BUSHING - lift lever	1
13	132- 320	PIN - cotter 3/32" x 3/4"	1
14	195- 533	WASHER - 1/2"	1
15	C 21518	WASHER - nylon	1
16	C 27822	SPRING - control lever	1
17	195- 521	WASHER - 5/16"	1
18	C 18742	ROD - control	1
19	129- 122	NUT - 5/16" N.F. hex	1
20	C 19025	BALL JOINT	1
21	113- 207	BOLT - 3/8" x 1" N.C. hex	2
22	131- 1181	LOCK NUT - 3/8" N.C. hex	2
23	195- 104	WASHER - 3/8" x 1-1/8" OD	2
24	C 33138	BRACKET - cylinder	1
25	C 26188	PIN - cylinder foot	1
26	C 27217	VALVE - hydraulic, 2 spool	1
27	218- 5056	FITTING - valve (includes 218-5004 "O" ring)	2
28	NSS	HOSE - short (use C31682, 218-1093)	1
29	NSS	CYLINDER - lift (order C27590, C30049)	1
	C 30054	KIT - seal	1
	C 13106	COVER - lube fitting	1

**J26 THREE POINT HITCH FRAME, LIFT RODS AND ARMS**



REF.	PART NO.	DESCRIPTION	REQ'D
1	C 19740	HITCH PLATE ASSEMBLY	1
2	219- 405	FITTING - lube	2
	C 24447	ROD ASSEMBLY - lift R.H.	1
3	G 14722	NUT - lift rod	1
4	C 14724	ROD ASSEMBLY - R.H. lift	1
5	138- 308	PIN - roll 1/4" x 3"	1
6	132- 91	PIN - cotter 3/16" x 1"	6
7	195- 541	WASHER - plain 5/8"	4
8	C 14715	ARM - lift	2
9	C 14991	CHAIN - stay 19 links	1
10	113- 118	BOLT - 5/16" x 5/8" hex, zinc plated	2
11	131- 176	NUT - lock 5/16" N.C. hex	2
12	C 28985	PIN - klik	2
13	C 28222	PIN - klik	3
14	C 14725	ROD - lift L.H.	1
15	C 14717	PIN - clevis	2
	C 14712	LINK ASSEMBLY	1
16	C 14703	CENTER TUBE ASSEMBLY	1
17	C 14709	BALL END ASSEMBLY - R.H. thread	1
18	C 32427	BALL END ASSEMBLY - L.H. thread	1

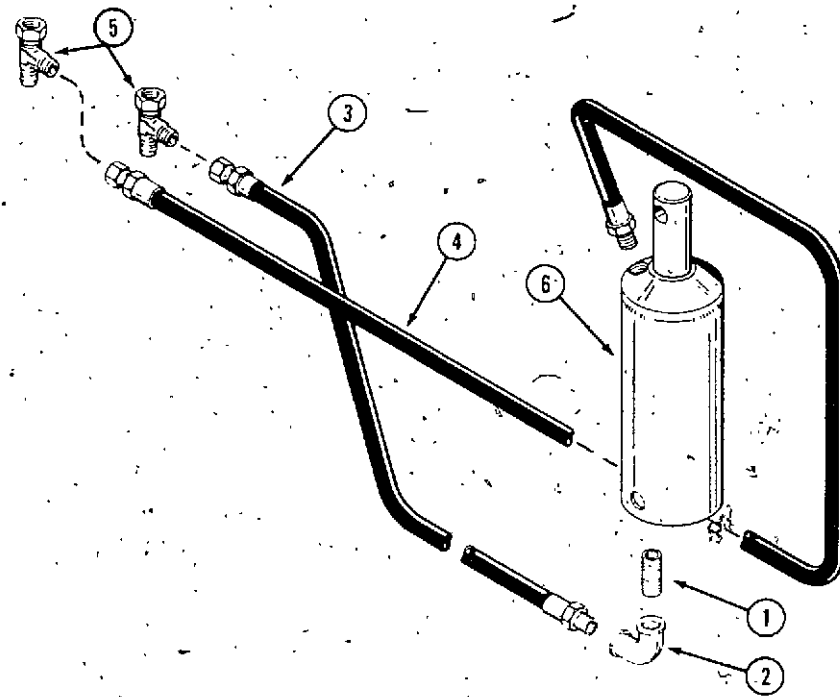
**J26 THREE POINT HITCH CYLINDER AND DRAWBAR MOUNTING**



REF.	PART NO.	DESCRIPTION	REQ'D
1	C 19740	HITCH PLATE ASSEMBLY	1
2	C 26188	PIN - lower cylinder mounting	1
3	C 14976	PIN - upper cylinder mounting	1
4	132- 310	PIN - cotter 1/8" x 1"	3
5	113- 417	BOLT - 1/2" x 1-1/4" N.C. hex, zinc plated	2



**J26 THREE POINT HITCH AND  
HYDRAULIC CONNECTIONS AND COMPONENTS**



REF.	PART NO.	DESCRIPTION	REQ'D
1	221- 1139	NIPPLE - 1/4" x 3"	1
2	221- 1375	ELBOW - 90°	1
3	C 25369	HOSE - hydraulic short	1
4	C 25368	HOSE - hydraulic long	1
5	218- 5479	FITTING - tee, swivel	2
6	NSS	CYLINDER ASSEMBLY - (order C26494 and C30049)	1
	C 30054	KIT - seal, cylinder	1

**MODEL F-27 HITCH ADAPTER**

REF.	PART NO.	DESCRIPTION	REQ'D
1	NSS	BRACKET - hitch adapter (order as machinery item)	1
2	C 14568	PIN - drawbar	1
3	113- 476	BOLT - 1/2" x 2-3/4" N.C. hex, zinc plated	2
4	129- 105	NUT - 1/2" - 13	2

