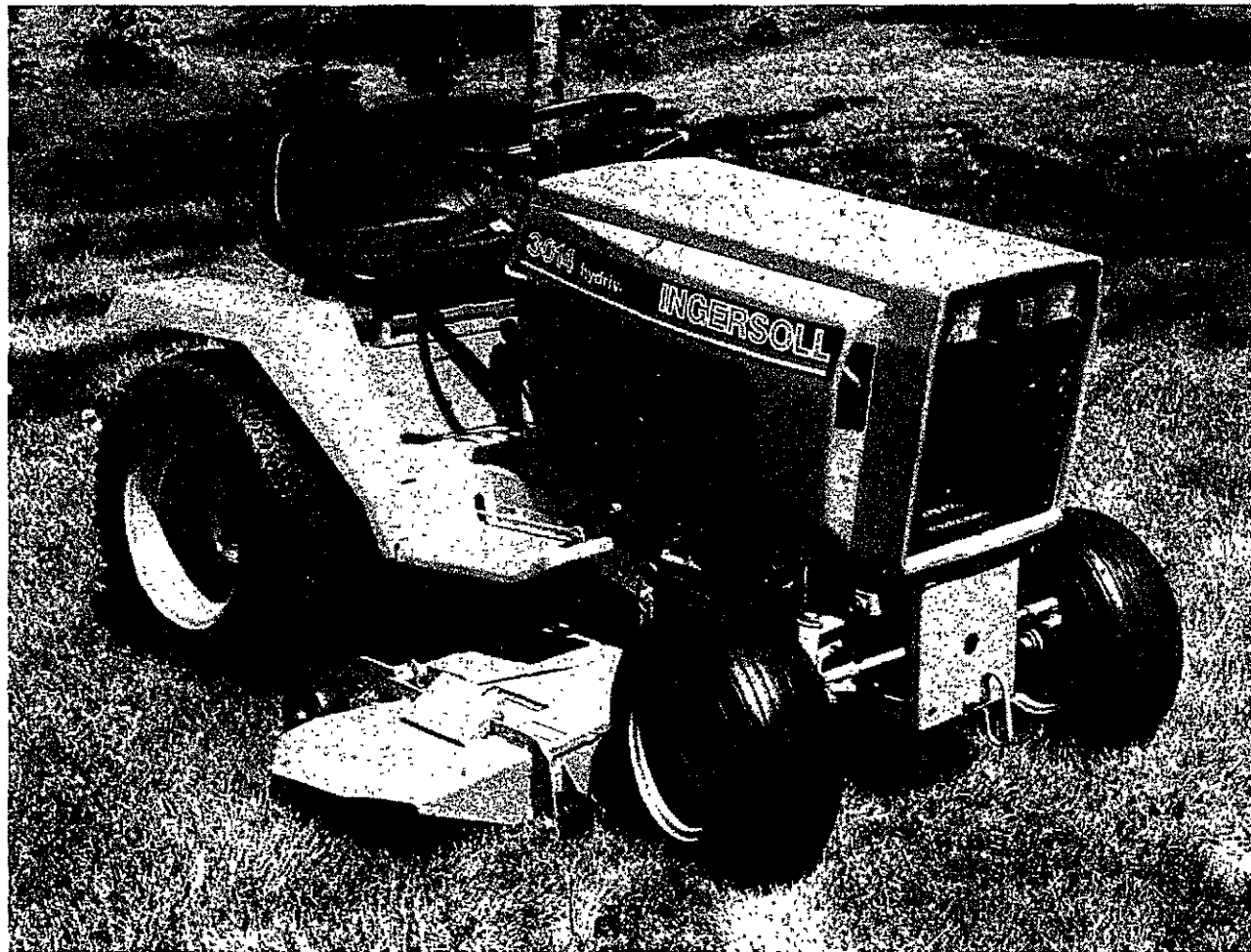


**COMPACT TRACTORS**  
**3010, 4014 - ALL**  
**3012 Before PIN 14145700**  
**3014 Before PIN 14146700**  
**Parts Catalog 8-3031**

8-91-RP-500-316



**ALPHABETICAL INDEX**

**ENGINE SECTION**

	Page	Grid		Page	Grid
Air Cleaner .....	17	B6	Flywheel .....	9	A12
Battery .....	57	E4	Fuel Pump .....	17	B6
Breather, Crankcase .....	25	B14	Fuel System .....	17	B6
Camshaft .....	7	A10	Gasket Kits .....	5	A8
Carburetor .....	19	B8	Governor .....	21	B10
Choke Linkage .....	21	B10	Muffler .....	23	B12
Connecting Rod .....	11	A11	Oil Fill Tube .....	9	A12
Crankshaft .....	9	A12	Oil Pan .....	5	A8
Cylinder Block .....	5	A8	Piston .....	11-13-15	A14-B2-B4
Cylinder Head .....	5	A8	PTO Clutch .....	27	C2
Electrical System .....	55-59	E2-E6	Shrouds .....	25	B14
Engine Block & Attaching Parts .....	5	A8	Spark Plug .....	57	E4
Exhaust System .....	23	B12	Starter .....	55	E2
Filter, Breather .....	25	B14	Tank, Fuel .....	17	B6
Filter, Fuel .....	17	B6	Throttle Linkage .....	21	B10
			Valves .....	7	A10

**BASIC TRACTOR SECTION**

	Page	Grid		Page	Grid
Axle, Front .....	37	C12	Hydraulics .....	43	D4
Axle, Rear .....	41	D2	Adapter, Pump Drive .....	49	D10
Baffles & Shrouds .....	25	B14	Hoses, Lines & Fittings .....	43-53	D4-D14
Brakes .....	39	C14	Motor, Hydraulic Drive .....	47	D8
Control, Speed .....	51	D12	Pump .....	49	D10
Decals .....	61	E8	Valve, Control .....	45	D6
Electrical System .....	55-59	E2-E6	Linkage, Valve Control .....	51	D12
F27 Three Point Hitch Adapter .....	69	F2	Hydraulic Lift .....	53	D14
Fenders .....	33	C8	PTO (Hydraulic) .....	63	E10
Frame .....	29	C4	Instruments .....	57	E4
Grille .....	31	C6	K22 and K24 Sleeve Hitch .....	65	E12
H13 Weight Box .....	71	F4	L11 Counterweight Kit .....	69	F2
H18 Counterweight Brackets .....	71	F4	Mounts, Engine .....	23	B12
HH34 Three Point Hitch .....	67	E14	Mounts, Heat Exchanger .....	43	D4
HP30, HP40 Hydraulic PTO .....	63	E10	PTO Clutch (electric) .....	27	C2
Hitch .....	47	D8	Reflector, rear .....	33	C8
Hood .....	31	C6	Seat, Operator's .....	33	C8
HFC 34 Flow Control .....	75	F8	Steering Wheel & Gear .....	35	C10
			Tool Box .....	33	C8
			Transmission .....	41	D2
			Wheels, Front & Rear .....	39	C14
			WW30, WW40 Wheel Weights .....	73	F6

## GENERAL INFORMATION

### INDEX

There is an index at the front and rear of this catalog.

The front index is an alphabetical index of the major groups or assemblies.

The rear index is a numerical index of the part numbers and pages on which these numbers are shown.

### ILLUSTRATION

Each illustration in this catalog shows a group of parts or components. These parts and components are aligned approximately as the parts and components on your machine. Each part and component in an illustration has a reference number. These reference numbers are in a list on the page opposite of the illustration. Next to the reference number is the part number, description and required quantity of the part shown in the illustration.

UAR - "Use as required" indicates that the part quantity is variable.

NSS - "Not sold separately" indicates that the part is only available as a component of an assembly or the part must be purchased locally. If the part is an assembly component, the description will be indented under the assembly description in the parts list.

O/L - "Obtain locally"

\*\* - "Footnotes" are added to a part number when more information is needed for identification. They only relate to the part numbers indicated.

### PARTS ORDERS

All orders must include the following information:

1. Correct part number.
2. Complete description of part or component.
3. Total quantity of each part or component.
4. Product model number.
5. All necessary product identification numbers.
6. Method for sending the parts.
7. Complete and correct address.

### CATALOG REVISIONS

As the product changes, new pages will be available for your catalog. A notice will be issued.

**IMPORTANT:** Put all revisions into the catalog as soon as possible.

### RIGHT HAND AND LEFT HAND IDENTIFICATION

The words right hand (RH) and left hand (LH) as used in this catalog indicate the direction while you are in the operator's seat in the normal operating position.

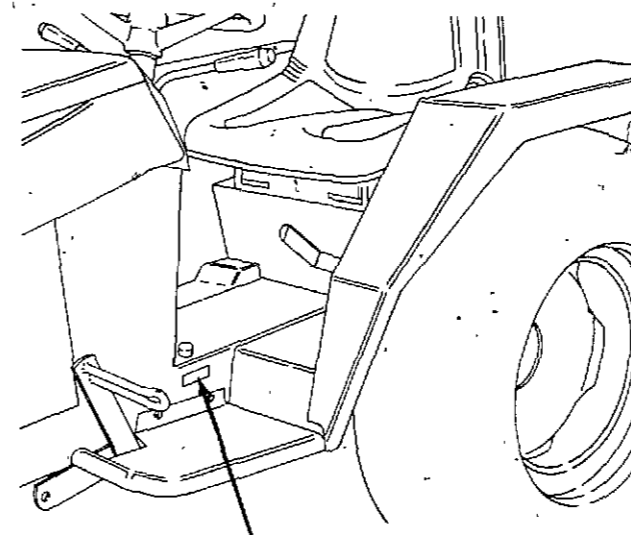
### INDENTED DESCRIPTIONS

An assembly can have many components. The components of an assembly are indicated by an indented description. The quantity for an indented part is the total needed for that complete assembly. See the example.

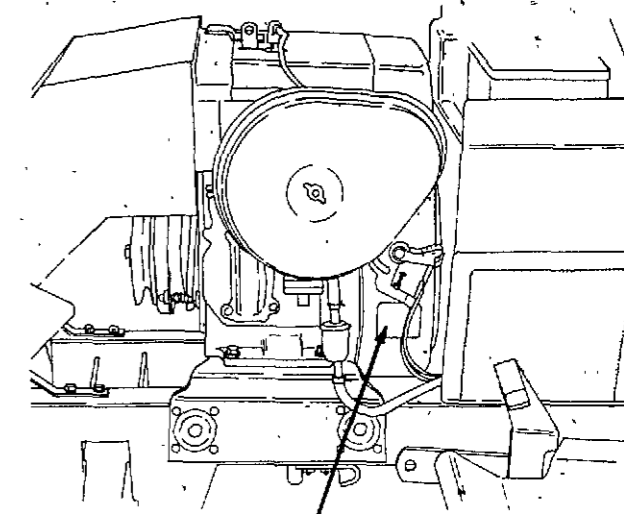
REF.	PART NO.	DESCRIPTION	REQ'D
	C 55159	CYLINDER ASSY - rear steering .....	1
28	C 56208	SOCKET ASSY - rear cylinder .....	1
29	C 55956	PLUG - adjusting, socket assy .....	1
30	C 55957	SEAT - socket ball .....	2
31	C 56210	SPRING - socket .....	1
32	C 56209	SEAT - socket spring .....	1
33	G 45175	CLAMP ASSY - socket assy .....	1
	16- 836	BOLT - 1/2" x 2-1/4" N.F. hex .....	1
34	132- 104	PIN - cotter, 3/16" x 3" .....	1
35	C 55889	STUD - ball, socket & cylinder .....	2
36	13- 410	BOLT - 1/4" x 5/8" N.C., hex .....	4
37	92- 4	LOCK WASHER - 1/4" SAE .....	4

## MODEL 3010, 3012, 3014 and 4014 COMPACT TRACTORS

### PRODUCT IDENTIFICATION NUMBERS



TRACTOR MODEL AND SERIAL NUMBER



ENGINE MODEL, SERIAL AND SPECIFICATION NUMBERS

#### TRACTOR MODEL

3010

3012

3014, 4014

#### ENGINE MODEL

C32265  
KOHLER MODEL M10AQS  
Spec. No. 461509

C33239  
KOHLER MODEL M12AQS  
Spec. No. 471514

C33240  
KOHLER MODEL M14AQS  
Spec. No. 601513

**NOTE:** In this catalog there are references to serial numbers. To order the correct part use these serial numbers as a guide.

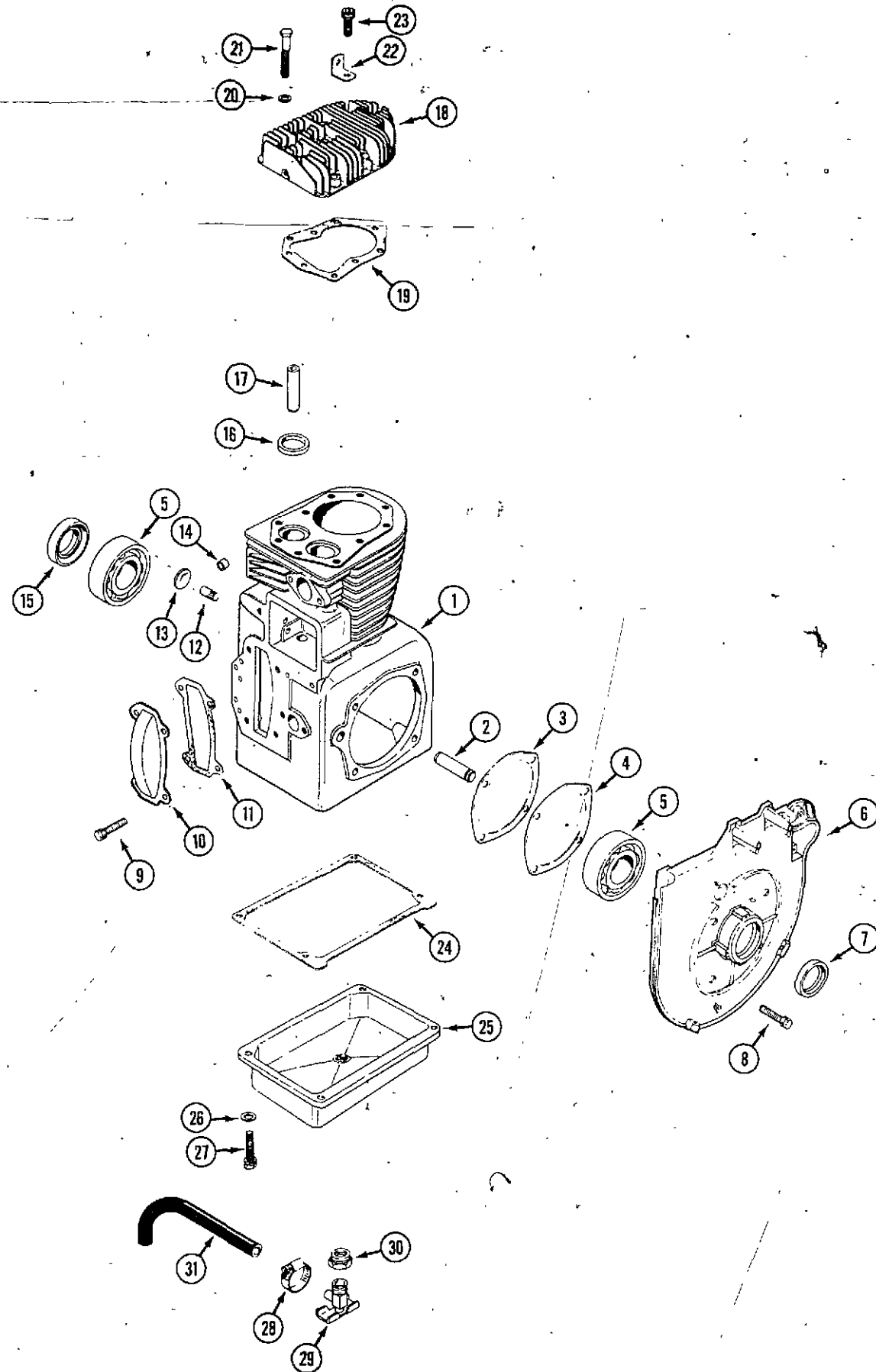
PAINT AND OIL

REF.	PART NO.	DESCRIPTION	REQ'D
		PAINT	
1	C 28849	BLACK - semi - gloss, 12 oz spray (2 per carton) .....	1
2	C 28850	BLACK - semi - gloss, quart (2 per carton) .....	1
3	C 28851	BLACK - semi - gloss, heat resistant, 12 oz spray (2 per carton) .....	1
4	C 28484	POWER RED - gloss, 12 oz spray (2 per carton) .....	1
5	C 28485	POWER RED - gloss, quart (2 per carton) .....	1
6	C 30870	SILVER - gloss, 12 oz. spray (2 per carton) .....	1
7	C 31643	POWER RED - gloss, 1 oz touch up, (1 doz. per carton) .....	1
		OIL	
1	C 32776	OIL - SAE 30, SF, quart (12 per case) .....	1
2	C 32777	OIL - SAE 5W20, SF, quart (12 per case) .....	1
3	C 32778	OIL - SAE 20W40, SF, quart (12 per case) .....	1

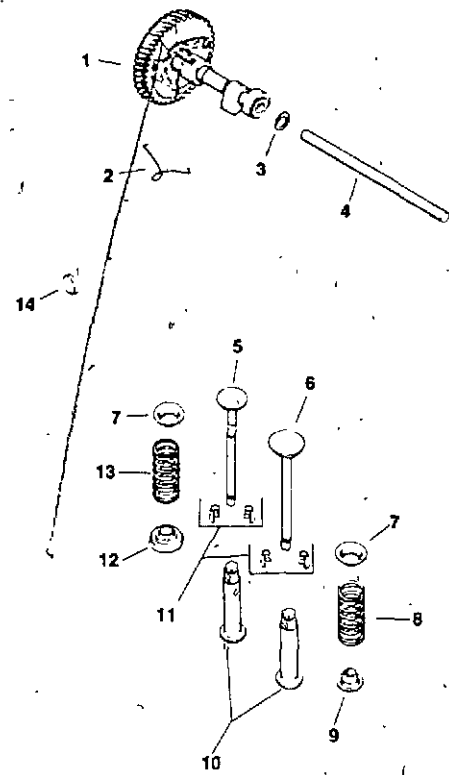
**INGERSOLL**  
Ingersoll Equipment Co., Inc.

**CYLINDER BLOCK, HEAD AND OIL PAN**

NOTE: For Complete Engine See Page 1



REF.	PART NO.	DESCRIPTION	REQ'D
	C 33016	BLOCK ASSEMBLY - cylinder, short (3010) (Includes crankshaft, piston assembly, ring set, crankshaft seals, rod assembly, camshaft assembly, valves, bearings, plate and plate gasket, governor gear assembly and cross shaft) (also includes gaskets)	1
	C 33017	BLOCK ASSEMBLY - cylinder, short (3012) (Includes crankshaft, piston assembly, ring set, crankshaft seals, rod assembly, camshaft assembly, valves, bearings, plate and plate gasket, governor gear assembly and cross shaft) (also includes gaskets)	1
	C 33018	BLOCK ASSEMBLY - cylinder, short (3014, 4014) (Includes crankshaft, piston assembly, ring set, crankshaft seals, rod assembly, camshaft assembly, valves, bearings, plate and plate gasket, governor gear assembly and cross shaft) (also includes gaskets)	1
1	NSS	BLOCK - cylinder, bare	1
2	KO 236559	SHAFT - balance gear stub	2
3	C 32888	GASKET - shim	UAR
4	C 32889	GASKET - bearing plate	1
5	C 28669	BEARING - ball	2
6	C 32890	PLATE - bearing	1
7	C 32891	SEAL - front oil	1
8	113- 207	SCREW - 3/8" - 16 x 1"	4
9	NSS	SCREW - 1/4" - 20 x 1/2" (use 113-1 & 192-19)	4
10	KO 235026	COVER - camshaft	1
11	KO 235025	GASKET - camshaft cover	1
12	KO235125-S	SHAFT - governor gear	1
13	41- 18	PLUG - expansion	1
14	C 28691	BEARING - governor cross shaft	1
15	C 28678	SEAL - rear oil	1
16	KO 230170	INSERT - exhaust seat (3010, 3012)	1
16	KO 230265	INSERT - valve seat (3014, 4014)	2
17	KO235007 S	GUIDE - valve	2
18	C 32898	HEAD - cylinder (3010)	1
18	C 32899	HEAD - cylinder (3012, 3014, 4014)	1
19	C 30482	GASKET - head	1
20	KO 270889	WASHER - 3/8"	9
21	KO 270158	BOLT - head 3/8" - 16 x 1-1/2"	8
22	KO 235748	STRAP - lifting	1
23	C 32901	SCREW - socket head 3/8" - 16 x 1"	1
24	C 32953	GASKET - oil pan	1
25	C 32954	PAN - oil	1
26	195- 103	WASHER - 3/8"	4
27	113- 207	BOLT - 3/8" - 16 x 1"	4
28	C 32376	CLAMP - hose 5/8"	1
29	C 32331	VALVE - oil drain	1
30	221- 86	REDUCER - pipe 3/8" to 1/4"	1
31	C 32333	HOSE - oil drain	1
	C 32829	KIT - gasket and seal	1

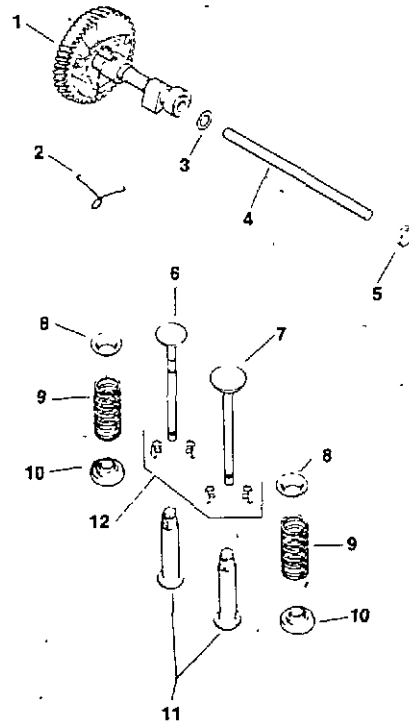


**CAMSHAFT AND VALVES (3010, 3012)**

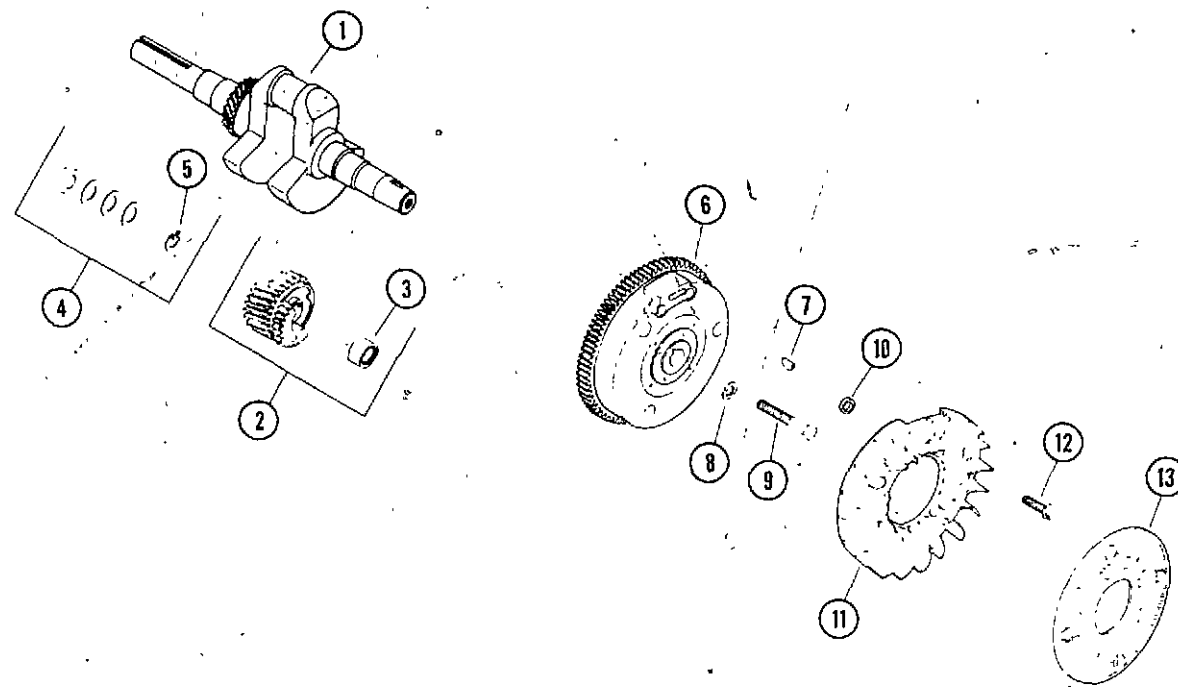
REF.	PART NO.	DESCRIPTION	REQ'D
1	C 32803	CAMSHAFT ASSEMBLY	1
2	C 28680	SPRING - actuating	1
3	KO 275066	SPACER - .005"	UAR
3	KO 275067	SPACER - .010"	UAR
4	C 30487	PIN - camshaft	1
5	KO 235838	VALVE - exhaust	1
6	KO 235008	VALVE - intake	1
7	KO 235011	RETAINER - upper spring	2
8	KO 235010	SPRING - intake valve	1
9	KO 230011	RETAINER - spring	1
10	KOD 235327	TAPPET - valve	2
11	C 24884	KIT - retainer	2
12	KO 230020	ROTATOR - valve	1
13	KO 235168	SPRING - exhaust valve	1
14	C 32849	PLUG - cup 1/2" O.D.	1

**CAMSHAFT AND VALVES (3014, 4014)**

1	C 32803	CAMSHAFT ASSEMBLY	1
2	C 28680	SPRING - actuating	1
3	KO 275066	SPACER - .005"	UAR
3	KO 275067	SPACER - .010"	UAR
4	C 30487	PIN - camshaft	1
5	C 32849	PLUG - cup 1/2" O.D.	1
6	KO 237672	VALVE - exhaust	1
7	KO 235582	VALVE - intake	1
8	KO 235011	RETAINER - upper spring	2
9	KO 235168	SPRING - valve	2
10	KO 230020	ROTATOR - valve	2
11	KOD 235327	TAPPET - valve	2
12	C 24884	KIT - retainer	2



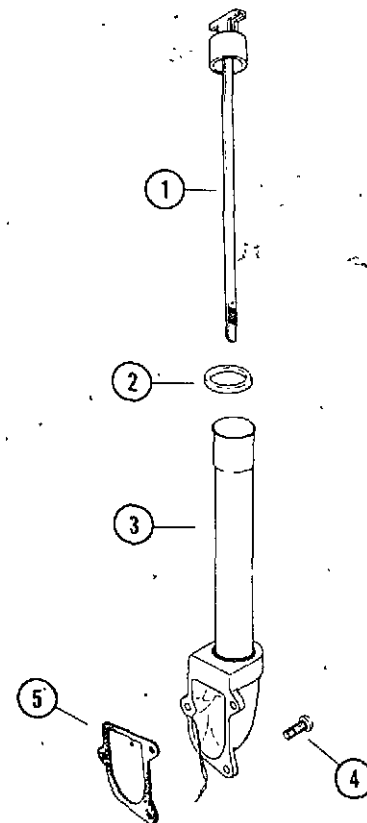
**CRANKSHAFT AND FLYWHEEL**



REF.	PART NO.	DESCRIPTION	REQ'D
1	C 32892	KIT - crankshaft (3010)	1
1	C 32893	KIT - crankshaft (2012)	1
1	C 32894	KIT - crankshaft (3014, 4014)	1
2	KOA 236507	GEAR ASSEMBLY - ballance	2
3	C 32896	BEARING - needle	2
4	C 22754	KIT - spacer	1
5	C 32897	RETAINER	2
6	C 32914	FLYWHEEL	1
7	126- 22	KEY - woodruff 3/16" x 1"	1
8	C 32917	WASHER - 13/32" x 1-3/8"	1
9	28- 620	BOLT - 3/8" - 24 x 1-1/8"	1
10	C 32919	SPACER	4
11	C 32920	FAN - blower	1
12	121- 21	SCREW - 1/4" - 20 x 1/2"	4
13	C 32921	SCREEN - grass	1

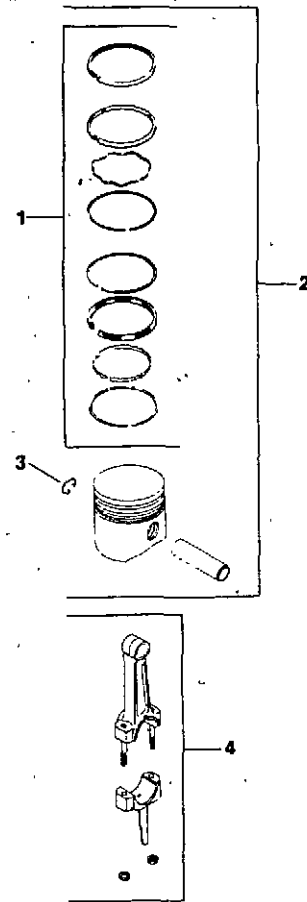
**OIL FILL TUBE**

1	C 32902	DIPSTICK - oil	1
2	C 32903	"O" RING	1
3	C 32904	TUBE - oil fill adapter	1
4	182- 552	SCREW - #10 - 24 x 1/2"	3
5	KO 237064	GASKET - oil fill tube	1



**RINGS, PISTON AND CONNECTING ROD**

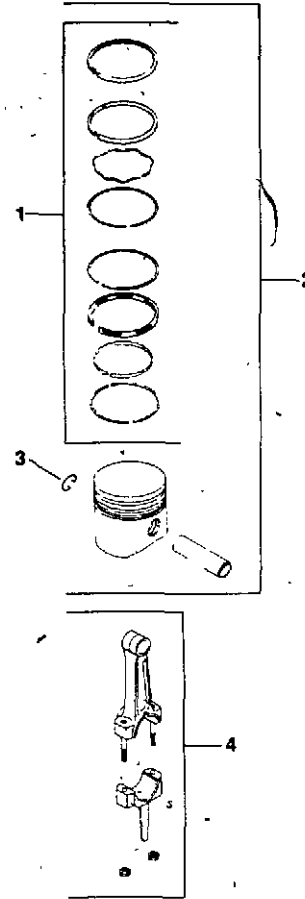
**For Model 3010**



REF.	PART NO.	DESCRIPTION	REQ'D
1	KO 235287	RING SET - standard	1
1	KO 235288	RING SET - .010" (0.25 mm) oversize	1
1	KO 235289	RING SET - .020" (0.51 mm) oversize	1
1	KO 235290	RING SET - .030" (0.76 mm) oversize	1
2	C 29516	PISTON ASSEMBLY - includes rings (standard)	1
2	C 29517	PISTON ASSEMBLY - includes rings .003" (0.08 mm) oversize	1
2	C 29518	PISTON ASSEMBLY - includes rings .010" (0.25 mm) oversize	1
2	C 29519	PISTON ASSEMBLY - includes rings .020" (0.51 mm) oversize	1
2	C 29520	PISTON ASSEMBLY - includes rings .030" (0.76 mm) oversize	1
3	KO 235004	RETAINER - piston pin	2
4	C 30484	CONNECTING ROD ASSEMBLY - standard	1
4	C 18101	CONNECTING ROD ASSEMBLY - .010" (0.25 mm) undersize	1

**RINGS, PISTON AND CONNECTING ROD  
For Model 3012**

(Use Before Engine Serial Number 1730100013)

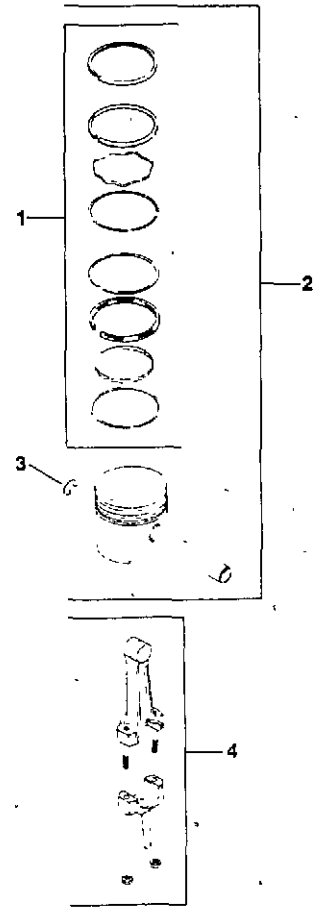


REF.	PART NO.	DESCRIPTION	REQ'D
1	KO 235889	RING SET - standard	1
1	KO 235890	RING SET - .010" (0.25 mm) oversize	1
1	KO 235891	RING SET - .020" (0.51 mm) oversize	1
1	KO 235892	RING SET - .030" (0.76 mm) oversize	1
2	C 29521	PISTON ASSEMBLY - includes rings (standard)	1
2	C 29522	PISTON ASSEMBLY - includes rings .003" (0.08 mm) oversize	1
2	C 29523	PISTON ASSEMBLY - includes rings .010" (0.25 mm) oversize	1
2	C 29524	PISTON ASSEMBLY - includes rings .020" (0.51 mm) oversize	1
2	C 29525	PISTON ASSEMBLY - includes rings .030" (0.76 mm) oversize	1
3	KO 235004	RETAINER - piston pin	2
4	C 30483	CONNECTING ROD ASSEMBLY - standard	1
4	C 23135	CONNECTING ROD ASSEMBLY - .010" (0.25 mm) undersize	1

(Use After Engine Serial Number 1729900003)

1	C 32817	RING SET - standard	1
1	C 32818	RING SET - .010" (0.25 mm) oversize	1
1	C 32819	RING SET - .020" (0.51 mm) oversize	1
1	C 32820	RING SET - .030" (0.76 mm) oversize	1
2	C 32834	PISTON ASSEMBLY - includes rings (standard)	1
2	C 32835	PISTON ASSEMBLY - includes rings .003" (0.08 mm) oversize	1
2	C 32836	PISTON ASSEMBLY - includes rings .010" (0.25 mm) oversize	1
2	C 32837	PISTON ASSEMBLY - includes rings .020" (0.51 mm) oversize	1
2	C 32838	PISTON ASSEMBLY - includes rings .030" (0.76 mm) oversize	1
3	KO 235004	RETAINER - piston pin	2
4	C 32800	CONNECTING ROD ASSEMBLY - standard	1
4	C 32801	CONNECTING ROD ASSEMBLY - .010" (0.25 mm) undersize	1





**RINGS, PISTON AND CONNECTING ROD**

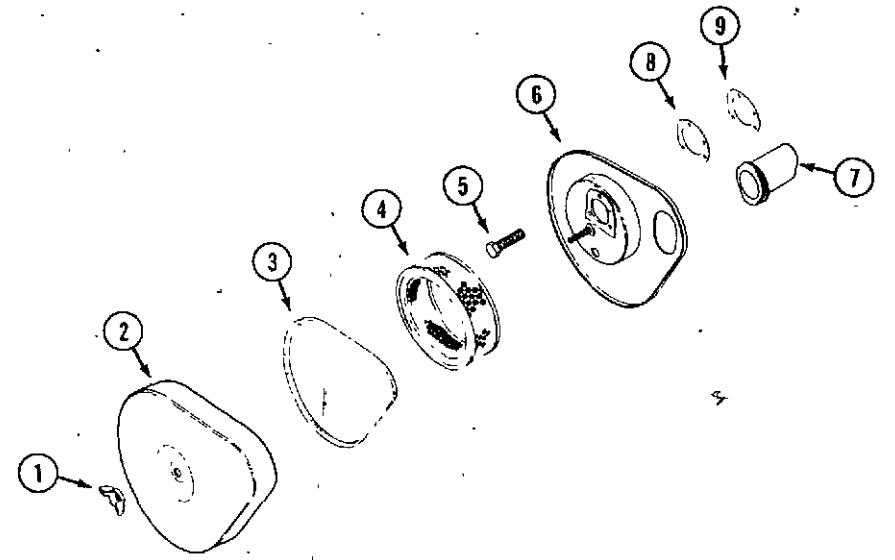
(For Model 3014 and 4014)

(Use Before Engine Serial Number 1822205133)

REF.	PART NO.	DESCRIPTION	REQ'D
1	C 32844	RING SET - standard	1
1	C 32845	RING SET - .010" (0.25 mm) oversize	1
1	C 32846	RING SET - .020" (0.51 mm) oversize	1
1	C 32847	RING SET - .030" (0.76 mm) oversize	1
2	C 29526	PISTON ASSEMBLY - includes rings (standard)	1
2	C 29527	PISTON ASSEMBLY - includes rings .003" (0.08") oversize	1
2	C 29528	PISTON ASSEMBLY - includes rings .010" (0.25 mm) oversize	1
2	C 29529	PISTON ASSEMBLY - includes rings .020" (0.51 mm) oversize	1
2	C 29530	PISTON ASSEMBLY - includes rings .030" (0.76 mm) oversize	1
3	KO 235004	RETAINER - piston pin	2
4	C 30483	CONNECTING ROD ASSEMBLY - standard	1
4	C 23135	CONNECTING ROD ASSEMBLY - .010" (0.25 mm) oversize	1

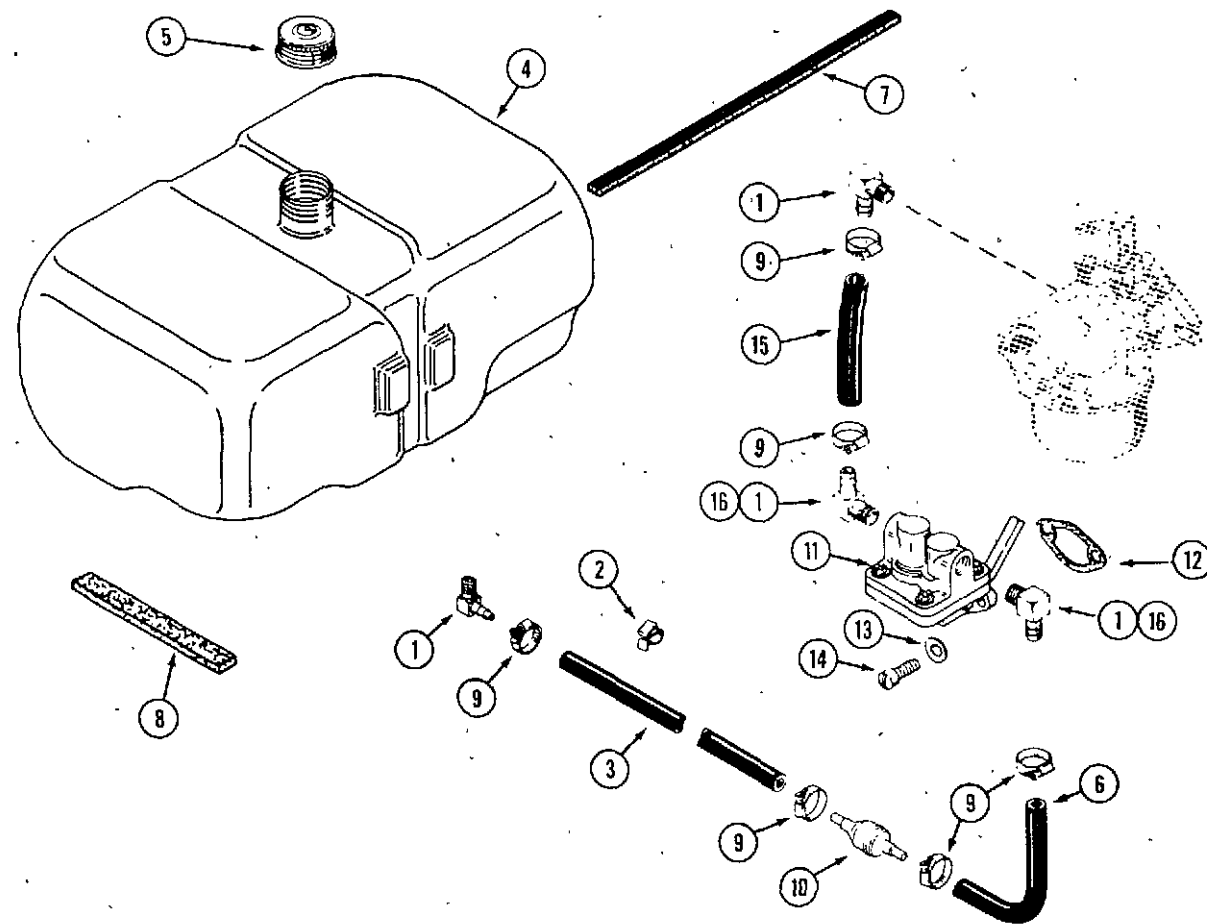
(Use After Engine Serial Number 1822205123)

1	C 32821	RING SET - standard	1
1	C 32822	RING SET - .010" (0.25 mm) oversize	1
1	C 32823	RING SET - .020" (0.51 mm) oversize	1
1	C 32824	RING SET - .030" (0.76 mm) oversize	1
2	C 32839	PISTON ASSEMBLY - includes rings (standard)	1
2	C 32840	PISTON ASSEMBLY - includes rings .003" (0.08 mm) oversize	1
2	C 32841	PISTON ASSEMBLY - includes rings .010" (0.25 mm) oversize	1
2	C 32842	PISTON ASSEMBLY - includes rings .020" (0.51 mm) oversize	1
2	C 32843	PISTON ASSEMBLY - includes rings .030" (0.76 mm) oversize	1
3	KO 235004	RETAINER - piston pin	2
4	C 32800	CONNECTING ROD ASSEMBLY - standard	1
4	C 32801	CONNECTING ROD ASSEMBLY - .010" (0.25 mm) undersize	1



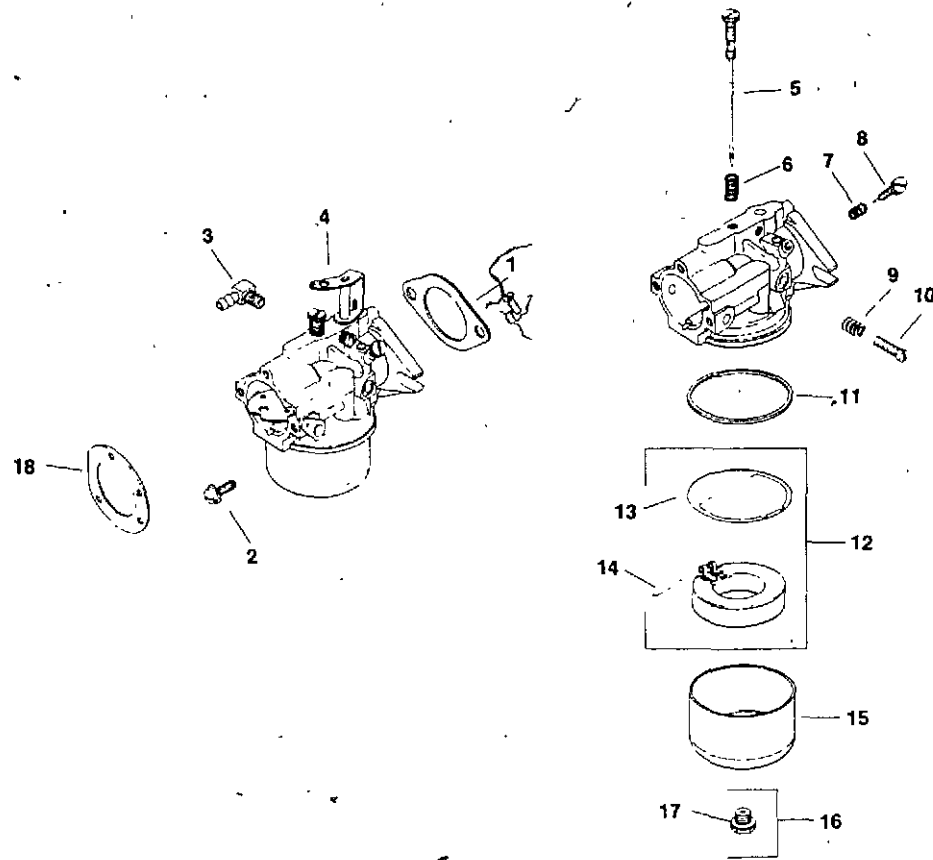
**AIR CLEANER**

REF.	PART NO.	DESCRIPTION	REQ'D
1	C 26703	NUT - wing 1/4" - 20	1
2	C 32812	COVER - air cleaner	1
3	C 32805	SEAL - cover	1
4	C 32813	ELEMENT - air cleaner	1
5	C 32814	SCREW - #10 - 32 x 15/16"	3
6	C 32815	BASE - air cleaner	1
7	C 32827	TUBE - air	1
8	C 32799	GASKET - air horn	2
9	C 32825	SPACER	1



**FUEL SYSTEM**

REF.	PART NO.	DESCRIPTION	REQ'D
1	C 10678	ELBOW - hose 90°	1
2	C 28962	RETAINER - fuel line	1
3	NSS	HOSE - fuel line (use C28937 cut to length)	1
4	C 28940	TANK - fuel	1
5	C 11529	CAP - fuel tank (includes insert)	1
6	NSS	HOSE - fuel line (use C28937 cut to length)	1
7	C 23527	LINER - tank	1
8	C 14690	CUSHION - fuel tank	2
9	C 32376	CLAMP - hose 1/2"	4
10	C 31978	FILTER - fuel	1
11	C 24851	PUMP - fuel (includes gasket & washers)	1
12	C 24887	GASKET - fuel pump	1
13	195- 518	WASHER - 1/4"	2
14	C 32923	SCREW - sems 1/4" - 20 x 3/4"	2
15	NSS	HOSE - fuel line (use C28937 cut to length)	1
16	C 34413	FITTING - 90°, fuel pump ("O" ring style)	2



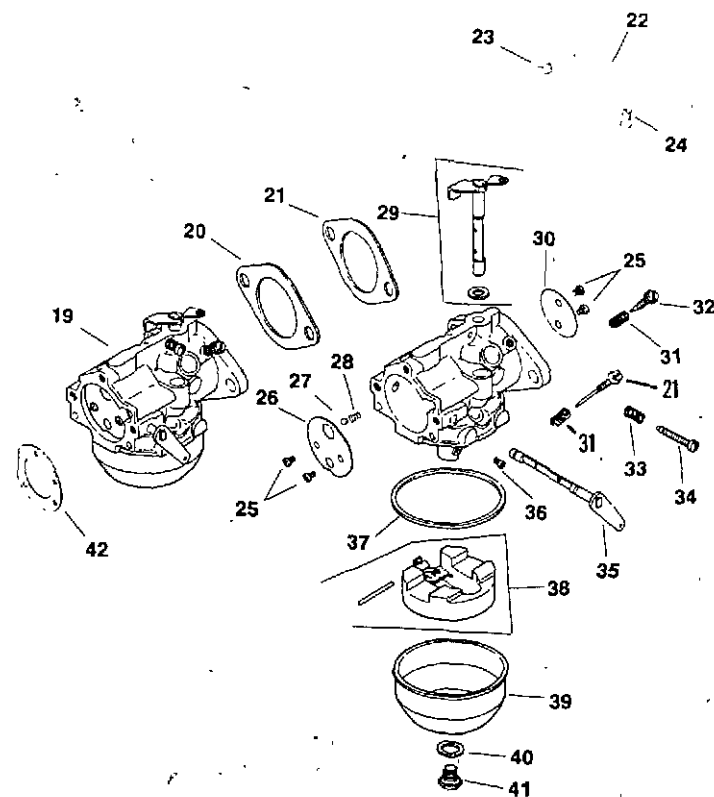
**KOHLER CARBURETOR**  
With Adjustable Main Fuel Jet

REF.	PART NO.	DESCRIPTION	REQ'D
1	C 23860	GASKET - carburetor mounting	1
2	NSS	SCREW - 5/16" - 18 x 1" (use 113-103 and 192-20)	2
3	C 10678	CONNECTOR - hose, 90°	1
4	NSS	CARBURETOR ASSEMBLY - 3010, 3012 (use C33215)	1
4	NSS	CARBURETOR ASSEMBLY - 3014, 4014 (use C33216)	1
5	C 28879	NEEDLE - main fuel adjust (3010, 3012)	1
5	C 24652	NEEDLE - main fuel adjust (3014, 4014)	1
6	KO 200383	SPRING - main fuel	1
7	A 72098	SPRING - idle fuel	1
8	C 28880	NEEDLE - idle fuel adjust (3010, 3012)	1
8	KO 275231	NEEDLE - idle fuel adjust (3014, 4014)	1
9	C 32853	SPRING - idle speed	1
10	C 32938	SCREW - idle speed adjust	1
11	NSS	GASKET - bowl (use C27278 kit)	1
12	C 27276	KIT - float	1
13	C 27277	GASKET - bowl baffle	1
14	C 28676	PIN - float	1
15	KO 235448	BOWL - fuel	1
16	C 26422	SCREW AND GASKET - bowl retaining	1
17	NSS	GASKET - bowl retaining screw	1
18	C 32799	GASKET - air cleaner	1
	C 27278	KIT - carburetor repair	1
	C 32856	KIT - choke and throttle repair	1

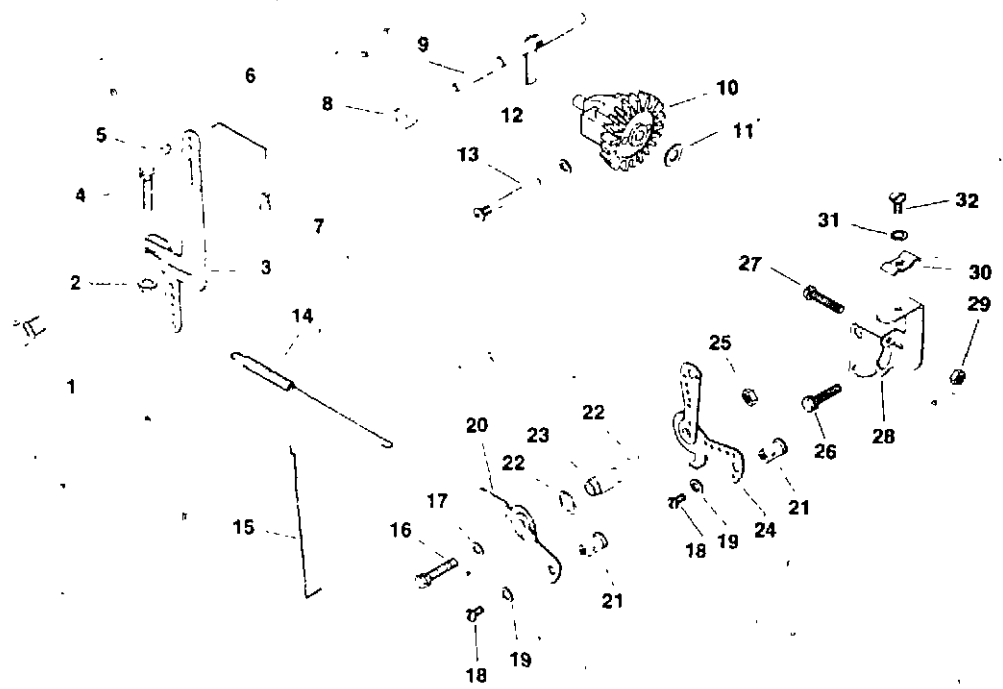
**WALBRO CARBURETOR**

With Fixed and Adjustable Main Fuel Jet

19	NSS	CARBURETOR ASSEMBLY - 3010, 3012 (use C33215)	1
19	NSS	CARBURETOR ASSEMBLY - 3014, 4014 (use C33216)	1
20	C 23860	GASKET - carburetor mounting	1
21	C 33310	NEEDLE - main fuel adjust	1
22	C 32859	LINKAGE - carburetor	1
23	C 32927	BUSHING - retaining (natural)	1
24	C 32925	BUSHING - retaining (yellow or black)	1
25	C 32862	SCREW - throttle and choke plate	4
26	C 32863	PLATE - choke (3010, 3012)	1
26	C 32864	PLATE - choke (3014, 4014)	1
27	C 32865	BALL - choke friction	1
28	C 32866	SPRING - choke friction	1
29	C 32867	SHAFT - throttle (includes lever and seal) 3010, 3012	1
29	C 32868	SHAFT - throttle (includes lever and seal) 3014, 4014	1
30	C 32869	PLATE - throttle (3010, 3012)	1
30	C 32870	PLATE - throttle (3014, 4014)	1
31	C 32871	SPRING - idle fuel	1
32	C 32872	NEEDLE - idle fuel adjust	1
33	C 32873	SPRING - idle speed	1
34	C 32874	SCREW - idle speed adjust	1
35	C 32875	LEVER - choke	1
36	C 32876	JET - main fuel, fixed (3010, 3012)	1
36	C 32877	JET - main fuel, fixed (3014, 4014)	1
37	C 32878	GASKET - bowl	1
38	C 32879	KIT - float	1
39	C 32880	BOWL - fuel	1
40	C 32881	GASKET - bowl retaining screw	1
41	C 32882	SCREW - bowl retaining	1
42	C 32799	GASKET - air cleaner	1
	C 34416	KIT - carburetor repair	1

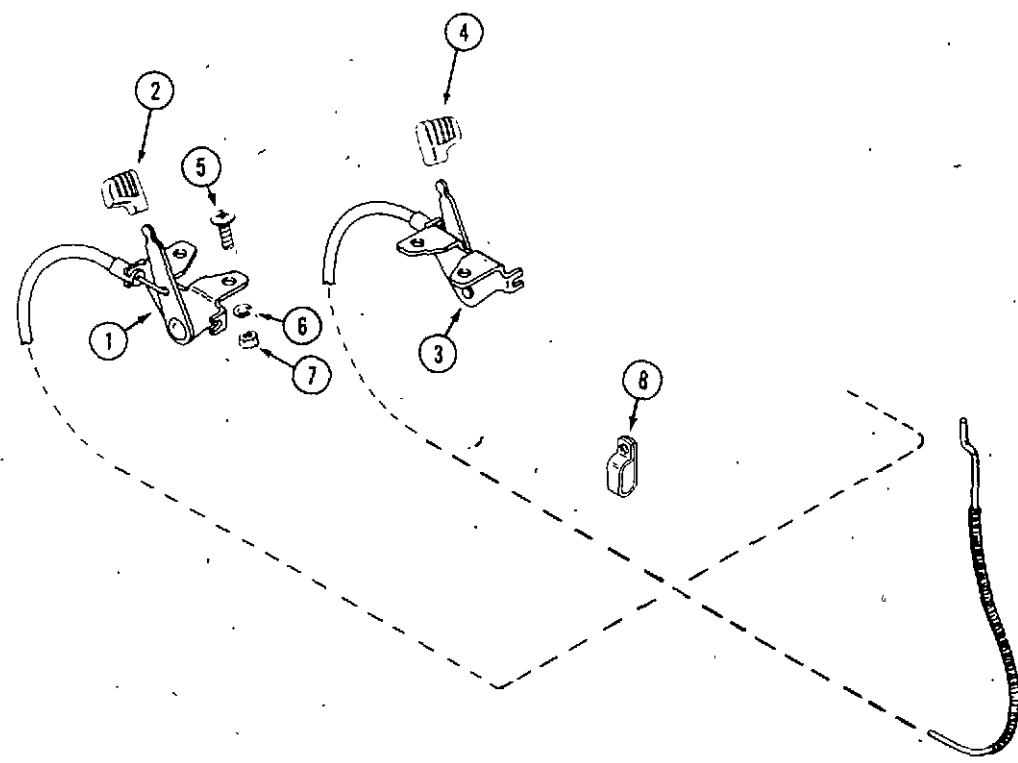


**GOVERNOR AND CHOKE LEVER**

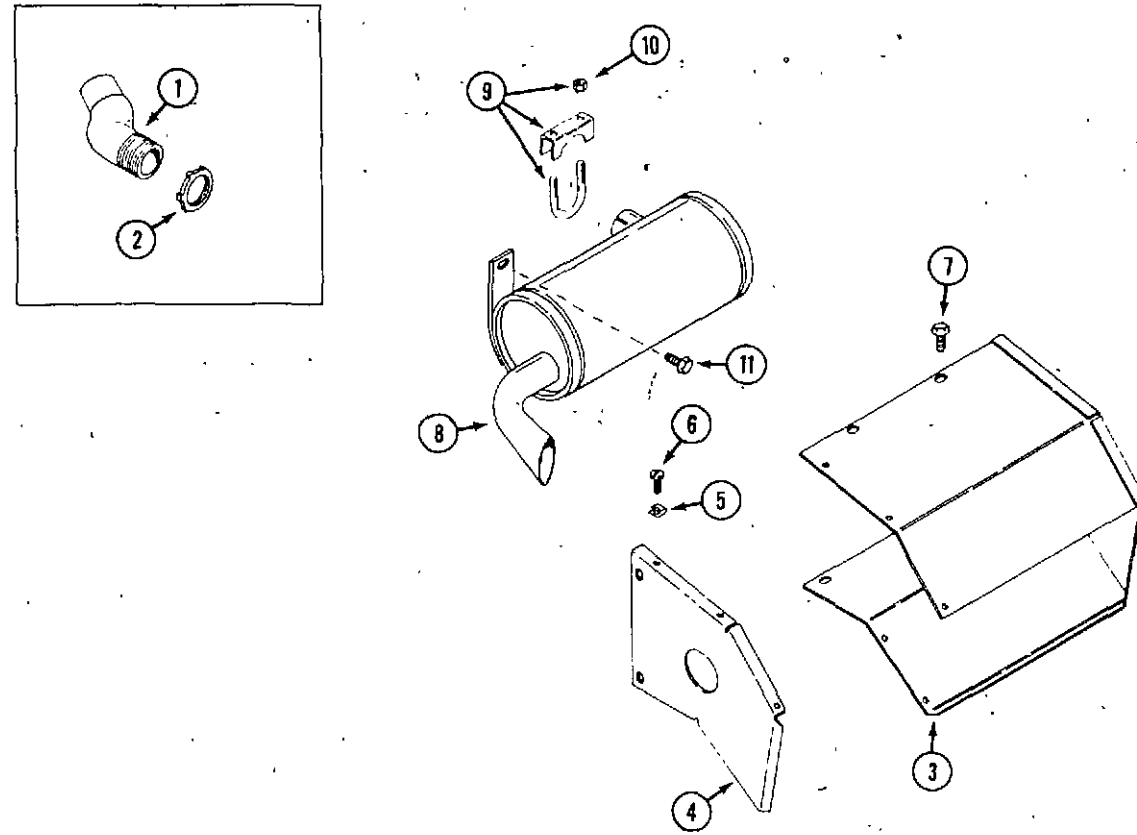


REF.	PART NO.	DESCRIPTION	REQ'D
1	KO 235476	BUSHING - governor	1
2	C 32850	PALNUT - 1/4" - 20	1
3	C 32924	LEVER - governor	1
4	113- 17	SCREW - 1/4" - 20 x 1-1/4"	1
5	C 32925	BUSHING - retaining (black)	1
6	C 32926	LINKAGE - governor	1
7	C 32927	BUSHING - retaining (natural)	1
8	C 28878	SPACER	1
9	C 23126	KIT - governor shaft	1
10	C 27274	KIT - governor gear	1
11	KO 237022	WASHER - thrust	1
12	C 32929	WASHER - 1/4"	1
13	C 28690	PIN - governor stop	1
14	C 32930	SPRING - governor	1
15	C 32931	LINKAGE - choke	1
16	113- 17	SCREW - 1/4" - 20 x 1-1/4"	1
17	195- 518	WASHER - 1/4"	1
18	NSS	SCREW #8 - 32 x 1/4" slotted panhead (use C32935 kit)	1
19	NSS	WASHER - 1/4" (use C32935 kit)	2
20	C 32934	LEVER - choke	1
21	C 32935	KIT - clamp (includes ref. 18, 19)	1
22	KO 275690	WASHER - wave	2
23	C 32936	SPACER	1
24	C 32937	LEVER - throttle	1
25	129- 101	NUT - hex 1/4" - 20	1
26	121- 21	SCREW - 1/4" - 20 x 1/2"	1
27	C 32938	SCREW	1
28	C 32939	BRACKET - control	1
29	C 32940	NUT - hex #8 - 32	1
30	C 32941	CLAMP - swivel	1
31	C 32942	WASHER	1
32	182- 559	SCREW - hex washer head #10 - 24 x 3/4"	1

**CHOKE AND THROTTLE**



1	C 33413	CONTROL - throttle	1
2	C 30073	HANDLE - throttle control, orange	1
3	C 31891	CONTROL - choke	1
4	C 30074	HANDLE - choke control, black	1
5	182- 559	BOLT - No. 10 - 24 x 3/4" Phillips, black	2
6	192- 18	LOCKWASHER - No. 10	2
7	129- 17	NUT - No. 10 - 24	2
8	C 33218	CLIP - cable	1

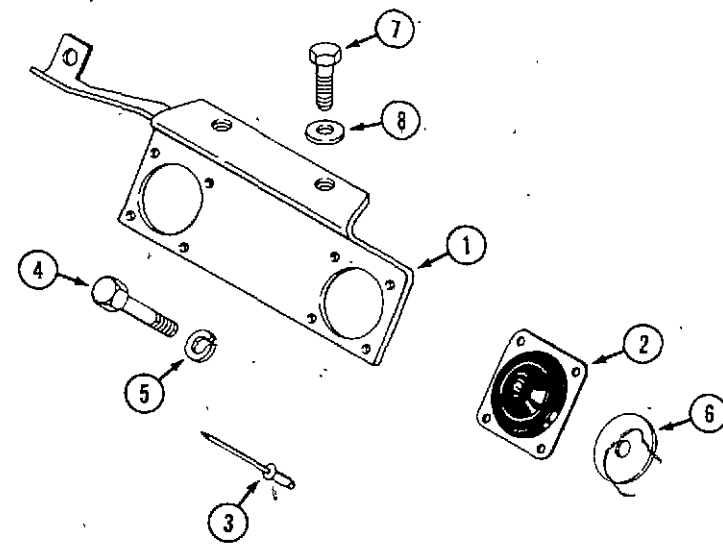


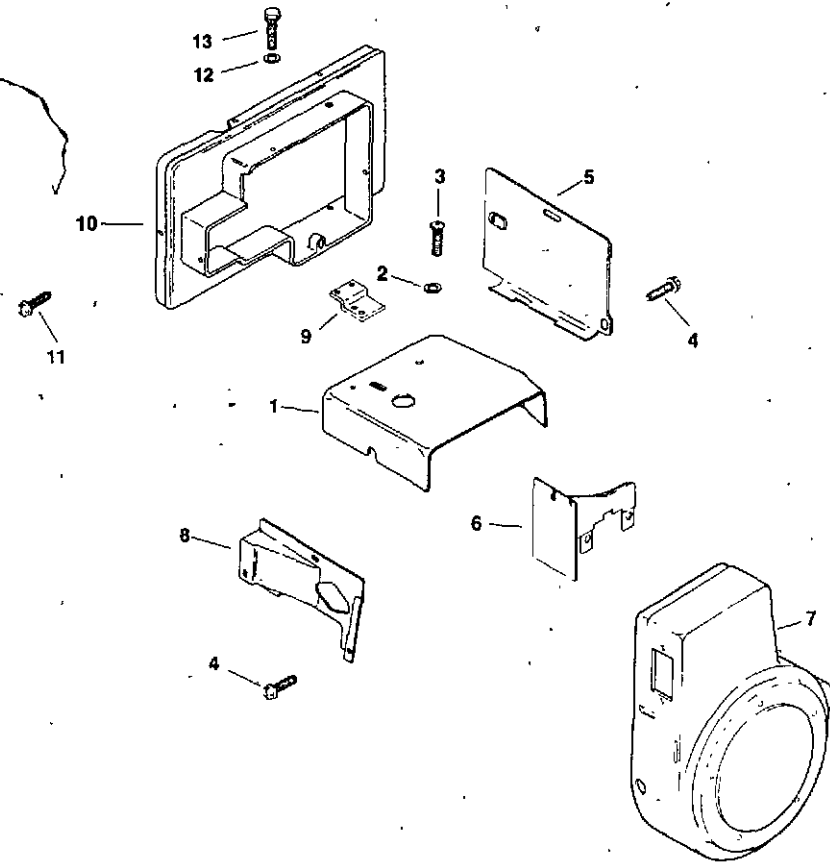
**EXHAUST SYSTEM**

REF.	PART NO.	DESCRIPTION	REQ'D
1	C 32915	ELBOW - exhaust	1
2	C 32916	NUT - lock	1
3	C 31360	SHIELD - muffer	1
4	C 31364	SHIELD - R.H.	1
5	C 31568	NUT - tinnerman #8 - 32	6
6	187- 1334	SCREW - #8 - 18 x 1/2"	6
7	121- 21	BOLT - 1/4" - 20 x 1/2" flange lock	8
8	NSS	MUFFLER - exhaust (use C33424)	1
9	C 31412	CLAMP - muffer	1
10	129- 102	NUT - 5/16" - 18	2
11	121- 106	BOLT - 5/16" - 18 x 1/2" flange lock	1
	C 33028	KIT - exhaust deflector (optional)	1
	121- 21	BOLT - 1/4" - 20 x 1/2"	1
	131- 934	NUT - 1/4" flange lock	1

**ENGINE MOUNTS**

1	C 31956	PLATE - engine mount R.H. (shown)	1
1	C 31666	PLATE - engine mount L.H.	1
2	C 32268	MOUNT - engine	4
3	NSS	RIVET - 3/16" x 7/16" (use 151-539)	16
4	113- 219	BOLT - 3/8" - 16 x 2"	4
5	192- 21	LOCKWASHER - 3/8"	4
6	C 25556	WASHER - snubbing	4
7	113- 208	BOLT - 3/8" - 16 x 1-1/4"	4
8	195- 525	WASHER - 3/8"	4



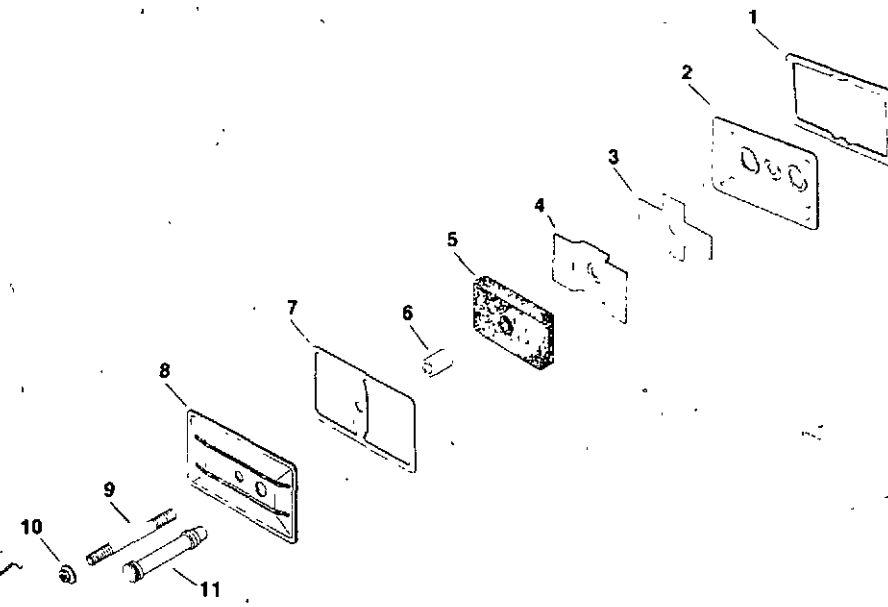


**BAFFLES AND SHROUDS**

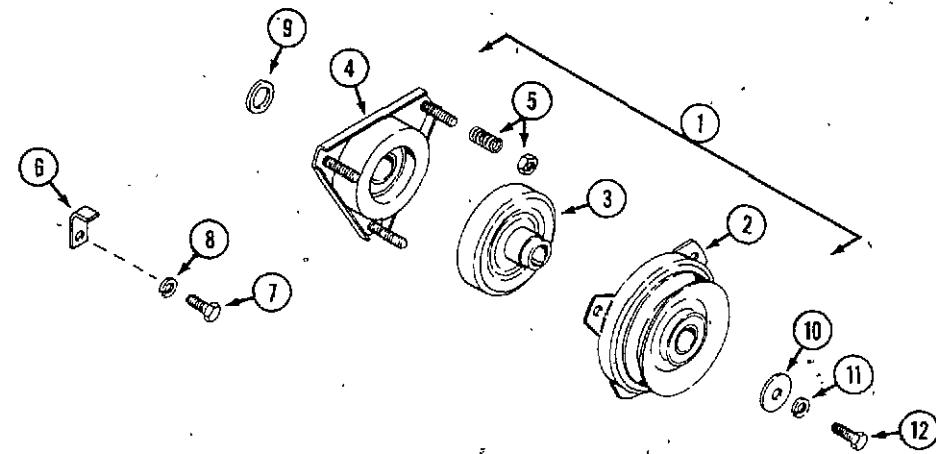
REF.	PART NO.	DESCRIPTION	REQ'D
1	C 32810	BAFFLE - head (3010) shown	1
1	C 32809	BAFFLE - head (3012, 3014, 4014)	1
2	195- 518	WASHER - 1/4"	1
3	71- 410	SCREW - 1/4" - 20 x 5/8"	1
4	121- 21	SCREW - 1/4" - 20 x 1/2"	8
5	C 32811	BAFFLE - cylinder	1
6	C 32808	BAFFLE - inner	1
7	C 32804	HOUSING - blower	1
8	C 32807	BAFFLE - side air	1
9	C 32826	BRACKET - air duct	1
10	C 32830	KIT - air duct	1
11	182- 525	SCREW - #10 - 32 x 7/16"	3
12	195- 102	WASHER - 5/16"	1
13	113- 104	SCREW - 5/16" - 18 x 1-1/4"	1

**BREATHER AND VENT**

1	KO 235048	GASKET - breather plate	1
2	KO 235631	PLATE - breather	1
3	KO 235047	REED - beather	1
4	C 32798	BAFFLE - breather	1
5	C 32806	FILTER - breather	1
6	KO 231032	SEAL - breather	1
7	KO 275144	GASKET - valve cover	1
8	C 32816	COVER - valve	1
9	KO 275220	STUD - 1/4" - 20 x 3-1/4"	1
10	C 32850	PALNUT - 1/4" - 20	1
11	C 32828	HOSE - breather	1

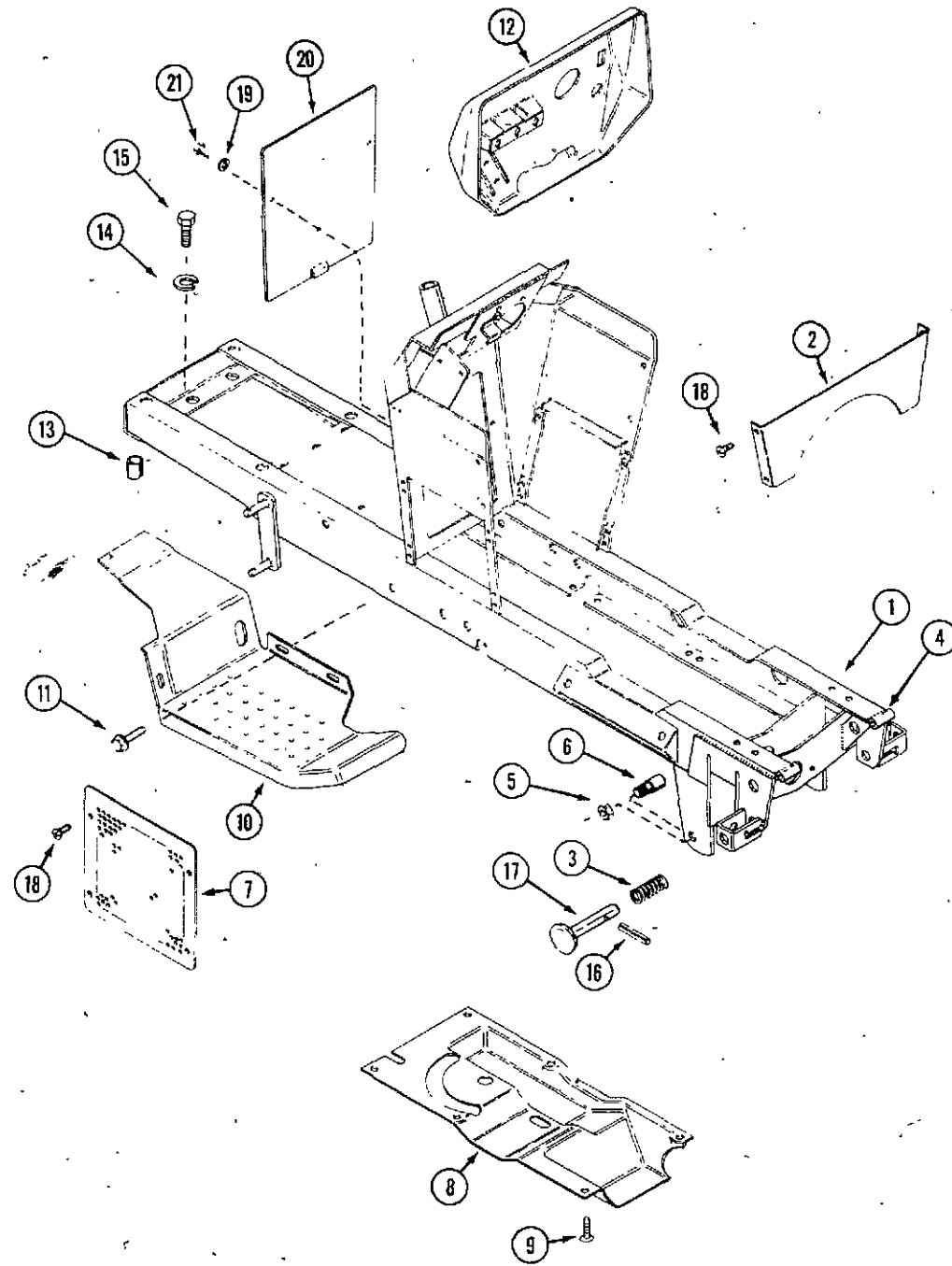


PTO ELECTRIC CLUTCH



REF.	PART NO.	DESCRIPTION	REQ'D
1	C 33197	CLUTCH - PTO .....	1
2	C 32378	AMATURE - clutch .....	1
3	C 32379	ROTOR - clutch .....	1
4	C 32380	FIELD - clutch .....	1
5	C 32381	KIT - spring and nut .....	1
6	C 31297	BRACKET - anti-rotation .....	1
7	113- 206	BOLT - 3/8" - 16 x 3/4" (secure with LOCK TITE) .....	1
8	192- 21	LOCKWASHER - 3/8" .....	2
9	C 31614	SPACER - clutch .....	1
10	C 31615	WASHER - clamping .....	1
11	192- 22	LOCKWASHER - 7/16" .....	1
12	14- 724	BOLT - 7/16" - 20 x 1-1/2" (use 50 ft. lbs. torque) .....	1

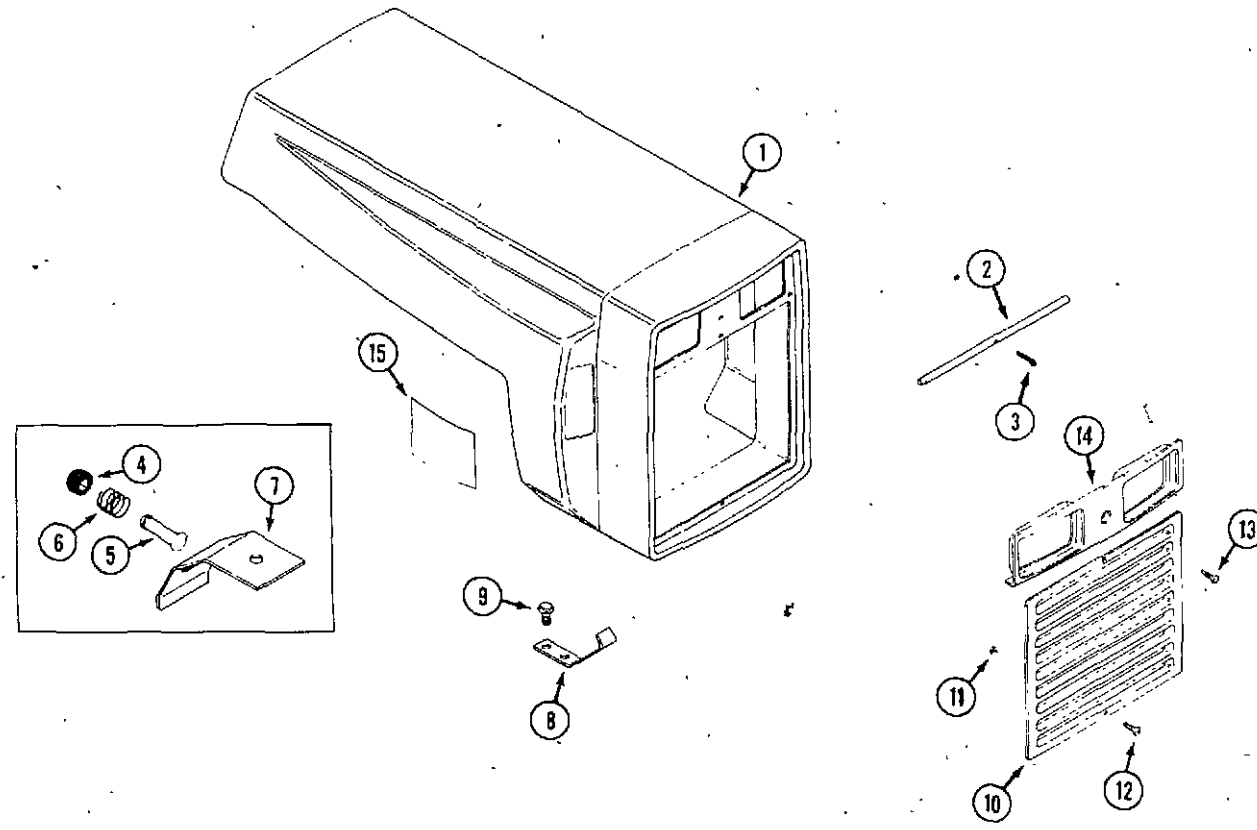
**FRAME, FOOT PADS AND BELLY PAN**



REF.	PART NO.	DESCRIPTION	REQ'D
1	C 31624	FRAME - main (3010, 3012, 3014)	1
1	C 31626	FRAME - main (4014)	1
2	C 31610	SHIELD - oil tank	1
3	C 24137	SPRING - latch	1
4	C 22023	HINGE - frame	2
5	131- 1318	NUT - lock 1/2" N.F.	2
6	C 27508	PIN - attachment	2
7	C 31967	SCREEN - tower side	2
8	C 31369	PAN - belly	1
9	C 31603	RETAINER - belly pan	6
10	C 30458	PAD - foot L.H. (3010, 3012, 3014)	1
10	C 30460	PAD - foot R.H. (3010, 3012, 3014) shown	1
10	C 30462	PAD - foot L.H. (4014)	1
10	C 30464	PAD - foot R.H. (4014)	1
11	121- 106	BOLT - 5/16" x 1/2" N.C. flange lock	4
12	C 31368	CAP - instrument panel	4
13	C 14730	SPACER - rear, frame (3010, 3012, 3014)	2
14	192- 23	LOCKWASHER - 1/2"	4
15	113- 424	BOLT - 1/2" - 13 x 1" transaxle mounting	UAR
15	166- 85	BOLT - 1/2" x 1", 12 pt. flange	UAR
16	138- 2073	PIN - roll 3/16" x 1-1/4"	2
17	C 16373	PIN - latch	2
18	C 31597	BOLT - 1/4" - 20 x 1/2" black	12
19	192- 19	LOCKWASHER - 1/4"	2
20	C 31359	COVER - access	1
21	187- 1036	SCREW - 1/4" - 20 x 1/2" self tap	2

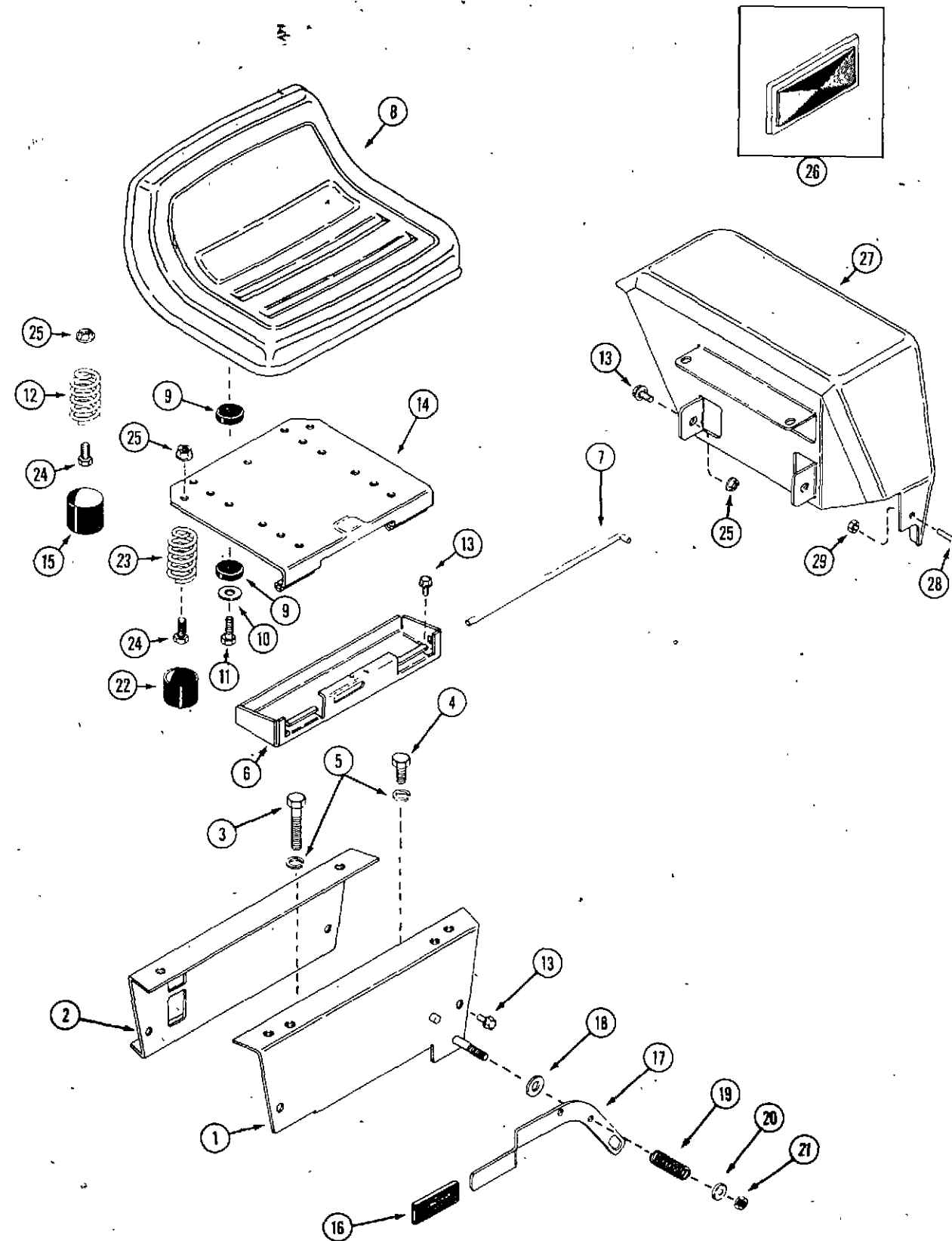


HOOD AND GRILLE



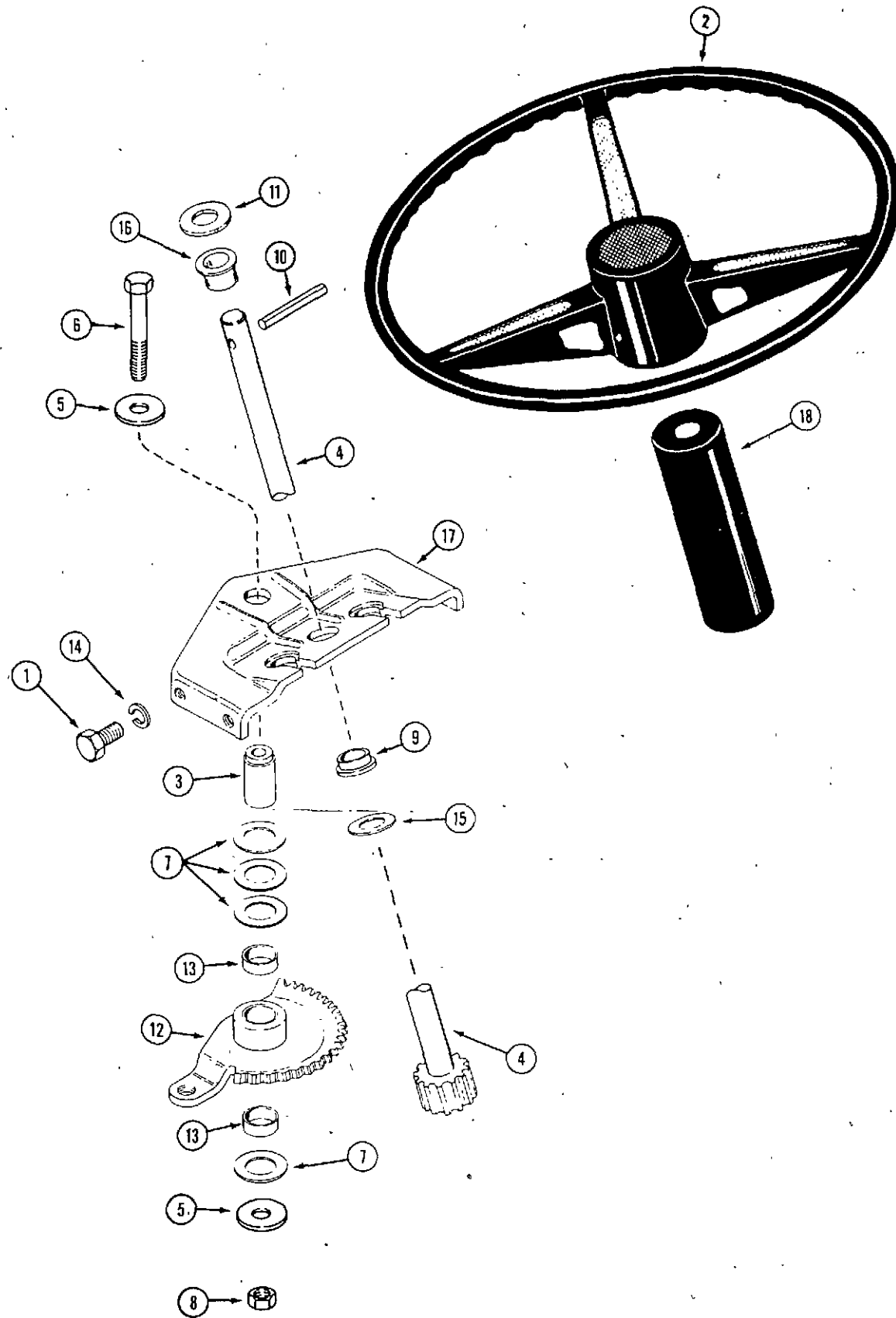
REF.	PART NO.	DESCRIPTION	REQ'D
1	C 31352	HOOD .....	1
	C 31357	HINGE - hood (not shown) is welded to hood .....	1
2	C 16362	ROD - hood hinge .....	1
3	132- 334	PIN - cotter 1/8" x 3/4" .....	1
4	C 29314	BUTTON - push, hood release .....	1
5	C 30126	ROD - push, hood release .....	1
6	C 30004	SPRING - release .....	1
7	C 33467	LATCH - hood .....	1
8	C 31611	BRACKET - hood stop .....	2
9	121- 106	BOLT - 5/16" - 18 x 1/2" flange lock .....	4
10	C 31365	GRILLE .....	1
11	131- 934	NUT - 1/4" - 20 flange lock .....	2
12	C 31597	SCREW - 1/4" - 20 x 1/2" black .....	2
13	187- 1328	SCREW - #8 - 18 x 3/8" .....	1
14	C 31366	SHROUD - headlight .....	1
15	C 31612	SHIELD - heat .....	1

**SEAT, FENDERS AND TOOL TRAY**

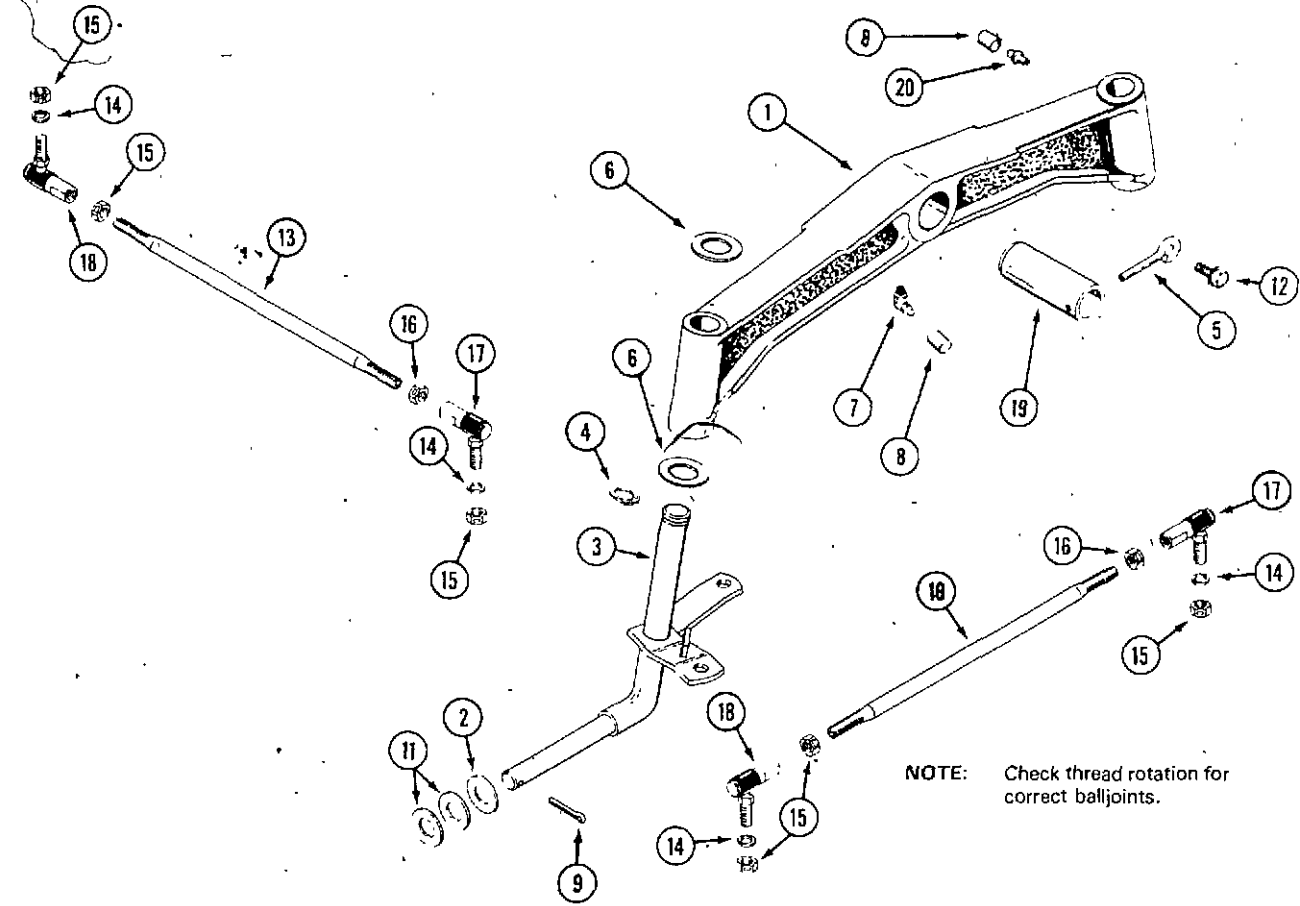


REF.	PART NO.	DESCRIPTION	REQ'D
1	C 31020	SUPPORT - seat, front shown (3010, 3012, 3014)	1
1	C 31021	SUPPORT - seat, front (4014)	1
2	C 26827	SUPPORT - seat, rear (3010, 3012, 3014)	1
2	C 27224	SUPPORT - seat, rear (4014)	1
3	113- 427	BOLT - 1/2" x 3-1/4" (3010, 3012, 3014)	2
3	113- 441	BOLT - 1/2" x 2-1/4" N.C. hex (4014)	2
4	113- 424	BOLT - 1/2" x 1" N.C. hex	1
4	113- 118	BOLT - 5/16" x 5/8"	1
5	192- 20	LOCKWASHER - 5/16"	1
5	192- 23	LOCKWASHER - 1/2"	4
6	C 31004	TRAY - tool	1
7	C 16429	PIN - seat hinge	1
8	C 30071	SEAT - shown (black) (3010, 3012, 3014)	1
8	C 30066	SEAT - (black) (4014)	1
9	C 15410	CUSHION - rubber	8
10	195- 2175	WASHER - 5/16" x 1-1/4" OD, zinc	4
11	113- 122	BOLT - 5/16" x 1-1/2"	4
12	C 31006	SPRING - seat switch	1
13	121- 106	BOLT - 5/16" x 1/2" flange lock	10
14	C 31005	HINGE ASSEMBLY - seat	1
15	C 26526	CAP - spring	1
16	C 14728	GRIP - shift lever	1
17	C 27594	LEVER - shift	1
18	195- 525	WASHER - 7/16" x 1-1/4" O.D.	1
19	C 17216	SPRING - shift lever	1
20	C 30489	WASHER	1
21	131- 1216	NUT - lock 3/8" N.C. hex	1
22	C 29305	CAP - spring	2
23	C 29306	SPRING - seat	2
24	113- 102	BOLT - 5/16" - 18 x 3/4"	3
25	131- 911	NUT - 5/16" - 18 flange lock	7
26	C 30942	REFLECTOR - red, rear fender	2
27	C 32386	FENDER - R.H. (3010, 3012, 3014)	1
27	C 32385	FENDER - L.H. shown (3010, 3012, 3014)	1
27	C 32388	FENDER - R.H. (4014)	1
27	C 32387	FENDER - L.H. (4014)	1
28	182- 547	SCREW - 1/4" - 20 x 1/2"	2
29	131- 934	NUT - 1/4"	2

**STEERING GEAR**



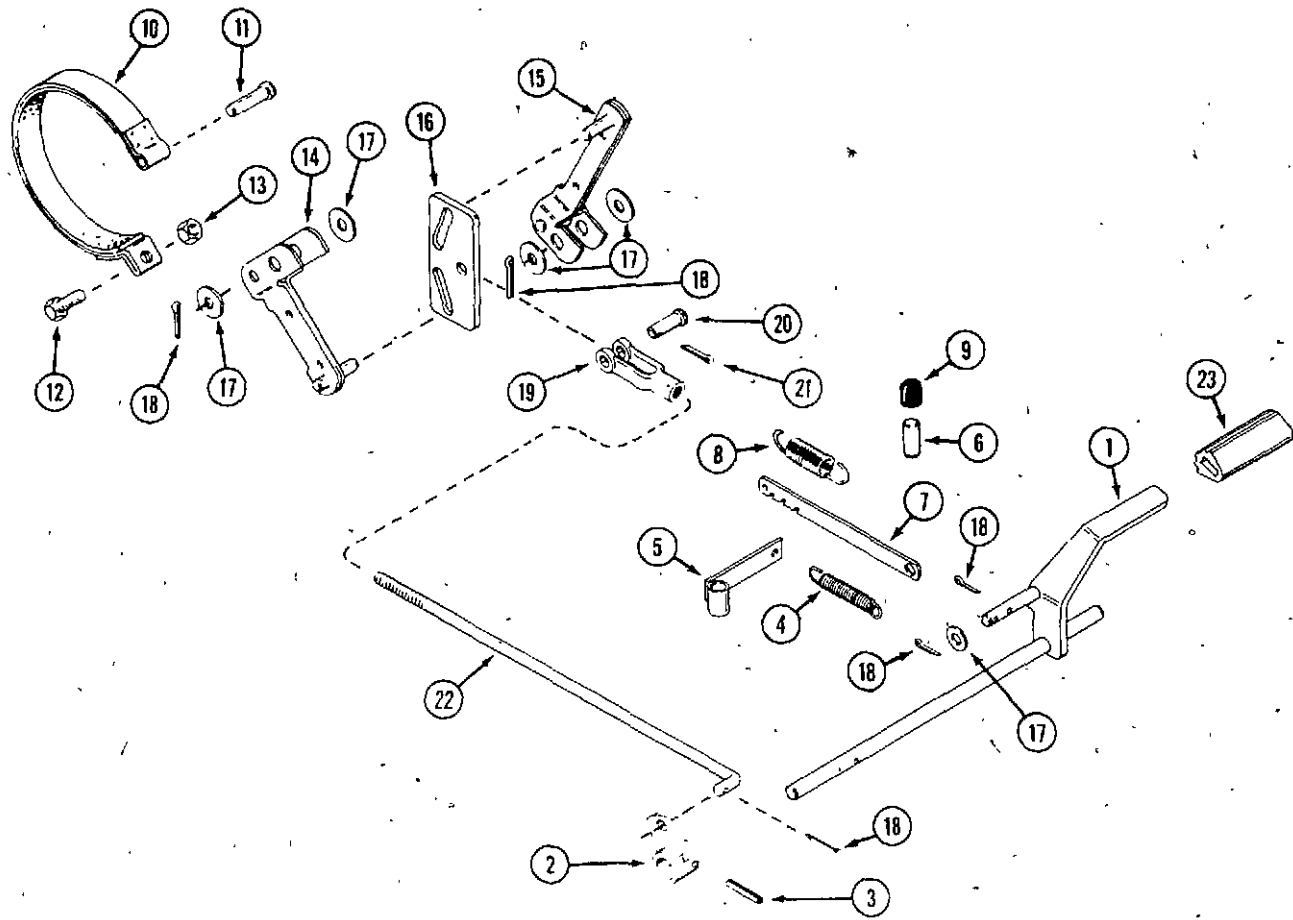
REF.	PART NO.	DESCRIPTION	REQ'D
1	113- 206	BOLT - 3/8" x 3/4" N.C. hex	4
2	C 26325	WHEEL - steering	1
3	C 29044	PIN - pivot	1
4	C 26326	SHAFT - steering	1
5	C 29812	WASHER - 3/8" x 1.4"	2
6	113- 241	BOLT - 3/8" - 16 x 3"	1
7	C 14201	WASHER - shim	4
8	131- 1352	NUT - 3/8" - 16 hex lock, flange	1
9	C 27501	BUSHING	1
10	138- 143	PIN - roll 1/4" x 2-1/4"	1
11	195 541	WASHER - 5/8"	UAR
11	195- 2206	WASHER - 5/8" x 1-1/4" x .06"	UAR
12	C 33309	GEAR - steering	1
13	C 33308	BUSHING - sleeve	2
14	192- 21	LOCKWASHER - 3/8"	4
15	195- 2069	WASHER - 5/8" zinc plated	2
16	C 15096	BUSHING - flanged nylon	1
17	C 30019	SUPPORT - steering gear (includes item 9)	1
18	C 30127	TUBE - steering	1



**FRONT AXLE**

REF.	PART NO.	DESCRIPTION	REQ'D
1	C 18812	AXLE - front (3010, 3012, 3014)	1
1	C 18813	AXLE - front shown (4014)	1
2	C 27597	WASHER - spacer	2
3	C 31338	SPINDLE - R.H. (3010, 3012, 3014)	1
3	C 31341	SPINDLE - R.H. shown (4014)	1
3	C 31337	SPINDLE - L.H. (3010, 3012, 3014)	1
3	C 31340	SPINDLE - L.H. (4014)	1
4	C 27902	RING - retaining, spindle (4014)	2
4	C 28232	RING - retaining, spindle (3010, 3012, 3014)	2
5	C 22278	PIN - retaining, axle pivot	1
6	C 11906	WASHER - thrust (3010, 3012, 3014)	4
6	C 13716	WASHER - thrust (4014)	4
7	219- 404	FITTING - lubrication	3
8	C 13106	COVER - lubrication fitting	3
9	132- 311	PIN - cotter 5/32" x 1-1/4"	2
10	C 25855	TIE ROD - (4014)	1
10	C 25856	TIE ROD - (3010, 3012, 3014)	1
11	C 28226	WASHER - wheel spacer	UAR
12	187- 1910	BOLT - 3/8" - 16 x 3/4" N.C. hex head	1
13	C 25857	LINK - drag	1
14	192- 23	LOCKWASHER - 1/2" zinc	4
15	129- 165*	NUT - 1/2" N.F. R.H. thread, lock	6
16	129- 365*	NUT - 1/2" N.F. L.H. thread, lock	2
17	C 13605*	BALL JOINT - 1/2" L.H. thread	2
18	C 12102*	BALL JOINT - 1/2" R.H. thread	2
19	C 22568	PIN - axle pivot	1
20	219- 17	FITTING - lubrication	2

\*Check thread rotation to order the correct part.

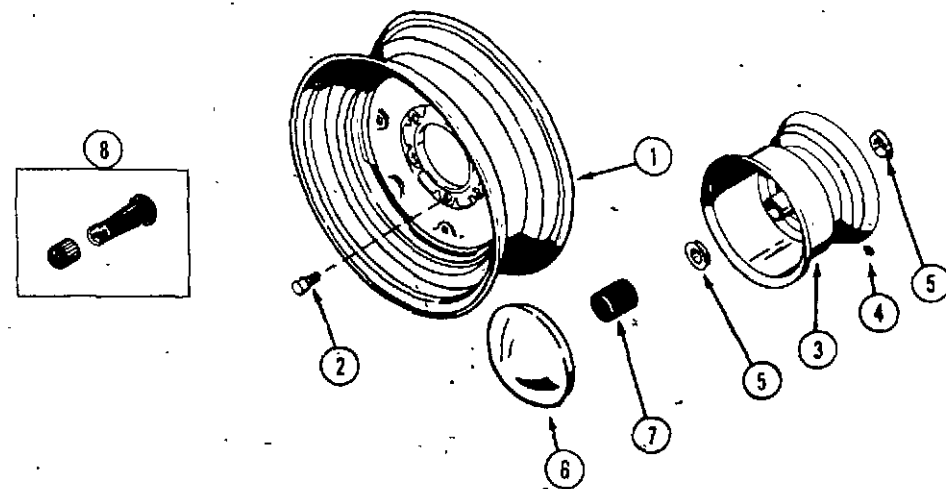


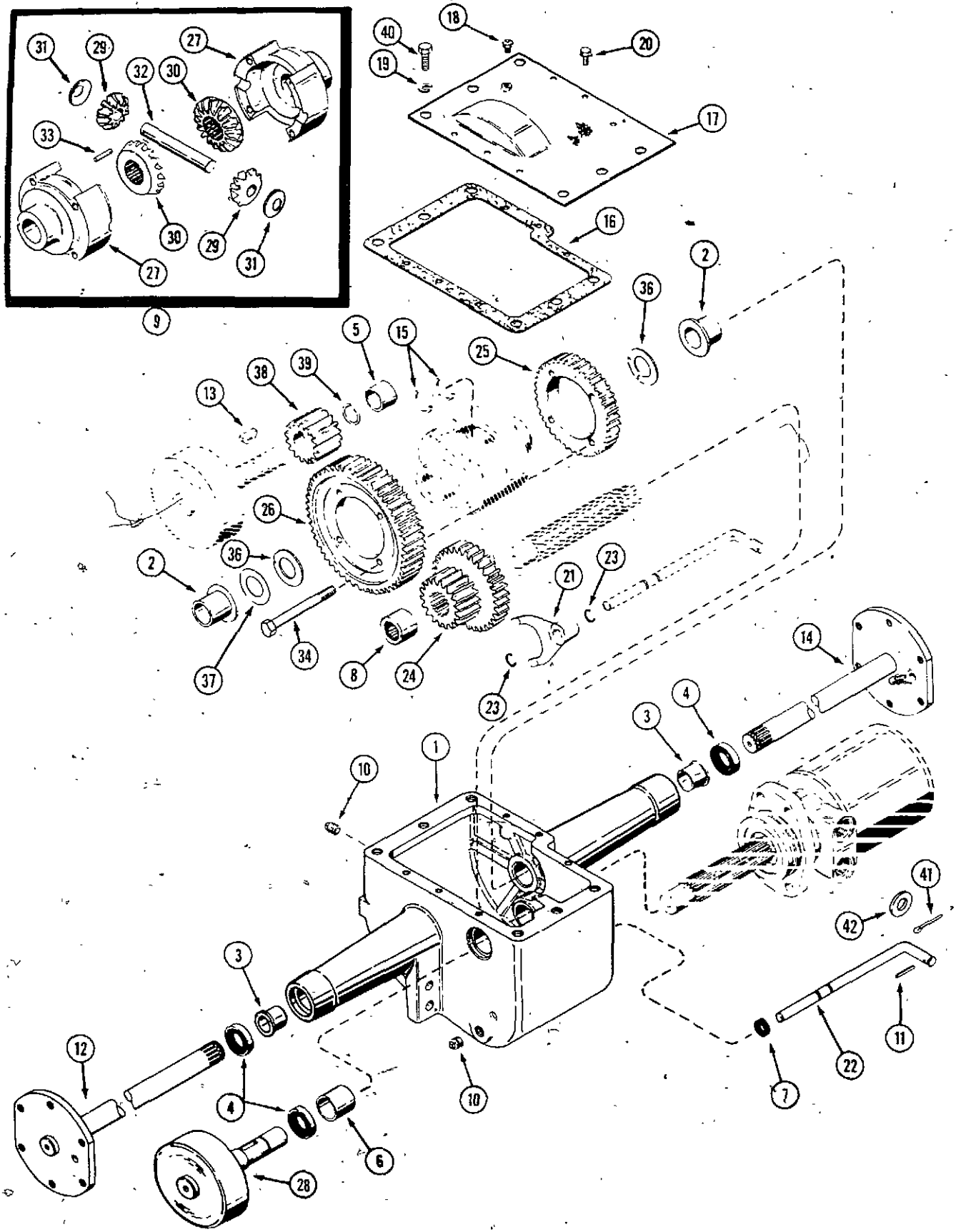
**BRAKE ASSEMBLY**

REF.	PART NO.	DESCRIPTION	REQ'D
1	C 31657	PEDAL - brake actuating	1
2	C 26381	ARM - brake pedal	1
3	138- 2073	PIN - roll 3/16" x 1-1/4"	1
4	C 31660	SPRING - return	1
5	C 31662	GUIDE - neutral return	1
6	C 31604	ACCUATOR - parking brake	1
7	C 31661	LEVER - brake lock	1
8	C 21942	SPRING - brake lock	1
9	C 31605	CAP - accuator	1
10	C 33427	BAND - brake	1
11	C 23910	PIN - clevis	1
12	113- 2262	BOLT - 3/8" - 16 x 1-1/2" hex	1
13	129- 143	NUT - 3/8" - 16 special	1
14	C 23899	ARM - brake	1
15	C 24761	ARM - brake (includes adjustment nut)	1
16	C 31994	GUIDE - brake actuator	1
17	195- 533	WASHER - .531" I.D.	5
18	132- 310	PIN - cotter 1/8" x 1"	5
19	C 28978	CLEVIS	1
20	141- 4	PIN - clevis	1
21	132- 321	PIN - cotter	1
22	C 31993	ROD - brake (4014)	1
22	C 31992	ROD - brake (3010, 3012, 3014)	1
23	C 31975	PAD - brake pedal	1

**FRONT AND REAR WHEELS**

1	C 30913	WHEEL - rear, 5 bolt (3010, 3012, 3014) for 23 x 8.50 - 12 tire	2
1	C 30917	WHEEL - rear, 6 bolt (4014) shown	2
1	C 30922	WHEEL - rear, 5 bolt (3010, 3012, 3014) for 23 x 10.50 - 12 tire	2
2	C 27763	BOLT - rear wheel (4014)	12
2	C 10314	BOLT - rear wheel (3010, 3012, 3014)	10
3	C 30912	WHEEL - front (includes bearings)	2
4	219- 403	FITTING - lubrication	2
5	C 12110	BEARING - wheel	2
6	C 28965	CAP - hub, front wheel (optional)	2
7	C 26021	CAP - plastic, front	2
8	C 28236	STEM - valve	4
	C 13106	COVER - lubrication fitting	2

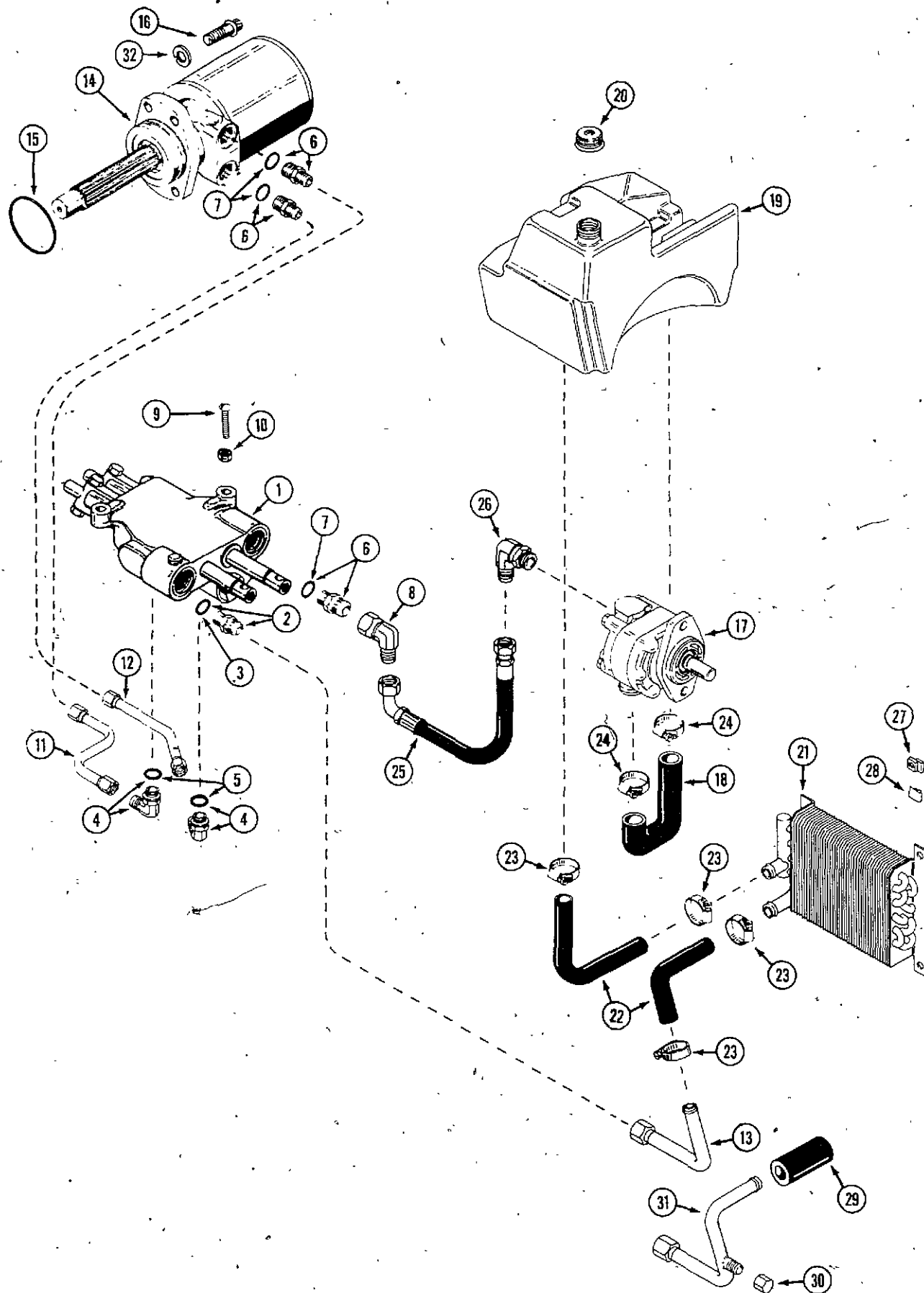




**TRANSMISSION AND FINAL DRIVE**

REF.	PART NO.	DESCRIPTION	REQ'D
	C 24843	CASE ASSEMBLY - transmission	1
1	NSS	CASE - transmission (order C24843)	1
2	C 12713	BEARING - flange	2
3	C 24804	BEARING - flange	2
4	C 24803	SEAL - shaft	3
5	C 13241	BEARING - sleeve	1
6	C 13385	BEARING - sleeve	1
7	C 13266	SEAL - shift rod	1
8	C 28281	BEARING - roller	1
9	C 30029	DIFFERENTIAL ASSEMBLY (also includes C30030, C30031, C12552)	1
10	221- 3	PLUG - filler and drain 3/8" (square head)	3
10	221- 1842	PLUG - pipe 3/8" hex socket	1
11	138- 2073	PIN - roll 3/16" x 1-1/4" (early production)	1
12	C 16699	SHAFT - axle, short R.H. (3010, 3012, 3014)	1
12	C 22638	SHAFT - axle, short R.H. shown (4014)	1
13	126- 128	KEY - Woodruff, brake idler #18, 1/4" x 1-1/8"	1
14	C 16700	SHAFT - axle, long L.H. (3010, 3012, 3014)	1
14	C 22637	SHAFT - axle, long L.H. shown (4014)	1
15	C 26342	RING - retainer, axle	2
16	C 13196	GASKET - transmission cover	1
17	C 13197	COVER - transmission	1
18	C 28241	BREATHER - transmission	1
19	192- 23	LOCKWASHER - 1/2"	4
20	121- 21	BOLT - 1/4" x 1/2" N.C hex lock	6
21	C 12725	FORK - shift	1
22	C 32486	ROD - gear shift (uses Ref. 41 and 42)	1
23	C 14168	RING - retaining	2
24	C 14644	GEAR - cluster input	1
25	C 30030	GEAR - high 41 tooth	1
26	C 12552	GEAR - low 55 tooth	1
27	NSS	DIFFERENTIAL CASE	1
28	C 33305	BRAKE DRUM	1
29	NSS	GEAR - differential pinion	2
30	NSS	GEAR - differential	2
31	NSS	WASHER - pinion thrust	2
32	NSS	PIN - differential	1
33	NSS	PIN - differential pin lock	1
34	C 30031	KIT - screw (set of four)	1
36	C 12718	WASHER - differential	2
37	C 14223	WASHER - spacer	UAR
38	C 33417	GEAR - brake idler	1
39	C 14222	RING - retainer, brake idler	1
40	113- 424	BOLT - 1/2" - 13 x 1" hex	UAR
40	166- 85	BOLT - 1/2" - 13 x 1" 12 pt flange	UAR
41	132- 310	PIN - cotter 1/8" x 1-1/8"	1
42	195- 541	WASHER - .656" ID x 1.312 OD	1

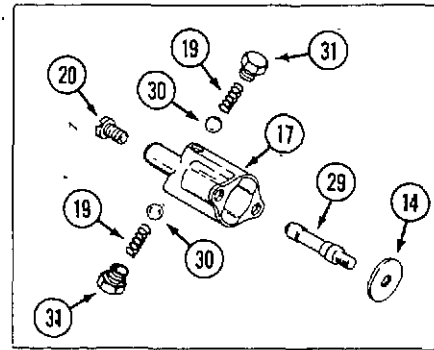
HYDRAULIC SYSTEM



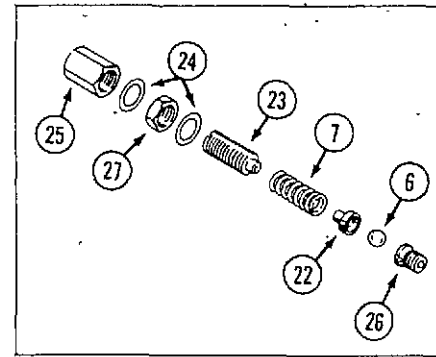
REF.	PART NO.	DESCRIPTION	REQ'D
1	NSS	VALVE - control (repairs page 45) (use C33473, 218-5154) ...	1
2	218- 5065	FITTING - 3/4" x 7/8 "O" ring.....	1
3	218- 5007	"O" RING.....	1
4	218- 5107	FITTING - 90° elbow.....	2
5	218- 5007	"O" RING.....	1
6	218- 5062	FITTING - 5/8" x 7/8 "O" ring.....	3
7	218- 5007	"O" RING.....	1
8	218- 5232	FITTING - 90° elbow.....	1
9	C 27764	SCREW - 5/16" - 18 x 1-1/4" round head.....	2
10	131- 351	NUT - lock 5/16".....	2
11	C 29655	TUBE - valve to upper motor port (3010, 3012, 3014).....	1
11	C 29657	TUBE - valve to upper motor port (4014).....	1
12	C 29656	TUBE - valve to lower motor port (3010, 3012, 3014).....	1
12	C 29658	TUBE - valve to lower motor port (4014).....	1
13	C 31435 *	TUBE - valve "out" to heat exchanger.....	1
14	C 30939	MOTOR - hydraulic (3010, 3012, 3014) (repairs page 47).....	1
14	C 33234	MOTOR - hydraulic (4014) (repairs page 47).....	1
15	C 28949	SEAL - motor to transmission.....	1
16	NSS	SCREW - 1/2" - 18 x 1" 12 pt. flange (use 166-86 and 192-23)	4
16	166- 86	BOLT - 1/2" - 18 x 1-1/4" 12 pt. flange (use 80 ft. lb. of torque).....	4
17	C 31958	PUMP - hydraulic 1/2" shaft (repairs page 49).....	1
18	C 33423	HOSE - pump inlet.....	1
19	C 33180	RESERVOIR - oil.....	1
20	C 25237	CAP - reservoir.....	1
21	C 31295	EXCHANGER - heat (shown) 3014, 4014.....	1
21	C 31972	EXCHANGER - heat (3010, 3012).....	1
22	C 31431	HOSE - formed 90° 6-3/4" x 6-3/4" (cut to length).....	2
23	214- 254	CLAMP - hose 1-1/4".....	4
24	214- 14	CLAMP - hose 1-3/8".....	2
25	C 31966	HOSE - pump to valve.....	1
26	218- 5117	FITTING - 90° elbow.....	1
27	C 31973	"J" NUT - 1/4" - 20.....	4
28	C 31974	"U" Clip - retainer.....	4
29	NSS**	HOSE - hydraulic (use C29697 cut to length).....	1
30	218- 754	NUT - cap, hydraulic.....	1
31	C 33115 *	TUBE - valve "out" to heat exchanger.....	1
32	192- 23	LOCK WASHER - 1/2".....	4

\* early production  
 \*\* late production

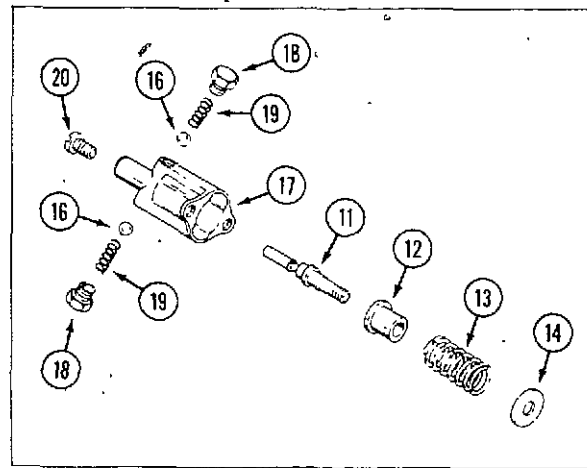
HYDRAULIC CONTROL VALVE



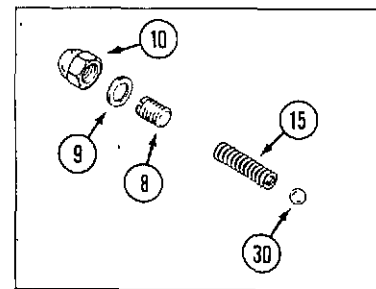
TRAVEL SECTION DETENT GROUP



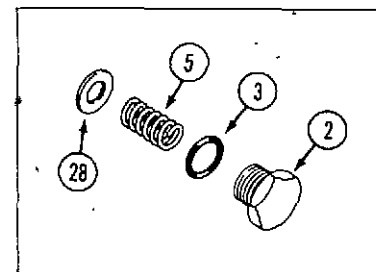
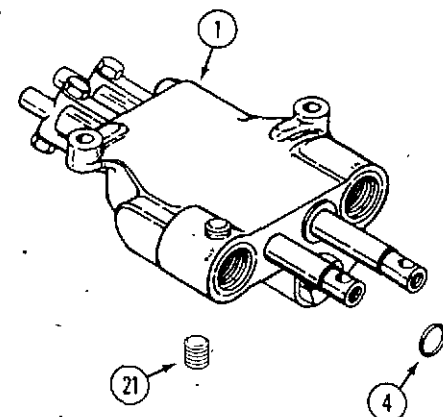
TRAVEL SECTION RELIEF GROUP



LIFT SECTION DETENT GROUP



LIFT SECTION RELIEF GROUP

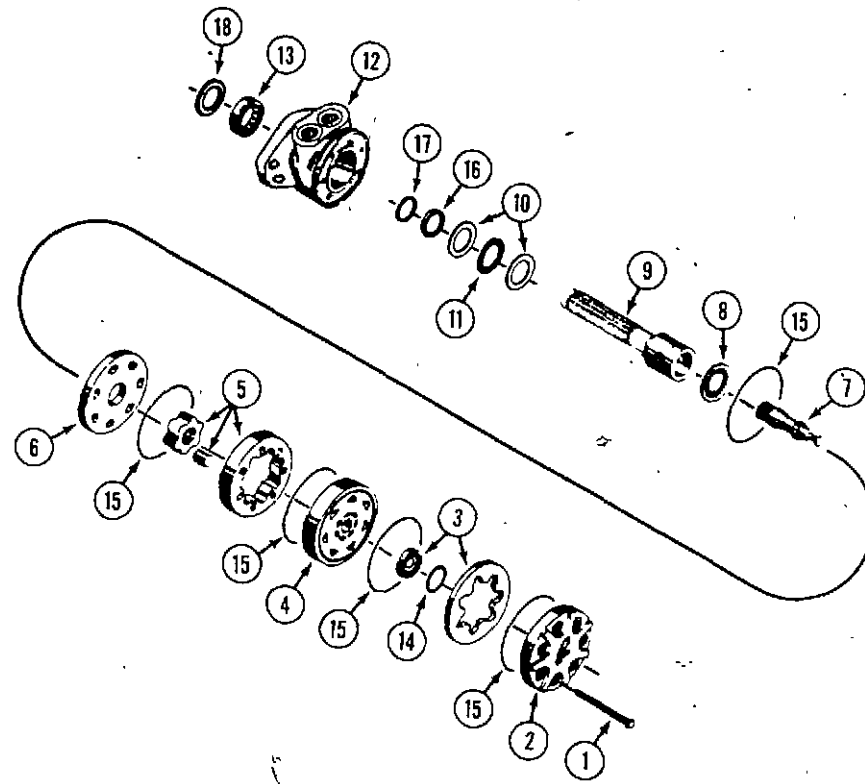


HOLDING SECTION GROUP

REF.	PART NO.	DESCRIPTION	REQ'D
1	NSS	VALVE - control, two spool (use C33473, 228-5154)	1
2	C 29956	CAP - end	2
3	C 28217	"O" RING - end cap	1
4	C 28856	SEAL - spool	4
5	C 29951	SPRING - centering	2
6	211- 208	BALL - steel 5/16" (7.94 mm)	1
7	C 21507	SPRING - relief	2
8	C 17433	SCREW - relief adjust	1
9	C 17435	GASKET - relief adjust cap	1
10	129- 531	CAP - adjust screw	2
11	C 26668	DETENT - spool	1
12	C 28707	SPACER - detent	1
13	C 28706	SPRING - detent return	1
14	C 28705	WASHER - return	2
15	NSS	SPRING - relief (use the spring from C21511 kit)	1
16	211- 5	BALL - steel 3/16" (4.76 mm)	2
17	C 17438	COVER - detent	1
18	C 28708	SCREW - detent	2
19	C 17444	SPRING - detent	4
20	169- 114	SCREW - cover	4
21	221- 841	PLUG - pipe 1/4" NPT	1
22	C 21506	RETAINER - ball seat	1
23	C 26665	SCREW - adjust, relief	1
24	C 26664	GASKET - adjust cap	1
25	C 26666	CAP - adjust screw	1
26	C 26663	SEAT - relief ball	1
27	129- 166	NUT - lock	1
28	C 29950	WASHER - spring retaining	2
29	C 29958	DETENT - spool	1
30	211- 7	BALL - steel 1/4" (6.35 mm)	2
31	C 17443	SCREW - dentent	2
	C 30002	KIT - seal	1

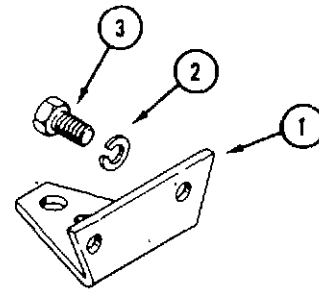


**HYDRAULIC DRIVE MOTOR**

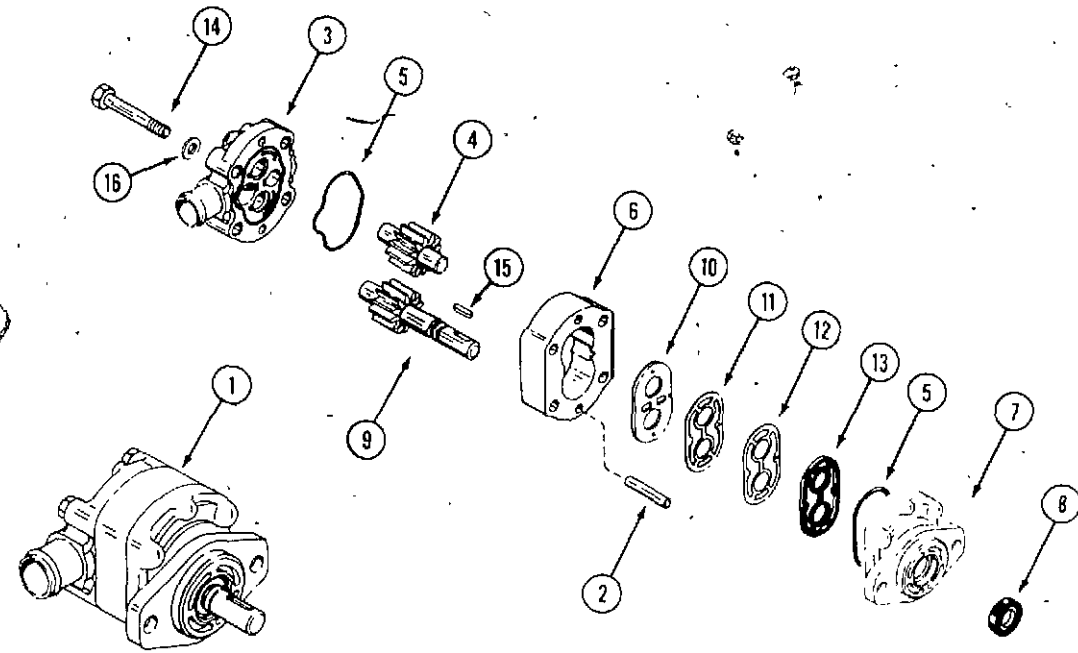


REF.	PART NO.	DESCRIPTION	REQ'D
	C 33234	MOTOR - hydraulic (4014)	1
	C 30939	MOTOR - hydraulic (3010, 3012, 3014)	1
1	28- 668	BOLT - 3/8" - 24 x 4-1/4" (3010, 3012, 3014)	7
1	C 31327	BOLT - 3/8" - 24 x 4-5/8" (4014)	7
2	C 31309	COVER - end	1
3	C 31310	COMMUTATOR AND RING SET	1
4	C 31311	MANIFOLD	1
5	C 31312	ROTOR ASSEMBLY (3010, 3012, 3014)	1
5	C 31313	ROTOR ASSEMBLY (4014)	1
6	C 31314	PLATE - wear	1
7	C 31315	LINK - drive (3010, 3012, 3014)	1
7	C 31316	LINK - drive (4014)	1
8	C 31317	BEARING - thrust	1
9	C 31318	SHAFT - coupling	7
10	C 31319	WASHER - thrust	2
11	C 31320	BEARING - thrust	1
12	C 31321	HOUSING - drive end	1
13	C 31322	BEARING - outer	1
	C 31323	KIT - seal	1
14	NSS	SEAL - commutator ring	1
15	NSS	SEAL - ring	5
16	NSS	SEAL - ring	1
17	NSS	WASHER - backup	1
18	NSS	SEAL - dirt (not used)	1

**DRAWBAR AND TOW HITCH**



1	C 13360	DRAWBAR	1
2	192- 23	LOCKWASHER - 1/2"	2
3	113- 424	BOLT - 1/2" x 1" N.C. hex	2

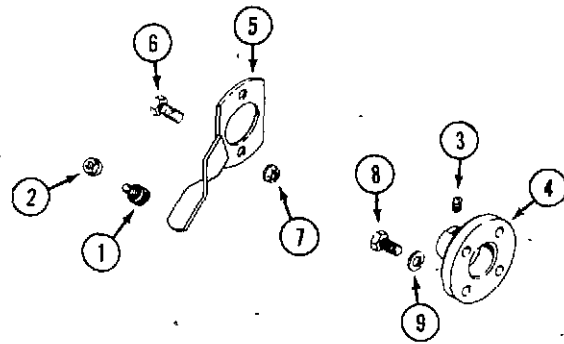


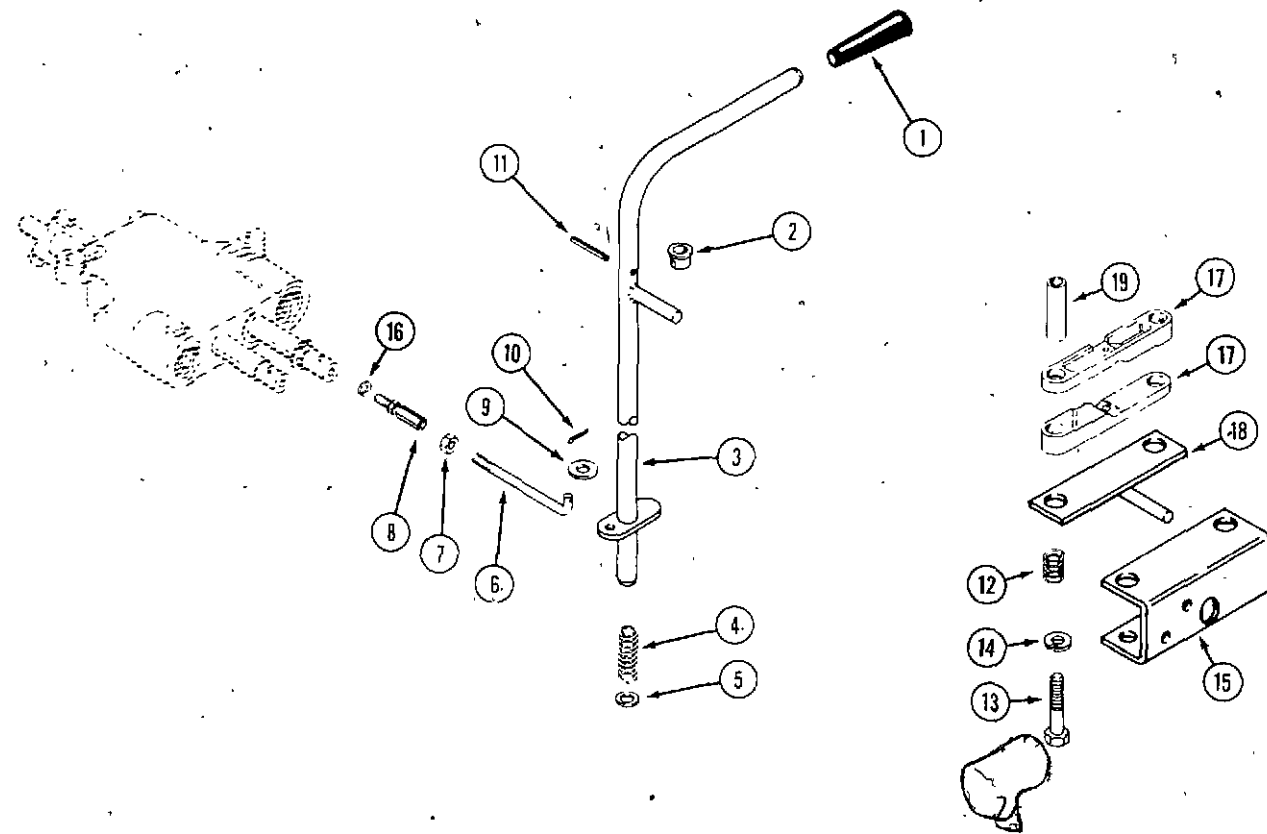
**HYDRAULIC PUMP (PARKER-HANNIFIN)**

REF.	PART NO.	DESCRIPTION	REQ'D
1	C 31958	PUMP - hydraulic 1/2" shaft	1
2	F 53109	PIN - dowel	2
3	C 31987	COVER - rear	1
4	C 15731	GEAR ASSEMBLY - driven	1
5	C 15732	"O" RING - cover	2
6	C 15733	BODY - pump	1
7	C 15734	COVER - front	1
8	C 15735	SEAL - shaft	1
9	NSS	GEAR ASSEMBLY - drive (1/2" shaft) (use C31958)	1
10	C 15737	PLATE - wear	1
11	C 15738	SHIELD - heat	1
12	C 15739	GASKET	1
13	C 15740	SEAL	1
14	113- 111	BOLT	4
15	C 31988	KEY - 1/8" square x 3/4" long (1.587 mm x 19.05 mm)	1
16	C 19115	WASHER	4

**PUMP MOUNTING COMPONENTS**

1	NSS	MOUNT - rubber (use C32437)	1
2	131- 176	NUT - 5/16" - 18 flange lock	1
3	C 32199	SCREW - set 5/16" - 18 x 5/16" socket (use loctite)	2
4	C 31962	ADAPTER - drive	1
5	NSS	PLATE - pump torque arm (use C33506)	1
6	113- 208	BOLT - 3/8" - 16 x 1-1/4" hex	2
7	131- 1352	NUT - 3/8" - 16 flange lock	2
8	113- 103	BOLT - 5/16" - 18 x 1" hex	4
9	192- 20	LOCKWASHER - 5/16"	4



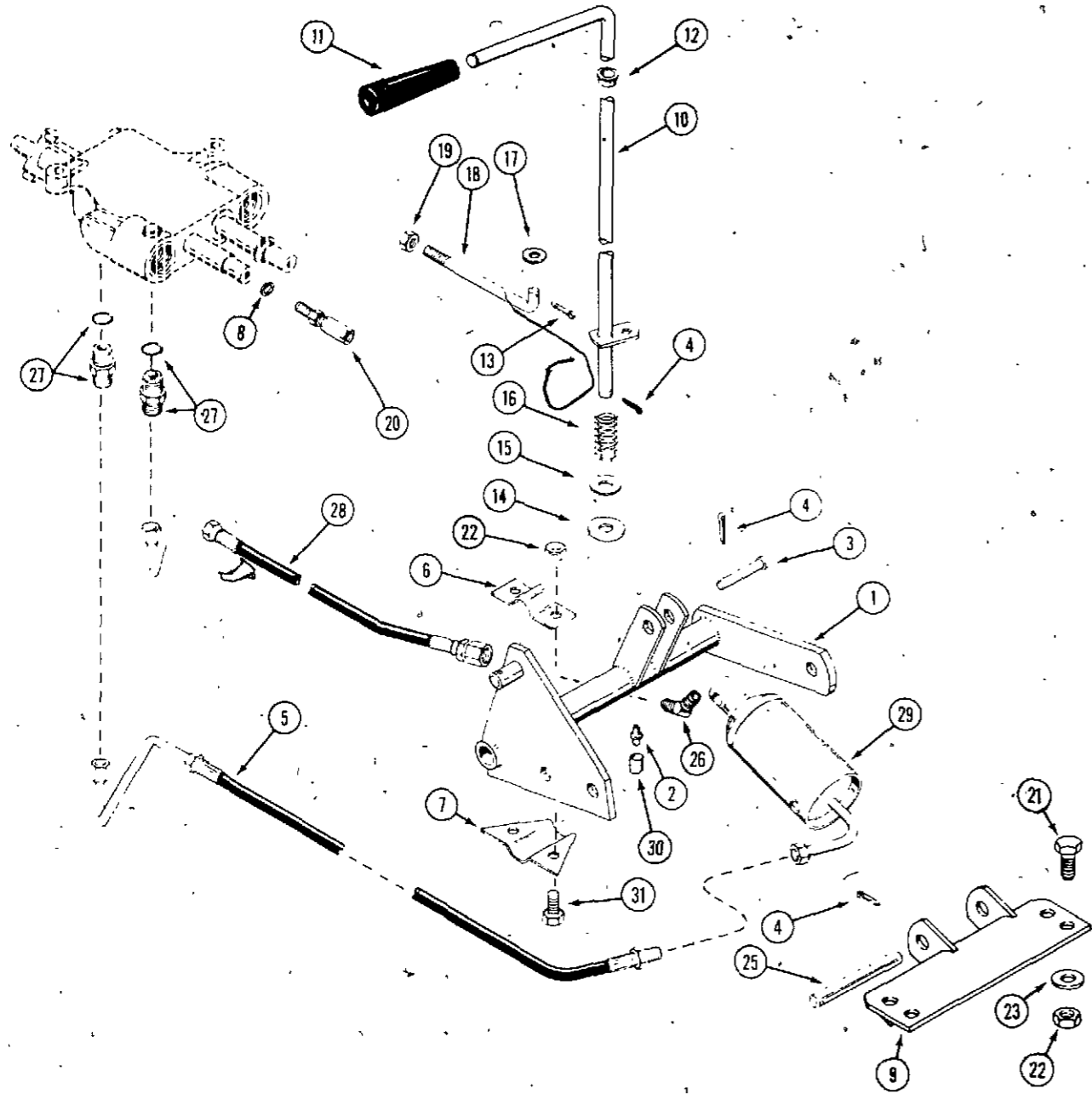


## SPEED CONTROL

REF.	PART NO.	DESCRIPTION	QTY.
1	C 29047	KNOB - speed control	1
2	C 27593	BUSHING - lever	1
3	C 32509	LEVER - speed control	1
4	C 10482	SPRING - compression	1
5	C 21518	WASHER - nylon	1
6	C 31670 *	ROD - control	1
7	129- 122	NUT - 5/16" N.F. hex, zinc plated	1
8	C 19025 *	JOINT - ball	1
9	NSS	WASHER - 5/16" (not required)	1
10	132- 320	PIN - cotter 3/32" x 3/4"	1
11	138- 2072	PIN - roll 1/8" x 1-3/4"	1
12	C 30827	SPRING - locator	2
13	113- 14	BOLT - 1/4" 20 x 2"	2
14	192- 19	LOCKWASHER - 1/4"	2
15	C 31678	CARRIER - locator	1
16	192- 20	LOCKWASHER - 5/16"	1
17	C 32362	LOCATOR - half	2
18	C 31674	ACTUATOR - switch	1
19	C 29653	SPACER - tube	2

\* Order both C31670 rod and C19025 ball joint if other than illustrated or if between S/N:  
 3010 - not affected  
 3012 - 14125039 to 14125111  
 3014 - 14125948 to 14126002  
 4014 - 14127632 to 14127654

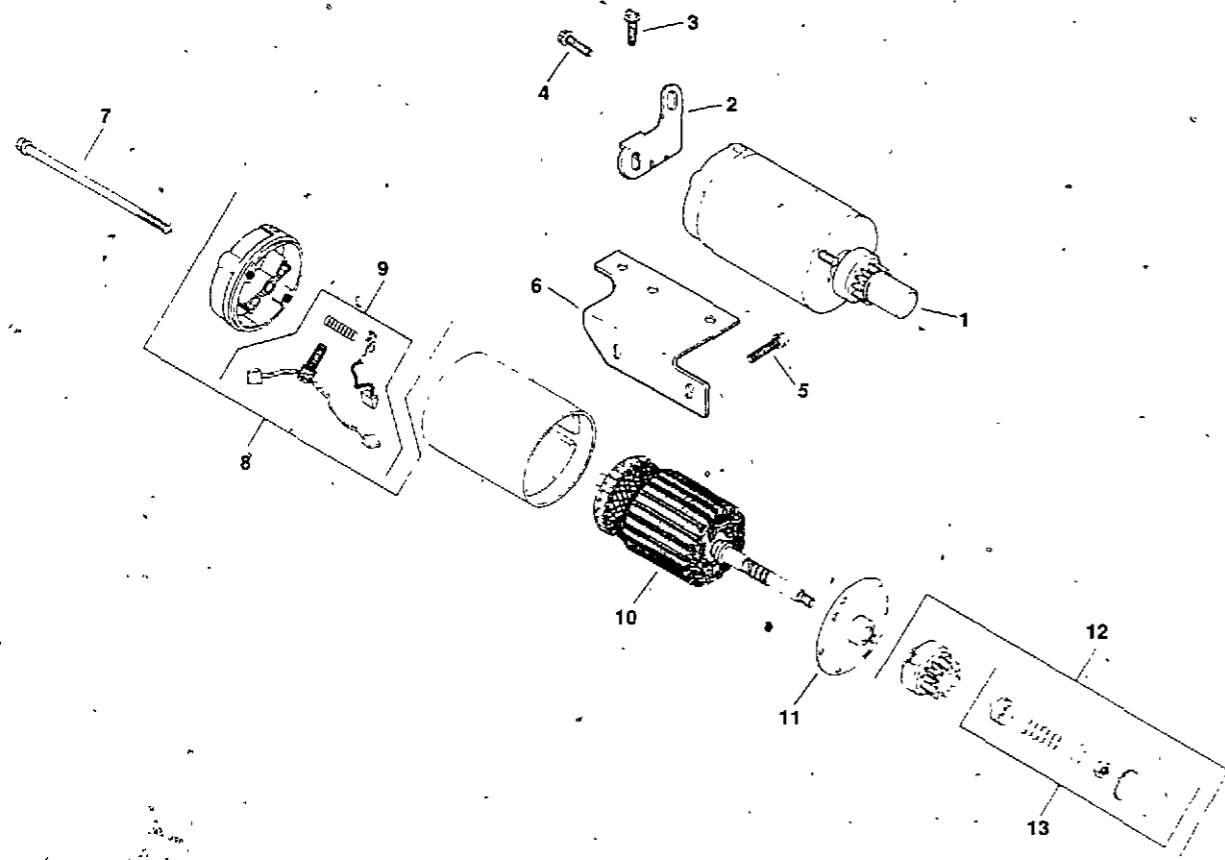
HYDRAULIC LIFT



REF.	PART NO.	DESCRIPTION	REQ'D
1	C 32259	SHAFT ASSEMBLY - lift	1
2	219- 17	FITTING - lubrication	1
3	C 29693	PIN - cylinder to lever, clevis	1
4	132- 310	PIN - cotter 1/8" x 1"	5
5	C 17734	HOSE - long	1
6	C 17249	BRACKET - mounting, top	2
7	C 17250	BRACKET - mounting, bottom	2
8	192- 20	LOCKWASHER - 5/16"	1
9	NSS	BRACKET - cylinder (use C33138 kit)	1
10	C 31680	LEVER - lift control	1
11	C 29045	KNOB - control lever	1
12	C 27593	BUSHING - lift lever	1
13	132- 320	PIN - cotter 3/32" x 3/4"	1
14	195- 533	WASHER - 1/2"	1
15	C 21518	WASHER - nylon	1
16	C 31681	SPRING - control lever	1
17	195- 521	WASHER - 5/16"	1
18	C 31670 *	ROD - control	1
19	129- 122	NUT - 5/16" N.F. hex	1
20	C 19025 *	BALLJOINT	1
21	113- 209	BOLT - 3/8" x 1-1/2" N.C. hex	8
22	131- 938	NUT - lock 3/8" N.C. hex. flange	8
23	195- 104	WASHER - 3/8" x 1-1/8" O.D.	4
25	C 26188	PIN - cylinder base	1
26	218- 1093	FITTING - hydraulic 45° elbow	1
27	218- 5056	FITTING - valve (includes 218-5004 "O" ring)	2
28	C 31682	HOSE - short	1
29	C 27590	CYLINDER - lift	1
	C 30054	KIT - seal	1
30	C 13106	COVER - lubrication fitting	1
31	113- 208	BOLT - 3/8" x 1-1/4"	4

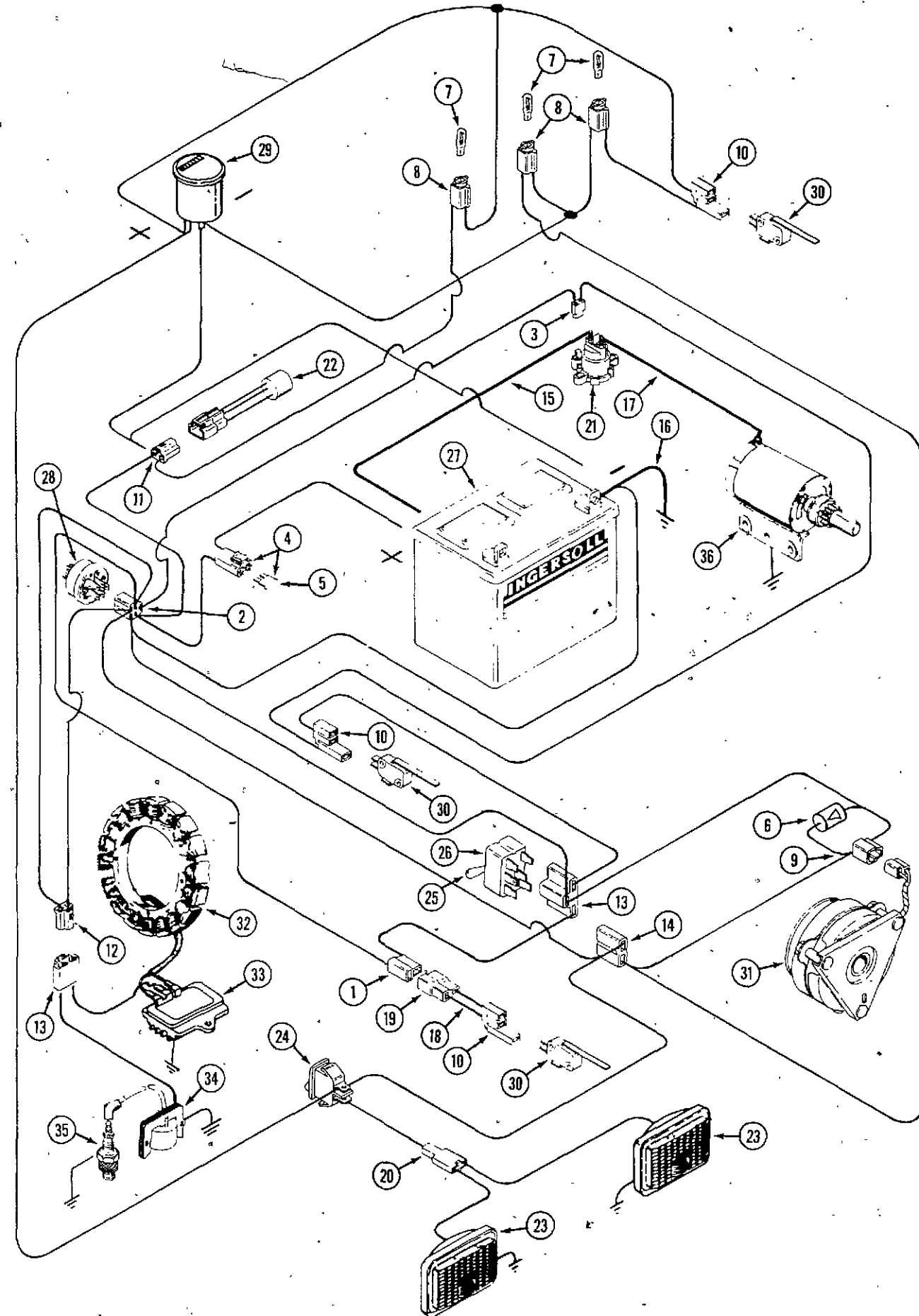
\* Order both C31670 rod and C19025 ball joint if other than illustrated or if between S/N:  
 3010 - not affected  
 3012 - 14125039 to 14125111  
 3014 - 14125948 to 14126002  
 4014 - 14127632 to 14127654

**STARTER**



REF.	PART NO.	DESCRIPTION	REQ'D
1	C 32905	STARTER - includes Ref. 7 thru 13	1
2	C 32906	BRACE - tail	1
3	121- 21	SCREW - washer head 1/4" - 20 x 1/2"	1
4	121- 21	SCREW - washer head 1/4" - 20 x 1/2"	1
5	113- 207	SCREW - 3/8" - 16 x 1"	2
6	C 32907	BRACKET - mounting	1
7	C 32908	BOLT - thru 1/4" - 20 x 5-1/16"	2
8	C 32909	CAP - commutator end assembly	1
9	C 32910	KIT - brush	1
10	C 24890	ARMATURE	1
11	C 32911	CAP - drive end	1
12	C 32912	KIT - drive	1
13	C 32913	KIT - drive parts	1

**ELECTRICAL SYSTEM**



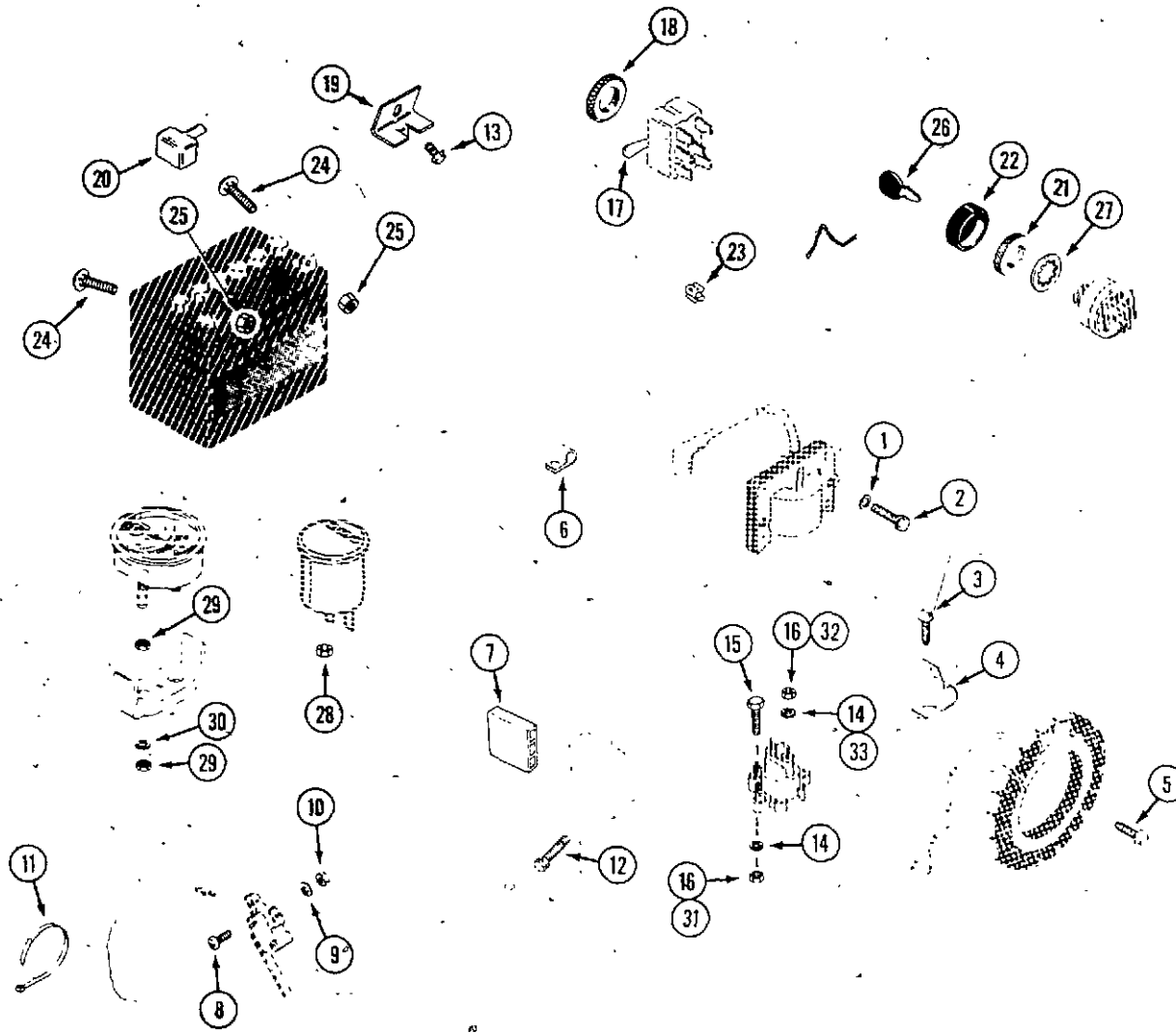
REF.	PART NO.	DESCRIPTION	REQ'D
	C 31940	HARNES - wire	1
	C 33021 **	HARNES - wire	1
1	C 25338	CONNECTOR - seat harness, male	1
2	C 24460	CONNECTOR - ignition switch	1
3	C 27549	CONNECTOR - solenoid	1
4	C 31947	KIT - fuse holder	1
5	C 30260	FUSE - 30 amp	1
6	C 31986	KIT - diode, 6 amp, 15 volt	1
7	C 30262	BULB - indicator light (not included with harness)	3
8	C 30263	SOCKET - bulb	3
9	C 31948	CONNECTOR - PTO male	1
10	C 30279	CONNECTOR - switch	3
11	C 25486	CONNECTOR - sensor	1
12	C 31949	CONNECTOR - engine	1
13	C 31950	CONNECTOR - 3 terminal	1
14	C 31951	CONNECTOR - PTO switch, 2 terminal	1
15	C 31942 *	CABLE - battery positive to solenoid	1
15	C 33022 **	CABLE - battery positive to solenoid	1
16	C 24809	CABLE - battery negative to ground	1
17	C 33023 **	CABLE - solenoid to starter	1
17	C 31944 *	CABLE - solenoid to starter	1
18	C 31945	HARNES - seat switch (includes ref. 10 and 19)	1
19	C 24813	CONNECTOR - seat harness, female	1
20	C 14537	CONNECTOR - headlights	1
21	NSS*	SOLENOID - start, 12 volt (use C33025 kit)	1
21	C 33024 **	SOLENOID	1
22	C 31617	SENSOR - voltage (includes connector)	1
23	C 32178	HEADLIGHT - 12 volt (see page 59 for repairs)	2
24	C 29322	SWITCH - headlight	1
25	C 31619	CAP - PTO switch	1
26	C 31937	SWITCH - PTO	1
27	C 31213	BATTERY - 12 volt, 32 amps, 230 CCA	1
28	C 30267	SWITCH - ignition (includes key and hardware)	1
	C 32407	KEY - ignition	2
29	C 31623	HOURMETER	1
30	C 30275	SWITCH - inter - lock	3
31	C 32375	CLUTCH - PTO (see page 27 for repairs)	1
32	C 28692	STATOR - charging	1
	C 31950	CONNECTOR - stator, three contact, stacked	1
33	C 32948	RECTIFIER - voltage, 12 volts	1
	C 32949	CONNECTOR - rectifier, three contact, straight	1
34	C 32944	MODULE - ignition	1
35	C 29738	SPARK PLUG - includes gasket	1
36	C 32905	STARTER - 12 volt (see page 55 for repairs)	1

\* Use before S/N:  
 \*\* Use S/N and after:

- 3010 - all require C33025 kit
- 3012 - 14125175
- 3014 - 14126060
- 4014 - all require C33025 kit

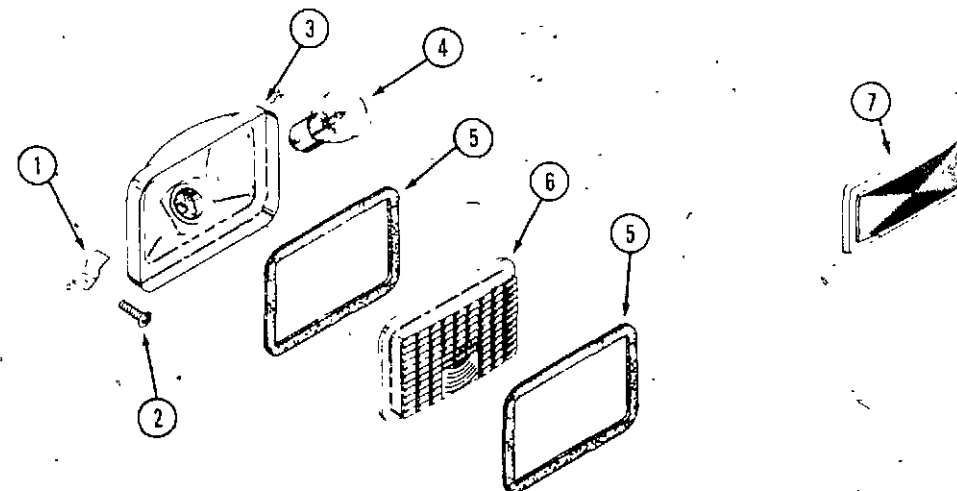
**ELECTRICAL SYSTEM HARDWARE**

REF.	PART NO.	DESCRIPTION	REQ'D
1	C 32945	WASHER - #10	2
2	C 32946	SCREW - sems #10 - 24 x 7/8"	2
3	163- 7	SCREW - #8 - 32 x 3/8" washer head	1
4	C 28717	CLIP - wire	1
5	C 32947	SCREW - #10 - 24 x 3/4"	4
6	C 31977	CLIP - hi-tension lead	1
7	C 32949	CONNECTOR - female, 3 contact straight	1
8	182- 10	SCREW - #4 - 40 x 7/8"	2
9	129- 13	NUT - #4 - 40	2
10	192- 13	LOCKWASHER - #4	2
11	C 22947	TIE - nylon	UAR
12	187- 1073	SCREW - 1/4" - 20 x 5/8"	2
13	121- 21	BOLT - 1/4" - 20 x 1/2" flange lock	1
14	193- 70	LOCKWASHER - #10 external tooth	2
14	192- 18	LOCKWASHER - #10	2
15	182- 147	SCREW - #10 - 32 x 3/4" screw	2
15	182- 559	SCREW - #10 - 24 x 3/4" black	2
16	129- 37	NUT - #10 - 32	4
17	C 31619	CAP - PTO switch	1
18	C 31620	NUT - knurled 1/2" - 27	1
19	C 31621	RETAINER - battery	1
20	C 24069	COVER - terminal	1
21	C 32396	NUT - switch 5/8" - 32	1
22	C 32397	CAP - nut	1
23	C 19521	CLIP - wire	3
24	111- 132	BOLT - 5/16" - 18 x 3/4" carriage	2
25	129- 102	NUT - 5/16" - 18	2
26	C 32407	KEY - ignition	1
27	C 23012	LOCK WASHER	1
28	129- 36	NUT - #8 - 36	2
29	129- 27	NUT - #10	4
30	193- 99	LOCK WASHER - #10	2
31	129- 17	NUT - #10 - 24	2
32	129- 101	NUT - 1/4" - 20	2
33	192- 19	LOCKWASHER - 1/4"	2



**HEADLIGHT ASSEMBLY AND REAR RELECTOR**

REF.	PART NO.	DESCRIPTION	REQ'D
1	C 29637	RETAINER - head light	4
2	187- 1328	SCREW - No. 8 x 3/8"	4
	C 32178	HEADLIGHT ASSEMBLY	2
3	NSS	RECEPTACLE - headlight (order C32178)	1
4	C 28932	BULB - headlight	1
5	C 14304	GASKET - headlight	2
6	C 22573	LENS - headlight	1
7	C 30942	REFLECTOR - red, rear fender	2



**INGERSOLL** <sup>6</sup> **hydriv 3010**

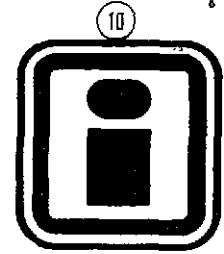
**INGERSOLL** <sup>7</sup> **hydriv 3012**

**INGERSOLL** <sup>8</sup> **hydriv 3014**

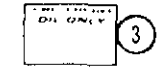
**INGERSOLL** <sup>9</sup> **hydriv 4014**

**DECALS**

REF.	PART NO.	DESCRIPTION	REQ'D
1	C 32093	DECAL - "Ingersoll"	1
2	C 26699	DECAL - fuel tank gauge	1
3	321- 4767	DECAL - hydraulic reservoir	1
4	321- 1788	DECAL - shift range	1
5	C 27871	DECAL - brake	1
6	C 31997	DECAL - hood L.H. (shown) (3010)	1
6	C 32001	DECAL - hood R.H. (3010)	1
7	C 31998	DECAL - hood L.H. (shown) (3012)	1
7	C 32002	DECAL - hood R.H. (3012)	1
8	C 31999	DECAL - hood L.H. (shown) (3014)	1
8	C 32003	DECAL - hood R.H. (3014)	1
9	C 32000	DECAL - hood L.H. (shown) (4014)	1
9	C 32006	DECAL - hood R.H. (4014)	1
10	C 30539	MEDALLION - logo	1
11	321- 6659	DECAL - "Caution"	1
12	C 30274	LENS - display	1



**CAUTION**  
 READ OPERATOR'S MANUALS  
 KNOW LOCATION AND FUNCTION OF ALL CONTROLS  
 KEEP ALL SHIELDS AND SAFETY DEVICES FUNCTIONAL  
 BEFORE STARTING ENGINE. DISENGAGE ATTACHMENT  
 DRIVE AND PLACE TRAVEL CONTROL IN NEUTRAL  
 REMOVE OBJECTS FROM THE TERRAIN THAT COULD  
 BE THROWN BY THE ATTACHMENT.  
 KEEP PEOPLE AND PETS A SAFE DISTANCE AWAY.  
 NEVER CARRY PASSENGERS.  
 STRIKE LOCK BEHIND TRACTOR BEFORE BACKING  
 ON ANY INCLINE THAT THE TRACTOR CAN BE SAFELY  
 OPERATED UP OR DOWN.  
 PROXY END OR OVER CAN OCCUR WHEN OPERATING ON  
 LOADING RAMPS OR HILLS. BACK UP RAMPS OR HILLS  
 DRIVE FORWARD SLOWLY DOWN RAMPS OR HILLS  
 TO PARK TRACTOR. PLACE TRAVEL CONTROL IN  
 NEUTRAL. SET PARKING BRAKE. DISENGAGE  
 ATTACHMENT DRIVE. SHUT OFF AND REMOVE KEY.  
 PARK TRACTOR BEFORE SERVICING OR MAKING  
 ADJUSTMENTS TO TRACTOR OR ATTACHMENTS.  
 FAILURE TO OBSERVE THESE PRECAUTIONS  
 COULD RESULT IN INJURY.

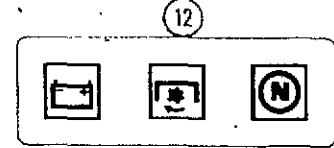


**F  
F  
U  
E  
L  
E**

**INGERSOLL**

**TRAVEL SELECTOR**

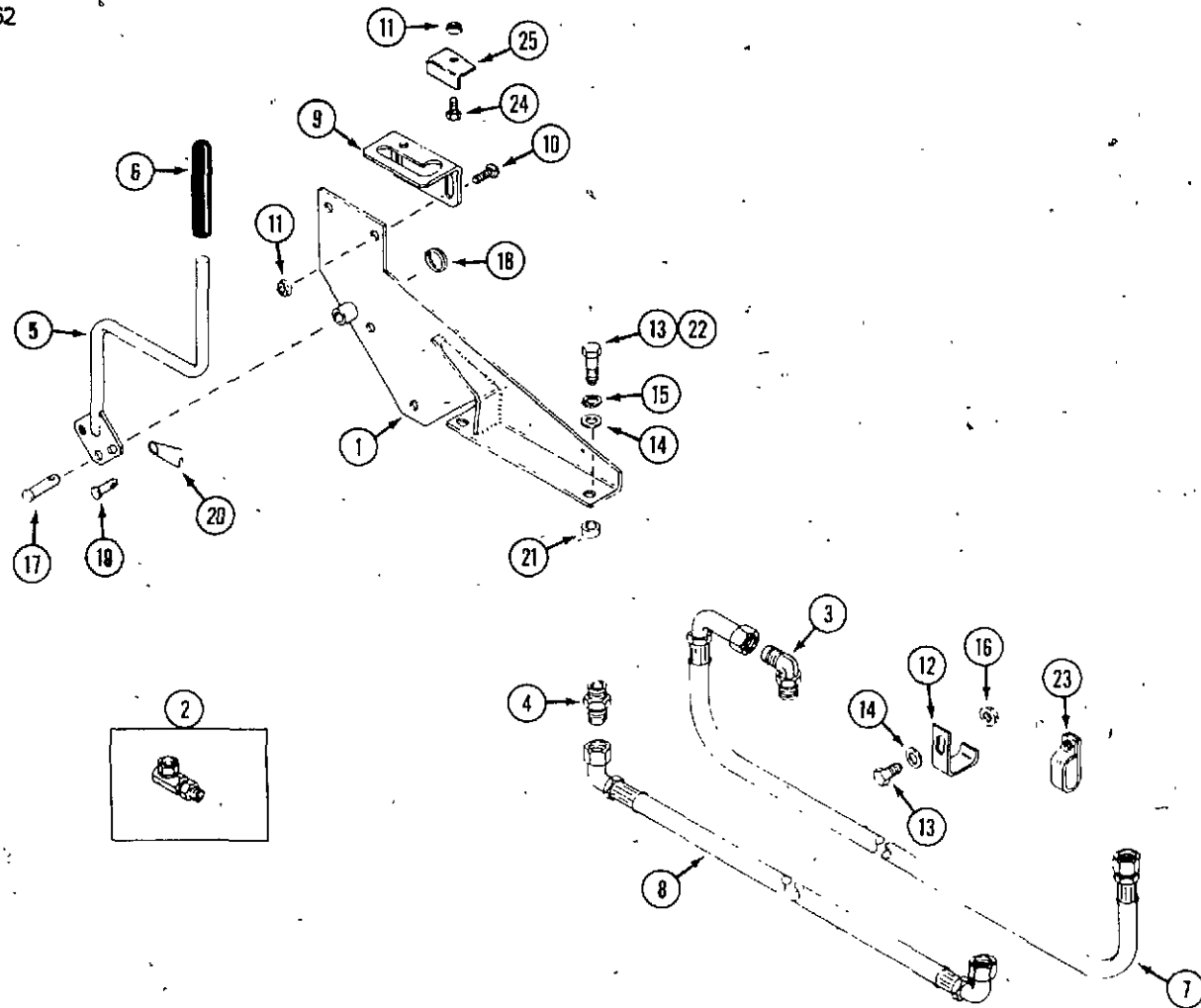
**5**  
**BRAKE - PEDAL IS ON LEFT SIDE OF TRACTOR**  
**PARKING BRAKE LOCK**  
 TO ENGAGE - APPLY BRAKE AND PULL LOCK DOWN  
 TO RELEASE - PUSH BRAKE PEDAL DOWN



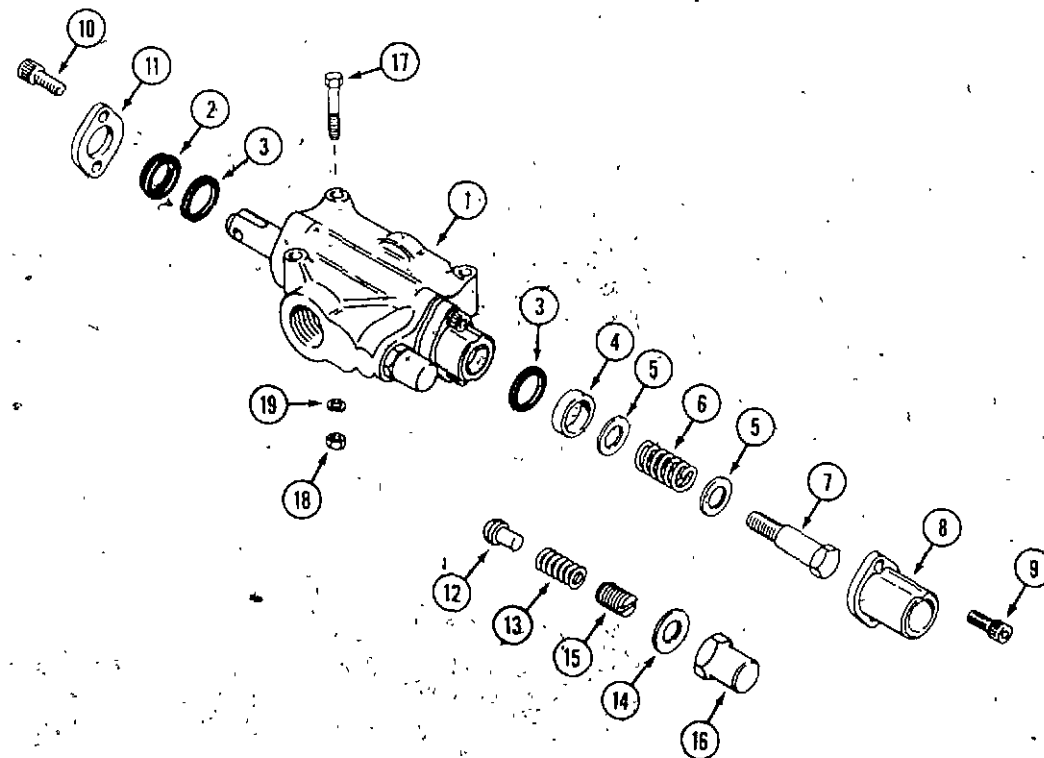


HP30 (3010, 3012, 3014), HP40 (4014), HYDRAULIC PTO

PTO HOSES AND MOUNTING BRACKET



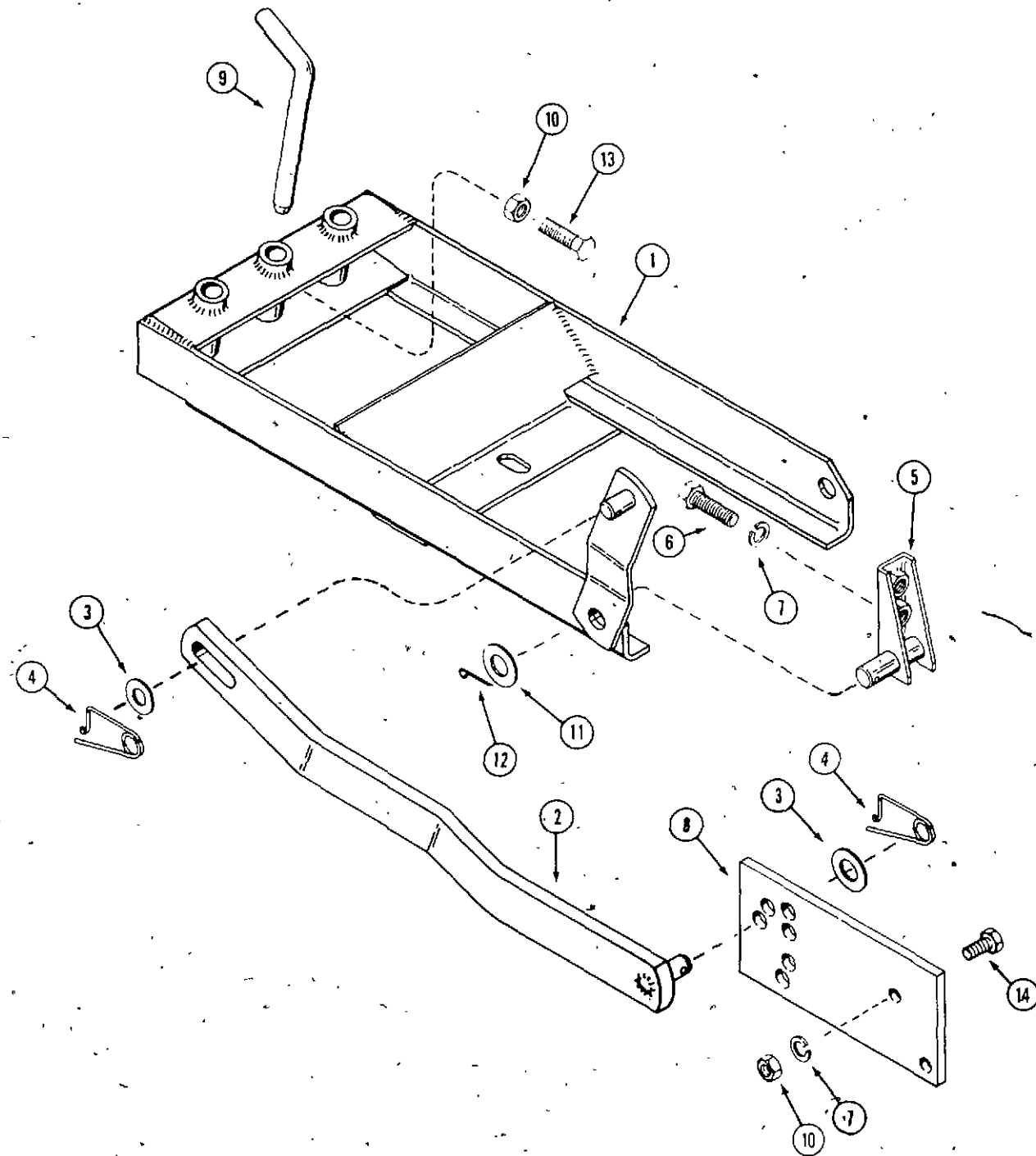
REF.	PART NO.	DESCRIPTION	REQ'D
1	C 32200	BRACKET - valve mounting	1
2	218- 5201	FITTING - workport, 90° elbow 7/8" - 14 x 1/2" NPSM swivel	2
3	218- 5107	FITTING - inlet port, 7/8" - 14 x 7/8" - 14 flare, 90° adjustable elbow	1
4	218- 5062	FITTING - outlet port 5/8" x 7/8" - 14 flare, straight	1
5	C 32403	HANDLE - valve	1
6	C 26020	GRIP - handle	1
7	C 32207	HOSE - pump to PTO 65" (HP30)	1
7	C 32208	HOSE - pump to PTO 63" (HP40)	1
8	C 32209	HOSE - PTO to travel valve 32" (HP30)	1
8	C 32210	HOSE - PTO to travel valve 34" (HP40)	1
9	C 32211	BRACKET - handle guide	1
10	111- 101	BOLT - 1/4" - 20 x 5/8" carriage	2
11	131- 934	NUT - 1/4" - 20 flange lock	3
12	C 32332	CLAMP - tube (HP30)	1
13	113- 103	BOLT - 5/16" - 18 x 1"	3
14	195- 521	WASHER - 5/16"	3
15	192- 20	LOCKWASHER - 5/16"	2
16	131- 911	NUT - 5/16" - 18 flange lock	1
17	C 32214	PIN - clevis 3/8" x 1-1/2"	1
18	C 28105	RING - retaining	1
19	C 28964	PIN - clevis 3/16" x 1"	1
20	C 10883	PIN - safety	1
21	C 29106	SPACER - 3/8" I.D. x 5/8" O.D. x 5/8" long (HP30)	2
22	113- 122	BOLT - 5/16" - 18 x 1-1/2" (HP30)	2
23	C 32213	CLAMP - tube (HP40)	1
	C 22947	TIE - nylon	1
24	113- 3	BOLT - 1/4" - 20 x 3/4"	1
25	C 32327	BRACKET - handle stop	1



VALVE

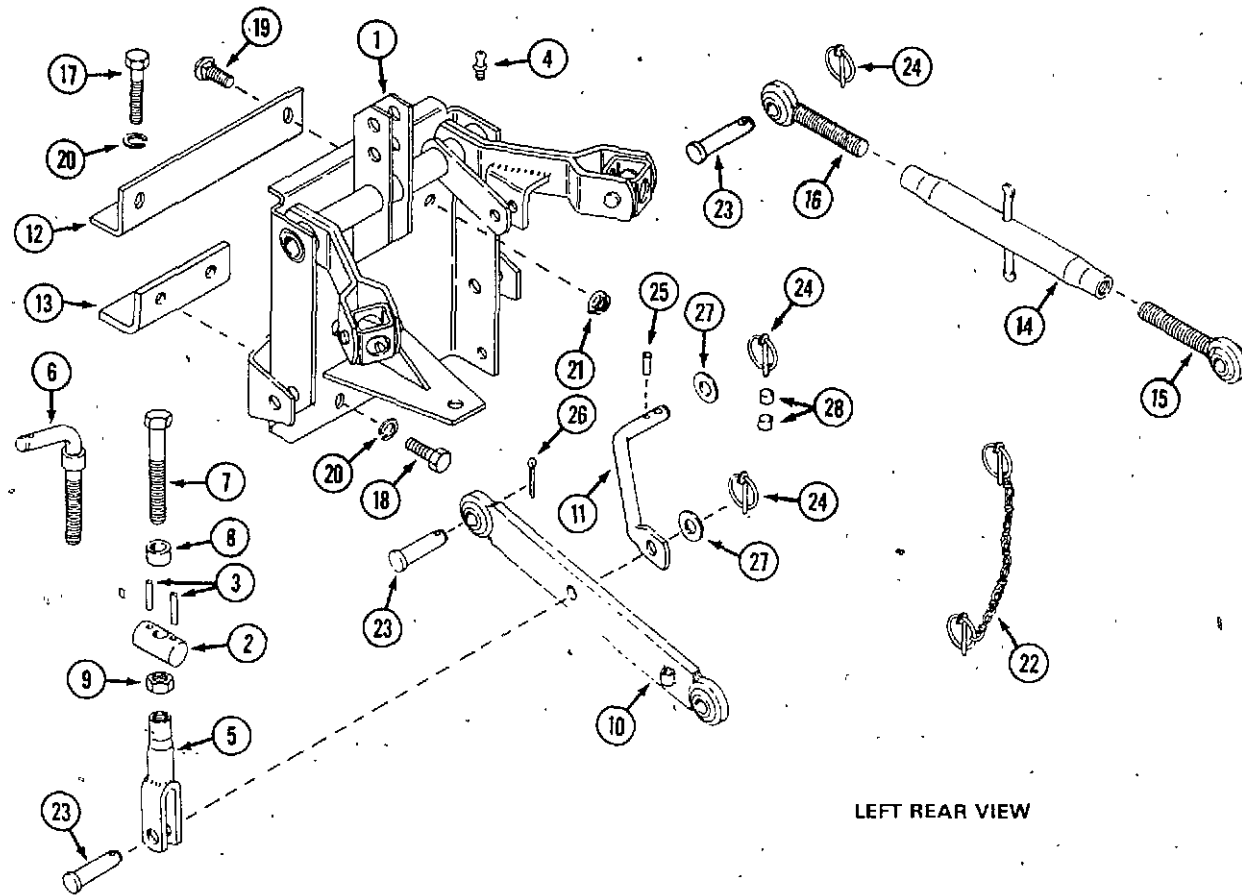
REF.	PART NO.	DESCRIPTION	REQ'D
1	C 30046	VALVE - hydraulic	1
2	C 26706	WIPER - spool	1
3	C 26707	RING - quad	2
4	C 26722	SPACER - end cap	1
5	195- 526	WASHER	2
6	C 26724	SPRING - centering	1
7	C 26725	BOLT - shoulder	1
8	C 26726	BONNET - end cap	1
9	165- 143	SCREW - 1/4" - 20 x 3/4" socket head	2
10	165- 143	SCREW - 1/4" - 20 x 3/4" socket head	2
11	C 26727	RETAINER - seal	1
12	C 26708	POPPET - relief	1
13	C 26709	SPRING - relief	1
14	C 26710	WASHER - aluminum, seal	1
15	C 26711	SCREW - adjustment, relief	1
16	C 26712	NUT - cap, relief	1
17	113- 5	BOLT - 1/4" x 1-1/2"	3
18	129- 101	NUT - 1/4"	3
19	192- 19	LOCKWASHER - 1/4"	3

**K22 SLEEVE HITCH (3010, 3012, 3014) and K24 SLEEVE HITCH (4014)**



REF.	PART NO.	DESCRIPTION	REQ'D
1	C 22218	HITCH FRAME ASSEMBLY (K24) shown	1
1	C 23707	HITCH FRAME ASSEMBLY (K22)	1
2	C 25371	ARM - lift	1
3	195- 541	WASHER - plain 21/32"	2
4	C 10898	PIN - retaining	2
5	C 14459	BRACKET - hitch mounting R.H. (shown)	1
5	C 25789	BRACKET - hitch mounting L.H.	1
6	113- 2400	BOLT - 1/2" x 1-3/8" N.C. hex, zinc	6
7	192- 23	LOCKWASHER - 1/2" zinc	6
8	C 25382	PLATE - lift lever	1
9	C 14568	PIN - drawbar	1
10	129- 105	NUT - 1/2" N.C. hex, zinc	4
11	195- 545	WASHER - plain 3/4" zinc	2
12	132- 306	PIN - cotter 3/16" x 1-3/4"	2
13	113- 476	BOLT - 1/2" x 2-3/4" N.C. hex, zinc	2
14	113- 417	BOLT - 1/2" x 1-1/4" hex	2

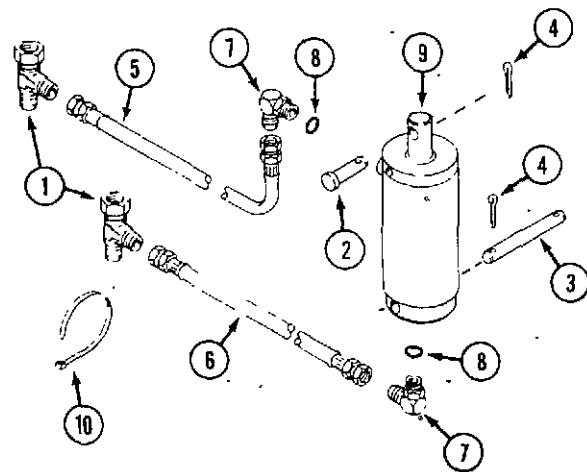
**HH34 THREE POINT HITCH**



LEFT REAR VIEW

REF.	PART NO.	DESCRIPTION	REQ'D
1	C 32215	PLATE - hitch	1
2	C 32230	SWIVEL - lift link	2
3	C 32231	PIN - spirol 3/16" x 1-1/2"	4
4	219 403	FITTING - grease	2
5	C 32428	LINK - adjusting	2
6	NSS	ROD - adjusting (use C32235 and 129-107)	1
7	C 32235	BOLT - 5/8" - 11 x 5"	1
8	C 32239	SPACER - bolt	1
9	129- 107	NUT - 5/8" - 11	1
10	C 32240	ARM - lift	2
11	C 32242	ARM - stabilizer	1
12	C 32243	BRACKET - angle	1
13	C 32244	SUPPORT - angle	1
14	C 32249	TUBE - upper link	1
15	C 32426	BALLJOINT - R.H. thread	1
16	C 32427	BALLJOINT - L.H. thread	1
17	113- 447	BOLT - 1/2" - 13 x 3-1/2" (use with 3000 series tractors)	1
17	113- 426	BOLT - 1/2" - 13 x 2-3/4" (use with 4000 series tractors)	1
18	113- 417	BOLT - 1/2" - 13 x 1-1/4"	2
19	111- 517	BOLT - 1/2" - 13 x 1" carriage	2
20	192- 23	LOCKWASHER - 1/2"	3
21	131- 930	NUT - 1/2" - 13 flange lock	2
22	NSS	PIN ASSEMBLY - klick (assemble from ref. 24)	1
23	C 14717	PIN - clevis 5/8" x 2-1/2"	6
24	C 28222	PIN - klick	6
25	138- 2073	PIN - spirol 3/16" x 1-1/4"	1
26	132- 348	PIN - cotter 1/4" x 1-1/4"	2
27	195- 541	WASHER - 5/8"	2
28	C 14768	SPACER - klick pin	2

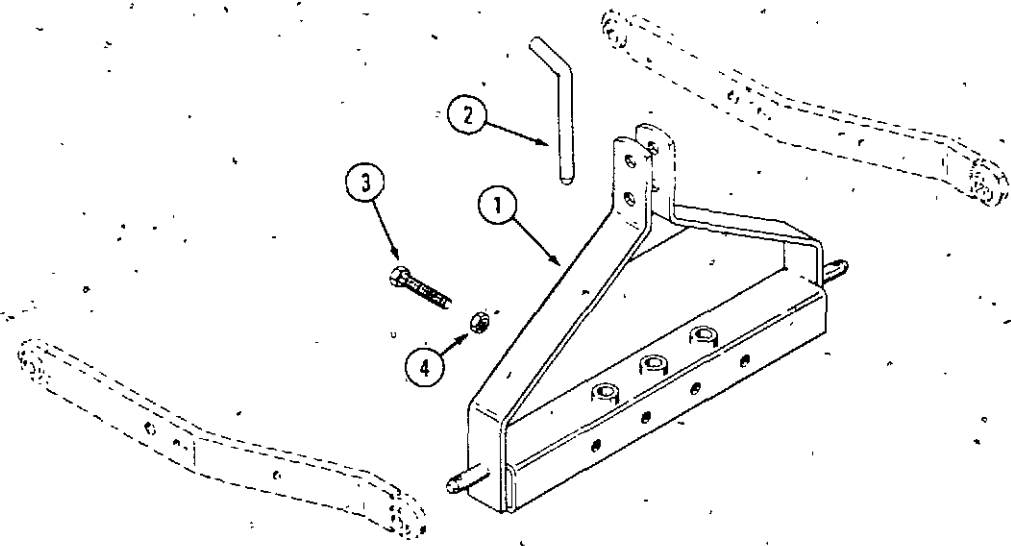
LEFT REAR VIEW



**HH34 THREE POINT HITCH CYLINDER**

REF.	PART NO.	DESCRIPTION	REQ'D
1	218- 5479	FITTING - tee 1/2" - 20 swivel female x 1/2" - 20 male	2
2	C 29693	PIN - cylinder rod 1/2" x 1 3/4"	1
3	C 32254	PIN - cylinder foot 1/2" x 4-5/8"	1
4	132- 310	PIN - cotter 1/8" x 1"	4
5	C 32247	HOSE - hydraulic 1/4" x 33" (cylinder to forward valve port)	1
6	C 32246	HOSE - hydraulic 1/4" x 24 (cylinder to rear valve port)	1
7	218- 5104	FITTING - 90° elbow 5/16" tube x 1/2" - 20	2
8	218- 5004	O-Ring	1
9	C 32245	CYLINDER - lift	1
10	C 22947	TIE - nylon	2

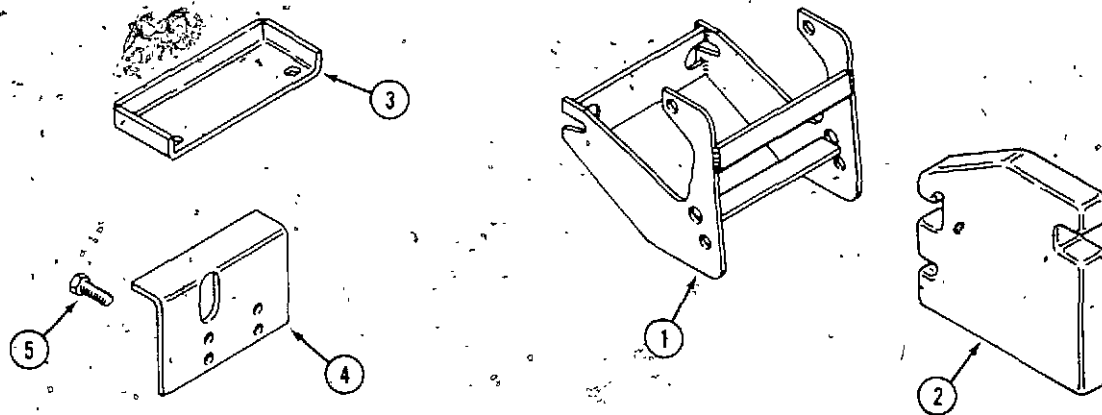
**F27 HITCH ADAPTER**



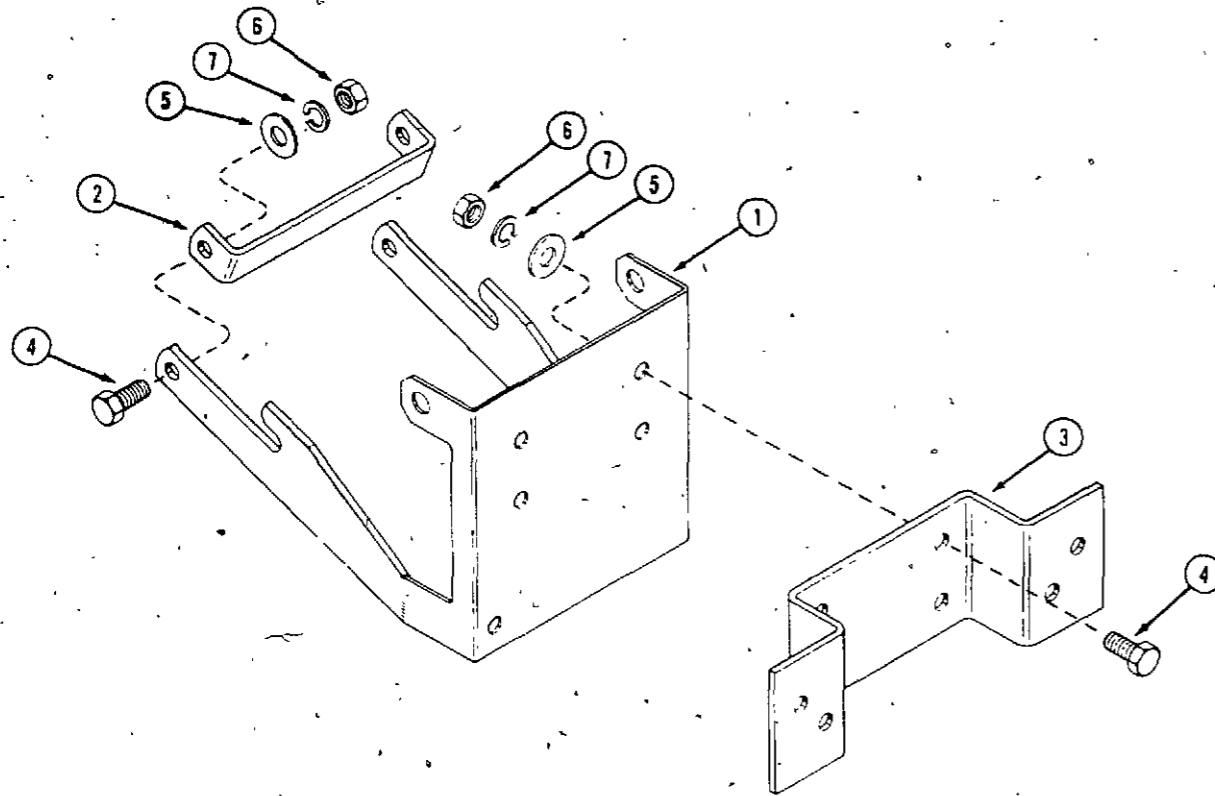
REF.	PART NO.	DESCRIPTION	REQ'D
1	NSS	BRACKET - hitch adapter (order as machinery item)	1
2	C 14568	PIN - drawbar	1
3	113- 476	BOLT - 1/2" x 2-3/4" N.C. hex	2
4	129- 105	NUT - 1/2" - 13	2

**L11 WEIGHT KIT**

1	C 25572	BRACKET - mounting, front	1
2	NSS	WEIGHT - 40 lb. (18 kg.)	4
3	C 25791	BRACKET - mounting, rear, upper	1
4	C 25792	BRACKET - mounting, rear, lower	1
5	113- 417	BOLT - 1/2" - 13 x 1-1/4" hex	2



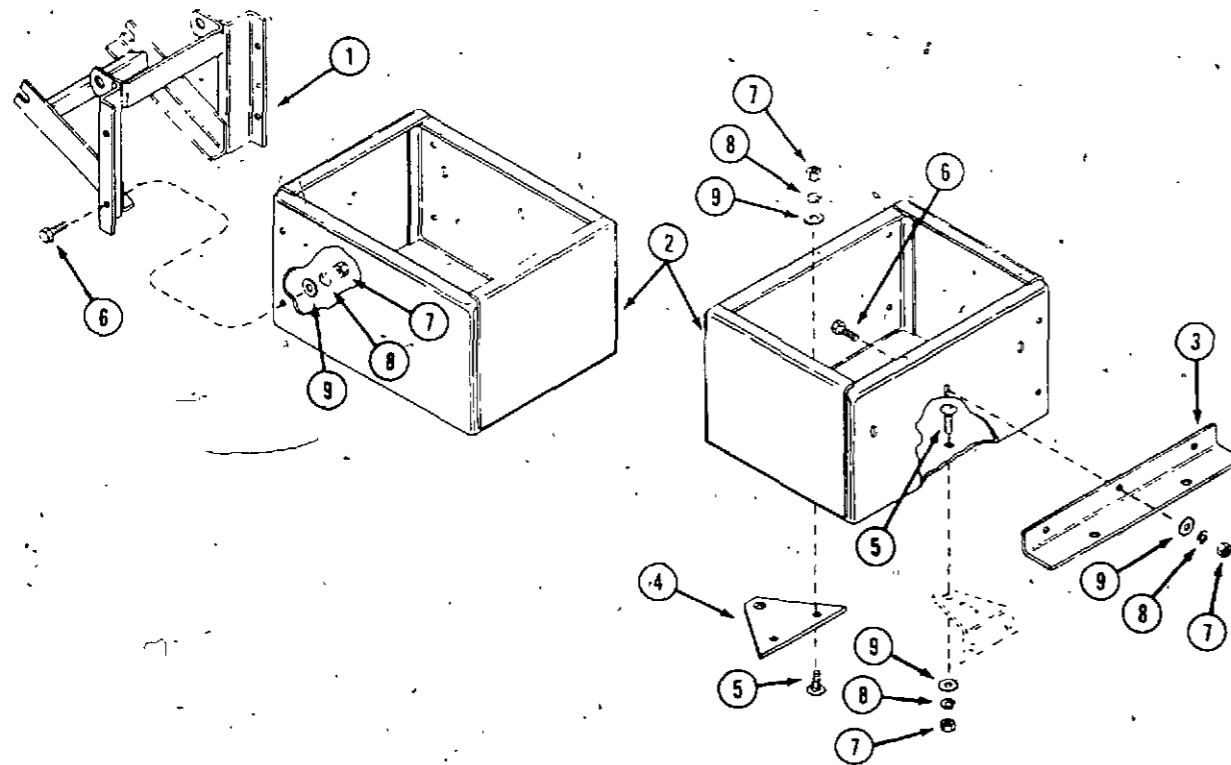
**H18 FRONT END WEIGHT BRACKETS**



REF.	PART NO.	DESCRIPTION	REQ'D
1	C 16581	BRACKET - mounting	1
2	C 17161	BRACE - rear	1
3	C 17162	BRACKET - weight mounting	1
4	113- 417	BOLT - 1/2" x 1-1/2" N.C. hex, zinc	6
5	195- 533	WASHER - 1/2" zinc	6
6	129- 105	NUT - 1/2" N.C. hex	6
7	192- 23	LOCKWASHER - 1/2"	6

**H13 WEIGHT BOX**

REF.	PART NO.	DESCRIPTION	REQ'D
1	C 17859	FRAME - weight box	1
2	C 17863	BOX - weight	1
3	C 17860	SUPPORT - weight box	1
4	C 17636	PLATE - hitch	1
5	111- 371	BOLT - 3/8" x 1" round head, square neck	3
6	113- 207	BOLT - 3/8" x 1" N.C. hex	4
7	129- 103	NUT - 3/8" N.C. hex	7
8	192- 21	LOCKWASHER - 3/8"	7
9	195- 525	WASHER - 3/8"	7

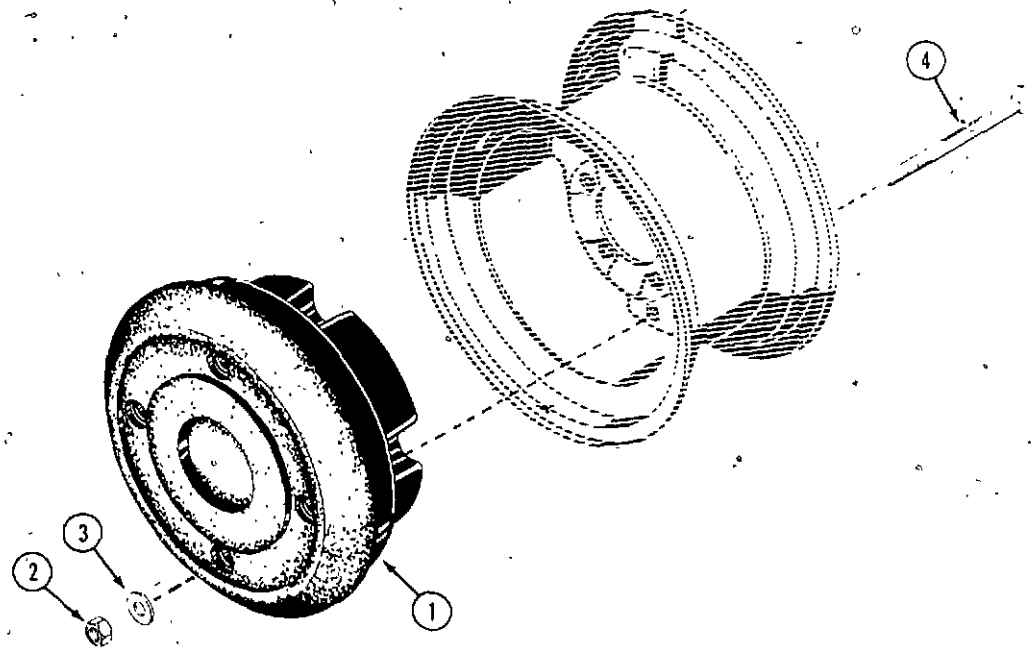
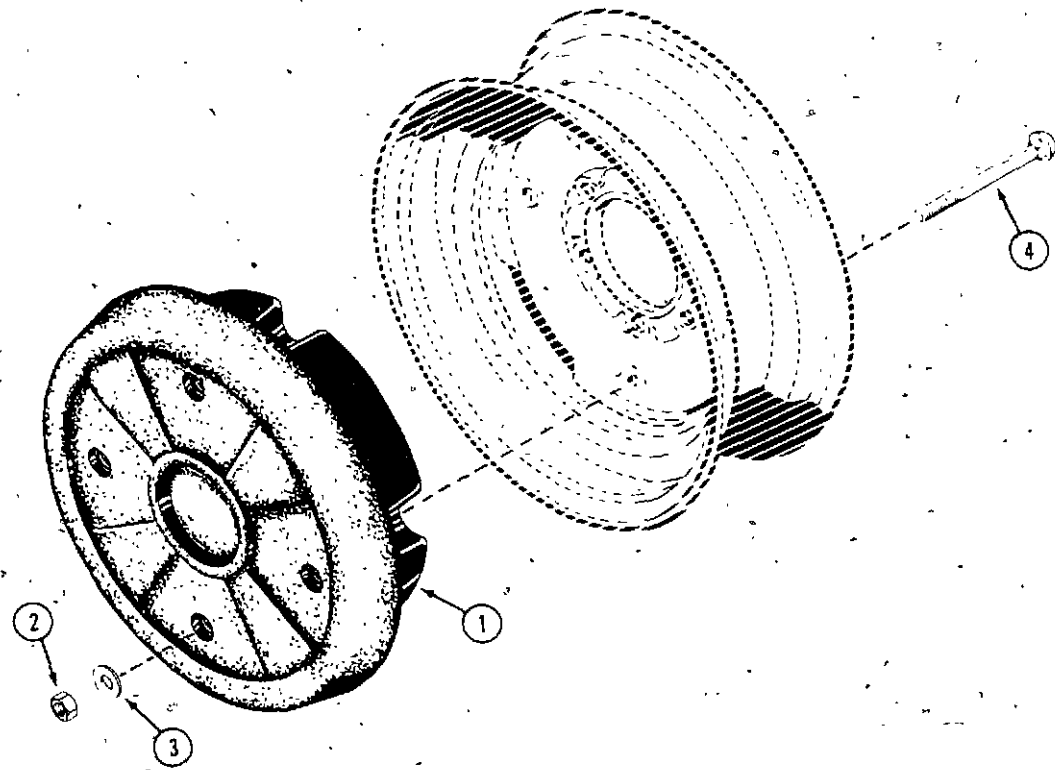


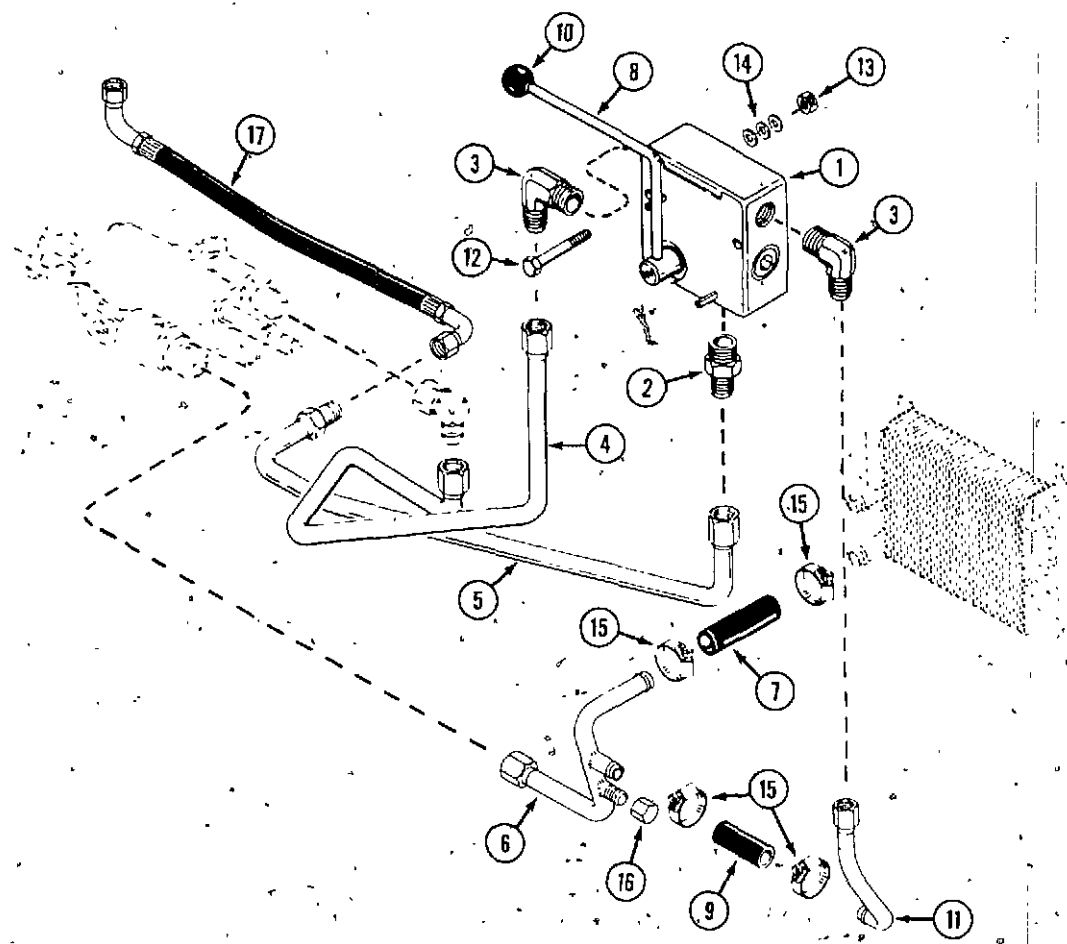
**WW40 WHEEL WEIGHTS (4014)**

REF.	PART NO.	DESCRIPTION	REQ'D
1	NSS	WEIGHT - wheel, 75 lb. (order as machinery item)	2
2	131- 1182	NUT - 1/2" N.C. hex	4
3	195- 533	WASHER - 1/2"	8
4	111- 525	BOLT - 1/2" x 6" round head, square neck	8

**WW30 AND WW30W WHEEL WEIGHTS (3010, 3012, 3014)**

1	NSS	WEIGHT - wheel 55 lb. (order as Machinery Item)	2
2	131- 1182	NUT - 1/2" N.C. lock	8
3	195- 533	WASHER - 1/2"	8
4	111- 521	BOLT - 1/2" x 7" carriage (WW30)	8
4	C 30545	BOLT - 1/2" - 13 x 8-1/2" (WW30W)	8





**HFC34 FLOW CONTROL VALVE KIT**

1	C 23618	VALVE - flow control	1
2	218- 445	FITTING - 5/18" x 7/8" -14	1
3	218- 485	FITTING - 5/8" x 7/8" - 14 90° elbow	2
4	C 33007	TUBE - flow valve to travel valve	1
5	C 33008	TUBE - flow valve to PTO valve	1
6	C 33009	TUBE - travel valve to heat exchanger	1
7	C 29697	HOSE - rubber 3/4" I.D. (cut to length)	1
8	C 36848	LEVER - valve	1
9	C 36849	HOSE - rubber 5/8" I.D.	1
10	C 28251	KNOB - lever	1
11	C 33131	TUBE - flow valve to return	1
12	113- 12	BOLT - 1/4" - 20 x 2-1/2	1
13	131- 1180	NUT - 1/4" -20 lock	1
14	195- 518	WASHER - 1/4"	3
15	214- 254	CLAMP - hose #12 5/8" to 1-1/4"	4
16	218- 754	CAP - hydraulic 9/16" - 18	1
17	C 33011	HOSE - flow valve to PTO (for 4014)	1
17	C 33010	HOSE - flow valve to PTO (for 3010, 3012, 3014)	1
	C 18719	DECAL - speed control	1
	218- 5229	FITTING - 90° swivel elbow (for 3 point hitch connections)	2

NUMERICAL INDEX

PART NO.	PAGE NO.	REF. NO.	PART NO.	PAGE NO.	REF. NO.
A72098	19	7	C17636	71	4
C10314	39	2	C17734	53	5
C10482	51	4	C17859	71	1
C10678	17	1	C17860	71	3
C10678	19	3	C17863	71	2
C10883	63	20	C18101	11	4
C10898	65	4	C18719	75	4
C11529	17	5	C18812	37	1
C11906	37	6	C18813	37	1
C12102	37	18	C19025	51	8
C12110	39	5	C19025	53	20
C12552	41	26	C19115	49	16
C12713	41	2	C19521	59	23
C12718	41	36	C21506	45	22
C12725	41	21	C21507	45	7
C13106	37	8	C21518	51	5
C13106	39	30	C21518	53	15
C13106	53	30	C21619	57	25
C13196	41	16	C21942	39	8
C13197	41	17	C22023	29	4
C13241	41	5	C22218	65	1
C13266	41	7	C22278	37	5
C13360	47	1	C22568	37	19
C13385	41	6	C22573	59	6
C13605	37	17	C22637	41	14
C13716	37	6	C22638	41	12
C14168	41	23	C22754	9	4
C14201	35	7	C22947	59	11
C14222	41	39	C22947	63	10
C14223	41	37	C22947	67	10
C14304	59	5	C23012	59	27
C14459	65	5	C23126	21	9
C14537	57	20	C23135	13	4
C14568	65	9	C23135	15	4
C14568	69	2	C23527	17	7
C14644	41	24	C23618	75	1
C14690	17	8	C23707	65	1
C14717	67	23	C23860	19	1
C14728	33	16	C23860	19	20
C14730	29	13	C23899	39	14
C14768	67	28	C23910	39	11
C15096	35	16	C24069	59	20
C15410	33	9	C24137	29	3
C15731	49	4	C24460	57	2
C15732	49	5	C24652	19	5
C15733	49	6	C24761	39	15
C15734	49	7	C24803	41	4
C15735	49	8	C24804	41	3
C15737	49	10	C24809	57	16
C15738	49	11	C24813	57	19
C15739	49	12	C24843	41	1
C15740	49	13	C24851	17	11
C16362	31	2	C24884	7	11
C16373	29	17	C24884	7	12
C16429	33	7	C24887	17	12
C16581	71	1	C24890	55	10
C16699	41	12	C25237	43	20
C16700	41	14	C25338	57	1
C17161	71	2	C25371	65	2
C17162	71	3	C25382	65	8
C17216	33	19	C25486	57	11
C17249	53	6	C25556	23	6
C17250	53	7	C25572	69	1
C17433	45	8	C25772	69	4
C17435	45	9	C25789	65	5
C17438	45	17	C25791	69	3
C17443	45	31	C25855	37	10
C17444	45	19	C25856	37	10

PART NO.	PAGE NO.	REF. NO.	PART NO.	PAGE NO.	REF. NO.
C25857	37	13	C26020	63	6
C26020	63	6	C26021	39	7
C26021	39	7	C26188	53	25
C26188	53	25	C26325	35	2
C26325	35	2	C26326	35	4
C26326	35	4	C26342	41	15
C26342	41	15	C26381	39	2
C26381	39	2	C26422	19	16
C26422	19	16	C26526	33	15
C26526	33	15	C26663	45	26
C26663	45	26	C26664	45	24
C26664	45	24	C26665	45	23
C26665	45	23	C26666	45	25
C26666	45	25	C26668	45	11
C26668	45	11	C26699	61	2
C26699	61	2	C26703	17	1
C26703	17	1	C26706	63	2
C26706	63	2	C26707	63	3
C26707	63	3	C26708	63	12
C26708	63	12	C26709	63	13
C26709	63	13	C26710	63	14
C26710	63	14	C26711	63	15
C26711	63	15	C26712	63	16
C26712	63	16	C26722	63	4
C26722	63	4	C26724	63	6
C26724	63	6	C26725	63	7
C26725	63	7	C26726	63	8
C26726	63	8	C26727	63	11
C26727	63	11	C26827	33	2
C26827	33	2	C27224	33	2
C27224	33	2	C27274	21	10
C27274	21	10	C27276	19	12
C27276	19	12	C27277	19	13
C27277	19	13	C27501	35	9
C27501	35	9	C27508	29	6
C27508	29	6	C27549	57	3
C27549	57	3	C27590	53	29
C27590	53	29	C27593	51	2
C27593	51	2	C27593	53	12
C27593	53	12	C27594	33	17
C27594	33	17	C27597	37	2
C27597	37	2	C27763	39	2
C27763	39	2	C27764	43	9
C27764	43	9	C27871	61	5
C27871	61	5	C27902	37	4
C27902	37	4	C28105	63	18
C28105	63	18	C28217	45	3
C28217	45	3	C28222	67	24
C28222	67	24	C28226	37	11
C28226	37	11	C28232	37	4
C28232	37	4	C28236	39	8
C28236	39	8	C28241	41	18
C28241	41	18	C28251	75	10
C28251	75	10	C28281	41	8
C28281	41	8	C28669	5	5
C28669	5	5	C28676	19	14
C28676	19	14	C28678	5	15
C28678	5	15	C28680	7	2
C28680	7	2	C28680	7	2
C28680	7	2	C28690	21	13
C28690	21	13	C28691	5	14
C28691	5	14	C28692	57	32
C28692	57	32	C28705	45	14
C28705	45	14	C28706	45	13
C28706	45	13	C28707	45	12
C28707	45	12	C28708	45	18
C28708	45	18			

NUMERICAL INDEX

PART NO.	PAGE NO.	REF. NO.	PART NO.	PAGE NO.	REF. NO.
C28717	59	4	C30274	61	12
C28856	45	4	C30275	57	30
C28878	21	8	C30279	57	10
C28879	19	5	C30458	29	10
C28880	19	8	C30460	29	10
C28932	59	4	C30462	29	10
C28940	17	4	C30464	29	10
C28949	43	15	C30482	5	19
C28962	17	2	C30483	13	4
C28964	63	19	C30483	15	4
C28965	39	6	C30484	11	4
C28978	39	19	C30487	7	4
C29044	35	3	C30487	7	4
C29045	53	11	C30489	33	20
C29047	51	1	C30539	61	10
C29106	63	21	C30545	73	4
C29305	33	22	C30827	51	12
C29306	33	23	C30912	39	3
C29314	31	4	C30913	39	1
C29322	57	24	C30917	39	1
C29516	11	2	C30922	39	1
C29517	11	2	C30939	43	14
C29518	11	2	C30939	47	26
C29519	11	2	C30942	33	7
C29520	11	2	C30942	59	28
C29521	13	2	C31004	33	6
C29522	13	2	C31005	33	14
C29523	13	2	C31006	33	12
C29524	13	2	C31020	33	1
C29525	13	2	C31021	33	1
C29526	15	2	C31213	57	27
C29527	15	2	C31295	43	21
C29528	15	2	C31297	27	6
C29529	15	2	C31309	47	2
C29530	15	2	C31310	47	3
C29637	59	1	C31311	47	4
C29653	51	19	C31313	47	5
C29655	43	11	C31314	47	6
C29656	43	12	C31315	47	7
C29657	43	11	C31316	47	7
C29658	43	12	C31317	47	8
C29693	53	3	C31318	47	9
C29693	67	2	C31319	47	10
C29697	75	7	C31320	47	11
C29738	57	35	C31321	47	12
C29812	35	5	C31322	47	13
C29950	45	28	C31323	47	1
C29951	45	5	C31327	47	3
C29956	45	2	C31337	37	3
C29958	45	29	C31338	37	3
C30002	45	6	C31340	37	3
C30004	31	6	C31341	37	3
C30019	35	17	C31352	31	1
C30029	41	9	C31357	31	20
C30030	41	25	C31359	29	3
C30031	41	34	C31360	23	4
C30046	63	1	C31364	23	4
C30054	53	8	C31365	31	10
C30066	33	8	C31366	31	14
C30071	33	8	C31368	29	12
C30073	21	2	C31369	29	8
C30074	21	4	C31412	23	9
C30126	31	5	C31431	43	22
C30127	35	18	C31435	43	13
C30260	57	5	C31568	23	5
C30262	57	7	C31597	29	18
C30263	57	8	C31597	31	12
C30267	57	28	C31603	29	9

PART NO.	PAGE NO.	REF. NO.	PART NO.	PAGE NO.	REF. NO.
C31604	39	6	C31605	39	9
C31605	39	9	C31610	29	2
C31610	29	2	C31611	31	8
C31611	31	8	C31612	31	15
C31612	31	15	C31614	27	9
C31614	27	9	C31615	27	10
C31615	27	10	C31617	57	22
C31617	57	22	C31619	59	17
C31619	59	17	C31620	59	18
C31620	59	18	C31621	59	19
C31621	59	19	C31624	29	1
C31624	29	1	C31626	29	1
C31626	29	1	C31657	39	1
C31657	39	1	C31660	39	4
C31660	39	4	C31661	39	7
C31661	39	7	C31662	39	5
C31662	39	5	C31666	23	1
C31666	23	1	C31670	51	6
C31670	51	6	C31670	53	18
C31670	53	18	C31674	51	15
C31674	51	15	C31678	51	10
C31678	51	10	C31680	53	16
C31680	53	16	C31681	53	28
C31681	53	28	C31682	21	3
C31682	21	3	C31891	57	26



NUMERICAL INDEX

PART NO.	PAGE NO.	REF. NO.	PART NO.	PAGE NO.	REF. NO.
C32207	63	7	C32812	17	2
C32208	63	7	C32813	17	4
C32209	63	8	C32814	17	5
C32210	63	8	C32815	17	6
C32211	63	9	C32816	25	8
C32213	63	23	C32817	13	1
C32214	63	17	C32818	13	1
C32215	67	1	C32819	13	1
C32230	67	2	C32820	13	1
C32231	67	3	C32821	15	1
C32235	67	7	C32822	15	1
C32239	67	8	C32823	15	1
C32240	67	10	C32824	15	1
C32242	67	11	C32825	17	9
C32243	67	12	C32826	25	9
C32244	67	13	C32827	17	7
C32245	67	9	C32828	25	11
C32246	67	6	C32829	5	
C32247	67	5	C32830	25	10
C32249	67	14	C32834	13	2
C32254	67	3	C32835	13	2
C32259	53	1	C32836	13	2
C32268	23	2	C32837	13	2
C32312	47	5	C32838	13	2
C32327	63	25	C32839	15	2
C32331	5	29	C32840	15	2
C32332	63	12	C32841	15	2
C32333	5	31	C32842	15	2
C32362	51	17	C32843	15	2
C32375	57	31	C32844	15	1
C32376	5	28	C32845	15	1
C32376	17	9	C32846	15	1
C32378	27	2	C32847	15	1
C32379	27	3	C32849	7	14
C32380	27	4	C32849	7	5
C32381	27	5	C32850	21	2
C32385	33	27	C32850	25	10
C32386	33	27	C32853	19	9
C32387	33	27	C32856	19	
C32388	33	27	C32859	19	22
C32396	59	21	C32862	19	25
C32397	59	22	C32863	19	26
C32403	63	5	C32864	19	26
C32407	57		C32865	19	27
C32407	59	26	C32866	19	28
C32426	67	15	C32867	19	29
C32427	67	16	C32868	19	29
C32428	67	5	C32869	19	30
C32486	41	22	C32870	19	30
C32509	51	3	C32871	19	31
C32798	25	4	C32872	19	32
C32799	17	8	C32873	19	33
C32799	19	18	C32874	19	34
C32799	19	42	C32875	19	35
C32800	13	4	C32876	19	36
C32800	15	4	C32877	19	36
C32801	13	4	C32878	19	37
C32801	15	4	C32879	19	38
C32803	7	1	C32880	19	39
C32804	7	1	C32881	19	40
C32804	25	7	C32882	19	41
C32805	17	3	C32888	5	3
C32806	25	5	C32889	5	4
C32807	25	8	C32890	5	6
C32808	25	6	C32891	5	7
C32809	25	1	C32892	9	1
C32810	25	1	C32893	9	1
C32811	25	5	C32894	9	1

PART NO.	PAGE NO.	REF. NO.
C32896	9	3
C32897	9	5
C32898	5	18
C32899	5	18
C32901	5	23
C32902	9	1
C32903	9	2
C32904	9	3
C32905	55	1
C32905	57	36
C32906	55	2
C32907	55	6
C32908	55	7
C32909	55	8
C32910	55	9
C32911	55	11
C32912	55	12
C32913	55	13
C32914	9	6
C32915	23	1
C32916	23	2
C32917	9	8
C32919	9	10
C32920	9	11
C32921	9	13
C32923	17	14
C32924	21	3
C32925	19	24
C32925	21	5
C32926	21	6
C32927	19	23
C32927	21	7
C32929	21	12
C32930	21	14
C32931	21	15
C32934	21	20
C32935	21	21
C32936	21	23
C32937	21	24
C32938	19	10
C32938	21	27
C32939	21	28
C32940	21	29
C32941	21	30
C32942	21	31
C32944	57	34
C32945	59	1
C32946	59	2
C32947	59	5
C32948	57	33
C32949	59	7
C32953	5	24
C32954	5	25
C33007	75	4
C33008	75	5
C33009	75	6
C33010	75	17
C33011	75	17
C33016	5	
C33017	5	
C33018	5	
C33021	57	
C33022	57	15
C33023	57	17
C33024	57	21
C33028	23	
C33115	43	31



PART NO.	PAGE NO.	REF. NO.
C33131	75	11
C33180	43	19
C33197	27	1
C33218	21	8
C33234	43	14
C33234	47	
C33305	41	28
C33308	35	13
C33309	35	12
C33310	19	21
C33413	21	1
C33415	57	29
C33417	41	38
C33423	43	18
C33427	39	10
C33467	31	7
C34413	17	16
C34416	19	
C36848	75	
C36849	75	9
F53109	49	2
KO 200383	19	6
KO 230011	7	9
KO 230020	7	12
KO 230020	7	10
KO 230170	5	16
KO 230265	5	16
KO 231032	25	6
KO 235004	11	3
KO 235004	13	3
KO 235004	13	3
KO 235004	15	3
KO 235004	15	3
KO 235007S	5	17
KO 235008	7	6
KO 235010	7	8
KO 235011	7	7
KO 235011	7	8
KO 235025	5	11
KO 235026	5	10
KO 235047	25	3
KO 235048	25	1
KO 235125S	5	12
KO 235168	7	13
KO 235168	7	9
KO 235287	11	1
KO 235288	11	1
KO 235289	11	1
KO 235290	11	1
KO 235448	19	15
KO 235476	21	1
KO 235582	7	7
KO 235631	25	2
KO 235748	5	22
KO 235838	7	5
KO 235889	13	1
KO 235890	13	1
KO 235891	13	1
KO 235892	13	1
KO 236559	5	2
KO 237022	21	11
KO 237064	9	5
KO 237672	7	6
KO 270158	5	21
KO 270889	5	20
KO 275066	7	3
KO 275066	7	3
KO 275067	7	3

NUMERICAL INDEX

PART NO.	PAGE NO.	REF. NO.	PART NO.	PAGE NO.	REF. NO.
KO 275067	7	3	121-	21	55
KO 275144	25	7	121-	21	59
KO 275220	25	9	121-	106	23
KO 275231	19	8	121-	106	29
KO 275690	21	22	121-	106	31
KOA236507	9	2	121-	106	33
KOD235327	7	10	126-	22	9
KOD235327	7	11	126-	128	41
014- 724	27	12	129-	13	59
028- 620	9	9	129-	17	21
028- 668	47	1	129-	17	59
041- 18	5	13	129-	27	59
071- 410	25	3	129-	36	59
111- 101	63	10	129-	37	59
111- 132	59	24	129-	101	21
111- 371	71	5	129-	101	59
111- 517	67	19	129-	101	63
111- 521	73	4	129-	102	23
111- 525	73	4	129-	102	59
113- 3	63	24	129-	103	71
113- 5	63	17	129-	105	65
113- 12	75	12	129-	105	69
113- 14	51	13	129-	105	71
113- 17	21	4	129-	107	67
113- 17	21	16	129-	122	51
113- 102	33	24	129-	122	53
113- 103	49	8	129-	143	39
113- 103	63	13	129-	165	37
113- 104	25	13	129-	166	45
113- 111	49	14	129-	365	37
113- 118	33	4	129-	531	45
113- 122	33	11	131-	176	49
113- 122	63	22	131-	351	43
113- 206	27	7	131-	911	33
113- 206	35	1	131-	911	63
113- 207	5	8	131-	930	67
113- 207	5	27	131-	934	23
113- 207	55	5	131-	934	31
113- 207	71	6	131-	934	31
113- 208	23	7	131-	934	29
113- 208	49	6	131-	938	53
113- 208	53	31	131-	1180	75
113- 209	53	21	131-	1182	73
113- 219	23	4	131-	1182	73
113- 241	35	6	131-	1216	33
113- 417	65	14	131-	1318	29
113- 417	67	18	131-	1352	35
113- 417	69	5	131-	1352	49
113- 417	71	4	132-	306	65
113- 424	29	15	132-	310	39
113- 424	33	4	132-	310	41
113- 424	41	40	132-	310	53
113- 424	47	3	132-	310	67
113- 426	67	17	132-	311	37
113- 427	33	3	132-	320	51
113- 441	33	3	132-	320	53
113- 447	67	17	132-	321	39
113- 476	65	13	132-	334	31
113- 476	69	3	132-	348	67
113-2262	39	12	138-	143	35
113-2400	65	6	138-	2072	51
121- 21	9	12	138-	2073	29
121- 21	21	26	138-	2073	39
121- 21	23	7	138-	2073	41
121- 21	23		138-	2073	67
121- 21	25	4	141-	4	39
121- 21	41	20	163-	7	59
121- 21	55	3	165-	143	63

## NUMERICAL INDEX

PART NO.	PAGE NO.	REF. NO.	PART NO.	PAGE NO.	REF. NO.
165-143	63	10	195-541	67	27
166-85	29	15	195-545	65	11
166-85	41	40	195-2069	35	15
166-86	43	16	195-2175	33	10
169-114	45	20	195-2206	35	11
182-10	59	8	211-5	45	16
182-147	59	15	211-7	45	30
182-525	25	11	211-208	45	6
182-547	33	28	214-14	43	24
182-552	9	4	214-254	43	23
182-559	21	32	214-254	75	15
182-559	21	5	218-445	75	2
182-559	59	15	218-485	75	3
187-1036	29	21	218-754	43	30
187-1073	59	12	218-754	75	16
187-1328	31	13	218-1093	53	26
187-1328	59	2	218-5004	67	8
187-1334	23	6	218-5007	43	3
187-1910	37	12	218-5007	43	5
192-13	59	10	218-5007	43	7
192-18	21	6	218-5056	53	27
192-18	59	14	218-5062	43	6
192-19	29	19	218-5062	63	4
192-19	51	14	218-5065	43	2
192-19	59	33	218-5104	67	7
192-19	63	19	218-5107	43	4
192-20	33	5	218-5107	63	3
192-20	49	9	218-5117	43	26
192-20	51	16	218-5201	63	2
192-20	53	8	218-5229	75	
192-20	63	15	218-5232	43	8
192-21	23	5	218-5479	67	1
192-21	27	8	219-17	37	20
192-21	35	14	219-17	53	2
192-21	71	8	219-403	39	4
192-22	27	11	219-403	67	4
192-23	29	14	219-404	37	7
192-23	33	5	221-3	41	10
192-23	37	14	221-86	5	30
192-23	41	19	221-841	45	21
192-23	43	32	221-1842	41	10
192-23	47	2	321-1788	61	4
192-23	65	7	321-4767	61	3
192-23	67	20	321-6659	61	11
192-23	71	7			
193-70	59	14			
193-99	59	30			
195-102	25	12			
195-103	5	26			
195-104	53	23			
195-518	17	13			
195-518	21	17			
195-518	25	2			
195-518	75	14			
195-521	53	17			
195-521	63	14			
195-525	23	8			
195-525	33	18			
195-525	71	9			
195-526	63	5			
195-533	39	17			
195-533	53	14			
195-533	71	5			
195-533	73	3			
195-533	73	3			
195-541	35	11			
195-541	41	42			
195-541	65	3			

# INGERSOLL

Ingersoll Equipment Co., Inc.