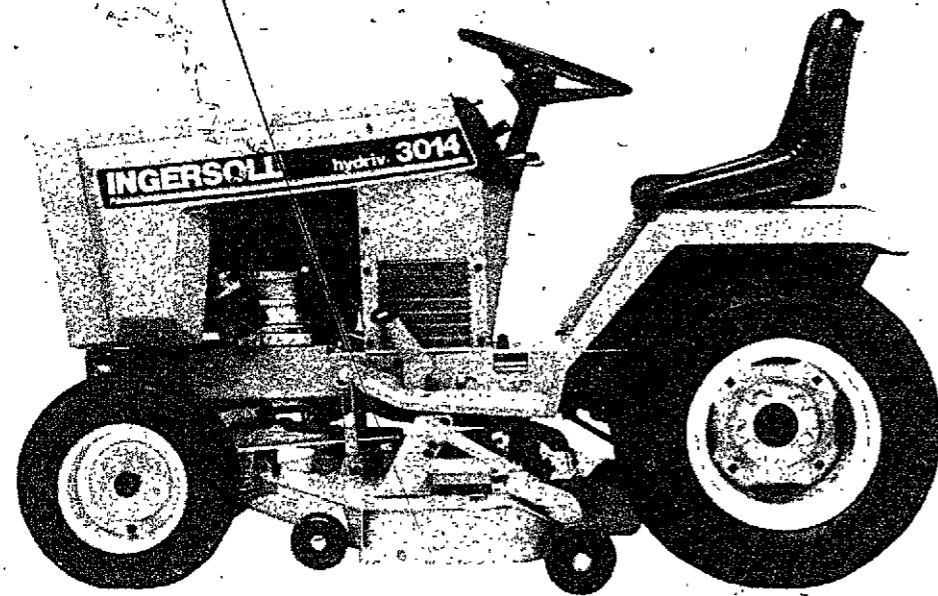


COMPACT TRACTORS
3012 - PIN 14145700 AND AFTER
3014 - PIN 14146700 AND AFTER
3016 - PIN 14147800 AND AFTER
4016 - PIN 14170800 AND AFTER
WITH VANGUARD ENGINES
Parts Catalog 8-3111

4-92-RP-500-325

NOTE: This catalog replaces
catalog 8-3110



INGERSOLL
Ingersoll Equipment Co., Inc.

PAINT AND OIL

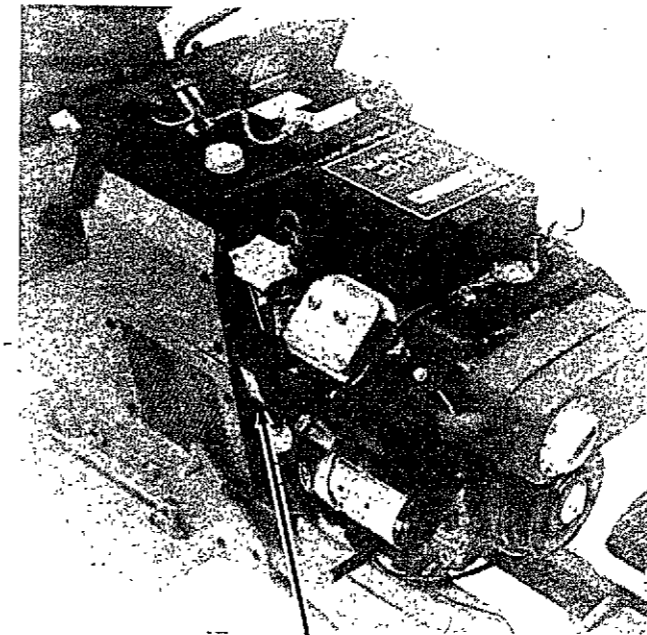
PAINT

REF.	PART NO.	DESCRIPTION	REQ'D
1	C 28849	BLACK - semi - gloss, 12 oz spray (2 per carton)	1
2	C 28850	BLACK - semi - gloss, quart (2 per carton)	1
3	C 28850	BLACK - semi - gloss, heat resistant, 12 oz spray (2 per carton)	1
4	C 28484	POWER RED - gloss, 12 oz spray (2 per carton)	1
5	C 28485	POWER RED - gloss, quart (2 per carton)	1
6	C 30870	SILVER - gloss, 12 oz. spray (2 per carton)	1
7	C 31643	POWER RED - gloss, 1 oz touch up, (1 doz. per carton)	1

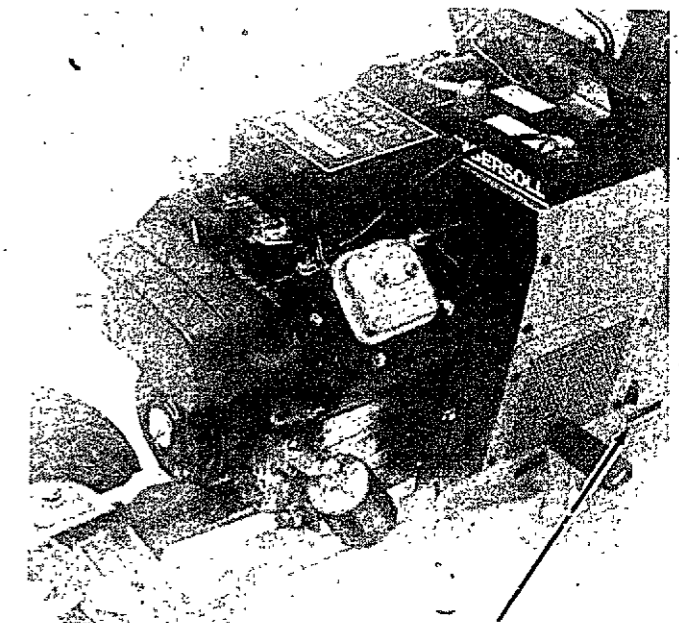
OIL

1	C 32776	OIL - SAE 30, SF, quart (12 per case)	1
2	C 32777	OIL - SAE 5W20, SF, quart (12 per case)	1
3	C 32778	OIL - SAE 20W40, SF, quart (12 per case)	1

**PRODUCT IDENTIFICATION NUMBERS (P.I.N.)
OR SERIAL NUMBERS (S/N)**



**ENGINE MODEL, SERIAL AND
SPECIFICATION NUMBERS**



**TRACTOR MODEL AND P.I.N.
OR SERIAL NUMBERS**

ENGINE IDENTIFICATION

TRACTOR MODEL

3012

3014

3016, 4016

ENGINE MODEL

C33454
BRIGGS & STRATTON
VANGUARD 12 HP
MODEL 290447
TYPE 0411

C43283
BRIGGS & STRATTON
VANGUARD 14 HP
MODEL 294447
TYPE 0412 AND 0445

C43249
BRIGGS & STRATTON
VANGUARD 16 HP
MODEL 303447
TYPE 0414 AND 0447

NOTE: In this catalog there are references to serial numbers. To order the correct part us these serial numbers as a guide.

GENERAL INFORMATION

INDEX

There is an index at the front and rear of this catalog.

The front index is an alphabetical index of the major groups or assemblies.

The rear index is a numerical index of the part numbers and pages on which these numbers are shown.

ILLUSTRATION

Each illustration in this catalog shows a group of parts or components. These parts and components are aligned approximately as the parts and components on your machine. Each part and component in an illustration has a reference number. These reference numbers are in a list on the page opposite of the illustration. Next to the reference number is the part number, description and required quantity of the part shown in the illustration.

UAR - "Use as required" indicates that the part quantity is variable.

NSS - "Not sold separately" indicates that the part is only available as a component of an assembly or the part must be purchased locally. If the part is an assembly component, the description will be indented under the assembly description in the parts list.

O/L - "Obtain locally"

** - "Footnotes" are added to a part number when more information is needed for identification. They only relate to the part numbers indicated.

PARTS ORDERS

All orders must include the following information:

1. Correct part number.
2. Complete description of part or component.
3. Total quantity of each part or component.
4. Product model number.
5. All necessary product identification numbers.
6. Method for sending the parts.
7. Complete and correct address.

CATALOG REVISIONS

As the product changes, new pages will be available for your catalog. A notice will be issued.

IMPORTANT: Put all revisions into the catalog as soon as possible.

RIGHT HAND AND LEFT HAND IDENTIFICATION

The words right hand (RH) and left hand (LH) as used in this catalog indicate the direction while you are in the operator's seat in the normal operating position.

INDENTED DESCRIPTIONS

An assembly can have many components. The components of an assembly are indicated by an indented description. The quantity for an indented part is the total needed for that complete assembly. See the example.

REF.	PART NO.	DESCRIPTION	REQ'D
	C 55159	CYLINDER ASSY - rear steering	1
28	C 56208	SOCKET ASSY - rear cylinder	1
29	C 55956	PLUG - adjusting, socket assy	1
30	C 55957	SEAT - socket ball	2
31	C 56210	SPRING - socket	1
32	C 56209	SEAT - socket spring	1
33	G 45175	CLAMP ASSY - socket assy	1
	16- 836	BOLT - 1/2" x 2-1/4" N.F. hex	1
34	132- 104	PIN - cotter, 3/16" x 3"	1
35	C 55889	STUD - ball, socket & cylinder	2
36	13- 410	BOLT - 1/4" x 5/8" N.C., hex	4
37	92- 4	LOCK WASHER - 1/4" SAE	4

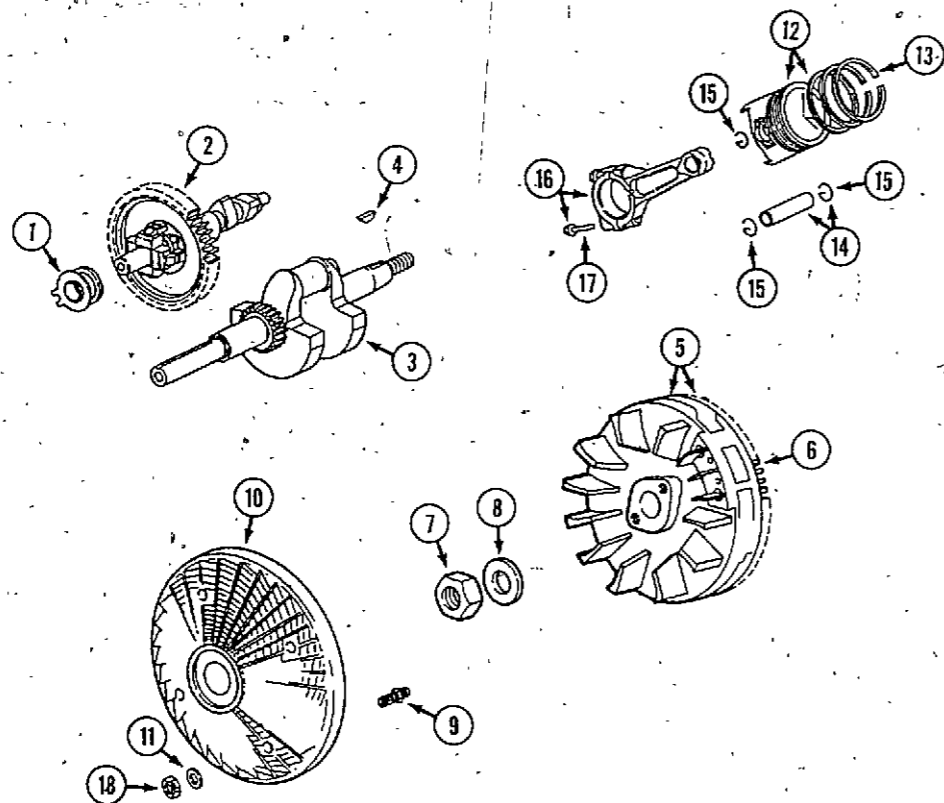
ALPHABETICAL INDEX

ENGINE SECTION

	Page	Grid		Page	Grid
Air Cleaner	13	B2	Flywheel	5	A8
Battery	51-53	D12-D14	Fuel Pump	11	A14
Breather, Crankcase	13	B2	Fuel System	19	B8
Camshaft	5	A8	Gasket Kits	17	B6
Carburetor	11	A14	Governor	9	A12
Choke Linkage	11-19	A14-B8	Muffler	13	B2
Connecting Rod	5	A8	Shields	15	B4
Crankcase Cover	9	A12	Piston	5	A8
Crankshaft	5	A8	PTO Clutch	21	B10
Cylinder Block	7	A10	Spark Plug	51-53	D12-D14
Cylinder Head	7	A10	Starter	17	B6
Electrical System	51-53	D12-D14	Tank, Fuel	19	B8
Exhaust System	13	B2	Throttle Control	19	B8
Filler Tube, Oil	9	A12	Valves	7	A10
Filter, Breather	13	B2			
Filter, Fuel	19	B8			
Filter, Oil	9	A12			

BASIC TRACTOR SECTION

	Page	Grid		Page	Grid
Axle, Front	33	C8	Hydraulics	39-49	C14-D10
Axle, Rear	37	C12	Adapter, Pump Drive	45	D6
Brakes	35	C10	Hoses, Lines & Fittings	39	C14
Control, Speed	47	D8	Motor, Hydraulic Drive	43	D4
Decals	57	E4	Pump	45	D6
Electrical System	51-55	D12	Valve, Control	41	D2
F27 Three Point Hitch Adapter	67	F4	Linkage, Valve, Control	47	D8
Fenders	27	C2	Hydraulic Lift	49	D10
Frame	23	B12	PTO (Hydraulic)	59-61	E6-E8
Grille	25	B14	Instruments	51-53	D12-D14
H13 Weight Box	69	F6	K22 Sleeve Hitch	63	E14
H18 Counterweight Brackets	69	F6	L11 Counterweight Kit	67	F4
HH34 Three Point Hitch	65	F2	PTO Clutch (electric)	21	B10
HP31 Hydraulic PTO	59	E6	Reflector, rear	55	E2
Hitch, Tow	43	D4	Seat, Operator's	27-29	C2-C4
Hood	25	B14	Steering Wheel & Gear	31	C6
HP32 and HP42 Hydraulic PTO	61	E8	Tool Box	27	C2
HFC34A	61B	E10	Transmission	37	C12
HFC34B	61D	E12	Wheels, Front & Rear	35	C10
			WW30, WW30W Wheel Weights	71	F8

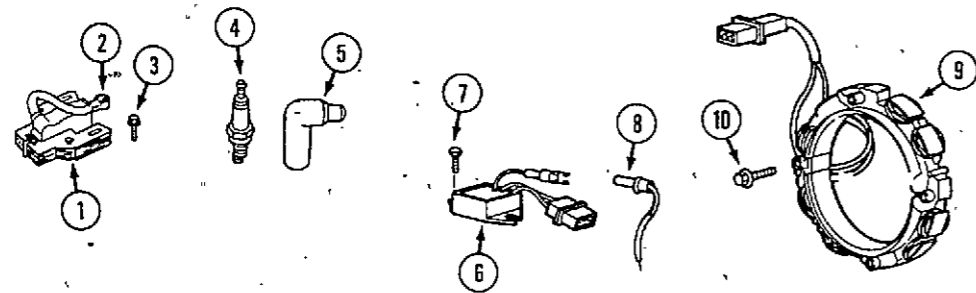


FLYWHEEL, CRANKSHAFT, CAMSHAFT AND PISTONS

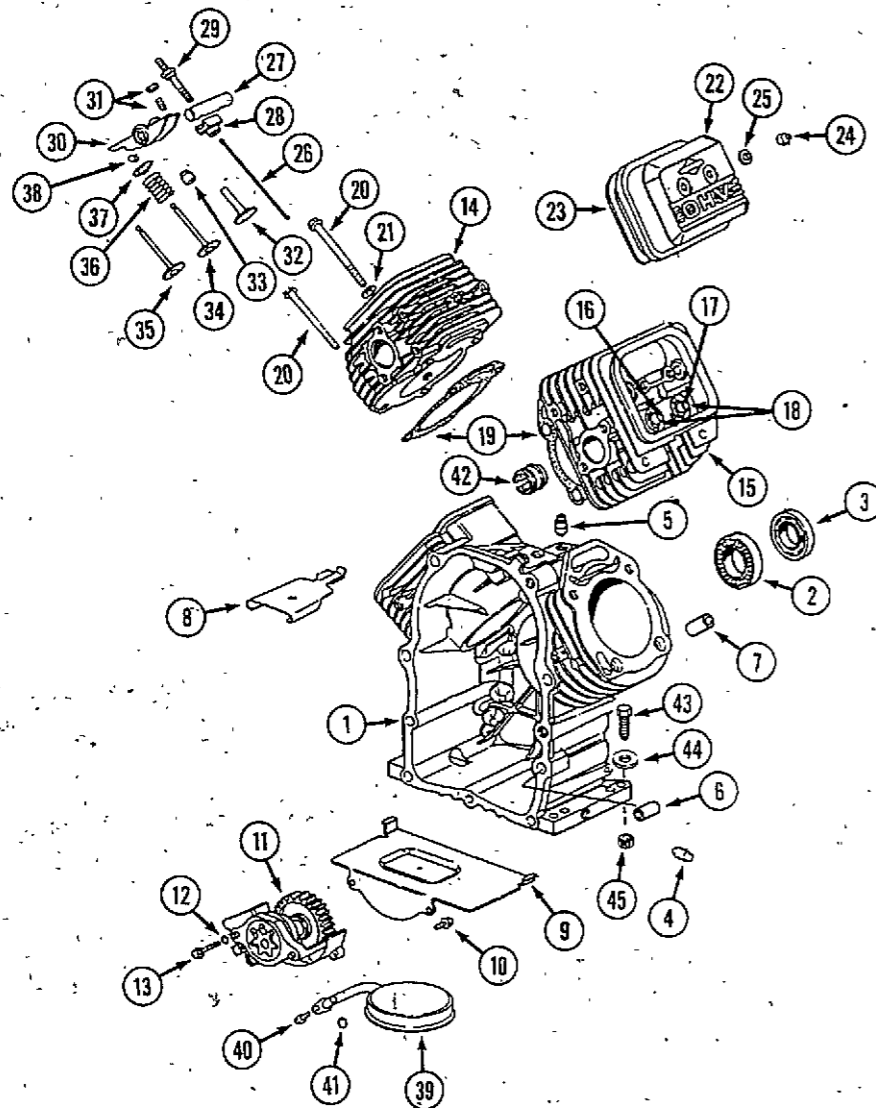
REF.	PART NO.	DESCRIPTION	REQ'D
1	C 34371	SLIDER - governor	1
2	C 34231	CAMSHAFT	1
3	C 34204	CRANKSHAFT	1
4	C 34211	KEY - flywheel	1
5	C 34210	FLYWHEEL - includes ring gear	1
6	C 34331	GEAR - ring	1
7	C 34288	NUT - flywheel	1
8	C 34237	WASHER - flywheel	1
9	C 33504	STUD - screen mounting	4
10	C 33503	SCREEN - flywheel	1
11	195- 518	WASHER - 1/4"	4
12	C 34212	PISTON ASSEMBLY - standard (includes rings)	2
12	C 34213	PISTON ASSEMBLY - .010" oversize (includes rings)	2
12	C 34214	PISTON ASSEMBLY - .020" oversize (includes rings)	2
12	C 34215	PISTON ASSEMBLY - .030" oversize (includes rings)	2
13	C 34216	RING SET - piston, standard	1
13	C 34217	RING SET - piston, .010" oversize	1
13	C 34218	RING SET - piston, .020" oversize	1
13	C 34219	RING SET - piston, .030" oversize	1
14	C 34221	PIN - piston, standard	2
15	C 34220	LOCK - piston pin	2
16	C 34222	ROD - connecting	2
17	C 34223	BOLT - connecting rod	2
18	131- 1102	NUT - 1/4" - 20 lock	4

IGNITION AND CHARGING SYSTEMS

1	C 34289	ARMATURE - magneto	2
2	BR 221798	TERMINAL - ignition cable	1
3	C 34290	SCREW - mounting	4
4	C 34291	SPARK PLUG	2
5	C 34324	BOOT - spark plug	2
6	C 34304	REGULATOR - alternator	1
7	C 34310	SCREW - mounting	2
8	C 29866	CONNECTOR - harness	1
9	C 34303	STATOR - alternator	1
10	C 34290	SCREW - mounting	4



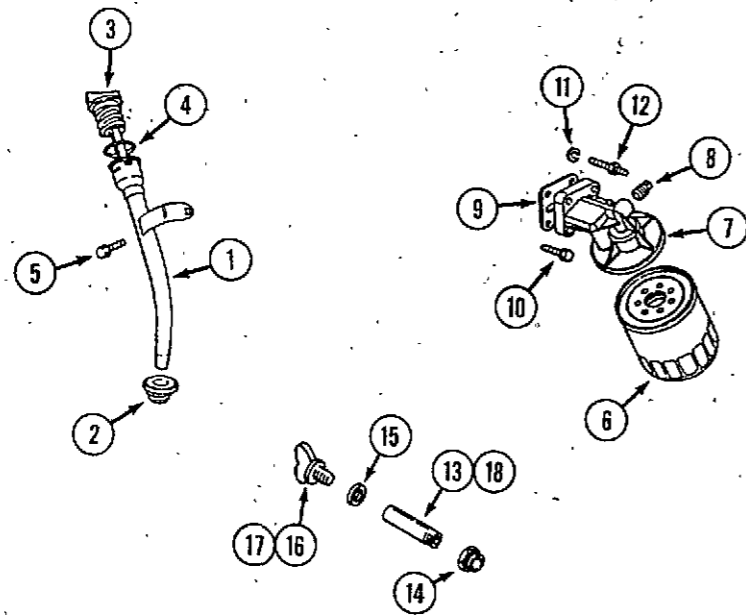
CYLINDER BLOCK AND CYLINDER HEADS



REF.	PART NO.	DESCRIPTION	REQ'D
1	C 34190	BLOCK - cylinder	1
2	C 34191	BEARING - main	1
3	C 34192	SEAL - oil	1
4	C 34203	PLUG - pipe	1
5	C 34239	PLUG - pipe	1
6	C 34327	DOWEL - crankcase	UAR
7	C 34328*	DOWEL - cylinder head	UAR
8	C 34317	BAFFLE - breather	1
9	C 34227	PLATE - windage	1
10	C 34279	SCREW - sem	2
11	C 34370	PUMP - oil	1
12	C 34246	"O" RING - pump	2
13	C 34338	SCREW - pump mounting	2
14	C 34193*	HEAD - cylinder R.H., No. 1	1
14	C 40932**	HEAD - cylinder R.H., No. 1	1
15	C 34194*	HEAD - cylinder L.H., No. 2	1
15	C 40933**	HEAD - cylinder L.H., No. 2	1
16	C 34348	SEAT - exhaust valve	2
17	C 34347	SEAT - intake valve	2
18	C 34349	GUIDE - valve	4
19	C 34196*	GASKET - head	2
19	C 40934**	GASKET - head	2
20	C 34202	BOLT - head	8
21	C 34195	WASHER - head bolt	8
22	C 34368	COVER - valve (No. 2-cylinder) L.H.	1
23	C 34367	COVER - valve (No. 1 cylinder) R.H.	1
24	C 34262	NUT - lock, valve cover	4
25	C 34261	WASHER	4
26	C 34372	ROD - push, intake	2
26	C 34373	ROD - push, exhaust	2
27	C 34377	SHAFT - rocker arm	2
28	C 34378	SUPPORT - rocker arm	4
29	C 34259	STUD - rocker arm	4
30	C 34376	ARM - rocker	4
31	C 34265	SCREW AND NUT - valve adjust	4
32	C 34230	TAPPET - valve	4
33	C 34346	SEAL - valve guide	4
34	C 34224	VALVE - exhaust	2
35	C 34225	VALVE - intake	2
36	C 34226	SPRING - valve	4
37	C 34228	RETAINER - valve spring	4
38	C 34229	RETAINER - valve	4
39	C 34272	SCREEN - oil pick-up	1
40	C 34339	SCREW - mounting	1
41	C 34248	"O" RING - pick-up tube	1
42	C 34342	LINER - exhaust port	2
43	113- 120	BOLT - 5/16" - 18 x 1-3/4"	4
44	195- 521	WASHER - .34" x .69"	4
45	131- 69	NUT - lock 5/16" - 18	4

**Use after Engine
Date Code
3016-90091000
4016 - 90091000

*Use before Engine
Date Code
3012 - all
3014 - all
3016 - 90091100
4016 - 90091100

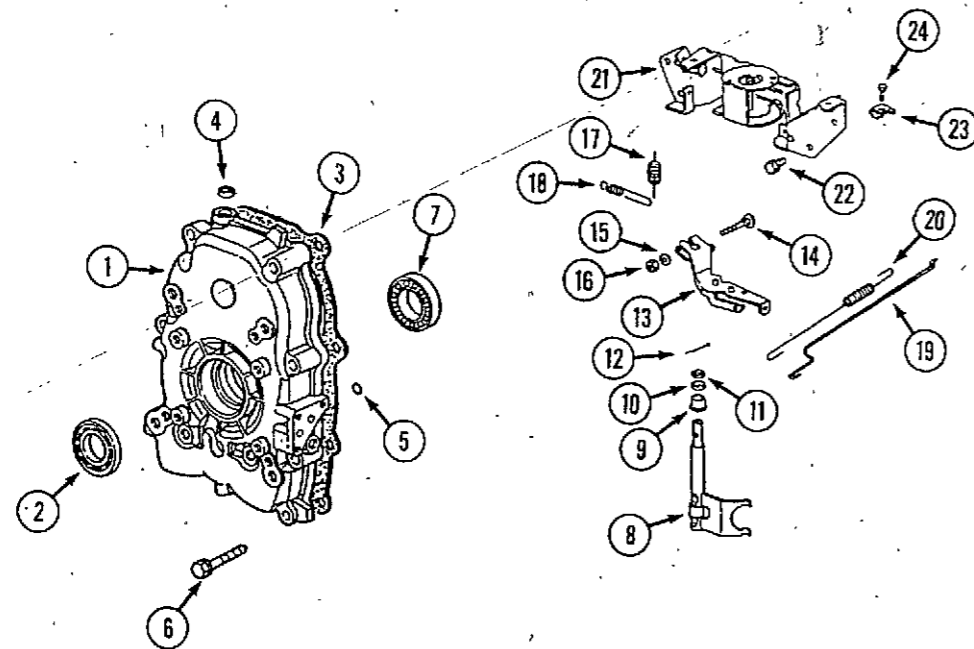


OIL DRAIN, OIL FILTER AND FILLER TUBE

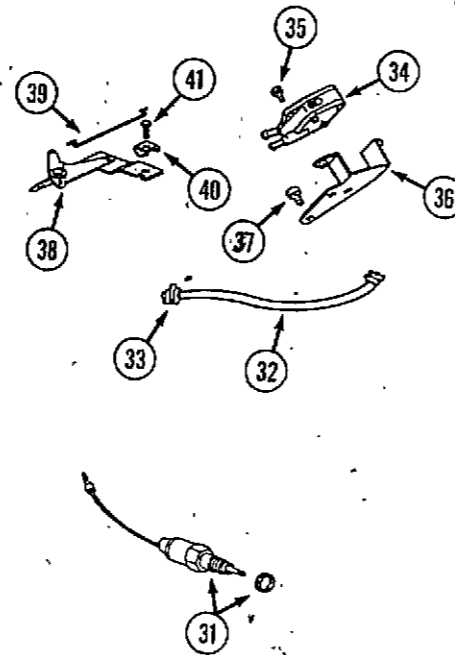
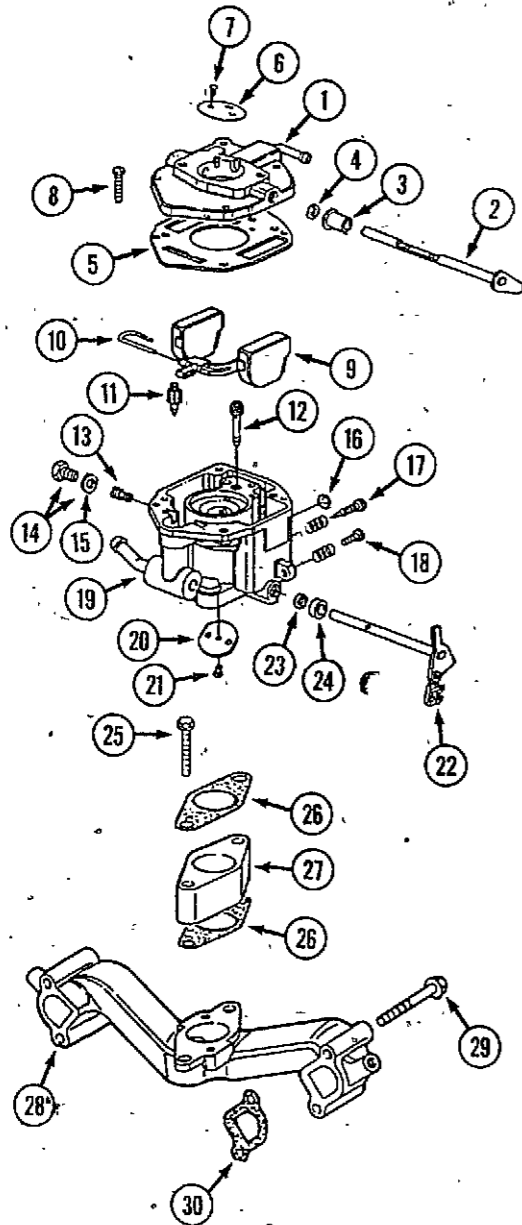
REF.	PART NO.	DESCRIPTION	REQ'D
1	C 34309+	TUBE - oil filler	1
1	C 40931++	TUBE - oil filler	1
2	C 34308	SEAL - filler tube	1
3	C 34307+	DIPSTICK	1
3	C 40930++	DIPSTICK	1
4	C 34340	"O" RING - filler tube	1
5	C 34276	SCREW	1
6	C 34374+	FILTER - oil	1
6	C 34544++	FILTER - oil	1
7	C 34375	ADAPTER - oil filter	1
8	C 34239	PLUG - pipe	1
9	C 34361	GASKET - adapter	1
10	C 34362	SCREW - adapter	3
11	C 34264	LOCKWASHER	1
12	C 34260	STUD - adapter	1
13	C 33450 *	NIPPLE - oil drain	1
14	221- 86 *	REDUCER - pipe 3/8" - 14	1
15	C 14906 *	GASKET - oil drain	1
16	C 14399 *	PLUG - oil drain (shown)	1
17	218- 5154 **	PLUG - oil drain	1
18	C 37148 **	NIPPLE - pipe 2" long	1

* Use before PIN:
 ** Use PIN and after:
 3012 - 14167800
 3014 - 14168800
 3016 - 14169500
 4016 - all after

+ Use before PIN:
 ++ Use PIN and after:
 3012 - all before
 3014 - all before
 3016 - 14169725
 4016 - 1417045

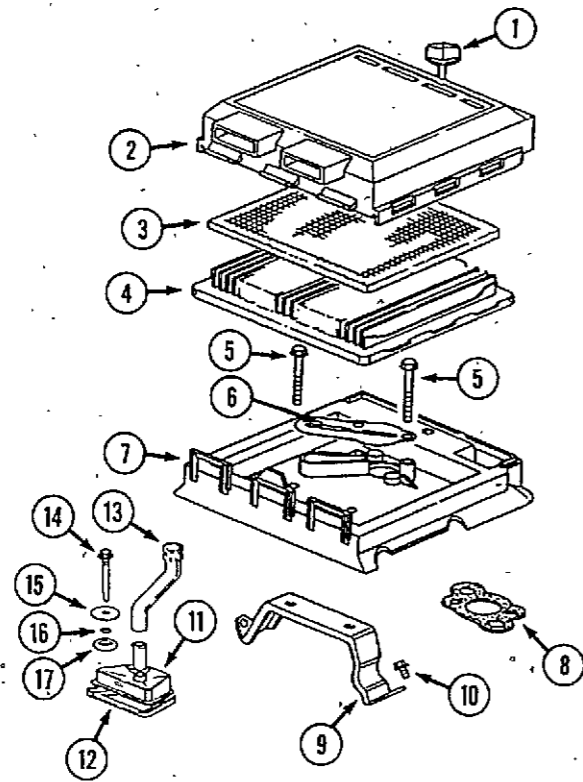


REF.	PART NO.	DESCRIPTION	REQ'D
1	C 34207	COVER - crankcase	1
2	C 34208	SEAL - oil	1
3	C 34201	GASKET - crankcase cover	1
4	C 34323	WASHER - governor shaft	1
5	C 34247	"O" RING - crankcase cover	1
6	C 34209	BOLT - crankcase cover	8
7	C 34206	BEARING - crankcase cover	1
8	C 34322	SHAFT - governor	1
9	C 34314	BUSHING - governor shaft	1
10	C 34315	BUSHING - governor shaft	1
11	C 34240	SEAL - governor shaft	1
12	C 34321	PIN - cotter	1
13	C 34270	LEVER ASSEMBLY - governor	1
14	C 34316	BOLT - lever	1
15	C 34275	WASHER - lever	1
16	C 34319	NUT - lever	1
17	C 34267	SPRING - governor	1
18	C 34397	SPRING - governed idle	1
19	C 34266	LINK - governor	1
20	C 34271	SPRING - governor link	1
21	C 34269	BRACKET - governor control	1
22	C 34281	SCREW - bracket	4
23	BR 221535	CLAMP - casing	1
24	C 34292	SCREW - clamp	1



CARBURETOR, MANIFOLD AND FUEL PUMP

REF.	PART NO.—	DESCRIPTION	REQ'D
	C 34254	CARBURETOR - 3012, 3014	1
	C 34255	CARBURETOR - 3016 (used with square air filter)	1
1	C 40919	BODY - upper (used with round air filter)	1
1	C 34241	BODY - upper (used with square air filter)	1
2	C 34258	SHAFT - choke	1
3	NSS	COLLAR - choke (use overhaul kit)	1
4	NSS	SEAL - shaft (use overhaul kit)	1
5	NSS	GASKET - body (use overhaul kit)	1
6	C 34245	VALVE - choke	1
7	C 34242	SCREW - valve	2
8	C 34250	SCREW - body	4
9	C 34244	FLOAT - fuel	1
10	NSS	PIN - float hinge (use overhaul kit)	1
11	NSS	VALVE - fuel inlet (use overhaul kit)	1
12	NSS	JET - slow speed (use overhaul kit)	1
13	NSS	JET - main 3012, 3014 (use overhaul kit)	1
13	NSS	JET - main 3016 (use overhaul kit)	1
14	C 34355	PLUG - jet	1
15	NSS	GASKET - plug	1
16	NSS	PLUG - welch (use overhaul kit)	1
17	NSS	VALVE - idle adjust (use overhaul kit)	1
18	C 34243	SCREW AND SPRING - throttle adjust	1
19	NSS	BODY - lower (use complete carburetor)	1
20	C 34256	VALVE - throttle	1
21	C 34242	SCREW - valve	2
22	C 34257	SHAFT - throttle	1
23	NSS	SEAL - shaft (use overhaul kit)	1
24	NSS	COLLAR - throttle	1
25	C 34235	BOLT - mounting	2
26	C 34233	GASKET - mounting	2
27	C 34253	SPACER - carburetor	1
28	C 34232	MANIFOLD - intake	1
29	C 34236	BOLT - manifold	4
30	C 34234	GASKET - manifold	2
31	C 34354	SOLENOID - fuel shut off	1
32	NSS	HOSE - vacuum (use C28937 cut to length)	1
33	214- 251	CLAMP - hose	1
34	C 34300	PUMP - fuel	1
35	C 34339	SCREW - mounting	2
36	C 34333	BRACKET - fuel pump (3012, 3014)	1
36	C 34334	BRACKET - fuel pump (3016)	1
37	C 34279	SCREW - bracket	2
38	C 34274	BRACKET - choke control	1
39	C 34268	LINK - choke	1
40	BR 221535	CLAMP - casing	1
41	C 34292	SCREW - clamp	1
	C 34251	KIT - carburetor overhaul (3012, 3014)	1
	C 34252	KIT - carburetor overhaul (3016)	1
	C 40920	CARBURETOR - 3016 (used with round air filter)	1



AIR CLEANER AND CRANKCASE BREATHER

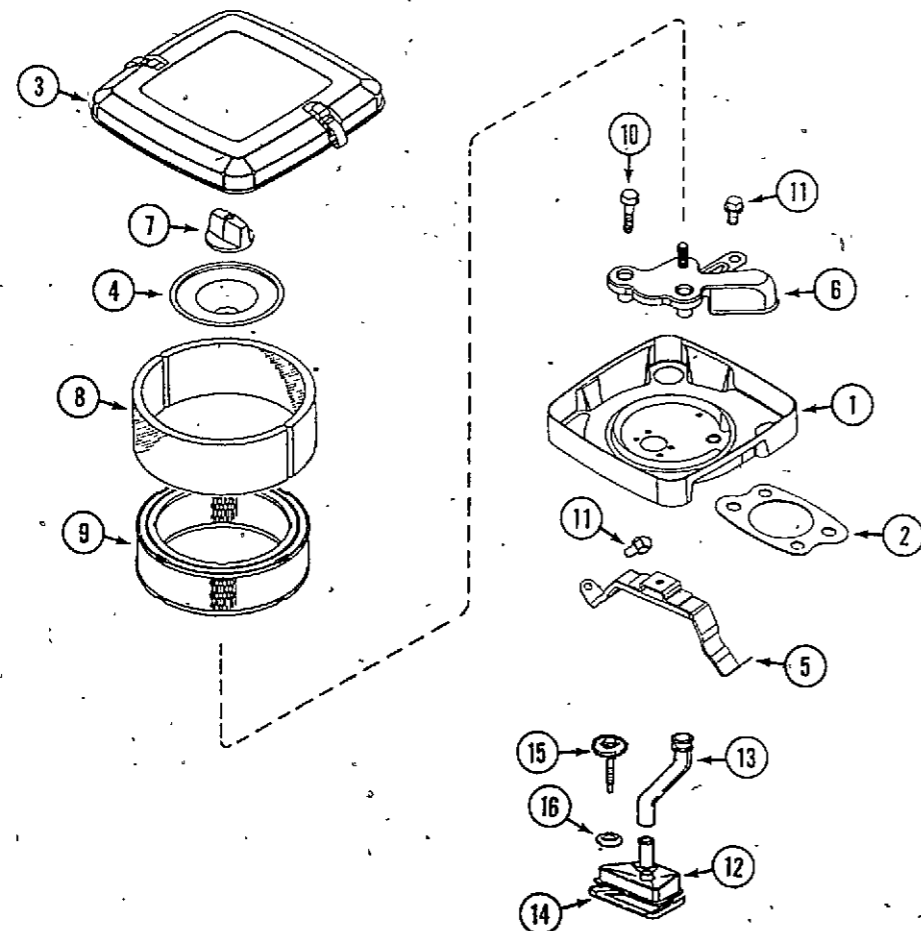
(Square Air Filter Style)

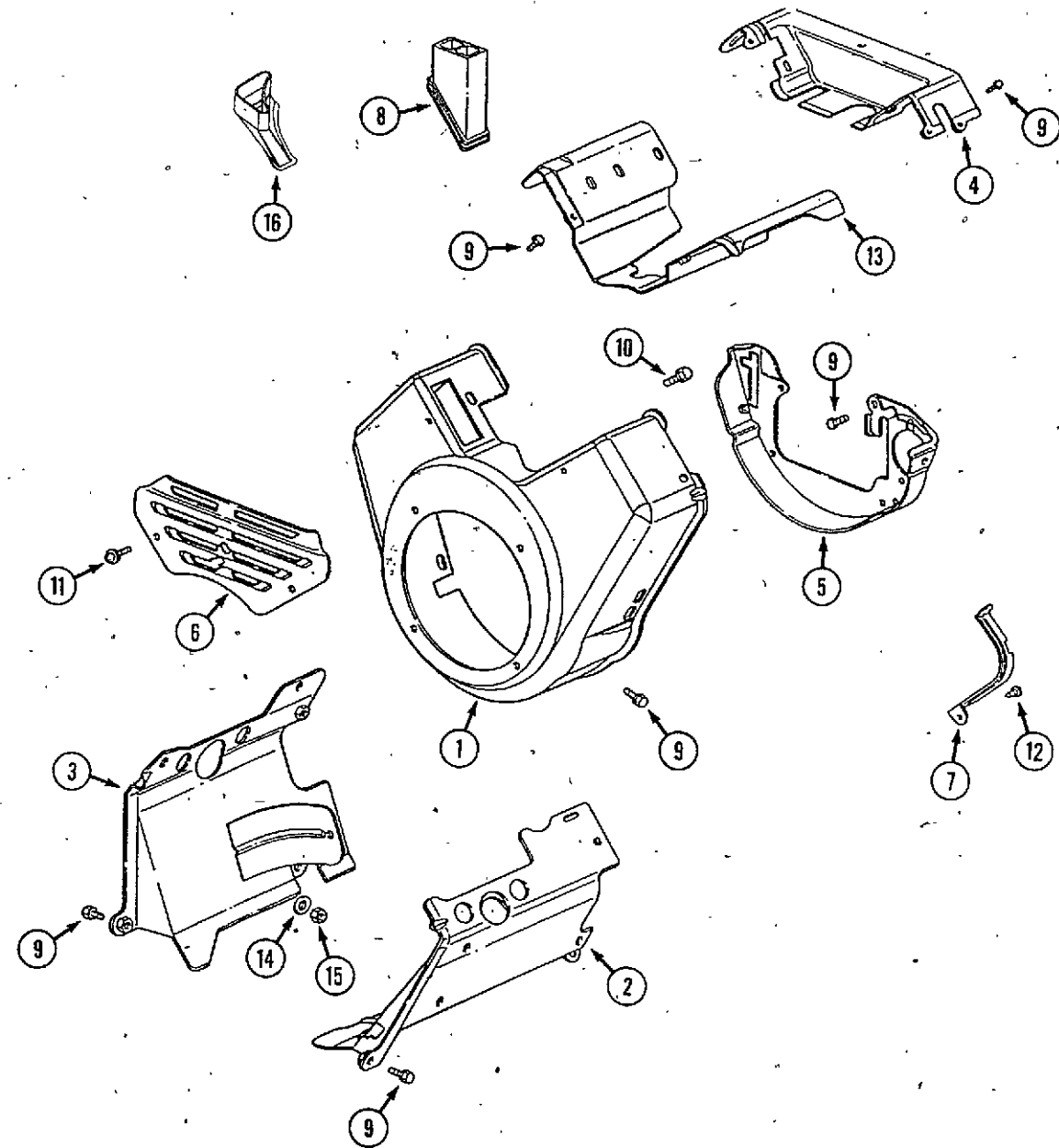
REF.	PART NO.	DESCRIPTION	REQ'D
1	C 34359	SCREW - mounting	1
2	C 34358	COVER - air cleaner	1
3	C 34363	PRECLEANER	1
4	C 34357	FILTER - air	1
5	C 34360	BOLT - mounting	2
6	C 34366	DEFLECTOR - breather	1
7	C 34356	BASE - air cleaner	1
8	C 34312	GASKET - air cleaner	1
9	C 34341	BRACKET - air cleaner	1
10	C 34279	SCREW - bracket	2
11	C 34197	BREATHER ASSEMBLY	1
12	C 34198	GASKET - breather	1
13	C 34200	TUBE - breather	1
14	C 34199	SCREW - mounting	1
15	C 34298	WASHER	1
16	C 34329	SEAL - breather screw	1
17	C 34330	SEAL - breather screw	1

AIR CLEANER AND CRANKCASE BREATHER

(Round Air Filter Style)

1	C 40921	BASE - air cleaner	1
2	C 40923	GASKET - air cleaner	1
3	C 40924	COVER - air cleaner	1
4	C 40925	PLATE - air cleaner	1
5	C 40926	BRACKET - air cleaner	1
6	C 40927	SHIELD - carburetor inlet	1
7	C 34680	KNOB - air cleaner	1
8	C 37543	PRECLEANER	1
9	C 37544	FILTER - air	1
10	C 34338	BOLT	2
11	C 34279	BOLT	3
12	C 34381	BREATHER ASSEMBLY	1
13	C 34200	TUBE - breather	1
14	C 34198	GASKET - breather	1
15	C 34382	SCREW - mounting	1
16	C 34330	SEAL - breather screw	1





BLOWER HOUSING AND ENGINE AIR GUIDES

REF.	PART NO.	DESCRIPTION	REQ'D
1	C 40922	HOUSING - blower	1
2	C 34343+	COVER - air guide (cyl. No. 1)	1
2	C 40936++	COVER - air guide (cyl. No. 1)	1
3	C 34344+	COVER - air guide (cyl. No. 2)	1
3	C 40937++	COVER - air guide (cyl. No. 2)	1
4	C 34280*	COVER - valley extention	1
4	C 40935**	COVER - valley extension	1
5	C 34318	PLATE - back	1
6	C 34350	COVER - carburetor	1
7	C 34332	SHIELD - starter	1
8	C 34365	TUBE - air inlet	1
9	C 34279	SCREW - mounting	UAR
10	C 34281	SCREW - blower housing	UAR
11	C 34325	SCREW - carburetor cover	2
12	C 34301	SCREW - shield, starter	2
13	C 34345	COVER - valley	1
14	C 34264	LOCKWASHER	1
15	C 34299	NUT - hex	1
16	C 43441	TUBE - air inlet	1

*Use PIN and after:

**Use before PIN:

3012 - all before

3014 - all before

3016 - 14169725

4016 - 14171045

+ Use before Engine

Date Code

3012 - all

3014 - all

3016 - 90111700

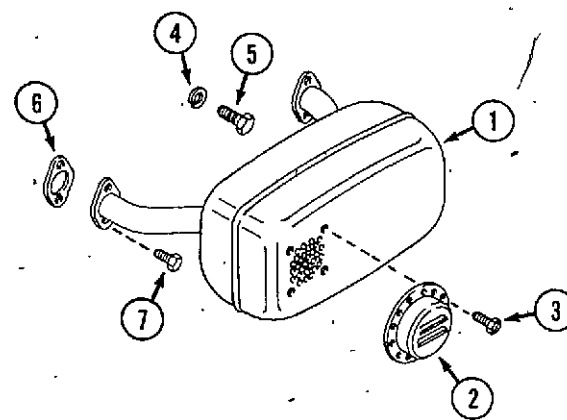
4016 - 90111700

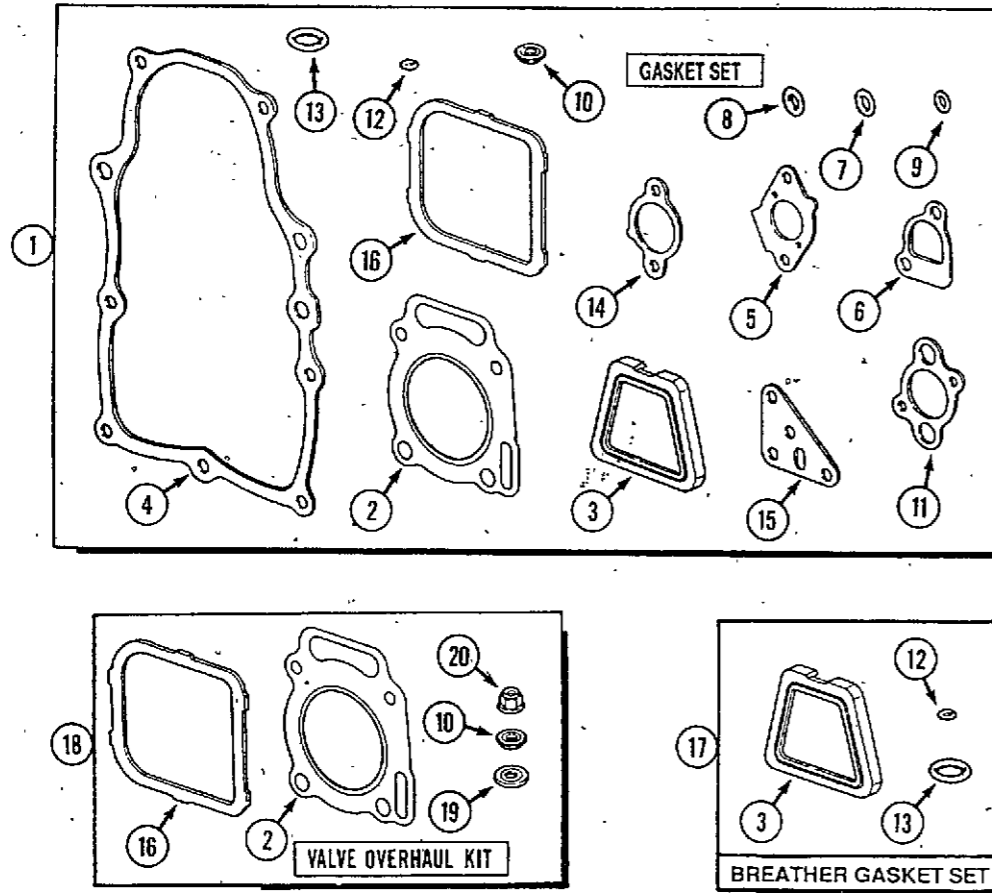
++ Use after Engine

Date Code

3016 - 90111600

4016 - 90111600



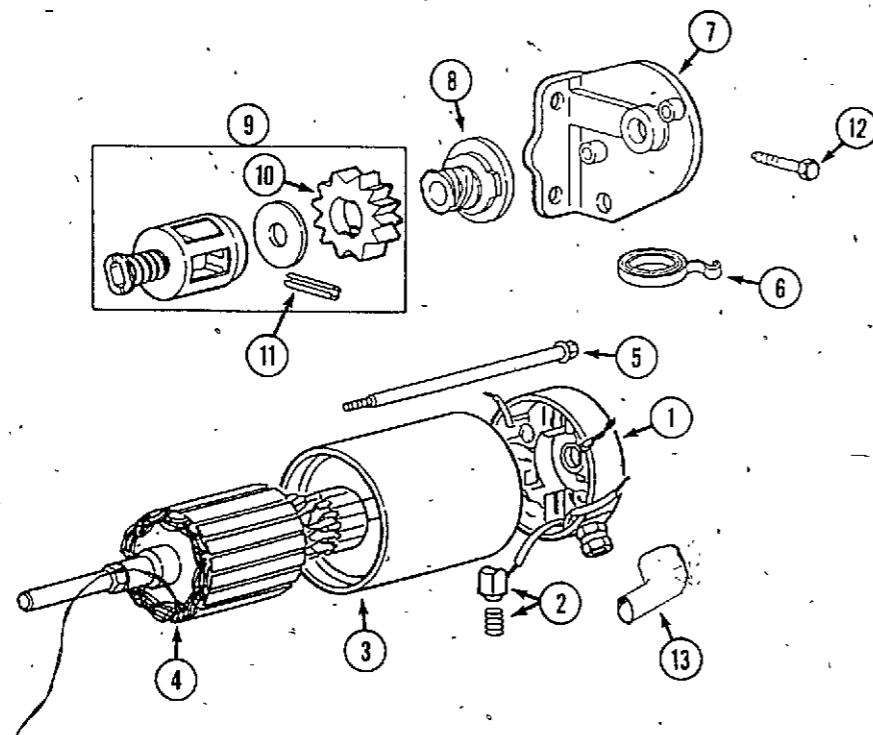


GASKET SETS

REF.	PART NO.	DESCRIPTION	REQ'D
1	C 34297*	GASKET SET - complete	1
1	C 40938**	GASKET SET - complete	1
2	C 34196*	GASKET - cylinder head	1
2	C 40934**	GASKET - head	2
3	C 34198	GASKET - breather	2
4	C 34201	GASKET - crankcase	1
5	C 34233	GASKET - carburetor mounting	1
6	C 34234	GASKET - intake manifold	2
7	C 34246	"O" RING - oil pump	2
8	C 34247	"O" RING - crankcase cover	UAR
9	C 34248	"O" RING - oil pick-up tube	UAR
10	C 34261	WASHER - valve cover	1
11	C 40923	GASKET - air cleaner	4
12	C 34329	SEAL - breather screw (early production)	1
13	C 34330	SEAL - breather screw	1
14	C 34351	GASKET - exhaust	1
15	C 34361	GASKET - oil filter adapter	2
16	C 34367	GASKET - valve cover	1
17	C 34249	BREATHER GASKET SET - includes Ref. 3, 12, 13	2
18	C 34379*	VALVE OVERHAUL GASKET KIT - includes Ref. 2, 10, 16, 19, 20	1
18	C 40939	VALVE OVERHAUL GASKET KIT - includes ref. 2, 10, 16, 19, 20	1
19	C 34195	WASHER - cylinder head bolt	1
20	C 34262	NUT - lock, valve cover	8
			4

*Use before Engine
Date Code
3012 - all
3014 - all
3016 - 90091100
4016 - 90091100

**Use after Engine
Date Code
3016 - 90091000
4016 - 90091000



STARTER

1	C 34284	STARTER - 12 volt	1
2	C 34336	CAP ASSEMBLY - commutator end	1
3	C 34286	BRUSH ASSEMBLY	4
3	C 34405	HOUSING - starter	1
4	C 34313	ARMATURE - starter	1
5	C 34285	BOLT - thru	1
6	C 34364	SPRING - brush	2
7	C 30444	CAP ASSEMBLY - drive end (3012, 3014)	4
7	C 34335	CAP ASSEMBLY - drive end (3016)	1
8	C 30406	CLUTCH - drive	1
9	C 27424	KIT - retainer	1
10	C 27422	GEAR - drive	1
11	C 34353	PIN - roll	1
12	C 34263	BOLT - starter mounting	1
13	C 31618	COVER - terminal	2
			1

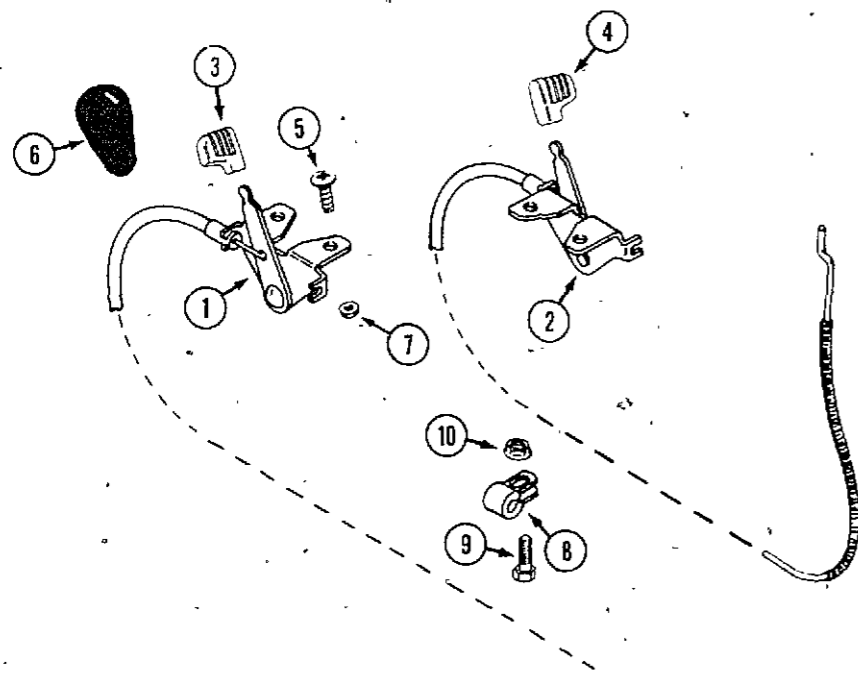
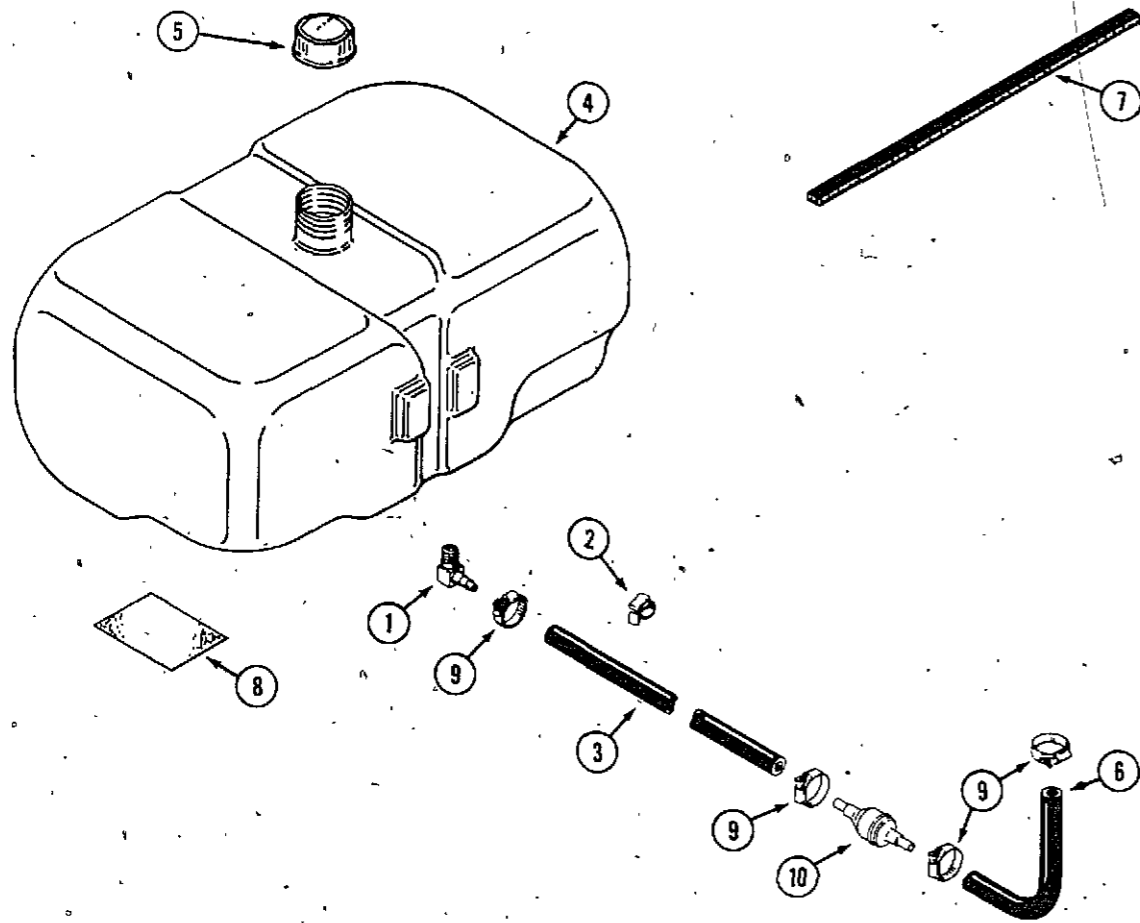
FUEL SYSTEM (TRACTOR)

REF.	PART NO.	DESCRIPTION	REQ'D
1	C 10678	ELBOW - hose 90°	1
2	C 28962	RETAINER - fuel line	1
3	NSS	HOSE - fuel line (1270 mm) (use C28937 cut to length)	1
4	C 28940	TANK - fuel	1
5	C 37094	CAP - fuel tank	1
6	NSS	HOSE - fuel line (use C28937 cut to length)	1
7	C 23527	LINER - tank	1
8	C 14690	CUSHION - fuel tank	2
9	C 32376	CLAMP - hose 1/2"	4
10	C 31978	FILTER - fuel	1

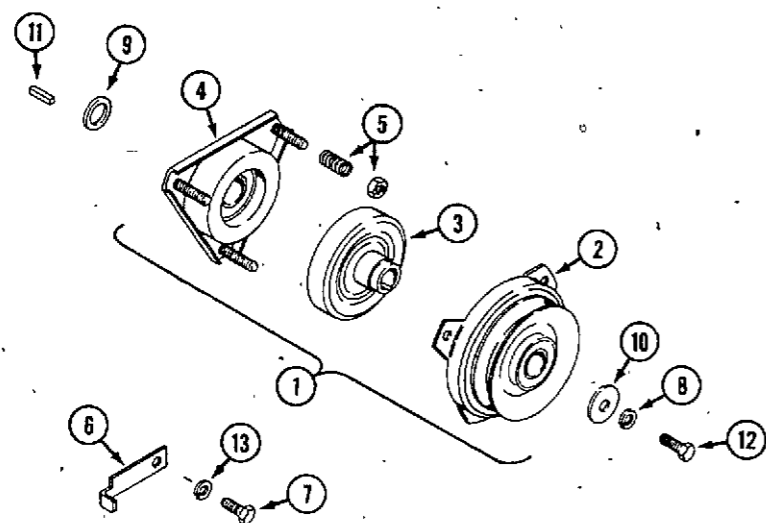
CHOKE AND THROTTLE CONTROLS

1	C 33468	* CONTROL - throttle	1
1	C 37149	**CONTROL - throttle	1
2	C 33438	* CONTROL - choke	1
2	C 37150	**CONTROL - choke	1
3	C 30073	* HANDLE - throttle	1
4	C 30074	* HANDLE - choke	1
5	182- 559	BOLT - No. 10 - 24 x 3/4"	2
6	C 35291	*KNOB - control	2
7	C 34117	NUT - No. 10 - 24 flange lock	2
8	C 31977	CLIP - cable	3
8	C 27233	CLAMP - double	1
9	113- 1	BOLT - 1/4" - 20 x 1/2" (clip to frame)	1
9	C 37200	SCREW - 6 mm (clip to engine)	1
10	131- 934	NUT - 1/4" - 20	1

* Use before PIN:
 **Use PIN and after:
 3012 - 14167800
 3014 - 14168800
 3016 - 14169500
 4016 - all after

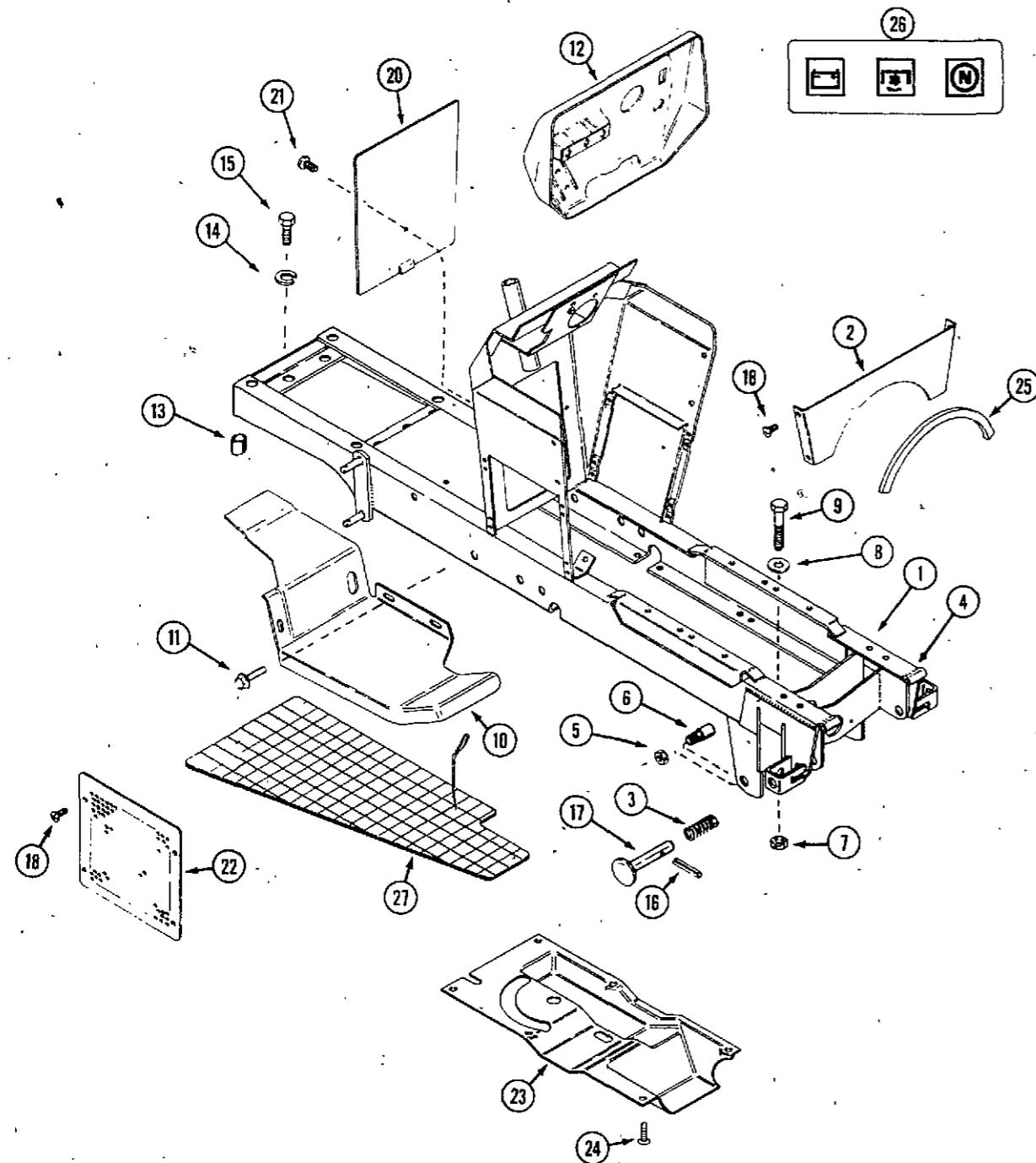


PTO ELECTRIC CLUTCH



REF.	PART NO.	DESCRIPTION	REQ'D.
1	C 33197	CLUTCH - PTO	1
2	C 32378	ARMATURE - clutch	1
3	C 32379	ROTOR - clutch	1
4	C 32380	FIELD - clutch	1
5	C 32381	KIT - spring and nut	1
6	C 33507	BRACKET - anti-rotation	1
7	113- 335	BOLT - 7/16" - 14 x 3/4"	1
8	192- 21	LOCKWASHER - 3/8"	1
9	C 31614	SPACER - clutch	1
10	C 31615	WASHER - clamping	1
11	C 31976	KEY - 1/4" x 1/4" x 1-1/4"	1
12	114- 203	BOLT - 3/8" - 24 x 1-1/2 (use 31 ft. lbs. torque)	1
13	192- 22	LOCKWASHER - 7/16"	1

FRAME, FOOT PADS AND BELLY PAN



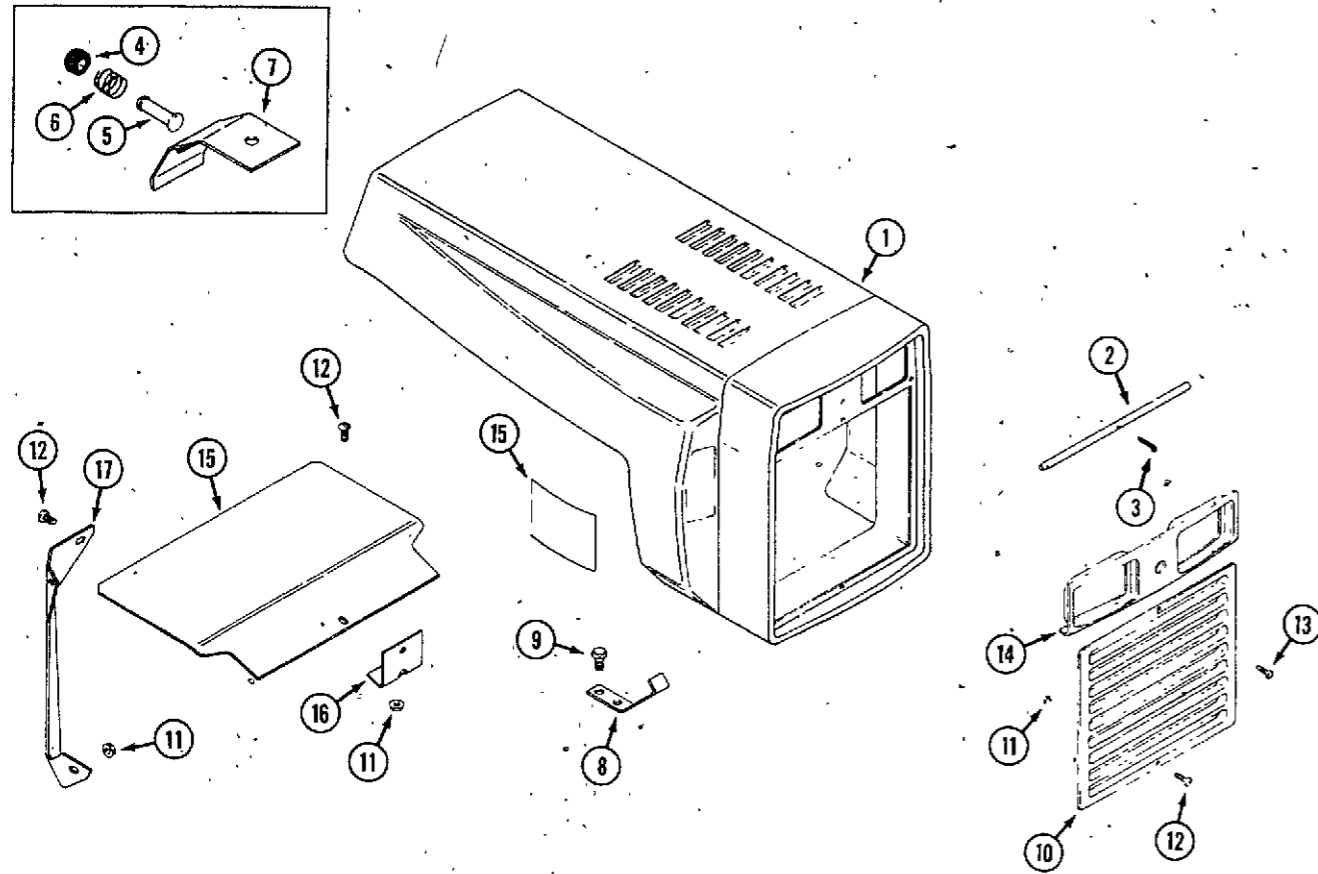
REF.	PART NO.	DESCRIPTION	REQ'D
1	C 37127	FRAME - main (4016)	1
1	C 37260**	FRAME - main (3012, 3014, 3016)	1
1	C 34167***	FRAME - main (3012, 3014, 3016)	1
1	NSS +	FRAME - main (3012, 3014, 3016) (use C34167, C33940, C33945)	1
2	C 31610	SHIELD - oil tank	1
3	C 24137	SPRING - latch	1
4	C 22023	HINGE - frame	2
5	131- 1318	NUT - lock 1/2" N.F.	2
6	C 27508	PIN - attachment	2
7	131- 69	NUT - lock 5/16" - 18 lock	2
8	195- 521	WASHER - 5/16" (over engine foot pad)	4
9	113- 120	BOLT - 5/16" - 18 x 1-3/4"	4
10	C 37132**	FOOT REST - L.H. (3012, 3014, 3016)	1
10	C 37134**	FOOT REST - R.H. (3012, 3014, 3016)	1
10	C 37136	FOOT REST - L.H. (4016)	1
10	C 37138	FOOT REST - R.H. (4016)	1
10	C 30458*	FOOT REST - L.H. (3012, 3014, 3016)	1
10	C 30460*	FOOT REST - R.H. (3012, 3014, 3016)	1
11	121- 106	BOLT - 5/16" x 1/2" N.C. flange lock	4
12	C 31368*	CAP - instrument panel	4
12	C 37167**	CAP - instrument panel	1
	C 37166**	INSERT - cap	1
13	C 14730	SPACER - rear, frame	2
14	192- 23	LOCKWASHER - 1/2"	4
15	113- 424	BOLT - 1/2" - 13 x 1" transaxle mounting	UAR
15	166- 86	BOLT - 1/2" - 13 x 1-1/4" 12 pt. flange (4016)	1
16	138- 2073	PIN - roll 3/16" x 1-1/4"	2
17	C 16373	PIN - latch	2
18	C 31597	SCREW - 1/4" - 20 x 1/2" black	UAR
18	C 33576	SCREW - 1/4" x 5/16" black	UAR
20	C 33548	COVER - access	1
21	C 33576	SCREW - 1/4" - 20 x 5/16"	2
22	C 33550	SCREEN - tower side R.H. (shown)	2
22	C 33549	SCREEN - tower side L.H.	1
23	C 31369	PAN - belly	1
24	C 31603	RETAINER - belly pan	6
25	C 33472	SEAL - engine air	1
26	C 30274*	LENS - display	1
27	C 37140**	PAD - foot rest L.H.	1
27	C 37141**	PAD - foot rest R.H.	1

+ Use before PIN:
 3012 - 14145818
 3014 - 14146794
 3016 - 14147979

* Use before PIN:
 ** Use PIN and after:
 3012-14167800
 3014 - 14168800
 3016 - 14169500
 4016 - all after

*** Use PIN to PIN:
 3012 - 14145818 to 14167800
 3014 - 14146794 to 14168800
 3016 - 14147979 to 14169500

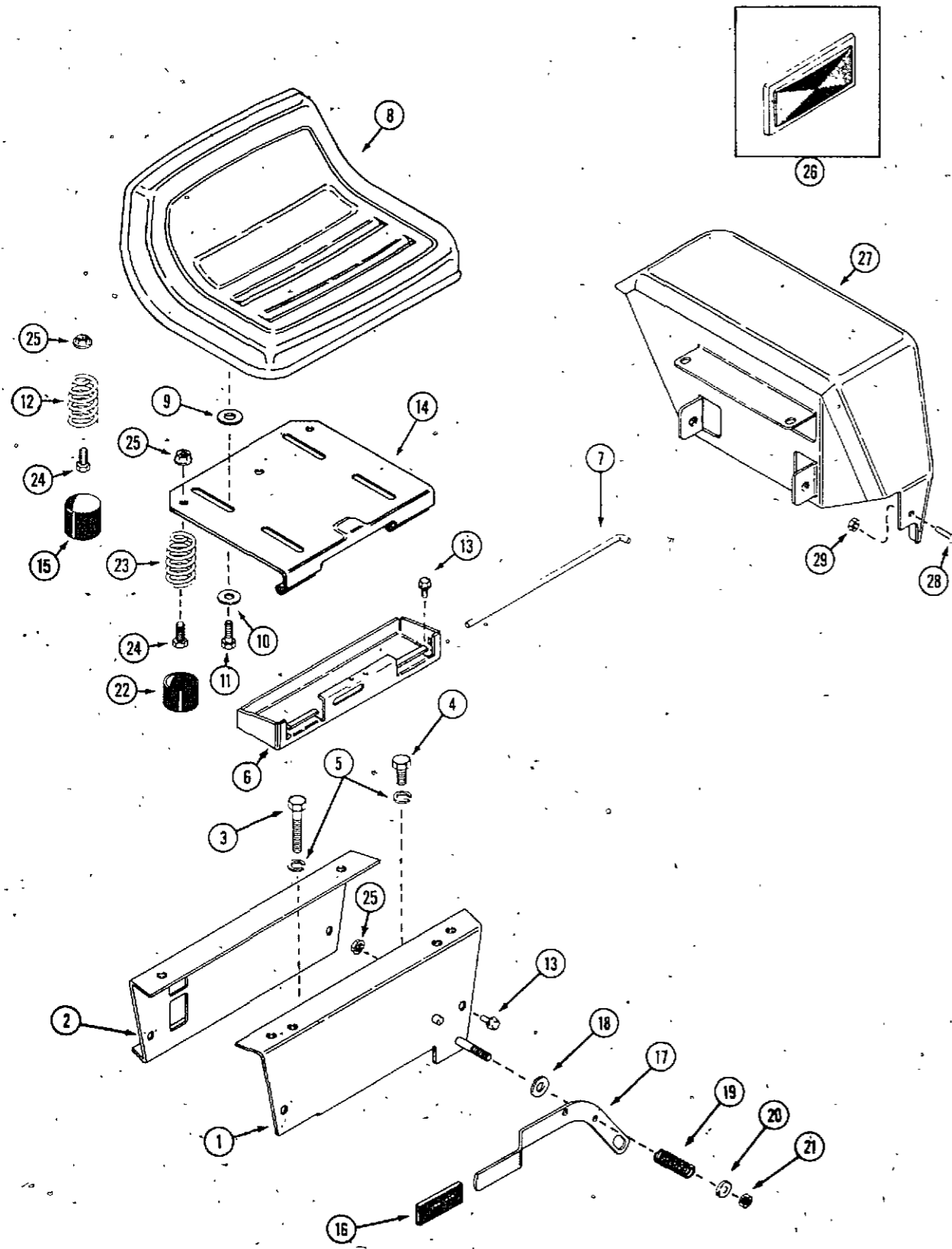
HOOD AND GRILL



REF.	PART NO.	DESCRIPTION	REQ'D
1	C 33547	HOOD	1
	C 31357	HINGE - hood (not shown) is welded to hood	1
2	C 16362	ROD - hood hinge	1
3	132- 334	PIN - cotter 1/8" x 3/4"	1
4	C 29314	BUTTON - push, hood release	1
5	C 30126	ROD - push, hood release	1
6	C 30004	SPRING - release	1
7	C 33467	LATCH - hood	1
8	C 31611	BRACKET - hood stop	2
9	121- 106	BOLT - 5/16" - 18 x 1/2" flange lock	4
10	C 31365	GRILLE	1
11	131- 934	NUT - 1/4" - 20 flange lock	9
12	C 31597	SCREW - 1/4" - 20 x 1/2" black	7
13	187- 1328	SCREW - #8 - 18 x 3/8"	1
14	C 31366	SHROUD - headlight	1
15	C 33567	SHIELD heat	1
16	C 33568	BRACKET - heat shield	1
17	C 33569	EXTENDER - hood L.H.	1
17	C 33570	EXTENDER - hood R.H. (shown)	1

SEAT, FENDER AND TOOL TRAY

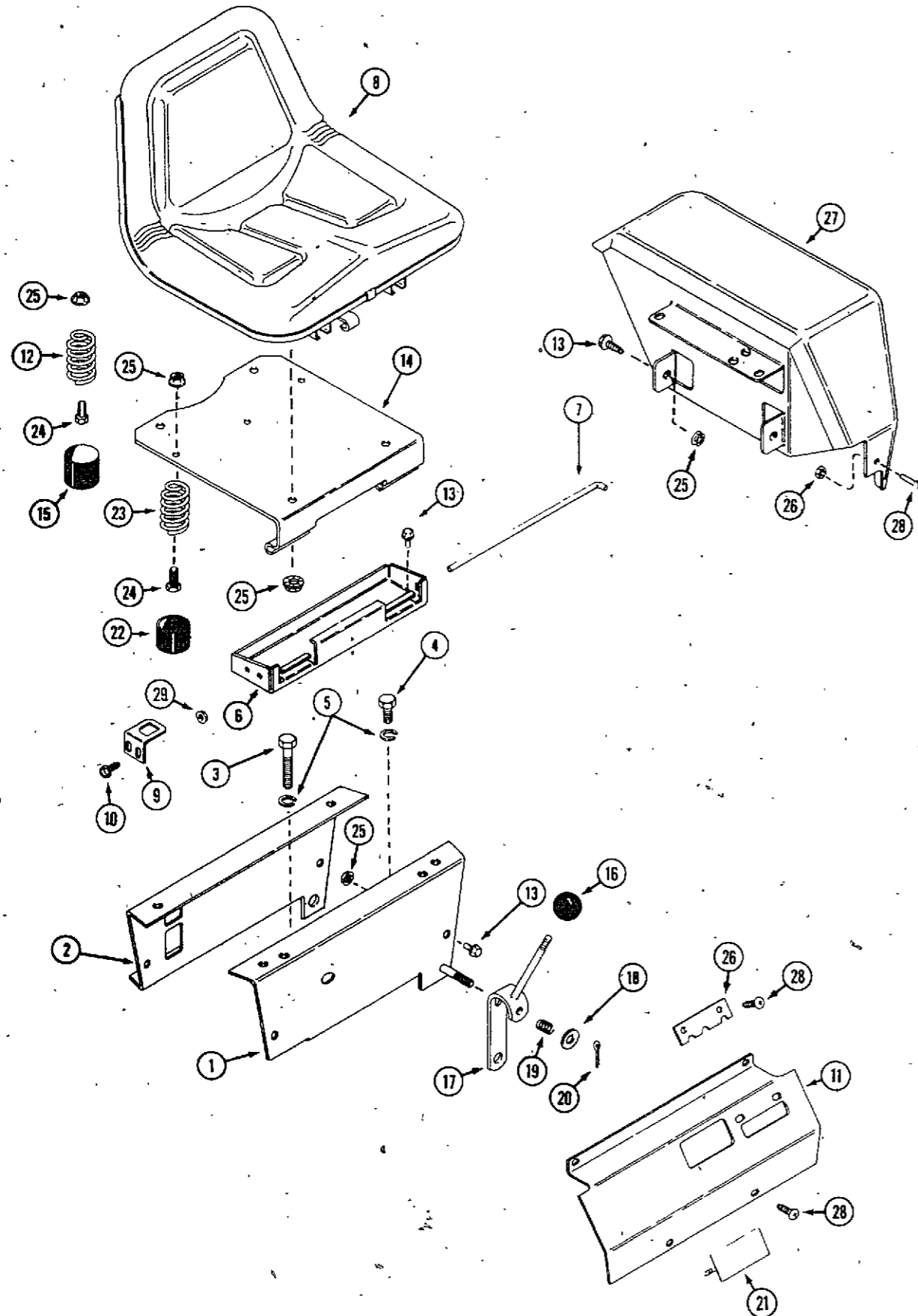
Use Before PIN:
 3012 - 14167800
 3014 - 14168800
 3016 - 14169500



REF.	PART NO.	DESCRIPTION	REQ'D
1	C 31020	SUPPORT - seat, front	1
2	C 26827	SUPPORT - seat, rear	1
3	113- 427	BOLT - 1/2" x 3-1/4"	2
4	113- 424	BOLT - 1/2" x 1" N.C. hex	1
4	113- 118	BOLT - 5/16" x 5/8"	1
5	192- 20	LOCKWASHER - 5/16"	1
5	192- 23	LOCKWASHER - 1/2"	4
6	C 31004	TRAY - tool	1
7	C 16429	PIN - seat hinge	1
8	C 30067	SEAT - shown	1
9	C 29812	WASHER	4
9	195- 2175	WASHER - 5/16" x 1-1/4" OD, zinc	4
11	113- 122	BOLT - 5/16" x 1-1/2"	4
12	C 31006	SPRING - seat switch	1
13	121- 106	BOLT - 5/16" x 1/2" flange lock	10
14	C 33474	HINGE ASSEMBLY - seat	1
15	C 26526	CAP - spring	1
16	C 14728	GRIP - shift lever	1
17	C 27594	LEVER - shift	1
18	195- 525	WASHER - 7/16" x 1-1/4" O.D.	1
19	C 17216	SPRING - shift lever	1
20	C 30489	WASHER	1
21	131- 1216	NUT - lock 3/8" N.C.-hex	1
22	C 29305	CAP - spring	2
23	C 29306	SPRING - seat	2
24	113- 102	BOLT - 5/16" - 18 x 3/4"	3
25	131- 911	NUT - 5/16" - 18 flange lock	7
26	C 30942	REFLECTOR - red, rear fender	2
27	C 32386	FENDER - R.H.	1
27	C 32385	FENDER - L.H. shown	1
28	182- 547	SCREW - 1/4" - 20 x 1/2"	2
29	131- 934	NUT - 1/4"	2

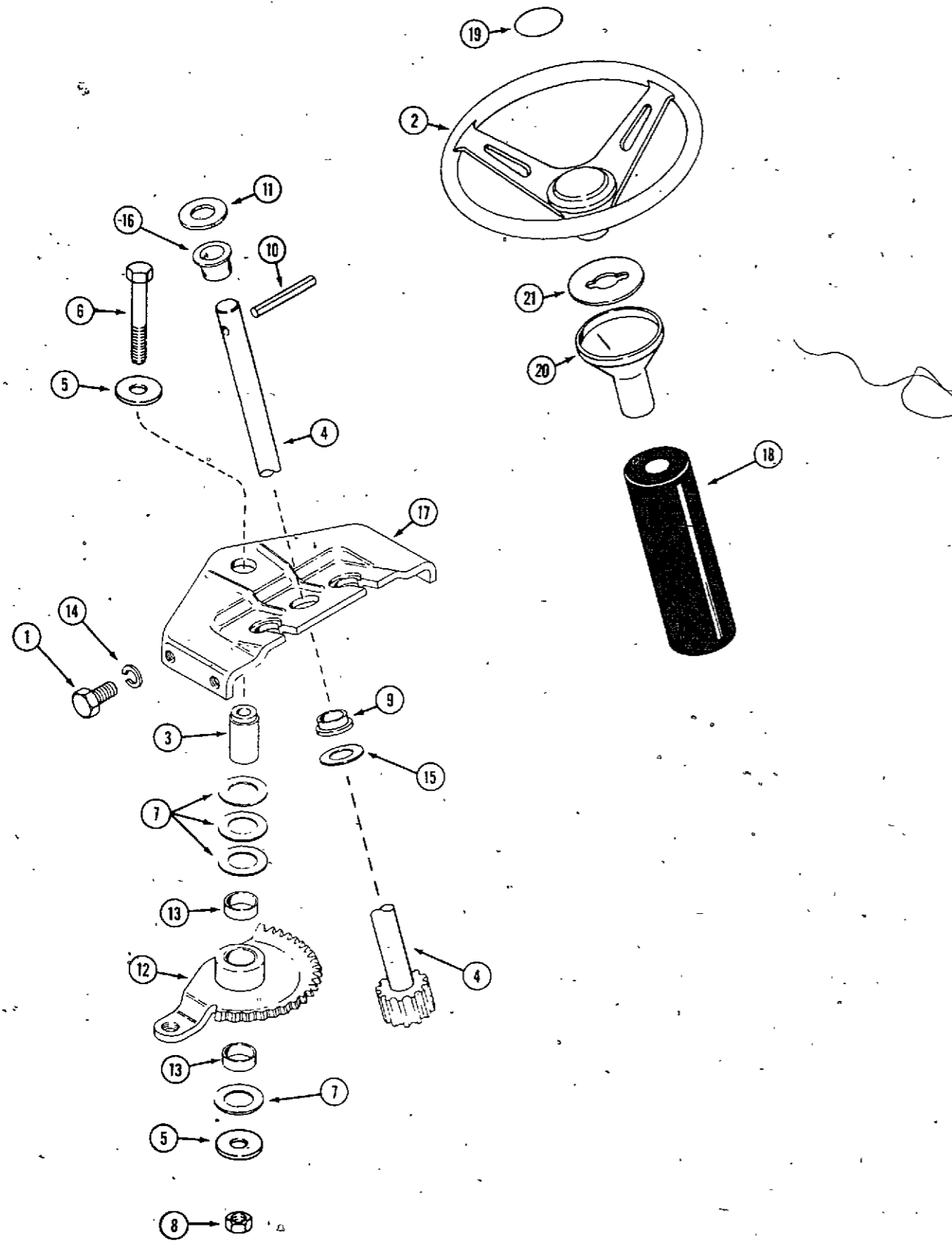
SEAT, FENDER AND TOOL TRAY

Use PIN and AFTER:
 3012 - 14167800
 3014 - 14168800
 3016 - 14169500
 4016 - ALL



REF.	PART NO.	DESCRIPTION	REQ'D
1	C 37261	SUPPORT - seat, front (3012, 3014, 3016)	1
1	C 37262	SUPPORT - seat, front (4016)	1
2	C 37266	SUPPORT - seat, rear (4016)	1
2	C 37265	SUPPORT - seat, rear (3012, 3014, 3016)	2
3	113- 427	BOLT - 1/2" x 3-1/4" (3012, 3014, 3016)	2
3	113- 441	BOLT - 1/2" x 2-1/4" (4016)	2
4	113- 424	BOLT - 1/2" x 1" N.C. hex	1
4	113- 118	BOLT - 5/16" x 5/8"	1
5	192- 20	LOCKWASHER - 5/16"	1
5	192- 23	LOCKWASHER - 1/2"	4
6	C 37017	TRAY - tool	1
7	C 16429	PIN - seat hinge	1
8	C 37151	SEAT - operator's	1
9	C 37060	BRACKET - switch mounting	1
10	113- 2	BOLT - 1/4" - 20 x 5/8"	2
11	C 37409	COVER - shift lever (3012, 3014, 3016)	1
11	C 37411	COVER - shift lever (4016)	1
12	C 37462	SPRING - seat switch	1
13	121- 106	BOLT - 5/16" x 1/2" flange lock	10
14	C 37152	HINGE ASSEMBLY - seat	1
15	C 26526	CAP - spring	1
16	C 10487	KNOB - shift lever	1
17	C 37244	LEVER - shift (3012, 3014, 3016)	1
17	C 37247	LEVER - shift (4016)	1
18	195- 525	WASHER - 7/16" x 1-1/4" O.D.	1
19	C 10482	SPRING - shift lever	1
20	132- 310	PIN - cotter 1/8" x 1"	1
21	C 37460	COVER - plate	1
22	C 29305	CAP - spring	2
23	C 29306	SPRING - seat	2
24	113- 102	BOLT - 5/16" - 18 x 3/4"	3
25	131- 911	NUT - 5/16" - 18 flange lock	11
26	C 37428	PLATE - shift pattern (3012, 3014, 3016) (shown)	1
26	C 37430	PLATE - shift pattern (4016)	1
27	C 37154	FENDER - R.H. (3012, 3014, 3016)	1
27	C 37153	FENDER - L.H. shown (3012, 3014, 3016)	1
27	C 37156	FENDER - R.H. (4016)	1
27	C 37155	FENDER - L.H. (4016)	1
28	C 31597	SCREW - 1/4" - 20 x 1/2"	6
29	131- 934	NUT - 1/4"	6

STEERING GEAR

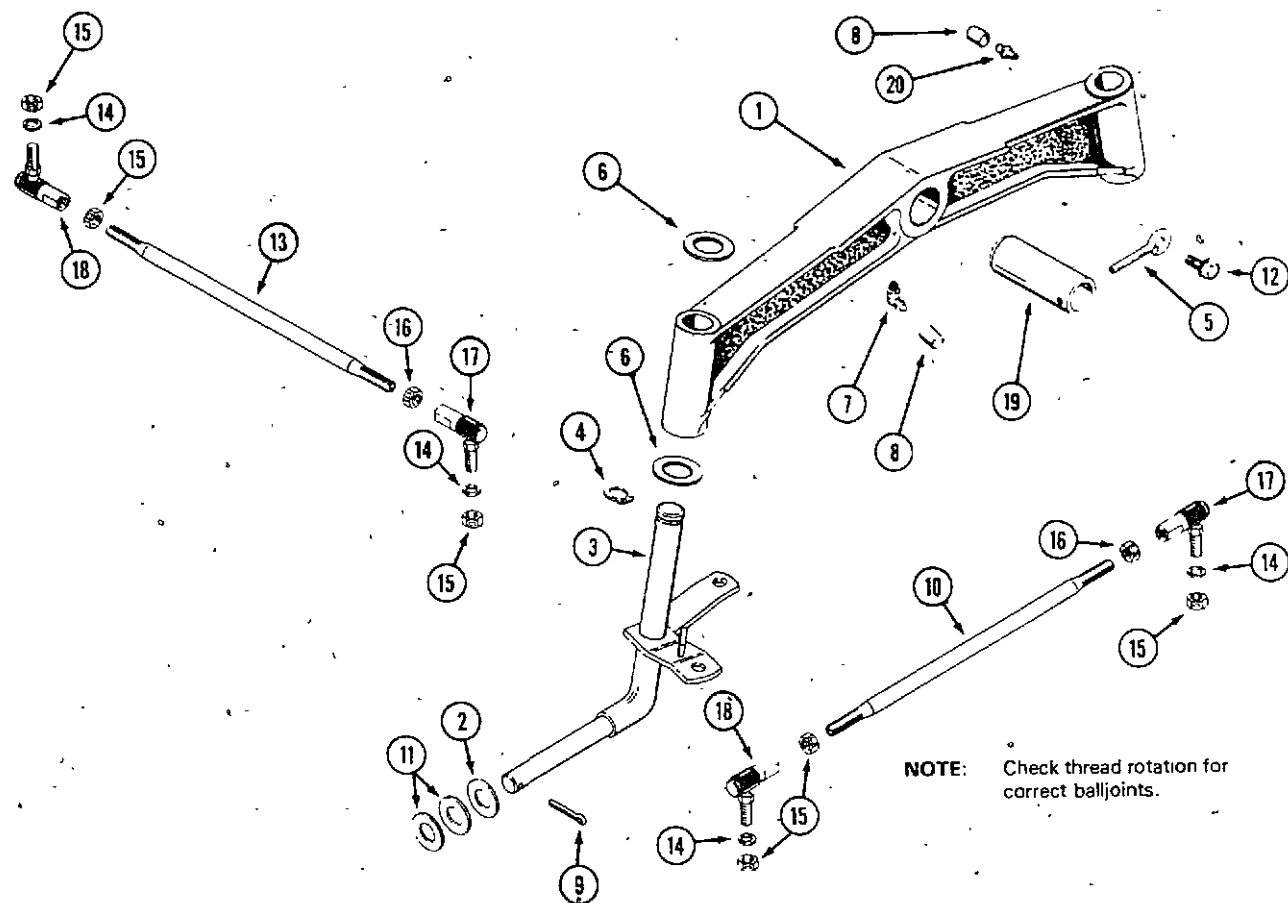


REF.	PART NO.	DESCRIPTION	REQ'D
1	113- 206	BOLT - 3/8" x 3/4" N.C. hex	4
2	C 26325+	WHEEL - steering	1
2	C 37131++	WHEEL - steering (shown)	1
3	C 29044	PIN - pivot	1
4	C 26326*	SHAFT - steering	1
4	C 33940**	SHAFT - steering	1
5	C 29812	WASHER - 3/8" x 1.4"	2
6	113- 241	BOLT - 3/8" - 16 x 3"	1
7	C 14201	WASHER - shim	4
8	131- 1352	NUT - 3/8" - 16 hex lock (torque 40-45 ft. lbs.)	1
9	C 27501	BUSHING	1
10	138- 143	PIN - roll 1/4" x 2-1/4"	1
11	195 541	WASHER - 5/8"	UAR
11	195- 2206	WASHER - 5/8" x 1-1/4" x .06" thick	UAR
12	C 33309	GEAR - steering	1
13	C 33308	BUSHING - sleeve	2
14	192- 21	LOCK WASHER - 3/8"	4
15	195- 2069	WASHER - 5/8" zinc plated	1
16	C 15096	BUSHING - flanged nylon	1
17	C 30019	SUPPORT - steering gear (includes item 9)	1
18	C 30127*	TUBE - steering	1
18	C 37479++	TUBE - steering	1
18	C 33945**	TUBE - steering	1
19	C 37197++	INSERT - steering wheel	1
20	C 39504+	BOOT - steering column	1
21	C 39507+	INSERT - boot	1

*** Use PIN to PIN
 3012 - 14145818 to 14167800
 3014 - 14146794 to 14168800
 3016 - 14147979 to 14169500

* Use before PIN:
 ** Use Pin and After:
 + Use before PIN:
 ++ Use PIN and after:

3012 - 14145818	3012 - 14167800
3014 - 14146794	3014 - 14168800
3016 - 14146794	3016 - 14169500
4016 - all after	4016 - all after



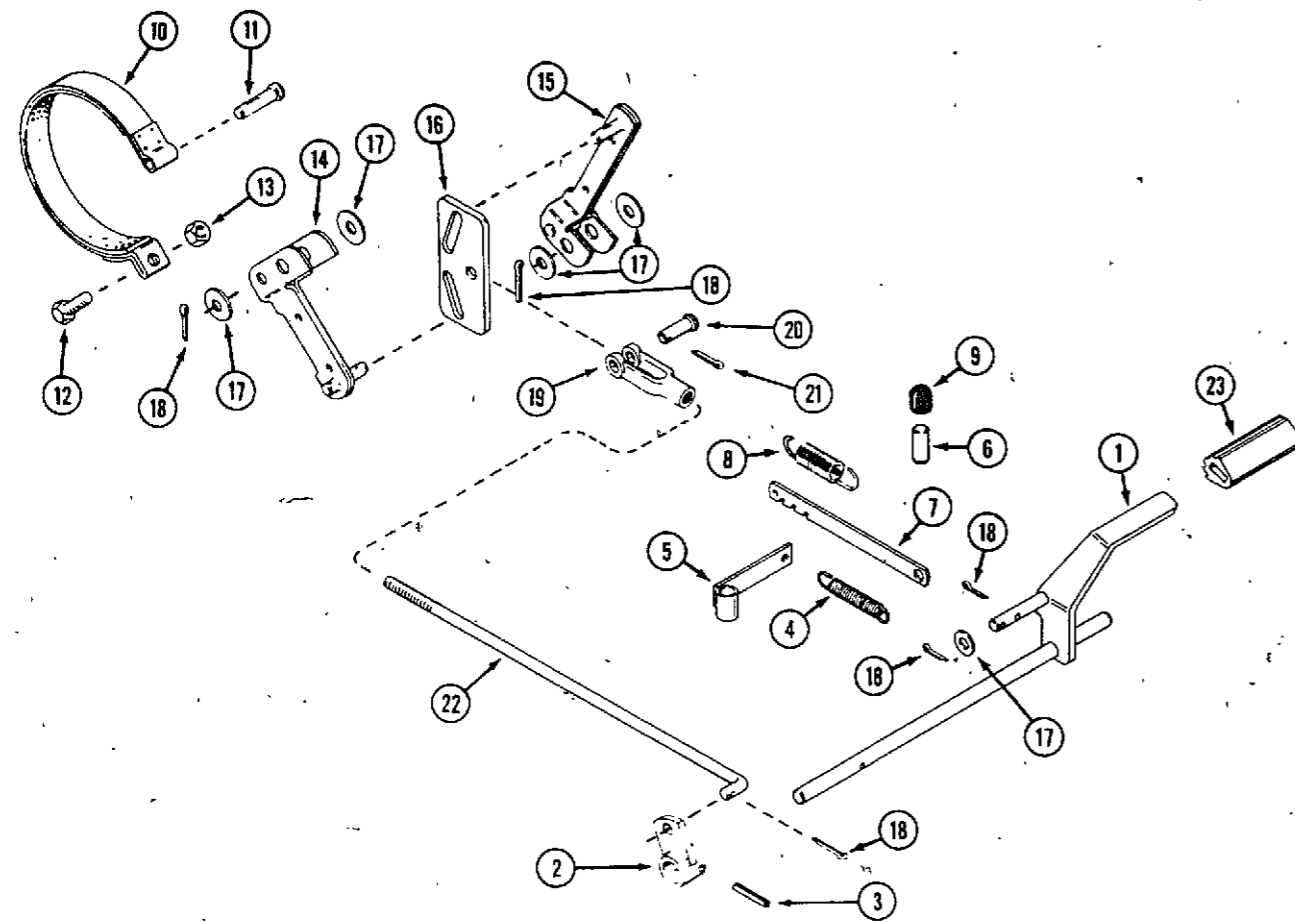
NOTE: Check thread rotation for correct balljoints.

FRONT AXLE
(3012, 3014, 3016)

REF.	PART NO.	DESCRIPTION	REQ'D
1	C 18812	AXLE - front	1
2	C 27597	WASHER - spacer	2
3	C 31338	SPINDLE - R.H.	1
3	C 31337	SPINDLE - L.H.	1
4	C 28232	RING - retaining, spindle	2
5	C 22278	PIN - retaining, axle pivot	1
6	C 11906	WASHER - thrust	4
7	219- 404	FITTING - lubrication	3
8	C 13106	COVER - lubrication fitting	3
9	132- 311	PIN - cotter 5/32" x 1-1/4"	2
10	C 25856	TIE ROD	1
11	C 28226	WASHER - wheel spacer	UAR
12	187- 1910	BOLT - 3/8" - 16 x 3/4" N.C. hex head	1
13	C 25857	LINK - drag	1
14	192- 23	LOCK WASHER - 1/2" zinc	4
15	129- 165	NUT - 1/2" N.F. R.H. thread, lock	6
16	129- 365	NUT - 1/2" N.F. L.H. thread, lock	2
17	C 13605	BALL JOINT - 1/2" L.H. thread	2
18	C 12102	BALL JOINT - 1/2" R.H. thread	2
19	C 22568	PIN - axle pivot	1
20	219- 17	FITTING - lubrication	2

FRONT AXLE
(4016)

1	C 18813	AXLE - front	1
2	C 27597	WASHER - spacer	2
3	C 31341	SPINDLE - R.H.	1
3	C 31340	SPINDLE - L.H.	1
4	C 27902	RING - retaining, spindle	2
5	C 22278	PIN - retaining, axle pivot	1
6	C 13716	WASHER - thrust	4
7	219- 404	FITTING - lubrication	3
8	C 13106	COVER - lubrication fitting	3
9	132- 311	PIN - cotter 5/32" x 1-1/4"	2
10	C 25855	TIE ROD	1
11	C 28226	WASHER - wheel spacer	UAR
12	187- 1910	BOLT - 3/8" - 16 x 3/4" N.C. hex head	1
13	C 25857	LINK - drag	1
14	192- 23	LOCKWASHER - 1/2" zinc	4
15	129- 165	NUT - 1/2" N.F. R.H. thread, lock	6
16	129- 365	NUT - 1/2" N.F. L.H. thread, lock	2
17	C 13605	BALL JOINT - 1/2" L.H. thread	2
18	C 12102	BALL JOINT - 1/2" R.H. thread	2
19	C 22568	PIN - axle pivot	1
20	219- 17	FITTING - lubrication	2

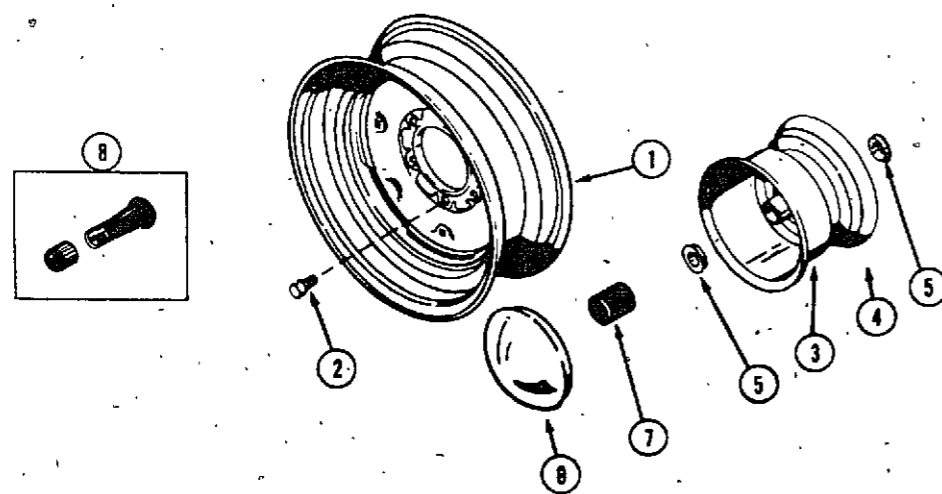


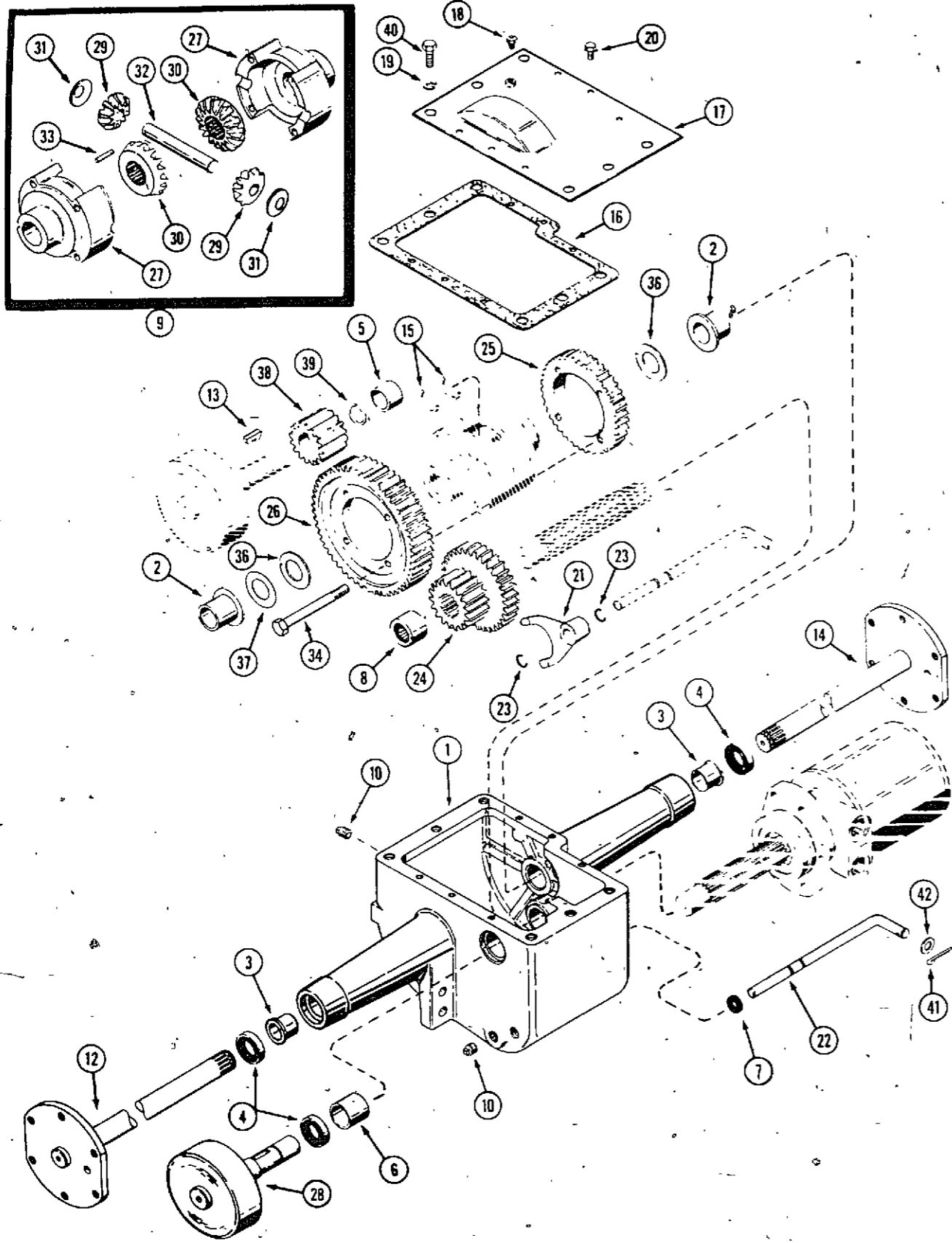
BRAKE ASSEMBLY

REF.	PART NO.	DESCRIPTION	REQ'D
1	C 33942	PEDAL - brake actuating	1
2	C 26381	ARM - brake pedal	1
3	138- 2073	PIN - roll 3/16" x 1-1/4"	1
4	C 31660	SPRING - return	1
5	C 31662	GUIDE - neutral return	1
6	C 31604	ACTUATOR - parking brake	1
7	C 31661	LEVER - brake lock	1
8	C 21942	SPRING - brake lock	1
9	C 31605	CAP - actuator	1
10	C 33427	BAND - brake	1
11	C 23910	PIN - clevis	1
12	113- 2262	BOLT - 3/8" - 16 x 1-1/2" hex	1
13	129- 143	NUT - 3/8" - 16	1
14	C 23899	ARM - brake	1
15	C 24761	ARM - brake (includes adjustment nut)	1
16	C 40646	GUIDE - brake actuator	1
17	195- 533	WASHER - .531" I.D.	5
18	132- 310	PIN - cotter 1/8" x 1"	5
19	C 28978	CLEVIS	1
20	141- 4	PIN - clevis	1
21	132- 321	PIN - cotter	1
22	C 31992	ROD - brake (3012, 3014, 3016)	1
22	C 31993	ROD - brake (4016)	1
23	C 31975	PAD - brake pedal	1

FRONT AND REAR WHEELS

1	C 30913	WHEEL - rear, 5 bolt for 23 x 8.50 - 12 tire (3012, 3014, 3016)	2
1	C 30922	WHEEL - rear, 5 bolt for 23 x 10.50 - 12 tire (3012, 3014, 3016)	2
1	C 30917	WHEEL - rear, 6 bolt (4016)	2
2	C 10314	BOLT - rear wheel (3012, 3014, 3016)	10
2	C 27763	BOLT - rear wheel (4016)	12
3	C 30912	WHEEL - front (includes bearings)	2
4	219- 403	FITTING - lubrication	2
5	C 12110	BEARING - wheel	2
6	C 28965	CAP - hub, front wheel (optional)	2
7	C 26021	CAP - plastic, front	2
8	C 28236	STEM - valve	4
	C 13106	COVER - lubrication fitting	2



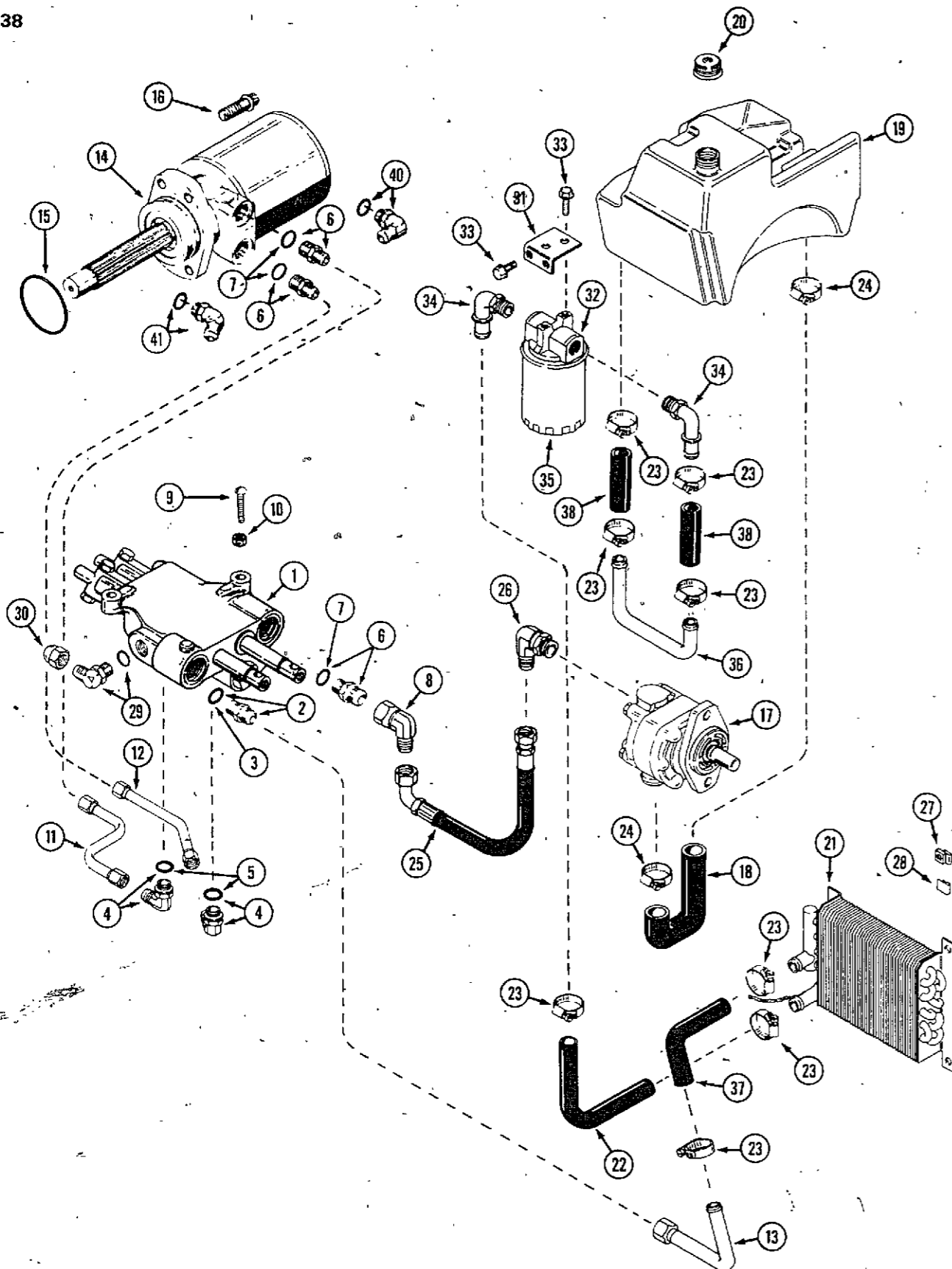


TRANSMISSION AND FINAL DRIVE

REF.	PART NO.	DESCRIPTION	REQ'D
1	C 24843	CASE ASSEMBLY - transmission (includes bearings & seals only)	1
	NSS	CASE - transmission (order C24843)	1
2	C 12713	BEARING - flange	2
3	C 24804	BEARING - flange	2
4	C 24803	SEAL - shaft	3
5	C 13241	BEARING - sleeve	1
6	C 13385	BEARING - sleeve	1
7	C 13266	SEAL - shift rod	1
8	C 28281	BEARING - roller	1
9	C 30029+	DIFFERENTIAL ASSEMBLY (also includes C30030, C30031, C12552)	1
9	C 36902++	DIFFERENTIAL ASSEMBLY (includes C36903, C30031, 12552)	1
10	221- 3	PLUG - filler and drain 3/8" (square head)	3
10	221- 1842	PLUG - pipe 3/8" socket	1
12	C 22638	SHAFT - axle, short R.H. (4016)	1
12	C 16699	SHAFT - axle, short R.H. (3012, 3014, 3016)	1
13	126- 128	KEY - Woodruff, brake idler #18, 1/4" x 1-1/8"	2
14	C 22637	SHAFT - axle, long L.H. (4016)	1
14	C 16700	SHAFT - axle, long L.H. (3012, 3014, 3016)	1
15	C 26342	RING - retainer, axle	2
16	C 13196	GASKET - transmission cover	1
17	C 36935	COVER - transmission	1
18	C 28241	BREATHER - transmission	1
19	192- 23	LOCKWASHER - 1/2"	4
20	121- 21	BOLT - 1/4" x 1/2" N.C. hex lock	6
21	C 12725	FORK - shift	1
22	C 32486*	ROD - gear shift	1
22	C 37222**	ROD - gear shift	1
23	C 14168	RING - retaining	2
24	C 14644+	GEAR - cluster input	1
24	C 36901++	GEAR - cluster input	1
25	C 30030+	GEAR - high 41 tooth	1
25	C 36903++	GEAR - high range	1
26	C 12552	GEAR - low 55 tooth	1
27	NSS	DIFFERENTIAL CASE	1
28	C 33305	BRAKE DRUM	1
29	NSS	GEAR - differential pinion	2
30	NSS	GEAR - differential	2
31	NSS	WASHER - pinion thrust	2
32	NSS	PIN - differential	1
33	NSS	PIN - differential pin lock	1
34	C 30031	KIT - screw (set of four)	1
36	C 12718	WASHER - differential	2
37	C 14223	WASHER - spacer	UAR
38	C 25254	GEAR - brake idler	1
39	C 14222	RING - retainer, brake idler	1
40	113- 424	BOLT - 1/2" - 13 x 1" hex	UAR
40	166- 85	BOLT - 1/2" - 13 x 1" 12 pt. flange	UAR
41	132- 310	PIN - cotter 1/8" x 1"	1
42	195- 541	WASHER - .656" ID x 1.312 OD	1
43	138- 2073	PIN - spiral 3/16" x 1-1/4"	1

*Use before PIN: + Use before PIN:
 **Use PIN and After: ++ Use PIN and After:
 3012 - 14167800 3012 -
 3014 - 14168800 3014 - (not available at
 3016 - 14169500 3016 - time of issue)
 4016 - All 4016 -

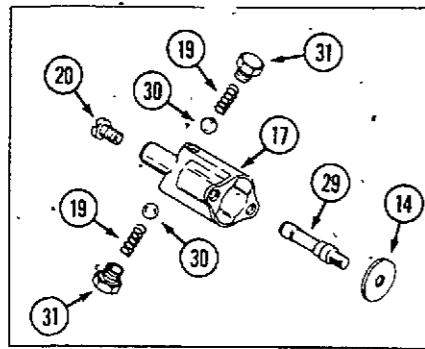
HYDRAULIC SYSTEM



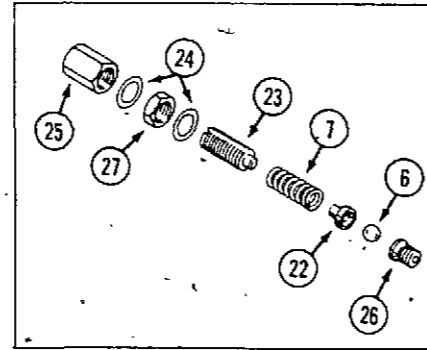
REF.	PART NO.	DESCRIPTION	REQ'D
1	C 33473	VALVE - control (repairs page 41)	1
2	218- 5065	FITTING - 3/4" x 7/8" "O" ring	1
3	218- 5007	"O" RING	1
4	218- 5107	FITTING - 90° elbow	2
5	218- 5007	"O" RING	1
6	218- 5062	FITTING - 5/8" x 7/8" "O" ring	3
7	218- 5007	"O" RING	1
8	218- 5232	FITTING - 90° elbow	1
9	C 27764	SCREW - 5/16" - 18 x 1-1/4" round head	2
10	131- 351	NUT - lock 5/16"	2
11	C 37220**	TUBE - valve to upper motor port (3012, 3014, 3016)	1
11	C 37309**	TUBE - valve to upper motor port (4016) shown	1
11	C 29655*	TUBE - valve to upper motor port (3012, 3014, 3016)	1
11	C 29657*	TUBE - valve to upper motor port (4016)	1
12	C 29656*	TUBE - valve to lower motor port (3012, 3014, 3016)	1
12	C 29658*	TUBE - valve to lower motor port (4016)	1
12	C 37310*	TUBE - valve to lower motor port (4016) shown	1
12	C 37221**	TUBE - valve to lower motor port (3012, 3014, 3016)	1
13	C 31435	TUBE - valve "out" to heat exchanger	1
14	C 30939	MOTOR - hydraulic (repairs page 43) (3012, 3014, 3016)	1
14	C 33234	MOTOR - hydraulic (repairs page 43) (4016)	1
15	C 28949	SEAL - motor to transmission	1
16	166- 86	SCREW - 1/2" - 18 x 1-1/4" 12 pt. flange	4
17	C 31958	PUMP - hydraulic 1/2" shaft (repairs page 45)	1
18	C 33423	HOSE - pump inlet	1
19	C 33180	RESERVOIR - oil	1
20	C 37093	CAP - reservoir	1
21	C 31295	EXCHANGER - heat	1
22	C 33555	HOSE - formed 90° 6-1/4" x 5"	1
23	214- 254	CLAMP - hose 1-1/4"	8
24	214- 14	CLAMP - hose 1-3/8"	2
25	C 31966	HOSE - pump to valve	2
26	218- 5117	FITTING - 90° elbow	1
27	C 31973	"J" NUT - 1/4" - 20	4
28	C 31974	"U" Clip - retainer	4
29	C 37425	FITTING - 90° 3/8" tube x 1/2" - 20	1
30	218- 754	CAP - 3/8" tube	1
31	C 33577	BRACKET - oil filter	1
32	C 33446	HEAD - oil filter	1
33	121- 21	BOLT - 1/4" - 20 x 1/2"	1
34	217- 333	FITTING - 90° 3/8" NPTF x 3/4" hose	2
35	C 33445	FILTER - oil	1
36	C 33544	TUBE - filter to tank	1
37	C 33556	HOSE - formed 90° 3-1/2" x 3-1/2"	1
38	C 14619	HOSE - 3/4" x 4"	2
39	192- 23	LOCKWASHER - 1/2"	4
40	218- 5107	FITTING - 90° male 7/8" - 14	1
41	218- 5137	FITTING - 45° male 7/8" - 14 x 5/8" tube	1

* Use before PIN:
 **Use PIN and After:
 3012 - 14167922
 3014 - 14168927
 3016 - 14169637
 4016 - 14170969

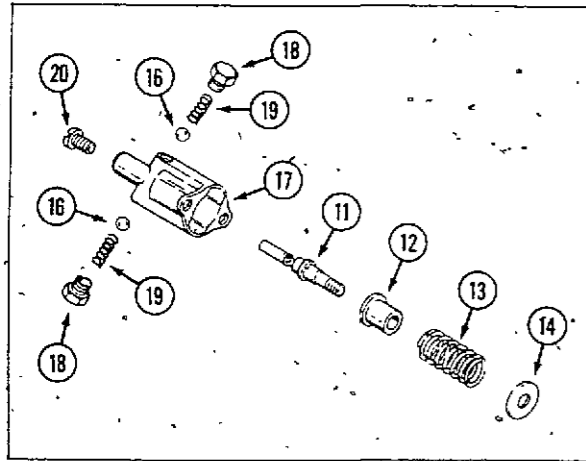
HYDRAULIC CONTROL VALVE



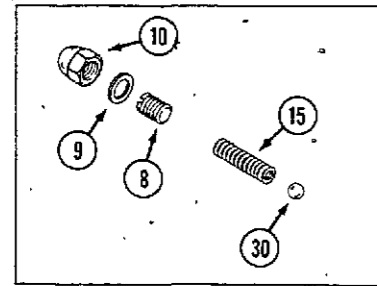
TRAVEL SECTION DETENT GROUP



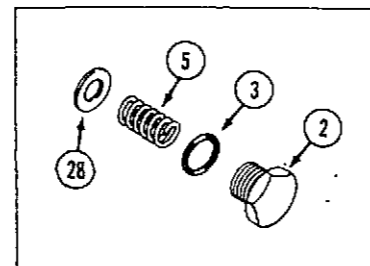
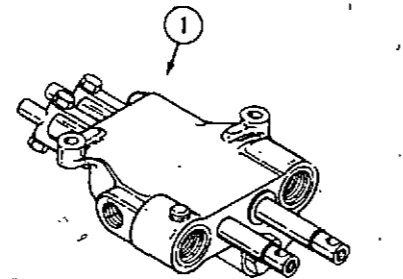
TRAVEL SECTION RELIEF GROUP



LIFT SECTION DETENT GROUP



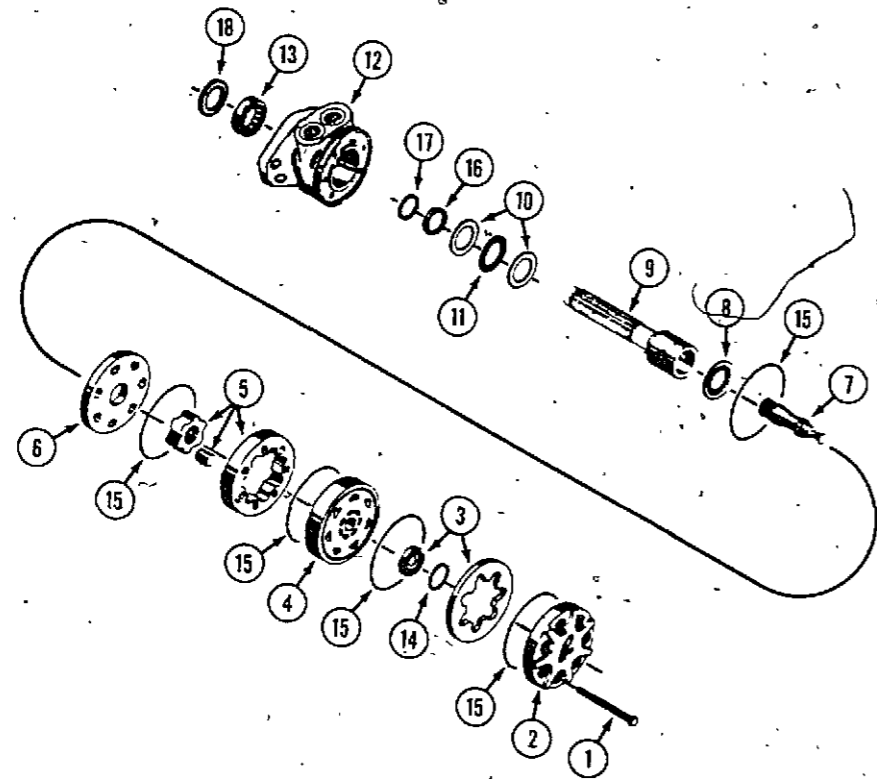
LIFT SECTION RELIEF GROUP



HOLDING SECTION GROUP

REF.	PART NO.	DESCRIPTION	REQ'D
1	C 33473	VALVE - control, two spool	1
2	C 29956	CAP - end	2
3	C 28217	"O" RING - end cap	1
4	C 28856	SEAL - spool	4
5	C 29951	SPRING - centering	2
6	211- 208	BALL - steel 5/16" (7.94mm)	1
7	C 21507	SPRING - relief	2
8	C 17433	SCREW - relief adjust	1
9	C 17435	GASKET - relief adjust cap	1
10	129- 531	CAP - adjust screw	2
11	C 26668	DETENT - spool	1
12	C 28707	SPACER - detent	1
13	C 28706	SPRING - detent return	1
14	C 28705	WASHER - return	2
15	NSS	SPRING - relief (order C21511 relief kit, use spring only)	1
16	211- 5	BALL - steel 3/16" (4.76 mm)	2
17	C 17438	COVER - detent	1
18	C 28708	SCREW - detent	4
19	C 17444	SPRING - detent	4
20	169- 114	SCREW - cover	4
21	221- 841	PLUG - pipe	1
22	C 21506	RETAINER - ball seat	1
23	C 26665	SCREW - adjust, relief	1
24	C 26664	GASKET - adjust cap	1
25	C 26666	CAP - adjust screw	1
26	C 26663	SEAT - relief ball	1
27	129- 166	NUT - lock	1
28	C 29950	WASHER - spring retaining	2
29	C 29958	DETENT - spool	1
30	211- 7	BALL - steel 1/4" (6.35 mm)	2
31	C 17443	SCREW - detent	2
	C 30002	KIT - seal	1

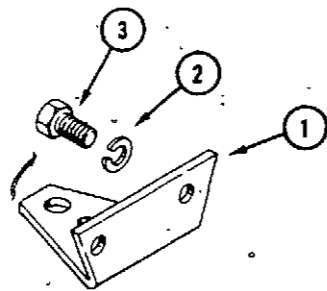
HYDRAULIC DRIVE MOTOR



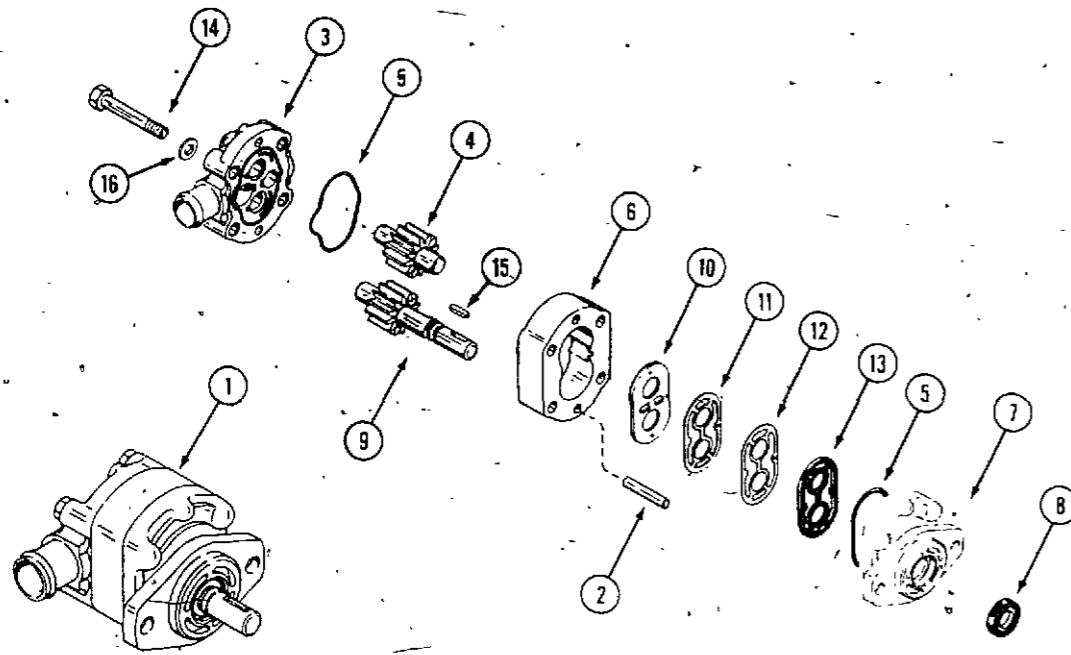
REF.	PART NO.	DESCRIPTION	REQ'D
	C 30939	MOTOR - hydraulic	1
1	28- 668	BOLT - 3/8" - 24 x 4-1/4"	7
2	C 31309	COVER - end	1
3	C 31310	COMMUTATOR AND RING SET	1
4	C 31311	MANIFOLD	1
5	C 31312	ROTOR ASSEMBLY	1
6	C 31314	PLATE - wear	1
7	C 31315	LINK - drive	1
8	C 31317	BEARING - thrust	1
9	C 31318	SHAFT - coupling	7
10	C 31319	WASHER - thrust	2
11	C 31320	BEARING - thrust	1
12	C 31321	HOUSING - drive end	1
13	C 31322	BEARING - outer	1
	C 31323	KIT - seal	1
14	NSS	SEAL - commutator ring	1
15	NSS	SEAL - ring	5
16	NSS	SEAL - ring	1
17	NSS	WASHER - backup	1
18	NSS	SEAL - dirt (not used)	1

DRAWBAR AND TOW HITCH

1	C 13360	DRAWBAR	1
2	192- 23	LOCKWASHER - 1/2"	2
3	113- 424	BOLT - 1/2" x 1" N.C. hex	2



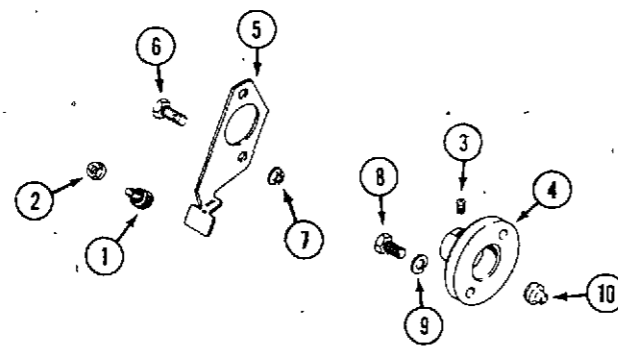
HYDRAULIC PUMP (PARKER-HANNIFIN)



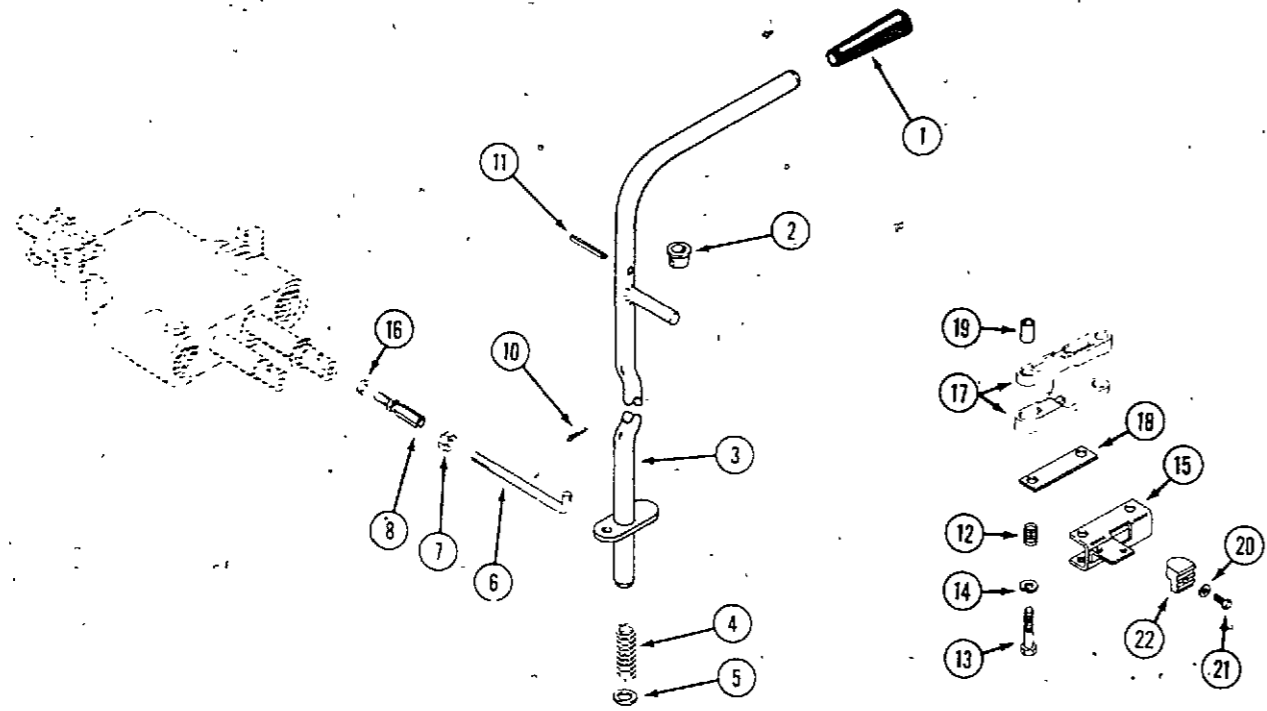
REF.	PART NO.	DESCRIPTION	REQ'D
1	C 31958	PUMP - hydraulic 1/2" shaft	1
2	F 53109	PIN - dowel	2
3	C 31987	COVER - rear	1
4	C 15731	GEAR ASSEMBLY - driven	1
5	C 15732	"O" RING - cover	2
6	C 15733	BODY - pump	1
7	C 15734	COVER - front	1
8	C 15735	SEAL - shaft	1
9	NSS	GEAR ASSEMBLY - drive (1/2" shaft) (use C31958)	1
10	C 15737	PLATE - wear	1
11	C 15738	SHIELD - heat	1
12	C 15739	GASKET	1
13	C 15740	SEAL	1
14	113- 111	BOLT	4
15	C 31988	KEY - 1/8" square x 3/4" long (1.587 mm x 19.05 mm)	4
16	C 19115	WASHER	4

PUMP MOUNTING COMPONENTS

1	C 32437	MOUNT - rubber	1
2	131- 911	NUT - 5/16" - 18 flange lock	1
3	83- 55	SCREW - set 5/16" - 18 x 5/16" socket	2
4	C 33441	ADAPTER - drive	1
5	C 33506	PLATE - pump torque arm	1
6	113- 208	BOLT - 3/8" - 16 x 1-1/4" hex	2
7	131- 1352	NUT - 3/8" - 16 flange lock	2
8	113- 103	BOLT - 5/16" - 18 x 1" hex	2
9	192- 20	LOCKWASHER - 5/16"	2
10	C 33505	PILOT - pump adapter	1



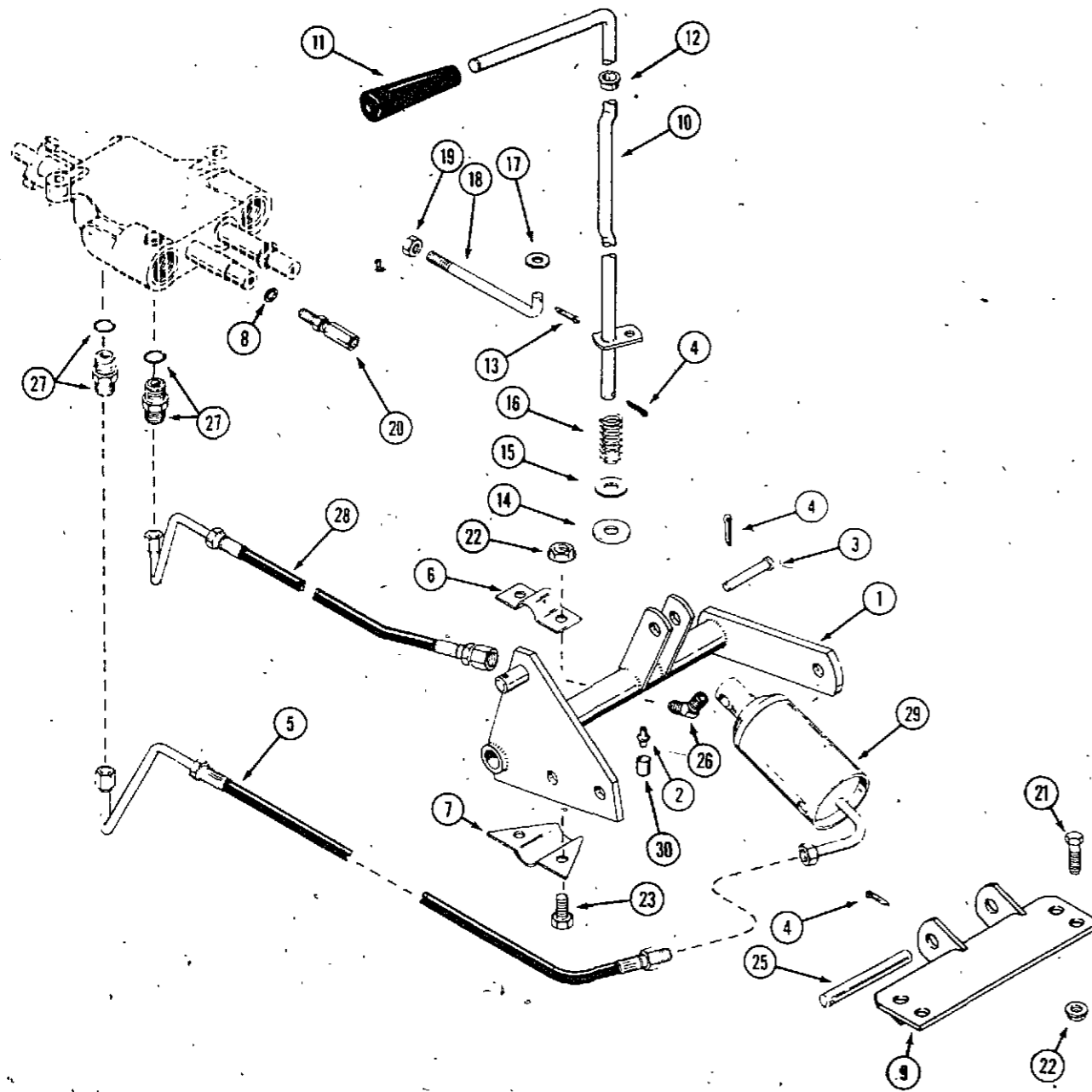
SPEED CONTROL



REF.	PART NO.	DESCRIPTION	QTY.
1	C 28237	KNOB - speed control	1
2	C 29636	BUSHING - lever	1
3	C 37250	LEVER - speed control	1
4	C 10482	SPRING - compression	1
5	C 21518	WASHER - nylon	1
6	C 31670	ROD - control	1
7	129- 122	NUT - 5/16" N.F. hex zinc plated	1
8	C 19025	JOINT - ball	1
10	132- 320	PIN - cotter 3/32" x 3/4"	1
11	138- 2072	PIN - roll 1/8" x 1-3/4"	1
12	C 30827	SPRING - locator	2
13	113- 14	BOLT - 1/4" 20 x 2"	2
14	192- 19	LOCKWASHER - 1/4"	2
15	C 37255**	CARRIER - locator (shown)	1
15	C 31678*	CARRIER - locator	1
16	192- 20	LOCKWASHER - 5/16"	1
17	C 32362	LOCATOR - half	2
18	C 31674*	ACCUATOR - switch	1
18	C 37254**	SUPPORT - locator (shown)	1
19	C 29653	SPACER - tube	2
20	195- 513	WASHER	1
21	187- 1328	SCREW - #8 - 18 x 3/8"	1
22	C 37198**	CAM - switch	1

* Use before PIN:
 ** Use PIN and After:
 3012 - 14167800
 3014 - 14168800
 3016 - 14169500
 4016 - all after

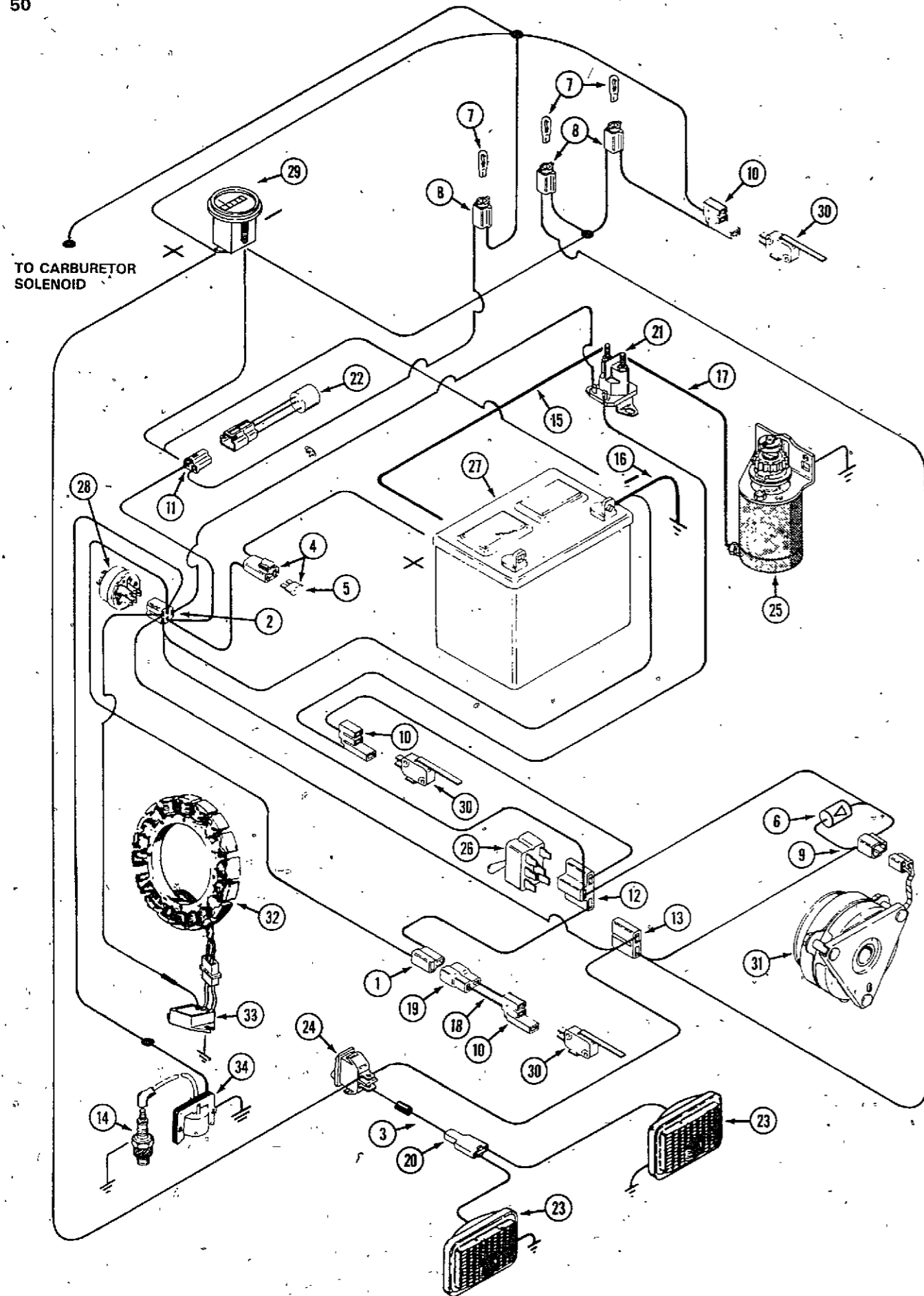
HYDRAULIC LIFT



REF.	PART NO.	DESCRIPTION	REQ'D
1	C 32259	SHAFT ASSEMBLY - lift	1
2	219- 17	FITTING - lubrication	1
3	C 29693	PIN - cylinder to lever, clevis	1
4	132- 310	PIN - cotter 1/8" x 1"	5
5	C 17734	HOSE - long	1
6	C 17249	BRACKET - mounting, top	2
7	C 17250	BRACKET - mounting, bottom	2
8	192- 20	LOCKWASHER - 5/16"	1
9	C 33136	BRACKET - cylinder	1
10	C 33956	LEVER - lift control	1
11	C 28237	KNOB - control lever	1
12	C 29636	BUSHING - lift lever	1
13	132- 320	PIN - cotter 3/32" x 3/4"	1
14	195- 533	WASHER - 1/2"	1
15	C 21518	WASHER - nylon	1
16	C 31681	SPRING - control lever	1
17	195- 521	WASHER - 5/16"	1
18	C 31670	ROD - control	1
19	129- 122	NUT - 5/16" N.F. hex	1
20	C 19025	BALL JOINT	1
21	113- 209	BOLT - 3/8" x 1-1/2" N.C. hex	8
22	131- 938	NUT - lock 3/8" N.C. hex	8
23	113- 208	BOLT - 3/8" - 16 x 1-1/4"	4
25	C 26188	PIN - cylinder base	1
26	218- 1093	FITTING - hydraulic 45° elbow	1
27	218- 5056	FITTING - valve (includes 218-5004 "O" ring)	2
28	C 31682	HOSE - short	1
29	C 27590	CYLINDER - lift	1
	C 30054	KIT - seal	1
30	C 13106	COVER - lubrication fitting	1

ELECTRICAL SYSTEM

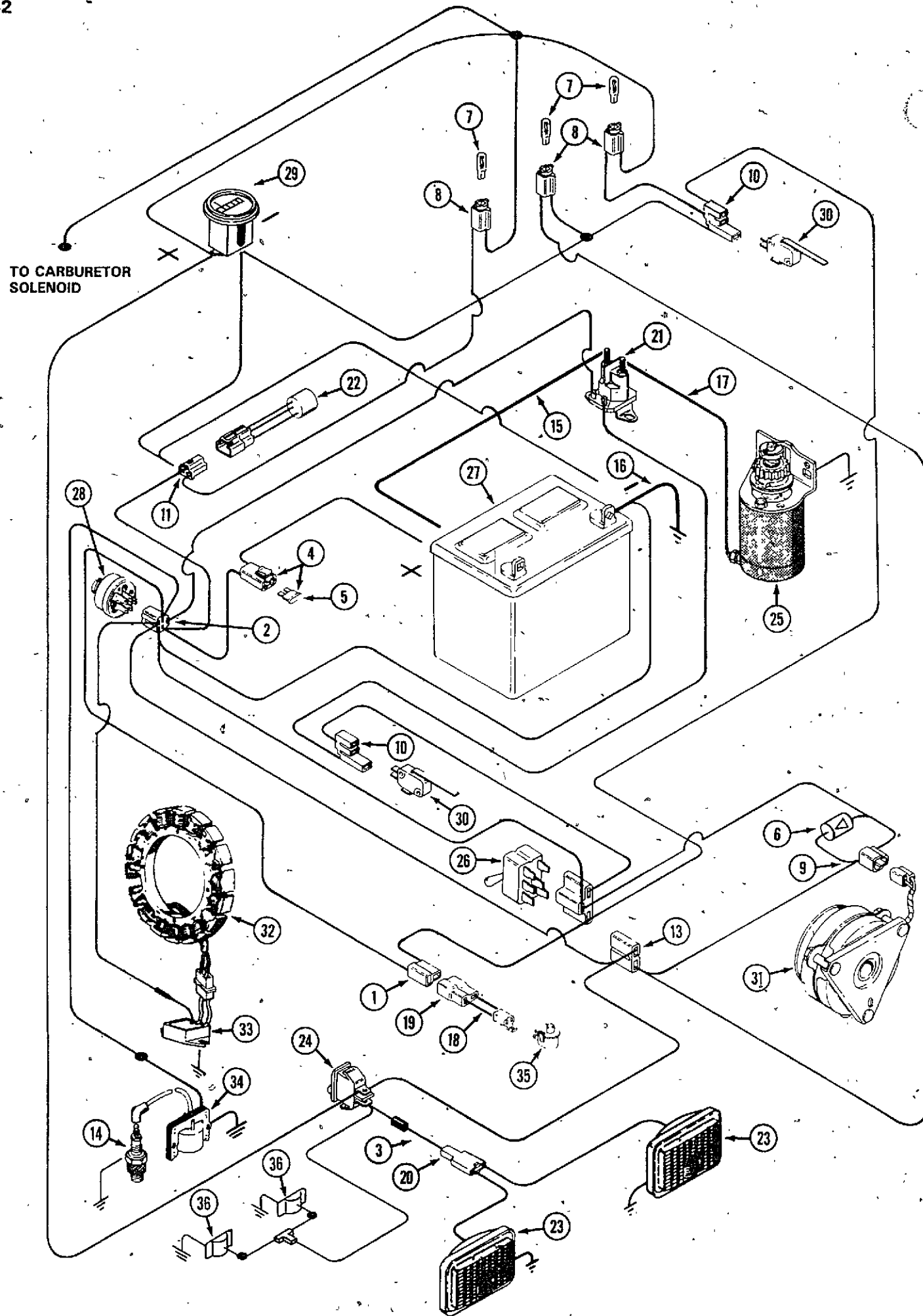
Use before PIN
 3012 - 14167800
 3014 - 14168800
 3016 - 14169500



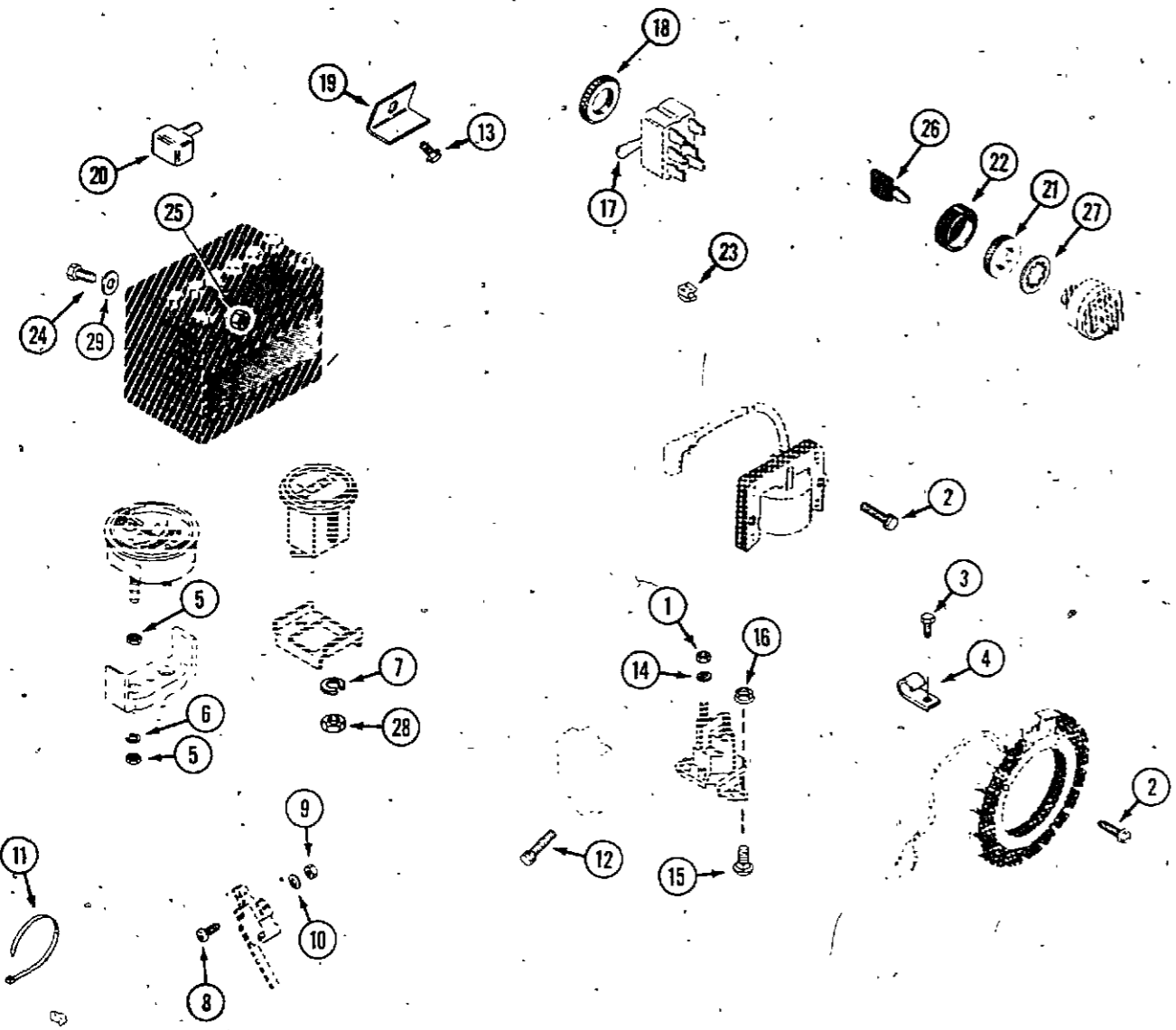
REF.	PART NO.	DESCRIPTION	REQ'D
	C 33436	HARNES - wire	1
1	C 25338	CONNECTOR - seat harness, male	1
2	C 24460	CONNECTOR - ignition switch	1
3	C 34181	WIRE - lights	1
4	C 31947	KIT - fuse holder	1
5	C 30260	FUSE - 30 amp	1
6	C 31986	KIT - diode, 6 amp, 15 volt	1
7	C 30262	BULB - indicator light (not included with harness)	3
8	C 30263	SOCKET - bulb	3
9	C 31948	CONNECTOR - PTO male	1
10	C 30279	CONNECTOR - switch	3
11	C 25486	CONNECTOR - sensor	1
12	C 31950	CONNECTOR - 3 terminal	1
13	C 31951	CONNECTOR - PTO switch, 2 terminal	1
14	C 34291	SPARK PLUG - includes gasket	2
15	C 33022	CABLE - battery positive to solenoid	1
16	C 31943	CABLE - battery negative to ground	1
17	C 33088	CABLE - solenoid to starter	1
18	C 31945	HARNES - seat switch (includes ref. 10 and 19)	1
19	C 24813	CONNECTOR - seat harness, female	1
20	C 14537	CONNECTOR - headlights	1
21	C 33024	SOLENOID - start, 12 volt	1
22	C 31617	SENSOR - voltage (includes connector)	1
23	C 32178	HEADLIGHT - 12 volt (see page 55 for repairs)	2
24	C 29322	SWITCH - headlight	1
25	C 34284	STARTER - 12 volt (see page 17 for repairs)	1
26	C 31937	SWITCH - PTO	1
27	C 31213	BATTERY - 12 volt, 32 amps, 230 CCA	1
28	C 30267	SWITCH - ignition (includes key and hardware)	1
	C 32407	KEY - ignition	2
29	C 31623	HOURMETER	1
30	C 30275	SWITCH - inter - lock	3
31	C 33197	CLUTCH - PTO (see page 21 for repairs)	1
32	C 34303	STATOR - charging	1
33	C 34304	RECTIFIER - voltage, 12 volts	1
34	C 34289	ARMATURE - magneto (3012, 3014)	2
34	C 34294	ARMATURE - magneto (3016)	2

ELECTRICAL SYSTEM

Use PIN and After:
 3012 - 14167800
 3014 - 14168800
 3016 - 14169500
 4016 - All



REF.	PART NO.	DESCRIPTION	REQ'D
	C 36916	HARNES - wire	1
1	C 25338	CONNECTOR - seat harness, male	1
2	C 24460	CONNECTOR - ignition switch	1
3	C 34181	WIRE - lights	1
4	C 31947	KIT - fuse holder	1
5	C 30260	FUSE - 30 amp	1
6	C 31986	KIT - diode, 6 amp, 15 volt	1
7	C 30262	BULB - indicator light (not included with harness)	3
8	C 30263	SOCKET - bulb	3
9	C 31948	CONNECTOR - PTO male	1
10	C 30279	CONNECTOR - switch	3
11	C 25486	CONNECTOR - sensor	1
12	C 31950	CONNECTOR - 3 terminal	1
13	C 31951	CONNECTOR - PTO switch, 2 terminal	1
14	C 34291	SPARK PLUG - includes gasket	2
15	C 33022	CABLE - battery positive to solenoid	1
16	C 31943	CABLE - battery negative to ground	1
17	C 37272	CABLE - solenoid to starter	1
18	C 37270	HARNES - seat switch and taillights	1
19	C 24813	CONNECTOR - seat harness, female	1
20	C 14537	CONNECTOR - headlights	1
21	C 33024	SOLENOID - start, 12 volt	1
22	C 31617	SENSOR - voltage (includes connector)	1
23	C 32178	HEADLIGHT - 12 volt (see page 55 for repairs)	2
24	C 29322	SWITCH - headlight	1
25	C 34284	STARTER - 12 volt (see page 17 for repairs)	1
26	C 31937	SWITCH - PTO	1
27	C 41010	BATTERY - 12 volt,	1
28	C 30267	SWITCH - ignition (includes key and hardware)	1
	C 32407	KEY - ignition	2
29	C 33756	HOURMETER	1
30	C 30275	SWITCH - inter - lock	2
31	C 33197	CLUTCH - PTO (see page 21 for repairs)	1
32	C 34303	STATOR - charging	1
33	C 34304	RECTIFIER - voltage, 12 volts	1
34	C 34289	ARMATURE - magneto (3012, 3014)	2
34	C 34294	ARMATURE - magneto (3016, 4016)	2
35	C 33744	SWITCH - seat (gray)	1
36	C 37165	LIGHTS - tail	2

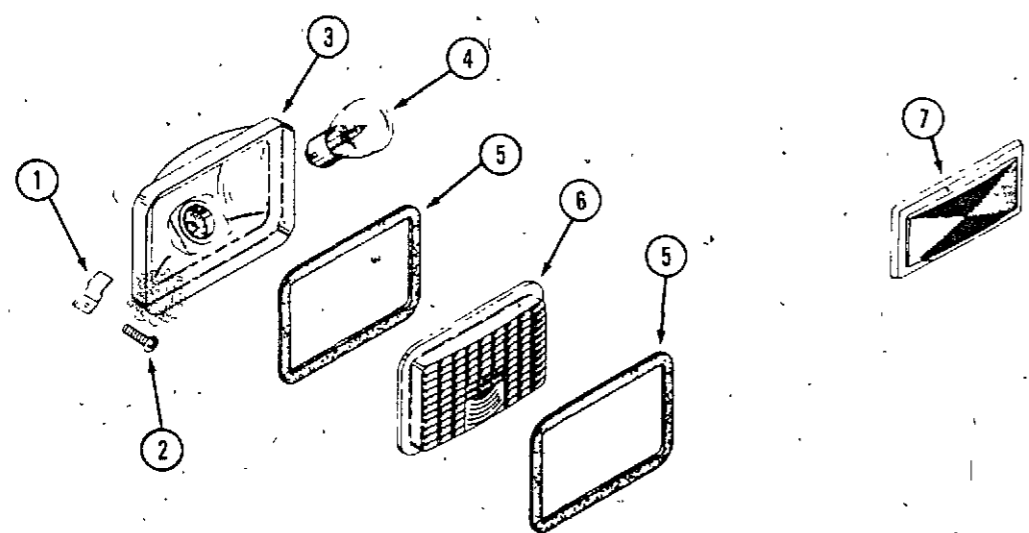


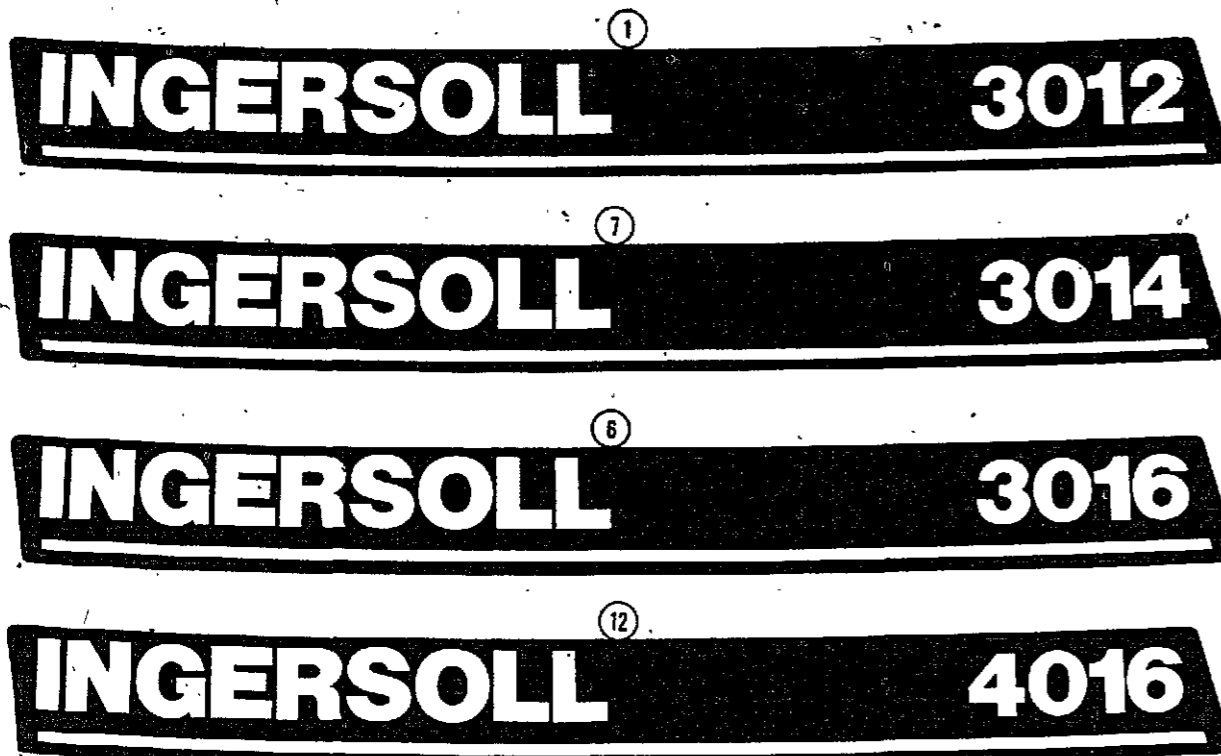
ELECTRICAL SYSTEM HARDWARE

REF.	PART NO.	DESCRIPTION	REQ'D
1	129- 101	NUT - 1/4" - 20	2
2	C 34290	SCREW - sems	6
3	C 37200	SCREW - 6 mm	1
4	C 32455	CLIP - wire	2
5	129- 27	NUT - #10	4
6	193- 99	LOCKWASHER - #10	2
7	192- 16	LOCKWASHER - #8	2
8	C 33696	SCREW - #4 - 40 x 1-1/8"	2
9	C 33697	NUT - #4 - 40	2
10	192- 13	LOCKWASHER - #4	2
11	C 22947	TIE - nylon	UAR
12	C 34310	SCREW - rectifier mounting	2
13	121- 21	BOLT - 1/4" - 20 x 1/2" flange lock	1
14	192- 19	LOCKWASHER - 1/4"	2
15	111- 101	BOLT - 1/4" - 20 x 5/8" carriage	2
16	131- 934	NUT - 1/4" - 20 flange	2
17	C 31619	CAP - PTO switch	1
18	C 31620	NUT - knurled 1/2" - 27	1
19	C 33475	RETAINER - battery	1
20	C 24069	COVER - terminal	1
21	C 32396	NUT - switch 5/8" - 32	1
22	C 32397	CAP - nut	1
23	C 19521	CLIP - wire	3
24	113- 3	BOLT - 1/4" - 20 x 3/4"	2
25	129- 102	NUT - 1/4" - 20	2
26	C 32407	KEY - ignition	1
27	C 23012	LOCKWASHER	1
28	129- 36	NUT - #8 - 36	2
29	195- 518	WASHER - 1/4"	2

HEADLIGHT ASSEMBLY AND REAR REFLECTOR

REF.	PART NO.	DESCRIPTION	REQ'D
1	C 29637	RETAINER - head light	4
2	187- 1328	SCREW - No. 8 x 3/8"	4
	C 32178	HEADLIGHT ASSEMBLY	2
3	NSS	RECEPTACLE - headlight (order C32178)	1
4	C 28932	BULB - headlight	1
5	C 14304	GASKET - headlight	2
6	C 22573	LENS - headlight	1
7	C 30942	REFLECTOR - red, rear fender	2

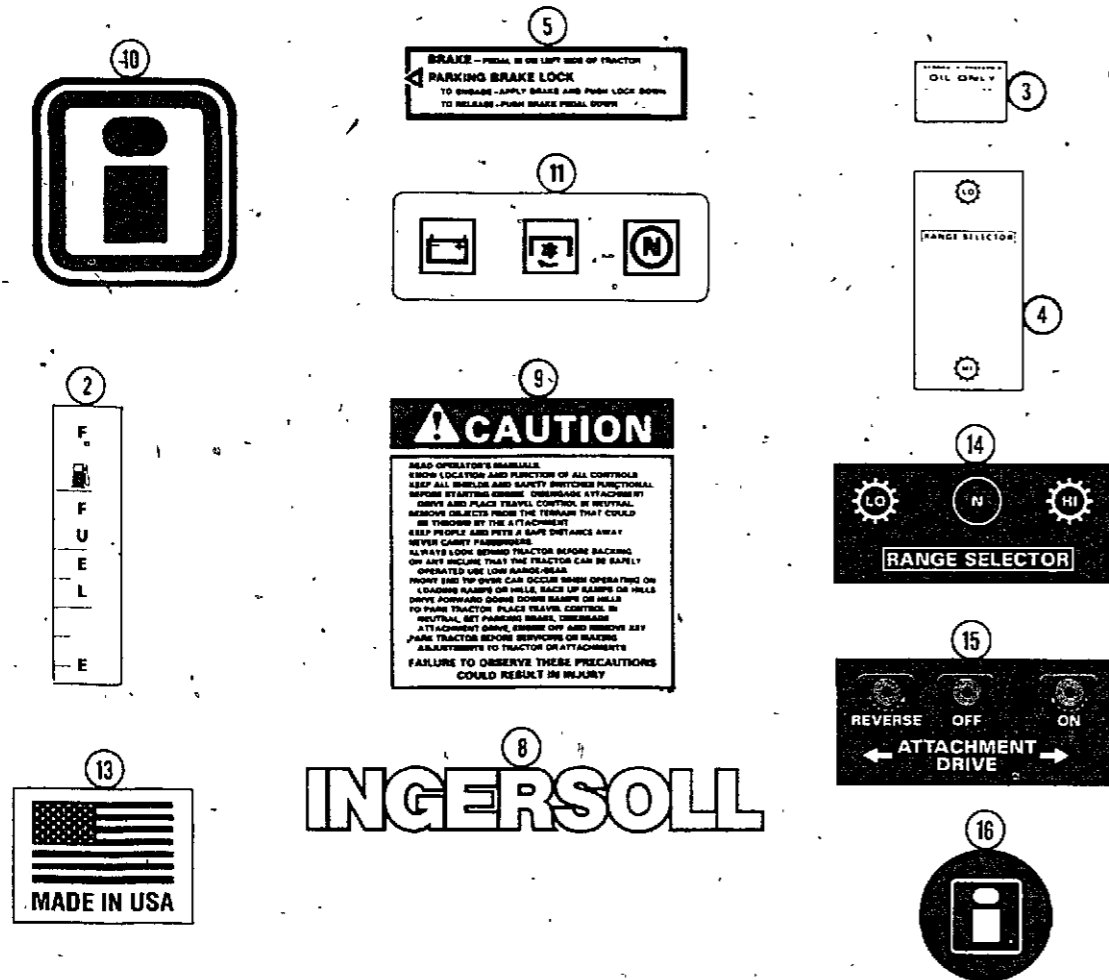


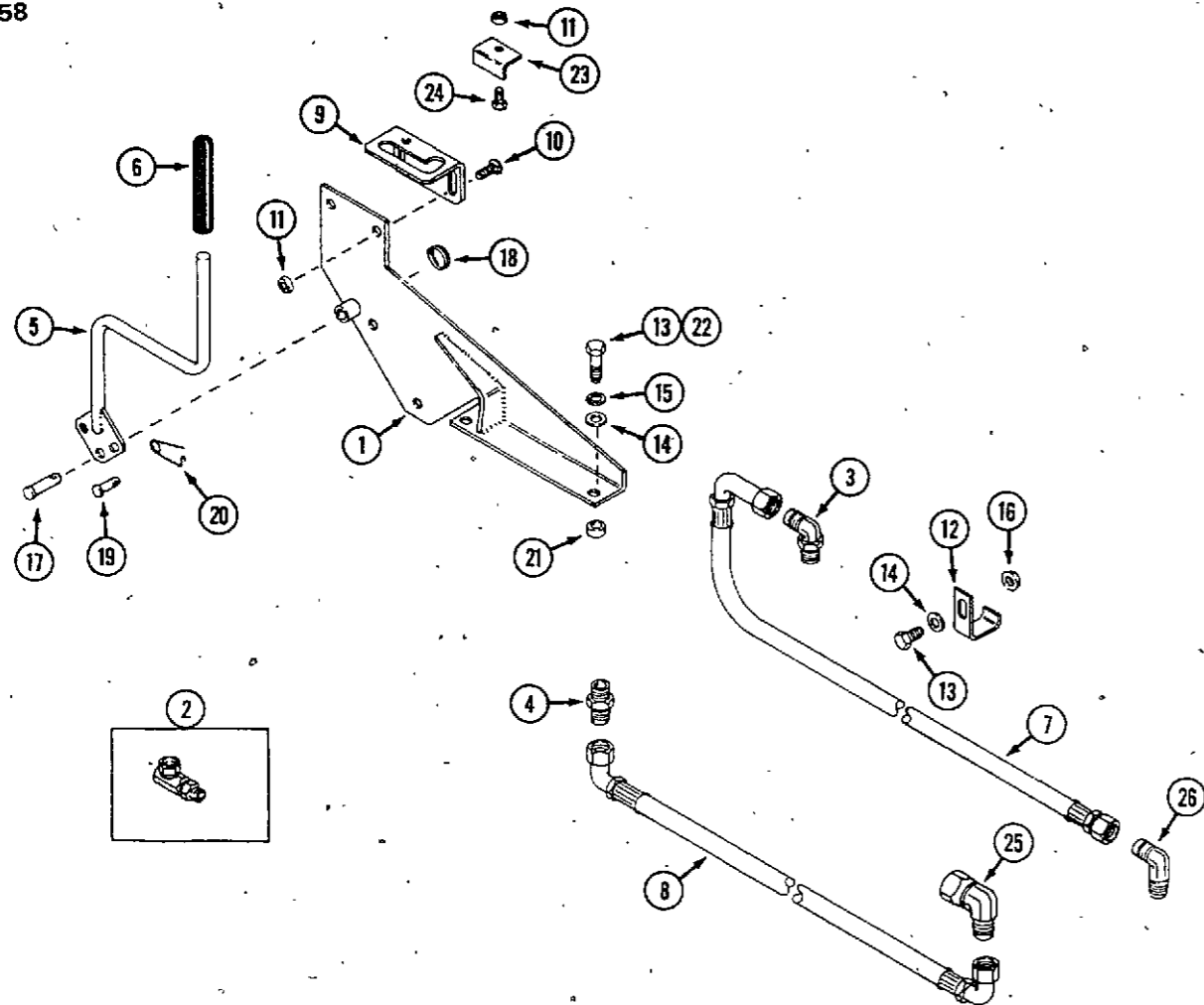


DECALS

REF.	PART NO.	DESCRIPTION	REQ'D
1	C 33429*	DECAL - "3012" hood L.H.	1
1	C 32002*	DECAL - "3012" hood R.H.	1
1	C 36918**	DECAL - "3012" hood L.H. (shown)	1
1	C 36919**	DECAL - "3012" hood R.H.	1
2	C 33588	DECAL - fuel gauge	1
3	321- 4767	DECAL - hydraulic reservoir	1
4	321- 1788*	DECAL - shift range	1
5	C 33590	DECAL - brake	1
6	C 32004*	DECAL - "3016" hood L.H.	1
6	C 32005*	DECAL - "3016" hood R.H.	1
6	C 36922**	DECAL - "3016" hood L.H. (shown)	1
6	C 36923**	DECAL - "3016" hood R.H.	1
7	C 36920**	DECAL - "3014" hood L.H. (shown)	1
7	C 36921**	DECAL - "3014" hood R.H.	1
7	C 33430*	DECAL - "3014" hood L.H.	1
7	C 32003*	DECAL - "3014" hood R.H.	1
8	C 32093*	DECAL - seat back "Ingersoll"	1
9	321- 6659	DECAL - "Caution"	1
10	C 30539	MEDALLION	1
11	C 30274**	LENS - display	1
12	C 37071	DECAL - "4016" hood L.H. (shown)	1
12	C 37072	DECAL - "4016" hood R.H.	1
13	C 34184**	DECAL - flag	1
14	C 37274**	DECAL - shift range	1
15	C 37275**	DECAL - PTO	1
16	C 37197**	DECAL - steering wheel	1

* Use before PIN:
 ** Use PIN and after:
 3012 - 14167800
 3014 - 14168800
 3016 - 14169500

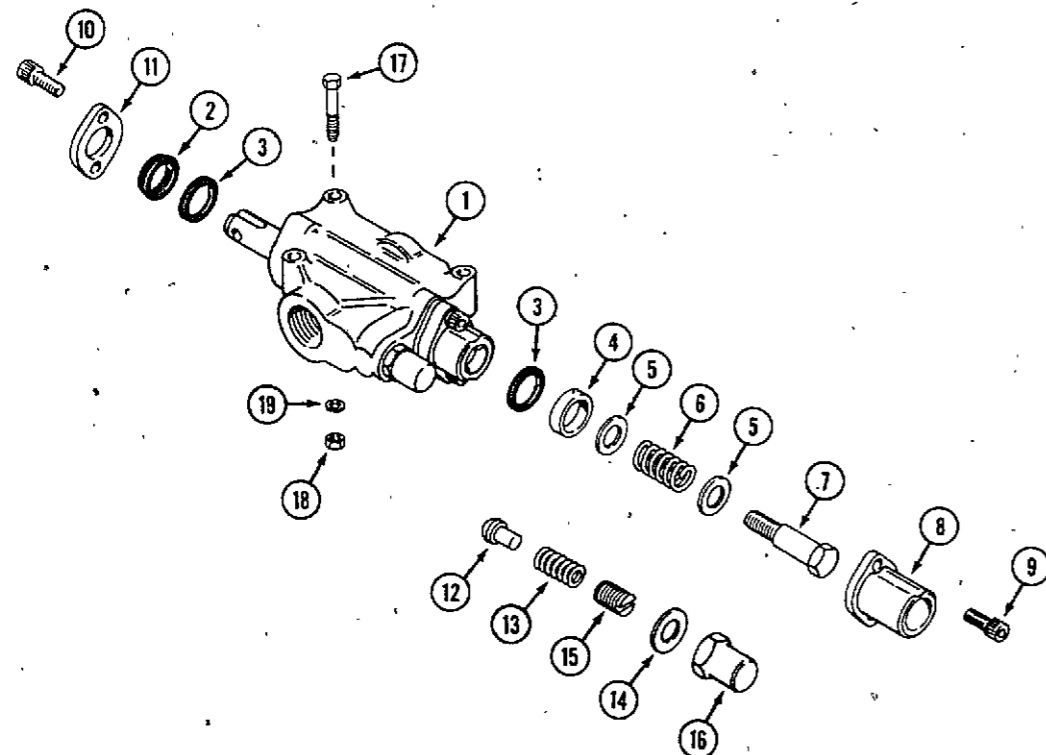




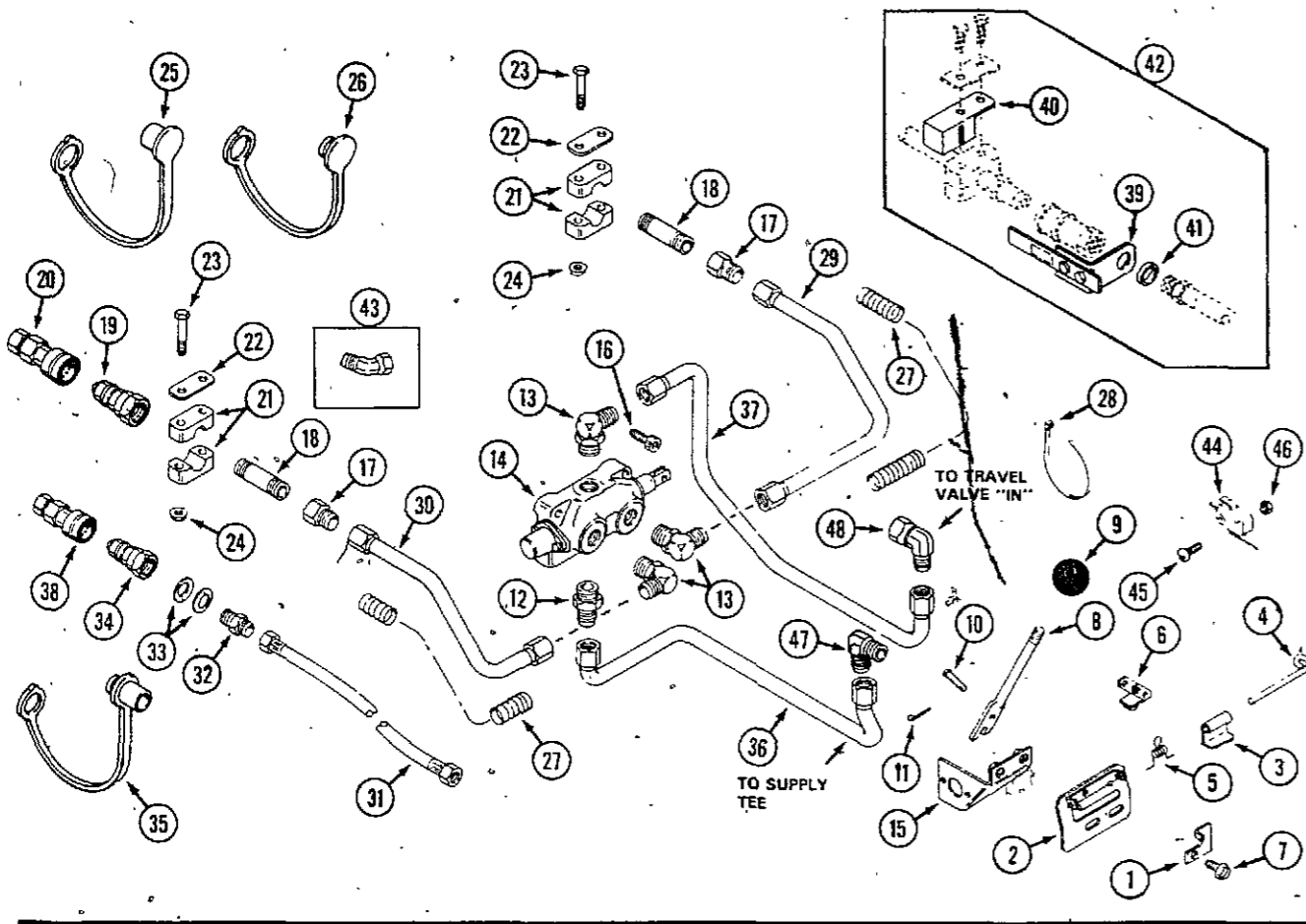
**HP31 HYDRAULIC PTO
PTO HOSES AND MOUNTING BRACKET**

REF.	PART NO.	DESCRIPTION	REQ'D
1	C 32200	BRACKET - valve mounting	1
2	218- 5201	FITTING - workport, 90° elbow 7/8" - 14 x 1/2" NPSM swivel	2
3	218- 5107	FITTING - inlet port, 7/8" - 14 x 7/8" - 14 flare, 90° adjustable elbow	1
4	218- 5062	FITTING - outlet port, 7/8" - 14 x 7/8" - 14 flare, straight	1
5	C 32403	HANDLE - valve	1
6	C 26020	GRIP - handle	1
7	C 34179	HOSE - pump to PTO 46-1/4"	1
8	C 32209	HOSE - PTO to travel valve 32"	1
9	C 32211	BRACKET - handle guide	1
10	111- 101	BOLT - 1/4" - 20 x 5/8" carriage	2
11	131- 934	NUT - 1/4" - 20 flange lock	3
12	C 32332	CLAMP - tube	1
13	113- 103	BOLT - 5/16" - 18 x 1"	3
14	195- 521	WASHER - 5/16"	3
15	192- 20	LOCKWASHER - 5/16"	2
16	131- 911	NUT - 5/16" - 18 flange lock	1
17	C 32214	PIN - clevis 3/8" x 1-1/2"	1
18	C 28105	RING - retaining	1
19	C 28964	PIN - clevis 3/16" x 1"	1
20	C 10883	PIN - safety	1
21	C 29106	SPACER 3/8" I.D. x 5/8" O.D. x 5/8" long	2
22	113- 122	BOLT - 5/16" - 18 x 1-1/2"	2
	C 22947	TIE - nylon	1
23	C 32327	BRACKET - handle stop	1
24	113- 3	BOLT - 1/4" - 20 x 3/4"	1
25	218- 5232	FITTING - 90° swivel elbow 7/8" - 14	1
26	218- 475	FITTING - 90° elbow	1

PTO VALVE



1	C 30046	VALVE - hydraulic	1
2	C 26706	WIPER - spool	1
3	C 26707	RING - quad	2
4	C 26722	SPACER - end cap	1
5	195- 526	WASHER	2
6	C 26724	SPRING - centering	1
7	C 26725	BOLT - shoulder	1
8	C 26726	BONNET - end cap	1
9	165- 143	SCREW - 1/4" - 20 x 3/4" socket head	2
10	165- 142	SCREW - 1/4" - 20 x 5/8" socket head	2
11	C 26727	RETAINER - seal	1
12	C 26708	POPPET - relief	1
13	C 26709	SPRING - relief	1
14	C 26710	WASHER - aluminum, seal	1
15	C 26711	SCREW - adjustment, relief	1
16	C 26712	NUT - cap, relief	1
17	113- 5	BOLT - 1/4" x 1-1/2"	3
18	129- 101	NUT - 1/4"	3
19	192- 19	LOCKWASHER - 1/4"	3



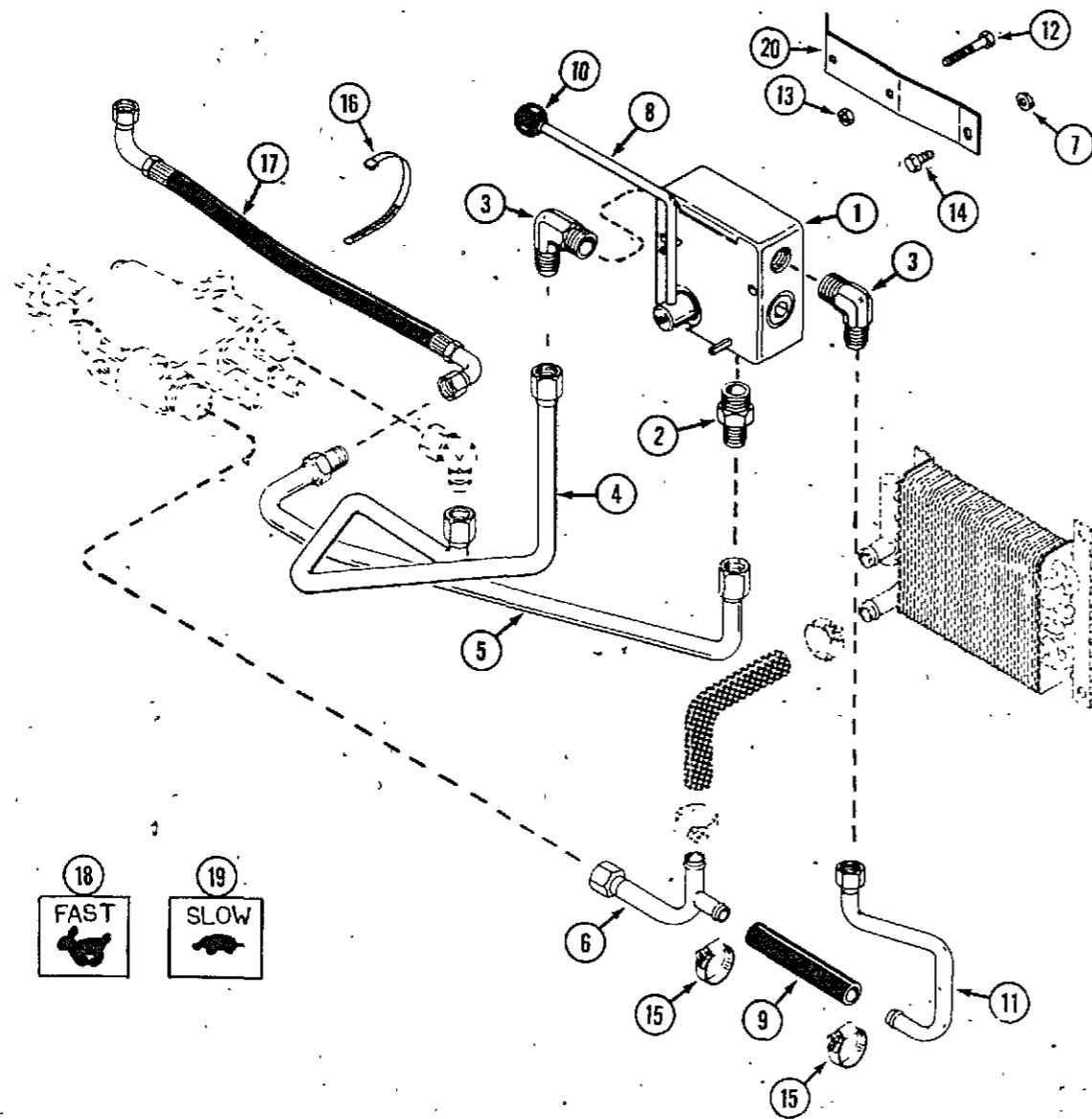
HP32 HYDRAULIC PTO (3012, 3014, 3016)
HP42 HYDRAULIC PTO (4016)

REF.	PART NO.	DESCRIPTION	REQ'D
1	C 42198	LATCH - reverse lockout	1
2	C 42078	GATE - shift	1
3	C 42081	STOP - lever	2
4	C 42082	PIN - hinge	1
5	C 42083	SPRING - torsion	1
6	C 37400	ACTUATOR - switch	1
7	C 29629	SCREW - 5/16" - 18 x 3/4"	1
8	C 37406	LEVER - PTO	2
9	C 10487	KNOB	1
10	C 28964	PIN - clevis 3/16" x 1"	1
11	132- 329	PIN - cotter 1/16" x 3/4"	2
12	218- 5062	FITTING - 7/8"	2
13	218- 5107	FITTING - 90° 7/8"	1
14	C 30046	VALVE - PTO (repairs page 59)	3
15	C 37401	BRACKET - actuating	1
16	61- 420	SCREW - 1/4" - 20 x 1-1/4" socket head	1
17	218- 465	FITTING - 1/2" x 7/8" - 14	2
18	C 37142	NIPPLE - pipe	2
19	C 37187	COUPLING - quick, male 7/8"	2
20	C 37188	COUPLING - quick, female 7/8"	2
21	C 37144	CLAMP	1
22	C 37145	COVER - clamp	4
23	113- 14	BOLT - 1/4" - 20 x 2"	2
24	131- 934	NUT - 1/4" - 20 flange lock	4
25	C 40641	CAP - dust	1
26	C 40642	PLUG - dust	1
27	C 37454	CONDUIT - corrugated (cut to length)	1
28	C 22947	TIE - nylon	2
29	C 37233	TUBE - L.H.	4
30	C 37234	TUBE - R.H.	1
31	C 33750	HOSE - hydraulic 21" (3012, 3014, 3016)	1
31	C 33560	HOSE - hydraulic 23" (4016)	1
32	218- 443	FITTING - 3/8" x 1/4"	1
33	C 37249	WASHER - spring	1
34	C 41043	COUPLING - quick, male 9/16"	2
35	C 33404	CAP - dust	1
36	C 40670	TUBE - pump to P.T.O. "in" (3012, 3014, 3016)	1
36	C 40671	TUBE - pump to P.T.O. "in" (4016)	1
37	C 40672	TUBE - travel valve to P.T.O. "out" (3012, 3014, 3016)	1
37	C 40673	TUBE - travel valve to P.T.O. "out" (4016)	1
38	C 41044	COUPLING - quick, female 9/16"	1
39	C 37439	KEY - coupling switch	1
	C 37440	DECAL	1
	113- 1	BOLT - 1/4" - 20	1
	195- 518	WASHER - 1/4"	2
40	C 37437	BRACKET - switch mounting	1
41	C 37459	CUSHION - key	1
42	C 42048	KIT - coupler switch	1
43	217- 1086	FITTING - 45° (HP32)	1
44	C 37399	SWITCH - interlock	2
45	C 33696	SCREW - #4-40 x 1-1/8"	2
46	C 33697	NUT - #4 - 40	2
47	218- 475	FITTING - 90° 7/8" x 7/8" male	2
48	218- 5232	FITTING - 90° 7/8" male x 7/8" female	1
	C 37435	HARNESS - wire, PTO switches	1

HFC34A FLOW CONTROL VALVE KIT

(Use with HP31 or HP41 PTO)

Use before PIN
 3012 - 14167800
 3014 - 14168800
 3016 - 14169500
 4016 - 14170800



REF.	PART NO.	DESCRIPTION	REQ'D
1	C 23618	VALVE - flow control	1
2	218- 445	FITTING - 5/8" x 7/8" - 14	1
3	218- 485	FITTING - 5/8" x 7/8" - 14 90° elbow	2
4	C 36844	TUBE - flow valve to travel valve	1
5	C 36845	TUBE - flow valve to PTO valve	1
6	C 36846	TUBE - travel valve to heat exchanger	1
7	131- 934	NUT - 1/4" - 20	1
8	C 36848	LEVER - valve	2
9	C 36849	HOSE - rubber 5/8" I.D.	1
10	C 28251	KNOB - lever	1
11	C 36850	TUBE - flow valve to return	1
12	113- 15	BOLT - 1/4" - 20 x 2-1/4"	1
13	131- 1180	NUT - 1/4" - 20 lock	2
14	121- 21	BOLT - 1/4" - 20 x 1/2" flange lock	2
15	214- 254	CLAMP - hose #12 5/8" to 1-1/4"	3
16	C 22947	TIE - nylon	4
17	C 33010	HOSE - flow valve to PTO (for 3012, 3014, 3016)	2
17	C 33011	HOSE - flow valve to PTO (for 4016)	1
18	C 33220	DECAL - "fast"	1
19	C 33219	DECAL - "slow"	1
20	C 36853	BRACKET - mounting	1
	C 33221	TRIM - panel (not shown)	1
	218- 5229	FITTING - 90° swivel elbow (for 3 point hitch connections) not shown	2

HFC34B FLOW CONTROL

(Use with HP32 or HP42 PTO)

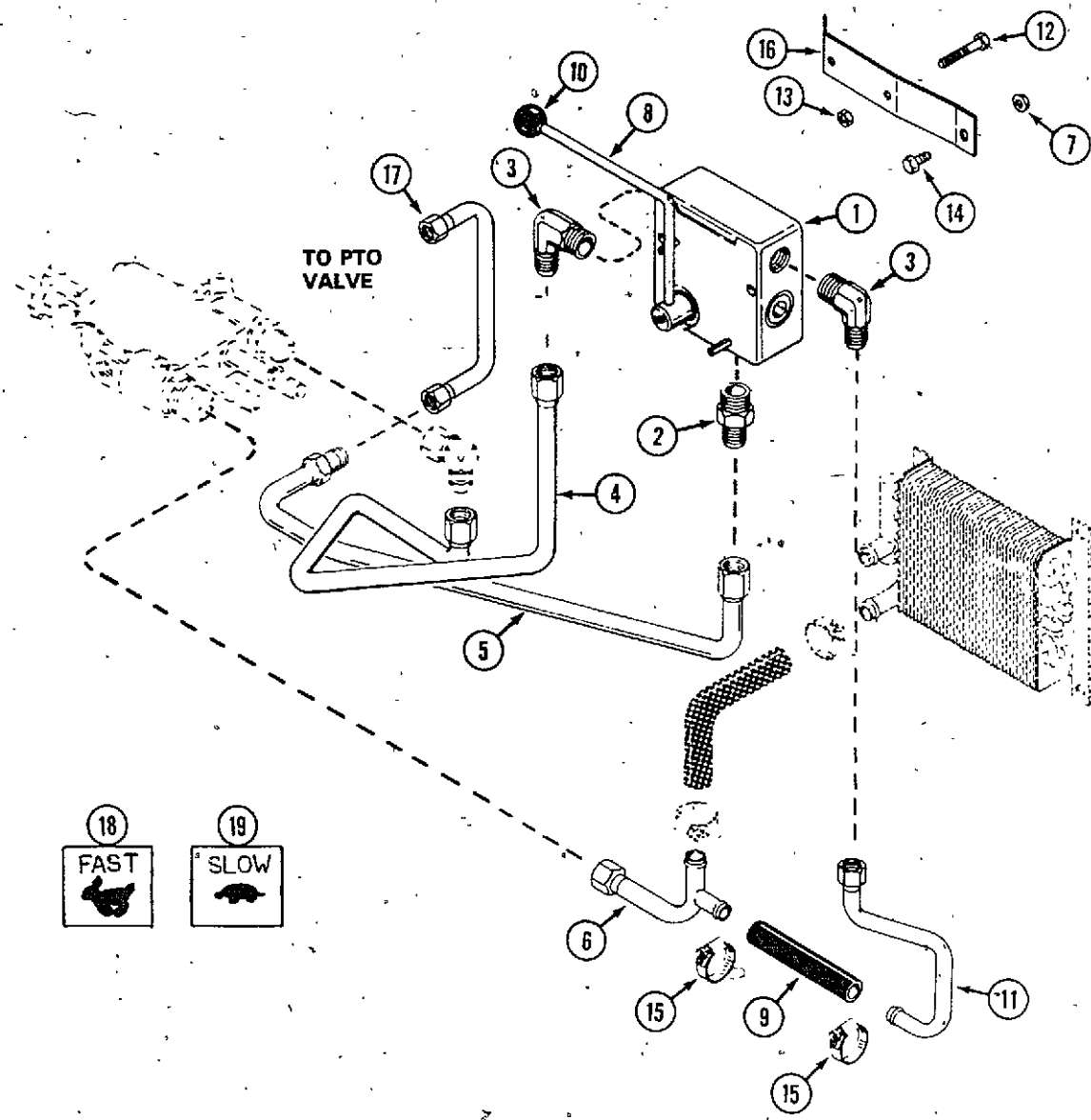
Use after PIN:

3012 - 14167800

3014 - 14168800

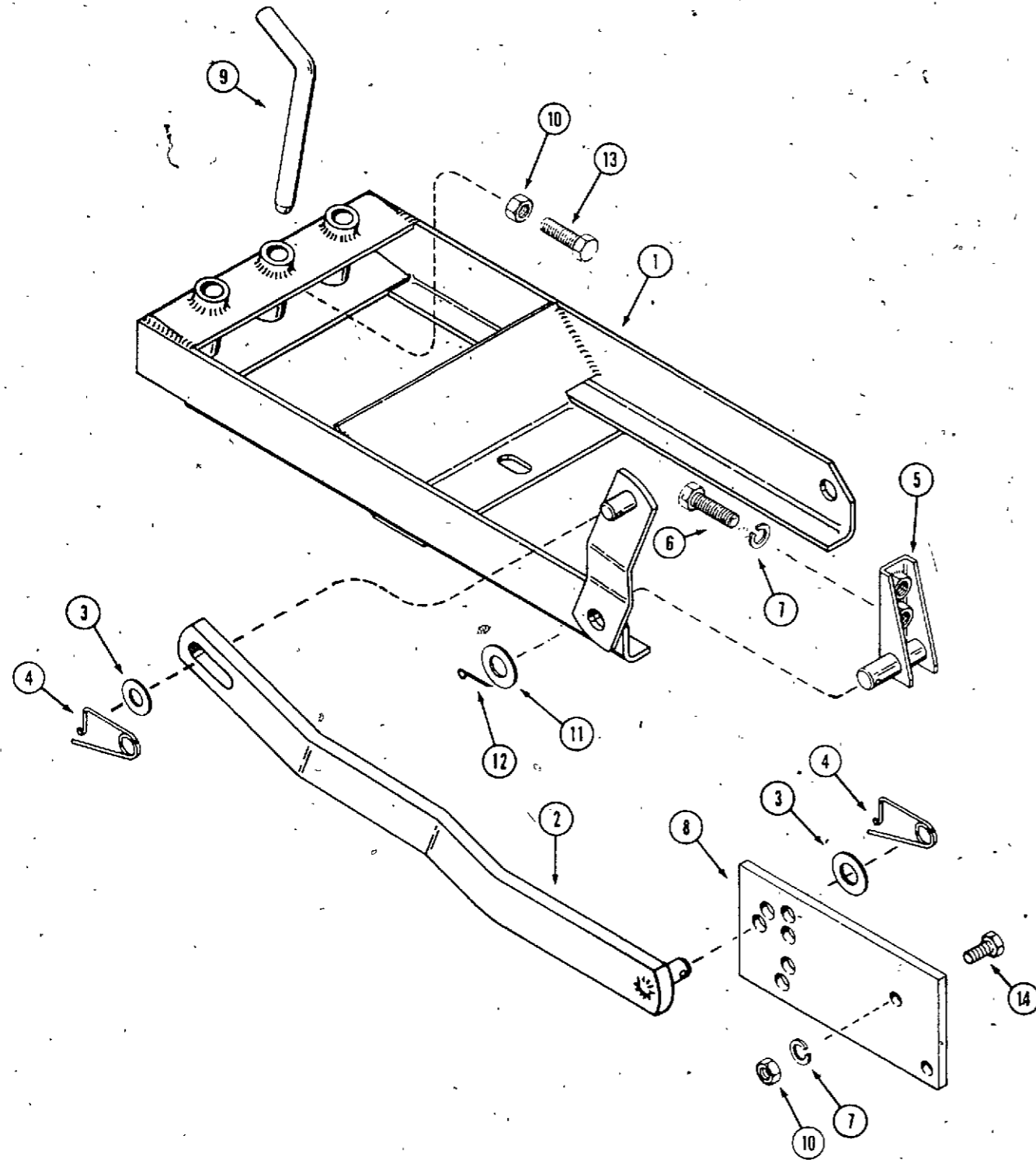
3016 - 14169500

4016 - 14170800



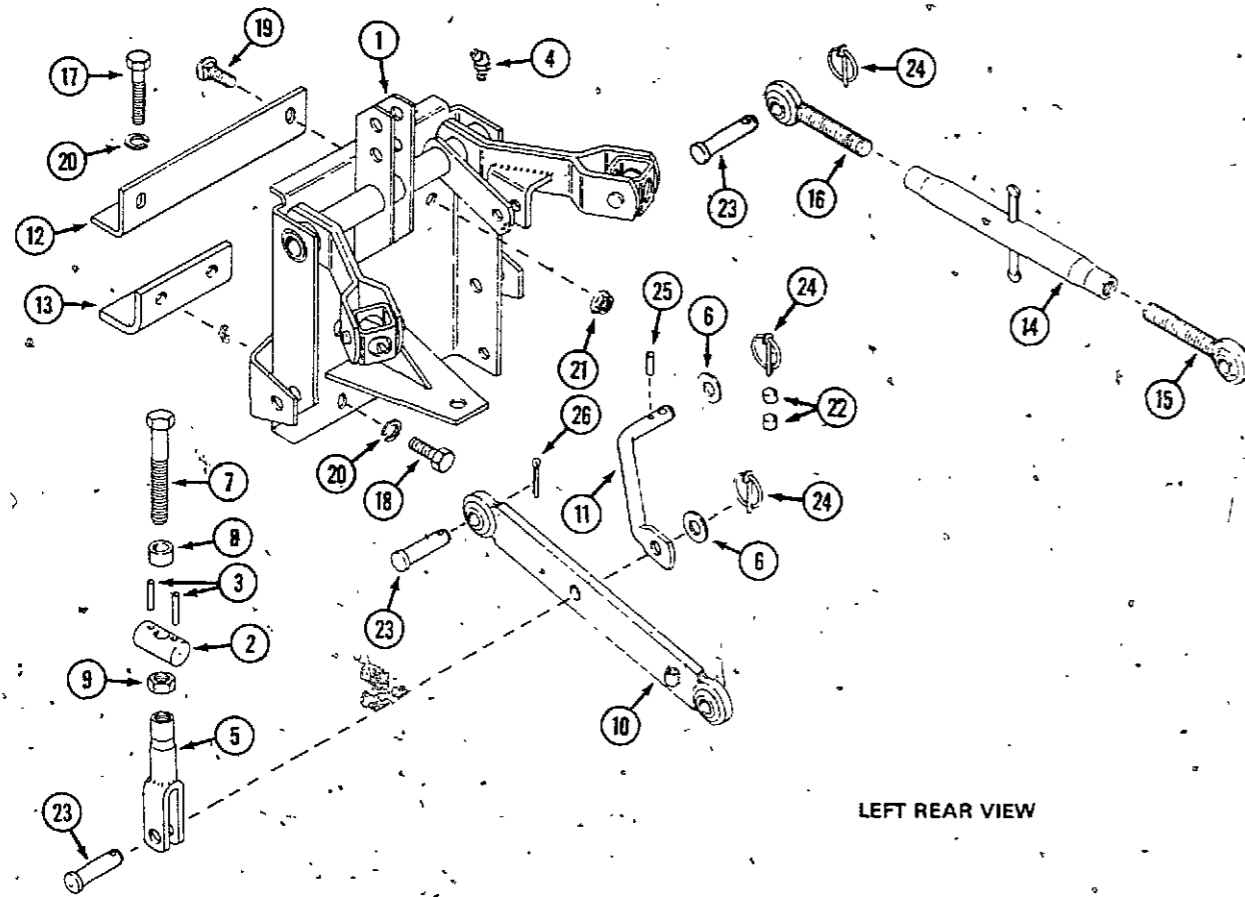
REF.	PART NO.	DESCRIPTION	REQ'D
1	C 23618	VALVE - flow control	1
2	218- 445	FITTING - 5/8" tube x 7/8" - 14	1
3	218- 485	FITTING - 90° 5/8" tube x 7/8" - 14	2
4	C 42483	TUBE - flow valve to travel valve	1
5	C 42531	TUBE - flow valve to PTO valve	1
6	C 36846	TUBE - travel valve to heat exchanger	1
7	131- 934	NUT - 1/4" - 20 flange lock	2
8	C 36848	LEVER - control	1
9	C 36849	HOSE - return 5/8"	1
10	C 28251	KNOB - lever	1
11	C 36850	TUBE - flow valve to return	1
12	113- 15	BOLT - 1/4" - 20 x 2-1/4"	2
13	131- 1180	NUT - lock 1/4" - 20	2
14	121- 21	BOLT - 1/4" - 20 flange lock	3
15	214- 254	CLAMP - hose	4
16	C 36853	BRACKET - mounting	1
17	C 42484	TUBE - flow valve to PTO valve (3012, 3014, 3016)	1
17	C 42485	TUBE - flow valve to PTO valve (4016)	1
18	C 33220	DECAL - "fast"	1
19	C 33219	DECAL - "slow"	1
	C 33221	TRIM - panel (tower side) not shown	1
	218- 5229	FITTING - 90° swivel 5/16" tube (install to tee fittings on travel valve when 3 point hitch is used)	2

K22 SLEEVE HITCH



REF.	PART NO.	DESCRIPTION	REQ'D
1	C 23707	HITCH FRAME ASSEMBLY	1
2	C 25371	ARM - lift	1
3	195- 541	WASHER - plain 21/32"	2
4	C 10898	PIN - retaining	2
5	C 14459	BRACKET - hitch mounting R.H.	1
5	C 25789	BRACKET - hitch mounting L.H.	1
6	113- 410	BOLT - 1/2" x 1-1/2" N.C. hex, zinc	6
7	192- 23	LOCKWASHER - 1/2" zinc	6
8	C 25282	PLATE - lift lever	1
9	C 14568	PIN - drawbar	1
10	129- 105	NUT - 1/2" N.C. hex, zinc	4
11	195- 545	WASHER - plain 3/4" zinc	2
12	132 ² 306	PIN - cotter 3/16" x 1-3/4"	2
13	113- 476	BOLT - 1/2" x 2" N.C. hex, zinc	2
14	113- 417	BOLT - 1/2" x 1-1/4" hex	2

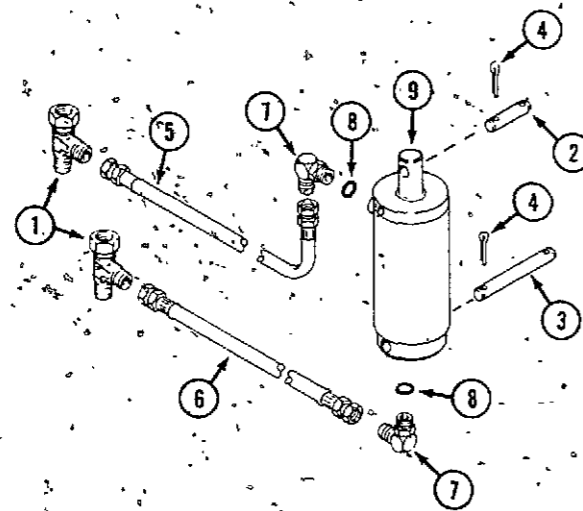
HH34 THREE POINT HITCH



LEFT REAR VIEW

REF.	PART NO.	DESCRIPTION	REQ'D
1	C 32215	PLATE - hitch	1
2	C 32230	SWIVEL - lift link	2
3	C 32231	PIN - spiro 3/16" x 1-1/2"	4
4	219- 405	FITTING - grease	2
5	C 32428	LINK - adjusting	2
6	195- 541	WASHER - 5/8"	2
7	C 32235	BOLT - 5/8" - 11 x 5"	1
8	C 32239	SPACER - bolt	1
9	129- 107	NUT - 5/8" - 11	1
10	C 32240	ARM - lift	2
11	C 32242	ARM - stabilizer	1
12	C 32243	BRACKET - angle	1
13	C 32244	SUPPORT - angle	1
14	C 32249	TUBE - upper link	1
15	C 32426	BALLJOINT - R.H.	1
16	C 32427	BALLJOINT - L.H.	1
17	113- 447	BOLT - 1/2" - 13 x 3-1/2"	1
18	113- 417	BOLT - 1/2" - 13 x 1-1/4"	2
19	111- 517	BOLT - 1/2" - 13 x 1" carriage	2
20	192- 23	LOCKWASHER - 1/2"	3
21	131- 930	NUT - 1/2" - 13 flange lock	2
22	C 14768	SPACER - klick pin	2
23	C 14717	PIN - clevis 5/8" x 2-1/2"	6
24	C 28222	PIN - klick	6
25	138- 2073	PIN - spiral 3/16" x 1-1/4"	1
26	132- 348	PIN - cotter 1/4" x 1-1/4"	2

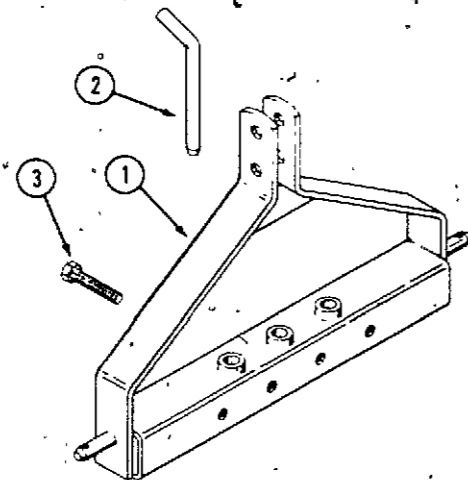
HH34 THREE POINT HITCH CYLINDER



LEFT REAR VIEW

1	218- 5479	FITTING - tee 1/2" swivel female x 1/2" - 20 male	2
2	C 28189	PIN - cylinder rod 1/2" x 2-1/8"	1
3	C 32254	PIN - cylinder foot 1/2" x 4-5/8"	1
4	132- 310	PIN - cotter 1/8" x 1"	4
5	C 32247	HOSE - hydraulic 1/4" x 3" (cylinder to forward valve port)	1
6	C 32246	HOSE - hydraulic 1/4" x 24 (cylinder to rear valve port)	1
7	218- 5104	FITTING - 90° elbow 5/16" tube x 1/2" - 20	2
8	218- 5004	"O" RING	1
9	C 32245	CYLINDER - lift	1

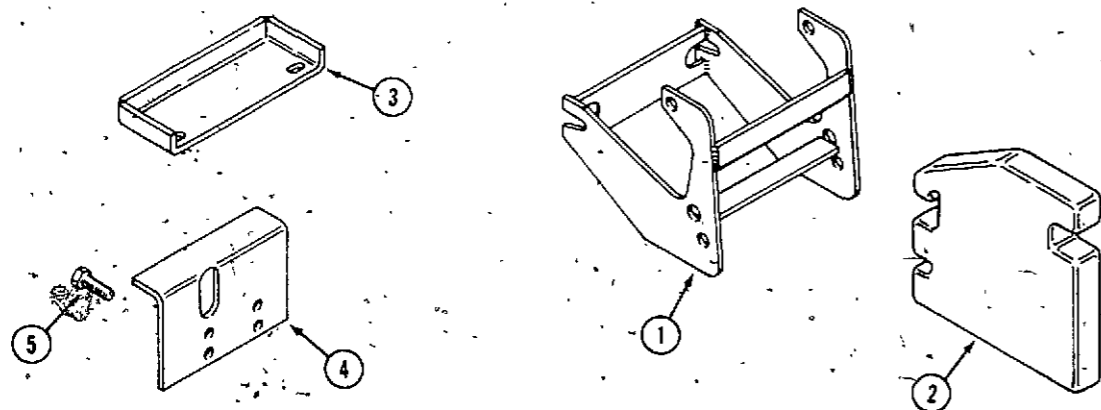
F27 HITCH ADAPTER



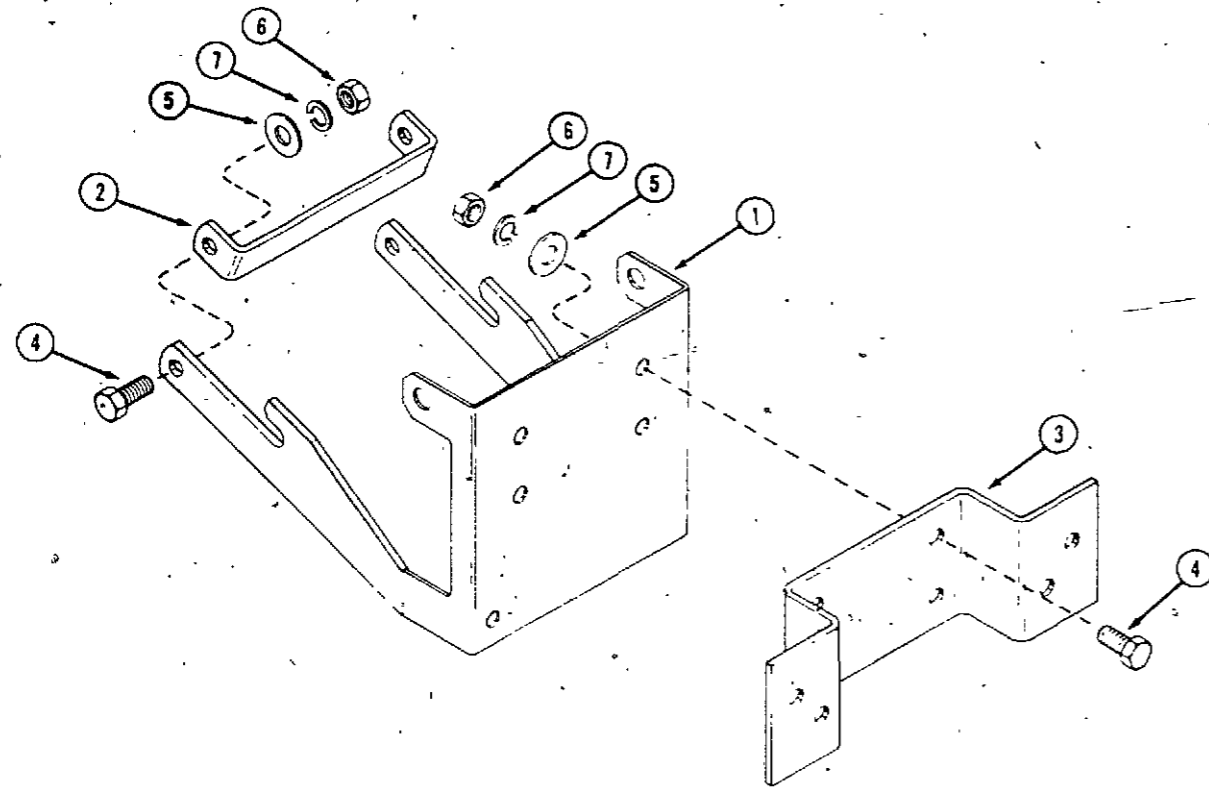
REF.	PART NO.	DESCRIPTION	REQ'D
1	NSS	BRACKET - hitch adapter	1
2	C 14568	PIN - drawbar	1
3	113- 425	BOLT - 1/2" x 3" N.C. hex	4

L11 WEIGHT KIT

1	C 25572	BRACKET - mounting, front	1
2	NSS	WEIGHT - 40 lb. (18 kg.)	4
3	C 25791	BRACKET - mounting, rear, upper	1
4	C 25792	BRACKET - mounting, rear, lower	1
5	113- 417	BOLT - 1/2" - 13 x 1-1/4" hex	2



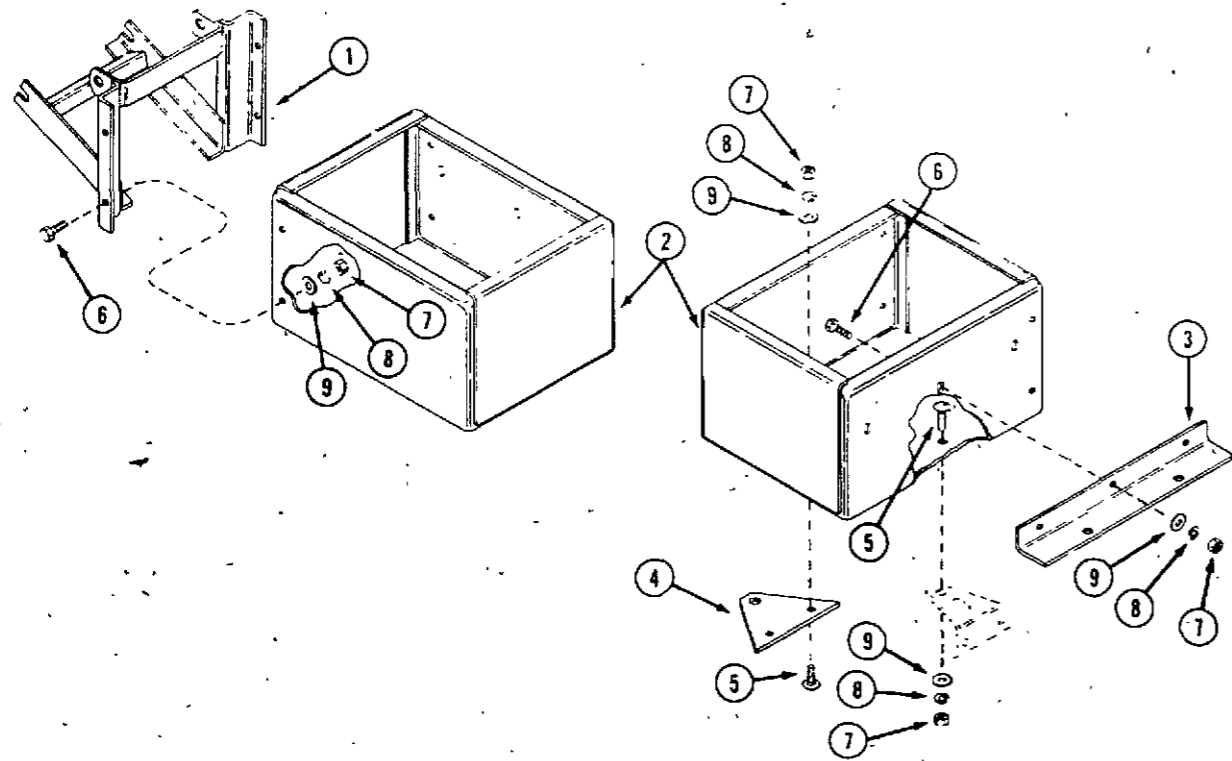
H18 FRONT END WEIGHT BRACKETS



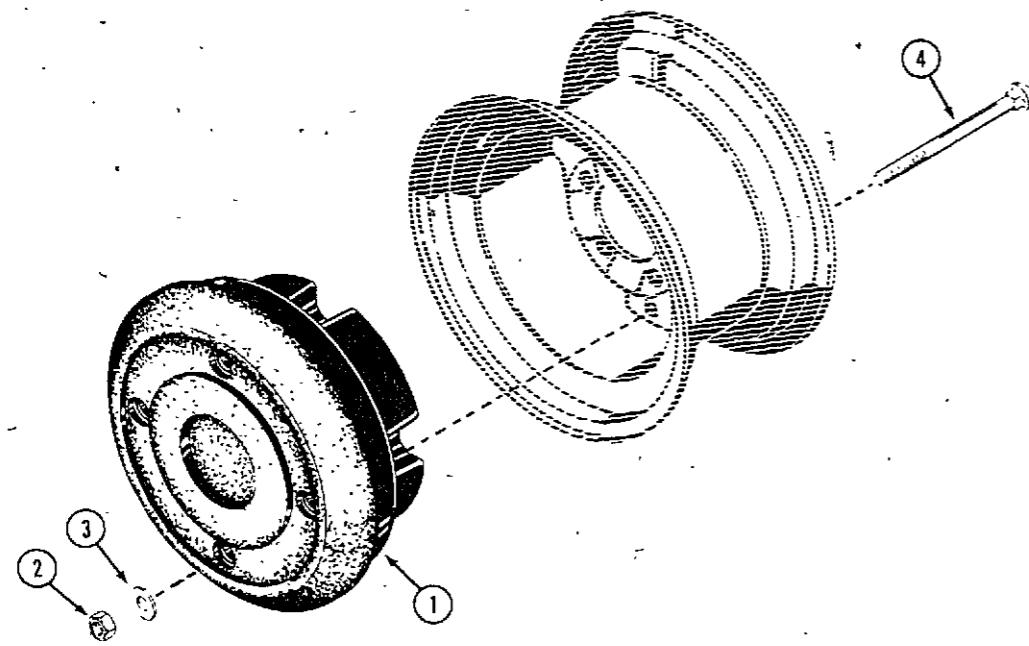
REF.	PART NO.	DESCRIPTION	REQ'D
1	C 16581	BRACKET - mounting	1
2	C 17161	BRACE - rear	1
3	C 17162	BRACKET - weight mounting	1
4	113- 417	BOLT - 1/2" x 1-1/2" N.C. hex, zinc	6
5	195- 533	WASHER - 1/2" zinc	6
6	129- 105	NUT - 1/2" N.C. hex	6
7	192- 23	LOCKWASHER - 1/2"	6

H13 WEIGHT BOX

1	C 17859	FRAME - weight box	1
2	C 17863	BOX - weight	1
3	C 17860	SUPPORT - weight box	1
4	C 17636	PLATE - hitch	1
5	111- 371	BOLT - 3/8" x 1" round head, square neck	3
6	113- 207	BOLT - 1/8" x 1" N.C. hex	4
7	129- 103	NUT - 3/8" N.C. hex	7
8	192- 21	LOCKWASHER - 3/8"	7
9	195- 525	WASHER - 3/8"	7



WW30 AND WW30W WHEEL WEIGHTS



REF.	PART NO.	DESCRIPTION	REQ'D
1	NSS	WEIGHT - wheel 55 lb. (order as Machinery Item)	2
2	131- 1182	NUT - 1/2" N.C. lock	8
3	195- 533	WASHER - 1/2"	8
4	111- 521	BOLT - 1/2" x 7" carriage (WW30)	8
4	C 30545	BOLT - 1/2" - 13 x 8-1/2" (WW30W)	8

PART NO.	PAGE NO.	REF. NO.	PART NO.	PAGE NO.	REF. NO.
BR221798	5	2	C17250	49	7
C10314	35	2	C17433	41	8
C10482	29	19	C17435	41	9
C10482	47	4	C17438	41	17
C10487	29	16	C17443	41	31
C10487	61	9	C17444	41	19
C10678	19	1	C17636	69	4
C10883	59	20	C17734	49	5
C10898	63	4	C17859	69	1
C11906	33	6	C17860	69	3
C12102	33	18	C17863	69	2
C12102	33	18	C18812	33	1
C12110	35	5	C18813	33	1
C12552	37	26	C19025	47	8
C12713	37	2	C19025	49	20
C12718	37	36	C19115	45	16
C12725	37	21	C21506	41	22
C13106	33	8	C21507	41	7
C13106	33	8	C21518	47	5
C13106	35		C21518	49	15
C13106	49	30	C21942	35	8
C13196	37	16	C22023	23	4
C13241	37	5	C22278	33	5
C13266	37	7	C22278	33	5
C13360	43	1	C22568	33	19
C13385	37	6	C22568	33	19
C13605	33	17	C22637	37	14
C13605	33	17	C22638	37	12
C13716	33	6	C22947	55	11
C14168	37	23	C22947	59	
C14201	31	7	C22947	61	28
C14222	37	39	C23527	19	7
C14223	37	37	C23707	63	1
C14399	9	16	C23899	35	14
C14459	63	5	C23910	35	11
C14537	51	20	C24069	55	20
C14537	53	20	C24195	7	21
C14568	63	9	C24460	51	2
C14568	67	2	C24460	53	2
C14619	39	38	C24761	35	15
C14644	37	24	C24803	37	4
C14690	19	8	C24804	37	3
C14717	65	23	C24813	51	19
C14728	27	16	C24813	53	19
C14730	23	13	C24843	37	
C14768	65	22	C25254	37	38
C14906	9	15	C25282	63	8
C15096	31	16	C25338	51	1
C15731	45	4	C25338	53	1
C15732	45	5	C25371	63	2
C15733	45	6	C25486	51	11
C15734	45	7	C25486	53	11
C15735	45	8	C25572	67	1
C15737	45	10	C25789	63	5
C15738	45	11	C25791	67	3
C15739	45	12	C25792	67	4
C15740	45	13	C25855	33	10
C16362	25	2	C25856	33	10
C16373	23	17	C25857	33	13
C16429	27	7	C25857	33	13
C16429	29	7	C26020	59	6
C16581	69	1	C26021	35	7
C16699	37	12	C26188	49	25
C16700	37	14	C26325	31	2
C17161	69	2	C26326	31	4
C17162	69	3	C26342	37	15
C17216	27	19	C26381	35	2
C17249	49	6	C26526	27	15

PART NO.	PAGE NO.	REF. NO.	PART NO.	PAGE NO.	REF. NO.
C26526	29	15	C26663	41	26
C26663	41	26	C26664	41	24
C26664	41	23	C26665	41	23
C26665	41	25	C26666	41	25
C26666	41	11	C26668	41	11
C26668	41	11	C26706	59	2
C26706	59	2	C26707	59	3
C26707	59	3	C26708	59	12
C26708	59	12	C26709	59	13
C26709	59	13	C26710	59	14
C26710	59	14	C26711	59	15
C26711	59	15	C26712	59	16
C26712	59	16	C26722	59	4
C26722	59	4	C26724	59	6
C26724	59	6	C26725	59	7
C26725	59	7	C26726	59	8
C26726	59	8	C26727	59	11
C26727	59	11	C26827	27	2
C26827	27	2	C27233	19	8
C27233	19	8	C27422	17	10
C27422	17	10	C27424	17	9
C27424	17	9	C27501	31	9
C27501	31	9	C27508	23	6
C27508	23	6	C27590	49	29
C27590	49	29	C27594	27	17
C27594	27	17	C27597	33	2
C27597	33	2	C27597	35	2
C27597	35	2	C27763	39	9
C27763	39	9	C27764	33	4
C27764	33	4	C27902	59	18
C27902	59	18	C28105	65	2
C28105	65	2	C28189	41	3
C28189	41	3	C28217	65	24
C28217	65	24	C28222	33	11
C28222	33	11	C28226	33	11
C28226	33	11	C28232	33	4
C28232	33	4	C28236	35	8
C28236	35	8	C28237	47	1
C28237	47	1	C28237	49	11
C28237	49	11	C28241	37	18
C28241	37	18	C28281	37	8
C28281	37	8	C28705	41	14
C28705	41	14	C28706	41	13
C28706	41	13	C28707	41	12
C28707	41	12	C28708	41	18
C28708	41	18	C28856	41	4
C28856	41	4	C28940	19	4
C28940	19	4	C28949	39	15
C28949	39	15	C28962	19	2
C28962	19	2	C28964	59	19
C28964	59	19	C28964	61	10
C28964	61	10	C28965	35	6
C28965	35	6	C28978	35	19
C28978	35	19	C29044	31	3
C29044	31	3	C29106	59	21
C29106	59	21	C29305	27	22
C29305	27	22	C29305	29	22
C29305	29	22	C29306	27	23
C29306	27	23	C29306	29	23
C29306	29	23	C29314	25	4
C29314	25	4	C29322	51	24
C29322	51	24	C29322	53	24
C29322	53	24	C29620	61	7
C29620	61	7	C29636	47	2
C29636	47	2	C29636	49	12
C29636	49	12	C29653	47	19

PART NO.	PAGE NO.	REF. NO.	PART NO.	PAGE NO.	REF. NO.
C29655	39	11	C29655	39	11
C29656	39	12	C29656	39	12
C29657	39	11	C29657	39	11
C29658	39	12	C29658	39	12
C29693	49	3	C29693	49	3
C29812	27	9	C29812	27	9
C29812	31	5	C29812	31	5
C29866	5	8	C29866	5	8
C29950	41	28	C29950	41	28
C29951	41	5	C29951	41	5
C29956	41	2	C29956	41	2
C29958	41	29	C29958	41	29
C30002	41		C30002	41	
C30004	25	6	C30004	25	6
C30019	31	17	C30019	31	17
C30029	37	9	C30029	37	9
C30030	37	25	C30030	37	25
C30031	37	34	C30031	37	34
C30046	59	1	C30046	59	1
C30046	61	14	C30046	61	14
C30054	49		C30054	49	
C30067	27	8	C30067	27	8
C30073	19	3	C30073	19	3
C30074	19	4	C30074	19	4
C30126	25	5	C30126	25	5
C30127	31	18	C30127	31	18
C30260	51	5	C30260	51	5
C30260	53	5	C30260	53	5
C30262	51	7	C30262	51	7
C30262	53	7	C30262	53	7
C30263	51	8	C30263	51	8
C30263	53	8	C30263	53	8
C30267	51	28	C30267	51	28
C30267	53	28	C30267	53	28
C30274	23	26	C30274	23	26
C30274	57	11	C30274	57	11
C30275	51	30	C30275	51	30
C30275	53	30	C30275	53	30
C30279	51	10	C30279	51	10
C30279	53	10	C30279	53	10
C30406	17	8	C30406	17	8
C30444	17	7	C30444	17	7
C30458	23	10	C30458	23	10
C30460	23	10	C30460	23	10
C30489	27	20	C30489	27	20
C30539	57	10	C30539	57	10
C30545	71	4	C30545	71	4
C30827	47	12	C30827	47	12
C30912	35	3	C30912	35	3
C30913	35	1	C30913	35	1
C30917	35	1	C30917	35	1
C30922	35	1	C30922	35	1
C30939	39	14	C30939	39	14
C30939	43		C30939	43	
C30942	27	26	C30942	27	26
C31004	27	6	C31004	27	6
C31006	27	12	C31006	27	12
C31020	27	1	C31020	27	1
C31213	51	27	C31213	51	27
C31295	39	21	C31295	39	21
C31309	43	2	C31309	43	2
C31310	43	3	C31310	43	3
C31311	43	4	C31311	43	4
C31312	43	5	C31312	43	5
C31314	43	6	C31314	43	6
C31315	43	7	C31315	43	7
C31317	43	8	C31317	43	8
C31318	43	9	C31318	43	9

PART NO.	PAGE NO.	REF. NO.	PART NO.	PAGE NO.	REF. NO.
C31319	43	10	C32003	57	7
C31320	43	11	C32004	57	6
C31321	43	12	C32005	57	6
C31322	43	13	C32093	57	8
C31323	43		C32178	51	23
C31337	33	3	C32178	53	23
C31338	33	3	C32200	59	1
C31340	33	3	C32209	59	8
C31341	33	3	C32211	59	9
C31357	25		C32214	59	17
C31365	25	10	C32215	65	1
C31366	25	14	C32230	65	2
C31368	23	12	C32231	65	3
C31369	23	23	C32235	65	7
C31435	39	13	C32239	65	8
C31597	25	12	C32240	65	10
C31597	29	28	C32242	65	11
C31603	23	24	C32243	65	12
C31604	35	6	C32244	65	13
C31605	35	9	C32245	65	9
C31610	23	2	C32246	65	6
C31611	25	8	C32247	65	5
C31614	21	9	C32249	65	14
C31615	21	10	C32254	65	3
C31617	51	22	C32259	49	1
C31617	53	22	C32327	59	23
C31618	17	13			

NUMERICAL INDEX

PART NO.	PAGE NO.	REF. NO.	PART NO.	PAGE NO.	REF. NO.
C33446	39	32	C34206	9	1
C33450	9	13	C34206	9	7
C33467	25	7	C34208	9	2
C33468	19	1	C34209	9	6
C33469	13	1	C34210	5	5
C33472	23	25	C34211	5	4
C33473	39	1	C34212	5	12
C33473	41	1	C34213	5	12
C33474	27	14	C34214	5	12
C33475	55	19	C34215	5	12
C33503	5	10	C34216	5	13
C33504	5	9	C34217	5	13
C33505	45	10	C34218	5	13
C33506	45	5	C34219	5	13
C33507	21	6	C34220	5	15
C33544	39	36	C34221	5	14
C33547	25	1	C34222	5	16
C33548	23	20	C34223	5	17
C33549	23	22	C34224	7	34
C33550	23	22	C34225	7	35
C33555	39	22	C34226	7	36
C33556	39	37	C34227	7	9
C33560	61	31	C34228	7	37
C33567	25	15	C34229	7	38
C33568	25	16	C34230	7	31
C33569	25	17	C34231	5	2
C33570	25	17	C34232	11	28
C33576	23	18	C34233	11	26
C33576	23	21	C34233	17	5
C33577	39	31	C34234	11	30
C33588	57	2	C34234	17	6
C33590	57	5	C34235	11	25
C33696	55	8	C34236	11	29
C33696	61	45	C34237	5	8
C33697	55	9	C34239	9	7
C33697	61	46	C34239	9	8
C33744	53	35	C34240	9	11
C33750	61	31	C34241	11	1
C33756	53	29	C34242	11	7
C33940	31	4	C34242	11	21
C33942	35	1	C34243	11	18
C33945	31	18	C34244	11	9
C33956	49	10	C34245	11	6
C34117	19	7	C34246	7	12
C34137	23	3	C34246	17	7
C34167	23	1	C34247	9	5
C34179	59	7	C34247	17	8
C34181	51	3	C34248	7	41
C34181	53	3	C34248	17	9
C34184	57	13	C34249	17	17
C34190	7	1	C34250	11	8
C34191	7	2	C34251	11	
C34192	7	3	C34252	11	
C34193	7	14	C34253	11	27
C34194	7	15	C34254	11	
C34195	17	19	C34255	11	
C34196	7	19	C34256	11	20
C34196	17	2	C34257	11	22
C34197	13	11	C34258	11	2
C34198	13	12	C34259	7	29
C34198	17	3	C34260	9	12
C34199	13	14	C34261	7	25
C34200	13	13	C34261	17	10
C34201	9	3	C34262	7	24
C34201	17	4	C34262	17	20
C34202	7	20	C34263	17	12
C34203	7	4	C34264	9	11
C34204	5	3	C34264	15	14

NUMERICAL INDEX

PART NO.	PAGE NO.	REF. NO.	PART NO.	PAGE NO.	REF. NO.
C34265	7	31	C34323	9	4
C34266	9	19	C34324	5	5
C34267	9	17	C34325	15	1-1
C34268	11	39	C34327	7	6
C34269	9	21	C34328	7	7
C34270	9	13	C34329	13	16
C34271	9	20	C34330	17	12
C34272	7	39	C34330	13	17
C34273	9	23	C34330	17	13
C34273	11	40	C34331	5	6
C34274	11	38	C34332	15	7
C34275	9	15	C34333	11	36
C34276	9	5	C34334	11	36
C34278	15	1	C34335	17	7
C34279	7	10	C34336	17	1
C34279	11	37	C34338	7	13
C34279	13	10	C34339	7	40
C34280	15	9	C34339	11	35
C34281	9	22	C34340	9	4
C34281	15	10	C34341	13	9
C34284	17	7	C34342	7	42
C34284	51	25	C34343	15	2
C34284	53	25	C34343	15	3
C34285	17	5	C34344	15	3
C34286	17	2	C34345	15	13
C34288	5	7	C34346	7	33
C34289	5	1	C34347	7	17
C34289	51	34	C34347	17	3
C34289	53	34	C34348	7	16
C34290	5	3	C34349	7	18
C34290	5	10	C34350	15	6
C34290	55	2	C34351	13	6
C34291	5	4	C34351	17	14
C34291	51	14	C34353	17	11
C34291	53	14	C34354	11	31
C34292	9	24	C34355	11	14
C34292	11	41	C34356	13	7
C34294	51	34	C34357	13	4
C34294	53	34	C34358	13	2
C34297	17	1	C34359	13	1
C34298	13	15	C34360	13	5
C34299	15	15	C34361	9	9
C34300	11	34	C34362	17	15
C34301	15	12	C34363	9	10
C34303	5	9	C34364	13	3
C34303	51	32	C34365	17	6
C34303	53	32	C34366	15	8
C34304	5	6	C34367	13	6
C34304	51	33	C34367	7	23
C34304	53	33	C34367	17	16
C34307	9	3	C34368	7	22
C34308	9	2	C34369	7	22
C34309	9	1	C34370	7	11
C34310	5	7	C34371	5	1
C34310	55	12	C34372	7	26
C34312	13	8	C34373	7	26
C34312	17	11	C34374	9	6
C34313	17	4	C34375	9	7
C34314	9	9	C34376	7	30
C34315	9	10	C34377	7	27
C34316	9	14	C34378	7	28
C34317	7	8	C34379	17	18
C34318	15	5	C34397	9	18
C34319	9	16	C34597	23	18
C34320	13	7	C35291	19	6
C34321	9	12	C36901	37	24
C34322	9	8	C36902	37	9
			C36903	37	25
			C36916	53	
			C36918	57	1
			C36919	57	1
			C36920	57	7
			C36921	57	7
			C36922	57	6
			C36923	57	6
			C36935	37	17
			C37017	29	6
			C37060	29	9
			C37071	57	12
			C37072	57	12
			C37093	39	20
			C37094	19	5
			C37127	23	23
			C37131	31	2
			C37132	23	10
			C37134	23	10
			C37136	23	10
			C37138	23	10
			C37140	23	27
			C37141	23	27
			C37142	61	18
			C37144	61	21
			C37145	61	22
			C37148	9	18
			C37149	19	7
			C37150	19	2
			C37151	29	8
			C37152	29	14
			C37153	29	27
			C37154	29	27
			C37155	29	27
			C37156	29	27
			C37166	23	
			C37167	23	12
			C37187	61	19
			C37188	61	20
			C37197	31	19
			C37197	57	16
			C37198	47	22
			C37200	19	9
			C37200	55	3
			C37220	39	11
			C37221	39	12
			C37222	37	22
			C37233	61	29
			C37234	61	30
			C37244	29	17
			C37247	29	17
			C37249	61	33
			C37250	47	3
			C37254	47	18
			C37255	47	15
			C37260	23	1
			C37261	29	1
			C37262	29	1
			C37265	29	2
			C37266	29	2
			C37270	53	18
			C37272	53	17
			C37274	57	14
			C37275	57	15
			C37309	39	11
			C37310	39	12
			C37399	61	44
			C37400	61	6
			C37401	61	15
			C37406	61	8
			C37409	29	11
			C37411	29	11
			C37425	39	29
			C37428	29	26
			C37430	29	26
			C37435	61	
			C37437	61	40
			C37439	61	39
			C37440	61	
			C37454	61	27
			C37459	61	41
			C37460	29	21
			C37462	29	12
			C37479	31	18
			C39504	31	20
			C39507	31	21
			C40641	61	25
			C40642	61	26
			C40646	35	16
			C40670	61	36
			C40671	61	36
			C40672	61	37
			C40673	61	37
			C41010	53	27
			C41043	61	34
			C41044	61	38
			C42048	61	42
			C42078	61	2
			C42081	61	3
			C42082	61	4
			C42083	61	5
			C42198	61	1
			F53109	45	2
			028- 668	43	1
			061- 420	61	16
			083- 55	45	3
			111- 101	55	15
			111- 101	59	10
			111- 371	69	5
			111- 517	65	19
			111- 521	71	4
			113- 1	19	9
			113- 1	61	
			113- 2	29	10
			113- 3	59	24
			113- 5	59	17
			113- 14	47	13
			113- 14	61	23
			113- 102	27	24
			113- 102	29	24
			113- 103	45	8
			113- 103	59	13
			113- 111	45	14
			113- 118	27	4

NUMERICAL INDEX

PART NO.	PAGE NO.	REF. NO.	PART NO.	PAGE NO.	REF. NO.	PART NO.	PAGE NO.	REF. NO.
113-417	63	14	132-310	65	4	195-533	35	17
113-417	65	18	132-311	33	9	195-533	49	14
113-417	67	5	132-311	33	9	195-533	69	5
113-417	69	4	132-320	47	10	195-533	71	3
113-424	23	15	132-320	49	13	195-541	31	11
113-424	27	4	132-321	35	21	195-541	37	42
113-424	29	4	132-329	61	11	195-541	63	3
113-424	37	40	132-334	25	3	195-541	65	6
113-424	43	3	132-348	65	26	195-545	63	11
113-425	67	3	138-143	31	10	195-2069	31	15
113-427	27	3	138-2072	47	11	195-2175	27	10
113-427	29	3	138-2073	23	16	195-2206	31	11
113-441	29	3	138-2073	35	3	211-5	41	16
113-447	65	17	138-2073	37	43	211-7	41	30
113-476	63	13	138-2073	65	25	211-208	41	6
113-2262	35	12	141-4	35	20	214-14	39	24
114-203	21	12	165-142	59	10	214-251	11	33
121-21	37	20	165-143	59	9	214-254	39	23
121-21	39	33	166-85	37	40	217-333	39	34
121-21	55	13	166-86	23	15	217-1086	61	43
121-106	23	11	166-86	39	16	218-443	61	32
121-106	25	9	169-114	41	20	218-465	61	17
121-106	27	13	182-547	27	28	218-475	59	26
121-106	29	13	182-559	19	5	218-475	61	47
126-128	37	13	187-1041	13	3	218-754	39	30
129-27	55	5	187-1328	25	13	218-1093	49	26
129-101	55	1	187-1328	47	21	218-5004	65	8
129-101	59	18	187-1910	33	12	218-5007	39	3
129-103	69	7	187-1910	33	12	218-5007	39	5
129-105	63	10	192-13	55	10	218-5007	39	7
129-105	69	6	192-16	55	7	218-5056	49	27
129-107	65	9	192-19	47	14	218-5062	39	6
129-122	47	7	192-19	55	14	218-5062	59	4
129-122	49	19	192-19	59	19	218-5062	61	12
129-143	35	13	192-20	27	5	218-5065	39	2
129-165	33	15	192-20	29	5	218-5104	65	7
129-165	33	15	192-20	45	9	218-5107	39	4
129-166	41	27	192-20	47	16	218-5107	39	40
129-365	33	16	192-20	49	8	218-5107	59	3
129-365	33	16	192-20	59	15	218-5107	61	13
129-531	41	10	192-21	13	4	218-5117	39	26
131-69	7	45	192-21	21	8	218-5137	39	41
131-69	23	7	192-21	31	14	218-5154	9	17
131-351	39	10	192-21	69	8	218-5201	59	2
131-911	27	25	192-22	21	13	218-5232	39	8
131-911	29	25	192-23	23	14	218-5232	59	25
131-911	45	2	192-23	27	5	218-5232	61	48
131-911	59	16	192-23	29	5	218-5479	65	1
131-930	65	21	192-23	33	14	219-17	33	20
131-934	19	10	192-23	33	14	219-17	33	20
131-934	25	11	192-23	37	19	219-17	49	2
131-934	27	29	192-23	39	39	219-403	35	4
131-934	29	29	192-23	43	2	219-404	33	7
131-934	55	16	192-23	63	7	219-404	33	7
131-934	59	11	192-23	65	20	219-405	65	4
131-934	61	24	192-23	69	7	221-3	37	10
131-938	49	22	193-99	55	6	221-86	9	14
131-1102	5	18	195-513	47	20	221-841	41	21
131-1182	71	2	195-518	5	11	221-1842	37	10
131-1216	27	21	195-518	61		321-1788	57	4
131-1318	23	5	195-521	7	44	321-4767	57	3
131-1352	31	8	195-521	23	8	321-6659	57	9
131-1352	45	7	195-521	49	17			
132-306	63	12	195-521	59	14			
132-310	29	20	195-525	27	18			
132-310	35	18	195-525	29	18			
132-310	37	41	195-525	69	9			
132-310	49	4	195-526	59	5			

INGERSOLL

Ingersoll Equipment Co., Inc.