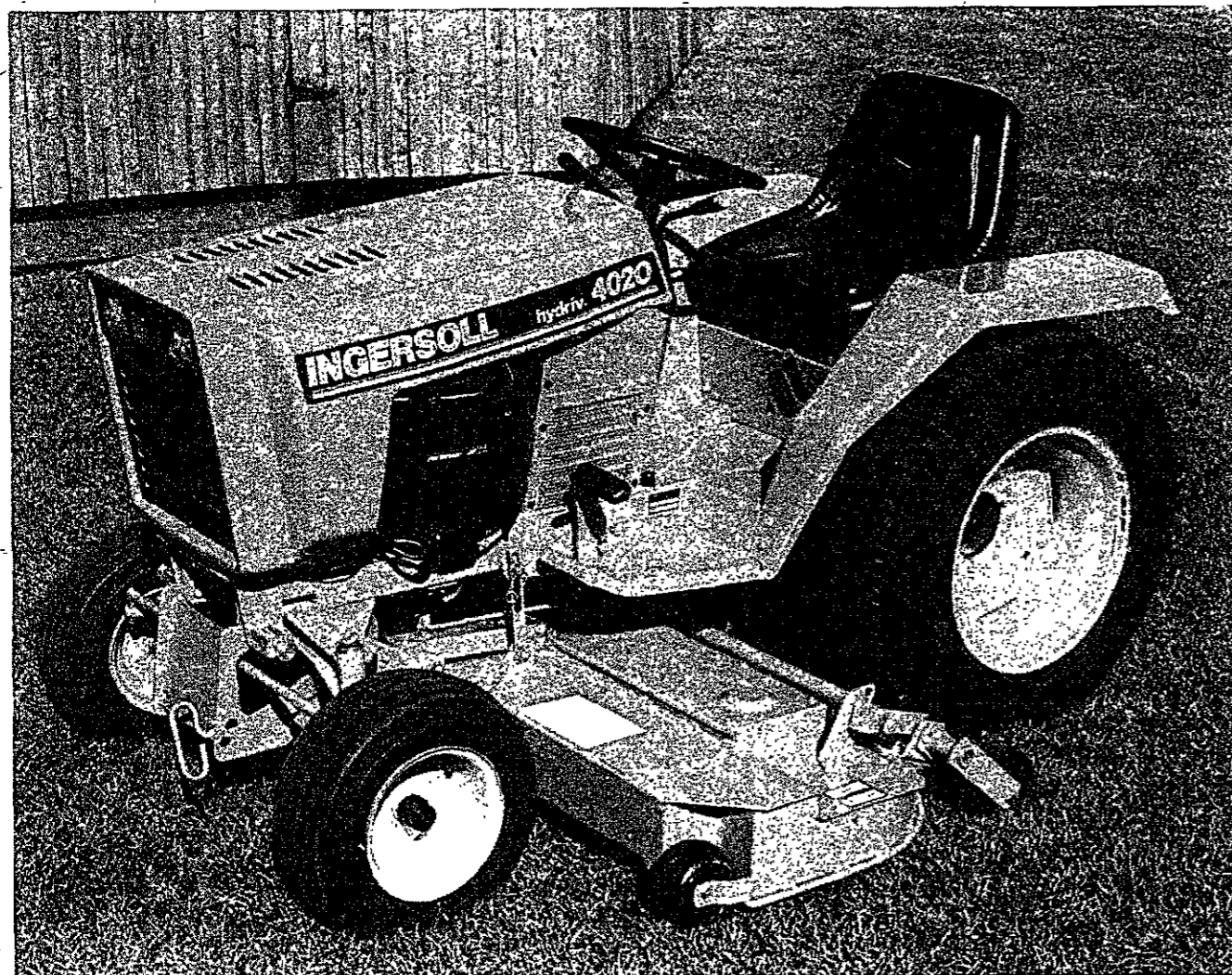


COMPACT TRACTORS
 3016 - before PIN 14147800
 4016 - before PIN 14149628
 3018, 3020, 4018, 4020 - ALL
 Parts Catalog 8-3042

NOTE: This catalog replaces
 catalog 8-3041

2-93-RP-500-341



ALPHABETICAL INDEX

ENGINE SECTION

| | Page | Grid | | Page | Grid |
|--------------------------------|-------|---------|------------------|-------|---------|
| Air Cleaner | 17 | B6 | Flywheel | 5 | A8 |
| Battery | 59-61 | E6-E8 | Fuel Pump | 15 | B4 |
| Breather, Crankcase | 7-9 | A10-A12 | Fuel System | 15 | B4 |
| Camshaft | 5 | A8 | Gasket Kits | 7-9 | A10-A12 |
| Carburetor | 15-19 | B4-B8 | Governor | 13-21 | B2-B10 |
| Choke Linkage | 19 | B8 | Muffler | 23 | B12 |
| Connecting Rod | 5 | A8 | Shields | 21-23 | B10-B12 |
| Crankshaft | 5 | A8 | Oil Pan | 11 | A14 |
| Cylinder Block | 7-9 | A10-A12 | Piston | 5 | A8 |
| Cylinder Head | 7-9 | A10-A12 | PTO Clutch | 25 | B14 |
| Electrical System | 57-63 | E4-E10 | Rotor, Ignition | 13 | B2 |
| Engine Block & Attaching Parts | 7-9 | A10-A12 | Spark Plug | 59-61 | E6-E8 |
| Exhaust System | 23 | B12 | Starter | 57 | E4 |
| Filter, Breather | 17 | B6 | Tank, Fuel | 15 | B4 |
| Filter, Fuel | 15 | B4 | Throttle Linkage | 19 | B8 |
| | | | Valves | 7-9 | A10-A12 |

BASIC TRACTOR SECTION

| | | | | | |
|-------------------------------|-------|---------|--------------------------|-------|--------|
| Axle, Front | 37 | C12 | Hydraulics | 43-55 | D4-E2 |
| Axle, Rear | 41 | D2 | Adapter, Pump Drive | 51 | D13 |
| Baffles & Shrouds | 21-23 | B10-B12 | Hoses, Lines & Fittings | 43-55 | D4-E2 |
| Brakes | 39 | C14 | Motor, Hydraulic Drive | 45 | D6 |
| Control, Speed | 53 | D14 | Pump | 51 | D12 |
| Decals | 65 | E12 | Valve, Control | 47 | D8 |
| Electrical System | 57-63 | E4-E10 | Linkage, Valve, Control | 53 | D14 |
| F27 Three Point Hitch Adapter | 75 | F8 | Hydraulic Lift | 55 | E2 |
| Fenders | 31-33 | C6-C8 | PTO (Hydraulic) | 67-69 | E14-F2 |
| Frame | 27 | C2 | Instruments | 59-61 | E6-E8 |
| Grille | 29 | C4 | K22 and K24 Sleeve Hitch | 71 | F4 |
| H13 Weight Box | 77 | F10 | L11 Counterweight Kit | 75 | F8 |
| H18 Counterweight Brackets | 77 | F10 | Mounts, Engine | 27 | C2 |
| HFC34 Flow Control Valve Kit | 81 | F14 | Mounts, Heat Exchanger | 43-45 | D4-D6 |
| HFC34B Flow Control Valve Kit | 83 | G2 | PTO Clutch (electric) | 25 | B14 |
| HH34 Three Point Hitch | 73 | F6 | Reflector, rear | 63 | E10 |
| HP30, HP40 Hydraulic PTO | 67 | E14 | Seat, Operator's | 31-33 | C6-C8 |
| HP42 Hydraulic PTO | 69 | F2 | Steering Wheel & Gear | 35 | C10 |
| Hitch, tow | 49 | D10 | Tool Tray | 31-33 | C6-C8 |
| Hood | 29 | C4 | Transmission | 41 | D2 |
| | | | Wheels, Front & Rear | 39 | C14 |
| | | | WW30, WW40 Wheel Weights | 79 | F12 |

GENERAL INFORMATION

INDEX

There is an index at the front and rear of this catalog.

The front index is an alphabetical index of the major groups or assemblies.

The rear index is a numerical index of the part numbers and pages on which these numbers are shown.

ILLUSTRATION

Each illustration in this catalog shows a group of parts or components. These parts and components are aligned approximately as the parts and components on your machine. Each part and component in an illustration has a reference number. These reference numbers are in a list on the page opposite of the illustration. Next to the reference number is the part number, description and required quantity of the part shown in the illustration.

UAR - "Use as required" indicates that the part quantity is variable.

NSS - "Not sold separately" indicates that the part is only available as a component of an assembly or the part must be purchased locally. If the part is an assembly component, the description will be indented under the assembly description in the parts list.

O/L - "Obtain locally"

** - "Footnotes" are added to a part number when more information is needed for identification. They only relate to the part numbers indicated.

PARTS ORDERS

All orders must include the following information:

1. Correct part number.
2. Complete description of part or component.
3. Total quantity of each part or component.
4. Product model number.
5. All necessary product identification numbers.
6. Method for sending the parts.
7. Complete and correct address.

CATALOG REVISIONS

As the product changes, new pages will be available for your catalog. A notice will be issued.

IMPORTANT: Put all revisions into the catalog as soon as possible.

RIGHT HAND AND LEFT HAND IDENTIFICATION

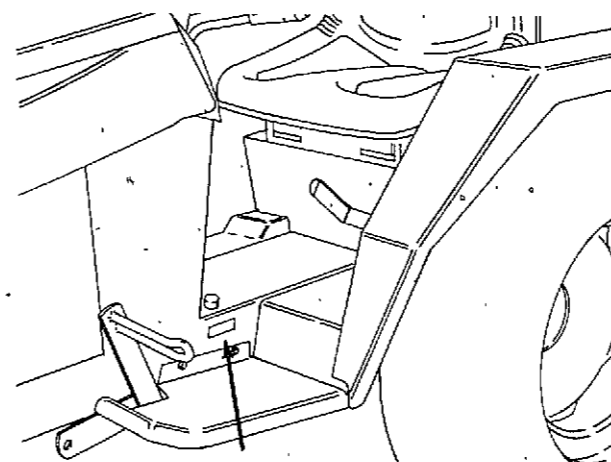
The words right hand (RH) and left hand (LH) as used in this catalog indicate the direction while you are in the operator's seat in the normal operating position.

INDENTED DESCRIPTIONS

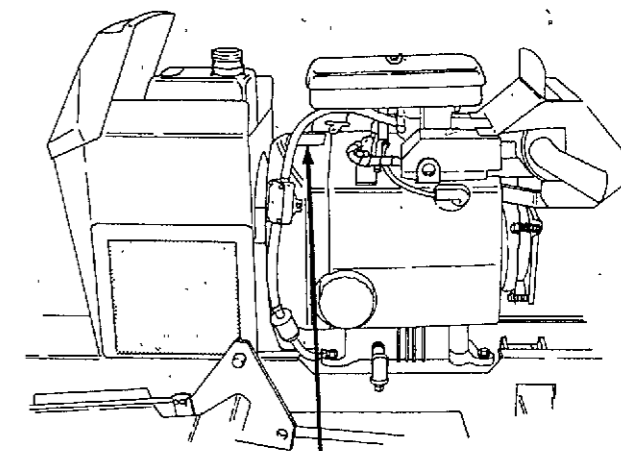
An assembly can have many components. The components of an assembly are indicated by an indented description. The quantity for an indented part is the total needed for that complete assembly. See the example.

| REF. | PART NO. | DESCRIPTION | REQ'D |
|------|----------|--------------------------------------|-------|
| | C 55159 | CYLINDER ASSY - rear steering | 1 |
| 28 | C 56208 | SOCKET ASSY - rear cylinder | 1 |
| 29 | C 55956 | PLUG - adjusting, socket assy | 1 |
| 30 | C 55957 | SEAT - socket ball | 2 |
| 31 | C 56210 | SPRING - socket | 1 |
| 32 | C 56209 | SEAT - socket spring | 1 |
| 33 | G 45175 | CLAMP ASSY - socket assy | 1 |
| | 16- 836 | BOLT - 1/2" x 2-1/4" N.F. hex | 1 |
| 34 | 132- 104 | PIN - cotter, 3/16" x 3" | 1 |
| 35 | C 55889 | STUD - ball, socket & cylinder | 2 |
| 36 | 13- 410 | BOLT - 1/4" x 5/8" N.C., hex | 4 |
| 37 | 92- 4 | LOCK WASHER - 1/4" SAE | 4 |

PRODUCT IDENTIFICATION NUMBERS



TRACTOR MODEL AND P.I.N.



ENGINE MODEL, SERIAL AND SPECIFICATION NUMBERS

NOTE: In this catalog there are references to serial numbers. To order the correct part use these serial numbers as a guide.

TRACTOR MODEL

3016, 4016

3018, 4018

3020, 4020

ENGINE MODEL

C33235
ONAN P216G-I
SPEC. NO. 10904B and 10904C

C33236
ONAN P218G-I
SPEC. NO. 10904B and 10904C

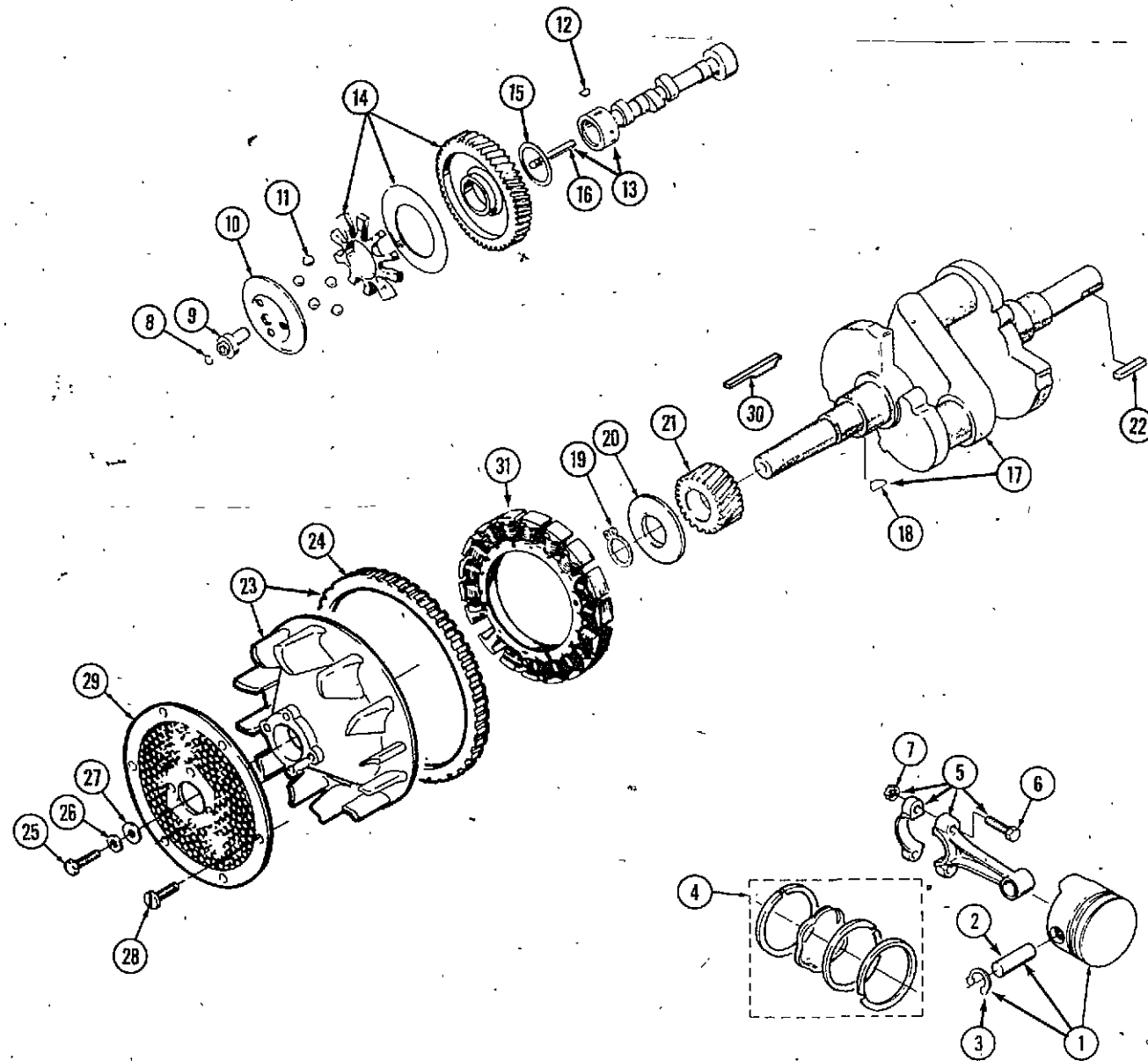
C33237
ONAN P220G-I
SPEC. NO. 10904B and 10904C

PAINT

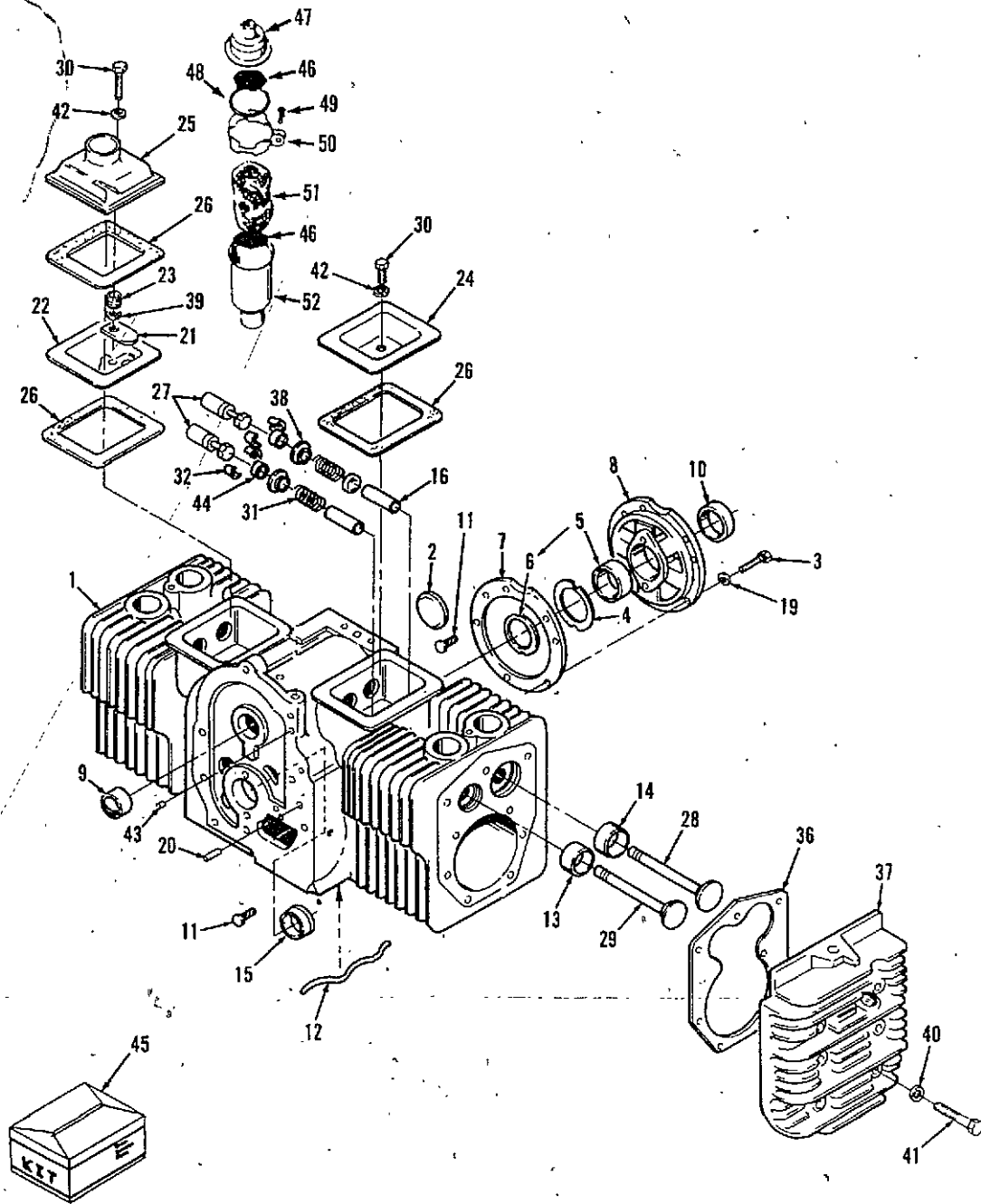
| REF. | PART NO. | DESCRIPTION | REQ'D |
|------|----------|--|-------|
| 1 | C 28849 | BLACK - semi - gloss, 12 oz spray (2 per carton) | 1 |
| 2 | C 28850 | BLACK - semi - gloss, quart (2 per carton) | 1 |
| 3 | C 28851 | BLACK - semi - gloss, heat resistant, 12 oz spray (2 per carton) | 1 |
| 4 | C 28853 | POWER TAN - 12 oz spray (2 per carton) | 1 |
| 5 | C 28854 | POWER TAN - quart (2 per carton) | 1 |

INGERSOLL
Ingersoll Equipment Co., Inc.

PISTON, CRANKSHAFT, FLYWHEEL AND CAMSHAFT



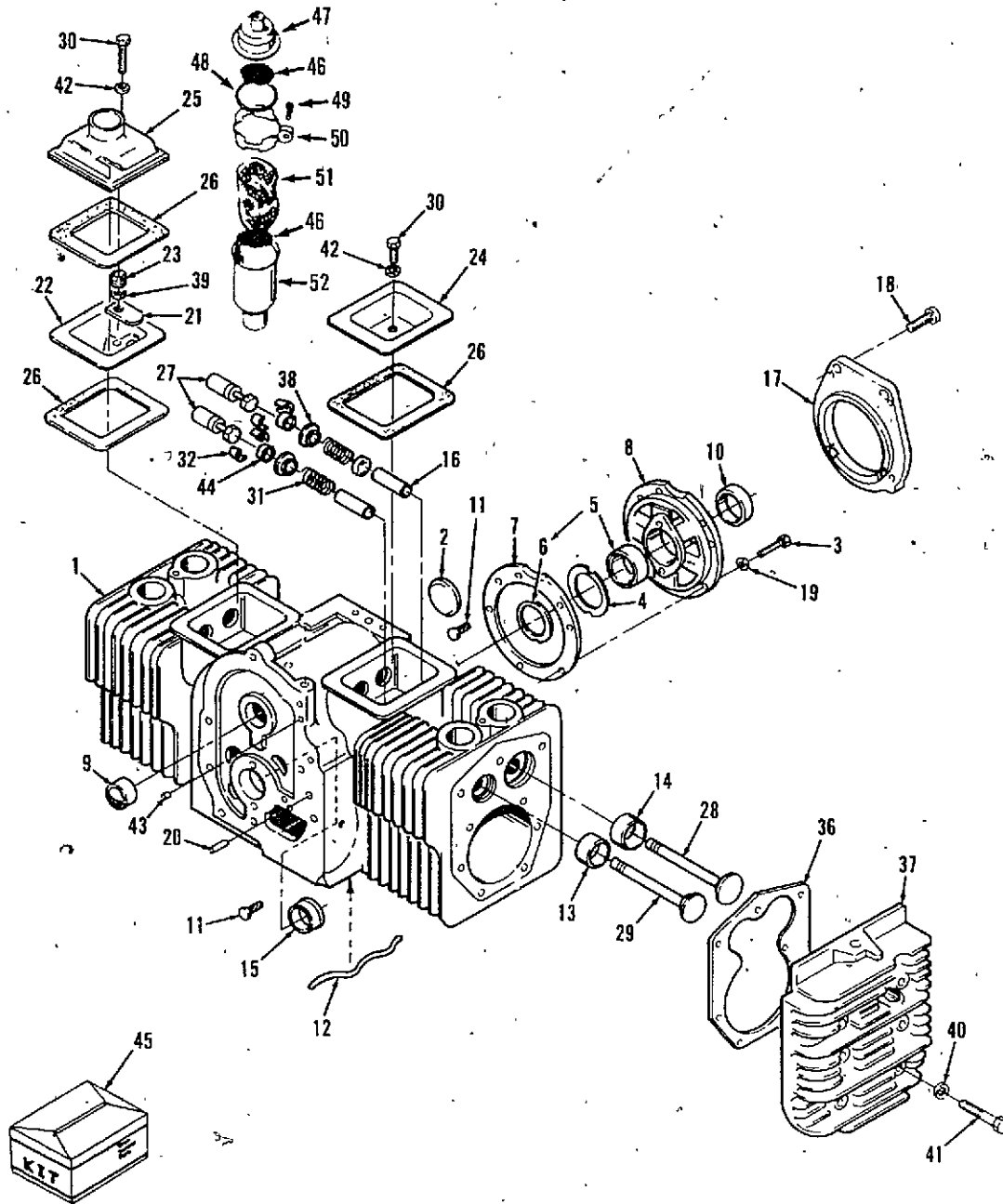
| REF. | PART NO. | DESCRIPTION | REQ'D |
|------|----------|--|-------|
| 1 | C 24931 | PISTON - standard (includes pin and retaining ring) | 2 |
| 1 | C 24932 | PISTON - .005 (0.13 mm) oversize (includes pin and retaining ring) | 2 |
| 1 | C 24933 | PISTON - .010 (0.25 mm) oversize (includes pin and retaining ring) | 2 |
| 1 | C 24934 | PISTON - .020 (0.51 mm) oversize (includes pin and retaining ring) | 2 |
| 1 | C 24935 | PISTON - .030 (0.76 mm) oversize (includes pin and retaining ring) | 2 |
| 1 | C 24936 | PISTON - .040 (1.02 mm) oversize (includes pin and retaining ring) | 2 |
| 2 | C 29972 | PIN - piston | 2 |
| 3 | C 20241 | RING - retaining | 4 |
| 4 | C 29739 | RING SET - piston (standard) | 2 |
| 4 | C 24938 | RING SET - piston .005" (0.13 mm) oversize | 2 |
| 4 | C 24939 | RING SET - piston .010" (0.25 mm) oversize | 2 |
| 4 | C 24940 | RING SET - piston .020" (0.51 mm) oversize | 2 |
| 4 | C 24941 | RING SET - piston .030" (0.76 mm) oversize | 2 |
| 4 | C 24942 | RING SET - piston .040" (1.02 mm) oversize | 2 |
| 5 | C 29750 | CONNECTING ROD - (standard) includes nut and bolt (3016, 4016) | 2 |
| 5 | C 29751 | CONNECTING ROD - .010" (0.25 mm) undersize, includes nut & bolt (3016, 4016) | 2 |
| 5 | C 20204 | CONNECTING ROD - .020" (0.51 mm) undersize, includes nut & bolt (3016, 4016) | 2 |
| 5 | C 20205 | CONNECTING ROD - .030" (.076 mm) undersize, includes nut & bolt (3016, 4016) | 2 |
| 5 | C 25383 | CONNECTING ROD - (standard) includes nut & bolt (3018, 3020, 4018, 4020) | 2 |
| 5 | C 25384 | CONNECTING ROD - .010" (0.25 mm) undersize, includes nut & bolt (3018, 3020, 4018, 4020) | 2 |
| 5 | C 25385 | CONNECTING ROD - .020" (0.51 mm) undersize, includes nut & bolt (3018, 3020, 4018, 4020) | 2 |
| 5 | C 25386 | CONNECTING ROD - .030" (0.76 mm) undersize, includes nut & bolt (3018, 3020, 4018, 4020) | 2 |
| 6 | C 25774 | BOLT - connecting rod 5/16" special N.F. | 4 |
| 7 | C 25775 | NUT - lock, connecting rod 5/16" N.F. | 4 |
| 8 | C 20223 | RING - retaining | 1 |
| 9 | C 24325 | HUB - governor cup | 1 |
| 10 | C 24326 | CUP - governor | 1 |
| 11 | 211- 216 | BALL - governor | 5 |
| 12 | 126- 9 | KEY - woodruff 1/8" x 1/2" | 1 |
| 13 | C 32468 | CAMSHAFT - (includes pin) (3016, 3018, 4016, 4018) | 1 |
| 13 | C 32469 | CAMSHAFT - (includes pin) (3020, 4020) | 1 |
| 14 | C 22261 | GEAR ASSEMBLY - camshaft | 1 |
| 15 | C 20229 | WASHER - thrust | 1 |
| 16 | C 20233 | PIN - center | 1 |
| 17 | C 32284 | CRANKSHAFT - engine (3016, 4016) | 1 |
| 17 | C 32285 | CRANKSHAFT - engine (3018, 3020, 4018, 4020) | 1 |
| 18 | 126- 9 | KEY - woodruff, crankshaft gear | 1 |
| 19 | C 20218 | RING - retaining | 1 |
| 20 | C 20219 | WASHER - special | 1 |
| 21 | C 22262 | GEAR - crankshaft | 1 |
| 22 | C 31976 | KEY - square, clutch | 1 |
| 23 | C 32286 | FLYWHEEL - engine | 1 |
| 24 | C 20226 | GEAR - ring, flywheel | 1 |
| 25 | C 32473 | BOLT - flywheel | 1 |
| 26 | C 32463 | WASHER - special | 1 |
| 27 | C 20303 | WASHER - special | 1 |
| 28 | C 32464 | SCREW - #10-24 x 3/8" flange lock | 6 |
| 29 | C 32287 | SCREEN - flywheel | 1 |
| 30 | C 32288 | KEY - 3/16" x 2" special, flywheel | 1 |
| 31 | C 24956 | STATOR - charging | 1 |
| | C 32458 | KIT - terminal connector | 1 |



CYLINDER BLOCK

| REF. | PART NO. | DESCRIPTION | REQ'D |
|------|----------|--|-------|
| 1 | C 33243 | BLOCK ASSEMBLY - short (3016, 4016) includes cylinder and crankcase, all bearings, crankshaft, camshaft, timing gear, connecting rods, pistons, piston rings, valves, oil pump and breather tube (does not include gasket set) | 1 |
| 1 | C 33244 | BLOCK ASSEMBLY - short (3018, 3020, 4018, 4020) includes cylinder and crankcase, all bearings, crankshaft, camshaft, timing gear, connecting rods, pistons, piston rings, valves, oil pump and breather tube (does not include gasket set) | 1 |
| 2 | 41- 26 | PLUG - welch | 1 |
| 3 | 113- 208 | BOLT - 3/8" - 16 x 1-1/4" | 5 |
| 4 | C 20256 | SHIM - end play, crankshaft (.005") | UAR |
| 5 | C 22618 | BEARING - crankshaft, rear (includes thrust washer) (standard) | 1 |
| 5 | C 22619 | BEARING - crankshaft, rear .002" (0.05 mm) undersize | 1 |
| 5 | C 22620 | BEARING - crankshaft, rear .010" (0.25 mm) undersize | 1 |
| 5 | C 22621 | BEARING - crankshaft, rear .020" (0.51 mm) undersize | 1 |
| 5 | C 22622 | BEARING - crankshaft, rear .030" (0.76 mm) undersize | 1 |
| 6 | C 20267 | WASHER - thrust | 2 |
| 7 | C 20268 | GASKET - bearing plate | 1 |
| 8 | C 20269 | PLATE - bearing, rear | 1 |
| 9 | C 20270 | BEARING - camshaft 3/4" length (service part is 5/16" length) | 2 |
| 10 | C 20271 | SEAL - oil, crankshaft rear | 1 |
| 11 | C 20272 | PIN - drive, bearing stop | 4 |
| 12 | C 24946 | TUBE - oil | 1 |
| 13 | C 29974 | INSERT - valve seat, exhaust (standard) | 2 |
| 13 | C 29975 | INSERT - valve seat, exhaust .002" (0.05 mm) oversize | 2 |
| 13 | C 29976 | INSERT - valve seat, exhaust .005" (0.13 mm) oversize | 2 |
| 13 | C 29977 | INSERT - valve seat, exhaust .010" (0.25 mm) oversize | 2 |
| 13 | C 29978 | INSERT - valve seat, exhaust .025" (0.64 mm) oversize | 2 |
| 14 | C 20287 | INSERT - valve seat, intake (standard) | 2 |
| 14 | C 20288 | INSERT - valve seat, intake .002" (0.05 mm) oversize | 2 |
| 14 | C 20289 | INSERT - valve seat, intake .005" (0.13 mm) oversize | 2 |
| 14 | C 20290 | INSERT - valve seat, intake .010" (0.25 mm) oversize | 2 |
| 14 | C 20291 | INSERT - valve seat, intake .025" (0.64 mm) oversize | 2 |
| 15 | C 20295 | BEARING - crankshaft, front, flanged (standard) | 1 |
| 15 | C 20296 | BEARING - crankshaft, front .002" (0.05 mm) undersize | 1 |
| 15 | C 20297 | BEARING - crankshaft, front .010" (0.25 mm) undersize | 1 |
| 15 | C 20298 | BEARING - crankshaft, front .020" (0.51 mm) undersize | 1 |
| 15 | C 20299 | BEARING - crankshaft, front .030" (0.76 mm) undersize | 1 |
| 16 | C 32274 | GUIDE - valve, exhaust | 2 |
| 16 | C 32275 | GUIDE - valve, intake | 2 |
| 19 | 192- 21 | LOCKWASHER - 3/8" | 5 |
| 20 | C 23320 | PIN - alignment, gear cover | 2 |

CYLINDER BLOCK



| REF. | PART NO. | DESCRIPTION | REQ'D |
|------|-----------|---|-------|
| 21 | C 20244* | REED - breather | 1 |
| 22 | C 20245* | BAFFLE - breather | 1 |
| 23 | C 20243* | SPRING - breather | 1 |
| 24 | C 33245 | COVER - valve | 1 |
| 25 | C 24948* | COVER - valve (with breather port) | UAR |
| 26 | C 20251 | GASKET - valve cover | 2 |
| 27 | C 20276 | TAPPET - valve (standard) | 4 |
| 27 | C 20471 | TAPPET - valve .002 (0.05 mm) oversize | 4 |
| 27 | C 20277 | TAPPET - valve .005 (0.13 mm) oversize | 4 |
| 28 | C 32272 | VALVE - intake | 2 |
| 29 | C 32273 | VALVE - exhaust | 2 |
| 30 | 113- 132 | BOLT - 1/4" - 20 x 1-3/4" | 2 |
| 31 | C 32276 | SPRING - valve | 4 |
| 32 | C 32277 | LOCK - valve and spring | 8 |
| 33 | C 32278 | SEAL - intake valve | 2 |
| 36 | C 29979 | GASKET - head | 2 |
| 37 | C 32279 | HEAD - cylinder R.H. | 1 |
| 37 | C 32280 | HEAD - cylinder L.H. | 1 |
| 38 | C 32281 | RETAINER - valve spring | 4 |
| 39 | 195- 2010 | WASHER - 1/4" | 1 |
| 40 | C 20248 | WASHER - 5/16" | 18 |
| 41 | C 32440 | BOLT - head 2-3/8" long | 16 |
| 42 | C 20247 | WASHER - 1/4" copper | 2 |
| 43 | 211- 7* | PLUG - core hole | 1 |
| 44 | C 32282 | CAP - valve | 4 |
| 45 | C 29981 | KIT - gasket, complete engine (does not include bearings) | 1 |
| 45 | C 29982 | KIT - gasket, (carbon removal/valve grind) | 1 |
| 46 | C 20504** | SCREEN - breather tube | 2 |
| 47 | C 20490** | VALVE - breather cap | 1 |
| 48 | C 20493** | "O" RING - breather cap | 1 |
| 49 | C 22265** | SCREW - #8 x 3/4 self tapping | 1 |
| 50 | C 20536** | CLAMP - breather cap | 1 |
| 51 | C 29948** | FILTER - breather | 1 |
| 52 | C 33247** | TUBE - breather | 1 |

*use before S/N:
**use S/N and after:

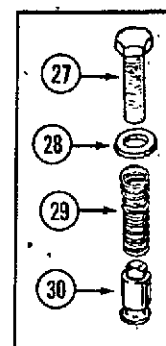
- 3016 - 14127138
- 3018 - 14132690
- 3020 - 14133215
- 4016 - 14128811
- 4018 - 14129997
- 4020 - 14131216

OIL BASE, PUMP, FILTER AND FILLER TUBE

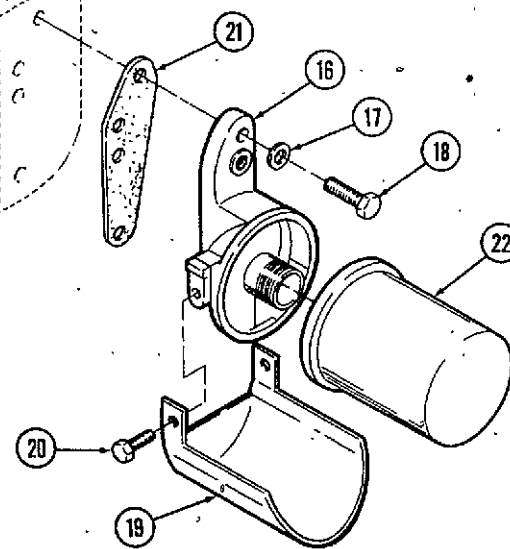
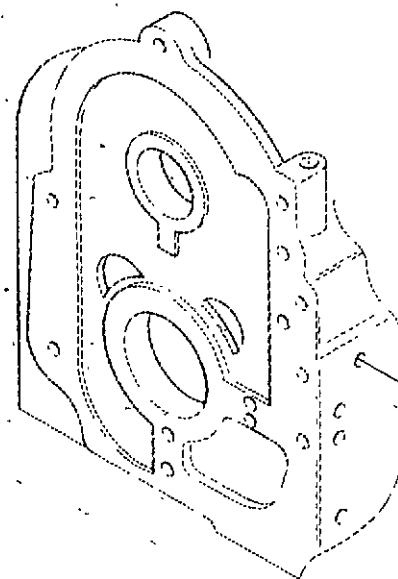
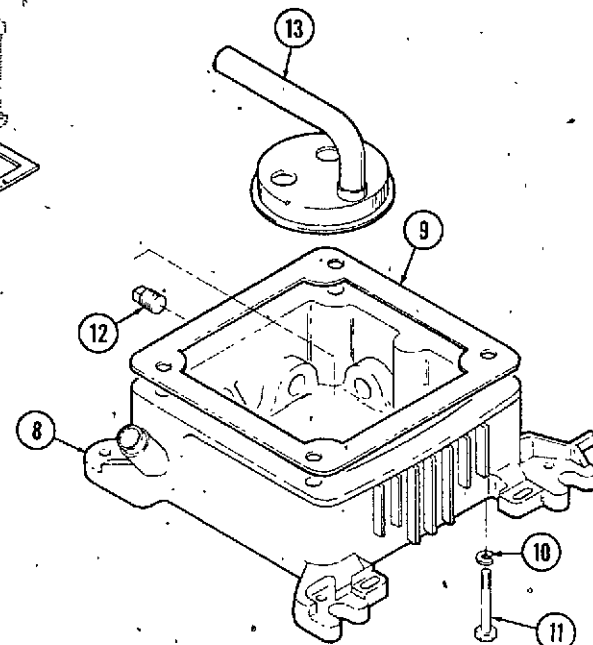
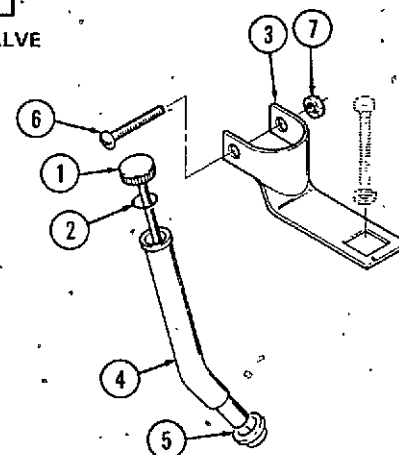
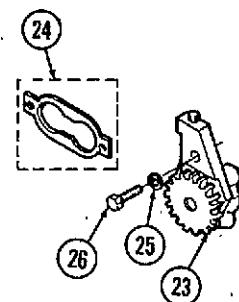
| REF. | PART NO. | DESCRIPTION | REQ'D |
|------|------------|------------------------------------|-------|
| 1 | C 32290 | DIPSTICK - oil level indicator | 1 |
| 2 | C 32465 | O-RING | 1 |
| 3 | C 32291 | BRACKET - fill tube | 1 |
| 4 | C 32292 | TUBE - oil fill | 1 |
| 5 | C 32293 | SEAL - tube | 1 |
| 6 | C 32466 | SCREW - #10 x 1-1/4" panhead | 1 |
| 7 | C 32467 | NUT - speed (type U) | 1 |
| 8 | C 32289 | BASE - oil (includes plugs) | 1 |
| 9 | C 29984 | GASKET - oil base | 1 |
| 10 | 192- 21 | LOCKWASHER - 3/8" | 4 |
| 11 | 113- 252 | BOLT - 3/8" - 16 x 3-3/4" | 4 |
| 12 | 221- 3 | PLUG - oil base 3/8" | 2 |
| 13 | C 23321 | CUP - intake, oil pump | 1 |
| 14 | 221- 167 | NIPPLE - pipe 3/8" x 3-1/2" | 1 |
| 15 | 221- 376 | ELBOW - pipe 3/8" x 90° | 1 |
| 16 | C 20565 | ADAPTER - oil filter | 1 |
| 17 | C 20331 | WASHER - 5/16" copper | 2 |
| 18 | 113- 103 | BOLT - 5/16" - 18 x 1" | 2 |
| 19 | C 25389 | DRAIN - oil filter | 1 |
| 20 | 182- 525 | BOLT - #10 - 32 x 3/8" | 2 |
| 21 | C 32462 | GASKET - oil filter adapter | 1 |
| 22 | C 26191 | FILTER - oil | 1 |
| 23 | C 29734 | PUMP - oil | 1 |
| 24 | C 20325 | KIT - gasket, oil pump | 1 |
| 25 | 192- 19 | LOCKWASHER - 1/4" | 2 |
| 26 | 113- 4 | BOLT - 1/4" - 20 x 1" | 2 |
| 27 | C 32474 | BOLT - 3/8" - 24 x 7/8" oil bypass | 1 |
| 28 | C 20574 | WASHER - 3/8" copper | 1 |
| 29 | C 20320 | SPRING - oil bypass valve | 1 |
| 30 | C 20322 | VALVE - oil bypass | 1 |
| 31 | 221- 86* | REDUCER - pipe 3/8" - 14 to 1/4" | 1 |
| 32 | C 19473* | NIPPLE - pipe 2.5" | 1 |
| 32 | C 33949** | NIPPLE - oil drain 3.5" | 1 |
| 33 | C 14906* | GASKET - oil drain | 1 |
| 34 | C 14399* | PLUG - oil drain | 1 |
| 34 | 218-5154** | PLUG - 1/2" - 20 | 1 |

*use on 4020 before PIN 14176500
3016, 3018, 3020, 4016, 4018 - All

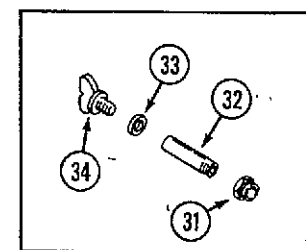
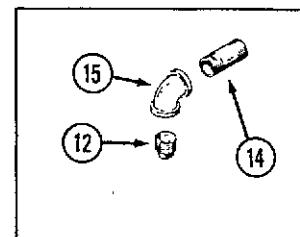
**use on 4020 PIN 14176500 and after



OIL BYPASS VALVE

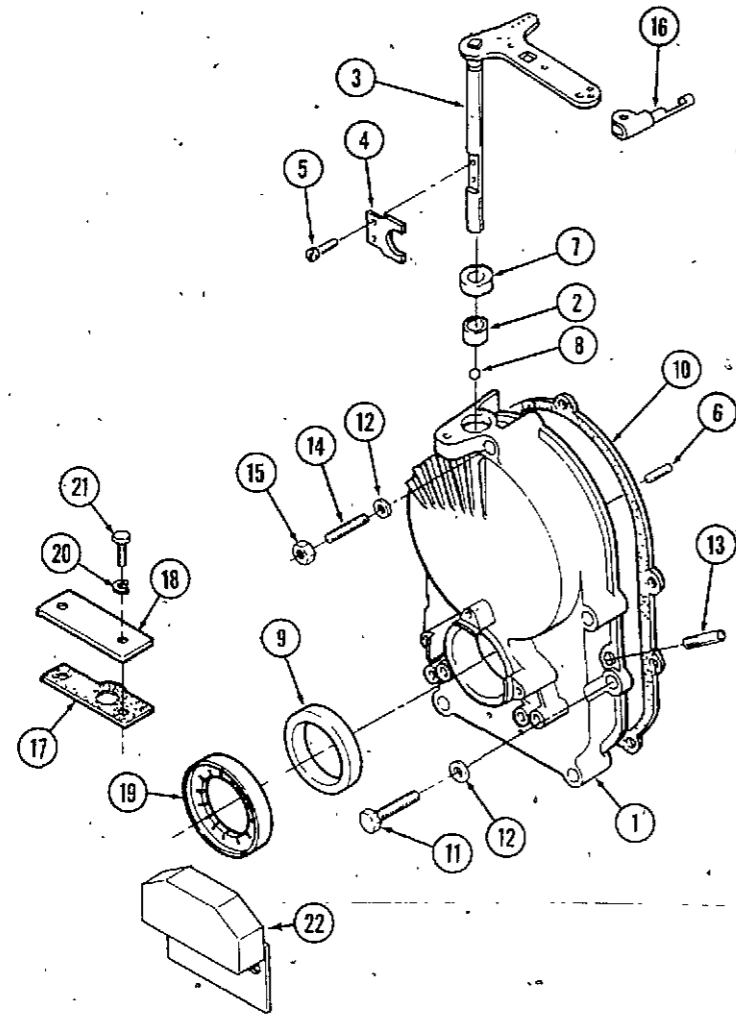


OIL DRAIN
EARLY PRODUCTION

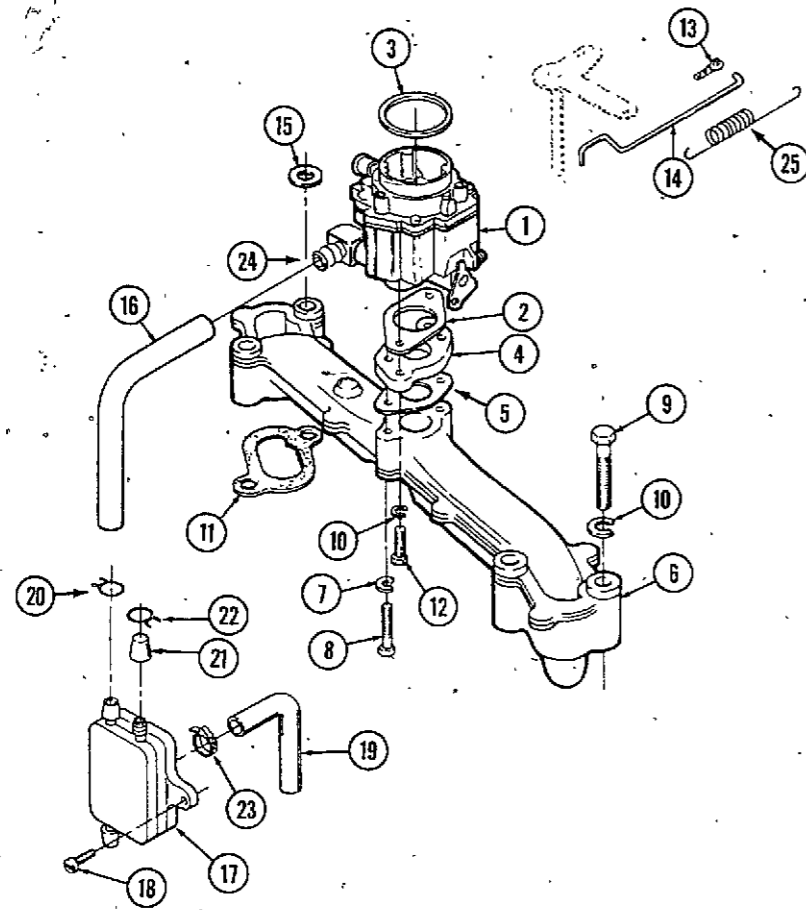


OIL DRAIN
LATE PRODUCTION

GOVERNOR GEARCASE AND IGNITION ROTOR



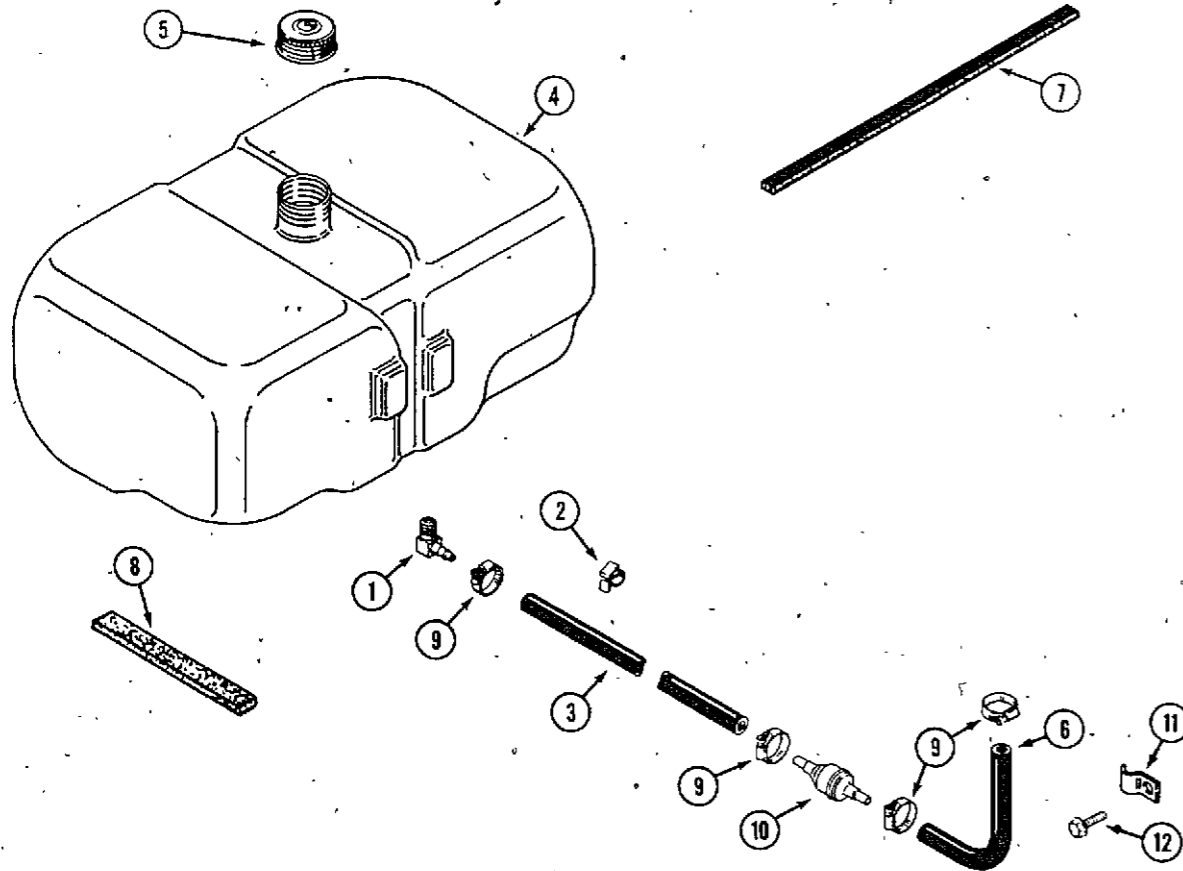
| REF. | PART NO. | DESCRIPTION | REQ'D |
|------|----------|---|-------|
| 1 | C 32457 | GEARCASE ASSEMBLY - governor | 1 |
| 2 | C 20305 | BEARING - governor shaft | 1 |
| 3 | C 22632 | SHAFT AND ARM | 1 |
| 4 | C 20307 | YOKE - governor shaft | 1 |
| 5 | 182- 84 | SCREW - #8 - 32 x 3/8" | 2 |
| 6 | C 20309 | PIN - governor cup stop | 1 |
| 7 | C 20310 | SEAL - oil, governor shaft | 1 |
| 8 | 211- 5 | BALL - bearing, governor shaft | 1 |
| 9 | C 20312 | SEAL - oil, crankshaft | 1 |
| 10 | C 20313 | GASKET - mounting | 1 |
| 11 | 113- 120 | BOLT - 5/16" - 18 x 1-3/4" | 4 |
| 12 | C 20331 | WASHER - 5/16" copper | 5 |
| 13 | C 20412 | TUBE - vacuum port (included in assembly) | 1 |
| 14 | C 29985 | STUD - gear cover | 1 |
| 15 | 131- 911 | NUT - 5/16" - 18 | 1 |
| 16 | C 29989 | CLIP - retaining | 1 |
| 17 | C 20345 | GASKET - plate | 1 |
| 18 | C 32452 | PLATE - plunger cover | 1 |
| 19 | c 32297 | ROTOR - ignition | 1 |
| 20 | 192- 19 | LOCKWASHER - 1/4" | 2 |
| 21 | 113- 2 | BOLT - 1/4" - 20 x 5/8" | 2 |
| 22 | C 32294 | CONTROL - ignition | 1 |



FUEL SYSTEM (ENGINE)

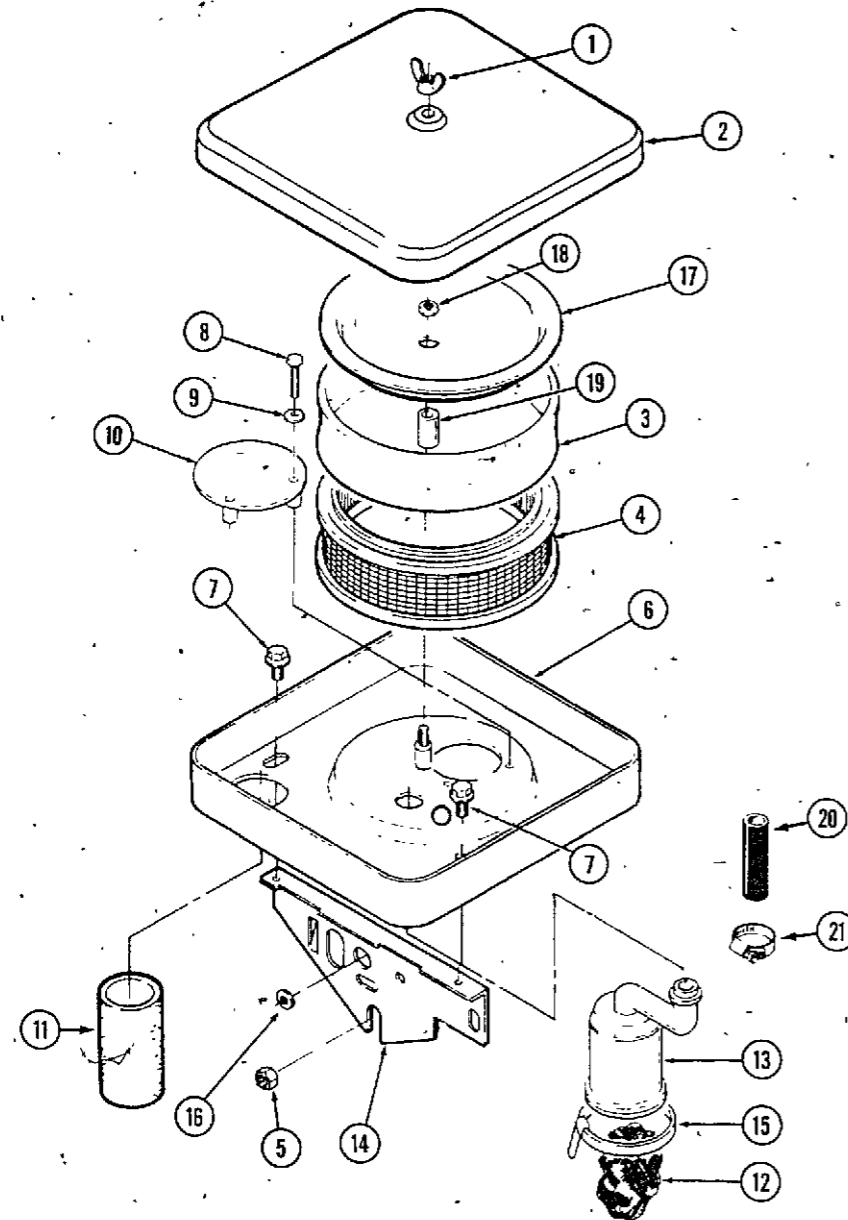
| REF. | PART-NO. | DESCRIPTION | REQ'D |
|------|-----------|--|-------|
| 1 | C 29868 | CARBURETOR - fuel (3016, 3018, 4016, 4018) repairs page 19 | 1 |
| 1 | C 29869 | CARBURETOR - fuel (3020, 4020) repairs page 19 | 1 |
| 2 | C 29969 | GASKET - carburetor mounting | 1 |
| 3 | C 29944 | SEAL - "O" ring | 1 |
| 4 | C 29952 | ADAPTER - carburetor | 1 |
| 5 | C 29953 | GASKET - adapter | 1 |
| 6 | C 32450 | MAINIFOLD - intake | 1 |
| 7 | 192- 19 | LOCKWASHER - 1/4" | 2 |
| 8 | 113- 65 | BOLT - 1/4" - 20 x 1-3/8" | 2 |
| 9 | 113- 121 | BOLT - 5/16" - 18 x 2" | 4 |
| 10 | 192- 20 | LOCKWASHER - 5/16" | 6 |
| 11 | C 26202 | GASKET - manifold | 2 |
| 12 | 113- 103 | BOLT - 5/16" - 18 x 1" | 2 |
| 13 | C 20360 | CLIP - retaining, control rod to carburetor | 1 |
| 14 | C 29988 | ROD - governor control | 1 |
| 15 | 195-2027 | WASHER - 5/16" | 1 |
| 16 | NSS | HOSE - fuel (use C28937 cut to length) | 1 |
| 17 | C 29959 | PUMP - fuel | 1 |
| 18 | 182- .559 | SCREW - tapping #10 - 24 x 5/8" | 2 |
| 19 | NSS | HOSE - vacuum (use C28937 cut to length) | 1 |
| 20 | 214- 103 | CLAMP - hose 1/2" (wire) | UAR |
| 21 | C 20411 | CAP - fuel outlet | UAR |
| 22 | NSS | CLAMP - hose 7/16" (wire) (use C32376) | UAR |
| 23 | C 32376 | CLAMP - hose 1/2" (worm drive) | 1 |
| 24 | C 10678 | ELBOW - hose 90° | 1 |
| 25 | C 33406 | SPRING - governor rod (optional) | 1 |

FUEL SYSTEM (TRACTOR)



| | | | |
|----|----------|---|---|
| 1 | C 10678 | ELBOW - hose 90° | 1 |
| 2 | C 28962 | RETAINER - fuel line | 1 |
| 3 | NSS | HOSE - fuel line 50" (1270 mm) (use C28937 cut to length) | 1 |
| 4 | C 28940 | TANK - fuel | 1 |
| 5 | C 37094 | CAP - fuel tank (includes insert) | 1 |
| 6 | NSS | HOSE - fuel line (use C28937 cut to length) | 1 |
| 7 | C 23527 | LINER - tank | 1 |
| 8 | C 14690 | CUSHION - fuel tank | 2 |
| 9 | C 32376 | CLAMP - hose 1/2" | 4 |
| 10 | C 31978 | FILTER - fuel | 1 |
| 11 | C 24689 | CLIP - "J" fuel line retaining | 1 |
| 12 | 187-1036 | SCREW - 1/4" - 20 self tap | 1 |

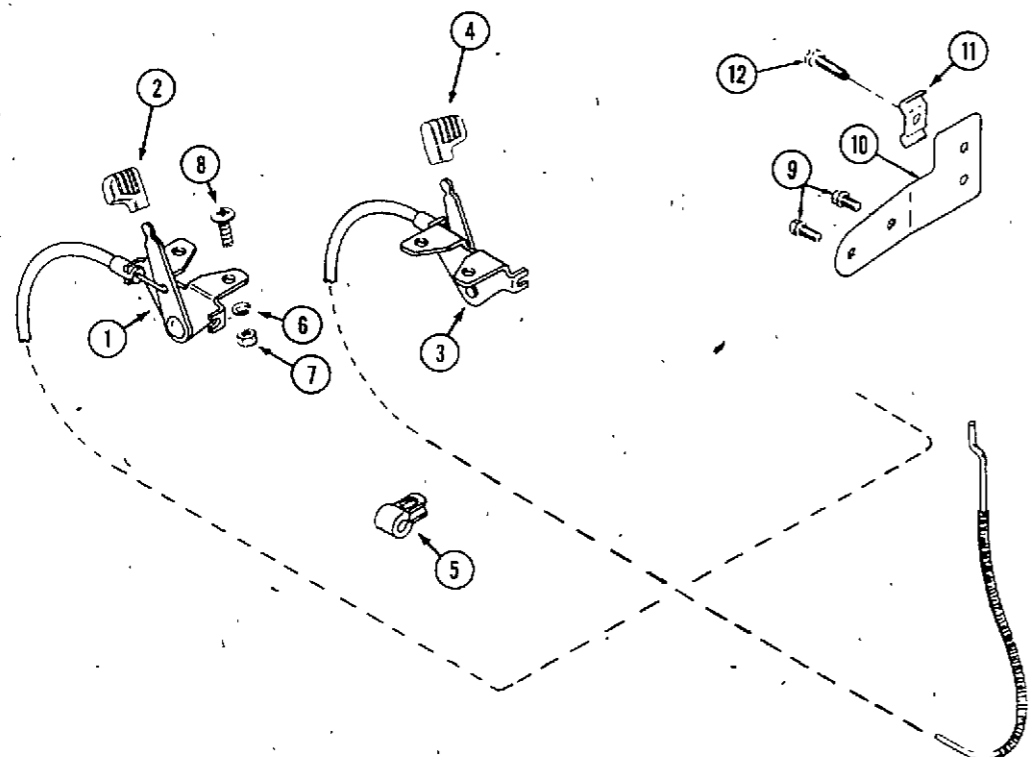
AIR CLEANER



| REF. | PART NO. | DESCRIPTION | REQ'D |
|------|------------|--|-------|
| 1 | C 26703 | NUT - wing 1/4" - 20 | 1 |
| 2 | C 32302 | COVER - air cleaner | 1 |
| 3 | C 22581 | PRECLEANER | 1 |
| 4 | C 22424 | ELEMENT - air cleaner | 1 |
| 5 | 131- 911 | NUT - 5/16" - 18 flange | 1 |
| 6 | C 32303 | HOUSING - air cleaner | 1 |
| 7 | 187- 1036 | BOLT - 1/4" - 20 x 3/8" tapping, washer head | 2 |
| 8 | 182- 152 | SCREW - machine #10 - 32 x 1-1/2" | 3 |
| 9 | 195- 516 | WASHER - #10 | 3 |
| 10 | C 29946 | DEFLECTOR - air | 1 |
| 11 | C 32304 | TUBE - air intake | 1 |
| 12 | C 29948* | FILTER - breather | 1 |
| 13 | C 29949* | TUBE - crankcase breather | 1 |
| 14 | C 32305 | SUPPORT - air cleaner | 1 |
| 15 | NSS* | CLAMP - breather tube (use 214-258) | 1 |
| 16 | C 30033 | GROMMET - rubber | 1 |
| 17 | C 32306 | COVER - element | 1 |
| 18 | 131- 71 | NUT - lock 1/4" - 20 | 1 |
| 19 | C 32451 | SPACER - air cleaner stud | 1 |
| 20 | C 33246** | HOSE - breather | 1 |
| 21 | 214- 251** | CLAMP - hose | 1 |

*use before S/N:
 **use S/N and after:

- 3016 - 14127138
- 3018 - 14132690
- 3020 - 14133215
- 4016 - 14128811
- 4018 - 14129997
- 4020 - 14131216



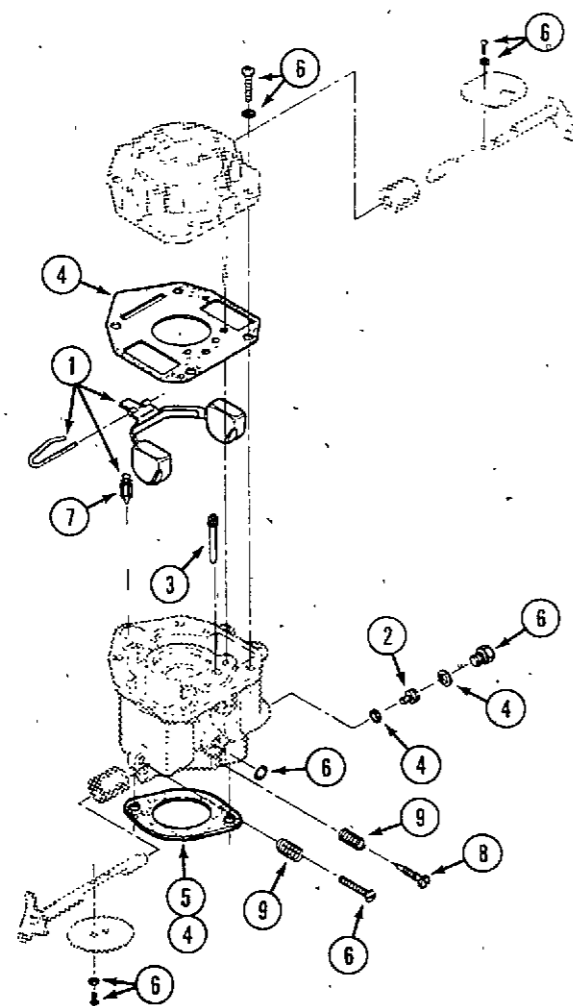
CHOKE AND THROTTLE

| REF. | PART NO. | DESCRIPTION | REQ'D |
|------|-----------|---|-------|
| 1 | C 33414* | CONTROL - throttle | 1 |
| 1 | C 37226** | CONTROL - throttle | 1 |
| 2 | C 30073* | HANDLE - throttle control, orange | 1 |
| 2 | C 35291** | HANDLE - control, black | 1 |
| 3 | C 31893* | CONTROL - choke | 1 |
| 3 | C 37227** | CONTROL - choke | 1 |
| 4 | C 30074* | HANDLE - choke control, black | 1 |
| 4 | C 35291** | HANDLE - control, black | 1 |
| 5 | C 31977 | CLIP - cable (single cable) shown | 2 |
| 5 | C 33218 | CLIP - cable (dual cable) | 1 |
| 6 | 192- 18 | LOCKWASHER - No. 10 (early production) | 2 |
| 7 | C 34117 | NUT - No. 10 - 24 flange lock | 2 |
| 8 | 182- 559 | BOLT - No. 10 - 24 x 3/4" phillips, black | 2 |
| 9 | C 22369 | BOLT - washer head #10 - 32 x 5/16" | 2 |
| 10 | C 29957 | BRACKET - choke cable | 1 |
| 11 | C 29506 | CLIP - retaining, choke cable | 1 |
| 12 | 187- 1511 | SCREW - tapping #10 - 32 x 1/2" | 1 |

*use on
3016, 3018, 3020, 4016, 4018 - all
4020 - before PIN 14176500

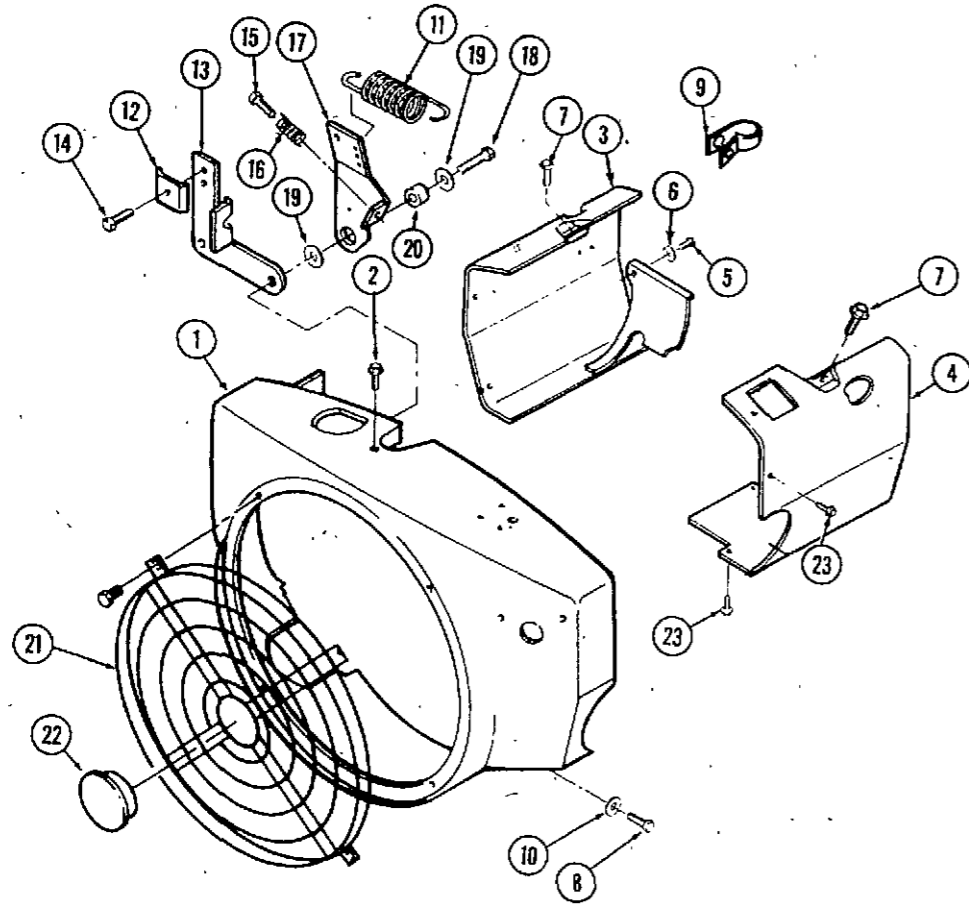
**use on
4020 - PIN 14176500 and after

CARBURETOR



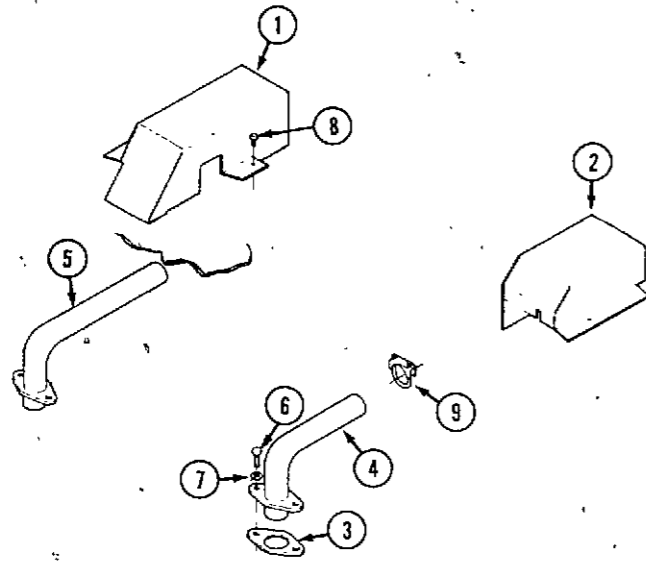
| | | | |
|---|---------|--|---|
| | C 29868 | CARBURETOR - fuel (3016, 3018, 4016, 4018) | 1 |
| | C 29869 | CARBURETOR - fuel (3020, 4020) | 1 |
| 1 | C 29965 | KIT - float | 1 |
| 2 | C 29966 | JET - power (3016, 3018, 4016, 4018) | 1 |
| 2 | C 30015 | JET - power (3020, 4020) | 1 |
| 3 | C 29967 | JET - idle | 1 |
| | C 29962 | KIT - repair | 1 |
| 4 | NSS | GASKET AND SEAL PACKAGE | 1 |
| 5 | C 29969 | GASKET - mounting | 1 |
| 6 | NSS | SCREW AND PLUG PACKAGE | 1 |
| 7 | NSS | VALVE - inlet | 1 |
| 8 | NSS | VALVE - idle adjust | 1 |
| 9 | NSS | SPRING - tension | 2 |

BLOWER HOUSING AND GOVERNOR



| | | | |
|----|-----------|---|-----|
| 1 | C 32308 | HOUSING - blower | 1 |
| 2 | 163- 22 | SCREW - tapping, washerhead 1/4" - 20 x 7/16" | 1 |
| 3 | C 32444 | HOUSING - cylinder air L.H. | 1 |
| 4 | C 32445 | HOUSING - cylinder air R.H. | 1 |
| 5 | 187- 1073 | SCREW - tapping, washerhead 1/4" - 20 x 5/8" | 2 |
| 6 | 195- 102 | WASHER - 1/4" | 2 |
| 7 | C 32446 | BOLT - 5/16" - 18 x 3/4" washerhead | 2 |
| 8 | 187- 1073 | SCREW - 1/4" - 20 x 5/8" tapping, washerhead | 4 |
| 9 | C 32447 | CLAMP - wire | 1 |
| 10 | 195- 518 | WASHER - 1/4" | 4 |
| 11 | C 20376 | SPRING - governor | 1 |
| 12 | C 29506 | CLAMP - cable | 1 |
| 13 | C 28719 | BRACKET - cable | 1 |
| 14 | 187- 1511 | SCREW - tapping #10 - 32 x 1/2" | 1 |
| 15 | 182- 49 | SCREW - tapping #6 - 32 x 5/8" | 1 |
| 16 | C 20371 | SPRING - idle setting | 1 |
| 17 | C 32311 | ARM - governor | 1 |
| 18 | 121- 3 | BOLT - 1/4" - 20 x 1/2" washerhead | 2 |
| 19 | 195- 102 | WASHER - 1/4" | 2 |
| 20 | C 20375 | BUSHING - arm, governor | 1 |
| 21 | NSS | SCREEN - blower housing (not used) | 1 |
| 22 | NSS | PLUG - screen (not used) | 1 |
| 23 | 187- 1036 | BOLT - 1/4" - 20 x 1/2" flange lock | UAR |

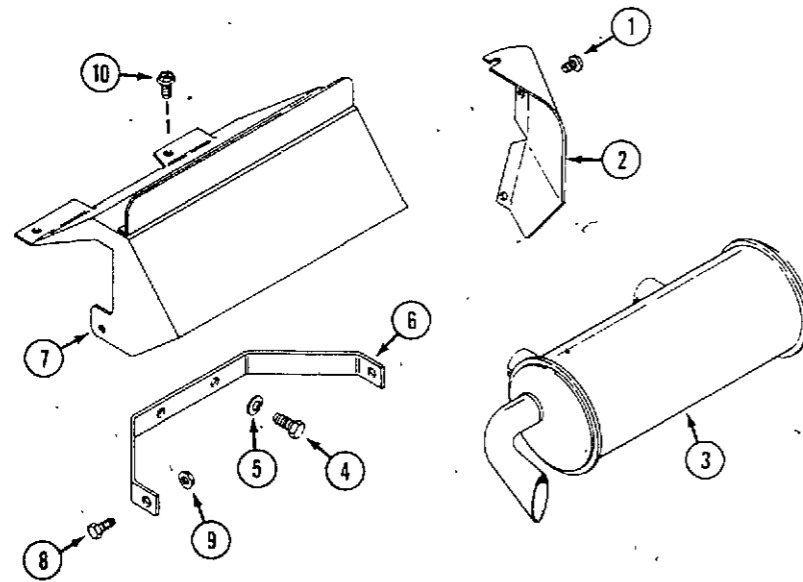
EXHAUST PIPES AND COVERS

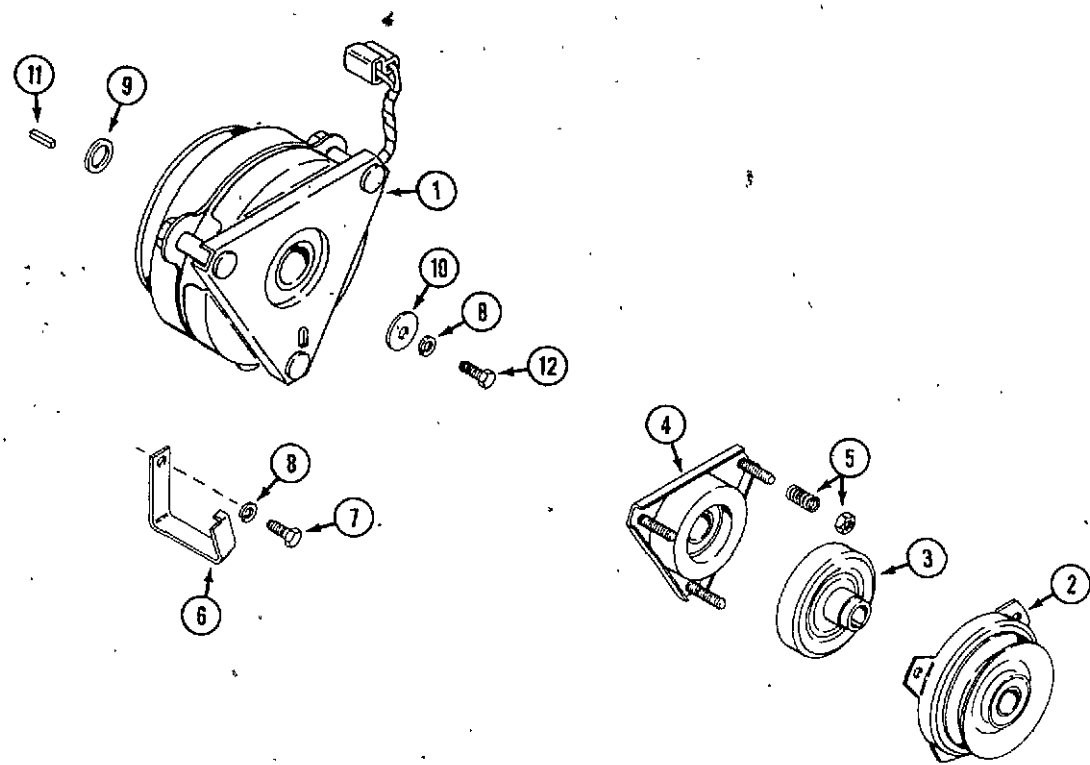


| REF. | PART NO. | DESCRIPTION | REQ'D |
|------|----------|--|-------|
| 1 | C 32321 | COVER - exhaust pipe L.H. | 1 |
| 2 | C 32322 | COVER - exhaust pipe R.H. | 1 |
| 3 | C 26207 | GASKET - exhaust | 2 |
| 4 | C 32324 | PIPE - exhaust R.H. | 1 |
| 5 | C 32325 | PIPE - exhaust L.H. | 1 |
| 6 | 61- 512 | BOLT - 5/16" x 5/8" socket head | 4 |
| 7 | 192- 404 | LOCKWASHER - 5/16" | 4 |
| 8 | NSS | SCREW - 1/4" - 20 x 3/8" washerhead (use C31597) | 2 |
| 9 | C 31417 | CLAMP - exhaust | 2 |
| | 129- 102 | NUT - 5/16" - 18 | 2 |

MUFFLER AND SHIELDS

| | | | |
|----|-----------|-------------------------------------|---|
| 1 | C 31597 | SCREW - 1/4" - 20 x 1/2" black | 2 |
| 2 | C 31415 | SHIELD - head baffle extension L.H. | 1 |
| 3 | C 33425 | MUFFLER - exhaust | 1 |
| 4 | 113- 208 | BOLT - 3/8" - 16 x 1-1/4" | 2 |
| 5 | 192- 21 | LOCKWASHER - 3/8" | 2 |
| 6 | C 31420 | STRAP - mounting | 1 |
| 7 | C 31421 | SHIELD - muffler | 1 |
| 8 | 113- 3 | BOLT - 1/4" - 20 x 3/4" hex | 2 |
| 9 | 131- 934 | NUT - 1/4" - 20 flange lock | 2 |
| 10 | 187- 1036 | SCREW - 1/4" - 20 x 1/2" self-tap | 4 |
| | C 33028 | KIT - exhaust deflector (optional) | 1 |
| | 121- 21 | BOLT - 1/4" - 20 x 1/2" | 1 |
| | 131- 934 | NUT - 1/4" flange lock | 1 |





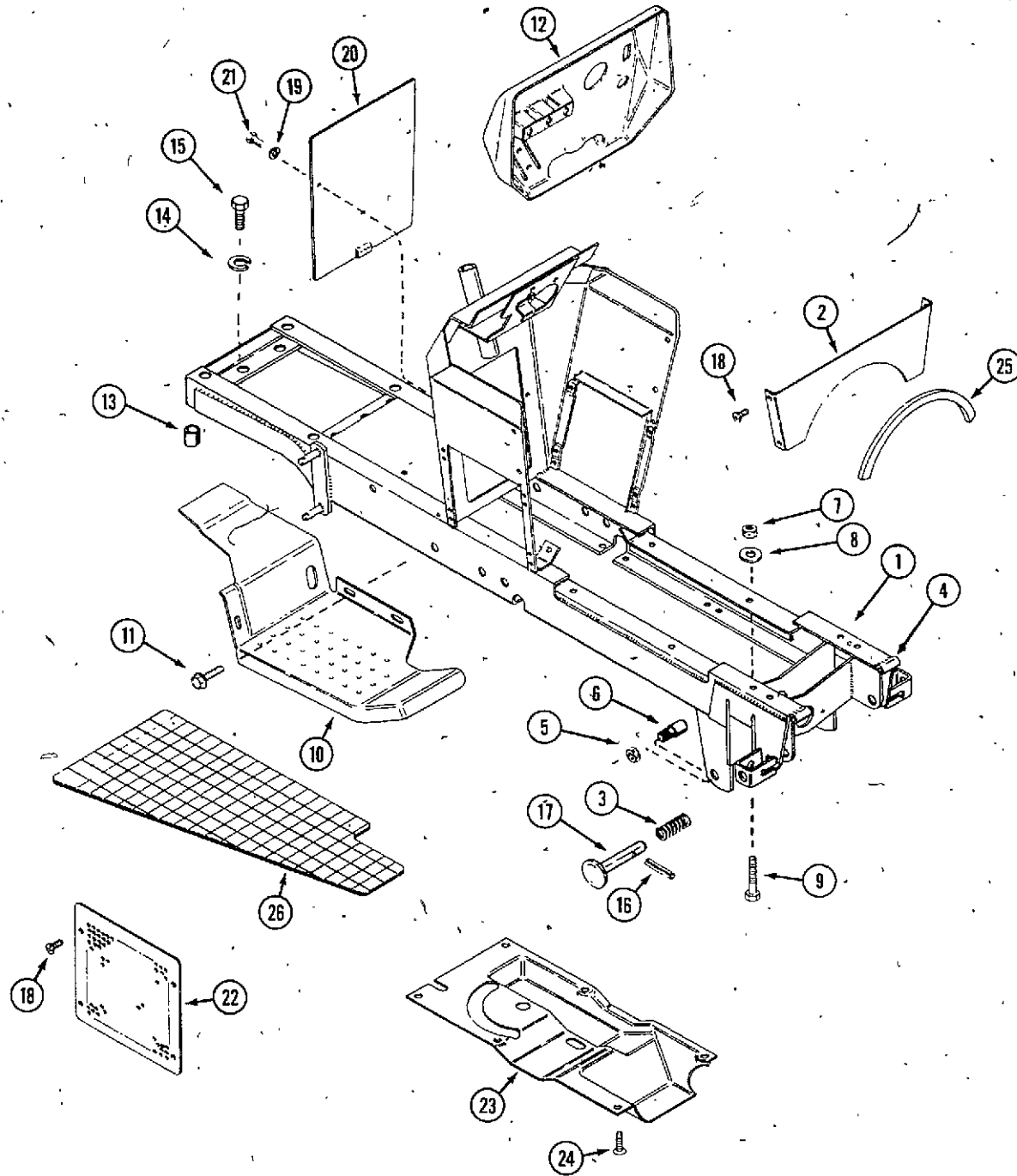
PTO ELECTRIC CLUTCH

| | | | |
|----|-----------|---|-----|
| 1 | NSS* | CLUTCH - PTO (use C33201 kit) | 1 |
| 1 | C 33198** | CLUTCH - PTO | 1 |
| 2 | C 32382 | ARMATURE - clutch | 1 |
| 3 | C 32383 | ROTOR - clutch | 1 |
| 4 | C 32384 | FIELD - clutch | 1 |
| 5 | C 32381 | KIT - spring and nut | 1 |
| 6 | C 33199 | BRACKET - anti-rotation | 1 |
| 7 | 113- 206 | BOLT - 3/8" - 16 x 3/4" (secure with LOCK TITE) | 1 |
| 8 | 192- 21 | LOCKWASHER - 3/8" | 2 |
| 9 | C 29811 | SPACER - clutch .100" | UAR |
| 9 | C 15557 | SPACER - clutch .050" | UAR |
| 9 | C 33200 | SPACER - clutch .250" | UAR |
| 10 | C 31615 | WASHER - clamping | 1 |
| 11 | C 31976 | KEY - 1/4" x 1/4" x 1-1/4" | 1 |
| 12 | 114- 203 | BOLT - 3/8" 24 x 1-1/2" | 1 |

*use before S/N:
 **use S/N and after:

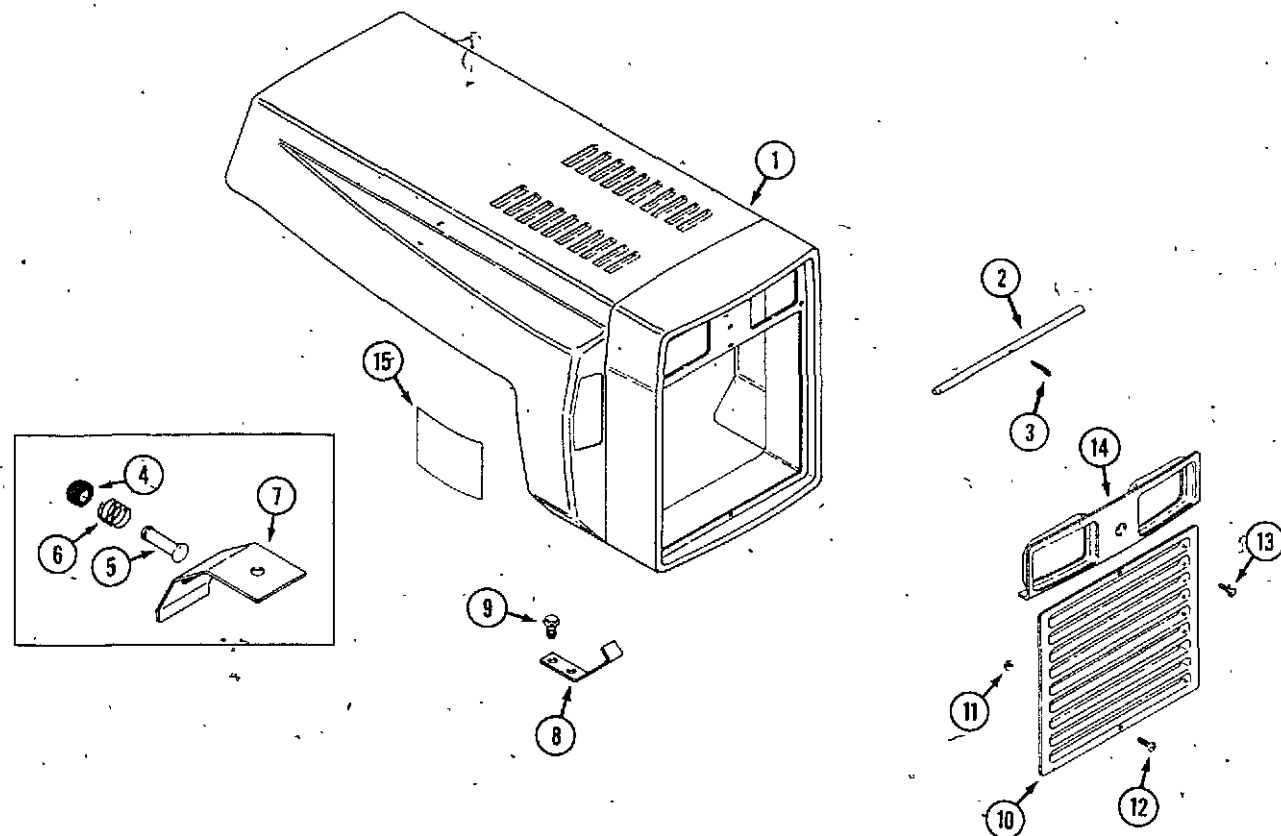
- 3016 - 14126917
- 3018 - 14132580
- 3020 - 14133202
- 4016 - 14128593
- 4018 - 14129744
- 4020 - 14130984

FRAME, FOOT PADS AND BELLY PAN



| REF. | PART NO. | DESCRIPTION | REQ'D |
|------|-----------|--|-------|
| 1 | C 31625 | FRAME - main (3016, 3018, 3020) | 1 |
| 1 | C 31627 | FRAME - main (4016, 4018, 4020 before PIN 14176500) | 1 |
| 1 | C 43222 | FRAME - main (4020 PIN 14176500 and after) | 1 |
| 2 | C 31610 | SHIELD - oil tank | 1 |
| 3 | C 24137 | SPRING - latch | 1 |
| 4 | C 22023 | HINGE - frame | 2 |
| 5 | 131- 1318 | NUT - lock 1/2" N.F. | 2 |
| 6 | C 27508 | PIN - attachment | 2 |
| 7 | 131- 1352 | NUT - lock 3/8" N.C. flange | 4 |
| 8 | 195- 525 | WASHER - 3/8" x 13/16" (over engine foot pad) early production | 4 |
| 9 | 113- 208 | BOLT - 3/8" - 16 x 1-1/4" | 4 |
| 10 | C 30458 | REST - foot L.H. (3016, 3018, 3020) | 1 |
| 10 | C 30460 | REST - foot R.H. (3016, 3018, 3020) shown | 1 |
| 10 | C 30462 | REST - foot L.H. (4016, 4018, 4020 before PIN 14176500) | 1 |
| 10 | C 30464 | REST - foot R.H. (4016, 4018, 4020 before PIN 14176500) | 1 |
| 10 | C 37136 | REST - foot L.H. (4020 PIN 14176500 and after) | 1 |
| 10 | C 37138 | REST - foot R.H. (4020 PIN 14176500 and after) | 1 |
| 11 | 121- 106 | BOLT - 5/16" x 1/2" N.C. flange lock | 4 |
| 12 | C 31368 | CAP - instrument panel (on 4020 use before PIN 14176500) | 4 |
| 12 | C 37167 | CAP - instrument panel (4020 PIN 14176500 and after) | 1 |
| 12 | C 31368 | CAP instrument panel (3016, 3018, 3020, 4016, 4018) | 1 |
| 13 | C 14730 | SPACER - rear, frame (3016, 3018, 3020) | 2 |
| 14 | 192- 23 | LOCKWASHER - 1/2" | 4 |
| 15 | 113- 424 | BOLT - 1/2" - 13 x-1" transaxle mounting | UAR |
| 15 | 166- 85 | BOLT - 1/2" x 1", 12 pt. flange | UAR |
| 16 | 138-2073 | PIN - roll 3/16" x 1-1/4" | 2 |
| 17 | C 16373 | PIN - latch | 2 |
| 18 | C 31597 | BOLT - 1/4" - 20 x 1/2" black | 12 |
| 19 | 192- 19 | LOCKWASHER - 1/4" | 2 |
| 20 | C 31359 | COVER - access | 1 |
| 21 | 187- 1036 | SCREW - 1/4" - 20 x 1/2" self tap | 2 |
| 22 | C 31967 | SCREW - tower side | 2 |
| 23 | C 31369 | PAN - belly | 1 |
| 24 | C 31603 | RETAINER - belly pan | 6 |
| 25 | C 33472 | SEAL - engine air (4020 PIN 14176500 and after) | 1 |
| 26 | C 37140 | PAD - footrest L.H. (4020 PIN 14176500 and after) | 1 |
| 26 | C 37141 | PAD - footrest R.H. (4020 PIN 14176500 and after) | 1 |

HOOD AND GRILLE

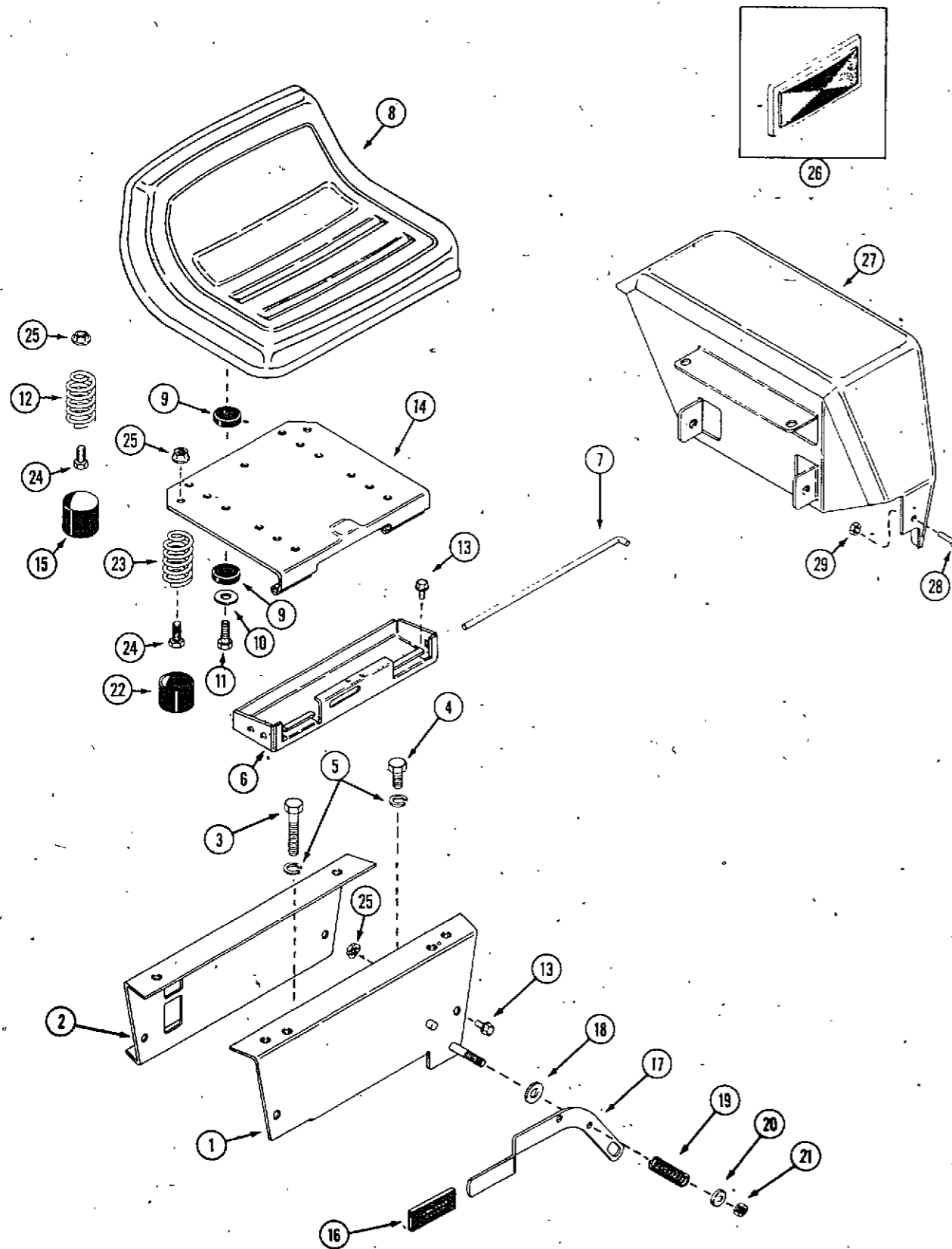


| REF. | PART NO. | DESCRIPTION | REQ'D |
|------|-----------|--|-------|
| 1 | C 31353 | HOOD | 1 |
| | C 31357 | HINGE - hood (not shown) is welded to hood | 1 |
| 2 | C 16362 | ROD - hood hinge | 1 |
| 3 | 132- 334 | PIN - cotter 1/8" x 3/4" | 1 |
| 4 | C 29314 | BUTTON - push, hood release | 1 |
| 5 | C 30126 | ROD - push, hood release | 1 |
| 6 | C 30004 | SPRING - release | 1 |
| 7 | C 33467 | LATCH - hood | 1 |
| 8 | C 31611 | BRACKET - hood stop | 2 |
| 9 | 121- 106 | BOLT - 5/16" - 18 x 1/2" flange lock | 4 |
| 10 | C 31365 | GRILLE | 1 |
| 11 | 131- 934 | NUT - 1/4" - 20 flange lock | 2 |
| 12 | C 31597 | SCREW - 1/4" - 20 x 1/2" black | 2 |
| 13 | 187- 1328 | SCREW - #8 - 18 x 3/8" | 1 |
| 14 | C 31366 | SHROUD - headlight | 1 |
| 15 | C 31612 | SHIELD - heat | 1 |

SEAT, FENDERS AND TOOL TRAY

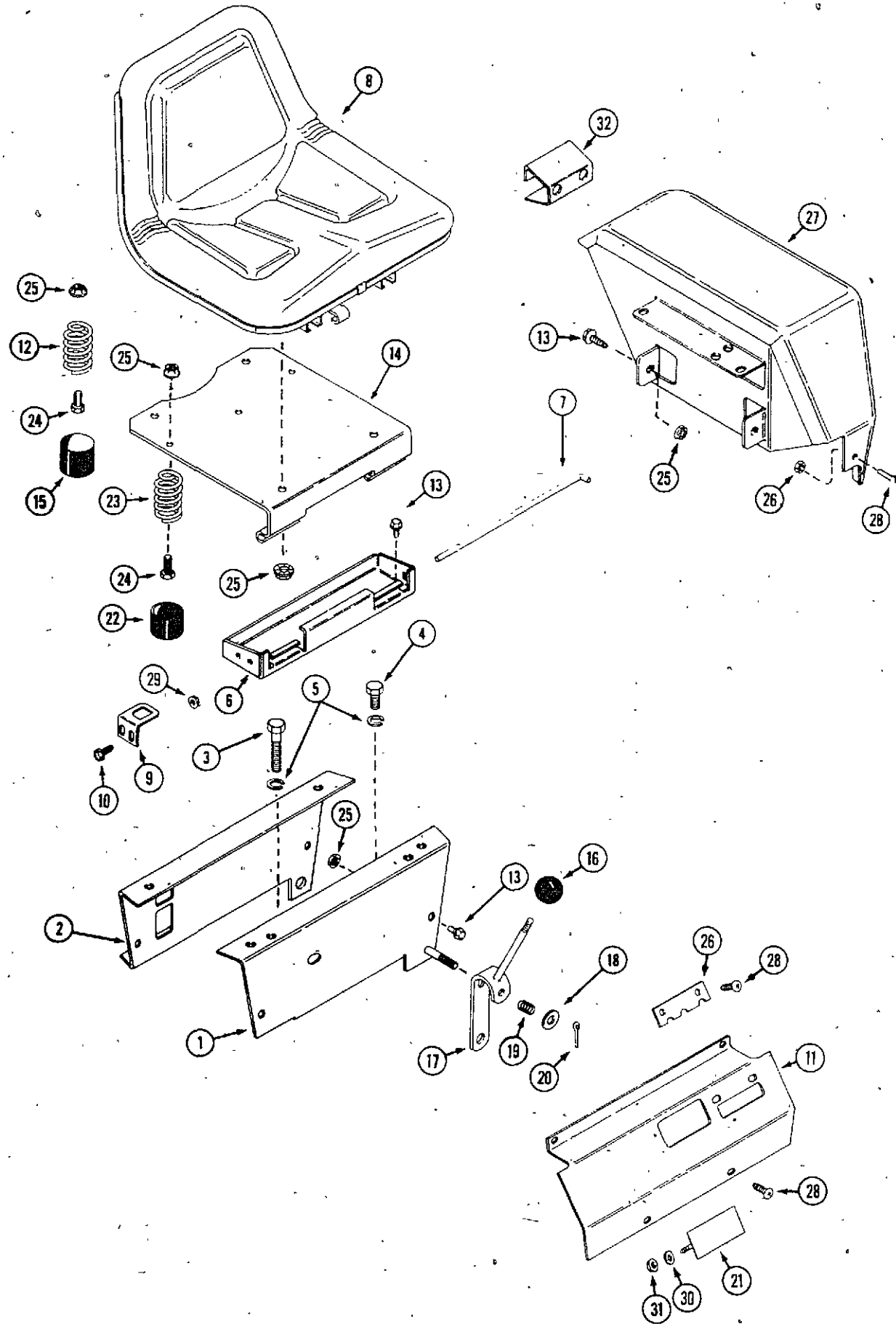
3016, 3018, 3020, 4016, 4018 - ALL

4020 - before PIN 14176500



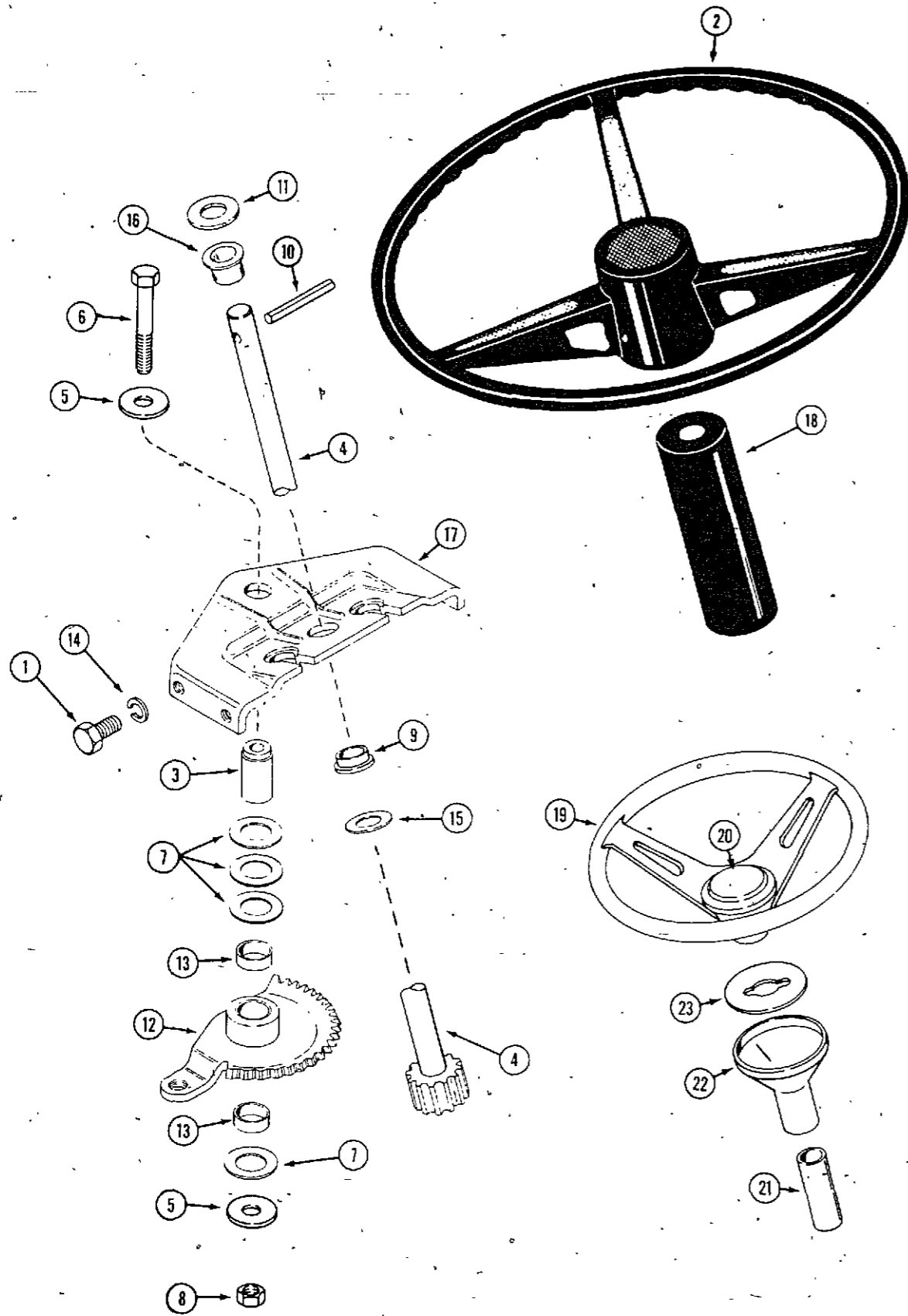
| REF. | PART NO. | DESCRIPTION | REQ'D |
|------|-----------|--|-------|
| 1 | C 31020 | SUPPORT - seat, front shown (3016, 3018, 3020) | 1 |
| 1 | C 31021 | SUPPORT - seat, front (4016, 4018, 4020) | 1 |
| 2 | C 26827 | SUPPORT - seat, rear (3016, 3018, 3020) | 1 |
| 2 | C 27224 | SUPPORT - seat, rear (4016, 4018, 4020) | 1 |
| 3 | 113- 427 | BOLT - 1/2" x 3-1/4" (3016, 3018, 3020) | 2 |
| 3 | 113- 441 | BOLT - 1/2" x 2-1/4" N.C. hex (4016, 4018, 4020) | 2 |
| 4 | 113- 424 | BOLT - 1/2" x 1" N.C. hex | 1 |
| 4 | 113- 118 | BOLT - 5/16" x 5/8" | 1 |
| 5 | 192- 20 | LOCKWASHER - 5/16" | 1 |
| 5 | 192- 23 | LOCKWASHER - 1/2" | 4 |
| 6 | C 31004 | TRAY - tool | 1 |
| 7 | C 16429 | PIN - seat hinge | 1 |
| 8 | C 30071 | SEAT - shown (black) (3016, 3018, 3020) low back | 1 |
| 8 | C 30066 | SEAT - (black) (4016, 4018, 4020) | 1 |
| 8 | C 30067 | SEAT - (black) 3016, 3018, 3020 high back | 1 |
| 9 | C 15410 | CUSHION - rubber | 8 |
| 10 | 195- 2175 | WASHER - 5/16" x 1-1/4" OD, zinc | 4 |
| 11 | 113- 122 | BOLT - 5/16" x 1-1/2" | 4 |
| 12 | C 31006 | SPRING - seat switch | 1 |
| 13 | 121- 106 | BOLT - 5/16" x 1/2" flange lock | 10 |
| 14 | C 31005 | HINGE ASSEMBLY - seat | 1 |
| 15 | C 26526 | CAP - spring | 1 |
| 16 | C 14728 | GRIP - shift lever | 1 |
| 17 | C 27594 | LEVER - shift | 1 |
| 18 | 195- 525 | WASHER - 7/16" x 1-1/4" O.D. | 1 |
| 19 | C 17216 | SPRING - shift lever | 1 |
| 20 | C 30489 | WASHER | 1 |
| 21 | 131- 1216 | NUT - lock 3/8" N.C. hex | 1 |
| 22 | C 29305 | CAP - spring | 2 |
| 23 | C 29306 | SPRING - seat | 2 |
| 24 | 113- 102 | BOLT - 5/16" - 18 x 3/4" | 3 |
| 25 | 131- 911 | NUT - 5/16" - 18 flange lock | 7 |
| 26 | C 30942 | REFLECTOR - red, rear fender | 2 |
| 27 | C 32386 | FENDER - R.H. (3016, 3018, 3020) | 1 |
| 27 | C 32385 | FENDER - L.H. shown (3016, 3018, 3020) | 1 |
| 27 | C 32388 | FENDER - R.H. (4016, 4018, 4020) | 1 |
| 27 | C 32387 | FENDER - L.H. (4016, 4018, 4020) | 1 |
| 28 | 182- 547 | SCREW - 1/4" - 20 x 1/2" | 2 |
| 29 | 131- 934 | NUT - 1/4" | 2 |

SEAT, FENDER AND TOOL TRAY
4020 - PIN 14176500 AND AFTER



| REF. | PART NO. | DESCRIPTION | REQ'D |
|------|----------|---------------------------------|-------|
| 1 | C 37262 | SUPPORT - seat, front | 1 |
| 2 | C 37266 | SUPPORT - seat, rear | 1 |
| 3 | 113- 441 | BOLT - 1/2" x 2-1/4" | 2 |
| 4 | 113- 424 | BOLT - 1/2" x 1" N.C. hex | 1 |
| 4 | 113- 118 | BOLT - 5/16" x 5/8" | 1 |
| 5 | 192- 20 | LOCKWASHER - 5/16" | 1 |
| 5 | 192- 23 | LOCKWASHER - 1/2" | 4 |
| 6 | C 37017 | TRAY - tool | 1 |
| 7 | C 16429 | PIN - seat hinge | 1 |
| 8 | C 37151 | SEAT - operator's | 1 |
| 9 | C 37060 | BRACKET - switch mounting | 1 |
| 10 | 113- 2 | BOLT - 1/4" - 20 x 5/8" | 2 |
| 11 | C 37411 | COVER - shift lever | 1 |
| 12 | G 37462 | SPRING - seat switch | 1 |
| 13 | 121- 106 | BOLT - 5/16" x 1/2" flange lock | 10 |
| 14 | C 37152 | HINGE ASSEMBLY - seat | 1 |
| 15 | C 26526 | CAP - spring | 1 |
| 16 | C 10487 | KNOB - shift lever | 1 |
| 17 | C 37247 | LEVER - shift | 1 |
| 18 | 195- 525 | WASHER - 7/16" x 1-1/4" O.D. | 1 |
| 19 | C 10482 | SPRING - shift lever | 1 |
| 20 | 132- 310 | PIN - cotter 1/8" x 1" | 1 |
| 21 | C 37460 | COVER - plate | 1 |
| 22 | C 29305 | CAP - spring | 2 |
| 23 | C 29306 | SPRING - seat | 2 |
| 24 | 113- 102 | BOLT - 5/16" - 18 x 3/4" | 3 |
| 25 | 131- 911 | NUT - 5/16" - 18 flange lock | 11 |
| 26 | C 37430 | PLATE - shift pattern | 1 |
| 27 | C 37156 | FENDER - R.H. | 1 |
| 27 | C 37155 | FENDER - L.H. | 1 |
| 28 | C 31597 | SCREW - 1/4" - 20 x 1/2" | 6 |
| 29 | 131- 934 | NUT - 1/4" | 6 |
| 30 | 195-2175 | WASHER - flat | 2 |
| 31 | 131- 934 | NUT - 1/4" - 20 flange lock | 2 |
| 32 | C 42155 | PROTECTOR - tail light | 2 |

STEERING GEAR

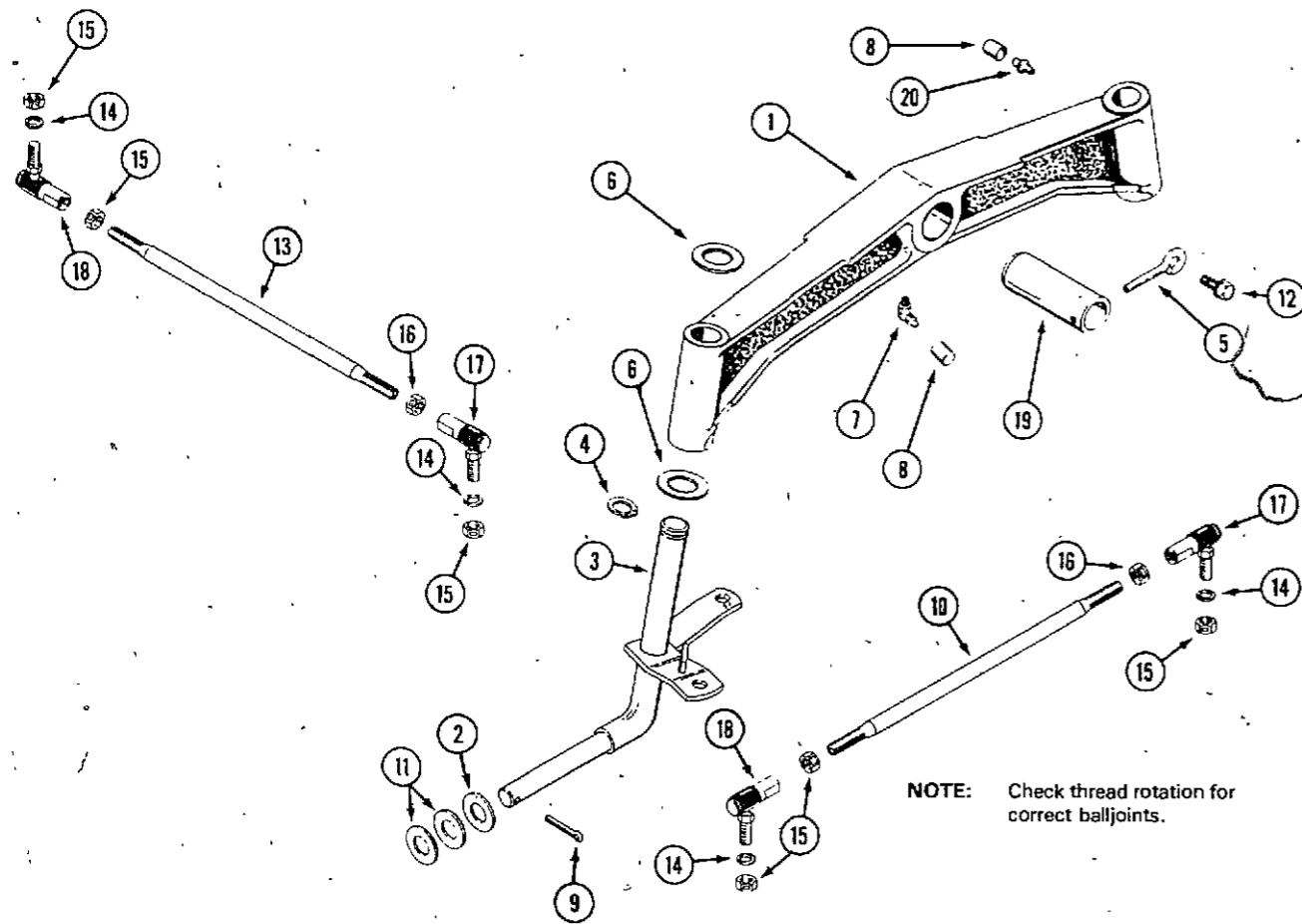


| REF. | PART NO. | DESCRIPTION | REQ'D |
|------|-----------|---|-------|
| 1 | 113- 206 | BOLT - 3/8" x 3/4" N.C. hex | 4 |
| 2 | C 26325* | WHEEL - steering | 1 |
| 3 | C 29044 | PIN - pivot | 1 |
| 4 | C 26326 | SHAFT - steering | 1 |
| 5 | C 29812 | WASHER - 3/8" x 1.4" | 2 |
| 6 | 113- 241 | BOLT - 3/8" - 16 x 3" | 1 |
| 7 | C 14201 | WASHER - shim | 4 |
| 8 | 131- 1352 | NUT - 3/8" - 16 hex lock flange | 1 |
| 9 | C 27501 | BUSHING | 1 |
| 10 | 138- 143 | PIN - roll 1/4" x 2-1/4" | 1 |
| 11 | 195- 541 | WASHER - 5/8" | UAR |
| 11 | 195- 2206 | WASHER - 5/8" x 1-1/4" x .06 | UAR |
| 12 | C 33309 | GEAR - steering | 1 |
| 13 | C 33308 | BUSHING - sleeve | 2 |
| 14 | 192- 21 | LOCKWASHER - 3/8" | 4 |
| 15 | 195- 2069 | WASHER - 5/8" zinc plated | 1 |
| 16 | C 15096 | BUSHING - flanged nylon | 1 |
| 17 | C 30019 | SUPPORT - steering gear (includes item 9) | 1 |
| 18 | C 30127* | TUBE - steering | 1 |
| 19 | C 37131** | WHEEL - steering | 1 |
| 20 | C 42849** | CAP - steering wheel | 1 |
| 21 | C 37479** | TUBE - steering | 1 |
| 22 | C 39504** | BOOT - steering column | 1 |
| 23 | C 39507** | INSERT - boot | 1 |

*Use on:
3016, 3018, 3020, 4016, 4018 - ALL
4020 - before PIN 14176500

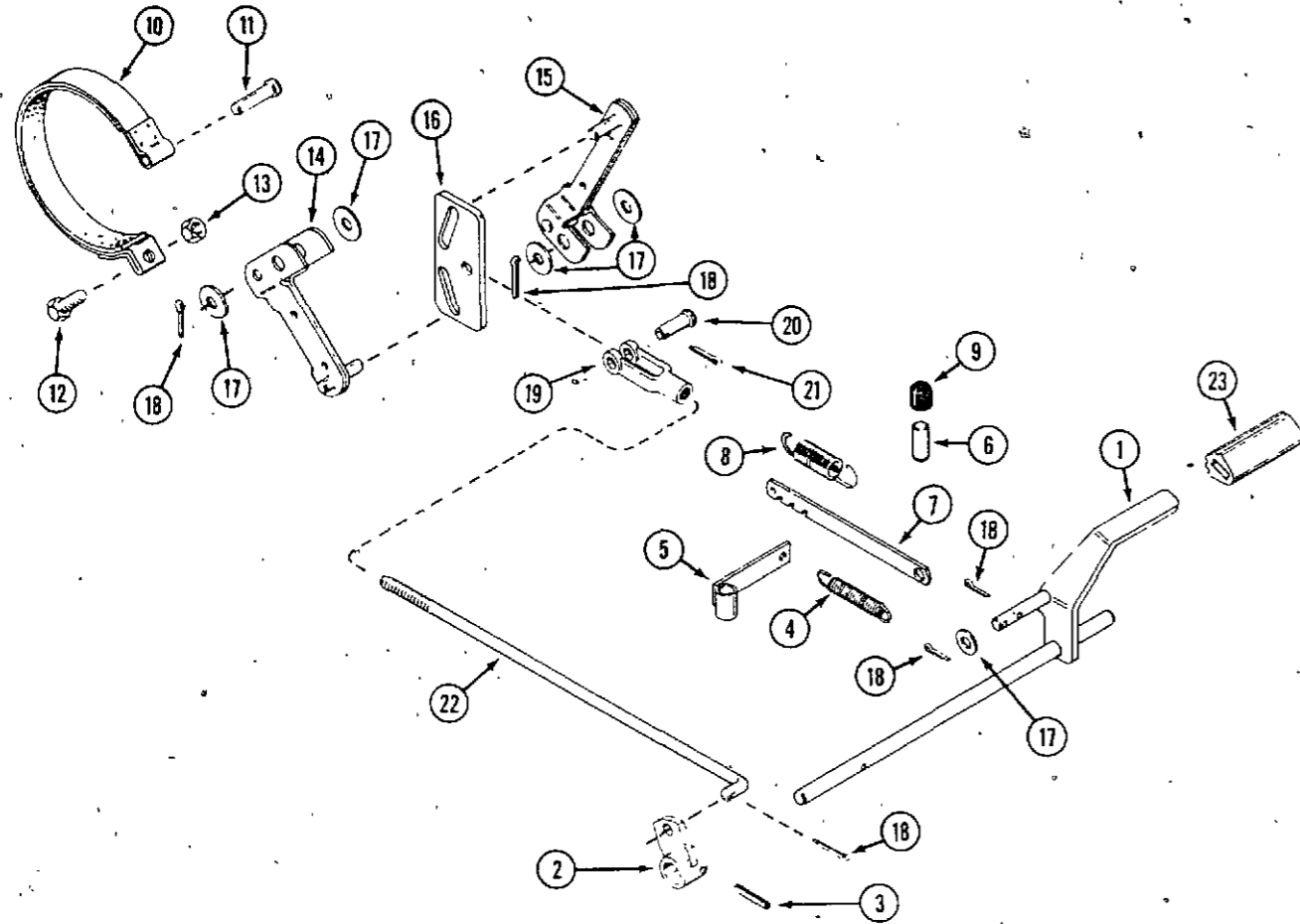
**Use on:
4020 - PIN 14176500 and After

FRONT AXLE



| REF. | PART NO. | DESCRIPTION | REQ'D |
|------|-----------|--|-------|
| 1 | C 18812 | AXLE - front (3016, 3018, 3020) | 1 |
| 1 | C 40687 | AXLE - front shown (4016, 4018, 4020) | 1 |
| 2 | C 27597 | WASHER - spacer | 2 |
| 3 | C 31338 | SPINDLE - R.H. (3016, 3018, 3020) | 1 |
| 3 | C 31341 | SPINDLE - R.H. shown (4016, 4018, 4020) | 1 |
| 3 | C 31337 | SPINDLE - L.H. (3016, 3018, 3020) | 1 |
| 3 | C 31340 | SPINDLE - L.H. (4016, 4018, 4020) | 1 |
| 4 | C 27902 | RING - retaining, spindle (4016, 4018, 4020) | 2 |
| 4 | C 28232 | RING - retaining, spindle (3016, 3018, 3020) | 2 |
| 5 | C 22278 | PIN - retaining, axle pivot | 1 |
| 6 | C 11906 | WASHER - thrust (3016, 3018, 3020) | 4 |
| 6 | C 13716 | WASHER - thrust (4016, 4018, 4020) | 4 |
| 7 | 219- 404 | FITTING - lubrication | 3 |
| 8 | C 13106 | COVER - lubrication fitting | 3 |
| 9 | 132- 311 | PIN - cotter 5/32" x 1-1/4" | 2 |
| 10 | C 25855 | TIE ROD - (4016, 4018, 4020) | 1 |
| 10 | C 25856 | TIE ROD - (3016, 3018, 3020) | 1 |
| 11 | C 28226 | WASHER - wheel spacer | UAR |
| 12 | 187- 1910 | BOLT - 3/8" - 16 x 3/4" N.C. hex head | 1 |
| 13 | C 25857 | LINK - drag | 1 |
| 14 | 192- 23 | LOCKWASHER - 1/2" zinc | 4 |
| 15 | 129- 165 | NUT - 1/2" N.F.R.H. thread, lock | 6 |
| 16 | 126- 365 | NUT - 1/2" N.F.L.H. thread, lock | 2 |
| 17 | C 13605 | BALLJOINT - 1/2" L.H. thread | 2 |
| 18 | C 12102 | BALLJOINT - 1/2" R.H. thread | 2 |
| 19 | C 22568 | PIN - axle pivot | 1 |
| 20 | 219- 17 | FITTING - lubrication | 2 |

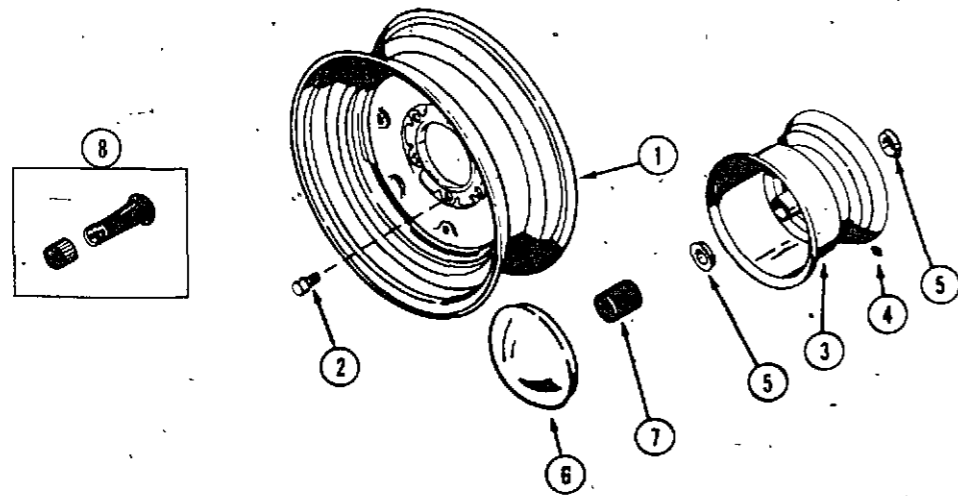
BRAKE ASSEMBLY



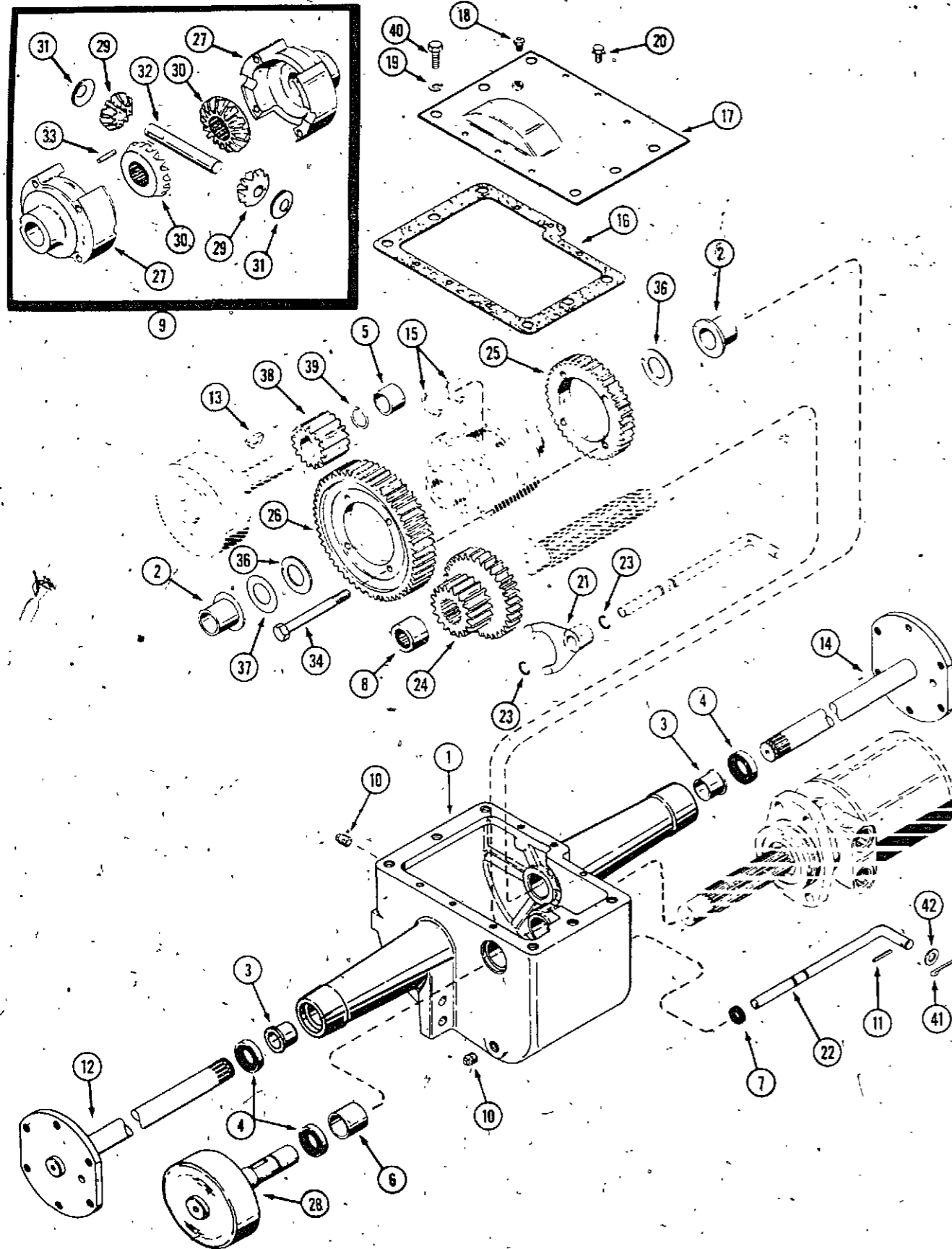
| REF. | PART NO. | DESCRIPTION | REQ'D |
|------|-----------|---------------------------------------|-------|
| 1 | C 33942 | PEDAL - brake actuating | 1 |
| 2 | C 26381 | ARM - brake pedal | 1 |
| 3 | 138- 2073 | PIN - roll 3/16" x 1-1/4" | 1 |
| 4 | C 31660 | SPRING - return | 1 |
| 5 | C 31662 | GUIDE - neutral return | 1 |
| 6 | C 31604 | ACCUATOR - parking brake | 1 |
| 7 | C 31661 | LEVER - brake lock | 1 |
| 8 | C 21942 | SPRING - brake lock | 1 |
| 9 | C 31605 | CAP - accuator | 1 |
| 10 | C 33427 | BAND - brake | 1 |
| 11 | C 23910 | PIN - clevis | 1 |
| 12 | 113- 2262 | BOLT - 3/8" - 16 x 1-1/2" hex | 1 |
| 13 | 129- 143 | NUT - 3/8" - 16 special | 1 |
| 14 | C 23899 | ARM - brake | 1 |
| 15 | C 24761 | ARM - brake (includes adjustment nut) | 1 |
| 16 | C 40646 | GUIDE - brake actuator | 1 |
| 17 | 195- 533 | WASHER - .531" I.D. | 5 |
| 18 | 132- 310 | PIN - cotter 1/8" x 1" | 5 |
| 19 | C 28978 | CLEVIS | 1 |
| 20 | 141- 4 | PIN - clevis | 1 |
| 21 | 132- 321 | PIN - cotter | 1 |
| 22 | C 31993 | ROD - brake (4016, 4018, 4020) | 1 |
| 22 | C 31992 | ROD - brake (3016, 3018, 3020) | 1 |
| 23 | C 31975 | PAD - brake pedal | 1 |

FRONT AND REAR WHEELS

| | | | |
|---|----------|---|----|
| 1 | C 30913 | WHEEL - rear, 5 bolt (3016, 3018, 3020) for 23 x 8.50 - 12 tire | 2 |
| 1 | C 30917 | WHEEL - rear, 6 bolt (4016, 4018, 4020) shown | 2 |
| 1 | C 30922 | WHEEL - rear, 5 bolt (3016, 3018) for 23 x 10.50 - 12 tire | 2 |
| 2 | C 27763 | BOLT - rear wheel (4016, 4018, 4020) | 12 |
| 2 | C 10314 | BOLT - rear wheel (3016, 3018, 3020) | 10 |
| 3 | C 30912 | WHEEL - front (includes bearings) | 2 |
| 4 | 219- 403 | FITTING - lubrication | 2 |
| 5 | C 12110 | BEARING - wheel | 2 |
| 6 | C 28965 | CAP - hub, front wheel (optional) | 2 |
| 7 | C 26021 | CAP - plastic, front | 2 |
| 8 | C 28236 | STEM - valve | 4 |
| | C 13106 | COVER - lubrication fitting | 2 |



TRANSMISSION AND FINAL DRIVE



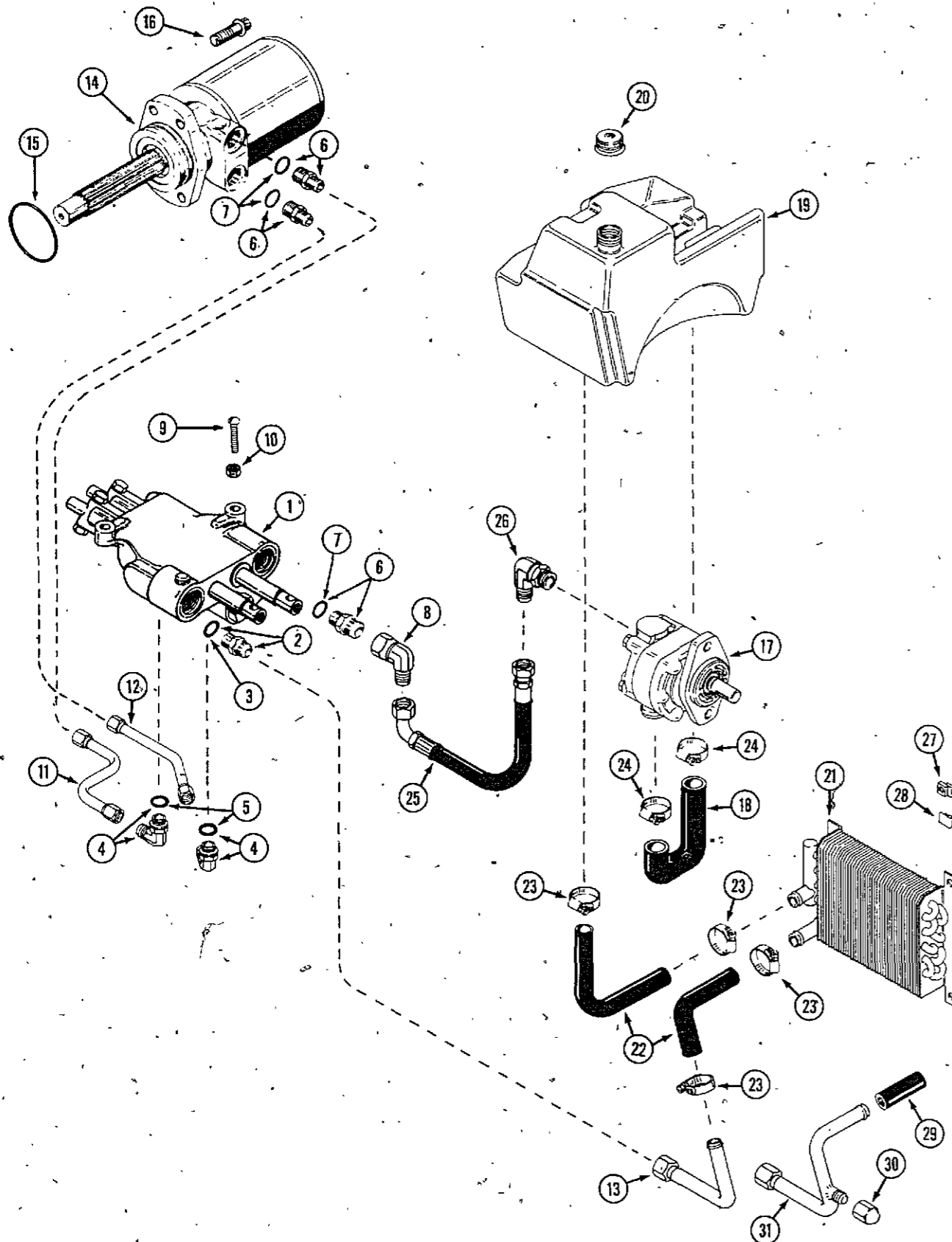
| REF. | PART NO. | DESCRIPTION | REQ'D. |
|------|-----------|--|--------|
| 1 | C 24843 | CASE ASSEMBLY - transmission | 1 |
| | NSS | CASE - transmission (order C24843) | 1 |
| 2 | C 12713 | BEARING - flange | 2 |
| 3 | C 24804 | BEARING - flange | 2 |
| 4 | C 24803 | SEAL - shaft | 3 |
| 5 | C 13241 | BEARING - sleeve | 1 |
| 6 | C 13385 | BEARING - sleeve | 1 |
| 7 | C 13266 | SEAL - shift rod | 1 |
| 8 | C 28281 | BEARING - roller | 1 |
| 9 | C 30029* | DIFFERENTIAL ASSEMBLY (also includes C30030, C30031, C12552) | 1 |
| 9 | C 36902** | DIFFERENTIAL ASSEMBLY - includes C36903, C30031, C12552 | 1 |
| 10 | 221- 3 | PLUG - filler and drain 3/8" | 3 |
| 10 | 221-1842 | PLUG - pipe 3/8" hex socket | 1 |
| 11 | 138-2073 | PIN - roll 3/16" x 1-1/4" (early production) | 1 |
| 12 | C 16699 | SHAFT - axle, short R.H. (3016, 3018, 3020) | 1 |
| 12 | C 22638 | SHAFT - axle, short R.H. shown (4016, 4018, 4020) | 1 |
| 13 | 126- 128 | KEY - Woodruff, brake idler #18, 1/4" x 1-1/8" | 1 |
| 14 | C 16700 | SHAFT - axle, long L.H. (3016, 3018, 3020) | 1 |
| 14 | C 22637 | SHAFT - axle, long L.H. shown (4016, 4018, 4020) | 1 |
| 15 | C 26342 | RING - retainer, axle | 2 |
| 16 | C 13196 | GASKET - transmission cover | 1 |
| 17 | C 36935 | COVER - transmission | 1 |
| 18 | C 28241 | BREATHER - transmission | 1 |
| 19 | 192- 23 | LOCKWASHER - 1/2" | 4 |
| 20 | 121- 21 | BOLT - 1/4" x 1/2" N.C. hex lock | 6 |
| 21 | C 12725 | FORK - shift | 1 |
| 22 | C 32486* | ROD - gear shift (uses Ref. 41 and 42) | 1 |
| 22 | C 37222** | ROD - gear shift | 1 |
| 23 | C 14168 | RING - retaining | 2 |
| 24 | C 14644* | GEAR - cluster input | 1 |
| 24 | C 36901** | GEAR - cluster input | 1 |
| 25 | C 30030* | GEAR - high 41 tooth | 1 |
| 25 | C 36903** | GEAR - high | 1 |
| 26 | C 12552 | GEAR - low 55 tooth | 1 |
| 27 | NSS | DIFFERENTIAL CASE | 1 |
| 28 | C 33305 | BRAKE DRUM | 1 |
| 29 | NSS | GEAR - differential pinion | 2 |
| 30 | NSS | GEAR - differential | 2 |
| 31 | NSS | WASHER - pinion thrust | 2 |
| 32 | NSS | PIN - differential | 1 |
| 33 | NSS | PIN - differential pin lock | 1 |
| 34 | C 30031 | KIT - screw (set of four) | 1 |
| 36 | C 12718 | WASHER - differential | 2 |
| 37 | C 14223 | WASHER - spacer | UAR |
| 38 | C 25254 | GEAR - brake idler | 1 |
| 39 | C 14222 | RING - retainer, brake idler | 1 |
| 40 | 113- 424 | BOLT - 1/2" - 13 x 1" hex | UAR |
| 40 | 166- 85 | BOLT - 1/2" - 13 x 1" 12 pt flange | UAR |
| 41 | 132- 310 | PIN - cotter 1/8" x 1" | 1 |
| 42 | 195- 541 | WASHER - .656" ID x 1.312" OD | 1 |

*Use on:
3016, 3018, 3020, 4016, 4018 - ALL
4020 - before PIN 14176500

**Use on:
4020 - PIN 14176500 and after

HYDRAULIC SYSTEM

3016, 3018, 3020, 4016, 4018 - ALL
4020 - before PIN 14176500

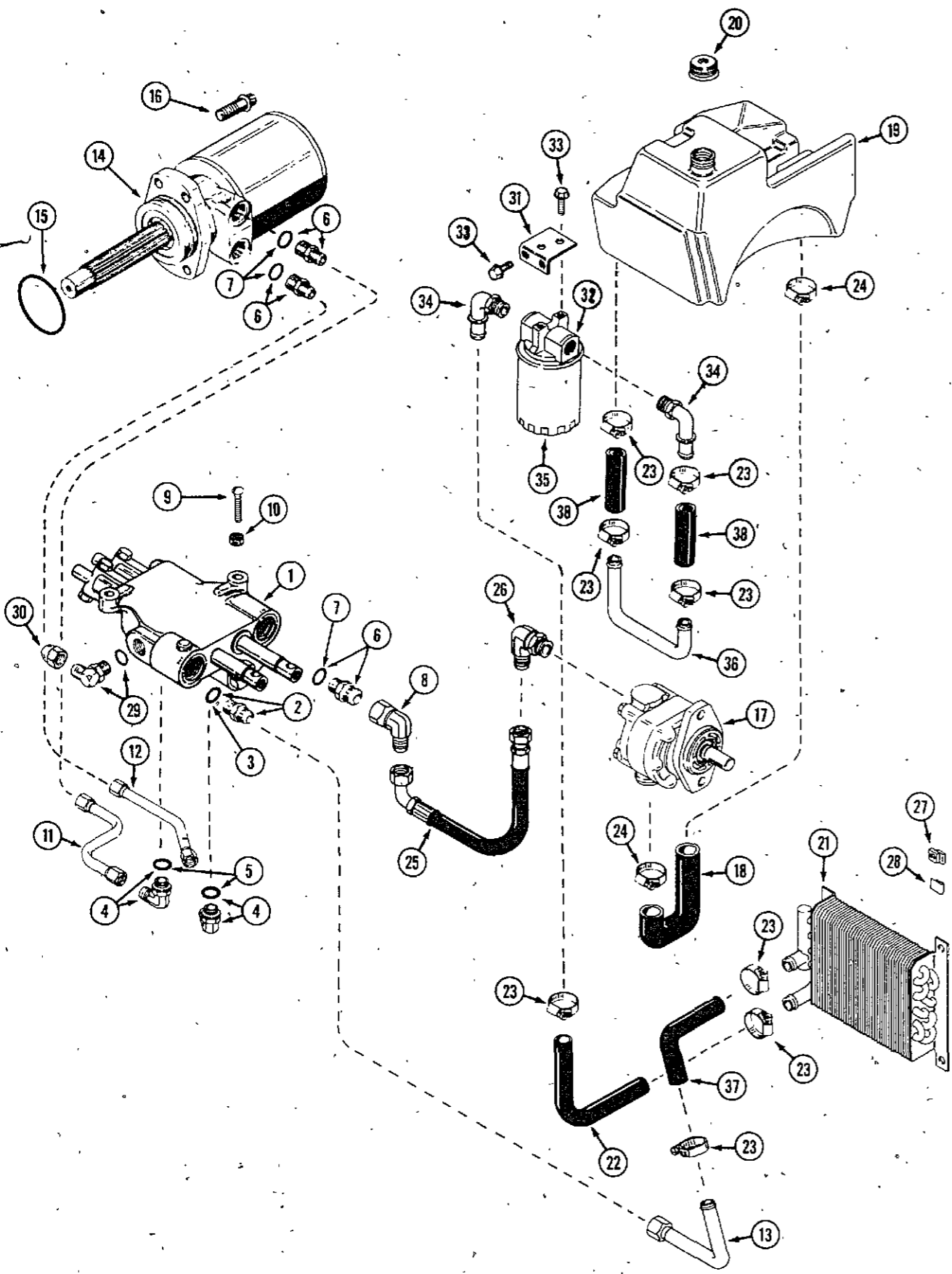


| REF. | PART NO. | DESCRIPTION | REQ'D |
|------|-----------|--|-------|
| 1 | C 29689 | VALVE - control (repairs page 47) | 1 |
| 2 | 218-5065 | FITTING - 3/4" x 7/8" "O" ring | 1 |
| 3 | 218-5007 | "O" RING | 1 |
| 4 | 218-5107 | FITTING - 90° elbow | 2 |
| 5 | 218-5007 | "O" RING | 1 |
| 6 | 218-5062 | FITTING - 5/8" x 7/8" "O" ring | 3 |
| 7 | 218-5007 | "O" RING | 1 |
| 8 | 218-5232 | FITTING - 90° elbow | 1 |
| 9 | C 27764 | SCREW - 5/16" - 18 x 1-1/4" round head | 2 |
| 10 | 131- 351 | NUT - lock 5/16" | 2 |
| 11 | C 29655 | TUBE - valve to upper motor port (3016, 3018, 3020) | 1 |
| 11 | C 29657 | TUBE - valve to upper motor port (4016, 4018, 4020) | 1 |
| 12 | C 29656 | TUBE - valve to lower motor port (3016, 3018, 3020) | 1 |
| 12 | C 29658 | TUBE - valve to lower motor port (4016, 4018, 4020) | 1 |
| 13 | C 31435* | TUBE - valve "out" to heat exchanger | 1 |
| 14 | C 30939 | MOTOR - hydraulic (3016, 3018, 3020) (repairs page 49) | 1 |
| 14 | C 33234 | MOTOR - hydraulic (4016, 4018, 4020) (repairs page 49) | 1 |
| 15 | C 28949 | SEAL - motor to transmission | 1 |
| 16 | 166- 85 | SCREW - 1/2" - 18 x 1" 12 pt. flange | 4 |
| 17 | C 31958 | PUMP - hydraulic 1/2" shaft (repairs page 51) | 1 |
| 18 | C 33423 | HOSE - pump inlet | 1 |
| 19 | C 33180 | RESERVOIR - oil | 1 |
| 20 | C 25237 | CAP - reservoir | 1 |
| 21 | C 31295 | EXCHANGER - heat | 1 |
| 22 | C 31431 | HOSE - formed 90° 6-3/4" x 6-3/4" (cut to length) | 2 |
| 23 | 214- 254 | CLAMP - hose 1-1/4" | 4 |
| 24 | 214- 14 | CLAMP - hose 1-3/8" | 2 |
| 25 | C 31966 | HOSE - pump to valve | 1 |
| 26 | 218-5117 | FITTING - 90° elbow | 1 |
| 27 | C 31973 | "J" NUT - 1/4" - 20 | 4 |
| 28 | C 31974 | "U" Clip - retainer | 4 |
| 29 | NSS** | HOSE - hydraulic (use C29697 cut to length) | 1 |
| 30 | 218- 754 | CAP - hydraulic nut | 1 |
| 31 | C 33155** | TUBE - valve "out" to heat exchanger | 1 |

*Use before PIN:
**Use PIN and after:

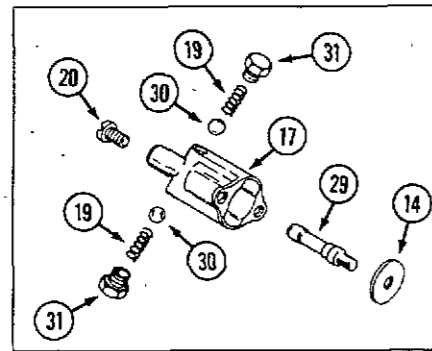
- 3016 - 14137800 to 14147800
- 3018 - 14138800
- 3020 - 14133220
- 4016 - 14139600 to 14149628
- 4018 - 14140900
- 4020 - 14141900

HYDRAULIC SYSTEM
4020 - PIN 14176500 and after

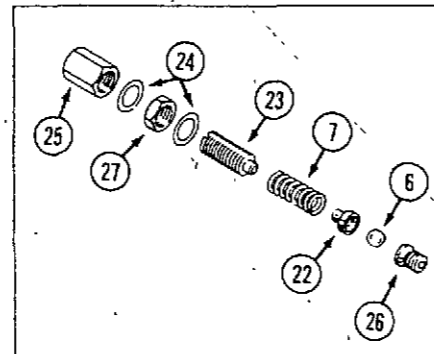


| REF. | PART NO. | DESCRIPTION | REQ'D |
|------|-----------|---|-------|
| 1 | C 33473 | VALVE - control (repairs page 47) | 1 |
| 2 | 218- 5065 | FITTING - 3/4" x 7/8" "O" ring | 1 |
| 3 | 218- 5007 | "O" RING | 1 |
| 4 | 218- 5107 | FITTING - 90° elbow | 2 |
| 5 | 218- 5007 | "O" RING | 1 |
| 6 | 218- 5062 | FITTING - 5/8" x 7/8" "O" ring | 3 |
| 7 | 218- 5007 | "O" RING | 1 |
| 8 | 218- 5232 | FITTING - 90° elbow | 1 |
| 9 | C 27764 | SCREW - 5/16" - 18 x 1-1/4" round head | 2 |
| 10 | 131- 351 | NUT - lock 5/16" | 2 |
| 11 | C 37309 | TUBE - valve to upper motor port | 1 |
| 12 | C 37310 | TUBE - valve to lower motor port | 1 |
| 13 | C 31435 | TUBE - valve "out" to heat exchanger | 1 |
| 14 | C 33234 | MOTOR - hydraulic (repairs page 49) | 1 |
| 15 | C 28949 | SEAL - motor to transmission | 1 |
| 16 | 166- 86 | SCREW - 1/2" - 18 x 1-1/4" 12 pt. flange | 4 |
| 17 | C 31958 | PUMP - hydraulic 1/2" shaft (repairs page 51) | 1 |
| 18 | C 33423 | HOSE - pump inlet | 1 |
| 19 | C 33180 | RESERVOIR - oil | 1 |
| 20 | C 37093 | CAP - reservoir | 1 |
| 21 | C 31295 | EXCHANGER - heat | 1 |
| 22 | C 33555 | HOSE - formed 90° 6-1/4" x 5" | 1 |
| 23 | 214- 254 | CLAMP - hose 1-1/4" | 8 |
| 24 | 214- 14 | CLAMP - hose 1-3/8" | 2 |
| 25 | C 31966 | HOSE - pump to valve | 2 |
| 26 | 218- 5117 | FITTING - 90° elbow | 1 |
| 27 | C 31973 | "J" NUT - 1/4" - 20 | 4 |
| 28 | C 31974 | "U" Clip - retainer | 4 |
| 29 | C 37425 | FITTING - 90° 3/8" tube x 1/2" - 20 | 1 |
| 30 | 218- 754 | CAP - 3/8" tube | 1 |
| 31 | C 33577 | BRACKET - oil filter | 1 |
| 32 | C 33446 | HEAD - oil filter | 1 |
| 33 | 121- 21 | BOLT - 1/4" - 20 x 1/2" | 1 |
| 34 | 217- 333 | FITTING - 90° 3/8" NPTF x 3/4" hose | 2 |
| 35 | C 33445 | FILTER - oil | 1 |
| 36 | C 33544 | TUBE - filter to tank | 1 |
| 37 | C 33556 | HOSE - formed 90° 3-1/2" x 3-1/2" | 1 |
| 38 | C 14619 | HOSE - 3/4" x 4" | 2 |
| 39 | 192- 23 | LOCKWASHER - 1/2" | 4 |

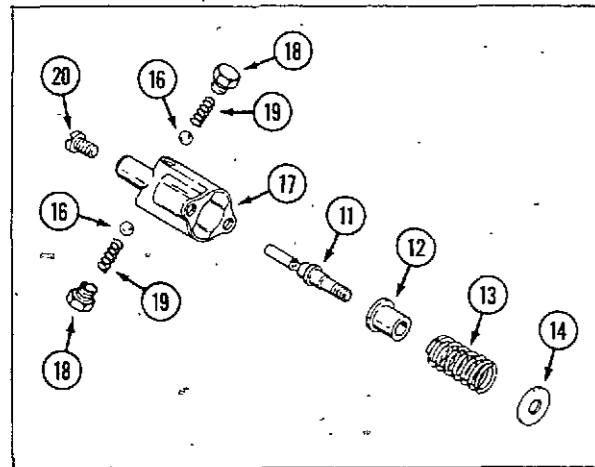
HYDRAULIC CONTROL VALVE



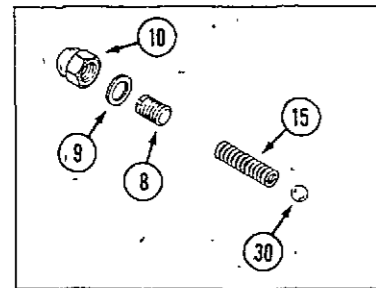
TRAVEL SECTION DETENT GROUP



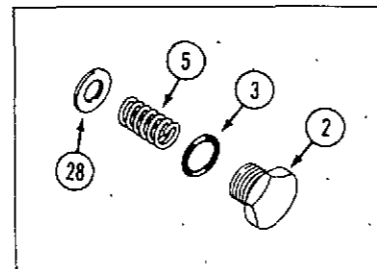
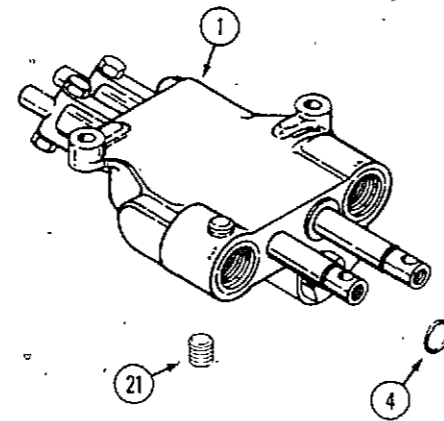
TRAVEL SECTION RELIEF GROUP



LIFT SECTION DETENT GROUP



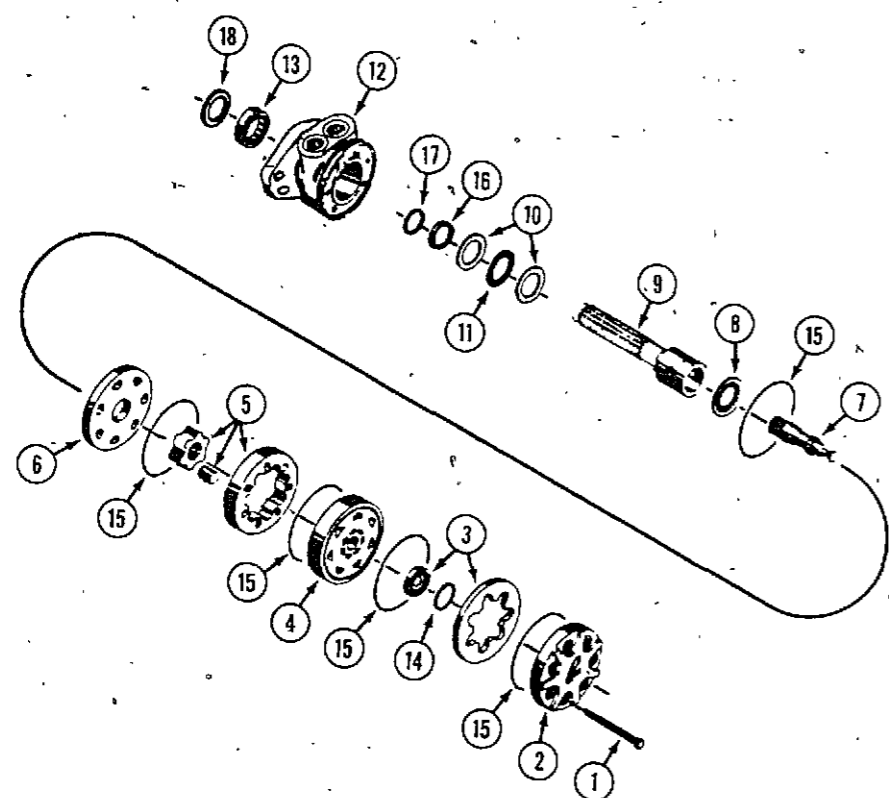
LIFT SECTION RELIEF GROUP



HOLDING SECTION GROUP

| REF. | PART NO. | DESCRIPTION | REQ'D |
|------|----------|---|-------|
| 1 | C 29689 | VALVE - control, two spool | 1 |
| 2 | C 29956 | CAP - end | 2 |
| 3 | C 28217 | "O" RING - end cap | 1 |
| 4 | C 28856 | SEAL - spool | 4 |
| 5 | C 29951 | SPRING - centering | 2 |
| 6 | 211- 208 | BALL - steel 5/16" (7.94 mm) | 1 |
| 7 | C 21507 | SPRING - relief | 2 |
| 8 | C 17433 | SCREW - relief adjust | 1 |
| 9 | C 17435 | GASKET - relief adjust cap | 1 |
| 10 | 129- 531 | CAP - adjust screw | 2 |
| 11 | C 26668 | DETENT - spool | 1 |
| 12 | C 28707 | SPACER - detent | 1 |
| 13 | C 28706 | SPRING - detent return | 1 |
| 14 | C 28705 | WASHER - return | 2 |
| 15 | NSS | SPRING - relief (use C21511 relief kit) | 1 |
| 16 | 211- 5 | BALL - steel 3/16" (4.76 mm) | 2 |
| 17 | C 17438 | COVER - detent | 1 |
| 18 | C 28708 | SCREW - detent | 2 |
| 19 | C 17444 | SPRING - detent | 4 |
| 20 | 169- 114 | SCREW - cover | 4 |
| 21 | 221- 841 | PLUG - pipe | 1 |
| 22 | C 21506 | RETAINER - ball seat | 1 |
| 23 | C 26665 | SCREW - adjust, relief | 1 |
| 24 | C 26664 | GASKET - adjust cap | 1 |
| 25 | C 26666 | CAP - adjust screw | 1 |
| 26 | C 26663 | SEAT - relief ball | 1 |
| 27 | 129- 166 | NUT - lock | 1 |
| 28 | C 29950 | WASHER - spring retaining | 2 |
| 29 | C 29958 | DETENT - spool | 1 |
| 30 | 211- 7 | BALL - steel 1/4" (6.35 mm) | 2 |
| 31 | C 17443 | SCREW - detent | 2 |
| | C 30002 | KIT - seal | 1 |

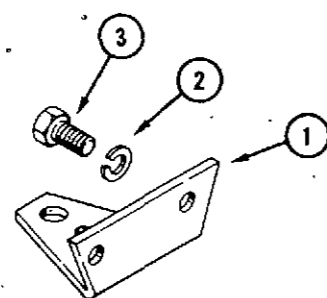
HYDRAULIC DRIVE MOTOR



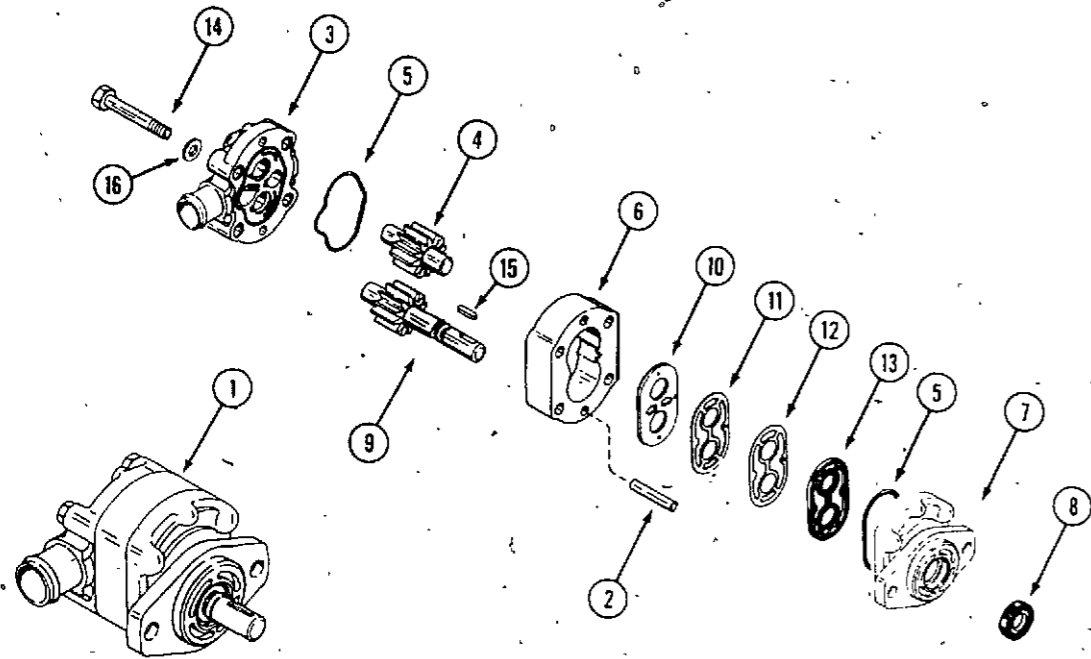
| REF. | PART NO. | DESCRIPTION | REQ'D |
|------|----------|--|-------|
| | C 33234 | MOTOR - hydraulic (4016, 4018, 4020) | 1 |
| | C 30939 | MOTOR - hydraulic (3016, 3018, 3020) | 1 |
| 1 | 28- 668 | BOLT - 3/8" - 24 x 4-1/4" (3016, 3018, 3020) | 7 |
| 1 | C 31327 | BOLT - 3/8" - 24 x 4-5/8" (4016, 4018, 4020) | 7 |
| 2 | C 31309 | COVER - end | 1 |
| 3 | C 31310 | COMMUTATOR AND RING SET | 1 |
| 4 | C 31311 | MANIFOLD | 1 |
| 5 | C 31312 | ROTOR ASSEMBLY (3016, 3018, 3020) | 1 |
| 5 | C 31313 | ROTOR ASSEMBLY (4016, 4018, 4020) | 1 |
| 6 | C 31314 | PLATE - wear | 1 |
| 7 | C 31315 | LINK - drive (3016, 3018, 3020) | 1 |
| 7 | C 31316 | LINK - drive (4016, 4018, 4020) | 1 |
| 8 | C 31317 | BEARING - thrust | 1 |
| 9 | C 31318 | SHAFT - coupling | 7 |
| 10 | C 31319 | WASHER - thrust | 2 |
| 11 | C 31320 | BEARING - thrust | 1 |
| 12 | C 31321 | HOUSING - drive end | 1 |
| 13 | C 31322 | BEARING - outer | 1 |
| | C 31323 | KIT - seal | 1 |
| 14 | NSS | SEAL - commutator ring | 1 |
| 15 | NSS | SEAL - ring | 5 |
| 16 | NSS | SEAL - ring | 1 |
| 17 | NSS | WASHER - backup | 1 |
| 18 | NSS | SEAL - dirt (not used) | 1 |

DRAWBAR AND TOW HITCH

| | | | |
|---|----------|---------------------------|---|
| 1 | C 13360 | DRAWBAR | 1 |
| 2 | 192- 23 | LOCKWASHER - 1/2" | 2 |
| 3 | 113- 424 | BOLT - 1/2" x 1" N.C. hex | 2 |



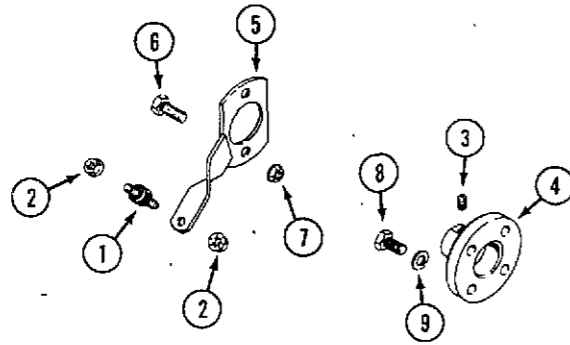
HYDRAULIC PUMP (PARKER-HANNIFIN)



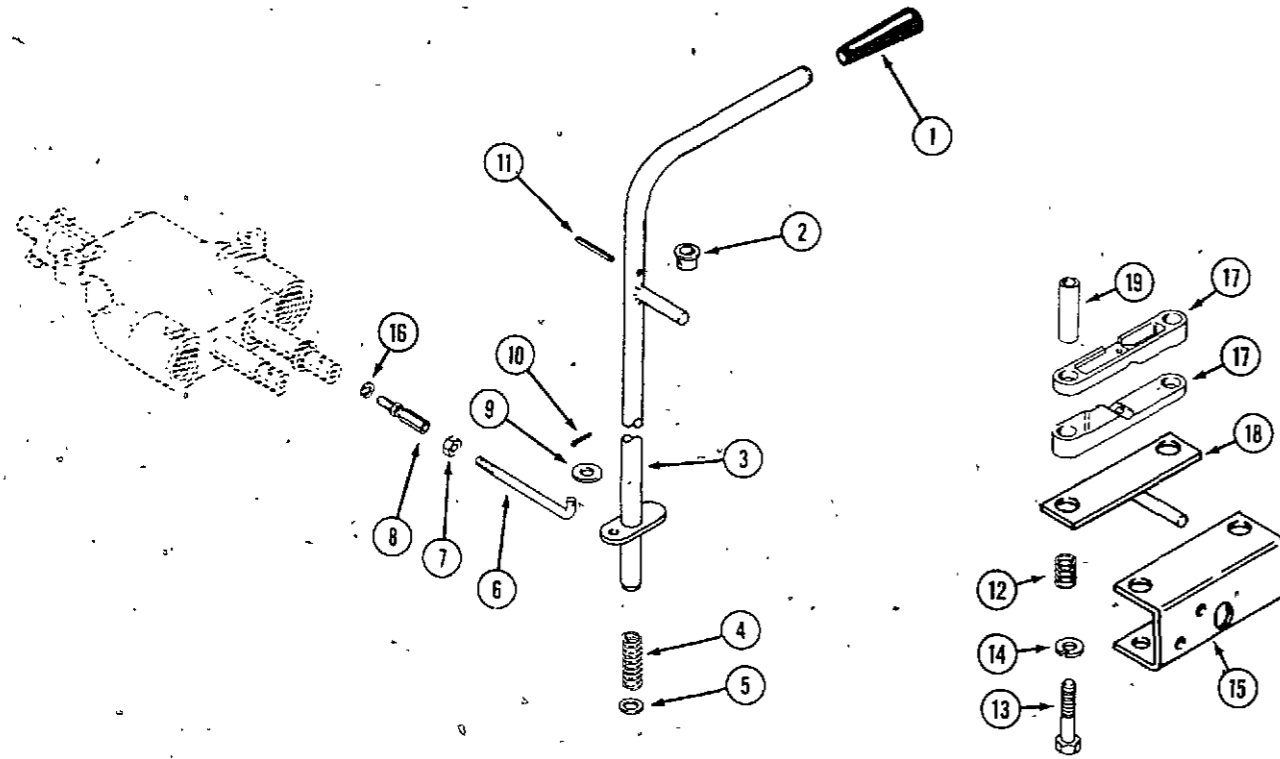
| REF. | PART NO. | DESCRIPTION | REQ'D |
|------|----------|---|-------|
| 1 | C 31958 | PUMP - hydraulic 1/2" shaft | 1 |
| 2 | F 53109 | PIN - dowel | 2 |
| 3 | C 31987 | COVER - rear | 1 |
| 4 | C 15731 | GEAR ASSEMBLY - driven | 1 |
| 5 | C 15732 | "O" RING - cover | 2 |
| 6 | C 15733 | BODY - pump | 1 |
| 7 | C 15734 | COVER - front | 1 |
| 8 | C 15735 | SEAL - shaft | 1 |
| 9 | NSS | GEAR ASSEMBLY - drive (1/2" shaft) (use C31958) | 1 |
| 10 | C 15737 | PLATE - wear | 1 |
| 11 | C 15738 | SHIELD - heat | 1 |
| 12 | C 15739 | GASKET | 1 |
| 13 | C 15740 | SEAL | 1 |
| 14 | 113- 111 | BOLT | 4 |
| 15 | C 31988 | KEY - 1/8" square x 3/4" long (1.587 mm x 19.05 mm) | 1 |
| 16 | C 19115 | WASHER | 4 |

PUMP MOUNTING COMPONENTS

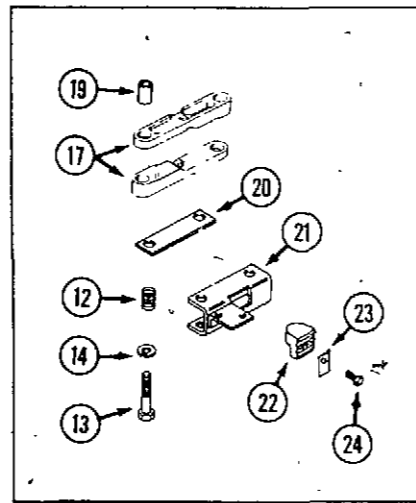
| | | | |
|---|-----------|---|---|
| 1 | NSS | MOUNT - rubber (use C32437) | 1 |
| 2 | 131- 911 | NUT - 5/16" - 18 flange lock | 2 |
| 3 | 83- 55 | SCREW - set 5/16" - 18 x 5/16" socket (use loctite) | 2 |
| 4 | C 31964 | ADAPTER - drive | 1 |
| 5 | NSS | PLATE - pump torque arm (use C33506) | 1 |
| 6 | 113- 208 | BOLT - 3/8" - 16 x 1-1/4" hex | 2 |
| 7 | 131- 1352 | NUT - 3/8" - 16 flange lock | 2 |
| 8 | 113- 103 | BOLT - 5/16" - 18 x 1" hex | 4 |
| 9 | 192- 20 | LOCKWASHER - 5/16" | 4 |



SPEED CONTROL



| REF. | PART NO. | DESCRIPTION | QTY. |
|------|-----------|-----------------------------------|------|
| 1 | C 29047 | KNOB - speed control | 1 |
| 2 | C 29636 | BUSHING - lever | 1 |
| 3 | C 32509+ | LEVER - speed control (shown) | 1 |
| 3 | C 37250++ | LEVER - speed control | 1 |
| 4 | C 10482 | SPRING - compression | 1 |
| 5 | C 21518 | WASHER - nylon | 1 |
| 6 | C 31670* | ROD - control | 1 |
| 7 | 129- 122 | NUT - 5/16" N.F. hex, zinc plated | 1 |
| 8 | C 19025* | JOINT - ball | 1 |
| 9 | NSS | WASHER - 5/16" (not required) | 1 |
| 10 | 132- 320 | PIN - cotter 3/32" x 3/4" | 1 |
| 11 | 138- 2072 | PIN - roll 1/8" x 1-3/4" | 1 |
| 12 | C 30827 | SPRING - locator | 2 |
| 13 | 113- 14 | BOLT - 1/4" 20 x 2" | 2 |
| 14 | 192- 19 | LOCKWASHER - 1/4" | 2 |
| 15 | C 31678 | CARRIER - locator | 1 |
| 16 | 192- 20 | LOCKWASHER - 5/16" | 1 |
| 17 | C 32362 | LOCATOR - half | 2 |
| 18 | C 31674 | ACCUATOR - switch | 1 |
| 19 | C 29653 | SPACER - tube | 2 |
| 20 | C 37254 | SUPPORT - locator | 1 |
| 21 | C 37255 | CARRIER - locator | 1 |
| 22 | C 37198 | CAM - switch | 1 |
| 23 | C 44029 | RETAINER - switch lever | 1 |
| 24 | 187- 1328 | SCREW - #8 - 18 x 3/8" | 1 |



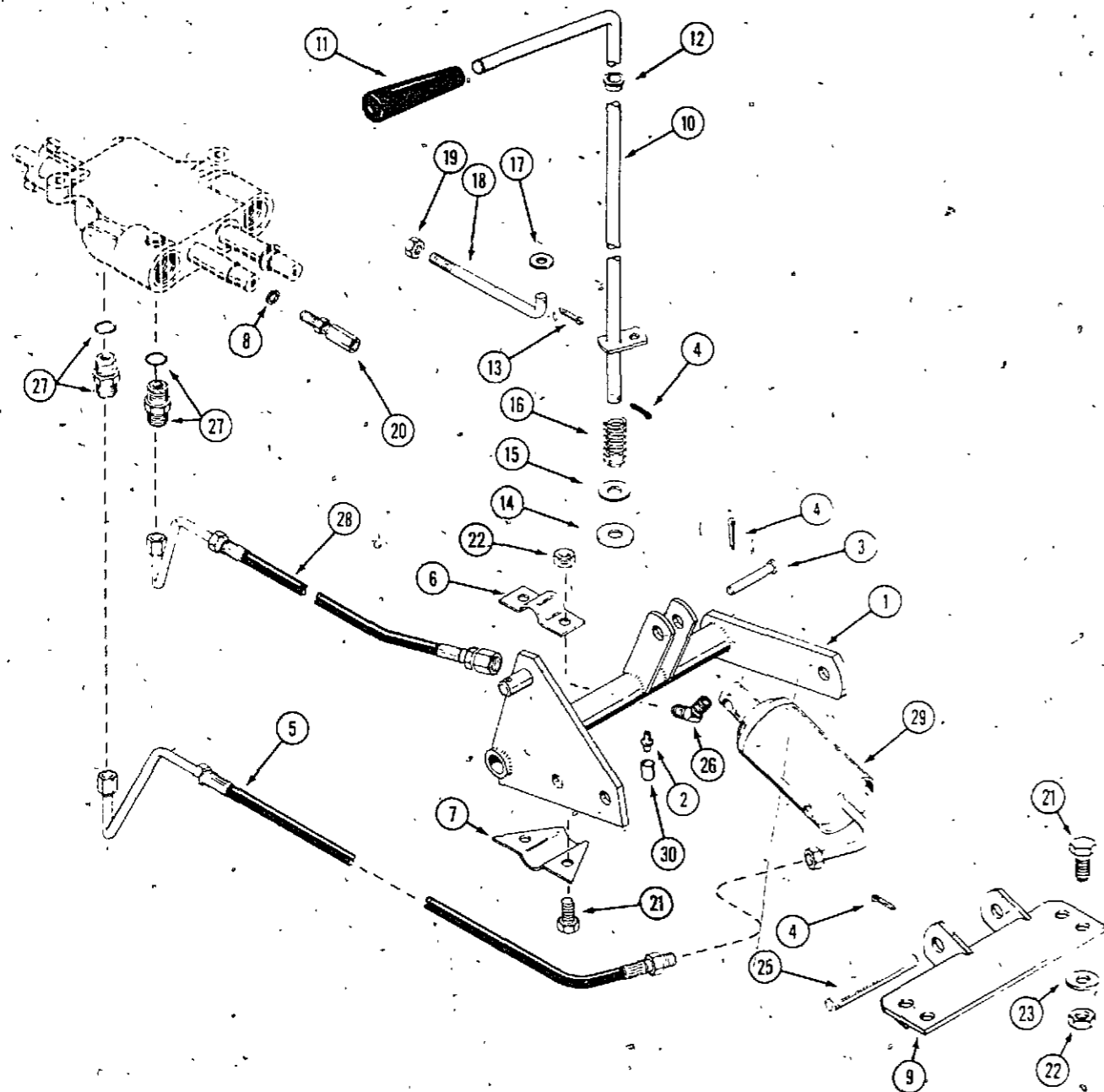
* order both C31670 rod + C19025 joint if other than illustrated or if tractor is between the following S/N:

- 3016 - 14126892 to 14126985
- 3018 - 14132566 to 14132607
- 3020 - not affected
- 4016 - 14128552 to 14128650
- 4018 - 14129714 to 14129813
- 4020 - 14130956 to 14131047

+ use on
3016, 3018, 3020, 4016, 4018 - All
4020 - before PIN 14176500

++ use on
4020 - PIN 14176500 and after

HYDRAULIC LIFT



| REF. | PART NO. | DESCRIPTION | REQ'D. |
|------|-----------|--|--------|
| 1 | C 32259 | SHAFT ASSEMBLY - lift | 1 |
| 2 | 219- 17 | FITTING - lubrication | 1 |
| 3 | C 29693 | PIN - cylinder to lever, clevis | 1 |
| 4 | 132- 310 | PIN - cotter 1/8" x 1" | 5 |
| 5 | C 17734 | HOSE - long | 1 |
| 6 | C 17249 | BRACKET - mounting, top | 2 |
| 7 | C 17250 | BRACKET - mounting, bottom | 2 |
| 8 | 192- 20 | LOCKWASHER - 5/16" | 1 |
| 9 | NSS | BRACKET - cylinder (use C33138 kit) | 1 |
| 10 | C 33491+ | LEVER - lift control shown | 1 |
| 10 | C 33956++ | LEVER - lift control | 1 |
| 11 | C 29045 | KNOB - control lever | 1 |
| 12 | C 29636 | BUSHING - lift lever | 1 |
| 13 | 132- 320 | PIN - cotter 3/32" x 3/4" | 1 |
| 14 | 195- 533 | WASHER - 1/2" | 1 |
| 15 | C 21518 | WASHER - nylon | 1 |
| 16 | C 31681 | SPRING - control lever | 1 |
| 17 | 195- 521 | WASHER - 5/16" | 1 |
| 18 | C 31670* | ROD - control | 1 |
| 19 | 129- 122 | NUT - 5/16" N.F. hex | 1 |
| 20 | C 19025* | BALLJOINT | 1 |
| 21 | 113- 209 | BOLT - 3/8" x 1-1/2" N.C. hex | 4 |
| 22 | 131- 938 | NUT - lock 3/8" N.C. hex flange | 8 |
| 23 | 195- 104 | WASHER - 3/8" x 1-1/8" O.D. | 4 |
| 25 | C 26188 | PIN - cylinder base | 1 |
| 26 | 218-1093 | FITTING - hydraulic 45° elbow | 1 |
| 27 | 218-5056 | FITTING - valve (includes 218-5004 "O" ring) | 2 |
| 28 | C 31682 | HOSE - short | 1 |
| 29 | C 27590 | CYLINDER - lift | 1 |
| | C 30054 | KIT - seal | 1 |
| 30 | C 13106 | COVER - lubrication fitting | 1 |

* order both C31670 rod and C19025 joint if other than illustrated or if tractor is between the following S/N:

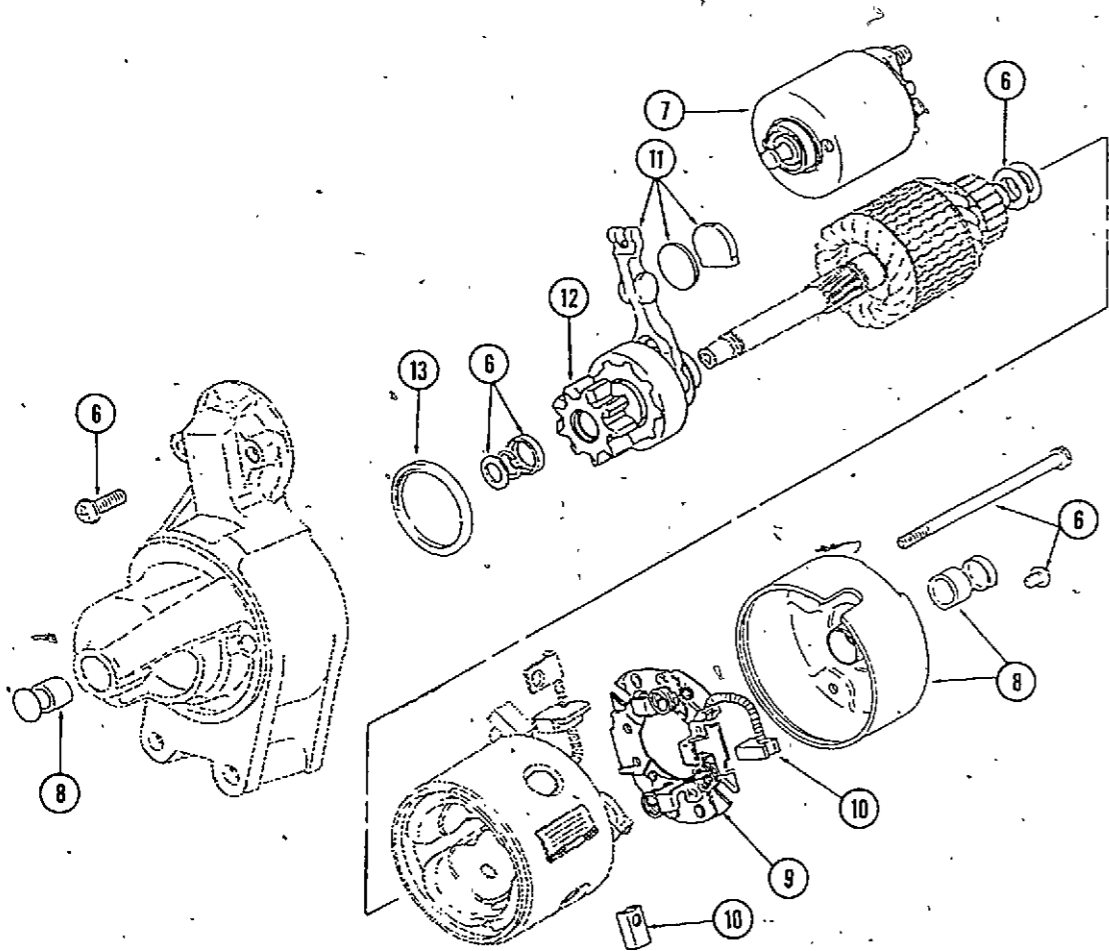
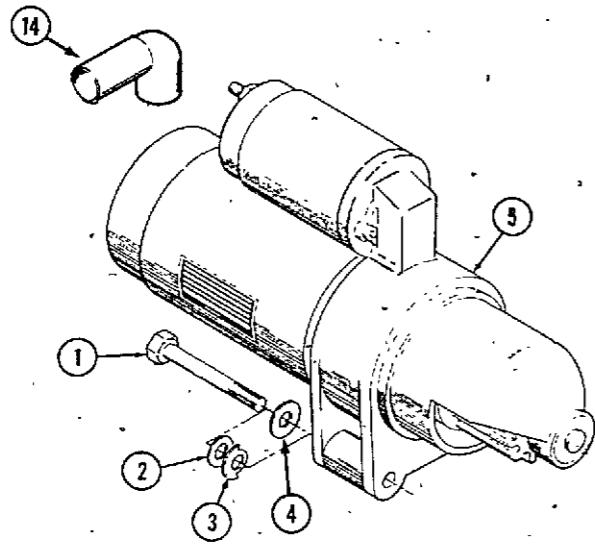
- 3016 - 14126892 to 14126985
- 3018 - 14132566 to 14132607
- 3020 - not affected
- 4016 - 14128552 to 14128650
- 4018 - 14129714 to 14129813
- 4020 - 14130956 to 14131047

+ use on:
3016, 3018, 3020, 4016, 4018 - All
4020 - before PIN 14176500

++ use on:
4020 - PIN 14176500 and after

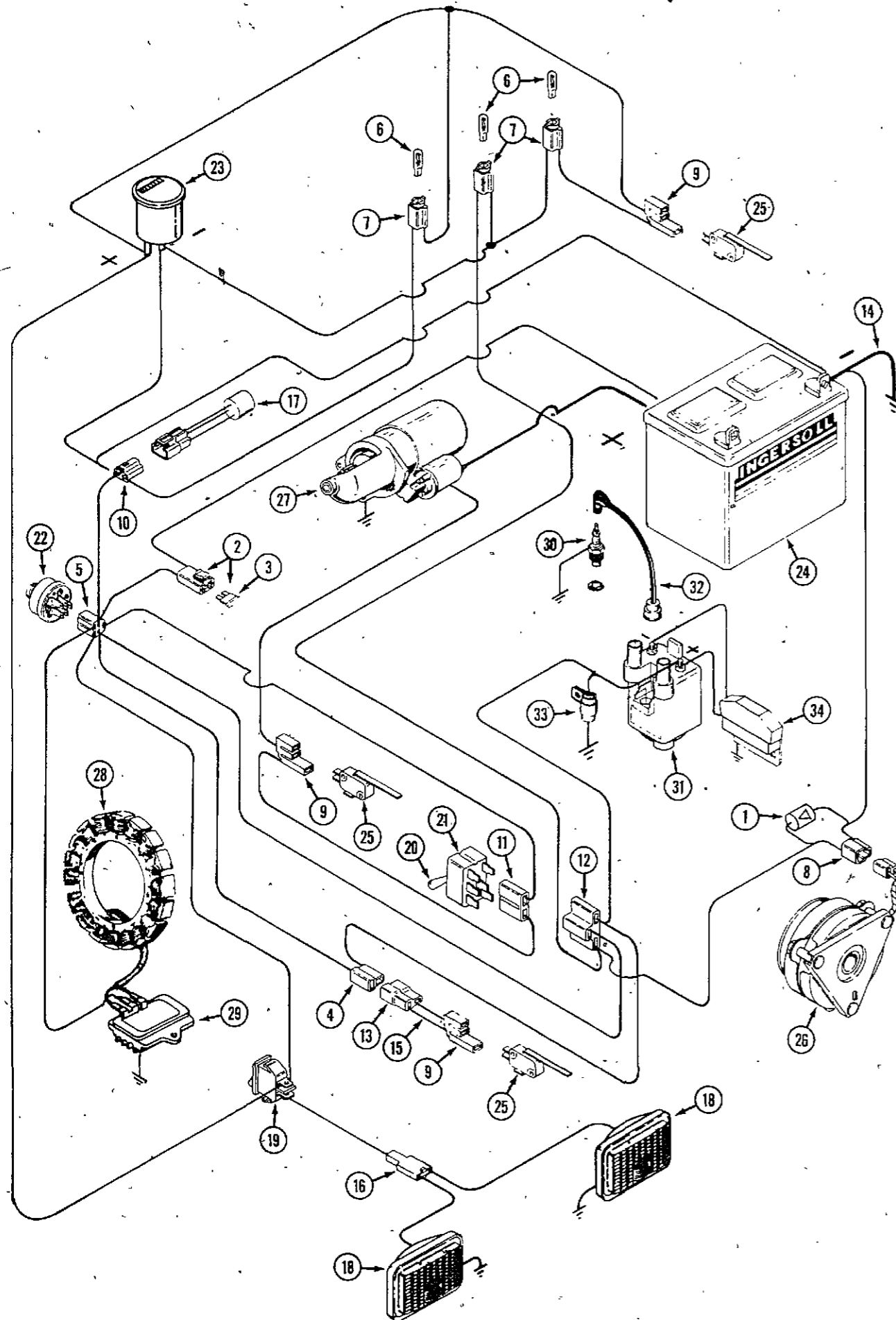
STARTER

| REF. | PART NO. | DESCRIPTION | REQ'D |
|------|----------|--|-------|
| 1 | C 32448 | BOLT - thru 5/16" - 18 x 3-1/2" | 2 |
| 2 | 192- 20 | LOCKWASHER - 5/16" | 2 |
| 3 | C 32449 | WASHER - special (outside mounting bolt) | 1 |
| 4 | C 20248 | WASHER - 5/16" (inside mounting bolt) | 1 |
| 5 | C 32312 | STARTER ASSEMBLY | 1 |
| 6 | C 32313 | KIT - hardware | 1 |
| 7 | C 32314 | KIT - solenoid (includes plunger) | 1 |
| 8 | C 32315 | KIT - bushing (includes rear cap) | 1 |
| 9 | C 32316 | HOLDER - brush (includes negative brush) | 1 |
| 10 | C 32317 | KIT - brush | 1 |
| 11 | C 32318 | KIT - shift lever | 1 |
| 12 | C 32319 | CLUTCH - starter (includes gear) | 1 |
| 13 | C 32320 | SEAL - dust | 1 |
| 14 | C 31618 | COVER - terminal | 1 |



ELECTRICAL SYSTEM

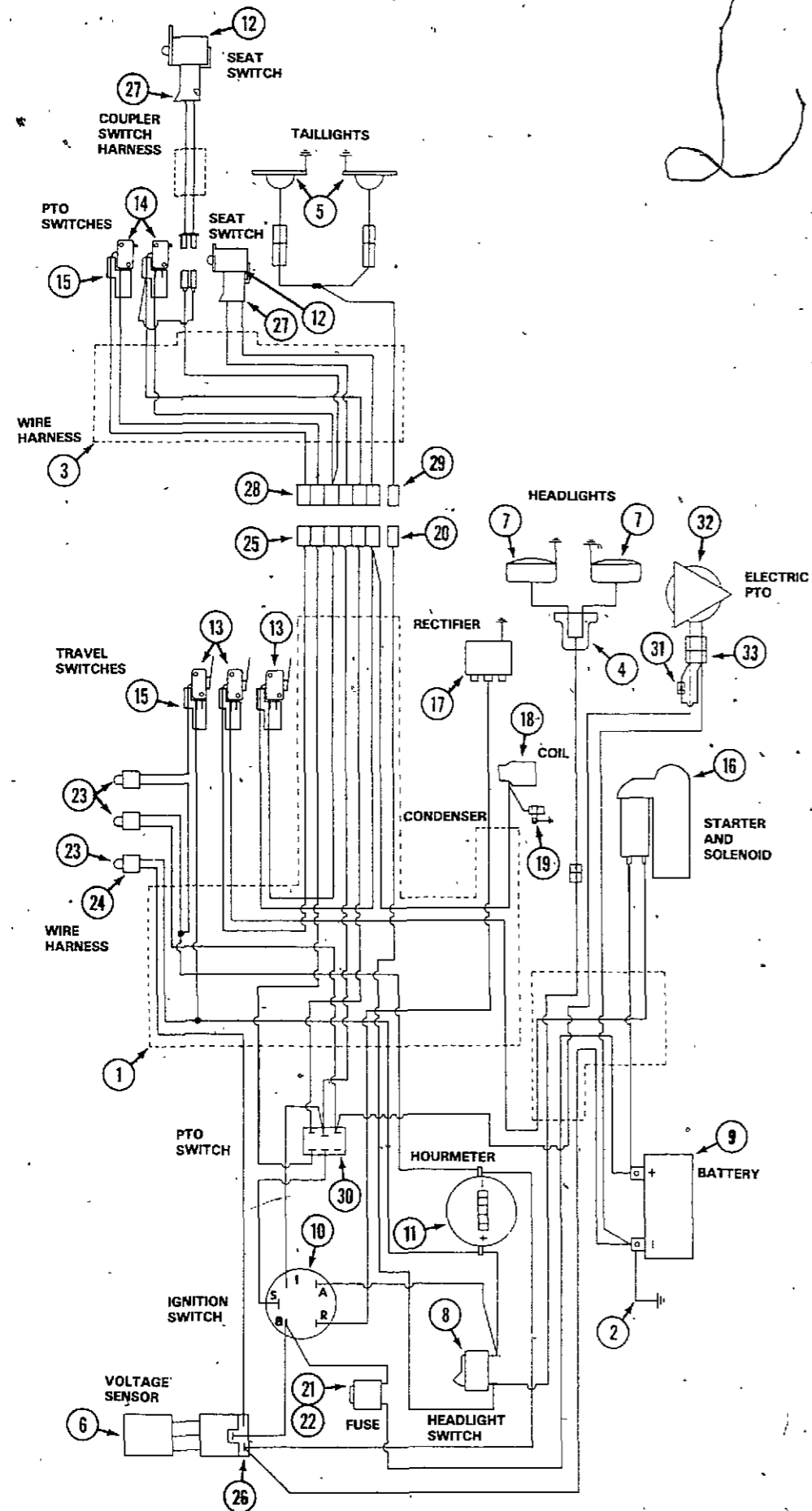
3016, 3018, 3020, 4016, 4018 - All
4020 - before PIN 14176500



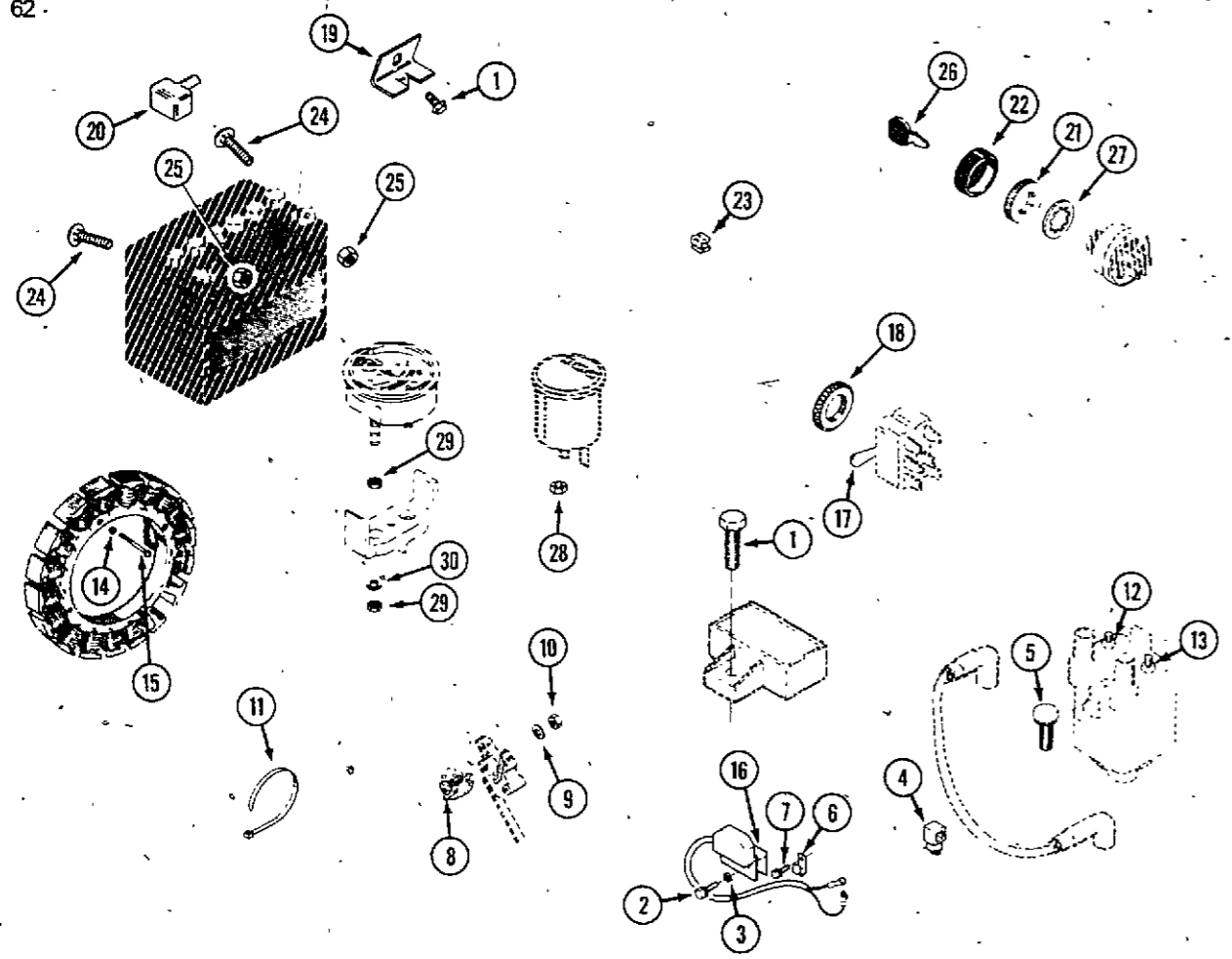
| REF. | PART NO. | DESCRIPTION | REQ'D |
|------|----------|--|-------|
| | C 31941 | HARNESS - wire | 1 |
| 1 | C 31986 | KIT - diode, 6 amps, 15 volt | 1 |
| 2 | C 31947 | KIT - fuse holder | 1 |
| 3 | C 30260 | FUSE - 30 amp | 1 |
| 4 | C 25338 | CONNECTOR - seat harness, male | 1 |
| 5 | C 24460 | CONNECTOR - ignition switch | 1 |
| 6 | C 30262 | BULB - indicator lights (not included with harness) | 3 |
| 7 | C 30263 | SOCKET - bulb | 3 |
| 8 | C 31948 | CONNECTOR - PTO | 1 |
| 9 | C 30279 | CONNECTOR - switch | 3 |
| 10 | C 25486 | CONNECTOR - sensor | 1 |
| 11 | C 31952 | CONNECTOR - PTO switch, 2 terminal | 1 |
| 12 | C 31950 | CONNECTOR - PTO switch, 3 terminal | 1 |
| 13 | C 24813 | CONNECTOR - seat harness, female | 1 |
| 14 | C 31943 | CABLE - battery negative to ground | 1 |
| 15 | C 31044 | HARNESS - wire, seat switch (includes Ref. 9 and 13) | 1 |
| 16 | C 14537 | CONNECTOR - headlights | 1 |
| 17 | C 31617 | SENSOR - voltage (includes connector) | 1 |
| 18 | C 32178 | HEADLIGHT - 12 volt (see page 63 for service) | 2 |
| 19 | C 29322 | SWITCH - headlight | 1 |
| 20 | C 31619 | CAP - PTO switch | 1 |
| 21 | C 31937 | SWITCH - PTO | 1 |
| 22 | C 30530 | SWITCH - ignition (includes key and mounting hardware) | 1 |
| | C 32407 | KEY - ignition | 2 |
| 23 | C 31623 | HOURMETER | 1 |
| 24 | C 31213 | BATTERY - 12 volt, 32 amp, 230 CCA | 1 |
| 25 | C 30275 | SWITCH - inter - lock | 3 |
| 26 | NSS | CLUTCH - PTO (see page 25 for repairs) | 1 |
| 27 | C 32312 | STARTER AND SOLENOID - (see page 57 for repairs) | 1 |
| 28 | C 24956 | STATOR - charging | 1 |
| | C 32458 | KIT - terminal connector | 2 |
| 29 | C 32461 | RECTIFIER - voltage, 12 volt | 1 |
| 30 | C 32454 | SPARK PLUG - includes gasket | 2 |
| 31 | C 32296 | COIL - ignition 12 volt | 1 |
| 32 | C 32298 | CABLE - spark plug 9" | 1 |
| 32 | C 32299 | CABLE - spark plug 18-1/2" | 1 |
| 33 | C 32307 | CONDENSER | 1 |
| 34 | C 32294 | CONTROL - ignition | 1 |

ELECTRICAL SYSTEM

(4020 - PIN 14176500 and after)



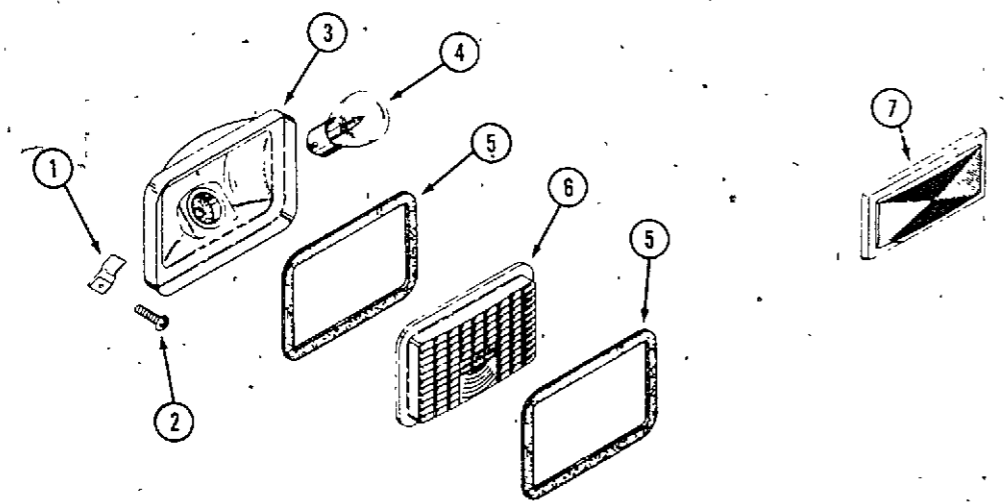
| REF. | PART NO. | DESCRIPTION | REQ'D |
|------|----------|--|-------|
| 1 | C 43227 | HARNES - wire, main | 1 |
| 2 | C 31943 | CABLE - battery negative to ground | 1 |
| 3 | C 43228 | HARNES - wire, seat switch, PTO and taillights | 1 |
| 4 | C 14537 | CONNECTOR - headlights | 1 |
| 5 | C 37165 | TAILLIGHT - rear | 2 |
| 6 | C 31617 | SENSOR - voltage | 1 |
| 7 | C 32178 | HEADLIGHT - 12 volt (page 63 for service) | 2 |
| 8 | C 29322 | SWITCH - headlights | 1 |
| 9 | C 41010 | BATTERY - 12 volt | 1 |
| 10 | C 30530 | SWITCH - ignition | 1 |
| | C 24460 | CONNECTOR - ignition switch | 1 |
| 11 | C 42929 | HOURMETER | 1 |
| 12 | C 37298 | SWITCH - seat (black) | 2 |
| 13 | C 30275 | SWITCH - micro (at travel lever) | 3 |
| 14 | C 37399 | SWITCH - micro (at PTO) | 2 |
| 15 | C 30279 | CONNECTOR - micro switch | 5 |
| 16 | C 32312 | STARTER AND SOLENOID - 12 volt (see page 57 for service) | 1 |
| 17 | C 32461 | RECTIFIER - voltage, 12 volts | 1 |
| 18 | C 32296 | COIL - ignition, 12 volt | 1 |
| 19 | C 32307 | CONDENSER - 12 volt | 1 |
| 20 | C 42118 | CONNECTOR - single female, taillight | 1 |
| 21 | C 31947 | KIT - fuse holder | 1 |
| 22 | C 30260 | FUSE - 30 amp | 1 |
| 23 | C 30262 | BULB - indicator | 3 |
| 24 | C 30263 | SOCKET - bulb | 3 |
| 25 | C 42117 | CONNECTOR - six wire, harness, female | 1 |
| 26 | C 25486 | CONNECTOR - three wire, sensor | 1 |
| 27 | C 37398 | CONNECTOR - seat switch | 2 |
| 28 | C 42115 | CONNECTOR - six wire, seat harness, male | 1 |
| 29 | C 42116 | CONNECTOR - harness, taillight, male | 1 |
| 30 | C 31937 | SWITCH - PTO | 1 |
| 31 | C 31986 | KIT - diode | 1 |
| 32 | C 33198 | CLUTCH - PTO, electric (see page 25 for repairs) | 1 |
| 33 | C 31948 | CONNECTOR - PTO | 1 |



ELECTRICAL SYSTEM HARDWARE

| REF. | PART NO. | DESCRIPTION | REQ'D |
|------|-----------|--|-------|
| 1 | 121- 21 | BOLT - 1/4" - 20 x 1/2" flange lock | 1 |
| 2 | 182- 525 | BOLT - #10 - 32 x 3/8" | 2 |
| 3 | C 32460 | LOCKWASHER - #10 internal tooth | 2 |
| 4 | C 32453 | CLIP - wire | 1 |
| 5 | C 32456 | BOLT - 1/4" - 20 x 1" | 2 |
| 6 | C 32455 | CLIP - wire | 2 |
| 7 | 187- 1036 | SCREW - 1/4" - 20 x 1" | 1 |
| 8 | 182- 12 | SCREW - #4 - 40 x 1-1/8" | 2 |
| 9 | 192- 13 | LOCKWASHER - #4 | 2 |
| 10 | 129- 13 | NUT - #4 - 40 | 2 |
| 11 | C 22947 | TIE - wire | UAR |
| 12 | C 32301 | NUT - M5 metric (negative terminal) | 1 |
| 13 | C 32300 | NUT - M4 metric (positive terminal) | 1 |
| 14 | 193- 6 | LOCKWASHER - #10 | 3 |
| 15 | C 32459 | SCREW - #10 - 32 x 1" self lock | 3 |
| 16 | C 32295 | INSULATOR - ignition module | 1 |
| 17 | C 31619 | CAP - PTO switch | 1 |
| 18 | C 31620 | NUT - knurled 1/2" - 27 | 1 |
| 19 | C 31621 | RETAINER - battery | 1 |
| 20 | C 24069 | COVER - battery positive terminal | 1 |
| 21 | C 32396 | NUT - switch | 1 |
| 21 | NSS | NUT - switch, knurled, black (use C32396 and C32397) shown | 1 |
| 22 | C 32397 | CAP - nut | 1 |
| 23 | C 19521 | CLIP - wire | 3 |
| 24 | 111- 132 | BOLT - 5/16" - 18 x 3/4" carriage | 2 |
| 25 | 129- 102 | NUT - 5/16" - 18 | 2 |
| 26 | C 32407 | KEY - ignition | 1 |
| 27 | C 23012 | LOCKWASHER | 1 |
| 28 | 129- 36 | NUT - #8 - 36 | 2 |
| 29 | 129- 27 | NUT - #10 NF | 4 |
| 30 | 193- 6 | LOCKWASHER - #10 | 2 |

HEADLIGHT ASSEMBLY AND REAR REFLECTOR



| | | | |
|---|-----------|---------------------------------------|---|
| 1 | C 29637 | RETAINER - head light | 4 |
| 2 | 187- 1328 | SCREW - No. 8 x 3/8" | 4 |
| | C 32178 | HEADLIGHT ASSEMBLY | 2 |
| 3 | NSS | RECEPTACLE - headlight (order C32178) | 1 |
| 4 | C 28932 | BULB - headlight | 1 |
| 5 | C 14304 | GASKET - headlight | 2 |
| 6 | C 22573 | LENS - headlight | 1 |
| 7 | C 30942 | REFLECTOR - red, rear fender | 2 |

DECALS (English)

| REF. | PART NO. | DESCRIPTION | REQ'D |
|------|----------|--|-------|
| 1 | C 32364 | DECAL - "3018" hood L.H. (shown) | 1 |
| 1 | C 32365 | DECAL - "3018" hood R.H. | 1 |
| 2 | C 33588 | DECAL - fuel gauge | 1 |
| 3 | 321-4767 | DECAL - hydraulic reservoir | 1 |
| 4 | 321-1788 | DECAL - shift range | 1 |
| 5 | C 33590 | DECAL - brake | 1 |
| 6 | C 32004 | DECAL - "3016" hood L.H. (shown) | 1 |
| 6 | C 32005 | DECAL - "3016" hood R.H. | 1 |
| 7 | C 32007 | DECAL - "4016" hood L.H. (shown) | 1 |
| 7 | C 32008 | DECAL - "4016" hood R.H. | 1 |
| 8 | C 32009 | DECAL - "4018" hood L.H. (shown) | 1 |
| 8 | C 32010 | DECAL - "4018" hood R.H. | 1 |
| 9 | 321-6659 | DECAL - "Caution" | 1 |
| 10 | C 30539 | MEDALLION | 1 |
| 11 | C 30274 | LENS - display | 1 |
| 12 | C 32093 | DECAL - seat back "Ingersoll" | 1 |
| 13 | C 32011 | DECAL - "4020" hood L.H. (shown) (use before PIN 14176500) | 1 |
| 13 | C 32012 | DECAL - "4020" hood R.H. (shown) (use before PIN 14176500) | 1 |
| 13 | C 43229 | DECAL - "4020" hood L.H. (use PIN 14176500 and after) | 1 |
| 13 | C 43230 | DECAL - "4020" hood R.H. (use PIN 14176500 and after) | 1 |
| 14 | C 37197 | DECAL - "logo" steering wheel insert (4020 PIN 14176500 and after) | 1 |
| 15 | C 34184 | DECAL - flag (4020 PIN 14176500 and after) | 1 |
| 16 | C 37274 | DECAL - shift range (4020 PIN 14176500 and after) | 1 |
| 17 | C 37275 | DECAL - PTO (4020 PIN 14176500 and after) if equipped | 1 |
| | C 32781 | DECAL - "3020" hood L.H. (not shown) | 1 |
| | C 32782 | DECAL - "3020" hood R.H. (not shown) | 1 |

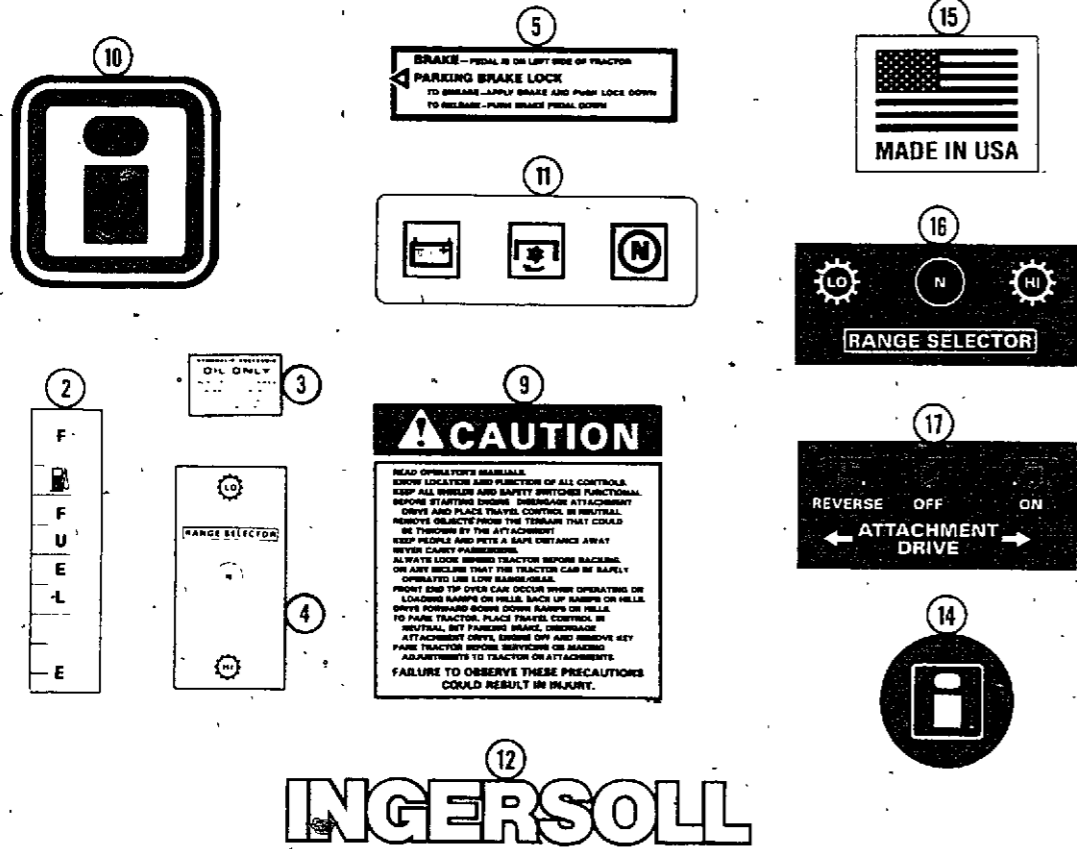
INGERSOLL hydriv **3016**

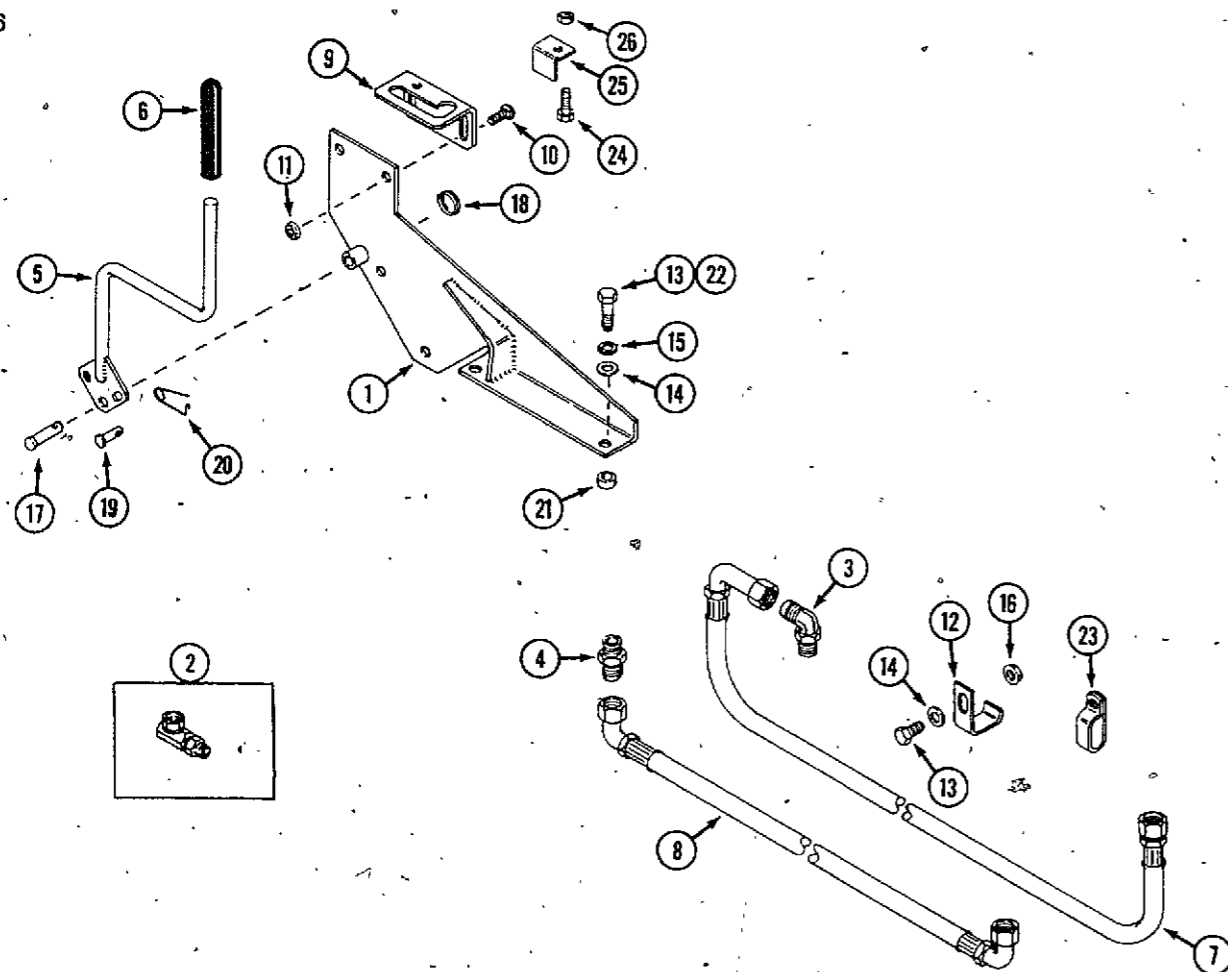
INGERSOLL hydriv **3018**

INGERSOLL hydriv **4016**

INGERSOLL hydriv **4018**

INGERSOLL hydriv **4020**



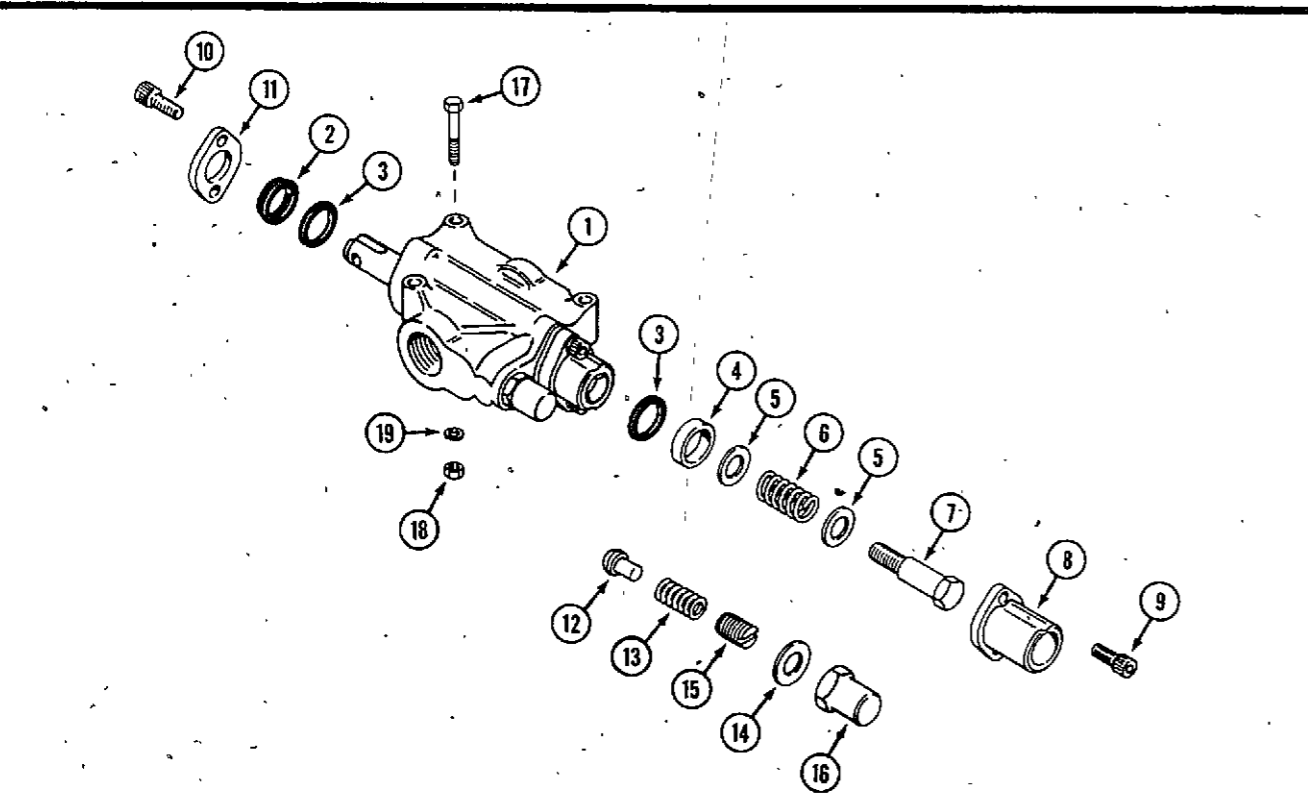


HP30, HP40 HYDRAULIC PTO
 HP30 USED ON 3016, 3018, 3020
 HP40 USED ON 4016, 4018 (4020 - before PIN 14176500)

PTO HOSES AND MOUNTING BRACKET

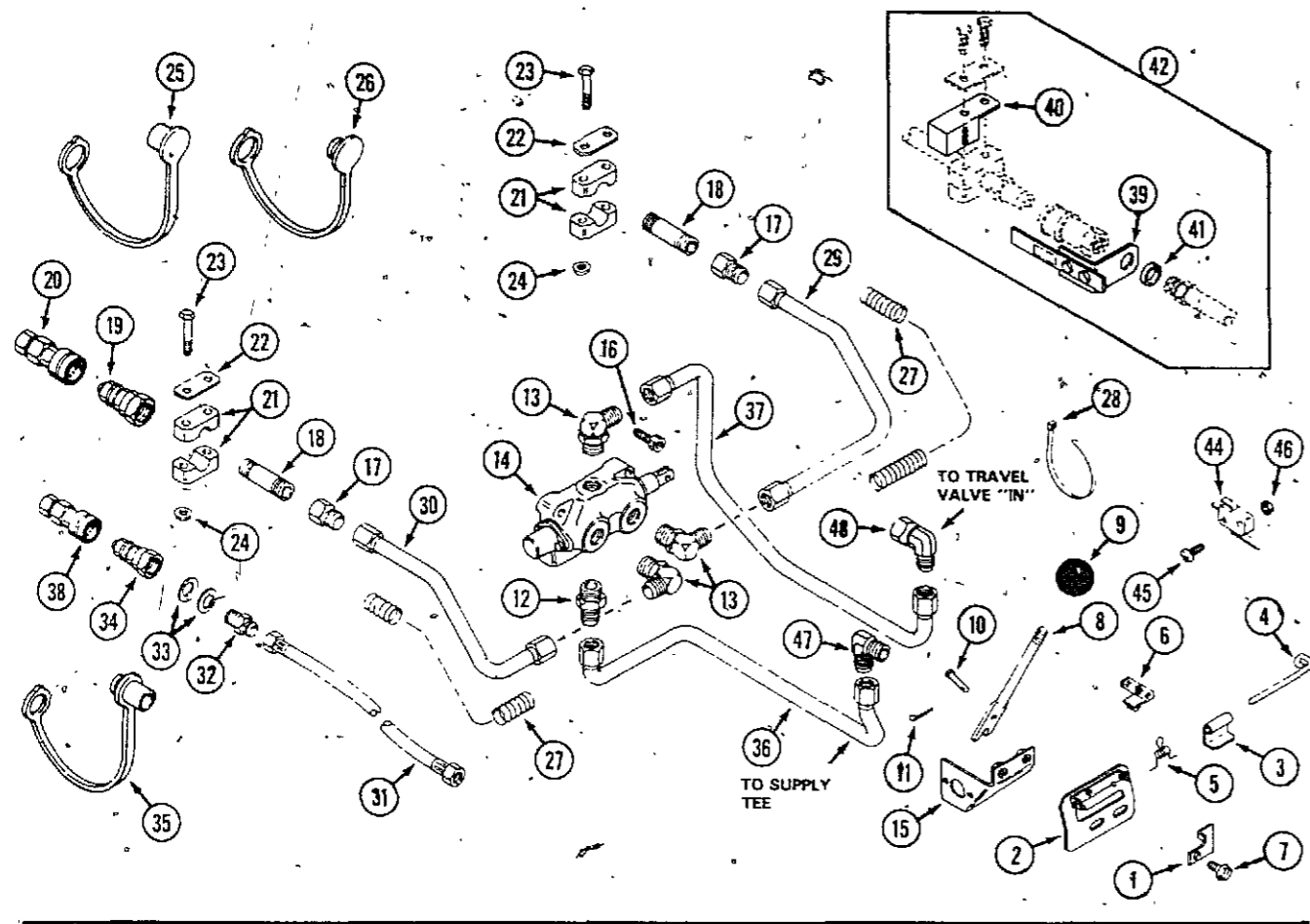
| REF. | PART NO. | DESCRIPTION | REQ'D |
|------|-----------|---|-------|
| 1 | C 32200 | BRACKET - valve mounting | 1 |
| 2 | 218- 5201 | FITTING - workport, 90° elbow 7/8" - 14 x 1/2" NPSM swivel | 2 |
| 3 | 218- 5107 | FITTING - inlet port, 7/8" - 14 x 7/8" - 14 flare, 90° adjustable elbow | 1 |
| 4 | 218- 5062 | FITTING - outlet port, 7/8" - 14 x 7/8" - 14 flare, straight | 1 |
| 5 | C 32403 | HANDLE - valve | 1 |
| 6 | C 26020 | GRIP - handle | 1 |
| 7 | C 32207 | HOSE - pump to PTO 65" (HP30) | 1 |
| 7 | C 32208 | HOSE - pump to PTO 63" (HP40) | 1 |
| 8 | C 32209 | HOSE - PTO to travel valve 32" (HP30) | 1 |
| 8 | C 32210 | HOSE - PTO to travel valve 34" (HP40) | 1 |
| 9 | C 32211 | BRACKET - handle guide | 1 |
| 10 | 111- 101 | BOLT - 1/4" - 20 x 5/8" carriage | 2 |
| 11 | 131- 934 | NUT - 1/4" - 20 flange lock | 2 |
| 12 | C 32332 | CLAMP - tube (HP30) | 1 |
| 13 | 113- 103 | BOLT - 5/16" - 18 x 1" | 3 |
| 14 | 195- 521 | WASHER - 5/16" | 3 |
| 15 | 192- 20 | LOCKWASHER - 5/16" | 2 |
| 16 | 131- 911 | NUT - 5/16" - 18 flange lock | 1 |
| 17 | C 32214 | PIN - clevis 3/8" x 1-1/2" | 1 |
| 18 | C 28105 | RING - retaining | 1 |
| 19 | C 28964 | PIN - clevis 3/16" x 1" | 1 |
| 20 | C 10883 | PIN - safety | 1 |
| 21 | C 29106 | SPACER - 3/8" I.D. x 5/8" O.D. 5/8" long (HP30) | 2 |
| 22 | 113- 122 | BOLT - 5/16" - 18 x 1-1/2" (HP30) | 2 |
| 23 | C 32213 | CLAMP - tube (HP40) | 1 |
| 24 | 113- 3 | BOLT 1/4" - 20 x 3/4" | 1 |
| 25 | C 32327 | BRACKET - handle stop | 1 |
| 26 | 131- 934 | NUT - 1/4" flange lock | 1 |
| | C 22947 | TIE - nylon | 1 |

PTO VALVE



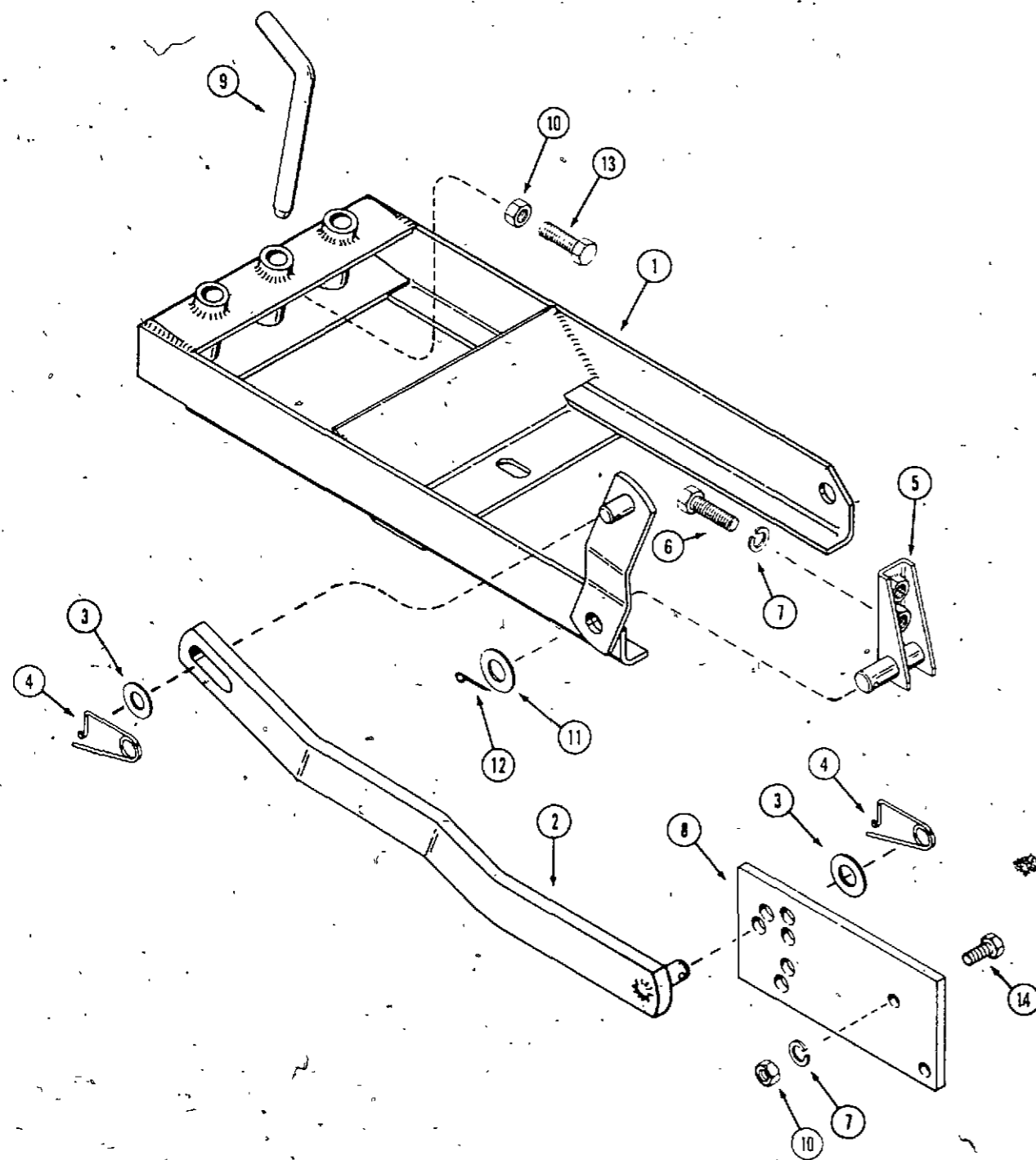
| REF. | PART NO. | DESCRIPTION | REQ'D |
|------|----------|--------------------------------------|-------|
| 1 | C 30046 | VALVE - hydraulic | 1 |
| 2 | C 26706 | WIPER - spool | 1 |
| 3 | C 26707 | RING - quad | 2 |
| 4 | C 26722 | SPACER - end cap | 1 |
| 5 | 195- 526 | WASHER | 2 |
| 6 | C 26724 | SPRING - centering | 1 |
| 7 | C 26725 | BOLT - shoulder | 1 |
| 8 | C 26726 | BONNET - end cap | 1 |
| 9 | 165- 143 | SCREW - 1/4" - 20 x 3/4" socket head | 2 |
| 10 | 165- 142 | SCREW - 1/4" - 20 x 5/8" socket head | 2 |
| 11 | C 26727 | RETAINER - seal | 1 |
| 12 | C 26708 | POPPET - relief | 1 |
| 13 | C 26709 | SPRING - relief | 1 |
| 14 | C 26710 | WASHER - aluminum, seal | 1 |
| 15 | C 26711 | SCREW - adjustment, relief | 1 |
| 16 | C 26712 | NUT - cap, relief | 1 |
| 17 | 113- 5 | BOLT - 1/4" x 1-1/2" | 3 |
| 18 | 129- 101 | NUT - 1/4" | 3 |
| 19 | 192- 19 | LOCKWASHER - 1/4" | 3 |

HP42 HYDRAULIC PTO
For 4020 - PIN 14176500 AND AFTER



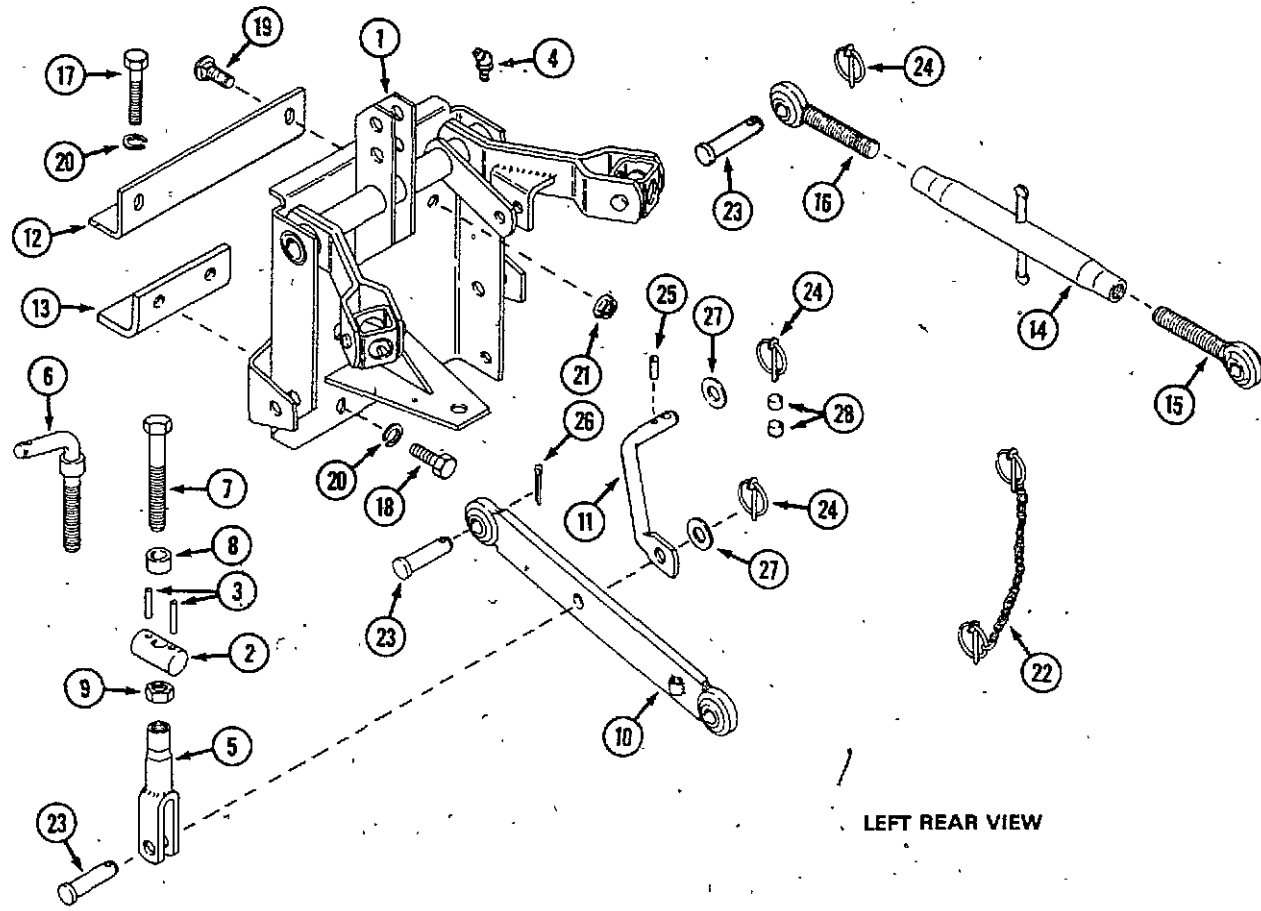
| REF. | PART NO. | DESCRIPTION | REQ'D |
|------|-----------|--|-------|
| 1 | C - 42198 | LATCH - reverse lockout (early production) | 1 |
| 2 | C 42078 | GATE - shift | 1 |
| 3 | C 42081 | STOP - lever | 2 |
| 4 | C 42082 | PIN - hinge | 1 |
| 5 | C 42083 | SPRING - torsion | 1 |
| 6 | C 37400 | ACTUATOR - switch | 1 |
| 7 | *C 29629 | SCREW - 5/16" - 18 x 3/4" | 2 |
| 8 | C 37406 | LEVER - PTO | 1 |
| 9 | C 40487 | KNOB | 1 |
| 10 | C 28964 | PIN - clevis 3/16" x 1" | 2 |
| 11 | 132- 329 | PIN - cotter 1/16" x 3/4" | 2 |
| 12 | 218- 5062 | FITTING - 7/8" | 1 |
| 13 | 218- 5107 | FITTING - 90° 7/8" | 3 |
| 14 | C 30046 | VALVE - PTO (repairs page 67) | 1 |
| 15 | C 37401 | BRACKET - actuating | 1 |
| 16 | 61- 420 | SCREW - 1/4" - 20 x 1-1/4" socket head | 2 |
| 17 | 218- 465 | FITTING - 1/2" x 7/8" - 14 | 2 |
| 18 | C 37142 | NIPPLE - pipe | 2 |
| 19 | C 37187 | COUPLING - quick, male 7/8" | 2 |
| 20 | C 37188 | COUPLING - quick, female 7/8" | 1 |
| 21 | C 37144 | CLAMP | 4 |
| 22 | C 37145 | COVER - clamp | 2 |
| 23 | 113- 14 | BOLT - 1/4" - 20 x 2" | 4 |
| 24 | 131- 934 | NUT - 1/4" - 20 flange lock | 4 |
| 25 | C 40641 | CAP - dust | 1 |
| 26 | C 40642 | PLUG - dust | 1 |
| 27 | C 37454 | CONDUIT - corrugated (cut to length) | 2 |
| 28 | C 22947 | TIE - nylon | 4 |
| 29 | C 37233 | TUBE - L.H. | 1 |
| 30 | C 37234 | TUBE - R.H. | 1 |
| 31 | C 33560 | HOSE - hydraulic 23" | 1 |
| 32 | 218- 443 | FITTING - 3/8" x 1/4" | 1 |
| 33 | C 37249 | WASHER - spring | 2 |
| 34 | C 41043 | COUPLING - quick, male 9/16" | 1 |
| 35 | C 33404 | CAP - dust | 1 |
| 36 | C 40671 | TUBE - pump to P.T.O. "in" | 1 |
| 37 | C 40673 | TUBE - travel valve to P.T.O. "out" | 1 |
| 38 | C 41044 | COUPLING - quick, female 9/16" | 1 |
| 39 | C 37439 | KEY - coupler switch | 1 |
| | C 37440 | DECAL | 1 |
| | 113- 1 | BOLT - 1/4" - 20 | 2 |
| | 195- 518 | WASHER - 1/4" | 2 |
| 40 | C 37437 | BRACKET - switch mounting | 1 |
| 41 | C 37459 | CUSHION - key | 1 |
| 42 | C 42048 | KIT - coupler switch | 1 |
| 44 | C 37399 | SWITCH - interlock | 2 |
| 45 | C 33696 | SCREW - #4-40 x 1-1/8" | 2 |
| 46 | C 33697 | NUT - #4 - 40 | 2 |
| 47 | 218- 475 | FITTING - 90° 7/8" x 7/8" male | 1 |
| 48 | 218- 5232 | FITTING - 90° 7/8" male x 7/8" female | 1 |
| | C 37435 | HARNES - wire, PTO switches | 1 |

K22 SLEEVE HITCH (3016, 3018, 3020) and K24 SLEEVE HITCH (4016, 4018, 4020)



| REF. | PART NO. | DESCRIPTION | REQ'D |
|------|----------|---------------------------------------|-------|
| 1 | C 22218 | HITCH FRAME ASSEMBLY (K24) shown | 1 |
| 1 | C 23707 | HITCH FRAME ASSEMBLY (K22) | 1 |
| 2 | C 25371 | ARM - lift | 1 |
| 3 | 195- 541 | WASHER - plain 21/32" | 2 |
| 4 | C 10898 | PIN - retaining | 2 |
| 5 | C 14459 | BRACKET - hitch mounting R.H. (shown) | 1 |
| 5 | C 25789 | BRACKET - hitch mounting L.H. | 1 |
| 6 | 113-2400 | BOLT - 1/2" x 1-3/8" N.C. hex, zinc | 6 |
| 7 | 192- 23 | LOCKWASHER - 1/2" zinc | 6 |
| 8 | C 25382 | PLATE - lift lever | 1 |
| 9 | C 14568 | PIN - drawbar | 1 |
| 10 | 129- 105 | NUT - 1/2" N.C. hex, zinc | 4 |
| 11 | 195- 545 | WASHER - plain 3/4" zinc | 2 |
| 12 | 132- 306 | PIN - cotter 3/16" x 1-3/4" | 2 |
| 13 | 22- 844 | BOLT - 1/2" x 2" N.C. hex, zinc | 2 |
| 14 | 113- 417 | BOLT - 1/2" x 1-1/4" hex | 2 |

HH34 THREE POINT HITCH

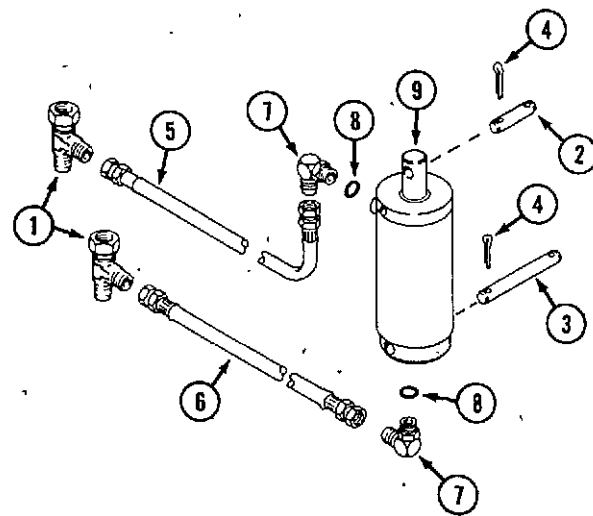


LEFT REAR VIEW

LEFT REAR VIEW

| REF. | PART NO. | DESCRIPTION | REQ'D |
|------|-----------|---|-------|
| 1 | C 32215 | PLATE - hitch | 1 |
| 2 | C 32230 | SWIVEL - lift link | 2 |
| 3 | C 32231 | PIN - spiral 3/16" x 1-1/2" | 4 |
| 4 | 219- 403 | FITTING - grease | 2 |
| 5 | C 32428 | LINK - adjusting | 2 |
| 6 | NSS | ROD - adjusting (use C32235 and 129-107) | 1 |
| 7 | C 32235 | BOLT - 5/8" - 11 x 5" | 1 |
| 8 | C 32239 | SPACER - bolt | 1 |
| 9 | 129- 107 | NUT - 5/8" - 11 | 2 |
| 10 | C 32240 | ARM - lift | 2 |
| 11 | C 32242 | ARM - stabilizer | 1 |
| 12 | C 32243 | BRACKET - angle | 1 |
| 13 | C 32244 | SUPPORT - angle | 1 |
| 14 | C 32249 | TUBE - upper link | 1 |
| 15 | C 32426 | BALLJOINT - R.H. | 1 |
| 16 | C 32427 | BALLJOINT - L.H. | 1 |
| 17 | 113- 447 | BOLT - 1/2" - 13 x 3-1/2" (use with 3000 series tractors) | 1 |
| 18 | 113- 426 | BOLT - 1/2" - 13 x 2-3/4" (use with 4000 series tractors) | 1 |
| 19 | 111- 517 | BOLT - 1/2" - 13 x 1-1/4" | 2 |
| 20 | 192- 23 | LOCKWASHER - 1/2" | 3 |
| 21 | 131- 930 | NUT - 1/2" - 13 flange lock | 2 |
| 22 | NSS | PIN ASSEMBLY - klick (assemble from item 24) | 1 |
| 23 | C 14717 | PIN - clevis 5/8" x 2-1/2" | 6 |
| 24 | C 28222 | PIN - klick | UAR |
| 25 | 138- 2073 | PIN - spiral 3/16" x 1-1/4" | 1 |
| 26 | 132- 348 | PIN - cotter 1/4" x 1-1/4" (early production) | 2 |
| 27 | 195- 541 | WASHER - 5/8" | 2 |
| 28 | C 14768 | SPACER - klick pin | 2 |
| | C 22947 | TIE - nylon | 2 |

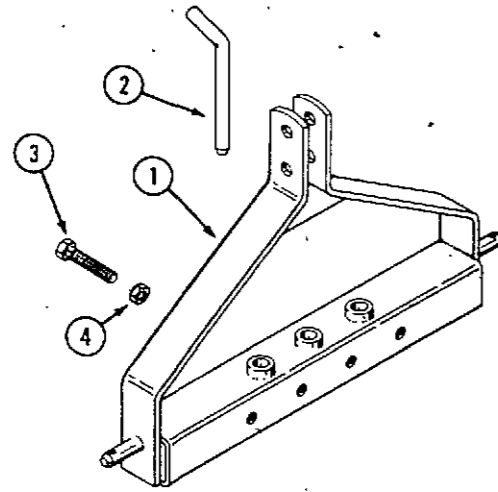
HH34 THREE POINT HITCH CYLINDER



| REF. | PART NO. | DESCRIPTION | REQ'D |
|------|-----------|--|-------|
| 1 | 218- 5479 | FITTING - tee 1/2" - 20 swivel female x 1/2" - 20 male | 2 |
| 2 | C - 29693 | PIN - cylinder rod 1/2" x 1-3/4" | 1 |
| 3 | C 32254 | PIN - cylinder foot 1/2" x 4-5/8" | 1 |
| 4 | 132- 310 | PIN - cotter 1/8" x 1" | 4 |
| 5 | C 32247 | HOSE - hydraulic 1/4" x 33" (cylinder to forward valve port) | 1 |
| 6 | C 32246 | HOSE - hydraulic 1/4" x 24 (cylinder to rear valve port) | 1 |
| 7 | 218- 5104 | FITTING - 90° elbow 5/16" tube x 1/2" - 20 | 2 |
| 8 | 218- 5004 | O-Ring | 1 |
| 9 | C 32245 | CYLINDER - lift | 1 |

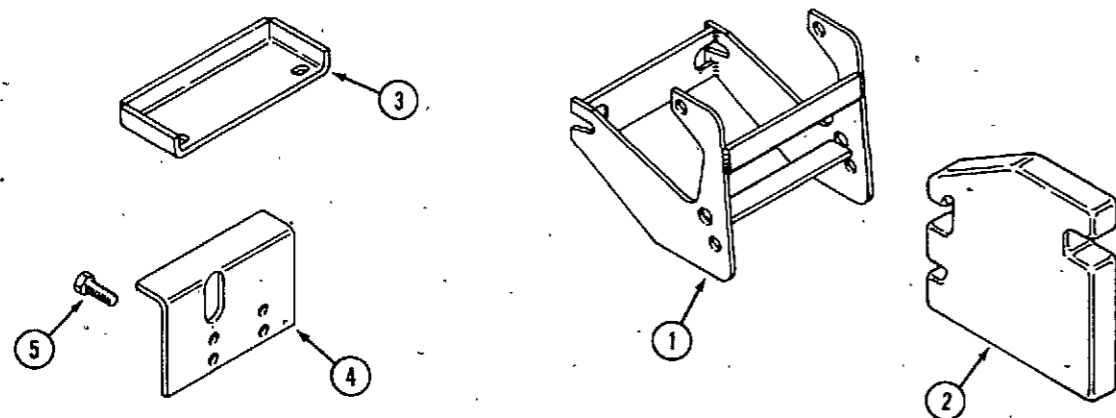
F27 HITCH ADAPTER

| REF. | PART NO. | DESCRIPTION | REQ'D |
|------|----------|---------------------------|-------|
| 1 | C 14872 | BRACKET - hitch adapter | 1 |
| 2 | C 14568 | PIN - drawbar | 1 |
| 3 | 22- 844 | BOLT - 1/2" x 3" N.C. hex | 2 |
| 4 | 129- 105 | NUT - 1/2" - 13 | 2 |

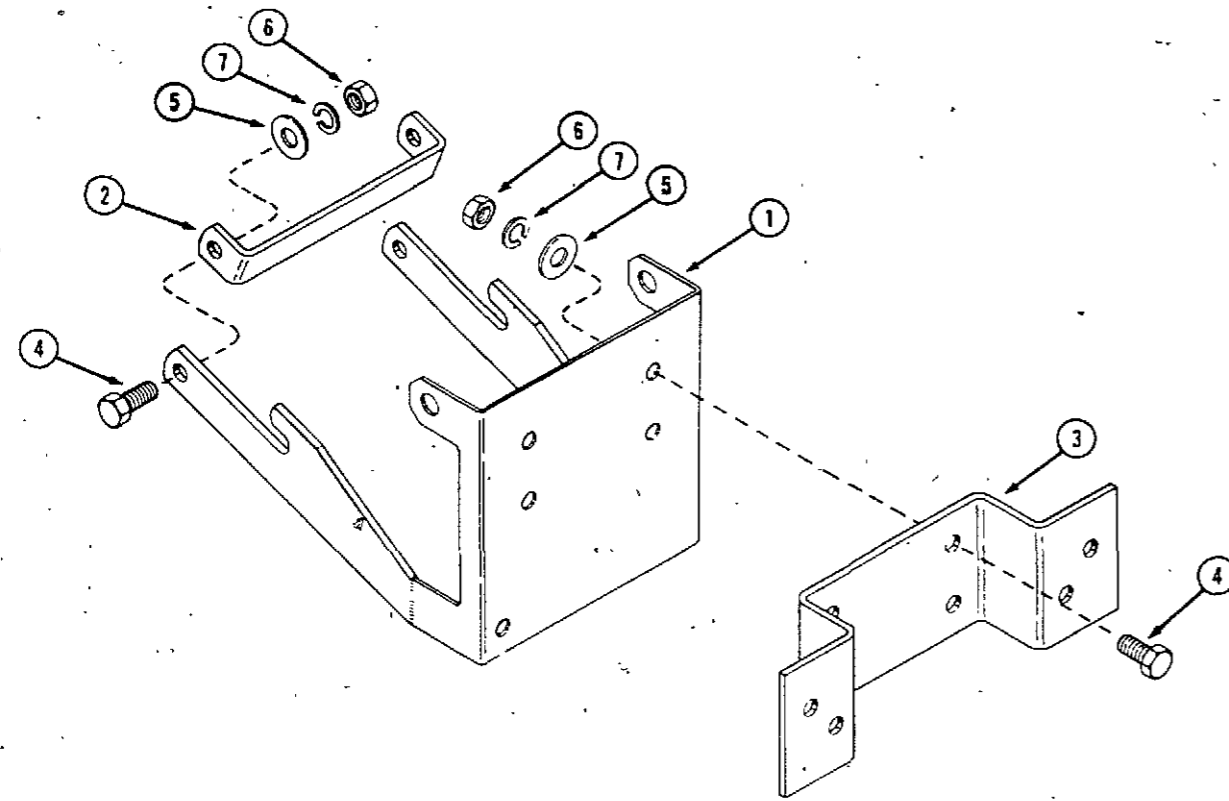


L11 WEIGHT KIT

| | | | |
|---|----------|---------------------------------|---|
| 1 | C 25572 | BRACKET - mounting, front | 1 |
| 2 | NSS | WEIGHT - 40 lb. (18 kg.) | 4 |
| 3 | C 25791 | BRACKET - mounting, rear, upper | 1 |
| 4 | C 25792 | BRACKET - mounting, rear, lower | 1 |
| 5 | 113- 417 | BOLT - 1/2" - 13 x 1-1/4" hex | 2 |



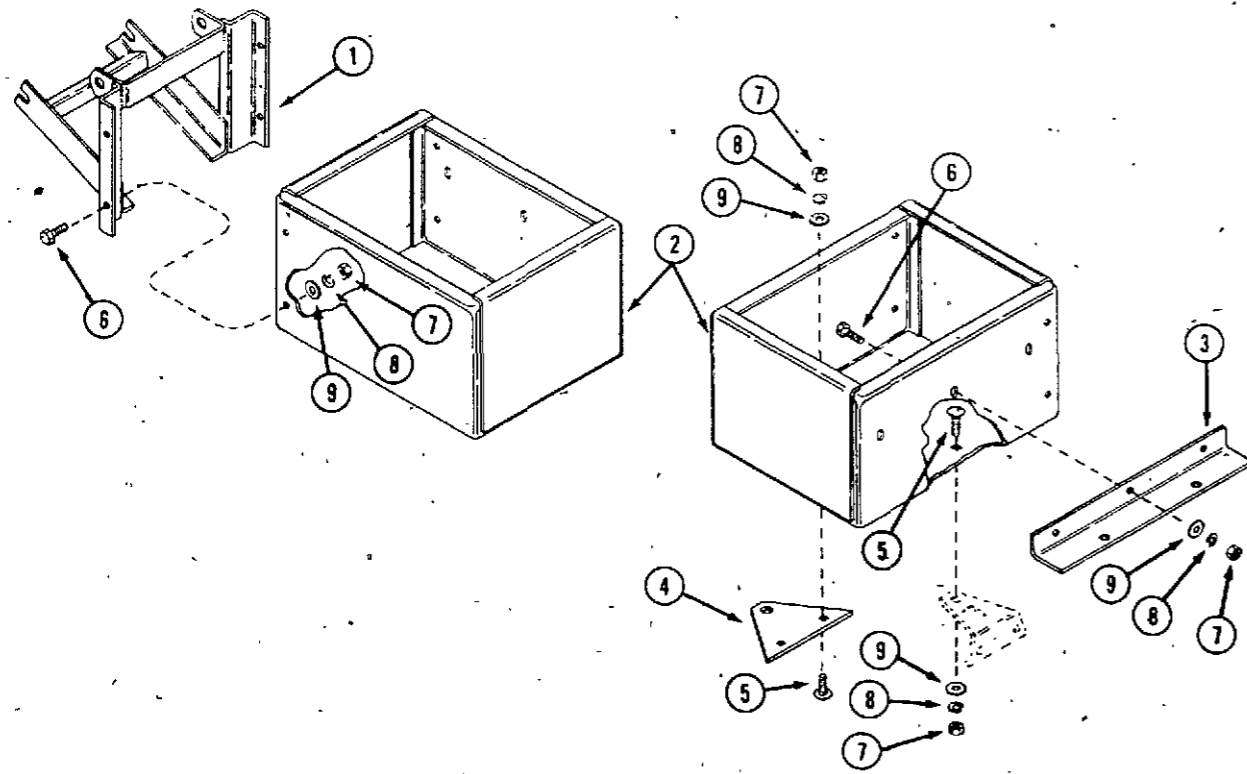
H18 FRONT END WEIGHT BRACKETS

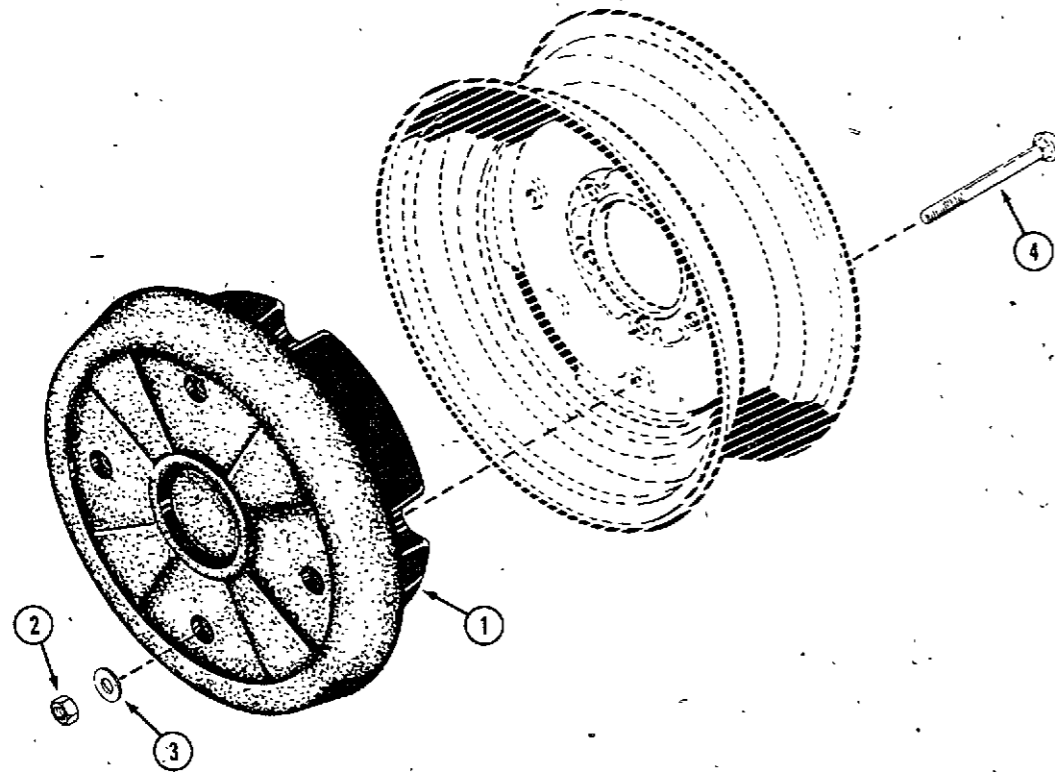


| REF. | PART NO. | DESCRIPTION | REQ'D |
|------|----------|-------------------------------------|-------|
| 1 | C 16581 | BRACKET - mounting | 1 |
| 2 | C 17161 | BRACE - rear | 1 |
| 3 | C 17162 | BRACKET - weight mounting | 1 |
| 4 | 113- 417 | BOLT - 1/2" x 1-1/2" N.C. hex, zinc | 6 |
| 5 | 195- 533 | WASHER - 1/2" zinc | 6 |
| 6 | 129- 105 | NUT - 1/2" N.C. hex | 6 |
| 7 | 192- 23 | LOCKWASHER - 1/2" | 6 |

H13 WEIGHT BOX

| | | | |
|---|----------|--|---|
| 1 | C 17859 | FRAME - weight box | 1 |
| 2 | C 17863 | BOX - weight | 1 |
| 3 | C 17860 | SUPPORT - weight box | 1 |
| 4 | C 17636 | PLATE - hitch | 1 |
| 5 | 111- 371 | BOLT - 3/8" x 1" round head, square neck | 3 |
| 6 | 113- 207 | BOLT - 3/8" x 1" N.C. hex | 4 |
| 7 | 129- 103 | NUT - 3/8" N.C. hex | 7 |
| 8 | 192- 21 | LOCKWASHER - 3/8" | 7 |
| 9 | 195- 525 | WASHER - 3/8" | 7 |



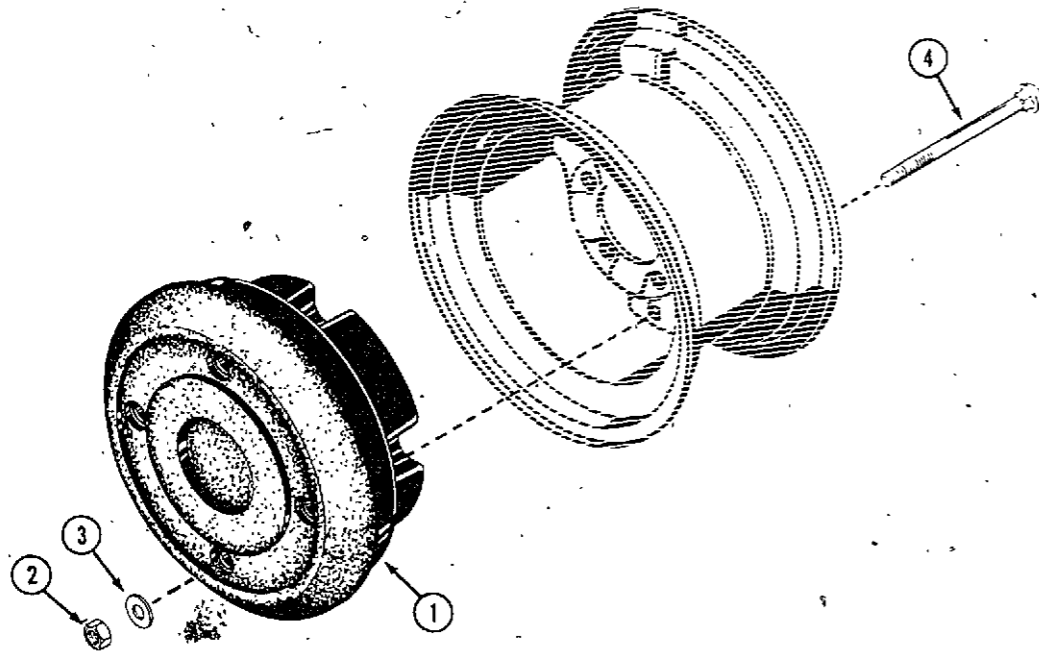


WW40 WHEEL WEIGHTS (4016, 4018, 4020)

| REF. | PART NO. | DESCRIPTION | REQ'D |
|------|----------|--|-------|
| 1 | NSS | WEIGHT - wheel, 75 lb. (order as machinery item) | 2 |
| 2 | 131-1182 | NUT - 1/2" N.C. hex | 4 |
| 3 | 195-533 | WASHER - 1/2" | 8 |
| 4 | 111-525 | BOLT - 1/2" x 6" round head, square neck | 8 |

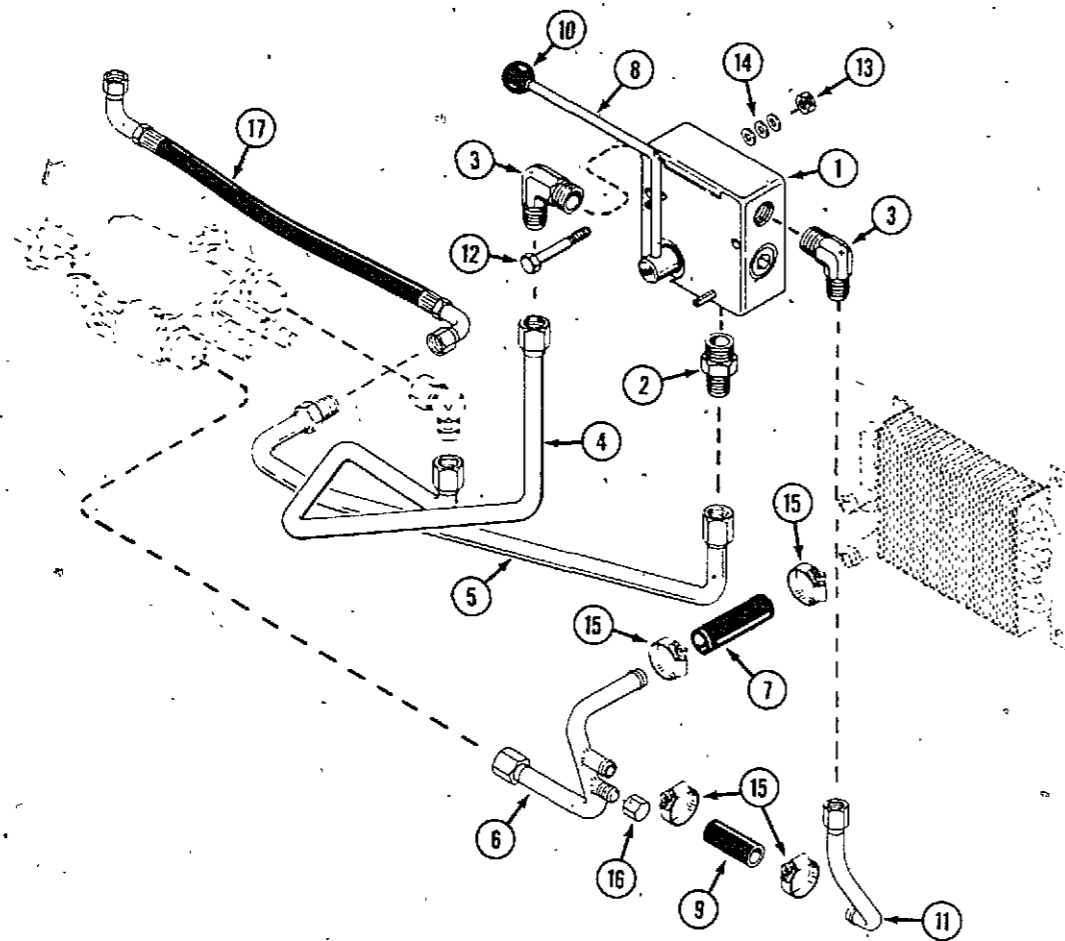
WW30 AND WW30W WHEEL WEIGHTS (3016, 3018, 3020)

| | | | |
|---|----------|---|---|
| 1 | NSS | WEIGHT - wheel 55 lb. (order as Machinery Item) | 2 |
| 2 | 131-1182 | NUT - 1/2" N.C. lock | 8 |
| 3 | 195-533 | WASHER - 1/2" | 8 |
| 4 | 111-521 | BOLT - 1/2" x 7" carriage (WW30) | 8 |
| 4 | C 30545 | BOLT - 1/2" - 13 x 8-1/2" (WW30W) | 8 |



HFC34 FLOW CONTROL VALVE KIT

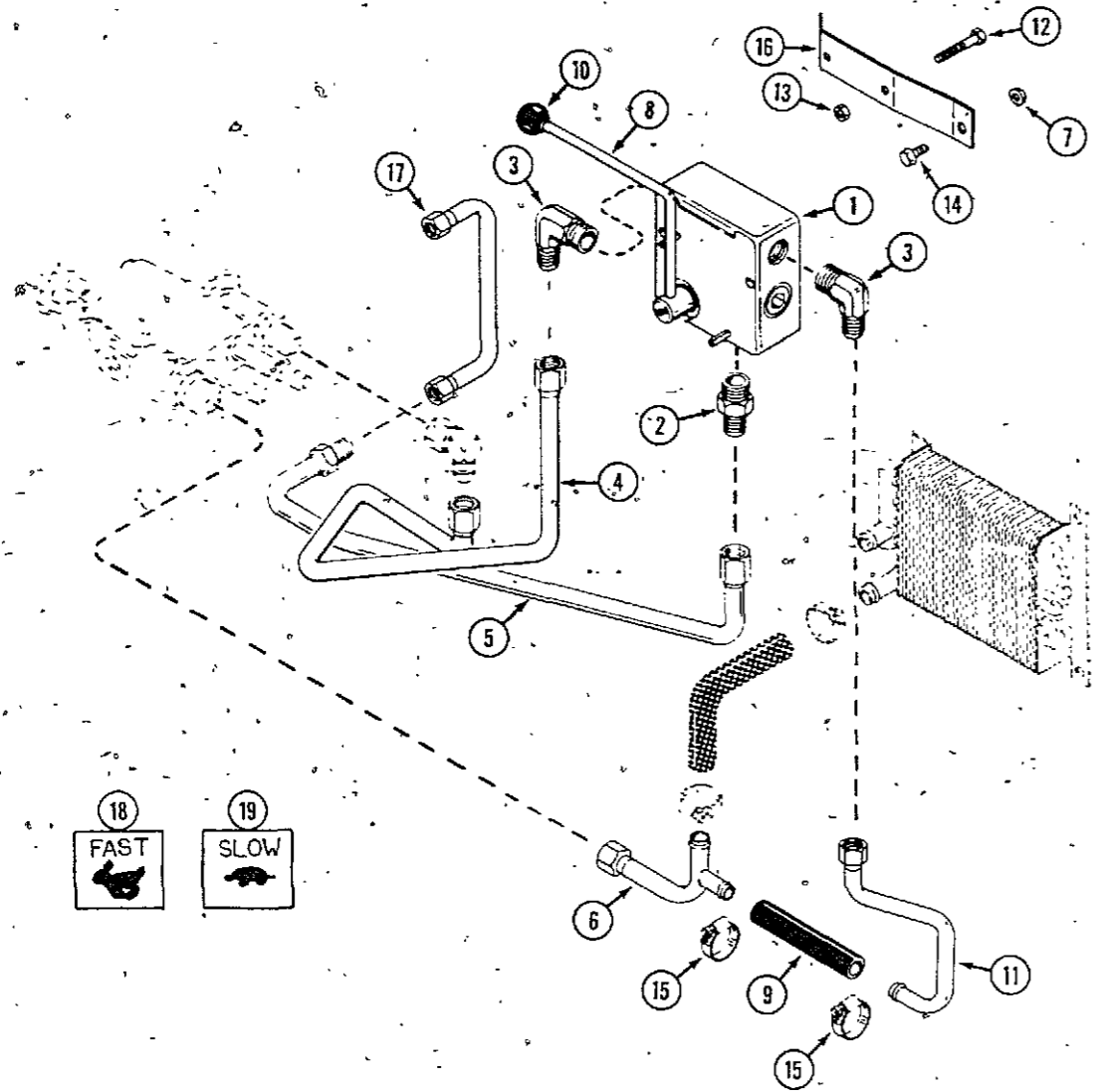
For Model 3016, 3018, 3020, 4016, 4018 (4020 BEFORE PIN 14176500)



| REF. | PART NO. | DESCRIPTION | REQ'D |
|------|-----------|--|-------|
| 1 | C 23618 | VALVE - flow control | 1 |
| 2 | 218- 445 | FITTING - 5/8" x 7/8" - 14 | 1 |
| 3 | 218- 485 | FITTING - 5/8" x 7/8" - 14 90° elbow | 2 |
| 4 | C 33007 | TUBE - flow valve to travel valve | 1 |
| 5 | C 33008 | TUBE - flow valve to PTO valve | 1 |
| 6 | C 33009 | TUBE - travel valve to heat exchanger | 1 |
| 7 | C 29697 | HOSE - rubber 3/4" I.D. | 1 |
| 8 | C 36848 | LEVER - valve | 1 |
| 9 | C 36849 | HOSE - rubber 5/8" I.D. | 1 |
| 10 | C 28251 | KNOB - lever | 1 |
| 11 | C 33131 | TUBE - flow valve to return | 1 |
| 12 | 113- 12 | BOLT - 1/4" - 20 x 2-1/2" | 1 |
| 13 | 131-1180 | NUT - 1/4" - 20 lock | 1 |
| 14 | 195- 518 | WASHER - 1/4" | 3 |
| 15 | 214- 254 | CLAMP - hose #12 5/8" to 1-1/4" | 4 |
| 16 | 218- 754 | CAP - hydraulic 9/16" - 18 | 1 |
| 17 | C 33010 | HOSE - flow valve to PTO (for 3016, 3018, 3020) | 1 |
| | C 33011 | HOSE - flow valve to PTO (for 4016, 4018) (4020 before PIN 14176500) | 1 |
| | C 18719 | DECAL - speed control | 1 |
| | 218- 5229 | FITTING - 90° swivel elbow (for 3 point hitch connections) | 2 |

HFC34B FLOW CONTROL

Use with HP42 PTO
for 4020 - PIN 14176500 AND AFTER



| REF. | PART NO. | DESCRIPTION | REQ'D |
|------|-----------|---|-------|
| 1 | C 23618 | VALVE - flow control | 1 |
| 2 | 218- 445 | FITTING - 5/8" tube x 7/8" - 14 | 1 |
| 3 | 218- 485 | FITTING - 90° 5/8" tube x 7/8" - 14 | 2 |
| 4 | C 42483 | TUBE - flow valve to travel valve | 1 |
| 5 | C 42531 | TUBE - flow valve to PTO valve | 1 |
| 6 | C 36846 | TUBE - travel valve to heat exchanger | 1 |
| 7 | 131- 934 | NUT - 1/4" - 20 flange lock | 2 |
| 8 | C 36848 | LEVER - control | 1 |
| 9 | C 36849 | HOSE - return 5/8" | 1 |
| 10 | C 28251 | KNOB - lever | 1 |
| 11 | C 36850 | TUBE - flow valve to return | 1 |
| 12 | 113- 15 | BOLT - 1/4" - 20 x 2-1/4" | 2 |
| 13 | 131-1180 | NUT - lock 1/4" - 20 | 2 |
| 14 | 121- 21 | BOLT - 1/4" - 20 flange lock | 3 |
| 15 | 214- 254 | CLAMP - hose | 4 |
| 16 | C 36853 | BRACKET - mounting | 1 |
| 17 | C 42485 | TUBE - flow valve to PTO valve | 1 |
| 18 | C 33220 | DECAL - "fast" | 1 |
| 19 | C 33219 | DECAL - "slow" | 1 |
| | C 33221 | TRIM - panel (tower side) not shown | 1 |
| | 218- 5229 | FITTING - 90° swivel 5/16" tube (install to tee fittings on travel valve when 3 pt hitch is used) | 2 |

NUMERICAL INDEX

| PART NO. | PAGE NO. | REF. NO. | PART NO. | PAGE NO. | REF. NO. | PART NO. | PAGE NO. | REF. NO. |
|----------|----------|----------|----------|----------|----------|----------|----------|----------|
| C42118 | 61 | 20 | 113- 424 | 27 | 15 | 131-1182 | 79 | 2 |
| C42155 | 33 | 32 | 113- 424 | 31 | 4 | 131-1216 | 31 | 21 |
| C42198 | 69 | 1 | 113- 424 | 33 | 4 | 131-1318 | 27 | 5 |
| C42483 | 83 | 4 | 113- 424 | 41 | 40 | 131-1352 | 27 | 7 |
| C42485 | 83 | 17 | 113- 424 | 49 | 3 | 131-1352 | 35 | 8 |
| C42531 | 83 | 5 | 113- 426 | 73 | 17 | 131-1352 | 51 | 7 |
| C42849 | 35 | 20 | 113- 427 | 31 | 3 | 132- 306 | 71 | 12 |
| C42929 | 61 | 11 | 113- 441 | 31 | 3 | 132- 310 | 33 | 20 |
| C43222 | 27 | 1 | 113- 441 | 33 | 3 | 132- 310 | 39 | 18 |
| C43227 | 61 | 1 | 113- 447 | 73 | 17 | 132- 310 | 41 | 41 |
| C43228 | 61 | 3 | 113-2262 | 39 | 12 | 132- 310 | 55 | 4 |
| C43229 | 65 | 13 | 113-2400 | 71 | 6 | 132- 310 | 73 | 4 |
| C43230 | 65 | 13 | 114- 203 | 25 | 12 | 132- 311 | 37 | 9 |
| C44029 | 53 | 23 | 121- 3 | 21 | 18 | 132- 320 | 53 | 10 |
| F53109 | 51 | 2 | 121- 21 | 23 | | 132- 320 | 55 | 13 |
| 022- 844 | 71 | 13 | 121- 21 | 41 | 20 | 132- 321 | 39 | 21 |
| 022- 844 | 75 | 3 | 121- 21 | 45 | 33 | 132- 329 | 69 | 11 |
| 028- 668 | 49 | 1 | 121- 21 | 63 | 1 | 132- 334 | 29 | 3 |
| 041- 26 | 7 | 2 | 121- 21 | 83 | 14 | 132- 348 | 73 | 26 |
| 061- 420 | 69 | 16 | 121- 106 | 27 | 11 | 138- 143 | 35 | 10 |
| 061- 512 | 23 | 6 | 121- 106 | 29 | 9 | 138-2037 | 73 | 25 |
| 083- 55 | 51 | 3 | 121- 106 | 31 | 13 | 138-2072 | 53 | 11 |
| 111- 101 | 67 | 10 | 121- 106 | 33 | 13 | 138-2073 | 27 | 16 |
| 111- 132 | 63 | 24 | 126- 9 | 5 | 12 | 138-2073 | 39 | 3 |
| 111- 371 | 77 | 5 | 126- 9 | 5 | 18 | 138-2073 | 41 | 11 |
| 111- 517 | 73 | 19 | 126- 128 | 41 | 13 | 141- 4 | 39 | 20 |
| 111- 521 | 79 | 4 | 129- 13 | 63 | 10 | 163- 22 | 21 | 2 |
| 111- 525 | 79 | 4 | 129- 27 | 63 | 29 | 165- 142 | 67 | 10 |
| 113- 1 | 69 | | 129- 36 | 63 | 28 | 165- 143 | 67 | 9 |
| 113- 2 | 13 | 21 | 129- 101 | 67 | 18 | 166- 85 | 27 | 15 |
| 113- 2 | 33 | 10 | 129- 102 | 23 | | 166- 85 | 41 | 40 |
| 113- 3 | 23 | 8 | 129- 102 | 63 | 25 | 166- 85 | 43 | 16 |
| 113- 3 | 67 | 24 | 129- 103 | 77 | 7 | 166- 86 | 45 | 16 |
| 113- 4 | 11 | 26 | 129- 105 | 71 | 10 | 169- 114 | 47 | 20 |
| 113- 5 | 67 | 17 | 129- 105 | 75 | 4 | 182- 12 | 63 | 8 |
| 113- 12 | 81 | 12 | 129- 105 | 77 | 6 | 182- 49 | 21 | 15 |
| 113- 14 | 53 | 13 | 129- 107 | 73 | 9 | 182- 84 | 13 | 5 |
| 113- 14 | 69 | 23 | 129- 122 | 53 | 7 | 182- 152 | 17 | 8 |
| 113- 15 | 83 | 12 | 129- 122 | 55 | 19 | 182- 525 | 11 | 20 |
| 113- 65 | 15 | 8 | 129- 143 | 39 | 13 | 182- 525 | 63 | 2 |
| 113- 102 | 31 | 24 | 129- 165 | 37 | 15 | 182- 547 | 31 | 28 |
| 113- 102 | 33 | 24 | 129- 166 | 47 | 27 | 182- 559 | 15 | 18 |
| 113- 103 | 11 | 18 | 129- 365 | 37 | 16 | 182- 559 | 19 | 8 |
| 113- 103 | 15 | 12 | 129- 531 | 47 | 10 | 187-1036 | 15 | 12 |
| 113- 103 | 51 | 8 | 131- 71 | 17 | 18 | 187-1036 | 17 | 7 |
| 113- 103 | 67 | 13 | 131- 351 | 43 | 10 | 187-1036 | 21 | 23 |
| 113- 111 | 51 | 14 | 131- 351 | 45 | 10 | 187-1036 | 23 | 10 |
| 113- 118 | 31 | 4 | 131- 911 | 13 | 15 | 187-1036 | 27 | 21 |
| 113- 118 | 33 | 4 | 131- 911 | 17 | 5 | 187-1036 | 63 | 7 |
| 113- 120 | 13 | 11 | 131- 911 | 31 | 25 | 187-1036 | 21 | 5 |
| 113- 121 | 15 | 9 | 131- 911 | 33 | 25 | 187-1073 | 21 | 8 |
| 113- 122 | 31 | 11 | 131- 911 | 51 | 2 | 187-1328 | 29 | 13 |
| 113- 122 | 67 | 22 | 131- 911 | 67 | 16 | 187-1328 | 53 | 24 |
| 113- 132 | 9 | 30 | 131- 930 | 73 | 21 | 187-1328 | 63 | 2 |
| 113- 206 | 25 | 7 | 131- 934 | 23 | 9 | 187-1511 | 19 | 12 |
| 113- 206 | 35 | 1 | 131- 934 | 23 | | 187-1511 | 21 | 14 |
| 113- 207 | 77 | 6 | 131- 934 | 29 | 11 | 187-1511 | 37 | 12 |
| 113- 208 | 7 | 3 | 131- 934 | 31 | 29 | 192- 13 | 63 | 9 |
| 113- 208 | 23 | 4 | 131- 934 | 33 | 29 | 192- 18 | 19 | 6 |
| 113- 208 | 27 | 9 | 131- 934 | 33 | 31 | 192- 19 | 11 | 25 |
| 113- 208 | 51 | 6 | 131- 934 | 67 | 11 | 192- 19 | 13 | 20 |
| 113- 209 | 55 | 21 | 131- 934 | 67 | 26 | 192- 19 | 15 | 7 |
| 113- 241 | 35 | 6 | 131- 934 | 69 | 24 | 192- 19 | 27 | 19 |
| 113- 252 | 11 | 11 | 131- 934 | 83 | 7 | 192- 19 | 53 | 14 |
| 113- 417 | 71 | 14 | 131- 938 | 55 | 22 | 192- 19 | 67 | 19 |
| 113- 417 | 73 | 18 | 131-1180 | 81 | 13 | 192- 20 | 15 | 10 |
| 113- 417 | 75 | 5 | 131-1180 | 83 | 13 | 192- 20 | 31 | 5 |
| 113- 417 | 77 | 4 | 131-1182 | 79 | 2 | 192- 20 | 33 | 5 |

NUMERICAL INDEX

| PART NO. | PAGE NO. | REF. NO. | PART NO. | PAGE NO. | REF. NO. |
|----------|----------|----------|----------|----------|----------|
| 192- 20 | 51 | 9 | 217- 333 | 45 | 34 |
| 192- 20 | 53 | 16 | 218- 443 | 69 | 32 |
| 192- 20 | 55 | 8 | 218- 445 | 81 | 2 |
| 192- 20 | 57 | 2 | 218- 445 | 83 | 2 |
| 192- 20 | 67 | 15 | 218- 465 | 69 | 17 |
| 192- 21 | 7 | 19 | 218- 475 | 69 | 47 |
| 192- 21 | 11 | 10 | 218- 485 | 81 | 3 |
| 192- 21 | 23 | 5 | 218- 485 | 83 | 3 |
| 192- 21 | 25 | 8 | 218- 754 | 43 | 30 |
| 192- 21 | 35 | 14 | 218- 754 | 45 | 30 |
| 192- 21 | 77 | 8 | 218- 754 | 81 | 16 |
| 192- 23 | 27 | 14 | 218-1093 | 55 | 26 |
| 192- 23 | 31 | 5 | 218-5004 | 73 | 8 |
| 192- 23 | 33 | 5 | 218-5007 | 43 | 3 |
| 192- 23 | 37 | 14 | 218-5007 | 43 | 5 |
| 192- 23 | 41 | 19 | 218-5007 | 43 | 7 |
| 192- 23 | 45 | 39 | 218-5007 | 45 | 3 |
| 192- 23 | 49 | 2 | 218-5007 | 45 | 5 |
| 192- 23 | 71 | 7 | 218-5007 | 45 | 7 |
| 192- 23 | 73 | 20 | 218-5056 | 55 | 27 |
| 192- 23 | 77 | 7 | 218-5062 | 43 | 6 |
| 192- 404 | 23 | 7 | 218-5062 | 45 | 6 |
| 193- 6 | 63 | 14 | 218-5062 | 67 | 4 |
| 193- 6 | 63 | 30 | 218-5062 | 69 | 12 |
| 195- 102 | 21 | 6 | 218-5065 | 43 | 2 |
| 195- 102 | 21 | 19 | 218-5065 | 45 | 2 |
| 195- 104 | 55 | 23 | 218-5104 | 73 | 7 |
| 195- 516 | 17 | 9 | 218-5107 | 43 | 4 |
| 195- 518 | 21 | 10 | 218-5107 | 45 | 4 |
| 195- 518 | 69 | | 218-5107 | 67 | 3 |
| 195- 518 | 81 | 14 | 218-5107 | 69 | 13 |
| 195- 521 | 55 | 17 | 218-5117 | 43 | 26 |
| 195- 521 | 67 | 14 | 218-5117 | 45 | 26 |
| 195- 525 | 27 | 8 | 218-5154 | 11 | 34 |
| 195- 525 | 31 | 18 | 218-5201 | 67 | 2 |
| 195- 525 | 33 | 18 | 218-5229 | 81 | |
| 195- 525 | 77 | 9 | 218-5229 | 83 | |
| 195- 526 | 67 | 5 | 218-5232 | 43 | 8 |
| 195- 533 | 39 | 17 | 218-5232 | 45 | 8 |
| 195- 533 | 55 | 14 | 218-5232 | 69 | 48 |
| 195- 533 | 77 | 5 | 218-5479 | 73 | 1 |
| 195- 533 | 79 | 3 | 219- 17 | 37 | 20 |
| 195- 533 | 79 | 3 | 219- 17 | 55 | 2 |
| 195- 541 | 35 | 11 | 219- 403 | 39 | 4 |
| 195- 541 | 41 | 42 | 219- 403 | 73 | 4 |
| 195- 541 | 71 | 3 | 219- 404 | 37 | 7 |
| 195- 541 | 73 | 27 | 221- 3 | 11 | 12 |
| 195- 545 | 71 | 11 | 221- 3 | 41 | 10 |
| 195-2010 | 9 | 39 | 221- 86 | 11 | 31 |
| 195-2027 | 15 | 15 | 221- 167 | 11 | 14 |
| 195-2069 | 35 | 15 | 221- 376 | 11 | 15 |
| 195-2175 | 31 | 10 | 221- 841 | 47 | 21 |
| 195-2175 | 33 | 30 | 221-1842 | 41 | 10 |
| 195-2206 | 35 | 11 | 321-1788 | 65 | 4 |
| 211- 5 | 13 | 8 | 321-4767 | 65 | 3 |
| 211- 5 | 47 | 16 | 321-6659 | 65 | 9 |
| 211- 7 | 9 | 43 | | | |
| 211- 7 | 47 | 30 | | | |
| 211- 208 | 47 | 6 | | | |
| 211- 216 | 5 | 11 | | | |
| 214- 14 | 43 | 24 | | | |
| 214- 14 | 45 | 24 | | | |
| 214- 103 | 15 | 20 | | | |
| 214- 251 | 17 | 21 | | | |
| 214- 254 | 43 | 23 | | | |
| 214- 254 | 45 | 23 | | | |
| 214- 254 | 81 | 15 | | | |
| 214- 254 | 83 | 15 | | | |