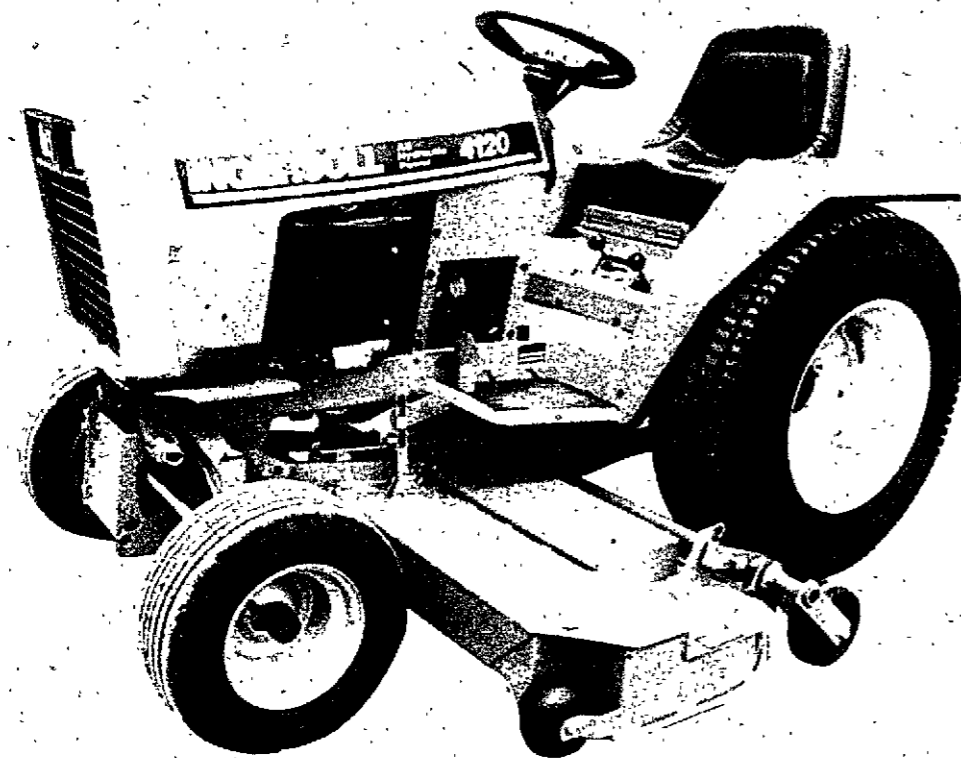


COMPACT TRACTORS
3118, 4116, 4118, 4120
Parts Catalog 8-3200

4-92-RP-500-344



INGERSOLL
Ingersoll Equipment Co., Inc.

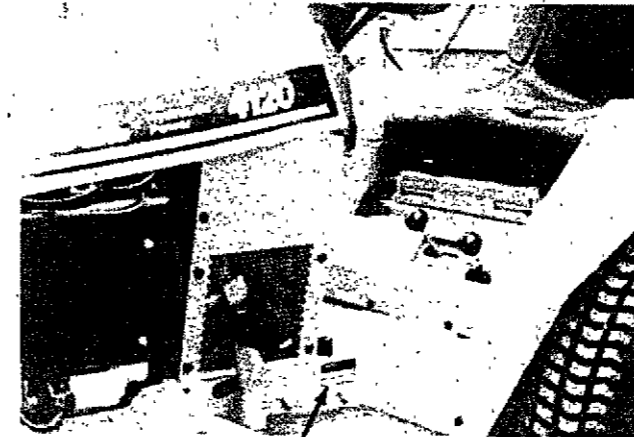
PAINT AND OIL

REF.	PART NO.	DESCRIPTION	REQ'D
1	C 28849	BLACK - semi - gloss, 12 oz spray (2 per carton)	1
2	C 28850	BLACK - semi - gloss, quart (2 per carton)	1
3	C 28851	BLACK - semi - gloss, heat resistant, 12 oz spray (2 per carton)	1
4	C 28484	POWER RED - gloss, 12 oz spray (2 per carton)	1
5	C 28485	POWER RED - gloss, quart (2 per carton)	1
6	C 30870	SILVER - gloss, 12 oz. spray (2 per carton)	1
7	C 31643	POWER RED - gloss, 1 oz touch up, (1 doz. per carton)	1

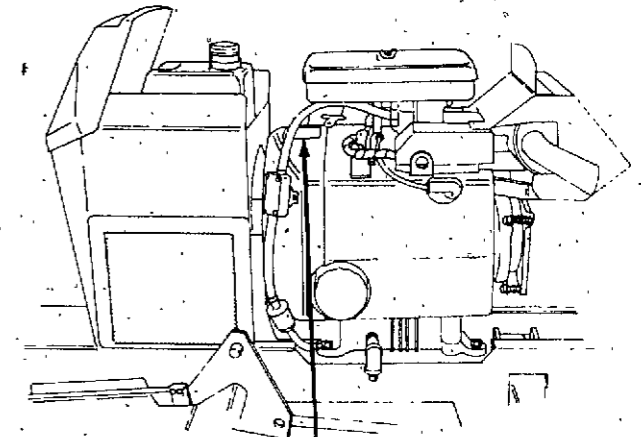
OIL

1	C 32776	OIL - SAE 30, SF, quart (12 per case)	1
2	C 32777	OIL - SAE 5W20, SF, quart (12 per case)	1
3	C 32778	OIL - SAE 20W40, SF, quart (12 per case)	1

**PRODUCT IDENTIFICATION NUMBERS (P.I.N.)
OR SERIAL NUMBERS (S/N)**



**TRACTOR MODEL AND P.I.N.
OR SERIAL NUMBERS**



**ENGINE MODEL, SERIAL AND
SPECIFICATION NUMBERS**

NOTE: In this catalog there are references to serial numbers. To order the correct part use these serial numbers as a guide.

ENGINE IDENTIFICATION

TRACTOR MODEL	ENGINE MODEL
4116	C33235 ONAN P216G-I SPEC. NO. 10904C, 10904D
3118, 4118	C33236 ONAN P218G-I SPEC. NO. 10904C, 10904D
4120	C33237 ONAN P220G-I SPEC. NO. 10904C, 10904D

GENERAL INFORMATION

INDEX

There is an index at the front and rear of this catalog.

The front index is an alphabetical index of the major groups or assemblies.

The rear index is a numerical index of the part numbers and pages on which these numbers are shown.

ILLUSTRATION

Each illustration in this catalog shows a group of parts or components. These parts and components are aligned approximately as the parts and components on your machine. Each part and component in an illustration has a reference number. These reference numbers are in a list on the page opposite of the illustration. Next to the reference number is the part number, description and required quantity of the part shown in the illustration.

UAR - "Use as required" indicates that the part quantity is variable.

NSS - "Not sold separately" indicates that the part is only available as a component of an assembly or the part must be purchased locally. If the part is an assembly component, the description will be indented under the assembly description in the parts list.

O/L - "Obtain locally"

** - "Footnotes" are added to a part number when more information is needed for identification. They only relate to the part numbers indicated.

INDENTED DESCRIPTIONS

An assembly can have many components. The components of an assembly are indicated by an indented description. The quantity for an indented part is the total needed for that complete assembly. See the example.

REF.	PART NO.	DESCRIPTION	REQ'D
	C 55159	CYLINDER ASSY - rear steering	1
28	C 56208	SOCKET ASSY - rear cylinder	1
29	C 55956	PLUG - adjusting, socket assy	1
30	C 55957	SEAT - socket ball	2
31	C 56210	SPRING - socket	1
32	C 56209	SEAT - socket spring	1
33	G 45175	CLAMP ASSY - socket assy	1
	16- 836	BOLT - 1/2" x 2-1/4" N.F. hex	1
34	132- 104	PIN - cotter, 3/16" x 3"	1
35	C 55889	STUD - ball, socket & cylinder	2
36	13- 410	BOLT - 1/4" x 5/8" N.C., hex	4
37	92- 4	LOCK WASHER - 1/4" SAE	4

PARTS ORDERS

All orders must include the following information:

1. Correct part number.
2. Complete description of part or component.
3. Total quantity of each part or component.
4. Product model number.
5. All necessary product identification numbers.
6. Method for sending the parts.
7. Complete and correct address.

CATALOG REVISIONS

As the product changes, new pages will be available for your catalog. A notice will be issued.

IMPORTANT: Put all revisions into the catalog as soon as possible.

RIGHT HAND AND LEFT HAND IDENTIFICATION

The words right hand (RH) and left hand (LH) as used in this catalog indicate the direction while you are in the operator's seat in the normal operating position.

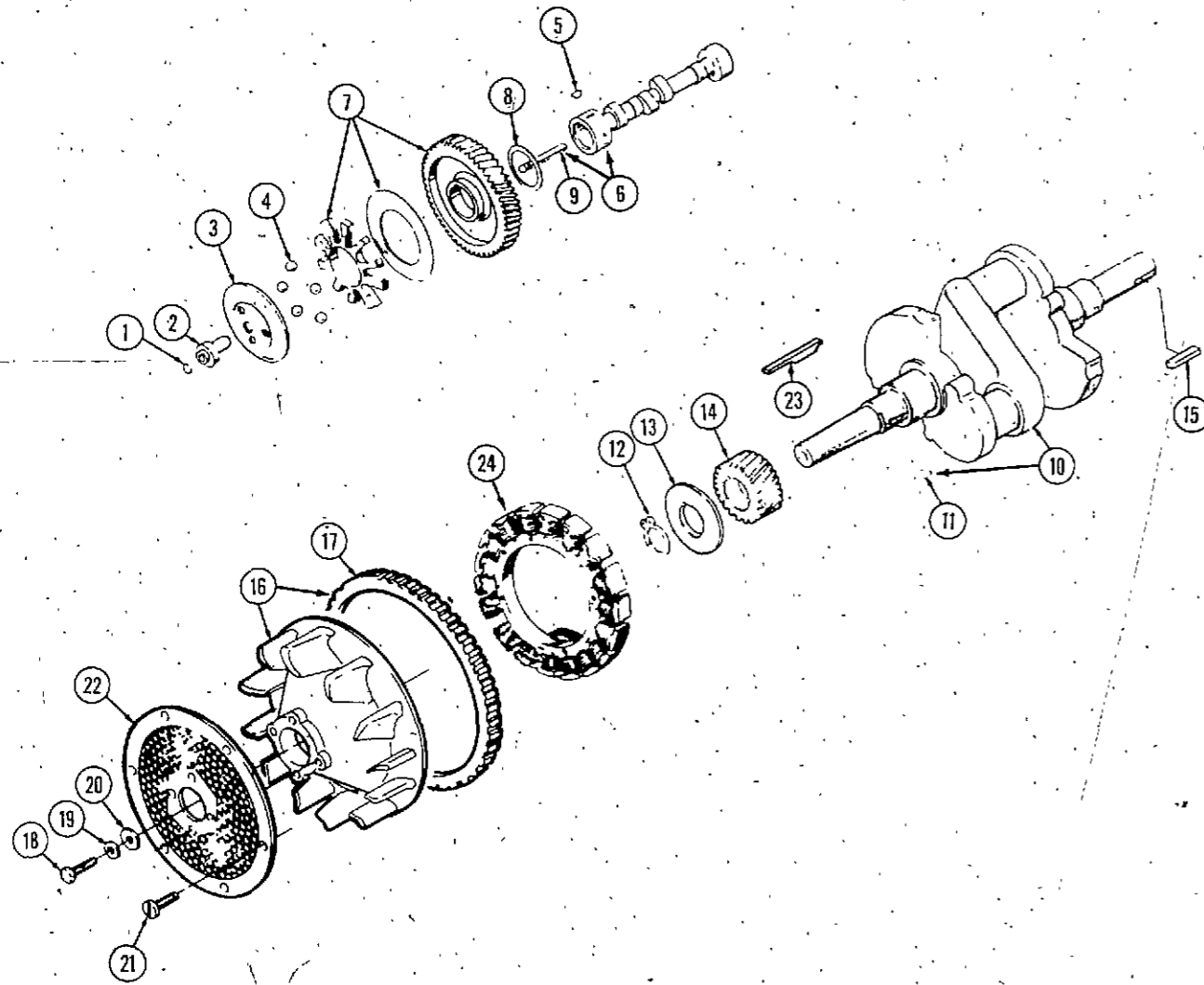
ALPHABETICAL INDEX

ENGINE SECTION

Page	Grid	Page	Grid
Air Cleaner	B8	Flywheel	5
Battery	E6	Fuel Pump	17
Breather, Crankcase	B8	Fuel System	17
Camshaft	A8	Gasket Kits	9-11
Carburetor	B10	Governor	15-23
Choke Linkage	B10	Muffler	25
Connecting Rod	A10	Shields	23-25
Crankshaft	A8	Oil Pan	13
Cylinder Block	9-11	A12-A14	Piston
Cylinder Head	9-11	A12-A14	Rotor, Ignition
Electrical System	57-61	E4-E8	Spark Plug
Engine Block & Attaching Parts	9-11	A12-A14	Starter
Exhaust System	25	B14	Tank, Fuel
Filter, Breather	19	B8	Throttle Linkage
Filter, Fuel	17	B6	Valves
Filter, Oil	13	B2	

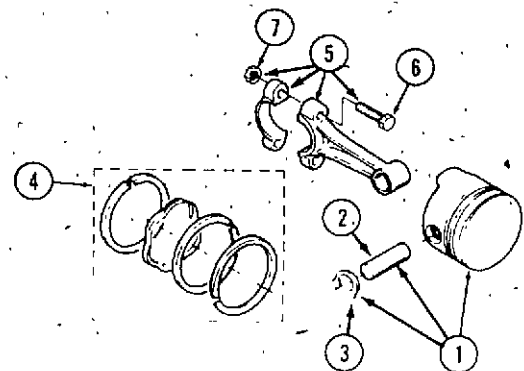
BASIC TRACTOR SECTION

Page	Grid	Page	Grid
Axle, Front	33	C8	Hydraulics
Axle, Rear	37	C12	Adapter, Pump Drive
Baffles & Shrouds	23,25,51	B12, B14, D12	Motor, Hydraulic Drive
Brakes	35	C10	Pump
Control, Speed	53	D14	Valve, Control
Decals	63	E10	Linkage, Valve, Control
Electrical Systems	57-61	E4, E8	Hydraulic Lift
F27 Three Point Hitch Adapter	69	F2	PTO (Hydraulic)
Fenders	31	C6	Instruments
Frame	27	C2	K22 and K24 Sleeve Hitch
Grille	29	C4	L11 Counterweight Kit
H13 Weight Box	71	F4	Mounts, Engine
H18 Counterweight Brackets	71	F4	Mounts, Heat Exchanger
HH34 Three Point Hitch	67	E14	Seat, Operator's
Headlights	61	E8	Tool Tray
Hitch, Tow	53	D14	Transmission
Hood	29	C4	Wheels, Front & Rear
			WW30, WW40 Wheel Weights



CRANKSHAFT, CAMSHAFT AND FLYWHEEL

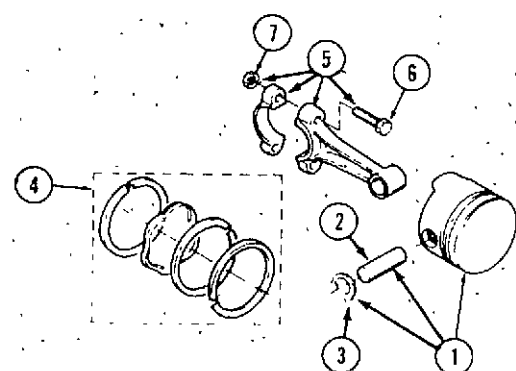
REF.	PART NO.	DESCRIPTION	REQ'D
1	C 20223	RING - retaining	1
2	C 24325	HUB - governor	1
3	C 24326	CUP - governor	1
4	211- 216	BALL - governor	5
5	126- 9	KEY - woodruff 1/8" x 1/2"	1
6	C 32468	CAMSHAFT - (includes pin) (3118, 4116, 4118)	1
6	C 32469	CAMSHAFT - (includes pin) (4120)	1
7	C 22261	GEAR ASSEMBLY - camshaft	1
8	C 20229	WASHER - thrust	1
9	C 20233	PIN - center	1
10	C 32284	CRANKSHAFT - engine (4116)	1
10	C 32285	CRANKSHAFT - engine (3118, 4118, 4120)	1
11	126- 9	KEY - woodruff, crankshaft gear	1
12	C 20218	RING - retaining	1
13	C 20219	WASHER - special	1
14	C 22262	GEAR - crankshaft	1
15	C 31976	KEY - square, clutch	1
16	C 32286	FLYWHEEL - engine	1
17	C 20226	GEAR - ring, flywheel	1
18	C 32473	BOLT - flywheel	1
19	C 32463	WASHER - special	1
20	C 20303	WASHER - special	6
21	C 32464	SCREW - #10-24 x 3/8 flange lock	6
22	C 32287	SCREEN - flywheel	1
23	C 32288	KEY - 3/16" x 2" special, flywheel	1
24	C 24956	STATOR - charging	1
	C 32458	KIT - terminal connector	1



**PISTONS, RINGS AND CONNECTING RODS
for Specification Number 10904C**

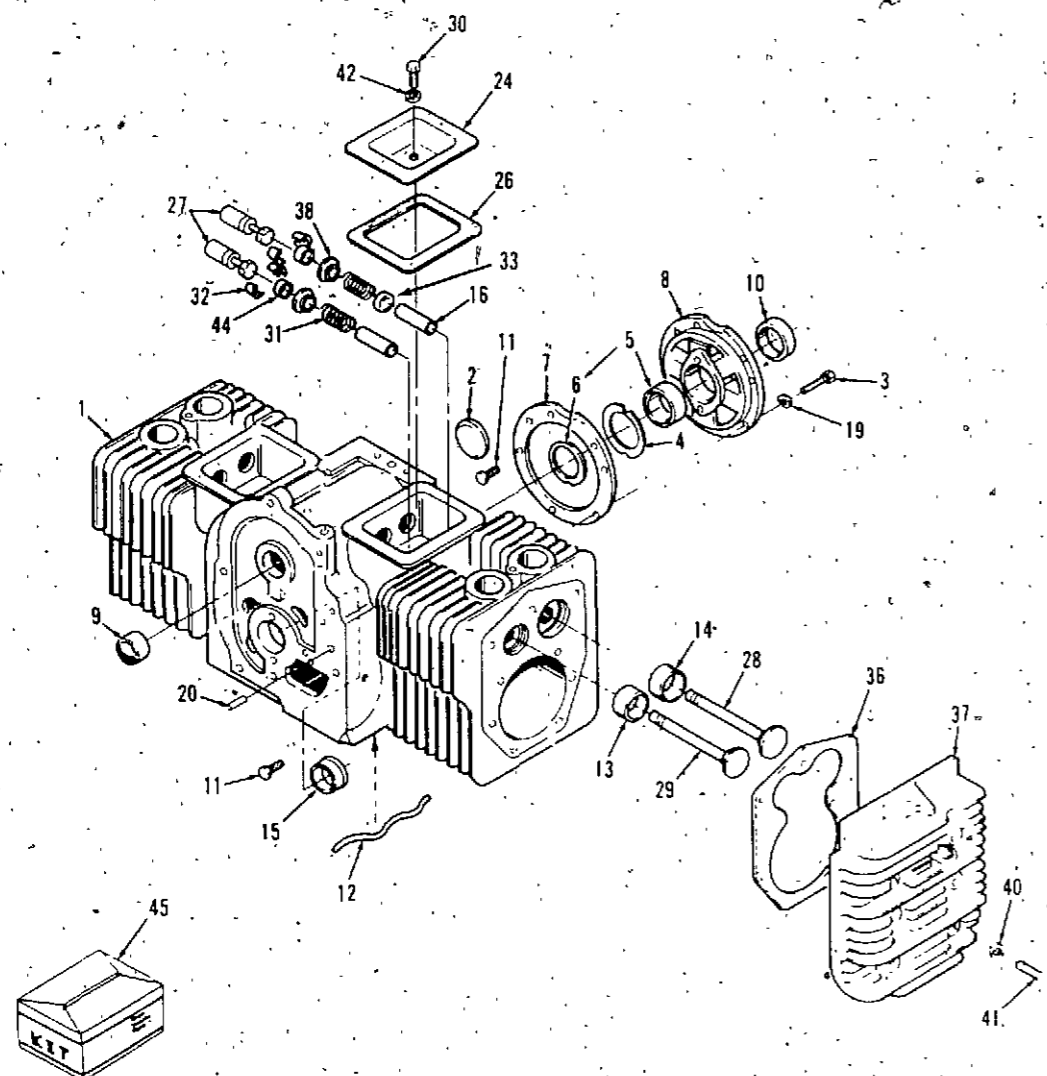
REF.	PART NO.	DESCRIPTION	REQ'D
1	NSS	PISTON - standard (use C40793)	2
1	NSS	PISTON - .010 (0.25 mm) oversize (use C40794)	2
1	NSS	PISTON - .020 (0.51 mm) oversize (use C40795)	2
1	NSS	PISTON - .030 (0.76 mm) oversize (use C40796)	2
2	C 29972	PIN - piston	2
3	C 20241	RING - retaining	4
4	C 29739	RING SET - piston (standard)	2
4	C 24938	RING SET - piston .005" (0.13mm) oversize	2
4	C 24939	RING SET - piston .010" (0.25mm) oversize	2
4	C 24940	RING SET - piston .020" (0.51mm) oversize	2
4	C 24941	RING SET - piston .030" (0.76mm) oversize	2
4	C 24942	RING SET - piston .040" (1.02mm) oversize	2
5	C 29750	CONNECTING ROD - (standard) includes nut and bolt (4116)	2
5	C 29751	CONNECTING ROD - .010" (0.25mm) undersize, (4116)	2
5	C 20204	CONNECTING ROD - .020" (0.51mm) undersize, (4116)	2
5	C 20205	CONNECTING ROD - .030" (0.76mm) undersize, (4116)	2
5	C 25383	CONNECTING ROD - (standard) (3118, 4118, 4120)	2
5	C 25384	CONNECTING ROD - .010" (0.25mm) undersize, (3118, 4118, 4120)	2
5	C 25385	CONNECTING ROD - .020" (0.51mm) undersize, (3118, 4118, 4120)	2
5	C 25386	CONNECTING ROD - .030" (0.76mm) undersize, (3118, 4118, 4120)	2
6	C 25774	BOLT - connecting rod 5/16" special N.F.	2
7	C 25775	NUT - lock, connecting rod 5/16" N.F.	2

**PISTONS, RINGS AND CONNECTING ROD
for Specification Number 10904D**



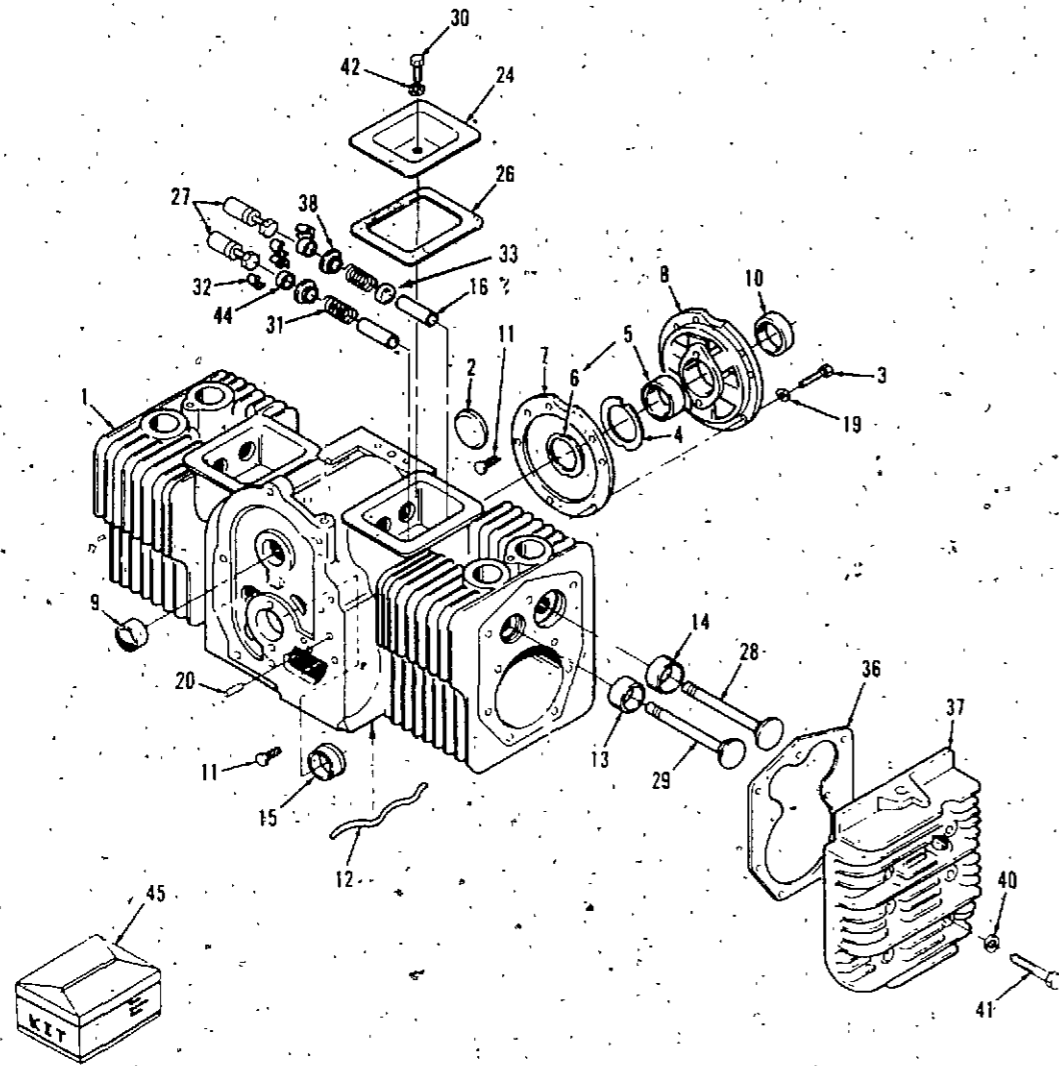
REF.	PART NO.	DESCRIPTION	REQ'D
1	C 40793	PISTON KIT - standard	2
1	C 40794	PISTON KIT - .010" oversize	2
1	C 40795	PISTON KIT - .020" oversize	2
1	C 40796	PISTON KIT - .030" oversize	2
2	C 29972	PIN - piston	2
3	C 20241	RING - retaining	2
4	C 40789	RING SET - standard	1
4	C 40790	RING SET - .010" oversize	1
4	C 40791	RING SET - .020" oversize	1
4	C 40792	RING SET - .030" oversize	1
5	C 29750	CONNECTING ROD - standard (4116)	2
5	C 29751	CONNECTING ROD - .010" undersize (4116)	2
5	C 20204	CONNECTING ROD - .020" undersize (4116)	2
5	C 20205	CONNECTING ROD - .030" undersize (4116)	2
5	C 25383	CONNECTING ROD - standard (3118, 4118, 4120)	2
5	C 25384	CONNECTING ROD - .010" undersize (3118, 4118, 4120)	2
5	C 25385	CONNECTING ROD - .020" undersize (3118, 4118, 4120)	2
5	C 25386	CONNECTING ROD - .030" undersize (3118, 4118, 4120)	2
6	C 25774	BOLT - connecting rod 5/16" special N.F.	2
7	C 25775	NUT - lock, connecting rod 5/16" N.F.	2

CYLINDER BLOCK



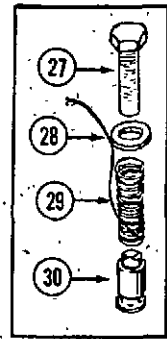
REF.	PART NO.	DESCRIPTION	REQ'D
1	C 33243	BLOCK ASSEMBLY - short (4116) includes cylinder and crankcase, all bearings, crankshaft, camshaft, timing gear, connecting rods, pistons, piston rings, valves, oil pump and breather tube (does not include gasket set)	1
1	C 33244	BLOCK ASSEMBLY - short (3118, 4118, 4120) includes cylinder and crankcase, all bearings, crankshaft, camshaft, timing gear, connecting rods, pistons, piston rings, valves, oil pump and breather tube (does not include gasket set)	1
2	41- 26	PLUG - welch	1
3	113- 208	BOLT - 3/8" - 16 x 1-1/4"	5
4	C 20256	SHIM - end play, crankshaft (.005")	UAR
5	C 22618	BEARING - crankshaft, rear (includes thrust washer) (standard)	1
5	C 22619	BEARING - crankshaft, rear .002" (0.05mm) undersize	1
5	C 22620	BEARING - crankshaft, rear .010" (0.25mm) undersize	1
5	C 22621	BEARING - crankshaft, rear .020" (0.51mm) undersize	1
5	C 22622	BEARING - crankshaft, rear .030" (0.76mm) undersize	1
6	C 20267	WASHER - thrust	2
7	C 20268	GASKET - bearing plate	1
8	C 20269	PLATE - bearing, rear	1
9	C 20270	BEARING - camshaft 3/4" length (service part is 5/16" length)	2
10	C 20271	SEAL - oil, crankshaft rear	1
11	C 20272	PIN - drive, bearing stop	4
12	C 24946	TUBE - oil	1
13	C 29974	INSERT - valve seat, exhaust (standard)	2
13	C 29975	INSERT - valve seat, exhaust .002" (0.05mm) oversize	2
13	C 29976	INSERT - valve seat, exhaust .005" (0.13mm) oversize	2
13	C 29977	INSERT - valve seat, exhaust .010" (0.25mm) oversize	2
13	C 29978	INSERT - valve seat, exhaust .025" (0.64mm) oversize	2
14	C 20287	INSERT - valve seat, intake (standard)	2
14	C 20288	INSERT - valve seat, intake .002" (0.05mm) oversize	2
14	C 20289	INSERT - valve seat, intake .005" (0.13mm) oversize	2
14	C 20290	INSERT - valve seat, intake .010" (0.25mm) oversize	2
14	C 20291	INSERT - valve seat, intake .025" (0.64mm) oversize	2
15	C 20295	BEARING - crankshaft, front, flanged (standard)	1
15	C 20296	BEARING - crankshaft, front .002" (0.05mm) undersize	1
15	C 20297	BEARING - crankshaft, front .010" (0.25mm) undersize	1
15	C 20298	BEARING - crankshaft, front .020" (0.51mm) undersize	1
15	C 20299	BEARING - crankshaft, front .030" (0.76mm) undersize	1
16	C 32274	GUIDE - valve, exhaust	2
16	C 32275	GUIDE - valve, intake	2
19	192- 21	LOCKWASHER - 3/8"	5
20	C 23320	PIN - alignment, gear cover	2
24	C 20250	COVER - valve	1
26	C 20251	GASKET - valve cover	2
27	C 20276	TAPPET - valve (standard)	4
27	C 20471	TAPPET - valve .002 (0.05mm) oversize	4
27	C 20277	TAPPET - valve .005 (0.13mm) oversize	4
28	C 32272	VALVE - intake	2
29	C 32273	VALVE - exhaust	2
30	113- 132	BOLT - 1/4" - 20 x 1-3/4"	2
31	C 32276	SPRING - valve	4
32	C 32277	LOCK - valve and spring	8

CYLINDER BLOCK

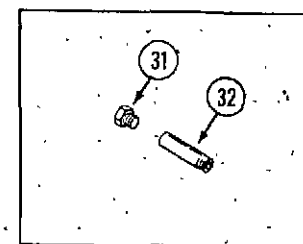
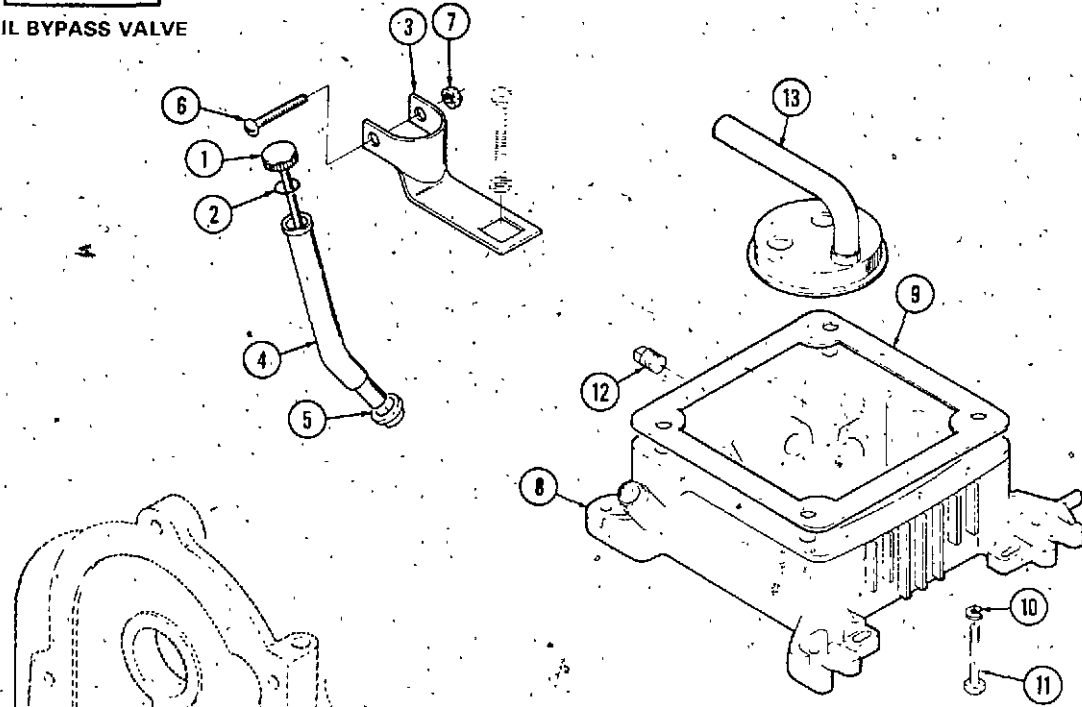
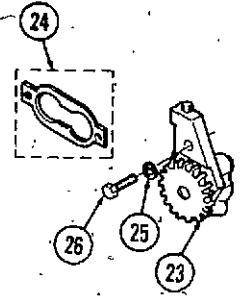


REF.	PART NO.	DESCRIPTION	REQ'D
33	C 40797	SEAL - intake valve	2
36	C 29979	GASKET - head	2
37	C 32279	HEAD - cylinder R.H.	1
37	C 32280	HEAD - cylinder L.H.	1
38	C 32281	RETAINER - valve spring	4
40	C 20248	WASHER - 5/16"	18
41	C 32440	BOLT - head 2-3/8" long	16
42	C 20247	WASHER - 1/4" copper	2
44	C 32282	CAP - valve	4
45	C 29981	KIT - gasket, complete engine (does not include bearings)	1
45	C 29982	KIT - gasket, (carbon removal/valve grind)	1

OIL BASE, PUMP, FILTER AND FILLER TUBE



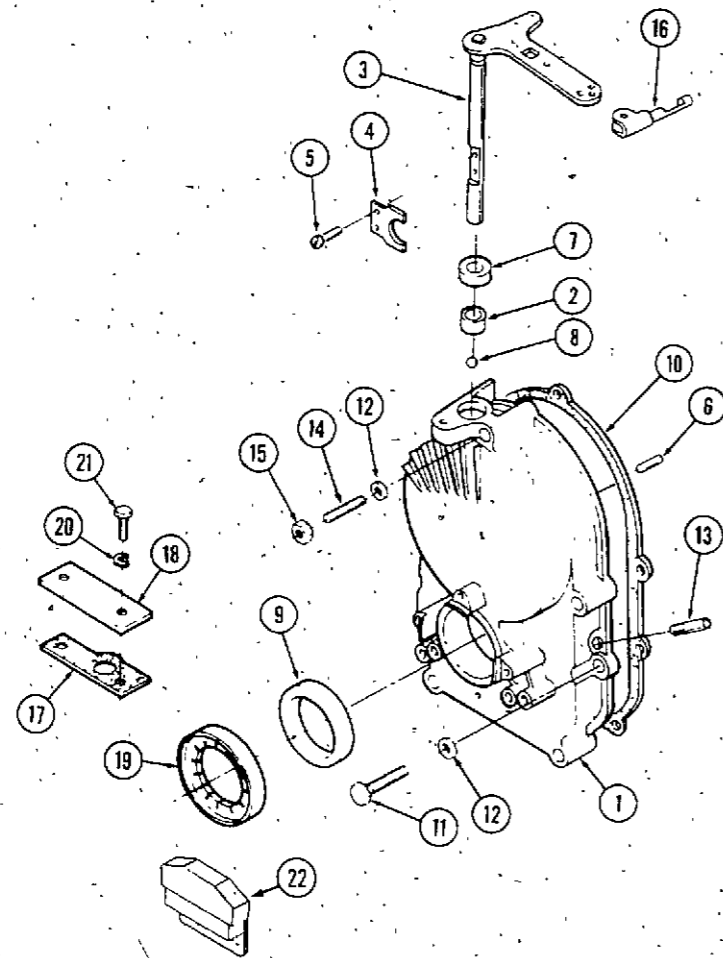
OIL BYPASS VALVE



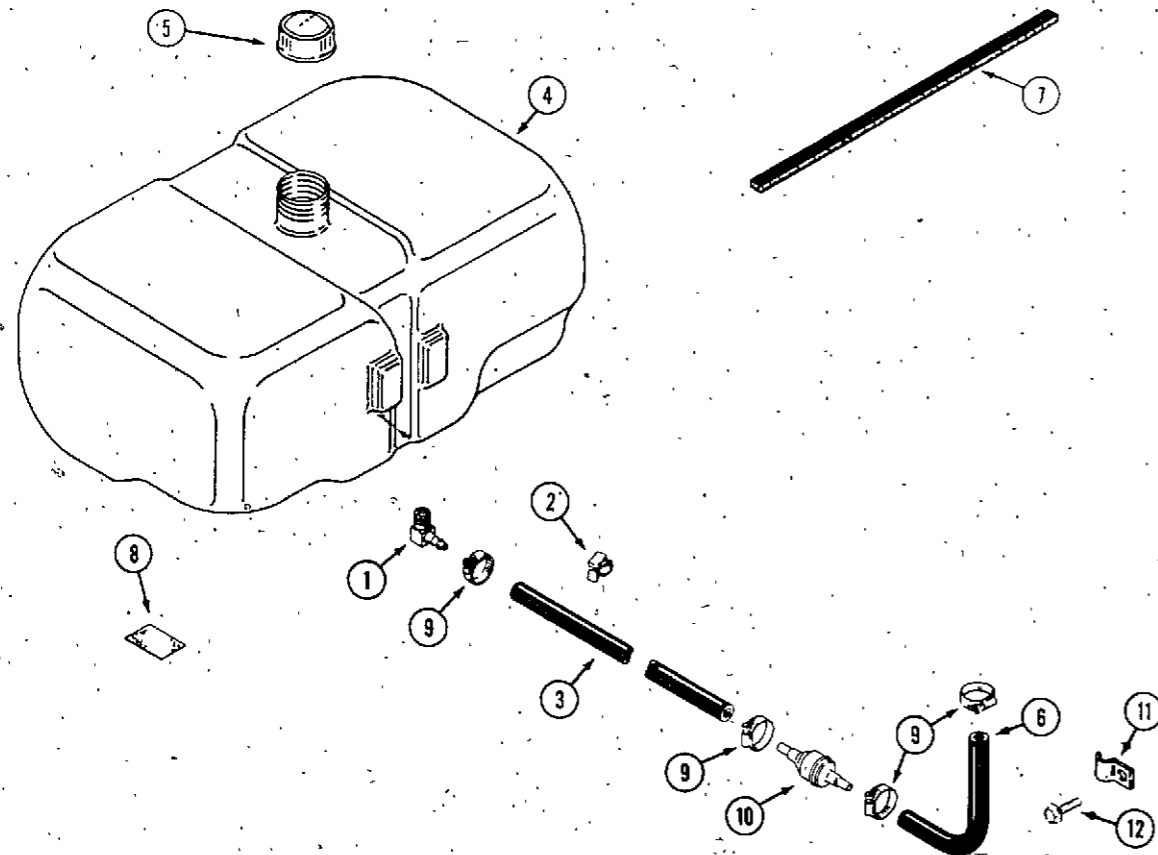
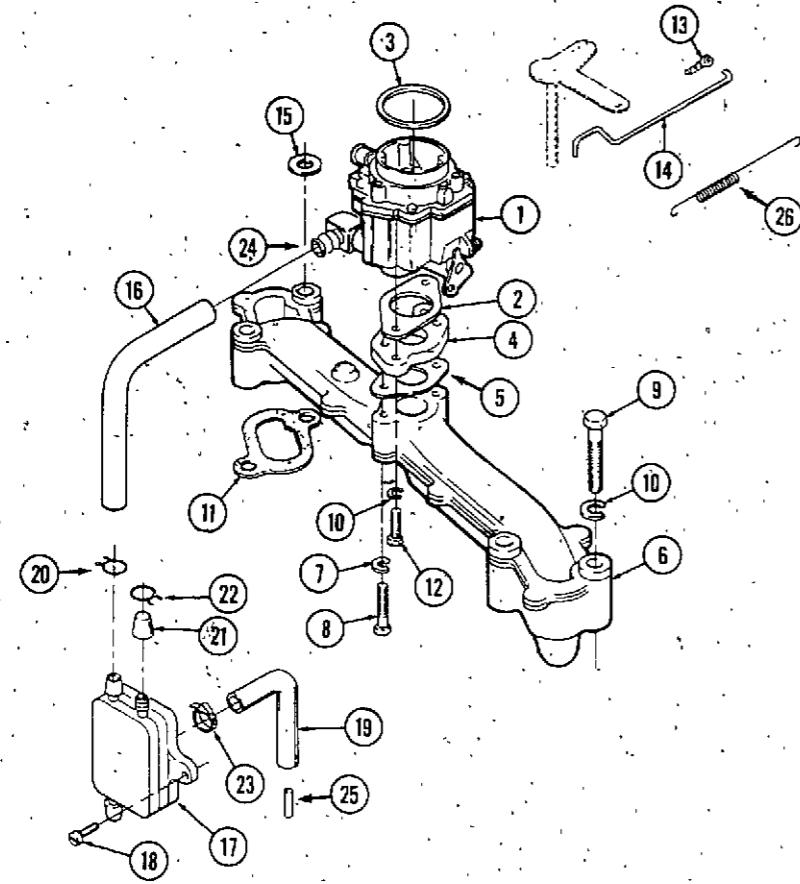
OIL DRAIN

REF.	PART NO.	DESCRIPTION	REQ'D
1	C 32290	DIPSTICK - oil level indicator	1
2	C 32465	O-RING	1
3	C 32291	BRACKET - fill tube	1
4	C 32292	TUBE - oil fill	1
5	C 32293	SEAL - tube	1
6	C 32466	SCREW - #10 x 1-1/4" panhead	1
7	C 32467	NUT - speed (type U)	1
8	C 32289	BASE - oil (includes plugs)	1
9	C 29984	GASKET - oil base	1
10	192- 21	LOCKWASHER - 3/8"	4
11	113- 252	BOLT - 3/8" - 16 x 3-3/4"	4
12	221- 3	PLUG - oil base 3/8"	2
13	C 23321	CUP - intake, oil pump	1
16	C 20565	ADAPTER - oil filter	1
17	C 20331	WASHER - 5/16" copper	2
18	113- 103	BOLT - 5/16" - 18 x 1"	2
19	C 25389	DRAIN - oil filter	1
20	182- 525	BOLT - #10 - 32 x 3/8"	2
21	C 32462	GASKET - oil filter adapter	1
22	C 26191	FILTER - oil	1
23	C 29734	PUMP - oil	1
24	C 20325	KIT - gasket, oil pump	1
25	192- 19	LOCKWASHER - 1/4"	2
26	113- 4	BOLT - 1/4" - 20 x 1"	2
27	C 32474	BOLT - 3/8" - 24 x 7/8" oil bypass	1
28	C 20574	WASHER - 3/8" copper	1
29	C 20320	SPRING - oil bypass valve	1
30	C 20322	VALVE - oil bypass	1
31	218- 5154	PLUG - oil drain	1
32	C 33949	NIPPLE - pipe 3.5"	1

GOVERNOR GEARCASE AND IGNITION ROTOR



REF.	PART NO.	DESCRIPTION	REQ'D
1	C 32457	GEARCASE ASSEMBLY - governor	1
2	C 20305	BEARING - governor shaft	1
3	C 22632	SHAFT AND ARM	1
4	C 20307	YOKE - governor shaft	1
5	182- 84	SCREW - #8 - 32 x 3/8"	2
6	C 20309	PIN - governor cup stop	1
7	C 20310	SEAL - oil, governor shaft	1
8	211- 5	BALL - bearing, governor shaft	1
9	C 20312	SEAL - oil, crankshaft	1
10	C 20313	GASKET - mounting	1
11	113- 120	BOLT - 5/16" - 18 x 1-3/4"	4
12	C 20331	WASHER - 5/16" copper	5
13	C 20412	TUBE - vacuum port (included in assembly)	1
14	C 29985	STUD - gear cover	1
15	131- 911	NUT - 5/16" - 18	1
16	C 29989	CLIP - retaining	1
17	C 20345	GASKET - plate	1
18	C 32452	PLATE - plunger cover	1
19	C 32297	ROTOR - ignition	1
20	192- 19	LOCKWASHER - 1/4"	2
21	113- 2	BOLT - 1/4" - 20 x 5/8"	2
22	C 32294	CONTROL - ignition	1



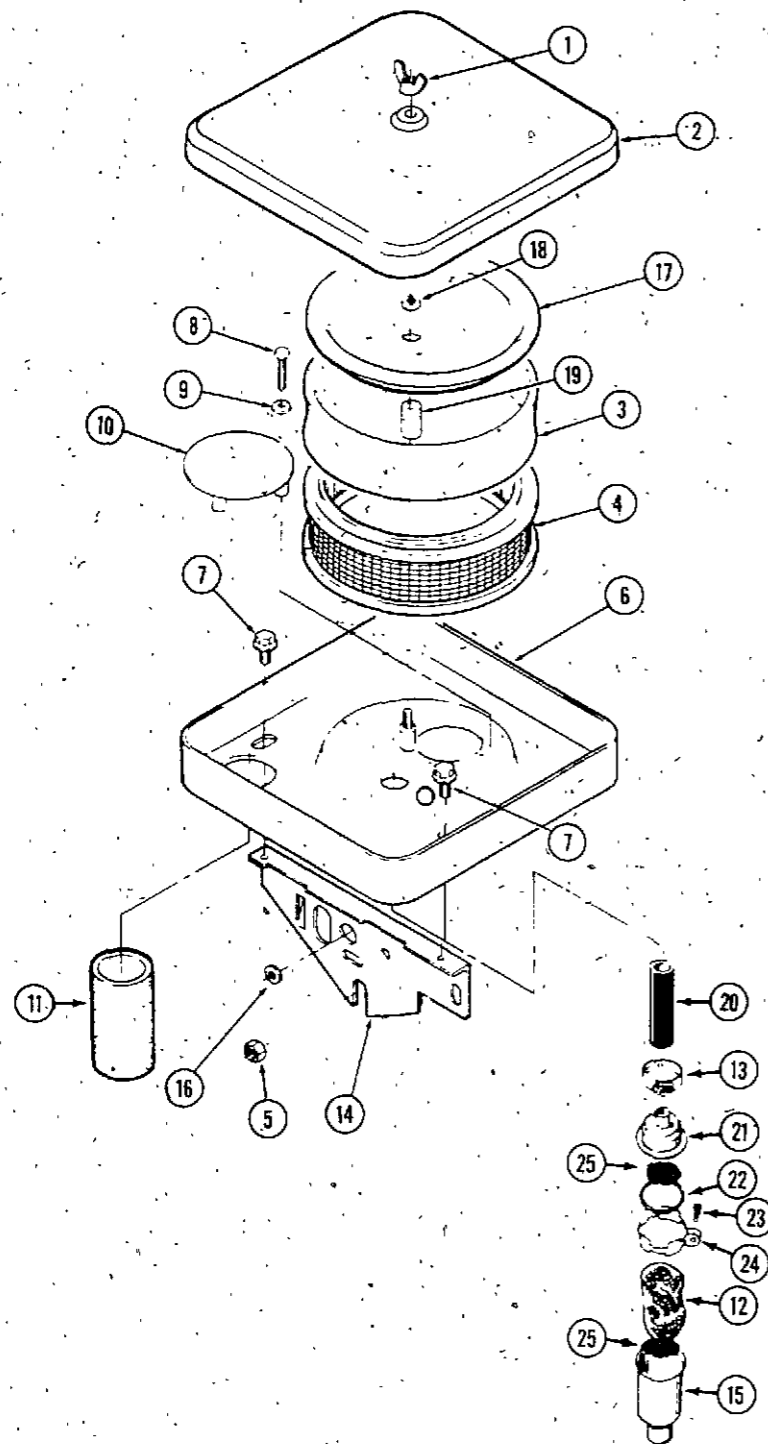
FUEL SYSTEM (ENGINE)

REF.	PART NO.	DESCRIPTION	REQ'D
1	C 29868	CARBURETOR - fuel (3118, 4116, 4118) repairs page 21	1
1	C 29869	CARBURETOR - fuel (4120) repairs page 21	1
2	C 29969	GASKET - carburetor mounting	1
3	C 29944	SEAL - "O" ring	1
4	C 29952	ADAPTER - carburetor	1
5	C 29953	GASKET - adapter	1
6	C 32450	MANIFOLD - intake	1
7	192- 19	LOCKWASHER - 1/4"	2
8	113- 65	BOLT - 1/4" - 20 x 1-3/8"	2
9	113- 121	BOLT - 5/16" - 18 x 2"	4
10	192- 20	LOCKWASHER - 5/16"	6
11	C 26202	GASKET - manifold	2
12	113- 103	BOLT - 5/16" - 18 x 1"	2
13	C 20360	CLIP - retaining, control rod to carburetor	1
14	C 29988	ROD - governor control	1
15	195-2027	WASHER - 5/16"	1
16	NSS	HOSE - fuel (use C28937 cut to length)	1
17	C 29959	PUMP - fuel	1
18	182- 559	SCREW - tapping #10 - 24 x 5/8"	2
19	NSS	HOSE - vacuum (use C28937 cut to length)	1
20	214- 103	CLAMP - hose 1/2" (wire)	UAR
21	C 20411	CAP - fuel outlet	UAR
22	NSS	CLAMP - hose 7/16" (wire) (use C32376)	UAR
23	C 32376	CLAMP - hose 1/2" (worm drive)	1
24	C 10678	ELBOW - hose 90°	1
25	C 20412	TUBE - vacuum	1
26	C 33406	SPRING - governor rod (optional)	1

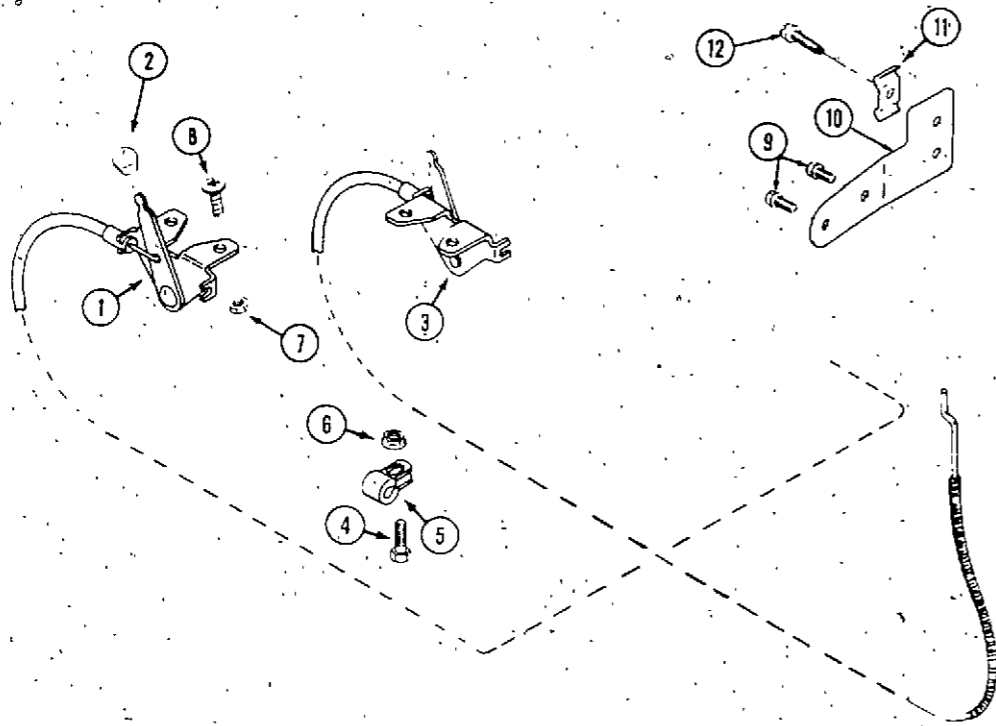
FUEL SYSTEM (TRACTOR)

1	C 10678	ELBOW - hose 90°	1
2	C 28962	RETAINER - fuel line	1
3	NSS	HOSE - fuel line (use C28937 cut to length)	1
4	C 28940	TANK - fuel	1
5	C 37094	CAP - fuel tank	1
6	NSS	HOSE - fuel line (use C28937 cut to length)	1
7	C 23527	LINER - tank	1
8	C 14690	CUSHION - fuel tank	2
9	C 32376	CLAMP - hose 1/2"	4
10	C 31978	FILTER - fuel	1
11	C 24689	CLIP - "J" fuel line retaining	1
12	187- 1036	SCREW - 1/4" - 20 self tap	1

AIR CLEANER



REF.	PART NO:	DESCRIPTION	REQ'D
1	C 26703	NUT - wing 1/4" - 20	1
2	C 32302	COVER - air cleaner	1
3	C 22581	PRECLEANER	1
4	C 22424	ELEMENT - air cleaner	1
5	131- 911	NUT - 5/16" - 18 flange	1
6	C 32303	HOUSING - air cleaner	1
7	187- 1036	BOLT - 1/4" -20 x 3/8" tapping, washer head	2
8	182- 152	SCREW - machine #10 - 32 x 1-1/2"	3
9	195- 516	WASHER - #10	3
10	C 29946	DEFLECTOR - air	1
11	C 32304	TUBE - air intake	1
12	C 29948	FILTER - breather	1
13	214- 251	CLAMP - hose	1
14	C 32305	SUPPORT - air cleaner	1
15	C 33247	TUBE - breather	1
16	C 30033	GROMMET - rubber	1
17	C 32306	COVER - element	1
18	131- 71	NUT - lock 1/4" - 20	1
19	C 32451	SPACER - air cleaner stud	1
20	C 33246	HOSE - breather	1
21	C 20490	VALVE - breather cap	1
22	C 20493	"O" RING - breather cap	1
23	C 22265	SCREW - #8 x 3/4" self tap	1
24	C 20536	CLAMP - breather cap	1
25	C 20504	SCREEN - breather tube	2

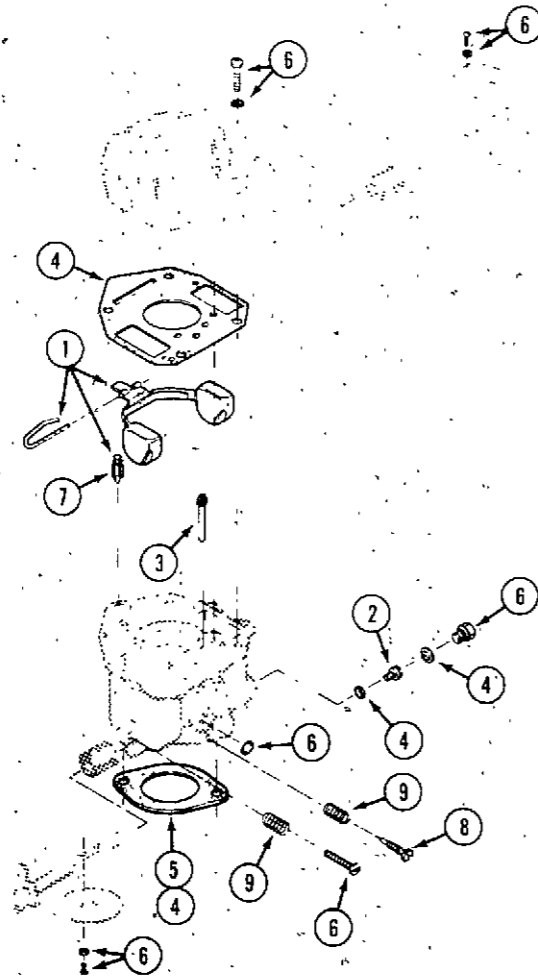


CHOKE AND THROTTLE

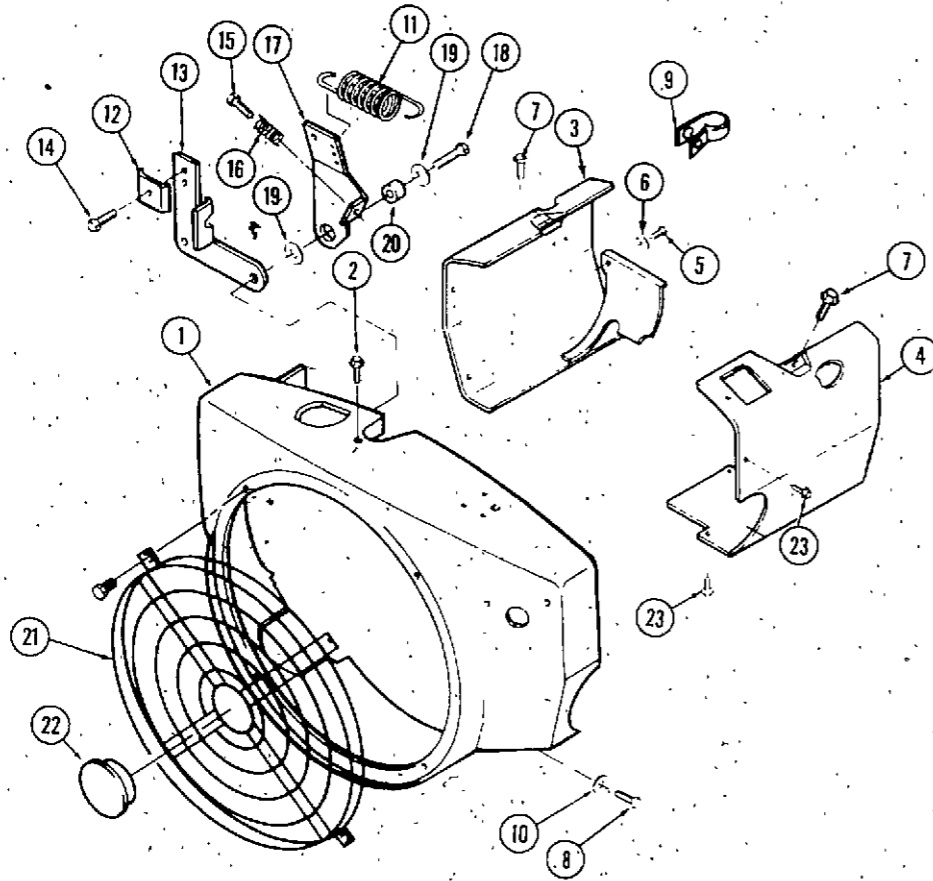
REF.	PART NO.	DESCRIPTION	REQ'D
1	C 37226	CONTROL - throttle	1
2	C 35291	KNOB - control	2
3	C 37227	CONTROL - choke	1
4	113- 1	BOLT - 1/4" - 20 x 1/2"	1
5	C 27233	CLIP - double cable	3
6	131- 934	NUT - 1/4" - 20 flange lock	1
7	C 34117	NUT - No. 10 - 24 flange lock	2
8	182- 559	BOLT - No. 10 - 24 x 3/4" phillips, black	2
9	C 22369	BOLT - washer head #10 - 32 x 5/16"	2
10	C 29957	BRACKET - choke cable	1
11	C 29506	CLIP - retaining, choke cable	1
12	187- 1511	SCREW - tapping #10 - 32 x 1/2"	1
	C 22947	TIE - nylon (not shown)	1

CARBURETOR

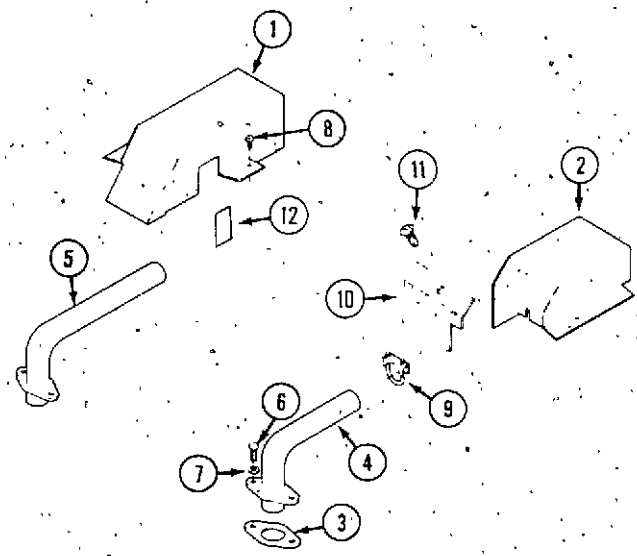
	C 29868	CARBURETOR - fuel (3118, 4116, 4118)	1
	C 29869	CARBURETOR - fuel (4120)	1
1	C 29965	KIT - float	1
2	C 29966	JET - power (3118, 4116, 4118)	1
2	C 30015	JET - power (4120)	1
3	C 29967	JET - idle	1
	C 29962	KIT - repair	1
4	NSS	GASKET AND SEAL PACKAGE	1
5	C 29969	GASKET - mounting	1
6	NSS	SCREW AND PLUG PACKAGE	1
7	NSS	VALVE - inlet	1
8	NSS	VALVE - idle adjust	1
9	NSS	SPRING - tension	2



BLOWER HOUSING AND GOVERNOR



REF.	PART NO.	DESCRIPTION	REQ'D
1	C 32308	HOUSING - blower	1
2	163- 22	SCREW - tapping, washerhead 1/4" - 20 x 7/16"	1
3	C 32444	HOUSING - cylinder air L.H.	1
4	C 32445	HOUSING - cylinder air R.H.	1
5	187-1073	SCREW - tapping, washerhead 1/4" - 20 x 5/8"	2
6	195- 102	WASHER - 1/4"	2
7	C 32446	BOLT - 5/16" - 18 x 3/4" washerhead	2
8	187-1073	SCREW - 1/4" - 20 x 5/8" tapping, washerhead	4
9	C 32447	CLAMP - wire	1
10	195- 518	WASHER - 1/4"	4
11	C 20376	SPRING - governor	1
12	C 29506	CLAMP - cable	1
13	C 28719	BRACKET - cable	1
14	187-1511	SCREW - tapping #10 - 32 x 1/2"	1
15	182- 49	SCREW - tapping #6 - 32 x 5/8"	1
16	C 20371	SPRING - idle setting	1
17	C 32311	ARM - governor	1
18	121- 3	BOLT - 1/4" - 20 x 1/2" washerhead	2
19	195- 102	WASHER - 1/4"	2
20	C 20375	BUSHING - arm, governor	1
21	NSS	SCREEN - blower housing (not used)	1
22	NSS	PLUG - screen (not used)	1
23	187-1036	BOLT - 1/4" - 20 x 1/2" flange lock	UAR

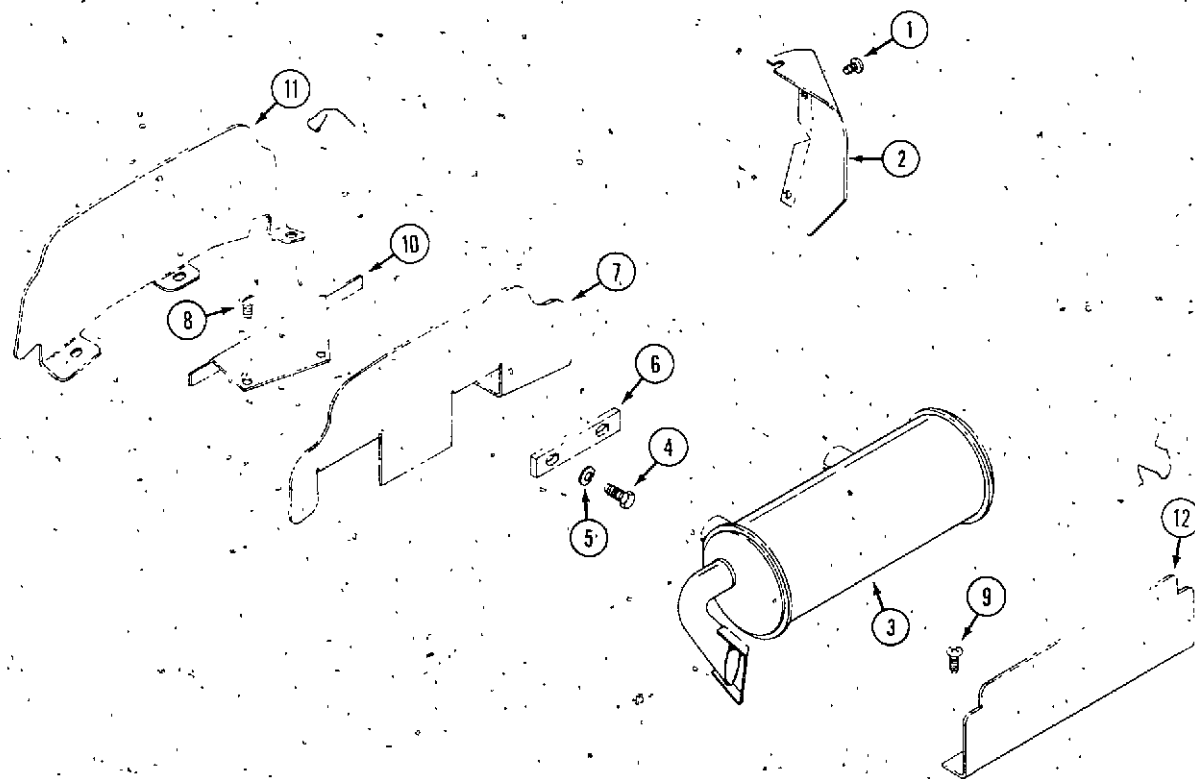


EXHAUST PIPES AND COVERS

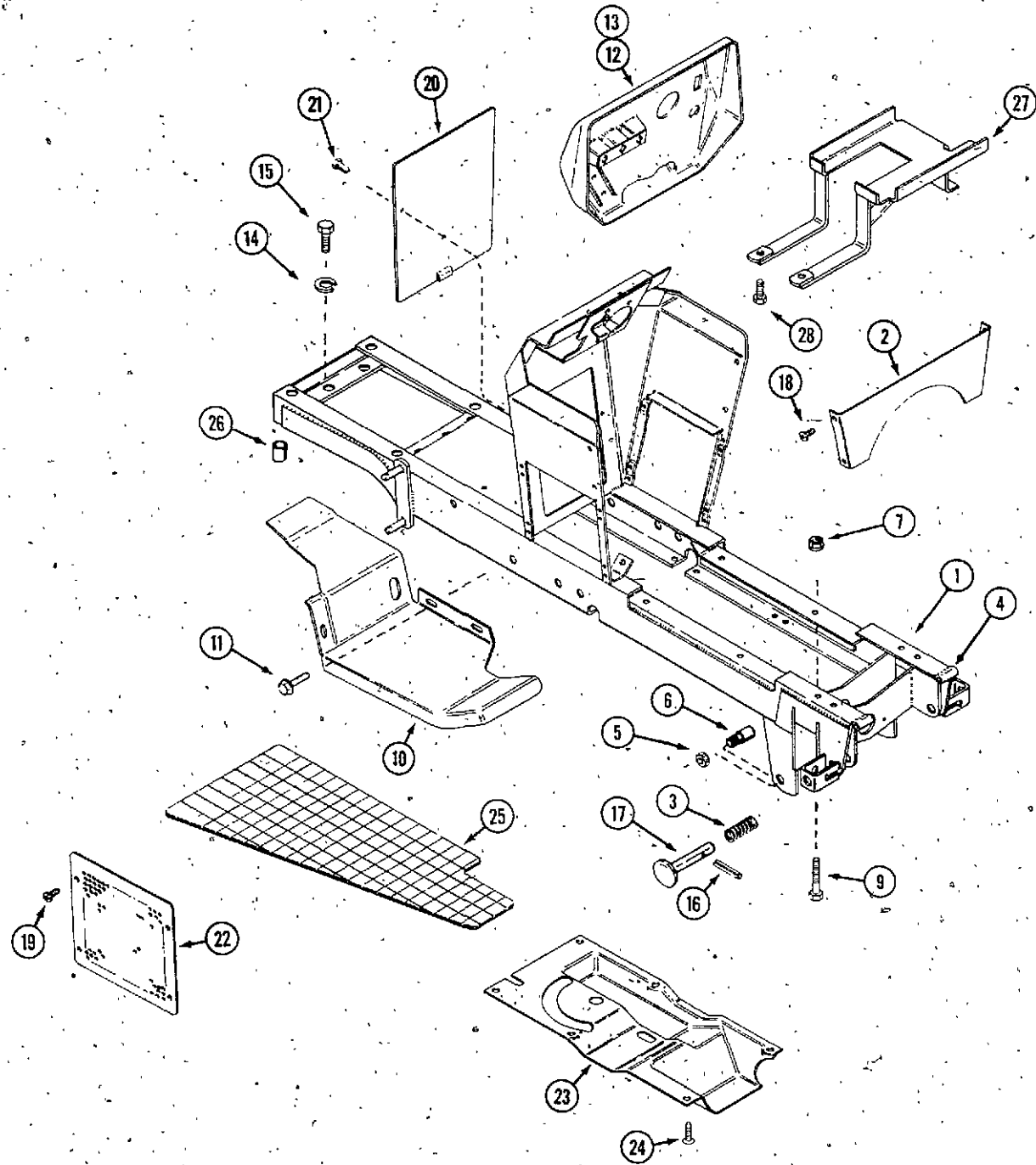
REF.	PART NO.	DESCRIPTION	REQ'D
1	C 32321	COVER - exhaust pipe L.H.	1
2	C 32322	COVER - exhaust pipe R.H.	1
3	C 26207	GASKET - exhaust	2
4	C 32324	PIPE - exhaust R.H.	1
5	C 32325	PIPE - exhaust L.H.	1
6	61- 512	BOLT - 5/16" x 5/8" socket head	4
7	192- 404	LOCKWASHER - 5/16"	4
8	NSS	SCREW - 1/4" - 20 x 3/8" washerhead (use C31597)	2
9	C 31417	CLAMP - exhaust	2
	129- 102	NUT - 5/16" - 18	2
10	C 37277	DEFLECTOR - R.H. exhaust pipe	1
11	187- 1334	SCREW	1
12	C 37281	SHIELD - manifold	2

MUFFLER AND SHIELDS

1	C 31597	SCREW - 1/4" - 20 x 1/2 black	2
2	C 31415	SHIELD - head baffle extension L.H.	1
3	C 33425	MUFFLER - exhaust	1
4	113- 208	BOLT - 3/8" - 16 x 1-1/4"	2
5	192- 21	LOCKWASHER - 3/8"	2
6	C 37276	SPACER - muffler	1
7	C 37279	SHIELD - muffler	1
8	C 31597	SCREW - 1/4" - 20 x 1/2"	4
9	187- 1334	SCREW	1
10	C 37278	SHIELD - carburetor	1
11	C 37280	SHIELD - battery	1
12	C 37287	SHIELD - front	1

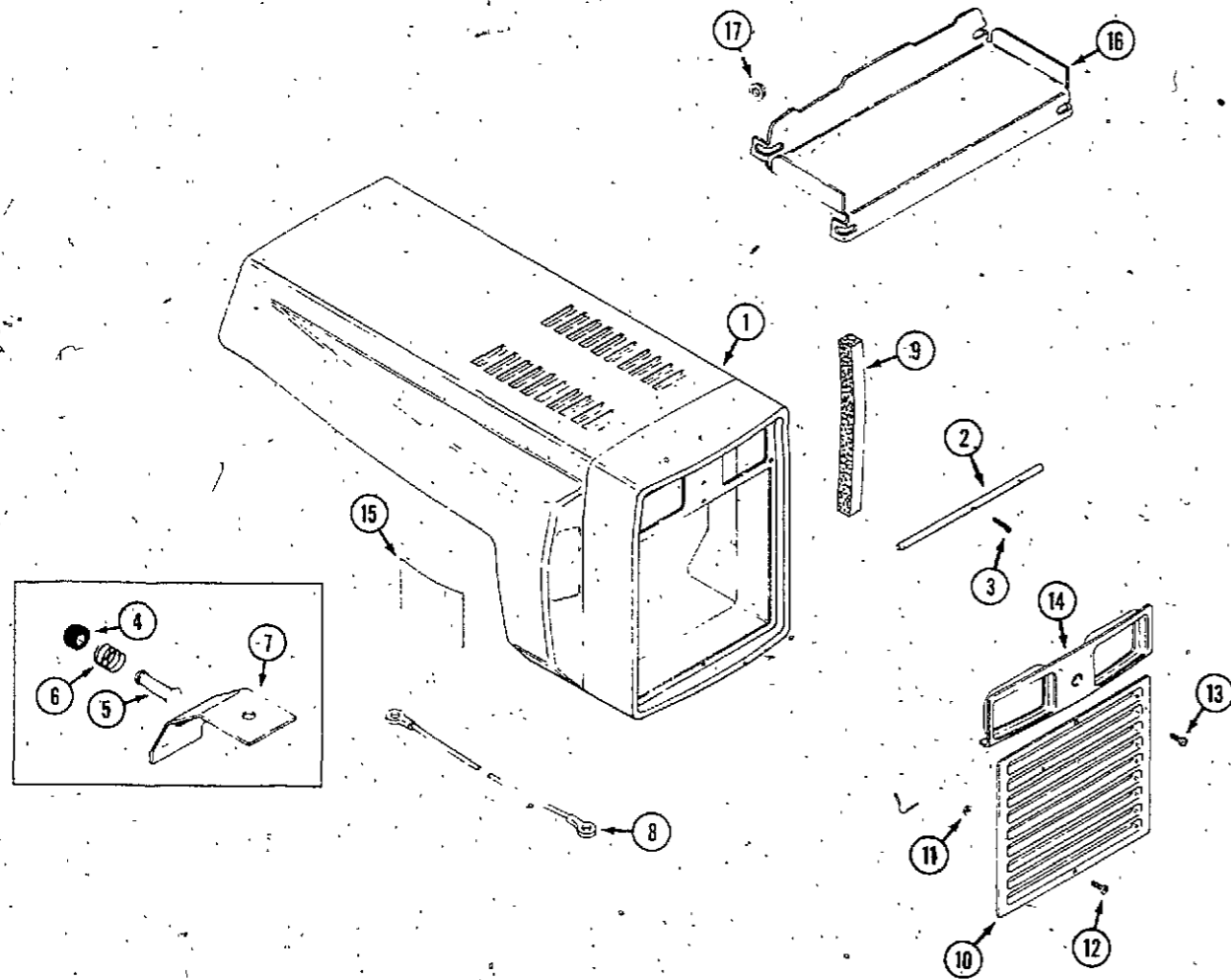


FRAME, FOOT PADS AND BELLY PAN



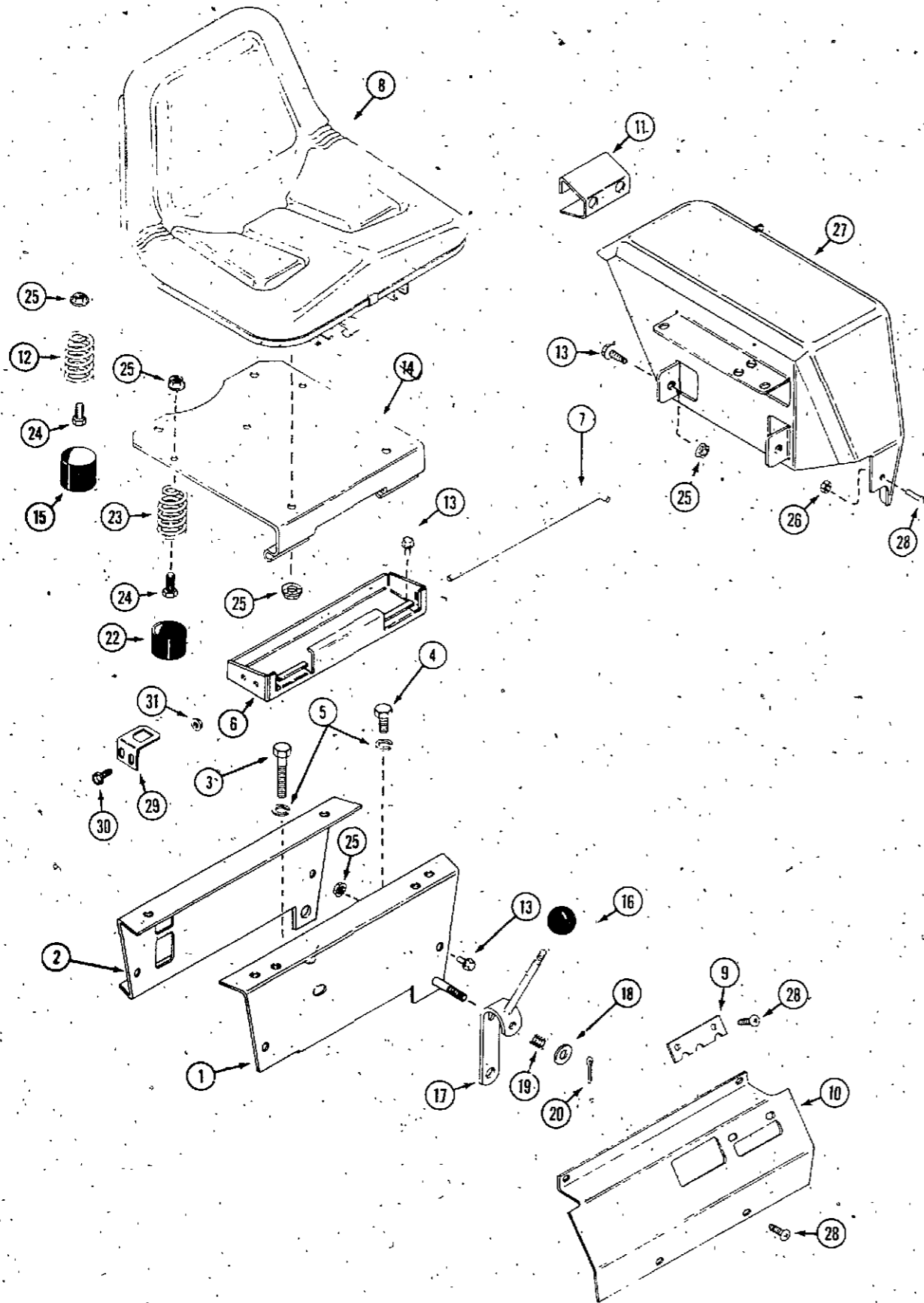
REF.	PART NO.	DESCRIPTION	REQ'D
1	C 37211	FRAME - main (3118)	1
1	C 37212	FRAME - main shown (4116, 4118, 4120)	1
2	C 31610	SHIELD - oil tank	1
3	C 24137	SPRING - latch	1
4	C 22023	HINGE - frame	2
5	131- 1318	NUT - lock 1/2" N.F.	2
6	C 27508	PIN - attachment	2
7	131- 1352	NUT - lock 3/8" N.C. flange	4
9	113- 208	BOLT - 3/8" - 16 x 1-1/4"	4
10	C 37132	FOOT REST - L.H. (3118)	1
10	C 37134	FOOT REST - R.H. (3118)	1
10	C 37136	FOOT REST - L.H. (4116, 4118, 4120)	1
10	C 37138	FOOT REST - R.H. (4116, 4118, 4120)	1
11	121- 106	BOLT - 5/16" x 1/2" N.C. flange lock	4
12	C 37191	CAP - instrument panel (includes insert decal)	1
13	C 36933	INSERT - instrument panel cap	1
14	192- 23	LOCKWASHER - 1/2"	4
15	113- 424	BOLT - 1/2" - 13 x 1" transaxle mounting	UAR
15	166- 86	BOLT - 1/2" x 1-1/4", 12 pt. flange	UAR
16	138- 2073	PIN - roll 3/16" x 1-1/4"	2
17	C 16373	PIN - latch	2
18	C 31597	SCREW - 1/4" - 20 x 1/2" black	4
19	C 33576	SCREW - 1/4" - 20 x 5/16" black	8
20	C 33548	COVER - access	1
21	C 33576	SCREW - 1/4" - 20 x 5/16" black	3
22	C 31967	SCREEN - tower side	2
23	C 33580	PAN - belly	1
24	C 31603	RETAINER - belly pan	6
25	C 37140	PAD - footrest (L.H.)	1
25	C 37141	PAD - footrest (R.H.) shown	1
26	C 14730	SPACER - rear, frame (3118)	2
27	C 42383	TRAY - battery and oil tank	1
28	121- 21	BOLT - 1/4" - 20 x 1/2"	4

HOOD AND GRILLE



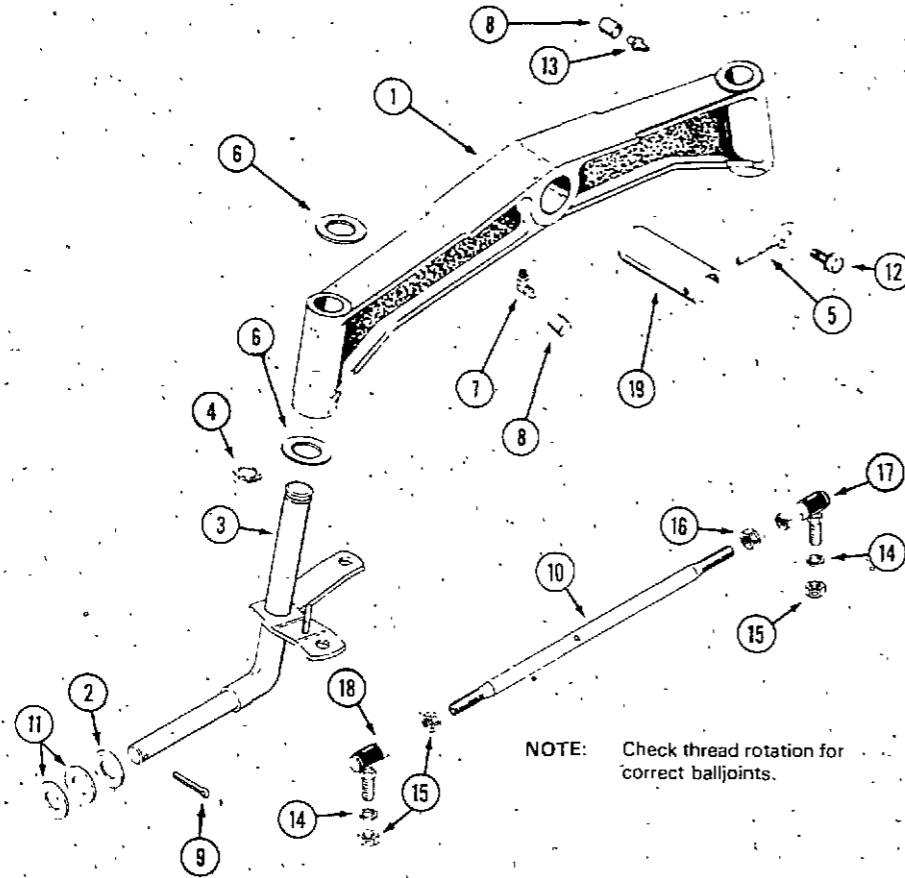
REF.	PART NO.	DESCRIPTION	REQ'D
1	C 37223	HOOD	1
	C 37312	HINGE - hood (not shown) is welded to hood	1
2	C 16362	ROD - hood hinge	1
3	132- 334	PIN - cotter 1/8" x 3/4"	1
4	C 29314	BUTTON - push, hood release	1
5	C 30126	ROD - push, hood release	1
6	C 30004	SPRING - release	1
7	C 33467	LATCH - hood	1
8	C 37147	LANYARD	1
9	C 40721	SEAL - air (cut to length)	4
10	C 31365	GRILLE	1
11	131- 934	NUT - 1/4" - 20 flange lock	2
12	C 31597	SCREW - 1/4" - 20 x 1/2" black	2
13	187- 1328	SCREW - #8 - 18 x 3/8"	1
14	C 31366	SHROUD - headlight	1
15	C 31612	SHIELD - heat	1
16	C 37225	SHIELD - heat	1
17	131- 934	NUT - 1/4" - 20 flange lock	4

SEAT, FENDERS AND TOOL TRAY

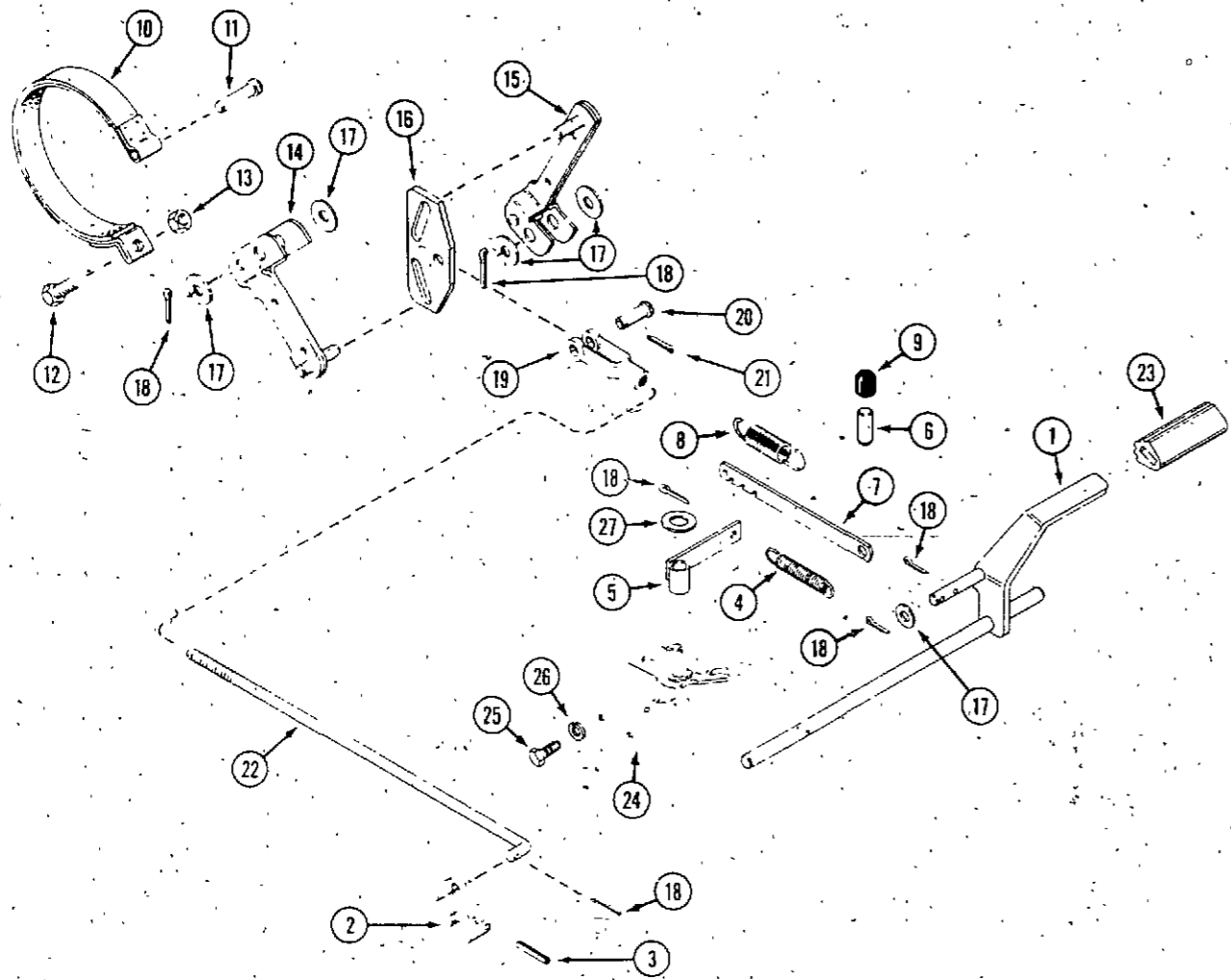


REF.	PART NO.	DESCRIPTION	REQ'D
1	C 37261	SUPPORT - seat, front shown (3118)	1
1	C 37262	SUPPORT - seat, front (4116, 4118, 4120)	1
2	C 37265	SUPPORT - seat, rear (3118)	1
2	C 37266	SUPPORT - seat, rear (4116, 4118, 4120)	1
3	113- 427	BOLT - 1/2" x 3-1/4" (3118)	2
3	113- 441	BOLT - 1/2" - 2-1/4" N.C. hex (4116, 4118, 4120)	2
4	113- 424	BOLT - 1/2" x 1" N.C. hex	1
4	113- 118	BOLT - 5/16" x 5/8"	1
5	192- 20	LOCKWASHER - 5/16"	1
5	192- 23	LOCKWASHER - 1/2"	4
6	C 37017	TRAY - tool	1
7	C 16429	PIN - seat hinge	1
8	C 37151	SEAT - black	1
9	C 37428	PLATE - shift pattern (3118)	1
9	C 37430	PLATE - shift pattern (4116, 4118, 4120)	1
10	C 37409	COVER - shift lever (3118)	1
10	C 37411	COVER - shift lever (4116, 4118, 4120)	1
11	C 42155	PROTECTOR - tail light	2
12	C 37462	SPRING - seat switch	1
13	121- 106	BOLT - 5/16" x 1/2" flange lock	10
14	C 37152	HINGE ASSEMBLY - seat	1
15	C 26526	CAP - spring	1
16	C 10487	KNOB - shift	1
17	C 37244	LEVER - shift (3118)	1
17	C 37247	LEVER - shift (4116, 4118, 4120)	1
18	195- 525	WASHER - 7/16" x 1-1/4" O.D.	1
19	C 10482	SPRING - shift lever	1
20	132- 310	PIN - cotter 1/8" x 1"	1
21	131- 1216	NUT - lock 3/8" N.C. hex	1
22	C 29305	CAP - spring	2
23	C 29306	SPRING - seat	2
24	113- 102	BOLT - 5/16" - 18 x 3/4"	3
25	131- 911	NUT - 5/16" - 18 flange lock	15
26	131- 934	NUT - 1/4"	2
27	C 37154	FENDER - R.H. (3118)	1
27	C 37153	FENDER - L.H. shown (3118)	1
27	C 37156	FENDER - R.H. (4116, 4118, 4120)	1
27	C 37155	FENDER - L.H. (4116, 4118, 4120)	1
28	C 31597	SCREW - 1/4" - 20 x 1/2"	6
29	C 37299	BRACKET - seat switch mounting	1
30	113- 2	BOLT - 1/4" - 20 x 5/8"	2
31	131- 934	NUT - 1/4" - 20 flange lock	2

FRONT AXLE



REF.	PART NO.	DESCRIPTION	REQ'D
1	C 18812	AXLE - front (3118)	1
1	C 18813	AXLE - front shown (4116, 4118, 4120)	1
2	C 27597	WASHER - spacer	2
3	C 33535	SPINDLE - R.H. (3118) shown	1
3	C 31337	SPINDLE - L.H. (3118)	1
3	C 31340	SPINDLE - L.H. (4116, 4118, 4120)	1
3	C 33537	SPINDLE - R.H. (4116, 4118, 4120)	1
4	C 27902	RING - retaining, spindle (4116, 4118, 4120)	2
4	C 28232	RING - retaining, spindle (3118)	2
5	C 22278	PIN - retaining, axle pivot	1
6	C 11906	WASHER - thrust (3118)	4
6	C 13716	WASHER - thrust (4116, 4118, 4120)	4
7	219- 404	FITTING - lubrication	1
8	C 13106	COVER - lubrication fitting	3
9	132- 311	PIN - cotter 5/32" x 1-1/4"	2
10	C 25855	TIE ROD (4116, 4118, 4120)	1
10	C 25856	TIE ROD (3118)	1
11	C 28226	WASHER - wheel spacer	UAR
12	187- 1910	BOLT - 3/8" - 16 x 3/4" N.C. hex head	1
13	219- 17	FITTING - lubrication	2
14	192- 23	LOCKWASHER - 1/2" zinc	2
15	129- 165	NUT - 1/2" N.F. R.H. thread, lock	3
16	129- 365	NUT - 1/2" N.F. L.H. thread, lock	1
17	C 13605	BALL JOINT - 1/2" L.H. thread	1
18	C 12102	BALL JOINT - 1/2" R.H. thread	2
19	C 22568	PIN - axle pivot	1

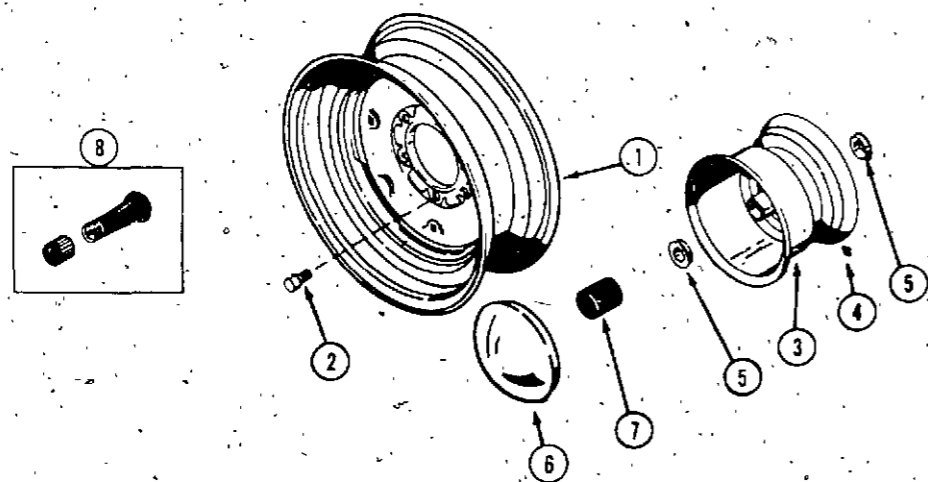


BRAKE ASSEMBLY

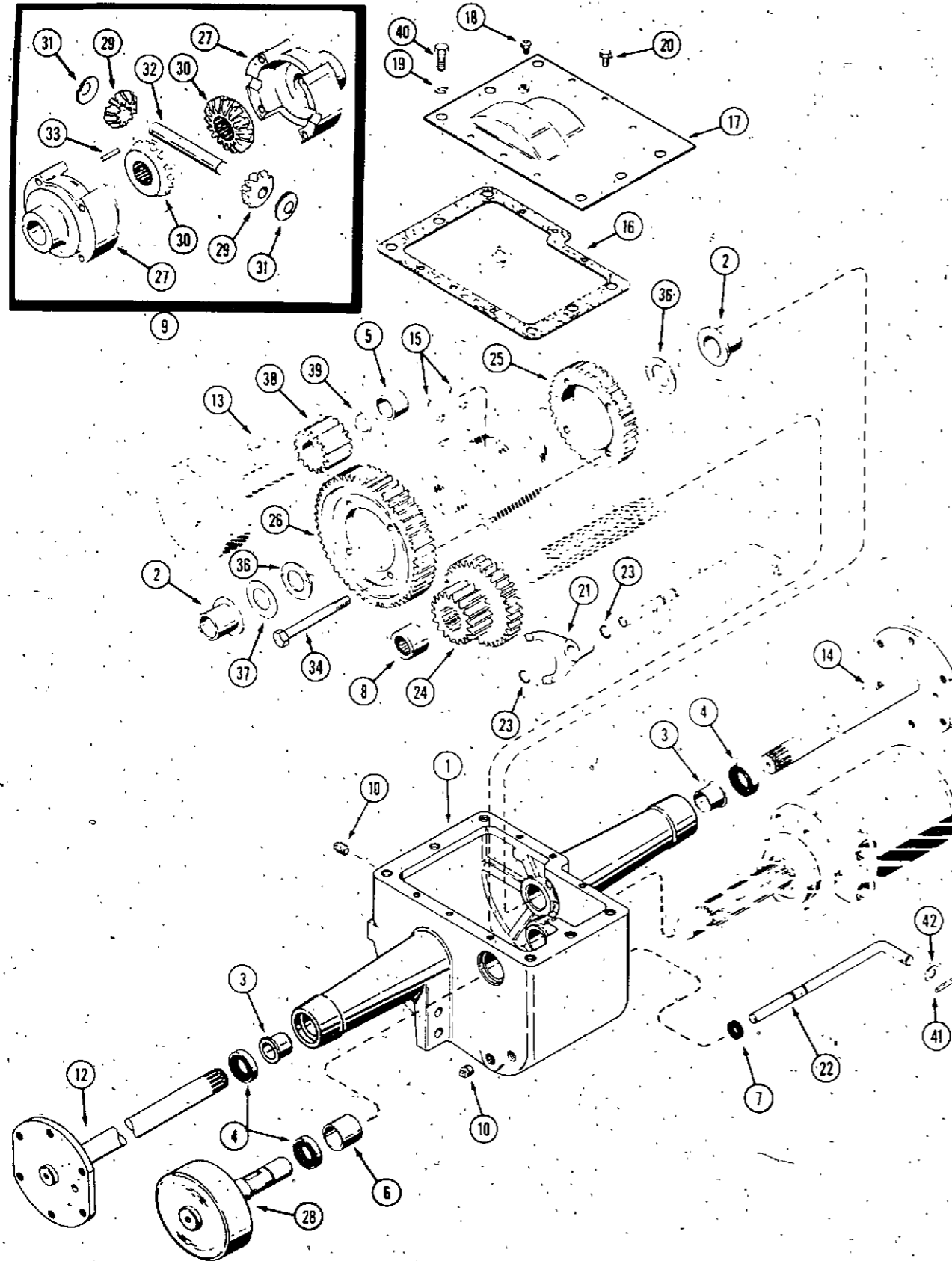
REF.	PART NO.	DESCRIPTION	REQ'D
1	C 33942	PEDAL - brake actuating	1
2	C 26381	ARM - brake pedal	1
3	138-2073	PIN - roll 3/16" x 1-1/4"	1
4	C 31660	SPRING - return	1
5	C 33759	GUIDE - neutral return	1
6	C 31604	ACTUATOR - parking brake	1
7	C 31661	LEVER - brake lock	1
8	C 21942	SPRING - brake lock	1
9	C 31605	CAP - actuator	1
10	C 33427	BAND - brake	1
11	C 23910	PIN - clevis	1
12	113-2262	BOLT - 3/8" - 16 x 1-1/2" hex	1
13	129-143	NUT - 3/8" - 16 special	1
14	C 23899	ARM - brake	1
15	C 24761	ARM - brake (includes adjustment nut)	1
16	C 40646	GUIDE - brake actuator	1
17	195-533	WASHER - .531" I.D.	5
18	132-310	PIN - cotter 1/8" x 1"	6
19	C 28978	CLEVIS	1
20	141-4	PIN - clevis	1
21	132-321	PIN - cotter	1
22	C 31993	ROD - brake (4116, 4118, 4120)	1
22	C 31992	ROD - brake (3118)	1
23	C 31975	PAD - brake pedal	1
24	C 37219	BRACKET - support	1
25	113-206	BOLT - 3/8" - 16 x 3/4"	4
26	192-21	LOCKWASHER - 3/8"	4
27	195-2063	WASHER	1

FRONT AND REAR WHEELS

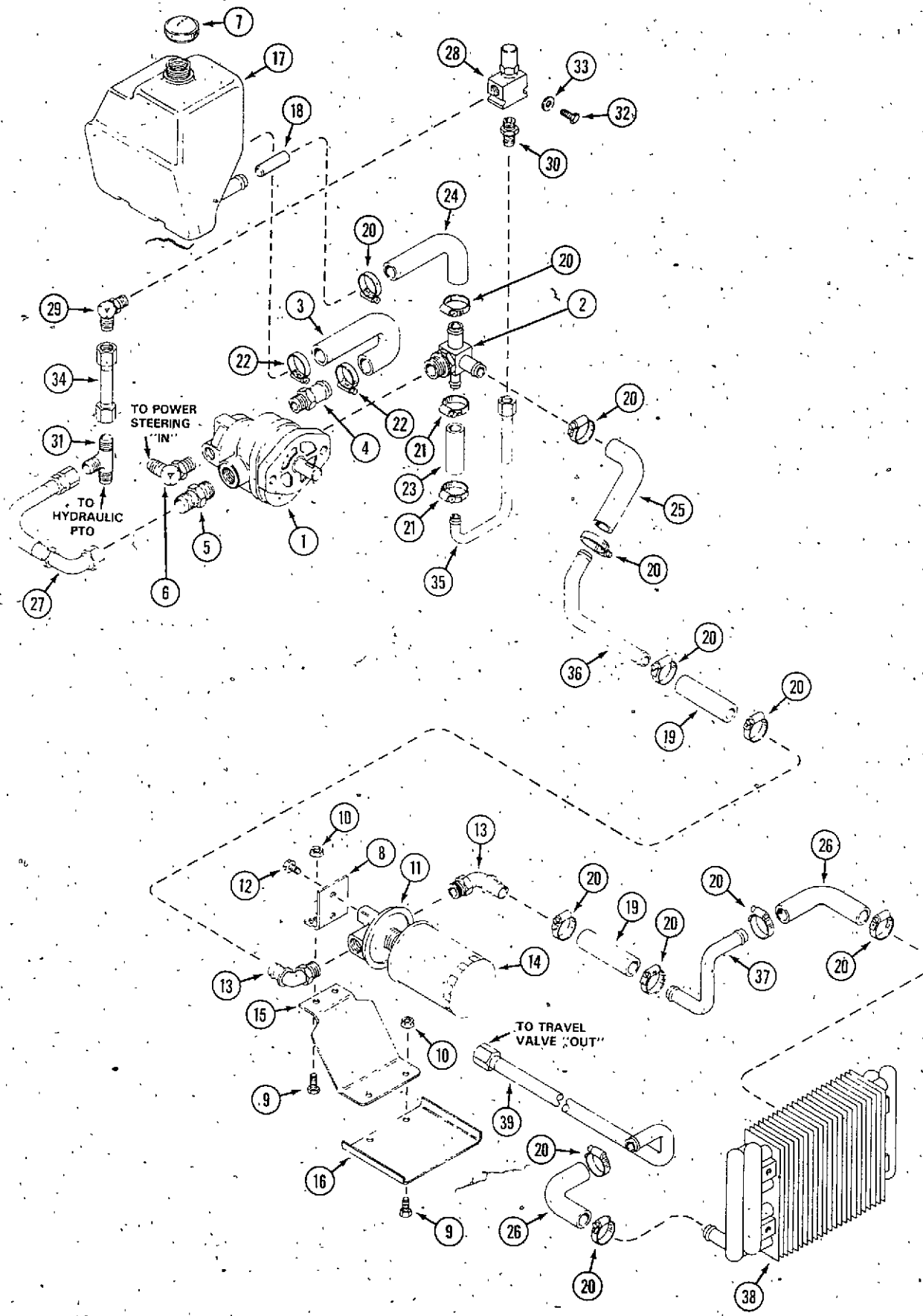
1	C 30913	WHEEL - rear, 5 bolt (3118) for 23 x 8.50 - 12 tire	2
1	C 30917	WHEEL - rear, 6 bolt (4116, 4118, 4120)	2
1	C 30922	WHEEL - rear, 5 bolt (3118) for 23 x 10.50 - 12 tire	2
2	C 27763	BOLT - rear wheel (4116, 4118, 4120)	12
2	C 10314	BOLT - rear wheel (3118)	10
3	C 30912	WHEEL - front (includes bearings)	2
4	219-403	FITTING - lubrication	2
5	C 12110	BEARING - wheel	2
6	C 28965	CAP - hub, front wheel (optional)	2
7	C 26021	CAP - plastic, front	2
8	C 28236	STEM - valve	4
	C 13106	COVER - lubrication fitting	2



TRANSMISSION AND FINAL DRIVE



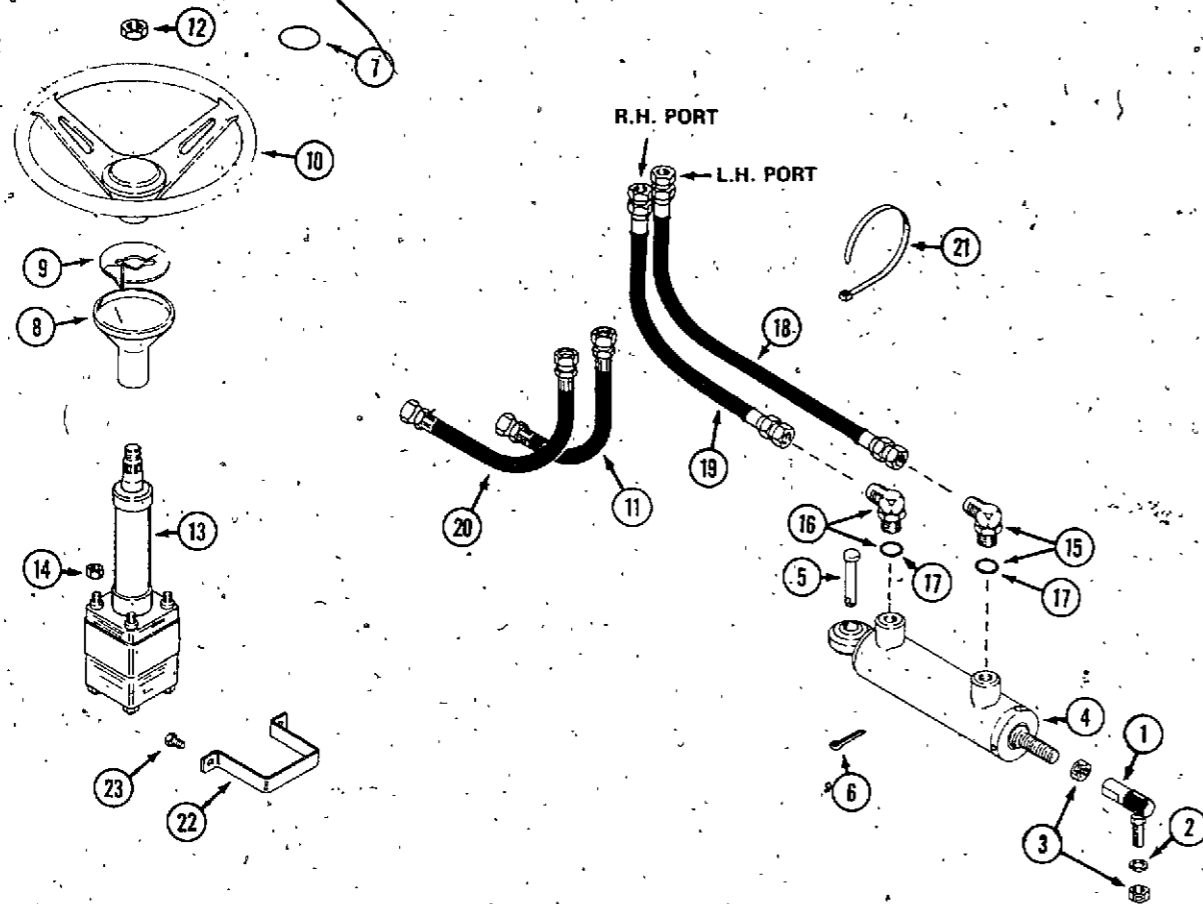
REF.	PART NO.	DESCRIPTION	REQ'D
1	C 24843	CASE ASSEMBLY - transmission (includes bearings & seals only)	1
	NSS	CASE - transmission (order C24843)	1
2	C 12713	BEARING - flange	2
3	C 24804	BEARING - flange	2
4	C 24803	SEAL - shaft	3
5	C 13241	BEARING - sleeve	1
6	C 13385	BEARING - sleeve	1
7	C 13266	SEAL - shift rod	1
8	C 28281	BEARING - roller	1
9	C 36902	DIFFERENTIAL ASSEMBLY (also includes C36903, C30031, C12552)	1
10	221- 3	PLUG - filler and drain 3/8"	3
12	C 16699	SHAFT - axle, short R.H. (3118)	1
12	C 22638	SHAFT - axle, short R.H. shown (4116; 4118, 4120)	1
13	126- 128	KEY - Woodruff, brake idler #18, 1/4" x 1-1/8"	1
14	C 16700	SHAFT - axle, long L.H. (3118)	1
14	C 22637	SHAFT - axle, long L.H. shown (4116, 4118, 4120)	1
15	C 26342	RING - retainer, axle	2
16	C 13196	GASKET - transmission cover	1
17	C 36935	COVER - transmission	1
18	C 28241	BREATHER - transmission	1
19	192- 23	LOCKWASHER - 1/2"	4
20	121- 21	BOLT - 1/4" x 1/2" N.C. hex lock	6
21	C 12725	FORK - shift	1
22	C 37222	ROD - gear shift	1
23	C 14168	RING - retaining	2
24	C 36901	GEAR - cluster input	1
25	C 36903	GEAR - high 41 tooth	1
26	C 12552	GEAR - low 55 tooth	1
27	NSS	DIFFERENTIAL CASE	1
28	C 33305	BRAKE DRUM	1
29	NSS	GEAR - differential pinion	2
30	NSS	GEAR - differential	2
31	NSS	WASHER - pinion thrust	2
32	NSS	PIN - differential	1
33	NSS	PIN - differential pin lock	1
34	C 30031	KIT - screw (set of four)	1
36	C 12718	WASHER - differential	2
37	C 14223	WASHER - spacer	UAR
38	C 25254	GEAR - brake idler	1
39	C 14222	RING - retainer, brake idler	1
40	113- 424	BOLT - 1/2" - 13 x 1" hex	UAR
40	166- 86	BOLT - 1/2" - 13 x 1-1/4" 12 pt. flange	UAR
41	138- 2073	PIN - spiral 3/16" x 1-1/4"	1



HYDRAULIC SYSTEM

OIL PUMP, RESERVOIR, FILTER AND HEAT EXCHANGER

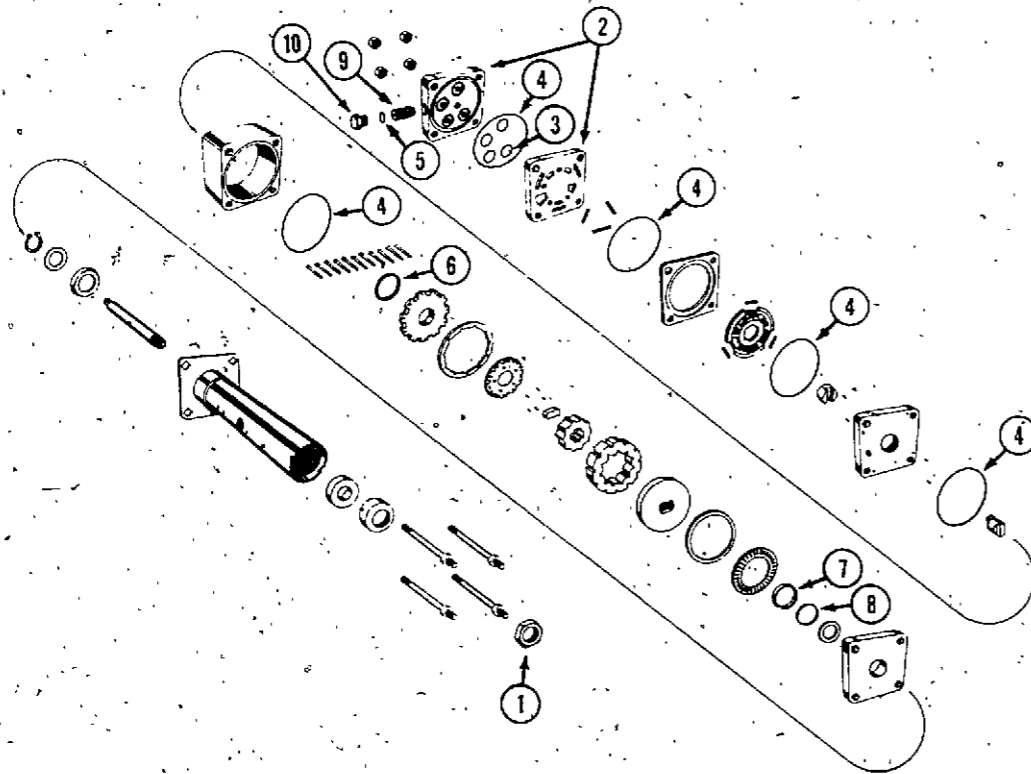
1	C 36905	PUMP - hydraulic (repairs and mounting components page 47)	1
2	C 36908	FITTING - return tee 1/2" x 3/4" 1-5/16"	1
3	C 33423	HOSE - pump inlet	1
4	217- 391	FITTING - 1" hose x 7/8" - 14	1
5	218- 5062	FITTING - 7/8" - 14 flare x 7/8" - 14	1
6	218- 5128	FITTING - 90° 9/16" - 18 flare x 3/4" - 16 (to power steering "in")	1
7	C 37093	CAP - oil reservoir	1
8	C 37146	BRACKET - oil filter	1
9	113- 3	BOLT - 1/4" - 20 x 3/4"	4
10	131- 934	NUT - 1/4" - 20 flange lock	4
11	C 33446	HEAD - oil filter	1
12	121- 21	BOLT - 1/4" - 20 x 1/2" flange lock	2
13	217- 333	FITTING - 90° 3/8" x 3/4" hose	2
14	C 33445	FILTER - oil	1
15	C 40683	BRACKET - air deflector	1
16	C 39523	DEFLECTOR - air	1
17	C 37228	RESERVOIR	1
18	C 33167	SLEEVE - inlet (shown)	1
18	C 42540	SLEEVE - outlet	1
19	C 14619	HOSE - 3/4" x 4"	2
20	214- 254	CLAMP - hose 1-1/4"	14
21	C 41045	CLAMP - hose SAE #6	2
22	214- 14	CLAMP - hose 1-3/8"	2
23	C 37229	HOSE - 1/2" x 3"	1
24	C 37230	HOSE - 90°	1
25	C 37231	HOSE - 90°	1
26	C 33556	HOSE - 90°	2
27	C 37232	HOSE - supply	1
28	C 36909	VALVE - relief	1
29	218- 5117	FITTING - 90° 7/8" - 14 flare x 3/4" - 16	1
30	218- 5059	FITTING - 3/4" - 16 flare x 3/4" - 16	1
31	218- 595	FITTING - tee 7/8" - 14 flare	1
32	113- 132	BOLT - 1/4" - 20 x 1-3/4"	2
33	195- 518	WASHER - 1/4"	2
34	C 37239	TUBE - relief valve to tee	1
35	C 37240	TUBE - relief valve to return	1
36	C 37241	TUBE - oil filter "out" to return	1
37	C 37242	TUBE - heat exchanger "out" to oil filter "in"	1
38	C 37486	EXCHANGER - heat	1
39	C 37243	TUBE - travel valve "out" to heat exchanger	1



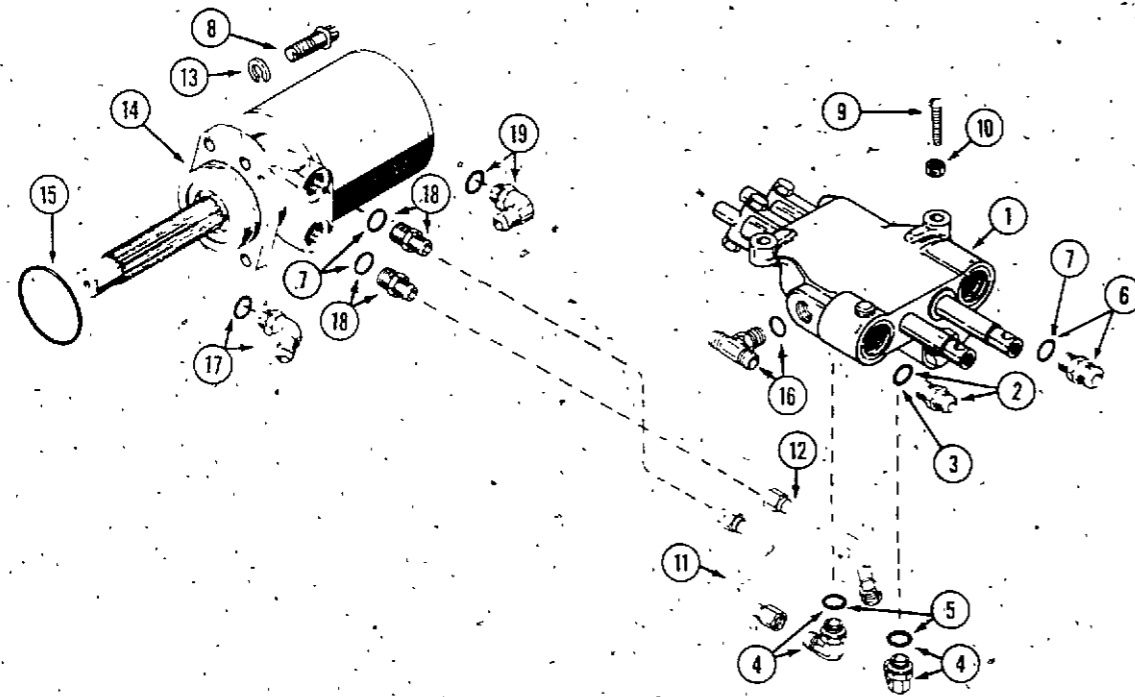
**HYDRAULIC SYSTEM
POWER STEERING**

REF.	PART NO.	DESCRIPTION	REQ'D.
1	C 12102	BALL JOINT - 1/2" R.H. thread	1
2	192- 23	LOCKWASHER - 1/2"	1
3	129- 165	NUT - 1/2" N.F. lock	2
4	C 33539	CYLINDER - hydraulic	1
5	C 14717	PIN - clevis 5/8" dia.	1
6	132- 91	PIN - cotter 3/16" x 1"	1
7	C 37197	DECAL - steering wheel	1
8	C 39504	BOOT - steering column	1
9	C 39507	INSERT - boot	2
10	C 37302	WHEEL - steering	1
11	C 33762	HOSE - steering pump (in) to small pump section (out)	1
12	129- 127	NUT - 5/8" - 18	1
13	C 33743	PUMP - steering	1
14	129- 162	NUT - 5/16" - 24	3
15	218- 5105	FITTING - 90° adjustable elbow 3/8" x 9/16" - 18	1
16	218- 5135	FITTING - 45° adjustable elbow 3/8" x 9/16" - 18	1
17	218- 5005	"O" RING	1
18	C 33560	HOSE - hydraulic 23" (3118)	1
18	C 32399	HOSE - hydraulic 25" (4116, 4118, 4120)	1
19	C 33561	HOSE - hydraulic 19" (3118)	1
19	C 33750	HOSE - hydraulic 21" (4116, 4118, 4120)	1
20	C 28275	HOSE - hydraulic 16" steering pump "out" to travel valve	1
21	C 22947	TIE - nylon	1
22	C 33545	STRAP - mounting	1
23	121- 21	BOLT - 1/4" - 20 x 1/2"	2

POWER STEERING PUMP



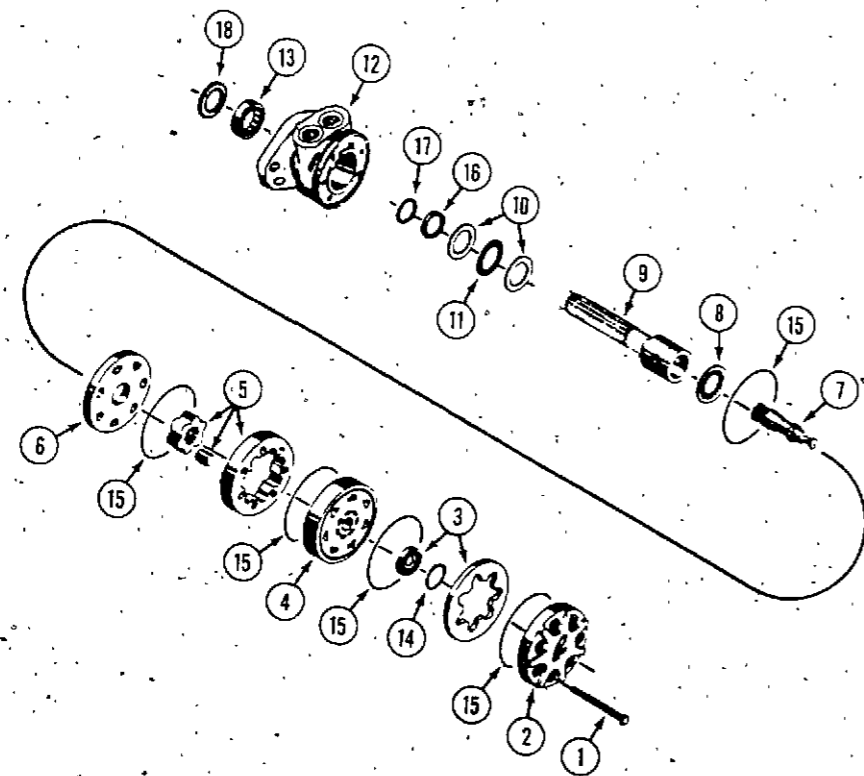
1	C 33743	PUMP - steering, manual	1
1	129- 127	NUT - 5/8" - 18	1
2	C 34485	KIT - cover and manifold	1
2	C 30281	KIT - seal	1
3	NSS	"O" RING	4
4	NSS	RING - seal	5
5	NSS	"O" RING	1
6	NSS	SEAL - commutator	1
7	NSS	SEAL - face	1
8	NSS	RING - back-up	1
9	C 34484	VALVE - relief	1
10	C 34483	PLUG - relief valve	1



**HYDRAULIC SYSTEM
HYDRAULIC VALVE AND MOTOR**

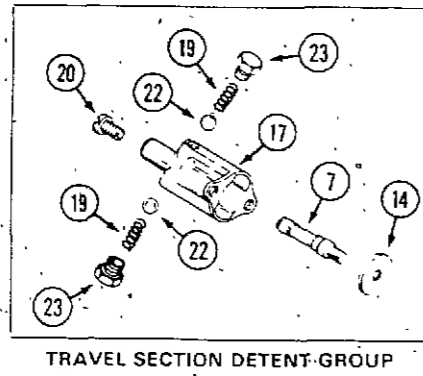
REF.	PART NO.	DESCRIPTION	REQ'D
1	C 36897	VALVE - control (repairs page 45)	1
2	218-5065	FITTING - 3/4" x 7/8" "O" ring	1
3	218-5007	"O" RING	1
4	218-5107	FITTING - 90° elbow	2
5	218-5007	"O" RING	1
6	218-5062	FITTING - 5/8" x 7/8" "O" RING	1
7	218-5007	"O" RING	1
8	166-86	SCREW - 1/2" - 13 x 1-1/4"	4
9	C 27764	SCREW - 5/16" - 18 x 1-1/4"	2
10	131-351	NUT - lock 5/16"	2
11	C 37220	TUBE - valve to upper motor port (3118)	1
11	C 37309	TUBE - valve to upper motor port (4116, 4118, 4120) shown	1
12	C 37221	TUBE - valve to lower motor port (3118)	1
12	C 37310	TUBE - valve to lower motor port (4116, 4118, 4120) shown	1
13	192-23	LOCKWASHER - 1/2"	4
14	C 30939	MOTOR - hydraulic (3118) repairs below	1
14	C 33234	MOTOR - hydraulic (4116, 4118, 4120) repairs below	1
15	C 28949	SEAL - motor to transmission	1
16	C 33559	FITTING - tee 3/8" tube x 1/2" - 20	1
17	218-5137	FITTING - 45° 7/8" - 14 (3118)	1
18	218-5062	FITTING - 7/8" - 14 (4116, 4118, 4120)	2
19	218-5107	FITTING - 90° male 7/8" - 14 (3118)	1

HYDRAULIC DRIVE MOTOR

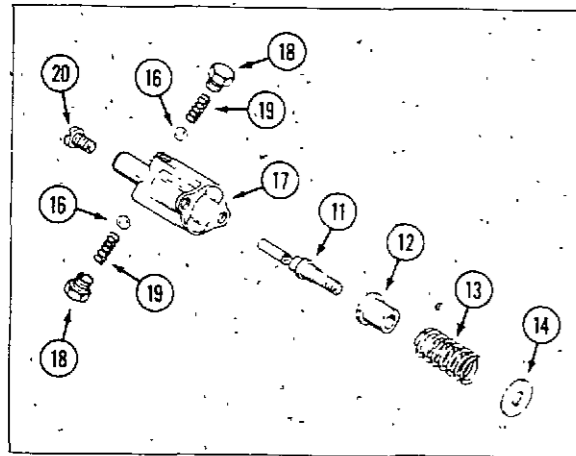


REF.	PART NO.	DESCRIPTION	REQ'D
	C 33234	MOTOR - hydraulic (4116, 4118, 4120)	1
	C 30939	MOTOR - hydraulic (3118)	1
1	28-668	BOLT - 3/8" - 24 x 4-1/4" (3118)	7
1	C 31327	BOLT - 3/8" - 24 x 4-5/8" (4116, 4118, 4120)	1
2	C 31309	COVER - end	1
3	C 31310	COMMUTATOR AND RING SET	1
4	C 31311	MANIFOLD	1
5	C 31312	ROTOR ASSEMBLY (3118)	1
5	C 31313	ROTOR ASSEMBLY (4116, 4118, 4120)	1
6	C 31314	PLATE - wear	1
7	C 31315	LINK - drive (3118)	1
7	C 31316	LINK - drive (4116, 4118, 4120)	1
8	C 31317	BEARING - thrust	1
9	C 31318	SHAFT - coupling	7
10	C 31319	WASHER - thrust	2
11	C 31320	BEARING - thrust	1
12	C 31321	HOUSING - drive end	1
13	C 31322	BEARING - outer	1
	C 31323	KIT - seal	1
14	NSS	SEAL - commutator ring	1
15	NSS	SEAL - ring	5
16	NSS	SEAL - ring	1
17	NSS	WASHER - back-up	1
18	NSS	SEAL - dirt (not used)	1

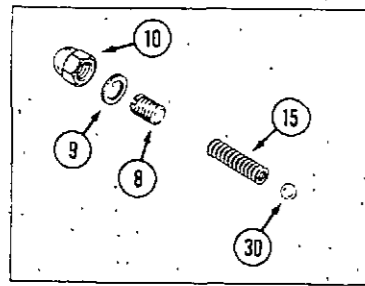
HYDRAULIC CONTROL VALVE



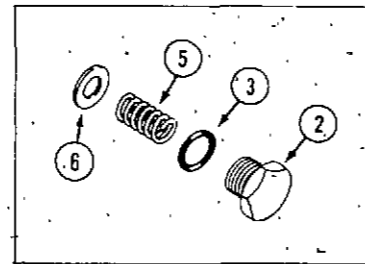
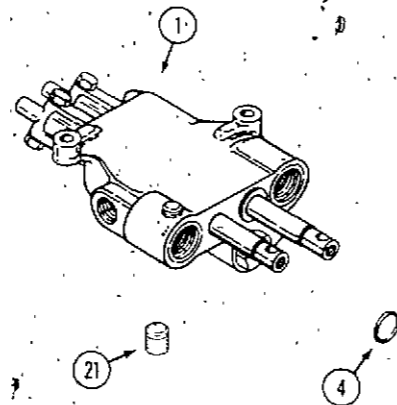
TRAVEL SECTION DETENT-GROUP



LIFT SECTION DETENT GROUP



LIFT SECTION RELIEF GROUP



HOLDING SECTION GROUP

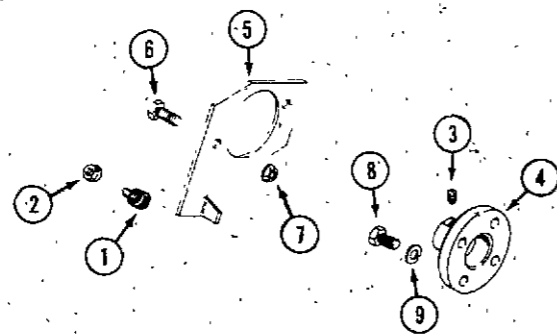
REF.	PART NO.	DESCRIPTION	REQ'D
1	C 33473	VALVE - control, two spool	1
2	C 29956	CAP - end	2
3	C 28217	"O" RING - end cap	1
4	C 28856	SEAL - spool	4
5	C 29951	SPRING - centering	2
6	C 29950	WASHER - spring retaining	2
7	C 29958	DETENT - spool	1
8	C 17433	SCREW - relief adjust	1
9	C 17435	GASKET - relief adjust cap	1
10	129- 531	CAP - adjust screw	2
11	C 26668	DETENT - spool	1
12	C 28707	SPACER - detent	1
13	C 28706	SPRING - detent return	1
14	C 28705	WASHER - return	2
15	NSS	SPRING - relief (use C21511 relief kit)	1
16	211- 5	BALL - steel 3/16" (4.76 mm)	2
17	C 17438	COVER - detent	1
18	C 28708	SCREW - detent	2
19	C 17444	SPRING - detent	4
20	169- 114	SCREW - cover	4
21	221- 841	PLUG - pipe	1
22	211- 7	BALL - steel 1/4" (6.35 mm)	2
23	C 17443	SCREW - detent	2
	C 30002	KIT - seal	1

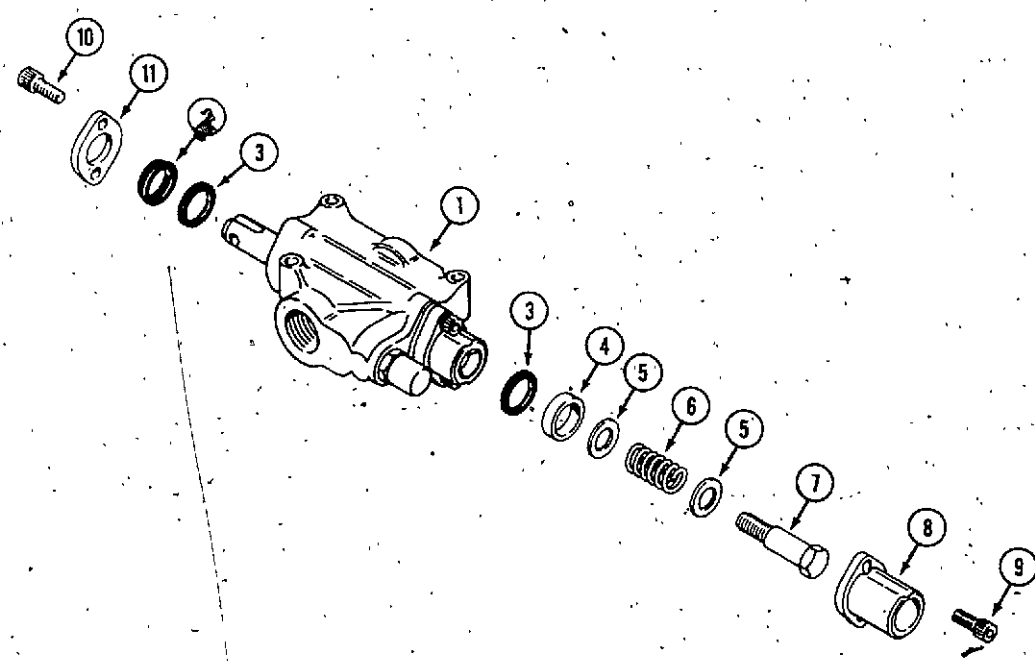
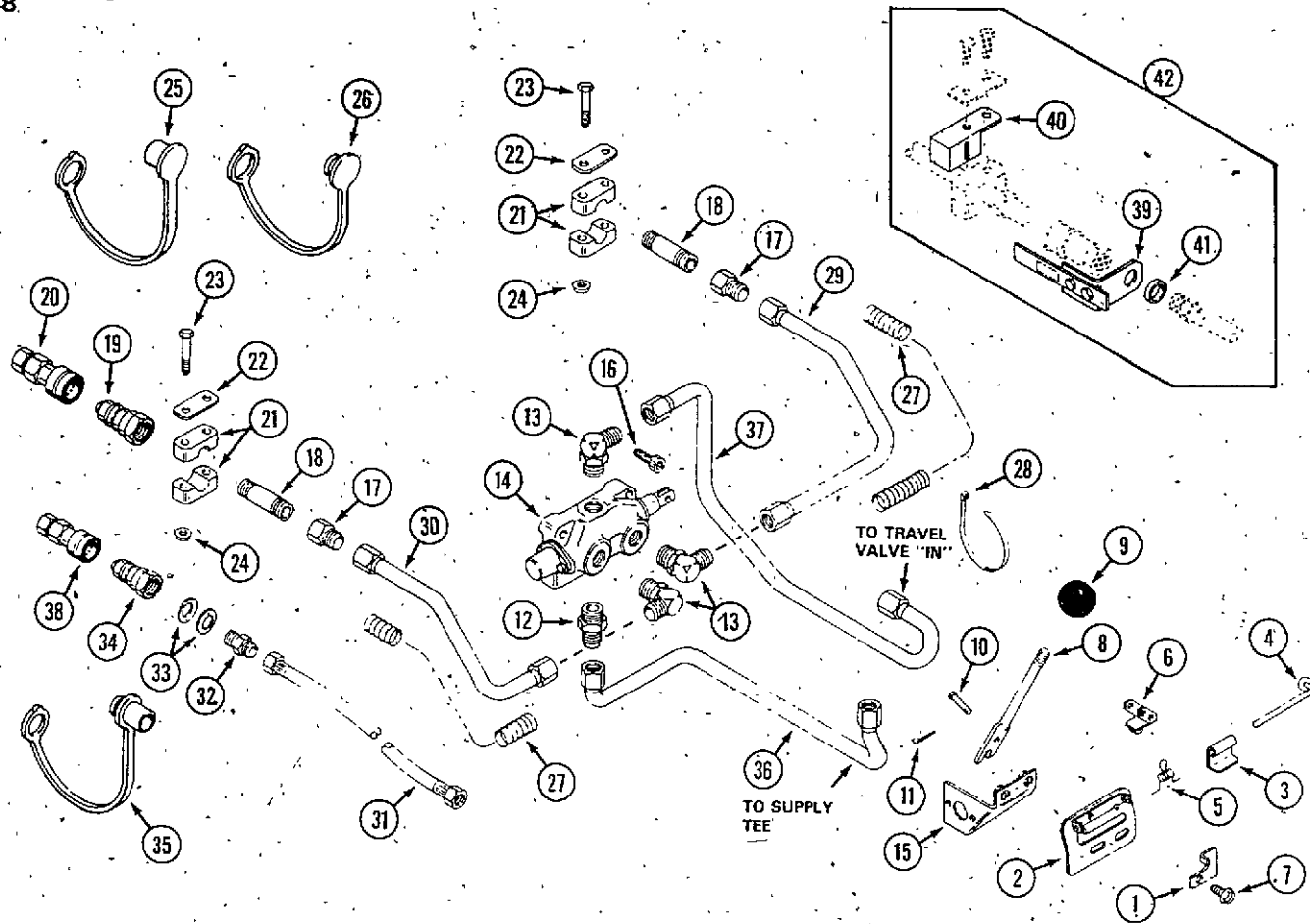
HYDRAULIC PUMP

RESERVED

PUMP MOUNTING COMPONENTS

1	C 32437	MOUNT - rubber	1
2	131- 911	NUT - 5/16" - 18 flange lock	2
3	83- 55	SCREW - Set 5/16" - 18 x 5/16" socket (use loctite)	2
4	C 33553	ADAPTER - drive	1
5	C 36907	PLATE - pump torque arm	1
6	113- 208	BOLT - 3/8" - 16 x 1-1/4" hex	2
7	131- 1352	NUT - 3/8" - 16 flange lock	2
8	113- 103	BOLT - 5/16" - 18 x 1" hex	4
9	192- 20	LOCKWASHER - 5/16"	4





MODEL 3118, 4116, 4118, 4120 COMPACT TRACTORS

HYDRAULIC SYSTEM

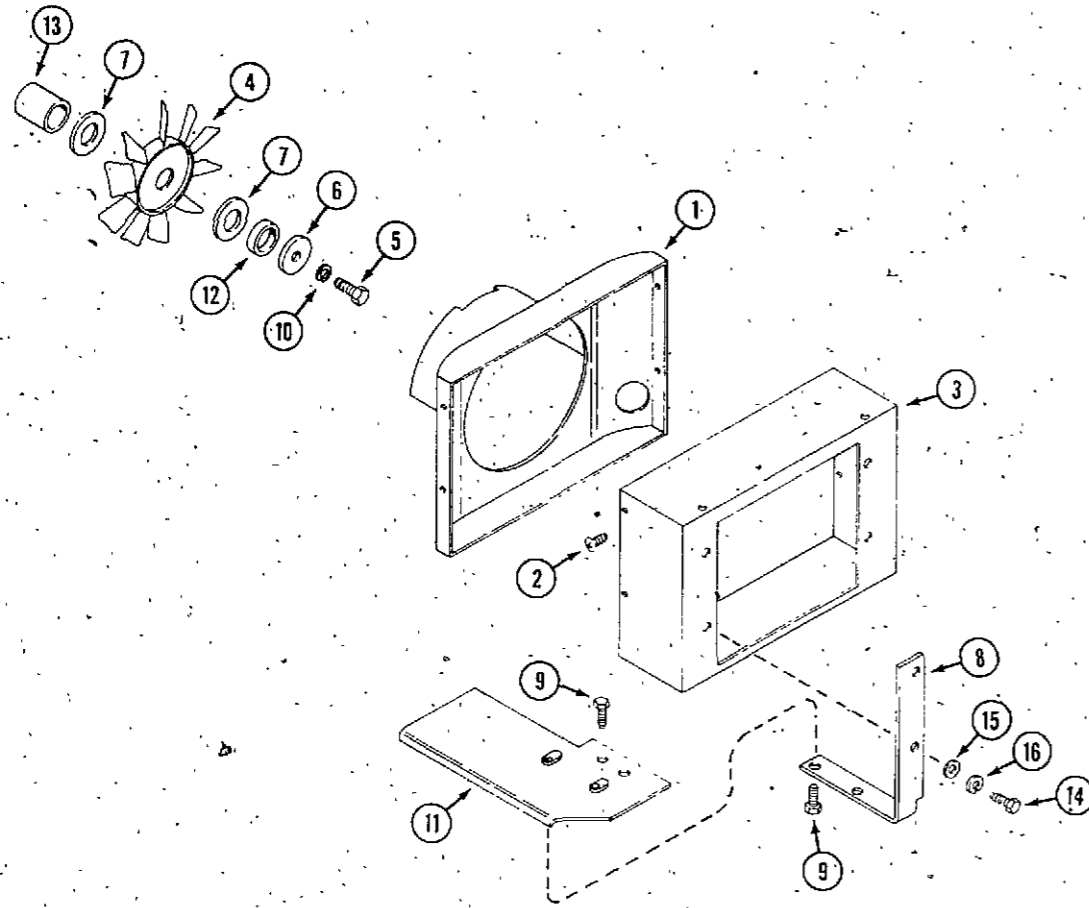
PTO (POWER TAKE OFF)

REF.	PART NO.	DESCRIPTION	REQ'D
1	C 42198	LATCH - reverse lockout	1
2	C 42078	GATE - shift	1
3	C 42081	STOP - lever	2
4	C 42082	PIN - hinge	1
5	C 42083	SPRING - torsion	1
6	C 37400	ACTUATOR - switch	1
7	C 29620	SCREW - 5/16" - 18 x 3/4"	2
8	C 37406	LEVER - PTO	1
9	C 10487	KNOB	1
10	C 28964	PIN - clevis 3/16" x 1"	2
11	132- 329	PIN - cotter 1/16" x 3/4"	2
12	218- 5062	FITTING - 7/8"	1
13	218- 5107	FITTING - 90° 7/8"	3
14	C 36910	VALVE - PTO	1
15	C 37401	BRACKET - actuating	1
16	61- 420	SCREW - 1/4" - 20 x 1-1/4" socket head	2
17	218- 465	FITTING - 1/2" x 7/8" - 14	2
18	C 37142	NIPPLE - pipe	2
19	C 37187	COUPLING - quick, male 7/8"	2
20	C 37188	COUPLING - quick, female 7/8"	1
21	C 37144	CLAMP	4
22	C 37145	COVER - clamp	2
23	113- 14	BOLT - 1/4" - 20 x 2"	4
24	131- 934	NUT - 1/4" - 20 flange lock	4
25	C 40641	CAP - dust	1
26	C 40642	PLUG - dust	1
27	C 37454	CONDUIT - corrugated (cut to length)	2
28	C 22947	TIE - nylon	4
29	C 37233	TUBE - L.H.	1
30	C 37234	TUBE - R.H.	1
31	C 33750	HOSE - hydraulic 21" (3118)	1
31	C 32399	HOSE - hydraulic 25" (4116, 4118, 4120)	1
32	218- 443	FITTING - 3/8" x 1/4"	1
33	C 37249	WASHER - spring	2
34	C 41043	COUPLING - quick, male 9/16"	1
35	C 33404	CAP - dust	1
36	C 37235	TUBE - supply tee to P.T.O. "in" (3118)	1
36	C 37236	TUBE - supply tee to P.T.O. "in" (4116, 4118, 4120)	1
37	C 37237	TUBE - travel valve to P.T.O. "out" (3118)	1
37	C 37238	TUBE - travel valve to P.T.O. "out" (4116, 4118, 4120)	1
38	C 41044	COUPLING - quick, female 9/16"	1
39	C 37439	KEY - coupler switch	1
	C 37440	DECAL	1
	113- 1	BOLT - 1/4" - 20	2
	195- 518	WASHER - 1/4"	2
40	C 37437	BRACKET - switch mounting	1
41	C 37459	CUSHION - key	1
42	C 42048	KIT - coupler switch	1

PTO VALVE

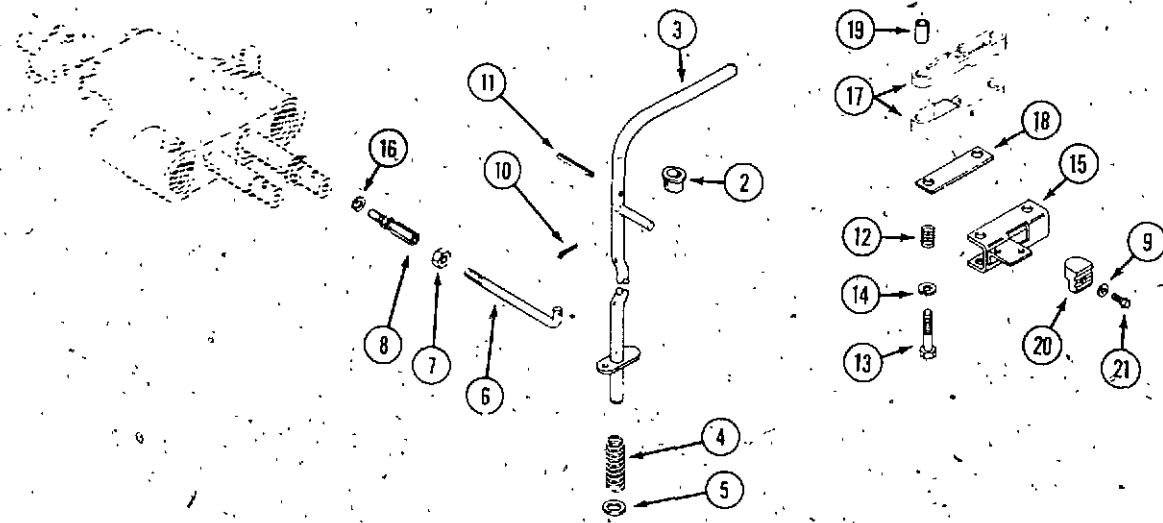
1	C 36910	VALVE - PTO	1
2	C 26706	WIPER - spool	1
3	C 26707	RING - seal	2
4	C 26722	SPACER	1
5	195- 526	WASHER	2
6	C 26724	SPRING - return	1
7	C 26725	BOLT	1
8	C 26726	CAP - spring	1
9	165- 143	SCREW - 1/4" - 20 x 3/4"	2
10	165- 142	SCREW - 1/4" - 20 x 5/8"	2
11	C 26727	RETAINER - seal	1

AIR DUCTS AND FAN



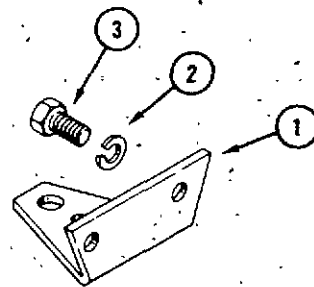
REF.	PART NO.	DESCRIPTION	REQ'D
1	C 37487	DUCT - fan	1
2	187-1334	SCREW - #8 - 18 x 1/2"	4
3	C 37490	COVER - heat exchanger	1
4	C 37064	FAN - cooling	1
5	114-200	SCREW - 3/8" - 24 x 1"	1
6	C 25556	WASHER - flat 3/8" x 1-7/8"	2
7	195-2134	WASHER - 1-1/8"	2
8	C 39492	BRACKET - mounting L.H.	1
8	C 39493	BRACKET - mounting R.H. (shown)	1
9	113-412	BOLT - 1/4" - 20 x 3/4"	8
10	192-21	LOCKWASHER - 3/8"	1
11	C 37289	SUPPORT - heat exchanger R.H. (shown)	1
11	C 37291	SUPPORT - heat exchanger L.H.	1
12	C 39515	SPACER - short	1
13	C 39516	SPACER - long	1
14	113-120	BOLT - 5/16" - 18 x 1-3/4"	4
15	195-103	WASHER - 5/16"	4
16	192-20	LOCKWASHER - 5/16"	4

SPEED CONTROL

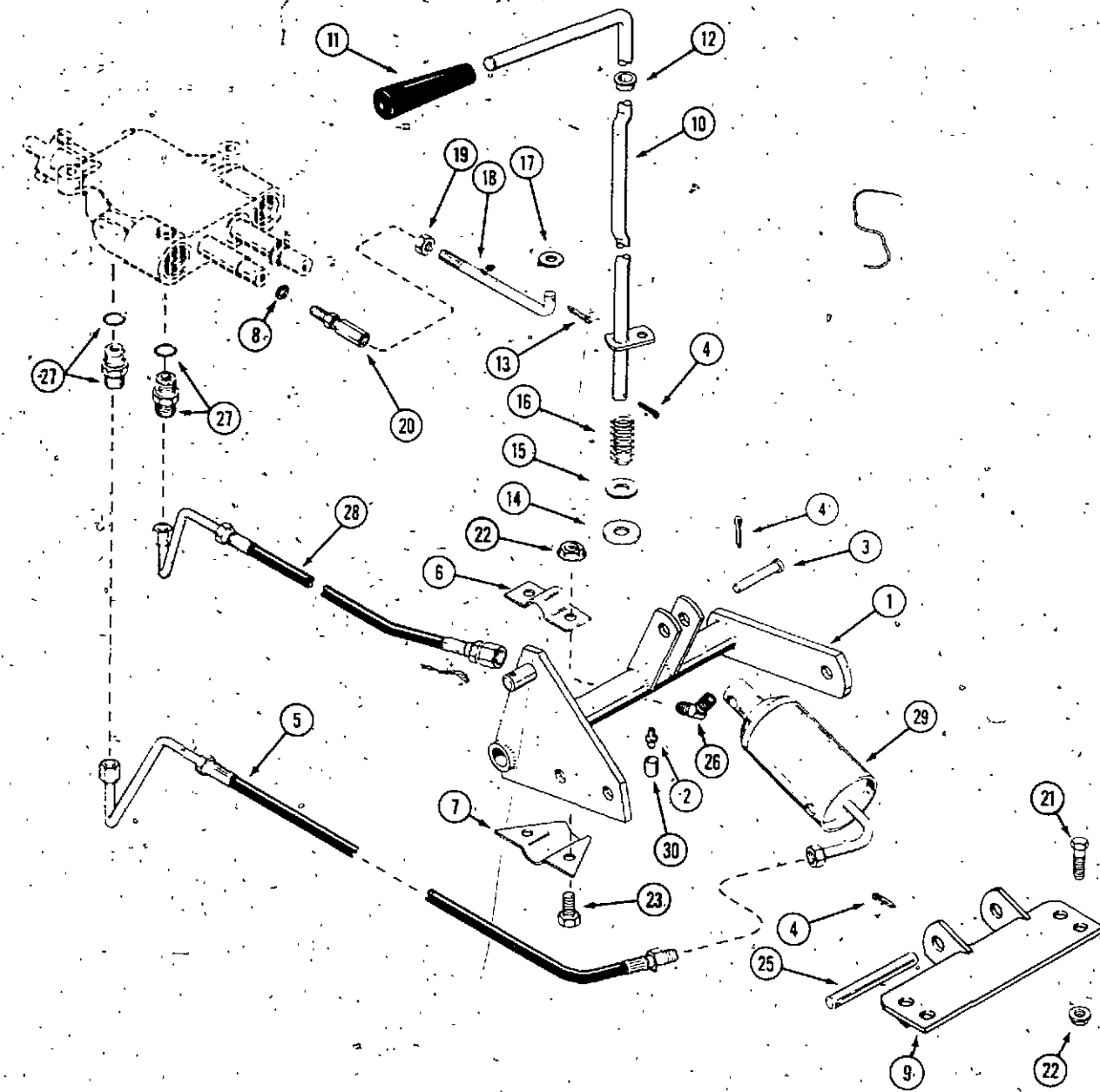


REF.	PART NO.	DESCRIPTION	REQ'D
1	C 28237	KNOB - speed control	1
2	C 29636	BUSHING - lever	1
3	C 37250	LEVER - speed control	1
4	C 10482	SPRING - compression	1
5	C 21518	WASHER - nylon	1
6	C 31670	ROD - control	1
7	129- 122	NUT - 5/16" N.F. zinc plated	1
8	C 19025	JOINT - ball	1
9	195- 513	WASHER .219" I.D. x .50" O.D.	1
10	132- 320	PIN - cotter 3/32" x 3/4"	1
11	138- 2072	PIN - roll 1/8" x 1-3/4"	1
12	C 30827	SPRING - locator	2
13	113- 14	BOLT - 1/4" 20 x 2"	2
14	192- 19	LOCKWASHER - 1/4"	2
15	C 37255	CARRIER - locator	1
16	192- 20	LOCKWASHER - 5/16"	1
17	C 32362	LOCATOR - half	2
18	C 37254	SUPPORT - locator	2
19	C 29653	SPACER - tube	2
20	C 37198	CAM - switch	1
21	187- 1328	SCREW - #8 - 18 x 3/8"	1

DRAWBAR AND TOW HITCH



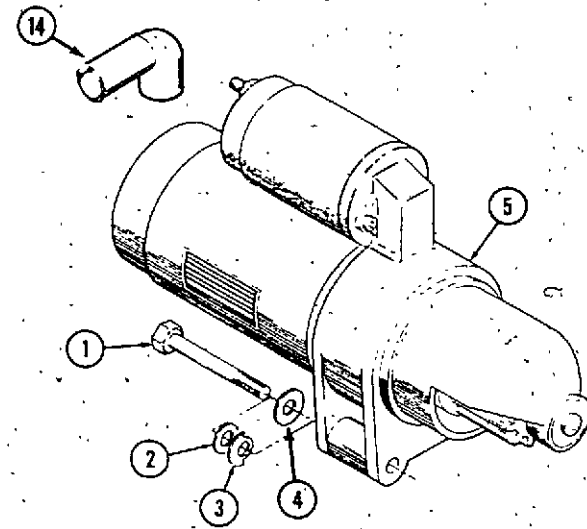
1	C 13360	DRAWBAR	1
2	192- 23	LOCKWASHER - 1/2"	2
3	113- 424	BOLT - 1/2" x 1" N.C. hex	2



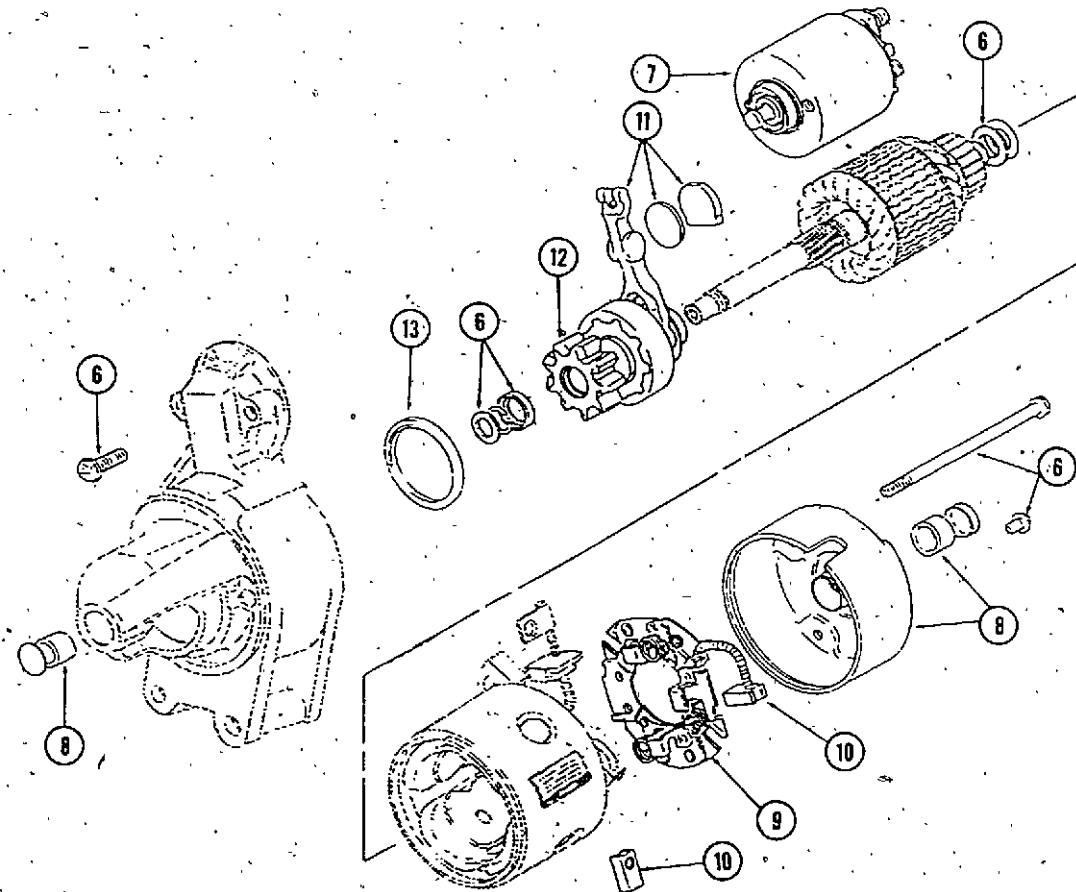
HYDRAULIC LIFT

REF.	PART NO.	DESCRIPTION	REQ'D
1	C 32259	SHAFT ASSEMBLY - lift	1
2	219- 17	FITTING - lubrication	1
3	C 29693	PIN - cylinder to lever, clevis	1
4	132- 310	PIN - cotter 1/8" x 1"	5
5	C 17734	HOSE - long	1
6	C 17249	BRACKET - mounting, top	2
7	C 17250	BRACKET - mounting, bottom	2
8	192- 20	LOCKWASHER - 5/16"	1
9	C 39509	BRACKET - cylinder	1
10	C 33956	LEVER - lift control	1
11	C 28237	KNOB - control lever	1
12	C 29636	BUSHING - lift lever	1
13	132- 320	PIN - cotter 3/32" x 3/4"	1
14	195- 533	WASHER - 1/2"	1
15	C 21518	WASHER - nylon	1
16	C 31681	SPRING - control lever	1
17	195- 521	WASHER - 5/16"	1
18	C 31670	ROD - control	1
19	129- 122	NUT - 5/16" N.F. hex	1
20	C 19025	BALL JOINT	1
21	113- 209	BOLT - 3/8" x 1-1/2" N.C. hex	4
22	131- 938	NUT - lock 3/8" N.C. hex	8
23	113- 208	BOLT - 3/8" - 16 x 1-1/4"	4
25	C 26188	PIN - cylinder base	1
26	218- 1093	FITTING - hydraulic 45° elbow	1
27	218- 5056	FITTING - valve (includes 218-5004 "O" ring)	2
28	C 31682	HOSE - short	1
29	C 27590	CYLINDER - lift	1
	C 30054	KIT - seal	1
30	C 13106	COVER - lubrication fitting	1

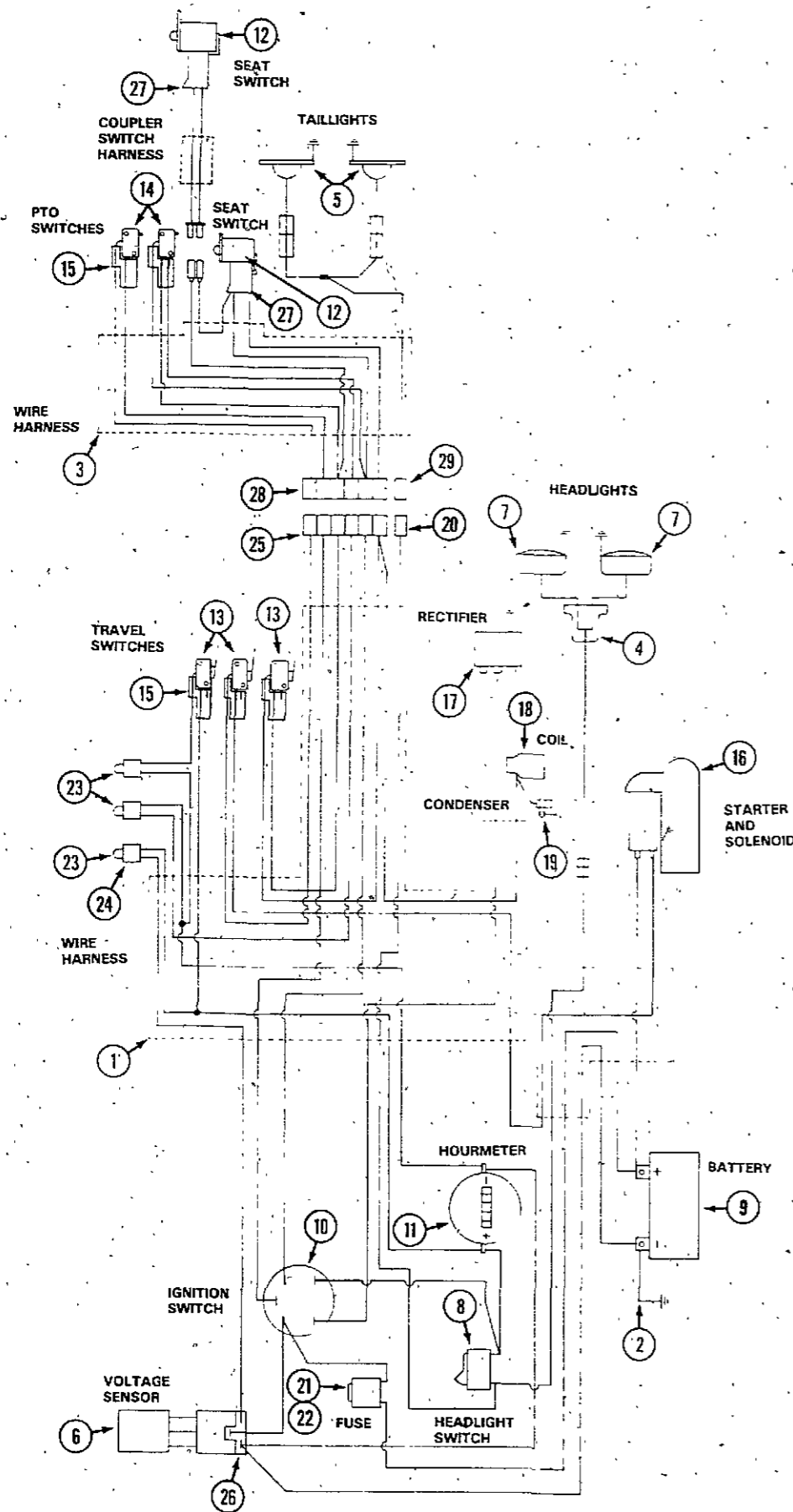
STARTER



REF.	PART NO.	DESCRIPTION	REQ'D
1	C 32448	BOLT - thru 5/16" - 18 x 3-1/2"	2
2	192- 20	LOCKWASHER - 5/16"	2
3	C 32449	WASHER - special (outside mounting bolt)	1
4	C 20248	WASHER - 5/16" (inside mounting bolt)	1
5	C 32312	STARTER ASSEMBLY	1
6	C 32313	KIT - hardware	1
7	C 32314	KIT - solenoid (includes plunger)	1
8	C 32315	KIT - bushing (includes rear cap)	1
9	C 32316	HOLDER - brush (includes negative brush)	1
10	C 32317	KIT - brush	1
11	C 32318	KIT - shift lever	1
12	C 32319	CLUTCH - starter (includes gear)	1
13	C 32320	SEAL - dust	1
14	C 31618	COVER - terminal	1

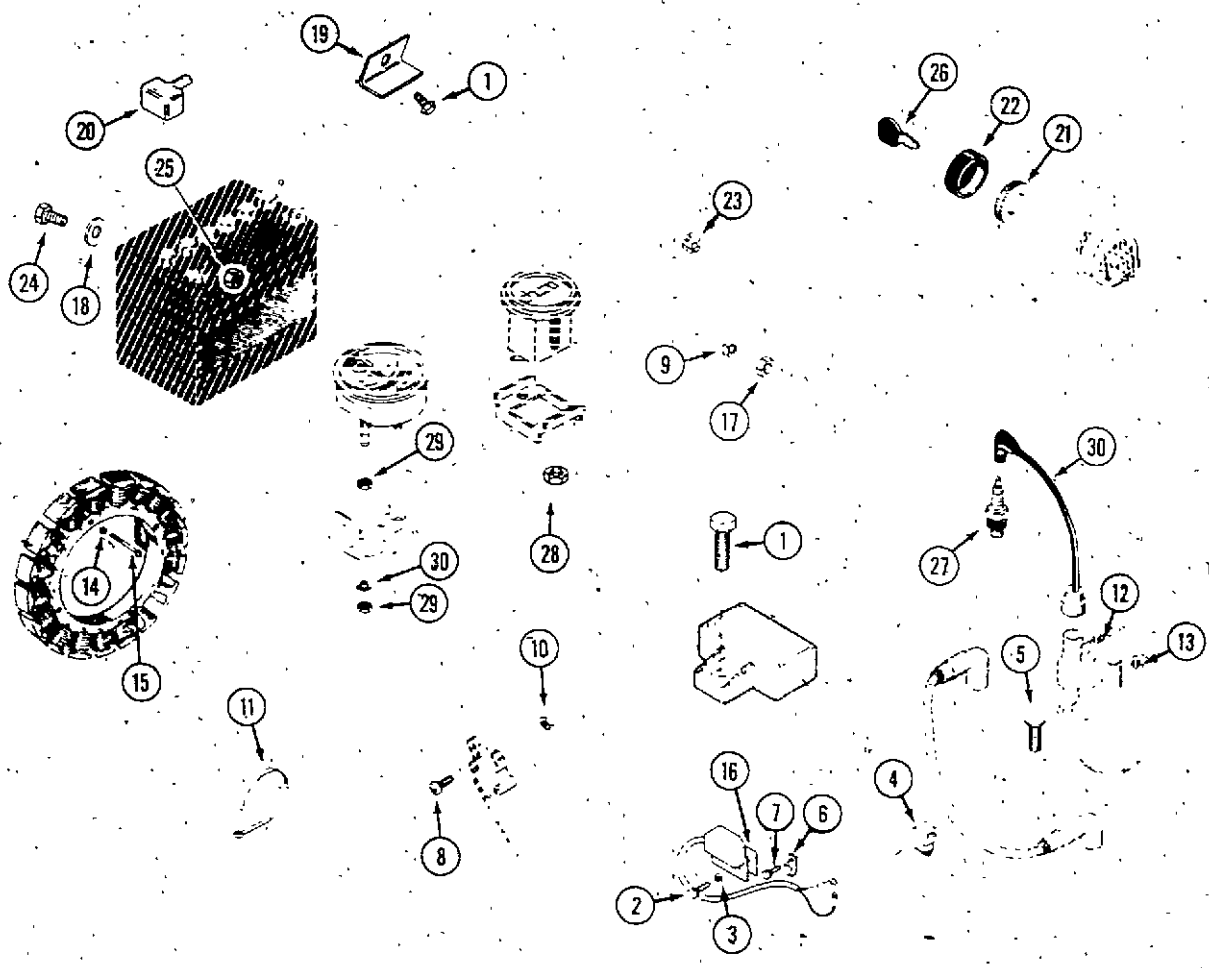


ELECTRICAL SYSTEM

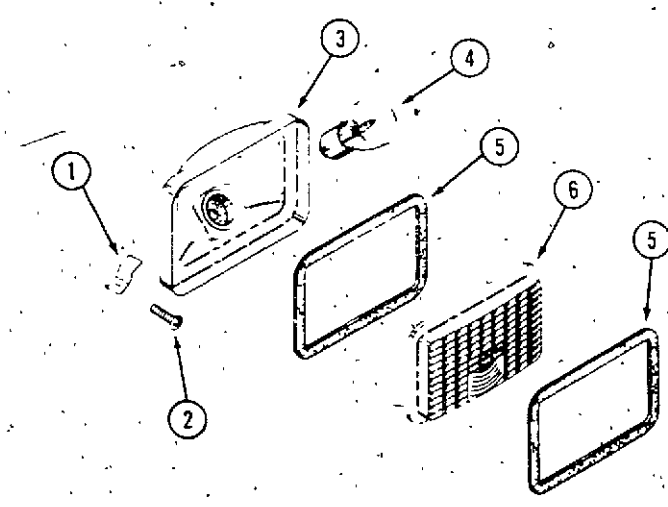


REF.	PART NO.	DESCRIPTION	REQ'D
1	C 36917	HARNES - wire, main	1
2	C 31943	CABLE - battery negative to ground	1
3	C 37269	HARNES - wire, seat switch, PTO and taillights	1
4	C 14537	CONNECTOR - headlights	1
5	C 37165	TAILLIGHT - rear	2
6	C 31617	SENSOR - voltage	1
7	C 32178	HEADLIGHT - 12 volt (page 61 for service)	2
8	C 29322	SWITCH - headlights	1
9	C 41010	BATTERY - 12 volt	1
10	C 30530	SWITCH - ignition	1
	C 24460	CONNECTOR - ignition switch	1
11	C 33756	HOURMETER	1
12	C 37298	SWITCH - seat (black)	2
13	C 37198	SWITCH - micro (at travel lever)	3
14	C 37399	SWITCH - micro (at PTO)	2
15	C 30279	CONNECTOR - micro switch	5
16	C 32312	STARTER AND SOLENOID - 12 volt (see page 57 for service)	1
17	C 32461	RECTIFIER - voltage, 12 volts	1
18	C 32296	COIL - ignition, 12 volt	1
19	C 32307	CONDENSER - 12 volt	1
20	C 42118	CONNECTOR - single female, taillight	1
21	C 31947	KIT - fuse holder	1
22	C 30260	FUSE - 30 amp	1
23	C 30262	BULB - indicator	3
24	C 30263	SOCKET - bulb	3
25	C 42117	CONNECTOR - six wire, harness, female	1
26	C 25486	CONNECTOR - three wire, sensor	1
27	C 37398	CONNECTOR - seat switch	2
28	C 42115	CONNECTOR - six wire, seat harness, male	1
29	C 42116	CONNECTOR - harness, taillight, male	1

ELECTRICAL SYSTEM HARDWARE



REF.	PART NO.	DESCRIPTION	REQ'D
1	121- 21	BOLT - 1/4" - 20 x 1/2" flange lock	1
2	182- 525	BOLT - #10 - 32 x 3/8"	2
3	C 32460	LOCKWASHER - #10 internal tooth	2
4	C 32453	CLIP - wire	1
5	C 32456	BOLT - 1/4" - 20 x 1"	2
6	C 32455	CLIP - wire	2
7	187-1036	SCREW - 1/4" - 20 x 1"	1
7	187-1908	SCREW - #10 - 16 x 5/8"	1
8	C 37199	SCREW - #4 - 40 x 1-1/2"	2
9	C 42358	CLIP - wire, taillight	2
10	C 33697	NUT - #4 - 40	2
11	C 22947	TIE - wire	UAR
12	C 32301	NUT - M5 metric (negative terminal)	1
13	C 32300	NUT - M4 metric (positive terminal)	1
14	193- 6	LOCKWASHER - #10	3
15	C 32459	SCREW - #10 - 32 x 1" self lock	3
16	C 32295	INSULATOR - ignition module	1
17	129-1000	NUT - #10 - 32 taillight	4
18	195- 518	WASHER - 1/4"	2
19	C 33475	RETAINER - battery	1
20	C 24069	COVER - battery positive terminal	1
21	C 32396	NUT - switch	1
22	C 32397	CAP - nut	1
23	C 19521	CLIP - wire	3
24	113- 3	BOLT - 1/4" - 20 x 3/4"	2
25	129- 101	NUT - 1/4" - 20	2
26	C 32407	KEY - ignition	1
27	C 32454	SPARK PLUG	2
28	131- 971	NUT - #8 - 36	2
29	129- 27	NUT - #10 NF	4
30	C 32298	CABLE - spark plug 9"	1
30	C 32299	CABLE - spark plug 18-1/2"	1



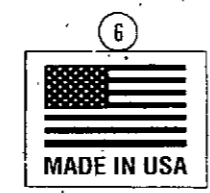
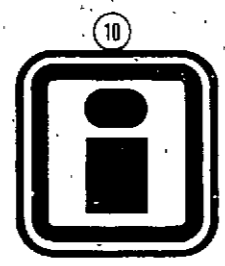
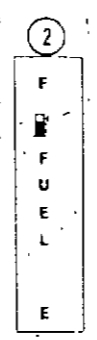
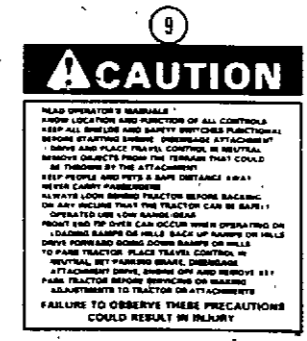
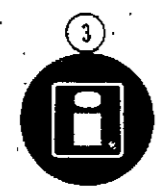
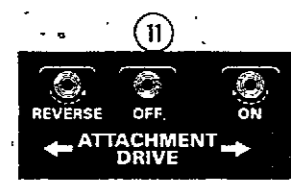
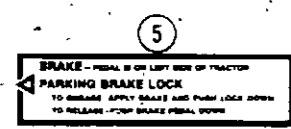
HEADLIGHT ASSEMBLY

1	C 29637	RETAINER - headlight	4
2	187-1328	SCREW - #8 x 3/8"	4
	C 32178	HEADLIGHT ASSEMBLY	2
3	NSS	RECEPTACLE - headlight (order C32178)	1
4	C 28932	BULB - headlight	1
5	C 14304	GASKET - headlight	2
6	C 22573	LENS - headlight	1

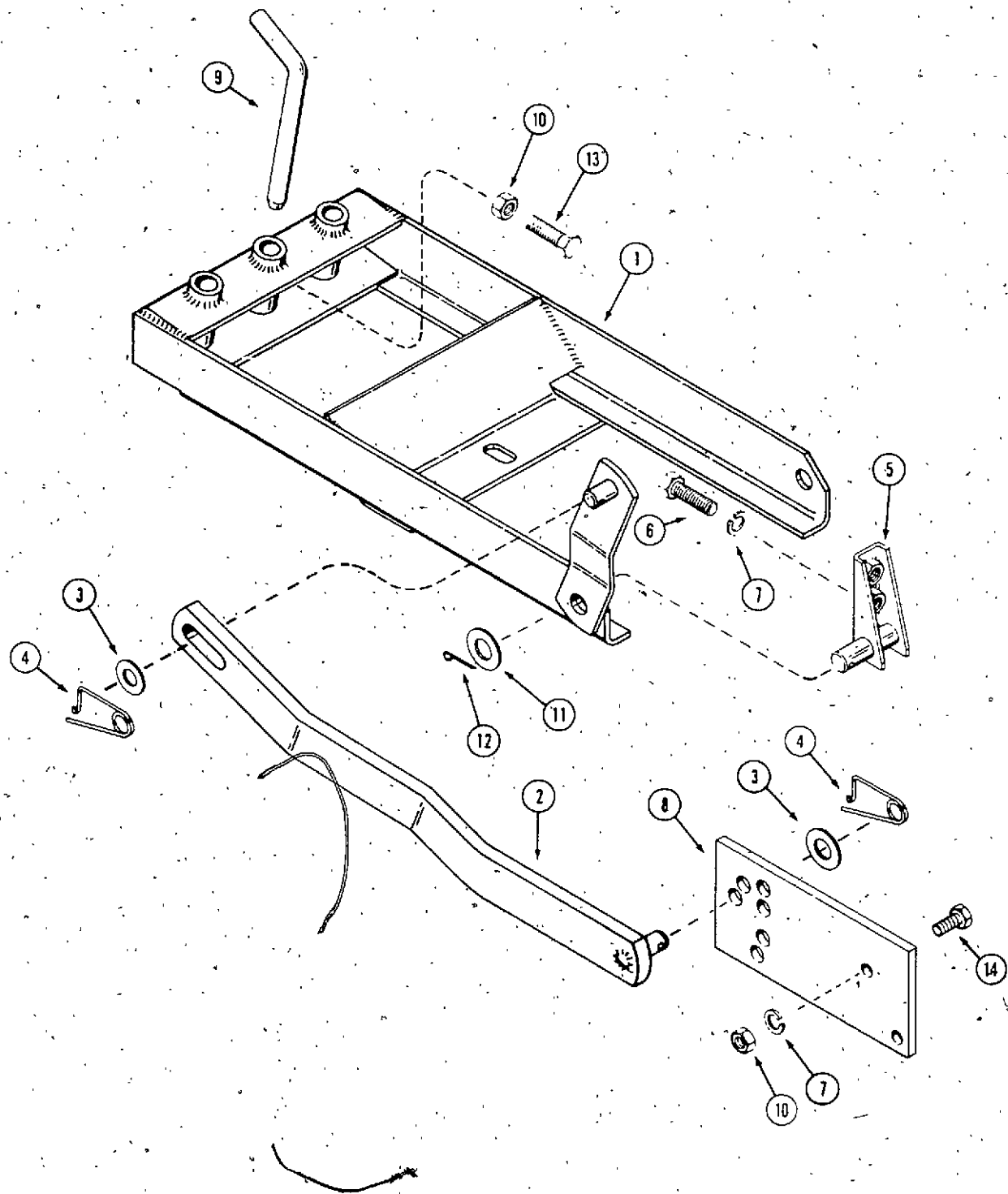


DECALS

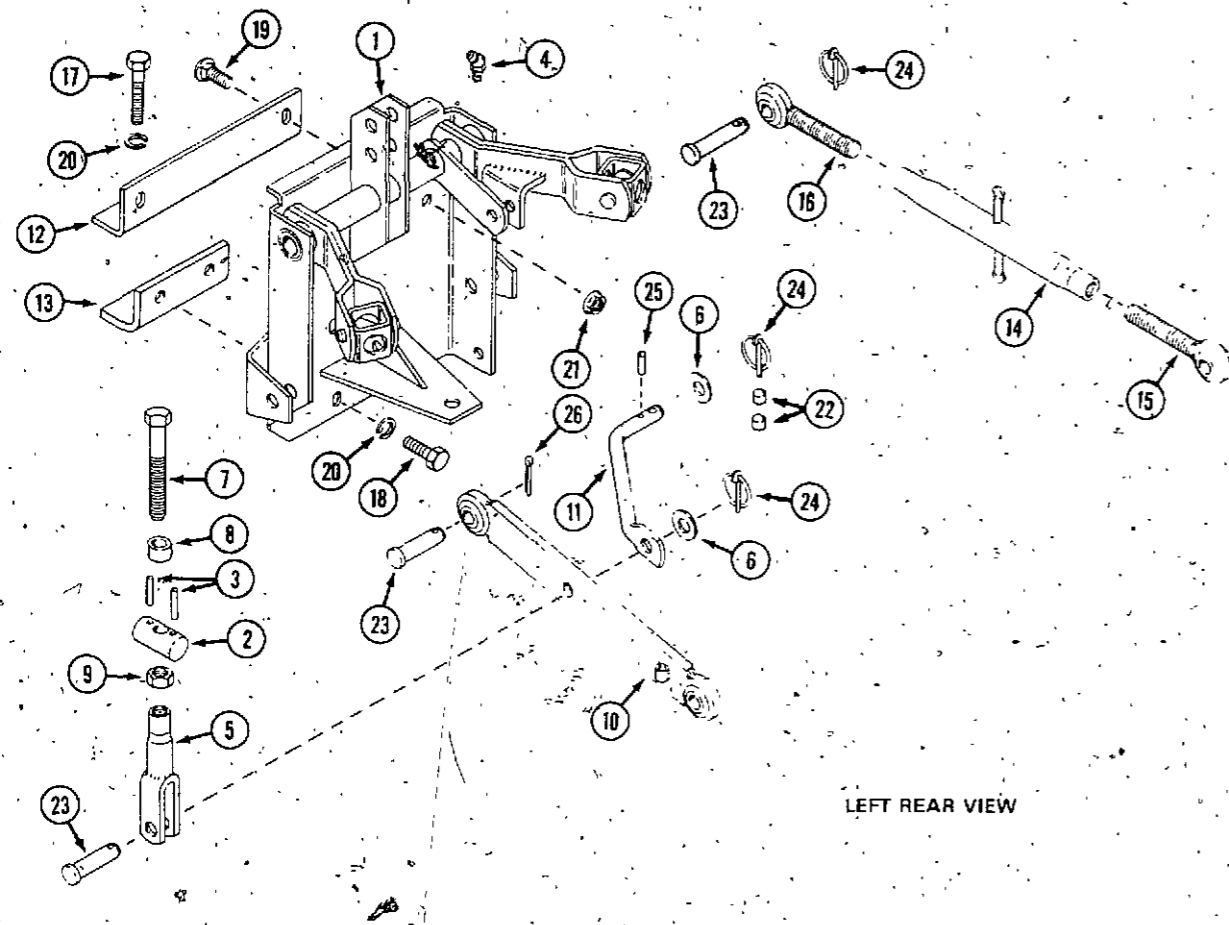
REF.	PART NO.	DESCRIPTION	REQ'D
1	C 36924	DECAL - "3118" hood L.H.	1
1	C 36925	DECAL - "3118" hood R.H. (shown)	1
2	C 33588	DECAL - fuel gauge	1
3	C 37197	DECAL - steering wheel	1
4	C 37274	DECAL - shift range	1
5	C 33590	DECAL - brake	1
6	C 34184	DECAL - flag	1
7	C 36926	DECAL - "4116" hood L.H.	1
7	C 36927	DECAL - "4116" hood R.H. (shown)	1
8	C 36928	DECAL - "4118" hood L.H.	1
8	C 36929	DECAL - "4118" hood R.H. (shown)	1
9	321-6659	DECAL - Caution	1
10	C 30539	MEDALLION	1
11	C 37275	DECAL PTO	1
12	C 36930	DECAL - "4120" hood L.H.	1
12	C 36931	DECAL - "4120" hood R.H.	1



**K22 SLEEVE HITCH (3118)
K24 SLEEVE HITCH (4116, 4118, 4120)**



REF.	PART NO.	DESCRIPTION	REQ'D
1	C 22218	HITCH FRAME ASSEMBLY (K24) shown	1
1	C 23707	HITCH FRAME ASSEMBLY (K22)	1
2	C 25371	ARM - lift	1
3	195- 541	WASHER - plain 21/32"	2
4	C 10898	PIN - retaining	2
5	C 14459	BRACKET - hitch mounting R.H.	1
5	C 25789	BRACKET - hitch mounting L.H.	1
6	113- 410	BOLT - 1/2" x 1-1/2" N.C. hex, zinc	6
7	192- 23	LOCKWASHER - 1/2" zinc	6
8	C 25382	PLATE - lift lever	1
9	C 14568	PIN - drawbar	1
10	129- 105	NUT - 1/2" N.C. hex, zinc	4
11	195- 545	WASHER - plain 3/4" zinc	2
12	132- 306	PIN - cotter 3/16" x 1-3/4"	2
13	113- 476	BOLT - 1/2" x 2" N.C. hex, zinc	2
14	113- 417	BOLT - 1/2" x 1-1/4" hex	2

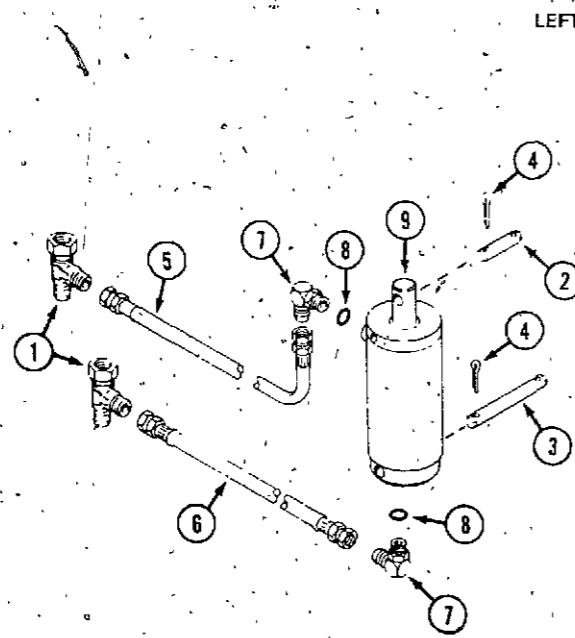


LEFT REAR VIEW

HH34 THREE POINT HITCH

REF.	PART NO.	DESCRIPTION	REQ'D
1	C 32215	PLATE - hitch	1
2	C 32230	SWIVEL - lift link	2
3	C 32231	PIN - spiral 3/16" x 1-1/2"	4
4	219- 405	FITTING - grease	2
5	C 32428	LINK - adjusting	2
6	195- 541	WASHER - 5/8"	2
7	C 32235	BOLT - 5/8" - 11 x 5"	1
8	C 32239	SPACER - bolt	1
9	129- 107	NUT - 5/8" - 11	1
10	C 32240	ARM - lift	2
11	C 32242	ARM - stabilizer	1
12	C 32243	BRACKET - angle	1
13	C 32244	SUPPORT - angle	1
14	C 32249	TUBE - upper link	1
15	C 32426	BALL JOINT - R.H.	1
16	C 32427	BALL JOINT - L.H.	1
17	113- 447	BOLT - 1/2" - 13 x 3-1/2" (use with 3100 series tractors)	1
17	113- 426	BOLT - 1/2" - 13 x 2-3/4" (use with 4100 series tractors)	1
18	113- 417	BOLT - 1/2" - 13 x 1-1/4"	2
19	111- 517	BOLT - 1/2" - 13 x 1" carriage	2
20	192- 23	LOCKWASHER - 1/2"	3
21	131- 930	NUT - 1/2" - 13 flange lock	2
22	C 14768	SPACER - klick pin	2
23	C 14717	PIN - clevis 5/8" x 2-1/2"	6
24	C 28222	PIN - klick	6
25	138- 2073	PIN - spiral 3/16" x 1-1/4"	1
26	132- 348	PIN - cotter 1/4" x 1-1/4"	2

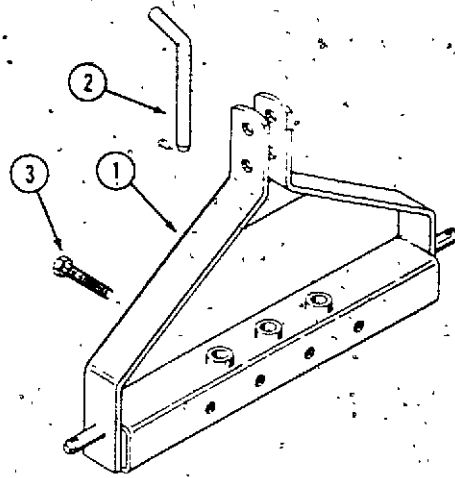
LEFT REAR VIEW



HH34 THREE POINT HITCH CYLINDER

1	218- 5479	FITTING - tee 1/2" - 20 swivel female x 1/2" - 20 male	2
2	C 28189	PIN - cylinder rod 1/2" x 2-1/8"	1
3	C 32254	PIN - cylinder foot 1/2" x 4-5/8"	1
4	132- 310	PIN - cotter 1/8" x 1"	4
5	C 32247	HOSE - hydraulic 1/4" x 33" (cylinder to forward valve port)	1
6	C 32246	HOSE - hydraulic 1/4" x 24 (cylinder to rear valve port)	1
7	218- 5104	FITTING - 90° elbow 5/16" tube x 1/2" - 20	2
8	218- 5004	O-Ring	1
9	C 32245	CYLINDER - lift	1
	C 34533	KIT - seal	1

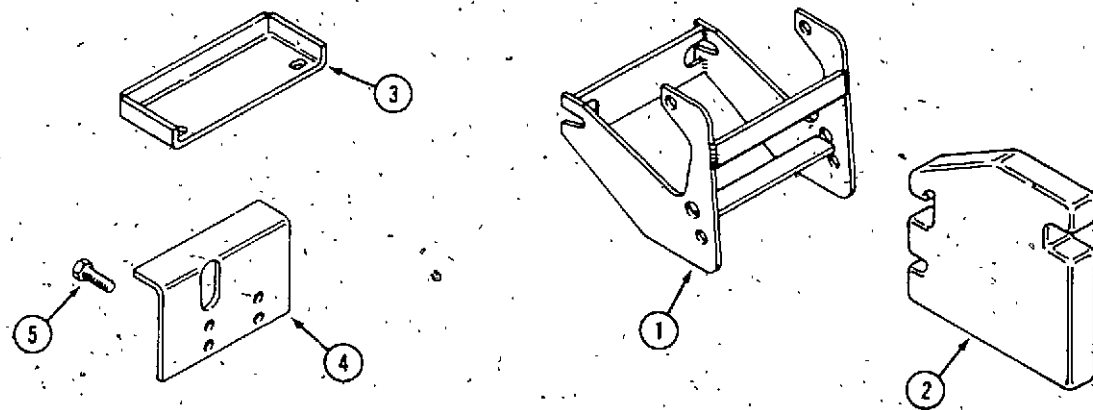
F27 HITCH ADAPTER



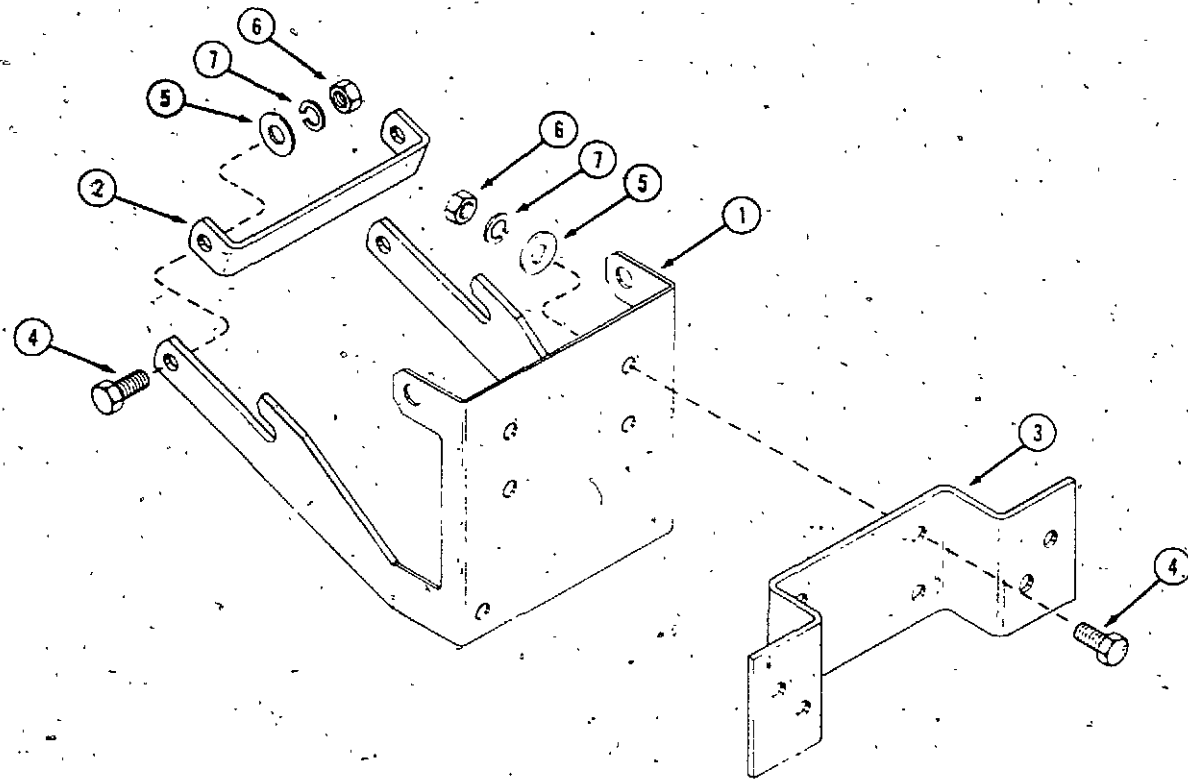
REF.	PART NO.	DESCRIPTION	REQ'D
1	C 14872	BRACKET - hitch adapter	1
2	C 14568	PIN - drawbar	1
3	113- 425	BOLT - 1/2" x 3" N.C. hex	4

L11 WEIGHT KIT

1	C 25572	BRACKET - mounting, front	1
2	NSS	WEIGHT - 40 lb. (18 kg.)	4
3	C 25791	BRACKET - mounting, rear, upper	1
4	C 25792	BRACKET - mounting, rear, lower	1
5	113- 417	BOLT - 1/2" - 13 x 1-1/4" hex	2

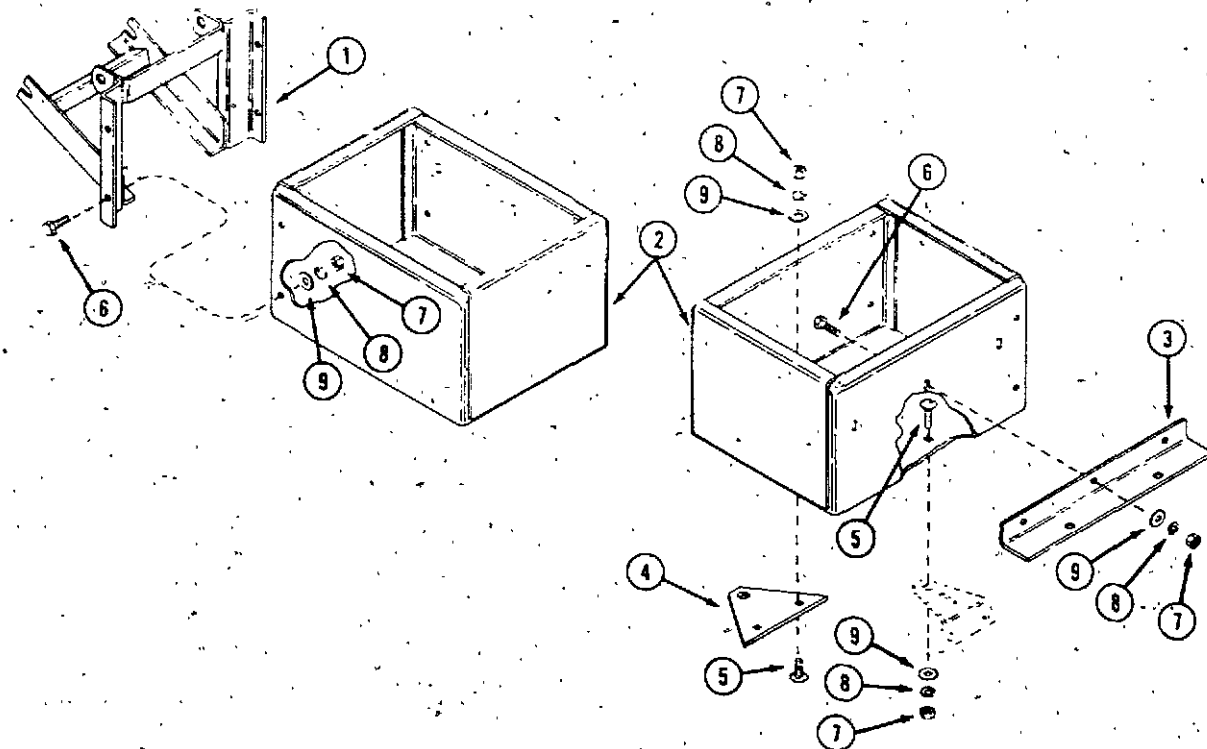


H18 FRONT END WEIGHT BRACKETS

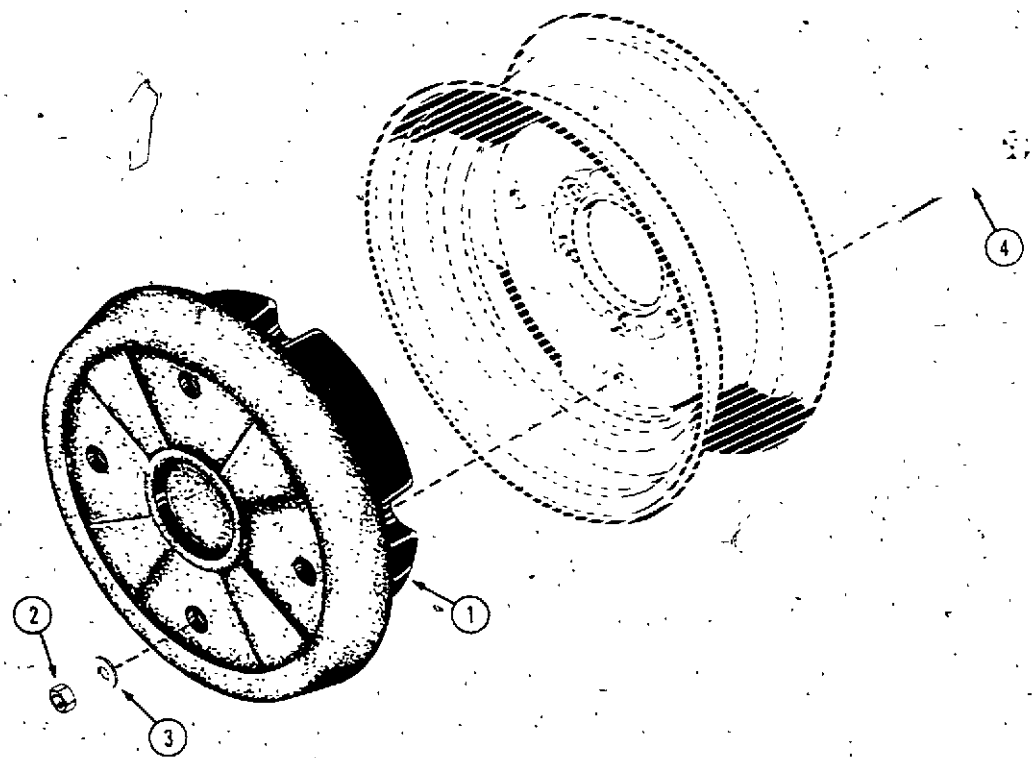


REF.	PART NO.	DESCRIPTION	REQ'D
1	C 16581	BRACKET - mounting	1
2	C 17161	BRACE - rear	1
3	C 17162	BRACKET - weight mounting	1
4	113- 417	BOLT - 1/2" x 1-1/2" N.C. hex, zinc	6
5	195- 533	WASHER - 1/2" zinc	6
6	129- 105	NUT - 1/2" N.C. hex	6
7	192- .23	LOCKWASHER - 1/2"	6

H13 WEIGHT BOX



REF.	PART NO.	DESCRIPTION	REQ'D
1	C 17859	FRAME - weight box	1
2	C 17863	BOX - weight	1
3	C 17860	SUPPORT - weight box	1
4	C 17636	PLATE - hitch	1
5	111- 371	BOLT - 3/8" x 1" round head, square neck	3
6	113- 207	BOLT - 3/8" x 1" N.C. hex	4
7	129- 103	NUT - 3/8" N.C. hex	7
8	192- 21	LOCKWASHER - 3/8"	7
9	195- 525	WASHER - 3/8"	7

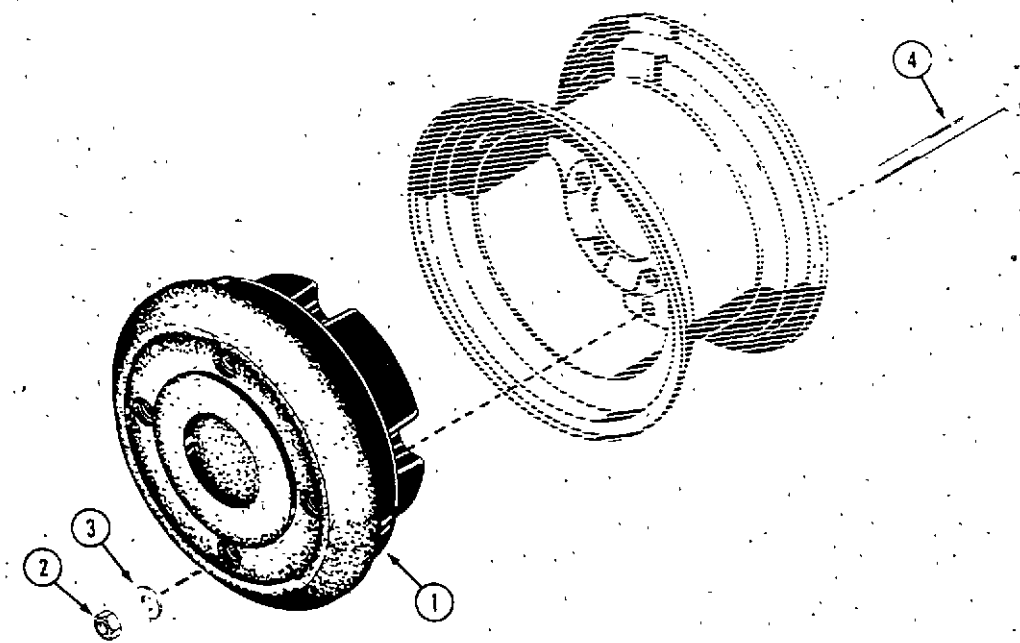


WW40 WHEEL WEIGHTS (4116, 4118, 4120)

REF.	PART NO.	DESCRIPTION	REQ'D
1	NSS	WEIGHT - wheel, 75 lb. (order as machinery item)	2
2	131-1182	NUT - 1/2" N.C. hex	4
3	195-533	WASHER - 1/2"	8
4	111-525	BOLT - 1/2" x 6" round head, square neck	8

WW30 AND WW30W WHEEL WEIGHTS (3118)

1	NSS	WEIGHT - wheel 55 lb. (order as Machinery Item)	2
2	131-1182	NUT - 1/2" N.C. lock	8
3	195-533	WASHER - 1/2"	8
4	111-521	BOLT - 1/2" x 7" carriage (WW30)	8
4	C 30545	BOLT - 1/2" - 13 x 8-1/2" (WW30W)	8



NUMERICAL INDEX

PART NO.	PAGE NO.	REF. NO.	PART NO.	PAGE NO.	REF. NO.
165-142	49	10	195-525	31	18
165-143	49	9	195-525	71	9
166-86	27	15	195-526	49	5
166-86	37	40	195-533	35	17
166-86	43	8	195-533	55	14
169-114	45	20	195-533	71	5
182-49	23	15	195-533	73	3
182-84	15	5	195-533	73	3
182-152	19	8	195-541	65	3
182-525	13	20	195-541	67	6
182-525	61	2	195-545	65	11
182-559	17	18	195-2027	17	15
182-559	21	8	195-2063	35	27
187-1036	17	12	195-2134	51	7
187-1036	19	7	211-5	15	8
187-1036	23	23	211-5	45	16
187-1036	61	7	211-7	45	22
187-1073	23	5	211-216	5	4
187-1073	23	8	214-14	39	22
187-1328	29	13	214-103	17	20
187-1328	53	21	214-251	19	13
187-1328	61	2	214-254	39	20
187-1334	25	11	217-333	39	13
187-1334	25	9	217-391	39	4
187-1334	51	2	218-443	49	32
187-1511	21	12	218-465	49	1
187-1511	23	14	218-525	39	31
187-1908	61	7	218-1093	55	26
187-1910	33	12	218-5004	67	8
192-19	13	25	218-5005	41	1
192-19	15	20	218-5007	42	3
192-19	17	7	218-5007	43	3
192-19	53	14	218-5007	43	3
192-20	17	10	218-5056	55	2
192-20	31	5	218-5059	39	30
192-20	47	9	218-5062	39	5
192-20	51	16	218-5062	43	5
192-20	53	16	218-5062	43	18
192-20	55	8	218-5062	49	12
192-20	57	2	218-5065	41	12
192-21	9	19	218-5104	66	1
192-21	13	10	218-5105	41	15
192-21	25	5	218-5107	43	4
192-21	35	26	218-5107	43	13
192-21	51	10	218-5107	49	13
192-21	71	8	218-5117	39	29
192-23	27	14	218-5128	39	6
192-23	31	5	218-5135	41	16
192-23	33	14	218-5137	43	17
192-23	37	19	218-5154	17	31
192-23	41	2	218-549	6	1
192-23	43	13	219-17	33	13
192-23	53	2	219-17	33	12
192-23	65	7	219-403	33	1
192-23	67	20	219-404	33	1
192-23	71	7	219-405	6	1
192-404	25	7	21-3	13	12
193-6	61	14	21-3	13	10
195-102	23	6	21-841	43	21
195-102	23	19	21-6659	67	9
195-103	51	15			
195-513	53	9			
195-516	19	9			
195-518	23	10			
195-518	39	13			
195-518	61	18			
195-521	55	1			

INGERSOLL

Ingersoll Equipment Co., Inc.