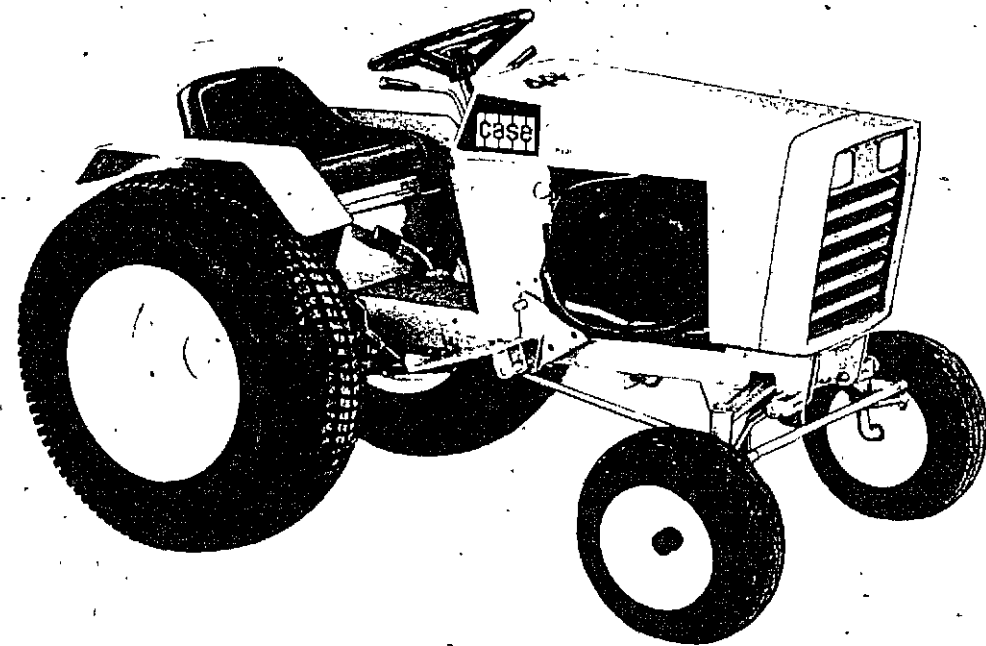
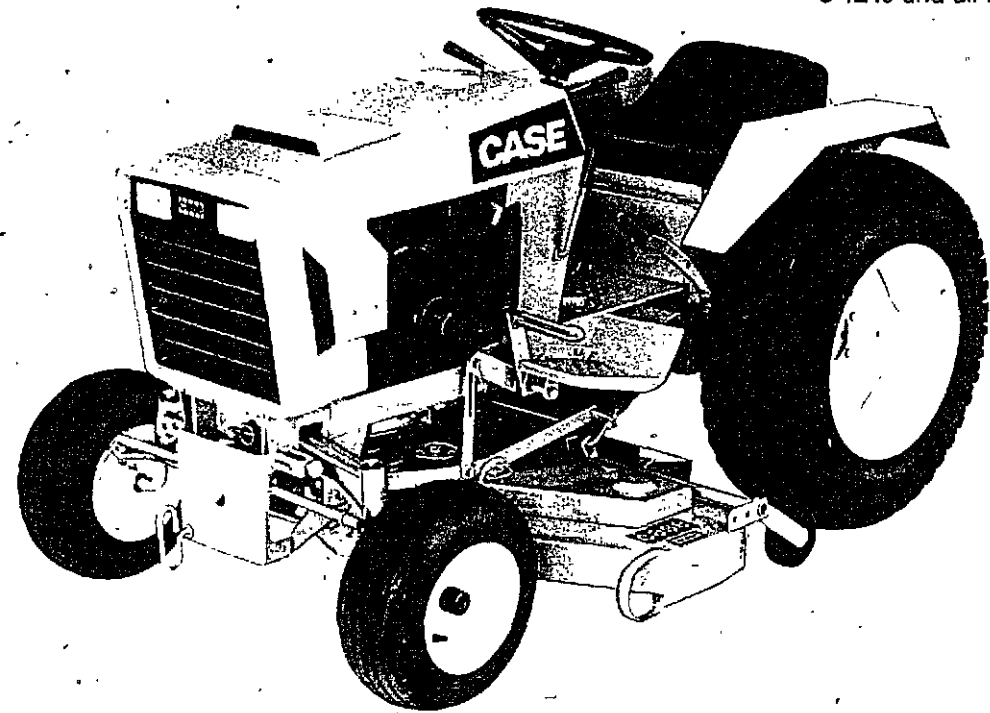


**COMPACT TRACTORS**  
 446 P.I.N. 9770165 to 14041700  
 448 P.I.N. 9774000 to 14044240  
 Parts Catalog No. 8-1242

NOTE: This catalog replaces catalog  
 8-1240 and all revisions



**ALPHABETICAL INDEX**

**ENGINE SECTION**

|                           | PAGE  | GRID   |                                | PAGE  | GRID   |
|---------------------------|-------|--------|--------------------------------|-------|--------|
| Air Filter .....          | 5     | A6     | Exhaust System .....           | 20    | B8     |
| Baffles and Shields ..... | 17-21 | B4-B8  | Fan .....                      | 27    | B14    |
| Battery .....             | 59    | E4     | Flywheel, Engine .....         | 9     | A10    |
| Camshaft .....            | 9     | A10    | Fuel System .....              | 5-23  | A6-B10 |
| Carburetor .....          | 5-7   | A6-A8  | Governor .....                 | 15-17 | B2-B4  |
| Choke and Throttle .....  | 23    | B10    | Housing, Blower .....          | 17    | B4     |
| Clutch, PTO .....         | 27    | B14    | Oil Pump .....                 | 15    | B2     |
| Crankshaft .....          | 9     | A10    | Oil Sump .....                 | 15    | B2     |
| Electrical System .....   | 19-59 | B6-E4  | Pistons and Connecting Rods .. | 9     | A10    |
| Engine Block .....        | 11-13 | A12-14 | Starter Motor .....            | 17    | B4     |

**BASIC TRACTOR SECTION**

|                                 | PAGE     | GRID     |                                  | PAGE  | GRID    |
|---------------------------------|----------|----------|----------------------------------|-------|---------|
| Axle, Front .....               | 33       | C6       | Valve, Hydraulic .....           | 49-53 | D8-D12  |
| Axle, Rear .....                | 55       | D14      | F27 Three Point Hitch Adapter .. | 67    | E12     |
| Baffles & Heat Shields .....    | 17-21-43 | B4-B8-D2 | H13 Weight Box .....             | 73    | F4      |
| Brakes .....                    | 37       | C10      | H18 Counterweight Brackets ..    | 73    | F4      |
| Clutch Assembly, PTO .....      | 27       | B14      | Instruments .....                | 59    | E4      |
| Control, Speed .....            | 41       | C14      | J26 Three Point Hitch .....      | 65-67 | E10-E12 |
| Decals .....                    | 63       | E8       | K10 Wheel Weights .....          | 71    | F2      |
| Electrical System .....         | 19-61    | B6-E6    | K24 Sleeve Hitch .....           | 69    | E14     |
| Fenders .....                   | 31       | C4       | L11 Weight Kit .....             | 81    | F12     |
| Frame .....                     | 29       | C2       | L17 Hydraulic PTO Kit .....      | 75-77 | F6-F8   |
| Grille .....                    | 29       | C2       | L29 PTO .....                    | 83    | F14     |
| Hitch .....                     | 49       | D8       | Lift, Implement, Hydraulic ..... | 57    | E2      |
| Hood .....                      | 29       | C2       | M9 Holding Valve .....           | 81    | F12     |
| Hydraulics .....                | 39-53    | C12-D12  | M19 Flow Control Kit .....       | 79    | F10     |
| Coupling, Pump Drive .....      | 39-45    | C12-D4   | PTO Linkage .....                | 25    | B12     |
| Heat Exchanger Mounting .....   | 47       | D6       | Seat, Operator's .....           | 31    | C4      |
| Hoses, Lines and Fittings ..... | 39       | C12      | Steering Wheel & Gear .....      | 35    | C8      |
| Motor, Hydraulic Drive .....    | 39-41    | C12-C14  | Tool Box .....                   | 31    | C4      |
| Pump .....                      | 39-45    | C12-D4   | Transmission .....               | 55    | D14     |
|                                 |          |          | Wheels, Front and Rear .....     | 37    | C10     |

## GENERAL INFORMATION

### INDEX

There is an index at the front and rear of this catalog.

The front index is an alphabetical index of the major groups or assemblies.

The rear index is a numerical index of the part numbers and pages on which these numbers are shown.

### ILLUSTRATION

Each illustration in this catalog shows a group of parts or components. These parts and components are aligned approximately as the parts and components on your machine. Each part and component in an illustration has a reference number. These reference numbers are in a list on the page opposite of the illustration. Next to the reference number is the part number, description and required quantity of the part shown in the illustration.

### ABBREVIATIONS

UAR - "Use as required" indicates that the part quantity is variable.

NSS - "Not sold separately" indicates that the part is only available as a component of an assembly or the part must be purchased locally. If the part is an assembly component, the description will be indented under the assembly description in the parts list.

### INDENTED DESCRIPTIONS

An assembly can have many components. The components of an assembly are indicated by an indented description. The quantity for an indented part is the total needed for that complete assembly. See the example.

| REF. | PART NO. | DESCRIPTION                    | REQ'D |
|------|----------|--------------------------------|-------|
|      | A 55159  | CYLINDER ASSY - rear steering  | 1     |
| 28   | A 56208  | SOCKET ASSY - rear cylinder    | 1     |
| 29   | A- 55956 | PLUG - adjusting, socket assy  | 1     |
| 30   | A 55957  | SEAT - socket ball             | 2     |
| 31   | A 56210  | SPRING - socket                | 1     |
| 32   | A 56209  | SEAT - socket spring           | 1     |
| 33   | G 45175  | CLAMP ASSY - socket assy       | 1     |
|      | 16- 836  | BOLT - 1/2" x 2-1/4" N.F. hex. | 1     |
| 34   | 132- 104 | PIN - cotter, 3/16" x 3"       | 1     |
| 35   | A 55889  | STUD - ball, socket & cylinder | 2     |
| 36   | 13- 410  | BOLT - 1/4" x 5/8" N.C., hex.  | 4     |
| 37   | 92- 4    | LOCKWASHER - 1/4" SAE          | 4     |

### PARTS ORDERS

All orders must include the following information:

1. Correct part number.
2. Complete description of part or component.
3. Total quantity of each part or component.
4. Product model number.
5. All necessary product identification numbers.
6. Method for sending the parts.
7. Complete and correct address.

### CATALOG REVISIONS

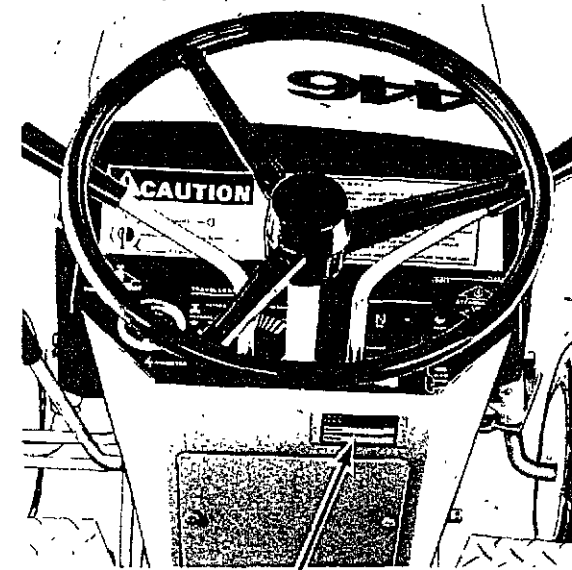
As the product changes, we will send you new pages for your catalog.

**IMPORTANT:** Put all revisions into the catalog as soon as possible.

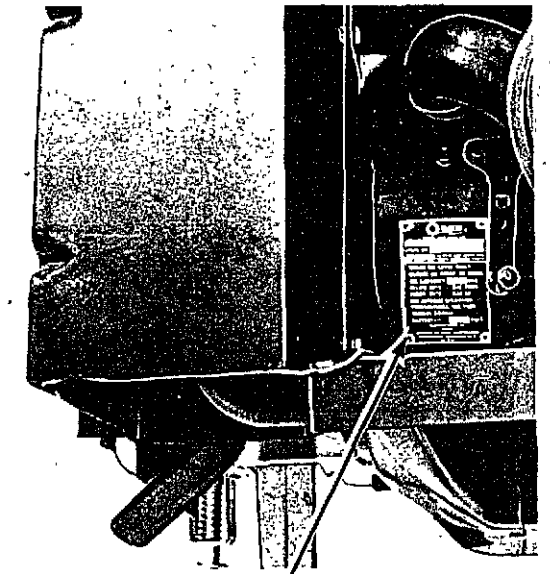
### RIGHT HAND AND LEFT HAND IDENTIFICATION

The words right hand (RH) and left hand (LH) as used in this catalog indicate the direction while you are in the operator's seat in the normal operating position.

## CASE 446 AND 448 COMPACT TRACTOR



TRACTOR MODEL AND P.I.N. NUMBER

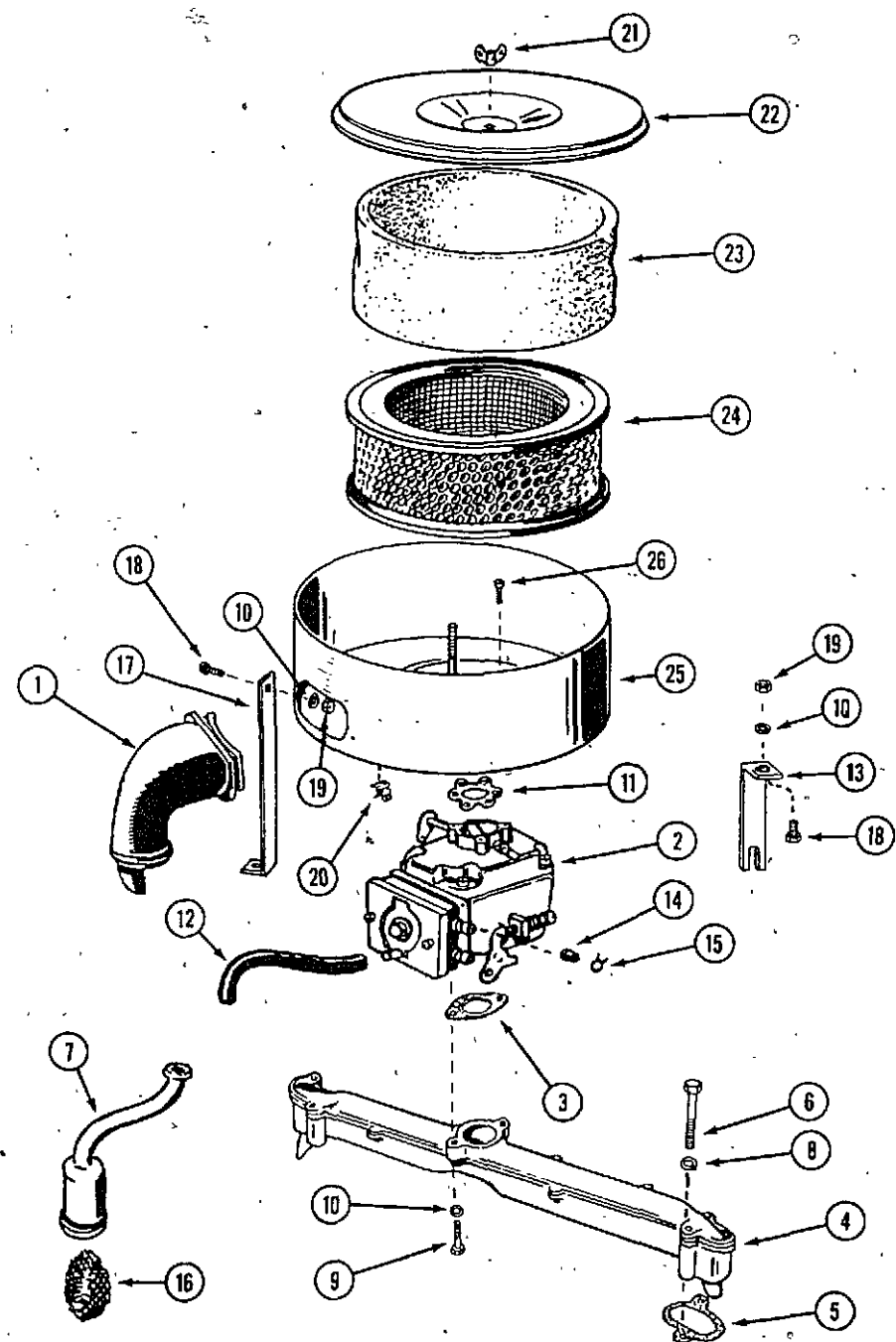


ENGINE MODEL, SERIAL AND SPECIFICATION NUMBERS

| TRACTOR MODEL | ENGINE MODEL  |
|---------------|---|
| 446 TRACTOR   | ONAN B43M - GAO16 C24787 ENGINE<br>SPEC. NO. 3419A, 3552A AND 3622A |
| 448 TRACTOR   | ONAN B48M - GAO18 C25262 ENGINE<br>SPEC. NO. 3631A                  |

### PRODUCT IDENTIFICATION NUMBER (P.I.N.)

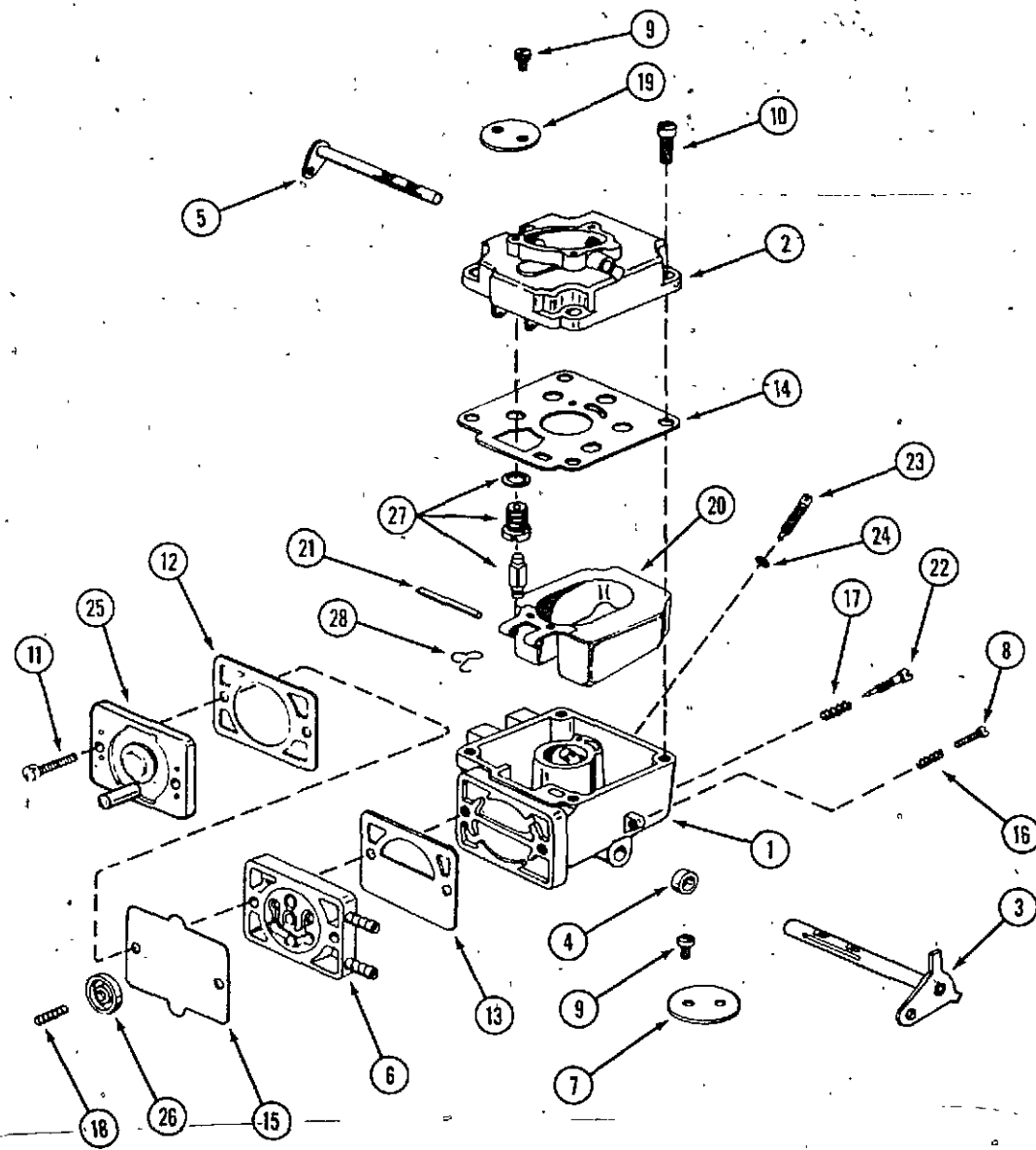
While you use this catalog you will see a P.I.N. in the description of some parts. This P.I.N. means that the part indicated can be used only according to the instructions.



CARBURETOR, AIR FILTER AND MANIFOLD

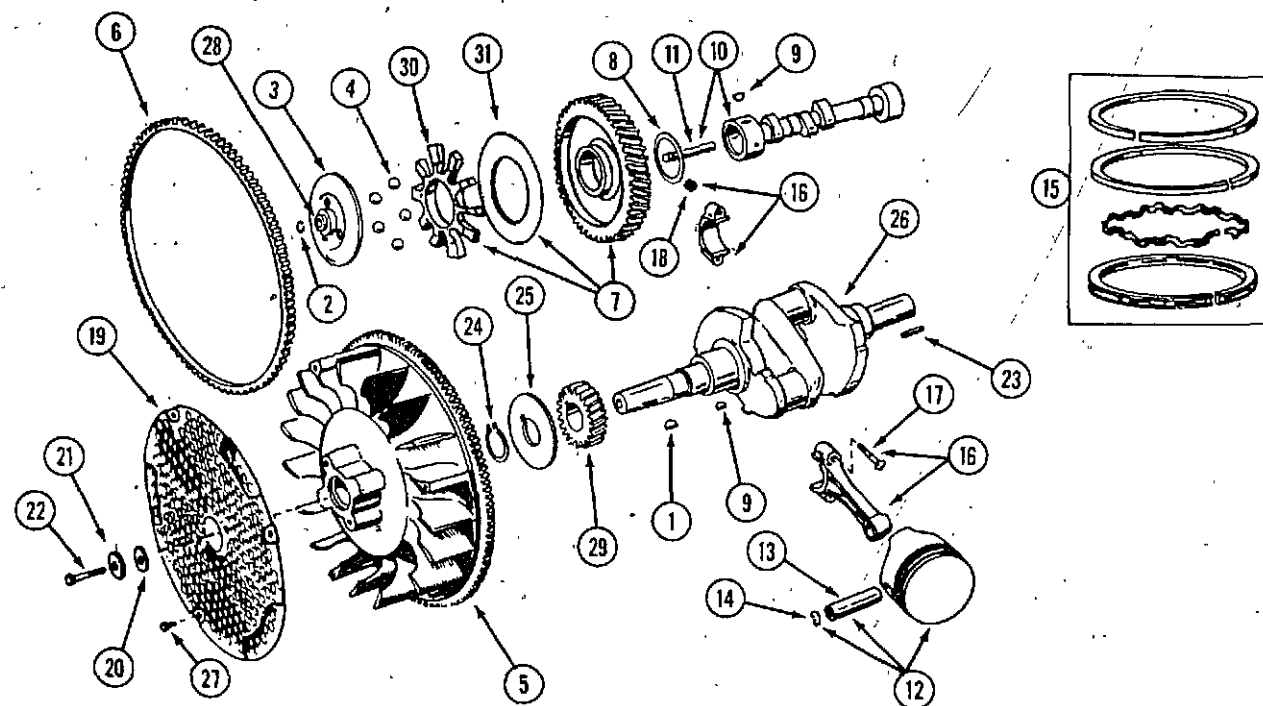
| REF. | PART NO. | DESCRIPTION   | REQ'D |
|------|----------|---|-------|
| 1    | C 20387  | TUBE - air intake                                     | 1     |
| 2    | C 27507  | CARBURETOR AND FUEL PUMP ASSEMBLY<br>(repairs page 7) | 1     |
| 3    | C 20389  | GASKET - carburetor mounting                          | 1     |
| 4    | C 28720  | MANIFOLD - engine intake                              | 1     |
| 5    | C 26202  | GASKET - intake manifold                              | 2     |
| 6    | 113- 121 | BOLT - manifold 5/16" x 2"                            | 4     |
| 7    | C 24927  | HOSE - breather                                       | 1     |
| 8    | 192- 20  | LOCK WASHER - 5/16"                                   | 4     |
| 9    | 113- 65  | BOLT - 1/4" x 1-3/4" N.C. hex                         | 2     |
| 10   | 192- 19  | LOCK WASHER - 1/4"                                    | 3     |
| 11   | C 20396  | GASKET - air cleaner mounting                         | 1     |
| 12   | C 23300  | HOSE - fuel pump                                      | 1     |
| 13   | C 24929  | BRACKET - support                                     | 1     |
| 14   | C 20411  | CAP - fuel pump                                       | 1     |
| 15   | 214- 102 | CLAMP - hose 7/16"                                    | 1     |
| 16   | C 29948  | FILTER - breather                                     | 1     |
| 17   | C 20393  | SUPPORT - air cleaner                                 | 1     |
| 18   | 13- 48   | BOLT - 1/4" x 1/2" N.C. hex                           | 1     |
| 19   | 129- 101 | NUT - 1/4" N.C. hex                                   | 1     |
| 20   | C 20407  | RETAINER - choke cable                                | 2     |
| 21   | C 26703  | NUT - wing 1/4"                                       | 1     |
| 22   | C 20399  | COVER - air cleaner                                   | 1     |
| 23   | C 20405  | PRECLEANER  | 1     |
| 24   | C 20398  | ELEMENT - air cleaner                                 | 1     |
| 25   | C 20397  | HOUSING - air cleaner                                 | 1     |
| 26   | 182- 525 | SCREW - No. 10 x 3/8" round head                      | 3     |
|      | C 22947  | TIE - breather tube                                   | 1     |

C27507 CARBURETOR AND FUEL PUMP ASSEMBLY

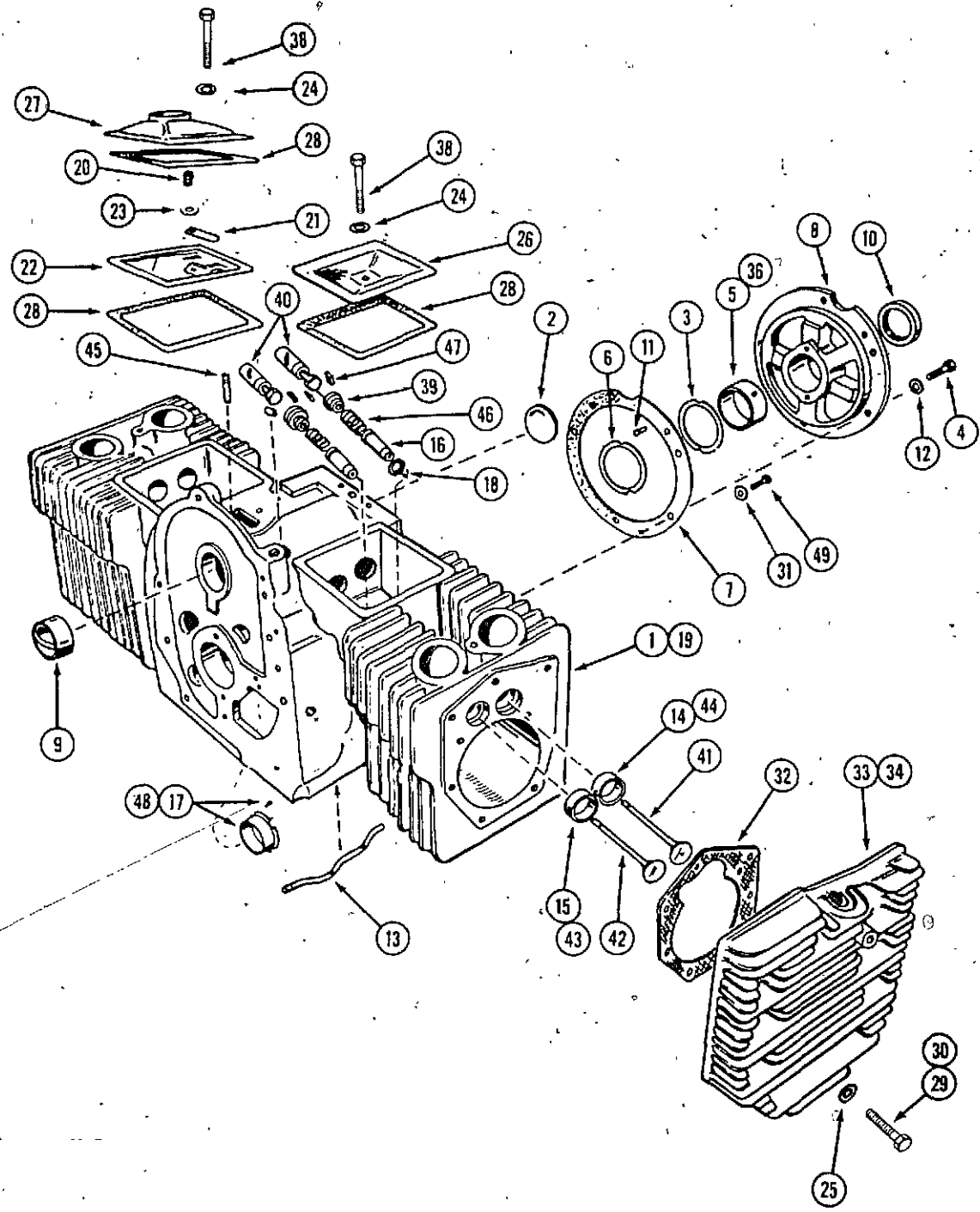


| REF. | PART NO. | DESCRIPTION  | REQ'D |
|------|----------|--|-------|
| 1    | NSS      | BODY ASSEMBLY - carburetor (order C27507, carburetor)                        | 1     |
| 2    | NSS      | SLEEVE ASSEMBLY - carburetor (order C27507 carburetor)                       | 1     |
| 3    | C 20425  | SHAFT - throttle (See kit below)   | 1     |
| 4    | C 20426  | PACKING - shaft (See kit below)  | 1     |
| 5    | C 20427  | SHAFT - choke  | 1     |
| 6    | C 20428  | VALVE - plate assembly (See kit below)                                       | 1     |
| 7    | C 20429  | PLATE - throttle   | 1     |
| 8    | C 20430  | SCREW - throttle stop  | 1     |
| 9    | C 20431  | SCREW - plate mounting (See kit below)                                       | 4     |
| 10   | C 20432  | SCREW - bowl cover mounting  | 4     |
| 11   | C 20433  | SCREW - pump cover   | 2     |
| 12   | C 20434  | GASKET - cover to valve plate (See kit below)                                | 1     |
| 13   | C 20435  | GASKET - pump cover (See kit below)  | 1     |
| 14   | C 20436  | GASKET - sleeve assembly (See kit below)                                     | 1     |
| 15   | C 20437  | DIAPHRAGM - fuel pump (See kit below)  | 1     |
| 16   | C 20438  | SPRING - screw, throttle stop  | 1     |
| 17   | C 20439  | SPRING - idle needle (See kit below)   | 1     |
| 18   | C 20440  | SPRING - diaphragm, fuel pump (See kit below)                                | 1     |
| 19   | C 20441  | PLATE - choke  | 1     |
| 20   | C 27506  | FLOAT ASSEMBLY - carburetor  | 1     |
| 21   | C 20443  | PIN - float (See kit below)  | 1     |
| 22   | C 20444  | NEEDLE - idle adjust (See kit below)   | 1     |
| 23   | C 20445  | NEEDLE ASSEMBLY - power  | 1     |
| 24   | C 20446  | "O" RING - needle assembly (See kit below)                                   | 1     |
| 25   | C 20447  | COVER - fuel pump  | 1     |
| 26   | C 20448  | PLATE - spring, fuel pump (See kit below)                                    | 2     |
| 27   | C 20449  | INLET - needle and seat assembly   | 1     |
| 28   | C 20450  | RETAINER - float pin   | 1     |
|      | C 24665  | KIT - gasket (includes items 4, 12, 13, 14, 15 and 24)                       | 1     |
|      | C 24666  | KIT - repair (includes items 3, 6, 9, 17, 18, 21, 22, 26, 27 and gasket kit) | 1     |

PISTON, CRANKSHAFT, FLYWHEEL AND CAMSHAFT



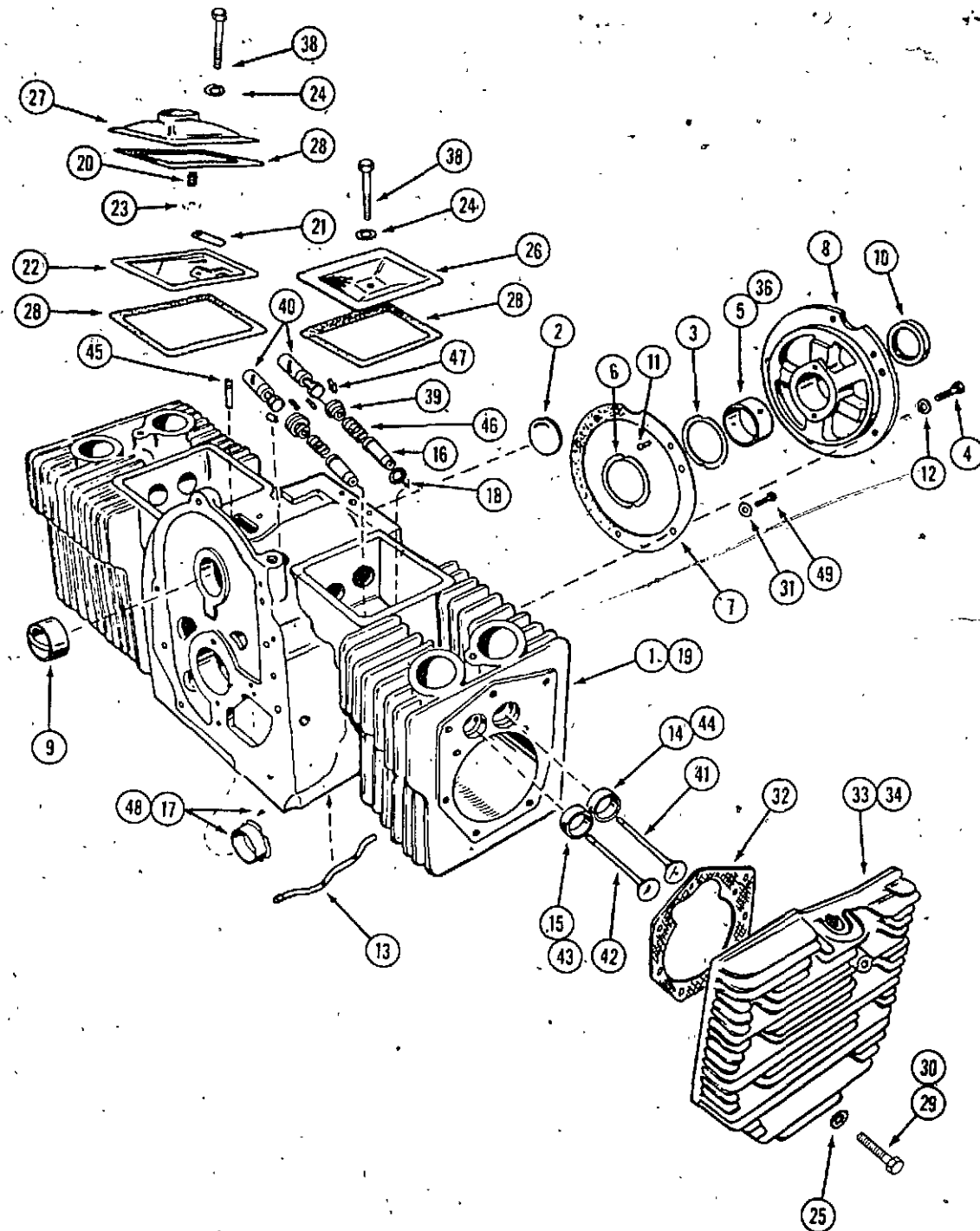
| REF. | PART NO. | DESCRIPTION   | REQ'D |
|------|----------|---|-------|
| 1    | 126- 13  | KEY - woodruff 3/16" x 5/8", flywheel mounting                | 1     |
| 2    | C 20223  | RING - camshaft center pin                                    | 1     |
| 3    | C 24326  | CUP - governor  | 1     |
| 4    | 211- 216 | BALL - governor   | 5     |
| 5    | C 24943  | FLYWHEEL - engine (includes ring gear and magnet ring)        | 1     |
| 6    | C 20226  | GEAR - ring, flywheel   | 1     |
| 7    | C 22261  | GEAR ASSEMBLY - camshaft (includes items 30 and 31)           | 1     |
| 8    | C 20229  | WASHER - thrust, camshaft gear                                | 1     |
| 9    | 126- 9   | KEY - woodruff 1/8" x 1/2" (0.13 x 12.7 mm)                   | 2     |
| 10   | C 23304  | CAMSHAFT - (includes C20233 pin)                              | 1     |
| 11   | C 20233  | PIN - camshaft center   | 1     |
| 12   | C 24931  | PISTON AND PIN - standard (includes item 14)                  | 2     |
| 12   | C 24932  | PISTON AND PIN - .005" oversize (includes item 14) (0.13 mm)  | 2     |
| 12   | C 24933  | PISTON AND PIN - .010" oversize (includes item 14) (0.25 mm)  | 2     |
| 12   | C 24934  | PISTON AND PIN - .020" oversize (includes item 14) (0.51 mm)  | 2     |
| 12   | C 24935  | PISTON AND PIN - .030" oversize (includes item 14) (0.76 mm)  | 2     |
| 12   | C 24936  | PISTON AND PIN - .040" oversize (includes item 14) (1.02 mm)  | 2     |
| 13   | C 29972  | PIN - piston  | 2     |
| 14   | C 20241  | RETAINER - piston pin   | 4     |
| 15   | C 29739  | RING SET - piston (standard)                                  | 2     |
| 15   | C 24938  | RING SET - piston (.005" oversize) (0.13 mm)                  | 2     |
| 15   | C 24939  | RING SET - piston (.010" oversize) (0.25 mm)                  | 2     |
| 15   | C 24940  | RING SET - piston (.020" oversize) (0.51 mm)                  | 2     |
| 15   | C 24941  | RING SET - piston (.030" oversize) (0.76 mm)                  | 2     |
| 15   | C 24942  | RING SET - piston (.040" oversize) (1.02 mm)                  | 2     |
| 16   | C 20202  | CONNECTING ROD ASSEMBLY - (standard) includes 17 and 18 (446) | 2     |
| 16   | C 20203  | CONNECTING ROD ASSEMBLY - (.010" undersize) (0.25 mm) 446     | 2     |
| 16   | C 20204  | CONNECTING ROD ASSEMBLY - (.020" undersize) (0.51 mm) 446     | 2     |
| 16   | C 20205  | CONNECTING ROD ASSEMBLY - (.030" undersize) (0.76 mm) 446     | 2     |
| 16   | C 25383  | CONNECTING ROD ASSEMBLY - (standard) 448                      | 2     |
| 16   | C 25384  | CONNECTING ROD ASSEMBLY - (.010" undersize) (0.25 mm) 448     | 2     |
| 16   | C 25385  | CONNECTING ROD ASSEMBLY - (.020" undersize) (0.51 mm) 448     | 2     |
| 16   | C 25386  | CONNECTING ROD ASSEMBLY - (.030" undersize) (0.76 mm) 448     | 2     |
| 17   | C 25774  | BOLT - connecting rod, special 5/16" N.F. hex                 | 4     |
| 18   | C 25775  | NUT - lock, connecting rod 5/16" N.F.                         | 4     |
| 19   | C 20215  | SCREEN - flywheel   | 1     |
| 20   | C 20303  | WASHER - 7/16" flywheel mounting                              | 1     |
| 21   | 92- 7    | LOCK WASHER - 7/16"   | 1     |
| 22   | 113- 321 | BOLT - 7/16" x 4" N.C. hex, flywheel mounting                 | 1     |
| 23   | C 28315  | KEY - square, 1/4" x 2", rear crankshaft (6.35 x 50.8 mm)     | 1     |
| 24   | C 20218  | RETAINER - crankshaft gear                                    | 1     |
| 25   | C 20219  | WASHER - retaining, crankshaft gear                           | 1     |
| 26   | C 22500  | CRANKSHAFT - engine(446)                                      | 1     |
| 26   | C 25776  | CRANKSHAFT - engine (448)                                     | 1     |
| 27   | 182- 547 | SCREW - locking 1/4" x 1/2" N.C. hex                          | 3     |
| 28   | C 24325  | HUB - governor cup  | 2     |
| 29   | C 22262  | GEAR - crankshaft   | 1     |
| 30   | C 29973  | SPACER - governor ball  | 1     |
| 31   | C 22264  | PLATE - governor ball   | 1     |



CASE MODELS 446 AND 448 COMPACT TRACTORS

ENGINE BLOCK AND ATTACHING PARTS

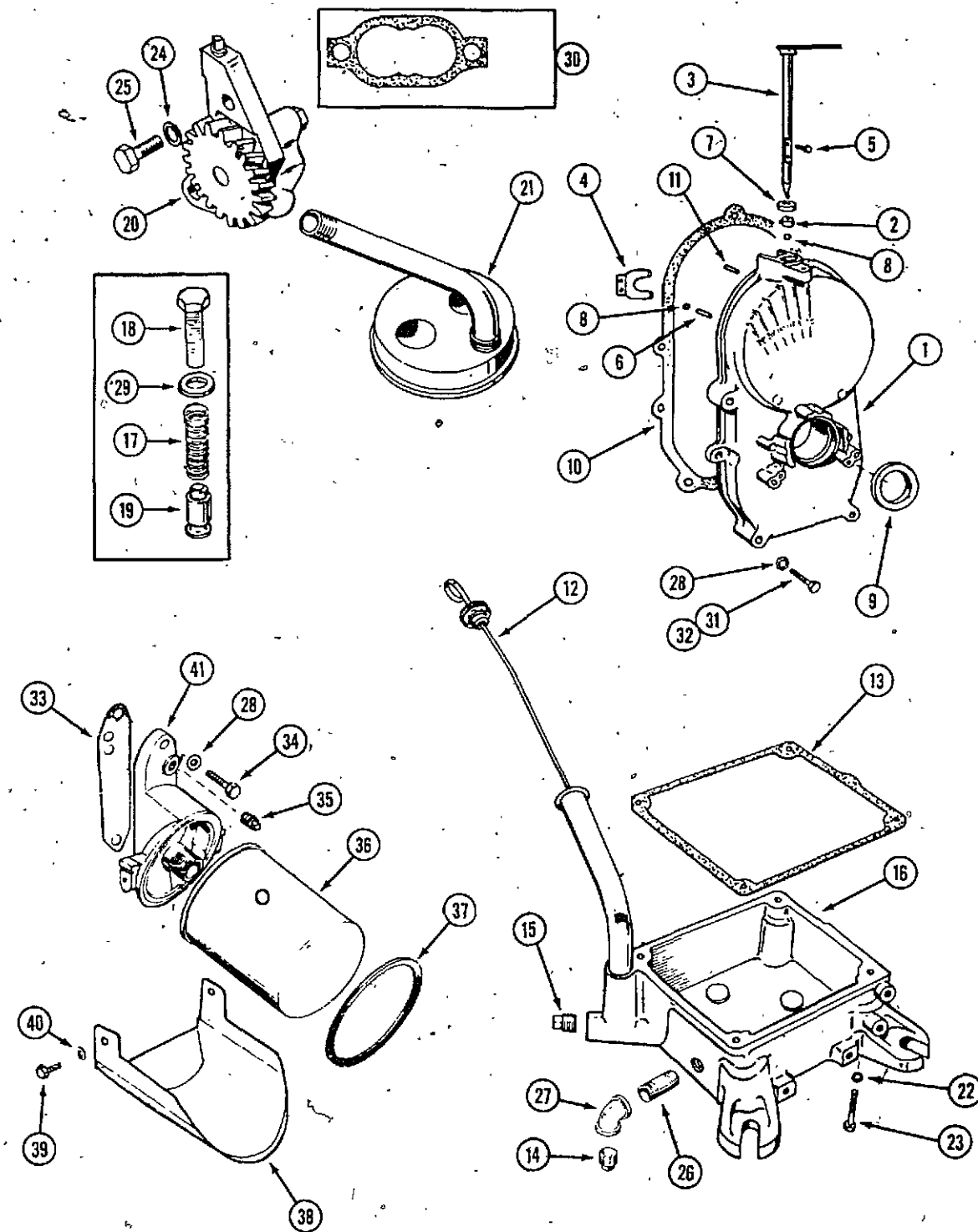
| REF. | PART NO.  | DESCRIPTION  | REQ'D |
|------|-----------|--|-------|
| 1    | C 25223   | BLOCK ASSEMBLY - cylinder, standard bore   | 1     |
| 2    | 41- 26    | PLUG - camshaft, expansion   | 1-    |
| 3    | C 20256   | SHIM - rear bearing plate (.005") (0.13 mm)  | UAR   |
| 4    | 113- 208  | BOLT - 3/8" x 1-1/4" N.C. hex  | 5     |
| 5    | C 22618   | BEARING - crankshaft, rear (standard)  | 1     |
| 6    | C 20267   | WASHER - thrust, crankshaft bearing  | 2     |
| 7    | C 20268   | GASKET - bearing plate   | 1     |
| 8    | C 20269   | PLATE - bearing (does not include bearings)  | 1     |
| 9    | C 20270   | BEARING - camshaft 3/4" (service part is 5/16" wide)   | 2     |
| 10   | C 20271   | SEAL - bearing plate   | 1     |
| 11   | C 20272   | PIN - main bearing stop  | 4     |
| 12   | 192- 21   | LOCK WASHER - 3/8" bearing plate   | 5     |
| 13   | C 24946   | TUBE - oil, crankcase  | 1     |
| 14   | C 20287   | INSERT - valve seat, intake  | 2     |
| 15   | C 29974   | INSERT - valve seat, exhaust   | 2     |
| 16   | C 20292   | GUIDE - valve  | 4     |
| 17   | C 20295   | BEARING - crankshaft front (standard)  | 1     |
| 18   | C 20302   | GASKET - valve guide, intake   | 2     |
| 19   | C 24947   | BLOCK ASSEMBLY - short (446) (includes: cylinder and crankcase, all bearings, crankshaft, camshaft, timing gear, governor gear case, connecting rods, pistons, piston rings, valves, oil pump and breather tube) | 1     |
| 19   | C 25777   | BLOCK ASSEMBLY - short (448) (includes: cylinder and crankcase, all bearings, crankshaft, camshaft, timing gear, governor gear case, connecting rods, pistons, piston rings, valves, oil pump and breather tube) | 1     |
| 20   | C 20243   | SPRING - breather valve  | 1     |
| 21   | C 20244   | VALVE - breather   | 1     |
| 22   | C 20245   | BAFFLE - breather  | 1     |
| 23   | 195- 2010 | WASHER - 1/4"  | 1     |
| 24   | C 20247   | WASHER - 1/4" copper   | 2     |
| 25   | C 20248   | WASHER - 5/16"   | 18    |
| 26   | C 20250   | COVER - valve  | 1     |
| 27   | C 24948   | COVER - valve (with breather port)   | 1     |
| 28   | C 20251   | GASKET - valve cover   | 3     |
| 29   | 26- 532   | BOLT - head, 5/16" - 18 x 2"   | 6     |
| 30   | 26- 526   | BOLT - head, 5/16" - 18 x 1-5/8"   | 12    |
| 31   | C 20574   | WASHER - copper 3/8"   | 2     |
| 32   | C 26201   | GASKET - cylinder head   | 2     |
| 33   | C 24949   | HEAD - L.H. No. 2  | 1     |
| 34   | C 24950   | HEAD - R.H. No. 1  | 1     |
| 36   | C 22619   | BEARING - crankshaft, rear (.002" undersize) (0.05 mm)   | 1     |
| 36   | C 22620   | BEARING - crankshaft, rear (.010" undersize) (0.25 mm)   | 1     |
| 36   | C 22621   | BEARING - crankshaft, rear (.020" undersize) (0.51 mm)   | 1     |
| 36   | C 22622   | BEARING - crankshaft, rear (.030" undersize) (0.76 mm)   | 1     |
| 38   | 113- 132  | BOLT - valve cover 1/4" x 1-3/4" hex   | 2     |
| 39   | C 20517   | RETAINER - valve spring (rotator service part for 446)   | 4     |
| 40   | C 20276   | TAPPET - valve (standard)  | 4     |
| 40   | C 20470   | TAPPET - valve (.001" oversize) (0.025 mm)   | 4     |



CASE MODEL 446 AND 448 COMPACT TRACTOR

ENGINE BLOCK AND ATTACHING PARTS

| REF. | PART NO. | DESCRIPTION  | REQ'D |
|------|----------|--|-------|
| 40   | C 20471  | TAPPET - valve (.002" oversize) (0.05 mm)  | 4     |
| 40   | C 20277  | TAPPET - valve (.005" oversize) (0.13 mm)  | 4     |
| 41   | C 26145  | VALVE - intake   | 2     |
| 42   | C 26146  | VALVE - exhaust  | 2     |
| 43   | C 20283  | INSERT - valve seat, exhaust (.002" oversize) (0.05 mm)  | 2     |
| 43   | C 29976  | INSERT - valve seat, exhaust (.005" oversize) (0.13 mm)  | 2     |
| 43   | C 20285  | INSERT - valve seat, exhaust (.010" oversize) (0.25 mm)  | 2     |
| 43   | C 29978  | INSERT - valve seat, exhaust (.025" oversize) (0.64 mm)  | 2     |
| 44   | C 20288  | INSERT - valve seat, intake (.002" oversize) (0.05 mm)   | 2     |
| 44   | C 20289  | INSERT - valve seat, intake (.005" oversize) (0.13 mm)   | 2     |
| 44   | C 20290  | INSERT - valve seat, intake (.010" oversize) (0.25 mm)   | 2     |
| 44   | C 20291  | INSERT - valve seat, intake (.025" oversize) (0.64 mm)   | 2     |
| 45   | C 20412  | TUBE - fuel pump vacuum  | 1     |
| 46   | C 20293  | SPRING - valve   | 4     |
| 47   | C 20294  | LOCK - valve and spring  | 8     |
| 48   | C 20296  | BEARING - crankshaft, front (.002" undersize) (0.05 mm)  | 1     |
| 48   | C 20297  | BEARING - crankshaft, front (.010" undersize) (0.25 mm)  | 1     |
| 48   | C 20298  | BEARING - crankshaft, front (.020" undersize) (0.51 mm)  | 1     |
| 48   | C 20299  | BEARING - crankshaft, front (.030" undersize) (0.76 mm)  | 1     |
| 49   | 113- 204 | BOLT - 3/8" x 1/2" N.C. hex.   | 2     |
|      | C 28721  | KIT - gasket, engine   | 1     |
|      | C 25225  | KIT - gasket, carbon removal (includes: valve cover gaskets, cylinder head gaskets, and intake manifold gaskets) | 1     |

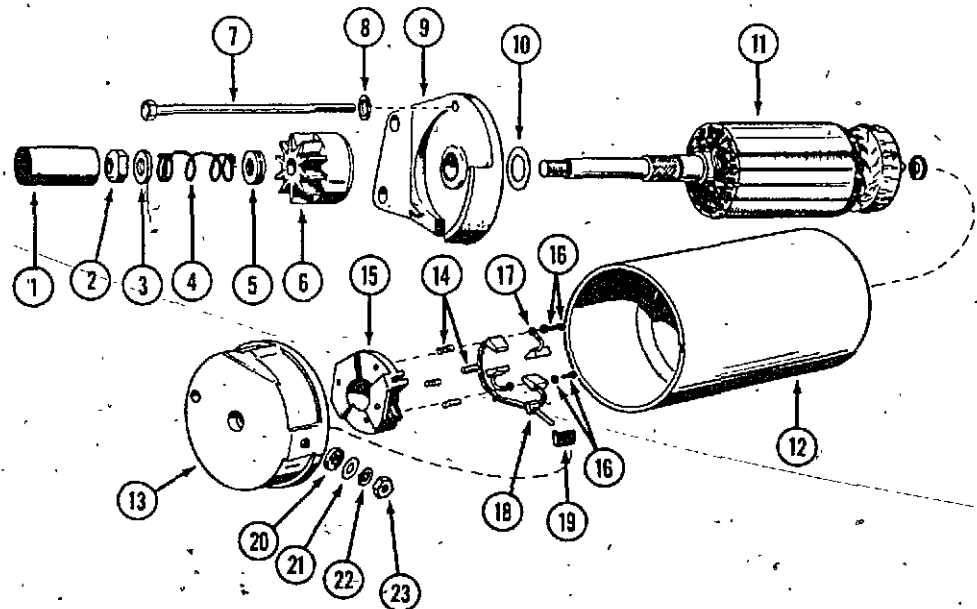
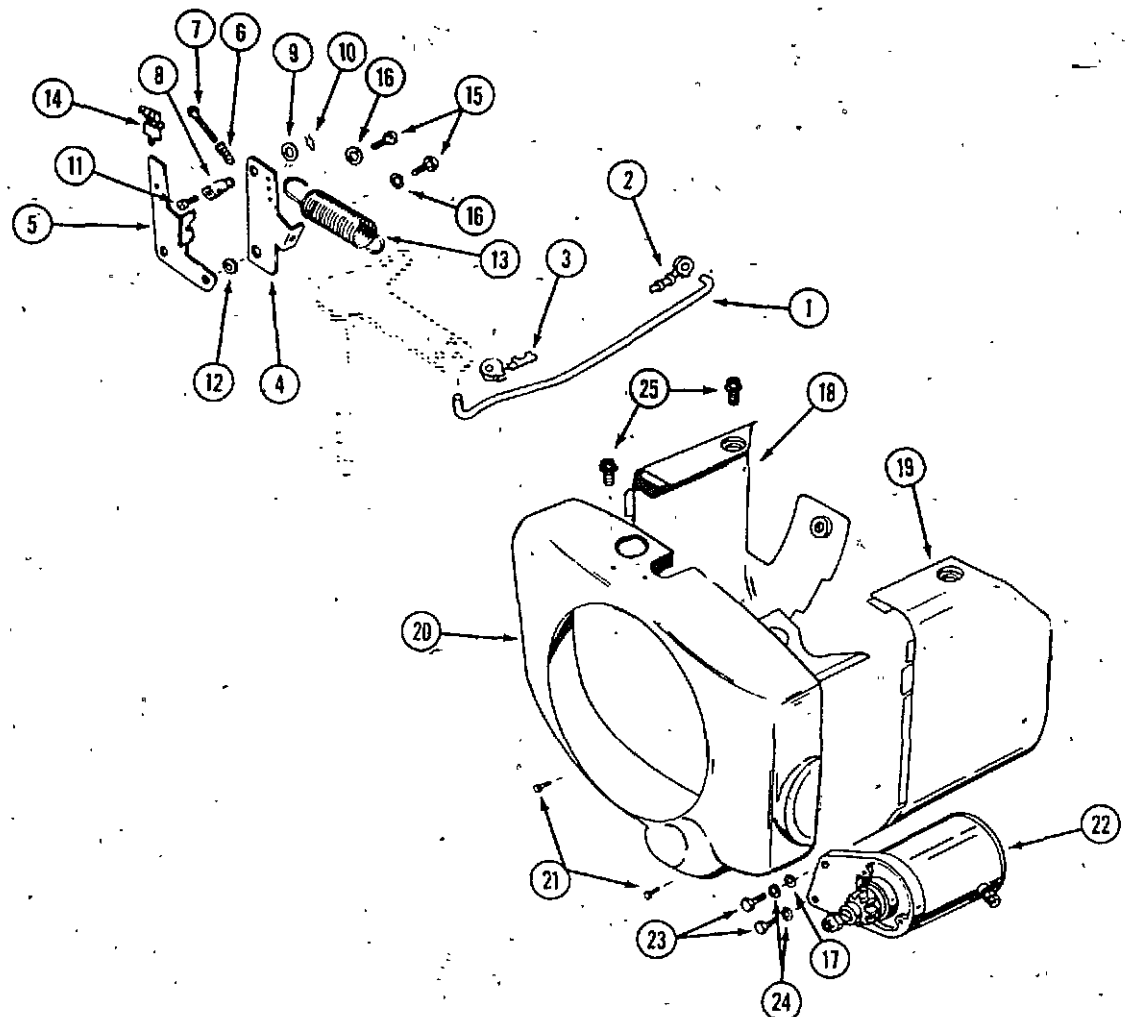


CASE MODELS 446 AND 448 COMPACT TRACTORS

OIL SUMP, OIL PUMP AND GEAR COVER

| REF. | PART NO.  | DESCRIPTION                                       | REQ'D |
|------|-----------|---|-------|
| 1    | C 22631   | COVER ASSEMBLY - gear                             | 1     |
| 2    | C 20305   | BEARING - governor shaft                          | 1     |
| 3    | C 22632   | SHAFT AND ARM ASSEMBLY - governor                 | 1     |
| 4    | C 20307   | YOKE - governor shaft                             | 1     |
| 5    | 182- 84   | SCREW - yoke retaining                            | 2     |
| 6    | C 20309   | PIN - governor, cup stop                          | 1     |
| 7    | C 20310   | SEAL - oil, governor shaft                        | 1     |
| 8    | 211- 5    | BALL - governor shaft bearing                     | 2     |
| 9    | C 20312   | SEAL - gear cover                                 | 1     |
| 10   | C 20313   | GASKET - gear cover                               | 1     |
| 11   | C 23320   | PIN - gear cover 5/16" x 1-1/8"                   | 2     |
| 12   | C 24958   | DIPSTICK - oil level indicator                    | 1     |
| 13   | C 29984   | GASKET - oil pan                                  | 1     |
| 14   | NSS       | PLUG - oil sump, 1/2" square head (use 221-844)   | 1     |
| 15   | 221- 844  | PLUG - oil sump, 1/2" socket head                 | 1     |
| 16   | C 22633   | SUMP - oil  | 1     |
| 17   | C 20320   | SPRING - oil bypass                               | 1     |
| 18   | 114- 200  | BOLT - oil bypass 3/8" x 1" N.C. hex              | 1     |
| 19   | C 20322   | VALVE - oil bypass                                | 1     |
| 20   | C 29734   | PUMP - oil  | 1     |
| 21   | C 23321   | INTAKE - oil pump (includes cup, screen and pipe) | 1     |
| 22   | 192- 21   | LOCK WASHER - 3/8"                                | 4     |
| 23   | 113- 257  | BOLT - 3/8" x 2-1/2" N.C. hex                     | 4     |
| 24   | 192- 19   | LOCK WASHER - 1/4"                                | 2     |
| 25   | 113- 4    | BOLT - 1/4" x 1" N.C. hex                         | 2     |
| 26   | 221- 1190 | NIPPLE - oil drain                                | 1     |
| 27   | 221- 1377 | ELBOW - oil drain                                 | 1     |
| 28   | C 20331   | WASHER - 5/16" copper                             | 7     |
| 29   | C 20574   | WASHER - 3/8" copper                              | 1     |
| 30   | C 20325   | KIT - gasket, oil pump                            | 1     |
| 31   | 113- 120  | BOLT - 5/16" x 1-3/4"                             | 4     |
| 32   | 26- 544   | BOLT - 5/16" x 2-3/4"                             | 1     |
| 33   | C 20330   | GASKET - oil filter adapter (448)                 | 1     |
| 34   | 113- 103  | SCREW - 5/16" - 18 x 1" (448)                     | 2     |
| 35   | 221- 1849 | PLUG - pipe (448)                                 | 1     |
| 36   | C 26191   | FILTER - oil (448)                                | 1     |
| 37   | C 20577   | SEAL - oil filter (448)                           | 1     |
| 38   | C 25389   | DRAIN - oil filter (448)                          | 1     |
| 39   | 182- 525  | SCREW - No. 10 - 32 x 3/8" (448)                  | 2     |
| 40   | 192- 18   | WASHER - No. 10 (448)                             | 2     |
| 41   | C 20565   | ADAPTER - oil filter (448)                        | 1     |





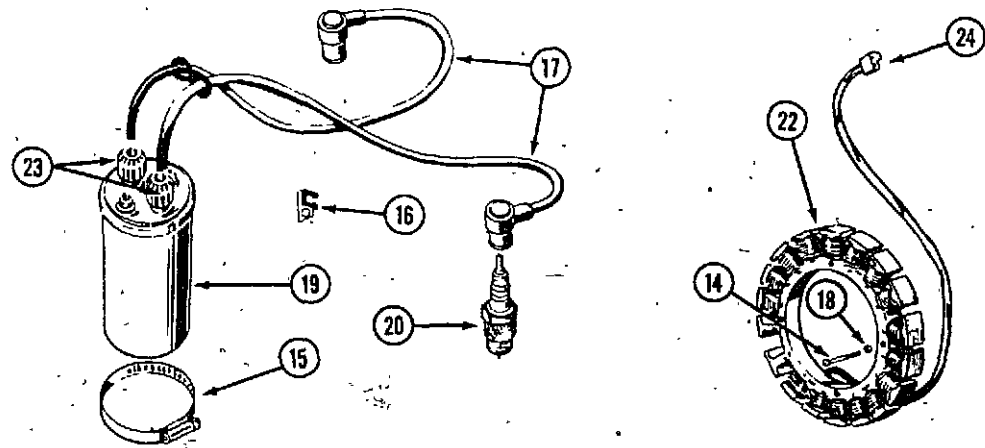
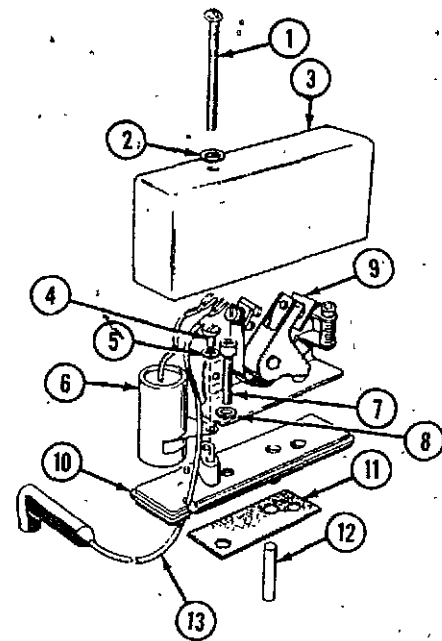
CASE MODELS 446 AND 448 COMPACT TRACTORS

GOVERNOR AND BLOWER HOUSING

| REF. | PART NO.  | DESCRIPTION                                      | REQ'D |
|------|-----------|--|-------|
| 1    | C 20359   | ROD - governor control                           | 1     |
| 2    | C 20360   | RETAINER - governor control rod, carburetor end  | 1     |
| 3    | C 20361   | RETAINER - governor control rod, governor end    | 1     |
| 4    | C 20369   | ARM - governor control                           | 1     |
| 5    | C 28719   | BRACKET - governor mounting                      | 1     |
| 6    | C 20371   | SPRING - throttle lever adjust                   | 1     |
| 7    | 182- 49   | SCREW - No. 6 x 7/8" round head machine          | 1     |
| 8    | C 20372   | CLAMP - swivel, throttle                         | 1     |
| 9    | 195- 14   | WASHER - swivel clamp mounting                   | 2     |
| 10   | 136- 2    | PIN - cotter, swivel clamp mounting              | 1     |
| 11   | 169- 131  | SCREW - No. 8 x 5/16", swivel clamp              | 1     |
| 12   | C 20375   | BUSHING - governor control                       | 1     |
| 13   | C 20376   | SPRING - governor                                | 1     |
| 14   | NSS       | RETAINER - throttle cable (use C29506, 187-1511) | 1     |
| 15   | 121- 3    | BOLT - 1/4" - 20 x 1/2"                          | 2     |
| 17   | 195- 2027 | WASHER - 5/16"                                   | 2     |
| 18   | C 24951   | BAFFLE - cylinder air, R.H.                      | 1     |
| 19   | C 24952   | BAFFLE - cylinder air, L.H. (446) shown          | 1     |
| 19   | C 25778   | BAFFLE - cylinder air, L.H. (448)                | 1     |
| 20   | C 25779   | HOUSING - blower (448)                           | 1     |
| 20   | C 24953   | HOUSING - blower (446) shown                     | 1     |
| 21   | 163- 22   | BOLT - 1/4" x 7/16" N.C. hex.                    | 7     |
| 22   | C 29733   | MOTOR - starting, 12 volt (see below)            | 1     |
| 23   | 113- 103  | BOLT - 5/16" x 1" N.C. hex, starter motor        | 2     |
| 24   | 192- 20   | LOCK WASHER - 5/16"                              | 2     |
| 25   | 187- 1147 | BOLT   | 4     |

C29733 STARTER MOTOR

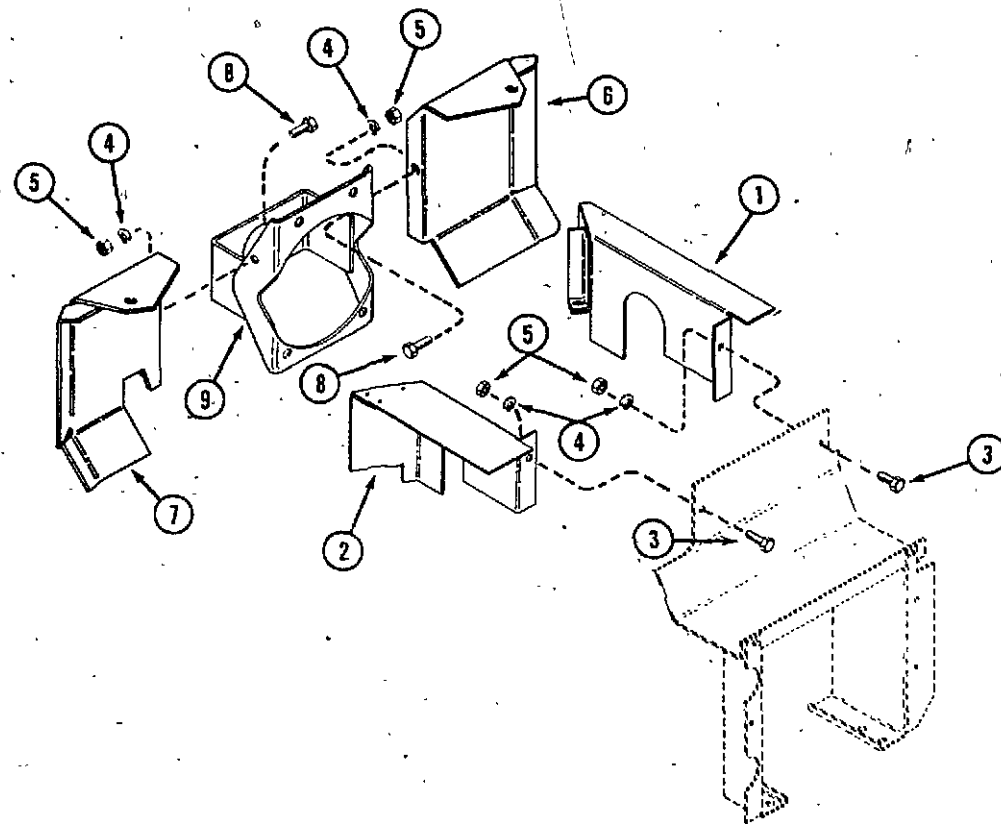
|    |          |  |   |
|----|----------|--|---|
| 1  | C 26508  | KIT - dust cover   | 1 |
| 2  | NSS      | COVER - dust   | 1 |
| 3  | NSS      | NUT - stop   | 1 |
| 4  | NSS      | WASHER - stop nut  | 1 |
| 5  | NSS      | SPRING - tension   | 1 |
| 6  | NSS      | SPACER - dust cover                                      | 1 |
| 6  | C 20274  | DRIVE ASSEMBLY   | 1 |
| 7  | C 20278  | BOLT - through   | 2 |
| 8  | 192- 19  | LOCK WASHER - through bolt                               | 2 |
| 9  | C 20333  | CAP ASSEMBLY - drive end                                 | 1 |
| 10 | C 20334  | WASHER - thrust, armature                                | 1 |
| 11 | C 20335  | ARMATURE - starter motor                                 | 1 |
| 12 | NSS      | HOUSING - starter, order C29733 starter                  | 1 |
| 13 | C 20336  | CAP ASSEMBLY - commutator (includes items 14 through 23) | 1 |
| 14 | NSS      | SPRING - brush   | 4 |
| 15 | NSS      | HOLDER - brush   | 1 |
| 16 | NSS      | SCREW AND LOCK WASHER - brush mounting                   | 2 |
| 17 | NSS      | BRUSH - ground   | 2 |
| 18 | NSS      | STUD AND BRUSH ASSEMBLY                                  | 2 |
| 19 | NSS      | BUSHING - insulating                                     | 1 |
| 20 | NSS      | WASHER - insulating                                      | 1 |
| 21 | NSS      | WASHER - stud mounting                                   | 1 |
| 22 | NSS      | LOCK WASHER - stud mounting                              | 1 |
| 23 | NSS      | NUT - stud mounting                                      | 1 |
|    | C 20337  | KIT - brush and spring (includes items 14, 17 and 18)    | 1 |
| 24 | 193- 57  | LOCK WASHER - external tooth 1/4"                        | 1 |
| 25 | 129- 101 | NUT - 1/4" - 20  | 1 |



CASE MODELS 446 AND 448 COMPACT TRACTORS

IGNITION AND CHARGING SYSTEMS

| REF. | PART NO. | DESCRIPTION  | REQ'D |
|------|----------|--|-------|
|      | C 29990  | BREAKER CONTACT ASSEMBLY .....                     | 1     |
| 1    | 182- 520 | SCREW - No. 10 - 24 x 1-1/2" .....                 | 1     |
| 2    | 195- 513 | WASHER - No. 10 .....                              | 1     |
| 3    | C 23854  | COVER - breaker box (includes items 1 and 2) ..... | 1     |
| 4    | 182- 545 | SCREW - No. 8 - 32 x 5/16" self-tapping .....      | 1     |
| 5    | 192- 16  | LOCK WASHER - No. 8 .....                          | 1     |
| 6    | C 29991  | CONDENSER - ignition .....                         | 1     |
| 7    | 165- 143 | SCREW - 1/4" - 20 x 3/4" .....                     | 2     |
| 8    | 192- 402 | LOCK WASHER - 1/4" .....                           | 2     |
| 9    | C 29736  | CONTACTS - breaker .....                           | 1     |
| 10   | C 25100  | BASE - breaker box .....                           | 1     |
| 11   | C 20345  | GASKET - breaker box .....                         | 1     |
| 12   | C 20347  | PLUNGER - breaker box .....                        | 1     |
| 13   | C 29992  | LEAD - breaker to coil negative .....              | 1     |
| 14   | 173- 210 | SCREW - No. 10 x 1-3/8" round head, machine .....  | 3     |
| 15   | 214- 259 | CLAMP - coil mounting .....                        | 1     |
| 16   | C 20344  | RETAINER - spark plug cables .....                 | 1     |
| 17   | C 24955  | CABLE - spark plug .....                           | 2     |
| 18   | 192- 18  | LOCK WASHER - No. 10 .....                         | 3     |
| 19   | C 29752  | COIL - ignition .....                              | 1     |
| 20   | C 25845  | SPARK PLUG .....                                   | 2     |
| 22   | C 24956  | STATOR - alternator charging .....                 | 1     |
| 23   | C 25227  | CAP - coil .....                                   | 2     |
| 24   | C 25338  | CONNECTOR - stator .....                           | 1     |



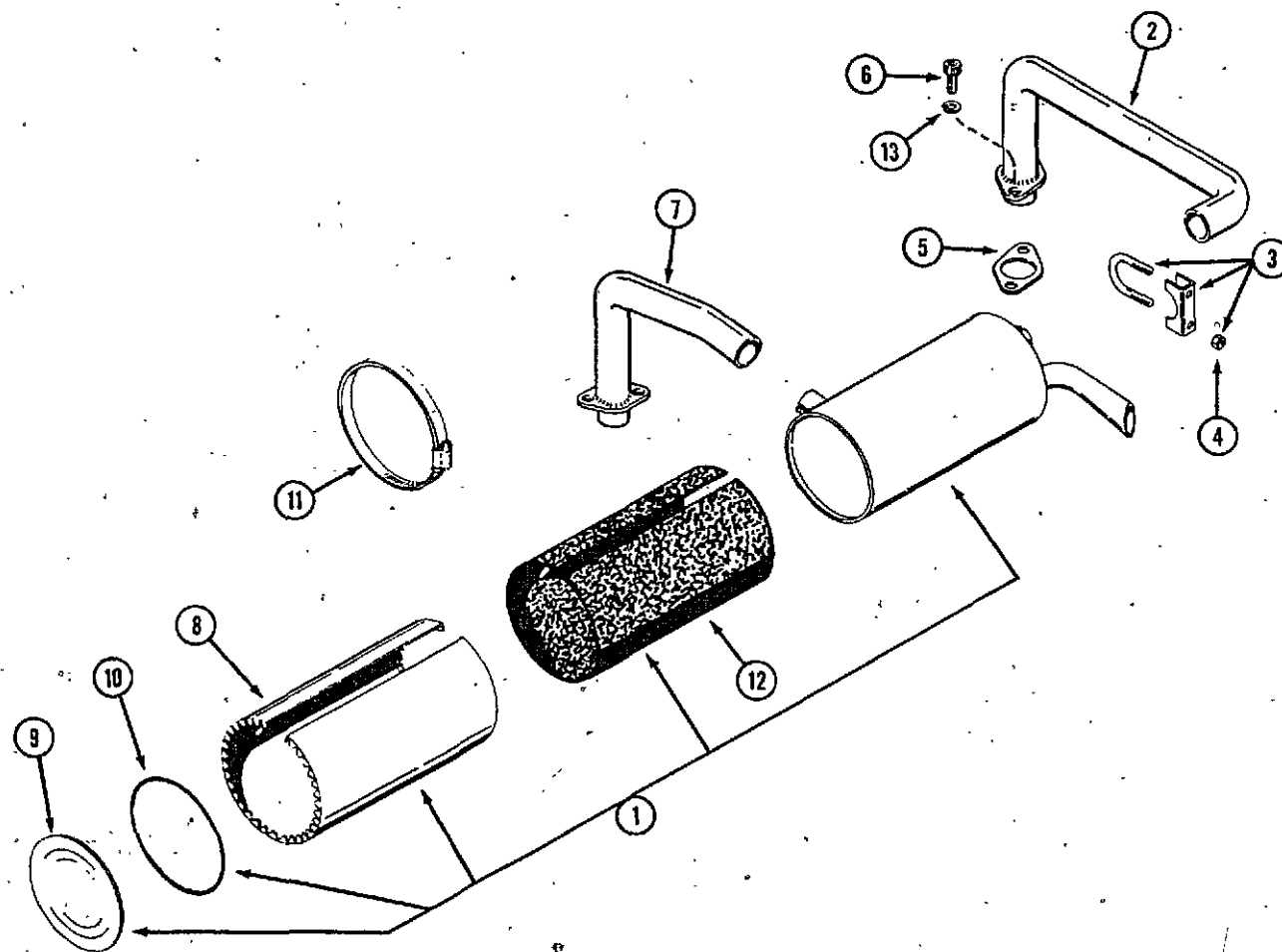
CASE MODELS 446 AND 448 COMPACT TRACTORS

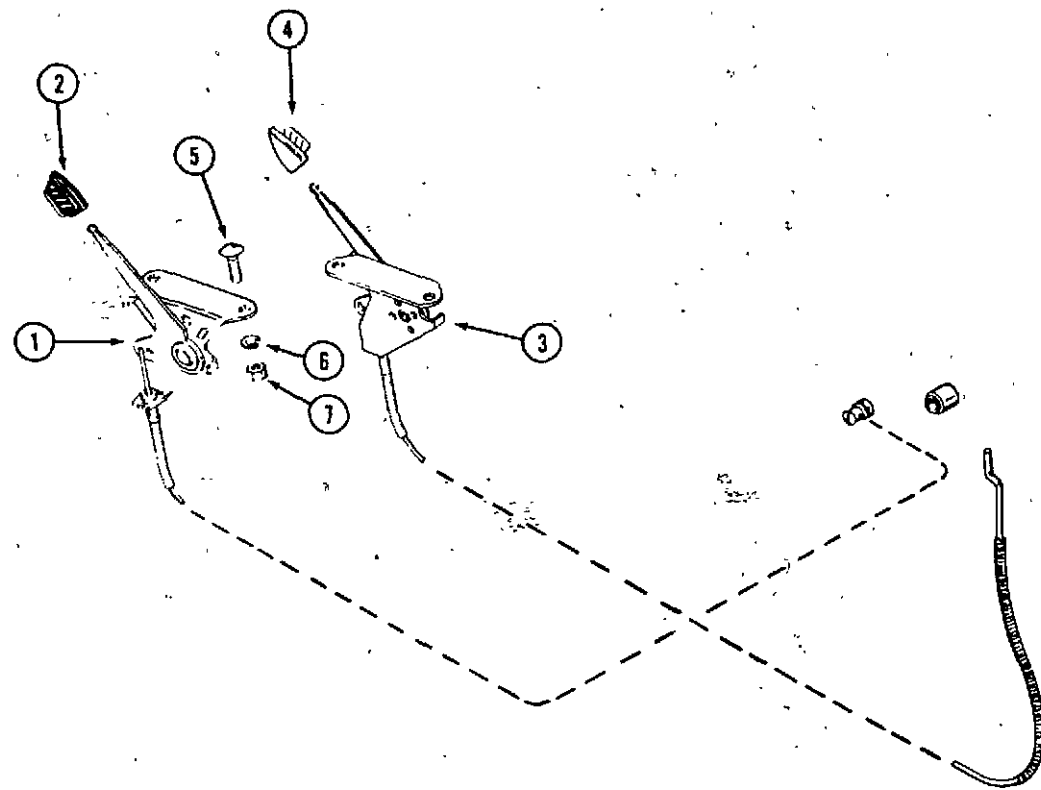
HEAT SHIELDS AND ENGINE Baffles

| REF. | PART NO.  | DESCRIPTION                 | REQ'D |
|------|-----------|-----------------------------|-------|
| 1    | C 25489   | SHIELD - exhaust pipe L.H.  | 1     |
| 2    | C 25490   | SHIELD - exhaust pipe R.H.  | 1     |
| 3    | 113- 1    | BOLT - 1/4" - 20 x 1/2" hex | 2     |
| 4    | 192- 19   | LOCK WASHER - 1/4"          | 4     |
| 5    | 129- 101  | NUT - 1/4" - 20 hex.        | 4     |
| 6    | C 28033   | BAFFLE - cylinder L.H.      | 1     |
| 7    | C 28034   | BAFFLE - cylinder R.H.      | 1     |
| 8    | 187- 1036 | SCREW - self-tapping        | 2     |
| 9    | C 26255   | SUPPORT - pump mounting     | 1     |

EXHAUST SYSTEM

|    |          |   |   |
|----|----------|---|---|
| 1  | C 24703  | MUFFLER ASSEMBLY - exhaust (includes items 8, 9, 10 and 12) | 1 |
| 2  | C 25071  | PIPE - engine exhaust L.H.                                  | 1 |
| 3  | C 28968  | CLAMP ASSEMBLY - muffler                                    | 2 |
| 4  | 129- 102 | NUT - 5/16" N.C. hex.                                       | 1 |
| 5  | C 26207  | GASKET - exhaust  | 2 |
| 6  | 61- 512  | BOLT - 5/16" x 5/8" socket head                             | 4 |
| 7  | C 25073  | PIPE - engine exhaust R.H.                                  | 1 |
| 8  | C 24296  | WRAPPER - muffler   | 1 |
| 9  | C 23581  | COVER - muffler end   | 1 |
| 10 | C 23580  | INSULATION - muffler end                                    | 1 |
| 11 | 214- 272 | CLAMP - wrapper mounting                                    | 3 |
| 12 | C 23686  | INSULATION - muffler  | 1 |
| 13 | 192- 404 | LOCK WASHER - 5/16"   | 4 |



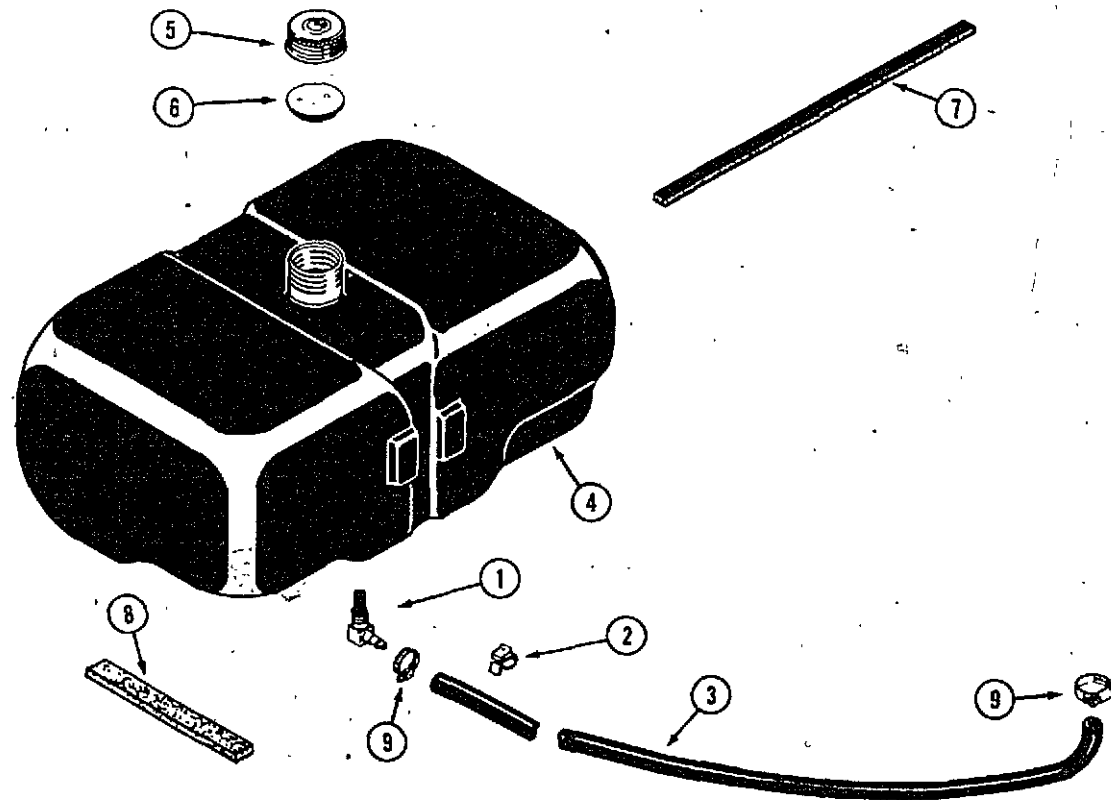


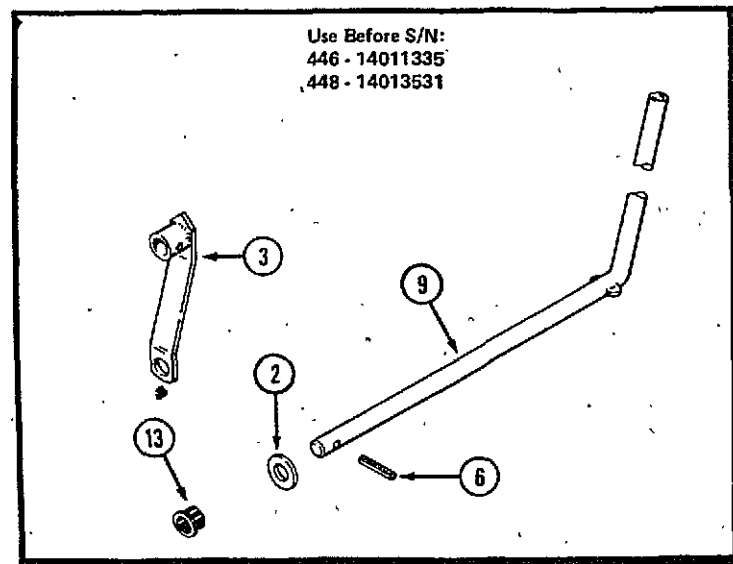
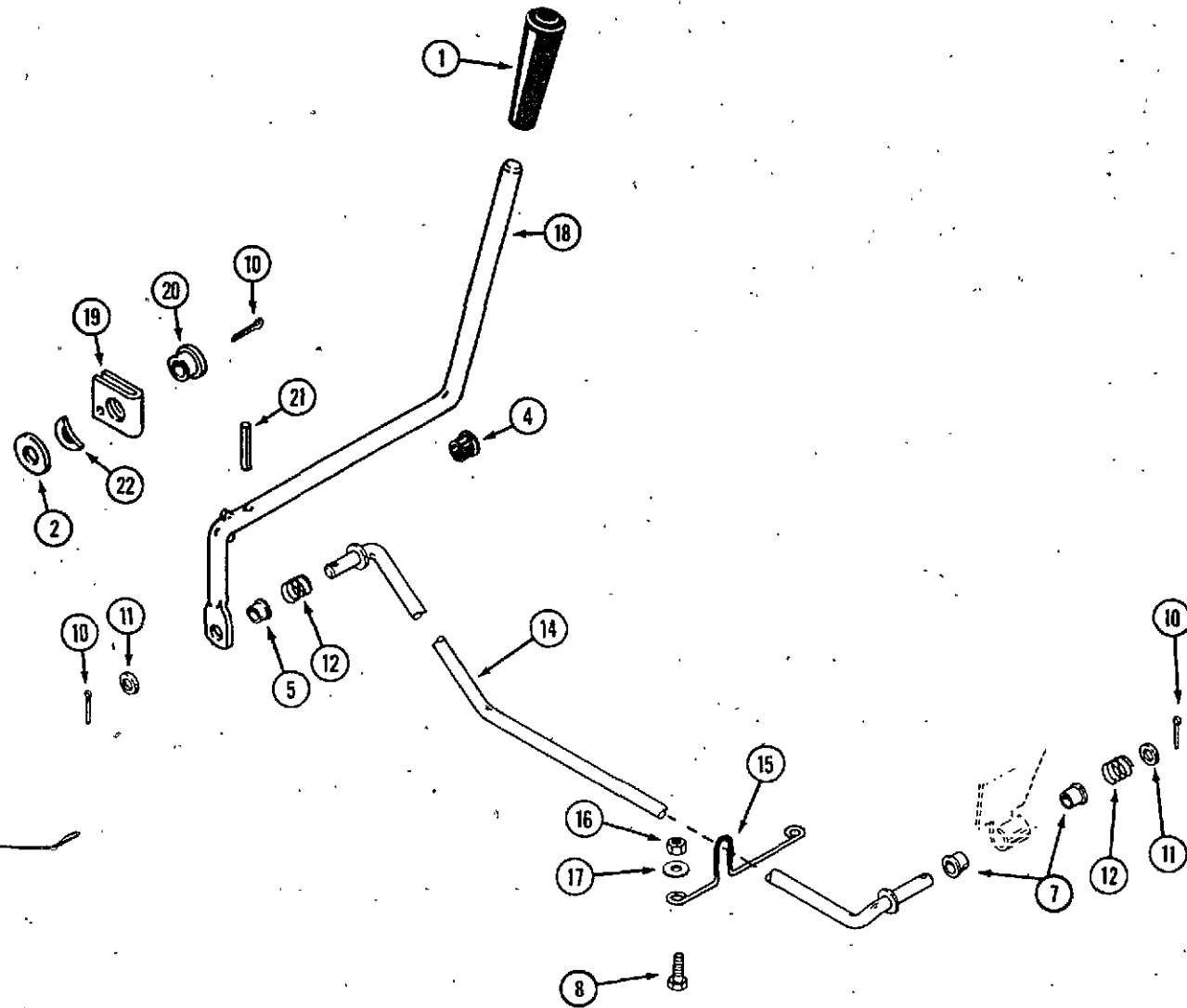
**CHOKE AND THROTTLE**

| REF. | PART NO. | DESCRIPTION  | REQ'D |
|------|----------|--|-------|
| 1    | C 25603  | CONTROL - throttle                                     | 1     |
| 2    | NSS      | HANDLE - throttle control (use C30073)                 | 1     |
| 3    | C 25604  | CONTROL - choke  | 1     |
| 4    | NSS      | HANDLE - choke control (use C30074)                    | 1     |
| 5    | 111- 5   | BOLT - No. 10 - 24 x 1/2" N.C. round head, square neck | 2     |
| 6    | 192- 18  | LOCK WASHER - No. 10                                   | 2     |
| 7    | 129- 17  | NUT - No. 10 - 24                                      | 2     |

**FUEL SYSTEM**

|   |          |   |   |
|---|----------|---|---|
| 1 | C 10657  | ELBOW ASSEMBLY - fuel tank                              | 1 |
| 2 | A 62079  | RETAINER - fuel line (optional)                         | 2 |
| 3 | NSS      | HOSE - fuel line 48" (1220 mm) use C28375 cut to length | 1 |
| 4 | NSS      | TANK - fuel (use C28935, C28940, (2) 214-274)           | 1 |
| 5 | C 11529  | CAP - fuel tank (includes insert)                       | 1 |
| 6 | C 11545  | INSERT - fuel cap                                       | 1 |
| 7 | C 23527  | LINER - tank  | 1 |
| 8 | C 14690  | CUSHION - fuel tank                                     | 2 |
| 9 | 214- 274 | CLAMP - hose 1/2"                                       | 2 |

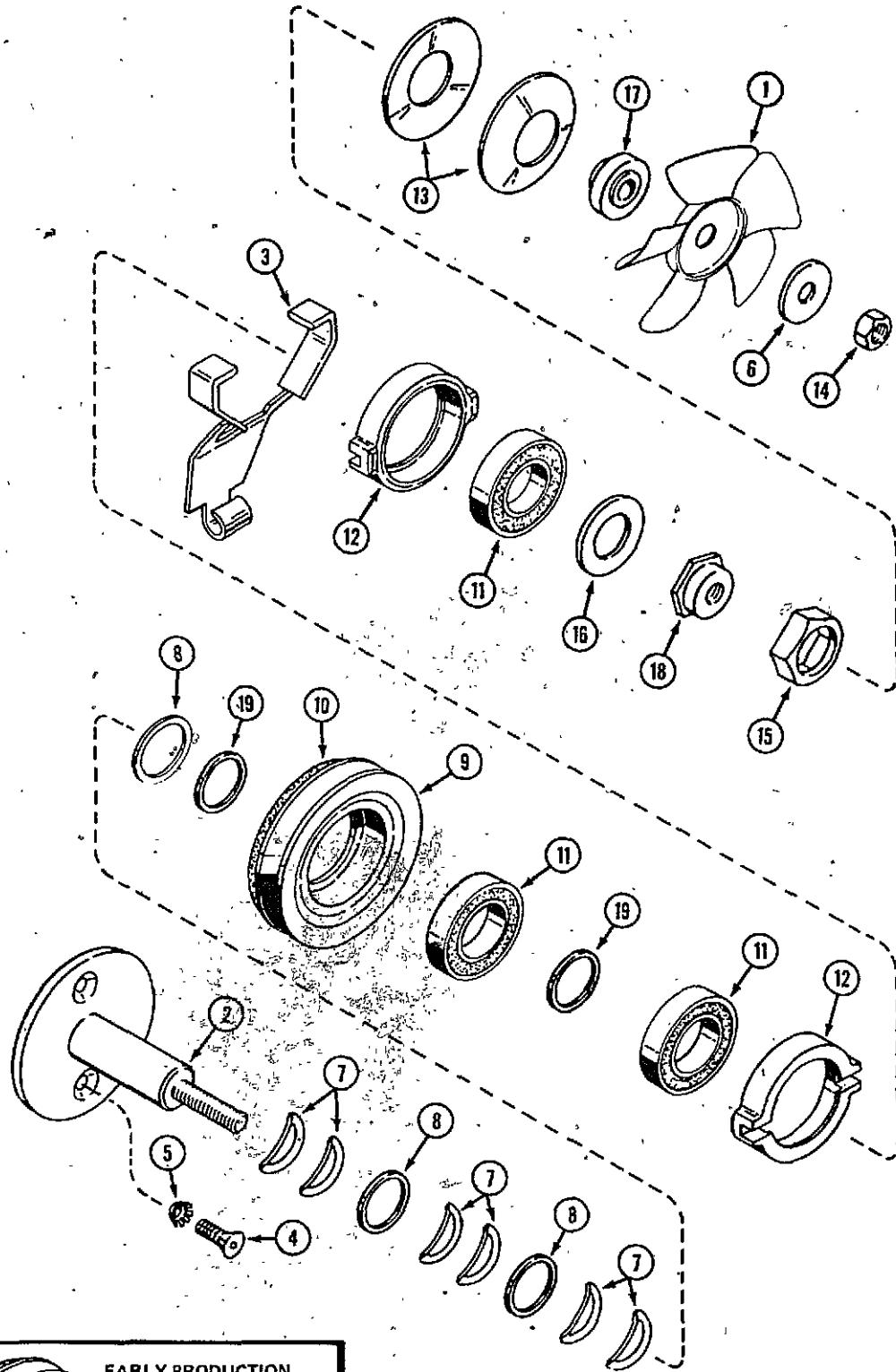




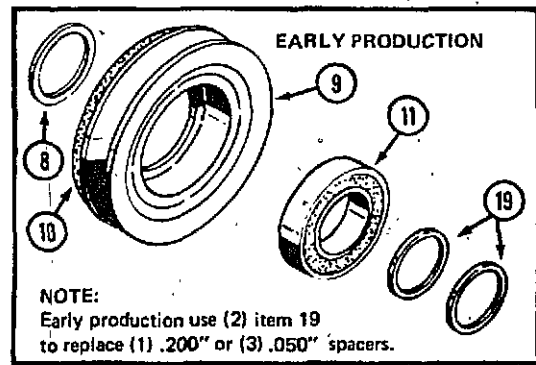
CASE MODELS 446 AND 448 COMPACT TRACTORS

PTO CLUTCH LINKAGE

| REF. | PART NO. | DESCRIPTION                          | REQ'D |
|------|----------|--------------------------------------|-------|
| 1    | C 28237  | KNOB - lever, PTO .....              | 1     |
| 2    | 195- 533 | WASHER - 1/2" .....                  | 1     |
| 3    | C 24872  | ARM ASSEMBLY - PTO. ....             | 1     |
| 4    | 353- 462 | BUSHING - lever, control tower. .... | 1     |
| 5    | C 20093  | BUSHING - special .....              | 1     |
| 6    | 138- 96  | PIN - roll 3/16" x 1" .....          | 1     |
| 7    | C 20053  | BUSHING - nylon. ....                | 2     |
| 8    | 113- 207 | BOLT - 3/8" x 1" N.C. hex. ....      | 2     |
| 9    | C 25013  | LEVER - PTO engaging. ....           | 1     |
| 10   | 132- 310 | PIN - cotter 1/8" x 1" .....         | 2     |
| 11   | C 14906  | WASHER - nylon 3/8" .....            | 2     |
| 12   | C 19867  | SPRING - clutch rod. ....            | 2     |
| 13   | C 26266  | BUSHING - special .....              | 1     |
| 14   | C 20039  | ROD - clutch .....                   | 1     |
| 15   | C 19767  | GUIDE - clutch rod. ....             | 1     |
| 16   | 131- 178 | NUT - lock 3/8" N.C. hex. ....       | 2     |
| 17   | 195- 104 | WASHER - 3/8" .....                  | 2     |
| 18   | C 29409  | LEVER - PTO engaging. ....           | 1     |
| 19   | C 26264  | BRACKET - support, PTO lever .....   | 1     |
| 20   | C 26266  | BUSHING - flange, nylon .....        | 1     |
| 21   | 138- 63  | PIN - roll 1/8" x 1-1/4" .....       | 1     |
| 22   | C 28288  | WASHER - spring .....                | 1     |



Use before S/N:  
446 - 14025431  
448 - 14028081



**NOTE:**  
Early production use (2) item 19  
to replace (1) .200" or (3) .050" spacers.

CASE MODELS 446 AND 448 COMPACT TRACTORS

CLUTCH ASSEMBLY (PTO)

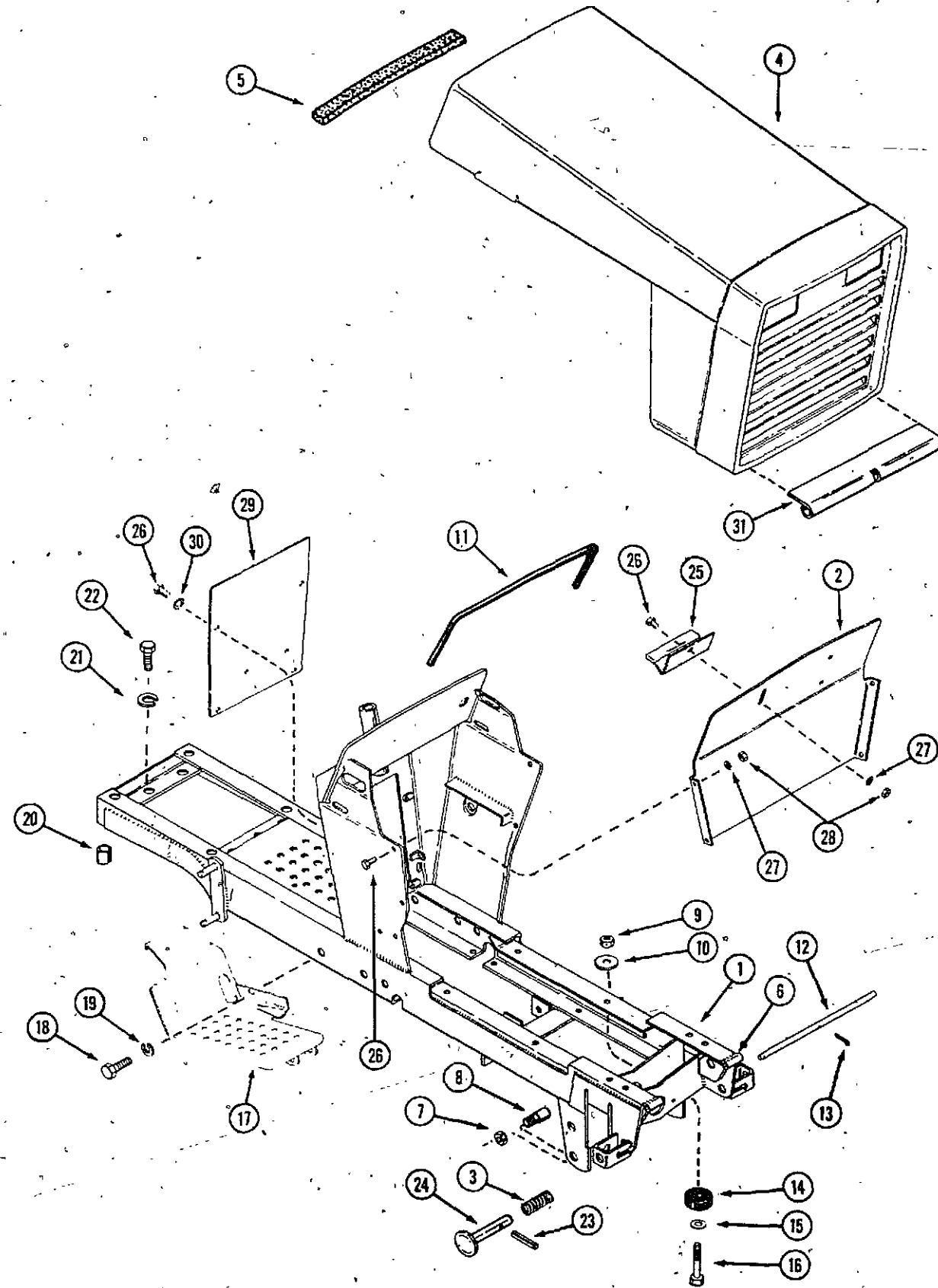
| REF. | PART NO. | DESCRIPTION  | REQ'D |
|------|----------|--|-------|
|      | NSS      | CLUTCH AND FAN ASSEMBLY - (use C27152)                                 | 1     |
| 1    | C 16616  | FAN - cooling  | 1     |
| 2    | C 24741  | HUB - clutch   | 1     |
| 3    | NSS      | ARM - engaging (use C27031 kit)  | 1     |
| 4    | 164- 41  | SCREW - 5/16" - 18 x 1" flat head socket                               | 2     |
| 5    | 193- 76  | LOCK WASHER - 5/16" special external tooth                             | 2     |
| 6    | C 28677  | WASHER - fan-17/32"  | 1     |
| 7    | C 15515  | WASHER - spring  | 6     |
| 8    | C 15557  | WASHER - spacer .050   | 3     |
| 9    | C 26353  | KIT - pulley and disc assembly (includes item 19)                      | 1     |
| 10   | C 23740  | KIT - friction disc  | 1     |
| 11   | C 29735  | BEARING - ball   | 3     |
| 12   | C 23033  | CAM - clutch   | 2     |
| 13   | C 16786  | SPRING - clutch load   | 2     |
| 14   | 129- 125 | NUT - 1/2" N.F.  | 1     |
| 15   | C 23627  | GUIDE - adjusting nut  | 1     |
| 16   | C 23624  | WASHER - spacer  | 1     |
| 17   | C 23630  | SPACER - hub   | 1     |
| 18   | C 23625  | NUT - adjust   | 1     |
| 19   | C 29811* | SPACER - washer .100" (see note on opposite page for early production) | 2     |

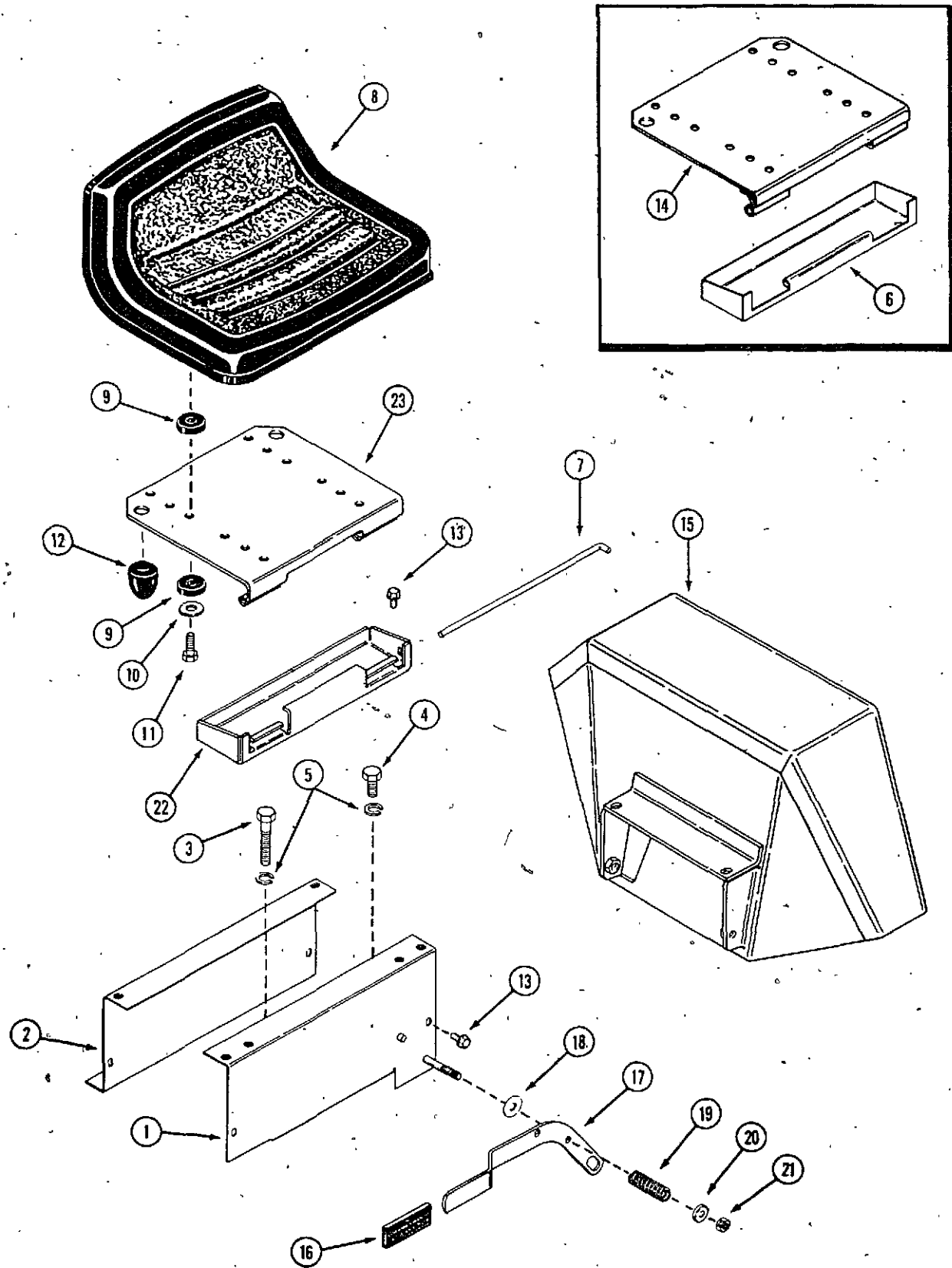
\* Use S/N and after:  
446 - 14025431  
448 - 14028081  
On some late production, item 19 is replaced by  
(2) .050" spacers. Use item 19 for service.

HOOD, FRAME AND GRILLE

| REF. | PART NO.  | DESCRIPTION   | REQ'D |
|------|-----------|---|-------|
| 1    | C 26941*  | FRAME - main  | 1     |
| 2    | C 24821   | SHIELD - heat   | 1     |
| 3    | C 24137   | SPRING - latch  | 2     |
| 4    | C 23573   | HOOD AND GRILLE ASSEMBLY (includes item 31) 446 (shown)             | 1     |
| 4    | C 25423   | HOOD AND GRILLE ASSEMBLY - (includes item 31) 448                   | 1     |
| 5    | C 23527   | LINER - hood  | 1     |
| 6    | C 22023   | HINGE - frame   | 2     |
| 7    | 131- 1318 | NUT - lock 1/2" N.F.  | 2     |
| 8    | C 27508   | PIN - attachment  | 2     |
| 9    | 131- 1181 | NUT - lock 3/8" N.C.  | 4     |
| 10   | 195- 525  | WASHER - plain 3/8" x 13/16" O.D. (over engine foot pad)            | 4     |
| 11   | C 18153   | LINER - instrument panel  | 1     |
| 12   | C 16362   | ROD - hood hinge  | 1     |
| 13   | 132- 334  | PIN - cotter 1/8" x 3/4"  | 1     |
| 14   | C 15410   | CUSHION - washer  | 4     |
| 15   | 195- 2029 | WASHER - plain 3/8" x 1-1/4" O.D. (under cushion)                   | 8     |
| 16   | 113- 219  | BOLT - 3/8" x 2-1/4" N.C. hex                                       | 4     |
| 17   | C 25317   | PAD - foot L.H.   | 1     |
| 17   | C 25318   | PAD - foot R.H.   | 1     |
| 18   | 113- 113  | BOLT - 5/16" x 7/8" N.C. hex  | 2     |
| 19   | 192- 20   | LOCK WASHER - 5/16"   | 2     |
| 20   | C 14729   | SPACER - rear, frame  | 2     |
| 21   | 192- 23   | LOCK WASHER - 1/2"  | 4     |
| 22   | 113- 424  | BOLT - 1/2" N.C. hex, transaxle mounting                            | 3     |
| 22   | 166- 86   | BOLT - 1/2" x 1-1/4" flange   | 1     |
| 23   | 138- 2073 | PIN - roll 3/16" x 1-1/4"   | 2     |
| 24   | C 16373   | PIN - latch   | 2     |
| 25   | C 24820   | RETAINER - battery hold down  | 1     |
| 26   | 113- 1    | BOLT - 1/4" - 20 x 1/2"   | 9     |
| 27   | 192- 19   | LOCK WASHER - 1/4"  | 5     |
| 28   | 129- 101  | NUT - 1/4" - 20 hex   | 5     |
| 29   | C 24822   | COVER - access (use before S/N 9785993 - 446, S/N 9788982 - 448)    | 1     |
| 29   | C 26506   | COVER - access (use S/N 9785993 - 446, S/N 9788982 - 448 and after) | 1     |
| 30   | 193- 57   | LOCK WASHER - 1/4" external tooth                                   | 4     |
| 31   | C 16361   | HINGE - hood  | 1     |

\*also use C26266, C26265, C26264, 195-533  
 138-63 and 132-310 before S/N:  
 446 - 14011335  
 448 - 14013531





CASE MODELS 446 AND 448 COMPACT TRACTORS

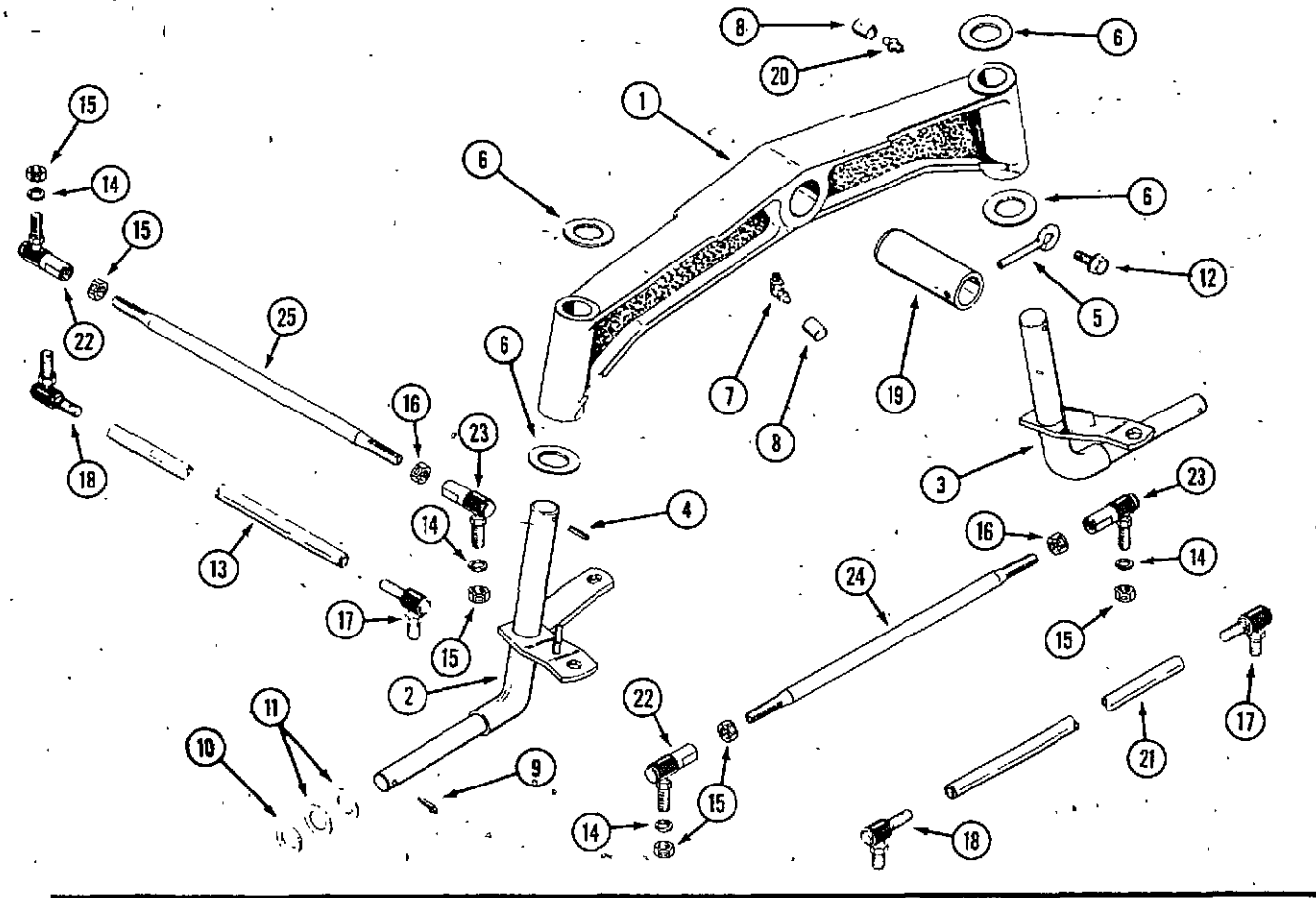
SEAT, FENDERS AND TOOL TRAY

| REF. | PART NO.  | DESCRIPTION  | REQ'D |
|------|-----------|--|-------|
| 1    | C 26066   | SUPPORT - seat, front  | 1     |
| 2    | NSS       | SUPPORT - seat, rear (use C26695)  | 1     |
| 3    | 113- 441  | BOLT - 1/2" x 2-1/4" N.C. hex  | 2     |
| 4    | 113- 424  | BOLT - 1/2" x 1" N.C. hex  | 2     |
| 4    | 113- 118  | BOLT - 5/16" x 5/8"  | 1     |
| 5    | 192- 20   | LOCK WASHER - 5/16"  | 1     |
| 5    | 192- 23   | LOCK WASHER - 1/2"   | 4     |
| 6    | C 19417*  | TRAY - tool  | 1     |
| 7    | C 16429   | PIN - seat hinge   | 1     |
| 8    | C 30071   | SEAT   | 1     |
| 9    | C 15410   | CUSHION - rubber   | 8     |
| 10   | 195- 2175 | WASHER - 5/16" x 1-1/4" OD, zinc   | 4     |
| 11   | 113- 122  | BOLT - 5/16" x 1-1/2"  | 4     |
| 12   | C 14534   | BUMPER - seat  | 2     |
| 13   | 121- 106  | BOLT - 5/16" x 1/2" flange lock  | 10    |
| 14   | C 17152*  | HINGE ASSEMBLY - seat  | 1     |
| 15   | C 25303   | FENDER - L.H.  | 1     |
| 15   | C 25304   | FENDER - R.H.  | 1     |
| 16   | C 14728   | GRIP - shift lever   | 1     |
| 17   | C 16393   | LEVER - shift  | 1     |
| 18   | 195- 525  | WASHER - 7/16" x 1-1/4" O.D.   | 1     |
| 19   | C 17216   | SPRING - shift lever   | 1     |
| 20   | C 17066   | WASHER - special   | 1     |
| 21   | 131- 1181 | NUT - lock 3/8" N.C. hex   | 1     |
| 22   | C 26028** | TRAY - tool  | 1     |
| 23   | NSS**     | HINGE - seat (use (2) C29305, (2) C29306, C29307, (2) 113-102, (2) 131-911 | 1     |

\*use before P.I.N.:  
446 - 9787668  
448 - 9789872

\*\*use P.I.N. and after:  
446 - 9787668  
448 - 9789872





FRONT AXLE

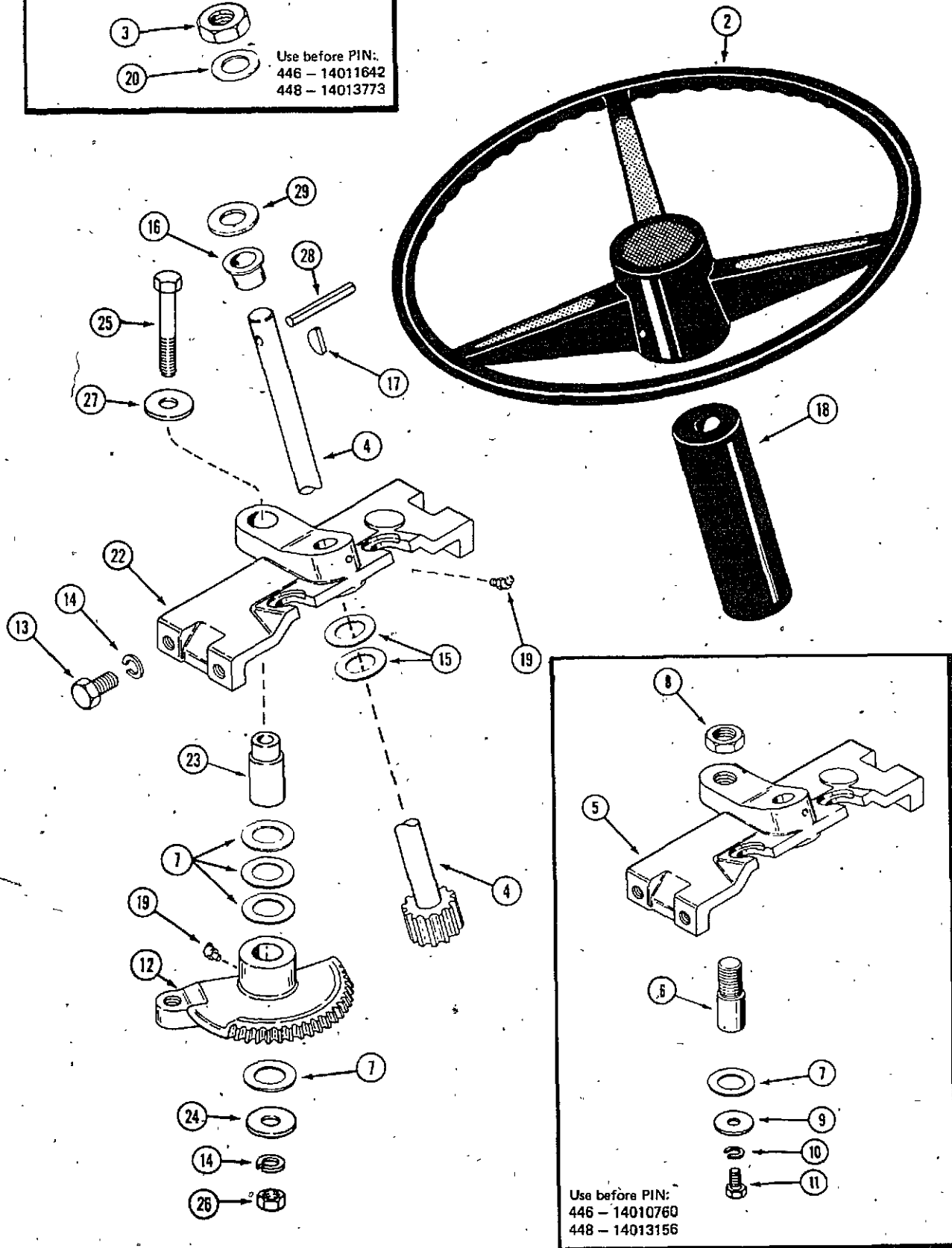
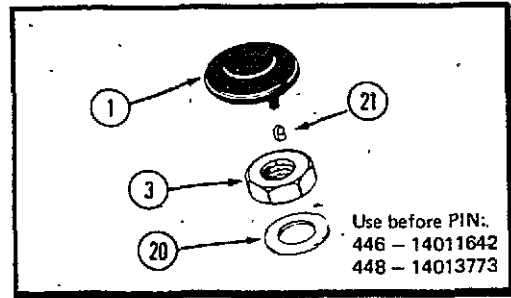
| REF. | PART NO.  | DESCRIPTION  | REQ'D |
|------|-----------|--|-------|
| 1    | C 18813   | AXLE - front   | 1     |
| 2    | NSS       | SPINDLE - right hand (use C27600, (2) C27902)                          | 1     |
| 3    | NSS       | SPINDLE - left hand (use C27599, (2) C27209)                           | 1     |
| 4    | 138- 99   | PIN - roll   | 2     |
| 5    | C 22278   | PIN - retaining, axle pivot  | 1     |
| 6    | C 13716   | WASHER - thrust  | 4     |
| 7    | 219- 404  | FITTING - lubrication  | 3     |
| 8    | C 13106   | COVER - lubrication fitting  | 3     |
| 9    | 132- 311  | PIN - cotter 5/32" x 1-1/4"  | 2     |
| 10   | C 12975   | WASHER - wheel spindle   | 2     |
| 11   | C 28226   | WASHER - wheel spacer  | 4     |
| 12   | 187- 1910 | BOLT - 3/8" N.C. hex head  | 1     |
| 13   | C 22992   | KIT - drag link (use before S/N 9787865-446, 9790110-448)              | 1     |
| 14   | 192- 23   | LOCK WASHER - 1/2" zinc  | 3     |
| 15   | 129- 165  | NUT - 1/2" N.F. R.H. thread, special                                   | 6     |
| 16   | 129- 365  | NUT - 1/2" N.F. L.H. thread, special                                   | 2     |
| 17   | C 21527   | BALL JOINT - 1/2" L.H. (use before S/N 9787865 - 446, 9790110 - 448)   | 2     |
| 18   | C 21526   | BALL JOINT - 1/2" R.H. (use before S/N 9787865 - 446, 9790110 - 448)   | 2     |
| 19   | C 22568   | PIN - axle pivot   | 1     |
| 20   | 219- 17   | FITTING - lubrication  | 2     |
| 21   | C 21529   | TIE ROD - (use before S/N 9787865 - 446, 9790110 - 448)                | 1     |
| 22   | C 12102   | BALLJOINT - 1/2" R.H. (use S/N 9787865 - 446, 9790110 - 448 and after) | 2     |
| 23   | C 13605   | BALLJOINT - 1/2" L.H. (use S/N 9787865 - 446, 9790110 - 448 and after) | 2     |
| 24   | C 25855   | TIE ROD - (use S/N 9787865 - 446, 9790110 - 448 and after)             | 1     |
| 25   | C 25857   | LINK - drag (use S/N 9787865 - 446, 9790110 - 448 and after)           | 1     |

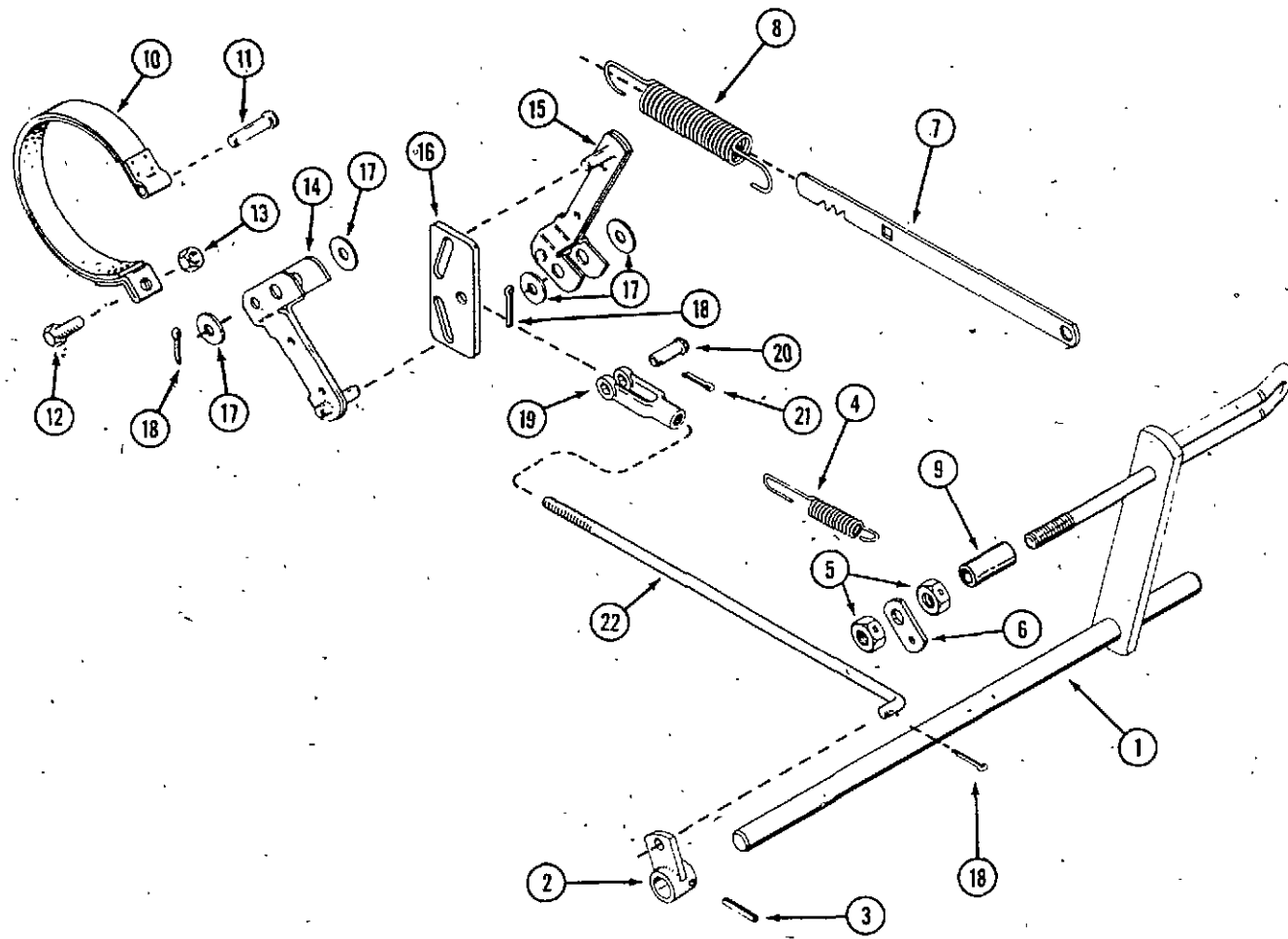
STEERING GEAR

| REF. | PART NO.  | DESCRIPTION   | REQ'D |
|------|-----------|---|-------|
| 1    | C 16945   | CAP - steering wheel  | 1     |
| 2    | C 18014*  | WHEEL - steering  | 1     |
| 2    | C 26325** | WHEEL - steering  | 1     |
| 3    | 131- 1113 | NUT - lock 5/8"   | 1     |
| 4    | NSS*      | SHAFT - steering (use C26325, C26326, 138-143)                    | 1     |
| 4    | C 26326** | SHAFT - steering  | 1     |
| 5    | NSS       | SUPPORT - steering gear (use items 14, 22, 23, 24, 25, 26 and 27) | 1     |
| 6    | C 14200   | PIN - pivot   | 1     |
| 7    | C 14201   | WASHER - shim   | 4     |
| 8    | 129- 148  | NUT - 3/4", special   | 1     |
| 9    | 195- 2175 | WASHER  | 1     |
| 10   | 192- 20   | LOCK WASHER - 5/16" zinc  | 1     |
| 11   | 113- 102  | BOLT - 5/16" x 3/4" N.C. hex                                      | 1     |
| 12   | NSS       | GEAR - steering (use C29040)                                      | 1     |
| 13   | 113- 206  | BOLT - 3/8" x 3/4" N.C. hex                                       | 4     |
| 14   | 192- 21   | LOCK WASHER - 3/8"  | 5     |
| 15   | 195- 2069 | WASHER - 5/8" zinc  | 2     |
| 16   | C 15096   | BUSHING - flanged nylon   | 1     |
| 17   | 126- 16   | KEY - Woodruff 3/16" x 3/4" (early production)                    | 1     |
| 18   | C 24098   | TUBE - steering   | 1     |
| 19   | 219- 404  | FITTING - lubrication, 45 degrees                                 | 2     |
| 20   | C 12975   | WASHER - 5/8"   | 2     |
| 21   | C 18017   | RETAINER - steering wheel   | 2     |
| 22   | NSS       | SUPPORT - steering gear (use C30019, C29044, C29812)              | 1     |
| 23   | C 25787   | PIN - pivot   | 1     |
| 24   | 195- 2029 | WASHER - 7/16" x 1.25   | 1     |
| 25   | 113- 241  | BOLT - 3/8" - 16 x 3" hex   | 1     |
| 26   | 129- 103  | NUT - 3/8" - 16 hex   | 1     |
| 27   | 195- 137  | WASHER - 1-1/8" O.D.  | 1     |
| 28   | 138- 143  | PIN - roll 1/4" x 2-1/4"  | 1     |
| 29   | 195- 541  | WASHER - 5/8"   | 1     |
|      | C 13106   | COVER - lubrication fitting                                       | 2     |

\*use before PIN:  
446 - 14011642  
448 - 14013773

\*\*use PIN and after:  
446 - 14011642  
448 - 14013773





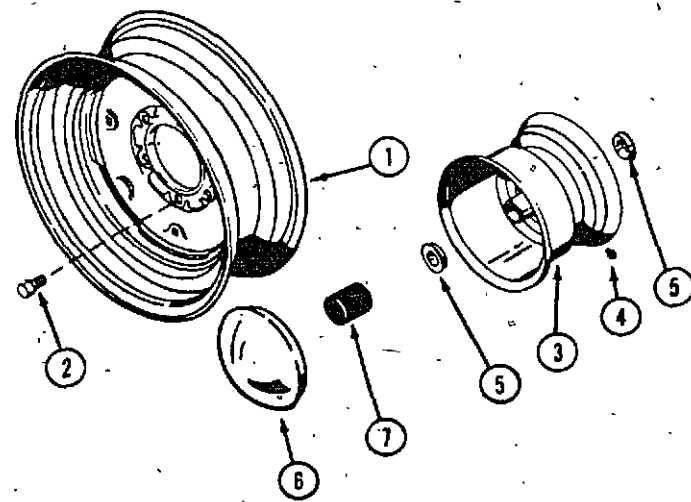
CASE MODEL 446 AND 448 COMPACT TRACTORS

BRAKE ASSEMBLY

| REF. | PART NO.  | DESCRIPTION                           | REQ'D |
|------|-----------|---------------------------------------|-------|
| 1    | C 22316   | PEDAL - brake actuating               | 1     |
| 2    | C 26381   | ARM - brake pedal                     | 1     |
| 3    | 138- 2073 | PIN - roll 3/16" x 1-1/4"             | 1     |
| 4    | C 25022   | SPRING - return                       | 1     |
| 5    | 131- 1308 | NUT - lock, special                   | 2     |
| 6    | C 16164   | TAB - lift                            | 1     |
| 7    | C 18147   | LEVER - brake lock                    | 1     |
| 8    | C 27755   | SPRING - brake lock                   | 1     |
| 9    | C 21857   | SPACER - brake pedal                  | 1     |
| 10   | C 23909   | BAND - brake                          | 1     |
| 11   | C 23910   | PIN - clevis                          | 1     |
| 12   | 113- 2262 | BOLT - 3/8" - 16 x 1-1/2" hex.        | 1     |
| 13   | 129- 143  | NUT - 3/8" - 16 special               | 1     |
| 14   | C 23899   | ARM - brake                           | 1     |
| 15   | C 24761   | ARM - brake (includes adjustment nut) | 1     |
| 16   | C 23883   | GUIDE - brake actuator                | 1     |
| 17   | 195- 533  | WASHER - .531 I.D.                    | 4     |
| 18   | 132- 310  | PIN - cotter 1/8" x 1"                | 3     |
| 19   | C 28978   | CLEVIS                                | 1     |
| 20   | 141- 54   | PIN - clevis                          | 1     |
| 21   | 132- 321  | PIN - cotter                          | 1     |
| 22   | C 25306   | ROD - brake                           | 1     |

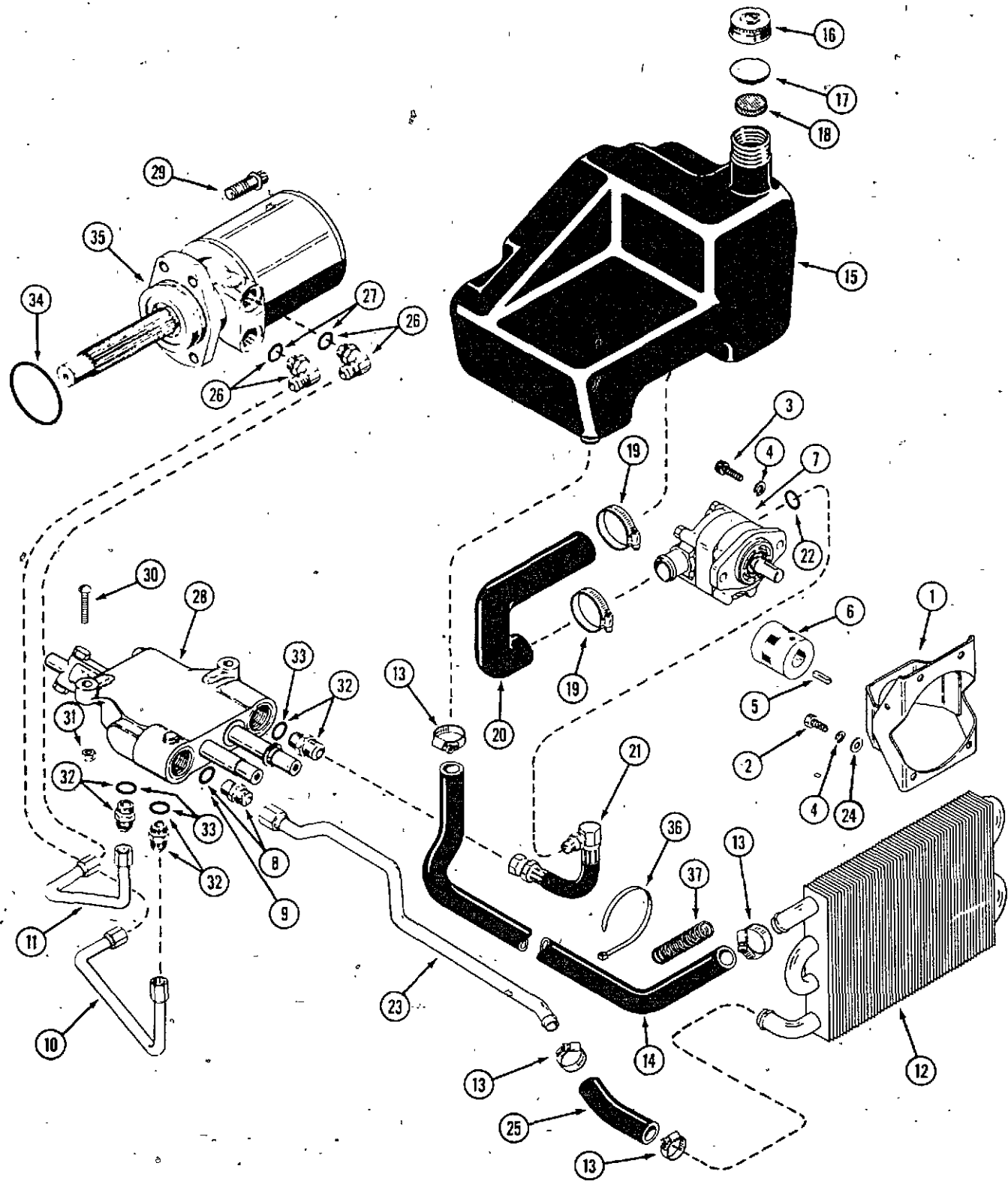
FRONT AND REAR WHEELS

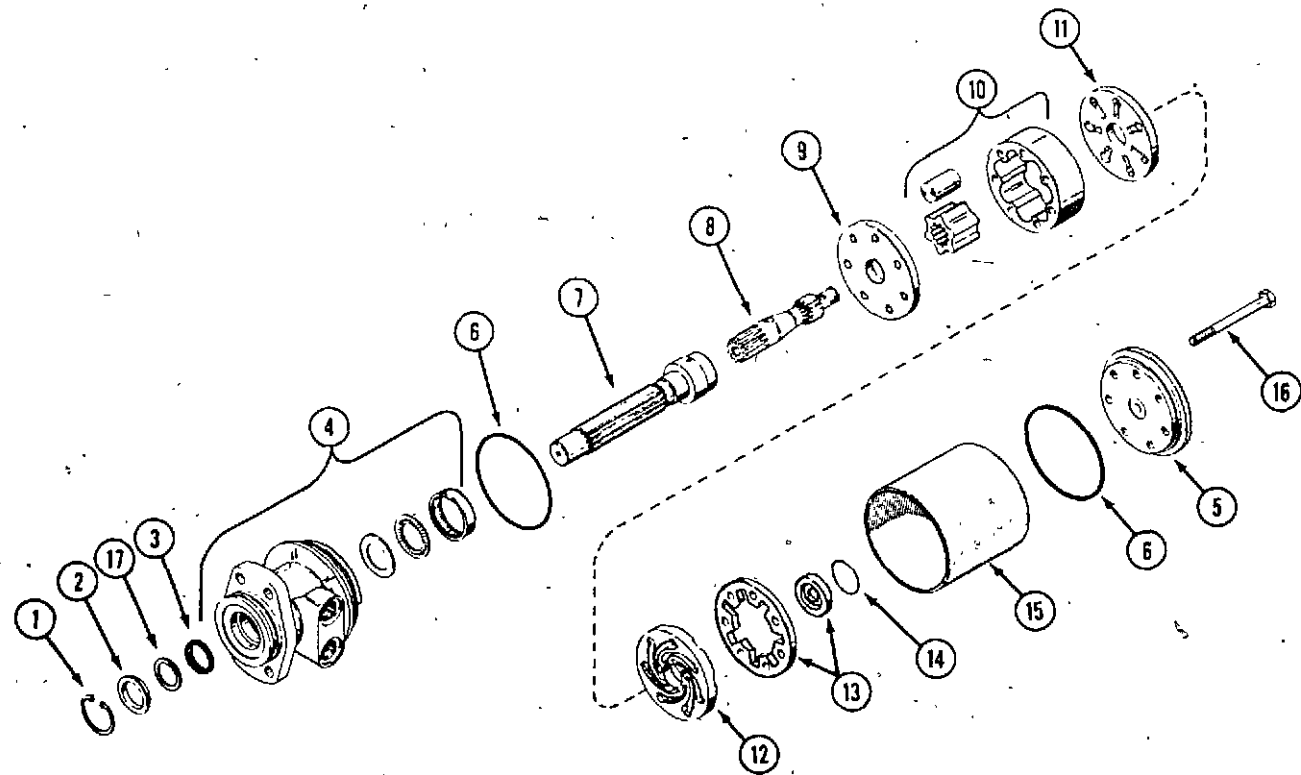
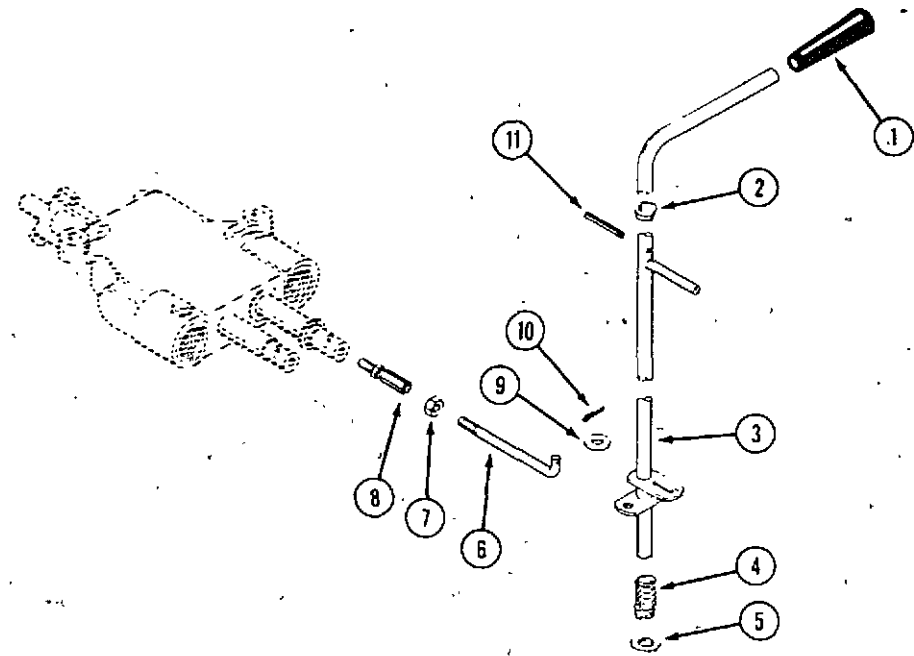
|   |          |   |    |
|---|----------|---|----|
| 1 | C 24438  | WHEEL - rear, 6 bolt (white)              | 2  |
| 2 | C 27763  | BOLT - rear wheel                         | 12 |
| 3 | C 24433  | WHEEL - front (white) (includes bearings) | 2  |
| 4 | 219- 403 | FITTING - lubrication                     | 2  |
| 5 | C 12110  | BEARING - wheel                           | 2  |
| 6 | C 28965  | CAP - hub, front wheel (optional)         | 2  |
| 7 | C 26021  | CAP - plastic, front                      | 2  |
|   | C 13106  | COVER - lubrication fitting               | 2  |



HYDRAULIC SYSTEM

| REF. | PART NO.  | DESCRIPTION   | REQ'D |
|------|-----------|---|-------|
| 1    | C 26255   | SUPPORT - pump mounting   | 1     |
| 2    | 113- 206  | BOLT - 3/8" x 3/4" N.C. hex, support mounting   | 4     |
| 3    | 61- 616   | SCREW - 3/8" x 1" N.C. hex, socket head (early production)                                  | 2     |
| 3    | 62- 616   | SCREW - 3/8" - 24 x 1" N.F. thread (late production)  | 2     |
| 4    | 192- 21   | LOCK WASHER - 3/8" zinc   | 6     |
| 5    | C 28321   | KEY - square 1/4" x 3/4" (6.35 x 19.5 mm) (engine shaft)                                    | 1     |
| 6    | C 25209   | COUPLING - pump, 9/16" shaft (see page 43 and 45)   | 1     |
| 6    | C 18916   | COUPLING - pump, 1/2" shaft (repairs page 43 and 45)  | 1     |
| 7    | C 26278   | PUMP - hydraulic 1/2" shaft (repairs page 43 and 45)  | 1     |
| 7    | NSS       | PUMP - hydraulic 9/16" shaft (repairs page 43 and 45) (use C26278, C17300)                  | 1     |
| 8    | 218- 5065 | FITTING - hydraulic 3/4" x 7/8" "O" ring  | 1     |
| 9    | 218- 5007 | "O" RING - 7/8"   | 1     |
| 10   | C 25333   | TUBE - valve to lower motor port  | 1     |
| 11   | C 25334   | TUBE - valve to upper motor port  | 1     |
| 12   | C 25784   | EXCHANGER - heat (446) shown  | 1     |
| 12   | C 25376   | EXCHANGER - heat (448) (use before S/N 14028535)  | 1     |
| 12   | C 26456   | EXCHANGER - heat (448) (use S/N 14028535 and after)   | 1     |
| 13   | 214- 254  | CLAMP - hose  | 4     |
| 14   | C 25785   | HOSE - rubber, tank to heat exchanger   | 1     |
| 15   | C 24818   | RESERVOIR - hydraulic oil   | 1     |
| 16   | C 25237   | CAP - reservoir (includes insert)   | 1     |
| 17   | NSS       | INSERT - reservoir cap  | 1     |
| 18   | NSS       | ELEMENT - insert  | 1     |
| 19   | C 23326   | CLAMP - hose  | 2     |
| 20   | C 24827   | HOSE - rubber, tank to pump   | 1     |
| 21   | C 18797   | HOSE - hydraulic, pump to valve   | 1     |
| 22   | 218- 5006 | "O" RING - 1/2" (for C18797)  | 1     |
| 23   | C 26182   | TUBE - valve to heat exchanger (also req's item 25 before S/N 9787599 - 446, 9789840 - 448) | 1     |
| 24   | 195- 104  | WASHER - 3/8"   | 4     |
| 25   | NSS       | HOSE - rubber (use C25785 cut to length)  | 1     |
| 26   | 218- 5107 | FITTING - motor port 90 degree elbow, "O" Ring  | 2     |
| 27   | 218- 5007 | "O" RING - 5/8" (for 218-5107 fitting)  | 2     |
| 28   | NSS       | VALVE - hydraulic control, two spool (repairs page 49, 51, 53) (use C27217)                 | 1     |
| 29   | 166- 86   | SCREW - 1/2" x 1-1/4" N.C. flanged 12 point   | 4     |
| 30   | 182- 246  | SCREW - 5/16" x 1-1/4" N.C. flat head machine   | 2     |
| 31   | 131- 351  | NUT - lock 5/16" N.C. hex   | 2     |
| 32   | 218- 5062 | FITTING - hydraulic valve 5/8" x 7/8" "O" Ring  | 3     |
| 33   | 218- 5007 | "O" RING - 5/8" (for C18321)  | 3     |
| 34   | C 28949   | SEAL - motor to transmission  | 1     |
| 35   | C 14655   | MOTOR - hydraulic (repairs page 41)   | 1     |
| 36   | C 22947   | TIE - hose clamp  | 2     |
| 37   | C 26900   | SPRING - compression (448)  | 1     |





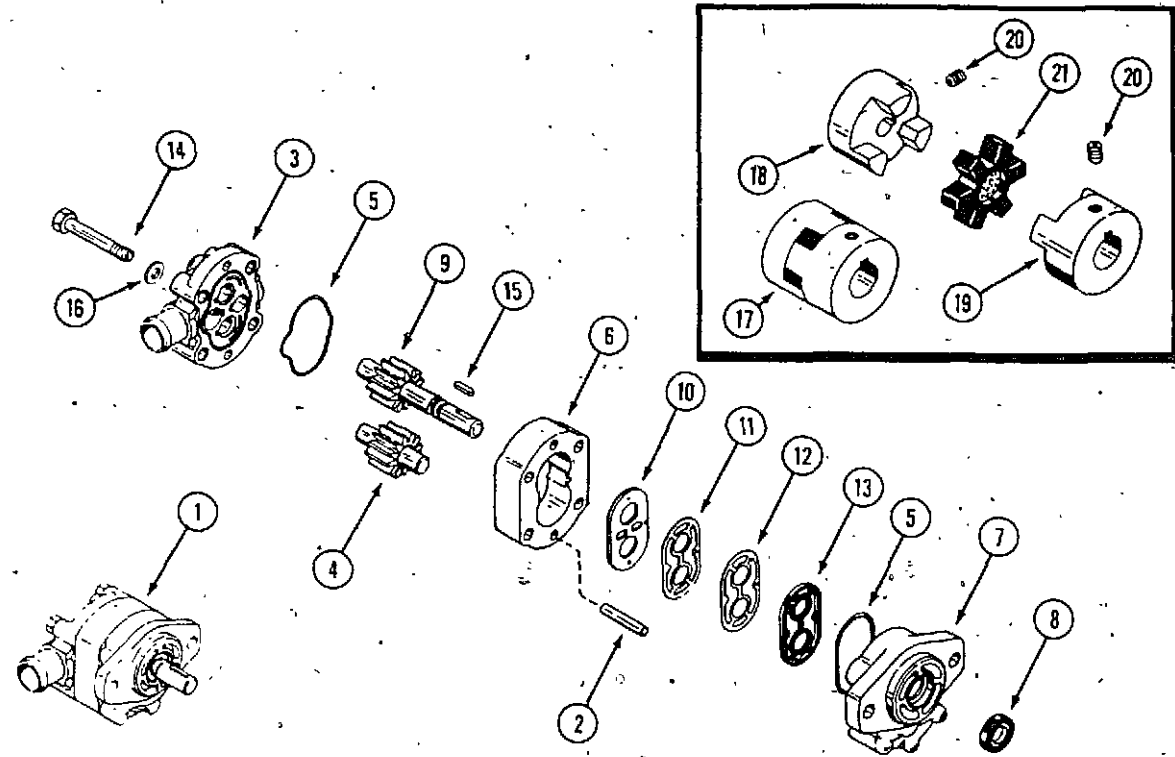
CASE MODEL 446 AND 448 COMPACT TRACTORS

SPEED CONTROL

| REF. | PART NO.  | DESCRIPTION                                   | REQ'D. |
|------|-----------|---|--------|
| 1    | C 28237   | KNOB - speed control                          | 1      |
| 2    | C 27593   | BUSHING - lever                               | 1      |
| 3    | NSS       | LEVER - speed control (use C29407 and C28003) | 1      |
| 4    | C 27822   | SPRING - compression                          | 1      |
| 5    | C 21518   | WASHER - nylon                                | 1      |
| 6    | C 18742   | ROD - control                                 | 1      |
| 7    | 129- 122  | NUT - 5/16" N.F. hex, zinc                    | 1      |
| 8    | C 19025   | JOINT - ball                                  | 1      |
| 9    | 195- 521  | WASHER - 5/16"                                | 1      |
| 10   | 132- 320  | PIN - cotter 3/32" x 3/4"                     | 1      |
| 11   | 138- 2072 | PIN - roll 1/8" x 1-3/4"                      | 1      |

HYDRAULIC DRIVE MOTOR

|    |         |  |   |
|----|---------|--|---|
|    | C 14655 | MOTOR - hydraulic  | 1 |
| 1  | C 16516 | RING - retaining   | 1 |
| 2  | C 19040 | SPACER   | 1 |
| 3  | C 25048 | SEAL - oil   | 1 |
| 4  | C 14827 | HOUSING ASSEMBLY   | 1 |
| 5  | C 14837 | END CAP  | 1 |
| 6  | C 18382 | SEAL   | 2 |
| 7  | C 14828 | SHAFT - coupling   | 1 |
| 8  | C 14829 | DRIVE LINK   | 1 |
| 9  | C 14830 | PLATE - wear   | 1 |
| 10 | C 14831 | ROTOR ASSEMBLY   | 1 |
|    | NSS     | KIT - manifold (also use item 8 before motor code 86-75) | 1 |
| 11 | C 28703 | PLATE - manifold   | 1 |
| 12 | C 28874 | MANIFOLD   | 1 |
| 13 | C 28701 | COMMUTATOR AND RING SET                                  | 1 |
| 14 | C 19041 | RING - sealing   | 1 |
| 15 | C 14836 | SLEEVE   | 1 |
| 16 | C 14838 | BOLT - 3/8" x 4-3/8" N.F. hex                            | 7 |
| 17 | C 19212 | WASHER - .010" (0.25 mm)                                 | 1 |



CASE MODEL 446 AND 448 COMPACT TRACTORS

HYDRAULIC PUMP AND COUPLING (PARKER-HANNIFIN)

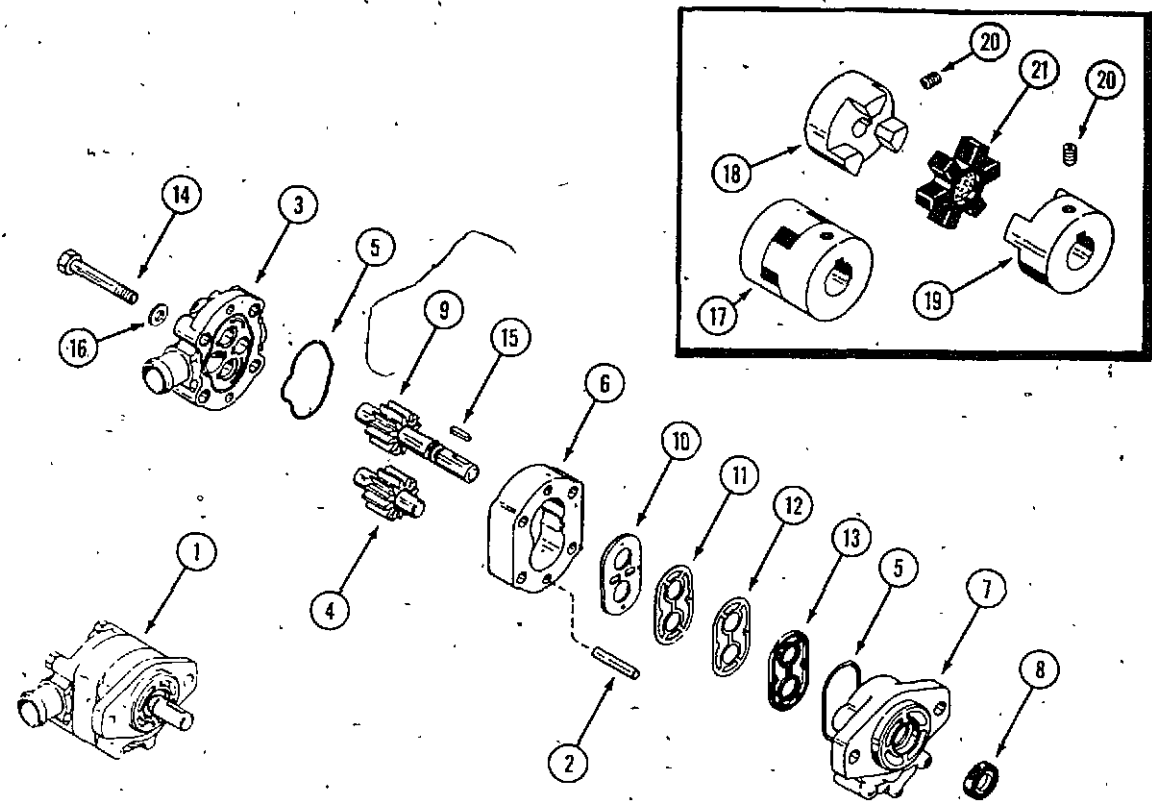
use before S/N: 446 - S/N 14011824  
448 - S/N 14013893

| REF. | PART NO. | DESCRIPTION  | REQ'D |
|------|----------|--|-------|
| 1    | NSS      | PUMP - hyd. 9/16" (14.29 mm) shaft (use C26278 and C17300) | 1     |
| 2    | F 53109  | PIN - dowel  | 2     |
| 3    | C 24861  | COVER - rear   | 1     |
| 4    | C 15731  | GEAR ASSEMBLY - driven                                     | 1     |
| 5    | C 15732  | "O" RING - cover   | 2     |
| 6    | C 15733  | BODY - pump  | 1     |
| 7    | C 15734  | COVER - front  | 1     |
| 8    | C 15735  | SEAL - shaft   | 1     |
| 9    | NSS      | GEAR ASSEMBLY - drive (9/16" shaft)                        | 1     |
|      | C 24862  | SHAFT - drive (9/16" shaft)                                | 1     |
|      | C 24863  | GEAR - drive (9/16" shaft)                                 | 1     |
|      | C 24864  | KEY - gear (9/16" shaft)                                   | 1     |
|      | C 24865  | RING - retaining (9/16" shaft)                             | 2     |
| 10   | C 15737  | PLATE - wear   | 1     |
| 11   | C 15738  | SHIELD - heat  | 1     |
| 12   | C 15739  | GASKET   | 1     |
| 13   | C 15740  | SEAL   | 1     |
| 14   | 113- 111 | BOLT   | 4     |
| 15   | C 28215  | KEY - 3/16" (4.76 mm) square (for 9/16" shaft)             | 1     |
| 16   | C 19115  | WASHER   | 4     |
| 17   | C 25209  | COUPLING - pump (9/16" shaft)                              | 1     |
| 18   | NSS      | HUB - (order item 17)                                      | 1     |
| 19   | NSS      | HUB - (order item 17)                                      | 1     |
| 20   | 83- 55   | SCREW - set 5/16" x 5/16" NC socket head                   | 2     |
| 21   | C 15036  | SPIDER   | 1     |

HYDRAULIC PUMP (CESSNA)

use before S/N: 446 - S/N 14011824  
448 - S/N 14013893

|    |          |   |   |
|----|----------|---|---|
| 1  | NSS      | PUMP - hyd. (9/16" shaft use C26278 and C17300)   | 1 |
| 2  | C 28709  | SPRING  | 2 |
| 3  | C 28718  | DIAPHRAGM - wear plate                            | 1 |
| 4  | NSS      | COVER - front (9/16" shaft use C26278 and C17300) | 1 |
| 5  | NSS      | COVER - rear (9/16" shaft use C26278 and C17300)  | 1 |
| 6  | C 28711  | SEAL - shaft                                      | 1 |
| 7  | NSS      | BODY - pump (9/16" shaft use C26278 and C17300)   | 1 |
| 8  | C 28712  | SEAL - diaphragm                                  | 1 |
| 9  | C 28714  | GASKET - back up                                  | 1 |
| 10 | C 28215  | KEY - 3/16" square x .609" (4.76 mm x 15.47 mm)   | 1 |
| 11 | C 28713  | GASKET - back up                                  | 1 |
| 12 | NSS      | GEAR - drive (9/16" shaft use C26278 and C17300)  | 1 |
| 13 | NSS      | GEAR - driven (9/16" shaft use C26278 and C17300) | 1 |
| 14 | 211- 306 | BALL - steel 7/32" (5.55 mm)                      | 2 |
| 15 | C 28715  | PIN - dowel 1/4" x 1-1/4" (6.35 mm x 31.75 mm)    | 2 |
| 16 | 166- 32  | BOLT - 5/16" - 18 x 2-1/2" 12 point flange        | 4 |

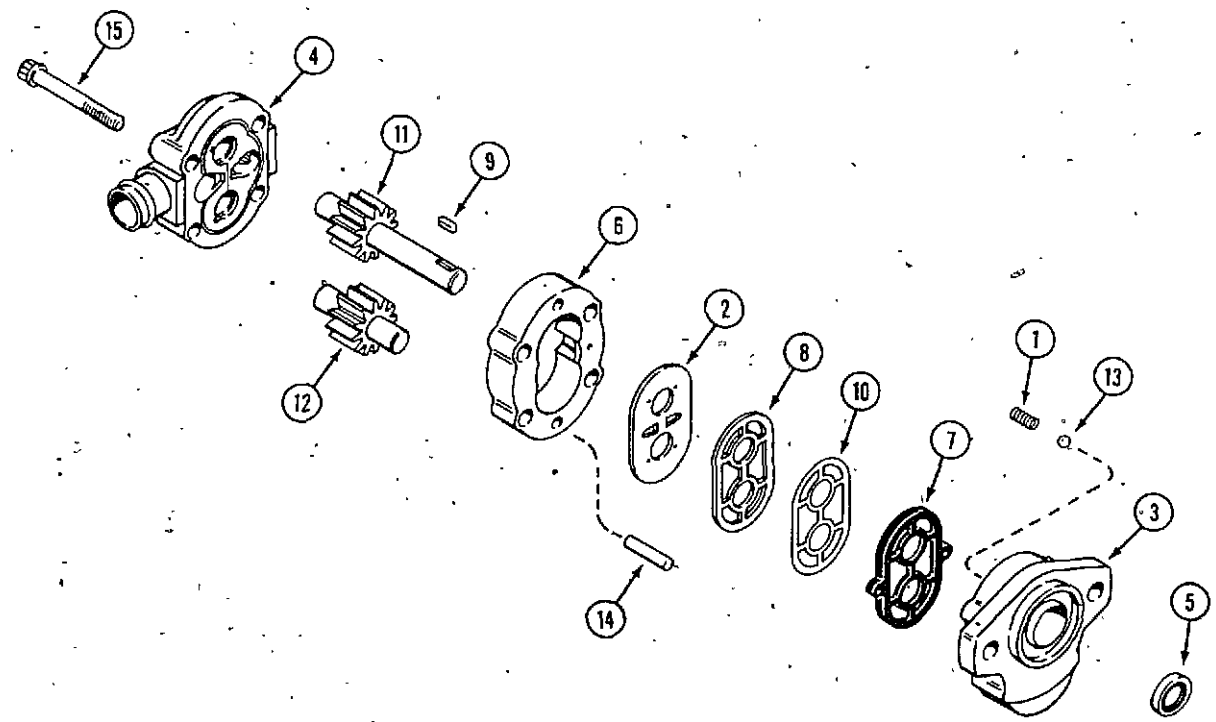


MODEL 446 AND 448 COMPACT TRACTOR

HYDRAULIC PUMP AND COUPLING (PARKER-HANNIFIN)

Use S/N and after:  
 446 - S/N 14011824  
 448 - S/N 14013893

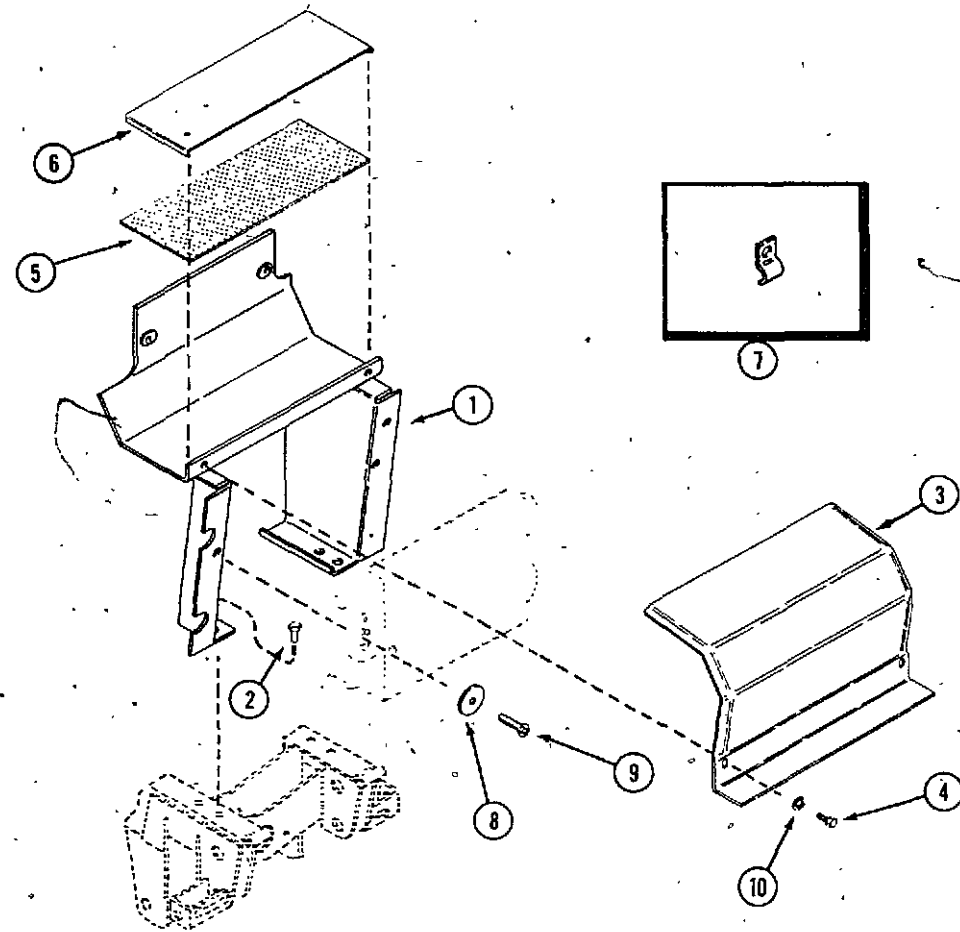
| REF. | PART NO. | DESCRIPTION                                     | REQ'D |
|------|----------|---|-------|
| 1    | C 26278  | PUMP - hydraulic 1/2" shaft                     | 1     |
| 2    | F 53109  | PIN - dowel                                     | 2     |
| 3    | C 24861  | COVER - rear                                    | 1     |
| 4    | C 15731  | GEAR ASSEMBLY - driven                          | 1     |
| 5    | C 15732  | "O" RING - cover                                | 2     |
| 6    | C 15733  | BODY - pump                                     | 1     |
| 7    | C 15734  | COVER - front                                   | 1     |
| 8    | C 15735  | SEAL - shaft                                    | 1     |
| 9    | NSS      | GEAR ASSEMBLY - drive (1/2" shaft) (use C26278) | 1     |
| 10   | C 15737  | PLATE - wear                                    | 1     |
| 11   | C 15738  | SHIELD - heat                                   | 1     |
| 12   | C 15739  | GASKET  | 1     |
| 13   | C 15740  | SEAL  | 1     |
| 14   | 113- 111 | BOLT  | 4     |
| 15   | C 19207  | KEY - 1/8" square x 3/4" long                   | 1     |
| 16   | C 19115  | WASHER  | 4     |
| 17   | C 18916  | COUPLING - pump                                 | 1     |
| 18   | C 17300  | HUB - pump half                                 | 1     |
| 19   | NSS      | HUB - (order item 17)                           | 1     |
| 20   | 83- 55   | SCREW - set 5/16" x 5/16" NC socket head        | 2     |
| 21   | C 15036  | SPIDER  | 1     |



HYDRAULIC PUMP (CESSNA)

Use S/N and after:  
 446 - S/N 14011824  
 448 - S/N 14013893

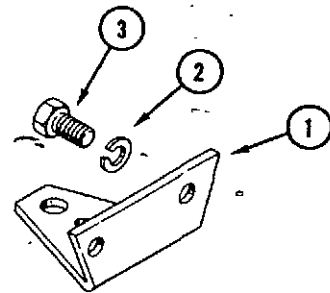
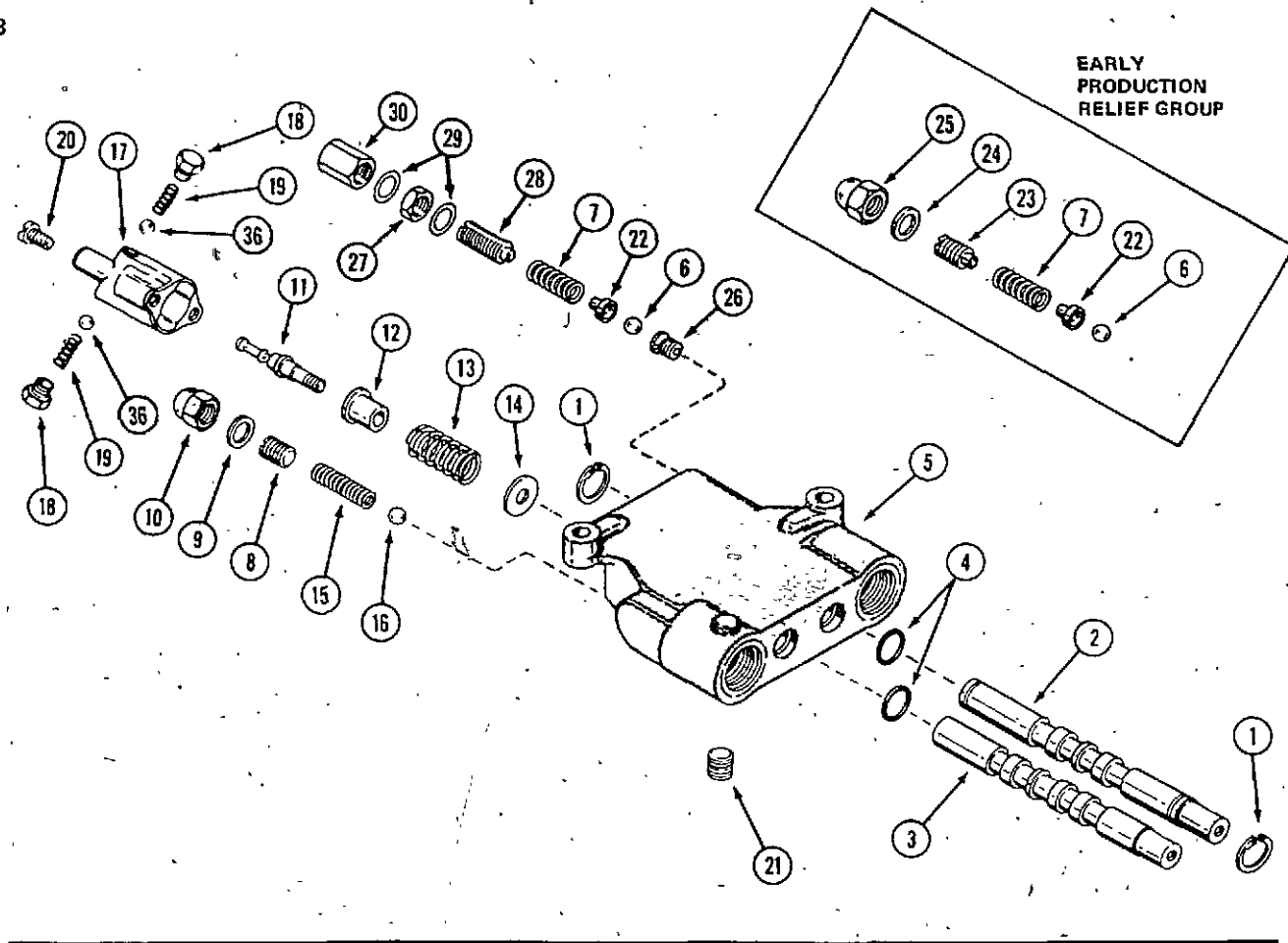
| REF. | PART NO. | DESCRIPTION                                | REQ'D |
|------|----------|--|-------|
|      | NSS      | PUMP - hyd. 1/2" shaft (use C26278)        | 1     |
| 1    | C 28709  | SPRING                                     | 2     |
| 2    | C 28718  | DIAPHRAGM - wear plate                     | 1     |
| 3    | NSS      | COVER - front (use C26278)                 | 1     |
| 4    | NSS      | COVER - rear (use C26278)                  | 1     |
| 5    | C 28711  | SEAL - shaft                               | 1     |
| 6    | NSS      | BODY - pump (use C26278)                   | 1     |
| 7    | C 28712  | SEAL - diaphragm                           | 1     |
| 8    | C 28714  | GASKET - back up                           | 1     |
| 9    | C 19207  | KEY - 1/8" square x 3/4" long              | 1     |
| 10   | C 28713  | GASKET - protector                         | 1     |
| 11   | NSS      | GEAR ASSEMBLY - drive (use C26278)         | 1     |
| 12   | NSS      | GEAR ASSEMBLY - driven (use C26278)        | 1     |
| 13   | 211- 306 | BALL - steel 7/32"                         | 2     |
| 14   | C 28715  | PIN - dowel 1/4" x 1-1/4"                  | 2     |
| 15   | 166- 32  | BOLT - 5/16" - 18 x 2-1/2" 12 point flange | 4     |



HEAT EXCHANGER MOUNTS AND MUFFLER SHIELDS

| REF. | PART NO.  | DESCRIPTION  | REQ'D |
|------|-----------|--|-------|
| 1    | C 25419   | SUPPORT - heat exchanger (448) (use before S/N 14028535)   | 1     |
| 1    | C 29283   | SUPPORT - heat exchange (448) (use S/N 14028535 and after) | 1     |
| 1    | C 23482   | SUPPORT - heat exchanger (446) shown                       | 1     |
| 2    | 113- 118  | BOLT - 5/16" x 5/8"  | 4     |
| 3    | C 25422   | SHIELD - heat, muffler                                     | 1     |
| 4    | 113- 1    | BOLT - 1/4" - 20 x 1/2" hex                                | 2     |
| 5    | C 23558   | PAD - insulation   | 1     |
| 6    | C 23559   | RETAINER - insulation                                      | 1     |
| 7    | C 25164   | RETAINER - heat exchanger (448)                            | 4     |
| 8    | C 28987   | WASHER - heat exchanger bracket                            | 2     |
| 9    | 187- 1252 | SCREW - 1/4" x 1-1/2" flat head Phillips                   | 3     |
| 10   | 192- 19   | LOCK WASHER - 1/4"   | 2     |





CASE MODEL 446 AND 448 COMPACT TRACTORS

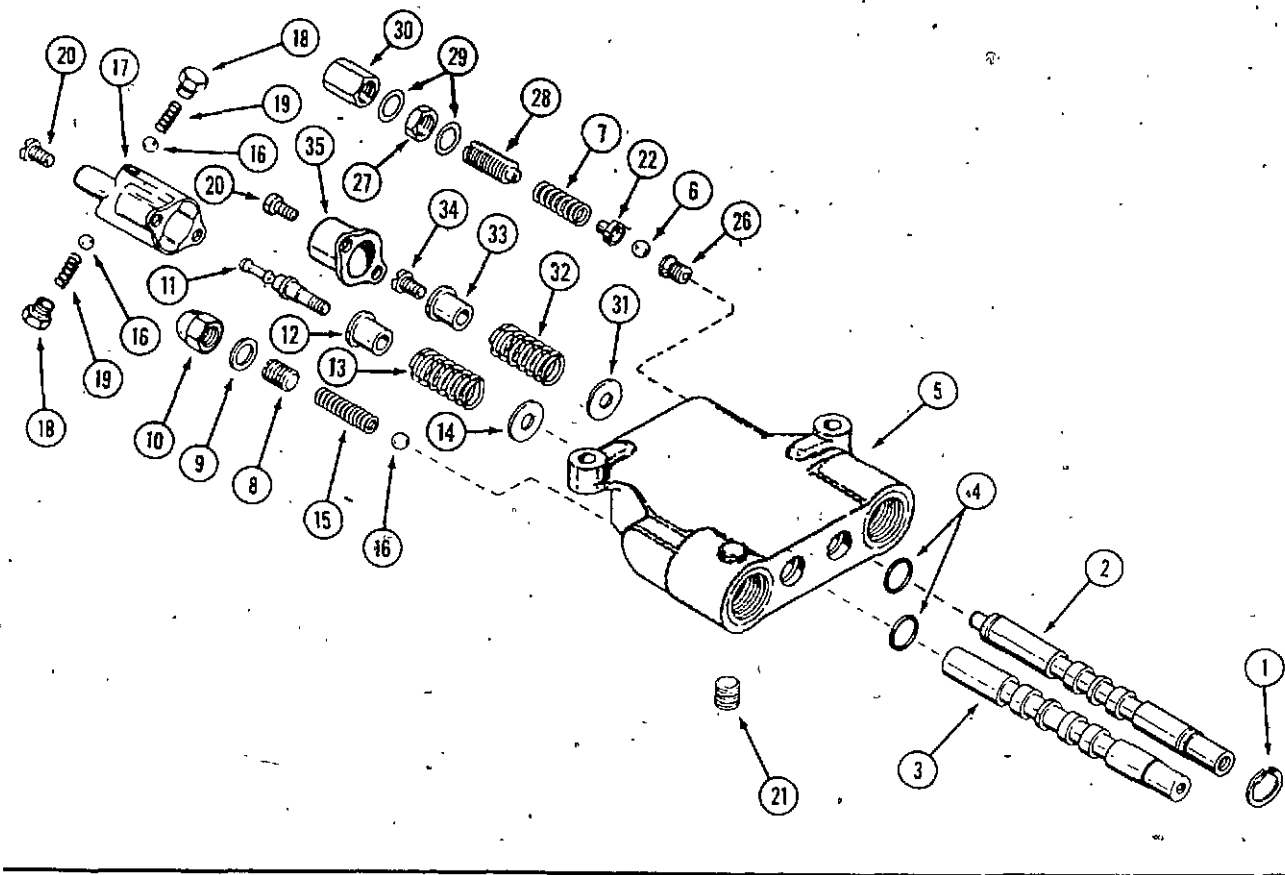
HYDRAULIC CONTROL VALVE (TWO SPOOL)

446 (use before S/N 9787653)  
448 (use before S/N 9789869)

| REF. | PART NO. | DESCRIPTION   | REQ'D |
|------|----------|---|-------|
|      | NSS      | VALVE - control, two spool (use C27217)                             | 1     |
| 1    | C 28699  | RING - retaining  | 2     |
| 2    | NSS      | SPOOL - motor (order C27217)  | 1     |
| 3    | NSS      | SPOOL - lift (order C27217)   | 1     |
| 4    | C 28856  | SEAL - spool  | 4     |
| 5    | NSS      | BODY - valve (order C27217)   | 1     |
| 6    | 211- 208 | BALL - steel 5/16" (7.94 mm)  | 1     |
| 7    | C 21507  | SPRING - relief   | 2     |
| 8    | C 17433  | SCREW - relief adjust   | 1     |
| 9    | C 17435  | GASKET - relief adjust cap  | 1     |
| 10   | 129- 531 | CAP - adjust screw  | 2     |
| 11   | C 17439  | DETENT - spool  | 1     |
| 12   | C 13200  | SPACER - detent   | 1     |
| 13   | C 26431  | SPRING - detent return  | 1     |
| 14   | C 17440  | WASHER - return   | 1     |
| 15   | NSS      | SPRING - relief (use C21511 kit)                                    | 1     |
| 16   | 211- 7   | BALL - steel 1/4" (6.35 mm)   | 3     |
| 17   | C 17438  | COVER - detent  | 1     |
| 18   | C 17443  | SCREW - detent  | 2     |
| 19   | C 17444  | SPRING - detent   | 2     |
| 20   | 169- 114 | SCREW - cover   | 2     |
| 21   | 221- 841 | PLUG - pipe   | 1     |
| 22   | C 21506  | RETAINER - ball seat  | 1     |
| 23   | C 21509  | SCREW - adjust, relief  | 1     |
| 24   | C 21508  | GASKET - adjust cap   | 1     |
| 25   | C 21510  | CAP - adjust screw  | 1     |
| 26   | C 26663  | SEAT - relief ball  | 1     |
| 27   | 129- 166 | NUT - lock  | 1     |
| 28   | C 26665  | SCREW - adjust, relief  | 1     |
| 29   | C 26664  | GASKET - adjust cap   | 2     |
| 30   | C 26666  | CAP - adjust screw  | 1     |
|      | C 21511  | KIT - relief (includes items 8, 9, 10, 15 and 16)                   | 1     |
|      | C 18851  | KIT - detent (includes items 11, 12, 13, 14, 16, 17, 18, 19 and 20) | 1     |

DRAWBAR AND TOW HITCH

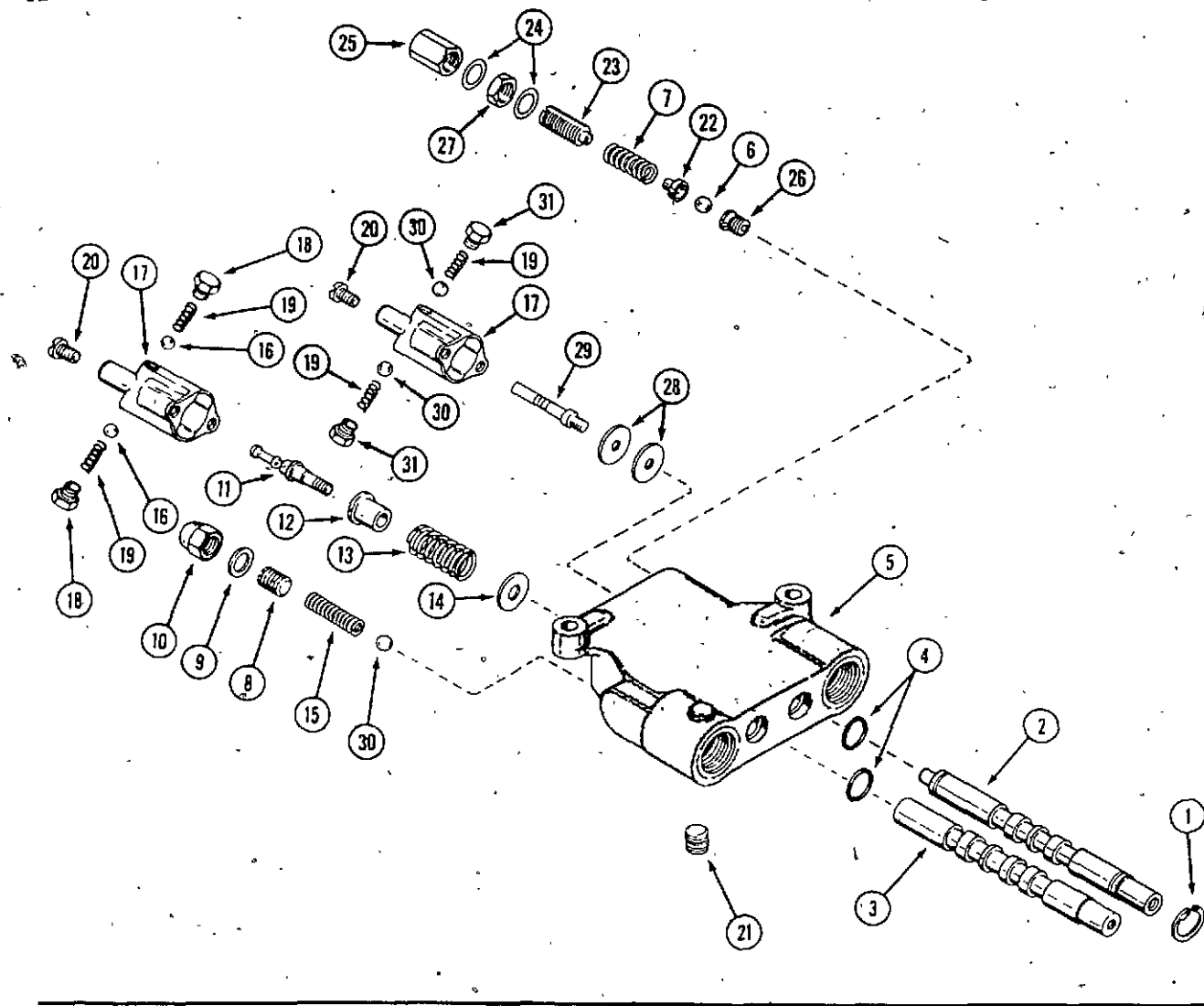
|   |          |                           |   |
|---|----------|---------------------------|---|
| 1 | C 13360  | DRAWBAR                   | 1 |
| 2 | 192- 23  | LOCK WASHER - 1/2"        | 2 |
| 3 | 113- 424 | BOLT - 1/2" x 1" N.C. hex | 2 |



CASE MODEL 446 AND 448 COMPACT TRACTORS  
 HYDRAULIC CONTROL VALVE (TWO SPOOL)  
 446 (use 9787653 and after)  
 448 (use 9789869 and after)

| REF. | PART NO. | DESCRIPTION   | REQ'D |
|------|----------|---|-------|
|      | NSS      | VALVE - control, two spool (use C27217)                             | 1     |
| 1    | C 28699  | RING - retaining  | 2     |
| 2    | NSS      | SPOOL - motor (order C27217)  | 1     |
| 3    | NSS      | SPOOL - lift (order C27217)   | 1     |
| 4    | C 28856  | SEAL - spool  | 4     |
| 5    | NSS      | BODY - valve (order C27217)   | 1     |
| 6    | 211- 208 | BALL - steel 5/16" (7.94 mm)  | 1     |
| 7    | C 21507  | SPRING - relief   | 2     |
| 8    | C 17433  | SCREW - relief adjust   | 1     |
| 9    | C 17435  | GASKET - relief adjust cap  | 1     |
| 10   | 129- 531 | CAP - adjust screw  | 2     |
| 11   | C 26668  | DETENT - spool  | 1     |
| 12   | C 28707  | SPACER - detent   | 1     |
| 13   | C 28706  | SPRING - detent return  | 1     |
| 14   | C 28705  | WASHER - return   | 1     |
| 15   | NSS      | SPRING - relief (use C21511 kit)                                    | 1     |
| 16   | 211- 7   | BALL - steel 1/4" (6.35 mm)   | 3     |
| 17   | C 17438  | COVER - detent  | 1     |
| 18   | C 28708  | SCREW - detent  | 2     |
| 19   | C 17444  | SPRING - detent   | 2     |
| 20   | 169- 114 | SCREW - cover   | 4     |
| 21   | 221- 841 | PLUG - pipe   | 1     |
| 22   | C 21506  | RETAINER - ball seat  | 1     |
| 26   | C 26663  | SEAT - relief ball  | 1     |
| 27   | 129- 166 | NUT - lock  | 1     |
| 28   | C 26665  | SCREW - adjust, relief  | 1     |
| 29   | C 26664  | GASKET - adjust cap   | 2     |
| 30   | C 26666  | CAP - adjust screw  | 1     |
| 31   | 195- 521 | WASHER - return   | 1     |
| 32   | C 26382  | SPRING - return   | 1     |
| 33   | C 26667  | SPACER - return   | 1     |
| 34   | 193- 524 | SCREW - return spacer   | 1     |
| 35   | C 18847  | COVER - return  | 1     |
| 36   | 211- 5   | BALL - steel 3/16"  | 2     |
|      | C 21511  | KIT - relief (includes items 8, 9, 10, 15 and 16)                   | 1     |
|      | C 18851  | KIT - detent (includes items 11, 12, 13, 14, 16, 17, 18, 19 and 20) | 1     |

NOTE: C27217 Travel control detent kit is available to change this valve over to the current travel detent style. See page 47D for parts list



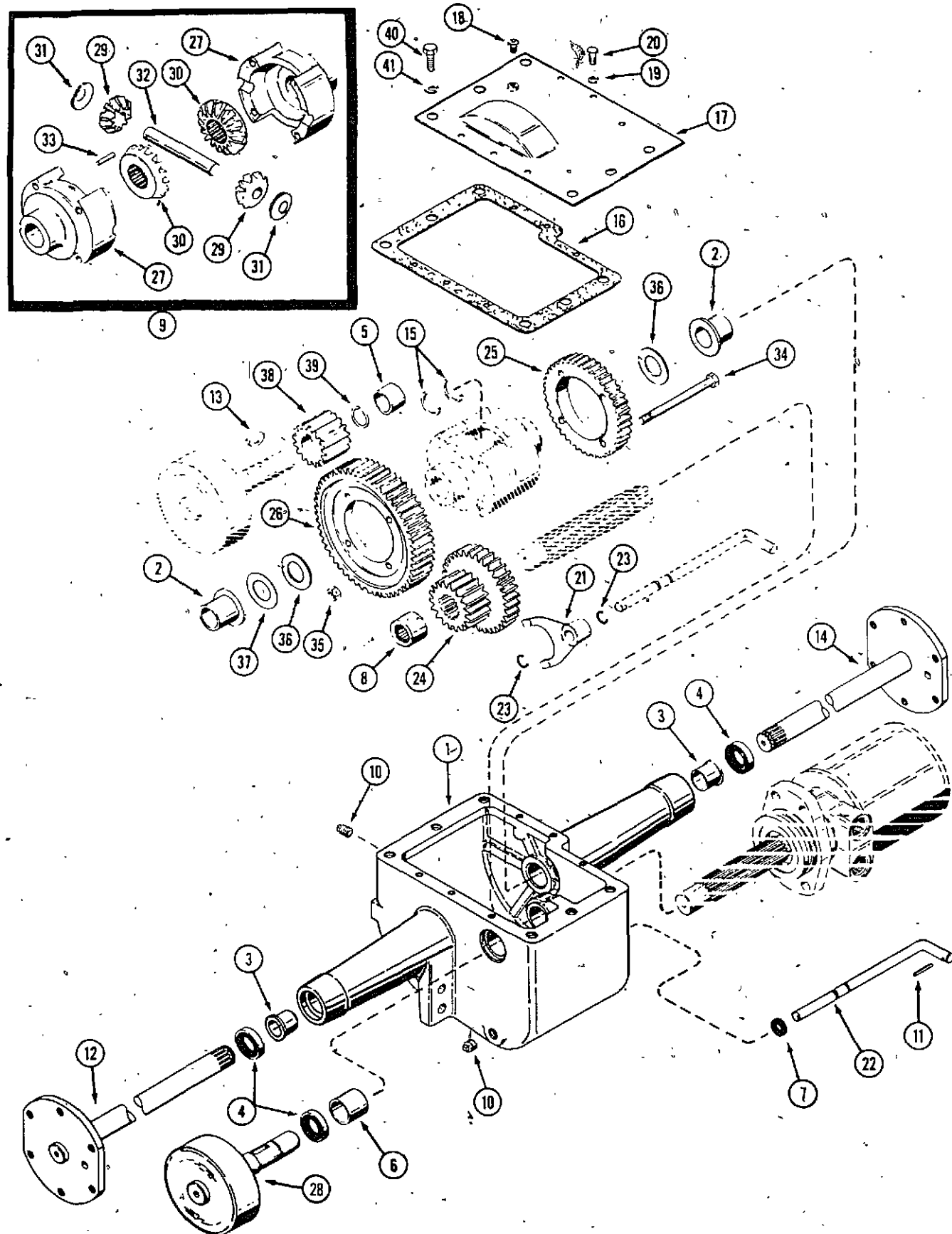
CASE MODEL 446 AND 448 COMPACT TRACTORS

HYDRAULIC CONTROL VALVE (TWO SPOOL)  
(Service Valve)

| REF. | PART NO. | DESCRIPTION                                   | REQ'D |
|------|----------|---|-------|
|      | C 27217  | VALVE - control, two spool                    | 1     |
| 1    | C 28699  | RING - retaining                              | 2     |
| 2    | NSS      | SPOOL - motor (order C27217)                  | 1     |
| 3    | NSS      | SPOOL - lift (order C27217)                   | 1     |
| 4    | C 28856  | SEAL - spool                                  | 4     |
| 5    | NSS      | BODY - valve (order C27217)                   | 1     |
| 6    | 211- 208 | BALL - steel 5/16" (7.94 mm)                  | 1     |
| 7    | C 21507  | SPRING - relief                               | 2     |
| 8    | C 17433  | SCREW - relief adjust                         | 1     |
| 9    | C 17435  | GASKET - relief adjust cap                    | 1     |
| 10   | 129- 531 | CAP - adjust screw                            | 2     |
| 11   | C 26668  | DETENT - spool                                | 1     |
| 12   | C 28707  | SPACER - detent                               | 1     |
| 13   | C 28706  | SPRING - detent return                        | 1     |
| 14   | C 28705  | WASHER - return                               | 1     |
| 15   | NSS      | SPRING - relief (use C21511 kit)              | 1     |
| 16   | 211- 5   | BALL - steel 3/16" (4.763 mm)                 | 3     |
| 17   | C 17438  | COVER - detent                                | 1     |
| 18   | C 28708  | SCREW - detent                                | 2     |
| 19   | C 17444  | SPRING - detent                               | 2     |
| 20   | 169- 114 | SCREW - cover                                 | 4     |
| 21   | 221- 841 | PLUG - pipe                                   | 1     |
| 22   | C 21506  | RETAINER - ball seat                          | 1     |
| 23   | C 26665  | SCREW - adjust, relief                        | 1     |
| 24   | C 26664  | GASKET - adjust cap                           | 1     |
| 25   | C 26666  | CAP - adjust screw                            | 1     |
| 26   | C 26663  | SEAT - relief ball                            | 1     |
| 27   | 129- 166 | NUT - lock                                    | 1     |
| 28   | 195- 521 | WASHER  | 2     |
| 29   | C 27219  | DETENT - spool                                | 1     |
| 30   | 211- 7   | BALL - steel 1/4" (6.35 mm)                   | 2     |
| 31   | C 17443  | SCREW - detent                                | 2     |
|      | C 21511  | KIT - relief (includes items 8, 9, 15 and 30) | 1     |

C27271 TRAVEL CONTROL DETENT KIT

|    |          |                             |   |
|----|----------|-----------------------------|---|
| 17 | C 17438  | COVER - detent              | 1 |
| 19 | C 17444  | SPRING - detent             | 2 |
| 20 | 169- 114 | SCREW - cover               | 2 |
| 28 | 195- 521 | WASHER - detent             | 2 |
| 29 | C 27219  | DETENT - spool              | 1 |
| 30 | 211- 7   | BALL - steel 1/4" (6.35 mm) | 2 |
| 31 | C 17443  | SCREW - detent              | 2 |
|    | C 28003  | SWITCH - neutral start      | 1 |



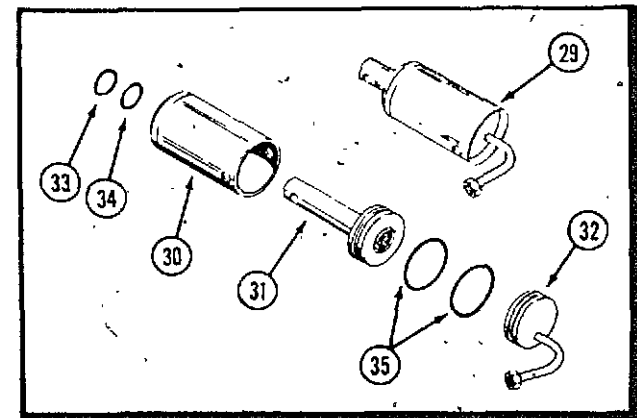
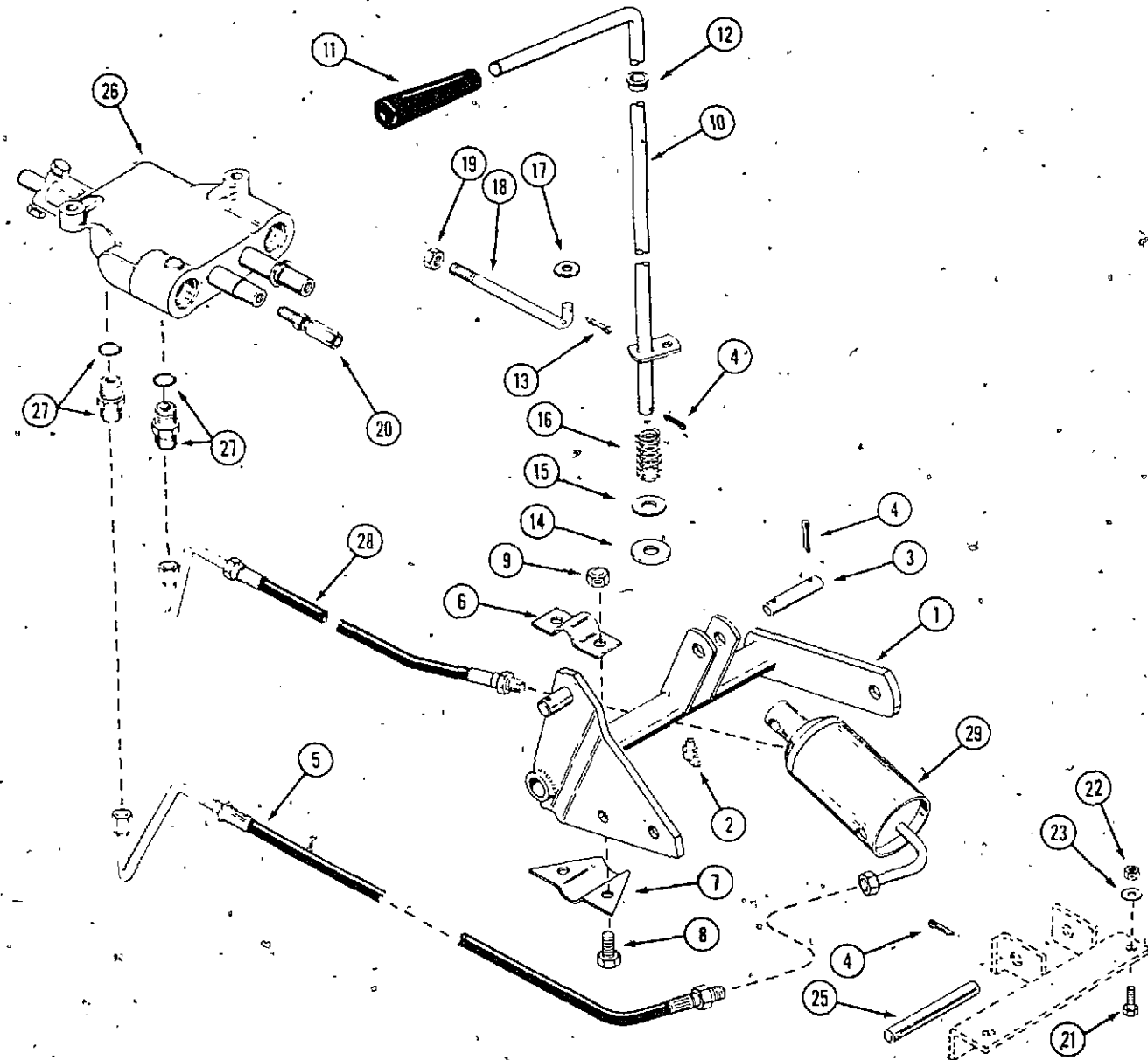
CASE MODEL 446 AND 448 COMPACT TRACTOR

TRANSMISSION AND FINAL DRIVE

| REF. | PART NO.  | DESCRIPTION                                     | REQ'D |
|------|-----------|---|-------|
|      | C 24843   | CASE ASSEMBLY - transmission                    | 1     |
| 1    | NSS       | CASE - transmission (order C24843 assembly)     | 1     |
| 2    | C 12713   | BEARING - flange                                | 2     |
| 3    | C 24804   | BEARING - flange                                | 2     |
| 4    | C 24803   | SEAL - shaft                                    | 3     |
| 5    | C 13241   | BEARING - sleeve                                | 1     |
| 6    | C 13385   | BEARING - sleeve                                | 1     |
| 7    | C 13266   | SEAL - shift rod                                | 1     |
| 8    | C 28281   | BEARING - roller                                | 1     |
| 9    | C 30029   | DIFFERENTIAL-ASSEMBLY                           | 1     |
| 10   | 221- 843  | PLUG - filler and drain 3/8" (late production)  | 2     |
| 10   | 221- 844  | PLUG - filler and drain 1/2" (early production) | 2     |
| 11   | 138- 2073 | PIN - roll 3/16" x 1-1/4"                       | 1     |
| 12   | C 22638   | SHAFT - axle, short R.H.                        | 1     |
| 13   | 126- 128  | KEY - Woodruff, brake idler                     | 1     |
| 14   | C 22637   | SHAFT - axle, long L.H.                         | 1     |
| 15   | C 26342   | RING - retainer, axle                           | 2     |
| 16   | C 13196   | GASKET - transmission cover                     | 1     |
| 17   | C 13197   | COVER - transmission                            | 1     |
| 18   | C 28241   | BREATHER - transmission                         | 1     |
| 19   | 192- 19   | LOCK WASHER - 1/4"                              | 6     |
| 20   | 121- 21   | BOLT - 1/4" x 1/2" N.C. hex                     | 6     |
| 21   | C 12725   | FORK - shift                                    | 1     |
| 22   | C 24802   | ROD - gear shift                                | 1     |
| 23   | C 14168   | RING - retaining                                | 2     |
| 24   | C 14644   | GEAR - cluster input                            | 1     |
| 25   | NSS       | GEAR - high 41 tooth (use C30030 and C30031)    | 1     |
| 26   | C 12552   | GEAR - low 55 tooth                             | 1     |
| 27   | NSS       | DIFFERENTIAL CASE                               | 1     |
| 28   | C 25258   | BRAKE DRUM                                      | 1     |
| 29   | NSS       | GEAR - differential pinion                      | 2     |
| 30   | NSS       | GEAR - differential                             | 2     |
| 31   | NSS       | WASHER - pinion thrust                          | 2     |
| 32   | NSS       | PIN - differential                              | 1     |
| 33   | NSS       | PIN - differential pin lock                     | 1     |
| 34   | 28- 680   | SCREW - 3/8" x 5" N.F. hex cap                  | 4     |
| 35   | 131- 1133 | NUT - lock 3/8" N.F. hex                        | 4     |
| 36   | C 12718   | WASHER - differential                           | 2     |
| 37   | C 14223   | WASHER - spacer                                 | 1     |
| 38   | C 25254   | GEAR - brake idler                              | 1     |
| 39   | C 14222   | RING - retainer, brake idler                    | 1     |
| 40   | 113- 424  | BOLT - 1/2" - 13 x 1" hex                       | 3     |
| 40   | 166- 86   | BOLT - 1/2" - 13 x 1-1/4" flange                | 1     |
| 41   | 192- 23   | LOCK WASHER - 1/2"                              | 4     |

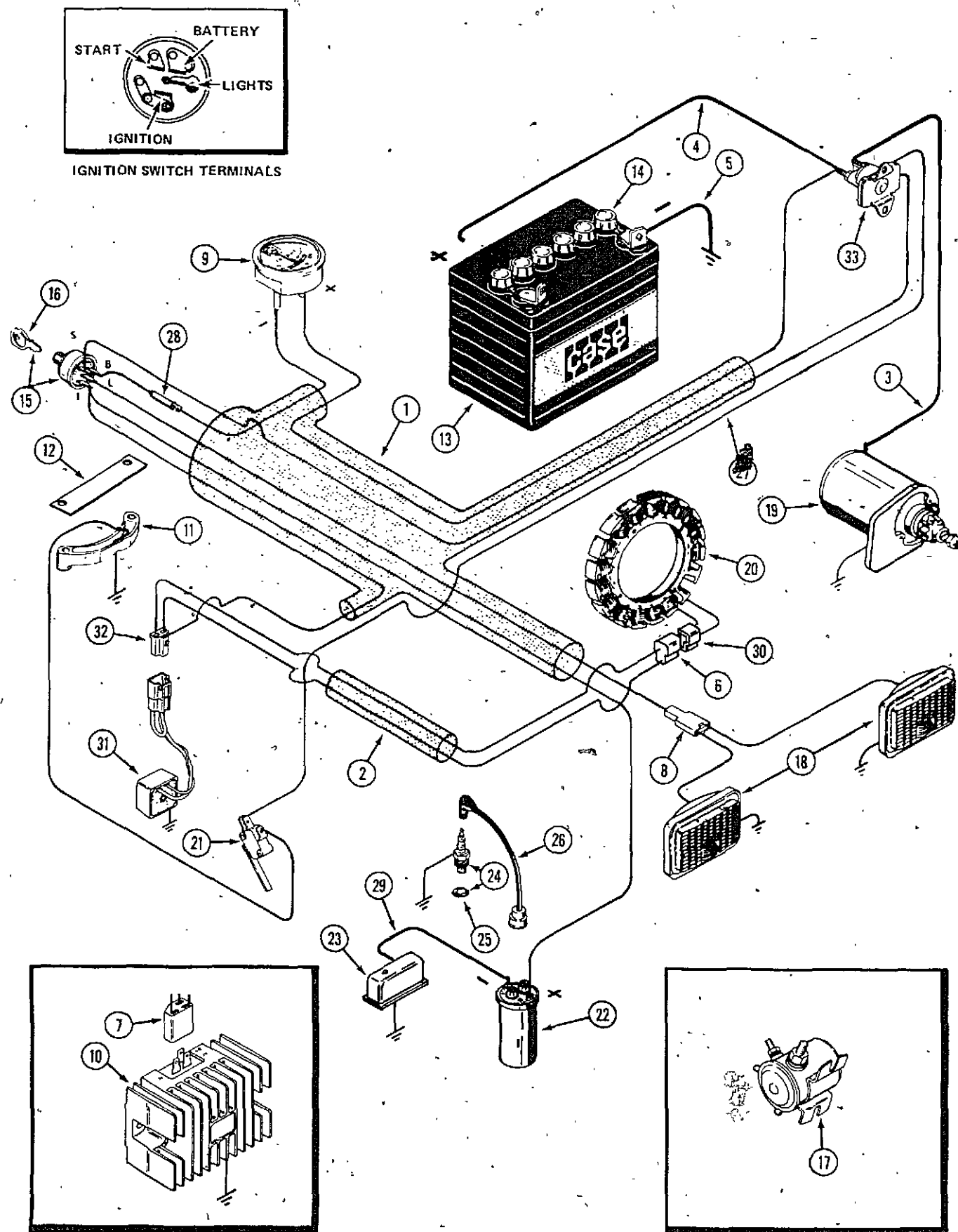
UAR

HYDRAULIC LIFT

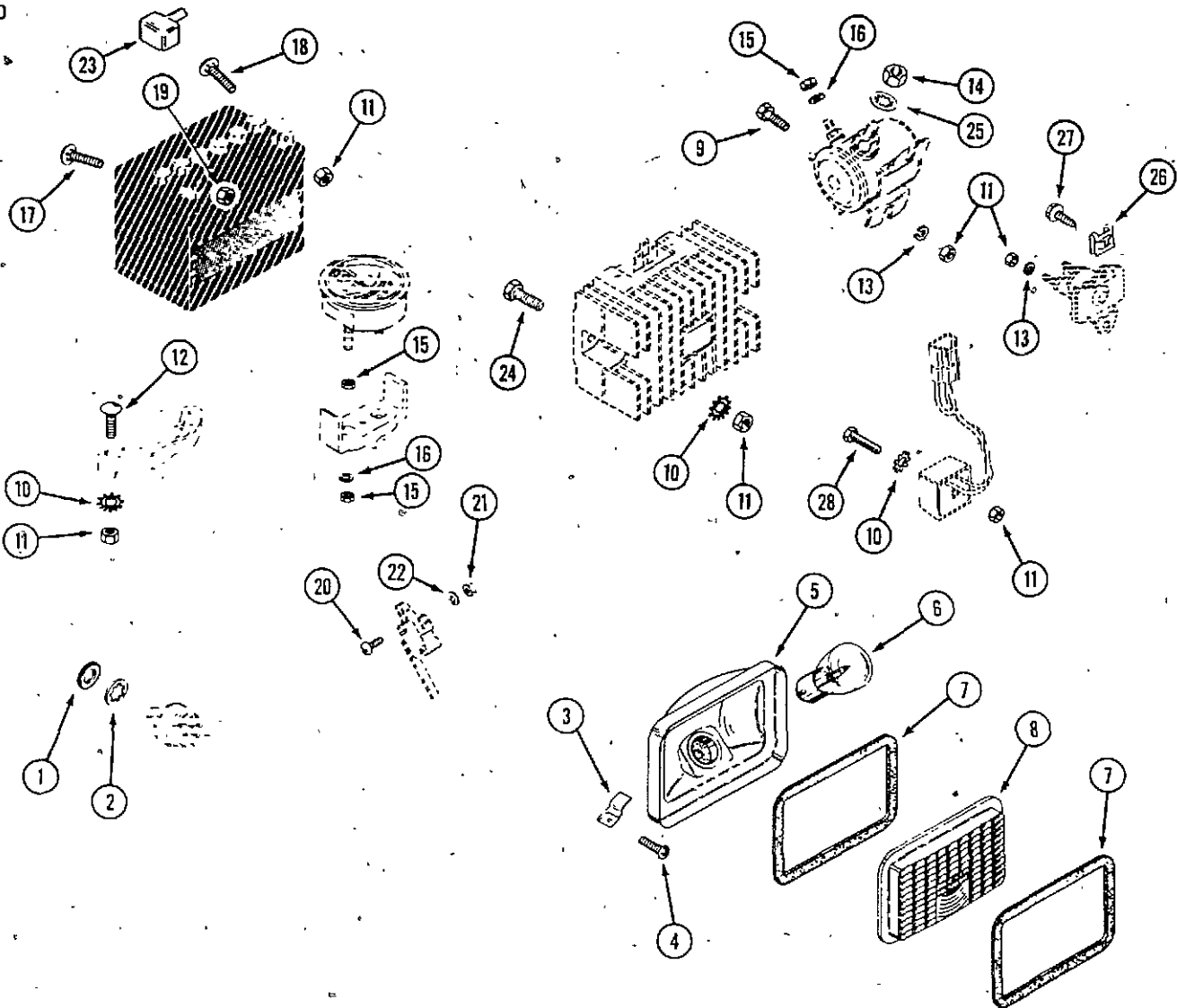


| REF. | PART NO.  | DESCRIPTION  | REQ'D |
|------|-----------|--|-------|
| 1    | C 19661   | SHAFT ASSEMBLY - lift                                | 1     |
| 2    | 219- 404  | FITTING - lubrication                                | 1     |
| 3    | C 18251   | PIN - cylinder to lever                              | 1     |
| 4    | 132- 310  | PIN - cotter 1/8" x 1"                               | 5     |
| 5    | C 17734   | HOSE - long  | 1     |
| 6    | C 17249   | BRACKET - mounting, top                              | 2     |
| 7    | C 17250   | BRACKET - mounting, bottom                           | 2     |
| 8    | 113- 207  | BOLT - 3/8" x 1" N.C. hex                            | 4     |
| 9    | 131- 1181 | NUT - 3/8" N.C. hex                                  | 4     |
| 10   | C 29408   | LEVER - lift control                                 | 1     |
| 11   | C 28237   | KNOB - control lever                                 | 1     |
| 12   | C 27593   | BUSHING - lift lever                                 | 1     |
| 13   | 132- 320  | PIN - cotter 3/32" x 3/4"                            | 1     |
| 14   | 195- 533  | WASHER - 1/2"  | 1     |
| 15   | C 21518   | WASHER - nylon                                       | 1     |
| 16   | C 27822   | SPRING - control lever                               | 1     |
| 17   | 195- 521  | WASHER - 5/16"                                       | 1     |
| 18   | C 18742   | ROD - control  | 1     |
| 19   | 129- 122  | NUT - 5/16" N.F. hex                                 | 1     |
| 20   | C 19025   | BALL JOINT   | 1     |
| 21   | 113- 207  | BOLT - 3/8" x 1" N.C. hex                            | 2     |
| 22   | 131- 1181 | NUT - lock 3/8" N.C. hex                             | 2     |
| 23   | 195- 104  | WASHER - 3/8" x 1-1/8" O.D.                          | 2     |
| 25   | C 26188   | PIN - cylinder base                                  | 1     |
| 26   | C 27217   | VALVE - hydraulic, two spool                         | 1     |
| 27   | 218- 5056 | FITTING - valve (includes 218-5004 "O" ring)         | 2     |
| 28   | C 17224   | HOSE - short   | 1     |
| 29   | NSS       | CYLINDER - lift (use C27590 cylinder and C28702 pin) | 1     |
| 30   | C 16133   | BODY - cylinder                                      | 1     |
| 31   | C 19104   | ROD AND PISTON ASSEMBLY                              | 1     |
| 32   | C 17732   | BASE - cylinder                                      | 1     |
| 33   | C 14970   | SEAL   | 1     |
| 34   | C 28487   | "O" RING   | 1     |
| 35   | C 28697   | "O" RING   | 2     |
|      | C 13106   | COVER - lubrication fitting                          | 1     |

ELECTRICAL SYSTEM

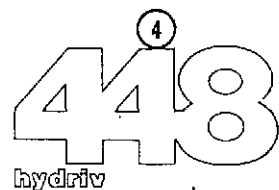
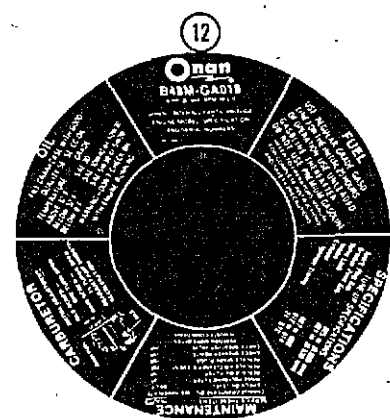
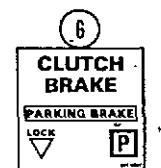
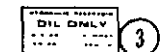
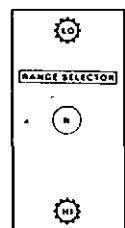
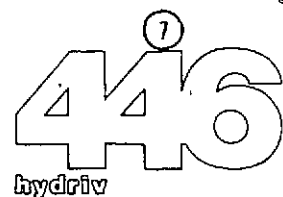
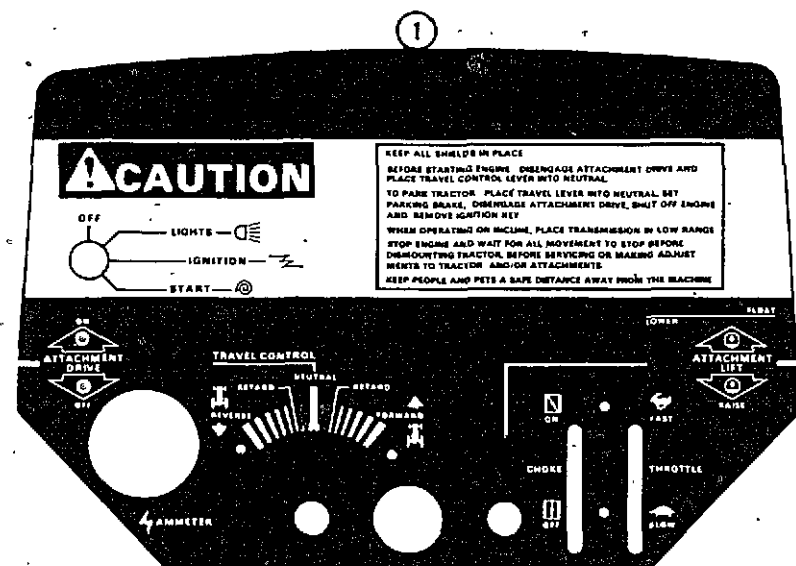
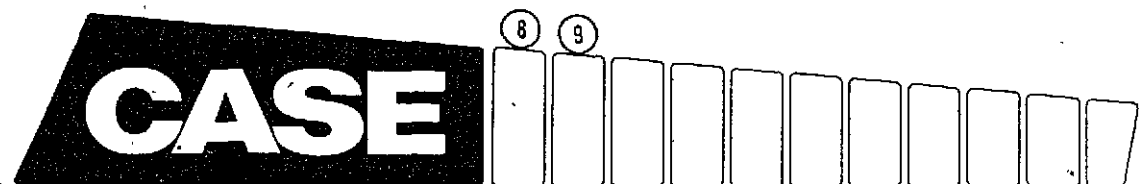


| REF. | PART NO. | DESCRIPTION   | REQ'D |
|------|----------|---|-------|
| 1    | C 24898  | HARNESS - wire (use before S/N 9786764 - 446, S/N 9789345 - 448) ...                    | 1     |
| 1    | C 25564  | HARNESS - wire (use S/N 9786764 - 446, S/N 9789345 - 448 and after) ...                 | 1     |
| 2    | C 24815  | HARNESS - wire  | 1     |
| 3    | C 24809  | CABLE - solenoid to starter (black)   | 1     |
| 4    | C 14565  | CABLE - solenoid to battery positive (red)  | 1     |
| 5    | C 24814  | CABLE - battery negative to ground (black)  | 1     |
| 6    | C 24813  | CONNECTOR - stator  | 1     |
| 7    | C 19378  | CONNECTOR - rectifier (early production)  | 1     |
| 8    | C 14537  | CONNECTOR - lights  | 1     |
| 9    | C 29413  | AMMETER - 30-amperes, 12v   | 1     |
| 10   | NSS      | RECTIFIER - voltage, 12v (early production) (use C27509)                                | 1     |
| 11   | C 23002  | SWITCH - neutral start (includes wire)  | 1     |
| 12   | C 21989  | INSULATOR - locator   | 1     |
| 13   | NSS      | BATTERY - 12v (use C31212)  | 1     |
| 14   | C 18113  | CAP - battery   | 6     |
| 15   | C 30268  | SWITCH ASSEMBLY - ignition (includes key and lock washer)                               | 1     |
| 16   | C 27751  | KEY - ignition  | 1     |
| 17   | C 14553  | SOLENOID - start 12v (use before S/N 9786764 - 446, S/N 9789345 - 448)                  | 1     |
| 18   | C 22571  | HEADLIGHT ASSEMBLY - 12v (repairs page 61)  | 2     |
| 19   | C 29733  | STARTER - (repairs page 17)   | 1     |
| 20   | C 24956  | STATOR  | 1     |
| 21   | C 26108  | SWITCH - neutral start, PTO   | 1     |
| 22   | C 20349  | COIL - ignition, 12v  | 1     |
| 23   | C 29990  | BREAKER CONTACT ASSEMBLY - ignition (repairs page 19)                                   | 1     |
| 24   | C 25845  | SPARK PLUG - (includes gasket)  | 2     |
| 25   | C 28673  | GASKET - spark plug   | 1     |
| 26   | C 24955  | CABLE - spark plug  | 2     |
| 27   | C 24896  | WIRE - solenoid to switch (use before S/N 9786764 - 446, S/N 9789345 - 448)             | 1     |
| 27   | C 25563  | WIRE - solenoid to switch (use S/N 9786764 - 446, S/N 9789345 - 448 and after)          | 1     |
| 28   | 223- 20  | FUSE - 20 amperes (included in harness)   | 1     |
| 29   | C 29992  | WIRE - breaker contacts to coil negative  | 1     |
| 30   | C 25338  | CONNECTOR - stator  | 1     |
| 31   | C 27509  | RECTIFIER - voltage, 12v (late production)  | 1     |
| 32   | C 25486  | CONNECTOR - rectifier (late production)   | 1     |
| 33   | NSS      | SOLENOID - start, 12v (use S/N 9786764 - 446, S/N 9789345 - 448 and after) (use C26525) | 1     |



ELECTRICAL SYSTEM HARDWARE

| REF. | PART NO.  | DESCRIPTION  | REQ'D |
|------|-----------|--|-------|
| 1    | C 23330   | NUT - switch mounting                                  | 1     |
| 2    | C 23012   | LOCK WASHER - internal tooth                           | 1     |
| 3    | 131- 629  | NUT - speed type "U"                                   | 4     |
| 4    | 187- 1334 | SCREW - No. 8 x 1/2" self-tapping, round head Phillips | 4     |
|      | C 22571   | HEADLIGHT ASSEMBLY                                     | 2     |
| 5    | NSS       | RECEPTACLE - headlight (order C22571)                  | 1     |
| 6    | C 28932   | BULB - headlight                                       | 1     |
| 7    | C 14304   | GASKET - headlight                                     | 2     |
| 8    | C 22573   | LENS - headlight                                       | 1     |
| 9    | 113- 1    | BOLT - 1/4" - 20 x 1/2" hex                            | 2     |
| 10   | 193- 57   | LOCK WASHER - 1/4" external tooth                      | 4     |
| 11   | 129- 101  | NUT - 1/4" - 20 hex                                    | 2     |
| 12   | 111- 139  | BOLT - 1/4" - 20 x 1" round head, square neck          | 2     |
| 13   | 192- 19   | LOCK WASHER - 1/4"                                     | 2     |
| 14   | 129- 162  | NUT - 5/16" NF hex                                     | 2     |
| 15   | 129- 37   | NUT - No. 10 N.F. hex                                  | 8     |
| 16   | 193- 99   | LOCK WASHER - No. 10                                   | 6     |
| 17   | 111- 202  | BOLT - 5/16" x 3/4" N.C. round head, square neck       | 1     |
| 18   | 111- .108 | BOLT - 1/4" x 3/4" N.C. round head, square neck        | 1     |
| 19   | 129- 102  | NUT - 5/16" NC hex                                     | 1     |
| 20   | 182- 10   | SCREW - No. 4 - 40 x 7/8"                              | 2     |
| 21   | 129- 13   | NUT - No. 4 - 40 hex                                   | 2     |
| 22   | 192- 13   | LOCK WASHER - No. 4                                    | 2     |
| 23   | C 24069   | COVER - terminal                                       | 1     |
| 24   | 113- 3    | BOLT - 1/4" - 20 x 3/4" hex                            | 2     |
| 25   | 193- 29   | LOCK WASHER - 5/16                                     | 2     |
| 26   | C 10836   | NUT - speed type                                       | 2     |
| 27   | 187- 1908 | SCREW - self tapping                                   | 2     |
| 28   | 113- 17   | BOLT - 1/4" - 20 x 1-1/4" hex                          | 1     |
|      | C 19521   | CLIP - headlight wire                                  | 1     |



CASE MODEL 446 AND 448 COMPACT TRACTOR

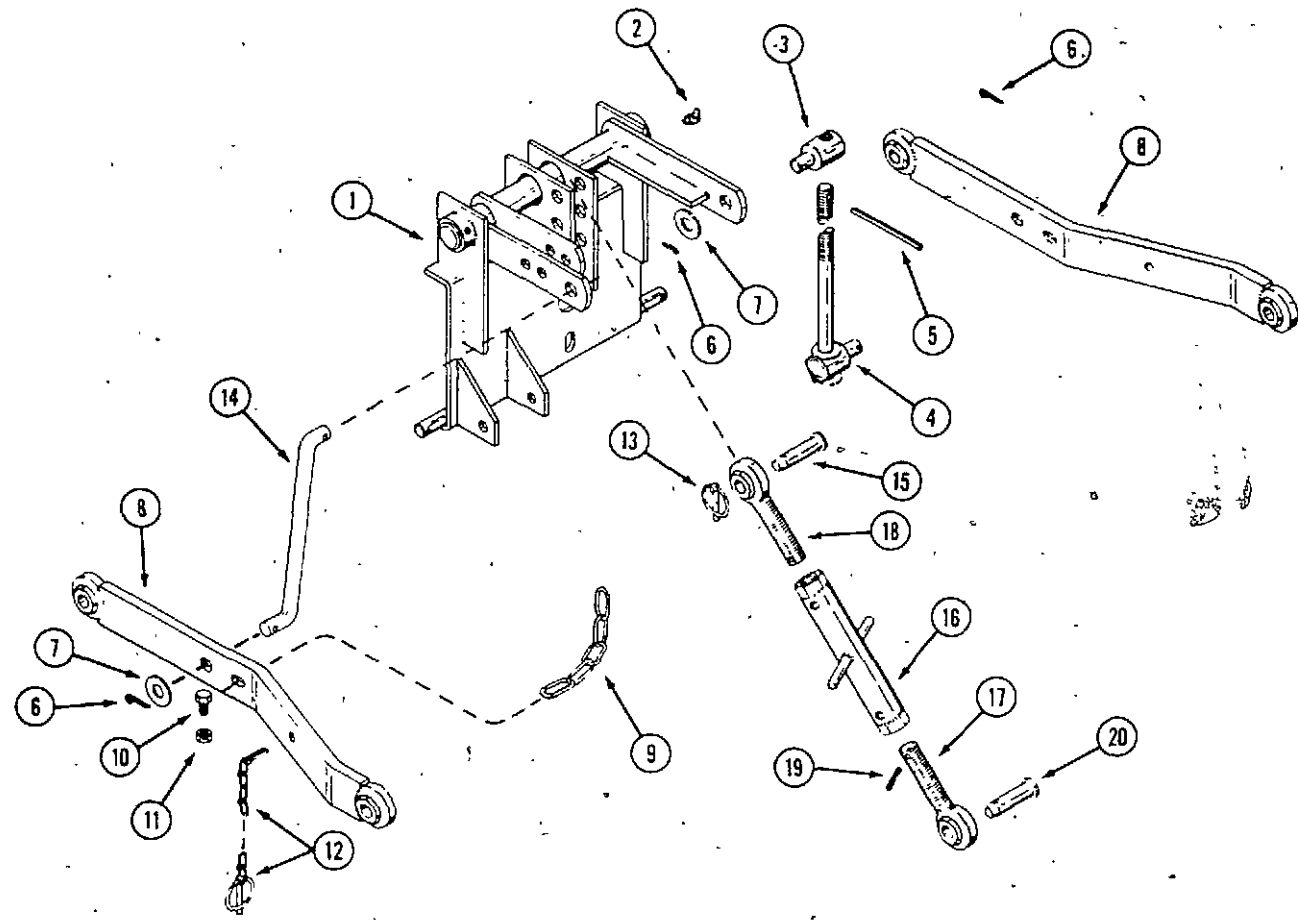
DECALS (English)

| REF. | PART NO.  | DESCRIPTION                        | REQ'D |
|------|-----------|------------------------------------|-------|
| 1    | 321- 3585 | DECAL - instrument panel           | 1     |
| 2    | C 29031   | DECAL - gasoline                   | 1     |
| 3    | 321- 4767 | DECAL - hydraulic reservoir        | 1     |
| 4    | 321- 5930 | DECAL - hood top (448)             | 1     |
| 5    | 321- 1788 | DECAL - shift range                | 1     |
| 6    | NSS       | DECAL - clutch, brake (use C27481) | 1     |
| 7    | 321- 5107 | DECAL - hood top (446)             | 1     |
| 8    | 321- 5100 | DECAL - hood R.H. (shown)          | 1     |
| 9    | 321- 5101 | DECAL - hood L.H.                  | 1     |
| 10   | 321- 5040 | MEDALLION - "Case"                 | 1     |
| 11   | 321- 5097 | DECAL - "Case" seat back           | 1     |
| 12   | C 26656   | DECAL - air cleaner (446)          | 1     |
| 12   | C 26657   | DECAL - air cleaner (448)          | 1     |

(French and English)

|   |           |                             |   |
|---|-----------|-----------------------------|---|
| 1 | 321- 4734 | DECAL - instrument panel    | 1 |
| 2 | 321- 4728 | DECAL - gasoline            | 1 |
| 3 | 321- 4764 | DECAL - hydraulic reservoir | 1 |
| 4 | 321- 4697 | DECAL - parking brake       | 1 |
| 5 | 321- 4693 | DECAL - shift range         | 1 |
| 6 | 321- 4696 | DECAL - clutch, brake       | 1 |



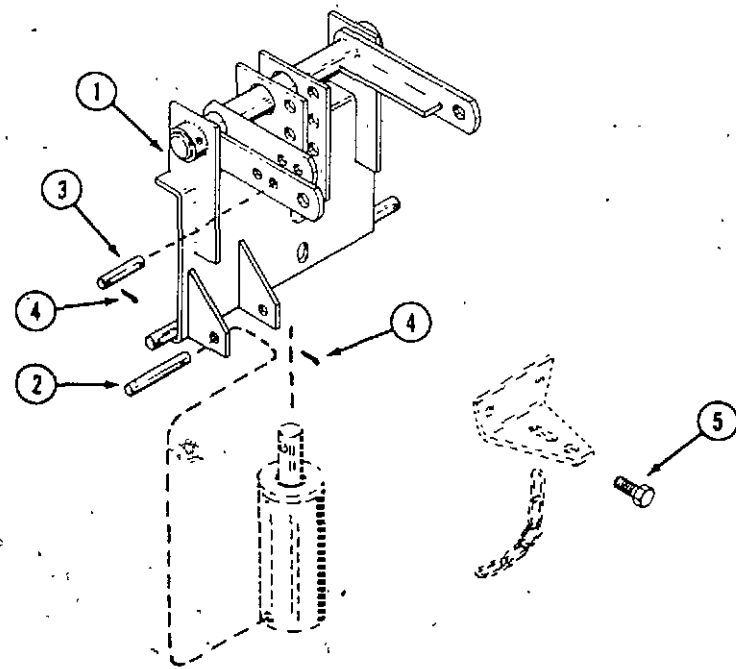


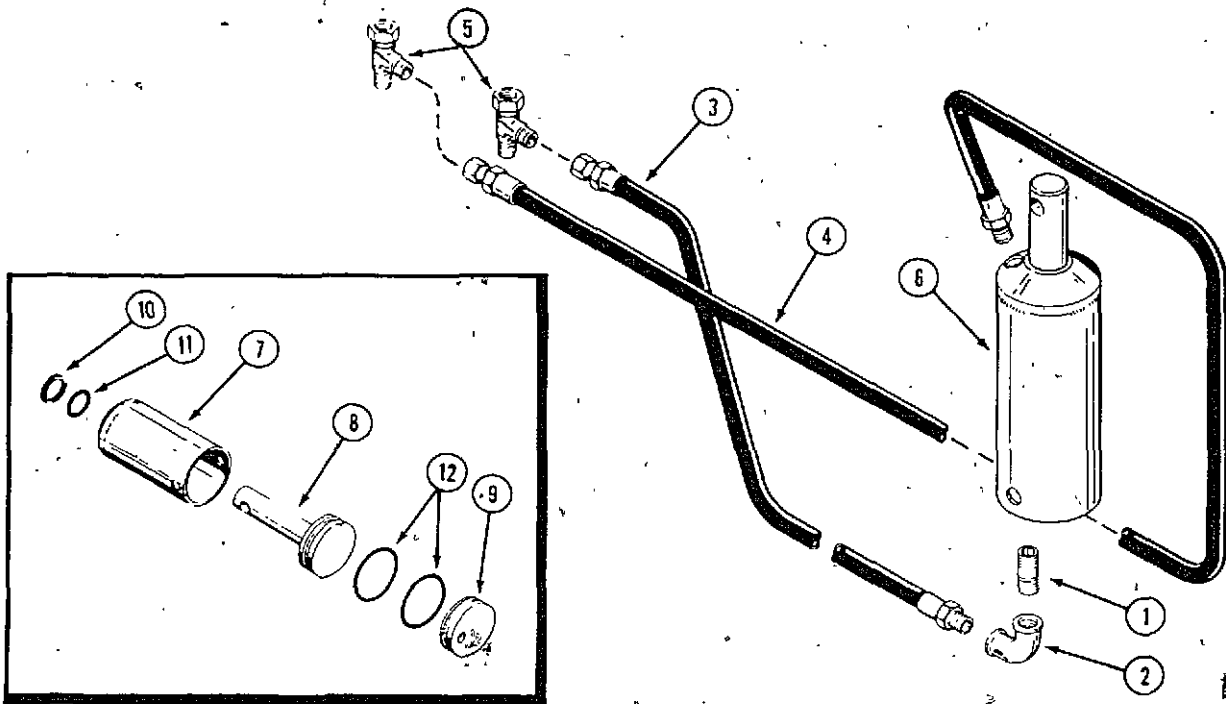
**J26 THREE POINT HITCH  
FRAME, LIFT RODS AND ARMS**

| REF. | PART NO. | DESCRIPTION                              | REQ'D |
|------|----------|--|-------|
| 1    | C 19740  | HITCH PLATE ASSEMBLY .....               | 1     |
| 2    | 219- 405 | FITTING - lubrication .....              | 2     |
|      | C 24447  | ROD ASSEMBLY - R.H. lift .....           | 1     |
| 3    | C 14722  | NUT - lift rod .....                     | 1     |
| 4    | C 14724  | ROD ASSEMBLY - R.H. lift .....           | 1     |
| 5    | 138- 308 | PIN - roll 1/4" x 3" .....               | 1     |
| 6    | 132- 91  | PIN - cotter 3/16" x 1" .....            | 6     |
| 7    | 195- 541 | WASHER - plain 5/8" .....                | 4     |
| 8    | C 14715  | ARM - lift .....                         | 2     |
| 9    | C 14991  | CHAIN - 19 links .....                   | 1     |
| 10   | 113- 118 | BOLT - 5/16" x 5/8" N.C. hex, zinc ..... | 2     |
| 11   | 131- 176 | NUT - lock 5/16" N.C. hex .....          | 2     |
| 12   | C 28985  | PIN - retaining .....                    | 2     |
| 13   | C 28222  | PIN - retaining .....                    | 3     |
| 14   | C 14725  | ROD - lift L.H. .....                    | 1     |
| 15   | C 14717  | PIN - clevis .....                       | 1     |
|      | C 14712  | LINK ASSEMBLY .....                      | 1     |
| 16   | C 14703  | CENTER TUBE ASSEMBLY .....               | 1     |
| 17   | C 14709  | BALL END ASSEMBLY - R.H. thread .....    | 1     |
| 18   | C 14710  | BALL END ASSEMBLY - L.H. thread .....    | 1     |
| 19   | 138- 59  | PIN - roll 1/8" x 7/8" .....             | 2     |
| 20   | C 16128  | PIN - clevis 5/8" x 3" .....             | 1     |

**J26 THREE POINT HITCH  
CYLINDER AND DRAWBAR MOUNTING**

|   |          |  |   |
|---|----------|--|---|
| 1 | C 19740  | HITCH PLATE ASSEMBLY .....                 | 1 |
| 2 | C 26188  | PIN - lower cylinder mounting .....        | 1 |
| 3 | C 14976  | PIN - upper cylinder mounting .....        | 1 |
| 4 | 132- 310 | PIN - cotter 1/8" x 1" .....               | 3 |
| 5 | 113- 417 | BOLT - 1/2" x 1-1/4" N.C., hex, zinc ..... | 2 |





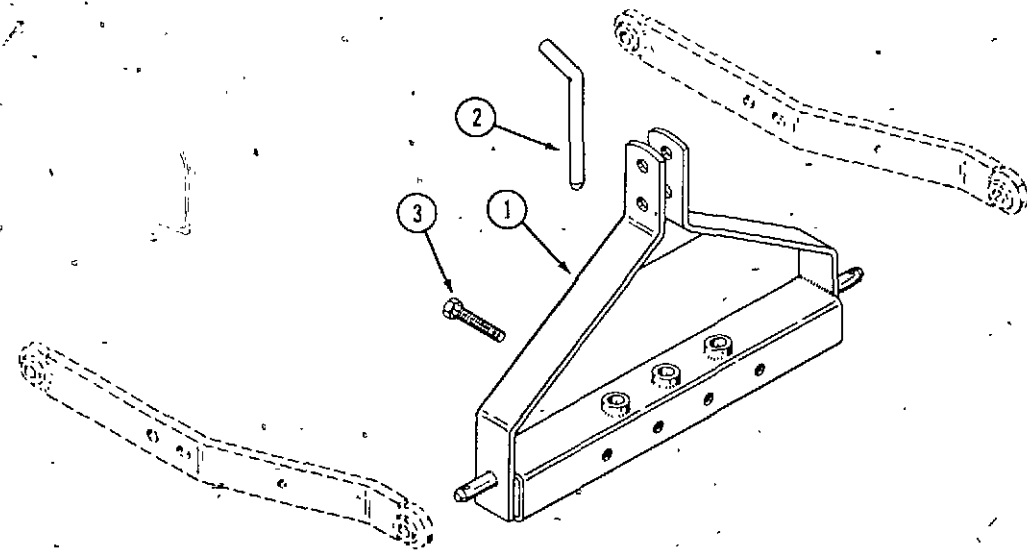
CASE MODEL 446 AND 448 COMPACT TRACTOR

J26 THREE POINT HITCH  
HYDRAULIC CONNECTIONS AND COMPONENTS

| REF. | PART NO.  | DESCRIPTION  | REQ'D |
|------|-----------|--|-------|
| 1    | 221- 1139 | NIPPLE - 1/4" x 3"                                 | 1     |
| 2    | 221- 1375 | ELBOW - 90 degrees                                 | 1     |
| 3    | C 25369   | HOSE - hydraulic, short                            | 1     |
| 4    | C 25368   | HOSE - hydraulic, long                             | 1     |
| 5    | 218- 5479 | FITTING - "T", swivel (includes 218-5004 "O" ring) | 2     |
| 6    | NSS       | CYLINDER ASSEMBLY (use C26494 and C30049)          | 1     |
| 7    | C 19476   | BODY - cylinder (also use C30049)                  | 1     |
| 8    | C 19469   | ROD AND PISTON ASSEMBLY                            | 1     |
| 9    | NSS       | BASE - cylinder (use C27590 cylinder)              | 1     |
| 10   | C 14970   | SEAL - wiper                                       | 1     |
| 11   | C 28487   | "O" RING   | 1     |
| 12   | C 28697   | "O" RING   | 2     |

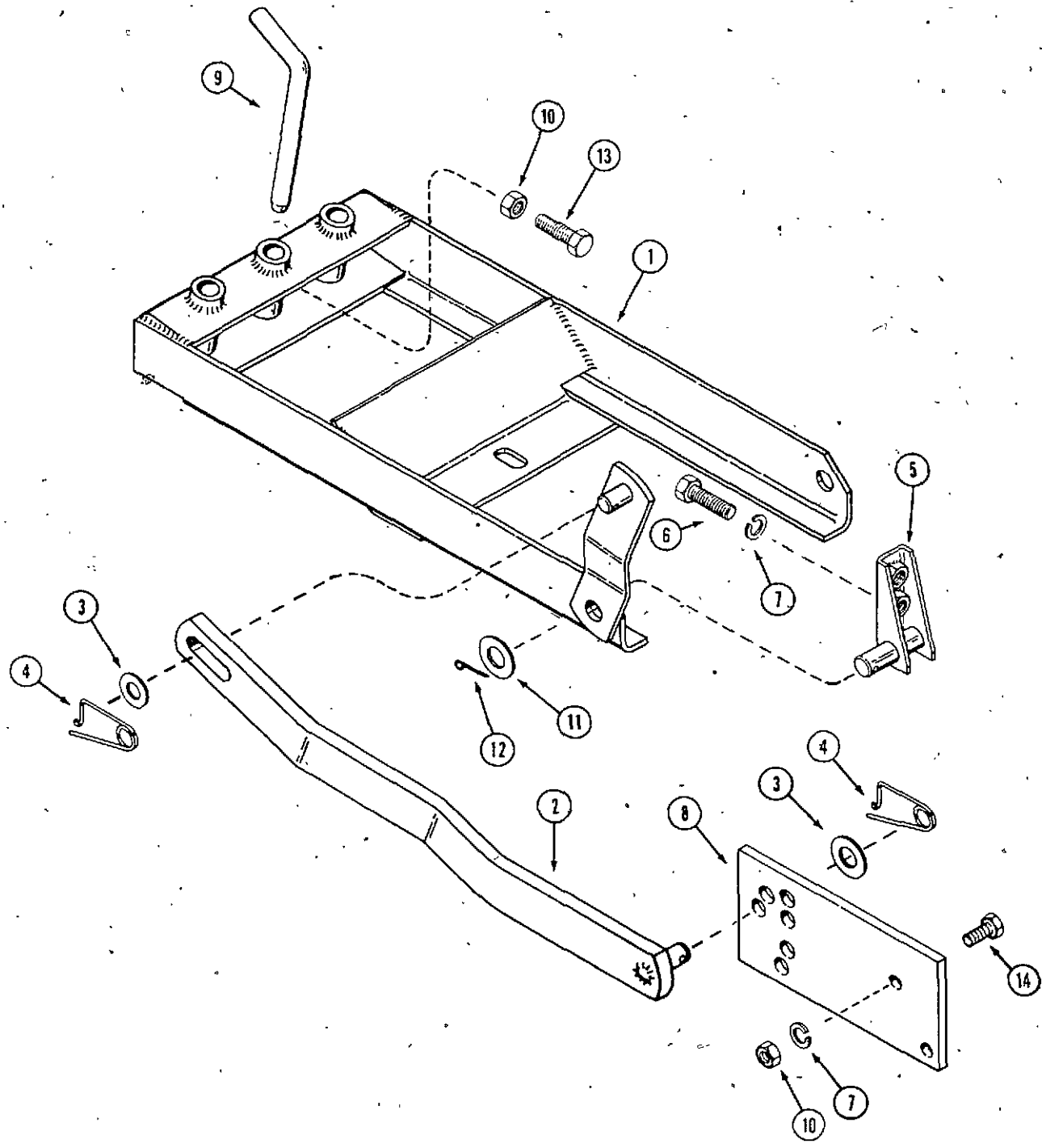
F27 HITCH ADAPTER

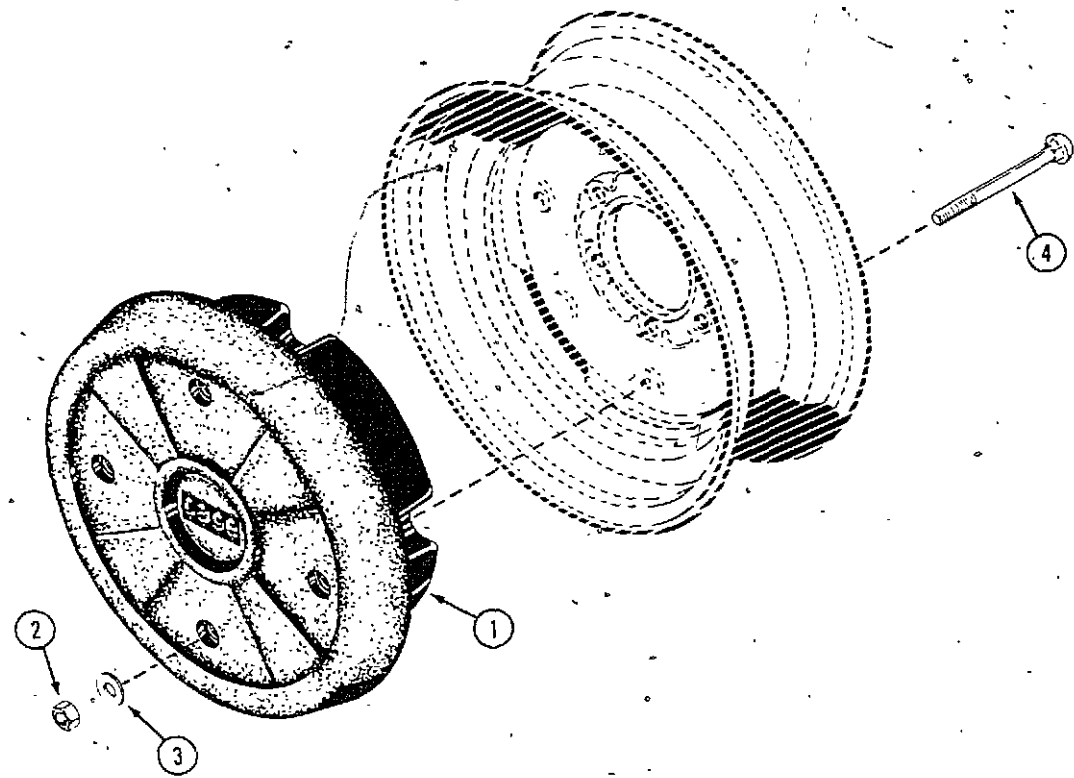
|   |          |                            |   |
|---|----------|----------------------------|---|
| 1 | C 14872  | BRACKET - hitch adapter    | 1 |
| 2 | C 14568  | PIN - drawbar              | 1 |
| 3 | 113- 425 | BOLT - 1/2" x 3" N. C. hex | 4 |



K24 SLEEVE HITCH

| REF. | PART NO. | DESCRIPTION                           | REQ'D |
|------|----------|---------------------------------------|-------|
| 1    | C 22218  | HITCH FRAME ASSEMBLY                  | 1     |
| 2    | C 25371  | ARM - lift                            | 1     |
| 3    | 195- 541 | WASHER - plain 21/32"                 | 2     |
| 4    | C 10898  | PIN - retaining                       | 2     |
| 5    | C 14459  | BRACKET - hitch mounting R.H. (shown) | 1     |
| 5    | C 25789  | BRACKET - hitch mounting L.H.         | 1     |
| 6    | 113- 410 | BOLT - 1/2" x 1-1/2" N.C. hex, zinc   | 6     |
| 7    | 192- 23  | LOCK WASHER - 1/2" zinc               | 6     |
| 8    | C 25382  | PLATE - lift lever                    | 1     |
| 9    | C 14568  | PIN - drawbar                         | 1     |
| 10   | 129- 105 | NUT - 1/2" N.C. hex, zinc             | 4     |
| 11   | 195- 545 | WASHER - plain 3/4" zinc              | 2     |
| 12   | 132- 306 | PIN - cotter 3/16" x 1-3/4"           | 2     |
| 13   | 22- 844  | BOLT - 1/2" x 2" N.C. hex, zinc       | 2     |
| 14   | 113- 417 | BOLT - 1/2" x 1-1/4" hex              | 2     |

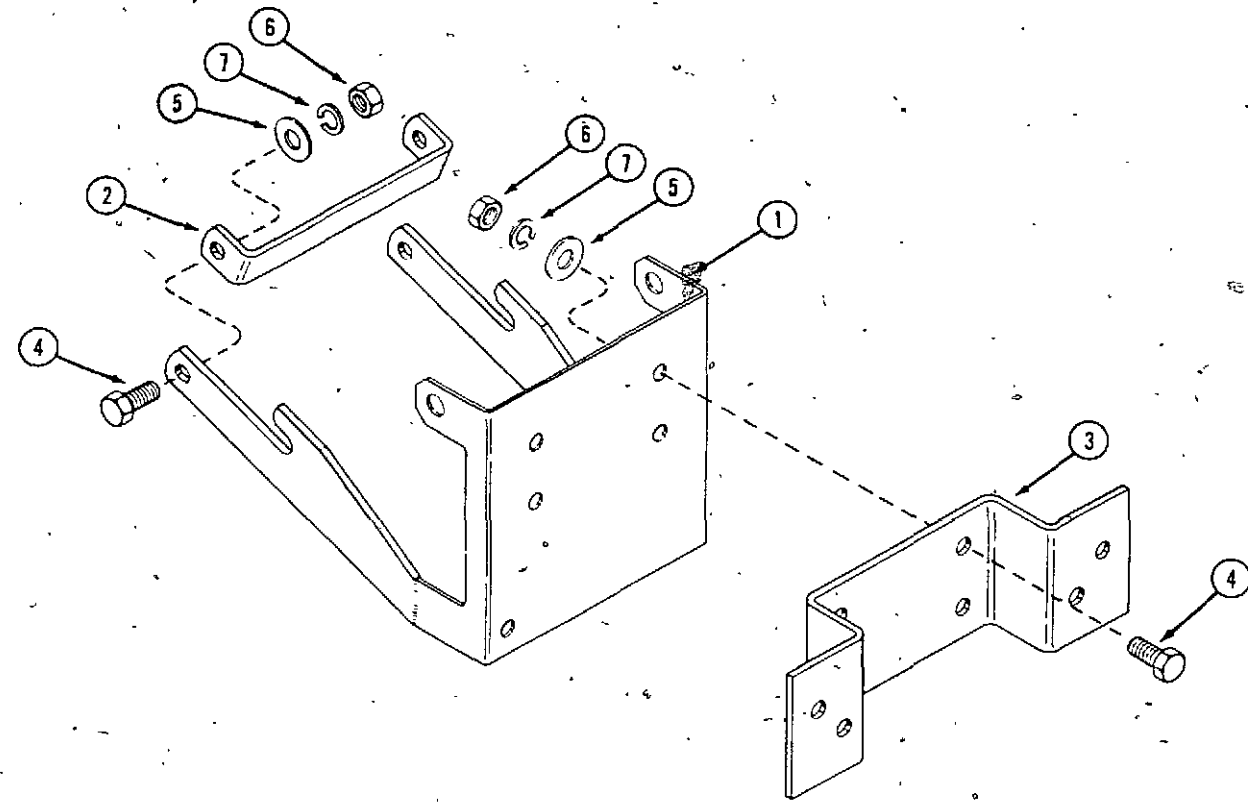




CASE MODEL 446 AND 448 COMPACT TRACTOR

K10 WHEEL WEIGHTS

| REF. | PART NO.  | DESCRIPTION                                      | REQ'D |
|------|-----------|--|-------|
| 1    | NSS       | WEIGHT - wheel, 75 lb. (order as machinery item) | 2     |
| 2    | 131- 1182 | NUT - 1/2" N.C. hex                              | 4     |
| 3    | 195- 533  | WASHER - 1/2"                                    | 8     |
| 4    | 111- 525  | BOLT - 1/2" x 6" round head, square neck         | 8     |



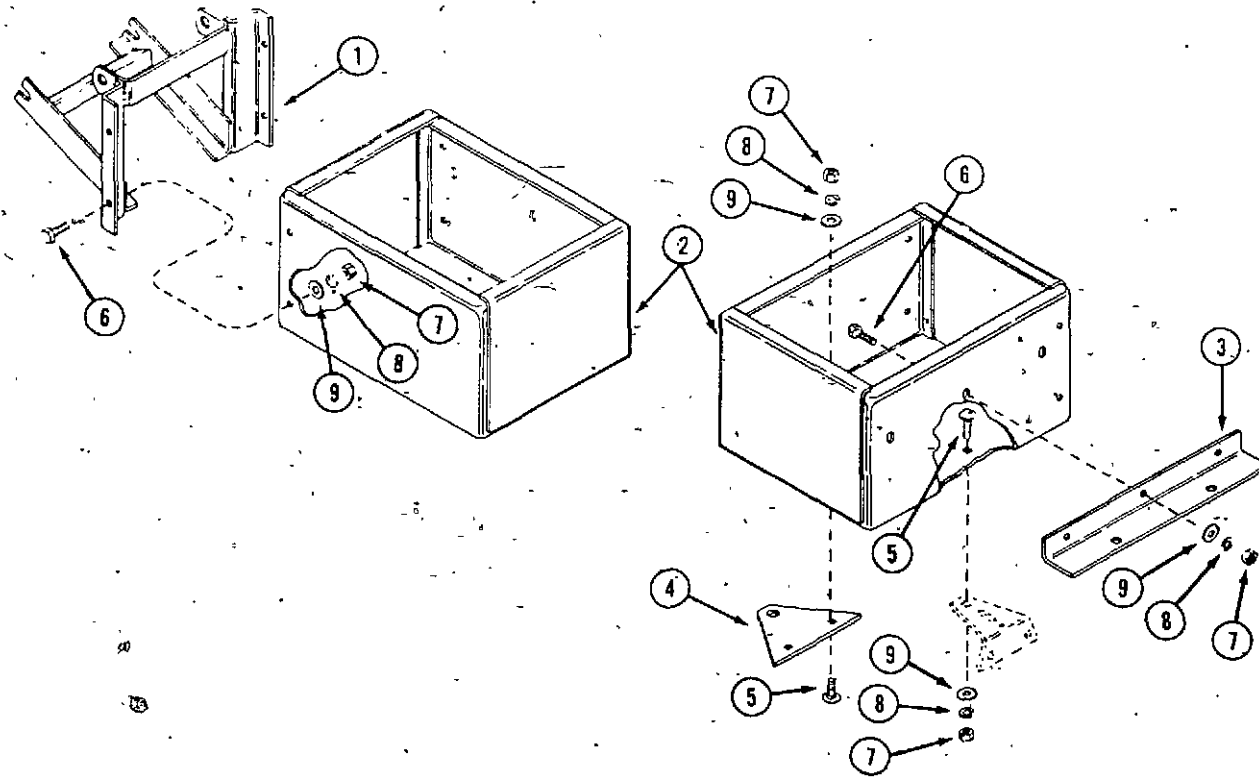
CASE MODEL 446 AND 448 COMPACT TRACTOR

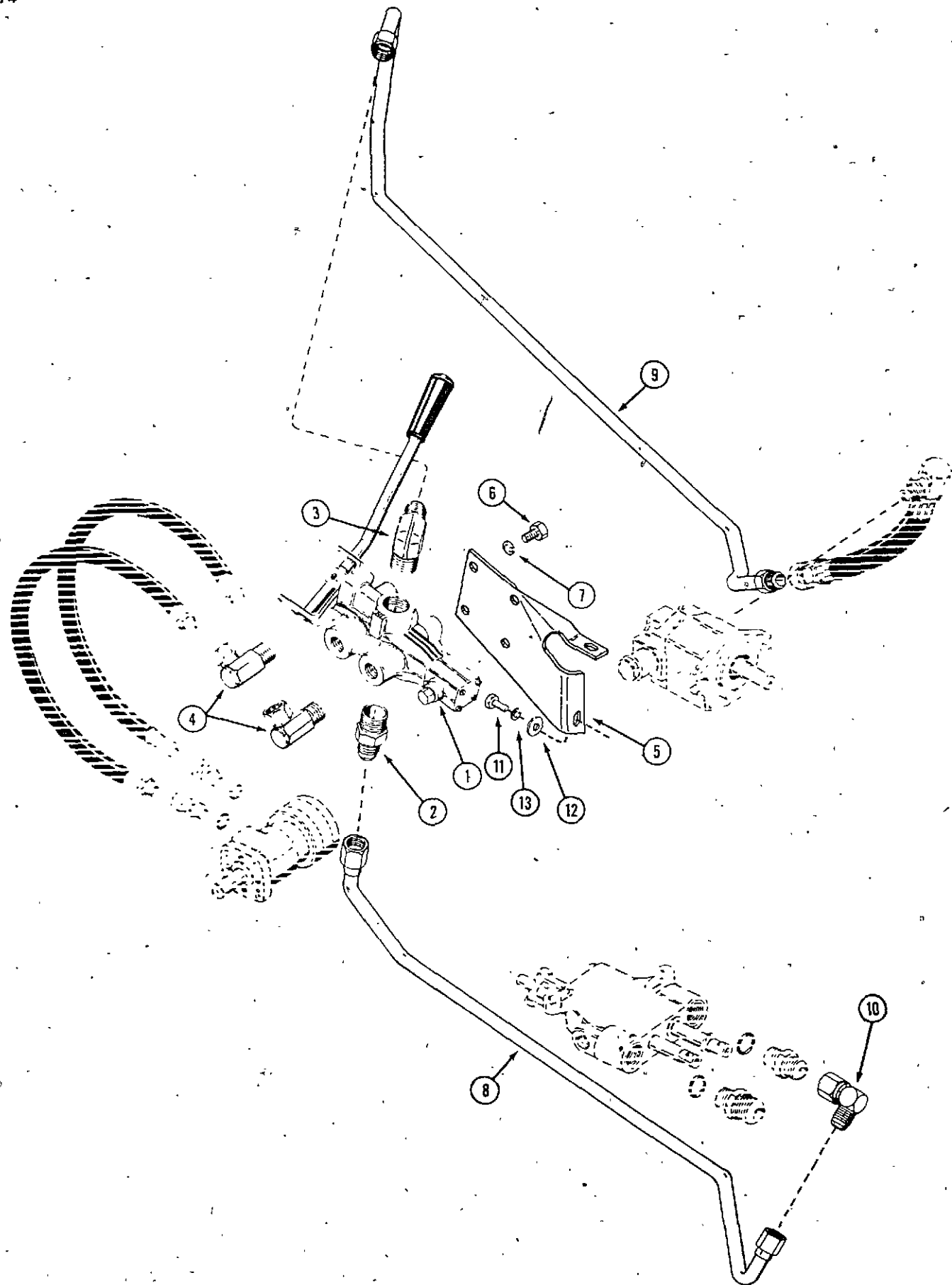
H18 FRONT END WEIGHT BRACKETS

| REF. | PART NO. | DESCRIPTION                               | REQ'D |
|------|----------|---|-------|
| 1    | C 16581  | BRACKET - mounting .....                  | 1     |
| 2    | C 17161  | BRACE - rear .....                        | 1     |
| 3    | C 17162  | BRACKET - weight mounting .....           | 1     |
| 4    | 113- 417 | BOLT - 1/2" x 1-1/2" N.C. hex, zinc ..... | 6     |
| 5    | 195- 533 | WASHER - 1/2" zinc .....                  | 6     |
| 6    | 129- 105 | NUT - 1/2" N.C. hex, zinc .....           | 6     |
| 7    | 192- 23  | LOCK WASHER - 1/2" .....                  | 6     |

H13 WEIGHT BOX

| REF. | PART NO. | DESCRIPTION                                    | REQ'D |
|------|----------|--|-------|
| 1    | C 17859  | FRAME - weight box .....                       | 1     |
| 2    | C 17863  | BOX - weight .....                             | 1     |
| 3    | C 17860  | SUPPORT - weight box .....                     | 1     |
| 4    | C 17636  | PLATE - hitch .....                            | 1     |
| 5    | 111- 371 | BOLT - 3/8" x 1" round head, square neck ..... | 3     |
| 6    | 113- 207 | BOLT - 3/8" x 1" N.C. hex .....                | 4     |
| 7    | 129- 103 | NUT - 3/8" N.C. hex .....                      | 7     |
| 8    | 192- 21  | LOCK WASHER - 3/8" .....                       | 7     |
| 9    | 195- 525 | WASHER - 3/8" .....                            | 7     |





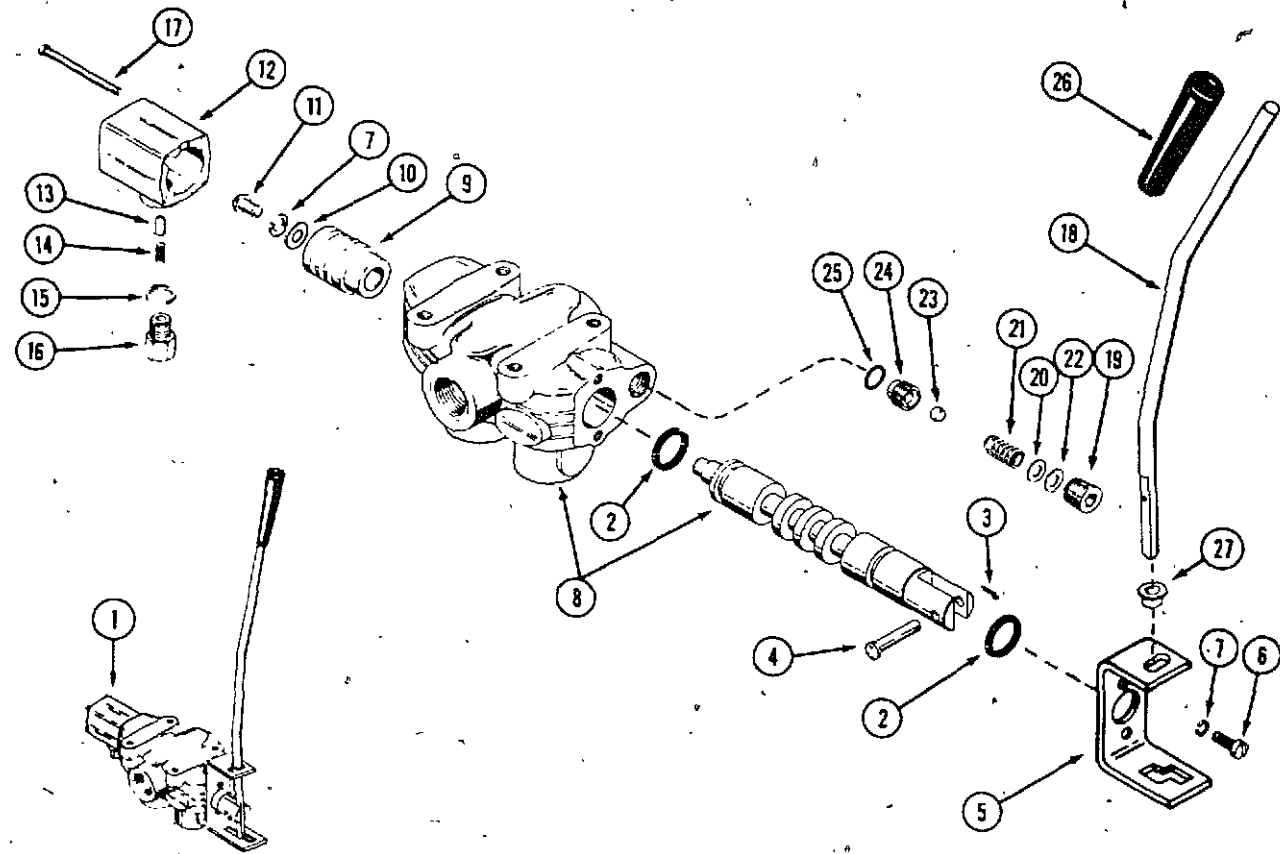
CASE MODEL 446 AND 448 COMPACT TRACTOR

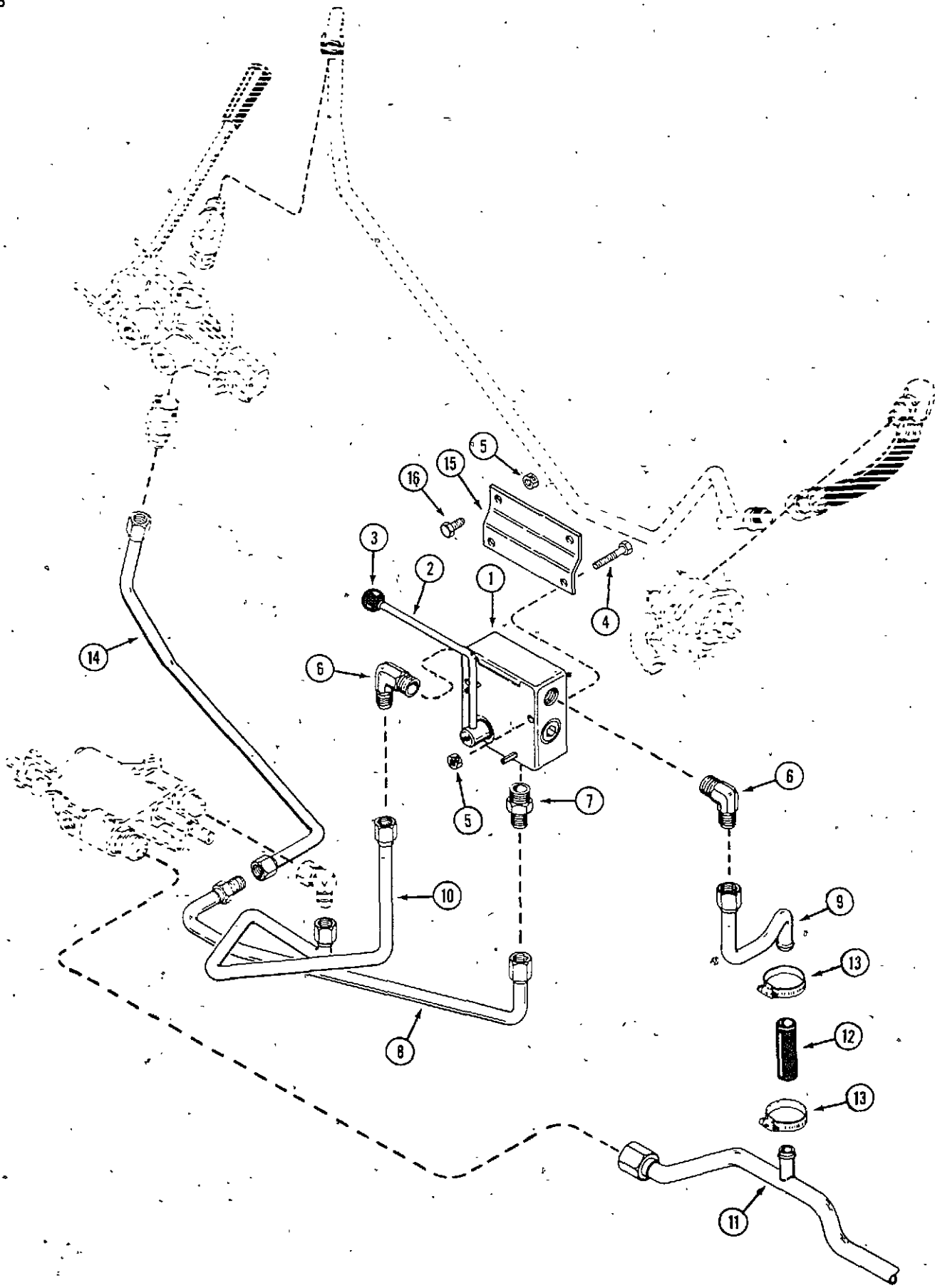
L17 HYDRAULIC PTO KIT

| REF. | PART NO.  | DESCRIPTION  | REQ'D |
|------|-----------|--|-------|
| 1    | C 30044   | VALVE - PTO control .....  | 1     |
| 2    | 218- 457  | FITTING - straight 3/4" NPT x 5/8" tube .....                      | 1     |
| 3    | 218- 494  | FITTING - elbow 90 degrees, 3/4" NPT x 5/8" tube .....             | 1     |
| 4    | 218- 927  | FITTING - elbow 90 degrees, 1/2" NPT x 1/2" female swivel .....    | 2     |
| 5    | C 23337   | BRACKET - valve mounting .....                                     | 1     |
| 6    | 113- 206  | BOLT - 3/8" x 3/4" N.C. hex .....                                  | 4     |
| 7    | 192- 21   | LOCK WASHER - 3/8" .....   | 4     |
| 8    | C 25343   | TUBE - PTO valve to travel control valve .....                     | 1     |
| 9    | C 25344   | TUBE - pump to PTO valve .....                                     | 1     |
| 10   | 218- 5232 | FITTING - 90 degrees swivel elbow flare 3/4" NPT x 5/8" tube ..... | 1     |
| 11   | 113- 103  | BOLT - 5/16" x 1" N.C. hex .....                                   | 2     |
| 12   | 195- 521  | WASHER - 5/16" .....   | 2     |
| 13   | 192- 20   | LOCK WASHER - 5/16" .....  | 2     |

L17 HYDRAULIC PTO VALVE

| REF. | PART NO. | DESCRIPTION                                      | REQ'D |
|------|----------|--|-------|
| 1    | C 30044  | VALVE - control                                  | 1     |
| 2    | C 11891  | SEAL - "U" cup                                   | 2     |
| 3    | 132- 5   | PIN - cotter 1/16" x 1/2"                        | 1     |
| 4    | C 28875  | PIN - handle                                     | 1     |
| 5    | C 19422  | BRACKET - handle                                 | 1     |
| 6    | 169- 145 | SCREW - 1/4" x 5/8" N.C. special head            | 2     |
| 7    | C 28873  | LOCK WASHER - 1/4"                               | 3     |
| 8    | NSS      | BODY AND SPOOL ASSEMBLY - (use C30044) valve)    | 1     |
| 9    | C 11895  | ADAPTER - spool                                  | 1     |
| 10   | 195- 102 | WASHER - plain 1/4"                              | 1     |
| 11   | 75- 48   | SCREW - 1/4" x 1/2" round head                   | 1     |
| 12   | C 11893  | COVER - detent                                   | 1     |
| 13   | C 11901  | PIN - detent                                     | 1     |
| 14   | C 11892  | SPRING - detent                                  | 1     |
| 15   | C 11886  | WASHER - detent spring                           | 1     |
| 16   | C 11887  | CAP - detent                                     | 1     |
| 17   | 169- 88  | SCREW - cover no. 8 - 32 x 2-1/4" fillister head | 4     |
| 18   | C 19423  | LEVER - valve                                    | 1     |
| 19   | 221- 842 | PLUG - relief 3/8" pipe thread                   | 1     |
| 20   | C 28700  | SHIM - .010" (0.25 mm) thick                     | UAR   |
| 21   | C 28716  | SPRING - relief                                  | 1     |
| 22   | C 28698  | SHIM - .020" thick (0.51 mm)                     | UAR   |
| 23   | 211- 11  | BALL - relief 3/8" (9.53 mm)                     | 1     |
| 24   | C 18417  | SEAT - relief                                    | 1     |
| 25   | C 28696  | "O" RING - relief seat                           | 1     |
| 26   | C 28237  | KNOB - hand throttle                             | 1     |
| 27   | C 26266  | BUSHING - nylon                                  | 1     |

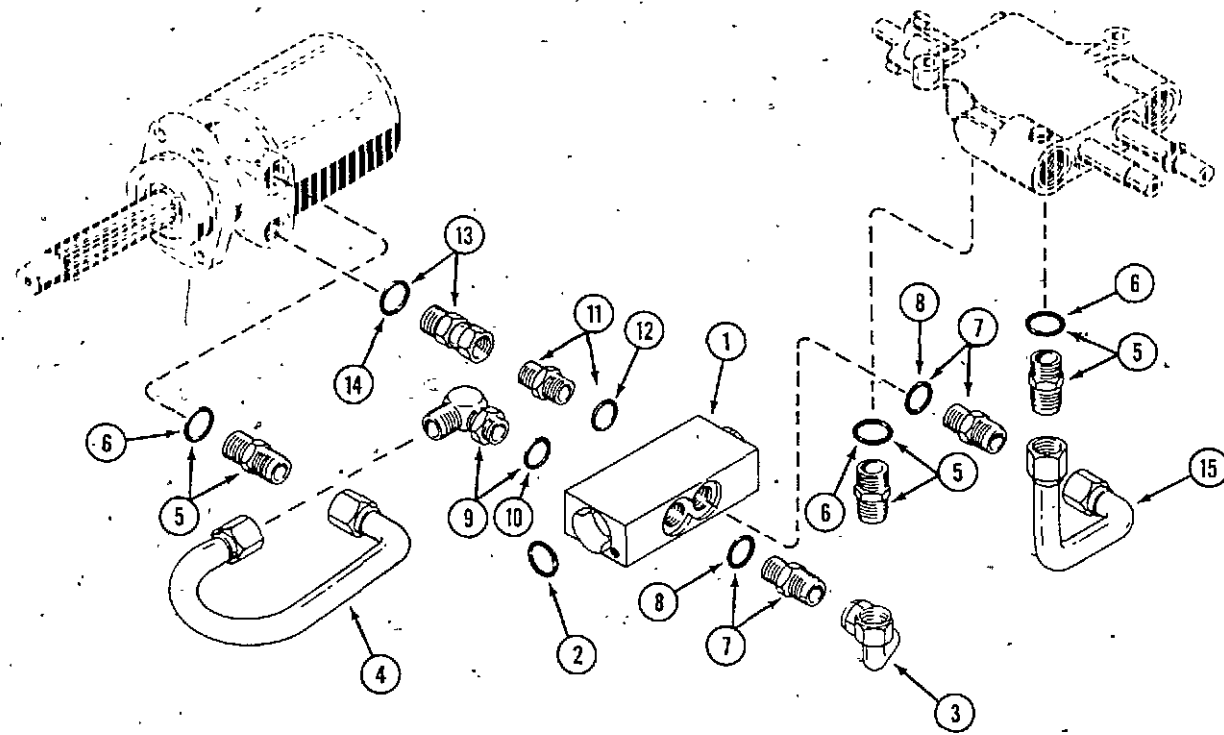




M19 FLOW CONTROL VALVE KIT

| REF. | PART NO.  | DESCRIPTION                                      | REQ'D |
|------|-----------|--|-------|
| 1    | C 23618   | VALVE - flow control                             | 1     |
|      | C 28217   | "O" RING - shaft 3/4" I.D. x 15/16" O.D. x 3/32" | 2     |
|      | C 28710   | RING - snap                                      | 2     |
| 2    | C 18720   | LEVER - valve                                    | 1     |
| 3    | C 28251   | KNOB - lever                                     | 1     |
| 4    | 113- 15   | BOLT - 1/4" x 2-1/4" NC hex                      | 2     |
| 5    | 131- 1180 | NUT - lock 1/4" NC hex                           | 4     |
| 6    | 218- 485  | FITTING - elbow 90 degree 1/2" pipe thread       | 2     |
| 7    | 218- 445  | FITTING - straight 1/2" pipe thread              | 1     |
| 8    | C 25390   | TUBE - flow control valve to tube                | 1     |
| 9    | C 23407   | TUBE - bypass port to return line                | 1     |
| 10   | C 23600   | TUBE - valve to tractor valve                    | 1     |
| 11   | C 26181   | TUBE - heat exchanger                            | 1     |
| 12   | C 18721   | HOSE - return                                    | 1     |
| 13   | 214- 254  | CLAMP - hose                                     | 2     |
| 14   | C 25392   | TUBE - PTO valve to tube                         | 1     |
| 15   | C 25391   | PLATE - adapter                                  | 2     |
| 16   | 113- 2    | BOLT - 1/4" - 20 x 5/8"                          | 2     |
|      | C 18719   | DECAL - valve, "slow/fast" (English)             | 1     |
|      | 321- 4699 | DECAL - valve, "slow/fast" (French)              | 1     |





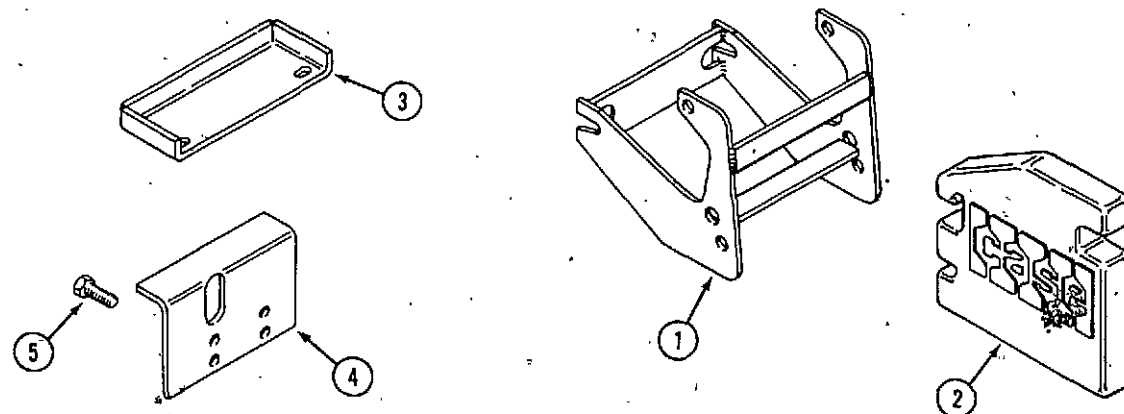
CASE MODEL 446 AND 448 COMPACT TRACTORS

M9 HOLDING VALVE

| REF. | PART NO.  | DESCRIPTION  | REQ'D |
|------|-----------|--|-------|
| 1    | C 24995   | VALVE - holding  | 1     |
| 2    | C 28487   | "O" RING - end caps                                    | 2     |
| 3    | NSS       | TUBE - valve to valve (use C27806, 218-5107, 218-5117) | 1     |
| 4    | C 24994   | TUBE - valve to motor                                  | 1     |
| 5    | 218- 5062 | CONNECTOR - straight, male                             | 3     |
| 6    | 218- 5007 | "O" RING   | 1     |
| 7    | 218- 5066 | CONNECTOR - straight, male                             | 2     |
| 8    | 218- 5006 | "O" RING   | 1     |
| 9    | 218- 5117 | ELBOW - adjustable                                     | 1     |
| 10   | 218- 5006 | "O" RING   | 1     |
| 11   | NSS       | CONNECTOR - straight, male (use 218-5254, 218-5406)    | 1     |
| 12   | 218- 5006 | "O" RING   | 1     |
| 13   | 218- 5251 | CONNECTOR - straight, male/female swivel               | 1     |
| 14   | 218- 5007 | "O" RING   | 1     |
| 15   | C 25341   | TUBE - valve to valve                                  | 1     |

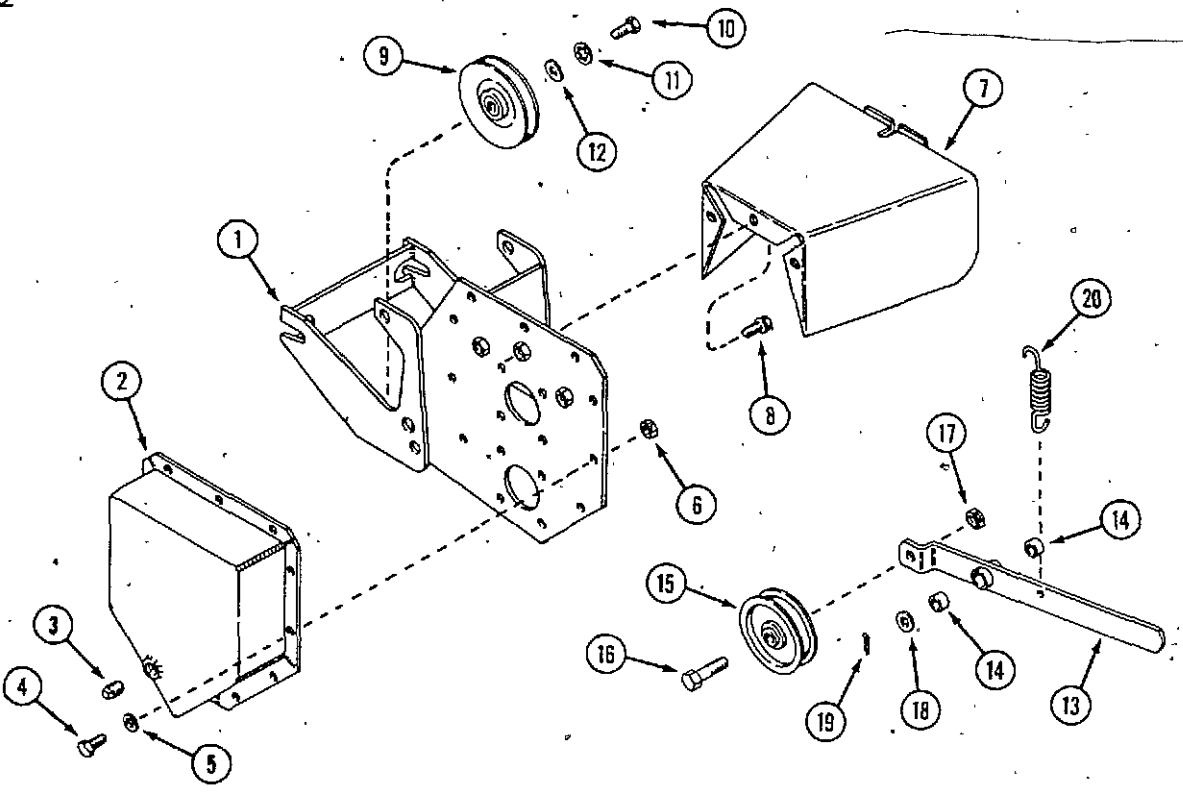
L11 WEIGHT KIT

|   |          |                                 |   |
|---|----------|---------------------------------|---|
| 1 | C 25572  | BRACKET - mounting, front       | 1 |
| 2 | C 25574  | WEIGHT - 40 lb. (18 kg.)        | 4 |
| 3 | C 25791  | BRACKET - mounting, rear, upper | 1 |
| 4 | C 25792  | BRACKET - mounting, rear, lower | 1 |
| 5 | 113- 417 | BOLT - 1/2" - 13 x 1-1/4" hex   | 2 |



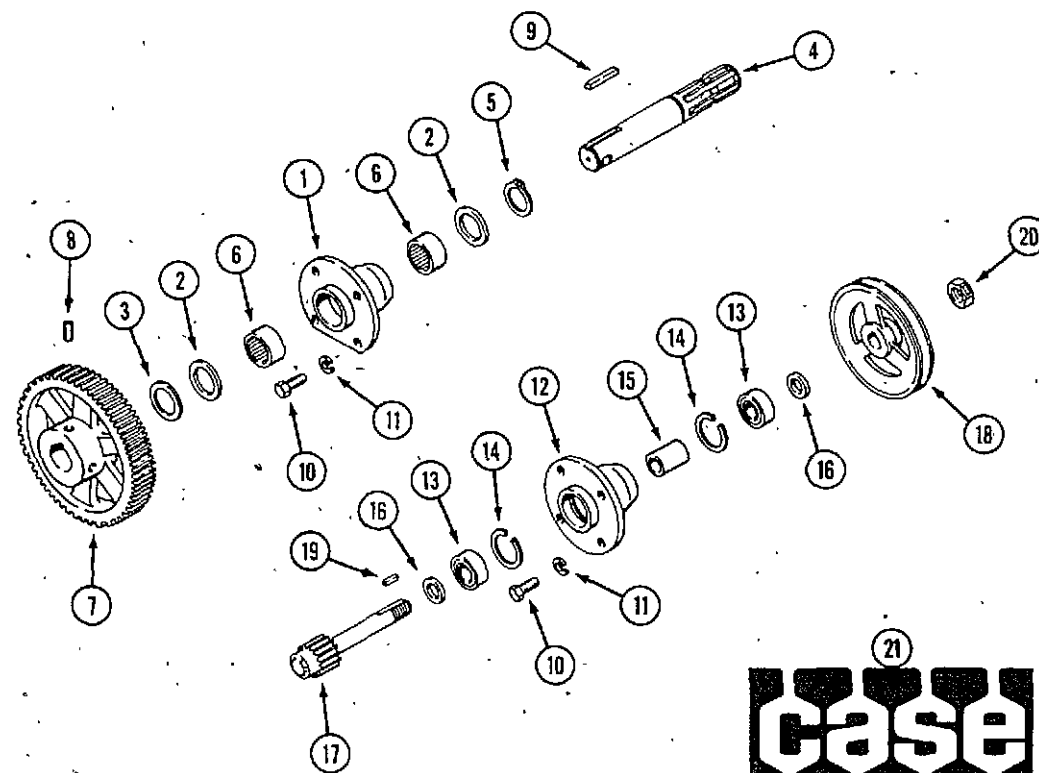
L29 PTO MOUNTING FRAME, SHIELD, IDLERS AND GEAR COVER

| REF. | PART NO.  | DESCRIPTION                       | REQ'D |
|------|-----------|-----------------------------------|-------|
| 1    | C 25800   | FRAME - mounting                  | 1     |
| 2    | C 25815   | COVER - gear                      | 1     |
| 3    | 221- 844  | PLUG - oil 1/2"                   | 1     |
| 3    | 221- 3    | PLUG - oil 3/8"                   | 2     |
| 4    | 113- 3    | BOLT - 1/4" - 20 x 3/4" hex       | 9     |
| 5    | 195- 521  | WASHER - 5/16"                    | 9     |
| 6    | 131- 1180 | NUT - 1/4" - 20 hex               | 9     |
| 7    | C 25817   | SHIELD - PTO                      | 1     |
| 8    | 121- 106  | BOLT - 5/16" - 18 x 1/2", special | 3     |
| 9    | C 25370   | PULLEY - "V" groove               | 1     |
| 10   | 113- 206  | BOLT - 3/8" - 16 x 3/4"           | 1     |
| 11   | 193- 68   | LOCK WASHER - special             | 1     |
| 12   | 195- 103  | WASHER - 3/8"                     | 1     |
| 13   | C 25822   | ARM - idler                       | 1     |
| 14   | C 28308   | BUSHING - sleeve                  | 2     |
| 15   | C 26090   | PULLEY - flat idler               | 1     |
| 16   | 113- 412  | BOLT - 1/2" - 13 x 1-3/4" hex     | 1     |
| 17   | 131- 165  | NUT - 1/2" lock, hex              | 1     |
| 18   | 195- 541  | WASHER - 5/8"                     | 1     |
| 19   | 132- 318  | PIN - cotter 5/32" x 1"           | 1     |
| 20   | C 16870   | SPRING - tension                  | 1     |

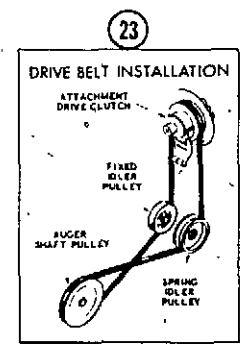


L29 SPINDLES, DECALS AND BELT

|    |           |                              |   |
|----|-----------|------------------------------|---|
| 1  | C 25806   | HOUSING - PTO shaft          | 1 |
| 2  | C 25807   | WASHER - thrust              | 2 |
| 3  | 195- 2131 | WASHER - spacer              | 1 |
| 4  | C 25808   | SHAFT - spline               | 1 |
| 5  | C 28258   | RING - retainer              | 1 |
| 6  | C 25828   | BEARING - roller             | 2 |
| 7  | C 25814   | GEAR - driven                | 1 |
| 8  | 83- 68    | SET SCREW - 3/8"             | 2 |
| 9  | C 28260   | KEY - 5/16" x 2"             | 1 |
| 10 | 113- 206  | BOLT - 3/8" - 16 x 3/4" hex  | 8 |
| 11 | 192- 21   | LOCK WASHER - 3/8"           | 8 |
| 12 | C 17666   | HOUSING - spindle            | 1 |
| 13 | C 28971   | BEARING                      | 2 |
| 14 | C 16516   | RING - retaining             | 2 |
| 15 | C 10810   | SPACER - bearing             | 1 |
| 16 | C 25541   | WASHER - spacer              | 2 |
| 17 | C 25810   | SPINDLE - input              | 1 |
| 18 | C 25813   | PULLEY - spindle             | 1 |
| 19 | C 28300   | KEY - 3/16" square x 7/8"    | 1 |
| 20 | 131- 1331 | NUT - 3/4" - 16 lock, hex    | 1 |
| 21 | 321- 6379 | DECAL - "Case"               | 1 |
| 22 | C 28354   | DECAL - "Warning" (English)  | 1 |
| 22 | 321- 6647 | DECAL - "Warning" (French)   | 1 |
| 23 | 321- 4745 | DECAL - drive belt (French)  | 1 |
| 23 | C 17462   | DECAL - drive belt (English) | 1 |
| 23 | C 23539   | BELT - drive (446, 448)      | 1 |



**WARNING**  
 ROTATING MACHINE PARTS  
 STAY CLEAR, KEEP  
 SHIELDS INSTALLED TO HELP  
 PROTECT FROM CLOTHING  
 ENTANGLEMENT AND INJURY.



## NUMERICAL INDEX

| PART NO. | PAGE NO. | REF. NO. | PART NO. | PAGE NO. | REF. NO. |
|----------|----------|----------|----------|----------|----------|
| A62079   | 23       | 2        | C14838   | 41       | 16       |
| C10657   | 23       | 1        | C14872   | 67       | 1        |
| C10810   | 83       | 15       | C14906   | 25       | 11       |
| C10898   | 69       | 4        | C14970   | 57       | 33       |
| C11529   | 23       | 5        | C14970   | 67       | 10       |
| C11545   | 23       | 6        | C14976   | 65       | 3        |
| C11886   | 77       | 15       | C14991   | 65       | 9        |
| C11887   | 77       | 16       | C15036   | 43       | 21       |
| C11891   | 77       | 2        | C15036   | 45       | 21       |
| C11893   | 77       | 12       | C15096   | 35       | 16       |
| C11895   | 77       | 9        | C15410   | 29       | 14       |
| C11901   | 77       | 13       | C15410   | 31       | 9        |
| C12102   | 33       | 22       | C15515   | 27       | 7        |
| C12110   | 37       | 5        | C15557   | 27       | 8        |
| C12552   | 55       | 26       | C15731   | 43       | 4        |
| C12713   | 55       | 2        | C15731   | 45       | 4        |
| C12718   | 55       | 36       | C15732   | 43       | 5        |
| C12725   | 55       | 21       | C15732   | 45       | 5        |
| C12975   | 33       | 10       | C15733   | 43       | 6        |
| C12975   | 35       | 20       | C15733   | 45       | 6        |
| C13106   | 33       | 8        | C15734   | 43       | 7        |
| C13106   | 35       |          | C15734   | 45       | 7        |
| C13106   | 37       |          | C15735   | 43       | 8        |
| C13106   | 57       |          | C15735   | 45       | 8        |
| C13196   | 55       | 16       | C15737   | 43       | 10       |
| C13197   | 55       | 17       | C15737   | 45       | 10       |
| C13200   | 49       | 12       | C15738   | 43       | 11       |
| C13241   | 55       | 5        | C15738   | 45       | 11       |
| C13266   | 55       | 7        | C15739   | 43       | 12       |
| C13360   | 49       | 1        | C15739   | 45       | 12       |
| C13385   | 55       | 6        | C15740   | 43       | 13       |
| C13605   | 33       | 23       | C15740   | 45       | 13       |
| C13716   | 33       | 6        | C16128   | 65       | 20       |
| C14168   | 55       | 23       | C16133   | 57       | 30       |
| C14200   | 35       | 6        | C16164   | 37       | 6        |
| C14201   | 35       | 7        | C16361   | 29       | 31       |
| C14222   | 55       | 39       | C16362   | 29       | 12       |
| C14223   | 55       | 37       | C16373   | 29       | 24       |
| C14304   | 61       | 7        | C16393   | 31       | 17       |
| C14459   | 69       | 5        | C16429   | 31       | 7        |
| C14534   | 31       | 12       | C16516   | 41       | 1        |
| C14537   | 59       | 8        | C16516   | 83       | 14       |
| C14553   | 59       | 17       | C16581   | 73       | 1        |
| C14565   | 59       | 4        | C16616   | 27       | 1        |
| C14568   | 67       | 2        | C16786   | 27       | 13       |
| C14568   | 69       | 9        | C16870   | 83       | 20       |
| C14644   | 55       | 24       | C16945   | 35       | 1        |
| C14655   | 39       | 35       | C17066   | 31       | 20       |
| C14655   | 41       |          | C17152   | 31       | 14       |
| C14690   | 23       | 8        | C17161   | 73       | 2        |
| C14703   | 65       | 16       | C17162   | 73       | 3        |
| C14709   | 65       | 17       | C17216   | 31       | 19       |
| C14710   | 65       | 18       | C17224   | 57       | 28       |
| C14712   | 65       |          | C17249   | 57       | 6        |
| C14715   | 65       | 8        | C17250   | 57       | 7        |
| C14717   | 65       | 15       | C17300   | 45       | 18       |
| C14722   | 65       | 3        | C17433   | 49       | 8        |
| C14724   | 65       | 4        | C17433   | 51       | 8        |
| C14725   | 65       | 14       | C17433   | 53       | 8        |
| C14728   | 31       | 16       | C17435   | 49       | 9        |
| C14729   | 29       | 20       | C17435   | 51       | 9        |
| C14827   | 41       | 4        | C17435   | 53       | 9        |
| C14828   | 41       | 7        | C17438   | 49       | 17       |
| C14829   | 41       | 8        | C17438   | 51       | 17       |
| C14830   | 41       | 9        | C17438   | 53       | 17       |
| C14831   | 41       | 10       | C17438   | 53       | 17       |
| C14836   | 41       | 15       | C17439   | 49       | 11       |
| C14837   | 41       | 5        | C17440   | 49       | 14       |

| PART NO. | PAGE NO. | REF. NO. | PART NO. | PAGE NO. | REF. NO. |
|----------|----------|----------|----------|----------|----------|
| C17443   | 49       | 18       | C17443   | 49       | 18       |
| C17443   | 53       | 31       | C17443   | 53       | 31       |
| C17443   | 53       | 31       | C17444   | 49       | 19       |
| C17444   | 49       | 19       | C17444   | 51       | 19       |
| C17444   | 51       | 19       | C17444   | 53       | 19       |
| C17444   | 53       | 19       | C17444   | 53       | 19       |
| C17444   | 53       | 19       | C17462   | 83       | 23       |
| C17462   | 83       | 23       | C17636   | 73       | 4        |
| C17636   | 73       | 4        | C17666   | 83       | 12       |
| C17666   | 83       | 12       | C17732   | 57       | 32       |
| C17732   | 57       | 32       | C17734   | 57       | 5        |
| C17734   | 57       | 5        | C17859   | 73       | 1        |
| C17859   | 73       | 1        | C17860   | 73       | 3        |
| C17860   | 73       | 3        | C17863   | 73       | 2        |
| C17863   | 73       | 2        | C18014   | 35       | 2        |
| C18014   | 35       | 2        | C18017   | 35       | 21       |
| C18017   | 35       | 21       | C18036   | 61       | 26       |
| C18036   | 61       | 26       | C18113   | 59       | 14       |
| C18113   | 59       | 14       | C18147   | 37       | 7        |
| C18147   | 37       | 7        | C18153   | 29       | 11       |
| C18153   | 29       | 11       | C18251   | 57       | 3        |
| C18251   | 57       | 3        | C18382   | 41       | 6        |
| C18382   | 41       | 6        | C18417   | 77       | 24       |
| C18417   | 77       | 24       | C18719   | 79       |          |
| C18719   | 79       |          | C18720   | 79       | 2        |
| C18720   | 79       | 2        | C18721   | 79       | 12       |
| C18721   | 79       | 12       | C18742   | 41       | 6        |
| C18742   | 41       | 6        | C18742   | 57       | 18       |
| C18742   | 57       | 18       | C18797   | 39       | 21       |
| C18797   | 39       | 21       | C18813   | 33       | 1        |
| C18813   | 33       | 1        | C18847   | 51       | 35       |
| C18847   | 51       | 35       | C18851   | 49       |          |
| C18851   | 49       |          | C18851   | 51       |          |
| C18851   | 51       |          | C18892   | 77       | 14       |
| C18892   | 77       | 14       | C18916   | 39       | 6        |
| C18916   | 39       | 6        | C18916   | 45       | 17       |
| C18916   | 45       | 17       | C19025   | 41       | 8        |
| C19025   | 41       | 8        | C19025   | 57       | 20       |
| C19025   | 57       | 20       | C19040   | 41       | 2        |
| C19040   | 41       | 2        | C19041   | 41       | 14       |
| C19041   | 41       | 14       | C19104   | 57       | 31       |
| C19104   | 57       | 31       | C19115   | 43       | 16       |
| C19115   | 43       | 16       | C19115   | 45       | 16       |
| C19115   | 45       | 16       | C19207   | 45       | 15       |
| C19207   | 45       | 15       | C19207   | 45       | 9        |
| C19207   | 45       | 9        | C19212   | 41       | 17       |
| C19212   | 41       | 17       | C19378   | 59       | 7        |
| C19378   | 59       | 7        | C19417   | 31       | 6        |
| C19417   | 31       | 6        | C19422   | 77       | 5        |
| C19422   | 77       | 5        | C19423   | 77       | 18       |
| C19423   | 77       | 18       | C19469   | 67       | 8        |
| C19469   | 67       | 8        | C19476   | 67       | 7        |
| C19476   | 67       | 7        | C19521   | 61       |          |
| C19521   | 61       |          | C19661   | 57       | 1        |
| C19661   | 57       | 1        | C19740   | 65       | 1        |
| C19740   | 65       | 1        | C19740   | 65       | 1        |
| C19740   | 65       | 1        | C19767   | 25       | 15       |
| C19767   | 25       | 15       | C19867   | 25       | 12       |
| C19867   | 25       | 12       | C20039   | 25       | 14       |
| C20039   | 25       | 14       | C20053   | 25       | 7        |
| C20053   | 25       | 7        | C20093   | 25       | 5        |
| C20093   | 25       | 5        | C20202   | 9        | 16       |
| C20202   | 9        | 16       | C20203   | 9        | 16       |
| C20203   | 9        | 16       | C20204   | 9        | 16       |
| C20204   | 9        | 16       | C20205   | 9        | 16       |
| C20205   | 9        | 16       | C20215   | 9        | 19       |
| C20215   | 9        | 19       | C20218   | 9        | 24       |
| C20218   | 9        | 24       |          |          |          |

| PART NO. | PAGE NO. | REF. NO. | PART NO. | PAGE NO. | REF. NO. |
|----------|----------|----------|----------|----------|----------|
| C20219   | 9        | 25       | C20219   | 9        | 25       |
| C20223   | 9        | 2        | C20223   | 9        | 2        |
| C20226   | 9        | 6        | C20226   | 9        | 6        |
| C20229   | 9        | 8        | C20229   | 9        | 8        |
| C20233   | 9        | 11       | C20233   | 9        | 11       |
| C20241   | 9        | 14       | C20241   | 9        | 14       |
| C20243   | 11       | 20       | C20243   | 11       | 20       |
| C20244   | 11       | 21       | C20244   | 11       | 21       |
| C20245   | 11       | 22       | C20245   | 11       | 22       |
| C20247   | 11       | 24       | C20247   | 11       | 24       |
| C20248   | 11       | 25       | C20248   | 11       | 25       |
| C20250   | 11       | 26       | C20250   | 11       | 26       |
| C20251   | 11       | 28       | C20251   | 11       | 28       |
| C20256   | 11       | 3        | C20256   | 11       | 3        |
| C20267   | 11       | 6        | C20267   | 11       | 6        |
| C20268   | 11       | 7        | C20268   | 11       | 7        |
| C20269   | 11       | 8        | C20269   | 11       | 8        |
| C20270   | 11       | 9        | C20270   | 11       | 9        |
| C20271   | 11       | 10       | C20271   | 11       | 10       |
| C20272   | 11       | 11       | C20272   | 11       | 11       |
| C20274   | 17       | 6        | C20274   | 17       | 6        |
| C20276   | 11       | 40       | C20276   | 11       | 40       |
| C20277   | 13       | 40       | C20277   | 13       | 40       |
| C20278   | 17       | 7        | C20278   | 17       | 7        |
| C20283   | 13       | 43       | C20283   | 13       | 43       |
| C20285   | 13       | 43       | C20285   | 13       | 43       |
| C20287   | 11       | 14       | C20287   | 11       | 14       |
| C20288   | 13       | 44       | C20288   | 13       | 44       |
| C20289   | 13       | 44       | C20289   | 13       | 44       |
| C20290   | 13       | 44       | C20290   | 13       | 44       |
| C20291   | 13       | 44       | C20291   | 13       | 44       |
| C20292   | 11       | 16       | C20292   | 11       | 16       |
| C20293   | 13       | 46       | C20293   | 13       | 46       |
| C20294   | 13       | 47       | C20294   | 13       | 47       |
| C20295   | 11       | 17       | C20295   | 11       | 17       |
| C20296   | 13       | 48       | C20296   | 13       | 48       |
| C20297   | 13       | 48       | C20297   | 13       | 48       |
| C20298   | 13       | 48       | C20298   | 13       | 48       |
| C20299   | 13       | 48       | C20299   | 13       | 48       |
| C20302   | 11       | 18       | C20302   | 11       | 18       |
| C20303   | 9        | 20       | C20303   | 9        | 20       |
| C20305   | 15       | 2        | C20305   | 15       | 2        |
| C20307   | 15       | 4        | C20307   | 15       | 4        |
| C20309   | 15       | 6        | C20309   | 15       | 6        |
| C20310   | 15       | 7        | C20310   | 15       | 7        |
| C20312   | 15       | 9        | C20312   | 15       | 9        |
| C20313   | 15       | 10       | C20313   | 15       | 10       |
| C20320   | 15       | 17       | C20320   | 15       | 17       |
| C20322   | 15       | 19       | C20322   | 15       | 19       |
| C20325   | 15       | 30       | C20325   | 15       | 30       |
| C20330   | 15       | 33       | C20330   | 15       | 33       |
| C20331   | 15       | 28       | C20331   | 15       | 28       |
| C20333   | 17       | 9        | C20333   | 17       | 9        |
| C20334   | 17       | 10       | C20334   | 17       | 10       |
| C20335   | 17       | 11       | C20335   | 17       | 11       |
| C20336   | 17       | 13       | C20336   | 17       | 13       |
| C20337   | 17       |          | C20337   | 17       |          |
| C20344   | 19       | 16       | C20344   | 19       | 16       |
| C20345   | 19       | 11       | C20345   | 19       | 11       |
| C20347   | 19       | 12       | C20347   | 19       | 12       |
| C20349   | 59       | 22       | C20349   | 59       | 22       |
| C20359   | 17       | 1        | C20359   | 17       | 1        |
| C20360   | 17       | 2        | C20360   | 17       | 2        |
| C20361   | 17       | 3        | C20361   | 17       | 3        |
| C20369   | 17       | 4        | C20369   | 17       | 4        |
| C20371   | 17       | 6        | C20371   | 17       | 6        |
| C20372   | 17       | 8        | C20372   | 17       | 8        |
| C20375   | 17       | 12       | C20375   | 17       | 12       |

## NUMERICAL INDEX

| PART NO. | PAGE NO. | REF. NO. | PART NO. | PAGE NO. | REF. NO. |
|----------|----------|----------|----------|----------|----------|
| C20376   | 17       | 13       | C20376   | 17       | 13       |
| C20387   | 5        | 1        | C20387   | 5        | 1        |
| C20389   | 5        | 3        | C20389   | 5        | 3        |
| C20393   | 5        | 17       | C20393   | 5        | 17       |
| C20396   | 5        | 11       | C20396   | 5        | 11       |
| C20397   | 5        | 25       | C20397   | 5        | 25       |
| C20398   | 5        | 24       | C20398   | 5        | 24       |
| C20399   | 5        | 22       | C20399   | 5        | 22       |
| C20405   | 5        | 23       | C20405   | 5        | 23       |
| C20407   | 5        | 20       | C20407   | 5        | 20       |
| C20411   | 5        | 14       | C20411   | 5        | 14       |
| C20412   | 13       | 45       | C20412   | 13       | 45       |
| C20425   | 7        | 3        | C20425   | 7        | 3        |
| C20426   | 7        | 4        | C20426   | 7        | 4        |
| C20427   | 7        | 5        | C20427   | 7        | 5        |
| C20428   | 7        | 6        | C20428   | 7        | 6        |
| C20429   | 7        | 7        | C20429   | 7        | 7        |
| C20430   | 7        | 8        | C20430   | 7        | 8        |
| C20431   | 7        | 9        | C20431   | 7        | 9        |
| C20432   | 7        | 10       | C20432   | 7        | 10       |
| C20433   | 7        | 11       | C20433   | 7        | 11       |
| C20434   | 7        | 12       | C20434   | 7        | 12       |
| C20435   | 7        | 13       | C20435   | 7        | 13       |
| C20436   | 7        | 14       | C20436   | 7        | 14       |
| C20437   | 7        | 15       | C20437   |          |          |

NUMERICAL INDEX

| PART NO. | PAGE NO. | REF. NO. | PART NO. | PAGE NO. | REF. NO. |
|----------|----------|----------|----------|----------|----------|
| C24803   | 55       | 4        | C25317   | 29       | 17       |
| C24804   | 55       | 3        | C25318   | 29       | 17       |
| C24809   | 59       | 3        | C25333   | 39       | 10       |
| C24813   | 59       | 6        | C25334   | 39       | 11       |
| C24814   | 59       | 5        | C25338   | 19       | 24       |
| C24815   | 59       | 2        | C25338   | 59       | 30       |
| C24818   | 39       | 15       | C25341   | 81       | 15       |
| C24820   | 29       | 25       | C25343   | 75       | 8        |
| C24821   | 29       | 2        | C25344   | 75       | 9        |
| C24822   | 29       | 29       | C25368   | 67       | 4        |
| C24827   | 39       | 20       | C25369   | 67       | 3        |
| C24843   | 55       |          | C25370   | 83       | 9        |
| C24861   | 43       | 3        | C25371   | 69       | 2        |
| C24861   | 45       | 3        | C25376   | 39       | 12       |
| C24862   | 43       |          | C25382   | 69       | 8        |
| C24863   | 43       |          | C25383   | 9        | 16       |
| C24864   | 43       |          | C25384   | 9        | 16       |
| C24865   | 43       |          | C25385   | 9        | 16       |
| C24872   | 25       | 3        | C25386   | 9        | 16       |
| C24896   | 59       | 27       | C25389   | 15       | 38       |
| C24898   | 59       | 1        | C25390   | 79       | 8        |
| C24927   | 5        | 7        | C25391   | 79       | 15       |
| C24929   | 5        | 13       | C25392   | 79       | 14       |
| C24931   | 9        | 12       | C25419   | 47       | 1        |
| C24932   | 9        | 12       | C25422   | 47       | 3        |
| C24933   | 9        | 12       | C25423   | 29       | 4        |
| C24934   | 9        | 12       | C25486   | 59       | 32       |
| C24935   | 9        | 12       | C25489   | 21       | 1        |
| C24936   | 9        | 12       | C25490   | 21       | 2        |
| C24938   | 9        | 15       | C25541   | 83       | 16       |
| C24939   | 9        | 15       | C25563   | 59       | 27       |
| C24940   | 9        | 15       | C25564   | 59       | 1        |
| C24941   | 9        | 15       | C25572   | 81       | 1        |
| C24942   | 9        | 15       | C25574   | 81       | 2        |
| C24943   | 9        | 5        | C25603   | 23       | 1        |
| C24946   | 11       | 13       | C25604   | 23       | 3        |
| C24947   | 11       | 19       | C25774   | 9        | 17       |
| C24948   | 11       | 27       | C25775   | 9        | 18       |
| C24949   | 11       | 33       | C25776   | 9        | 26       |
| C24950   | 11       | 34       | C25777   | 11       | 19       |
| C24951   | 17       | 18       | C25778   | 17       | 19       |
| C24952   | 17       | 19       | C25779   | 17       | 20       |
| C24953   | 17       | 20       | C25784   | 39       | 12       |
| C24955   | 19       | 17       | C25785   | 39       | 14       |
| C24955   | 59       | 26       | C25787   | 35       | 23       |
| C24956   | 19       | 22       | C25789   | 69       | 5        |
| C24956   | 59       | 20       | C25791   | 81       | 3        |
| C24958   | 15       | 12       | C25792   | 81       | 4        |
| C24994   | 81       | 4        | C25800   | 83       | 1        |
| C24995   | 81       | 1        | C25806   | 83       | 1        |
| C25013   | 25       | 9        | C25807   | 83       | 2        |
| C25022   | 37       | 4        | C25808   | 83       | 4        |
| C25048   | 41       | 3        | C25810   | 83       | 17       |
| C25071   | 21       | 2        | C25813   | 83       | 18       |
| C25073   | 21       | 7        | C25814   | 83       | 7        |
| C25100   | 19       | 10       | C25815   | 83       | 2        |
| C25164   | 47       | 7        | C25817   | 83       | 7        |
| C25209   | 39       | 6        | C25822   | 83       | 13       |
| C25209   | 43       | 17       | C25828   | 83       | 6        |
| C25223   | 11       | 1        | C25845   | 19       | 20       |
| C25225   | 13       |          | C25845   | 59       | 24       |
| C25227   | 19       | 23       | C25855   | 33       | 24       |
| C25237   | 39       | 16       | C25857   | 33       | 25       |
| C25254   | 55       | 38       | C26021   | 37       | 7        |
| C25258   | 55       | 28       | C26028   | 31       | 22       |
| C25303   | 31       | 15       | C26066   | 31       | 1        |
| C25304   | 31       | 15       | C26090   | 83       | 15       |
| C25306   | 37       | 22       | C26108   | 59       | 21       |

| PART NO. | PAGE NO. | REF. NO. | PART NO. | PAGE NO. | REF. NO. |
|----------|----------|----------|----------|----------|----------|
| C26145   | 13       | 41       | C26145   | 13       | 41       |
| C26146   | 13       | 42       | C26146   | 13       | 42       |
| C26181   | 79       | 11       | C26181   | 79       | 11       |
| C26182   | 39       | 23       | C26182   | 39       | 23       |
| C26188   | 57       | 25       | C26188   | 57       | 25       |
| C26188   | 65       | 2        | C26188   | 65       | 2        |
| C26191   | 15       | 36       | C26191   | 15       | 36       |
| C26201   | 11       | 32       | C26201   | 11       | 32       |
| C26202   | 5        | 5        | C26202   | 5        | 5        |
| C26207   | 21       | 5        | C26207   | 21       | 5        |
| C26255   | 21       | 9        | C26255   | 21       | 9        |
| C26255   | 39       | 1        | C26255   | 39       | 1        |
| C26264   | 25       | 19       | C26264   | 25       | 19       |
| C26266   | 25       | 13       | C26266   | 25       | 13       |
| C26266   | 25       | 20       | C26266   | 25       | 20       |
| C26266   | 77       | 27       | C26266   | 77       | 27       |
| C26278   | 39       | 7        | C26278   | 39       | 7        |
| C26278   | 45       | 1        | C26278   | 45       | 1        |
| C26325   | 35       | 2        | C26325   | 35       | 2        |
| C26326   | 35       | 4        | C26326   | 35       | 4        |
| C26342   | 55       | 15       | C26342   | 55       | 15       |
| C26353   | 27       | 9        | C26353   | 27       | 9        |
| C26381   | 37       | 2        | C26381   | 37       | 2        |
| C26382   | 51       | 32       | C26382   | 51       | 32       |
| C26431   | 49       | 13       | C26431   | 49       | 13       |
| C26456   | 39       | 12       | C26456   | 39       | 12       |
| C26506   | 29       | 29       | C26506   | 29       | 29       |
| C26508   | 17       |          | C26508   | 17       |          |
| C26656   | 63       | 12       | C26656   | 63       | 12       |
| C26657   | 63       | 12       | C26657   | 63       | 12       |
| C26663   | 49       | 26       | C26663   | 49       | 26       |
| C26663   | 51       | 26       | C26663   | 51       | 26       |
| C26663   | 53       | 26       | C26663   | 53       | 26       |
| C26664   | 49       | 29       | C26664   | 49       | 29       |
| C26664   | 51       | 29       | C26664   | 51       | 29       |
| C26664   | 53       | 24       | C26664   | 53       | 24       |
| C26665   | 49       | 28       | C26665   | 49       | 28       |
| C26665   | 51       | 28       | C26665   | 51       | 28       |
| C26665   | 53       | 23       | C26665   | 53       | 23       |
| C26666   | 49       | 30       | C26666   | 49       | 30       |
| C26666   | 51       | 30       | C26666   | 51       | 30       |
| C26666   | 53       | 25       | C26666   | 53       | 25       |
| C26667   | 51       | 33       | C26667   | 51       | 33       |
| C26668   | 51       | 11       | C26668   | 51       | 11       |
| C26668   | 53       | 11       | C26668   | 53       | 11       |
| C26703   | 5        | 21       | C26703   | 5        | 21       |
| C26900   | 39       | 37       | C26900   | 39       | 37       |
| C26941   | 29       | 1        | C26941   | 29       | 1        |
| C27217   | 53       |          | C27217   | 53       |          |
| C27217   | 57       | 26       | C27217   | 57       | 26       |
| C27219   | 53       | 29       | C27219   | 53       | 29       |
| C27219   | 53       | 29       | C27219   | 53       | 29       |
| C27506   | 7        | 20       | C27506   | 7        | 20       |
| C27507   | 5        | 2        | C27507   | 5        | 2        |
| C27508   | 29       | 8        | C27508   | 29       | 8        |
| C27509   | 59       | 31       | C27509   | 59       | 31       |
| C27593   | 41       | 2        | C27593   | 41       | 2        |
| C27593   | 57       | 12       | C27593   | 57       | 12       |
| C27751   | 59       | 16       | C27751   | 59       | 16       |
| C27755   | 37       | 8        | C27755   | 37       | 8        |
| C27763   | 37       | 2        | C27763   | 37       | 2        |
| C27822   | 41       | 4        | C27822   | 41       | 4        |
| C27822   | 57       | 16       | C27822   | 57       | 16       |
| C28003   | 53       |          | C28003   | 53       |          |
| C28033   | 21       | 6        | C28033   | 21       | 6        |
| C28034   | 21       | 7        | C28034   | 21       | 7        |
| C28215   | 43       | 15       | C28215   | 43       | 15       |
| C28215   | 43       | 9        | C28215   | 43       | 9        |

| PART NO. | PAGE NO. | REF. NO. | PART NO. | PAGE NO. | REF. NO. |
|----------|----------|----------|----------|----------|----------|
| C28217   | 79       |          | C28217   | 79       |          |
| C28222   | 65       | 13       | C28222   | 65       | 13       |
| C28226   | 33       | 11       | C28226   | 33       | 11       |
| C28237   | 25       | 1        | C28237   | 25       | 1        |
| C28237   | 41       | 1        | C28237   | 41       | 1        |
| C28237   | 57       | 11       | C28237   | 57       | 11       |
| C28237   | 77       | 26       | C28237   | 77       | 26       |
| C28241   | 55       | 18       | C28241   | 55       | 18       |
| C28251   | 79       | 3        | C28251   | 79       | 3        |
| C28258   | 83       | 5        | C28258   | 83       | 5        |
| C28260   | 83       | 9        | C28260   | 83       | 9        |
| C28281   | 55       | 8        | C28281   | 55       | 8        |
| C28288   | 25       | 22       | C28288   | 25       | 22       |
| C28300   | 83       | 19       | C28300   | 83       | 19       |
| C28308   | 83       | 14       | C28308   | 83       | 14       |
| C28315   | 9        | 23       | C28315   | 9        | 23       |
| C28321   | 39       | 5        | C28321   | 39       | 5        |
| C28354   | 83       | 22       | C28354   | 83       | 22       |
| C28487   | 57       | 34       | C28487   | 57       | 34       |
| C28487   | 67       | 11       | C28487   | 67       | 11       |
| C28487   | 81       | 2        | C28487   | 81       | 2        |
| C28673   | 59       | 25       | C28673   | 59       | 25       |
| C28677   | 27       | 6        | C28677   | 27       | 6        |
| C28696   | 77       | 25       | C28696   | 77       | 25       |
| C28697   | 57       | 35       | C28697   | 57       | 35       |
| C28697   | 67       | 12       | C28697   | 67       | 12       |
| C28698   | 77       | 22       | C28698   | 77       | 22       |
| C28699   | 49       | 1        | C28699   | 49       | 1        |
| C28699   | 51       | 1        | C28699   | 51       | 1        |
| C28699   | 53       | 1        | C28699   | 53       | 1        |
| C28700   | 77       | 20       | C28700   | 77       | 20       |
| C28701   | 41       | 13       | C28701   | 41       | 13       |
| C28703   | 41       | 11       | C28703   | 41       | 11       |
| C28705   | 51       | 14       | C28705   | 51       | 14       |
| C28705   | 53       | 14       | C28705   | 53       | 14       |
| C28706   | 51       | 13       | C28706   | 51       | 13       |
| C28706   | 53       | 13       | C28706   | 53       | 13       |
| C28707   | 51       | 12       | C28707   | 51       | 12       |
| C28707   | 53       | 12       | C28707   | 53       | 12       |
| C28708   | 51       | 18       | C28708   | 51       | 18       |
| C28708   | 53       | 18       | C28708   | 53       | 18       |
| C28709   | 43       | 1        | C28709   | 43       | 1        |
| C28709   | 45       | 1        | C28709   | 45       | 1        |
| C28710   | 79       |          | C28710   | 79       |          |
| C28711   | 43       | 5        | C28711   | 43       | 5        |
| C28711   | 45       | 5        | C28711   | 45       | 5        |
| C28712   | 43       | 7        | C28712   | 43       | 7        |
| C28712   | 45       | 7        | C28712   | 45       | 7        |
| C28713   | 43       | 10       | C28713   | 43       | 10       |
| C28713   | 45       | 10       | C28713   | 45       | 10       |
| C28714   | 43       | 8        | C28714   | 43       | 8        |
| C28714   | 45       | 8        | C28714   | 45       | 8        |
| C28715   | 43       | 14       | C28715   | 43       | 14       |
| C28715   | 45       | 14       | C28715   | 45       | 14       |
| C28716   | 77       | 21       | C28716   | 77       | 21       |
| C28718   | 43       | 2        | C28718   | 43       | 2        |
| C28718   | 45       | 2        | C28718   | 45       | 2        |
| C28719   | 17       | 5        | C28719   | 17       | 5        |
| C28720   | 11       | 5        | C28720   | 11       | 5        |
| C28721   | 13       | 4        | C28721   | 13       | 4        |
| C28856   | 49       | 4        | C28856   | 49       | 4        |
| C28856   | 51       | 4        | C28856   | 51       | 4        |
| C28856   | 53       | 4        | C28856   | 53       | 4        |
| C28873   | 77       | 7        | C28873   | 77       | 7        |
| C28874   | 41       | 12       | C28874   | 41       | 12       |
| C28875   | 77       | 4        | C28875   | 77       | 4        |
| C28932   | 61       | 6        | C28932   | 61       | 6        |
| C28949   | 39       | 34       | C28949   | 39       | 34       |

NUMERICAL INDEX

| PART NO. | PAGE NO. | REF. NO. | PART NO. | PAGE NO. | REF. NO. |
|----------|----------|----------|----------|----------|----------|
| C28965   | 37       | 6        | 113-     | 17       | 61       |
| C28968   | 21       | 3        | 113-     | 65       | 5        |
| C28971   | 83       | 13       | 113-     | 102      | 35       |
| C28978   | 37       | 19       | 113-     | 103      | 15       |
| C28985   | 65       | 12       | 113-     | 103      | 17       |
| C28987   | 47       | 8        | 113-     | 103      | 75       |
| C29031   | 63       | 2        | 113-     | 111      | 43       |
| C29283   | 47       | 1        | 113-     | 111      | 45       |
| C29408   | 57       | 10       | 113-     | 113      | 29       |
| C29409   | 25       | 18       | 113-     | 118      | 31       |
| C29413   | 59       | 9        | 113-     | 118      | 47       |
| C29733   | 17       | 22       | 113-     | 118      | 65       |
| C29733   | 59       | 19       | 113-     | 120      | 15       |
| C29734   | 15       | 20       | 113-     | 121      | 5        |
| C29735   | 27       | 11       | 113-     | 122      | 31       |
| C29736   | 19       | 9        | 113-     | 132      | 11       |
| C29739   | 9        | 15       | 113-     | 204      | 13       |
| C29752   | 19       | 19       | 113-     | 206      | 35       |
| C29811   | 27       | 19       | 113-     | 206      | 39       |
| C29948   | 5        | 16       | 113-     | 206      | 75       |
| C29972   | 9        | 13       | 113-     | 206      | 83       |
| C29973   | 9        | 30       | 113-     | 206      | 83       |
| C29974   | 11       | 15       | 113-     | 207      | 25       |
| C29976   | 13       | 43       | 113-     | 207      |          |

## NUMERICAL INDEX

| PART NO. | PAGE NO. | REF. NO. | PART NO. | PAGE NO. | REF. NO. |
|----------|----------|----------|----------|----------|----------|
| 129-122  | 57       | 19       | 169-131  | 17       | 11       |
| 129-125  | 27       | 14       | 169-145  | 77       | 6        |
| 129-143  | 37       | 13       | 173-210  | 19       | 14       |
| 129-148  | 35       | 8        | 182-10   | 61       | 20       |
| 129-162  | 61       | 14       | 182-49   | 17       | 7        |
| 129-165  | 33       | 15       | 182-84   | 15       | 5        |
| 129-166  | 49       | 27       | 182-246  | 39       | 30       |
| 129-166  | 51       | 27       | 182-520  | 19       | 1        |
| 129-166  | 53       | 27       | 182-525  | 5        | 26       |
| 129-365  | 33       | 16       | 182-525  | 15       | 39       |
| 129-531  | 49       | 10       | 182-545  | 19       | 4        |
| 129-531  | 51       | 10       | 182-547  | 9        | 27       |
| 129-531  | 53       | 10       | 187-1036 | 21       | 8        |
| 131-165  | 83       | 17       | 187-1147 | 17       | 25       |
| 131-176  | 65       | 11       | 187-1252 | 47       | 9        |
| 131-178  | 25       | 16       | 187-1334 | 61       | 4        |
| 131-351  | 39       | 31       | 187-1908 | 61       | 27       |
| 131-629  | 61       | 3        | 187-1910 | 33       | 12       |
| 131-1113 | 35       | 3        | 192-13   | 61       | 22       |
| 131-1133 | 55       | 35       | 192-16   | 19       | 5        |
| 131-1180 | 79       | 5        | 192-18   | 15       | 40       |
| 131-1180 | 83       | 6        | 192-18   | 19       | 18       |
| 131-1181 | 29       | 9        | 192-18   | 23       | 6        |
| 131-1181 | 31       | 21       | 192-19   | 5        | 10       |
| 131-1181 | 57       | 9        | 192-19   | 15       | 24       |
| 131-1181 | 57       | 22       | 192-19   | 17       | 8        |
| 131-1182 | 71       | 2        | 192-19   | 21       | 4        |
| 131-1308 | 37       | 5        | 192-19   | 29       | 27       |
| 131-1318 | 29       | 7        | 192-19   | 47       | 10       |
| 131-1331 | 83       | 20       | 192-19   | 55       | 19       |
| 132-5    | 77       | 3        | 192-19   | 61       | 13       |
| 132-91   | 65       | 6        | 192-20   | 5        | 8        |
| 132-306  | 69       | 12       | 192-20   | 17       | 24       |
| 132-310  | 25       | 10       | 192-20   | 29       | 19       |
| 132-310  | 37       | 18       | 192-20   | 31       | 5        |
| 132-310  | 57       | 4        | 192-20   | 35       | 10       |
| 132-310  | 65       | 4        | 192-20   | 75       | 13       |
| 132-311  | 33       | 9        | 192-21   | 11       | 12       |
| 132-318  | 83       | 19       | 192-21   | 15       | 22       |
| 132-320  | 41       | 10       | 192-21   | 35       | 14       |
| 132-320  | 57       | 13       | 192-21   | 39       | 4        |
| 132-321  | 37       | 21       | 192-21   | 73       | 8        |
| 132-334  | 29       | 13       | 192-21   | 75       | 7        |
| 136-2    | 17       | 10       | 192-21   | 83       | 11       |
| 138-59   | 65       | 19       | 192-23   | 29       | 21       |
| 138-63   | 25       | 21       | 192-23   | 31       | 5        |
| 138-96   | 25       | 6        | 192-23   | 33       | 14       |
| 138-99   | 33       | 4        | 192-23   | 49       | 2        |
| 138-143  | 35       | 28       | 192-23   | 55       | 41       |
| 138-308  | 65       | 5        | 192-23   | 69       | 7        |
| 138-2072 | 41       | 11       | 192-23   | 73       | 7        |
| 138-2073 | 29       | 23       | 192-402  | 19       | 8        |
| 138-2073 | 37       | 3        | 192-404  | 21       | 13       |
| 138-2073 | 55       | 11       | 193-29   | 61       | 25       |
| 141-54   | 37       | 20       | 193-57   | 17       | 24       |
| 163-22   | 17       | 21       | 193-57   | 29       | 30       |
| 164-41   | 27       | 4        | 193-57   | 61       | 10       |
| 165-143  | 19       | 7        | 193-68   | 83       | 11       |
| 166-32   | 43       | 15       | 193-76   | 27       | 5        |
| 166-32   | 45       | 15       | 193-99   | 61       | 16       |
| 166-86   | 29       | 22       | 193-524  | 51       | 34       |
| 166-86   | 39       | 29       | 195-14   | 17       | 9        |
| 166-86   | 55       | 40       | 195-102  | 77       | 10       |
| 169-88   | 77       | 17       | 195-103  | 83       | 12       |
| 169-114  | 49       | 20       | 195-104  | 25       | 17       |
| 169-114  | 51       | 20       | 195-104  | 39       | 24       |
| 169-114  | 53       | 20       | 195-104  | 57       | 23       |
| 169-114  | 53       | 20       | 195-137  | 35       | 27       |

| PART NO. | PAGE NO. | REF. NO. | PART NO. | PAGE NO. | REF. NO. |
|----------|----------|----------|----------|----------|----------|
| 195-513  | 19       | 2        | 195-513  | 19       | 2        |
| 195-521  | 41       | 9        | 195-521  | 41       | 9        |
| 195-521  | 51       | 31       | 195-521  | 51       | 31       |
| 195-521  | 53       | 28       | 195-521  | 53       | 28       |
| 195-521  | 53       | 28       | 195-521  | 53       | 28       |
| 195-521  | 57       | 17       | 195-521  | 57       | 17       |
| 195-521  | 75       | 12       | 195-521  | 75       | 12       |
| 195-521  | 83       | 5        | 195-521  | 83       | 5        |
| 195-525  | 29       | 10       | 195-525  | 29       | 10       |
| 195-525  | 31       | 18       | 195-525  | 31       | 18       |
| 195-525  | 73       | 9        | 195-525  | 73       | 9        |
| 195-533  | 25       | 2        | 195-533  | 25       | 2        |
| 195-533  | 37       | 17       | 195-533  | 37       | 17       |
| 195-533  | 57       | 14       | 195-533  | 57       | 14       |
| 195-533  | 71       | 3        | 195-533  | 71       | 3        |
| 195-533  | 73       | 5        | 195-533  | 73       | 5        |
| 195-541  | 35       | 29       | 195-541  | 35       | 29       |
| 195-541  | 65       | 7        | 195-541  | 65       | 7        |
| 195-541  | 69       | 3        | 195-541  | 69       | 3        |
| 195-541  | 83       | 18       | 195-541  | 83       | 18       |
| 195-545  | 69       | 11       | 195-545  | 69       | 11       |
| 195-2010 | 11       | 23       | 195-2010 | 11       | 23       |
| 195-2027 | 17       | 17       | 195-2027 | 17       | 17       |
| 195-2029 | 29       | 15       | 195-2029 | 29       | 15       |
| 195-2029 | 35       | 24       | 195-2029 | 35       | 24       |
| 195-2069 | 35       | 15       | 195-2069 | 35       | 15       |
| 195-2131 | 83       | 3        | 195-2131 | 83       | 3        |
| 195-2175 | 31       | 10       | 195-2175 | 31       | 10       |
| 195-2175 | 35       | 9        | 195-2175 | 35       | 9        |
| 211-5    | 15       | 8        | 211-5    | 15       | 8        |
| 211-5    | 51       | 36       | 211-5    | 51       | 36       |
| 211-5    | 53       | 16       | 211-5    | 53       | 16       |
| 211-7    | 49       | 16       | 211-7    | 49       | 16       |
| 211-7    | 51       | 16       | 211-7    | 51       | 16       |
| 211-7    | 53       | 30       | 211-7    | 53       | 30       |
| 211-7    | 53       | 30       | 211-7    | 53       | 30       |
| 211-11   | 77       | 23       | 211-11   | 77       | 23       |
| 211-208  | 49       | 6        | 211-208  | 49       | 6        |
| 211-208  | 51       | 6        | 211-208  | 51       | 6        |
| 211-208  | 53       | 6        | 211-208  | 53       | 6        |
| 211-216  | 9        | 4        | 211-216  | 9        | 4        |
| 211-306  | 43       | 13       | 211-306  | 43       | 13       |
| 211-306  | 45       | 13       | 211-306  | 45       | 13       |
| 214-102  | 5        | 15       | 214-102  | 5        | 15       |
| 214-254  | 39       | 13       | 214-254  | 39       | 13       |
| 214-254  | 79       | 13       | 214-254  | 79       | 13       |
| 214-259  | 19       | 15       | 214-259  | 19       | 15       |
| 214-272  | 21       | 11       | 214-272  | 21       | 11       |
| 214-274  | 23       | 9        | 214-274  | 23       | 9        |
| 218-445  | 79       | 7        | 218-445  | 79       | 7        |
| 218-457  | 75       | 2        | 218-457  | 75       | 2        |
| 218-485  | 79       | 6        | 218-485  | 79       | 6        |
| 218-494  | 75       | 3        | 218-494  | 75       | 3        |
| 218-927  | 75       | 4        | 218-927  | 75       | 4        |
| 218-5006 | 39       | 22       | 218-5006 | 39       | 22       |
| 218-5006 | 81       | 8        | 218-5006 | 81       | 8        |
| 218-5006 | 81       | 10       | 218-5006 | 81       | 10       |
| 218-5006 | 81       | 12       | 218-5006 | 81       | 12       |
| 218-5007 | 39       | 9        | 218-5007 | 39       | 9        |
| 218-5007 | 39       | 27       | 218-5007 | 39       | 27       |
| 218-5007 | 39       | 33       | 218-5007 | 39       | 33       |
| 218-5007 | 81       | 6        | 218-5007 | 81       | 6        |
| 218-5007 | 81       | 14       | 218-5007 | 81       | 14       |
| 218-5056 | 57       | 27       | 218-5056 | 57       | 27       |
| 218-5062 | 39       | 32       | 218-5062 | 39       | 32       |
| 218-5062 | 81       | 5        | 218-5062 | 81       | 5        |
| 218-5065 | 39       | 8        | 218-5065 | 39       | 8        |
| 218-5066 | 81       | 7        | 218-5066 | 81       | 7        |

## NUMERICAL INDEX

| PART NO. | PAGE NO. | REF. NO. | PART NO. | PAGE NO. | REF. NO. |
|----------|----------|----------|----------|----------|----------|
| 218-5107 | 39       | 26       | 218-5107 | 39       | 26       |
| 218-5117 | 81       | 9        | 218-5117 | 81       | 9        |
| 218-5232 | 75       | 10       | 218-5232 | 75       | 10       |
| 218-5251 | 81       | 13       | 218-5251 | 81       | 13       |
| 218-5479 | 67       | 5        | 218-5479 | 67       | 5        |
| 219-17   | 33       | 20       | 219-17   | 33       | 20       |
| 219-403  | 37       | 4        | 219-403  | 37       | 4        |
| 219-404  | 33       | 7        | 219-404  | 33       | 7        |
| 219-404  | 35       | 19       | 219-404  | 35       | 19       |
| 219-404  | 57       | 2        | 219-404  | 57       | 2        |
| 219-405  | 65       | 2        | 219-405  | 65       | 2        |
| 221-3    | 83       | 3        | 221-3    | 83       | 3        |
| 221-841  | 49       | 21       | 221-841  | 49       | 21       |
| 221-841  | 51       | 21       | 221-841  | 51       | 21       |
| 221-841  | 53       | 21       | 221-841  | 53       | 21       |
| 221-842  | 77       | 19       | 221-842  | 77       | 19       |
| 221-843  | 55       | 10       | 221-843  | 55       | 10       |
| 221-844  | 15       | 15       | 221-844  | 15       | 15       |
| 221-844  | 55       | 10       | 221-844  | 55       | 10       |
| 221-844  | 83       | 3        | 221-844  | 83       | 3        |
| 221-1139 | 67       | 1        | 221-1139 | 67       | 1        |
| 221-1190 | 15       | 26       | 221-1190 | 15       | 26       |
| 221-1375 | 67       | 2        | 221-1375 | 67       | 2        |
| 221-1377 | 15       | 27       | 221-1377 | 15       | 27       |
| 221-1849 | 15       | 35       | 221-1849 | 15       | 35       |
| 223-20   | 59       | 28       | 223-20   | 59       | 28       |
| 321-1788 | 63       | 5        | 321-1788 | 63       | 5        |
| 321-3585 | 63       | 1        | 321-3585 | 63       | 1        |
| 321-4693 | 63       | 5        | 321-4693 | 63       | 5        |
| 321-4696 | 63       | 6        | 321-4696 | 63       | 6        |
| 321-4697 | 63       | 4        | 321-4697 | 63       | 4        |
| 321-4699 | 79       | 7        | 321-4699 | 79       | 7        |
| 321-4728 | 63       | 2        | 321-4728 | 63       | 2        |
| 321-4734 | 63       | 1        | 321-4734 | 63       | 1        |
| 321-4745 | 83       | 23       | 321-4745 | 83       | 23       |
| 321-4764 | 63       | 3        | 321-4764 | 63       | 3        |
| 321-4767 | 63       | 3        | 321-4767 | 63       | 3        |
| 321-5040 | 63       | 10       | 321-5040 | 63       | 10       |
| 321-5097 | 63       | 11       | 321-5097 | 63       | 11       |
| 321-5100 | 63       | 8        | 321-5100 | 63       | 8        |
| 321-5101 | 63       | 9        | 321-5101 | 63       | 9        |
| 321-5107 | 63       | 7        | 321-5107 | 63       | 7        |
| 321-5930 | 63       | 4        | 321-5930 | 63       | 4        |
| 321-6379 | 83       | 21       | 321-6379 | 83       | 21       |
| 321-6647 | 83       | 22       | 321-6647 | 83       | 22       |
| 353-462  | 25       | 4        | 353-462  | 25       | 4        |