

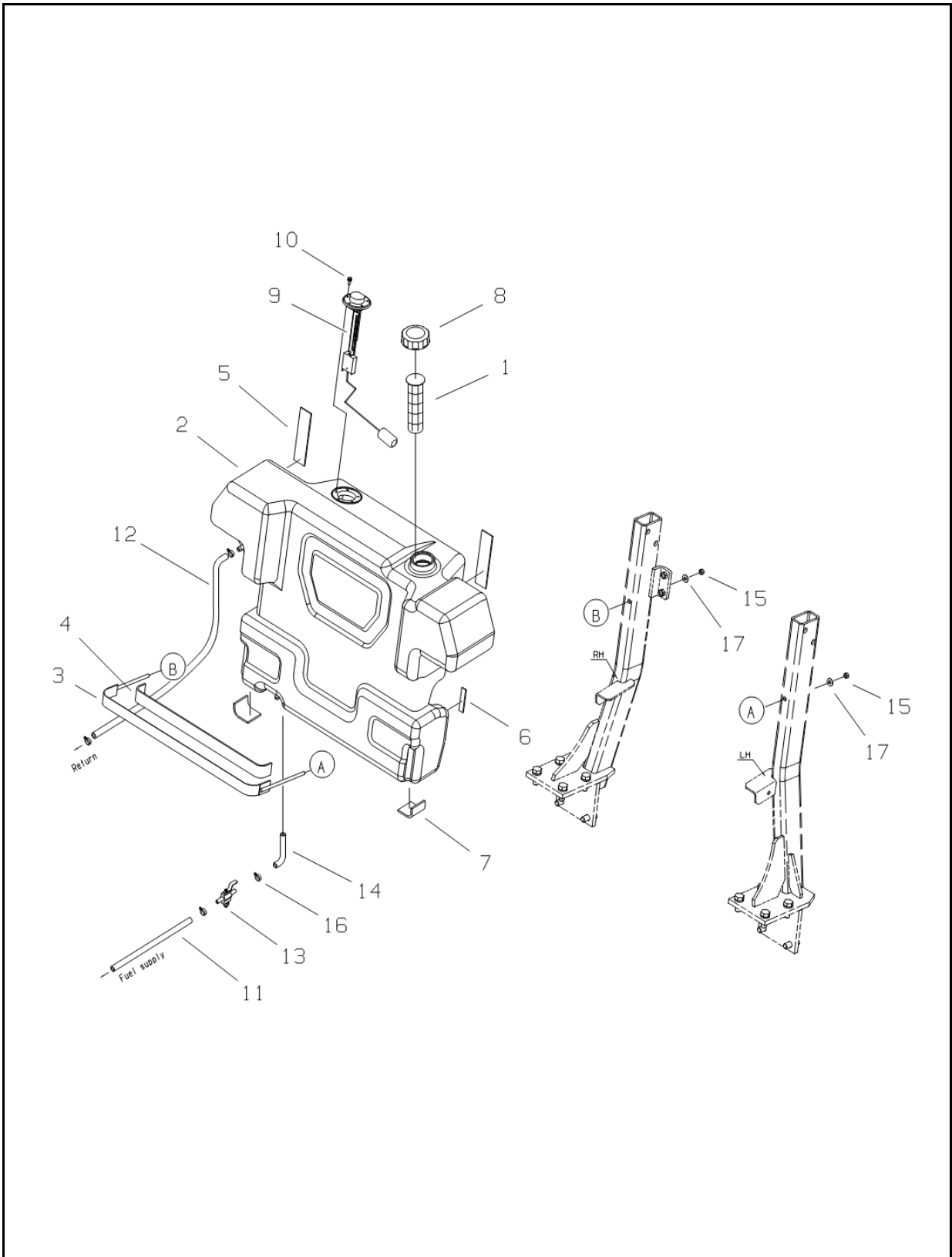
	CODE	MODEL	ENGINE
-	A	i30/38	LSC 3 CYLINDER
-	B	i28/36	MHI 4 CYLINDER
-	MEC	MECHANICAL TRANSMISSION	
-	HST	HYDROSTAT TRANSMISSION	
-	M/PTO	MID MOUNT PTO	

NOT AVAILABLE IN THE STATES NOW  
STANDARD

# FUEL TANK

FIG. 2-1

G. 040



# FUEL TANK

A-NOT AVAILABLE / B-R39 / C-R45

A-NOT AVAILABLE / B-R41 / C-R47

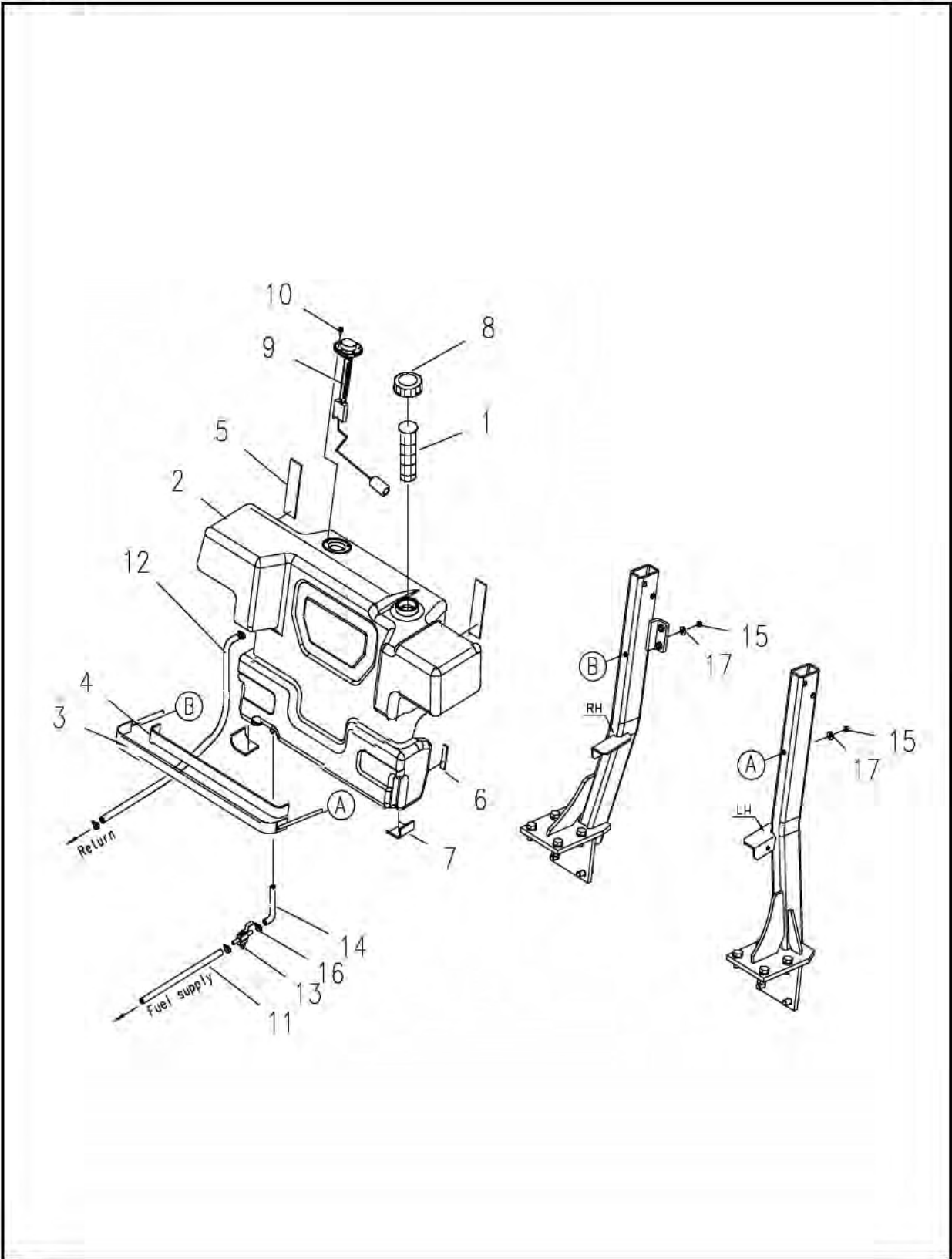
**FIG. 2-1**

NO.	PART NO.	PART NAME & DESCRIPTION	QTY			APP.NO	REM.
			A	B	C		
1~10	A1040226	FUEL TANK ASSY	1	1	1		
1	A1040052	STRAINER, FUEL TANK	1	1	1		
2	A1040230	TANK, FUEL	1	1	1		
3	A1040236	BAND, FUEL TANK	1	1	1		
4	A1040231	SPONGE, BAND	1	1	1		
5	A1040090	SPONGE, RUBBER	2	2	2		
6	A1040233	SPONGE, BACK	2	2	2		
7	A1040234	SPONGE, BOTTOM	2	2	2		
8	A1040170	CAP, FUEL TANK	1	1	1		
9	A1040235	GAUGE,FUEL	1	1	1		
10	S153051613	BOLT, HEX. W/WASHER	5	5	5		
11	A1040227	HOSE, FUEL	*	1	1		
	A1040238	HOSE, FUEL	1	*	*		
12	A1040228	HOSE, FUEL RETURN	*	1	1		
	A1040075	HOSE, FUEL RETURN	1	*	*		
13	A1040127	COCK, FUEL TANK	1	1	1		
14	A1040229	HOSE, VALVE COCK	1	1	1		
15	A1877079	NUT, LOCK	2	2	2		
16	A1970380	CLAMP, HOSE	6	6	6		
17	S365082013	WASHER, PLN. L-RD.	2	2	2		

# FUEL TANK

FIG. 2-1

G. 040



# FUEL TANK

A-NOT AVAILABLE / B-R39 / C-R45

A-NOT AVAILABLE / B-R41 / C-R47

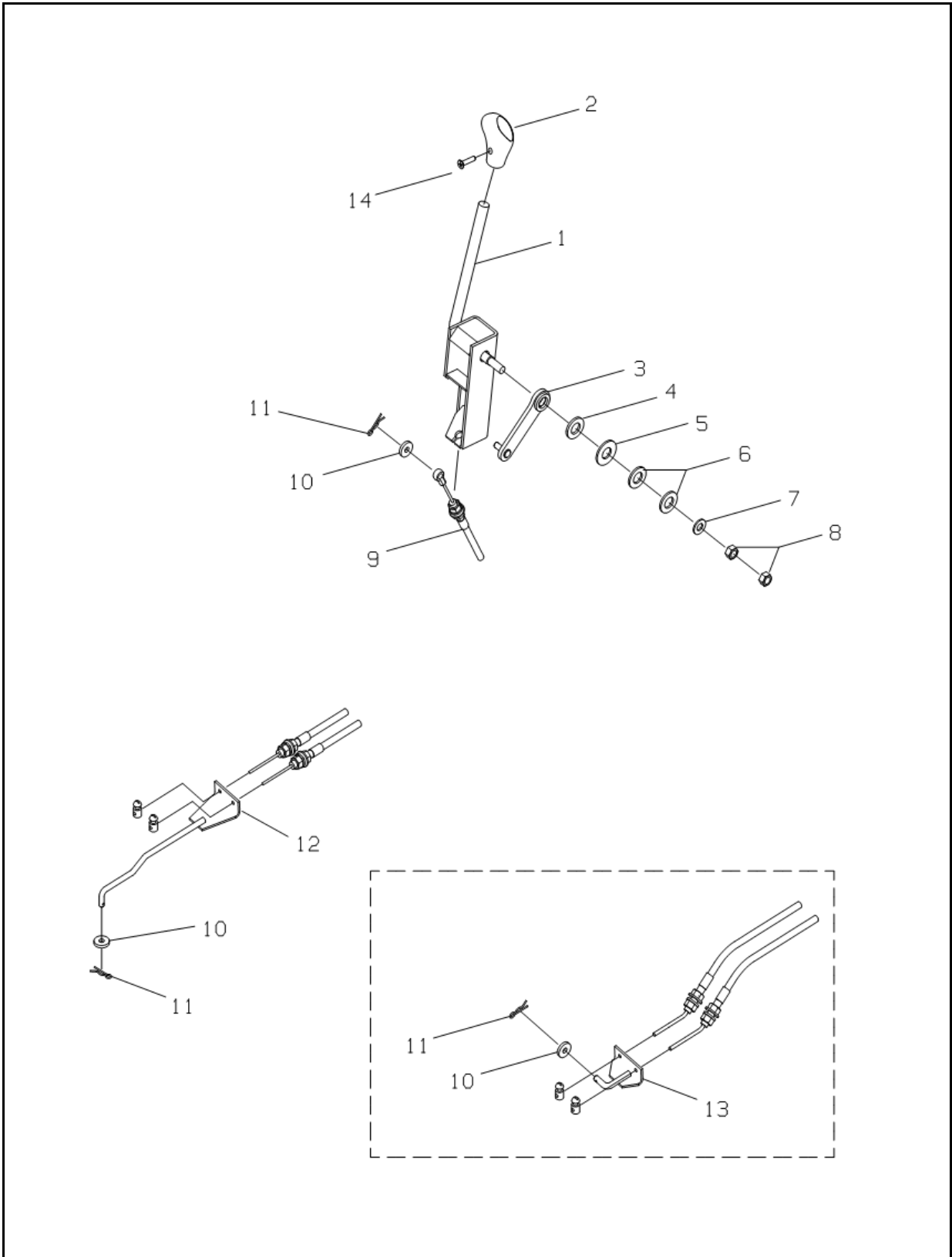
**FIG. 2-1**

NO.	PART NO.	PART NAME & DESCRIPTION	QTY			APP.NO	REM.
			A	B	C		
1~10	A1040226	FUEL TANK ASSY	1	1			
1	A1040052	STRAINER,FUEL TANK	1	1			
2	A1040230	TANK, FUEL	1	1			
3	A1040236	BAND, FUEL TANK	1	1			
4	A1040231	SPONGE,BAND	1	1			
5	A1040090	SPONGE,RUBBER	2	2			
6	A1040233	SPONGE,BACK LPW	2	2			
7	A1040234	SPONGE,BOTTOM	2	2			
8	A1040170	CAP ASSY	1	1			
9	A1040235	GAUGE,FUEL	1	1			
10	S153051613	SCREW,W/WASHER	5	5			
11	A1040227	HOSE, FUEL	*	1			
	A1040238	HOSE, FUEL	1	*			
12	A1040228	HOSE, FUEL RETURN	*	1			
	A1040075	HOSE, FUEL RETURN	1	*			
13	A1040127	COCK,FUEL TANK	1	1			
14	A1040229	HOSE, VALVE COCK	1	1			
15	A1877079	NUT, LOCK	2	2			
16	A1970310	CLAMP, HOSE	6	6			
17	S365082013	WASHER, PLN. L-RD.	2	2			

# ENGINE CONTROL

FIG. 2-2A

G. 100



# ENGINE CONTROL

A-NOT AVAILABLE / B-R39 / C-R45

A-NOT AVAILABLE / B-R41 / C-R47

**FIG. 2-2A**

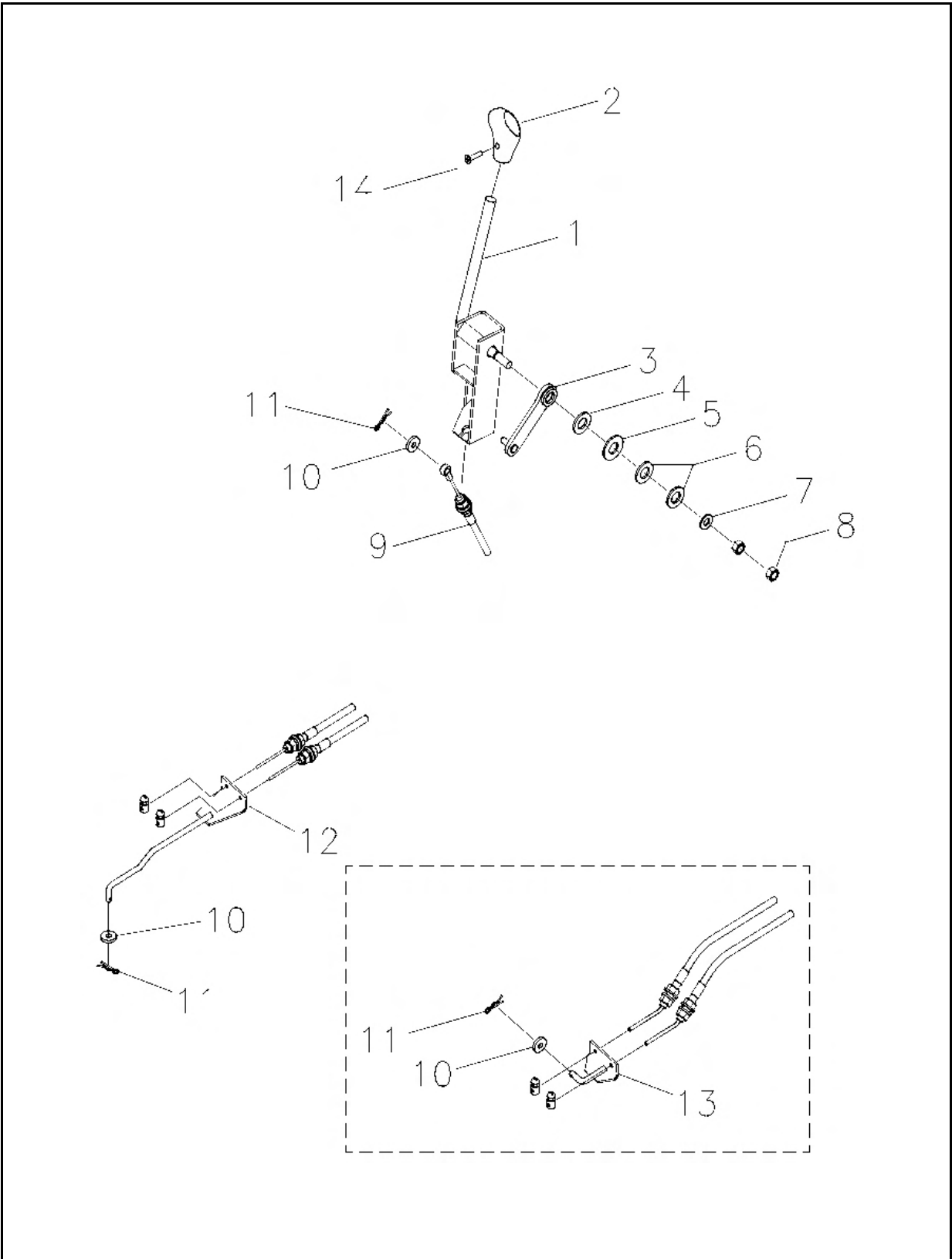
NO.	PART NO.	PART NAME & DESCRIPTION	QTY			APP.NO	REM.
			A	B	C		
1	A1100125	LEVER, ACC.	1	1	1		
2	A1970393	KNOB, ACC	1	1	1		
3	A1100131	ARM, ENGINE CONTROL	1	1	1		
4	S364120013	WASHER, PLAIN	1	1	1		
5	A1100058	PLATE, FRICTION	1	1	1		
6	S373120023	WASHER, CON. SPR.	2	2	2		
7	S364080013	WASHER, PLAIN	1	1	1		
8	S313080013	NUT, HEX.	2	2	2		
9	A1100046	WIRE, ACCE. LEVER	1	1	1		
10	A1970286	WASHER, PLASTIC	2	2	2		
11	S443060013	PIN, SNAP	2	2	2		
12	A1100098	ROD, ENGINE CONTROL	*	1	1		
13	A1100059	ROD, ENGINE CONTROL	1	*	*		
14	S226501011	SCREW, WASHER	1	1	1		



# ENGINE CONTROL

FIG. 2-2A

G. 100



# ENGINE CONTROL

A-NOT AVAILABLE / B-R39 / C-R45

A-NOT AVAILABLE / B-R41 / C-R47

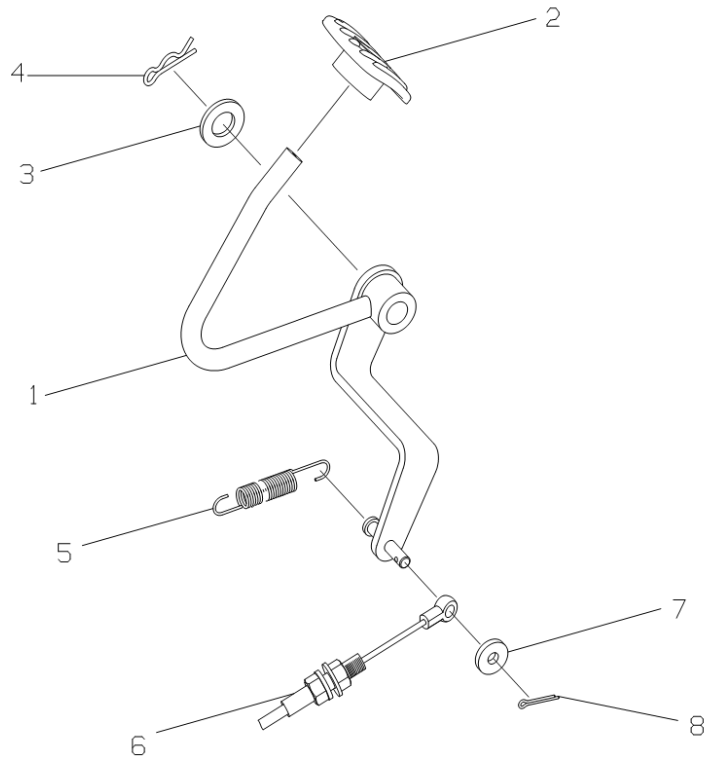
**FIG. 2-2A**

NO.	PART NO.	PART NAME & DESCRIPTION	QTY			APP.NO	REM.
			A	B	C		
1	A1100101	LEVER, ACC.	1	1	1		
2	A1970393	KNOB, ACC	1	1	1		
3	A1100076	ARM, ENGINE CONTROL	1	1	1		
4	S364120013	WASHER, PLAIN	1	1	1		
5	A1100058	PLATE, FRICTION	1	1	1		
6	S373120023	PLATE, SPRING	2	2	2		
7	S364080013	WASHER, PLAIN	1	1	1		
8	S313080013	NUT, HEX.	2	2	2		
9	A1100054	WIRE, ACCE. LEVER	1	1	1		
10	A1970286	WASHER, PLASTIC	2	2	2		
11	S443060013	PIN, SNAP	2	2	2		
12	A1100098	ROD, ENGINE CONTROL	*	1	1		
13	A1100059	ROD, ENGINE CONTROL	1	*	*		
14	S226501011	SCREW, WASHER	1	1	1		

# ENGINE CONTROL

FIG. 2-2B

G. 100



# ENGINE CONTROL

A-NOT AVAILABLE / B-R39 / C-R45

A-NOT AVAILABLE / B-R41 / C-R47

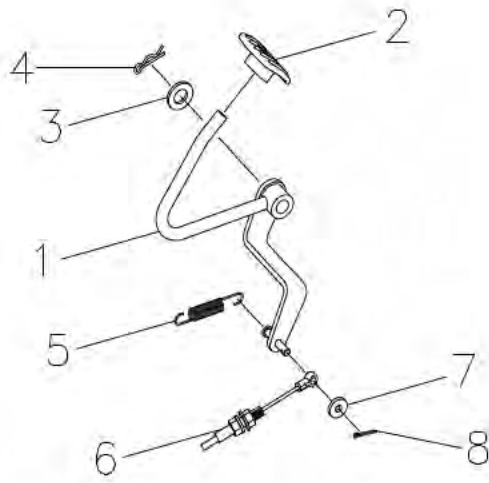
**FIG. 2-2B**

NO.	PART NO.	PART NAME & DESCRIPTION	QTY			APP.NO	REM.		
			A	B	C				
1	A1100100	PEDAL, ACCELERATOR	1	1	1				
2	A1100102	KNOB, ACC PEDAL	1	1	1				
3	S365123013	WASHER, PLAIN	M12	1	1	1			
4	S443120013	PIN, SNAP		1	1	1			
5	3A1100008	SPRING		1	1	1			
6	A1100045	WIRE. ACCE. PEDAL		M6	1	1	1		
7	S363060013	WASHER, PLAIN			1	1	1		
8	S441251613	PIN, SPLIT	1		1	1			

# ENGINE CONTROL

FIG. 2-2B

G. 100



# ENGINE CONTROL

A-NOT AVAILABLE / B-R39 / C-R45

A-NOT AVAILABLE / B-R41 / C-R47

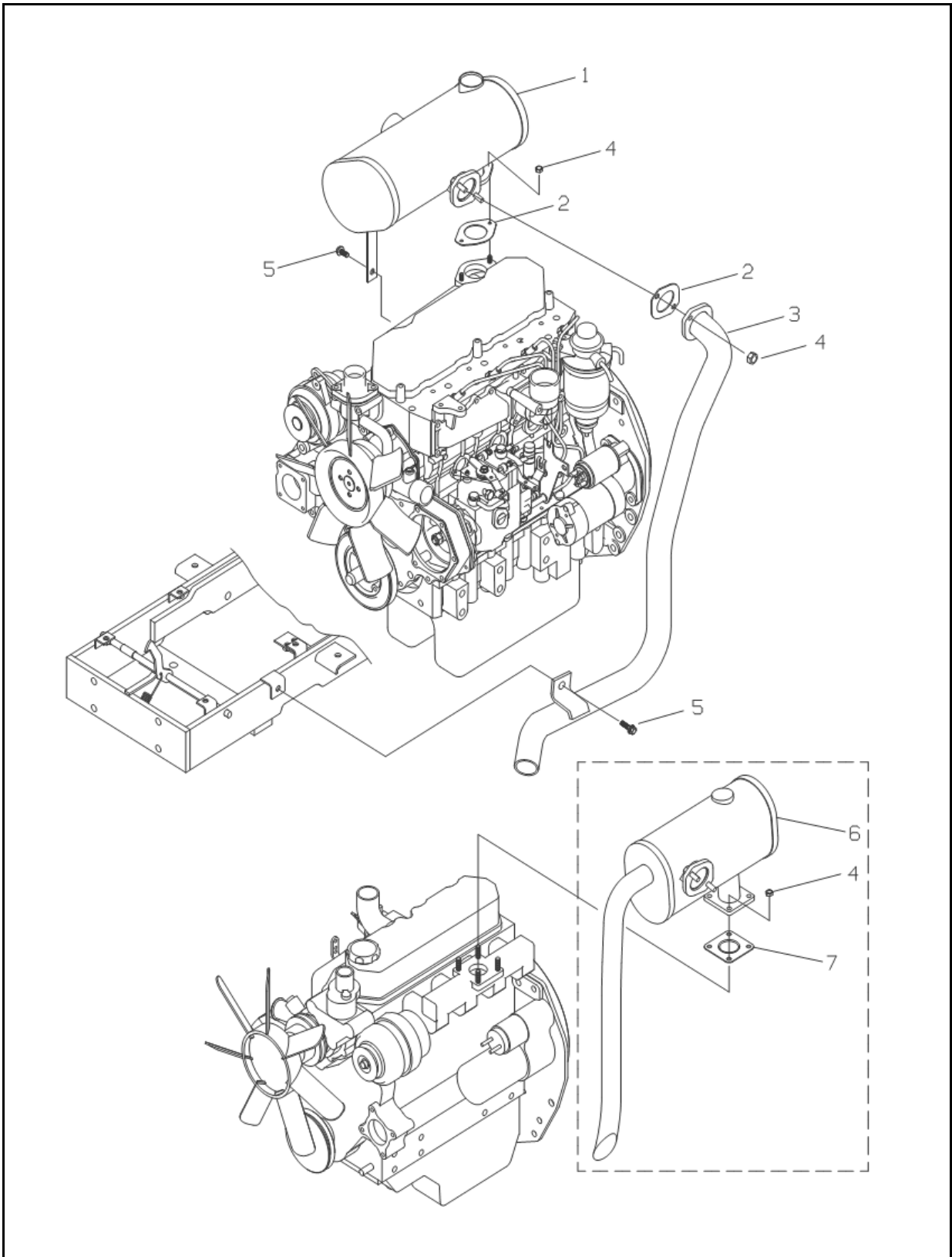
**FIG. 2-2B**

NO.	PART NO.	PART NAME & DESCRIPTION	QTY			APP.NO	REM.
			A	B	C		
1	A1100100	PEDAL, ACCELERATOR	1	1	1		
2	A1100102	KNOB, ACC PEDAL	1	1	1		
3	S365123013	WASHER, PLAIN	1	1	1		
4	S443120013	PIN, SNAP	1	1	1		
5	3A1100008	SPRING, RETURN	1	1	1		
6	A1100078	WIRE. ACCE. PEDAL	1	1	1		
7	S363060013	WASHER, PLAIN	1	1	1		
8	S441251613	PIN, COTTER	1	1	1		

# MUFFLER

FIG. 2-3

G. 100



# MUFFLER

A-NOT AVAILABLE / B-R39 / C-R45

A-NOT AVAILABLE / B-R41 / C-R47

**FIG. 2-3**

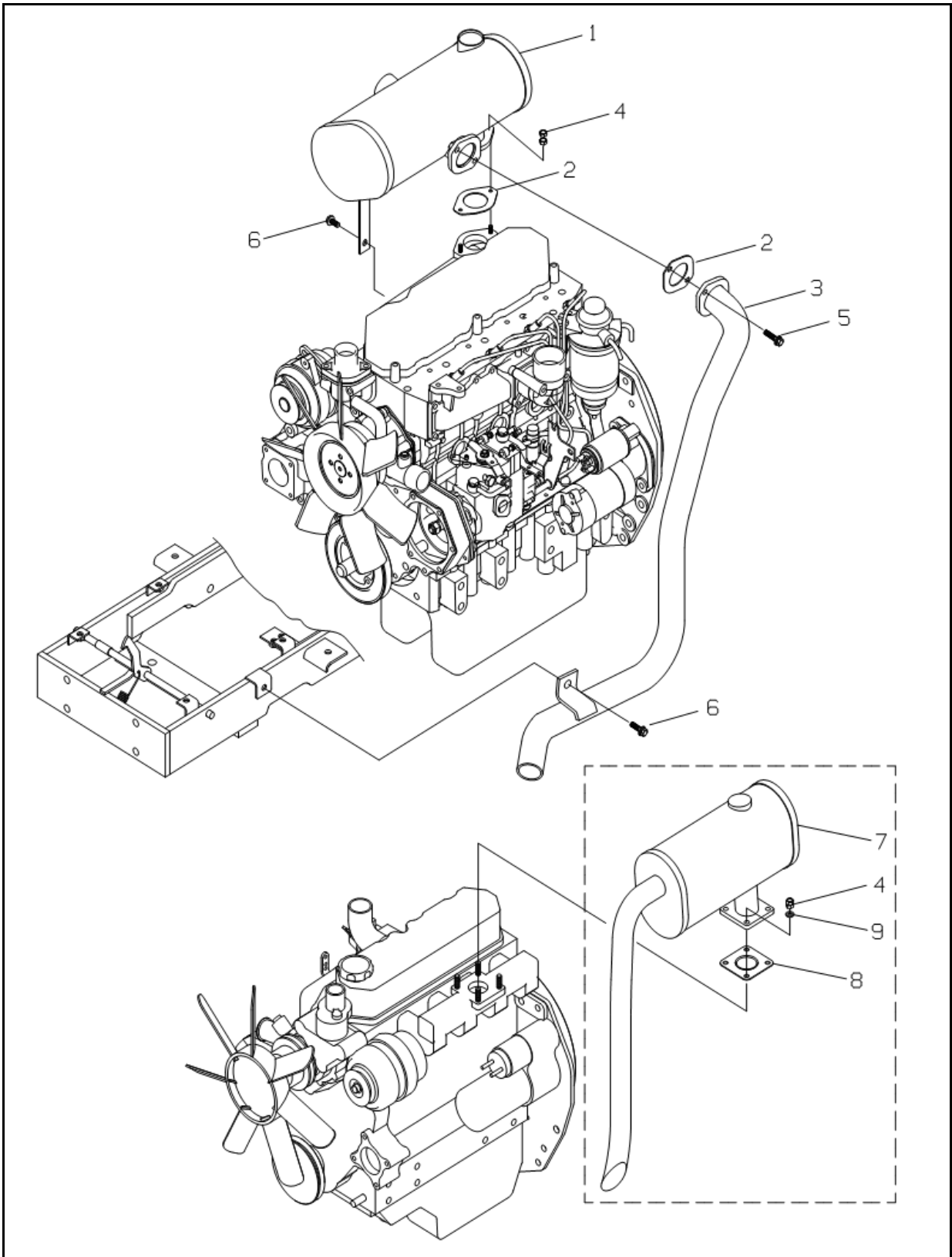
NO.	PART NO.	PART NAME & DESCRIPTION		QTY			APP.NO	REM.
				A	B	C		
1	A1151148	MUFFLER		*	1	1		
2	A1151100	GASKET, MUFFLER		1	2	2		
3	A1151182	PIPE, TAIL		*	1	1		
	A1151166	PIPE, TAIL		1	*	*		
4	S345080013	NUT, FLANGE B-TY.	M8x1.25x8	6	4	4		
5	S159082033	BOLT, HEX. W/WASHER	M8x1.25x20L	1	2	2		
6	A1151154	MUFFLER ASSY		1	*	*		
7	A1151101	GASKET, MUFFLER		1	*	*		



# MUFFLER

FIG. 2-3

G. 100



# MUFFLER

A-NOT AVAILABLE / B-R39 / C-R45

A-NOT AVAILABLE / B-R41 / C-R47

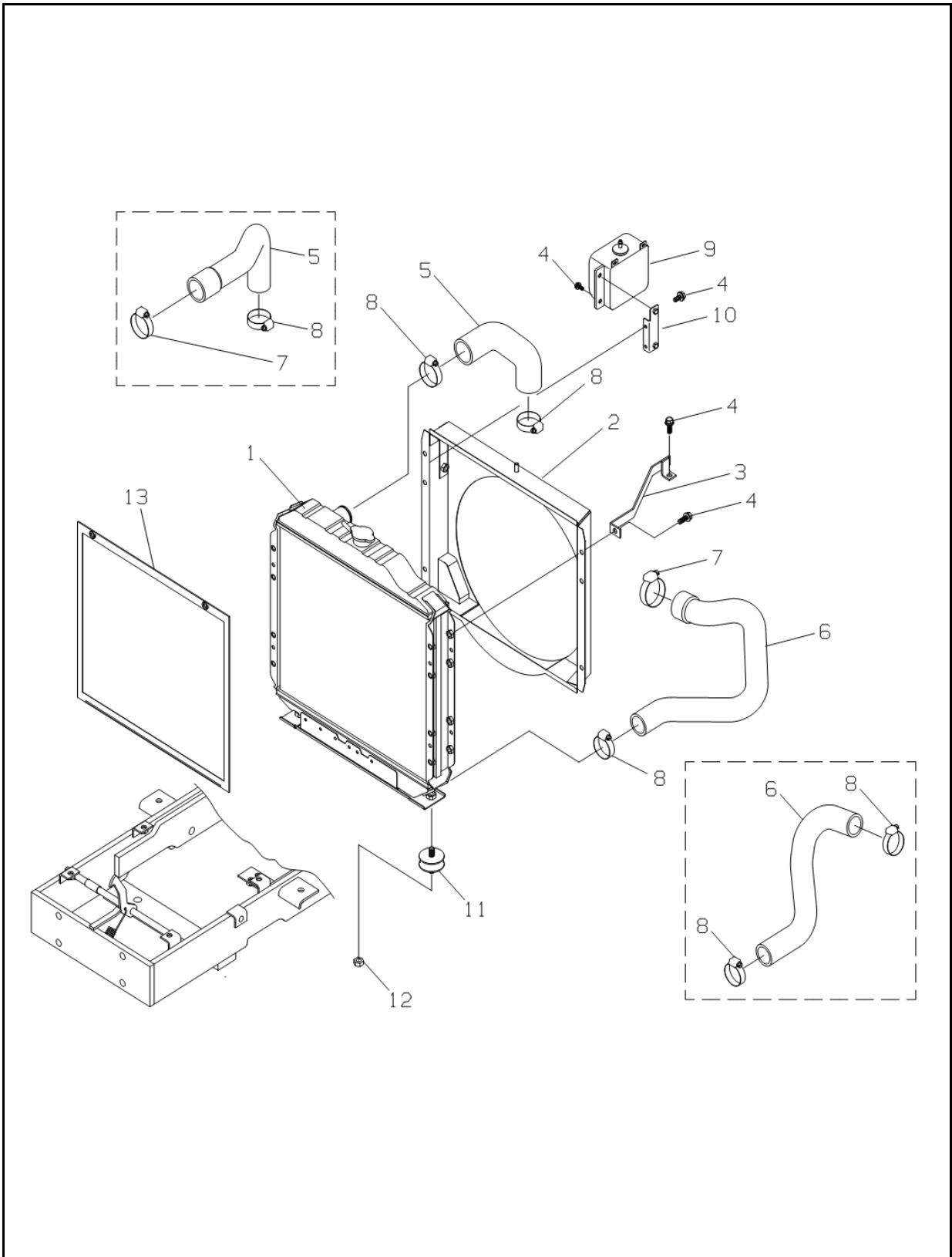
**FIG. 2-3**

NO.	PART NO.	PART NAME & DESCRIPTION		QTY			APP.NO	REM.
				A	B	C		
1	A1151148	MUFFLER		*	1	1		
2	A1151100	GASKET, MUFFLER		*	2	2		
3	A1151150	PIPE, TAIL		*	1	1		
4	S313080070	NUT, HEX. S. 2-TY.	M8x1.25P	8	4	4		
5	S155083533	BOLT, HEX. W/WASHER	M8x1.25x35L	3	3	3		
6	S159082033	BOLT, HEX. W/WASHER	M8x1.25x20L	*	2	2		
7	A1151154	MUFFLER ASSY		1	*	*		
8	A1151101	GASKET, MUFFLER		1	*	*		
9	S361080013	WASHER, SPRING	M8	4	*	*		

# RADIATOR

FIG. 2-4

G. 100



# RADIATOR

A-NOT AVAILABLE / B-R39 / C-R45

A-NOT AVAILABLE / B-R41 / C-R47

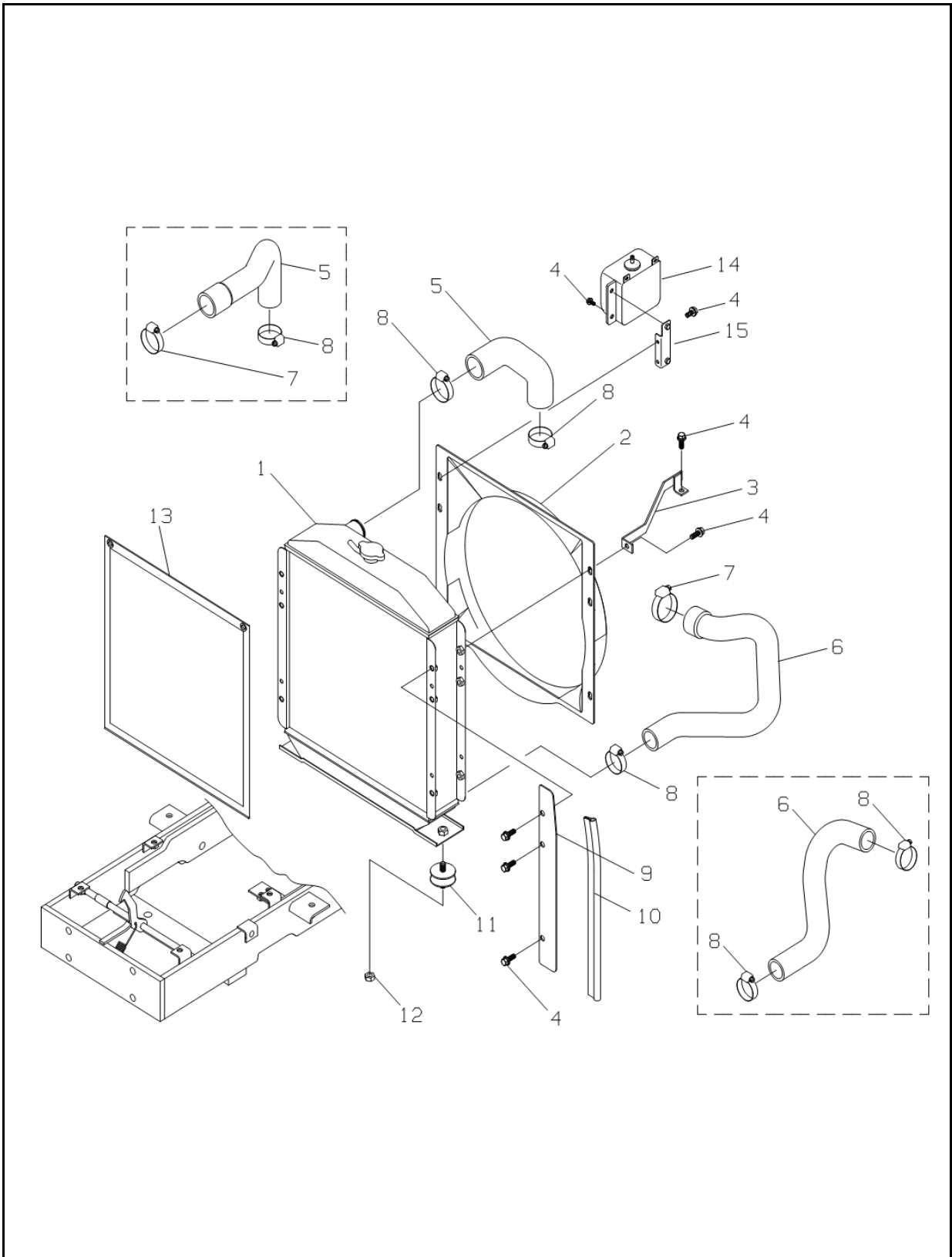
**FIG. 2-4**

NO.	PART NO.	PART NAME & DESCRIPTION	QTY			APP.NO	REM.
			A	B	C		
1	A1170261	RADIATOR ASSY	*	1	1		
	A1170278	RADIATOR ASSY	1	*	*		
2	A1170250	SHROUD, FAN	*	1	1		
	A1170268	SHROUD, FAN	1	*	*		
3	A1170277	BRACKET, RADIATOR	*	1	1		
4	A1170262	BRACKET, RADIATOR	1	*	*		
	S155082033	BOLT, HEX. W/WASHER	M8x1.25x20L	6	6	6	
5	A1170275	HOSE, WATER OUTLET	*	1	1		
	A1170248	HOSE, WATER OUTLET	1	*	*		
6	A1170276	HOSE, WATER SUCTION	*	1	1		
7	A1170249	HOSE, WATER SUCTION	1	*	*		
	A1970201F	CLAMP, HOSE	1	1	1		
8	A1970201G	CLAMP, HOSE	3	3	3		
9	A1170031	TANK, RESERVOIR	1	1	1		
10	A1170269	BRACKET, RESERVOIR TANK	*	1	1		
11	A1170270	BRACKET, RESERVOIR TANK	1	*	*		
	A1970360	RUBBER, DAMPING	2	2	2		
12	S346100013	NUT, FLANGE B-TY	M10x1.25P	2	2	2	
13	A1170233	NET, FRONT	1	1	1		

# RADIATOR

FIG. 2-4

G. 100



# RADIATOR

A-NOT AVAILABLE / B-R39 / C-R45

A-NOT AVAILABLE / B-R41 / C-R47

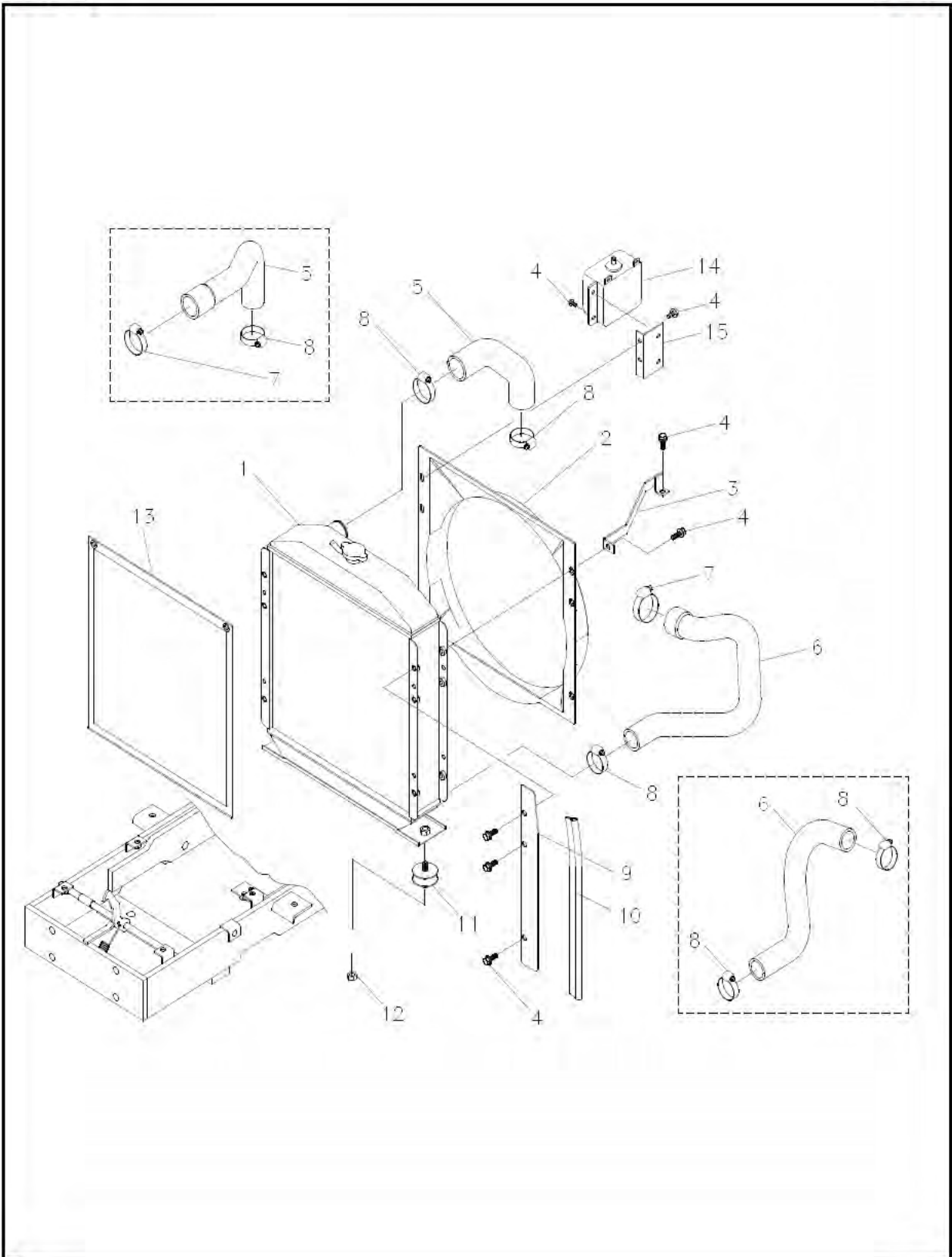
**FIG. 2-4**

NO.	PART NO.	PART NAME & DESCRIPTION	QTY			APP.NO	REM.
			A	B	C		
1	A1170261	RADIATOR ASSY	*	1	1		
	A1170240	RADIATOR ASSY	1	*	*		
2	A1170250	SHROUD, FAN	*	1	1		
	A1170268	SHROUD, FAN	1	*	*		
3	A1170277	BRACKET, RADIATOR	*	1	1		
	A1170262	BRACKET, RADIATOR	1	*	*		
4	S155082033	BOLT, HEX. W/WASHER	M8x1.25x20L	12	12	12	
5	A1170275	HOSE, WATER OUTLET		*	1	1	
	A1170248	HOSE, WATER OUTLET		1	*	*	
6	A1170276	HOSE, WATER SUCTION		*	1	1	
	A1170249	HOSE, WATER SUCTION		1	*	*	
7	A1970201F	CLAMP, HOSE		1	1	1	
8	A1970201G	CLAMP, HOSE		3	3	3	
9	A1170234	PLATE, WING		2	2	2	
10	A1170253	WEATHER STRIP		2	2	2	
11	A1970360	RUBBER, DAMPING		2	2	2	
12	S346100013	NUT, FLANGE B-TY	M10x1.25P	2	2	2	
13	A1170233	NET, FRONT		1	1	1	
14	A1170031	TANK, RESERVOIR		1	1	1	
15	A1170269	BRACKET, RESERVOIR TANK		*	1	1	
	A1170270	BRACKET, RESERVOIR TANK		1	*	*	

# RADIATOR

FIG. 2-4

G. 100



# RADIATOR

A-NOT AVAILABLE / B-R39 / C-R45

A-NOT AVAILABLE / B-R41 / C-R47

**FIG. 2-4**

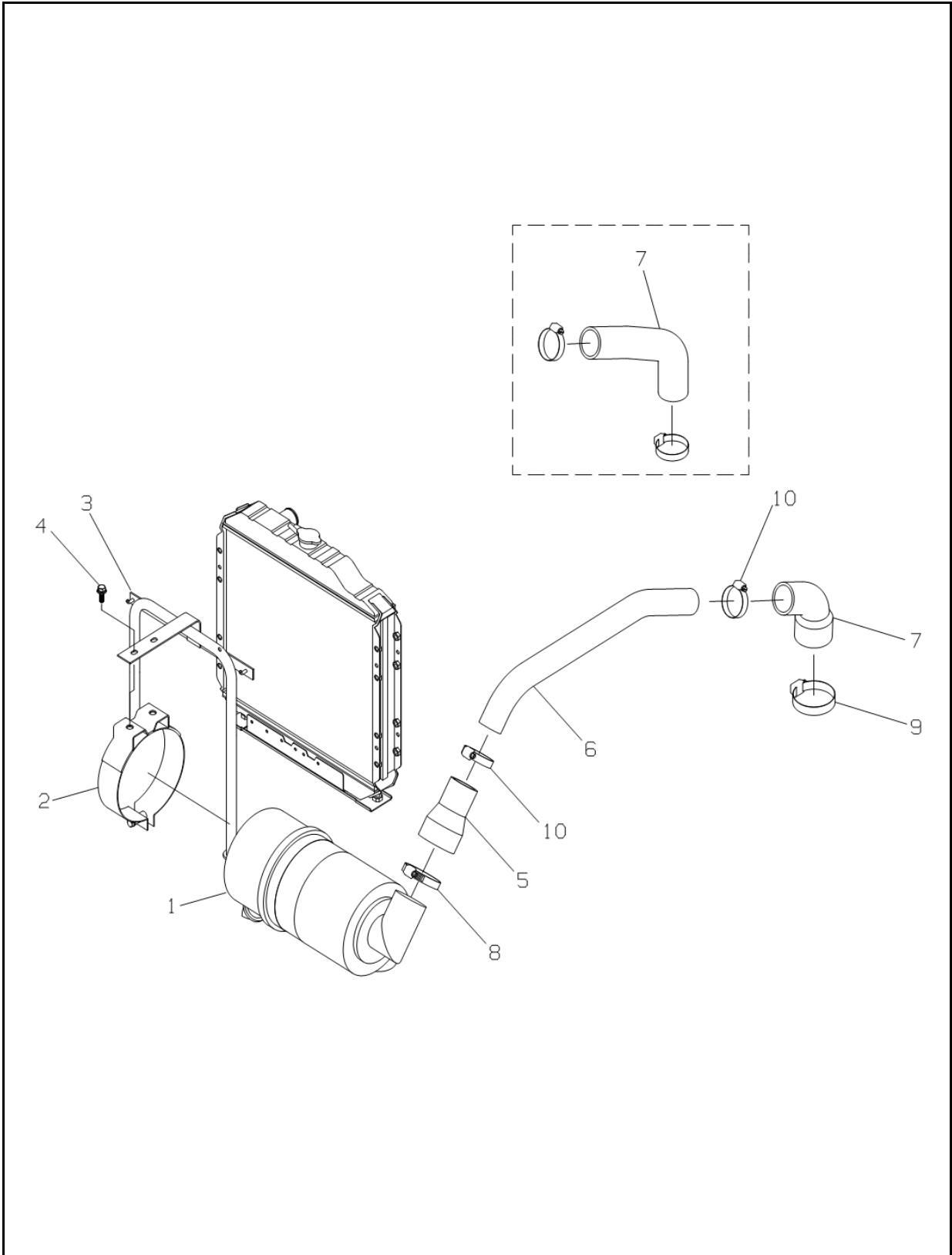
NO.	PART NO.	PART NAME & DESCRIPTION	QTY			APP.NO	REM.
			A	B	C		
1	A1170239	RADIATOR ASSY	*	1	1		
	A1170240	RADIATOR ASSY	1	*	*		
2	A1170250	SHROUD, FAN	*	1	1		
	A1170268	SHROUD, FAN	1	*	*		
3	A1170242	BRACKET, RADIATOR	*	1	1		
4	A1170262	BRACKET, RADIATOR	1	*	*		
	S155082033	BOLT, HEX. W/WASHER	M8x1.25x20L	13	13	13	
5	A1170244	HOSE, WATER OUTLET	*	1	1		
	A1170248	HOSE, WATER OUTLET	1	*	*		
6	A1170245	HOSE, WATER SUCTION	*	1	1		
7	A1170249	HOSE, WATER SUCTION	1	*	*		
	A1970201H	CLAMP, HOSE	1	1	1		
8	A1970201G	CLAMP, HOSE	3	3	3		
9	A1170234	PLATE, WING	2	2	2		
10	A1170253	WEATHER STRIP	2	2	2		
11	A1970360	RUBBER, DAMPING	2	2	2		
	S346100013	NUT, FLANGE B-TY	M10x1.25P	2	2	2	
13	A1170233	NET, RADIATOR	1	1	1		
14	A1170031	TANK, RESERVOIR	1	1	1		
15	A1170269	BRACKET, RESERVOIR TANK	*	1	1		
	A1170270	BRACKET, RESERVOIR TANK	1	*	*		



# AIR CLEANER

FIG. 2-5

G. 100



# AIR CLEANER

A-NOT AVAILABLE / B-R39 / C-R45

A-NOT AVAILABLE / B-R41 / C-R47

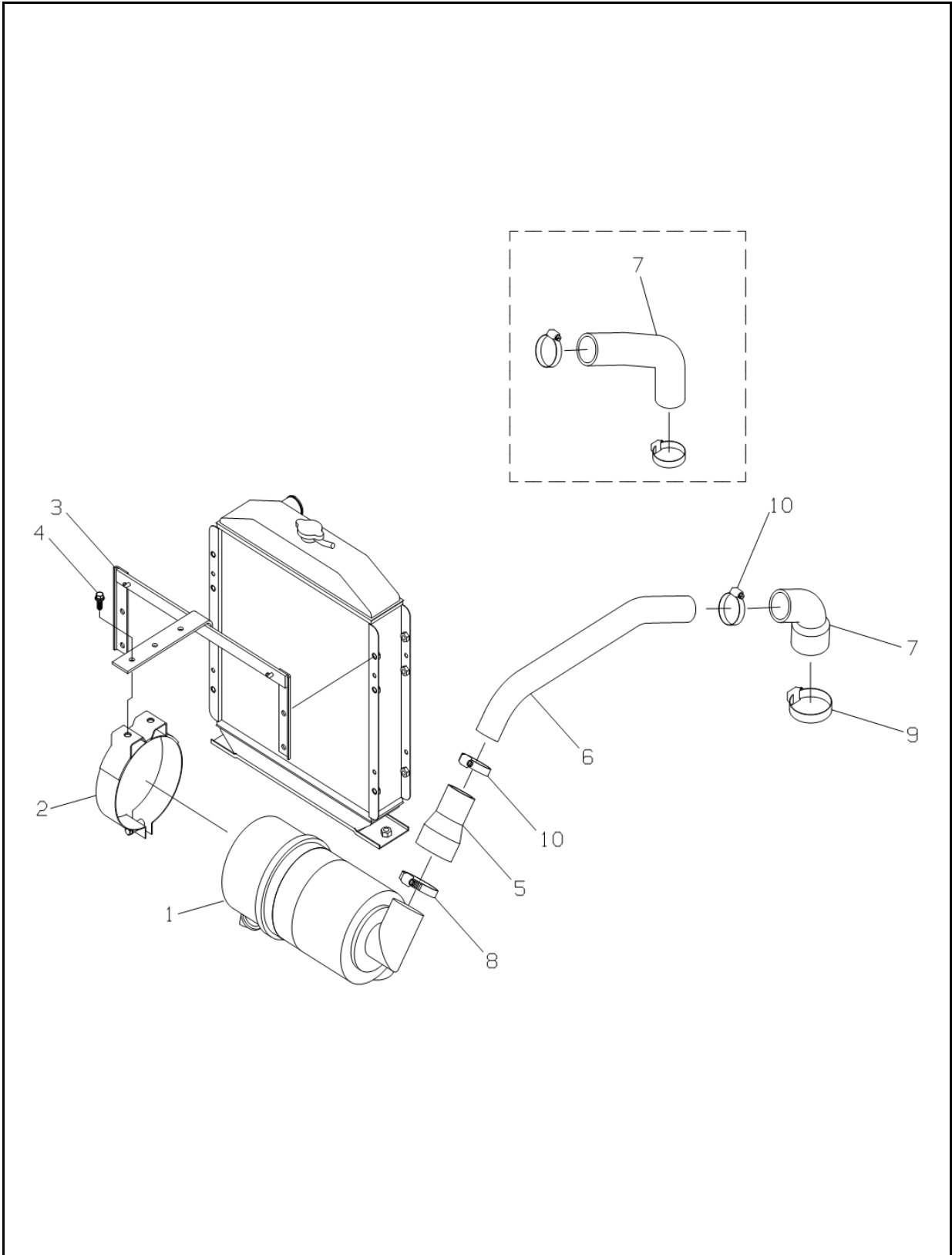
**FIG. 2-5**

NO.	PART NO.	PART NAME & DESCRIPTION	QTY			APP.NO	REM.
			A	B	C		
1	A1190107	AIR CLEANER ASSY	*	1	1		
	A1190110	AIR CLEANER ASSY	1	*	*		
2	A1190106	BAND, AIR CLEANER	*	1	1		
	A1190113	BAND, AIR CLEANER	1	*	*		
3	A1190181	BRACKET, AIR CLEANER	1	1	1		
4	S155082033	BOLT, HEX. W/WASHER	M8x1.25x20L	2	2	2	
5	A1190178	HOSE, A AIR INTAKE	*	1	1		
	A1190163	HOSE, A AIR INTAKE	1	*	*		
6	A1190194	PIPE, AIR INTAKE	*	1	1		
	A1190167	PIPE, AIR INTAKE	1	*	*		
7	A1190164	HOSE, B AIR INTAKE	*	1	1		
	A1190166	HOSE, B AIR INTAKE	1	*	*		
8	A1970201K	CLAMP, HOSE	1	1	1		
9	A1970201L	CLAMP, HOSE	1	1	1		
10	A1970201H	CLAMP, HOSE	2	2	2		

# AIR CLEANER

FIG. 2-5

G. 100



# AIR CLEANER

A-NOT AVAILABLE / B-R39 / C-R45

A-NOT AVAILABLE / B-R41 / C-R47

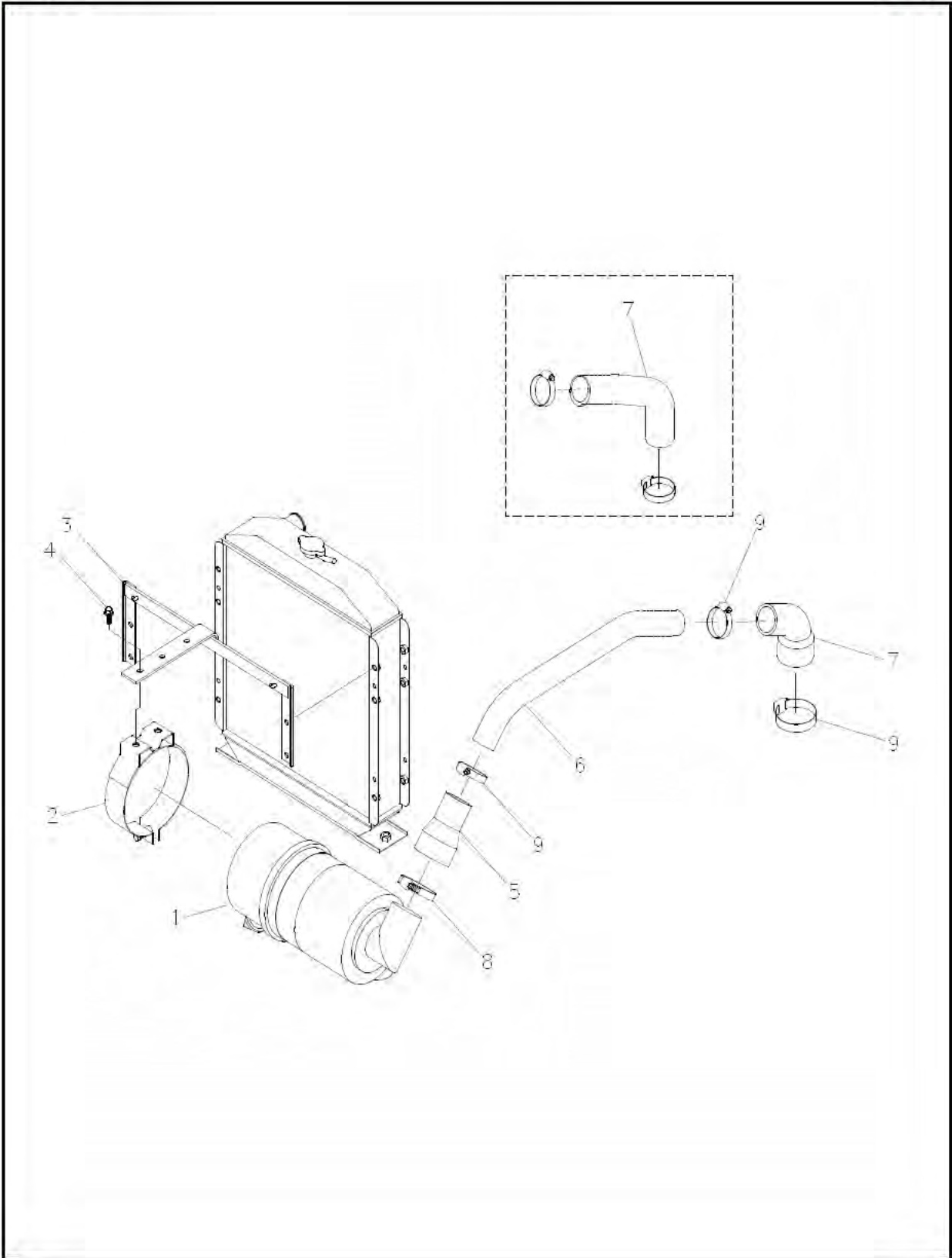
**FIG. 2-5**

NO.	PART NO.	PART NAME & DESCRIPTION	QTY			APP.NO	REM.
			A	B	C		
1	A1190107	AIR CLEANER ASSY	*	1	1		
	A1190110	AIR CLEANER ASSY	1	*	*		
2	A1190106	BAND, AIR CLEANER	*	1	1		
	A1190113	BAND, AIR CLEANER	1	*	*		
3	A1190181	BRACKET, AIR CLEANER	1	1	1		
4	S155082033	BOLT, HEX. W/WASHER	M8x1.25x20L	2	2	2	
5	A1190178	HOSE, A AIR INTAKE		*	1	1	
	A1190163	HOSE, A AIR INTAKE		1	*	*	
6	A1190194	PIPE, AIR INTAKE		*	1	1	
	A1190167	PIPE, AIR INTAKE		1	*	*	
7	A1190164	HOSE, B AIR INTAKE		*	1	1	
	A1190166	HOSE, B AIR INTAKE		1	*	*	
8	A1970201K	CLAMP, HOSE		1	1	1	
9	A1970201L	CLAMP, HOSE		1	1	1	
10	A1970201H	CLAMP, HOSE		2	2	2	

# AIR CLEANER

FIG. 2-5

G. 100



# AIR CLEANER

A-NOT AVAILABLE / B-R39 / C-R45

A-NOT AVAILABLE / B-R41 / C-R47

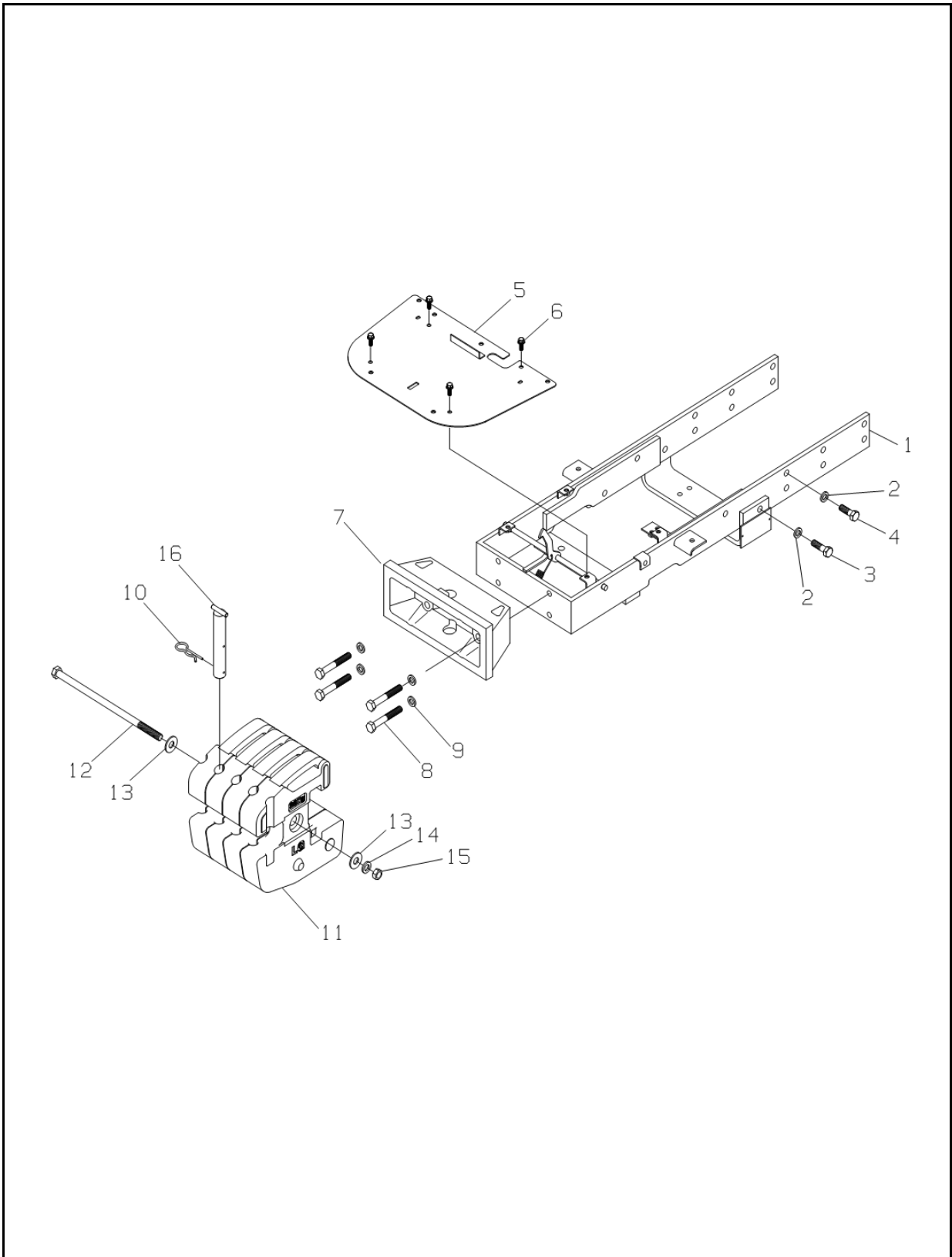
**FIG. 2-5**

NO.	PART NO.	PART NAME & DESCRIPTION	QTY			APP.NO	REM.
			A	B	C		
1	A1190107	AIR CLEANER ASSY	*	1	1		
	A1190110	AIR CLEANER ASSY	1	*	*		
2	A1190106	BAND, AIR CLEANER	*	1	1		
	A1190113	BAND, AIR CLEANER	1	*	*		
3	A1190181	BRACKET, AIR CLEANER	1	1	1		
4	S155082033	BOLT, HEX. W/WASHER	M8x1.25x20L	2	2	2	
5	A1190178	HOSE,A AIR INTAKE		*	1	1	
	A1190163	HOSE,A AIR INTAKE		1	*	*	
6	A1190194	PIPE,AIR INTAKE		*	1	1	
	A1190167	PIPE,AIR INTAKE		1	*	*	
7	A1190164	HOSE,B AIR INTAKE		*	1	1	
	A1190166	HOSE,B AIR INTAKE		1	*	*	
8	A1970201K	CLAMP, HOSE		1	1	1	
9	A1970201J	CLAMP, HOSE		3	3	3	

# ENGINE FRAME

FIG. 2-6

G. 100



# ENGINE FRAME

A-NOT AVAILABLE / B-R39 / C-R45

A-NOT AVAILABLE / B-R41 / C-R47

**FIG. 2-6**

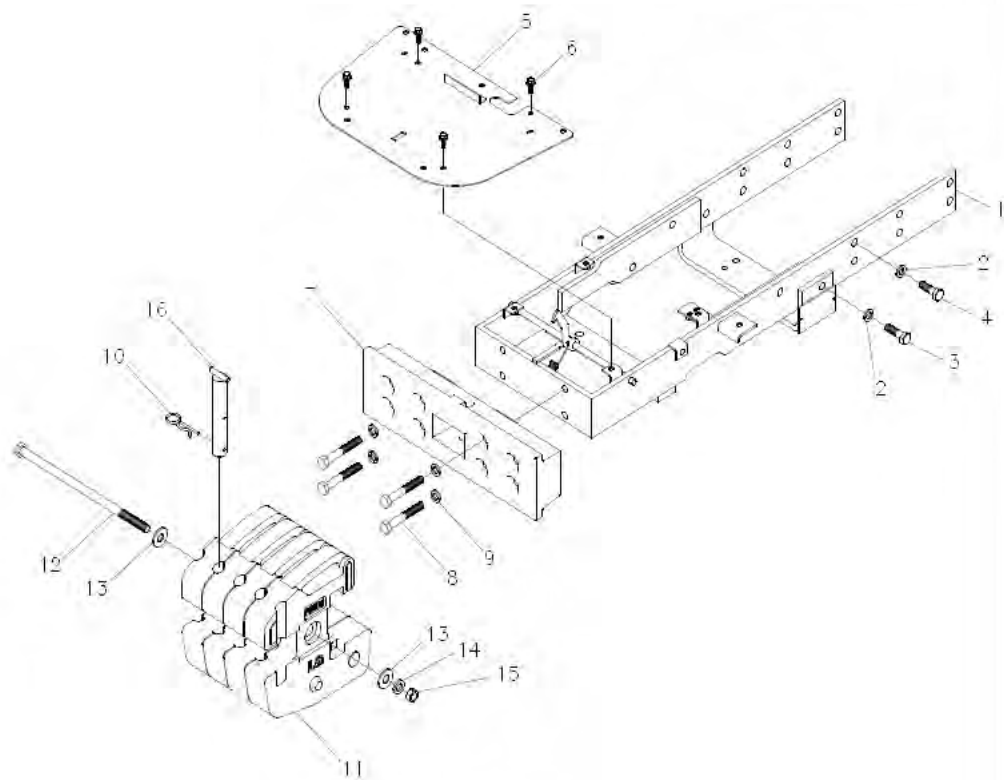
NO.	PART NO.	PART NAME & DESCRIPTION	QTY			APP.NO	REM.
			A	B	C		
1	A1210116	FRAME, ENGINE	*	1	1		
	A1210131	FRAME, ENGINE	1	*	*		
2	S361140013	WASHER, SPRING	M14	*	14	14	
3	S101145043	BOLT, HEX.	M14x2.0x50L	*	2	2	
	S101144043	BOLT, HEX.	M14x2.0x40L	*	12	12	
4	S154123533	BOLT, HEX.	M12x1.25x35L	16	*	*	
5	A1210124	PLATE, BOTTOM		1	1	1	
6	S155082033	BOLT, HEX. W/WASHER	M8x1.25x20L	4	4	4	
7	A1215040	BUMPER		1	1	1	
8	S104141143	BOLT, HEX		4	4	4	
9	S361140013	WASHER, SPRING	M14	4	4	4	
10	A1970350	PIN, SNAP		1	1	1	
11	A1215030	WEIGHT, FRONT		4	4	4	
12	A1215028	BOLT, HEX		1	1	1	
13	3A0010847	WASHER, STOP		2	2	2	
14	S361160013	WASHER, SPR. 1-TY	M16	1	1	1	
15	S314160013	NUT, HEX. S. 2-TY	M16x1.5P	2	2	2	
16	A1215031	PIN, FRONT HOOK		1	1	1	



# ENGINE FRAME

FIG. 2-6

G. 100



# ENGINE FRAME

A-NOT AVAILABLE / B-R39 / C-R45

A-NOT AVAILABLE / B-R41 / C-R47

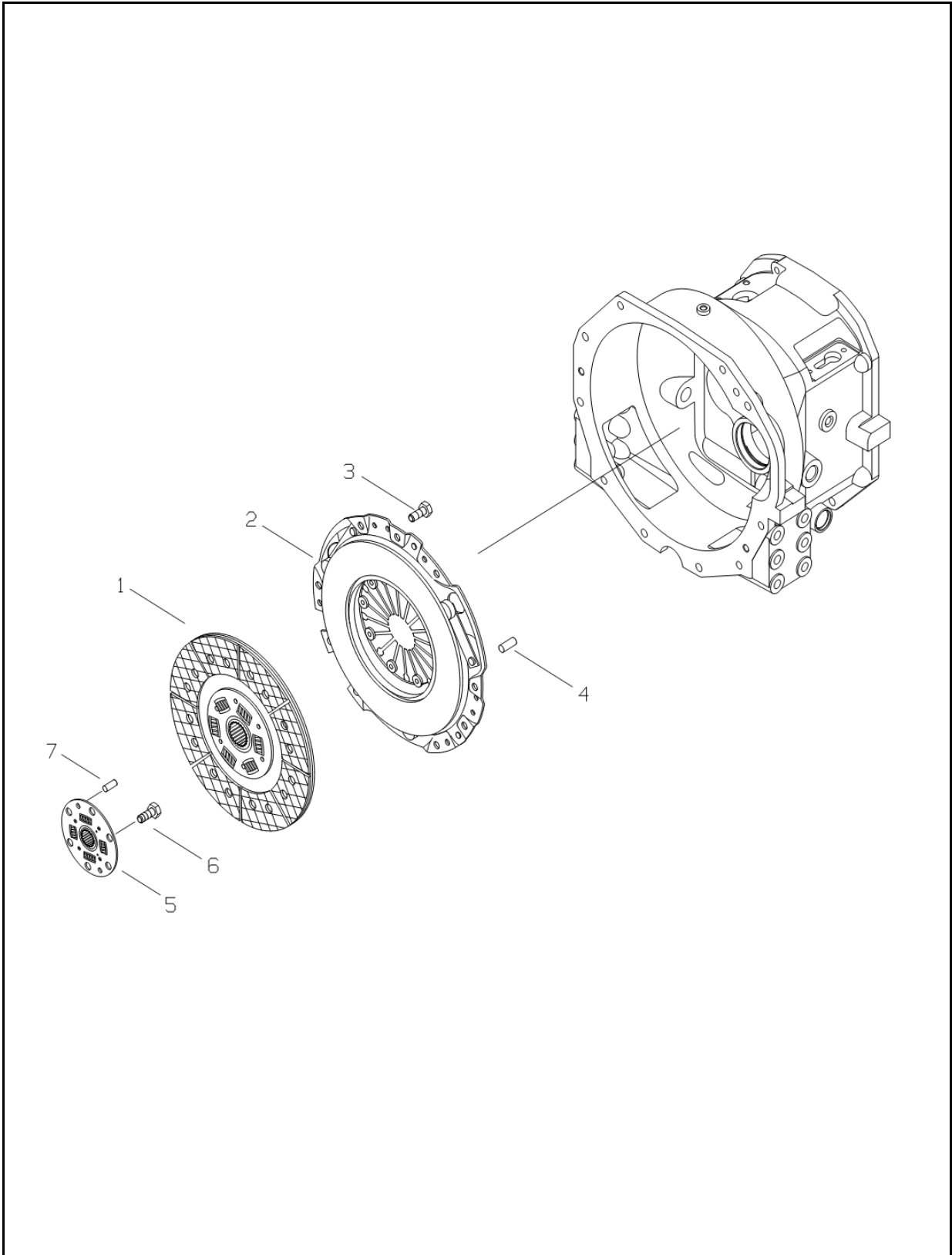
**FIG. 2-6**

NO.	PART NO.	PART NAME & DESCRIPTION	QTY			APP.NO	REM.
			A	B	C		
1	A1210116	FRAME, ENGINE	*	1	1		
	A1210118	FRAME, ENGINE	1	*	*		
2	S361140013	WASHER, SPRING	M14	*	14	14	
3	S101145043	BOLT, HEX.	M14x2.0x50L	*	2	2	
	S101144043	BOLT, HEX.	M14x2.0x40L	*	12	12	
4	S154123533	BOLT, HEX.	M12x1.25x35L	16	*	*	
5	A1210124	PLATE, BOTTOM		1	1	1	
6	S155082033	BOLT, HEX. W/WASHER	M8x1.25x20L	4	4	4	
7	A1215012	BUMPER		1	1	1	
8	S103141043	BOLT, HEX	M14x1.5x100L	4	4	4	
9	S361140013	WASHER, SPRING	M14	4	4	4	
10	A1970350	PIN, SNAP		1	1	1	
11	A1215030	WEIGHT, FRONT		4	4	4	
12	A1215007	BOLT, HEX		1	1	1	
13	3A0010847	WASHER, STOP		2	2	2	
14	S361160013	WASHER, SPR. 1-TY	M16	1	1	1	
15	S314160013	NUT, HEX. S. 2-TY	M16x1.5P	2	2	2	
16	A1215031	PIN, FRONT HOOK		1	1	1	

# CLUTCH

FIG. 3-1A

G. 250



# CLUTCH

A-NOT AVAILABLE / B-R39 / C-R45

A-NOT AVAILABLE / B-R41 / C-R47

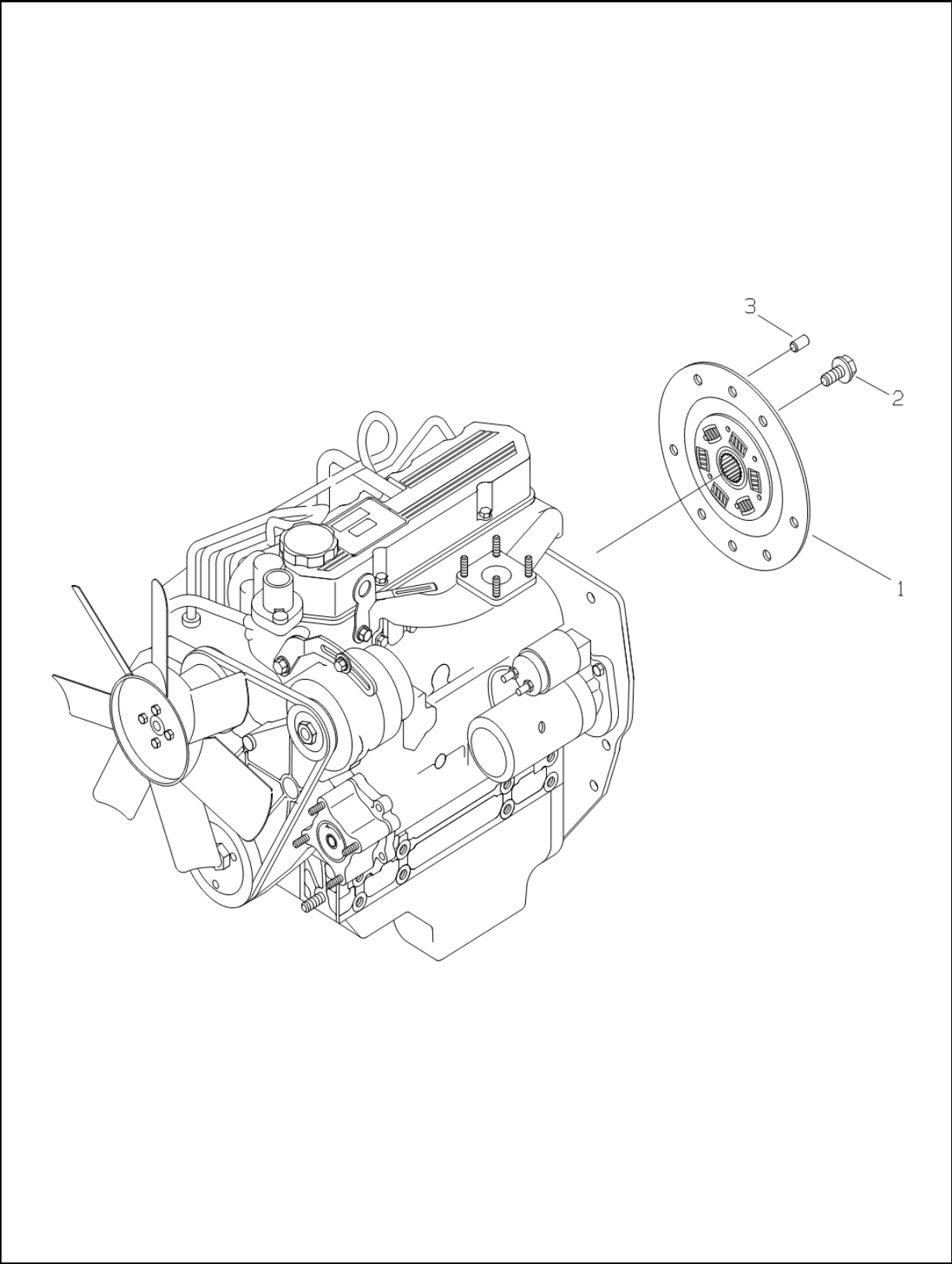
**FIG. 3-1A**

**( MEC )**

NO.	PART NO.	PART NAME & DESCRIPTION	QTY			APP.NO	REM.
			A	B	C		
1-2	A1250066	CLUTCH ASSY	1	1	1		
1	A1250051	CLUTCH COVER	1	1	1		
2	A1250067	CLUTCH DISK ASSY	1	1	1		
3	S153082533	BOLT, HEX. W/WASHER	12	12	12		
4	S421061210	PIN, PAR. A-TY.(m6)	2	2	2		
5	A1250148	DAMPER, ASSY	1	*	*		
	A1250149	DAMPER, ASSY	*	1	1		
6	S153082033	BOLT, HEX. W/WASHER	6	6	6		
7	S423081610	PIN, PAR. A-TY.	2	2	2		

# DAMPER

FIG. 3-1B



# DAMPER

A-NOT AVAILABLE / B-R39 / C-R45

A-NOT AVAILABLE / B-R41 / C-R47

**FIG. 3-1B**

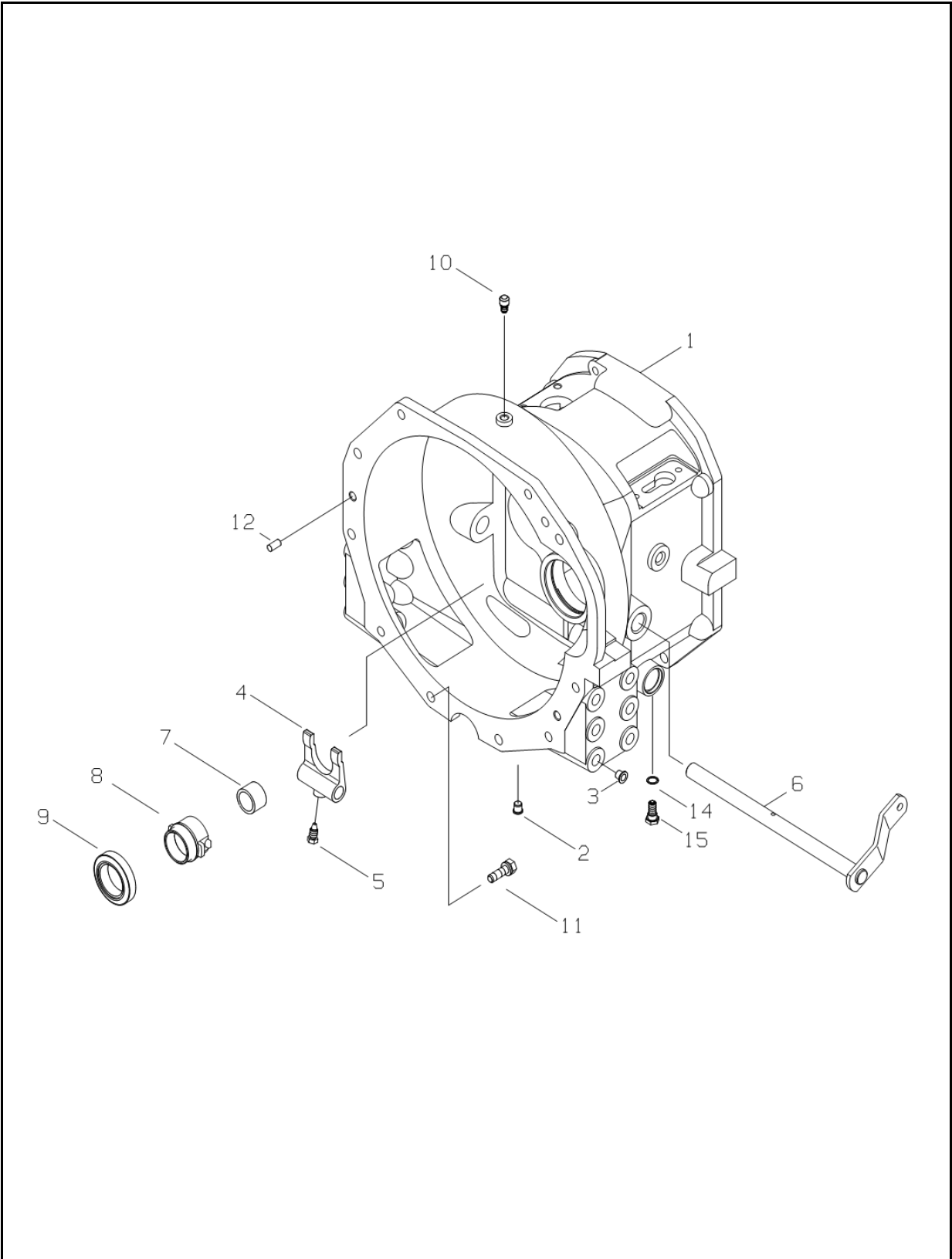
**( HST )**

NO.	PART NO.	PART NAME & DESCRIPTION		QTY			APP.NO	REM.
				A	B	C		
1	A1250148	DAMPER ASSY		1	*	*		
	A1250149	DAMPER ASSY		*	1	1		
2	S153082533	BOLT, HEX	M8x1.25x25L	6	6	6		
3	S423081610	PIN, DOWEL	D8x16L	2	2	2		

# CLUTCH HOUSING

FIG. 3-2A

G. 250



# CLUTCH HOUSING

A-NOT AVAILABLE / B-R39 / C-R45

A-NOT AVAILABLE / B-R41 / C-R47

**FIG. 3-2A**

**( MEC )**

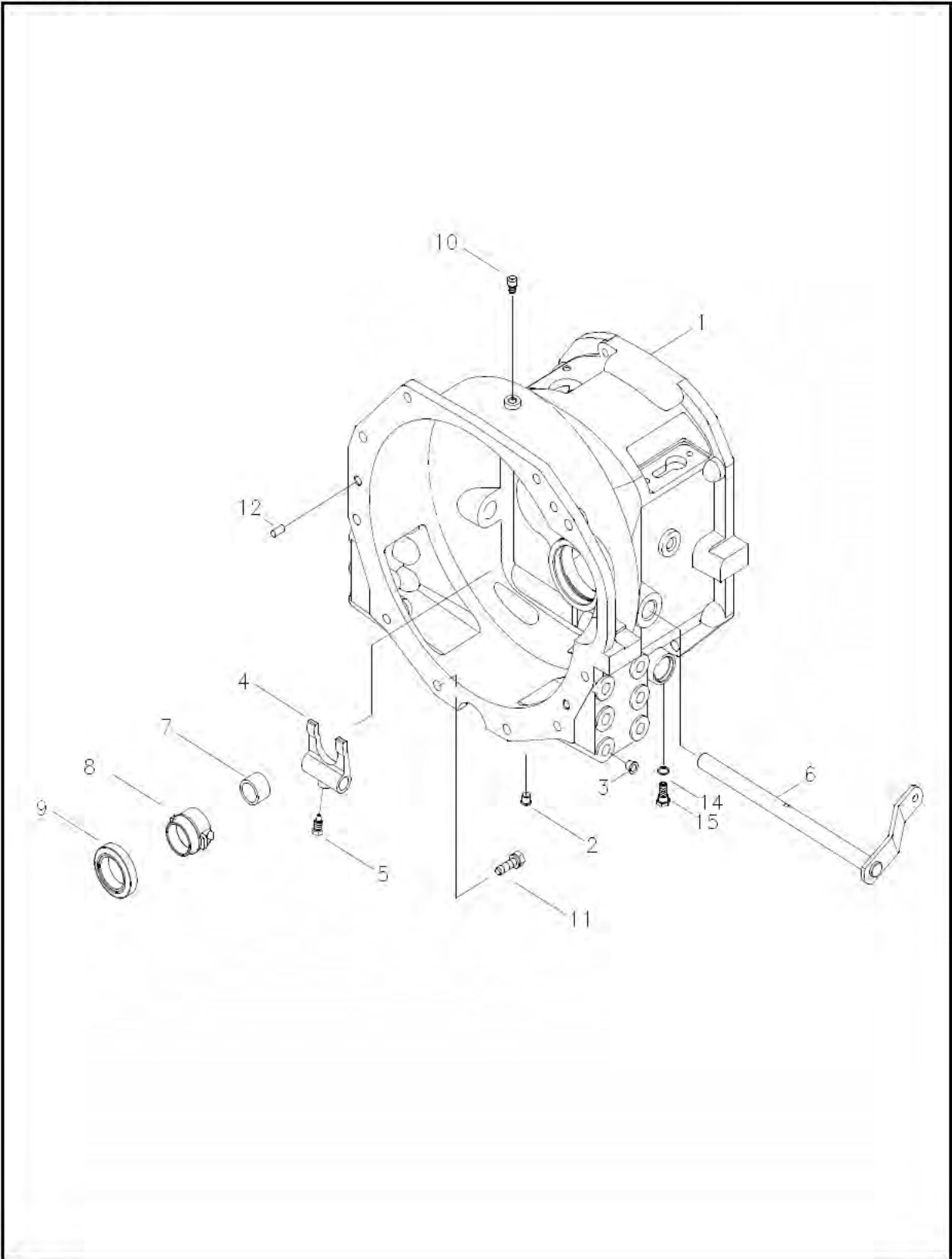
NO.	PART NO.	PART NAME & DESCRIPTION	QTY			APP.NO	REM.
			A	B	C		
1	A1250142	HOUSING, CLUTCH	1	1	1		
2	3A1250009	PLUG	D12	1	1		
3	3A1970068	PLUG	D12	8	8		
4	A1250073	LEVER, CLUTCH SHIFT		1	1		
5	A1250047	BOLT, LOCKING	M12x1.25	1	1		
6	A1260100	SHAFT, CLUTCH LEVER		1	1		
7	A1970236	BUSHING, SELF LUB	MB4525DU(OD50xID45x25)	1	1		
8	A1250146	HUB, RELEASE BEARING		1	1		
9	A1250056	BEARING, RELEASE	TK55-1BU3(OD87.6xID55x21.5)	1	1		
10	A1250049	PLUG, AIR BENT		1	1		
11	S153127033	BOLT, HEX. W/WASHER		2	2		
12	S423102010	PIN, PAR. A-TY		2	2		
13	S153124533	BOLT, HEX. W/WASHER		8	8		
14	A10263360	SEAL		1	1		
15	3A1250013	PLUG, DRAIN		1	1		



# CLUTCH HOUSING

FIG. 3-2A

G. 250



# CLUTCH HOUSING

A-NOT AVAILABLE / B-R39 / C-R45

A-NOT AVAILABLE / B-R41 / C-R47

**FIG. 3-2A**

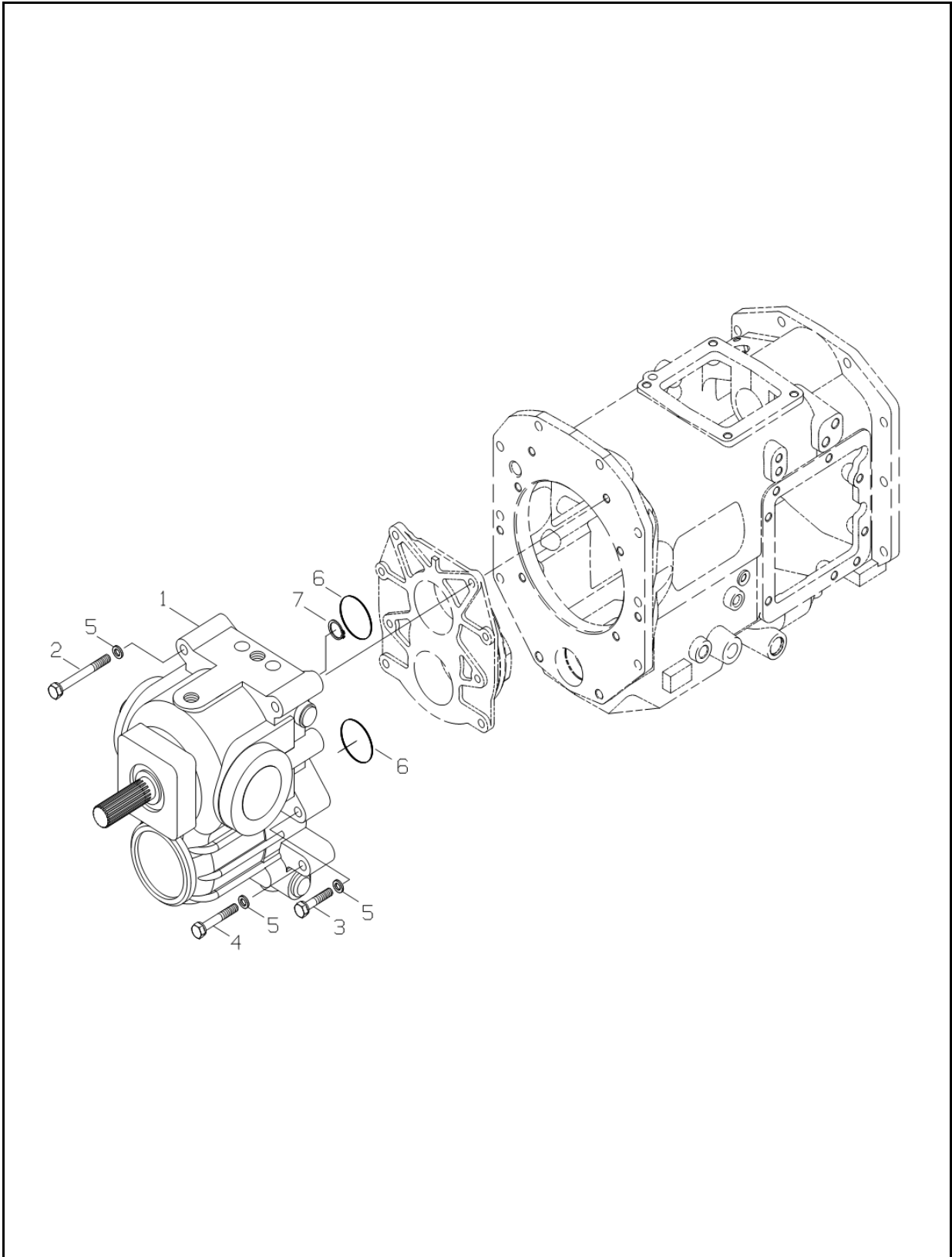
**( MEC )**

NO.	PART NO.	PART NAME & DESCRIPTION	QTY			APP.NO	REM.
			A	B	C		
1	A1250142	HOUSING, CLUTCH	1	1	1		
2	3A1250009	PLUG	D12	1	1		
3	3A1970068	PLUG	D12	12	12		
4	A1250073	LEVER, CLUTCH SHIFT		1	1		
5	A1250047	BOLT, LOCKING	M12x1.25	1	1		
6	A1260100	SHAFT, CLUTCH LEVER		1	1		
7	A1970236	BUSHING, SELF LUB	MB4525DU(OD50xID45x25)	1	1		
8	A1250146	HUB, RELEASE BEARING		1	1		
9	A1250056	BEARING, RELEASE	TK55-1BU3(OD87.6xID55x21.5)	1	1		
10	A1250049	PLUG, AIR BENT		1	1		
11	S153127033	BOLT, HEX. W/WASHER		2	2		
12	S423102010	PIN, PAR. A-TY		2	2		
13	S153124533	BOLT, HEX. W/WASHER		8	8		
14	A10263360	SEAL		1	1		
15	3A1250013	PLUG, DRAIN		1	1		

# HST

FIG. 3-2B

G. 270



**FIG. 3-2B**

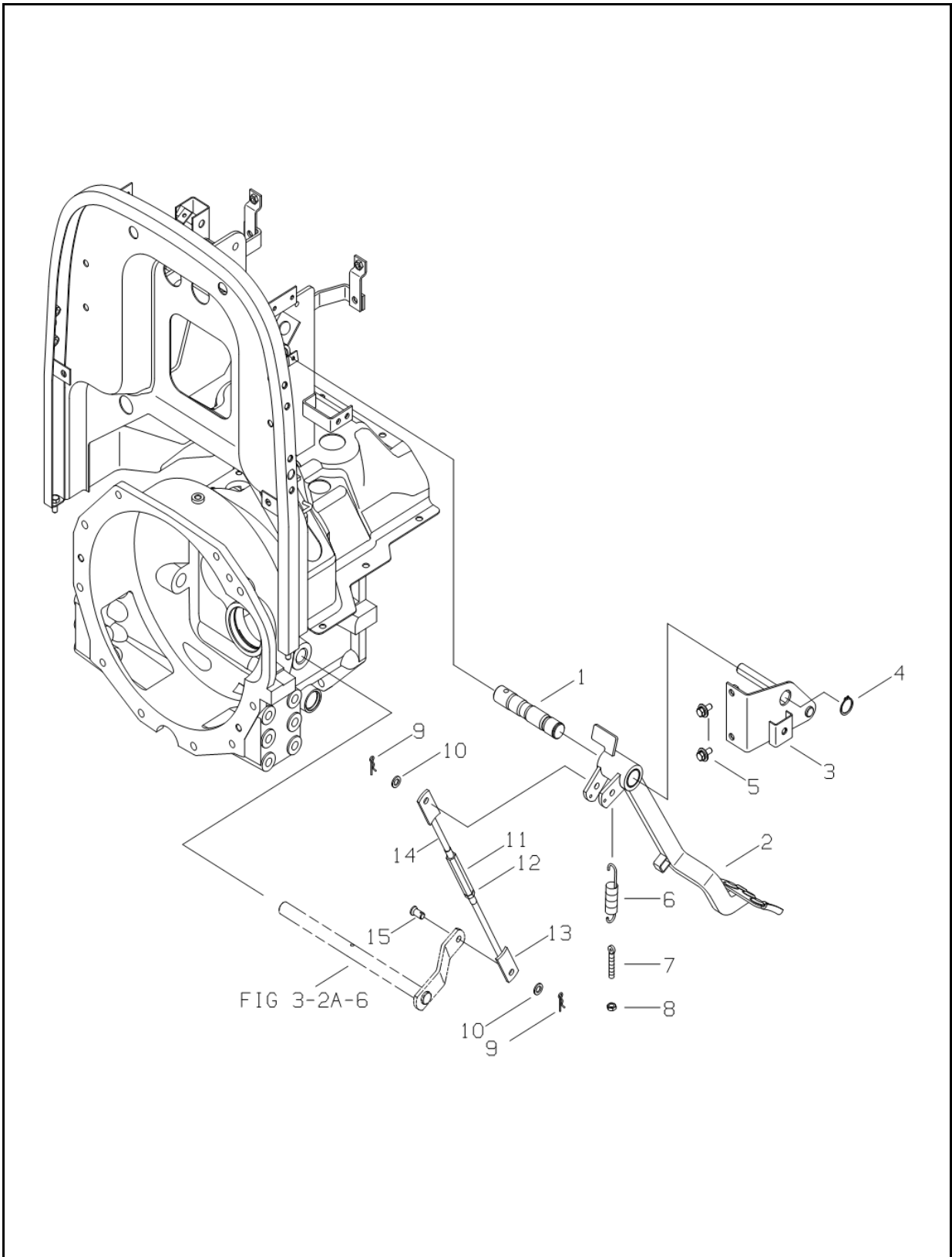
**( HST )**

NO.	PART NO.	PART NAME & DESCRIPTION		QTY			APP.NO	REM.
				A	B	C		
1	A1270004	HST UNIT	37cc	1	1	1		
	A1270005	HST UNIT	28cc	1	1	1		
2	S103109543	BOLT, HEX	M10x1.25x95L	2	2	2		28cc(0)
3	S103107043	BOLT, HEX	M10x1.25x70L	2	2	2		28cc(4)
4	S103105043	BOLT, HEX	M10x1.25x50L	2	2	2		28cc(2)
5	S361100013	WASHER, SPRING	M10용	6	6	6		
6	S804071010	O-RING		2	2	2		
7	S810025001	RING, SNAP		1	1	1		

# CLUTCH PEDAL

FIG. 3-3

G. 260



# CLUTCH PEDAL

A-NOT AVAILABLE / B-R39 / C-R45

A-NOT AVAILABLE / B-R41 / C-R47

**FIG. 3-3**

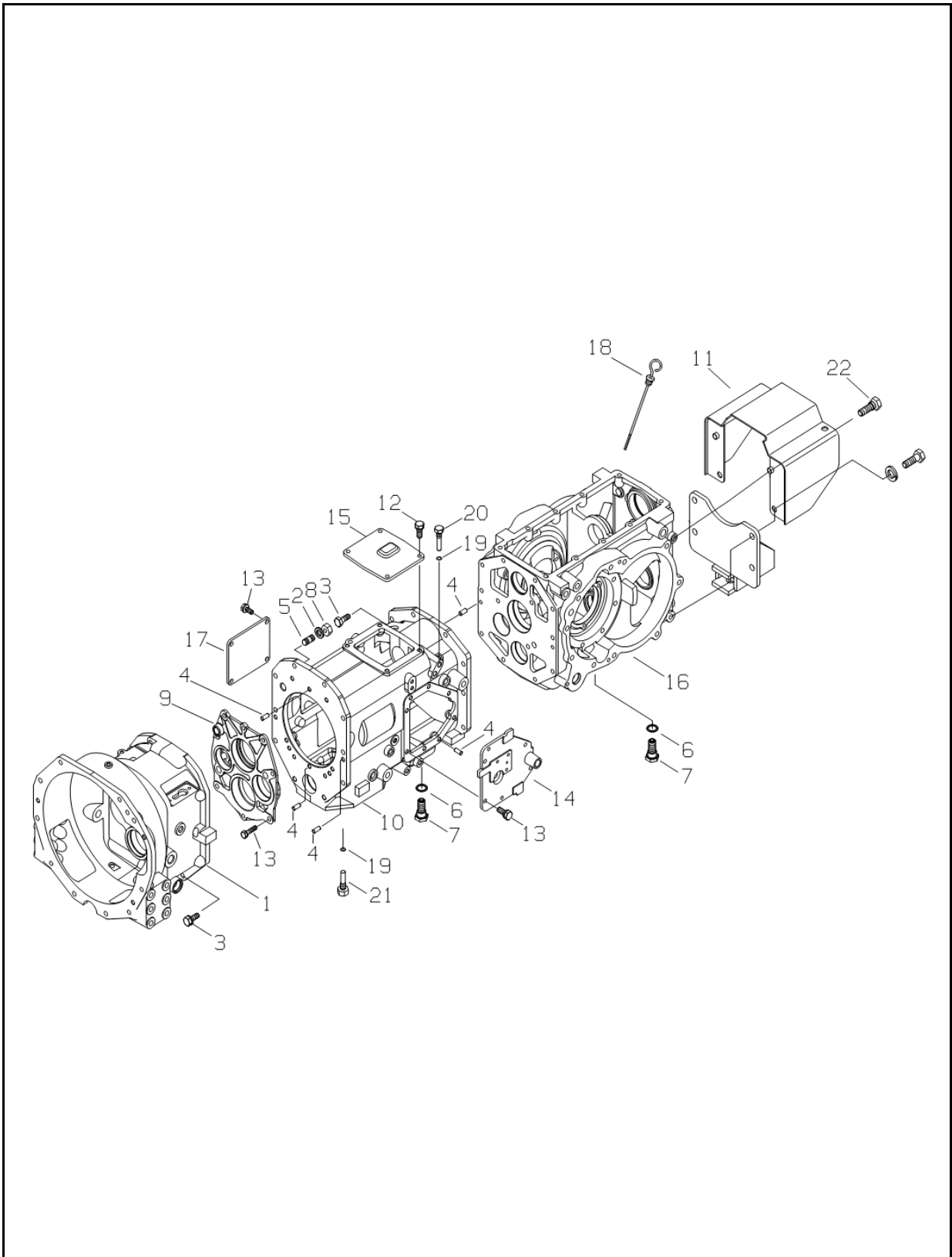
**( MEC )**

NO.	PART NO.	PART NAME & DESCRIPTION	QTY			APP.NO	REM.
			A	B	C		
1	A1670311	SHAFT, BRAKE PEDAL	1	1	1		
2	A1260115	PEDAL, CLUTCH	1	1	1		
3	A1260099	STOPPER, CLUTCH PEDAL	1	1	1		
4	S810025001	RING, SNAP	1	1	1		
5	S159082033	BOLT, HEX	M8X1.25X20	2	2	2	
6	A1260112	SPRING	M8X1.25	1	1	1	
7	A1260109	BOLT, ADJUSTER	M8X1.25	1	1	1	
8	A0610274	NUT, LOCK	M8X1.25	1	1	1	
9	S443100013	PIN, SNAP		2	2	2	
10	S363100013	WASHER, PLN.		2	2	2	
11~14	A1260104	CLUTCH LINK ASSY		1	1	1	
11	A1260078	ADJUSTER, CONTROL		1	1	1	
12	S314100013	NUT, HEX		1	1	1	
13	A1260103	LINK(B)		1	1	1	
14	A1260102	LINK(A)		1	1	1	
15	A1260111	PIN, CLUTCH LEVER		1	1	1	

# TRANSMISSION CASE

FIG. 3-4A

G. 280



# TRANSMISSION CASE

A-NOT AVAILABLE / B-R39 / C-R45

A-NOT AVAILABLE / B-R41 / C-R47

**FIG. 3-4A**

**( MEC )**

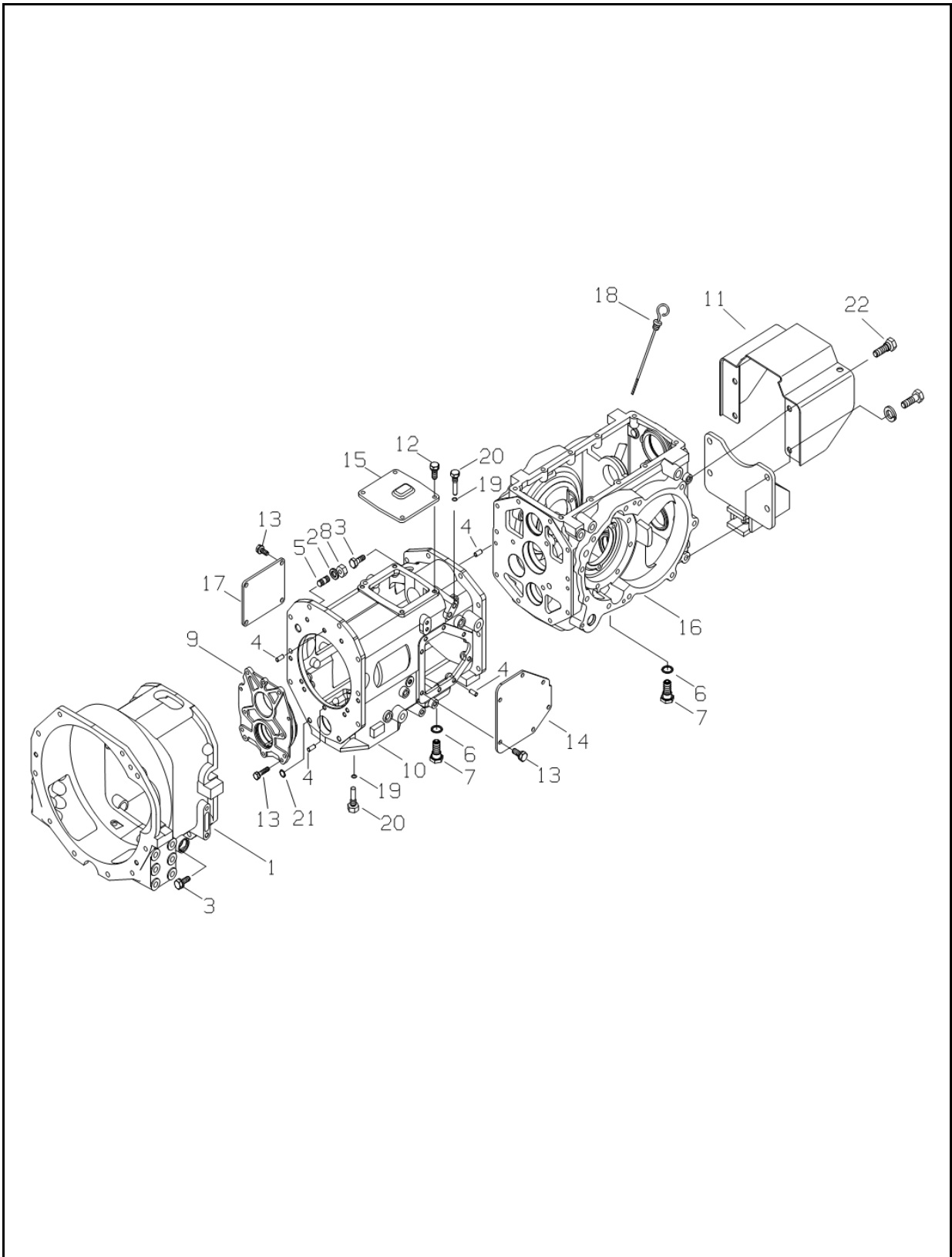
NO.	PART NO.	PART NAME & DESCRIPTION	QTY			APP.NO	REM.
			A	B	C		
1	A1250142	HOUSING, CLUTCH	1	1	1		
2	S361120013	WASHER, PLN	4	4	4		
3	S153123533	BOLT, HEX. W/WASHER	16	16	16		
4	S423102010	PIN, PAR. A-TY	6	6	6		
5	S139123523	BOLT, STUD	4	4	4		
6	A10263360	SEAL	2	2	2		
7	3A1250013	PLUG, DRAIN	2	2	2		
8	S305120013	NUT, HEX. 2-TY.	4	4	4		
9	A1280191	COVER, CENTER CASE FRONT	1	1	1		
10	A1280194	CASE, CENTER	1	1	1		
11	A1280217	CASE, CENTER(Q/T)	1	1	1		Q/TURN
12	S154102033	BOLT, HEX. W/WASHER	4	4	4		
13	S154102533	BOLT, HEX. W/WASHER	14	14	14		
14	A1280189	COVER, RANGE SHIFT	1	1	1		
15	A1280207	COVER, PTO CLUTCH	1	1	1		
16	A1280193	CASE, AXLE	1	1	1		
17	A1280209	CASE, AXLE(M/PTO)	1	1	1		M/PTO
18	A1280210	COVER, MAIN FORK(MT)	1	1	1		
19	A1280205	GAUGE, OIL LEVEL	1	1	1		
19	S801010A10	O-RING	2	2	2		
20	A1280215	PIN, LEVER GUIDE	1	1	1		
21	A1280216	PIN, LEVER GUIDE	1	1	1		Q/TURN
22	A1280215	PIN, LEVER GUIDE	1	1	1		
22	S154103033	BOLT, HEX. W/WASHER	2	2	2		



# TRANSMISSION CASE

FIG. 3-4B

G. 280



# TRANSMISSION CASE

A-NOT AVAILABLE / B-R39 / C-R45

A-NOT AVAILABLE / B-R41 / C-R47

**FIG. 3-4B**

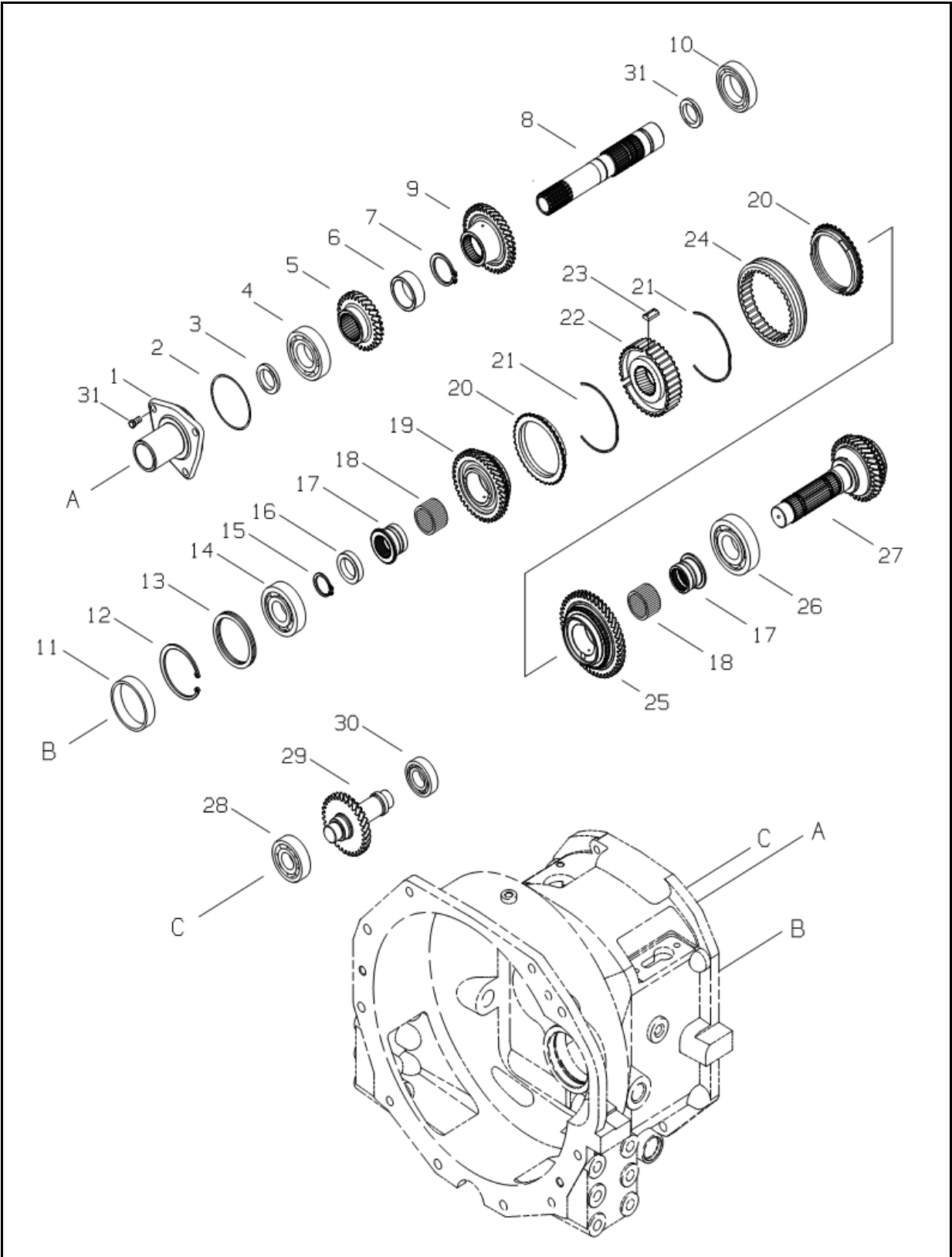
**( HST )**

NO.	PART NO.	PART NAME & DESCRIPTION	QTY			APP.NO	REM.
			A	B	C		
1	A1280187	HOUSING, HST	1	1	1		
2	S361120013	WASHER, PLN	4	4	4		
3	S153123533	BOLT, HEX. W/WASHER	16	16	16		
4	S423102010	PIN, PAR. A-TY	6	6	6		
5	S139123523	BOLT, STUD	4	4	4		
6	A10263360	SEAL	2	2	2		
7	3A1250013	PLUG, DRAIN	2	2	2		
8	S305120013	NUT, HEX. 2-TY.	2	2	2		
9	A1280192	COVER, CENTER CASE FRONT	1	1	1		
10	A1280194	CASE, CENTER	1	1	1		
11	A1280208	PROTECTOR, PTO	1	1	1		
12	S154102033	BOLT, HEX. W/WASHER	4	4	4		
13	S154102533	BOLT, HEX. W/WASHER	14	14	14		
14	A1280206	COVER, RANGE SHIFT	1	1	1		
15	A1280207	COVER, PTO CLUTCH	1	1	1		
16	A1280193	CASE, AXLE	1	1	1		
17	A1280188	COVER, MAIN FORK	1	1	1		
18	A1280205	GAUGE, OIL LEVEL	1	1	1		
19	S801010A10	O-RING	2	2	2		
20	A1280215	PIN, LEVER GUIDE	2	2	2		
21	S802195010	O-RING	1	1	1		
22	S154103033	BOLT, HEX. W/WASHER	2	2	2		

# MAIN SHAFT

FIG. 3-5A

G. 281



# MAIN SHAFT

A-NOT AVAILABLE / B-R39 / C-R45

A-NOT AVAILABLE / B-R41 / C-R47

**FIG. 3-5A**

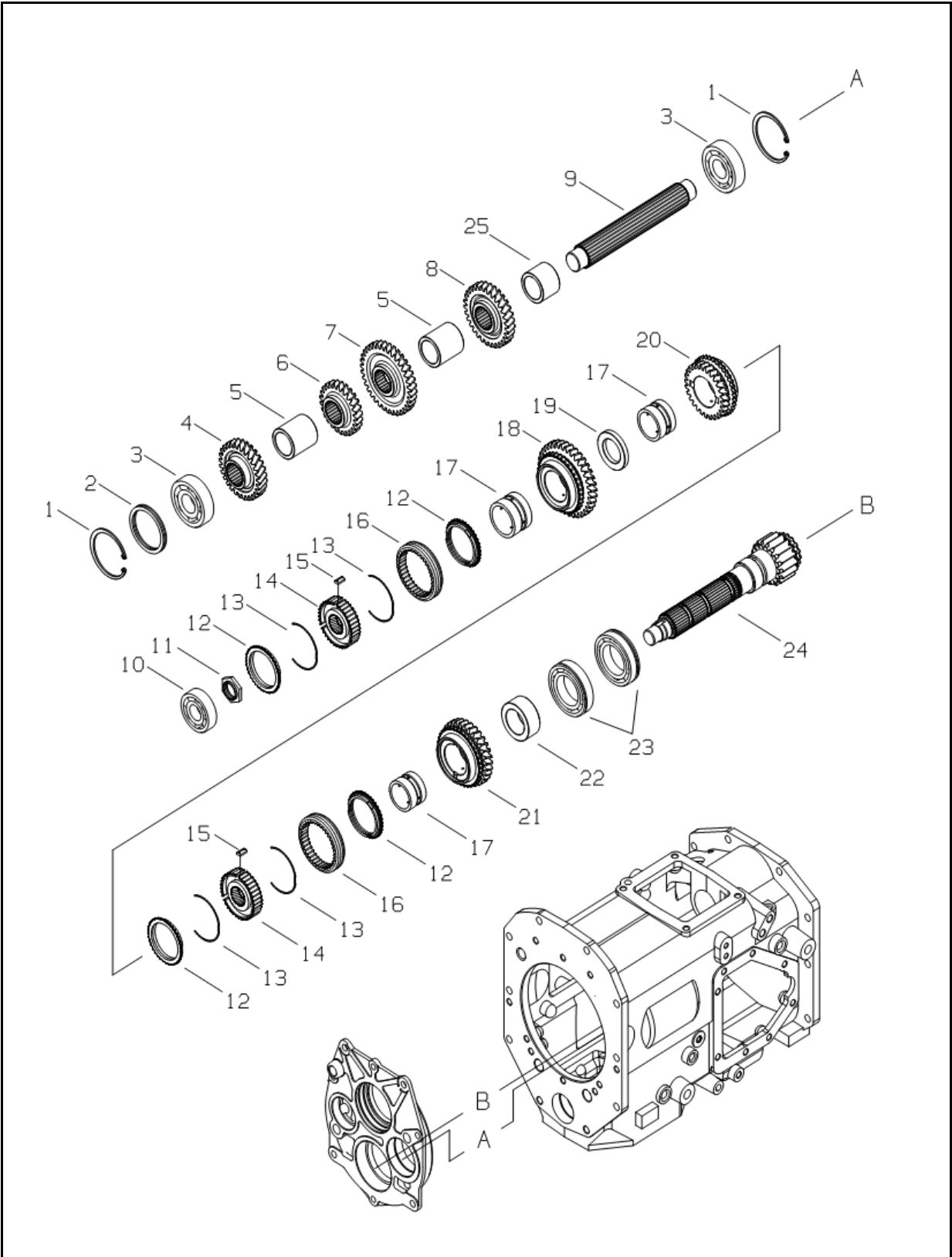
**( INDP )**

NO.	PART NO.	PART NAME & DESCRIPTION	QTY			APP.NO	REM.
			A	B	C		
1	A1280190	COVER, F-R DRIVE SHAFT	1	1	1		
2	S802075010	O-RING (G)	1	1	1		
3	A0653002	SEAL, OIL	1	1	1		
4	A0862070	BEARING, BALL	1	1	1		
5	A1281604	GEAR, REV/DRV	1	1	1		
6	A1281636	GEAR, REV/DRV	1	1	1		
7	S810040001	RING, SNAP	1	1	1		
8	A1281645	SHAFT, F-R DRIVE	1	1	1		IND, PTO
9	A1281606	GEAR, FWD/DRV.	1	1	1		
10	A0862080	BEARING, BALL	1	1	1		
11	3A1281014	CAP, RUBER	1	1	1		
12	S811072001	RING, SNAP (C) H.	1	1	1		
13	A0870501	LINER	1	1	1		
	A0870502	LINER	1	1	1		
14	A0863060	BEARING, BALL	1	1	1		
15	S810030001	RING, SNAP	1	1	1		
16	A1281625	SPACER,F-R DRVN(SP-1)	1	1	1		
17	A1281046	SLEEVE	2	2	2		
18	3A1970157	BEARING, NEEDLE	2	2	2		
19	A1281605	GEAR, REV/DRVN.	1	1	1		
20	A5000053	RING,SYNCHRONIZER	2	2	2		
21	A1281398	SPRING,SYNCHRONIZER	2	2	2		
22	A1281449	HUB, SHIFTING	1	1	1		
23	A1281399	STRUT,SYNCHRONIZER	3	3	3		
24	A1281396	SLEEVE,SHIFT	1	1	1		
25	A1281607	GEAR, FWD/DRVN.	1	1	1		
26	A0863070	BEARING, BALL	1	1	1		
27	A1281617	SHAFT, F-R DRVN. W/GEAR	1	1	1		
28	A0863050	BEARING, BALL	1	1	1		
29	A1281618	SHAFT, REVERSE IDLE W/GEAR	1	1	1		
30	A0862050	BEARING, BALL	1	1	1		
31	A1280051	SEAL,OIL	1	1	1		
32	S154102533	BOLT,HEX. W/WASHER	3	3	3		

# MAIN GEAR SHAFT

FIG. 3-6A

G. 281



# MAIN GEAR SHAFT

A-NOT AVAILABLE / B-R39 / C-R45

A-NOT AVAILABLE / B-R41 / C-R47

**FIG. 3-6A**

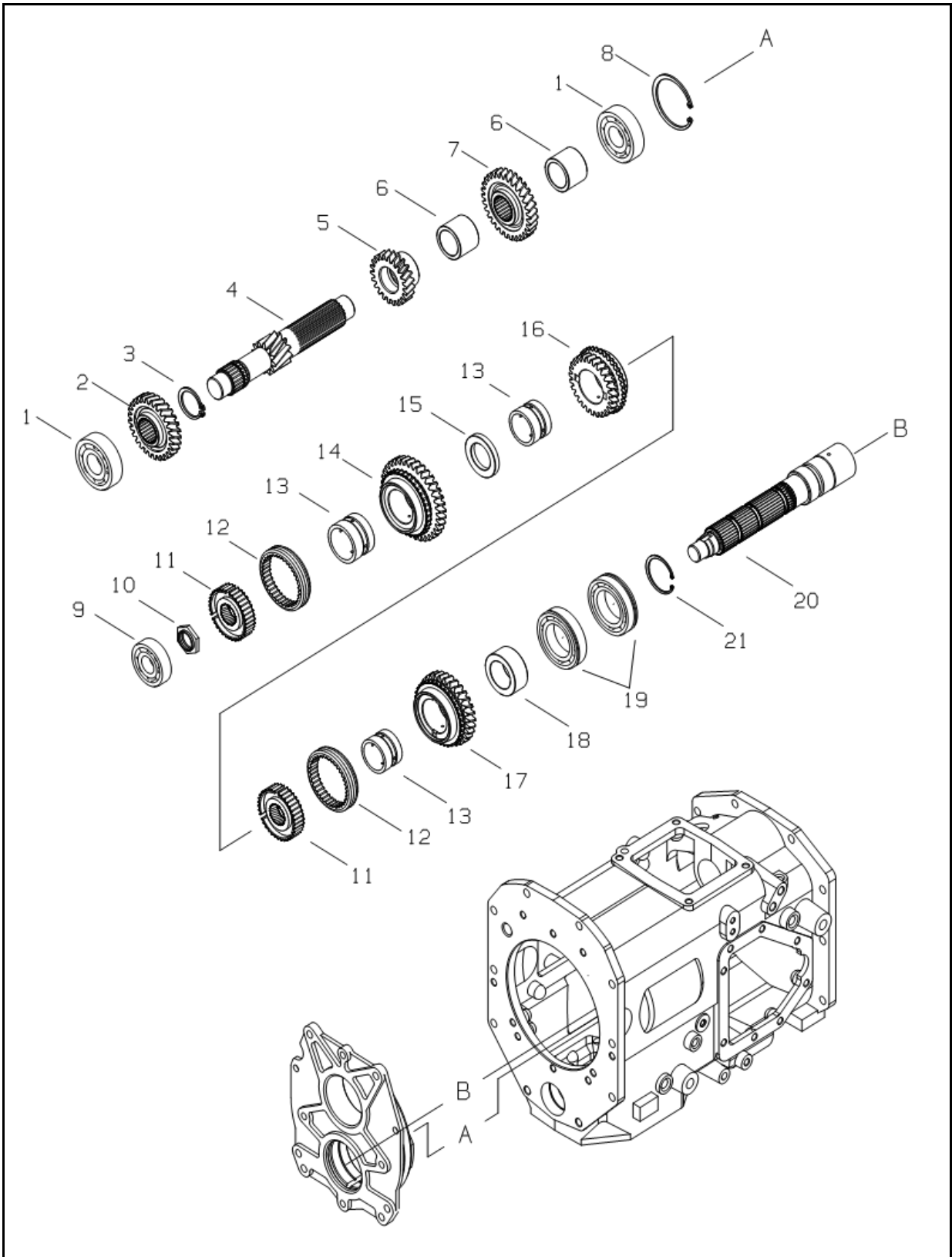
**( MEC )**

NO.	PART NO.	PART NAME & DESCRIPTION		QTY			APP.NO	REM.
				A	B	C		
1	S811062001	RING, SNAP (C) H.		1	1	1		
2	A0870481	LINER	0.15t	1	1	1		
	A0870482	LINER	0.2t	1	1	1		
3	A0863050	BEARING, BALL	#6305	2	2	2		
4	A1281608	GEAR,COUNTER SHAFT DRVN	28T, L	1	1	1		
5	A1281626	SPACER, MAIN DRV		2	2	2		
6	A1281609	GEAR, MAIN DRV.1ST	25T, L	1	1	1		
7	A1281614	GEAR, MAIN DRV. 4TH	35T, L	1	1	1		
8	A1281611	GEAR, MAIN DRV. 3RD	30T,L	1	1	1		
9	A1281619	SHAFT, MAIN DRV.		1	1	1		
10	A0863040	BEARING, BALL	#6304	1	1	1		
11	A1281034	NUT, LOCK		1	1	1		
12	A1281354	RING, CYNCHRONIZER		4	4	4		
13	3A1281021	SPRING		4	4	4		
14	A1281384	HUB, SHIFT(F-R)		2	2	2		
15	3A1281020	PIECE		6	6	6		
16	A1281361	SLEEVE, SHIFT		2	2	2		
17	A1281081	SLEEVE, GEAR		3	3	3		
18	A1281610	GEAR, MAIN DRVN.1ST	36T, R	1	1	1		
19	A1281573	SPACER		1	1	1		
20	A1281615	GEAR, MAIN DRVN. 4TH	27T, R	1	1	1		
21	A1281612	GEAR, MAIN DRVN. 3RD	31T,R	1	1	1		
22	A1281627	SPACER,MAIN DRVN.(SP-4)		1	1	1		
23	A0862082NR	BEARING, BALL(NR)	#6208ZZNR	2	2	2		
24	A1281620	SHAFT, MAIN DRVN. W/GERA	17T,	1	1	1		
25	A1281423	SPACER		1	1	1		

# MAIN GEAR SHAFT

FIG. 3-6B

G. 281



# MAIN GEAR SHAFT

A-NOT AVAILABLE / B-R39 / C-R45

A-NOT AVAILABLE / B-R41 / C-R47

**FIG. 3-6B**

**( HST )**

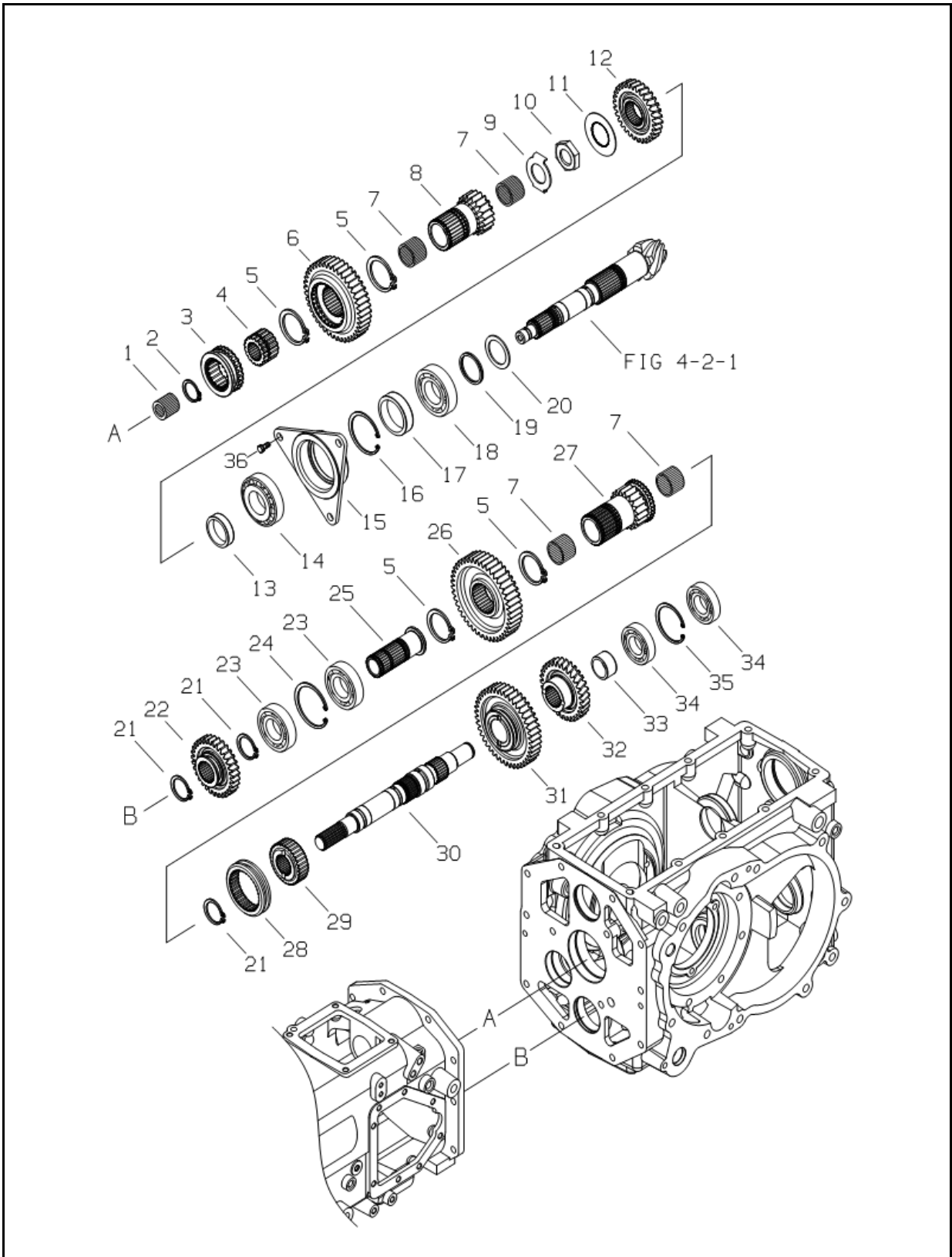
NO.	PART NO.	PART NAME & DESCRIPTION		QTY			APP.NO	REM.
				A	B	C		
1	A0863050	BEARING, BALL	#6305	2	2	2		
2	A1285279	GEAR, M/DRVN.	29T,L	1	1	1		
3	S810030001	RING, SNAP		1	1	1		
4	A1285280	SHAFT, RANGE DRIVE W/GEAR		1	1	1		
5	A1285258	GEAR, RANGE 2ND DRV.	22T,L	1	1	1		
6	A1281423	SPACER		2	2	2		
7	A1281614	GEAR, MAIN DRV.4TH	35T, L	1	1	1		
8	S811062001	RING, SNAP		1	1	1		
9	A0863040	BEARING, BALL	#6304	1	1	1		
10	A1281034	NUT, LOCK		1	1	1		
11	A1281384	HUB, SHIFT(F-R)		2	2	2		
12	A1281361	SLEEVE, SHIFT		2	2	2		
13	A1281081	SLEEVE,GEAR		3	3	3		
14	A1285281	GEAR, RANGE 1ST DRVN	48T,R	1	1	1		
15	A1281573	SPACER		1	1	1		
16	A1285259	GEAR, RANGE 2ND DRVN.	39T,R	1	1	1		
17	A1281615	GEAR, 4TH/DRVN	27T,R	1	1	1		
18	A1281627	SPACER,MAIN DRVN.(SP-4)		1	1	1		
19	A0862080NR	BEARING, BALL(NR)		2	2	2		
20	A1281624	SHAFT, RANGE DRVN		1	1	1		
21	S810040001	RING, SNAP		1	1	1		



# RANGE GEAR SHAFT

FIG. 3-7B

G. 285



# RANGE GEAR SHAFT

A-NOT AVAILABLE / B-R39 / C-R45

A-NOT AVAILABLE / B-R41 / C-R47

**FIG. 3-7B**

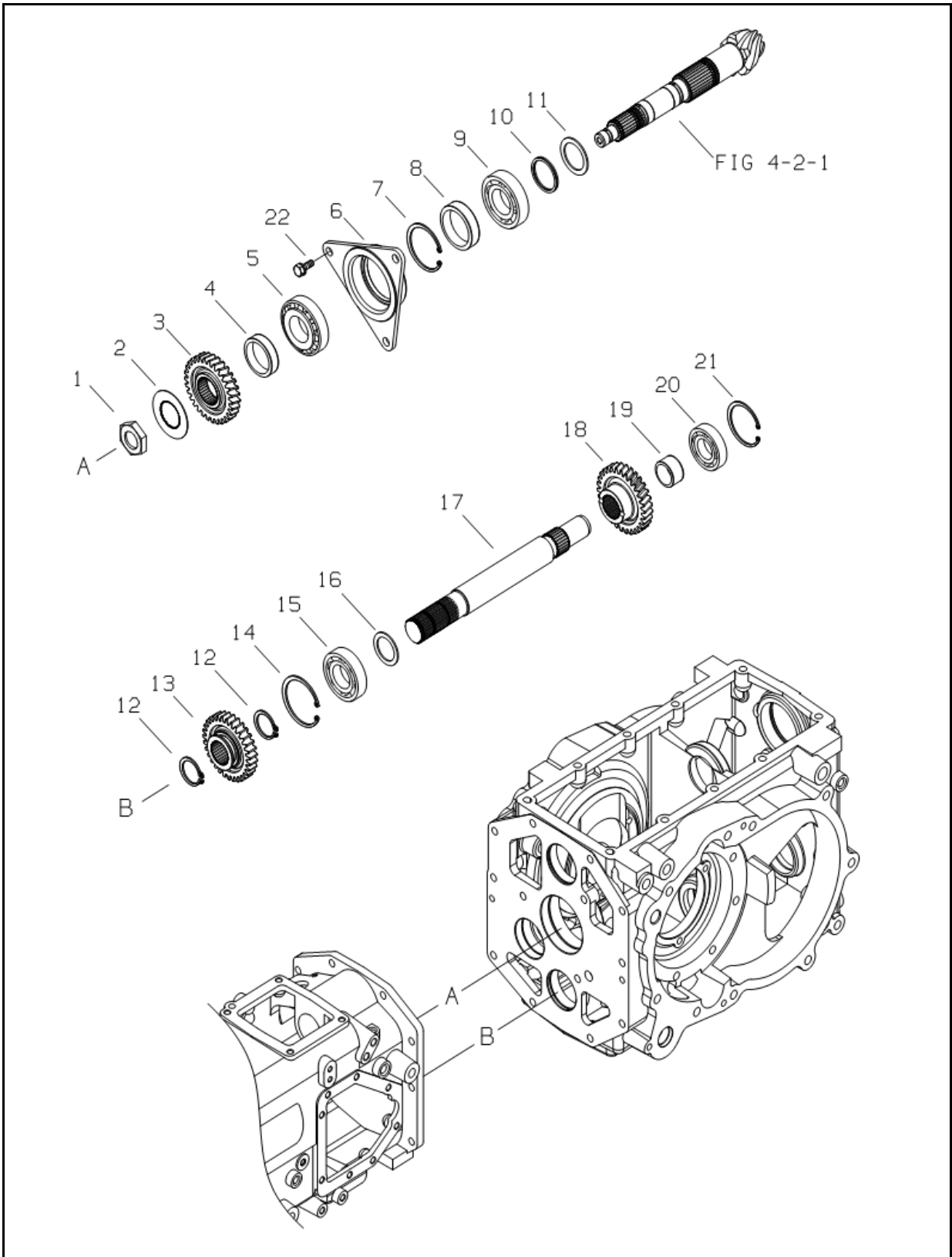
**( MEC )**

NO.	PART NO.	PART NAME & DESCRIPTION		QTY			APP.NO	REM.
				A	B	C		
1	A1285266	BEARING, NEEDLE	K243031ZW	1	1	1		
2	S810030001	RING, SNAP		1	1	1		
3	A1285264	SELECTOR, RANGE SHIFT(2,4)		1	1	1		
4	A1285263	HUB, RANGE SHIFT(2,4)		1	1	1		
5	S810050001	RING, SNAP		4	4	4		
6	A1285250	GEAR, RANGE	42T	1	1	1		
7	A1285267	BEARING, NEEDLE	K323727	4	4	4		
8	A1285249	GEAR, RANGE DRV.#2	19T	1	1	1		
9	A1285268	WASHER, THRUST		1	1	1		
10	A1285265	NUT, LOCK	M40X1.5	1	1	1		
11	A1285269	PLATE, LOCK		1	1	1		
12	A1285252	GEAR, RANGE DRV.	30T, L	1	1	1		
13	A1285273	SPACER		1	1	1		
14	A0830208J	BEARING, TAPER ROLLER	#302085	1	1	1		
15	A1285272	HOLDER, BEARING R/PINION		1	1	1		
16	S811090001	RING, SNAP		1	1	1		
17	A1285274	SPACER, SUB RANGE		1	1	1		
18	A0830308D	BEARING, TAPER ROLLER	#30308D	1	1	1		
19	A0870461	LINER	0.15t	1	1	1		
	A0870462	LINER	0.20t	1	1	1		
	A0870465	LINER	0.50t	1	1	1		
20	A1285275	WASHER, THRUST R/PINION		1	1	1		
21	S810035001	RING, SNAP		3	3	3		
22	A1288134	GEAR, 4WD DRV	31T	1	1	1		
23	A0862070	BEARING, BALL		2	2	2		
24	S811072001	RING, SNAP (C) H.		1	1	1		
25	A1288140	SHAFT, 4WD INPUT		1	1	1		
26	A1285248	GEAR, RANGE TRANSFER	44T	1	1	1		
27	A1285278	GEAR, RANGE DRV.#1	19T	1	1	1		
28	A1285217	SLEEVE, SHIFT		1	1	1		
29	A1285270	HUB, RANGE SHIFT(1,3)		1	1	1		
30	A1285262	SHAFT, RANGE COUNTER		1	1	1		
31	A1285251	GEAR, SUB RANGE 1ST	43T	1	1	1		
32	A1285253	GEAR, RANGE DRVN.	30T, R	1	1	1		
33	A1281423	SPACER, SUB RANGE		1	1	1		
34	A0862060	BEARING, BALL	#6206	2	2	2		
35	S811062001	RING, SNAP		1	1	1		
36	S153123033	BOLT, HEX. W/WASHER		3	3	3		

# RANGE GEAR SHAFT

FIG. 3-7D

G. 285



# RANGE GEAR SHAFT

A-NOT AVAILABLE / B-R39 / C-R45

A-NOT AVAILABLE / B-R41 / C-R47

**FIG. 3-7D**

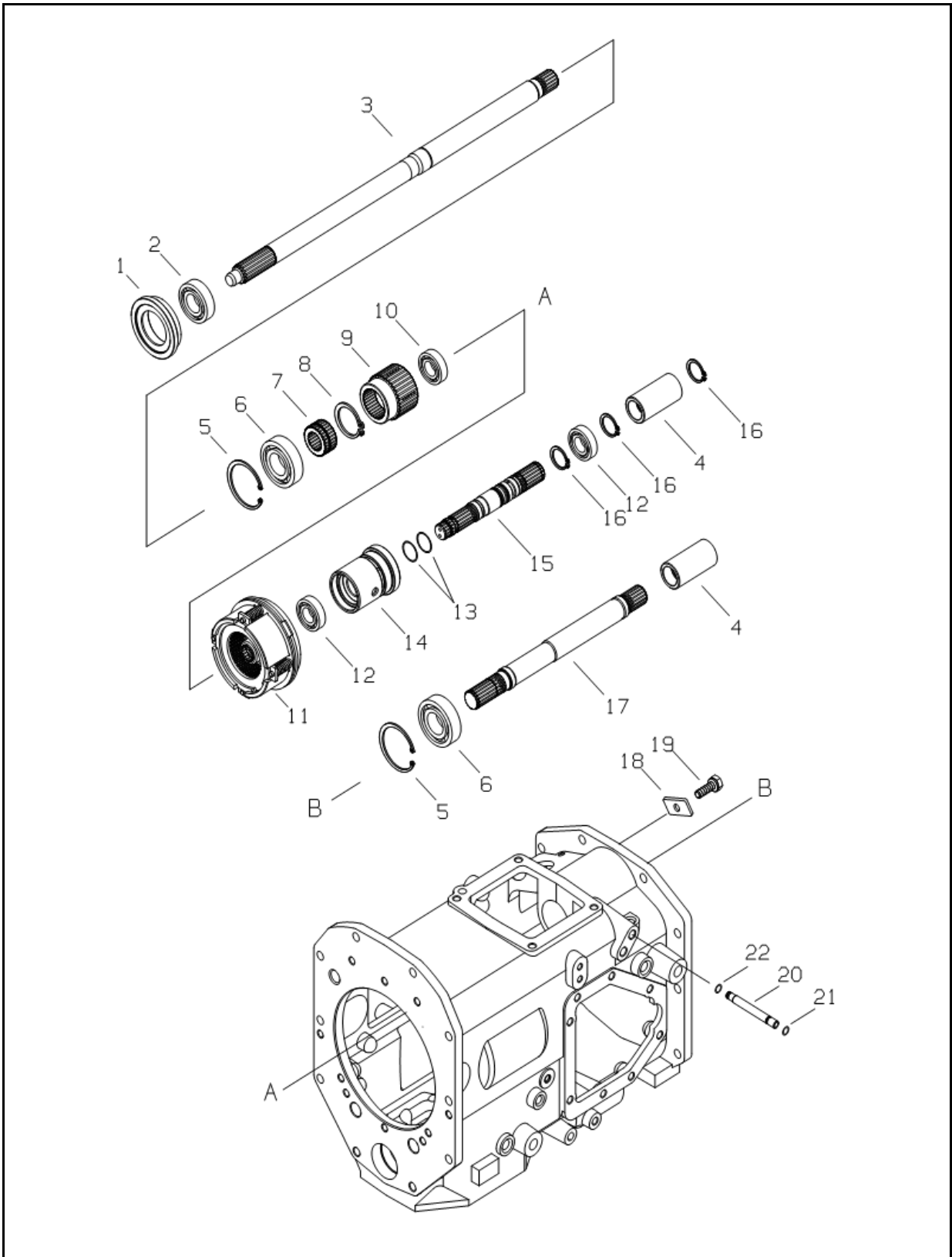
**( HST )**

NO.	PART NO.	PART NAME & DESCRIPTION		QTY			APP.NO	REM.
				A	B	C		
1	A1285265	NUT, LOCK	M40X1.5	1	1	1		
2	A1285269	PLATE, LOCK		1	1	1		
3	A1285252	GEAR, RANGE DRV.	30T, L	1	1	1		
4	A1285273	SPACER		1	1	1		
5	A0830208J	BEARING, TAPER ROLLER	#302085	1	1	1		
6	A1285272	HOLDER, BEARING R/PINION		1	1	1		
7	S811090001	RING, SNAP		1	1	1		
8	A1285274	SPACER, SUB RANGE		1	1	1		
9	A0830308D	BEARING, TAPER ROLLER	#30308D	1	1	1		
10	A0870461	LINER	0.15t	1	1	1		
11	A0870462	LINER	0.20t	1	1	1		
	A0870465	LINER	0.50t	1	1	1		
	A1285275	WASHER, THRUST R/PINION		1	1	1		
12	S810035001	RING, SNAP		2	2	2		
13	A1288134	GEAR, 4WD DRV	29T	1	1	1		
14	S811072001	RING, SNAP (C) H.		1	1	1		
15	A0862070	BEARING, BALL		1	1	1		
16	A1400253	SPACER		1	1	1		
17	A1288146	SHAFT, 4WD INPUT		1	1	1		
18	A1285253	GEAR, RANGE DRVN.	30T,L	1	1	1		
19	A1281423	SPACER, SUB RANGE		1	1	1		
20	A0862060	BEARING, BALL	#6206	1	1	1		
21	S811062001	RING, SNAP		1	1	1		
22	S153123033	BOLT, HEX. W/WASHER		3	3	3		

# PTO SHAFT

FIG. 3-9A

G. 283,287



# PTO SHAFT

A-NOT AVAILABLE / B-R39 / C-R45

A-NOT AVAILABLE / B-R41 / C-R47

**FIG. 3-9A**

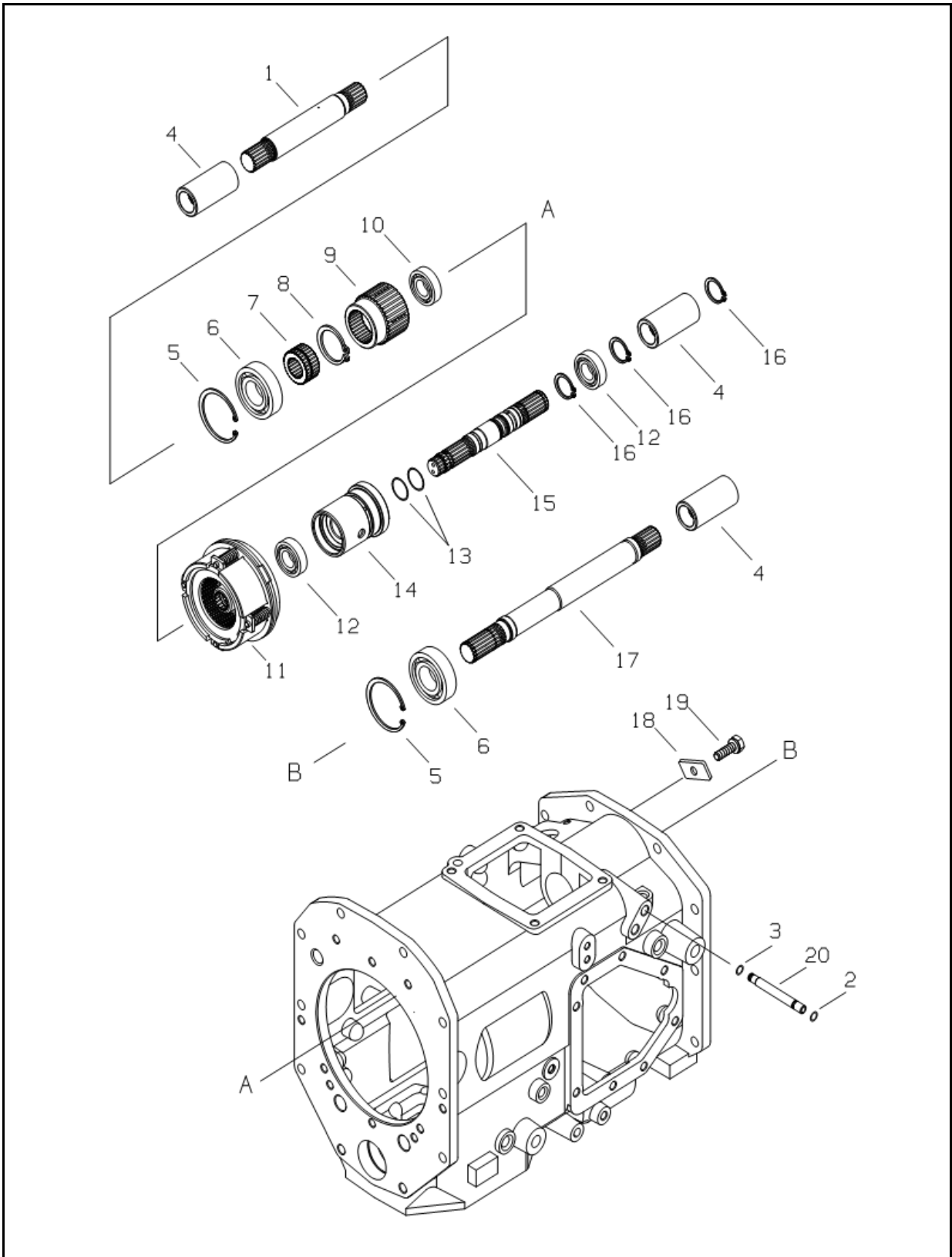
**( INDP )**

NO.	PART NO.	PART NAME & DESCRIPTION	QTY			APP.NO	REM.
			A	B	C		
1	A1283234	HOLDER, BEARING PTO SHAFT	1	1	1		
2	A0862050	BEARING, BALL	1	1	1		
3	A1283241	SHAFT, MAIN IND.PTO	1	1	1		
4	A1283213	JOINT	2	2	2		
5	S811062001	RING, SNAP	2	2	2		
6	A0863050	BEARING, BALL	2	2	2		
7	A1287332	JOINT, HYD. CLUTCH HUB	1	1	1		
8	S810040001	RING, SNAP	1	1	1		
9	A1287333	HUB, PTO HYD. CLUTCH	1	1	1		
10	A0860040	BEARING, BALL	1	1	1		
11	A1287237	CLUTCH ASSY, PTO	1	1	1		
12	A0860050	BEARING, BALL	2	2	2		
13	A1281229	RING, PISTON	2	2	2		
14	A1287343	SLEEVE, HYD CIRCUIT	1	1	1		
15	A1287334	SHAFT, PTO HYD. CLUTCH	1	1	1		
16	S810025001	RING, SNAP	3	3	3		
17	A1287337	SHAFT, PTO REAR	1	1	1		
18	A1280052	STOPPER	1	1	1		
19	S154102033	BOLT, HEX. W/WASHER	1	1	1		
20	A1287348	PIPE, H/CLUTCH INPUT	1	1	1		
21	S804008010	O-RING (S)	1	1	1		
22	S804007010	O-RING (S)	1	1	1		

# PTO SHAFT

FIG. 3-9B

G. 283,287



# PTO SHAFT

A-NOT AVAILABLE / B-R39 / C-R45

A-NOT AVAILABLE / B-R41 / C-R47

**FIG. 3-9B**

**( HST, INDP )**

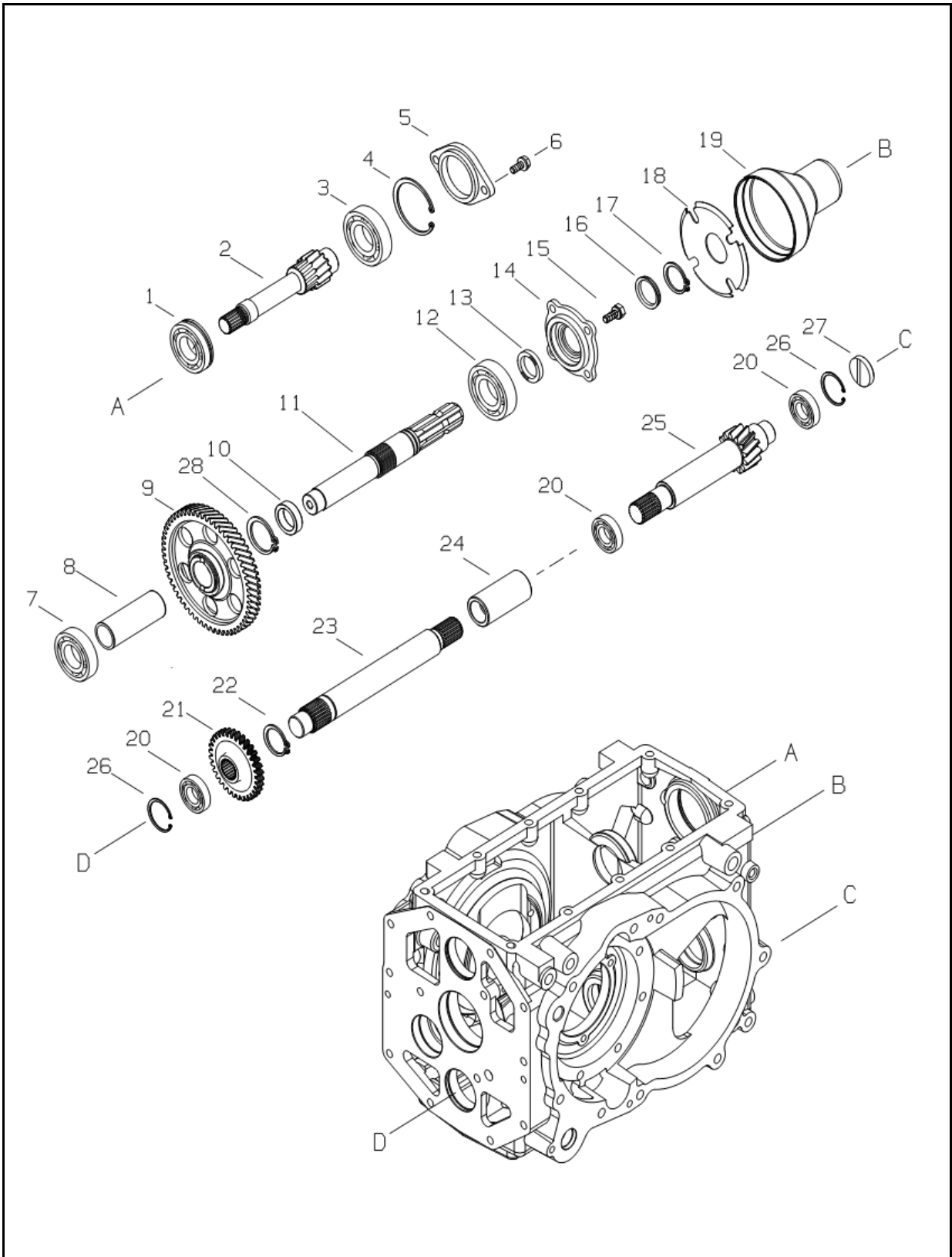
NO.	PART NO.	PART NAME & DESCRIPTION	QTY			APP.NO	REM.
			A	B	C		
1	A1283233	SHAFT, TRANSFER	1	1	1		
2	S804008010	O-RING (S)	1	1	1		
3	S804007010	O-RING (S)	1	1	1		
4	A1283213	JOINT	3	3	3		
5	S811062001	RING, SNAP	2	2	2		
6	A0863050	BEARING, BALL	#6305	2	2		
7	A1287332	JOINT, HYD. CLUTCH HUB		1	1		
8	S810040001	RING, SNAP		1	1		
9	A1287333	HUB, PTO HYD. CLUTCH		1	1		
10	A0860040	BEARING, BALL	#6004	1	1		
11	A1287237	CLUTCH ASSY, PTO		1	1		
12	A0860050	BEARING, BALL	#6005	2	2		
13	A1281229	RING, PISTON		2	2		
14	A1287343	SLEEVE, HYD CIRCUIT		1	1		
15	A1287334	SHAFT, PTO HYD. CLUTCH		1	1		
16	S810025001	RING, SNAP		3	3		
17	A1287337	SHAFT, PTO REAR		1	1		
18	A1280052	STOPPER		1	1		
19	S154102033	BOLT, HEX. W/WASHER		1	1		
20	A1287348	PIPE, H/CLUTCH INPUT		1	1		



# PTO DRIVE SHAFT

FIG. 3-10C

G. 287



# PTO DRIVE SHAFT

A-NOT AVAILABLE / B-R39 / C-R45

A-NOT AVAILABLE / B-R41 / C-R47

**FIG. 3-10C**

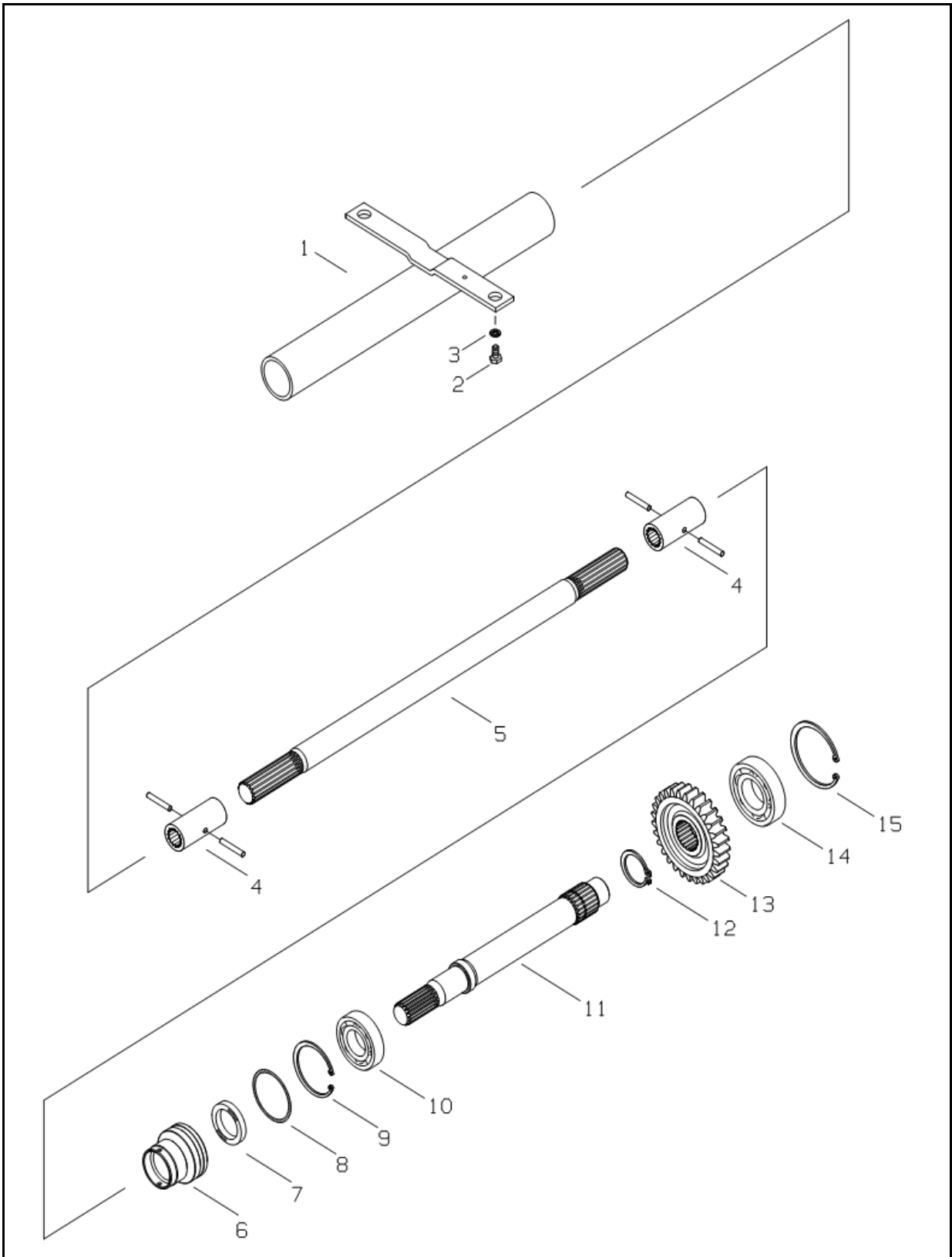
**( PTO/1, M/PTO )**

NO.	PART NO.	PART NAME & DESCRIPTION	QTY			APP.NO	REM.	
			A	B	C			
1	A0863060NR	BEARING, BALL	#6306NR	1	1	1		
2	A1287358	SHAFT, PTO DRV. W/GEAR		1	1	1		
3	A0863070	BEARING, BALL	#6307	1	1	1		
4	S811080001	RING, SNAP (C) H.		1	1	1		
5	A1280196	COVER, PTO DRIVE SHAFT		1	1	1		
6	S154102033	BOLT, HEX. W/WASHER		2	2	2		
7	A0863060	BEARING, BALL	#6306	1	1	1		
8	A1287363	SPACER, PTO SHAFT (A)		1	1	1		
9	A1287359	GEAR, 1ST DRVN.	58T, R	1	1	1		
10	A1285273	SPACER		1	1	1		
11	A1287360	SHAFT, PTO DRVN. (A)		1	1	1		
12	A0862080	BEARING, BALL	#6208	1	1	1		
13	A1287211	OIL SEAL		1	1	1		
14	A1280152	COVER, PTO SHAFT		1	1	1		
15	S154102533	BOLT, HEX. W/WASHER		4	4	4		
16	A0653232	SEAL, DUST		1	1	1		
17	S810036001	RING, SNAP		1	1	1		
18	A1280184	GUIDE, PTO COVER		1	1	1		
19	A05171520	COVER, SAFETY		1	1	1		
20	A0863050	BEARING, BALL	#6305	2	2	2		
21	A1287324	GEAR, M/PTO DRV.	32T	1	1	1		
22	S810030001	RING, SNAP		1	1	1		
23	A1287362	SHAFT, M/PTO (A)		1	1	1		
24	A1283213	JOINT		1	1	1		
25	A1287361	SHAFT, M/PTO W/GEAR (A)		1	1	1		
26	S811062001	RING, SNAP (C) H.		2	2	2		
27	A1283016	CAP, RUBBER		1	1	1		
28	S810040001	RING, SNAP		1	1	1		

# FRONT WHEEL DRIVE SHAFT

FIG. 3-11B

G. 288



# FRONT WHEEL DRIVE SHAFT

A-NOT AVAILABLE / B-R39 / C-R45

A-NOT AVAILABLE / B-R41 / C-R47

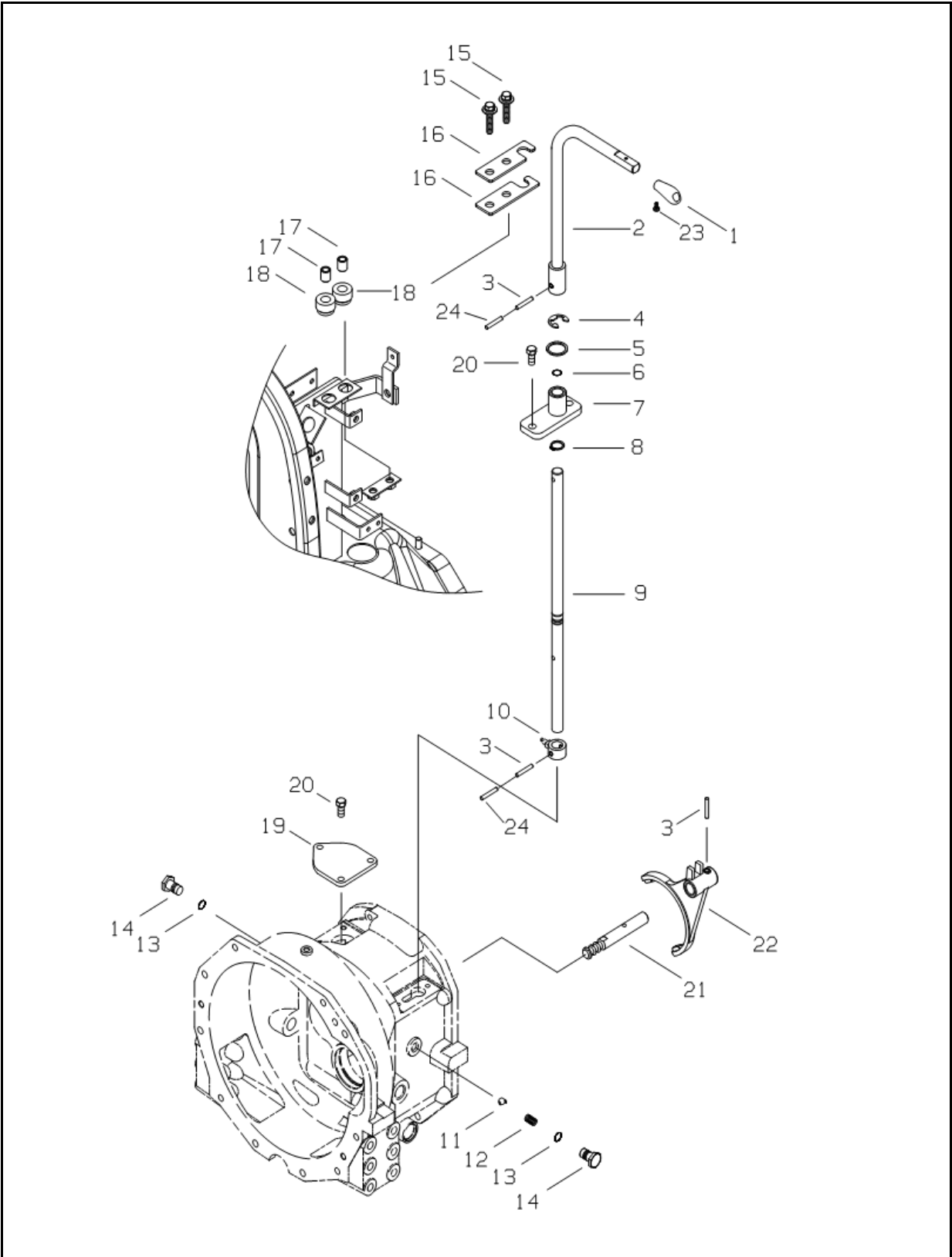
**FIG. 3-11B**

NO.	PART NO.	PART NAME & DESCRIPTION	QTY			APP.NO	REM.
			A	B	C		
1	A1380035	COVER, 4WD	1	1	1		
2	S101122543	BOLT, HEX. W/WASHER	1	1	1		
3	S361120013	WASHER, SPR. 2-TY.	1	1	1		
4	A1288044	4WD JOINT ASSY	1	1	1		
5	A1288151	SHAFT, 4WD FRONT	1	1	1		
6	A1288159	HOUSING, SEAL	1	1	1		
7	A0651253	SEAL, OIL	1	1	1		
8	S801046010	O-RING (P)	1	1	1		
9	S811052001	RING, SNAP (C) H.	1	1	1		
10	A0862050	BEARING, BALL	1	1	1		
11	A1288141	SHAFT, 4WD REAR	1	1	1		
12	S810030001	RING, SNAP	1	1	1		
13	A1288135	GEAR, 4WD DRIVEN.	1	1	1		29T
14	A0863050	BEARING, BALL	1	1	1		
15	S811062001	RING, SNAP	1	1	1		

# SHIFT LEVER & FORK

FIG. 3-12A

G. 290,293



# SHIFT LEVER & FORK

A-NOT AVAILABLE / B-R39 / C-R45

A-NOT AVAILABLE / B-R41 / C-R47

**FIG. 3-12A**

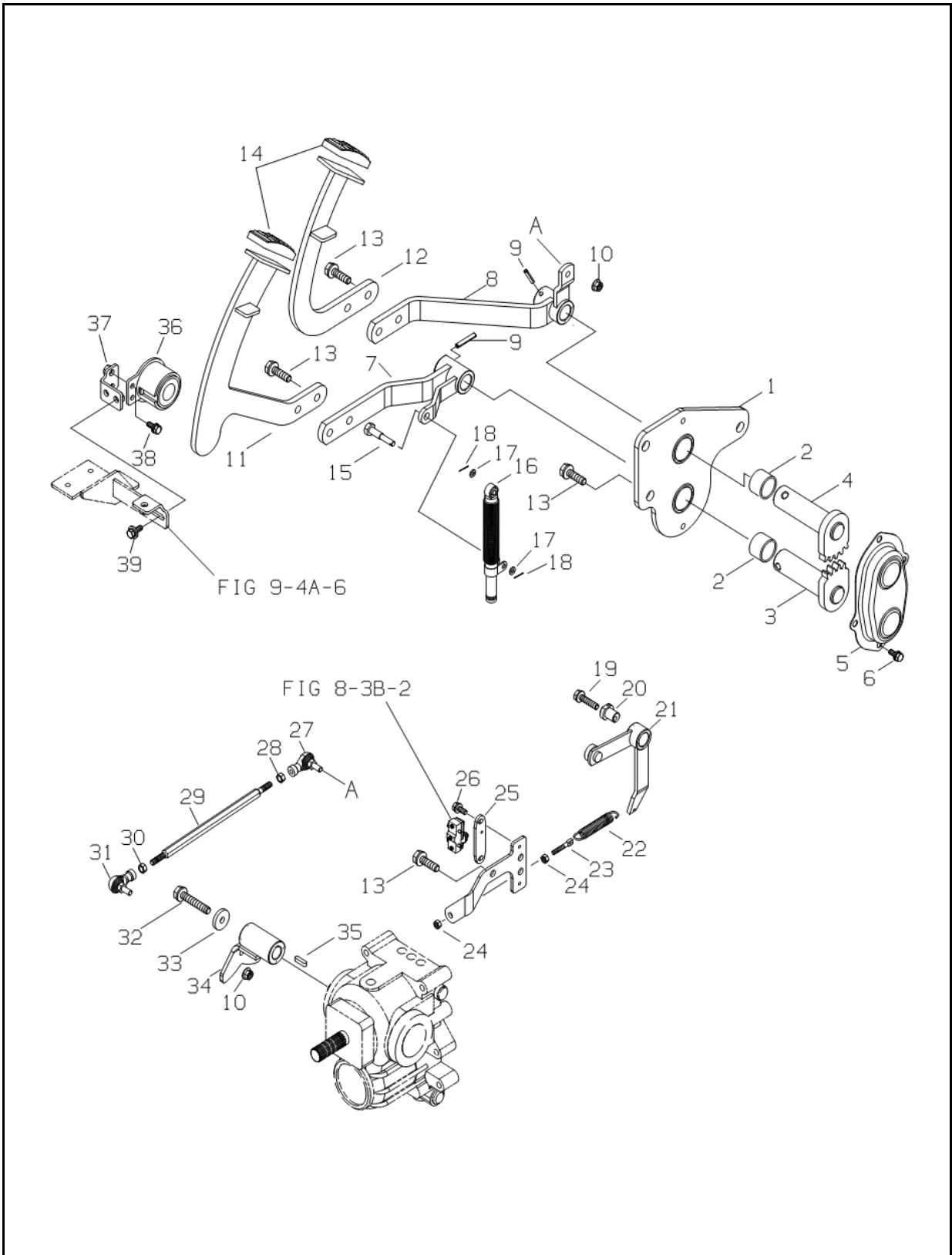
**( MEC )**

NO.	PART NO.	PART NAME & DESCRIPTION	QTY			APP.NO	REM.
			A	B	C		
1	A1970394	KNOB, F-R	1	1	1		
2	A1292246	HAND LEVER, CHANGE	1	1	1		
3	S446062510	PIN, SPR.	3	3	3		
4	S814015001	RING, SNAP	1	1	1		
5	S364160013	WASHER, PLN	1	1	1		
6	S801012010	O-RING	1	1	1		
7	A1292208	PLATE, F-R	1	1	1		
8	S810016001	RING, SNAP	1	1	1		
9	A1290148	LEVER, F-R	1	1	1		
10	A1290100	ARM, MAIN	1	1	1		
11	A20063390	BALL, SHIFTER FORK	1	1	1		
12	3A1290011	SPRING	1	1	1		
13	S801010A10	O-RING	2	2	2		
14	A1291145	BOLT, RAIL	2	2	2		
15	S159084033	BOLT, HEX. W/WASHER	2	2	2		
16	A1292224	GUIDE, F-R LEVER	2	2	2		
17	A1830575	SPACER	2	2	2		
18	A1830574	MOUNT, RUBBER	2	2	2		
19	A1292218	COVER, CRP LEVER	1	1	1		
20	S153082533	BOLT, HEX, W/WASHER	5	5	5		
21	A1290161	RAIL, F-R	1	1	1		
22	A1290153	FORK, F-R	1	1	1		
23	S226501011	SCREW, W/SPR. W/WASHER	1	1	1		
24	A0621025	PIN, SPR.	2	2	2		

# HST CONTROL

FIG. 3-12C

G. 292



# HST CONTROL

A-NOT AVAILABLE / B-R39 / C-R45

A-NOT AVAILABLE / B-R41 / C-R47

**FIG. 3-12C**

**( HST )**

NO.	PART NO.	PART NAME & DESCRIPTION	QTY			APP.NO	REM.
			A	B	C		
1-9	A1292252	HST CONTROLLER ASSY	1	1	1		
1	A1292253	PLATE, BASE	1	1	1		
2	A0677625	BUSHING	2	2	2		
3	A1292202	SHAFT A	1	1	1		
4	A1292203	SHAFT B	1	1	1		
5	A1292204	COVER, DUST	1	1	1		
6	S153061233	BOLT, HEX	2	2	2		
7	A1292254	ARM A, PEDAL	1	1	1		
8	A1292255	ARM B, PEDAL	1	1	1		
9	S446063612	PIN, SPRING	2	2	2		
10	A1877079	NUT, LOCK	2	2	2		
11	A1292281	PEDAL, FORWARD	1	1	1		
12	A1292198	PEDAL, REWARD	1	1	1		
13	S154102533	BOLT, HEX	8	8	8		
14	A1291214	PAD, PEDAL	2	2	2		
15	A0621027	PIN	1	1	1		
16	A1291238	DAMPER	1	1	1		
17	S363080013	WASHER	2	2	2		
18	S441202013	PIN, SPLIT	2	2	2		
19	S154105533	BOLT, HEX	1	1	1		
20	A1292192	SHAFT, CONTROL ARM	1	1	1		
21	A1292257	NEUTRAL ARM SUB ASSY	1	1	1		
22	A0691101	SPRING	1	1	1		
23	A1260113	BOLT, ADJUSTER	1	1	1		
24	S313080013	NUT, HEX	2	2	2		
25	A1292193	PLATE	1	1	1		
26	S153061633	BOLT, HEX	2	2	2		
27-31	A1292274	ROD ASSY	1	1	1		
27	A0731033R	END, ROD	1	1	1		
28	S313080013	NUT, HEX	1	1	1		
29	A1292275	ROD, HST CONTROL	1	1	1		
30	A0610059	NUT, HEX	1	1	1		
31	A0731033L	END, ROD	1	1	1		
32	S154107033	BOLT, HEX	1	1	1		
33	A0661122	WASHER	1	1	1		
34	A1292258	CAM, HST	1	1	1		
35	S405051610	KEY	1	1	1		
36	A1750280	MAGNET	1	1	1		
37	A1292259	BRACKET, MAGNET	1	1	1		
38	S153083033	BOLT, HEX	2	2	2		
39	S159082533	BOLT, HEX	2	2	2		

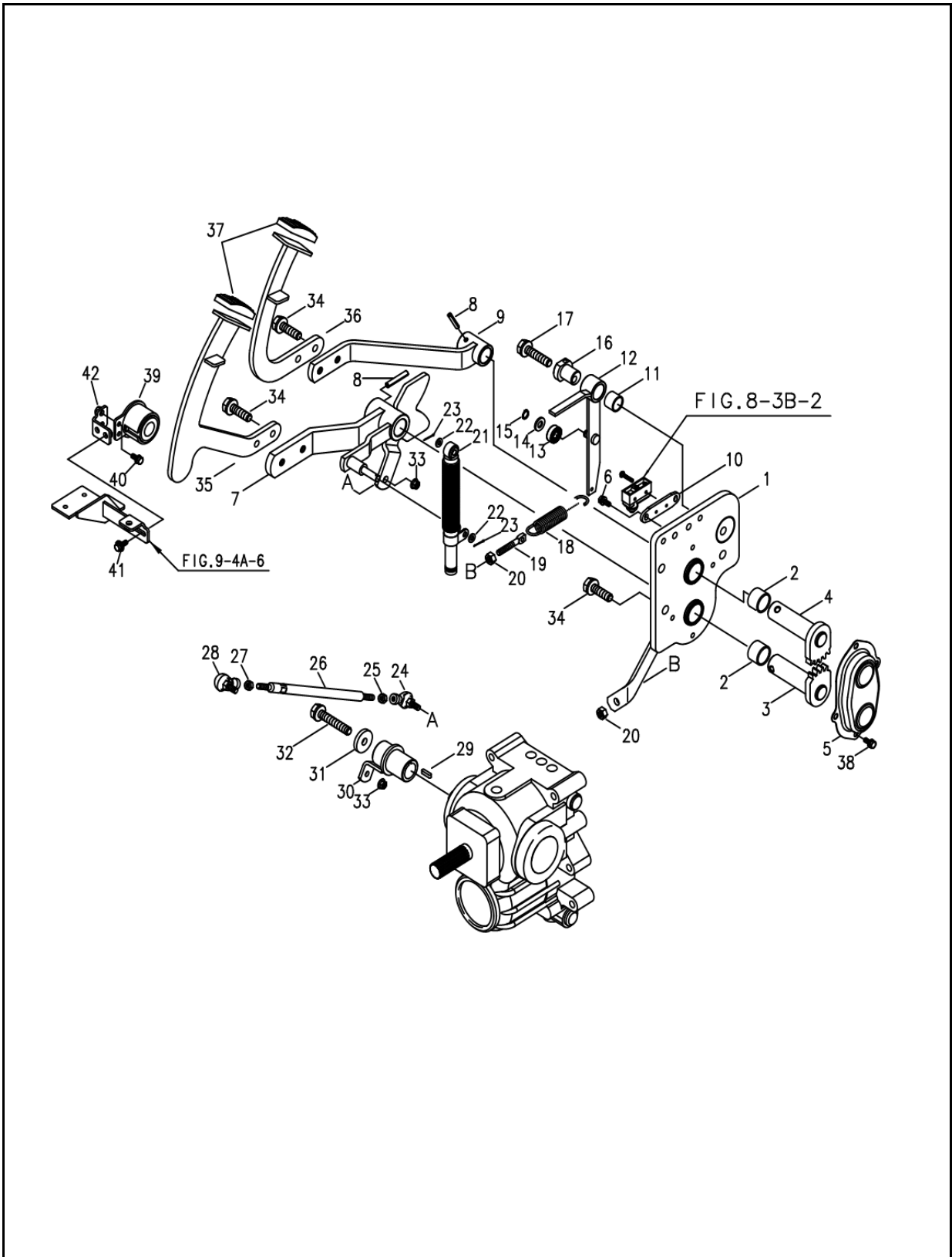






# HST CONTROL

FIG. 3-12C



# HST CONTROL

A-NOT AVAILABLE / B-R39 / C-R45

A-NOT AVAILABLE / B-R41 / C-R47

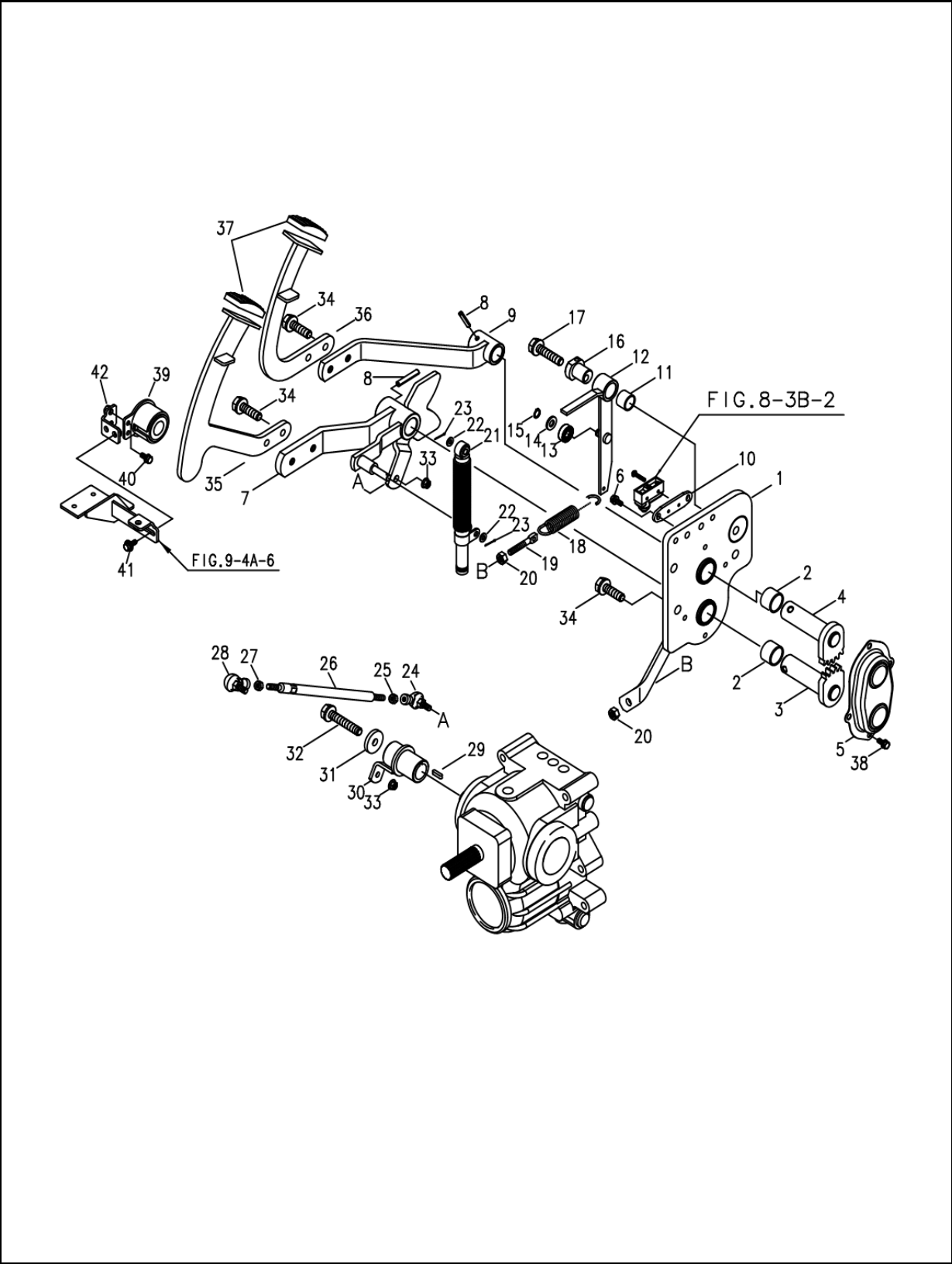
**FIG. 3-12C**

**( HST )**

NO.	PART NO.	PART NAME & DESCRIPTION	QTY			APP.NO	REM.
			A	B	C		
1~20	A1292207	HST CONTROLLER ASSY	1	1			
1	A1292199	PLATE, BASE	1	1			
2	A0677625	BUSHING	2	2			
3	A1292202	SHAFT A	1	1			
4	A1292203	SHAFT B	1	1			
5	A1292204	COVER, DUST	1	1			
6	S153061633	BOLT, HEX	2	2			
7	A1292200	ARM A, PEDAL	1	1			
8	S446063612	PIN, SPRING	2	2			
9	A1292201	ARM B, PEDAL	1	1			
10	A1292193	PLATE	1	1			
11~15	A1292206	NEUTRAL ARM SUB ASSY	1	1			
11	A0677625	BUSHING	1	1			
12	A1292194	ARM, NEUTRAL	1	1			
13	A0860002	BEARING, BALL	1	1			
14	S363100013	WASHER	1	1			
15	S810010001	RING, SNAP	1	1			
16	A1292192	SHAFT, CONTROL ARM	1	1			
17	S154105533	BOLT, HEX	1	1			
18	A0691101	SPRING	1	1			
19	A1260113	BOLT, ADJUSTER	1	1			
20	S313080013	NUT, HEX	2	2			
21	A1291238	DAMPER	1	1			
22	S363080013	WASHER	2	2			
23	S441202013	PIN, SPLIT	2	2			
24~28	A1292195	ROD ASSY	1	1			37cc
	A1292223	ROD ASSY	1	1			28cc
24	A0731033R	END, ROD	1	1			
25	S313080013	NUT, HEX	1	1			
26	A1292196	ROD, HST CONTROL	1	1			37cc
	A1292222	ROD, HST CONTROL	1	1			28cc
27	A0610059	NUT, HEX	1	1			
28	A0731033L	END, ROD	1	1			
29	S405051610	KEY	1	1			
30	A1292205	ARM, HST	1	1			37cc
	A1292221	ARM, HST	1	1			28cc
31	A0661122	WASHER	1	1			
32	S154107033	BOLT, HEX	1	1			
33	A1877079	NUT, LOCK	2	2			
34	S154102533	BOLT, HEX	7	7			
35	A1292197	PEDAL F	1	1			
36	A1292198	PEDAL R	1	1			
37	A1291214	PAD, PEDAL	2	2			
38	S153061233	BOLT, HEX	2	2			
39	A1750280	MAGNET	1	1			

# HST CONTROL

FIG. 3-12C



# HST CONTROL

A-NOT AVAILABLE / B-R39 / C-R45

A-NOT AVAILABLE / B-R41 / C-R47

**FIG. 3-12C**

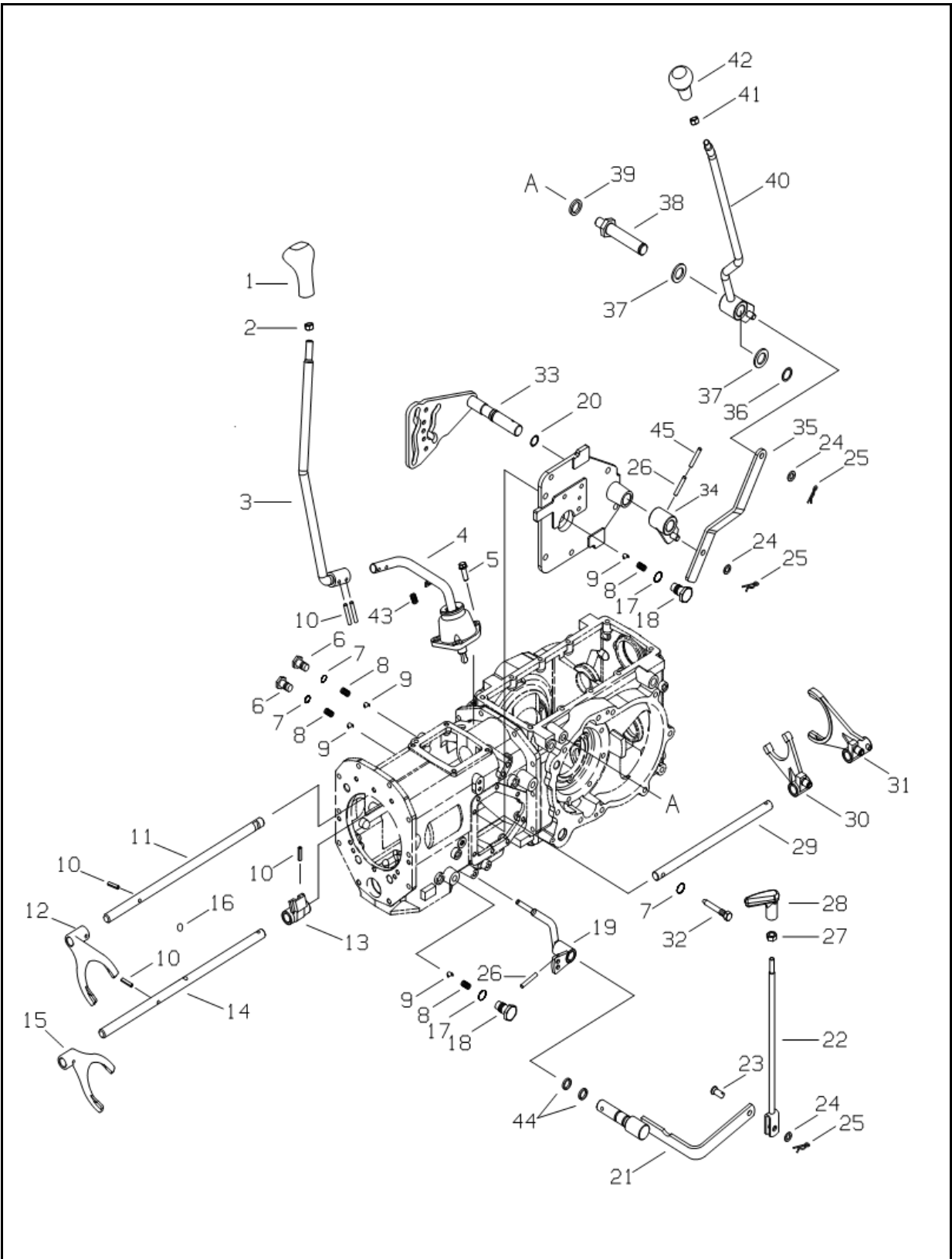
**( HST )**

NO.	PART NO.	PART NAME & DESCRIPTION		QTY			APP.NO	REM.
				A	B	C		
40	S153083033	BOLT, HEX	M8x1.25x30L	2	2			
41	S159082533	BOLT, HEX	M8x1.25x25L	2	2			
42	A1292259	BRACKET, MAGNET		1	1			

# SHIFT LEVER & FORK

FIG. 3-13A

G. 290,293



# SHIFT LEVER & FORK

A-NOT AVAILABLE / B-R39 / C-R45

A-NOT AVAILABLE / B-R41 / C-R47

**FIG. 3-13A**

**( MEC )**

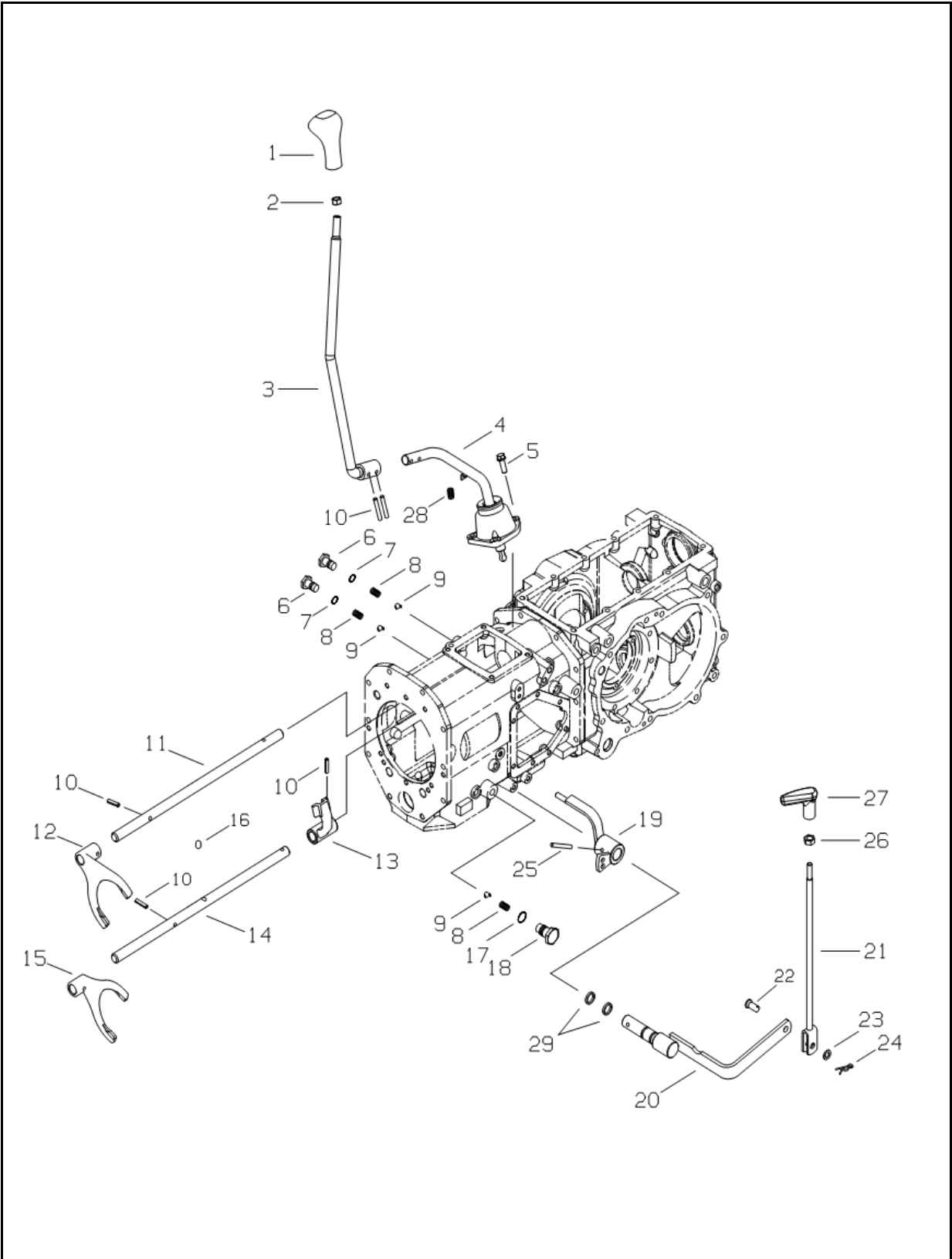
NO.	PART NO.	PART NAME & DESCRIPTION	QTY			APP.NO	REM.	
			A	B	C			
1	A1970334	GRIP, MAIN CHANGE	1	1	1			
2	S301120043	NUT, HEX. 1-TY	1	1	1			
3	A1292240	HAND LEVER, MAIN	1	1	1			
4	A1292245	LEVER ASSY, MAIN	1	1	1			
5	S153082533	BOLT,HEX,W/WASHER	3	3	3			
6	A1291145	BOLT, RAIL	M12x1.75x23L	2	2	2		
7	S801010A10	O-RING	D9.8xW2.4	3	3	3		
8	3A1290011	SPRING		4	4	4		
9	A20063390	BALL, SHIFT FORK	(11/32)'	4	4	4		
10	S446062510	PIN, SPRING	D6x25	5	5	5		
11	A1290165	RAIL, MAIN (1-2)		1	1	1		
12	A1290084	FORK, MAIN (1-2)		1	1	1		
13	A1290166	ADAPTER, MAIN (3-4)		1	1	1		
14	A1290150	RAIL, MAIN (3-4)		1	1	1		
15	A1290085	FORK, MAIN (3-4)		1	1	1		
16	A1290091	PIN		1	1	1		
17	S801015010	O-RING	D14.8xW2.4	2	2	2		
18	A1291119	BOLT, F-R SHIFT		2	2	2		
19	A1291281	LEVER, 4WD		1	1	1		
20	S801016010	O-RING	D15.8xW2.4	1	1	1		
21	A1293176	ARM, 4WD		1	1	1		
22	A1293175	HAND LEVER, 4WD		1	1	1		
23	S427102013	PIN, HEAD B-TY		1	1	1		
24	S363100013	WASHER, PLN S-RD		3	3	3		
25	S443100013	PIN, SNAP A-TY		3	3	3		
26	S446063512	PIN, SPRING W-TY		2	2	2		
27	S313080013	NUT, HEX. 1-TY		1	1	1		
28	A1970385	KNOB		1	1	1		
29	A1291276	RAIL, RANGE		1	1	1		
30	A1291285	FORK ASSY, RANGE (1-3)		1	1	1		
31	A1291286	FORK ASSY, RANGE (2-4)		1	1	1		
32	A1291195	BOLT, SELF LOCK		1	1	1		
33	A1291277	CAM, RANGE LEVER		1	1	1		
34	A1293178	ARM, PTO		1	1	1		
35	A1293174	LINK, RANGE SHIFT		1	1	1		
36	S810020001	RING, SNAP		1	1	1		
37	S363200013	WASHER, PLN S-RD		2	2	2		
38	A1293183	SHAFT, HAND LEVER		1	1	1		
39	S361160013	WASHER, SPRING 1-TY		1	1	1		
40	A1293173	HAND LEVER, RANGE		1	1	1		
41	S314100013	NUT, HEX. 2-TY		1	1	1		
42	A1970387	KNOB, LEVER CHANGE		1	1	1		
43	A1292164	SPRING		1	1	1		
44	S801012010	O-RING		2	2	2		
45	A0621026	PIN, SPRING W-TY	D3.5X35L	1	1	1		



# SHIFT LEVER & FORK

FIG. 3-13B

G. 290,293



# SHIFT LEVER & FORK

A-NOT AVAILABLE / B-R39 / C-R45

A-NOT AVAILABLE / B-R41 / C-R47

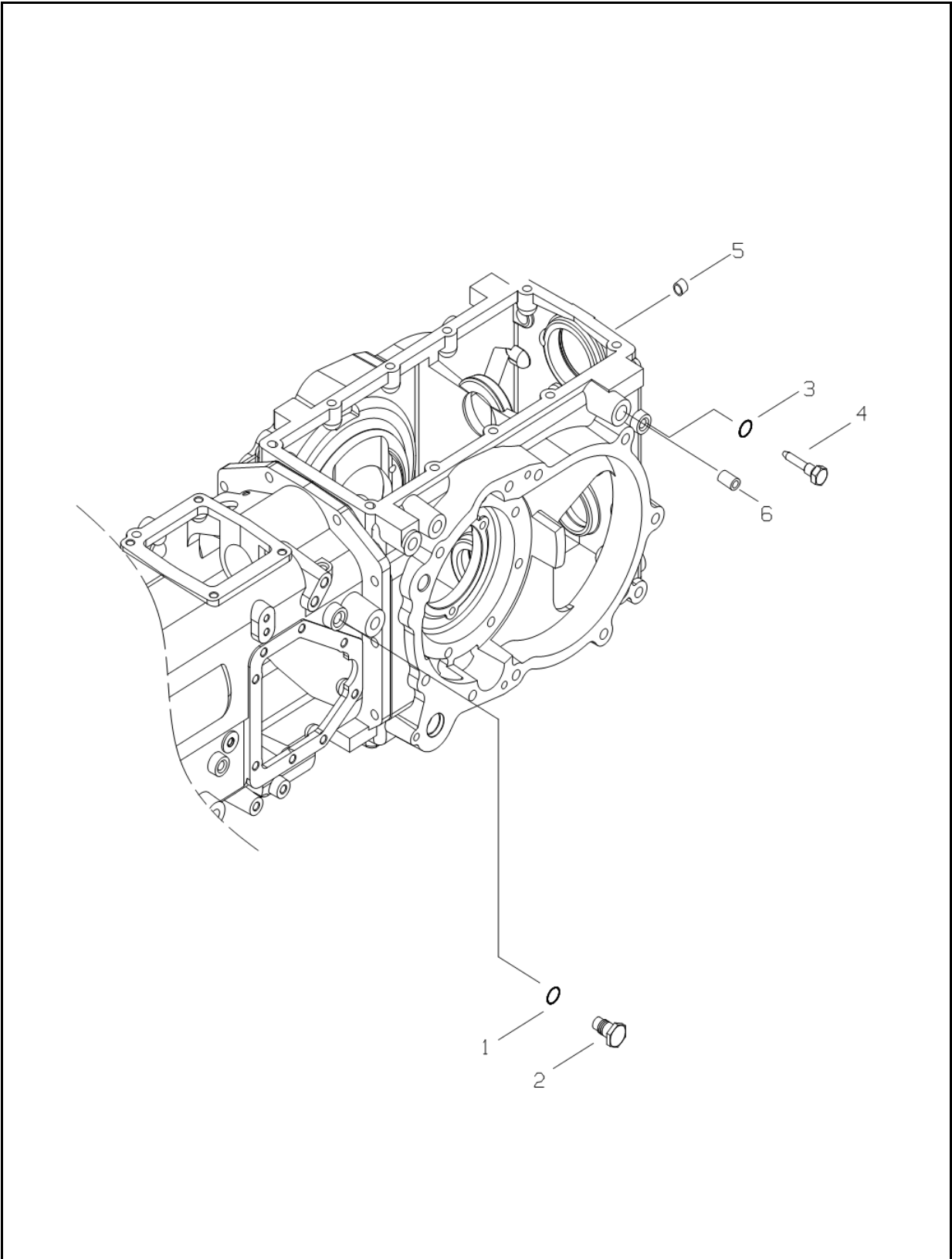
**FIG. 3-13B** **( HST )**

NO.	PART NO.	PART NAME & DESCRIPTION	QTY			APP.NO	REM.	
			A	B	C			
1	A1970389	KNOB, RANGE	1	1	1			
2	S301120043	NUT, HEX. 1-TY	1	1	1			
3	A1292247	HAND LEVER, MAIN	1	1	1			
4	A1292245	LEVER ASSY, MAIN	1	1	1			
5	S153082533	BOLT, HEX, W/WASHER	3	3	3			
6	A1291145	BOLT, RAIL	M12x1.75x23L	2	2	2		
7	S801010A10	O-RING	D9.8xW2.4	2	2	2		
8	3A1290011	SPRING		3	3	3		
9	A20063390	BALL, SHIFT FORK	(11/32)	3	3	3		
10	S446062510	PIN, SPRING	D6x25	5	5	5		
11	A1290165	RAIL, MAIN (1-2)		1	1	1		
12	A1290084	FORK, MAIN (1-2)		1	1	1		
13	A1290166	ADAPTER, MAIN (3-4)		1	1	1		
14	A1290150	RAIL, MAIN (3-4)		1	1	1		
15	A1290085	FORK, MAIN (3-4)		1	1	1		
16	A1290091	PIN		1	1	1		
17	S801015010	O-RING	D14.8xW2.4	1	1	1		
18	A1291119	BOLT, F-R SHIFT		1	1	1		
19	A1291281	LEVER, 4WD		1	1	1		
20	A1293176	ARM, 4WD		1	1	1		
21	A1293175	HAND LEVER, 4WD		1	1	1		
22	S427102013	PIN, HEAD B-TY		1	1	1		
23	S363100013	WASHER, PLN S-RD		1	1	1		
24	S443100013	PIN, SNAP A-TY		1	1	1		
25	S446063512	PIN, SPRING W-TY		1	1	1		
26	S313080013	NUT, HEX. 1-TY		1	1	1		
27	A1970385	KNOB		1	1	1		
28	A1292164	SPRING		1	1	1		
29	S801012010	O-RING		2	2	2		

# SHIFT LEVER & FORK

FIG. 3-14C

G. 290-293



# SHIFT LEVER & FORK

A-NOT AVAILABLE / B-R39 / C-R45

A-NOT AVAILABLE / B-R41 / C-R47

**FIG. 3-14C**

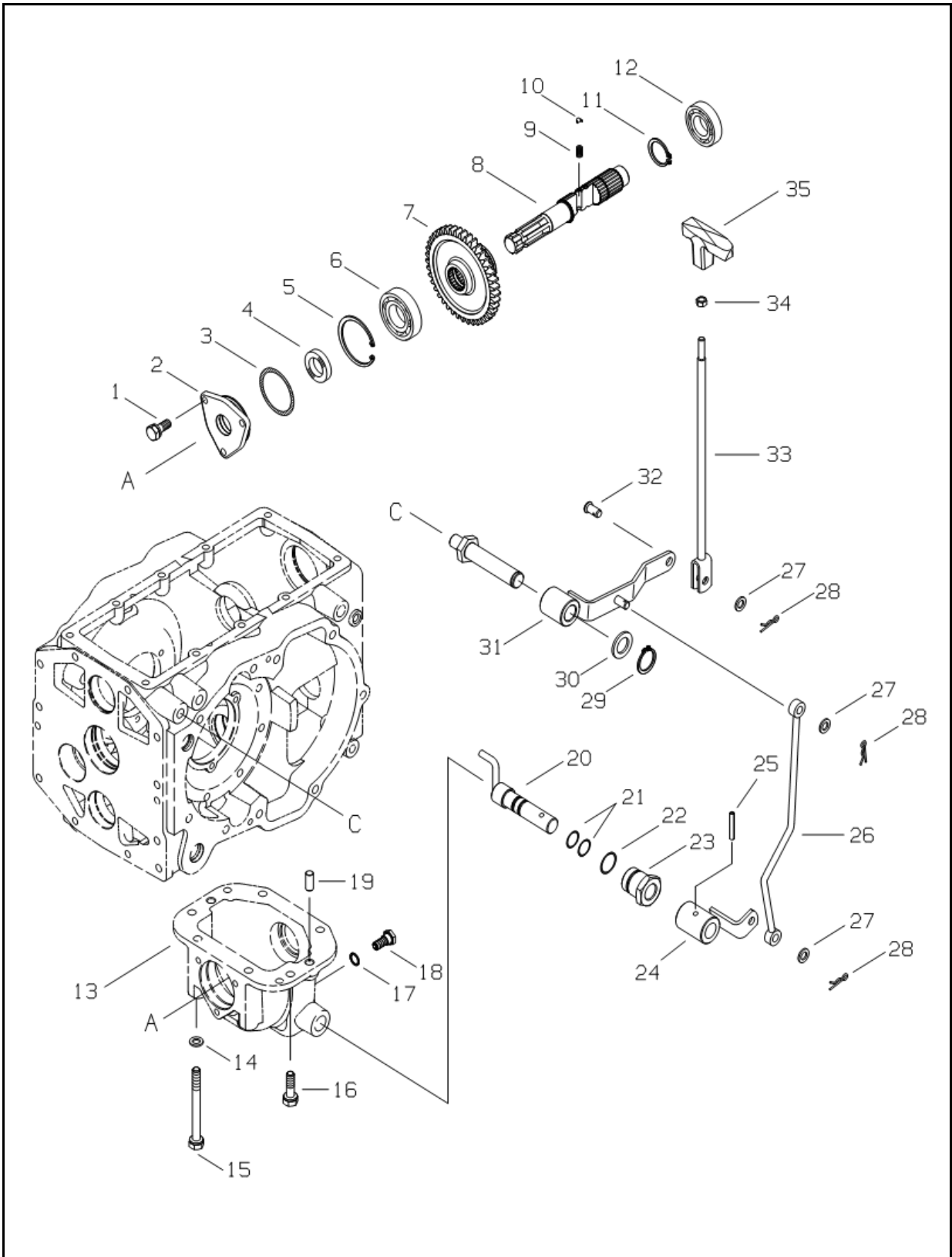
**( PTO/1 )**

NO.	PART NO.	PART NAME & DESCRIPTION	QTY			APP.NO	REM.
			A	B	C		
1	S801015010	O-RING	1	1	1		
2	A1291119	BOLT, F-R SHIFT	1	1	1		
3	S801010A10	O-RING	1	1	1		
4	A1291195	BOLT, SELF LOCK	1	1	1		
5	Q0710004	CAP, RAIL	1	1	1		
6	3A1290009	CAP, RAIL	1	1	1		

# MID PTO SHAFT & LEVER

FIG. 3-15

G. 287,293



# MID PTO SHAFT & LEVER

A-NOT AVAILABLE / B-R39 / C-R45

A-NOT AVAILABLE / B-R41 / C-R47

**FIG. 3-15**

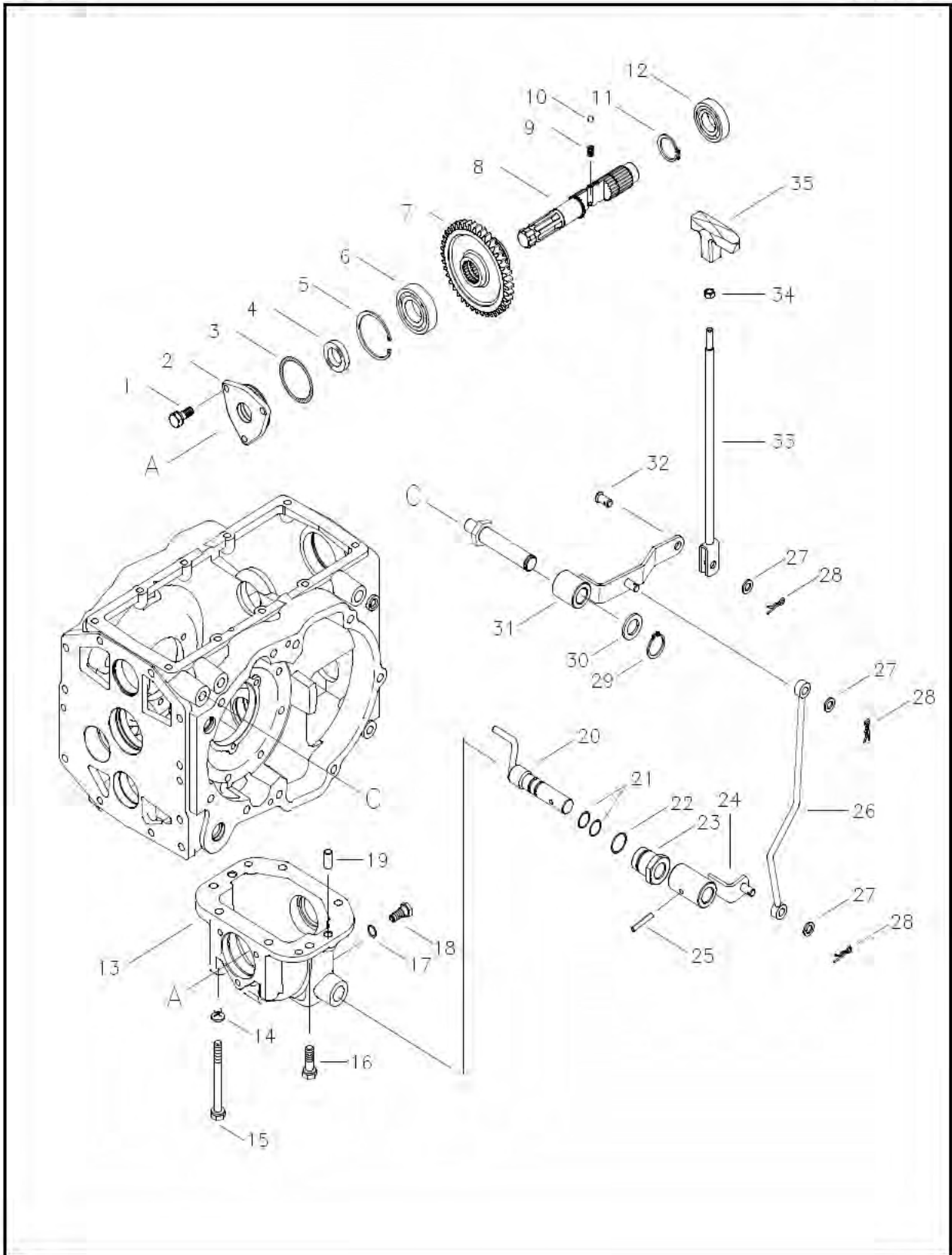
**( M/PTO )**

NO.	PART NO.	PART NAME & DESCRIPTION		QTY			APP.NO	REM.
				A	B	C		
1	S153082033	BOLT, HEX, W/WASHER	M8x1.25x20	3	3	3		
2	A1280199	COVER, M/PTO SHAFT		1	1	1		
3	S801052010	O-RING		1	1	1		
4	A0651253	SEAL, OIL		1	1	1		
5	S811062001	RING, SNAP	D62x2.0t	1	1	1		
6	A0863050	BEARING, BALL	#6305(OD62xID25x17)	1	1	1		
7	A1287325	GEAR, M/PTO DRVN	41T	1	1	1		
8	A1287345	SHAFT, M/PTO DRIVEN		1	1	1		
9	3A1290011	SPRING		1	1	1		
10	A20063390	BALL, SHIFT FORK		1	1	1		
11	S810030001	RING, SNAP		1	1	1		
12	A0862050	BEARING, BALL		1	1	1		
13	A1280200	CASE, M/PTO		1	1	1		
14	S361100013	WASHER, SPR. 1-TY.		2	2	2		
15	S104101043	BOLT, HEX.		2	2	2		
16	S154103033	BOLT, HEX. W/WASHER		4	4	4		
17	A10263360	SEAL		1	1	1		
18	3A1250013	PLUG, MAGNET		1	1	1		
19	S423102010	PIN, PAR. A-TY. (h7)		2	2	2		
20	A1291291	LEVER, MID PTO		1	1	1		
21	S801016010	O-RING		2	2	2		
22	S804028010	O-RING		1	1	1		
23	A1291296	ADAPTER, LEVER		1	1	1		
24	A1291292	ARM, MID PTO		1	1	1		
25	S446063512	PIN, SPR. W-TY		1	1	1		
26	A1293182	ROD, MID PTO		1	1	1		
27	S363100013	WASHER, PLN S-RD		4	4	4		
28	S443100013	PIN, SNAP A-TY		3	3	3		
29	S810020001	RING, SNAP		1	1	1		
30	S363200013	WASHER, PLN. S-RD.		1	1	1		
31	A1293181	ARM, MID PTO		1	1	1		
32	S427102013	PIN, HEAD B-TY.		1	1	1		
33	A1293175	HAND LEVER, 4WD		1	1	1		
34	S313080013	NUT, HEX.		1	1	1		
35	A1970385	KNOB, 4WD		1	1	1		

# MID PTO SHAFT & LEVER

FIG. 3-15

G. 287,293



# MID PTO SHAFT & LEVER

A-NOT AVAILABLE / B-R39 / C-R45

A-NOT AVAILABLE / B-R41 / C-R47

**FIG. 3-15**

**( M/PTO )**

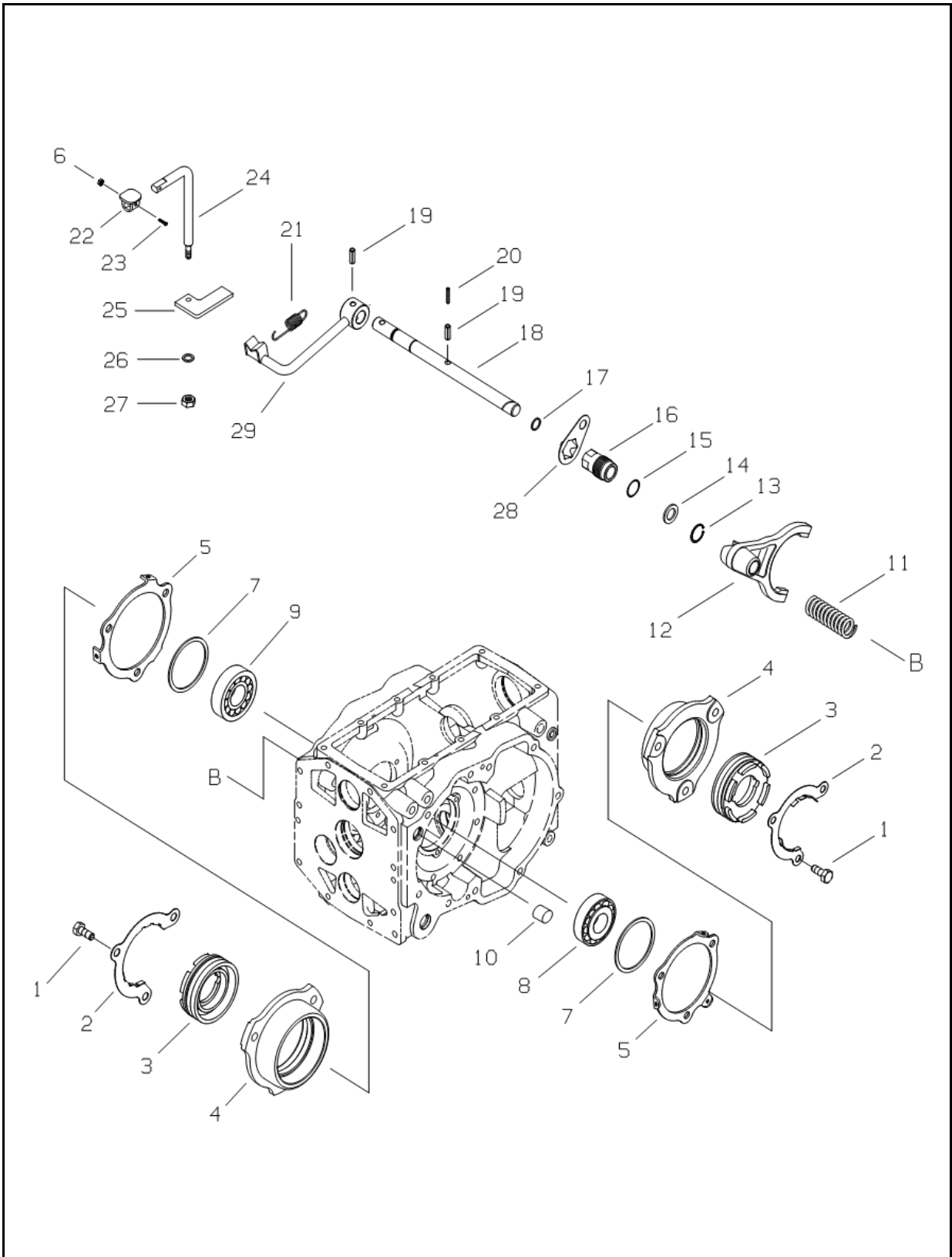
NO.	PART NO.	PART NAME & DESCRIPTION		QTY			APP.NO	REM.
				A	B	C		
1	S153082033	BOLT, HEX, W/WASHER	M8x1.25x20	3	3			
2	A1280199	COVER, M/PTO SHAFT		1	1			
3	S801052010	O-RING		1	1			
4	A0651253	SEAL, OIL		1	1			
5	S811062001	RING, SNAP	D62x2.0t	1	1			
6	A0863050	BEARING, BALL	#6305(OD62xID25x17)	1	1			
7	A1287325	GEAR, M/PTO DRVN	41T	1	1			
8	A1287345	SHAFT, M/PTO DRIVEN		1	1			
9	3A1290011	SPRING		1	1			
10	A20063390	BALL, SHIFT FORK		1	1			
11	S810030001	RING, SNAP		1	1			
12	A0862050	BEARING, BALL		1	1			
13	A1280200	CASE, M/PTO		1	1			
14	S361100013	WASHER, SPR. 1-TY.		2	2			
15	S104101043	BOLT, HEX.		2	2			
16	S154103033	BOLT, HEX. W/WASHER		4	4			
17	A10263360	SEAL		1	1			
18	3A1250013	PLUG, MAGNET		1	1			
19	S423102010	PIN, PAR. A-TY. (h7)		2	2			
20	A1291291	LEVER, MID PTO		1	1			
21	S801012010	O-RING		2	2			
22	S804028010	O-RING		1	1			
23	A1291296	ADAPTER, LEVER		1	1			
24	A1291292	ARM, MID PTO		1	1			
25	S446063512	PIN, SPR. W-TY		1	1			
26	A1293182	ROD, MID PTO		1	1			
27	S363100013	WASHER, PLN S-RD		3	3			
28	S443100013	PIN, SNAP A-TY		3	3			
29	S810020001	RING, SNAP		1	1			
30	S363200013	WASHER, PLN. S-RD.		1	1			
31	A1293181	ARM, MID PTO		1	1			
32	S427102013	PIN, HEAD B-TY.		1	1			
33	A1293175	HAND LEVER, 4WD		1	1			
34	S313080013	NUT, HEX.		1	1			
35	A1970397	KNOB, CREEPER		1	1			



# DIFF - LOCK

FIG. 4-1A

G. 320



# DIFF - LOCK

A-NOT AVAILABLE / B-R39 / C-R45

A-NOT AVAILABLE / B-R41 / C-R47

**FIG. 4-1A**

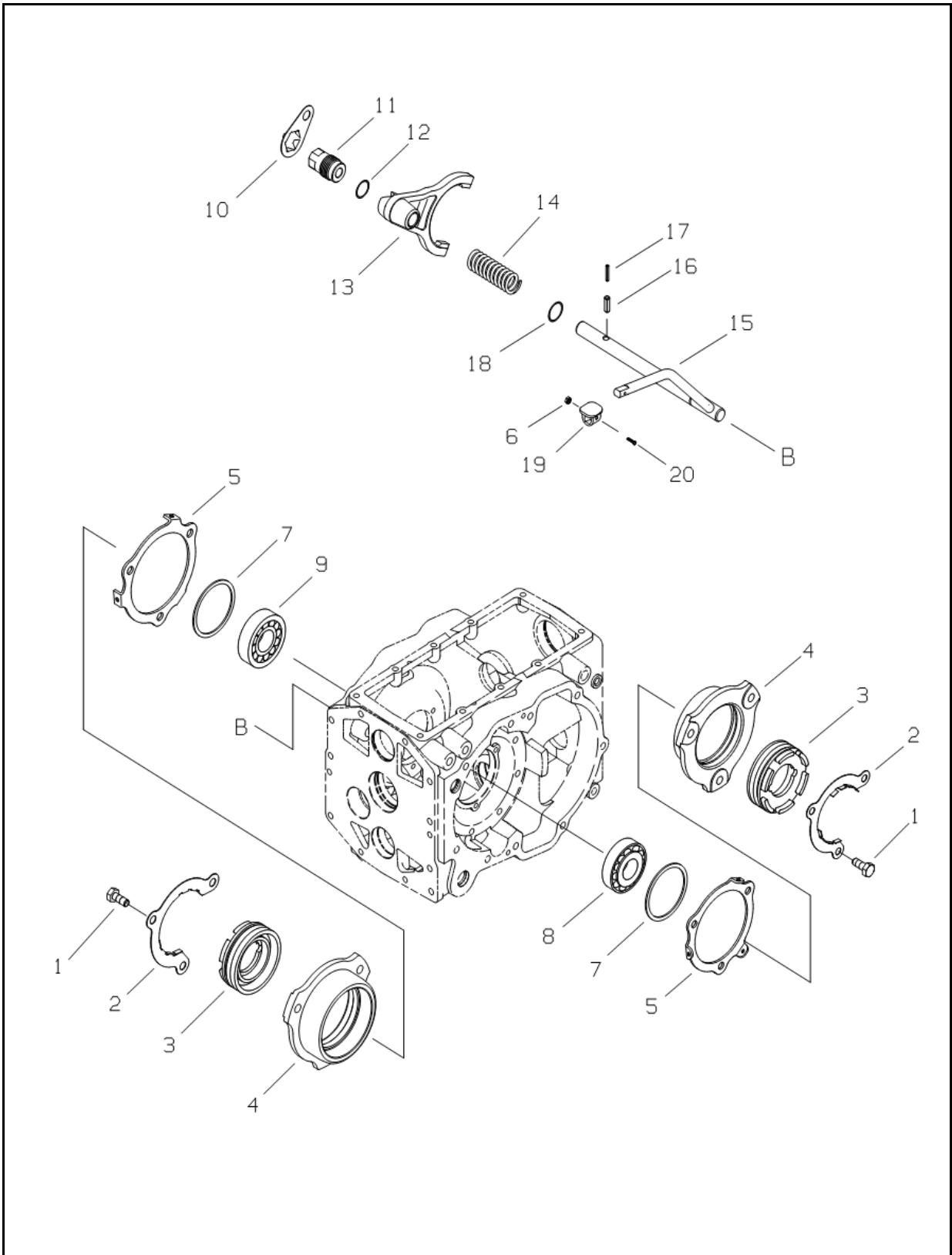
**( MEC )**

NO.	PART NO.	PART NAME & DESCRIPTION	QTY			APP.NO	REM.
			A	B	C		
1	S165102543	BOLT, HEX. F-THRD.	6	6	6		
2	A1326050	PLATE, LOCK	2	2	2		
3	3A1326005	SCREW	2	2	2		
4	A1320003	SUPPORT, DIFF.	2	2	2		
5	A1650074	HOLDER, SPRING	2	2	2		
6	S345040013	NUT, FLANGE B-TY.	1	1	1		
7	A1320012	SPACER	2	2	2		
8	A26799980	BEARING, TAPER	#30210	1	1	1	
9	A0862100	BEARING, BALL	#6210	1	1	1	
10	3A1290009	CAP, RAIL	1	1	1		
11	A1326047	SPRING, DIFF. LOCK	1	1	1		
12	A1320013	FORK, DIFF. LOCK	1	1	1		
13	S812020001	RING, SNAP	1	1	1		
14	A1320020	WASHER	1	1	1		
15	S804028010	O-RING	1	1	1		
16	A1320004	ADAPTER, R/DIFF. SHAFT	1	1	1		
17	S801016010	O-RING	1	1	1		
18	A1320007	SHAFT, DIFF. LOCK	1	1	1		
19	S446084012	PIN, SPRING	2	2	2		
20	S446054012	PIN, SPRING	1	1	1		
21	A1830248	SPRING	1	1	1		
22	A1970358	PEDAL, DIFF.	1	1	1		
23	S227403011	SCREW, W/WASHER	1	1	1		
24	A1320010	PEDAL, DIFF LOCK	1	1	1		STD
25	A1320011	PLATE, DIFF. PEDA	1	1	1		STD
26	S361100013	WASHER, SRP. 1-TY.	1	1	1		
27	S314100043	NUT, HEX. S. 2-TY.	M10X1.25	1	1	1	
28	A1320019	LOCK, PLATE	1	1	1		
29	A1320017	LEVER, DIFF, LOCK	1	1	1		

# DIFF - LOCK

FIG. 4-1C

G. 320



# DIFF - LOCK

A-NOT AVAILABLE / B-R39 / C-R45

A-NOT AVAILABLE / B-R41 / C-R47

**FIG. 4-1C**

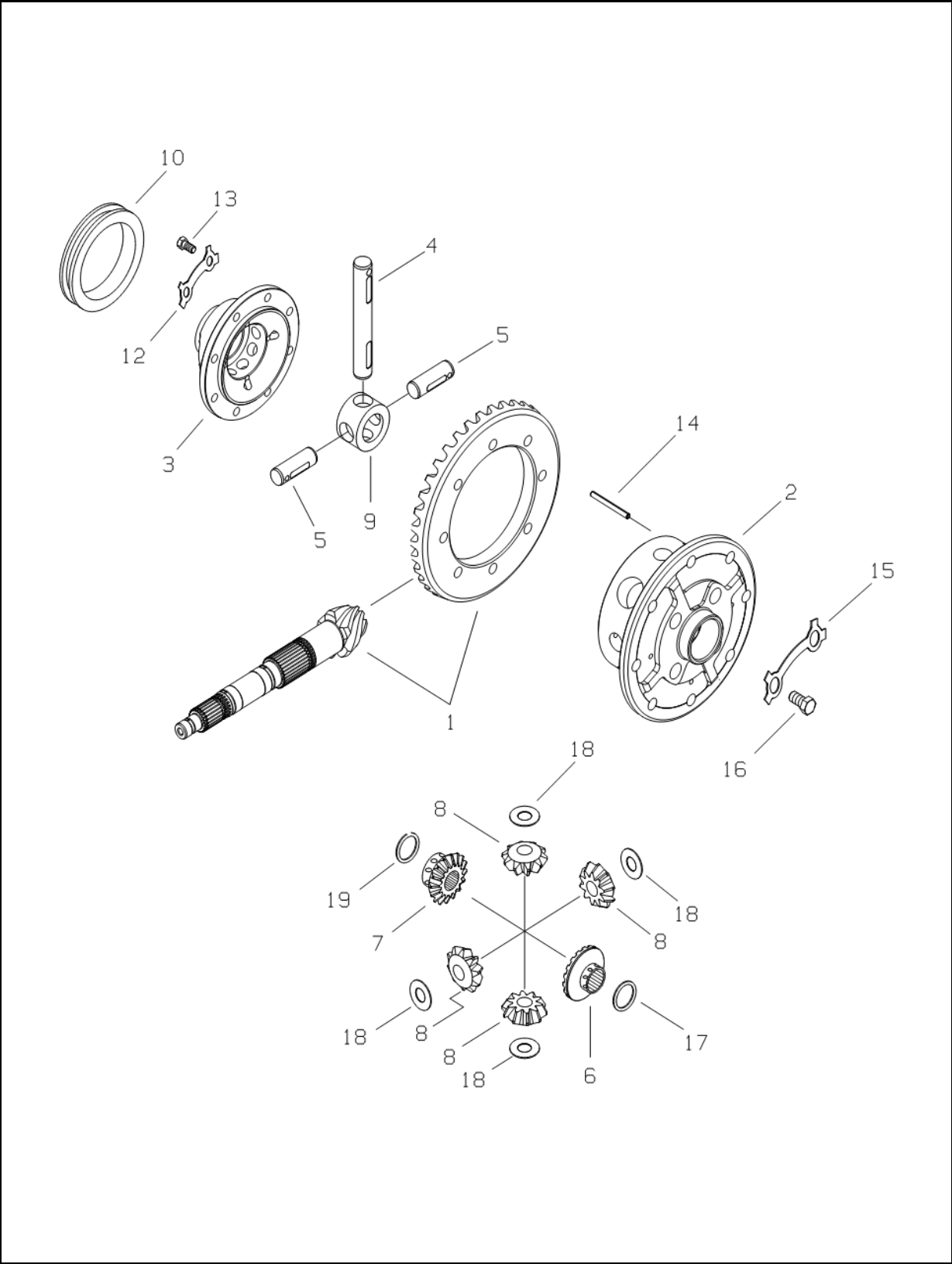
**( HST )**

NO.	PART NO.	PART NAME & DESCRIPTION	QTY			APP.NO	REM.
			A	B	C		
1	S165102543	BOLT, HEX. F-THRD.	6	6	6		
2	A1326050	PLATE, LOCK	2	2	2		
3	3A1326005	ADJUSTER, DIFF.	2	2	2		
4	A1320003	SUPPORT, DIFF.	1	1	1		
5	A1650074	HOLDER, SPRING	2	2	2		
6	S345040013	NUT, FLANGE B-TY	1	1	1		
7	A1320012	SPACER	2	2	2		
8	A26799980	BEARING, TAPER	1	1	1		
9	A0862100	BEARING, BALL	1	1	1		
10	A1320019	LOCK, PLATE	1	1	1		
11	A1320006	ADAPTER, R/DIFF. SHAFT	1	1	1		
12	S804028010	O-RING	1	1	1		
13	A1320013	FORK, DIFF.	1	1	1		
14	A1326047	SPRING, DIFF. LOCK	1	1	1		
15	A1320024	SHAFT, DIFF. LOCK	1	1	1		
16	S446084012	PIN, SPRING	1	1	1		
17	S446054012	PIN, SPRING	1	1	1		
18	S801016010	O-RING	1	1	1		
19	A1970358	PEDAL, DIFF.	1	1	1		
20	S227403011	SCREW, W/WASHER	1	1	1		

# REAR DIFFERENTIAL

FIG. 4-2

G. 310



# REAR DIFFERENTIAL

A-NOT AVAILABLE / B-R39 / C-R45

A-NOT AVAILABLE / B-R41 / C-R47

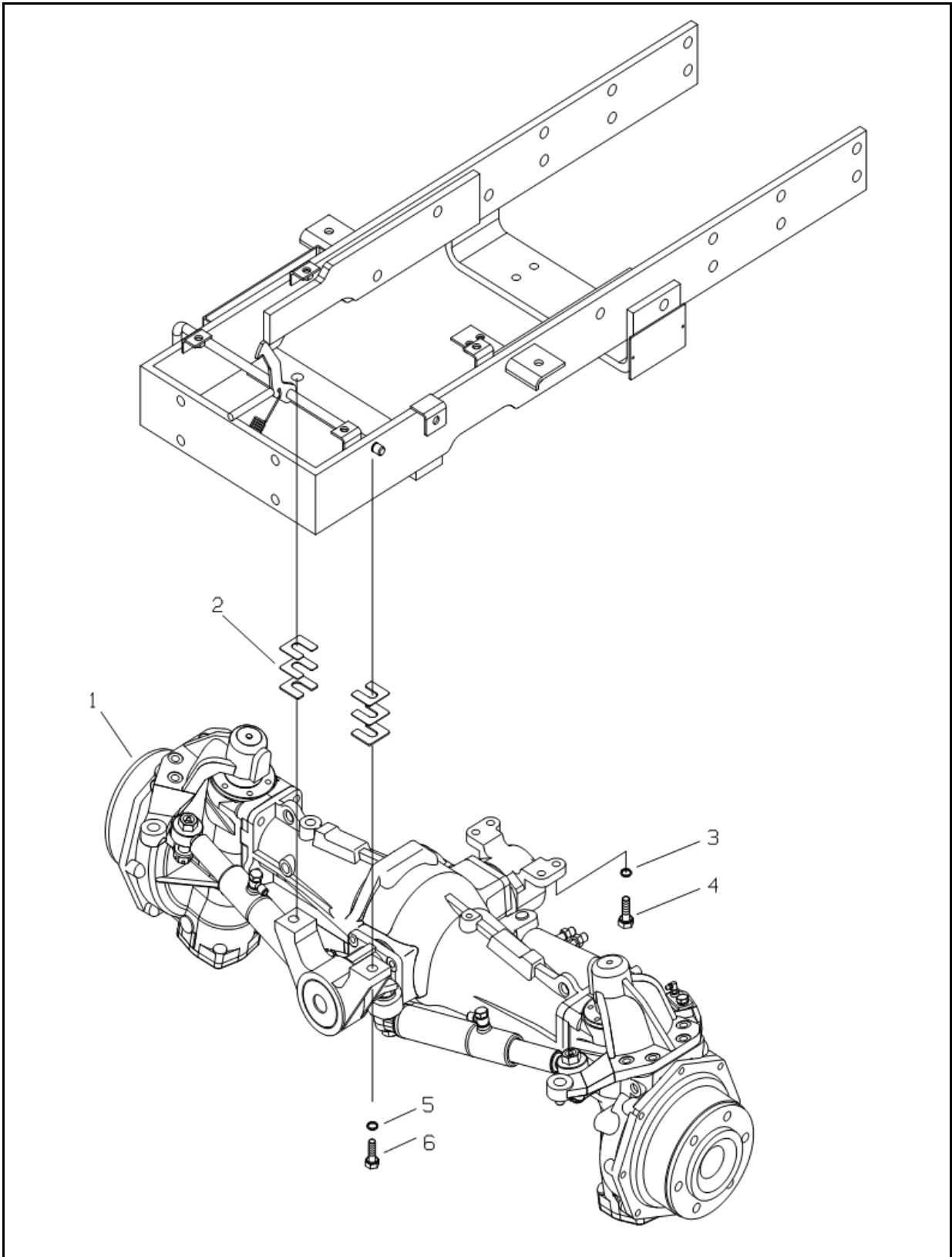
**FIG. 4-2**

NO.	PART NO.	PART NAME & DESCRIPTION	QTY			APP.NO	REM.
			A	B	C		
1~19	A1310006	DIFF, ASSY	1	1	1		
1	A1310007	RING & PINION GEAR SET	1	1	1		
2	A1324073	CASE, DIFF.(1)	1	1	1		
3	A1324074	CASE, DIFF.(2)	1	1	1		
4	A1324075	SHAFT(1)	1	1	1		
5	A1324076	SHAFT(2)	2	2	2		
6	A1324117	GEAR, DIFF. SIDE (LH)	16T	1	1		
7	A1324118	GEAR, DIFF. SIDE (RH)	16T	1	1		
8	A1324116	PINION, MATE	10T	4	4		FRG
9	A1324115	HOLDER, SHAFT		1	1		
10	3A1324007	HUB, DIFF. LOCK		1	1		
11	3A1324014	ROLLER		10	10		
12	3A1324012	WASHER, LOCK		4	4		
13	3A1324016	BOLT, HEX	M12X1.25X23L	8	8		
14	S446065010	PIN, SPRING W-TY.		3	3		
15	A1324079	WASHER, LOCK(2)		4	4		
16	S105082043	BOLT, HEX	M8X1.25X20L	8	8		
17	3A1324003	WASHER, THRUST(LH)		1	1		
18	3A1970123	WASHER, THRUST		4	4		
19	3A1970122	WASHER, THRUST		1	1		

# FRONT AXLE ASSY

FIG. 5-1

G. 400



# FRONT AXLE ASSY

A-NOT AVAILABLE / B-R39 / C-R45

A-NOT AVAILABLE / B-R41 / C-R47

**FIG. 5-1**

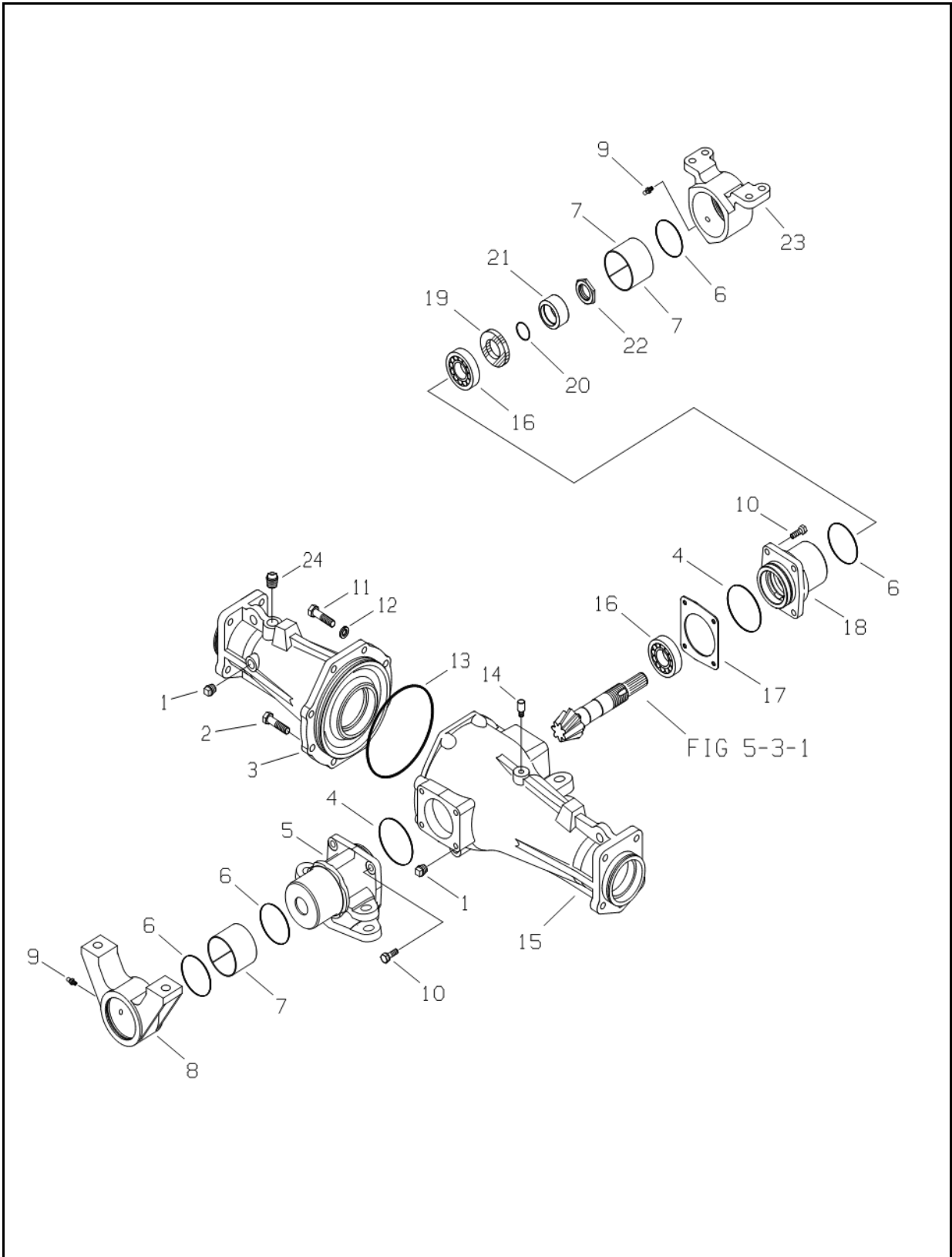
NO.	PART NO.	PART NAME & DESCRIPTION		QTY			APP.NO	REM.
				A	B	C		
1	A1400302	FRONT AXLE ASS'Y		1	1	1		
	A1400319	FRONT AXLE ASS'Y(Q/T)		1	1	1		
2	A1400130	LINER, A/AXLE	0.4t	AR	AR	AR		
	A1400131	LINER, A/AXLE	1.2t	AR	AR	AR		
	A1400132	LINER, A/AXLE	2.3t	AR	AR	AR		
3	S361120013	WAHSER, SPRING	Φ28xΦ16.2xΦ4t	4	4	4		
4	S107123543	BOLT, HEX.	M16x1.5x45	4	4	4		
5	S361160013	WASHER, SPRING.		2	2	2		
6	S103164543	BOLT, HEX.		2	2	2		



# FRONT AXLE CASE

FIG. 5-2

G. 400



# FRONT AXLE CASE

A-NOT AVAILABLE / B-R39 / C-R45

A-NOT AVAILABLE / B-R41 / C-R47

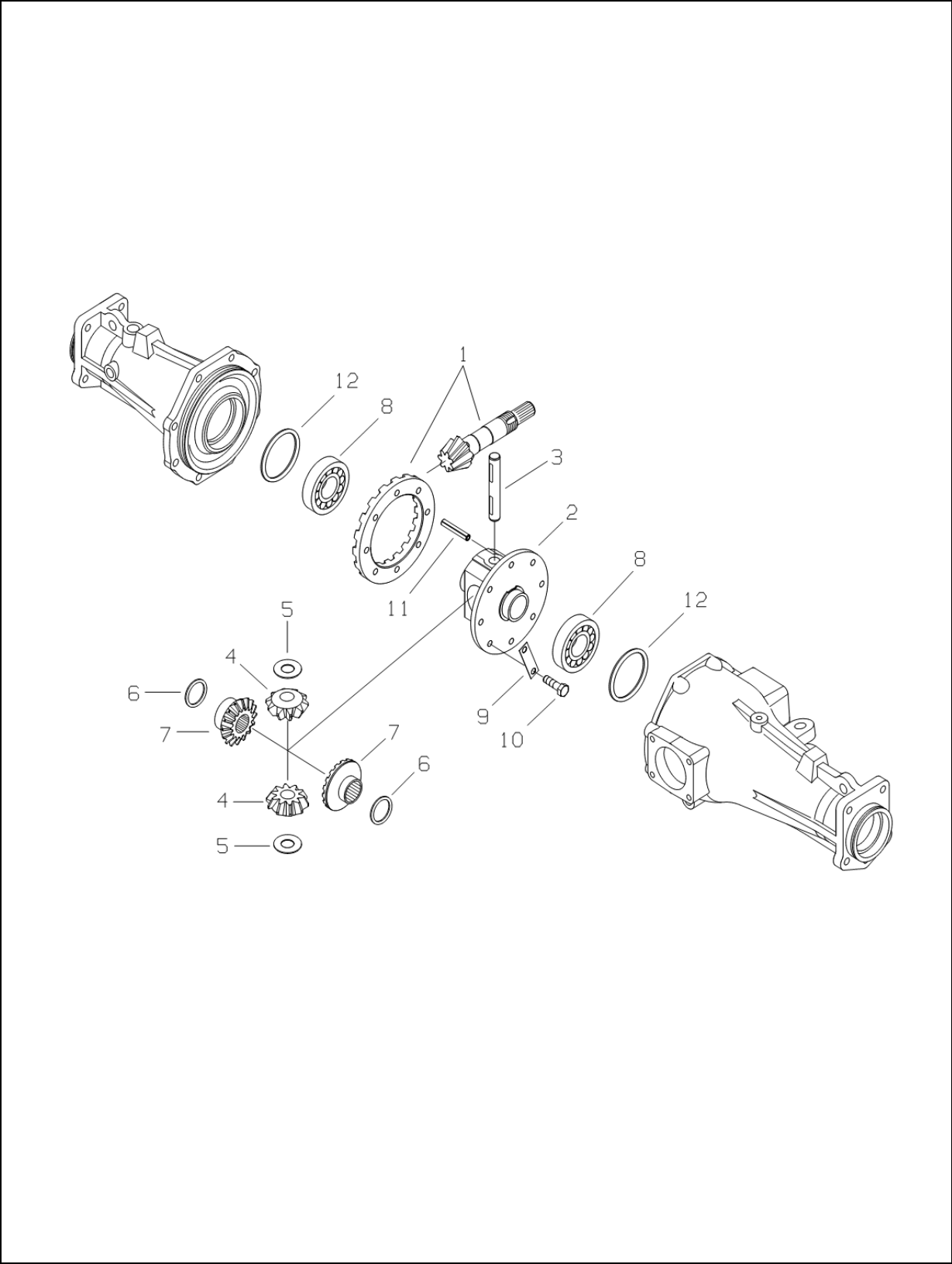
**FIG. 5-2**

NO.	PART NO.	PART NAME & DESCRIPTION		QTY			APP.NO	REM.
				A	B	C		
1	3A1970052	PLUG, TAPER	PF3/8	6	6	6		
2	S153123533	BOLT, HEX. W/WASHER	M12X1.75X3.5	7	7	7		
3	A1400163	CENTER CASE, F/AXLE (RH)		1	1	1		
4	S802075010	O-RING (G)	D74.4X3.1	2	2	2		
5	A1400306	HOLDER, FRONT PIVOT		1	1	1		
6	S802080010	O-RING (G)	D79.4X3.1	4	4	4		
7	3A1970006	BUSHING	80X40	2	2	2		
8	A1400118	BRACKET, F/AXLE FRONT		1	1	1		
9	3A1970069	NIPPLE, GREASE	PT1/8	2	2	2		
10	S154103033	BOLT, HEX. W/WASHER	M10X1.25X30	8	8	8		
11	3A1970050	BOLT	M12X1.75	1	1	1		
12	S361120013	WASHER, SPR. 1-TY.	Φ21.5XΦ12.2X3t	1	1	1		
13	S802175010	O-RING (G)	D174.3X5.7	1	1	1		
14	3A1400004	BREATHER, AIR		1	1	1		
15	A1400324	CASE, CENTER(LH)		1	1	1		
16	A1400093	BEARING, TAPER	#32206C(OD62XID30X21.25)	2	2	2		
17	3A1970100	SHIM	0.07t	AR	AR	AR		
	3A1970101	SHIM	0.2t	AR	AR	AR		
18	3A1400010	CASE, BEARING		1	1	1		
19	3A1970012	SEAL, OIL	Φ62XΦ45X9t	1	1	1		
20	S801030010	O-RING (P)	D29.7X3.5	1	1	1		
21	3A1411004	BUSHING, SEAL	Φ45X15	1	1	1		
22	3A1970065	NUT	M30X1.5	1	1	1		
23	A1400119	BRACKET, F/AXLE REAR		1	1	1		

# FRONT DIFFERENTIAL

FIG. 5-3

G. 400



# FRONT DIFFERENTIAL

A-NOT AVAILABLE / B-R39 / C-R45

A-NOT AVAILABLE / B-R41 / C-R47

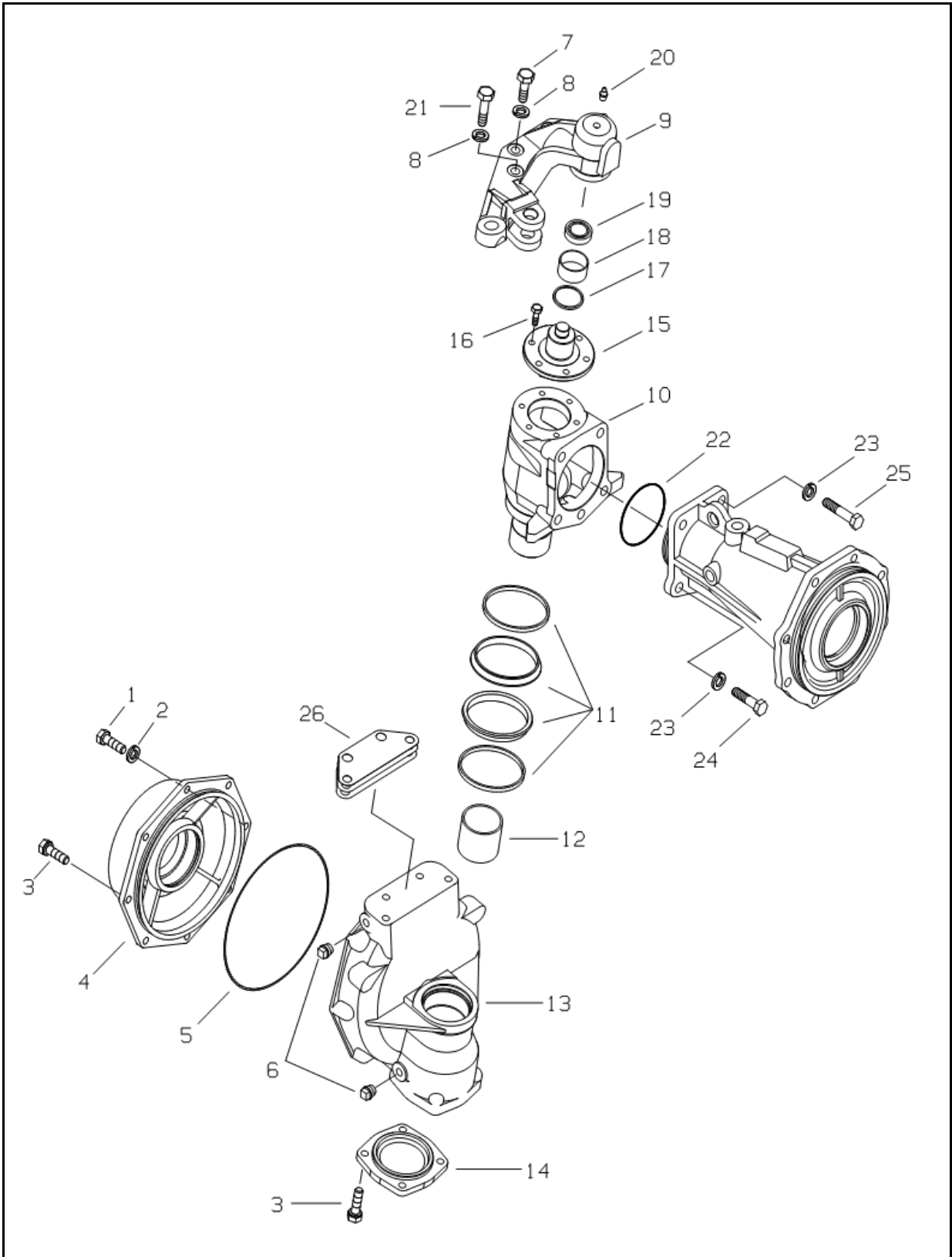
**FIG. 5-3**

NO.	PART NO.	PART NAME & DESCRIPTION		QTY			APP.NO	REM.
				A	B	C		
1-11	2A1415001	DIFF, GEAR ASSY		1	1	1		
1	A1400172	RING & PINION GEAR SET	6t/37t	1	1	1		
2	1A1414001	CASE, F/DIFF.		1	1	1		
3	3A1415004	SHAFT		1	1	1		
4	A1324060	GEAR, PNN. MATE	10t	2	2	2		
5	3A1970123	WASHER, THRUST	0.8t	2	2	2		
6	3A1970122	WASHER, THRUST	0.8t	2	2	2		
7	A1324062	GEAR, DIFF. SIDE (RH)	16t	2	2	2		
8	A0862100	BEARING, BALL	#6210(OD90XID50X20)	2	2	2		
9	A1410041	PLATE, LOCK		4	4	4		
10	A1410039	BOLT, HEX.	M10X1.25X20	8	8	8		
11	S446065012	PIN, SPR. W-TY.	Φ6X50	1	1	1		
12	3A1970119	LINER	0.07t	AR	AR	AR		
	3A1970120	LINER	0.2t	AR	AR	AR		
	3A1970121	LINER	1.0t	AR	AR	AR		

# FRONT AXLE CASE RH

FIG. 5-4A

G. 400



# FRONT AXLE CASE RH

A-NOT AVAILABLE / B-R39 / C-R45

A-NOT AVAILABLE / B-R41 / C-R47

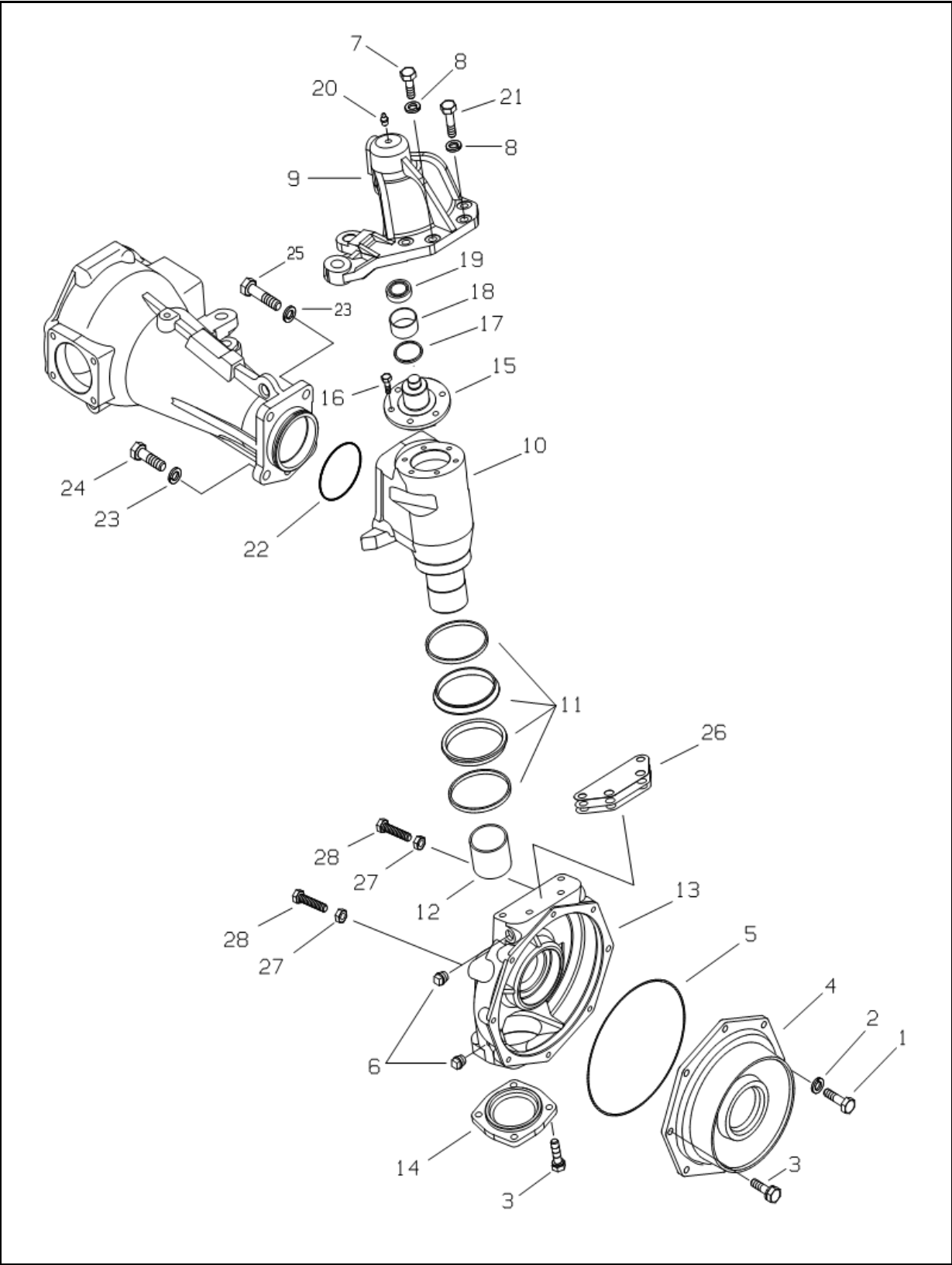
**FIG. 5-4A**

NO.	PART NO.	PART NAME & DESCRIPTION		QTY			APP.NO	REM.
				A	B	C		
1	3A1970055	BOLT	M10X1.25	1	1	1		
2	S361100013	WASHER, SPR. 1-TY.	Φ18.4X10.2X2.5t	1	1	1		
3	S154103033	BOLT, HEX. W/WASHER	M10X1.25X30	11	11	11		
4	A1402067	COVER, F/AXLE SHAFT		1	1	1		
5	3A1970056	O-RING	D231X3	1	1	1		
6	3A1970052	PLUG, TAPER	PT3/8	2	2	2		
7	S101123043	BOLT, HEX	M12X1.75X30	2	2	2		
8	S361120013	WASHER, SPR. 1-TY.	Φ21.5XΦ12.2X3t	4	4	4		
9	A1400305	ARM(RH)		1	1	1		
10	A1400293	CASE, KINGPIN		1	1	1		
11	A1400168	GROUP SEAL ASSY		1	1	1		
12	A1400077	BUSHING, DU	MB603DU	1	1	1		
13	A1400292	CASE, GEAR(RH)		1	1	1		
14	A1400288	COVER, W/BRG, CASE		1	1	1		
15	A1400286	HOLDER, ARM		1	1	1		
16	S153082533	BOLT, HEX. W/WASHER	M8X1.25X25	6	6	6		
17	A0652582	SEAL, DUST	Φ40XΦ48X6.5t	1	1	1		
18	A0678120	BUSHING	MB4020DU	1	1	1		
19	A1400076	BEARING, TAPER	#32004XJ	1	1	1		
20	3A1970069	NIPPLE, GREASE	PT1/8	1	1	1		
21	3A1970057	BOLT, REAMER	M12X1.75X35	2	2	2		
22	S802090010	O-RING	D89.4X3.1	1	1	1		
23	S361140013	WASHER, SPR. 1-TY.	Φ24.5XΦ14.2X3.5t	5	5	5		
24	S101144053	BOLT, HEX.	M14X2X40	4	4	4		
25	A1970307	BOLT, REAMER	M14X2X50	1	1	1		
26	A1402048	SHIM	0.15t	1	1	1		
	A1402049	SHIM	0.30t	1	1	1		
	A1402050	SHIM	0.40t	1	1	1		

# FRONT AXLE CASE LH

FIG. 5-4B

G. 400



# FRONT AXLE CASE LH

A-NOT AVAILABLE / B-R39 / C-R45

A-NOT AVAILABLE / B-R41 / C-R47

**FIG. 5-4B**

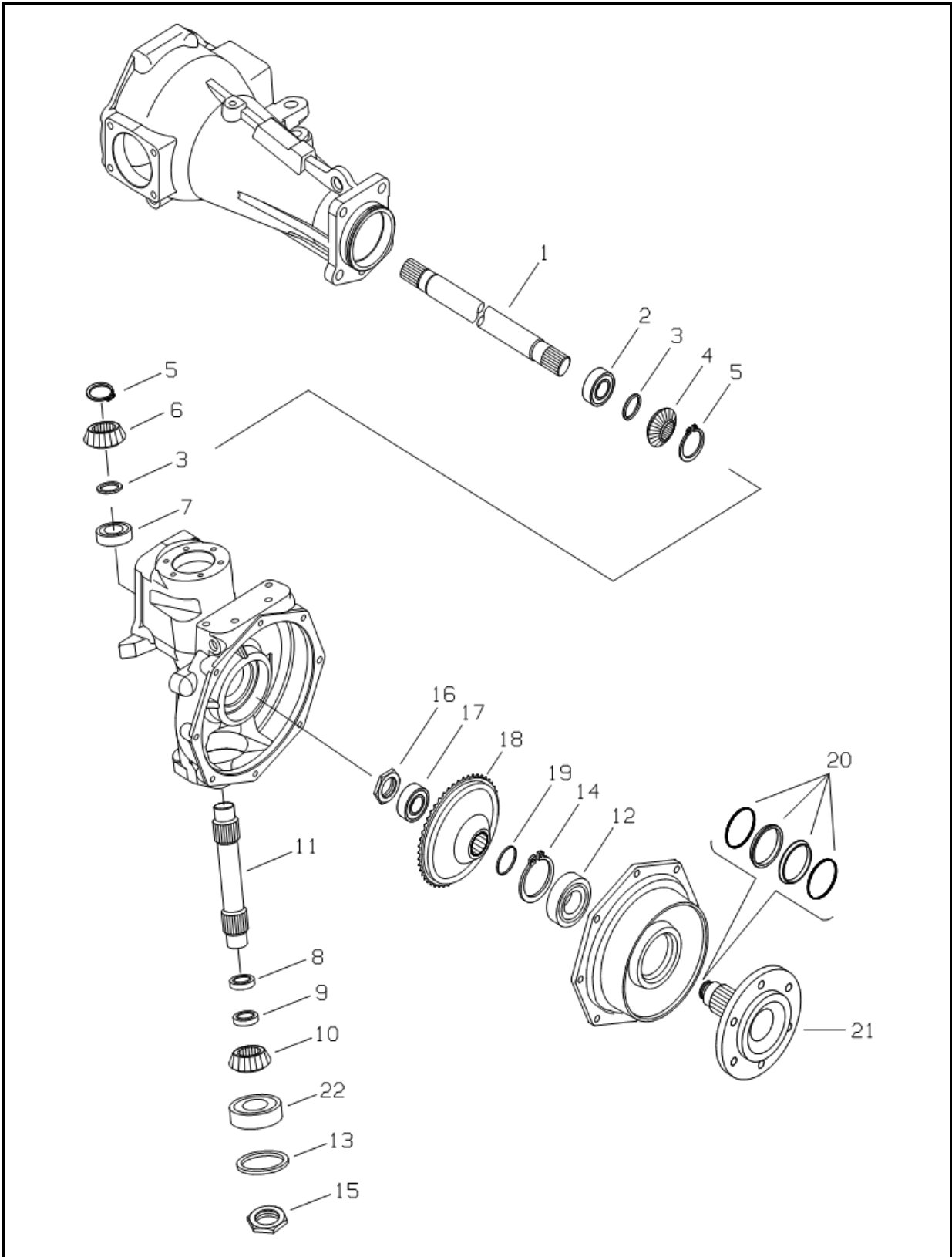
NO.	PART NO.	PART NAME & DESCRIPTION		QTY			APP.NO	REM.
				A	B	C		
1	3A1970055	BOLT	M10X1.25	1	1	1		
2	S361100013	WASHER, SPR. 1-TY.	Φ18.4X10.2X2.5t	1	1	1		
3	S154103033	BOLT, HEX. W/WASHER	M10X1.25X30	11	11	11		
4	A1402067	COVER, F/AXLE SHAFT		1	1	1		
5	3A1970056	O-RING	D231X3	1	1	1		
6	3A1970052	PLUG, TAPER	PT3/8	2	2	2		
7	S101123043	BOLT, HEX		2	2	2		
8	S361120013	WASHER, SPR. 1-TY.		4	4	4		
9	A1400326	ARM(LH)		1	1	1		
10	A1400293	CASE, KINGPIN		1	1	1		
11	A1400168	GROUP SEAL ASSY		1	1	1		
12	A1400077	BUSHING, DU	MB603DU	1	1	1		
13	A1400291	CASE, GEAR (LH)		1	1	1		
14	A1400288	COVER, W/RG, CASE		1	1	1		
15	A1400286	HOLDER, ARM		1	1	1		
16	S153082533	BOLT, HEX. W/WASHER	M8X1.25X25	6	6	6		
17	A0652582	SEAL, DUST	Φ40XΦ48X6.5t	1	1	1		
18	A0678120	BUSHING	MB4020DU	1	1	1		
19	A1400076	BEARING, TAPER	#32004XJ	1	1	1		
20	3A1970069	NIPPLE, GREASE	PT1/8	1	1	1		
21	3A1970057	BOLT, REAMER	M12X1.75X35	2	2	2		
22	S802090010	O-RING	D89.4X3.1	1	1	1		
23	S361140013	WASHER, SPR. 1-TY.	Φ24.5XΦ14.2X3.5t	5	5	5		
24	S101144053	BOLT, HEX.	M14X2X40	4	4	4		
25	A1970307	BOLT, REAMER	M14X2X50	1	1	1		
26	A1402048	SHIM	0.15t	1	1	1		
	A1402049	SHIM	0.30t	1	1	1		
	A1402050	SHIM	0.40t	1	1	1		
27	S301120043	NUT, HEX. 3-TY.	M12X1.75	2	2	2		
28	S101123043	BOLT, HEX	M12X1.75	1	1	1		



# FRONT AXLE CASE

FIG. 5-5

G. 400



# FRONT AXLE CASE

A-NOT AVAILABLE / B-R39 / C-R45

A-NOT AVAILABLE / B-R41 / C-R47

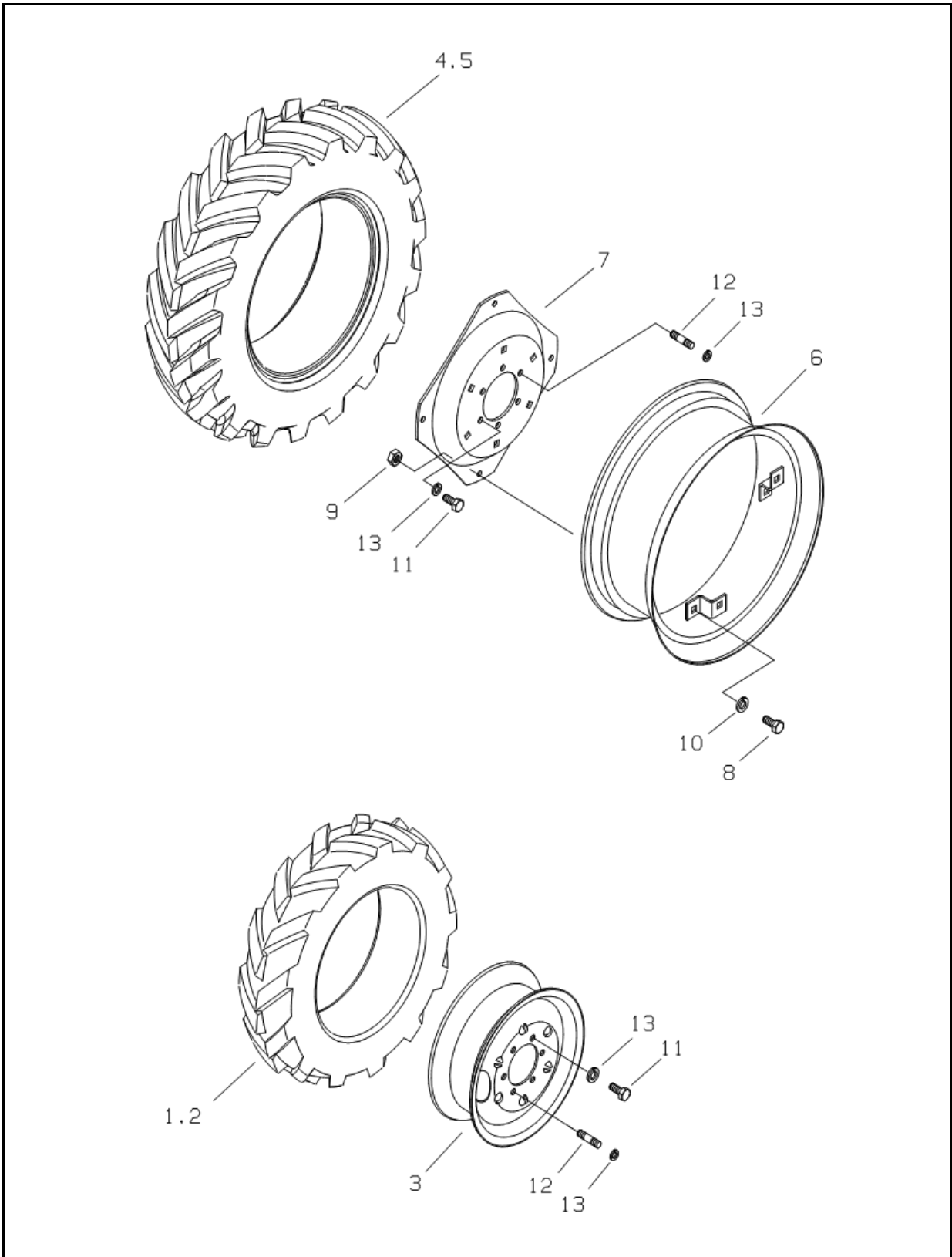
**FIG. 5-5**

NO.	PART NO.	PART NAME & DESCRIPTION		QTY			APP.NO	REM.
				A	B	C		
1	A1400120	SHAFT F/DIFF		2	2	2		
2	A0863070	BEARING, BALL	#6307(OD80XID35X21)	2	2	2		
3	A0870108	LINER	0.5t	AR	AR	AR		
	A0870109	LINER	0.4t	AR	AR	AR		
	A0870110	LINER	0.5t	AR	AR	AR		
4	A1400121	GEAR, 14T	14T	2	2	2		
5	S810030001	RING, SNAP		4	4	4		
6	A1400153	GEAR, 15T	15T	2	2	2		FRG
7	A1400093	BEARING, TAPER	#32206C(OD62XID30X21.25)	2	2	2		
8	3A1970034	BEARING, THRUST	NSJ51107(OD52XID50X20)	2	2	2		
9	A1400127	SPACER		2	2	2		
10	A1400124	GEAR, 14T	14T	2	2	2		FRG
11	A1400123	SHAFT KINGPIN		2	2	2		
12	A0862100	BEARING, BALL	#6210(OD90XID50X20)	2	2	2		
13	3A1970119	LINER	0.07t	AR	AR	AR		
	3A1970120	LINER	0.2t	AR	AR	AR		
14	S811090001	RING, SNAP (C) H.	#30210	2	2	2		
15	A1281034	NUT, LOCK	M24X15	2	2	2		
16	A1402047	NUT, LOCK	M30X1.5	2	2	2		
17	A0863080	BEARING, BALL	#6308(OD90XID40X23)	2	2	2		
18	A1402044	GEAR 38T	38T	2	2	2		
19	3A1970112	LINER A	0.4t	AR	AR	AR		
	3A1970113	LINER B	0.6t	AR	AR	AR		
	3A1970114	LINER C	0.8t	AR	AR	AR		
	3A1970115	LINER D	1.0t	AR	AR	AR		
20	A1400168	GROUP SEAL ASSY		2	2	2		
21	A1402068	SHAFT, FRONT AXLE		2	2	2		
22	A26799980	BEARING, T/ROLLER	#30210	2	2	2		

# FRONT & REAR WHEEL (TIRE)

FIG. 5-6A

G. 490



# FRONT & REAR WHEEL (TIRE)

A-NOT AVAILABLE / B-R39 / C-R45

A-NOT AVAILABLE / B-R41 / C-R47

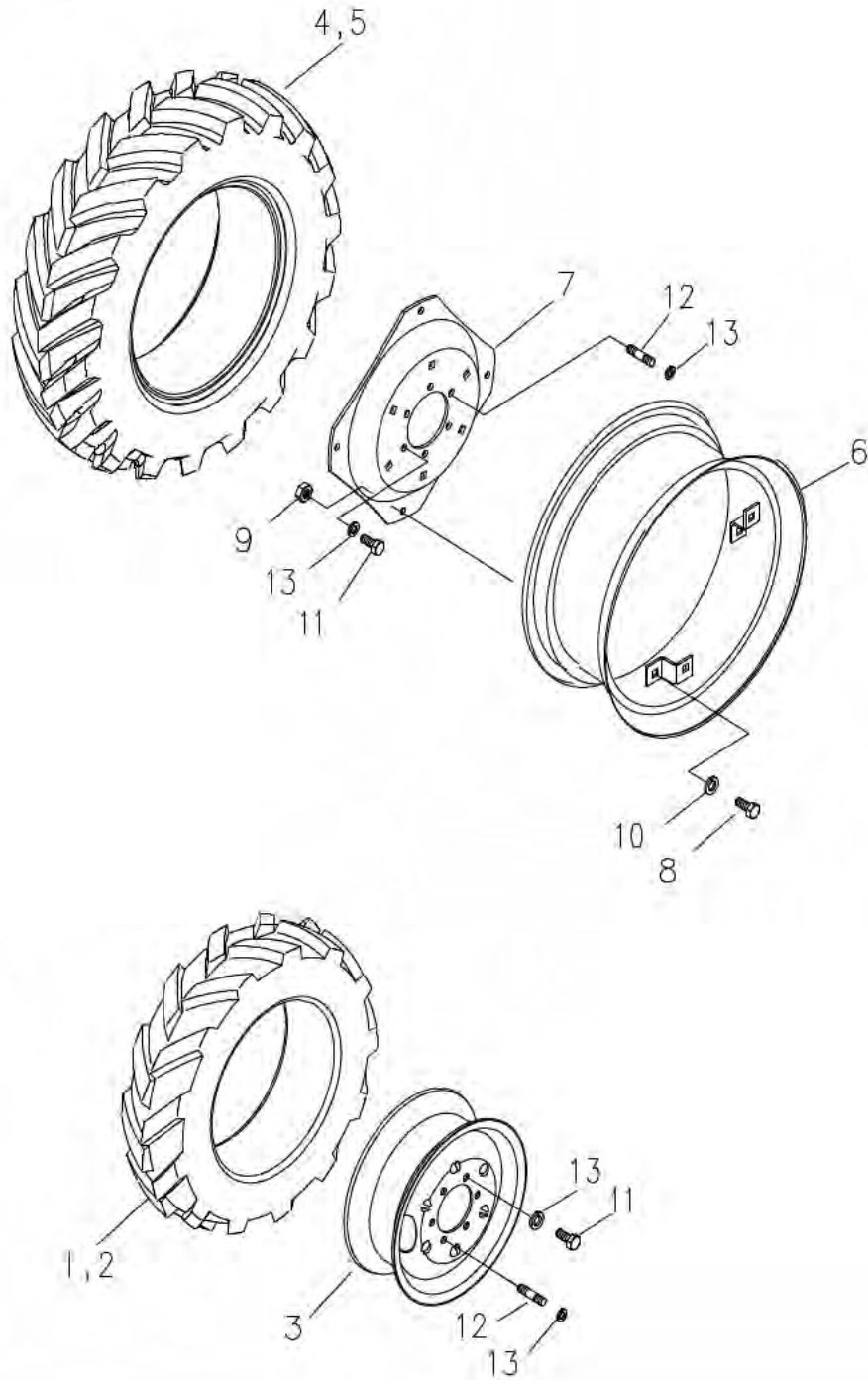
**FIG. 5-6A**

NO.	PART NO.	PART NAME & DESCRIPTION		QTY			APP.NO	REM.
				A	B	C		
1-2	A1490026	FRONT TIRE ASSY	8-16 4PR	2	2	2		STD
	A1490053	FRONT TIRE ASSY	7-16 4PR	2	2	2		OPT1
1	A1490096	FRONT TIRE ASSY	8-18 4PR	2	2	2		OPT2
	A01494002	TIRE.FRONT(8-16 4P L)	8-16 4PR	1	1	1		STD
	A1494069	TIRE.FRONT(7-16 4PR)	7-16 4PR	1	1	1		OPT1
2	A1490243	TIRE.FRONT(8-18 4PR)	8-18 4PR	1	1	1		OPT2
	A01494003	TUBE	8-16 4PR	1	1	1		STD
3	A1490036	TUBE	7-16 4PR	1	1	1		OPT1
	A1490097	TUBE	8-18 4PR	1	1	1		OPT2
	A1490207	FRONT RIM ASSY	W6X16	2	2	2		STD,OPT1
4-5	A1490095	FRONT RIM ASSY	W8X18	2	2	2		OPT2
	A1490022	REAR TIRE ASSY	12.4-24 6PR	2	2	2		STD
4	A1494055	REAR TIRE ASSY	11.2-24 6PR	2	2	2		OPT1
	A1490044	REAR TIRE ASSY	13.6-24 6PR	2	2	2		OPT2
	A00010525	TUBE, INNER (W/VALVE)	12.4-24 6PR	1	1	1		STD
5	A1494044	TUBE, INNER (W/VALVE)	11.2-24 6PR	1	1	1		OPT1
	A1490039	TUBE, INNER (W/VALVE)	13.6-24 6PR	1	1	1		OPT2
	A1494072	TIRE REAR(12.4-24 FM2 6PR)	12.4-24 6PR	1	1	1		STD
	A1494043	TIRE REAR	11.2-24 6PR	1	1	1		OPT1
	A1490072	TIRE REAR	13.6-24 6PR	1	1	1		OPT2
6-10	A1490022	REAR RIM ASSY	W10X24	2	2	2		
6	A1490023	RIM	W10X24	1	1	1		
7	A1490024	DISK	W10X24	1	1	1		
8	A1970077	BOLT,HEX	M16X1.5X37	4	4	4		
9	S306160013	NUT,HEX. 2TY	M15X1.5	4	4	4		
10	S361160013	WASHER, SPR. 1-TY.	D16Xd16.2X4t	4	4	4		
11	S103163043	BOLT, HEX.	M16X1.5X30L	16	16	16		
12	S167162523	BOLT, STUD	M16X1.5X25L	8	8	8		
13	S361160013	WASHER, SPR. 1-TY.	D28Xd16.2X4t	24	24	24		

# FRONT & REAR WHEEL (TIRE)

FIG. 5-6A

G. 490



# FRONT & REAR WHEEL (TIRE)

A-NOT AVAILABLE / B-R39 / C-R45

A-NOT AVAILABLE / B-R41 / C-R47

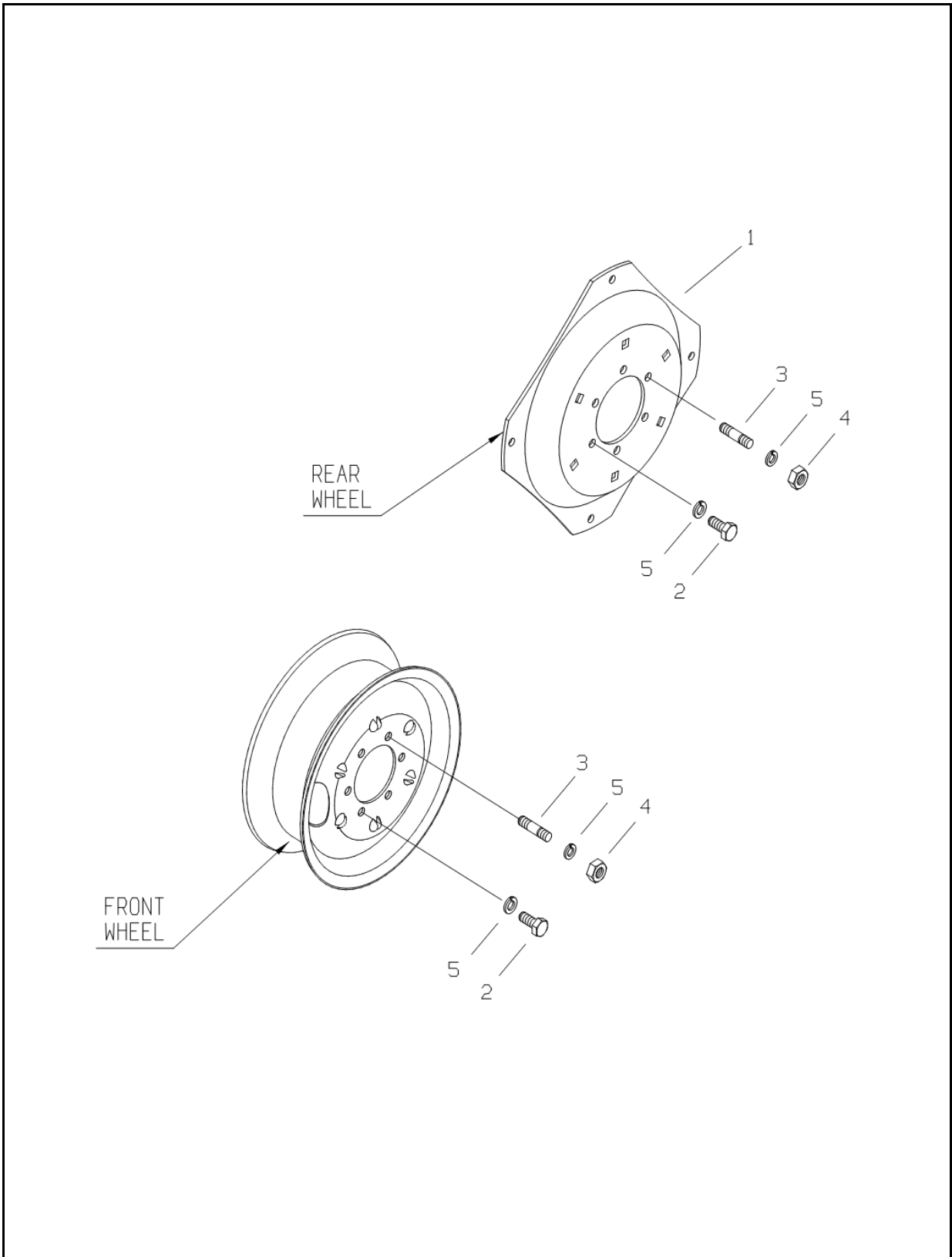
**FIG. 5-6A**

NO.	PART NO.	PART NAME & DESCRIPTION		QTY			APP.NO	REM.
				A	B	C		
1~2	A1490026	FRONT TIRE ASSY	8-16 4PR	2	2	2		STD
	A1490053	FRONT TIRE ASSY	7-16 4PR	2	2	2		OPT1
1	A1490096	FRONT TIRE ASSY	8-18 4PR	2	2	2		OPT2
	A01494002	TIRE.FRONT(8-16 4P L)	8-16 4PR	1	1	1		STD
	A1494069	TIRE.FRONT(7-16 4PR)	7-16 4PR	1	1	1		OPT1
2	A1490098	TIRE.FRONT(8-18 4PR)	8-18 4PR	1	1	1		OPT2
	A01494003	TUBE	8-16 4PR	1	1	1		STD
3	A1490036	TUBE	7-16 4PR	1	1	1		OPT1
	A1490097	TUBE	8-18 4PR	1	1	1		OPT2
	A1490019	FRONT RIM ASSY	W6X16	2	2	2		STD,OPT1
4~5	A1490095	FRONT RIM ASSY	W8X18	2	2	2		OPT2
	A1490068	REAR TIRE ASSY	12.4-24 6PR	2	2	2		STD
4	A1494055	REAR TIRE ASSY	11.2-24 6PR	2	2	2		OPT1
	A1490044	REAR TIRE ASSY	13.6-24 6PR	2	2	2		OPT2
	A00010525	TUBE, INNER (W/VALVE)	12.4-24 6PR	1	1	1		STD
5	A1494044	TUBE, INNER (W/VALVE)	11.2-24 6PR	1	1	1		OPT1
	A1490039	TUBE, INNER (W/VALVE)	13.6-24 6PR	1	1	1		OPT2
	A1494065	TIRE REAR(12.4-24 FM2 6PR)	12.4-24 6PR	1	1	1		STD
	A1494043	TIRE REAR	11.2-24 6PR	1	1	1		OPT1
	A1490072	TIRE REAR	13.6-24 6PR	1	1	1		OPT2
6~10	A1490022	REAR RIM ASSY	W10X24	2	2	2		
6	A1490023	RIM	W10X24	1	1	1		
7	A1490024	DISK	W10X24	1	1	1		
8	A1970077	BOLT,HEX	M16X1.5X37	4	4	4		
9	S306160013	NUT,HEX. 2TY	M15X1.5	4	4	4		
10	S361160013	WASHER, SPR. 1-TY.	D16Xd16.2X4t	4	4	4		
11	S103163043	BOLT, HEX.	M16X1.5X30L	16	16	16		
12	S167162523	BOLT, STUD	M16X1.5X25L	8	8	8		
13	S361160013	WASHER, SPR. 1-TY.	D28Xd16.2X4t	24	24	24		

# FRONT & REAR WHEEL (TIRE)

FIG. 5-6B

G. 490



# FRONT & REAR WHEEL (TIRE)

A-NOT AVAILABLE / B-R39 / C-R45

A-NOT AVAILABLE / B-R41 / C-R47

**FIG. 5-6B**

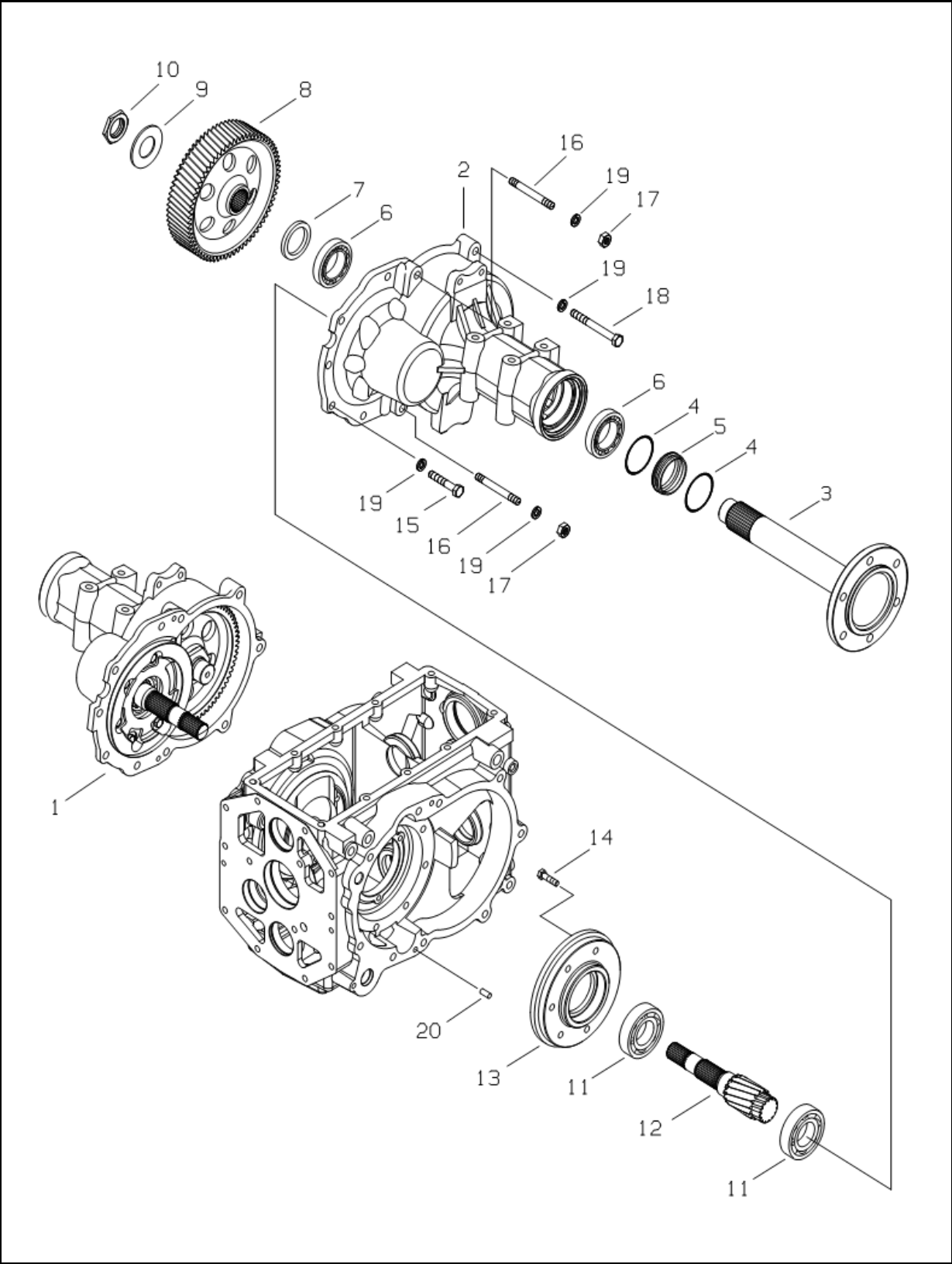
NO.	PART NO.	PART NAME & DESCRIPTION		QTY			APP.NO	REM.
				A	B	C		
1	A1490060	DISK,REAR	W6X18	2	2	2		
2	S103163043	BOLT, HEX.	M16X1.5X35L	16	16	16		
3	S167162523	BOLT,STUD	M16X1.5X30L	8	8	8		
4	S302160043	NUT, HEX. 1-TY.	M16X1.5	8	8	8		
5	S361160013	WASHER, SPR. 1-TY.	DI16.2XDO28X4t	24	24	24		



# RER AXLE

FIG. 5-7

G. 480



# RER AXLE

A-NOT AVAILABLE / B-R39 / C-R45

A-NOT AVAILABLE / B-R41 / C-R47

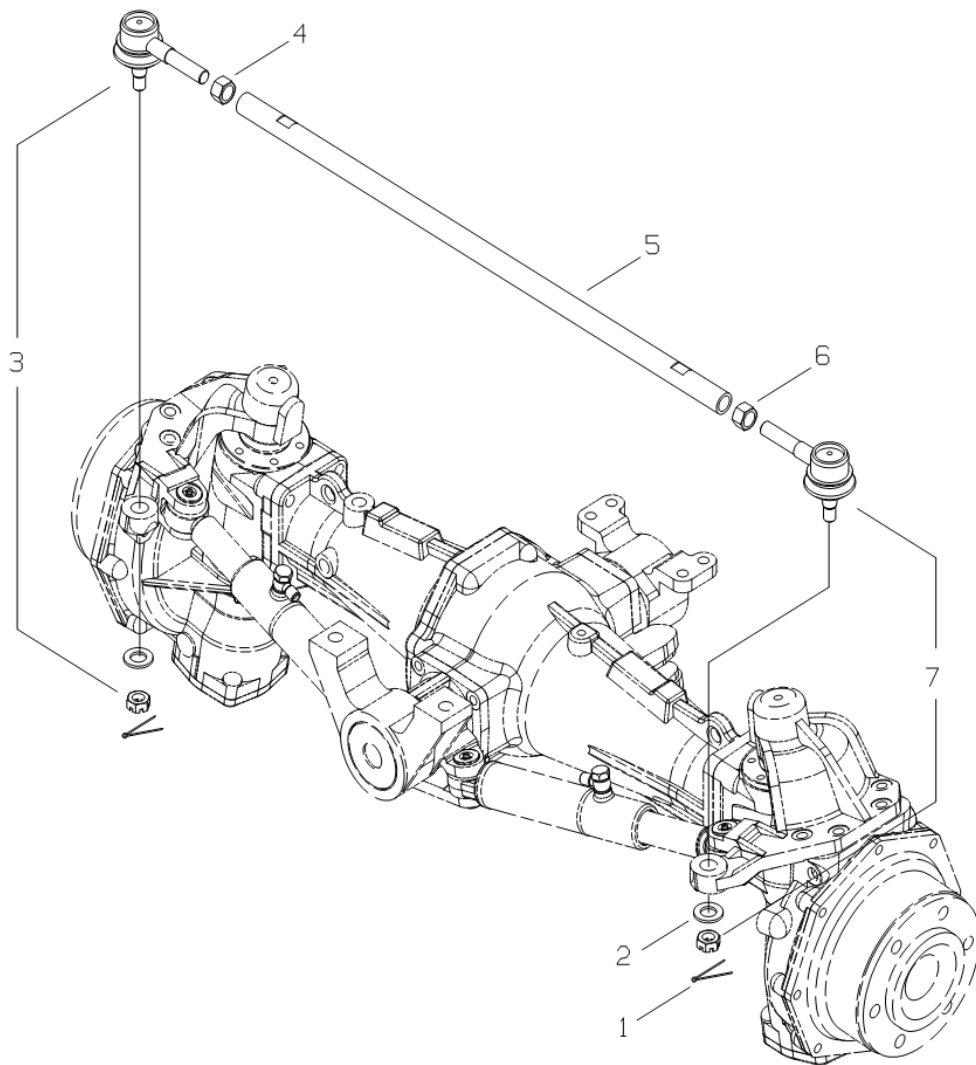
**FIG. 5-7**

NO.	PART NO.	PART NAME & DESCRIPTION	QTY			APP.NO	REM.
			A	B	C		
1	A1480110	FINAL DRIVE ASSY (RH)	1	1	1		
2-14	A1480109	FINAL DRIVE ASSY (LH)	1	1	1		
2	A1480111	CASE, FINAL DRIVE(LH)	1	1	1		
	A1480112	CASE, FINAL DRIVE(RH)	1	1	1		
3	A1481071	SHAFT, REAR AXLE	2	2	2		
4-5	A1481051	GROUP SEAL ASS'Y	2	2	2		
4	A1481053	O-RING, G/SEAL	4	4	4		
5	A1481052	RETAINER, G/SEAL	2	2	2		
6	3A1970036	BEARING, TAPER ROLER	2	2	2		A32011XJ
7	A1481072	SPACER	2	2	2		
8	A1481070	GEAR, FINAL DRIVE	2	2	2		
9	A0661073	PLATE, LOCK	2	2	2		
10	A0611040	NUT, LOCK	2	2	2		
11	A0863080	BEARING, BALL	2	2	2		
12	A1481069	PINION, FINAL DIRVE	2	2	2		
13	A1481073	CASE, BEARING&B/DISK	2	2	2		
14	S153123033	BOLT, HEX.	10	10	10		M12X1.75X30
15	S101144043	BOLT, HEX.	10	10	10		M14X2.0X40
16	S137146523	BOLT, STUD	4	4	4		
17	S301140043	NUT, HEX. 1-TY	4	4	4		
18	S101146543	BOLT, HEX.	6	6	6		M14X2.0X65
19	S362140013	WASHER, SPR. 2-TY.	20	20	20		
20	S423102010	PIN, PAR. A-TY. (h7)	4	4	4		

# TIE ROD

FIG. 6-1

G. 610



# TIE ROD

A-NOT AVAILABLE / B-R39 / C-R45

A-NOT AVAILABLE / B-R41 / C-R47

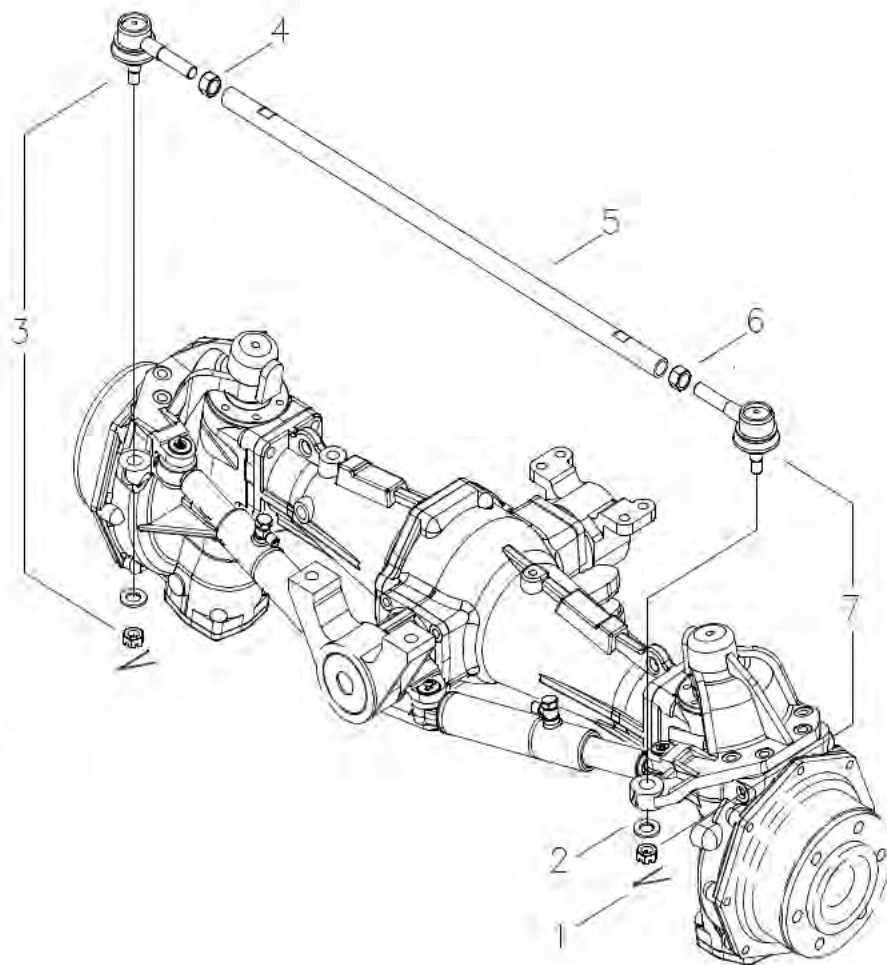
**FIG. 6-1**

NO.	PART NO.	PART NAME & DESCRIPTION		QTY			APP. NO	REM.
				A	B	C		
1	S441403613	PIN, SPLIT	Φ4×36	2	2	2		
2	S365164013	WASHER, PIN	Φ40/Φ17X3t	2	2	2		
3~7	A1610049	TIE ROD ASSY		1	1	1		
3	A1610036	END, TIE ROD(R)		1	1	1		
4	S314180043	NUT, HEX(R)	M18×1.5	1	1	1		
5	A1610050	PIPE, TIE ROD	Φ30	1	1	1		
6	A1610051	NUT, HEX(L)	M18×1.5	1	1	1		
7	A1610035	END, TIE ROD(L)		1	1	1		

# TIE ROD

FIG. 6-1

G. 610



# TIE ROD

A-NOT AVAILABLE / B-R39 / C-R45

A-NOT AVAILABLE / B-R41 / C-R47

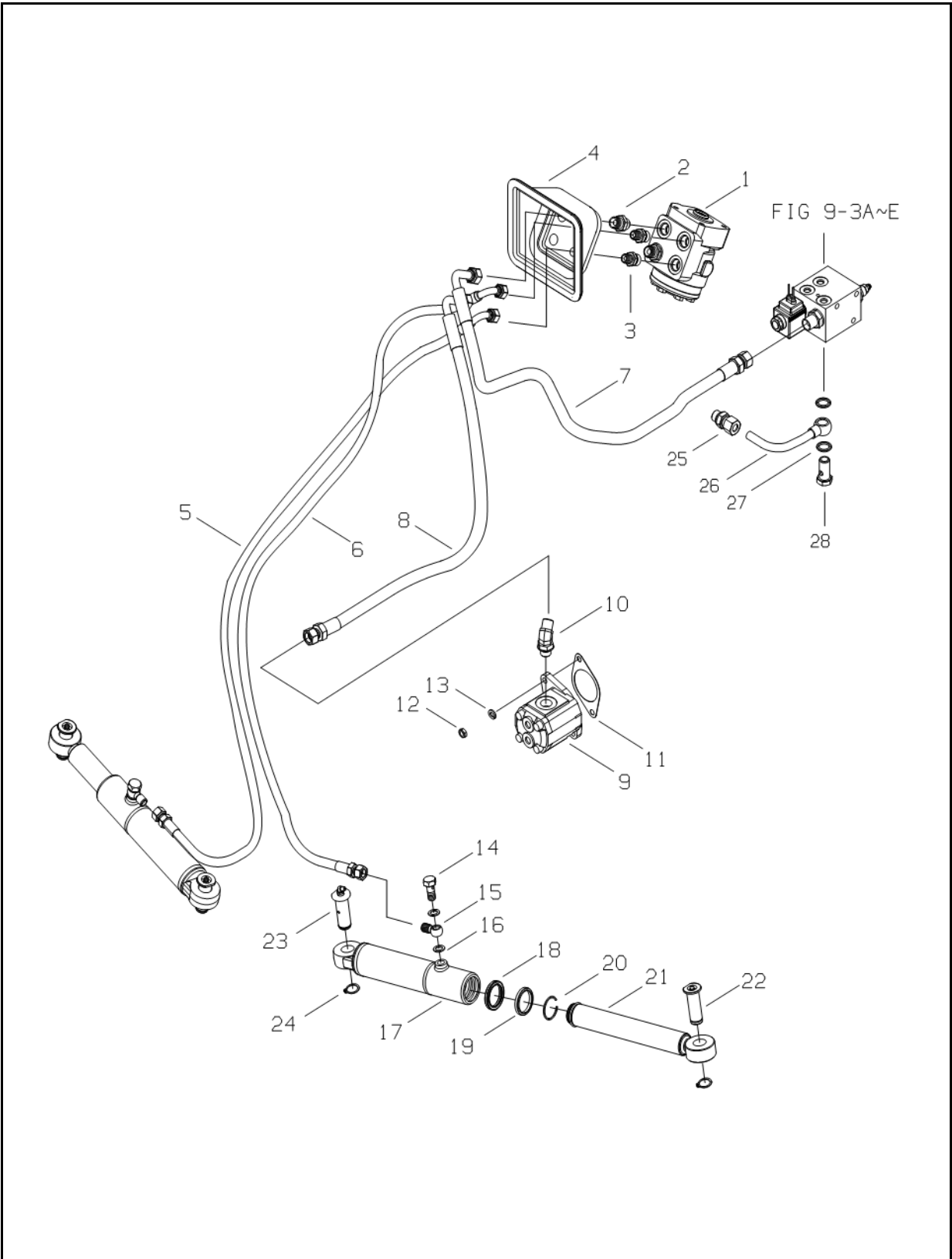
**FIG. 6-1**

NO.	PART NO.	PART NAME & DESCRIPTION		QTY			APP. NO.	REM.
				A	B	C		
1	S441403613	PIN, SPLIT	Φ4×36	2	2			
2	S364160013	WASHER, PIN	Φ30/Φ17X3t	2	2			
3~7	A1610049	TIE ROD ASSY		1	1			
3	A1610036	END, TIE ROD(R)		1	1			
4	S314180043	NUT, HEX(R)	M18×1.5	1	1			
5	A1610050	PIPE, TIE ROD	Φ30	1	1			
6	A1610051	NUT, HEX(L)	M18×1.5	1	1			
7	A1610035	END, TIE ROD(L)		1	1			

# STEERING CYLINDER & LINES

FIG. 6-2A

G. 630



# STEERING CYLINDER & LINES

A-R36 / B-R39 / C-R45

A-NOT AVAILABLE / B-R41 / C-R47

**FIG. 6-2A**

**( MEC )**

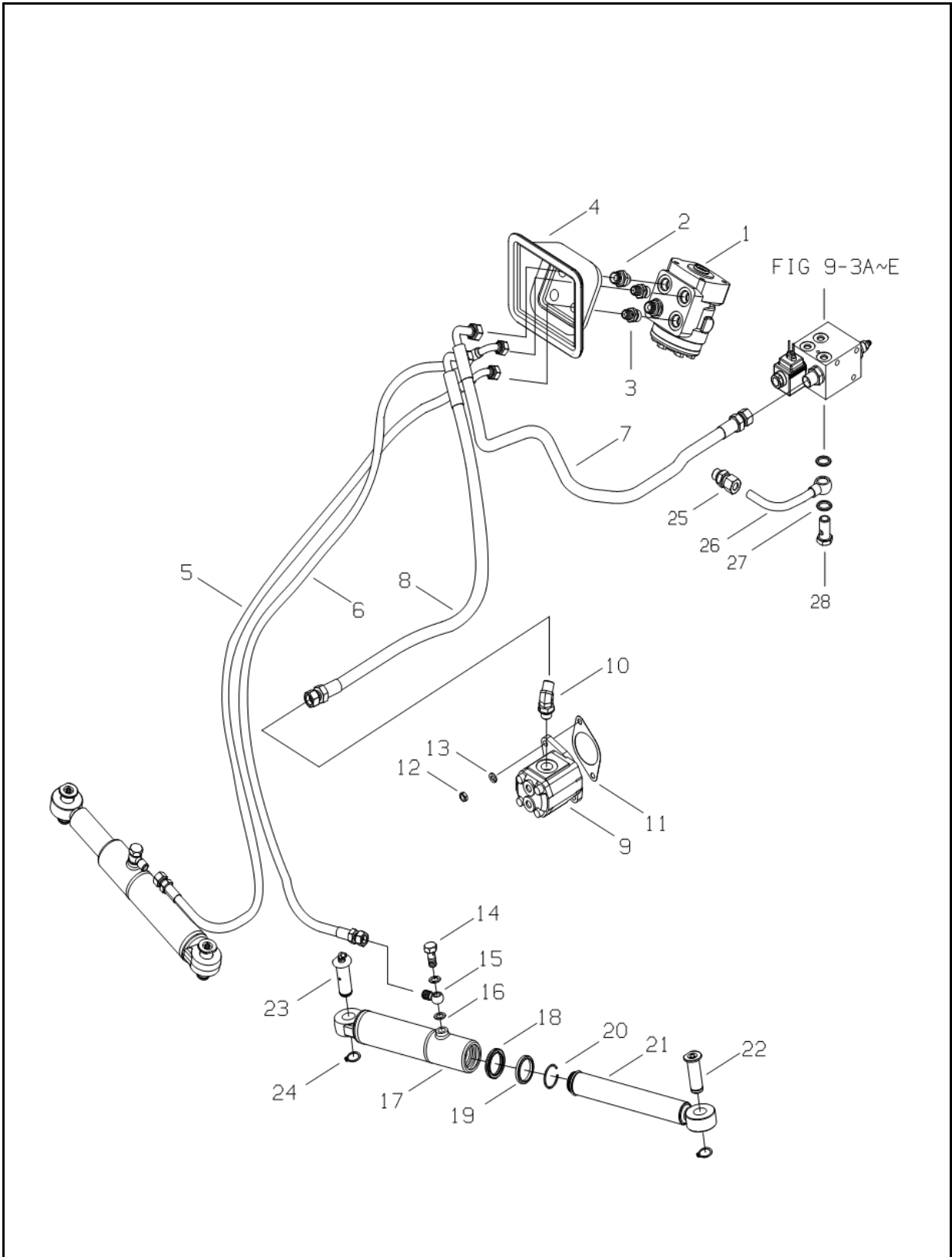
NO.	PART NO.	PART NAME & DESCRIPTION		QTY			APP. NO.	REM.
				A	B	C		
1	A1630627	UNIT, STEERING	50CC/REV	*	1	1		
2	A1630538	JOINT, HOSE	HOFM-0303G	*	1	1		
3	A1630524	JOINT, HOSE	HOFM-0203G	*	2	2		
4	A1630530	COVER, STEERING HOSE		*	1	1		
5	A1630528	HOSE, P/S CYLINDER	1/4"	*	1	1		
6	A1630570	HOSE, P/S CYLINDER	1/4"	*	1	1		
7	A1630529	HOSE, STR. DRAIN	3/8"	*	1	1		
8	A1630578	HOSE, P/S PRESSURE	3/8"	*	1	1		
9	A1630540	PUMP, STEERING	6CC/REV	*	1	1		
10	A1630543	JOINT	HOFM-0303G	*	1	1		
11	A1630547	GASKET, PUMP		*	1	1		
12	S313080013	NUT, HEX	M8xP1.25	*	2	2		
13	S361080013	WASHER, SPRING	Φ15.4xΦ8.2x2t	*	2	2		
14~21	A1630512	STR. CYLINDER ASSY(LH)		*	1	1		
	A1630571	STR. CYLINDER ASSY(RH)		*	1	1		
14	A1630573	BOLT, UNION	M12X1.75	*	1	1		
15	A1630515	ADAPTER, CONNECTION	PF1/4	*	1	1		
16	A1823158	SEAL, COPPER		*	2	2		
17	A1630513	CYL. PIPE ASSY		*	1	1		
18	A1630516	U-PACKING	UHS35	*	1	1		
19	A1630517	SEAL, DUST	UHS35	*	1	1		
20	A1630518	RING, WIRE	Φ2.6	*	1	1		
21	A1630514	RAM, CYLINDER		*	1	1		
22	A1630519	PIN, CYLINDER		*	2	2		
23	A1630572	PIN, CYLINDER		*	2	2		
24	S810020003	RING, SNAP	D20	*	4	4		
25~26	A1823454	PTO V/V DRAIN PIPE ASSY		*	1	1		
25	A1630144	JOINT		*	1	1		
26	A1823455	PIPE, PTO VAVLE DRAIN		*	1	1		
27	A1823245	SEAL, BONDED		*	2	2		
28	A1630201	BOLT, HEX.	PF3/8	*	1	1		



# STEERING CYLINDER & LINES

FIG. 6-2A

G. 630



# STEERING CYLINDER & LINES

A-R36 / B-R39 / C-R45

A-NOT AVAILABLE / B-R41 / C-R47

**FIG. 6-2A**

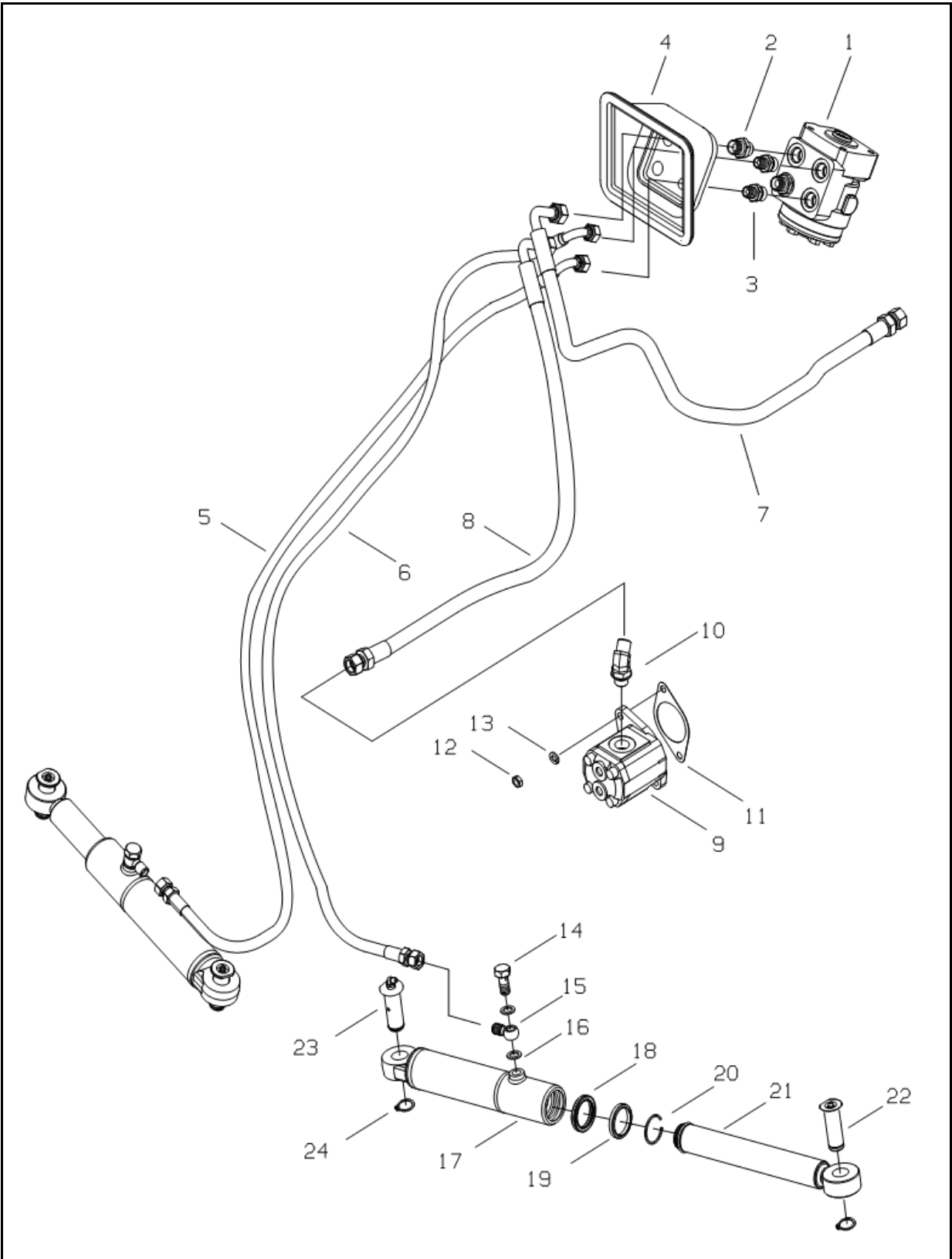
**( MEC )**

NO.	PART NO.	PART NAME & DESCRIPTION		QTY			APP. NO.	REM.
				A	B	C		
1	A1630520	UNIT, STEERING	50CC/REV	1	1			
2	A1630538	JOINT, HOSE	HOFM-0303G	1	1			
3	A1630524	JOINT, HOSE	HOFM-0203G	2	2			
4	A1630530	COVER, STEERING HOSE		1	1			
5	A1630528	HOSE, STEERING CYLINDER	1/4"	*	1			
6	A1630574	HOSE, STEERING CYLINDER	1/4"	1	*			
	A1630570	HOSE, STEERING CYLINDER	1/4"	*	1			
	A1630575	HOSE, STEERING CYLINDER	1/4"	1	*			
7	A1630529	HOSE, STR. DRAIN	3/8"	*	1			
	A1630577	HOSE, STR. DRAIN	3/8"	1	*			
8	A1630578	HOSE, PRESSURE HOSE	3/8"	*	1			
	A1630527	HOSE, PRESSURE HOSE	3/8"	1	*			
9	A1630539	PUMP, STEERING	6CC/REV	1	*			
	A1630540	PUMP, STEERING	6CC/REV	*	1			
10	A1630541	JOINT, ELBOW(HOSE)	HOFAM-0303G	1	*			
11	A1630543	JOINT	HOFBM-0303G	*	1			
	A1630547	PACKING, PUMP		1	1			
12	S313080013	NUT, HEX	M8xP1.25	2	2			
13	S361080013	WASHER, SPRING	Φ15.4xΦ8.2x2t	2	2			
14~21	A1630512	CYLINDER ASSY, STR.(LH)		1	1			
14	A1630571	CYLINDER ASSY, STR.(RH)		1	1			
	A1630573	BOLT, UNION	M12X1.75	1	1			
15	A1630515	ADAPTER, CONNECTION	PF1/4	1	1			
16	A1823158	PACKING, COPPER		2	2			
17	A1630513	CYLINDER		1	1			
18	A1630516	U-PACKING	UHS35	1	1			
19	A1630517	SEAL, DUST	UHS35	1	1			
20	A1630518	RING, WIRE	Φ2.6	1	1			
21	A1630514	RAM, CYLINDER		1	1			
22	A1630519	PIN, CYLINDER		2	2			
23	A1630572	PIN, CYLINDER		2	2			
24	S810020003	RING, SNAP	D20	4	4			
25~26	A1823454	PTO V/V DRAIN PIPE ASSY		1	1			
25	A1630144	JOINT		1	1			
26	A1823455	PIPE, PTO VAVLE DRAIN		1	1			
27	A1823245	SEAL, BONDED		2	2			
28	A1630201	BOLT, HEX.	PF3/8	1	1			

# STEERING CYLINDER & LINES

FIG. 6-2B

G. 630



# STEERING CYLINDER & LINES

A-R36 / B-R39 / C-R45

A-NOT AVAILABLE / B-R41 / C-R47

**FIG. 6-2B**

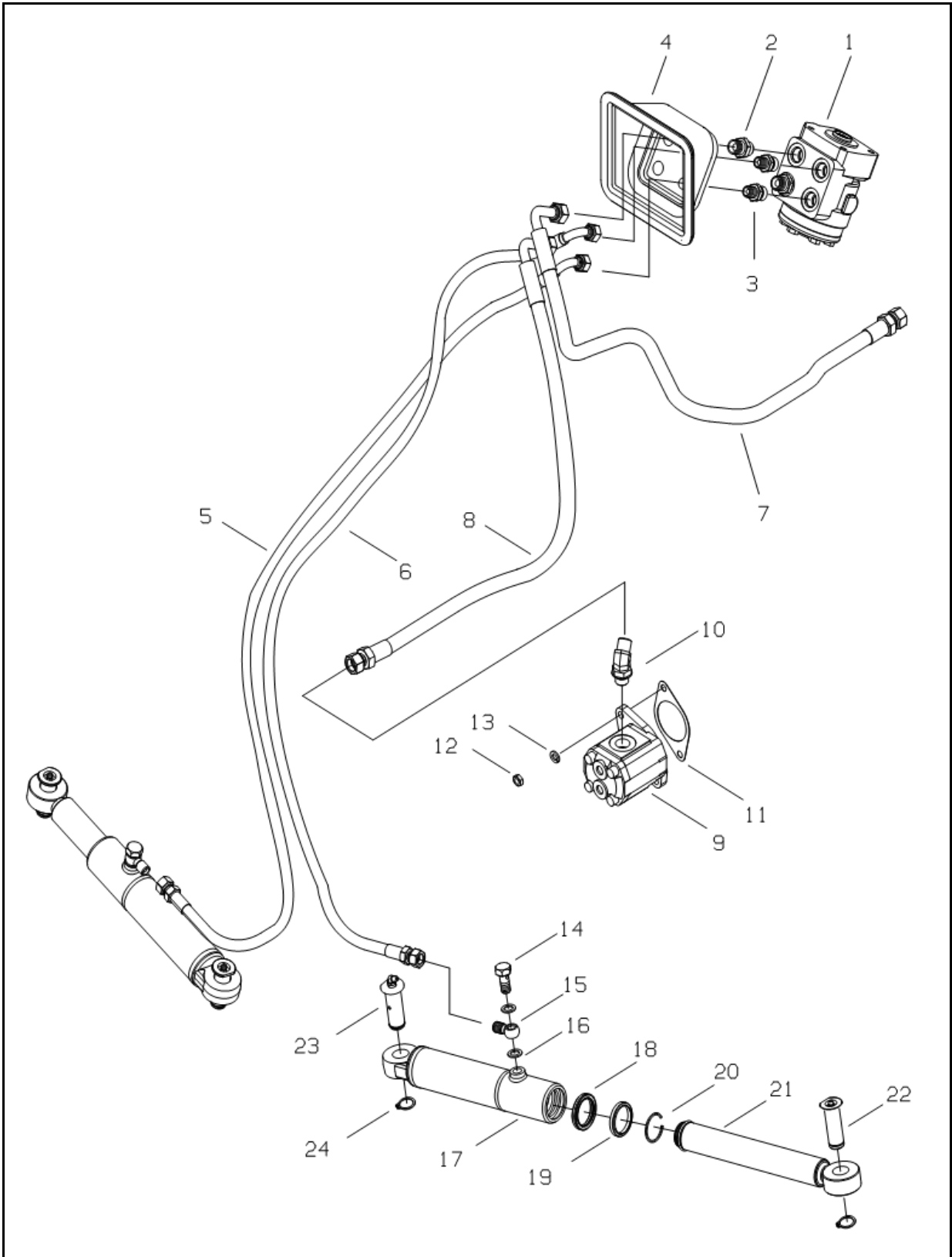
**( HST )**

NO.	PART NO.	PART NAME & DESCRIPTION		QTY			APP. NO.	REM.
				A	B	C		
1	A1630520	UNIT, STREERING	50CC/REV	*	1	1		
2	A1630538	JOINT, HOSE	HOFM-0303G	*	1	1		
3	A1630524	JOINT, HOSE	HOFM-0203G	*	2	2		
4	A1630530	COVER, STEERING HOSE		*	1	1		
5	A1630528	HOSE, P/S CYLINDER	1/4"	*	1	1		
6	A1630570	HOSE, P/S CYLINDER	1/4"	*	1	1		
7	A1630552	HOSE, P/S DRAIN	3/8"	*	1	1		
8	A1630578	HOSE, P/S PRESSURE	3/8"	*	1	1		
9	A1630536	PUMP, STEERING	8CC/REV	*	1	1		
10	A1630543	JOINT	HOFBM-0303G	*	1	1		
11	A1630547	GASKET, PUMP		*	1	1		
12	S313080013	NUT, HEX	M8xP1.25	*	2	2		
13	S361080013	WASHER, SPRING	Φ15.4xΦ8.2x2t	*	2	2		
14~21	A1630512	STR. CYLINDER ASSY(LH)		*	1	1		
	A1630571	STR. CYLINDER ASSY(RH)		*	1	1		
14	A1630573	BOLT, EYE	M12X1.75	*	1	1		
15	A1630515	ADAPTER, CYL. PORT	PF1/4	*	1	1		
16	A1823158	SEAL, COPPER		*	2	2		
17	A1630513	CYLINDER PIPE ASSY		*	1	1		
18	A1630516	U-PACKING	UHS35	*	1	1		
19	A1630517	SEAL, DUST	UHS35	*	1	1		
20	A1630518	RING, WIRE	Φ2.6	*	1	1		
21	A1630514	RAM, CYLINDER		*	1	1		
22	A1630519	PIN, CYLINDER		*	2	2		
23	A1630572	PIN, CYLINDER		*	2	2		
24	S810020003	RING, SNAP	D20	*	4	4		

# STEERING CYLINDER & LINES

FIG. 6-2B

G. 630



# STEERING CYLINDER & LINES

A-R36 / B-R39 / C-R45

A-NOT AVAILABLE / B-R41 / C-R47

**FIG. 6-2B**

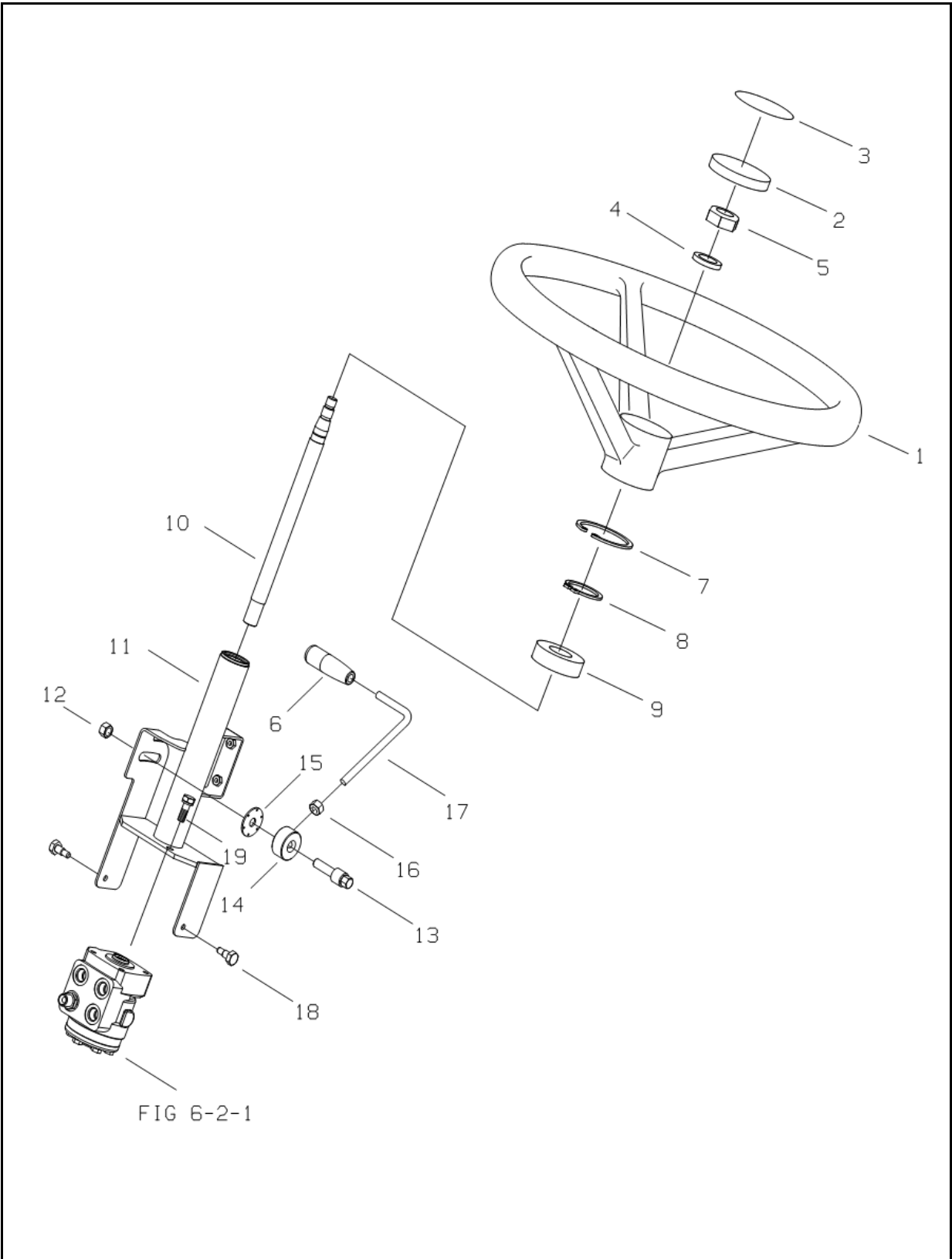
**( HST )**

NO.	PART NO.	PART NAME & DESCRIPTION		QTY			APP. NO.	REM.
				A	B	C		
1	A1630520	UNIT, STEERING	50CC/REV	1	1	1		
2	A1630538	JOINT, HOSE	HOFM-0303G	1	1	1		
3	A1630524	JOINT, HOSE	HOFM-0203G	2	2	2		
4	A1630530	COVER, STEERING HOSE		1	1	1		
5	A1630528	HOSE, STEERING CYLINDER	1/4"	1	1	1		
6	A1630570	HOSE, STEERING CYLINDER	1/4"	1	1	1		
7	A1630552	HOSE, STR. DRAIN	3/8"	1	1	1		
8	A1630578	HOSE, PRESSURE	3/8"	1	1	1		
9	A1630536	PUMP, STEERING	8CC/REV	1	1	1		
10	A1630543	JOINT	HOFM-0303G	1	1	1		
11	A1630547	PACKING, PUMP		1	1	1		
12	S313080013	NUT, HEX	M8xP1.25	2	2	2		
13	S361080013	WASHER, SPRING	Φ15.4xΦ8.2x2t	2	2	2		
14~21	A1630512	STR. CYLINDER ASSY(LH)		1	1	1		
	A1630571	STR. CYLINDER ASSY(RH)		1	1	1		
14	A1630573	BOLT, UNION	M12X1.75	1	1	1		
15	A1630515	ADAPTER, CONNECTION	PF1/4	1	1	1		
16	A1823158	PACKING, COPPER		2	2	2		
17	A1630513	CYLINDER		1	1	1		
18	A1630516	U-PACKING	UHS35	1	1	1		
19	A1630517	SEAL, DUST	UHS35	1	1	1		
20	A1630518	RING, WIRE	Φ2.6	1	1	1		
21	A1630514	RAM, CYLINDER		1	1	1		
22	A1630519	PIN, CYLINDER		2	2	2		
23	A1630572	PIN, CYLINDER		2	2	2		
24	S810020003	RING, SNAP	D20	4	4	4		

# STEERING WHEEL & COLUMN

FIG. 6-3

G. 630



# STEERING WHEEL & COLUMN

A-R36 / B-R39 / C-R45

A-NOT AVAILABLE / B-R41 / C-R47

**FIG. 6-3**

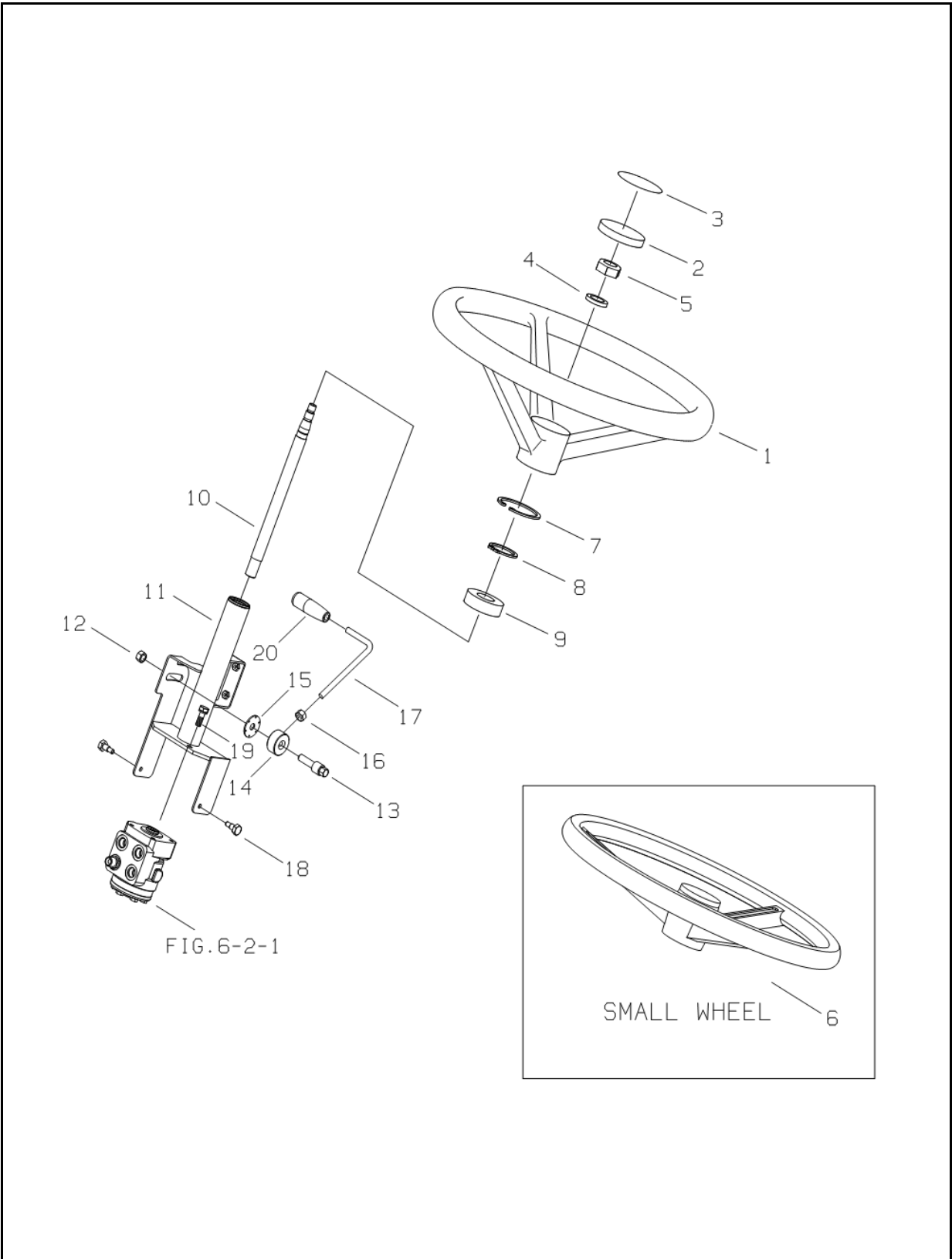
NO.	PART NO.	PART NAME & DESCRIPTION		QTY			APP. NO	REM.
				A	B	C		
1~3	A5002130	STR. WHEEL ASSY	D380	1	1	1		HIGH
	A1630579	STR. WHEEL ASSY	D380, 95mm	1	1	1		LOW
1	A5001458	WHEEL, STEERING	D380	1	1	1		HIGH
	A1630580	WHEEL, STEERING	D380, 95mm	1	1	1		LOW
2	A5000583	CAP, HANDLE		1	1	1		
3	A1981077	LS EMBLEM		1	1	1		HIGH
	A1981069	LS EMBLEM		1	1	1		LOW
4	S361140013	WASHER, SPRING	Φ24.5xΦ14.2x3.5t	1	1	1		
5	S314140013	NUT, HEX.	M14xP1.5	1	1	1		
6	A1970242	GRIP, LEVER		1	1	1		
7~11	A1630531	STEERING COLUMN ASSY		1	1	1		
7	S811037001	RING, SNAP	D37	1	1	1		
8	S810020001	RING, SNAP(S)	D20	1	1	1		
9	A0869044	BEARING, BALL		1	1	1		
10	A1630533	SHAFT, STEERING		1	1	1		
11	A1630532	COLUMN, STEERING		1	1	1		
12	S306100013	NUT	M10X1.25	1	1	1		
13	A1630581	BOLT, TILTING GUIDE		1	1	1		
14	A1630554	ARM, TILTING LOCKING		1	1	1		
15	A1630419	PLATE, TILTING LOCKING		1	1	1		
16	S306100013	NUT	M10X1.25	1	1	1		
17	A1630534	LEVER, TILTING LOCKING		1	1	1		
18	A1630537	BOLT, TILTING HINGE		2	2	2		
19	S153102533	BOLT, HEX.	M10X1.25X25	2	2	2		



# STEERING WHEEL & COLUMN

FIG. 6-3

G. 630



# STEERING WHEEL & COLUMN

A-R36 / B-R39 / C-R45

A-NOT AVAILABLE / B-R41 / C-R47

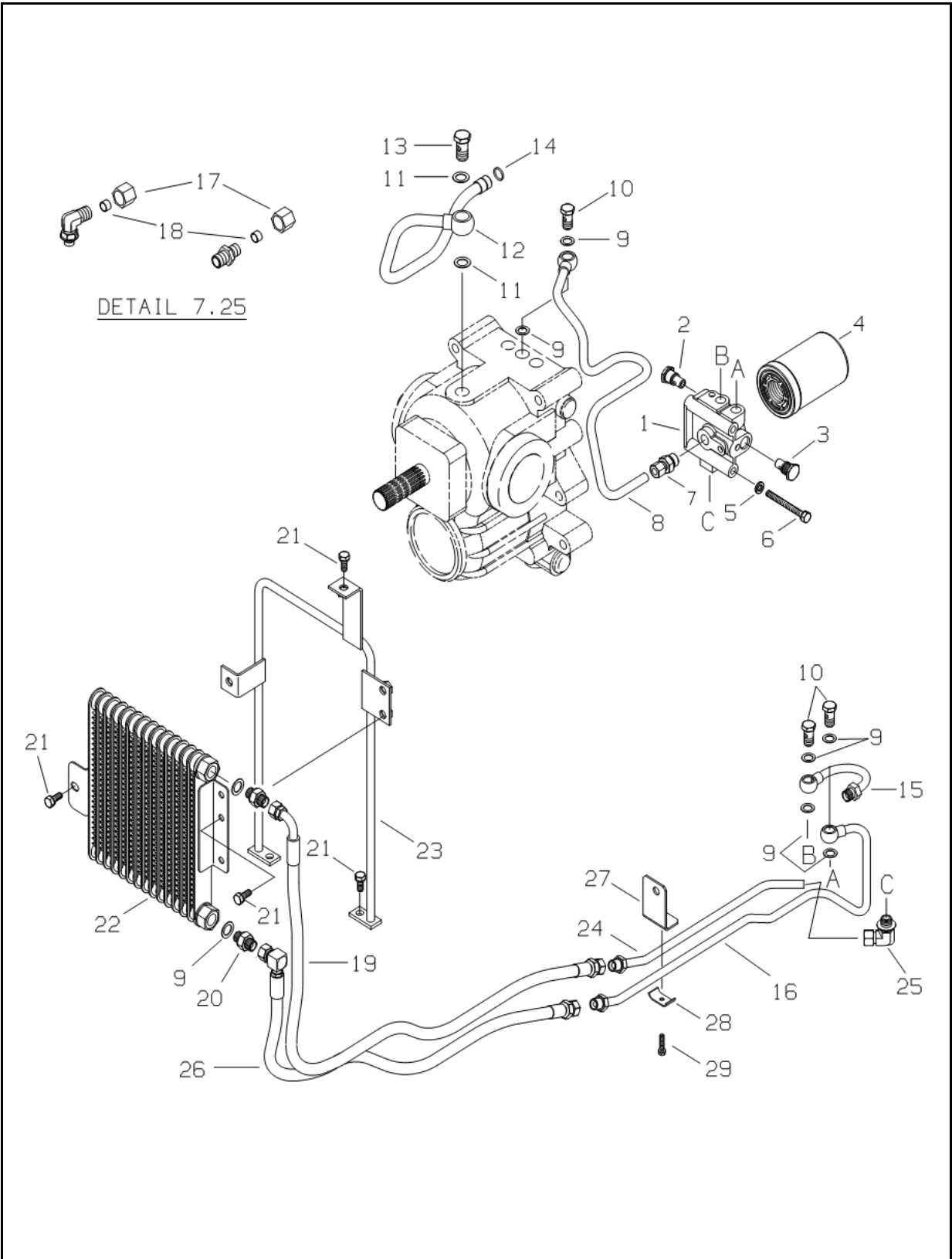
**FIG. 6-3**

NO.	PART NO.	PART NAME & DESCRIPTION		QTY			APP. NO	REM.
				A	B	C		
1~3	A5002130	WHEEL ASSY, STEERING	D390	1	1			
1	A5001458	WHEEL, STEERING		1	1			
2	A5000583	CAP, WHEEL		1	1			
3	A1980437	DECAL, LG MARK		1	1			
4	S361140013	WASHER, SPRING	Φ24.5xΦ14.2x3.5t	1	1			
5	S314140013	NUT, HEX.	M14xP1.5	1	1			
6	A1630223	WHEEL, STEERING	D360	1	1			OPT
7~11	A1630531	STEERING COLUMN ASSY		1	1			
7	S811037001	RING, SNAP	D37	1	1			
8	S810020001	RING, SNAP(S)	D20	1	1			
9	A0869044	BEARING, BALL		1	1			
10	A1630533	SHAFT, STEERING		1	1			
11	A1630532	COLUMN, STEERING		1	1			
12	S306120013	NUT	M12X1.25	1	1			
13	A1630553	BOLT, TILTING GUIDE		1	1			
14	A1630554	ARM, TILTING LOCKING		1	1			
15	A1630419	PLATE, TILTING LOCKING		1	1			
16	S306100013	NUT	M10X1.25	1	1			
17	A1630534	LEVER, TILTING LOCKING		1	1			
18	A1630537	BOLT, TILTING HINGE		2	2			
19	S153102533	BOLT, HEX.	M10X1.25X25	2	2			
20	A1970242	GRIP, LEVER		1	1			

# COOLER

FIG. 6-4

G. 640



# COOLER

A-R36 / B-R39 / C-R45

A-NOT AVAILABLE / B-R41 / C-R47

**FIG. 6-4**

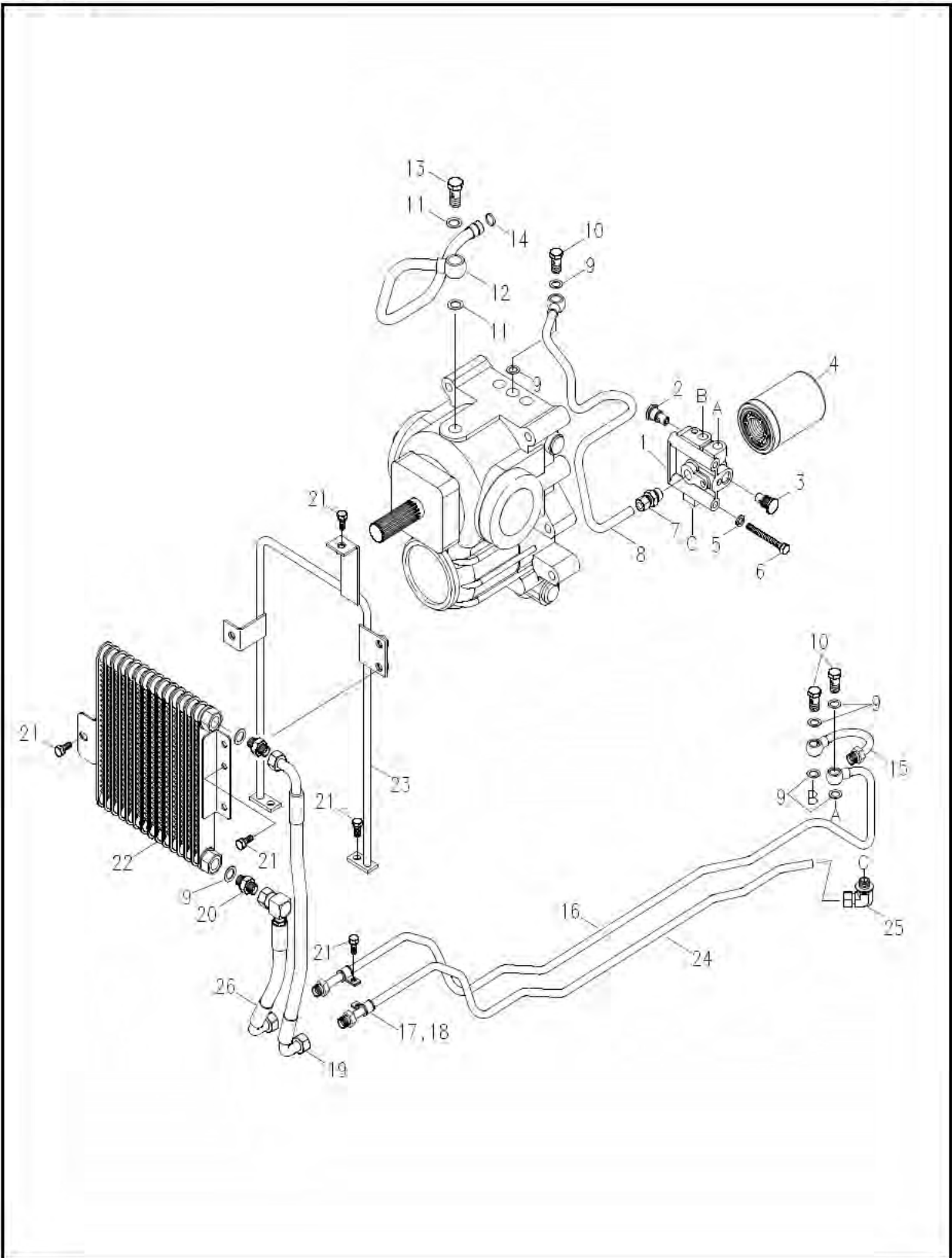
**( HST )**

NO.	PART NO.	PART NAME & DESCRIPTION	QTY			APP. NO	REM.
			A	B	C		
1~3	A1640091	FILTER FLANGE ASSY	1	1	1		
1	A1640092	FLANGE, FILTER	1	1	1		
2	A1640058	VALVE, OIL COOLER	1	1	1		
3	A1640059	VALVE, OIL FILTER	1	1	1		
4	A1640093	FILTER, HYD.	1	1	1		
		1 3/8-12UNF-28					
5	S361100013	WASHER	2	2	2		
6	S102101243	BOLT, HEX	2	2	2		
		M10					
		M10x1.5x120L					
7~8	A1640032	INLET PIPE SUB ASSY	1	*	*		37cc
	A1640062	INLET PIPE SUB ASSY	*	1	1		28cc
7	A1630150	JOINT	1	1	1		
		PF1/2					
8	A1640031	PIPE, INLET	1	*	*		37cc
	A1640061	PIPE, INLET	*	1	1		28cc
		Φ12					
9	A1823245	SEAL, BONDED	8	8	8		
10	A1630201	BOLT, UNION	3	3	3		
		PF3/8					
11	A1823252	SEAL, BONDED	2	2	2		
12	A1640033	PIPE, OUTLET	1	1	1		
		Φ15					
13	A1823161	BOLT, EYE	1	1	1		
		PF1/2					
14	S804016010	O-RING	1	1	1		
		S16					
15	A1640063	UNION, HOSE	1	1	1		
		PF3/8					
16	A1640065	PIPE A-1, COOLER	1	*	*		
		Φ12					
17	A1640072	PIPE A-3, COOLER	*	1	1		
		Φ12					
18	A1630170	NUT, JOINT	1	1	1		
19	A1630169	SLEEVE	1	1	1		
20	A1640079	HOSE, COOLER IN	1	1	1		
		PF3/8					
21	S155082033	BOLT, HEX	8	16	16		
		M8x1.25x20L					
22	A3180673	COOLER	1	1	1		
23	A1640076	SUPPORT , COOLER	1	1	1		
24~25	A1640068	COOLER PIPE C-1 ASSY	1	*	*		
	A1640103	COOLER INLET PIPE ASSY	*	1	1		
24	A1640067	PIPE C-1, COOLER	1	*	*		
		Φ12					
	A1640101	PIPE, COOLER INLET	*	1	1		
		Φ12					
25	A1630101	ELBOW	1	1	1		
		PF3/8					
26	A1640080	HOSE, COOLER OUT	1	*	*		
		PF3/8					
27	A1640104	BRACKET, OIL COOLER	*	1	1		
28	A5001357	CLAMP, PIPE	*	1	1		
29	S155063033	BOLT, HEX W/WASHER	*	1	1		

# COOLER

FIG. 6-4

G. 640



# COOLER

A-R36 / B-R39 / C-R45

A-NOT AVAILABLE / B-R41 / C-R47

**FIG. 6-4**

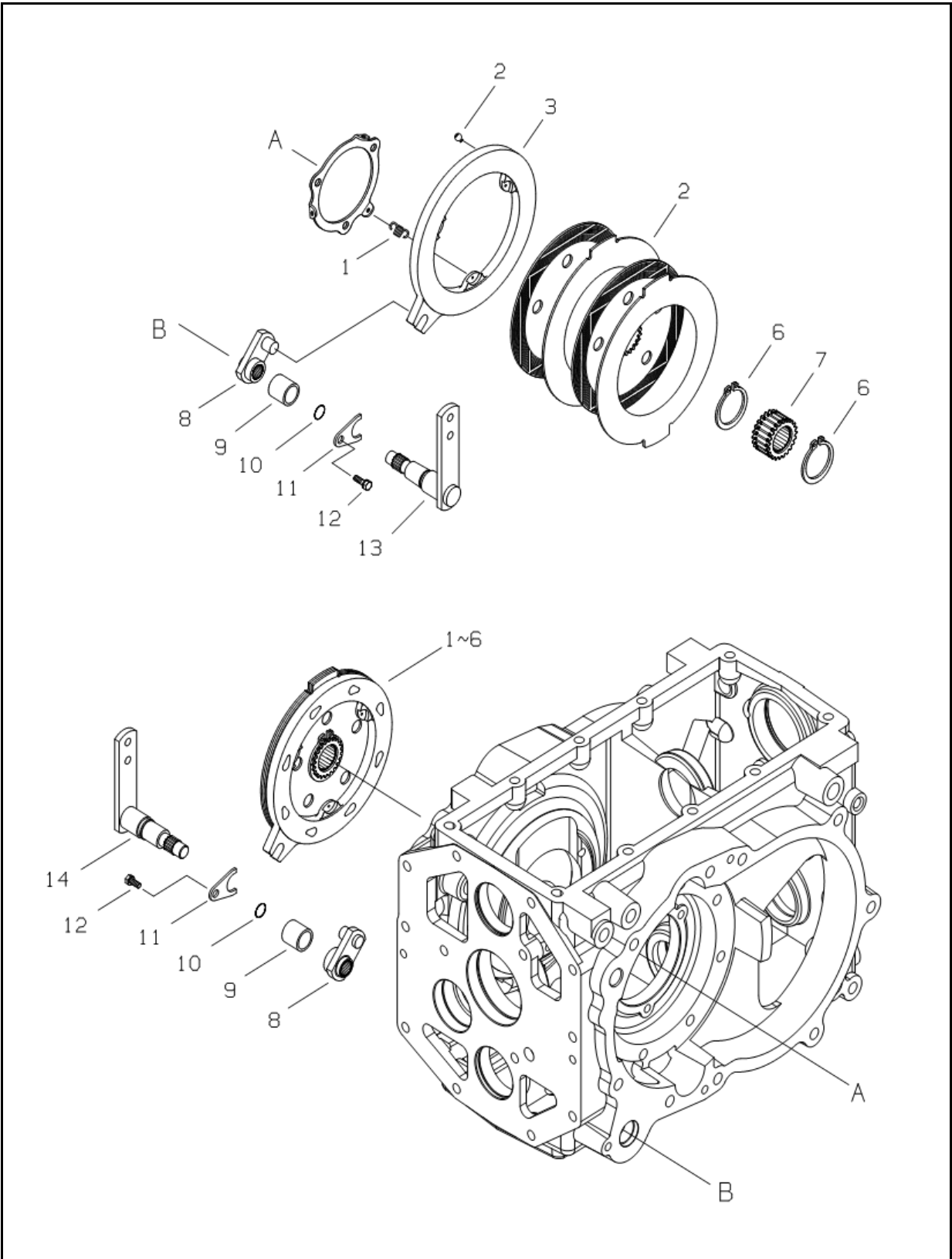
**( HST )**

NO.	PART NO.	PART NAME & DESCRIPTION	QTY			APP. NO	REM.
			A	B	C		
1~3	A1640048	FILTER FLANGE ASSY	1	1			
1	A1640030	FLANGE, FILTER	1	1			
2	A1640058	VALVE, OIL COOLER	1	1			
3	A1640059	VALVE, OIL FILTER	1	1			
4	A1640060	FILTER, HYD.	1	1			
		1 3/8-12UNF-28					
5	S361100013	WASHER	2	2			
6	S102101243	BOLT, HEX	2	2			
		M10					
		M10x1.5x120L					
7~8	A1640032	INLET PIPE SUB ASSY	1	*			37cc
	A1640062	INLET PIPE SUB ASSY	*	1			28cc
7	A1630150	JOINT	1	1			
		PF1/2					
8	A1640031	PIPE, INLET	1	*			37cc
	A1640061	PIPE, INLET	*	1			28cc
		Φ12					
9	A1823245	SEAL, BONDED	8	8			
10	A1630201	BOLT, UNION	3	3			
		PF3/8					
11	A1823252	SEAL, BONDED	2	2			
12	A1640033	PIPE, OUTLET	1	1			
		Φ15					
13	A1823161	BOLT, EYE	1	1			
		PF1/2					
14	S804016010	O-RING	1	1			
		S16					
15	A1640063	UNION, HOSE	1	1			
		PF3/8					
16	A1640065	PIPE A-1, COOLER	1	*			
		Φ12					
17	A1640072	PIPE A-3, COOLER	*	1			
		Φ12					
17	A1640078	CLAMP, PIPE	2	2			
18	A1630239	RUBBER, CLAMP	2	2			
19	A1640079	HOSE, COOLER IN	1	1			
		PF3/8					
20	A1640064	UNION, HOSE	2	2			
21	S155082033	BOLT, HEX	8	8			
		M8x1.25x20L					
22	A3180673	COOLER	1	1			
23	A1640076	SUPPORT , COOLER	1	1			
24~25	A1640068	COOLER PIPE C-1 ASSY	1	*			
	A1640074	COOLER PIPE C-3 ASSY	*	1			
24	A1640067	PIPE C-1, COOLER	1	*			
		Φ12					
	A1640073	PIPE C-3, COOLER	*	1			
		Φ12					
25	A1630101	ELBOW	1	1			
		PF3/8					
26	A1640080	HOSE, COOLER OUT	1	1			
		PF3/8					

# BRAKE

FIG. 7-1

G. 650



# BRAKE

A-R36 / B-R39 / C-R45

A-NOT AVAILABLE / B-R41 / C-R47

**FIG. 7-1**

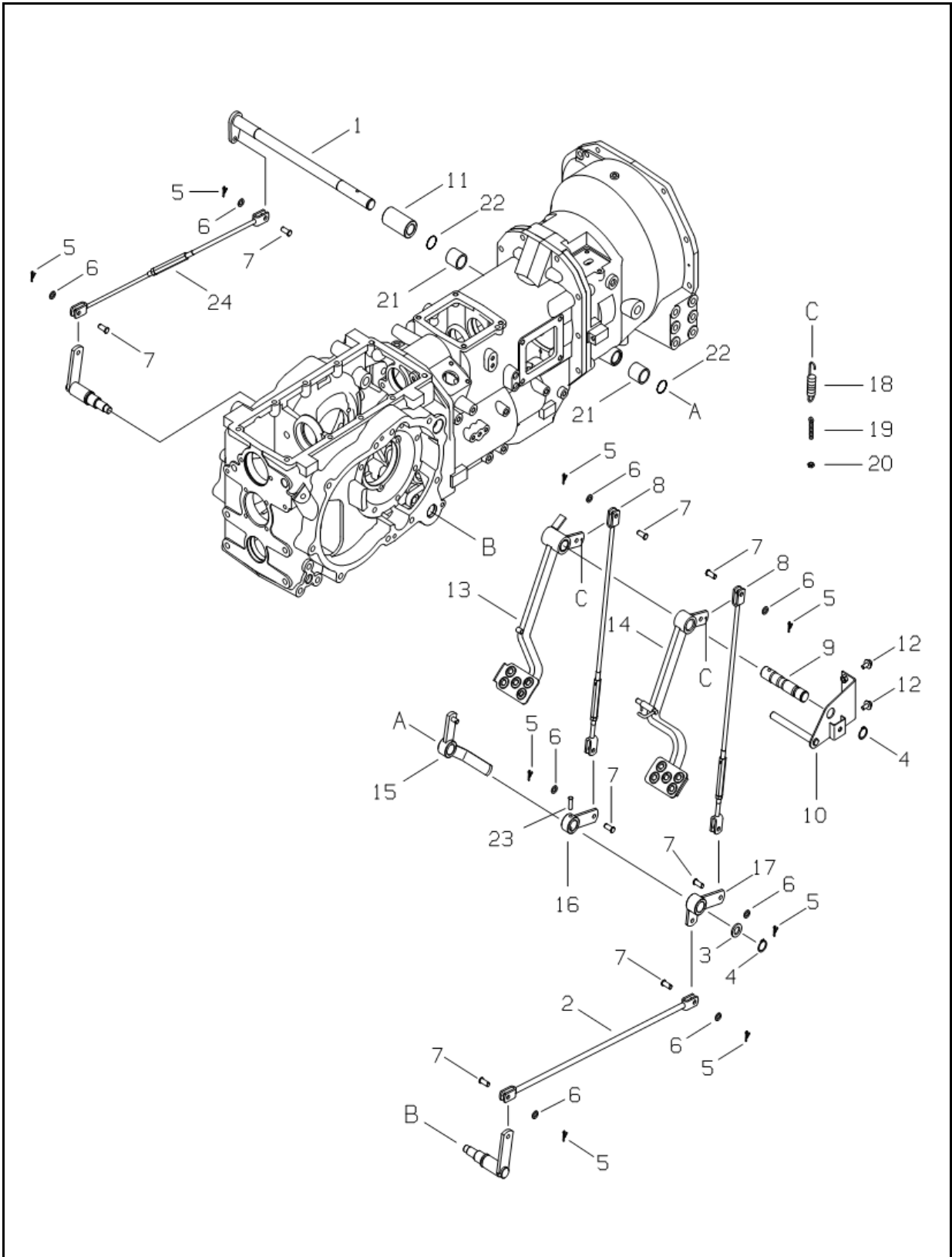
NO.	PART NO.	PART NAME & DESCRIPTION	QTY			APP. NO	REM.
			A	B	C		
1~6	A1650071	BRAKE ASS'Y(RH)	1	1	1		
	A1650072	BRAKE ASS'Y(LH)	1	1	1		
1	3A1653010	SPRING	6	6	6		
2	3A1653007	BALL	16	16	16		
3	A1650076	PLATE, CAM(RH)	1	1	1		
	A1650077	PLATE, CAM(LH)	1	1	1		
4	A1650107	PLATE, PRESSURE	4	4	4		
5	A1653063	DISC, PAPER	4	4	4		
6	S810058001	RING, SNAP	4	4	4		
7	A1650078	BOSS, SPLINE	2	2	2		
8	A1650079	ARM, BRAKE INNER	2	2	2		
9	A0677815	BUSHING, DU	2	2	2		
10	S801025010	O-RING (P)	2	2	2		
11	A1650091	LOCK, PLATE	2	2	2		
12	S154102033	BOLT, HEX. W/WASHER	2	2	2		
13	A1650105	LEVER, BRAKE(LH)	1	1	1		
14	A1650106	LEVER, BRAKE(RH)	1	1	1		



# BRAKE PEDAL

FIG. 7-2A

G. 670



# BRAKE PEDAL

A-R36 / B-R39 / C-R45

A-NOT AVAILABLE / B-R41 / C-R47

**FIG. 7-2A**

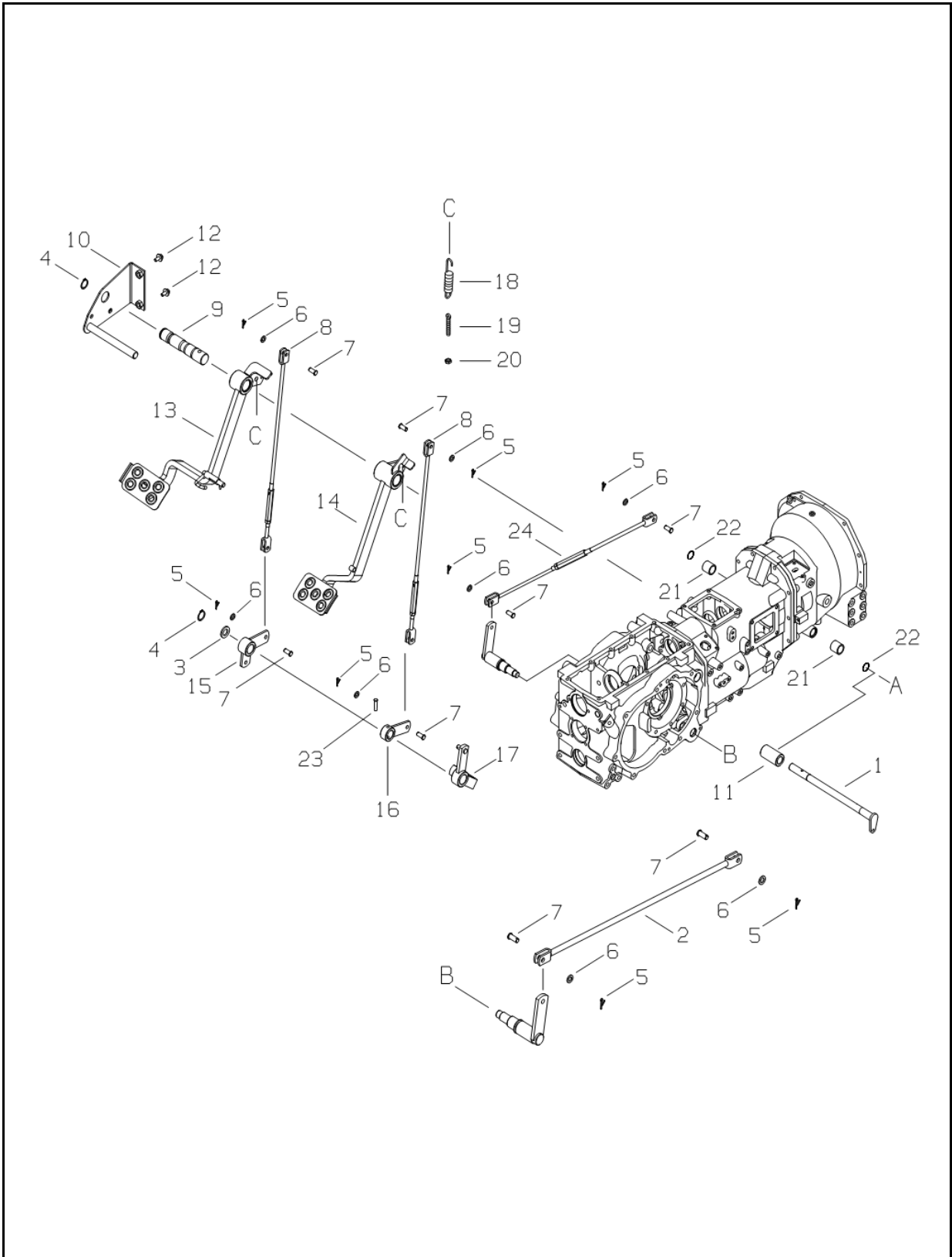
**( MEC )**

NO.	PART NO.	PART NAME & DESCRIPTION	QTY			APP. NO	REM.
			A	B	C		
1	A1670302	SHAFT, BRAKE PEDAL	1	1	1		
2	A1670301	BRAKE ROD	1	1	1		
3	S364240013	WASHER, PLN.	1	1	1		
4	S810025001	RING, SNAP	2	2	2		
5	S441252013	PIN, SPLIT	4	4	4		
6	S364100013	WASHER, PLN. S-RD.	8	8	8		
7	A1670118	PIN	8	8	8		
8	A1670307	BRAKE ROD ASSY	2	2	2		
9	A1670311	SHAFT, BRAKE PEDAL	1	1	1		
10	A1670310	STOPPER, BRAKE PEDAL	1	1	1		
11	A1670303	SPACER	1	1	1		
12	S159082033	BOLT, HEX.W/WASHER	2	2	2		
13	A1670362	PEDAL, BRAKE(LH)	1	1	1		
14	A1670361	PEDAL, BRAKE(RH)	1	1	1		
15	A1670306	ARM, PARKING BRAKE(STD)	1	1	1		
16	A1670305	ARM, BRAKE(LH)	1	1	1		
17	A1670304	ARM, BRAKE(RH)	1	1	1		
18	A1260112	SPRING	2	2	2		
19	A1260109	BOLT, HEX.	2	2	2		
20	A0610274	NUT, LOCK	2	2	2		
21	A1970203	BUSHING, DU	2	2	2		
22	S801025010	O-RING	2	2	2		
23	S446084012	PIN, SPRING	1	1	1		
24	A1670356	ROD, BRAKE	1	1	1		

# BRAKE PEDAL

FIG. 7-2B

G. 670



# BRAKE PEDAL

A-R36 / B-R39 / C-R45

A-NOT AVAILABLE / B-R41 / C-R47

**FIG. 7-2B**

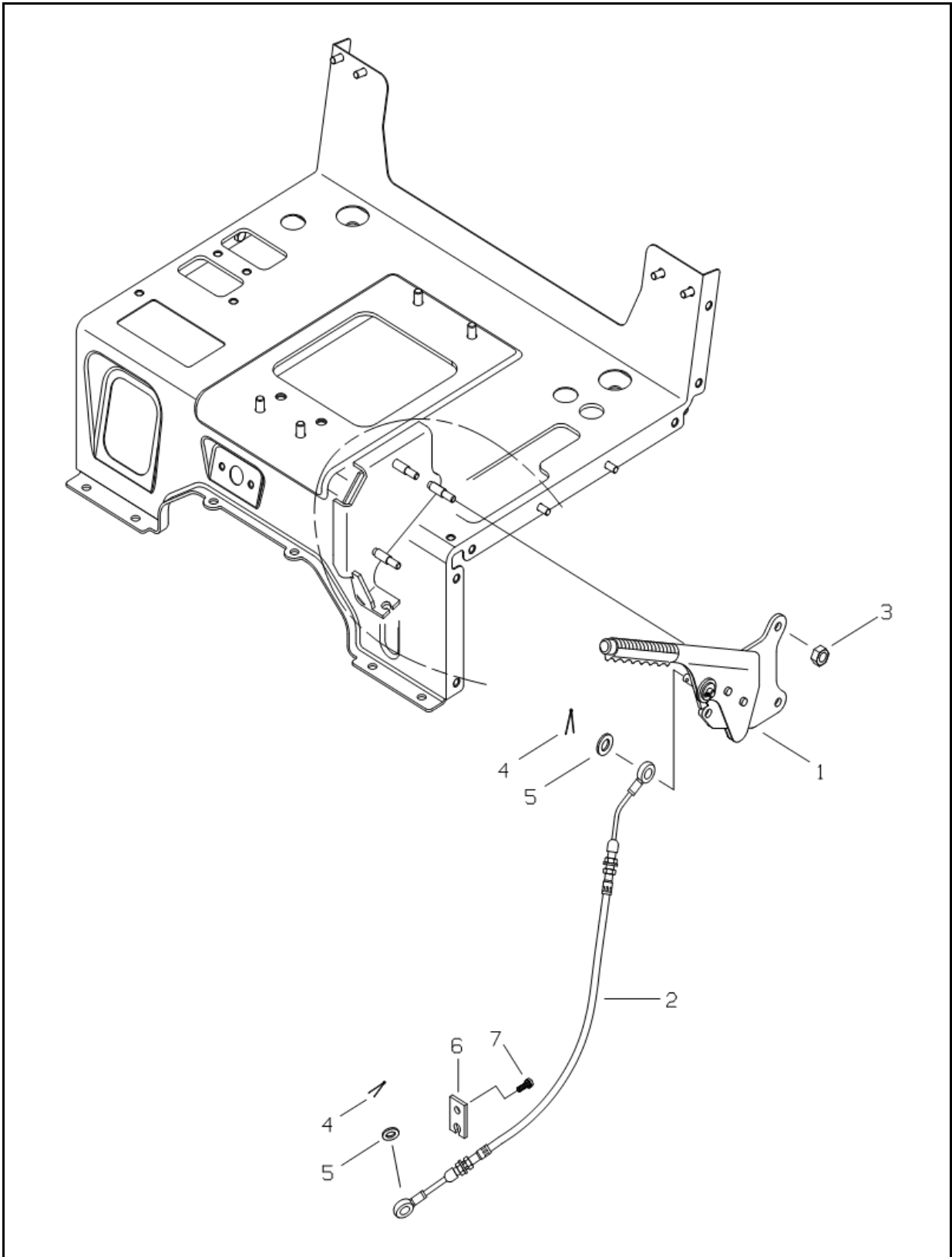
**( HST )**

NO.	PART NO.	PART NAME & DESCRIPTION	QTY			APP. NO	REM.
			A	B	C		
1	A1670302	SHAFT, BRAKE PEDAL	1	1	1		
2	A1670301	BRAKE ROD ASSY	1	1	1		
3	S364240013	WASHER, PLN.	1	1	1		
4	S810025001	RING, SNAP	2	2	2		
5	S441252013	PIN, SPLIT	4	4	4		
6	S364100013	WASHER, PLN. S-RD.	8	8	8		
7	A1670118	PIN	8	8	8		
8	A1670307	BRAKE ROD ASSY	2	2	2		
9	A1670311	SHAFT, BRAKE PEDAL	1	1	1		
10	A1260099	STOPPER, CLUTCH PEDAL	1	1	1		
11	A1670303	SPACER	1	1	1		
12	S159082033	BOLT, HEX, W/WASHER	2	2	2		
13	A1670360	PEDAL, BRAKE(LH)	1	1	1		
14	A1670363	PEDAL, BRAKE(RH)	1	1	1		
15	A1670320	ARM, BRAKE(RH)	1	1	1		
16	A1670305	ARM, BRAKE(LH)	1	1	1		
17	A1670322	ARM, PARKING BRAKE	1	1	1		
18	A1260112	SPRING	2	2	2		
19	A1260109	BOLT, ADJUSTER	2	2	2		
20	A0610274	NUT, LOCK	2	2	2		
21	A1970203	BUSHING, DU	2	2	2		
22	S801025010	O-RING	2	2	2		
23	S446084012	PIN, SPRING	1	1	1		
24	A1670356	ROD, BRAKE	1	1	1		

# PARKING BRAKE

FIG. 7-3A

G. 670



# PARKING BRAKE

A-R36 / B-R39 / C-R45

A-NOT AVAILABLE / B-R41 / C-R47

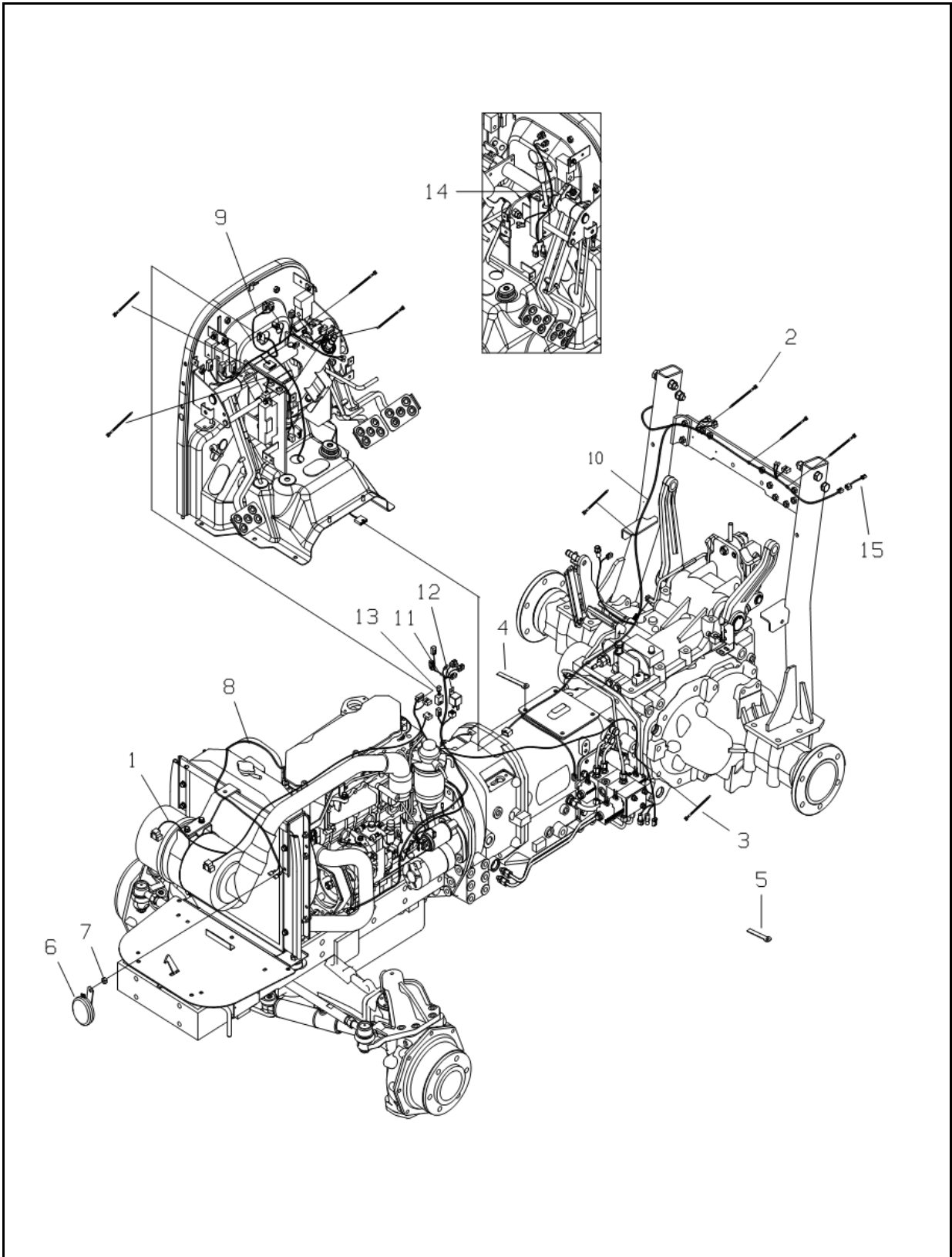
**FIG. 7-3A**

NO.	PART NO.	PART NAME & DESCRIPTION	QTY			APP. NO	REM.
			A	B	C		
1	A1670078	PARKING BRAKE ASSY	1	1	1		
2	A1670269	WIRE, PARKING BRAKE	1	1	1		MEC HST
	A1670375	WIRE, PARKING BRAKE	1	1	1		
3	S345080013	NUT, FLANGE B-TY.	3	3	3		
4	S441252013	PIN, SPLIT	2	2	2		
5	S364100013	WASHER, PLN. S-RD.	2	2	2		
6	A1670325	BRACKET, P/BRAKE WIRE	1	1	1		
7	S153082033	BOLT, HEX, W/WASHER	1	1	1		

# ELECTRICAL WIRING

FIG. 8-1A

G. 730



# ELECTRICAL WIRING

A-R36 / B-R39 / C-R45

A-NOT AVAILABLE / B-R41 / C-R47

**FIG. 8-1A**

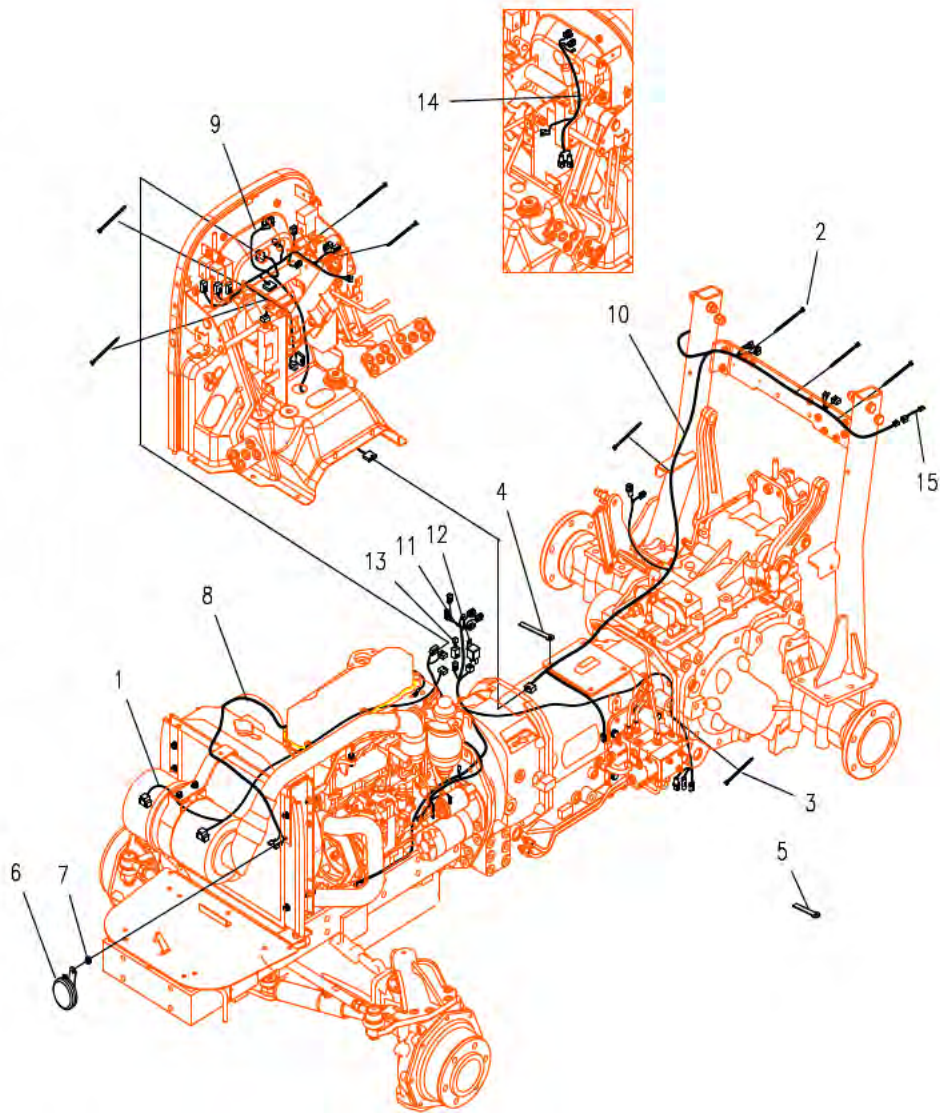
NO.	PART NO.	PART NAME & DESCRIPTION	QTY			APP. NO.	REM.
			A	B	C		
1	A1730152	HARNESS, FRONT LIGHT	1	1	1		
2	A0640009	BAND, WIRE	5	5	5		
3	A0640028	BAND, WIRE	3	3	3		
4	A0640103	CLAMP	1	1	1		
5	A0640015	CLAMP	4	4	4		
6	A5002054	HORN	1	1	1		
7	S313100013	NUT, HEX	1	1	1		M10x1.25P
8	A1730211	HARNESS, ENGINE	*	1	1		
	A1730212	HARNESS, ENGINE	1	*	*		
9	A1730210	HARNESS, MAIN	1	1	1		
	A1730215	HARNESS, MAIN	1	1	1		HST
10	A1730214	HARNESS, REAR	1	1	1		
	A1730216	HARNESS, REAR	1	1	1		HST
11	A1730218	HARNESS, QUICK TURN	1	1	1		
12	Q1800024	RELAY	*	1	1		
13	A1750266	RELAY, QT	1	1	1		
14	A1730217	HARNESS, EHD	1	1	1		
15	A1730220	WIRE, LAMP	2	2	2		EC



# ELECTRICAL WIRING

FIG. 8-1A

G. 730



# ELECTRICAL WIRING

A-R36 / B-R39 / C-R45

A-NOT AVAILABLE / B-R41 / C-R47

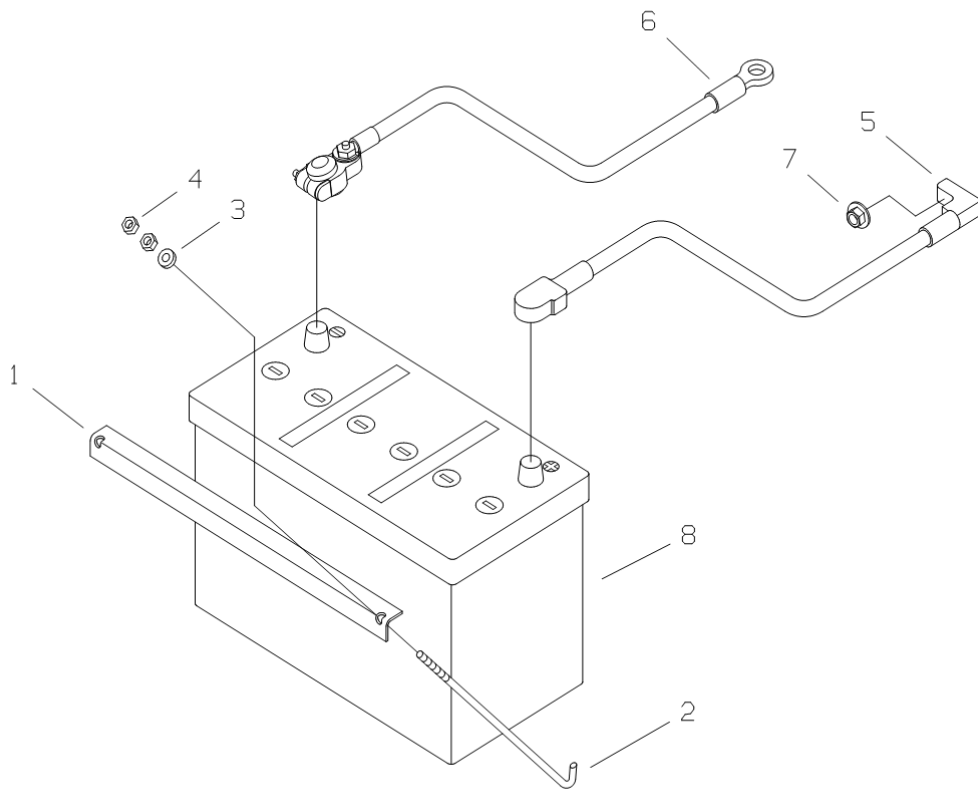
**FIG. 8-1A**

NO.	PART NO.	PART NAME & DESCRIPTION	QTY			APP. NO	REM.
			A	B	C		
1	A1730152	HARNESS, FRONT LIGHT	1	1	1		
2	A0640009	BAND, WIRE	5	5	5		
3	A0640028	BAND, WIRE	3	3	3		
4	A0640103	CLAMP	1	1	1		
5	A0640015	CLAMP	4	4	4		
6	A5002054	HORN	1	1	1		
7	S313100013	NUT, HEX	1	1	1		M10x1.25P
8	A1730211	HARNESS, ENGINE	*	1	1		
	A1730212	HARNESS, ENGINE	1	*	*		
9	A1730210	HARNESS, PANEL	1	1	1		
	A1730215	HARNESS, PANEL	1	1	1		HST
10	A1730214	HARNESS, REAR	1	1	1		
	A1730216	HARNESS, REAR	1	1	1		HST
11	A1730218	HARNESS, QUICK TURN	1	1	1		Q/T
12	Q1800024	RELAY	1	1	1		Q/T
13	A1750266	RELAY, QT	1	1	1		Q/T
14	A1730217	HARNESS, EHD	1	1	1		EHD
15	A1730220	WIRE, LAMP	2	2	2		CE

# BATTERY

FIG. 8-2

G. 740



# BATTERY

A-R36 / B-R39 / C-R45

A-NOT AVAILABLE / B-R41 / C-R47

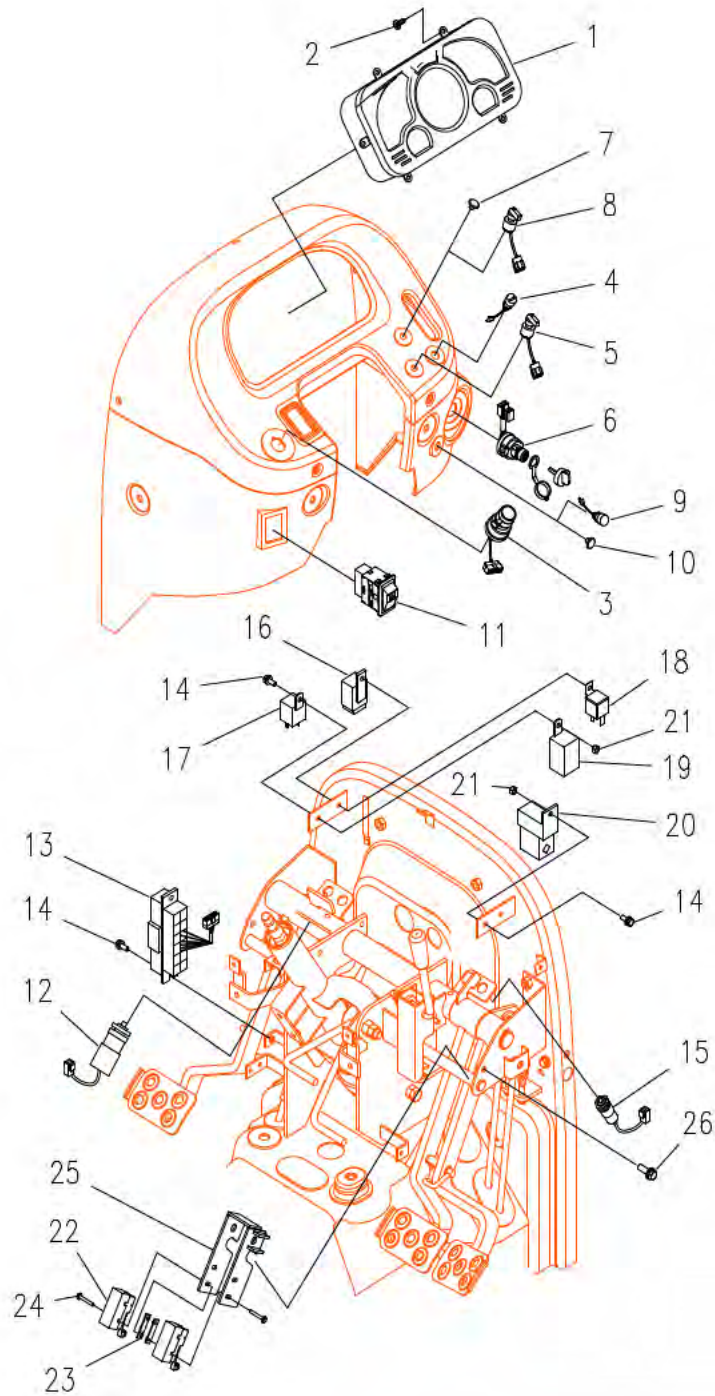
**FIG. 8-2**

NO.	PART NO.	PART NAME & DESCRIPTION	QTY			APP. NO.	REM.
			A	B	C		
1	A1740003	CLAMP, BATTERY	1	1	1		
2	A1741021	ROD, BATTERY CLAMP	2	2	2		
3	S363060013	WASHER, PLAIN	2	2	2		
4	S305060013	NUT, HEX	4	4	4		
5	A1740020	CABLE, BATTERY (+) POS.	1	1	1		
6	A1740030	CABLE, BATTERY (-) NEG.	1	1	1		
7	S345080013	NUT, FLANGE B-TY.	1	1	1		
8	A1740002	BATTERY, MF	1	1	1		

# INSTRUMENT PANEL

FIG. 8-3A

G. 750



# INSTRUMENT PANEL

A-R36 / B-R39 / C-R45

A-NOT AVAILABLE / B-R41 / C-R47

**FIG. 8-3A**

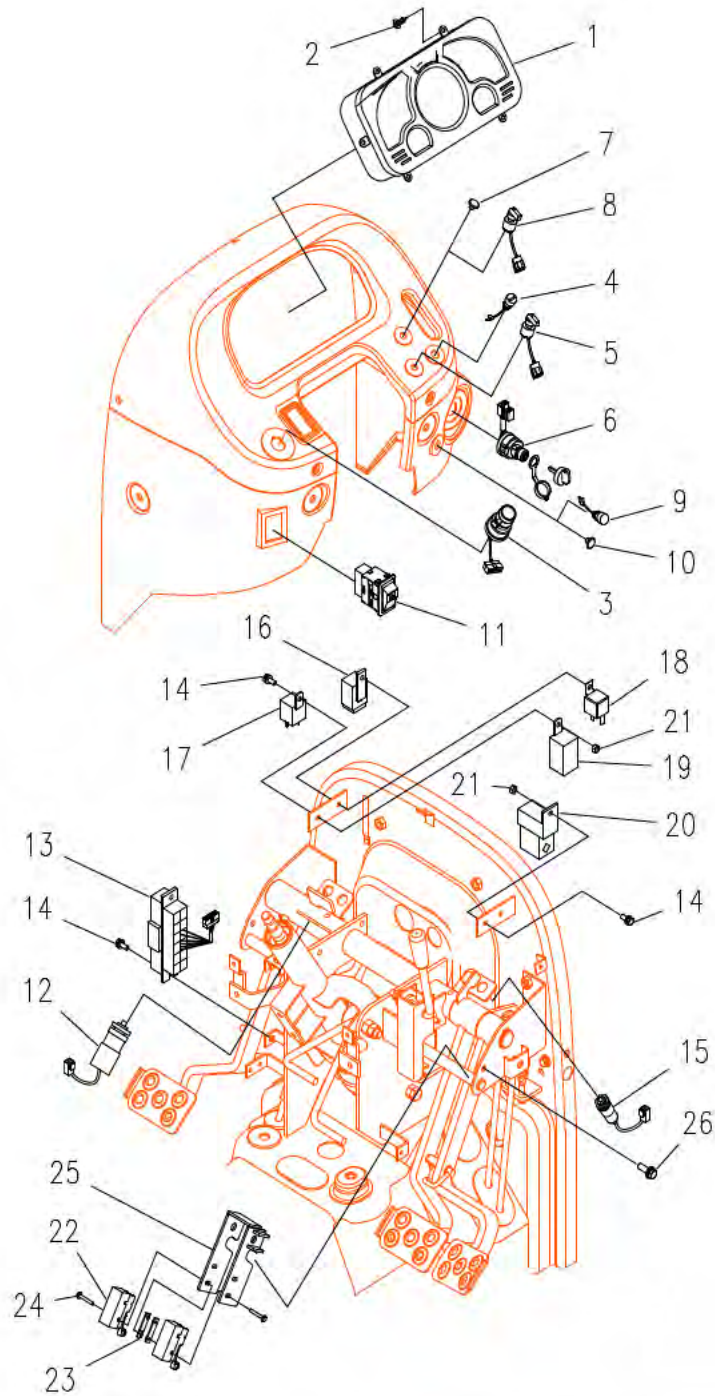
**( MEC )**

NO.	PART NO.	PART NAME & DESCRIPTION	QTY			APP.NO	REM.
			A	B	C		
1	A1750325	METER PANEL ASSY	*	1	1		
	A1750279	METER PANEL ASSY	1	*	*		
2	S237401611	SCREW, TP.CRS.TRUSS	6	6	6		
3	A1750281	SWITCH, COMBI	1	1	1		
4	A1750282	SWITCH, HORN	1	1	1		
5	A1750152	SWITCH, PTO SELLECTOR	1	1	1		
6	A1750150	KEY SWITCH ASSY	1	1	1		
7	A0710062	CAP	1	1	1		
8	A1750152	SWITCH, PTO SELLECTOR	1	1	1		Q/T
9	A1750296	SWITCH, DIFF. LOCK	1	1	1		EHD
10	A1750230	CAP, RUBBER	1	1	1		
11	A1750161	SWITCH, EMERGENCY	1	1	1		
12	A1750122	SWITCH, START/PTO	1	1	1		
13	A1750225	FUSE BOX ASSY	1	1	1		
14	S159061633	BOLT, HEX	5	5	5		M6x1.0x16L
15	A0740010	SWITC, BRAKE	1	1	1		
16	Q1800018	RELAY, START	1	1	1		
17	Q1800024	RELAY	*	1	1		
18	Q1800023	RELAY, GLOW	1	1	1		
19	Q1800017	TIMER, GLOW	1	1	1		
20	A30G0005	RELAY	1	1	1		
21	S305060013	NUT, HEX	3	3	3		M6x1.0P
22	A1750300	SWITCH, MICRO	2	2	2		EHD
23	A1750104	PLATE	2	2	2		EHD
24	S227403011	SCREW, W/SPR.	4	4	4		M4x0.7x30L
25	A1750291	BRACKET, SWITCH	1	1	1		EHD
26	S155082533	BOLT, HEX	1	1	1		M8x1.25x25L

# INSTRUMENT PANEL

FIG. 8-3A

G. 750



# INSTRUMENT PANEL

A-R36 / B-R39 / C-R45

A-NOT AVAILABLE / B-R41 / C-R47

**FIG. 8-3A**

**( MEC )**

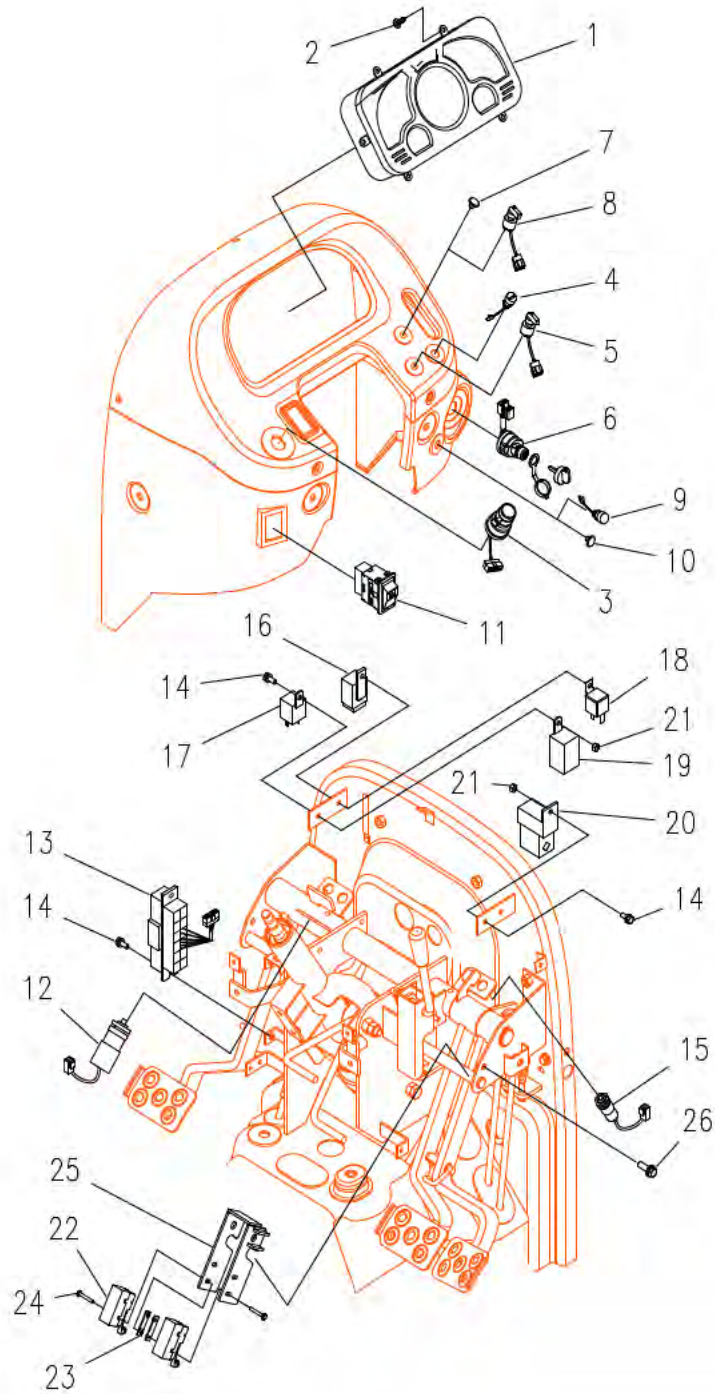
NO.	PART NO.	PART NAME & DESCRIPTION	QTY			APP.NO	REM.
			A	B	C		
1	A1750298	METER PANEL ASSY	*	1	1		
	A1750279	METER PANEL ASSY	1	*	*		
2	S237401611	SCREW, TP.CRS.TRUSS	6	6	6		
3	A1750281	SWITCH, COMBI	1	1	1		
4	A1750282	SWITCH, HORN	1	1	1		
5	A1750152	SWITCH, PTO SELLECTOR	1	1	1		
6	A1750150	KEY SWITCH ASSY	1	1	1		
7	A0710062	CAP	1	1	1		
8	A1750152	SWITCH, PTO SELLECTOR	1	1	1		Q/T
9	A1750296	SWITCH, DIFF. LOCK	1	1	1		EHD
10	A1750230	CAP, RUBBER	1	1	1		
11	A1750161	SWITCH, EMERGENCY	1	1	1		
12	A1750122	SWITCH, START/PTO	1	1	1		
13	A1750225	FUSE BOX ASSY	1	1	1		
14	S159061633	BOLT, HEX	5	5	5		M6x1.0x16L
15	A0740010	SWITC, BRAKE	1	1	1		
16	Q1800018	RELAY, START	1	1	1		
17	Q1800024	RELAY	*	1	1		
18	Q1800023	RELAY, GLOW	1	1	1		
19	Q1800017	TIMER, GLOW	1	1	1		
20	A30G0005	RELAY	1	1	1		
21	S305060013	NUT, HEX	3	3	3		M6x1.0P
22	A1750300	SWITCH, MICRO	2	2	2		EHD
23	A1750104	PLATE	2	2	2		EHD
24	S227403011	SCREW, W/SPR.	4	4	4		M4x0.7x30L
25	A1750291	BRACKET, SWITCH	1	1	1		EHD
26	S155082533	BOLT, HEX	1	1	1		M8x1.25x25L



# INSTRUMENT PANEL

FIG. 8-3A-1

G. 750



# INSTRUMENT PANEL

A-R36 / B-R39 / C-R45

A-NOT AVAILABLE / B-R41 / C-R47

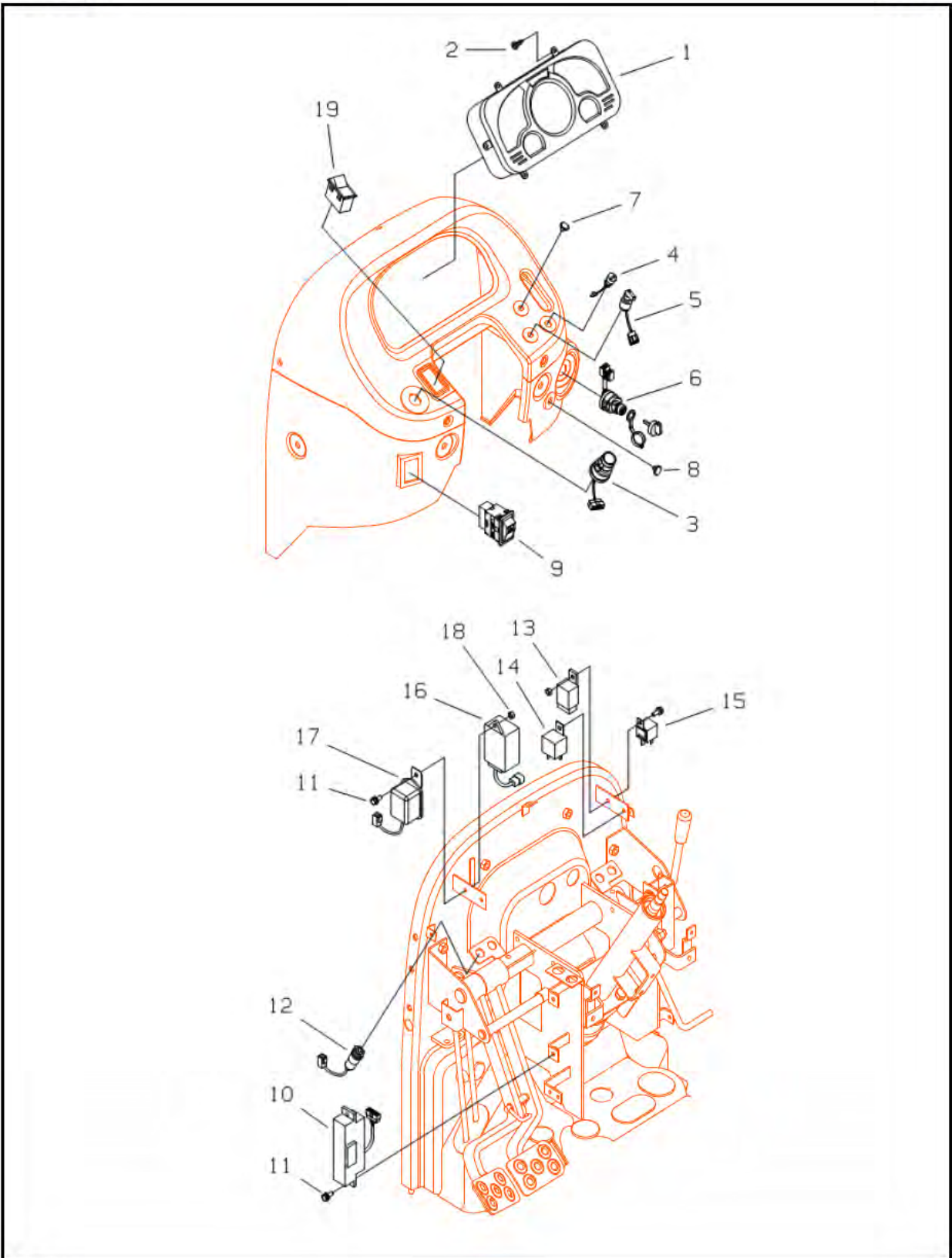
**FIG. 8-3A-1**

NO.	PART NO.	PART NAME & DESCRIPTION	QTY			APP.NO	REM.
			A	B	C		
1	A1750298	METER PANEL ASSY	*	1	1		
	A1750279	METER PANEL ASSY	1	*	*		
2	S237401611	SCREW, TP.CRS.TRUSS	6	6	6		
3	A1750281	SWITCH, COMBI	1	1	1		
4	A1750282	SWITCH, HORN	1	1	1		
5	A1750152	SWITCH, PTO SELLECTOR	1	1	1		
6	A1750150	KEY SWITCH ASSY	1	1	1		
7	A0710062	CAP	1	1	1		
8	A1750152	SWITCH, PTO SELLECTOR	1	1	1		Q/T
9	A1750296	SWITCH, DIFF. LOCK	1	1	1		EHD
10	A1750230	CAP, RUBBER	1	1	1		
11	A1750161	SWITCH, EMERGENCY	1	1	1		
12	A1750122	SWITCH, START/PTO	1	1	1		
13	A1750225	FUSE BOX ASSY	1	1	1		
14	S155061633	BOLT, HEX	M6x1.0x16L	5	5	5	
15	A0740010	SWITC, BRAKE	1	1	1		
16	Q1800018	RELAY, START	1	1	1		
17	Q1800024	RELAY	*	1	1		
18	Q1800023	RELAY, GLOW	1	1	1		
19	Q1800017	TIMER, GLOW	1	1	1		
20	A30G0005	RELAY	1	1	1		
21	S305060013	NUT, HEX	M6x1.0P	3	3	3	
22	A1750300	SWITCH, MICRO	2	2	2		EHD
23	A1750104	PLATE	2	2	2		EHD
24	S227403011	SCREW, W/SPR.	M4x0.7x30L	4	4	4	EHD
25	A1750291	BRACKET, SWITCH	1	1	1		EHD
26	S155082533	BOLT, HEX	M8x1.25x25L	1	1	1	
27	A1750288	BRACKET, 7-POLE	1	1	1		
28	A1730144	7-POLE CONNECTOR ASS'Y	1	1	1		
29	S226503511	SCREW	M5x0.8x35L	3	3	3	
30	S155082533	BOLT, HEX	M8x1.25x25L	2	2	2	
31	A1750289	BRACKET, 7-POLE	1	1	1		ASAE
32	A1750171	7-POLE CONNECTOR ASS'Y	1	1	1		ASAE
33	A1970243	CAP, RUBBER	1	1	1		
34	A1750297	BRACKET, PTO SWITCH	1	1	1		
35	A1750229	SWITCH, PTO LEVER	1	1	1		
36	A1750247	SWITCH, PROXIMITY	1	1	1		Q/T
37	A1750292	BRACKET, LEVER SWITCH	1	1	1		Q/T
38	S801016010	O-RING	1	1	1		Q/T
39	A1750299	SWITCH, MAGNETIC	1	1	1		Q/T
40	A0640015	CLAMP	1	1	1		Q/T
41	S155081633	BOLT, HEX	M8x1.25x16L	2	2	2	ASAE

# INSTRUMENT PANEL

FIG. 8-3B

G. 750



# INSTRUMENT PANEL

A-R36 / B-R39 / C-R45

A-NOT AVAILABLE / B-R41 / C-R47

**FIG. 8-3B**

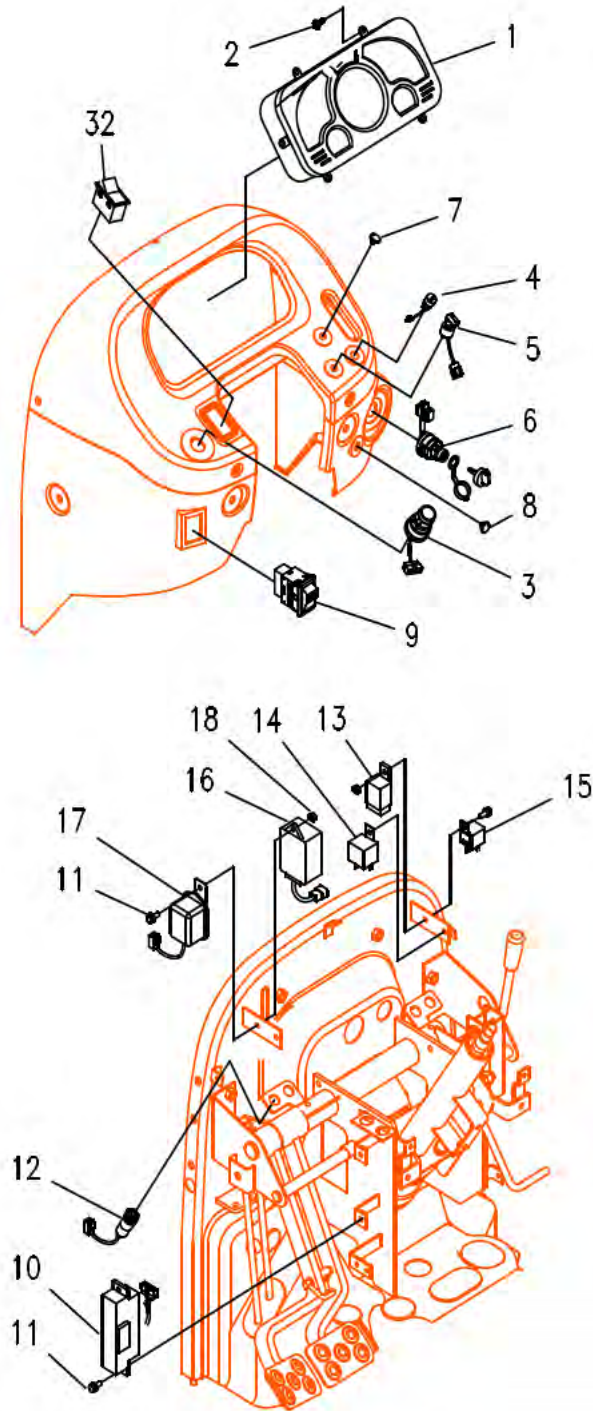
**( HST )**

NO.	PART NO.	PART NAME & DESCRIPTION	QTY			APP.NO	REM.
			A	B	C		
1	A1750325	METER PANEL ASSY	*	1	1		
	A1750279	METER PANEL ASSY	1	*	*		
2	S237401611	SCREW, TP.CRS.TRUSS	6	6	6		
3	A1750281	SWITCH, COMBI	1	1	1		
4	A1750282	SWITCH, HORN	1	1	1		
5	A1750152	SWITCH, PTO SELLECTOR	1	1	1		
6	A1750150	KEY SWITCH ASSY	1	1	1		
7	A0710062	CAP	1	1	1		
8	A1750230	CAP, RUBBER	1	1	1		
9	A1750161	SWITCH, EMERGENCY	1	1	1		
10	A1750225	FUSE BOX ASSY	1	1	1		
11	S155061633	BOLT, HEX	5	5	5		
12	A0740010	SWITC, BRAKE	2	2	2		
13	Q1800018	RELAY, START	1	1	1		
14	Q1800024	RELAY	*	1	1		
15	Q1800023	RELAY, GLOW	1	1	1		
16	A1750283	RELAY, HST	1	1	1		
17	A1750284	RELAY, FLASHER	1	1	1		ASAE
18	S305060013	NUT, HEX	3	3	3		
19	A1750285	SWITCH, CRUISE	1	1	1		

# INSTRUMENT PANEL

FIG. 8-3B

G. 750



# INSTRUMENT PANEL

A-R36 / B-R39 / C-R45

A-NOT AVAILABLE / B-R41 / C-R47

**FIG. 8-3B**

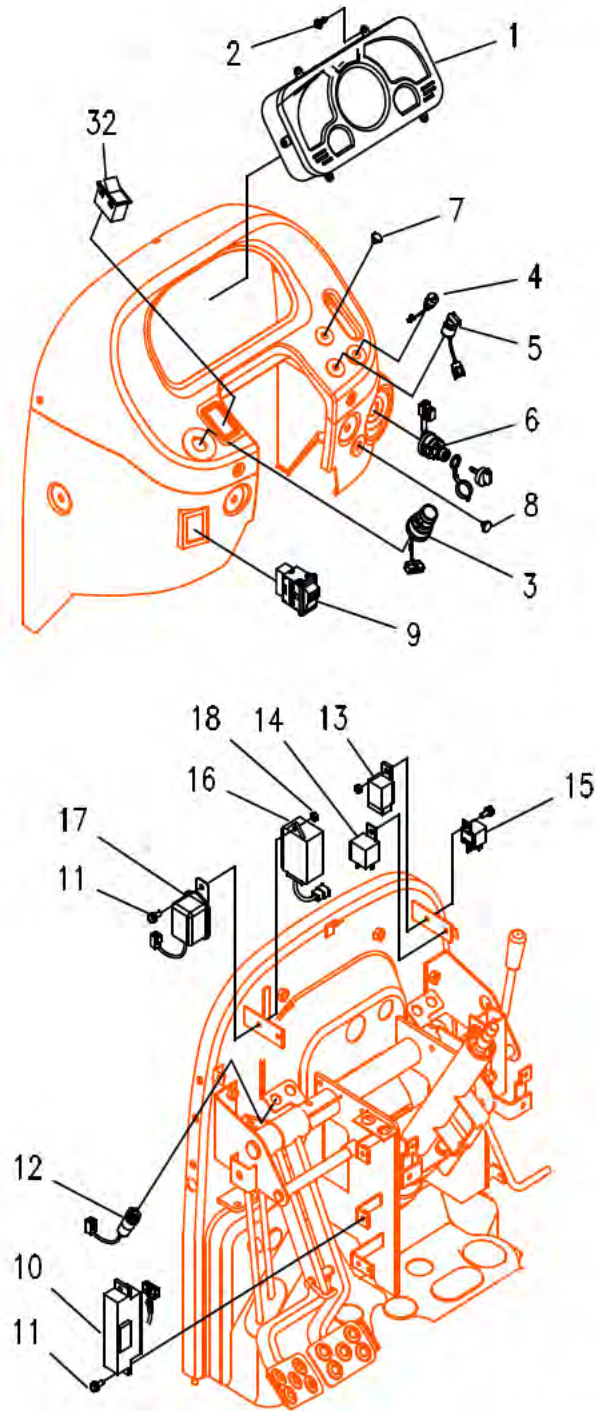
**( HST )**

NO.	PART NO.	PART NAME & DESCRIPTION	QTY			APP.NO	REM.
			A	B	C		
1	A1750298		*	1	1		
	A1750279		1	*	*		
2	S237401611		6	6	6		
3	A1750281		1	1	1		
4	A1750282		1	1	1		
5	A1750152		1	1	1		
6	A1750150		1	1	1		
7	A0710062		1	1	1		
8	A1750230		1	1	1		
9	A1750161		1	1	1		
10	A1750225		1	1	1		
11	S155061633	M6x1.0x16L	5	5	5		
12	A0740010		2	2	2		
13	Q1800018		1	1	1		
14	Q1800024		*	1	1		
15	Q1800023		1	1	1		
16	A1750283		1	1	1		
17	A1750284		1	1	1		ASAE
18	S305060013	M6x1.0P	3	3	3		
19	A1750285		1	1	1		

# INSTRUMENT PANEL

FIG. 8-3B-1

G. 750



# INSTRUMENT PANEL

A-R36 / B-R39 / C-R45

A-NOT AVAILABLE / B-R41 / C-R47

**FIG. 8-3B-1**

**( HST )**

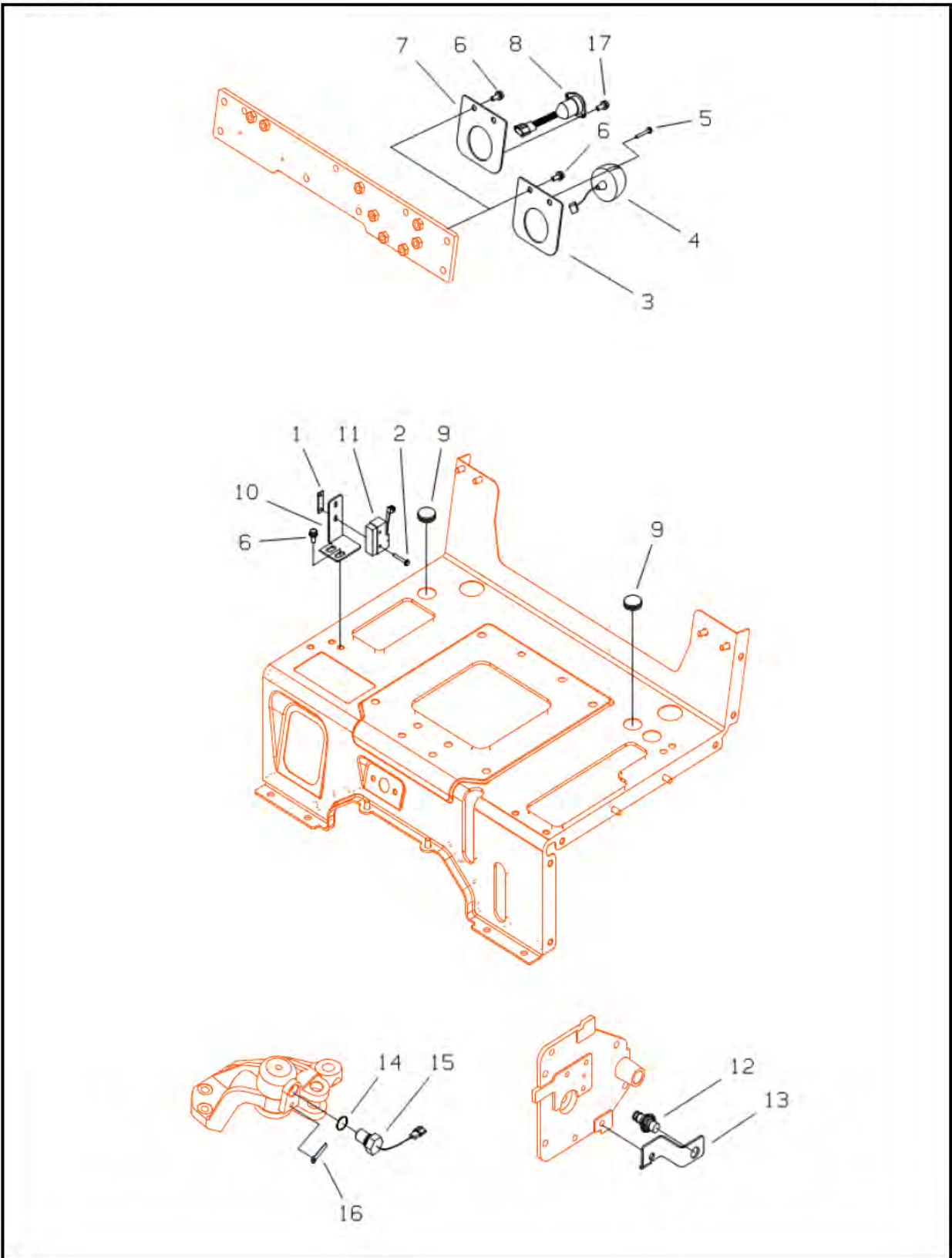
NO.	PART NO.	PART NAME & DESCRIPTION	QTY			APP.NO	REM.
			A	B	C		
1	A1750298	METER PANEL ASSY	*	1	1		
	A1750279	METER PANEL ASSY	1	*	*		
2	S237401611	SCREW, TP.CRS.TRUSS	6	6	6		
3	A1750281	SWITCH, COMBI	1	1	1		
4	A1750282	SWITCH, HORN	1	1	1		
5	A1750152	SWITCH, PTO SELLECTOR	1	1	1		
6	A1750150	KEY SWITCH ASSY	1	1	1		
7	A0710062	CAP	1	1	1		
8	A1750230	CAP, RUBBER	1	1	1		
9	A1750161	SWITCH, EMERGENCY	1	1	1		
10	A1750225	FUSE BOX ASSY	1	1	1		
11	S155061633	BOLT, HEX	5	5	5		M6x1.0x16L
12	A0740010	SWITC, BRAKE	2	2	2		
13	Q1800018	RELAY, START	1	1	1		
14	Q1800024	RELAY	*	1	1		
15	Q1800023	RELAY, GLOW	1	1	1		
16	A1750283	RELAY, HST	1	1	1		
17	A1750284	RELAY, FLASHER	1	1	1		
18	S305060013	NUT, HEX	3	3	3		M6x1.0P
19	A1750288	BRACKET, 7-POLE	1	1	1		
20	A1730225	7-POLE CONNECTOR ASSY	1	1	1		
21	S155082533	BOLT, HEX	2	2	2		M8x1.25x25L
22	S226503511	SCREW	3	3	3		M5x0.8x35L
23	A1750289	BRACKET, 7-POLE	1	1	1		ASAE
24	A1750171	7-POLE CONNECTOR ASS'Y	1	1	1		ASAE
25	A1750287	BRACKET,MID PTO SW.	1	1	1		M/PTO
26	A1750300	SWITCH, MICRO	1	1	1		M/PTO
27	A1750104	PLATE	1	1	1		M/PTO
28	S227403011	SCREW, W/SPR.	2	2	2		M/PTO
29	A1750286	BRACKET,CONTACT SW.	1	1	1		M/PTO
30	S202081211	SCREW, SET. SOC.	1	1	1		M/PTO
31	A1970243	CAP, RUBBER	1	1	1		
32	A1750285	SWITCH, CRUISE	1	1	1		
33	A1750227	SWITCH, NEUTRAL	1	1	1		
34	S227402511	SCREW, W/SPR.	2	2	2		M4x0.7x25L
35	S155081633	BOLT, HEX	2	2	2		M8x1.25x16L



# ELECTRIC SWITCH

FIG. 8-4A

G. 750



# ELECTRIC SWITCH

A-R36 / B-R39 / C-R45

A-NOT AVAILABLE / B-R41 / C-R47

**FIG. 8-4A**

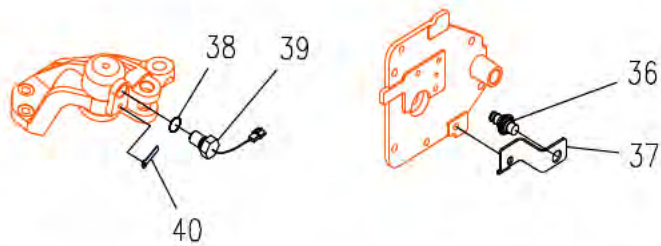
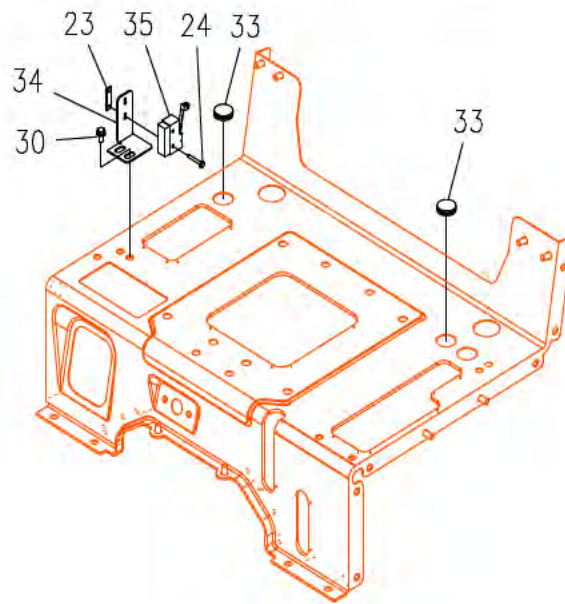
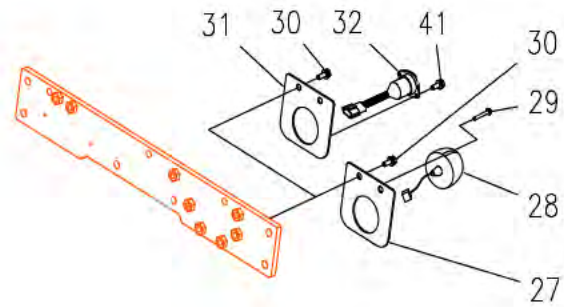
**( MEC )**

NO.	PART NO.	PART NAME & DESCRIPTION		QTY			APP. NO.	REM.
				A	B	C		
1	A1750104	PLATE		1	1	1		EHD
2	S227403011	SCREW, W/SPR.	M4x0.7x30L	2	2	2		EHD
3	A1750288	BRACKET, 7-POLE		1	1	1		
4	A1730144	7-POLE CONNECTOR ASS'Y		1	1	1		
5	S226503511	SCREW	M5x0.8x35L	3	3	3		
6	S155082533	BOLT, HEX	M8x1.25x25L	2	2	2		
7	A1750289	BRACKET, 7-POLE		1	1	1		ASAE
8	A1750171	7-POLE CONNECTOR ASS'Y		1	1	1		ASAE
9	A1970243	CAP, RUBBER		1	1	1		
10	A1750297	BRACKET, PTO SWITCH		1	1	1		
11	A1750229	SWITCH, PTO LEVER		1	1	1		
12	A1750247	SWITCH, PROXIMITY		1	1	1		Q/T
13	A1750292	BRACKET, LEVER SWITCH		1	1	1		Q/T
14	S801016010	O-RING		1	1	1		Q/T
15	A1750299	SWITCH, MAGNETIC		1	1	1		Q/T
16	A0640015	CLAMP		1	1	1		Q/T
17	S155081633	BOLT, HEX	M8x1.25x16L	2	2	2		ASAE

# ELECTRIC SWITCH

FIG. 8-3A-2

G. 750



# ELECTRIC SWITCH

A-R36 / B-R39 / C-R45

A-NOT AVAILABLE / B-R41 / C-R47

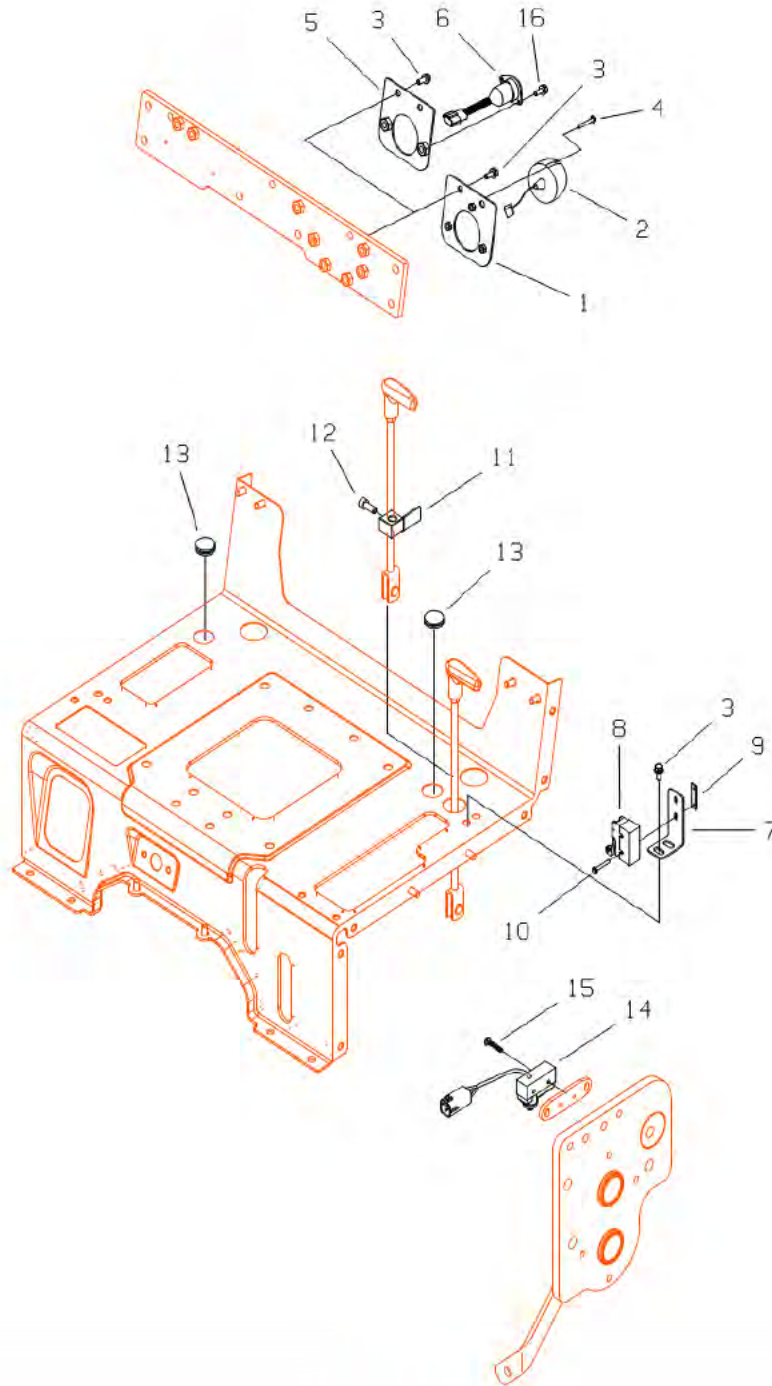
**FIG. 8-3A-2**

NO.	PART NO.	PART NAME & DESCRIPTION	QTY			APP. NO.	REM.
			A	B	C		
1	A1750298		*	1	1		
	A1750279		1	*	*		
2	S237401611		6	6	6		
3	A1750281		1	1	1		
4	A1750282		1	1	1		
5	A1750152		1	1	1		
6	A1750150		1	1	1		
7	A0710062		1	1	1		
8	A1750152		1	1	1		Q/T
9	A1750296		1	1	1		EHD
10	A1750230		1	1	1		
11	A1750161		1	1	1		
12	A1750122		1	1	1		
13	A1750225		1	1	1		
14	S155061633	M6x1.0x16L	5	5	5		
15	A0740010		1	1	1		
16	Q1800018		1	1	1		
17	Q1800024		*	1	1		
18	Q1800023		1	1	1		
19	Q1800017		1	1	1		
20	A30G0005		1	1	1		
21	S305060013	M6x1.0P	3	3	3		
22	A1750300		2	2	2		EHD
23	A1750104		2	2	2		EHD
24	S227403011	M4x0.7x30L	4	4	4		EHD
25	A1750291		1	1	1		EHD
26	S155082533	M8x1.25x25L	1	1	1		
27	A1750288		1	1	1		
28	A1730144		1	1	1		
29	S226503511	M5x0.8x35L	3	3	3		
30	S155082533	BOLT, HEX	2	2	2		
31	A1750289	BRACKET, 7-POLE	1	1	1		ASAE
32	A1750171	7-POLE CONNECTOR ASS'Y	1	1	1		ASAE
33	A1970243	CAP, RUBBER	1	1	1		
34	A1750297	BRACKET, PTO SWITCH	1	1	1		
35	A1750229	SWITCH, PTO LEVER	1	1	1		
36	A1750247	SWITCH, PROXIMITY	1	1	1		Q/T
37	A1750292	BRACKET, LEVER SWITCH	1	1	1		Q/T
38	S801016010	O-RING	1	1	1		Q/T
39	A1750299	SWITCH, MAGNETIC	1	1	1		Q/T
40	A0640015	CLAMP	1	1	1		Q/T
41	S155081633	BOLT, HEX	2	2	2		ASAE

# ELECTRIC SWITCH

FIG. 8-4B

G. 750



# ELECTRIC SWITCH

A-R36 / B-R39 / C-R45

A-NOT AVAILABLE / B-R41 / C-R47

**FIG. 8-4B**

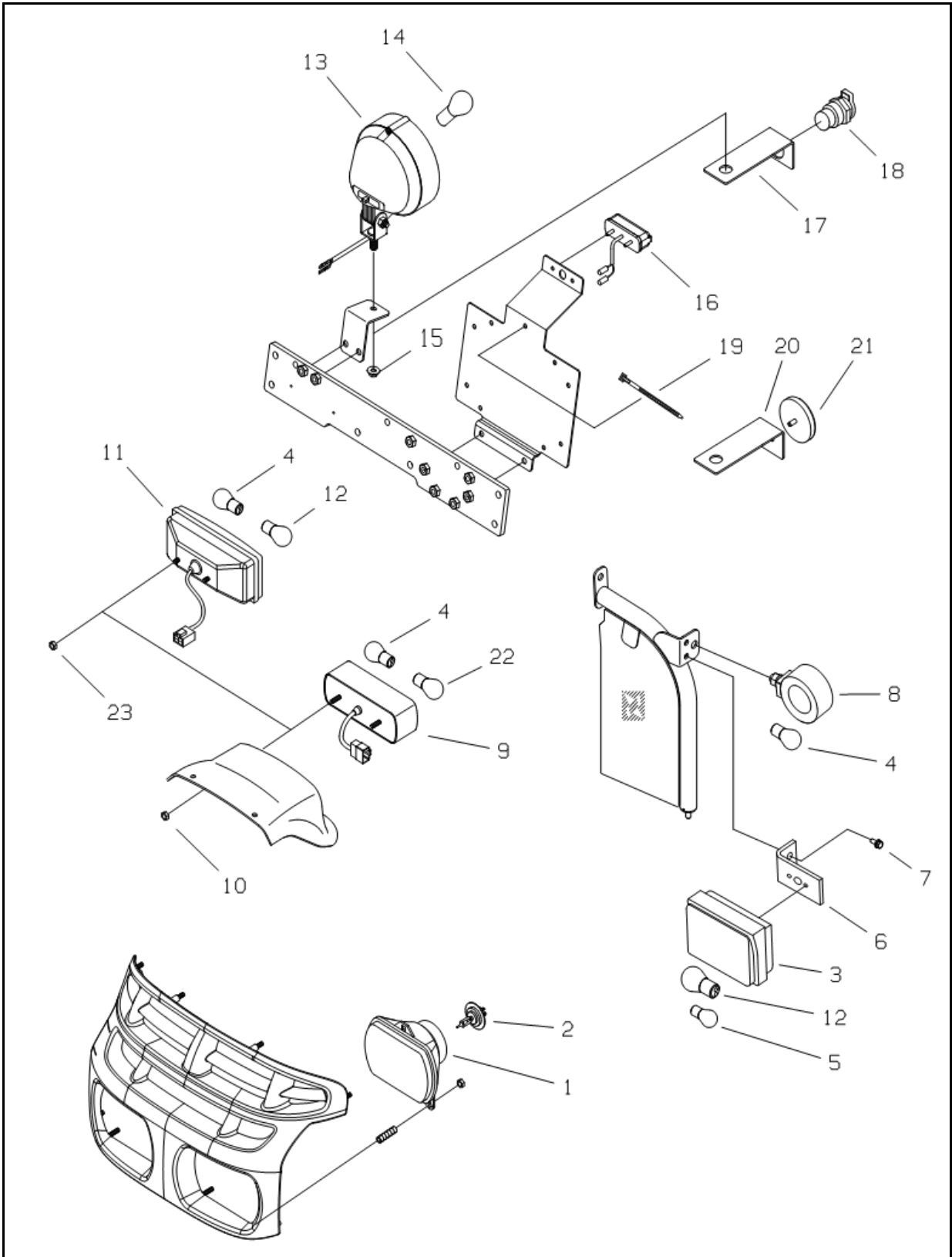
**( HST )**

NO.	PART NO.	PART NAME & DESCRIPTION		QTY			APP. NO.	REM.
				A	B	C		
1	A1750288	BRACKET, 7-POLE		1	1	1		
2	A1730225	7-POLE CONNECTOR ASS'Y		1	1	1		
3	S155082533	BOLT, HEX	M8x1.25x25L	2	2	2		
4	S226503511	SCREW	M5x0.8x35L	3	3	3		
5	A1750289	BRACKET, 7-POLE		1	1	1		ASAE
6	A1750171	7-POLE CONNECTOR ASS'Y		1	1	1		ASAE
7	A1750287	BRACKET, MID PTO SW.		1	1	1		M/PTO
8	A1750300	SWITCH, MICRO		1	1	1		M/PTO
9	A1750104	PLATE		1	1	1		M/PTO
10	S227403011	SCREW, W/SPR.	M4x0.7x30L	2	2	2		M/PTO
11	A1750286	BRACKET, CONTACT SW.		1	1	1		M/PTO
12	S202081211	SCREW, SET. SOC.	M8x1.25P	1	1	1		M/PTO
13	A1970243	CAP, RUBBER		1	1	1		
14	A1750227	SWITCH, NEUTRAL		1	1	1		
15	S227402511	SCREW, W/SPR.	M4x0.7x25L	2	2	2		
16	S155081633	BOLT, HEX	M8x1.25x16L	2	2	2		ASAE

# LAMP

FIG. 8-5

G. 760



# LAMP

A-R36 / B-R39 / C-R45

A-NOT AVAILABLE / B-R41 / C-R47

**FIG. 8-5**

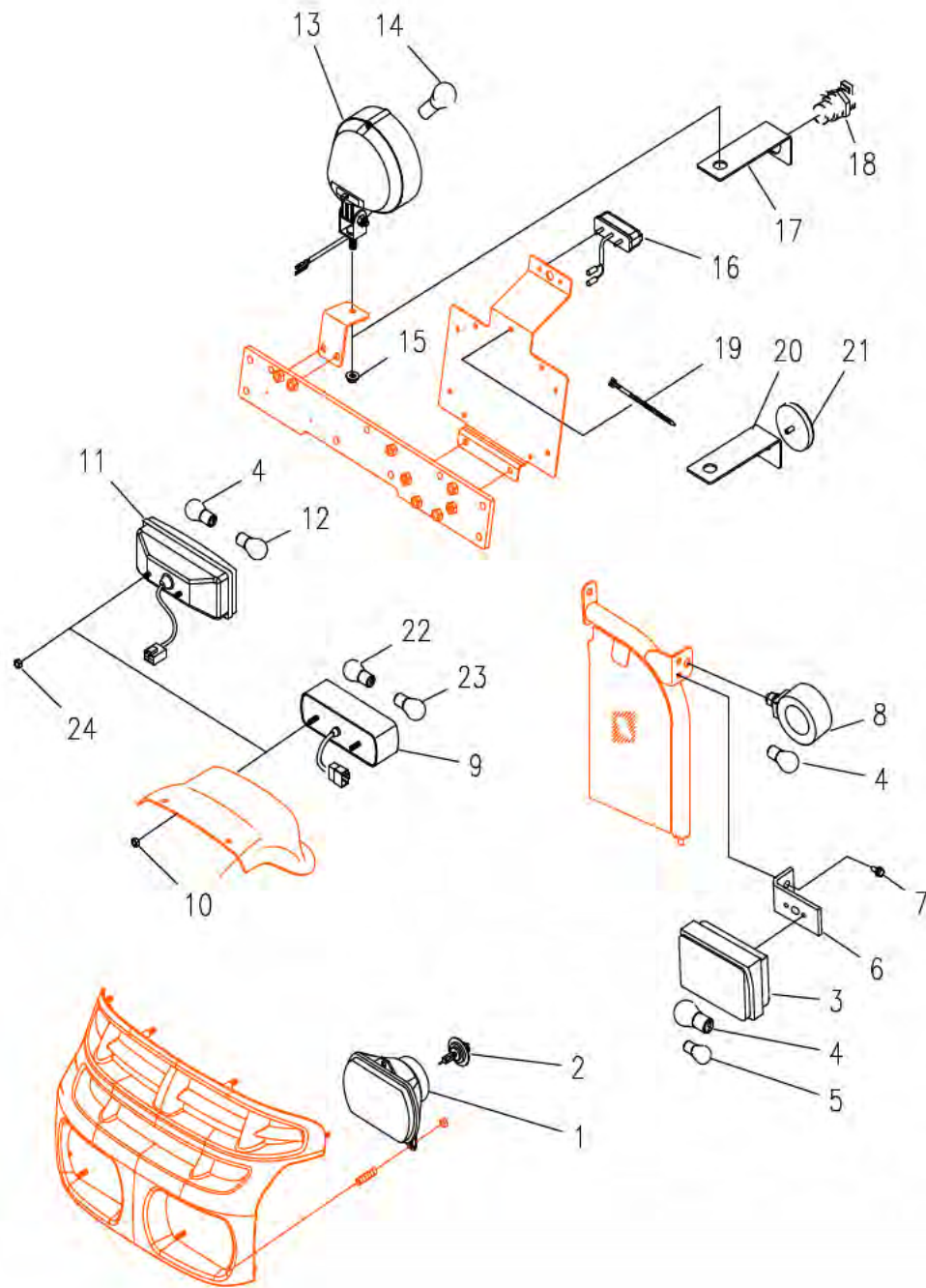
NO.	PART NO.	PART NAME & DESCRIPTION	QTY			APP. NO	REM.
			A	B	C		
1	A1760044	HEAD LAMP ASSY	2	2	2		
2	A1760048	BULB	2	2	2		
3	A1760057	TURN SIGNAL LAMP ASSY	2	2	2		CE
4	A1760016	BULB	3	3	3		
5	A1760019	BULB	2	2	2		
6	A1760058	BRACKET, TURN LAMP	2	2	2		CE
7	S159061633	BOLT, HEX. W/WASHER	4	4	4		CE
8	A1760068	LAMP, TURN	2	2	2		
9	A1760026	COMBI LAMP ASSY (RH)	1	1	1		
	A1760027	COMBI LAMP ASSY (LH)	1	1	1		
10	S305060013	NUT, HEX	4	4	4		
11	A1760047	COMBI LAMP ASSY	2	2	2		CE
12	A1760017	BULB	2	2	2		
13	A1760028	LAMP, WORKING	1	1	1		
14	A1760043	BULB	1	1	1		
15	S313080013	NUT, HEX	1	1	1		
16	A1760051	LAMP, NUMBER PLATE	1	1	1		CE
17	A1760064	BRACKET, SOCKET	1	1	1		CE
18	A1760063	SOCKET, BEACON LAMP	1	1	1		CE
19	A1970263	TIE, MOUNT	1	1	1		CE
20	A1760052	PLATE, REFLECTOR	2	2	2		CE
21	A1760050	REFLECTOR	2	2	2		CE
22	A1760042	BULB	2	2	2		
23	S345050013	NUT, FLANGE B-TY.	4	4	4		CE



# LAMP

FIG. 8-4

G. 760



# LAMP

A-R36 / B-R39 / C-R45

A-NOT AVAILABLE / B-R41 / C-R47

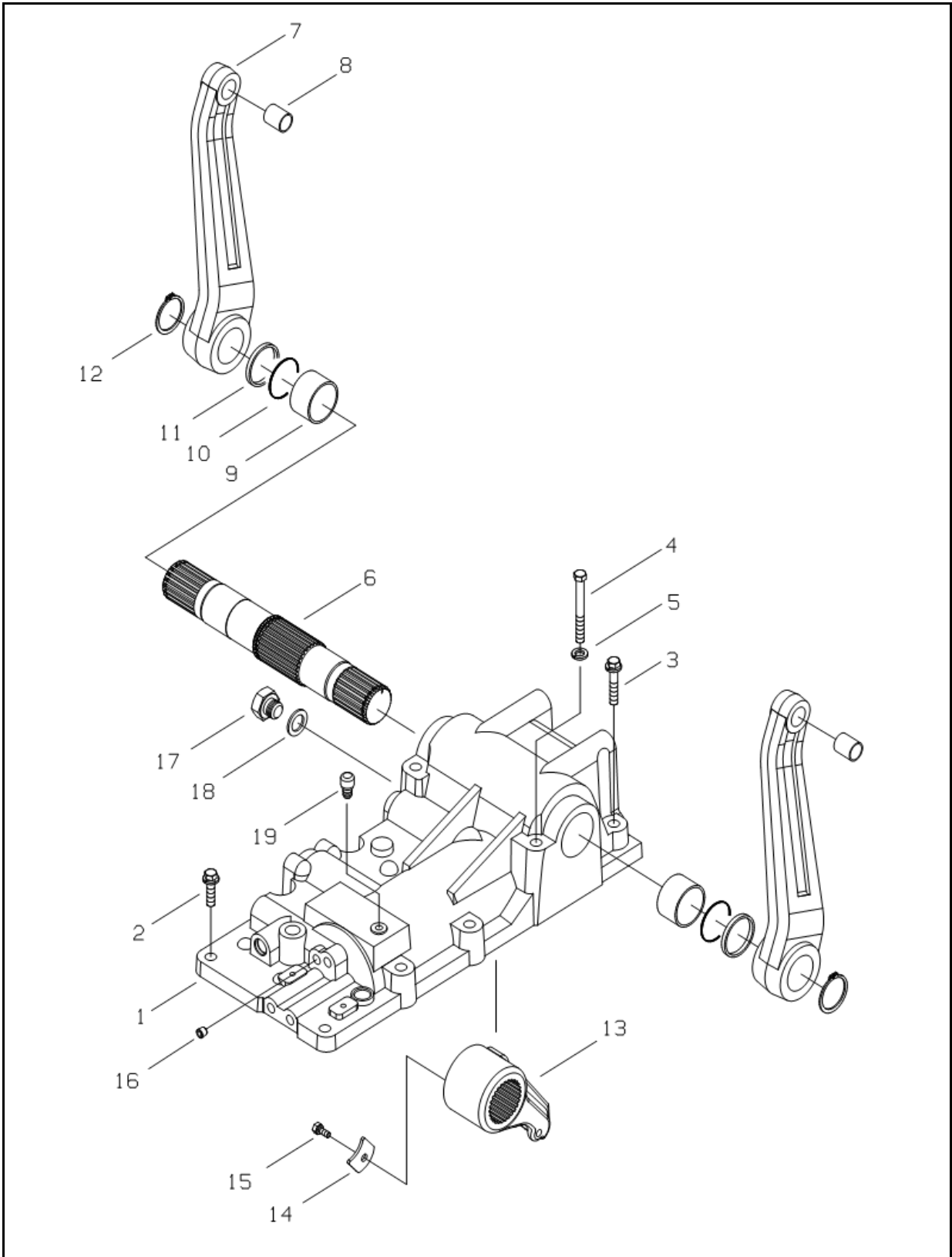
**FIG. 8-4**

NO.	PART NO.	PART NAME & DESCRIPTION	QTY			APP. NO.	REM.
			A	B	C		
1	A1760044		2	2	2		
2	A1760048	12V, 40/45W	2	2	2		
3	A1760057		2	2	2		CE
4	A1760016	12V/21/5W	2	2	2		
5	A1760041	12V/5W	2	2	2		
6	A1760058		2	2	2		CE
7	S159061633	M6x1.0x16L	4	4	4		CE
8	A1760068		2	2	2		
9	A1760026		1	1	1		
	A1760027		1	1	1		
10	S305060013	M6x1.0P	4	4	4		
11	A1760047		2	2	2		CE
12	A1760017	12V/21W	2	2	2		
13	A1760028		1	1	1		
14	A1760043	12V/23W	1	1	1		
15	S313080013	M8x1.25P	1	1	1		
16	A1760051		1	1	1		CE
17	A1760064		1	1	1		CE
18	A1760063		1	1	1		CE
19	A1970263		1	1	1		CE
20	A1760052		2	2	2		CE
21	A1760050		2	2	2		CE
22	A1760042	12V/10/5W	2	2	2		
23	A1760041	12V/8W	2	2	2		
24	S345050013	M5x1.0P	4	4	4		CE

# HYDRAULIC HOUSING

FIG. 9-1A

G. 820



# HYDRAULIC HOUSING

A-R36 / B-R39 / C-R45

A-NOT AVAILABLE / B-R41 / C-R47

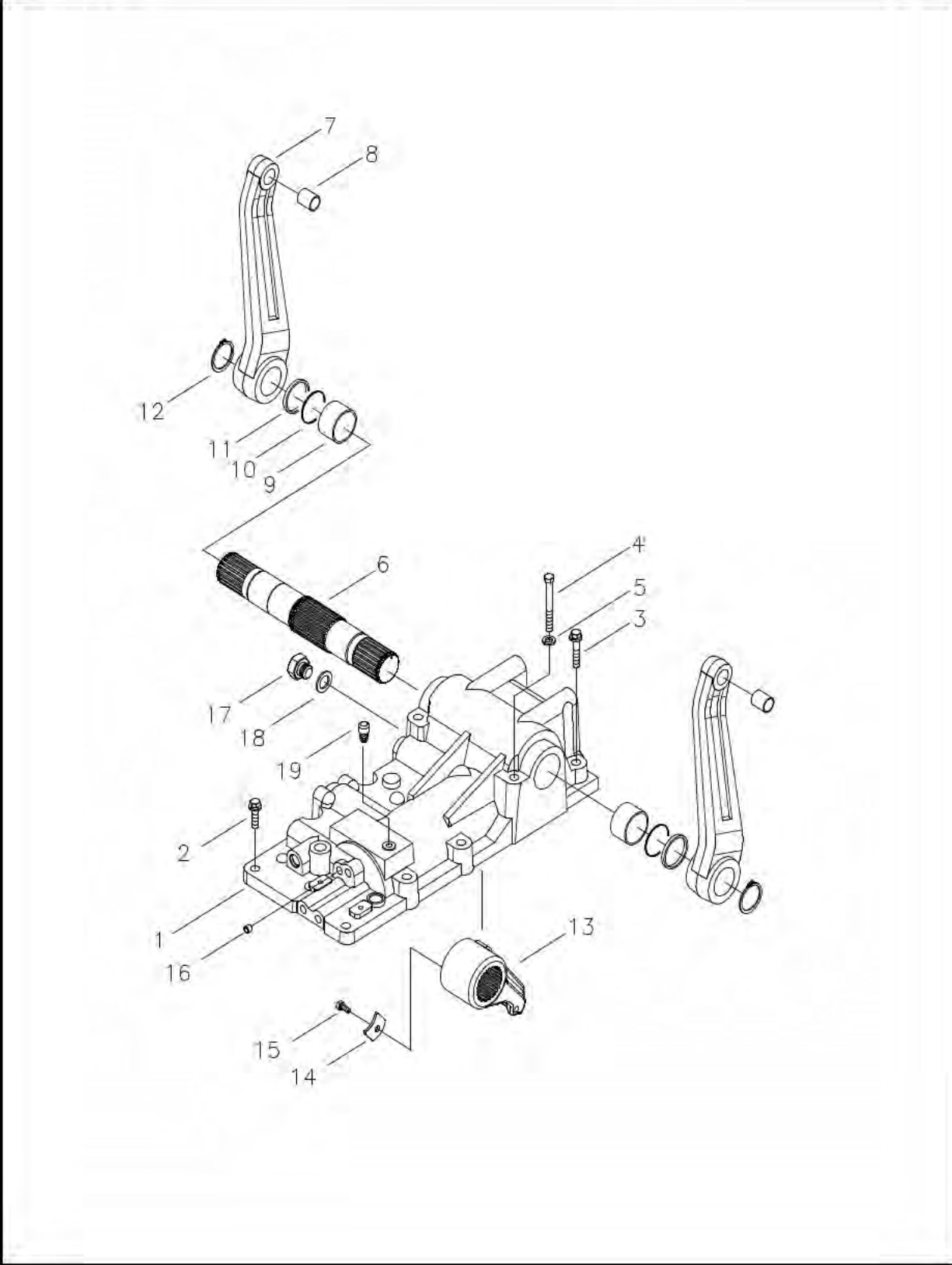
**FIG. 9-1A**

NO.	PART NO.	PART NAME & DESCRIPTION	QTY			APP. NO	REM.
			A	B	C		
1	A1820055	HOUSING, HYD.	1	1	1		
2	S153124033	BOLT, HEX. M12X1.75X40	4	4	4		
3	S153126033	BOLT, HEX. M12X1.75X60	4	4	4		
4	S102121143	BOLT, HEX. M12X1.75X110	2	2	2		
5	S361120013	WASHER, SPRING $\Phi$ 21.5x $\Phi$ 12.2x3t	2	2	2		
6	A1821038	SHAFT, HYD. LIFT	1	1	1		
7	A1821040	ARM, LIFT	2	2	2		
8	3A1821007	BUSHING, LIFT ARM	2	2	2		
9	3A1821005	BUSHING, HYD. LIFT SHAFT	2	2	2		
10	S802045010	O-RING D45	2	2	2		
11	A1821041	COLLAR	2	2	2		
12	S810042001	RING, SNAP(S) D42	2	2	2		
13	A1821051	ARM, POWER	1	1	1		
14	A1826094	PLATE, LOCK	1	1	1		
15	S153081633	BOLT, HEX. M8X1.25X16	1	1	1		
16	A0610168	PLUG, TAPER PT1/4	1	1	1		
17	A1823190	PLUG M12X1.75	1	1	1		
18	A1823158	SEAL, COPPER	1	1	1		
19	A1250049	PLUG, AIR VENT	1	1	1		

# HYDRAULIC HOUSING

FIG. 9-1A

G. 820



# HYDRAULIC HOUSING

A-R36 / B-R39 / C-R45

A-NOT AVAILABLE / B-R41 / C-R47

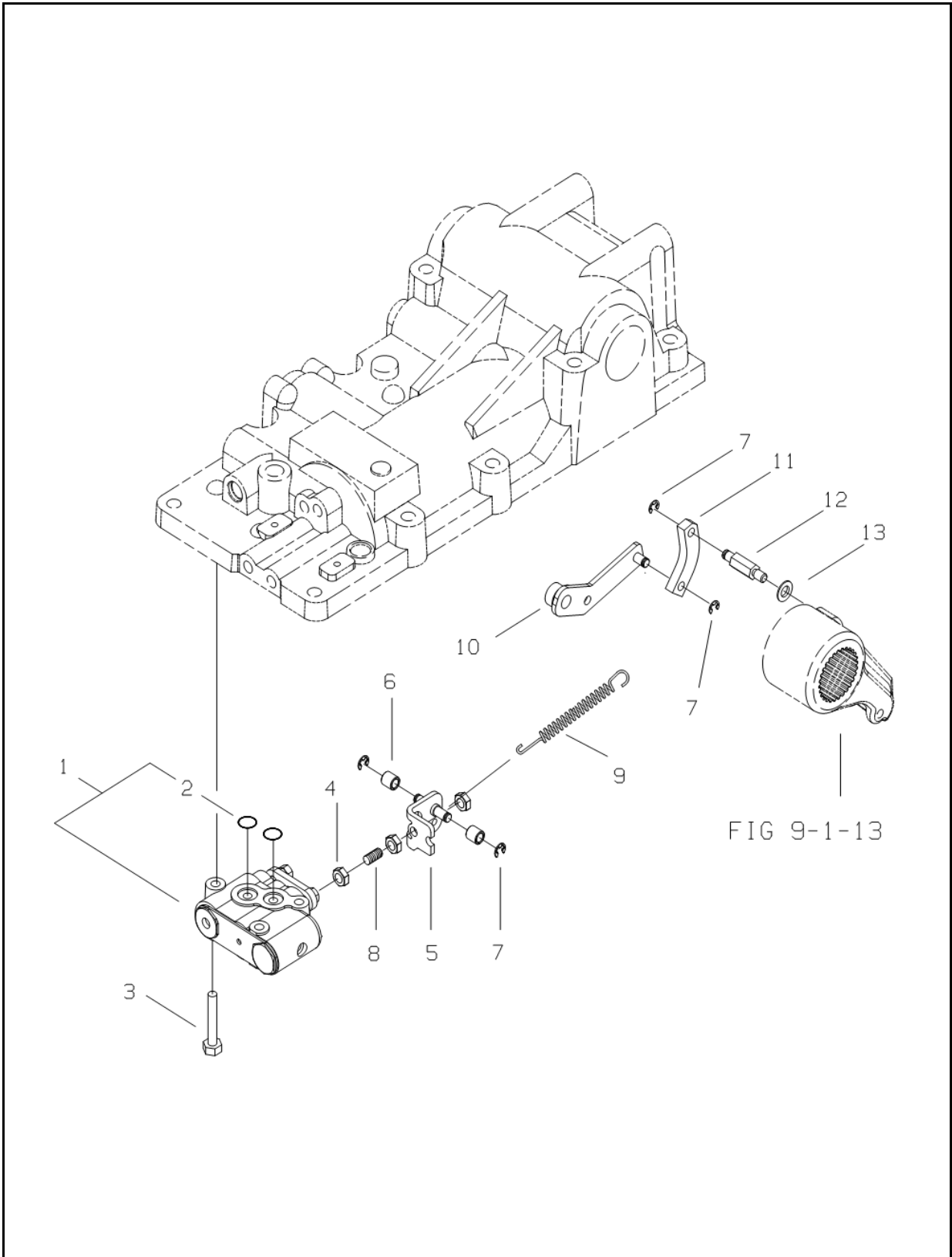
**FIG. 9-1A**

NO.	PART NO.	PART NAME & DESCRIPTION	QTY			APP. NO.	REM.
			A	B	C		
1	A1820055		1	1	1		
2	S153124033	M12X1.75X40	4	4	4		
3	S153126033	M12X1.75X60	4	4	4		
4	S102121143	M12X1.75X110	2	2	2		
5	S361120013	Φ21.5xΦ12.2x3t	2	2	2		
6	A1821038		1	1	1		
7	A1821040		2	2	2		
8	3A1821007		2	2	2		
9	3A1821005		2	2	2		
10	S802045010	D45	2	2	2		
11	A1821041		2	2	2		
12	S810042001	D42	2	2	2		
13	A1821039		1	1	1		
14	A1826094		1	1	1		
15	S153081633	M8X1.25X16	1	1	1		
16	A0610168	PT1/4	1	1	1		
17	A1823190	M12X1.75	1	1	1		
18	A1823158		1	1	1		
19	A1250049		1	1	1		

# LIFT CONTROL VALVE & LINK

FIG. 9-2

G. 822



# LIFT CONTROL VALVE & LINK

A-R36 / B-R39 / C-R45

A-NOT AVAILABLE / B-R41 / C-R47

**FIG. 9-2**

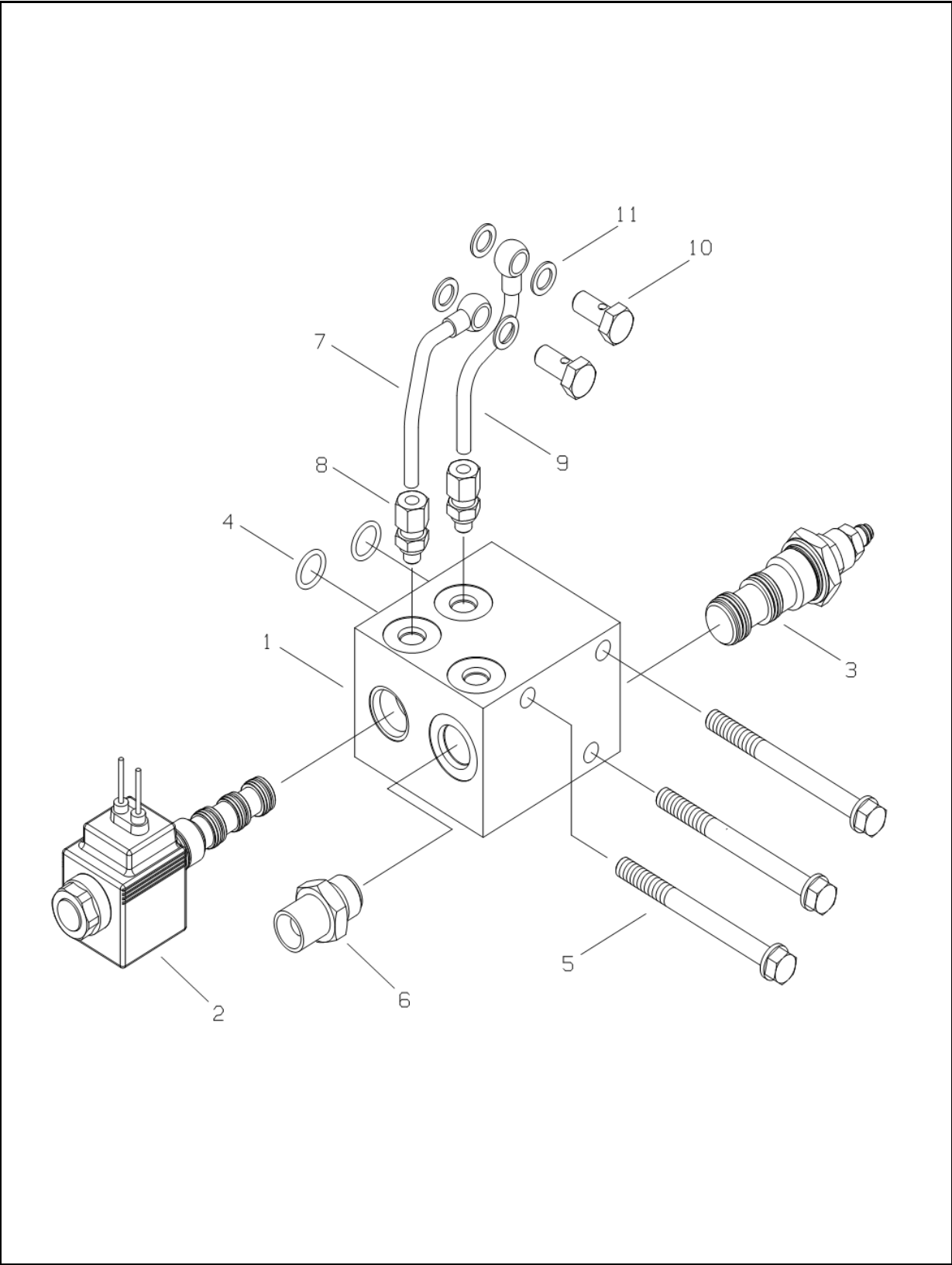
NO.	PART NO.	PART NAME & DESCRIPTION		QTY			APP. NO	REM.
				A	B	C		
1	A1822151	VALVE, CONTROL		1	1	1		
2	S801016020	O-RING	D16	2	2	2		
3	S153085033	BOLT, HEX.	M8X1.25X50	3	3	3		
4	S313080043	NUT, HEX.	M8X1.25	3	3	3		
5~7	A1822133	CLEVIS ASSY		1	1	1		
5	A1822112	CLEVIS		1	1	1		
6	3A1822006	ROLLER		2	2	2		
7	S814006003	RING, SNAP(E)	D6	4	4	4		
8	S202084012	SCREW, SET SOC.	M8X1.25X40	1	1	1		
9	A1822086	SPRING		1	1	1		
10	A1824044	LINK, POSITION FEED BACK		1	1	1		
11	3A1822010	LINK, E		1	1	1		
12	A1824052	PIN		1	1	1		
13	S361080013	WASHER, SPRING	Φ15.4xΦ8.2x2t	1	1	1		



# TM CONTROL VALVE

FIG. 9-3A

G. 822



# TM CONTROL VALVE

A-R36 / B-R39 / C-R45

A-NOT AVAILABLE / B-R41 / C-R47

**FIG. 9-3A**

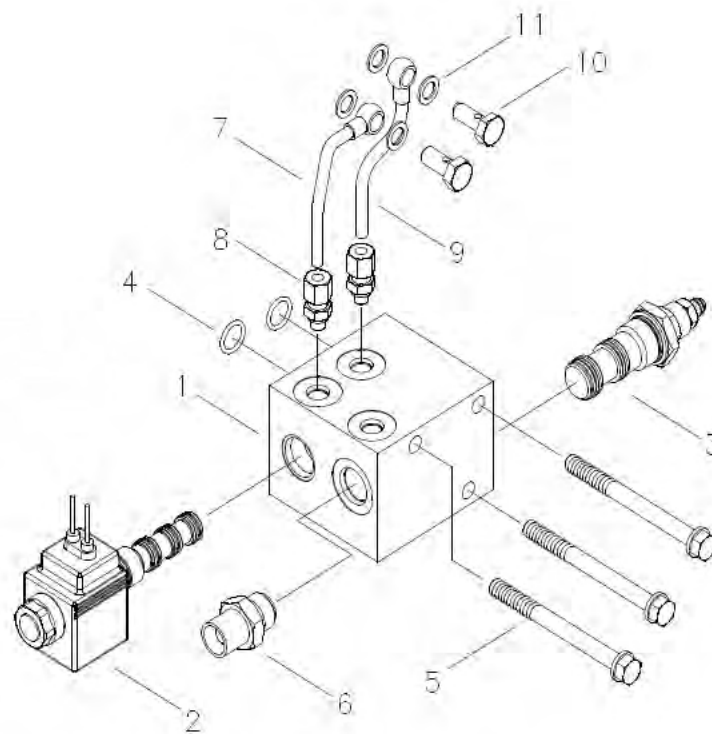
**( MEC, INDP )**

NO.	PART NO.	PART NAME & DESCRIPTION	QTY			APP. NO	REM.
			A	B	C		
1~4	A1822115	IND . PTO VALVE ASSY					
1	A1822116	BLOCK, PTO VALVE	1	1	1		
2	A1822091	VALVE, PTO SOL	1	1	1		
3	A1822105	VALVE, SEQUENCE	1	1	1		
4	S801010011	O-RING	2	2	2		
5	S153089033	BOLT, HEX.	M8X1.25X90	3	3	3	
6	A1630538	JOINT, HOSE		1	1	1	
7~8	A1823450	PTO CLUTCH PIPE ASSY		1	1	1	
7	A1823451	PIPE, PTO CLUTCH		1	1	1	
8	A1823354	JOINT		2	2	2	
8~9	A1823452	PTO LUB. PIPE ASSY		1	1	1	
9	A1823453	PIPE, PTO LUB.		1	1	1	
10	A1823157	BOLT, UNION		2	2	2	
11	A1823158	SEAL, COPPER		4	4	4	

# TM CONTROL VALVE

FIG. 9-3A

G. 822



# TM CONTROL VALVE

A-R36 / B-R39 / C-R45

A-NOT AVAILABLE / B-R41 / C-R47

**FIG. 9-3A**

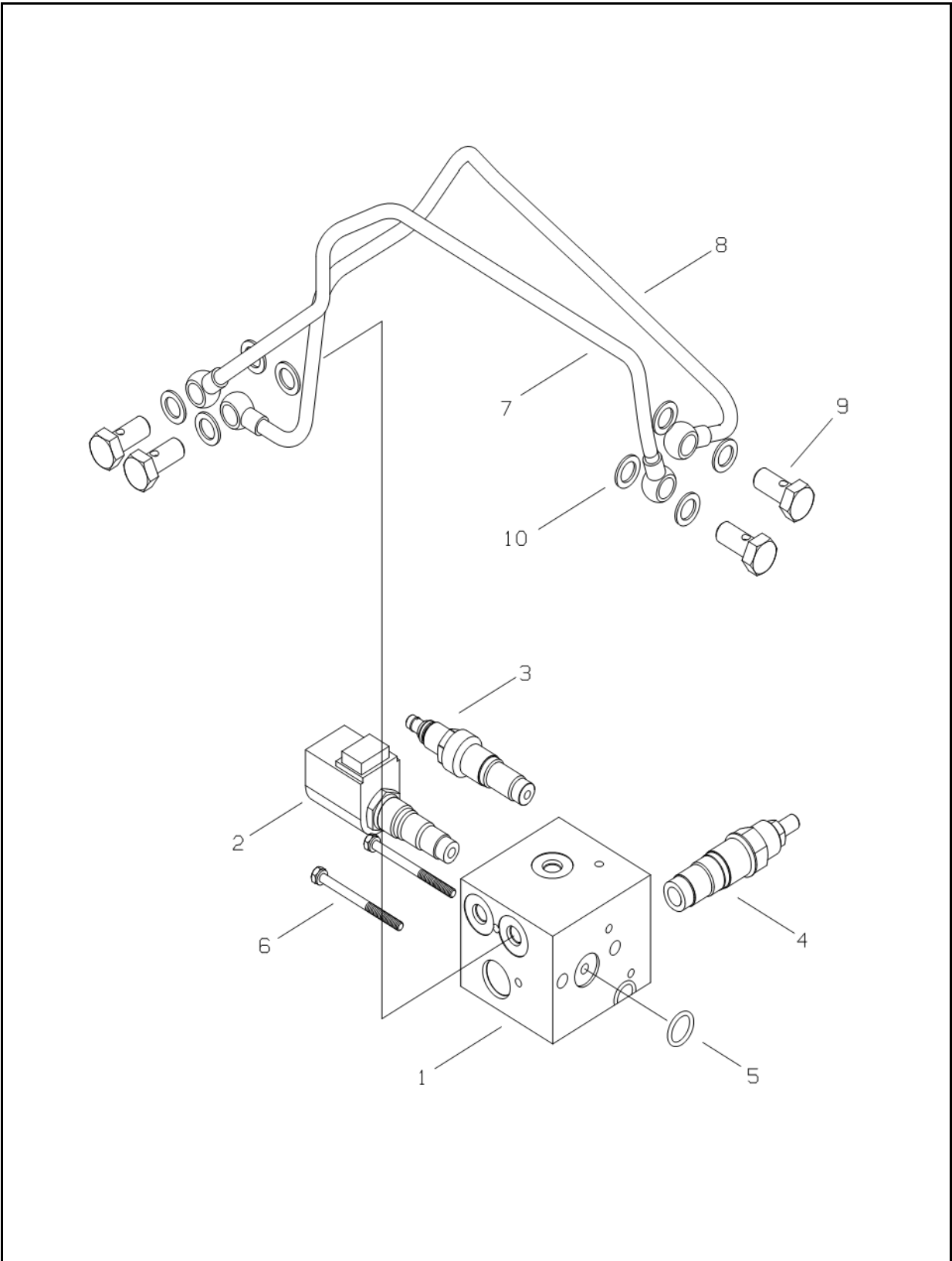
**( MEC, INDP )**

NO.	PART NO.	PART NAME & DESCRIPTION	QTY			APP. NO.	REM.
			A	B	C		
1~4	A1822136		1	1	1		
1	A1822137		1	1	1		
2	A1822138		1	1	1		
3	A1822139		1	1	1		
4	S801016010		D16	2	2		
5	S153089033	M8X1.25X90	3	3	3		
6	A1630538		1	1	1		
7~8	A1823450		1	1	1		
7	A1823451		1	1	1		
8	A1823354		2	2	2		
8~9	A1823452		1	1	1		
9	A1823453		1	1	1		
10	A1823157		2	2	2		
11	A1823158		4	4	4		

# TM CONTROL VALVE

FIG. 9-3F

G. 822



# TM CONTROL VALVE

A-R36 / B-R39 / C-R45

A-NOT AVAILABLE / B-R41 / C-R47

**FIG. 9-3F**

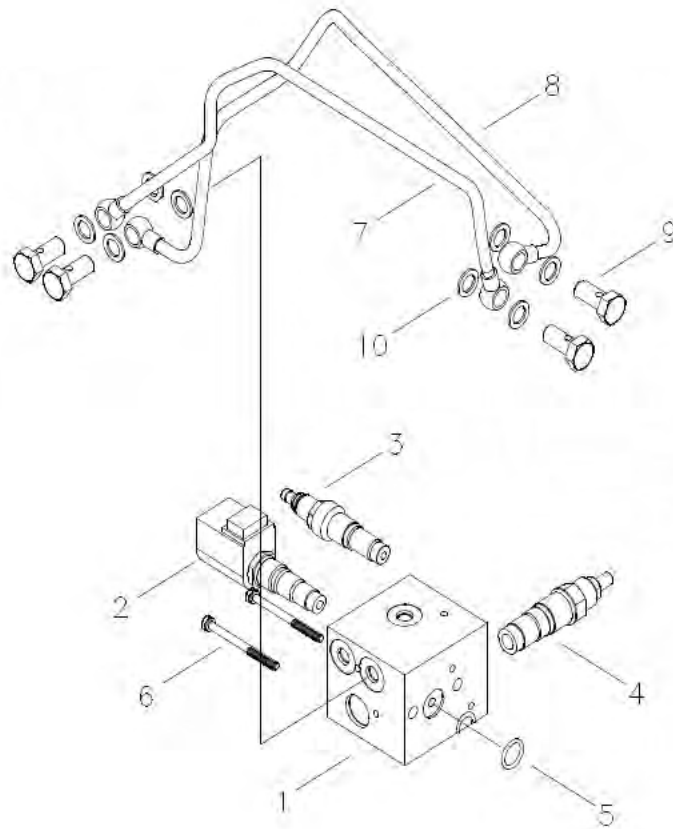
**( HST, INDP )**

NO.	PART NO.	PART NAME & DESCRIPTION	QTY			APP. NO	REM.
			A	B	C		
1~5	A1822155	VALVE ASSY	1	1	1		
1	A1822176	BLOCK, PTO VALVE	1	1	1		
2	A1822091	VALVE, PTO. SOL.	1	1	1		
3	A1822105	VALVE, SEQUENCE	1	1	1		
4	A1822093	VALVE, REDUCING	1	1	1		
5	S801016010	O-RING	2	2	2		
6	S153089033	BOLT, HEX.	2	2	2		
7	A1823459	PIPE, PTO CLUTCH	1	1	1		
8	A1823519	PIPE, PTO LUBRICATION	1	1	1		
9	A1823157	BOLT, UNION	4	4	4		
10	A1823158	WASHER, COPPER	8	8	8		

# TM CONTROL VALVE

FIG. 9-3F

G. 822



# TM CONTROL VALVE

A-R36 / B-R39 / C-R45

A-NOT AVAILABLE / B-R41 / C-R47

**FIG. 9-3F**

**( HST, INDP )**

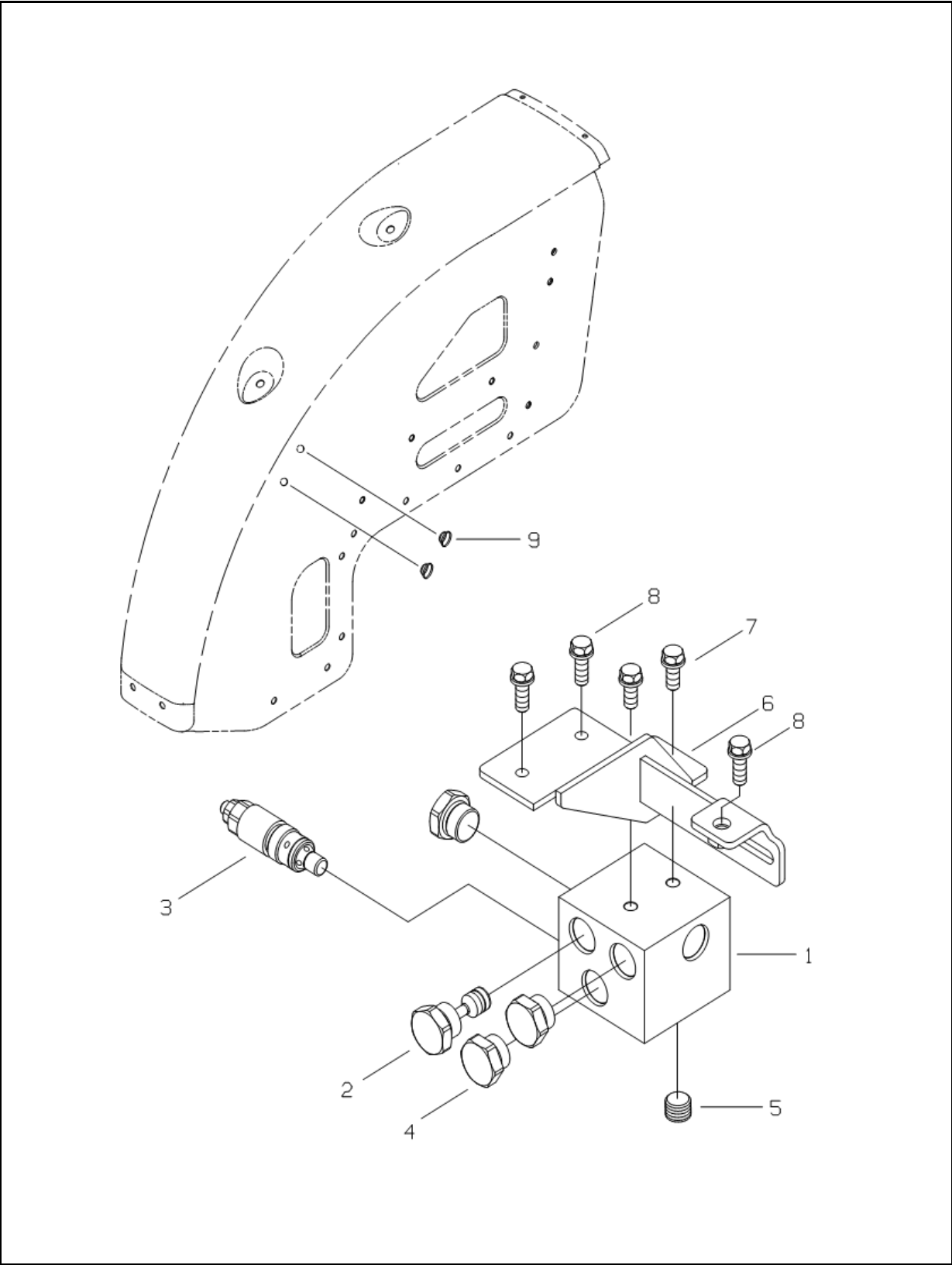
NO.	PART NO.	PART NAME & DESCRIPTION	QTY			APP. NO	REM.
			A	B	C		
1~5	A1822159		1	1	1		
1	A1822160		1	1	1		
2	A1822138		1	1	1		
3	A1822165		1	1	1		
4	A1822163		1	1	1		
5	S801016010	D16	2	2	2		
6	S153089033	M8X1.25X90	3	3	3		
7	A1823459		1	1	1		
8	A1823519		1	1	1		
9	A1823157		4	4	4		
10	A1823158		8	8	8		



# FRONT OUTLET & LOADER VALVE

FIG. 9-4A

G. 822



# FRONT OUTLET & LOADER VALVE

A-R36 / B-R39 / C-R45

A-NOT AVAILABLE / B-R41 / C-R47

**FIG. 9-4A**

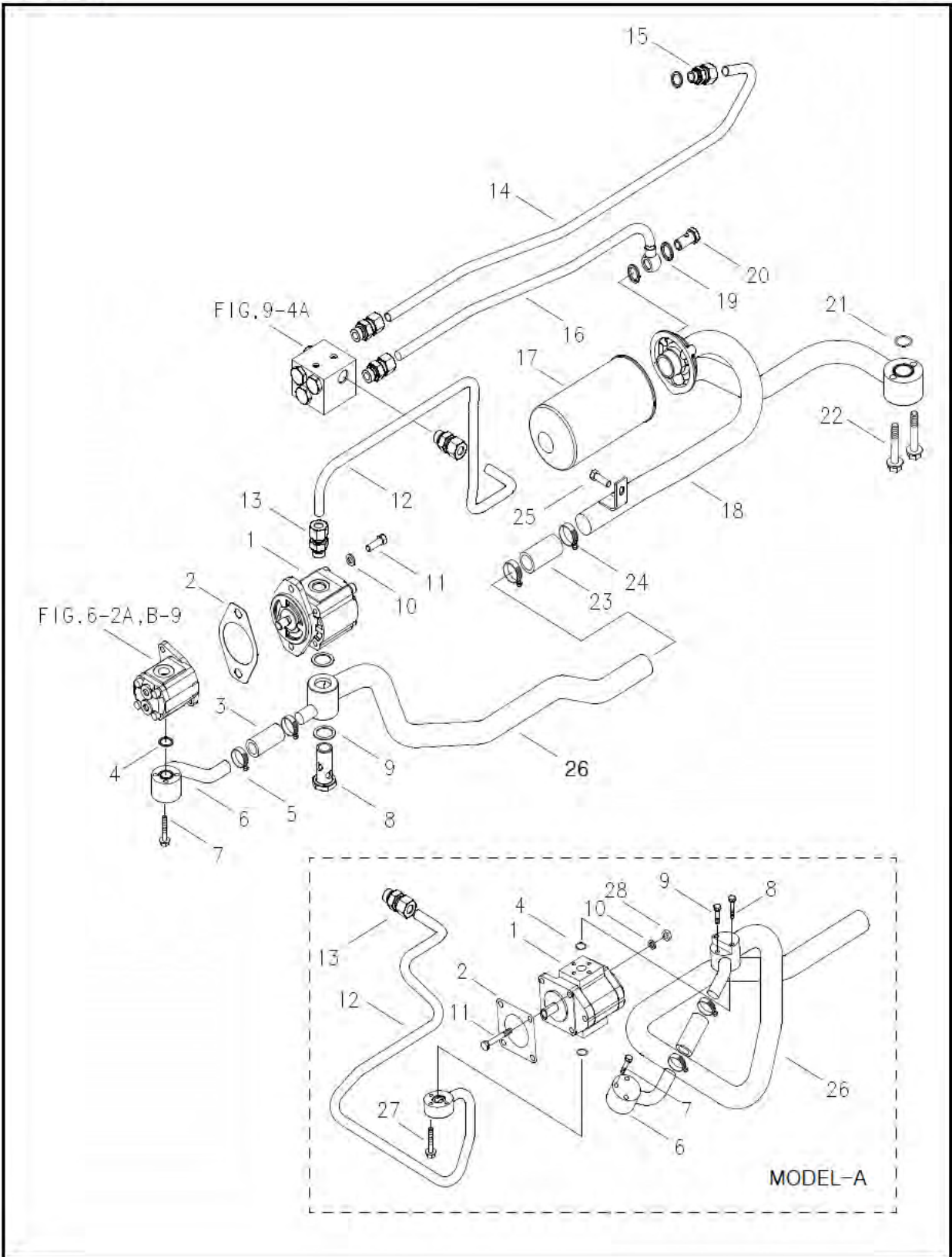
**( F / OUTLET VALVE )**

NO.	PART NO.	PART NAME & DESCRIPTION	QTY			APP. NO.	REM.
			A	B	C		
1~5	A1822127	FRONT OUTLET VALVE	1	1	1		
1	A1822128	BLOCK, F/OUTLET VALVE	1	1	1		
2	A1822131	PLUG, CARRY OVER	1	1	1		
3	A1822077	VALVE, RELIEF	1	1	1		
4	A5001244	PLUG	3	3	3		
5	A0310168	PLUG	1	1	1		
6	A1822186	BRACKET, F/OUTLET VALVE	1	1	1	005-6부대	A1822135
7	S153082033	BOLT, HEX.	M8X1.25X20	2	2	2	
8	S153082533	BOLT, HEX.	M8X1.25X25	3	3	3	
9	A0610083	PLUG		2	2	2	

# HYDRAULIC LINES

FIG. 9-5A

G. 823



# HYDRAULIC LINES

A-R36 / B-R39 / C-R45

A-NOT AVAILABLE / B-R41 / C-R47

**FIG. 9-5A**

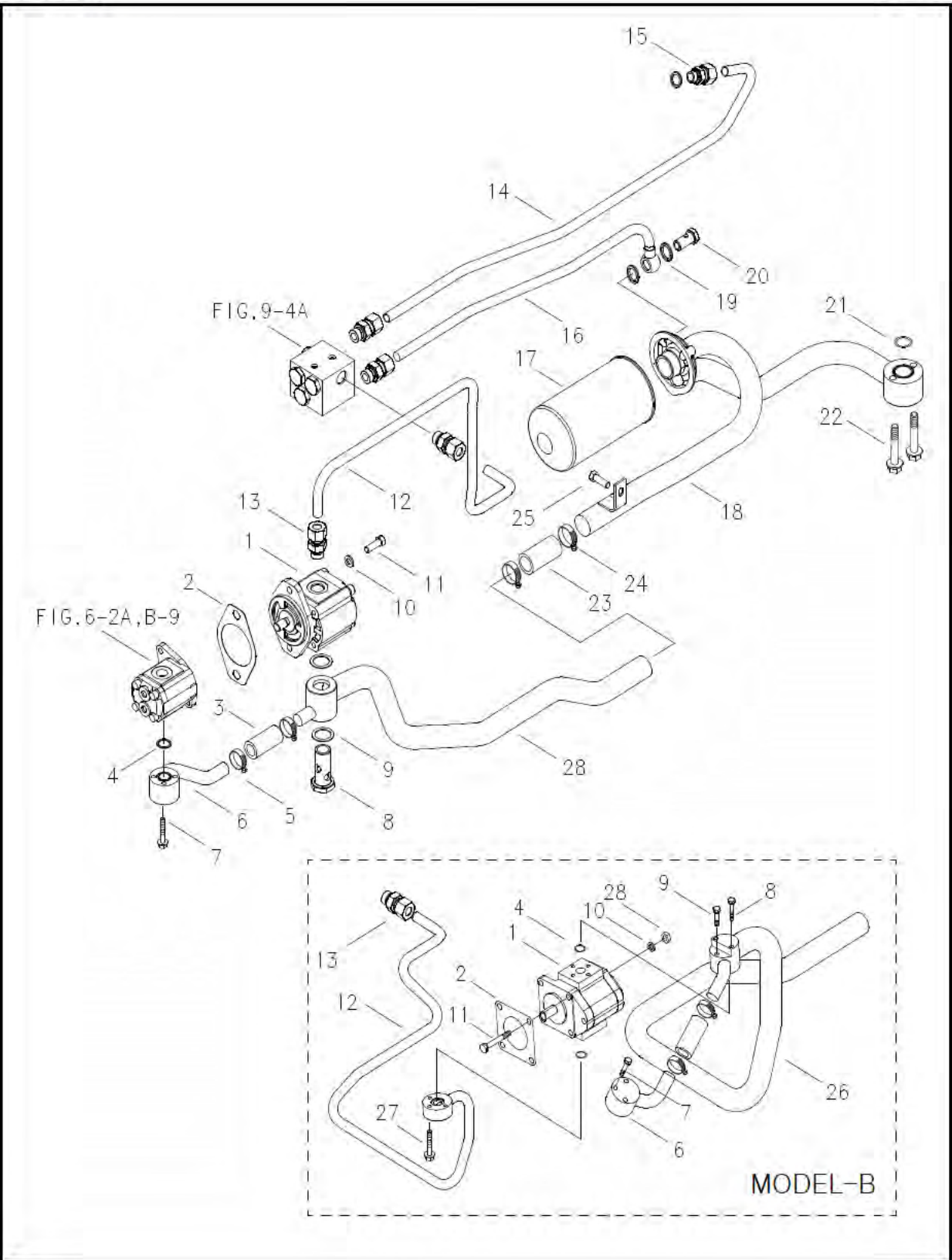
**( MEC, F/OUTLET )**

NO.	PART NO.	PART NAME & DESCRIPTION	QTY			APP. NO	REM.
			A	B	C		
1	A1823433	PUMP, HYD. LIFT	*	1	1		
	A1823279	PUMP, HYD. LIFT	1	*	*		
2	A1823103	PACKING, PUMP	*	1	1		
	3A1823010	PACKING, PUMP	1	*	*		
3	A1823331	HOSE, F/S	1	1	1		
4	S801018010	O-RING	3	1	1		
		D18					
5	A1970201D	CLAMP, HOSE	2	2	2		
6	A1823441	ADAPTOR, F/S PIPE	*	1	1		
	A1823457	ADAPTOR, F/S PIPE	1	*	*		
7	S153064533	BOLT, HEX.	3	3	3		
		M6X1.0X45					
8	A1823456	BOLT, UNION	*	1	1		
	S153065033	BOLT, HEX.	2	*	*		
9	A1823168	PACKING, COPPER	*	2	2		
	S153064033	BOLT, HEX.	1	*	*		
10	S361100013	WASHER, SPRING	*	2	2		
		Φ18.4xΦ10.2x2.5t					
11	S361080013	WASHER, SPRING	4	*	*		
	S107102543	BOLT, HEX.	*	2	2		
	A1970325	BOLT, HEX.	2	*	*		
12~13	A1823444	PRESSURE PIPE ASSY	*	1	1		
	A1823442	PRESSURE PIPE ASSY	1	*	*		
		Φ15.4xΦ8.2x2t					
12	A1823445	PIPE, FRONT PRESSURE	*	1	1		
	A1823443	PIPE, FRONT PRESSURE	1	*	*		
13	A1823144	JOINT	4	4	4		
13~15	A1823446	M/PRESSURE PIPE ASSY	1	1	1		
14	A1823447	PIPE, MIDDLE PRESSURE	1	1	1		
15	A1823414	JOINT	1	1	1		
13,16	A1823448	V/V DRAIN PIPE ASSY	1	1	1		
16	A1823449	PIPE, V/V DRAIN	1	1	1		
17	A1823315	FILTER, SUCTION	1	1	1		
18	A1823629	PIPE, REAR SUCTION	1	1	1		
19	A1823245	SEAL, BONDED	3	3	3		
20	A1630201	BOLT, UNION	1	1	1		
21	S804030010	O-RING	1	1	1		
		D30					
22	S154106033	BOLT, HEX.	2	2	2		
		M10X1.5X60					
23	A5000401	HOSE, SUCTION PIPE	1	1	1		
24	A1970201G	CLAMP, HOSE	2	2	2		
25	S154102033	BOLT, HEX.	1	1	1		
		M10X1.5X20					
26	A1823435	PIPE, FRONT SUCTION	*	1	1		
	A1823434	PIPE, FRONT SUCTION	1	*	*		
27	S153063033	BOLT, HEX.	3	*	*		
		M6X1.0X30					
28	S313080013	NUT, HEX.	4	*	*		
		M8X1.25					

# HYDRAULIC LINES

FIG. 9-5A

G. 823



# HYDRAULIC LINES

A-R36 / B-R39 / C-R45

A-NOT AVAILABLE / B-R41 / C-R47

**FIG. 9-5A**

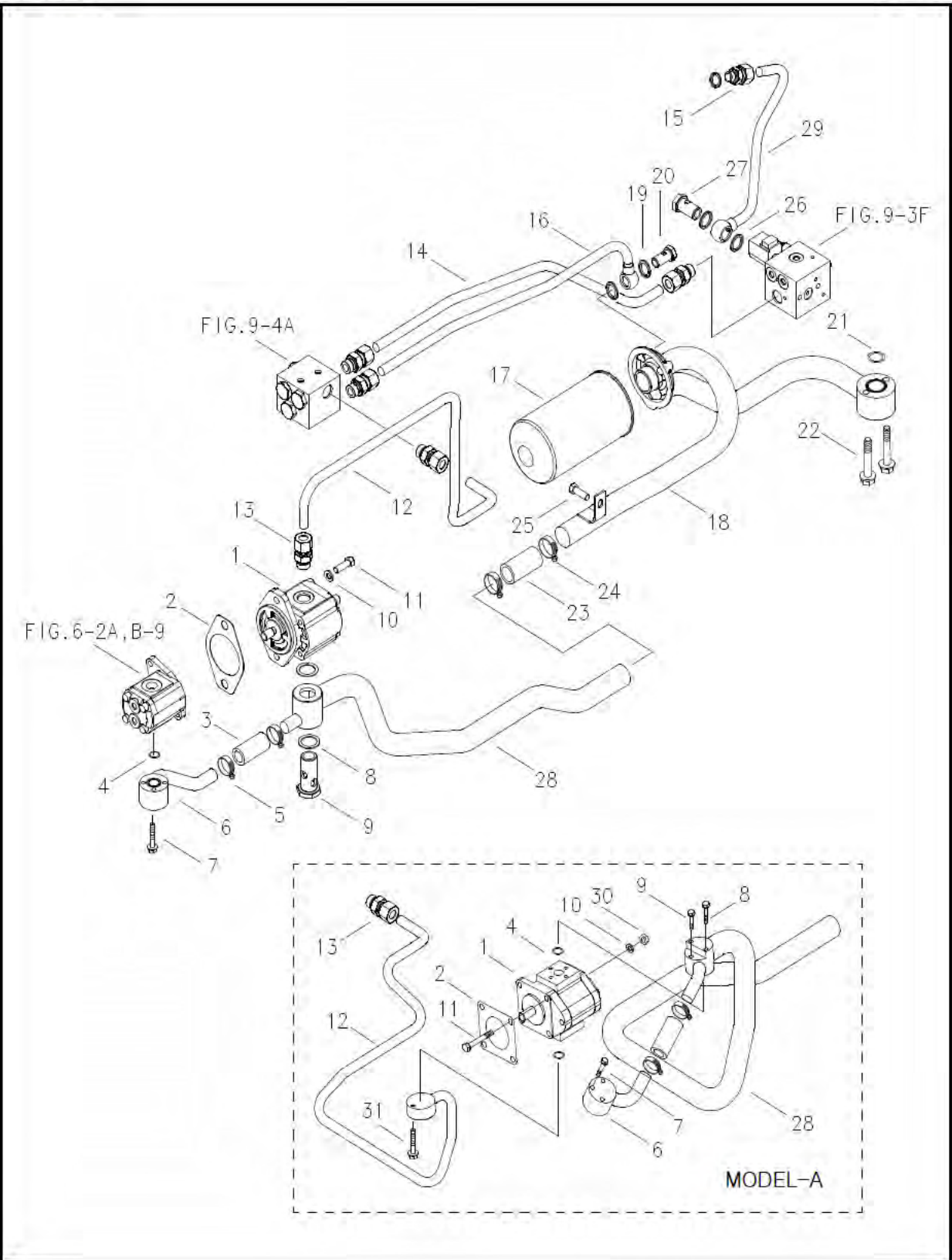
**( MEC, F/OUTLET )**

NO.	PART NO.	PART NAME & DESCRIPTION	QTY			APP. NO	REM.
			A	B	C		
1	A1823433		*	1	1		
	A1823279		1	*	*		
2	A1823103		*	1	1		
	3A1823010		1	*	*		
3	A1823331		1	1	1		
4	S801018010	D18	3	1	1		
5	A1970201D		2	2	2		
6	A1823441		*	1	1		
	A1823457		1	*	*		
7	S153064533	M6X1.0X45	3	3	3		
8	A1823456		*	1	1		
	S153065033	M6X1.0X50	2	*	*		
9	A1823168		*	2	2		
	S153064033	M6X1.0X40	1	*	*		
10	S361100013	Φ18.4xΦ10.2x2.5t	*	2	2		
11	S361080013	Φ15.4xΦ8.2x2t	4	*	*		
	S107102543	M10X1.5X25	*	2	2		
	A1970325		2	*	*		
12~13	A1823444		*	1	1		
	A1823442		1	*	*		
12	A1823445		*	1	1		
	A1823443		1	*	*		
13	A1823144		4	4	4		
13~15	A1823446		1	1	1		
14	A1823447		1	1	1		
15	A1823414		1	1	1		
13,16	A1823448		1	1	1		
16	A1823449		1	1	1		
17	A1823315		1	1	1		
18	A1823436		1	1	1		
19	A1823245	SEAL, BONDED	3	3	3		
20	A1630201	BOLT, UNION	1	1	1		
21	S804030010	O-RING	1	1	1		
22	S154106033	BOLT, HEX.	2	2	2		
23	A5000401	HOSE, SUCTION PIPE	1	1	1		
24	A1970201G	CLAMP, HOSE	2	2	2		
25	S154102033	BOLT, HEX.	1	1	1		
26	A1823435	PIPE, FRONT SUCTION	*	1	1		
	A1823434	PIPE, FRONT SUCTION	1	*	*		
27	S153063033	BOLT, HEX.	3	*	*		
28	S313080013	NUT, HEX.	4	*	*		

# HYDRAULIC LINES

FIG. 9-5C

G. 823



# HYDRAULIC LINES

A-R36 / B-R39 / C-R45

A-NOT AVAILABLE / B-R41 / C-R47

**FIG. 9-5C**

**( HST, F/OUTLET )**

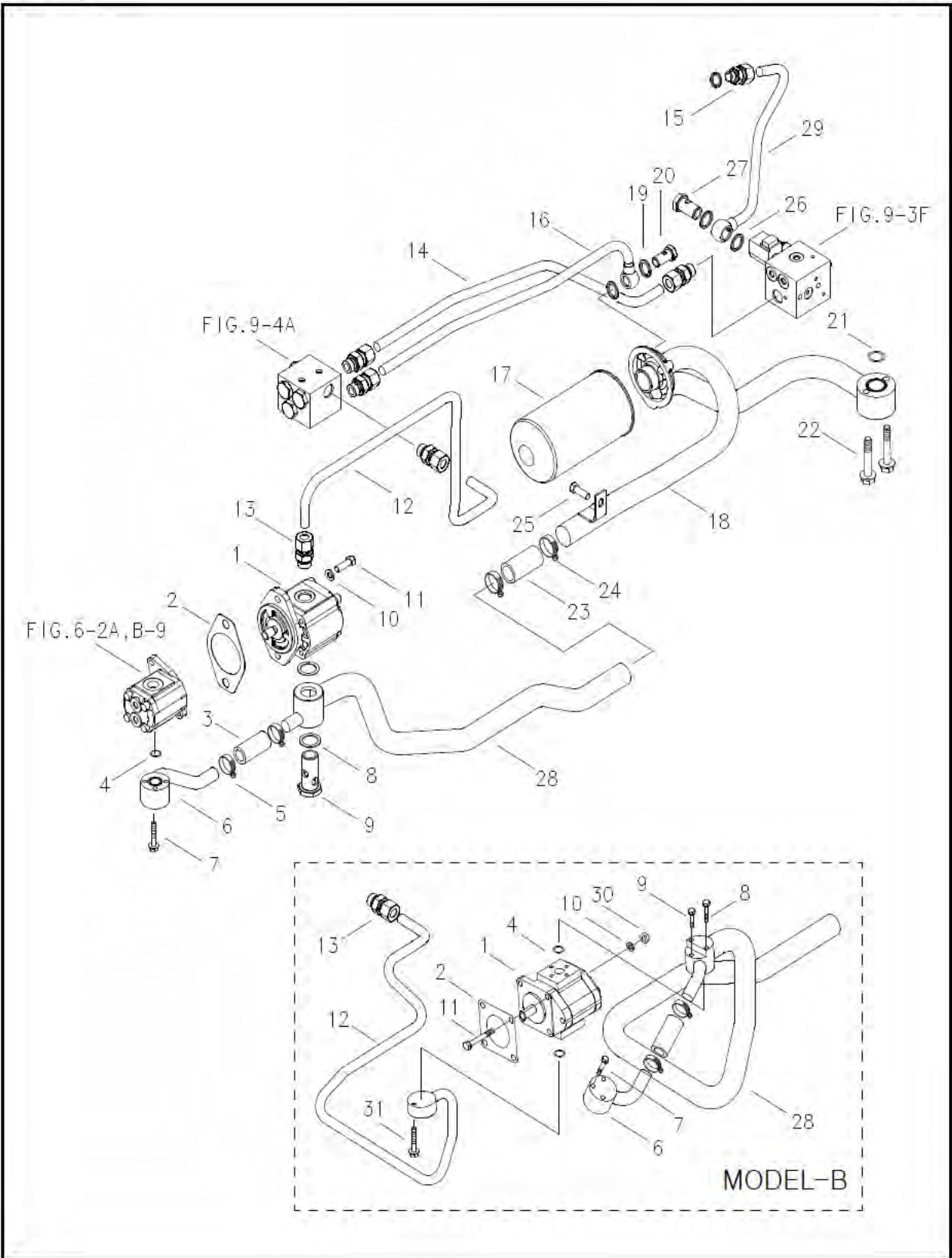
NO.	PART NO.	PART NAME & DESCRIPTION	QTY			APP. NO	REM.
			A	B	C		
1	A1823433	PUMP, HYD. LIFT	*	1	1		
	A1823279	PUMP, HYD. LIFT	1	*	*		
2	A1823103	PACKING, PUMP	*	1	1		
	3A1823010	PACKING, PUMP	1	*	*		
3	A1823331	HOSE, F/S	1	1	1		
4	S801018010	O-RING	3	1	1		
5	A1970201D	CLAMP, HOSE	2	2	2		
6	A1823441	ADAPTOR, F/S PIPE	*	1	1		
	A1823457	ADAPTOR, F/S PIPE	1	*	*		
7	S153064533	BOLT, HEX.	3	3	3		
8	A1823456	BOLT, UNION	*	1	1		
	S153065033	BOLT, HEX.	2	*	*		
9	A1823168	PACKING, COPPER	*	2	2		
	S153064033	BOLT, HEX.	1	*	*		
10	S361100013	WASHER, SPRING	*	2	2		
11	S361080013	WASHER, SPRING	4	*	*		
	S107102543	BOLT, HEX.	*	2	2		
	A1970325	BOLT, HEX.	2	*	*		
12~13	A1823444	PRESSURE PIPE ASSY	*	1	1		
	A1823442	PRESSURE PIPE ASSY	1	*	*		
12	A1823445	PIPE, FRONT PRESSURE	*	1	1		
	A1823443	PIPE, FRONT PRESSURE	1	*	*		
13	A1823144	JOINT	5	5	5		
13~14	A1823513	M/PRESSURE PIPE ASSY	1	1	1		
14	A1823514	PIPE, MIDDLE PRESSURE	1	1	1		
15	A1823414	JOINT	1	1	1		
13,16	A1823448	V/V DRAIN PIPE ASSY	1	1	1		
16	A1823449	PIPE, OUTLET V/V DRAIN	1	1	1		
17	A1823315	FILTER, SUCTION	1	1	1		
18	A1823629	PIPE, REAR SUCTION	1	1	1		
19	A1823245	SEAL, BONDED	3	3	3		
20	A1630201	BOLT, HEX.	1	1	1		
21	S804030010	O-RING	1	1	1		
22	S154106033	BOLT, HEX.	2	2	2		
23	A5000401	HOSE, SUCTION PIPE	1	1	1		
24	A1970201G	CLAMP, HOSE	2	2	2		
25	S154102033	BOLT, HEX.	1	1	1		
26	A1823252	SEAL, BONDED	2	2	2		
27	A1823161	BOLT, UNION	1	1	1		
28	A1823435	PIPE, FRONT SUCTION	*	1	1		
15,29	A1823434	PIPE, FRONT SUCTION	1	*	*		
	A1823515	V/V OUTLET PIPE ASSY	1	1	1		
29	A1823516	PIPE, PTO V/V OUTLET	1	1	1		
30	S313080013	NUT, HEX.	4	*	*		
31	S153063033	BOLT, HEX.	3	*	*		



# HYDRAULIC LINES

FIG. 9-5C

G. 823



# HYDRAULIC LINES

A-R36 / B-R39 / C-R45

A-NOT AVAILABLE / B-R41 / C-R47

**FIG. 9-5C**

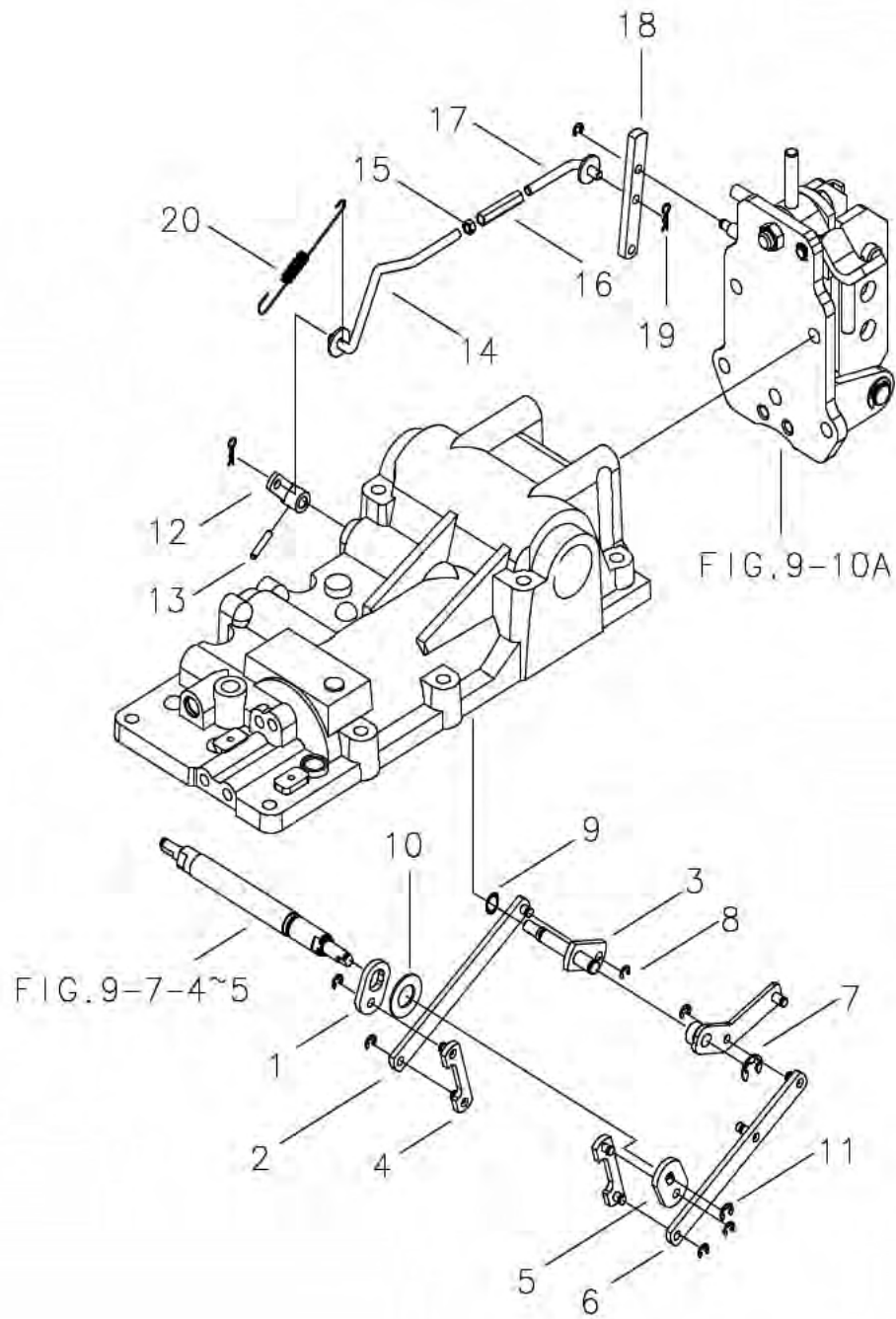
**( HST, F/OUTLET )**

NO.	PART NO.	PART NAME & DESCRIPTION	QTY			APP. NO.	REM.
			A	B	C		
1	A1823433		*	1	1		
	A1823279		1	*	*		
2	A1823103		*	1	1		
	3A1823010		1	*	*		
3	A1823331		1	1	1		
4	S801018010	D18	3	1	1		
5	A1970201D		2	2	2		
6	A1823441		*	1	1		
	A1823457		1	*	*		
7	S153064533	M6X1.0X45	3	3	3		
8	A1823456		*	1	1		
	S153065033	M6X1.0X50	2	*	*		
9	A1823168		*	2	2		
	S153064033	M6X1.0X40	1	*	*		
10	S361100013	Φ18.4xΦ10.2x2.5t	*	2	2		
11	S361080013	Φ15.4xΦ8.2x2t	4	*	*		
	S107102543	M10X1.5X25	*	2	2		
	A1970325		2	*	*		
12~13	A1823444		*	1	1		
	A1823442		1	*	*		
12	A1823445		*	1	1		
	A1823443		1	*	*		
13	A1823144		5	5	5		
13~14	A1823513		1	1	1		
14	A1823514		1	1	1		
15	A1823414		1	1	1		
13,16	A1823448		1	1	1		
16	A1823449		1	1	1		
17	A1823315		1	1	1		
18	A1823436		1	1	1		
19	A1823245	SEAL, BONDED	3	3	3		
20	A1630201	BOLT, HEX.	1	1	1		
21	S804030010	O-RING	1	1	1		
22	S154106033	BOLT, HEX.	2	2	2		
23	A5000401	HOSE, SUCTION PIPE	1	1	1		
24	A1970201G	CLAMP, HOSE	2	2	2		
25	S154102033	BOLT, HEX.	1	1	1		
26	A1823252	SEAL, BONDED	2	2	2		
27	A1823161	BOLT, UNION	1	1	1		
28	A1823435	PIPE, FRONT SUCTION	*	1	1		
15,29	A1823434	PIPE, FRONT SUCTION	1	*	*		
	A1823515	V/V OUTLET PIPE ASSY	1	1	1		
29	A1823516	PIPE, PTO V/V OUTLET	1	1	1		
30	S313080013	NUT, HEX.	4	*	*		
31	S153063033	BOLT, HEX.	3	*	*		

# HYDRAULIC LINKAGE

FIG. 9-6

G. 824



# HYDRAULIC LINKAGE

A-R36 / B-R39 / C-R45

A-NOT AVAILABLE / B-R41 / C-R47

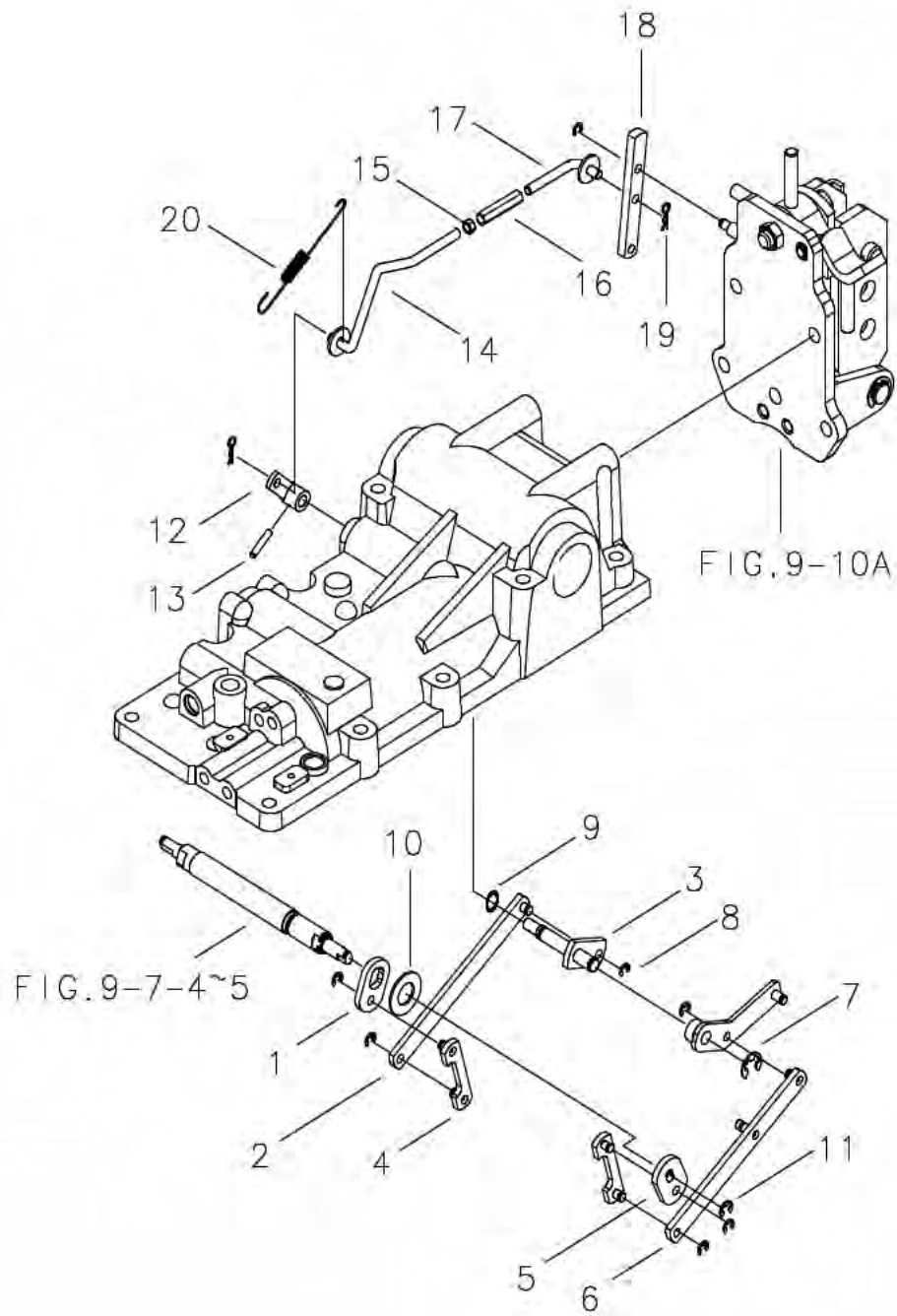
**FIG. 9-6**

NO.	PART NO.	PART NAME & DESCRIPTION	QTY			APP. NO	REM.
			A	B	C		
1	A1824053	PLATE, DRAFT	1	1	1		
2	A1824042	LINK, DRAFT	1	1	1		
3	A1824047	SHAFT, DRAFT CONTROL	1	1	1		
4	A1824043	LINK(E)	2	2	2		
5	A1824054	PLATE, POSITION	1	1	1		
6	A1824041	LINK, POSITION	1	1	1		
7	S814009003	RING, SNAP(E)	1	1	1		D9
8	S814006003	RING, SNAP(E)	7	7	7		D6
9	S801009010	O-RING	1	1	1		D9
10	A1824057	RING, SNAP(S)	1	1	1		
11	S810012001	RING, SNAP	1	1	1		D12
12	A1824051	ARM	1	1	1		
13	S446042012	PIN, SPRING	1	1	1		Φ4X20
14~19	A1824048	DRAFT LINK ASSY	1	1	1		
14	A1824049	ROD(A)	1	1	1		
15	S313080043	NUT, HEX.	1	1	1		M8X1.25
16	3A1824014	JOINT	1	1	1		
17	A1824050	ROD(B)	1	1	1		
18	3A1824011	LINK, PAC	1	1	1		
19	S443080013	PIN, SNAPE A-TYPE	2	2	2		M8X1.25
20	A1824094	SPRING	1	1	1		

# HYDRAULIC LINKAGE

FIG. 9-6

G. 824



# HYDRAULIC LINKAGE

A-R36 / B-R39 / C-R45

A-NOT AVAILABLE / B-R41 / C-R47

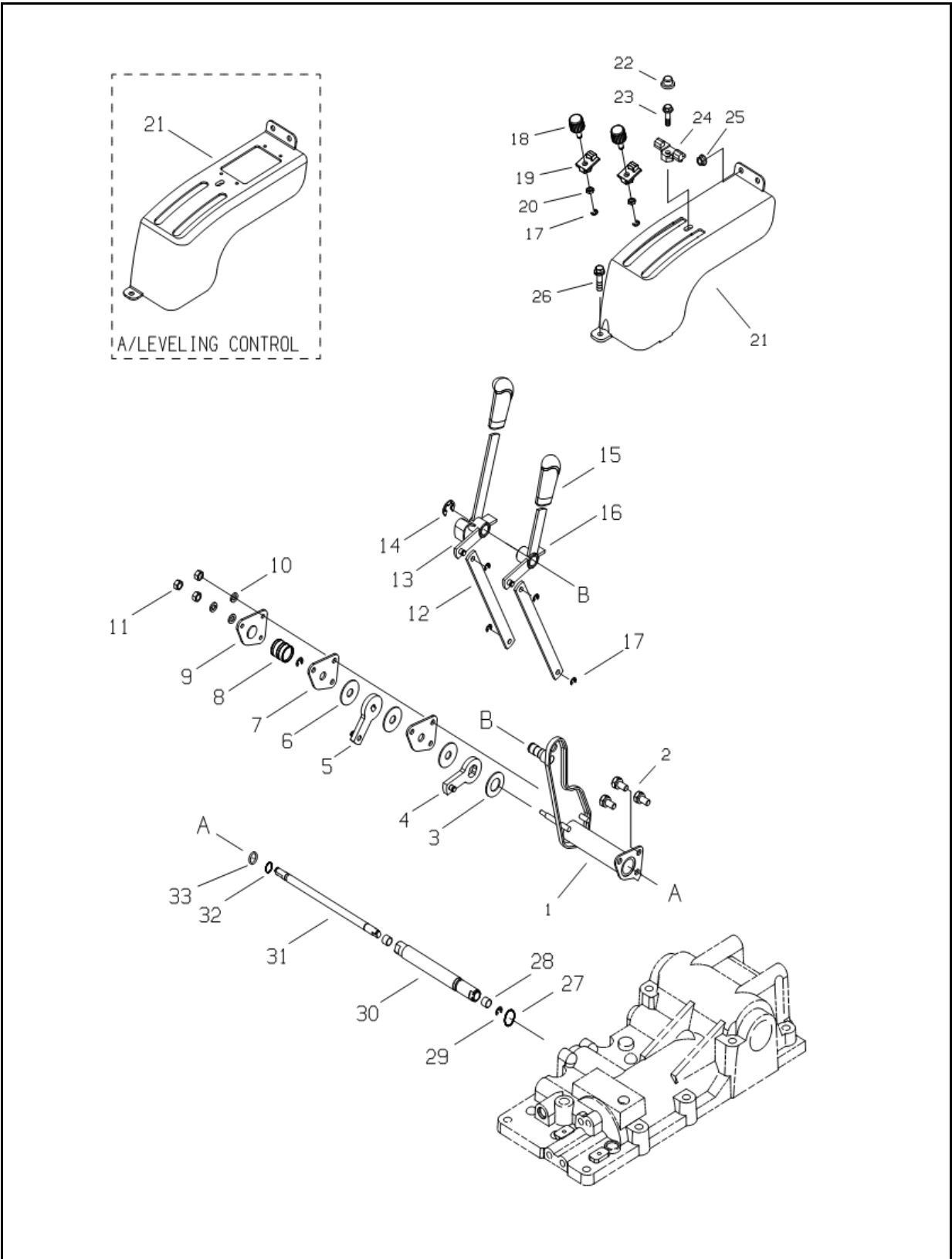
**FIG. 9-6**

NO.	PART NO.	PART NAME & DESCRIPTION	QTY			APP. NO.	REM.
			A	B	C		
1	A1824053		1	1	1		
2	A1824042		1	1	1		
3	A1824047		1	1	1		
4	A1824043		2	2	2		
5	A1823054		1	1	1		
6	A1824041		1	1	1		
7	S814009003	D9	1	1	1		
8	S814006003	D6	7	7	7		
9	S801009010	D9	1	1	1		
10	A1824057		1	1	1		
11	S810012001	D12	1	1	1		
12	A1824051		1	1	1		
13	S446042012	Φ4X20	1	1	1		
14~19	A1824048		1	1	1		
14	A1824049		1	1	1		
15	S313080043	M8X1.25	1	1	1		
16	3A1824014		1	1	1		
17	A1824050		1	1	1		
18	3A1824011		1	1	1		
19	S443080013	M8X1.25	2	2	2		
20	A1824055		1	1	1		

# HYDRAULIC CONTROL LEVER

FIG. 9-7

G. 825



# HYDRAULIC CONTROL LEVER

A-R36 / B-R39 / C-R45

A-NOT AVAILABLE / B-R41 / C-R47

**FIG. 9-7**

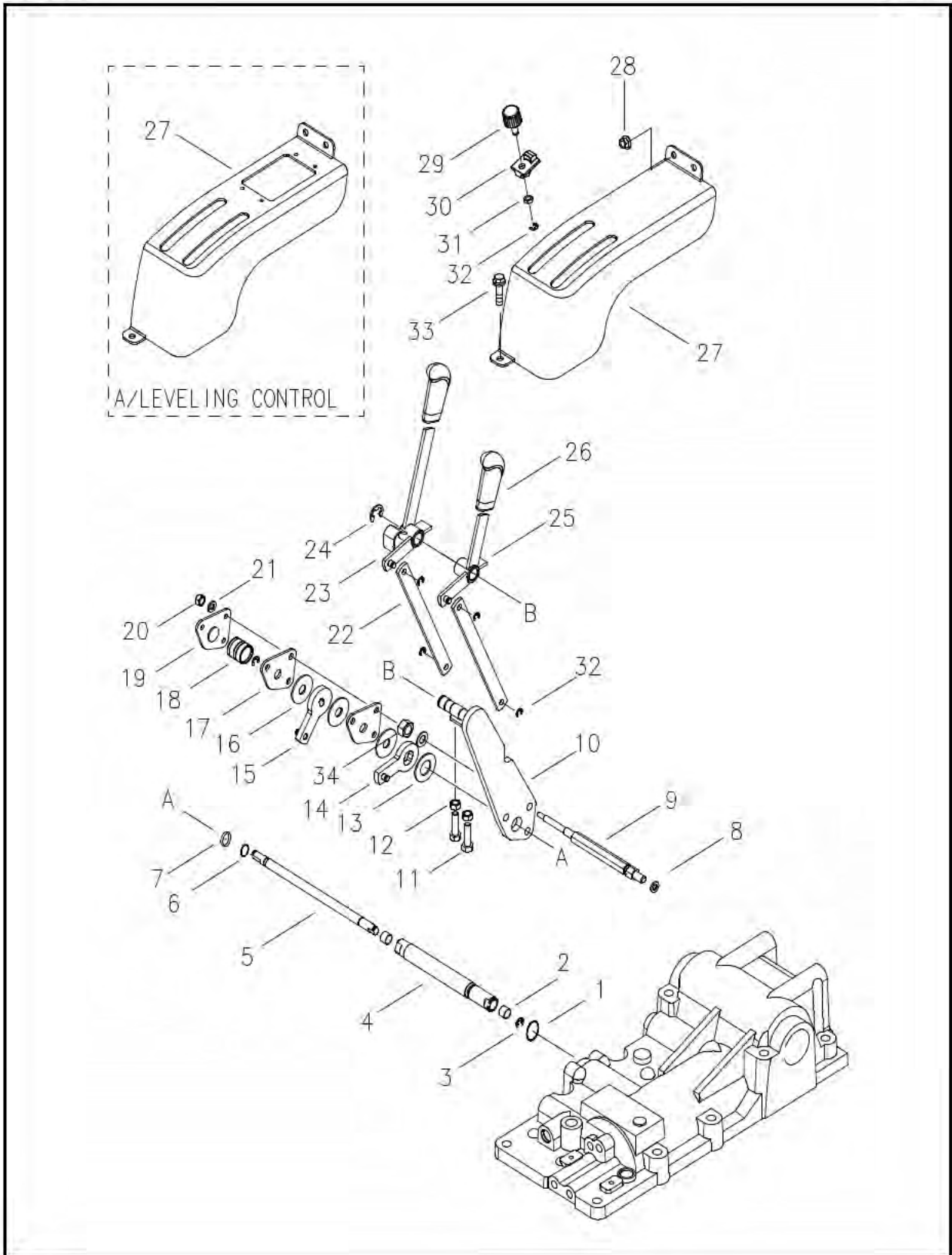
NO.	PART NO.	PART NAME & DESCRIPTION	QTY			APP. NO.	REM.
			A	B	C		
1	A1825202	BRACKET, HYD LEVER	1	1	1		
2	S154102033	BOLT, HEX.	3	3	3		
3	A1825023	FRICTION PLATE	1	1	1		
4	A1825173	ARM, DRAFT LEVER	1	1	1		
5	A1825174	ARM, POSITION LEVER	1	1	1		
6	A1825024	FRICTION PLATE	3	3	3		
7	A1825170	PLATE, LOCKING	2	2	2		
8	A1825086	SPRING	1	1	1		
9	A1825167	COVER, SPRING	1	1	1		
10	S361060013	WASHER, SPRING 1-TY	3	3	3		
11	S305060013	NUT, HEX.	3	3	3		
12	A1825176	LINK, HYD. LEVER	2	2	2		
13	A1825200	LEVER, POSITION	1	1	1		
14	S814015003	RING, SNAP(E)	1	1	1		
15	A5002309	GRIP, LEVER	2	2	2		
16	A1825201	LEVER, DRAFT	1	1	1		
17	S814006003	RING, SNAP(E)	6	6	6		
18	A1825056	GRIP, LEVER STOP	2	2	2		
19	A1825129	STOPPER, LEVER	2	2	2		
20	S305080043	NUT, HEX.	3	3	3		
21	A1825194	GUIDE, HYD. LVER	1	1	1		
	A1825232	GUIDE, HYD. LVER	1	1	1		AUTO/L
22	A1830283	CAP, BOLT	1	1	1		
23	S155083033	BOLT, HEX.	1	1	1		
24	A1825194	STOPPER, HYD. LEVER	1	1	1		
25	S345080013	NUT, FLANGE	2	2	2		
26	S159082033	BOLT, HEX.	1	1	1		
27	S801016010	O-RING	1	1	1		
28	A0676910	BUSHING, DU	2	2	2		
29	S810012001	RING, SNAP	2	2	2		
30	A1824082	SHAFT, DRAFT	1	1	1		
31	A1824045	SHAFT, POSITION	1	1	1		
32	S801010011	O-RING	1	1	1		
33	A1824056	RING, BACKUP	1	1	1		



# HYDRAULIC CONTROL LEVER

FIG. 9-7

G. 825



# HYDRAULIC CONTROL LEVER

A-R36 / B-R39 / C-R45

A-NOT AVAILABLE / B-R41 / C-R47

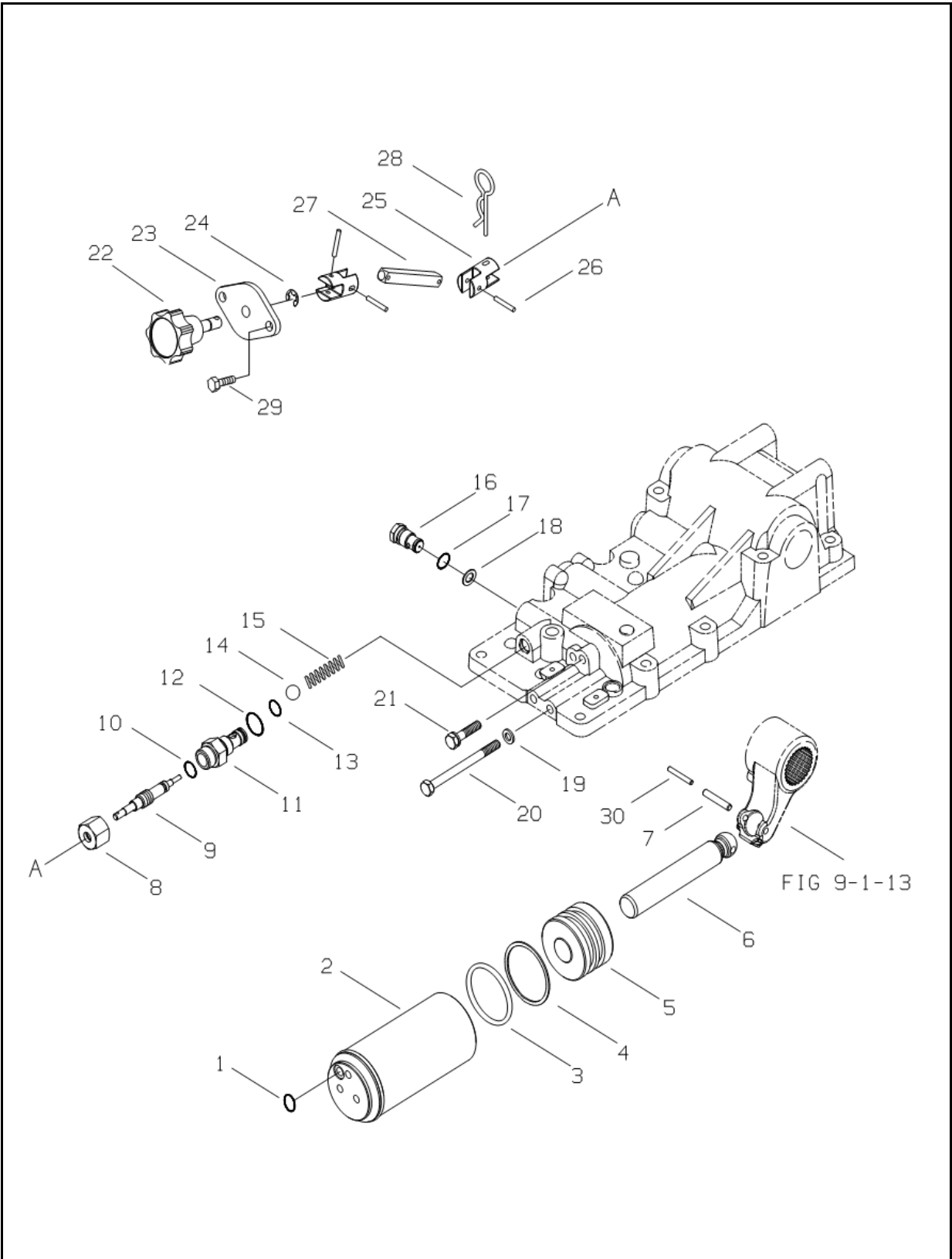
**FIG. 9-7**

NO.	PART NO.	PART NAME & DESCRIPTION	QTY			APP. NO.	REM.
			A	B	C		
1	S801016010	D16	1	1	1		
2	A0676910		2	2	2		
3	S810012001	D12	2	2	2		
4	A1824046		1	1	1		
5	A1824045		1	1	1		
6	S801010011	D10	1	1	1		
7	A1824056		1	1	1		
8	S361100013	Φ18.4X10.2X2.5T	6	6	6		
9	A1825169		3	3	3		
10	A1825175		1	1	1		
11	S163084013	M8X1.25X40	2	2	2		
12	S313080043	M8X1.25	2	2	2		
13	A1825023		1	1	1		
14	A1825173		1	1	1		
15	A1825174		1	1	1		
16	A1825024		3	3	3		
17	A1825170		2	2	2		
18	A1825086		1	1	1		
19	A1825167		1	1	1		
20	S305060013	M6X1.0	3	3	3		
21	S361060013	Φ12.2X6.1X1.5T	3	3	3		
22	A1825176		2	2	2		
23	A1825165		1	1	1		
24	S814015003	D15	1	1	1		
25	A1825166		1	1	1		
26	A5002309		1	1	1		
27	A1825178		1	1	1		
	A1825181		1	1	1		AUTO/L
28	S345080013	M8X1.25	2	2	2		
29	A1825056		2	2	2		
30	A1825129	STOPPER, LEVER	2	2	2		
31	S305080043	NUT, HEX.	2	2	2		
32	S814006003	RING, SNAP(E)	6	6	6		
33	S159082033	BOLT, HEX.	1	1	1		
34	S314100013	NUT, HEX.	3	3	3		

# HYDRAULIC CYLINDER

FIG. 9-8

G. 826



# HYDRAULIC CYLINDER

A-R36 / B-R39 / C-R45

A-NOT AVAILABLE / B-R41 / C-R47

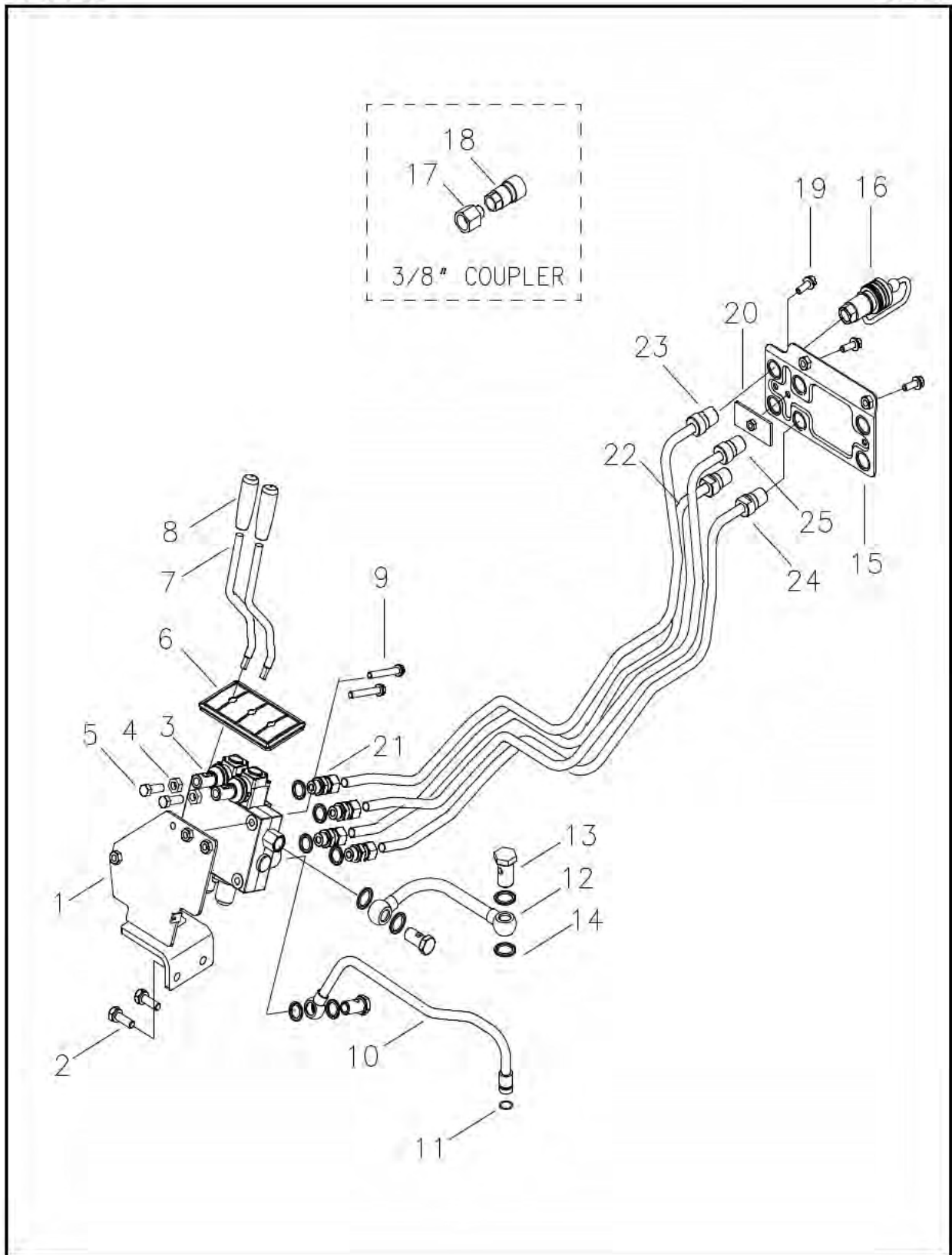
**FIG. 9-8**

NO.	PART NO.	PART NAME & DESCRIPTION		QTY			APP. NO.	REM.
				A	B	C		
1	S801014020	O-RING	D14	1	1	1		
2	A1826125	CYLINDER, HYDRAULIC		1	1	1		
3	A1826085	O-RING		2	2	2		
4	A1826048	RING, BACK-UP		2	2	2		
5	A1826126	PISTON		1	1	1		
6	A1826127	ROD, PISTON		1	1	1		
7	S446085510	PIN, SPRING	Φ8X55	1	1	1		
8~13	A1826131	REGULATOR ASSY, FLOW		1	1	1		
8	A1826081	NUT		1	1	1		
9	A1826132	SCREW, ADJUST		1	1	1		
10	S801006020	O-RING	D6	1	1	1		
11	A1826079	BODY, REGULATOR		1	1	1		
12	S801014020	O-RING	D14	1	1	1		
13	S801010020	O-RING	D10	1	1	1		
14	A20063480	BALL, STEEL		1	1	1		
15	A1826058	SPRING		1	1	1		
16	A1826037	VALVE, SAFETY		1	1	1		
17	S801018010	O-RING	D18	1	1	1		
18	A1826036	SEAL		1	1	1		
19	S361100013	WASHER, SPRING	Φ18.4X10.2X2.5T	2	2	2		
20	S104101243	BOLT, HEX.	M10X1.5X12	2	2	2		
21	S154104533	BOLT, HEX.	M10X1.5X45	1	1	1		
22~27	A1826133	REGULATOR KNOB ASSY		1	1	1		
22	A1826136	KNOB		1	1	1		
23	A5002204	FLANGE, KNOB		1	1	1		
24	S814006001	RING, SNAP	D6	1	1	1		
25	A1826134	END, CONNECTOR		2	2	2		
26	S446032012	PIN, SPRING 2-TY.	Φ3X20	3	3	3		
27	A1826135	CONNECTOR		1	1	1		
28	S443160013	PIN, SNAP A-TYPE	Φ16X54	1	1	1		
29	S155062033	BOLT, HEX.	M6X1.0X20	2	2	2		
30	S446055510	PIN, SPRING	Φ5X55	1	1	1		

# REMOTE CONTROL VALVE & LINE

FIG. 9-9B

G. 827



# REMOTE CONTROL VALVE & LINE

A-R36 / B-R39 / C-R45

A-NOT AVAILABLE / B-R41 / C-R47

**FIG. 9-9B**

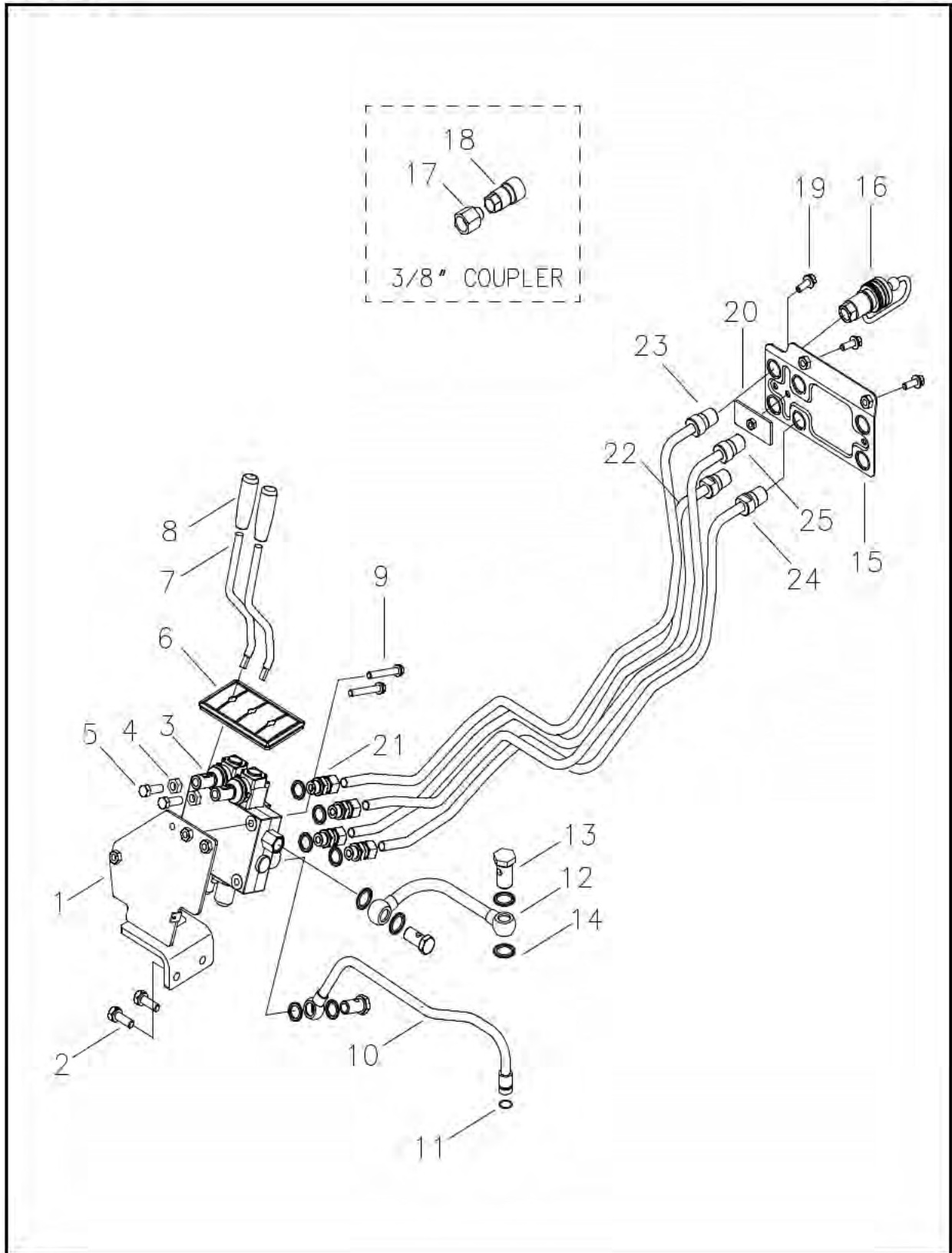
**( SD5/2 )**

NO.	PART NO.	PART NAME & DESCRIPTION	QTY			APP. NO	REM.
			A	B	C		
1	A1827243	BRACKET, VALVE	1	1	1		
2	S154102533	BOLT, HEX. M10X1.5X25	2	2	2		
3	A1827238	VALVE,REMOTE COTROL SD5/2	1	1	1		
4	S305100013	NUT, HEX. M10X1.5	2	2	2		
5	S101102543	BOLT, HEX. SMALL M10X1.5X25	2	2	2		
6	A1827276	COVER, REMOTE LEVER	1	1	1		
7	A1827240	LEVER, REMOTE	2	2	2		
8	A1970242	GRIP, VALVE LEVER	2	2	2		
9	S153086033	BOLT, HEX. M8X1.25X60	2	2	2		
10	A1827252	PIPE, REMOTE V/V DRAIN	1	1	1		
11	S801012010	O-RING D12	1	1	1		
12	A1823438	PIPE, REAR PRESSURE	1	1	1		
13	A1630201	BOLT, UNION	3	3	3		
14	A1823245	SEAL, BONDED	10	10	10		
15	A1827244	BRACKET, PIPE	1	1	1		
16	A1827177	QUICK COUPLER 1/2"	4	4	4		1/2
17,18	A1827285	QUICK COUPLER SUB ASSY	4	4	4		3/8
17	A1827286	ADAPTER	1	1	1		
18	A1827168	QUICK COUPLER	1	1	1		
19	S159082533	BOLT, HEX. M8X1.25X25	3	3	3		
20	A5000875	BRACKET, REMOTE PIPE	1	1	1		
21	A1827251	JOINT	4	4	4		
21~22	A1827270	REMOTE PIPE ASSY(1ST/D)	1	1	1		
22	A1827245	PIPE, 1ST(D)	1	1	1		
21,23	A1827271	REMOTE PIPE ASSY(1ST/U)	1	1	1		
23	A1827246	PIPE, 1ST(U)	1	1	1		
21,24	A1827272	REMOTE PIPE ASSY(2ND/D)	1	1	1		
24	A1827247	PIPE, 2ND(D)	1	1	1		
21,25	A1827273	REMOTE PIPE ASSY(2ND/U)	1	1	1		
25	A1827248	PIPE, 2ND(U)	1	1	1		

# REMOTE CONTROL VALVE & LINE

FIG. 9-9B

G. 827



# REMOTE CONTROL VALVE & LINE

A-R36 / B-R39 / C-R45

A-NOT AVAILABLE / B-R41 / C-R47

**FIG. 9-9B**

**( SD5/2 )**

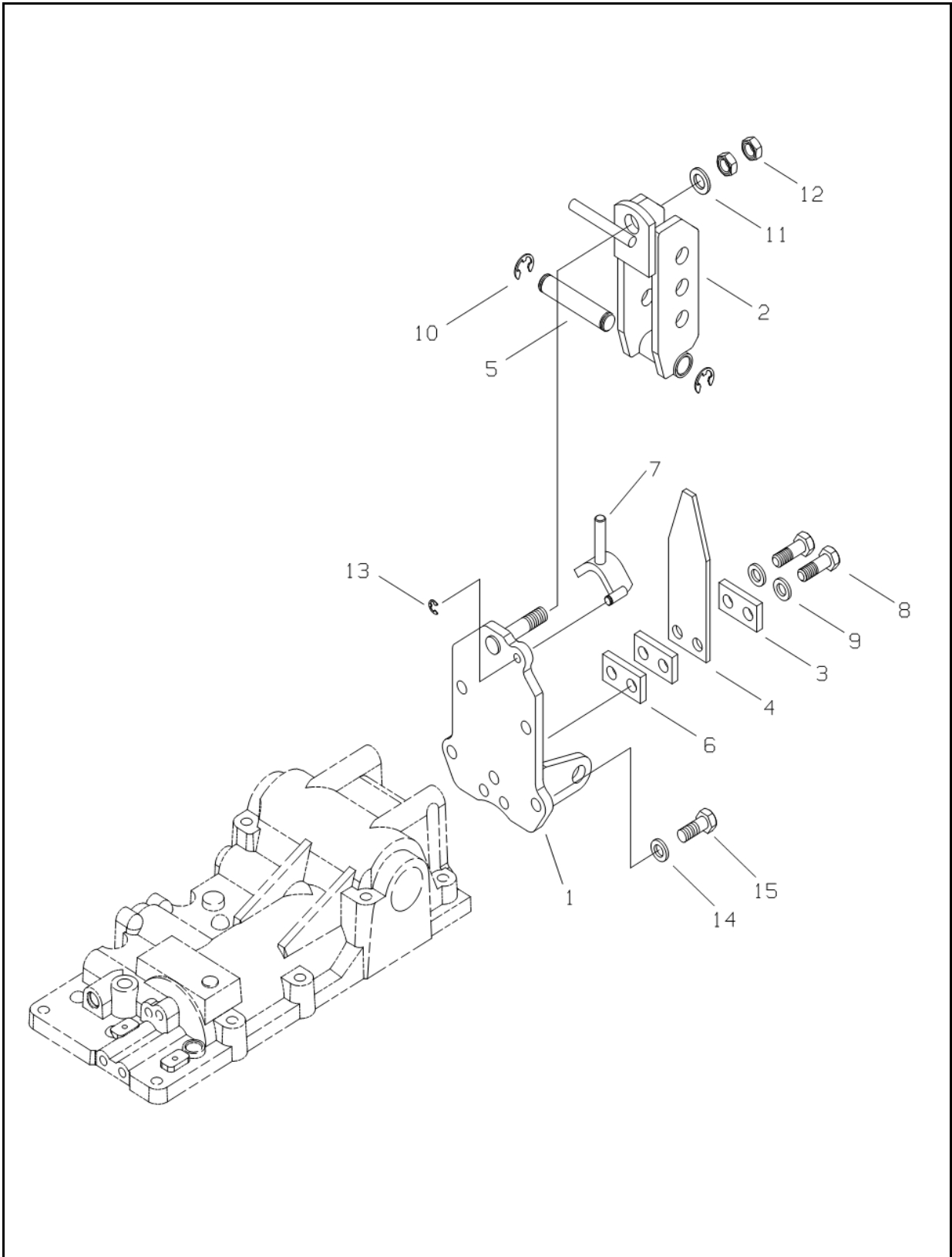
NO.	PART NO.	PART NAME & DESCRIPTION	QTY			APP. NO	REM.
			A	B	C		
1	A1827243	BRACKET, VALVE	1	1	1		
2	S154102533	BOLT, HEX. M10X1.5X25	2	2	2		
3	A1827238	VALVE,REMOTE COTROL SD5/2	1	1	1		
4	S305100013	NUT, HEX. M10X1.5	2	2	2		
5	S101102543	BOLT, HEX. SMALL M10X1.5X25	2	2	2		
6	A1827276	COVER, REMOTE LEVER	1	1	1		
7	A1827240	LEVER, REMOTE	2	2	2		
8	A1970242	GRIP, VALVE LEVER	2	2	2		
9	S153086033	BOLT, HEX. M8X1.25X60	2	2	2		
10	A1827253	PIPE, REMOTE V/V DRAIN	1	1	1		
11	S801012010	O-RING D12	1	1	1		
12	A1823440	PIPE, REAR PRESSURE	1	1	1		
13	A1630201	BOLT, UNION	3	3	3		
14	A1823245	SEAL, BONDED	10	10	10		
15	A1827244	BRACKET, PIPE	1	1	1		
16	A1827177	QUICK COUPLER 1/2"	4	4	4		1/2
17,18	A1827285	QUICK COUPLER SUB ASSY	4	4	4		3/8
17	A1827286	ADAPTER	1	1	1		
18	A1827168	QUICK COUPLER	1	1	1		
19	S159082533	BOLT, HEX. M8X1.25X25	3	3	3		
20	A5000875	BRACKET, REMOTE PIPE	1	1	1		
21	A1827251	JOINT	4	4	4		
21~22	A1827270	REMOTE PIPE ASSY(1ST/D)	1	1	1		
22	A1827245	PIPE, 1ST(D)	1	1	1		
21,23	A1827271	REMOTE PIPE ASSY(1ST/U)	1	1	1		
23	A1827246	PIPE, 1ST(U)	1	1	1		
21,24	A1827272	REMOTE PIPE ASSY(2ND/D)	1	1	1		
24	A1827247	PIPE, 2ND(D)	1	1	1		
21,25	A1827273	REMOTE PIPE ASSY(2ND/U)	1	1	1		
25	A1827248	PIPE, 2ND(U)	1	1	1		



# UPPER LINK BRACKET

FIG. 9-10

G. 828



# UPPER LINK BRACKET

A-R36 / B-R39 / C-R45

A-NOT AVAILABLE / B-R41 / C-R47

**FIG. 9-10**

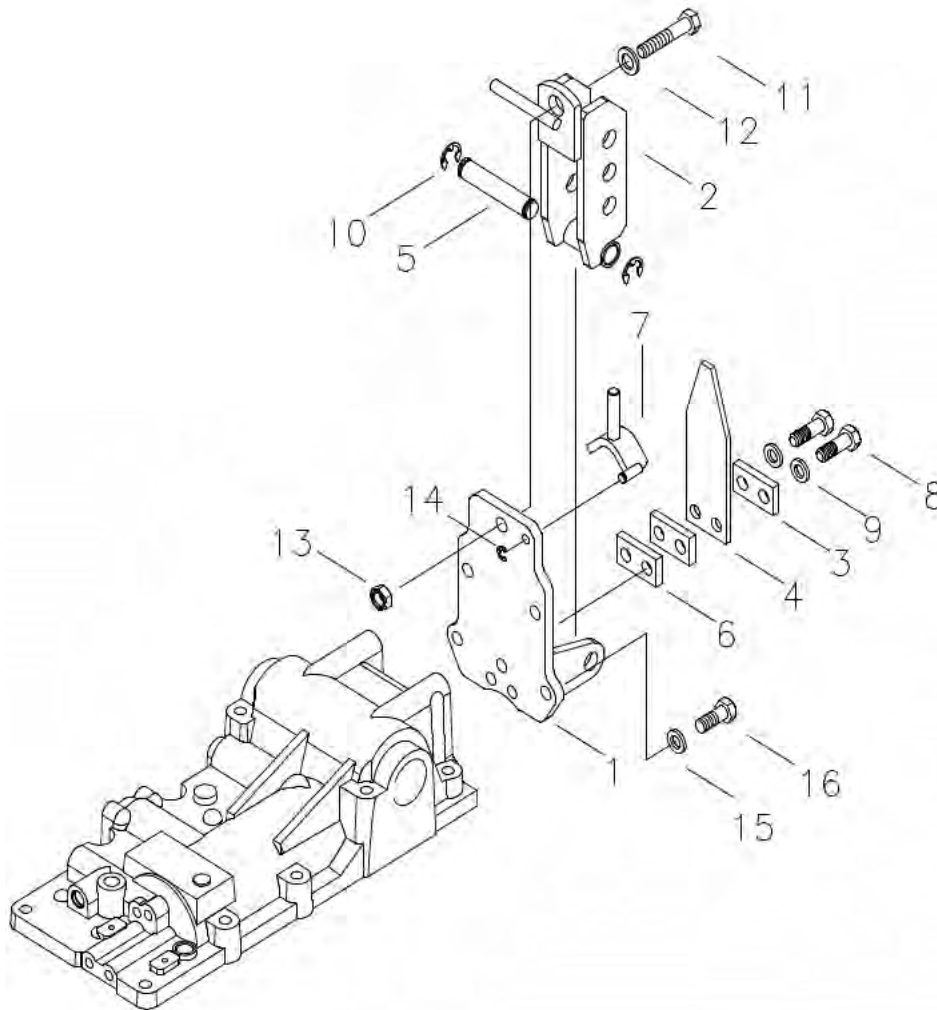
**( DRAFT CONTROL )**

NO.	PART NO.	PART NAME & DESCRIPTION	QTY			APP. NO	REM.
			A	B	C		
1~14	A1828062	UPPER, LINK BRACKET ASSY	1	1	1		
1	A1828063	BRACKET	1	1	1		
2	A1828048	BRACKET, UPPER LINK	1	1	1		
3	A1828056	PLATE	2	2	2		
4	A1828050	SPRING, LEAF	1	1	1		
5	A1828051	PIN	1	1	1		
6	A1828052	PLATE	1	1	1		
7	A1828053	STOPPER	1	1	1		
8	S107144043	BOLT, HEX.	M14X2.0X40	2	2	2	
9	S362140013	WASHER, SPRING	Φ24.7X14.2X4.2T	2	2	2	
10	S814015003	RING, SNAP	D15	2	2	2	
11	S364160053	WASHER, PLN. F-RD		1	1	1	
12	S314160013	NUT, HEX.	M16X1.5	2	2	2	
13	S814008010	RING, SNAP	D8	1	1	1	
14	S361140013	WASHER, SPRING	Φ24.5X14.2X3.5T	4	4	4	
15	S101143543	BOLT, HEX.	M14X2.0X35	4	4	4	

# UPPER LINK BRACKET

FIG. 9-10

G. 828



# UPPER LINK BRACKET

A-R36 / B-R39 / C-R45

A-NOT AVAILABLE / B-R41 / C-R47

**FIG. 9-10**

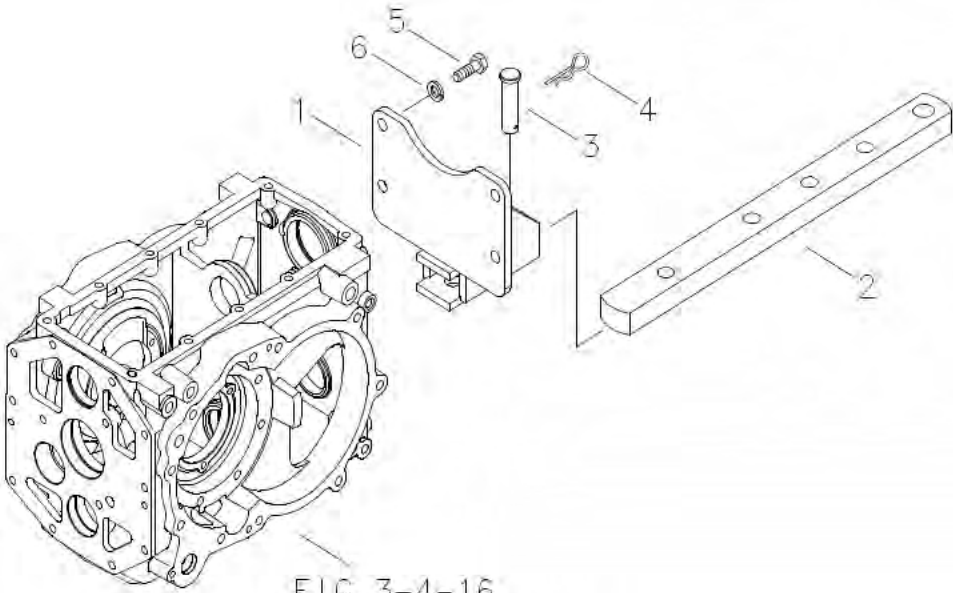
**( DRAFT CONTROL )**

NO.	PART NO.	PART NAME & DESCRIPTION	QTY			APP. NO	REM.
			A	B	C		
1~14	A1828046		1	1	1		
1	A1828047		1	1	1		
2	A1828048		1	1	1		
3	A1828056		2	2	2		
4	A1828050		1	1	1		
5	A1828051		1	1	1		
6	A1828052		1	1	1		
7	A1828053		1	1	1		
8	S107144043	M14X2.0X40	2	2	2		
9	S362140013	Φ24.7X14.2X4.2T	2	2	2		
10	S814015003	D15	2	2	2		
11	S103167043	M16X2.0X70	1	1	1		
12	S364160013	Φ30X17X3T	1	1	1		
13	S314160013	M16X1.5	1	1	1		
14	S814008010	D8	1	1	1		
15	S361140013	Φ24.5X14.2X3.5T	4	4	4		
16	S101143543	M14X2.0X35	4	4	4		

# DRAWBAR HITCH

FIG. 9-11B

G. 891



# DRAWBAR HITCH

A-R36 / B-R39 / C-R45

A-NOT AVAILABLE / B-R41 / C-R47

**FIG. 9-11B**

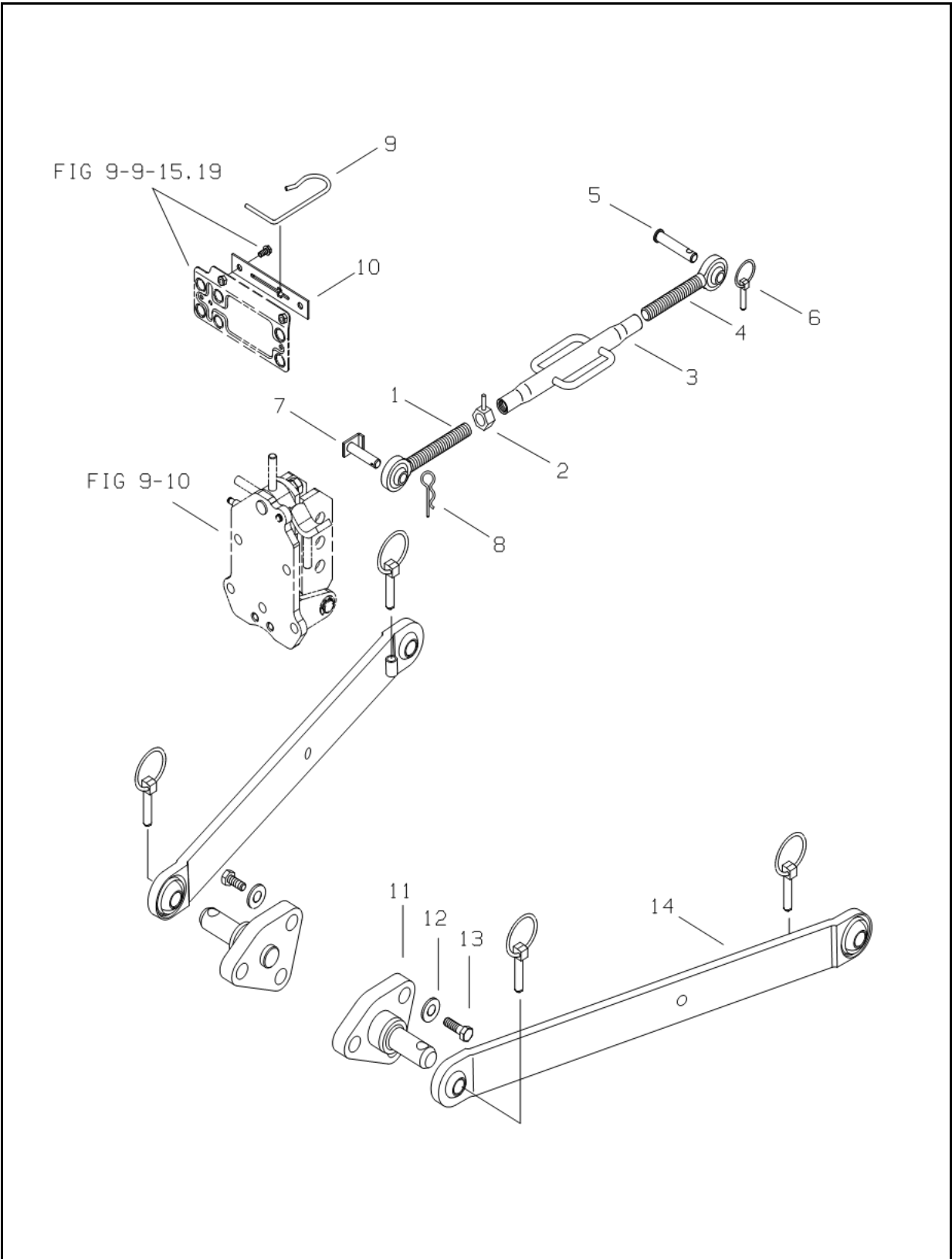
**( TELESCOPIC DRAWBAR )**

NO.	PART NO.	PART NAME & DESCRIPTION	QTY			APP. NO	REM.
			A	B	C		
1	A1891054	SUPPORT, HITCH DRAWBAR	1	1	1		
2	A1891050	DRAWBAR	1	1	1		
3	A1891033	PIN, DRAWBAR	1	1	1		
4	3A1970091	PIN, SNAP A-TYPE	1	1	1		
5	S101143543	BOLT, HEX. M14X2.0X35	4	4	4		
6	S361140013	WASHER, SPRING $\Phi$ 24.5X14.2X3.5T	4	4	4		

# UPPER & LOWER LINK

FIG. 9-12A

G. 896



# UPPER & LOWER LINK

A-R36 / B-R39 / C-R45

A-NOT AVAILABLE / B-R41 / C-R47

**FIG. 9-12A**

**( GENERAL )**

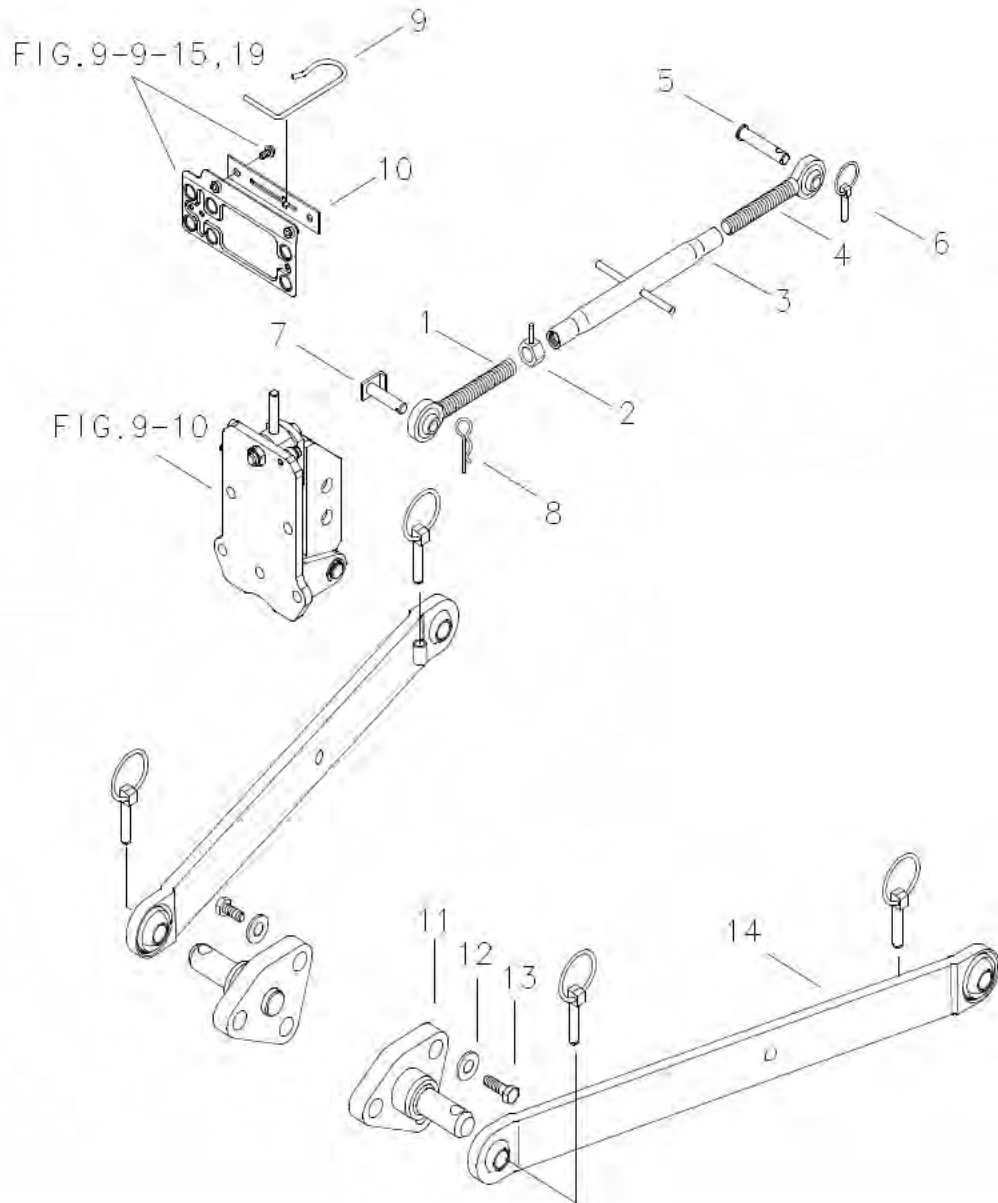
NO.	PART NO.	PART NAME & DESCRIPTION	QTY			APP. NO	REM.
			A	B	C		
1~6	A1896599	TOP LINK WITH PIN ASSY	1	1	1		
1	A1896602	END, UPPER LINK(F)	M24X3	1	1	1	
2	3A1970092	NUT, LOCK	M24X3	1	1	1	
3	A1896600	TURN BUCKLE	M24X3	1	1	1	
4	A1896601	END, UPPER LINK-R	M24X3(CAT1)	1	1	1	
5	3A1896013	PIN UPPER LINK-R		1	1	1	
6	3A1896081	PIN, LINK		5	5	5	
7	A1896189	PIN, UPPER LINK(F)		1	1	1	
8	3A1970091	PIN, SNAP		1	1	1	
9	A1896540	HOOK, UPPER LINK		1	1	1	
10	A1896519	BRACKET, HOOK		1	1	1	
11	A1896521	PIN, LOWER LINK HITCH		2	2	2	
12	S361140013	WASHER, SPRING	Φ24.5X14.2X3.5T	6	6	6	
13	S101143543	BOLT, HEX	M14X2.0X35	6	6	6	
14	A1896522	LOWER, LINK		2	2	2	



# UPPER & LOWER LINK

FIG. 9-12A

G. 896



# UPPER & LOWER LINK

A-R36 / B-R39 / C-R45

A-NOT AVAILABLE / B-R41 / C-R47

**FIG. 9-12A**

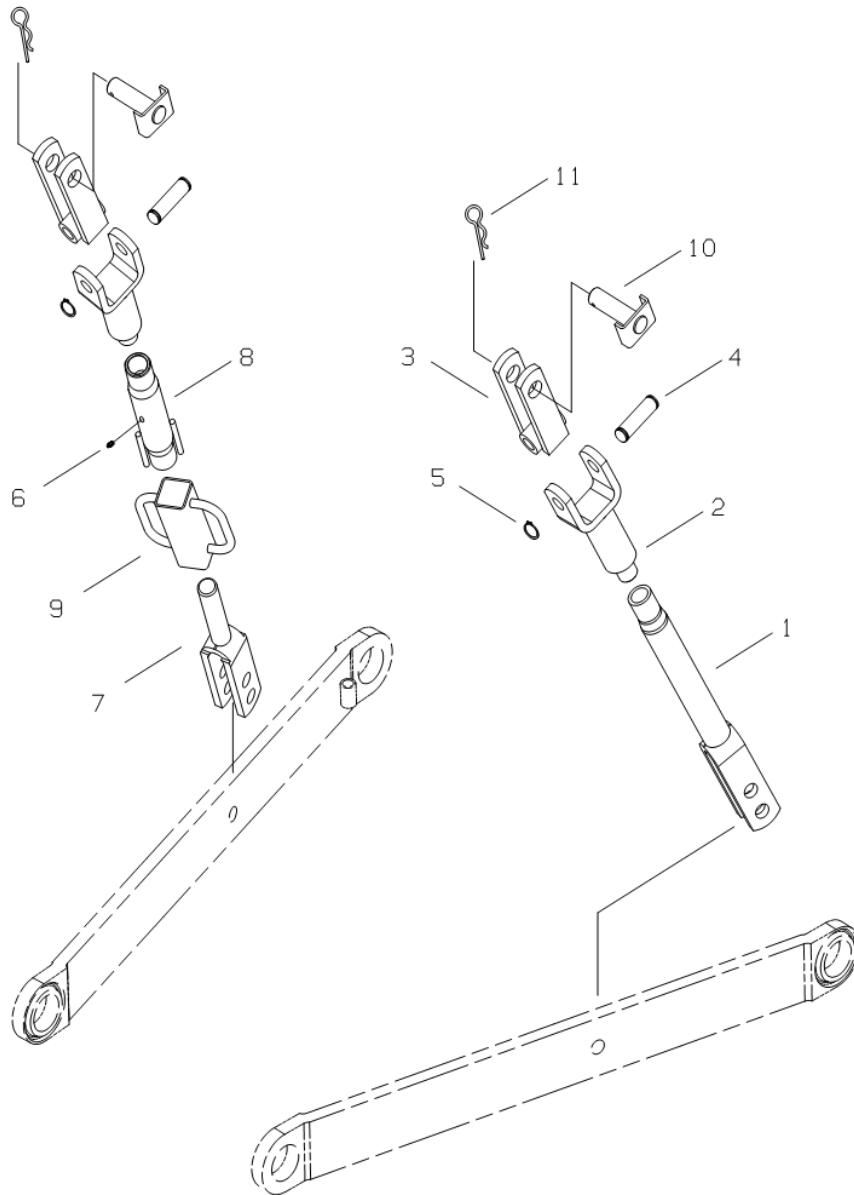
**( GENERAL )**

NO.	PART NO.	PART NAME & DESCRIPTION	QTY			APP. NO	REM.
			A	B	C		
1~4	3A1896002	470-750	1	1	1		
1	3A1896006	M24X3	1	1	1		
2	3A1970092	M24X3	1	1	1		
3	2A1896003	M24X3	1	1	1		
4	3A1896007	M24X3(CAT1)	1	1	1		
5	3A1896013		1	1	1		
6	3A1896081		5	5	5		
7	A1896189		1	1	1		
8	3A1970091		1	1	1		
9	A1896540		1	1	1		
10	A1896519		1	1	1		
11	A1896521		2	2	2		
12	S361140013	Φ24.5X14.2X3.5T	6	6	6		
13	S105144043	M14X2.0X40	6	6	6		
14	A1896522		2	2	2		

# LIFT ROD

FIG. 9-13A

G. 896



# LIFT ROD

A-R36 / B-R39 / C-R45

A-NOT AVAILABLE / B-R41 / C-R47

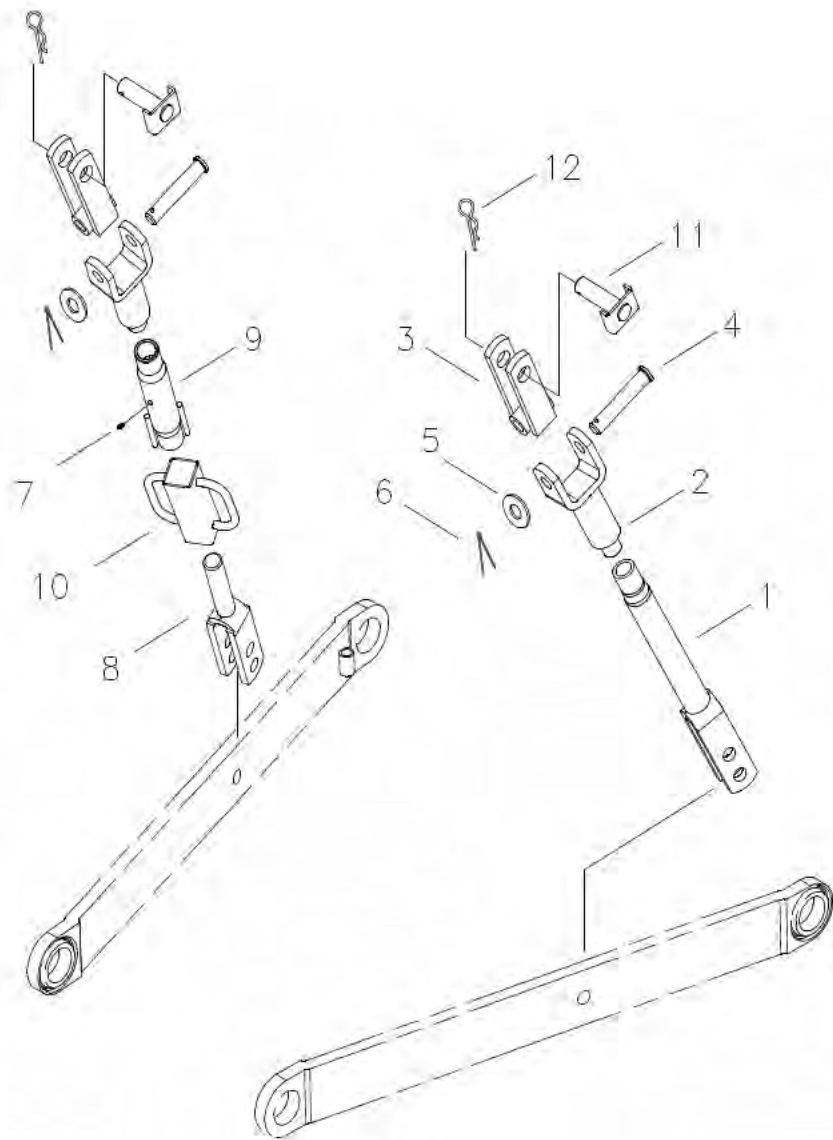
**FIG. 9-13A**

NO.	PART NO.	PART NAME & DESCRIPTION	QTY			APP. NO	REM.
			A	B	C		
1~5	A1896528	LIFT ROD ASSY(LH)	1	1	1		
1	A1896529	ROD, LOWER LIFT(LH)	1	1	1		
2	A1896524	ROD, UPPER LIFT	1	1	1		
3	A1896087	JOINT, LIFT ROD	1	1	1		
4	A1896593	PIN, LIFT ROD	1	1	1		
5	S810016003	RING, SNAP	1	1	1		
2~9	A1896523	LIFT ROD ASSY(RH)	1	1	1		
6	A0730009	NIPPLE	1	1	1		
7	A1896525	ROD, LOWER LIFT(RH)	1	1	1		
8	A1896526	SLEEVE, LIFT ROD	1	1	1		
9	A1896527	HANDLE, LIFT ROD	1	1	1		
10	A1896530	PIN, LIFT ROD(UPPER)	2	2	2		
11	3A1970091	PIN, SNAP	2	2	2		

# LIFT ROD

FIG. 9-13A

G. 896



# LIFT ROD

A-R36 / B-R39 / C-R45

A-NOT AVAILABLE / B-R41 / C-R47

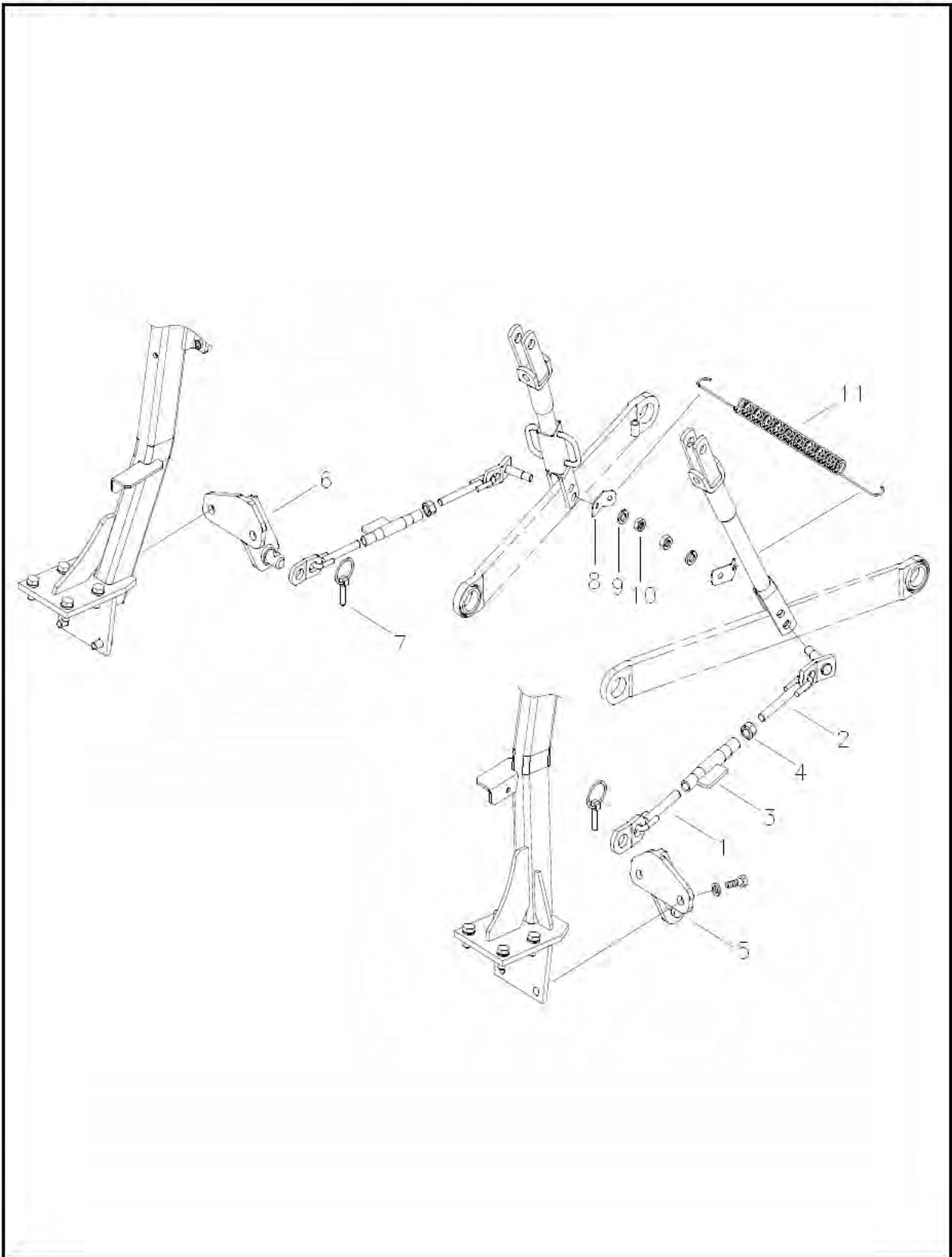
**FIG. 9-13A**

NO.	PART NO.	PART NAME & DESCRIPTION	QTY			APP. NO	REM.
			A	B	C		
1~6	A1896528	LIFT ROD ASSY,LH	1	1	1		
1	A1896529	ROD, LOWER LIFT(LH)	1	1	1		
2	A1896524	ROD, UPPER LIFT	2	2	2		
3	A1896087	JOINT, LIFT ROD	2	2	2		
4	A1896090	PIN, LIFT ROD	2	2	2		
5	S363160013	WASHER, PLAIN	2	2	2		
6	S441403613	PIN, SPLIT	2	2	2		
2~10	A1896523	LIFT ROD ASSY,RH	1	1	1		
7	A0730009	NIPPLE	1	1	1		
8	A1896525	ROD, LOWER LIFT(RH)	1	1	1		
9	A1896526	SLEEVE, LIFT ROD	1	1	1		
10	A1896527	HANDLE, LIFT ROD	1	1	1		
11	A1896530	PIN, LIFT ROD(UPPER)	2	2	2		
12	3A1970091	PIN, SNAP	2	2	2		

# CHECK LINK

FIG. 9-14

G. 896



# CHECK LINK

A-R36 / B-R39 / C-R45

A-NOT AVAILABLE / B-R41 / C-R47

**FIG. 9-14**

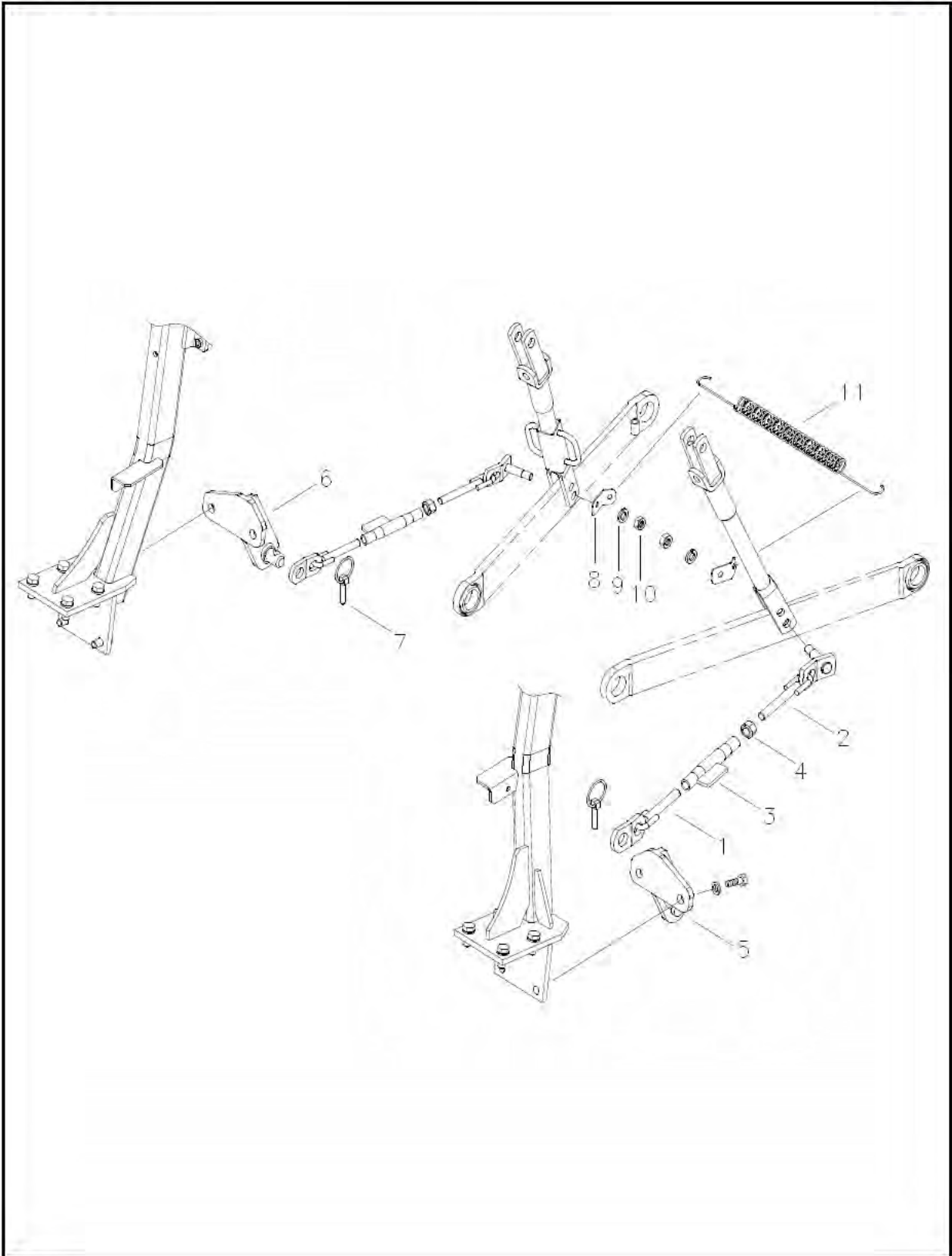
NO.	PART NO.	PART NAME & DESCRIPTION	QTY			APP. NO	REM.
			A	B	C		
1~4	A1896471	CHECK CHAIN ASSY	2	2	2		
1	A1896589	CHAIN(F)	1	1	1		
2	A1896536	CHAIN(R)	1	1	1		
3	A1896597	TURN BUCKLE	1	1	1		
4	S301160013	NUT	1	1	1		
5	A1896533	BRACKET, CHECK CHAIN	1	1	1		(LH)
6	A1896534	BRACKET, CHECK CHAIN	1	1	1		(RH)
7	3A1896081	PIN, LINK	2	2	2		
8	A1896333	BRACKET, SPRING	2	2	2		
9	S361140013	WASHER, SPRING	2	2	2		Φ24.5×Φ14.2×3.5t
10	S314140013	NUT, HEX.	2	2	2		M14X1.5
11	A1896539	SPRING, LOWER LINK	1	1	1		



# CHECK LINK

FIG. 9-14

G. 896



# CHECK LINK

A-R36 / B-R39 / C-R45

A-NOT AVAILABLE / B-R41 / C-R47

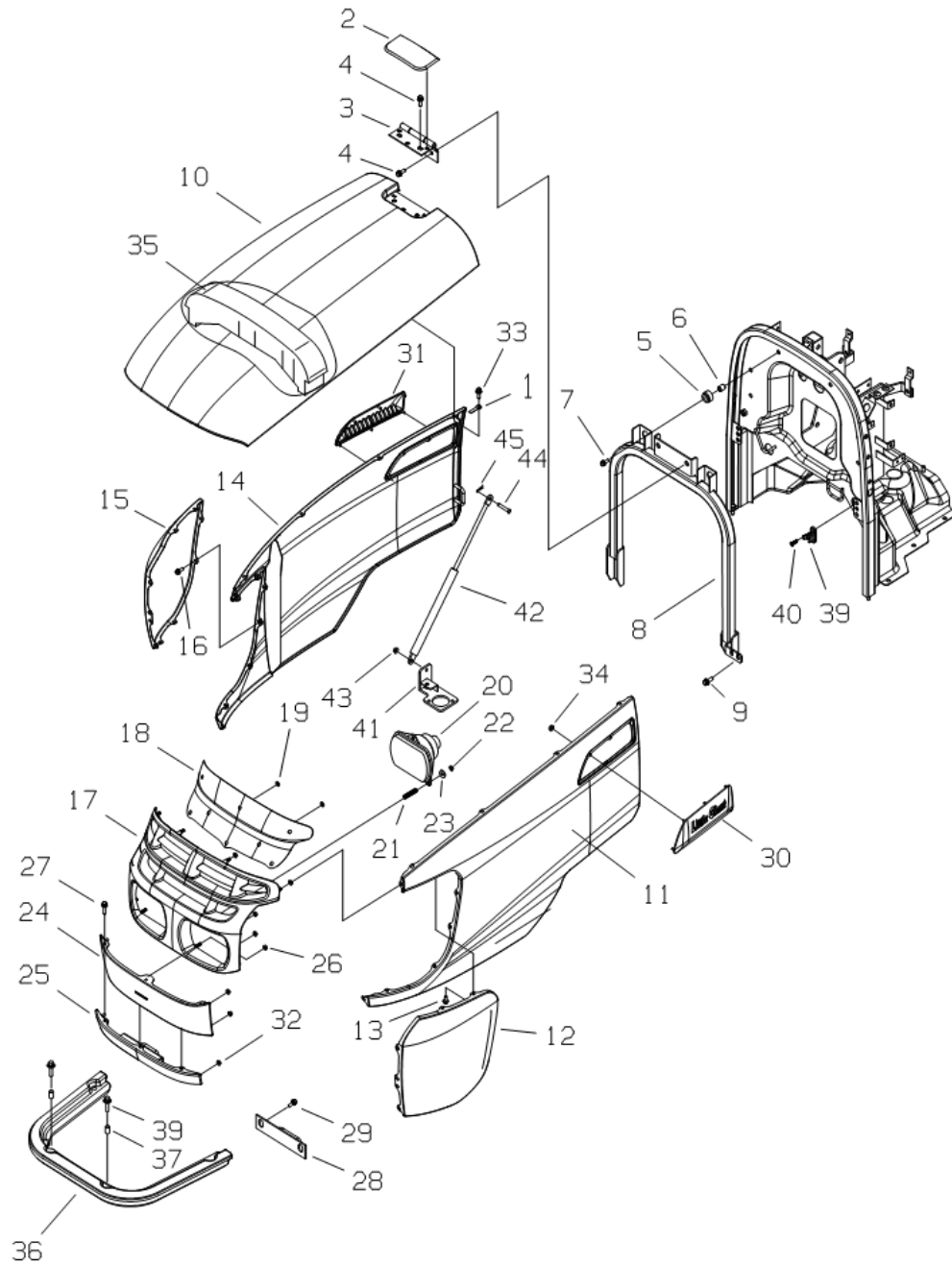
**FIG. 9-14**

NO.	PART NO.	PART NAME & DESCRIPTION	QTY			APP. NO.	REM.
			A	B	C		
1~4	A1896535		2	2	2		
1	A1896346		1	1	1		
2	A1896536		1	1	1		
3	A1896566		1	1	1		
4	A1896349		1	1	1		
5	A1896533	(LH)	1	1	1		
6	A1896534	(RH)	1	1	1		
7	3A1896081		2	2	2		
8	A1896333		2	2	2		
9	S361140013	Φ24.5×Φ14.2×3.5t	2	2	2		
10	S314140013	M14X1.5	2	2	2		
11	A1896539		1	1	1		

# HOOD

FIG. 10-1D

G. 830



# HOOD

A-NOT AVAILABLE / B-R39 / C-R45

A-NOT AVAILABLE / B-R41 / C-R47

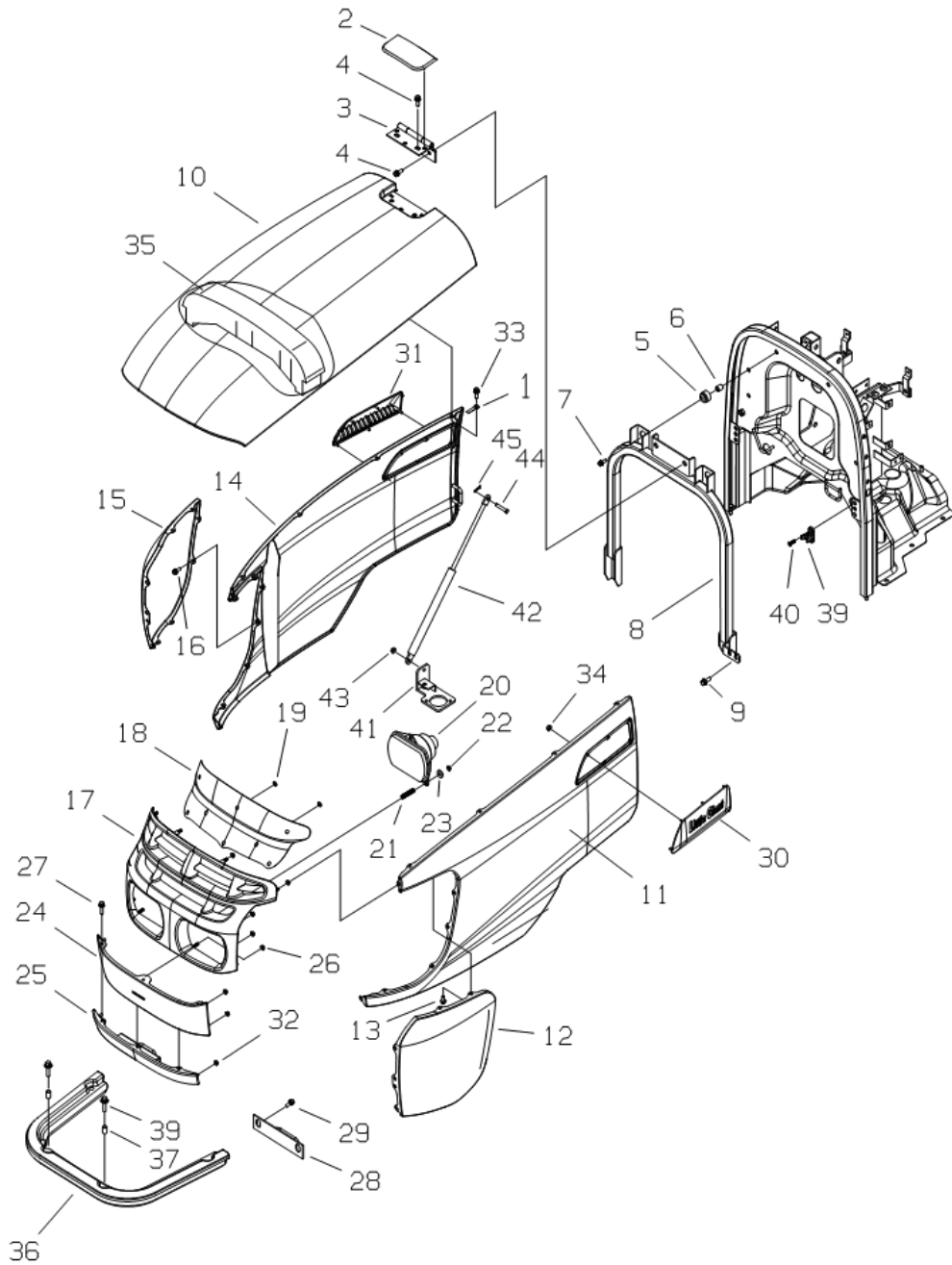
**FIG. 10-1D AG (R-LOOK)**

NO.	PART NO.	PART NAME & DESCRIPTION	QTY			APP.NO	REM.
			A	B	C		
1	A0640015	CLAMP, RING	3	3	3		
2	A1830257	COVER, HINGE	1	1	1		
3	A1830258	HINGE	1	1	1		
4	S159082033	BOLT, HEX. W/WASHER	4	4	4		
5	A1830574	MOUNT RUBBER	2	2	2		
6	A1830575	SPACER, RUBBER MOUNT	2	2	2		
7	S159083533	BOLT, HEX. W/WASHER	2	2	2		
8	A1830655	SUPPORT, BONNET	1	*	*		
	A1830565	SUPPORT, BONNET	*	1	1		
9	S154102533	BOLT, HEX. W/WASHER	2	2	2		
10	A1830718	HOOD, BONNET	1	1	1		
11~13	A1830719	SIDE COVER ASSY LH	1	1	1		
11	A1830721	COVER, SIDE LH	1	1	1		
12	A1830622	SIDE GRILLE, LH	1	1	1		
13	S155061233	BOLT, HEX W/WASHER	6	6	6		
14~16	A1830720	SIDE COVER ASSY RH	1	1	1		
14	A1830722	COVER, SIDE RH	1	1	1		
15	A1830623	SIDE GRILLE, RH	1	1	1		
16	S155061233	BOLT, HEX W/WASHER	6	6	6		
17~29	A1830723	GRILLE ASSY	1	1	1		
17	A1830616	GRILLE, UPPER	1	1	1		
18	A1830619	NET, GRILLE	1	1	1		
19	A1970340	NUT, SPEED	8	8	8		
20	A1760044	HEAD LAMP ASSY	2	2	2		
21	A1760003	SPRING	6	6	6		
22	A1970309	NUT, LOCK	6	6	6		
23	S364060013	WASHER, PLN. F-RD	6	6	6		
24	A1830617	GRILLE, CENTER	1	1	1		
25	A1830724	GRILLE, UNDER	1	1	1		
26	S345060013	NUT, FLANGE	3	3	3		
27	S155061633	BOLT, HEX	3	3	3		
28	A1830777	HANGER	1	1	1		
29	S159082033	BOLT, HEX W/WASHER	2	2	2		
30	A1830620	COVER, EXHAUST LH	1	1	1		
31	A1830621	COVER, EXHAUST RH	1	1	1		
32	S345060013	NUT, FLANGE	14	14	14		
33	S159061633	BOLT, HEX	8	8	8		
34	S345050013	NUT, FLANGE	6	6	6		
35	A1830660	SEAL, UPPER R-LOOK	1	1	1		
36	A1830657	SEAL, UNDER R-LOOK	1	1	1		
37	A1830659	SPACER	4	4	4		
38	S159083533	BOLT, HEX. W/WASHER	4	4	4		
39	A1830442	GUIDE, HOOD	2	2	2		
40	S220802511	SCREW	4	4	4		
41	A1830649	BRACKET, GAS SPRING	1	*	*		S4L

# HOOD

FIG. 10-1D

G. 830



# HOOD

A-NOT AVAILABLE / B-R39 / C-R45

A-NOT AVAILABLE / B-R41 / C-R47

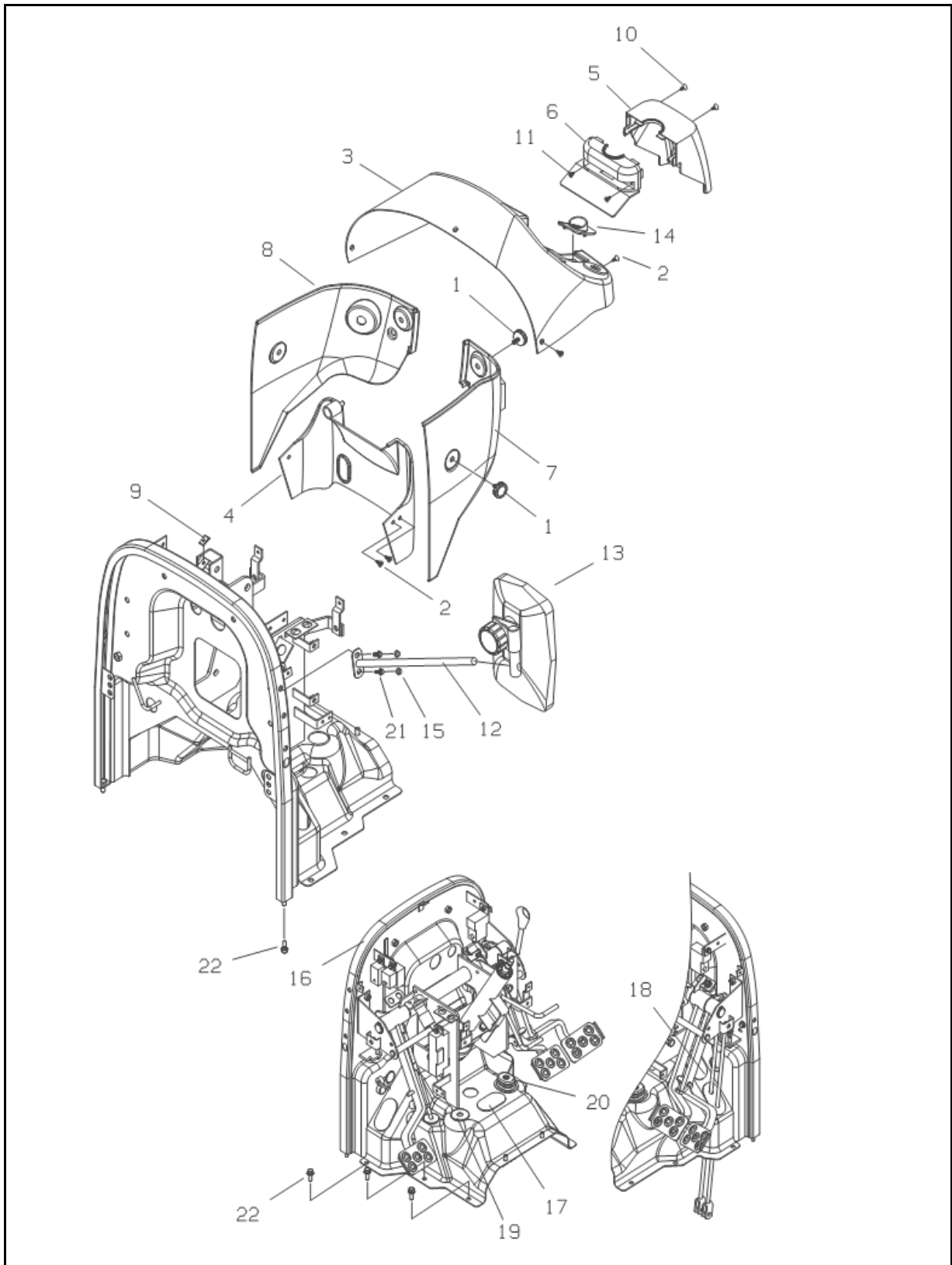
**FIG. 10-1D      AG      ( R-LOOK )**

NO.	PART NO.	PART NAME & DESCRIPTION	QTY			APP.NO	REM.
			A	B	C		
41	A1830677	BRACKET, GAS SPRING	*	1	1		
42	A1830673	GAS CYLINDER	1	1	1		
43	S345080013	NUT, FLANGE B-TYPE	1	1	1		
44	S427083523	PIN, HEAD B-TYPE	1	1	1		
45	S443080013	PIN, SNAP A-TYPE	1	1	1		

# HOOD

FIG. 10-2A

G. 830



# HOOD

A-NOT AVAILABLE / B-R39 / C-R45

A-NOT AVAILABLE / B-R41 / C-R47

**FIG. 10-2A**

**( MEC )**

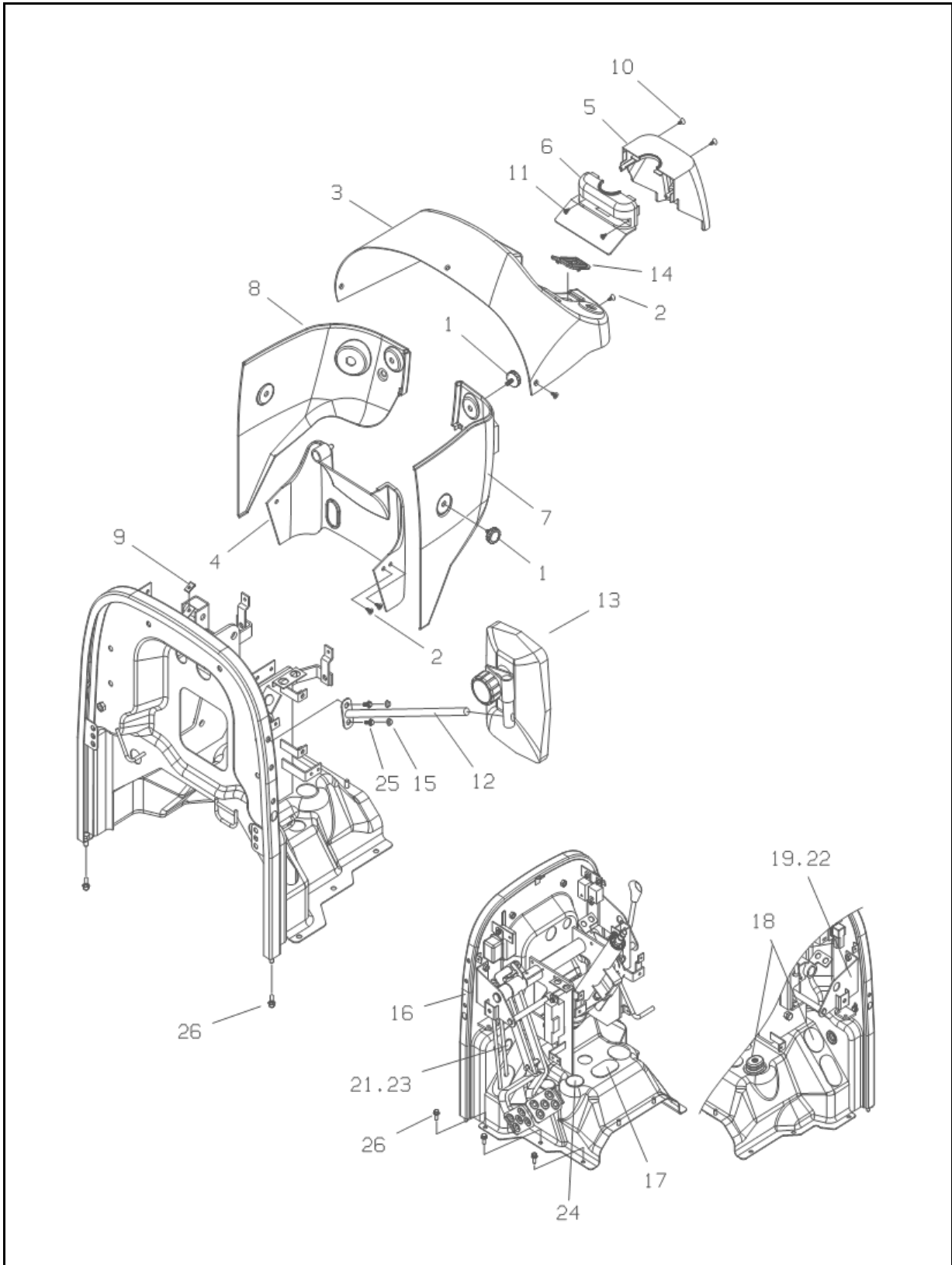
NO.	PART NO.	PART NAME & DESCRIPTION	QTY			APP.NO	REM.
			A	B	C		
1	A0711065	KNOB	4	4	4		
2	A1830417	SCREW, TP. CRS, CSNK.	8	8	8		
3	A1830558	PANEL, BODY UPPER	1	1	1		
4	A1830559	PANEL, BODY UNDER	1	1	1		
5	A1830560	COVER, STEERING FRONT	1	1	1		
6	A1830576	COVER, STEERING REAR	1	1	1		
7	A1830582	PANEL, BODY (LH)	1	1	1		
8	A1830583	PANEL, BODY (RH)	1	1	1		
9	A1970279	PLATE, LOCK	8	8	8		
10	S219602011	SCREW	2	2	2		
11	S237401611	SCREW, TP.CRS,PAN	2	2	2		
12	A1830573	STAY, REAR VIEW MIRROR	1	1	1		
13	A1920070	MIRROR, REAR VIEW	1	1	1		
14	A1830561	COVER, F-R CHANGE	1	1	1		
15	A1830283	CAP, BOLT	2	2	2		
16~20	A1835010	FEDAL FRAME ASSY	1	1	1		
16	A1830693	PEDAL FRAME	1	1	1		
17	A1830693	CAP, BRAKE ROD	1	1	1		
18	A1830579	CAP, CREEPER LEVER	1	1	1		
19	A1830569	GROMMET, F-R SHIFT	1	1	1		
20	A1830570	RUBBER, CREPER LEVER	1	1	1		
21	S159082033	BOLT, HEX. W/WASHER	2	2	2		
22	S159082533	BOLT, HEX. W/WASHER	8	8	8		



# HOOD

FIG. 10-2B

G. 830



# HOOD

A-NOT AVAILABLE / B-R39 / C-R45

A-NOT AVAILABLE / B-R41 / C-R47

**FIG. 10-2B**

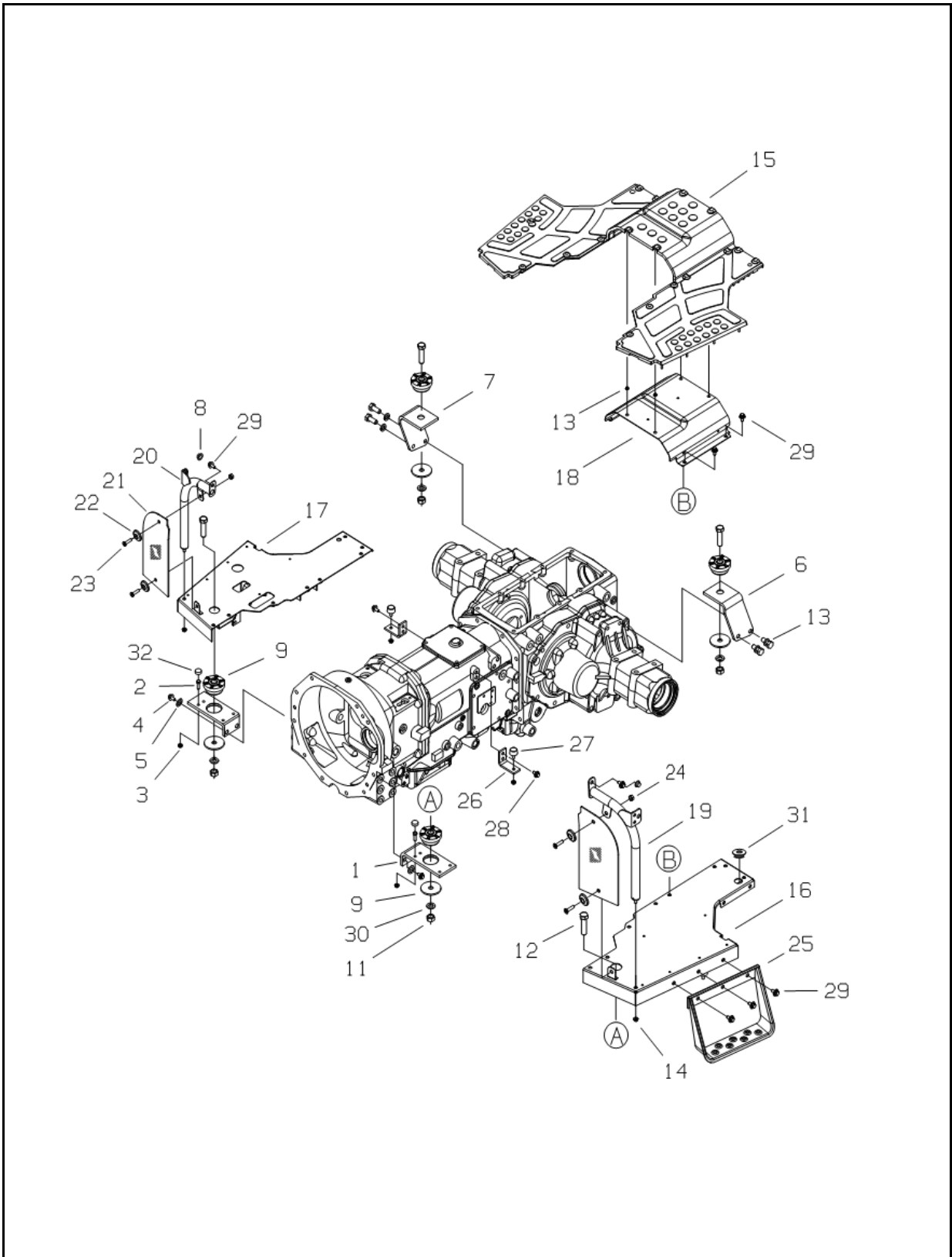
**( HST )**

NO.	PART NO.	PART NAME & DESCRIPTION	QTY			APP.NO	REM.
			A	B	C		
1	A0711065	KNOB	4	4	4		
2	A1830417	SCREW, TP. CRS, CSNK.	8	8	8		
3	A1830558	PANEL, BODY UPPER	1	1	1		
4	A1830559	PANEL, BODY UNDER	1	1	1		
5	A1830560	COVER, STEERING FRONT	1	1	1		
6	A1830576	COVER, STEERING REAR	1	1	1		
7	A1830582	PANEL, BODY (LH)	1	1	1		
8	A1830583	PANEL, BODY (RH)	1	1	1		
9	A1970279	PLATE, LOCK	8	8	8		
10	S219602011	SCREW	2	2	2		
11	S237401611	SCREW, TP. CRS, PAN	2	2	2		
12	A1830573	STAY, REAR VIEW MIRROR	1	1	1		
13	A1920070	MIRROR, REAR VIEW	1	1	1		
14	A1830562	COVER, CRUISE S/W	1	1	1		
15	A1830283	CAP, BOLT	2	2	2		
16~24	A1835001	FEDAL FRAME ASSY	1	1	1		
16	A1830563	FEDAL FRAME	1	1	1		
17	A1830568	CAP, BRAKE ROD	1	1	1		
18	A1830579	CAP, CREEPER LEVER	2	2	2		
19	A1670310	STOPPER, BRAKE PEDAL	1	1	1		
20	A1830577	CAP, CLUTCH ROD	1	1	1		
21	A3260012	RUBBER	1	1	1		
22	S159082033	BOLT, HEX	2	2	2		
23	S345080013	NUT, FLANGE	1	1	1		
24	A1830578	CAP, F-R SHAFT	1	1	1		
25	S159082033	BOLT, HEX. W/WASHER	2	2	2		
26	S159082533	BOLT, HEX. W/WASHER	8	8	8		

# STEP

FIG. 10-3D

G. 840



# STEP

A-NOT AVAILABLE / B-R39 / C-R45

A-NOT AVAILABLE / B-R41 / C-R47

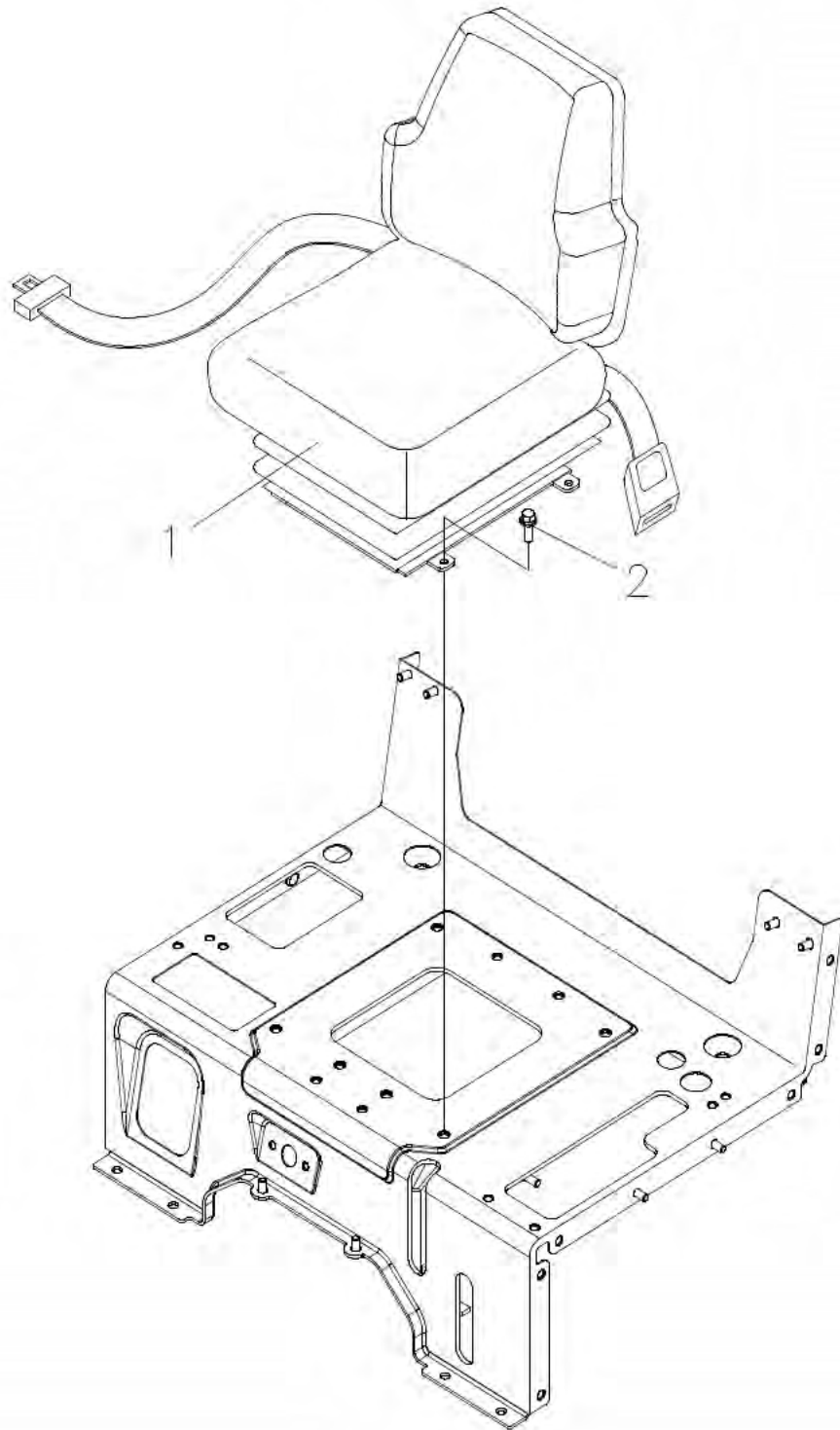
**FIG. 10-3D AG**

NO.	PART NO.	PART NAME & DESCRIPTION	QTY			APP.NO	REM.
			A	B	C		
1	A1840233	BRACKET, STEP FRONT	2	2	2		
2	S105082543	BOLT, HEX.	1	1	1		
3	S345080013	NUT, FLANGE B-TY.	1	1	1		
4	S101143543	BOLT, HEX.	4	4	4		
5	S361140013	WASHER, SPR. 1-TY.	4	4	4		
6	A1840234	BRACKET, STEP REAR (LH)	1	1	1		
7	A1840235	BRACKET, STEP REAR (RH)	1	1	1		
8	A1830283	CAP, BOLT	2	2	2		
9	A1840236	WASHER, REBOUND	4	4	4		
10	A1840248	MOUNT	4	4	4		
11	S306160043	NUT, HEX. 2-TYPE	4	4	4		
12	S103166043	BOLT, HEX	4	4	4		
13	S153123533	BOLT, HEX, W/WASHER	4	4	4		
14	S345080013	NUT, FLANGE B-TY.	6	6	6		
15	A1840237	MAT, STEP	1	1	1		MEC
	A1840279	MAT, STEP	1	1	1		HST
16	A1840320	STEP (LH)	1	1	1		GREEN
17	A1840321	STEP (RH)	1	1	1		GREEN
	A1840322	STEP (RH)	1	1	1		GREEN
18	A1840354	STEP, CENTER	1	1	1		GREEN
19	A1840241	FRAME, MUD GUARD (LH)	1	1	1		
20	A1840242	FRAME, MUD GUARD (RH)	1	1	1		
21	A1840243	PLATE, MUD GUARD	2	2	2		
22	A1862006	SPACER, GLASS	4	4	4		
23	S220802511	SCREW, CROSS, CSNK.	4	4	4		
24	A1877079	NUT, LOCK	4	4	4		
25	A1840247	STEP, SUB	1	1	1		
26	A1840244	BRACKET, CENTER MT'G	2	2	2		
27	A1840245	RUBBER, CENTER MT'G	2	2	2		
28	S153082033	BOLT, HEX. W/WASHER	4	4	4		
29	S159082033	BOLT, HEX. W/WASHER	9	9	9		
30	S361160013	WASHER, SPR. 1-TY.	4	4	4		
31	A1869060	GROMMET, WIPER FRONT	1	1	1		
32	A1840246	STOPPER, FRONT MT'G	2	2	2		

# SEAT

FIG. 10-4B

G. 850



# SEAT

A-NOT AVAILABLE / B-R39 / C-R45

A-NOT AVAILABLE / B-R41 / C-R47

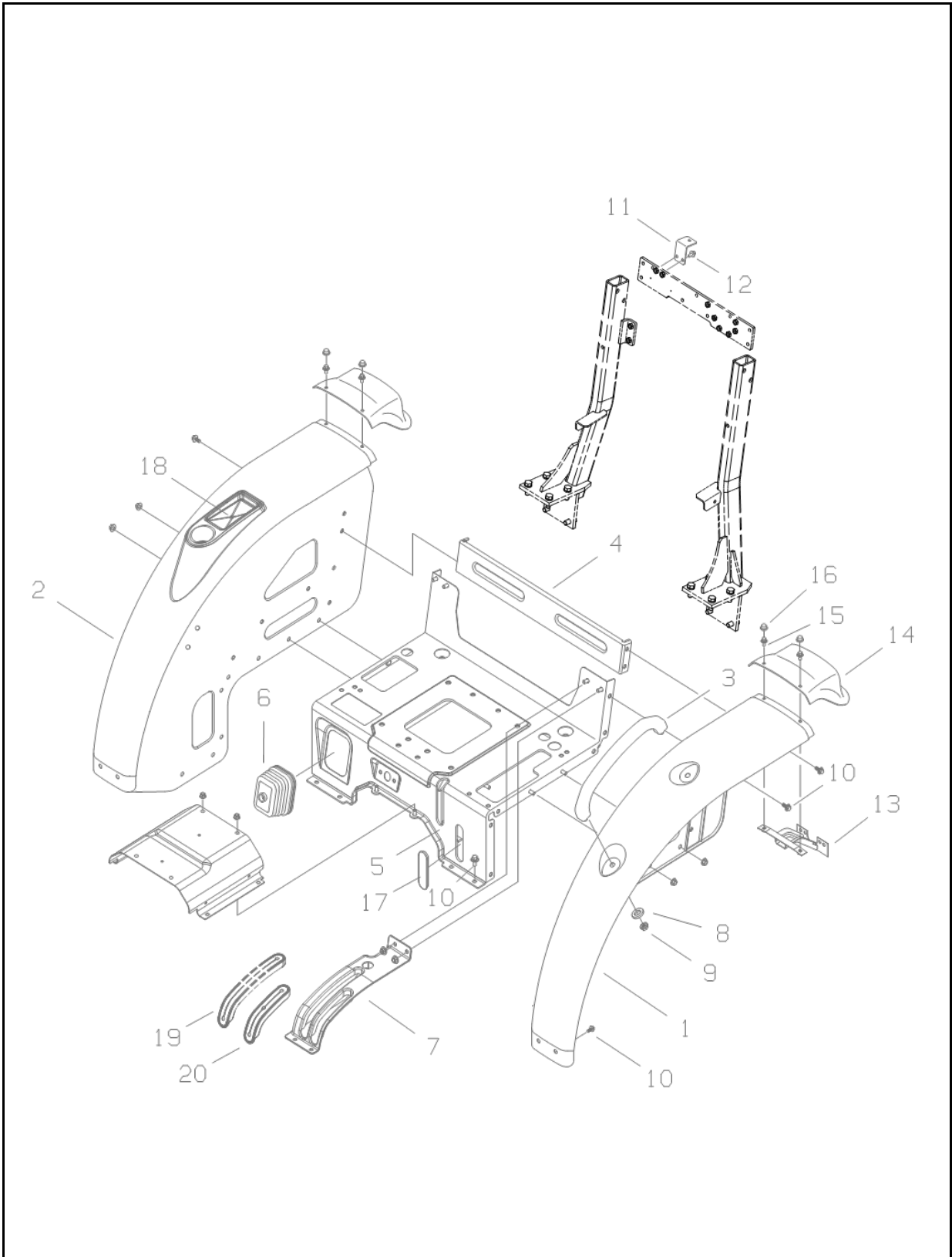
**FIG. 10-4B EXPORT**

NO.	PART NO.	PART NAME & DESCRIPTION	QTY			APP.NO	REM.
			A	B	C		
1	A1850238	SEAT & BELT ASSY	1	1	1		MEC
	A1850245	SEAT & BELT ASSY	1	1	1		HST
2	S154102533	BOLT, HEX					

# FENDER

FIG. 10-14D

G. 870



# FENDER

A-NOT AVAILABLE / B-R39 / C-R45

A-NOT AVAILABLE / B-R41 / C-R47

**FIG. 10-14D AG**

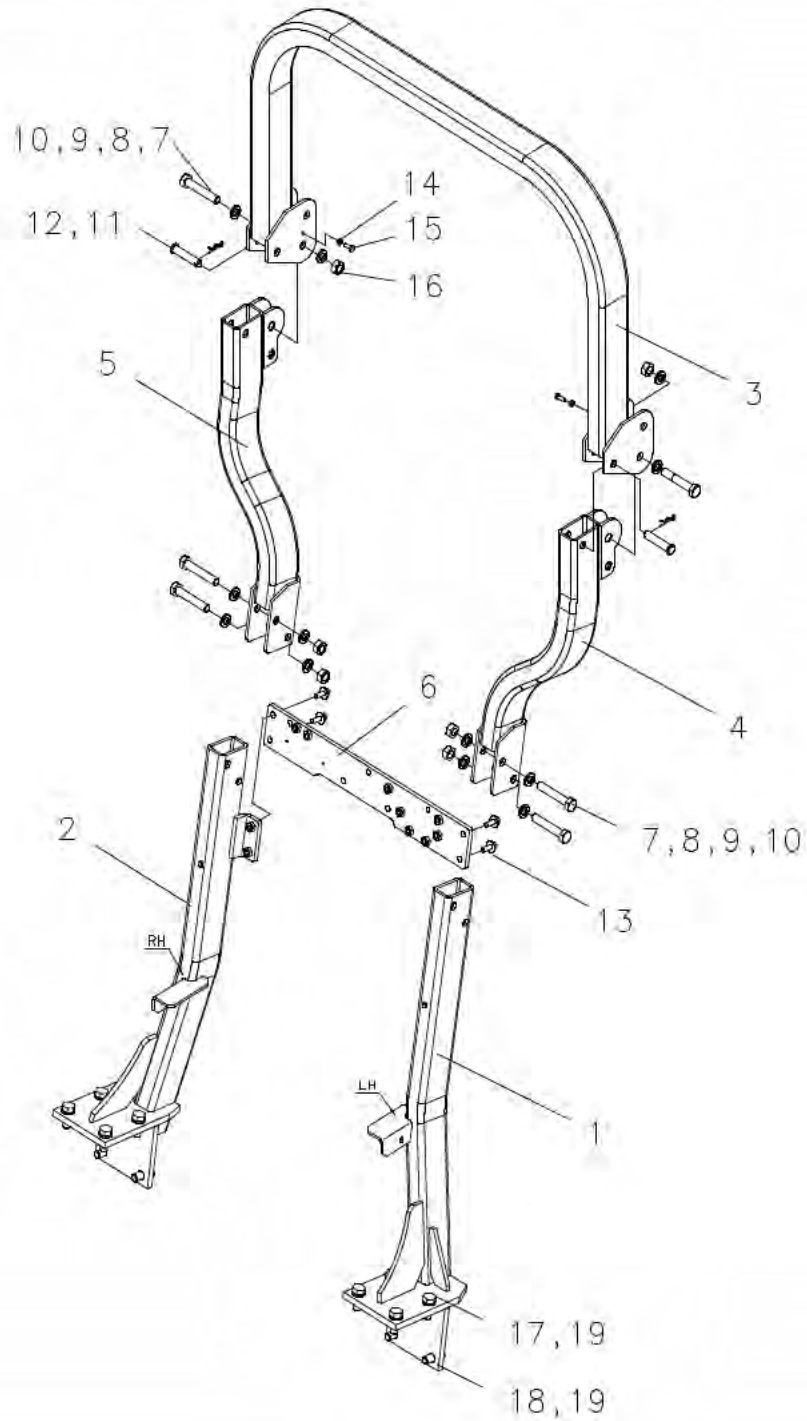
NO.	PART NO.	PART NAME & DESCRIPTION		QTY			APP.NO	REM.
				A	B	C		
1	A1870471	FENDER (LH)	GREEN	1	1	1		
2	A1870472	FENDER (RH)	GREEN	1	1	1		
3	A1870410	HANDLE		1	1	1		
4	A1870406	SUPPORT, FENDER		1	1	1		
5	A1870470	COVER, CENTER	GREEN	1	1	1		
6	A1870411	COVER, DUST MAIN LEVER		1	1	1		
7	A1870409	GUIDE, LEVER		1	1	1		
8	S365082013	WASHER, PLN. L-RD.	DI8.4XD20X1.6t	4	4	4		
9	S345080013	NUT, FLANGE B-TY.	M8X1.25	12	12	12		
10	S159082033	BOLT, HEX. W/WASHER	M8X1.25	31	31	31		
11	A1870375	BRACKET, WORKING LIGHT		1	1	1		
12	S159082533	BOLT, HEX. W/WASHER		2	2	2		
13	A1870408	BRACKET, EXTENTION		2	2	2		
14	A1870407	EXTENTION, REAR		2	2	2		
15	S159061613	BOLT, HEX. W/WASHER		4	4	4		
16	A1830653	CAP, BOLT		4	4	4		
17	A1870412	CAP, HST DIFF HOLE		1	1	1		MEC
18	A1870443	HOLDER, CUP		1	1	1		
19	A1870448	SEAL, PTO LEVER		1	1	1		
20	A1870447	SEAL, RANGE SEVER		1	1	1		



# SAFETY FRAME

FIG. 10-15A

G. 880



# SAFETY FRAME

A-NOT AVAILABLE / B-R39 / C-R45

A-NOT AVAILABLE / B-R41 / C-R47

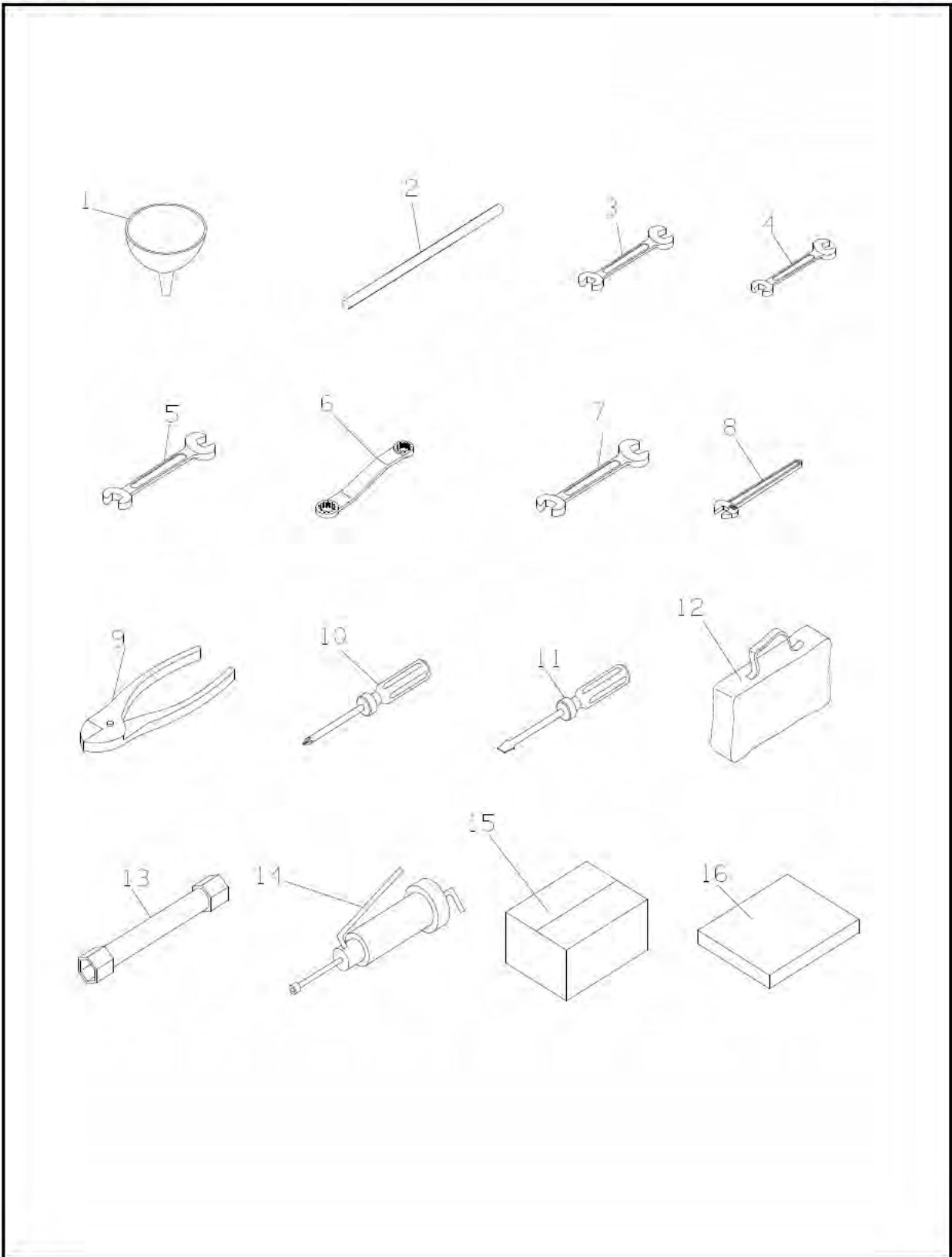
**FIG. 10-15A** **( R/ROPS )**

NO.	PART NO.	PART NAME & DESCRIPTION	QTY			APP.NO	REM.	
			A	B	C			
1~15	A1880104	REAR ROPS ASSY	1	1	1			
1	A1880105	PILLAR LOW LH,REAR ROPS	1	1	1			
2	A1880106	PILLAR LOW RH,REAR ROPS	1	1	1			
3	A1880107	BEAM UPPER,REAR ROPS	1	1	1			
4	A1880108	PILLAR MID LH,REAR ROPS	1	1	1			
5	A1880109	PILLAR MID RH,REAR ROPS	1	1	1			
6	A1880110	PLATE,CONNECTOTOR	1	1	1			
7	S101148043	BOLT, HEX	M14X2X80L	6	6	6		
8	S361140013	WASHER, SPR. 1-TY.	D24.5Xd14.2X3.5t	6	6	6		
9	S363140013	WASHER, PLN. S-RD.	D24Xd15X2.5t	6	6	6		
10	S301140043	NUT, HEX. 1-TY.	M14X2	6	6	6		
11	S427148023	PIN HEAD B-TY	Φ14X80L	2	2	2		
12	S443140013	PIN, SNAP A-TY.	Φ14X40.6L	2	2	2		
13	S159083533	BOLT, HEX. W/WASHER	M8X1.25X25L	4	4	4		
14	S163062043	BOLT, HEX. F-THRD.	M6X1.0X20L	2	2	2		
15	S301060043	NUT, HEX. 1-TY.	M6X1.0	2	2	2		
16	A1877077	RUBBER LOWER		2	2	2		
17	S101143553	BOLT,HEX	M14X2X35L	8	8	8		
18	S101144553	BOLT,HEX	M14X2X45L	4	4	4		
19	S361140013	WASHER, SPR. 1-TY.	D24.5Xd14.2X3.5t	12	12	12		

# TOOL

FIG. 11-1

G. 920



# TOOL

A-NOT AVAILABLE / B-R39 / C-R45

A-NOT AVAILABLE / B-R41 / C-R47

**FIG. 11-1**

NO.	PART NO.	PART NAME & DESCRIPTION		QTY			APP.NO	REM.
				A	B	C		
1	A0770017	FUNNEL		1	1	1		
2~13	A1920001	TOOL KIT, TRACTOR	FOR 39,45,51	1	1	1		
2	3A0010200	TOMMY BAR	D15X350	1	1	1		
3	A0770026	SPANNER (12X14)	12 X 14	1	1	1		
4	A0770028	SPANNER (17X19)	17X19	1	1	1		
5	A0770030	SPANNER, DOUBLE END	22X24	1	1	1		
6	A0770049	WRENCH	22X24	1	1	1		
7	A14583371	SPANNER, DOUBLE END	10X13 H HRC	1	1	1		
8	A14584300	SPANNER, MONKEY	300MM	1	1	1		
9	A14584400	PLIER	200MM	1	1	1		
10	A14584500	DRIVER (+)	#3-150 H	1	1	1		
11	A14584600	DRIVER (-)	6X100 H	1	1	1		
12	A1920004	TOOL BAG		1	1	1		
13	A1970227	SPANNER, BOX (24X27)	24X27	1	1	1		
14	A1970224	GUN, GREASE	TOP TYPE(400	1	1	1		
15	A500350160	CARTON BOX (TRACTOR)	500*350*160	1	1	1		
16	A1920084	MANUAL, USER		1	1	1		

DECAL

DECAL

A-NOT AVAILABLE / B-R39 / C-R45

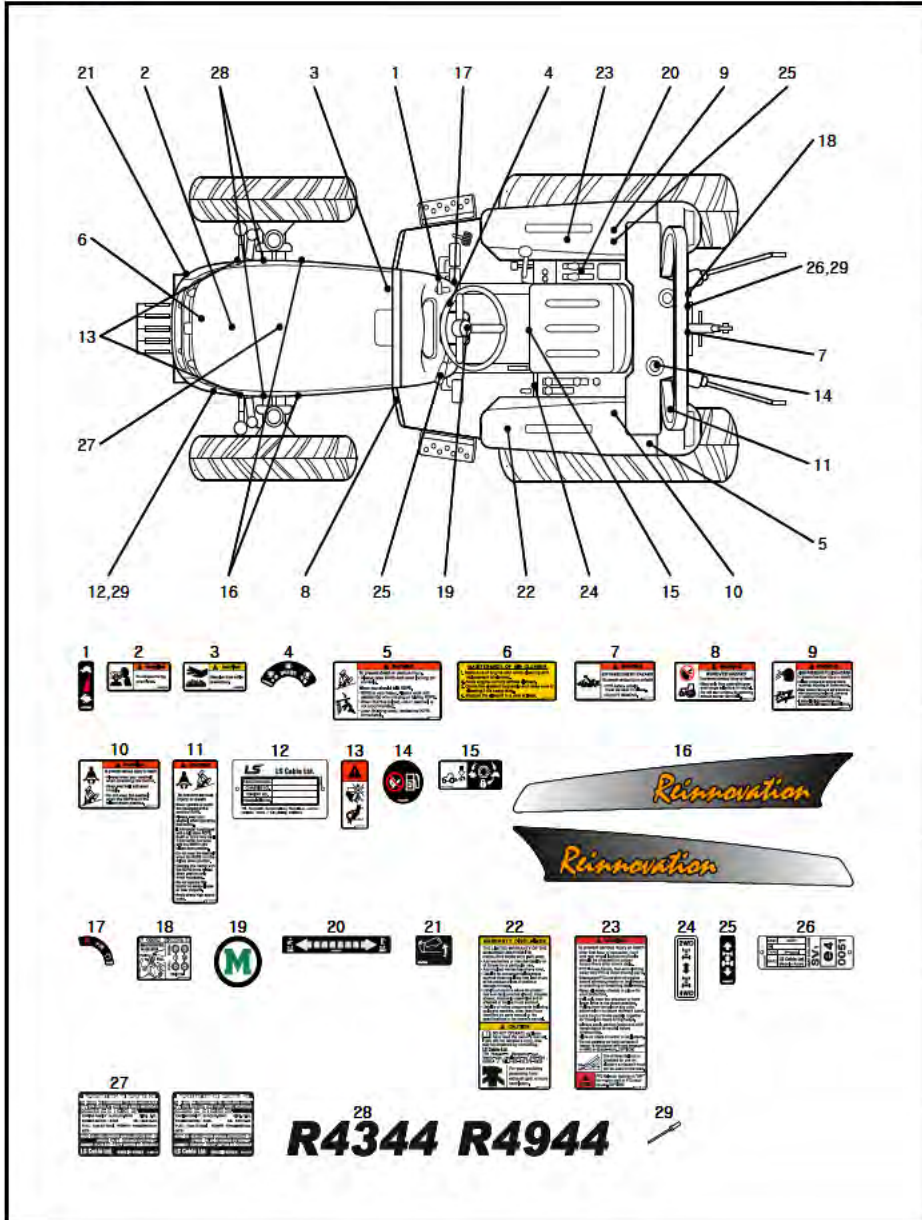
A-NOT AVAILABLE / B-R41 / C-R47

FIG. 12-1B

G. 980 FIG. 12-1B

AG

( MEC )



NO.	PART NO.	PART NAME & DESCRIPTION	QTY			APP. NO	REM.
			A	B	C		
1	A1980722	DECAL, ACC. LEVER	1	1	1		
2	A1980734	DECAL, WARNING	1	1	1		
3	A1980736	DECAL, CAUTION	1	1	1		
4	A1980818	DECAL, PTO SELECTOR	1	1	1		
5	A1980891	DECAL, ROPS WARNING	1	1	1		
6	A1980932	DECAL, AIR CLEANER	1	1	1		
7	A1980935	DECAL, PTO WARNING	1	1	1		
8	A1980936	DECAL, START WARNING	1	1	1		
9	A1980937	DECAL, HYD. OIL WARNING	1	1	1		
10	A1980940	DECAL, FRAME SEATBELT WARNING	1	1	1		
11	A1980941	DECAL, ROPS WARNING	1	1	1		
12	A1980943	NAME PLATE (ENG)	1	1	1		
13	A1980999	DECAL, FAN/BELT WARNING	2	2	2		
14	A1981000	DECAL, FUEL	1	1	1		
15	A1981018	DECAL, FLOW CONTROL	1	1	1		
16	A1981026	DECAL, REINNOVATION (LH)	1	1	1		
	A1981027	DECAL, REINNOVATION (RH)	1	1	1		
17	A1981029	DECAL, KEY SWITCH (R)	1	1	1		
18	A1981037	DECAL, AUX. CONTROL	1	1	1		
19	A1981038	DECAL, MONTANA EMBLEM (HANDLE)	1	1	1		
20	A1981064	DECAL, HYD. POSITION & DRAFT	1	1	1		
21	A1981065	DECAL, HOOD OPEN (RH)	1	1	1		
22	A1981075	DECAL, WARRANTY	1	1	1		
23	A1981076	DECAL, DRIVER CAUTION (E)	1	1	1		
24	A1980573	DECAL, 4WD	1	1	1		
25	A1980721	DECAL, F-R CHANGE	1	1	1		
26	A1981032	NAME PLATE, ROPS (R46RF)	1	1	1		
27	A1981114	DECAL, EPA (S4QS)	*	1	*		
	A1981115	DECAL, EPA (S4QL)	*	*	1		
28	A1981170	DECAL, MODEL NAME (R4344)	2	2	*		
	A1981172	DECAL, MODEL NAME (R4944)	*	*	2		
29	S466321010	RIVET, BLIND	4	4	4		

# DECAL

# DECAL

A-NOT AVAILABLE / B-R39 / C-R45

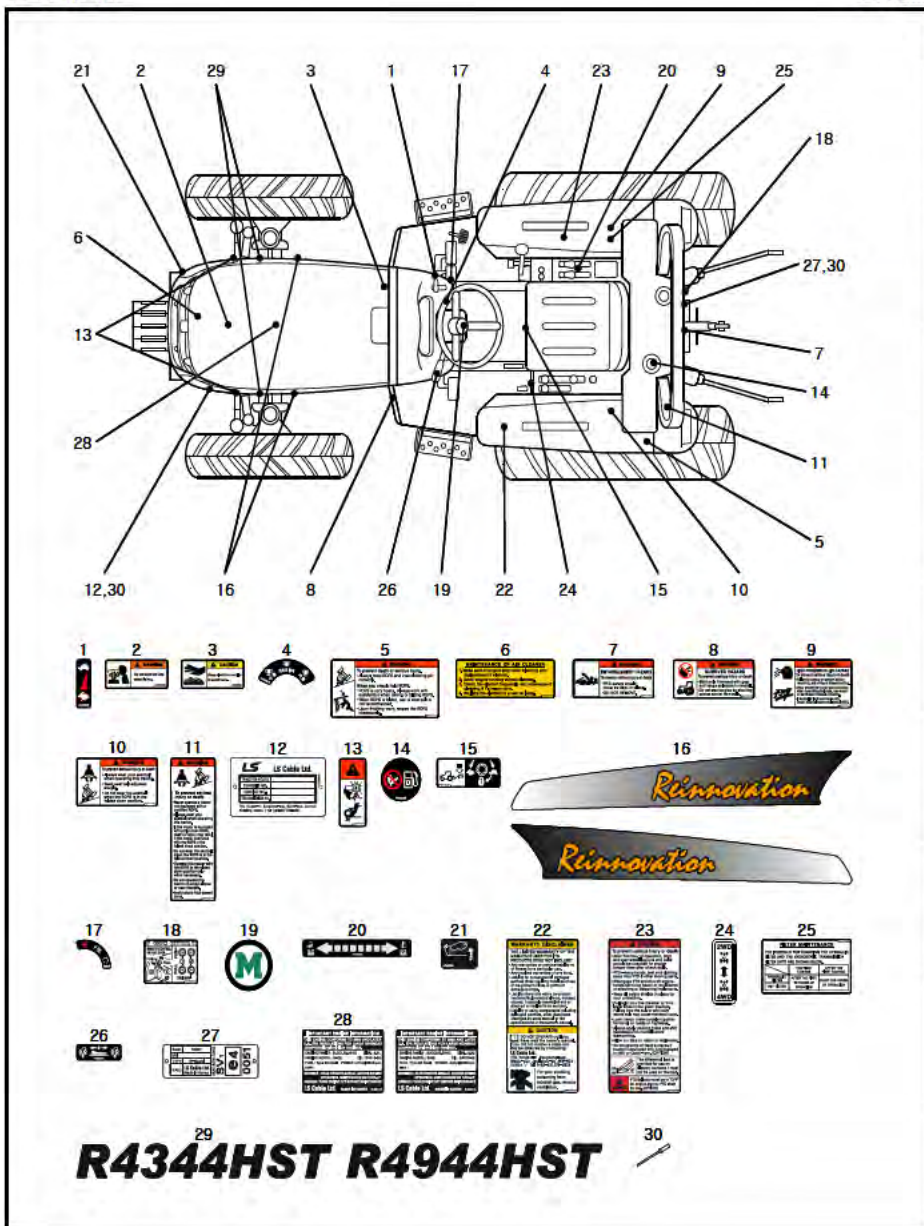
A-NOT AVAILABLE / B-R41 / C-R47

FIG. 12-1C

G. 980 FIG. 12-1C

AG

(HST)



NO.	PART NO.	PART NAME & DESCRIPTION	QTY			APP.NO	REM.
			A	B	C		
1	A1980722	DECAL, ACC. LEVER	1	1	1		
2	A1980734	DECAL, WARNING	1	1	1		
3	A1980736	DECAL, CAUTION	1	1	1		
4	A1980818	DECAL, PTO SELECTOR	1	1	1		
5	A1980891	DECAL, ROPS WARNING	1	1	1		
6	A1980932	DECAL, AIR CLEANER	1	1	1		
7	A1980935	DECAL, PTO WARNING	1	1	1		
8	A1980936	DECAL, START WARNING	1	1	1		
9	A1980937	DECAL, HYD. OIL WARNING	1	1	1		
10	A1980940	DECAL, FRAME SEATBELT WARNING	1	1	1		
11	A1980941	DECAL, ROPS WARNING	1	1	1		
12	A1980943	NAME PLATE (ENG)	1	1	1		
13	A1980999	DECAL, FAN/BELT WARNING	2	2	2		
14	A1981000	DECAL, FUEL	1	1	1		
15	A1981018	DECAL, FLOW CONTROL	1	1	1		
16	A1981026	DECAL, REINNOVATION (LH)	1	1	1		
	A1981027	DECAL, REINNOVATION (RH)	1	1	1		
17	A1981029	DECAL, KEY SWITCH (R)	1	1	1		
18	A1981037	DECAL, AUX. CONTROL	1	1	1		
19	A1981038	DECAL, MONTANA EMBLEM (HANDLE)	1	1	1		
20	A1981064	DECAL, HYD. POSITION & DRAFT	1	1	1		
21	A1981065	DECAL, HOOD OPEN (RH)	1	1	1		
22	A1981075	DECAL, WARRANTY	1	1	1		
23	A1981076	DECAL, DRIVER CAUTION (E)	1	1	1		
24	A1980573	DECAL, 4WD	1	1	1		
25	A1980777	DECAL, FILTER MAINTENANCE	1	1	1		
26	A1981031	DECAL, CRUISE CONRTOL	1	1	1		
27	A1981032	NAME PLATE, ROPS (R45RF)	1	1	1		
28	A1981114	DECAL, EPA (S4QS)	*	1	*		
	A1981115	DECAL, EPA (S4QL)	*	*	1		
29	A1981171	DECAL, MODEL NAME (R4344HST)	1	1	*		
	A1981173	DECAL, MODEL NAME (R4944HST)	*	*	1		
30	S466321010	RIVET, BLIND	4	4	4		

# 엔진 부품

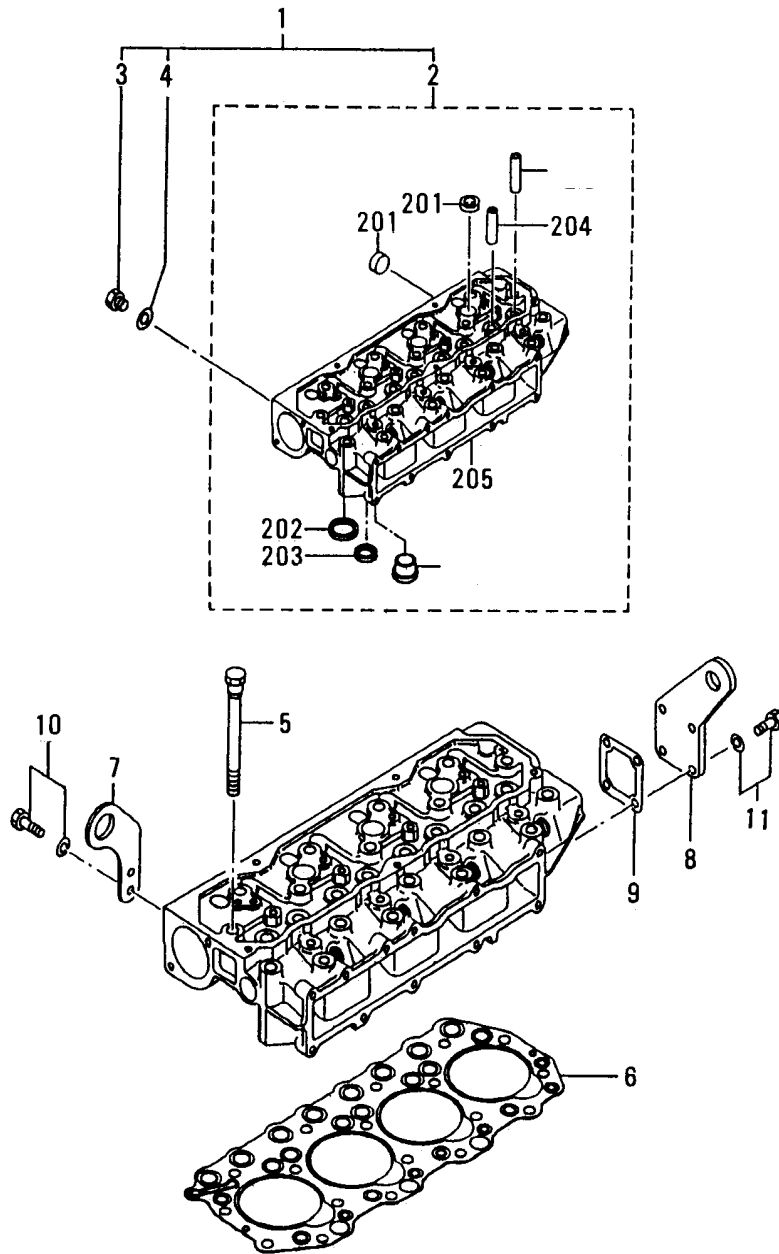
---

## ■ R39, R45

실린더 헤드	FIG. 01
밸브 메커니즘	FIG. 04-01
밸브 메커니즘	FIG. 04-02
크랭크 케이스 조립체	FIG. 07-01
크랭크 케이스	FIG. 07-02
오일팬	FIG. 13
타이밍 기어 케이스 및 타이밍 기어	FIG. 11
메인 무빙 파트	FIG. 17
바란서	FIG. 29
흡기 & 배기 다지관	FIG. 30
오일 시스템	FIG. 36
냉각 시스템	FIG. 46
연료 시스템	FIG. 61-01
연료 필터	FIG. 61-04
스타터 (12V-2.2KW)	FIG. 66
발전기 (12V-45)	FIG. 68
가스켓 킷	FIG. 94
가스켓 킷	FIG. 94

# CYLINDER HEAD

FIG. 01





# CYLINDER HEAD

A-R39 / B-R45

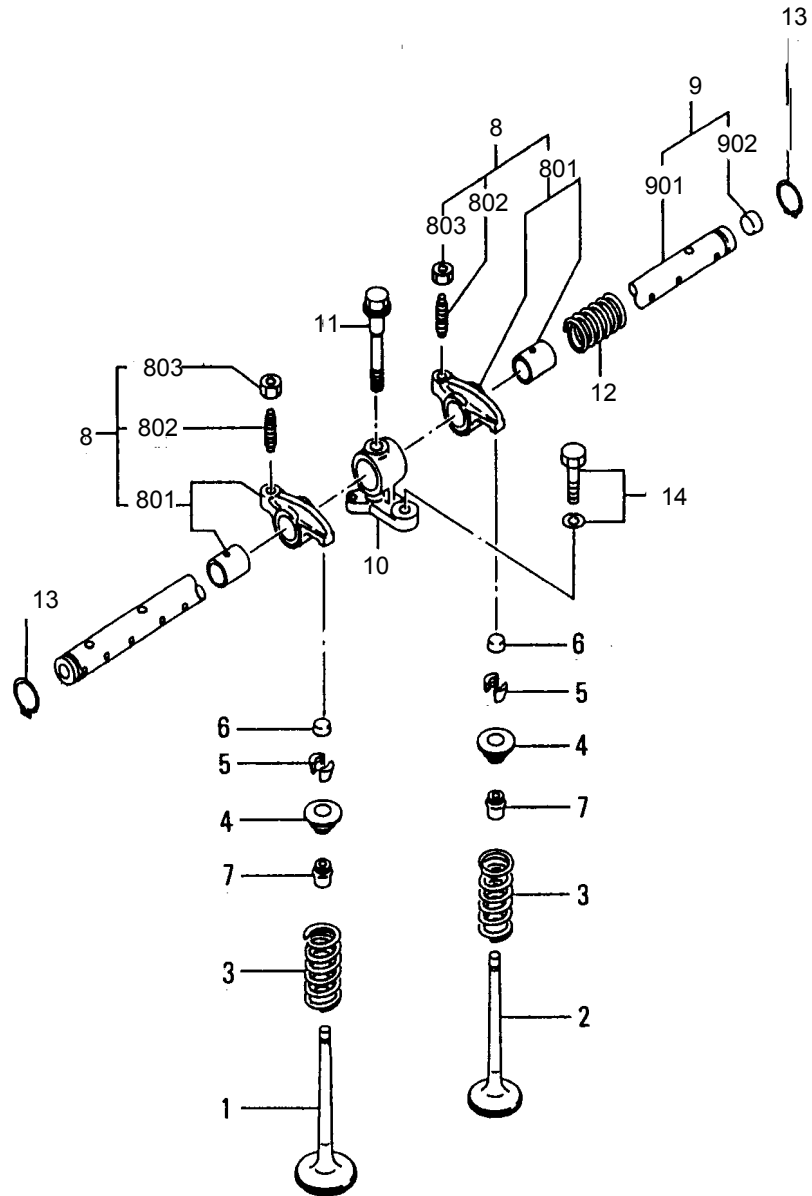
A-R41 / B-R47, R50

**FIG. 01**

NO.	PART NO.	PART NAME & DESCRIPTION	QTY			APP.NO	REM.
			A	B	C		
1	*	HEAD ASSY, CYL	1	*			
	*	HEAD ASSY, CYL	*	1			
2	Q1160042	HEAD SUB ASSY, CYL.	1	*			
	Q1160043	HEAD SUB ASSY, CYL.	*	1			
01	Q0710019	CAP, SEALING	7	7			
02	Q1160028	INSERT, IN.	4	4			
03	Q1160029	INSERT, EX.	4	4			
04	Q1160004	GUIDE, VALVE	4	4			
	Q1160009	GUIDE, VALVE	4	4			
05	Q1160032	HEAD, CYLINDER	1	*			
	Q1160033	HEAD, CYLINDER	*	1			
06	Q1160036	JET, COMBUSTION	4	*			
	Q1160024	JET, COMBUSTION	*	4			
3	A0610088	PLUG, DRAIN	1	1			
4	Q1160011	GASKET	1	1			
5	Q1160012	BOLT, CYL. HEAD	18	18			
6	Q1160013	GASKET	1	1			
7	Q1160014	EYE, LIFTING FR.	1	1			
8	Q1160015	EYE, LIFTING RE.	1	1			
9	Q1160016	GASKET	1	1			
10	S153081633	BOLT, W/WASHER	2	2			
11	S153082033	BOLT, W/WASHER	4	4			

# VALVE MECHANISM

FIG. 04-01



# VALVE MECHANISM

A-R39 / B-R45

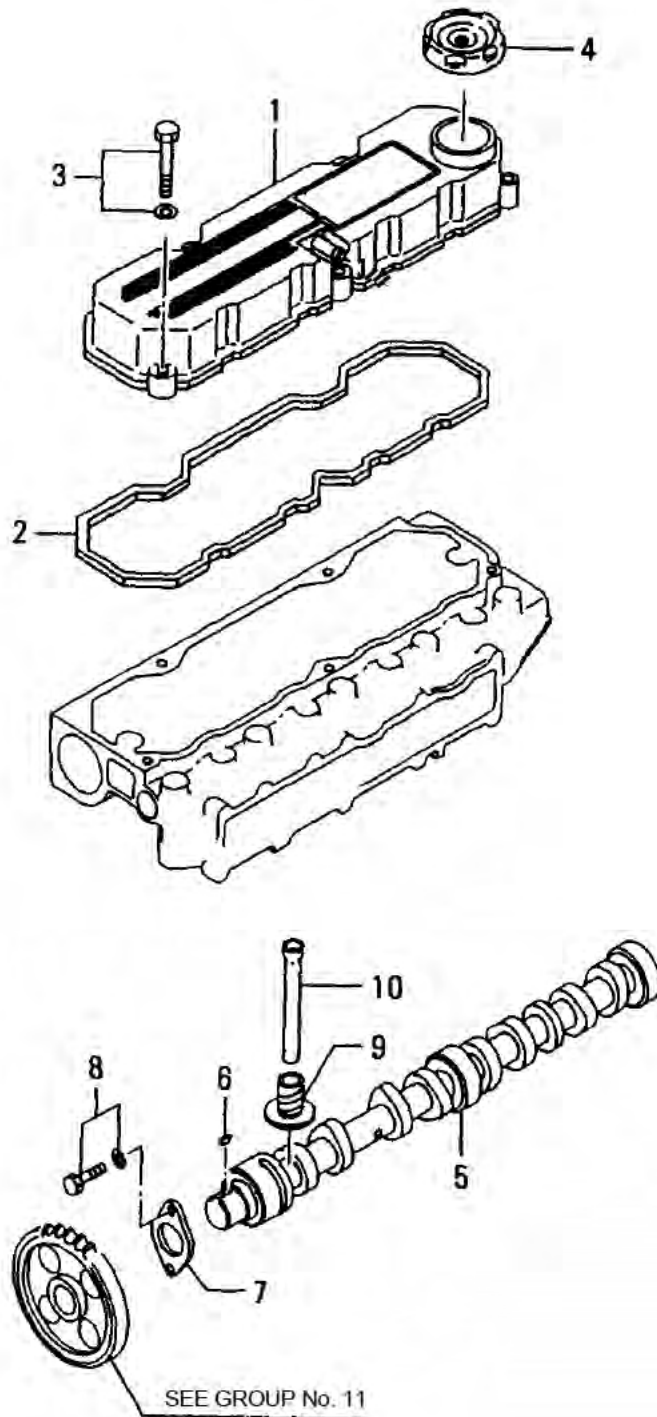
A-R41 / B-R47, R50

**FIG. 04-01**

NO.	PART NO.	PART NAME & DESCRIPTION	QTY			APP.NO	REM.
			A	B	C		
1	Q1210001	ROCKER & SHAFT ASSY	1	1			
	Q1210012	VALVE, IN.	4	4			
	Q1210013	VALVE, EXH.	4	4			
	Q1210014	SPRING	8	8			
	Q1210016	RETAINER	8	8			
5	Q1210017	COTTER, VALVE	16	16			
6	Q1210018	CAP	8	8			
7	Q1210015	SEAL, VALVE STEM	8	8			
8 01	Q1210008	ROCKER & BUSHING	8	8			
02	Q1210009	SCREW, ADJUSTING	8	8			
03	S315080043	NUT	8	8			
9	Q1210002	SHAFT ASSY, ROCKER	1	1			
01	Q1210006	SHAFT, ROCKER	1	1			
02	Q1210007	PLUG	2	2			
10	Q1210004	BRACKET, ROCKER	4	4			
11	Q1210019	BOLT	4	4			
12	Q1210005	SPRING, ROCKER	3	3			
13	S810019001	RING, SNAP	2	2			
14	S153082533	BOLT, W/WASHER	4	4			

# ROCKER COVER & CAMSHAFT

FIG. 04-02



# ROCKER COVER & CAMSHAFT

A-R39 / B-R45

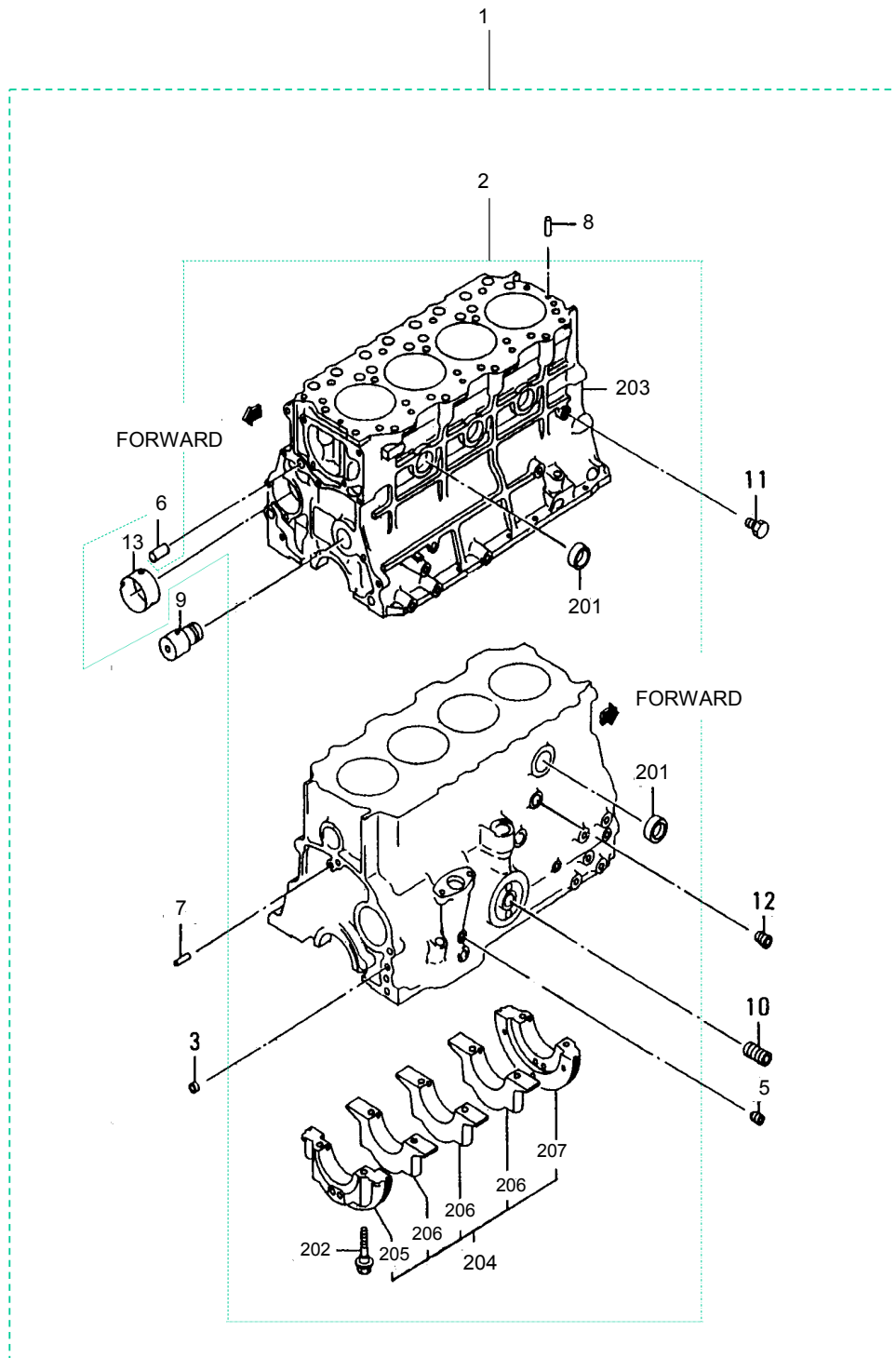
A-R41 / B-R47, R50

**FIG. 04-02**

NO.	PART NO.	PART NAME & DESCRIPTION	QTY			APP.NO	REM.
			A	B	C		
1	Q1150001	COVER ASSY, ROCKER	1	1			
2	Q1150004	GASKET, ROCKER	1	1			
3	S153084033	BOLT, W/WASHER	5	5			
4	Q1150011	CAP, OIL	1	1			
5	Q1220001	CAMSHAFT	1	1			
6	Q0630001	KEY, WOODRUFF	1	1			
7	Q1220002	PLATE, THRUST	1	1			
8	S153081633	BOLT, W/WASHER	2	2			
9	Q1220003	TAPPET	8	8			
10	Q1220004	ROD, PUSH	8	8			

# CRANKCASE ASSY

FIG. 07-01



# CRANKCASE ASSY

A-R39 / B-R45

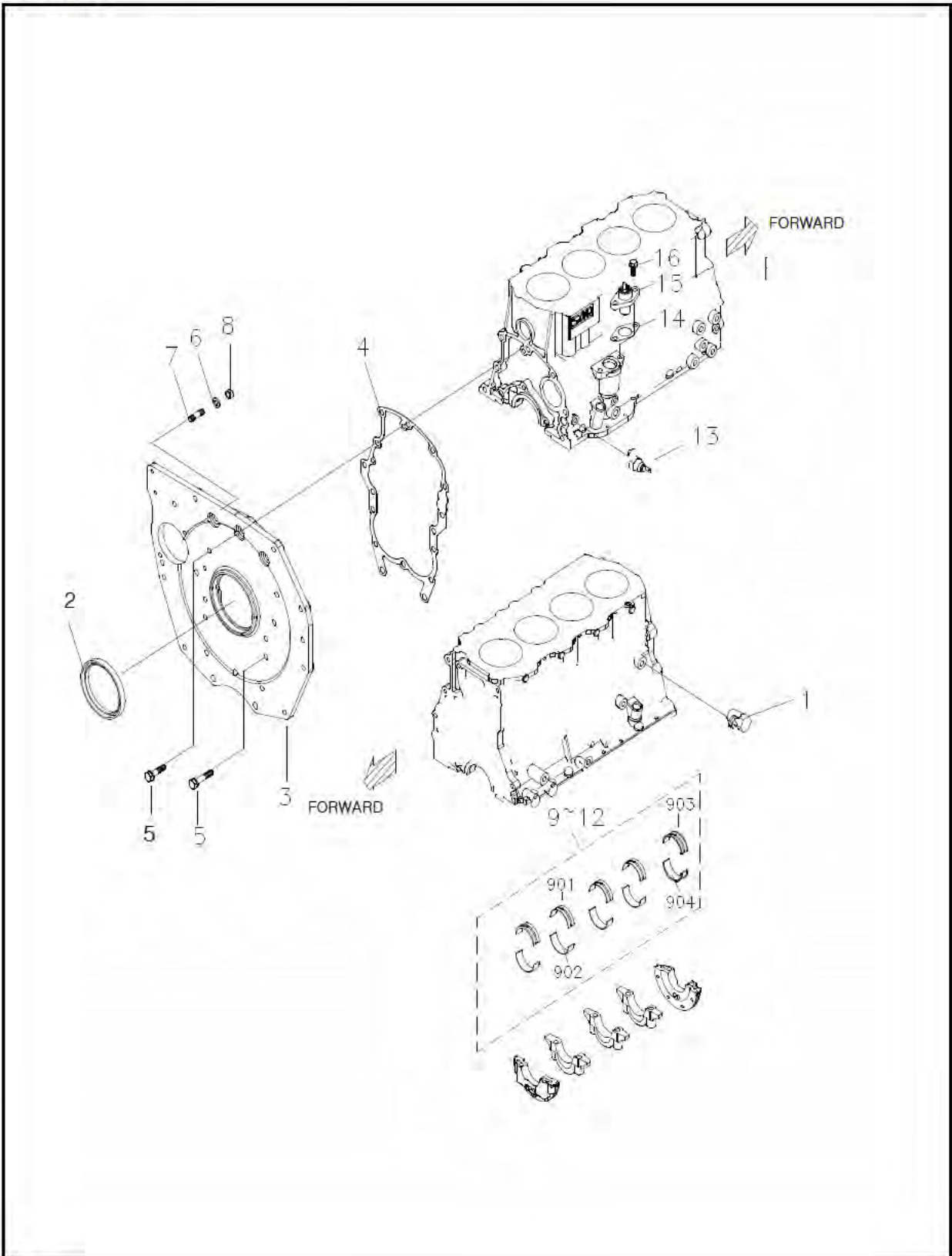
A-R41 / B-R47, R50

**FIG. 07-01**

NO.	PART NO.	PART NAME & DESCRIPTION	QTY			APP.NO	REM.
			A	B	C		
1	*	CRANKCASE ASSY	1	1			
2	Q1100052	CRANKCASE SUB ASSY	1	1			
01	Q0710011	CAP, SEALING	6	6			
02	Q1100021	BOLT, BEARING CAP	10	10			
03	Q1100002	CRANKCASE	1	1			
04	Q1100015	BEARING ASSY, CAP	1	1			
05	*	CAP, BEARING	1	1			
06	*	CAP, BEARING	3	3			
07	*	CAP, BEARING	1	1			
3	Q0710004	CAP, SEALING	3	3			
4	*	PLUG, RUBBER	*	*			
5	A0610167	PLUG, TAPER	4	4			
6	Q1100023	PIN, DOWEL	2	2			
7	Q0620002	PIN, DOWEL	4	4			
	Q0620002	PIN, DOWEL	2	2			
8	Q0620001	PIN, DOWEL	2	2			
9	Q1100024	SHAFT, IDLER	1	1			
10	Q1400009	SHAFT, OIL FILTER	1	1			
11	*	PLUG, TAPER	1	1			
12	A0610169	PLUG, TAPER	2	2			
13	Q1100022	BUSHING CAMSHAFT, FR	1	1			

# CRANKCASE

FIG. 07-02





# CRANKCASE

A-R39 / B-R45

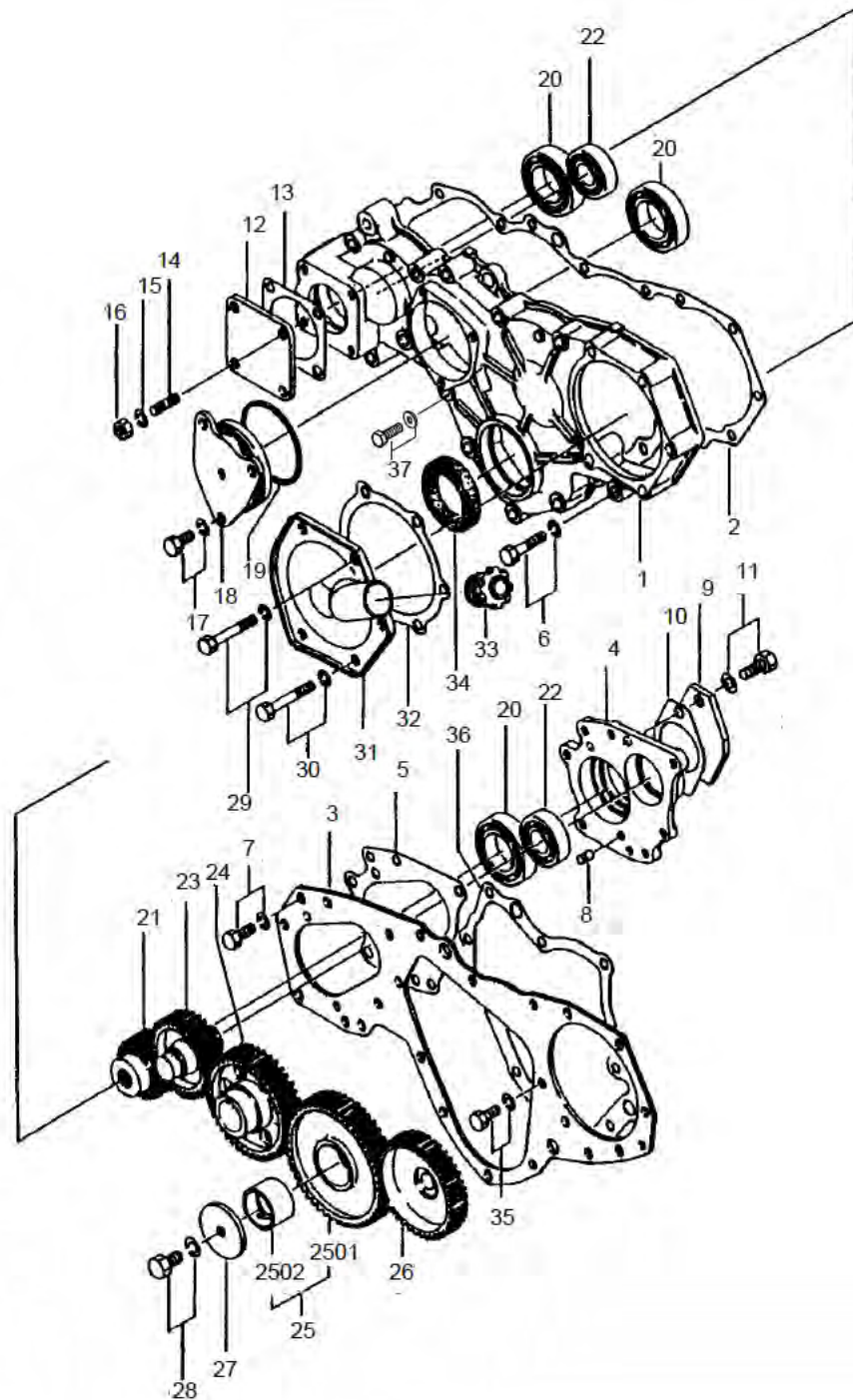
A-R41 / B-R47, R50

**FIG. 07-02**

NO.	PART NO.	PART NAME & DESCRIPTION	QTY			APP.NO	REM.
			A	B	C		
1	Q1100051	PLUG, DRAIN	1	1			
2	Q1100008	SEAL, OIL	1	1			
3	Q1550026	CASE, REAR	1	1			
4	Q1550023	GASKET, REAR	1	1			
5	Q1550010	BOLT, REAR CASE	M10X1.25X50L	14	14		
6	S361100013	WASHER, SPRING		2	2		
7	Q1550003	STUD	M10X1.25	2	2		
8	S314100013	NUT		2	2		
9	Q1100003	METAL SET, MAIN	STD	1	1		
01	Q1100026	METAL, MAIN UPPER	STD	4	4		
02	Q1100030	METAL, MAIN LOWER	STD	4	4		
03	Q1100034	METAL, MAIN UPPER	STD	1	1		
04	Q1100038	METAL, MAIN LOWER	STD	1	1		
10	Q1100004	METAL SET, MAIN	U.S. 0.25	1	1		
11	Q1100005	METAL SET, MAIN	U.S. 0.50	1	1		
12	Q1100006	METAL SET, MAIN	U.S. 0.75	1	1		
13	Q1800003	SWITCH, OIL		1	1		
14	Q1100043	GASKET		1	1		
15	Q1100044	COVER		1	1		
16	S153082033	BOLT, W/WASHER		2	2		

# TIMING GEAR CASE & TIMING GEAR

FIG. 11



# TIMING GEAR CASE & TIMING GEAR

A-R39 / B-R45

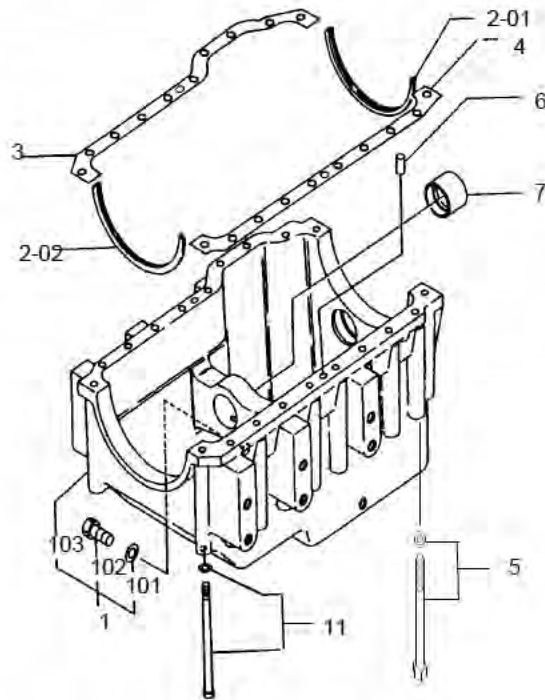
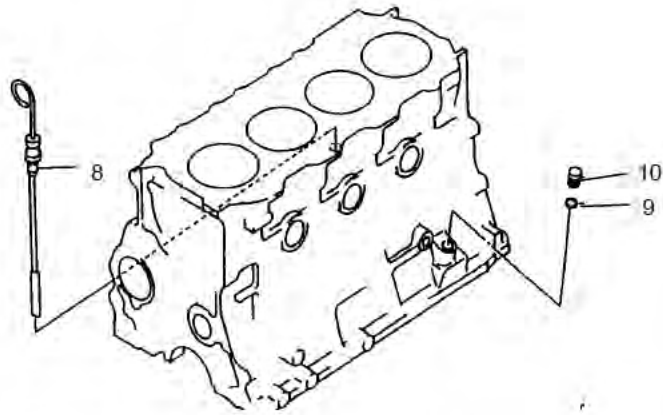
A-R41 / B-R47, R50

**FIG. 11**

NO.	PART NO.	PART NAME & DESCRIPTION	QTY			APP.NO	REM.
			A	B	C		
1	Q1300001	CASE, TIMING GEAR	1	1			
2	Q1300015	GASKET, GEAR CASE	1	1			
3	Q1300013	PLATE, FRONT	1	1			
4	Q1300051	CASE, BEARING	1	1			
5	Q1300025	GASKET, BEARING CASE	1	1			
6	S153085533	BOLT, W/WASHER	M8x1.25x55	1	1		
7	S153082033	BOLT, W/WASHER	M8x1.25x20	2	2		
8	Q1300026	PIN, DOWEL		2	2		
9	*	PLATE		*	*		
10	*	GASKET		*	*		
11	*	BOLT, W/WASHER	M10x1.25x20	*	*		
12	*	COVER, OIL PUMP		*	*		
13	*	GASKET		*	*		
14	S139082523	STUD		4	4		
15	*	WASHER, SPRING		*	*		
16	*	NUT		*	*		
17	S153081633	BOLT, W/WASHER	M8x1.25x16	3	3		
18	Q1300017	CASE, BEARING		1	1		
19	S802075010	O-RING		1	1		
20	A0860080	BEARING, BALL	#6009	3	3		
21	Q1300010	GEAR, PUMP DRIVE		1	1		
22	A0862050	BEARING, BALL	#6206	2	2		
23	Q1300009	IDLER, P.T.O.		1	1		
24	Q1300005	GEAR, CAMSHAFT	Z=40	1	1		
25	Q1300006	GEAR ASSY, IDLER	Z=51	1	1		
01	*	GEAR, IDLER		1	1		
02	Q1300008	BUSHING, IDLER		1	1		
26	Q1300011	GEAR, INJ. PUMP	Z=40	1	1		
27	Q1300023	PLATE, THRUST		1	1		
28	S154102033	BOLT, W/WASHER	M10x1.25x20	1	1		
29	S153086033	BOLT, W/WASHER	M8x1.25x60	4	4		
30	S153086033	BOLT, W/WASHER	M8x1.25x60	1	1		
31	Q1300052	FILLER, OIL		1	1		
32	Q1300021	GASKET		1	1		
33	Q1300012	CAP, FILLER		1	1		
34	Q1300020	SEAL, OIL		1	1		
35	S153081633	BOLT, W/WASHER	M8x1.25x16	2	2		
36	Q1300014	GASKET, FRONT PLATE		1	1		
37	S153085033	BOLT, W/WASHER	M8x1.25x50	13	13		

# OIL PAN

FIG. 13



# OIL PAN

A-R39 / B-R45

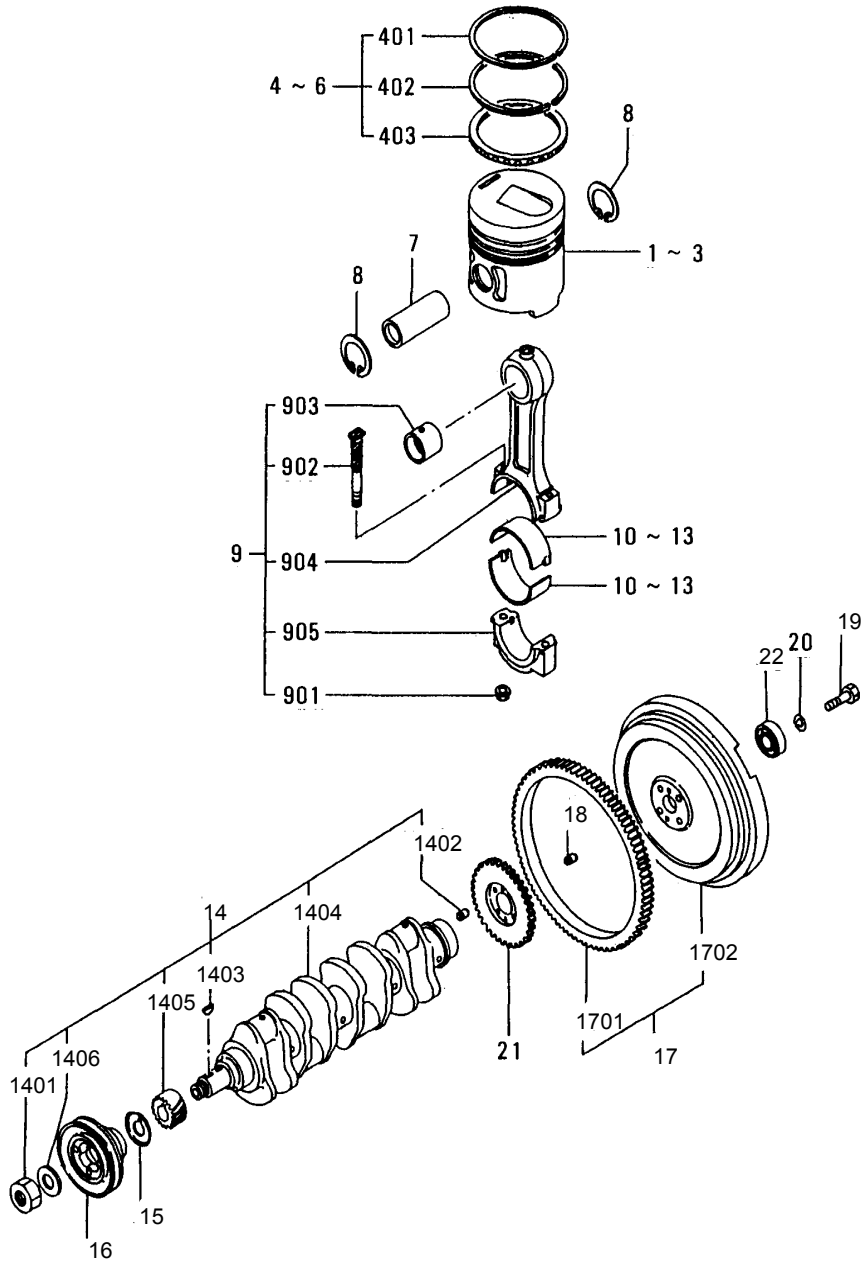
A-R41 / B-R47, R50

**FIG. 13**

NO.	PART NO.	PART NAME & DESCRIPTION	QTY			APP.NO	REM.
			A	B	C		
1	*	PAN ASSY, OIL	1	1			
01	Q0650003	GASKET	2	2			
02	Q0610002	PLUG, DRAIN	2	2			
03	Q1450027	PAN, OIL	1	1			
2 01	Q1450031	U-SEAL	1	1			
02	Q1450031	U-SEAL	1	1			
3	Q1450038	GASKET, OIL PAN A	1	1			
4	Q1450039	GASKET, OIL PAN B	1	1			
5	Q1450022	BOLT, OIL PAN	8	8			
6	Q0620002	PIN, DOWEL	2	2			
7	Q1450019	BEARING, NEEDLE	2	2			
8	Q1450011	GEAR, OIL LEVEL	1	1			
9	Q0650005	O-RING	1	1			
10	Q1450012	PLUG	1	1			
11	Q1450028	BOLT, OIL PAN	12	12			

# MAIN MOVING PARTS

FIG. 17



# MAIN MOVING PARTS

A-R39 / B-R45

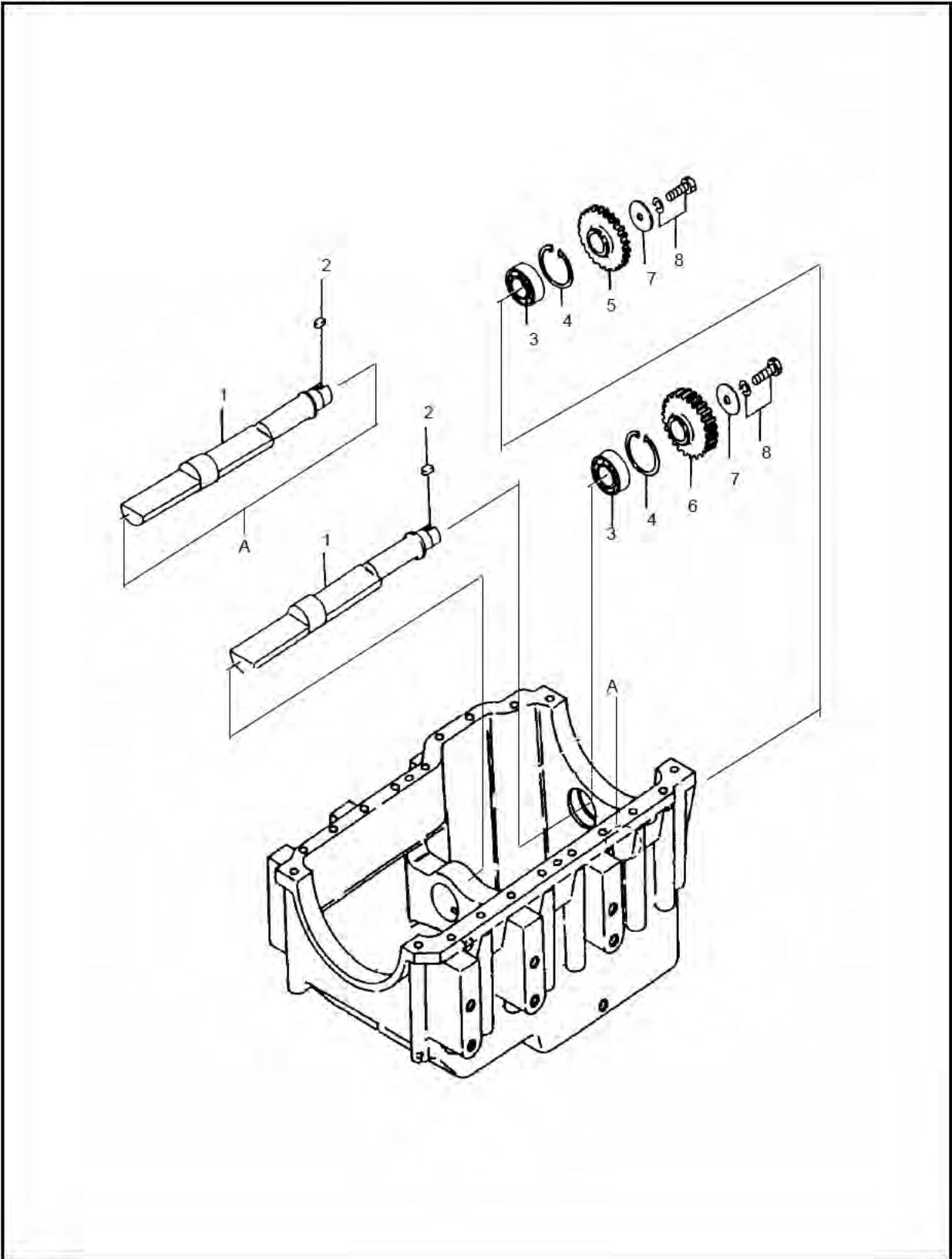
A-R41 / B-R47, R50

**FIG. 17**

NO.	PART NO.	PART NAME & DESCRIPTION		QTY			APP.NO	REM.
				A	B	C		
1	Q1200039	PISTON	STD	4	4			
2	Q1200044	PISTON, O.S 0.25	O.S 0.26	4	4			
3	Q1200045	PISTON, O.S 0.50	O.S 0.50	4	4			
4	Q1200031	RING SET, PISTON	STD	4	4			
401	Q1200005	RING, NO.1	STD	4	4			
402	Q1200008	RING, NO.2	STD	4	4			
403	Q1200011	RING, OIL	STD	4	4			
5	Q1200032	RING SET, PISTON	O.S 0.25	4	4			
6	Q1200033	RING SET, PISTON	O.S 0.50	4	4			
7	Q1200020	PIN, PISTON		4	4			
8	S811028005	RING, SNAP		8	8			
9	Q1200040	CONNECTING-ROD ASSY		4	4			
901	Q1200026	NUT		8	8			
902	Q1200025	BOLT, CONNECTING		8	8			
903	Q1200024	BUSHING, CON-ROD		4	4			
904	*	ROD, CONNECTING		4	4			
905	*	CAP, CON-ROD		4	4			
10	Q1200027	METAL, CON-ROD	STD	8	8			
11	Q1200028	METAL, CON-ROD	U.S 0.25	8	8			
12	Q1200029	METAL, CON-ROD	U.S 0.50	8	8			
13	Q1200030	METAL, CON-ROD	U.S 0.75	8	8			
14	*	CRANKSHAFT ASSY		1	1			
1401	Q0610003	NUT, DOWEL		1	1			
1402	Q0620003	PIN, DOWEL		2	2			
1403	Q0630001	KEY, WOODRUFF		2	2			
1404	Q1200038	CRANKSHAFT		1	1			
1405	Q1300004	GEAR, CRANKSHAFT	Z=20	1	1			
1406	Q1200037	WASHER		1	1			
15	Q1200036	PLATE, BAFFLE		1	1			
16	Q1200001	PULLEY, CRANKSHAFT		1	1			
17	Q1500036	FLYWHEEL ASSY		1	1			
1701	Q1500037	GEAR, RING		1	1			
1702	Q1500042	FLYWHEEL		1	1			
18	Q0620003	PIN, DOWEL		2	2			
19	S107126053	BOLT	M12X1.25X60L	4	4			
20	S361120013	WASHER, SPRING		4	4			
21	Q1460004	GEAR, DRIVE		1	1			
22	Q1500006	BEARING, BALL		1	1			

# BALANCER

FIG. 29





# BALANCER

A-R39 / B-R45

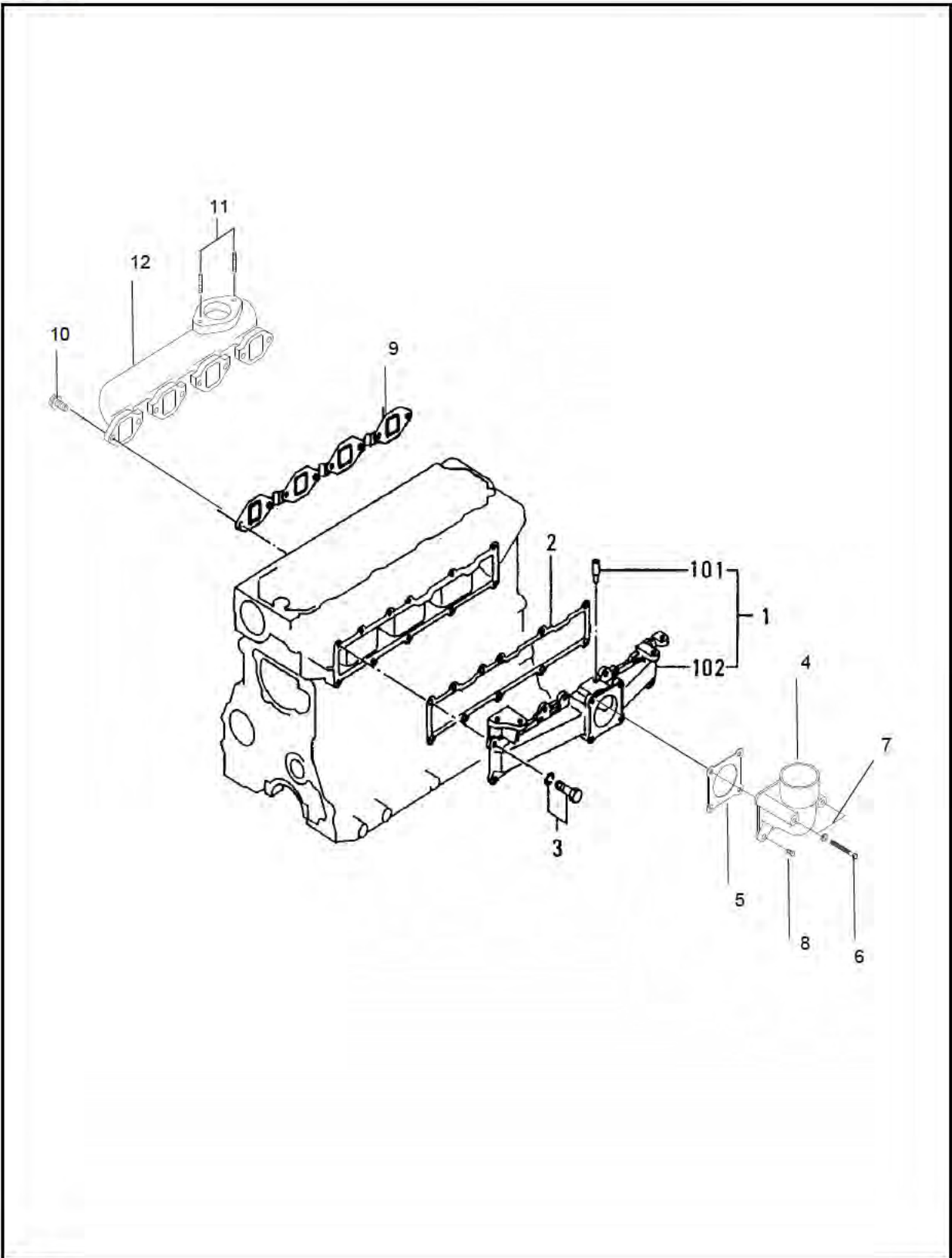
A-R41 / B-R47, R50

**FIG. 29**

NO.	PART NO.	PART NAME & DESCRIPTION	QTY			APP.NO	REM.
			A	B	C		
1	Q1460001	SHAFT, BALANCER	2	2			
2	Q0630002	KEY	2	2			
3	A0862050	BEARING, BALL	2	2			
4	S811052005	RING, SNAP	2	2			
5	Q1460003	GEAR, BALANCER (R)	1	1			Z=38
6	Q1460002	GEAR, BALANCER (L)	1	1			Z=38
7	Q1460006	WASHER	2	2			
8	S154102033	BOLT, W/WASHER	2	2			M10x1.25x20

# INLET & EXHAUST MAINFOLD

FIG. 30



# INLET & EXHAUST MAINFOLD

A-R39 / B-R45

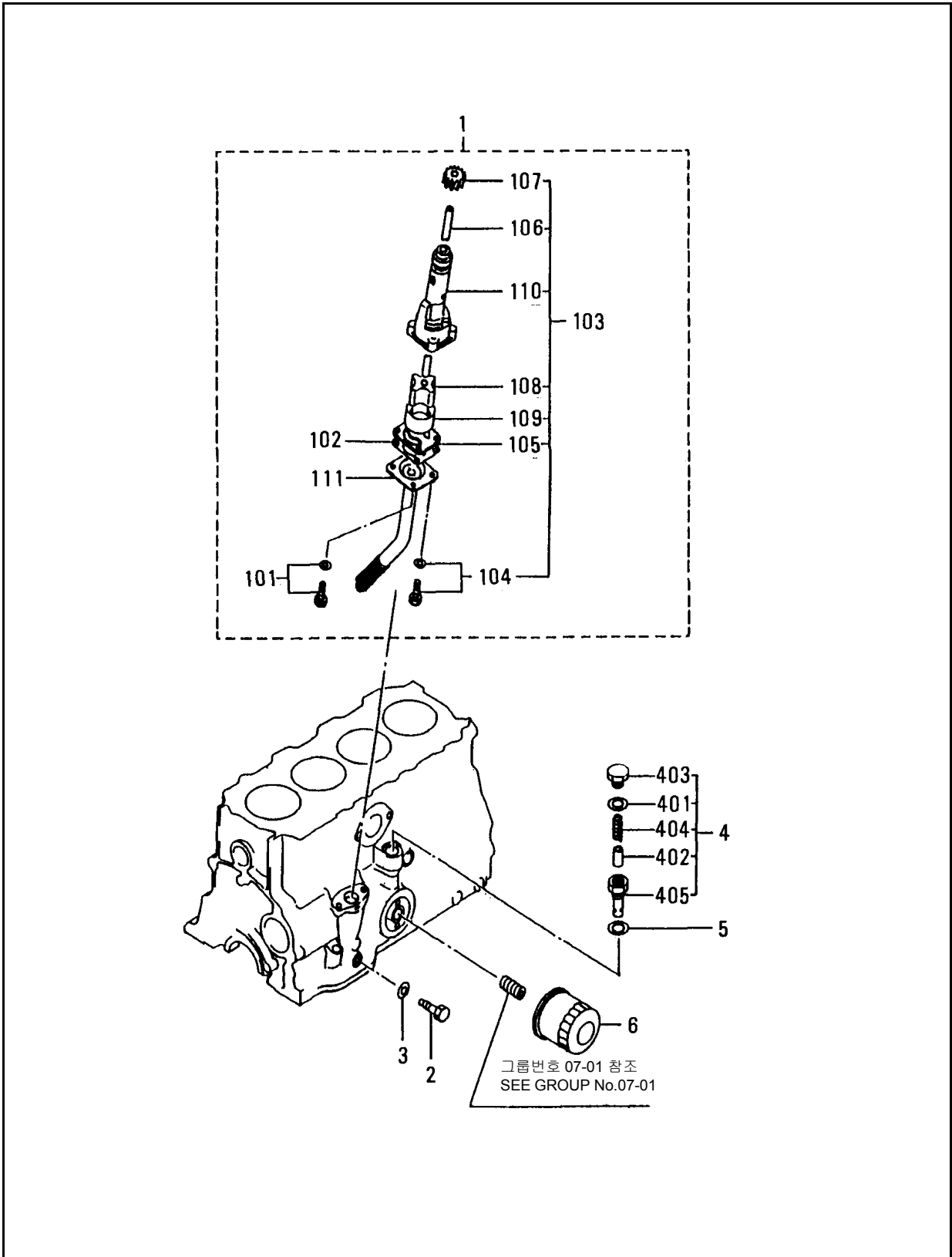
A-R41 / B-R47, R50

**FIG. 30**

NO.	PART NO.	PART NAME & DESCRIPTION	QTY			APP.NO	REM.
			A	B	C		
1	Q1600001	MANIFOLD ASSY, INLET	1	1			
101	*	PIPE	1	1			
102	*	MANIFOLD INLET	1	1			
2	Q1600006	GASKET, INLET MANIFOLD	1	1			
3	S153082033	BOLT, W/WASHER	11	11			
4	Q1600007	ELBOW, AIR INLET	1	1			
5	Q1600008	GASKET	1	1			
6	Q0610001	BOLT	2	2			
7	S361060013	WASHER, SPRING	2	2			
8	S153062033	BOLT, W/WASHER	2	2			
9	Q1650003	GASKET, EXHAUST	1	1			
10	S105082053	BOLT	8	8			
11	S139082523	STUD	2	2			
12	Q1650005	MANIFOLD, EXHAUST	1	1			

# OIL SYSTEM

FIG. 36



# OIL SYSTEM

A-R39 / B-R45

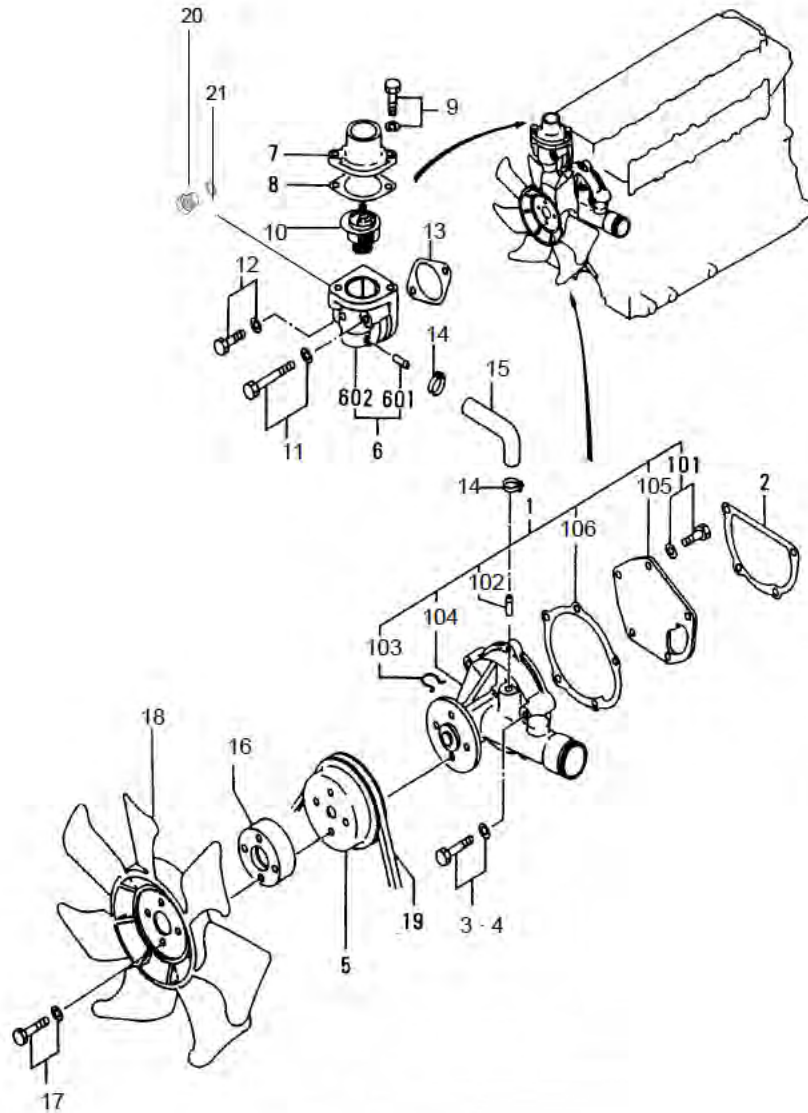
A-R41 / B-R47, R50

**FIG. 36**

NO.	PART NO.	PART NAME & DESCRIPTION	QTY			APP.NO	REM.
			A	B	C		
1	Q1400002	PUMP & STAINER ASSY	*	*			
	Q1400022	PUMP & STAINER ASSY	1	1			
101	S153062033	BOLT, W/WASHER	2	2			
102	Q1400003	PUMP ASSY, OIL	1	1			
103	S153062033	BOLT, W/WASHER	2	2			
104	*	GEAR, DRIVE	1	1			
105	*	COVER	1	1			
106	*	ROTOR, OUTER	1	1			
107	*	ROTER, INNER	1	1			
108	*	CASE, OIL	1	1			
109	*	SHAFT, OIL PUMP	1	1			
110	Q1400005	GASKET, STRAINER	1	1			
111	Q1400023	STRAINER, OIL	*	*			
2	Q1400006	BOLT	1	1			
3	Q1400007	GASKET	1	1			
4	Q1400008	VALVE ASSY	1	1			
401	*	GASKET	1	1			
402	*	PLUNGER	1	1			
403	*	PLUG	1	1			
404	*	SPRING	1	1			
405	*	HOUSING	1	1			
5	Q0650004	GASKET	1	1			
6	Q1400001	ELEMENT, OIL FILTER	1	1			

# COOLING SYSTEM

FIG. 46



# COOLING SYSTEM

A-R39 / B-R45

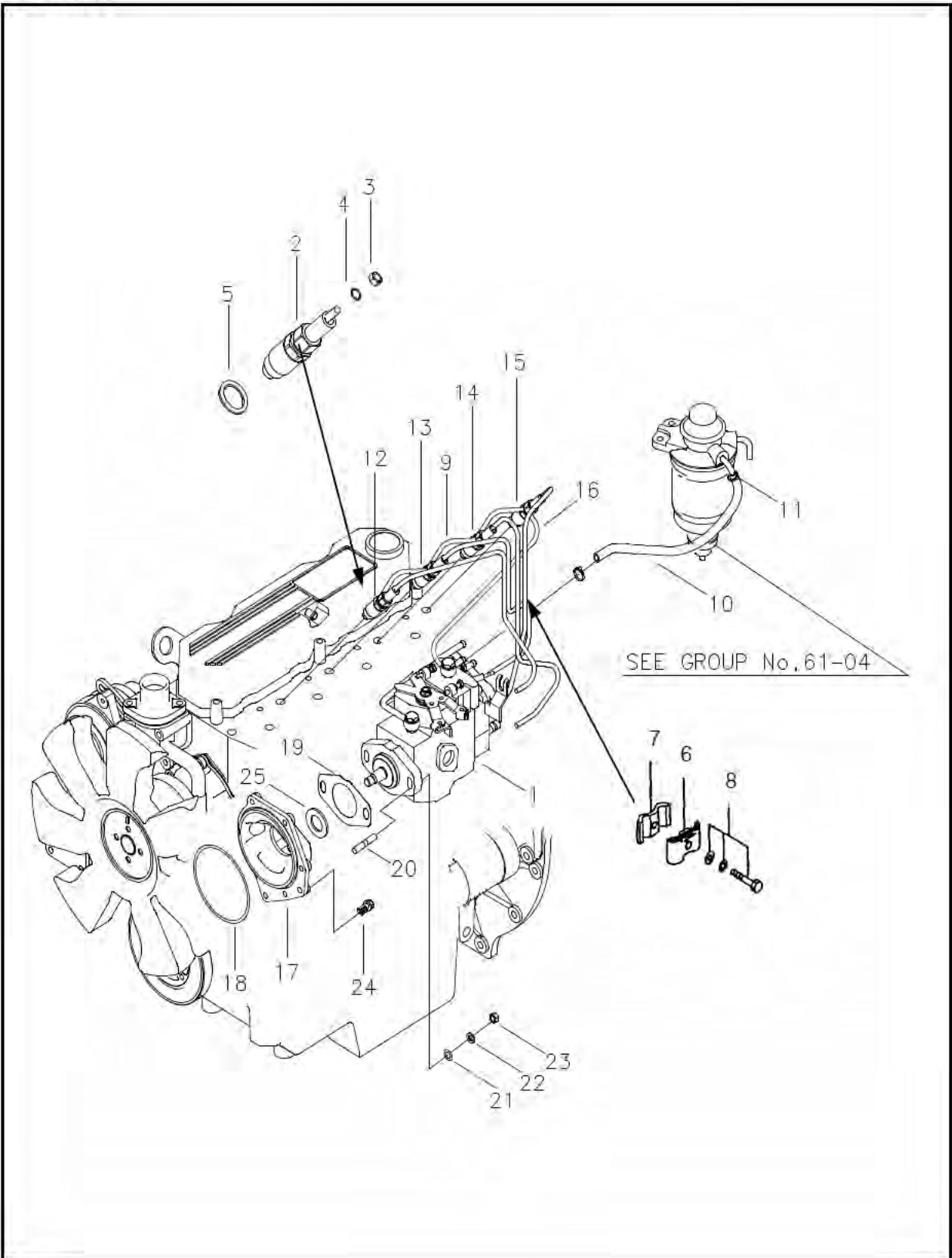
A-R41 / B-R47, R50

**FIG. 46**

NO.	PART NO.	PART NAME & DESCRIPTION	QTY			APP.NO	REM.
			A	B	C		
1	Q1350034	PUMP ASSY, WATER	1	1			
01	S153082033	BOLT, W/WASHER	1	1			
02	*	PIPE, WATER	1	1			
03	Q1350022	WIRE, CLIP	1	1			
04	*	CASE, WATER PUMP	1	1			
05	Q1350026	COVER, WATER PUMP	1	1			
06	Q1350023	GASKET, WATER PUMP	1	1			
2	Q1350007	GASKET	1	1			
3	S153084033	BOLT, W/WASHER	3	3			
4	S153086033	BOLT, W/WASHER	1	1			
5	Q1350041	PULLEY, WATER PUMP	1	1			
6 01	Q1350008	CASE ASSY	1	1			
02	*	CASE, THERMOSTAT	1	1			
7	Q1350009	COVER, THERMOSTAT	1	1			
8	Q1350010	GASKET, THERMOSTAT	1	1			
9	S153082533	BOLT, W/WASHER	2	2			
10	Q1350011	THERMOSTAT	1	1			
11	S153087533	BOLT, W/WASHER	1	1			
12	S153082533	BOLT, W/WASHER	1	1			
13	Q1350012	GASKET	1	1			
14	S901001813	CLAMP, HOSE	2	2			
15	Q1350013	HOSE, BY-PASS	1	1			
16	Q1350074	SPACER, FAN	1	1			
17	S153085533	BOLT, W/WASHER	4	4			
18	Q1350069	FAN, COOLING	1	1			
19	Q1350021	V-BELT, LOW EDGE	1	1			
20	A0610088	PLUG, DRAIN	1	1			
21	Q1160011	GASKET	1	1			

# COOLING SYSTEM

FIG. 61-01





# COOLING SYSTEM

A-R39 / B-R45

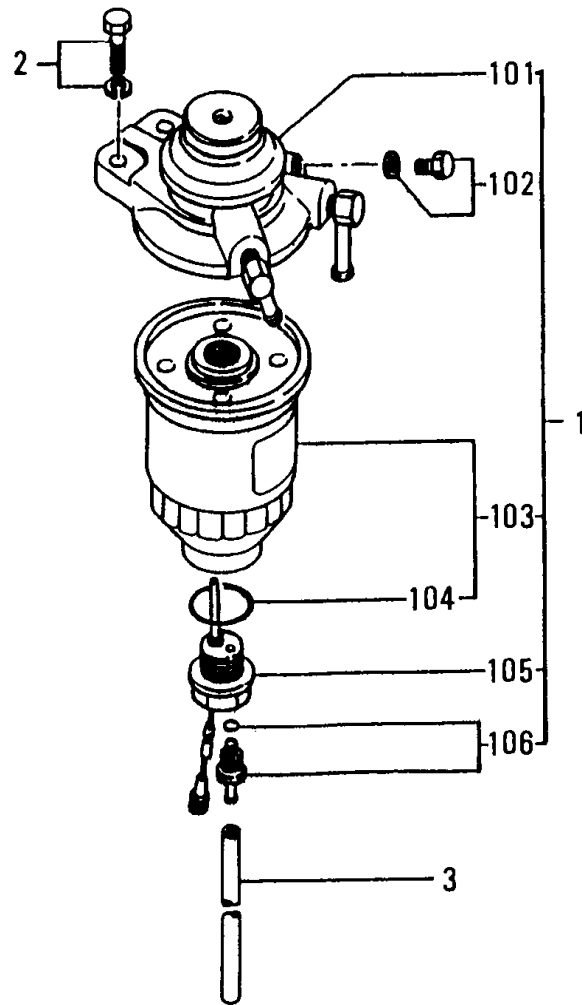
A-R41 / B-R47, R50

**FIG. 61-01**

NO.	PART NO.	PART NAME & DESCRIPTION	QTY			APP.NO	REM.
			A	B	C		
1	Q1250126	PUMP ASSY, INJ.	*	1			
	Q1250127	PUMP ASSY, INJ.	1	*			
2	Q1250102	NOZZLE ASSY	4	4			
3	Q1250006	NUT	4	4			
4	Q1250007	GASKET, FUEL LEAK-OFF	4	4			
5	Q1250008	GASKET, NOZZLE	4	4			
6	Q1250009	CLAMP	2	2			
7	Q1250010	CLAMP	2	2			
8	S155062533	BOLT, W/WASHER	2	2			
9	Q1250011	PIPE, FUEL LEAK	1	1			
10	Q1250138	HOSE, FUEL	1	1			
11	S901001213	CLAMP, HOSE	2	2			
12	Q1250131	PIPE, INJ. No.1	1	1			
13	Q1250132	PIPE, INJ. No.2	1	1			
14	Q1250133	PIPE, INJ. No.3	1	1			
15	Q1250134	PIPE, INJ. No.4	1	1			
16	Q1250130	PIPE, FUEL	1	1			
17	Q1250128	FLANGE, INJ. PUMP	1	1			
18	Q1250015	O-RING	1	1			
19	Q1250129	GASKET	1	1			
20	S139083023	STUD	2	2			
21	Q1250017	RETAINER	2	2			
22	S361080013	WASHER, SPRING	2	2			
23	S313080043	NUT	2	2			
24	S153082033	BOLT, W/WASHER	1	1			
25	S361140013	WASHER, SPRING	1	1			

# FUEL FILTER

FIG. 61- 04



# FUEL FILTER

A-R39 / B-R45

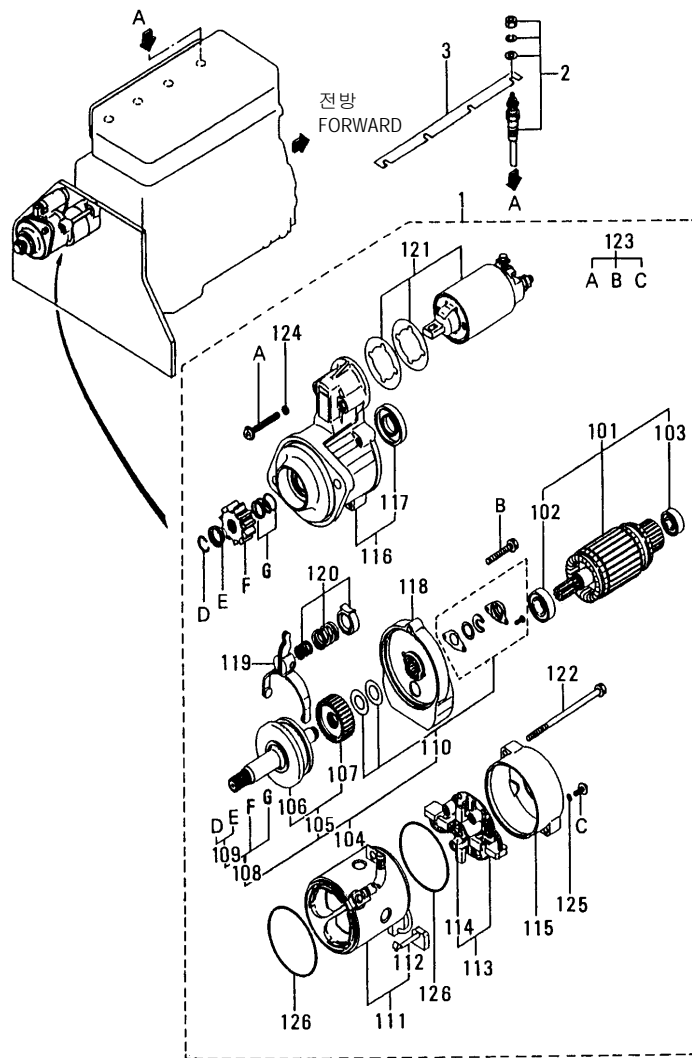
A-R41 / B-R47, R50

**FIG. 61- 04**

NO.	PART NO.	PART NAME & DESCRIPTION	QTY			APP.NO	REM.
			A	B	C		
1	Q1250001	FILTER ASSY, FUEL	1	1			
101	Q1250002	BODY ASSY	1	1			
102	*	PLUG	1	1			
103	Q1250003	CARTRIDGE	1	1			
104	*	O-RING	1	1			
105	Q1250004	SENSOR	1	1			
106	*	PLUG	1	1			
2	S153082533	BOLT, W/WASHER	2	2			
3	Q0720001	TUBE	1	1			

# STARTER (12V-2.2KW)

FIG. 66



# STARTER (12V-2.2KW)

A-R39 / B-R45

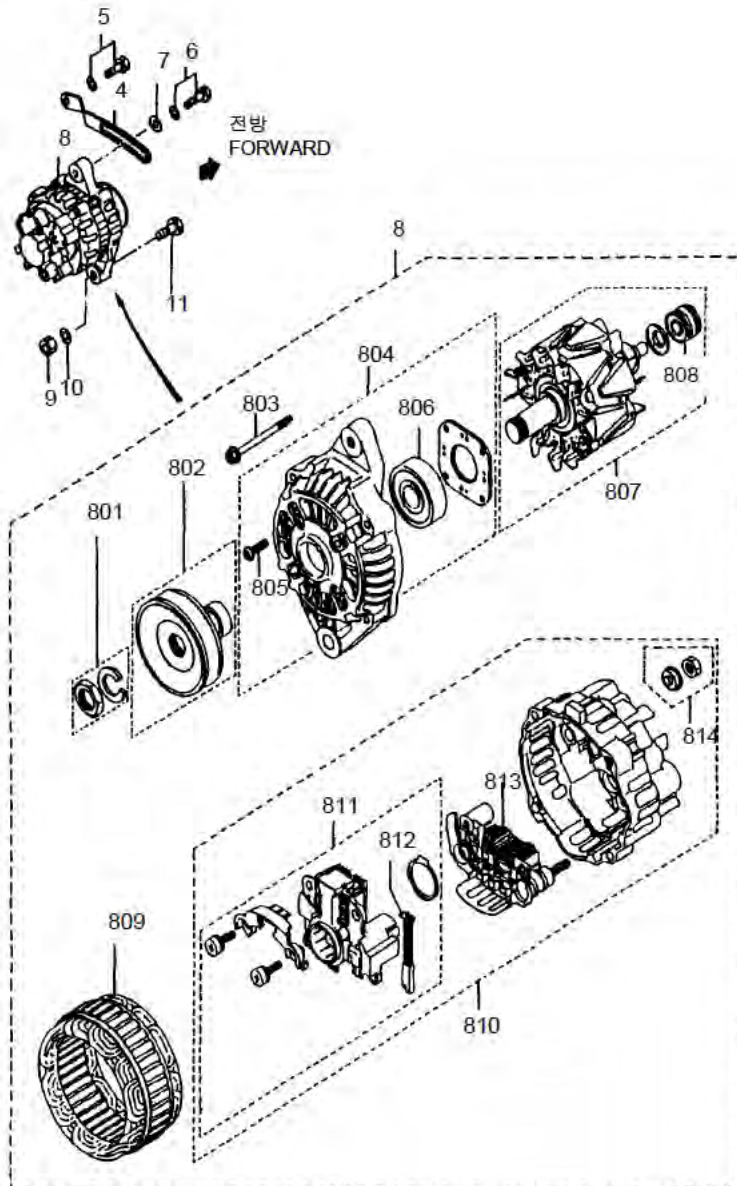
A-R41 / B-R47, R50

**FIG. 66**

NO.	PART NO.	PART NAME & DESCRIPTION	QTY			APP.NO	REM.
			A	B	C		
1	Q1700001	STARTER ASSY	1	1			
01	T200B01601	ARMATURE ASSY	1	1			
02	K500463	BEARING	1	1			
03	K400058	BEARING	1	1			
04	4EM0697	WASHER	1	1			
05	TM300C02801	SHAFT ASSY	1	1			
06	3EM0767	GEAR	1	1			
07	4EM1663	YORK ASSY	1	1			
08	TM009C02201	REAR BRACKET ASSY	1	1			
09	3EM0767	HOLDER ASSY, BRUSH	1	1			
10	4EM1663	RING, RUBBER	2	2			
11	TM190C00301	SCREW, FLANGE	2	2			
12	4EM1543	PLATE, HOLDER	1	1			
13	4EM0713	WASHER, ADJUST	1	1			
14	4EM0714	STOPPER, CENTER	1	1			
15	4EM1608	COVER, HOLDER	1	1			
16	4EM1713	SCREW, FLANGE	2	2			
17	4EM1596	PLATE, HOLDER	2	2			
18	4EM1573	SPRING A	1	1			
19	4EM1574	SPRING B	1	1			
20	4EM1760	PACKING	1	1			
21	4EM1057	SCREW, FLANGE	2	2			
22	TM400B02501	SWITCH ASSY	1	1			
23	4EM2047	THROUGH BOLT	1	1			
2	Q1800001	PLUG, GLOW	4	4			
3	Q1800002	PLATE, CONNECTION	1	1			

# ALTERNATOR (12V- 45)

FIG. 68



# ALTERNATOR (12V- 45)

A-R39 / B-R45

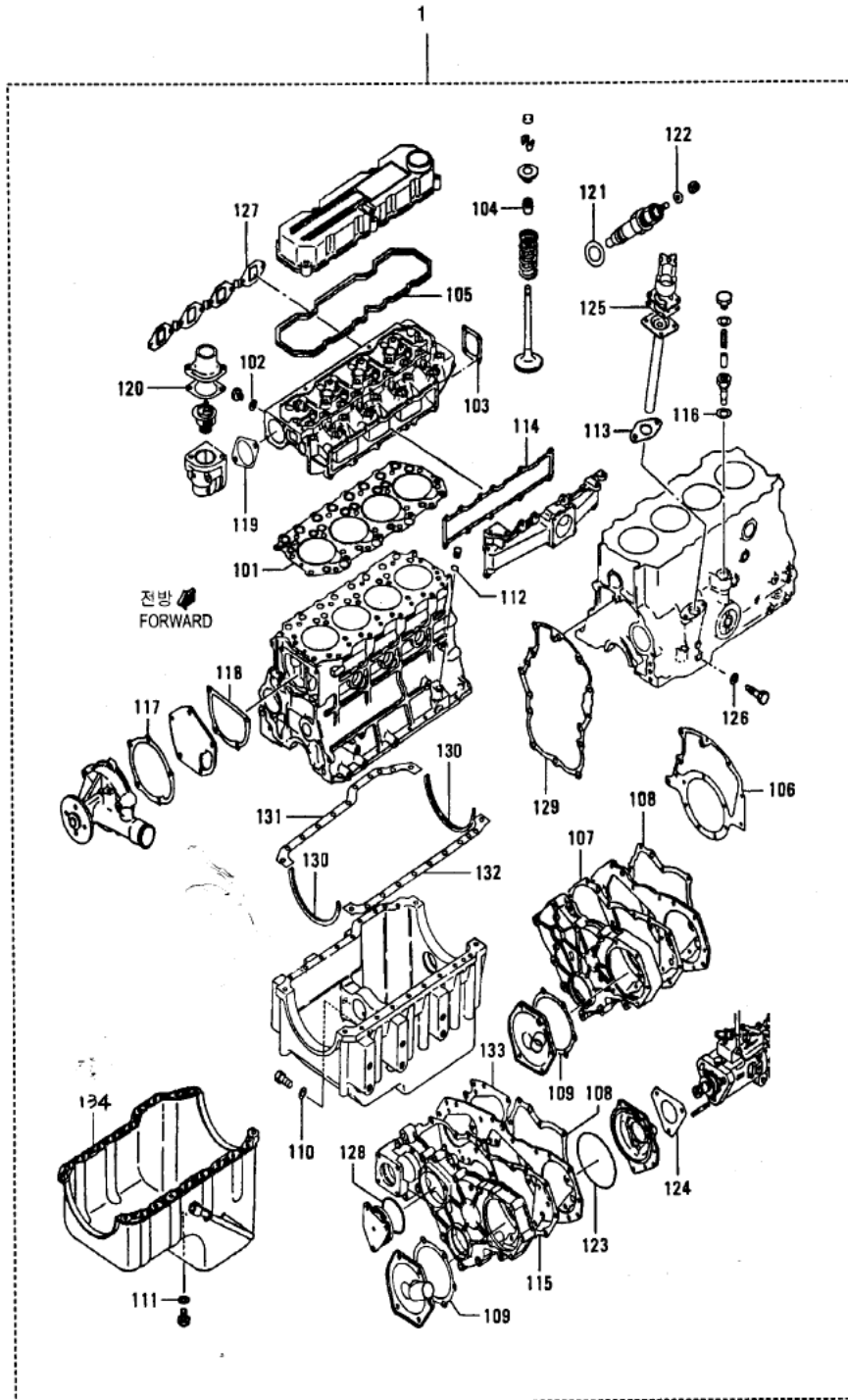
A-R41 / B-R47, R50

**FIG. 68**

NO.	PART NO.	PART NAME & DESCRIPTION	QTY			APP.NO	REM.
			A	B	C		
1	Q1750003	BRACKET, ALTERNATOR	*	*			
2	S154102033	BOLT, W/WASHER	*	*			
3	S156104033	BOLT, W/WASHER	*	*			
4	Q1750002	PLATE, ADJUST	1	1			
5	S153082033	BOLT, W/WASHER	1	1			
6	S159082033	BOLT, W/WASHER	1	1			
7	S364100033	WASHER, PLN	1	1			
8	Q1750005	ALTERNATOR	1	1			
801	A902C0107	HEX NUT	1	1			
	A903C0101	WASHER, SPRING	1	1			
802	TA01603301	PULLEY	1	1			
	A091C0311	SPACER	1	1			
803	A094C0301	THROUGH BOLT	4	4			
804	TA300B04401	F/R BRACKET ASSY	1	1			
805	A905C0103	FLANGE SCREW	4	4			
806	K500811	BERAING F/R	1	1			
807	TA00C02701	ROTOR ASSY	1	1			
808	K402968	BEARING F/R	1	1			
809	TA100C02201	STATOR	1	1			
810	TA400B06501	R/R BRACKET ASSY	1	1			
811	TA600C02501	RECTIFILER ASSY	1	1			
813	A500C0061	REGULATOR ASSY	1	1			
812	A934C0107	BUSH SPRING	2	2			
	A933C0602	BRUSH	2	2			
814	4EA1129	FLANGE NUT	1	1			
9	S314100043	NUT	1	1			
10	S361100013	WASHER, SPRING	1	1			
11	S103106543	BOLT	1	1			

# OVERHAUL GASKET KIT

FIG. 94





# OVERHAUL GASKET KIT

A-R39 / B-R45

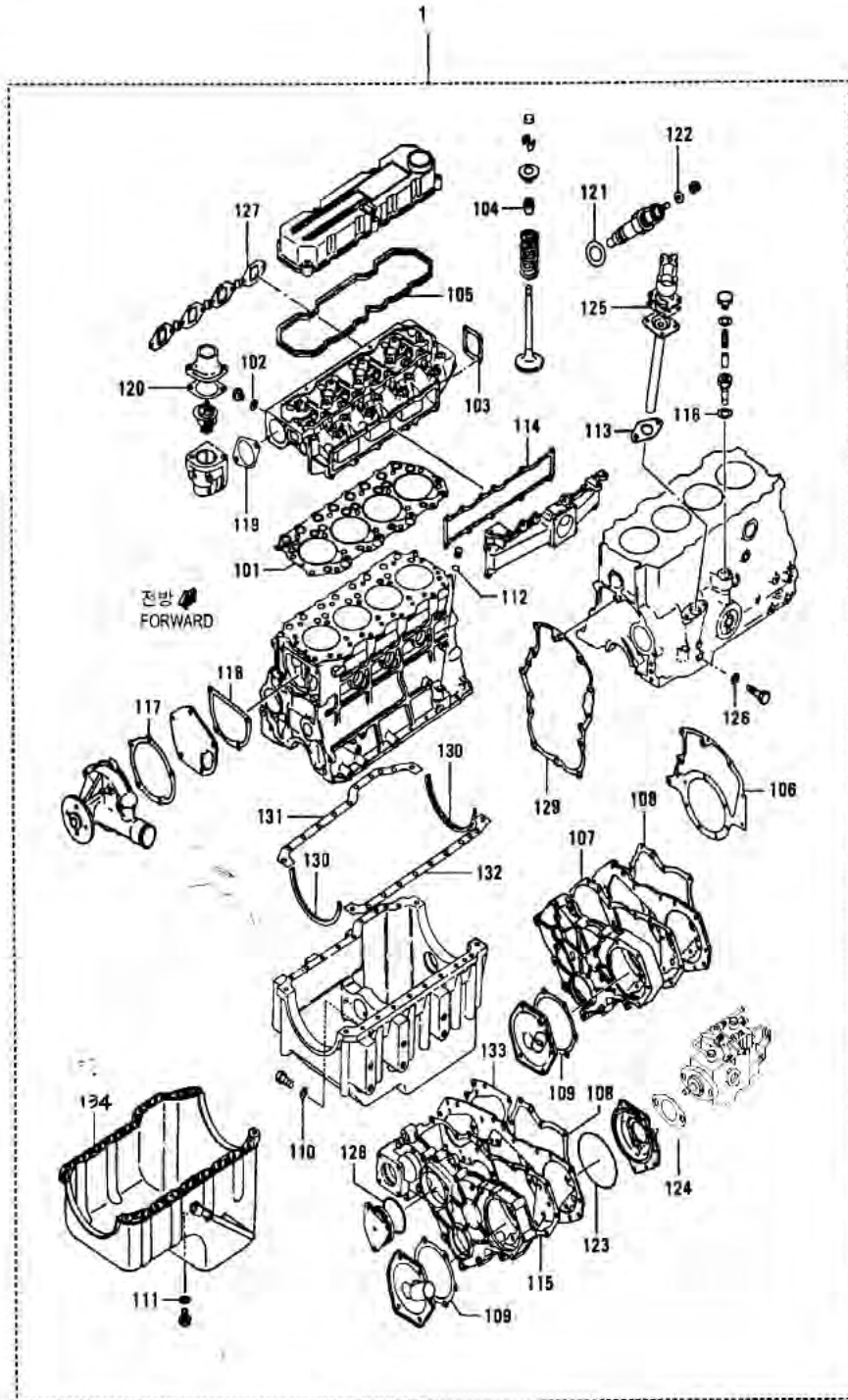
A-R41 / B-R47, R50

**FIG. 94**

NO.	PART NO.	PART NAME & DESCRIPTION	QTY			APP.NO	REM.
			A	B	C		
1	Q0650009	GSAKET KIT	1	1			
	Q0650010	GASKET KIT	*	*			
01	Q1160013	GASKET, CYL. HEAD	1	1			
02	Q1160011	GASKET	1	1			
03	Q1160016	GASKET	1	1			
04	Q1210015	SEAL, VALVE STEM	8	8			
05	Q1150004	GSAKET, ROCKER	1	1			
06	Q1550005	GASKET	*	*			
07	Q1300030	GASKET, GEAR	*	*			
08	Q1300014	GASKET	1	1			
09	Q1300021	GASKET, REAR	1	1			
10	Q0650003	GASKET, OIL PAN	2	2			
11	Q0650006	GASKET	*	*			
12	Q0650005	O-RING, LEVEL GAGUE	1	1			
13	Q1100043	GASKET	1	1			
14	Q1600006	GASKET, IN. MANIFOLD	1	1			
15	Q1300015	GASKET	1	1			
16	Q0650004	GASKET	1	1			
17	Q1350023	GASKET, WATER	1	1			
18	Q1350007	GASKET, WATER	1	1			
19	Q1350012	GASKET	1	1			
20	Q1350010	GASKET	1	1			
21	Q1250008	GASKET, NOZZLE	1	1			
22	Q1250007	GASKET	2	2			
23	Q1250015	GASKET	2	2			
24	Q1250016	GASKET, INJ. PUNP	1	1			
25	Q1400005	GASKET	1	1			
26	Q1400007	GASKET	1	1			
27	Q1650003	GASKET	1	1			
28	S80207512	O-RING	1	1			
29	Q1550009	GASKET	1	1			
30	Q1450031	U-SEAL	2	2			
31	Q1450038	GASKET, OIL PAN A	1	1			
32	Q1450039	GASKET, OIL PAN B	1	1			
33	Q1300025	GASKET	*	*			
34	Q1450014	GASKET	*	*			

# OVERHAUL GASKET KIT

FIG. 94



# OVERHAUL GASKET KIT

A-R39 / B-R45

A-R41 / B-R47, R50

**FIG. 94**

NO.	PART NO.	PART NAME & DESCRIPTION	QTY			APP.NO	REM.
			A	B	C		
1	Q0650009	GSAKET KIT	1	1			
	Q0650010	GASKET KIT	*	*			
01	Q1160013	GASKET, CYL. HEAD	1	1			
02	Q1160011	GASKET	1	1			
03	Q1160016	GASKET	1	1			
04	Q1210015	SEAL, VALVE STEM	8	8			
05	Q1150004	GSAKET, ROCKER	1	1			
06	Q1550005	GASKET	*	*			
07	Q1300030	GASKET, GEAR	*	*			
08	Q1300014	GASKET	1	1			
09	Q1300021	GASKET, REAR	1	1			
10	Q0650003	GASKET, OIL PAN	2	2			
11	Q0650006	GASKET	*	*			
12	Q0650005	O-RING, LEVEL GAGUE	1	1			
13	Q1100043	GASKET	1	1			
14	Q1600006	GASKET, IN. MANIFOLD	1	1			
15	Q1300015	GASKET	1	1			
16	Q0650004	GASKET	1	1			
17	Q1350023	GASKET, WATER	1	1			
18	Q1350007	GASKET, WATER	1	1			
19	Q1350012	GASKET	1	1			
20	Q1350010	GASKET	1	1			
21	Q1250008	GASKET, NOZZLE	1	1			
22	Q1250007	GASKET	2	2			
23	Q1250015	GASKET	2	2			
24	Q1250129	GASKET, INJ. PUNP	1	1			
25	Q1400005	GASKET	1	1			
26	Q1400007	GASKET	1	1			
27	Q1650003	GASKET	1	1			
28	S80207512	O-RING	1	1			
29	Q1550009	GASKET	1	1			
30	Q1450031	U-SEAL	2	2			
31	Q1450038	GASKET, OIL PAN A	1	1			
32	Q1450039	GASKET, OIL PAN B	1	1			
33	Q1300025	GASKET	*	*			
34	Q1450014	GASKET	*	*			