



## SJ45 T TELESCOPIC BOOM

### STANDARD FEATURES

- Axle based 4WD system
- "Detroit Locker" type rear differential and limited slip front differential
- Oscillating axle
- Drivable at full height
- 45% gradeability
- 48 HP Deutz Diesel engine
- Swing out engine tray
- Swing up cowlings
- Modular platform railing system
- Tri-entry sliding mid rails
- Wiring for AC outlet on platform
- Direction sensing drive and steer controls
- Proportional controls
- Relay based control system
- Colour coded and numbered wiring
- 360° continuous turret rotation
- Hourmeter
- Operator horn
- Flashing light
- All motion alarm
- Overload sensing system
- Tie down/lifting lugs
- Wet disc SAHR brakes (rear axle)
- 12 x 16.5 grip lug foam-filled tyres

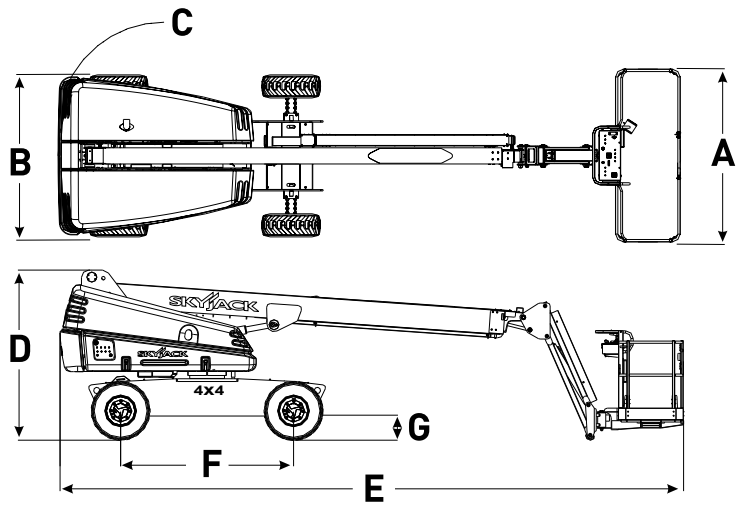
### ACCESSORIES AND OPTIONS

- 0.91 x 1.83 m Platform
- Diesel scrubber
- Hydraulic oil cooler
- 1/2" airline to platform
- Rear gate
- Auxiliary top rail (0.91 x 2.44 m platform only)
- Control box cover
- Secondary guarding (electrical or mechanical)

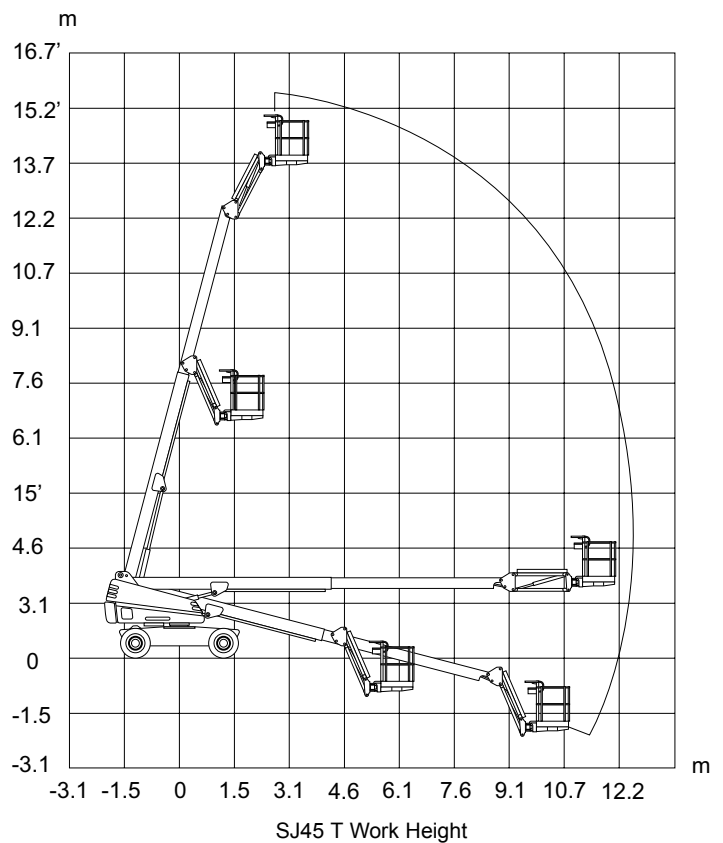
\* Capacities, and machine weights may differ when options are added

# SJ45 T TELESCOPIC BOOMS

Dimensions	SJ45 T
Work Height	15.77 m
Platform Height	13.77 m
Horizontal Reach	12.12 m
<b>A</b> Platform Size	0.90 x 2.44 m
<b>B</b> Stowed Width	2.29 m
<b>C</b> Tailswing	0.94 m
<b>D</b> Stowed Height	2.39 m
<b>E</b> Stowed Length	8.79 m
<b>F</b> Wheelbase	2.29 m
<b>G</b> Ground Clearance	0.28 m



Specifications	SJ45 T
Rotation	360° Continuous
Platform Rotation	170°
Jib Length	1.52 m
Jib Range +/-	+65° / -60°
Weight*	7,100 kg
Gradeability - 4WD	50%
Turning Radius (Inside) - 4WD	2.13 m
Turning Radius (Outside) - 4WD	5.03 m
Axle Oscillation	12.70 cm
Drive Speed (Stowed)	7.2 km/h
Drive Speed (Raised)	0.8 km/h
Capacity*	227 kg
Maximum # of Persons	2
Tyre Type	Grip lug foam-filled
Diesel Engine	48 HP



**Skyjack Australia Pty Ltd**  
 4 Coates Place  
 Wetherill Park  
 New South Wales, 2164  
 Tel: +61 (0) 2878 63200  
 Fax: +61 (0) 2878 63222  
 Email: jcranmer@skyjack.com

[www.skyjack.com](http://www.skyjack.com)

This brochure is for illustrative purpose only and based on the latest information at the time of printing. Skyjack Inc. reserves the right to make changes at any time, without notice, to specifications, standard and optional equipment. Consult the Operating Maintenance and Parts Manuals for proper procedures. AS marked platforms are in conformance to Standard AS/NZS 1418.10:2011.