



SJ66 T

TELESCOPIC BOOM

STANDARD FEATURES

- Axle based 4WD system
- "Detroit Locker" type rear differential and limited slip front differential
- Oscillating axle
- Drivable at full height
- 50% gradeability
- 65 hp Deutz diesel engine
- Swing out engine tray
- Swing up cowlings
- Modular platform railing system
- Tri-entry sliding mid rail
- Wiring for AC outlet on platform
- Direction sensing drive and steer controls
- Proportional controls
- Relay based control system
- Colour coded and numbered wiring
- 360° continuous turret rotation
- Hourmeter
- Operator horn
- Flashing light
- All motion alarm
- Overload sensing system
- Tie down/lifting lugs
- Wet disc SAHR brakes (front and rear axle)
- 15 x 19.5 grip lug foam-filled tyres

ACCESSORIES AND OPTIONS

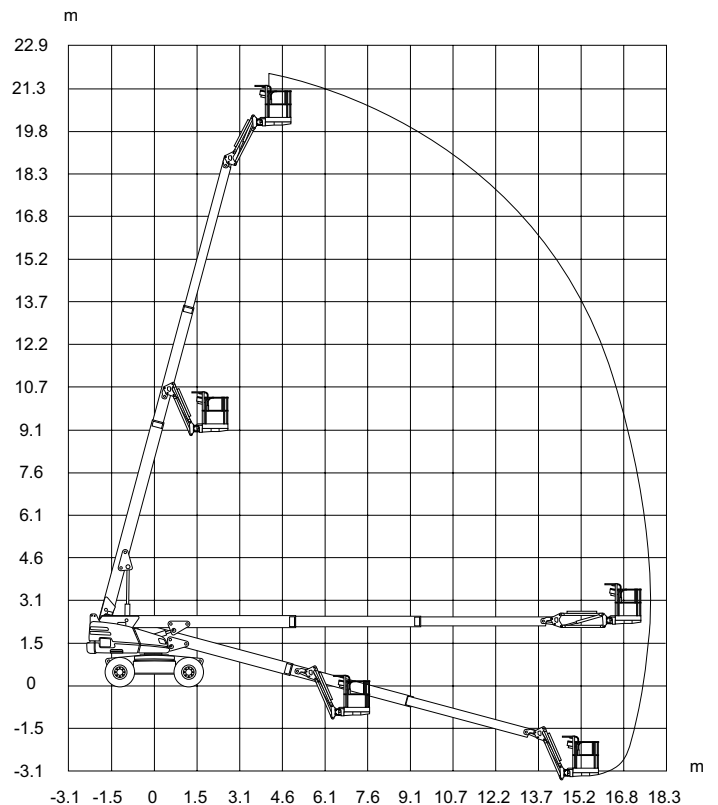
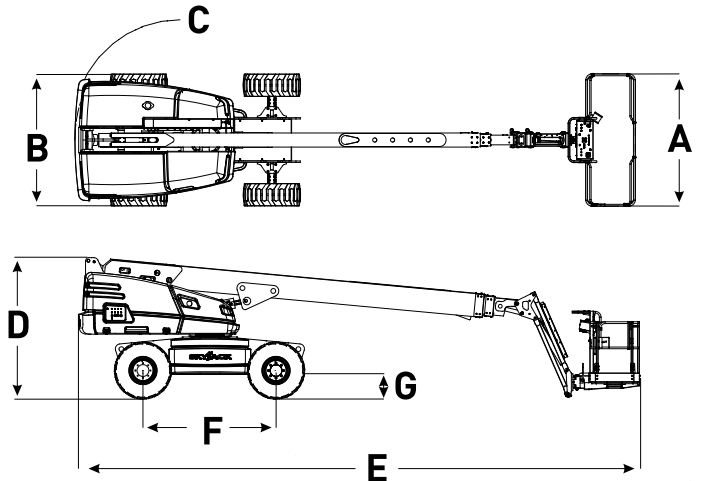
- 0.91 x 1.83 m Platform
- Diesel scrubber
- Hydraulic oil cooler
- 1/2" airline to platform
- Rear gate
- Auxiliary top rail (0.91 x 2.44 m platform only)
- Control box cover
- Secondary guarding (electrical or mechanical)

* Capacities, and machine weights may differ when options are added

SJ66 T TELESCOPIC BOOM

Dimensions	SJ66T
Work Height	22.12 m
Platform Height	20.12 m
Horizontal Reach	17.37 m
A Platform Size	0.91 x 2.44 m
B Stowed Width	2.44 m
C Tailswing	1.19 m
D Stowed Height	2.57 m
E Stowed Length	10.34 m
F Wheelbase	2.44 m
G Ground Clearance	0.41 m

Specifications	SJ66T
Rotation	360° Continuous
Platform Rotation	170°
Jib Length	1.52 m
Jib Range +/-	+65° / -60°
Weight*	12,800 kg
Gradeability - 4WD	50%
Turning Radius (Inside) - 4WD	2.82 m
Turning Radius (Outside) - 4WD	5.05 m
Axle Oscillation	0.25 m
Drive Speed (Stowed)	7.2 km/h
Drive Speed (Raised)	0.8 km/h
Capacity*	227 kg
Maximum # of Persons	2
Tyre Type	Grip lug foam-filled
Diesel Engine	65 HP



SJ66 T Work Height

Skyjack Australia Pty Ltd
 4 Coates Place
 Wetherill Park
 New South Wales, 2164
 Tel: +61 (0) 2878 63200
 Fax: +61 (0) 2878 63222
 Email: jcranmer@skyjack.com

www.skyjack.com

This brochure is for illustrative purpose only and based on the latest information at the time of printing. Skyjack Inc. reserves the right to make changes at any time, without notice, to specifications, standard and optional equipment. Consult the Operating Maintenance and Parts Manuals for proper procedures. AS marked platforms are in conformance to Standard AS/NZS 1418.10:2011.