



SJ9241/50 RT

ROUGH TERRAIN SCISSORS

STANDARD FEATURES

- Axle based 4WD system
- "Detroit Locker" type rear differential and limited slip front differential
- Diesel engine on roll out tray
- 1.52 m dual powered extension decks
- Disc brake system on rear axle
- Independent/Auto leveling outriggers
- 25% gradeability
- Wiring for AC outlet on platform
- Tilt alarm with drive & lift cut-out
- All motion audible alarm
- Overload sensing system
- Lowering warning system
- Lanyard attachment points
- Tie down/lift lugs
- Operator horn
- Flashing light
- Fold down hinged railing system
- Half height spring hinged gates on both sides
- Relay based control system
- Colour coded and numbered wiring system
- 10 x 16.5 grip lug foam-filled tyres

ACCESSORIES AND OPTIONS

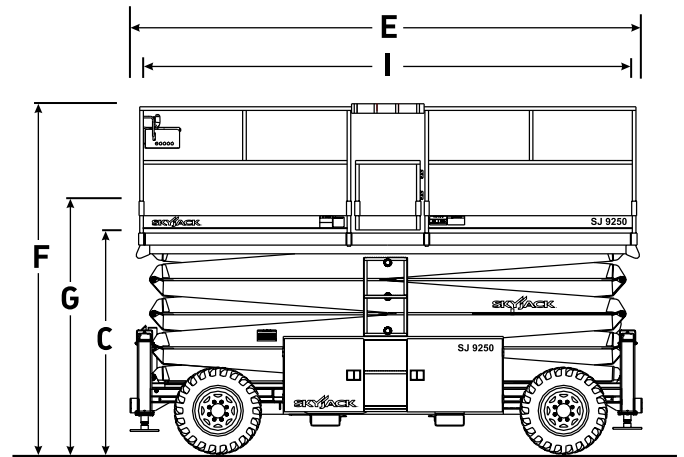
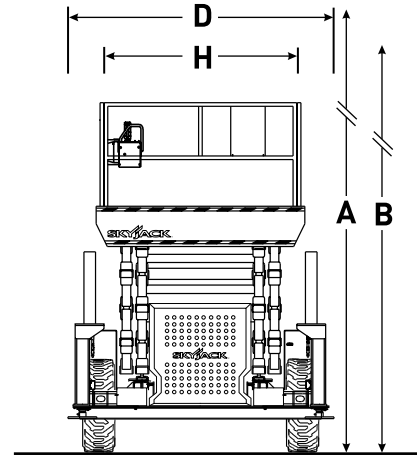
- Diesel scrubber
- Full height spring hinged gates
- Non-marking grip lug foam-filled tyres

* Capacities, and machine weights may differ when options are added

SJ9241/50 RT ROUGH TERRAIN SCISSORS

Dimensions	SJ9241 RT	SJ9250 RT
A Work Height	14.50 m	17.24 m
B Raised Platform Height	12.50 m	15.24 m
C Lowered Platform Height	1.68 m	2.01 m
D Overall Width	2.34 m	2.34 m
E Overall Length	4.47 m	4.47 m
F Stowed Height (Rails Up)	2.84 m	3.16 m
G Stowed Height (Rails Down)	1.98 m	2.29 m
H Platform Width (Inside Dimension)	1.88 m	1.88 m
I Platform Length Stowed (Inside Dimension)	7.21 m	7.21 m

Specifications	SJ9241 RT	SJ9250 RT
Ground Clearance	0.20 m	0.20 m
Wheelbase	3.02 m	3.02 m
Weight	6,715 kg	7,407 kg
Gradeability	25%	25%
Turning Radius (Inside)	5.33 m	5.33 m
Turning Radius (Outside)	7.65 m	7.65 m
Lift Time (With Rated Load)	62 sec	64 sec
Drive Speed (Stowed)	3.8 km/h	3.8 km/h
Drive Speed (Raised)	0.72 km/h	0.72 km/h
Maximum Drive Height	Full Height	9.14 m
Capacity (Overall)	681 kg	681 kg
Maximum # of Persons	5	5



Model	Capacity With 2 Extension Decks*		
	Main	Front Ext.	Rear Ext.
SJ9241 RT	227 kg	227 kg	227 kg
SJ9250 RT	227 kg	227 kg	227 kg

* With standard tyres

Skyjack Australia Pty Ltd
 4 Coates Place
 Wetherill Park
 New South Wales, 2164
 Tel: +61 (0) 2878 63200
 Fax: +61 (0) 2878 63222
 Email: jcranmer@skyjack.com

www.skyjack.com

This brochure is for illustrative purpose only and based on the latest information at the time of printing. Skyjack Inc. reserves the right to make changes at any time, without notice, to specifications, standard and optional equipment. Consult the Operating Maintenance and Parts Manuals for proper procedures. AS marked platforms are in conformance to Standard AS/NZS 1418.10:2011.