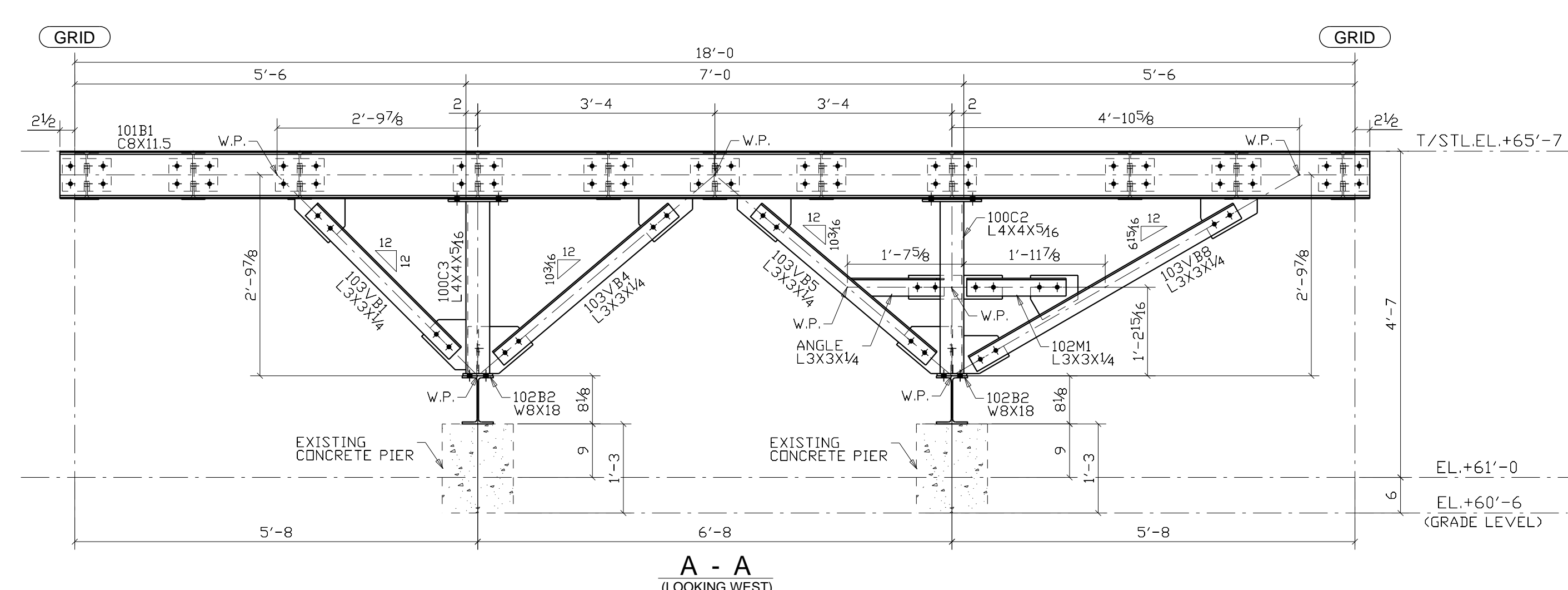
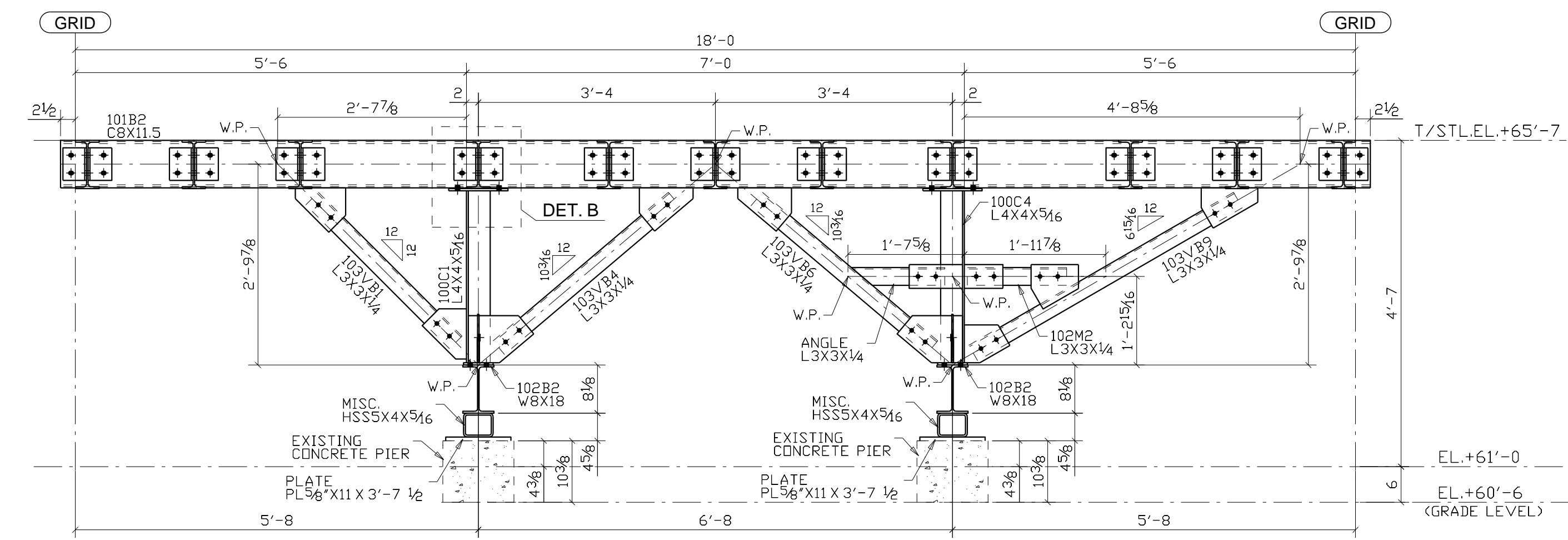


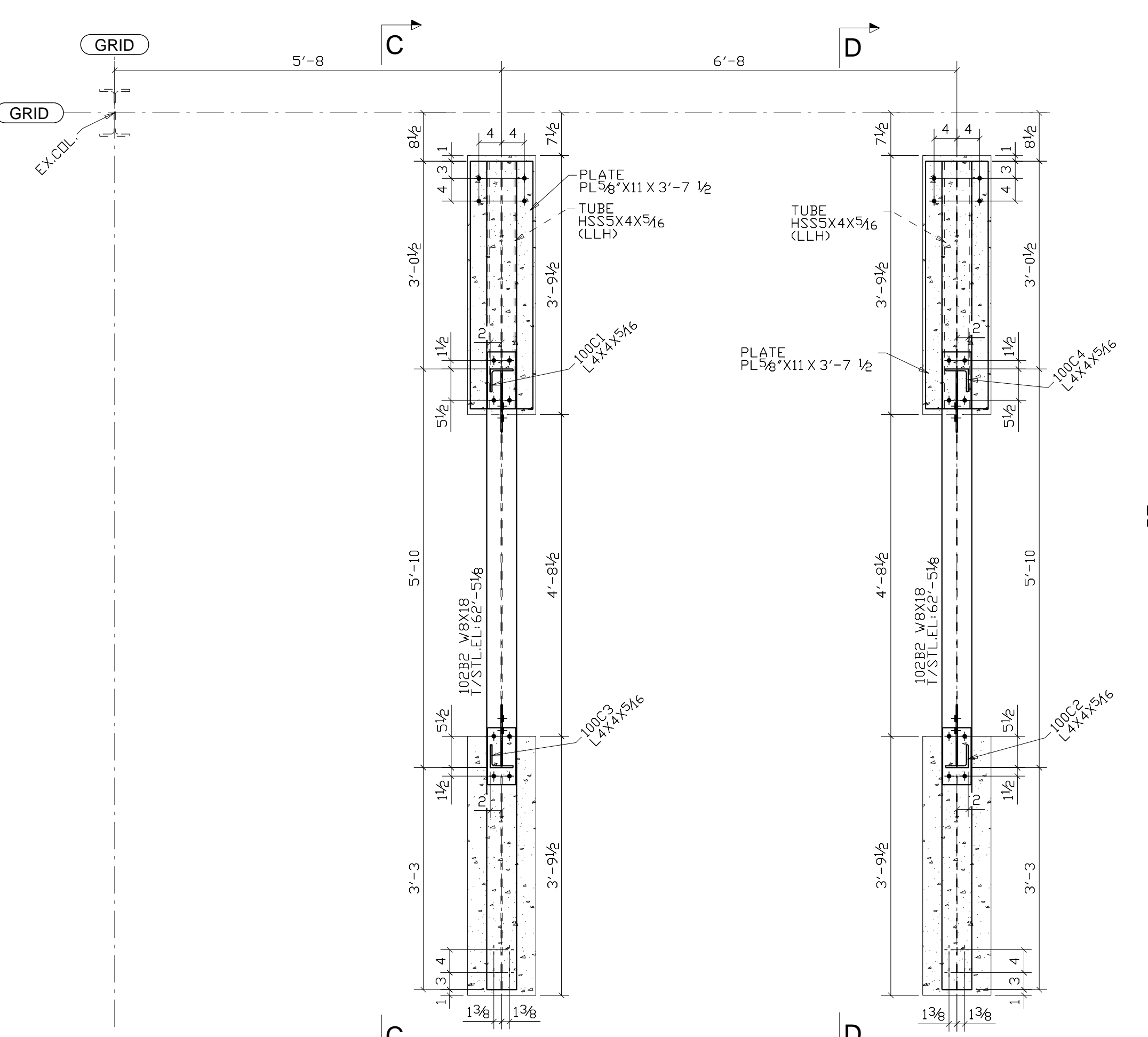
PLATFORM FRAMING PLAN
(REF.DWG'S: 1201 - 1135 - ED - 1214)



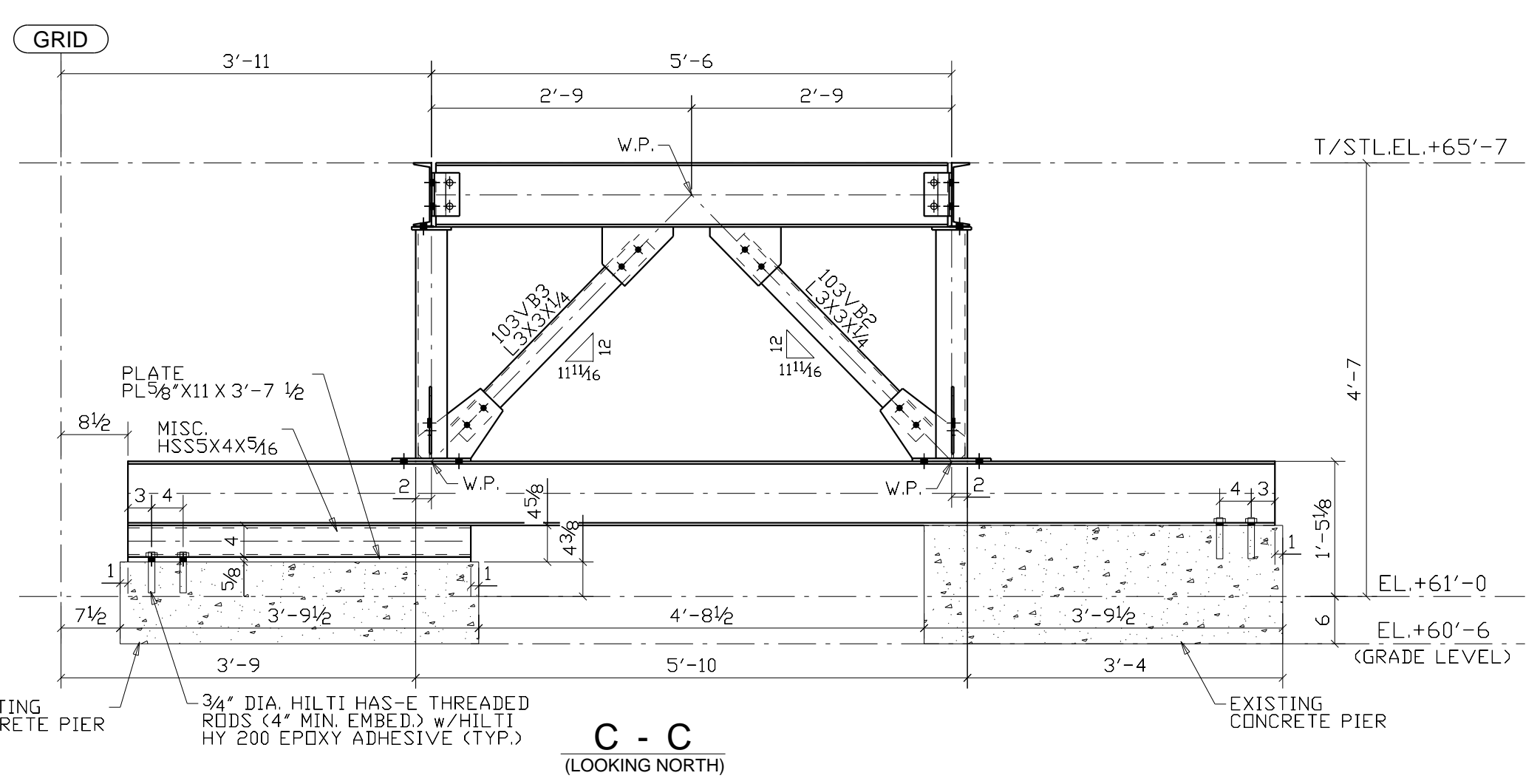
A - A
(LOOKING WEST)



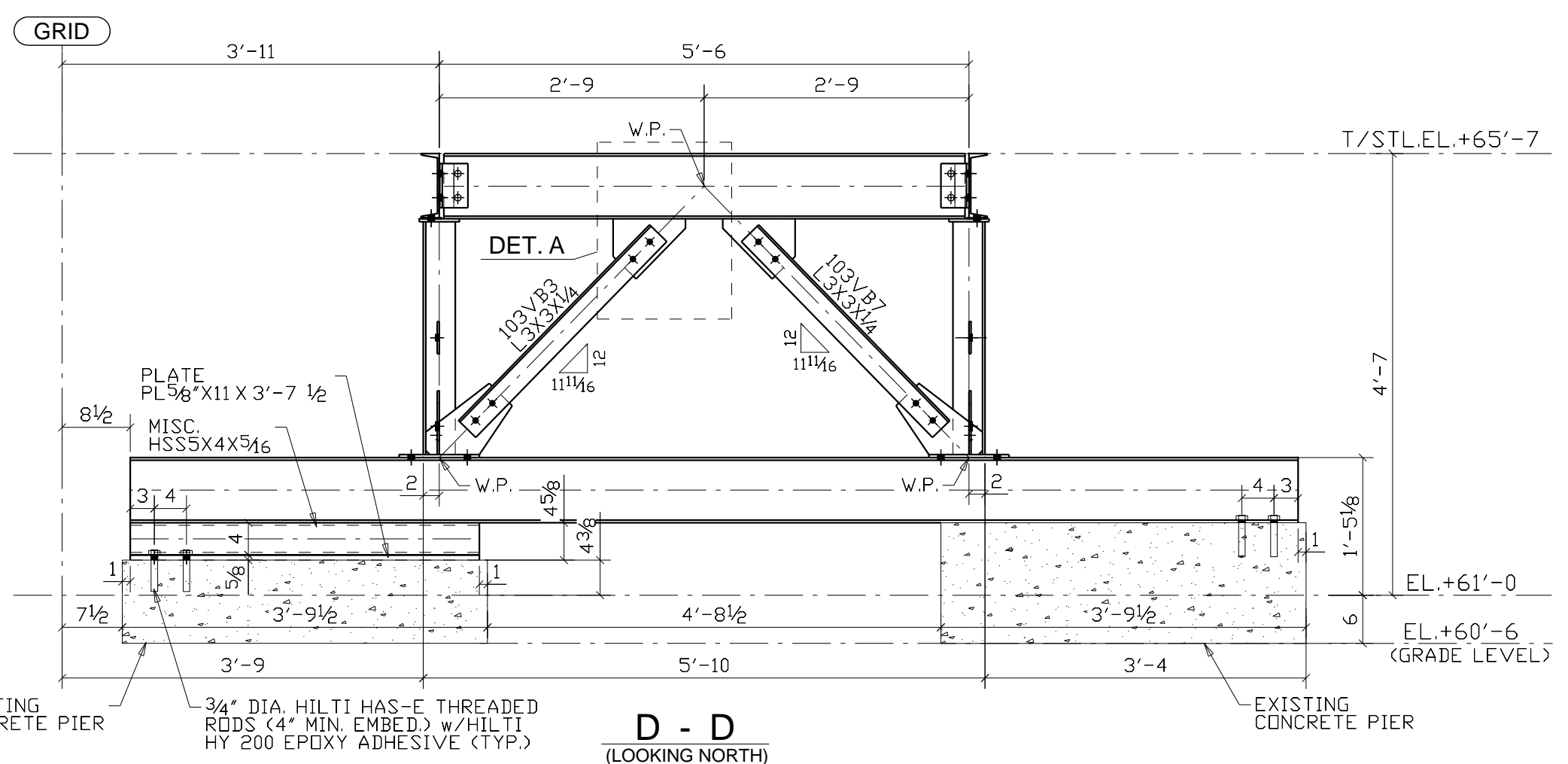
B - B
(LOOKING WEST)



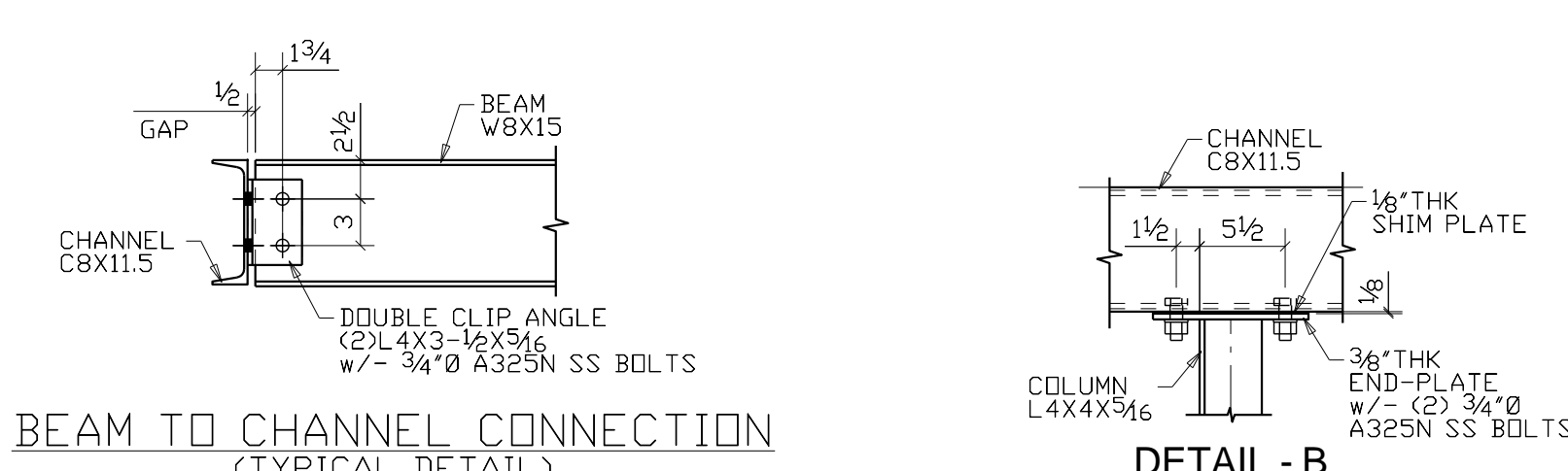
FOUNDATION PLAN
(REF.DWG'S: 1201 - 1135 - ED - 1214)



C - C
(LOOKING NORTH)

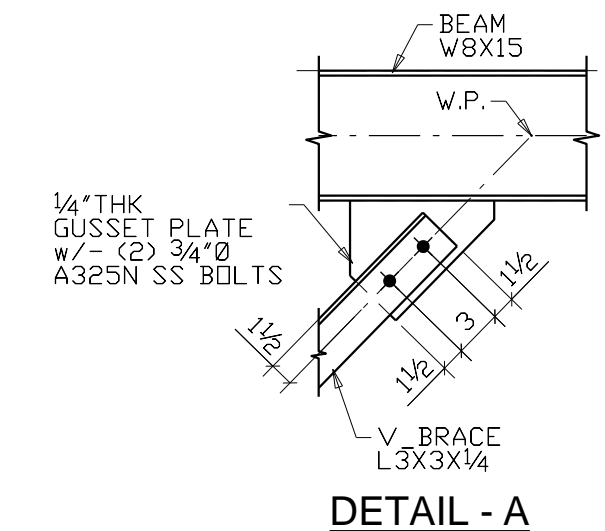


D - D
(LOOKING NORTH)



BEAM TO CHANNEL CONNECTION
(TYPICAL DETAIL)

DETAIL - B



DETAIL - A

NOTE :-
1. FIELD VERIFY ALL EXISTING CONDITION/LOCATIONS.

MATERIAL - 6061-T6 ALUMIN
HOLES - 13/16 DIA. U.N.O.
WELD - E70XX
PAINT - NO PAINT
REF. DWG. NO.

| DATE | BY | NO. | REVISION |
|------------|----|-----|------------------------|
| 12-01-2020 | HK | 0 | ISSUED FOR FIELD-USE |
| 11-18-2020 | HK | B | ISSUED FOR RE-APPROVAL |
| 11-05-2020 | HK | A | ISSUED FOR APPROVAL |

| | |
|---|--|
| START DATED FOR | STEEL SUPPLIERS ERECTORS, INC. P.O. BOX 2662 WILMINGTON, DE 19805 |
| APPROVAL: | |
| FABRICATION: | |
| ERECTION: | |
| FIELD-USE | CUSTOMER: ----- |
| FILE: | PROJECT: UNIT 135 - DCPD |
| TOLERANCE FOR STEEL FABRICATION U.N.O. 1/16 | DRAWN BY: HK |
| | DATE: 11/04/2020 |
| | CHECKED BY: ZA |
| | DATE: 11/04/2020 |
| | CONTRACT NO. : ----- |
| | JOB NO. : 2287 |
| | SHEET TITLE PLATFORM FRAMING PLAN |
| | DRAWING NO. : E100 |