



Ceramic Square Flat Infrared Heating Element Hollow

An industry-standard ceramic infrared heater designed for long-lasting energy-efficiency in industrial, commercial and domestic applications.

SFEH (12 Rib) emitters are available between 400 and 1000 W, operate up to 800 °C (1472 °F) and produce infrared in the 2 - 10 micron wavelength range.

Hollow style ceramic elements produce a uniform output better suited to emitters positioned closer to the target material.

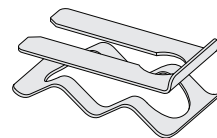
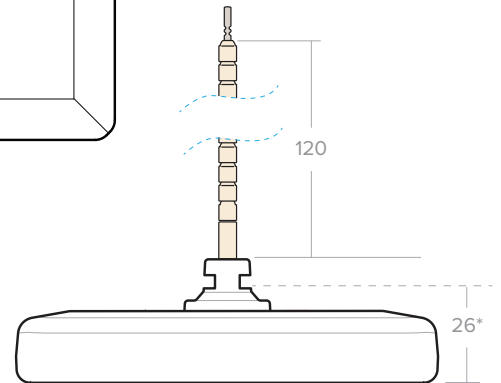
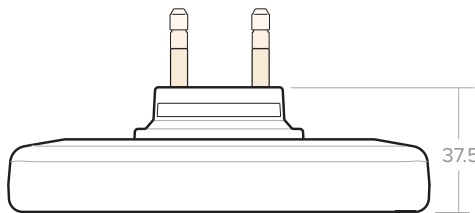
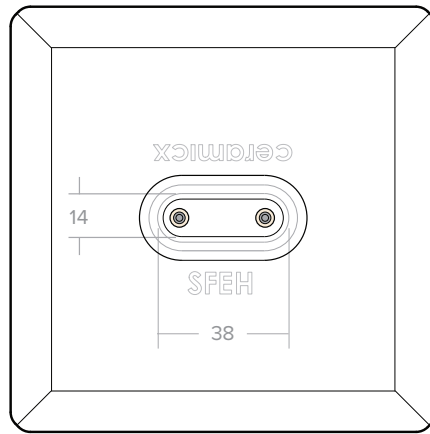
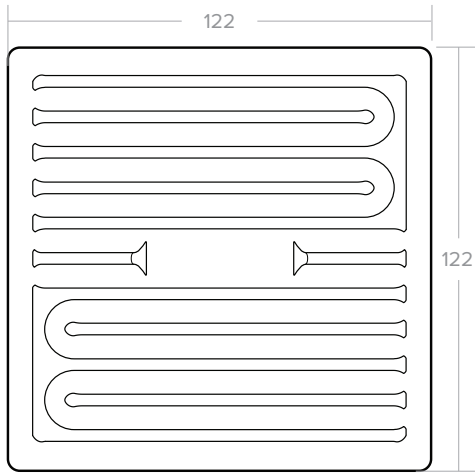
Recommended radiation distance from heater is 100 - 200 mm.

Technical specification

Material	Ceramic body, black glaze, embedded resistance heating coil
Heater Voltage	230 V (<i>standard</i>)
Operating temperature	Max permissible 750°C (1382°F)
Useful wave-length range	2 - 10 µm (<i>microns</i>) - Long wave
Dimensions	122 x 122 x 37.5 mm
Average weight	270 g
Electric connection	120 mm ceramic beaded power leads
Reflector thickness	Recomended thickness 0.75 - 0.9 mm <i>min/max thickness 0.5 - 1.5 mm</i>
Mounting slot size	42 x 15 mm
Element spacing	Minimum spacing between elements 5 mm
Average operating life	Up to 20,000 hrs depending on conditions
Standards	CE
Packaging (L x W x H)	126 x 126 x 50 mm

Standard SFEH range

	Mean Surface Temperature °C	Max Power Density kW/m ²
400 W	495	24
500 W	550	30
600 W	607	36
800 W	684	48
1000 W	755	60



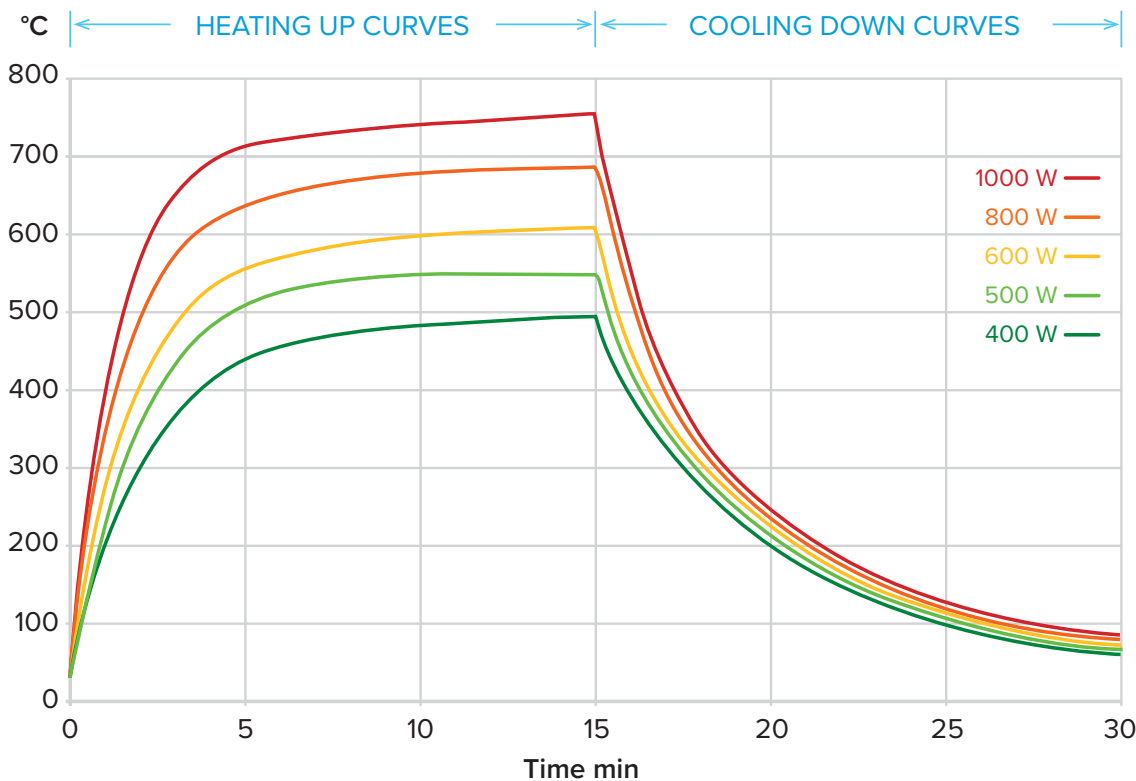
Element supplied with Wave Spring and Clip

SFEH
SQUARE FLAT ELEMENT HOLLOW

Tolerances apply, all dimensions mm.
* Face of reflector - face of element using 0.75 mm reflector, mounting hole size 15 x 42 mm



25W32



CERAMICX SFEH / SFEH TcK 23W06

SFEH Heat up and cool down curves showing average surface temperature measured with a thermal imaging camera set to an emissivity of 0.95 (element mounted in a polished aluminium clad steel reflector)