



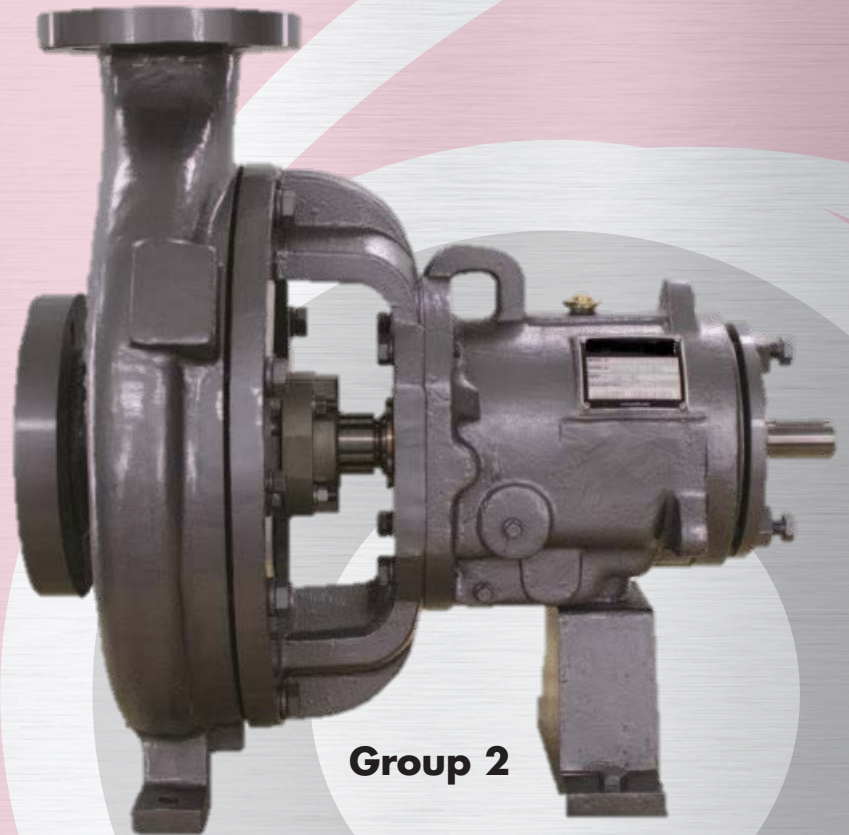
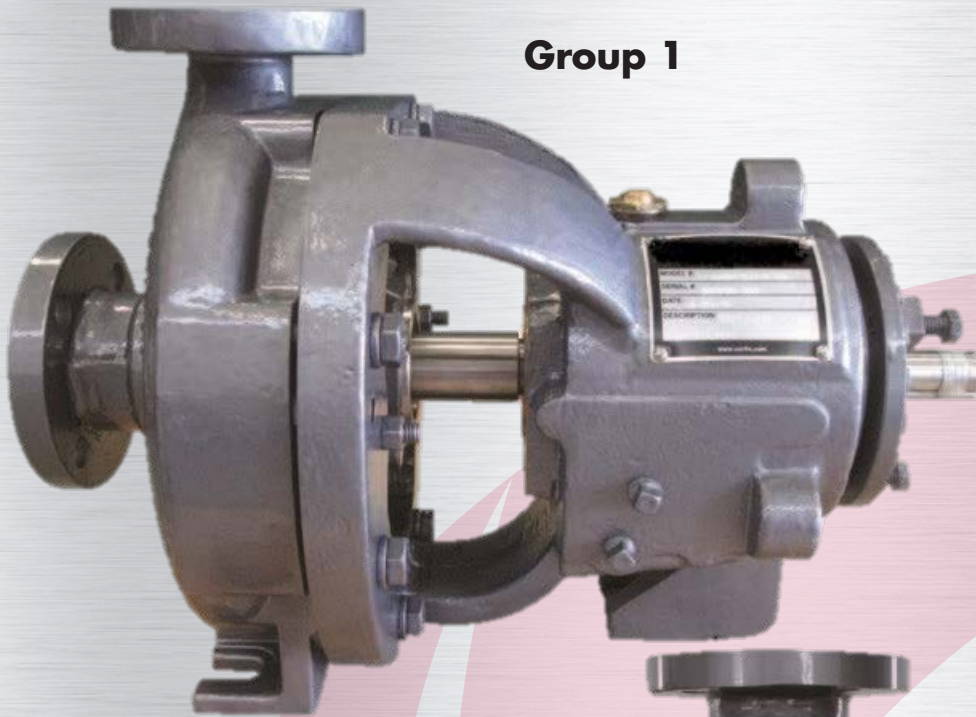
MXQ

Fluids in Motion

D-Line Series

Group 1 | Group 2 | Group 3

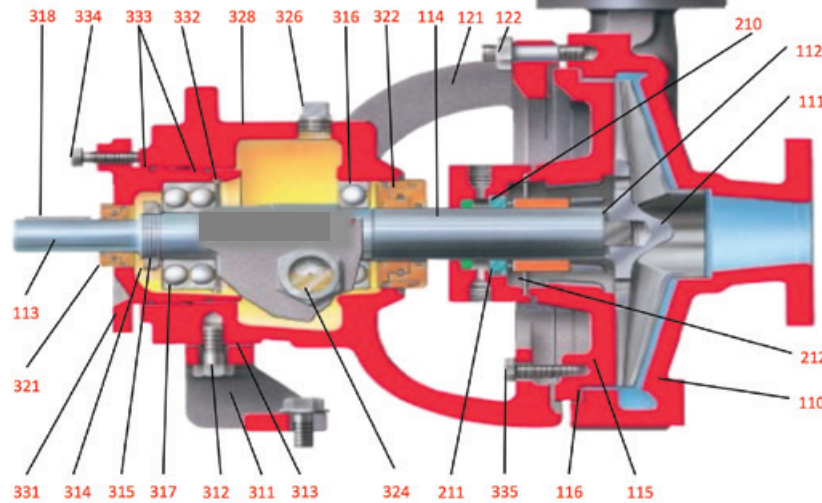
Group 1



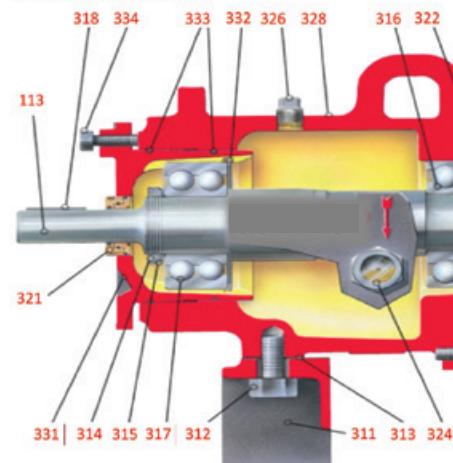
Group 2



Sectional View (Group 1)



Sectional View (Group 2)



Specifications

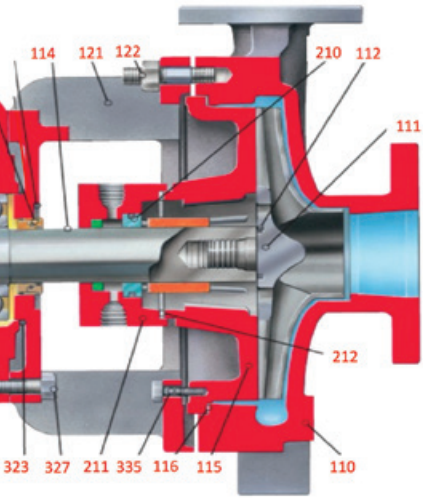
- Manufactured to meet ANSI/ASME B73.1 standard
- Inpro bearing isolators
- SKF or equal bearings
- Standard, large and modified seal chambers
- External impeller adjustment
- Multiple materials of construction available (Carbon Steel, 316SS, CD4, Alloy 20, Hast B, Hast C)
- Reverse vane impeller design
- 100% interchangeable with Durco Mark III
- Mark III Groups 1,2 & 3 models
- Various shaft and shaft sleeve combinations

PARTS LIST & MATERIALS OF CONSTRUCTION

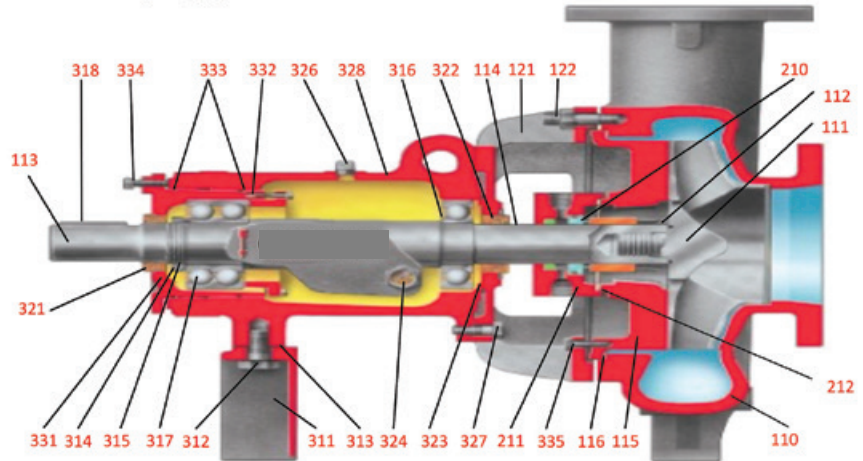
ITEM NUMBER	PART NAME	MATERIAL			
		WCB	316SS	CD4MCu	ALLOY 20
110	Casing	WCB		CD4MCu	Alloy 20 *
111	Impeller	DWCB		CD4MCu	Alloy 20 *
112	Gasket, Impeller	Teflon		GTB	
113	Shaft-Less Sleeve (Optional)		316SS		Alloy 20 *
113	Shaft-With Sleeve		SAE4140		Alloy 20 *
114	Shaft Sleeve		316SS		Alloy 20 *
115	Plate, Rear Cover	WCB		CD4MCu	Alloy 20 *
116	Gasket, Rear Cover	Teflon		GMF	
121	Adapter, Bearing Housing (Gr. 2 & 3 Only)	WCB	316SS	CD4MCu	Alloy 20 *
122	Stud & Nut, Casing	Grade 8	316SS	Alloy 20 *	
211	Gland, Packing Optional	WCB	316SS	Alloy 20 *	
210	Seal, Mechanical				
212	Gasket, Gland				
213	Stud, Gland	Grade 8	316SS	Alloy 20 *	
311	Foot, Bearing Housing		WCB		
312	Screw, Foot		C.S.		316SS
313	Shim		SS		
314	Locknut, Bearing		C.S.		
315	Lockwasher, Bearing		C.S.		
316	Bearing, Inboard		C.S.		
317	Bearing, Outboard		C.S.		
318	Key, Shaft/Coupling		C.S.		
321	Oil Seal, (Outboard)		Stainless Steel / Bronze		
322	Oil Seal, (Inboard)		Stainless Steel / Bronze		
323	O-Ring Adapter, (Gr. 2 & 3 Only)		NBR		
324	Sight Gauge, Bearing Housing		WCB		316SS
325	Drain Plug, Bearing Housing		WCB		316SS
326	Vent Plug, Bearing Housing		WCB		316SS
327	Capscrew, Adapter, (Gr. 2 & 3 Only)		C.S.		
328	Housing, Bearing		WCB		
331	Carrier, Bearing		WCB		
332	Retainer, Bearing Carrier		C.S.		
333	O-Ring, Bearing Carrier		NBR		
334	Screw, Bearing Carrier		C.S.		
335	Screw, Cover/Adapter		C.S.		
336	Capscrew, Clamp, (Gr. 3 Only)		C.S.		
337	Clamp Ring, Bearing Housing, (Gr. 3 Only)		C.S.		

* Availability upon request.





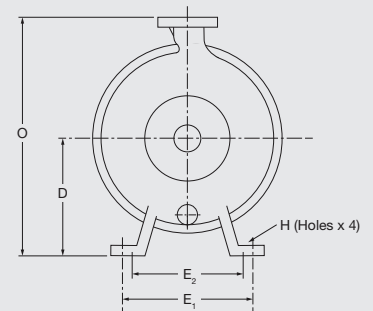
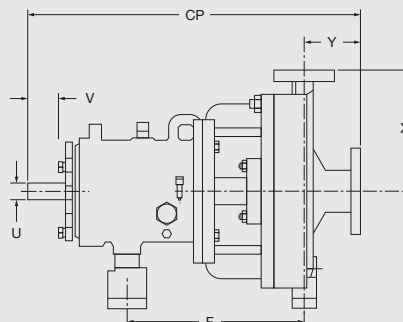
Sectional View (Group 3)

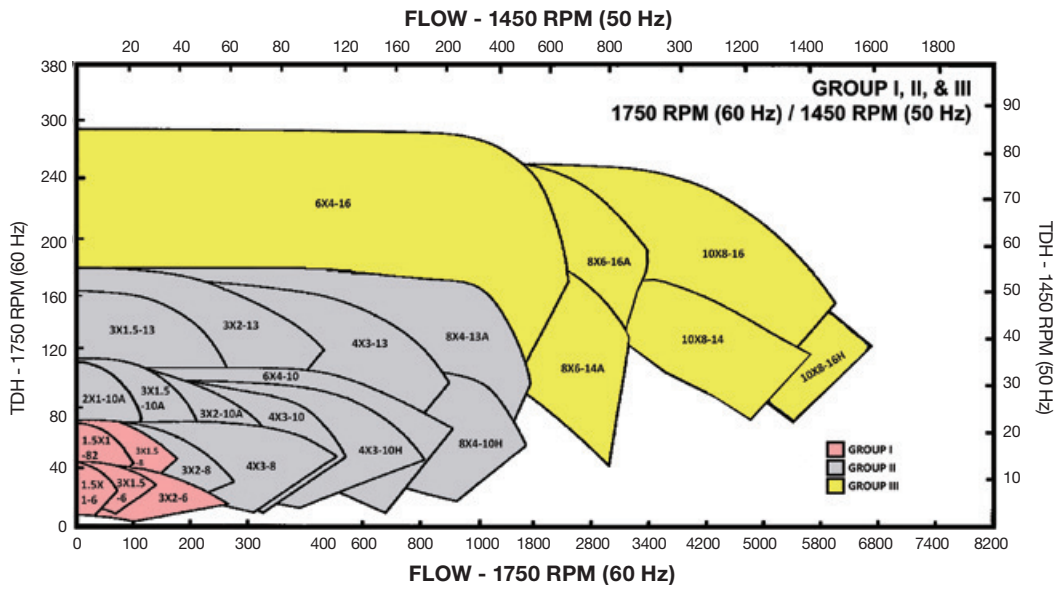
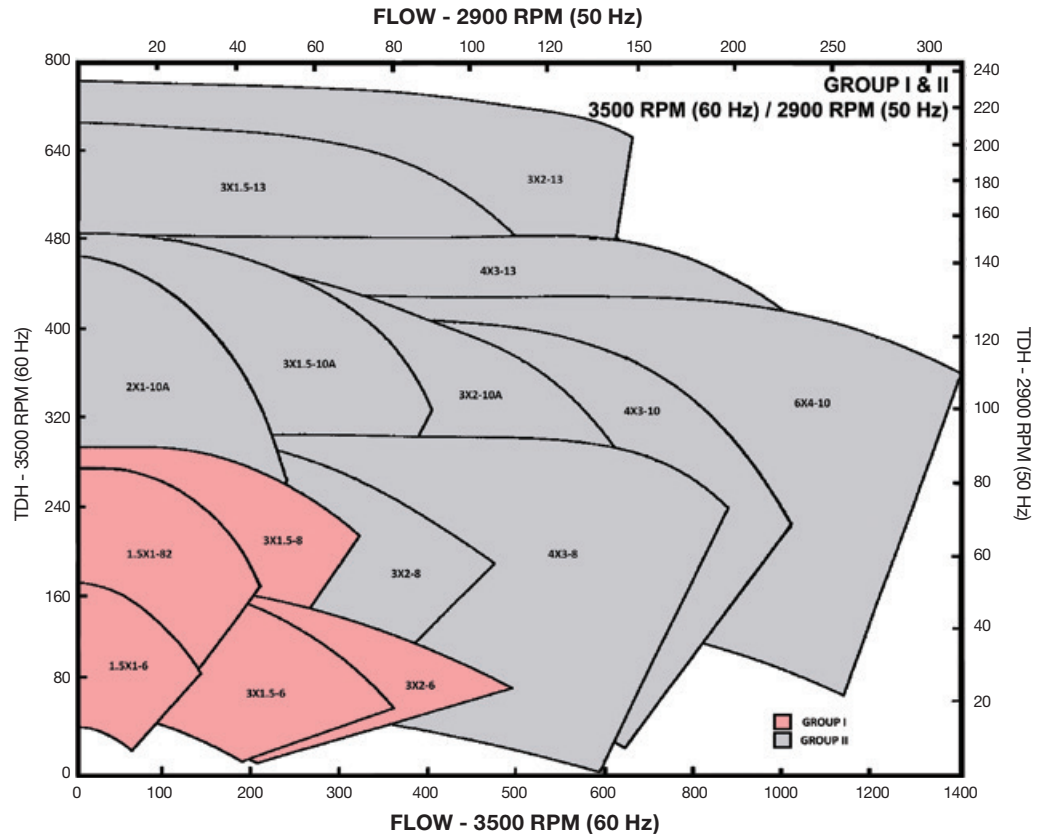


	PUMP SIZE	DISCHARGE	SUCTION	CP	D	X	O	E ₁	E ₂	F	U	Y	V min.	H
Group 1	1.5 x 1-62	1	1.5	17.5	5.25	6.5	11.75	6	0	7.25	0.875	4	2	0.625
	1.5 x 1-82	1	1.5	17.5	5.25	6.5	11.75	6	0	7.25	0.875	4	2	0.625
	3 x 1.5-62	1.5	3	17.5	5.25	6.5	11.75	6	0	7.25	0.875	4	2	0.625
	3 x 1.5-82	2	3	17.5	7.00	7.5	11.75	6	0	7.25	0.875	4	2	0.625
	3 x 2-62	2	3	17.5	5.25	6.5	14.50	6	0	7.25	0.875	4	2	0.625
Group 2	3 x 2-8	2	3	23.5	8.25	9.5	17.75	9.75	7.25	12.5	1.125	4	2.625	0.625
	4 x 3-8	3	4	23.5	8.25	11	19.25	9.75	7.25	12.5	1.125	4	2.625	0.625
	2 x 1-10A	1	2	23.5	8.25	8.5	16.75	9.75	7.25	12.5	1.125	4	2.625	0.625
	3 x 1.5-10A	1.5	3	23.5	8.25	8.5	16.75	9.75	7.25	12.5	1.125	4	2.625	0.625
	3 x 2-10A	2	3	23.5	8.25	9.5	17.75	9.75	7.25	12.5	1.125	4	2.625	0.625
	4 x 3-10	3	4	23.5	8.25	11	19.25	9.75	7.25	12.5	1.125	4	2.625	0.625
	4 x 3-10H	3	4	23.5	10	12.5	22.5	9.75	7.25	12.5	1.125	4	2.625	0.625
	6 x 4-10	4	6	23.5	10	13.5	23.5	9.75	7.25	12.5	1.125	4	2.625	0.625
	6 x 4-10A	4	6	23.5	10	13.5	23.5	9.75	7.25	12.5	1.500	4	2.625	0.625
	6 x 4-10H	4	6	23.5	10	13.5	23.5	9.75	7.25	12.5	1.500	4	2.625	0.625
	3 x 1.5-13	1.5	3	23.5	10	10.5	20.5	9.75	7.25	12.5	1.125	4	2.625	0.625
	3 x 2-13	2	3	23.5	10	11.5	21.5	9.75	7.25	12.5	1.125	4	2.625	0.625
	4 x 3-13	3	4	23.5	10	12.5	22.5	9.75	7.25	12.5	1.125	4	2.625	0.625
6 x 4-13A	4	6	23.5	10	13.5	23.5	9.75	7.25	12.5	1.125	4	2.625	0.625	
Group 3	8 x 6-14A	6	8	33.875	14.5	16	30.5	16	9	18.75	2.375	6	4	0.875
	10 x 8-14	8	10	33.875	14.5	18	32.5	16	9	18.75	2.375	6	4	0.875
	6 x 4-16	4	6	33.875	14.5	16	30.5	16	9	18.75	2.375	6	4	0.875
	8 x 6-16	6	8	33.875	14.5	18	32.5	16	9	18.75	2.375	6	4	0.875
	8 x 6-16A	6	8	33.875	14.5	18	32.5	16	9	18.75	2.375	6	4	0.875
	10 x 8-16	8	10	33.875	14.5	19	33.5	16	9	18.75	2.375	6	4	0.875
	10 x 8-16H	8	10	33.875	14.5	19	33.5	16	9	18.75	2.375	6	4	0.875

All dimensions are in inches.

D-Line
Dimensional Drawing
(Group 1/Group 2/Group 3)





MXQ
Fluids in Motion

**9203 Zaka Rd.
Houston, TX 77064**

**281-376-3500
sales@mxq-usa.com**