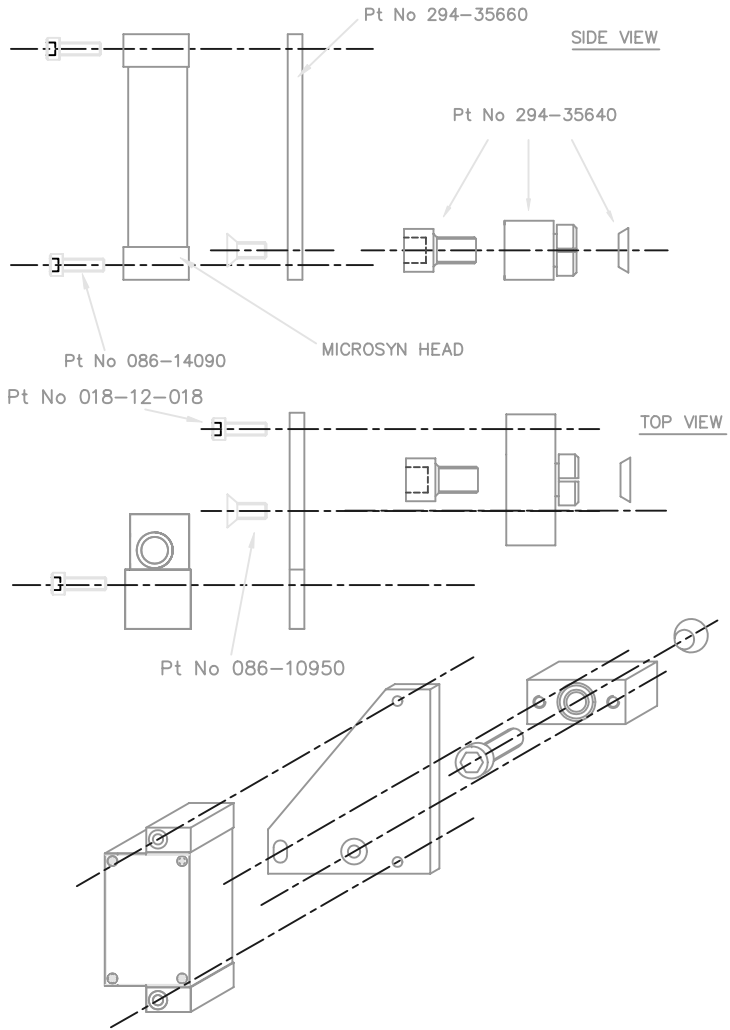
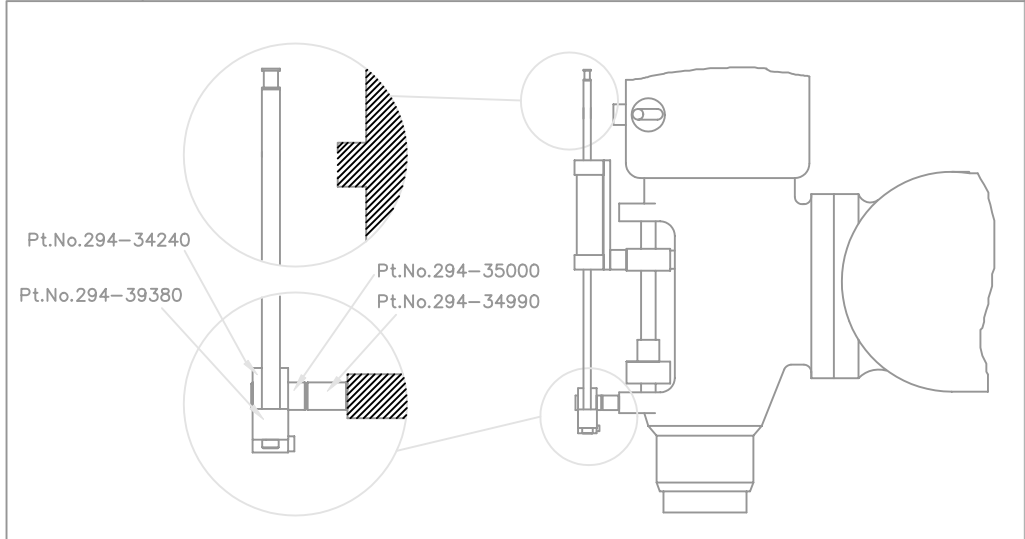
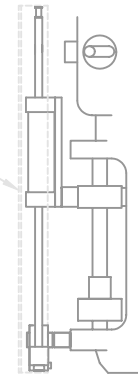


DRAWING NUMBER **316-24570** REV. ISS. **1**

DO NOT SCALE  THIRD ANGLE PROJECTION IF IN DOUBT ASK



CHANNEL Pt.No.294-36430
SUPPORTED ON SCALE
PILLARS AND LOCATED
OVER SCALE AND HEAD



			TITLE: ASSEMBLY DRAWING FOR MICROSYN MK2 QUILL INST KIT (USA)		MATERIAL/FINISH:		SCALE NTS		UNLESS OTHERWISE STATED:- DIMENSIONS ARE IN M.M.		TOLERANCES:- 0 DECIMAL PLACES ±0.5 1 DECIMAL PLACE ±0.2 2 DECIMAL PLACES ±0.1 ANGULAR ±1'		
1	15-8-01	ECN0706	CHANGED COMPANY NAME	CW	DRAWN M.MISTRY 28/8/98			SHEET 1 of 1		DRAWING NUMBER 316-24570		REV. ISS. 1	
REV. DATE			C.N. No. ALTERATION		APPROVED		Leicester		England		THIS DRAWING IS THE PROPERTY OF HEWLETT MEASUREMENT SYSTEMS LIMITED. THE INFORMATION THEREON MAY NOT BE COPIED OR USED WITHOUT WRITTEN PERMISSION		