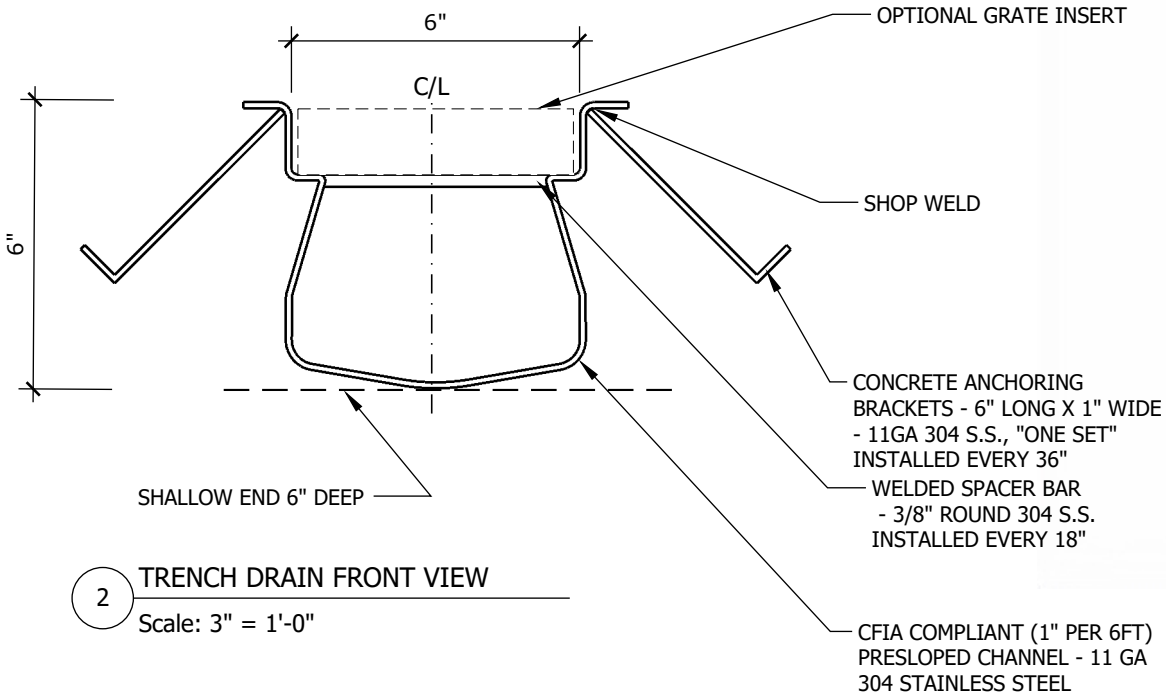


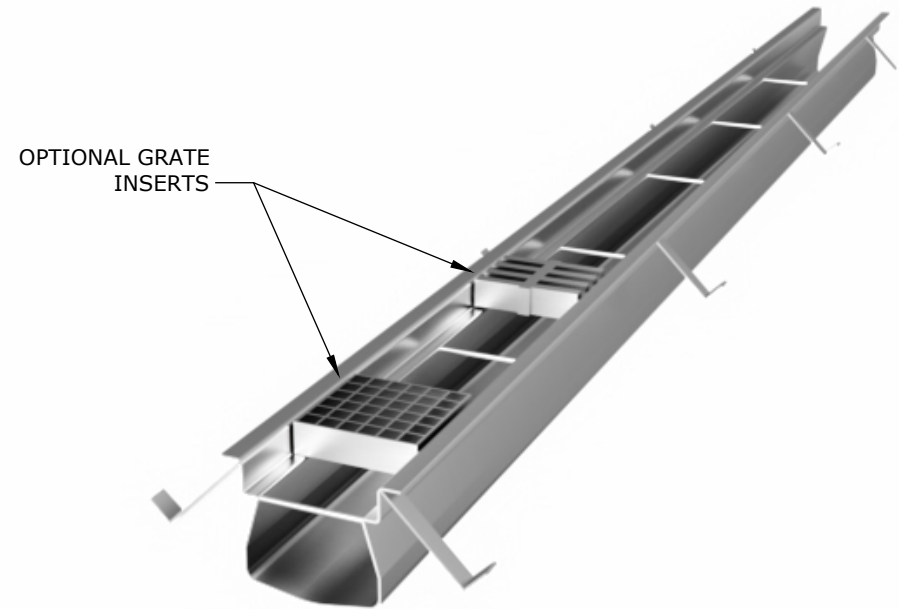
1 TRENCH DRAIN SIDE VIEW

Scale: 3/4" = 1'-0"



2 TRENCH DRAIN FRONT VIEW

Scale: 3" = 1'-0"



3 TRENCH DRAIN PERSPECTIVE

NOT TO SCALE

 <p>DELCO DRAINS</p>	<p>DETAIL NAME:</p> <p>DELCO TRENCH DRAIN</p>	<p>SCALE:</p> <p>AS NOTED</p>	<p>REV. NO.:</p> <p>001</p>
--	--	--------------------------------------	------------------------------------