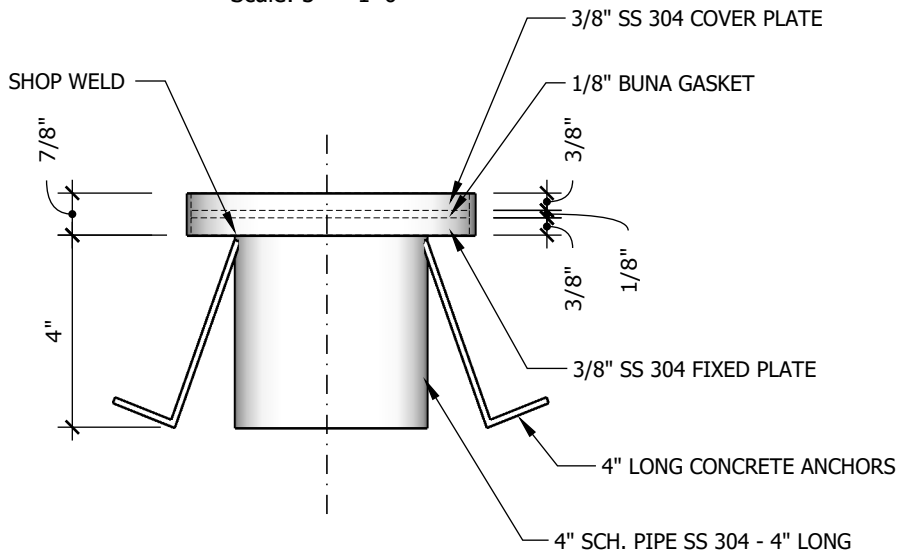
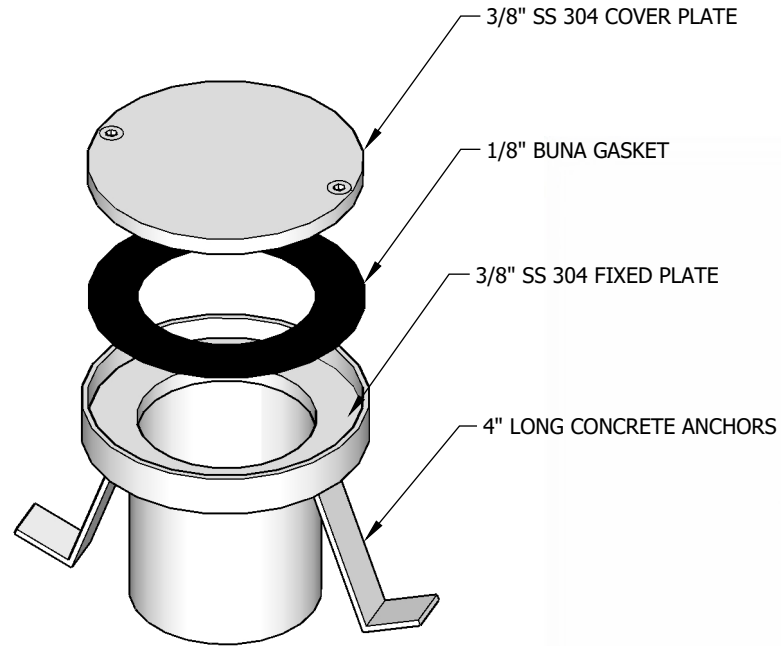


1 CLEANOUT TOP VIEW
Scale: 3" = 1'-0"



2 CLEANOUT SIDE VIEW
Scale: 3" = 1'-0"



3 CLEANOUT EXPLODED VIEW
Scale: 3" = 1'-0"



4 CLEANOUT PERSPECTIVE
Scale: Not to Scale

	DETAIL NAME:	SCALE:	REV. NO.:
	DELCO CLEANOUT DRAWINGS	3" = 1'-0"	001