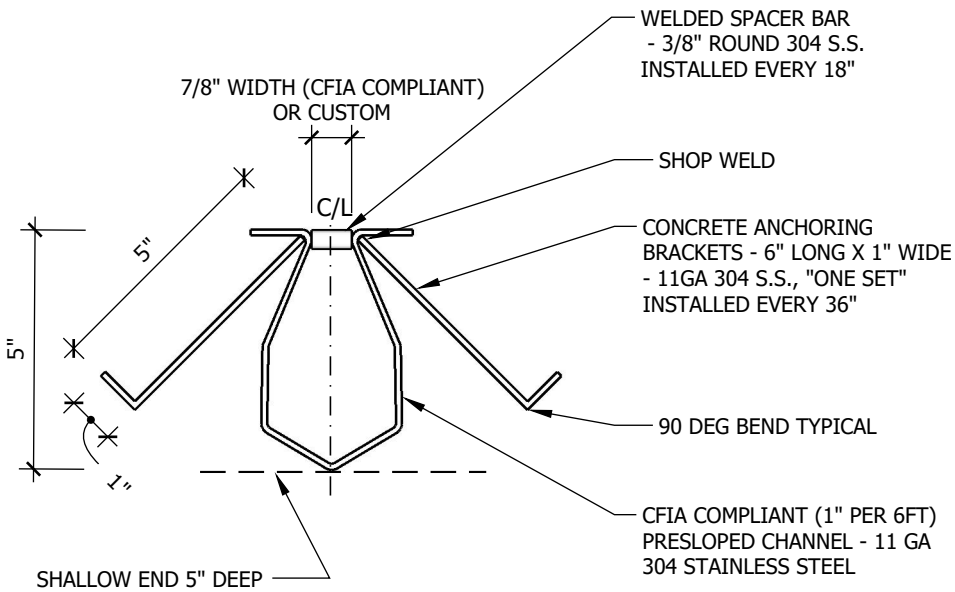
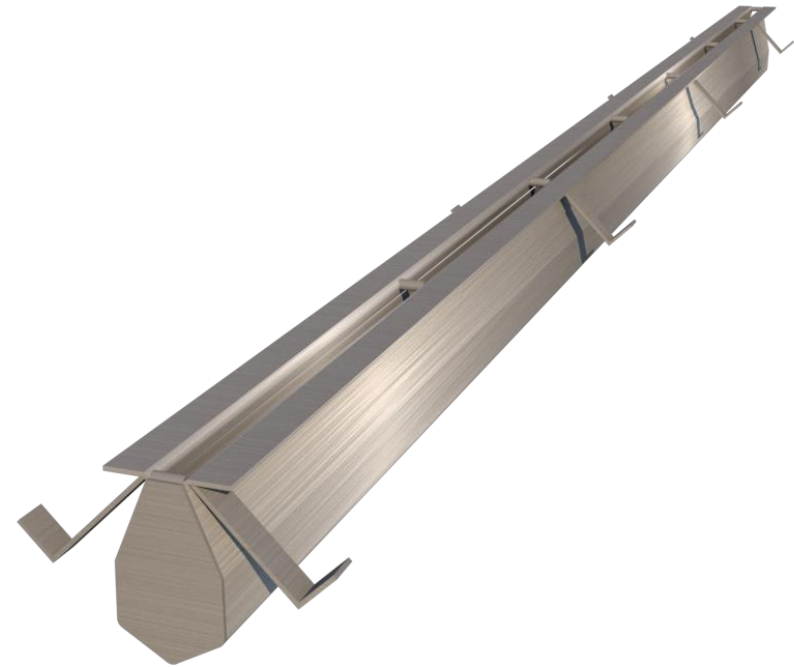



1 SLOT DRAIN SIDE VIEW
Scale: 3/4" = 1'-0"



2 SLOT DRAIN FRONT VIEW
Scale: 3" = 1'-0"



3 SLOT DRAIN PERSPECTIVE
Scale: 1" = 1'-0"

	DETAIL NAME:	SCALE:	REV. NO.:
	DELCO SLOT DRAIN PROFILE 1	AS NOTED	001