



# COLUMBIA

## 2017 PARTS MANUAL

### CHARIOT CR-10



Columbia / ParCar OEM Parts  
[evtechnicalservices.com](http://evtechnicalservices.com)



*The Columbia Vehicle Group*

Nordic Group Member Brands | Business Ventures Since 1947



COLUMBIA



TOMBERLIN



PARCAR



ELITE

## Preface

*Welcome, and congratulations on your choice of vehicle from Columbia ParCar Corp.!* Your vehicle has been designed and manufactured to conform to applicable sections of ANSI B56.8. Your safe use and operation of your vehicle is important to us. Any alteration of your Columbia vehicle that results in the vehicle being in noncompliance with applicable ANSI standards is strictly prohibited. Columbia ParCar Corp. is not responsible or liable for any damage that results from any such alteration, and all warranties for any such altered vehicles are null and void.

These vehicles are not designed for over-the-road use. They do not conform to Federal Motor Vehicle Safety Standards or EPA regulations, and are not equipped for operation on public streets, roads, or highways.

To the best knowledge of Columbia ParCar Corp., the material contained herein is accurate as of the date this publication was approved for printing. Columbia ParCar Corp. is not liable for errors in this manual or for incidental or consequential damages that result from the use of the material in this manual. Columbia ParCar Corp. reserves the right to change specifications, equipment or designs at any time without notice and without incurring obligation.

This manual contains proprietary information that is protected by copyright. All rights are reserved. No part of this manual may be photocopied, reproduced, or translated to another language without the written consent of Columbia ParCar Corp. Columbia ParCar Corp. products are manufactured under one or more of the following U.S. Patents - 2986162, 2987934, 3116089, 3144631, 3144860, 3229792, 3434887, 3559773, 3673359, 3680403, 3683716, 3709317, 4648473, Des. 225626.

1115 Commercial Avenue • Reedsburg, WI 53959  
Phone: (608) 524-8888 • Fax: (608) 524-8380  
(800) 222-4653 • Web: [www.ColumbiaUSA.com](http://www.ColumbiaUSA.com)

*The Columbia Vehicle Group*

Nordic Group Member Brands | Business Ventures Since 1947



**INDEX – CR10**

**SECTION 1 BODY**

Body And Wheels ..... 1-1  
 Body Detail ..... 1-2  
 Hub Assembly Front & Left Rear -4 Hole ..... 1-8  
 Drive Hub and Brake Assembly ..... 1-9

**SECTION 2 DRIVE SYSTEMS**

Drive System – Forward Only ..... 2-1  
 Drive System – Forward with Reverse Option ..... 2-5  
 Control Panel Assembly – Forward Only ..... 2-9  
 Control Panel Assembly – Forward with Reverse Option ..... 2-10  
 Speed Control Switch ..... 2-11  
 Traction Motor ..... 2-13

**SECTION 3 ELECTRICAL**

Hour Meter Installation ..... 3-1  
 Electrical Wiring Diagram – Forward Only ..... 3-2  
 Electrical Wiring Diagram – Forward with Reverse Option ..... 3-4  
 Main Wire Harness Schematic ..... 3-6  
 Battery And Hardware ..... 3-8  
 Battery Charger Schematic ..... 3-9  
 Keyswitch Information ..... 3-10

CHANGE HISTORY		
DATE	DESCRIPTION	BY
7/1/2016	Issued	CPC



**THIS PAGE INTENTIONALLY LEFT BLANK**

Columbia / ParCar OEM Parts  
**evtechnicalservices.com**



*The Columbia Vehicle Group*  
Nordic Group Member Brands | Business Ventures Since 1947





**COLUMBIA**

**CR10**

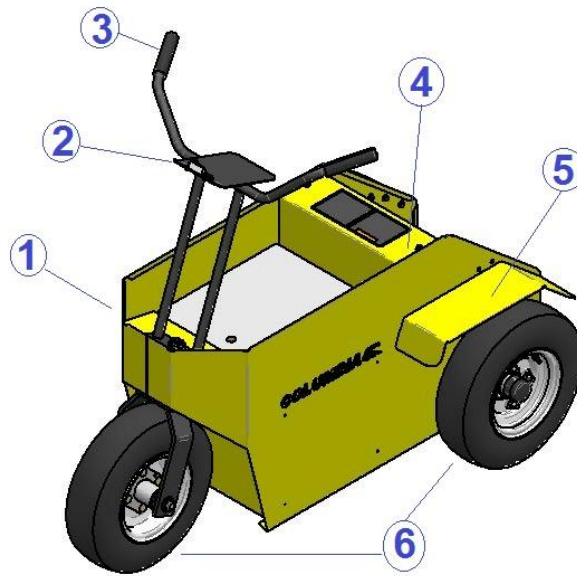
**Parts Manual**

**Section 1**

**Body**



**BODY & WHEELS - CR10**



ITEM	CPC PN	DESCRIPTION	QTY	REF #
1	19201-00	CHASSIS (VIN required for color)	1	467105
2	850	CLIP, STEMCO, 3", STAINLESS	1	709628
3	56818-00	GRIP ONLY, HANDLE BAR	2	709381
4	51301-00	CONTROL TOP COVER PLATE (VIN required for color)	1	467106
5a	47966-00	FENDER, R.H.	1	467108
5b	47965-00	FENDER, L.H.	1	467107
6a	40808-10	TIRE/WHEEL ASSY, 4 HOLE, 4.8X8 PNEUMATIC, NON-MARKING	3	760323
6b	40988-95	TIRE/WHEEL ASSY, 4.8X8 LRC	3	709107
6c	42115-04	TIRE/WHEEL ASSY, FOAM FILLED 4.8X8	3	719349

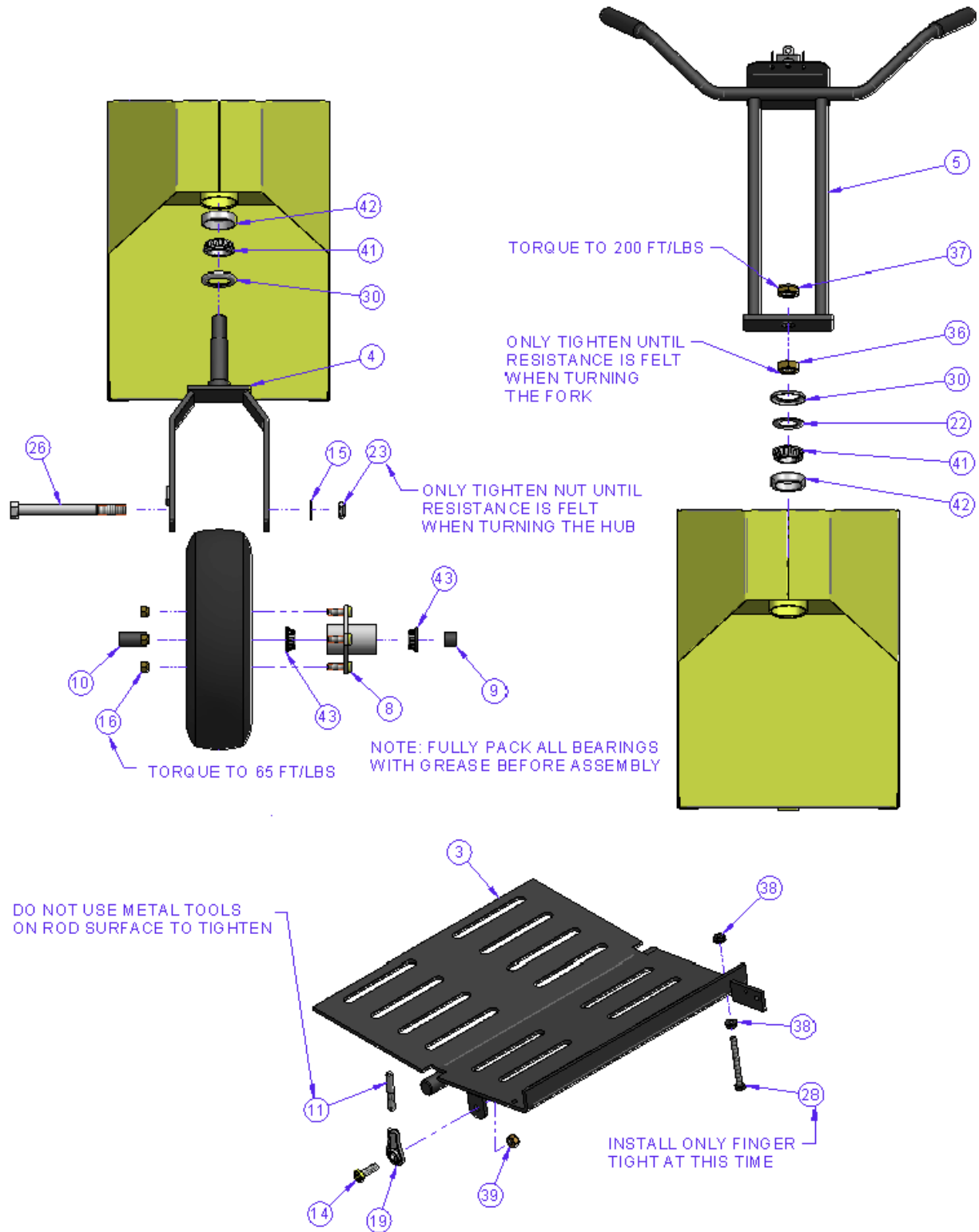
NOTE: Items with \* in tables indicates parts not shown in drawing.

The Columbia Vehicle Group

Nordic Group Member Brands | Business Ventures Since 1947

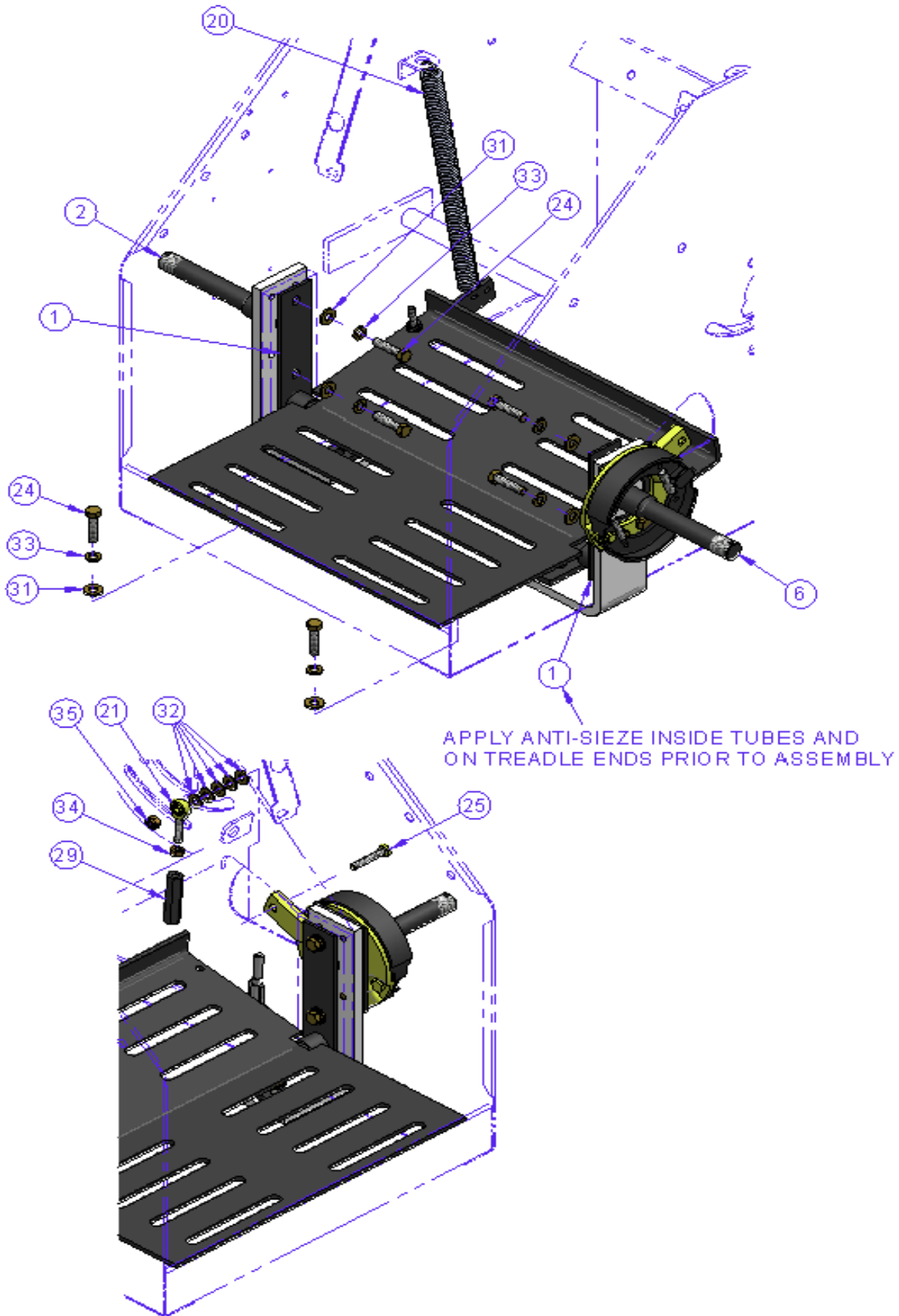


### BODY DETAIL - CR10



NOTE: Items with \* in tables indicates parts not shown in drawing.

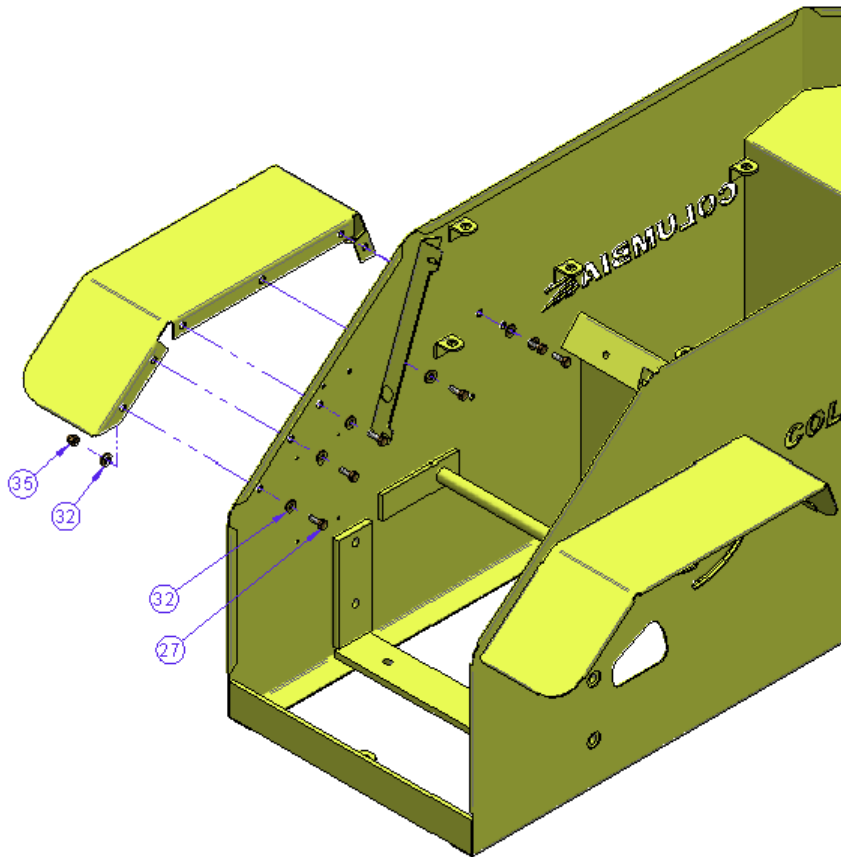
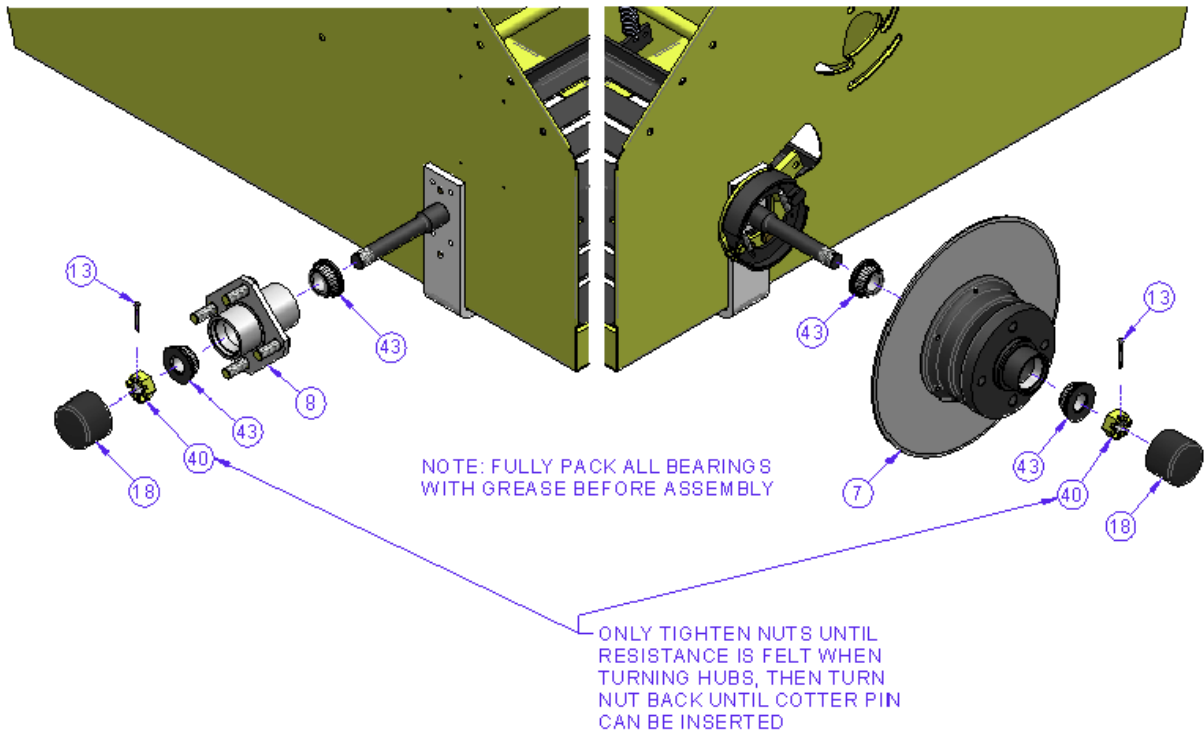
### BODY DETAIL - CR10 (Continued)



NOTE: Items with \* in tables indicates parts not shown in drawing.

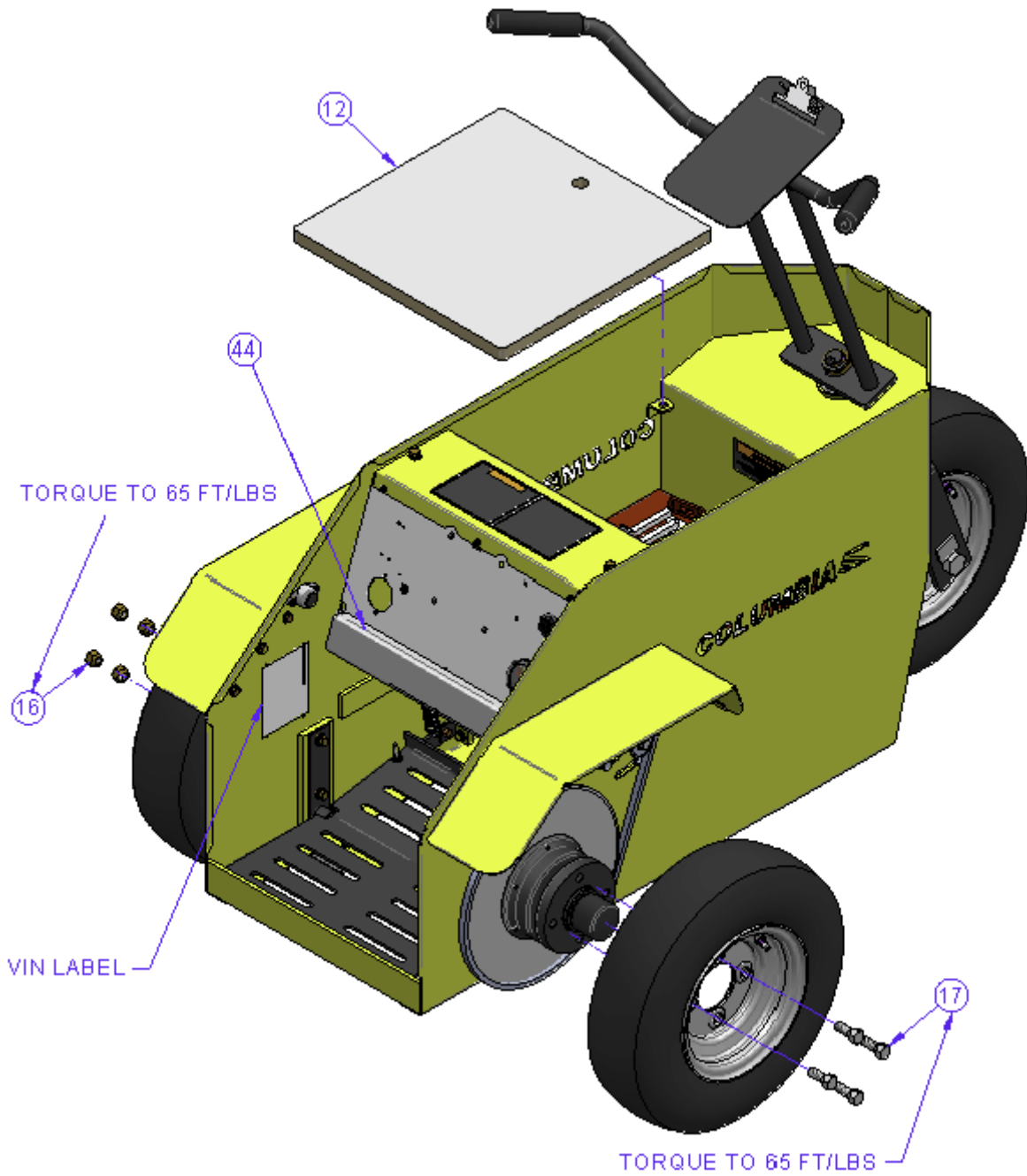


### BODY DETAIL - CR10 (Continued)



NOTE: Items with \* in tables indicates parts not shown in drawing.

### BODY DETAIL - CR10 (Continued)



NOTE: Items with \* in tables indicates parts not shown in drawing.

The Columbia Vehicle Group

Nordic Group Member Brands | Business Ventures Since 1947



**BODY DETAIL - CR10 (Continued)**

ITEM	CPC PN	DESCRIPTION	QTY	REF #
1	40315-00	TREADLE SUPPORT ASSEMBLY	2	306014
2	56803-00	SPINDLE ASSEMBLY	1	306016
3	40318-00	TREADLE ASSEMBLY	1	306017
4	56800-00	FORK ASSEMBLY, FRONT	1	306018
5	56812-00	HANDLEBAR, ASSEMBLY (Includes grip and clip)	1	463330
6	41375-00A	SPINDLE & CLUSTER ASSEMBLY	1	467230
7	*	HUB/DRUM W/SPROCKET ASSEMBLY (See Item 46)	1	467331
8	*	HUB/FRT & L RR, 4 HOLE ASSEMBLY (See Item 47)	2	467795
9	56833-00	FRONT FORK SPACER, .875"	1	510358
10	56836-00	FRONT FORK SPACER, 2.0"	1	510359
11	41205-00	ROD, BRAKE LINK	1	510379
12	51303-00	DECK, MEZZTREAD	1	513688
13	560	COTTER PIN	2	707337
14	4017	SCREW, 5/16-18X1 HHC G8	1	708085
15	6037	WASHER, 3/4	2	708659
16	43152-66	NUT, 1/2-20	4	709002
17	41200-94	WHEEL BOLT (Included in Kit 41866-06)	4	709082
18	56827-00	CAP, DUST	2	709392
19	57019-00	ROD END, LOWER BEARING, (RH FEMALE)	1	709450
20	11830	SPRING, TREADLE RETURN, 3/4 X 8-1/2"	1	709644
21	56806-00	ROD END BEARING 1/4-28, MALE, BALL JOINT	1	709649
22	6035	WASHER, DUST	1	709651
23	7711	NUT, JAM, NYLON 3/4-10X1/2	1	709655
24	2871-W	SCREW, 5/16-18X1 1/4, HHCS G5	6	719592
25	2872-W	SCREW, 1/4-20X1 1/2 HEX CAP	1	719593
26	3431	SCREW, 3/4-10X8 HHCS G5	1	719618
27	3787-B	SCREW, HHC 1/4-20 X 3/4"	12	719636
28	3860-B	SCREW, 1/4-20X2 1/2 HHCS	1	719637
29	41208-00	FEMALE HEX STANDOFF 1/2X2.12	1	719658
30	56830-00	WASHER, CUPPED	2	719758
31	6702-B	WASHER, 5/16"	6	719810
32	6703-B	WASHER 3/4"	29	719811
33	7041-B	LOCKWASHER, 5/16	6	719838
34	7676	NUT, 1/4-28 HEX	1	719874
35	7686	LOCKNUT, NYLOK	13	719879

NOTE: Items with \* in tables indicates parts not shown in drawing.

The Columbia Vehicle Group

Nordic Group Member Brands | Business Ventures Since 1947



**BODY DETAIL - CR10 (Continued)**

ITEM	CPC PN	DESCRIPTION	QTY	REF #
36	7712	NUT, JAM	1	719885
37	7714	NUT, JAM, NYLON	1	719886
38	7724-B	NUT, 1/4-20 GR A, SERRATED, FLNG, LOCK	2	719887
39	7739	LOCKNUT, NYLOCK 5/16-18	1	719892
40	82713-96	NUT, 3/4-16, SLOTTED, HEX G5	2	719933
41	9080	BEARING, CONE	2	719959
42	9081	BEARING, CUP	2	719960
43	9620	BEARING, TAPERED ROLLER W/SEAL	6	749753
44	51341-00	KNEE PAD (Attached with 2 each P/N's 7118 & 2685-W)	1	106336%
45**	60420-00	KNEE PAD KIT (Includes Item 44, 2 each P/N's 7118 & 2685-W)	1	190409%
46**	41374-00A	ASSEMBLY, SPINDLE BRAKE HUB (Includes Items 6, 7, 13, 17, 18, 40, 43)	1	467229
47**	56801-00	KIT, HUB FRNT & LEFT REAR 4H, (Includes Items 8, 16 & 43)	1	192188

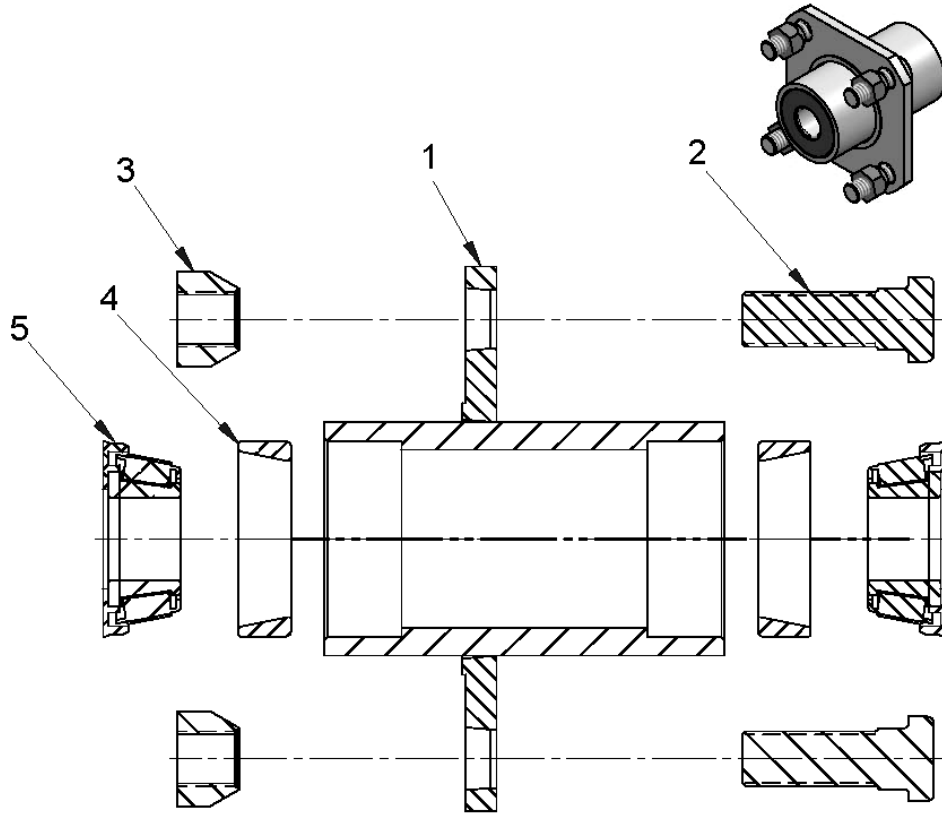
NOTE: Items with \* in tables indicates parts not shown in drawing.

The Columbia Vehicle Group

Nordic Group Member Brands | Business Ventures Since 1947



### HUB ASSEMBLY Front & Left Rear - 4 Hole - CR10



ITEM	CPC PN	DESCRIPTION	QTY	REF #
1	See Item 6	HUB	1	310547
2	41199	WHEEL BOLT 1/2-20X1 1/2	4	719655
3	43152-66	NUT, 1/2-20	4	709002
4	See Item 6	BEARING CUP	2	719487
5	See Item 6	BEARING, TAPERED ROLLER W/SEAL	2	749753
6	9089	KIT, HUB BEARING, RACE & SEAL (includes Items 4 & 5)	1	191886U
7	56801-00	KIT HUB ASSEMBLY (Includes Items 1-5)	1	192188U

NOTE: Items with \* in tables indicates parts not shown in drawing.

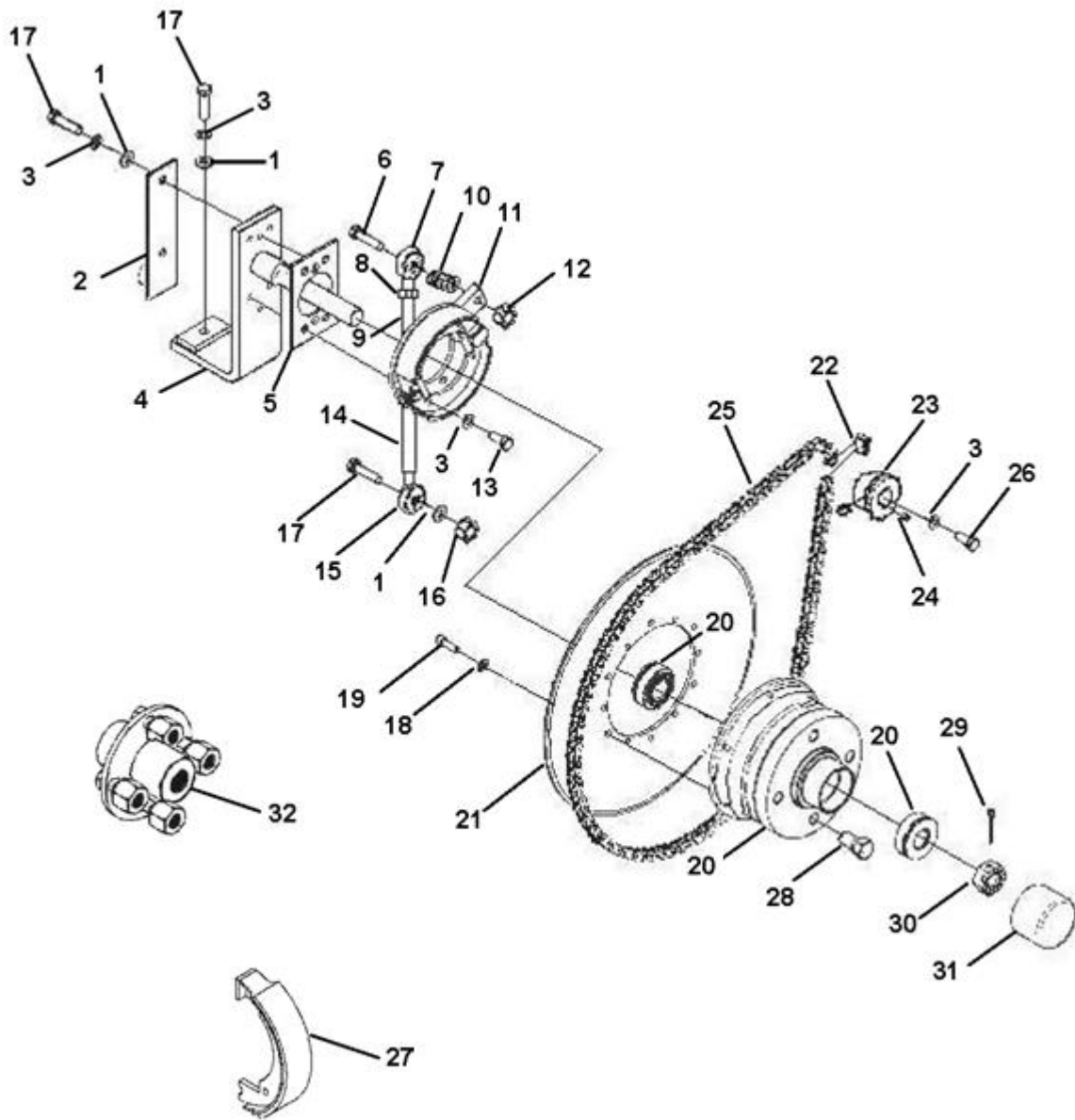
Columbia / ParCar OEM Parts  
[evtechnicalservices.com](http://evtechnicalservices.com)

The Columbia Vehicle Group

Nordic Group Member Brands | Business Ventures Since 1947



### DRIVE HUB AND BRAKE ASSEMBLY - CR10



NOTE: Items with \* in tables indicates parts not shown in drawing.

The Columbia Vehicle Group

Nordic Group Member Brands | Business Ventures Since 1947



## DRIVE HUB AND BRAKE ASSEMBLY - CR10

ITEM	CPC PN	DESCRIPTION	QTY	REF #
1	6702-B	WASHER, FLT 5/16"	3	719810
2	40315-00	TREADLE SUPPORT	1	306014
3	7041-B	LOCKWASHER, 5/16	7	719838
4	56803-00	SPINDLE ASSEMBLY	1	306016
5	33403-00	SPACER, BRAKE	1	510360
6	3993	SCREW, HEX CAP 1/4-20X1 1/4"	1	719644
7	56806-00	ROD END BEARING 1/4-28, MALE, BALL JOINT	1	709649
8	7676	NUT, 1/4-28 HEX	1	719874
9	41205-00	ROD, BRAKE LINK	1	510379
10	6703-B	WASHER, PLAIN 1/4	5	719811
11	41211-00A	BRAKE CLUSTER	1	709647
*	45007-04	BRAKE SPRINGS (used with Item 11)	2	719382
12	7686	LOCKNUT, NYLOK	1	719879
13	3987-BS	SCREW, HEX CAP 5-16-18X3/4"	4	719642
14	41208-00	TUBE BRAKE LINK	1	719658
15	57019-00	ROD END, LOWER BEARING, (RH FEMALE)	1	709450
16	7739	LOCKNUT, NYLOCK 5/16-18	1	719892
17	2871-W	SCREW, HEX CAP 5/16-18X1 1/4"	1	719592
18	7036-B	WASHER, LOCK 1/4"	6	719834
19	3414	CAP SCREW, 1/4-20 X 3/4"	6	719486
20	41866-06	KIT, HUB/DRUM W/BEARING	1	191885U
21	33406-00	SPROCKET, 96 TOOTH #35	1	709646
22	33413-00	MASTER LINK, CHAIN #35	1	709747
23	33400-00	SPROCKET, 13 T, 3/16 KIT #35	1	709645
24	41204-63A	KEY (SPROCKET TO MOTOR)	1	719656
25	33409-00	CHAIN ASSY, #35, 55 LINK (Includes Item 22 and 25)	1	461337
26	3439	SCREW, HEX CAP 8MM X 1 1/4" X 20MM	1	719619
27	41257-07	BRAKE SHOE	1	759840
28	41200-94	WHEEL BOLT (Included in Kit 41866-06)	4	709082
29	560	COTTER PIN	2	707337
30	82713-96	NUT, 3/4-16	2	719933
31	56827-00	CAP, DUST	2	709392

NOTE: Items with \* in tables indicates parts not shown in drawing.

The Columbia Vehicle Group

Nordic Group Member Brands | Business Ventures Since 1947



**THIS PAGE INTENTIONALLY LEFT BLANK**

Columbia / ParCar OEM Parts  
[evtechnicalservices.com](http://evtechnicalservices.com)



*The Columbia Vehicle Group*  
Nordic Group Member Brands | Business Ventures Since 1947







***COLUMBIA***

**CR10**

**Parts Manual**

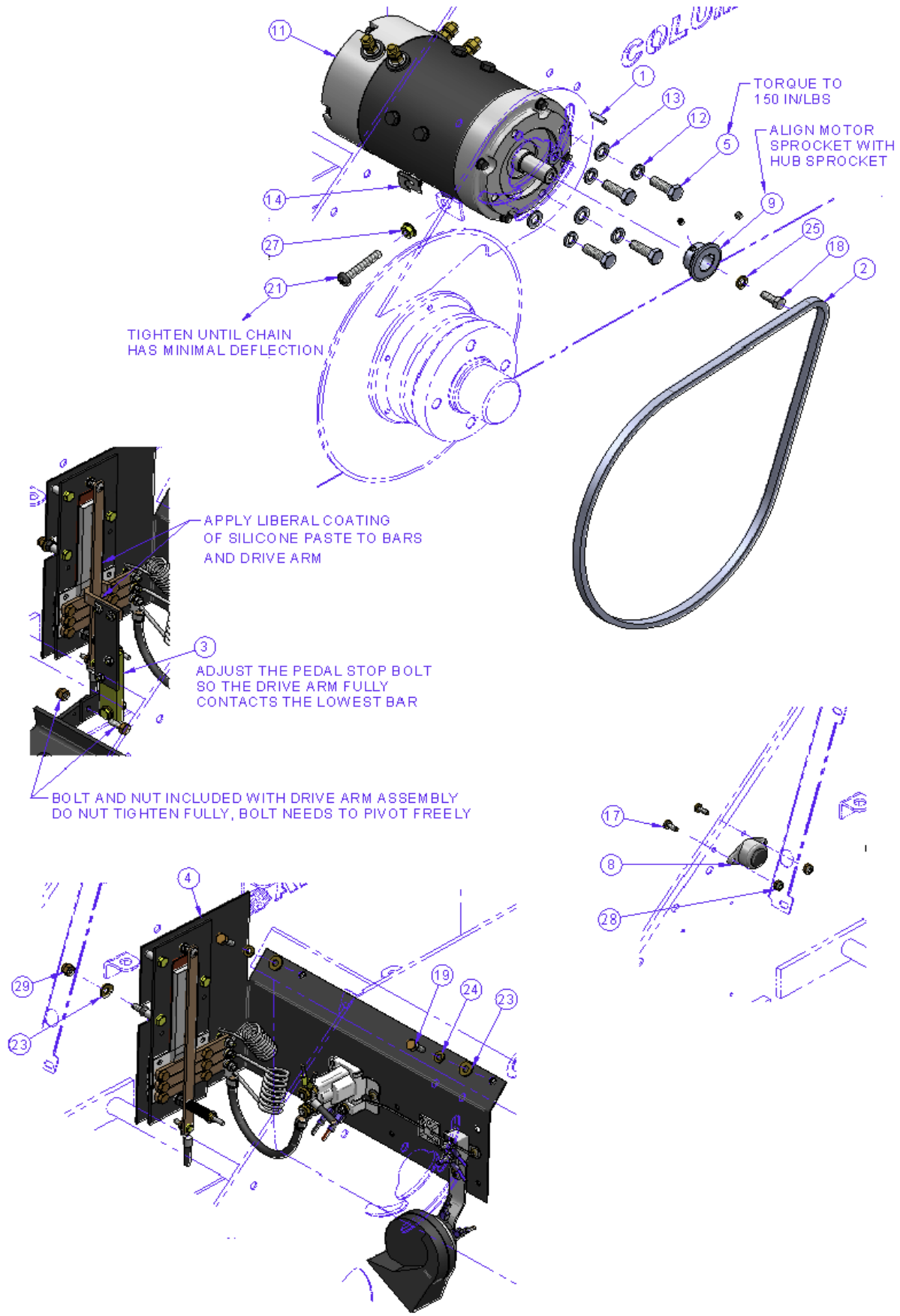
**Section 2**

**Drive System**

Columbia / ParCar OEM Parts  
[evtechnicalservices.com](http://evtechnicalservices.com)



### DRIVE SYSTEM - CR10



NOTE: Items with \* in tables indicates parts not shown in drawing.

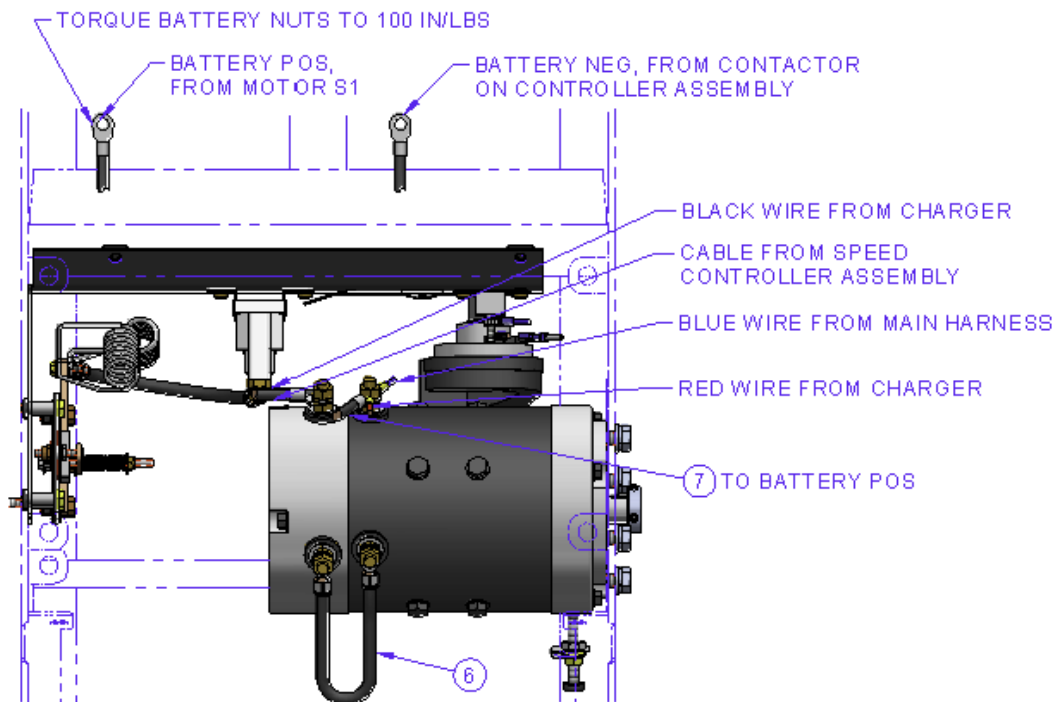
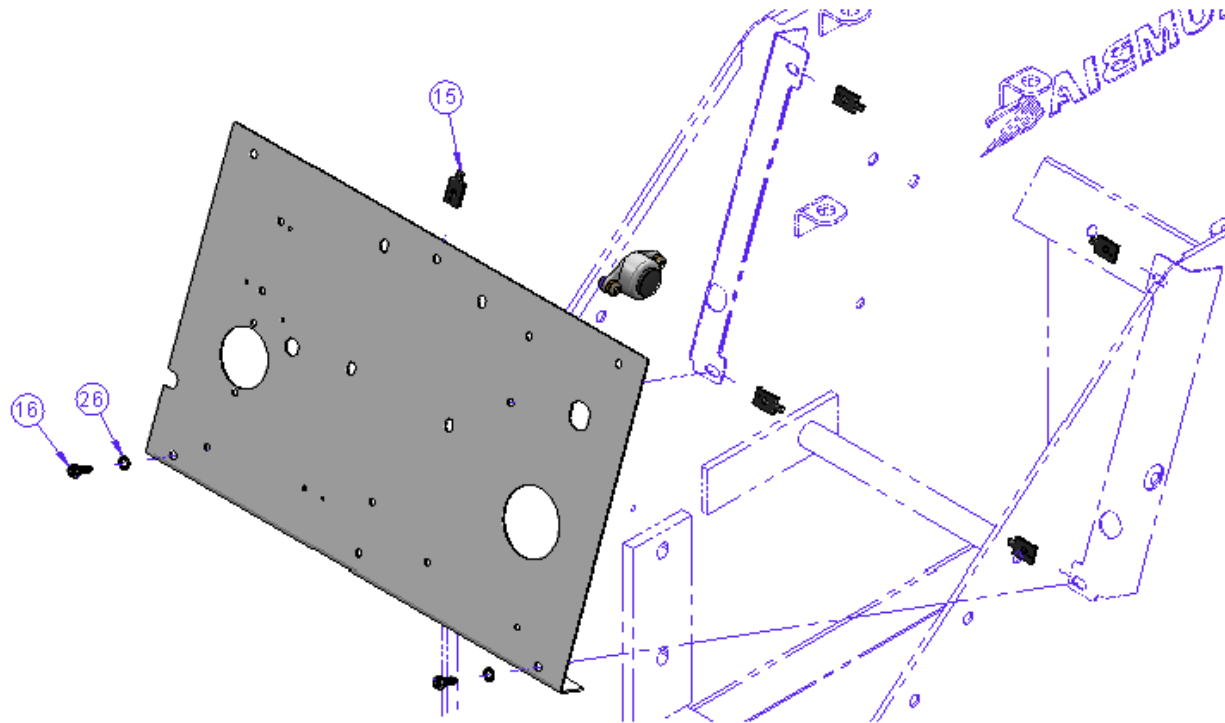
Columbia / ParCar OEM Parts  
 evtechnicalservices.com

The Columbia Vehicle Group

Nordic Group Member Brands | Business Ventures Since 1947



### DRIVE SYSTEM - CR10 (Continued)



TORQUE ALL MOTOR NUTS TO 100 IN/LBS  
 USE A FLAT OPEN WRENCH TO HOLD THE  
 STUD NUT WHEN APPLYING TORQUE

TORQUE CONTACTOR NUT TO 55 IN/LBS  
 USE A FLAT OPEN WRENCH TO HOLD THE  
 STUD NUT WHEN APPLYING TORQUE

NOTE: Items with \* in tables indicates parts not shown in drawing.

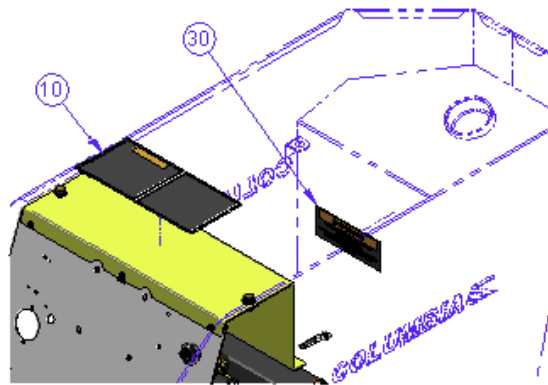
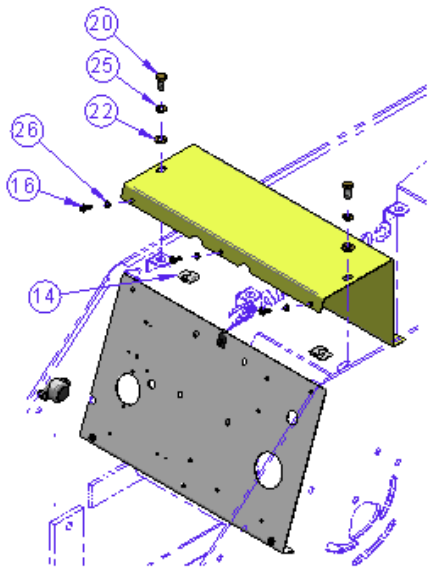
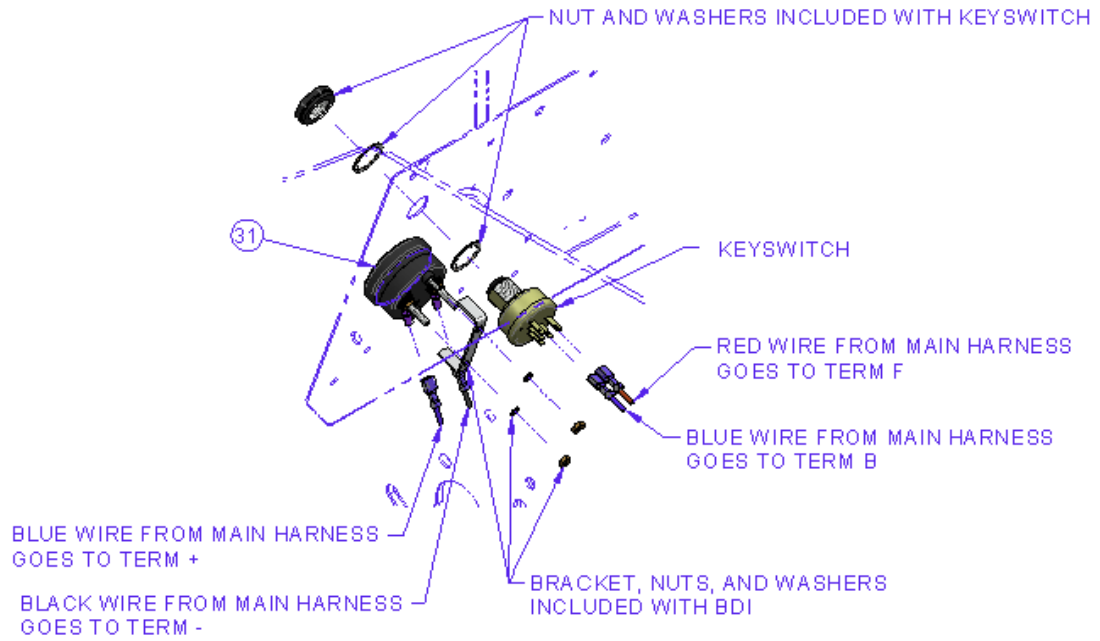
Columbia / ParCar OEM Parts  
 evtechnicalservices.com

The Columbia Vehicle Group

Nordic Group Member Brands | Business Ventures Since 1947



### DRIVE SYSTEM - CR10 (Continued)



NOTE: Items with \* in tables indicates parts not shown in drawing.

The Columbia Vehicle Group

Nordic Group Member Brands | Business Ventures Since 1947



**DRIVE SYSTEM - CR10 (Continued)**

ITEM	CPC PN	DESCRIPTION	QTY	REF #
1	33401-00	KEY SPROCKET	1	461334
2	33409-00	CHAIN, #35, 55 LINK W/MASTER	1	461337
3	40300-00	DRIVE ARM ASSEMBLY	1	461420
4	*	CONTROL PANEL ASSEMBLY	1	467338
5	708750	SCREW, M10X30, CL8 HHCS	4	708750
6	70099-88	CABLE, 4 GA X 8.75", 5/16" TERM	1	709004
7	70447-90	CABLE, 6GA X 14", 5/16" TERMINAL	1	709033
8	71808-00	SWITCH, HORN BUTTON	1	709176
9	33400-00	SPROCKET, 13 T, 3/16 KIT #35	1	709645
10	53251-01	LABEL, OPERATOR/WARNING	1	709648
11	69400-00	MOTOR, TRACTION 12V	1	709653
12	7125	WASHER, M10, LOCK	4	709789
13	6052	WASHER, M10, 10MMX21MMX2.20MM	4	719004
14	11735	NUT, TINNERMAN J-TYPE	3	719537
15	11736	NUT, TINNERMAN, #10 U-TYPE	5	719538
16	2530	SCREW, #10X3/4 SHWH, T/S	5	719563
17	2592	SCREW, 10-24 X 1/2 PPHM	2	719566
18	3439	SCREW, HEX CAP 8MM X 1 1/4" X 20MM	1	719619
19	3787-B	SCREW, HHC 1/4-20 X 3/4", G5	2	719636
20	3987-BS	SCREW, 5/16-18 X .3/4" HHC G5	2	719642
21	5207-BS	SCREW, 5/16-18 X 2, PPH	1	719730
22	6702-B	WASHER, FLAT, 5/16"	2	719810
23	6703-B	WASHER 1/4"	3	719811
24	7036-B	WASHER, LOCK 1/4"	2	719834
25	7041-B	LOCK WASHER, 5/16"	3	719838
26	7118	WASHER #10, I-TOOTH	5	719841
27	7525	LOCKNUT, 5/16-18 HEX FLG, WHIZ	1	719864
28	7624	NUT, 10-24 NYLOCK	2	719870
29	7686	NUT, 1/4-20	1	719879
30	53283-00	BATTERY BOX DECAL	1	739546
31	75064-07	BDI METER 12V	1	759872

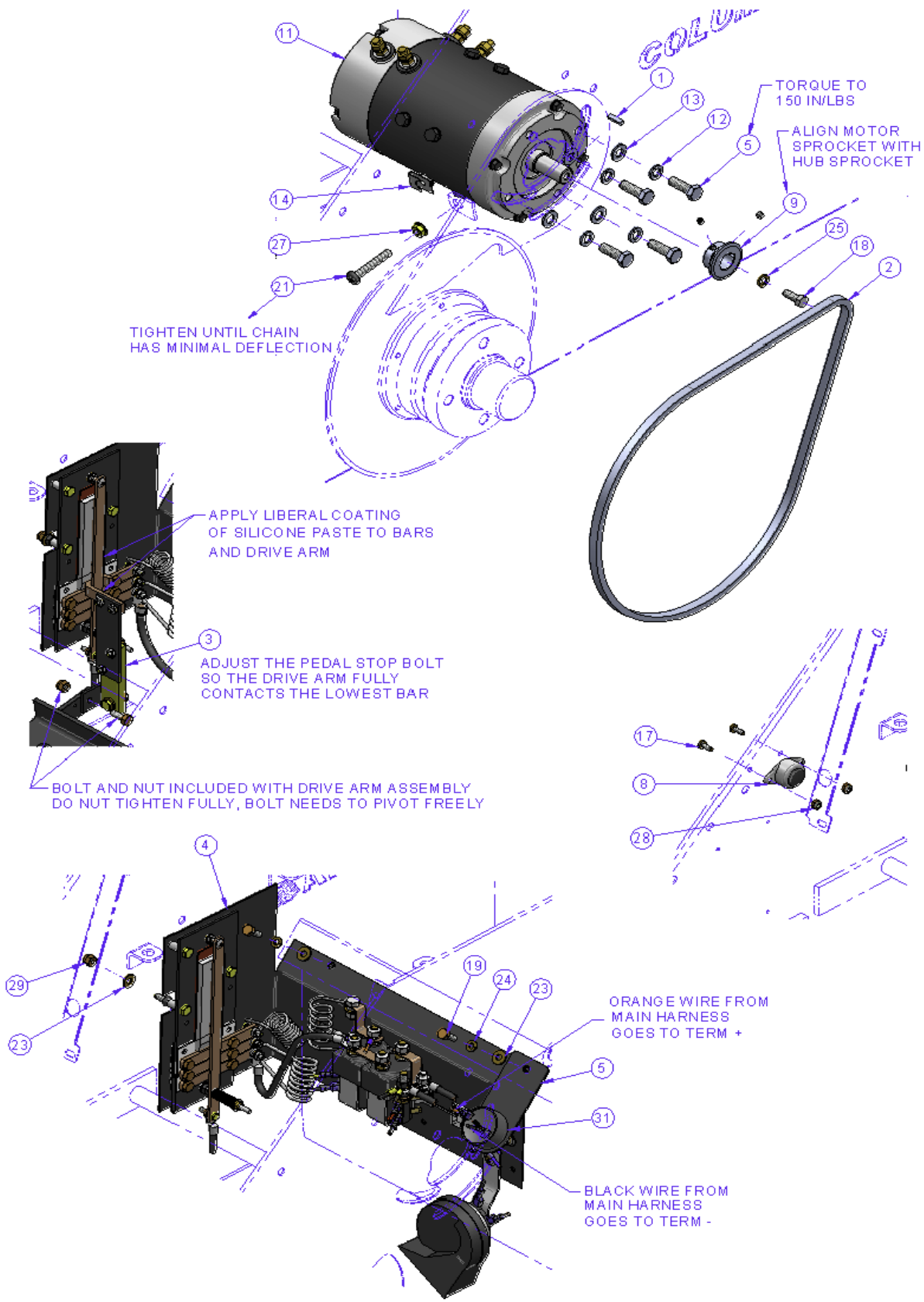
NOTE: Items with \* in tables indicates parts not shown in drawing.

The Columbia Vehicle Group

Nordic Group Member Brands | Business Ventures Since 1947

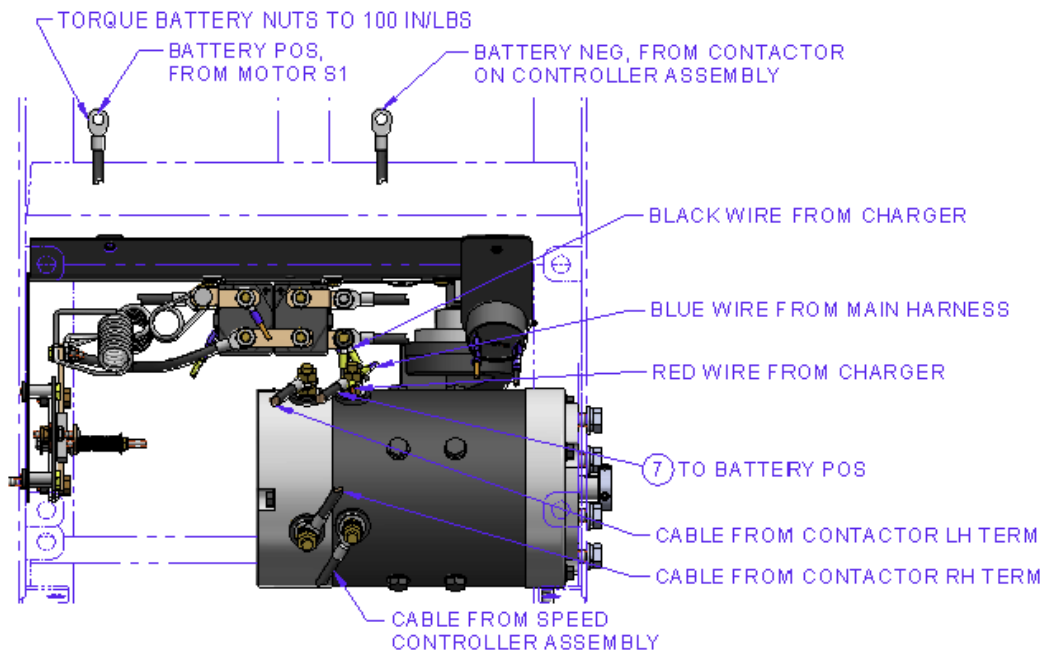
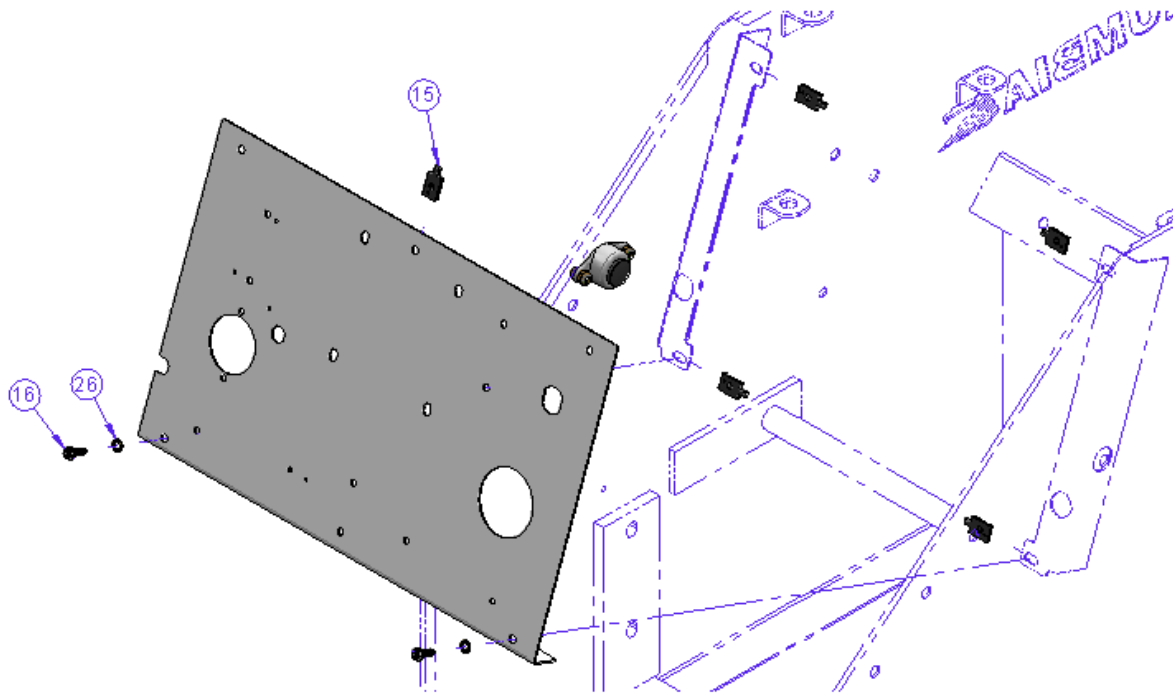


### DRIVE SYSTEM WITH REVERSE - CR10



NOTE: Items with \* in tables indicates parts not shown in drawing.

**DRIVE SYSTEM WITH REVERSE - CR10 (Continued)**



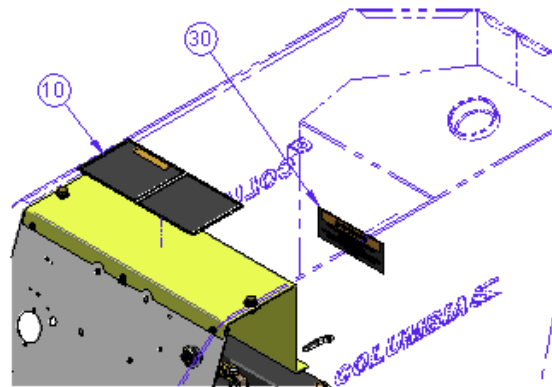
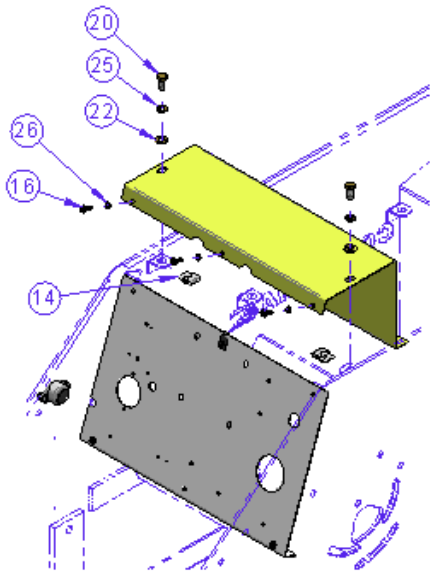
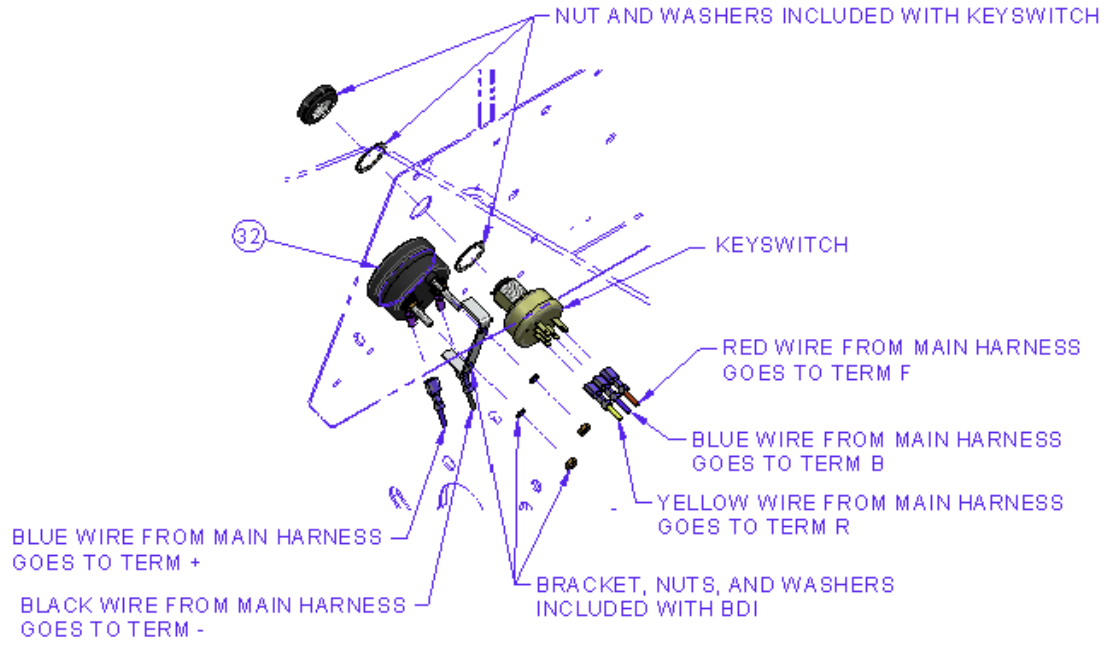
TORQUE ALL MOTOR NUTS TO 100 IN/LBS  
USE A FLAT OPEN WRENCH TO HOLD THE  
STUD NUT WHEN APPLYING TORQUE

TORQUE CONTACTOR NUT TO 55 IN/LBS  
USE A FLAT OPEN WRENCH TO HOLD THE  
STUD NUT WHEN APPLYING TORQUE

NOTE: Items with \* in tables indicates parts not shown in drawing.



### DRIVE SYSTEM WITH REVERSE - CR10 (Continued)



NOTE: Items with \* in tables indicates parts not shown in drawing.

The Columbia Vehicle Group

Nordic Group Member Brands | Business Ventures Since 1947





## DRIVE SYSTEM WITH REVERSE - CR10 (Continued)

ITEM	CPC PN	DESCRIPTION	QTY	REF #
1	33401-00	KEY SPROCKET	1	461334
2	33409-00	CHAIN, #35, 55 LINK W/MASTER	1	461337
3	40300-00	DRIVE ARM ASSEMBLY	1	461420
4	*	CONTROL PANEL ASSEMBLY W/REVERSE	1	467339
5	*	BEEPER BRACKET	1	512193
6	708750	SCREW, M10X30, CL8 HHCS	4	708750
7	70447-90	CABLE, 6GA. X 14.00, 5/16 TERM	1	709033
8	71808-00	SWITCH, HORN BUTTON	1	709176
9	33400-00	SPROCKET, 13 T, 3/16 KIT #35	1	709645
10	53251-01	LABEL, OPERATOR/WARNING	1	709648
11	69400-00	MOTOR, TRACTION 12V	1	709653
12	7125	WASHER, M10, LOCK	4	709789
13	6052	WASHER, M10, 10MMX21MMX2.20MM	4	719004
14	11735	NUT, TINNERMAN J-TYPE	3	719537
15	11736	NUT, TINNERMAN, #10 U-TYPE	5	719538
16	2530	SCREW, #10X3/4 SHWH, T/S	5	719563
17	2592	SCREW, 10-24 X 1/2 PPHM	2	719566
18	3439	SCREW, HEX CAP 8MM X 1 1/4" X 20MM	1	719619
19	3787-B	SCREW, HHC 1/4-20 X 3/4", G5	2	719636
20	3987-BS	SCREW, 5/16-18 X .3/4" HHC G5	2	719642
21	5207-BS	SCREW, 5/16-18 X 2,PPH	1	719730
22	6702-B	WASHER, FLAT, 5/16"	2	719810
23	6703-B	WASHER 1/4"	3	719811
24	7036-B	WASHER, LOCK 1/4"	2	719834
25	7041-B	LOCK WASHER, 5/16"	3	719838
26	7118	WASHER #10, I-TOOTH	5	719841
27	7525	LOCKNUT, 5/16-18 HEX FLG, WHIZ	1	719864
28	7624	NUT, 10-24 NYLOCK	2	719870
29	7686	NUT, 1/4-20	1	719879
30	53283-00	BATTERY BOX DECAL	1	739546
31	71408-96A	AUDIBLE ALARM, 12/48 VDC	1	759831
32	75064-07	BDI METER 12V	1	759872

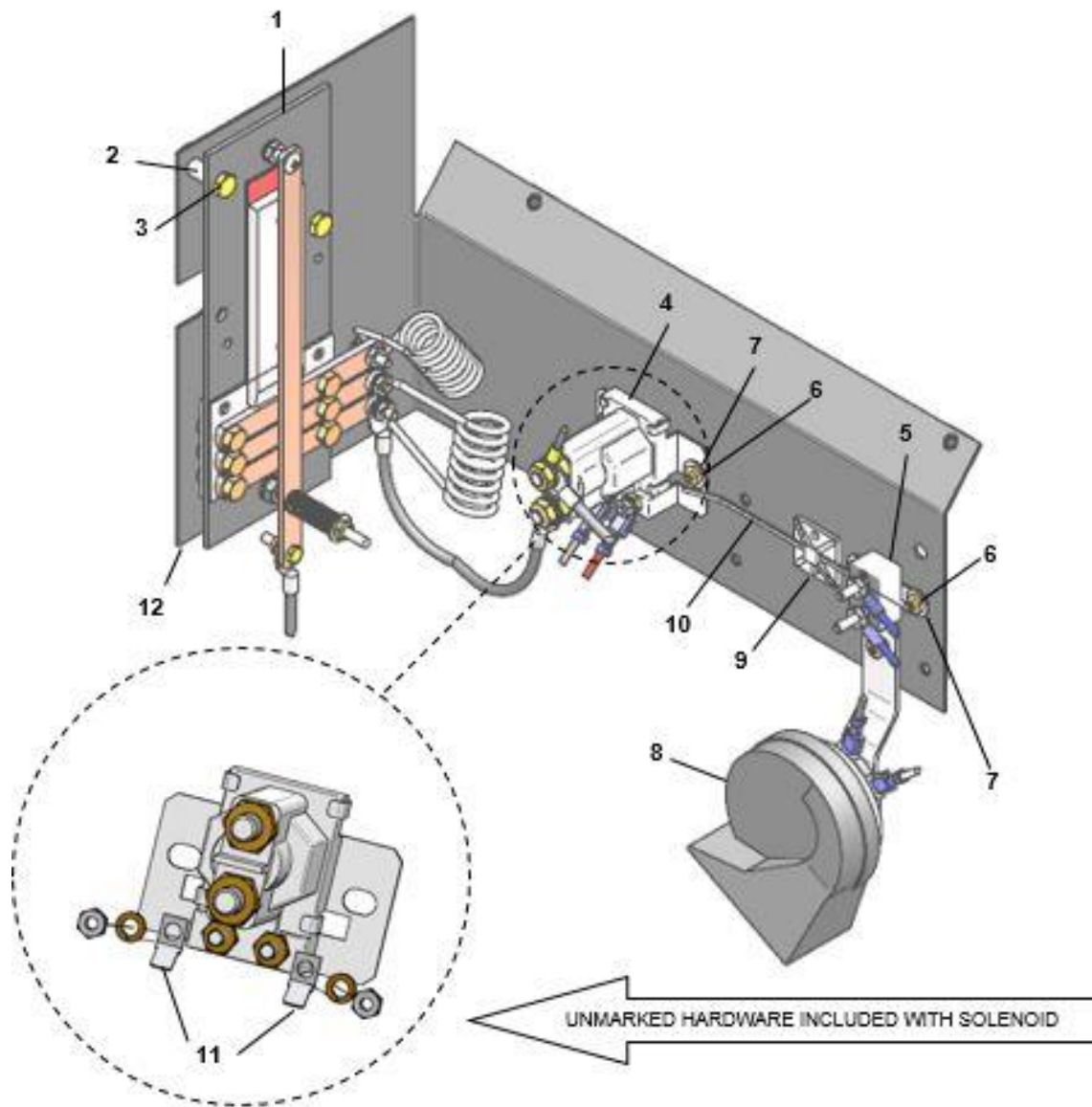
NOTE: Items with \* in tables indicates parts not shown in drawing.

The Columbia Vehicle Group

Nordic Group Member Brands | Business Ventures Since 1947



### CONTROL PANEL ASSEMBLY - FORWARD OPTION - CR10



ITEM	CPC PN	DESCRIPTION	QTY	REF #
1	69721-00	SPEED SWITCH CONTROL ASSEMBLY	1	463953
2	5710	SPACER ¼ X 5/8	2	739650
3	2551-W	SCREW, ¼-20X1	2	719564
4	71470-87	SOLENOID, 12V	1	709214
5	74591-96	CIRCUIT BREAKER, 20 AMP	1	709398
6	2592	SCREW, 10-24 X ½	5	719566
7	6031	WASHER 3/16"	5	719777
8	69001-76A	HORN, 12V	1	709089
9	10020	CABLE TIE MOUNTING BRACKET	1	719503
10	10008	CABLE TIE, 5 ¾"	1	719501
11	32675-08	TERMINAL, #10 STUD TO ¼ MALE TAB	2	719825
12	*	COMPONENT PANEL	1	306013

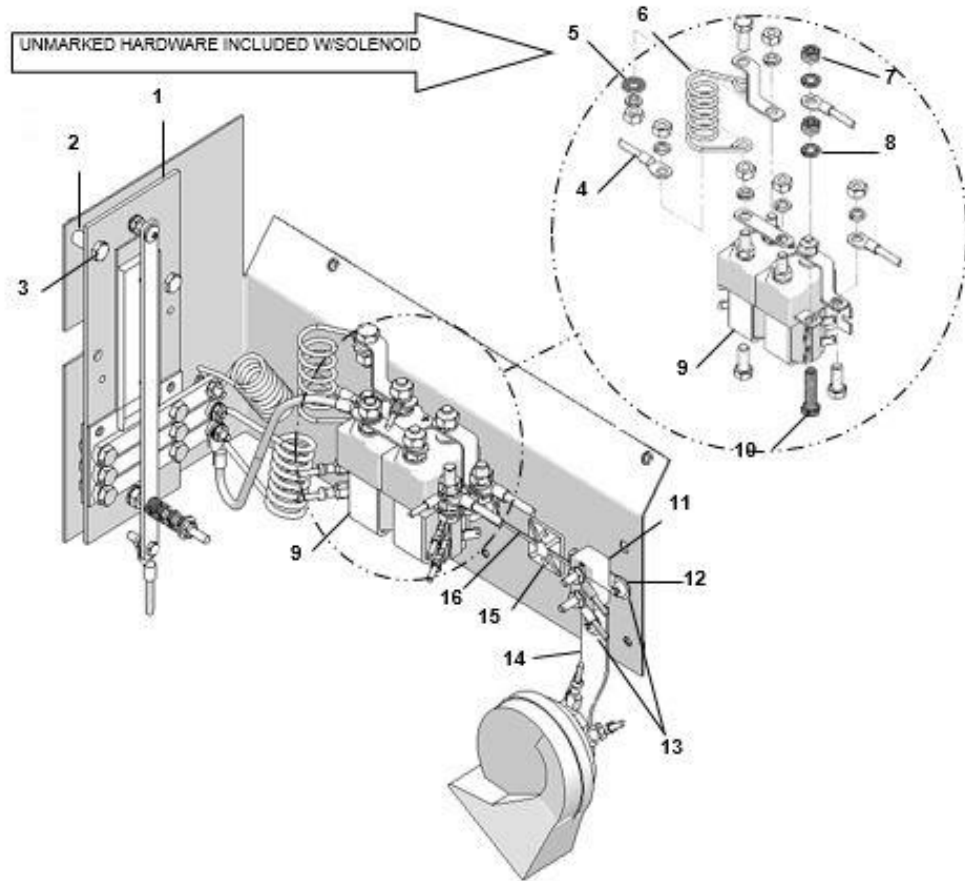
NOTE: Items with \* in tables indicates parts not shown in drawing.

The Columbia Vehicle Group

Nordic Group Member Brands | Business Ventures Since 1947



### CONTROL PANEL ASSEMBLY - FORWARD REVERSE OPTION - CR10



ITEM	CPC PN	DESCRIPTION	QTY	REF #
1	69721-00	SPEED SWITCH CONTROL ASSEMBLY	1	463953
2	5710	SPACER ¼ X 5/8	2	739650
3	2551-W	SCREW, ¼-20X1	2	719564
4	70447-90	CABLE, 6GA X 14", 5/16" TERMINAL	3	709033
5	6702-B	WASHER, 5/16"	1	719810
6	69824-00	RESISTANCE COIL, FWD/REV SWITCH	1	463975
7	7748-B	NUT, 5/16-24	2	719896
8	7041-B	LOCK WASHER, 5/16"	2	719838
9	69823-00	SOLENOID, DOUBLE – 12V COILS	3	709399
10	1011	SCREW, 5/16-18X1 ¼	1	719507
11	74591-96	CIRCUIT BREAKER, 20 AMP	1	709398
12	2592	SCREW, 10-24 X ½	5	719566
13	6031	WASHER 3/16	5	719777
14	69001-76A	HORN, 12V	1	709089
15	10020	CABLE TIE MOUNTING BRACKET	1	719503
16	10008	CABLE TIE, 5 ¾"	1	719501
17*	71408-96A	AUDIBLE ALARM	1	759831
N/A*	90116-00	KIT, FORWARD/REVERSE (Contains Items 4, 6, 9, 17)	1	190402U

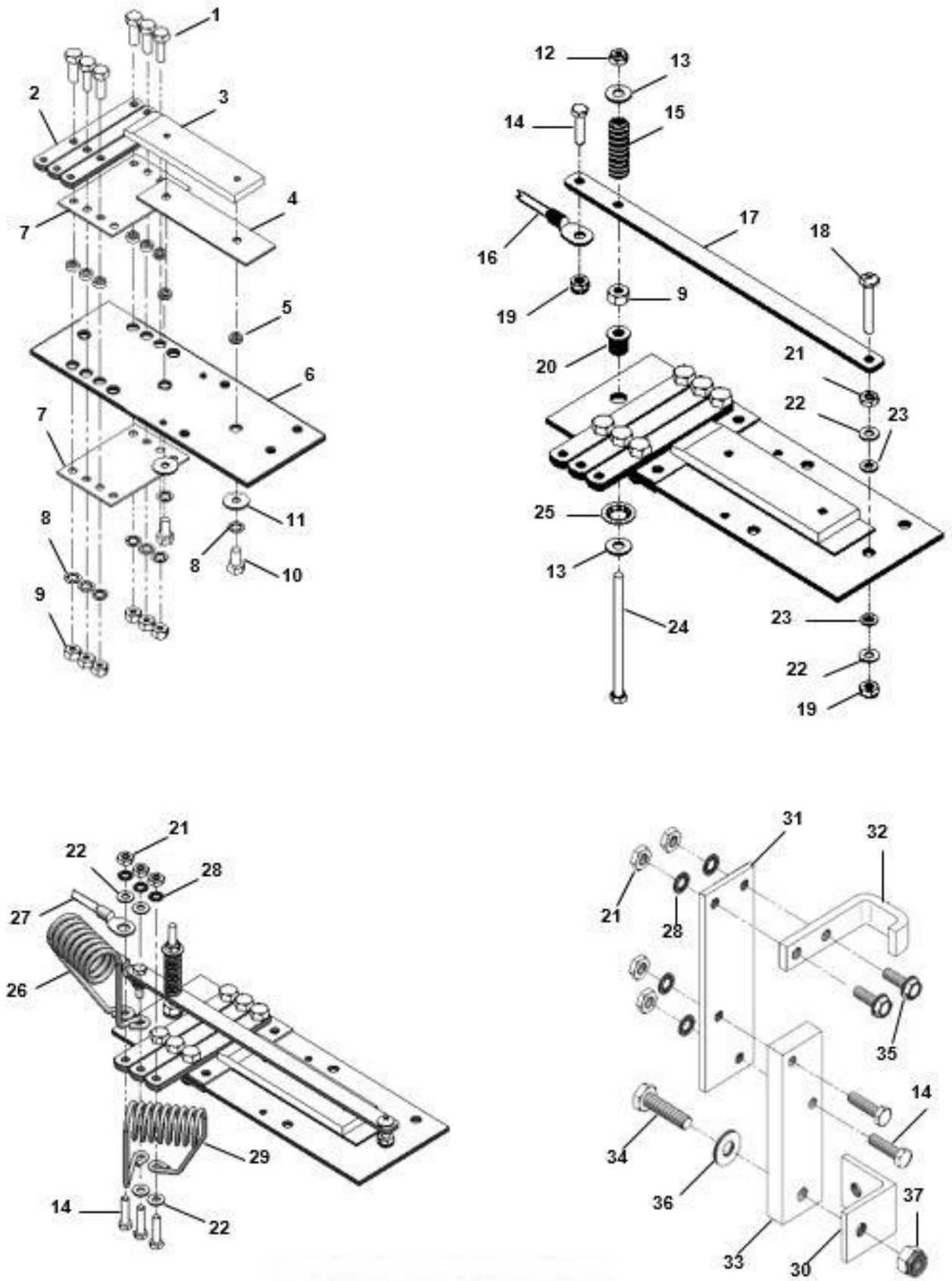
NOTE: Items with \* in tables indicates parts not shown in drawing.

The Columbia Vehicle Group

Nordic Group Member Brands | Business Ventures Since 1947



### SPEED CONTROL SWITCH - CR10



NOTE: Items with \* in tables indicates parts not shown in drawing.



**SPEED CONTROL SWITCH - CR10 (Continued)**

ITEM	CPC PN	DESCRIPTION	QTY	REF #
1	3787-B	SCREW, HHC 1/4-20 X 3/4"	6	719636
2	40324-00	CONTACT BAR, 4-3/8"	3	709202
3	40321-00	NEUTRAL BAR, M3A SWITCH	1	510355
4	69730-00	INSULATOR, RED	1	511137
5	69727-00	SLEEVE, INSULATING 1/4 X 3/8	8	709036
6	71827-08	CPC SWITCH BASE	1	510363
7	69733-00	INSULATOR, WHITE	2	709366
8	7124	WASHER, ¼ STAR/INTERNAL LOCK	8	707855
9	7688-B	NUT, 1/4-20 BLACK	7	719880
10	3728	SCREW, HEX CAP 1/4-20 X ½ HT	2	719629
11	6036	WASHER, FIBER 3/4 X 1/4 X 1/16	2	709364
12	7626-W	NUT, NYLOK #10-32	1	719871
13	6031	WASHER, 3/16"	2	719777
14	2339	SCREW, MACHINE 10-24 X 3/4	6	719551
15	11831	SPRING, #13 7/16 X 2 1/4"	1	709439
16	70443-01	CABLE, 6 GA X 18"	1	709215
17	40327-00	CONTACT BAR, SLIDER	1	719235
18	1005	SCREW, 10-24X1 1/4	1	719505
19	7624	NUT, 10-24 NYLOCK	2	719870
20	10511	BEARING, NYLON	1	709414
21	7620-W	NUT, HEX #10-24	8	719869
22	6034	WASHER, BRASS #10S	7	719778
23	10510	BEARING, NYLON	2	709362
24	1007	SCREW, MACHINE 10-32 X 3"	1	719506
25	11737	NUT, 3/8, PUSH ON	1	707979
26	30220-00	RESISTANCE COIL (#7 NICROME WIRE)	1	461261
27	70099-88	CABLE, 4 GA X 8.75", 5/16" TERM	1	709004
28	7118	WASHER, #10 EXTERNAL TOOTH	7	719841
29	30223-00	RESISTANCE COIL (#9 NICROME WIRE)	1	461264
30	40309-00	DRIVE ARM BRACKET	1	510356
31	40303-00	DRIVE ARM	1	510357
32	40312-00	L-BRUSH	1	709429
33	40306-00	DRIVE ARM, LOWER	1	709438
34	2551-W	SCREW ¼-20 X 1	1	719564
35	2685-W	SCREW 10-24 X 5/8	2	719586
36	6703-B	WASHER ¼	1	719811
37	7686	NUT, ¼-20	1	719879
38	69826-00	SWITCH PANEL KIT (Includes Items 38 & 39)	1	463976
39	69721-00	SPEED SWITCH CONTROL (Includes Items 1 thru 29)	1	463953
40	40300-00	DRIVE ARM ASSEMBLY (Includes items 14, 21, 28, & 30 thru 37)	1	461420

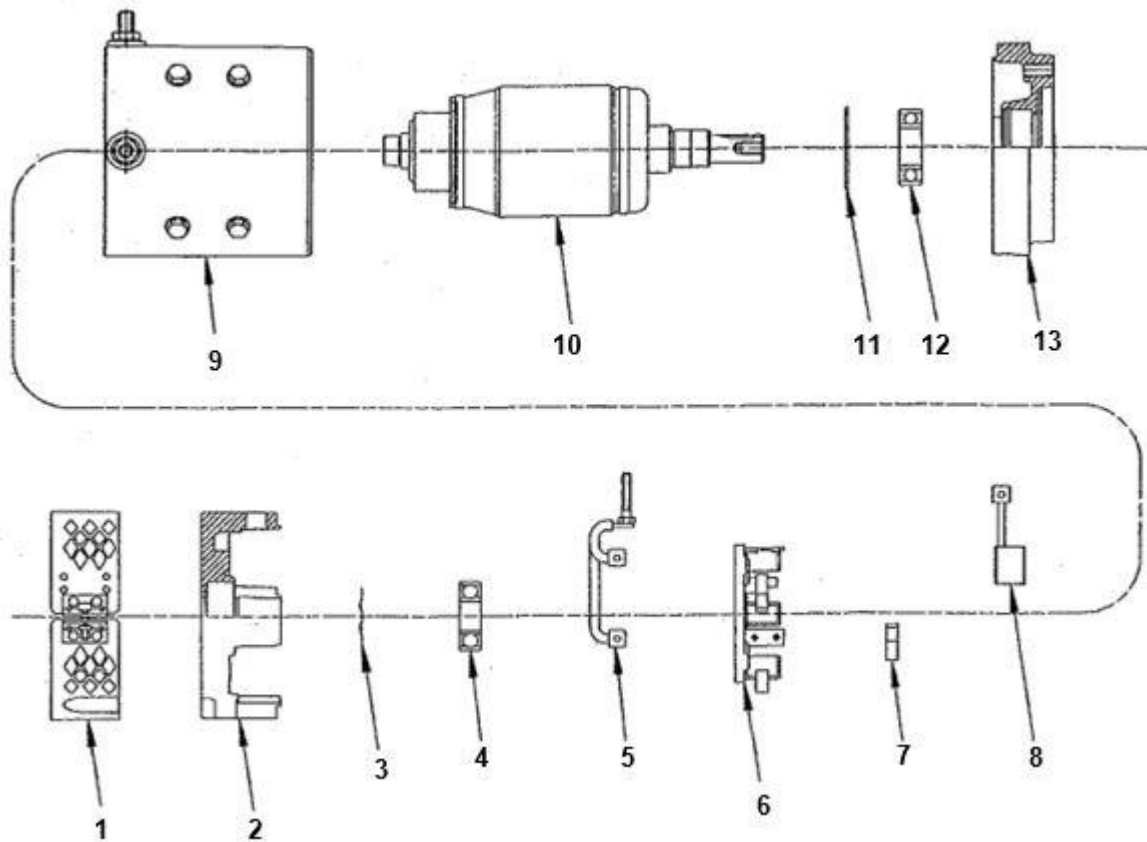
NOTE: Items with \* in tables indicates parts not shown in drawing.

The Columbia Vehicle Group

Nordic Group Member Brands | Business Ventures Since 1947



**TRACTION MOTOR - CR10**



ITEM	CPC PN	DESCRIPTION	QTY	REF #
1	N/A	HEADBAND, INSPECTION	1	N/A
2	N/A	COMMUTATOR END FRAME	1	N/A
3	83285-89A	SPRING WASHER	1	719158
4	N/A	BEARING BR-204	1	N/A
5	N/A	BRUSH LEAD ASSEMBLY	1	N/A
6	N/A	BRUSH BOX ASSEMBLY	1	N/A
7	11839	BRUSH SPRING	4	729073
8	83283-03	BRUSH	4	719276
9	N/A	FRAME & FIELD ASSEMBLY	1	N/A
10	N/A	ARMATURE ASSEMBLY	1	N/A
11	N/A	RETAINING RING	1	N/A
12	83286-89A	BEARING BR-205	1	749602
13	N/A	DRIVE END HEAD	1	N/A
N/A	69400-00	MOTOR, TRACTION 12V	1	709653

NOTE: Items with \* in tables indicates parts not shown in drawing.



# **COLUMBIA**

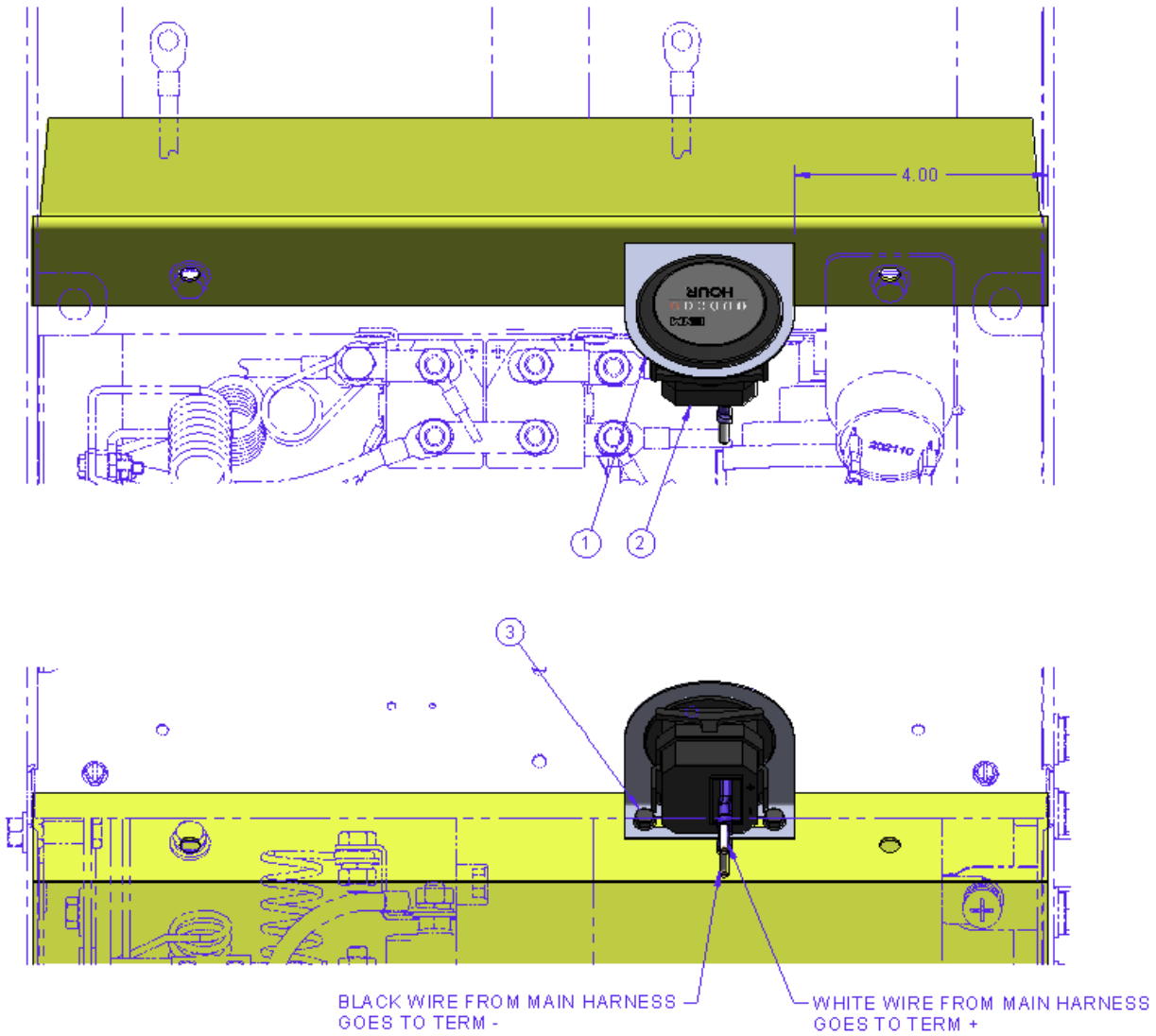
## **CR10**

### **Parts Manual**

#### **Section 3**

#### **Electrical**

### HOUR METER INSTALLATION - CR10



ITEM	CPC PN	DESCRIPTION	QTY	REF #
1	75034-87A	BRACKET	1	512841
2	75033-91A	HOUR METER 10-80 VDC	1	709452
3	2653-B	SCREW, 10-16X3/4 HWH, TEK	2	719583

NOTE: Items with \* in tables indicates parts not shown in drawing.

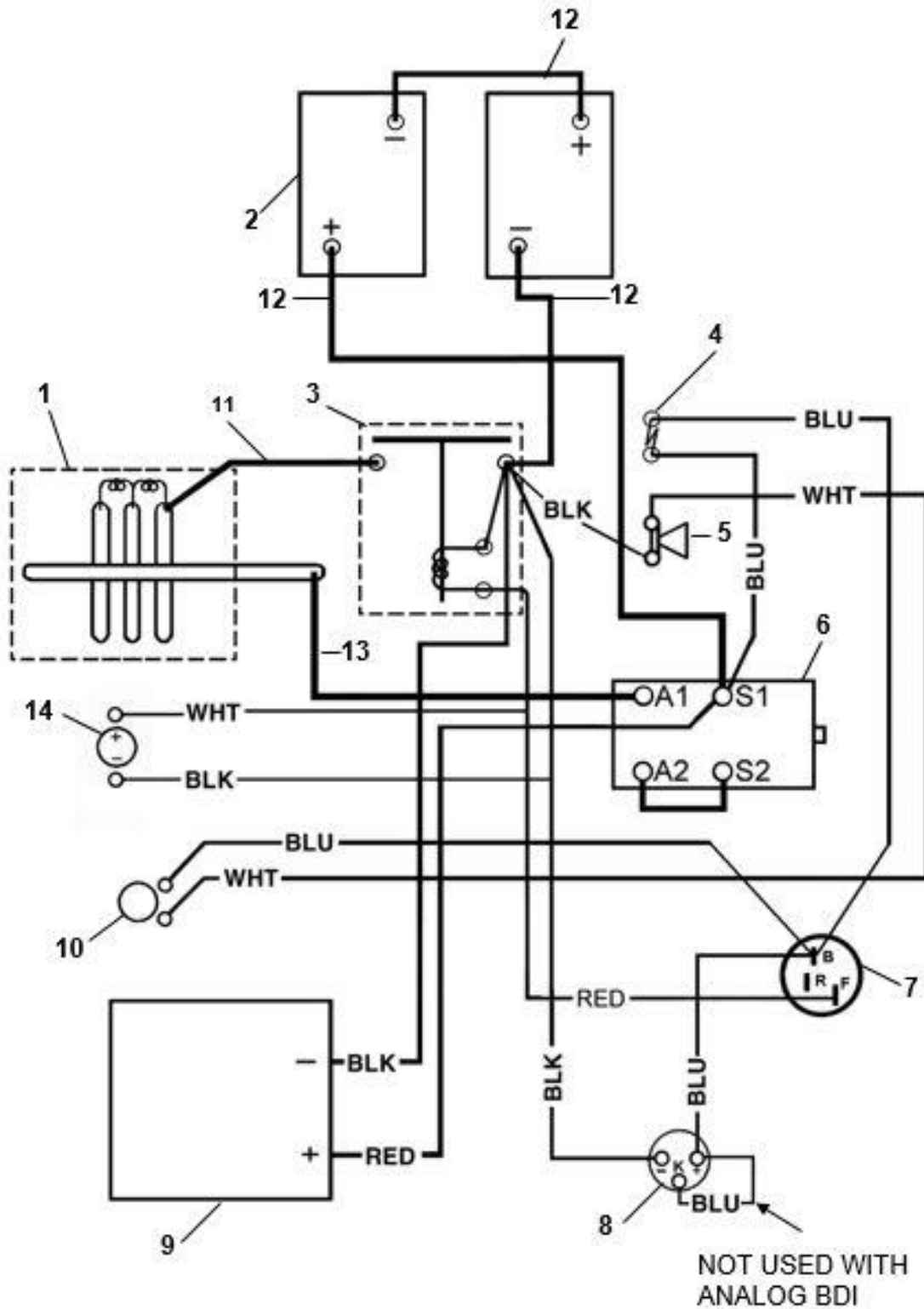
The Columbia Vehicle Group

Nordic Group Member Brands | Business Ventures Since 1947





### ELECTRIC WIRING DIAGRAM – FORWARD ONLY - CR10



NOTE: Items with \* in tables indicates parts not shown in drawing.

The Columbia Vehicle Group

Nordic Group Member Brands | Business Ventures Since 1947



**ELECTRIC WIRING DIAGRAM – FORWARD ONLY - CR10 (Continued)**

ITEM	CPC PN	DESCRIPTION	QTY	REF #
1	Special Order	CONTROL PANEL ASSY	1	467338
2a	66014-03	BATTERY, 6V, (US2200)	2	719229
2b	66005-03	BATTERY, 6V, (US145)	2	719231
3	69709-00	SOLENOID, 12V	1	709744
4	74591-96	CIRCUIT BREAKER, 20 AMP	1	709398
5	69001-76A	HORN, 12V	1	709089
6	69400-00	MOTOR, TRACTION 12V	1	709653
7A	71730-01	KEY, SWITCH & HARDWARE A	1	709040
7B	71730-01B	KEY, SWITCH & HARDWARE B	1	719297
7C	71730-01C	KEY, SWITCH & HARDWARE C	1	719298
7D	71730-01D	KEY, SWITCH & HARDWARE D	1	719299
7E	71730-01E	KEY, SWITCH & HARDWARE E	1	719300
*	71731-01	KEY SET A	1	749184
*	71731-01B	KEY SET B	1	719301
*	71731-01C	KEY SET C	1	719302
*	71731-01D	KEY SET D	1	719303
*	71731-01E	KEY SET E	1	719304
*	71767-05	KEY SET A WITH NON-REMOVABLE COVER (Can only be used with Item 7A)	1	719432
8	75064-07	BDI METER 12V	1	759872
9	66600-00	CHARGER, 12V BUILT-IN	1	709652
10	71808-00	SWITCH, HORN BUTTON	1	709176
11	70099-88	CABLE 4 GA (SPEED SWITCH TO SOLENOID) 8.75	1	709004
12	70447-90	CABLE, 6 GA 14"	3	709033
13	70443-01	CABLE, 6 GA (SPEED SWITCH TO A1) 18"	1	709215
14	75033-91A	HOUR METER		709452
*	69703-01	MAIN WIRE HARNESS	1	709654

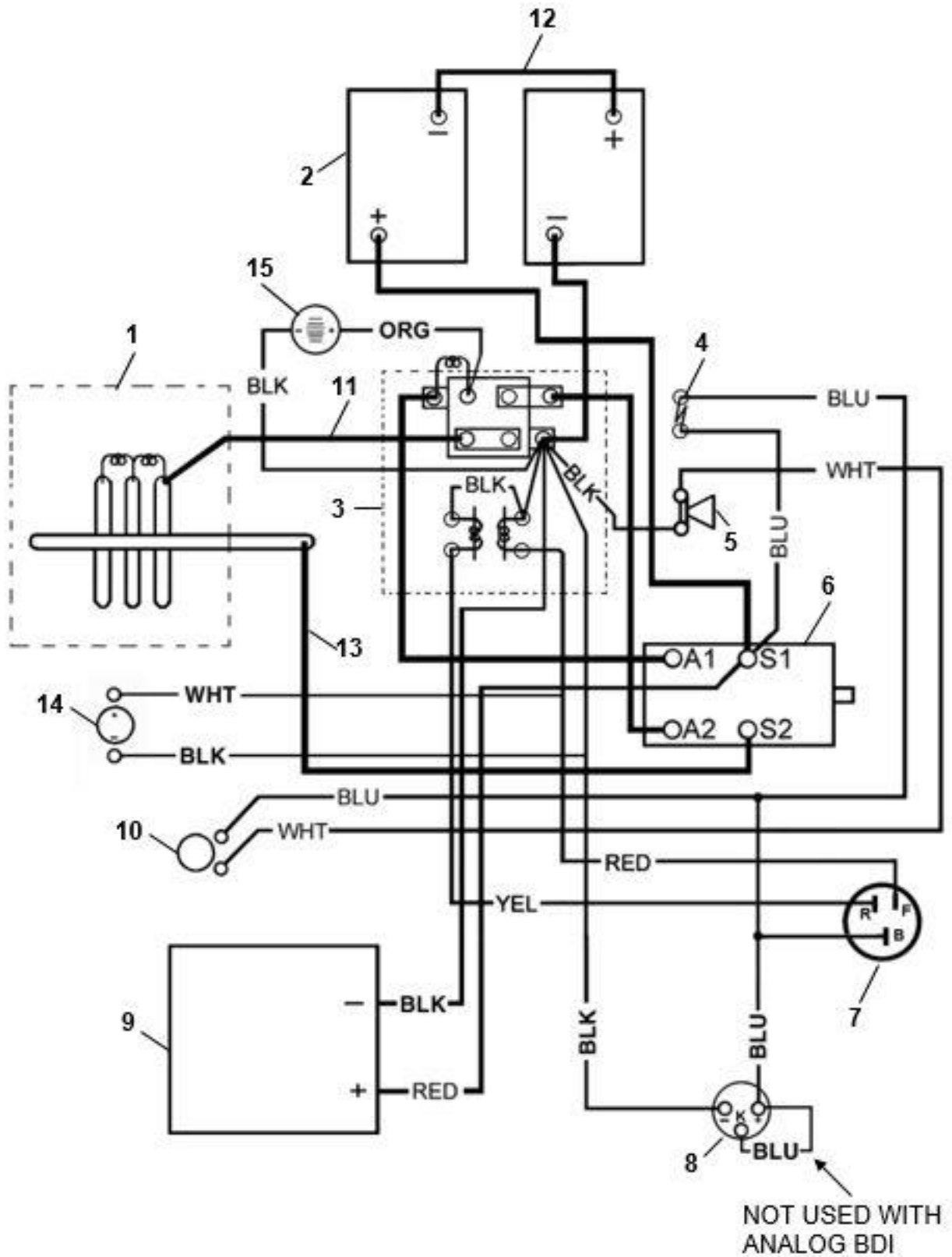
NOTE: Items with \* in tables indicates parts not shown in drawing.

The Columbia Vehicle Group

Nordic Group Member Brands | Business Ventures Since 1947



### ELECTRIC WIRING DIAGRAM – FORWARD & REVERSE - CR10



NOTE: Items with \* in tables indicates parts not shown in drawing.

**ELECTRIC WIRING DIAGRAM – FORWARD & REVERSE - CR10 (Continued)**

ITEM	CPC PN	DESCRIPTION	QTY	REF #
1	*	CONTROL PANEL ASSY W/REV	1	467339
2a	66014-03	BATTERY, 6V, (US2200)	2	719229
2b	66005-03	BATTERY, 6V, (US145)	2	719231
3	69823-00	SOLENOID, DOUBLE 12V	1	709399
4	74591-96	CIRCUIT BREAKER, 20 AMP	1	709398
5	69001-76A	HORN, 12V	1	709089
6	69400-00	MOTOR, TRACTION 12V	1	709653
7A	71730-01	KEY, SWITCH & HARDWARE A	1	709040
7B	71730-01B	KEY, SWITCH & HARDWARE B	1	719297
7C	71730-01C	KEY, SWITCH & HARDWARE C	1	719298
7D	71730-01D	KEY, SWITCH & HARDWARE D	1	719299
7E	71730-01E	KEY, SWITCH & HARDWARE E	1	719300
*	71731-01	KEY SET A	1	749184
*	71731-01B	KEY SET B	1	719301
*	71731-01C	KEY SET C	1	719302
*	71731-01D	KEY SET D	1	719303
*	71731-01E	KEY SET E	1	719304
*	71767-05	KEY SET A WITH NON-REMOVABLE COVER (Can only be used with Item 7A)	1	719432
8	75064-07	BDI METER 12V	1	759872
9	66600-00	CHARGER, 12V BUILT-IN	1	709652
10	71808-00	SWITCH, HORN BUTTON	1	709176
11	70099-88	CABLE 4 GA (SPEED SWITCH TO SOLENOID) 8.75	1	709004
12	70447-90	CABLE, 6 GA 14"	2	709033
13	70443-01	CABLE, 6 GA (SPEED SWITCH TO A1) 18"	1	709215
14	75033-91A	HOUR METER	1	709452
15	71408-96A	AUDIBLE ALARM	1	759831
*	69703-01	MAIN WIRE HARNESS	1	709654

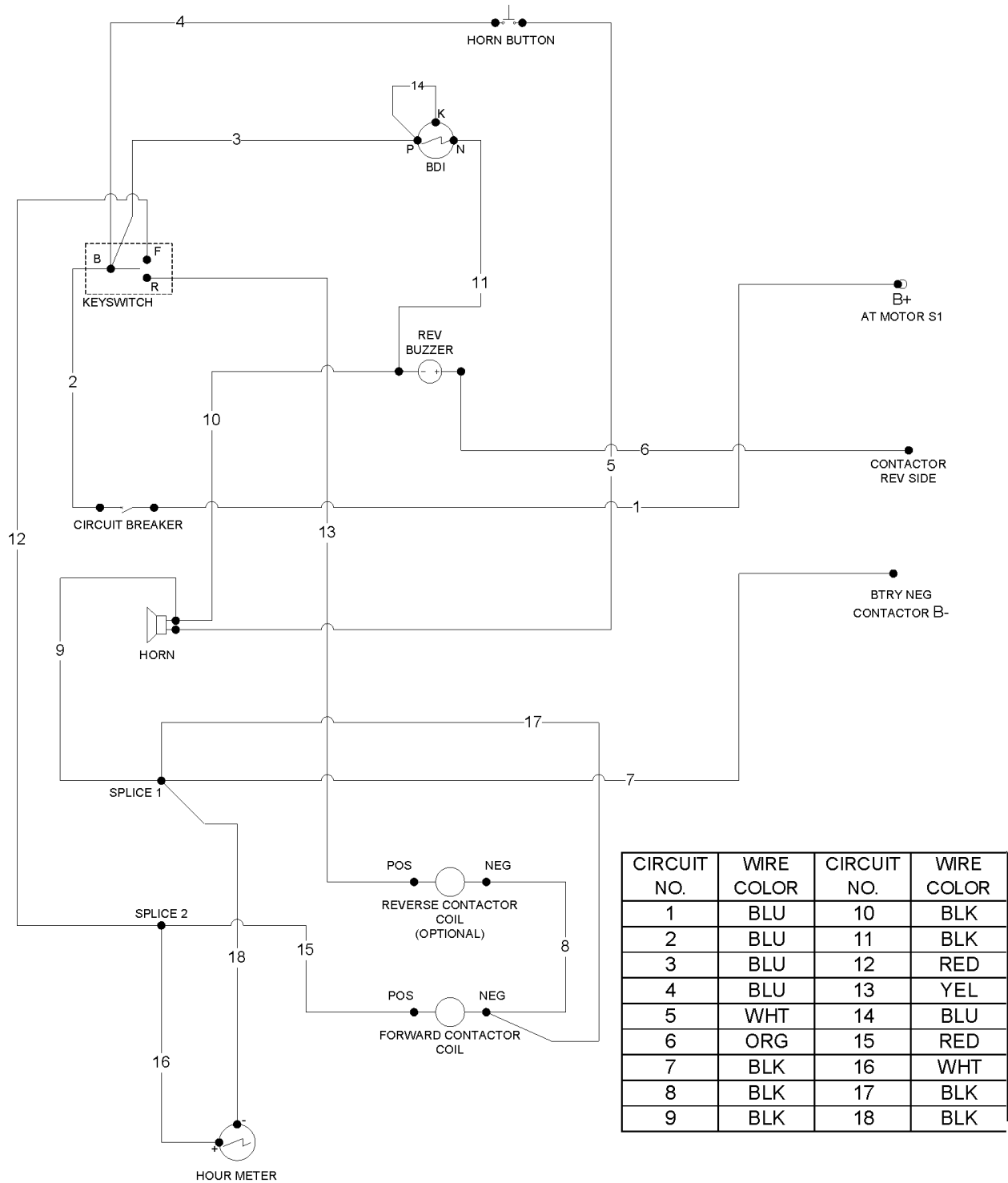
NOTE: Items with \* in tables indicates parts not shown in drawing.

The Columbia Vehicle Group

Nordic Group Member Brands | Business Ventures Since 1947



### MAIN WIRE HARNESS SCHEMATIC - CR10



NOTE: Items with \* in tables indicates parts not shown in drawing.

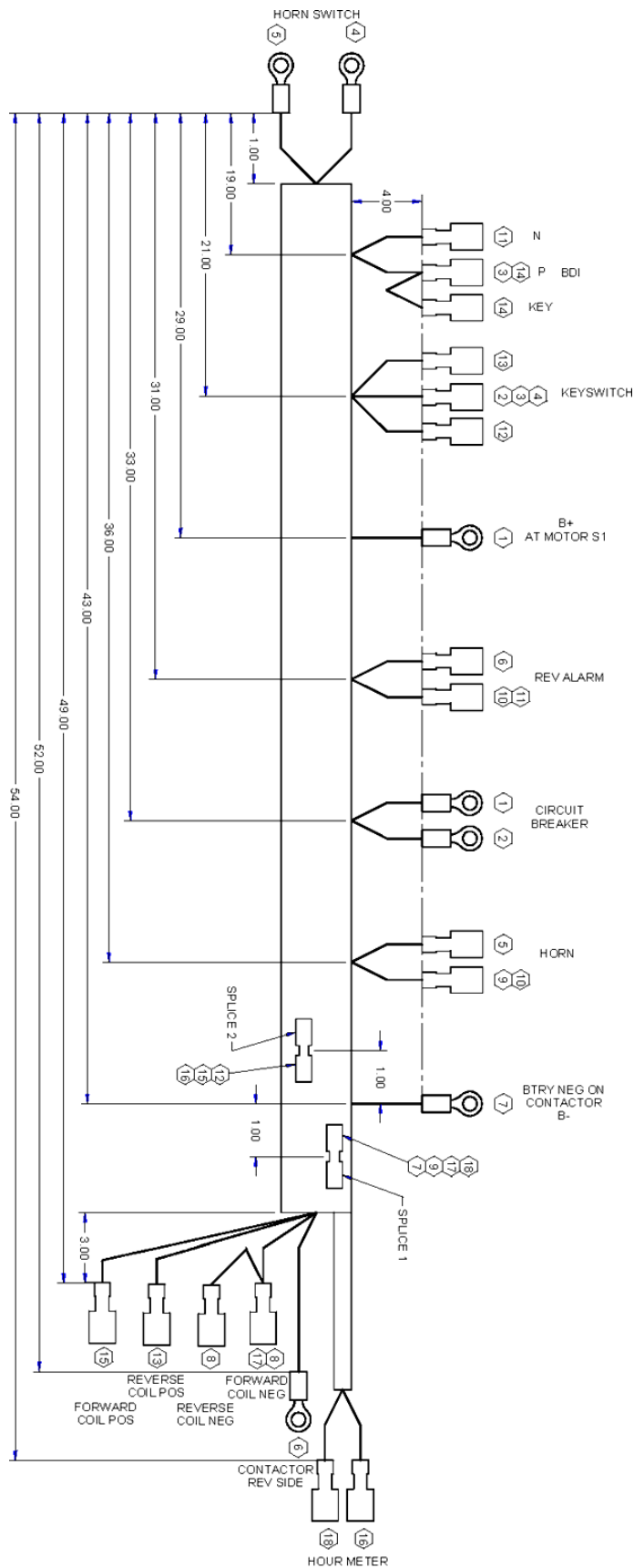
Columbia / ParCar OEM Parts  
**evtechnicalservices.com**  


The Columbia Vehicle Group

Nordic Group Member Brands | Business Ventures Since 1947



### MAIN WIRE HARNESS SCHEMATIC - CR10



NOTE: Items with \* in tables indicates parts not shown in drawing.



COLUMBIA



TOMBERLIN

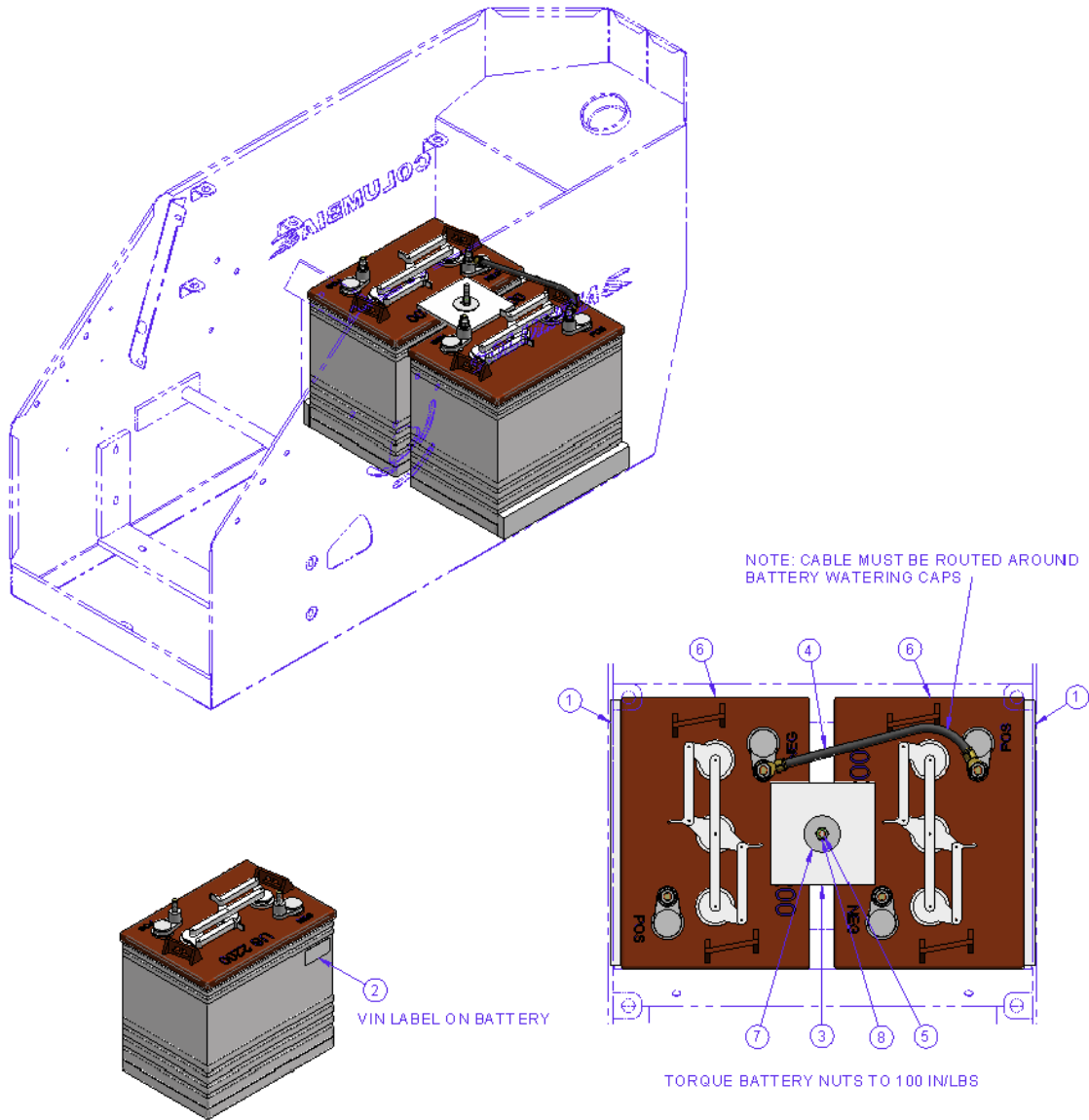


PARCAR



ELITE

### BATTERY AND HARDWARE - CR10



ITEM	CPC PN	DESCRIPTION	QTY	REF #
1	106011	BATTERY SEPARATOR	2	510365
2	66007-86	LABEL, SMALL VIN	2	512059
3	66362-96	PLATE, HOLD DOWN	1	513002
4	70099-88	CABLE, 4 GA X 8.75, 5/16 TERM	1	709004
5	66561-90A	ROD, HOLD DOWN	1	709059
6a	66014-03	BATTERY, 6V DEEP CYCLE US2200 (Red Top)	2	719229
6b*	66005-03	BATTERY, 6V DEEP CYCLE US 145 (Blue Top)	2	719231
7	6256	WASHER, FLAT, STAINLESS .28X.375X.06	1	719786
8	7680	NUT, 1/4-20 STAINLESS NYLON	1	719876

NOTE: Items with \* in tables indicates parts not shown in drawing.

The Columbia Vehicle Group

Nordic Group Member Brands | Business Ventures Since 1947



COLUMBIA



TOMBERLIN



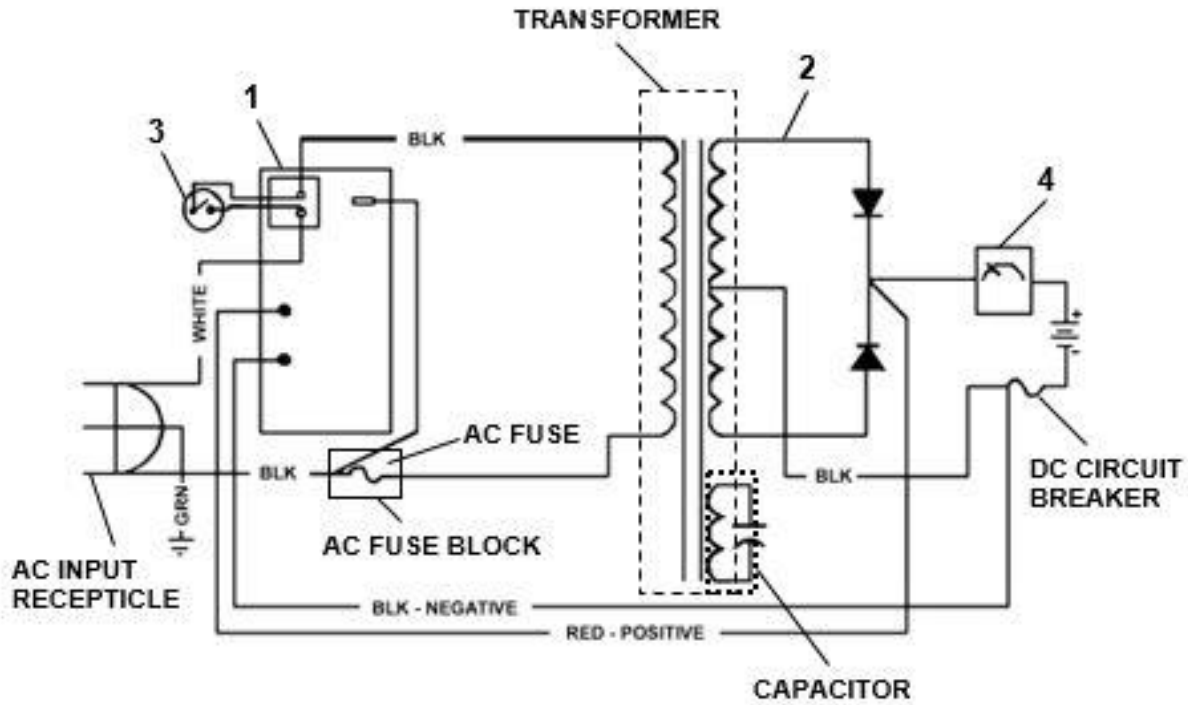
PARCAR



ELITE



### BATTERY CHARGER SCHEMATIC - CR10



ITEM	CPC PN	DESCRIPTION	QTY	REF #
1	66622-00	AUTO-START CONTROL BOARD	1	739927
2	66625-00	RECTIFIER	1	739928
3	66630-00	LOW BATTERY RESET SWITCH	1	739930
4	75064-07	STATE OF CHARGE METER	1	759872
*	66493-67A	AC POWER CORD	1	709890
*	66600-00	CHARGER, COMPLETE W/CORD	1	709652

NOTE: Items with \* in tables indicates parts not shown in drawing.

Columbia / ParCar OEM Parts  
[evtechnicalservices.com](http://evtechnicalservices.com)



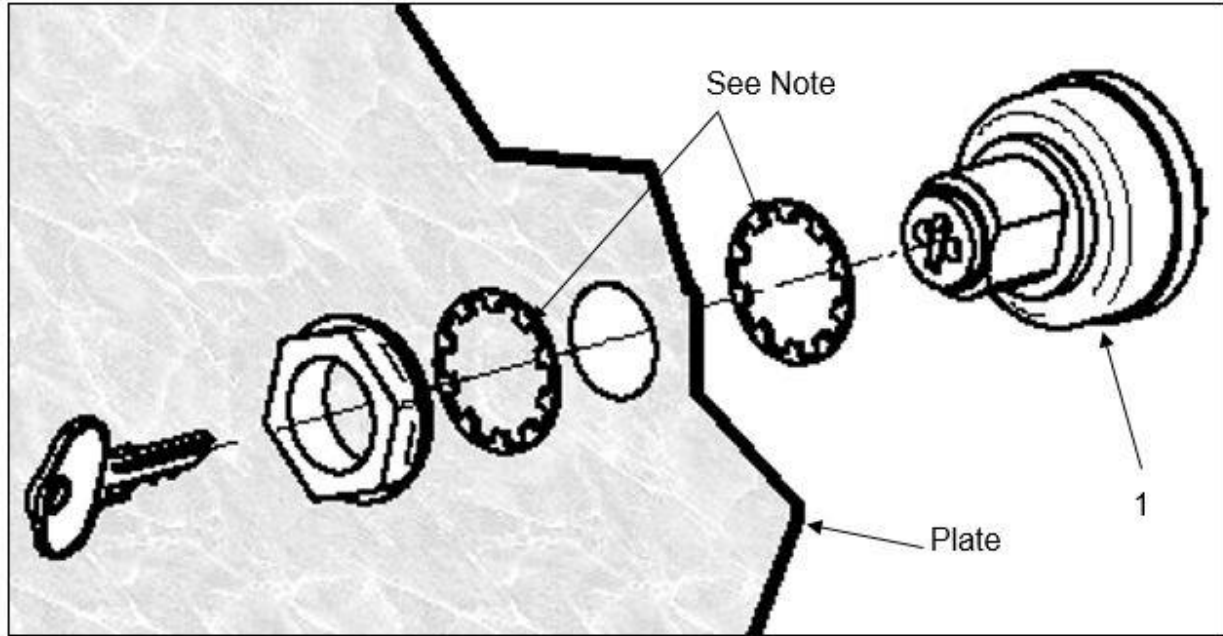
The Columbia Vehicle Group

Nordic Group Member Brands | Business Ventures Since 1947





**KEYSWITCH INFORMATION- CR10**



ITEM	CPC PN	DESCRIPTION	QTY	REF #
1A	71730-01	KEYSWITCH, UNIVERSAL A W/HARDWARE	1	709040
1B	71730-01B	KEYSWITCH, UNIVERSAL B W/HARDWARE	1	719297
1C	71730-01C	KEYSWITCH, UNIVERSAL C W/HARDWARE	1	719298
1D	71730-01D	KEYSWITCH, UNIVERSAL D W/HARDWARE	1	719299
1E	71730-01E	KEYSWITCH, UNIVERSAL E W/HARDWARE	1	719300
*	71767-05	NON-REMOVABLE KEY ASSEMBLY (Can only be used with Item 1A)	1	719432

\* NOT SHOWN

**NOTE:**

1. Vehicles with circular keyswitch holes must have serrated washers installed on each side of the charger plate. The use of one serrated washer may result in rotation of the switch. Contact Columbia Parts Department for an additional washer.
2. Replacement keyswitches include two serrated washers

*NOTE: Items with \* in tables indicates parts not shown in drawing.*

*The Columbia Vehicle Group*

Nordic Group Member Brands | Business Ventures Since 1947



**THIS PAGE INTENTIONALLY LEFT BLANK**

Columbia / ParCar OEM Parts  
**evtechnicalservices.com**



*The Columbia Vehicle Group*  
Nordic Group Member Brands | Business Ventures Since 1947







# COLUMBIA

Columbia / ParCar OEM Parts  
[evtechnicalservices.com](http://evtechnicalservices.com)



1115 Commercial Avenue • Reedsburg, WI 53959  
Phone: (608) 524-8888 • (800) 222-4653 • Web: [www.ColumbiaUSA.com](http://www.ColumbiaUSA.com)

*The Columbia Vehicle Group*

Nordic Group Member Brands | Business Ventures Since 1947

