



COLUMBIA

2017 PARTS MANUAL

EXPEDITER EX-21



Columbia / ParCar OEM Parts
evtechnicalservices.com



The Columbia Vehicle Group

Nordic Group Member Brands | Business Ventures Since 1947



COLUMBIA



TOMBERLIN



PARCAR



ELITE

Preface

Welcome, and congratulations on your choice of vehicle from Columbia ParCar Corp.! Your vehicle has been designed and manufactured to conform to applicable sections of ANSI B56.8. Your safe use and operation of your vehicle is important to us. Any alteration of your Columbia vehicle that results in the vehicle being in noncompliance with applicable ANSI standards is strictly prohibited. Columbia ParCar Corp. is not responsible or liable for any damage that results from any such alteration, and all warranties for any such altered vehicles are null and void.

These vehicles are not designed for over-the-road use. They do not conform to Federal Motor Vehicle Safety Standards or EPA regulations, and are not equipped for operation on public streets, roads, or highways.

To the best knowledge of Columbia ParCar Corp., the material contained herein is accurate as of the date this publication was approved for printing. Columbia ParCar Corp. is not liable for errors in this manual or for incidental or consequential damages that result from the use of the material in this manual. Columbia ParCar Corp. reserves the right to change specifications, equipment or designs at any time without notice and without incurring obligation.

This manual contains proprietary information that is protected by copyright. All rights are reserved. No part of this manual may be photocopied, reproduced, or translated to another language without the written consent of Columbia ParCar Corp. Columbia ParCar Corp. products are manufactured under one or more of the following U.S. Patents - 2986162, 2987934, 3116089, 3144631, 3144860, 3229792, 3434887, 3559773, 3673359, 3680403, 3683716, 3709317, 4648473, Des. 225626.

CHANGE HISTORY		
DATE	DESCRIPTION	BY
7/1/2016	Issued	CPC



1115 Commercial Avenue • Reedsburg, WI 53959
 Phone: (608) 524-8888 • Fax: (608) 524-8380
 (800) 222-4653 • Web: www.parcars.com

The Columbia Vehicle Group

Nordic Group Member Brands | Business Ventures Since 1947



INDEX

SECTION 1 Accelerator Pedal and Brake Linkage

Pedal Accelerator Device	1-1
Brake Linkage	1-2
Brake Pedal Tapeswitch	1-5

SECTION 2 Steering

Front Fork, Standard 3 Wheel	2-1
Front Fork, w/Suspension 3 Wheel	2-3
Front Suspension 4 Wheel	2-5
Front Axle 4 Wheel	2-7
Steering – Tiller / Handlebar Steering	2-9
Steering Wheel	2-10

SECTION 3 Rear Suspension, Axle & Brakes

Rear Suspension	3-1
Rear Drive Assembly	3-2
Rear Axle Components	3-4
Gear Sets	3-6
Mechanical Brake Assembly	3-7
Motor	3-8

SECTION 4 Body, Seats, Console, Decals

Body & Seats	4-1
Console	4-3
Decals	4-4

SECTION 5 Electrical

Drive System Electrical	5-1
Controller Electrical	5-3
Main Harness Wiring	5-4
Main Harness Schematic	5-5
Main Electrical Components Quick Lookup	5-6
Fuse Block	5-6
Accessory Wire Harness	5-7
Charger With Remote LED	5-8
Batteries	5-9

SECTION 6 Accessories & Options

Battery Watering System	6-1
Body – Tool Express Package	6-2
Bumper, Front	6-6
Headlight	6-7
Hitches	6-8
Seat Belts	6-9
Strobe Light	6-10
Strobe Light – Tool Express Package	6-11

THIS PAGE INTENTIONALLY LEFT BLANK

Columbia / ParCar OEM Parts
evtechnicalservices.com



The Columbia Vehicle Group
Nordic Group Member Brands | Business Ventures Since 1947





COLUMBIA

EX21

Parts Manual

Section 1

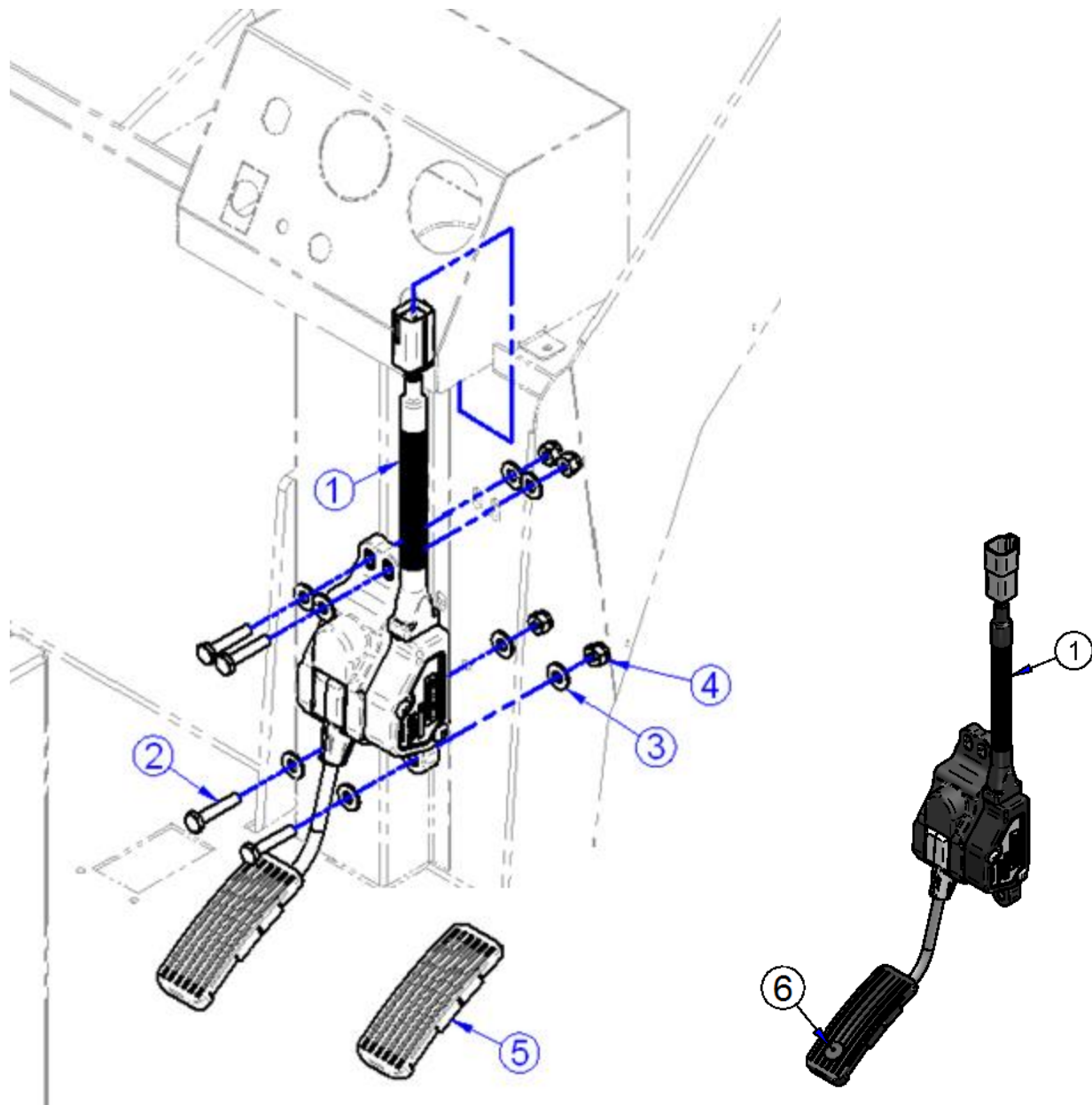
Accelerator Pedal

&

Brake Linkage



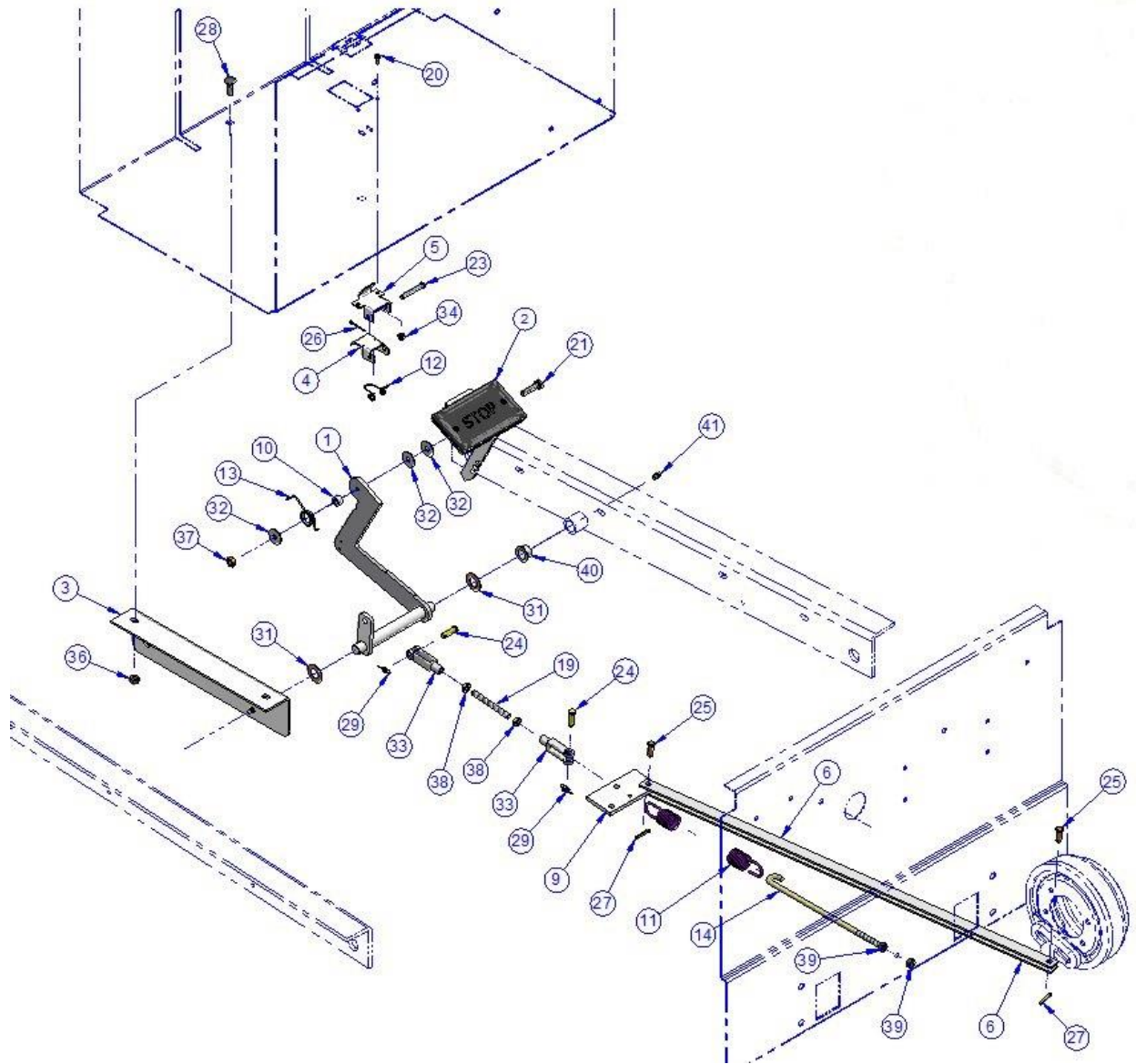
PEDAL ACCELERATOR DEVICE



ITEM	CPC PN	DESCRIPTION	QTY	REF #
1	40610-10	PEDAL ASSEMBLY, ACCEL. & HARNESS	1	760635
2	708616	SCREW, 1/4-20X1 1/4 HHC	4	708616
3	6703-B	WASHER, 1/4	8	719811
4	7686	NUT, 1/4-20 NYLOCK	4	719879
5	40891-12	PEDAL PAD REPLACEMENT (Can be glued if needed)	1	760784
6	8486	RIVET, #66, 3/16, AL, BLIND (Optional)	1	719941

NOTE: Items with * in tables indicates parts not shown in drawing.

BRAKE LINKAGE



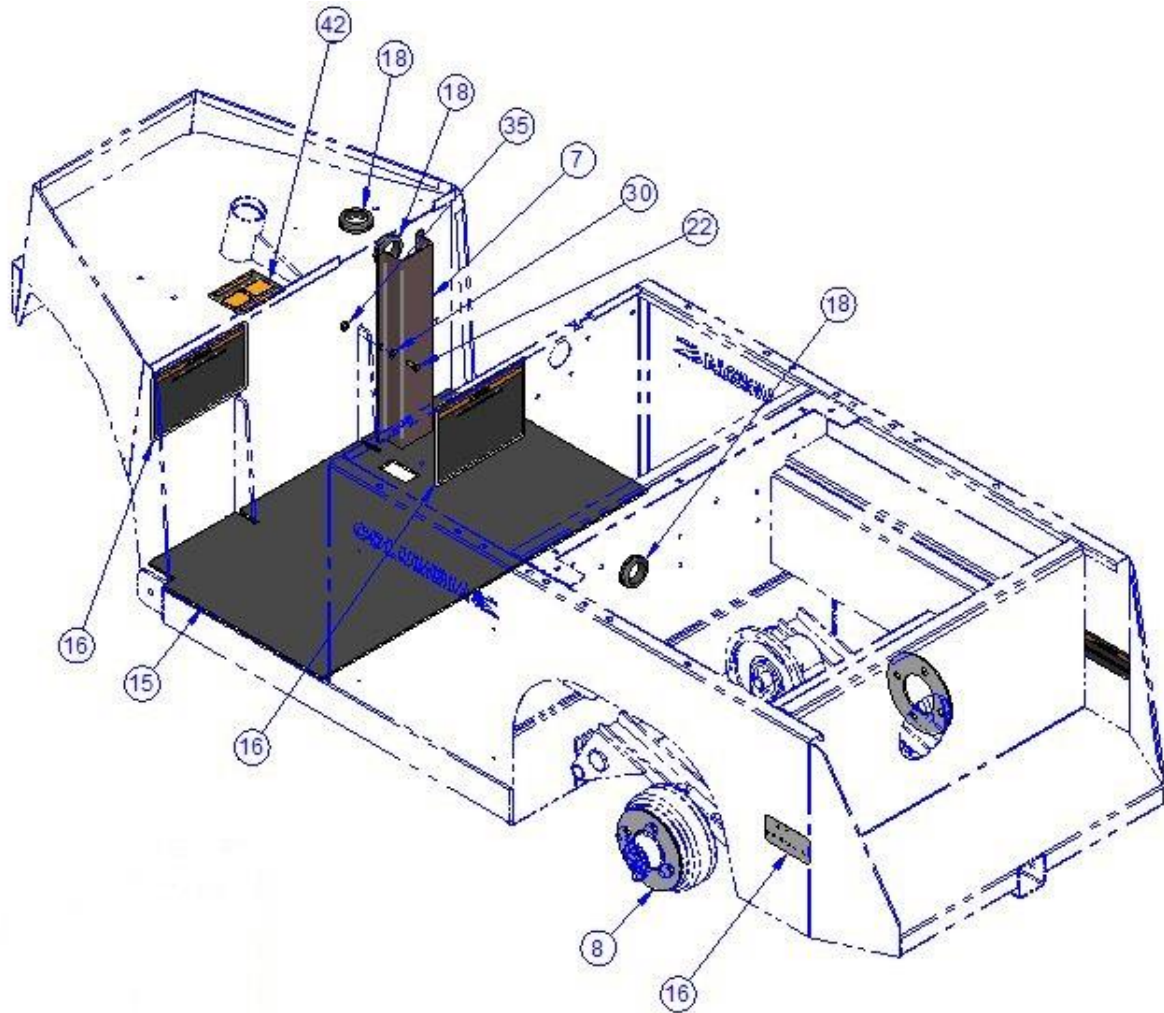
NOTE: Items with * in tables indicates parts not shown in drawing.

The Columbia Vehicle Group

Nordic Group Member Brands | Business Ventures Since 1947



BRAKE LINKAGE (Continued)



NOTE: Items with * in tables indicates parts not shown in drawing.

The Columbia Vehicle Group

Nordic Group Member Brands | Business Ventures Since 1947



BRAKE LINKAGE (Continued)

ITEM	CPC PN	DESCRIPTION	QTY	REF #
1	42564-96	WLDMT, BRAKE ARM	1	307212
2	46203-12	ASM, EX21 BRAKE PEDAL	1	467846
3	47113-14	ASM, BRK PIVOT, EX21	1	468818
4	42667-96	BRAKE LOCK LATCH	1	509250
5	42668-96	PARKING BRAKE LATCH	1	509251
6	42393-96	BRAKE STRAP	4	509262
7	47959-04	COVER - COWL WIRING	1	509633
8	43740-04	SPACER, WHEEL - 4 HOLE, 10 GA THK	2	509958
9	42670-96	BRAKE CROSSMEMBER	1	510327
10	26252-96	BUSHING, BRAKE	1	512180
11	11812-96	SPRING, EXTENSION	1	709685
12	11814-96	SPRING, TORSION - DOUBLE	1	709686
13	11813-96	SPRING, TORSION - 7/8 ID	1	709687
14	42424-96	ROD, ADJUSTING	1	709693
15	50710-96	MAT, FLOOR	1	709702
16	53282-96	LABEL SET, EX21	1	709703
17*	10043	CABLE TIE, BLACK, .18X11-3/4, STD, 50LB	1	719504
18	11418-A	GROMMET, 2775 EPDM 3/16 GROOVE	3	719523
19	24820-96	ROD, 5/16-24 X 3" FULLY THDED	1	719558
20	2592	SCREW, 10-24 X 1/2 PHILLIPS PHM	2	719566
21	2871-W	SCREW, 5/16-18X1-1/4, HHCS, G5, YWZC	1	719592
22	3787-B	SCREW, 1/4-20X3/4, HHCS, G5, BLK150	2	719636
23	42360-96	PIN, 1/4X1-3/4, CLEVIS, ZC	1	719660
24	494	PIN, 5/16X1, CLEVIS, ZC	2	719709
25	497	CLEVIS PIN, 5/16 X 7/8 YELLOW/ZINC	4	719713
26	515	PIN, 1/16X3/4, COTTER, SS18-8, BLKZC	1	719726
27	520-W	PIN, 1/8X1, COTTER, YWZC150	4	719728
28	5400-BS	SCREW, 5/16-18X1, CARR, G5, BLKMAX	2	719744
29	552	COTTER RING, RUE-10 PIVOT POINT, ZC	2	719752
30	6703-B	WASHER, 1/4, SAE, F/W, BLKMAX	2	719811
31	6716	WASHER FLT STL .635 X 1.185 X .036 YWZC	2	719815
32	6830	WASHER, 5/16X1X.062, F/W, NYL	3	719816
33	73059-96	CLEVIS, #52, 5/16-24, ADJ YOKE END, ZC	2	719852
34	7624	NUT 10-24 GR A NM NYLOK, YWZC	2	719870
35	7724-B	NUT, 1/4-20, L/N, SER-FLG, GA, BLKZC	2	719887
36	7739	NUT, 5/16-18, L/N, NYLOK, NE, GA, BLKMAX	2	719892
37	7740-B	NUT, 5/16-18, 3-WAY CENTER LOCK	1	719893
38	7744	NUT 5/16-24 GR 2 HEX JAM YWZC	2	719895
39	7748-B	NUT, 5/16-18, HEX, FULL-FINISH, G2, BLK MAX	2	719896
40	9077	BUSHING NYLON FLANGE	1	719957
41	9800	GREASE FITTING, 1/4" -28, SELF-TAP	1	760967
42	53293-14	DECAL, PARKING BRAKE	1	761046

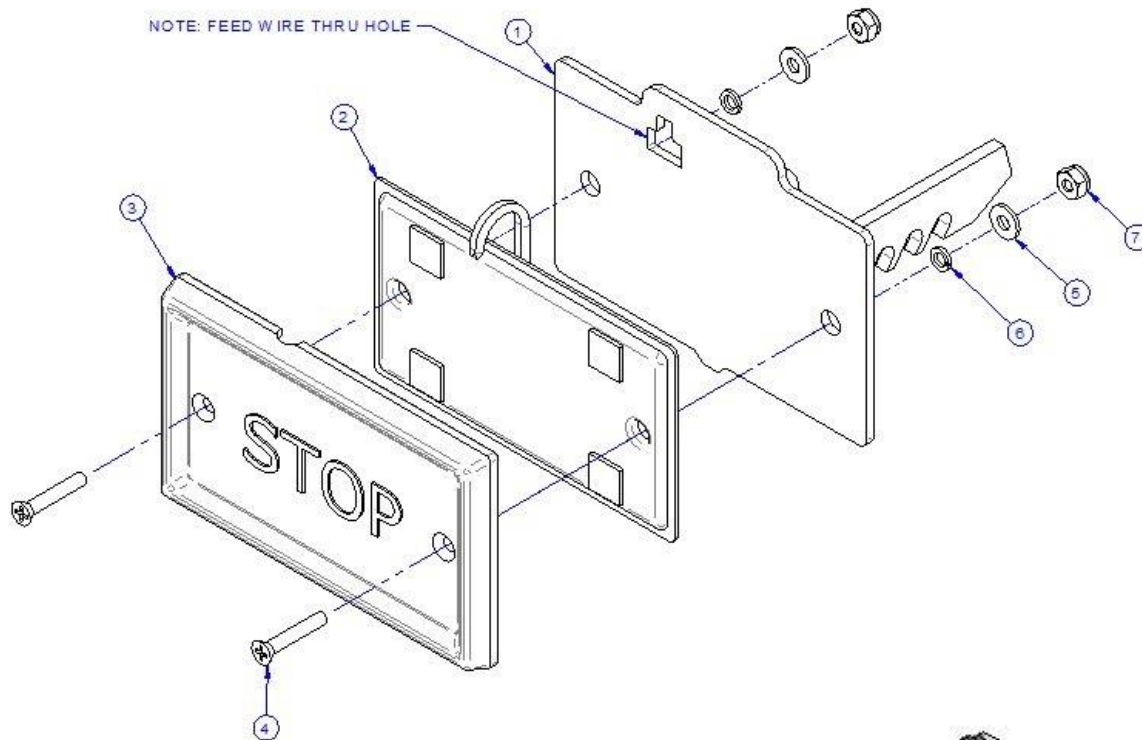
NOTE: Items with * in tables indicates parts not shown in drawing.

The Columbia Vehicle Group

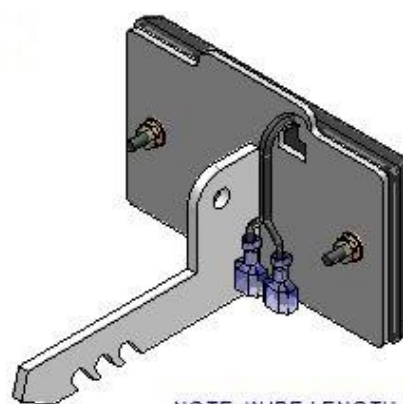
Nordic Group Member Brands | Business Ventures Since 1947



BRAKE PEDAL TAPESWITCH



NOTE: ONLY TIGHTEN SCREWS SNUG - BRAKE PAD MUST MOVE FREELY.



NOTE: WIRE LENGTH NOT SHOWN TO SCALE.

evtechnicalservices.com

ITEM	CPC PN	DESCRIPTION	QTY	REF #
1	Special Order	EX21 BRAKE PEDAL	1	311029
2	71522-02	ASSY TAPESWITCH BRAKE LIGHT	1	464248
3	42407-00A	MACH, BRAKE PAD (TAPESWITCH)	1	467084
4	2616	SCREW, 8-32 X 1 PHIL FHMS	2	719574
5	6912-B	WASHER, #8 TYPE A PLAIN, BLACK ZINC	2	719817
6	7015-B	WASHER LOCK #8 REGULAR BLK ZINC	2	719833
7	7609-W	NUT #8-32 GR A NM MACH NYLON LOCK	2	719868
-	46203-12	KIT (Includes 1-7)	1	467846

NOTE: Items with * in tables indicates parts not shown in drawing.

The Columbia Vehicle Group

Nordic Group Member Brands | Business Ventures Since 1947





COLUMBIA

EX21

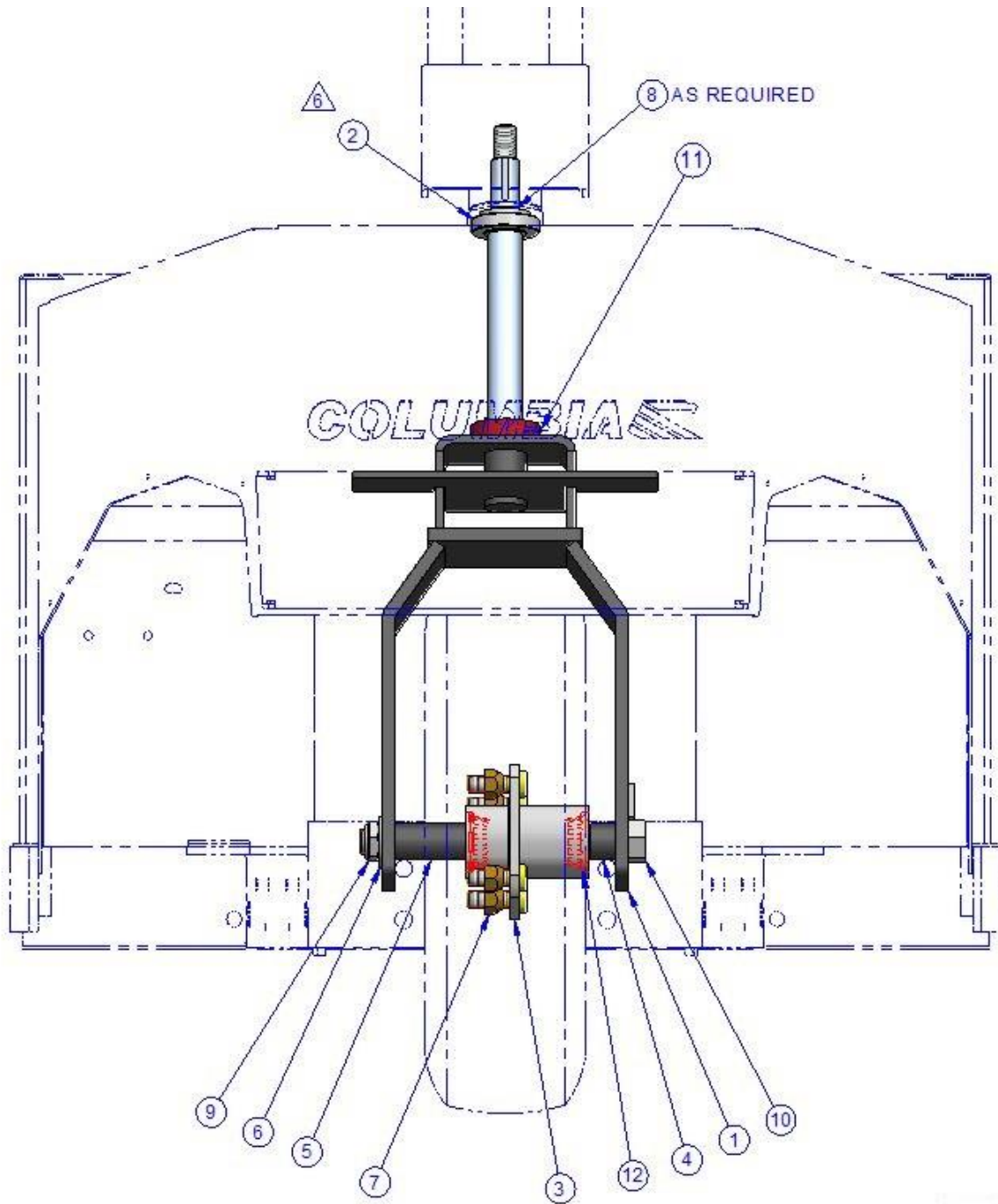
Parts Manual

Section 2

Steering



STANDARD FRONT FORK - THREE WHEEL



NOTE: Items with * in tables indicates parts not shown in drawing.

The Columbia Vehicle Group

Nordic Group Member Brands | Business Ventures Since 1947



STANDARD FRONT FORK - THREE WHEEL (Continued)

ITEM	CPC PN	DESCRIPTION	QTY	REF #
1	56850-12	FRONT FORK	1	310749
2	27011-07	NYLON BEARING ASSEMBLY (Includes 2a & 2b)	1	467529
2a	36671-07	FLANGE BEARING	1	759893
2b	36672-07	BEARING REDUCER 2.00X1.25XS0.40	1	759894
3	40953-11	HUB ASSEMBLY (Includes 3a, 3b & Bearing Cup)	1	467795
3a	See Item 3	HUB	1	310547
3b	41199	WHEEL BOLT 1/2-20X1 1/2 G5 YWZC 150	4	719655
4	56833-00	FRONT FORK SPACER, LH – 0.75"	1	510358
5	56836-00	FRONT FORK SPACER 2.125"	1	510359
6	6037	WASHER, 3/4" FLAT ZNC	1	708659
7	43152-66	NUT, 1/2-20 TAPERED WHEEL	4	709002
8	6832	WASHER 1.250 OD X 1.00 ID X .042 THK	AR	709353
9	7711	JAM NUT, 3/4-10X1/2 NYLON	1	709655
10	3431	SCREW, 3/4-10X8 HHCS, G5 ZC	1	719618
11	9078	ROLLER BEARING	1	719958
12	9620	BEARING, TAPERED ROLLER, W/SEAL	2	749753
13	9089	KIT, HUB BEARING, RACE AND SEAL	2	191886U
14	56801-00	KIT, FRONT & L RR 4 HOLE (Includes Items 2, 3, & 7)	1	192188U
15	40952-11	KIT T-FORK NO SUSPENSION (Includes Items 1-11)	1	192334U

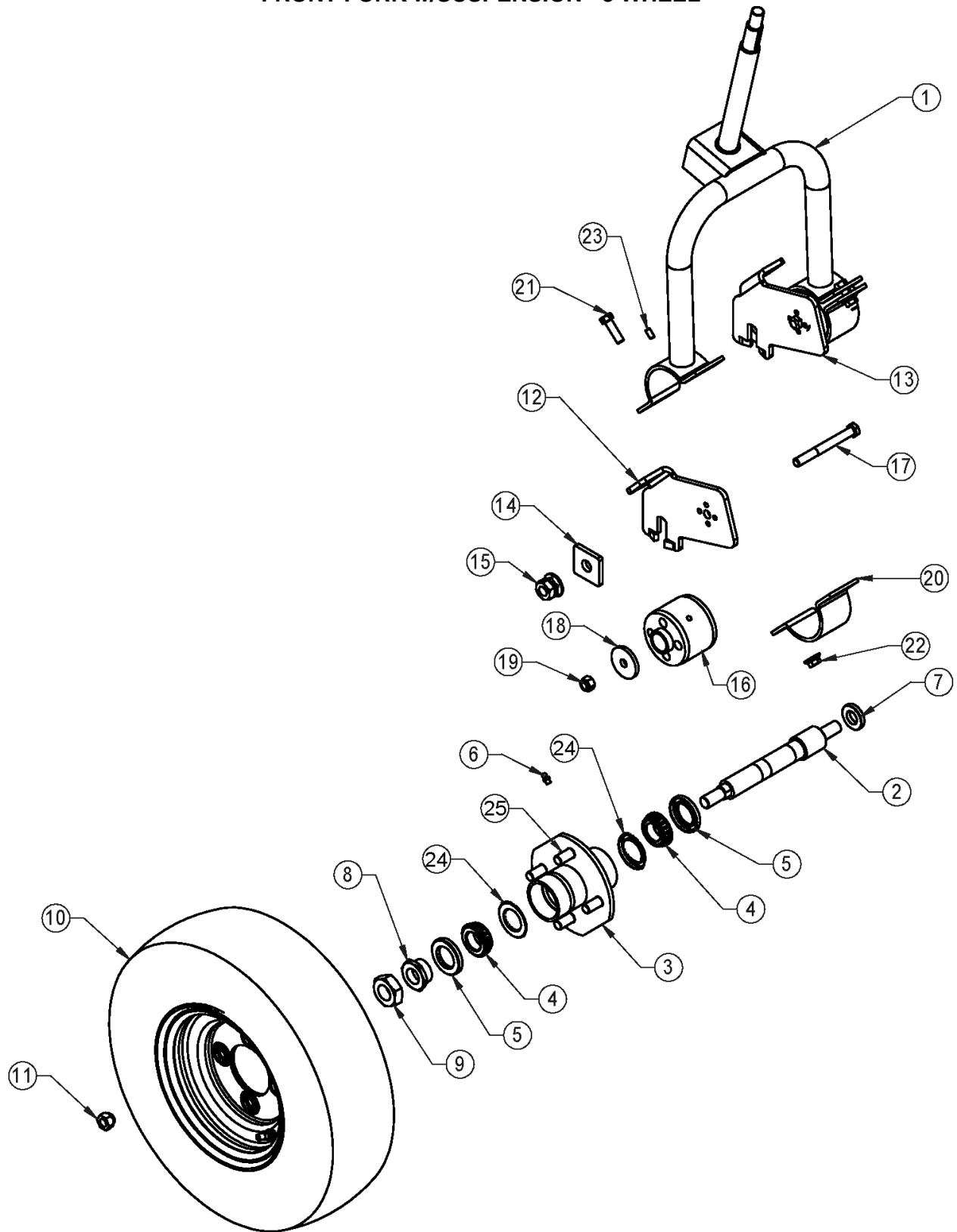
NOTE: Items with * in tables indicates parts not shown in drawing.

The Columbia Vehicle Group

Nordic Group Member Brands | Business Ventures Since 1947



FRONT FORK w/SUSPENSION - 3 WHEEL



NOTE: Items with * in tables indicates parts not shown in drawing.



FRONT FORK w/SUSPENSION - 3 WHEEL (Continued)

ITEM	CPC PN	DESCRIPTION	QTY	REF #
1	45530-96	FRONT FORK WELDM'T - EX-21	1	304602
2	43484-96	AXLE, FRONT FORK	1	709445
3	See Item 26	HUB	1	310594
4	44003-95	ROLLER BEARING, L44643	2	719684
5	44004-95	SEAL BEARING, 125192TB	2	719685
6	9800	GREASE FITTING, 1/4-28	1	709110
7	6568	WASHER FLT STL YWZC .734 X 1.375 X.24	1	719801
8	7896	NUT, BEARING ADJUSTING	1	709443
9	7897	NUT, 1-8 GR 2, HEX JAM CLR ZINC	1	719914
10a	40988-95	RIM & TIRE, 4.80 X 8.00 LRB	1	709107
10b	42115-04	RIM & TIRE, 4.80 X 8.00 FOAM FILLED	1	719349
10c	40995-96	RIM & TIRE, 4.80 X 8.00 SOLID NON-MARKING	1	709930
10d	40808-10	RIM & TIRE, 4.80 X 8.00 PNEUMATIC NON-MARKING	1	760323
11	43152-66	NUT, 1/2-20, TAPERED WHEEL	4	709002
12	43473-96	BRACKET- RH, EX 21	1	509168
13	43472-96	BRACKET - LH, EX 21	1	509167
14	45400-98	PLATE, RETAINING-AXLE	2	509161
15	781140	NUT, 5/8-11 NYLOCK	2	781140
16	43470-96	MOUNT, SUSPENSION	2	709401
17	4259	SCR, HX HD 7/16-20 X 4 G5 ZINC/CLR	2	719666
18	6336	WASHER 7/16, USS/STD	2	707374
19	7825	NUT, 7/16-20, LOCK, GA, NE, NYLON INSERT	2	719908
20	45532-96	EX-21 FORK HALF CLAMP	2	510194
21	4716-W	SCREW, HX HD CAP 3/8-16 X 1 ¼ G5	4	719694
22	7512	NUT, 3/8-16 GR A SERRATED FLG	4	719860
23	625	ROLL PIN, 1/4X5/8"	2	719121
24	44005-95	RACE BEARING	2	719686
25	41199	WHEEL BOLT1/2-20X1 1/2	4	719655
26	43485-96	HUB ASSEMBLY (Includes Items 3 - 5, 24 & 25)	2	467798

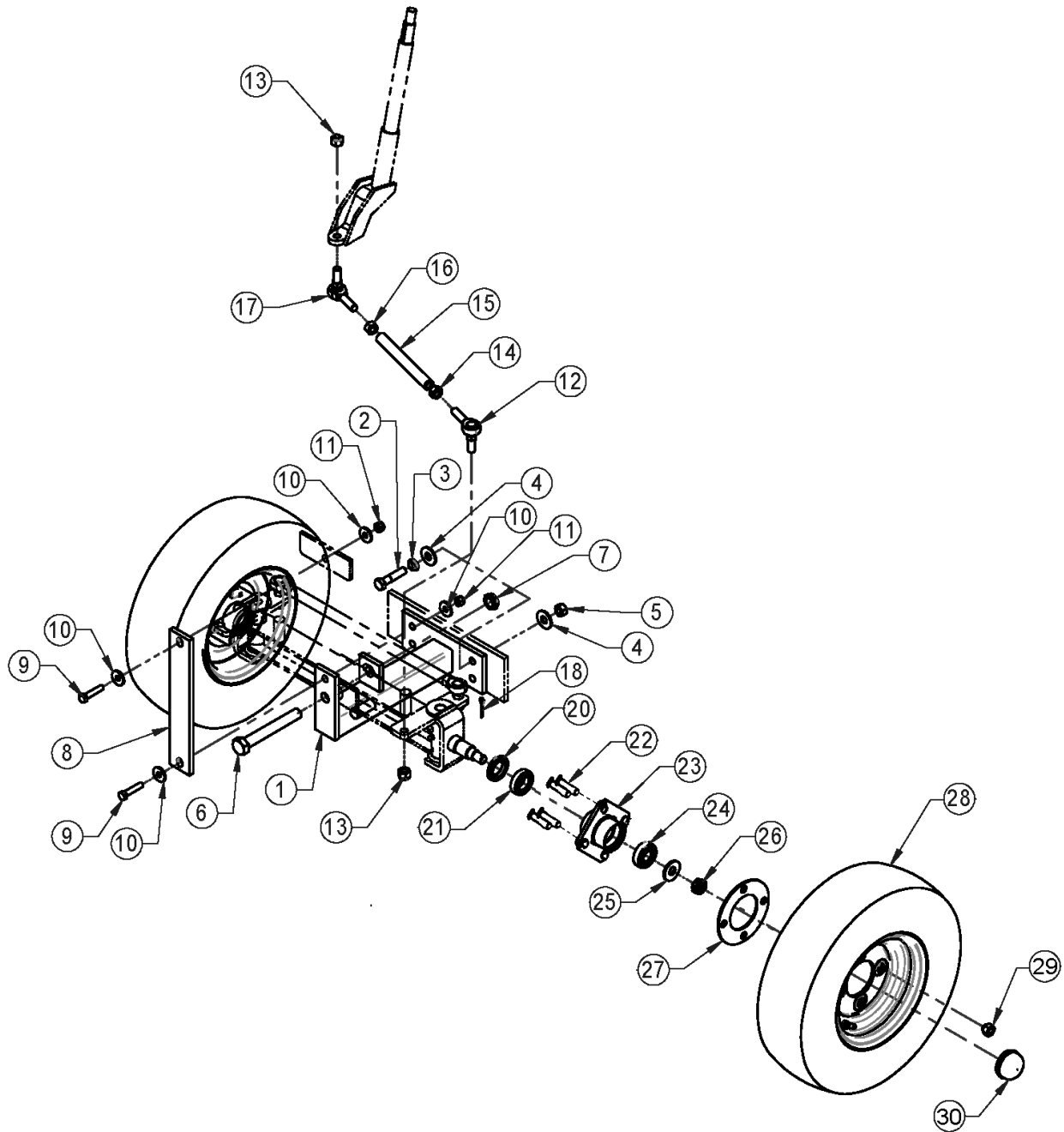
NOTE: Items with * in tables indicates parts not shown in drawing.

The Columbia Vehicle Group

Nordic Group Member Brands | Business Ventures Since 1947



FRONT SUSPENSION - 4 WHEEL



NOTE: Items with * in tables indicates parts not shown in drawing.

The Columbia Vehicle Group

Nordic Group Member Brands | Business Ventures Since 1947



FRONT SUSPENSION - 4 WHEEL (Continued)

ITEM	CPC PN	DESCRIPTION	QTY	REF #
1	82887-04	WELDM'T, AXLE SPRT - EX 21	1	307585
2	3407	SCREW, 1/2-13 X 2 1/4 GRD 5 HHC	4	719611
3	7068	WASHER, LOCK, 1/2 REGULAR MECH YWZC	4	719840
4	6005	WASHER, FTL STL, 1/2 STD UNHARD YWZC	8	719772
5	7880	NUT, 1/2-13 GR 2 HEX FULL YWZC	4	719913
6	54817-00	SCREW, 3/4-16 X 5-1/2", HHCS, G5, ZC	1	739586
7	7513	NUT, 3/4-16 GR A NTE STYLE JAM NYLON	1	719861
8	45404-04	PLATE, RETAINER - AXLE	1	509763
9	4720-B	SCREW, HX HD CAP 3/8-16 X 1-3/4 G5	2	719696
10	6417-W	WASHER, FLT STL BLK ZNC .391 X 1.125	4	719797
11	7778	LOCKNUT, 3/8 - 16 HEX NYLOK	2	719902
12	57063-96	ASSY, TIE ROD END - 1/2-20 RH THD	1	709761
13	7812-W	NUT, 1/2-20 GR A NE NYLON INSERT YWZ	2	719907
14	7644	NUT, 1/2-20 GR 2 HEX JAM YWZC	1	719873
15	46816-04	LINK, TIE ROD - SHORT	1	509769
16	7520	NUT, 1/2-20 GR 2 HEX JAM YWZC - LH THD	1	719360
17	58605-04	ASSY, TIE ROD END, LH THREAD	1	719343
18	520-W	PIN, COTTER 1/8 X 1 YELLOW ZINC	2	719728
19	43481-89	FRONT HUB ASSY(Includes Items 20 -24	2	461830
20	12030	SEAL, OIL	2	709017
21	9031	BEARING 6005	2	719954
22	41199	WHEEL BOLT 1/2-20X1 1/2 G5	8	719655
23	43463-89	HUB FRONT WHEEL WLDMNT	2	303069
24	9030	BEARING 6204	2	719953
25	6655-B	WASHER FLT STL 9/16 STD UNHARD BLK	2	719808
26	7947-B	NUT, 5/8-18 GR 2 SLOTTED HEX BLK MAX	2	719915
27	43740-04	SPACER, WHEEL - 4 HOLE	2	509958
28a	40988-95	RIM & TIRE, 4.80 X 8.00 LRB	2	709107
28b	42115-04	RIM & TIRE, 4.80 X 8.00 FOAM FILLED	2	719349
28c	40995-96	RIM & TIRE, 4.80 X 8.00 SOLID NON-MARKING	2	709930
28d	40808-10	RIM & TIRE, 4.80 X 8.00 PNEUMATIC NON-MARKING	2	760323
29	43152-66	NUT, 1/2-20, TAPERED WHEEL	8	709002
30	43646-79	HUB GREASE CAP	2	709018

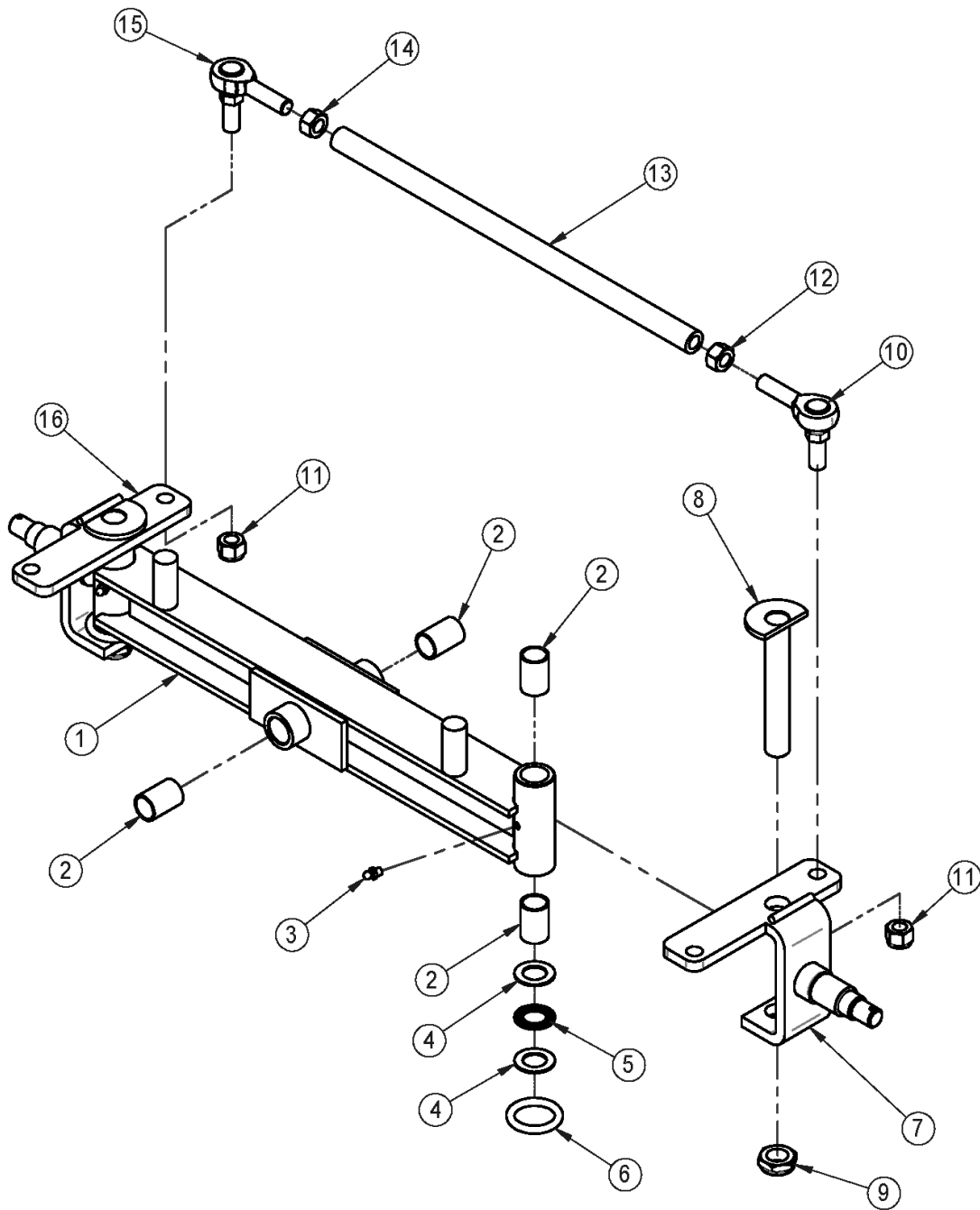
NOTE: Items with * in tables indicates parts not shown in drawing.

The Columbia Vehicle Group

Nordic Group Member Brands | Business Ventures Since 1947



FRONT AXLE - 4 WHEEL



NOTE: Items with * in tables indicates parts not shown in drawing.

The Columbia Vehicle Group

Nordic Group Member Brands | Business Ventures Since 1947



FRONT AXLE - 4 WHEEL (Continued)

ITEM	CPC PN	DESCRIPTION	QTY	REF #
1	58427-04	WLDMT, EX-21 TRUNNION	1	307586
2	9083	BUSHING, .751 X .878 X 1.25 OILITE	6	719961
3	9800	GREASE FITTING, 1/4"-28, SELF-TAPPING	2	709110
4	6042	WASHER, NEEDLE THRUST	4	709217
5	9085	BEARING TORRINGTON NEEDLE THRUST	2	719962
6	11100	O-RING, #332, 1-1/4 X 1/4	2	709218
7	58664-04	WELDM'T, STEERING SPINDLE - LH, EX 21	1	307587
8	44800-11	KINGPIN ASSY	2	306093
9	7513	NUT, 3/4-16 GR A NTE STYLE JAM NYLON	2	719861
10	57063-96	ASSY, TIE ROD END - 1/2-20 RH THD	1	709761
11	7812-W	NUT, 1/2-20 GR A NE NYLON INSERT YWZ	2	719907
12	7644	NUT, 1/2-20 GR 2 HEX JAM YWZC	1	719873
13	58616-04	LINK, TIE ROD - LONG	1	509770
14	7520	NUT, 1/2-20 GR 2 HEX JAM YWZC - LH THD	1	719360
15	58605-04	ASSY, TIE ROD END, LH THREAD	1	719343
16	58663-04	WELDM'T, STEERING SPINDLE - RH, EX 21	1	307588

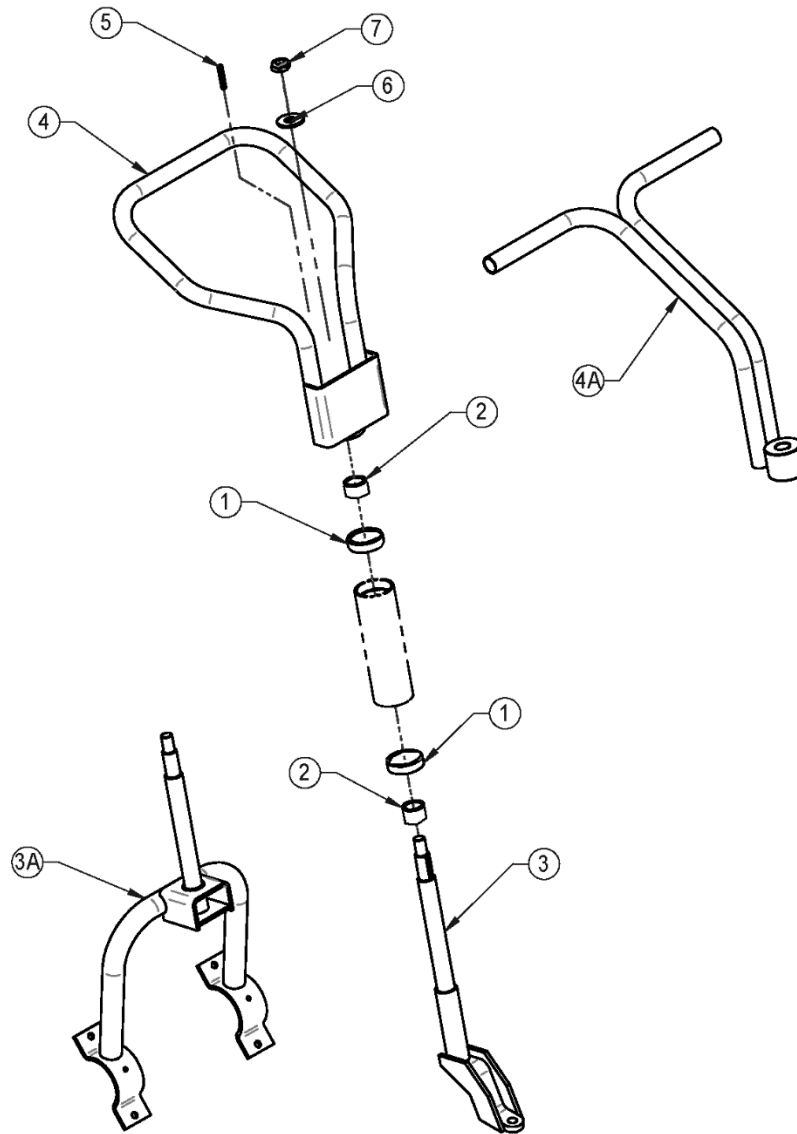
NOTE: Items with * in tables indicates parts not shown in drawing.

The Columbia Vehicle Group

Nordic Group Member Brands | Business Ventures Since 1947



STEERING – TILLER / HANDLEBAR



ITEM	CPC PN	DESCRIPTION	QTY	REF #
1	36672-07	BEARING REDUCER	2	759894
2	36671-07	IGUS FLANGE BEARING	2	759893
3	45560-04	WELDM'T, FORK – FRONT, STANDARD	1	307590
3a	45530-96	WELDM'T, FORK – FRONT, w/SUSPENSION	1	304602
4	57036-96	EXPEDITER TILLER BAR WELD.	1	304581
4a	57038-99	EXPEDITER HANDLE BAR WLDMNT	1	305644
5	41204-63A	KEY, SQUARE PL, 3/16 X 1-7/16	1	719656
6	6655-B	WASHER FLT STL 9/16 STD UNHARD BLK	1	719808
7	7995	NUT, 5/16-18 GR A NTE NYLON JAM INSERT	1	719919
*8	57040-99	HANDLEBAR GRIPS (Used only with Item 4a)	2	709542
9	27011-07	KIT, BEARING ASSY (Includes Items 1 & 2)	1	191530U

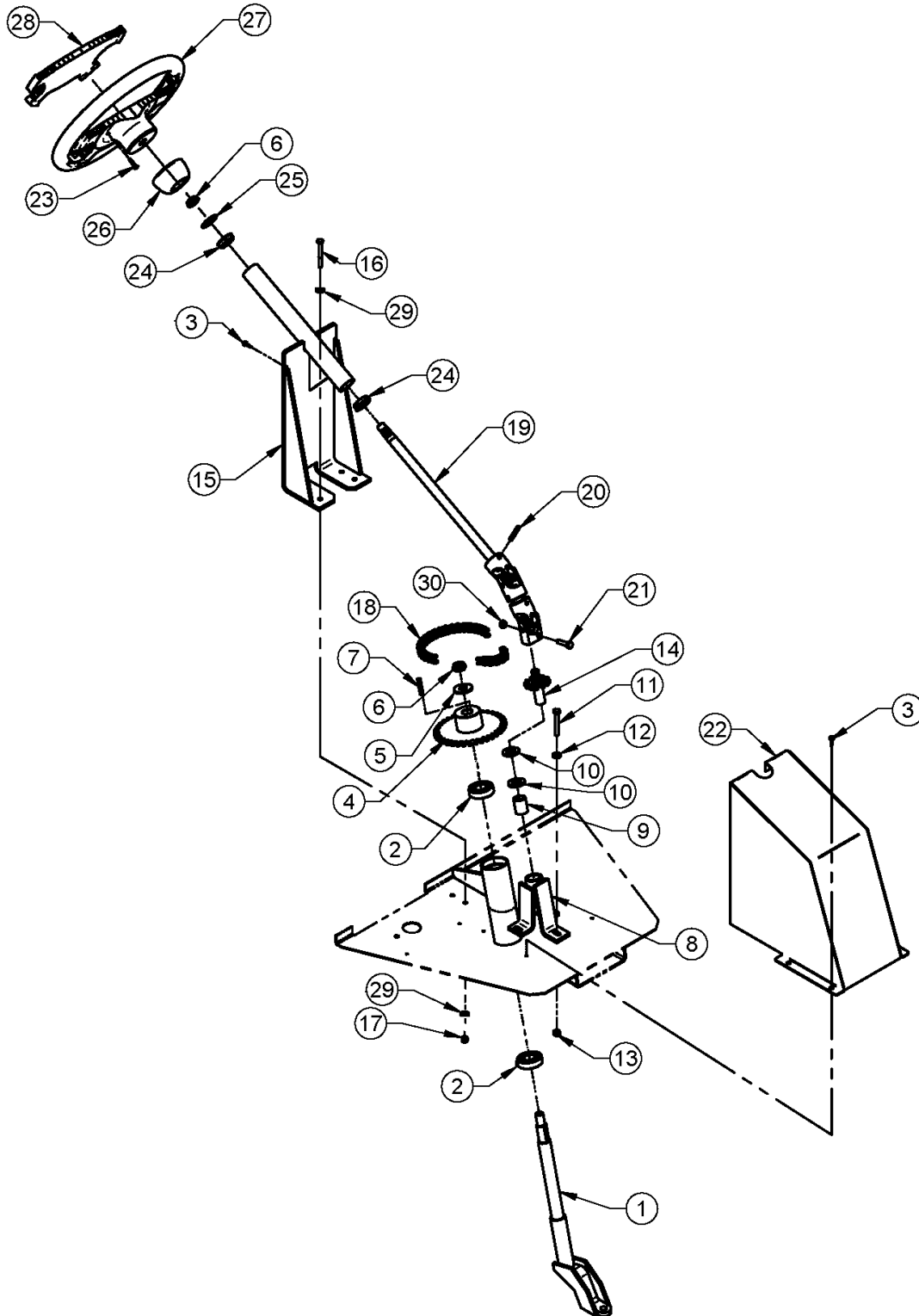
NOTE: Items with * in tables indicates parts not shown in drawing.

The Columbia Vehicle Group

Nordic Group Member Brands | Business Ventures Since 1947



STEERING WHEEL



NOTE: Items with * in tables indicates parts not shown in drawing.

The Columbia Vehicle Group

Nordic Group Member Brands | Business Ventures Since 1947



STEERING WHEEL (Continued)

ITEM	CPC PN	DESCRIPTION	QTY	REF #
1	45560-04	EX-21 FRNT FORK WLDMNT (4 WHEEL OPTION)	1	307590
2	27011-07	NYLON BEARING ASSY	2	191530U
3	2685-W	SCREW,10-24X5/8, HWH TRD ROL	6	719586
4	57107-00	SPROCKET STEERING	1	306438
5	6655-B	WASHER FLT STL 9/16 STD UNHARD BLK	1	719808
6	7995	NUT, 5/8-18 GR A NTE NYLON JAM INSERT	2	719919
7	41204-63A	KEY, SQUARE PL, 3/16 X 1-7/16	1	719656
8	57047-00	TRIPOD, STEERING	1	309113
9	57351-95	BUSHING NYLON NN1216-20	1	719765
10	57363-95	WASHER FLAT NYLON .76 ID 1.42 OD	2	719767
11	3419	SCREW, 5/16-18 X 2-1/4 HH	3	719616
12	6702-B	WASHER FLT STL 5/16 BLK MAXCOAT	3	719810
13	7739	NUT, 5/16-18, NE, NYLON INSERT, GA, YWZC	4	719892
14	57106-00	SPROCKET PINION STEERING	1	306437
15	57046-00	WELDM'T, COLUMN, STEERING - EX 21	1	307288
16	2821	SCREW, 1/4-20 X 2-1/4, HHCS, G5, YW ZC	4	719590
17	7686	NUT 1/4-20 GR A NE NYLON INSERT LCK	4	719879
18	57241-00	CHAIN, STEERING WHL - EX21/TE31 (23 LK)	1	463497
19	57105-08	SHAFT, STEERING - EX 21	1	512440
20	388	ROLL PIN, 1/4 X 2 "	3	719639
21	57111-11	SCREW, 5/16-18 X 1 1/2 GRD 8 HHC	1	781924
22	57024-00	WELDM'T, STRG COL GUARD	1	307292
23	2641	SCREW, #10 X 1, PPH, TAPPING , T-A BLACK	2	729263
24	9029	BALL BEARING,.75 ID	2	709023
25	6656	BUSHING 3/4 X 1-1/2 X 14GA WIDE RIM YWZ	1	719809
26	57098-98	STEERING HUB COVER	1	709085
27	57069-84	STEERING WHEEL, SPORT	1	709056
28	57089-99	SCORECARD HOLDER	1	709043
29	6703-B	WASHER 1/4	8	719811
30	7525	NUT, 5/16-18 SERRATED FLANGE LOCK	1	719864

NOTE: Items with * in tables indicates parts not shown in drawing.

The Columbia Vehicle Group

Nordic Group Member Brands | Business Ventures Since 1947





COLUMBIA

EX21

Parts Manual

Section 3

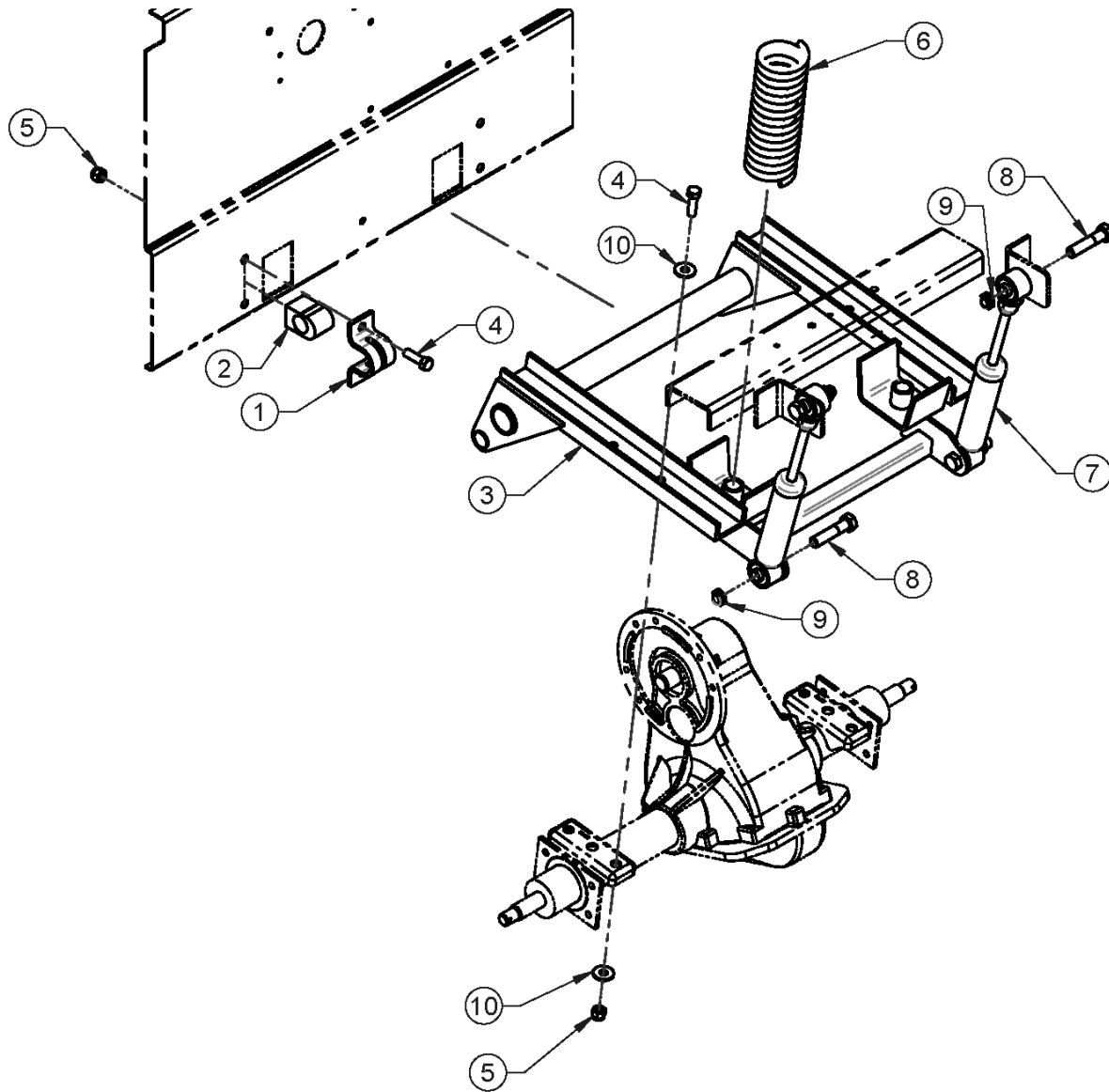
Rear Suspension

&

Axle & Brakes



REAR SUSPENSION



ITEM	CPC PN	DESCRIPTION	QTY	REF #
1	54626-96	STABILIZER RETAINER	2	509190
2	54627-96	BLOCK, STABILIZER	2	709405
3	19401-06	REAR SUSPENSION A/ - EX 21	1	308338
4	4716-W	SCREW, HX HD CAP 3/8-16 X 1 ¼ G5	8	719694
5	7778	LOCKNUT, 3/8 -16 HEX NYLOK	8	719902
6a	54567-96	SPRING, COMPRESSION	2	709403
6b	54568-04	SPRING, COMPRESSION HD	2	719167
7	54514-89	SHOCK ABSORBER	2	709006
8	3407	SCREW 1/2-13 X 2-1/4 HEX CAP	4	719611
9	7685	NUT, 1/2-13 A NTE SYLON LOCK	4	719878
10	6416	WASHER FLT STL BLK ZNC 3/8 STD	8	719796

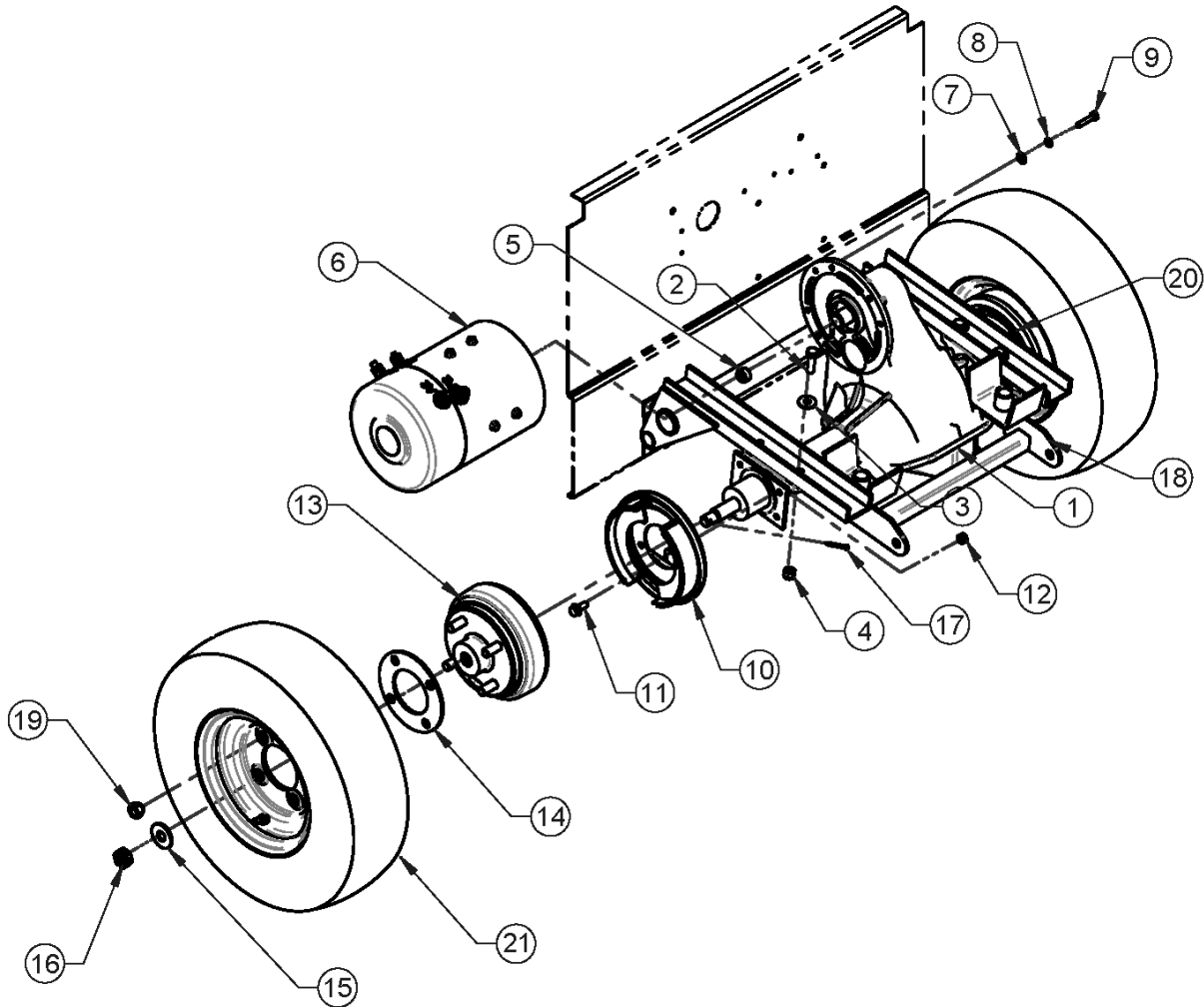
NOTE: Items with * in tables indicates parts not shown in drawing.

The Columbia Vehicle Group

Nordic Group Member Brands | Business Ventures Since 1947



REAR DRIVE ASSEMBLY



NOTE: Items with * in tables indicates parts not shown in drawing.

The Columbia Vehicle Group

Nordic Group Member Brands | Business Ventures Since 1947



REAR DRIVE ASSEMBLY (Continued)

ITEM	CPC PN	DESCRIPTION	QTY	REF #
1a	82646-02A	AXLE, COMPLETE ASSEMBLY, GEAR RATIO 12.44:1	1	464462
1b	82648-02A	AXLE, COMPLETE ASSEMBLY, GEAR RATIO 16.99:1	1	464464
2	4716-W	SCREW, HX HD CAP 3/8-16 X 1 ¼ G5	4	719694
3	6416	WASHER FLT STL BLK ZNC 3/8 STD	4	719796
4	7778	NUT, 3/8-16, GA, NE, NYLON INSERT, YWZC	4	719902
5	11423	RESILIENT BUMPER-ELEC MOTOR	1	709050
6	69300-03	MOTOR, ELECT., 48V, SEPARATELY EXCITED	1	719135
7	6703-B	WASHER FLT STL 1/4 SAE UNHARD BLK	3	719811
8	7036-B	WASHER LOCK 1/4 REGULAR BLK ZINC	3	719834
9	708616	SCREW, HEX HEAD CAP 1/4-20 X 1-1/4 G8	3	708616
10	41814-86B	BRAKE ASSY, RH AUTO ADJ	1	709170
*	41816-86B	SPRING PACKAGE BRAKE	1	729999
11	Special Order	SCREW, 5/16-18 X .75 HEX FLG WHIZ	8	N/A
12	7810	NUT, 5/16-18 HEX HD	8	719906
13	41844-96	KIT, HUB & DRUM	2	719281
14	43740-04	SPACER WHEEL-4 HOLE	2	509958
15	6655-B	WASHER FLT STL 9/16 STD UNHARD BLK	2	719808
16	7947-B	NUT, 5/8-18 GR 2 SLOTTED HEX BLK MAX	2	719915
17	561	PIN, COTTER 1/8 X 1.50 YELLOW/ZINC	2	707841
18	19401-06	REAR SUSP A/ - EX 21	1	308338
19	43152-66	NUT, 1/2-20, TAPERED WHEEL	8	709002
20	41813-86B	BRAKE ASSY, LH AUTO ADJ	1	709171
21a	40988-95	RIM & TIRE, 4.80 X 8.00 LRB	2	709107
21b	42115-04	RIM & TIRE, 4.80 X 8.00 FOAM FILLED	2	719349
21c	40995-96	RIM & TIRE, 4.80 X 8.00 SOLID NON-MARKING	2	709930
21d	40808-10	RIM & TIRE, 4.80 X 8.00 PNEUMATIC NON-MARKING	2	760323

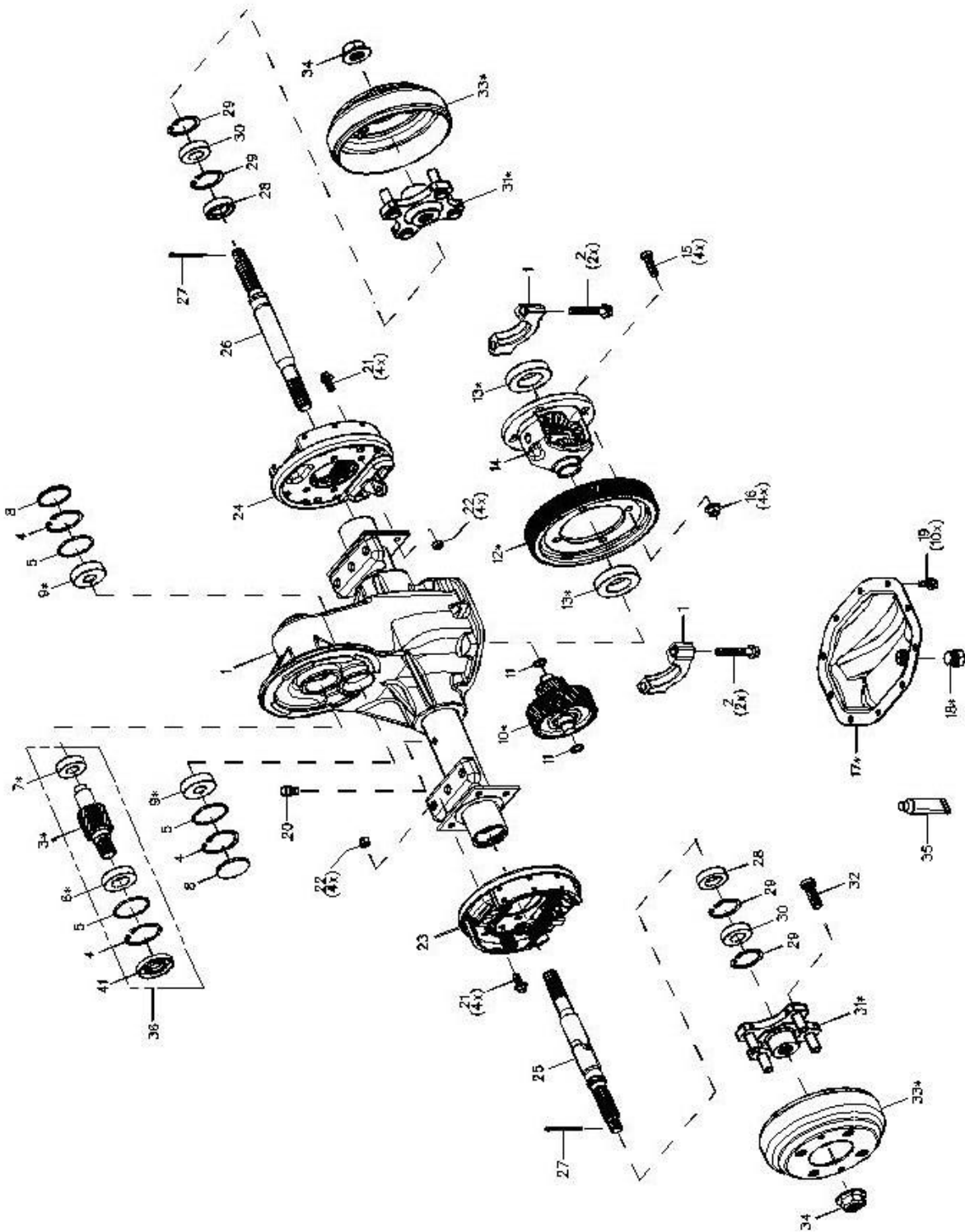
NOTE: Items with * in tables indicates parts not shown in drawing.

The Columbia Vehicle Group

Nordic Group Member Brands | Business Ventures Since 1947



REAR AXLE COMPONENTS



NOTE: Items with * in tables indicates parts not shown in drawing.

The Columbia Vehicle Group

Nordic Group Member Brands | Business Ventures Since 1947



REAR AXLE COMPONENTS (Continued)

ITEM	CPC PN	DESCRIPTION	QTY	REF #
1	N/A	HOUSING, AXLE	1	N/A
2	N/A	BOLT, DIFFERENTIAL CAP	4	N/A
3	N/A	SHAFT, INPUT (See Gear Set Page)	1	N/A
4	90006-90	RING, SNAP	3	749701
5	11118	O-RING	3	729030
6	90014-08	BEARING, BALL	1	760375
7	90004-90	BEARING, BALL	1	749699
8	N/A	PLUG, END CAP	2	N/A
9	82810-90	BEARING, BALL	2	749419
10	N/A	SHAFT, INTERMEDIATE GEAR (See Gear Set Page)	1	N/A
11	11119	O-RING	2	719132
12	NA	GEAR, FINAL DRIVE (See Gear Set Page)	1	N/A
13	90005-90	BEARING, BALL	2	749700
14	83212-00	DIFFERENTIAL CASE ASSEMBLY	1	749575
15	N/A	SCREW, CAP	4	N/A
16	N/A	NUT, LOCK	4	N/A
17	90007-00	PLATE, COVER	1	749702
18	90008-00	PLUG, DRAIN/FILL	1	749704
19	N/A	SCREW, CAP	10	N/A
20	82701-90	VENT	1	759791
21	N/A	SCREW, FLANGE HEAD	4	N/A
22	7810	NUT, LOCK	8	719906
23	41813-86B	ASSEMBLY, BRAKE (Vehicle LH side)	1	709171
24	41814-86B	ASSEMBLY, BRAKE (Vehicle RH side)	1	709170
25	90001-95	SHAFT, AXLE, LH (Long)	1	719061
26	90002-95	SHAFT, AXLE, RH (Short)	1	719062
27	560	PIN, COTTER	2	707337
28	82704-78	SEAL, OIL	2	749367
29	82706-78	RING, RETAINING	4	749370
30	82705-78	BEARING, BALL	2	749369
31*	-	ASSEMBLY, HUB, WHEEL (Includes Item No. 32 & 43)	2	-
32	719463-05	BOLT, WHEEL (1.68 Long) "	8	719463
33*	N/A	DRUM, BRAKE (See Item 40)	2	404038
34	7538	NUT, 5/8-18, HEX, FLANGE, LOCKING	2	719044
35	Local Purchase	SEALANT, ANAEROBIC, GASKET	-	N/A
36*	-	KIT, INPUT GEAR (See Gear Set Page)	1	N/A
37*	-	KIT, GEAR (See Gear Set Page)	1	N/A
40*	41844-96	KIT, HUB/DRUM (Includes Items 31 & 33)	1	719281
41*	83165-08	OILSEAL – INPUT SHAFT	1	760371
42*	82779-08	KIT, INPUT BEARING * O-RING (Includes Items 4-7 & 41)	1	191697U
43*	82646-02A	AXLE, COMPLETE ASSEMBLY, GEAR RATIO 12.44:1	1	464462
44*	82648-02A	AXLE, COMPLETE ASSEMBLY, GEAR RATIO 16.99:1	1	464464

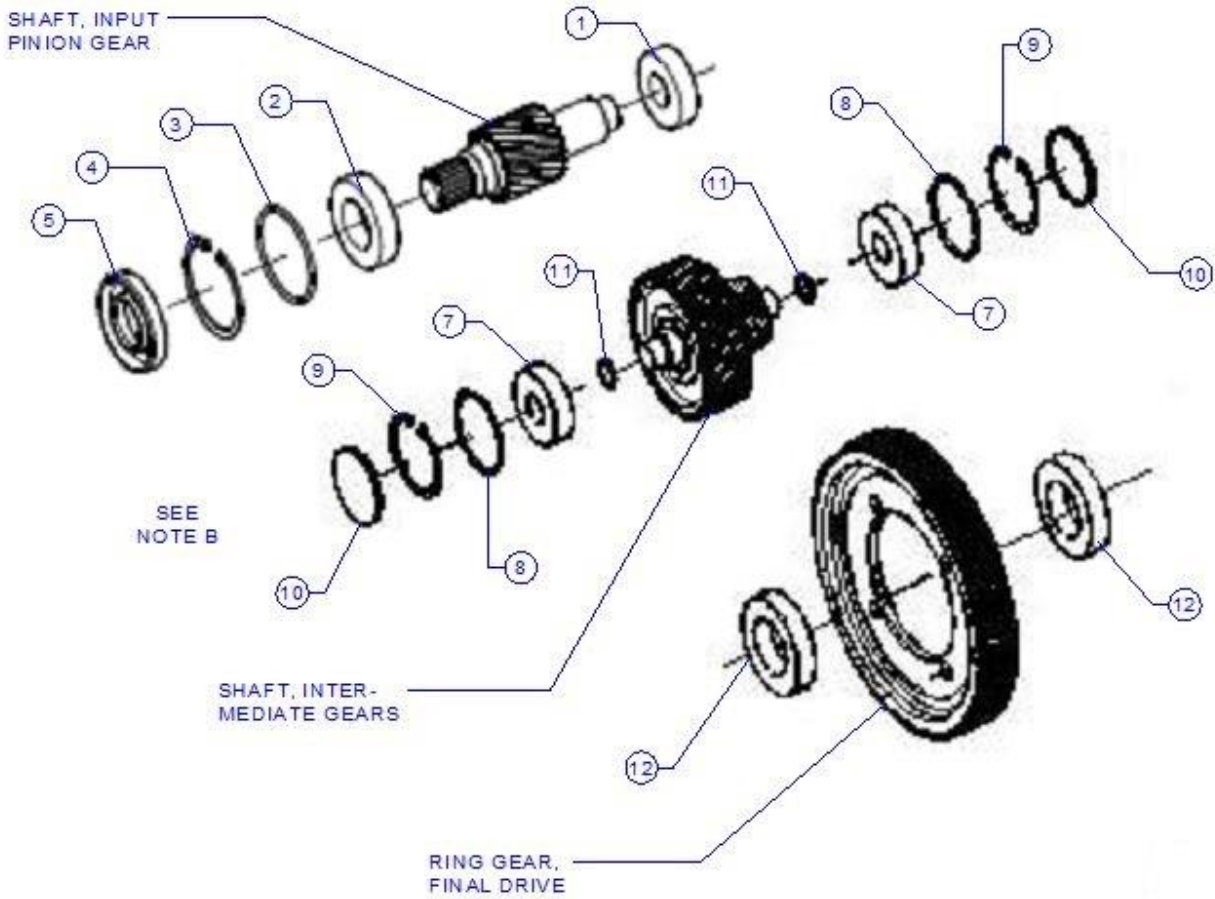
NOTE: Items with * in tables indicates parts not shown in drawing.

The Columbia Vehicle Group

Nordic Group Member Brands | Business Ventures Since 1947



GEAR SETS



ITEM	CPC PN	DESCRIPTION	QTY	REF #
1	90004-90	BEARING, BALL, INNER	1	749699
2	90014-08	BEARING, BALL, OUTER	1	760375
3	11118	O-RING	1	729030
4	90006-90	SNAP RING	1	749701
5	83165-08	SEAL, OIL, INPUT SHAFT	1	760371
6	N/A	NO LONGER APPLICABLE	-	-
7	82810-90	BEARING, BALL	2	749419
8	11118	O-RING	2	729030
9	90006-90	SNAP RING	2	749701
10	82808-90	PLUG, END CAP	2	749418
11	11119	O-RING	2	719132
12	90005-90	BEARING, BALL	2	749700
-	82779-08	KIT, PINION SEAL (Includes items 1-5)	1	191697U
-	83297-08	KIT, INPUT GEAR + (Includes items 1-5), 12.44 Ratio	1	760373
-	83214-08	KIT, INPUT GEAR + (Includes items 1-5), 16.99 Ratio	1	760374
-	Special Order	KIT, INTERMEDIATE AND RING GEAR, 12.44 Ratio	1	760402
-	Special Order	KIT, INTERMEDIATE AND RING GEAR, 16.99 Ratio	1	760400

NOTE: Items with * in tables indicates parts not shown in drawing.

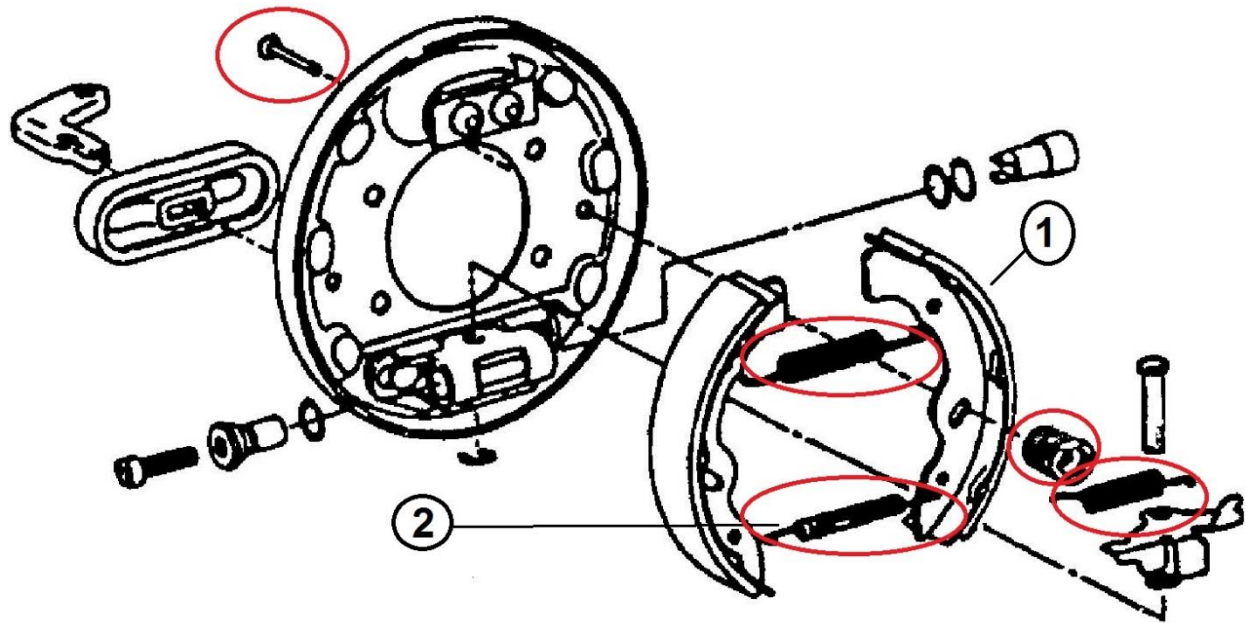
Columbia / ParCar OEM Parts
evtechnicalservices.com

The Columbia Vehicle Group

Nordic Group Member Brands | Business Ventures Since 1947



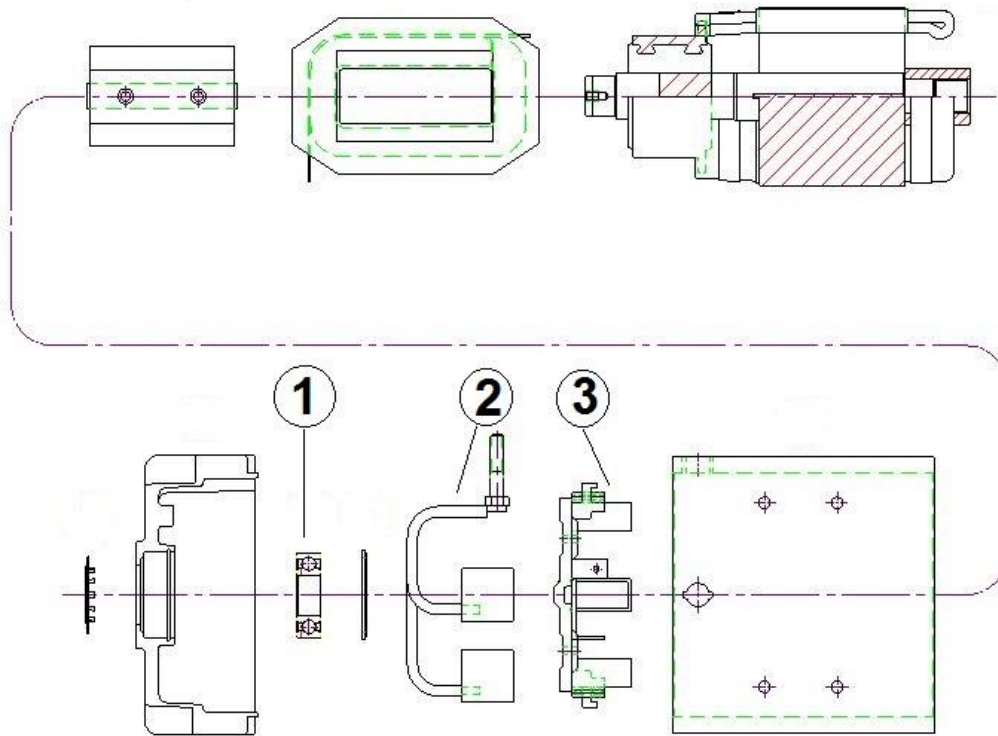
MECHANICAL BRAKE ASSEMBLY



ITEM	CPC PN	DESCRIPTION	QTY	REF #
1	41819-86C	SET, SHOE & LINING ASSEMBLY (2 Shoes)	2	759746
2	41816-86B	KIT, SPRING (Includes items in drawing circled in red) SPRING, RETURN SPRING, SELF ADJUSTER SPRING, SHOE RETAINING SPRING CLIP, SHOE RETAINER PIN, SHOE RETAINING	2	729999
-	41813-86B	MECH. BRAKE ASSY, LH (Includes all items shown)	1	709171
-	41814-86B	MECH. BRAKE ASSY, RH (Includes all items shown)	1	709170

NOTE: Items with * in tables indicates parts not shown in drawing.

MOTOR, SEP EX – IS/IR/IT



ITEM	CPC PN	DESCRIPTION	QTY	REF #
1	83310-07	BEARING	1	759896
2	30402-06	BRUSH ASSY. (Includes Fasteners)	2	759780
3	30403-06	BRUSH BOX ASSY. (Includes Fasteners)	1	759781
-	69300-03	MOTOR, STANDARD DUTY, COMPLETE	1	719135

NOTE: Items with * in tables indicates parts not shown in drawing.

THIS PAGE INTENTIONALLY LEFT BLANK

Columbia / ParCar OEM Parts
evtechnicalservices.com



The Columbia Vehicle Group
Nordic Group Member Brands | Business Ventures Since 1947





COLUMBIA

EX21

Parts Manual

Section 4

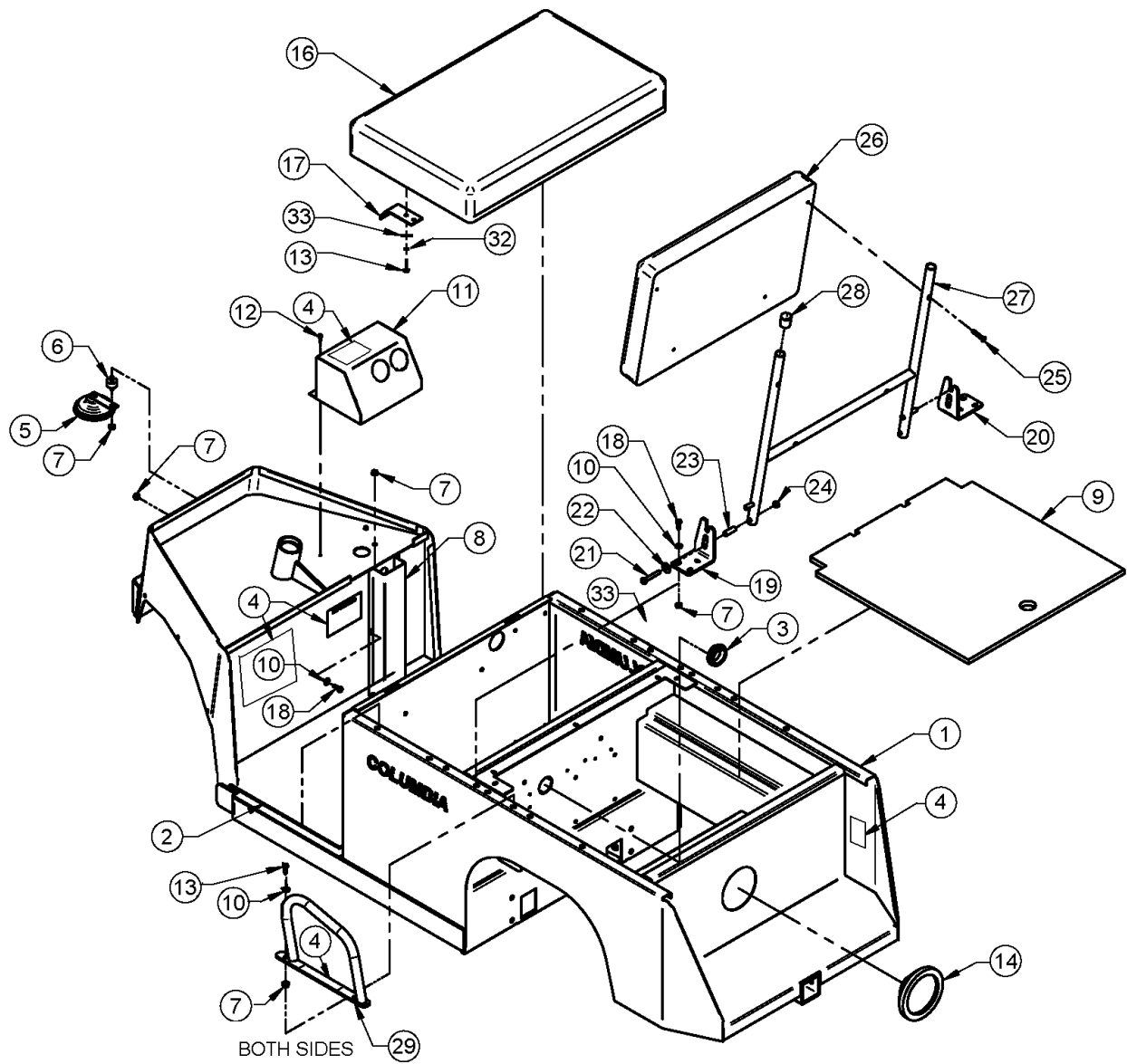
Body & Seats

Console & Decals

Columbia / ParCar OEM Parts
evtechnicalservices.com



BODY & SEATS



NOTE: Items with * in tables indicates parts not shown in drawing.

Columbia / ParCar OEM Parts
 evtechnicalservices.com

The Columbia Vehicle Group

Nordic Group Member Brands | Business Ventures Since 1947



BODY & SEATS (Continued)

ITEM	CPC PN	DESCRIPTION	QTY	REF #
1	Special Order	WELDM'T, CHASSIS	1	307045
2	50710-96	MAT, FLOOR	1	709702
3	11418-A	GROMMET, 2775 EPDM 3/16 GROVE	1	719523
4	53282-96	DECAL, LABEL SET	1	709703
5	69001-76A	HORN, 12V (2 TERMINAL)	1	709089
6	11452-96	BUMPER, STUD, RUBBER	1	709204
7	7724-B	NUT 1/4-20 GR A SERRATED FLNG LOCK	14	719887
8	47959-04	COVER - COWL WIRING	1	509633
9	90752-96	DECK BOARD, MEZZ 22.50" X 20.87" "	1	513689
10	6703-B	WASHER FLT STL 1/4 SAE UNHARD BLK	12	719811
11	47950-97	WELDM'T, CONSOLE - EX 21	1	307501
12	2653-B	SCREW,10-16X3/4,HEX-,WSH-HD,TEK	2	719583
13	2003-B	SCREW, 1/4-20X3/4	8	719636
14	68020-92	4" RND TAIL LAMP ASSY W/PLUG	1	709109
15	7525	LOCKNUT, 5/16-18 HEX FLG WHIZ	8	719864
16a	52980-96	SEAT CUSHION W/O SWITCH	1	104518%
16b	52999-04	SEAT CUSH W/ OPRT PRESENCE	1	107787%
16c	51706-04	SEAT SWITCH (Requires disassembly of seat cushion)	1	308483
17	52978-01	TAB, SEAT - FOLDING, W/ LOCK	2	510033
18	3787-B	SCREW, HEX HEAD CAP 1/4-20 X 3/4 G5	8	719636
19	51720-04	PLATE, MTG - SEATBACK, LH	1	509634
20	51721-04	PLATE, MTG - SEATBACK, RH	1	509635
21	2667	SCREW, 5/16-18 X 2 GRD 5 HHC YEL 150 "	2	719585
22	6830	WASHER FLAT NYLON	2	719816
23	52988-96	BUSHING, SEAT ADJUST	2	719742
24	7739	NUT, 5/16-18, NE, NYLON INSERT, GA, YWZC	2	719892
25	2367	SCREW, 1/4-20 X 1-1/2, POH, M/S, BLK ZC	4	708590
26	52981-96	CUSHION, BACK	1	104517%
27	52983-96	FRAME, BACK	1	304516
28	22370-96	END CAP PLUG, SEATBACK - EX 21	2	729161
29	50027-92	HANDRAIL WELDM'T, EXT BED UTIL	4	303393
30	3991	SCREW, HEX HEAD CAP 5/16-18 X 7/8 G5	8	719643
31	71527-04	DECAL, SWITCH SET POSITION	1	719426
32	7036-B	WASHER, LOCK 1/4	4	719834
33	6703-B	WASHER 1/4	4	719811

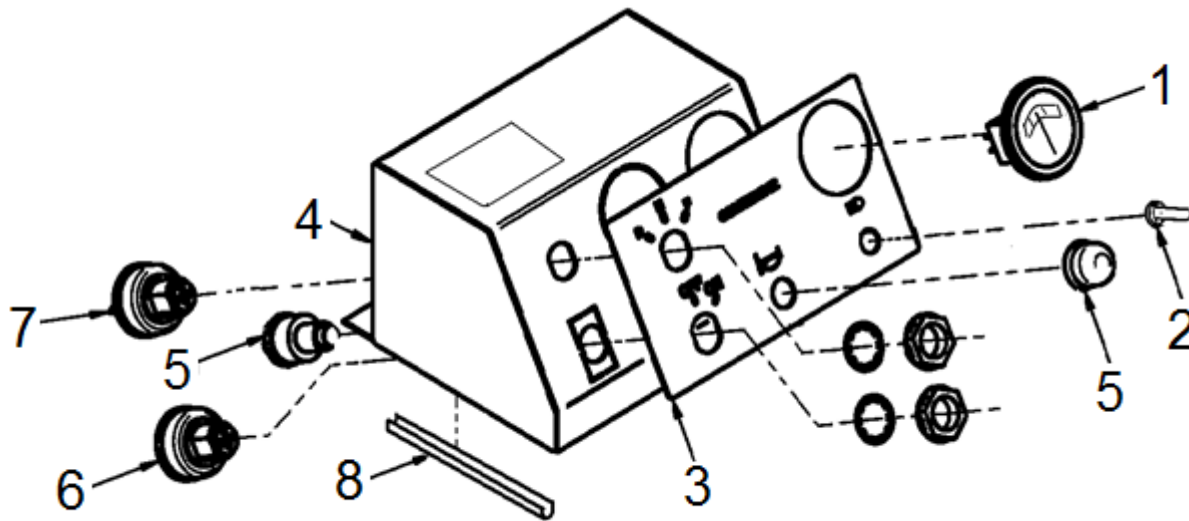
NOTE: Items with * in tables indicates parts not shown in drawing.

The Columbia Vehicle Group

Nordic Group Member Brands | Business Ventures Since 1947



CONSOLE

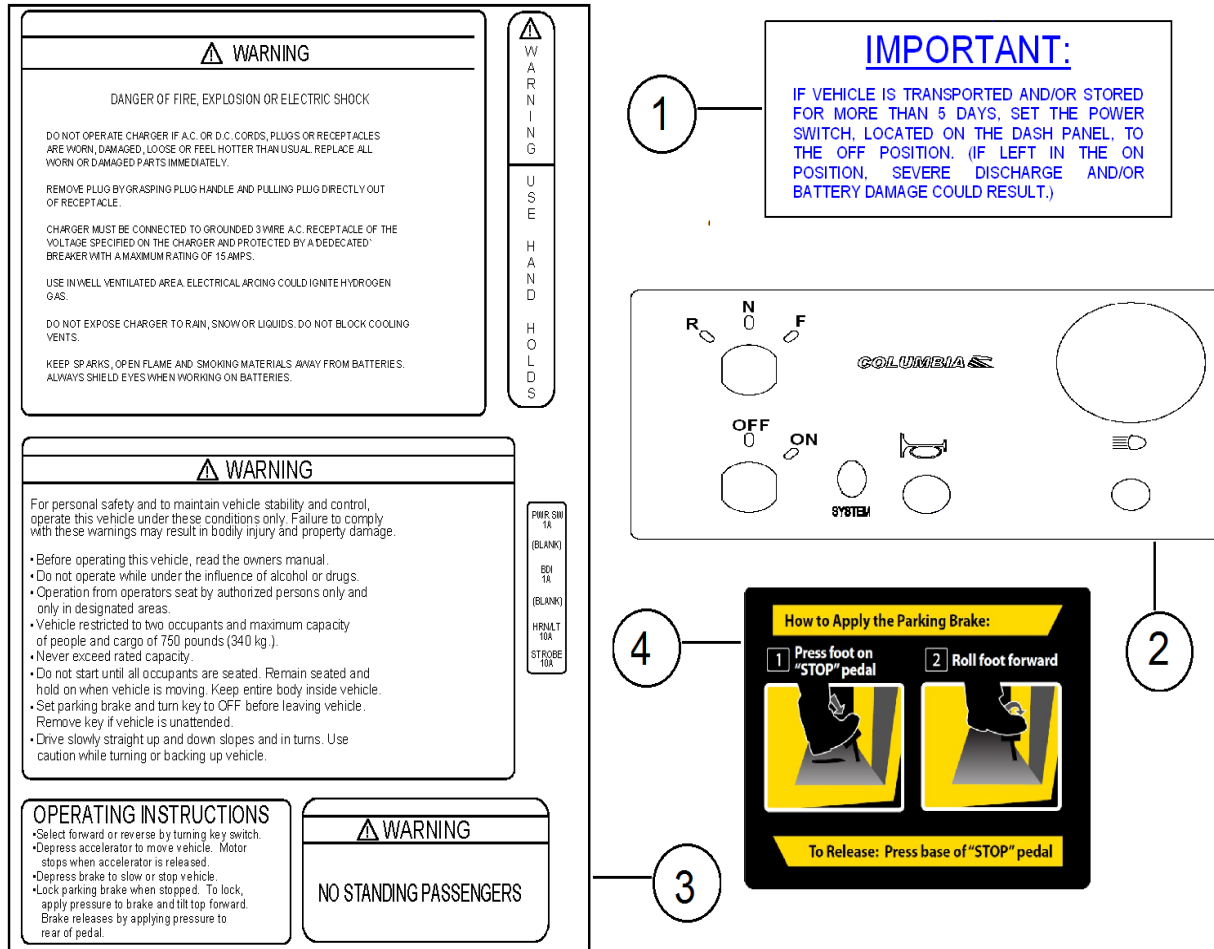


ITEM	CPC PN	DESCRIPTION	QTY	REF #
1a	75063-07	BDI METER - 24V	1	759873
1b	75061-07	BDI METER - 48V	1	759842
2	72000-10	SWITCH, TOGGLE ON OFF	1	760600
3	33792-08	DECAL, DASH WITH STATUS LIGHT	1	712083
*	75033-91A	HOUR METER, 10-80 VDC (If equipped, located to the left of Item 1)	1	709452
4	47950-97	WELDM'T, CONSOLE - EX 21	1	307501
5	71807-80	SWITCH, HORN	1	709385
6	71732-06	POWER SWITCH	1	759706
7	71730-01	DIRECTION SWITCH	1	719432
8	29284-04	MOLDING, BLACK (Both sides)	.167'	719355
*	71767-05	ASSY, KEY, NON-REMOVABLE COVER (Used only with Keyset A)	1	719432

KEYSET	3 POSITION POWERSWITCH		2 POSITION POWERSWITCH		STANDARD KEYS	
	CPC PN	REF #	CPC PN	REF #	CPC PN	REF #
A	71730-01	709040	71732-06	759706	71731-01	749184
B	71730-03B	719297	71732-06B	759722	71731-03B	719301
C	71730-03C	719298	71732-06C	759723	71731-03C	719302
D	71730-03D	719299	71732-06D	759724	71731-03D	719303
E	71730-03E	719300	71732-06E	759721	71731-03E	719304

NOTE: Items with * in tables indicates parts not shown in drawing.

DECALS



ITEM	CPC PN	DESCRIPTION	QTY	REF #
1	71527-04	DECAL, SWITCH SET POSITION	1	719426
2	33792-08	DECAL, DASH W/SYSTEM STATUS INDICATOR	1	712083
3	53282-96	DECAL, LABEL SET (See note)	1	709703
4	53293-14	DECAL, PARKING BRAKE	1	761046

NOTE:
This set will contain 2 each of the USE HAND HOLD and NO STANDING PASSENGERS warning labels.

NOTE: Items with * in tables indicates parts not shown in drawing.

THIS PAGE INTENTIONALLY LEFT BLANK

Columbia / ParCar OEM Parts
evtechnicalservices.com



The Columbia Vehicle Group
Nordic Group Member Brands | Business Ventures Since 1947





COLUMBIA

EX21

Parts Manual

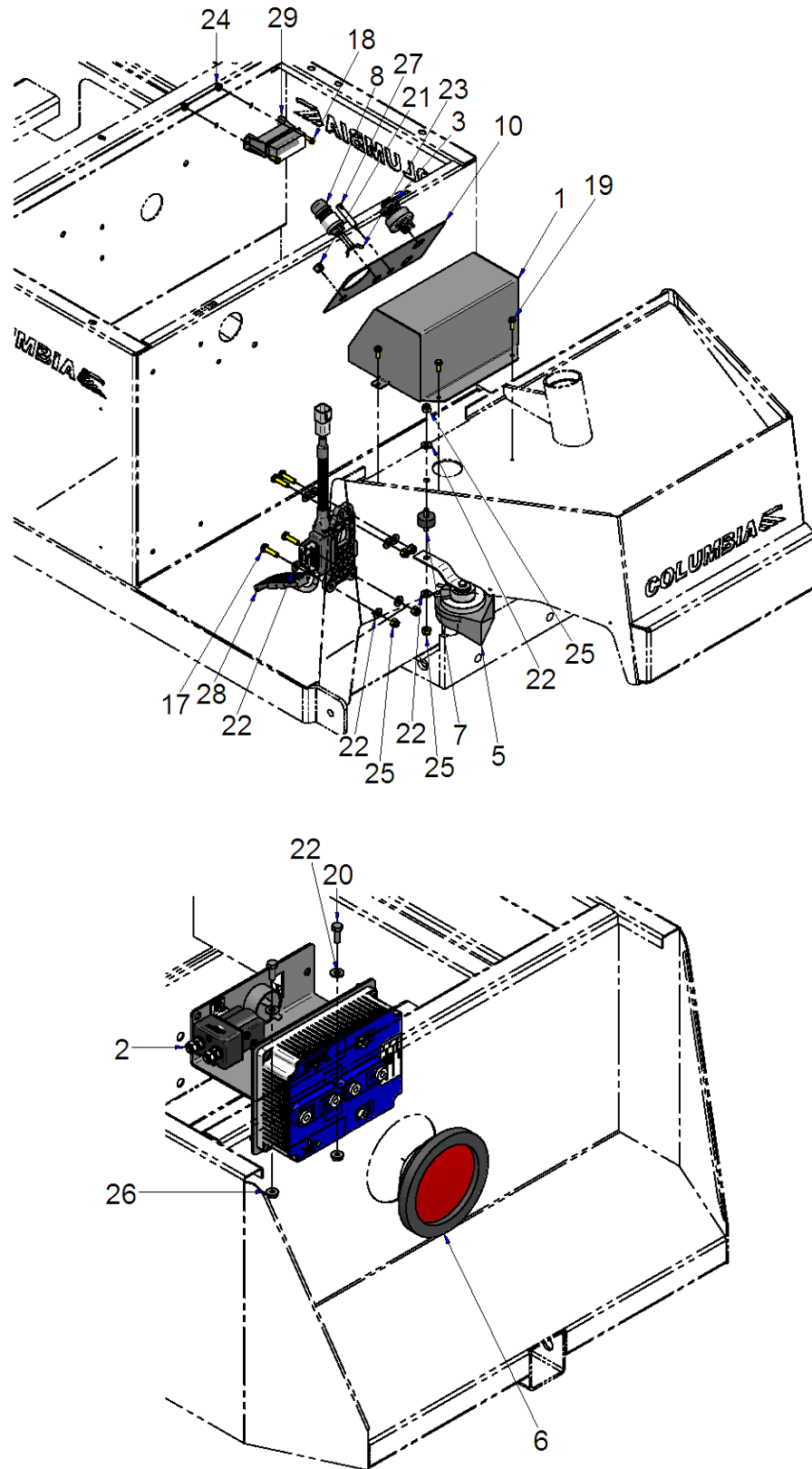
Section 5

Electrical

Columbia / ParCar OEM Parts
evtechnicalservices.com



DRIVE SYSTEM ELECTRICAL



NOTE: Items with * in tables indicates parts not shown in drawing.

DRIVE SYSTEM ELECTRICAL (Continued)

ITEM	CPC PN	DESCRIPTION	QTY	REF #
1	47950-97	CONSOLE - EX 21	1	307501
2	Special Order	ASSY, ACE+ PANEL (FUSE BLOCK). EX21	1	467939
3	71730-01	KEYSWITCH, UNIVERSAL "A" W/HARDWARE	1	709040
4*	11423	RESILIENT BUMPER- ELEC MOTOR	1	709050
5	69001-76A	HORN,12V (2 TERMINAL)	1	709089
6	68020-92	4" TAIL LAMP ASSY W/PLUG, SEAL	1	709109
7	11452-96	BUMPER, STUD, RUBBER	1	709204
8	71807-80	HORN SWITCH	1	709385
9*	74596-02	FUSE, 10A ATO/ATC	1	709786
10*	33792-08	DECAL, DASH, EX21 W/STAT INDICATOR	1	712083
11*	69300-03	MOTOR, ELECT., 48V, SEPARATELY, EXCITED	1	719135
12*	50804-10	MOLDING, BLACK, 22	1	719355
13*	71527-04	DECAL, SWITCH SET POSITION	1	719426
14*	75594-04	FUSE, 1 AMP ATO/ATe	2	719444
15*	10008	CABLE TIE, NATURAL 5 3/4"	5	719501
16*	10020	CABLE TIE MOUNTING BRACKET 4A	2	719503
17	2551-W	SCREW, 1/4-20 X 1, HHCS, G5, YWZC 150	4	719564
18	2592	SCREW, 10-24 X 1/2 PHILLIPS PHM	2	719566
19	2685-W	SCREW. 10-24 X 5/8 HWH TRO ROL	3	719586
20	3787-B	SCREW ,1/4-20X3/4,HHCS ,G5,BLK 150	4	719636
21	653	PLUG 1/2 HOLE BLACK HEYCO #2643	1	719798
22	6703-B	WASHER,1/4,SAE,FN-I,BLK MAX	12	719811
23	32675-08	TERMINAL,#10 STUD-TO-1/4 MALE TAB	2	719825
24	7624	NUT 10-24 GR A NM MACH NYLON LOCK	2	719870
25	7686	NUT, 1/4 -20, NYLOCK, GA, YWZC	6	719879
26	7724-B	NUT 1/4-20 GR A SERRATED FLNG LOCK	4	719887
27	67791-08	INDICATOR, LED, SERIES 22	1	759932
28	40610-10	PEDAL ASSEMBLY, ACCELERATOR &	1	760635
29	69601-12	FUSE BLOCK, 6-WA Y	1	760764
30*	69961-12	HARNESS, 12V ACCESSORY	1	760838

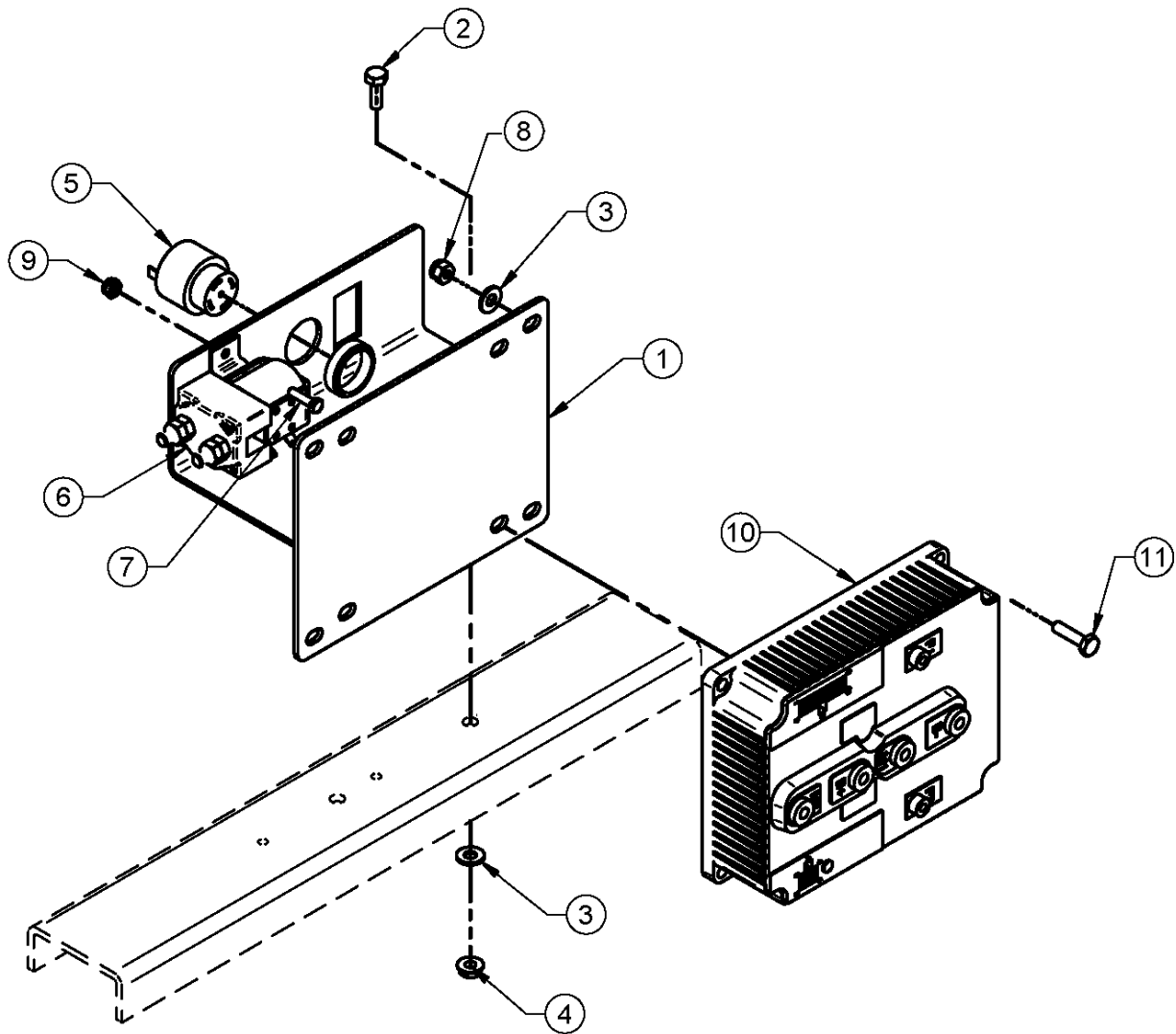
NOTE: Items with * in tables indicates parts not shown in drawing.

The Columbia Vehicle Group

Nordic Group Member Brands | Business Ventures Since 1947



CONTROLLER ELECTRICAL



ITEM	CPC PN	DESCRIPTION	QTY	REF #
1	43650-04	CONTROLS MOUNTING BRACKET	1	307685
2	3787-B	SCREW, HEX HEAD CAP 1/4-20 X 3/4 G5	2	719636
3	6703-B	WASHER FLT STL 1/4 SAE UNHARD BLK	6	719811
4	7724-B	NUT, 1/4-20 SERR FLNG LK NUT	2	719887
5	71408-96A	AUDIBLE ALARM 9/48 V DC	1	759831
6	71455-01A	CONTACTOR W/ MTG BRKT - 24 V (SW80)	1	709166
7	2339	SCR, #10-24 X 5/8 HWHTR	2	719586
8	7686	NUT 1/4-20 GR A NE NYLON INSERT LOCK	4	719879
9	7624	NUT, #10-24 GR A NM MACH NYLON LOCK	2	719870
10	47895-05A	CONTROLLER, REGEN	1	467696
11	2551-W	SCREW, 1/4-20 X 1 GRD 5 HHC YEL 150	4	719564

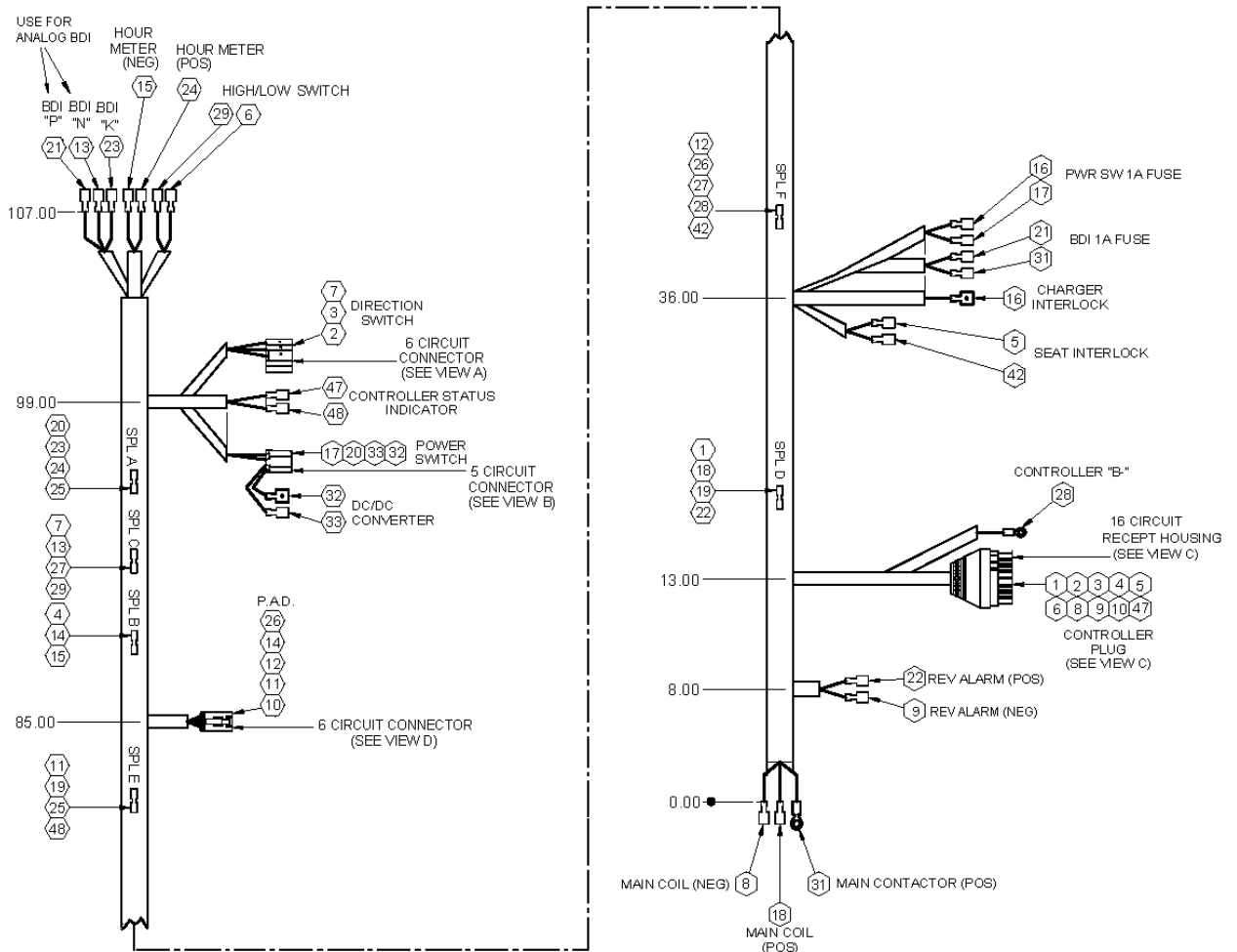
NOTE: Items with * in tables indicates parts not shown in drawing.

The Columbia Vehicle Group

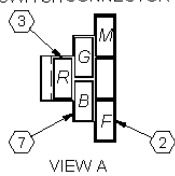
Nordic Group Member Brands | Business Ventures Since 1947



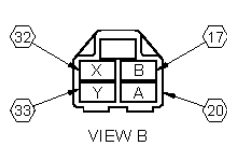
MAIN HARNESS WIRING



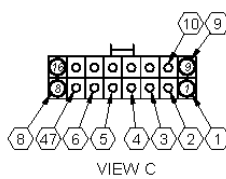
REAR VIEW OF DIRECTION SWITCH CONNECTOR



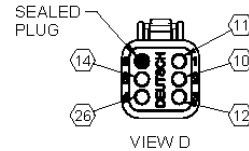
REAR VIEW OF POWER SWITCH CONNECTOR



REAR VIEW OF CONTROLLER CONNECTOR W/MOLDED SEAL

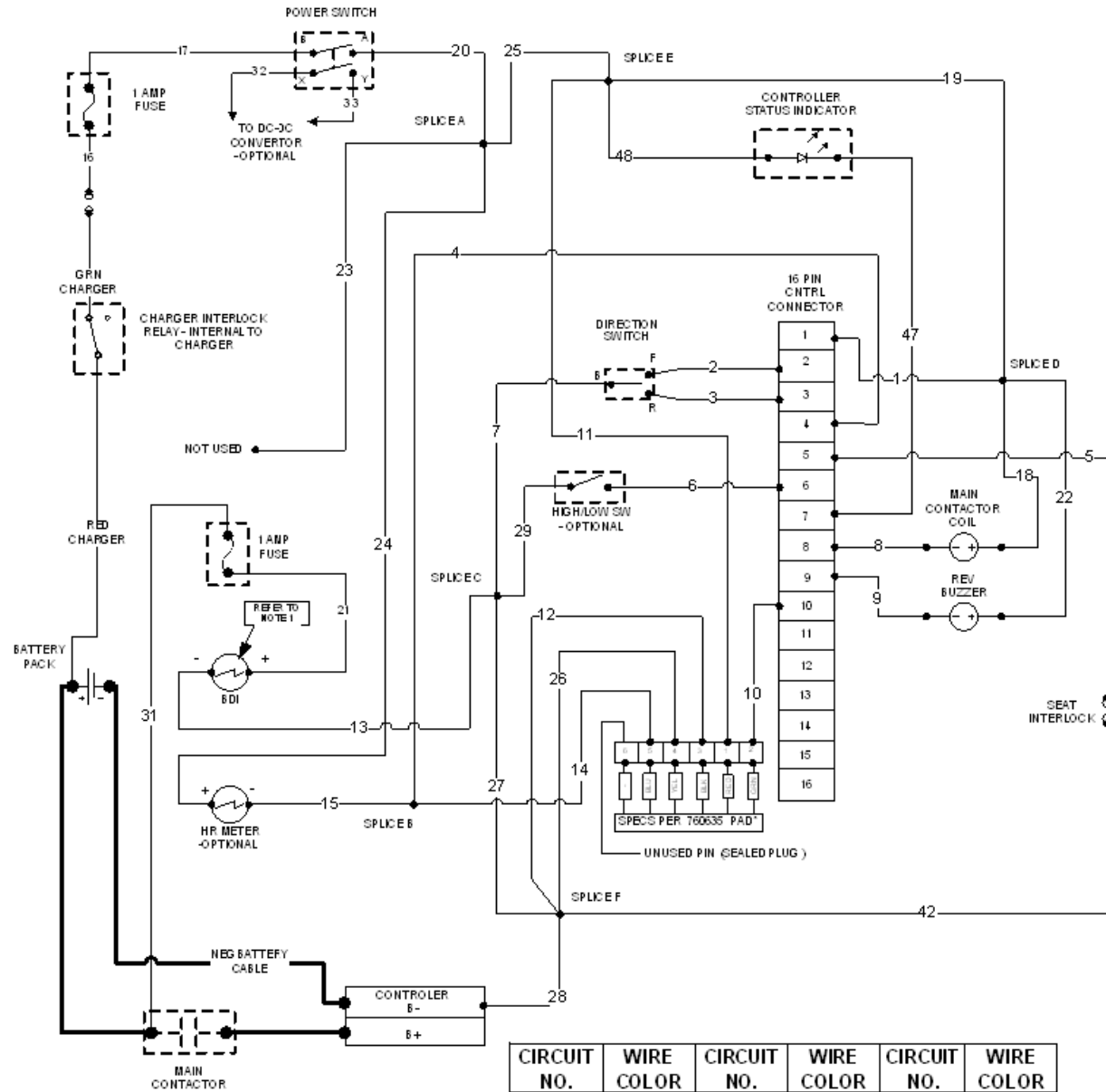


REAR VIEW OF DEUTSCH DT08-6S FOR PAD



NOTE: Items with * in tables indicates parts not shown in drawing.

MAIN HARNESS SCHEMATIC



NOTE:
 1. USES BDI:
 75061-07 BDI METER, 48V VOLTMETER
 75063-07 BDI METER, 24V VOLTMETER

2 * PEDAL ACCELERATOR DEVICE

CIRCUIT NO.	WIRE COLOR	CIRCUIT NO.	WIRE COLOR	CIRCUIT NO.	WIRE COLOR
1	RED	13	BLK	25	WHT
2	GRN	14	BLU	26	YEL
3	GRY	15	BLK	27	BLK
4	BLK	16	RED	28	BLK
5	BLK	17	RED	29	BLK
6	BLK	18	RED	31	RED
7	BLK	19	RED	32	RED
8	BLK	20	RED	33	RED
9	BLK	21	RED	42	BLK
10	GRN	22	YEL	47	BLK
11	RED	23	WHT	48	RED
12	BLK	24	WHT		

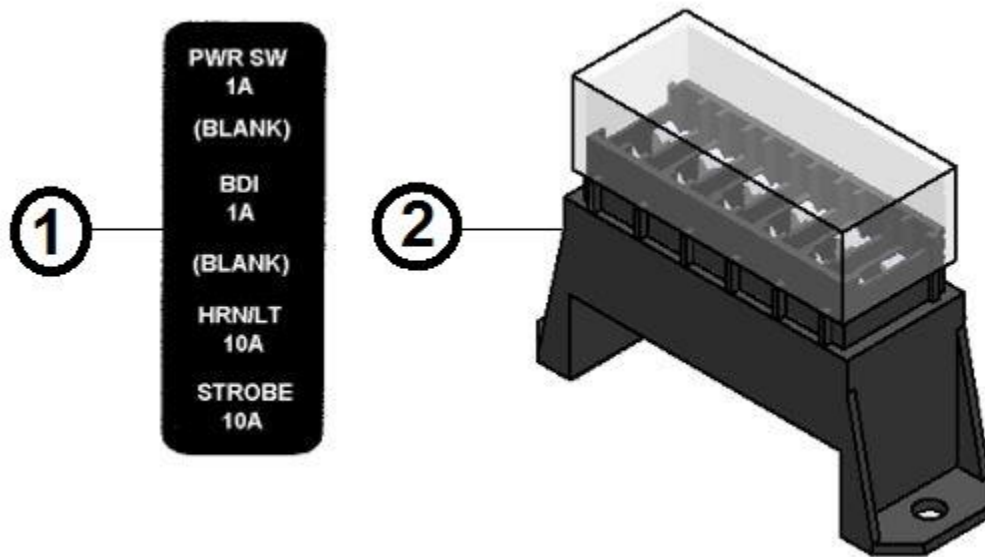
NOTE: Items with * in tables indicates parts not shown in drawing.

MAIN ELECTRICAL COMPONENTS QUICK LOOKUP

ITEM	CPC PN	DESCRIPTION	QTY	REF #
*	75063-07	BDI METER 24V	1	759873
*	75061-07	BDI METER, 48V	1	759842
*	75033-91A	HOUR METER, 10-80 VDC	1	709452
*	72000-10	HIGH/LOW SPEED SWITCH	1	760600
*	71730-01	DIRECTION SWITCH	1	719432
*	71732-06	POWER SWITCH	1	759706
*	40610-10	PEDAL ASSY, ACCELERATOR & HARNESS	1	760635
*	51706-04	SEAT SWITCH	1	308483
*	47895-05A	CONTROLLER	1	467696
*	75594-04	FUSE, 1 AMP ATO/ATC	2	719444
*	71408-96A	AUDIBLE ALARM, 12/48 VDC, SLOW PULSE	1	759831
*	71455-01A	CONTACTOR & MOUNTING BRACKET	1	709166
*	70105-88	CABLE ASSY, POS/NEG 4GAX37	2	709019
*	70351-88	CABLE, 4GA X 16.75	1	709600
*	70112-95	CABLE, 4GA X 25.5	4	709732
*	69948-15	MAIN HARNESS FOR USE W/FUSE BLOCK (See Note)	1	760839

Note: The harness does not come with the fuse block. See below for fuse block parts.

FUSE BLOCK



ITEM	CPC PN	DESCRIPTION	QTY	REF #
1	53282-96	DECAL LABEL SET	1	709703
2	69601-12	FUSE, BLOCK 6-WAY	1	760764
3*	2665	SCREW, 10-24X5/8 PPH, M/S, ZC	2	719584
4*	7624	NUT, 10-24, GR A, NYLOCK	2	719870

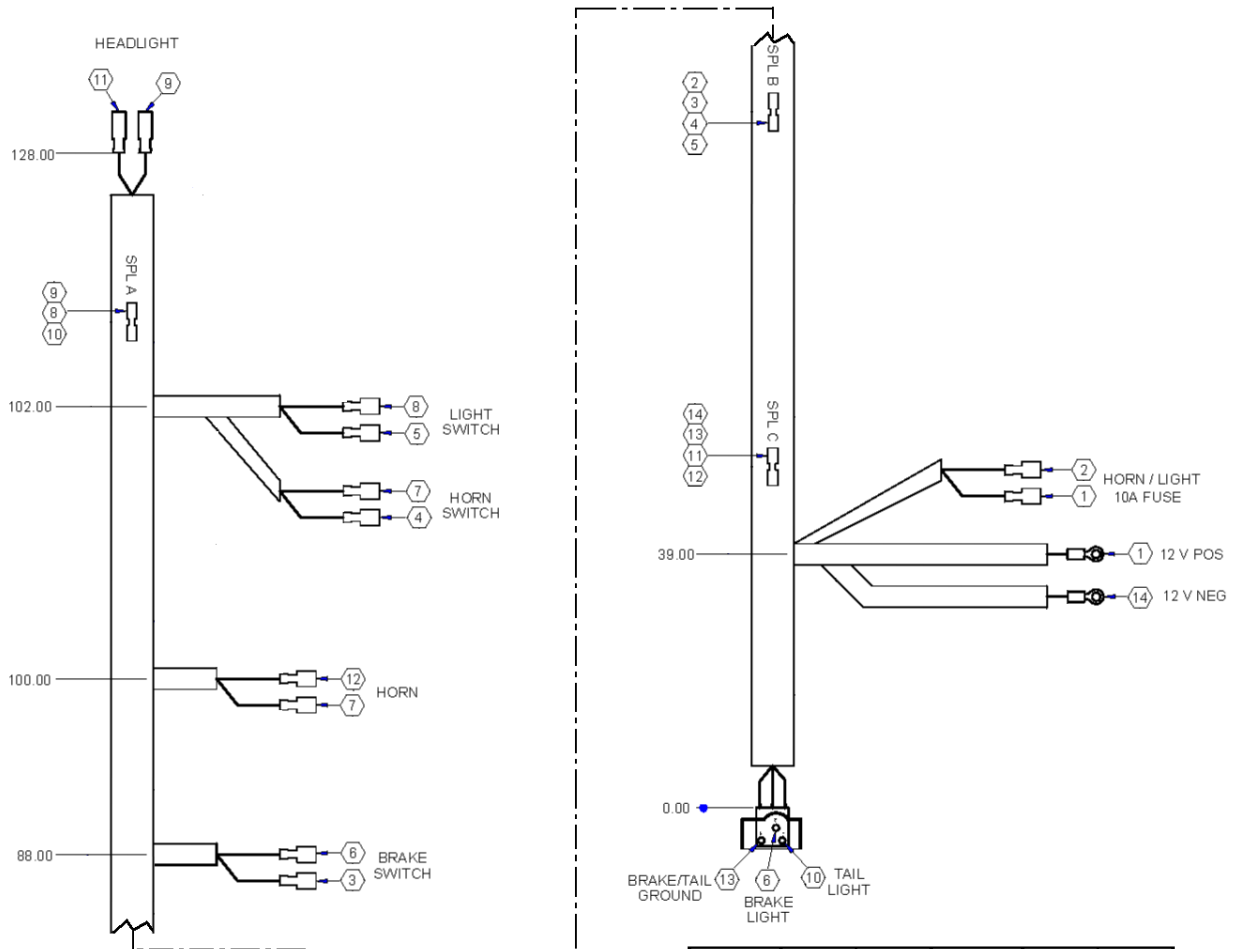
NOTE: Items with * in tables indicates parts not shown in drawing.

The Columbia Vehicle Group

Nordic Group Member Brands | Business Ventures Since 1947



ACCESSORY HARNESS W/FUSE BLOCK

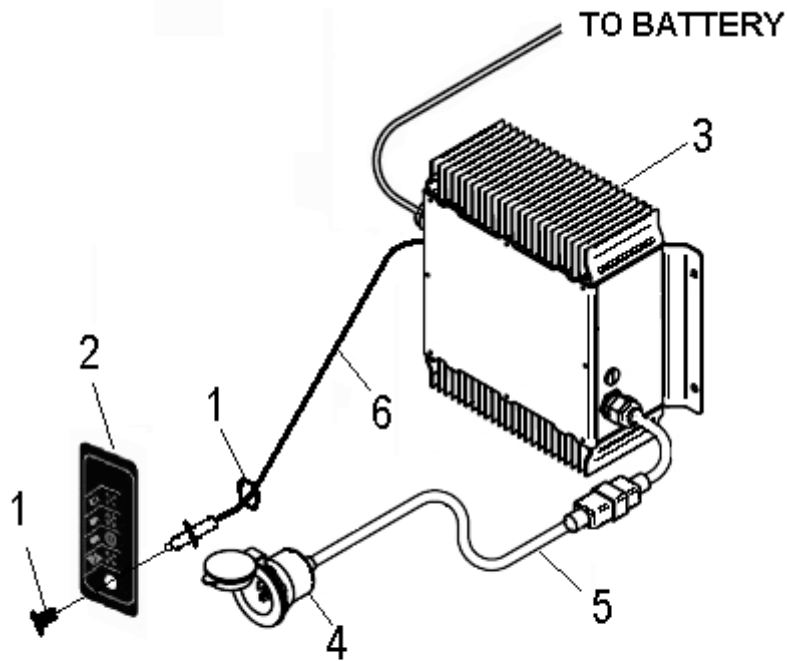


CIRCUIT NO.	WIRE COLOR	WIRE GAGE	CIRCUIT NO.	WIRE COLOR	WIRE GAGE
1	RED	16	8	BLU	16
2	RED	16	9	BLU	16
3	RED	16	10	BLU	16
4	RED	16	11	BLK	16
5	RED	16	12	BLK	16
6	GRY	16	13	BLK	16
7	WHT	16	14	BLK	16

ITEM	CPC PN	DESCRIPTION	QTY	REF #
1	67724-91	HEADLIGHT	2	709389
2	72000-10	SWITCH, TOGGLE, ON/OFF	1	760600
3	69001-76A	HORN	1	709089
4	71807-80	HORN SWITCH	1	709385
5	68040-96	SWITCH, STOP LAMP	1	709704
6	74596-02	FUSE, 10 AMP ATO/ATC	1	709786
7	68020-92	LIGHT, 4", TAIL LAMP ASSY	1	709109
8	69961-12	ACCESSORY WIRE HARNESS W/FUSE BLOCK, 12V	1	760838
9	68828-04	HEADLIGHT KIT	1	190473U

NOTE: Items with * in tables indicates parts not shown in drawing.

CHARGER WITH REMOTE LED

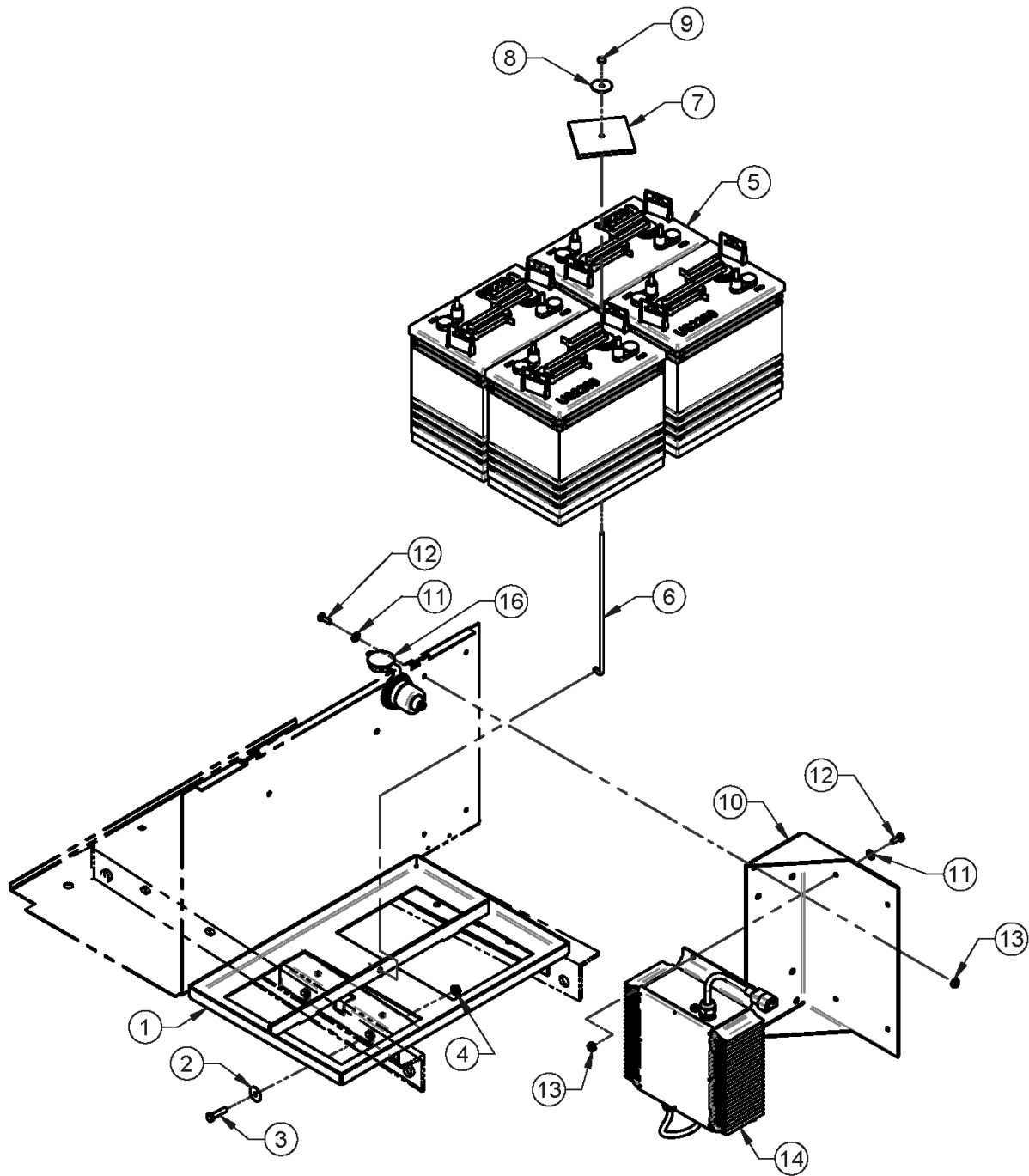


LED & LABEL POSITION WILL BE LOCATED
ADJACENT TO THE CHARGER AC RECEPTICLE

ITEM	CPC PN	DESCRIPTION	QTY	REF #
1	9951	CR-174 CLIP & RING	1	781989
2	66584-12	LED FRONT LABEL	1	760754
3a	43500-12	CHARGER, 24V W/LED, STANDARD	1	760744
3b	66583-12	CHARGER, 48V W/LED	1	760742
3c	66530-12	CHARGER, 24V W/LED, AGM BATT (Uses Item 3a)	1	467842
3d	66582-12	CHARGER, 48V W/LED, AGM BATT (Uses Item 3b)	1	467839
4	66034-02	PLUG, POWER INLET 120V SEALED	1	709558
5	See Item 8	CHARGER CORD 16"	1	761253
6	66029-12	LED 25' CABLE	1	760817
7*	66493-67A	EXTENSION CORD (VEHICLE TO AC POWER)	1	709890
8*	69616-15	ASSEMBLY, CORD W/ RECEPTACLE (Includes 4 & 5)	1	468104

NOTE: Items with * in tables indicates parts not shown in drawing.

BATTERIES



NOTE: Items with * in tables indicates parts not shown in drawing.

The Columbia Vehicle Group

Nordic Group Member Brands | Business Ventures Since 1947



BATTERIES (Continued)

ITEM	CPC PN	DESCRIPTION	QTY	REF #
1a	67105-04	WELDM'T, BTRY TRAY - 4 X 6V, EX 21	1	307500
1b	Special Order	WELDM'T, BTRY TRAY - 4 X 12V, EX 21	1	307602
2	6000-B	WASHER, 5/16	4	719771
3	2871-W	SCR, 5/16-18 X 1-1/4 GRD 5 HHC	4	719592
4	7739	NUT, 5/16-18 NYLOCK	4	719892
5a	66014-03	BATTERY, 6V, DEEP CYCLE, (US-2200)	4	719229
5b	66005-03	BATTERY, 6V, DEEP CYCLE, (US-145)	4	719231
5c	66200-10	BATTERY, 6V, DEEP CYCLE, (AGM)	4	760586
5d	66526-11	BATTERY 12V DEEP CYCLE, (AGM)	4	760737
5e	Special Order	BATTERY, 6V, DEEP CYCLE, T605	4	761158
6	66561-90A	ROD, BATTERY HOLD DOWN	1/2	709059
7	66362-96	PLATE, BATTERY HOLD DOWN	1/2	513002
8	6256	WASHER FLT STAINLESS .28X1.375X.06	1	719786
9	7680	NUT 1/4-20 NE 316 STAINLESS NYLON	1	719876
10	66437-03	BRKT, CHARGER MT	1	307471
11	6703-B	WASHER FLT STL 1/4 SAE UNHARD BLK	8	719811
12	3787-B	SCREW, HEX HEAD CAP 1/4-20 X 3/4 G5	8	719636
13	7724-B	NUT 1/4-20 GR A SERRATED FLNG LOCK	8	719887
14	-	CHARGER (See Section 5 Page 8)	1	-
16	66034-02	PLUG, POWER INLET 120V SEALED	1	709558
17*	66493-03	CHARGER CORD, 6' (L), 14/3 WIRE (CHARGER TO VEHICLE INLET PLUG, ITEM 16)	1	719264
18*	66493-67A	EXTENSION CORD (VEHICLE TO AC POWER)	1	709890
19*	70099-88	CABLE, BATTERY, 4GA x 8.75"	3	709004

NOTE: Items with * in tables indicates parts not shown in drawing.

The Columbia Vehicle Group

Nordic Group Member Brands | Business Ventures Since 1947



THIS PAGE INTENTIONALLY LEFT BLANK

Columbia / ParCar OEM Parts
evtechnicalservices.com



The Columbia Vehicle Group
Nordic Group Member Brands | Business Ventures Since 1947





COLUMBIA

EX21

Parts Manual

Section 6

Accessories

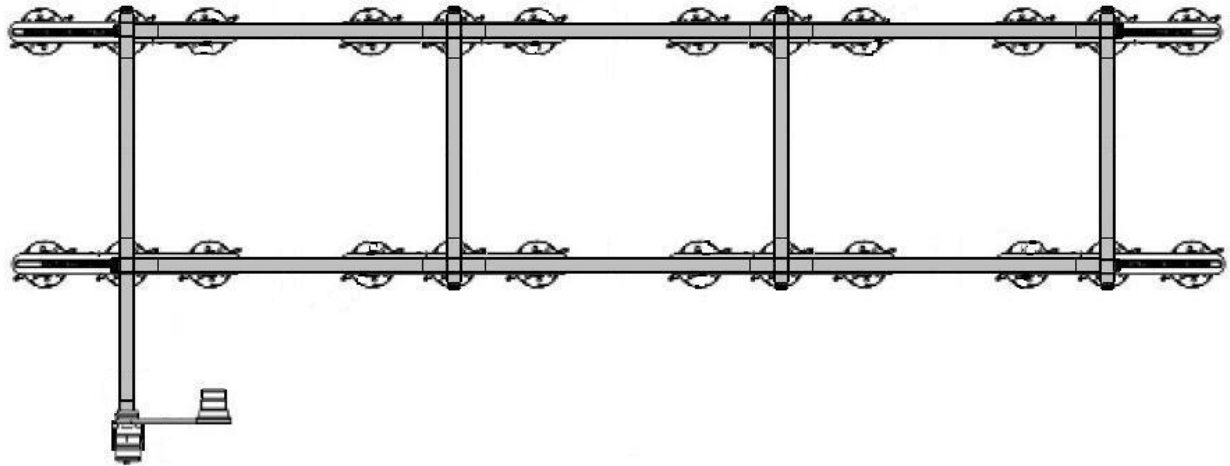
&

Options

Columbia / ParCar OEM Parts
evtechnicalservices.com



BATTERY WATERING SYSTEM



ITEM	CPC PN	DESCRIPTION	QTY	REF #
1	66210-07	WATERING ASSEMBLY	1	759857
2	66211-07	PUMP	1	759858

NOTE: Items with * in tables indicates parts not shown in drawing.

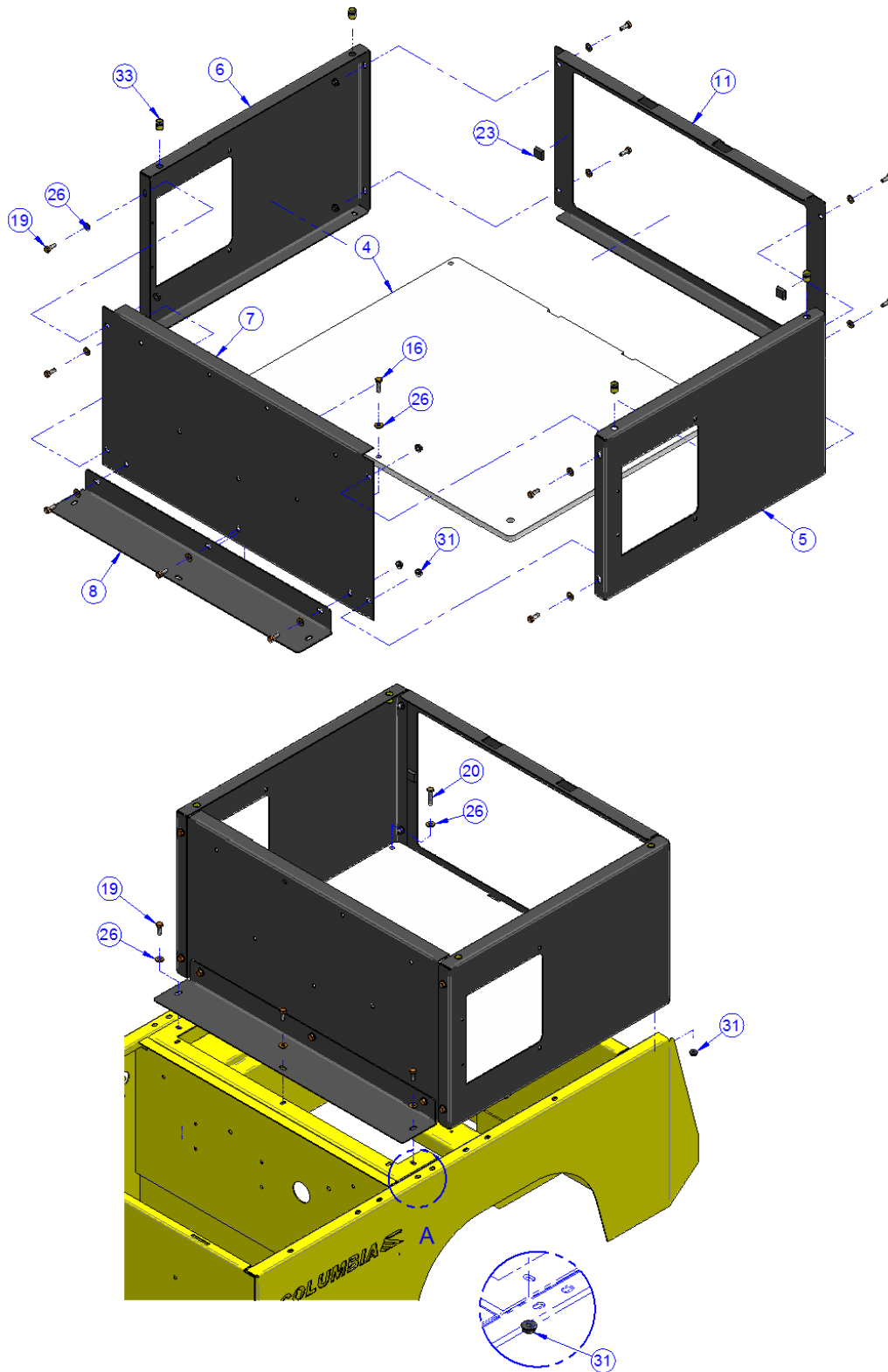
Columbia / ParCar OEM Parts
 evtechnicalservices.com

The Columbia Vehicle Group

Nordic Group Member Brands | Business Ventures Since 1947



BODY – TOOL EXPRESS



NOTE: Items with * in tables indicates parts not shown in drawing.

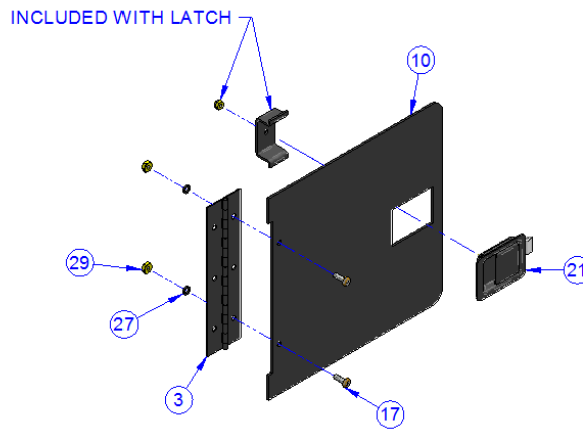
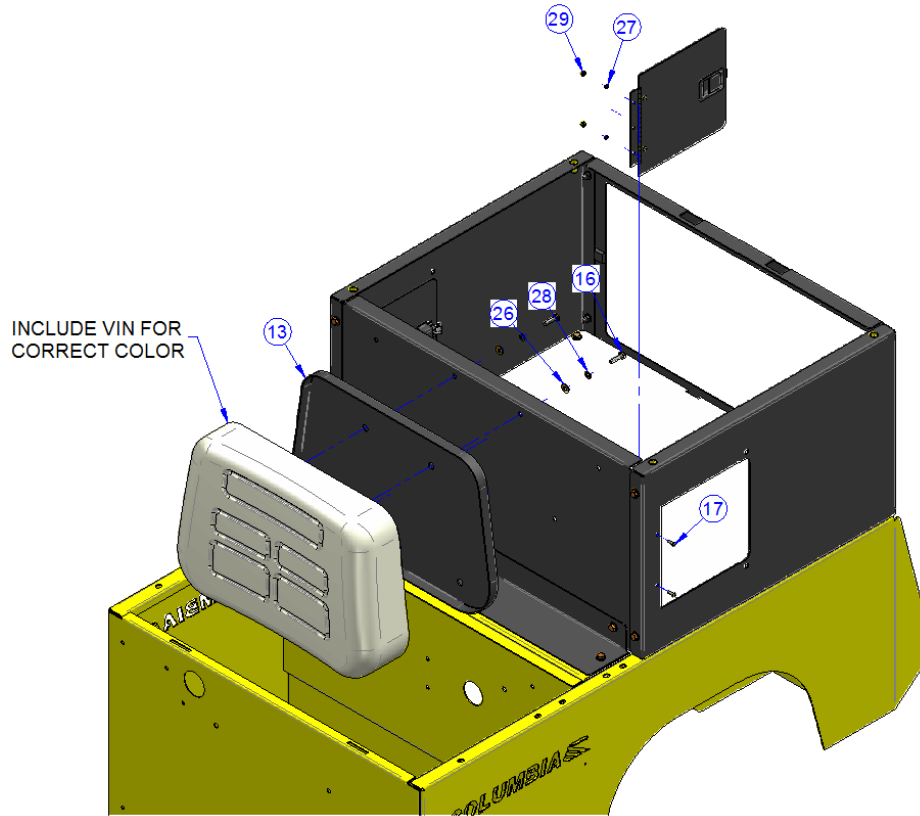
Columbia / ParCar OEM Parts
 evtechnicalservices.com

The Columbia Vehicle Group

Nordic Group Member Brands | Business Ventures Since 1947



BODY – TOOL EXPRESS (Continued)



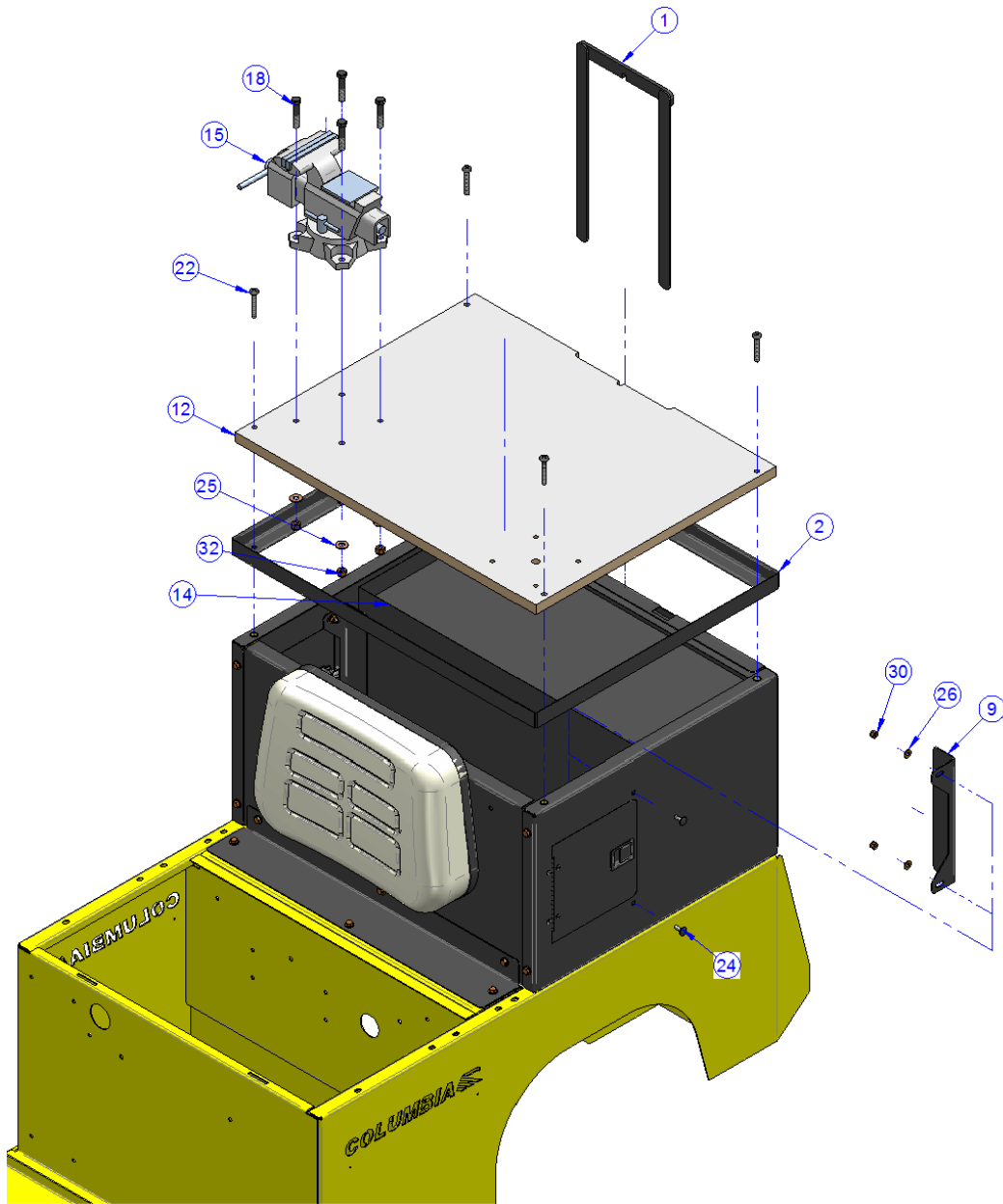
NOTE: Items with * in tables indicates parts not shown in drawing.

The Columbia Vehicle Group

Nordic Group Member Brands | Business Ventures Since 1947



BODY – TOOL EXPRESS (Continued)



Columbia / ParCar OEM Parts
evtechnicalservices.com

NOTE: Items with * in tables indicates parts not shown in drawing.

The Columbia Vehicle Group

Nordic Group Member Brands | Business Ventures Since 1947



BODY – TOOL EXPRESS (Continued)

ITEM	CPC PN	DESCRIPTION	QTY	REF #
1	Special Order	LOCKING BAR	1	305435
2	Special Order	FRAME	1	305437
3	52990-96	SEAT HINGE	2	309105
4	Special Order	LOWER DECK BOARD,	1	509992
5	Special Order	LH SIDE PANEL	1	509993
6	Special Order	RH SIDE PANEL	1	509994
7	Special Order	BACK PANEL	1	509995
8	Special Order	SUPPORT BRACKET	1	509996
9	Special Order	DOOR STOP BRACKET	2	509998
10	Special Order	DOOR	2	509999
11	Special Order	FRONT PANEL	1	510034
12	60068-09	DECK MEZZTREAD	1	513017
13	52948-96	SEAT BACK COVER	1	709025
14	50951-98	TOOL BOX	1	709947
15	65270-98	VICE	1	709950
16	2551-W	SCREW, 1/4-20X1, HHC	4	719564
17	2612-B	SCREW, #8-32X1/2 PPH, M/S, 18-8	8	719571
18	3775	SCREW, 3/8-16X2 HHC, G5	4	719634
19	3787-B	SCREW, 1/4-20X3/4 HHC	14	719636
20	3993	SCREW, 1/4-20X1 1/4, HHC	2	719644
21	50600-98	LATCH PADDLE	2	719724
22	5207-BS	SCREW, 5/16-18X2 PPH	4	719730
23	52330-86	BUMPER, BLACK	2	719738
24	5405-B	SCREW, 1/4-20X3/4 CARRIAGE	4	719747
25	6000-B	WASHER, 5/16	4	719771
26	6703-B	WASHER, 1/4	24	719811
27	7015-B	WASHER, #8 LOCK	8	719833
28	7036-B	WASHER, 1/4, LOCK	3	719834
29	7608-B	NUT, #8, HEX	8	719867
30	7686	NUT 1/4-20, NYLOCK	4	719879
31	7724-B	NUT, 1/4-20 SERR FLNG LOCK	17	719887
32	7778	NUT, 3/8-16 NYLOCK	4	719902
33	8206	THREADED INSERT, 5/16-18	4	719929

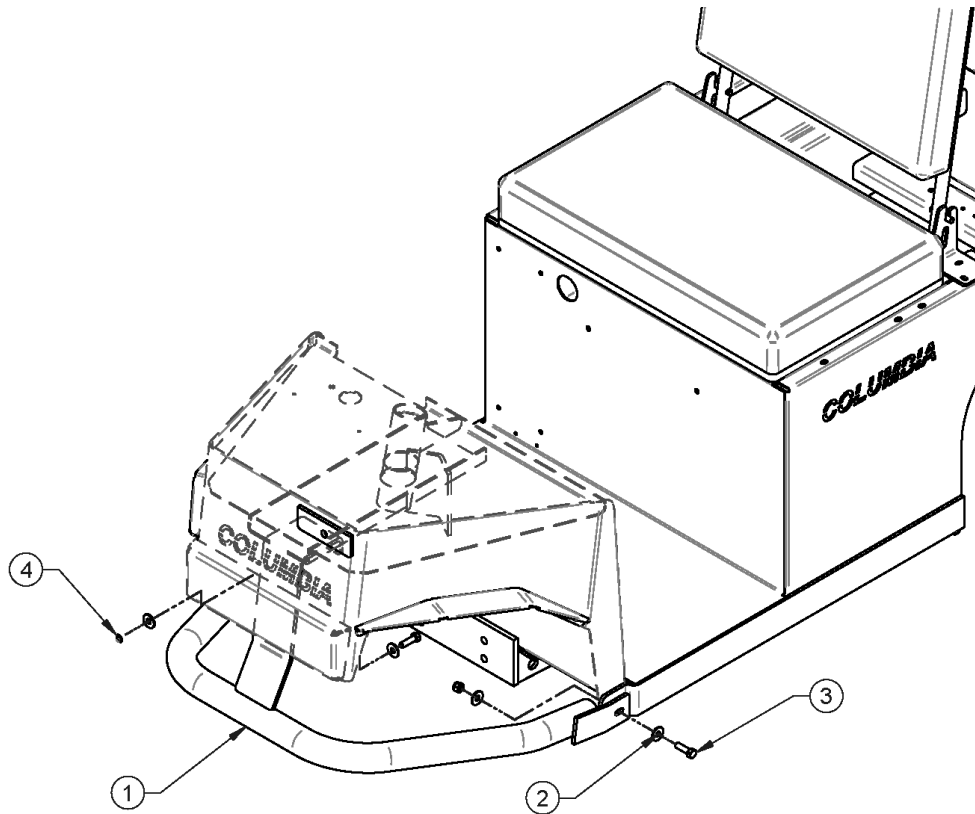
NOTE: Items with * in tables indicates parts not shown in drawing.

The Columbia Vehicle Group

Nordic Group Member Brands | Business Ventures Since 1947



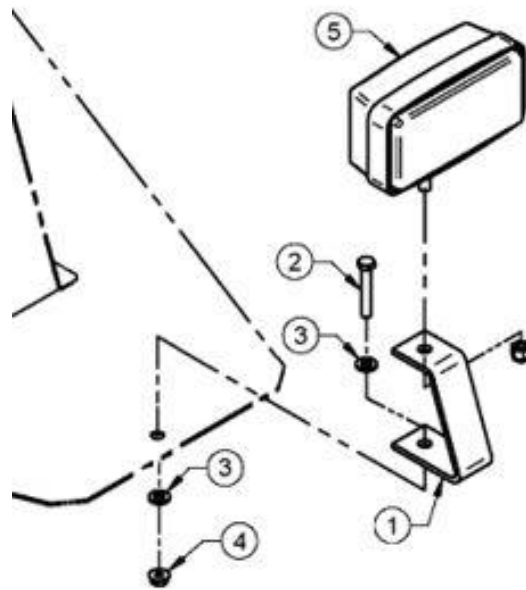
FRONT BUMPER - 3 WHEEL



ITEM	CPC PN	DESCRIPTION	QTY	REF #
1	44924-05	FRONT BUMPER	1	307830
2	6416	WASHER 3/8	6	719796
3	4716-W	SCREW 3/8-16X1 1/4 HHC	3	719694
4	7778	NUT 3/6-16 NYLOCK	3	719902
5	44925-05	KIT, FRONT BUMPER	1	190467U

NOTE: Items with * in tables indicates parts not shown in drawing.

HEADLIGHT



ITEM	CPC PN	DESCRIPTION	QTY	REF #
1	68841-00	LIGHT MOUNTING. BRACKET.	1	509203
2	2667	SCREW, 5/16-18 X 2 GRD 5 HHC YEL 150	1	719585
3	6702-B	WASHER FLT STL 5/16 BLK MAXCOAT	2	719810
4	7739	NUT, 5/16-18 NYLOCK	1	719892
5	67724-91	HEADLIGHT	1	709389
6*	10008	CABLE TIE 5 3/4"	2	719501
7*	10020	CABLE TIE MOUNTING BRACKET	2	719503
8*	72000-10	TOGGLE SWITCH	1	760600
9*	68828-04	KIT, HEADLIGHT (Includes Items 1-8)	1	190473U

NOTE: IF NOT EQUIPPED WILL REQUIRE AN ACCESSORY HARNESS (P/N 78871-03)



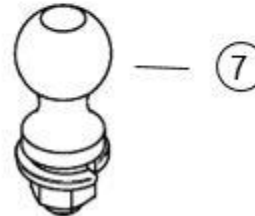
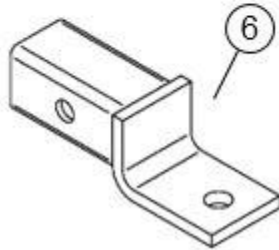
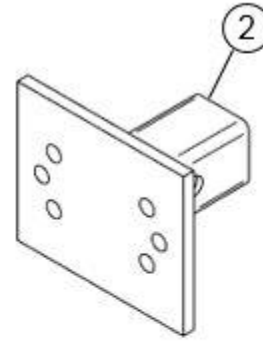
NOTE: Items with * in tables indicates parts not shown in drawing.

The Columbia Vehicle Group

Nordic Group Member Brands | Business Ventures Since 1947



HITCHES



ITEM	CPC PN	DESCRIPTION	QTY	REF #
1	57315-96	PINTLE HOOK HITCH	1	709833
2	82071-05	HITCH PLATE	1	307716
3*	82062-02	HITCH PIN 5/8 OD (used with Items 2 & 6)	1	719210
4*	7812-W	NUT, 1/2-20 NYLOK GR A (Used with Item 1)	4	719907
5*	4010	SCREW, 1/2-20x1.5 HHCS G5 (Used with Item 1)	4	729809
6	82072-05	BALL MOUNT RECEIVER	1	306922
7a	82065-98	TRAILER HITCH BALL, CHROME 1 7/8"	1	719008
7b	82064-02	HITCH BALL, 2"	1	719207
*	57314-04	KIT, COMPLETE (Includes items 1-5)	1	190468U

NOTE: Items with * in tables indicates parts not shown in drawing.

Columbia / ParCar OEM Parts
evtechnicalservices.com

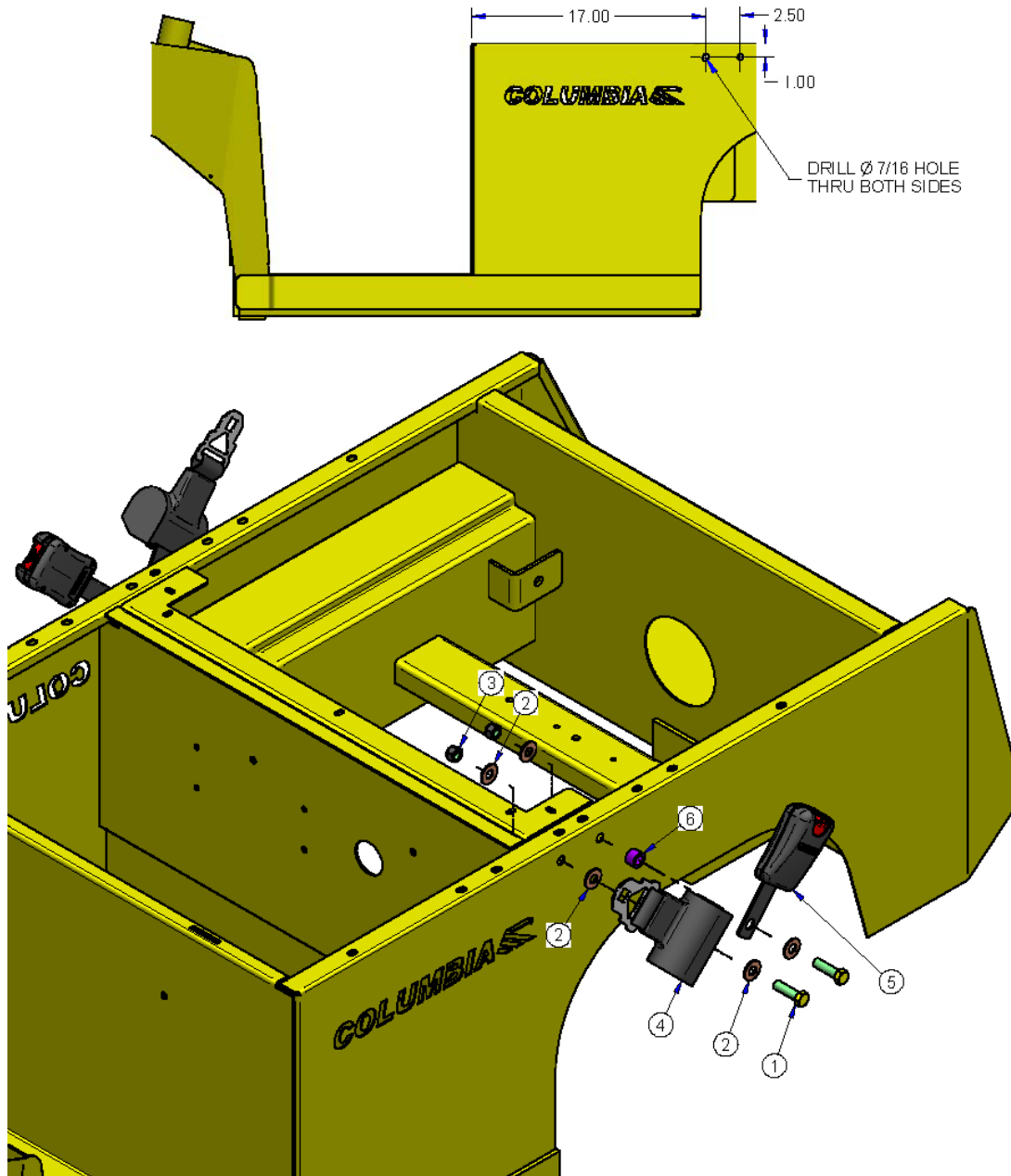


The Columbia Vehicle Group

Nordic Group Member Brands | Business Ventures Since 1947



SEAT BELTS



Columbia / ParCar OEM Parts
evtechnicalservices.com

ITEM	CPC PN	DESCRIPTION	QTY	REF #
1	4256	SCREW, 7/16-20X1.5 HHC	4	719665
2	6416	WASHER, 3/8 FLT	10	719796
3	7825	NUT, 7/16-20 NYLOCK	4	719908
4	75504-09	SEAT BELT 48"	2	741359
5	75502-09	SEAT BELT ATS BUCKLE	2	741361
6	47980-10	SPACER, .75 OD X .50 ID X.50 LG	2	760671

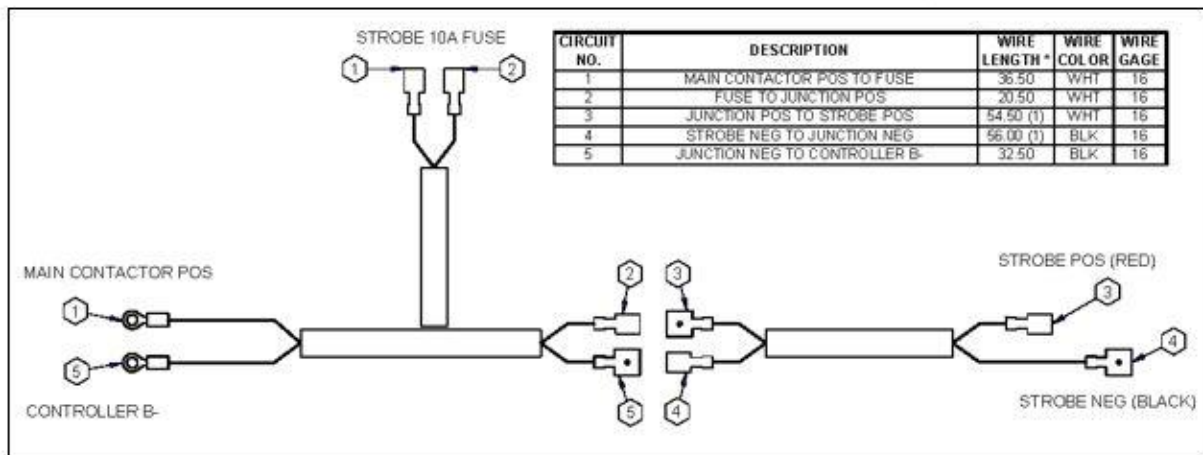
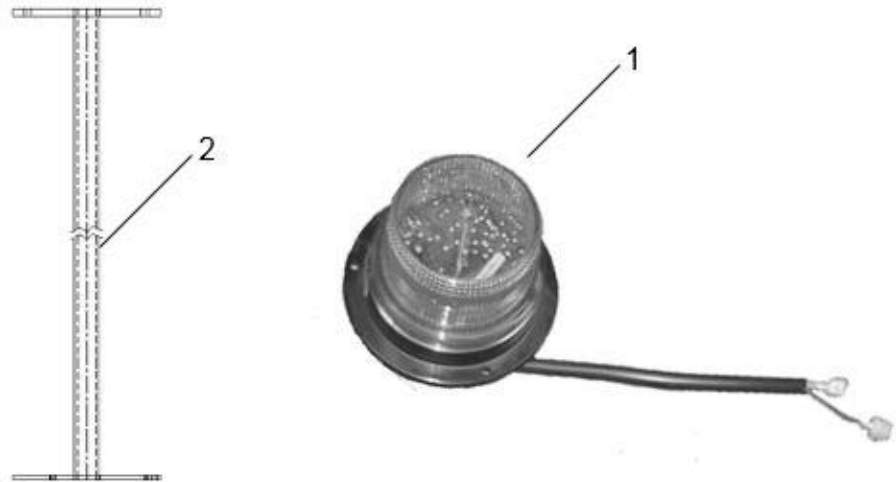
NOTE: Items with * in tables indicates parts not shown in drawing.

The Columbia Vehicle Group

Nordic Group Member Brands | Business Ventures Since 1947



STROBE LIGHT



ITEM	CPC PN	DESCRIPTION	QTY	REF #
1	68029-06	STROBE LIGHT ASSY	1	467408
2	68504-02	LIGHT MAST(Mounts to body with Items 9 – 11)	1	306164
3*	10020	CABLE TIE MOUNTING BRACKET	3	719503
4*	11416	GROMMET 3/8X7/8	1	719522
5*	2339	SCREW, #10-24X3/4, HH	3	719551
6*	10043	CABLE TIE	2	719504
7*	Special Order	HARNESS, STROBE	1	467408
9*	3787-B	SCREW 1/4-20X3/4 HHC	4	719636
10*	6703-B	WASHER 1/4	4	719811
11*	7624	NUT, 1/4-20 NYLOCK	3	719870
12*	7692	NUT, 1/4-20 NYLOCK	4	719882
13*	68827-13	KIT, STROBE AMBER POLE (Includes above Items)	1	192600U

NOTE: Items with * in tables indicates parts not shown in drawing.

The Columbia Vehicle Group

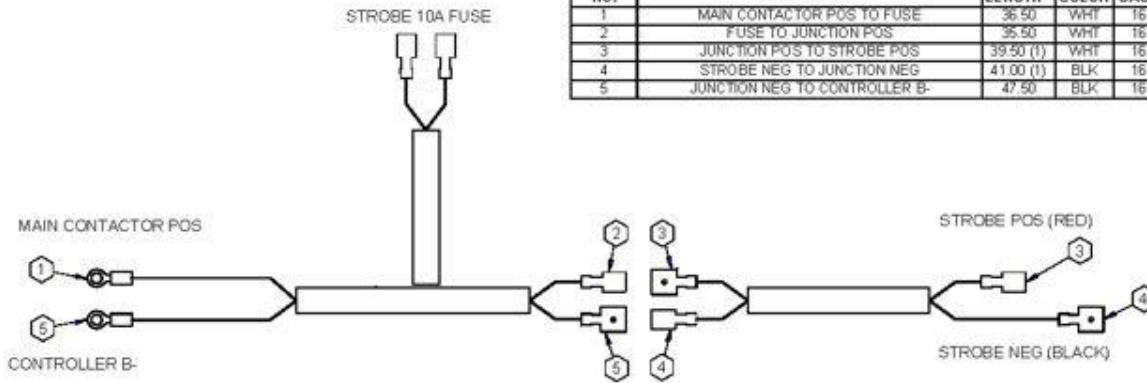
Nordic Group Member Brands | Business Ventures Since 1947



STROBE LIGHT – TOOL EXPRESS



CIRCUIT NO.	DESCRIPTION	WIRE LENGTH *	WIRE COLOR	WIRE GAGE
1	MAIN CONTACTOR POS TO FUSE	36.50	WHI	16
2	FUSE TO JUNCTION POS	36.50	WHI	16
3	JUNCTION POS TO STROBE POS	39.50 (1)	WHI	16
4	STROBE NEG TO JUNCTION NEG	41.00 (1)	BLK	16
5	JUNCTION NEG TO CONTROLLER B-	47.50	BLK	16



ITEM	CPC PN	DESCRIPTION	QTY	REF #
1	68029-06	STROBE LIGHT ASSY	1	467408
2	Special Order	LIGHT POLE	1	304767
3*	10020	CABLE TIE MOUNTING BRACKET	3	719503
4*	2339	SCREW, #10-24X3/4, HH	3	719551
5*	10043	CABLE TIE	4	719504
6*	Special Order	HARNESS, LIGHT MAST TE31	1	467957
7*	3454-BS	SCREW 1/4-20X1 3/4 HHC	4	719623
8*	6703-B	WASHER 1/4	8	719811
9*	7624	NUT, 1/4-20 NYLOCK	3	719870
10*	7686	NUT, 1/4-20 NYLOCK	4	719879

NOTE: Items with * in tables indicates parts not shown in drawing.

The Columbia Vehicle Group

Nordic Group Member Brands | Business Ventures Since 1947





COLUMBIA

Columbia / ParCar OEM Parts
evtechnicalservices.com



1115 Commercial Avenue • Reedsburg, WI 53959
Phone: (608) 524-8888 • (800) 222-4653 • Web: www.ColumbiaUSA.com

The Columbia Vehicle Group
Nordic Group Member Brands | Business Ventures Since 1947

