



Columbia ParCar Corp.

2011 Parts Manual

SCOUT Electric

PS10E

PREFACE

Welcome, and congratulations on your choice of vehicle from Columbia ParCar Corp.! Your vehicle has been designed and manufactured to conform to applicable sections of ANSI B56.8. Your safe use and operation of your vehicle is important to us. Any alteration of your Columbia vehicle that results in the vehicle being in noncompliance with applicable ANSI standards is strictly prohibited. Columbia ParCar Corp. is not responsible or liable for any damage that results from any such alteration, and all warranties for any such altered vehicles are null and void.

These vehicles are not designed for over-the-road use. They do not conform to Federal Motor Vehicle Safety Standards or EPA regulations, and are not equipped for operation on public streets, roads, or highways.

To the best knowledge of Columbia ParCar Corp., the material contained herein is accurate as of the date this publication was approved for printing. Columbia ParCar Corp. is not liable for errors in this manual or for incidental or consequential damages that result from the use of the material in this manual. Columbia ParCar Corp. reserves the right to change specifications, equipment or designs at any time without notice and without incurring obligation.

This manual contains proprietary information that is protected by copyright. All rights are reserved. No part of this manual may be photocopied, reproduced, or translated to another language without the written consent of Columbia ParCar Corp. Columbia ParCar Corp. products are manufactured under one or more of the following U.S. Patents - 2986162, 2987934, 3116089, 3144631, 3144860, 3229792, 3434887, 3559773, 3673359, 3680403, 3683716, 3709317, 4648473, Des. 225626.



Columbia ParCar Corp.

A member of the Nordic Group of Companies
1115 Commercial Avenue, Reedsburg, WI 53959
Phone - 608.524.8888 Fax - 608.524.8380
www.parcars.com

INDEX

SECTION 1 Accelerator and Brake Linkage

Accelerator Assembly – Mechanical Brakes.....	1-1
Mechanical Brake Pedal Assembly w/ Lights	1-3
Mechanical Brake Pedal Assembly w/o Lights	1-5
Mechanical Brake Pedal Rod Attachment	1-7
Parking Brake Catch	1-8

SECTION 2 Steering and Front Suspension

Front Wheel Assembly	2-1
Front Suspension	2-2
Steering Column	2-6
Rack & Pinion Assembly	2-8

SECTION 3 Rear Suspension, Motor and Axles

Rear Suspension and Motor	3-1
Axle	3-5
Gear Set.....	3-8
Axle Brace Kit.....	3-9
Mechanical Brake Assembly.....	3-10
Motor, Sep Ex	3-12

SECTION 4 Body, Seating and Console Instrumentation

Body Bucket Seats.....	4-1
Bucket Seats	4-3
Body Bench Seats.....	4-4
Console	4-6
Dash.....	4-7
Front Hood and Cover.....	4-10
Front Wraparound Bumper & Receiver.....	4-11
Rear Bumpers	4-12
Rear Bumper with Receiver	4-13
Seat Belts – Bench.....	4-14
Seat Belts – Bucket.....	4-15
Steel Deck.....	4-16
Wheels	4-16

SECTION 5 Electrical System

Main Wire Harness.....	5-1
Main Wire Harness Schematic.....	5-2
12 V Electrical Accessory Supply	5-3
DC/DC Converter Wiring.....	5-4
12 V Electrical Accessory.....	5-5
DC-DC Converter Schematic.....	5-6
12 V Accessory Schematic	5-7
Back-Up Lights Harness Schematic with DC-DC Converter	5-8
Back-Up Lights Harness Schematic Ace +	5-9
Control Panel Components	5-10
Charger & Battery	5-11
Delta Q Charger with Remote LED.....	5-13
Pot Box Adapter Harness.....	5-14



SECTION 6 Accessories

Cargo Steel Sides 6-1
 Folding Steel Sides 6-2
 Poly Cargo Dump Box..... 6-3
 Battery Watering System 6-6
 Enclosure 6-7
 Amber Strobe Light Cab/Suntop 6-8
 Amber Strobe Light w/Mast..... 6-9
 Mirrors 6-10
 Windshields..... 6-11
 Windshield Wiper 6-12
 Raindrain Suntop, Bench 6-14
 Raindrain Suntop, Bucket 6-16
 80" Suntop, Bench 6-18
 80" Suntop, Bucket..... 6-20
 Suntop Handle 6-21
 Front Rack 6-22
 Rear Facing Seat & Footrest 6-23
 Cargo Rear Facing Seat 6-25
 Rear Facing Seat Cushions 6-28
 Cab Dome Light 6-30
 Can Fan 6-31
 Heater..... 6-32
 Poly Cargo Dump Box..... 6-33

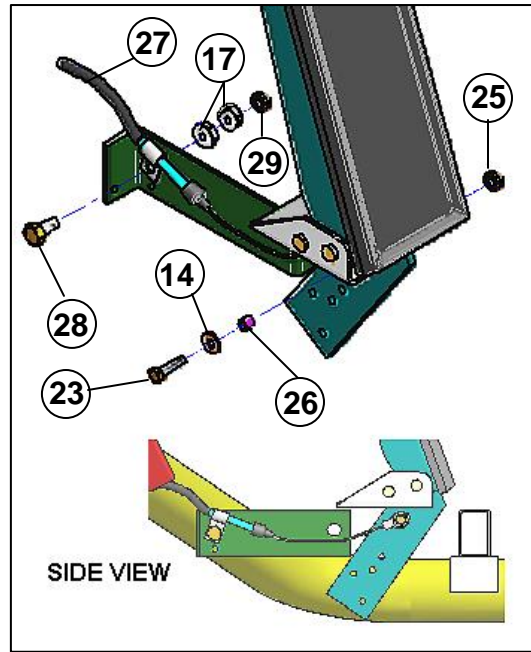
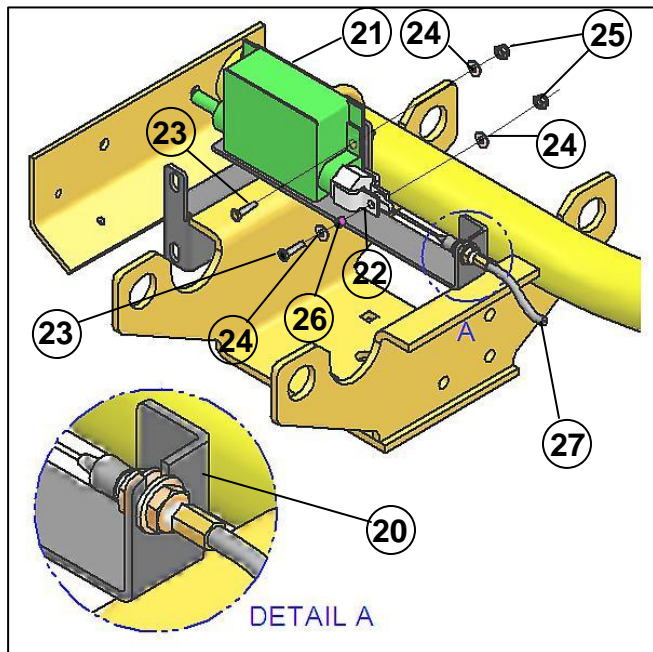
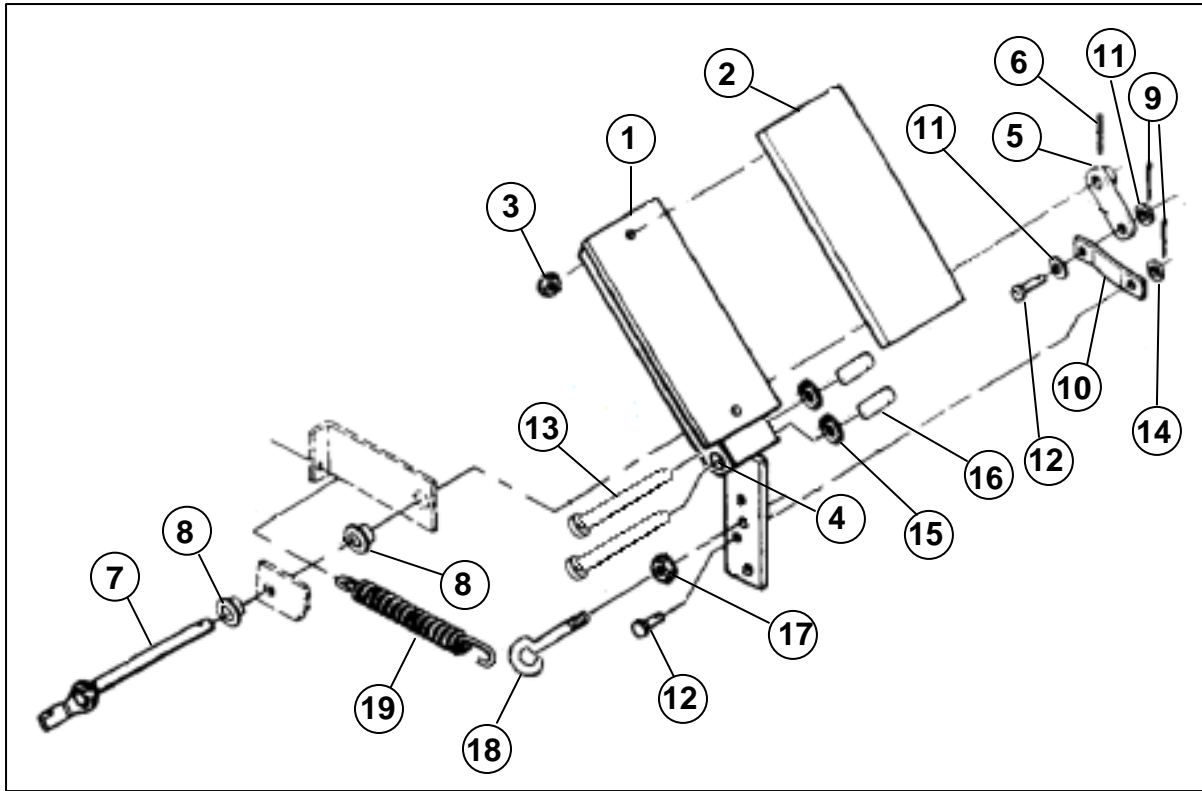
CHANGE HISTORY – S10		
DATE	DESCRIPTION	BY
9/29/11	Issued	TS
10/23/13	Updated accessory harness & wheel information	TS
10/28/13	Added side panels to console	TS
5/6/14	Added note that windshields cannot ship UPS.	TS
7/17/14	Deleted 1008 seats	TS
2/10/15	Changed heater information	TS

Scout Parts Manual

Section 1

Accelerator and Brake Linkage

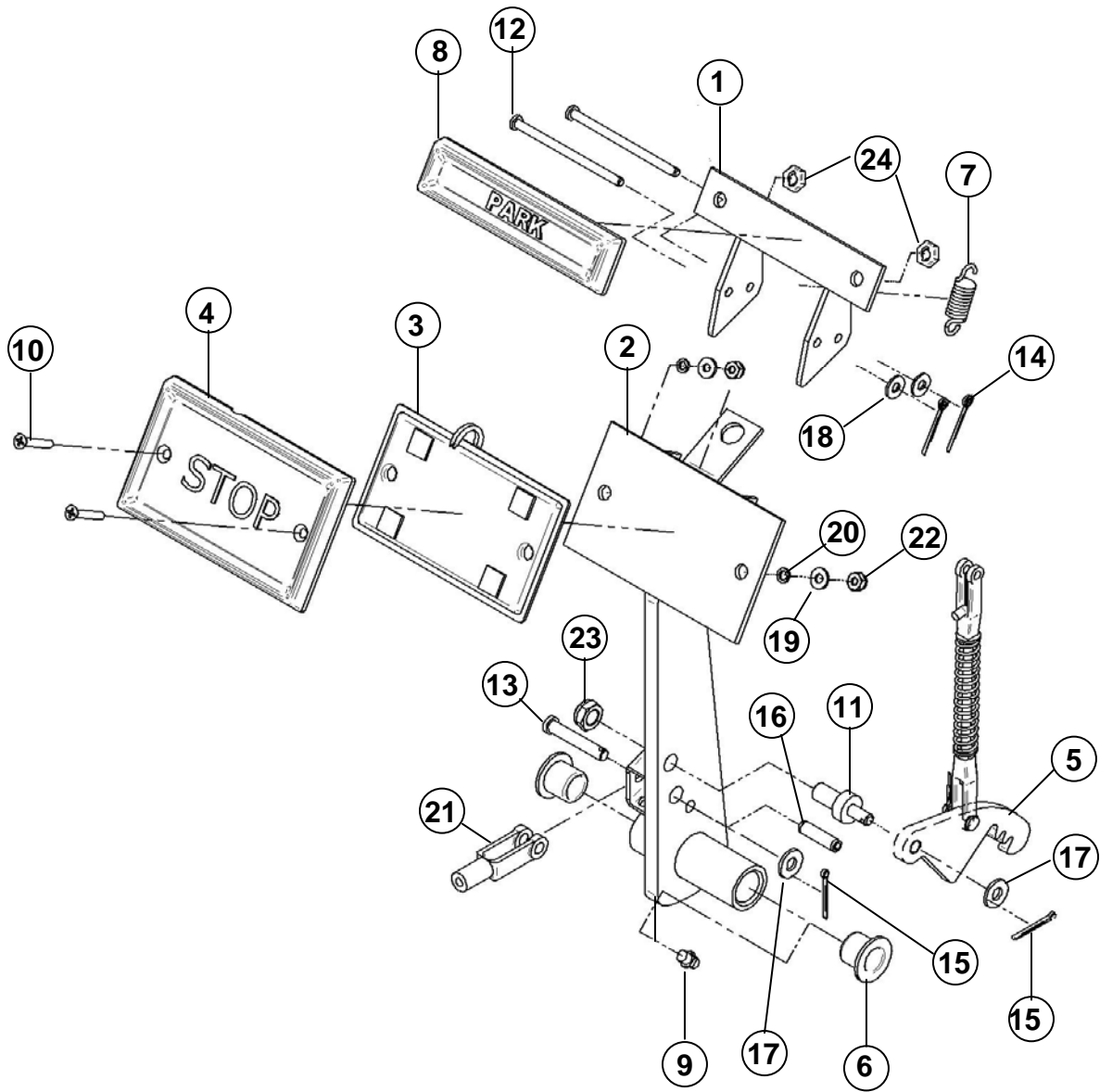
ACCELERATOR ASSEMBLY- MECHANICAL BRAKES – SCOUT



ACCELERATOR ASSEMBLY- MECHANICAL BRAKES – SCOUT Cont.

ITEM	CPC P/N	DESCRIPTION	QTY	SEATS P/N
1	40508-00	PEDAL ACCELERATOR	1	305729
2	40511-00	ACCELERATOR PEDAL PAD	1	709075
3	8128	SPEEDNUT 1/4	2	719922
4	10500	BUSHING PLASTIC (Both sides)	2	719508
N/A	40452-00	ACCELERATOR PEDAL ASSY (Includes Items 1 thru 4)	1	461448
5	40801-89	LINK ASSEMBLY	1	510197
6	601	PIN, ROLL .133X3/4"	1	719773
7	40805-89A	SHAFT, KICKOFF	1	510196
8	10502	BUSHING, KICKOFF SHAFT	2	719509
9	520-W	PIN, COTTER 1/8X1"	2	719728
10	40803-89A	LINK	1	709079
11	6150-W	WASHER, STEEL	2	719781
12	497	CLEVIS PIN 5/16X7/8	2	719713
13	319	CLEVIS PIN 1/4X3 1/2"	2	719598
14	6716	WASHER # 10	1	719812
15	5290	PALNUT, 1/4	2	719740
16	11437	CAP, BLACK VINYL	2	719527
17	7724-B	NUT, 1/4-20, L/N SER-FLG	3	719887
18	5240	EYEBOLT, 1/4-20X1, TURNED	1	719739
19	11805-96	SPRING, EXTENSION 8.2 LBS/IN	1	709076
20	40551-07	MOUNTING BRACKET	1	308613
21	70226-07	SEVCON LINEAR ACCEL.	1	759803
22	73064-07	M10-1.5 CLEVIS YOKE	1	759808
23	2339	SCREW, 10-24X3/4	4	719551
24	6716	WASHER # 10	4	719812
25	7624	NUT 10-24, NYLOCK	4	719870
N/A	70225-07	SEVCON LAD ASSEMBLY (Includes Item 20 and two (2) each Items 21 thru 25)	1	467457
26	5760	SPACER, BRASS	2	719769
27	40553-07A	CABLE, SPEED SWITCH LAD, W/ANTIFREEZE	1	760641
28	2509	SCREW, 1/4-20X1 HHC	1	719560
29	7686	NUT, 1/4-20 NYLOCK	1	719879

MECHANICAL BRAKE PEDAL ASSEMBLY W/LIGHTS – SCOUT

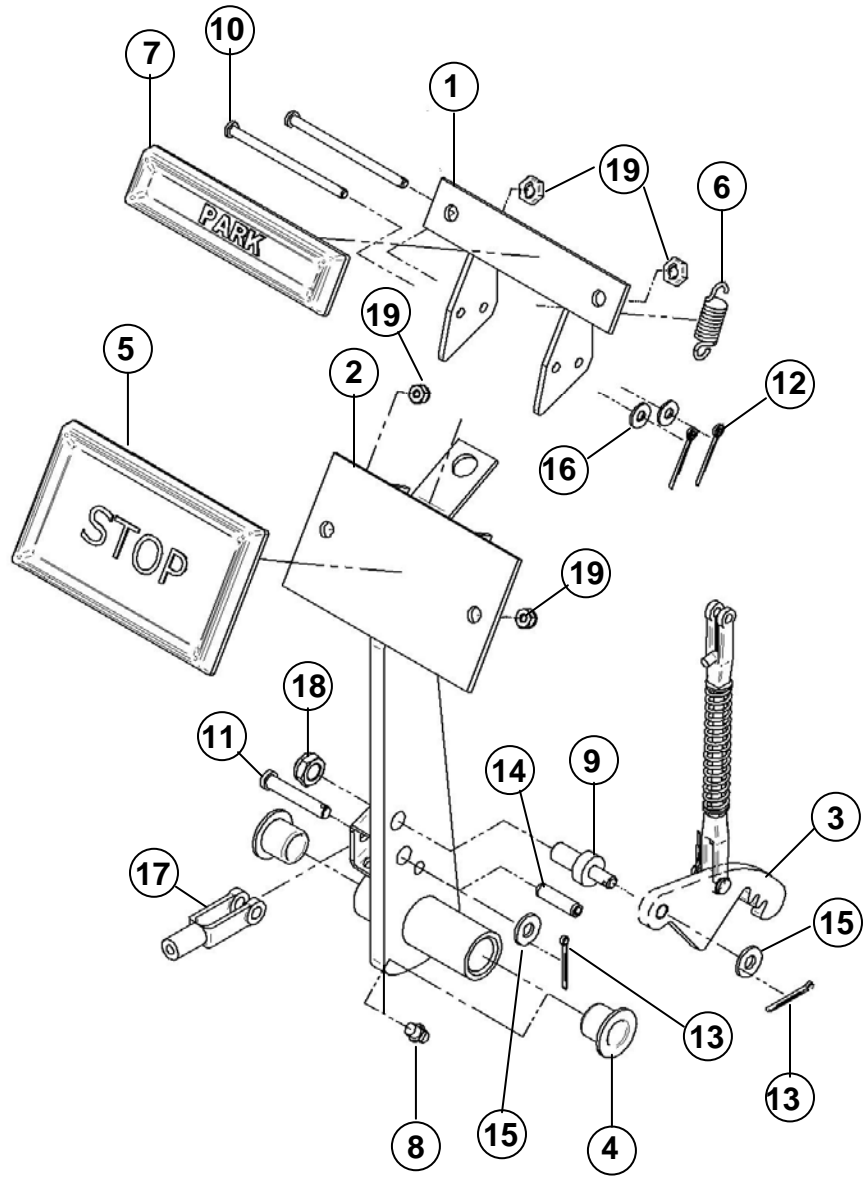


MECHANICAL BRAKE PEDAL ASSEMBLY W/LIGHTS – SCOUT Cont.

ITEM	CPC P/N	DESCRIPTION	QTY	SEATS P/N
1	42461-92	PARKING BRAKE PEDAL	1	303047
2	42410-92	BRAKE PEDAL	1	303070
3	71522-02	TAPESWITCH BRAKE LIGHT	1	464248
4	42407-00A	BRAKE PAD	1	467084
5	N/A	PARKING BRAKE CATCH (See page 1-8 for components)	1	467300
6	26251-30A	BRAKE TUBE BUSHING	2	709026
7	42452-86	RETURN SPRING	1	709070
8	42408-00	PEDAL PAD	1	709071
9	9800	GREASE FITTING	1	709110
10	2616	SCREW, 8-32X1, PFH	2	719574
11	4457	SCREW, 5/8X.25 SHR	1	719689
12	498	PIN, CLEVIS, 3/16X3	2	719714
13	499	PIN, 1/4X1 1/2	1	719715
14	515	COTTER PIN, 1/16X3/4	2	719726
15	533	COTTER PIN, 5/64X1	2	719743
16	611	ROLLED PIN, .25X1	1	719780
17	6703-B	WASHER, 1/4"	2	719811
18	6716	WASHER, #10	2	719812
19	6912-B	WASHER #8	2	719817
20	7015-B	LOCK WASHER #8	2	719833
21	73062-86A	CLEVIS YOKE, 1/4-28 RH	1	719854
22	7609-W	NUT, NYLOCK #8-32	2	719868
23	77776-W	NUT, NYLOCK, 3/8X24	1	719901
24	8128	SPEED NUT 1/4"	2	719922



MECHANICAL BRAKE PEDAL ASSEMBLY W/O LIGHTS – SCOUT

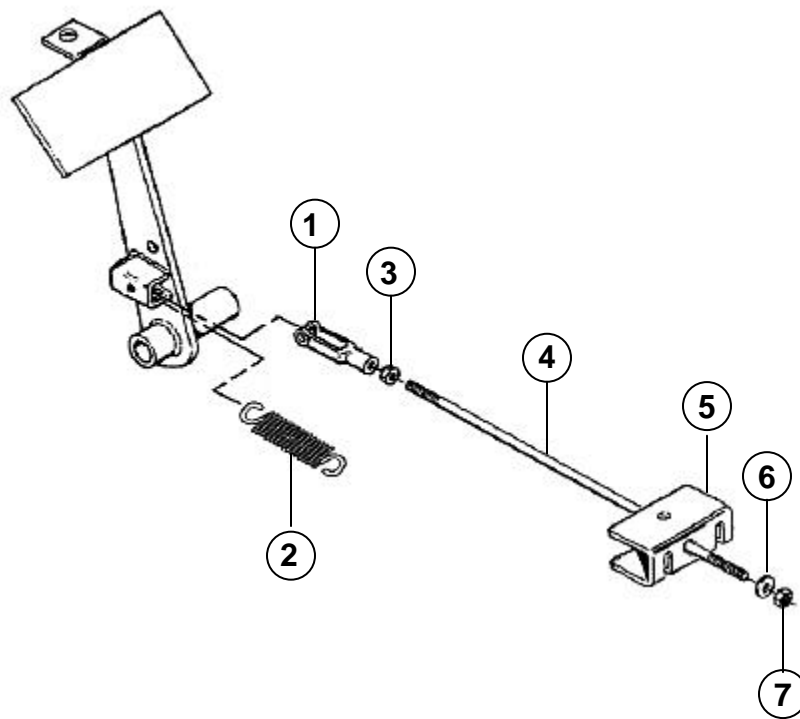


MECHANICAL BRAKE PEDAL ASSEMBLY W/O LIGHTS – SCOUT Cont.

ITEM	CPC P/N	DESCRIPTION	QTY	SEATS P/N
1	42461-92	PARKING BRAKE PEDAL	1	303047
2	42410-92	BRAKE PEDAL	1	303070
3	N/A	PARKING BRAKE CATCH (See page 1-23 for components)	1	467300
4	26251-30A	BRAKE TUBE BUSHING	2	709026
5	42407-00	STOP PAD	1	709048
6	42452-86	RETURN SPRING	1	709070
7	42408-00	PEDAL PAD	1	709071
8	9800	GREASE FITTING	1	709110
9	4457	SCREW, 5/8X.25 SHR	1	719689
10	498	PIN, CLEVIS, 3/16X3	2	719714
11	499	PIN, 1/4X1 1/2	1	719715
12	515	COTTER PIN, 1/16X3/4	2	719726
13	533	COTTER PIN, 5/64X1	2	719743
14	611	ROLLED PIN, .25X1	1	719780
15	6703-B	WASHER, 1/4"	2	719811
16	6716	WASHER, #10	2	719812
17	73062-86A	CLEVIS YOKE, 1/4-28 RH	1	719854
18	77776-W	NUT, NYLOCK, 3/8X24	1	719901
19	8128	SPEED NUT 1/4"	2	719922

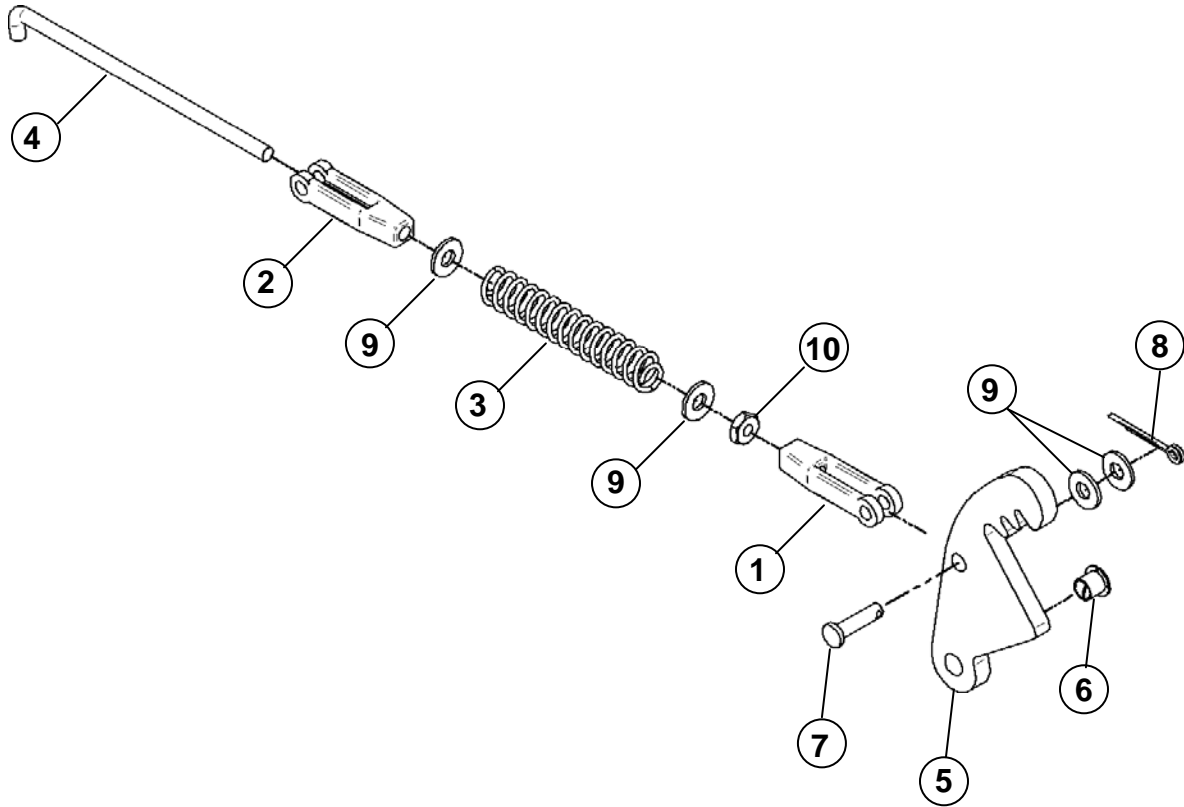
MECHANICAL BRAKE PEDAL ROD ATTACHMENT – SCOUT

ITEM	CPC P/N	DESCRIPTION	QTY	SEATS P/N
1	73062-86A	YOKE, CLEVIS RH	1	719854
2	40509-67	SPRING EXTENSION	1	709073
3	7676	NUT, 1/4-28 HHC	1	719874
4	42406-00	ROD, 11"	1	709103
5	42402-89	EQUALIZER	1	509154PL
6	6703-B	WASHER 1/4"	1	719811
7	7683	NUT, 1/4-28, NYLOCK	1	719877



PARKING BRAKE CATCH – SCOUT

ITEM	CPC P/N	DESCRIPTION	QTY	SEATS P/N
1	42456-86	CLEVIS	1	709045
2	42456-91	CLEVIS W/O THREADS	1	709066
3	42457-91	SPRING	1	709067
4	42455-91	ROD	1	709068
5	42451-86	RATCHET	1	709069
6	10500	BUSHING, NYLON	1	719508
7	502	PIN, 3/16X3/4", CLEVIS	1	719718
8*	515	PIN, 1/6X3/4" COTTER	1	719726
9	6716	WASHER, #10	4	719812
10	7638	NUT, #10-32 HEX	1	719872

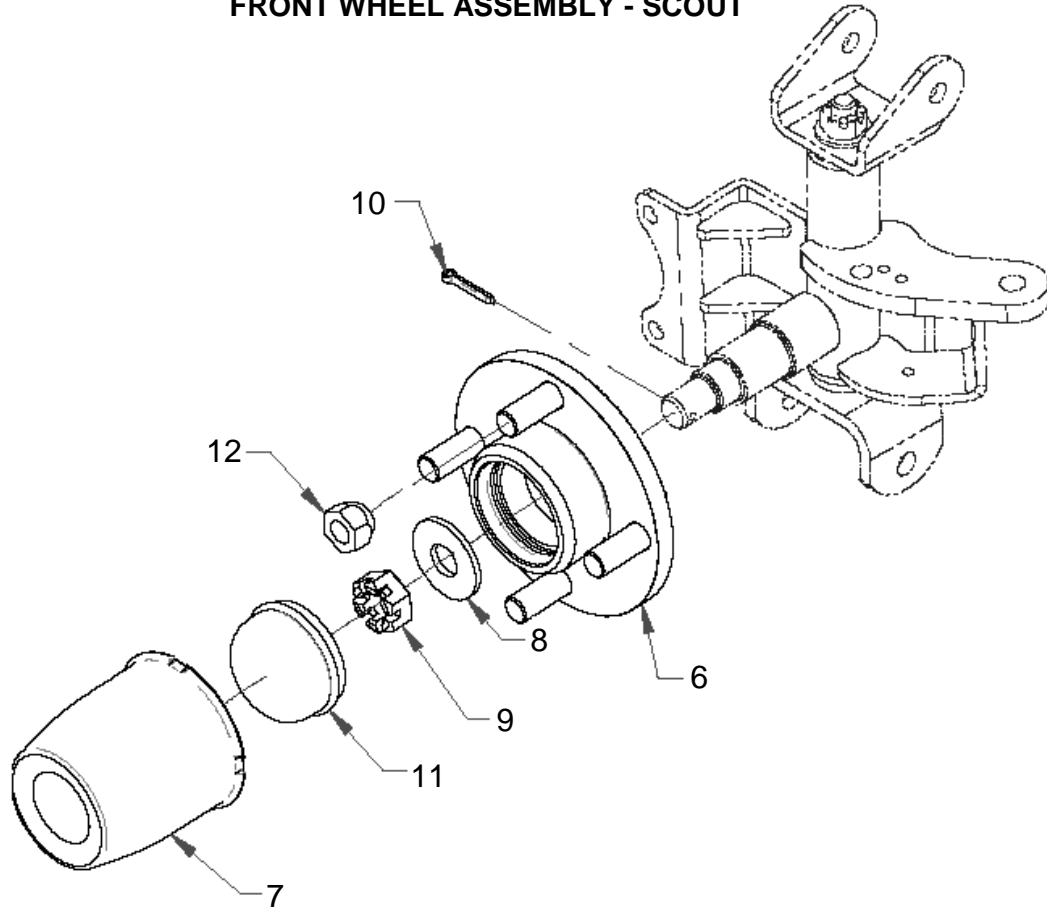


Scout Parts Manual

Section 2

Steering and Front Suspension

FRONT WHEEL ASSEMBLY - SCOUT

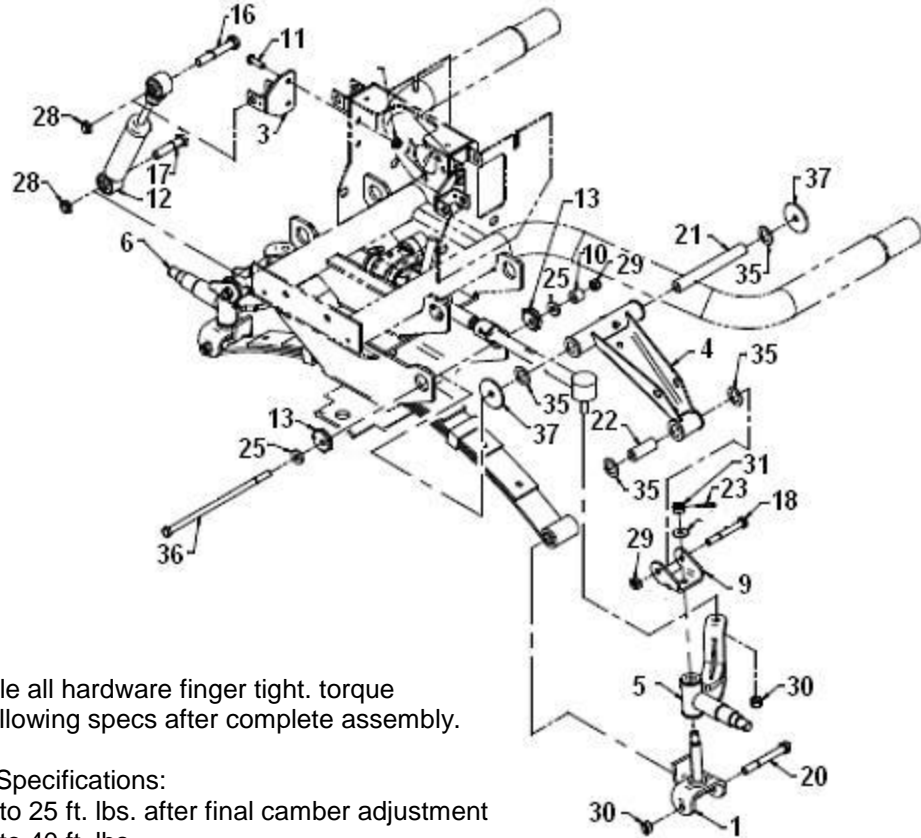


ITEM	CPC P/N	DESCRIPTION	QTY	SEATS P/N
1*	N/A	HUB, 4.90"FLNG (Only available as Item 6)	1	759875
2*	83038-07	BEARING SET, TPRD, 15.26MM T, OUTER	1	759844
3*	83039-07	BEARING SET, TPRD, 15MM T, INNER	1	759843
4*	12030	OIL SEAL	1	709017
5*	41199	WHEEL BOLT, 1/2-20X1 1/2 G5	4	719655
6	43488-07	HUB DISC ASSEMBLY, 4.90 OD (Includes Items 1 – 5))	1	467497
7	40513-04	CAP, CHROME CENTER, 13" WHEEL	1	719387
8	6655-B	WASHER, 9/16", FLT STL STD	1	719808
9	7947-B	NUT, 5/8-18 SLOTTED HEX, GR 2 (See NOTE)	1	719915
10	520-W	PIN, COTTER 1/8 X 1	1	719728
11	43646-79	HUB GREASE CAP	1	709018
12	43152-66	NUT, 1/2-20, LUG (Torque to 65 ft. lbs. against wheel.)	4	709002

* NOT SHOWN

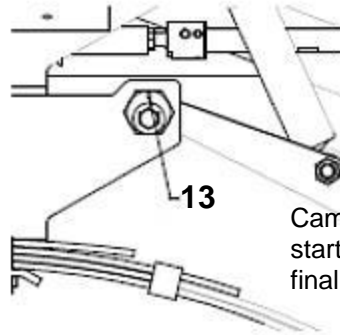
NOTE: Tighten until resistance is felt when turning wheel hub to preload bearing then back off until cotter pin can be inserted

FRONT SUSPENSION - SCOUT



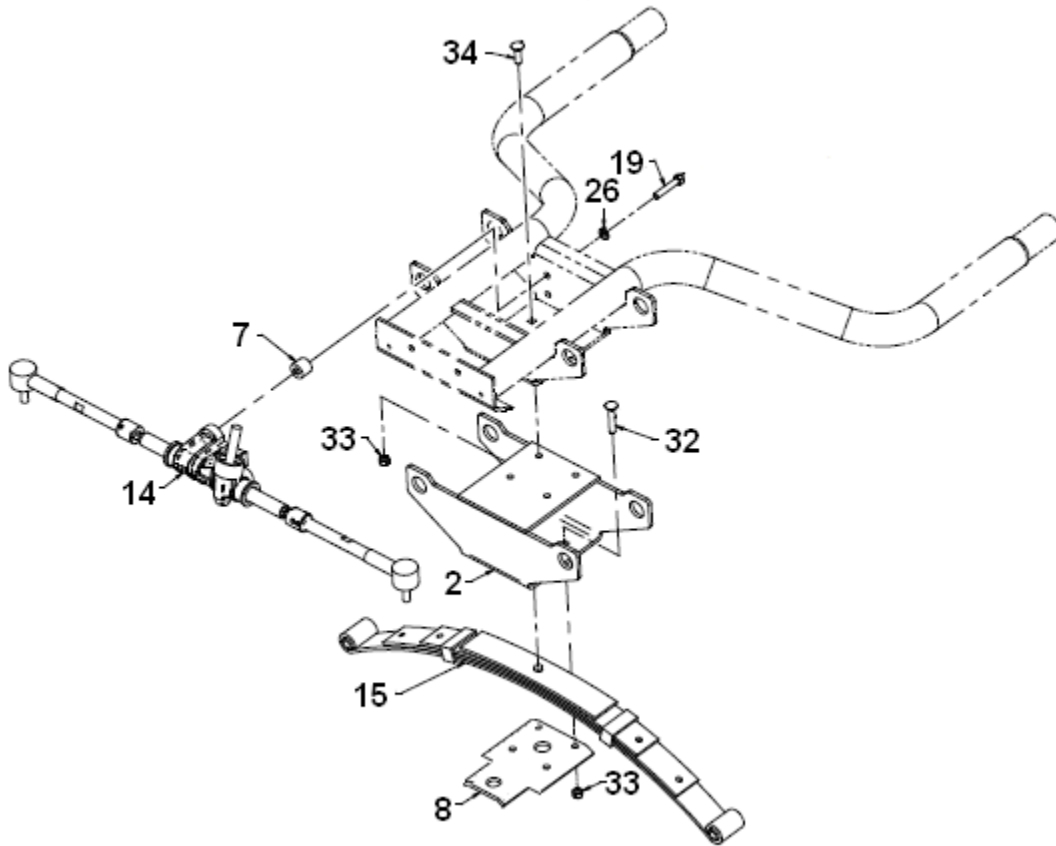
NOTES:

1. Assemble all hardware finger tight. torque to the following specs after complete assembly.
2. Torque Specifications:
 - Item 36 to 25 ft. lbs. after final camber adjustment
 - Item 20 to 40 ft. lbs.
 - Item 31 to 30 ft. lbs.
 - Item 18 to 35 – 40 ft. lbs.
 - Items 16 & 17 to 45 ft. lbs.
 - Item 11 to 25 ft. lbs



Camber adjuster (item 13) shown in start position. Torque to 25 ft. lbs. after final camber adjustment.

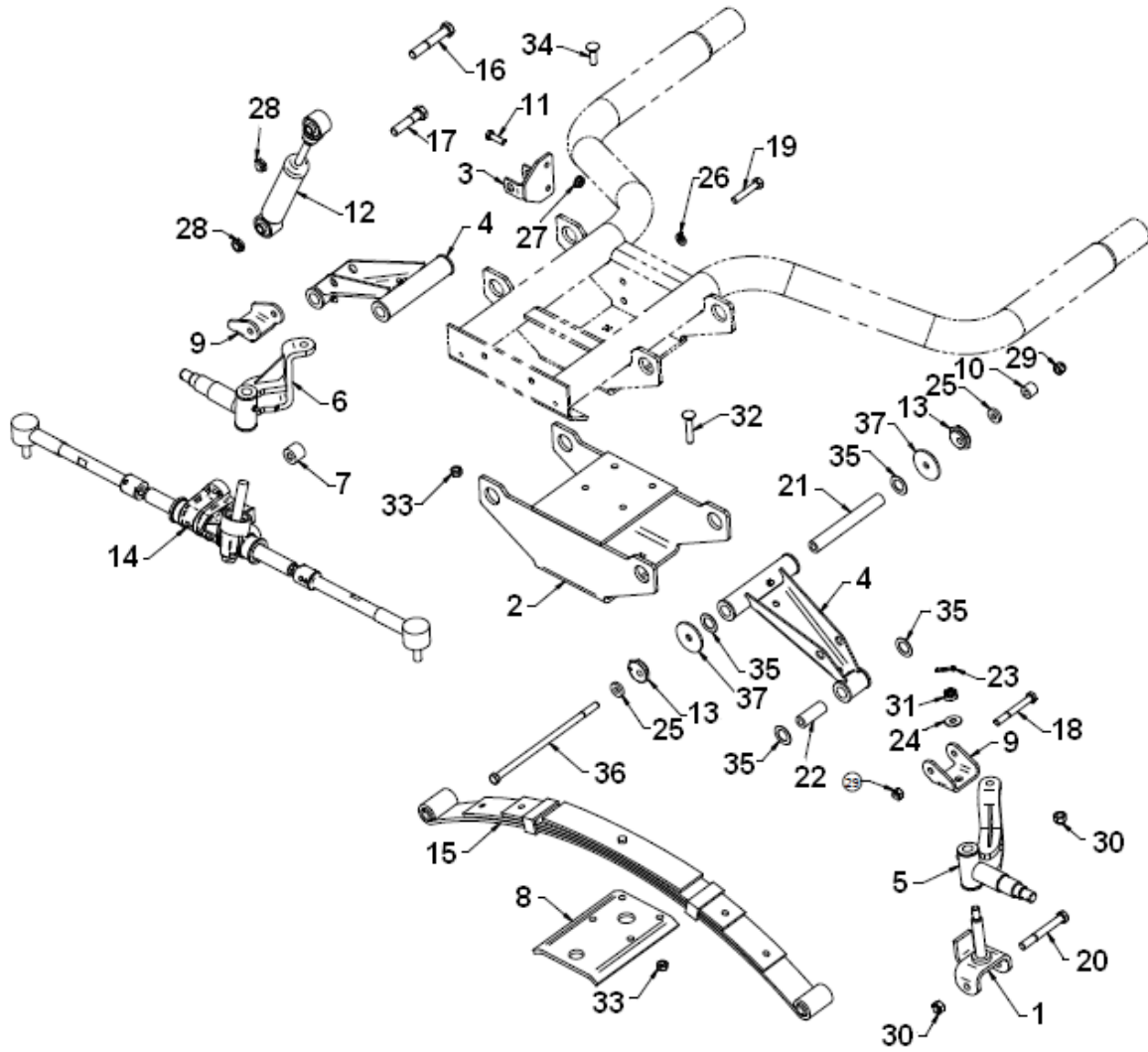
FRONT SUSPENSION - SCOUT Cont.



NOTES:

Assemble all hardware finger tight except Items 19 & 34. Torque these to 30 ft. lbs as assembling. After all components are assembled torque Item 32 to 45 ft lbs.

FRONT SUSPENSION - SCOUT Cont.

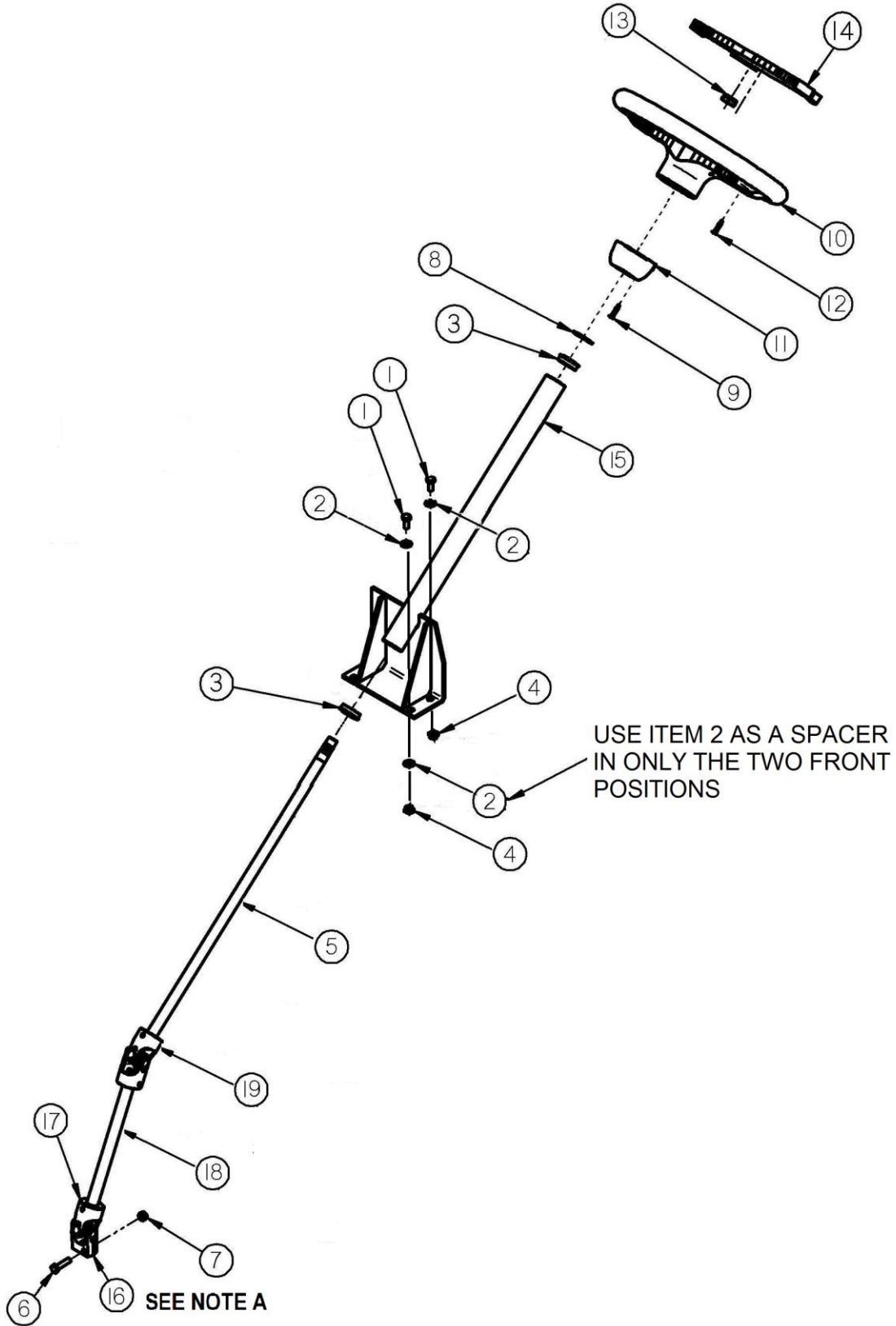


FRONT SUSPENSION - SCOUT Cont.

ITEM	CPC P/N	DESCRIPTION	QTY	SEATS P/N
1	57054-90	KINGPIN, SCOUT LIFT	2	303088
2	40943-99	SCOUT FRONT LIFT BLOCK	1	307154
3	40942-99	SCOUT LIFT SHOCK MOUNT	2	307155
4	45399-97	A-ARM ASSEMBLY	2	461913
*	43937-86	BUSHING .75" ID SINTERED (Included w/Item 4)	2	709010
*	36460-96	BUSHING .75" ID BRONZE (Included w/Item 4)	2	709008
5	57162-03	ASSY, LIFTED LH STEERING ARM	1	467064
*	43938-86	BUSHING .75" ID SINTERED (Included w/Item 5)	2	709005
6	57163-03	ASSY, LIFTED RH STEERING ARM	1	467065
*	43938-86	BUSHING .75" ID SINTERED (Included w/Item 5)	2	709005
7	53961-01	SPACER, RACK AND PINION MOUNT	3	508915
8	54980-09	PLATE RETAINER	1	513034
9	45407-97	CPC A-ARM MOUNTING BRACKET	2	510188
10	24693-07	SPACER 0.375 ID X 0.750 OD X 0.625	2	511674PL
11	4017	SCREW, 5/16-18 X 1 HH CAP, GRD-8, YLW	4	708085
12	54514-89	SHOCK ABSORBER	2	709006
13	43946-88	CAMBER ADJUSTER, SINTERED METAL	4	709009
14	57226-01	RACK & PINION ASSEMBLY (See Page 2-8)	1	709061
15	43929-88A	SPRING, 4-LEAF	1	709096
15A	43929-95	SPRING, 4-LEAF HD	1	709609
*	43945-86	BUSHING SPRING EYE (Included w/Item 15)	2	739129
16	3406	SCREW, 1/2-13 X 3 GRD 5 HHC	2	719610
17	3407	SCREW 1/2-13 X 2-1/4 HEX CAP	2	719611
18	3508	SCREW, 3/8-24 X 3 GRD 5 HHC	2	719625
19	3775	3/8-16 x 2 HHCS	3	719634
20	4253	SCR, HX HD 7/16-20 X 3.5 G5	2	719664
21	43950-88	SPACER, .750/.747 X 5.92/5.91	2	719681
22	43952-97	SPACER, .750/.747 X 1.894	2	719682
23	520-W	PIN, COTTER 1/8 X 1 YELLOW/ZINC	2	719728
24	708482	WASHER 7/16 STD	2	708482
25	6607-W	WASHER FLT STL YWZC .390 X .910 X .180	4	719804
26	7038-B	WASHER -3/8" REG SPRG, LOCK, BLK ZC	3	719836
27	7525	LOCKNUT, 5/16-18 HEX FLG WHIZ	4	719864
28	7685	NUT, 1/2-13 A NTE NYLON LOCK	4	719878
29	7775	NUT, 3/8-24 GR A NE NYLON INS LOCK	4	719900
30	7825	NUT, 7/16-20, LOCK, GA, NE, NYLON INSERT	4	719908
31	7948	NUT 7/16-20 GR 5 SLOTTED HEX BLK ZC	2	719917
32	781111	SCREW, 3/8-16 X 2, CARR., G 8	4	781111
33	781113	NUT,3/8-16,L/N,GB,YWZC	8	781113
34	781116	SCREW, 3/8-16 X 1.25, CARR., G 8	4	781116
35*	5714	WASHER, .760X1.25X.010 F/W 18-8SS	8	719759
35A*	5715	WASHER, .760X1.25X.020 F/W 18-8SS	8	719760
36	3452A	SCREW, 3/8-24 X 9, HHCS, GR5	2	781205
37	6801A	WASHER, .406 X 2.000 X .134, FLAT	4	781206
38*	43859-07	P&A KIT, 9" A-ARM BOLT (Includes Items 10, 25, 35-37)	1	191439U

* USE 5714 AND/OR 5715 AS REQUIRED TO ACHIEVE SNUG FIT

STEERING COLUMN - SCOUT

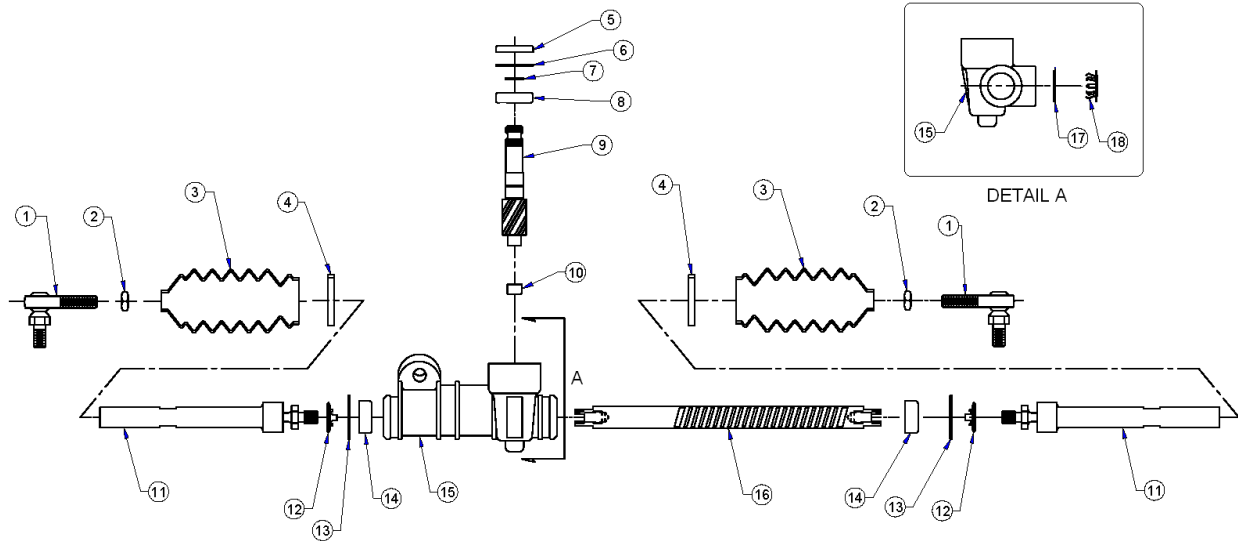


STEERING COLUMN – SCOUT Cont.

ITEM	CPC P/N	DESCRIPTION	QTY	SEATS P/N
1	3987-BS	SCREW, HEX HEAD CAP 5/16-18X3/4 G5	4	719642
2	6702-B	WASHER FLT STL 5/16 BLK MAXCOAT	6	719810
3	9029	BALL BEARING, .75 ID	2	709023
4	7525	NUT 5/16-18 GR A SERRATED FLNG LOCK	4	719864
5	57101-08	STEERING SHAFT ASSY, 39.197" OAL	1	759916
6	3925	SCR, 5/16-18 X 1-3/4 HHCS, G8, ZC	1	708746
7	57112-11	NUT, 5/16-18, NYLOK, G8, YWZC	1	781120
8	6656	BUSHING 3/4 X 1-1/2 X 14GA WIDE RIM YWZ	1	719809
9	2638	SCREW, #6X3/4, PPH (Used with Item 11)	2	719577
N/A	57061-99	STEERING WHEEL ASSY (Includes Items 8, 9, 10, & 11)	1	463399
10	57069-84	STEERING WHEEL, SPORT	1	709056
11	57098-98	STEERING HUB COVER (Used with Item 10)	1	709085
12	2641	SCREW, #10 X 1, PPH, TAPPING , T-A BLACK	3	729263
13	7995	NUT, 5/16-18 GR A NTE NYLON JAM INSERT	1	719919
14	57089-99	SCORECARD HOLDER	1	709043
15	57141-98	STEERING COLUMN	1	305425
16	57109-08	YOKE ASSEMBLY, BOLT-WELD	1	759918
17	760010	ROLL PIN 1/4X1 3/4	3	760010
18	N/A	INTERMEDIATE SHAFT	1	N/A
19	57108-08	YOKE ASSEMBLY, WELD-WELD	1	759917

NOTE: If replacing only the splined yoke see Service Bulletin SB 10-009.

RACK & PINION ASSEMBLY – SCOUT



ITEM	CPC P/N	DESCRIPTION	QTY	SEATS P/N
1	43958-00	ROD END	2	709099
2	7829	NUT, M14 X 1.5, JAM - TIE ROD	2	749305
3	57168-00	BOOT, STEERING	2	709106
4	N/A	CLAMP, STEERING BOOT	2	N/A
5	57183-01	SEAL, OIL- PINION	1	739675
6	861	RING, RETAINING - PINION	1	719942
7	862	RING, RETAINING	1	719943
8	9002	BEARING BALL - PINION	1	749707
9	57180-01	PINION STEERING GEAR	1	739674
10	43900-01	BUSHING PINION	1	739123
11	57172-00	BALL JOINT, TIE ROD	2	709101
12	57190-88	LOCK WASHER, STEERING	2	709097
13	57166-88	WASHER, STEERING STOP	2	709100
14	43901-01	BUSHING RACK	2	739124
15	53960-01	HOUSING, RACK & PINION	1	709061
16	57171-01	RACK STEERING GEAR	1	739665
17	11112	O-RING, #22 1 X 1-1/8 X 1/16 BUNA	1	719517
18	63912	PLUG 1" 12 PRONG HOLE ZNC/CLEAR	1	719794
19	57226-01	RACK & PINION ASM (Includes Items 1-18)	1	709061
20*	93250	BALL JOINT REPLACEMENT KIT (Includes Items 1, 3, 7, 11 – 13) SEE NOTE	1	191868U

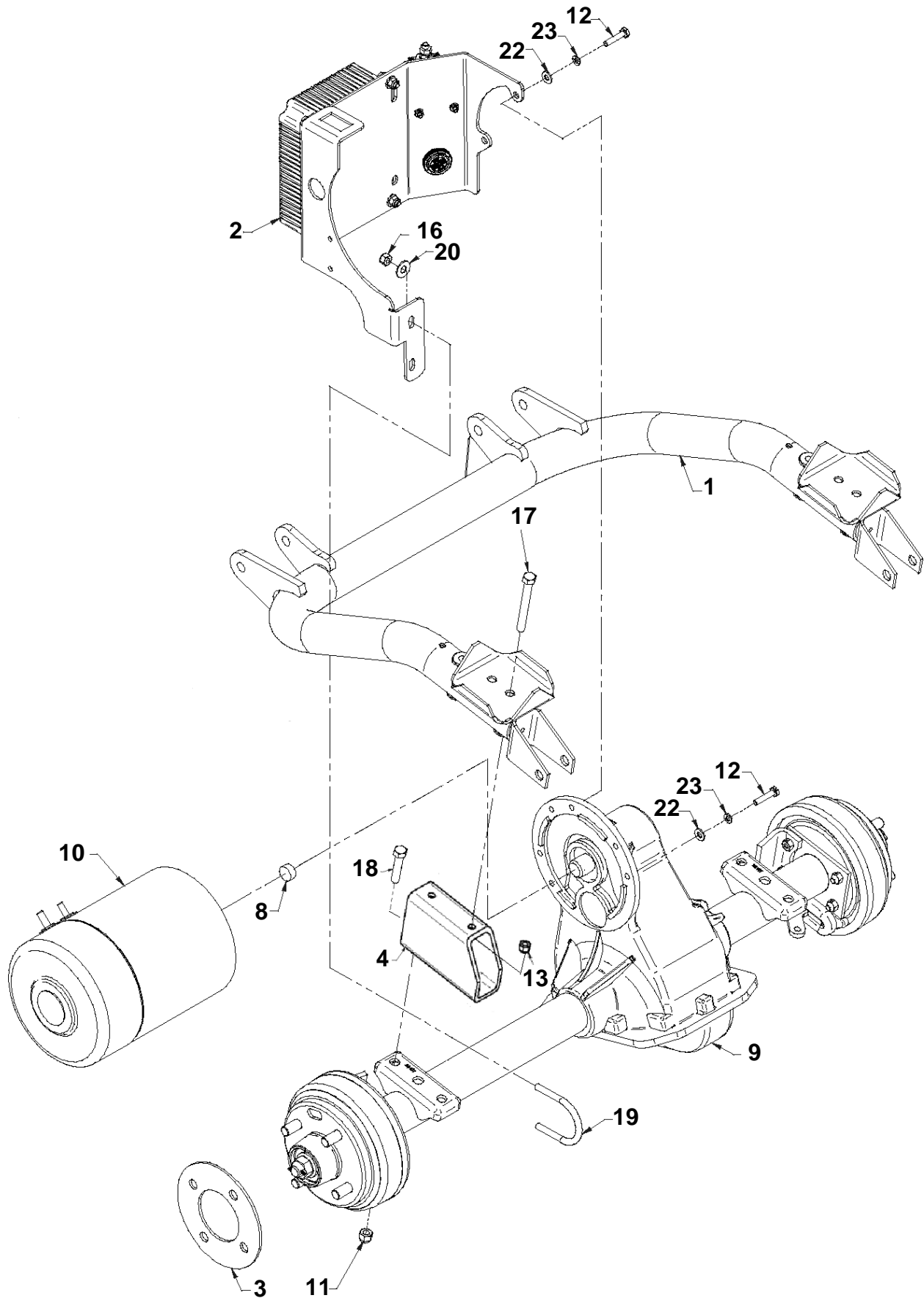
* NOTE: Kit services one side. Item 4 is replaced with a cable tie, P/N 10043

Scout Parts Manual

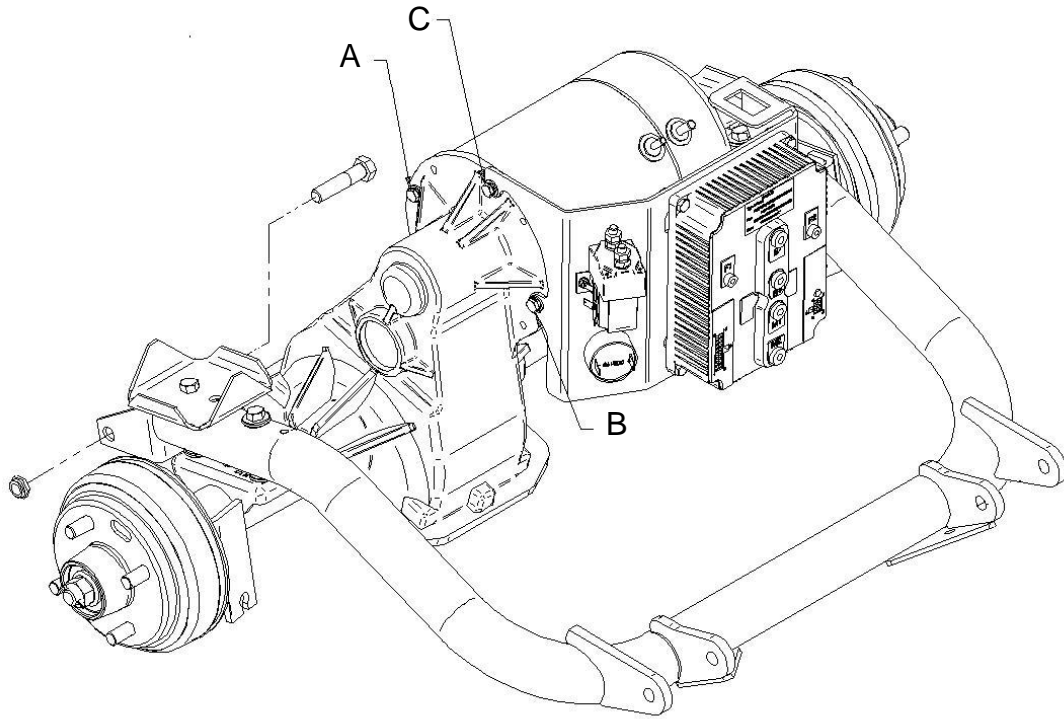
Section 3

Rear Suspension, Motor and Axles

REAR SUSPENSION, AXLE AND MOTOR - SCOUT

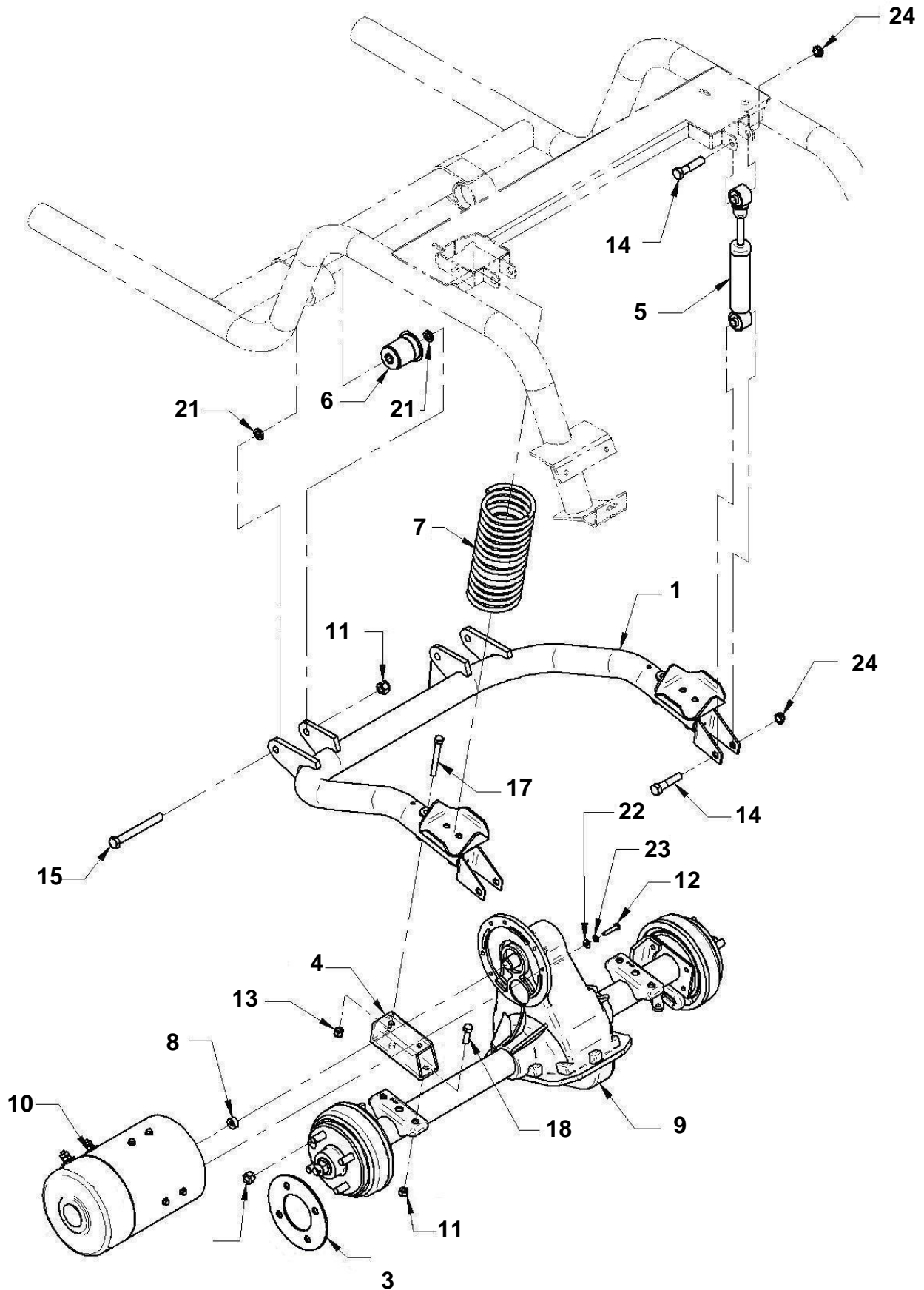


REAR SUSPENSION, AXLE AND MOTOR - SCOUT Cont.



Loosely tighten screws (Item # 20) A & B. Loosely tighten screw C to draw face of motor up to flange on axle evenly. Torque A & B to 100 ft. lbs. then torque C to 100 ft. lbs.

REAR SUSPENSION, AXLE AND MOTOR - SCOUT Cont.



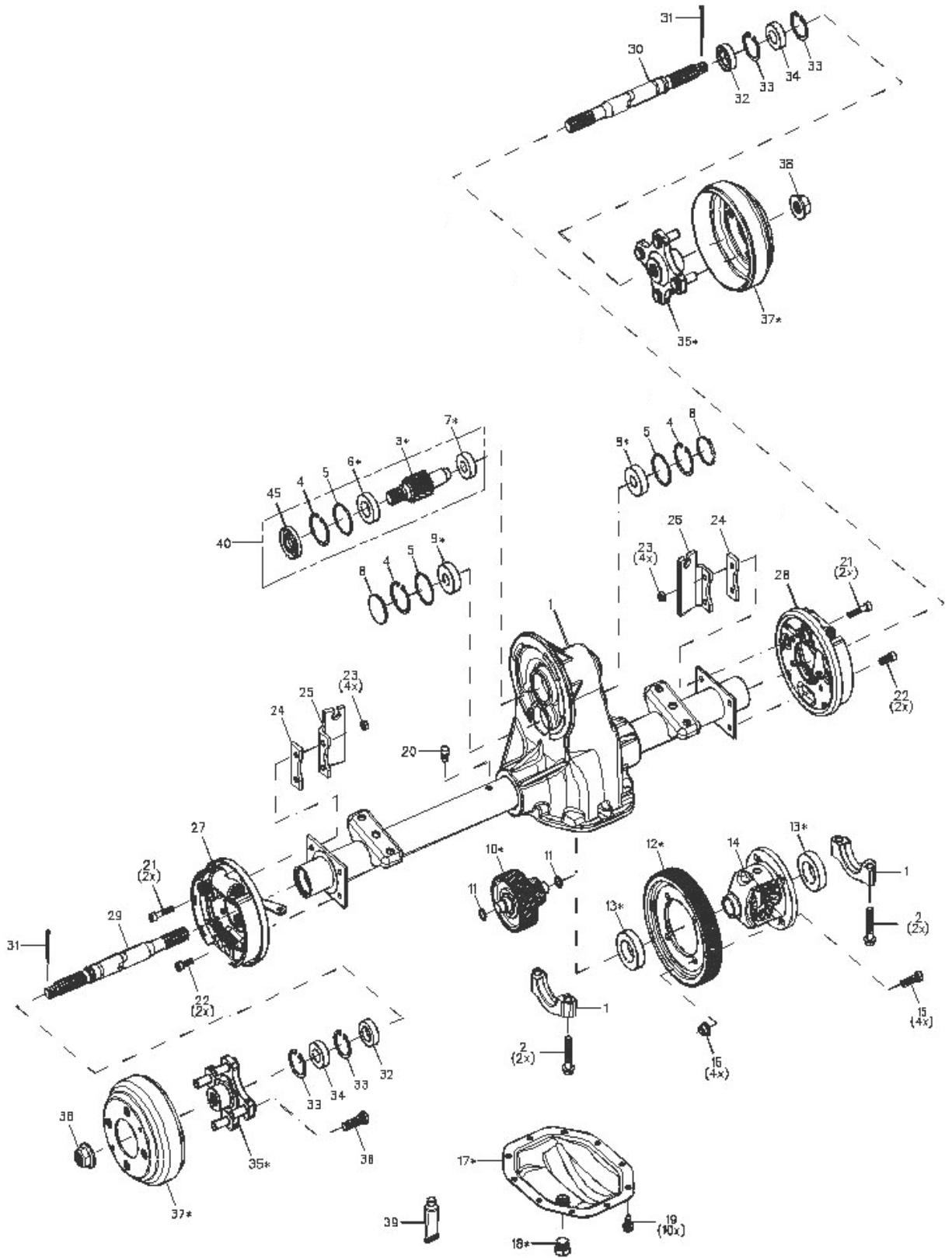
REAR SUSPENSION, AXLE AND MOTOR – SCOUT Cont.

ITEM	CPC P/N	DESCRIPTION	QTY	SEATSI P/N
1	47039-89	REAR FORK, P4E	1	308381
2	*	ASSEMBLY, SHORT ACE+ PANEL	1	467103
3	43740-04	WHEEL SPACER (See NOTE)	1	509958PL
4	46901-07	LIFT BLOCK –REAR	2	511679
5	54514-89	SHOCK ABSORBER	2	709006
6	47524-66	BUSHING, REAR FORK	2	709024
7	54569-92	SPRING, REAR COIL, HD	2	709380
8	11423	RESILIENT BUMPER-ELEC MOTOR	1	709050
9	82652-02A	AXLE, ELECTRIC, MECHANICAL BRAKES 12:44.1	1	760381
9A	82654-02A	AXLE, ELECTRIC, MECHANICAL BRAKES 14:76.1	1	760365
9B	82656-02A	AXLE, ELECTRIC, MECHANICAL BRAKES 16:99.1	1	760382
10	69300-03	MOTOR, ELEC 48V SEP EX, STD DUTY	1	719135
11	7778	NUT, 3/8-16 NYLOCK	6	719902
12	708616	SCREW, 1/4-20X1 1/4 HHC G8	3	708616
13	7775	NUT, 3/8-24, NYLOC, GR A	4	719900
14	3407	SCREW, 1/2-13 X 2 1/4, HHCS (Torque to 45 ft. lbs.)	4	719611
15	4004	SCREW, 1/2-20 X 4 1/2, HHCS, GR 5 (Torque to 45 ft. lbs.)	2	719647
16	7739	NUT, 5/16-18 NYLOCK GA	2	719892
17	4434-W	SCREW, 3/8-24 X 3 1/4, HHCS, GR 5 (Torque to 35 ft.lbs.)	4	719687
18	4716-W	SCREW, 3/8-16 X 1 1/4, HHCS, GR 5 (Torque to 35 ft.lbs. See Note)	4	719694
19	5211	U-BOLT, 5/16-18X2 11/16X2X1	1	719734
20	6000-B	WASHER, 5/16	2	719771
21	6568-B	WASHER, .515 X .812 X .134, FLT STL	4	719802
22	6703-B	WASHER, 1/4, SAE FLT STL	3	719811
23	7036-B	WASHER, 1/4, REGULAR SPRING LOCK	3	719834
24	7685	NUT, 1/2-13, NTE NYLOC, GR A	1	719878

* SPECIAL ORDER

NOTE: REQUIRED WITH STANDARD DUTY AXLE AND 12" OR GREATER WHEELS

AXLE - SCOUT



*ITEM INCLUDED IN A KIT

AXLE - SCOUT Cont.

ITEM	CPC P/N	DESCRIPTION	QTY	SEATS P/N
1	N/A	HOUSING, AXLE	1	N/A
2	N/A	BOLT, DIFFERENTIAL CAP (Included with Item 1)	4	N/A
3	N/A	SHAFT, INPUT (See gear set info)	1	N/A
4	90006-90	RING, SNAP	3	749701
5	11118	O-RING	3	729030
6	90003-90A	BEARING, BALL	1	760375
7	90004-90	BEARING, BALL	1	749699
8	N/A	PLUG, END CAP	2	N/A
9	82810-90	BEARING, BALL	2	749419
10	N/A	SHAFT, INTERMEDIATE GEAR	1	N/A
11	11119	O-RING	2	719132
12	N/A	GEAR, FINAL DRIVE (See gear set info)	1	N/A
13	90005-90	BEARING, BALL	2	749700
14	83212-00	DIFFERENTIAL ASSEMBLY	1	749575
15	N/A	SCREW, CAP	4	N/A
16	N/A	NUT, LOCK	4	N/A
17	90007-00	PLATE, COVER	1	749702
18	90008-00	PLUG, DRAIN/FILL	1	749704
19	N/A	SCREW, TAPPING	10	N/A
20	82701-90	VENT	1	759791
21	N/A	SCREW, FLANGE HEAD LONG	4	N/A
22	N/A	SCREW, FLANGE HEAD SHORT	4	N/A
23	7810	NUT, LOCK	8	719906
24	N/A	SPACER BRACKET	2	N/A
25*	47757-88	BRACKET, BRAKE CABLE (MECHANICAL BRAKES)	1	503969
25	47756-88	BRACKET, BRAKE CABLE (HYDRAULIC BRAKES)	1	503970
26*	47756-88	BRACKET, BRAKE CABLE (MECHANICAL BRAKES)	1	503970
26	47757-88	BRACKET, BRAKE CABLE (HYDRAULIC BRAKES)	1	503969
27*	41813-86B	ASSEMBLY, BRAKE, LH (MECHANICAL BRAKES)	1	709171
27	41813-02	ASSEMBLY, BRAKE, LH (HYDRAULIC BRAKES)	1	719137
28**	41814-86B	ASSEMBLY, BRAKE, RH (MECHANICAL BRAKES)	1	709170
28	41814-02	ASSEMBLY, BRAKE, RH (HYDRAULIC BRAKES)	1	719138
29	90001-90	SHAFT, AXLE, LH (LONG)	1	749696
30	90002-90	SHAFT, AXLE, RH (SHORT)	1	749698
31	560	PIN, COTTER	2	707337
32	82704-78	SEAL, OIL	2	749367
33	82706-78	RING, RETAINING	4	749370
34	82705-78	BEARING, BALL	2	749369
35	N/A	ASSEMBLY, HUB, WHEEL (Includes Item 36 & 47 See Item 44)	2	N/A
36	719463-05	BOLT, WHEEL (1.680" LONG)	8	719463
37	N/A	DRUM, BRAKE (See Item 44)	2	N/A
38	N/A	NUT, LOCKING 5/8-18 HEX FLANGE	2	N/A

AXLE - SCOUT Cont.

ITEM	CPC P/N	DESCRIPTION	QTY	SEATS P/N
39	N/A	SEALANT, ANAEROBIC	A/R	N/A
40*	N/A	KIT, INPUT GEAR (Includes Items 3-7 & 45 see gear info)	1	N/A
41*	N/A	KIT, GEAR (Includes Items 3, 10 & 12 see gear info)	1	N/A
42*	N/A	KIT, BEARING (Includes Items 6, 7, 9 & 13)	1	N/A
43*	N/A	KIT, COVER PLATE (Includes Items 17 & 18)	1	N/A
44*	41844-96	KIT, HUB/DRUM (Includes Items 35 & 37)	2	719281
45	83165-08	OIL SEAL – INPUT SHAFT	1	760371
46*	82772-06A	KIT, INPUT BEARING & O-RING (Includes Items 4 - 7 & 45 see gear info)	1	191697U
47*	N/A	HUB (See Item 44)	2	N/A

* Special Order

** Not Shown

AXLE DESCRIPTIONS – SCOUT

AXLE TYPE	CPC PART #	RATIO	SI PART #
MECHANICAL BRAKES	82655-05A	10.35:1	760366
	82652-02A	12.44:1	760381
	82654-02A	14.76:1	760365
	82656-02A	16.99:1	760382
HYDRAULIC BRAKES	82821-04A	10.35:1	760368
	82653-02A	12.44:1	760367



GEAR SET - SCOUT

NOTE A:
CAN BE USED FOR SERVICING 2008 & EARLIER AXLES WHEN REPLACEMENT GEARS NEEDED -
ORDER NEW PINION SHAFT DESIGN COMPLETE ASM.

NOTE B:
NEW SEAL LIP PINION &
GEAR SET KIT NOW INCLUDES:
- SEALING O-RINGS
- END CAP PLUGS
- BEARINGS

KIT (INCLS GEARS, PINION&SEAL KIT& COMPONENT PARTS)		
CPC PN	SI PN	GEAR RATIO
82773-08	191700U	10.35:1
82774-08	191701U	12.44:1
82775-08	191702U	14.76:1
82776-08	191703U	16.99:1

NOTE C:
CAN ALSO SERVICE EARLIER AXLES

INTERMEDIATE & RING GEAR SET		INTERMEDIATE GEARS		RING GEAR	
SI PN	GEAR RATIO	NO. OF TEETH	QTY	NO. OF TEETH	QTY
760376	10.35:1	22 & 53	1	116	1
760402	12.44:1	24 & 55	1	114	1
760401	14.76:1	22 & 56	1	116	1
760400	16.99:1	22 & 58	1	116	1

NOTE D:
PINION SEAL KIT 191697U
(CPC 82779-08)

FOR USE ONLY WITH
NEW PINION SHAFT DESIGN

SEE
NOTE C

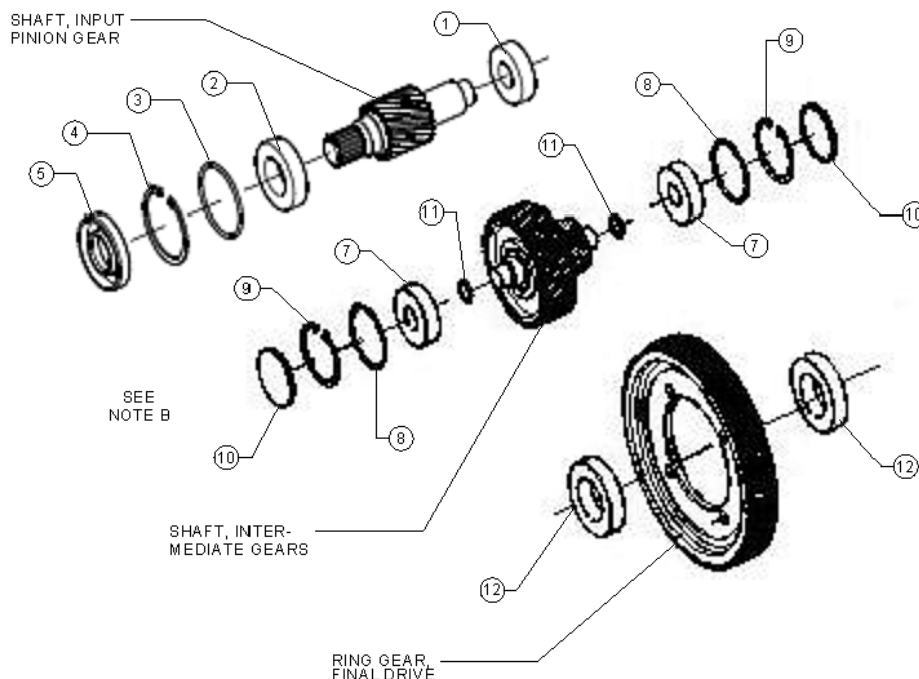
PINION & SEAL KIT (INCLUDES ITEMS IN SEAL KIT 191697U)				PINION GEAR		
CPC PN	SI PN	DESCRIPTION	QTY	GEAR RATIO	NO. OF TEETH	QTY
83218-08	760372	NEW LIP SEAL PINION KIT	1	10.35:1	27	1
83297-08	760373	NEW LIP SEAL PINION KIT	1	12.44:1	21	1
83214-08	760386	NEW LIP SEAL PINION KIT	1	14.76:1	20	1
83219-08	760374	NEW LIP SEAL PINION KIT	1	16.99:1	18	1

SEE
NOTE D

PINION SEAL KIT 191697U / (CPC # 82779-08)			
CPC PN	SI PN	DESCRIPTION	QTY
1	90004-90	749699 BEARING BALL INNER	1
2	90014-08	760375 BEARING BALL OUTER	1
3	11118	729030 O-RING	1
4	90006-90	749701 RING SNAP	1
5	83165-08	760371 OIL SEAL - INPUT SHAFT	1
6*	N/A	N/A INSTRUCTION SHEET	1

* ITEM NOT SHOWN

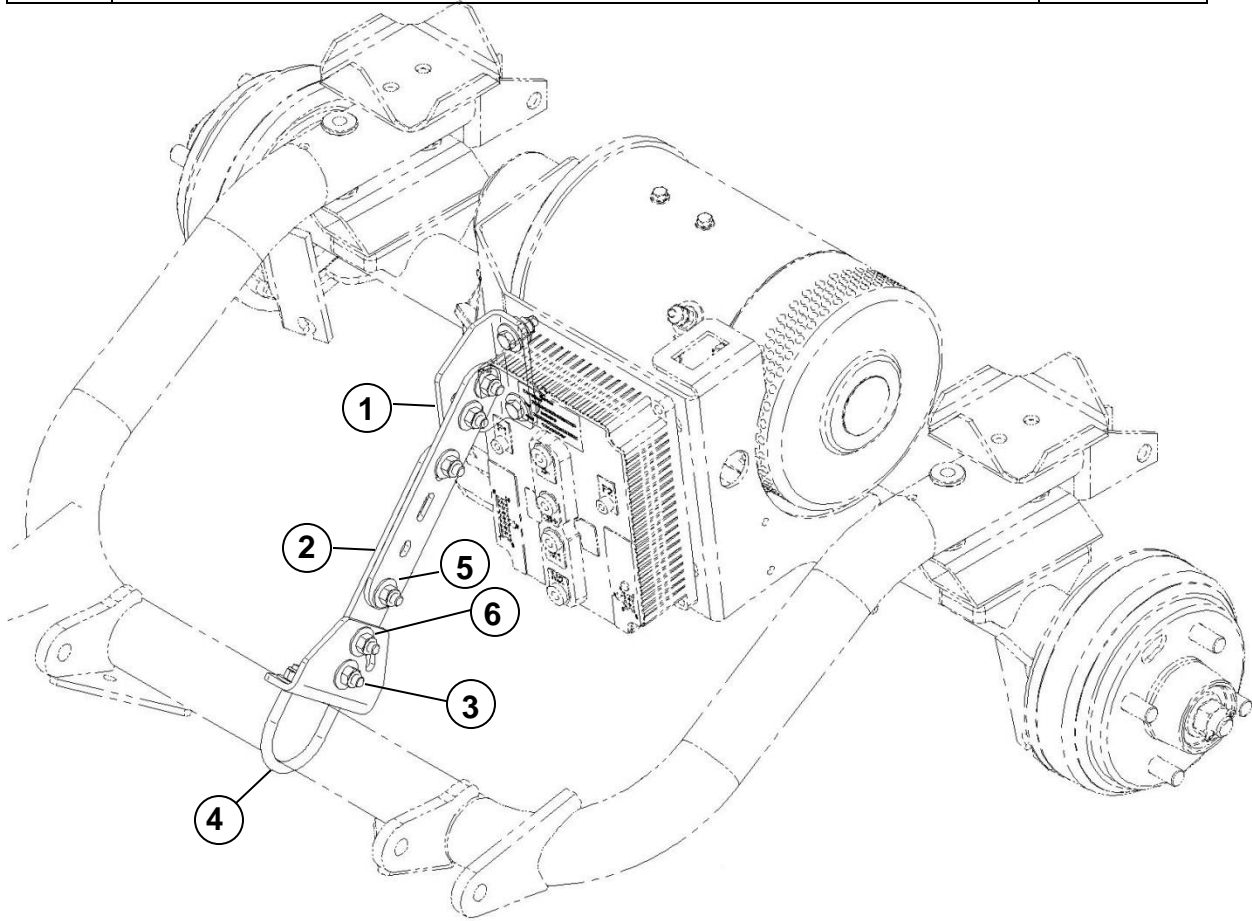
COMPONENTS FOR GEAR SET KIT (SEE KIT CHART)			
CPC PN	SI PN	DESCRIPTION	QTY
7	82810-90	749419 BEARING BALL	2
8	11118	729030 O-RING	2
9	90006-90	749701 RING SNAP	2
10	82808-90	749418 PLUG END CAP	2
11	11119	719132 O-RING	2
12	90005-90	749700 BEARING BALL	2



AXLE BRACE KIT - SCOUT

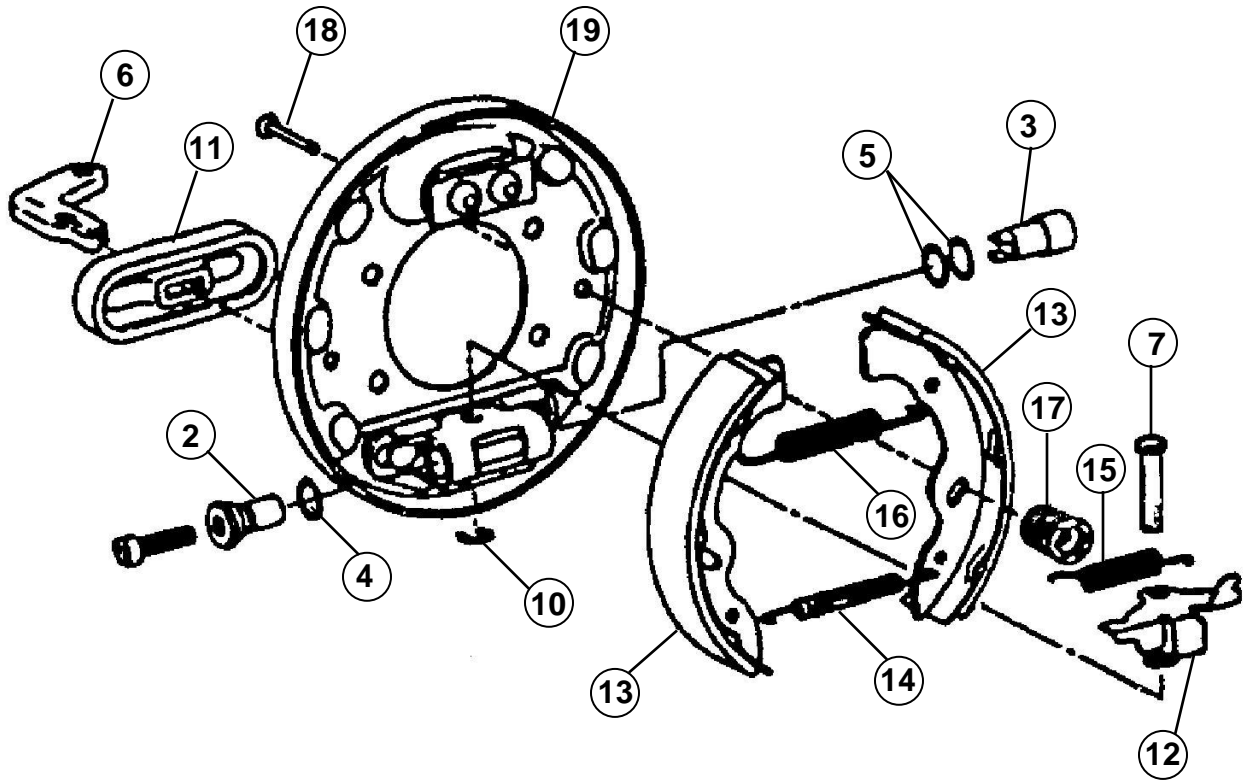
NOTE: Only available as a kit. P/N 45310-10A. See Service Bulletin SB10-004A.

ITEM	DESCRIPTION	QTY
1	BRACKET	2
2	STRAP	2
3	SCREW, 5/16-18X1 HHCS	8
4	U-BOLT, #014	1
5	WASHER, 5/16 USS/STD	18
6	NUT, 5/16-18 NYLOCK	10



MECHANICAL BRAKE ASSEMBLY - SCOUT

(Left Hand Shown)

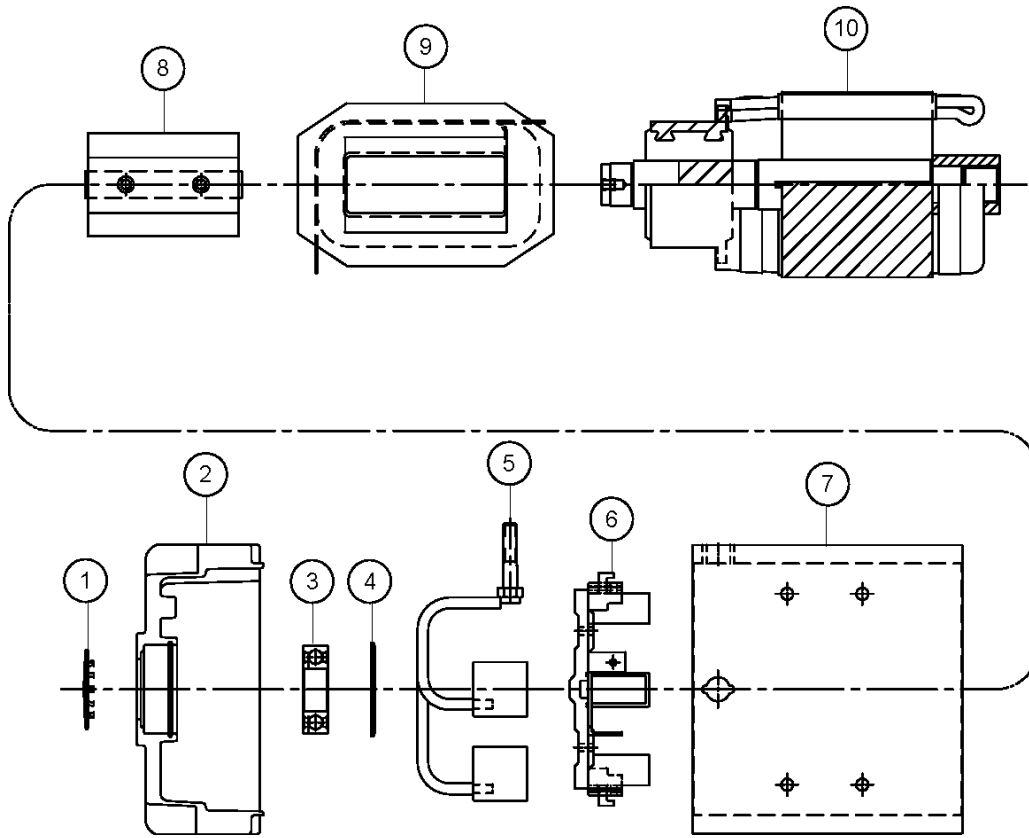


MECHANICAL BRAKE ASSEMBLY – SCOUT Cont.

ITEM	CPC P/N	DESCRIPTION	QTY	SI P/N
1	41813-86B	MECH. BRAKE ASSY, LH (Includes Items 2 -19)	1	709171
1A*	41814-86B	MECH. BRAKE ASSY, RH (Includes Items 2 -19)	1	709170
2	N/A	ADJUSTER, LH	1	N/A
2A*	N/A	ADJUSTER, RH	1	N/A
3	N/A	PUSH ROD	1	N/A
4	N/A	WASHER, FLAT	2	N/A
5	N/A	SHIM	A/R	N/A
6	N/A	LEVER, ACTUATOR	1	N/A
7	N/A	PIN, PIVOT	1	N/A
8*	N/A	WASHER, WAVE, ACTUATOR PIVOT	1	N/A
9*	N/A	WASHER, FLAT, ACTUATOR PIVOT	1	N/A
10	N/A	E-CLIP	1	N/A
11	N/A	PROTECTOR BOOT	1	N/A
12	N/A	SELF ADJUSTER, LH	1	N/A
12A*	N/A	SELF ADJUSTER, RH	1	N/A
13	41819-86C	SET, SHOE & LINING ASSEMBLY (2 Shoes)	1	759746
14	N/A	SPRING, RETURN (See Item 20.)	1	N/A
15	N/A	SPRING, SELF ADJUSTER (See Item 20.)	1	N/A
16	N/A	SPRING, SHOE RETAINING (See Item 20.)	1	N/A
17	N/A	SPRING CLIP, SHOE RETAINER (See Item 20.)	2	N/A
18	N/A	PIN, SHOE RETAINING (See Item 20.)	2	N/A
19	N/A	SHIELD, DUST	1	N/A
20*	41816-86B	KIT, SPRING (Includes Items 14-18)	1	729999
21*	42400-89B	BRAKE CABLE ASSEMBLY	2	709091

* NOT SHOWN

MOTOR, SEP EX – SCOUT



ITEM	CPC P/N	DESCRIPTION	QTY	SEATS P/N
1	*	HOLE PLUG	1	N/A
2	*	COMMUTATOR END HEAD (Includes Fasteners)	1	N/A
3	83310-07	BEARING	1	759896
4	*	RETAINING RING	1	N/A
5	30402-06	BRUSH ASSY. (Includes Fasteners)	2	759780
6	30403-06	BRUSH BOX ASSY. (Includes Fasteners)	1	759781
7	*	MOTOR FRAME	1	N/A
8	*	POLE SHOE ASSY. (Includes Fasteners)	4	N/A
9	*	SHUNT COIL ASSY. (Includes Fasteners)	1	N/A
10	*	ARMATURE ASSY.	1	N/A
N/A	69300-03	MOTOR, COMPLETE (INCLUDES ITEMS 1-10)	1	719135

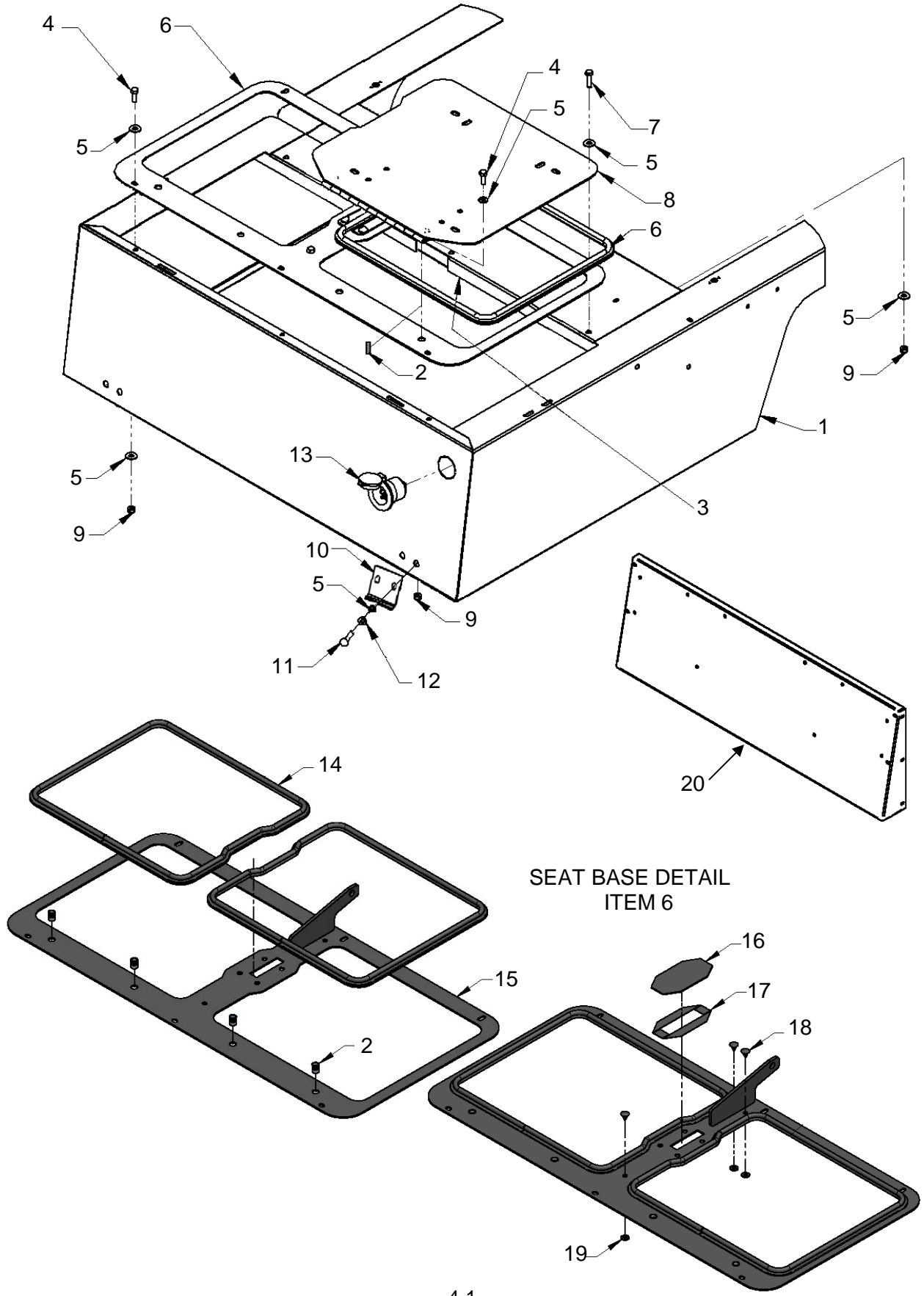
* SPECIAL ORDER

Scout Parts Manual

Section 4

Body, Seating and Console Instrumentation

BODY BUCKET SEATS - SCOUT



SEAT BASE DETAIL
ITEM 6



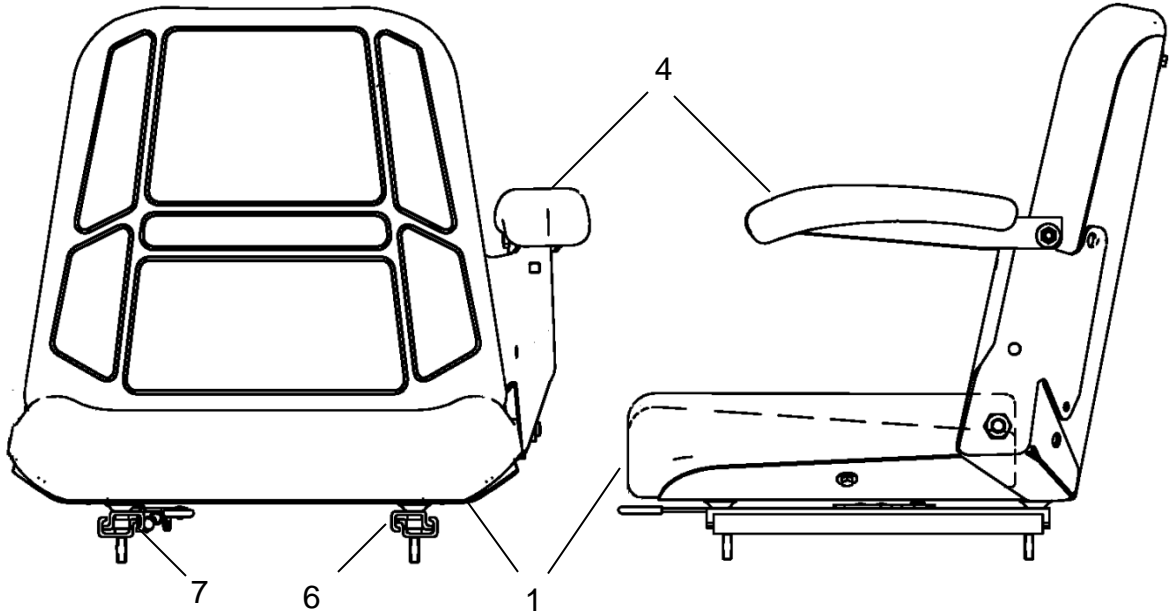
BODY BUCKET SEATS - SCOUT (Cont.)

ITEM	CPC P/N	DESCRIPTION	QTY	SEATS P/N
1	50019-01	BODY S (Includes 10 treaded inserts Item 2)	1	467490
2	8206	THREADED INSERT, 5/16-18	14	719929
3	51502-04	SEAT SUPPORT	1	509703
4	3419	SCREW, 5/16-18X2 1/4 HHC	7	719616
5	6702-B	WASHER 5/16	18	719810
6	**	SEAT BASE W/COVER (Includes Items 2 & 14 -19)	1	467575
7	3419	SCREW, 5/16-18X2 1/4 HHC G5	3	719616
8	39801-04	SEAT PIVOT LH	1	307529EP
8A*	39802-04	SEAT PIVOT RH	1	307528EP
9	7739	NUT 5/16-18 NYLOCK	6	719892
10	50271-89A	HINGE BRACKET	2	510128
11	3991	SCREW, 5/16-18X7/8 HHC G5	4	719643
12	7041-B	WASHER, 5/16 R-SPLIT	4	719838
13	70036-05	CHARGER CORD W/RECEPTACLE	1	467405
14	84085-ZZ	TRIM SEAL .06X.38X61"	2	709206
15	39800-04	SEAT BASE	1	307527
16	41425-04	HAND BRAKE COVER	1	509991
17	84079-ZZ	TAPE 3/4" FOAM DOUBLE SIDED	1	709212
18	8200	BLK NYLON FASTENER	3	719926
19	6703-B	WASHER 1/4	3	719811
20	50557-01	HEADER PANEL	1	467131

* NOT SHOWN

** SPECIAL ORDER

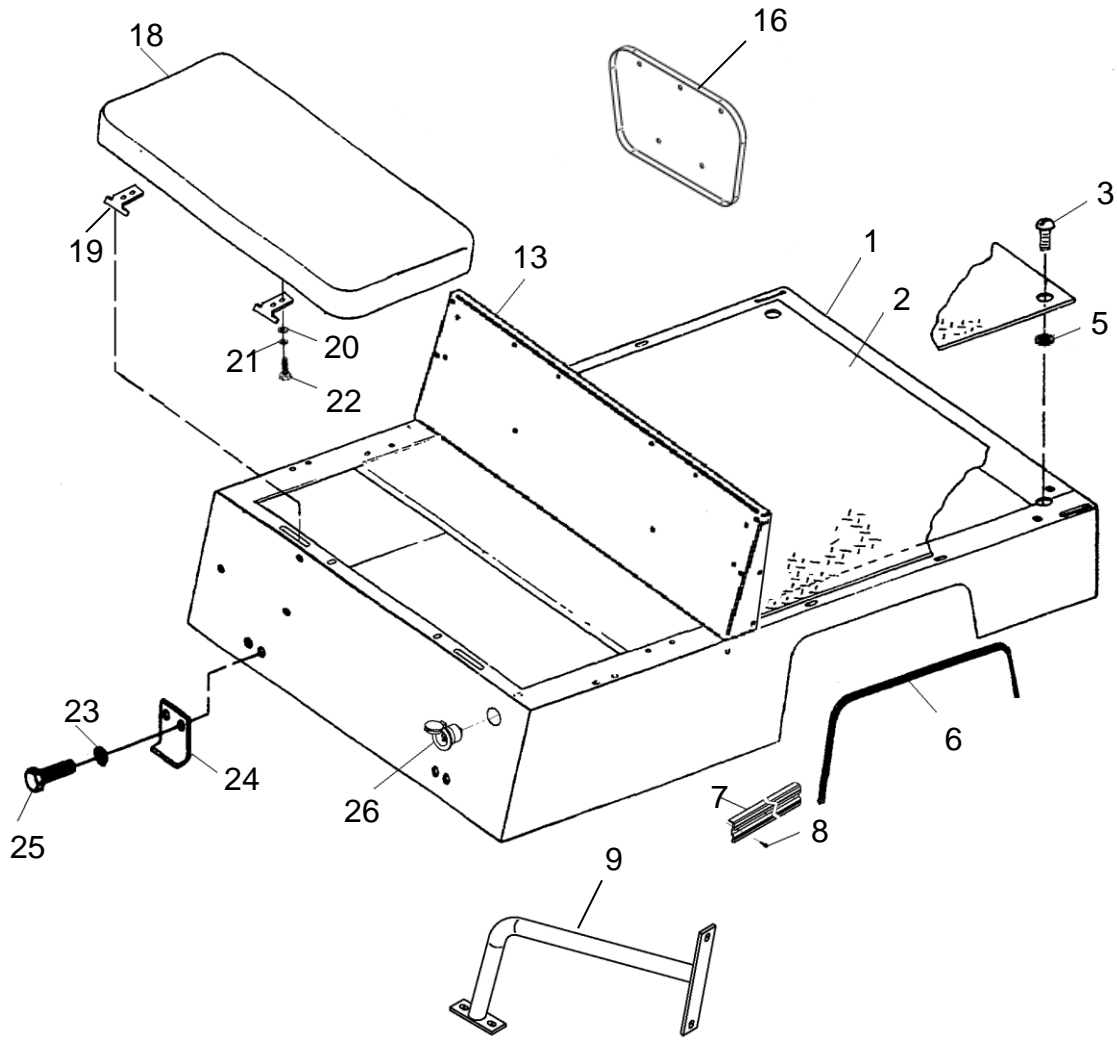
BUCKET SEATS – SCOUT



ITEM	CPC P/N	DESCRIPTION	QTY	SEATS P/N
1	51718-05	LH SEAT ASSEMBLY W/TRACKS	1	177295%LA
2*	51700-00	RH SEAT ASSEMBLY W/TRACKS	1	177295%RA
3*	51723-07	SEAT ASSEMBLY, NO ARMS W/TRACKS	2	177295%
4	52624-06	ARM KIT, LH (Includes mounting bracket & hardware)	1	307844BLU
5*	52625-06	ARM KIT, RH (Includes mounting bracket & hardware)	1	307844BRU
6	91401-90	TRACK, NON-LOCKING	2	707005
7	91400-02	TRACK, LOCKING	1	301150

* NOT SHOWN

BODY BENCH SEAT- SCOUT



BODY BENCH SEAT- SCOUT

ITEM	CPC P/N	DESCRIPTION	QTY	SEATS P/N
1	50016-01	BODY (Includes 10 treaded inserts 5/16-18 P/N 8206)	1	467490
2	51305-03	DECK STEEL	1	511727
3	2600	SCREW 5/16-18X3/4 SS	4	781738
4*	49713-08	FOAM TAPE	AR	709783
5	707317	PUSHNUT RETAINER	4	707317
6	84085-ZZ	FENDER TRIM	2.75'	709206
7	**	SIDE TRIM EXTRU	2	467460
8	2653-B	SCREW, 10-16X3/4 HWH, TEK	14	719583
9	52634-03	HANDRAIL	2	306489
10*	5405-B	SCREW 1/4-20X3/4 CARR G5 (To attach Item 9)	8	719747
11*	6703-B	WASHER 1/4 (To attach Item 9 & 13)	8	719811
12*	7686	NUT 1/4-20 NYLOCK (To attach Item 9)	8	719879
13	50557-01	PAINTED HEADER PANEL	1	467131
14*	3787-B	SCREW 1/4-20X3/4 HHCS (To attach Item 13)	5	719636
15*	7724-B	NUT 1/4-20 SERR FLANGE (To attach Item 13)	5	719887
16	52948-96	SEAT BACK BLACK	2	709025
17*	52001-96	CUSHION BACK (See Note)	1	304216
18	52004-96	CUSHION, BOTTOM (See Note)	1	304212
19	52978-01	SEAT TAB	2	510033
20	6703-B	WASHER 1/4	4	719811
21	7036-B	WASHER LOCK 1/4		719834
22	3787-B	SCREW, 1/4-20X3/4	4	719636
23	7041-B	WASHER 5/16 R-SPLIT	4	719838
24	50271-89A	FRONT HINGE BRACKET	2	510128
25	3991	SCREW, 5/16-18X7/8	4	719643
26	70036-05	CHARGER CORD W/RECEPTACLE	1	467405

* NOT SHOWN

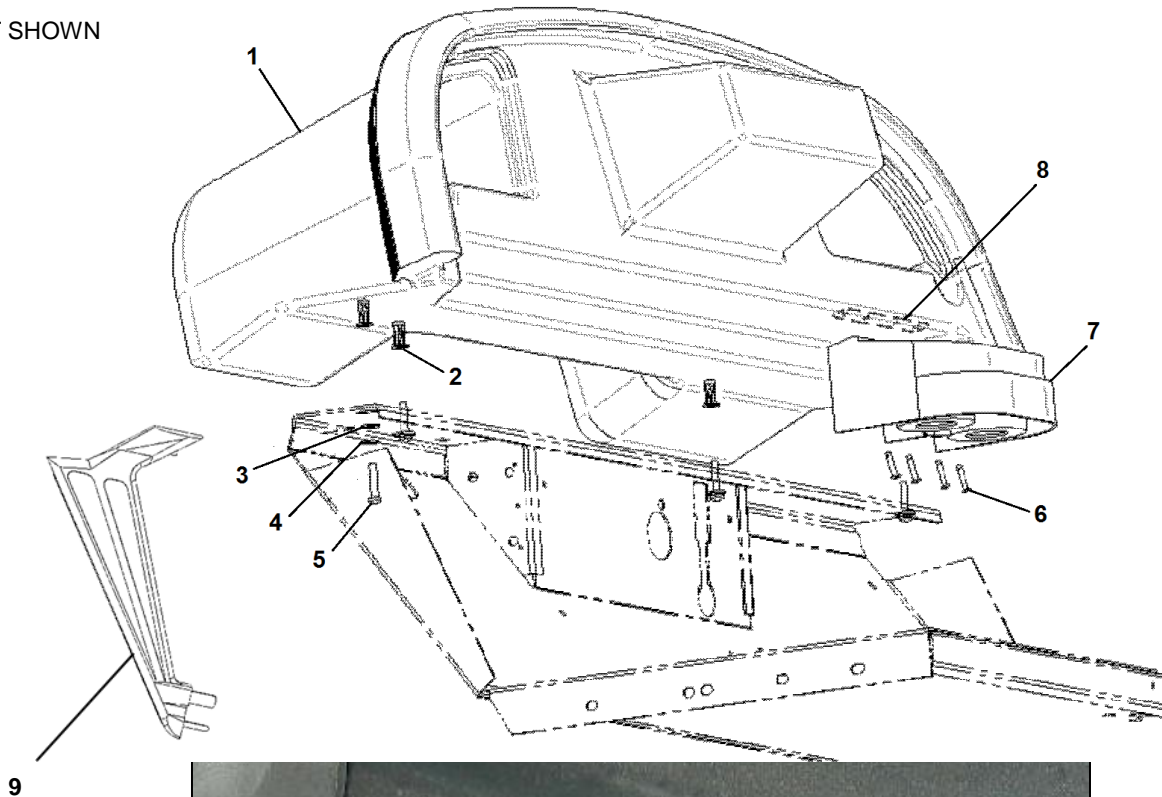
** SPECIAL ORDER

NOTE: Include VIN to insure correct color.

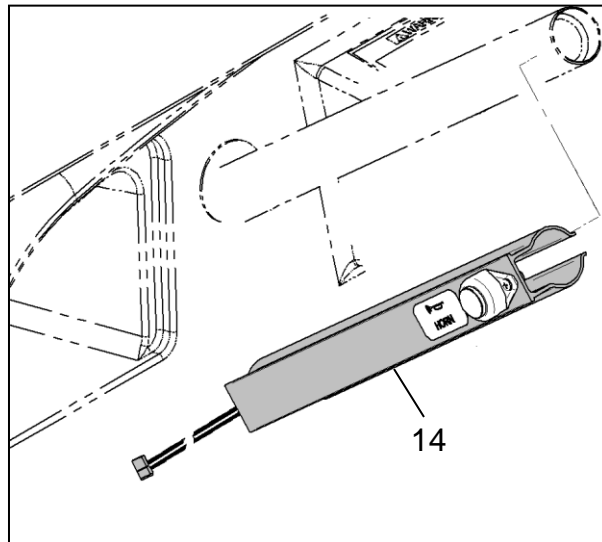
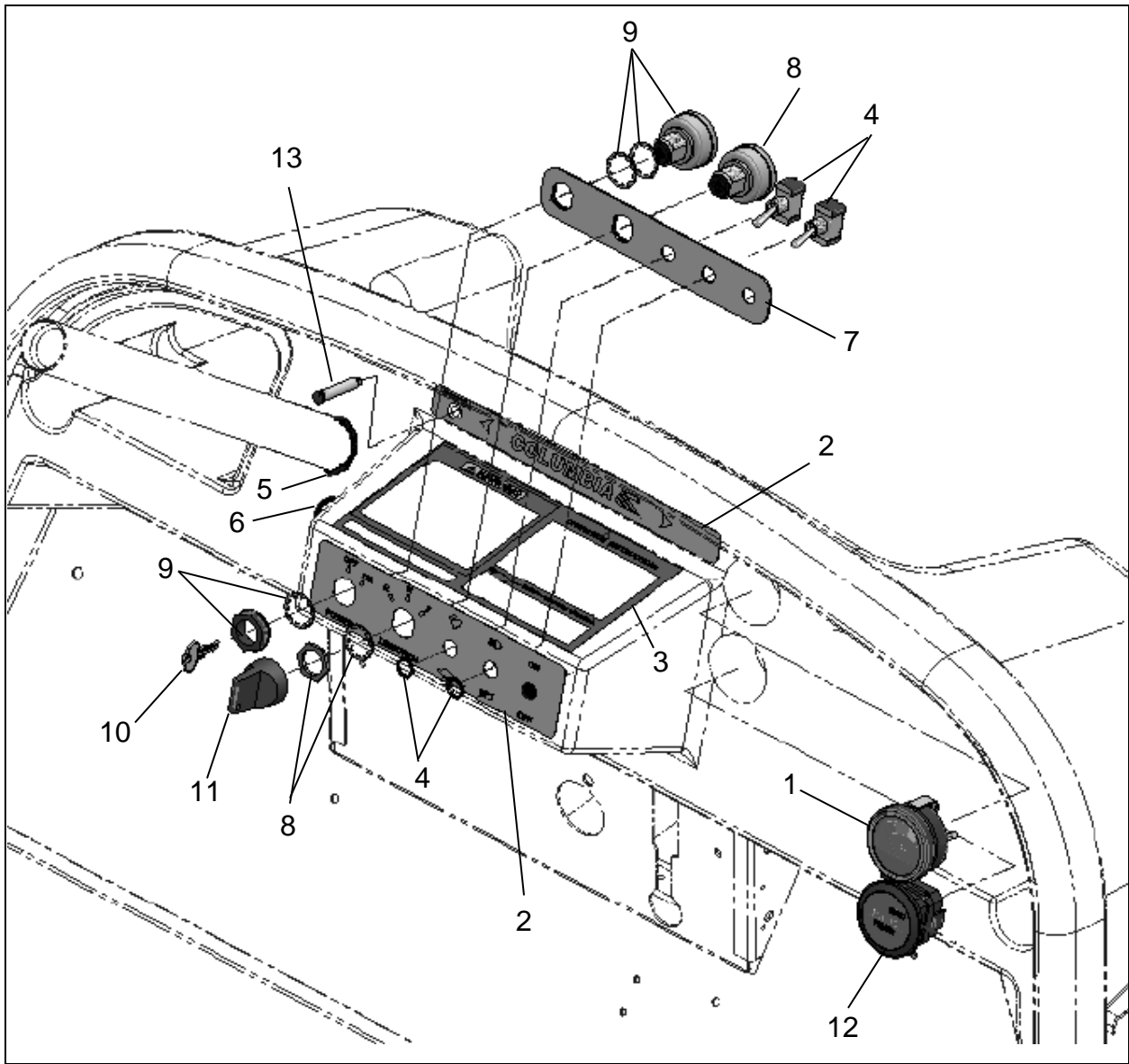
CONSOLE –SCOUT

ITEM	CPC P/N	DESCRIPTION	QTY	SEATS P/N
1	82996-07	FRONT CONSOLE (Drilled, includes Items 2, 6 – 8, 14 – 16)	1	467507
2	50190-86	NUT, JACK, 1/4-20	4	719717
3	6702-B	WASHER 5/16 FLT STL	4	719810
4	7036-B	WASHER 1/4, LOCK`	4	719834
5	2602	SCREW, 1/4-20X1 1/4 PPH	4	719569
6	8308	RIVET, BLIND 3/16 AL, BH #10	4-8	782117
7	31412-07	CUP HOLDER, DUAL	1-2	759871
8	16236-07	STRAP, CUP HOLDER	1-2	512029
9	50087-96	SIDE PANEL, LH (Attach using Items 11 & 12)	1	709062
10*	50088-96	SIDE PANEL, RH (Attach using Items 11 & 12)	1	709063
11	2653-B	SCREW, #10-16X3/4, HWH, TEK	6	719583
12	6716	WASHER, #10, SAE	6	719812
13*	1787	SCREW, #14-15X3/4 PPH	2	719540
14	33794-08	DECAL, DASH (Shown on Page 4-10)	1	712084
15	11418-A	GROMMET (Shown on Page 4-10)		719523
16	50197-96	FRONT CONSOLE (not drilled)	1	759866

* NOT SHOWN



DASH - SCOUT



DASH – SCOUT (Cont.)

ITEM	CPC P/N	DESCRIPTION	QTY	SEATS P/N
1	75061-07	BDI, 48V -VOLTMETER STYLE	1	759842
2	33794-08	DASH OVERLAY SET -ELECTRIC VEHICLE	1	712084
3	43960-07	DECAL, WARNING/OP INST	1	712055
4	72000-10	SWITCH, TOGGLE, ON/OFF	2	760600
5	11418-A	GROMMET, 2775 EPDM, 3/16 GROOVE	1	719523
6	11445	GROMMET, A2766S RUBBER	1	719528
7	71740-08	PLATE, SWITCH RETAINER	1	513254
8	71730-01	DIRECTIONAL KEYSWITCH	1	709040
9	71732-06	POWER KEYSWITCH	1	759706
10	71731-01	KEYSET, UNIV. 2 KEYS W/RING	1	749184
11	71767-05	ASSY, KEY, NON-REMOVABLE, W/COVER	1	719432
12	75033-91A	HOUR METER 10-80 VOLT DC	1	709452
13	67791-08	SYSTEM STATUS LIGHT	1	759932
14	56903-10	ASM, HORN EXTRUSION	1	467347
*	50635-00	COLUMN COVER. (Included W/Item 14)	1	462975
*	71808-00	HORN SWITCH (Included W/Item 14)	1	709176
*	2612-B	SCREW #8-322X1/2 (Included W/Item 14)	2	719571
*	7609-W	NUT 8-32 (Included W/Item 14)	2	719868
*	53266-95	DECAL, HORN (Included W/Item 14)	1	759787
*	69600-10	HARNESS, HORN SWITCH (Included W/Item 14)	1	759836
*	64219-03	GLOVE BOX SET, BLACK	1	719152

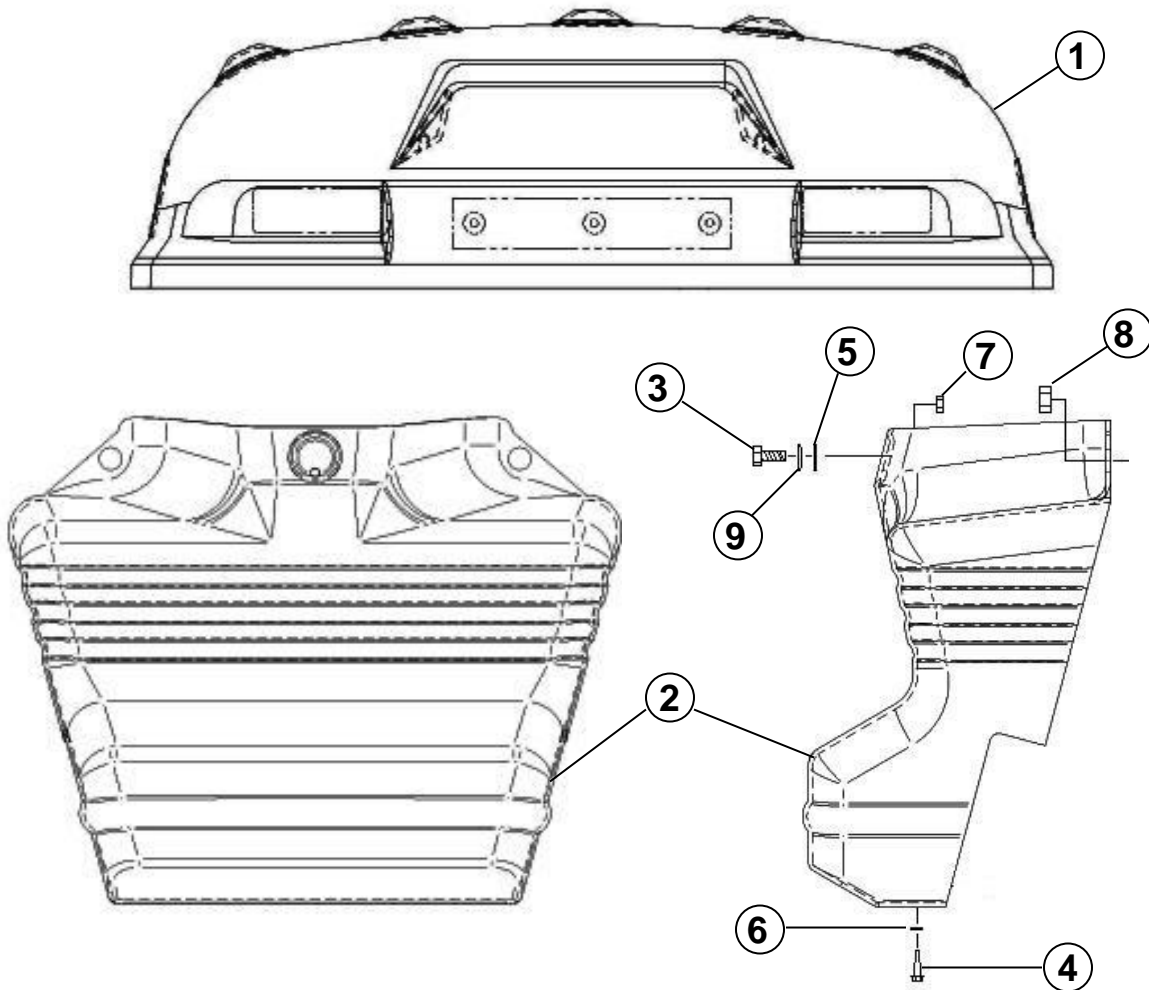
* NOT SHOWN

KEYSET	3 POSITION POWERSWITCH		2 POSITION POWERSWITCH		STANDARD KEYS	
	CPC P/N	SI P/N	CPC P/N	SI P/N	CPC P/N	SI P/N
A	71730-01	709040	71732-06	759706	71731-01	749184
B	71730-03B	719297	71732-06B	759722	71731-03B	719301
C	71730-03C	719298	71732-06C	759723	71731-03C	719302
D	71730-03D	719299	71732-06D	759724	71731-03D	719303
E	71730-03E	719300	71732-06E	759721	71731-03E	719304

FRONT HOOD AND COVER - SCOUT

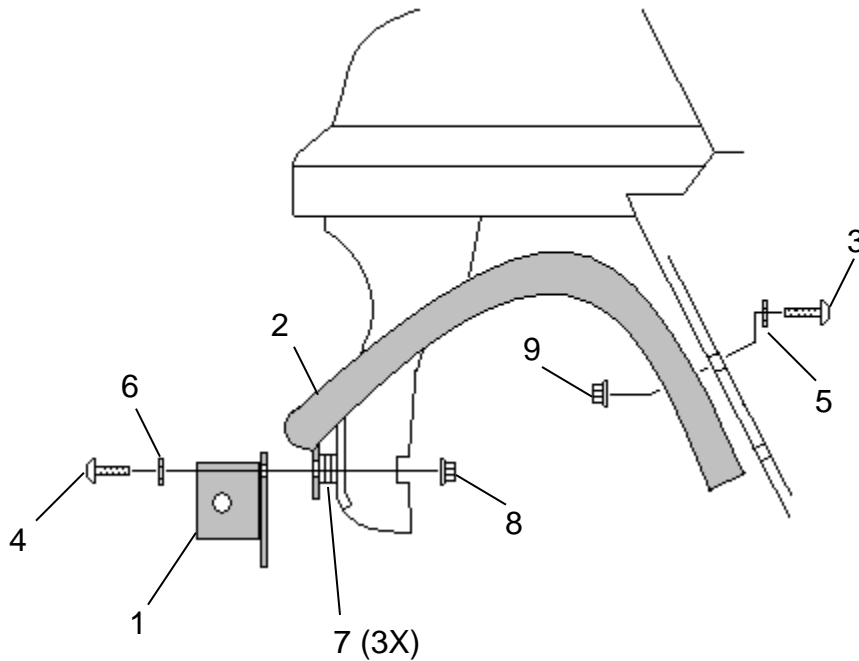
ITEM	CPC P/N	DESCRIPTION	QTY	SEATS P/N
1	50131-96	FRONT HOOD	1	462627
2	91059-96	FRONT COVER, BUMPER	1	709047
2A	91047-04	FRONT COVER, BUMPER DELUXE	1	467176
3	2551-W	SCREW, 1/4-20X1, HHC	1	719564
4	2653-B	SCREW, 10-16X3/4	2	719583
5	6703-B	WASHER, 1/4	1	719811
6	6912-B	WASHER, # 8	2	719817
7	7686	NUT, 1/4-20 NYLOCK	1	719879
8	7880	NUT, 1/2-13 HEX	2	719913
9	37084-41	SPR. WASHER	1	729782
*	84205-92A	COLUMBIA DECAL	1	709397

* NOT SHOWN

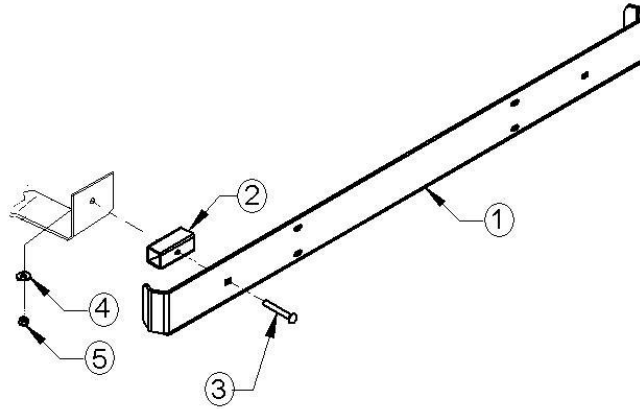


FRONT WRAPAROUND BUMPER & RECEIVER - SCOUT

ITEM	CPC P/N	DESCRIPTION	QTY	SEATS P/N
1	82054-02	FRONT RECEIVER HITCH 2"	1	306921
2	44922-97	BUMPER, FRONT WRAPAROUND	1	309811
3	4017	SCREW, 5/16-18X1, HHCS, G5	2	708085
4	3775	SCREW, 3/8-16X2 HHC G5	2	719634
5	6000-B	WASHER, 5/16 USS/STD	2	719771
6	6416	WASHER 3/8	2	719796
7	6417-W	WASHER, .391X1.125X.120 F/W	6	719797
8	7512	NUT, 3/8-16 SERR FLANGE LOCK	2	719860
9	7525	NUT, 5/16 GR A, SERRATED FLNG LOCK	2	719864



**REAR BUMPERS - SCOUT
ALUMINUM - STEEL**



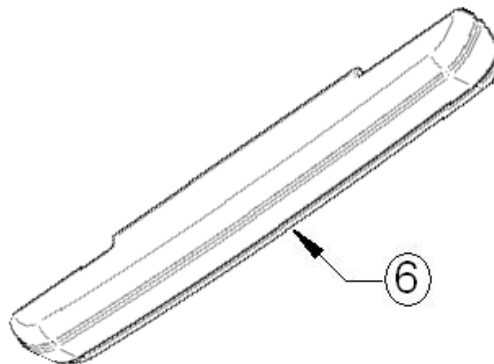
ITEM	CPC P/N	DESCRIPTION	QTY	SEATS P/N
1	44412-11	BUMPER - ALUMINUM	1	513275
1A	91006-03	BUMPER - STEEL	1	509017
2	44411-11	BUMPER SPACER	2	510199
3	5447-BS	SCREW 5/16-18X2 1/2 CARR.	2	719749
4	6000-B	WASHER, 5/16, USS/STD	14	719771
5	7739	NUT, 5/16 NYLOCK	10	719892
*	5460	SCREW, 5/16-18X1 1/4, HHC	8	719592
*	47077-89	BODY MOUNTING BRACKET	2	510251

* NOT SHOWN

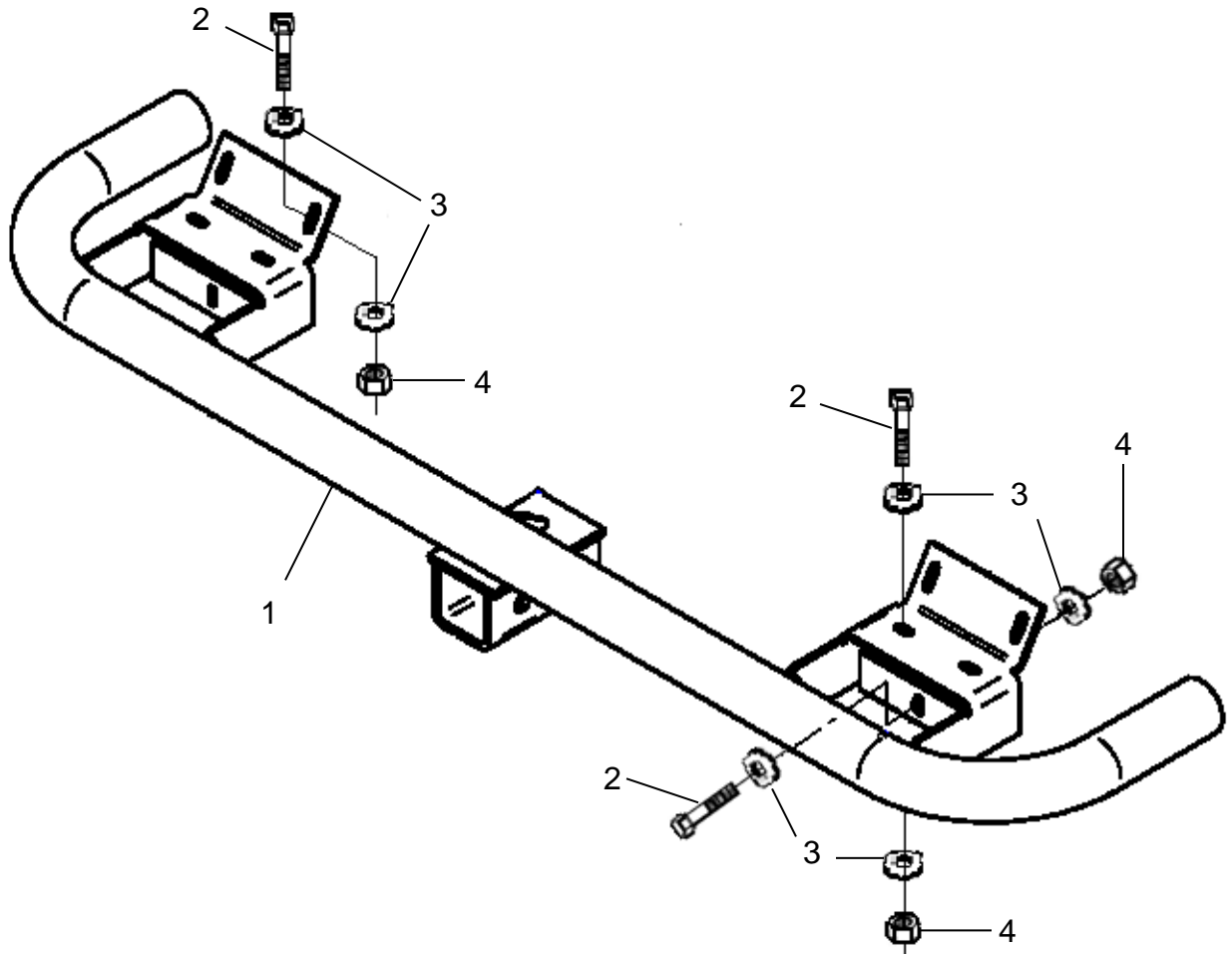
DURO BUMPER

ITEM	CPC P/N	DESCRIPTION	QTY	SEATS P/N
6	91010-96MZ	DURO BUMPER	1	709169
7*	3787-B	SCREW, 1/4-20X3/4	4	719636
8*	6703-B	WASHER 1/4	4	719811
9*	7036-B	WASHER LOCK 1/4	4	719834
N/A	89100-96	REAR DURO BUMPER KIT (Includes Items 6 – 9)	1	190716u

* NOT SHOWN – USED TO ATTACH ITEM 6 TO ITEM 1



REAR BUMPER WITH RECEIVER - SCOUT

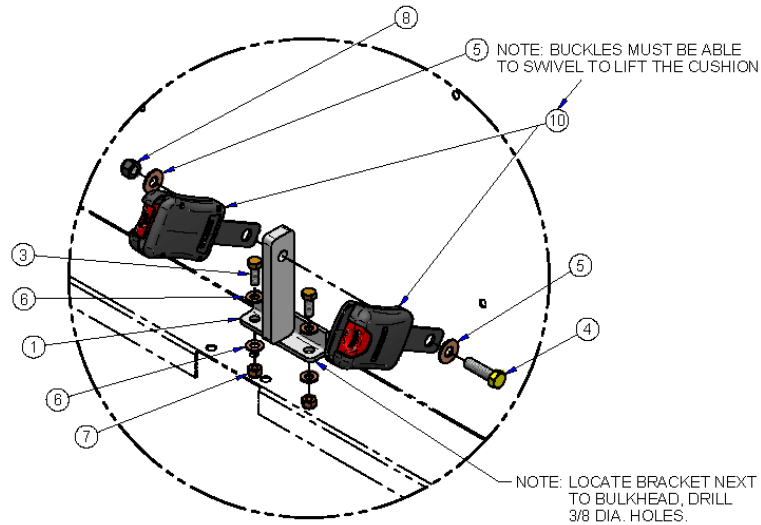


ITEM	CPC P/N	DESCRIPTION	QTY	SEATS P/N
1	44927-02	HD BUMPER UTIL-S	1	307502
2	2871-W	SCREW, 5/16-18X1 1/4, CARR, G5	10	719592
3	6000-B	WASHER, 5/16, USS/STD	20	719771
4	7739	NUT, 5/16 NYLOCK	10	719892
5	719530	HOLE PLUG 1 3/4 BLACK	2	719530
N/A	82105-02	KIT, UTIL-S REAR BUMPER W/RECEIVER	1	190714U

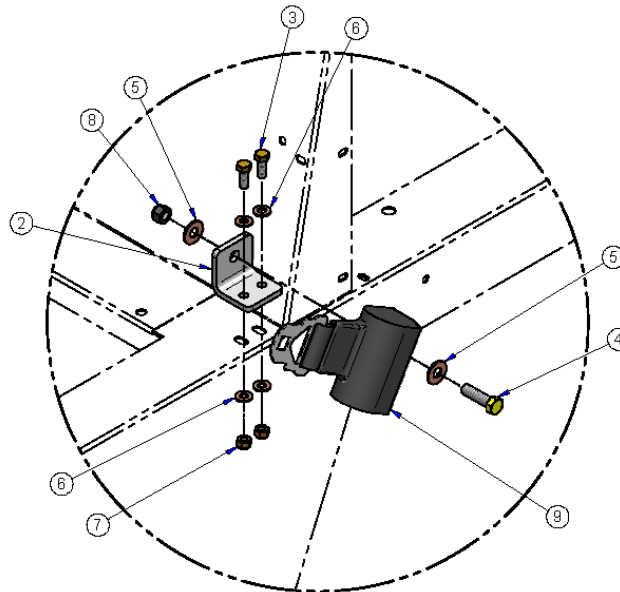
* NOT SHOWN



BENCH SEAT BELTS – SCOUT



INSTALL BUCKLES

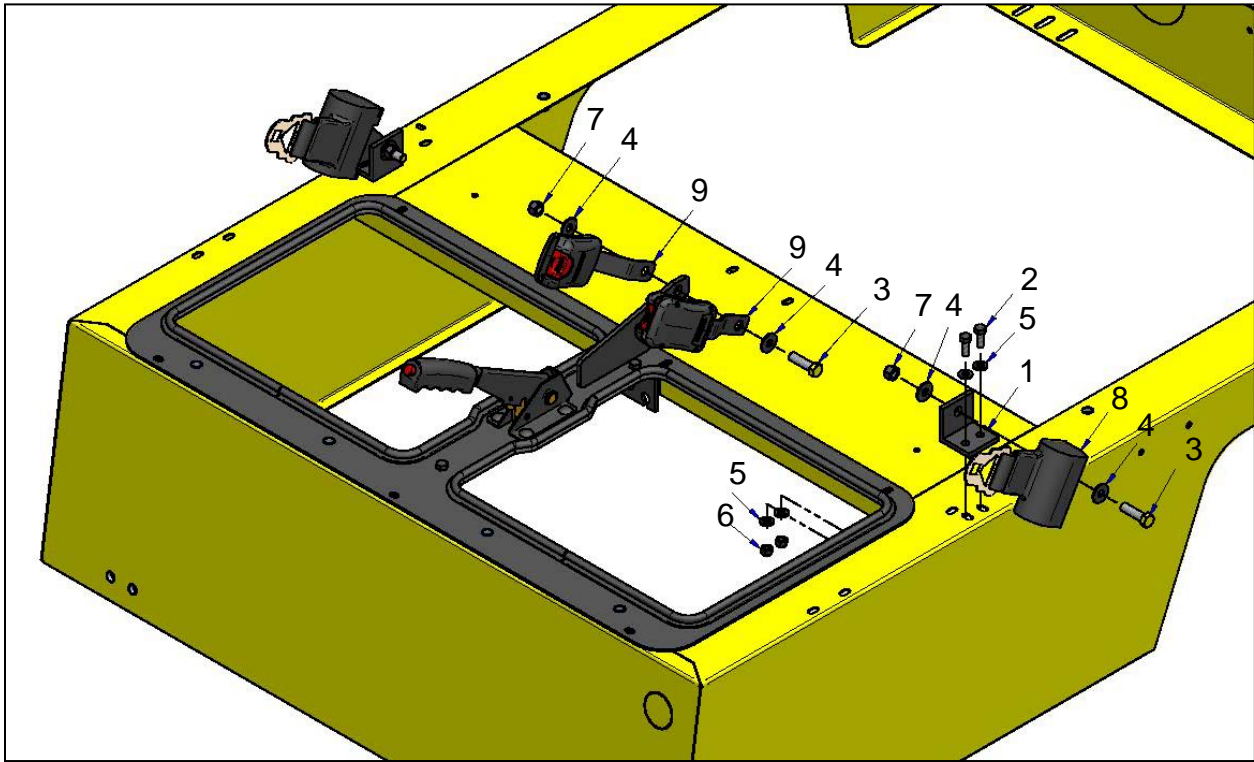


INSTALL RETRACTORS

ITEM	CPC P/N	DESCRIPTION	QTY	SEATS P/N
1	*	SEATBELT BRACKET	1	311060
2	75505-08	SEATBELT BRACKET	2	511730
3	3991	SCREW, HHC, 7/16-18X7/8 G5	6	719643
4	4256	SCREW, HX HD, 7/16-20X1.5 G5	3	719665
5	6416	WASHER FLT STL 3/8 STD	6	719796
6	6702-B	WASHER FLT STL 5/16	12	719810
7	7739	NUT 5/16-18 NE NYLON INSERT	6	719892
8	7825	NUT 7/16-20 LOCK NYLON INSERT	3	719908
9	75504-09	SEAT BELT, 48"	2	741359
10	75502-09	SEAT BELT, ATS BUCKLE ONLY, 6" STRAP	2	741361

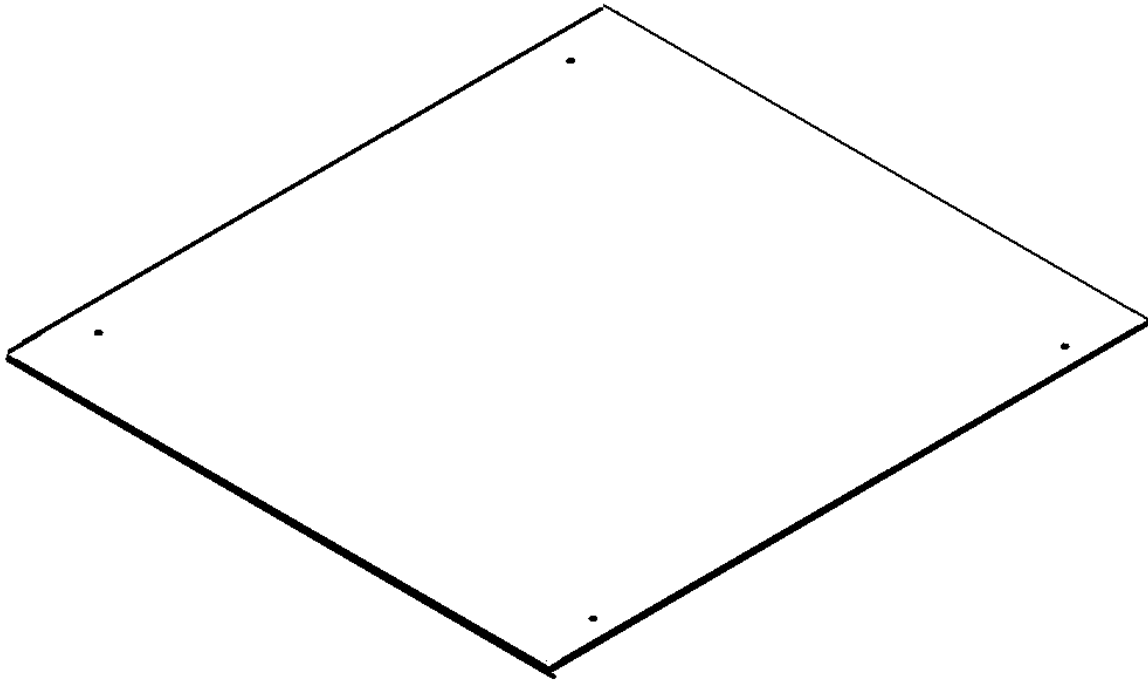
* SPECIAL ORDER

SEATBELTS BUCKET SEATS- SCOUT



ITEM	CPC P/N	DESCRIPTION	QTY	SEATS P/N
1	75505-08	SEATBELT BRACKET	2	511730
2	3991	SCREW, 5/16-18X7/8 HHC G5	4	719643
3	4256	SCREW, 7/16-20X1.5 HX HD G5	3	719665
4	6416	WASHER FLAT STL 3/8	6	719796
5	6702-B	WASHER FLAT STL 5/16	8	719810
6	7739	NUT, 5/16-18 NYLOCK	4	719892
7	7825	NUT, 7/16-20 NYLOCK	3	719908
8	75504-09	SEAT BELT 48" BLK 1.3" MOUNT	2	741359
9	75503-09	ATS BUCKLE W/OFFSET STRAP SEAT BELT	2	760553

STEEL DECK - SCOUT



ITEM	CPC P/N	DESCRIPTION	QTY	SEATS P/N
1	51305-03	DECK	1	511727
2	707317	NUT, 5/16 PUSHNUT	4	707317
3	49713-08	FOAM TAPE	10.5'	709783
4	2600	SCREW 5/16-18X3/5 S/S	4	781738

WHEELS - SCOUT

ITEM	CPC P/N	DESCRIPTION	QTY	SEATS P/N
1	40982-07	TIRE/WHL ASSY RH AGGRESSIVE 22X9-10	2	759877
2	40983-07	TIRE/WHL ASSY LH AGGRESSIVE 22X9-10		759878
3	41017-02	TIRE/WHL ASSY, 22X9.5-10 LIFTED TURF	4	709908
4	43152-66	LUG NUT, 1/2-20 TAPERED WHEEL (Used with above Items)	24	709002
5*	36507-08	KIT, REAR WHEEL SPACER, (See NOTE)	1	191704U

* NOT SHOWN

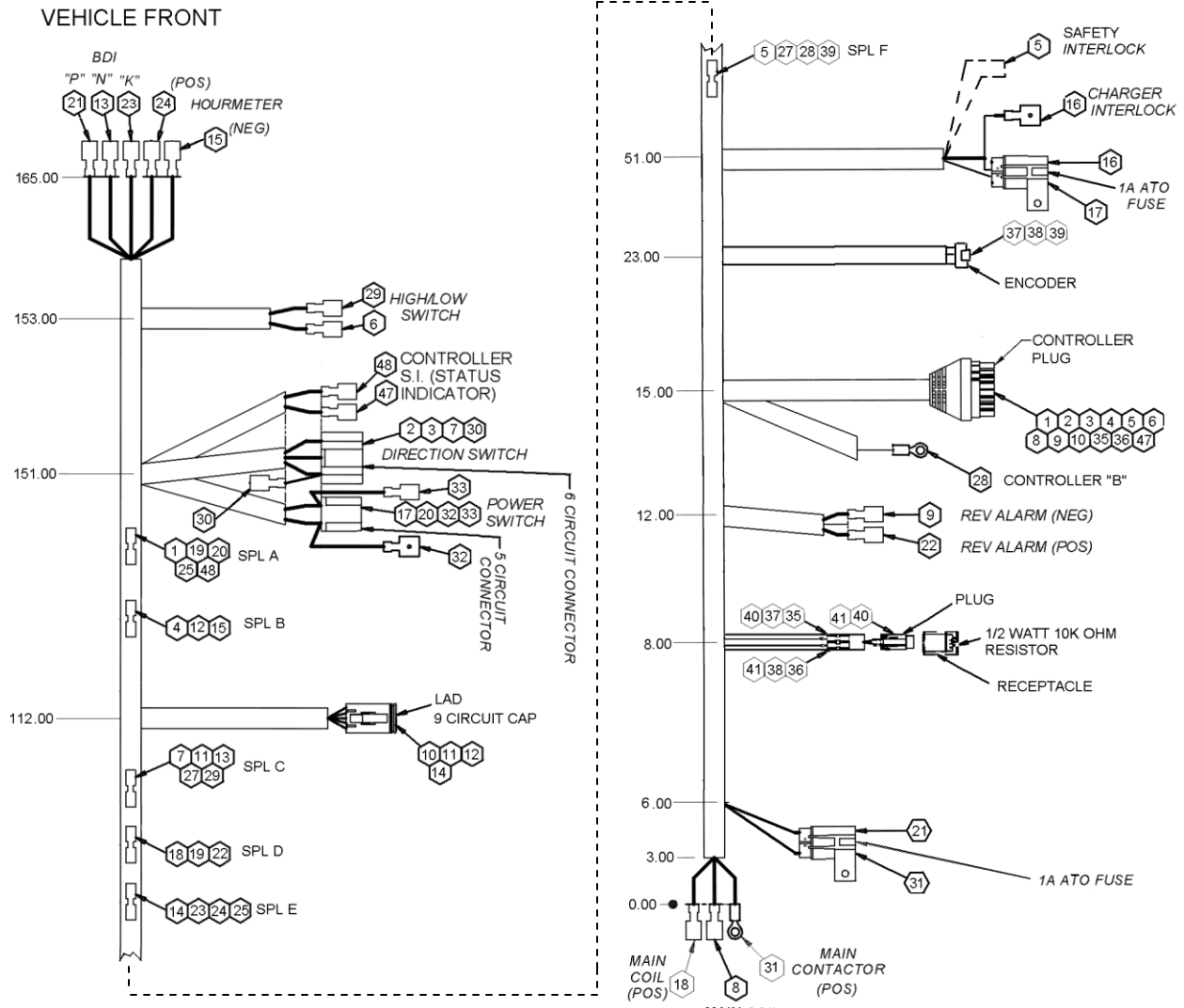
NOTE: Kit contains spacers (P/N 509958PL & 760379), lug nuts for both rear wheels. Used with Item 3.

Scout Parts Manual

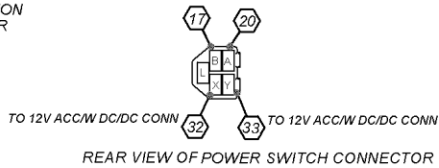
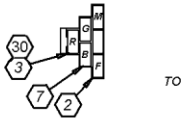
Section 5

Electrical Systems

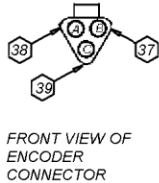
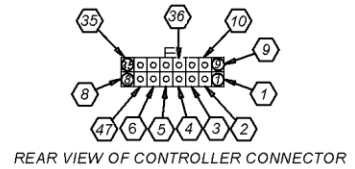
MAIN WIRE HARNESS – SCOUT P/N 70068-07



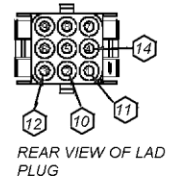
REAR VIEW OF DIRECTION SWITCH CONNECTOR



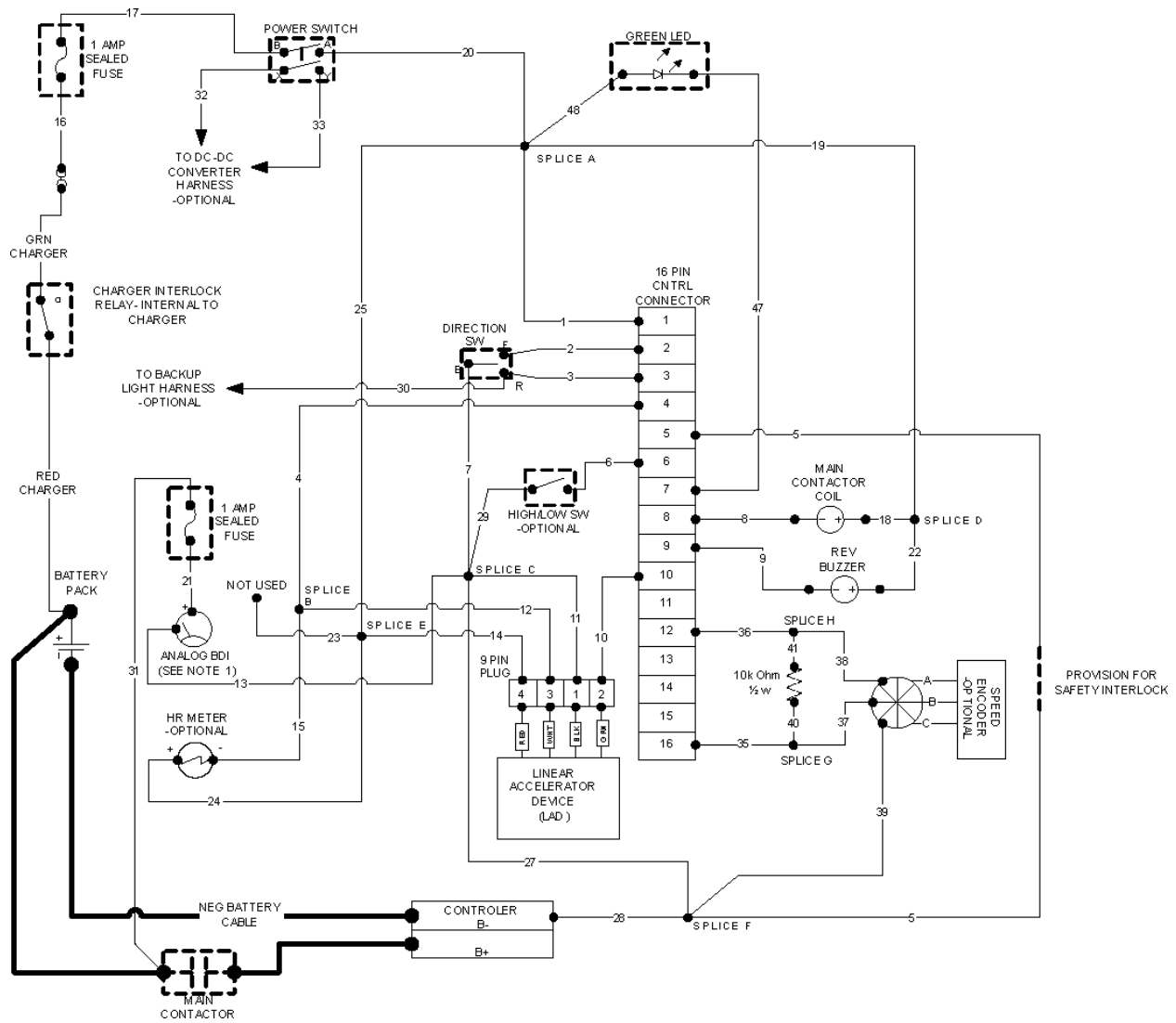
VEHICLE REAR



CIRCUIT NO.	WIRE COLOR	CIRCUIT NO.	WIRE COLOR	CIRCUIT NO.	WIRE COLOR	CIRCUIT NO.	WIRE COLOR
1	RED	11	BLK	21	RED	31	RED
2	GRN	12	WHT	22	YEL	32	RED
3	GRY	13	BLK	23	WHT	33	RED
4	BLK	14	RED	24	WHT	35	GRN
5	BLK	15	BLK	25	WHT	36	RED
6	BLK	16	RED	26	—	37	GRN
7	BLK	17	RED	27	BLK	38	RED
8	BLK	18	RED	28	BLK	39	BLK
9	BLK	19	RED	29	BLK	40	GRN
10	GRN	20	RED	30	GRY	41	RED
						47	BLK
						48	RED



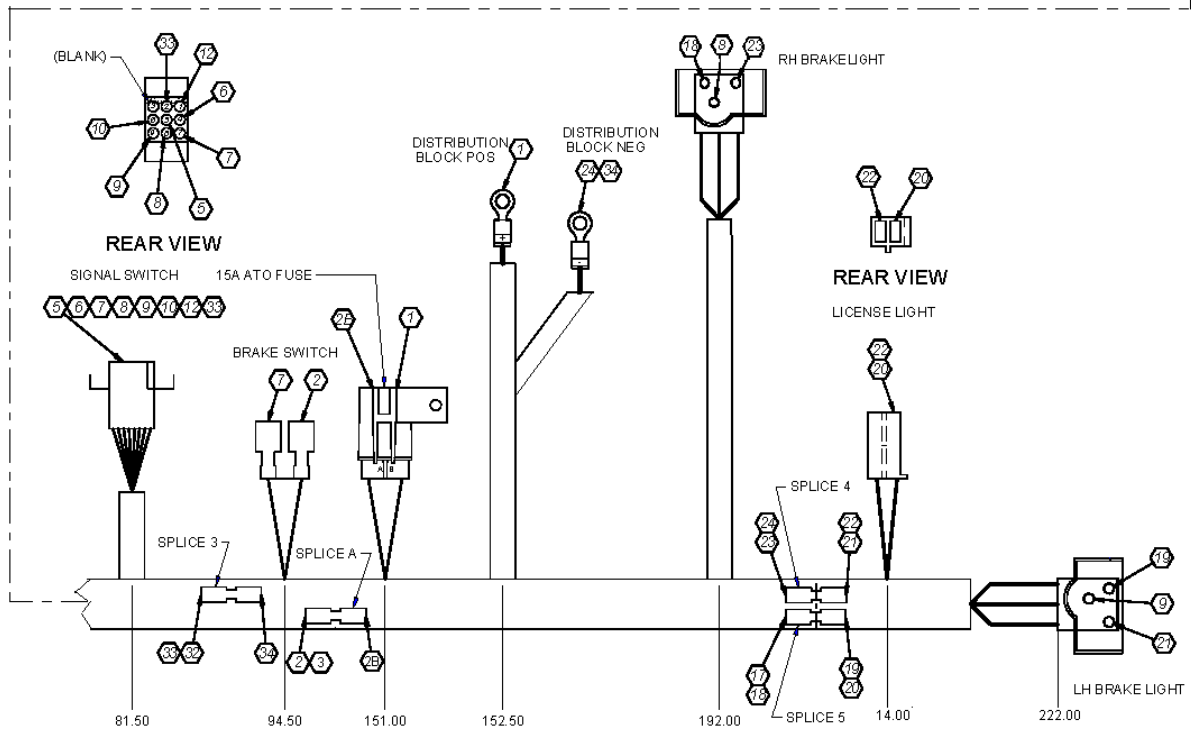
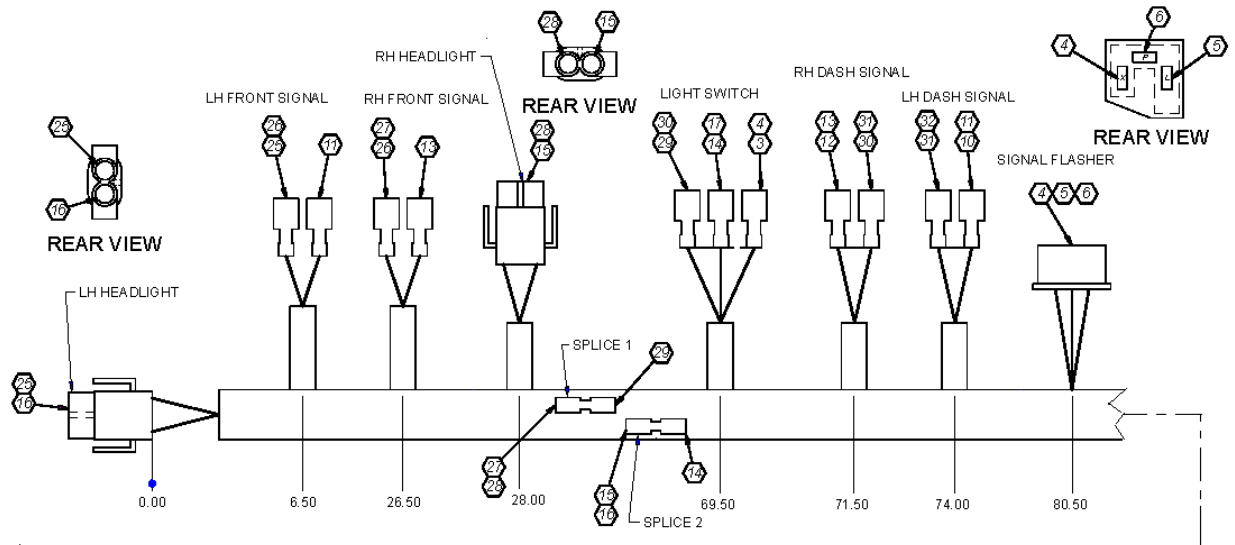
MAIN WIRE HARNESS SCHEMATIC – SCOUT P/N 70068-07



ITEM	CPC P/N	DESCRIPTION	QTY	SEATS P/N
1	75061-07	BDI METER, 48V	1	759842
2	75033-91A	HOUR METER	1	709452
3	69900-10	SPEED SWITCH, TOGGLE.	1	760600
4	71425-87	DIRECTION SWITCH	1	719432
5	67791-08	LIGHT, LED, GREEN	1	759932
6	71732-06	KEYSWITCH	1	759706
7	70226-07	ACCELERATOR, LINEAR	1	759803
8		CHARGER DELTA Q (See Page 5-13)	1	
9	75594-04	FUSE - 1.0 AMP	2	719444
10	47895-05A	CONTROLLER, SEVCON REGEN HP, SEPEX 24/-48 (Programmed 760576)	1	467696
11	71408-96A	ALARM, AUDIBLE	1	759831
12	70590-07	RESISTOR, ASSEMBLY	1	759934
13	71455-01A	CONTACTOR W/ MTG BRKT - 24 V (SW80)	1	709166
14	70068-07	MAIN HARNESS (See Note)	1	759890

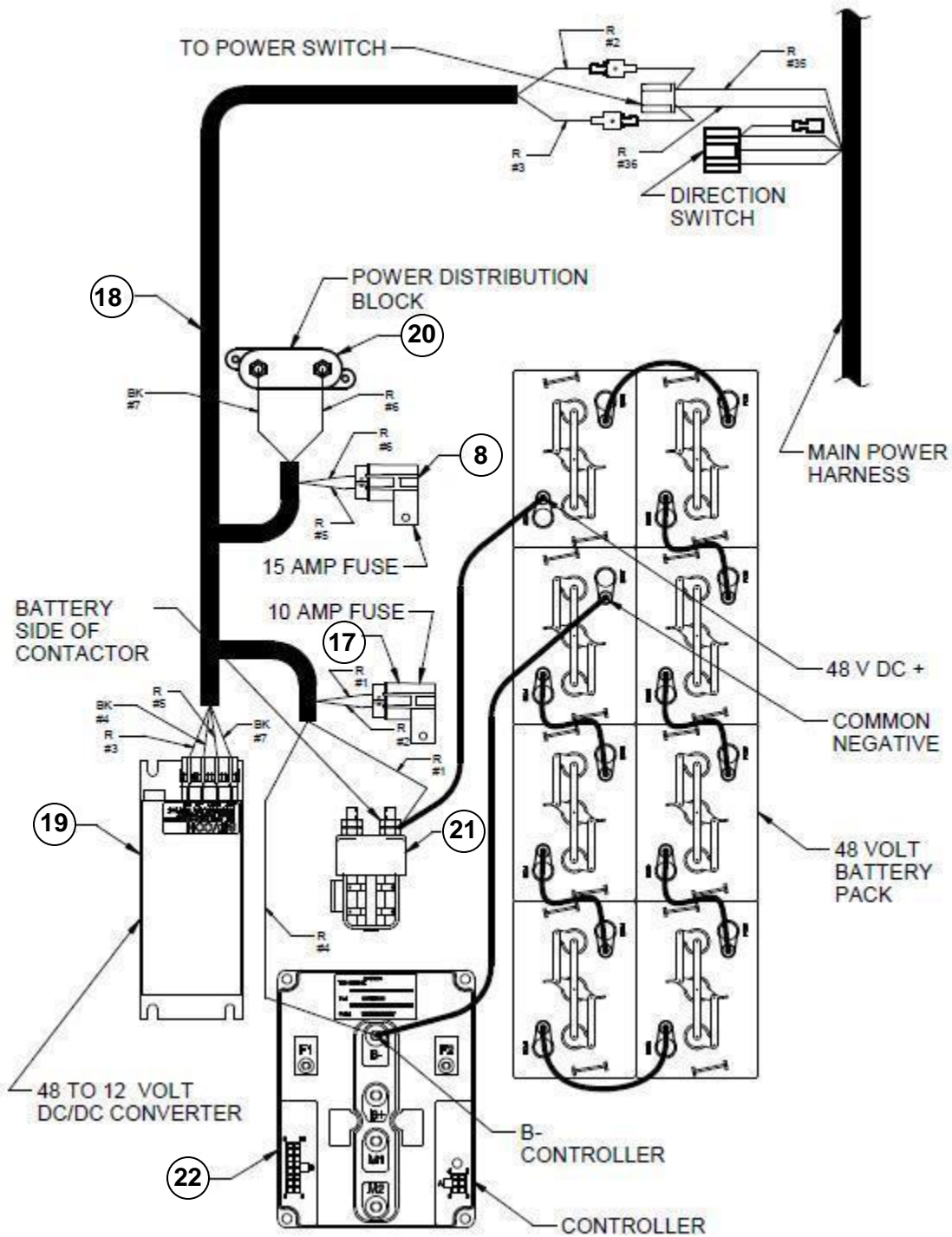
NOTE: For use with vehicles with a pot box, an adapter is required. See page 5-14.

12V ELECTRICAL ACCESSORY WIRING – SCOUT P/N 68870-02

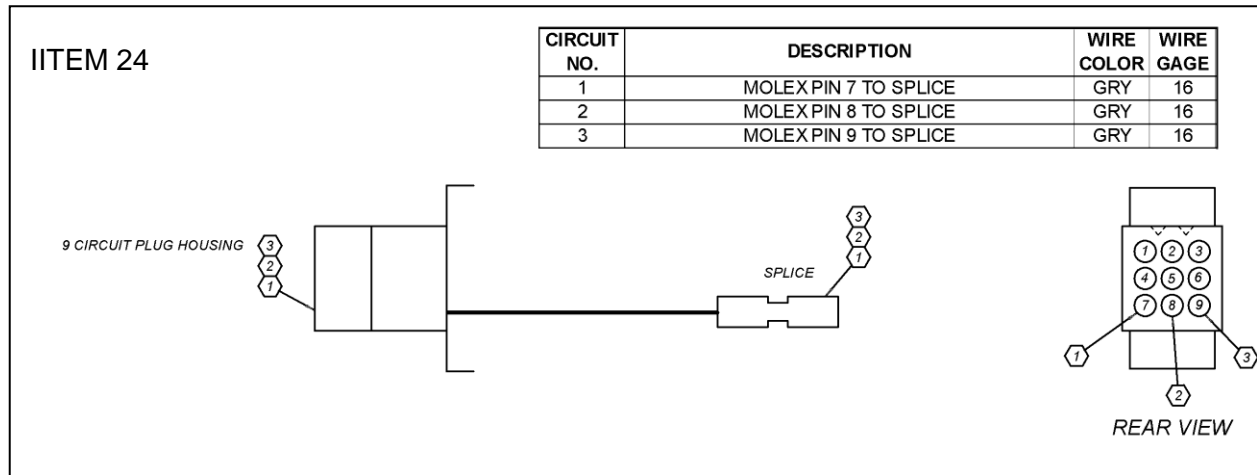


CIRCUIT NO.	DESCRIPTION	WIRE LENGTH *	WIRE COLOR	WIRE GAGE	CIRCUIT NO.	DESCRIPTION	WIRE LENGTH *	WIRE COLOR	WIRE GAGE
1	BATTERY POS TO FUSE	43.50	RED	12	18	SPLICE 5 TO RH BRAKE LIGHT TAIL	82.00	BLU	16
2	SPLICE A TO BRAKE SWITCH	66.50	RED	16	19	SPLICE 5 TO LH BRAKE LIGHT TAIL	9.00	BLU	16
2B	FUSE TO SPLICE A	6.00	RED	12	20	SPLICE 5 TO LICENSE LIGHT POS	3.00	BLU	16
3	SPLICE A TO LIGHT SWITCH POS	82.50	RED	16	21	LH BRAKE LIGHT NEG TO SPLICE 4	9.00	BLK	16
4	LIGHT SWITCH POS TO FLASHER X	18.00	RED	16	22	SPLICE 4 TO LICENSE LIGHT NEG	3.00	BLK	16
5	FLASHER L TO SIGNAL SWITCH	10.00	YEL	16	23	SPLICE 4 TO RH BRAKE LIGHT NEG	82.00	BLK	16
6	FLASHER TO SIGNAL SWITCH	10.00	BLU	16	24	SPLICE 4 TO BATTERY NEG	98.50	BLK	16
7	SIGNAL SWITCH TO BRAKE SWITCH	10.00	WHT	16	25	LH HEADLIGHT NEG TO LH FRONT SIGNAL NEG	12.50	BLK	16
8	SIGNAL SWITCH TO RH BRAKE LIGHT SIGNAL	178.50	GRY	16	26	LH FRONT SIGNAL NEG TO RH FRONT SIGNAL NEG	32.00	BLK	16
9	SIGNAL SWITCH TO LH BRAKE LIGHT SIGNAL	147.50	ORG	16	27	RH FRONT SIGNAL NEG TO SPLICE 1	8.50	BLK	16
10	SIGNAL SWITCH TO LHDASH SIGNAL POS	19.50	GRN	16	28	SPLICE 1 TO RH HEADLIGHT NEG	6.00	BLK	16
11	LHDASH SIGNAL POS TO LH FRONT SIGNAL POS	78.50	GRN	16	29	SPLICE 1 TO LIGHT SWITCH NEG	45.50	BLK	16
12	SIGNAL SWITCH TO RH DASH SIGNAL POS	22.00	RED	16	30	LIGHT SWITCH NEG TO RH DASH SIGNAL NEG	11.00	BLK	16
13	RHDASH SIGNAL POS TO RH FRONT SIGNAL POS	56.00	RED	16	31	RHDASH SIGNAL NEG TO LH DASH SIGNAL NEG	11.50	BLK	16
14	LIGHT SWITCH LOAD TO SPLICE 2	6.00	BLU	16	32	LH DASH SIGNAL NEG TO SPLICE 3	14.00	BLK	16
15	SPLICE 2 TO RH HEADLIGHT POS	45.50	BLU	16	33	SPLICE 3 TO SIGNAL SWITCH	8.50	BLK	16
16	SPLICE 2 TO LH HEADLIGHT POS	68.50	BLU	16	34	SPLICE 3 TO BATTERY NEG	107.50	BLK	16
17	LIGHT SWITCH LOAD TO SPLICE 5	148.50	BLU	16					

DC/DC CONVERTER WIRING - SCOUT



12V ELECTRICAL ACCESSORY - SCOUT

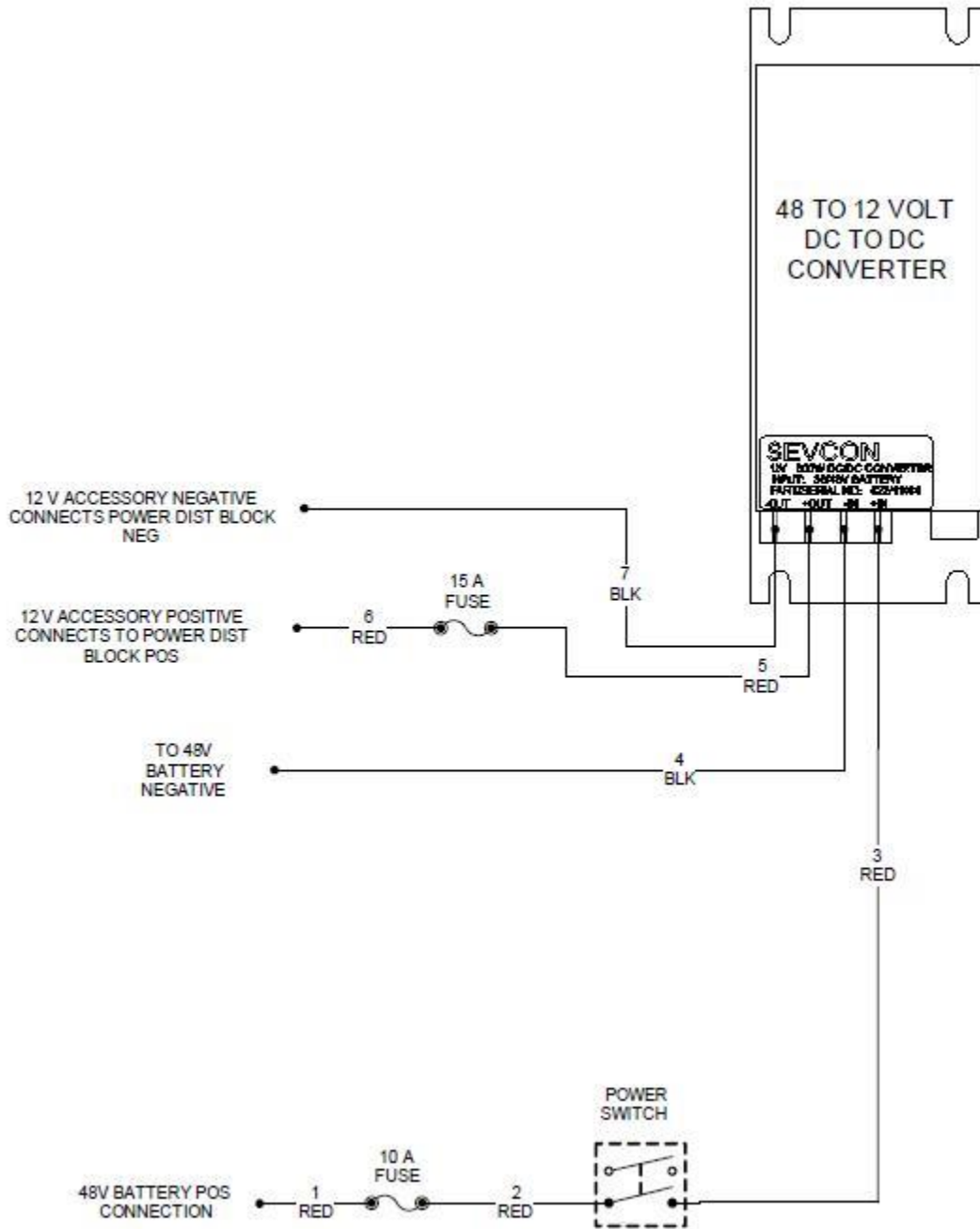


ITEM	CPC P/N	DESCRIPTION	QTY	SEATS P/N
1	68900-10	HEADLIGHTS, GLASS (PAIR, RECTANGULAR)	1	467666
2	68499-96	ASSY, FRONT TURN LIGHT	2	467420
3	72000-10	SWITCH, TOGGLE	1	760600
4	67790-00	LIGHT, DASH SIGNAL INDICATOR	2	709111
5	71977-04	FLASHER	1	719366
6	71426-02	ASSY, TURN SWITCH W/GROMMET	1	464193
7	71412-07	ALARM, AUDIBLE	1	759790
8	74595-01	FUSE, 15 AMP ATO/ATC	2	709255
9	68020-92	LIGHT, 4" TAIL LAMP ASSY W/PLUG	2	709109
10	68870-02	HARNESS, 12V ACCESSORY, GOLF & UTILITY	1	739951
11	69005-00	HARNESS, UNIVERSAL HORN	1	709360
12	71808-00	SWITCH, HORN, SURFACE MOUNT	1	709176
13	69001-76A	HORN, 12V (See Note)	1	709089
13A	69003-12	HORN 48V	1	760753
14	68877-04	HARNESS, BACK UP LIGHTS, ACE+	1	719389
15	66556-07	12V RELAY	1	759854
16	68503-03	LIGHT, ROUND 2" BACK UP	2	719320
17	74596-02	FUSE, 10 AMP ATO/ATC	1	709786
18	70030-06	HARNESS, DC-DC CONVERTER	1	759778
19	69642-05	48V TO 12V DC-DC CONVERTER	1	760378
20	71854-06	POWER DISTRIBUTION BLOCK	1	759792
21	71455-01A	CONTACTOR & MOUNT BRACKET 24V	1	709166
22	47895-05A	CONTROLLER, SEVCON RGEN-SEPEX (Program 760576)	1	467696
23	71730-01	DIRECTION KEYSWITCH	1	709040
24	68867-02	WIRE HARNESS, TURN SIGNAL BYPASS PLUG	1	7099861

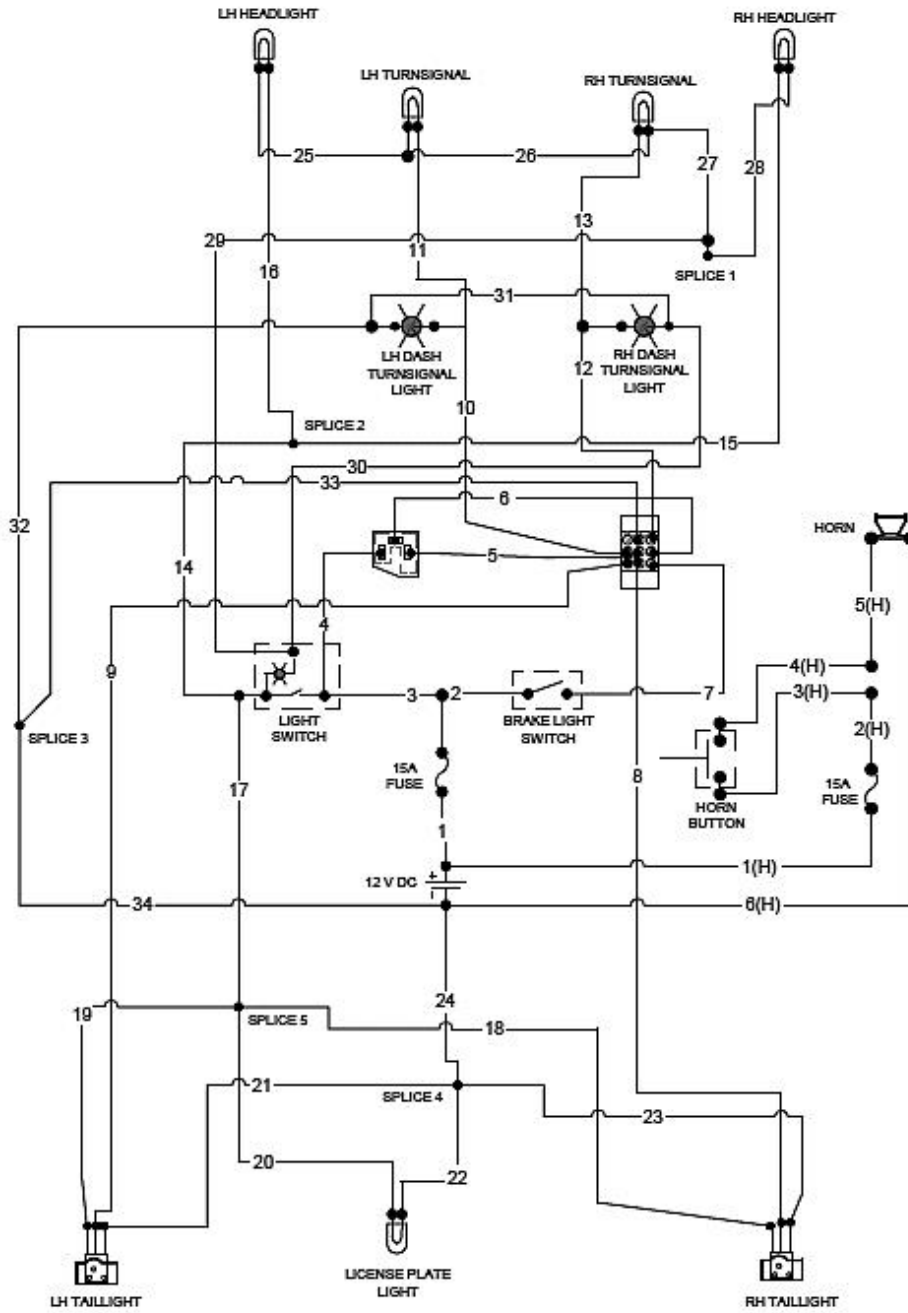
* NOT SHOWN

NOTE: Vehicle produced after mid 2012 are equipped with a 48 V horn. If replacing a 12V horn it is recommended replacing it with a 48V horn. See Horn Harness information page 5-14.

DC-DC CONVERTER SCHEMATIC - SCOUT



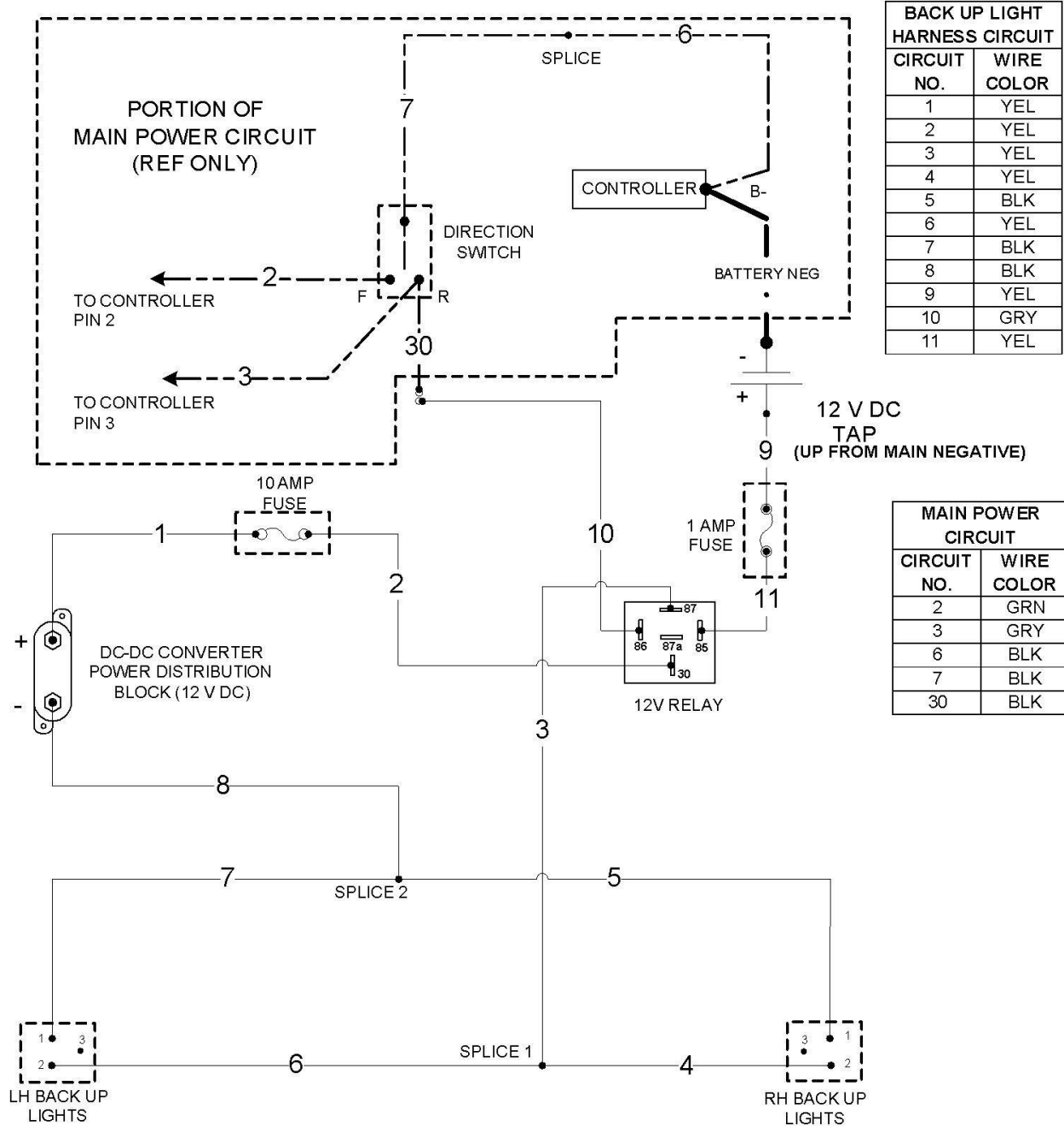
12V ACCESSORY SCHEMATIC - SCOUT



CIRCUIT NO.	WIRE COLOR
1	RED
2	RED
3	RED
4	RED
5	YEL
6	BLU
7	WHT
8	GRY
9	ORG
10	GRN
11	GRN
12	RED
13	RED
14	BLU
15	BLU
16	BLU
17	BLU
18	BLU
19	BLU
20	BLU
21	BLK
22	BLK
23	BLK
24	BLK
25	BLK
26	BLK
27	BLK
28	BLK
29	BLK
30	BLK
31	BLK
32	BLK
33	BLK
34	BLK
1(H)	WHT
2(H)	WHT
3(H)	WHT
4(H)	WHT
5(H)	WHT
6(H)	BLK

(H) HORN HARNESS CIRCUIT

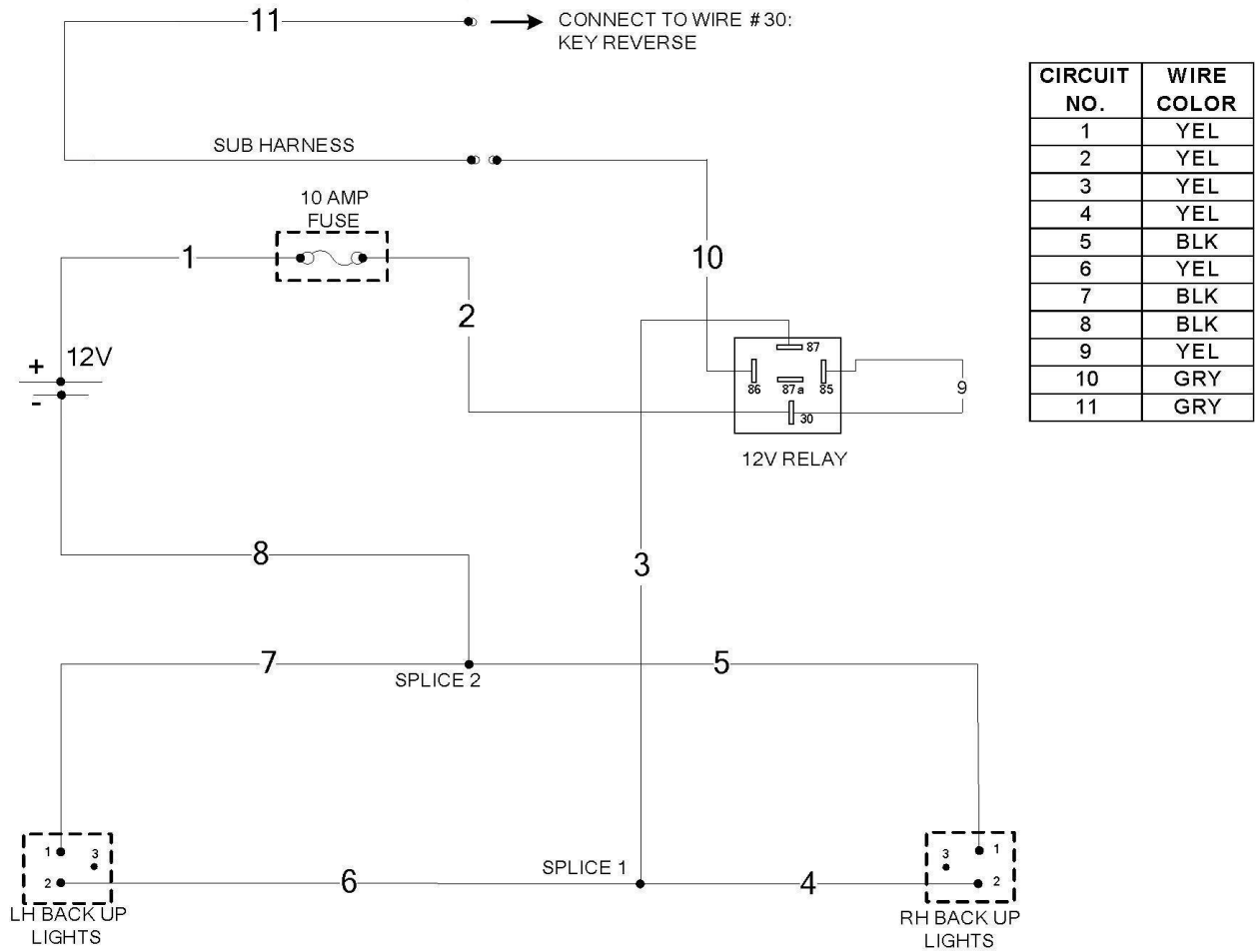
BACK UP LIGHTS HARNESS SCHEMATIC WITH DC-DC CONVERTER - SCOUT



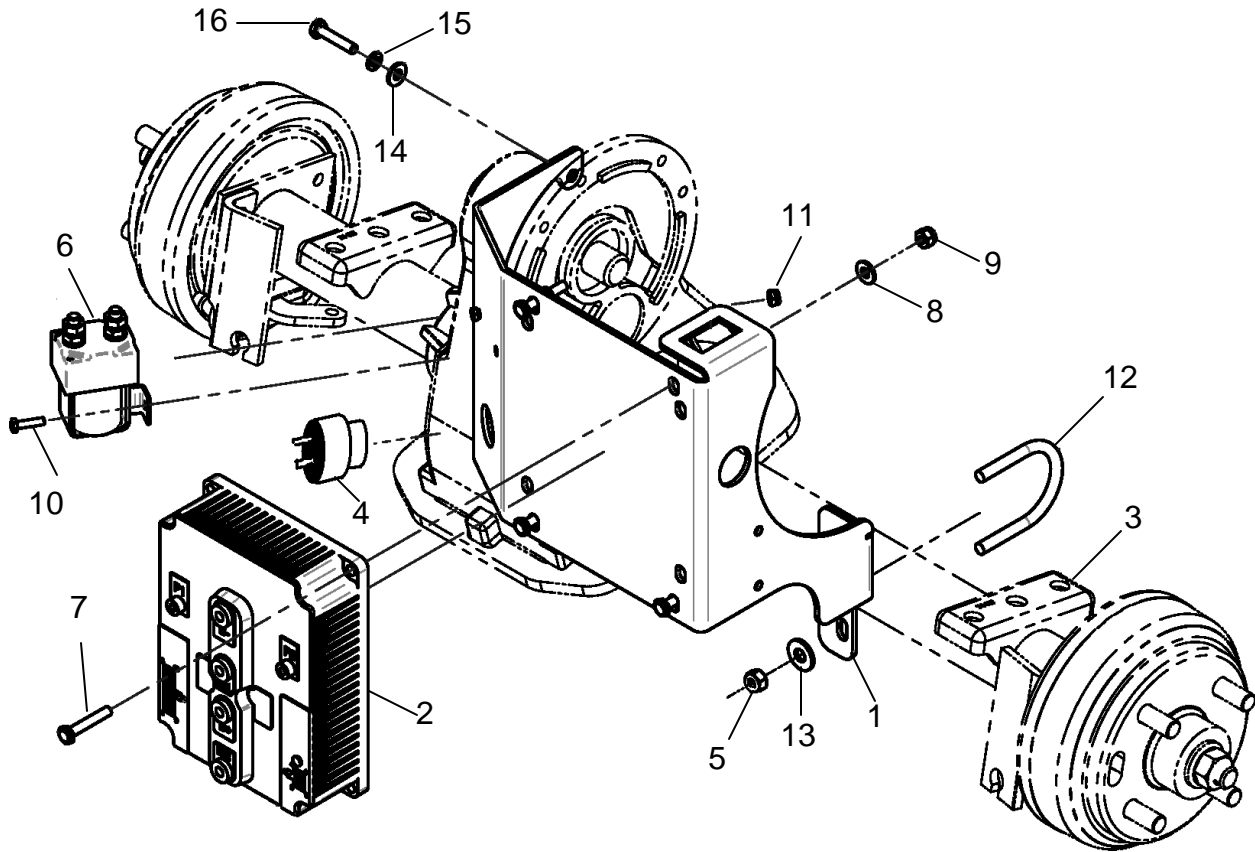
BACK UP LIGHT HARNESS CIRCUIT	
CIRCUIT NO.	WIRE COLOR
1	YEL
2	YEL
3	YEL
4	YEL
5	BLK
6	YEL
7	BLK
8	BLK
9	YEL
10	GRY
11	YEL

MAIN POWER CIRCUIT	
CIRCUIT NO.	WIRE COLOR
2	GRN
3	GRY
6	BLK
7	BLK
30	BLK

BACK UP LIGHTS HARNESS SCHEMATIC ACE + - SCOUT



CONTROL PANEL COMPONENTS - SCOUT



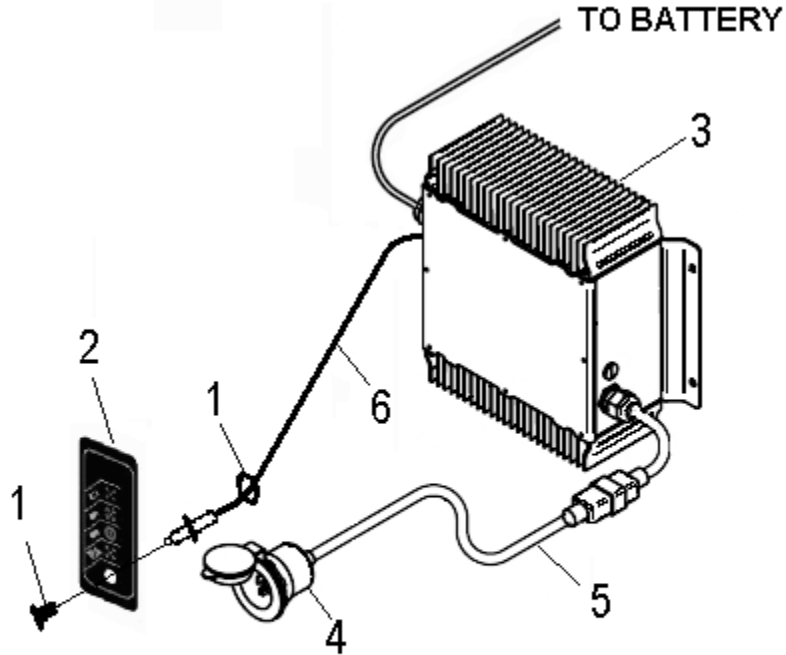
ITEM	CPC P/N	DESCRIPTION	QTY	SEATS P/N
1	71020-01	MOUNTING BRKT - PANEL CONTROLLER	1	510394
2	47895-05A	CONTROLLER, SEVCON REGEN HP, SEPEX 24/-48 (Programmed 760576)	1	467696
3		AXLE, ELECTRIC (See Section 3)	1	
4	71408-96A	ALARM, BACK UP	1	759831
5	7739	NUT, 5/16-18, NE, NYLON INSERT, GA, YWZC	2	719892
6	71455-01A	CONTACTOR W/ MTG BRKT - 24 V (SW80)	1	709166
7	2551-W	SCREW, 1/4-20X1, HHCS, G5, YWZC	4	719564
8	6703-B	WASHER FLAT STL 1/4 SAE - BLK	4	719811
9	7686	NUT 1/4-20 NYLOCK, GA YWZC	4	719879
10	2685-W	SCREW, #10-24 X 5/8 HWH TRD ROL	2	719586
11	7624	NUT, #10-24 GR A NM MACH NYLON LOCK	2	719870
12	5211	U-BOLT, #014,ZC	1	719734
13	6000-B	WASHER, 5/16,USS, STD, F/W BLK MAX	2	719771
14	708616	SCREW, 1/4-20 X 1 1/4" HHCS, G5, YWZC150	3	708616
15	7036-B	WASHER, LOCK 1/4 BLACK ZINC	3	719834
16	6703-B	WASHER, FLAT STL 1/4 SAE- BLK	3	719811

CHARGER & BATTERY - SCOUT (Cont.)

ITEM	CPC P/N	DESCRIPTION	QTY	SEATS P/N
1		CHARGER, DELTA Q (See Page 5-13)	1	
2	66438-03	BRACKET, CHARGER MOUNT, DELTA Q	1	509597
3	45590-03	SUPPORT	1	509658
N/A	70036-05	CHARGER CORD (Item # 5) W/RECEPTACLE (Item # 4)	1	467405
4	66034-02	RECEPTACLE, POWER INLET (120V) W/ HARDWARE	1	709558
5	66493-03	CHARGER CORD, 6 FT 14/3 WIRE BLACK	1	719264
6	3787-B	SCREW, HEX HEAD CAP 1/4-20 X 3/4 G5	5	719636
7	5400-BS	SCREW, 5/16-18X1 CARR	2	719744
8	6702-B	WASHER FLAT STL 5/16	2	719810
9	6703-B	WASHER FLAT STL 1/4 SAE UNHARD BLK	5	719811
10	7724-B	NUT 1/4-20 GR A SERRATED FLNG LOCK	5	719887
11	7739	NUT, 5/16-18 NYLOCK	2	719892
12	47105-10	BATTERY TRAY	1	309820
13	708859-SW	WASHER, 3/8", STD FLAT, STAINLESS	2	708859
14	708860-LH	NUT, 3/8-16 NYLOCK, WAXED, SS	2	708860
15	47711-98A	HOLD DOWN, BATTERY	1	709196
16	66561-02	J-HOOK, Ø2.60 X 13.86	2	708862
17	66014-03	BATTERY, 6V, DC, US2200	8	719229
17A	66200-10	BATTERY, 6V DC, SEALED, AGM, GC2	8	760586
17B	66005-03	BATTERY, 6V DC, US145	6	719231
*	70099-88	CABLE, 4GA, 8.75"	7	709004
*	66493-67A	EXTENSION CORD	1	709890
*	66100-10	EXTENSION CORD 9', GFIC	1	760620

* NOT SHOWN

DELTA Q CHARGER WITH REMOTE LED – S10



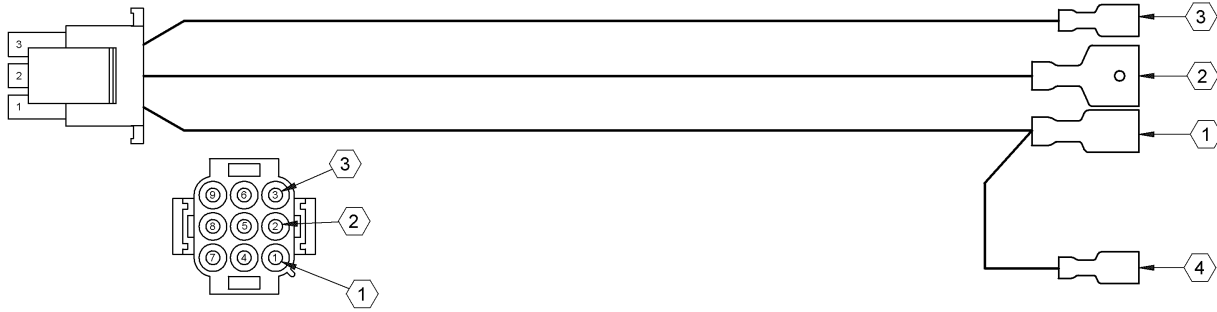
**LED & LABEL POSITION WILL BE LOCATED
ADJACENT TO THE CHARGER AC RECEPTACLE**

ITEM	CPC P/N	DESCRIPTION	QTY	SEATS P/N
1	9951	CR-174 CLIP & RING	1	781989
2	66584-12	LED FRONT LABEL	1	760754
3	66583-12	CHARGER, DELTA Q 48V W/LED, STANDARD	1	760742
3A	66582-12	CHARGER, DELTA Q 48V W/LED, AGM	1	467839
4	66034-02	PLUG, POWER INLET 120V SEALED	1	709558
5	66493-03	CHARGER CORD 6'	1	719264
6	66029-12	LED 25' CABLE	1	760817
N/A	70036-05	ASSEMBLY, CORD W/ RECEPTACLE (Includes Item 4 & 5)	1	467405

NOTE: SEE SERVICE BULLETIN SB11-004 IF REPLACING A NON-LED CHARGER.

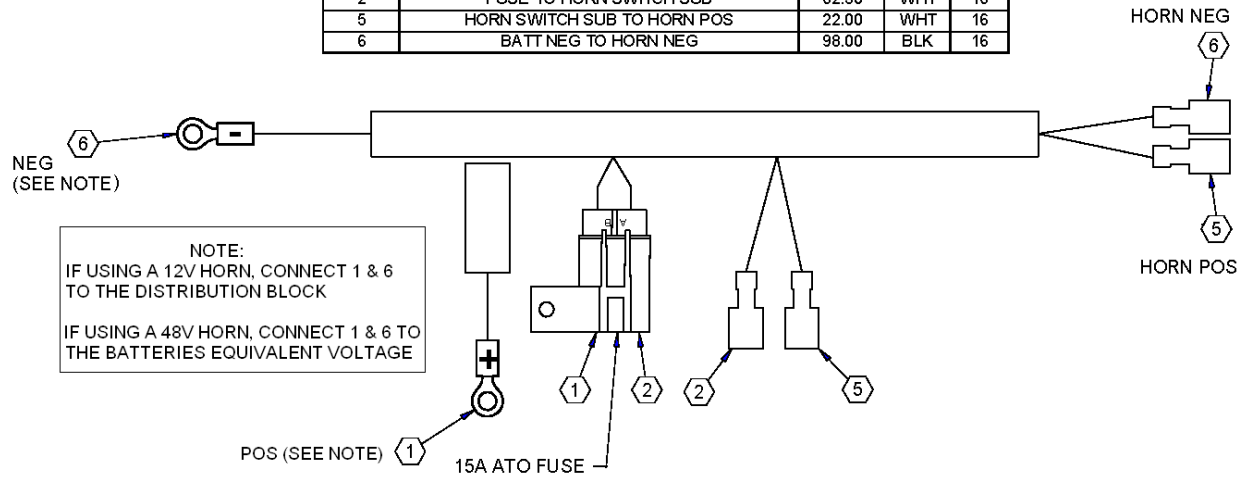
HARNES, POT BOX ADAPTER –S10 P/N 71001-10

CIRCUIT NO.	DESCRIPTION	WIRE LENGTH*	WIRE COLOR	WIRE GAGE
1	CONNECTS TO POT LEAD BLACK	8.00	BLK	16
2	CONNECTS TO POT LEAD WHITE	8.00	GRN	16
3	CONNECTS TO PEDAL SWITCH	8.00	WHT	16
4	CONNECTS TO PEDAL SWITCH	4.00	BLK	16



HORN HARNESS – S10 P/N 69005-00

CIRCUIT NO.	DESCRIPTION	WIRE LENGTH*	WIRE COLOR	WIRE GAGE
1	BATT POS TO FUSE	35.50	WHT	16
2	FUSE TO HORN SWITCH SUB	62.50	WHT	16
5	HORN SWITCH SUB TO HORN POS	22.00	WHT	16
6	BATT NEG TO HORN NEG	98.00	BLK	16

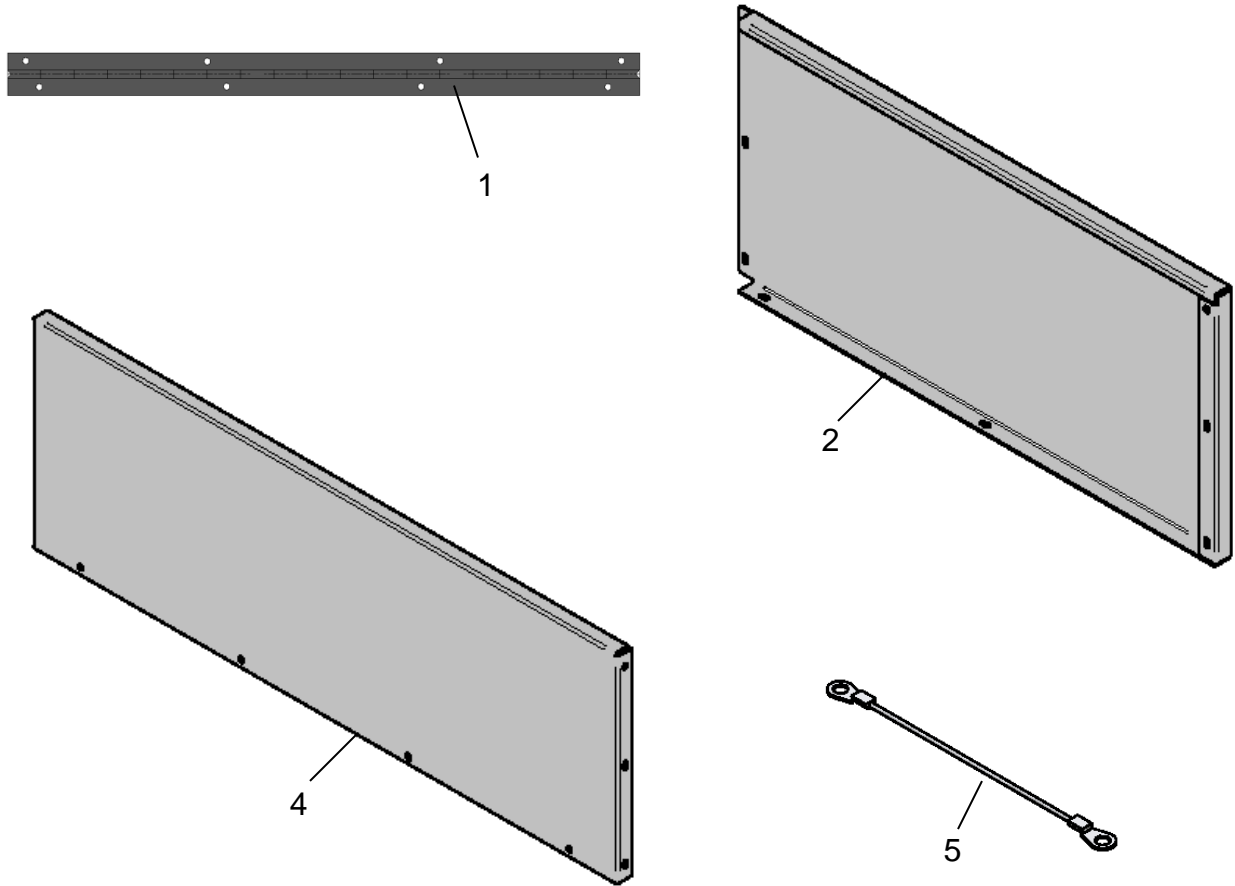


Scout Parts Manual

Section 6

Accessories

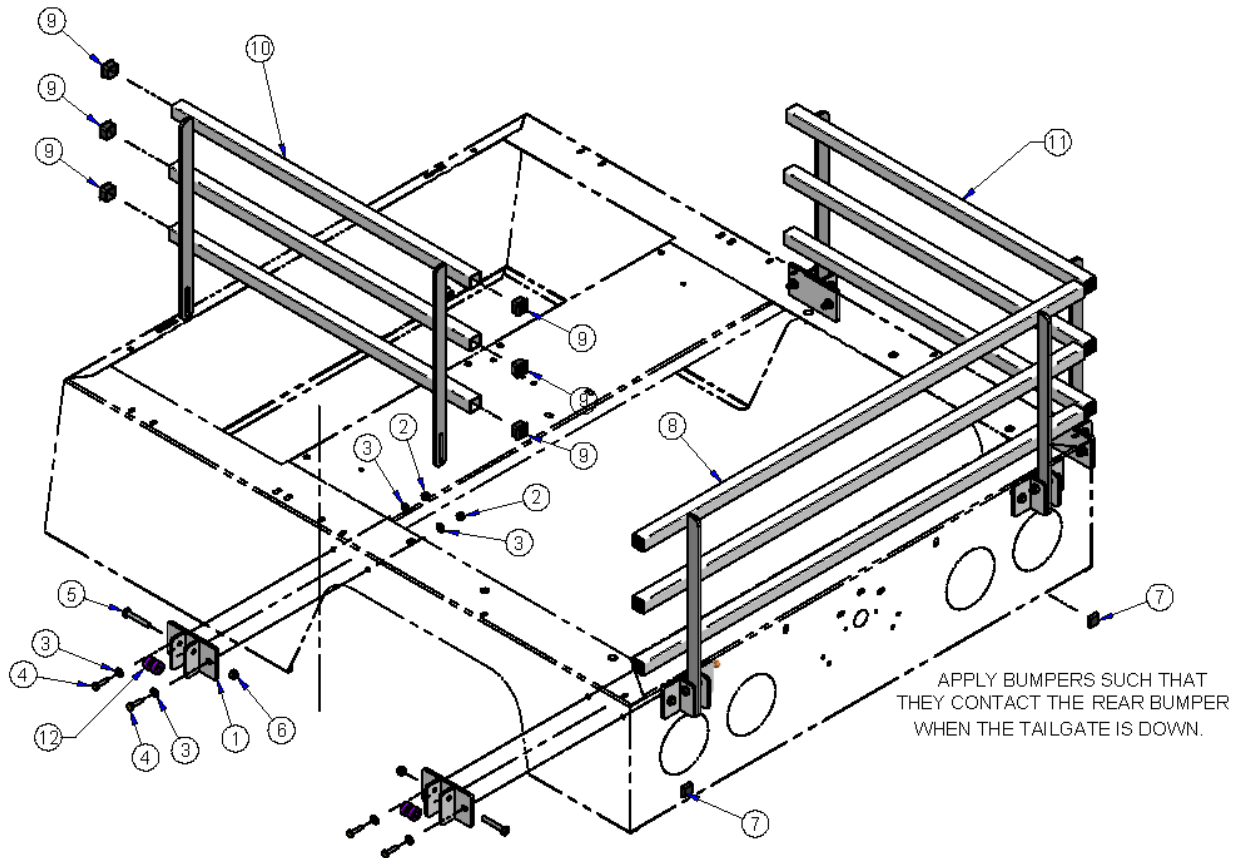
CARGO STEEL SIDES- SCOUT



ITEM	CPC P/N	DESCRIPTION	QTY	SEATS P/N
1	52953-92A	HINGE	1	303246
2	51212-01	PANEL RH SIDE	1	467128
3*	51211-01	PANEL LH SIDE	1	467129
4	51217-01	TAILGATE	1	467130
5	805	LANYARD	2	709767
6*	2653-B	SCREW 10-16X3/4 HWH TEK HC BLACK	2	719583
7*	3787-B	SCREW 1/4-20X3/4 HHCS G5	12	719636
8*	3987-BS	SCREW 5/116-18X3/4 HHCS G5 (Hinge attachment)	8	719642
9*	6702-B	WASHER 5/16 (Hinge attachment)	8	719810
10*	6703-B	WASHER 1/4	12	719811
11*	7525	NUT 5/16-18 SERR FLANGE LOCK (Hinge attachment)	8	719864
12*	7724-B	NUT 1/4-20 SERR FLANGE LOCK	12	719887
13*	799	HITCH PIN, 5/16X2	2	719918
N/A	90812-01	KIT, FIXED STEEL SIDES (Includes above items)	1	190976U

* NOT SHOWN

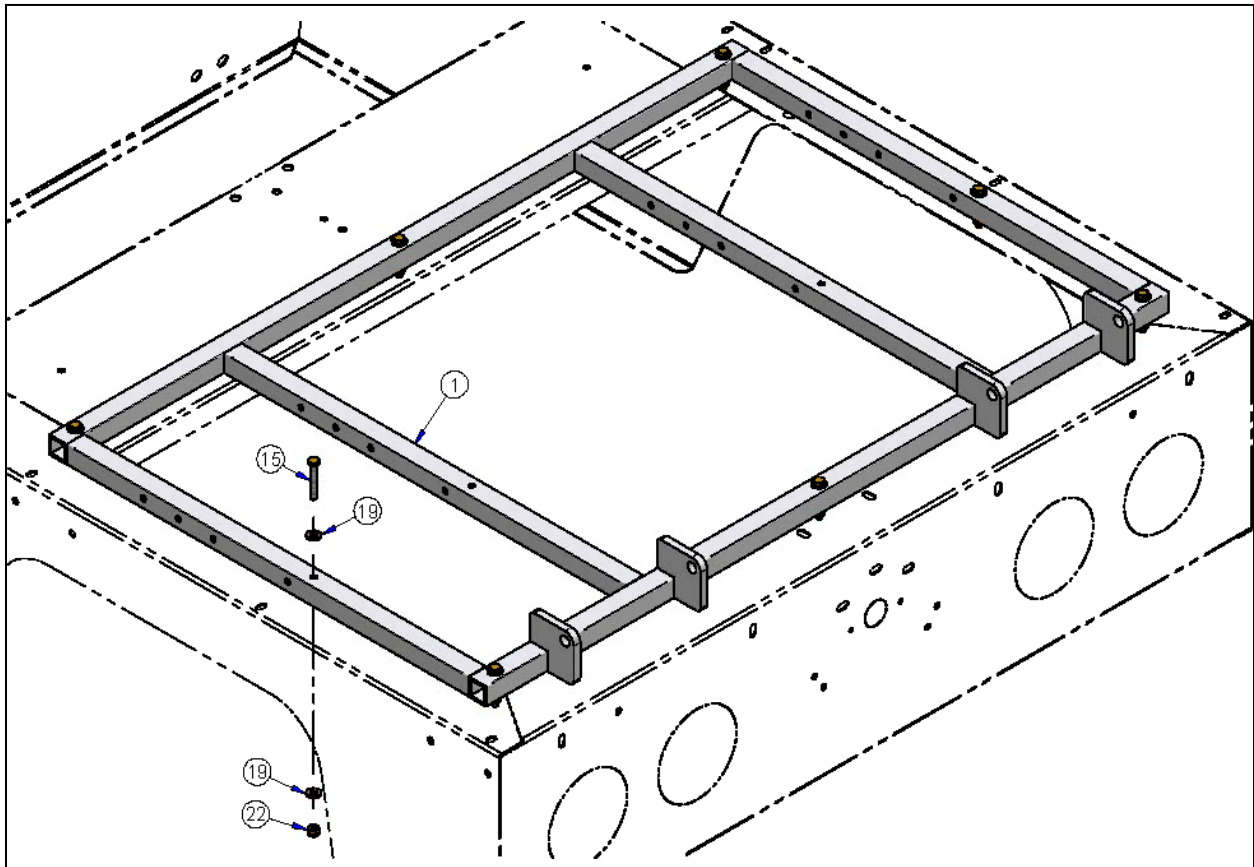
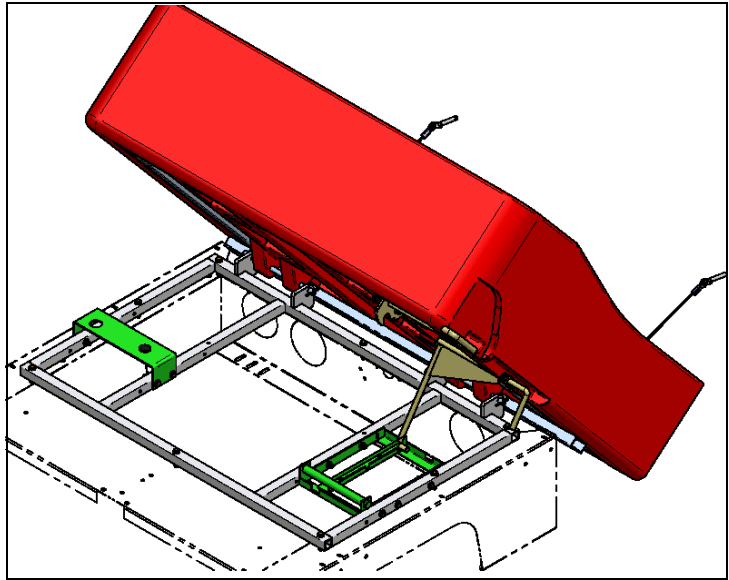
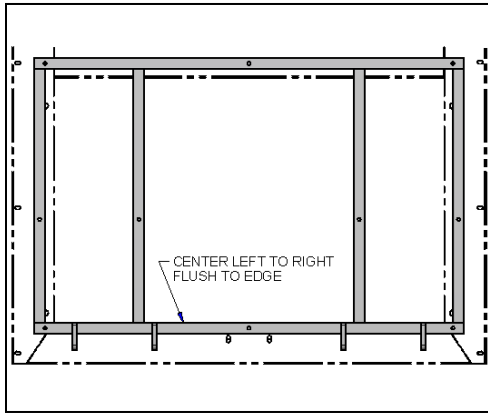
FOLDING STEEL SIDES - SCOUT



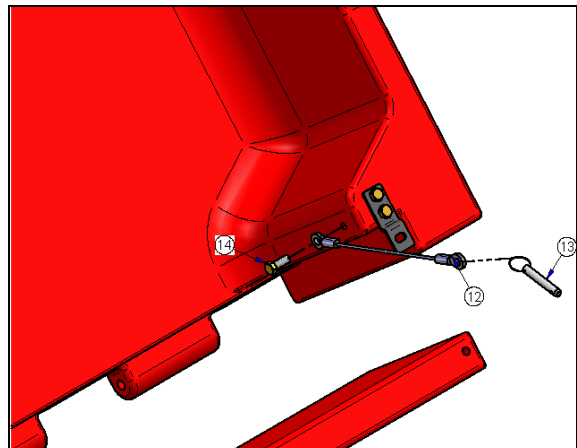
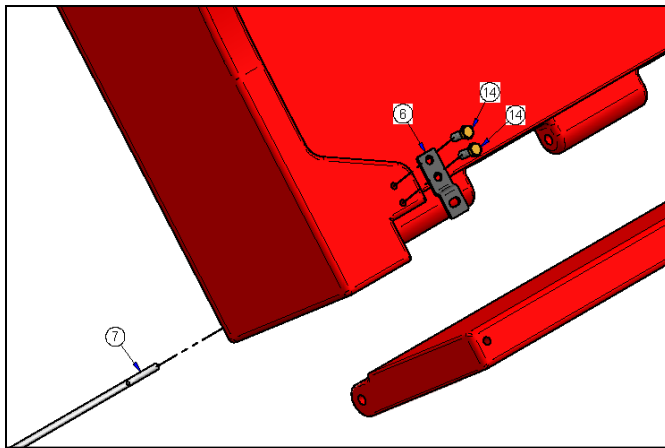
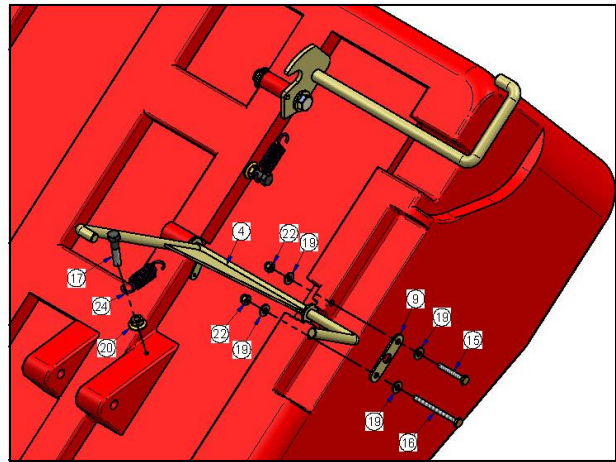
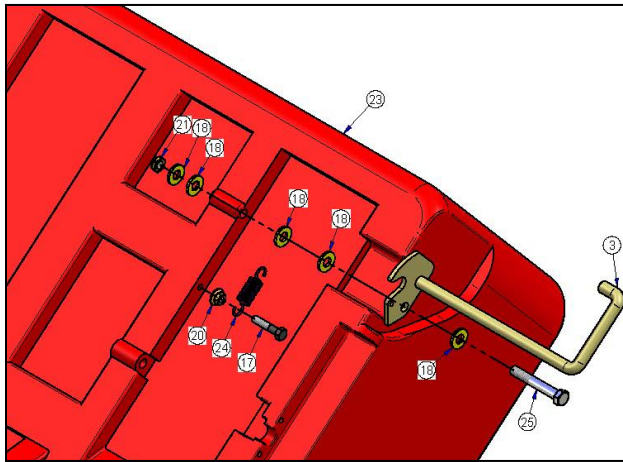
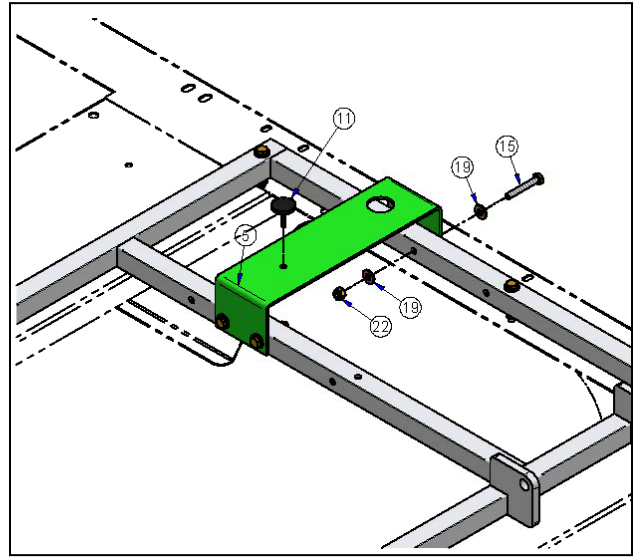
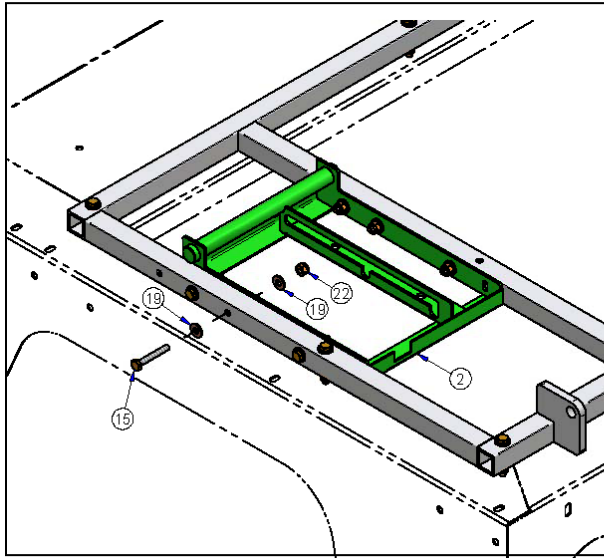
ITEM	CPC P/N	DESCRIPTION	QTY	SEATS P/N
1	71026-04	MOUNT PLATE	6	307896
2	7686	NUT 1/4-20 NYLOCK	12	719879
3	6703-B	WASHER, 1/4	24	719811
4	2551-W	SCREW, 1/4-20X1 HHC	12	719564
5	5207-BS	SCREW, 5/16-18X2 PAN	6	719730
6	7739	NUT, 5/16-18 NYLOCK	6	719892
7	52330-86	BUMPER BLACK	2	719738
8	15156-05	TAILGATE	1	307887
9	11433	CAPLUG	18	719526
10	*	FOLDING SIDE LH	1	307889
11	*	FOLDING SIDE RH	1	309108
12	5746	RAIL SPACER	12	504939B

* SPECIAL ORDER

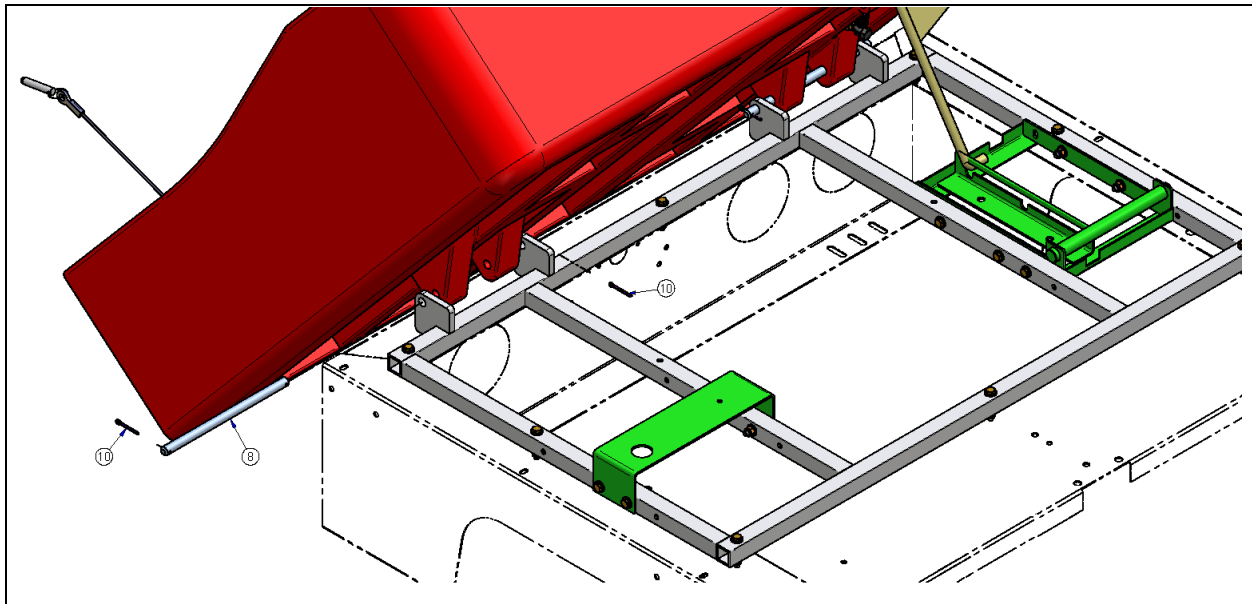
POLY CARGO DUMP BOX – SCOUT



POLY CARGO DUMP BOX – SCOUT Cont.



POLY CARGO DUMP BOX – SCOUT Cont.



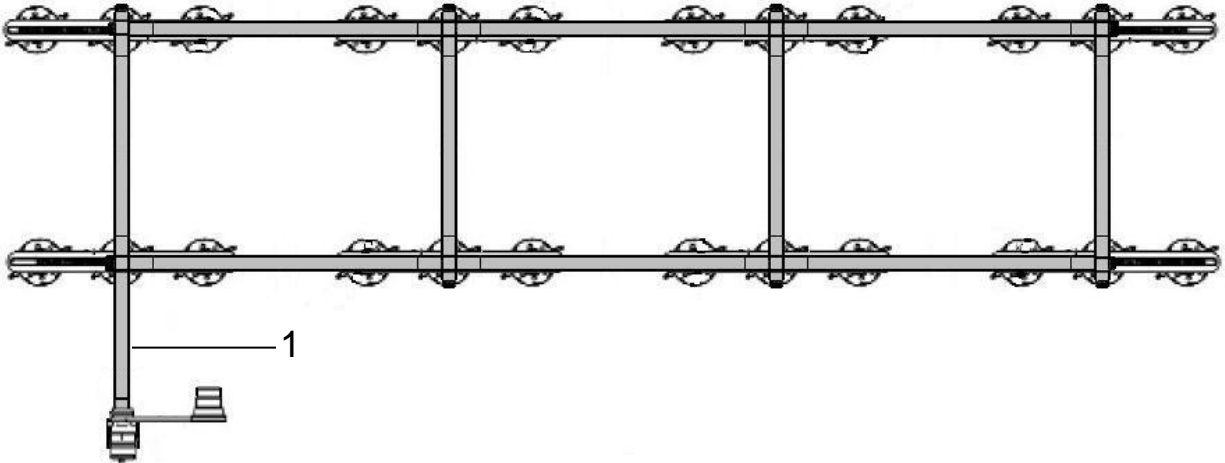
ITEM	CPC P/N	DESCRIPTION	QTY	SEATS P/N
1	52404-07	FRAME	1	308790
2	52402-07	LATCH BAR	1	308791
3	52403-07	LATCH HANDLE	1	308792
4	52406-07	PROP ROD	1	308804
5	52052-07	SUPPORT BRACKET	1	511755
6	52051-07	LATCH BRACKET – TAILGATE	2	511756
7	52054-07	HINGE PIN – TAILGATE	1	511757
8	52055-07	PIVOT ROD	2	511766
9	52409-07	PIVOT PLATE – PROD ROD	1	511781
10	560	PIN 1/8X1 1/4 COTTER	4	707337
11	11402	BOOT, RUBBER BUMPER	1	709011
12	805	LANYARD	2	709767
13	799	QUICK RELEASE PIN, 5/16X2	2	719918
14	3991	BOLT, 5/16-18X7/8, HHCS G5	6	719643
15	3454-BS	SCREW 1/4-20X1 3/4 HHCS G5	19	719623
16	3650	SCREW 1/4-20X3 HHCS G5	1	719627
17	4720-B	SCREW 3/8-16X1 3/4 HHC G5	2	719696
18	6010	WASHER FLT STL .513X1.09X.125	5	719774
19	6703-B	WASHER 1/4	40	719811
20	7512	NUT 3/8-16 SERR FLANGE GR A	2	719860
21	7685	NUT 1/2-13 NYLOCK	1	719878
22	7686	NUT 1/4-20 NYLOCK GR A	20	719879
23	50265-07	CARGO BOX W/TAILGATE	1	759837
24	11801	SPRING .734X2.63X.105	2	759838
25	781046PS	SCREW 1/2-13X3 1/4 HHCS G2	1	781046
26**	8206	THREADED INSERT, 5/16-18 (Used with Item 23)	4	719929
N/A*	89110-07	KIT, POLY CARGO DUMP BOX	1	191451U

* Kit includes two (2) rear inner compression springs. P/N 54570-93

** NOT SHOWN

BATTERY WATERING SYSTEM - SCOUT

ITEM	CPC P/N	DESCRIPTION	QTY	SEATS P/N
1	66210-07	WATERING ASSEMBLY	1	759857
2	66211-07	PUMP	1	759858

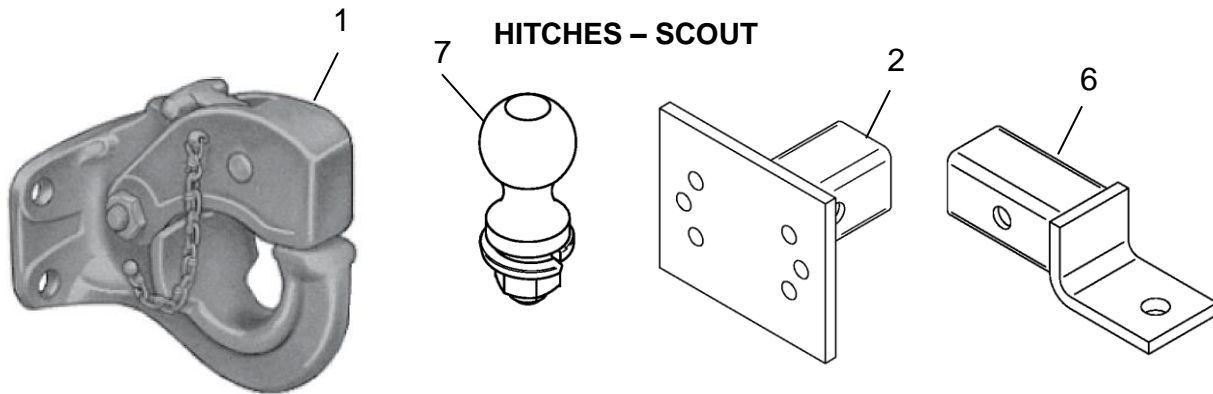


ENCLOSURE - SCOUT



ITEM	CPC/OPTION NUM	DESCRIPTION	QTY	SEATS P/N
1	84015-08	ALUM CAB ENCLOSURE	1	191542U
2*	84251-10	WINDSHIELD WIPER KIT, ALUM CAB	1	191544U

* NOT SHOWN

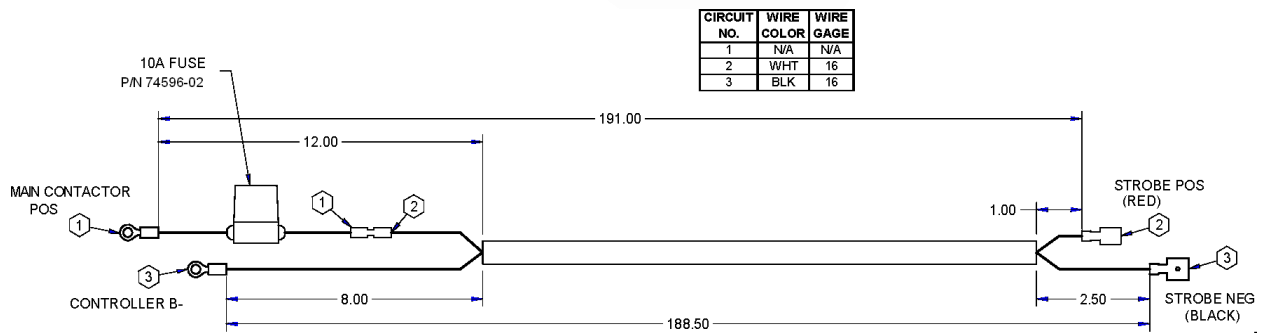
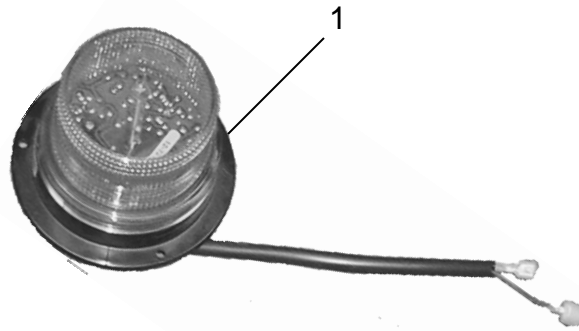


HITCHES - SCOUT

ITEM	CPC P/N	DESCRIPTION	QTY	SEATS P/N
1	57315-96	PINDLE HOOK HITCH	1	709833
2	82071-05	HITCH PLATE	1	307716
3	82062-02	HITCH PIN 5/8 OD (used with Items 2 & 6)	1	719210
4*	7812-W	NUT, 1/2-20 NYLOK GR A (Used with Item 1)	4	719907
5*	4010	SCREW, 1/2-20x1.5 HHCS G5 (Used with Item 1)	4	729809
6	82072-05	BALL MOUNT RECEIVER	1	306922
7	82065-98	TRAILER HITCH BALL, CHROME 1 7/8"	1	719008
7A	82064-02	HITCH BALL, 2"	1	719207

* NOT SHOWN

AMBER STROBE LIGHT CAB/SUNTOP – SCOUT

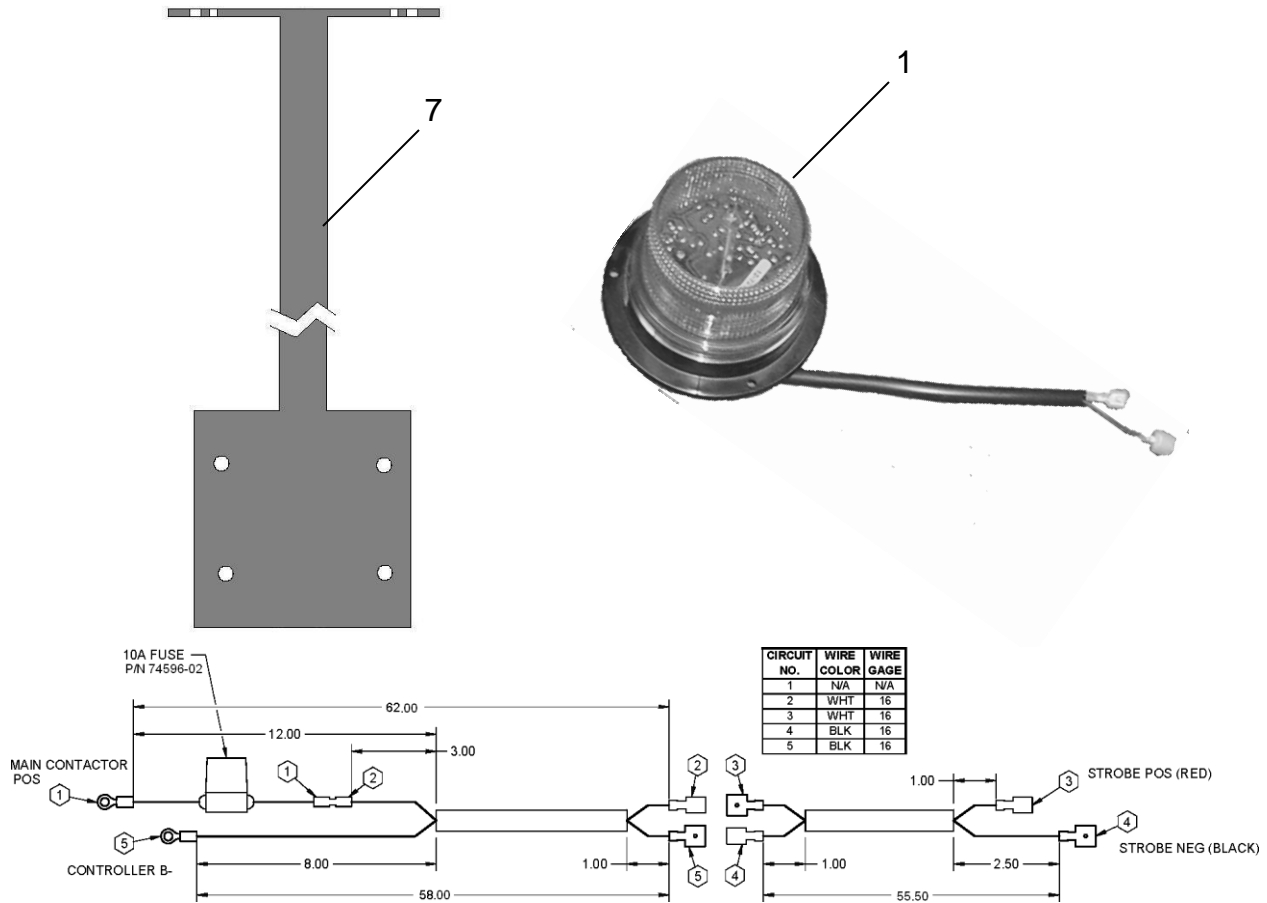


ITEM	CPC P/N	DESCRIPTION	QTY	SEATS P/N
1	68029-06	STROBE LIGHT ASSY	1	467408
2*	10043	CABLE TIE	2	719504
3*	10008	CABLE TIE 5 3/4"	2	719501
4*	10020	CABLE TIE MOUNTING BRACKET	2	719503
5	**	HARNESS, LIGHT CAB	1	467409
6*	2339	SCREW, #10-24X3/4, HH	3	719551
7*	7624	NUT, 1/4-20 NYLOCK	3	719870
8*	6716	WASHER #10	3	719812
9*	68847-07	KIT, STROBE LIGHT AMBER CAB	1	190937U

* NOT SHOWN

** SPECIAL ORDER

AMBER STROBE LIGHT W/MAST – SCOUT



ITEM	CPC P/N	DESCRIPTION	QTY	SEATS P/N
1	68029-06	STROBE LIGHT ASSY	1	467408
2*	10043	CABLE TIE	2	719504
3*	10008	CABLE TIE 5 3/4"	2	719501
4*	10020	CABLE TIE MOUNTING BRACKET	2	719503
5*	11416	GROMMET 3/8X7/8	1	719522
6*	2339	SCREW, #10-24X3/4, HH	3	719551
7	68504-02	LIGHT MAST(Mounts to body with Items 9 – 11)	1	306164
8	**	HARNESS, LIGHT MAST	1	464040
9*	3787-B	SCREW 1/4-20X3/4 HHC	4	719636
10*	6703-B	WASHER 1/4	8	719811
11*	7692	NUT, 1/4-20 NYLOCK	4	719882
12*	7624	NUT, 1/4-20 NYLOCK	3	719870
13*	68847-07	KIT, STROBE LIGHT AMBER W/MAST	1	191448U

* NOT SHOWN
 ** SPECIAL ORDER

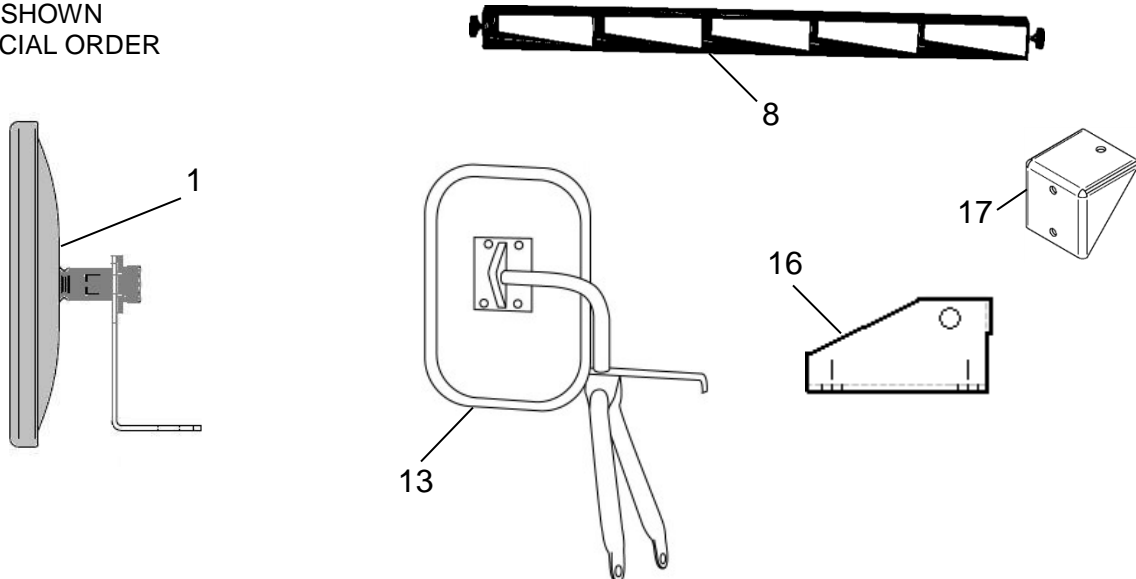
MIRRORS - SCOUT

ITEM	CPC P/N	DESCRIPTION	QTY	SEATS P/N
1	91876-00	SIDE MIRROR, 5" ROUND	2	709437
2*	57111-11	SCREW 5/16-18X1 HHC (Use with 1 - Bench Seats)	2	781924
3*	6000-B	WASHER, 5/16 (Use with 1 - Bench & Bucket Seats)	2	719771
4*	7525	NUT 5/16 SERR. FLNG LOCK (Use with 1 - Bench Seats)	2	719864
5*	4017	SCREW, 5/16-18X1 HHC (Use with 1 -Bucket Seats)	2	708085
6*	7041-B	WASHER 5/16 LOCK (Use with 1 - Bucket Seats)	2	719838
7*	50190-86	NUT, JACK #8 (Use with 1 - Bucket Seats & 8))	2	719717
8	84270-98	5 PANEL REAR VIEW MIRROR	1	709408
9*	51001-10	MOUNTING BRACKET (Use with 8)	1	510334
10*	3787-B	SCREW 1/4-20X3/4 HHC(Use with 8)	2	719636
11*	6703-B	WASHER 1/4 (Use with 8)	2	719811
12*	7036-B	WASHER, LOCK (Use with 8)	2	719834
13	91873-96	MIRROR CAB SIDE MOUNT	1	749775
14*	7739	NUT 5/16-18 NYLOCK (Used with Item 13)	4	719892
15*	6702-B	WASHER 5/16 (Used with Item 13)	8	719810
16*	3991	SCREW 5/16-19X7/8 HHCS (Used with Item 13)	4	719643
17	**	MIRROR BRACKET (Used with Item 13)	2	309198
18	2653-B	SCREW 10-16X3/4 HWH TEK HC BLK (See NOTE)	4	719583
N/A	91874-10	KIT, ROUND MIRROR, PAIR BENCH SEATS (Includes Items 1 - 4)	1	190926U
N/A	**	KIT, ROUND MIRROR, PAIR BUCKET SEATS (Includes Items 1, 3, 5 - 7)	1	191227U
N/A	84288-98	KIT, 5 PANEL MIRROR – SUNTOP (Includes Items 7-12)	1	190928U

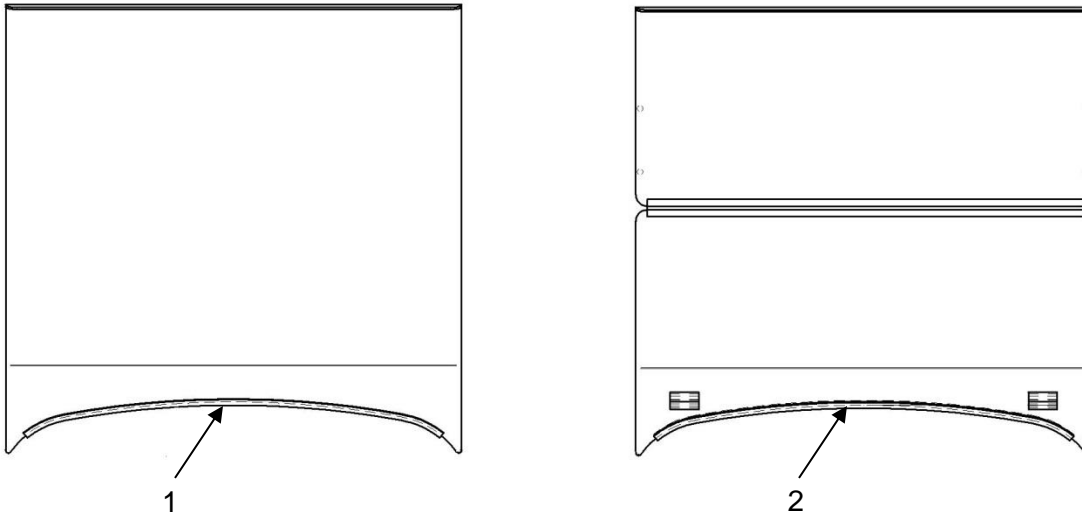
NOTE: Used with Item 8 in cabs

* NOT SHOWN

** SPECIAL ORDER



WINDSHIELDS - SCOUT



ITEM	CPC P/N	DESCRIPTION	QTY	SEATS P/N
1	58019-12	WINDSHIELD, HARDCOAT 40" (See Note 2)	1	760814
1A	58018-98	WINDSHIELD, ACRYLIC 40" (78 DEG) W/EXT (See Note 2)	1	709422
1B	**	WINDSHIELD, HARDCOAT 40" FOR WIPER (See Note 2)	1	463549
2	58028-98	WINDSHIELD, FOLDING, TINTED (See Note 2)	1	709359
3*	42530-98	BRACKET	1	510343
4*	52330-86	BUMPER (See Note)	5	719738
5*	8675	RIVET	1	719944
N/A	58038-98	KIT, WINDSHIELD, HARDCOAT 40" (Includes Items 1, 3, 4, 5 & 6) (See Note 2)	1	190794U
N/A	58020-98	KIT, WINDOWSHIELD, ACRYLIC 40"(Includes Items 1A, 3, 4, 5 & 6) (See Note 2)	1	190793U
N/A	58021-01	KIT, WINDSHIELD HARDCOAT WIPER (Includes Items 1B, 3, 4, 5 & 6) (See Note 2)	1	190795U
N/A	58052-98	KIT, WINDSHIELD, FOLDING, TINTED (Includes Items 2, 3, 4, 5, 7 & 8) (See Note 2)	1	191080U

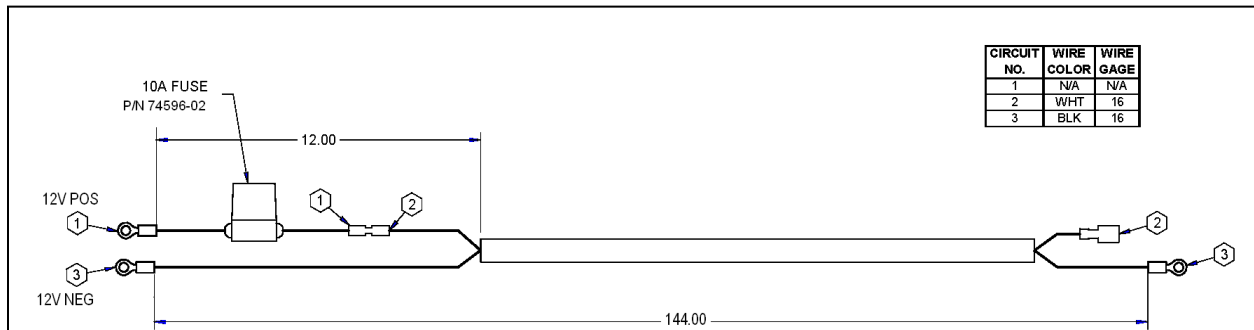
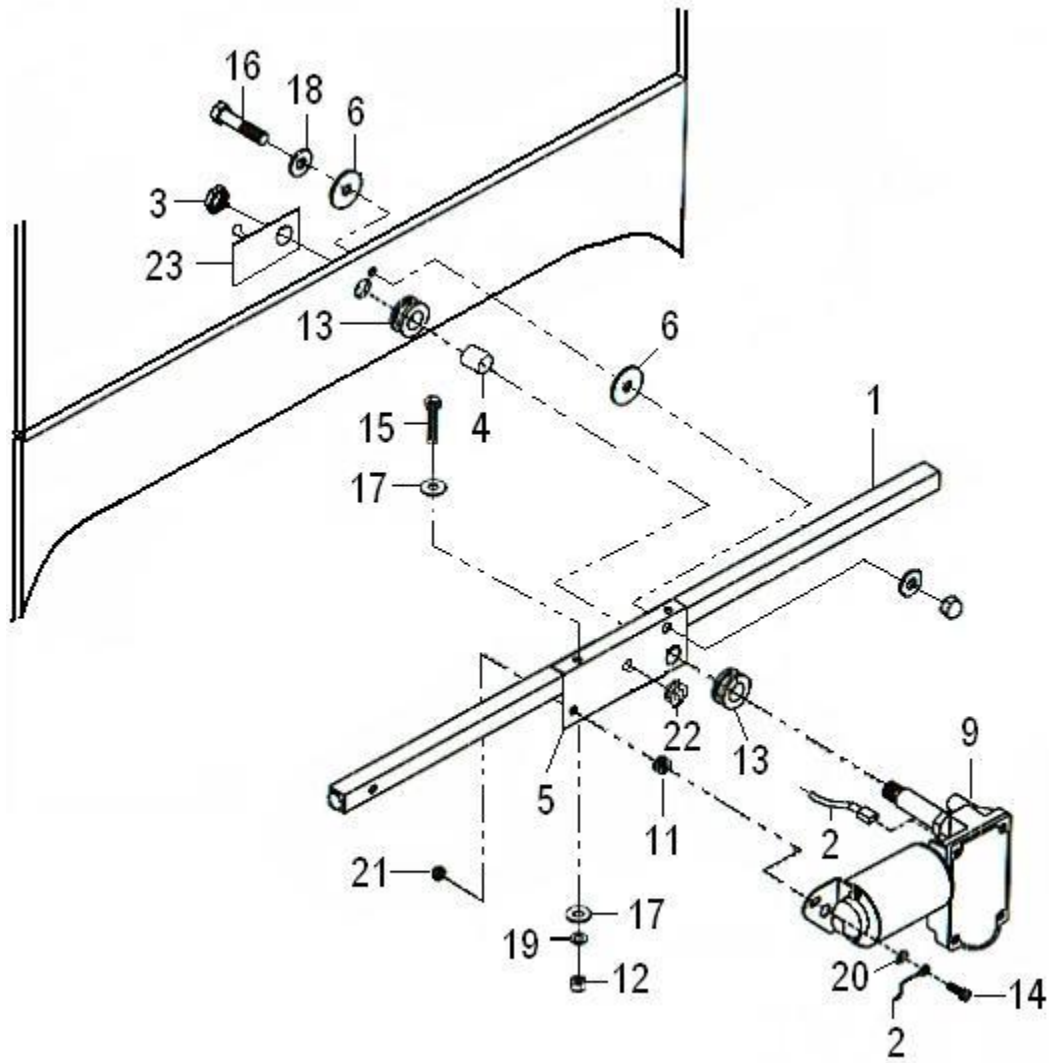
* NOT SHOWN

** SPECIAL ORDER

NOTE:

1. Item 4 used only with vehicles with horizontal cross bars. Placed between windshield and cross bars to reduce excessive noise.
2. Items cannot be shipped UPS. Must ship via freight or local pickup.

WINDSHIELD WIPER - SCOUT

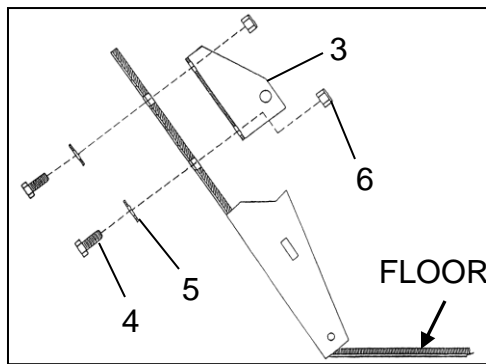
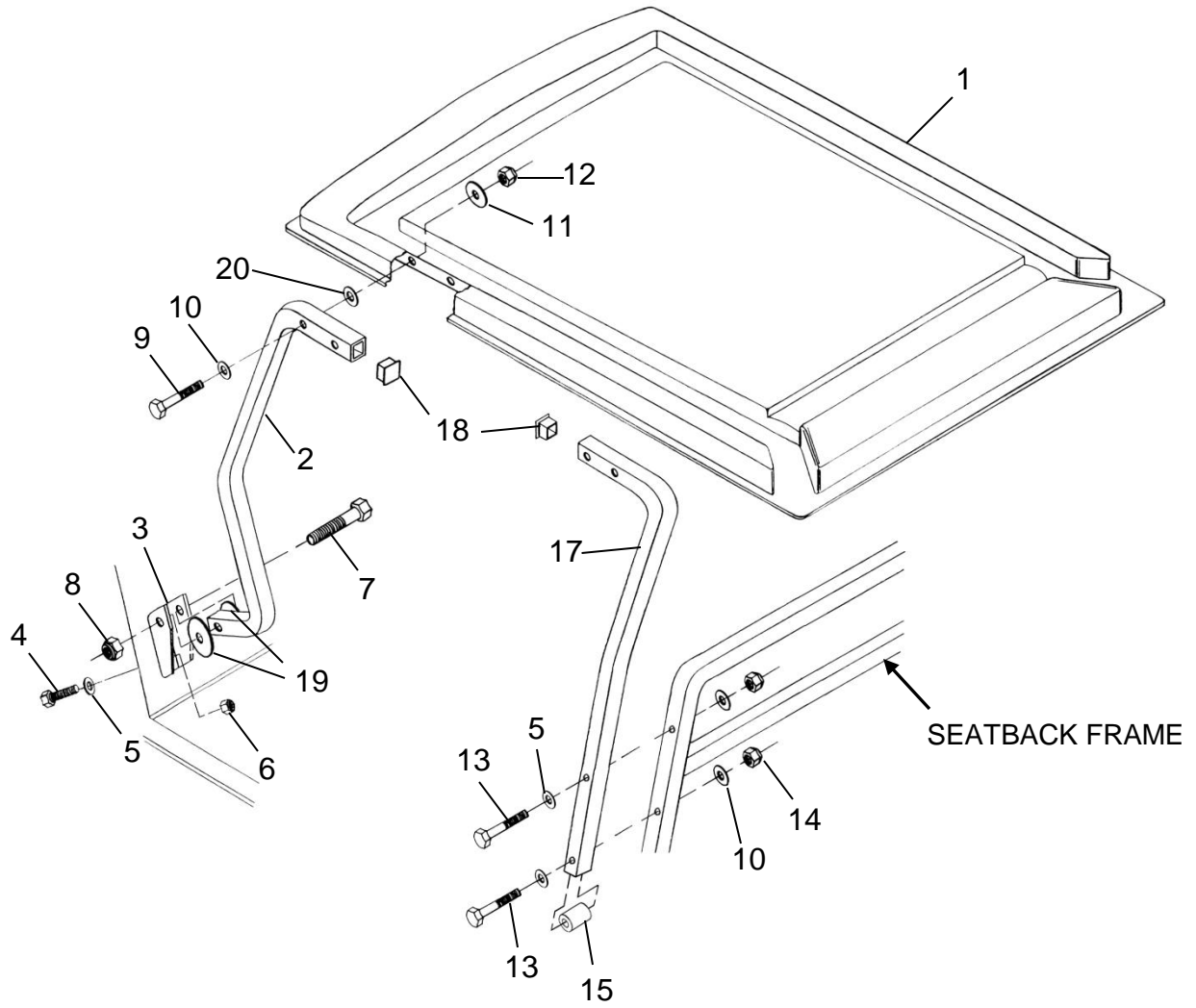


WINDSHIELD WIPER - SCOUT Cont.

ITEM	CPC P/N	DESCRIPTION	QTY	SEATS P/N
1	57974-02	WIPER BAR	1	307119
2	84118-96	MOTOR WIPER WIRING HARNESS	1	464578
3	7735-B	CROWN NUT, 3/8-16 (SUPPLIED WITH ITEM 9)	1	719891
4	5712	WIPER SPACER	1	508993
5	84117-92A	MOTOR MOUNTING BRACKET	1	510271
6	89470-74	WASHER, NEOPRENE	2	709003
7*	84168-01	WIPER ARM	1	709268
8*	84169-01	18" WIPER BLADE	1	709269
9	84111-92	WIPER MOTOR	1	709592
10*	10043	CABLE TIES 11 3/4"	9	719504
11	11409	RUBBER GROMMET	1	719520
12	7748-B	NUT, HEX, BLK	2	719896
13	11446	RUBBER GROMMET	2	719529
14	2665	SCREW, 10-24X5/8" PH	1	719584
15	2818	SCREW, 5/16-18X1 1/2"	4	719589
16	3775	SCREW, 3/8-16X2" HC	1	719634
17	6000-B	WASHER, FLAT 5/16"	6	719771
18	6416	WASHER, FLAT 3/8"	2	719796
19	7041-B	LOCK WASHER 5/16"	4	719838
20	7220	LOCK WASHER, ITEM # 10 EXTERNAL TOOTH	1	719851
21	7624	NYLOCK NUT 10-24	1	719870
22	11416	3/8X7/8 GROMMET	1	719522
23	N/A	BRACKET (SUPPLIED WITH ITEM 7)	1	N/A
N/A	84167-01	KIT, WINDSHIELD WIPER	1	190809U

* NOT SHOWN

RAINDRAIN SUNTOP, BENCH - SCOUT

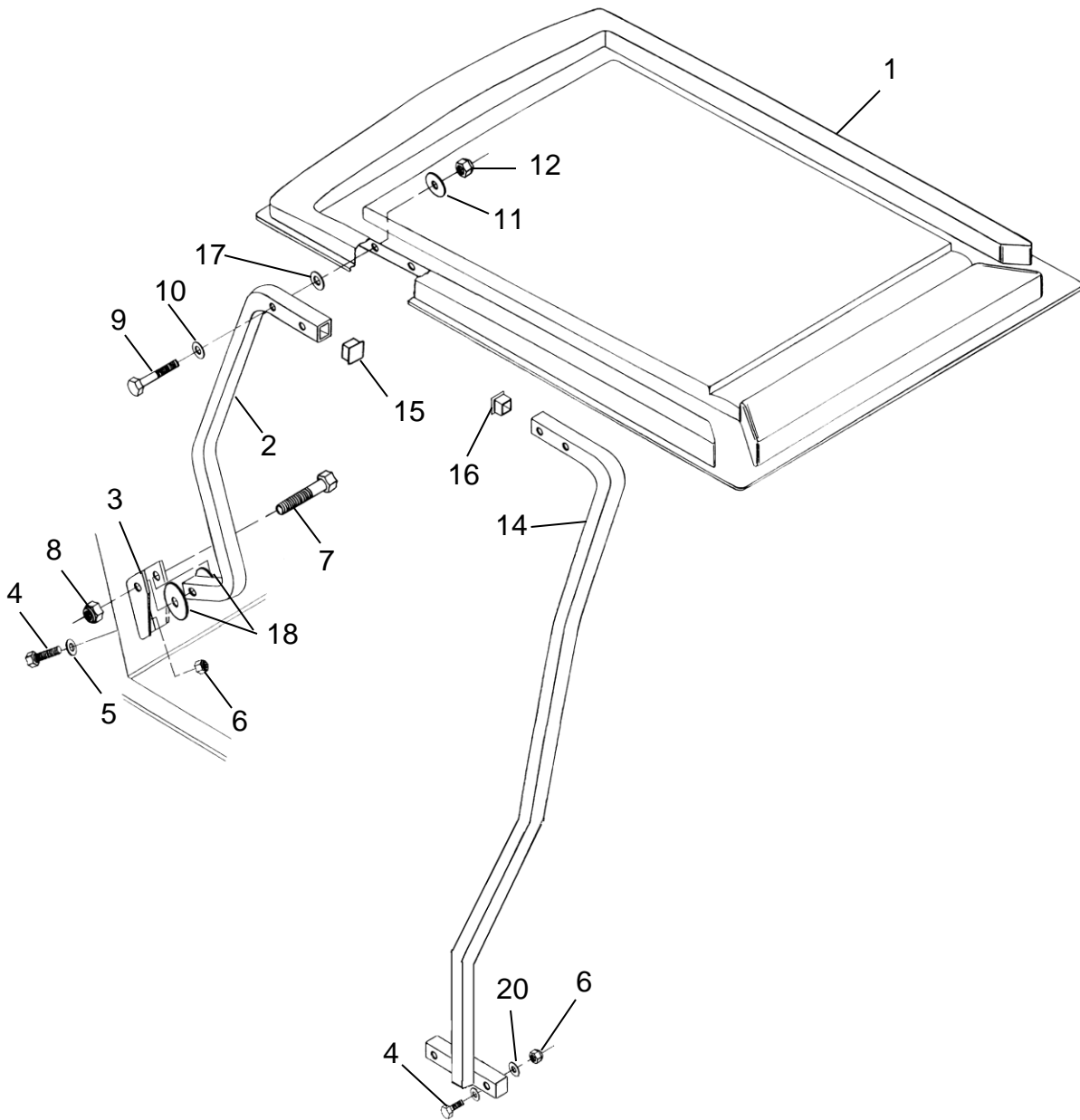


RAINDRAIN SUNTOP, BENCH – SCOUT Cont.

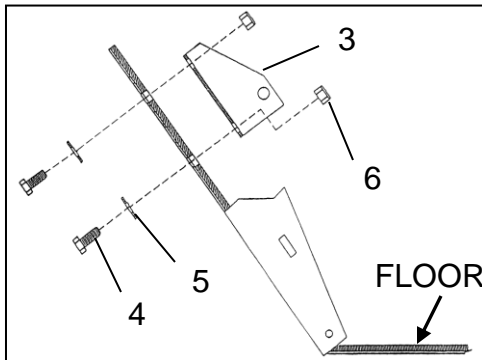
ITEM	CPC P/N	DESCRIPTION	QTY	SEATS P/N
1	84154-98	RAINDRAIN SUNTOP SHELL BIRCH	1	464611
2	89406-98	FRONT SUNTOP SUPPORT	2	510333
3	89537-96	SUNTOP TUBE BRACKET	2	510318
4	3991	SCREW 5/16-18 X 7/8" HEX	4	719643
5	6000-B	WASHER, ¼ W, PLAIN	8	719771
6	7739	LOCKNUT. 5/16-18 NYLOK	4	719892
7	4720-B	SCREW, 3/8-16 X 3/4" BLACK	2	719696
8	7778	LOCKNUT. 3/8-16 NYLOK	2	719902
9	3454-BS	SCREW, ¼-20 X 1 ¾ HEX	8	719623
10	6703-B	WASHER, ¼ N-PLAIN	12	719811
11	6257-W	WASHER. ¼ FENDER	8	719787
12	7742	LOCKNUT, ¼-20, 3 WAY CROWN	8	719894
13	2667	SCREW 5/16-18X2 HHC	4	719585
14	7739	NUT 5/16-18 NYLOCK	4	719892
15	5713	SPACER, .3/8 ID X 27/32 LONG	2	510322
16*	89403-96	REAR SUNTOP TUBE SUPPORT (RH)	1	510331
17	89400-96	REAR SUNTOP TUBE SUPPORT (LH)	1	510332
18	11433	PLUG FINISH, 7/8"	4	719526
19	6346	WASHER, NYLON	4	719791
20	89470-74	WASHER, RUBBER	8	709003

* NOT SHOWN

RAINDRAIN SUNTOP, BUCKET - SCOUT



4



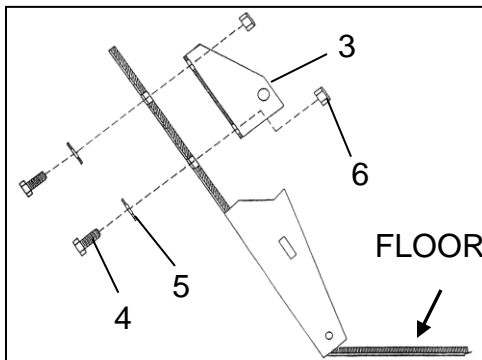
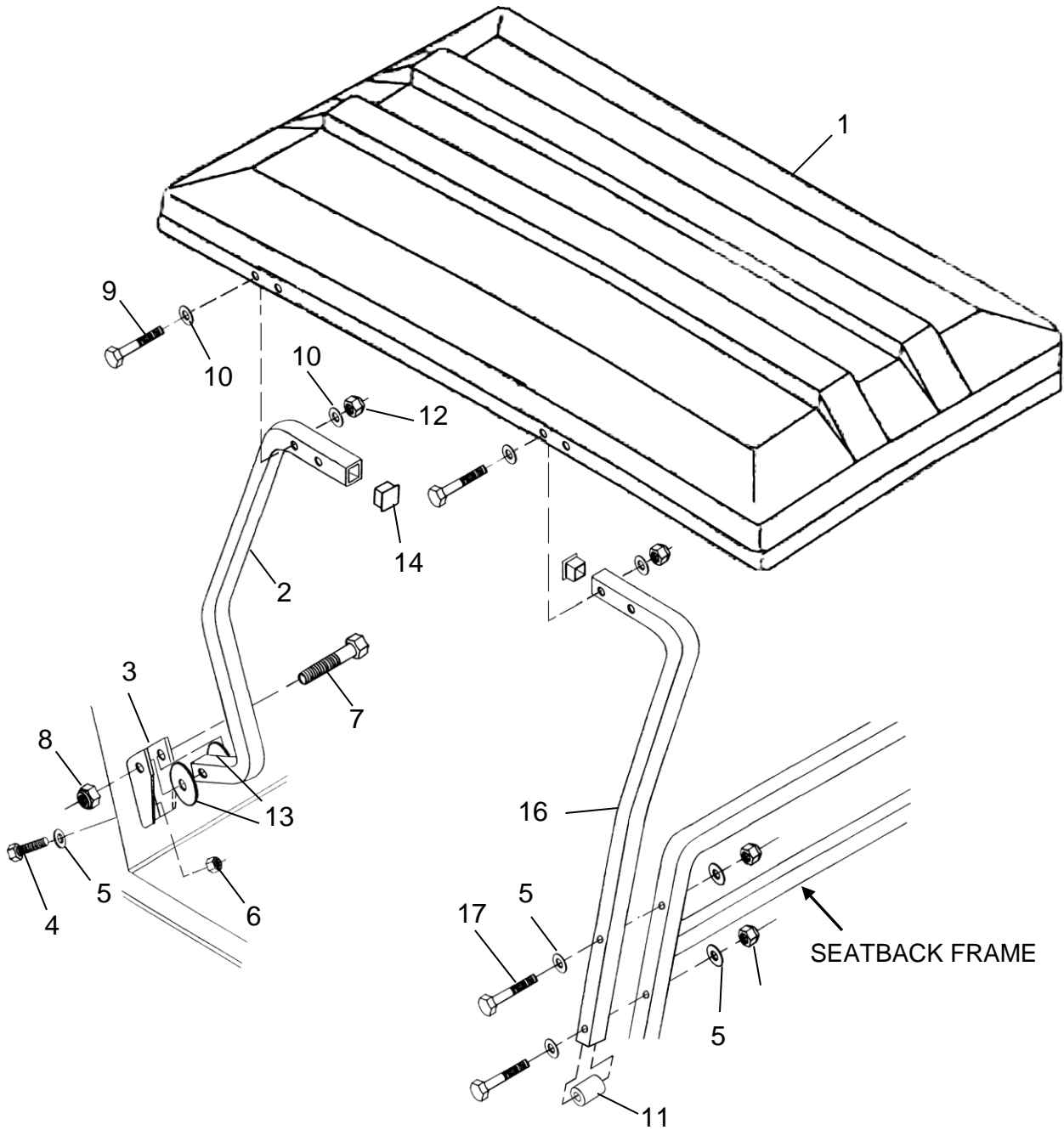
RAINDRAIN SUNTOP, BUCKET - SCOUT Cont.

ITEM	CPC P/N	DESCRIPTION	QTY	SEATS P/N
1	84154-98	RAINDRAIN SUNTOP SHELL BIRCH	1	464611
1A	89002-99	RAINDRAIN SUNTOP SHELL BRIGHT	1	464764
2	89406-98	FRONT SUNTOP SUPPORT	2	510333
3	89537-96	SUNTOP TUBE BRACKET	2	510318
4	3991	SCREW 5/16-18 X 7/8" HEX	8	719643
5	6000-B	WASHER, 1/4 W, PLAIN	4	719771
6	7739	LOCKNUT. 5/16-18 NYLOK	8	719892
7	4720-B	SCREW, 3/8-16 X 3/4" BLACK	2	719696
8	7778	LOCKNUT. 3/8-16 NYLOK	2	719902
9	3454-BS	SCREW, 1/4-20 X 1 3/4" HEX	8	719623
10	6703-B	WASHER, 1/4 N-PLAIN	8	719811
11	6257-W	WASHER. 1/4 FENDER	8	719787
12	7742	LOCKNUT, 1/4-20, 3 WAY CROWN	8	719894
13*	89403-96	REAR SUNTOP BRACKET (RH)	1	467519
14	89400-96	REAR SUNTOP BRACKET (LH)	1	467518
15	11433	PLUG FINISH, 7/8"	2	719526
16	11432	PLUG FINISH, 3/4	2	719525
17	89470-74	WASHER, RUBBER	8	709003
18	6346	WASHER, NYLON	4	719791
19*	52330-86	BUMPER, BLACK (See Note)	2	719738
20	6702-B	WASHER, 5/16	8	719810
N/A	89551-07	KIT, UTILITRUCK BIRCH, RAINDRAIN BUCKET	1	191443U

* NOT SHOWN

Note: Place on rear support tubes to prevent contact with vehicle body.

80" SUNTOP, BENCH - SCOUT

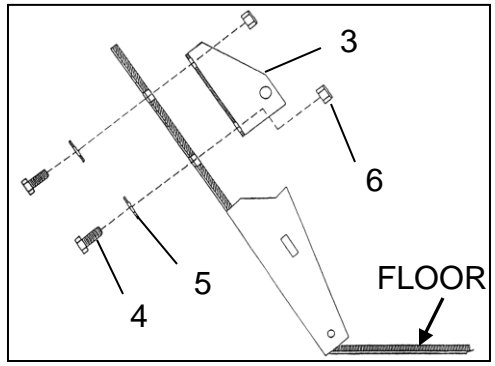
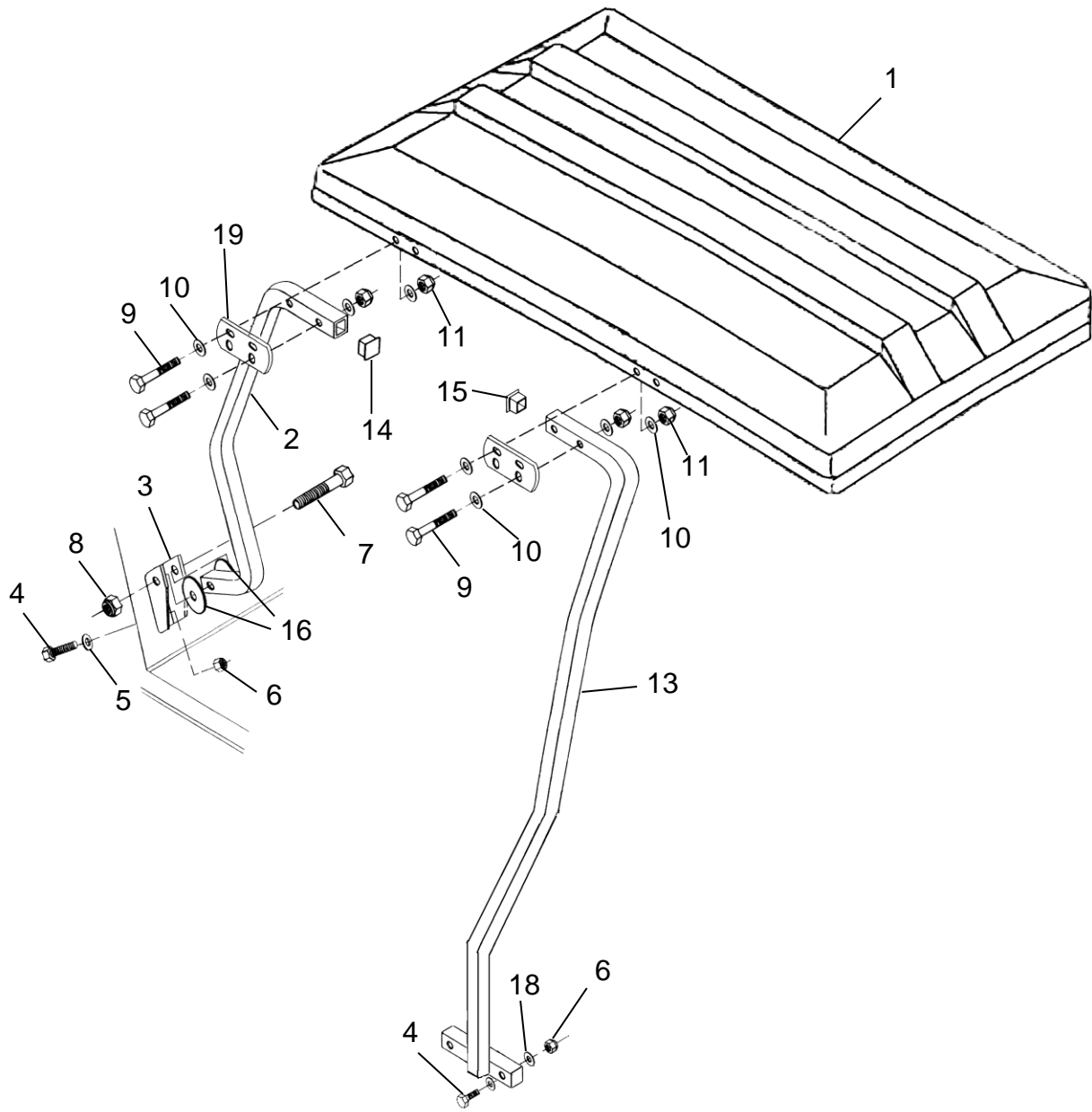


80" SUNTOP, BENCH - SCOUT Cont.

ITEM	CPC P/N	DESCRIPTION	QTY	SEATS P/N
1	89546-98	80" SUNTOP SHELL BIRCH	1	464961
2	89406-98	FRONT SUNTOP SUPPORT	2	510333
3	89537-96	SUNTOP TUBE BRACKET	2	510318
4	3991	SCREW 5/16-18 X 7/8" HEX	4	719643
5	6000-B	WASHER, 1/4 W, PLAIN	12	719771
6	7739	LOCKNUT. 5/16-18 NYLOK	4	719892
7	4720-B	SCREW, 3/8-16 X 3/4" BLACK	2	719696
8	7778	LOCKNUT. 3/8-16 NYLOK	2	719902
9	3768	SCREW, 1/4-20 X 2 1/2 HHC	8	719631
10	6703-B	WASHER, 1/4 N-PLAIN	40	719811
11	5713	SPACER, .3/8 ID X 27/32 LONG	2	510322
12	7692	NUT, 1/4-20 NYLOCK	20	719882
13	6346	WASHER, NYLON	4	719791
14	11433	PLUG FINISH, 7/8"	4	719526
15*	89621-10	REAR SUNTOP TUBE SUPPORT (RH)	1	467520
16	89622-10	REAR SUNTOP TUBE SUPPORT (LH)	1	467521
17	2667	SCREW 5/16-18X2	4	719585
18	7739	NUT 5/15-18 NYLOCK	8	719892

* NOT SHOWN

80" SUNTOP, BUCKET - SCOUT



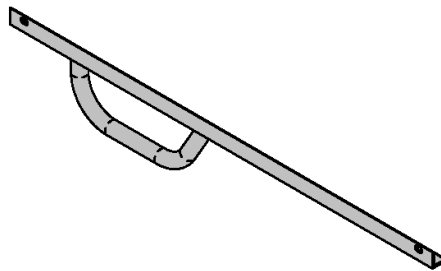
80" SUNTOP, BUCKET - SCOUT Cont.

ITEM	CPC P/N	DESCRIPTION	QTY	SEATS P/N
1	89546-98	80" SUNTOP SHELL BIRCH	1	464961
1A	89546-98W	80" SUNTOP SHELL BRIGHT	1	467045
2	89406-98	FRONT SUNTOP SUPPORT	2	510333
3	89537-96	SUNTOP TUBE BRACKET	2	510318
4	3991	SCREW 5/16-18 X 7/8" HEX	8	719643
5	6000-B	WASHER, 1/4 W, PLAIN	4	719771
6	7739	LOCKNUT. 5/16-18 NYLOK	8	719892
7	4720-B	SCREW, 3/8-16 X 3/4" BLACK	2	719696
8	7778	LOCKNUT. 3/8-16 NYLOK	2	719902
9	2872-W	SCREW, 1/4-20X1 1/2 HHC G5	32	719593
10	6703-B	WASHER, 1/4 N-PLAIN	8	719811
11	7692	NUT, 1/4-20 NYLOCK	16	719882
12*	89403-96	REAR SUNTOP BRACKET (RH)	1	467519
13	89400-96	REAR SUNTOP BRACKET (LH)	1	467518
14	11433	PLUG FINISH, 7/8"	2	719526
15	11432	PLUG FINISH, 3/4	2	719525
16	6346	WASHER, NYLON	4	719791
17*	52330-86	BUMPER, BLACK (See Note)	2	719738
18	6702-B	WASHER, 5/16	8	719810
19	89463-96	SUPPORT PLATE	4	509212
N/A	89555-07	KIT, UTILITRUCK BIRCH, 80" BUCKET	1	191445U
N/A	89556-07	KIT, UTILITRUCK BRIGHT, 80" BUCKET	1	191446U

* NOT SHOWN

Note: Place on rear support tubes to prevent contact with vehicle body.

SUNTOP HANDLE, PAIR - SCOUT



ITEM	CPC P/N	DESCRIPTION	QTY	SEATS P/N
1	89399-00	SUNTOP HANDLE, PAIR	1	191087U

FRONT RACK – SCOUT



ITEM	CPC P/N	DESCRIPTION	QTY	SEATS P/N
1	**	FRONT RACK	1	307583
2	4086	SCREW 5/16-18X3 HHCS	2	719654
3*	6702-B	WASHER 5/16	2	719810
4*	7739	NUT 5/16-18 NYLOCK	2	719892
N/A	85021-03	KIT, FRONT RACK (Contains above items)	1	190984U

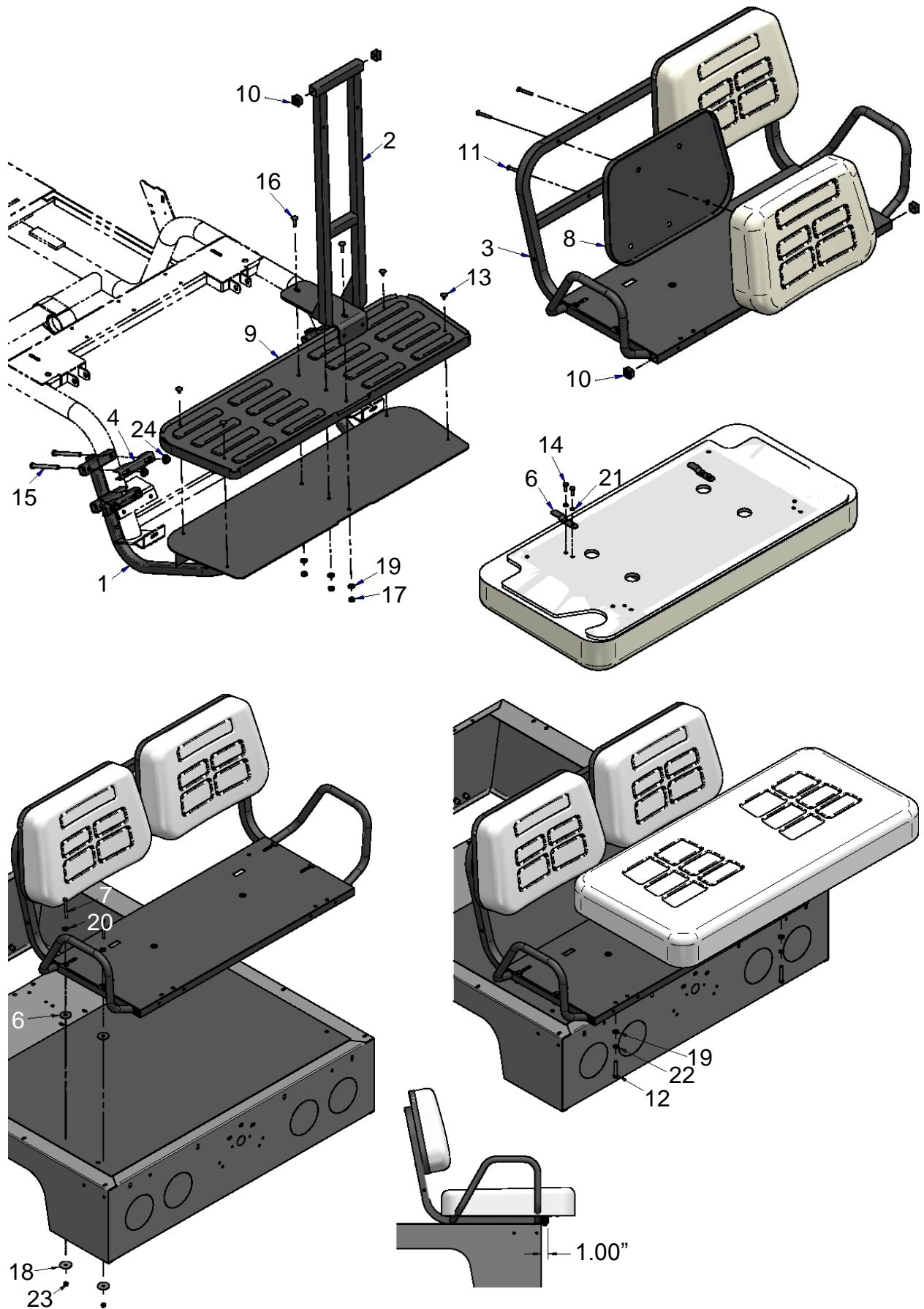
* NOT SHOWN

** SPECIAL ORDER

NOTE: Requires front wraparound bumper P/N 44922-97



REAR FACING SEAT & FOOTREST – SCOUT



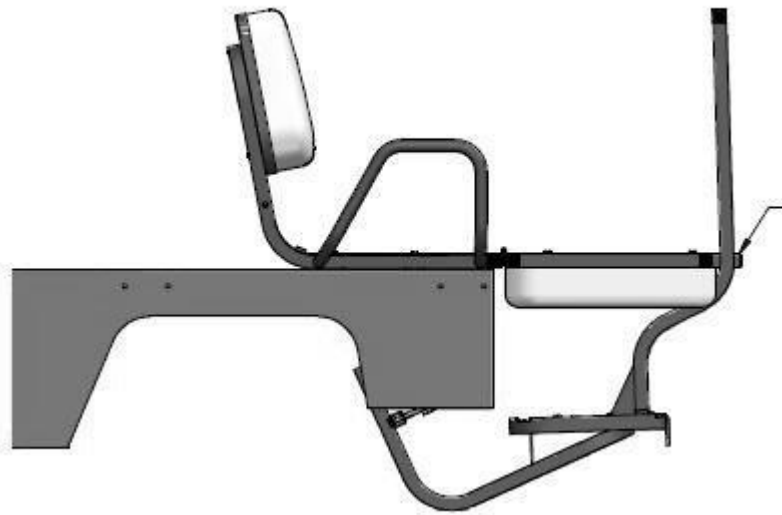
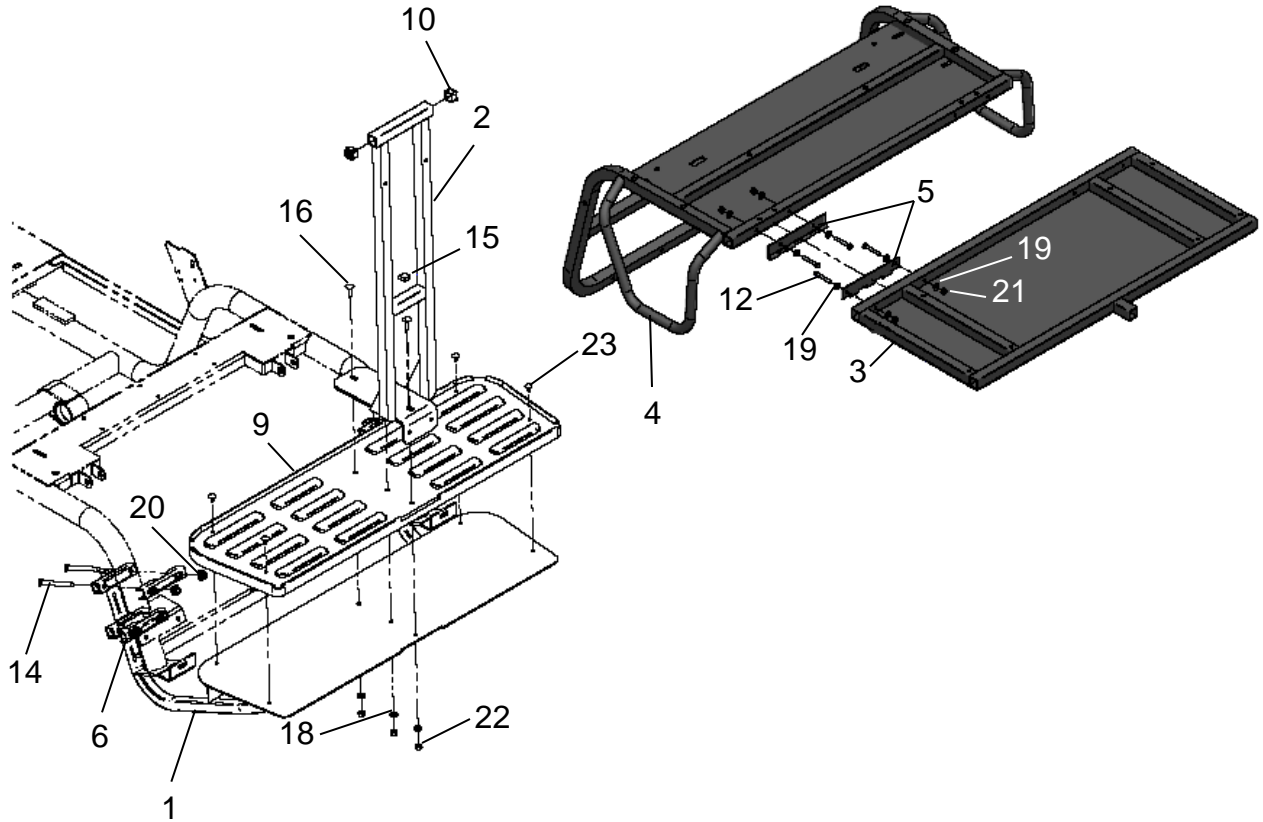
REAR FACING SEAT & FOOTREST – SCOUT (Cont.)

ITEM	CPC P/N	DESCRIPTION	QTY	SEATS P/N
1	91534-91a	FOOTREST	1	302680
2	52640-96	HANDRAIL	1	308292EP
3	51505-07	CARGO SEAT	1	308294EP
4	47105-91	CLAMP	4	510186
5	89470-74	WASHER, .34X1.25X.09 NEOPRENE	4	709003
6	51509-07	TAB	2	511664
7	3860-B	SCREW, 1.4-20X2 1/2 HHC	4	719637
8	52948-96	COVER, SEAT BACK	2	709025
9	52970-96	COVER, FOOTREST	1	709584
10	11433	CAPLUG	4	719526
11	2001-BS	SCREW, 1/4-20X2 PCH	6	719541
12	2667	SCREW, 5/16-18X2 HHC	2	719585
13	8200	FASTENER	4	719926
14	3787-B	SCREW, 1/4-20X3/4 HHC	4	719636
15	4721	SCREW, 3/8-16X4 HHC	8	719697
16	5400-BS	SCREW, 5/16-18X1 CARR	3	719744
17	7739	NUT, 5/16-18 NYLOCK	7	719892
18	6257-W	WASHER, .28X1.375X.05	4	719787
19	6702-B	WASHER, 5/16 BLK	9	719810
20	6703-B	WASHER 1/4 BLK	2	719811
21	7036-B	WASHER, LOCK 1/4	4	719834
22	7041-B	WASHER, 5/16 SPRING LOCK	2	719838
23	7686	NUT, 1/4-20 NYLOCK	4	719879
24	7512	NUT 3/8-16 SERRATED	8	719860
N/A	91529-91B	KIT, REAR FACING SEAT & FOOTREST	1	191054U

NOTE:

1. Cushions shown for reference only.
2. Vehicle must have inner rear springs installed (CPC P/N 54570-93).

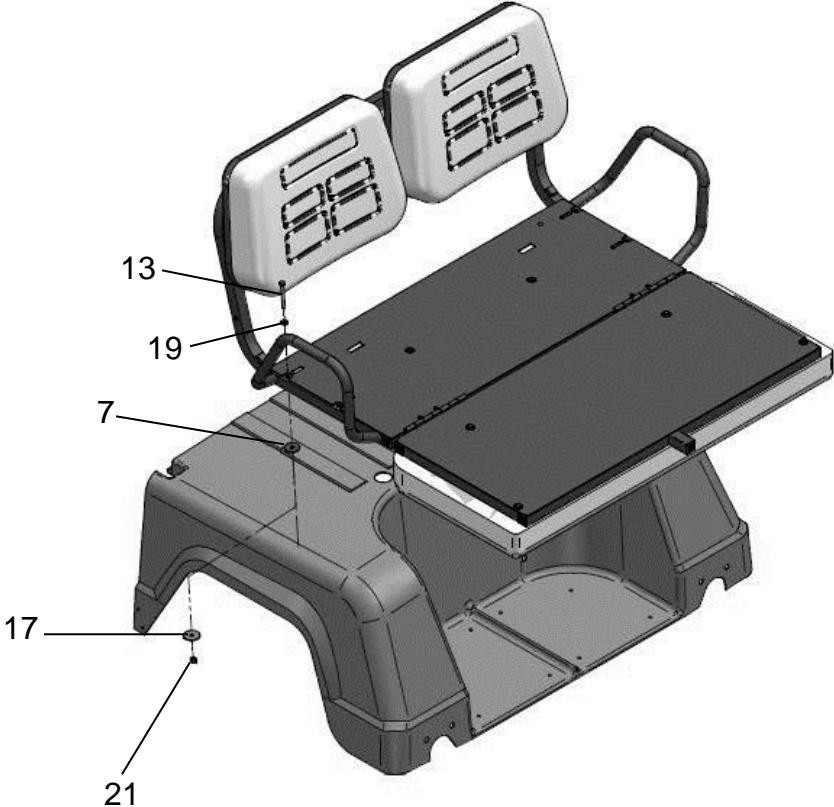
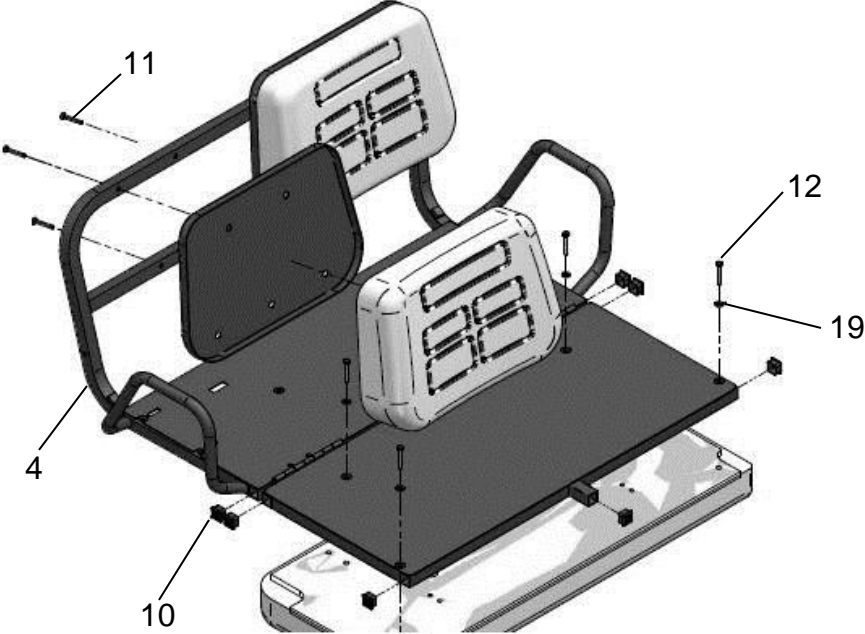
CARGO REAR FACING SEAT- SCOUT



**ADJUST SO TAB
STICKS OUT 1/4"
PAST HANDRAIL**



CARGO REAR FACING SEAT – SCOUT (Cont.)



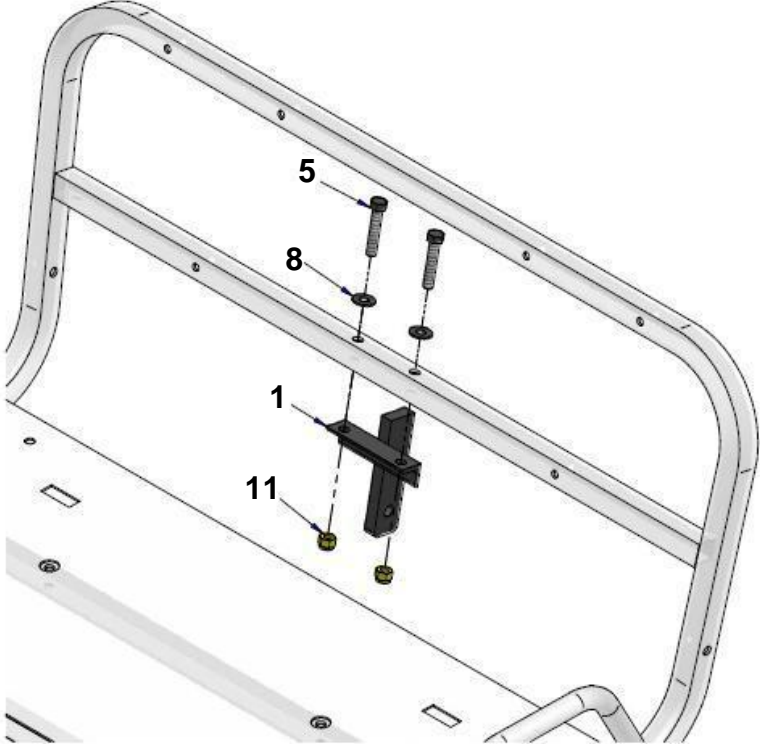
CARGO REAR FACING SEAT – SCOUT (Cont.)

ITEM	CPC P/N	DESCRIPTION	QTY	SEATS P/N
1	91534-91a	FOOTREST	1	302680
2	84927-07	HANDRAIL	1	308291EP
3	52927-07	FOLDING DECK	1	308293EP
4	51505-07	CARGO SEAT FRAME	1	308294EP
5	52918-07	CARGO SEAT HINGE	2	308737PL
6	47105-91	CLAMP	4	510186
7	89470-74	WASHER, .34X1.25X.09 NEOPRENE	4	709003
8	52948-96	COVER, SEAT BACK	2	709025
9	52970-96	COVER, FOOTREST	1	709584
10	11433	CAPLUG	9	719526
11	2001-BS	SCREW, 1/4-20X2 PCH	6	719541
12	3454-BS	SCREW, 1/4-20X1 3/4 HHC	12	719623
13	3860-B	SCREW, 1/4-20X2 1/2 HHC	4	719637
14	4721	SCREW, 3/8-16X4 HHC	8	719697
15	52330-86	BUMPER, BLACK	3-5	719738
16	5400-BS	SCREW, 5/16-18X1 CARR	3	719744
17	6257-W	WASHER, .28X1.375X.05	4	719787
18	6702-B	WASHER, 5/16 BLK	7	719810
19	6703-B	WASHER 1/4 BLK	22	719811
20	7512	NUT 3/8-16 SERRATED	8	719860
21	7686	NUT, 1/4-20 NYLOCK	12	719879
22	7739	NUT, 5/16-18 NYLOCK	7	719892
23	8200	FASTENER	4	719926
N/A	52958-07	KIT, P4/SM2 CARGO REAR FACING SEAT	1	191405U

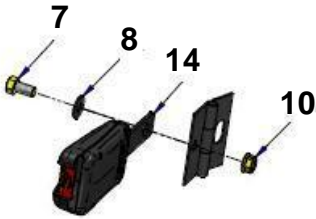
NOTE:

1. Cushions shown for reference only.
2. Vehicle must have inner rear springs installed (CPC P/N 54570-93).

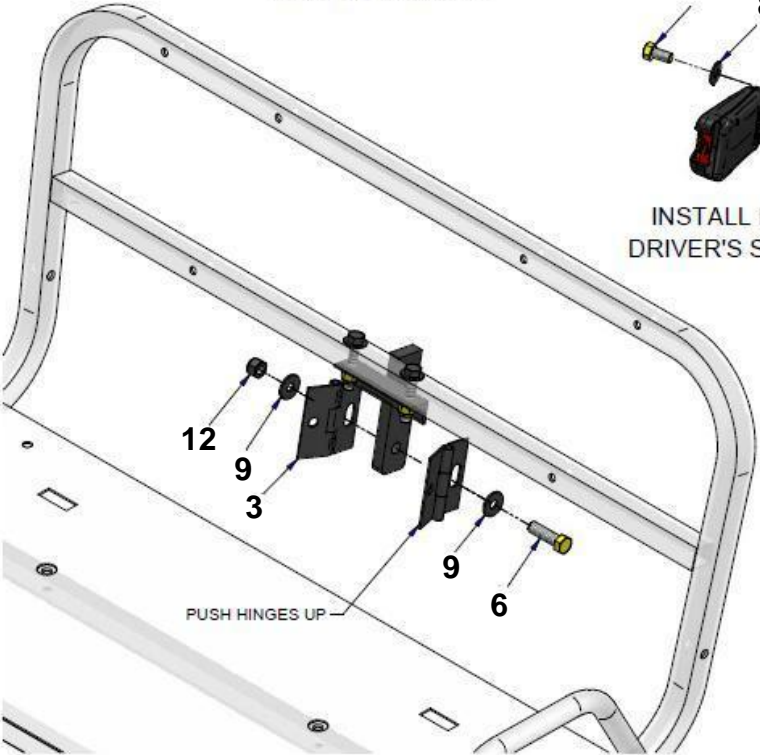
SEAT BELTS/ REAR FACING SEATS - SCOUT



INSTALL BRACKET



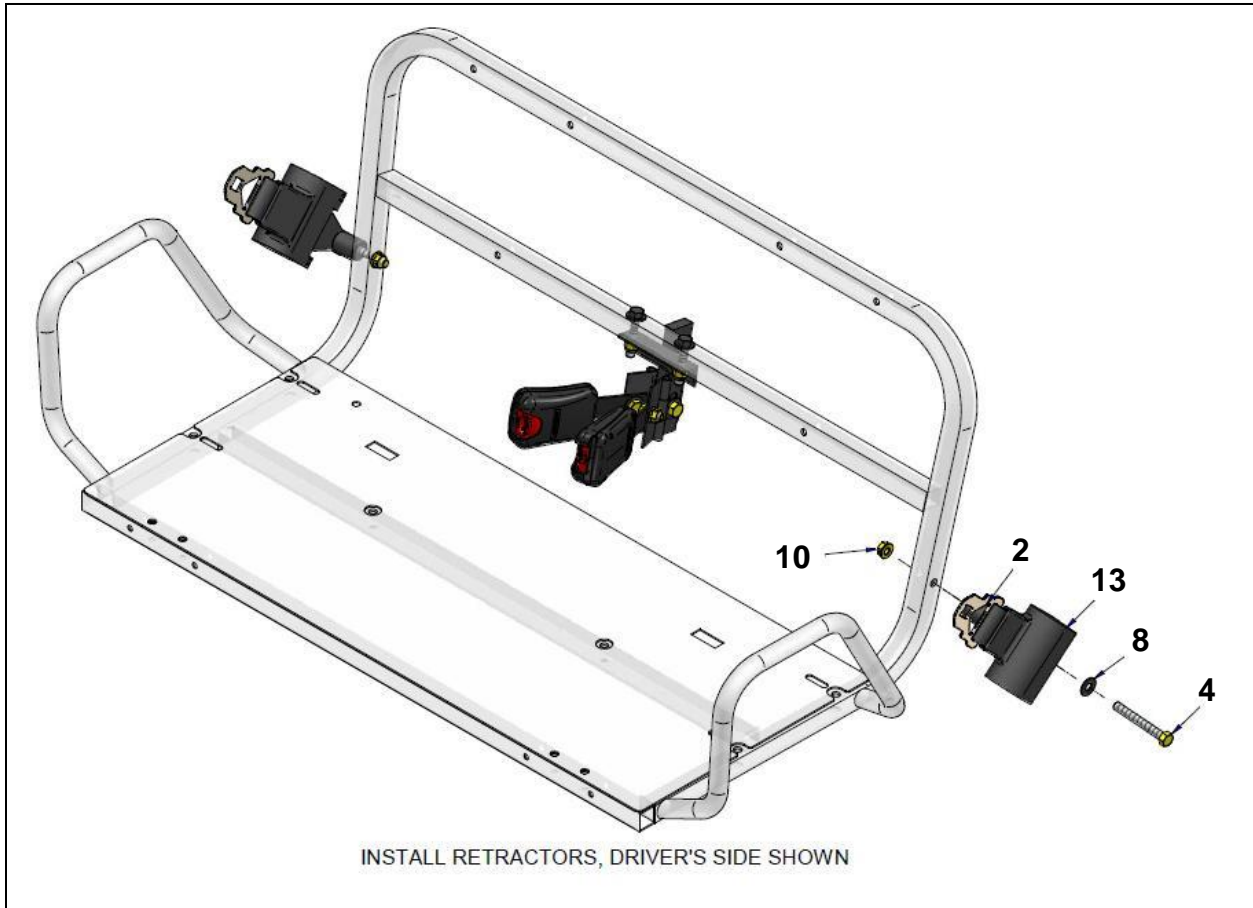
**INSTALL BUCKLES,
DRIVER'S SIDE SHOWN**



PUSH HINGES UP

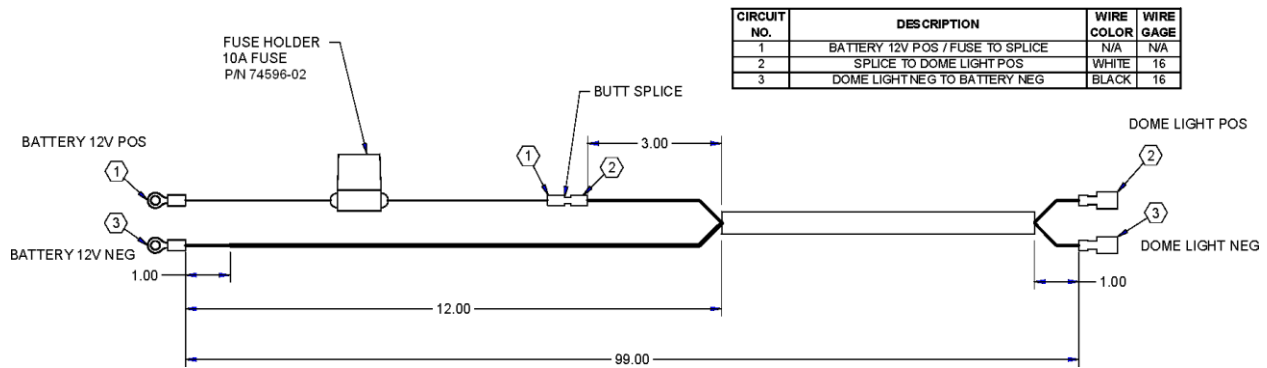
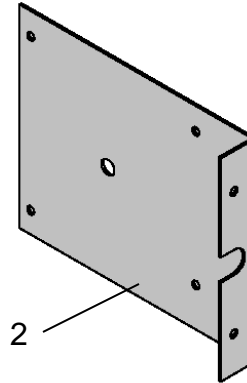
INSTALL CENTER HINGES

SEAT BELTS/REAR FACING SEATS – SCOUT Cont.



ITEM	CPC P/N	DESCRIPTION	QTY	SEATS P/N
1	75508-99	SEATBELT BRACKET	1	306478
2	5845	SPACER	2	510324
3	75509-99	HINGE	2	709037
4	2828-W	SCREW, 3/8-16X3 HHC	2	719591
5	3775	SCREW, 3/8-16X2 HHC	2	719634
6	4256	SCREW, 7/16-20X1 1/2 HHC	1	719665
7	4713-W	SCREW, 3/8-16X3/4 HHC	2	719693
8	6000-B	WASHER, 5/16	6	719771
9	6416	WASHER, 3/8	2	719796
10	7755	NUT, 3/8-16 FLANGE, LOCK	4	719899
11	7778	NUT, 3/8-16 NYLOCK	4	719902
12	7825	NUT, 7/16-20 NYLOCK	1	719908
13	75504-09	SEAT BELT 48"	2	741359
14	75502-09	SEAT BELT, BUCKLE	2	741361

CAB DOME LIGHT - SCOUT

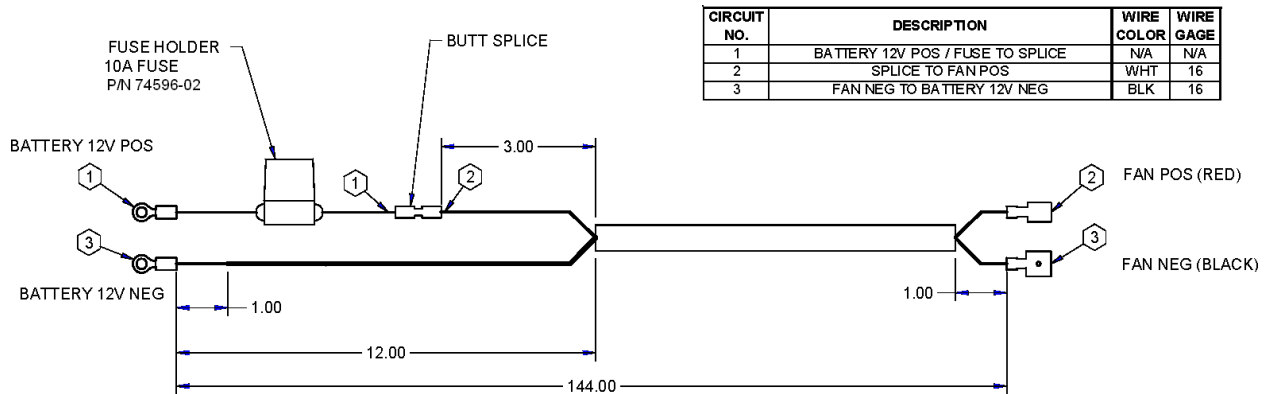


ITEM	CPC P/N	DESCRIPTION	QTY	SEATS P/N
1	84147-92	DOMI LIGHT	1	709920
2	51150-11	MOUNTING PLATE	1	510315
3	*	HARNESS	1	464605
4**	10008	CABLE TIE 5 3/4	4	719501
5**	10020	CABLE TIE	4	719503
6**	10043	CABLE TIE 11 3/4	2	719504
7**	11409	GROMMET RUBBER	1	719520
8**	2616	SCREW #8-32X1 PFH	4	719574
9**	2685-W	SCREW 10-24X5/8 HWH TRD ROL	2	719586
10**	3716	WASHER #10	2	719812
11**	7609-W	NUT 8-32 NYLOCK	4	719868
12**	7624	NUT 10-24 NYLOCK	2	719870
13**	9906	TERMINAL 16/14 INS, 1/4 MALE TAB	2	719973

* SPECIAL ORDER

** NOT SHOWN

CAB FAN - SCOUT



ITEM	CPC P/N	DESCRIPTION	QTY	SEATS P/N
1	*	FAN WIRE HARNESS	1	467432
2	*	FAN	1	467433
3**	2646	SCREW 6-32X5/8 PHM	4	719581
4**	6717	WASHER #6	4	719813
5**	7592	NUT 6-32 NYLOCK	4	719866
6**	10020	CABLE TIE	3	719503
7**	10043	CABLE TIE 11 3/4"	3	719504

* SPECIAL ORDER

** NOT SHOWN

HEATER – SCOUT

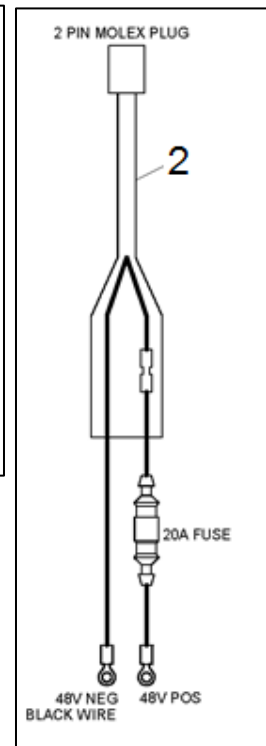
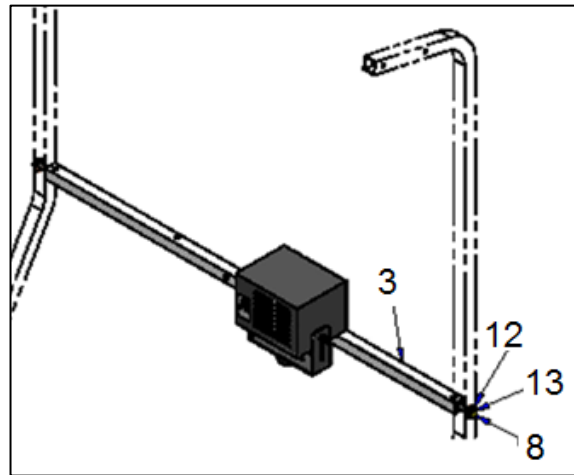
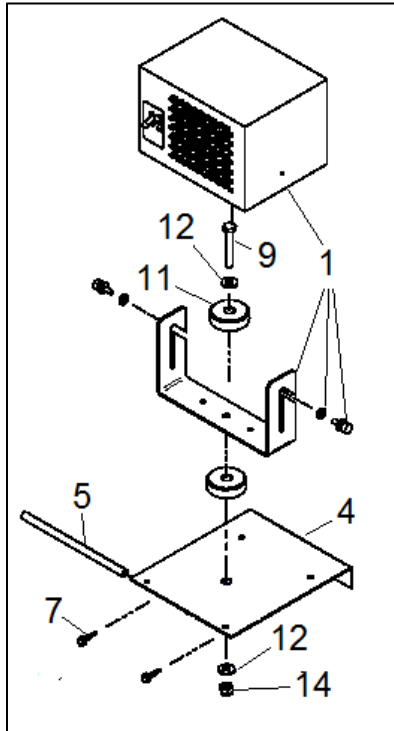
ITEM	CPC P/N	DESCRIPTION	QTY	SEATS P/N
1	65199-11	HEATER 48V	1	467801
2	**69936-15	HEATER HARNESS ASSEMBLY 48V	1	467803
3	57974-02	WINDSHIELD WIPER BAR	1	307119
4	51150-11	DOME LIGHT MOUNT	1	510315
5	29284-04	MOLDING, BLACK 5.50"	1	719355
6*	10043	CABLE, TIE	6	719504
7	2653-B	SCREW, #10X3/4 HWH, TEK	2	719583
8	**57111-11	SCREW, 5/16-18X1 1/2	2	781924
9	3454-BS	SCREW, 1/4-20X1 3/4, HHCS, G5	1	719623
10	6000-B	WASHER, 5/16 USS, STD	2	719771
11	**52329-85	WASHER, .375X1.5X.5 F/W, NYLON	2	719737
12	6703-B	WASHER, 1/4 F/W, SAE, STL	2	719811
13	**7041-8	WASHER, 5/16, REG-SPRG, LOCK	2	719838
14	7686	NUT, 1/4-20 NYLOCK	1	719879

* NOT SHOWN

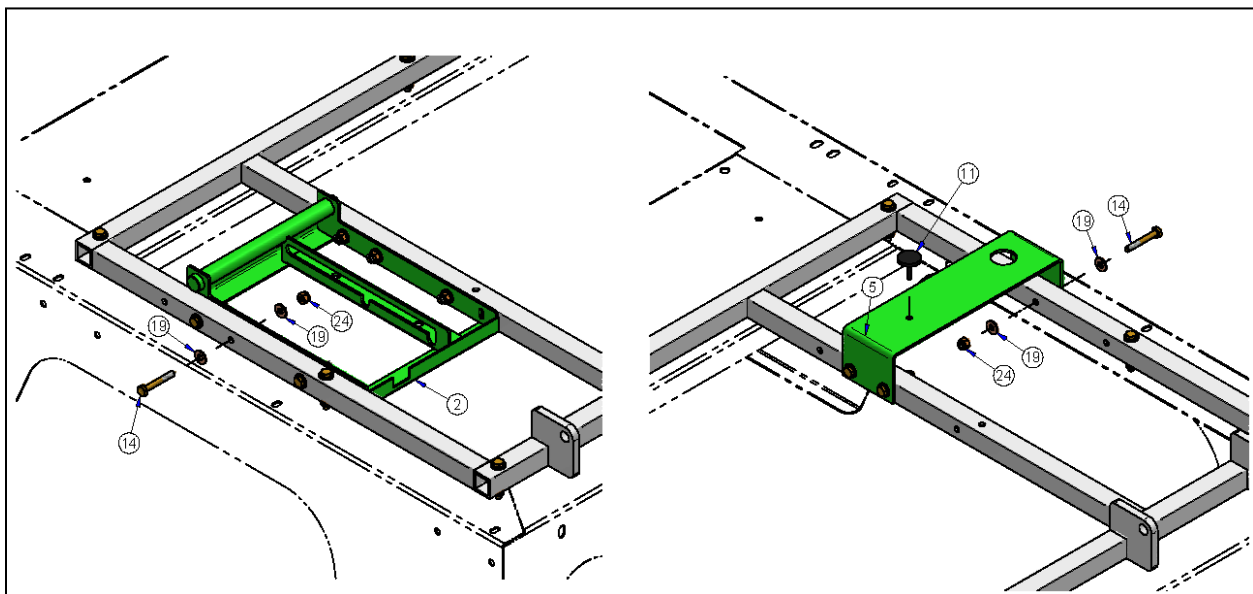
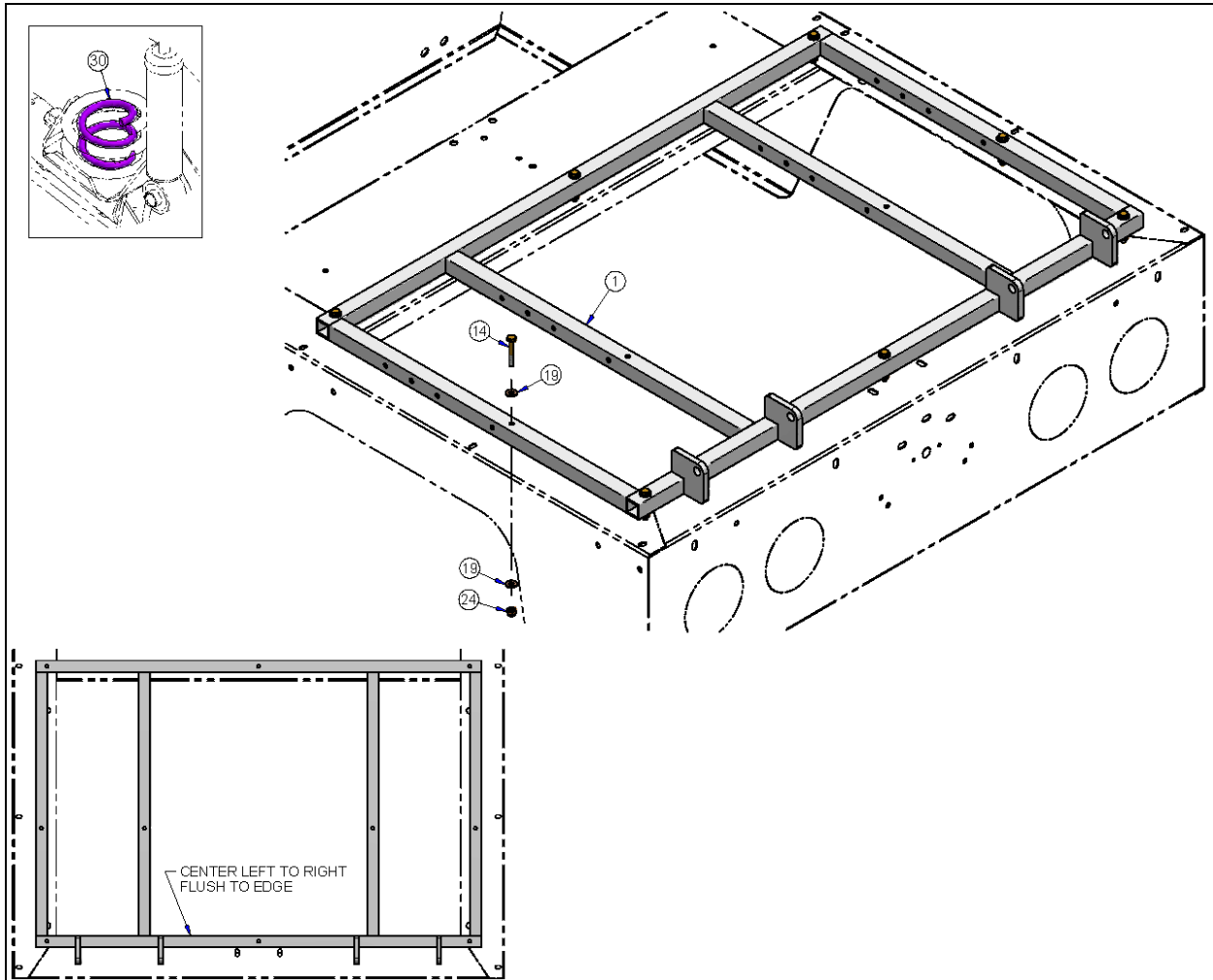
**ITEMS NOT USED WITH VEHICLES HAVING WINDSHIELD WIPERS

NOTE:

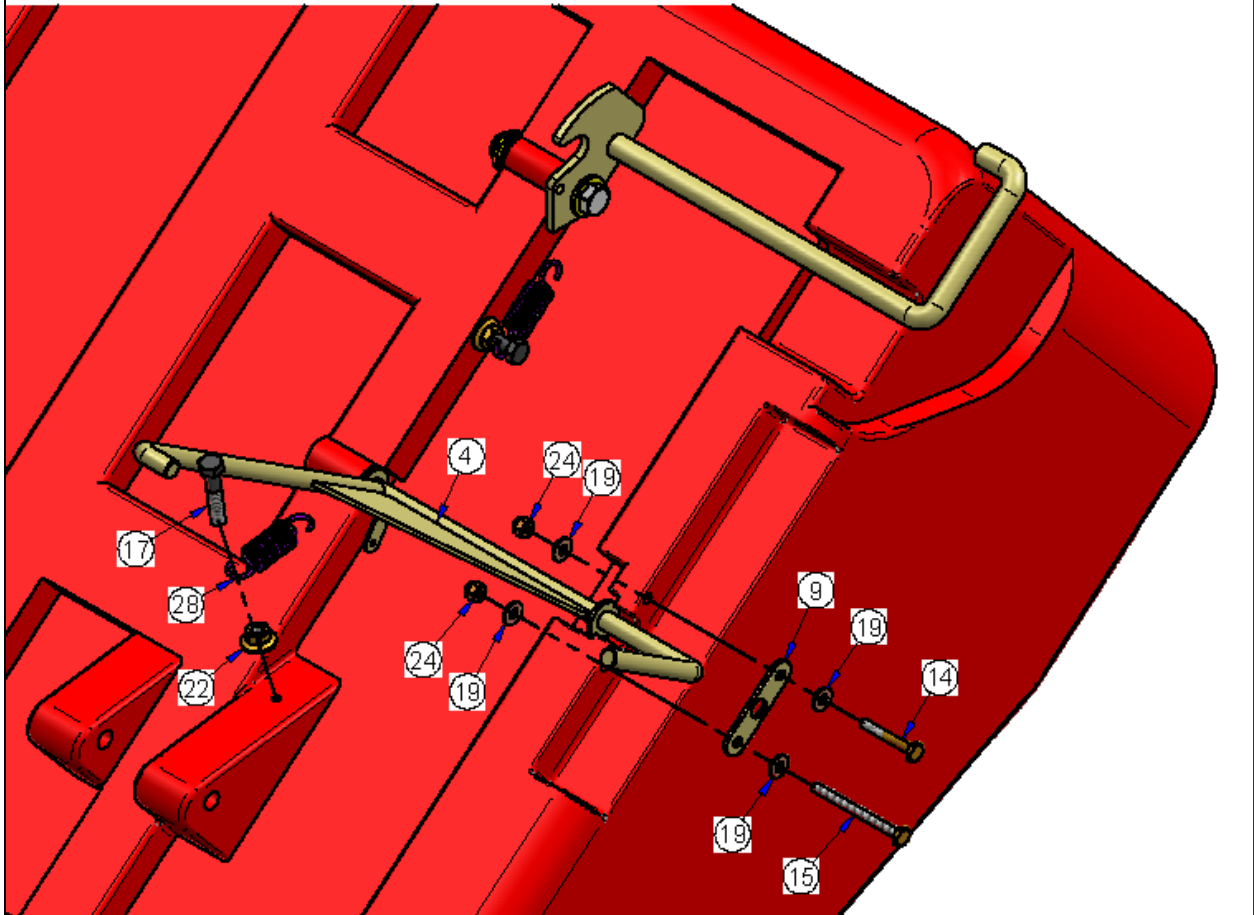
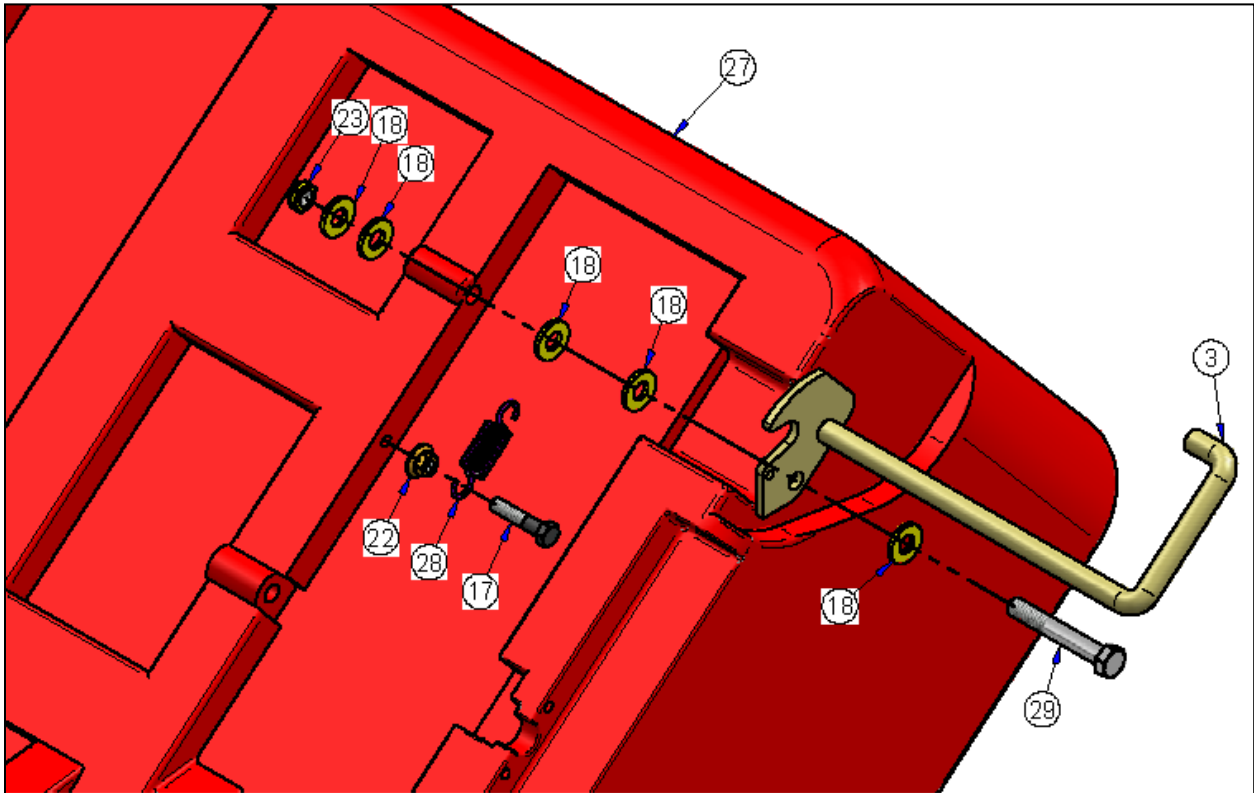
1. If the toggle switch is in the Fan/Heat position and no heat is occurring, a circuit reset may be needed. On a heater side panel is a 3/8" hole. Inside is a circuit reset tab. Using a non-conductive device push the tab to reset the circuit.
2. This heater/harness is not interchangeable with heater/harness installed on vehicles prior to 8/10/2010. Connect black wire to 48V negative and red wire to 48V positive.
3. If previous heater had a three (3) wire harness, a new two (2) wire harness (Item 2) is required.



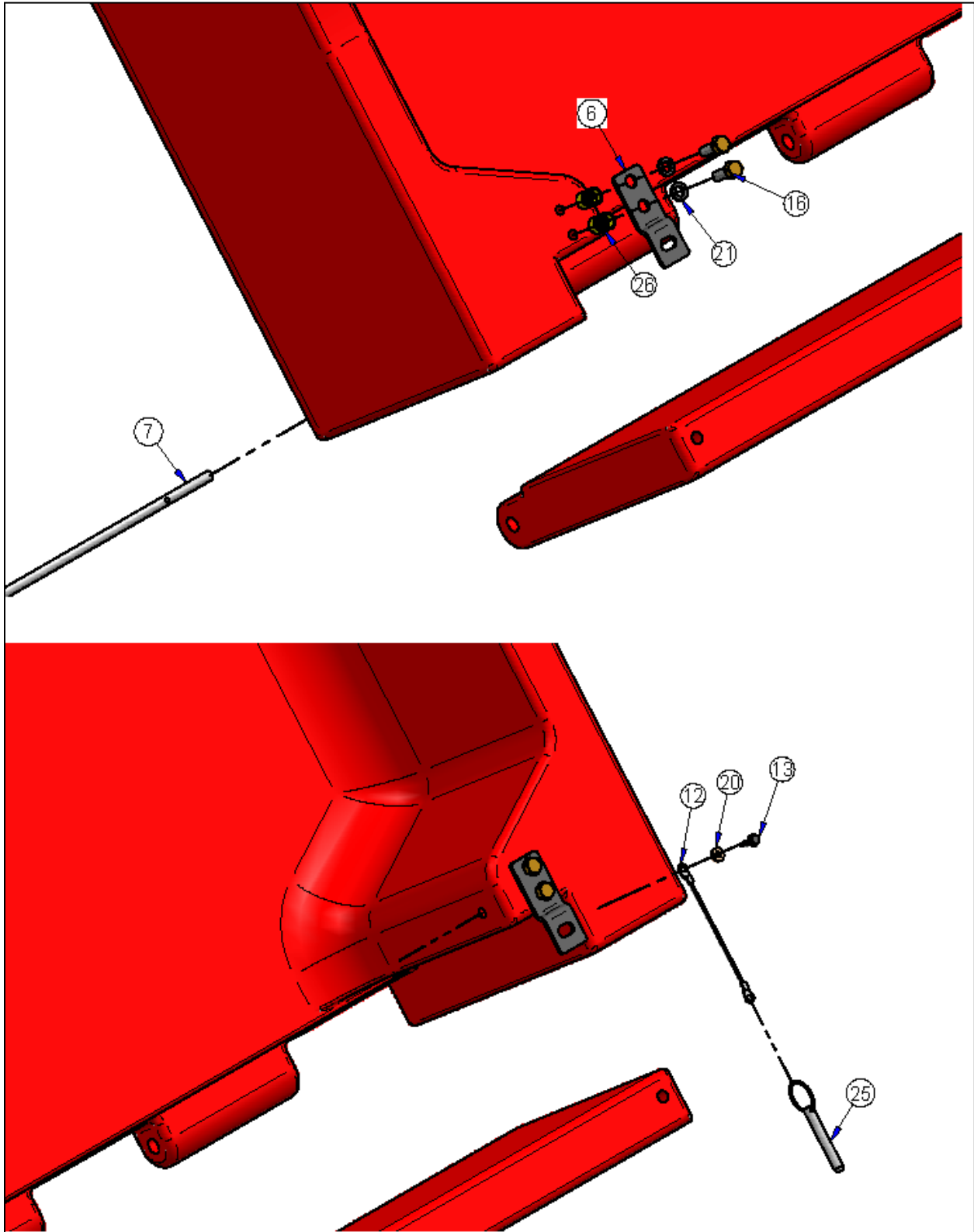
POLY CARGO DUMP BOX- SCOUT
NOTE: Colors shown for contrast purposes only.



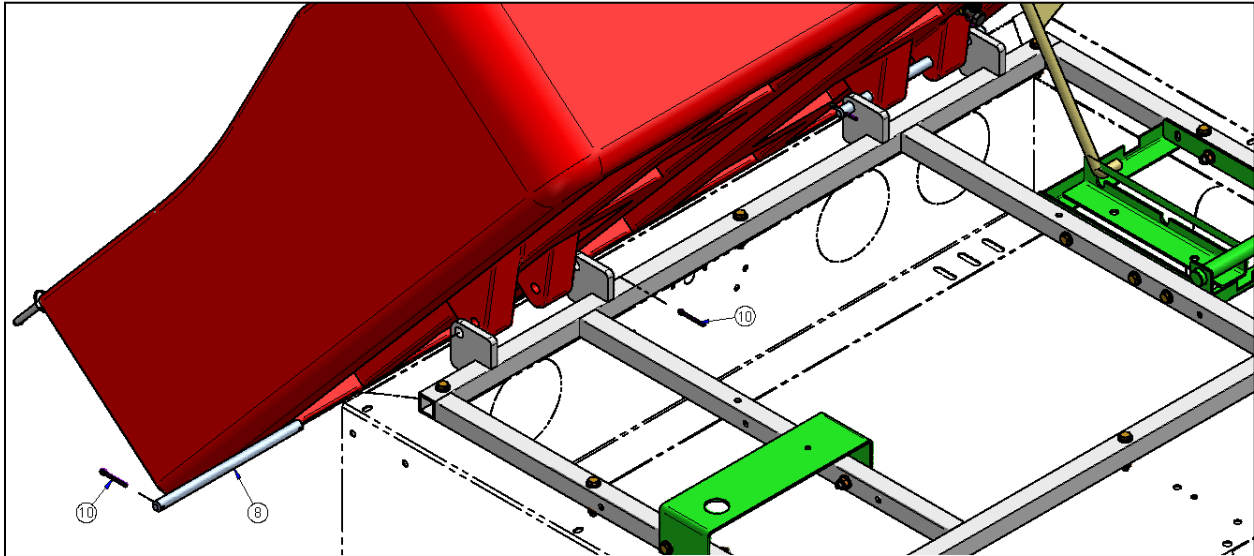
POLY CARGO DUMP BOX- SCOUT (Cont.)



POLY CARGO DUMP BOX- SCOUT (Cont.)



POLY CARGO DUMP BOX- SCOUT (Cont.)



ITEM	CPC P/N	DESCRIPTION	QTY	SEATS P/N
1	52404-07	FRAME	1	308790
2	52402-07	LATCH BAR	1	308791
3	52403-07	LATCH HANDLE	1	308792
4	52406-07	PROP ROD	1	308804
5	52052-07	SUPPORT BRACKET	1	511755
6	52051-07	LATCH BRACKET – TAILGATE	2	511756
7	52054-07	HINGE PIN – TAILGATE	1	511757
8	52055-07	PIVOT ROD	2	511766
9	52409-07	PIVOT PLATE – PROD ROD	1	511781
10	560	PIN 1/8X1 1/4 COTTER	4	707337
11	11402	BOOT, RUBBER BUMPER	1	709011
12	805	LANYARD	2	709767
13	2653-B	SCREW, #10X3/4 HHCS, G5	2	719583
14	3454-BS	SCREW 1/4-20X1 3/4 HHCS G5	19	719623
15	3650	SCREW 1/4-20X3 HHCS G5	1	719627
16	3991	SCREW 5/16-18X7/8 HHC G5	4	719643
17	4720-B	SCREW, 3/8-16X1 3/4 HHCS G5	2	719696
18	6010	WASHER FLT STL .513X1.09X.125	5	719774
19	6703-B	WASHER 1/4	40	719811
20	6912-B	WASHER #8 PLAIN	2	719817
21	7041-B	WASHER, 5/16 LOCK	4	719838
22	7512	NUT 3/8-16 SERR FLANGE GR A	2	719860
23	7685	NUT 1/2-13 NYLOCK	1	719878
24	7686	NUT 1/4-20 NYLOCK GR A	20	719879
25	799	PIN, 5/16X2	2	719918
26	8206	KNURLED INSERT 5/16-18	4	719929
27	50265-07	CARGO BOX W/TAILGATE	1	759837
28	11801	SPRING .734X2.63X.105	2	759838
29	781046PS	SCREW 1/2-13X3 1/4 HHCS G2	1	781046
30	54570-93	REAR INNER COMPRESSION SPRINGS	2	709190
N/A*	89110-07	KIT, POLY CARGO DUMP BOX	1	191451U



Columbia ParCar Corp.

1115 Commercial Avenue • Reedsburg, WI 53959
Phone: (608) 524-8888 • (800) 222-4653 • Web: www.parcar.com

Columbia / ParCar OEM Parts
evtechnicalservices.com

