



COLUMBIA

2017 PARTS MANUAL

STOCKCHASER IS-12



Columbia / ParCar OEM Parts
evtechnicalservices.com



The Columbia Vehicle Group

Nordic Group Member Brands | Business Ventures Since 1947



COLUMBIA



TOMBERLIN



PARCAR



ELITE

Preface

Welcome, and congratulations on your choice of vehicle from Columbia ParCar Corp.! Your vehicle has been designed and manufactured to conform to applicable sections of ANSI B56.8. Your safe use and operation of your vehicle is important to us. Any alteration of your Columbia vehicle that results in the vehicle being in noncompliance with applicable ANSI standards is strictly prohibited. Columbia ParCar Corp. is not responsible or liable for any damage that results from any such alteration, and all warranties for any such altered vehicles are null and void.

These vehicles are not designed for over-the-road use. They do not conform to Federal Motor Vehicle Safety Standards or EPA regulations, and are not equipped for operation on public streets, roads, or highways.

To the best knowledge of Columbia ParCar Corp., the material contained herein is accurate as of the date this publication was approved for printing. Columbia ParCar Corp. is not liable for errors in this manual or for incidental or consequential damages that result from the use of the material in this manual. Columbia ParCar Corp. reserves the right to change specifications, equipment or designs at any time without notice and without incurring obligation.

This manual contains proprietary information that is protected by copyright. All rights are reserved. No part of this manual may be photocopied, reproduced, or translated to another language without the written consent of Columbia ParCar Corp. Columbia ParCar Corp. products are manufactured under one or more of the following U.S. Patents - 2986162, 2987934, 3116089, 3144631, 3144860, 3229792, 3434887, 3559773, 3673359, 3680403, 3683716, 3709317, 4648473, Des. 225626.

CHANGE HISTORY		
DATE	DESCRIPTION	BY
7/1/2016	Issued	CPC

1115 Commercial Avenue • Reedsburg, WI 53959
Phone: (608) 524-8888 • Fax: (608) 524-8380
(800) 222-4653 • Web: www.ColumbiaUSA.com

The Columbia Vehicle Group

Nordic Group Member Brands | Business Ventures Since 1947



INDEX

SECTION 1 ACCELERATOR AND BRAKE

Accelerator Pedal and Brake Linkage	1-1
Accelerator Linkage	1-4

SECTION 2 Front Fork Systems and Steering

Single Front Fork	2-1
Dual Front Fork	2-3
Transport Express Front Fork	2-5
Steering Wheel Linkage	2-7

SECTION 3 Rear Axle Components

Rear Axle / Wheel / Brake	3-1
Rear Axle Components	3-3
Gear Sets	3-5
Mechanical Brake Assembly	3-6
Motor, SEP-EX	3-7

SECTION 4 Body Components and Console

Body Components	4-1
Instrument Console	4-2
Vehicle Labels	4-4

SECTION 5 Electrical System

Battery and Charger System	5-1
Delta Q Charger with Remote LED	5-3
Control Panel	5-4
Power System	5-5
Main Wire Harness and Schematic	5-7

SECTION 6 Accessories

Battery Watering System	6-1
4/6 Step Ladder	6-2
Transport Express	6-4
Transfer Stand	6-5
Battery Roll-Out Hardware	6-8
Mobile Cart Dock	6-9
Hitches	6-10
Ladder/Pole Strobe Light	6-11
Clipboard Holder	6-12
Folding Side Rails	6-13
Inner Fenders – IS12	6-14
Head & Tail Lights	6-15
12 V Accessory Harness and Schematics	6-16
Flashing Lights	6-20
Strongbox w/Clipboard Lid	6-21
Deadman Foot Presence Switch	6-23

THIS PAGE INTENTIONALLY LEFT BLANK

Columbia / ParCar OEM Parts
evtechnicalservices.com



The Columbia Vehicle Group
Nordic Group Member Brands | Business Ventures Since 1947





COLUMBIA

IS12

Parts Manual

Section 1

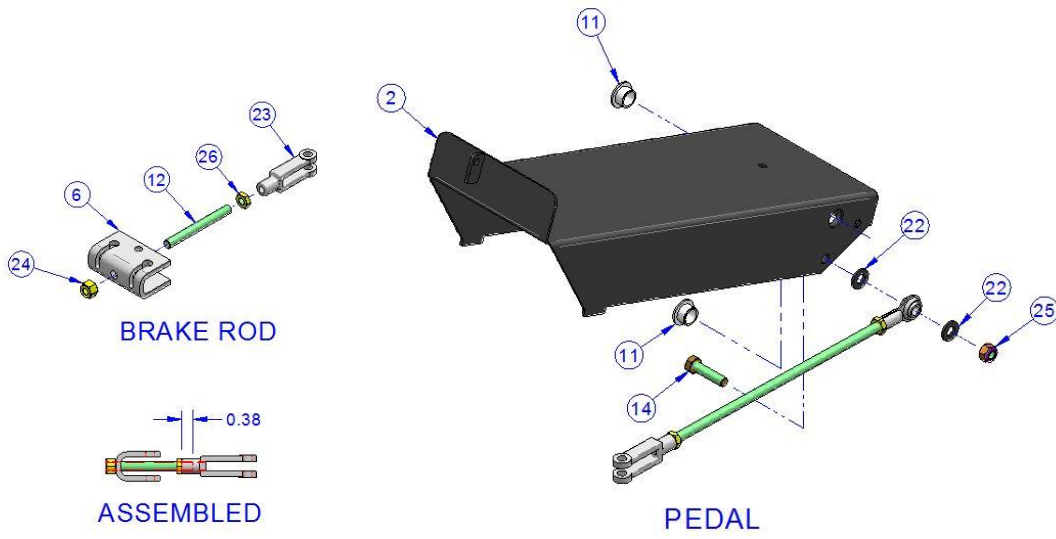
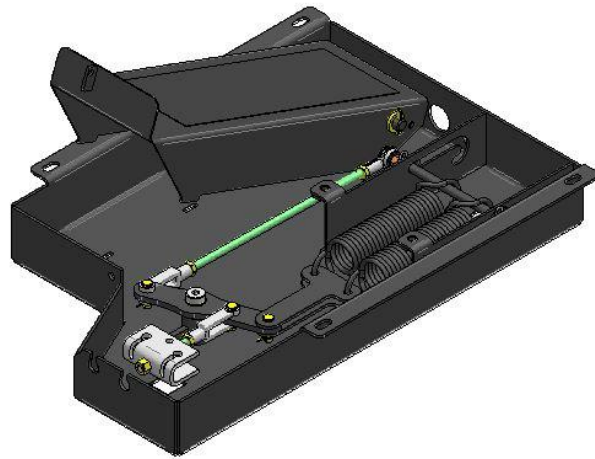
Accelerator Pedal

&

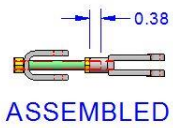
Brake Linkage



ACCELERATOR PEDAL & BRAKE LINKAGE



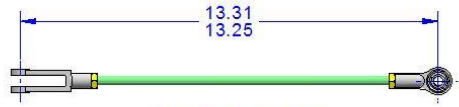
BRAKE ROD



ASSEMBLED

PEDAL

LINKAGE ROD



ASSEMBLED

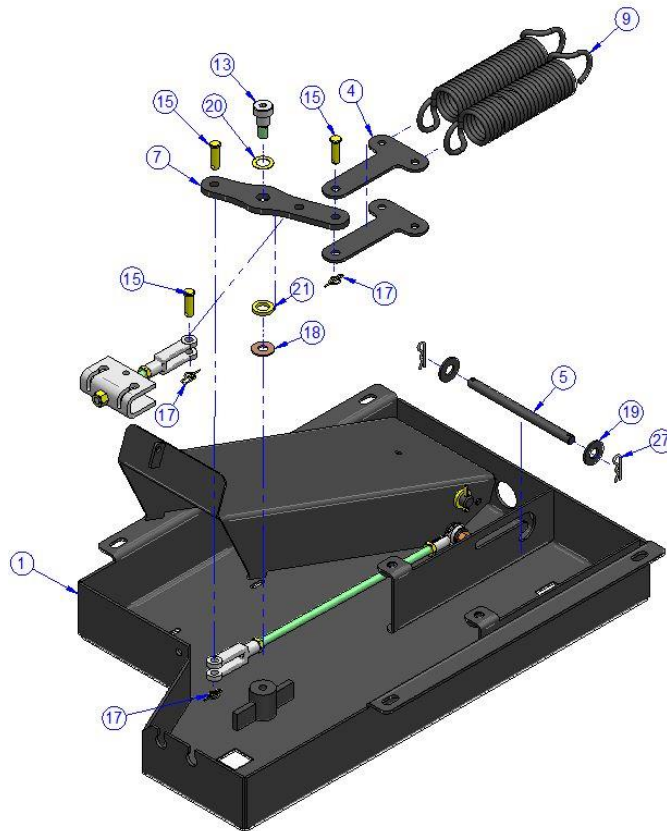
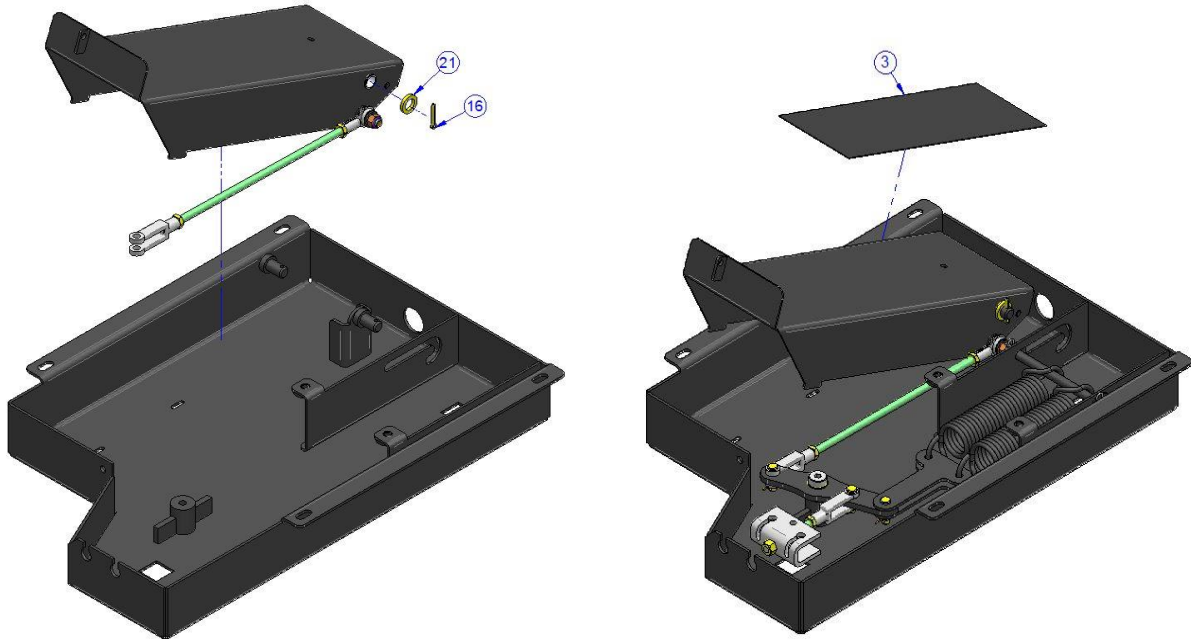
NOTE: Items with * in tables indicates parts not shown in drawing.

Columbia / ParCar OEM Parts
evtechnicalservices.com

The Columbia Vehicle Group
 Nordic Group Member Brands | Business Ventures Since 1947



ACCELERATOR PEDAL & BRAKE LINKAGE (Continued)



NOTE: Items with * in tables indicates parts not shown in drawing.

The Columbia Vehicle Group

Nordic Group Member Brands | Business Ventures Since 1947



ACCELERATOR PEDAL & BRAKE LINKAGE (Continued)

ITEM	CPC PN	DESCRIPTION	QTY	REF #
1	42570-02A	WLDMT, PEDAL MTG BASE - ISRT	1	306941
2	42577-02A	WLDM'T, PEDAL - BRAKE/ACCL	1	306944
3	42579-02	MAT, PEDAL, BRAKE/ACCEL	1	467285
4	42567-02	ARM - SPRINGS	2	508747
5	42568-02	BAR, GUIDE - SPRINGS	1	508893
6	42402-89	PLATED, BRAKE EQUALIZER	1	509154
7	42566-02	ARM, BRAKE - ISRT	1	511934
8	57019-00	ROD END, 5/16 (KPF-5-G)	1	709450
9	11809	SPRING, ACCELERATOR ACTUATOR	2	709573
10	41508-02	ROD, 5/16-24 UNF X 11" FULLY THDED	1	709931
11	10516	BEARING, FLANGED .50 ID X 5/16 LG	2	719147
12	24820-96	ROD, 5/16-24 X 3" FULLY THDED	1	719558
13	2645	SCREW, 1/2 X 1/2 LG SHLDR SOCKET	1	719580
14	2871-W	SCREW, 5/16-18 X 1-1/4, HHCS, G5, YWZC	1	719592
15	494	CLEVIS PIN, 5/16 X 1 ZINC/CLEAR	3	719709
16	520-W	PIN,1/8X1,COTTER,YWZC150	1	719728
17	552	COTTER RING #RUE10	3	719752
18	6000-B	WASHER,5/16,USS/STD,F/W,BLK MAX	1	719771
19	6416	WASHER FLT STL BLK ZNC 3/8 STD	2	719796
20	6566	WASHER .515X.812X.031	1	719800
21	6568-B	WASHER .515X.812X.134	2	719802
22	6566	WASHER,5/16,SAE,F/W,BLK MAX	2	719810
23	73059-96	CLEVIS #52 5/16-24	2	719852
24	7725	LOCKNUT, 5/16-24 HEX NYLOK	1	719888
25	7739	NUT,5/16-18,L/N,NYLOK,NE,GA,BLKMAX	1	719892
26	7744	NUT, 5/16-24 GR 2 HEX JAM YWZC	3	719895
27	500	PIN,HAIR CLIP,#13,ZC	2	781013

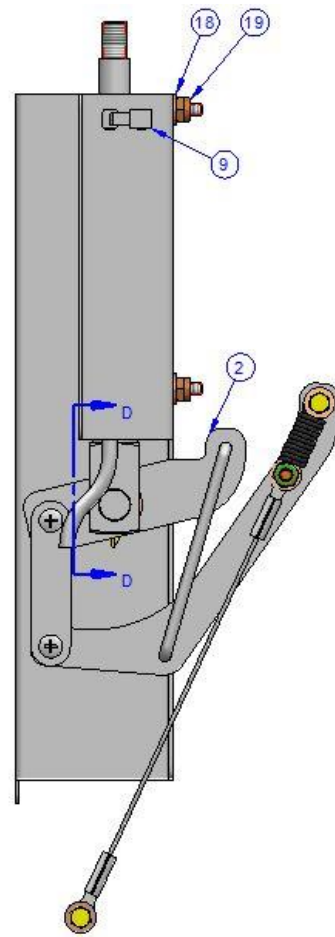
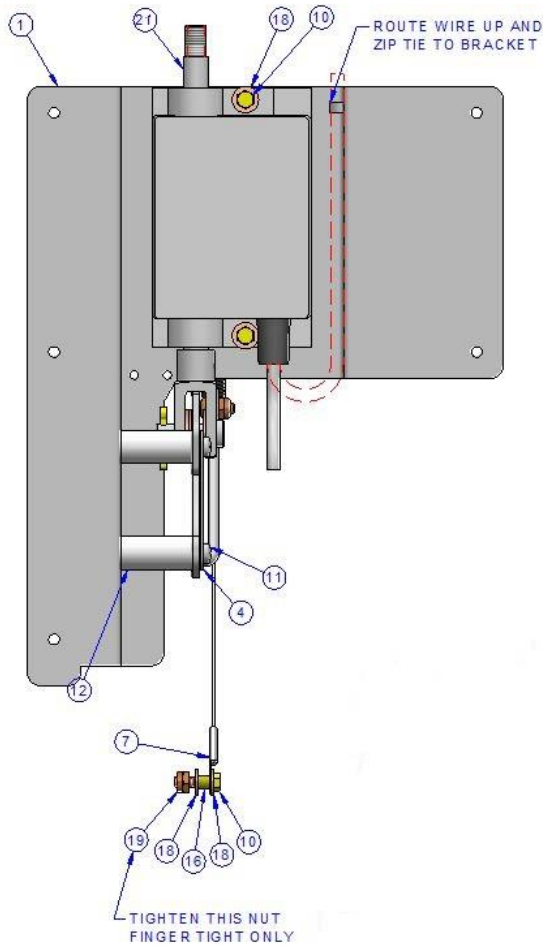
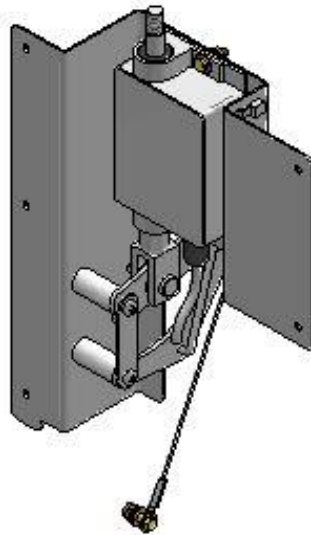
NOTE: Items with * in tables indicates parts not shown in drawing.

The Columbia Vehicle Group

Nordic Group Member Brands | Business Ventures Since 1947



ACCELERATOR LINKAGE



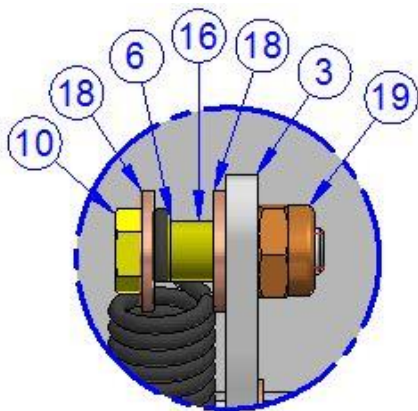
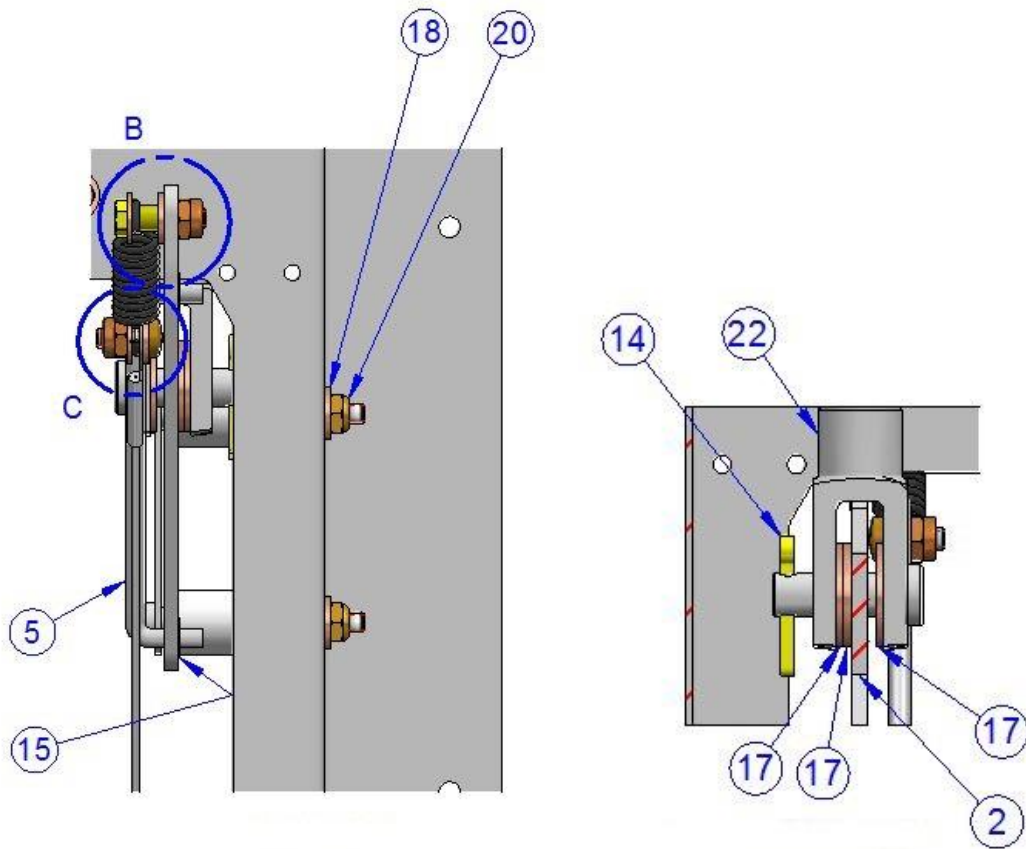
NOTE: Items with * in tables indicates parts not shown in drawing.

The Columbia Vehicle Group

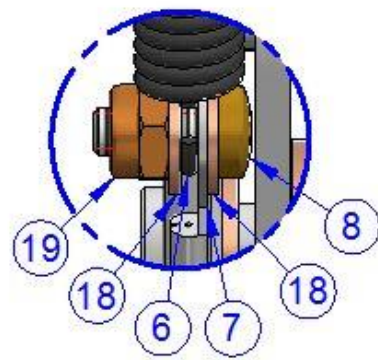
Nordic Group Member Brands | Business Ventures Since 1947



ACCELERATOR LINKAGE (Continued)



DETAIL B



DETAIL C

NOTE: Items with * in tables indicates parts not shown in drawing.

The Columbia Vehicle Group

Nordic Group Member Brands | Business Ventures Since 1947



ACCELERATOR LINKAGE (Continued)

ITEM	CPC PN	DESCRIPTION	QTY	REF #
1	70202-12	PANEL, IS12 LAD MTG	1	514811
2	70203-12	ARM, IS12 LAD PULL, SECONDARY	1	514812
3	70204-12	ARM, IS12 LAD PULL, PRIMARY	1	514813
4	70205-12	BRKT, IS12 LAD PULL ARM	1	514814
5	45403-98	SPEED CONTROL LINKAGE	1	514849
6	42452-86	SPRING, PARKING BRAKE RETURN	1	709070
7	40826-02	LANYARD, 7 3/4" LG	1	709929
8	3615	SCREW, 10-24X1/2PHILLIPS,BLK ZNC	1	719467
9	10043	CABLE TIE, BLACK	1	719504
10	2339	SCR, #10-24 X 3/4" HEX HD MACH	4	719551
11	3477	SCREW, 10-24 X 2 PHILLIPS PHM	2	719624
12	40560-96	STANDOFF, WHT DELRIN .203 X .625 X 1.5	2	719653
13*	516	CLEVIS PIN, 3/8X1-1/8 YELLOW/ZINC	1	719727
14	520-W	PIN, COTTER 1/8 X 1 YELLOW/ZINC	1	719728
15	5298	PALNUT, 3/16 STUD PS STYLE PHOS/OIL	2	719741
16	5760	SPACER BRASS .192 ID .25 OD .25THK	2	719769
17	6416	WASHER,5/16,USS/STD,F/W,BLK MAX	3	719796
18	6716	WASHER,#10,SAE,F/W,BLK MAX	12	719812
19	7624	NUT 10-24 GR A NM MACH NYLON LOCK	5	719870
20	7626-W	NUT,10-32 GR A NM MACH. NYLON LOCK	2	719871
21	70226-07	LIN ACLTR UNIT - SEVCON	1	759803
22	73064-07	CLEVIS ENDS - M10 X 1.5	1	759808

NOTE: Items with * in tables indicates parts not shown in drawing.

The Columbia Vehicle Group

Nordic Group Member Brands | Business Ventures Since 1947



THIS PAGE INTENTIONALLY LEFT BLANK

Columbia / ParCar OEM Parts
evtechnicalservices.com



The Columbia Vehicle Group
Nordic Group Member Brands | Business Ventures Since 1947





COLUMBIA

IS12

Parts Manual

Section 2

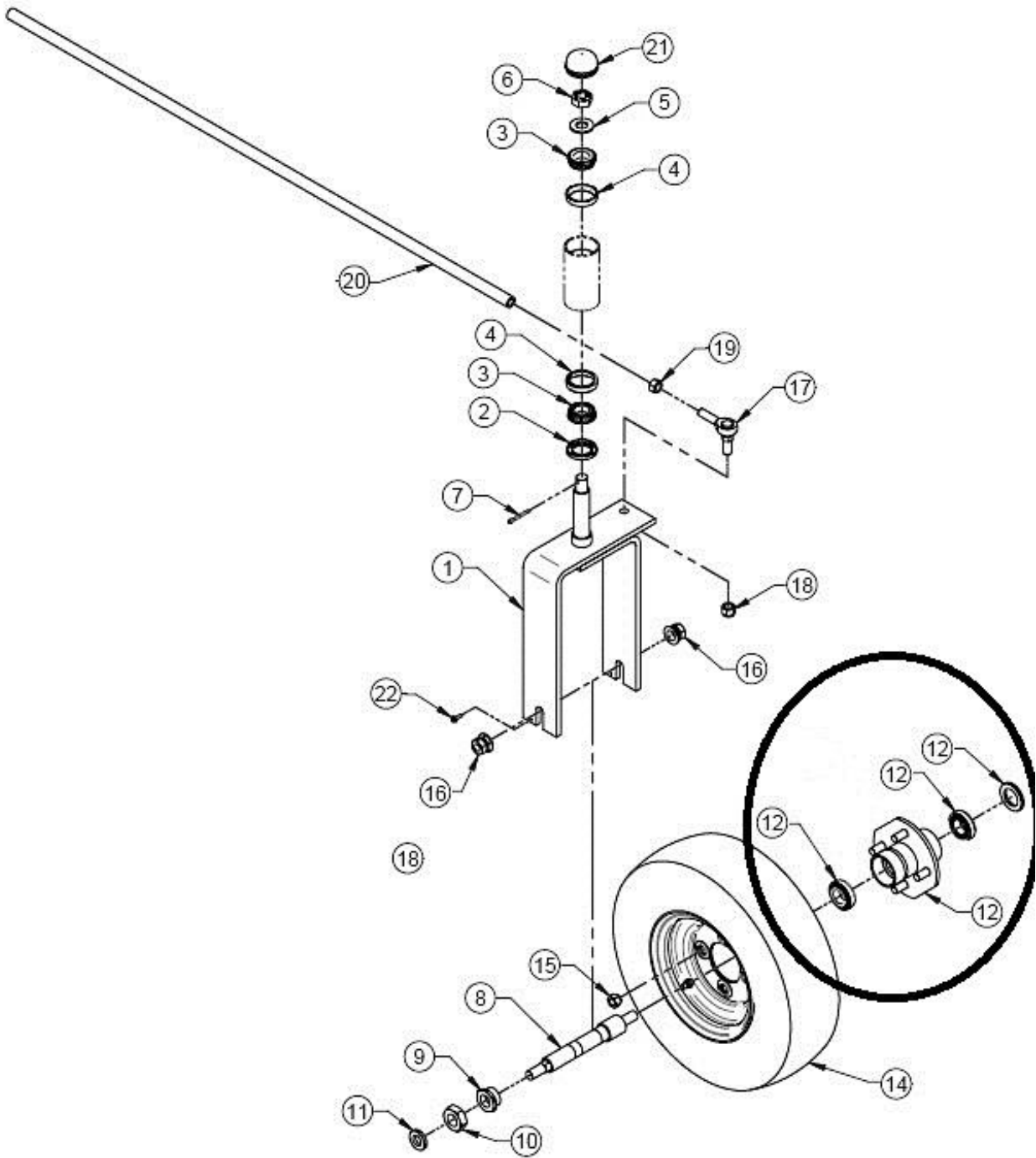
Front Fork Systems

&

Steering



SINGLE FRONT FORK SYSTEM



NOTE: Items with * in tables indicates parts not shown in drawing.

The Columbia Vehicle Group

Nordic Group Member Brands | Business Ventures Since 1947



SINGLE FRONT FORK SYSTEM (Continued)

ITEM	CPC PN	DESCRIPTION	QTY	REF #
1	57555-05	WLDMT, FRONT FORK, STANDARD UNIT	1	307895
2	44004-95	SEAL BEARING, 125192TB	1	719685
3	44003-95	ROLLER BEARING, L44643	2	719684
4	44005-95	RACE BEARING, L44610	2	719686
5	5908-B	WASHER, 3/4", STL FLAT, SAE MIL-CARB	1	719770
6	82713-96	NUT, 3/4-16 SLOTTED HEX BLK, G5, YWZC	1	719933
7	561	PIN, 1/8" X 1-1/2", COTTER, ZNC	1	707841
8	43484-96	AXLE, FRONT FORK	1	709445
9	7896	NUT, BEARING ADJUSTING	1	709443
10	7897	NUT, 1-8 GR 2, HEX JAM CLR ZINC	1	719914
11	6568	WASHER FLT STL YWZC .734 X 1.375 X.24	1	719801
12	43485-96	HUB ASSEMBLY (Includes Hub, Bearings & Seal)	1	467798
13	-	N/A	-	-
14	40988-95	WHEEL, 4.80 X 8.00 LRB (Includes Items 14a & 14b)	1	709107
14a	42109-94	RIM 8.00 X 3.75 4HOLE	1	739032
14b	42110-95	TIRE 4.00 X 8.00 LRC	1	739033
15	43152-66	NUT, 1/2-20, TAPERED WHEEL	4	709002
16	781140	NUT, 5/8-11 NYLOCK, ZINC	2	781140
17	58605-04	ASSY, TIE ROD END - 1/2-20 LH THD	1	719343
18	7812-W	NUT, 1/2-20 GR A NE NYLON INSERT YWZ	1	719907
19	7520	NUT, 1/2-20 GR 2 HEX JAM YWZC - LH THD	1	719360
20	57366-04	SHAFT, STRG- IS11/ROVR	1	510495
21	43646-79	HUB GREASE CAP	1	709018

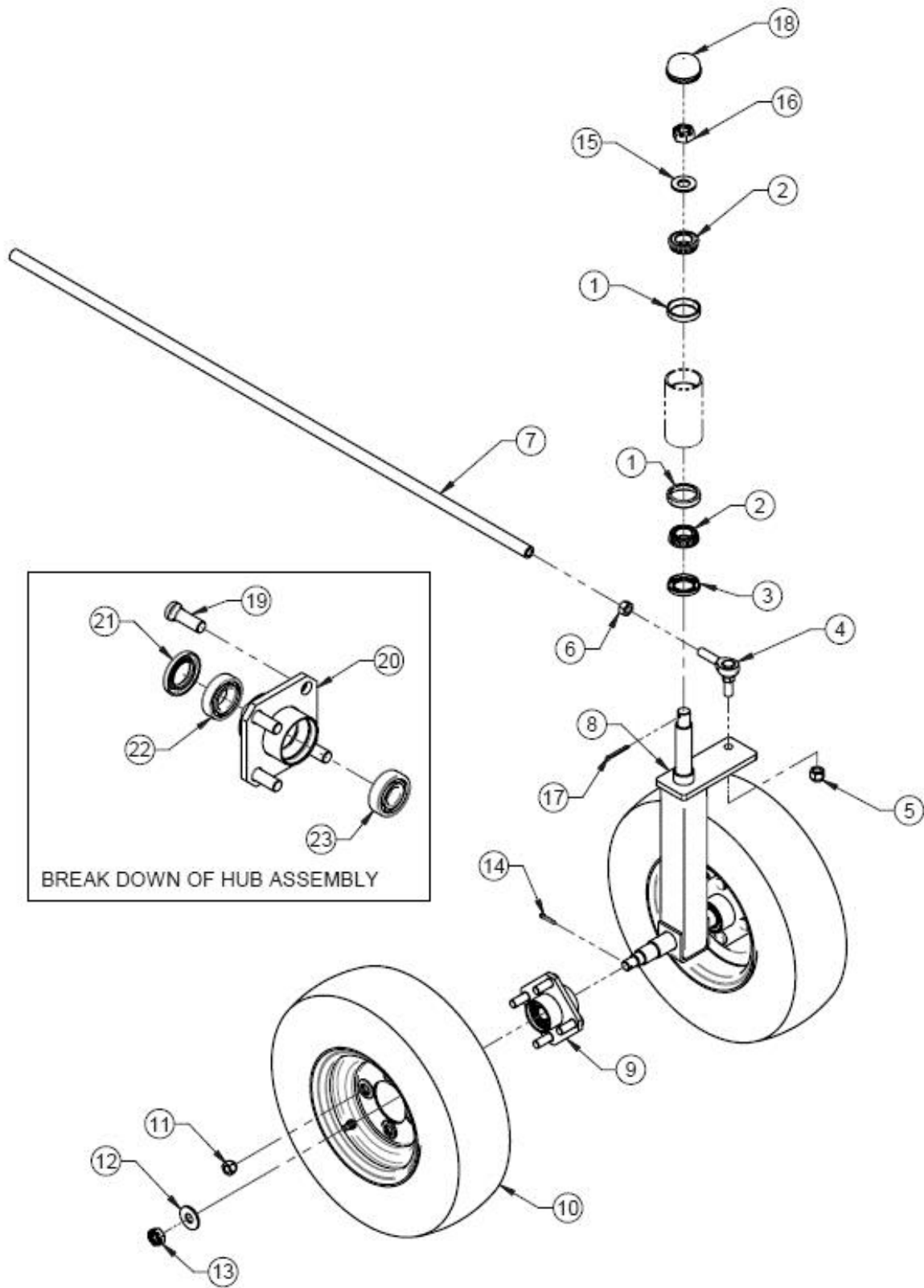
NOTE: Items with * in tables indicates parts not shown in drawing.

The Columbia Vehicle Group

Nordic Group Member Brands | Business Ventures Since 1947



DUAL FRONT FORK SYSTEM



NOTE: Items with * in tables indicates parts not shown in drawing.

DUAL FRONT FORK SYSTEM (Continued)

ITEM	CPC PN	DESCRIPTION	QTY	REF #
1	44005-95	RACE BEARING, L44610	2	719686
2	44003-95	ROLLER BEARING, L44643	2	719684
3	44004-95	SEAL BEARING, 125192TB	1	719685
4	58605-04	ASSY, TIE ROD END - 1/2-20 LH THD	1	719343
5	7812-W	NUT, 1/2-20 GR A NE NYLON INSERT YWZ	1	719907
6	7520	NUT, 1/2-20 GR 2 HEX JAM YWZC -LH THD	1	719360
7	57366-04	SHAFT, STEERING -LONG	1	510495
8	57220-05	WELDM'T, DUAL FORK -FRONT	1	307901
9	43481-89	ASSY, HUB FRONT WHEEL (Includes Items 19 - 23)	2	461830
10	40988-95	WHEEL, 4.80 X 8.00 LRB (Includes Items 10a & 10b)	2	709107
10a	42109-94	RIM 8.00 X 3.75 4HOLE	2	739032
10b	42110-95	TIRE 4.00 X 8.00 LRC	2	739033
11	43152-66	NUT, 1/2-20, TAPERED WHEEL	8	709002
12	6655-B	WASHER FLT STL 9/16 STD UNHARD BLK	2	719808
13	7947-B	NUT, 5/8-18 GR 2 SLOTTED HEX BLK MAX	2	719915
14	520-W	PIN, COTTER 1/8 X 1 YELLOW/ZINC	2	719728
15	5908-B	WASHER, 3/4", STL FLAT, SAE MIL-CARB	1	719770
16	82713-96	NUT, 3/4-16 SLOTTED HEX BLK, G5, YWZC	1	719933
17	561	PIN, 1/8" X 1-1/2", COTTER, ZNC	1	707841
18	43646-79	HUB GREASE CAP	1	709018
19	41199	WHEEL BOLT, 1/2-20 X 1-1/2 G5 YELLOW	4	719655
20	43463-89	HUB ONLY, FRONT WHEEL	1	303069
21	12030	SEAL, OIL	1	709017
22	9031	BEARING 6005	1	719954
23	9030	BEARING 6204	1	719953

NOTE: If servicing an IS12 equipped with Transport Express see next page.

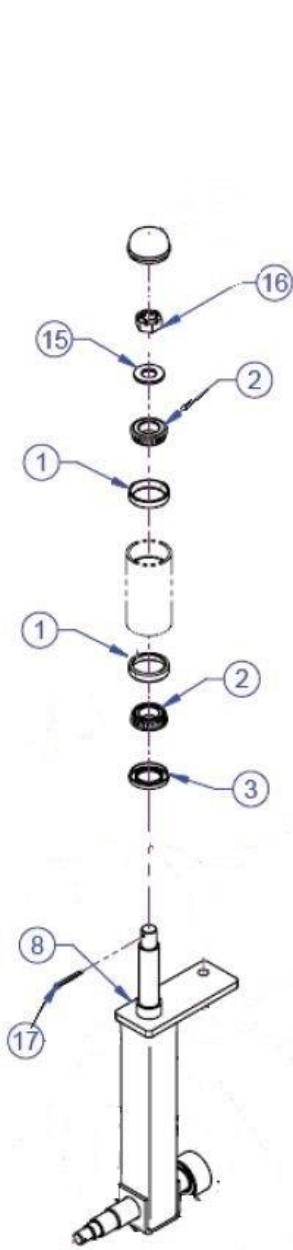
NOTE: Items with * in tables indicates parts not shown in drawing.

The Columbia Vehicle Group

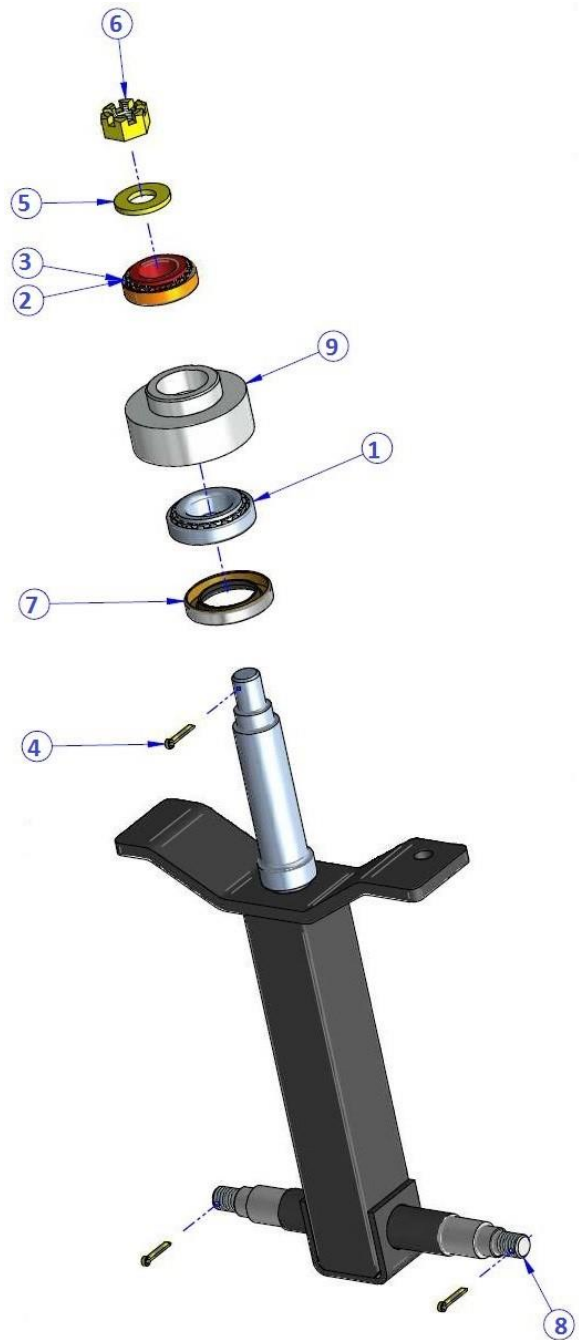
Nordic Group Member Brands | Business Ventures Since 1947



TRANSPORT EXPRESS FRONT FORK SYSTEM



STANDARD DUAL FORK



TRANSPORT EXPRESS DUAL FORK

NOTE: Items with * in tables indicates parts not shown in drawing.

Columbia / ParCar OEM Parts
evtechnicalservices.com



The Columbia Vehicle Group

Nordic Group Member Brands | Business Ventures Since 1947



TRANSPORT EXPRESS FRONT FORK SYSTEM (Continued)

ITEM	CPC PN	DESCRIPTION	QTY	REF #
1	10510	Bearing, Tapered Cone/Cup	1	709362
2	44003-95	Roller Bearing	1	719684
3	44005-95	Bearing Race	1	719686
4	520-W	Cotter Pin, 1/8" x 1"	3	719728
5	5908-B	Washer, 3/4"	1	719770
6	82713-96	Nut, 3/4" - 16	1	719933
7	12020	Seal, Hub	1	729091
8	Special Order	Front Fork Assembly	1	C37037_06
9	Special Order	Bearing Adaptor	1	C37037_03

NOTE: This change was documented in Service Bulletin SB16-006

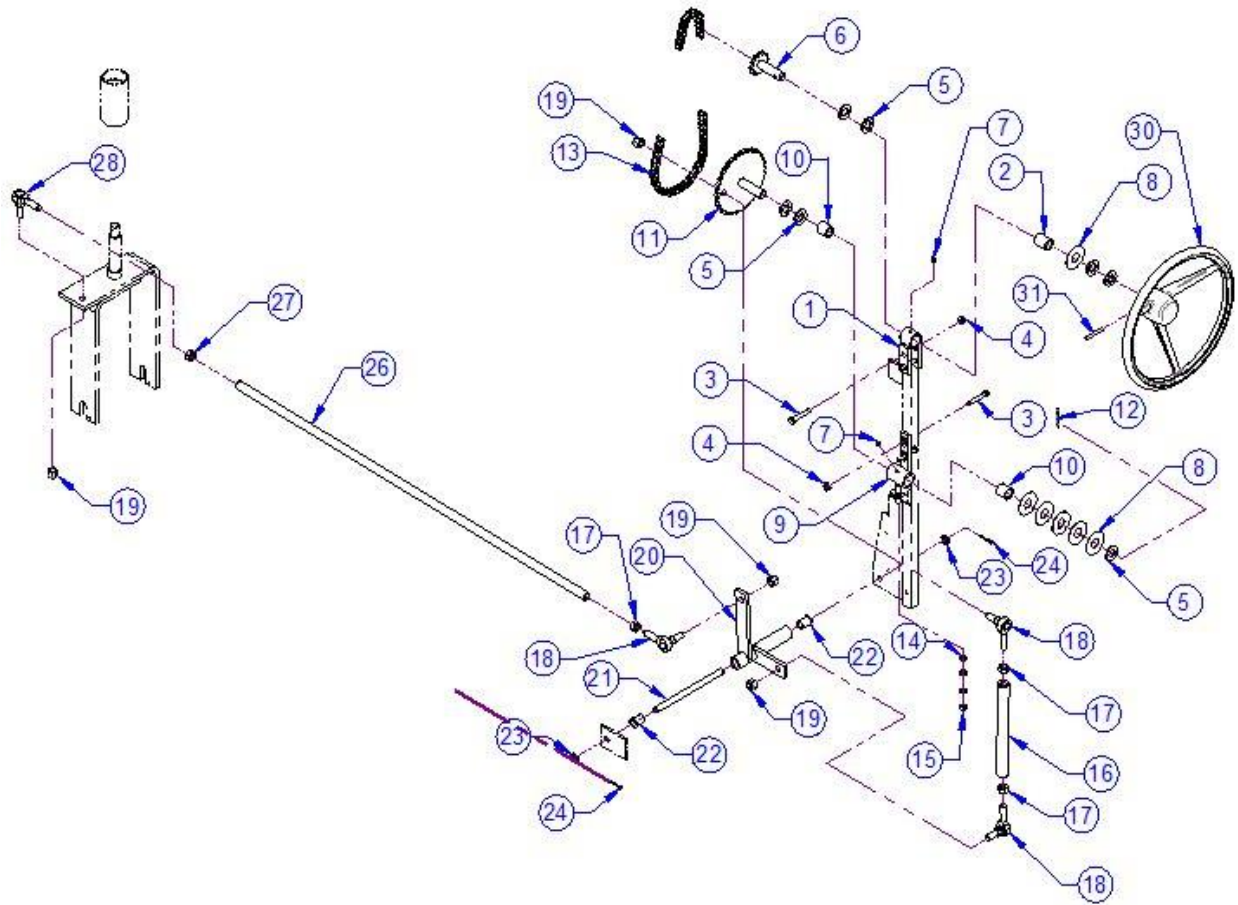
*NOTE: Items with * in tables indicates parts not shown in drawing.*

The Columbia Vehicle Group

Nordic Group Member Brands | Business Ventures Since 1947



STEERING WHEEL LINKAGE



NOTE: Items with * in tables indicates parts not shown in drawing.

STEERING WHEEL LINKAGE (Continued)

ITEM	CPC PN	DESCRIPTION	QTY	REF #
1	57326-95	UPPER HUB WLDMNT	1	303971
2	57351-95	BUSHING NYLON NN1216-20	1	719765
3	2667	SCREW, 5/16-18 X 2" GRD 5 HHC YEL 150	4	719585
4	7525	LOCKNUT, 5/16-18 HEX FLG WHIZ	4	719864
5	57363-95	WASHER FLAT NYLON .76 ID 1.42 OD	7	719767
6	57324-95	STEERING WHEEL SPROCKET WLDMNT	1	303969
7	9800	GREASE FITTING, 1/4"-28, SELF-TAPPING	2	709110
8	6656	BUSHING 3/4X1 1/2X14	1	719809
9	57327-95	LOWER HUB WLDMNT	1	303972
10	57352-95	BUSHING NYLON NN1216-16	2	719766
11	57325-96	WELDMENT, SPROCKET - LOWER	1	304450
12	561	PIN, COTTER 1/8 X 1.50 YELLOW/ZINC	1	707841
13	57240-95	CHAIN, STEERING WHL - IS11/ROVR	1	463496
14	6702-B	WASHER FLT STL 5/16 BLK MAXCOAT	3	719810
15	7725	NUT, 5/16-24, NYLOCK, GA, YWZC	1	719888
16	57357-95	SHORT STEERING SHAFT	1	510277
17	7644	NUT, 1/2-20 GR 2 HEX JAM YWZC	4	719873
18	57063-96	ASSY, TIE ROD END - 1/2-20 RH THD	2	709761
19	7812-W	NUT, 1/2-20 GR A NE NYLON INSERT YWZ	4	719907
20	57229-02	WELDMENT, BELL CRANK	1	306945
21	57242-95	SHORT SHAFT	1	510300
22	57364-95	BUSHING, FLANGED NYLON - NF0812-16	2	719768
23	6568-B	WASHER FLT STL YWZC .515 X .812 X .134	2	719802
24	520W	PIN, COTTER 1/8 X 1 YELLOW ZINC	2	719728
25	-	N/A	-	-
26	Special Order	SHAFT, STEERING - 47" LONG See Note	1	515455
27	5832	NUT, 1/2-20 GR 2 HEX JAM YWZC - LH THD	1	719360
28	58605-04	ASSY, TIE ROD END - 1/2-20 LH THREAD	2	719343
29	-	N/A	-	-
30	57099-95	STEERING WHEEL, ROUND	1	709113
31	389	ROLL PIN, 1/4 X 3"	1	761185

NOTE: Items with * in tables indicates parts not shown in drawing.

The Columbia Vehicle Group

Nordic Group Member Brands | Business Ventures Since 1947



THIS PAGE INTENTIONALLY LEFT BLANK

Columbia / ParCar OEM Parts
evtechnicalservices.com



The Columbia Vehicle Group
Nordic Group Member Brands | Business Ventures Since 1947





COLUMBIA

IS12

Parts Manual

Section 3

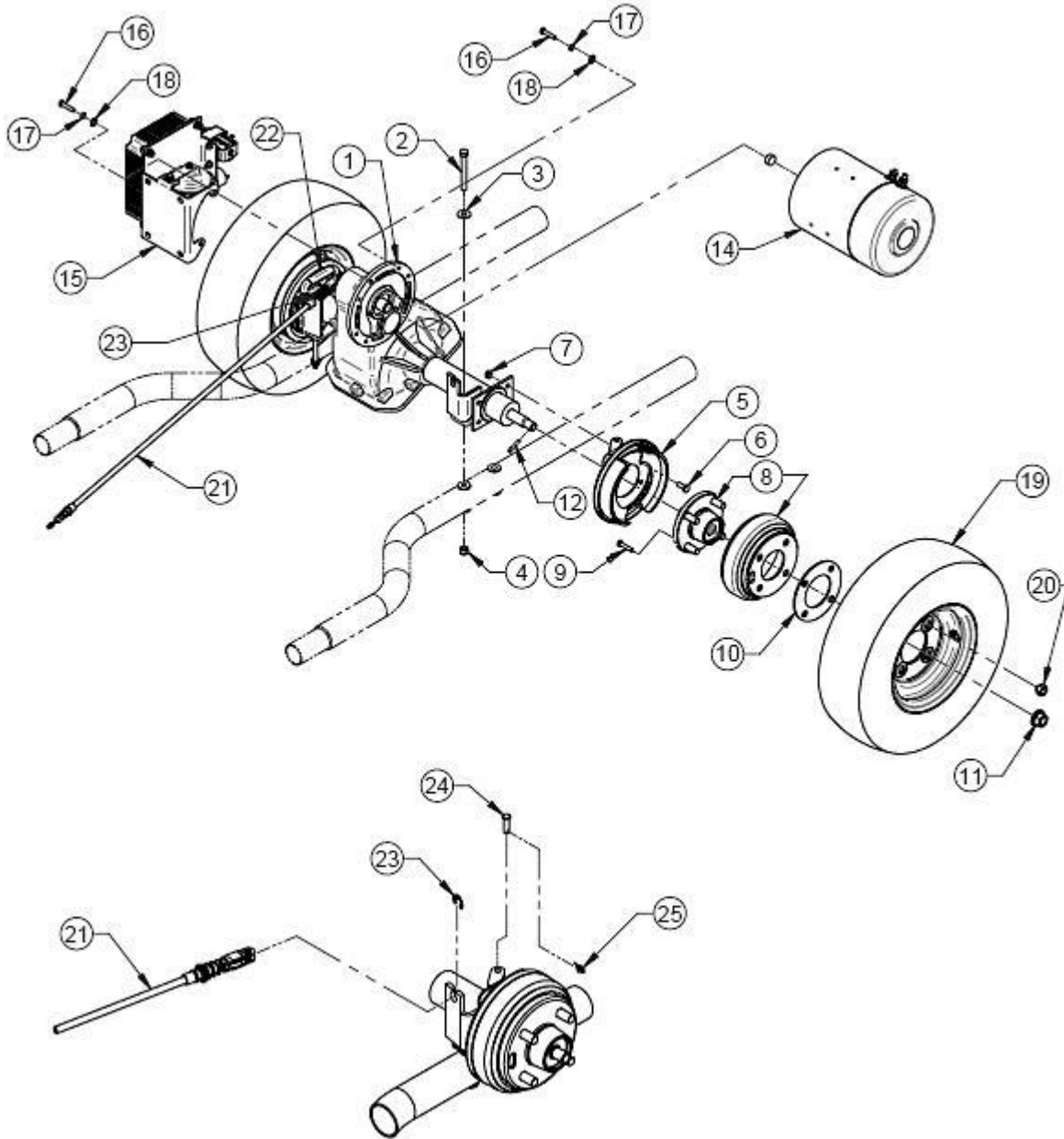
Rear Axle Components

&

Brakes / Motor



REAR AXLE / WHEEL / BRAKES



NOTE: Items with * in tables indicates parts not shown in drawing.

REAR AXLE / WHEEL / BRAKES (Continued)

ITEM	CPC PN	DESCRIPTION	QTY	REF #
1	82662-06A	WELDMENT, AXLE, 12.44	1	467328
1a	82643-02A	WELDMENT, AXLE, 16.99	1	467079
2	4434-W	SCREW, HX HD CAP 3/8-24 X 3 ¼ G5	4	719687
3	6416	WASHER, FLAT STL BLK ZINC 3/8 STD	4	719796
4	7775	NUT, 3/8-24 GR A NE NYLON INSERT LOCK	4	719900
5	41814-86B	BRAKE ASSY, RH AUTO ADJ (USED ON LH)	1	709170
6	3987-BS	SCREW, 5/16-18 X 3/4 HHCS, GRADE 5	8	719642
7	7740-B	NUT, 5/16-18, 3-WAY CENTER LOCK	8	719893
8	41844-96	KIT, HUB & DRUM (Includes item 9)	2	719281
9	719463-05	BOLT, WHEEL ½-20 x 1½ "	8	719463
10	43740-04	SPACER, WHEEL -4 HOLE	2	509958
11	7538	NUT, 5/8-18, LOCKING FLANGE	2	719044
12	520-W	PIN, COTTER 1/8 X 1 YELLOW/ZINC	2	719728
13	11423	RESILIENT BUMPER-ELEC MOTOR	1	709050
14	69300-03	MOTOR, ELECT., 48V, SEPARATELY EXCITED	1	719135
15	43652-06	PANEL - CONTROLLER MTG	1	510517
16	3993	SCREW, HEX HEAD CAP 1/4-20 X 1-1/4 G5	3	719644
17	7036-B	WASHER, LOCK 1/4 REGULAR BLK ZINC	3	719834
18	6703-B	WASHER, FLAT STL 1/4 SAE UNHARD BLK	3	719811
19	40988-95	WHEEL, 4.80 X 8.00 LRB (Includes Items 14a & 14b)	1	709107
19a	42109-94	RIM 8.00 X 3.75 4HOLE	1	739032
19b	42110-95	TIRE 4.00 X 8.00 LRC	1	739033
19c	42115-04	WHEEL, 4.80 X 8.00 LRB (FOAM FILLED)	1	719349
19d	40808-10	TIRE/WHL ASSY, 4-H, 4.8X8NM. LRC	1	760323
20	43152-66	NUT, 1/2-20, TAPERED WHEEL	8	709002
21	42401-89B	CABLE ASS'Y, BRAKE 39.00 "	2	709081
22	41813-86B	BRAKE ASSY, LH AUTO ADJ (USED ON RH)	1	709171
23	11040	E-RING, .562 REINFORCED PHOS	2	719515
24	494	CLEVIS PIN, Ø5/16 X 1 ZINC/CLEAR	2	719709
25	552	COTTER RING ZINC PIVOT POINT #RUE10	2	719752

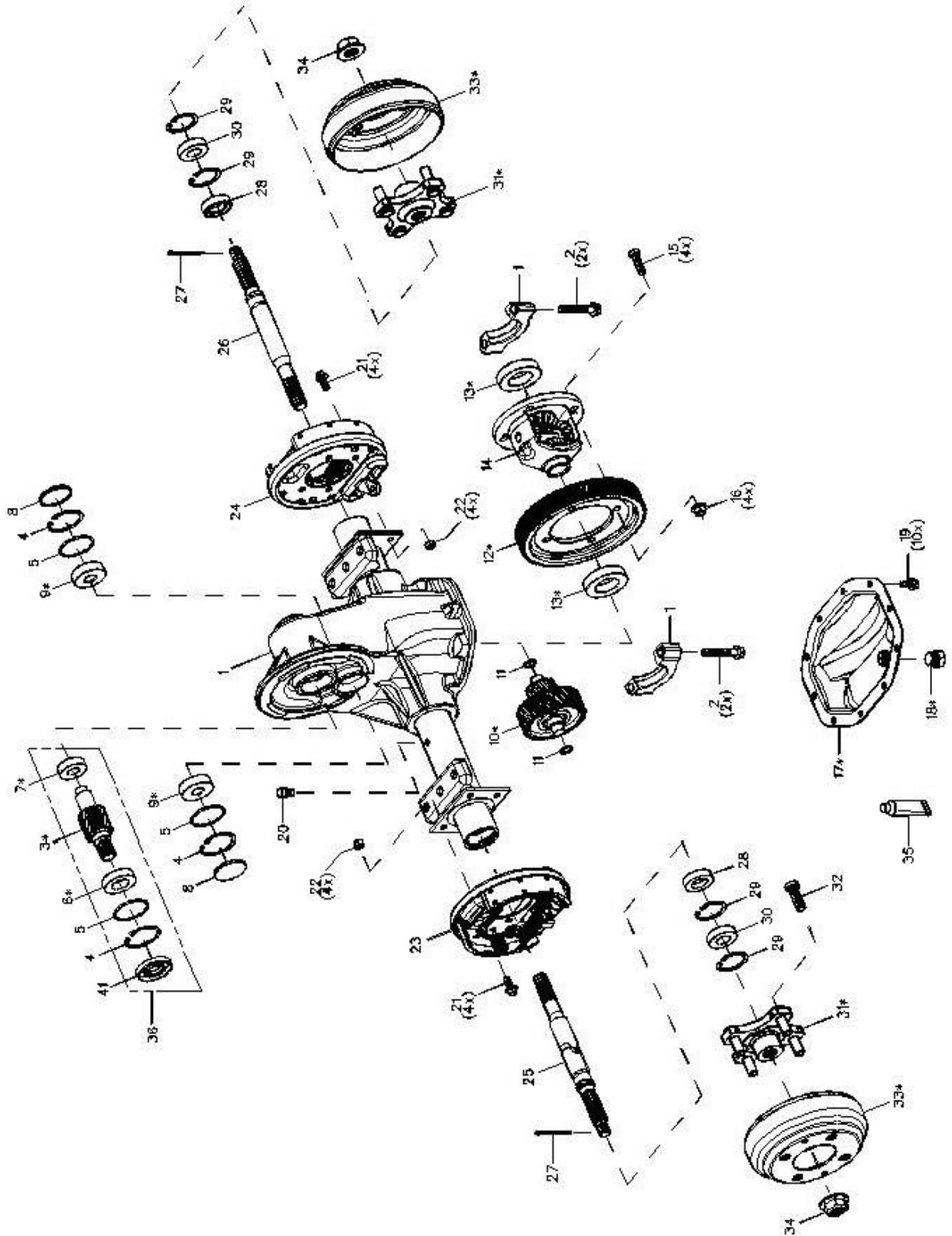
NOTE: Items with * in tables indicates parts not shown in drawing.

The Columbia Vehicle Group

Nordic Group Member Brands | Business Ventures Since 1947



REAR AXLE COMPONENTS



NOTE: Items with * in tables indicates parts not shown in drawing.

The Columbia Vehicle Group

Nordic Group Member Brands | Business Ventures Since 1947



REAR AXLE COMPONENTS (Continued)

ITEM	CPC PN	DESCRIPTION	QTY	REF #
1	N/A	HOUSING, AXLE	1	N/A
2	N/A	BOLT, DIFFERENTIAL CAP	4	N/A
3	N/A	SHAFT, INPUT (See Gear Set Page)	1	N/A
4	90006-90	RING, SNAP	3	749701
5	11118	O-RING	3	729030
6	90014-08	BEARING, BALL	1	760375
7	90004-90	BEARING, BALL	1	749699
8	N/A	PLUG, END CAP	2	N/A
9	82810-90	BEARING, BALL	2	749419
10	N/A	SHAFT, INTERMEDIATE GEAR (See Gear Set Page)	1	N/A
11	11119	O-RING	2	719132
12	NA	GEAR, FINAL DRIVE (See Gear Set Page)	1	N/A
13	90005-90	BEARING, BALL	2	749700
14	83212-00	DIFFERENTIAL CASE ASSEMBLY	1	749575
15	N/A	SCREW, CAP	4	N/A
16	N/A	NUT, LOCK	4	N/A
17	90007-00	PLATE, COVER	1	749702
18	90008-00	PLUG, DRAIN/FILL	1	749704
19	N/A	SCREW, CAP	10	N/A
20	82701-90	VENT	1	759791
21	N/A	SCREW, FLANGE HEAD	4	N/A
22	7810	NUT, LOCK	8	719906
23	41813-86B	ASSEMBLY, BRAKE (Vehicle LH side)	1	709171
24	41814-86B	ASSEMBLY, BRAKE (Vehicle RH side)	1	709170
25	90001-95	SHAFT, AXLE, LH (Long)	1	719061
26	90002-95	SHAFT, AXLE, RH (Short)	1	719062
27	560	PIN, COTTER	2	707337
28	82704-78	SEAL, OIL	2	749367
29	82706-78	RING, RETAINING	4	749370
30	82705-78	BEARING, BALL	2	749369
31*	-	ASSEMBLY, HUB, WHEEL (Includes Item No. 32 & 43)	2	-
32	719463-05	BOLT, WHEEL (1.68 Long) "	8	719463
33*	N/A	DRUM, BRAKE (See Item 40)	2	404038
34	7538	NUT, 5/8-18, HEX, FLANGE, LOCKING	2	719044
35	Local Purchase	SEALANT, ANAEROBIC, GASKET	-	N/A
36*	-	KIT, INPUT GEAR (See Gear Set Page)	1	N/A
37*	-	KIT, GEAR (See Gear Set Page)	1	N/A
40*	41844-96	KIT, HUB/DRUM (Includes Items 31 & 33)	1	719281
41*	83165-08	OILSEAL – INPUT SHAFT	1	760371
42*	82779-08	KIT, INPUT BEARING * O-RING (Includes Items 4-7 & 41)	1	191697U
43*	82662-06A	AXLE, COMPLETE ASSEMBLY, GEAR RATIO 12.44:1	1	467328
44*	82643-02A	AXLE, COMPLETE ASSEMBLY, GEAR RATIO 16.99:1	1	467079

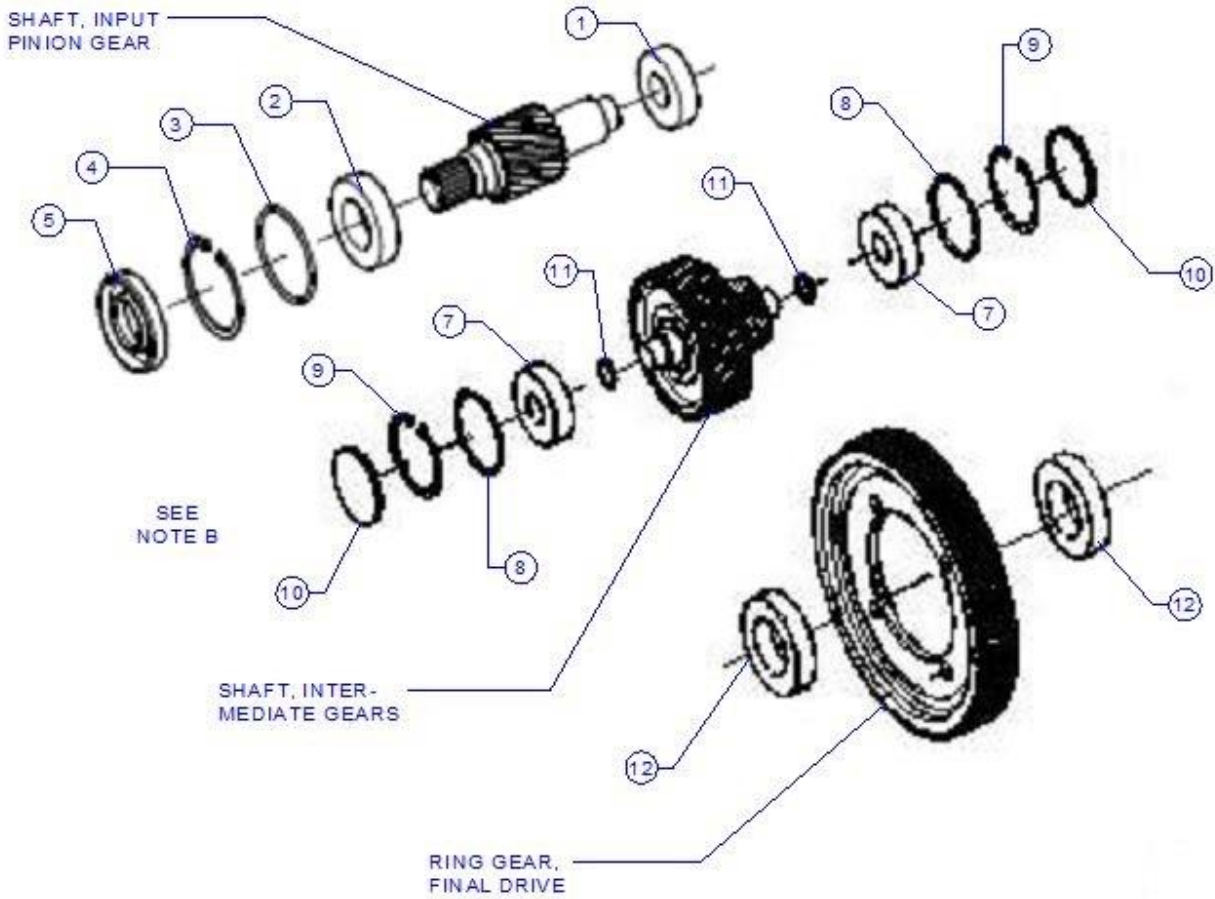
NOTE: Items with * in tables indicates parts not shown in drawing.

The Columbia Vehicle Group

Nordic Group Member Brands | Business Ventures Since 1947



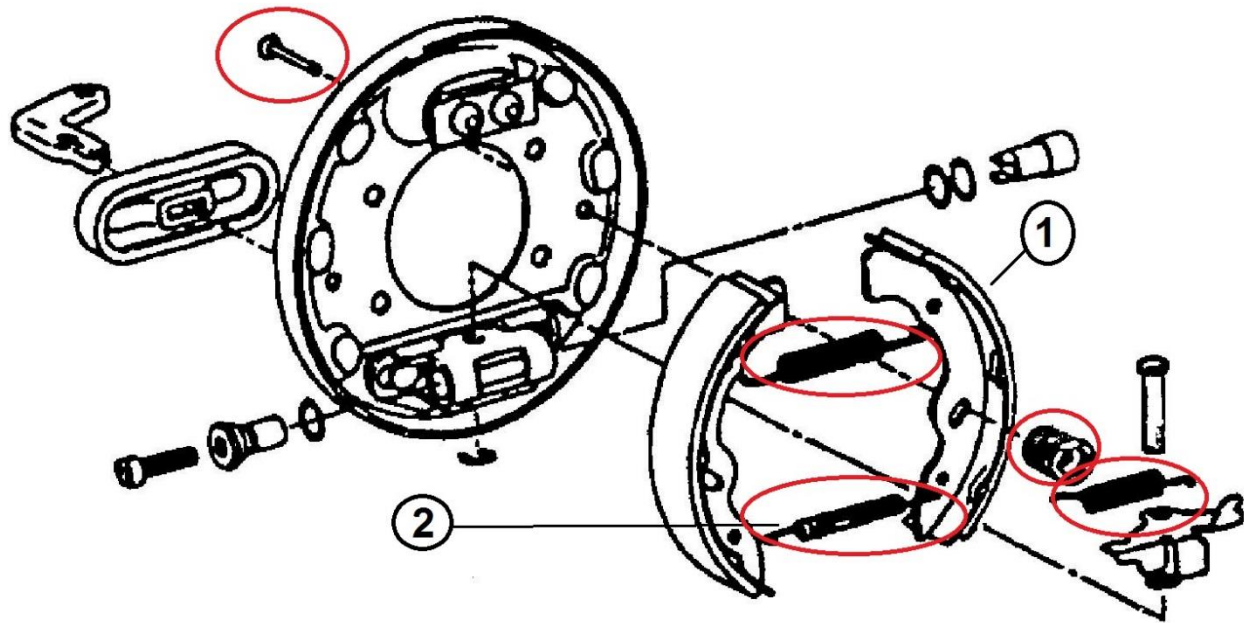
GEAR SETS



ITEM	CPC PN	DESCRIPTION	QTY	REF #
1	90004-90	BEARING, BALL, INNER	1	749699
2	90014-08	BEARING, BALL, OUTER	1	760375
3	11118	O-RING	1	729030
4	90006-90	SNAP RING	1	749701
5	83165-08	SEAL, OIL, INPUT SHAFT	1	760371
6	N/A	NO LONGER APPLICABLE	-	-
7	82810-90	BEARING, BALL	2	749419
8	11118	O-RING	2	729030
9	90006-90	SNAP RING	2	749701
10	82808-90	PLUG, END CAP	2	749418
11	11119	O-RING	2	719132
12	90005-90	BEARING, BALL	2	749700
-	82779-08	KIT, PINION SEAL (Includes items 1-5)	1	191697U
-	83297-08	KIT, INPUT GEAR + (Includes items 1-5), 12.44 Ratio	1	760373
-	83214-08	KIT, INPUT GEAR + (Includes items 1-5), 16.99 Ratio	1	760374
-	Special Order	KIT, INTERMEDIATE AND RING GEAR, 12.44 Ratio	1	760402
-	Special Order	KIT, INTERMEDIATE AND RING GEAR, 16.99 Ratio	1	760400

NOTE: Items with * in tables indicates parts not shown in drawing.

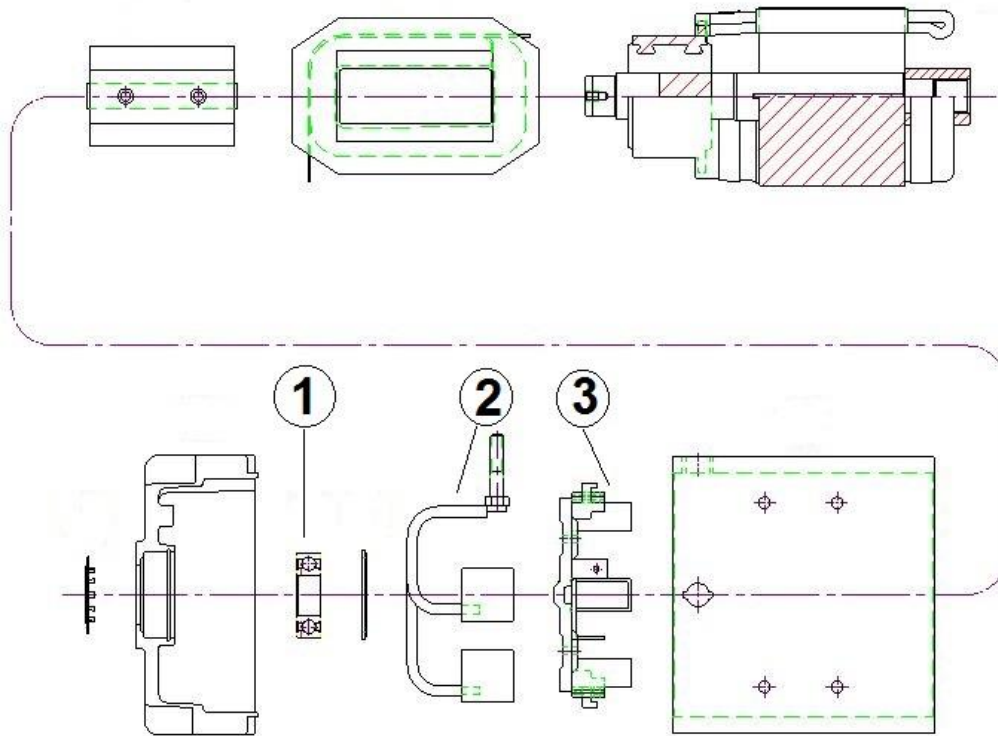
MECHANICAL BRAKE ASSEMBLY



ITEM	CPC PN	DESCRIPTION	QTY	REF #
1	41819-86C	SET, SHOE & LINING ASSEMBLY (2 Shoes)	2	759746
2	41816-86B	KIT, SPRING (Includes items in drawing circled in red) SPRING, RETURN SPRING, SELF ADJUSTER SPRING, SHOE RETAINING SPRING CLIP, SHOE RETAINER PIN, SHOE RETAINING	2	729999
-	41813-86B	MECH. BRAKE ASSY, LH (Includes all items shown)	1	709171
-	41814-86B	MECH. BRAKE ASSY, RH (Includes all items shown)	1	709170

NOTE: Items with * in tables indicates parts not shown in drawing.

MOTOR, SEP EX – IS/IR/IT



ITEM	CPC PN	DESCRIPTION	QTY	REF #
1	83310-07	BEARING	1	759896
2	30402-06	BRUSH ASSY. (Includes Fasteners)	2	759780
3	30403-06	BRUSH BOX ASSY. (Includes Fasteners)	1	759781
-	69300-03	MOTOR, STANDARD DUTY, COMPLETE	1	719135

NOTE: Items with * in tables indicates parts not shown in drawing.



COLUMBIA

IS12

Parts Manual

Section 4

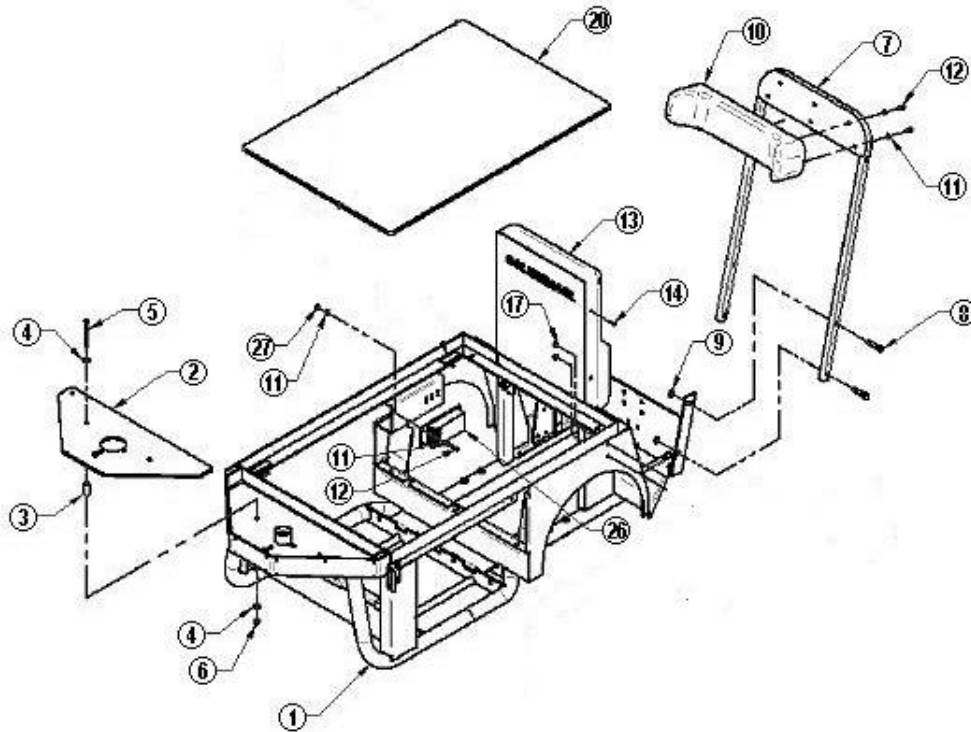
Body Components

&

Console



BODY COMPONENTS



ITEM	CPC PN	DESCRIPTION	QTY	REF #
1	Special Order	WELDMENT, CHASSIS ONLY	1	310761
2	36504-05	CTWT W/ 3 1/2" HOLE	1	508803
3	24691-05	SPACER, 3/4" OD X .438" ID X 1 3/4" LG - RD	3	510791
4	6416	WASHER FLT STL BLK ZNC 3/8 STD	6	719796
5	4721	SCREW, 3/8-16 X 4 HHCS GR5	3	719697
6	7778	NUT, 3/8-16, GA, NE, NYLON INSERT, YWZC	3	719902
7	44000-02	WELDM'T, SEATBACK	1	306943
8	3407	SCREW 1/2-13 X 2-1/4 HEX CAP	4	719611
9	7685	NUT, 1/2-13 A NTE SYLON LOCK	4	719878
10	44001-02	CUSHION - SEAT BACK, BLACK	1	-
11	6703-B	WASHER, 1/4, SA, FW, STL, HC BLACK	19	719811
12	3767-B	SCREW, HEX HEAD CAP 1/4-20 X 1/2 G5	7	719564
13	47886-96	CONSOLE, STOCKCHASER	1	709519
14	2653-B	SCREW, #10 X 3/4 HWH TEK #3	4	719583
15	52651-05	PLATE, MTG - RAIL	4	509344
16	3987-B5	SCREW, 5/16-18 X 3/4 HHCS, GRADE 5	8	719642
17	7525	LOCKNUT, 5/16-18 HEX FLG WHIZ	8	719864
20	Special Order	DECK BOARD, MEZZTREAD	1	513690
26a	69643-05	DC/DC CONVERTER 24V - 12V	1	759700
26b	69642-05	DC/DC CONVERTER 36/48V - 12V	1	719488
27	7686	NUT, 1/4-20 NYLOCK	4	719879

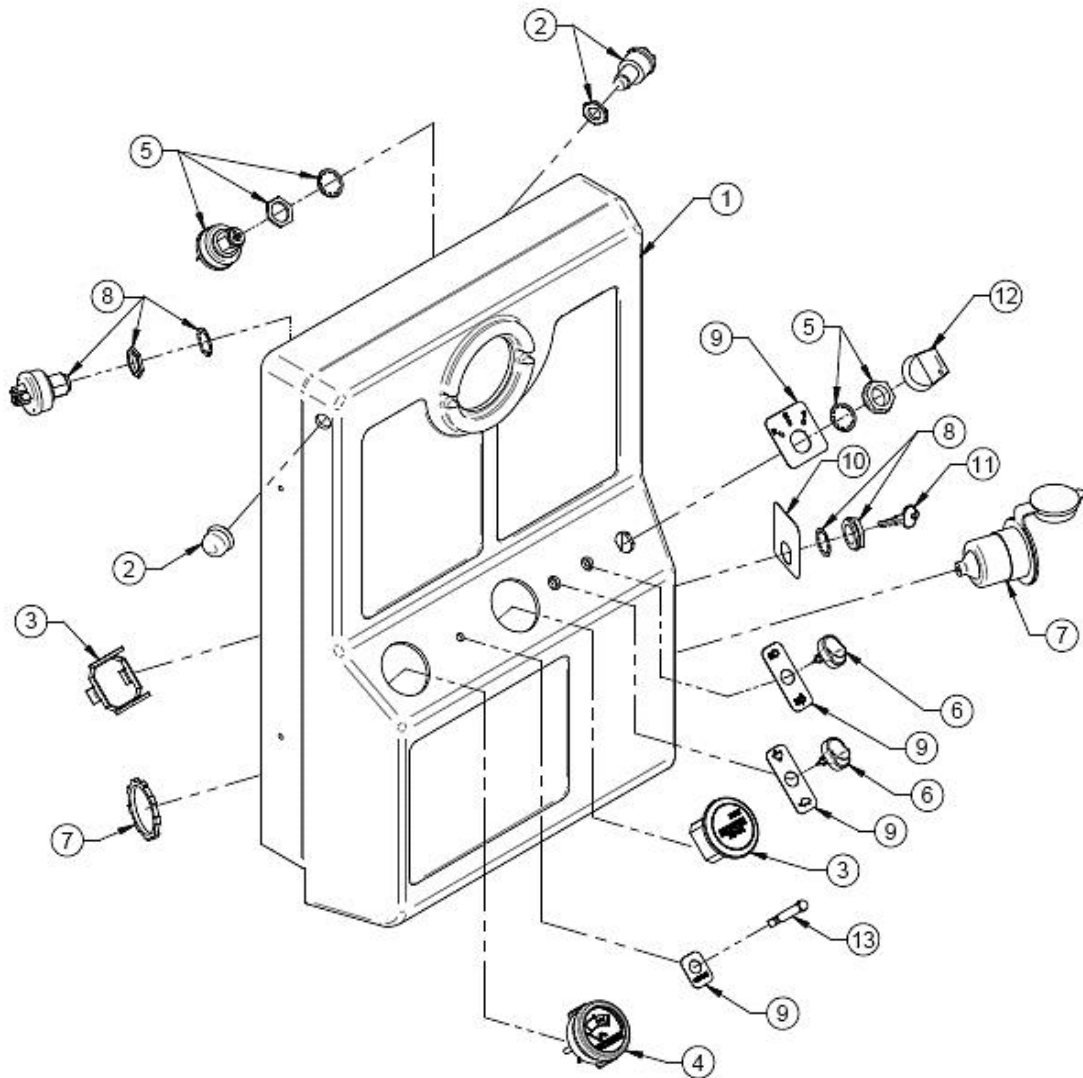
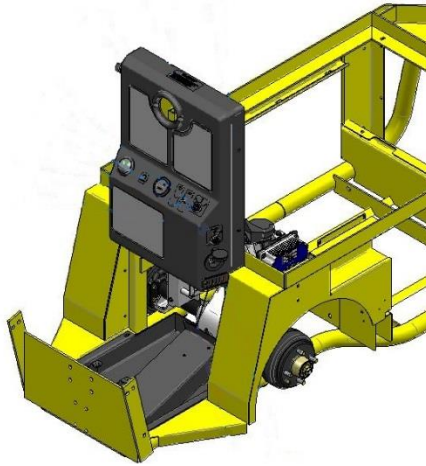
NOTE: Items with * in tables indicates parts not shown in drawing.

The Columbia Vehicle Group

Nordic Group Member Brands | Business Ventures Since 1947



INSTRUMENT CONSOLE



NOTE: Items with * in tables indicates parts not shown in drawing.

The Columbia Vehicle Group

Nordic Group Member Brands | Business Ventures Since 1947



INSTRUMENT CONSOLE (Continued)

ITEM	CPC PN	DESCRIPTION	QTY	REF #
1	47886-96	CONSOLE, STOCKCHASER	1	709519
2	71807-80	HORN SWITCH	1	709385
3	75033-91A	HOUR METER 10-80 VOLT DC	1	709452
4a	75063-07	BDI METER, 24V, VOLTMETER	1	759873
4b	75061-07	BDI METER, 48V, VOLT METER	1	759842
5	71730-01	KEYSWITCH, UNIVERSAL "A" W/ HARDWARE	1	709040
6	72000-10	SWITCH, TOGGLE	1	760600
7	66034-02	PLUG, POWER INLET 120V SEALED	1	709558
8	SEE TABLE	KEYSWITCH, POWER, 2 POSITION	1	See Table
9	53252-05	DECAL, CONSOLE -IS12/R23/IT34	1	712000
10	53253-05	LABEL, POWER, ON/OFF	1	719435
11	SEE TABLE	KEYSET, 2 KEYS WITH KEYRING (SVC)	1	See Table
12	71767-05	ASSY, KEY, NON-REMOVABLE, W/COVER	1	719432
13	67791-08	INDICATOR, LED GREEN	1	759932

STANDARD KEYSSET TABLE				
KEYSET	2 POSITION POWERSWITCH		STANDARD KEYS	
	CPC PN	REF #	CPC PN	REF #
"A"	71732-06	759706	71731-01	749184
"B"	71732-06B	759722	71731-03B	719301
"C"	71732-06C	759723	71731-03C	719302
"D"	71732-06D	759724	71731-03D	719303
"E"	71732-06E	759721	71731-03E	719304

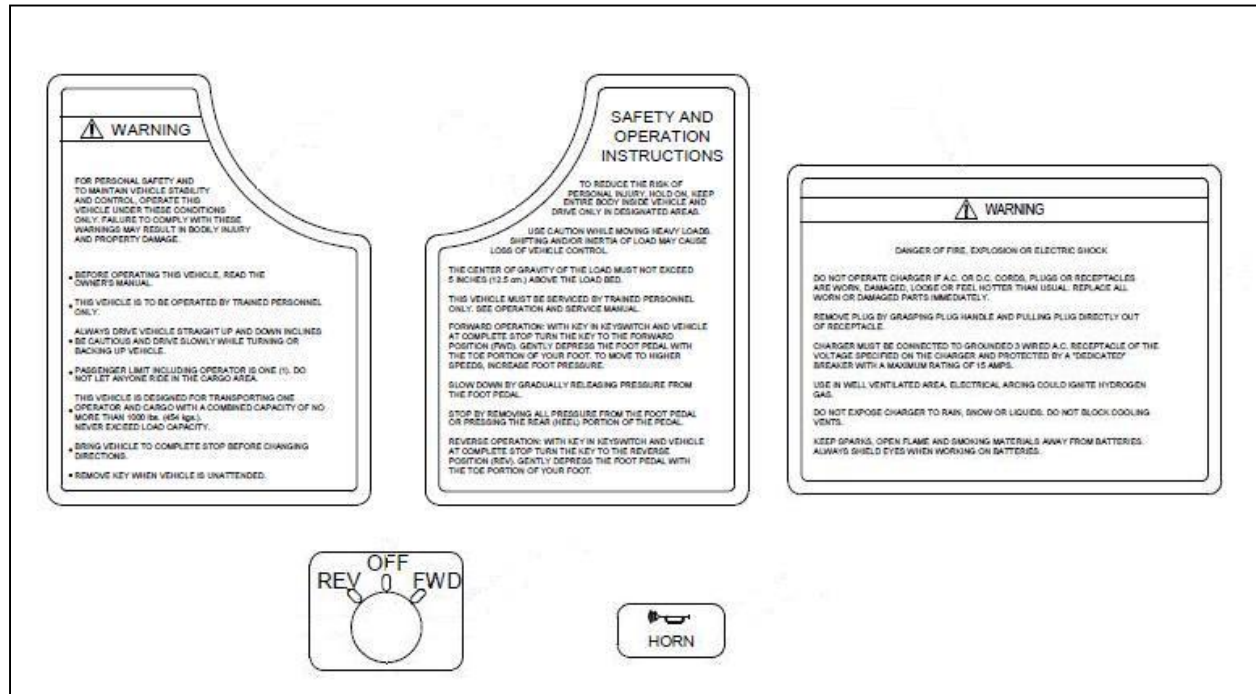
NOTE: Items with * in tables indicates parts not shown in drawing.

The Columbia Vehicle Group

Nordic Group Member Brands | Business Ventures Since 1947



VEHICLE LABEL SET



ITEM	CPC PN	DESCRIPTION	QTY	REF #
1	53270-95	LABEL SET	1	709845

NOTE: Items with * in tables indicates parts not shown in drawing.

The Columbia Vehicle Group

Nordic Group Member Brands | Business Ventures Since 1947



THIS PAGE INTENTIONALLY LEFT BLANK

Columbia / ParCar OEM Parts
evtechnicalservices.com



The Columbia Vehicle Group
Nordic Group Member Brands | Business Ventures Since 1947





COLUMBIA

IS12

Parts Manual

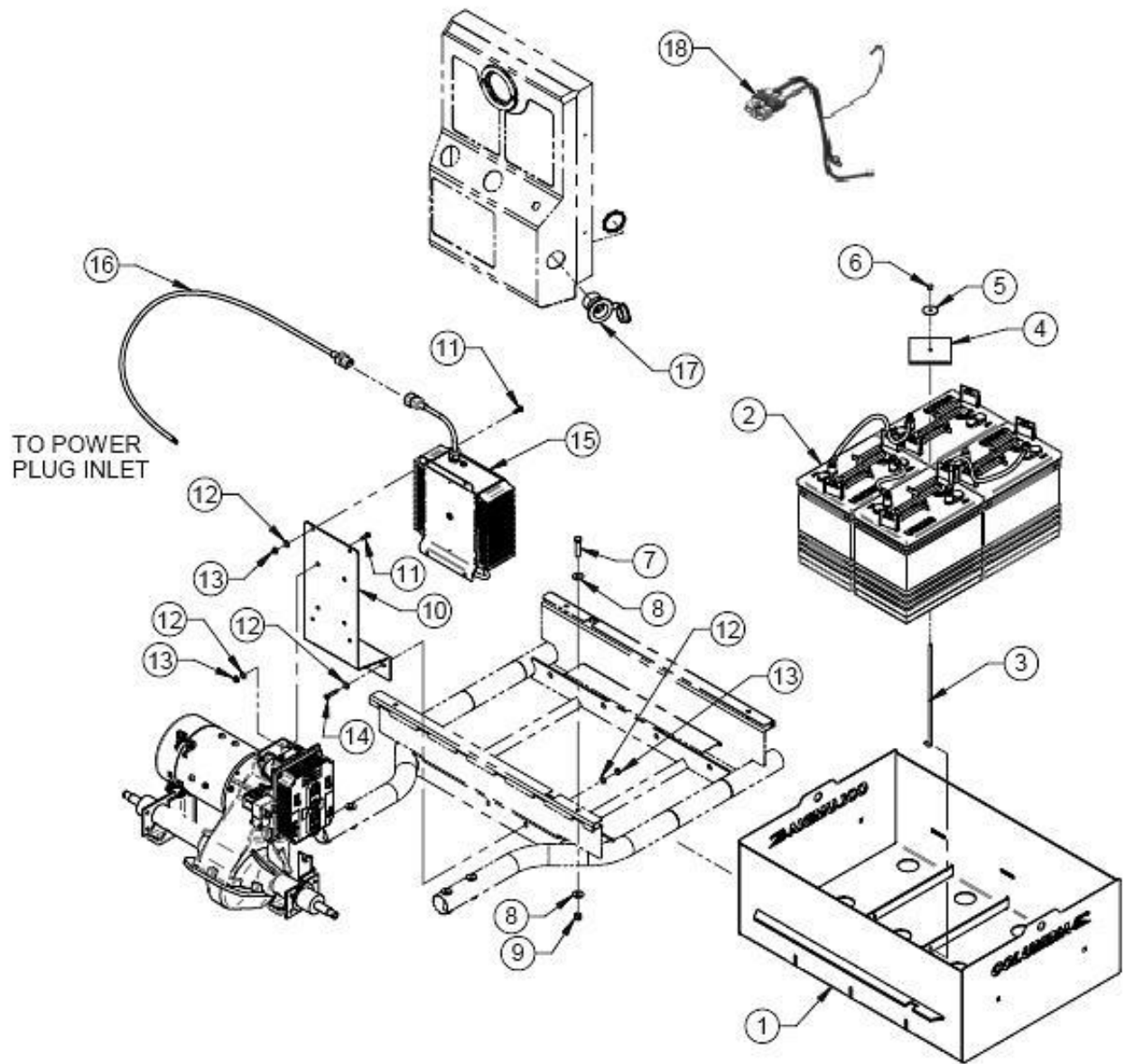
Section 5

Electrical System

Columbia / ParCar OEM Parts
evtechnicalservices.com



BATTERY AND CHARGER SYSTEM



NOTE: Items with * in tables indicates parts not shown in drawing.

The Columbia Vehicle Group

Nordic Group Member Brands | Business Ventures Since 1947



BATTERY & CHARGER SYSTEM (Continued)

ITEM	CPC PN	DESCRIPTION	QTY	REF #
1	66122-11	BATTERY BOX, PAINTED	1	467417
2a	66014-03	BATTERY, 6V, DEEP CYCLE, (US2200)	4/8	719229
2b	66005-03	BATTERY, 6V, DEEP CYCLE, (US-145)	4/8	719231
2c	66200-10	BATTERY, 6V, AGM SEALED	4/8	760586
3	66561-90A	ROD, BATTERY HOLD DOWN	1/2	709059
4	66362-96	PLATE, BATTERY HOLD DOWN	1/2	513002
5	6256	WASHER FLT STAINLESS .28 X 1.375 X .06	1/2	719786
6	7680	NUT 1/4-20 NE 316 STAINLESS NYLON	1/2	719876
7	4720-B	SCREW, HX HD CAP 3/8-16 X 1-3/4 G5	4	719696
8	6416	WASHER FLT STL BLK ZNC 3/8 STD	8	719796
9	7778	NUT, 3/8-16 GR A NE NYLON INSERT	4	719902
10	66121-11	BRKT, CHARGER, BTRY - DELTA Q	1	510541
11	3787-B	SCREW, HEX HEAD CAP 1/4-20 X 3/4 G5	10	719636
12	6703-B	WASHER FLT STL 1/4 SAE UNHARD BLK	14	719811
13	7724-B	NUT 1/4-20 GR A SERRATED FLNG LOCK	12	719887
14	3993	SCREW, HEX HEAD CAP 1/4-20 X 1-1/4 G5	2	719644
15	-	CHARGER, DELTA Q (See Page 5-3)	1	-
16	66493-03	CHARGER CORD, 6 (L) 14/3 WIRE - BLACK "	1	719264
17	66034-02	PLUG, POWER INLET 120V SEALED	1	709558
18	66123-11	BATTERY CONNECTOR	1	467719
*	70105-88	CABLE ASSY, 4 GA X 37 INCH	2	709019
*	70099-88	CABLE ASSY, 4 GA X 8.75 INCH	1/5	709004
*	70351-88	CABLE ASSY, 4 GA X 16.75 INCH	2	709600
*	50009-04	BOOT, INSULATOR CABLE TERMINAL	4/8	719464
*	66493-67A	EXTENSION CORD	1	709890

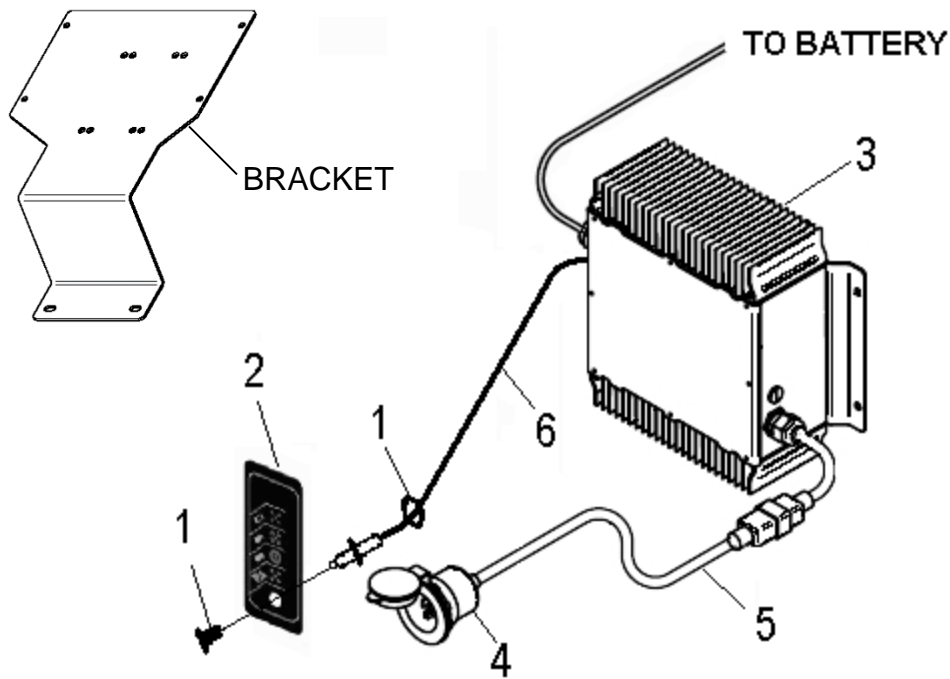
NOTE: Items with * in tables indicates parts not shown in drawing.

The Columbia Vehicle Group

Nordic Group Member Brands | Business Ventures Since 1947



DELTA Q CHARGER WITH REMOTE LED



LED & LABEL POSITION WILL BE LOCATED
ADJACENT TO THE CHARGER AC RECEPTACLE

ITEM	CPC PN	DESCRIPTION	QTY	REF #
1	9951	LED REATTACHING CLIP & RING	1	781989
2	66584-12	LED FRONT LABEL	1	760754
3a	43500-12	CHARGER, DELTA Q 24V W/LED, STANDARD	1	760744
3b	66583-12	CHARGER, DELTA Q 48V W/LED, STANDARD	1	760742
3c	66530-12	CHARGER, DELTA Q 24V W/LED, AGM	1	467842
3d	66582-12	CHARGER, DELTA Q 48V W/LED, AGM	1	467839
4	66034-02	PLUG, POWER INLET 120V SEALED	1	709558
5	66493-03	CHARGER CORD 6'	1	719264
6	66029-12	LED CABLE	1	760817
N/A	70036-05	ASSEMBLY, CORD W/ RECEPTACLE (Includes 4 & 5)	1	467405

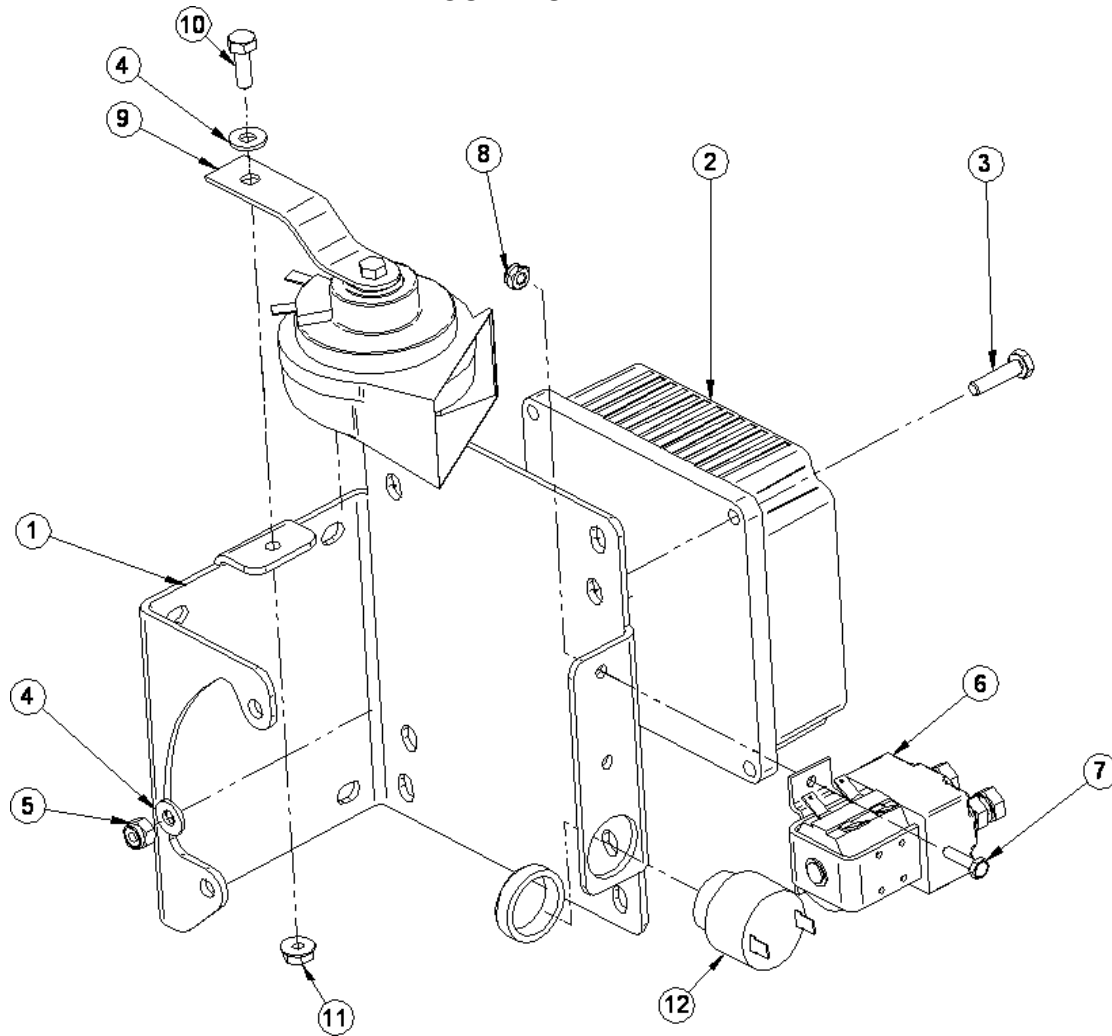
NOTE: Items with * in tables indicates parts not shown in drawing.

The Columbia Vehicle Group

Nordic Group Member Brands | Business Ventures Since 1947



CONTROL PANEL



ITEM	CPC PN	DESCRIPTION	QTY	REF #
1	43652-06	MOUNTING BRACKET - PANEL CONTROLLER	1	510517
2	47895-05A	CONTROLLER, SEVCON REGEN SEPEX 24/48C	1	467696
3	2551-W	SCREW, 1/4-20 X 1 GRD 5 HHC YEL 150	4	719564
4	6703-B	WASHER FLAT, STL 1/4 SAE UNHARD BLK	5	719811
5	7686	NUT 1/4-20 GR A NE NYLON INSERT LCK	4	719879
6	71455-01	CONTACTOR & MTG BRACKET, 24V	1	709166
7	2685-W	SCREW, #10-24 X 5/84"	2	719586
8	7624	NUT 10-24 GR A NM MACH NYLON LOCK	2	719870
9	69001-76A	HORN 12V	1	709089
10	3787-B	SCREW, HEX HEAD CAP 1/4-20 X 3/4 G5	1	719636
11	7724-B	NUT 1/4-20 GR A SERRATED FLNG LOCK	1	719887
12	71408-96A	AUDIBLE ALARM, 12/48VDC, SLOW PLUSE	1	759831

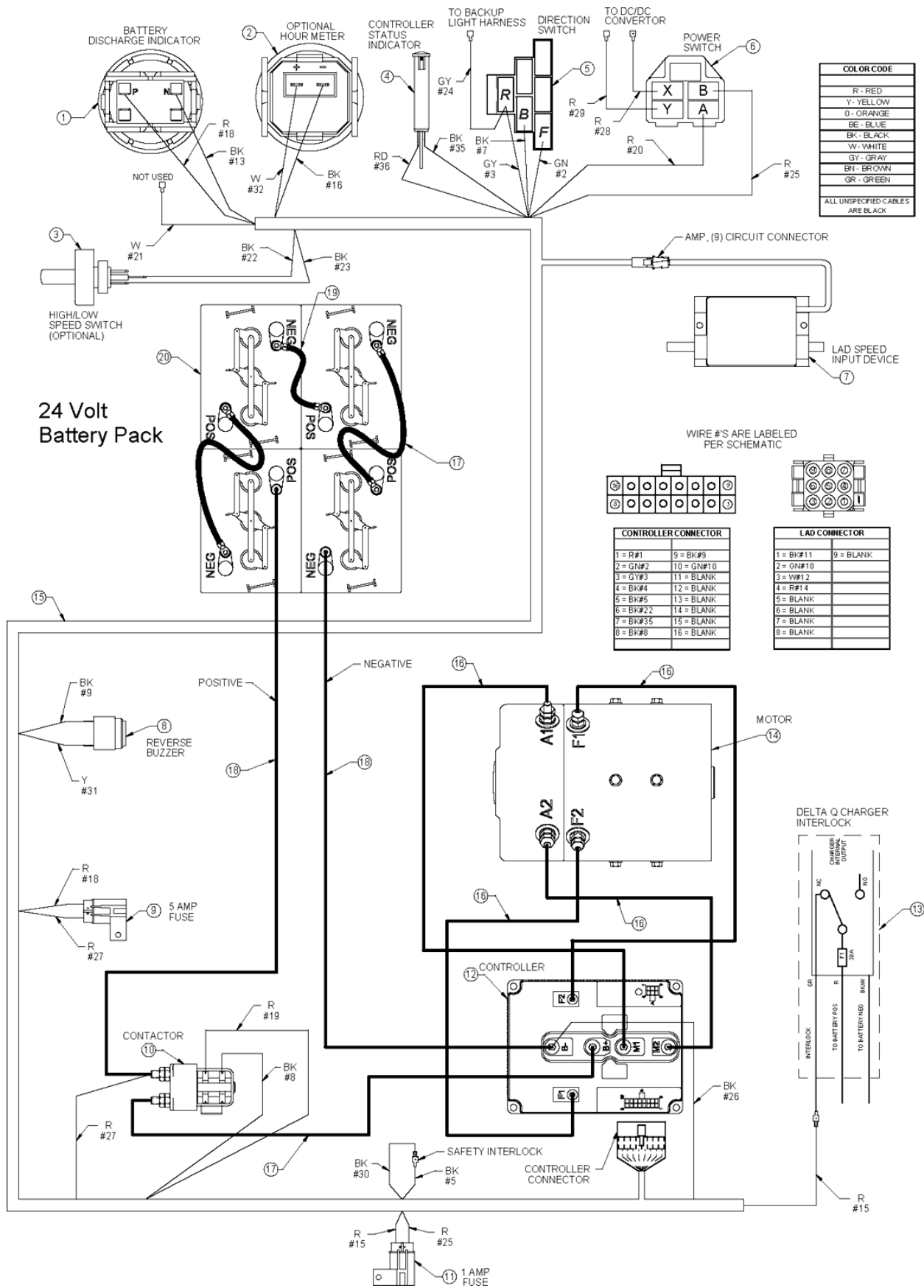
NOTE: Items with * in tables indicates parts not shown in drawing.

The Columbia Vehicle Group

Nordic Group Member Brands | Business Ventures Since 1947



POWER SYSTEM



NOTE: Items with * in tables indicates parts not shown in drawing.

The Columbia Vehicle Group

Nordic Group Member Brands | Business Ventures Since 1947



POWER SYSTEM (Continued)

ITEM	CPC PN	DESCRIPTION	QTY	REF #
1a	75063-07	BDI METER, 24V, VOLT METER	1	759873
1b	75061-07	BDI METER, 48V, VOLT METER	1	759842
2	75033-91	HOUR METER, 10-80VDC	1	709452
3	72000-10	SWITCH, TOGGLE	1	760600
4	67791-08	CONTROLLER STATUS INDICATOR, LED	1	759932
5	71730-01	KEYSWITCH, UNIVERSAL W/HARDWARE	1	709040
6	SEE TABLE	KEYSWITCH, POWER, 2 POSITION	1	SEE TABLE
7	70226-07	LINEAR ACCELERATOR DEVICE	1	759803
8	71408-96A	AUDIBLE ALARM, 12/48VDC,SLOW PULSE	1	759831
9	75593-04	FUSE, 5 AMP ATO/ATC	1	719445
10	71455-01	CONTACTOR & MOUNTING BRACKET, 24 V	1	709166
11	75594-04	FUSE, 1 AMP ATO/ATC	1	719444
12	47895-05A	CONTROLLER, SEVCON REGEN, SEPEX	1	467696
13	-	CHARGER (See Page 5-3)	1	
14	69300-03	MOTOR,ELECT., 48V, SEP EX, STD DUTY	1	719135
15	70080-08	HARNESS, MAIN	1	760116
16	70112-95	CABLE ASSY ,4GA X 25.5, 5/16TERMINALS "	4	709732
*	32971-67	WIRE MARKER, A1"	2	719601
*	32973-04	WIRE MARKER, F1 BRADY	2	719330
*	32972-04	WIRE MARKER, F2 BRADY	2	719331
*	32970-67	WIRE MARKER, A2"	2	719600
17	70351-88	CABLE ASSY ,4GA X 16.75, 5/16TERMINALS "	3	709600
*	71581-84	WIRE MARKER, POSITIVE	9	749180
18	70105-88	CABLE ASSY, 4GA X 37	2	709019
*	71582-84	WIRE MARKER, NEGATIVE	5	749181
19	70099-88	CABLE ASSY, 4 GA X 8.75	1	709004
*	50009-04	INSULATOR BOOT, CABLE TERMINAL	4	719464
*	9990-W	ZIP TIE, .18 X 8-1/2"	6	719605
20	66014-03	BATTERY, 6V, DEEP CYCLE (US2200)	4/8	719229
*	66005-03	BATTERY, 6V, DEEP CYCLE (US-145)	4/8	719231
20B	66200-10	BATTERY, 6V DEEP CYCLE AGM	4/8	760586
-	70080-08	HARNESS, MAIN, WIRING	1	760116

STANDARD KEYSSET TABLE				
KEYSET	2 POSITION POWERSWITCH		STANDARD KEYS	
	CPC PN	REF #	CPC PN	REF #
"A"	71732-06	759706	71731-01	749184
"B"	71732-06B	759722	71731-03B	719301
"C"	71732-06C	759723	71731-03C	719302
"D"	71732-06D	759724	71731-03D	719303
"E"	71732-06E	759721	71731-03E	719304

NOTE: Items with * in tables indicates parts not shown in drawing.

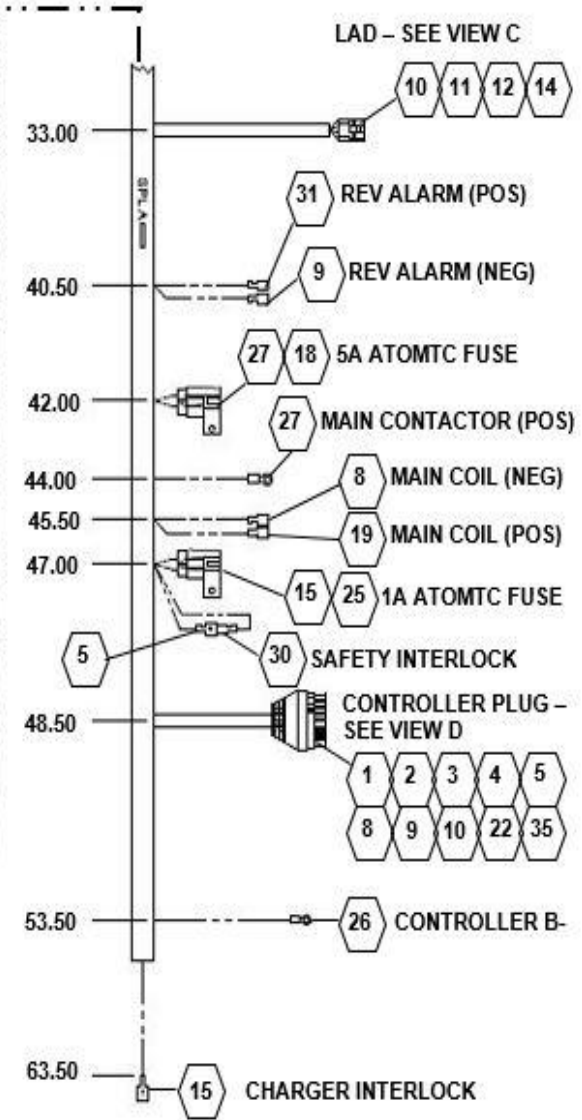
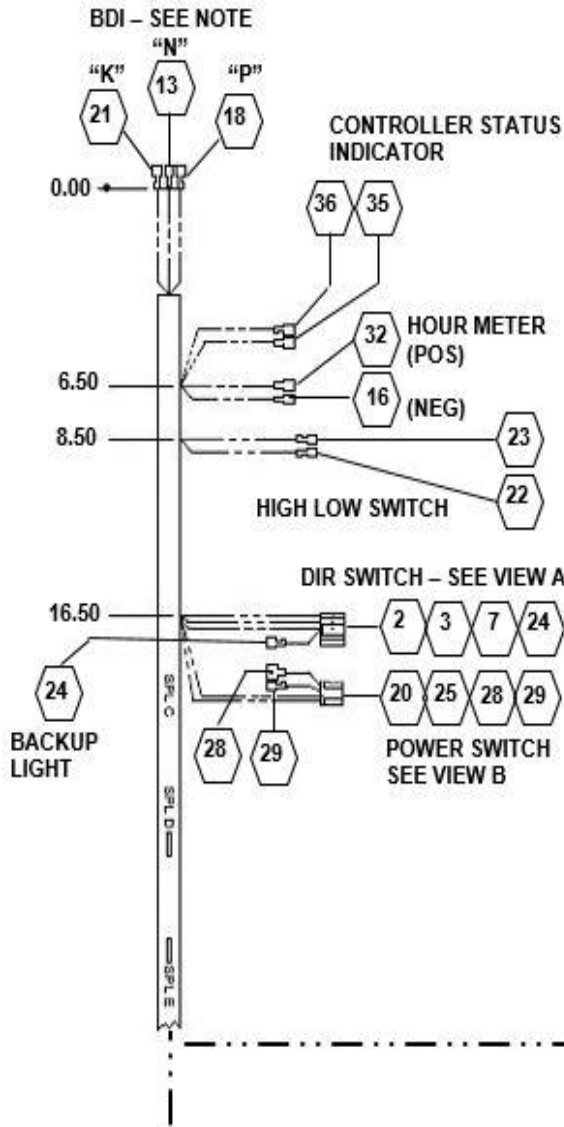
The Columbia Vehicle Group

Nordic Group Member Brands | Business Ventures Since 1947



MAIN WIRE HARNESS WIRING DIAGRAM

VEHICLE FRONT



VEHICLE REAR

NOTE: Items with * in tables indicates parts not shown in drawing.

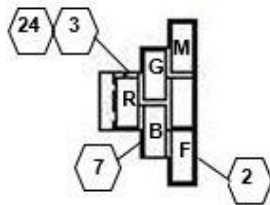
The Columbia Vehicle Group

Nordic Group Member Brands | Business Ventures Since 1947

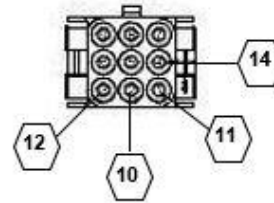


MAIN WIRE HARNESS WIRING DIAGRAM (Continued)

VIEW A – REAR OF DIR. SWITCH

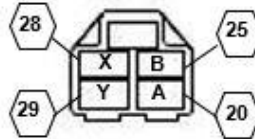


VIEW C – REAR OF LAD PLUG



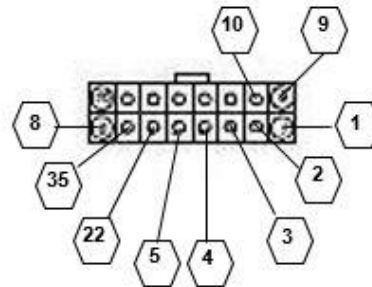
VIEW B – REAR OF POWER SWITCH

TO 12V ACC W/DC/DC CONN
(CIRCUIT 16)



TO 12V ACC W/DC/DC CONN
(CIRCUIT 16)

VIEW B – REAR OF CONTROLLER CONNECTOR



CIRCUIT NO.	COLOR	GAGE	CIRCUIT NO.	COLOR	GAGE
1	RED	18	20	RED	18
2	GRN	18	21	WHT	16
3	GRY	18	22	BLK	18
4	BLK	18	23	BLK	18
5	BLK	18	24	GRY	16
6	BLK	16	25	RED	18
7	BLK	16	26	BLK	12
8	BLK	18	27	RED	16
9	BLK	18	28	RED	16
10	GRN	18	29	RED	16
11	BLK	16	30	BLK	18
12	WHT	16	31	YEL	18
13	BLK	16	32	WHT	16
14	RED	16	33	---	---
15	RED	16	34	---	---
16	BLK	16	35	BLK	18
17	RED	16	36	RED	18
18	RED	16			
19	RED	18			

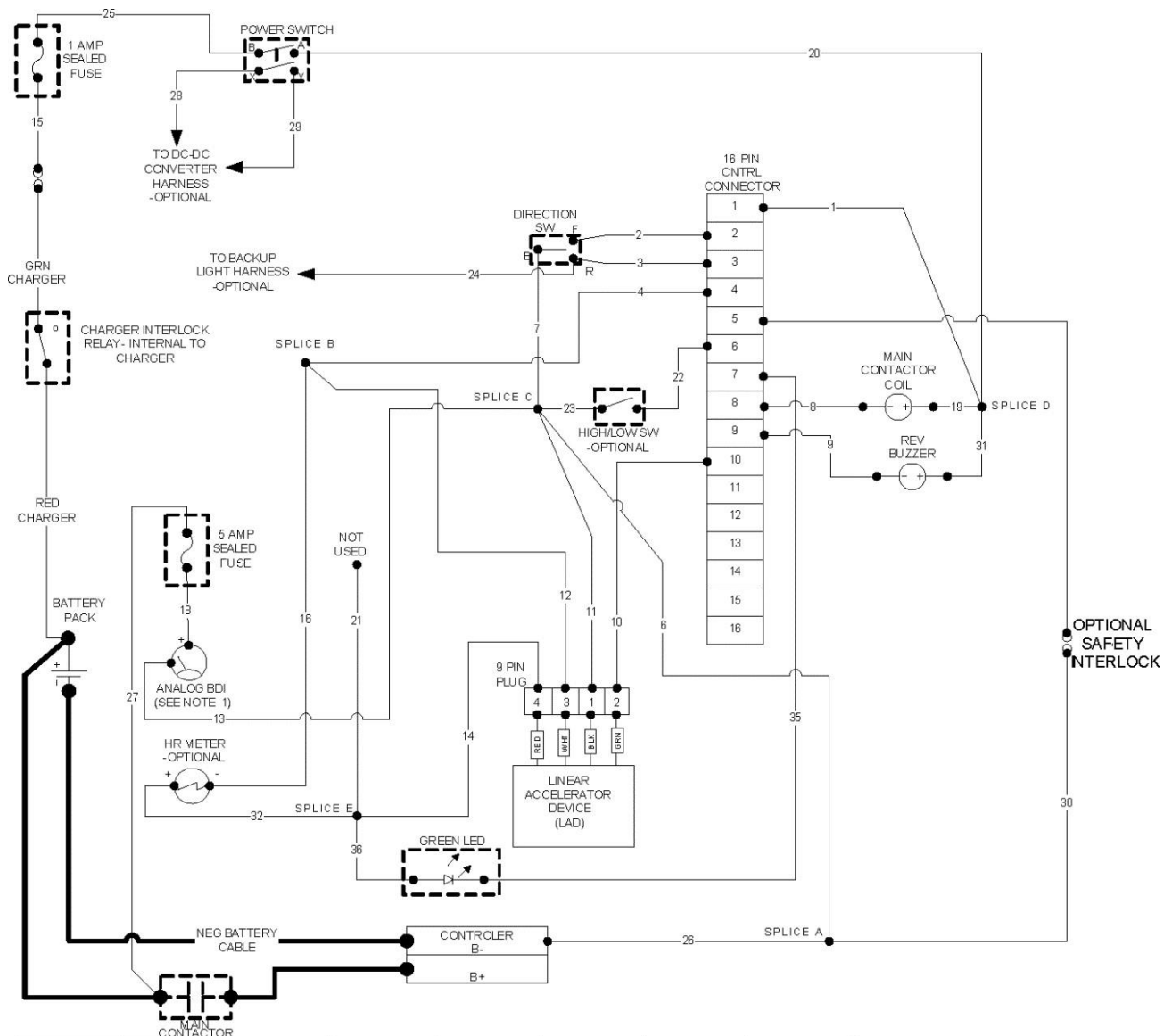
NOTE: Items with * in tables indicates parts not shown in drawing.

The Columbia Vehicle Group

Nordic Group Member Brands | Business Ventures Since 1947



MAIN WIRE HARNESS SCHEMATIC



CIRCUIT NO.	WIRE COLOR	CIRCUIT NO.	WIRE COLOR	CIRCUIT NO.	WIRE COLOR	CIRCUIT NO.	WIRE COLOR
1	RED	11	BLK	21	WHT	31	YEL
2	GRN	12	WHT	22	BLK	32	WHT
3	GRY	13	BLK	23	BLK	33	---
4	BLK	14	RED	24	GRY	34	---
5	BLK	15	RED	25	RED	35	BLK
6	BLK	16	BLK	26	BLK	36	RED
7	BLK	17	---	27	RED		
8	BLK	18	RED	28	RED		
9	BLK	19	RED	29	RED		
10	GRN	20	RED	30	BLK		

NOTE: Items with * in tables indicates parts not shown in drawing.



COLUMBIA

IS12

Parts Manual

Section 6

Accessories

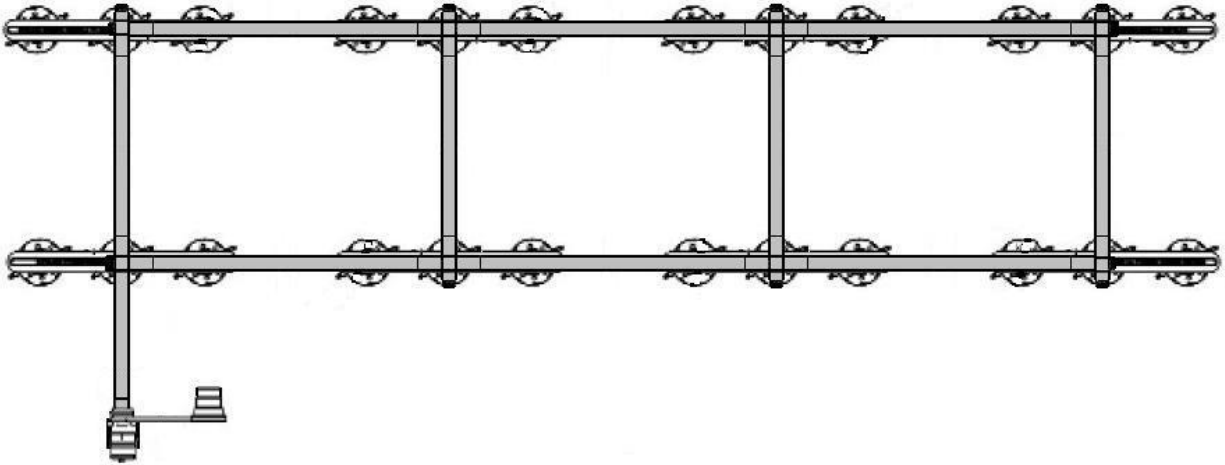
&

Options

Columbia / ParCar OEM Parts
evtechnicalservices.com



BATTERY WATERING SYSTEM



ITEM	CPC PN	DESCRIPTION	QTY	REF #
1	66210-07	WATERING ASSEMBLY	1	759857
2	66211-07	PUMP	1	759858

NOTE: Items with * in tables indicates parts not shown in drawing.

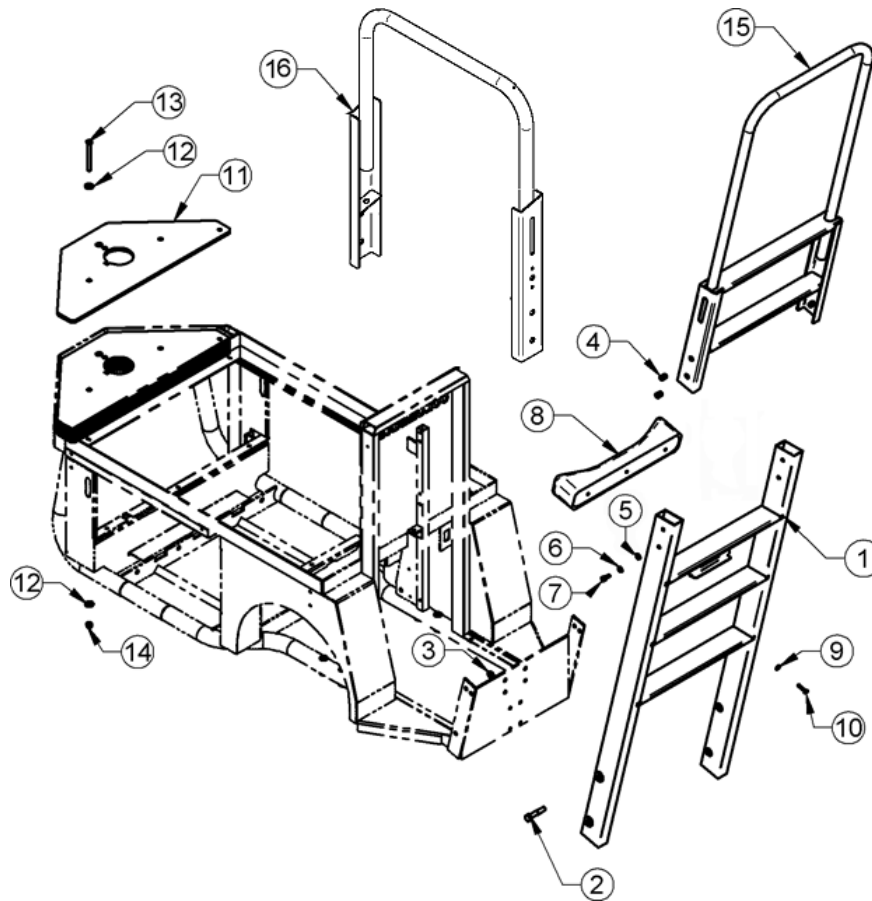
Columbia / ParCar OEM Parts
evtechnicalservices.com

The Columbia Vehicle Group

Nordic Group Member Brands | Business Ventures Since 1947



4/6 STEP LADDER



ITEM	CPC PN	DESCRIPTION	QTY	REF #
1	*	WLDMNT, 4-STEP LADDER	1	308171
2	*	SCREW, 1/2-13 X 2 1/2 G5 HHCS	4	759701
3	7685	NUT, 1/2-13 A NTE SYLON LOCK	4	719878
4	8206	THREADED INSERT, 5/16-18, YWZC	4	719929
5	7041-B	WASHER, 5/16 R-SPLIT	4	719838
6	6702-B	WASHER FLT STL 5/16 BLK MAXCOAT	4	719810
7	3991	SCREW, HEX HEAD CAP 5/16-18 X 7/8 G5	4	719643
8	44007-05	CUSHION – SEAT BACK	1	30825528 3283
9	6703-B	WASHER FLT STL 1/4 SAE UNHARD BLK	3	719811
10	3993	SCR, 1/4-20 X 1 1/2 HEX CAP "	3	719644
11	36504-05	CTWT W/ 3 1/2 HOLE -JAG "	6	508803
12	6416	WASHER FLT STL BLK ZNC 3/8 STD	6	719796
13	4721	SCREW, 3/8-16 X 4 HHCS GR5	3	719697
14	7778	NUT, 3/8-16, GA, NE, NYLON INSERT, YWZC	3	719902
15	*	WELDM'T, EXTENDED LADDER	1	308191
16	*	HAND GRIP	1	308190
	44051-06	KIT, 4 STEP LADDER (Includes Items 1 – 14 & 16)	1	190479U
N/A	44052-06	KIT, 6 STEP LADDER (Includes Items 1 – 15)	1	190480U

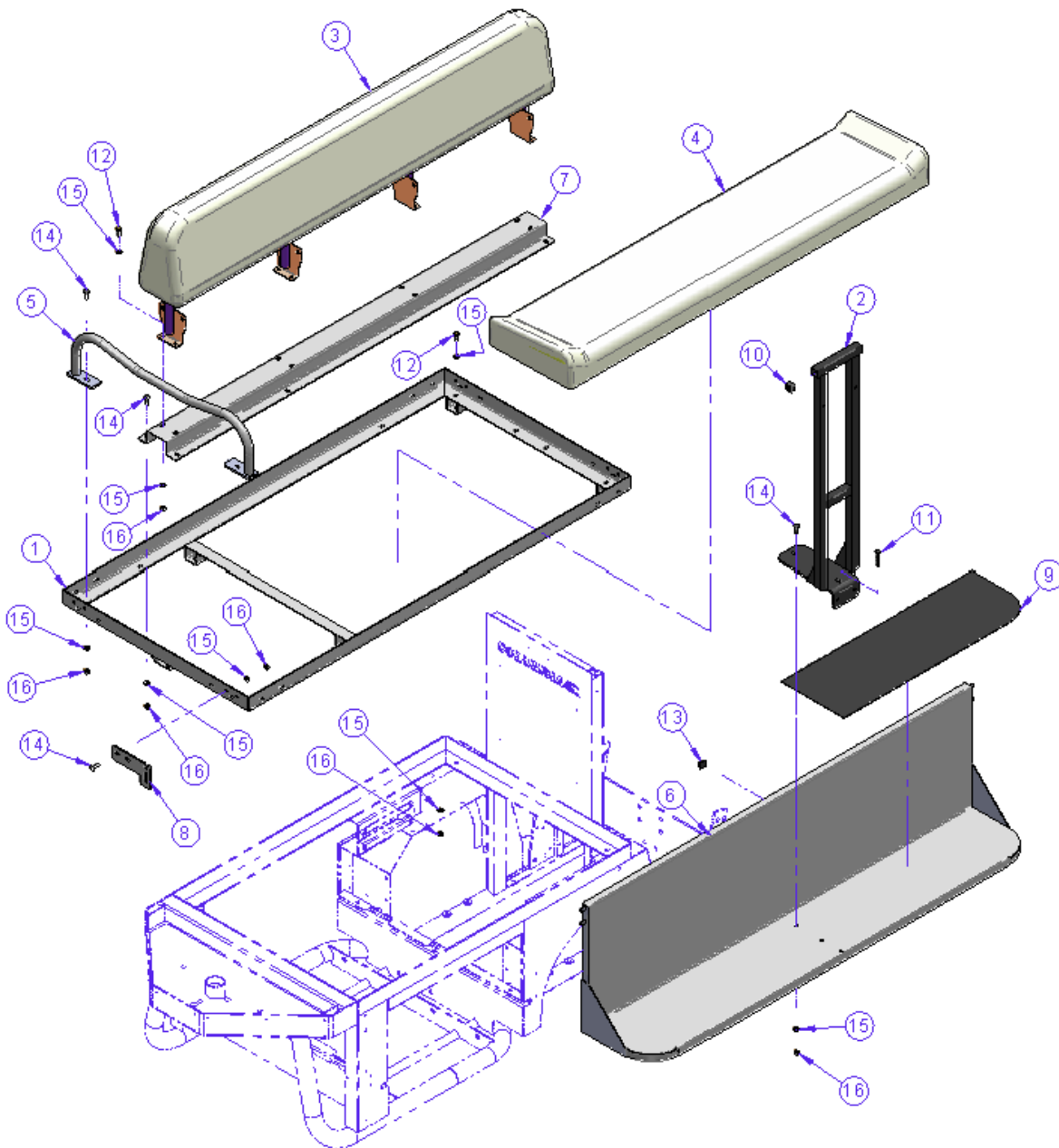
NOTE: Items with * in tables indicates parts not shown in drawing.

The Columbia Vehicle Group

Nordic Group Member Brands | Business Ventures Since 1947



TRANSPORT EXPRESS



NOTE: Items with * in tables indicates parts not shown in drawing.

The Columbia Vehicle Group

Nordic Group Member Brands | Business Ventures Since 1947



TRANSPORT EXPRESS (Continued)

ITEM	CPC PN	DESCRIPTION	QTY	REF #
1	47930-09	EXTENDED BED 29" W X 60" L	1	308169
2	84926-07	HANDRAIL	2	
3	52932-08	BACK CUSHION	1	309375
4	52946-08	BOTTOM CUSHION	2	309377
5	51790-09	HAND RAIL	2	309379
6	91521-08	FOOTREST	2	309380
7	51791-09	FRAME SUPPORT	1	512685
8	47781-08	RAIL PLATE	4	512696
9	48457-ZZ	BLACK VINYL MAT	4	709373
10	11433	CAPLUG FP-165	4	719526
11	3403-B	SCREW, 5/16-18X2 CARR G5	2	719609
12	3991	SCREW, HHC, 5/16-18X7/8 G5	12	719643
13	52330-86	BUMPER, BLACK	4	719738
14	5400-BS	SCREW, 5/16-18X1 CARR G5	22	719744
15	6702-B	WASHER, 5/16	48	719810
16	7739	NUT, 5/16-18 NYLOCK	36	719892

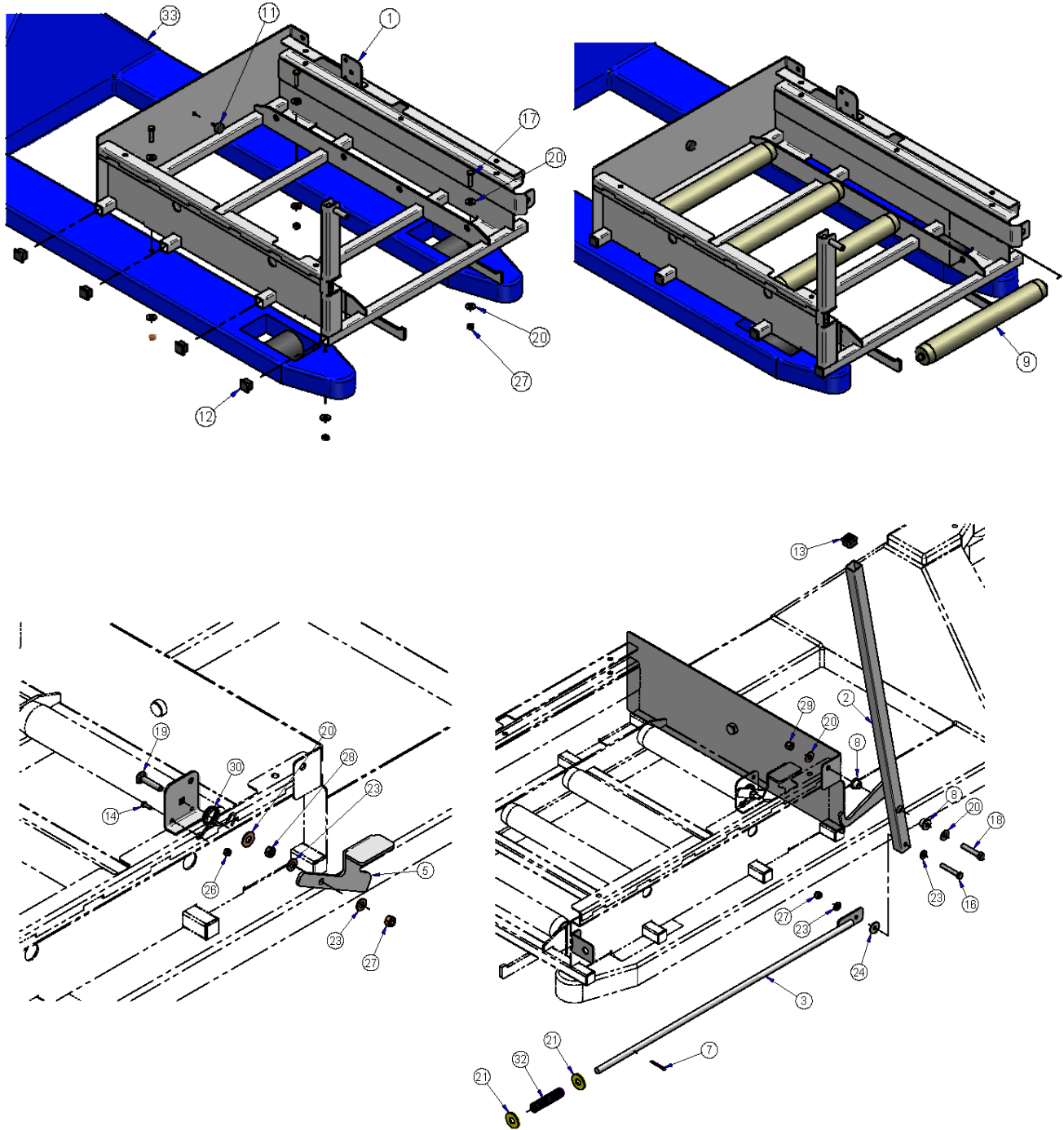
NOTE: Items with * in tables indicates parts not shown in drawing.

The Columbia Vehicle Group

Nordic Group Member Brands | Business Ventures Since 1947



TRANSFER STAND



NOTE: Items with * in tables indicates parts not shown in drawing.

Columbia / ParCar OEM Parts
evtechnicalservices.com

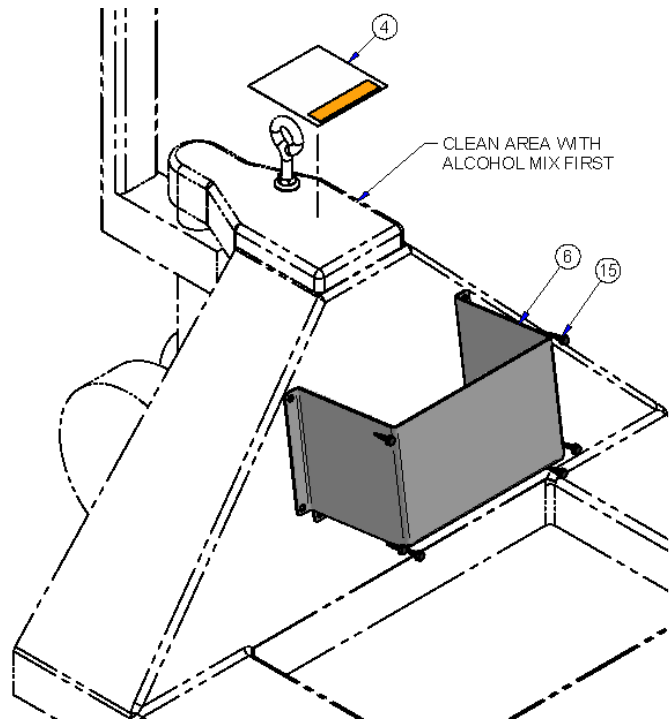
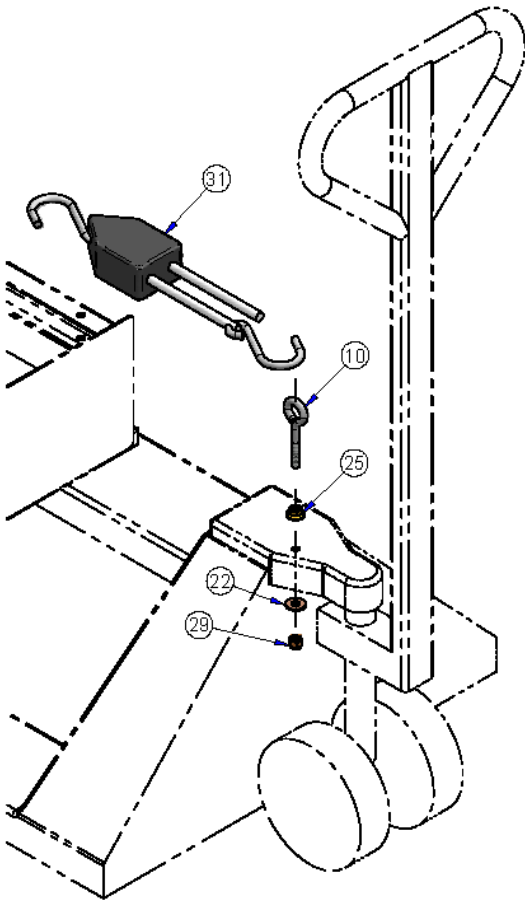


The Columbia Vehicle Group

Nordic Group Member Brands | Business Ventures Since 1947



TRANSFER STAND (Continued)



NOTE: Items with * in tables indicates parts not shown in drawing.

The Columbia Vehicle Group

Nordic Group Member Brands | Business Ventures Since 1947



TRANSFER STAND (Continued)

ITEM	CPC PN	DESCRIPTION	QTY	REF #
1	*	STAND	1	308385
2	*	RELEASE LEVER	1	308388
3	*	PUSH ACTUATOR A/	1	308389
4	*	WARNING LABEL	1	511263
5	*	LATCH SAFETY	1	513397
6	*	BOX STORAGE	1	513400
7	*	PIN, 1/8X1 1/4 COTTER	1	707337
8	*	BEARING, FLANGED	2	707942
9	9093	ROLLER GRAVITY	4	719156
10	*	3/8-16x1.5 EYEBOLT	1	719245
11	11403	BUMPER 7/8X1.03	1	719519
12	11432	PLUG FINISH	8	719525
13	11433*	CAPLUG FP-165	1	719526
14	2612-B	SCREW 8/32X1/2 PHILLIPS	1	719571
15	2653-B*	SCREW #10X3/4 HWH TEK #3	6	719583
16	2667	SCREW 5/16-18X2 HHC	1	719585
17	2871-W*	SCREW 5/16-18X1 1/4 HHC	4	719592
18	3775*	SCREW 3/8-16X2 HHC	1	719634
19	5449-BS*	SCREW 5/16-18X1 1/2 CARR	1	719750
20	6000-B	WASHER 5/16 STD	11	719771
21	6005	WASHER 1/2 FLT STL	2	719772
22	6416*	WASHER 3/8 FLT STL BLK	1	719796
23	6702-B*	WASHER 5/16 BLACK	4	719810
24	6830	WASHER 5/16X1X.036 NYLON	1	719816
25	7512	NUT 3/8-16 SERR FLG	1	719860
26	7609-W	NUT #8-32 NYLOCK	1	719868
27	7739	NUT 5/16-18 NYLOCK	6	719892
28	7748-B	NUT 5/16-24 HEX	1	719896
29	7778	NUT 3/8-16 NYLOCK	2	719902
30	11849	SPRING ROTARY SWITCH	1	729083
31	64030-02	RATCHET, ROPE & HOOK ASSEMBLY	1	739833
32	*	SPRING, COMPRESSION, .91 X .568 X 75 X 3.13	1	759747
33	*	PALLET JACK	1	759769
34	66039-14	COMPLETE ASSEMBLY	1	467419

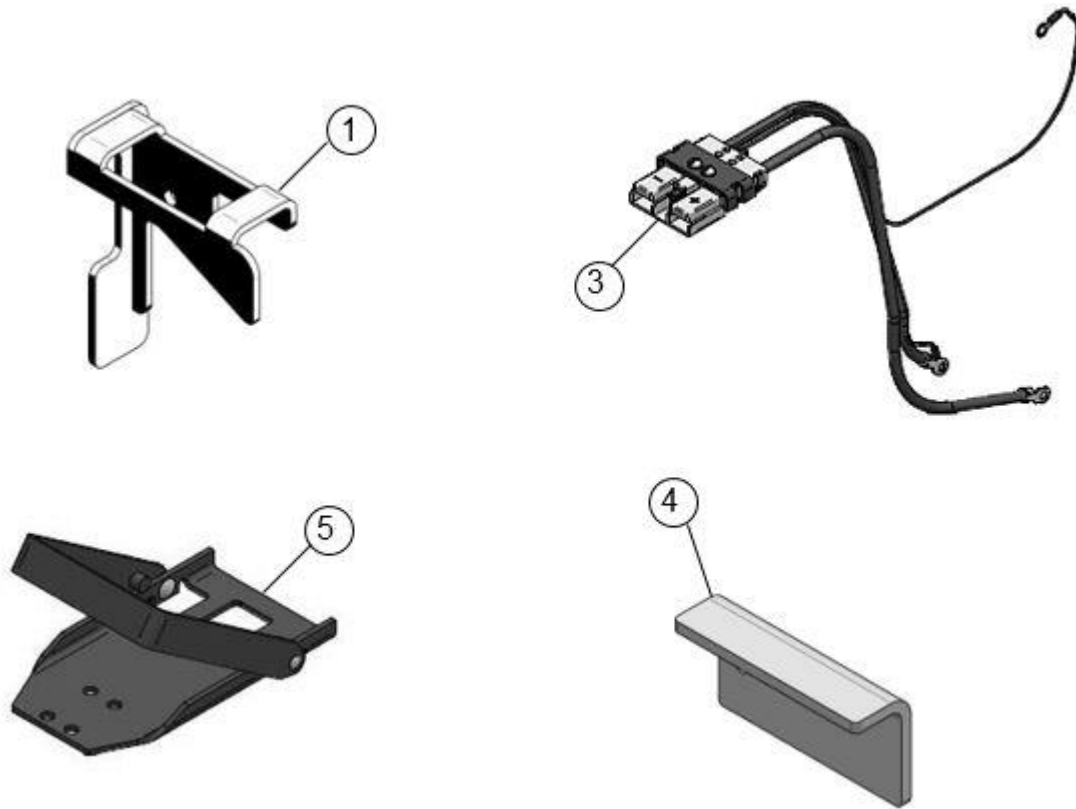
NOTE: Items with * in tables indicates parts not shown in drawing.

The Columbia Vehicle Group

Nordic Group Member Brands | Business Ventures Since 1947



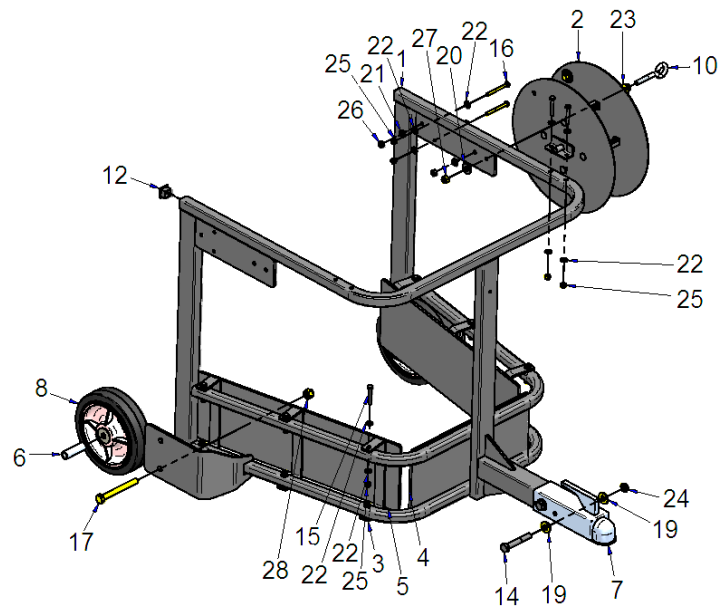
BATTERY ROLL-OUT HARDWARE



ITEM	CPC PN	DESCRIPTION	QTY	REF #
1	**	SAFETY LATCH	1	310028
2a*	**	24V PORTABLE CHARGER ASSY (Includes Charger, cord and connector)	1	467212
2b*	**	48V PORTABLE CHARGER ASSY (Includes Charger, cord and connector)	1	467214
3	**	CONNECTOR ASSEMBLY	1	467719
4	**	SECONDARY LATCH	1	513398
5	**	MANUAL RELEASE, TRUCK BRACKET	1	760646

NOTE: Items with * in tables indicates parts not shown in drawing.

MOBILE CART



ITEM	CPC PN	DESCRIPTION	QTY	REF #
1	*	CORRAL, SHOPPING CART	1	307275
2	92000-03	ASSEMBLY, REEL, CART DOCK	1	467181
3	*	MT, GUIDE PANEL - CORRAL	6	509229
4	*	SHEET, PROTECTIVE - CORRAL	1	509235
5	*	PANEL, GUIDE - SMALL, CORRAL	2	509236
6	*	SPACER, CASTER	2	516370
7	82028-02	TRAILER COUPLER, 1-7/8 BALL "	1	719142
8	82068-02	CASTER, 8 X 2 FLAT TREAD	2	719218
9**	71922-03	CAM JAM CLEAT - JAG	1	719228
10	*	3/8-16 X 1.5 THD 2.50 SHANK, EYEBOLT - CLOSED	1	719245
11**	64030-03	ROPE, 1/2 POLY WHITE (Item 2 holds 85')	85'	719246
12	11432	CAPLUG, FP-161, 1 SQ X .120 WALL "	2	719525
13**	2653-B	SCREW, #10 X 3/4 HWH TEK #3	16	719583
14	3406	SCREW, 1/2-13 X 3 GRD 5 HHC	2	719610
15	3454-BS	SCREW, 1/4-20 X 1-3/4 HHCS, G5 HCBLK 150	14	719623
16	3768	SCREW, 1/4-20 X 2-1/2, HHCS, G5, YW ZC	2	719631
17	4004	SCREW, 1/2-20 X 4 1/2 HEX HD CAP G5	2	719647
18**	5215	EYE BOLT, 5/16-18 X 1.125, YWZC	3	719735
19	6010	WASHER FLT STL UNHARD YWZC .513 ID	4	719774
20	6416	WASHER FLT STL BLK ZNC 3/8 STD	1	719796
21	6702-B	WASHER,5/16,SAE,F/W,BLK MAX	3	719810
22	6703-B	WASHER,1/4,SAE,F/W,BLK MAX	32	719811
23	7512	NUT, 3/8-16 GR A SERRATED FLG	1	719860
24	7685	NUT 1/2-13, GR A, NYLON LOCK	2	719878
25	7686	NUT, 1/4-20, NYLOCK, GA, YWZC	16	719879
26	7739	NUT,5/16-18,L/N,NYLOK,NE,GA,BLKMAX	3	719892
27	7778	NUT,3/8-16,GA,NE,NYLON INSERT,YWZC	1	719902
28	7812-W	NUT, 1/2-20 GR A NE NYLON INSERT YWZ	2	719907

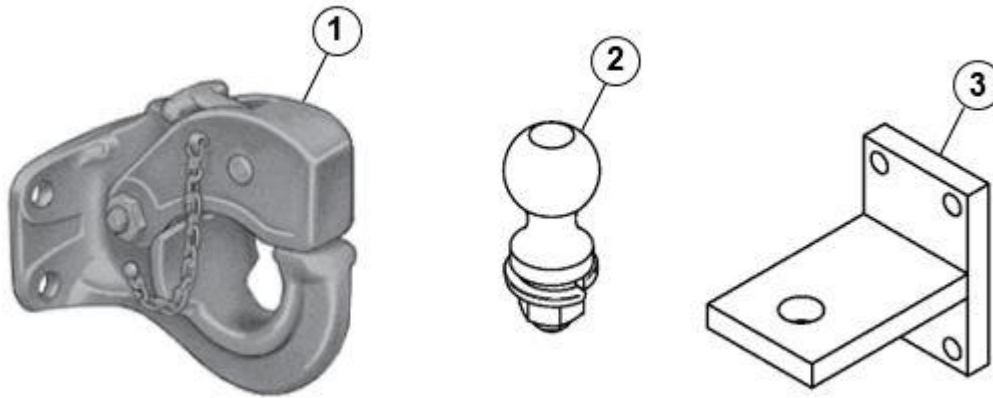
NOTE: Items with * in tables indicates parts not shown in drawing.

The Columbia Vehicle Group

Nordic Group Member Brands | Business Ventures Since 1947



HITCHES



ITEM	CPC PN	DESCRIPTION	QTY	REF #
1	57315-96	PINDLE HOOK HITCH	1	709833
*	7812-w	NUT, 1/2-20 NYLOK GR A (Used with Item 1)	4	719907
*	4010	SCREW, 1/2-20x1.5 HHCS G5 (Used with Item 1)	4	729809
2a	82065-98	HITCH BALL, CHROME 1 7/8"	1	719008
2b	82064-02	HITCH BALL, 2"	1	719207
3	82060-02	HITCH MOUNT BRACKET	1	307022
*	4716-W	SCREW, 3/8-16X1 1/4 HHCS G5 (Used with Item 3)	4	719694
*	7778	NUT, 3/8-16 NYLOCK (Used with Item 3)	4	719902

Columbia / ParCar OEM Parts
evtechnicalservices.com



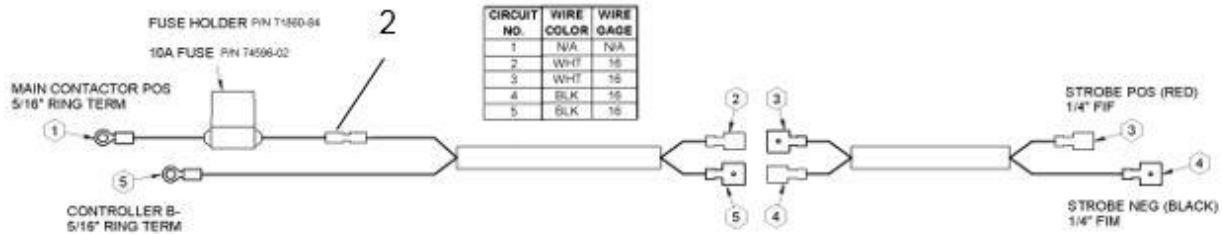
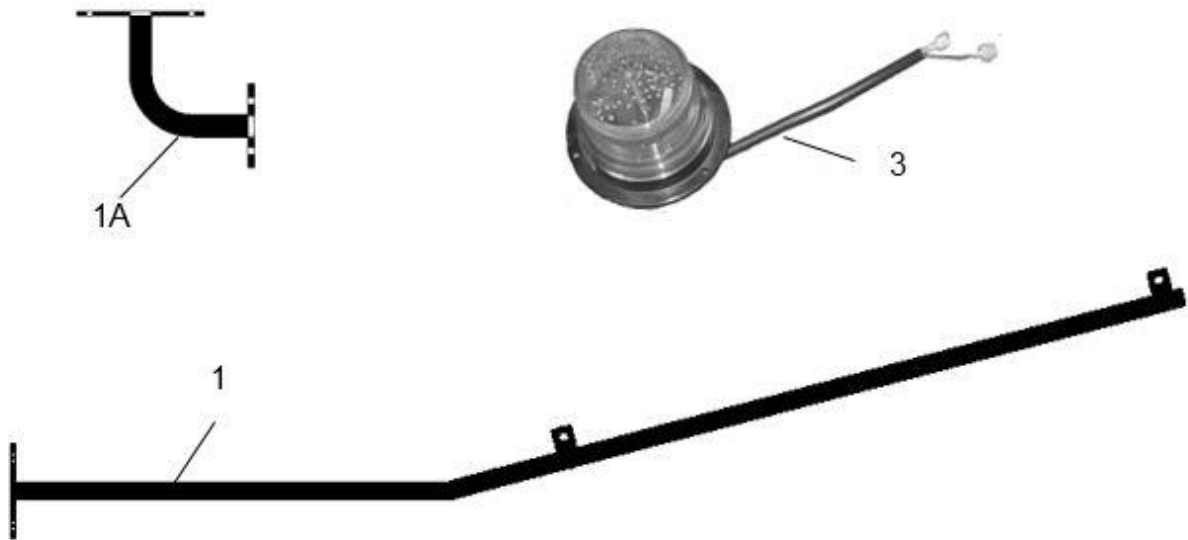
NOTE: Items with * in tables indicates parts not shown in drawing.

The Columbia Vehicle Group

Nordic Group Member Brands | Business Ventures Since 1947



AMBER POLE/LADDER STROBE LIGHT



ITEM	CPC PN	DESCRIPTION	QTY	REF #
1	84142-97	LIGHT POLE	1	305110
1A	**	LADDER LIGHT POLE		305821
2	**	HARNESS	1	463996
3	68029-06	STROBE LIGHT AMBER	1	467408
4*	10008	CABLE TIE 5 3/4"	5	719501
5*	10011	CABLE TIE 4"	4	719502
6*	10020	CABLE TIE MOUNTING BRACKET	4	719503
7*	10043	CABLE TIE BLACK, 11 3/4	2	719504
8*	2339	SCREW, #10-24X3/4, HH	3	719551
9*	3407	SCREW, 1/2-13X2 1/4 HHCS, G5	1	719611
10*	3787-B	SCREW 1/4-20X3/4 HHCS G5	2	719636
11*	7624	NUT, 10-24 NYLOCK	3	719870
12*	7685	NUT 1/2-13 GR A, NYLON INSERT LOCK (Pole only)	1	719878
13*	7692	NUT 1/4-20 NYLOCK (Ladder only)	2	719882
14*	68826-97	KIT, POLE STROBE LIGHT AMBER (Includes Items 1, 2, 3, 4, 6, 7, 8, 9, 11, & 12)	1	190535U
15*	68836-00	KIT LADDER STROBE LIGHT AMBER (Includes Item 1A, 2, 3, 5, 6, 8, 10, 11 & 13)	1	190536U

NOTE: Items with * in tables indicates parts not shown in drawing.

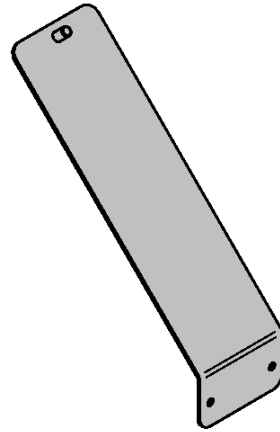
Columbia / ParCar OEM Parts
evtechnicalservices.com

The Columbia Vehicle Group

Nordic Group Member Brands | Business Ventures Since 1947



CLIPBOARD HOLDER



ITEM	CPC PN	DESCRIPTION	QTY	REF #
1	**	CLIPBOARD	1	306321
2*	3787-B	SCREW, 1/4-20X3/4 HHC, G5	2	719636
3*	6703-B	WASHER, 1/4 SAE	2	719811
4*	7724-B	NUT, 1/4-20, L/N, SER-FLG GA	2	719887
5*	75520-00	KIT, CLIPBOARD HOLDER (Includes above Items)	1	190533U

Columbia / ParCar OEM Parts
evtechnicalservices.com

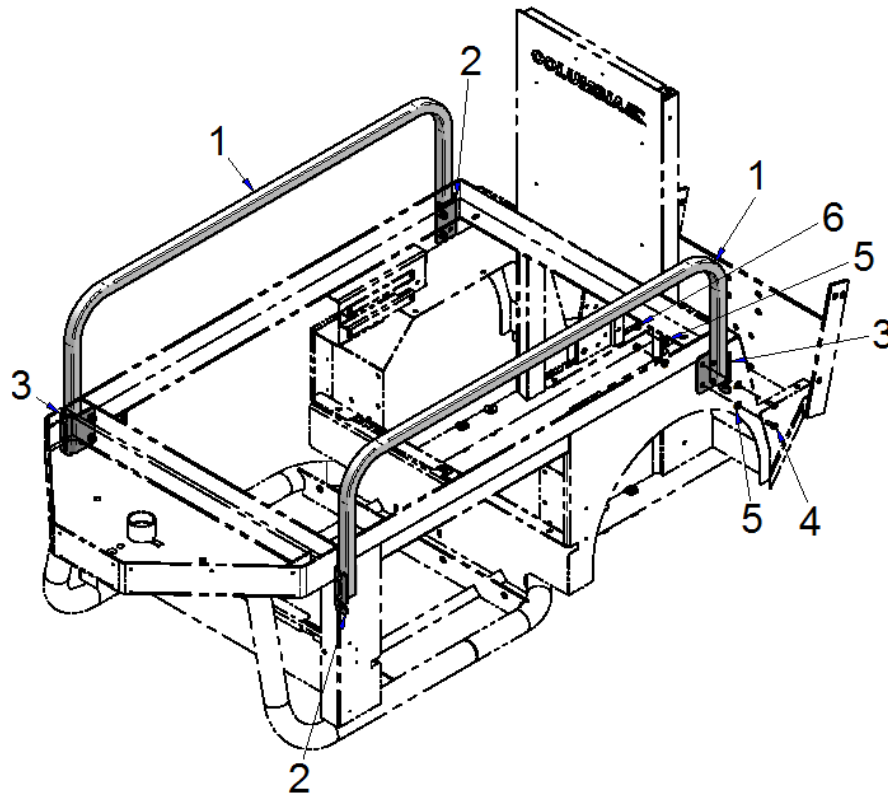

*NOTE: Items with * in tables indicates parts not shown in drawing.*

The Columbia Vehicle Group

Nordic Group Member Brands | Business Ventures Since 1947



FOLDING SIDE RAIL



ITEM	CPC PN	DESCRIPTION	QTY	REF #
1	52652-05	WELDM'T, FOLDING RAIL	2	307900
2	52703-14	PLATE, MTG-A, RAIL	2	515771
3	52704-14	PLATE, MTG-B, RAIL	2	515772
4	3787-B	SCREW, 1/4-20X3/4, HHCS, G5, BLK150	8	719636
5	6703-B	WASHER,1/4,SAE,F/W,BLK MAX	16	719811
6	7686	NUT, 1/4-20, NYLOCK, GA, YWZC	8	719879
-	51496-15	KIT, FOLDING SIDE RAILS (Includes above)	1	190524U

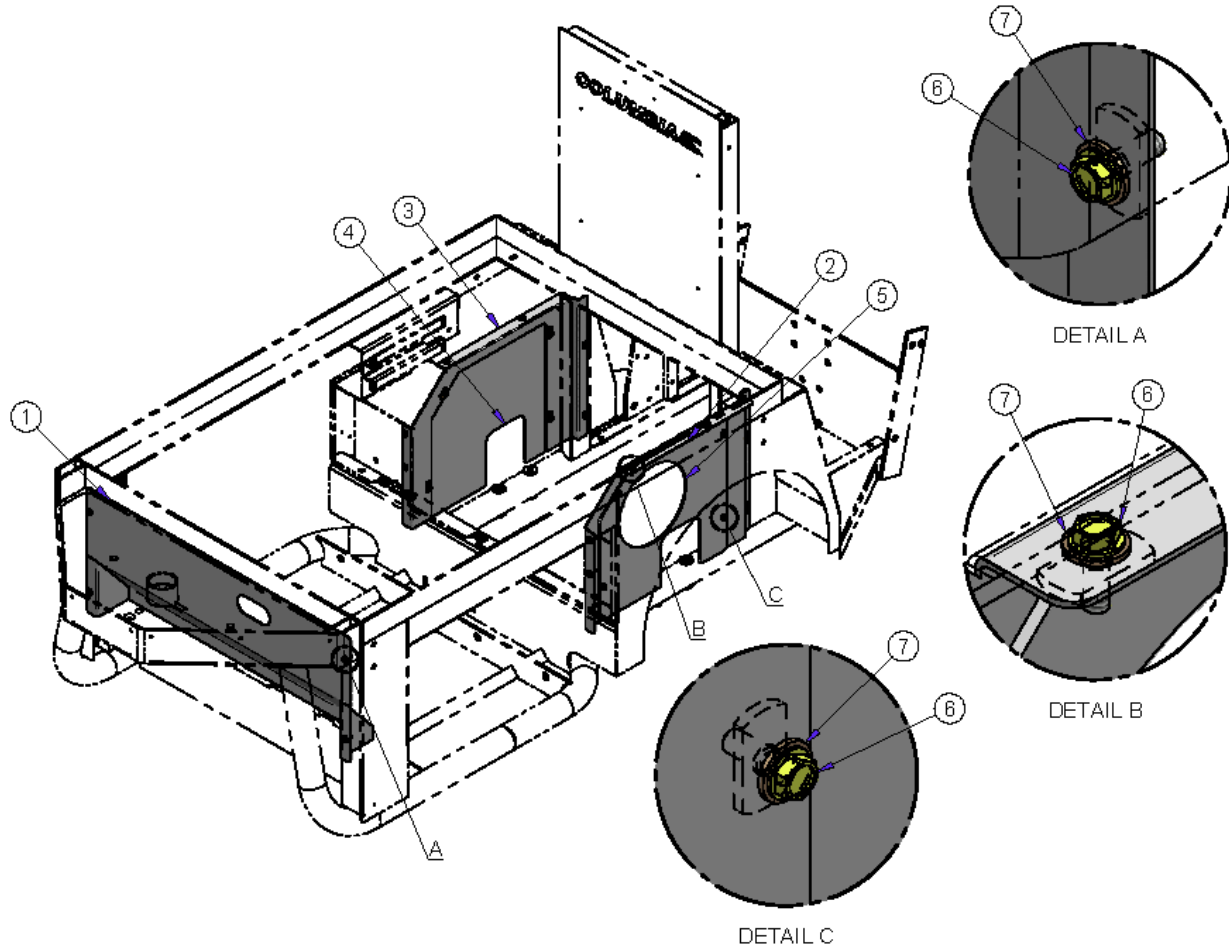
NOTE: Items with * in tables indicates parts not shown in drawing.

The Columbia Vehicle Group

Nordic Group Member Brands | Business Ventures Since 1947



INNER FENDERS



ITEM	CPC PN	DESCRIPTION	QTY	REF #
1	51391-13	FRONT INNER FENDER	1	311839
2	51392-13	INNER FENDER BRACKET, LH	1	311840
3	51393-13	INNER FENDER BRACKET, RH	1	311841
4	51394-13	FENDER SHIELD, RH	1	515450
5	51395-13	FENDER SHIELD, LH	1	515451
6	2685-W	SCREW, 10-24X5/8 HWH, TRD, ROL	24	719586
7	6716	WASHER #10, SAE F/W, BLK	24	719812

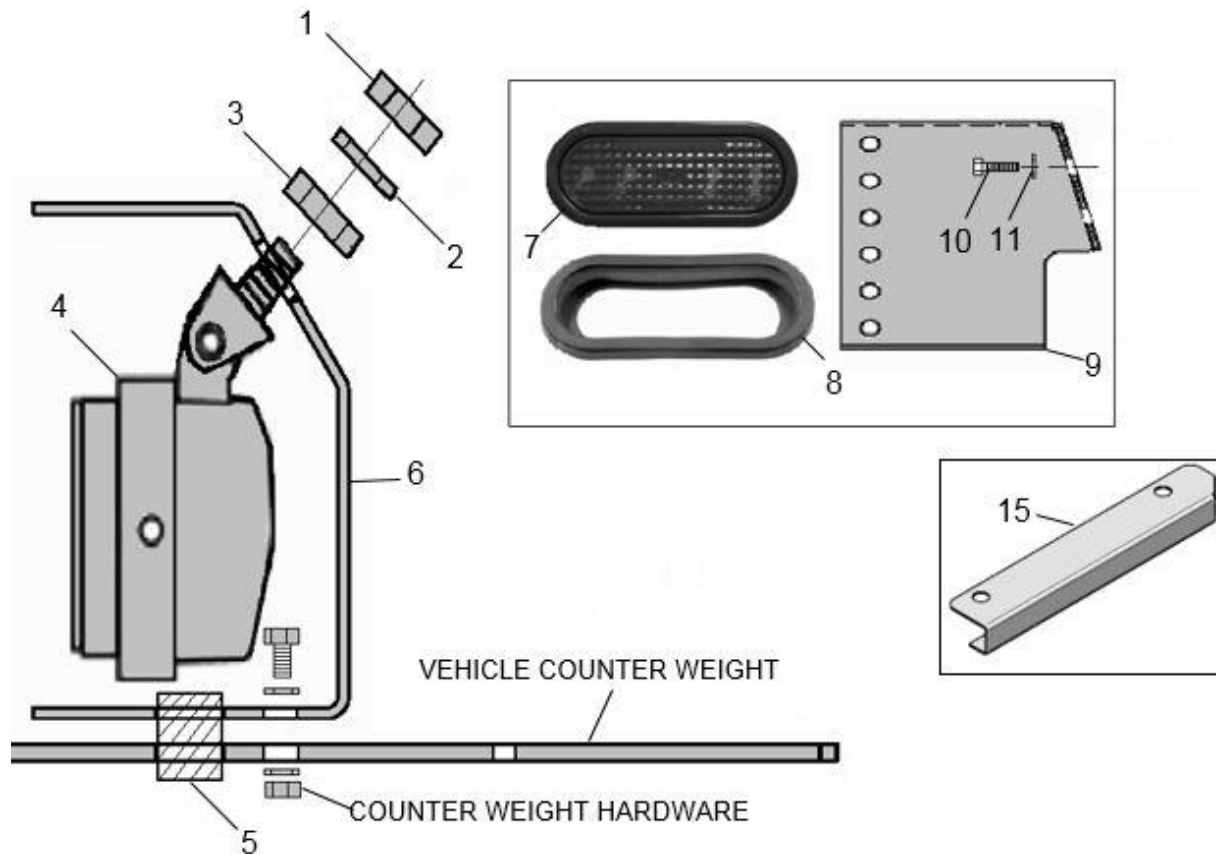
NOTE: Items with * in tables indicates parts not shown in drawing.

The Columbia Vehicle Group

Nordic Group Member Brands | Business Ventures Since 1947



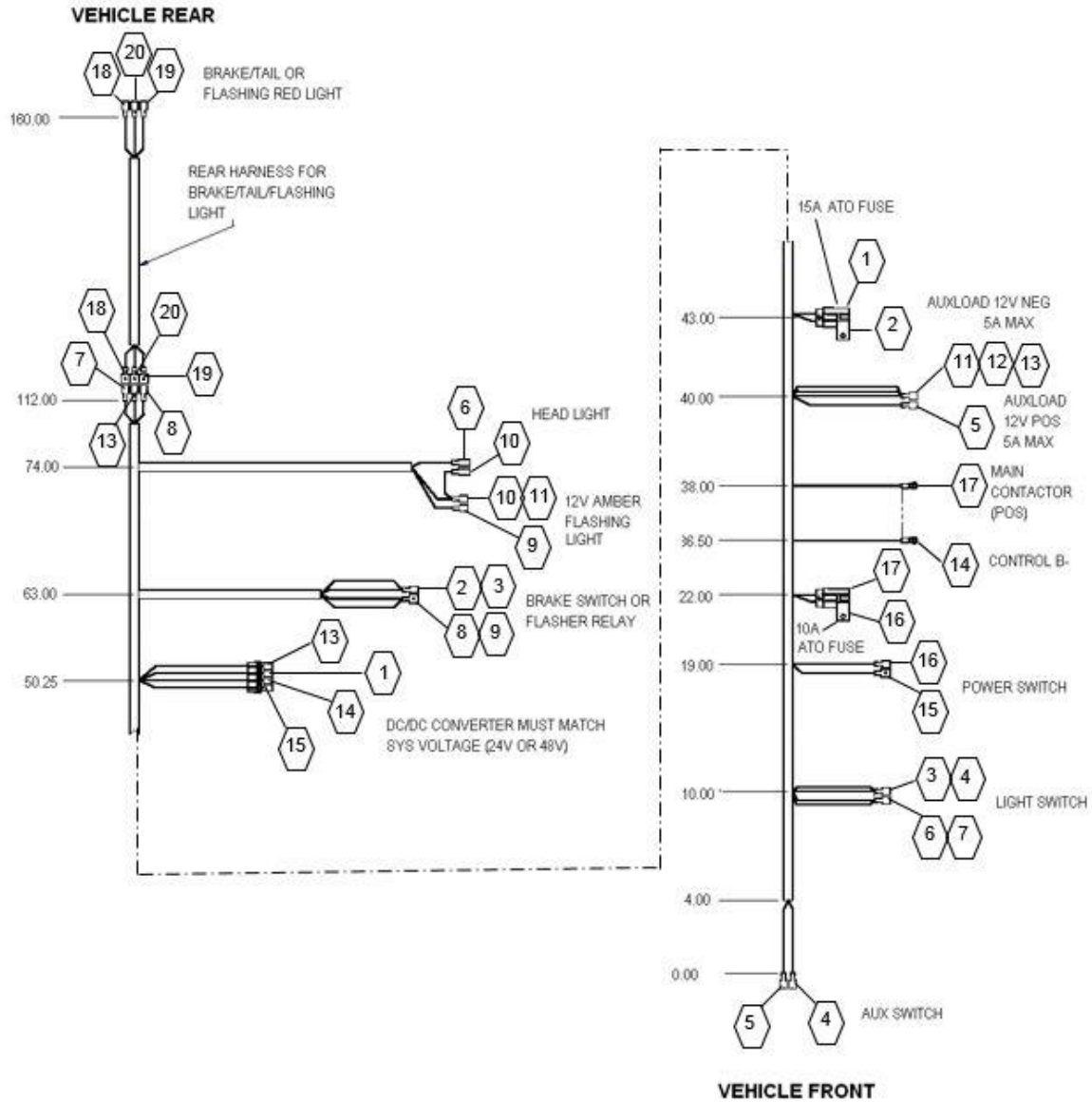
HEAD & TAIL LIGHTS



ITEM	CPC PN	DESCRIPTION	QTY	REF #
1	N/A	NUT (Included with Item 4)	1	N/A
2	N/A	WASHER (Included with Item 4)	1	N/A
3	6568-B	WASHER,	1	719802
4	67724-91	FRONT HEADLIGHT	1	709389
5	47980-10	SPACER, .75X.50X.50	1	760671
6	68843-06	HEADLIGHT BRACKET	1	511255
7	**	TAIL LIGHT ASSEMBLY	1	760642
8	**	TAIL LIGHT GROMMET	1	760643
9	69940-15	TAIL LIGHT BRACKET	1	310616B
10	2551-W	SCREW, 1/4-20X1 HHC, G5 (Existing backrest hardware.)	1	719564
11	6261	WASHER 1/4 (Existing backrest hardware.)	1	719811
12*	**	TAIL LIGHT HARNESS ADAPTER	1	467800
13*	70079-05	12V ACCESSORY HARNESS	1	759729
14*	72000-10	TOGGLE SWITCH	1	760600
15	**	TAIL LIGHT HARNESS COVER (See Note)	1	514292
16*	67814-05A	KIT, TAIL LIGHT UPGRADE (Includes Items 7- 9, 12 & 15)	1	192261U
17*	68839-08	KIT, HEAD & TAIL LIGHT	1	190528U

NOTE: Items with * in tables indicates parts not shown in drawing.

12V ACCESSORY HARNESS



ITEM	CPC PN	DESCRIPTION	QTY	REF #
	70070-95	HARNESS, WIRE, ACCESSORY	1	

CIRCUIT NO.	WIRE COLOR	WIRE GAGE	CIRCUIT NO.	WIRE COLOR	WIRE GAGE	CIRCUIT NO.	WIRE COLOR	WIRE GAGE
1	RED	16	9	GRN	16	17	RED	16
2	WHT	16	10	BLK	16	18	BLU	16
3	WHT	16	11	BLK	16	19	GRY	16
4	WHT	16	12	BLK	16	20	BLK	16
5	WHT	16	13	BLK	16			
6	BLU	16	14	BLK	16			
7	BLU	16	15	RED	16			
8	GRY	16	16	RED	16			

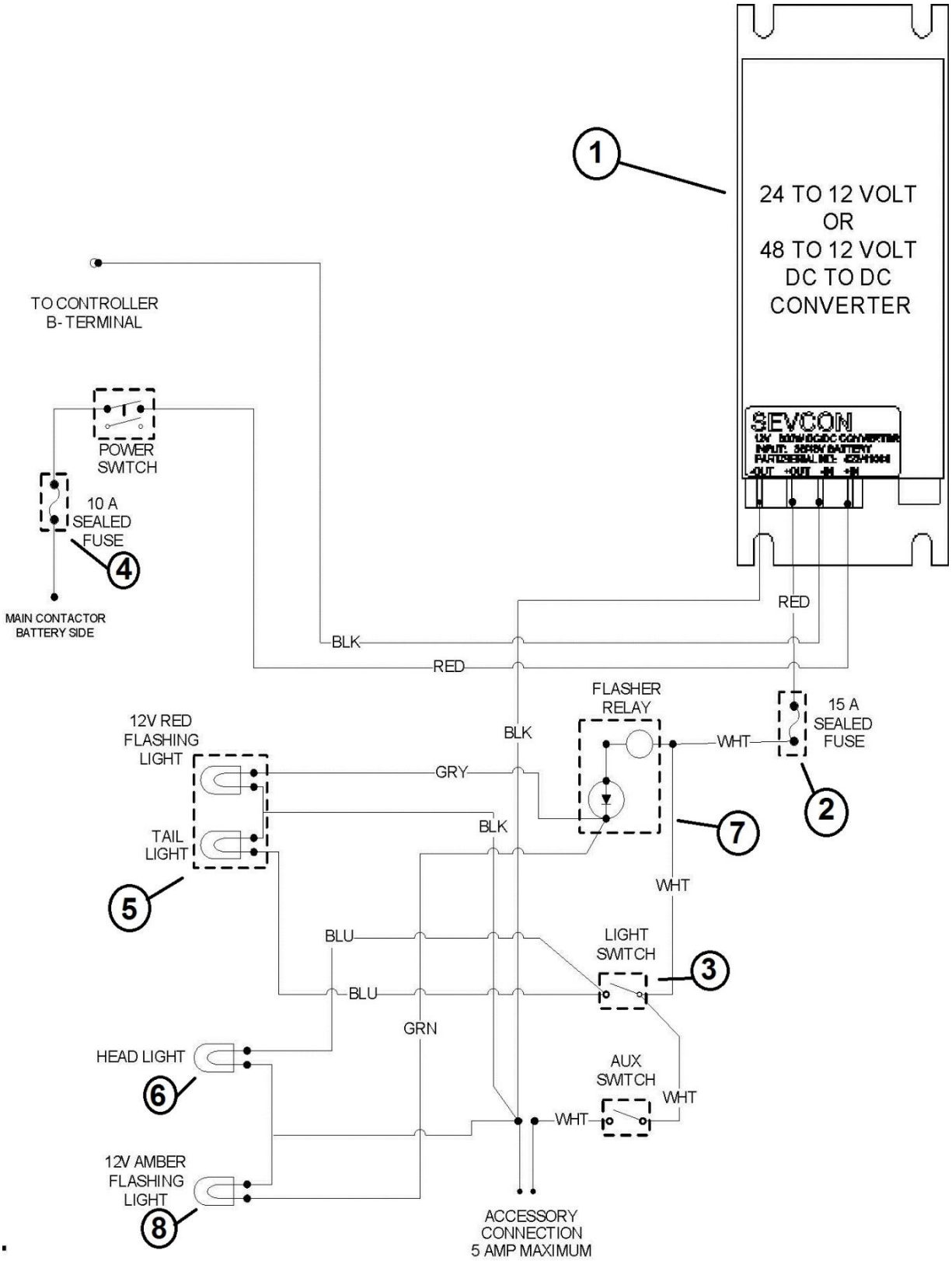
NOTE: Items with * in tables indicates parts not shown in drawing.

The Columbia Vehicle Group

Nordic Group Member Brands | Business Ventures Since 1947



12V ACCESSORY SCHEMATIC WITH FLASHING FRONT AND REAR LIGHTS (NOT AVAILABLE WITH BRAKE & TAIL LIGHTS FOR IR 23)



NOTE: Items with * in tables indicates parts not shown in drawing.

Columbia / ParCar OEM Parts
evtechnicalservices.com



The Columbia Vehicle Group

Nordic Group Member Brands | Business Ventures Since 1947



12V ACCESSORY (Continued)

ITEM	CPC PN	DESCRIPTION	QTY	REF #
1a	69643-05	CONVERTER DC/DC 24V-12V	1	759700
1b	69642-05	CONVERTER DC/DC 36V-48V, 13.4V, FUSED	1	760378
2	74595-01	FUSE, 15 AMP ATO/ATC	1	709255
3	72000-10	SWITCH, TOGGLE	1	760600
4	74596-02	FUSE, 10 AMP ATO/ATC	1	709786
5	67814-05	ASSEMBLY, 12V RECT, BRAKE LIGHT	1	467416
6	67724-91	HEADLIGHT	1	709389
7	71900-05	ASSEMBLY, FLASHER MODULE 12-48V	1	467306
8	68025-03A	ASSEMBLY, 12V RECT, AMBER LIGHT	1	467414

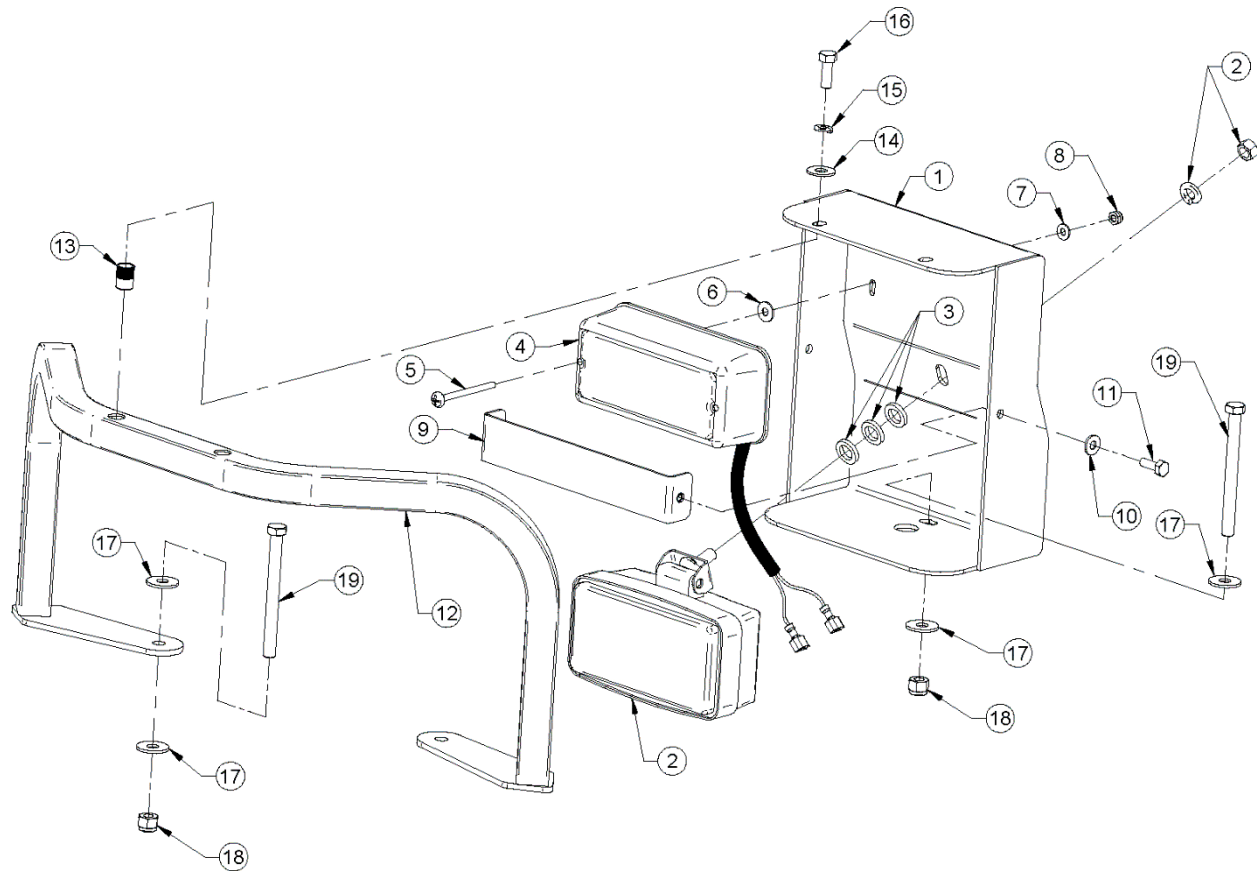
NOTE: Items with * in tables indicates parts not shown in drawing.

The Columbia Vehicle Group

Nordic Group Member Brands | Business Ventures Since 1947



FLASHING HEAD AND STROBE LIGHTS



ITEM	CPC PN	DESCRIPTION	QTY	REF #
1	68881-07	FRONT BRACKET - HEADLIGHT/STROBE	1	307388
2	67724-91	HEADLIGHT	1	709389
3	6568-B	WASHER, .515 ID X .812 OD X .134 THK	3	719802
4	68025-03A	12V RECTANGULAR AMBER LIGHT	1	467414
5	719261	SCREW, #10-24 X 2.5, PHILLIPS PAN	2	719261
6	6261	RUBBER WASHER, .25 ID	2	719788
7	6716	WASHER, #10, SAE, FW	2	719812
8	7624	NUT 10-24, NM MACH NYLON LOCK, GR A	2	719870
9	68882-07	COVER BRACKET - LIGHT	1	307438
10	6703-B	WASHER, 1/4, SA, FW, STL	2	719811
11	3787-B	SCREW, 1/4-20 X 3/4, HHCS, GR 5	2	719636
12	68883-07	RAIL - FRONT	1	307389
13	8206	KNURLED COMPRESSION INSERT, 5/16-18	2	719929
14	6000-B	WASHER, 5/16, STD FW	2	719771
15	7041-B	WASHER, 5/16, REGULAR SPRING LOCK	2	719838
16	3991	SCREW, 5/16-18 X 7/8, HHCS, GR 5	2	719643
17	6416	WASHER, 3/8, STD FW, STL	6	719796
18	7778	NUT, 3/8-16, NE NYLOC, GR A	3	719902
19	4721	SCREW, 3/8-16 X 4, HHCS, GR 5	3	719697
20*	71095-03	48 V, BULB SP-8 (For Item 4)	1	719257
20*	71093-06	12 VDC BULB, TYPE 1156 (For Item 4)	1	759775

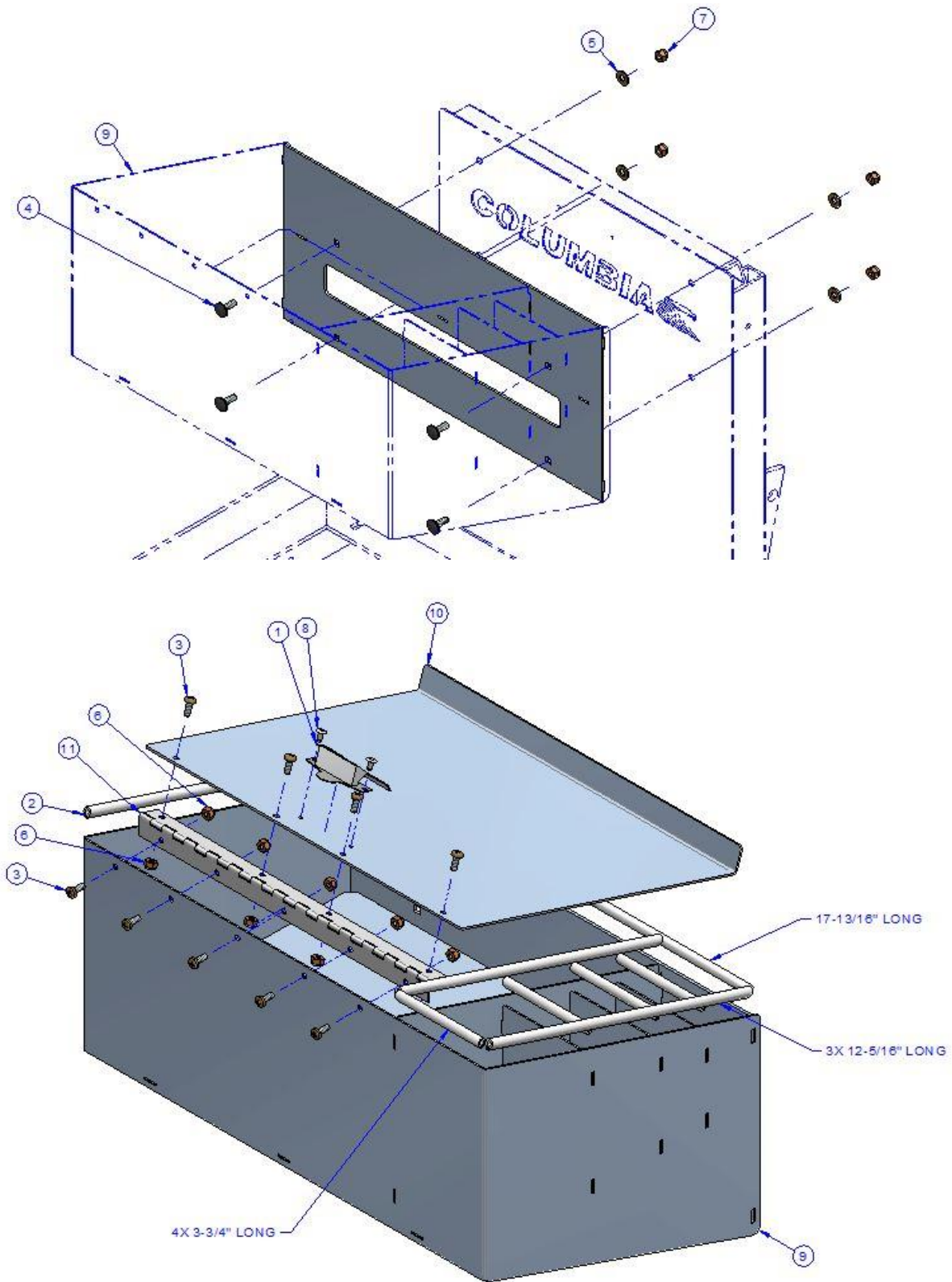
NOTE: Items with * in tables indicates parts not shown in drawing.

The Columbia Vehicle Group

Nordic Group Member Brands | Business Ventures Since 1947



STRONGBOX W/CLIPBOARD LID



NOTE: Items with * in tables indicates parts not shown in drawing.

Columbia / ParCar OEM Parts
 evtechnicalservices.com

The Columbia Vehicle Group

Nordic Group Member Brands | Business Ventures Since 1947



STRONGBOX W/CLIPBOARD LID (Continued)

ITEM	CPC PN	DESCRIPTION	QTY	REF #
1	850	CIIP, STEMCO, 3" STAINLESS	1	709628
2	29284-04	MOLDING, BLACK, 69.75" LONG	6	719355
3	2592	SCREW, 10-24 X ½" PHILLIPS PHM	9	719566
4	5405-B	SCREW, ¼ - 20 X ¾, CARRIAGE, GB, BLKMAX	4	719747
5	6703-B	WASHER ¼, SAE, F/W, BLKMAX	4	719811
6	7624	NUT, 10-24 GR A NM NYLOK, YW ZC	9	719870
7	7686	NUT, ¼-20, NYLOK, GA, YW ZC	4	719879
8	Special Order	RIVET #48, 1/8, DH, BLIND	2	719937
9	Special Order	WLDMT, IS12, STRG W CLIPBOARD LID	1	C3999-9820
10	Special Order	LID, IS12, STRG W CLIPBOARD LID	1	C3999-9827
11	Special Order	HINGE, IS12, STRG W CLIPBOARD LID	1	C3999-9828

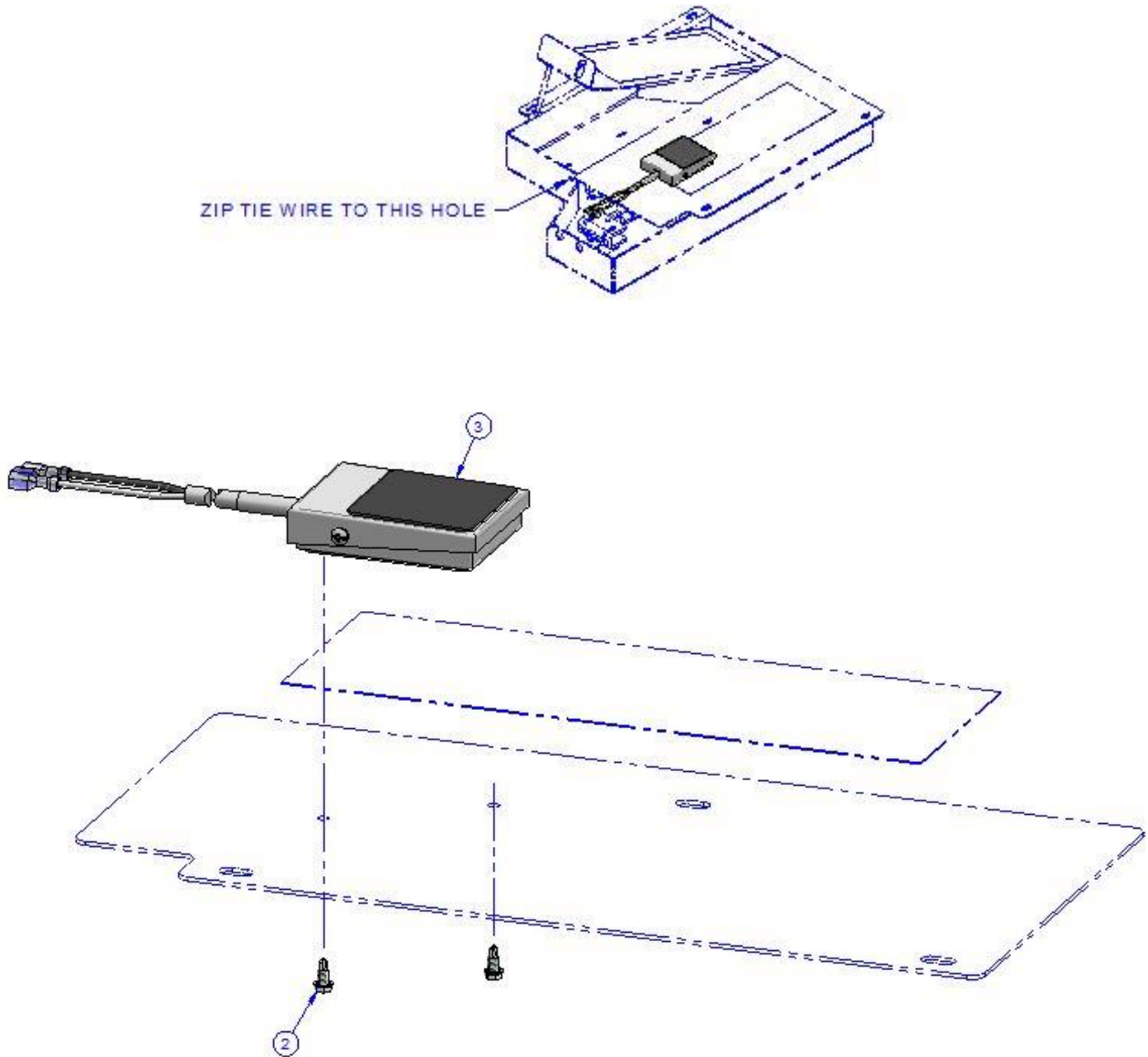
NOTE: Items with * in tables indicates parts not shown in drawing.

The Columbia Vehicle Group

Nordic Group Member Brands | Business Ventures Since 1947



DEADMAN FOOT PRESENCE SWITCH



ITEM	CPC PN	DESCRIPTION	QTY	REF #
1	10043	CABLE TIE, BLACK, .18 X 11 - 3/4, STD, 50LB	1	719504
2	2639	SCREW, #8 X 1/2, HEX WASHER HEAD, TAP	2	719578
3	Special Order	ASM, FOOT DEADMAN SWITCH	1	C3999-5208

NOTE: Items with * in tables indicates parts not shown in drawing.

The Columbia Vehicle Group

Nordic Group Member Brands | Business Ventures Since 1947





COLUMBIA

Columbia / ParCar OEM Parts
evtechnicalservices.com



1115 Commercial Avenue • Reedsburg, WI 53959
Phone: (608) 524-8888 • (800) 222-4653 • Web: www.ColumbiaUSA.com

The Columbia Vehicle Group
Nordic Group Member Brands | Business Ventures Since 1947

