



**COLUMBIA**

## 2010 PARTS MANUAL

Summit (SMT)  
Summit Utility (SUV)



Columbia / ParCar OEM Parts  
[evtechnicalservices.com](http://evtechnicalservices.com)

## PREFACE

*Welcome, and congratulations on your choice of the Columbia Electric Vehicle from Columbia ParCar Corp.!*

Some of the equipment in this manual may not apply to your vehicle, depending on which model you have.

If your vehicle is a Neighborhood Electric Vehicle (NEV) or a Low Speed Vehicle (Summit) they meet the requirements of the National Highway Traffic & Safety Administration (NHTSA) as stated in the Code of Federal Regulations, Title 49, Part 571, Standard 500, Low Speed Vehicles.

To the best knowledge of Columbia ParCar Corp., the material contained herein is accurate as of the date this publication was approved for printing. Columbia Par-Car Corp. is not liable for errors in this manual or for incidental or consequential damages that result from the use of the material in this manual. Columbia ParCar Corp. reserves the right to change specifications, equipment or designs at any time without notice and without incurring obligation.

This manual contains proprietary information that is protected by copyright. All rights are reserved. No part of this manual may be photocopied, reproduced, or translated to another language without the written consent of Columbia ParCar Corp.

Columbia ParCar Corp. products are manufactured under one or more of the following U.S. Patents - 2986162, 2987934, 3116089, 3144631, 3144860, 3229792, 3434887, 3559773, 3673359, 3680403, 3683716, 3709317, 4648473, Des. 225626.



A member of the Nordic Group of Companies  
1115 Commercial Avenue, Reedsburg, WI 53959  
Phone - 608.524.8888 Fax - 608.524.8380  
[www.parcars.com](http://www.parcars.com)

# INDEX

## SECTION 1 Accelerator and Brake Linkage

Bucket Seat Unit – Hand Parking Brake Assembly .....	1-1
Accelerator/Hydraulic Brakes.....	1-3
Hydraulic Brake Pedal Linkage.....	1-7
Master Cylinder, Brake Lines & Fittings.....	1-9
Conversion Kit – Add Front Hydraulic Brakes .....	1-13

## SECTION 2 Steering and Front Suspension

Front Wheel Assembly with Brakes – LH .....	2-1
Hub Assemblies .....	2-3
Steering Column .....	2-4
Front Suspension.....	2-6
Rack & Pinion Assembly.....	2-11
Locking Steering Column.....	2-12

## SECTION 3 Rear Suspension, Motor and Axles

Rear Suspension Axle and Motor .....	3-1
Electric Axle Part Numbers .....	3-5
Motor, Sep Ex, Heavy Duty, W/Tach .....	3-6
T Panel Axle.....	3-7
H12 Axle.....	3-10
T Panel & H 12 Gear Sets .....	3-12
TEAM Axle, HD, 10.4:1 Hyd .....	3-13
Dana Axle Brace .....	3-15
TEAM Hydraulic Brake Assembly .....	3-16
NKL Axle .....	3-18
NKL Axle Hydraulic Brakes.....	3-21
H12 Brakes .....	3-23

## SECTION 4 Body, Seating and Console Instrumentation

Body – SM2.....	4-1
Body – SM4, SUV .....	4-5
Console.....	4-7
Dash.....	4-8
Doors – SUV, SM4.....	4-12
Front Hood & Cover .....	4-14
Front Wraparound Bumper .....	4-15
Hitches .....	4-15
Front Durobumper.....	4-16
Rear Body – SUV-S, SM4.....	4-17
Rear Body – SUV-L .....	4-19
Rear Bumpers.....	4-22
Roof, Headliner & Trim .....	4-23
Bucket Seats.....	4-27
Seat Base – SM4, SUV.....	4-28
Seat Belts.....	4-30

## SECTION 5 Electrical System

Main Wire Harness .....	5-1
Main Wire Harness Schematic Diagram .....	5-2
12 V Accessory Wiring.....	5-3
12 V Accessory Schematic Diagram .....	5-4
12 V Accessory Schematic Circuits .....	5-5
Back-Up Lights Wiring .....	5-6
Back-Up Lights Schematic Diagram .....	5-7
DC/DC Converter Wiring.....	5-8
DC/DC Converter Schematic Diagram .....	5-9
12 V Electrical Accessory Supply .....	5-10



Control Panel Components .....	5-11
Charger & Battery SM4, SUV .....	5-13
Charger & Battery SM2 .....	5-14
Lock Steering Keyswitch Wire Harness & Schematic .....	5-15
Delta Q Charger With Remote LED .....	5-16
Pot Box Adapter Harness .....	5-17

## SECTION 6 Wheels

Wheel Assemblies .....	6-1
------------------------	-----

## SECTION 7 Accessories

Battery Watering System .....	7-1
Decks .....	7-2
Enclosure – SM2.....	7-3
Rails – SUV .....	7-4
Heater .....	7-5
License Plate Light & Reflectors .....	7-6
Mirrors .....	7-7
Speedometer.....	7-8
Roof Strobe Light .....	7-12
Trunk – SUV.....	7-13
Windshield Washer .....	7-14
Windshield Wipe and Schematic .....	7-15
SM2 – SM4 Rear Facing Seat .....	7-17
SM2 – SM4 Cargo Rear Facing Seat .....	7-20
SM2 – TN Cargo Rear Facing Seat .....	7-23
SM2 – TN Rear Facing Seat.....	7-26
Hitches & Rear Bumper w/Receiver .....	7-29
Dome Light.....	7-30
Rails – SM4.....	7-31
Deck Extension, SUV-L .....	7-32
Overhead Rack, SUV-S, SUV-L, SUV-S W/EXT .....	7-33
Van Enclosure SUV-S.....	7-34
Van Enclosure SUV-L.....	7-35
Extended Rails SUV-L .....	7-36
Dropside SUV-S.....	7-37
Dropside SUV-L .....	7-38
Dropside SUV-L EXT .....	7-39
Dropside SM4 .....	7-40
Cab Fan .....	7-42

## SECTION 8 AC Power System

Power System & Connections .....	8-1
AC Harness.....	8-3
Assembly, Hydraulic Pedal, Pad.....	8-6

### Note:

Starting in February of 2015, Columbia started implementing the use of textured black paint instead of satin black on certain accessories. When ordering black coated parts it may be necessary to state if they have the satin finish or the textured finish.

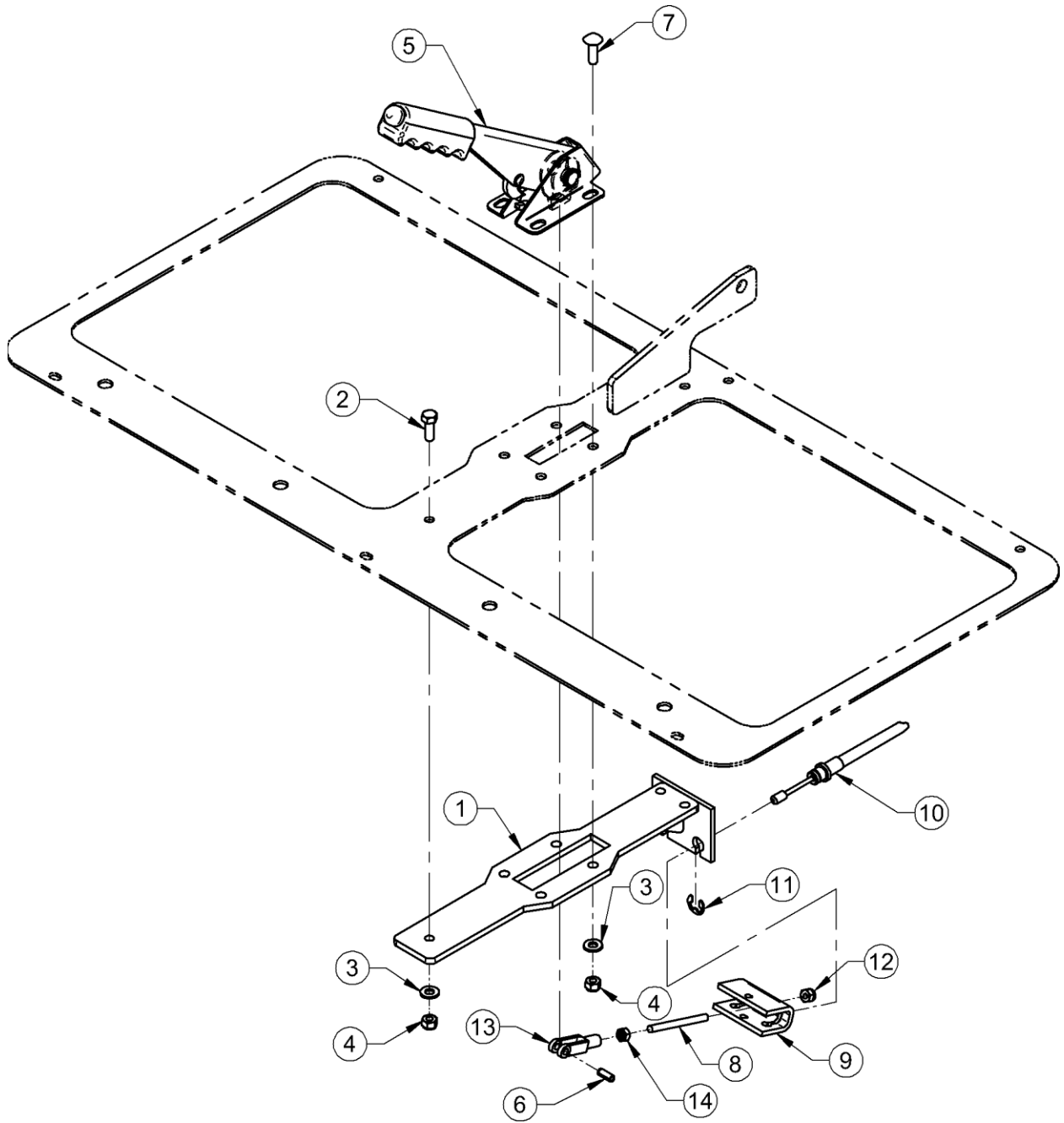
<b>CHANGE HISTORY SUMMIT</b>		
<b>DATE</b>	<b>DESCRIPTION</b>	<b>BY</b>
12/17/10	Issued	TS
11/4/14	Added lift kit items.	TS
11/18/14	Added H12 brakes	TS
12/9/14	Added oil seal and dust cover kit hydraulic brakes	TS
1/5/15	Added locking steering	TS
1/6/15	Updated overhead rack	TS
2/10/15	Updated heater information	TS
3/3/15	Added note about the black finish changing	TS
4/1/15	Updated front and rear suspension	TS
4/30/15	Changed front caliper	TS
5/19/15	Added cab fan	TS

# Summit Parts Manual

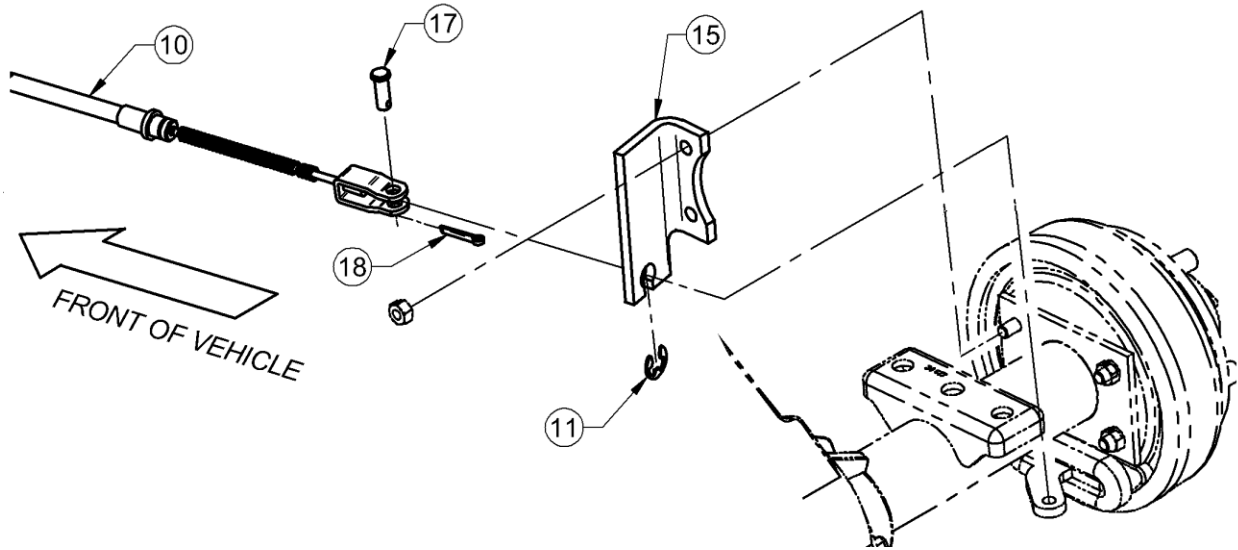
## Section 1

### Accelerator and Brake Linkage

# BUCKET SEAT UNIT – HAND PARKING BRAKE ASSEMBLY



## BUCKET SEAT UNIT – HAND PARKING BRAKE ASSEMBLY (Cont.)

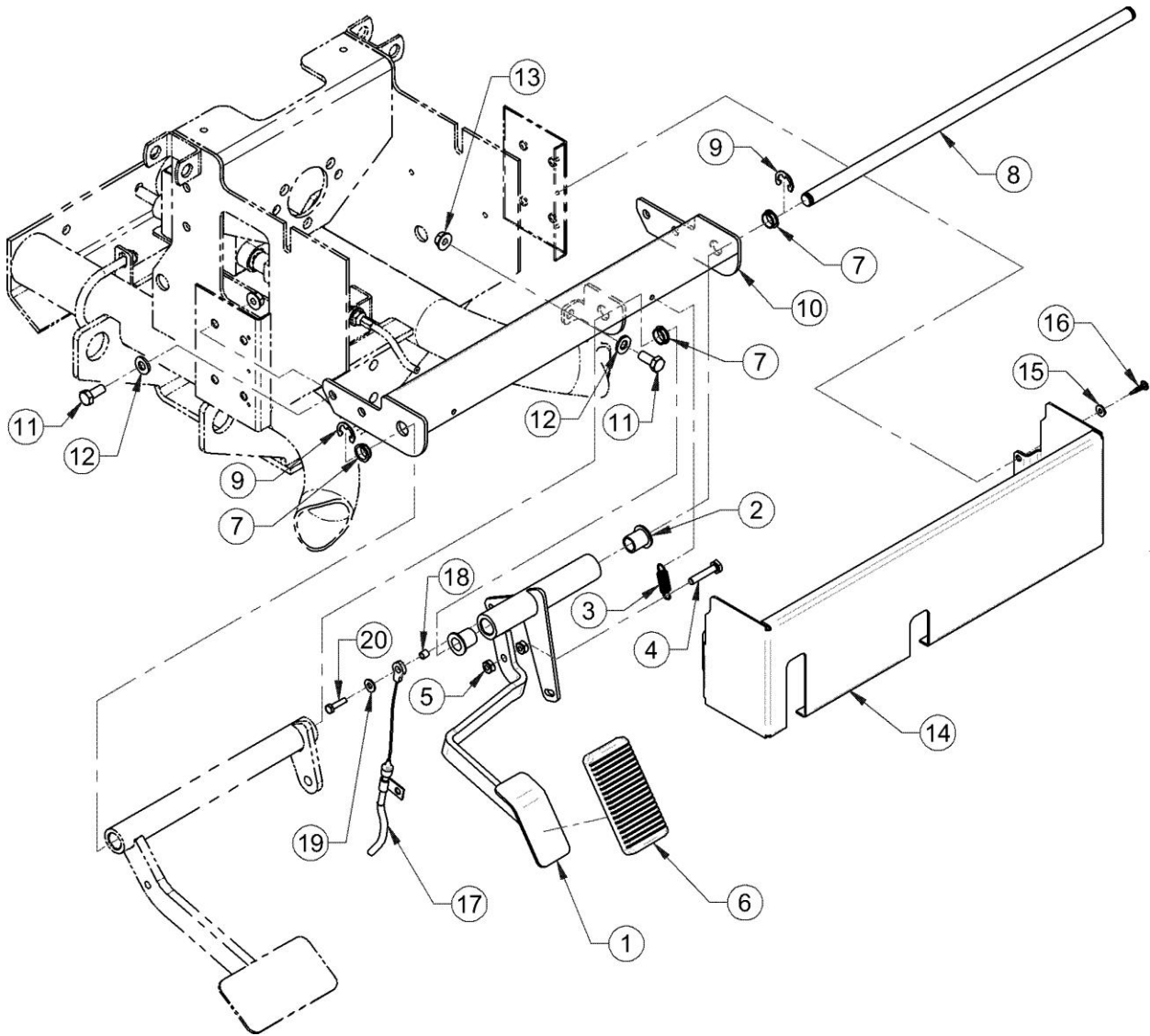


ITEM	CPC P/N	DESCRIPTION	QTY	SI P/N
1	51520-10	STIFFENER, SEAT BASE	1	307526
2	3991	SCREW, 5/16-18 X 7/8, HEX HEAD CAP, GR 5	3	719643
3	6702-B	WASHER, 5/16 FLAT, STEEL	7	719810
4	7739	NUT, 5/16-18, NE, NYLOC, GR A	7	719892
5	41721-04	PARKING BRAKE HANDLE, SEAT MOUNTED	1	509905
6	625	ROLL PIN, Ø1/4 X 5/8	1	719121
7	5400-BS	BOLT, 5/16-18 X 1, CARRIAGE, GR 5	4	719744
8	41512-08	ROD, 1/4 -28 X 3.00	1	719364
9	42402-89	BRAKE CABLE EQUALIZER	1	509154PL
10	42370-02	CABLE, BRAKE, 42" (USED ON S2 )	2	709818
10A	42371-02	CABLE, BRAKE, 51" (USED ON SUV-S)	2	709819
10B	41860-06	CABLE, BRAKE, 69 3/8" (USED ON S4 & SUV-L)	2	719209
10C	42400-89B	CABLE, BRAKE, 48" MECH BRAKES	2	709091
11	11040	E-RING	4	719515
12	7683	NUT 1/4-28, NE, NYLOC, GR A	1	719877
13	73062-86A	YOKE, CLEVIS, 1/4-28 RH	1	719854
14	7676	NUT, 1/4-28, HEX, FULL, GR 2	1	719874
15	47756-88	BRACKET, BRAKE CABLE, PASSENGER	1	510209
16*	47757-88	BRACKET, BRAKE CABLE, DRIVER	1	510210
17	497	CLEVIS PIN, 5/16 X 7/8 YELLOW/ZINC	1	719713
18	520-W	PIN, COTTER 1/8 X 1 YELLOW/ZINC	1	719728

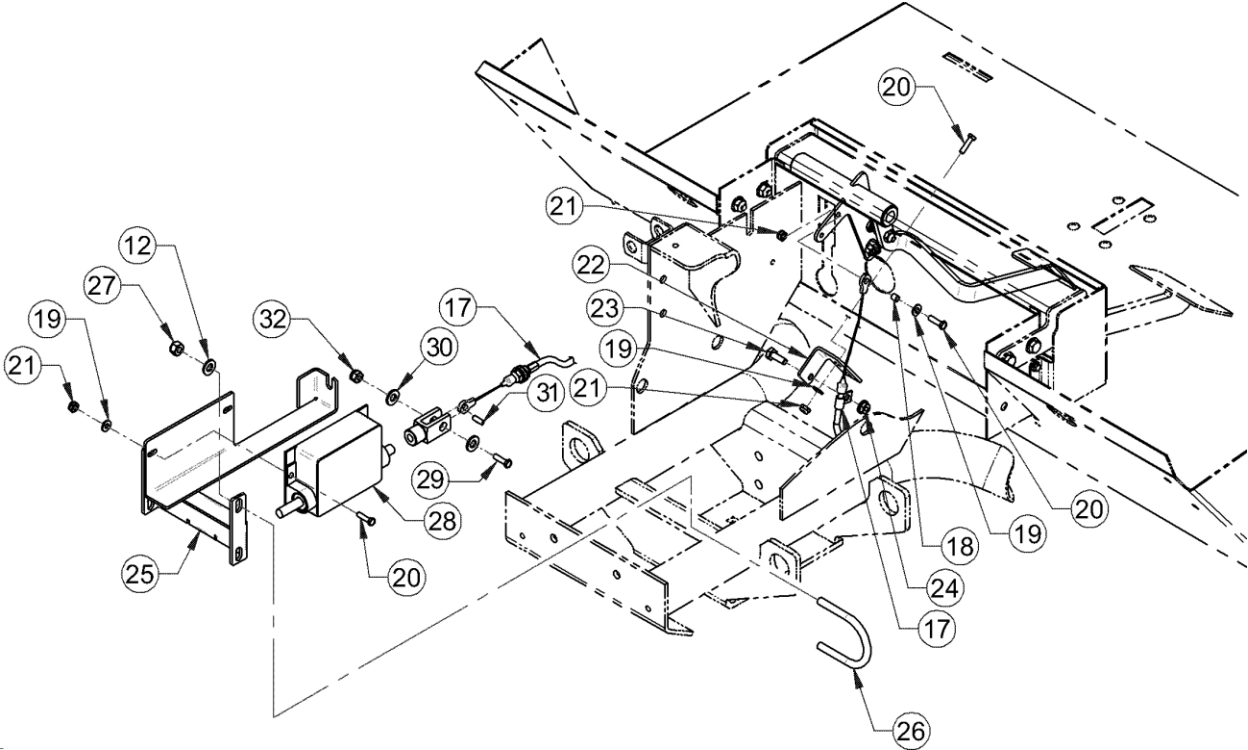
\* NOT SHOWN



# ACCELERATOR/HYDRAULIC BRAKES



ACCELERATOR/HYDRAULIC BRAKES (Cont.)



## ACCELERATOR/HYDRAULIC BRAKES (Cont.)

ITEM	CPC P/N	DESCRIPTION	QTY	SEATS P/N
1*	40580-02	ASSEMBLY, ACCELERATOR PEDAL INCLUDES ITEMS 2 & 4 -6	1	461524
2	10514	BEARING, .50" ID X .62" OD X .75" L, FLANGED	1	719262
3	11816	SPRING, ACCELERATOR PEDAL RETURN	1	709711
4	3993	SCREW, 1/4-20 X 1-1/4, HHCS, GR 5	1	719644
5	7688-B	NUT, 1/4-20, HEX, FULL, GR 2	1	719880
6	40582-02	PAD, ACCEL PEDAL	1	709808
7	10515	BEARING, CLIP, .500" I.D.	3	719093
8	42361-02	ROD, PEDAL PIVOT	1	709817
9	11040	E-RING, .562, REINFORCED PHOS	1	719515
10	106725	PEDAL MOUNT	1	306725
11	3987-BS	SCREW, 5/16-18 X 3/4, HHCS, GR 5	1	719642
12	6702-B	WASHER, 5/16, SAE FLAT	2	719810
13	7525	NUT, 5/16-18, SERRATED FLANGE LOCK, GR A	1	719864
14	42434-02	COVER, PEDAL MODULE	1	510411
15	6912-B	WASHER, # 8, SAE FLAT	1	719817
16	2653-B	SCREW, 10-16 X 3/4, HWH, TEK	1	719583
17**	40553-07A	CABLE, SPEEDSWITCH	1	760641
18	5760	SPACER, .192 ID X .25 OD X .25 THK, BRASS	1	719769
19	6716	WASHER, #10, SAE, FLAT	3	719812
20	2339	SCREW, 10-24 X 3/4", HHMS	3	719551
21	7624	NUT, 10-24, NM NYLOC, GR A	3	719870
22**	70228-07	TAB, CABLE MOUNTING	1	511335
23**	3787-B	SCREW, 1/4-20 X 3/4, HHCS, G5	1	719636
24**	7724-B	NUT, 1/4-20, SERRATED FLANGE LOCK, GR A	1	719887
25**	40551-07	MOUNTING BRACKET -LINEAR ACCELERATOR	1	308613
26**	5211	U-BOLT, 5/16-18 X 2 11/16" DP X 2" W X 1" THD	1	719734
27**	7739	NUT, 5/16-18, NE, NYLOC, GR A	1	719892
28	70226-07	LINEAR ACCELERATOR DEVICE	1	759803
29**	708649	SCREW, 10-24X1 1/4 HH	1	708649
30**	6716	WASHER, # 10	2	719812
31**	759824	SPACER, NYLON	1	759824
32**	7624	NUT, 10-24 NYLOCK	1	719870
33*	15050-02	PEDAL ASSEMBLY, BRAKE & ACCELERATOR (INCLUDES ITEMS 1, 3, 7 – 10, & BRAKE PEDAL COMPONENTS)	1	460161

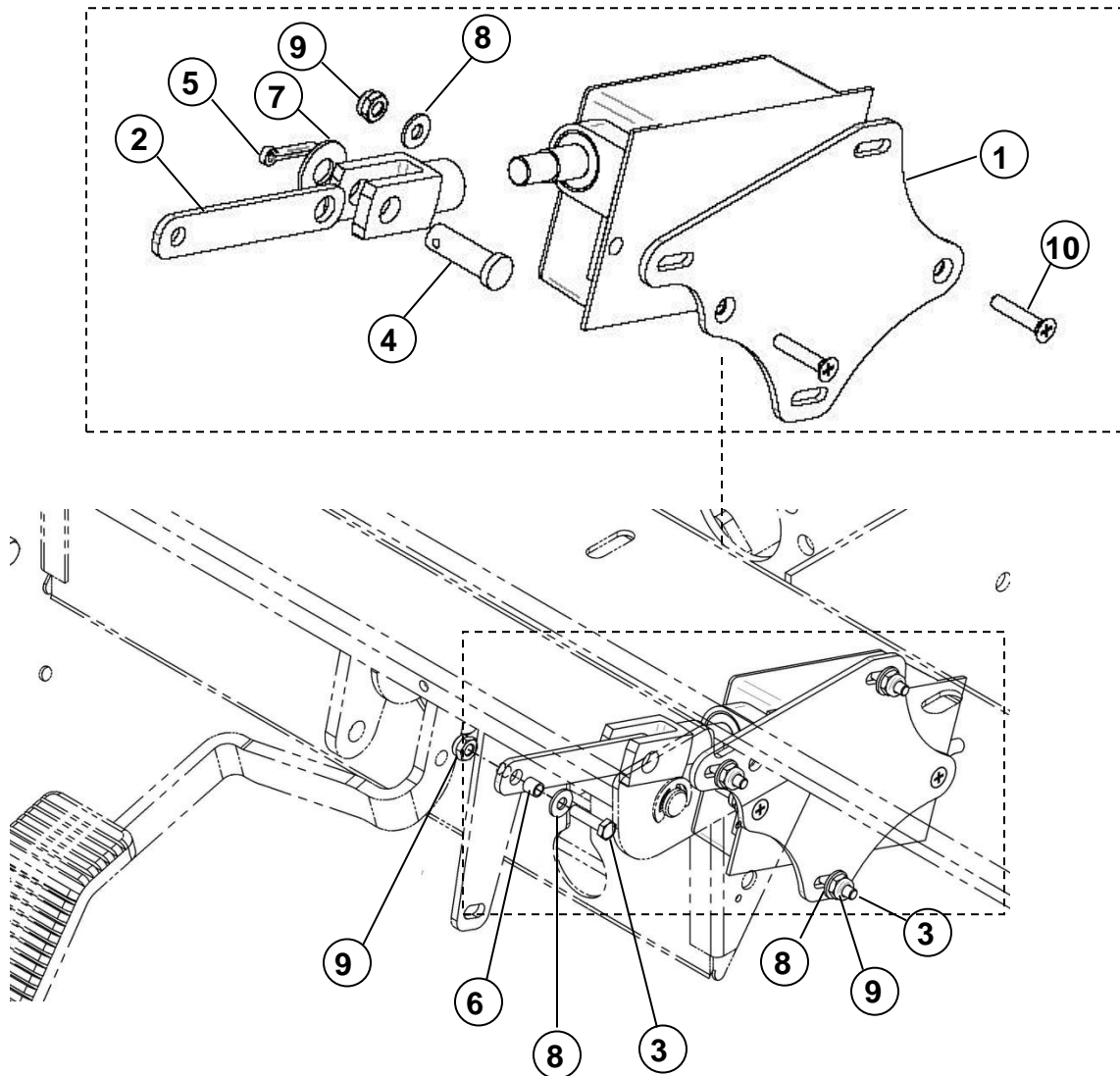
\* ITEM NOT SHOWN

\*\* See page 6. These parts are not used on vehicles equipped with a LAD push rod link.

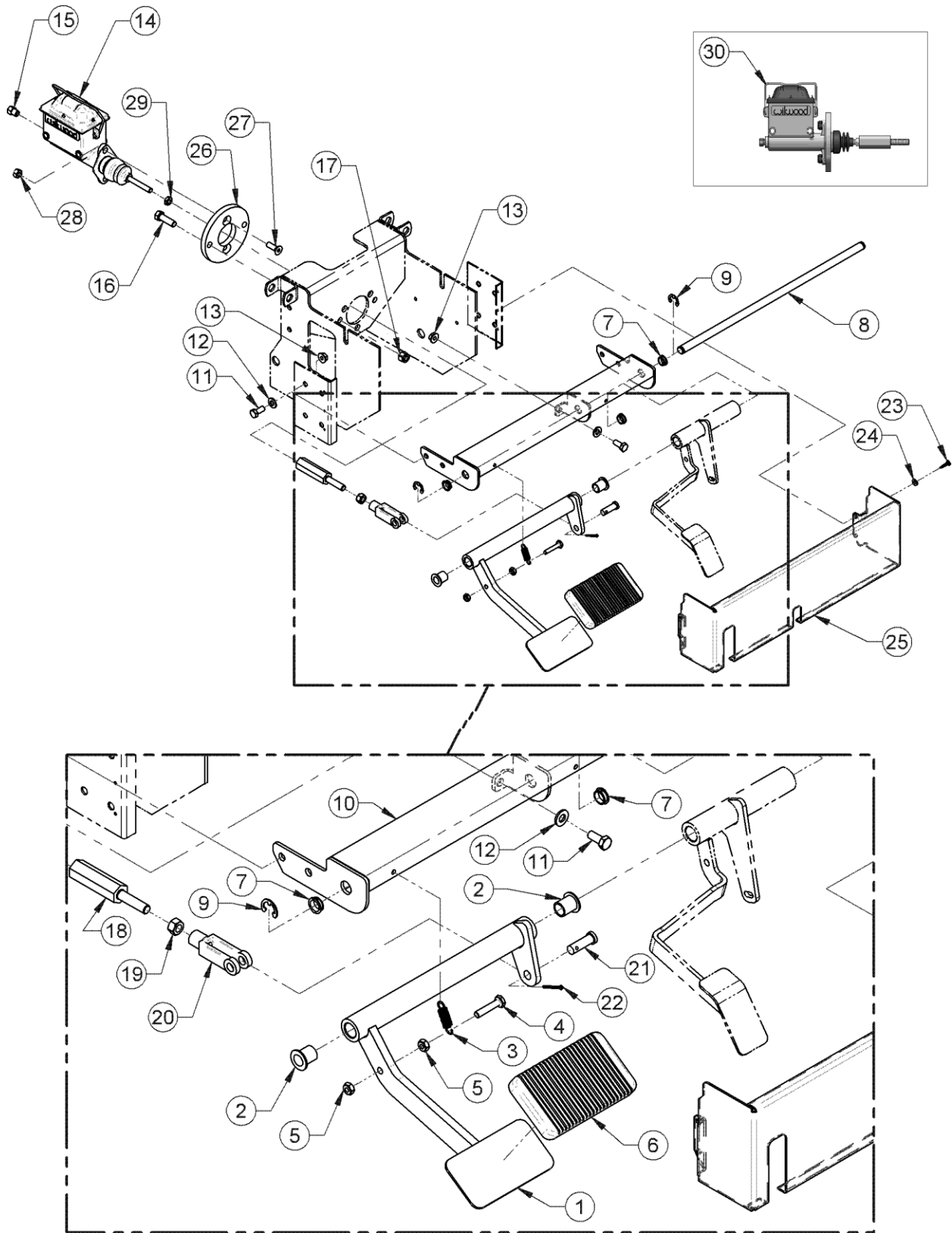
## ACCELERATOR/HYDRAULIC BRAKES (Cont.)

ITEM	CPC P/N	DESCRIPTION	QTY	SEATS P/N
1	43250-10	LAD PUSH LINK MOUNT PLATE	1	513454
2	43251-10	LAD PUSH LINK	1	513455
3	2339	SCREW, 10-24X3/4 HEX HD	4	719551
4	516	CLEVIS PIN, 3/8X1 1/8	1	719727
5	520-W	PIN, COTTER 1/8X1	1	719728
6	5760	SPACER, BRASS	1	719769
7	6000-B	WASHER 5/16	1	719771
8	6716	WASHER, # 10	9	719812
9	7624	NUT, 10-24 NYLOCK	6	719870
10	925	SCREW, 10-24X1, PFH	2	781603
N/A	40670-10	KIT, LAD PUSH LINK	1	192056U

See Technical Service Bulletin SB 10-010 for this installation.



# HYDRAULIC BRAKE PEDAL LINKAGE



## HYDRAULIC BRAKE PEDAL LINKAGE (Cont.)

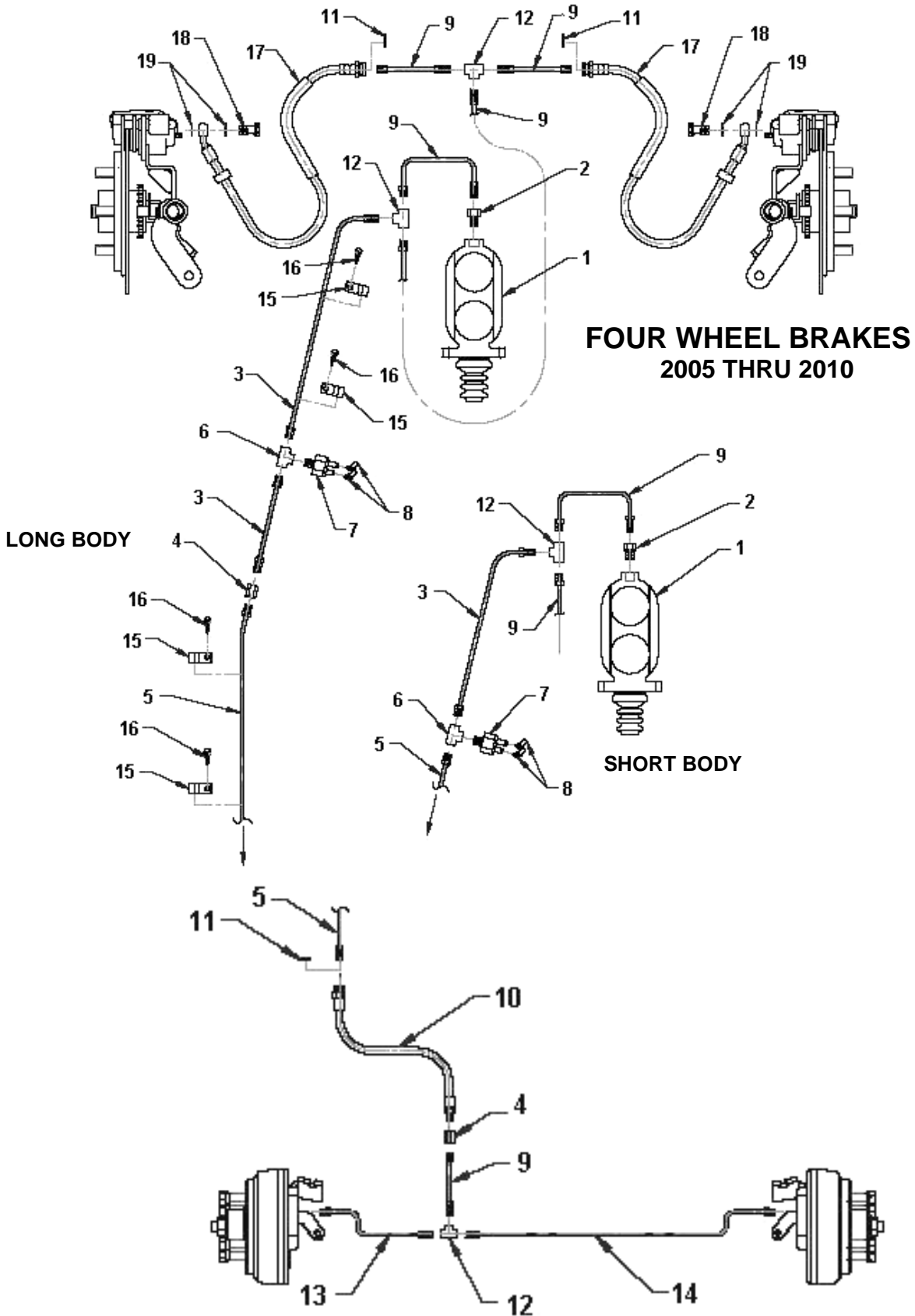
ITEM	CPC P/N	DESCRIPTION	QTY	SEATS P/N
1	*	BRAKE PEDAL ASSEMBLY (INCLUDES ITEMS 2 & 4 - 6)	1	461747
2	10514	BEARING,FLANGED, .50" ID X .62" OD X .75" L	2	719262
3	11816	SPRING, ACCEL PEDAL RETURN	1	709711
4	3993	SCREW, 1/4-20 X 1-1/4, HHCS, G5	1	719644
5	7688-B	NUT, 1/4-20, HEX FULL, GR 2	2	719880
6	42438-02	PAD, HYDRAULIC BRAKE	1	709807
7	10515	BEARING CLIP, .500" I.D.	3	719093
8	42361-02	ROD, PEDAL PIVOT	1	709817
9	11040	E-RING, .562 REINFORCED PHOS	2	719515
10	42433-02	WLDMT, PEDAL MOUNT	1	306725
11	3987-BS	SCREW, HEX HEAD CAP 5/16-18X3/4 G5	5	719642
12	6702-B	WASHER FLT STL 5/16 BLK MAXCOAT	5	719810
13	7525	NUT 5/16-18 GR A SERRATED FLNG LOCK	5	719864
14	41853-09	MASTER CYL, BRAKE, 1" BORE (See Note)	1	760535
14A	41858-08	MASTER CYL, BRAKE, .75" BORE		760318
15	41224-00	ADAPTER, HYD BRAKE 1/2-20 TO 3/16"	1	709618
16	4716-W	SCREW, HX HD CAP 3/8-16 X 1 ¼ G5	2	719694
17	7778	LOCKNUT, 3/8 - 16 HEX NYLOK	2	719902
18	41868-08	PUSH ROD ADAPTOR	1	760319
19	7800-W	NUT 3/8-24 GR 2 HEX FULL YWZC	1	719903
20	73066-02	CLEVIS #53 3/8-24 ADJ YOKE END YWZC	1	719855
21	516	CLEVIS PIN, 3/8X1-1/8 YELLOW/ZINC	1	719727
22	533	COTTER PIN 5/64 X 1 18-8 STAINLESS	1	719743
23	2653-B	SCREW,10-16 X 3/4,HWH,TEK,HC BLK	4	719583
24	6912-B	WASHER, #8 TYPE A PLAIN, BLACK ZINC	4	719817
25	42434-02	SURROUND PEDAL MODULE	1	510411
26	47094-08	MASTER CYLINDER ADAPTOR PLATE	1	512625
27	781154	SCREW, 5/16-18 X 1, FSHCS	2	781154
28	7739	NUT, 5/16-18, NYLOC, GR A	2	719892
29	7744	NUT, 5/16-24, HEX JAM, GR 2	1	719895
30	41853-94A	MASTER CYLINDER ASSEMBLY 1" BORE (Includes Items 9,15, 18, 26,27 & 28 – See Note)	1	467635
30A	41858-95A	MASTER CYLINDER ASSEMBLY .75" BORE (Includes Items 9,15, 18, 26,27 & 28)	1	467595

\* SPECIAL ORDER

\*\* NOT SHOWN

NOTE: Must be used for vehicles with 4 wheel brakes.

# MASTER CYLINDER, BRAKE LINES & FITTINGS

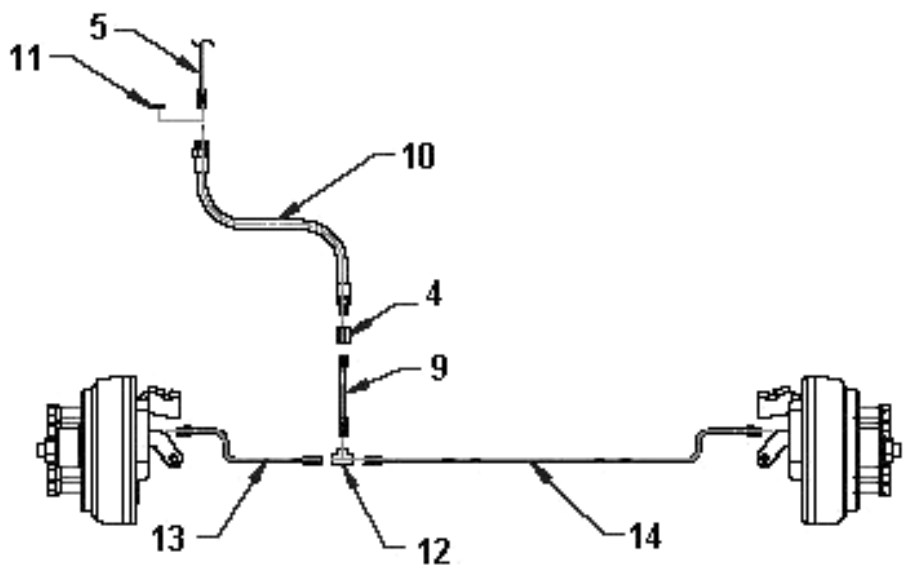
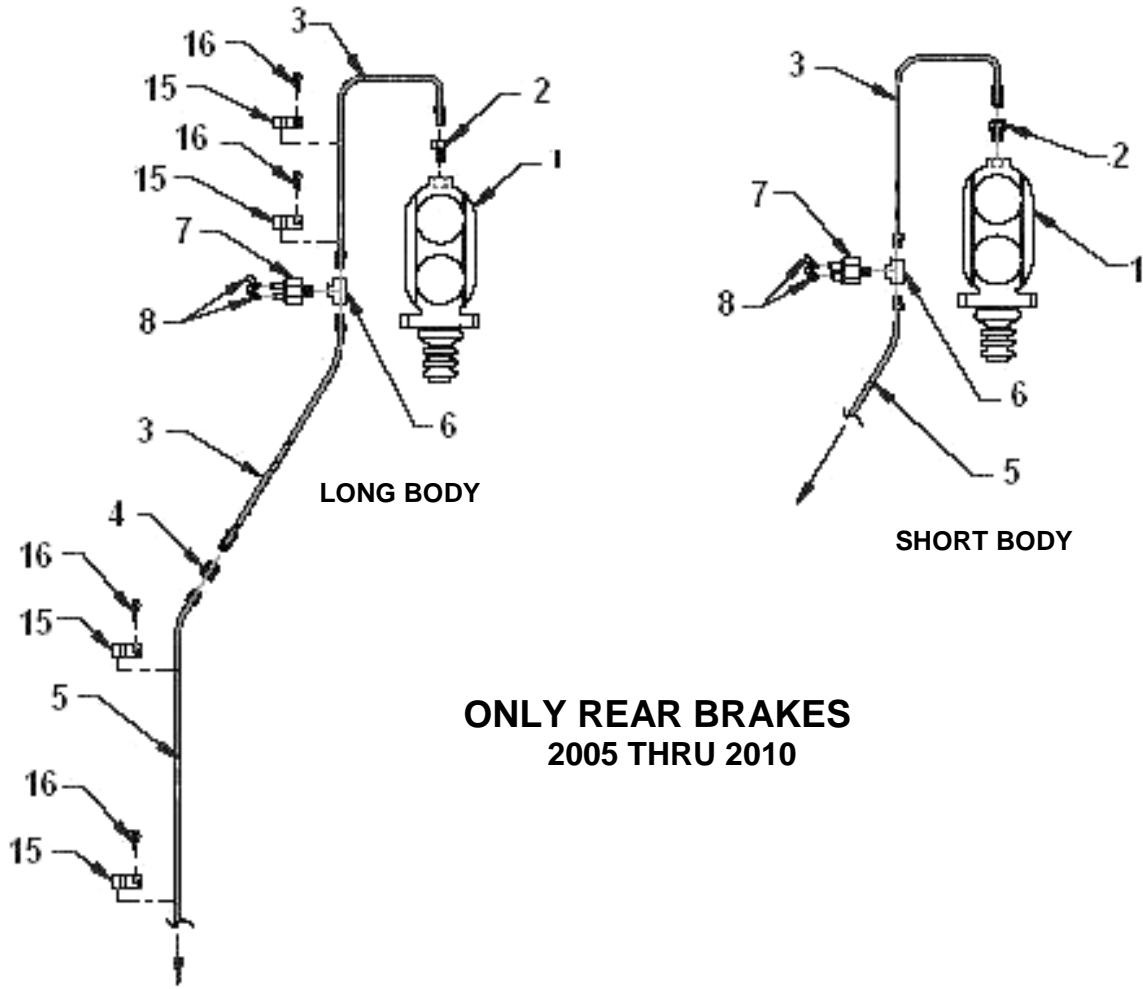


**FOUR WHEEL BRAKES  
2005 THRU 2010**

LONG BODY

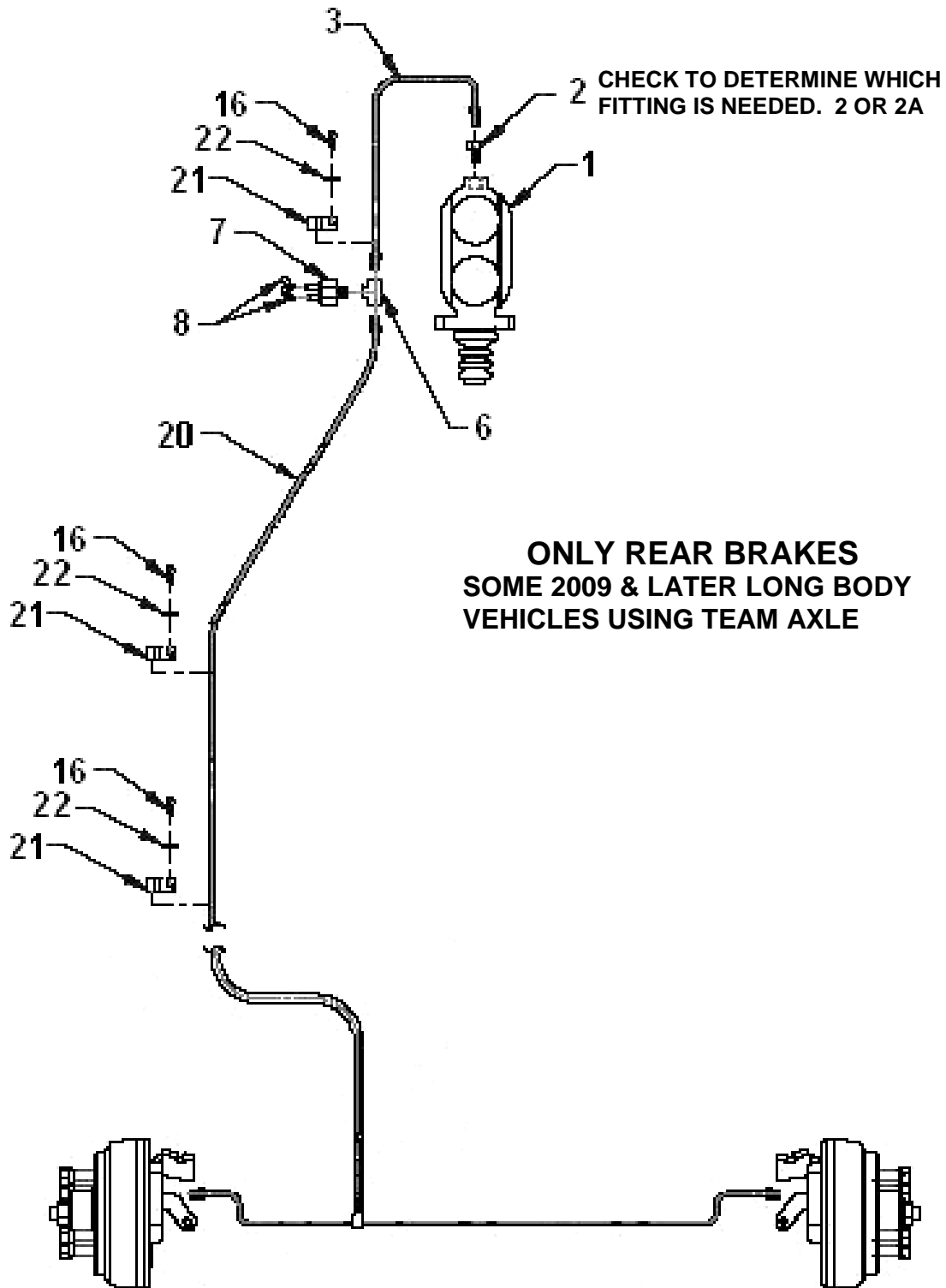
SHORT BODY

MASTER CYLINDER, BRAKE LINES & FITTINGS (Cont.)





# MASTER CYLINDER, BRAKE LINES & FITTINGS (Cont.)



**MASTER CYLINDER, BRAKE LINES & FITTINGS (Cont.)**

ITEM	CPC P/N	DESCRIPTION	QTY	SEATS P/N
1	41858-08	MASTER CYLINDER BRAKE, .750" BORE	1	760318
2	41224-08	CONNECTOR, BRASS 3-1/2	1	709618
2A	41827-93	ADAPTER, HYD., BRASS 1/2-20 TO 3/16"	1	709828
3	41222-00	LINE, BRAKE, 3/16 X 20"	*	709358
4	41206-00	UNION, INVERTED FLARE, 3/16	*	719657
5	41220-00A	LINE, BRAKE, 3/16 X 60"	1	759841
6	69729-00	CONNECTOR, 3-WAY	1	508959
7	41212-00	SWITCH, BRAKE LIGHT	1	709749
8	69708-00	TERMINAL,#10 STUD-TO-1/4 MALE TAB	2	719825
9	41431-02	LINE, BRAKE, 3/16 X 4"	*	709812
10	41216-00	HOSE, HYDRAULIC, FLEX, 18"	1	709430
11	11040	E-RING, .562 REINFORCED PHOS	*	719515
12	41842-94	UNION TEE, 3/16" HYDRAULIC BRAKE TUBE	*	709377
13	41223-00	LINE, BRAKE, 3/16 X 8"	*	709601
14	41440-02	LINE, BRAKE, 3/16 X 30"	*	709232
15	9982	CLAMP STEEL TUBING 1/4	*	719756
16	2653-B	SCREW, 10-16 X 3/4, HWH, TEK, HC BLK	*	719583
<b>ITEMS 17-19 USED ON FOUR WHEEL BRAKE VEHICLES ONLY</b>				
17	41837-96	BRAKE HOSE, HYDRAULIC, FLEX, 19.50"	2	709635
18	41873-04	BOLT, BANJO, M10 X 1.25 X 20 MM (Torque to 20 – 22 ft. lbs.)	2	719423
19	41742-96	GASKET, BRAKE FITTING	4	709387
20	43010-10	HOSE, BRAKE, HYD FLEX	1	760630
21	**	CLAMP, 1/4 STL TUBE	*	781590
22	6716	WASHER # 10	*	719812

\* AS REQUIRED PER YOUR VEHICLE

\*\* SPECIAL ORDER

**CONVERSION KIT- ADD FRONT HYDRAULIC BRAKES - SMT**  
(for vehicles with rear hydraulic brakes and lift kit)

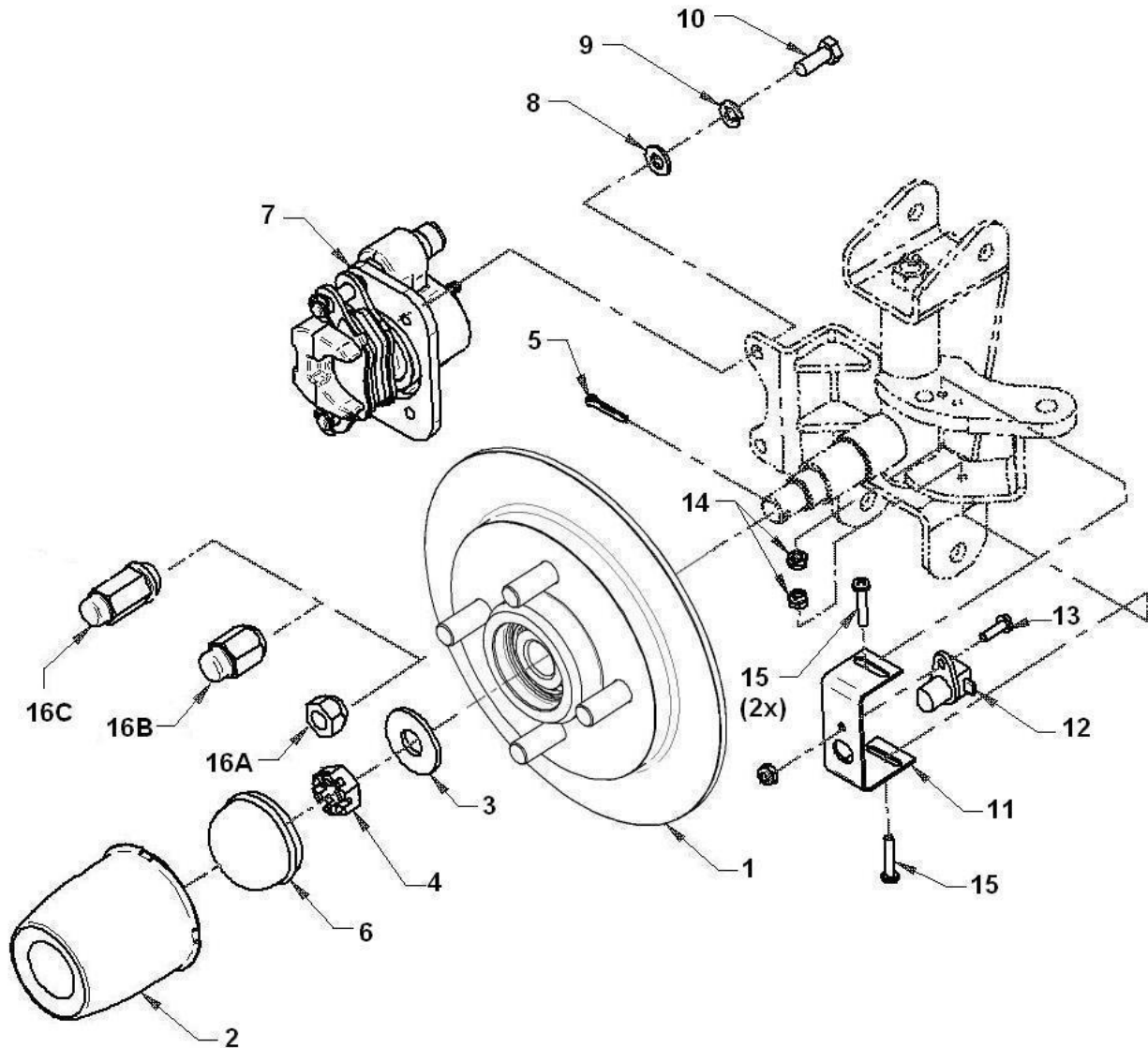
<b>ITEM</b>	<b>CPC P/N</b>	<b>DESCRIPTION</b>	<b>QTY</b>	<b>SEATS P/N</b>
1	42710-10	KIT, FRONT WHEEL BRAKE CONVERSION – 4 LUG	1	191930U
2	42715-10	KIT, FRONT WHEEL BRAKE CONVERSION – 5 LUG	1	192749U

# Summit Parts Manual

## Section 2

### Steering and Front Suspension

## FRONT WHEEL ASSEMBLY WITH BRAKES, Left Hand - SM



### NOTES:

1. Item 10 – Torque to 17 ft. lbs,
2. Item 11 - Torque to 65 ft. lbs. against wheel.
3. Torque mount/pad-pin Allen bolts to 32 – 36 ft, lbs, (Not shown)
4. Item 4. Tighten until resistance is felt when turning wheel hub to preload bearing then back off until cotter pin can be inserted
5. Lightly grease spindles to facilitate assembly

**FRONT WHEEL ASSEMBLY WITH BRAKES, Left Hand – SM (Cont.)**

ITEM	CPC P/N	DESCRIPTION	QTY	SEATS P/N
*1	41033-08	HUB DISC ASSEMBLY, 4 LUG SPEEDOMETER TARGET (4 Wheel HYD only)	1	467763
1A	43482-07	HUB DISC ASSEMBLY, 5.63 OD 4 LUG (2 Wheel HYD and Mech)	1	467762
1B	43488-07	HUB DISC ASSEMBLY, 4.90 OD (2 Wheel HYD and Mech)	1	467765
1C	41034-08	HUB DISC ASSEMBLY	1	467764
1D	43483-07	ASSY, HUB 5.63 OD, 5 LUG	1	467761
2	40513-04	CAP, CHROME CENTER, 13" WHEEL	1	719387
*	45200-10	CAP, CHROME/BLACK	1	760621
3	6655-B	WASHER, 9/16", FLT STL STD	1	719808
4	7947-B	NUT, 5/8-18 SLOTTED HEX, GR 2	1	719915
5	520-W	PIN, COTTER 1/8 X 1	1	719728
6	43646-79	HUB GREASE CAP	1	709018
7	44013-15	BRAKE CALIPER, FRONT, RAZORBACK (See Note)	1	761212
*	41286-07	BRAKE PAD KIT (ROUND EARS)	2	759847
8	6702-B	WASHER, 5/16", FLT STL	1	719810
9	7041-B	WASHER, 5/16", REG SPRING LOCK	1	719838
10	3439	BOLT, M8 X 1.25 X 20, 8.8 GRADE	1	719619
11	16220-04	BRACKET, SPEEDO SENSOR, SUMMIT	1	510880
12	74888-04	SENSOR, SPEEDO	1	719499
13	2665	SCREW, 10-24 X 5/8, PHILLIPS PHM	1	719584
14	7624	NUT, 10-24, NM NYLOC, GR A	4	719870
15	2595	SCREW, 10-24 X 1, PHILLIPS PHM	3	719567
16A	43152-66	NUT, 1/2-20, STANDARD WHEEL LUG	4, 5	709002
16B	43154-04	NUT, 1/2-20, CHROME WHEEL LUG	4, 5	719332
16C	43155-04	NUT, 1/2-20, ALUMINUM WHEEL LUG	4, 5	719388

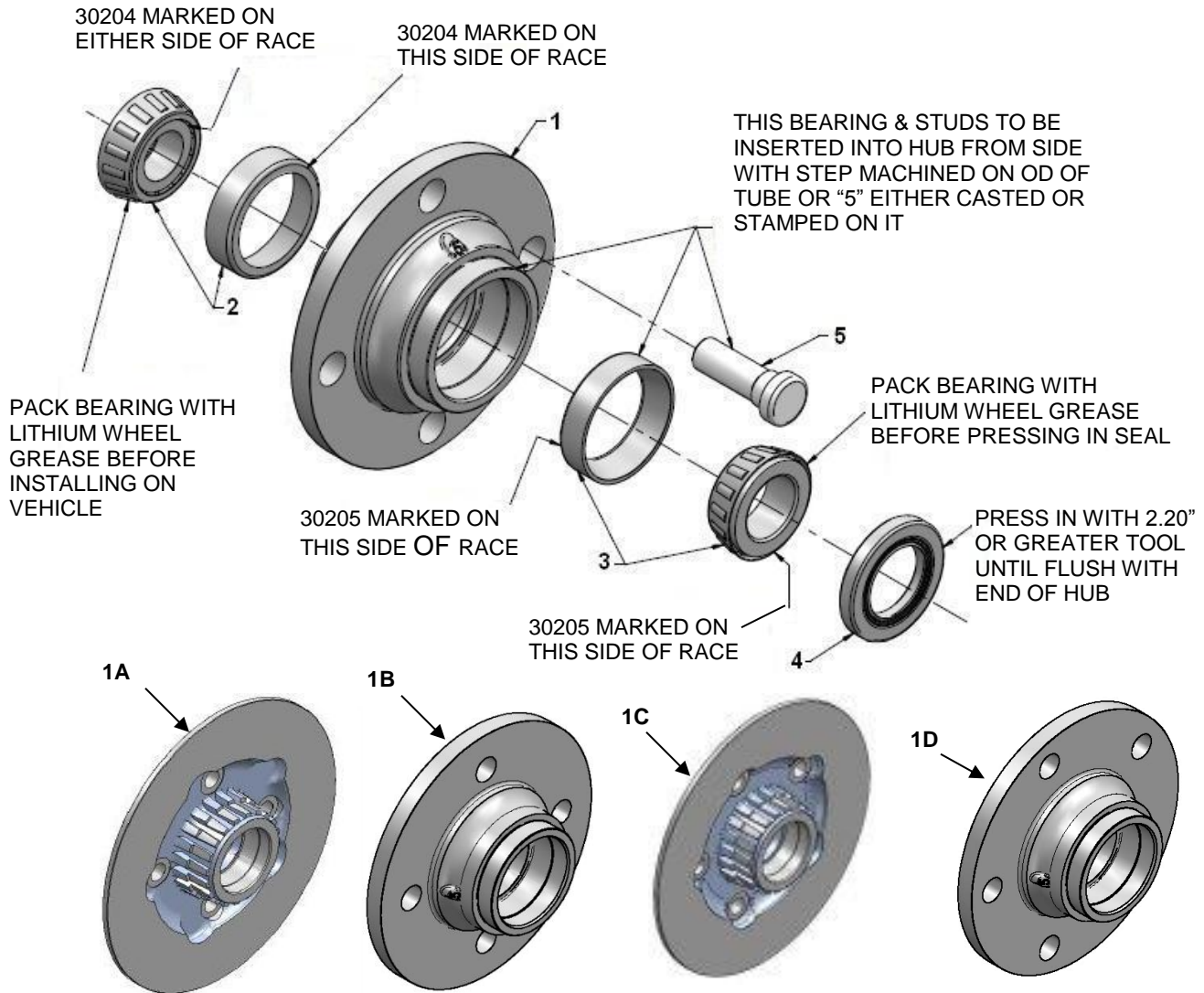
\* ITEM NOT SHOWN

NOTE: Brake pad for this caliper is P/N 44014-15

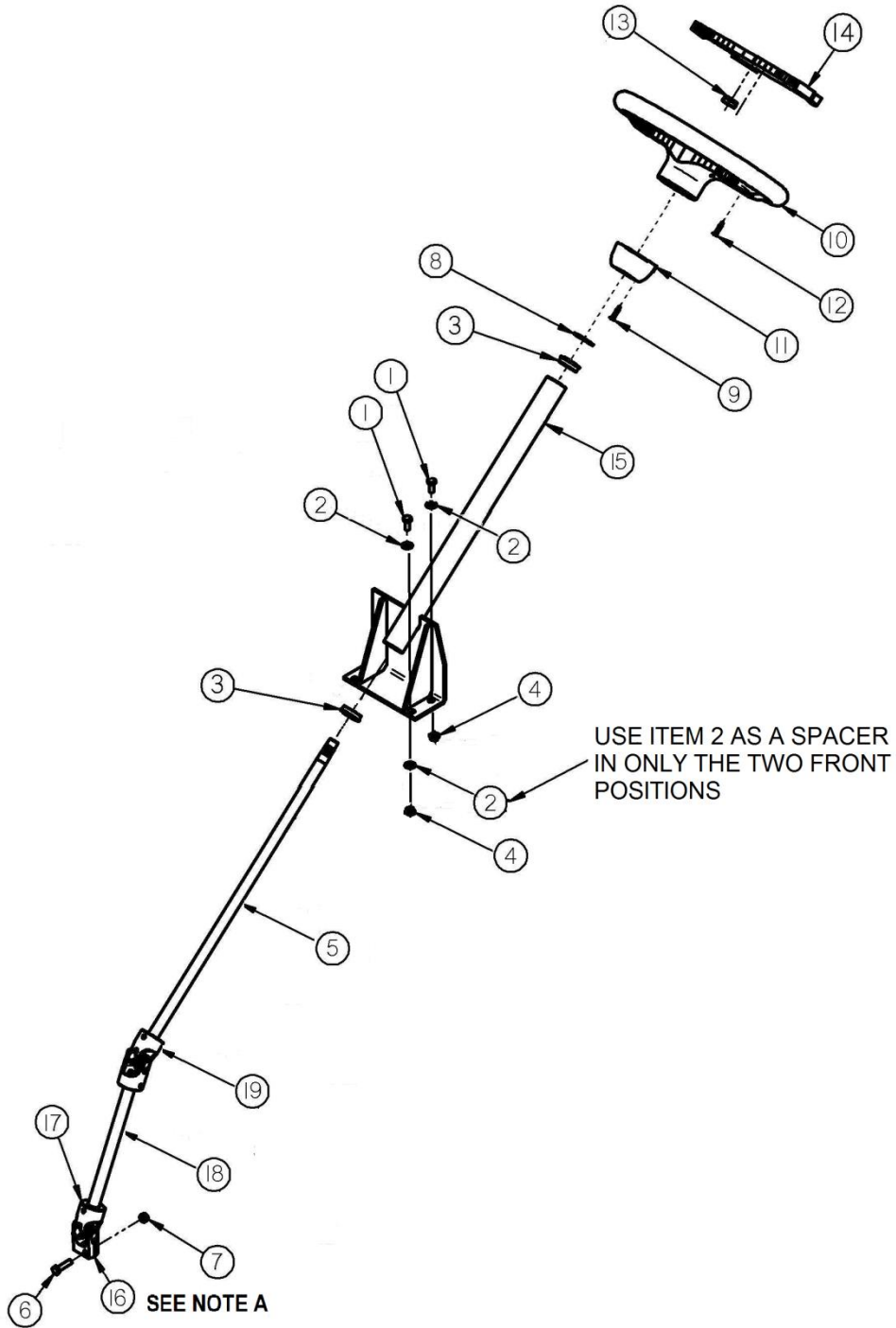
## HUB ASSEMBLY - SM

ITEM	CPC P/N	DESCRIPTION	QTY	SEATS P/N
1	*	HUB, 4.90" FLNG, 4 HOLE	1	759875
1A	*	HUB/DISC, 4 HOLE	1	759867
1B	*	HUB, 5.63" OD FLNG, 4 HOLE	1	759869
1C	*	HUB/DISC 5 HOLE	1	759865
1D	*	HUB, 5.63" OD FLNG, 4 HOLE	1	759868
2	83038-07	TAPERED RLR BEARING, 20MM ID (30204)	1	759844
3	83039-07	TAPERED RLR BEARING, 25MM ID (32005X)	1	759843
4	12030	SEAL, OIL	1	709017
5	41199	WHEEL BOLT, 1/2-20 X 1-1/2 G5 YELLOW	4	719655
6	43488-07	ASSY, HUB, BEARINGS, SEAL (Contains Items 1, 2 - 5)	1	467765
6A	41033-08	ASSY, HUB, BEARINGS, SEAL (Contains Items 1A, 2 - 5)	1	467763
6B	43482-07	ASSY, HUB, BEARINGS, SEAL (Contains Items 1B, 2 - 5)	1	467762
6C	41034-08	ASSY, HUB, BEARINGS, SEAL (Contains Items 1C, 2 - 5)	1	467764
6D	43483-07	ASSY, HUB, BEARINGS, SEAL (Contains Items 1D, 2 - 5)	1	467761

\* ONLY AVAILABLE AS ITEMS 6 OR 6ABCD



# STEERING COLUMN - SM





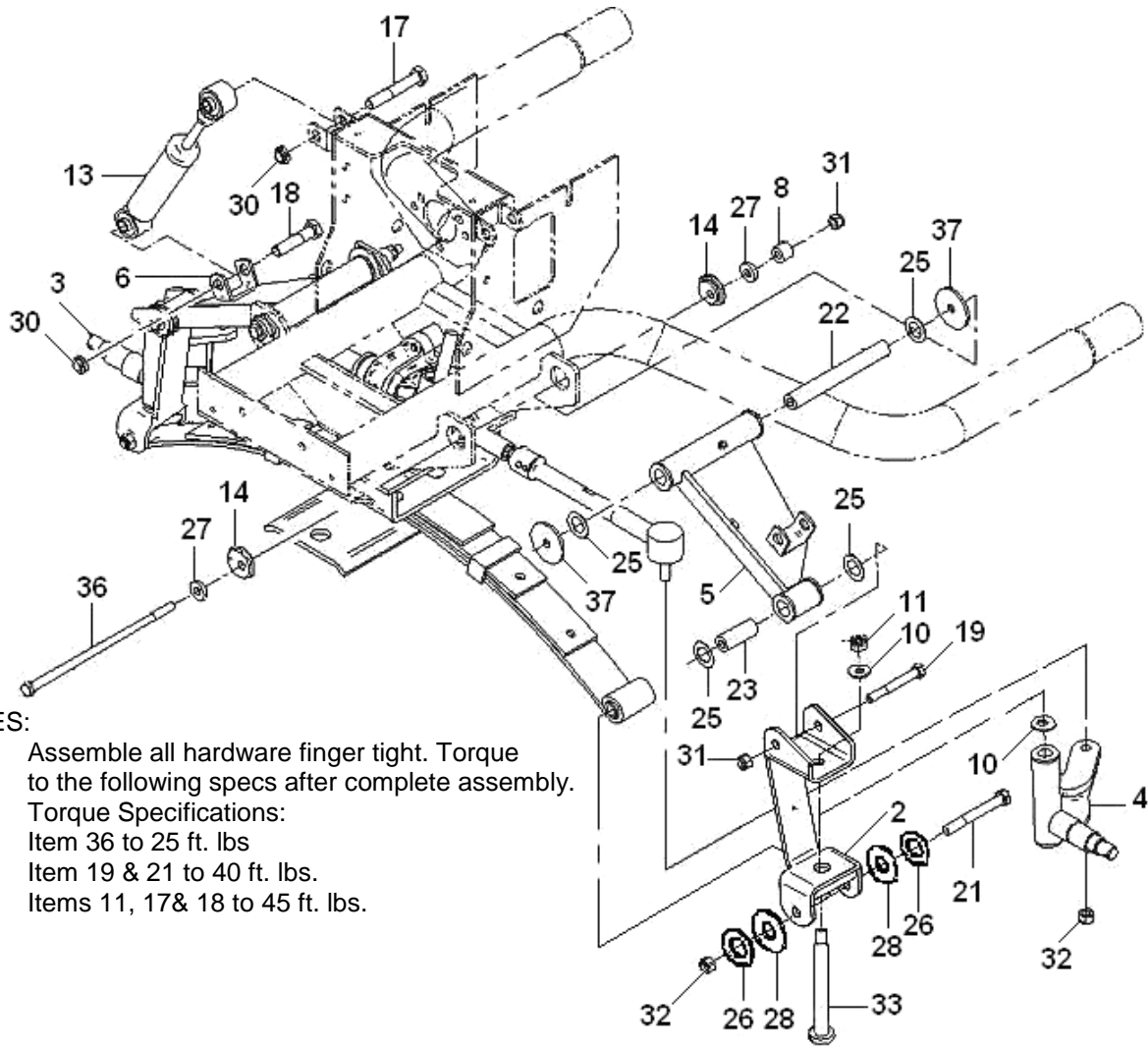
### STEERING COLUMN – SM (Cont.)

ITEM	CPC P/N	DESCRIPTION	QTY	SEATS P/N
1	3987-BS	SCREW, HEX HEAD CAP 5/16-18X3/4 G5	4	719642
2	6702-B	WASHER FLT STL 5/16 BLK MAXCOAT	4	719810
3	9029	BALL BEARING, .75 ID	2	709023
4	7525	NUT 5/16-18 GR A SERRATED FLNG LOCK	4	719864
5	57101-08	STEERING SHAFT ASSY, 39.197" OAL	1	759916
*	57700-10	STEERING SHAFT ASSY, LOCKING	1	309871
6	3925	SCR, 5/16-18 X 1-3/4 HHCS, G8, ZC	1	708746
7	57112-11	NUT, 5/16-18, NYLOK G8, YWZC	1	781120
8	6656	BUSHING 3/4 X 1-1/2 X 14GA WIDE RIM YWZ	1	719809
9	2638	SCREW, #6X3/4, PPH (USED WITH ITEM 10)	2	719577
10	57069-84	STEERING WHEEL, SPORT	1	709056
10A	57079-03	STEERING WHEEL, 13 1/2"	1	719312
11	57098-98	STEERING HUB COVER (USED WITH ITEM 10)	1	709085
*	57701-10	STEERING HUB COVER (USED WITH ITEM 10A)	1	719313
*	57011-03	STEERING CENTER, 4 SPK (USED WITH ITEM 10A)	1	719327
12	2641	SCREW, #10 X 1, PPH, TAPPING, T-A BLACK (USED WITH ITEM 10)	3	729263
13	7995	NUT, 5/16-18 GR A NTE NYLON JAM INSERT	1	719919
14	57089-99	SCORECARD HOLDER (USED WITH ITEM 10)	1	709043
15	57141-98	STEERING COLUMN	1	305425
16	57109-08	YOKE ASSEMBLY, BOLT-WELD	1	759918
17	760010	ROLL PIN 1/4X1 3/4	3	760010
18	N/A	INTERMEDIATE SHAFT	1	N/A
19	57108-08	YOKE ASSEMBLY, WELD-WELD	1	759917

\* NOT SHOWN

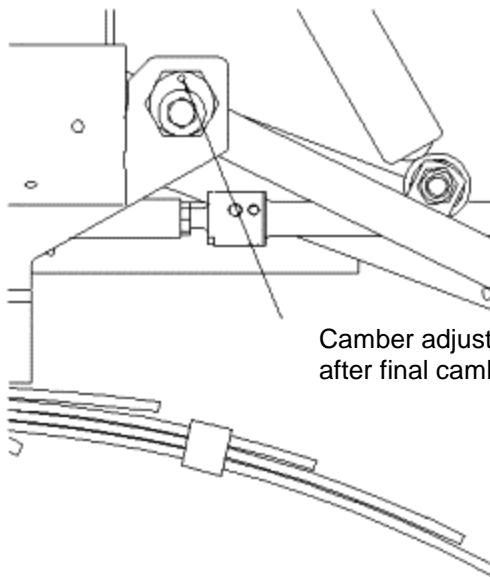
NOTE A: If replacing only the splined yoke see Service Bulletin SB 10-009.

## FRONT SUSPENSION - SM



**NOTES:**

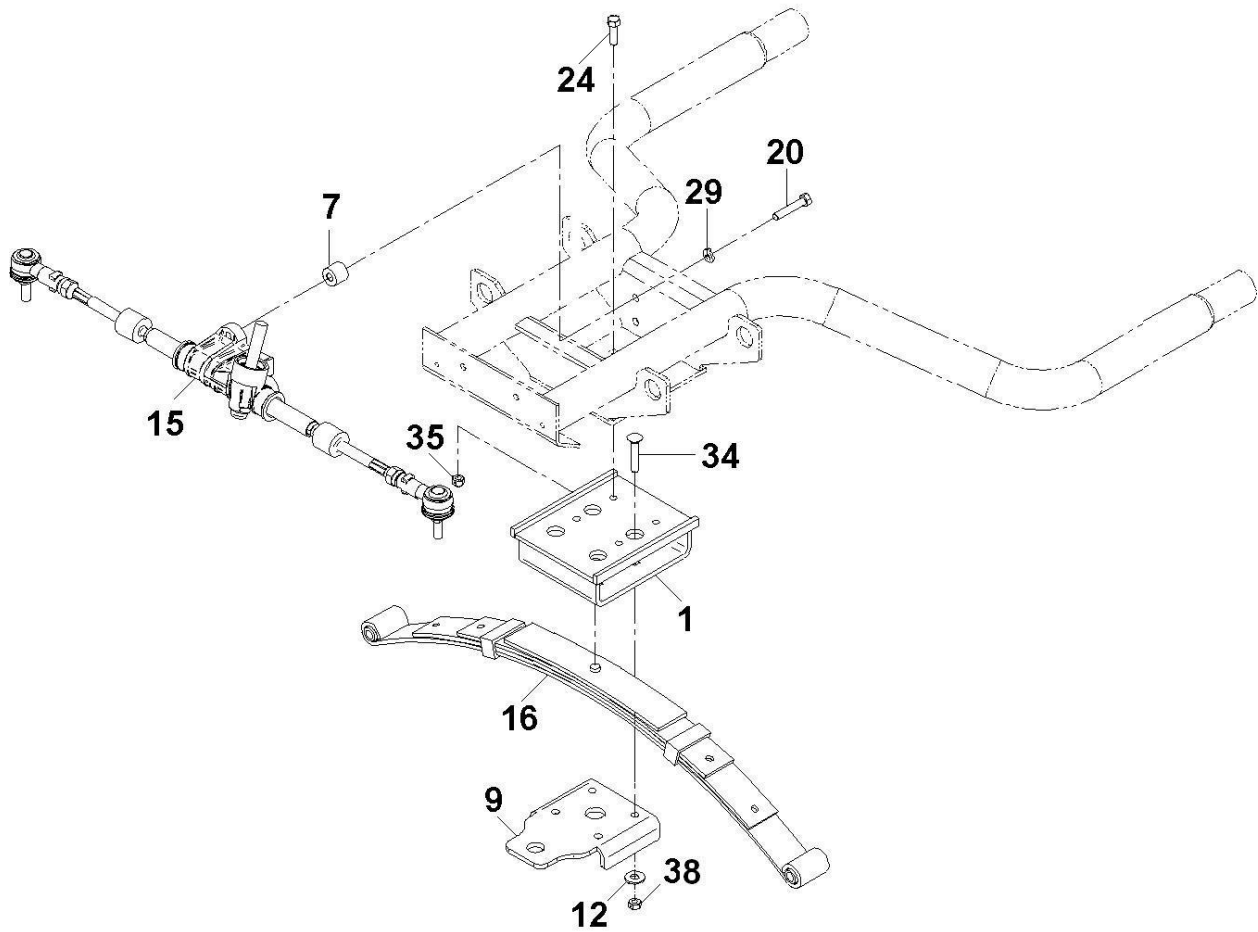
1. Assemble all hardware finger tight. Torque to the following specs after complete assembly.
2. Torque Specifications:  
 Item 36 to 25 ft. lbs  
 Item 19 & 21 to 40 ft. lbs.  
 Items 11, 17 & 18 to 45 ft. lbs.



Camber adjuster (item 14) shown in starting position. Torque to 25 ft. lbs after final camber adjustment.



## FRONT SUSPENSION - SM (Cont.)

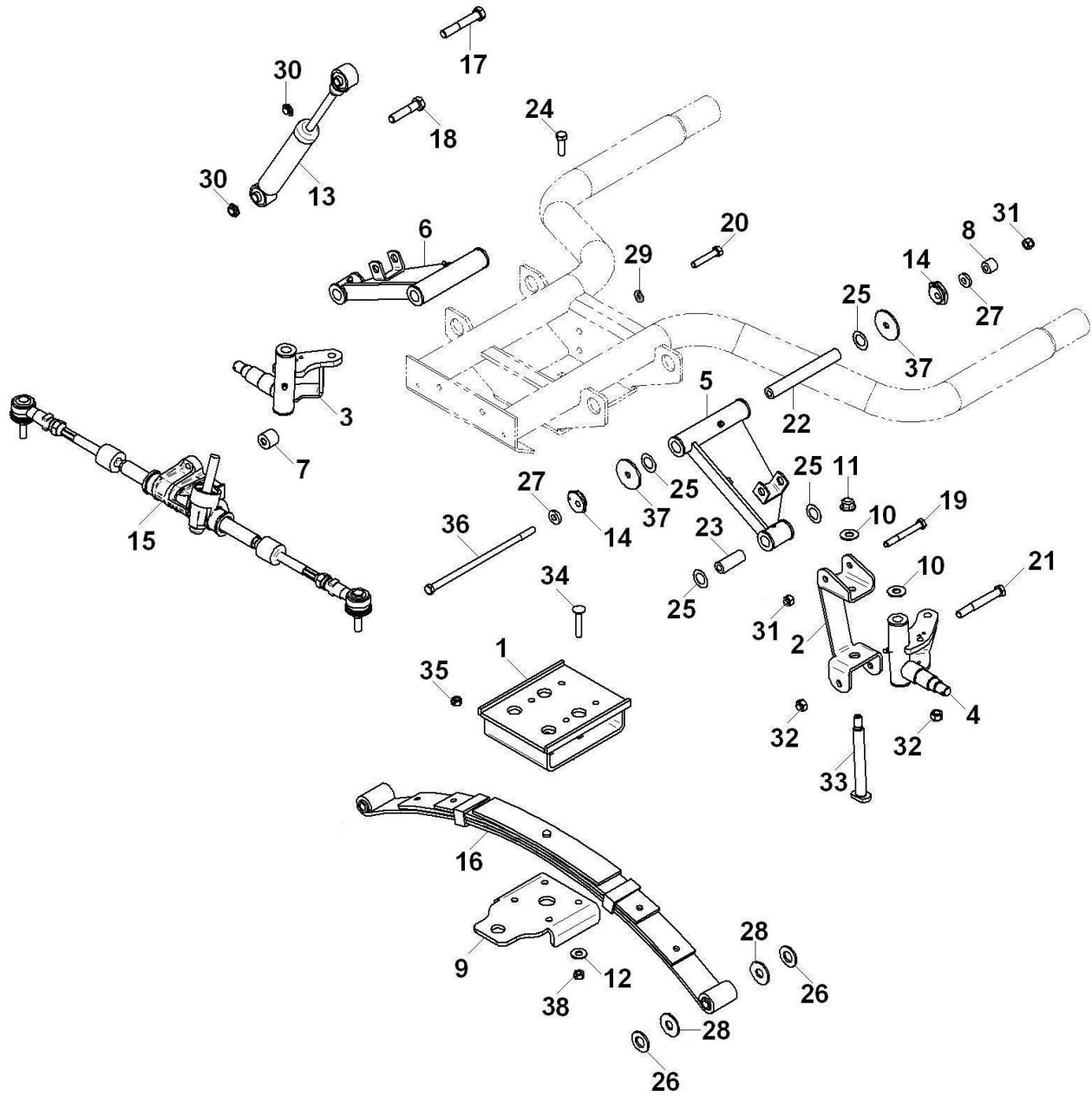


### NOTES:

1. Assemble all hardware finger tight. Torque to the following specs after complete assembly.
2. Torque Specifications:  
Item 20 & 24 to 30 ft. lbs.  
Items 34 to 45 ft. lbs. in a crisscross pattern



# FRONT SUSPENSION – SM (Cont.)



## FRONT SUSPENSION – SM (Cont.)

ITEM	CPC P/N	DESCRIPTION	QTY	SEATS P/N
1	40943-04	FRONT LIFT -SUMMIT	1	307536EC
2	56950-09	KINGPIN BRACKET	2	310004EC
3	57152-04	ASSY, RH SMT SPINDLE	1	467162
*	57149-04	ASSY, RH SMT SPINDLE, W/BRAKE MOUNT	1	467274
4	57153-04	ASSY, LH SMT SPINDLE	1	467163
*	57148-04	ASSY, LH SMT SPINDLE, W/BRAKE MOUNT	1	467275
*	43938-86	BUSHING .75" ID SINTERED (Included w/Items 3 & 4)	2	709005
5	45397-04	ASSY, LH SMT A-ARM	1	467164
6	45398-04	ASSY, RH SMT A-ARM	1	467165
*	43937-86	BUSHING .75" ID SINTERED (Included w/Items 5 & 6)	2	709010
*	36460-96	BUSHING .75" ID BRONZE (Included w/Items 5 & 6)	2	709008
7	53961-01	SPACER, RACK AND PINION MOUNT	3	508915
8	24693-07	SPACER 0.375 ID X 0.750 OD X 0.625	2	511674PL
9	54980-09	SPRING PLATE REAINER 1/4	1	513034
10	708482	WASHER, 7/16" STD. FLAT, THRU-HARD	2	708482
11	8169	NUT, 7/16-20, L/N, FLG, TOP,GG, ZC&WAX	2	708592
12	708840	WASHER, 3/8", FLAT, PLTD	4	708840
13	54514-89	SHOCK ABSORBER	2	709006
14	43946-88	CAMBER ADJUSTER, SINTERED METAL	4	709009
15	57226-01	RACK & PINION ASSEMBLY	1	709061
16	43929-95	SPRING, 4-LEAF, HD, UTILITY (See Note 1)	1	709609
16A	Special Order	SPRING, 5-LEAF, EXTRA HD, UTILITY (See Note 2)	1	468063
*	43945-86	BUSHING SPRING EYE (Included w/Item 16)	2	739129
17	3406	SCREW, ½-13 X 3 GRD 5 HHC	2	719610
18	3407	SCREW ½-13 X 2-1/4 HEX CAP	2	719611
19	3508	SCREW, 3/8-24 X 3 GRD 5 HHC	2	719625
20	3775	SCREW 3/8-16 x 2 HHCS	3	719634
21	4253	SCR, HX HD 7/16-20 X 3.5 G5	2	719664
22	43950-88	SPACER, .750/.747 X 5.92/5.91	2	719681
23	43952-97	SPACER, .750/.747 X 1.894	2	719682
24	4716-W	SCREW, HX HD CAP 3/8-16 X 1 ¼ G5	4	719694
25**	5714	WASHER, .760X1.25X.010 F/W 18-8SS	8	719759
25**	5715	WASHER, .760X1.25X.020 F/W 18-8SS	8	719760
26	57363-95	WASHER, FLT NYLON, .76IDX1.42OD	4	719767
27	6607-W	WASHER FLT STL, YWZC .390X.910X.18	4	719804
28	6655-B	WASHER FLT STL. BLK HC, 9/16"	4	719808
29	7038-B	WASHER -3/8" REG SPRG, LOCK, BLK ZC	3	719836
30	7685	NUT, ½-13 A NTE NYLON LOCK	4	719878
31	7775	NUT, 3/8-24 GR A NE NYLON INS LOCK	4	719900
32	7825	NUT, 7/16-20, LOCK, GA, NE, NYLON INSERT	4	719908
33	56951-09	KINGPIN, BOLT ON	2	760563
34	781111	SCREW, 3/8-16 X 2, CARR., G 8	4	781111
35	781113	NUT,3/8-16,L/N,GB,YWZC	4	781113

ITEM	CPC P/N	DESCRIPTION	QTY	SEATS P/N
36	3452A	SCREW, 3/8-24 X 9, HHCS, GR5	2	781205
37	6801A	WASHER, .406 X 2.000 X .134, FLAT	4	781206
38	7755	NUT, 3/8-16, L/N, FLG TOP, GG	4	760721
N/A	57257-09	KIT, BOLT THRU KINPIN (Includes 2, 10, 11, 31-33)	1	191786U
N/A	43859-07	KIT, 9" A-ARM BOLT (Includes Items 8, 25, 27, 31, 36, 37)	1	191439U
N/A*	93274-03	KIT, LIFT (Items included described below)	1	191424U

\* NOT SHOWN

\*\* USE 5714 AND/OR 5715 AS REQUIRED TO ACHIEVE SNUG FIT

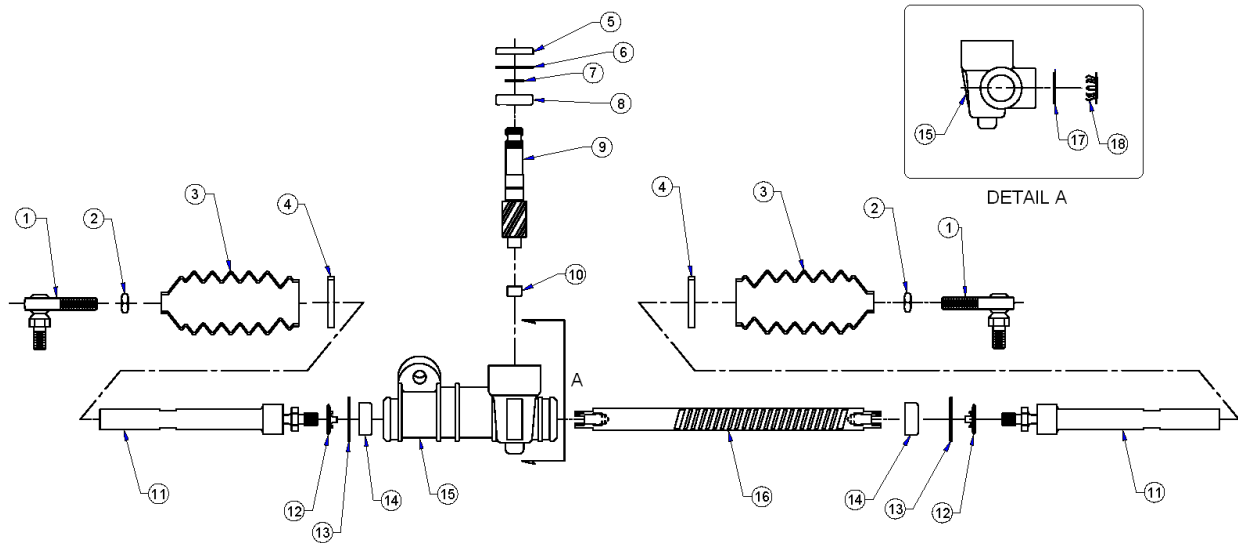
#### NOTES

1. No longer used after 1/2015.
2. For vehicle produced prior to 1/2015, a spring kit is available for vehicles that are having tire clearance problems. Order Kit 47116-15. Refer to Service Bulletin SB15-005 for additional information.

#### LIFT KIT (Not Shown)

ITEM	CPC P/N	DESCRIPTION	QTY	SEATS P/N
1	40943-04	FRONT LIFT –SUMMIT	1	307536EC
2	56950-09	KINGPIN BRACKET	2	310004EC
3	57152-04	ASSY, RH SMT SPINDLE	1	467162
4	57153-04	ASSY, LH SMT SPINDLE	1	467163
5	45397-04	ASSY, LH SMT A-ARM	1	467164
6	45398-04	ASSY, RH SMT A-ARM	1	467165
7	36501-98	WHEEL SPACER ¼ THK 4H	2	509791PL
8	43740-04	WHEEL SPACER 10GA 4H	2	509958PL
9	40944-04A	REAR LIFT BLOCK	2	511758EC
10	54980-09	SPRING PLATE REAINER ¼	1	513034
11	708482	WASHER, 7/16" STD. FLAT, THRU-HARD	2	708482
12	8169	NUT, 7/16-20, L/N, FLG, TOP,GG, ZC&WAX	2	708592
13	708840	WASHER, 3/8", FLAT, PLTD	4	708840
14	4716-W	SCREW, HX HD CAP 3/8-16 X 1 ¼ G5	8	719694
15	520-W	PIN 1/8X1 COTTER	2	719728
16	7778	NUT, 3/8-16 GA, NE NYLOK	4	719902
17	56951-09	KINGPIN, BOLT ON	2	760563
18	7755	NUT, 3/8-16, L/N, FLG TOP, GG	4	760721

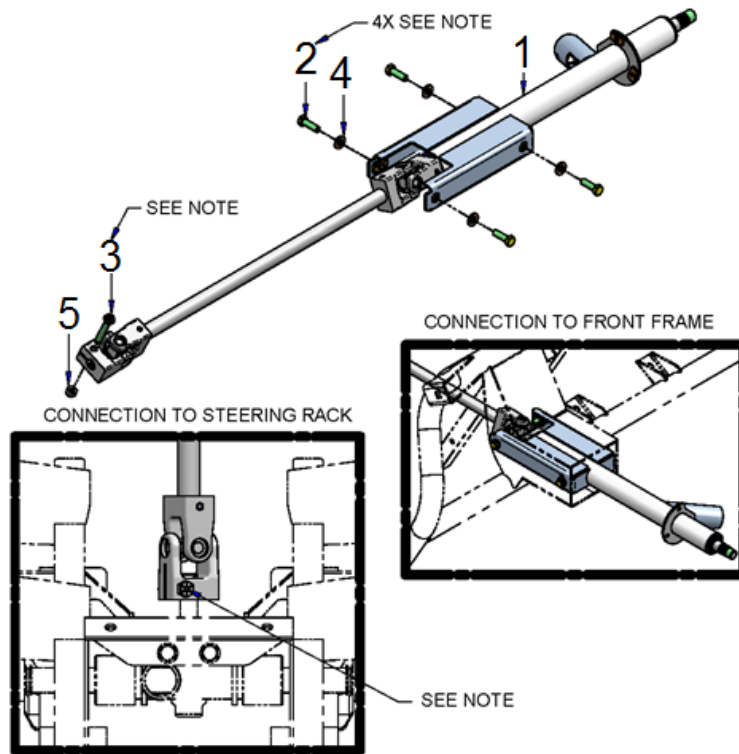
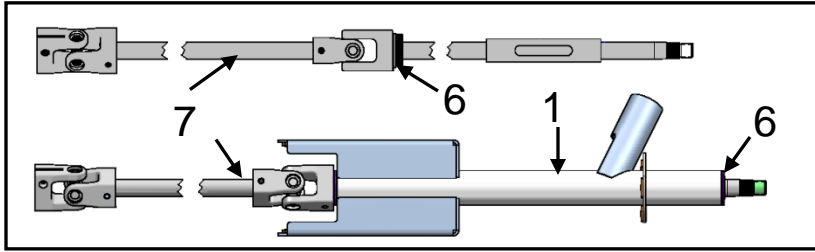
## RACK & PINION ASSEMBLY – SM



ITEM	CPC P/N	DESCRIPTION	QTY	SEATS P/N
1	43958-00	ROD END	2	709099
2	7829	NUT, M14 X 1.5, JAM - TIE ROD	2	749305
3	57168-00	BOOT, STEERING	2	709106
4	N/A	CLAMP, STEERING BOOT	2	N/A
5	57183-01	SEAL, OIL- PINION	1	739675
6	861	RING, RETAINING - PINION	1	719942
7	862	RING, RETAINING	1	719943
8	9002	BEARING BALL - PINION	1	749707
9	57180-01	PINION STEERING GEAR	1	739674
10	43900-01	BUSHING PINION	1	739123
11	57172-00	BALL JOINT, TIE ROD	2	709101
12	57190-88	LOCK WASHER, STEERING	2	709097
13	57166-88	WASHER, STEERING STOP	2	709100
14	43901-01	BUSHING RACK	2	739124
15	53960-01	HOUSING, RACK & PINION	1	709061
16	57171-01	RACK STEERING GEAR	1	739665
17	11112	O-RING, #22 1 X 1-1/8 X 1/16 BUNA	1	719517
18	63912	PLUG 1" 12 PRONG HOLE ZNC/CLEAR	1	719794
19	57226-01	RACK & PINION ASM (Includes Items 1-18)	1	709061
20*	93250	BALL JOINT REPLACEMENT KIT (Includes Items 1, 3, 7, 11 – 13) SEE NOTE	1	191868U

\* NOTE: Kit services one side. Item 4 is replaced with a cable tie, P/N 10043

## LOCKABLE STEERING COLUMN – SMT



ITEM	CPC P/N	DESCRIPTION	QTY	SEATS P/N
1	*	SHORT STEERING COLUMN	1	311143EC
2	3987-BS	SCREW, 5/16-18 X 3/4 HHC, GRD-8, YLW	4	719642
3	3925	SCREW, 5/16-18 X 1 3/4 HHCS,G5	1	708746
4	7041-B	WASHER, 5/16, REG SPRG LOCK	4	719838
5	57112-11	5/16-18 GR 8 NYLON LOCK NUT	1	781120
6	9029	BALL BEARING 0.75" ID STEERING COLUMN	2	709023
7	56920-14	STEERING SHAFT ASM	1	311196
8	56921-14	SHORT STEERING COLUMN ASSEMBLY (Includes Items 1 & 6)		467868
9	*	LOCKING STEERING COLUMN ASSEMBLY (Includes above)	1	192536A

\* SPECIAL ORDER

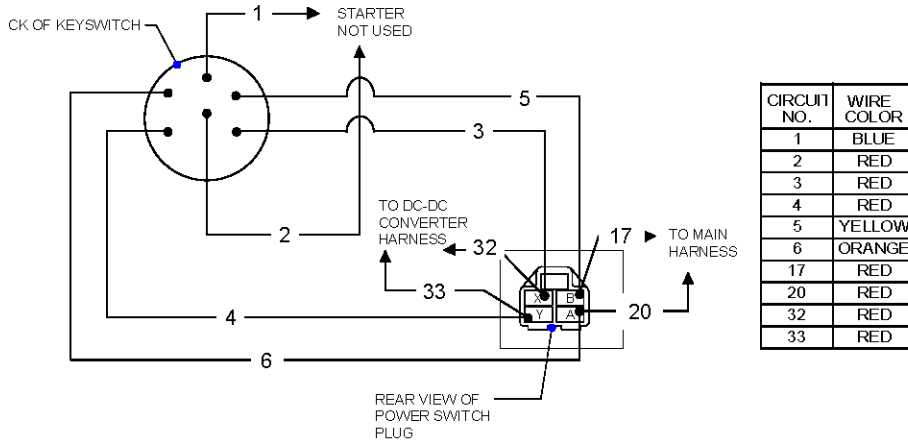
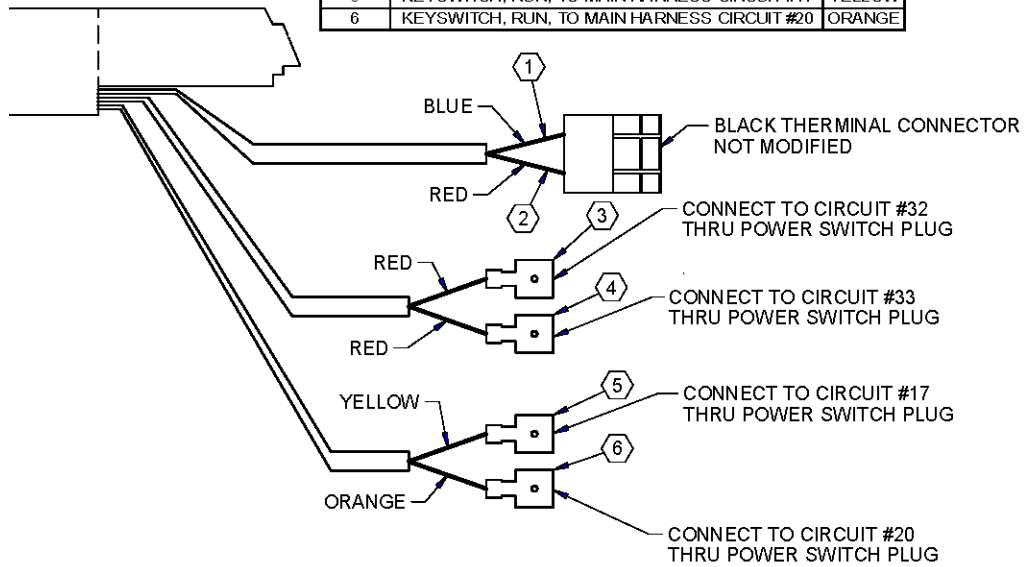
NOTE: Torque bolt to 25 ft lbs (+/- 3) after installation to main assembly.



## AC LOCK STEERING KEYSWITCH ASSEMBLY – SMT P/N 56910-10

**NOTE: Keyswitch assembly does not include diode assembly**

CIRCUIT NO.	DESCRIPTION	WIRE COLOR
1	TIE BACK NOT USED	BLUE
2	TIE BACK NOT USED	RED
3	KEYSWITCH, ACC, TO MAIN HARNESS CIRCUIT #32	RED
4	KEYSWITCH, ACC, TO MAIN HARNESS CIRCUIT #33	RED
5	KEYSWITCH, RUN, TO MAIN HARNESS CIRCUIT #17	YELLOW
6	KEYSWITCH, RUN, TO MAIN HARNESS CIRCUIT #20	ORANGE



CIRCUIT NO.	WIRE COLOR
1	BLUE
2	RED
3	RED
4	RED
5	YELLOW
6	ORANGE
17	RED
20	RED
32	RED
33	RED

SCHEMATIC DIAGRAM

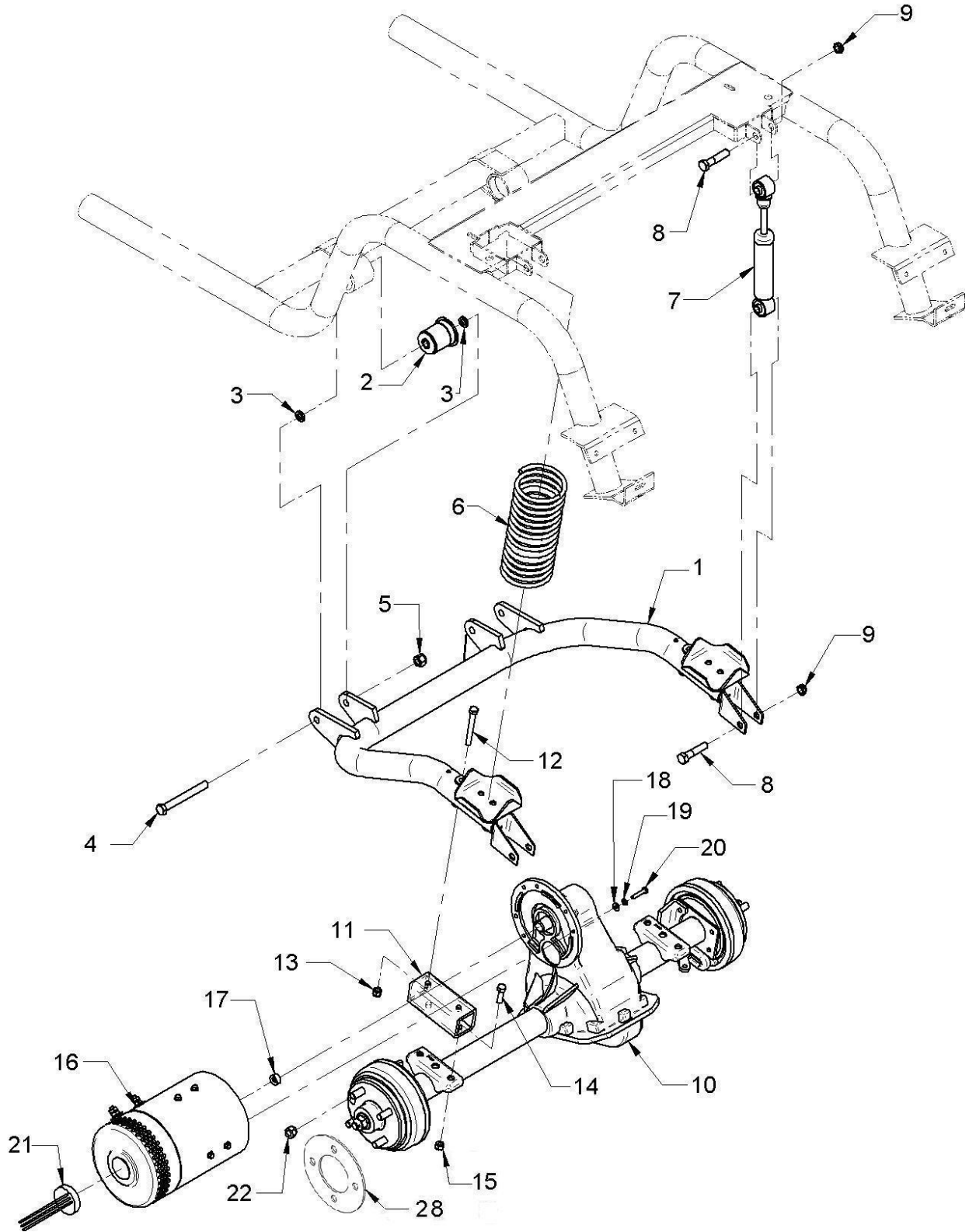


# **Summit Parts Manual**

## **Section 3**

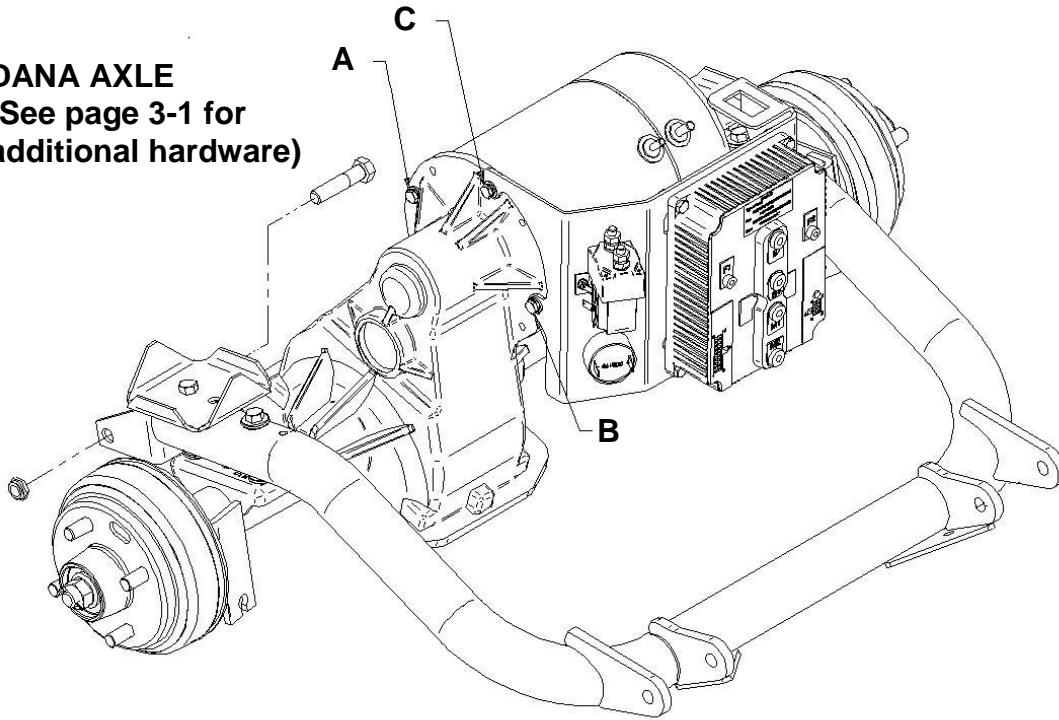
### **Rear Suspension, Motor and Axles**

# REAR SUSPENSION AXLE AND MOTOR – SM, SUV

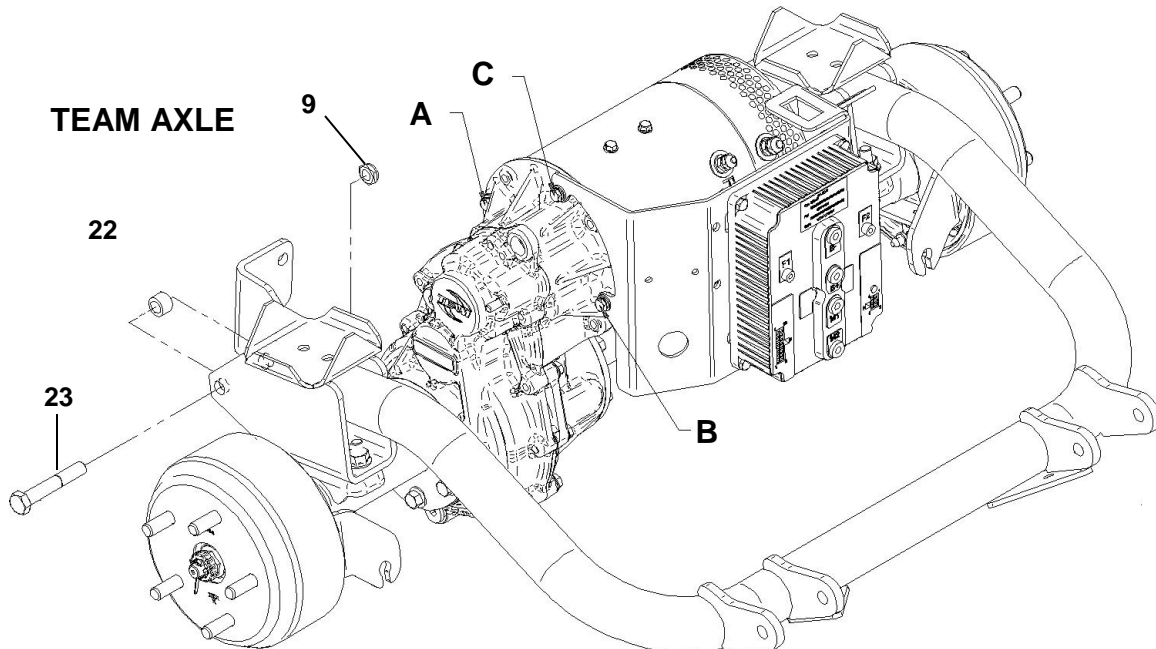


## REAR SUSPENSION, AXLE AND MOTOR – SM, SUV (Cont.)

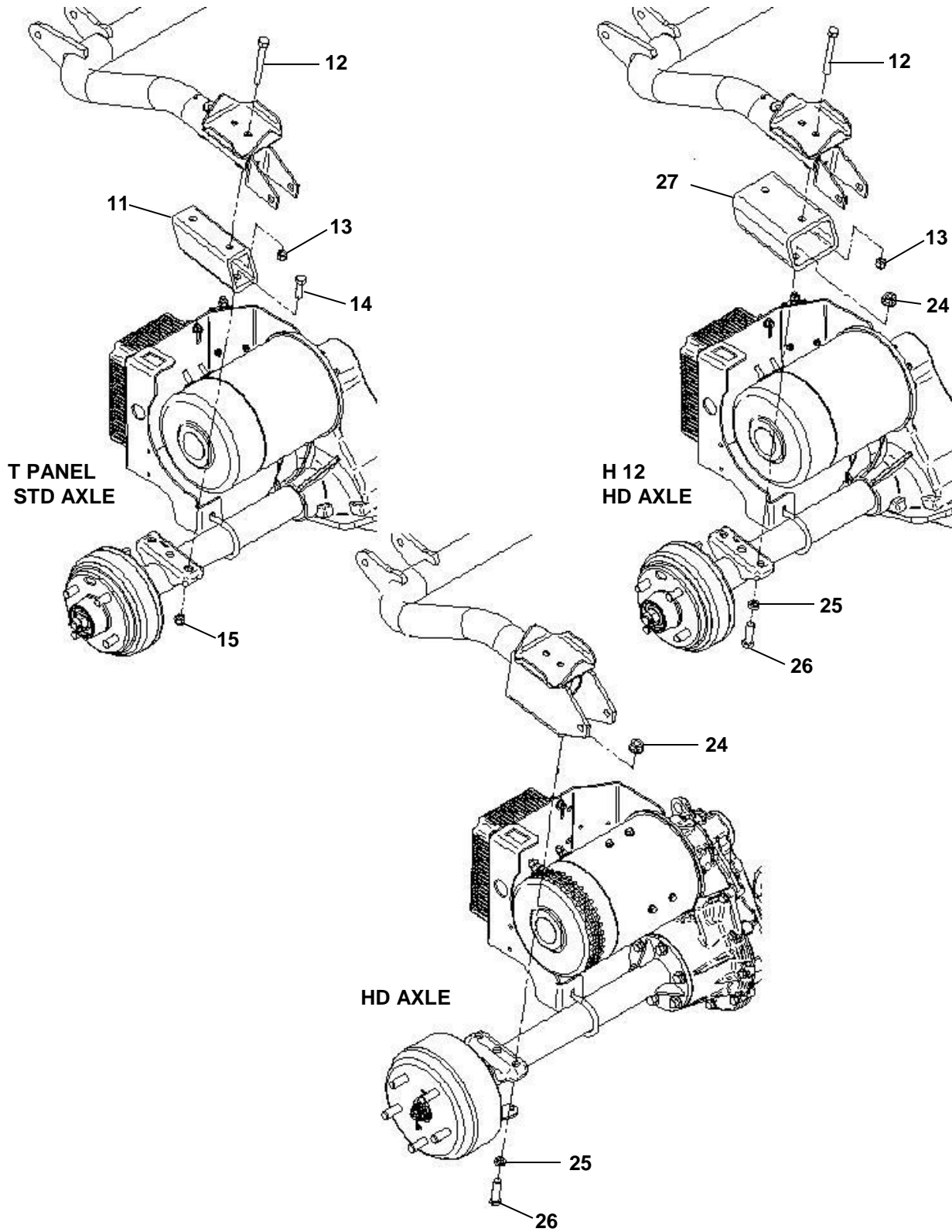
**DANA AXLE**  
(See page 3-1 for  
additional hardware)



Loosely tighten screws (Item # 20) A & B. Loosely tighten screw C to draw face of motor up to flange on axle evenly. Torque A & B to 100 ft. lbs. then torque C to 100 ft. lbs.



# REAR SUSPENSION, AXLE AND MOTOR – SM, SUV (Cont.)



## REAR SUSPENSION, AXLE AND MOTOR – SM, SUV (Cont.)

ITEM	CPC P/N	DESCRIPTION	QTY	SEATSI P/N
1	47039-89	REAR FORK, P4E	1	308381
*	57558-10	REAR FORK, WIDE	1	310045
2	47524-66	BUSHING, REAR FORK	2	709024
3	6568-B	WASHER, .515 X .812 X .134, FLT STL	4	719802
4	4004	SCREW, 1/2-20 X 4 1/2, HHCS, GR 5 (Torque to 45 ft. lbs.)	2	719647
5	7812-W	NUT, 1/2-20, NE NYLOC, GR A	2	719907
6	54569-92	SPRING, OUTER (See Note)	2	709380
6A*	54570-93	SPRING INNER (See Note)	2	709190
7	54514-89	SHOCK ABSORBER	2	709006
8	3407	SCREW, 1/2-13 X 2 1/4, HHCS (Torque to 45 ft. lbs.)	4	719611
9	7685	NUT, 1/2-13, NTE NYLOC, GR A	1	719878
10		ELECTRIC AXLE (MUST SPECIFY VIN, AXLE RATIO, BRAKES, & TIRE SIZE -CONTROLLER & AXLE MUST BE MATCHED)	1	
11	40944-04A	BLOCK, LIFT REAR	2	511758EC
12	4434-W	SCREW, 3/8-24 X 3 1/4, HHCS, GR 5 (Torque to 35 ft.lbs.)	4	719687
13	7775	NUT, 3/8-24, NYLOC, GR A	4	719900
14	4716-W	SCREW, 3/8-16 X 1 1/4, HHCS, GR 5 (Torque to 35 ft.lbs.)	4	719694
15	7778	NUT, 3/8-16, NYLOC, GR A	4	719902
16	69300-03	MOTOR, ELEC 48V SEP EX, STD DUTY	1	719135
16A	69301-04	MOTOR, ELEC 48V HD DIRECT W/TACH	1	719339
17	11423	RESILIENT BUMPER-ELEC MOTOR	1	709050
18	6703-B	WASHER, 1/4, SAE FLT STL	3	719811
19	7036-B	WASHER, 1/4, REGULAR SPRING LOCK	3	719834
20	708646	SCREW, 1/4-20 X 1 1/4, GR 8 (See page 3-3 for torque)	3	708616
21	74884-04	KIT, SPEED SENSOR AND MAGNET (Part of Item # 16A)	1	719446
22	760671	SPACER, .75X.5X.5	2	760671
23	3406	SCREW, 1/2-13X3 HHC, (Torque to 45 ft. lbs.)	2	719610
24	8169	NUT, 7/16-20	4	708592
25	5799	SPACER, .450X.680X.190	4	781741
26	4256	SCREW, 7/16-20X1 1/2 HHC (Torque to 45 ft. lbs.)	4	719665
27	40945-10	BLOCK, LIFT – REAR	2	513271
28	43740-04	WHEEL SPACER (See Section 6 – Wheels)	2	509958

**NOTE:**

After 1/2015 long vehicles (SM4, SUV) are equipped with both Items 6 and 6A. Refer to Service Bulletin SB15-002 for this conversion.

**ELECTRIC AXLES – PART NUMBERS – SM, SUV**

AXLE TYPE	CPC PART #	RATIO	SI PART #
STANDARD DUTY ELECTRIC- MECHANICAL BRAKES	82655-05A	10.35:1	760366
	82652-02A	12.44:1	760381
	82654-02A	14.76:1	760365
	82656-02A	16.99:1	760382
STANDARD DUTY ELECTRIC- HYDRAULIC BRAKES	82821-04A	10.35:1	760368
	82653-02A	12.44:1	760367
	82657-03A	14.76:1	760383
	82658-03A	16.99:1	760384
HEAVY DUTY ELECTRIC- HYDRAULIC BRAKES <b>LIMITED AVAILABILITY</b>	82828-00	12.44:1	307246
	82882-00	14.76:1	307247
	82883-00	16.99:1	307248
WIDE HEAVY DUTY ELECTRIC- HYDRAULIC BRAKES	82816-09	10.35:1	309523
	82668-10	10.40:1	467865
	82819-09	16.99:1	309526

**NOTE: See Service Bulletin SB 13-09 if replacing an axle.**

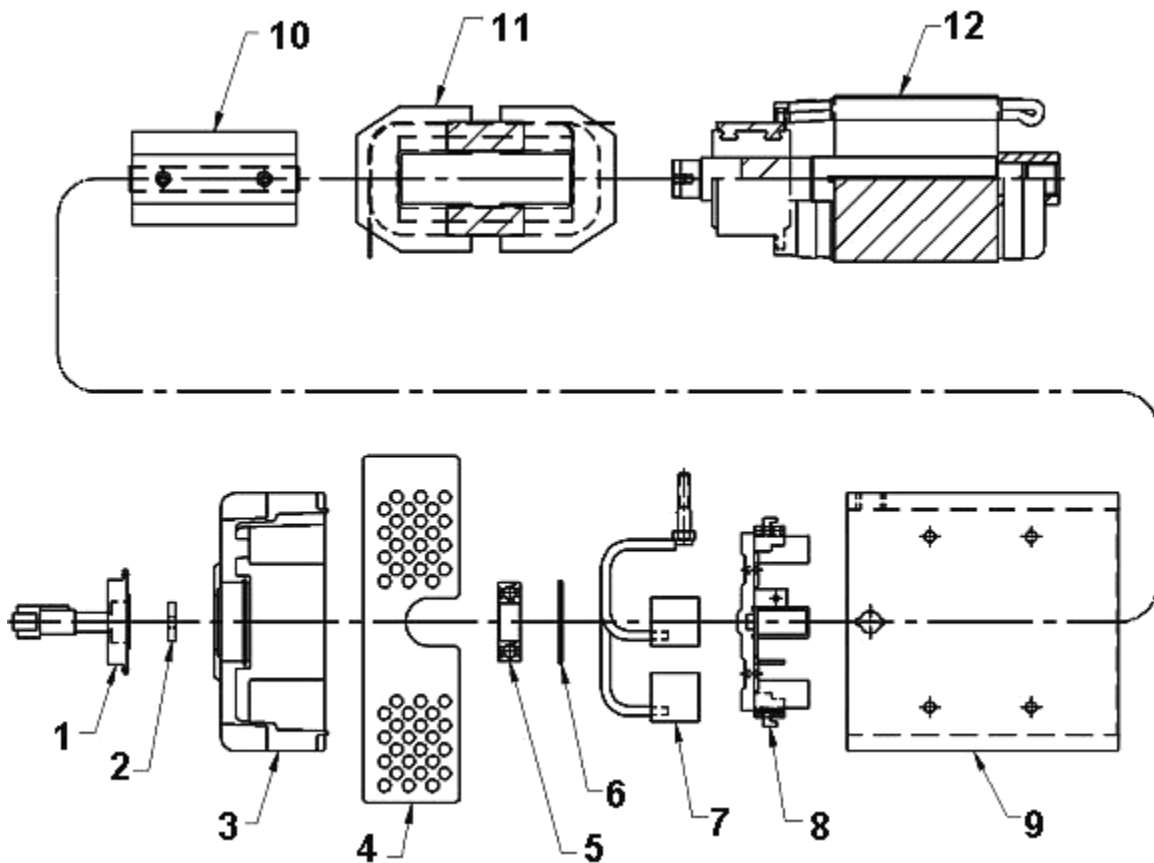
## MOTOR, SEP EX, HEAVY DUTY, W/TACH – SM, SUV

ITEM	CPC P/N	DESCRIPTION	QTY.	SEATS P/N
1	74884-04	SPEED SENSOR KIT (INCLUDES ITEM 2, SEE NOTE 2)	1	719446
2	(SEE NOTE 1)	MAGNET (SEE NOTE 2)	1	-
3	(SEE NOTE 1)	COMMUTATOR END HEAD (SEE NOTE 2)	1	-
4	(SEE NOTE 1)	HEAD BAND (SEE NOTE 2)	1	-
5	83310-07	BEARING	1	759896
6	(SEE NOTE 1)	RETAINING RING	1	-
7	30402-06	BRUSH ASSY. (SEE NOTE 2)	2	759780
8	30403-06	BRUSH BOX ASSY. (SEE NOTE 2)	1	759781
9	SEE NOTE 1)	MOTOR FRAME	1	-
10	SEE NOTE 1)	POLE SHOE ASSY. (SEE NOTE 2)	4	-
11	SEE NOTE 1)	SHUNT COIL ASSY. (SEE NOTE 2)	1	-
12	SEE NOTE 1)	ARMATURE ASSY.	1	-
13*	69301-04	MOTOR, COMPLETE (INCLUDES ITEMS 1-12)	-	719339

\* ITEM NOT SHOWN

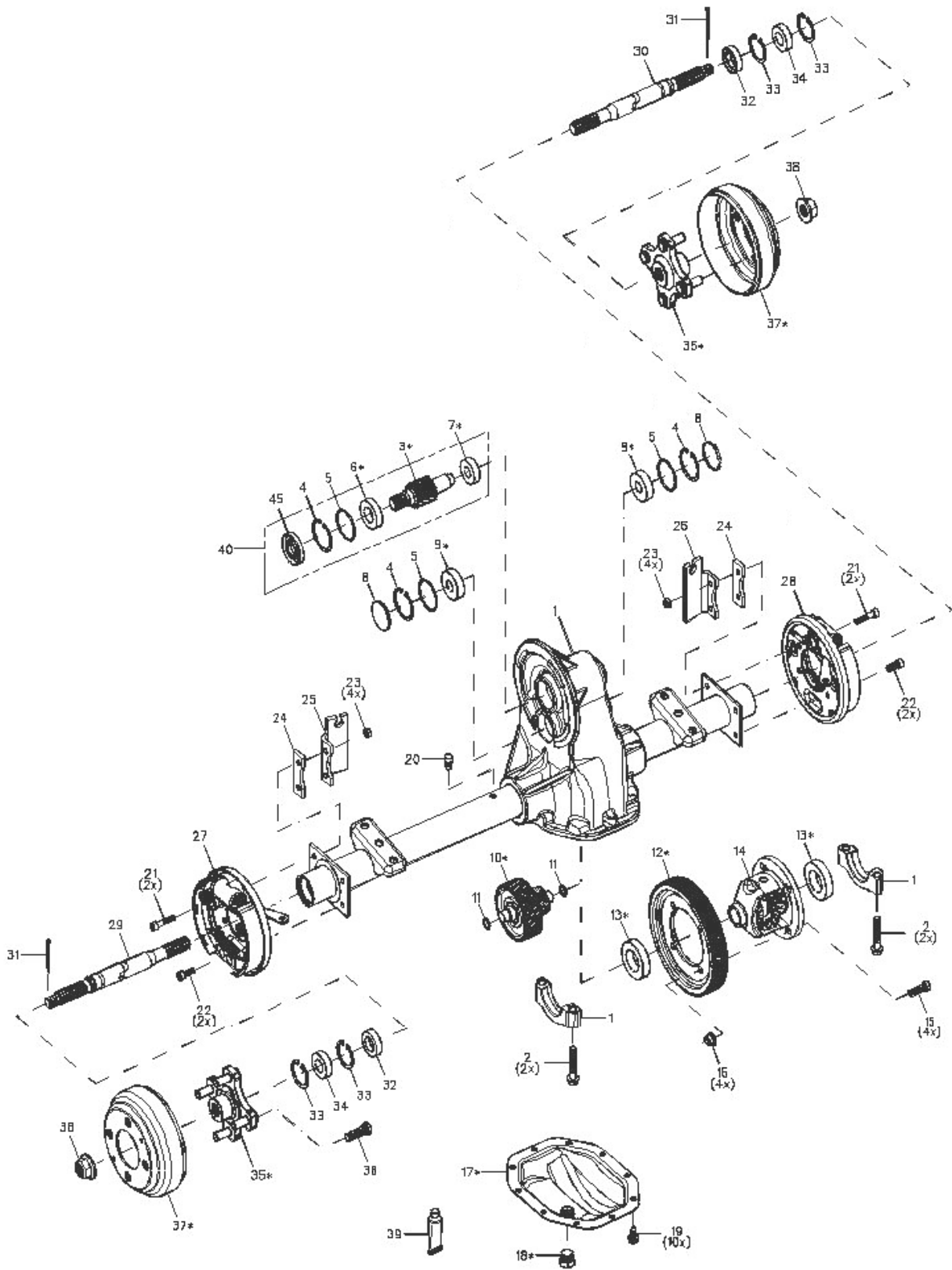
**NOTES:**

1. ONLY AVAILABLE AS SPECIAL ORDER
2. ITEM INCLUDES ALL NECESSARY FASTENERS





# T PANEL AXLE - SM



\*ITEM INCLUDED IN A KIT



### T PANEL AXLE – – SM (Cont.)

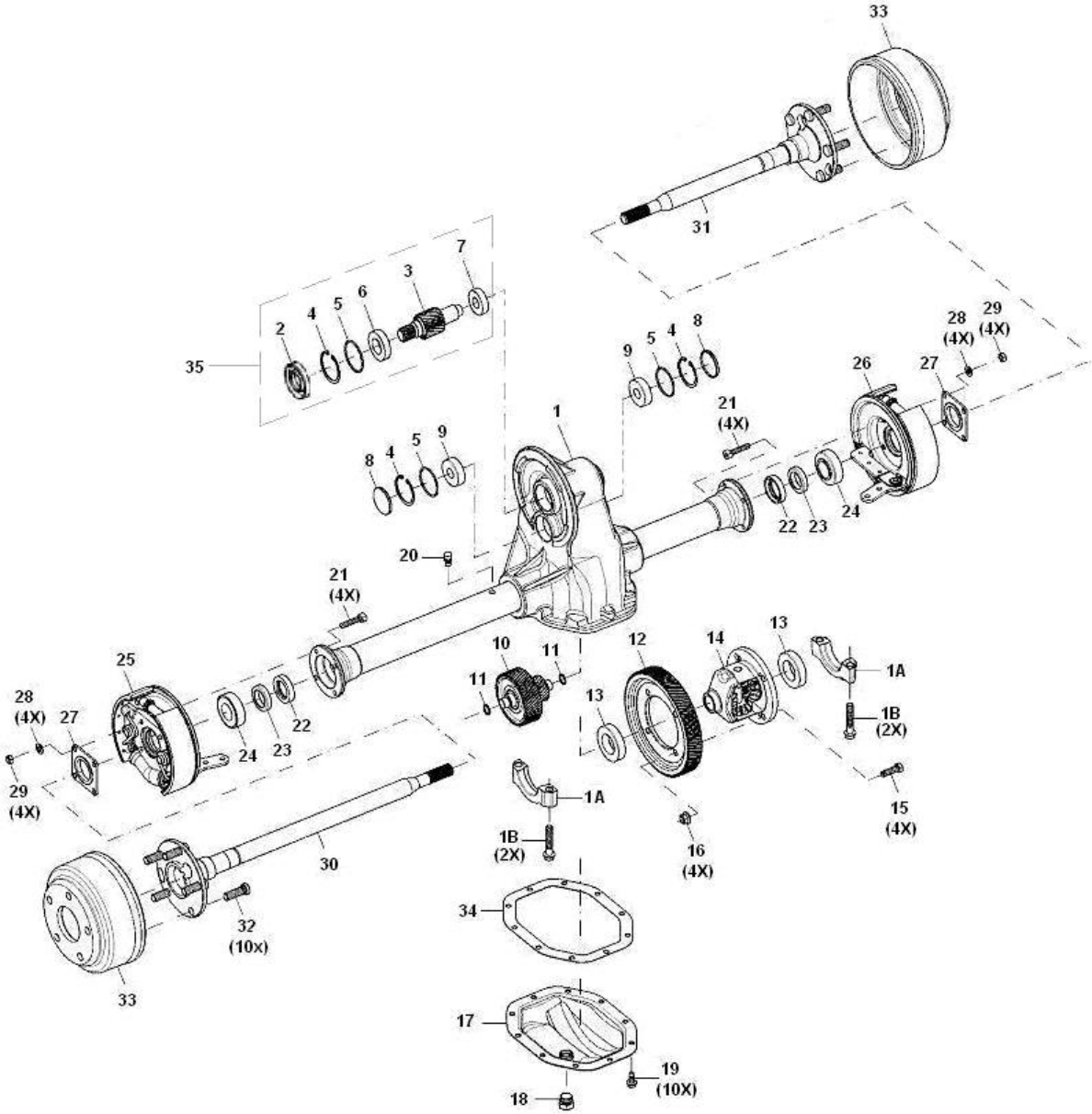
ITEM	CPC P/N	DESCRIPTION	QTY	SEATS P/N
1	N/A	HOUSING, AXLE	1	N/A
2	N/A	BOLT, DIFFERENTIAL CAP (Included with Item 1)	4	N/A
3	N/A	SHAFT, INPUT (See gear set info)	1	N/A
4	90006-90	RING, SNAP	3	749701
5	11118	O-RING	3	729030
6	90003-90A	BEARING, BALL	1	760375
7	90004-90	BEARING, BALL	1	749699
8	N/A	PLUG, END CAP	2	N/A
9	82810-90	BEARING, BALL	2	749419
10	N/A	SHAFT, INTERMEDIATE GEAR	1	N/A
11	11119	O-RING	2	719132
12	N/A	GEAR, FINAL DRIVE (See gear set info)	1	N/A
13	90005-90	BEARING, BALL	2	749700
14	83212-00	DIFFERENTIAL ASSEMBLY	1	749575
15	N/A	SCREW, CAP	4	N/A
16	N/A	NUT, LOCK	4	N/A
17	90007-00	PLATE, COVER	1	749702
18	90008-00	PLUG, DRAIN/FILL	1	749704
19	N/A	SCREW, TAPPING	10	N/A
20	82701-90	VENT	1	759791
21	N/A	SCREW, FLANGE HEAD LONG	4	N/A
22	N/A	SCREW, FLANGE HEAD SHORT	4	N/A
23	7810	NUT, LOCK	8	719906
24	N/A	SPACER BRACKET	2	N/A
25*	47757-88	BRACKET, BRAKE CABLE (MECHANICAL BRAKES)	1	503969
25	47756-88	BRACKET, BRAKE CABLE (HYDRAULIC BRAKES)	1	503970
26*	47756-88	BRACKET, BRAKE CABLE (MECHANICAL BRAKES)	1	503970
26	47757-88	BRACKET, BRAKE CABLE (HYDRAULIC BRAKES)	1	503969
27*	41813-86B	ASSEMBLY, BRAKE, LH (MECHANICAL BRAKES)	1	709171
27	41813-02	ASSEMBLY, BRAKE, LH (HYDRAULIC BRAKES)	1	719137
28**	41814-86B	ASSEMBLY, BRAKE, RH (MECHANICAL BRAKES)	1	709170
28	41814-02	ASSEMBLY, BRAKE, RH (HYDRAULIC BRAKES)	1	719138
29	90001-90	SHAFT, AXLE, LH (LONG)	1	749696
30	90002-90	SHAFT, AXLE, RH (SHORT)	1	749698
31	560	PIN, COTTER	2	707337
32	82704-78	SEAL, OIL	2	749367
33	82706-78	RING, RETAINING	4	749370
34	82705-78	BEARING, BALL	2	749369
35	N/A	ASSEMBLY, HUB, WHEEL (Includes Item 36 & 47 See Item 44)	2	N/A

**T PANEL AXLE – SM (Cont.)**

<b>ITEM</b>	<b>CPC P/N</b>	<b>DESCRIPTION</b>	<b>QTY</b>	<b>SEATS P/N</b>
36	719463-05	BOLT, WHEEL (1.680" LONG)	8	719463
37	N/A	DRUM, BRAKE (See Item 44)	2	N/A
38	N/A	NUT, LOCKING 5/8-18 HEX FLANGE	2	N/A
39	N/A	SEALANT, ANAEROBIC	A/R	N/A
40*	N/A	KIT, INPUT GEAR (Includes Items 3-7 & 45 see gear info)	1	N/A
41*	N/A	KIT, GEAR (Includes Items 3, 10 & 12 see gear info)	1	N/A
42*	N/A	KIT, BEARING (Includes Items 6, 7, 9 & 13)	1	N/A
43*	N/A	KIT, COVER PLATE (Includes Items 17 & 18)	1	N/A
44*	41844-96	KIT, HUB/DRUM (Includes Items 35 & 37)	2	719281
45	83165-08	OIL SEAL – INPUT SHAFT	1	760371
46*	82772-06A	KIT, INPUT BEARING & O-RING (Includes Items 4 - 7 & 45 see gear info)	1	191697U
47*	N/A	HUB (See Item 44)	2	N/A

\* Not Shown

# H12 AXLE - SM



SEE PAGE 3-23 FOR BRAKE DETAIL

## H 12 AXLE - SM (Cont.)

ITEM	CPC P/N	DESCRIPTION	QTY	SEATS P/N
1	N/A	HOUSING, AXLE - INCLUDES 2 CAPS (1A), 4 SCREWS (1B)	1	N/A
2	83165-08	SEAL, INPUT PINION	1	760371
3	N/A	GEAR, INPUT PINION (ONLY AVAILABLE WITH ITEM # 35)	1	N/A
4	90006-90	RING, SNAP	3	749701
5	11118	O-RING	3	729030
6	90003-90	BEARING, BALL, INPUT SHAFT	1	719077
7	90004-90	BEARING, BALL, INPUT GEAR	1	749699
8	82808-90	DUST CAP	2	749418
9	82810-90	BEARING SET	2	749419
10	N/A	SHAFT, INTERMEDIATE GEAR	1	N/A
11	11119	O-RING	2	719132
12	N/A	GEAR, FINAL DRIVE	1	N/A
13	90005-90	BEARING, BALL, DIFFERENTIAL	2	749700
14	83212-00	DIFFERENTIAL ASSEMBLY	1	749575
15	N/A	SCREW, CAP	4	N/A
16	N/A	NUT, LOCK	4	N/A
17	90007-00	PLATE, COVER	1	749702
18	90008-00	PLUG, DRAIN/FILL	1	749704
19	N/A	SCREW, TAPPING	10	N/A
20	82701-90	VENT	1	759791
21	N/A	SCREW, SOCKET HEAD	8	N/A
22	83160-93	SEAL, OIL	2	749547
23	83167-93	RING, RETAINING	2	749549
24	83100-73	ASSEMBLY, BEARING, TAPERED ROLLER	2	749522
25	41814-93	ASSEMBLY, BRAKE, LH (HYDRAULIC)	1	729996
26	41813-93	ASSEMBLY, BRAKE, RH (HYDRAULIC)	1	729993
27	82811-93	SEAL, OIL	2	749421
28	83114-93	WASHER, FLAT	8	749530
29	83120-93	NUT, LOCK	8	749532
30	N/A	SHAFT, AXLE, LH (LONG)	1	N/A
31	82757-00*	SHAFT, AXLE, RH (SHORT)	1	749403
32*	41199	BOLT, WHEEL	10	719655
32	719463-05	BOLT, WHEEL (1.680" LONG)	10	719463
33	82830-93	DRUM, BRAKE	2	749427
34	N/A	GASKET	1	759937
35	83219-08	PINION & SEAL KIT 16.99:1	1	760374
36*	82776-08	GEAR SET KIT 16.99:1( Includes Item 4 – 13 & 35)	1	191703U
37*	82819-09	RAW AXLE 16.99:1	1	759922
38	82779-08	PINION SEAL KIT (Includes Items 2 & 4 – 7) Only For Use With Item 35.	1	191697U
39*	90013-08	KIT, SHAFT & BOLT LH (Includes Items 30 & 32)	1	759936
40*	90012-00	KIT, SHAFT & BOLT RH (Includes Items 31 & 32)	1	719258
41*	6011	WASHER, FELT (See gear set info)	1	759935

\* Not Shown

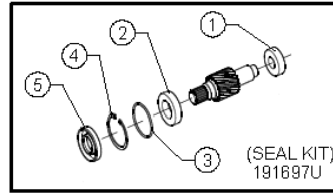
## T PANEL & H12 GEAR SETS – SM

NOTE A:  
CAN BE USED FOR SERVICING 2008 & EARLIER AXLES  
WHEN REPLACEMENT GEARS NEEDED -  
ORDER NEW PINION SHAFT DESIGN COMPLETE ASM.

NOTE B:  
NEW SEAL LIP PINION &  
GEAR SET KIT NOW INCLUDES:  
- SEALING O-RINGS  
- END CAP PLUGS  
- BEARINGS

NOTE C:  
CAN ALSO SERVICE EARLIER AXLES

NOTE D:  
PINION SEAL KIT 191697U  
(CPC 82779-08)  
FOR USE ONLY WITH  
NEW PINION SHAFT DESIGN



SEE NOTE A

KIT (INCLS GEARS, PINION&SEAL KIT & COMPONENT PARTS)		
CPC PN	SI PN	GEAR RATIO
82773-08	191700U	10.35:1
82774-08	191701U	12.44:1
82775-08	191702U	14.76:1
82776-08	191703U	16.99:1

INTERMEDIATE & RING GEAR SET			INTERMEDIATE GEARS			RING GEAR		
SI PN	DANA PN	GEAR RATIO	DANA PN	NO. OF TEETH	QTY	DANA PN	NO. OF TEETH	QTY
760376	012KG112	10.35:1	012GZ156X	22 & 53	1	012GS395	116	1
760402	012KG114	12.44:1	012GZ134X	24 & 55	1	012GS284	114	1
760401	012KG115	14.76:1	012GZ146X	22 & 56	1	012GS323	116	1
760400	012KG113	16.99:1	012GZ150X	22 & 58	1	012GS323	116	1

SEE NOTE C

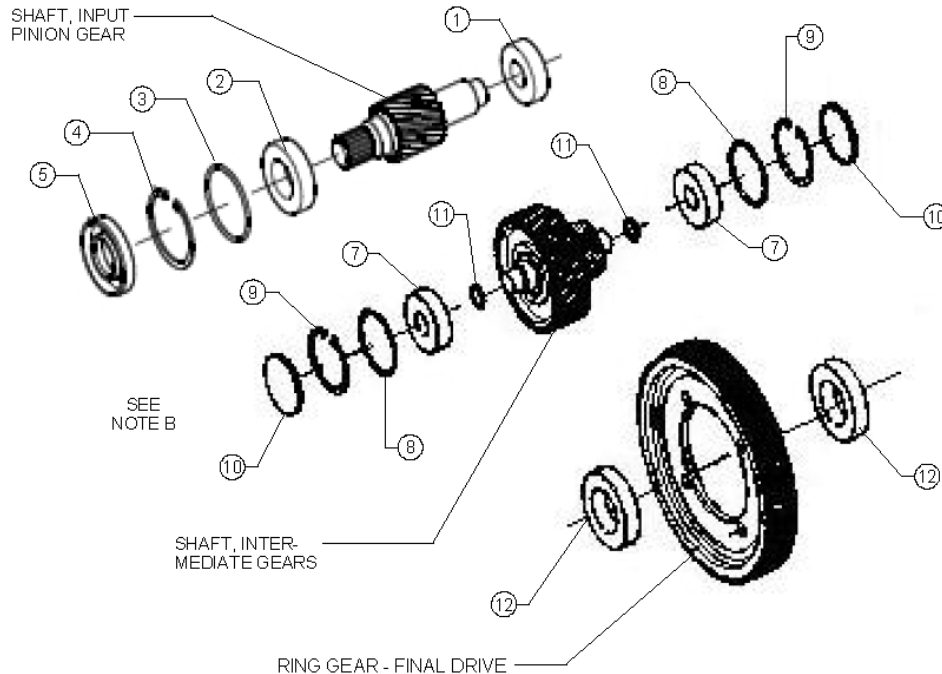
PINION & SEAL KIT (INCLUDES ITEMS IN SEAL KIT 191697U)					PINION GEAR			
CPC PN	SI PN	DESCRIPTION	DANA	QTY	GEAR RATIO	DANA PN	NO. OF TEETH	QTY
83218-08	760372	NEW LIP SEAL PINION KIT	012LK173	1	10.35:1	012GS392	27	1
83297-08	760373	NEW LIP SEAL PINION KIT	012LK174	1	12.44:1	012GS389	21	1
83214-08	760386	NEW LIP SEAL PINION KIT	012LK175	1	14.76:1	012GS390	20	1
83219-08	760374	NEW LIP SEAL PINION KIT	012LK177	1	16.99:1	012GS393	18	1

SEE NOTE D

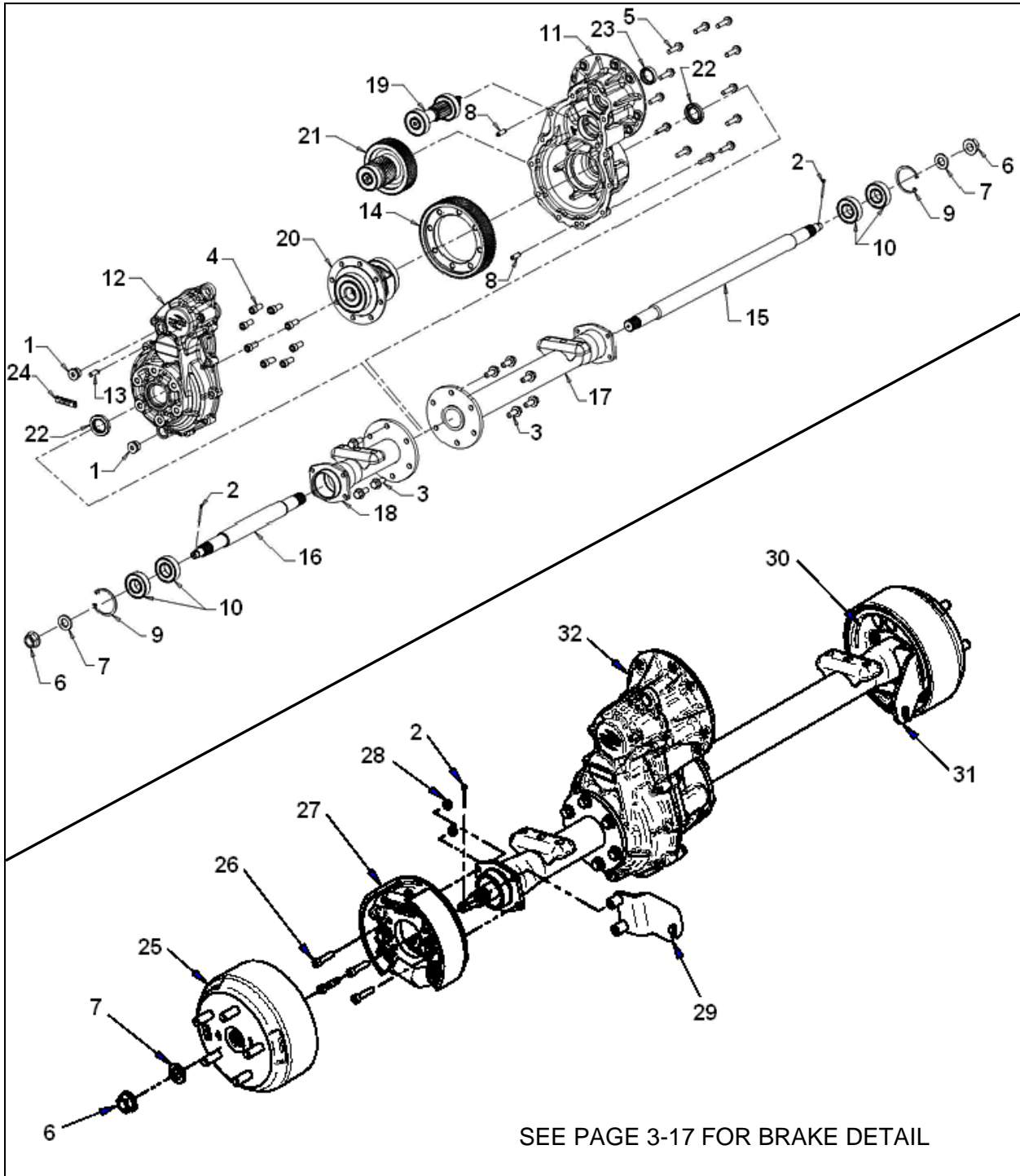
PINION SEAL KIT 191697U / (CPC # 82779-08)					
QTY	CPC PN	SI PN	DESCRIPTION	DANA	QTY
1	90004-90	749699	BEARING, BALL, INNER	012HD104	1
2	90014-08	760375	BEARING, BALL, OUTER	012HD112	1
3	11118	729030	O-RING	012HH118	1
4	90006-90	749701	RING, SNAP	012HR101	1
5	83165-08	760371	OIL SEAL - INPUT SHAFT	012HH152	1
6*	N/A	N/A	INSTRUCTION SHEET	012TG135	1

\* ITEM NOT SHOWN

COMPONENTS FOR GEAR SET KIT (SEE KIT CHART)					
QTY	CPC PN	SI PN	DESCRIPTION	DANA	QTY
7	82810-90	749419	BEARING, BALL	012HD111	2
8	11118	729030	O-RING	012HH118	2
9	90006-90	749701	RING, SNAP	012HR101	2
10	82808-90	749418	PLUG, END CAP	012HG138	2
11	11119	719132	O-RING	012HH101	2
12	90005-90	749700	BEARING, BALL	585994	2



TEAM AXLE, HD, 10.4:1 – SMT, SUV, NEV



**TEAM AXLE, HD, 10.4:1 – SMT, SUV, NEV (Cont.)**

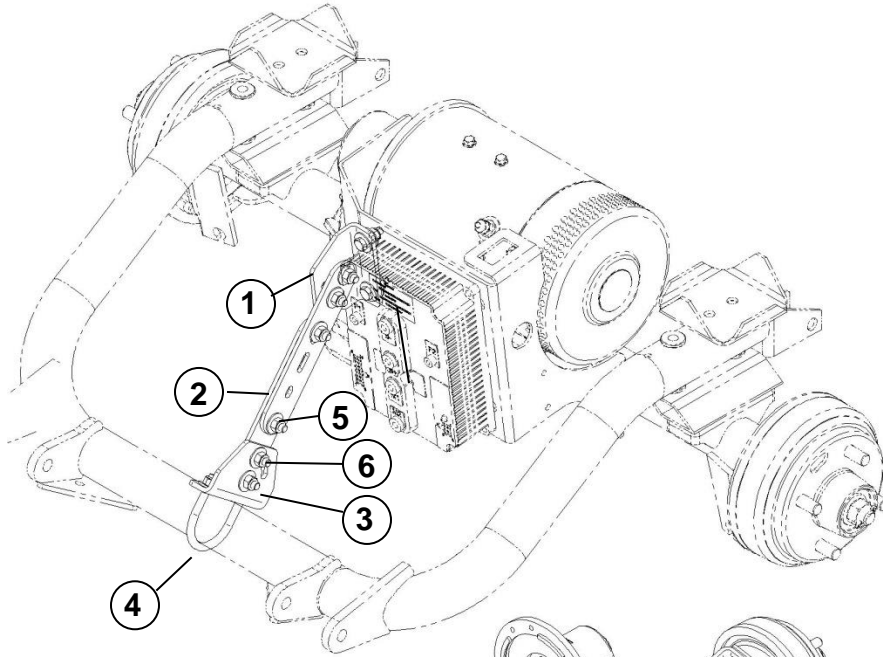
ITEM	CPC P/N	DESCRIPTION	QTY	SEATS P/N
1	83400-10	PLUG, 3/4-16, HOLLOW HEX (Torque 10-14 FT LBS)	2	760649
2	560	PIN, COTTER, 1/8 X 1.25	2	707337
3	83426-10	SCREW, CAP HEX HEAD, 3/8-16X1 (Torque 26-30 FT-LBS)	12	760680
4	83419-10	SCREW, SHCH, 3/8-24 UNF X 1.25	8	760673
5	83422-10	SCREW, TAPPING HEX, WASHER HD 5/16-18X1.25 (Torque 22-27 FT-LBS)	12	760674
6	7603	NUT, HEX FLANGE, 5/8-18 UNF (Torque 145 FT-LBS)	2	760706
7	7401	WASHER, LOCKING, 17X30	2	760703
8	83424-10	PIN 5/16 X 1.00	2	760650
9	83401-10	RING, RETAINING BASIC, INTERNAL, 52MM	2	760651
10	83403-10	BEARING, BALL 6205 2RS C3, 25MM X 52MM X 15MM	4	760653
11	83413-10	GEAR CASE, RH	1	760667
12	83404-10	GEAR CASE, LH, MACH	1	760654
13	83418-10	TUBE, VENT, 1/4" HOSE	1	760655
14	N/A	GEAR, 95T HELICAL OUTPUT ETA	1	N/A
15	83414-10	AXLE, LH	1	760656
16	83415-10	AXLE, RH	1	760657
17	83416-10	LH AXLE TUBE	1	760658
18	83405-10	RH AXLE TUBE	1	760659
19	N/A	SUBASSEMBLY, 21T INPUT MOTOR SHAFT	1	N/A
20	N/A	SUBASSEMBLY, DIFFERENTIAL, HD, ETA	1	N/A
21	N/A	SUBASSEMBLY, INTERMEDIATE SHAFT	1	N/A
22	83411-10	SEAL, DUAL LIP, 25 X 42 X 7	2	760665
23	83412-10	SEAL, TRIPLE LIP, 25 X 35 X 7.8	1	760666
24	N/A	LABEL, HD ETA 10.40:1 RATIO	1	N/A
25	N/A	DRUM/HUB SUBASSEMBLY (See Item 33)	2	760789
26	N/A	SCREW, CAP, 5/16-24X1.25 (Torque 20 - 26 FT-LBS)	8	760675
27	83408-10	RH BRAKE, HYD 7"	1	760662
28	N/A	LOCKNUT, HEX 5/16-24	4	760676
29	83407-10	RH BRAKE CABLE BRACKET	1	760661
30	83409-10	LH BRAKE, HYD 7"	1	760663
31	86406-10	LH BRAKE CABLE BRACKET	1	760660
32	82668-10	ASSEMBLED AXLE 10.4 HYD	1	467865
33	83440-10	KIT, BRAKE DRUM ASSEMBLY REPLACEMENT	1	192140U



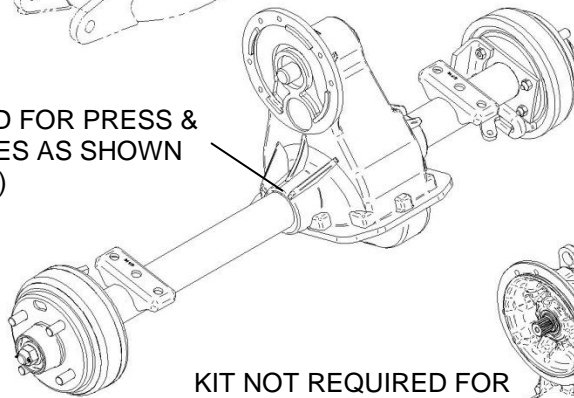
## DANA AXLE BRACE KIT

**NOTE: Only available as a kit. P/N 45310-10A. See Service Bulletin SB10-004A.**

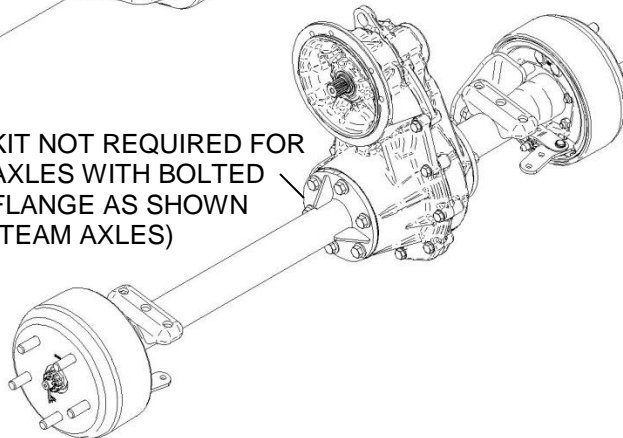
ITEM	DESCRIPTION	QTY
1	BRACKET	2
2	STRAP	2
3	SCREW, 5/16-18X1 HHCS	8
4	U-BOLT, #014	1
5	WASHER, 5/16 USS/STD	18
6	NUT, 5/16-18 NYLOCK	10



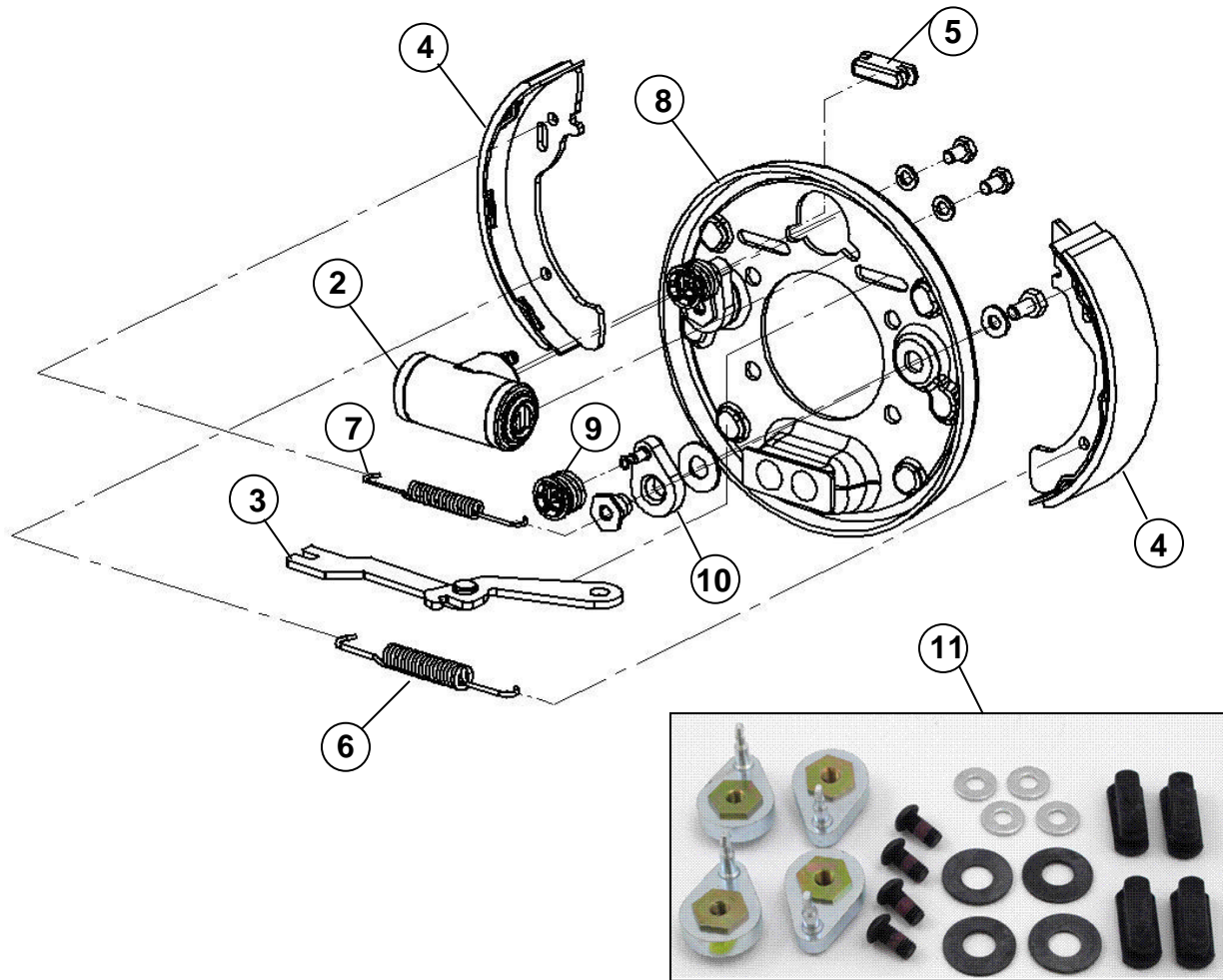
KIT REQUIRED FOR PRESS & WELDED AXLES AS SHOWN (DANA AXLES)



KIT NOT REQUIRED FOR AXLES WITH BOLTED FLANGE AS SHOWN (TEAM AXLES)



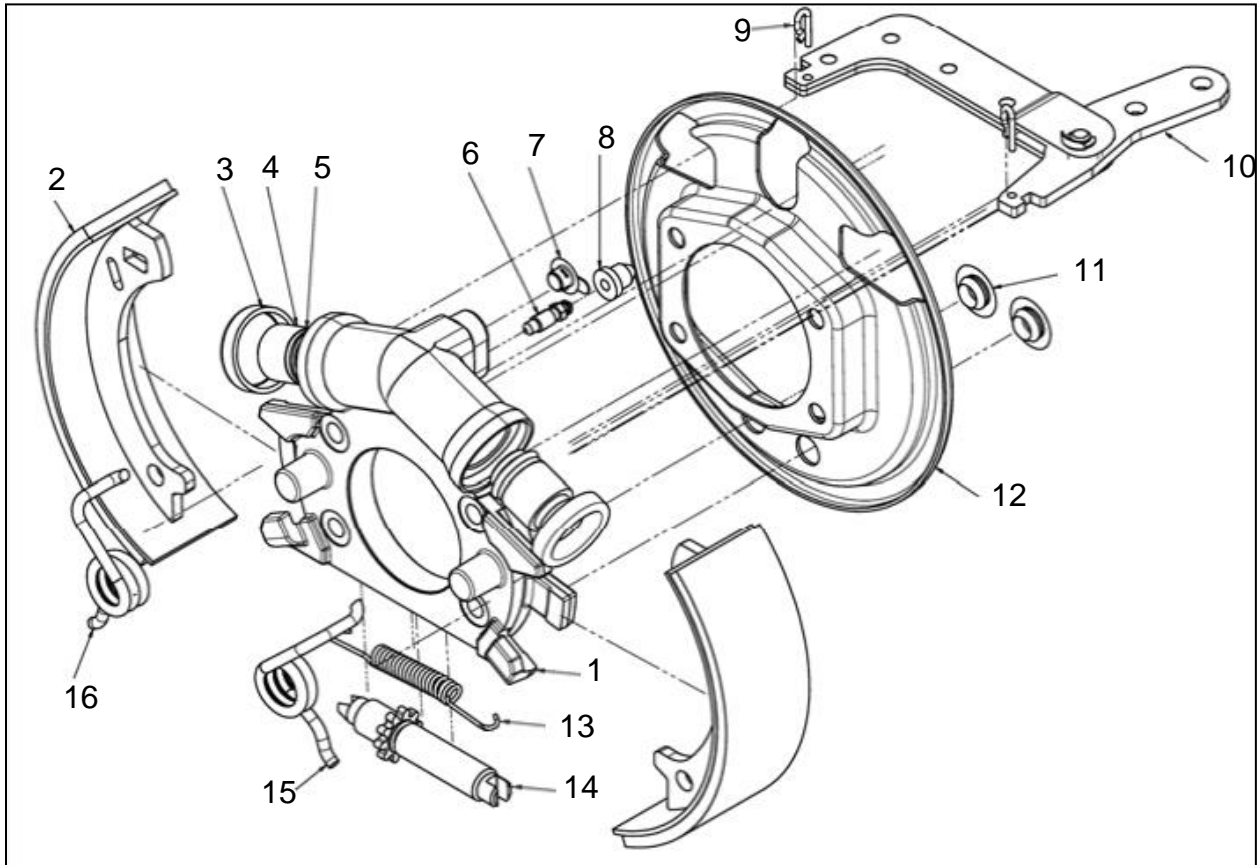
## DANA HYDRAULIC BRAKE ASSEMBLY - SUMMIT (Left Hand Shown)



ITEM	CPC P/N	DESCRIPTION	QTY	SI P/N
1	41813-02	HYD. BRAKE ASSY, LH (Includes Items 2 - 9)	1	719137
1A*	41814-02	HYD. BRAKE ASSY, RH (Includes Items 2 - 9)	1	719138
2	41260-02	WHEEL CYLINDER, COMPLETE	1	759795
3	N/A	STRUT & LEVER ASSY, PARKING BRAKE LH (Only available as Item 1 or 1A)	1	N/A
3A*	N/A	STRUT & LEVER ASSY, PARKING BRAKE RH (Only available as Item 1 or 1A)	1	N/A
4	41818-05	KIT,SHOE & LINING ASSY, 160 mm (4 Shoes)	1	759740
5	N/A	COVER, PARK BRAKE LEVER OPENING (Only available as Item 1 or 1A)	1	N/A
6	N/A	SPRING, SHOE RETURN (Only available as Item 1 or 1A)	1	N/A
7	N/A	SPRING, SHOE RETAINING (Only available as Item 1 or 1A)	1	N/A
8	N/A	SHIELD, DUST (Only available as Item 1 or 1A)	1	N/A
9	N/A	SPRING CLIP, SHOE RETAINING (Only available as Item 1 or 1A)	2	N/A
10	N/A	ADJUSTER (See Item 11)	2	N/A
11	41732-07	KIT, ADJUSTER (Includes items 9, 10 and installation hardware. Services two brake assemblies.)	1	759796

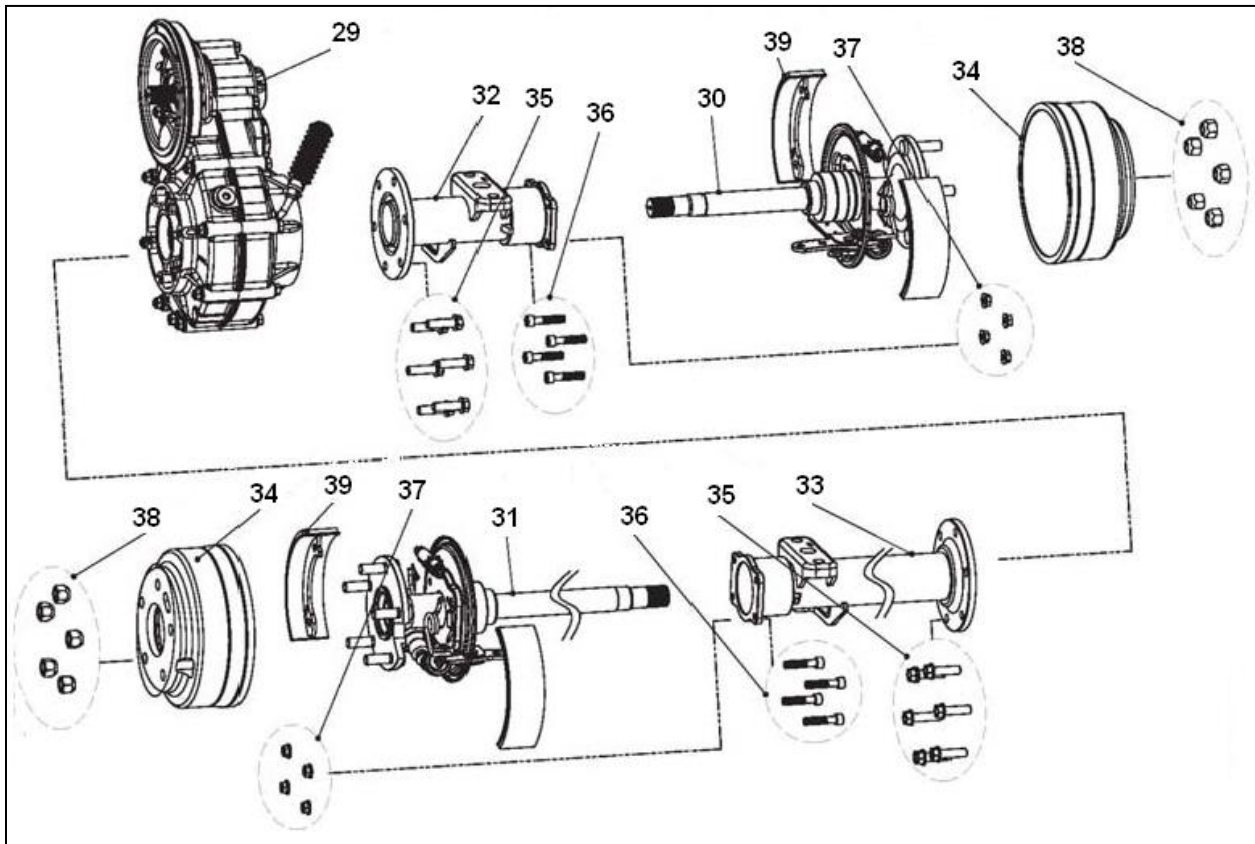
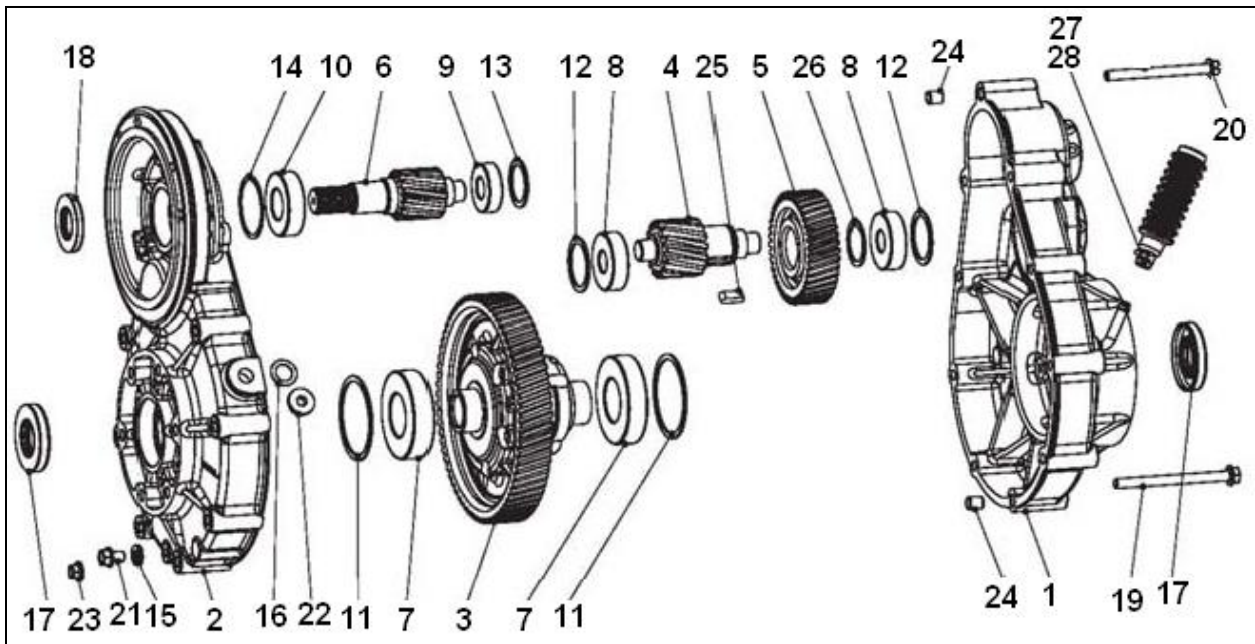
\* NOT SHOWN

## TEAM HD BRAKES HYDRAULIC - SUMMIT

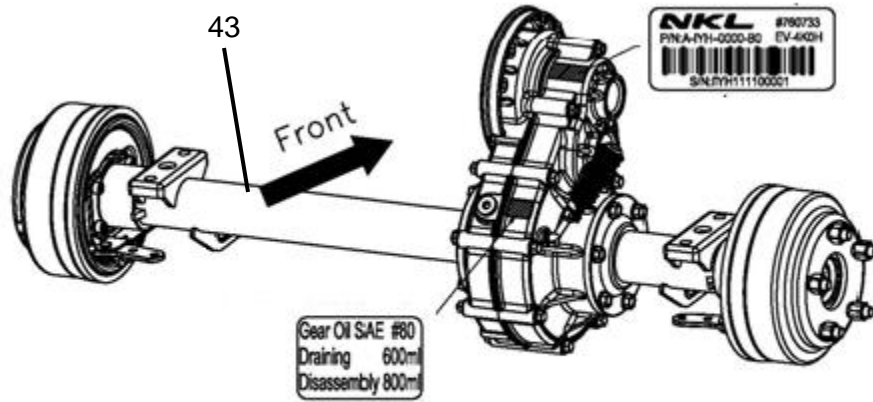


ITEM	CPC P/N	DESCRIPTION	QTY	SEATS P/N
1	N/A	KIT, TORQUE SPIDER ASSY	1	N/A
2	41603-06	KIT, SHOE & LINING	2	759765
3	N/A	DUST BOOT	2	N/A
4	N/A	PISTON	2	N/A
5	N/A	CUP SEAL	2	N/A
6	41605-11	BLEEDER	1	760727
7	N/A	PLUG	1	N/A
8	N/A	BLEEDER CAP	1	N/A
9	41606-11	SPRING CLIP	2	760728
10	N/A	KIT, LEVER ASSY	1	N/A
11	N/A	PLUG	2	N/A
12	N/A	DUST SHIELD	1	N/A
13	41607-11	SPRING, RETURN	1	760729
14	41608-11	ADJUSTER	1	760730
15	N/A	SPRING	1	N/A
16	N/A	SPRING	1	N/A
17	41611-11	KIT, SPRING (Includes Items 13, 15 & 16)	1	760732
18	41612-11	BACKING PLATE (Includes Items 1, 3, 4, 5, 7 & 8)	1	760725
19	83408-10	BRAKE ASSEMBLY – USE ON RIGHT SIDE	1	760662
20	83409-10	BRAKE ASSEMBLY – USE ON LEFT SIDE	1	760663

### NKL AXLE ASSEMBLY – SUMMIT



## NKL AXLE ASSEMBLY – SUMMIT (Cont.)



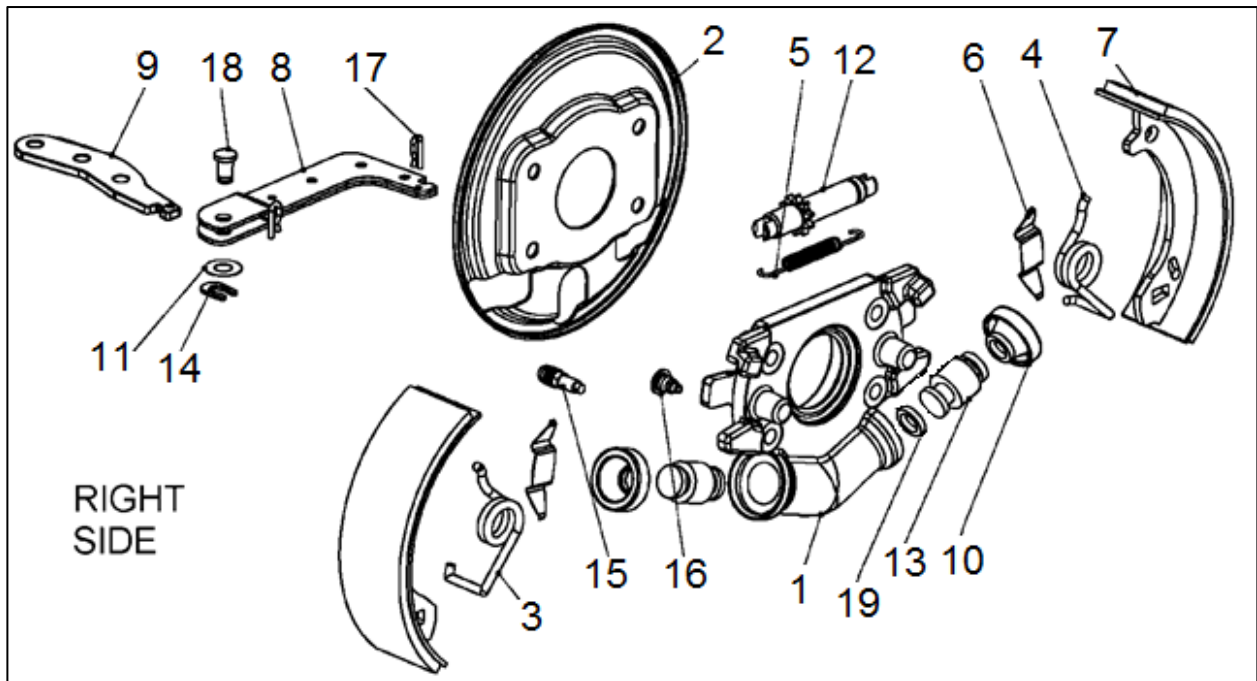
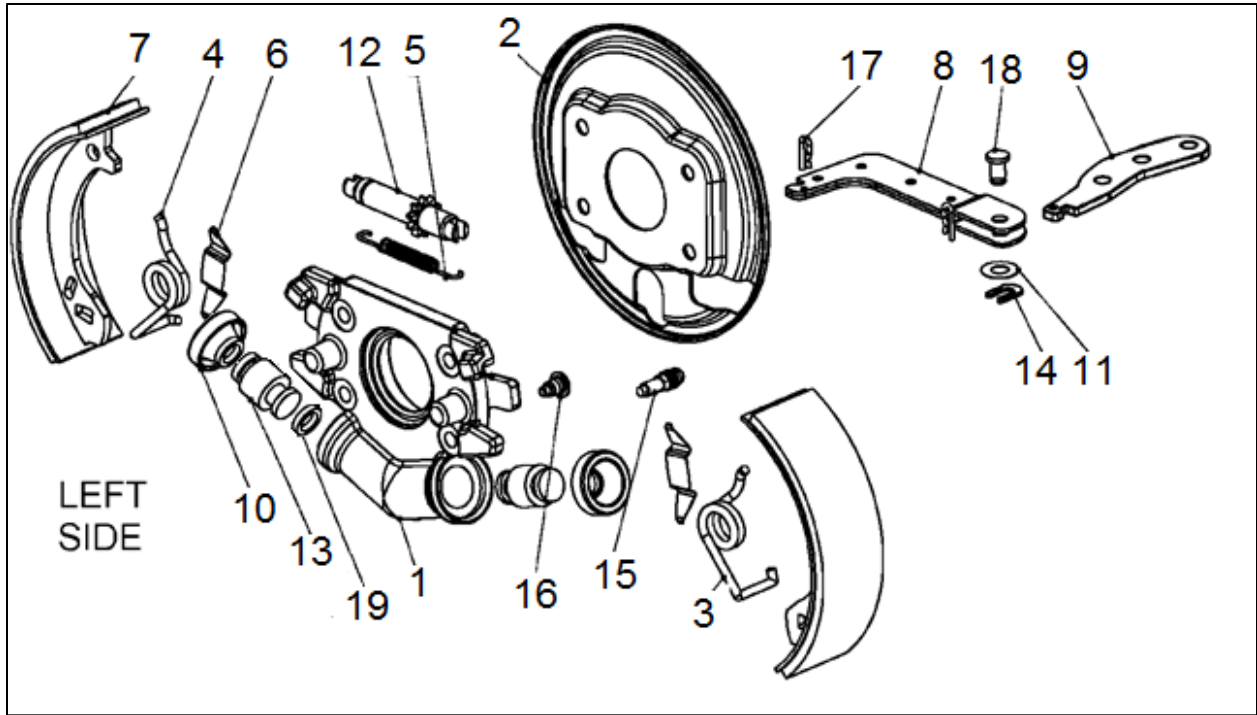
ITEM	CPC P/N	DESCRIPTION	QTY	SEATS P/N
1	*	COVER CASE ASSEMBLY	1	
2	*	GEAR CASE	1	
3	*	CARRIER GEAR (See Item 40)	1	
4	*	GEAR 15T (See Item 41)	1	
5	*	GEAR 40T (See Item 41)	1	
6	*	GEAR 18T (See Item 42)	1	
7	82904-13	BALL BEARING 6207 (See Item 40)	2	760926
8	82873-13	BALL BEARING 6303 (See Item 41)	2	760918
9	82783-13	BALL BEARING 6203 (See Item 42)	1	760921
10	82782-13	BALL BEARING 6205 (See Item 42)	1	760922
11	82905-13	SHIM 61X69X1.5t (See Item 40)	2	760925
12	82871-13	SHIM 36X44X1.5t (See Item 41)	2	760919
13	82784-13	SHIM 32X40X1.0t (See Item 42)	1	760920
14	82781-13	SHIM 45X51X1.5t (See Item 42)	1	760923
15	*	WASHER	1	
16	*	WASHER	1	
17	82906-13	SEAL 29X55X9h	2	760924
18	*	SEAL 28X55X9h	1	
19	*	BOLT M8XP1.25X100L	7	
20	*	BOLT M8XP1.25X90L	3	
21	*	BOLT M8XP1.25X12L	1	
22	*	BOLT M14XP1.5X9.5L	1	
23	*	NUT M8XP1.25	10	
24	*	LOCATION PIN	2	
25	*	MACHINE KEY (See Item 30)	1	
26	82785-13	CIRCLIP – SHAFT 32 (See Item 30)	1	760917
27	*	BREATHER TUBE	1	
28	*	RING	1	

**NKL AXLE ASSEMBLY – SUMMIT (Cont.)**

ITEM	CPC P/N	DESCRIPTION	QTY	SEATS P/N
29	*	GEAR BOX ASSY	1	
30	82994-13	SHAFT ASSY R	1	760986
31	82995-13	SHAFT ASSY L	1	760987
32	*	TUBE ASSY R	1	
33	*	TUBE ASSY L	1	
34	82927-13	DRUM	2	760927
35	*	BOLT M10X1.25X35L	12	
36	*	BOLT M8X1.25X40L	8	
37	*	NUT SHRAPNEL M8XP1.25	8	
38	*	NUT	10	
39	82909-13	BRAKE SHOE	4	760928
40	82981-13	CARRIER GEAR ASSY 10.37:1 (Includes Items 3, 7 & 11)	1	760939
41	82982-13	INTERM. GEAR ASSY 10.37:1 (Includes Items 4, 5, 8, 12, 25 & 26)	1	760934
42	82983-13	INPUT GEAR ASSY 10.37:1 (Includes Items 6, 9, 10, 13 & 14)	1	760938
43	82670-12	AXLE, HD, NKL, 10.37:1, COMPLETE	1	760734
44	82669-12	AXLE, HD NKL 16.77:1 COMPLETE	1	760733

\* Special Order

# NKL AXLE HYDRAULIC BRAKES – SUMMIT



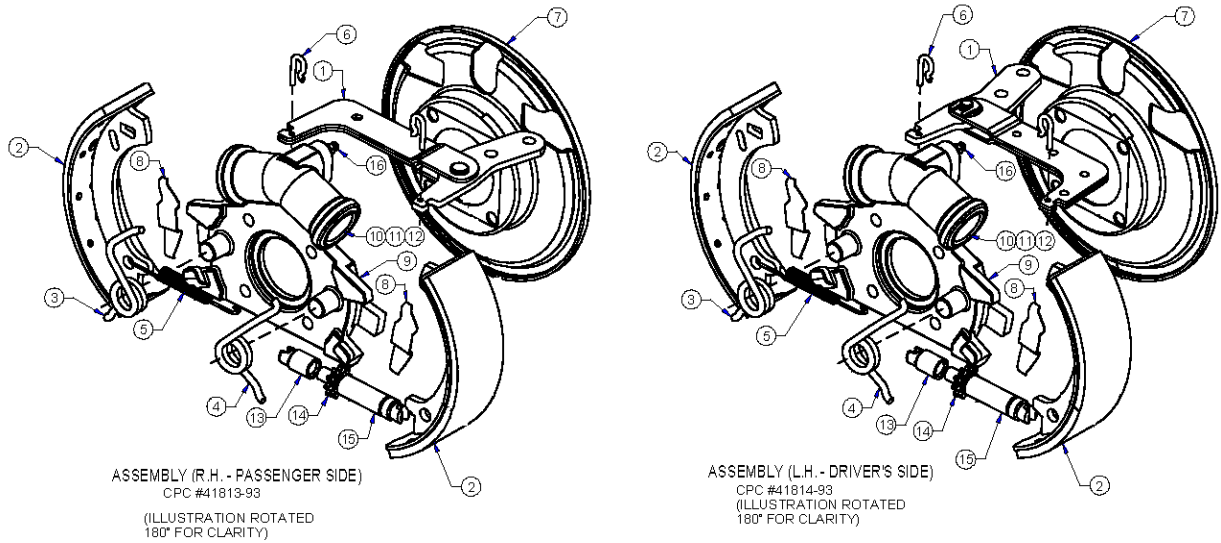
## NKL AXLE HYDRAULIC BRAKES – SUMMIT (Cont.)

ITEM	CPC P/N	DESCRIPTION	QTY	SEATS P/N
1	82987-13	MAIN BODY	1	760979
2	82988-13	COVER	1	760980
3	82989-13	SPRING (BLUE)	1	760981
4	82990-13	SPRING (YELLOW)	1	760982
5	*	SPRING	1	
6	*	SPRING PIECE	2	
7	82909-13	BRAKE SHOES	2	760928
8	*	L-TYPE LEVER	1	
9	*	LEVER	1	
10	40968-14	DUSTPROOF COVER KIT	1	192943U
11	*	WASHER	1	
12	*	ADJUSTMENT ASSEMBLY L	1	
12A	*	ADJUSTMENT ASSEMBLY R	1	
13	*	PISTON ASSEMBLY	2	
14	*	CIRCLIP	1	
15	*	EXHAUST VALVE ASSEMBLY	1	
16	*	BUSH ASSEMBLY	1	
17	*	COTTER PIN	2	
18	*	PIN	1	
19		OIL SEAL	1	
20	82992-13	LEFT BRAKE SET ASSEMBLY (Includes Items 12 – 19)	1	760984
21	82993-13	RIGHT BRAKE SET ASSEMBLY (Includes Items 12 – 19)	1	760985

\* SPECIAL ORDER



## H-12 BRAKES – SUMMIT



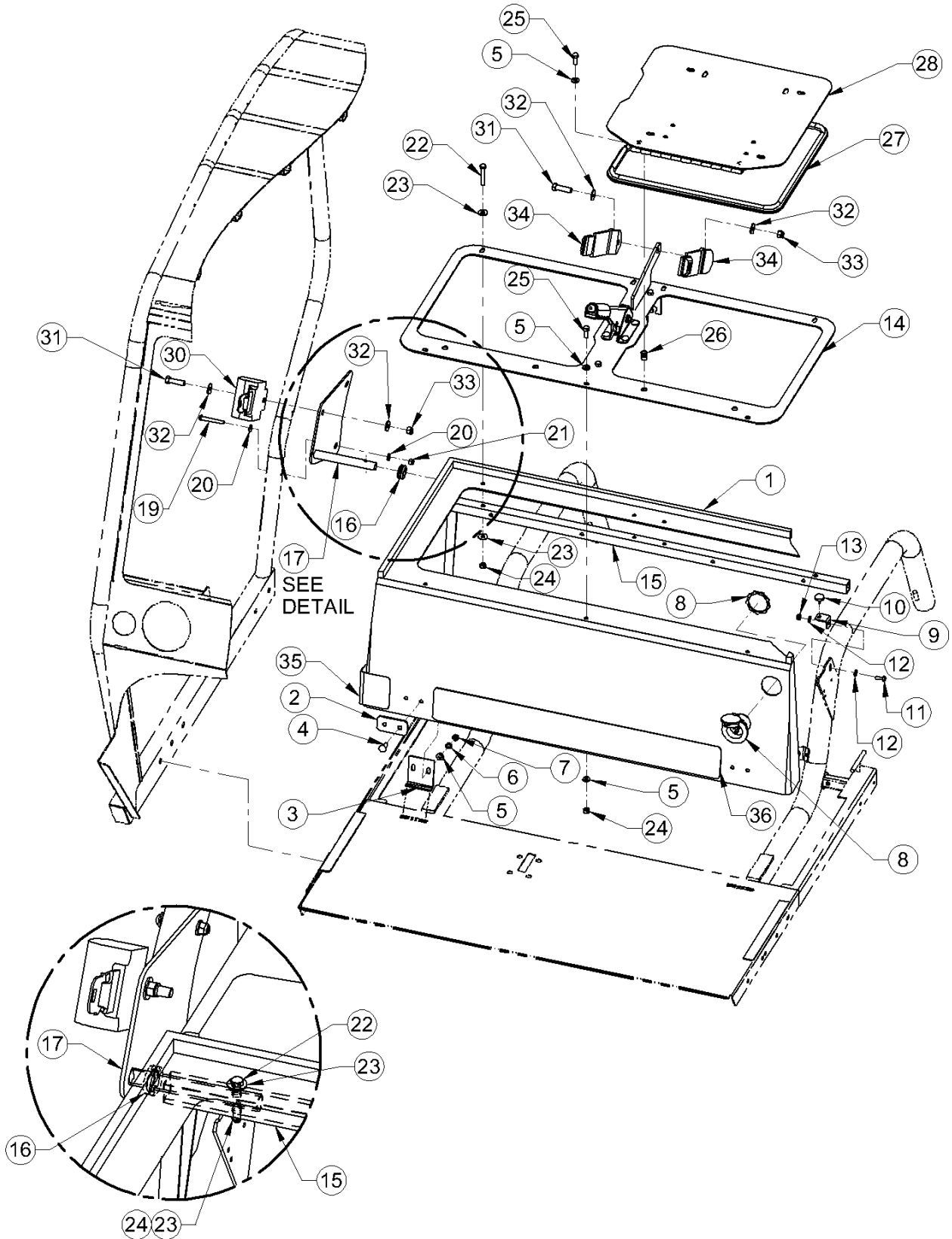
ITEM	CPC P/N	DESCRIPTION	QTY	SEATS P/N
1	41894-93	STRUT & LEVER ASSEMBLY	1	739024
2	41912-93	SHOE & LINING ASSEMBLY	2	719046
3	41914-93	SPRING, SHOE RETURN LH	2	739026
4	41916-93	SPRING, SHOE RETURN RH	2	739027
5	41918-93	SPRING ADJ SCREW	2	739028
6	41920-93	PIN, RETAINER PARKING BRAKE LEVER	1	739029
7	41926-93	SHIELD, DUST	1	739030
8	41928-93	SPRING, SHOE HOLD DOWN	1	719075
9	41884-93	TORQUE SPIDER (Includes Items 10 – 12 & 16)	2	719067
10	41892-93	PISTON WHEEL CYL (Includes Items 11 & 12)	1	739023
11	41886-93	BOOT & RING	2	739021
12	41890-93	CUP, HYD	1	739022
13	41882-93	SOCKET ADJ SCREW	1	739020
14	41880-93	SCREW, ADJ	1	719294
15	41878-93	NUT, PIVOT ADJ SCREW	1	719295
16	41888-93	VALVE BLEEDER	1	719296

# **Summit Parts Manual**

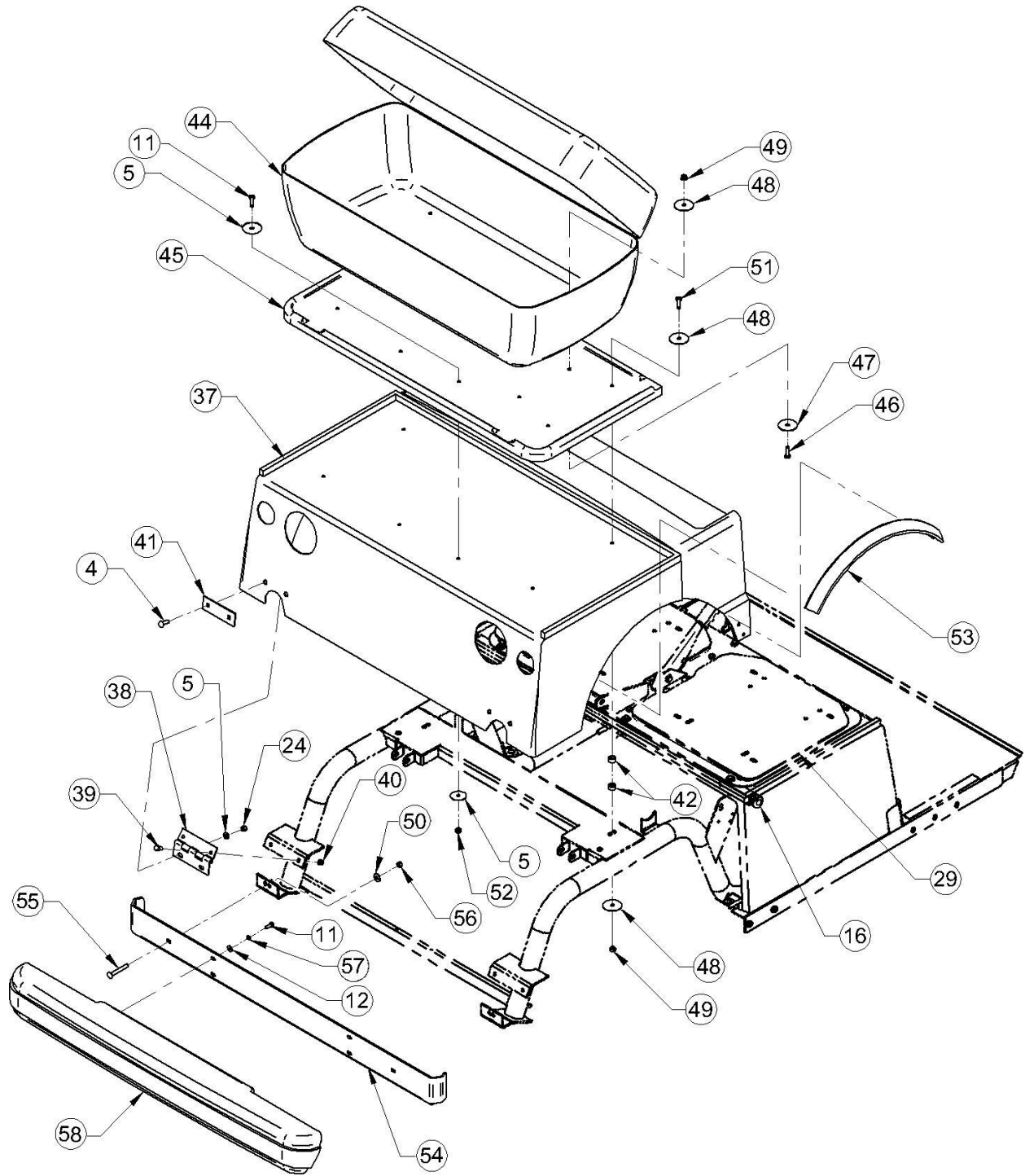
## **Section 4**

### **Body, Seating and Console Instrumentation**

# BODY - SM2



# BODY - SM2 (Cont.)



**BODY – SM2 (Cont.)**

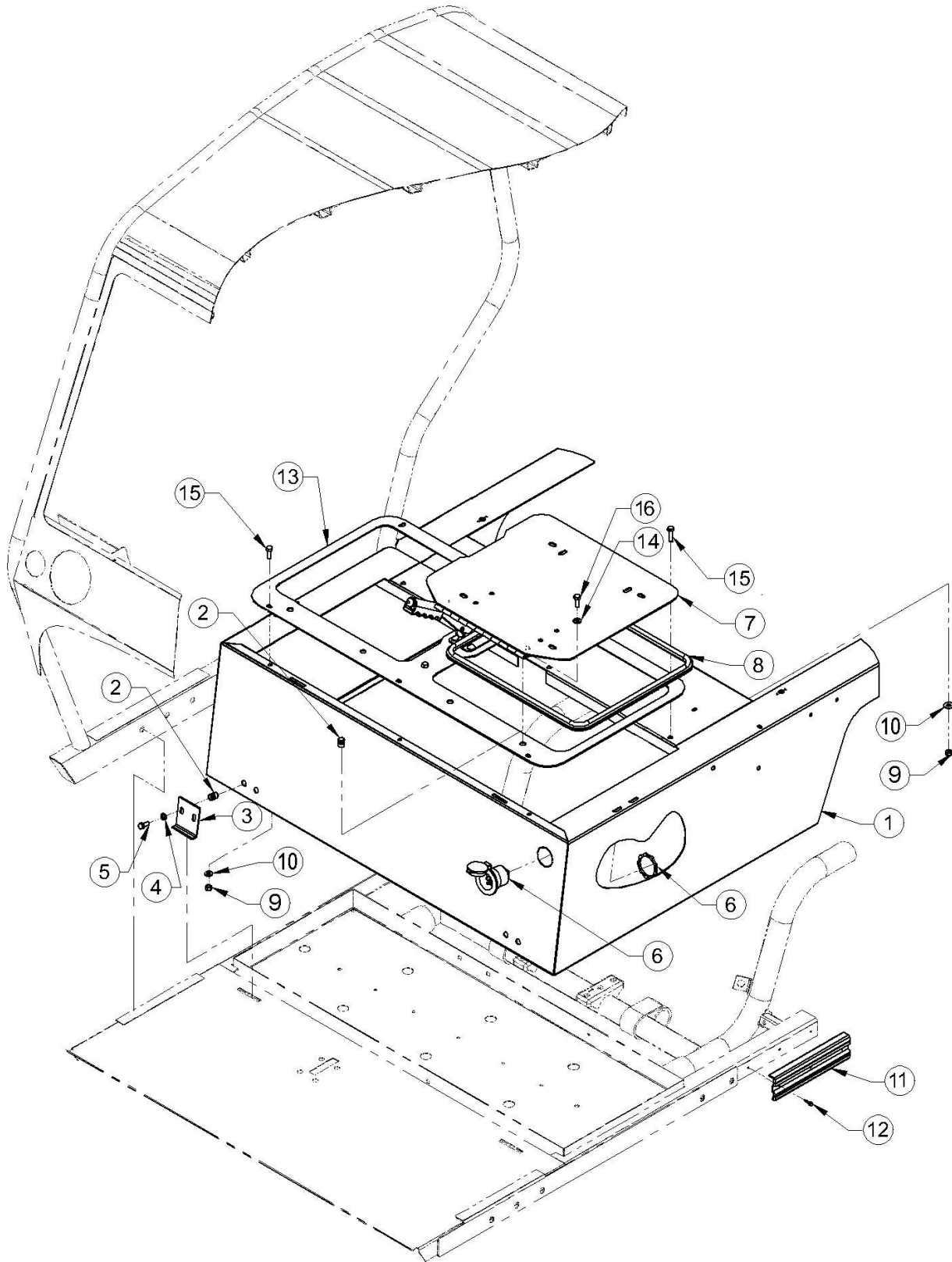
ITEM	CPC P/N	DESCRIPTION	QTY	SEATS P/N
1	50100-04	PAINTED SMT2 MID BODY	1	467166
2	50203-89	DOUBLER, FRONT HINGE	2	510217
3	50271-89A	FRONT HINGE BRACKET	2	510128
4	5400-BS	BOLT, 5/16-18 X 1, CARRIAGE, GR 5	8	719744
5	6702-B	WASHER, 5/16, SAE FLAT	24	719810
6	7041-B	WASHER, 5/16", SAE SPRING LOCK	4	719838
7	7748-B	NUT, 5/16-24, HEX, FULL, GR 2	4	719896
8	70036-05	CHARGER CORD W/RECEPTACLE ASSEMBLY	1	467405
*	66493-67A	EXTENSION CORD	1	709890
	66100-10	EXTENSION CORD, W/GFCI	1	760620
9	66574-02	BRACKET, SUPPORT SM2-T	2	508929
10	11402	RUBBER BODY BUMPER	2, 6	709011
11	3787-B	SCREW, 1/4-20 X 3/4, HHCS, GR 5, SM2-T	8	719636
12	6703-B	WASHER, 1/4, SAE FLAT	8	719811
13	7724-B	NUT, 1/4-20, SERRATED FLANGE LOCK, GR A	2	719887
14	39805-08	SEAT BASE W/HANDBRAKE	1	467576
15	51502-04	SUPPORT, SEAT	1	509703
16	11445	GROMMET, RUBBER	2	719528
17	52418-04	WELDMENT, SEATBELT MT -RH, S2	1	467188
18*	52419-04	WELDMENT, SEATBELT MT -LH, S2	1	467187
19	5407	SCREW, 5/16-18 X 2-1/4", BHCS, 18-8SS	4	719376
20	6002	WASHER, 5/16, SAE FLAT, 18-8SS	8	719375
21	7746	NUT, 5/16-18, NYLOC, HEX, 18-8SS	4	719377
22	3419	SCREW, 5/16-18 X 2 1/4, GR 5, HHCS	4	719616
23	6702-B	WASHER, 5/16, FLAT	10	719810
24	7739	NUT, 5/16-18, NE NYLOC, GR A	13	719892
25	3991	SCREW, 5/16-18 X 7/8, HHCS, GR 5	7	719643
26	8206	THREADED INSERT, 5/16-18	4	719929
27	84085-ZZ	TRIM SEAL, .06 X .38, CUT TO 61"	2	709206
28	39801-04	WELDMENT, SEAT PIVOT -LH	1	307529EP
29	39802-04	WELDMENT, SEAT PIVOT -RH	1	307528EP
30	75504-09	SEAT BELT, RETRACTOR ASSY	2	741359
31	4256	SCREW, 7/16-20 X 1-1/2, HHCS, G5	3	719665
32	6416	WASHER, 3/8, SAE FLAT	6	719796
33	7825	NUT, 7/16-20, NYLOC,	3	719908
34	75503-09	SEAT BELT BUCKLE ASSEMBLY	2	760553
35	50216-90A	HEEL GUARD, FRONT, END	2	709039
36	50215-90A	HEEL GUARD, FRONT, MIDDLE	1	709175
37		SMT2 TOURING REAR BODY – no longer available	1	
*	50182-00	PAINTED SMT2, GOLF REAR BODY	1	462648
38	50271-65	HINGE, BODY	2	709029
39	4391	SCREW, 5/16-24 X 5/8, HHCS, GR 5	4	719680
40	7727	NUT, 5/16-24, NE NYLOCK, JAM	4	719889

**BODY – SM2 (Cont.)**

ITEM	CPC P/N	DESCRIPTION	QTY	SEATS P/N
41	50204-89	DOUBLER REAR HINGE	2	510218
42	5738	SPACER, .375 X .750	4	510352
43	5449-BS	BOLT, 5/16-18 X 1-1/2, CAR, GR 5	2	719750
44	50632-03	TRUNK, LOCKABLE	1	719328
45	15151-06	REAR DECK, MOLDED	1	759826
46	3412	SCREW, 5/16-18 X 2 1/2, HHCS, GR 8	4	719613
47	31067-63	WASHER, .334 ID X 1.64OD X .7, FLAT	4	719597
48	6000-B	WASHER 5/16	12	719771
49	7810	NUT, 5/16-18, FLANGE LOCK, GR G	4	719892
50	6000-B	WASHER, 5/16, SPRING LOCK	2	719771
51	4017	SCREW 5/16-18X1. HHCS, G8	4	708085
52	7686	NUT 1/4-20, NYLOCK	2	719879
53	59623-71B	GUARD, SPLASH, FENDER	2	709034
*	84085-ZZ	REAR FENDER TRIM (STEEL BODY)	2.75'	709206
54	91006-03	BUMPER, REAR -ONE PIECE	1	509017
55	5400-BS	BOLT, 5/16-18 X 1, CARRIAGE, GR 5	2	719744
56	7739	NUT, 5/16-18, NYLOCK	2	719892
57	7036-B	WASHER, LOCK 1/4	4	719834
58	91010-96MZ	DUROBUMPER	1	709169
*	50630-06	KIT, LOCKABLE TRUNK (Includes Items 44 and 49 – 49)	1	190707A
*	89100-96	KIT, REAR DUROBUMPER (Includes Items 11, 12, 57 & 58,	1	1907160

NOT SHOWN

BODY -SM4, SUV (Cont.)



**BODY -SM4, SUV**

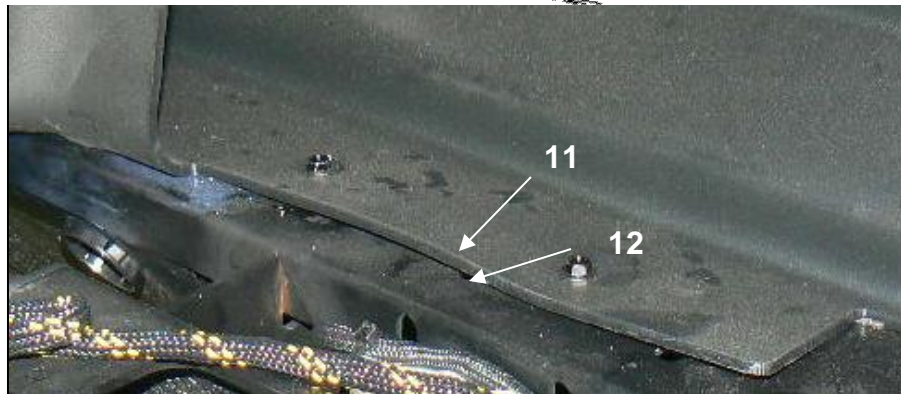
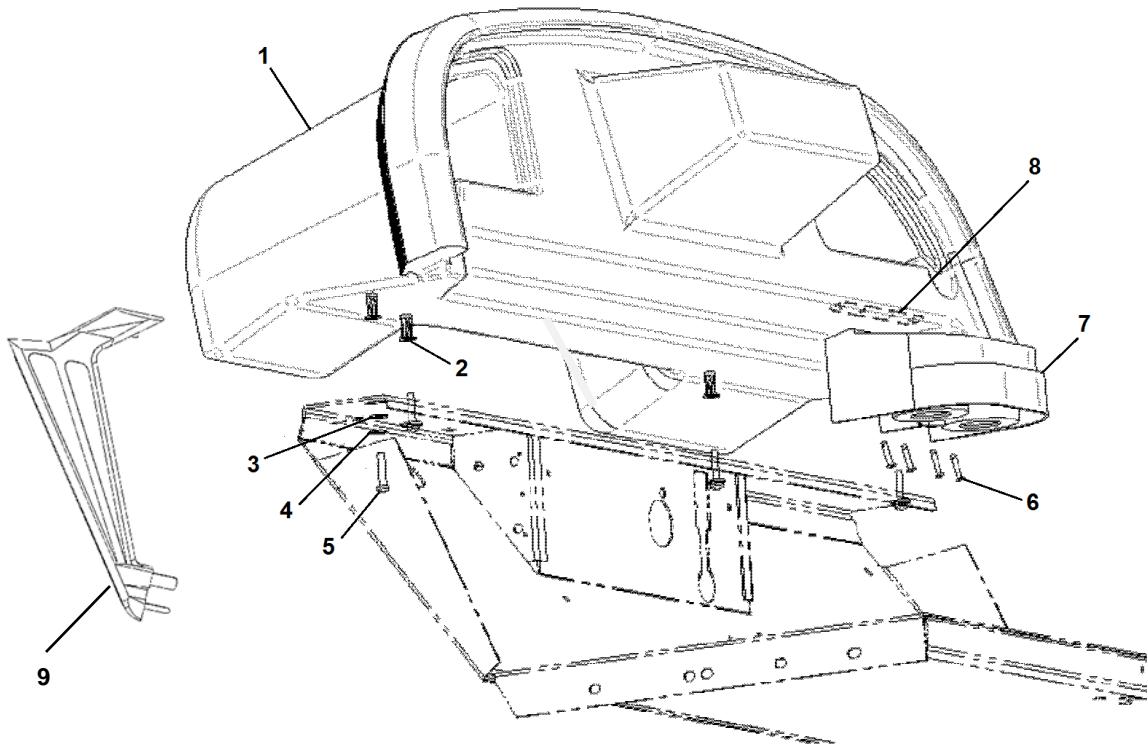
ITEM	CPC P/N	DESCRIPTION	QTY	SEATS P/N
1	50002-92	BODY, REAR, SUV-S	1	467311
	50610-92	BODY, REAR, SUV-L	1	467312
2	8206	THREADED INSERT, 5/16-18, SUV, SM4	12	719929
3	52417-04	FRONT HINGE BRACKET, SUV, SM4	2	510128
4	7041-B	WASHER, 5/16, SAE SPRING LOCK SUV, SM4	4	719838
5	3987-BS	SCREW, 5/16-18 X 3/4, GR 5 SUV, SM4	4	719642
6	70036-05	CHARGER CORD W/RECEPTICLE ASSEMBLY SUV, SM4	1	467405
*	66493-67A	EXTENSION CORD SUV, SM4	1	709890
	66100-10	EXTENSION CORD, W/GFCI	1	760620
7	39802-04	SEAT PIVOT PLATE LH SUV, SM4	1	307529
7A	39802-04	SEAT PIVOT PLATE RH, SUV, SM4	1	307528
8	84085-ZZ	TRIM SEAL, .06 X .38, CUT TO 61", SUV, SM4	2	709206
9	7686	NUT, 1/4-20 NYLOCK, SUV, SM4	A/R	719879
10	6703-B	WASHER, 1/4 FLT STL SUV, SM4	A/R	719811
11	50318-06	PLASTIC EXTRUSION SUV-L	2	467422
11A	50317-06	PLASTIC EXTRUSION SUV-S	2	467421
12	2653-B	SCREW, #10 X 3/4, HWH TEK #3, SUV-L	6	719583
13	50811-10	BASE, SEAT W/HANDBRAKE, SUV, SM4	1	467675
*	50812-10	BASE, REAR SEAT W/COVER, SM4	1	467676
14	6702-B	WASHER, 5/16 X .69 OD, SAE FLAT, SUV, SM4	10	719810
15	5405-B	SCREW, 1/4-20X3/4, CARR, GR 5, SUV, SM4	A/R	719747
16	3991	SCREW 5/16-18X7/8, SUV, SM4	A/R	719643
17	6000-B	WASHER, 5/16 X .88 OD, SAE FLAT	6	719771
18	44410-10	BUMPER SPACER, 1.25" SQUARE TUBE X 3"	2	513273
19	91006-03	BUMPER, REAR, ONE PIECE	1	509017
20	5460	SCREW 5/16-18X3.5		719122
21	7739	NUT 5/15-18, NE,NYL INSERT		719892
22	8210	RIVET, #610, 3/16. AL, DH, BLIND	A/R	719931
23	2871-W	SCREW, 5/16-18 X 1 1/4, HHCS, GR 5	A/R	719592

\* ITEM NOT SHOWN

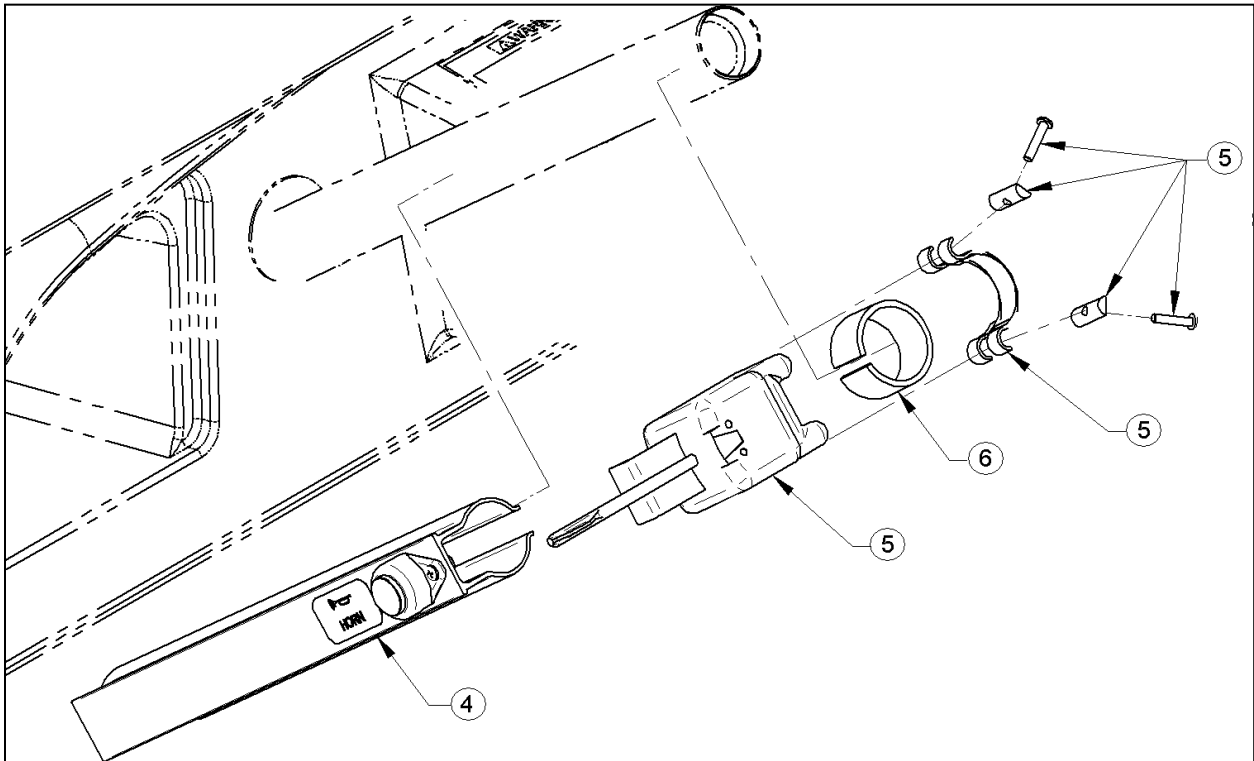
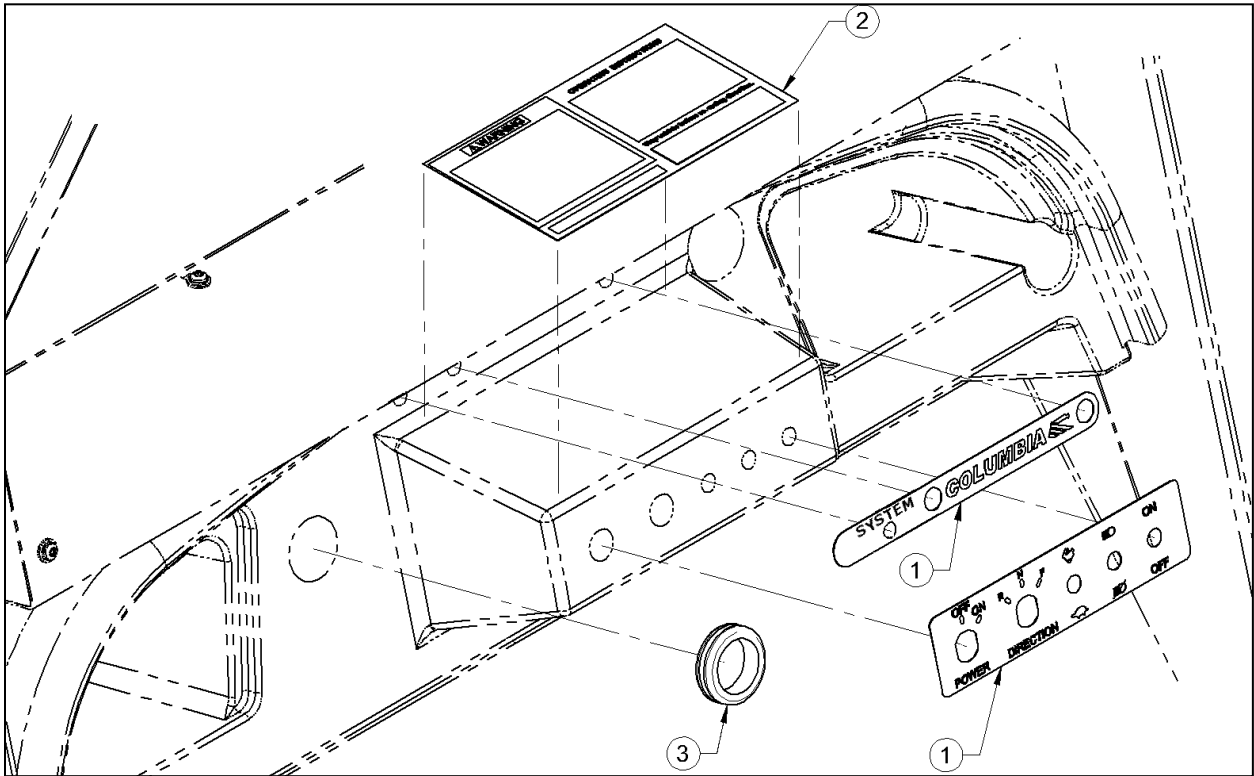


## CONSOLE – SMT, SUV

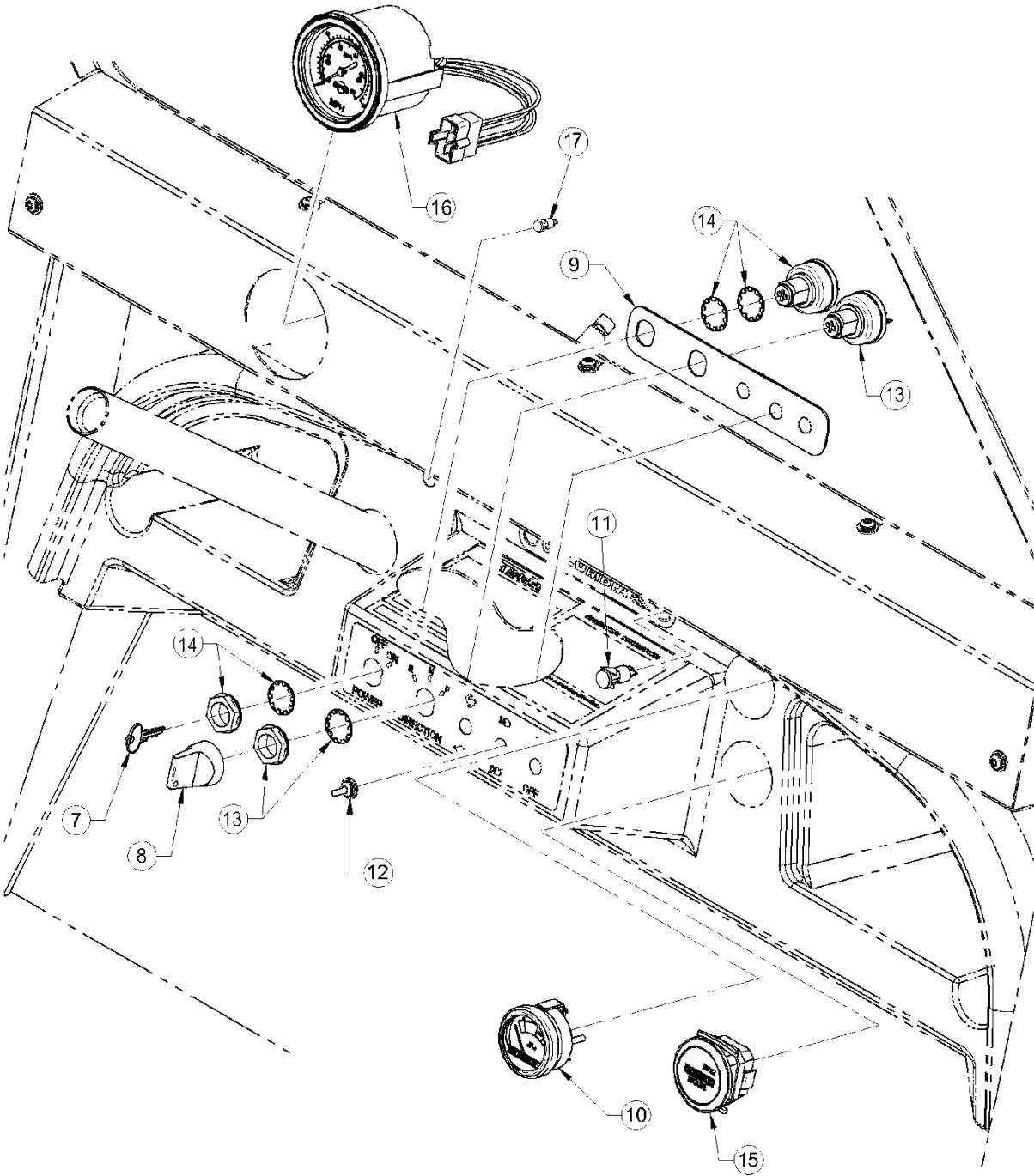
ITEM	CPC P/N	DESCRIPTION	QTY	SEATS P/N
1	82996-07	FRONT CONSOLE (Drilled, includes Items 2, 6 – 8, 14 – 16)	1	467507
2	50190-86	NUT, JACK, 1/4-20	4	719717
3	6702-B	WASHER 5/16 FLT STL	4	719810
4	7036-B	WASHER 1/4, LOCK`	4	719834
5	2602	SCREW, 1/4-20X1 1/4 PPH	4	719569
6	8308	RIVET, BLIND 3/16 AL, BH #10	4-8	782117
7	31412-07	CUP HOLDER, DUAL	1-2	759871
8	16236-07	STRAP, CUP HOLDER	1-2	512029
9	50087-96	SIDE PANEL, LH (Attach using Items 11, 12 & 13)	1	709062
10*	50088-96	SIDE PANEL, RH (Attach using Items 11, 12 & 13)	1	709063
11	2653-B	SCREW, #10-16X3/4, HWH, TEK	6	719583
12	6716	WASHER, #10, SAE	6	719812
13*	1787	SCREW, #14-15X3/4 PPH	2	719540
14	33794-08	DECAL, DASH (Shown on Page 4-10)	1	712084
15	11418-A	GROMMET (Shown on Page 4-10)		719523
16	50197-96	FRONT CONSOLE (not drilled)	1	759866



# DASH - SM



# DASH SM (Cont.)



### DASH SM (Cont.)

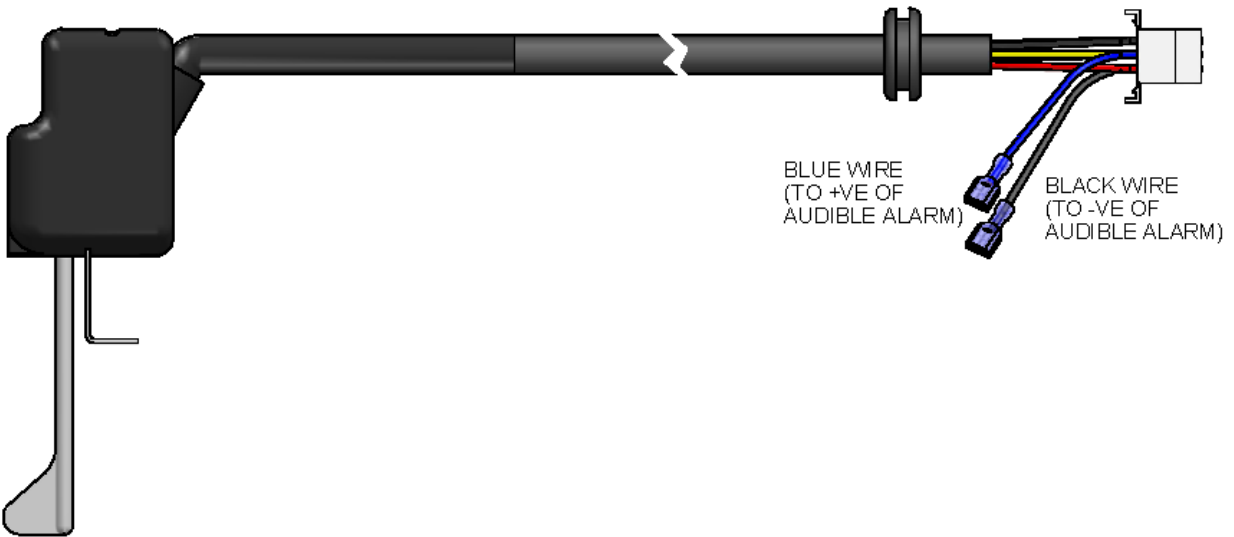
ITEM	CPC P/N	DESCRIPTION	QTY	SEATS P/N
1	33794-08	DASH OVERLAY SET -ELECTRIC VEHICLE	1	712084
*	53150-10	DASH OVERLAY SET -ELECTRIC W/WIPER	1	760603
2	43960-07	DECAL, WARNING/OP INST, NEV	1	712052
*	53258-07	DECAL, WARNING/OP INST, NON-NEV	1	712055
3	11418-A	GROMMET, 2775 EPDM, 3/16 GROOVE	1	719523
4	56903-10	ASM, HORN (Includes 4A, 4B, 4C, 4D & 4G)	1	467347
*4E	56904-10	ASM, LOCKING STEERING SHROUD W/HORN (Includes 4B, 4C, 4D, 4F, 4G & 4H)	1	467684
4A	50635-00	COLUMN COVER WITH DECAL	1	462975
*4H	56905-10	COLUMN. COVER 2 PC. (Included W/Item 4A)		760608
4B	71808-00	HORN SWITCH (Included W/Item 4 & 4A)	1	709176
*4C	2612-B	SCREW #8-32X1/2 (Included W/Item 4 & 4A)	2	719571
*4D	7609-W	NUT 8-32 (Included W/Item 4 & 4A)	2	719868
4F	53266-95	DECAL, HORN (Included W/Item 4 & 4A)	1	759787
*4G	69600-10	HARNES, HORN SWITCH (Included W/Item 4 & 4A)	1	759836
5	71426-02	TURN SIGNAL ASSEMBLY (See page 4-11)	1	464193
5A	71428-04	TURN SIGNAL ASSEMBLY (With steering wheel lock. See page 4-11)	1	467279
6	49713-08	FOAM TAPE, 1/8" T X 1" W X 4.88" L	1	709783
*	56910-10	KEYSWITCH ASM, STEERING LOCK	1	467694
7	71731-01	KEYSET, 2 KEYS W/RING	1	749184
8	71767-05	ASM, KEY, NON-REMOVABLE, W/COVER	1	719432
9	71740-08	PLATE, SWITCH RETAINER	1	513254
10	75061-07	BDI, 48V -VOLTMETER STYLE	1	759842
11	67790-00	LIGHT, TURN SIGNAL DASH INDICATOR	2	709111
12	69900-10	SWITCH, TOGGLE, ON/OFF/ON, LIGHTS	1	760599
*	72000-10	SWITCH, TOGGLE HI/LOW, SPEED	1	760600
*	58203-10	WIPERS/WASHER SWITCH	1	467693
13	71730-01	DIRECTIONAL KEYSWITCH	1	709040
14	71732-06	POWER KEYSWITCH	1	759706
15	75033-91A	HOUR METER 10-80 VOLT DC	1	709452
16	69990-10	SPEEDOMETER, 0 -30 MPH, Ø3 3/8"	1	760690
17	67791-08	SYSTEM STATUS LIGHT	1	759932
*	69001-76A	HORN, 12V	1	709089
*	64207-02	GLOVE BOX SET, CARBON FIBER	1	719150
*	64208-02	GLOVE BOX SET, WOODGRAIN	1	719154
*	64219-03	GLOVE BOX SET, BLACK	1	719152
*	46930-02	LABEL , OPERATING RESTRICTIONS (Used only on LSV vehicles)	1	511633

\* NOT SHOWN

## DASH SM (Cont.)

KEYSET	3 POSITION POWERSWITCH		2 POSITION POWERSWITCH		STANDARD KEYS	
	CPC P/N	SI P/N	CPC P/N	SI P/N	CPC P/N	SI P/N
A	71730-01	709040	71732-06	759706	71731-01	749184
B	71730-03B	719297	71732-06B	759722	71731-03B	719301
C	71730-03C	719298	71732-06C	759723	71731-03C	719302
D	71730-03D	719299	71732-06D	759724	71731-03D	719303
E	71730-03E	719300	71732-06E	759721	71731-03E	719304

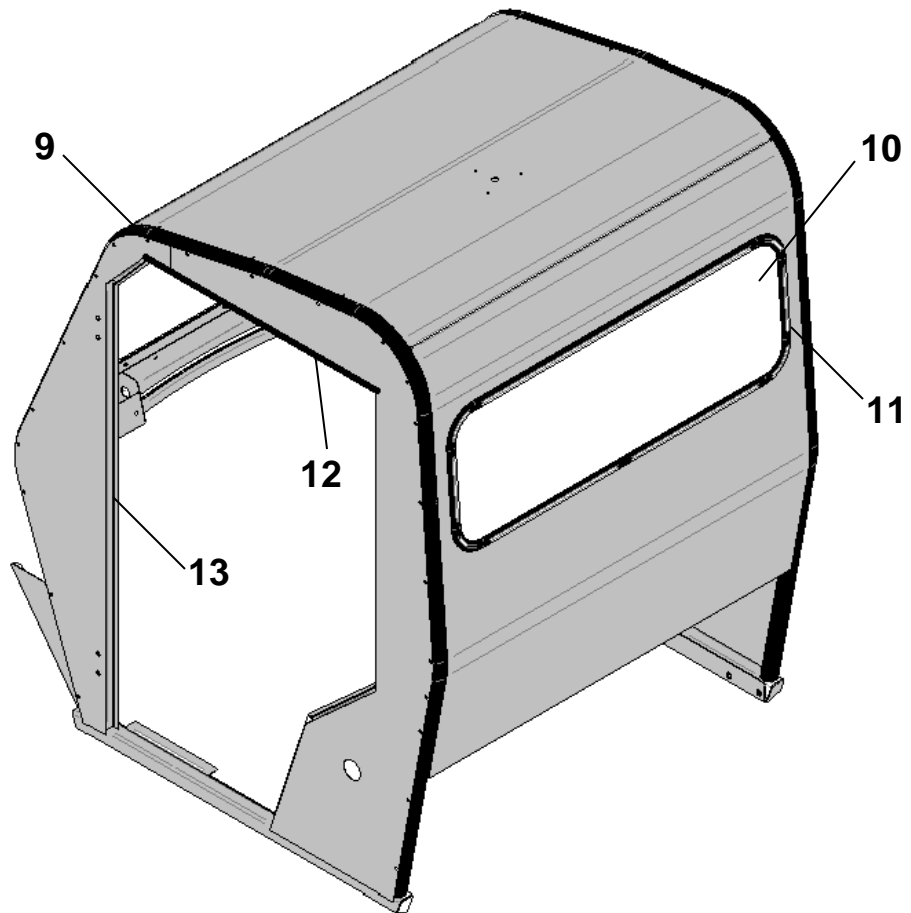
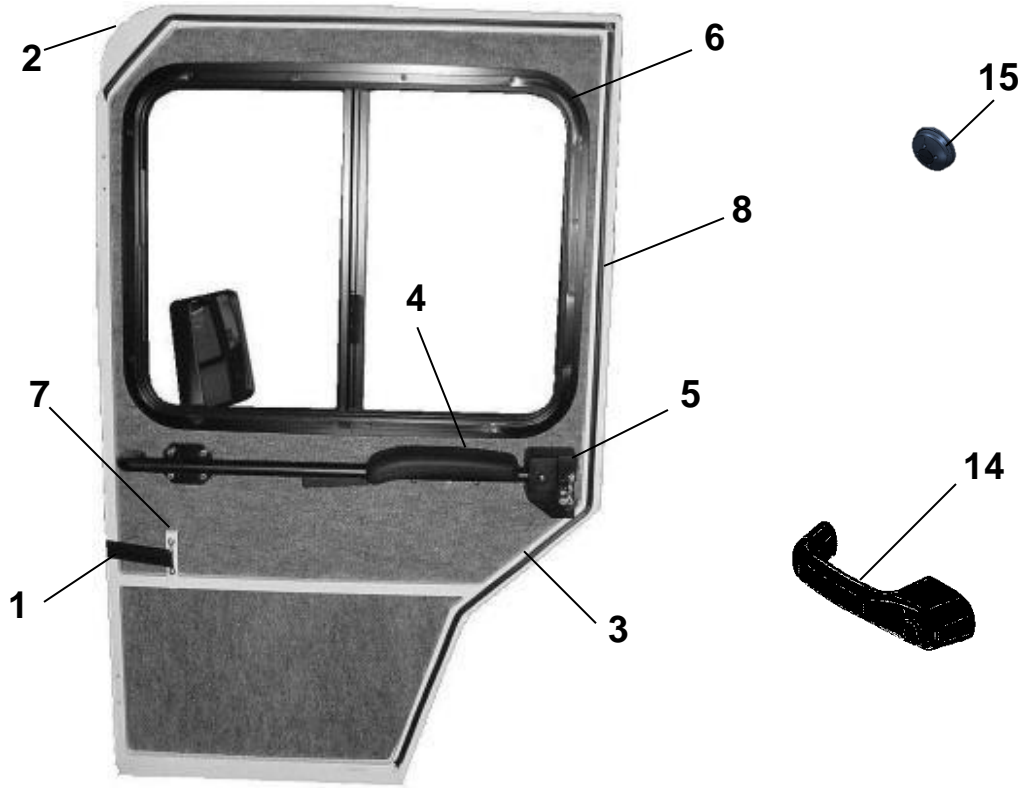
**TURN SIGNAL P/N 7146-02**



**TURN SIGNAL P/N 71428-04**



DOORS - SUV, SM4



4-12



## DOORS - SUV, SM4 (Cont.)

ITEM	CPC P/N	DESCRIPTION	QTY	SEATS P/N
1	51204-10	DOOR STRAP	4 - 8	309370
2	51200-10	DOOR, RH, SKIN NO PAINT (See Note 2)	1 - 2	467736
*	51201-10	DOOR, LH, SKIN NO PAINT (See Note 2)	1 - 2	467738
3	51202-10	DOOR PANEL, RH	1	30988714571457
*	51203-10	DOOR PANEL, LH	1	30988814571457
*	51212-10	REAR DOOR PANEL, RH	1	30989014571457
*	51213-10	REAR DOOR PANEL, LH	1	30989114571457
4	51205-10	ARM PAD	2 - 4	512812
5	51206-10	LATCH ARM, RH	1 - 2	512814
*	51207-10	LATCH ARM, LH	1 - 2	512815
6	84022-05	WINDOW, SLIDING RH	1-2	759743
*	90104-01	WINDOW, SLIDING, LH	1-2	749709
7	51208-10	BRACKET, DOOR STRAP	2-4	760404
8	49713-08	FOAM TAPE, 1/8X1 (Per door)	5.5'	709783
9	50805-10	TRIM, SUV CAB ROOF	2	467682
9A	**	TRIM SM4 ROOF	2	467485
9B	50806-10	TRIM. SM4 CAB ROOF	2	467683
9C	**	TRIM SUV ROOF	2	467785
10	58900-11	WINDOW	1	760545
11	58901-11	WEATHER STRIPPING	8.58'	719163
12	51090-11	CAB DOOR TRIM SUV CAB	2	467705
12A	**	CAB DOOR TRIM SM4 CAB	2	467706
13	**	DOOR FRAME SEAL (Per door)	11.75	759818
*	51209-10	BUMPER	4-8	760633
*	51105-10	HINGE ASSEMBLY (Includes 4 screws)	2-4	760697 / 781774
*	925	SCREW, HINGE #10-24X1 PFH BLK	16-32	781603
*	513245	SPACER, HINGE	4-8	513521
*	11497	CAP PLUG 3/8 OD, BLACK (See Note 1)	8	781642
N/A	51220-11	RH DOOR, COMPLETE (See Note 3)	1	467686
N/A	51221-11	LH DOOR COMPLETE (See Note 3)	1	467687
14	50990-10	LATCH HANDLE, OUTER	2-4	759817
*	51095-11	KEY (Used with Item 14)	1	760554
15	830	NUT RETAINER (Consists of 3 parts)	1	760321

\* NOT SHOWN

\*\* SPECIAL ORDER

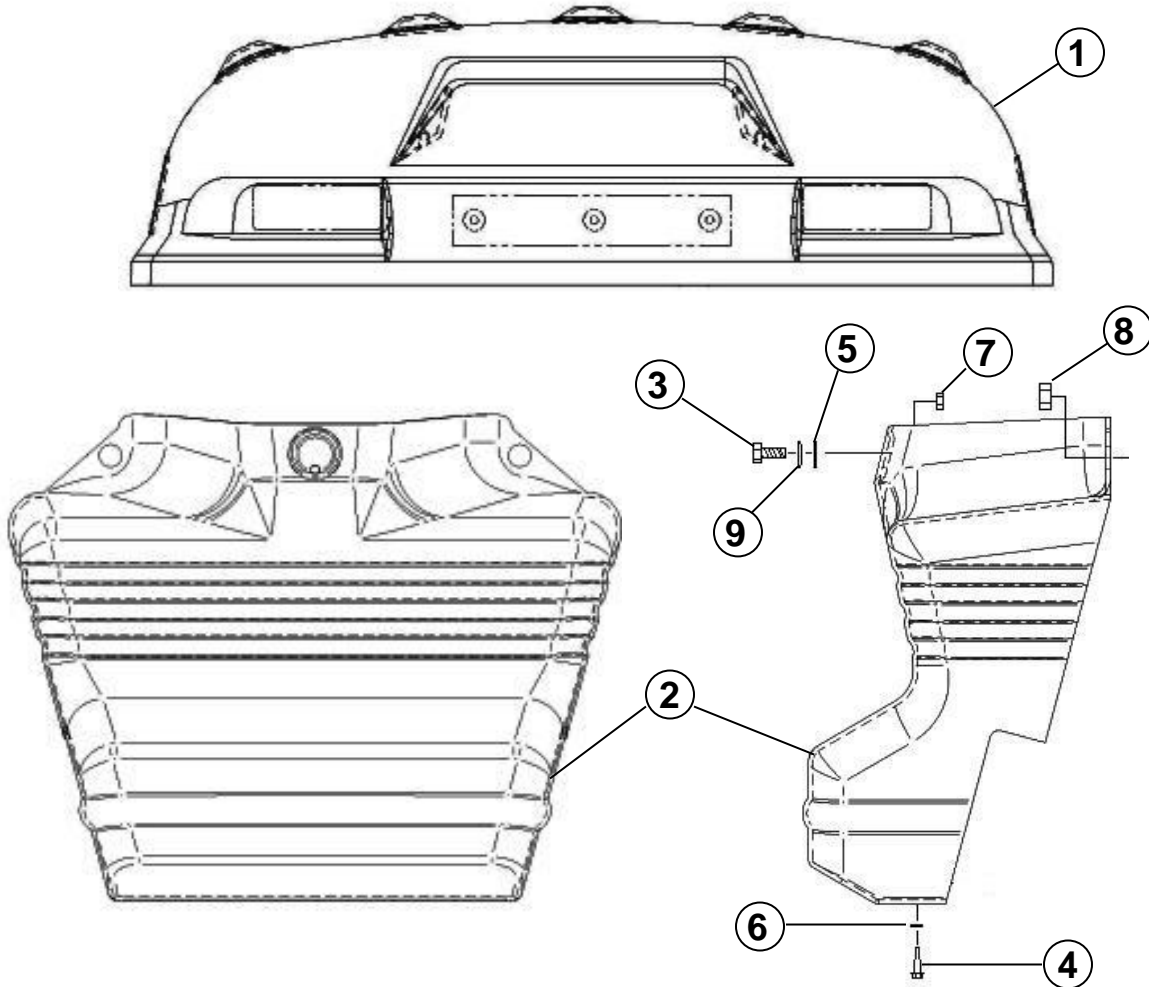
**NOTES:**

1. Four door vehicles require P/N 11497 for the rear doors. To fill the 4 open holes below each window.
2. Must specify color.
3. For correct color specify VIN.

## FRONT HOOD AND COVER - SM

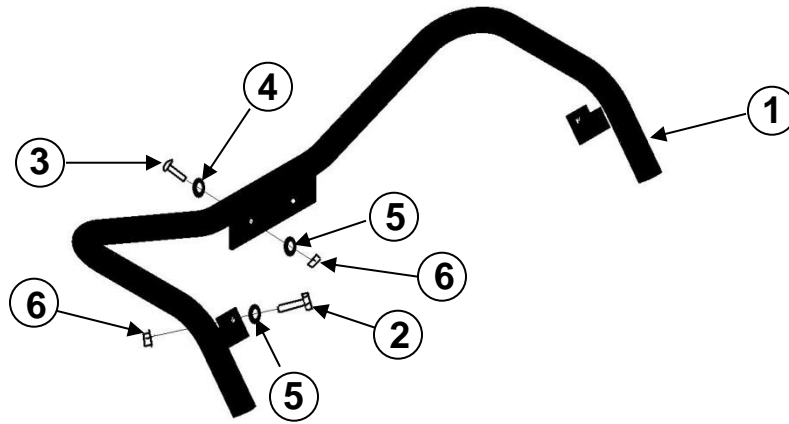
ITEM	CPC P/N	DESCRIPTION	QTY	SEATS P/N
1	50131-96	FRONT HOOD	1	462627
2	91059-96	FRONT COVER, BUMPER	1	709047
2A	91047-04	FRONT COVER, BUMPER DELUX	1	467176
3	2551-W	SCREW, 1/4-20X1, HHC	1	719564
4	2653-B	SCREW, 10-16X3/4	2	719583
5	6703-B	WASHER, 1/4	1	719811
6	6912-B	WASHER, # 8	2	719817
7	7686	NUT, 1/4-20 NYLOCK	1	719879
8	7880	NUT, 1/2-13 HEX	2	719913
9	37084-41	SPR. WASHER	1	729782
*	84205-92A	COLUMBIA DECAL	1	709397

\* NOT SHOWN

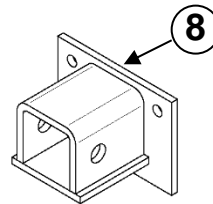
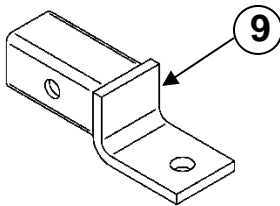




## FRONT WRAPAROUND BUMPER - SM



ITEM	CPC P/N	DESCRIPTION	QTY	SEATS P/N
1	44922-97	BUMPER, FRONT WRAPAROUND	1	309811
2	4017	SCREW, 5/16-18X1, HHCS, G5	2	708085
3	5207-BS	SCREW, 5/16-18X2. PPH	2	719730
4	6000-B	WASHER, 5/16 USS/STD	2	719771
5	6417-W	WASHER, .391X1.125X.120 F/W	4	719797
6	7525	NUT, 5/16 GR A, SERRATED FLNG LOCK	4	719864
7	82100-97A	WRAPAROUND BUMPER KIT (Includes Items 1 – 6)	1	190709U



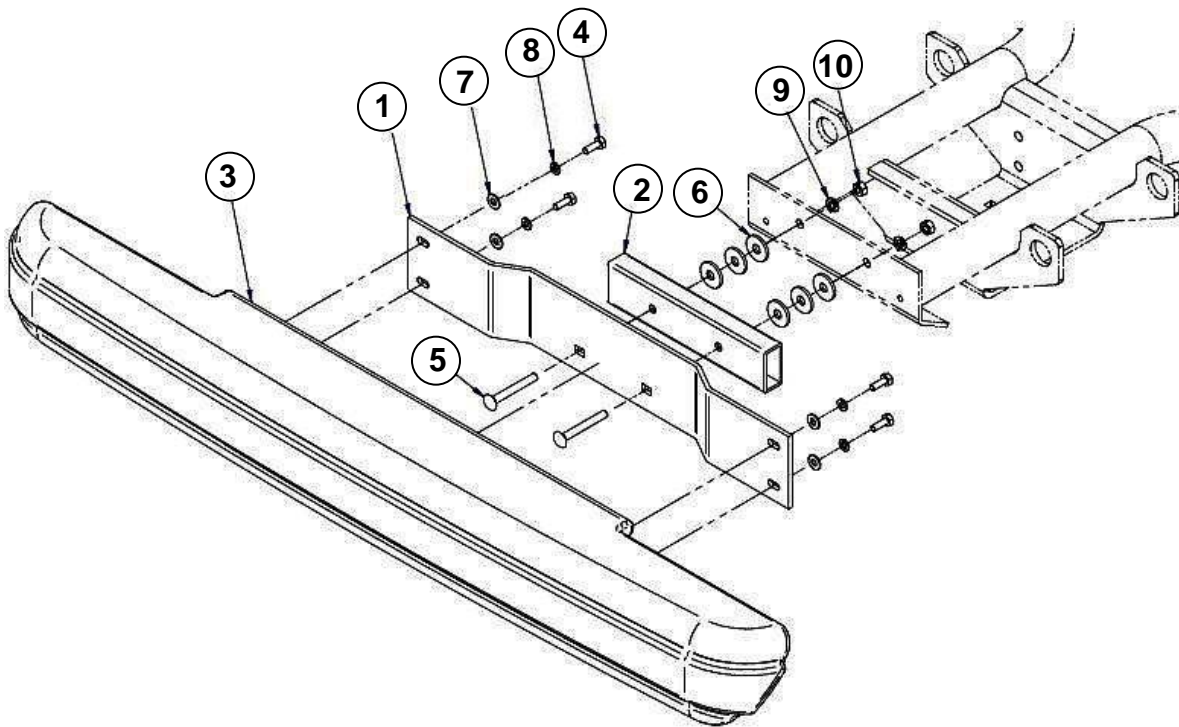
ITEM	CPC P/N	DESCRIPTION	QTY	SEATS P/N
8	82054-02	FRONT RECEIVER HITCH	1	306921
9	82072-05	BALL MOUNT RECEIVER	1	306922
10*	82062-02	HITCH PIN 5/8 OD (used with Items 9 & 13)	1	719210
11*	3775	SCREW, 3/8-16X2 HHC	2	719634
12*	6416	WASHER, 3/8	2	719796
13*	6417-W	WASHER, .391X1.125X.120 F/W	4	719797
14*	7512	NUT, 3/8-16 SERR FLANGE LOCK	2	719860
15*	82053-02	KIT, FRONT REC (Includes Items 8 – 14)	1	19128U

\* NOT SHOWN

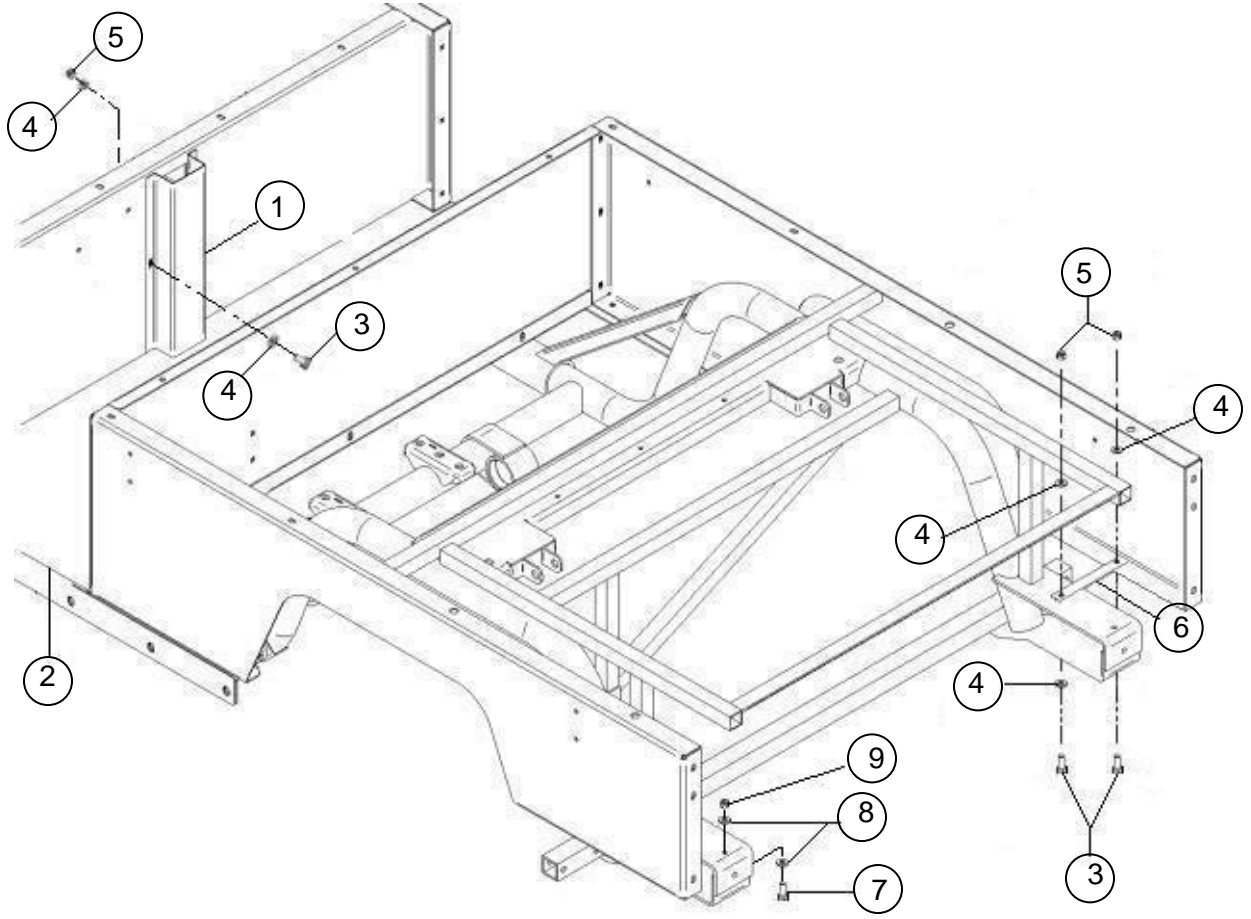
## FRONT DUROBUMPER - SM

ITEM	CPC P/N	DESCRIPTION	QTY	SEATS P/N
1	91061-96MZ	BRACKET	1	510282
2	43736-06	SPACER (See Note)	1	511241
3	91010-96MZ	DURO BUMPER	1	709169
4	3787-B	SCREW, 1/4-20X3/4"	4	719636
5	5447-BS	SCREW, 5/16-18X2 1/2 (See Note)	2	719749
5A	5449-BS	SCREW 5/16-18X1 1/2	2	719750
6	6417-W	WASHER, .391X1.125X.120 F/W	6	719797
7	6703-B	WASHER 1/4	4	719811
8	7036-B	WASHER, LOCK 1/4	4	719834
9	7041-B	WASHER, 5/16 SPRING LOCK	2	719838
10	7748-B	NUT, 5/16-18 HEX	2	719896
11	89109-06	KIT, FRONT DUROBUMPER	1	191232U

NOTE: Items 2 and 5 used only with lifted vehicles.



# REAR BODY – SUV-S & SM4



NOTE: Items 7 8 & 9 attach the body rear panel (not shown) to the frame.

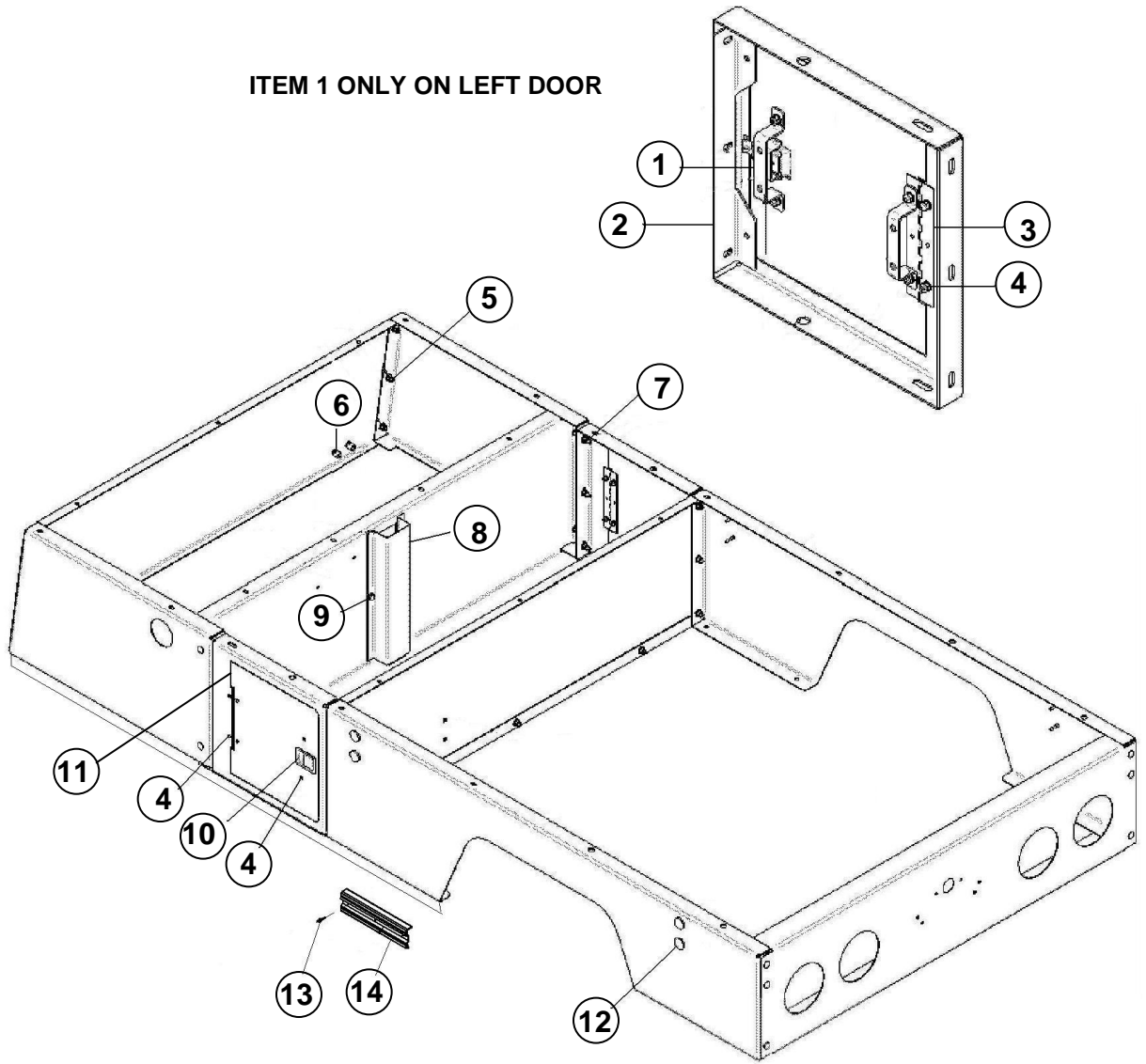
**REAR BODY – SUV-S & SM4 (Cont.)**

<b>ITEM</b>	<b>CPC P/N</b>	<b>DESCRIPTION</b>	<b>QTY</b>	<b>SEATS P/N</b>
1	50809-10	COVER (SM4 only)	1	513205
2	50813-10	FLOORMAT, REAR (SM4 only)	1	760601
3	3787-B	SCREW, HHC, 1/4-20X3/4, G5 (SM4 only)	2	719636
4	6703-B	WASHER, 1/4 SA, FW, STL, HC	7	719811
5	7686	NUT, 1/4-20, GR A NE NYLON INSERT	4	719879
6	50814-10	BRACE, REAR FENDER	2	513259
7	2871-W	SCREW, 5/16-18X1 1/4, G5, HHC	2	719592
8	6000-B	WASHER, 5/16, STD	4	719771
9	7739	NUT, 5/16-18, NYLOCK	2	719892
*	84085-ZZ	FENDER TRIM	2.75'	709206

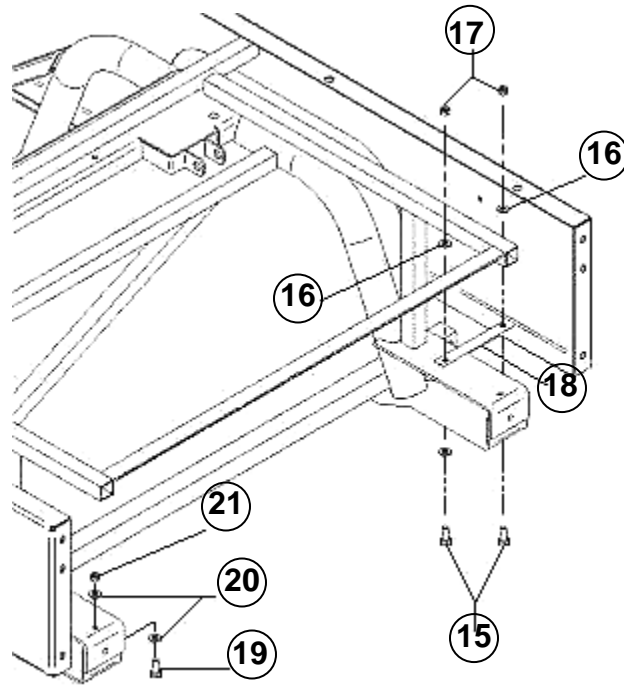
\* NOT SHOWN

# REAR BODY -SUV-L

ITEM 1 ONLY ON LEFT DOOR



## REAR BODY -SUV-L (Cont.)



NOTE: Items 19, 20, & 21 attach the body rear panel (not shown) to the frame.

### REAR BODY - SUV-L (Cont.)

ITEM	CPC P/N	DESCRIPTION	QTY	SEATS P/N
1	50807-10	BRACKET, WASHER TANK MOUNT	2	513247
2	50808-10	BRACKET, ACCESS DOOR SIL	2	513248
3	52990-96	HINGE	2	309105
4	2612-B	SCREW, # 8-32X1/2 PHILLIPS	12	719571
4A	6912-B	WASHER, # 8 TYPE A	12	719817
4B	7609-W	NUT, # 8-32 NYLOCK	12	719868
5	5405-B	SCREW, 1/4-20X3/4, CARR	24	719747
5A	6703-B	WASHER, 1/4, FW, STL	24	719811
5B	7686	NUT, 1/4-20 NYLOCK	24	719879
6	8206	KNURLED INSERT	4	719929
7	2551-W	SCREW, 1/4-20X1 G5, HHC	12	719564
7A	6703-B	WASHER, FW, STL	12	719811
7B	7686	NUT, 1/4-20 NYLOCK	12	719879
8	50809-10	COVER, HYB BRAKE	1	513205
9	3787-B	SCREW, 1/4-20X3/4 HHC, G5	2	719636
9A	6703-B	WASHER, FW, STL	4	719811
9B	7686	NUT, 1/4-20 NYLOCK	2	719879
10	50600-98	LATCH	2	719724
11	50810-10	DOOR, ACCESS	2	513223
12	8200	FASTENER, 1/2" X-MAS TREE	8	719926
13	2653-B	SCREW, 10-16X3/4 HWH, TEK	6	719583
14	50318-06	EXTRUSION, SIDE	2	467422
15	3787-B	SCREW, HHC, 1/4-20X3/4, G5 (SM4 only)	2	719636
16	6703-B	WASHER, 1/4 SA, FW, STL, HC	7	719811
17	7686	NUT, 1/4-20, GR A NE NYLON INSERT	4	719879
18	50814-10	BRACE, REAR FENDER	2	513259
19	2871-W	SCREW, 5/16-18X1 1/4, G5, HHC	2	719592
20	6000-B	WASHER, 5/16, STD	4	719771
21	7739	NUT, 5/16-18, NYLOCK	2	719892
*	84085-ZZ	FENDER TRIM	2.75	709206
*	11445	GROMMET 11/16 RUBBER (Located on floor immediately inside left access door, Item 11)	1	719528

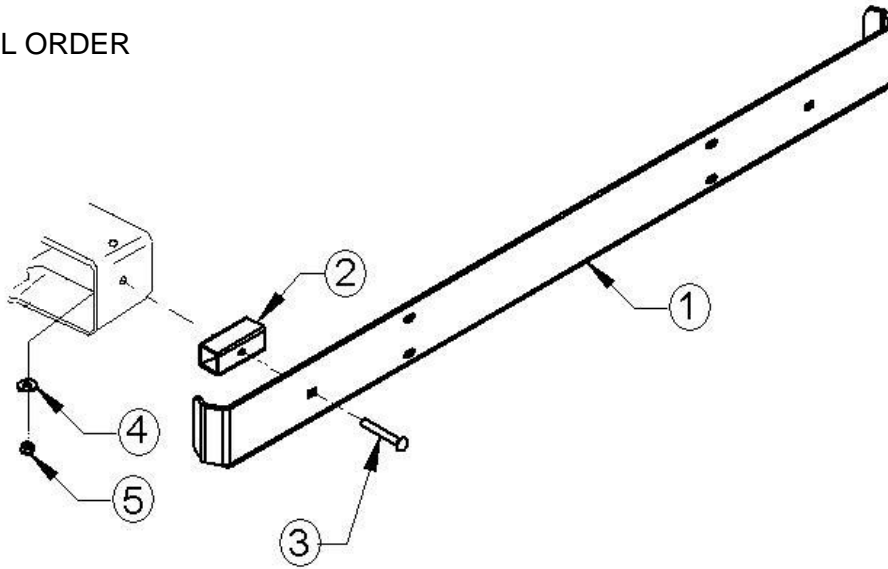
\* NOT SHOWN

## REAR BUMPERS

### SUV, SM4

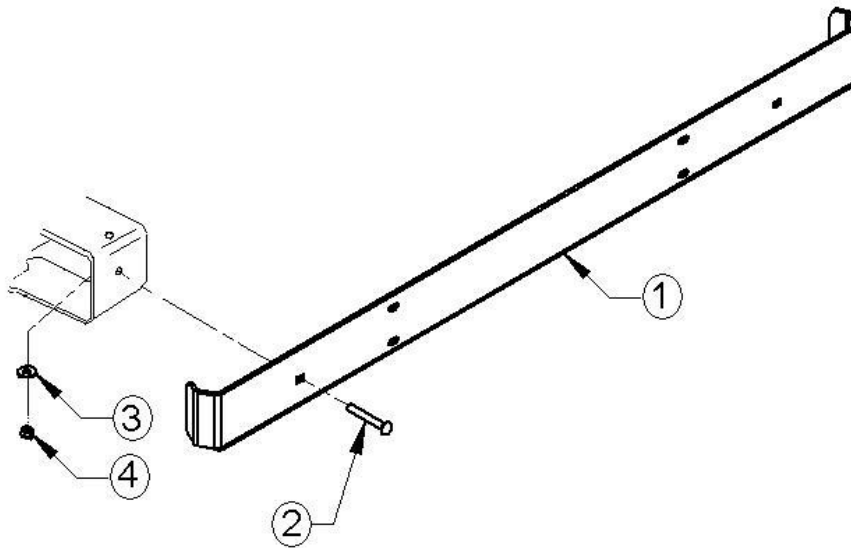
TEM	CPC P/N	DESCRIPTION	QTY	SEATS P/N
1	91006-03	BUMPER STL	1	509017
1A	*	BUMPER ALUMINUM	1	513275
2	44410-10	BUMPER SPACER	2	513273
3	5460	SCREW, 5/16-18X3.5, CARR, HD, G5	2	719122
4	6000-B	WASHER, 5/16, USS/STD	2	719771
5	7739	NUT, 5/16 NYLOCK	2	719892

\* SPECIAL ORDER



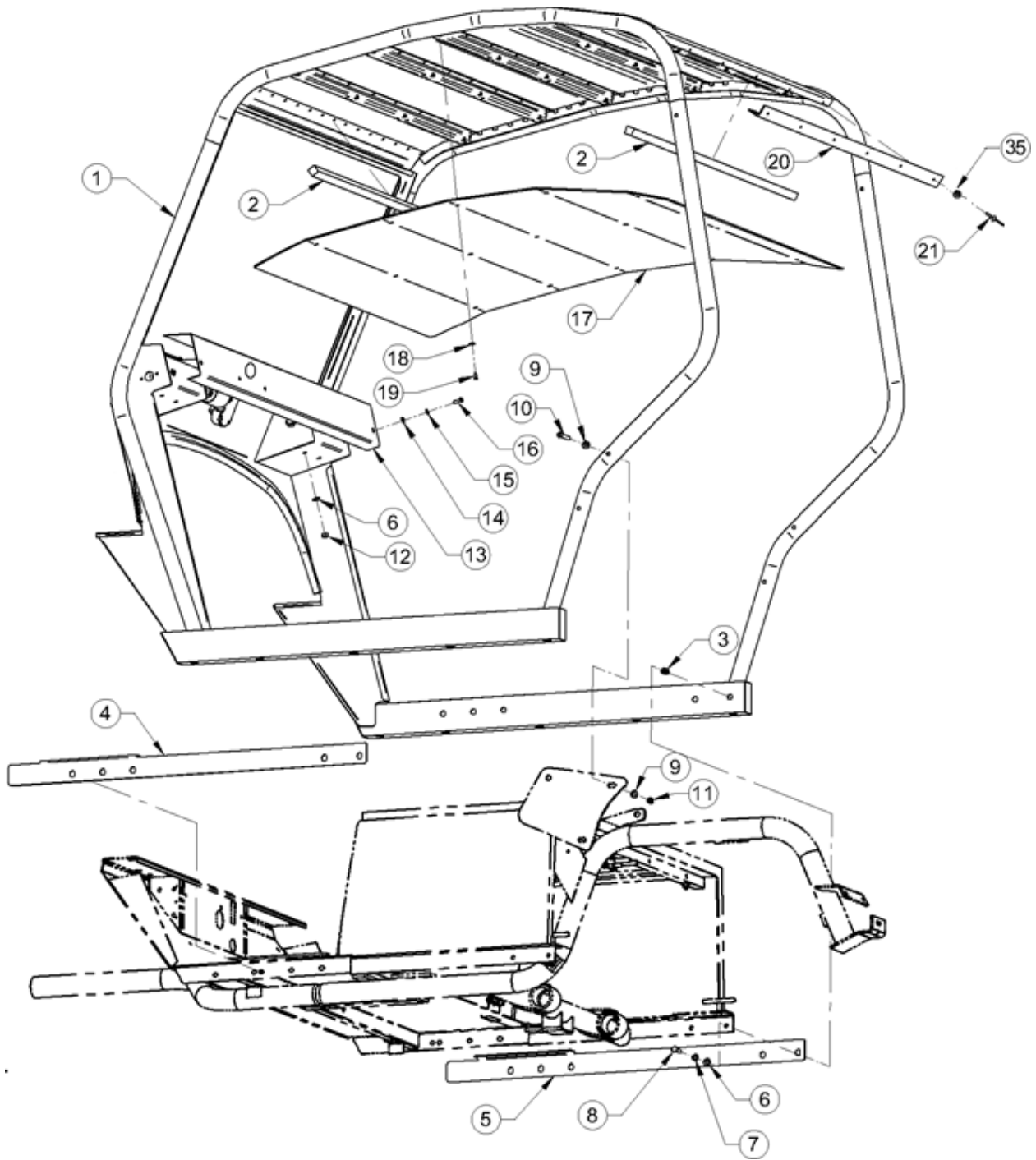
### SM2

ITEM	CPC P/N	DESCRIPTION	QTY	SEATS P/N
1	91006-03	BUMPER STL	1	509017
2	5400-BS	SCREW, 5/16-18X1, CARR, HD, G5	2	719744
3	6000-B	WASHER, 5/16, USS/STD	2	719771
4	7739	NUT, 5/16 NYLOCK	2	719892

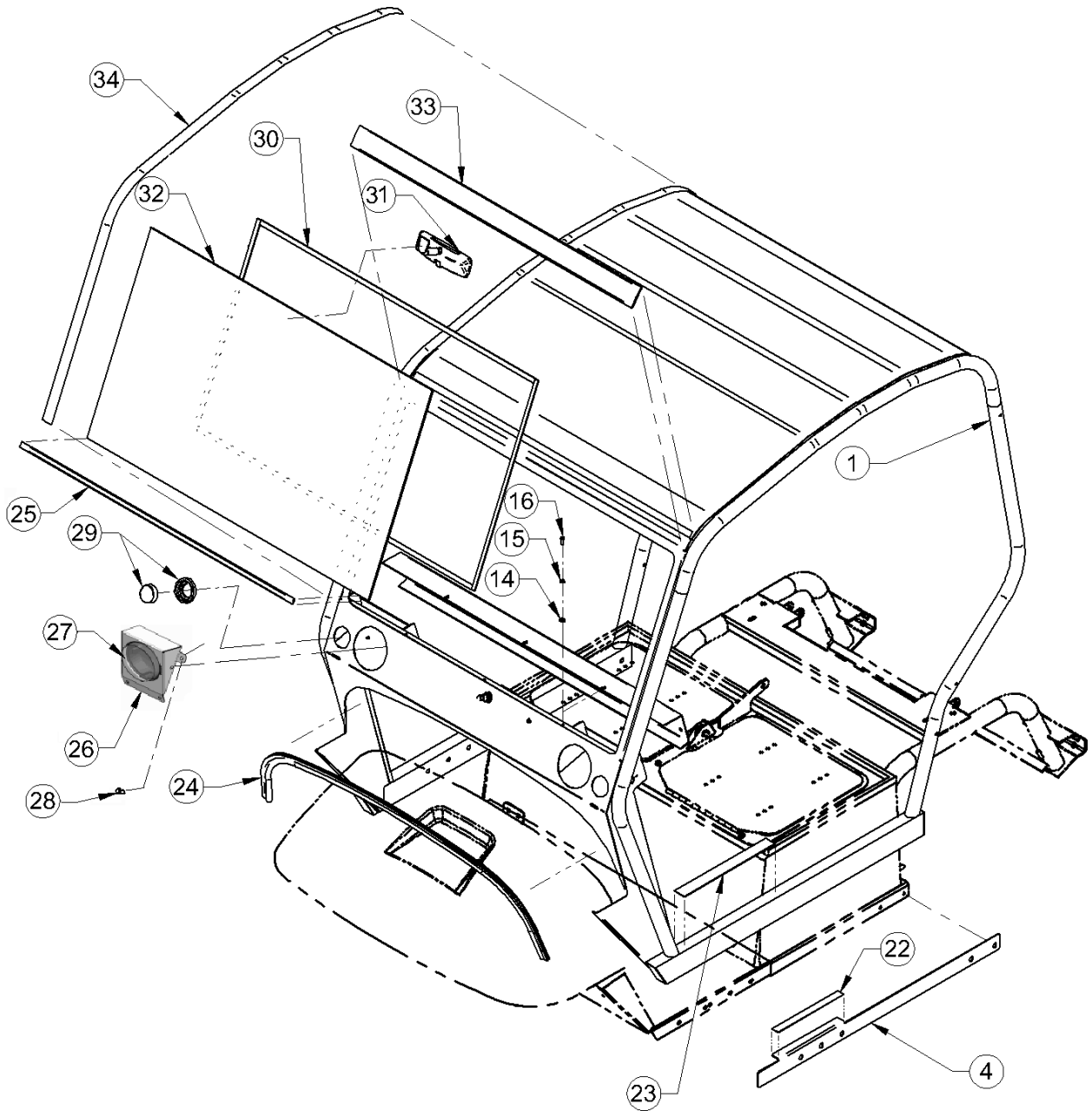




# SM2 & SUV ROOF, HEADLINER & TRIM



# SM2 & SUV ROOF, HEADLINER & TRIM (Cont.)



## ROOF, HEADLINER & TRIM SM (Cont.)

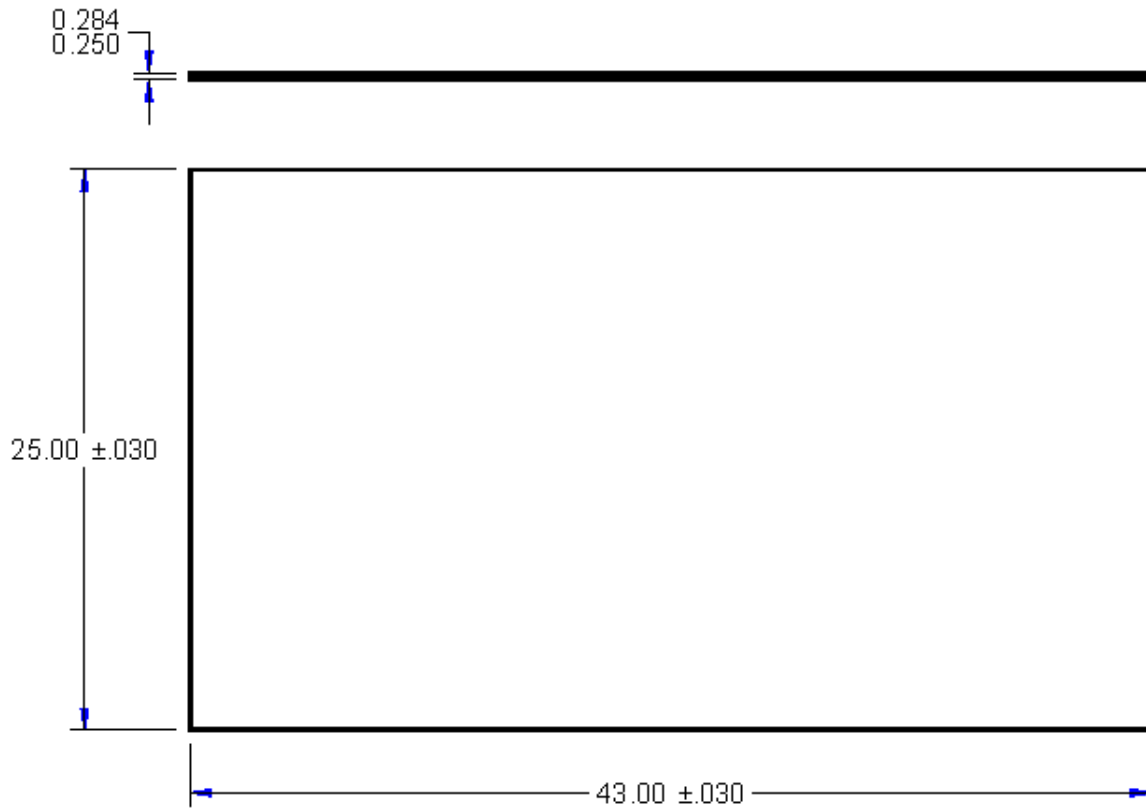
ITEM	CPC P/N	DESCRIPTION	QTY	SEATS P/N
1	24700-04	ROOF WELDMENT, PAINTED, SM2 & SUV	1	467170
2	24690-04	SPACER, BACKING, SM2, SUV, SM4	2	510086
3	8206	THREADED INSERT, 5/16-18, SM2, SUV, SM4	10	719929
4	24595-04	COVER, SIDE –LH, SM2, SUV	1	509735
5	24596-04	COVER, SIDE –RH, SM2, SUV	1	509736
6	6702-B	WASHER, 5/16, SAE FLAT, SM2, SUV, SM4	12	719810
7	7041-B	WASHER, 5/16, SPRING LOCK, SM2	10	719838
8	4017	SCREW, 5/16-18 X 1, HHCS, GR 8, SM2, SUV, SM4	10	708085
9	6002	WASHER, 5/16, SAE FLAT, 18-8SS SM2	8	719375
10	5407	SCREW, 5/16-18 X 2-1/4", BHCS, 18-8SS SM2	4	719376
11	7746	NUT, 5/16-18, NYLOC, HEX, 18-8SS SM2	4	719377
12	7739	NUT, 5/16-18, NE NYLOC, GR A, SM2, SUV, SM4	2	719892
13	24597-04	COVER, HEADLIGHTS, SM2, SUV, SM4	1	513238
14	708511	WASHER, 1/4, SAE FLAT, 18-8 SS, SM2, SUV, SM4	5	708511
15	719378	WASHER, 1/4, LOCK, 18-8 SS, SM2, SUV, SM4	5	719378
16	719374	SCREW, 1/4-20 X 3/4, 18-8 SS, SM2, SUV, SM4	5	719374
17*	24701-04	HEADLINER, S2 (No longer available)	1	513050
17	50800-10	HEADLINER SUV	1	513253
17	50801-10	HEADLINER SM4	1	513051
18*	719428	WASHER, #10, CUP FINISH, SS, SM2, SUV, SM4	15, 18	719428
19*	719429	SCREW, #10 X 5/8, POH, SS, SM2, SUV, SM4	15, 18	719429
20	24702-04	ANGLE, HEADLINER TRIM, REAR, SM2	1	510085
21	8698	RIVET,	6	719948
22	50228-04	MAT, GRIP, 1" X 10", SM2, SUV, SM4	2	467286
23	50229-04	MAT, GRIP, 1.5" X 14", SM2, SUV, SM4	2	467287
24	50802-10	TRIM, COWL, 54" SM2, SUV, SM4	1	467479
25	58075-04	MOLDING, BLACK, TYPE 902, CUT TO 42"	1	467478
26	67990-11	BRACKET, HEADLIGHT	2	309822W
27	68910-10	HEADLIGHT ASSY, SM2, SUV, SM4 (Includes Items 26, 27A, bracket, screws & bearings)	2	467678
27A	67800-10	HEADLIGHT, HI/LOW BEAM SM2, SUV, SM4 (Includes bulb & lens, no bracket)	2	760579
27B	67801-10	BULB, HEADLIGHT	2	760688
28	3987-BS	SCREW, 1/4-20 X 3/4, 18-8SS	4	719374
29	68507-04	LIGHT, AMBER, 2" ROUND, W/GROMMET, SM2, SUV, SM4	2	719315
30	58071-04	TAPE, BUTYL, SM2, SUV, SM4	11 ft.	719371
31	84120-92	REAR VIEW MIRROR	1	709837
32	58015-04	WINDSHIELD, GLASS, SM2, SUV, SM4 (See Note)	1	719314
33	58073-04	TRIM, WINDSHIELD TOP, SM2, SUV, SM4	1	467477
34	58074-04	TRIM, ROOF, SM2	2	467483
34	50805-10	TRIM, ROOF SUV	1	467682
*	50806-10	TRIM, ROOF SM4	1	467683
35	6703-B	WASHER 1/4" SAE	6	719811

**ROOF, HEADLINER & TRIM SM (Cont.)**

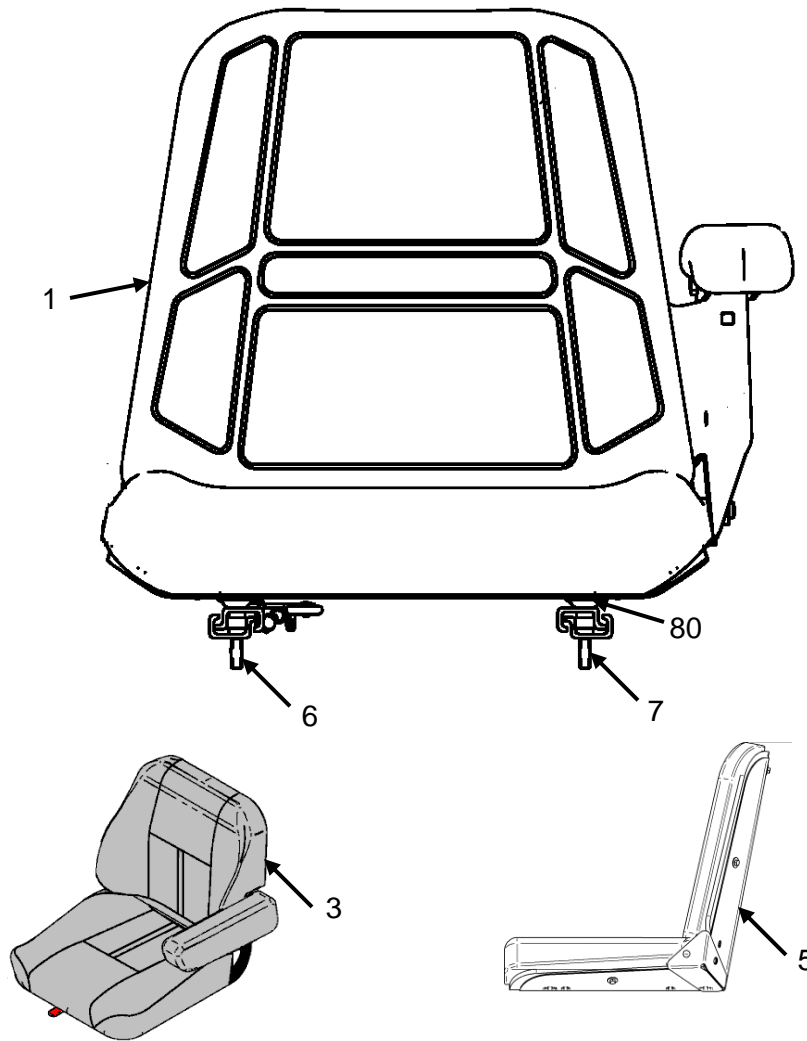
ITEM	CPC P/N	DESCRIPTION	QTY	SEATS P/N
*	58900-11	REAR WINDOW	1	760545
*	58901-11	WEATHER STRIPPING (Used with 58900-11)	9'	719163
*	7470	LOCK WASHER (Used with Item 28)	4	719378
*	6449	WASHER, FLAT (Used with Item 28)	4	708511

\* NOT SHOWN

NOTE: Can not be shipped. Order locally. Specify AUTO SAFETY GLASS.



## BUCKET SEATS – SMT, SUV

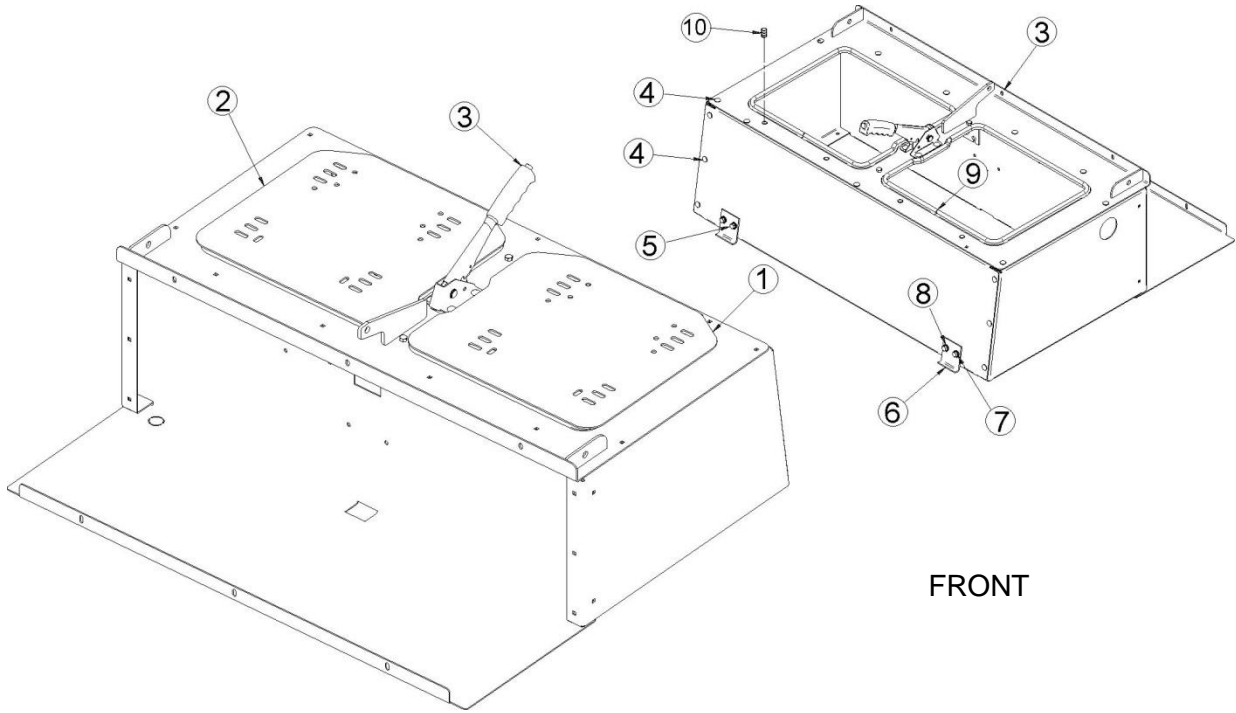


ITEM	CPC P/N	DESCRIPTION	QTY	SEATS P/N
1	51718-05	SEAT, STD 907-18" LEFT ARM SM2, SUV (See Note)	1	177295%LA
2*	51700-00	SEAT, STD 901-18" RIGHT ARM SM2, SUV (See Note)	1	177295%RA
3	52911-04LH	SEAT, DLX, LEFT ARM, VINYL, SM2,4 SUV (See Note)	1	178987%
4*	52912-04RH	SEAT, DLX, RIGHT ARM VINYL, SM2,4 SUV (See Note)	1	178987%
5	52800-10	SEAT, NO ARMS, NO TRACK (See Note)	1	109796%
6	91400-02	TRACK, LOCKING (Included w/ seat)	1	707005
7	91401-90	TRACK, NON-LOCKING (Included w/ seat)	1	301150
8	6972	BELL WASHER (Included w/ seat)	4	707282
9*	7810	NUT, 5/16-18 FLNG LOCK (Included w/ seat)	4	719908

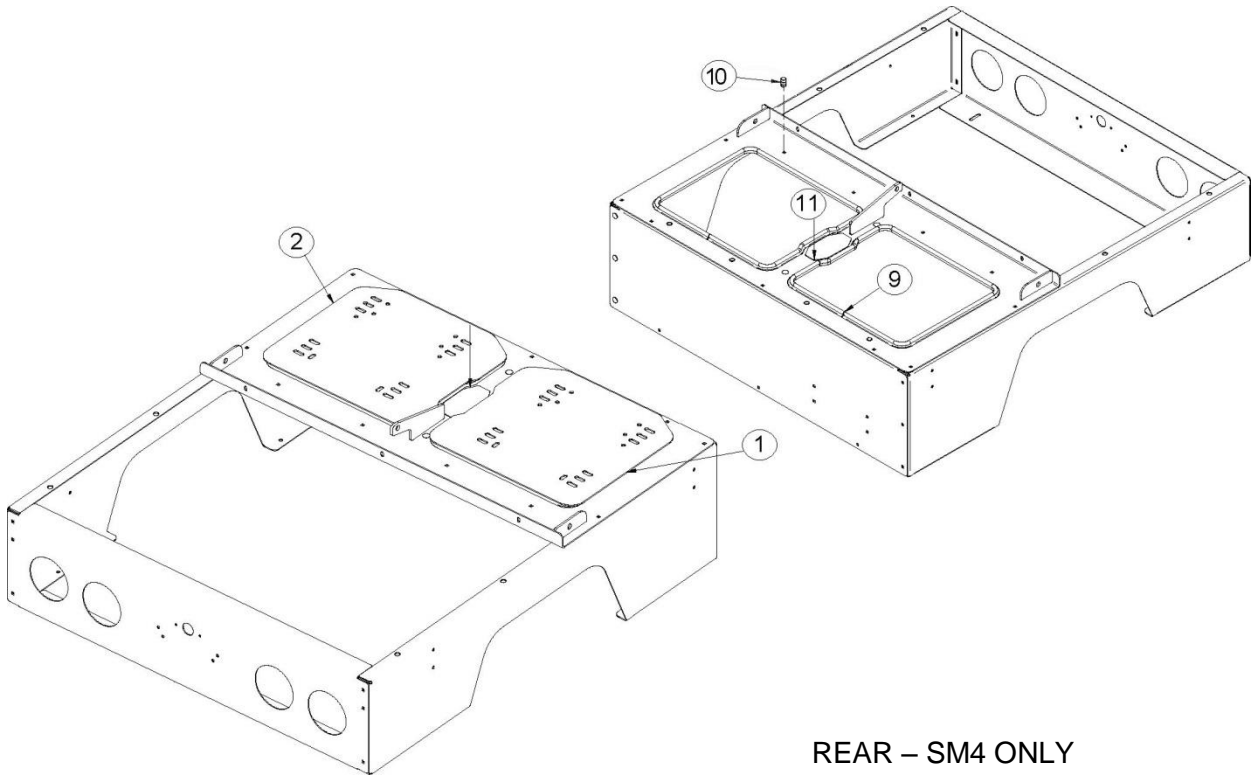
\* NOT SHOWN

NOTE: Include VIN to insure correct color. For two color bolstered cushions, the first color listed is on the outside. The second color listed is on the inside.

# SEAT BASE - SM4 SUV



FRONT



REAR – SM4 ONLY

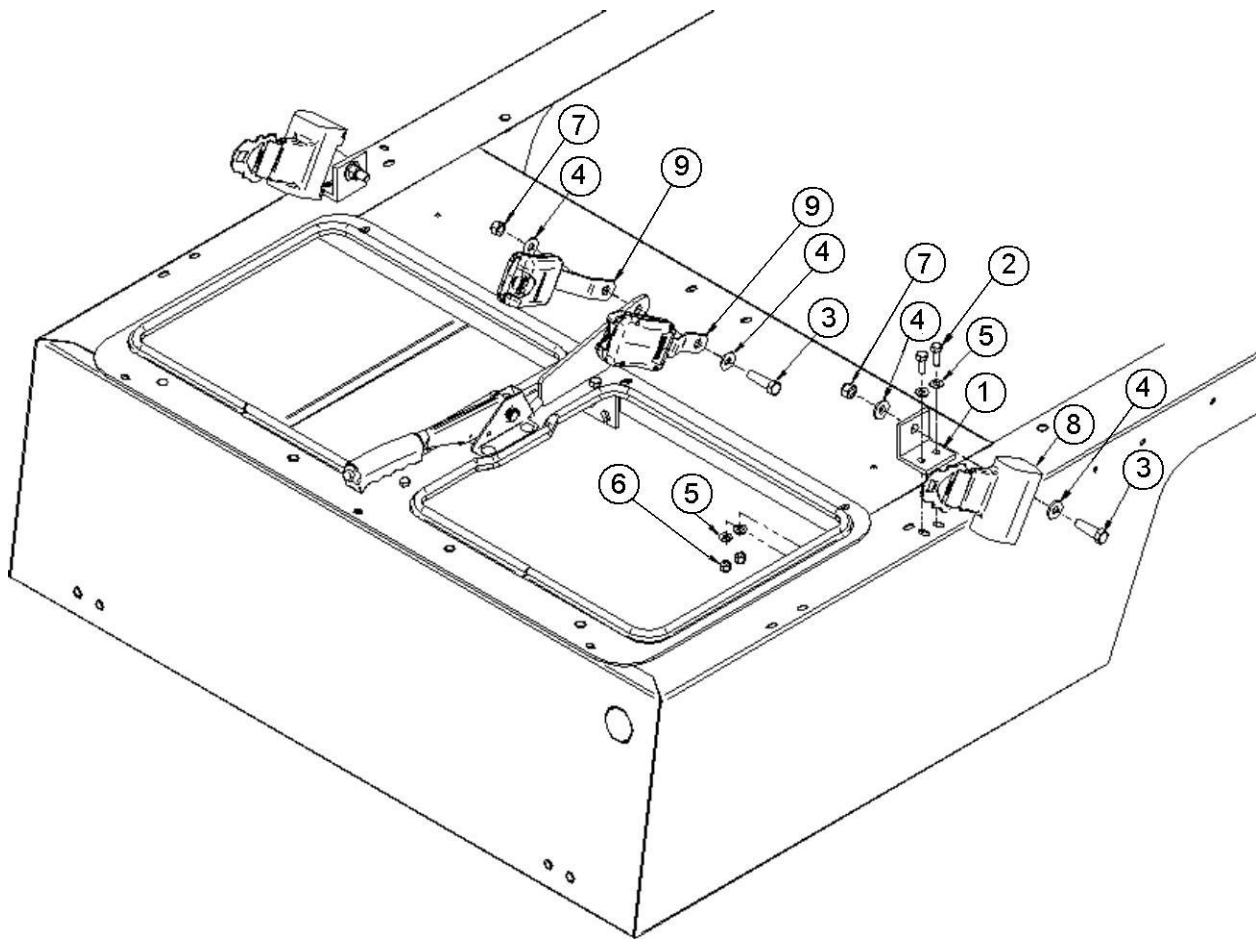


**SEAT BASE - SM4, SUV (Cont.)**

ITEM	CPC P/N	DESCRIPTION	QTY	SEATS P/N
1	39802-04	SEAT PIVOT, RH	1-2	307528
2	39801-04	SEAT PIVOT, LH	1-2	307529
3	50811-10	SEAT BASE ASSEMBLY W/HANDBRAKE	1	467675
4	5405-B	BOLT, 1/4-20X3/4 GR5	20-44	719747
5	3991	SCREW 5/16-18X7/8 HHC G5	4	719643
6	50271-89A	FRONT HINGE BRACKET	2	510128
7	7041-B	WASHER, 5/16 LOCK	4	719838
8	6703-B	WASHER , STL, 5/16	4	719811
9	84085-ZZ	TRIM SEAL (INCLUDED WITH ITEM 3 & 11)	2-4	709206
10	8206	KNURLED INSERT (INCLUDED WITH ITEM 3 & 11)	12-20	719929
11	50812-10	SEAT BASE ASSEMBLY W/COVER	1	467676

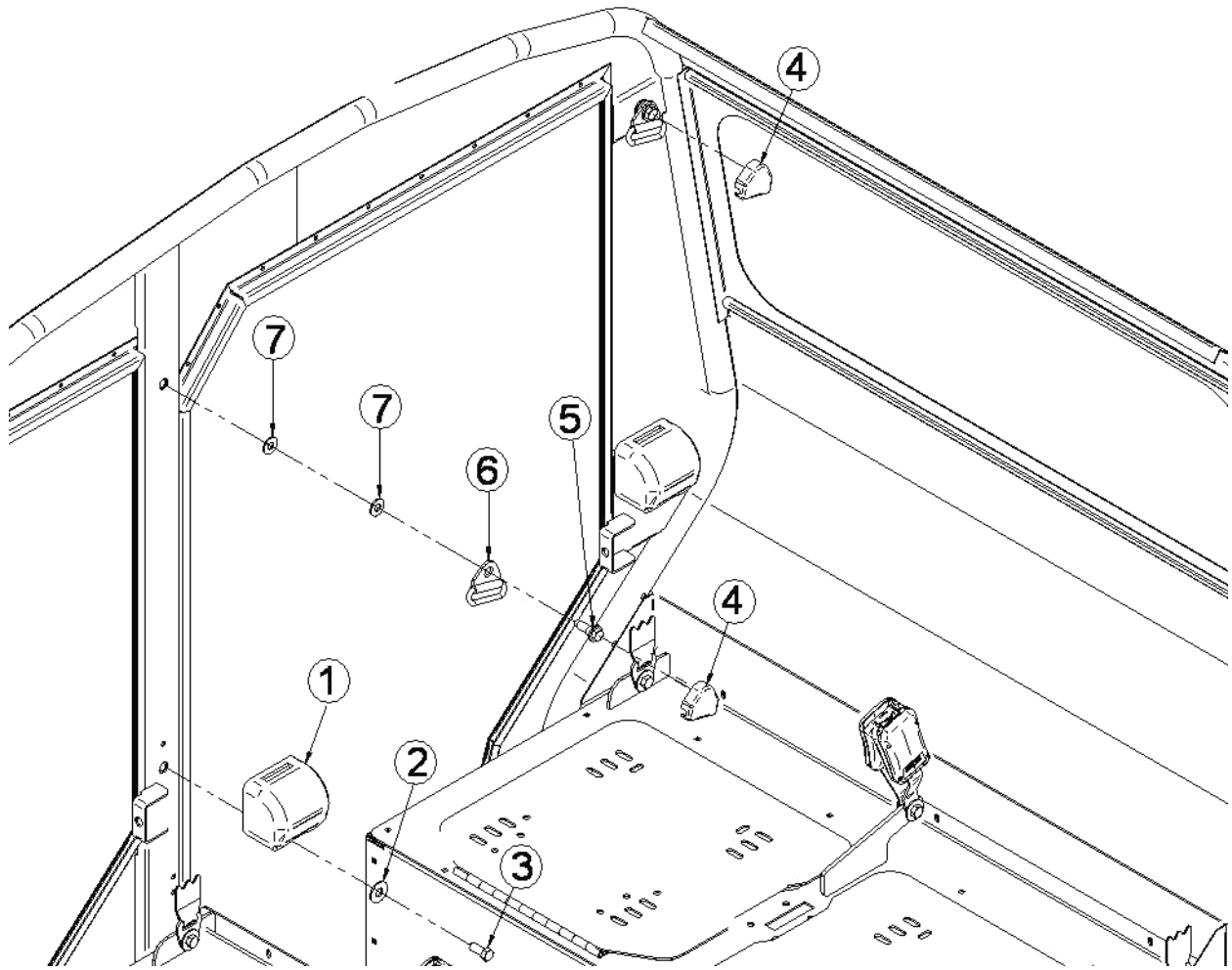
## 2 POINT SEAT BELTS SM

ITEM	CPC P/N	DESCRIPTION	QTY	SEATS P/N
1	75505-08	SEATBELT BRACKET	2	511730
2	3991	SCREW, HHC, 7/16-18X7/8 G5	4	719643
3	4256	SCREW, HX HD, 7/16-20X1.5 G5	3	719665
4	6416	WASHER FLT STL 3/8 STD	6	719796
5	6702-B	WASHER FLT STL 5/16	8	719810
6	7739	NUT 5/16-18 NE NYLON INSERT	4	719892
7	7825	NUT 7/16-20 LOCK NYLON INSERT	3	719908
8	75504-09	SEAT BELT, 48"	2	741359
9	75503-09	ATS BUCKLE, W/OFFSET STRAP SEAT BELT	2	760553
	75515-04	SEAT BELT KIT (Contains Items 3, 7, 8 & 9)	1	190690u



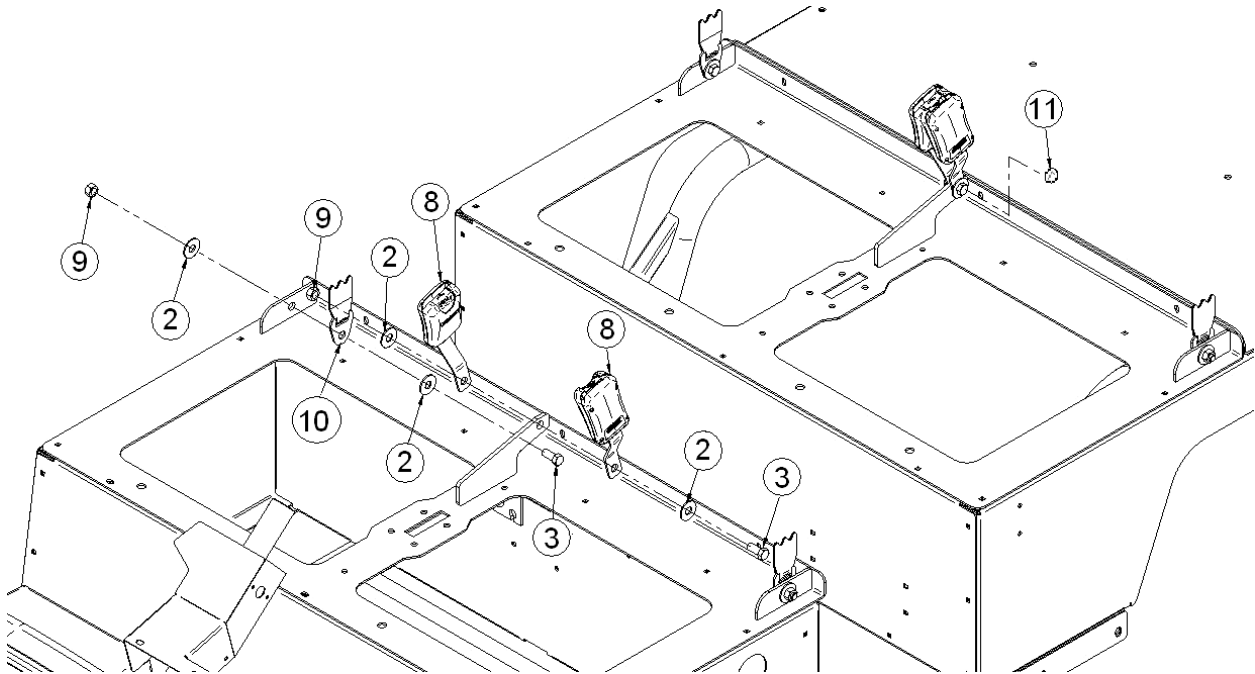


## SM4, SUV 3 POINT SEAT BELTS



NOTE: ALL SHOULDER BOLTS (ITEM 5) NEED TWO WASHERS AS SHOWN. ITEM 6 MUST REST FREELY ON BOLT SHOULDER

## SM4, SUV 3 POINT SEAT BELTS (cont.)

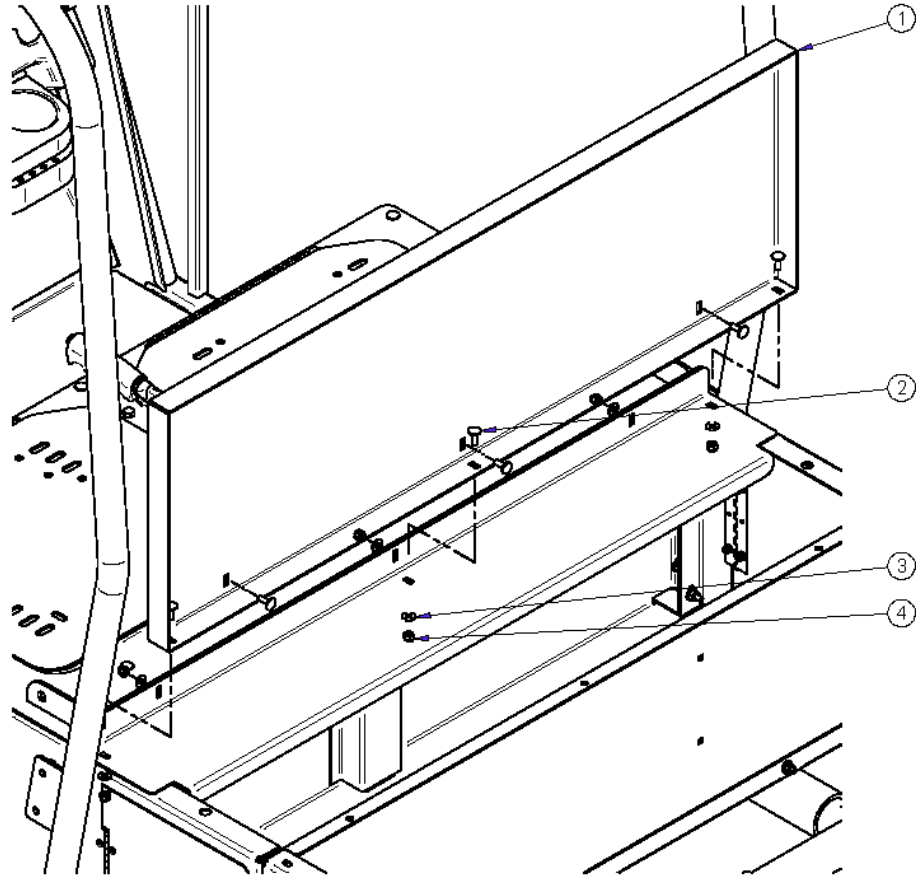


NOTE: INSTALL SCREW CAPS (ITEM 11) ON ALL HEX HEADS SCREWS (ITEM 3)

ITEM	CPC P/N	DESCRIPTION	QTY	SEATS P/N
1	53100-10	SEAT BELT, 3-PT KIT	2-4	760585
2	*	WASHER, FLT STL 3/8	8-16	*
3	*	SCREW, HX HD 7/16-20X1.5 G5	5-10	*
4	*	RESTRAINT, UPPER	2-4	*
5	*	BOLT, HX HD 7/16-20X1.5 G5	2-4	*
6	*	ANCHOR, UPPER	2-4	*
7	6416	WASHER, FLT STL 3/8	4-8	719796
8	*	ATS BUCKLE, W/OFFSET STRAP SEAT BELT	2-4	*
9	7700	NUT, 7/16-20, C-LOCK	3-6	781041
10	*	SEAT BELT, 48"	2-4	*
11	*	CAP, SEAT BELT SCREW	5-10	*

\* INCLUDED WITH ITEM 1.

## BULKHEAD - SUV



ITEM	CPC P/N	DESCRIPTION	QTY	SEATS P/N
1	50818-13	BULKHEAD	1	311866
2	5405-B	SCREW, CARR. 1/4-20X3/4	1	719747
3	6703-B	WASHER, 1/4 SAE	1	719811
4	7686	NUT, 1/4-20 NYLOCK	1	719879

NOTE: Use existing body hardware to complete attachment.

# Summit Parts Manual

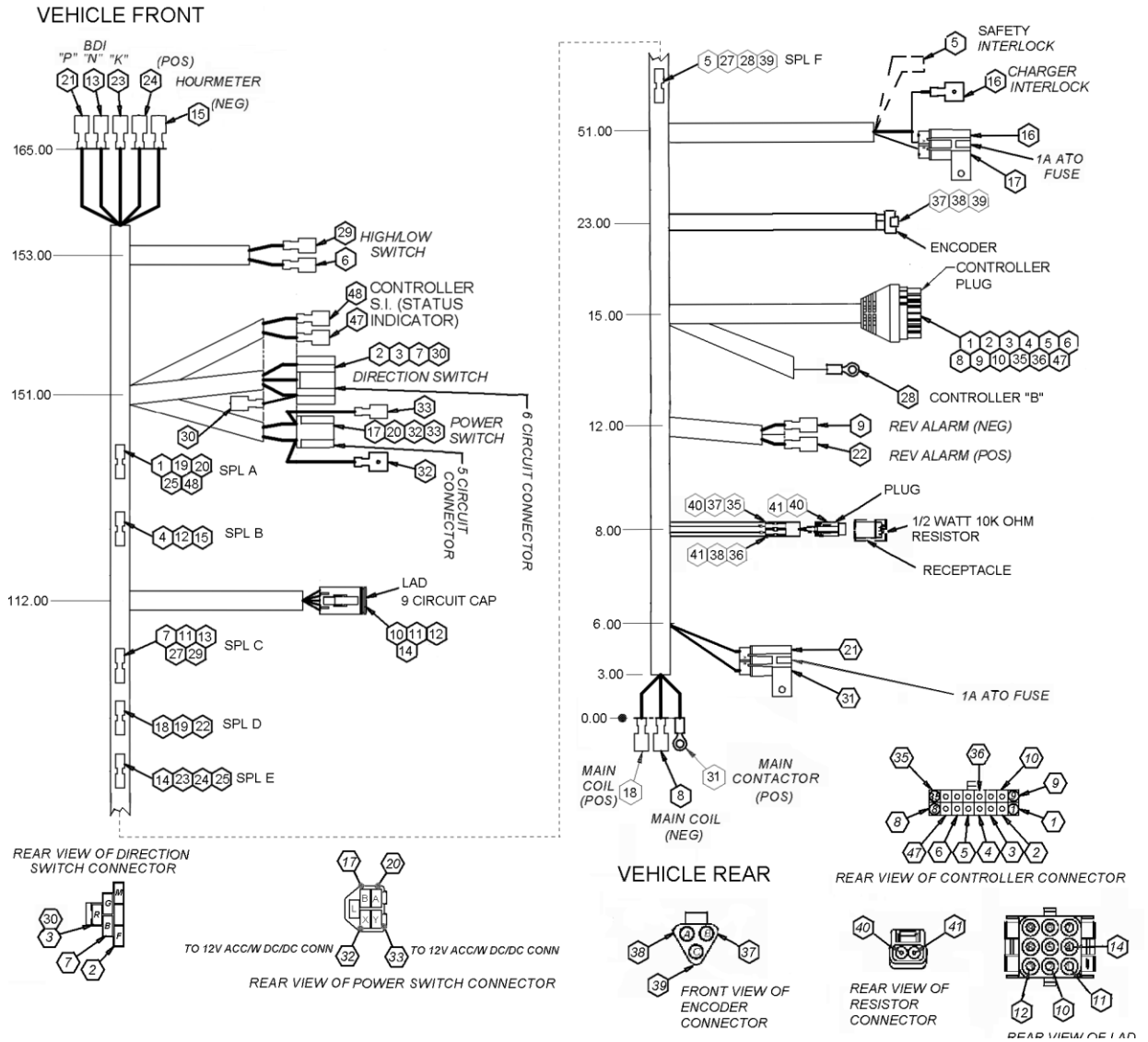
## Section 5

### Electrical Systems

# MAIN WIRE HARNESS - SM

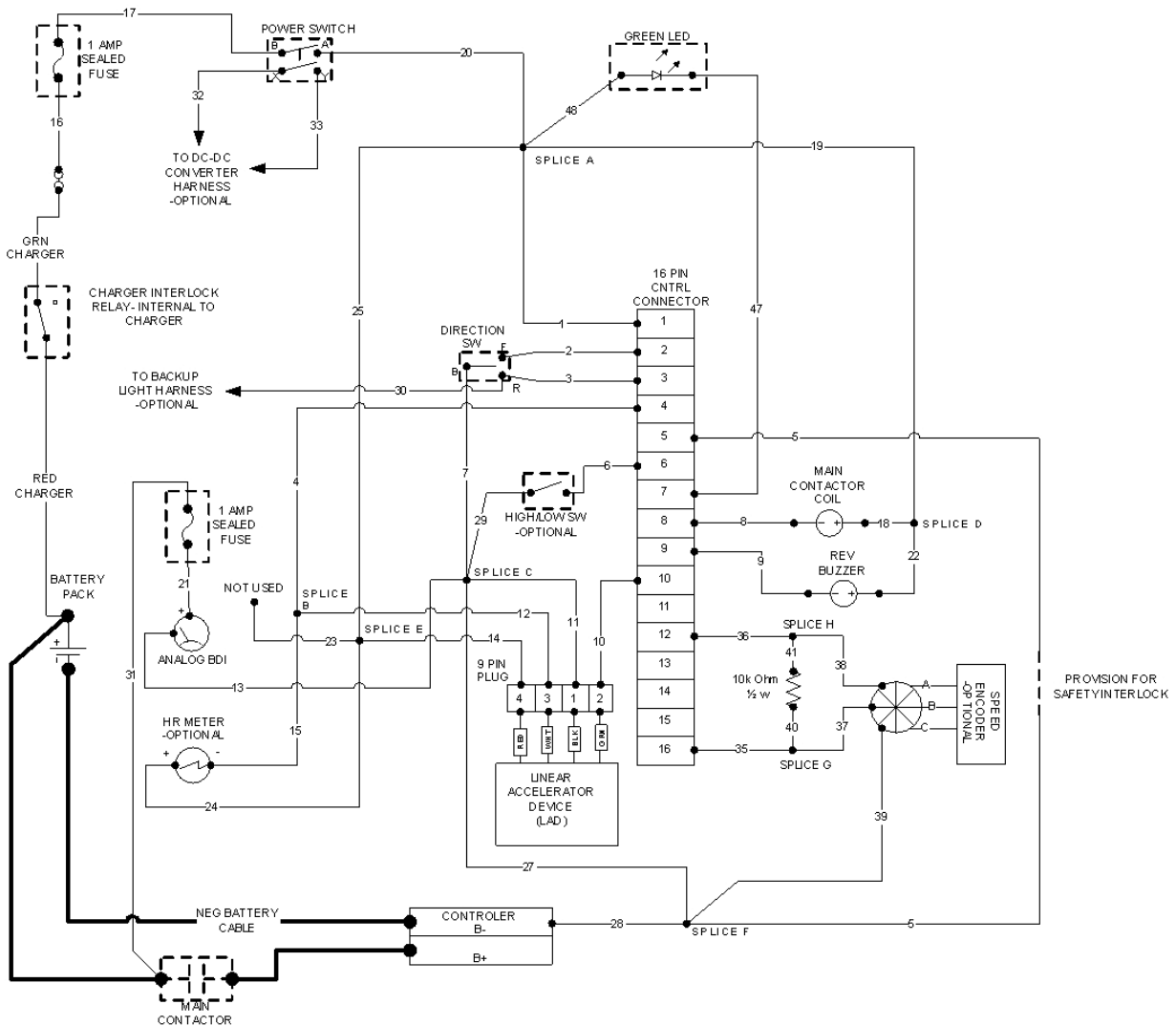
ITEM	CPC P/N	DESCRIPTION	QTY	SEATS P/N
1	75061-07	BDI METER, 48V	1	759842
1A	75062-07	BDI METER, 36V	1	759874
2	75033-91A	HOUR METER	1	709452
3	69900-10	SPEED SWITCH, TOGGLE.	1	760600
4	71425-87	DIRECTION SWITCH	1	719432
5	67791-08	LIGHT, LED, GREEN	1	759932
6	71732-06	KEYSWITCH	1	759706
7	70226-07	ACCELERATOR, LINEAR	1	759803
8		CHARGER (See Page 5-16)	1	
9	75594-04	FUSE - 1.0 AMP	2	719444
10	47895-05A	CONTROLLER, REGEN HP, SEPEX 24/-48 (Programmed 760576)	1	467696
11	71408-96A	ALARM, AUDIBLE	1	759831
12	70590-07	RESISTOR, ASSEMBLY	1	759934
13	71455-01A	CONTACTOR W/ MTG BRKT - 24 V (SW80)	1	709166
14	70068-07	MAIN HARNESS (See Note)	1	759890

NOTE: For use with vehicles with a pot box, an adapter is required. See page 5-17.

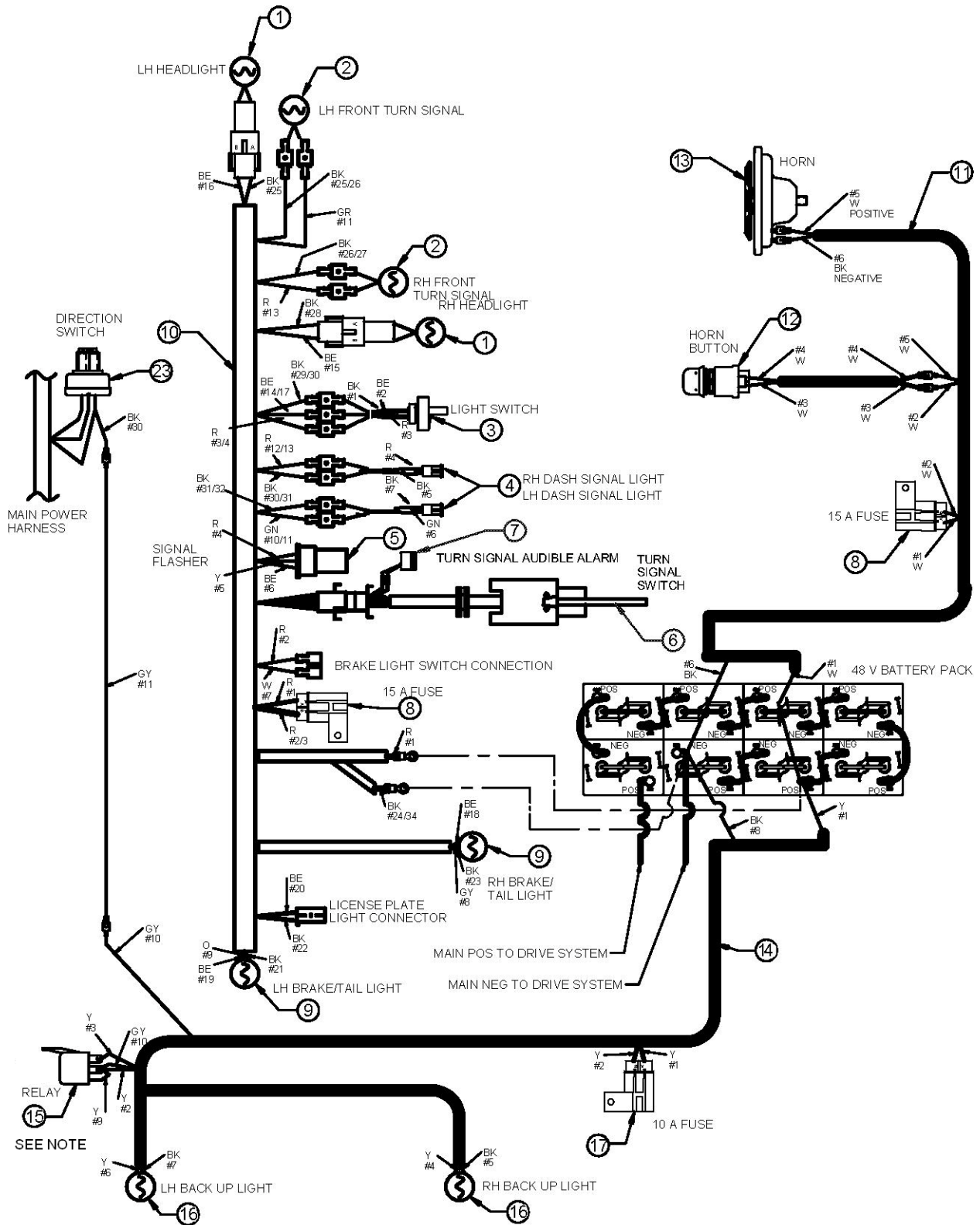


## MAIN WIRE HARNESS SCHEMATIC DIAGRAM - SM

CIRCUIT NO.	WIRE COLOR	CIRCUIT NO.	WIRE COLOR	CIRCUIT NO.	WIRE COLOR	CIRCUIT NO.	WIRE COLOR	CIRCUIT NO.	WIRE COLOR
1	RED	11	BLK	21	RED	31	RED	41	RED
2	GRN	12	WHT	22	YEL	32	RED	47	BLK
3	GRY	13	BLK	23	WHT	33	RED	48	RED
4	BLK	14	RED	24	WHT	34	GRN		
5	BLK	15	BLK	25	WHT	35	GRN		
6	BLK	16	RED	26	---	36	RED		
7	BLK	17	RED	27	BLK	37	GRN		
8	BLK	18	RED	28	BLK	38	RED		
9	BLK	19	RED	29	BLK	39	BLK		
10	GRN	20	RED	30	GRY	40	GRN		

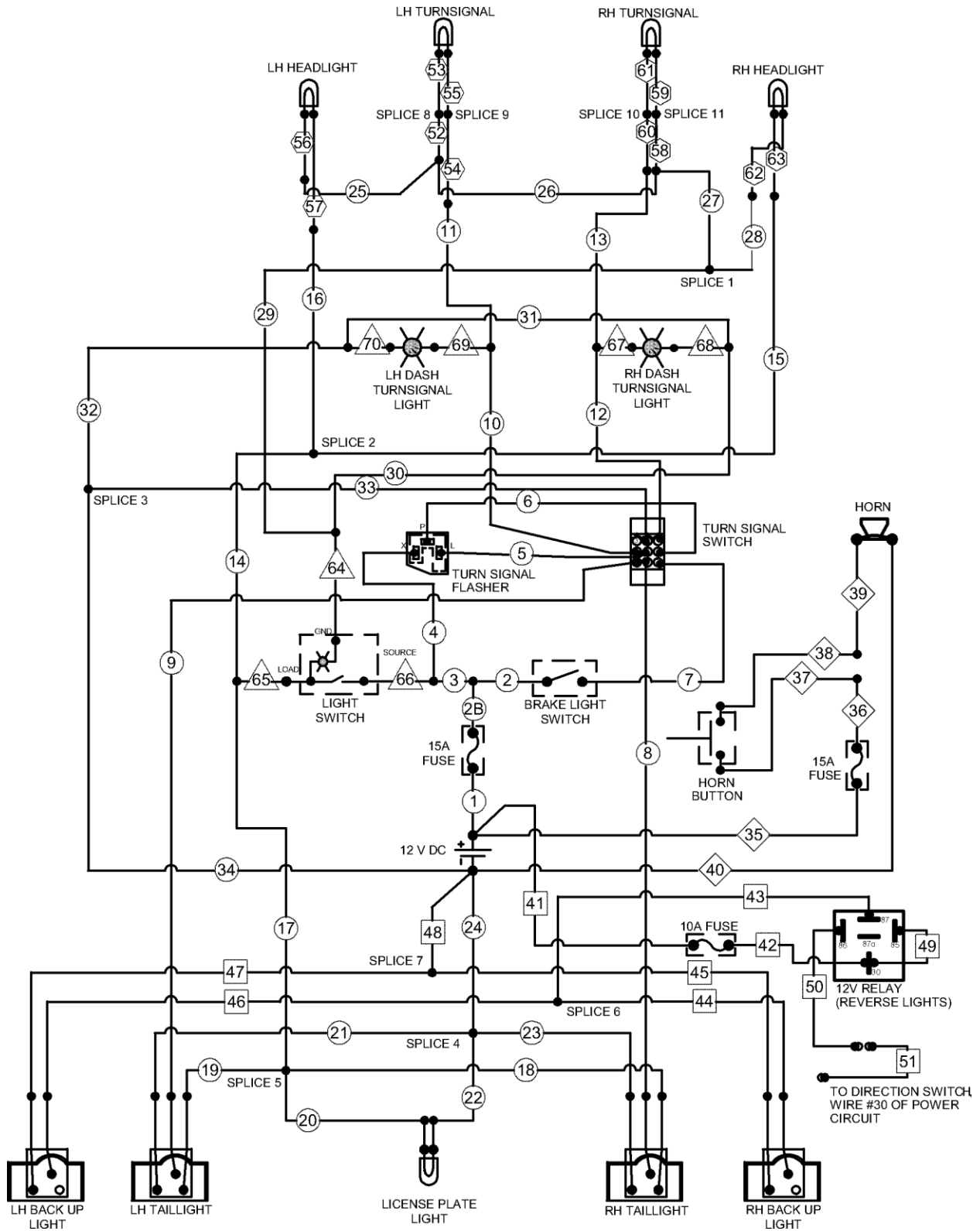


# 12 V ACCESSORY WIRING - SM



NOTE: Vehicles can be equipped with 12V or 48V relays. See SB 12-005.

# 12 V ACCESSORY SCHEMATIC DIAGRAM - SM

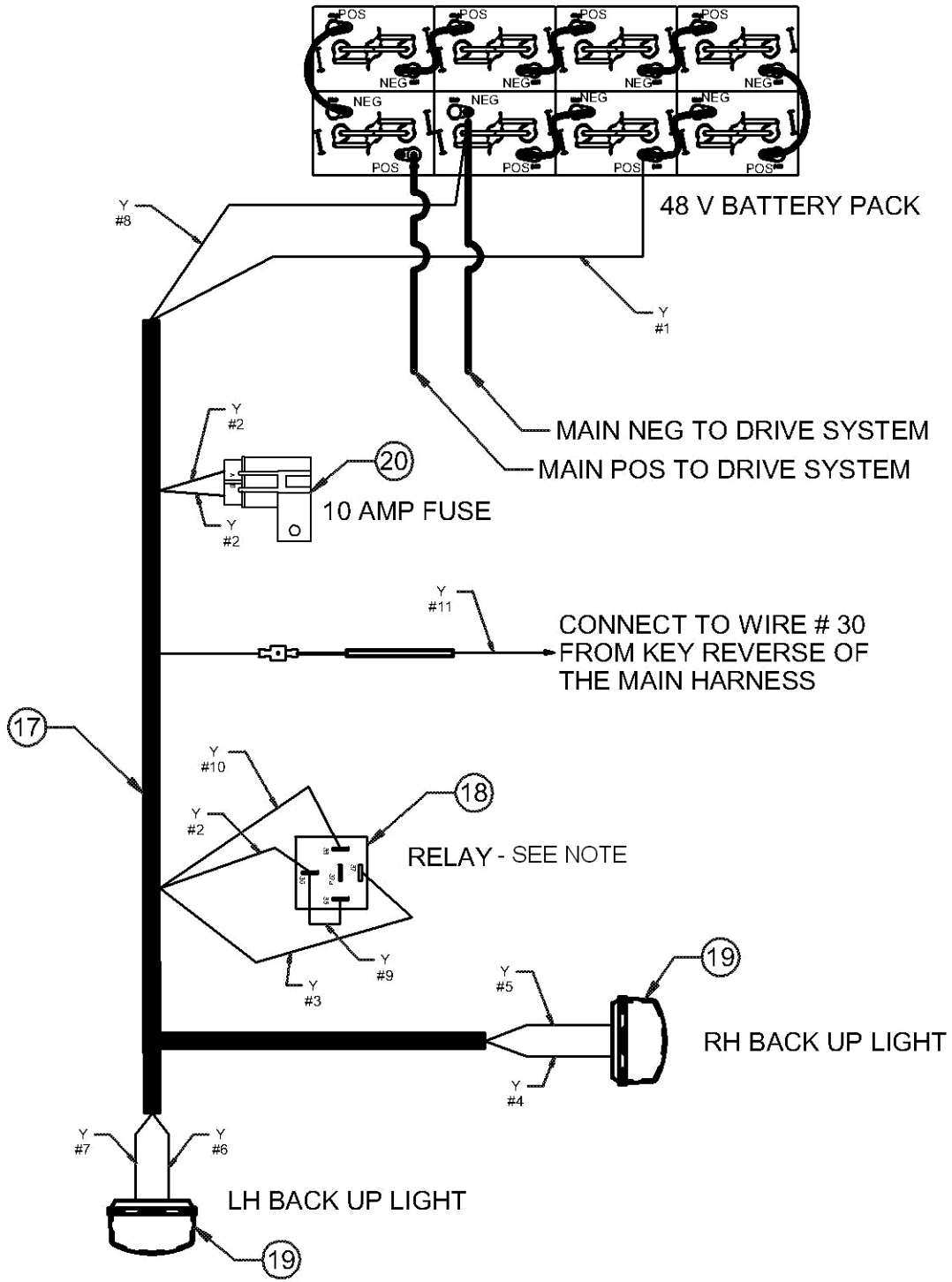




## 12 V ACCESSORY SCHEMATIC CIRCUITS - SM

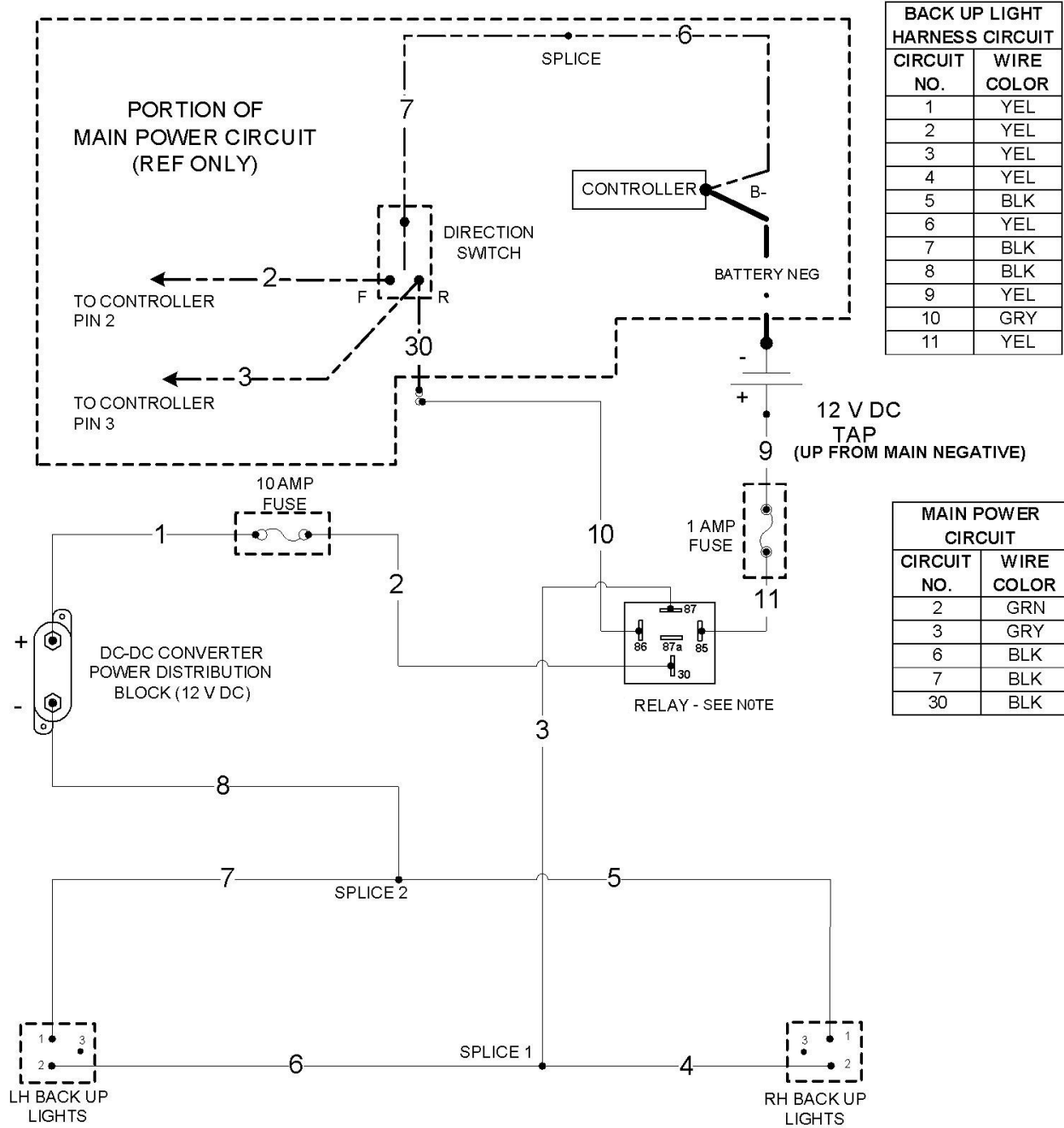
MAIN 12V ACCESSORY HARNESS #68870-02			BACK-UP LIGHT HARNESS #68877-07		
CIRCUIT NO.	HARNESS WIRE NO.	WIRE COLOR	CIRCUIT NO.	HARNESS WIRE NO.	WIRE COLOR
①	1	RED	41	1	YEL
②	2	RED	42	2	YEL
②B	2B	RED	43	3	YEL
③	3	RED	44	4	YEL
④	4	RED	45	5	BLK
⑤	5	YEL	46	6	YEL
⑥	6	BLU	47	7	BLK
⑦	7	WHT	48	8	BLK
⑧	8	GRY	49	9	YEL
⑨	9	ORG	50	10	GRY
⑩	10	GRN	51	11	GRY
⑪	11	GRN			
⑫	12	RED	<b>HEADLIGHT EXTENSION HARNESS #68876-04 (2 REQ'D FOR SUMMITS)</b>		
⑬	13	RED	CIRCUIT NO.	HARNESS WIRE NO.	WIRE COLOR
⑭	14	BLU	⑤2 & ⑤8	1	BLK
⑮	15	BLU	⑤3 & ⑤9	2	BLK
⑯	16	BLU	⑤4 & ⑥0	3	WHT
⑰	17	BLU	⑤5 & ⑥1	4	WHT
⑱	18	BLU	⑤6 & ⑥2	5	BLK
⑲	19	BLU	⑤7 & ⑥3	6	BLU
⑳	20	BLU			
㉑	21	BLK	<b>CONSOLE EXTENSION HARNESS #68875-04 (USED ON SUMMITS MID 2007 &amp; EARLIER)</b>		
㉒	22	BLK	CIRCUIT NO.	HARNESS WIRE NO.	WIRE COLOR
㉓	23	BLK	△64	1	BLK
㉔	24	BLK	△65	2	BLU
㉕	25	BLK	△66	3	RED
㉖	26	BLK	△67	4	RED
㉗	27	BLK	△68	5	BLK
㉘	28	BLK	△69	6	GRN
㉙	29	BLK	△70	7	BLK
㉚	30	BLK			
㉛	31	BLK			
㉜	32	BLK			
㉝	33	BLK			
㉞	34	BLK			
<b>HORN HARNESS #69005-00</b>					
CIRCUIT NO.	HARNESS WIRE NO.	WIRE COLOR			
◇35	1	WHT			
◇36	2	WHT			
◇37	3	WHT			
◇38	4	WHT			
◇39	5	WHT			
◇40	6	BLK			

# BACK-UP LIGHTS WIRING - SM



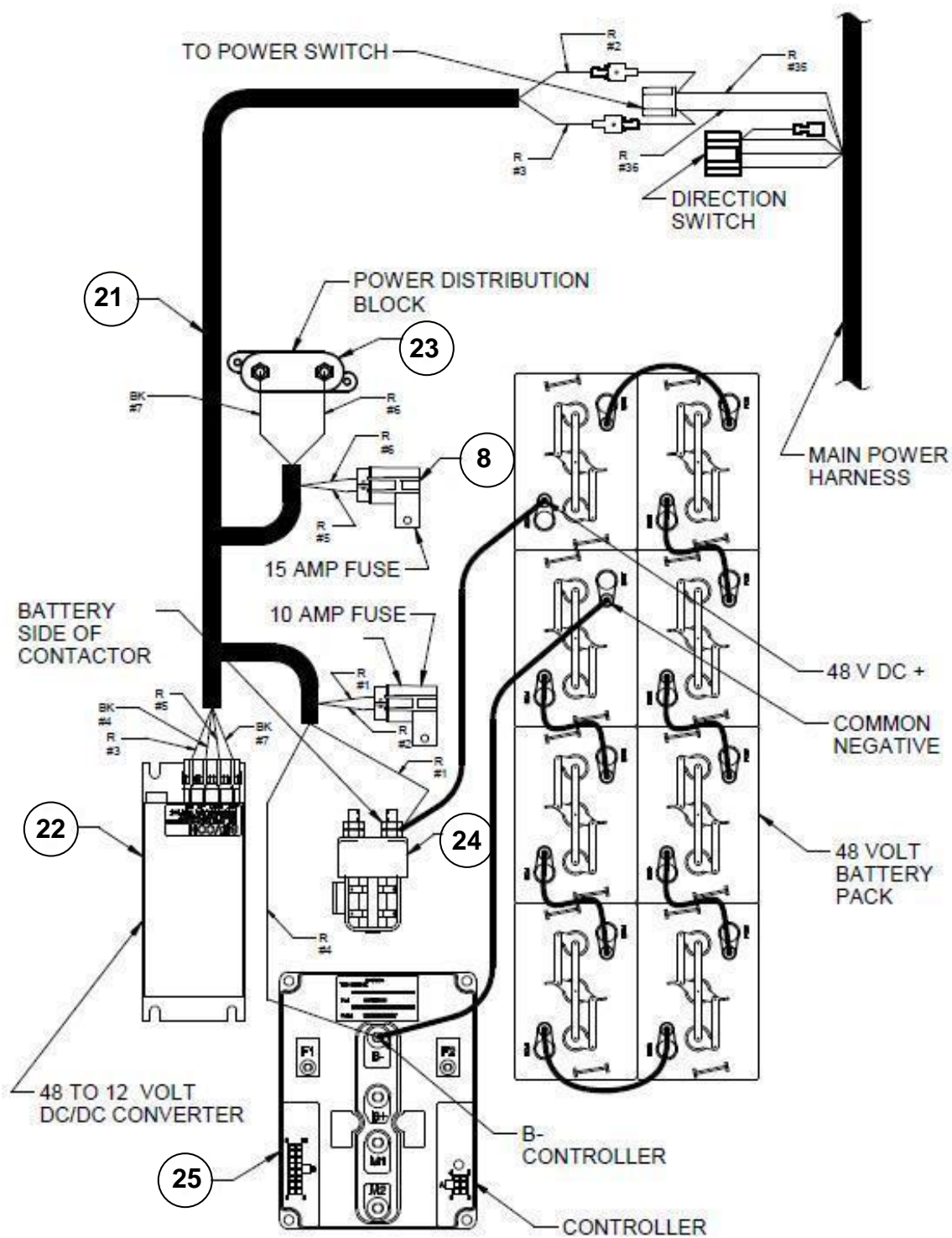
NOTE: Vehicles can be equipped with 12V or 48V relay. See SB12-005.

## BACK-UP LIGHTS SCHEMATIC DIAGRAM - SM

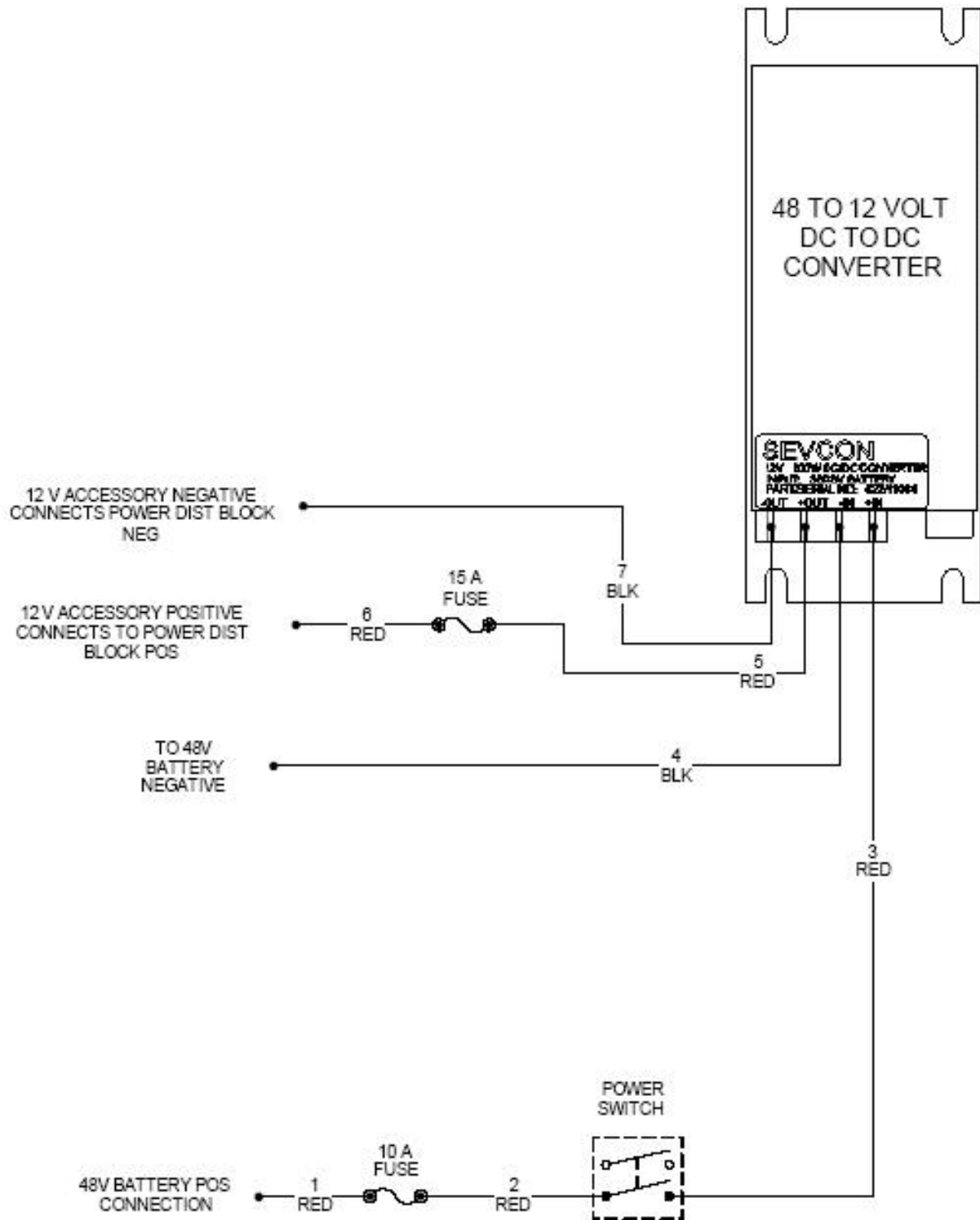


NOTE: Vehicles can be equipped with 12V or 48V relays. See SB12-005.

# DC/DC CONVERTER WIRING - SM



# DC/DC CONVERTER SCHEMATIC DIAGRAM - SM



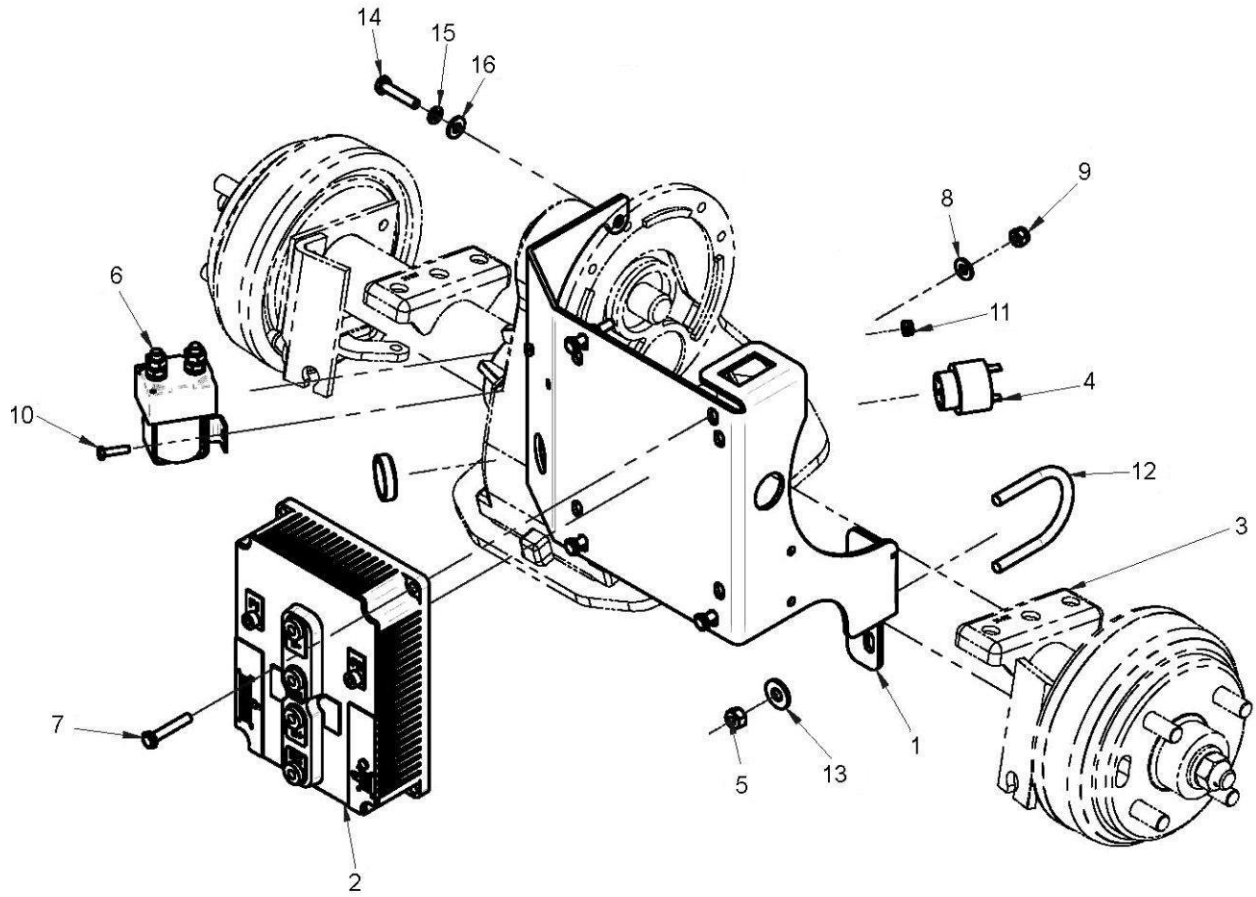
## 12 V ELECTRICAL ACCESSORY SUPPLY - SM

ITEM	CPC P/N	DESCRIPTION	QTY	SEATS P/N
1	68910-10	HEADLIGHT ASSY (Includes bulb, lens & bracket)	2	467678
*	67800-10	HEADLIGHT HIGH/LOW ASSY, (Includes bulb & lens, no bracket)	2	760579
	67801-10	BULB, HEADLIGHT	2	760688
2	68507-04	LIGHT AMBER 2" ROUND W/GROMMET	2	719315
*	68508-04	PLUG, 2" CLEARANCE LIGHT (INCLUDED IN 68507-04)	2	719318
*	68509-04	GROMMET, 2" CLEARANCE LIGHT (INCLUDED IN 68507-04)	2	719319
3	71511-87A	SWITCH, ROCKER, ILLUMINATED SPST	1	709412
*	69900-10	SWITCH, TOGGLE. ON/OFF/ON, HI/LOW CNTL	1	760599
4	67790-00	LIGHT, DASH SIGNAL INDICATOR	2	709111
5	71977-04	FLASHER	1	719366
6	71426-02	TURN SWITCH ASSEMBLY WITH GROMMET	1	464193
*	71428-04	TURN SWITCH ASSEMBLY WITH NO GROMMET	1	467279
7	71412-07	ALARM, AUDIBLE	1	759790
8	74595-01	FUSE, 15 AMP ATO/ATC (SEALED HOLDER NOT INCLUDED)	2	709255
9	68028-04	LIGHT, LED, RED 4" ROUND W/GROMMET	2	719368
*	68020-92	LIGHT, INCANDESCENT, RED 4" ROUND W/GROMMET	2	709109
10	68870-02	HARNESS, 12V ACCESSORY, GOLF & UTILITY	1	739951
11	71730-01	DIRECTION SWITCH	1	709040
12	68876-04	HARNESS, SMT DLX LT HDLT ADAPT.	2	467209
*	68911-10	HARNESS, HIGH/LOW HEADLIGHT	1	467680
*	68912-10	HARNESS, ADAPT. HIGH/LOW HEADLIGHT	2	467685
*	69007-02	HARNESS, LICENSE PLATE LIGHT	1	709823
13*	68027-04	LIGHT, LICENSE PLATE	1	719326
14	69005-00	HARNESS, UNIVERSAL HORN	1	709360
15	71808-00	SWITCH, HORN, SURFACE MOUNT	1	709176
16	69001-76A	HORN, 12V (See Note)	1	709089
16A	69003-12	HORN 48V	1	760753
17	68877-08	HARNESS, BACK UP LIGHTS, DC - DC	1	759911
17A	68887-12	HARNESS, BACK UP LIGHTS, 48v RELAY	1	760770
18	66556-07	12V RELAY	1	759854
18A	66555-00	48V RELAY	1	759829
19	68530-10	LIGHT, ROUND 4" BACK UP	2	760583
	68503-03	LIGHT, ROUND 2" BACK UP	2	719320
20	74596-02	FUSE, 10 AMP ATO/ATC (Sealed holder not included)	1	709786
21	70030-06	HARNESS, DC-DC CONVERTER	1	759778
22	69642-05	48V TO 12V DC-DC CONVERTER	1	760378
23	71854-06	POWER DISTRIBUTION BLOCK	1	759792
24	71455-01A	CONTACTOR. 24V	1	709166
25	47895-05A	CONTROLLER, SEVCON, RGEN, SEPEX, 24/48C (Programmed 760576)	1	467696
*	68572-03	REFLECTOR, AMBER 2 3/4X 1 3/4	2	719336
*	68573-03	REFLECTOR, RED 4 5/16 X 13/16	4	719337

\* ITEMS NOT SHOWN

NOTE: Vehicle produced after mid 2012 are equipped with a 48 V horn. If replacing a 12V horn it is recommended replacing it with a 48V horn. See Horn Harness information page 5-17.

# CONTROL PANEL COMPONENTS - SM



**CONTROL PANEL COMPONENTS (Cont.) - SM**

ITEM	CPC P/N	DESCRIPTION	QTY	SEATS P/N
1	71020-01	MOUNTING BRKT - PANEL CONTROLLER	1	510394
2	47895-05A	CONTROLLER, SEVCON REGEN HP, SEPEX 24/-48 (Programmed 760576)	1	467696
3		AXLE, ELECTRIC	1	
4	71408-96A	ALARM, BACK UP	1	759831
5	7739	NUT, 5/16-18, NE, NYLON INSERT, GA, YWZC	2	719892
6	71455-01A	CONTACTOR W/ MTG BRKT - 24 V (SW80)	1	709166
7	2685-W	SCREW, 1/4-20X1, HHCS, G5, YWZC	4	719564
8	6703-B	WASHER FLAT STL 1/4 SAE - BLK	4	719811
9	7686	NUT 1/4-20 NYLOCK, GA YWZC	4	719879
10	2685-W	SCREW, #10-24 X 5/8 HWH TRD ROL	2	719586
11	7624	NUT, #10-24 GR A NM MACH NYLON LOCK	2	719870
12	5211	U-BOLT, #014,ZC	1	719734
13	6000-B	WASHER, 5/16,USS, STD, F/W BLK MAX	2	719771
14	3993	SCREW, 1/4-20 X 1 1/4" HHCS, G5, YWZC150	3	719644
15	7036-B	WASHER, LOCK 1/4 BLACK ZINC	3	719834
16	6703-B	WASHER, FLAT STL 1/4 SAE- BLK	3	719811
*	70068-07	HARNESS, MAIN - SUMMIT	1	759890
*	74596-02	FUSE - 10 AMP	1	709786
*	75593-04	FUSE - 5 AMP	1	719445
*	75594-04	FUSE - 1.0 AMP	1	719444
*	69301-04	MOTOR, ELEC. 48V - SEP. EX.	1	719339
*	70443-01	CABLE, 6 GA. 18 INCH (F1 to S2, F2 to S1)	2	709215
*	70105-88	CABLE, 4 GA. 37.5 INCH (BATT + to CONTACTOR, BATT - to B -) SHORT SUV	2	709019
*	70105-98	CABLE, 4 GA. 62 INCH (BATT + to CONTACTOR, BATT - to B -) LONG SUV	1	709411
*	70448-90	CABLE, 6 GA. 20 INCH (A2 MOTOR to M2 on CONTROLLER)	1	709012
*	70447-90	CABLE, 6 GA. 14 INCH (A1 MOTOR to M1; B+ to CONTACTOR)	2	709033

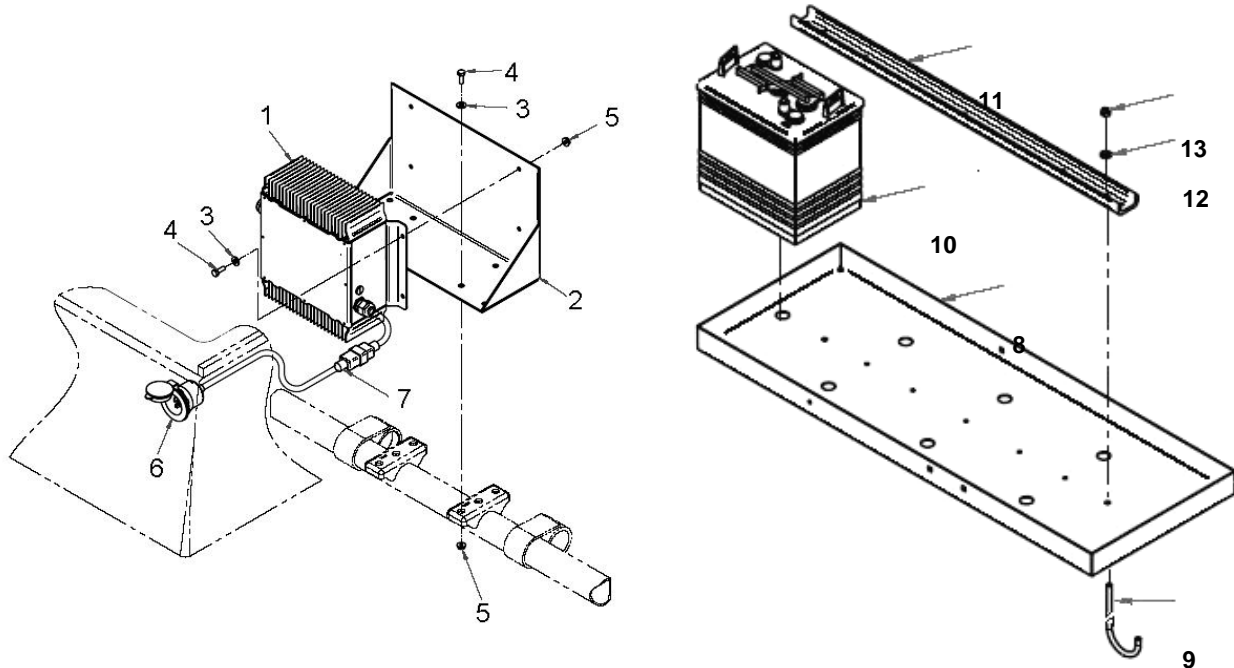
\* NOT SHOWN IN THIS ILLUSTRATION



## CHARGER & BATTERY – SM4

ITEM	CPC P/N	DESCRIPTION	QTY	SEATS P/N
1		CHARGER DELTA Q (See Page 5-16)	1	
2	66437-03	BRACKET, CHARGER MOUNT, DELTA Q	1	307471
3	6703-B	WASHER FLAT STL 1/4 SAE UNHARD BLK	8	719811
4	3787-B	SCREW, HEX HEAD CAP 1/4-20 X 3/4 G5	8	719636
4A**	5405-B	SCREW, HEX HEAD CAP 1/4-20 X 3/4. CARR G5	8	719747
5	7724-B	NUT 1/4-20 GR A SERRATED FLNG LOCK	8	719887
5A**	7686	NUT 1/4-20 NYLOCK,GR A	8	719879
N/A	70036-05	ASSY, CHARGER CORD (Item # 7) AND RECEPTACLE (Item # 6)	1	467405
6	66034-02	RECEPTACLE, POWER INLET (120V) W/ HARDWARE	1	709558
7	66493-03	CHARGER CORD, 6 FT 14/3 WIRE BLACK	1	719264
*	66100-10	EXTERNAL POWER CABLE ,9', GFIC	1	760620
8	47105-10	BATTERY TRAY	1	309820
9	66561-02	J-HOOK, Ø2.60 X 13.86	2	708862
10	66200-10	BATTERY, 6V DC, SEALED, DEKA SM2	8	760586
	66014-03	BATTERY, 6V, DC, US2200 SUV, SM4	8	719229
11	47711-98A	HOLD DOWN, BATTERY	1	709196
12	708859-SW	WASHER,3/8",STD FLAT, STAINLESS	2	708859
13	708860-LH	NUT, 3/8-16 NYLON-INSERT,LOCK,WAXED, SS	2	708860
*	70099-88	CABLE, 4GA, 8.75"	7	709004
*	6085	WASHERS, 5/16 S (USED ON BATTERY TERMINALS)	16	781621

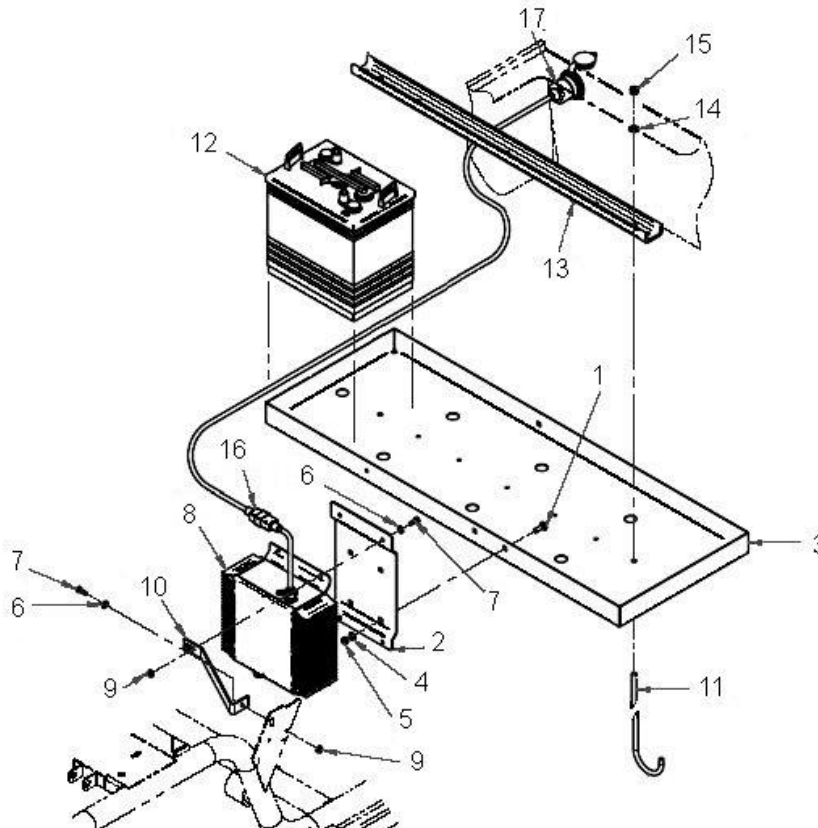
\* NOT SHOWN  
 \*\* SUV-SN ONLY



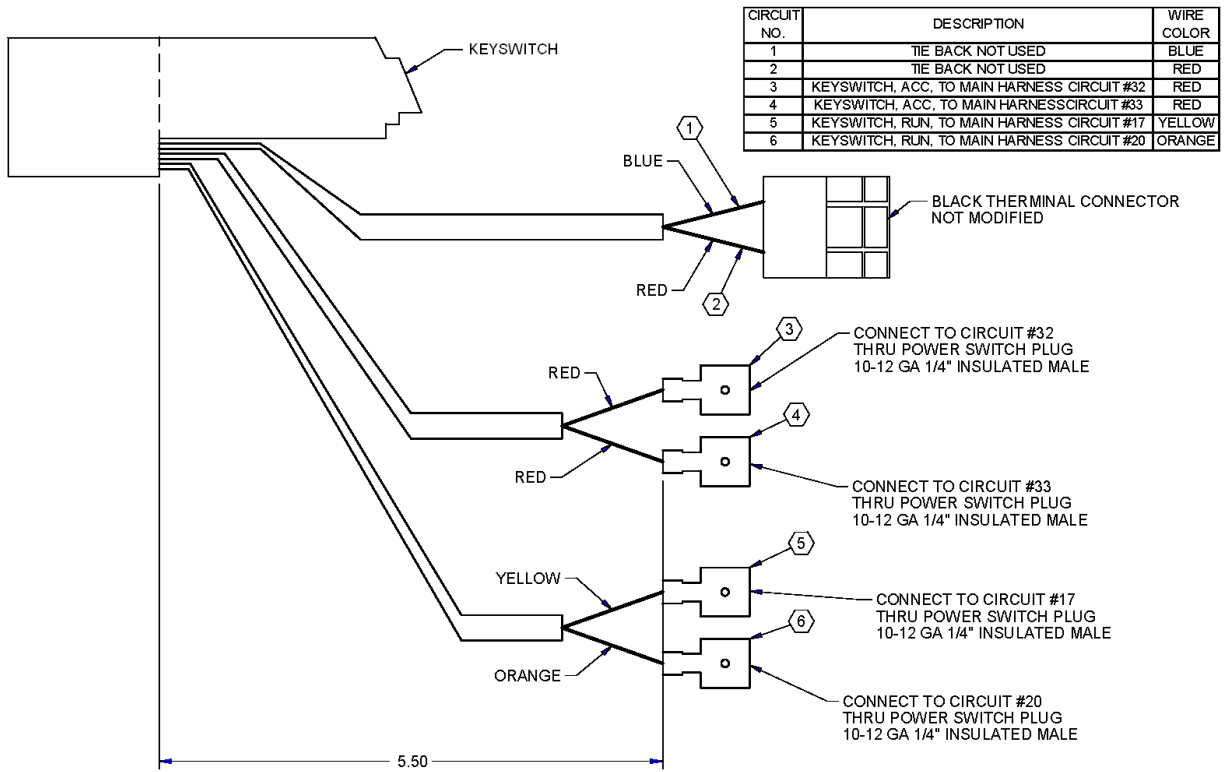
## CHARGER & BATTERY – SM2

ITEM	CPC P/N	DESCRIPTION	QTY	SEATS P/N
1	5400-BS	SCREW, 5/16-18X1, CARR, G5	2	719744
2	66583-03	BRACKET, CHARGER, DELTA Q - 48V SEALED	1	509597
3	47105-10	BATTERY TRAY	1	309820
4	6702-B	WASHER, FLAT STL BLK, 5/16	2	719810
5	7739	NUT, 5/16-18 FLT STL	2	719811
6	6703-B	WASHER FLAT STL 1/4 SAE UNHARD BLK	5	719892
7	3787-B	SCREW, HEX HEAD CAP 1/4-20 X 3/4 G5	5	719636
8		CHARGER DELTA Q (See Page 5-16)	1	
9	7724-B	NUT 1/4-20 GR A SERRATED FLNG LOCK	5	719887
10	45590-03	SUPPORT, DELTA Q	1	509658
11	66561-02	J-HOOK, Ø2.60 X 13.86	2	708862
12	66014-03	BATTERY, 6V DC ,US2200	8	719229
12A	66005-03	BATTERY, 6V, DEEP CYCLE, (US-145)	8	719231
12B	66200-10	BATTERY, 6V, DEEP CYCLE, (AGM)	8	760586
13	47711-98A	HOLD DOWN, BATTERY	1	709196
14	708859-SW	WASHER,3/8",STD FLAT, STAINLESS	2	708859
15	708860-LH	NUT, 3/8-16 NYLON-INSERT, LOCK, WAXED, SS	2	708860
16	66493-03	CHARGER CORD, 6 FT 14/3 WIRE BLACK	1	719264
17	66034-02	PLUG, POWER INLET (120V) W/ HARDWARE	1	709558
*	66493-67A	EXTERNAL POWER CABLE	1	709890
*	70099-88	CABLE, 4GA, 8.75"	7	709004

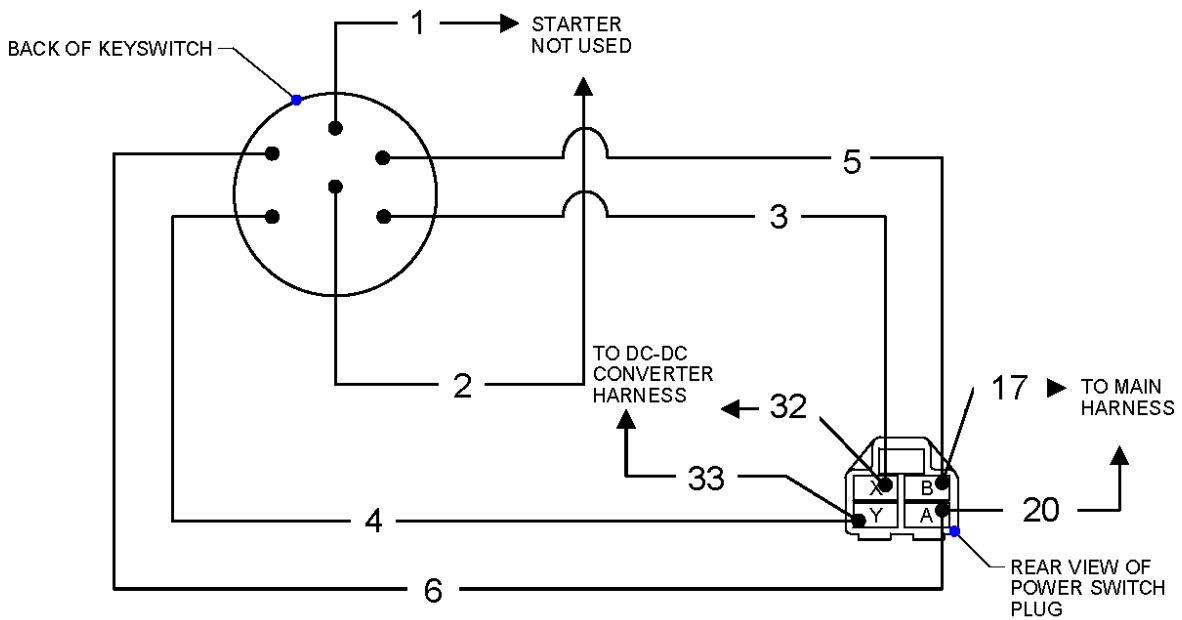
\* NOT SHOWN



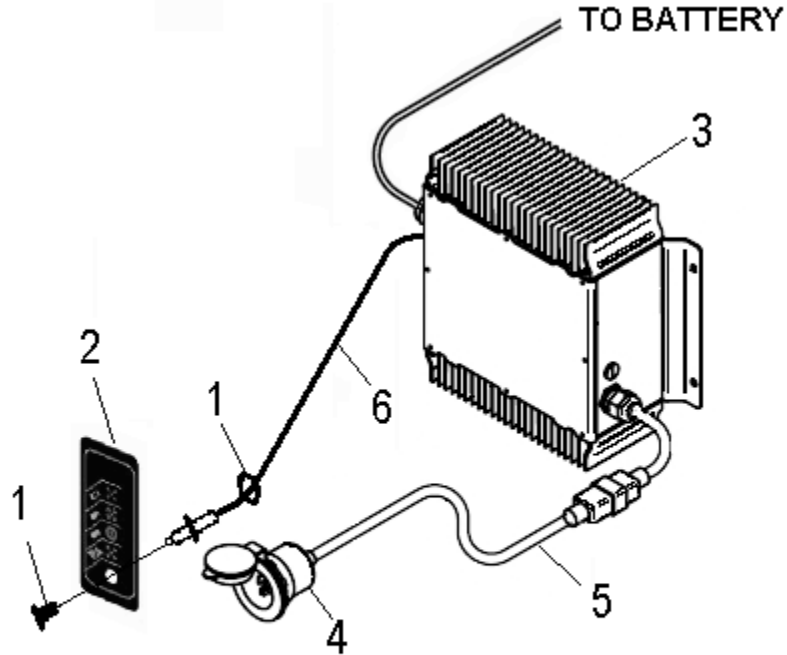
# LOCK STEERING KEYSWITCH WIRING - SUMMIT, SUV



## SCHEMATIC



**DELTA Q CHARGER WITH REMOTE LED – SM**



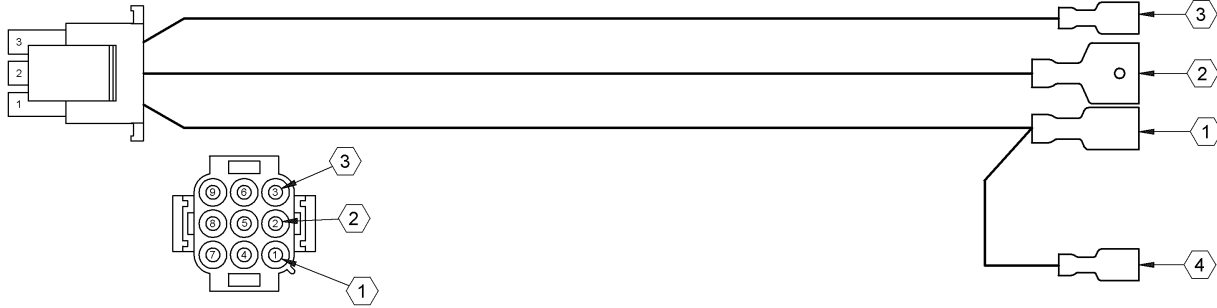
**LED & LABEL POSITION WILL BE LOCATED  
ADJACENT TO THE CHARGER AC RECEPTACLE**

ITEM	CPC P/N	DESCRIPTION	QTY	SEATS P/N
1	9951	CR-174 CLIP & RING	1	781989
2	66584-12	LED FRONT LABEL	1	760754
3	66583-12	CHARGER, DELTA Q 48V W/LED, STANDARD	1	760742
3A	66582-12	CHARGER, DELTA Q 48V W/LED, AGM	1	467533
4	66034-02	PLUG, POWER INLET 120V SEALED	1	709558
5	66493-03	CHARGER CORD 6'	1	719264
6	66029-12	LED 25' CABLE	1	760817
N/A	70036-05	ASSEMBLY, CORD W/ RECEPTACLE (Includes Item 4 & 5)	1	467405

**NOTE: SEE SERVICE BULLETIN SB11-004 IF REPLACING A NON-LED CHARGER.**

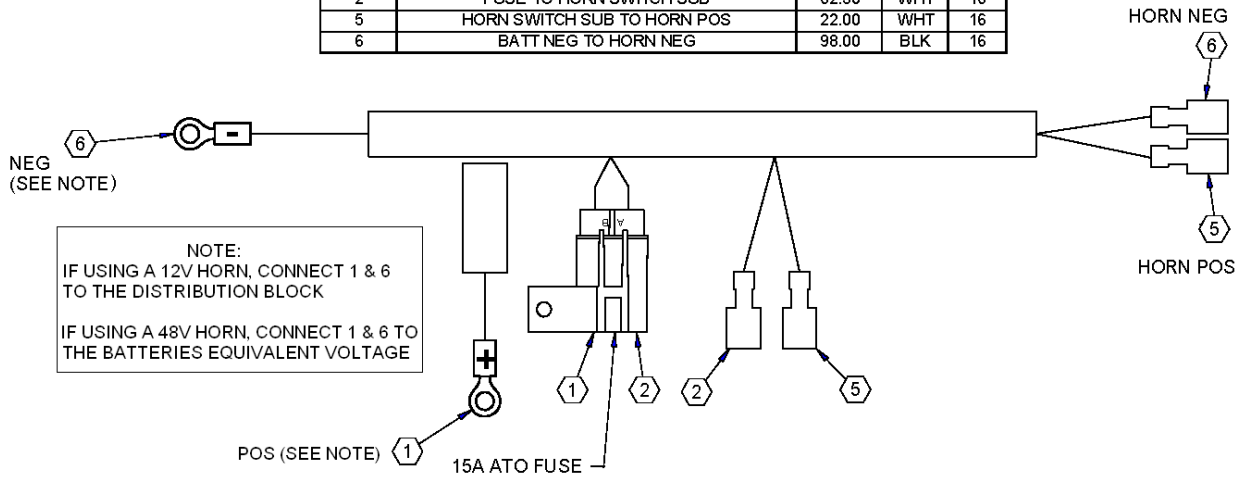
## HARNES, POT BOX ADAPTER – SM P/N 71001-10

CIRCUIT NO.	DESCRIPTION	WIRE LENGTH*	WIRE COLOR	WIRE GAGE
1	CONNECTS TO POT LEAD BLACK	8.00	BLK	16
2	CONNECTS TO POT LEAD WHITE	8.00	GRN	16
3	CONNECTS TO PEDAL SWITCH	8.00	WHT	16
4	CONNECTS TO PEDAL SWITCH	4.00	BLK	16



## HORN HARNESS – SM P/N 69005-00

CIRCUIT NO.	DESCRIPTION	WIRE LENGTH*	WIRE COLOR	WIRE GAGE
1	BATT POS TO FUSE	35.50	WHT	16
2	FUSE TO HORN SWITCH SUB	62.50	WHT	16
5	HORN SWITCH SUB TO HORN POS	22.00	WHT	16
6	BATT NEG TO HORN NEG	98.00	BLK	16



# Summit Parts Manual

## Section 6

### Wheels

**WHEELS - SUMMIT**



**WHITE 8 SPOKE  
5 HOLE ITEM 11**



**ALLOY STAR  
4 HOLE ITEM 9**



**CHROME  
4 HOLE ITEM 8  
5 HOLE ITEM 7**



**TEARDROP  
4 HOLE ITEM 10**



**ITEM 12**



**ITEM 14**



**ITEM 15**

### WHEELS SUMMIT Cont.

ITEM	CPC P/N	DESCRIPTION	QTY	SEATS P/N
1*	45250-12A	TIRE/WHEEL ASSY 165/65R13 CHROME 5H	1	514551
2*	45251-12A	TIRE/WHEEL ASSY 165/65R13 CHROME 4H	1	514547
3*	45254-12A	TIRE/WHEEL ASSY 165/65R13 ALLOY-STAR 4H	1	514548
4*	45255-12A	TIRE/WHEEL ASSY 165/65R13 ALLOY-TEAR 4H	1	514549
5*	45256-12A	TIRE/WHEEL ASSY 165/65R13 WHITE 5H	1	514758
6*	41018-13	TIRE/WHEEL ASSY 215/50R13 CHROME 4H	1	514713
7	45016-08	WHEEL, CHROME, 5 H	1	760360
8	41019-04	WHEEL, CHROME, MOD 13X5.5, 4 H	1	759789
9	43609-06	WHEEL. ALLOY, STAR 13X5, 4H	1	759807
10	43608-06	WHEEL, 13X5.5 TEARDROP 4H	1	759806
11	42200-10	WHEEL, 13X4.5. WHITE 8 SPOKE 5H	1	760612
12	43155-04	LUG NUT, (Used w/ Items 3, 4 & 5)	16/20	719388
13*	43154-04	NUT, CHROME (Used w/ Items 1, 2 & 6)	16/20	719332
14	40513-04	CAP, CHROME (Uses w/ Items 2, 3, 4 & 6)	1	719387
15	45200-10	CAP, CHROME/BLACK (Used w/ Items 1 & 7)	1	760621
16*	43740-04	PLTD, SPACER, WHEEL 10GA, 4 HOLE (Used w/ Items 2, 3, 4, & 6)	1	509958PL

\* NOT SHOWN



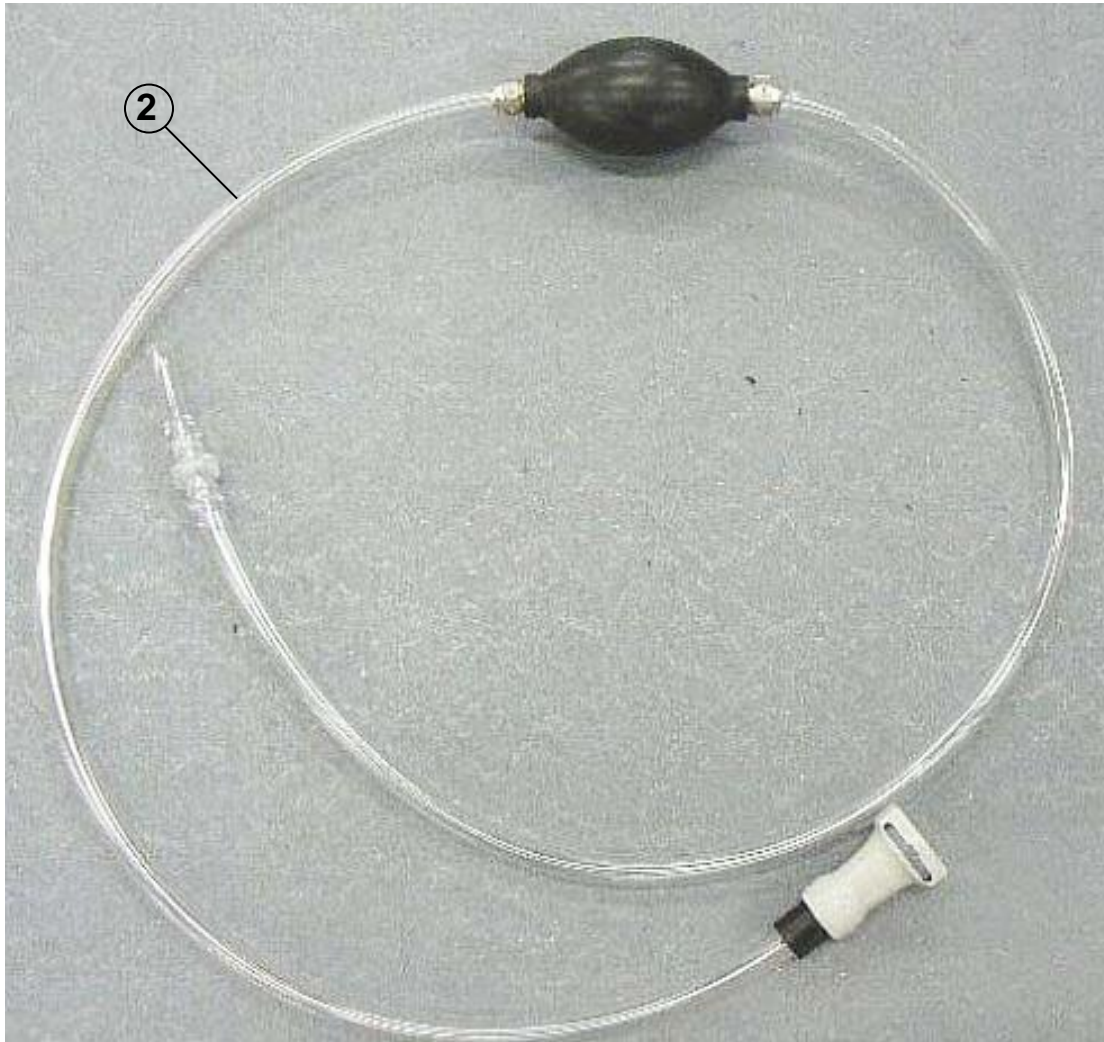
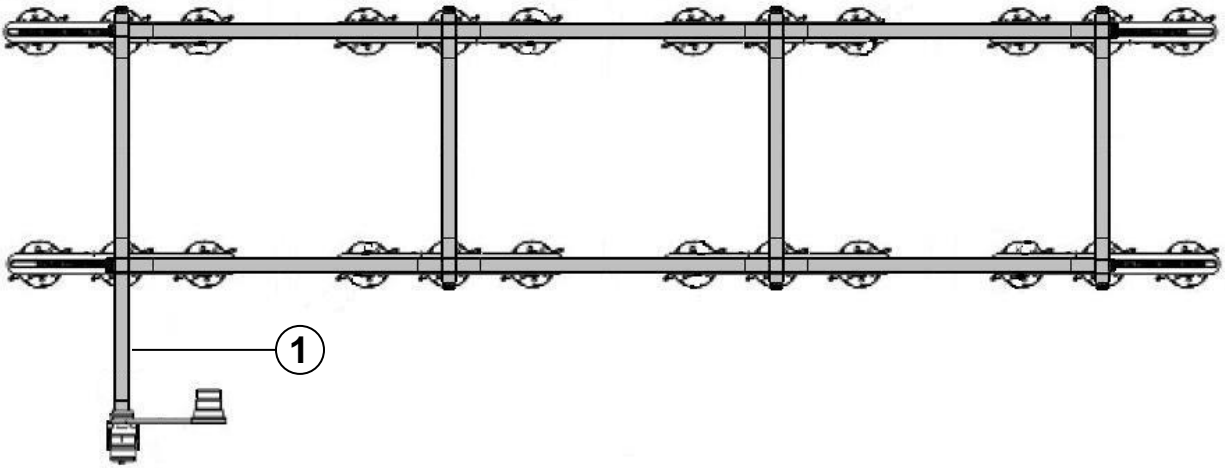
# **Summit Parts Manual**

## **Section 7**

### **Accessories**

## BATTERY WATERING SYSTEM - SMT

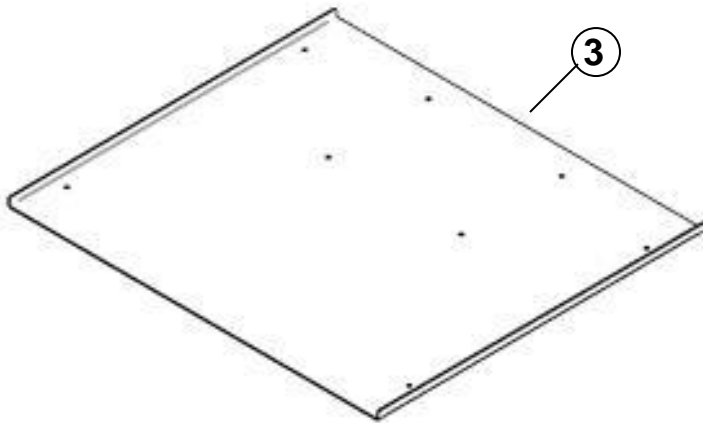
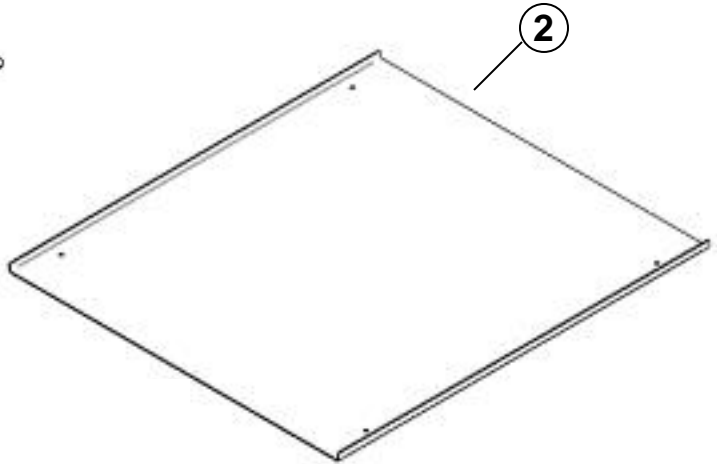
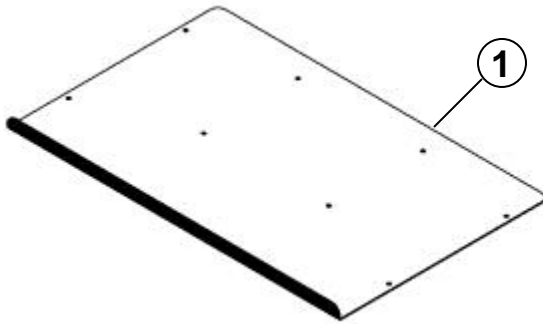
ITEM	CPC P/N	DESCRIPTION	QTY	SEATS P/N
1	66210-07	WATERING ASSEMBLY	1	759857
2	66211-07	PUMP	1	759858



## DECKS - SMT

ITEM	CPC P/N	DESCRIPTION	QTY	SEATS P/N
1	51002-10	ALUMINUM DECK PLATE SM4 (Power Coat)	1	513163
2	51003-10	ALUMINUM DECK PLATE SUV-L (Power Coat)	1	513156
3	51004-10	ALUMINUM DECK PLATE SUV-S (Power Coat)	1	513439
*4	707317	PUSHNUT 5/16, BLK	4	707317
*5	49713-08	FOAM TAPE, 1/8"TX1"W SM4	16"	709783
*5A	49713-08	FOAM TAPE, 1/8"TX1"WX SUV-L	26.75"	709783
*5B	49713-08	FOAM TAPE, 1/8"TX1"WX SUV-S	16.44"	709783
*6	11735	NUT, TINNEMAN	4	719537
*7	2600	SCREW, 5/16-18X3/4	4	781738

\* NOT SHOWN



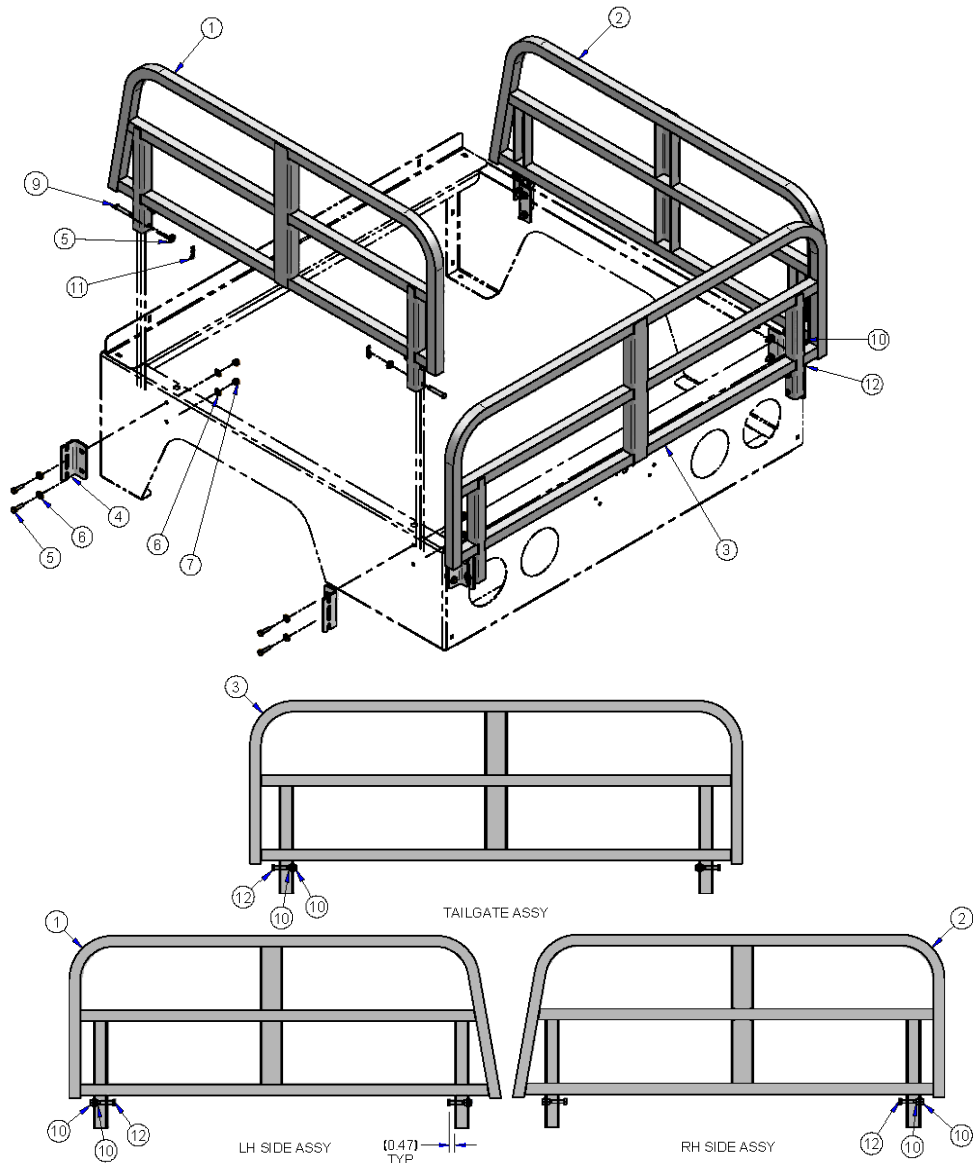
## ENCLOSURES - SMT

ITEM	CPC P/N	DESCRIPTION	QTY	SEATS P/N
1	11626-11	SM2 – GN - ENCLOSURE GRAY	1	31065612051205
1	11626-11	SM2 – GN - ENCLOSURE - CHARCOAL	1	31065612061206
1	11626-11	SM2 – GN - ENCLOSURE SAND	1	31065612081208
2	11623-11	SM4 – TN - ENCLOSURE GRAY	1	31065512051205
2	11623-11	SM4 – TH - ENCLOSURE CHARCOAL	1	31065512061206
2	11623-11	SM4 – TH - ENCLOSURE SAND	1	31065512081208
3	11622-11	SUV – ENCLOSURE GRAY	1	31065712051205
3	11622-11	SUV – ENCLOSURE CHARCOAL	1	31065712061206
3	11622-11	SUV – ENCLOSURE SAND	1	31065712081208

NOTE: Color preference must be included with CPC P/N.



## RAILS - SUV



ITEM	CPC P/N	DESCRIPTION	QTY	SEATS P/N
1	50033-13	SIDE RAIL LH, SUV-S	1	311109B
1A*	50034-13	SIDE RAIL LH, SUV-L	1	311107B
2	50031-13	SIDE RAIL RH, SUV-S	1	311110B
2A*	50032-13	SIDE RAIL RH, SUV-L	1	311108B
3	50030-13	REAR RAIL	1	311111B
4	50035-10	BRACKET	6	513215
5	6002	WASHER, 5/16 18-8SS	6	719375
6	2551-W	SCREW, 1/4-20X1, HHC	12	719564
7	6703-B	WASHER 1/4 F/W,	24	719811
8	7686	NUT, 1/4-20 NYLOCK	12	719879
9	475	PIN, 5/16 X 1.75, CLEVIS, 18-8, SS	6	761032
10	7645	NUT, 5/16-18 HEX, FLANGE, LOCK, S/S	12	781694
11	489	HAIR PIN CLIP, #13, ZC	6	781700
12	3820	SCREW, 5/16-18 X 2, HHCS, 18-8, SS	6	782298
13	50051-13	KIT, SUV-S RAILS (Includes Items 1, 2, 3 - 11)	1	192451U
14	50050-13	KIT, SUV-L RAILS (Includes Items 1A, 2A, 3 - 11)	1	192452U

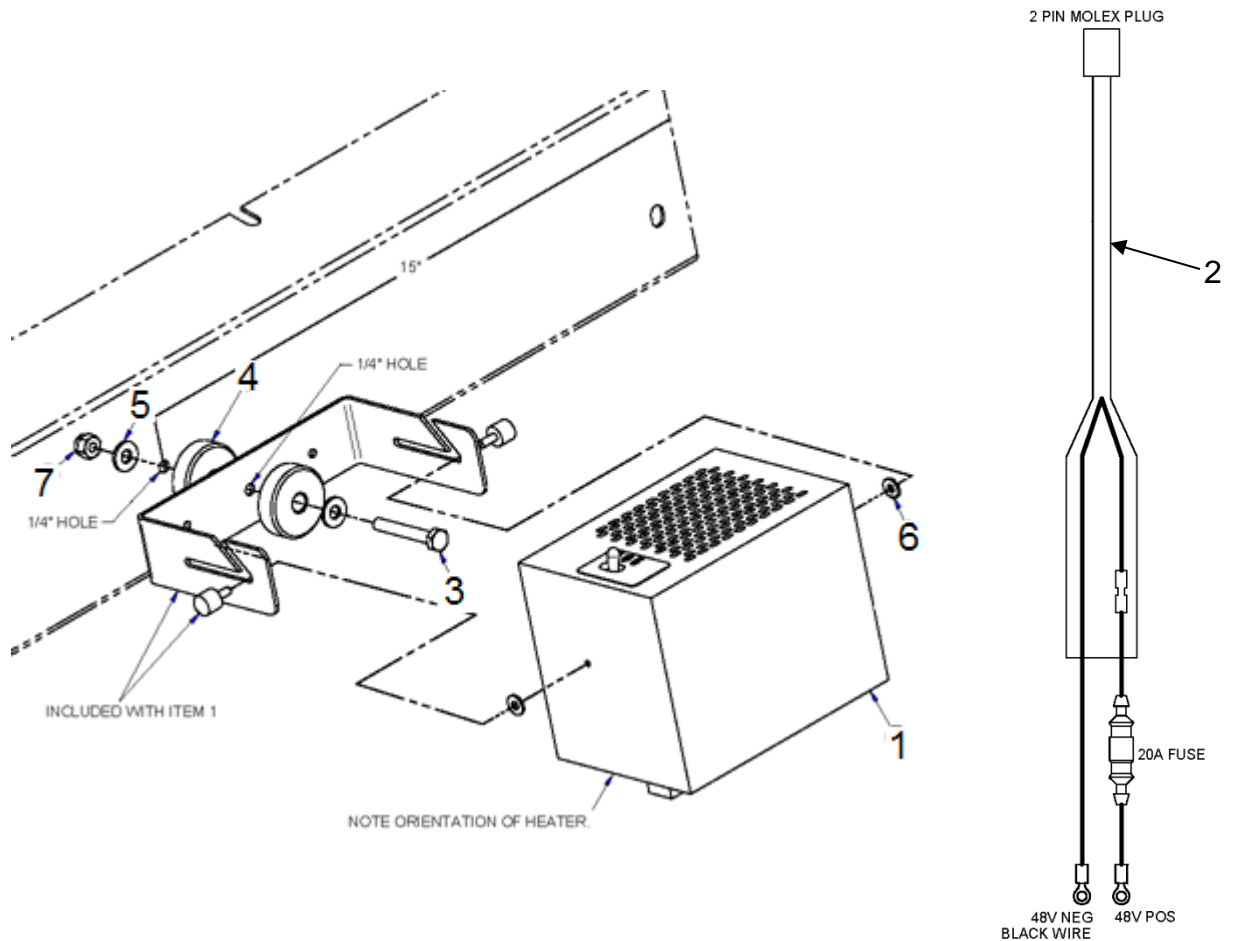


## HEATER SMT

ITEM	CPC P/N	DESCRIPTION	QTY	SEATS P/N
1	65199-11	HEATER 48V	1	467801
2	69936-15	HEATER HARNESS ASSEMBLY 48V	1	467803
3	3454-BS	SCREW, 1/4-20X1 3/4, HHCSG5	1	719623
4	52329-85	WASHER, .375X1.5X.5 F/W, NYLON	2	719737
5	6703-B	WASHER, 1/4 F/W, SAE, STL	2	719811
6	6912-B	WASHER, #8 SAE, F/W	2	719817
7	7686	NUT, 1/4-20 NYLOCK	1	719879
N/A	20004-07B	HEATER KIT, (Includes Items 1 thru 7)	1	192379U
N/A	64300-10	HARDWARE KIT (Includes Items 3, 4 & 7)	1	192074U

**NOTE:**

1. If the toggle switch is in the Fan/Heat position and no heat is occurring, a circuit reset may be needed. On a heater side panel is a 3/8" hole. Inside is a circuit reset tab. Using a non-conductive device push the tab to reset the circuit.
2. This heater/harness is not interchangeable with heater/harness installed on vehicles prior to 8/10/2010. Connect black wire to 48V negative and red wire to 48V positive.
3. If previous heater had a three (3) wire harness, a new two (2) wire harness (Item 2) is required.



## LICENSE PLATE LIGHT & REFLECTORS - SMT

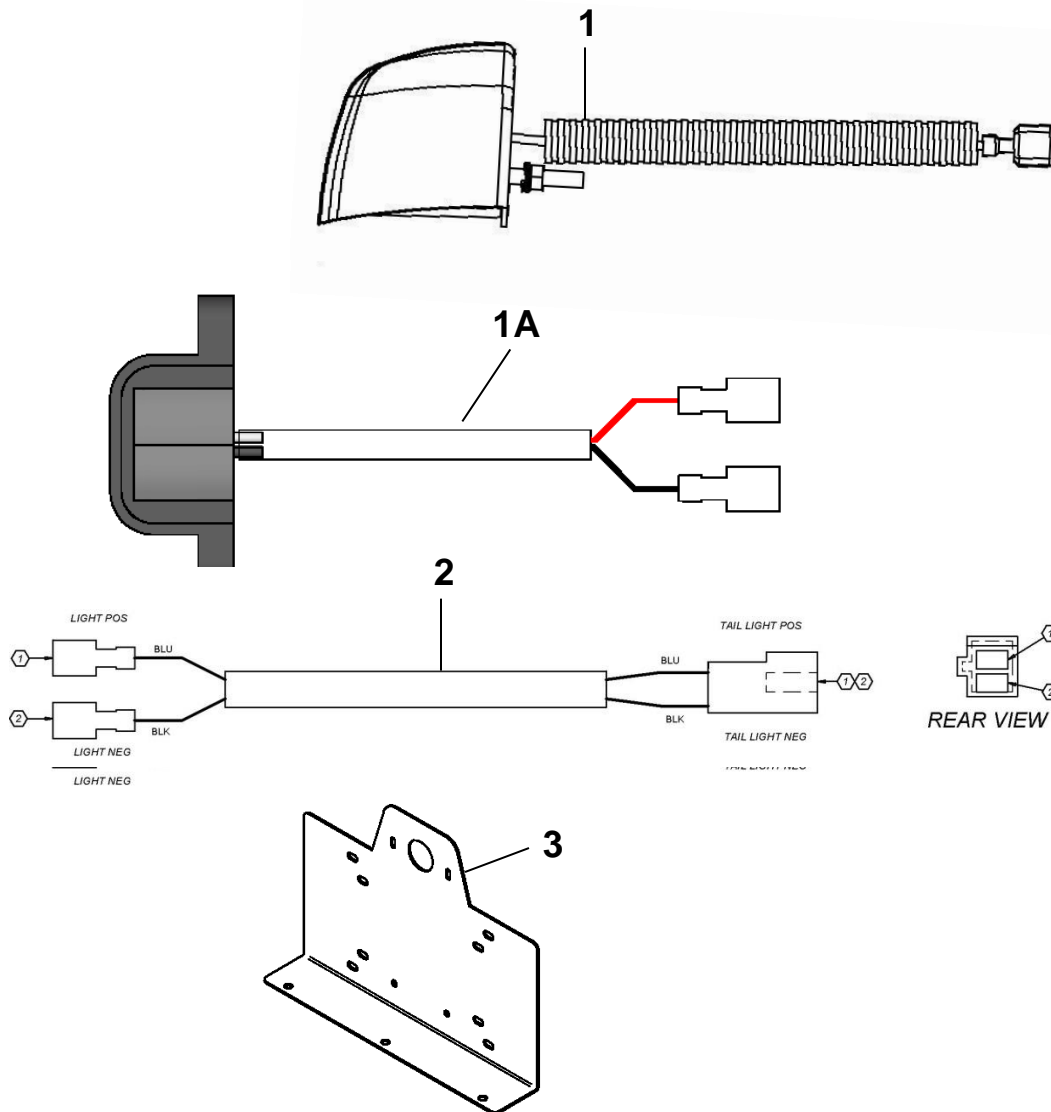
ITEM	CPC P/N	DESCRIPTION	QTY	SEATS P/N
1	68027-04	LICENSE LIGHT (See Note 1)	1	719326
1A	69008-13	LICENSE LIGHT (See Note 2)	1	467887
2	69007-02	LICENSE LIGHT WIRE HARNESS	1	709823
*	68572-03	FRONT AMBER REFLECTOR 2 3/4X1 3/4	2	719336
*	68573-03	REAR RED REFLECTOR 4 5/16X13/16	4	719337
3	68026-04	LICENSE PLATE BRACKET	1	509726EP

\* NOT SHOWN

\*\* SPECIAL ORDER

**NOTE:**

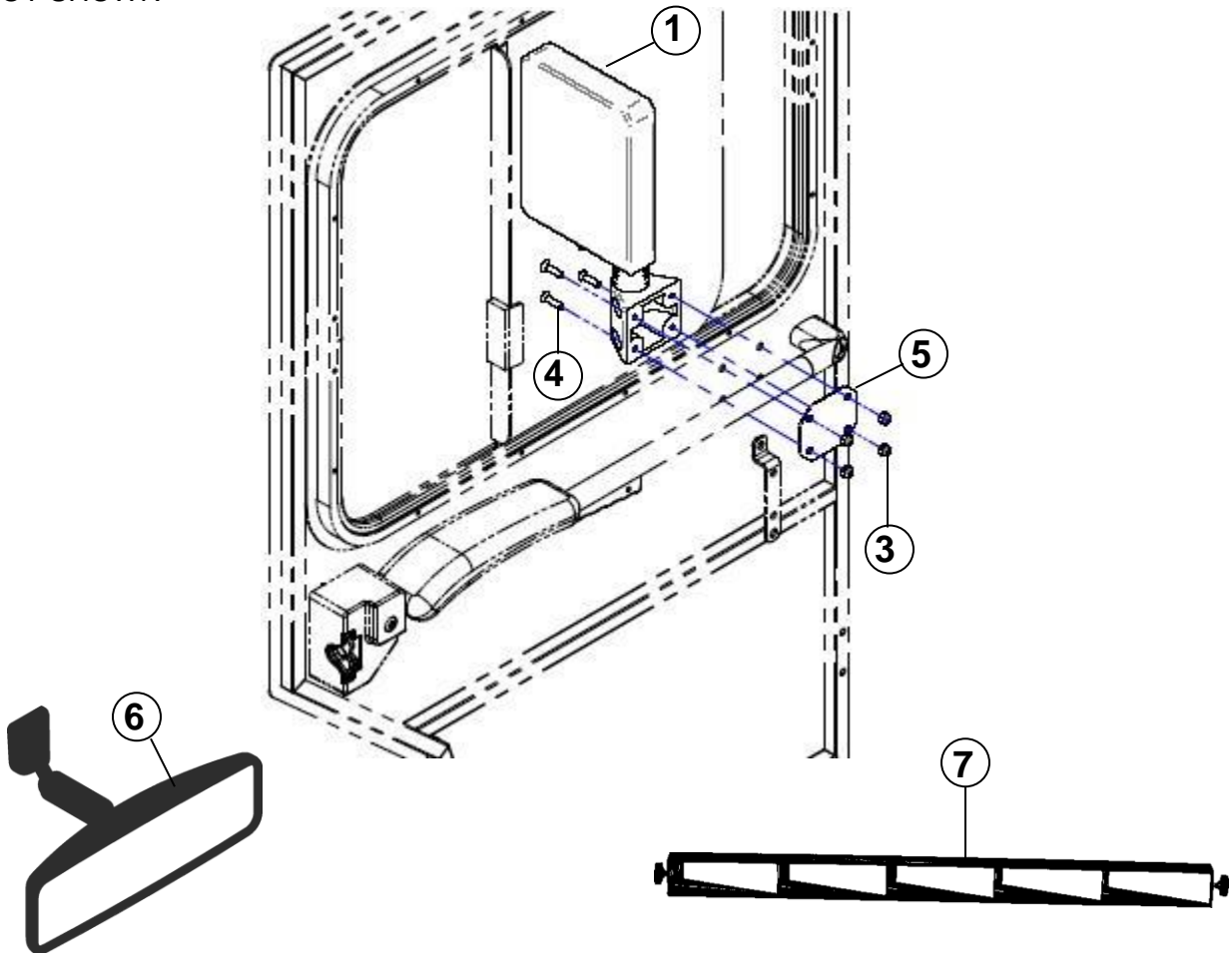
1. If replacing this light order Kit 68027-04A, License Plate Light Retrofit
2. Vehicles produced after 8/2012 use this light.



## MIRRORS - SMT

ITEM	CPC P/N	DESCRIPTION	QTY	SEATS P/N
1	72667-08	SIDE MIRROR, LH	1	760201
2*	72668-08	SIDE MIRROR, RH	1	760202
3	7680	NUT, 1/4-20 SS NYLOCK (USE WITH 1 & 2)	6-8	719876
4	1400	SCREW, 1/4-20X1 (USE WITH 1 & 2)	8	781601
5	51000-10	BACKING PLATE (USE WITH 1 & 2)	2	513203
6	84120-92	REAR VIEW MIRROR	1	709837
7	84270-98	5 PANEL REAR VIEW MIRROR		709408
8*	2653-B	SCREW, 10-16X3/4 (USE WITH 6 & 8)	1, 4	719583
9*	6912-B	WASHER # 8 (USE WITH 6 & 8)	1, 4	719817
10*	1400	SCREW, 1/4-20X1, PFH, M/S, 18-8 SS	6	781601
11*	91887-03	KIT, REAR VIEW, VEHICLES W/O CAB ENCLOSURE (Includes Items 1, 2, 4 & 11)	1	190722U
12	91886-10	KIT, REAR VIEW, VEHICLE W/CAB ENCLOSURE (Includes Items 1 – 5)	1	191995U

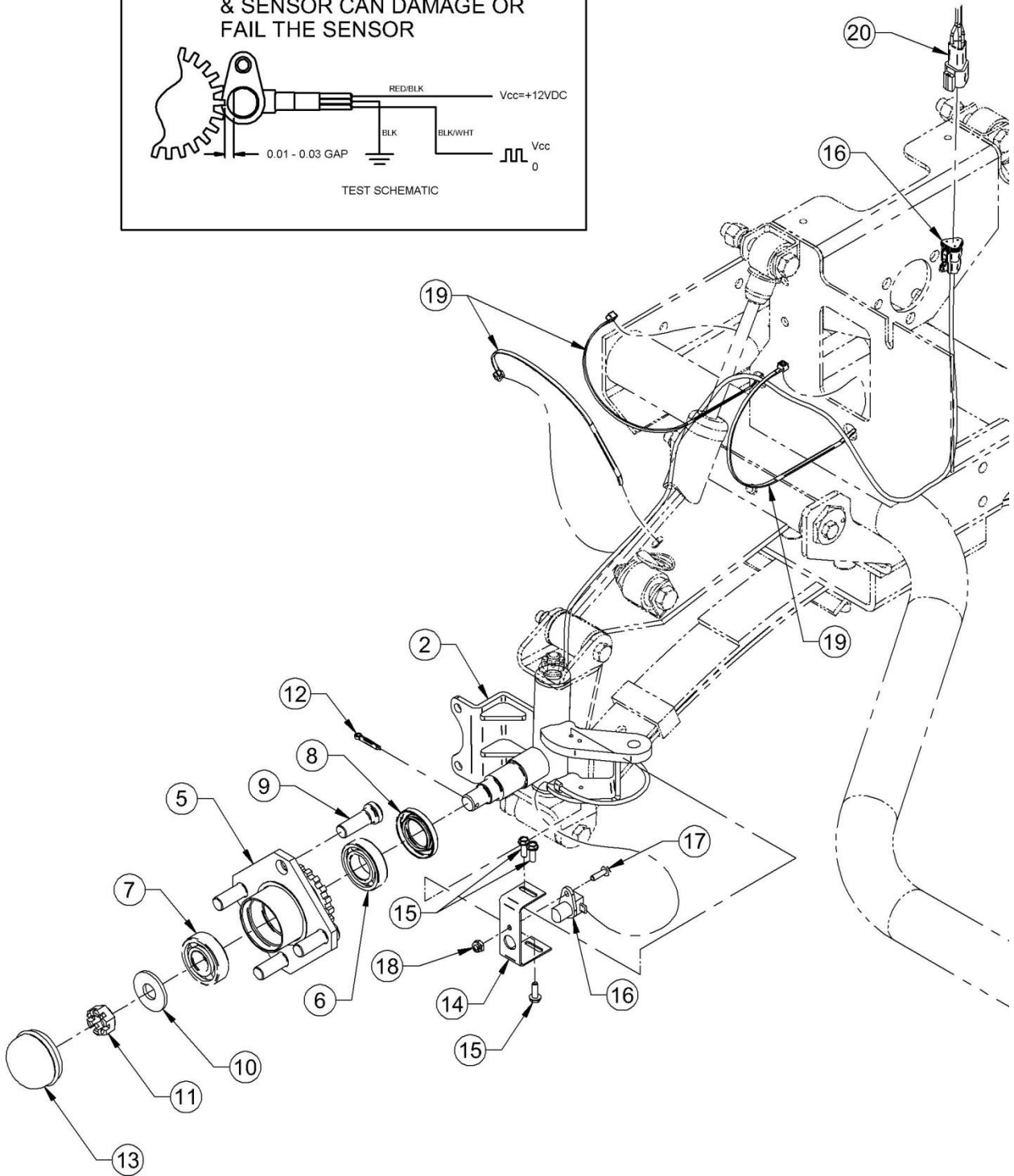
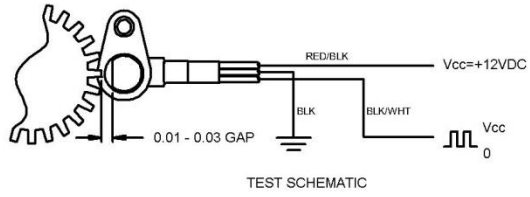
\* NOT SHOWN





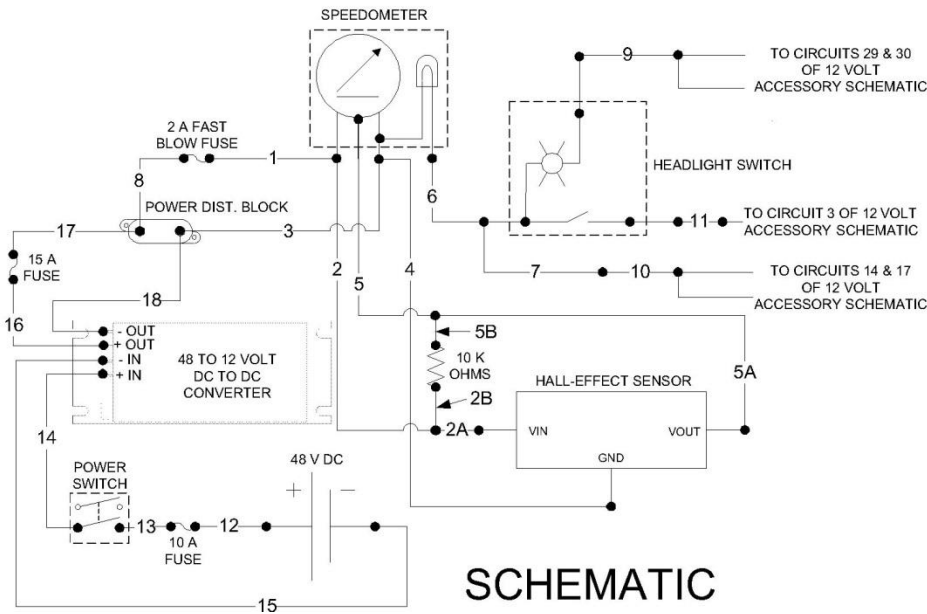
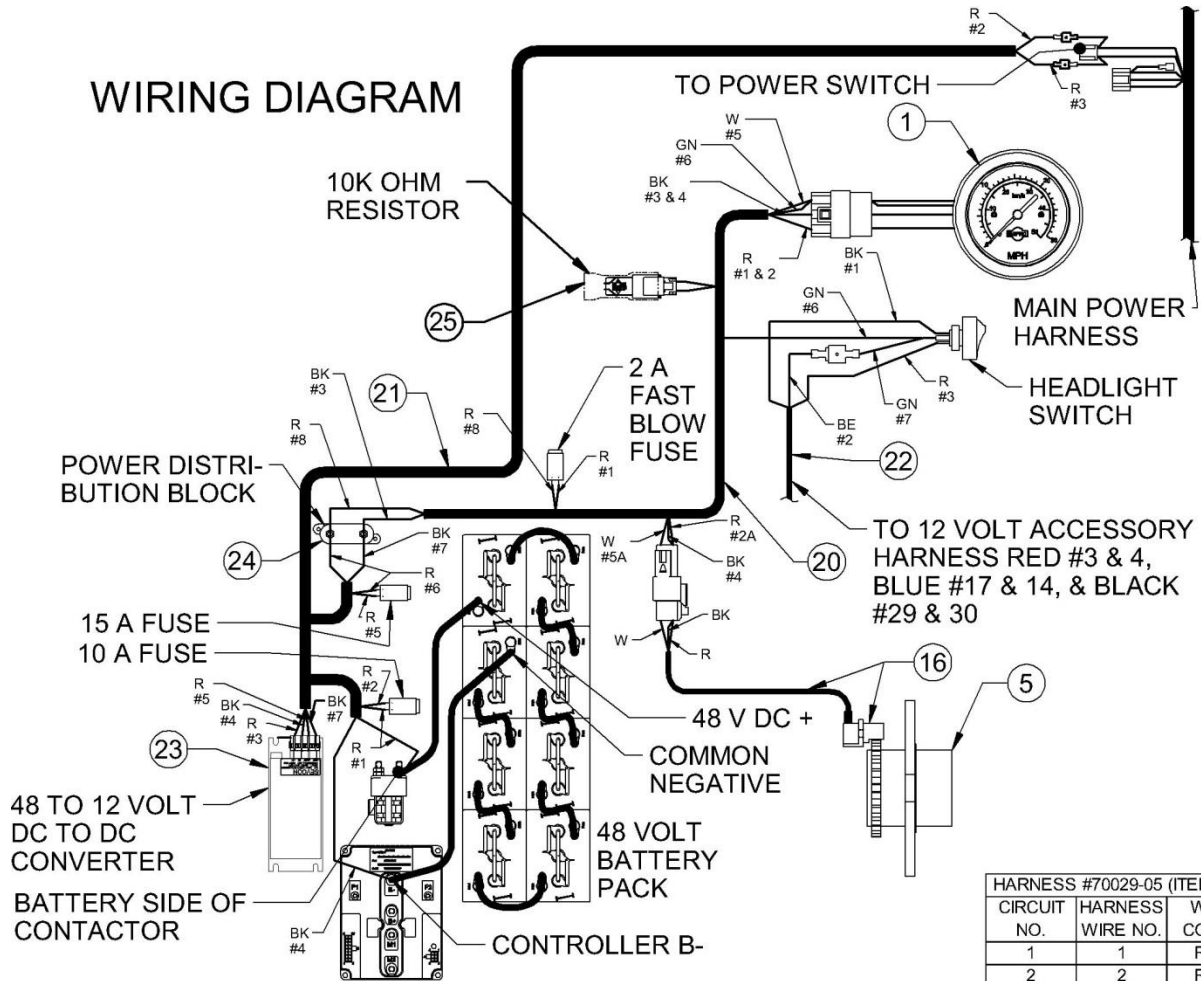
# SPEEDOMETER - SMY

NOTE: CONTACT BETWEEN THE GEAR & SENSOR CAN DAMAGE OR FAIL THE SENSOR



# SPEEDOMETER – SMT (Cont.)

## WIRING DIAGRAM



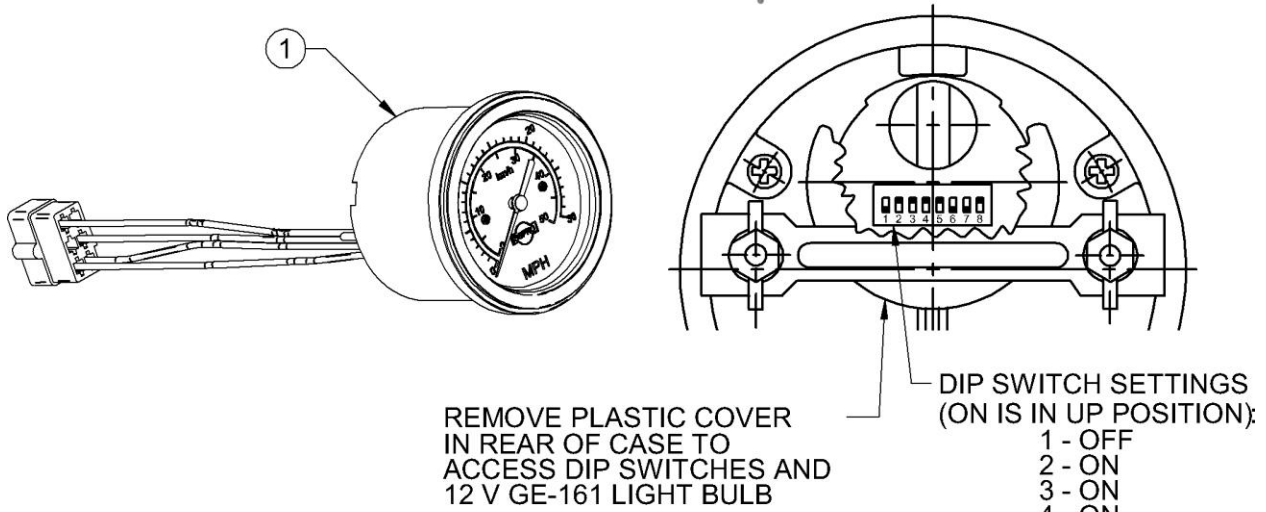
## SCHEMATIC

HARNESS #70029-05 (ITEM #20)		
CIRCUIT NO.	HARNESS WIRE NO.	WIRE COLOR
1	1	RED
2	2	RED
2A	2A	RED
2B	2B	RED
3	3	BLK
4	4	BLK
5	5	WHT
5A	5A	WHT
5B	5B	WHT
6	6	GRN
7	7	GRN
8	8	RED

HARNESS #68875-04 (ITEM #22)		
CIRCUIT NO.	HARNESS WIRE NO.	WIRE COLOR
9	1	BLK
10	2	BLU
11	3	RED

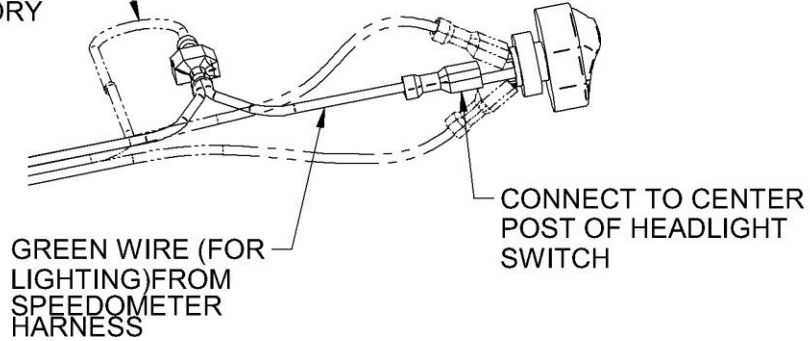
HARNESS #70030-06 (ITEM #21)		
CIRCUIT NO.	HARNESS WIRE NO.	WIRE COLOR
12	1	RED
13	2	RED
14	3	RED
15	4	BLK
16	5	RED
17	6	RED
18	7	BLK

## SPEEDOMETER – SMT (Cont.)



- 1 - OFF
- 2 - ON
- 3 - ON
- 4 - ON
- 5 - ON
- 6 - OFF
- 7 - OFF
- 8 - ON

BLUE WIRE (FOR HEADLIGHTS) FROM ACCESSORY HARNESS

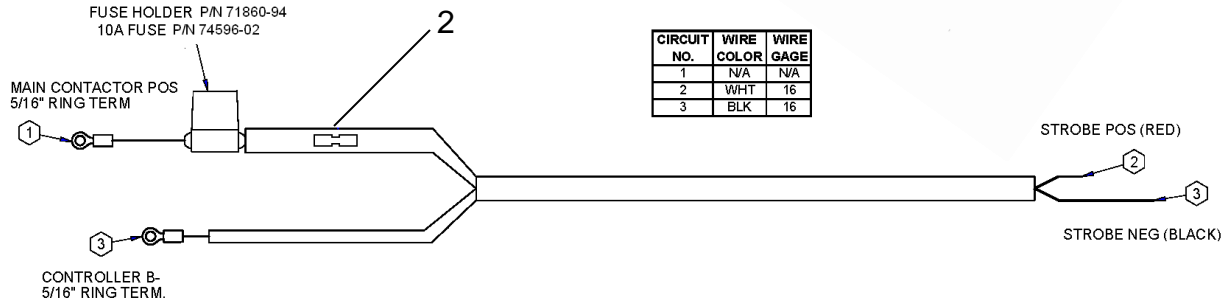
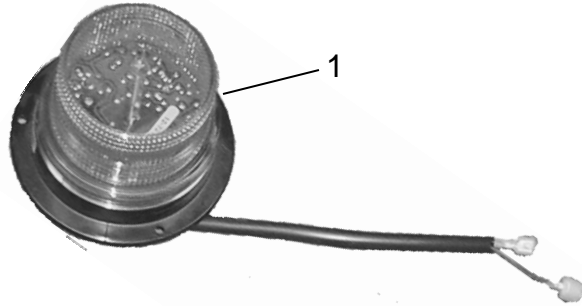


## SPEEDOMETER - SMT(Cont.)

ITEM	CPC P/N	DESCRIPTION	QTY	SEATS P/N
1	96095-04	SPEEDOMETER, 0 -30 MPH -3 3/8	1	719399
2	57148-04	SPINDLE, LH (Includes Items 3 & 4) 4HYD	1	467275
2A*	57153-04	SPINDLE, LH, (Includes Items 3 & 4) 2 HYD	1	467163
3*	43938-86	BUSHING, .62 ID, SINTERED METAL	2	709005
4*	9800	GREASE FITTING, 1/4-28, SELF-TAPPING	1	709110
5	See Page 2-3	HUB DISC ASSEMBLY	1	See Page 2-3
6	83039-07	BEARING SET INNER (Included in Item 5 & 5A)	1	759843
7	83038-07	BEARING SET OUTER (Included in Item 5 & 5A)	1	759844
8	12030	OIL SEAL (Included in Item 5 & 5A)	1	709017
9	41199	WHEEL BOLT (Included in Item 5 & 5A)	4, 5	719655
10	6655-B	WASHER, 9/16, SAE FLAT	1	719808
11	7947-B	NUT, 5/8-18, HEX CASTLE, GR 2	1	719915
12	520-W	PIN, 1/8 X 1, COTTER	1	719728
13	43646-79	HUB GREASE CAP	1	709018
14	16220-04	BRACKET, SPEEDO SENSOR	1	510880
15	2595	SCREW, 10-24 X 1PHILLIPS PHM	3	719567
16	74888-04	SENSOR, SPEEDOMETER W/CABLE	1	719499
17	2665	SCREW, 10-24 X 5/8, PHILLIPS PHM	1	719584
18	7624	NUT, 10-24, NM MACH NYLOCK, GR A	1	719870
19	10043	CABLE TIE, BLACK .18 X 11 3/4, STD 50-LB	8	719504
20	70029-05	HARNESS, SPEEDOMETER	1	719490
21	70030-06	HARNESS, DC CONVERTER	1	759778
22	68875-04	HARNESS, SUMMIT DELUXE DASH EXT	1	467208
23	69642-05	DC/DC CONVERTER, 36/48-13.4V	1	719488
24	71854-06	POWER DISTRIBUTION BLOCK	1	759792
25	70590-07	RESISTOR, SERVICABLE, 10K OHM	1	759934
26*	68870-02	HARNESS, 12 VOLT ACCESSORY	1	739951
27*	2551-W	SCREW, 1/4-20X1 HHC	6	719564
28*	2653-B	SCREW, 10-16X3.4, HWH	2	719583
29*	6703-B	WASHER, 1/4	8	719811
30*	6716	WASHER #10	2	719812
31*	7686	NUT, 1/4-20 NYLOCK	6	719879
*	69641-08	KIT, DC/DC CONVERTER 9Includes Items 19, 21, 23, 24, & 27-31)	1	191400U
*	96097-06	KIT, SPEEDOMETER (Includes Items 1, 2, 5, & 14-20)	1	191181U

\* ITEM NOT SHOWN

## ROOF STROBE LIGHT – SMT/SUV



CIRCUIT NO.	WIRE COLOR	WIRE GAGE
1	N/A	N/A
2	WHT	16
3	BLK	16

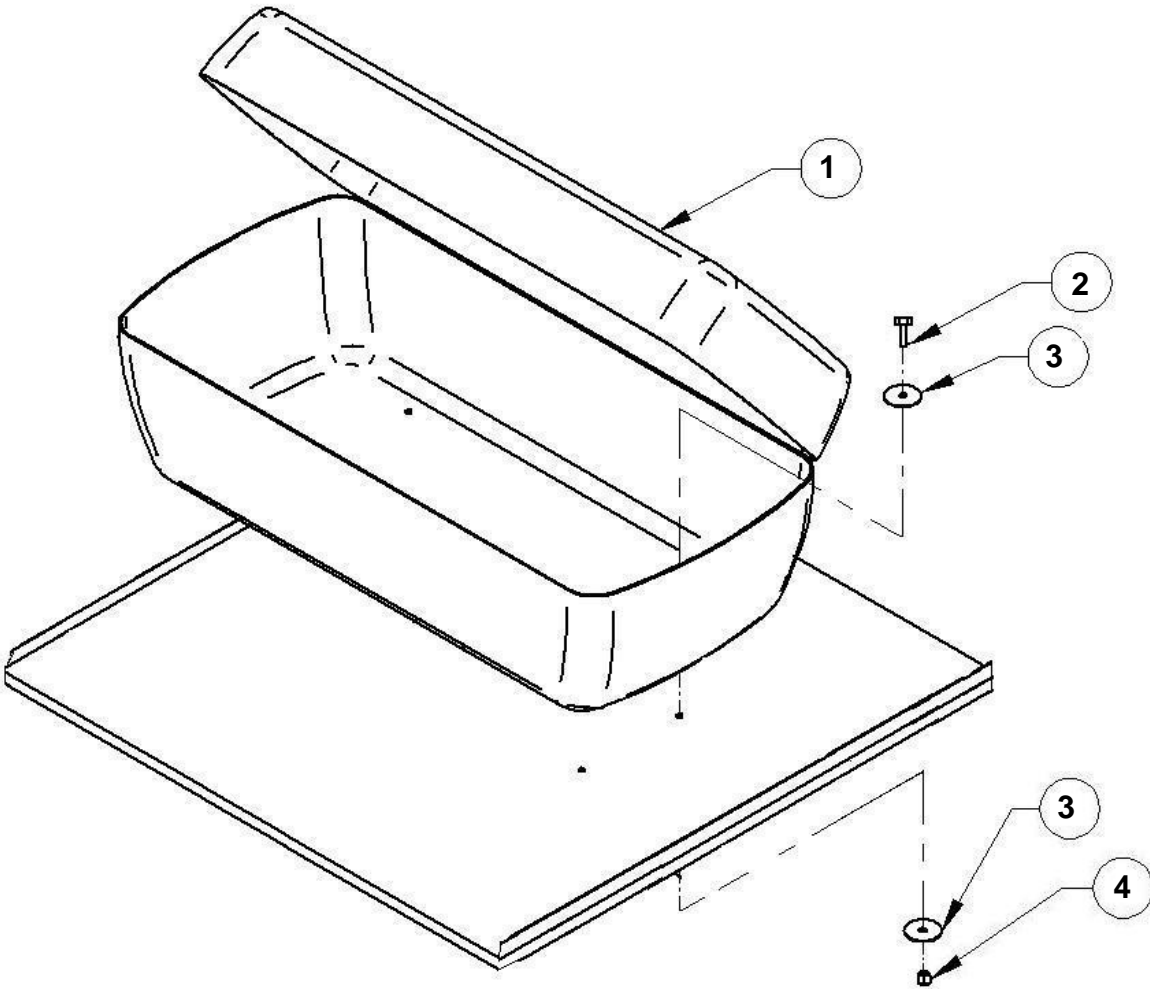
ITEM	CPC P/N	DESCRIPTION	QTY	SEATS P/N
1	68029-06	STROBE LIGHT ASSY	1	467408
2	**	HARNESS	1	467430
3*	9907	TERMINAL 16/14 INS, 1/4 FEMALE TAB	1	709295
4*	11416	GROMMET 3/8 x 7/8	1	719522
5*	2339	SCREW #10-24X3/4 HH	3	719551
6*	10008	CABLE TIE 5 3/4	1	719501
7*	10020	CABLE TIE, MNT BRKT BLACK	1	719503
8*	10043	CABLE TIE, BLK, .18X11 3/4	2	719504
9*	7624	NUT, 10-24 NYLOCK	3	719870
10*	9906	TERMINAL 16/14 INS, 1/4 MALE TAB	1	719973
11*	**	SEALANT, URETHANE, BLK	.05	719372
12	68823-05	STROBE KIT (Includes above Items)	1	191282U

\* NOT SHOWN

\*\* SPECIAL ORDER

## TRUNK- SMT

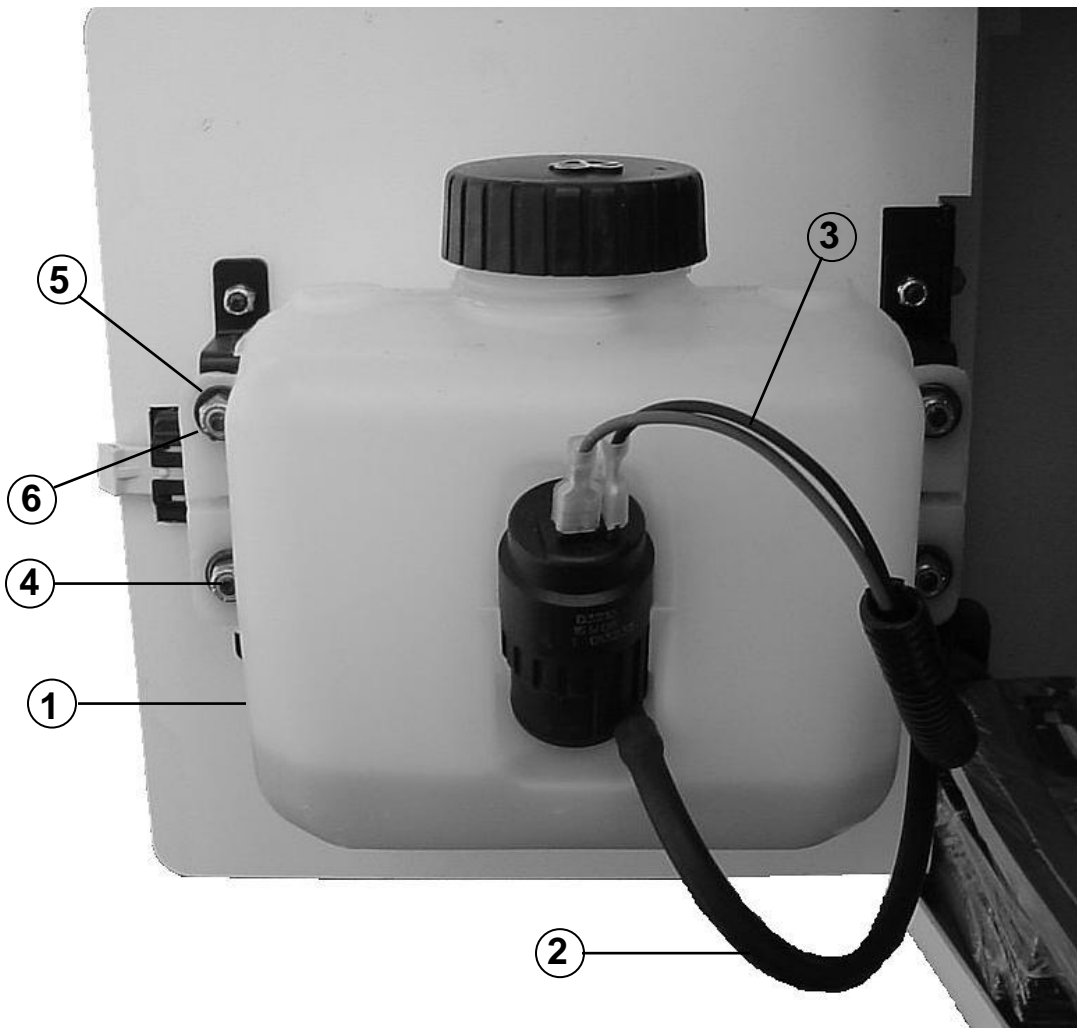
ITEM	CPC P/N	DESCRIPTION	QTY	SEATS P/N
1	50632-03	TRUNK, LOCKABLE	1	719328
2	2871-W	SCREW 5/16-18X1 1/4 HHC	4	719592
3	6000-B	WASHER 5/16 USS/STD	8	719771
4	7739	NUT 5/16-18 NYLOCK	4	719892



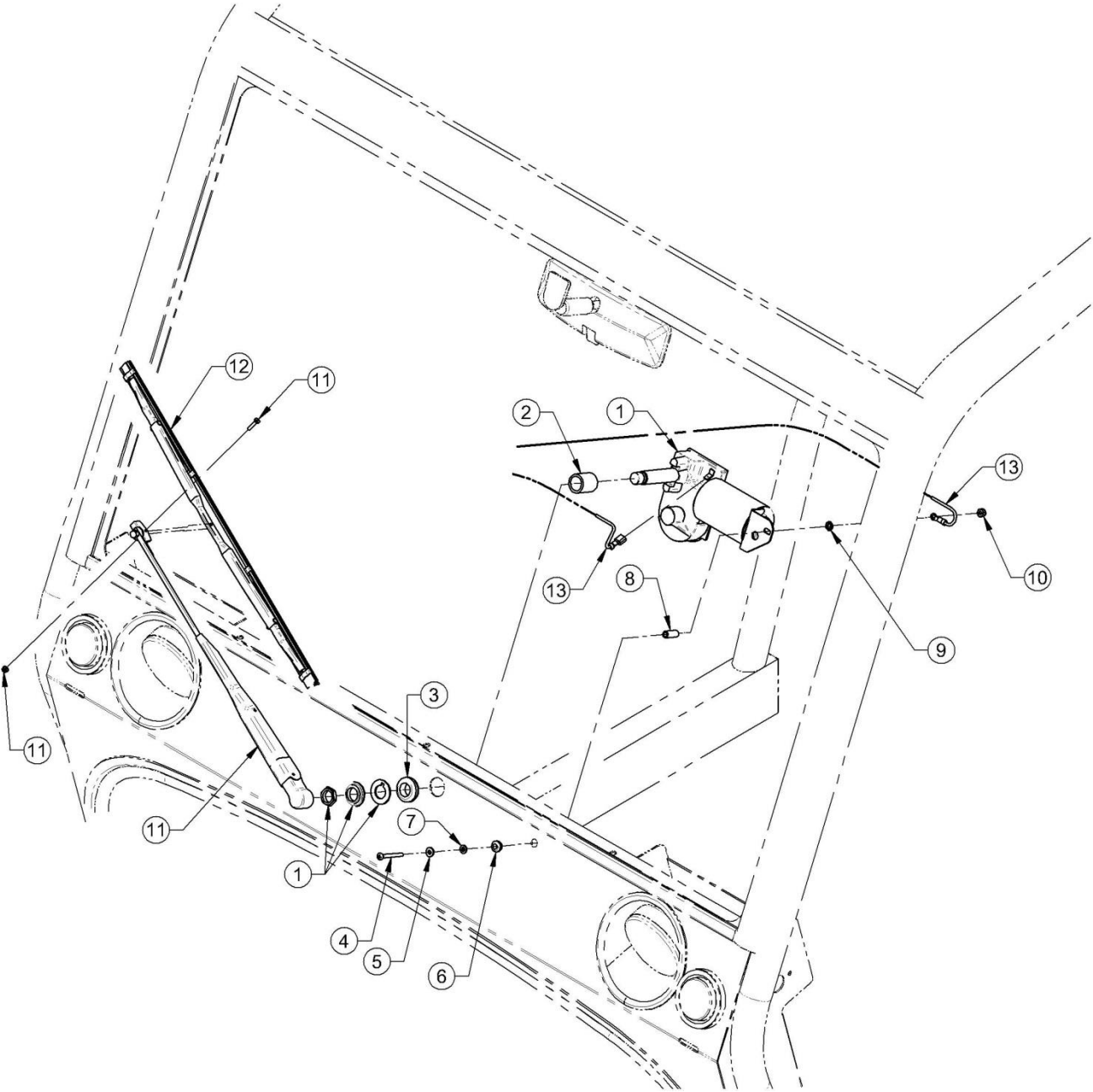
## WINDSHIELD WASHER- SMT

ITEM	CPC P/N	DESCRIPTION	QTY	SEATS P/N
1	58200-10	FLUID RESERVOIR, 2 QT.	1	760587
2	72775-08	HOSE, 5/32X9.5'	1	760377
3	58201-10	WIPER/ WASHER HARNESS	1	467679
4	3787-B	SCREW, 1/4-20X3/4 HHC	4	719636
5	6703-B	WASHER, 1/4 BLK	8	719811
6	7686	NUT, 1/4-20 NYLOCK	4	719879
*	58202-10	NOZZLE, SINGLE JET	1	760596
*	58203-10	WIPER/WASHER SWITCH	1	467693
*	58204-10	CHECK VALVE, IN-LINE	1	760595

\* NOT SHOWN



WINDSHIELD WIPER - SMT

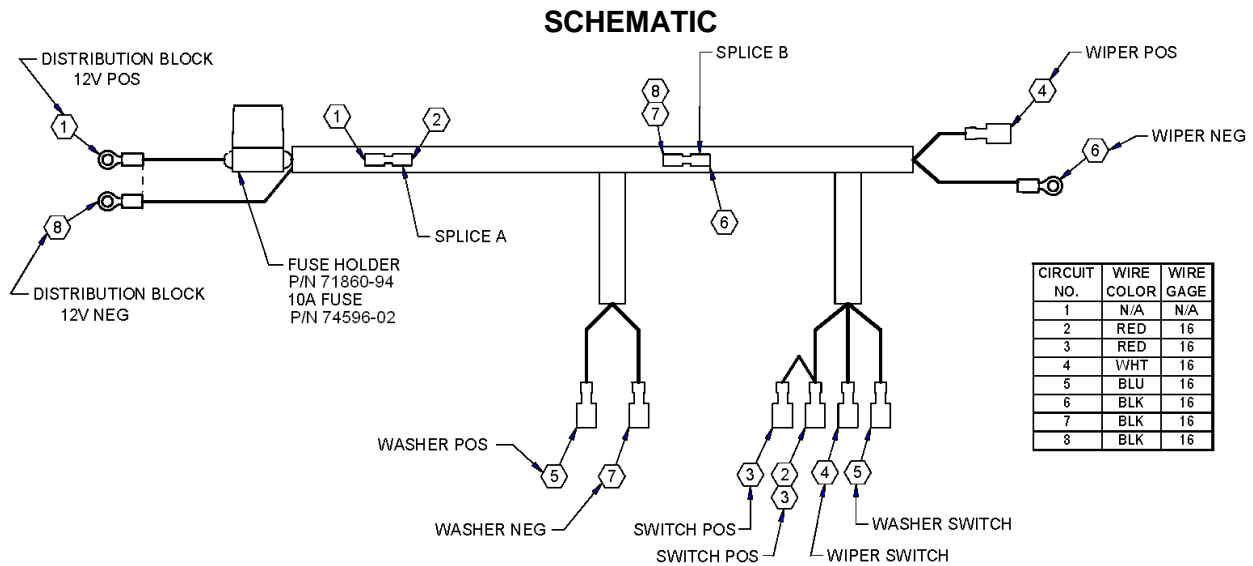




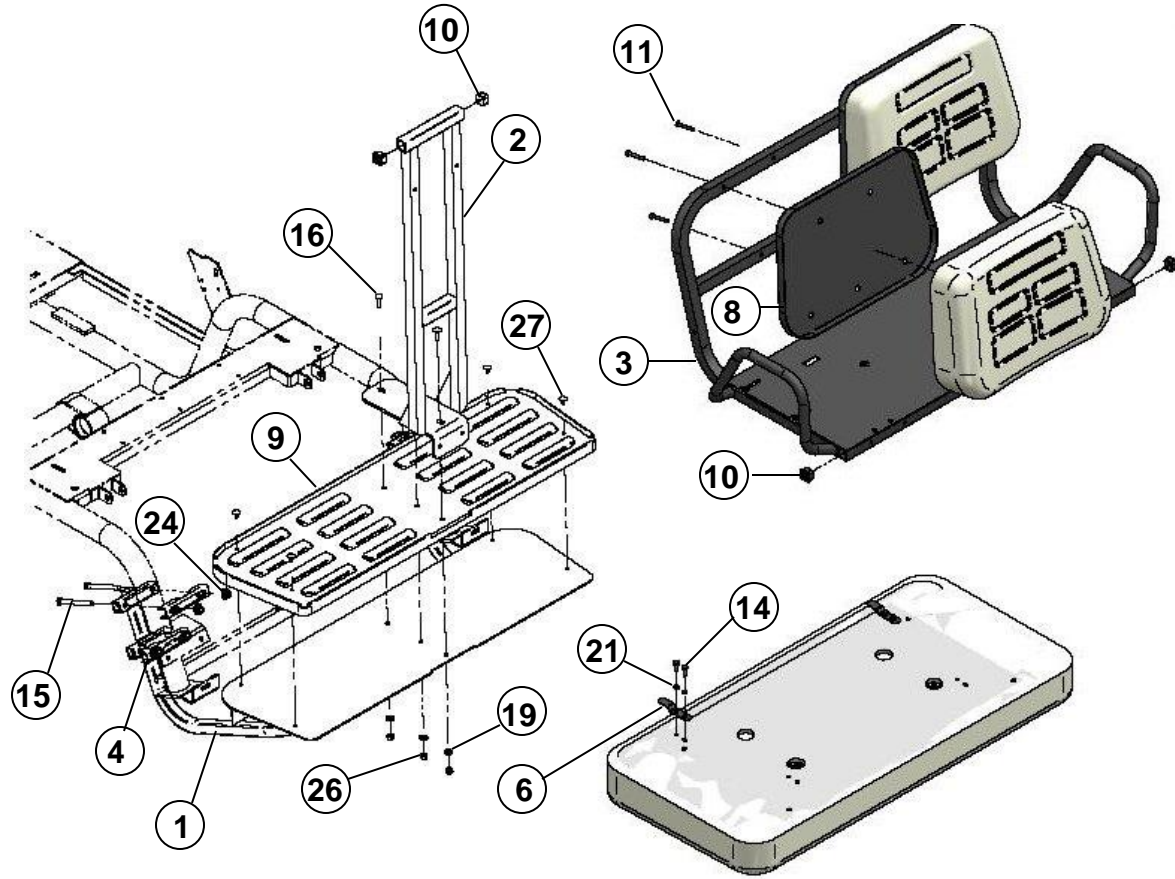
## WINDSHIELD WIPER – SMT (Cont.)

ITEM	CPC P/N	DESCRIPTION	QTY	SEATS P/N
1	84111-92	MOTOR, WINDSHIELD WIPER (INCLUDES SHAFT NUT, WASHER, & GASKET)	1	709592
2	5712	SPACER, WIPER MOTOR	1	508993
3	11446	GROMMET, 5/8 X 1-1/8 X 3/8 1/8 GROOVE	1	719529
4	2613-B	SCREW, 8-32 X 1 1/2, PHILLIPS PHM	1	719572
5	6912-B	WASHER, #8 TYPE A PLAIN	1	719817
6	11409	GROMMET, .25 ID, DELTA FLEX 2902	1	719520
7	10510	NYLON BEARING	1	709362
8	759824	NYLON SPACER, .313 OD X .194 ID X .75 LG	1	759824
9	7220	WASHER, #10, EXTERNAL TOOTH LOCK	1	719851
10	7609-W	NUT, #8-32, NM NYLOC, MACH, GR A	1	719868
11	84164-03	WIPER ARM, 14-19" ADJUSTABLE, BLACK	1	719321
12	84165-03	WIPER BLADE, 18" BLACK FLEXIBLE	1	719322
13	58201-10	HARNESS, WIPER/WASHER	1	467679
*14	58203-10	SWITCH	1	467693
15	84167-03	WIPER KIT (Includes above items)	1	190760U

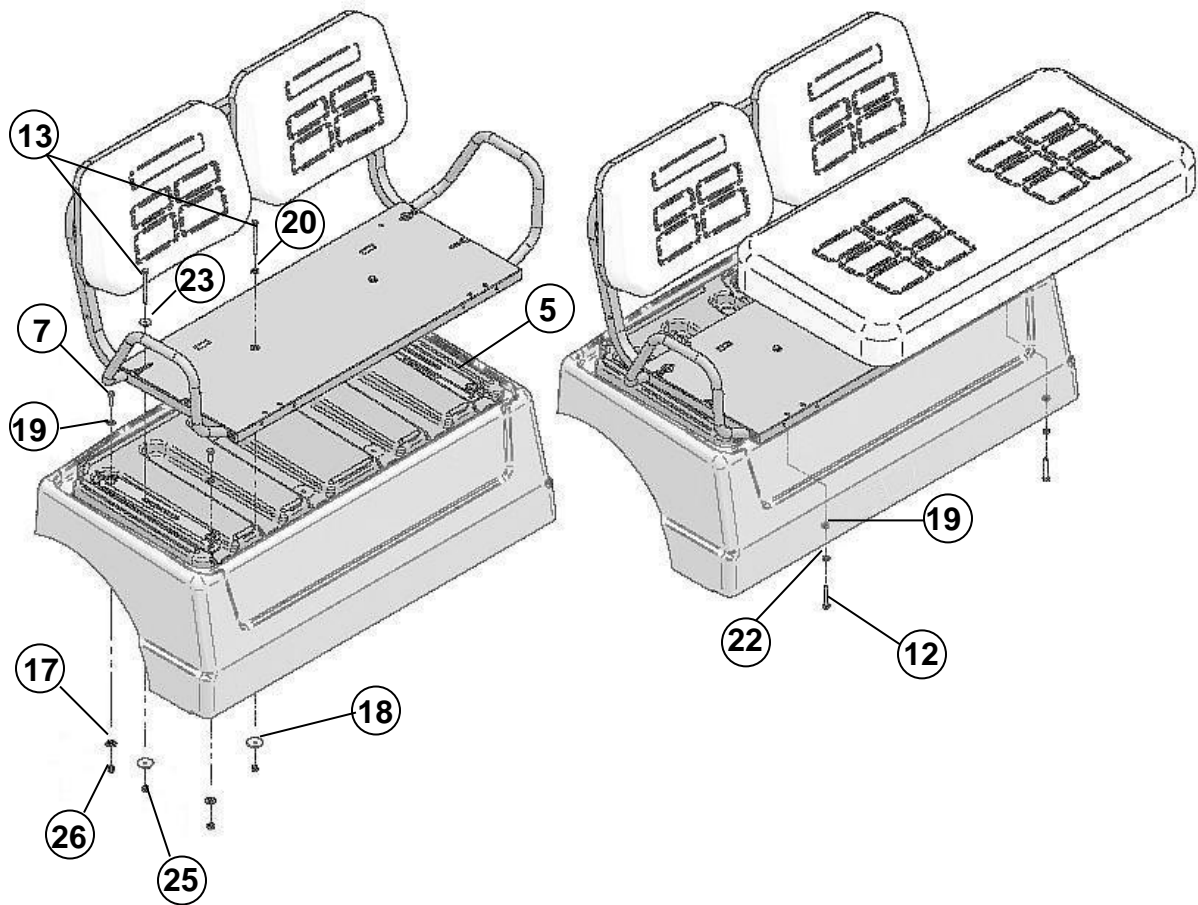
\* NOT SHOWN



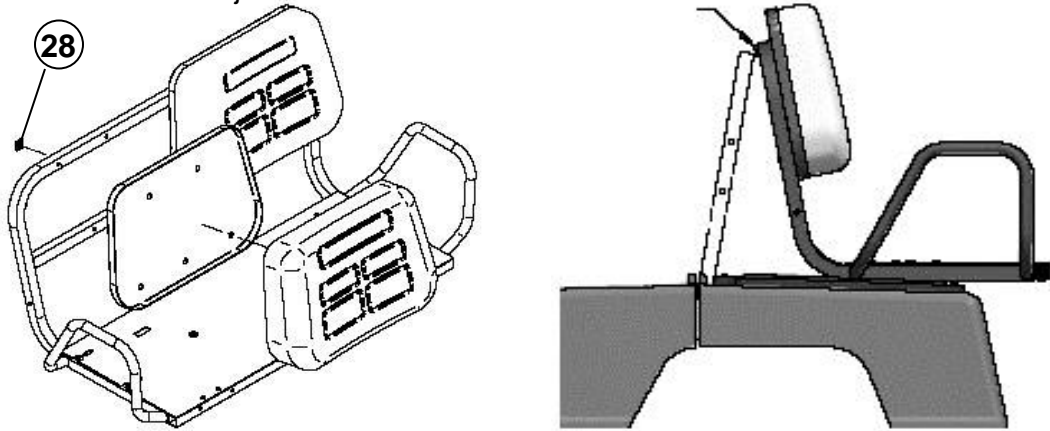
# SM2 – SM4 REAR FACING SEAT



## SM2 – SM4 REAR FACING SEAT (Cont.)



Items 28 used on SM4 only. They should just touch the rear seatback frame.



## SM2 – SM4 REAR FACING SEAT (Cont.)

ITEM	CPC P/N	DESCRIPTION	QTY	SEATS P/N
1	91534-91A	FOOTREST	1	302680
2	52640-96	HANDRAIL	1	308292EP
3	51505-07	CARGO SEAT	1	308294EP
4	47105-91	CLAMP	4	510186
5	51508-07	SUPPORT RAIL	2	511652
6	51509-07	TAB	2	511664
7	4017	SCREW 5/15-18X1 HHC	4	708085
8	52948-96	COVER, SEAT BACK	2	709025
9	52970-96	COVER, FOOTREST	1	709584
10	11433	CAPLUG	4	719526
11	2001-BS	SCREW, 1/4-20X2 PCH	6	719541
12	2667	SCREW, 5/16-18X2 HHC	2	719585
13	3413	SCREW, 1/4-20X3 1/4 HHC	4	719614
14	3787-B	SCREW, 1/4-20X3/4 HHC	4	719636
15	4721	SCREW, 3/8-16X4 HHC	8	719697
16	5400-BS	SCREW, 5/16-18X1 CARR	3	719744
17	6000-B	WASHER 5/16	4	719771
18	6257-W	WASHER, .28X1.375X.05	4	719787
19	6702-B	WASHER, 5/16 BLK	9	719810
20	6703-B	WASHER 1/4 BLK	2	719811
21	7036-B	WASHER, LOCK 1/4	4	719834
22	7041-B	WASHER, 5/16 SPRING LOCK	2	719838
23	7422	WASHER, 1/4X1 FENDER	2	719856
24	7512	NUT 3/8-16 SERRATED	8	719860
25	7686	NUT, 1/4-20 NYLOCK	4	719879
26	7739	NUT, 5/16-18 NYLOCK	7	719892
27	8200	FASTENER	4	719926
28*	52330-86	BUMPER, BLACK	2	719738
**	52004-96	CUSHION, BOTTOM, BENCH (See Note 2)	1	304212%
**	52001-96	CUSHION, BACK, BENCH (See Note 2)	2	304216%
**	52025-03	CUSHION, BACK, BOLSTERED (See Note 2)	2	308443%
**	52026-03	CUSHION, BOTTOM, BOLSTERED (See Note 2)	1	308445%
**	52027-04	CUSHION, BACK W/ELITE LOGO (See Note 2)	2	308444%
**	52018-04	CUSHION, BACK, DELUXE (See Note 2)	2	307597%
**	52019-04	CUSHION, BOTTOM, DELUXE (See Note 2)	1	307598%
29	52111-96A	KIT, REAR FACING SEAT	1	190998U

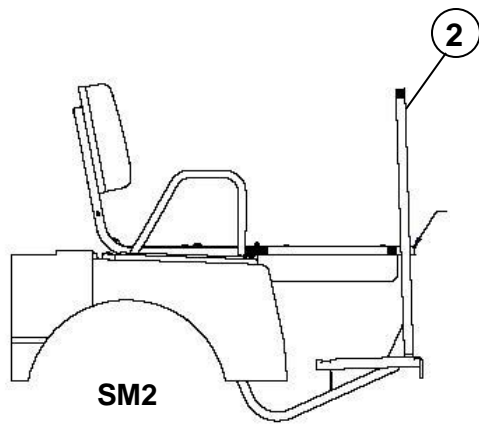
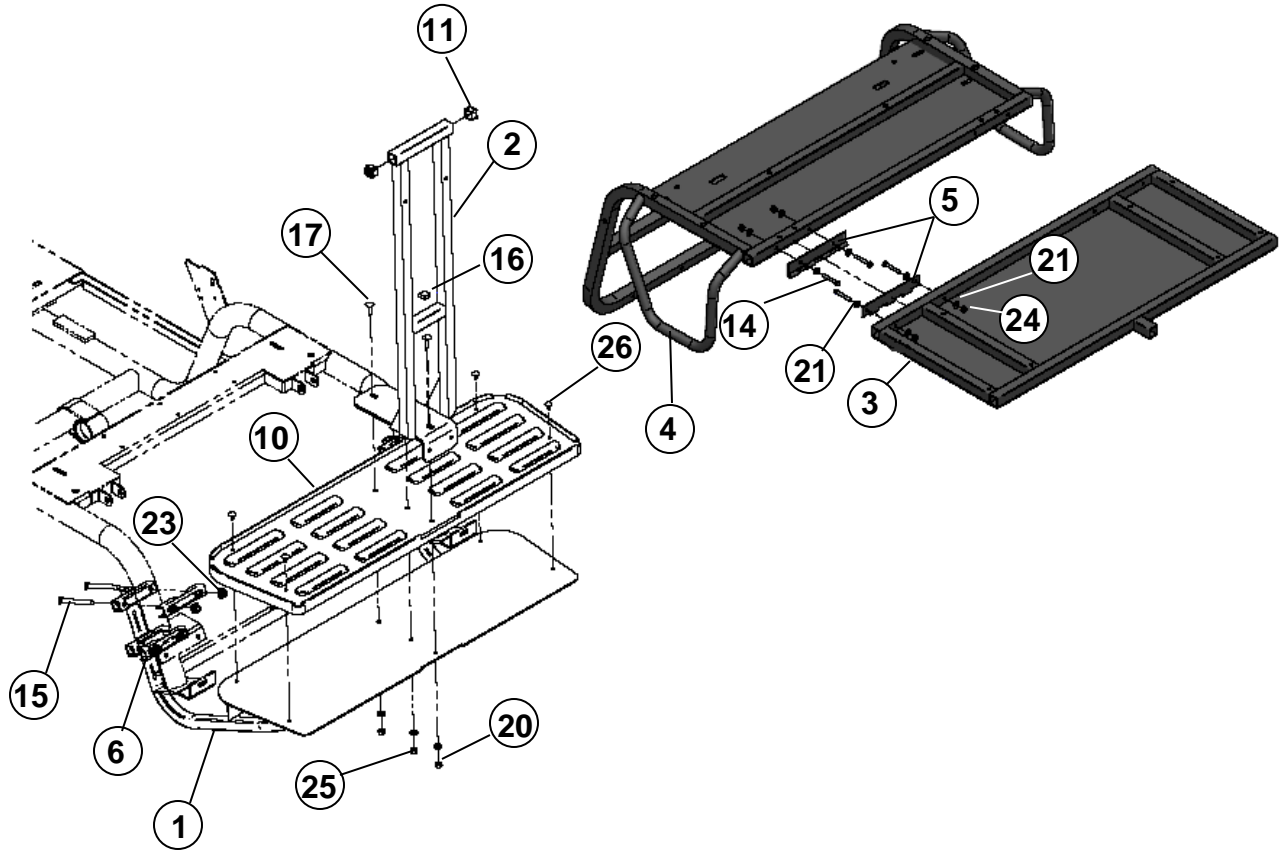
\* USED ONLY WITH SM4

\*\* NOT SHOWN

**NOTE:**

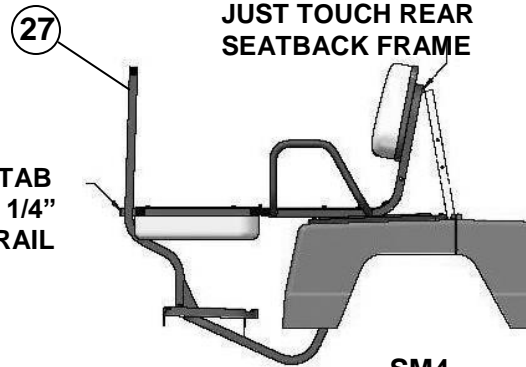
1. Vehicle must have inner rear springs installed (CPC P/N 54570-93).
2. Include VIN to insure correct color. For two color bolstered cushions, the first color listed is on the outside. The second color listed is on the inside

# SM2 – SM4 CARGO REAR FACING SEAT



SM2

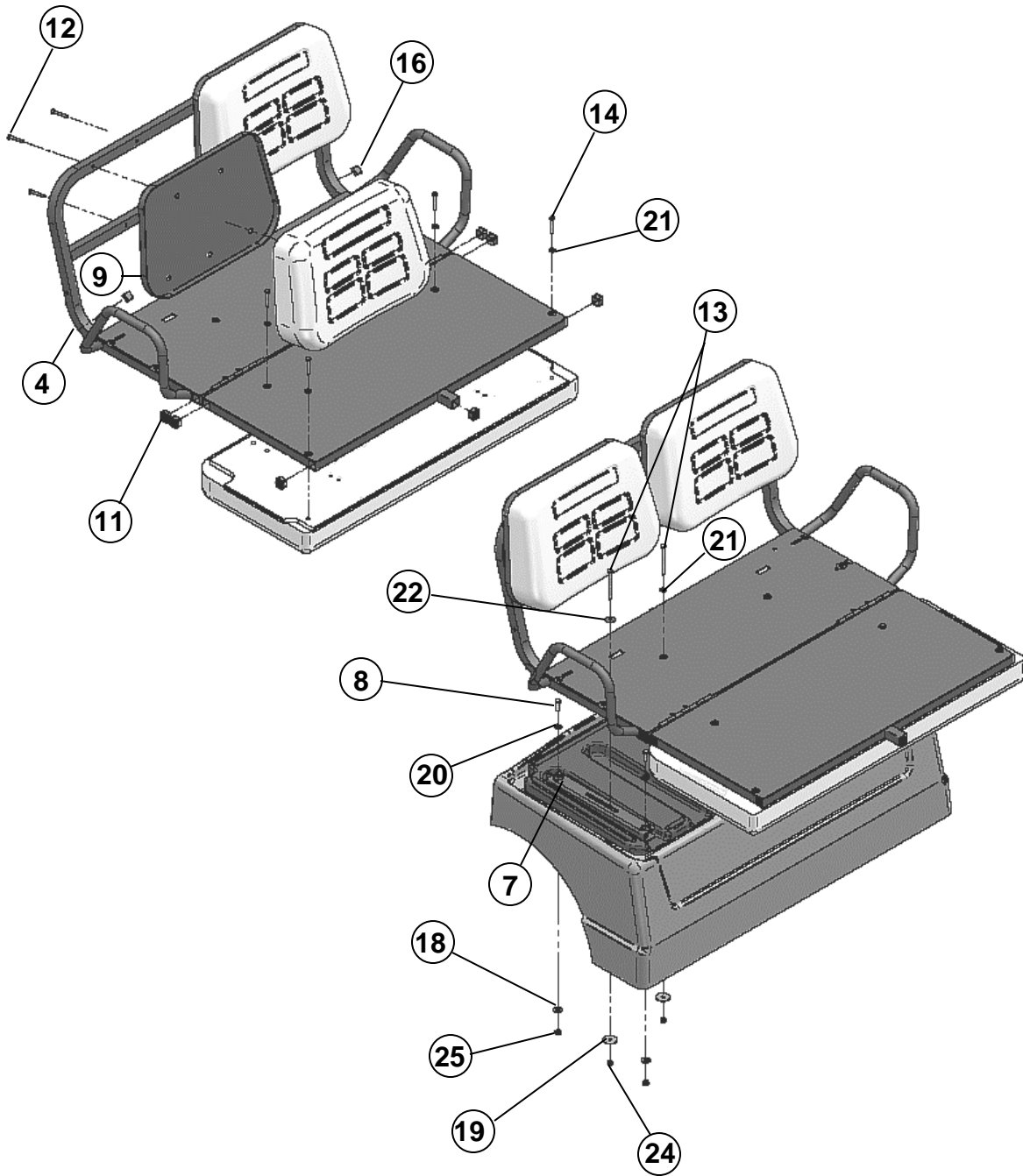
ADJUST SO TAB  
STICKS OUT 1/4"  
PAST HANDRAIL



SM4

BUMPERS (16) SHOULD  
JUST TOUCH REAR  
SEATBACK FRAME

# SM2 – SM4 CARGO REAR FACING SEAT (Cont.)



**SM2 – SM4 CARGO REAR FACING SEAT (Cont.)**

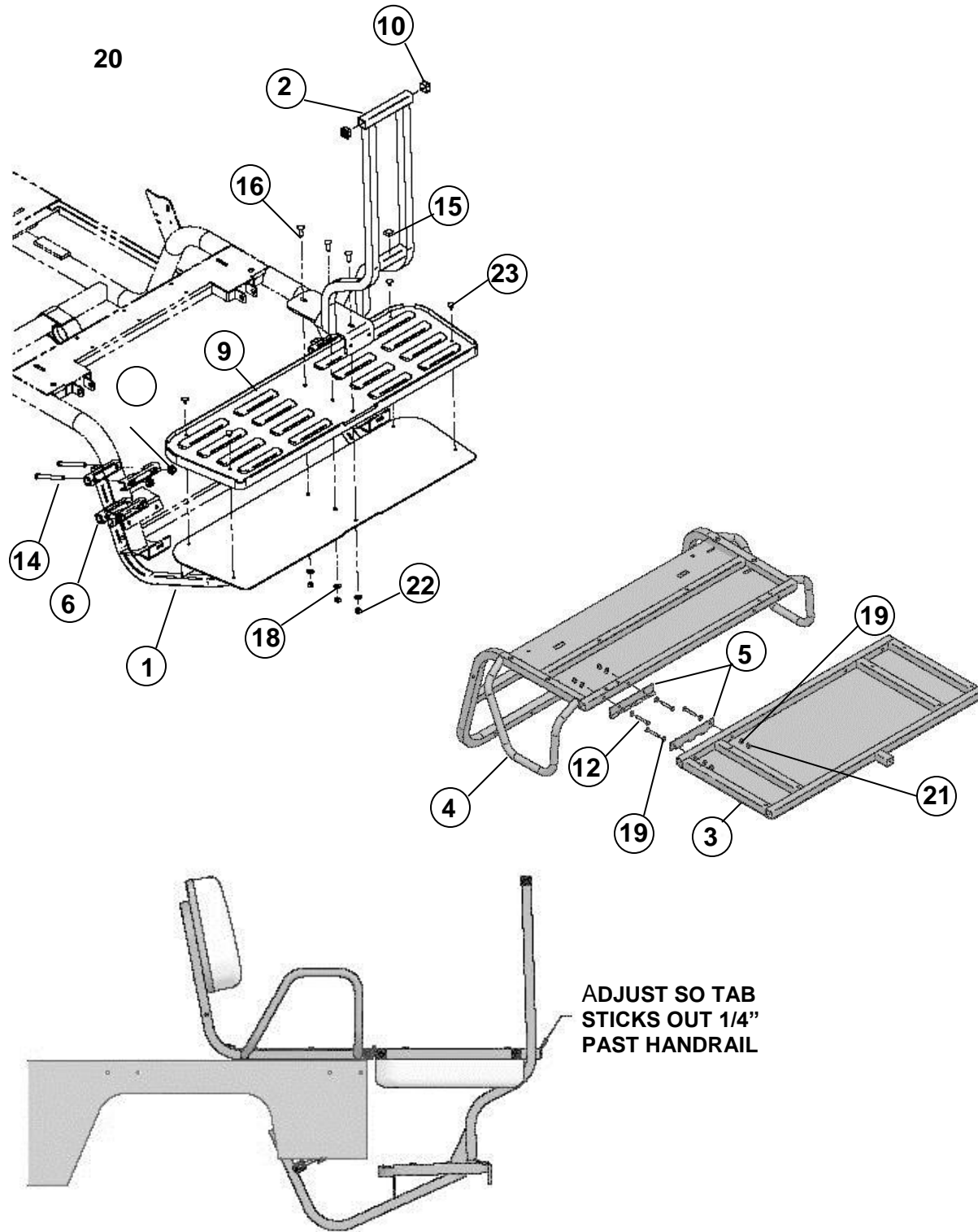
ITEM	CPC P/N	DESCRIPTION	QTY	SEATS P/N
1	91534-91A	FOOTREST	1	302680
2	52640-96	HANDRAIL SM2	1	308292EP
3	52927-07	FOLDING DECK	1	308293EP
4	51505-07	CARGO SEAT FRAME	1	308294EP
5	52918-07	CARGO SEAT HINGE	2	308737PL
6	47105-91	CLAMP	4	510186
7	51508-07	SUPPORT RAIL (Not required for SM2-TN)	2	511652
8	4017	SCREW 5/15-18X1 HHC	4	708085
9	52948-96	COVER, SEAT BACK	2	709025
10	52970-96	COVER, FOOTREST	1	709584
11	11433	CAPLUG	9	719526
12	2001-BS	SCREW, 1/4-20X2 PCH	6	719541
13	3413	SCREW, 1/4-20X3 1/4 HHC	4	719614
14	3454-BS	SCREW, 1/4-20X1 3/4 HHC	12	719623
15	4721	SCREW, 3/8-16X4 HHC	8	719697
16	52330-86	BUMPER, BLACK	3-5	719738
17	5400-BS	SCREW, 5/16-18X1 CARR	3	719744
18	6000-B	WASHER 5/16	4	719771
19	6257-W	WASHER, .28X1.375X.05	4	719787
20	6702-B	WASHER, 5/16 BLK	7	719810
21	6703-B	WASHER 1/4 BLK	22	719811
22	7422	WASHER, 1/4X1 FENDER	2	719856
23	7512	NUT 3/8-16 SERRATED	8	719860
24	7686	NUT, 1/4-20 NYLOCK	12	719879
25	7739	NUT, 5/16-18 NYLOCK	7	719892
26	8200	FASTENER	4	719926
27	84927-07	HANDRAIL SM4	1	308291EP
*	52001-96	CUSHION, BACK, CARGO (See Note 2)	2	304216%
*	52007-91	CUSHION, CARGO BOTTOM FOLDING (See Note 2)	1	143993%
28	52959-07	KIT, REAR FACING CARGO SEAT	1	191406U

\* NOT SHOWN

**NOTE:**

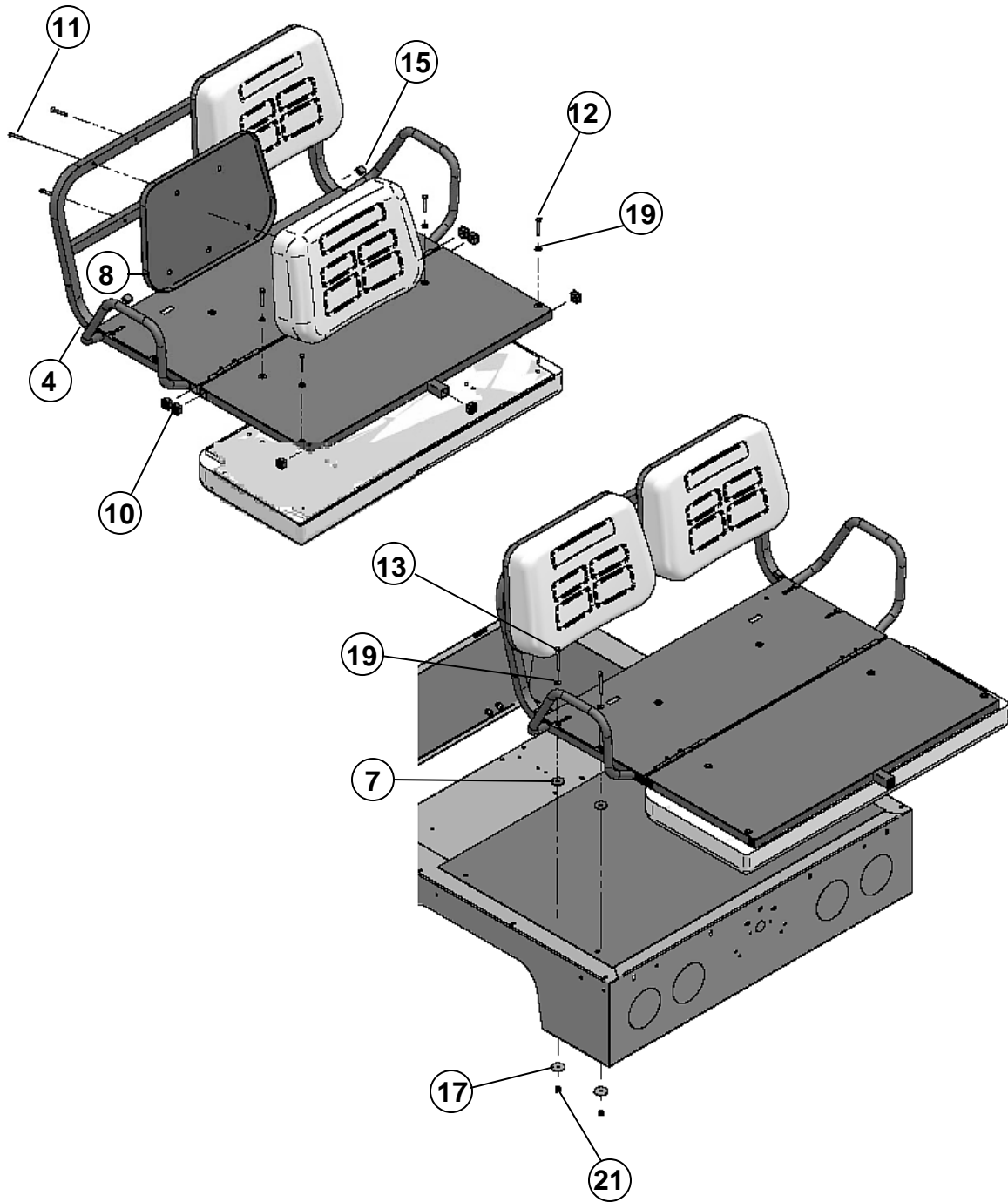
1. Vehicle must have inner rear springs installed (CPC P/N 54570-93).
2. Include VIN to insure correct color. For two color bolstered cushions, the first color listed is on the outside. The second color listed is on the inside

# SM2 – TN CARGO REAR FACING SEAT





## SM2 – TN CARGO REAR FACING SEAT (Cont.)



NOTE: Holes must be drilled in the deck to attach the seat assembly.

**SM2 – TN CARGO REAR FACING SEAT (Cont.)**

ITEM	CPC P/N	DESCRIPTION	QTY	SEATS P/N
1	91534-91A	FOOTREST	1	302680
2	84927-07	HANDRAIL	1	308291EP
3	52927-07	FOLDING DECK	1	308293EP
4	51505-07	CARGO SEAT FRAME	1	308294EP
5	52918-07	CARGO SEAT HINGE	2	308737PL
6	47105-91	CLAMP	4	510186
7	89470-74	WASHER, .34X1.25 NEOPRENE	4	709003
8	52948-96	COVER, SEAT BACK	2	709025
9	52970-96	COVER, FOOTREST	1	709584
10	11433	CAPLUG	9	719526
11	2001-BS	SCREW, 1/4-20X2 PCH	6	719541
12	3454-BS	SCREW, 1/4-20X1 3/4 HHC	12	719623
13	3860-B	SCREW, 1/4-20X2 1/2 HHC	4	719637
14	4721	SCREW, 3/8-16X4 HHC	8	719697
15	52330-86	BUMPER, BLACK	3	719738
16	5400-BS	SCREW, 5/16-18X1 CARR	3	719744
17	6257-W	WASHER, .28X1.375X.05	4	719787
18	6702-B	WASHER, 5/16 BLK	7	719810
19	6703-B	WASHER 1/4 BLK	22	719811
20	7512	NUT 3/8-16 SERRATED	8	719860
21	7686	NUT, 1/4-20 NYLOCK	12	719879
22	7739	NUT, 5/16-18 NYLOCK	7	719892
23	8200	FASTENER	4	719926
*	52001-96	CUSHION, BACK, CARGO (See Note 2)	2	304216%
*	52007-91	CUSHION, CARGO BOTTOM FOLDING (See Note 2)	1	143993%

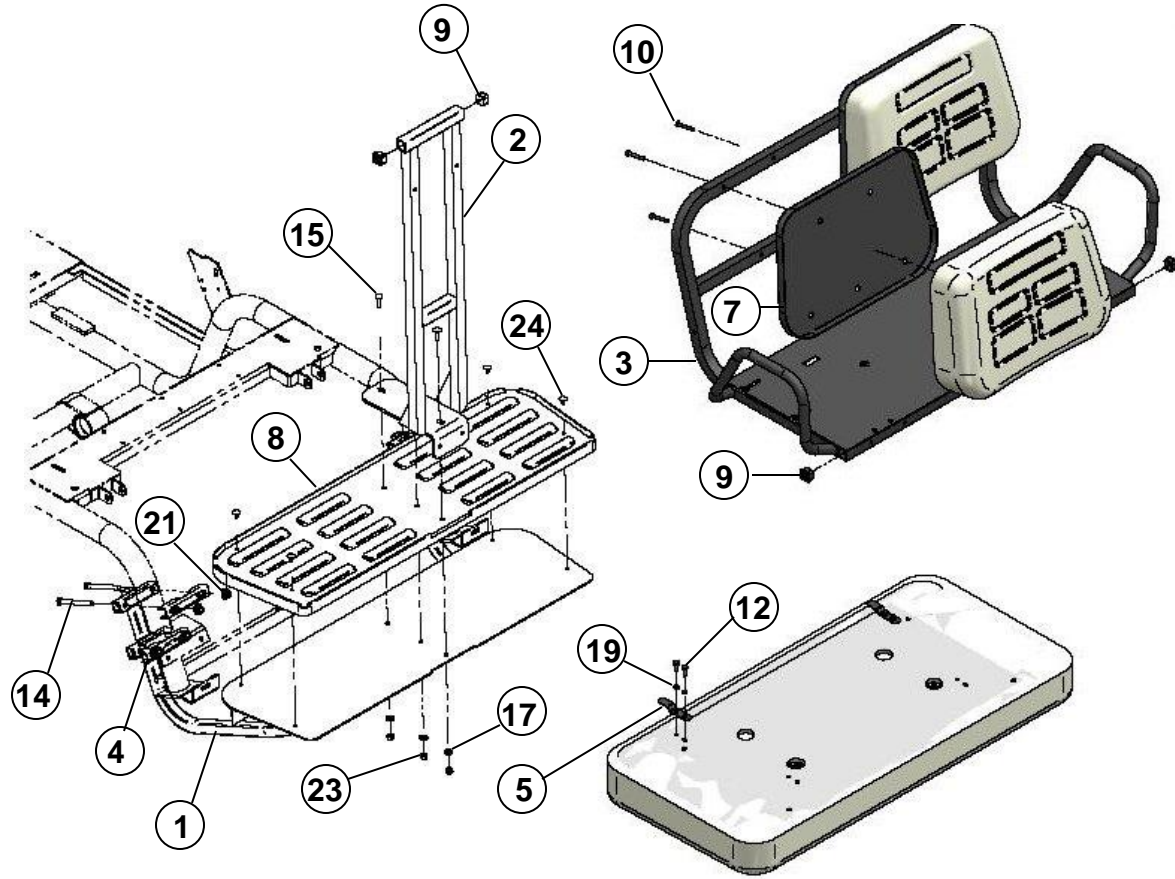
\* NOT SHOWN

NOTE: 1. Vehicle must have inner rear springs installed (CPC P/N 54570-93).

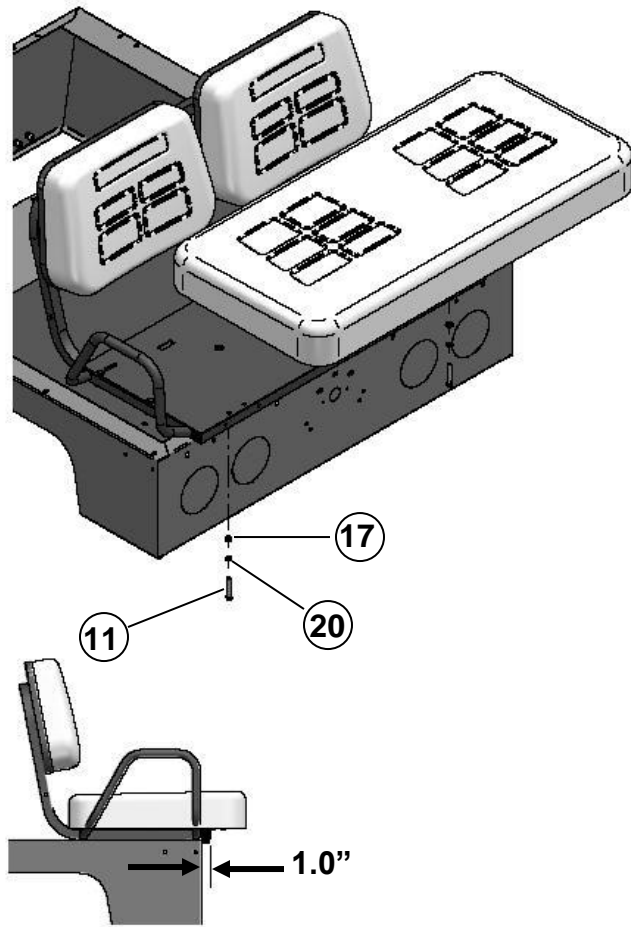
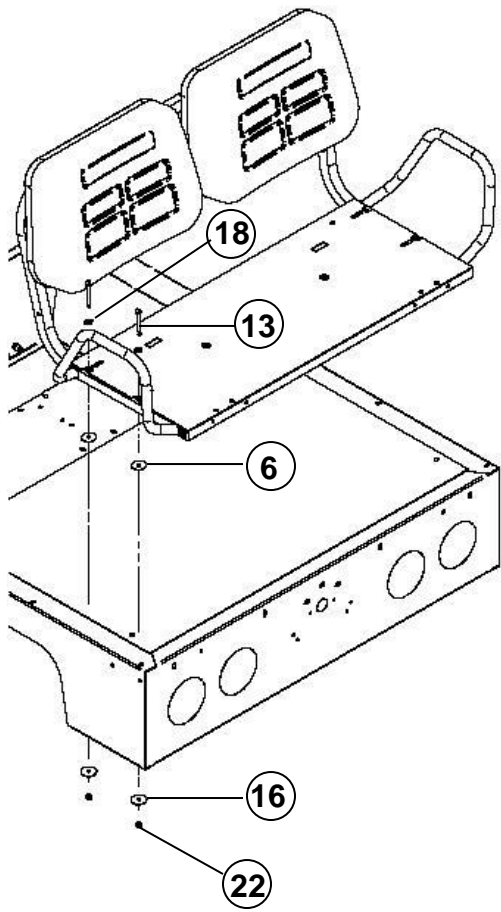
2. Include VIN to insure correct color

For two color bolstered cushions, the first color listed is on the outside. The second color listed is on the inside

# SM2-TN REAR FACING SEAT



# SM2-TN REAR FACING SEAT (Cont.)



**SM2-TN REAR FACING SEAT (Cont.)**

ITEM	CPC P/N	DESCRIPTION	QTY	SEATS P/N
1	91534-91A	FOOTREST	1	302680
2	52640-96	HANDRAIL	1	308292EP
3	51505-07	CARGO SEAT	1	308294EP
4	47105-91	CLAMP	4	510186
5	51509-07	TAB	2	511664
6	89470-74	WASHER, .34X1.25 NEOPRENE	4	709003
7	52948-96	COVER, SEAT BACK	2	709025
8	52970-96	COVER, FOOTREST	1	709584
9	11433	CAPLUG	4	719526
10	2001-BS	SCREW, 1/4-20X2 PCH	6	719541
11	2667	SCREW, 5/16-18X2 HHC	2	719585
12	3787-B	SCREW, 1/4-20X3/4 HHC	4	719636
13	3860-B	SCREW, 1/4-20X2 1/2 HHC	4	719637
14	4721	SCREW, 3/8-16X4 HHC	8	719697
15	5400-BS	SCREW, 5/16-18X1 CARR	3	719744
16	6257-W	WASHER, .28X1.375X.05	4	719787
17	6702-B	WASHER, 5/16 BLK	5	719810
18	6703-B	WASHER 1/4 BLK	4	719811
19	7036-B	WASHER, LOCK 1/4	4	719834
20	7041-B	WASHER, 5/16 SPRING LOCK	2	719838
21	7512	NUT 3/8-16 SERRATED	8	719860
22	7686	NUT, 1/4-20 NYLOCK	4	719879
23	7739	NUT, 5/16-18 NYLOCK	3	719892
24	8200	FASTENER	4	719926
*	52004-96	CUSHION, BOTTOM, BENCH (See Note 2)	1	304212%
*	52001-96	CUSHION, BACK, BENCH (See Note 2)	2	304216%
*	52025-03	CUSHION, BACK, BOLSTERED (See Note 2)	2	308443%
*	52026-03	CUSHION, BOTTOM, BOLSTERED (See Note 2)	1	308445%
*	52027-04	CUSHION, BACK W/ELITE LOGO (See Note 2)	2	308444%
*	52018-04	CUSHION, BACK, DELUXE (See Note 2)	2	307597%
*	52019-04	CUSHION, BOTTOM, DELUXE (See Note 2)	1	307598%

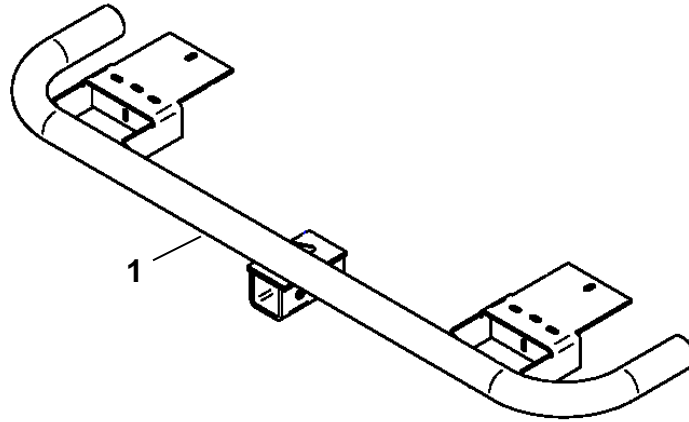
\* NOT SHOWN

NOTE: 1. Vehicle must have inner rear springs installed (CPC P/N 54570-93).

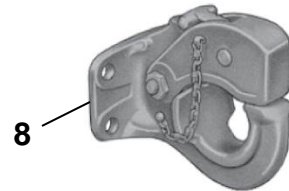
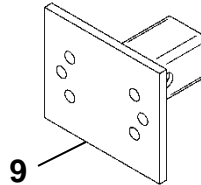
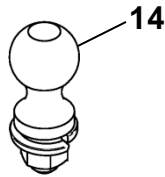
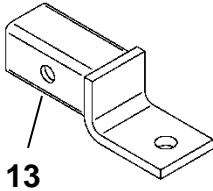
2. Include VIN to insure correct color

For two color bolstered cushions, the first color listed is on the outside. The second color listed is on the inside

## HITCHES & REAR BUMPER W/RECIEVER – SUV



TEM	CPC P/N	DESCRIPTION	QTY	SEATS P/N
1	50268-02	REAR BUMPER W/REC	1	308093
2*	719530	HOLE PLUG 1 3/4" BLACK	2	719530
3*	2871-W	SCREW, 5/16-18X1 3/4 HHC	6	719592
4*	6000-B	WASHER, 5/16, USS/STD	2	719771
5*	6801	WASHER, FLT STL .411X1.5X.142	2	719814
6*	7739	NUT, 5/16 NYLOCK	2	719892
7*	82101-02	KIT, REAR BUMPER (Includes above items)	1	190715U

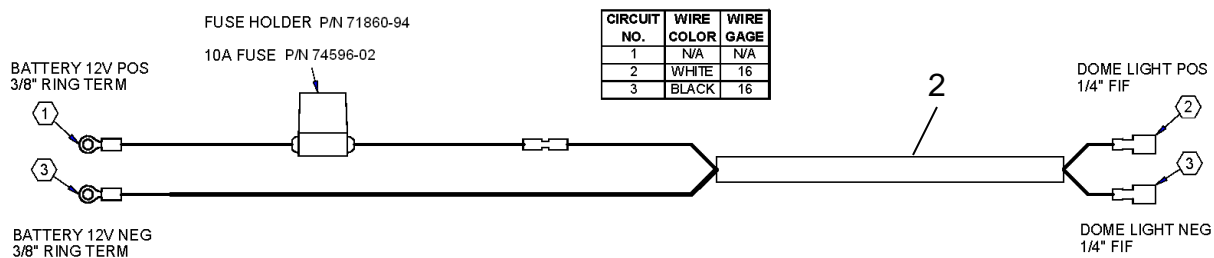


ITEM	CPC P/N	DESCRIPTION	QTY	SEATS P/N
8	57315-96	PINDLE HOOK HITCH	1	709833
9	82071-05	HITCH PLATE	1	307716
10*	82062-02	HITCH PIN 5/8 OD (used with Items 9 & 13)	1	719210
11*	7812-W	NUT, 1/2-20 NYLOK GR A (Used with Item 1)	4	719907
12*	4010	SCREW, 1/2-20x1.5 HHCS G5 (Used with Item 1)	4	729809
13	82072-05	BALL MOUNT RECEIVER	1	306922
14	82065-98	TRAILER HITCH BALL, CHROME 1 7/8"	1	719008
14A	82064-02	HITCH BALL, 2"	1	719207
15*	57314-04	KIT, PINTLE HITCH (Includes Items 8 thru 12)	1	190468U
16*	82063-02	KIT, BALL MOUNT (Includes items 10 & 13)	1	190469U

\* NOT SHOWN

NOTE: FOR FRONT BUMPER HITCH SEE PAGE 4-14

## DOME LIGHT – SMT

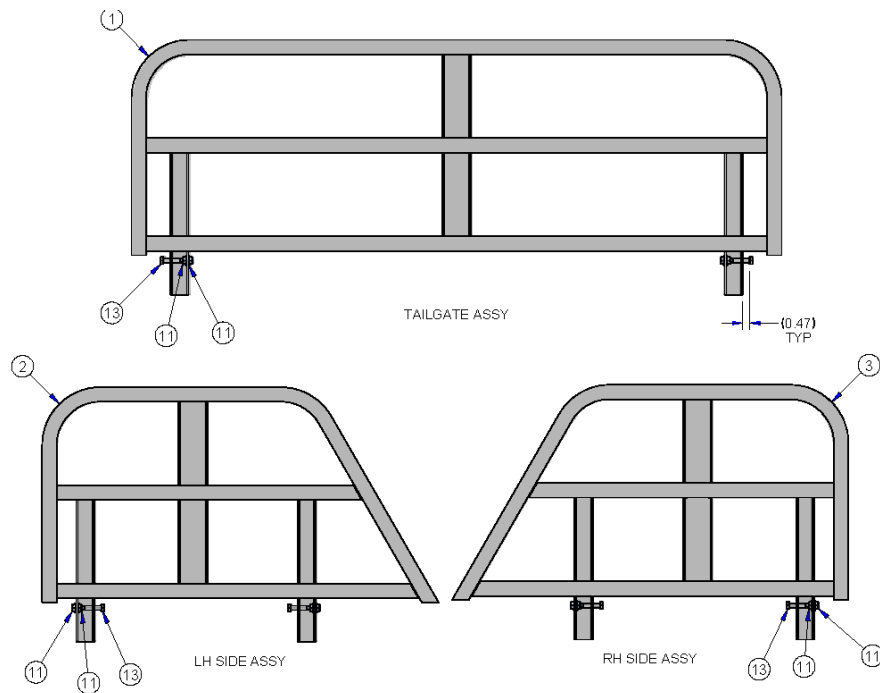
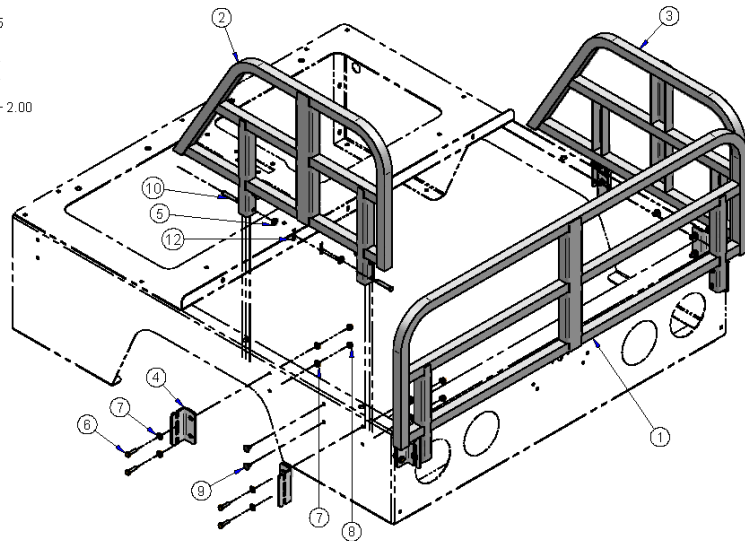
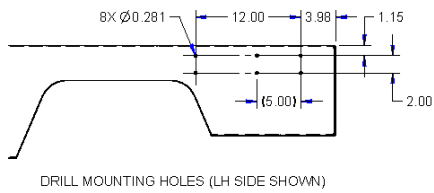


ITEM	CPC P/N	DESCRIPTION	QTY	SEATS P/N
1	**	DOMELIGHT ASSY	1	467473
2	**	DOMELIGHT HARNESS	1	467474
3*	10008	CABLE TIE 5 3/4	4	719501
4*	10043	CABLE TIE BLK, .18X11 3/4	6	719504
5*	11416	GROMMET 3/8X7/8	1	719522
6*	2613-B	SCREW #8-32X1 1/2, PPH	4	719572
7*	6912-B	WASHER #8	4	719817
8*	7609-W	NUT 8-32, GR A, NYLOCK	4	719868
9*	75090-10	DOMELIGHT KIT (Includes above Items)	1	190761U

\* NOT SHOWN

\*\* SPECIAL ORDER

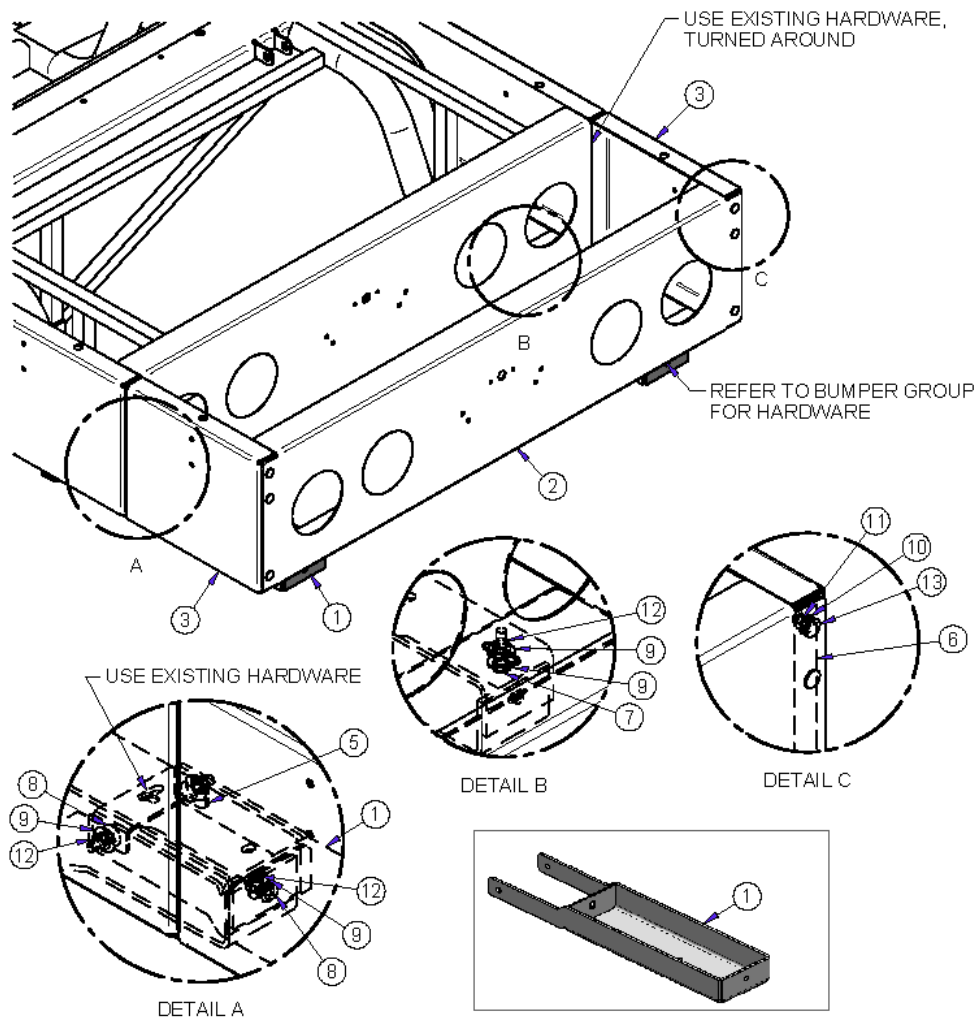
## SM4 RAILS



ITEM	CPC P/N	DESCRIPTION	QTY	SEATS P/N
1	50030-13	REAR RAIL	1	311111B
2	50036-13	SIDE RAIL LH, SM4	1	311112B
3	50037-13	SIDE RAIL RH, SM4	1	311116B
4	50035-10	BRACKET	6	513215
5	6002	WASHER, 5/16 18-8SS	6	719375
6	2551-W	SCREW, 1/4-20X1, HHC	12	719564
7	6703-B	WASHER 1/4 F/W,	24	719811
8	7686	NUT, 1/4-20 NYLOCK	12	719879
9	8200	FASTENER, PUSHPNL, .25X.6875X.625	4	719926
10	475	PIN, 5/16X1.75 CLEVIS 18-8 SS	6	761032
11	7645	NUT, 5/16-18 HEX, FLANGE, LOCK S/S	12	781694
12	589	HAIR PIN CLIP #13	6	781700
13	3820	SCREW, 5/16-18X2 HHCS 18-8 SS	6	782298
14	50055-13	KIT, SM4 RAILS (Includes above Items)	1	192453U



## DECK EXTENSION – SUV L



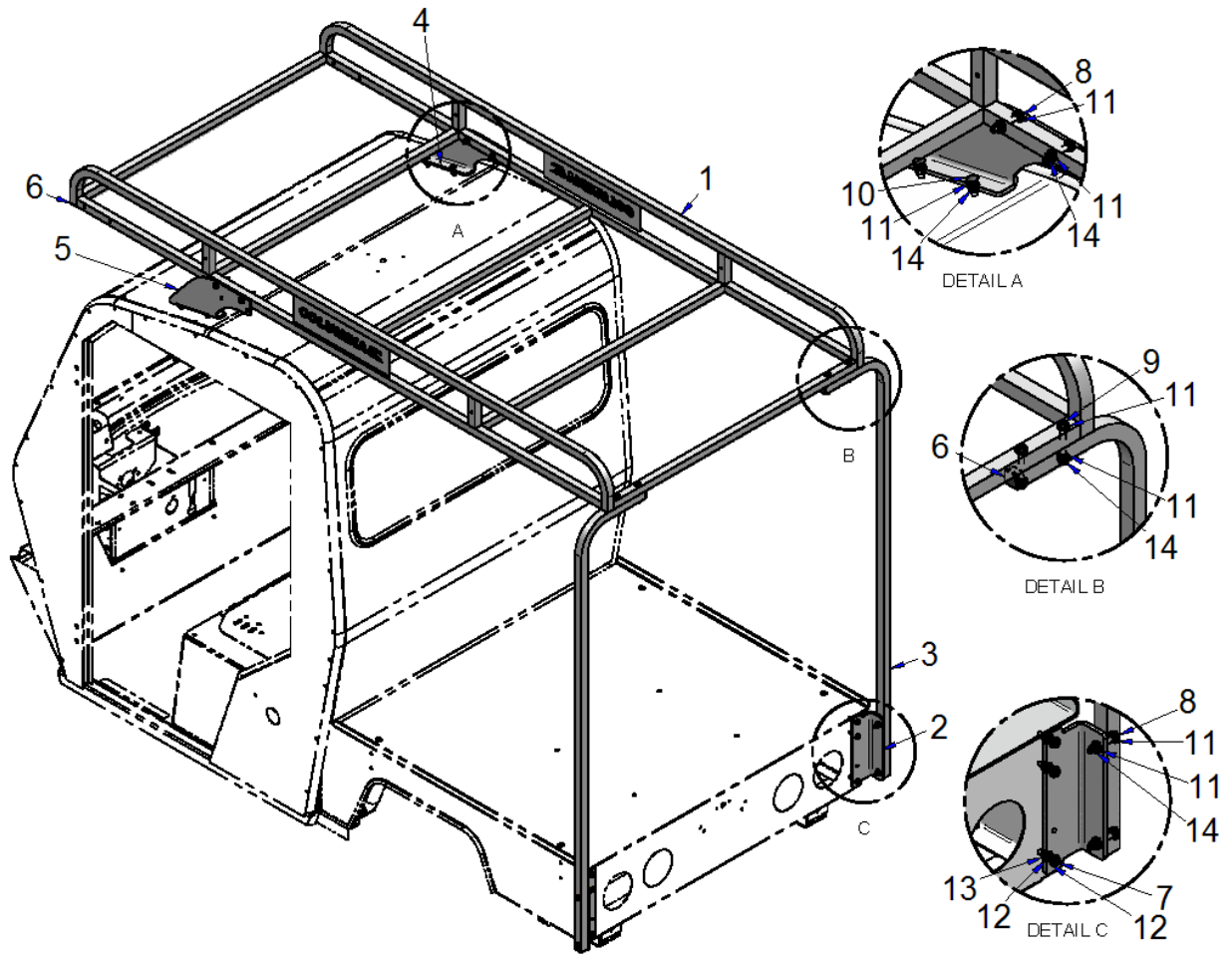
ITEM	CPC P/N	DESCRIPTION	QTY	SEATS P/N
1	**	12" BUMPER EXT	2	311555
2	41214-12	PANEL, REAR LIGHT (See Note)	1	467748
3	**	PANEL, 12" SUV BED EXT (See Note)	2	467948
4*	**	HARNESS, 12" TAIL LIGHT EXT	4	467949
5	**	BRKT, BUMPER EXTENSION	2	515136
6	49713-08	FOAM TAPE, 1/8" T X 1" W BLK, PVC, 9.50" LG	4	709783
7	2871-W	SCREW, 5/16-18 X 1-1/4, HHCS, G5, YWZC	2	719592
8	5400-BS	BOLT, 5/16-18 X 1, CARRIAGE, GRADE 5	6	719744
9	6000-B	WASHER, 5/16, USS/STD, F/W, BLK MAX	10	719771
10	6703-B	WASHER, 1/4, SAE, F/W, BLK MAX	6	719811
11	7686	NUT, 1/4-20, NYLOCK, GA, YWZC	6	719879
12	7739	NUT, 5/16-18, L/N, NYLOK, NE, GA, BLK MAX	8	719892
13	**	CARRIAGE BOLT 1/4-20 X 3/4, 18-8 S/S	6	781739

\* NOT SHOWN

\*\* SPECIAL ORDER

NOTE: Include VIN for correct color

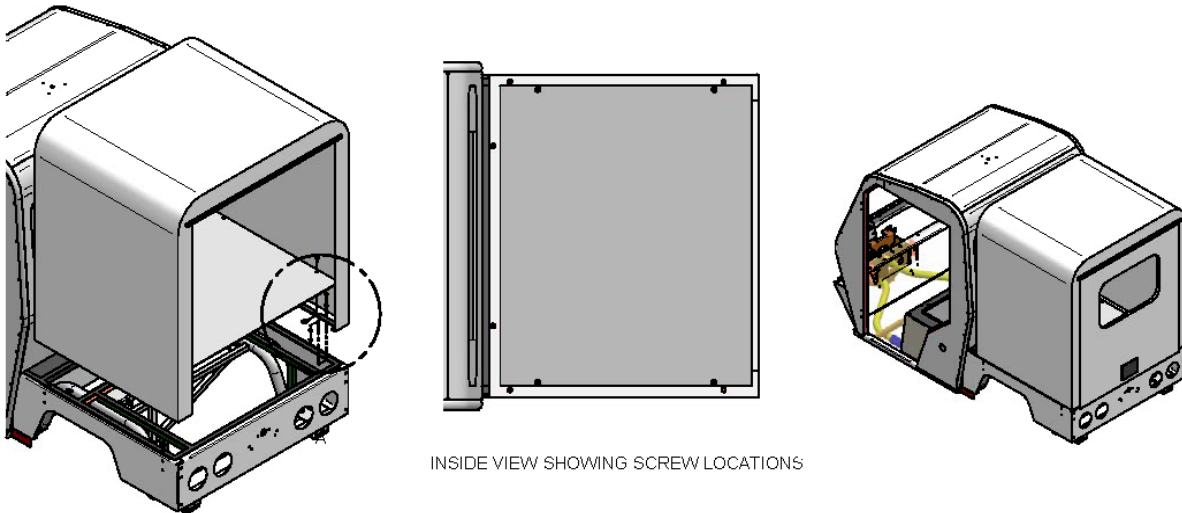
## OVERHEAD RACK SUV-S, SUV-L, SUV-L W/EXT.



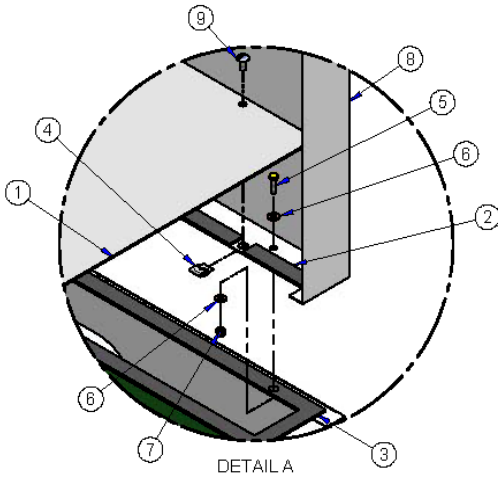
ITEM	CPC P/N	DESCRIPTION	QTY	SI P/N
1	*	OVERHEAD RACK	1	311556B
2	*	BRACKET, REAR	2	515147
3	*	UPRIGHT	2	515148
4	*	BRACKET, RH TOP	1	515149
5	*	BRACKET, LH TOP	1	515150
6	11432	CAPLUG	4	719525
7	3993	SCREW, 1/4-20 X 1 1/4" HHC	6	719644
8	5207-BS	SCREW, 5/16-18X2 PPH	8	719730
9**	5208-B	SCREW, 5/16-18X2-1/2, PPH	4	719731
10**	5400-BS	SCREW, 5/16-18 X 1, CARR, G5	4	719744
11**	6702-B	WASHER, 5/16	28	719810
12**	6703-B	WASHER, 1/4, SAE, F/W	12	719811
13**	7686	NUT, 1/4-20, NYLOCK, GA	6	719879
14**	7739	NUT, 5/16-18, L/N, NYLOK, NE, GA	16	719892
15**	60101-14	KIT, OVERHEAD RACK (Contains above items)	1	192578U

\* SPECIAL ORDER

## VAN ENCLOSURE – SUV-S



INSIDE VIEW SHOWING SCREW LOCATIONS

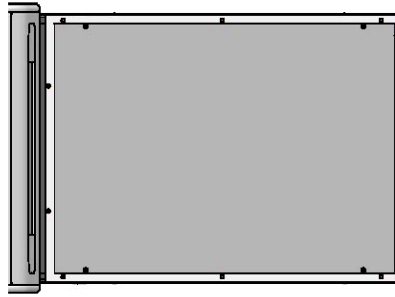
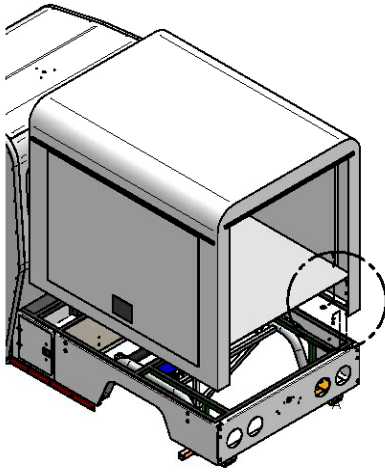


NOTE: VAN IS SHOWN WITHOUT REAR DOOR FOR VISIBILITY

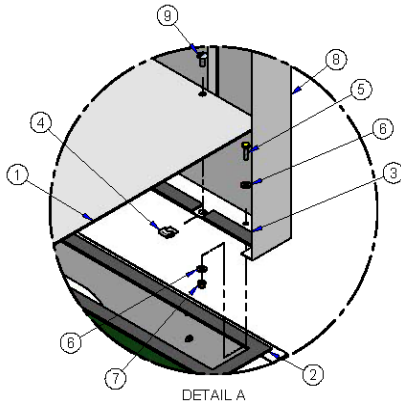
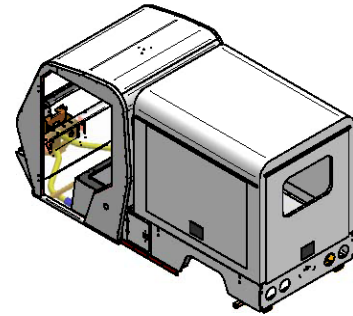
- 1) INSTALL FOAM TAPE ON VEHICLE BODY.
- 2) CENTER VAN LEFT & RIGHT, REAR OF VAN BODY IS TO BE FLUSH WITH REAR OF VEHICLE.
- 3) DRILL (4) 5/16" HOLES FOR FASTENING THE VAN TO THE VEHICLE.
- 4) SECURE WITH HARDWARE.
- 5) SET DECK PLATE IN PLACE, CENTER LEFT & RIGHT, REAR OF DECK PLATE 1/4" AWAY FROM REAR OF VAN BODY.
- 6) MARK HOLES, REMOVE DECK PLATE.
- 7) DRILL 1/2" HOLES.
- 8) INSTALL TINNEMAN NUTS.
- 9) INSTALL FOAM TAPE ON VAN BODY.
- 10) INSTALL DECK PLATE & SECURE WITH SCREWS.

ITEM	CPC P/N	DESCRIPTION	QTY	SEATS P/N
1	*	DECK PLATE SUV-S	1	513993
2	49713-08	FOAM TAPE, 1/8 X 1	8.75'	709783
3	49713-08	FOAM TAPE, 1/8 X 1	22.52'	709783
4*	11735	NUT, TINNEMAN, J-TYPE	4	719537
5	2551-W	SCREW, 1/4-20 X 1 GRD 5 HHC	6	719564
6	6703-B	WASHER, 1/4, SAE, F/W, BLK MAX	12	719811
7	7686	NUT 1/4-20 GR A NE NYLON INSERT	6	719879
8	*	VAN ENCL, SUV-S, WHITE	1	760719
9	2600	SCREW, 5/16-18X3/4, TSL, M/S, 18-8, S/S	4	781738
10	90649-11	KIT, VAN ENCLOSURE, SUV-S (Includes above items)	1	192185U

## VAN ENCLOSURE – SUV-L



INSIDE VIEW SHOWING SCREW LOCATIONS

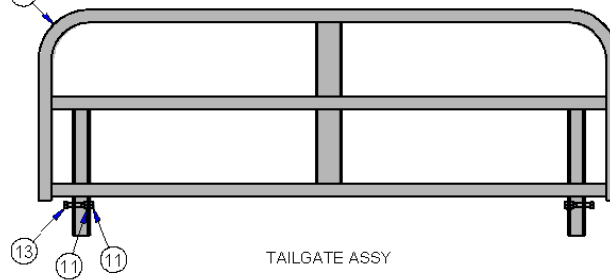
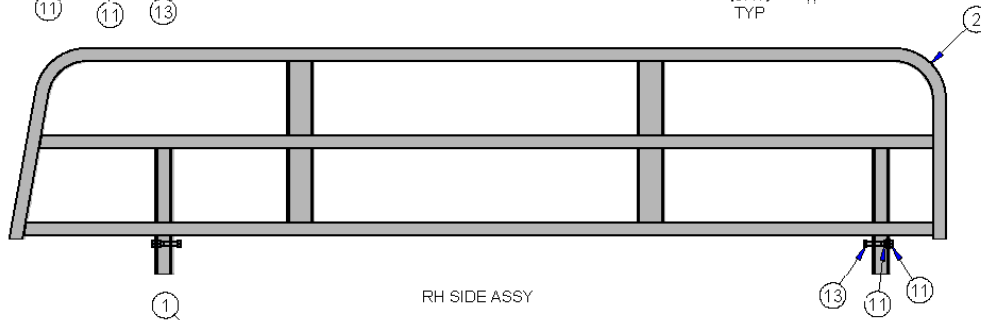
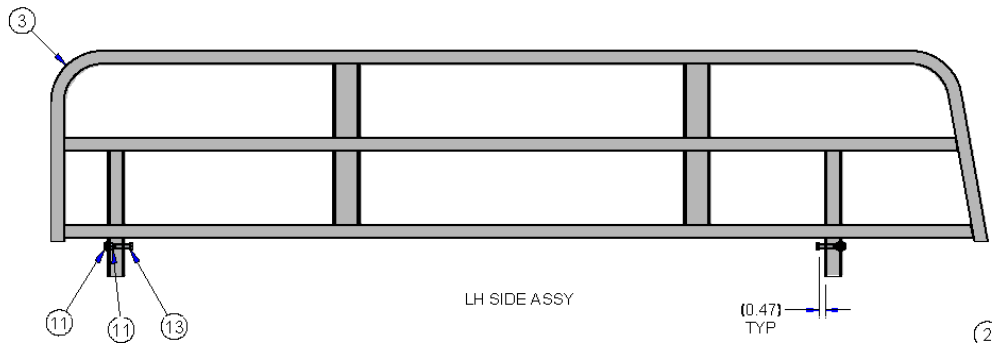
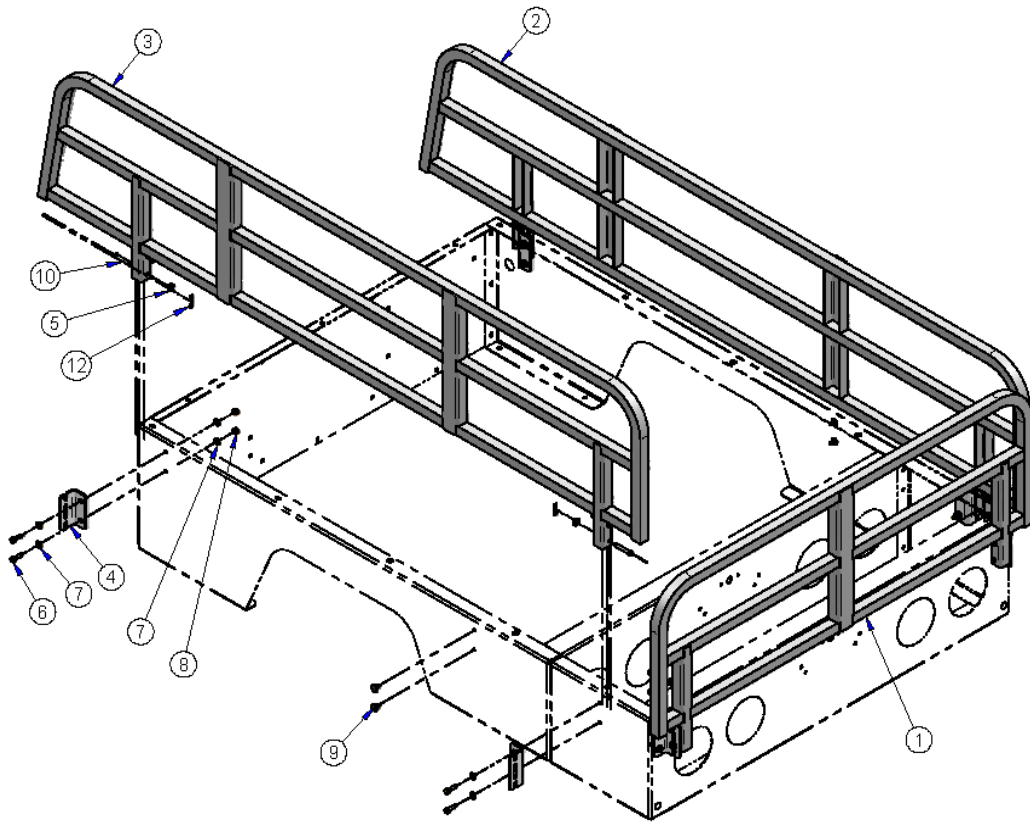


NOTE: VAN IS SHOWN WITHOUT REAR DOOR FOR VISIBILITY

- 1) INSTALL FOAM TAPE ON VEHICLE BODY.
- 2) CENTER VAN LEFT & RIGHT, REAR OF VAN BODY IS TO BE FLUSH WITH REAR OF VEHICLE.
- 3) DRILL (8) 5/16" HOLES FOR FASTENING THE VAN TO THE VEHICLE.
- 4) SECURE WITH HARDWARE.
- 5) SET DECK PLATE IN PLACE, CENTER LEFT & RIGHT, REAR OF DECK PLATE 1/4" AWAY FROM REAR OF VAN BODY.
- 6) MARK HOLES, REMOVE DECK PLATE.
- 7) DRILL 1/2" HOLES.
- 8) INSTALL TINNEMAN NUTS.
- 9) INSTALL FOAM TAPE ON VAN BODY.
- 10) INSTALL DECK PLATE & SECURE WITH SCREWS.

ITEM	CPC P/N	DESCRIPTION	QTY	SEATS P/N
1	*	DECK PLATE SUV-L	1	513992
2	49713-08	FOAM TAPE, 1/8 X 1	27.31'	709783
3	49713-08	FOAM TAPE, 1/8 X 1	12.25'	709783
4*	11735	NUT, TINNEMAN, J-TYPE	4	719537
5	2551-W	SCREW, 1/4-20 X 1 GRD 5 HHC	8	719564
6	6703-B	WASHER, 1/4, SAE, F/W, BLK MAX	16	719811
7	7686	NUT 1/4-20 GR A NE NYLON INSERT	8	719879
8	*	VAN ENCL, SUV-L, WHITE	1	760709
9	2600	SCREW, 5/16-18X3/4, TSL, M/S, 18-8, S/S	4	781738
10	90648-11	KIT, VAN ENCLOSURE, SUV-L (Includes above items)	1	192184U

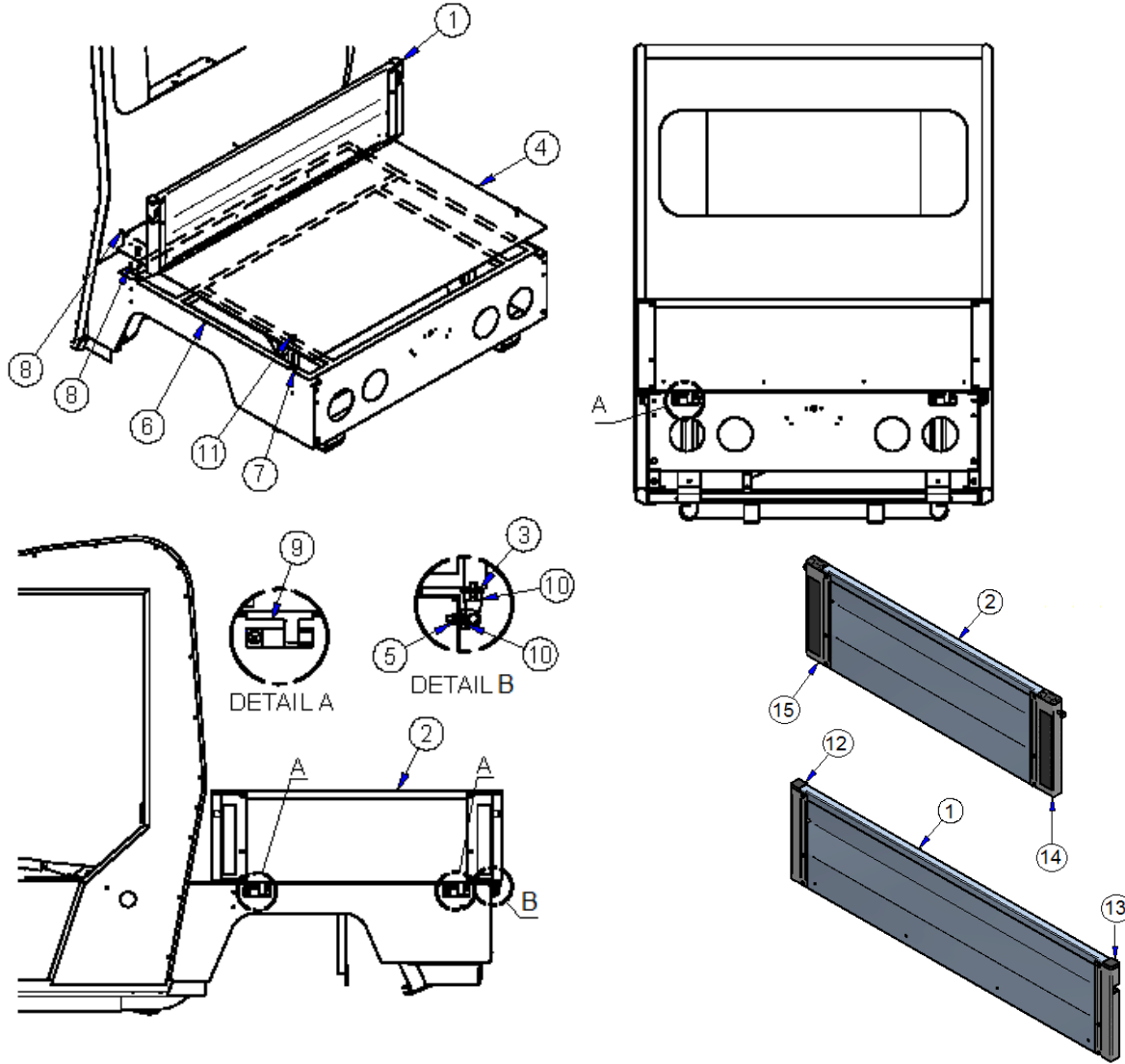
# EXTENDED RAILS- SUV-L



### EXTENDED RAILS- SUV-L (Cont.)

ITEM	CPC P/N	DESCRIPTION	QTY	SEATS P/N
1	50030-13	REAR RAIL	1	311111B
2	50140-13	EXT. SIDE RAIL RH, SUV-L	1	311552B
3	50141-13	EXT. SIDE RAIL LH, SUV-L	1	311553B
4	50035-10	BRACKET	6	513215
5	6002	WASHER, FLAT 5/16, 18-8SS	6	719375
6	2551-W	SCREW, 1/4-20X1, HHC	12	719564
7	6703-B	WASHER 1/4 F/W,	24	719811
8	7686	NUT, 1/4-20 NYLOCK	12	719879
9	8200	FASTENER, PUSHPNL, .25X.6875X.625	4	719926
10	475	PIN, 5/16X1.75 CLEVIS, 18-8 SS	6	761032
11	7645	NUT, 5/16-18 HEX, FLANGE, LOCK S/S	12	781694
12	589	HAIR PIN CLIP #13	6	781700
13	3820	SCREW, 5/16-18X2 HHCS 18-8 SS	6	782298
14	50173-12	KIT, SUV-L EXTENDED RAILS (Includes above)	1	192575U

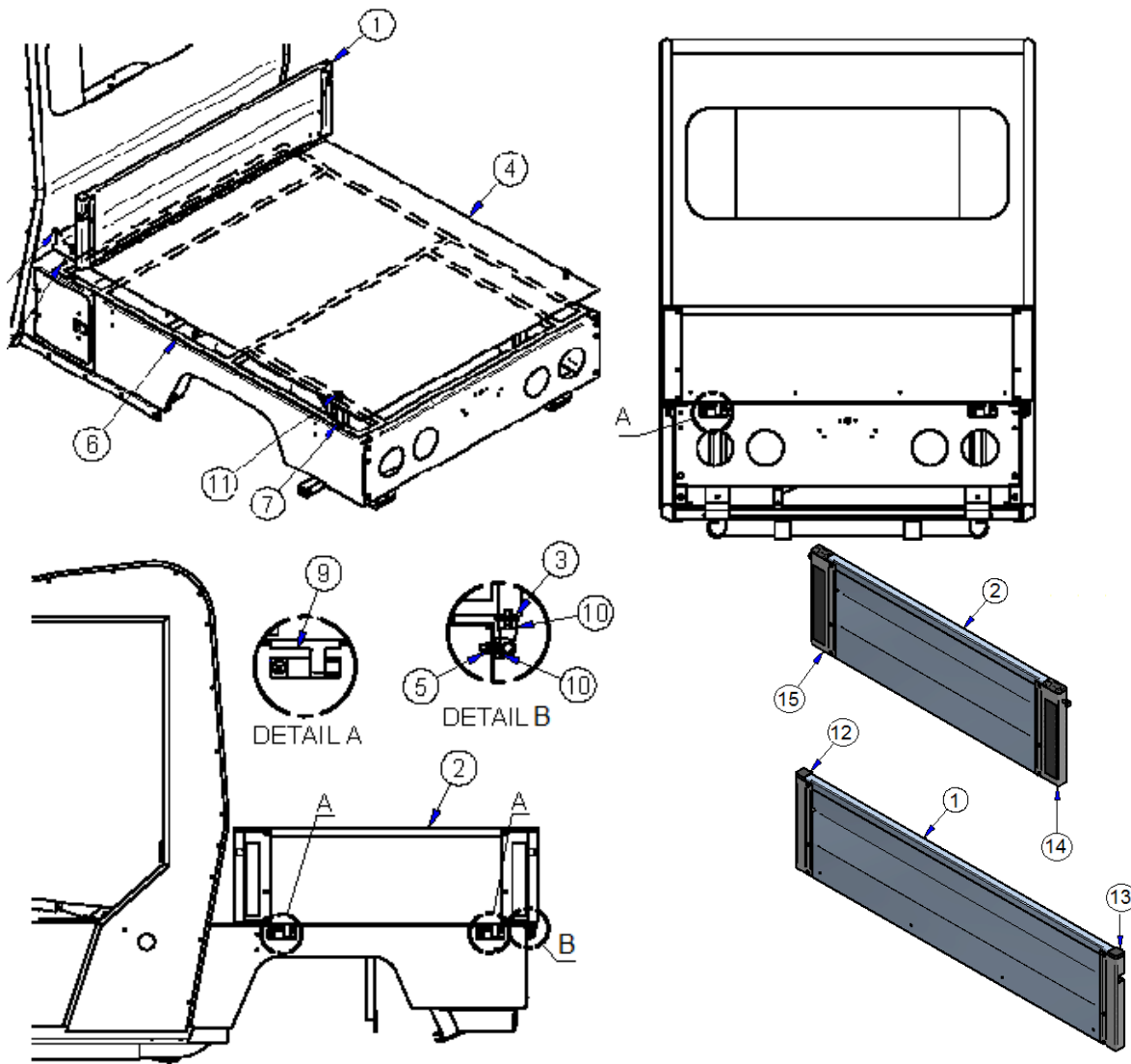
## DROPSIDE- SUV-S



	CPC P/N	DESCRIPTION	QTY	SEATS P/N
1	51413-14	DROPSIDE END PANEL	2	468809
2	51414-14	DROPSIDE SIDE PANEL	2	468810
3	50167-14	HINGE PLATE	6	512268
4	50169-14	DECK	1	515721
5	7542	NUT, M8-1.25 L/N NYLOCK	12	708528
6	49713-08	FOAM TAPE 1/8X1	237"	709783
7	11735	NUT, TINNEMAN, J-TYPE	4	719537
8	8689	RIVET, #64X3/16, FBF STAINLESS STL	6	719947
9	72744-08	HINGE	6	760262
10	1788	SCREW, M8-1.25X25MM (Used with Item )	24	781411
11	2600	SCREW, 5/16-18X3/4, TSL,M/S, 18-8 S/S	4	781738
12	72908-13	LOCK, LEFT INNER PROFILE (Used with Item 1)	2	760353
13	72909-13	LOCK, RIGHT INNER PROFILE (Used with Item 1)	2	760354
14	72802-13	LOCK, DROPSIDE, RIGHT (Used with Item 2)	2	760308
15	72803-13	LOCK, DROPSIDE, LEFT (Used with Item 2)	2	760309



## DROPSIDE- SUV-L

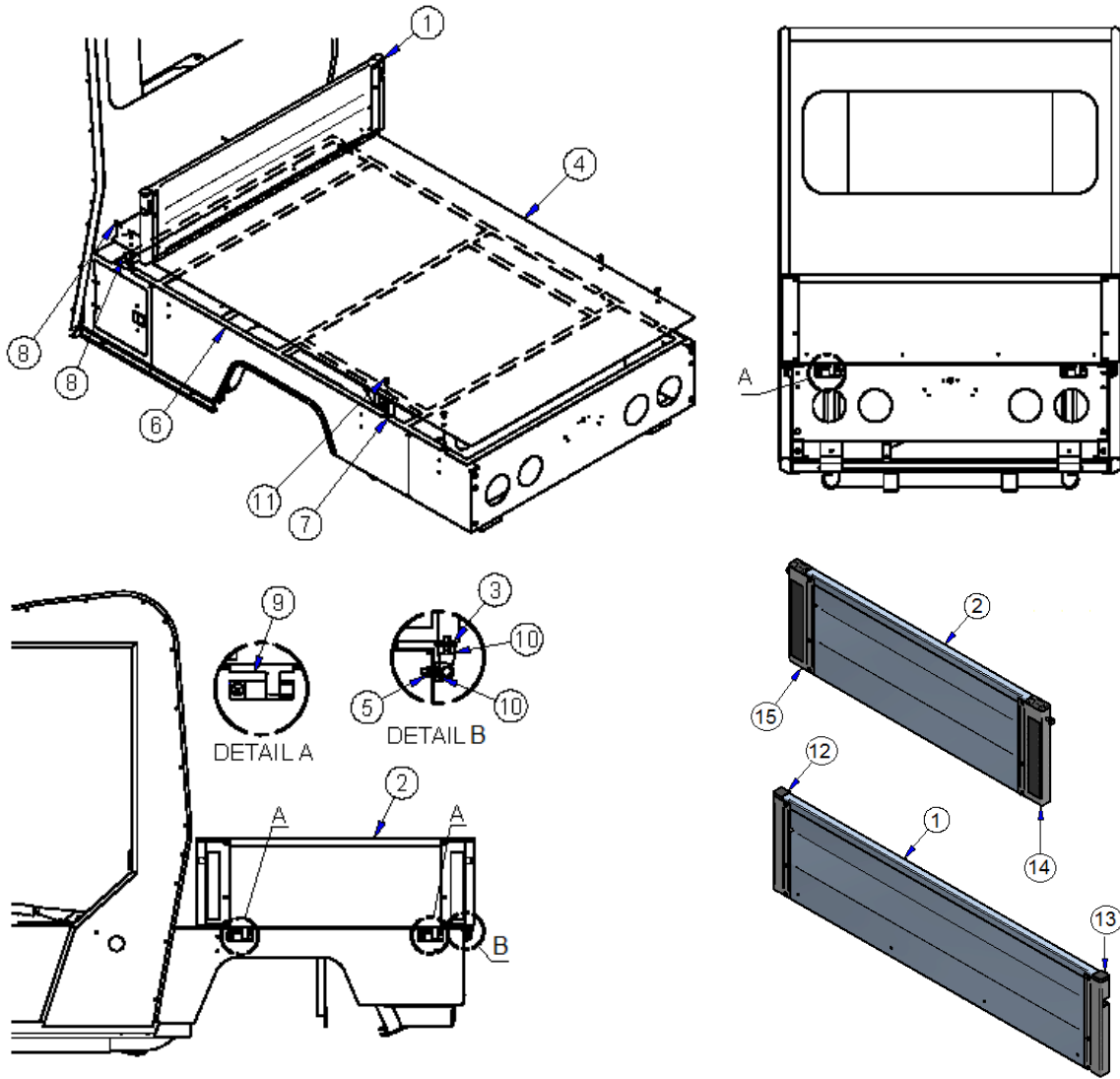


	CPC P/N	DESCRIPTION	QTY	SEATS P/N
1	51413-14	DROPSIDE END PANEL	2	468809
2	51415-14	DROPSIDE SIDE PANEL	2	468811
3	50167-14	HINGE PLATE	6	512268
4	50170-14	DECK	1	515722
5	7542	NUT, M8-1.25 L/N NYLOCK	12	708528
6	49713-08	FOAM TAPE 1/8X1	319"	709783
7	11735	NUT, TINNEMAN, J-TYPE	4	719537
8	8689	RIVET, #64X3/16, FBF STAINLESS STL	6	719947
9	72744-08	HINGE	6	760262
10	1788	SCREW, M8-1.25X25MM (Used with Item )	24	781411
11	2600	SCREW, 5/16-18X3/4, TSL,M/S, 18-8 S/S	4	781738
12	72908-13	LOCK, LEFT INNER PROFILE (Used with Item 1)	2	760353
13	72909-13	LOCK, RIGHT INNER PROFILE (Used with Item 1)	2	760354
14	72802-13	LOCK, DROPSIDE, RIGHT (Used with Item 2)	2	760308
15	72803-13	LOCK, DROPSIDE, LEFT (Used with Item 2)	2	760309





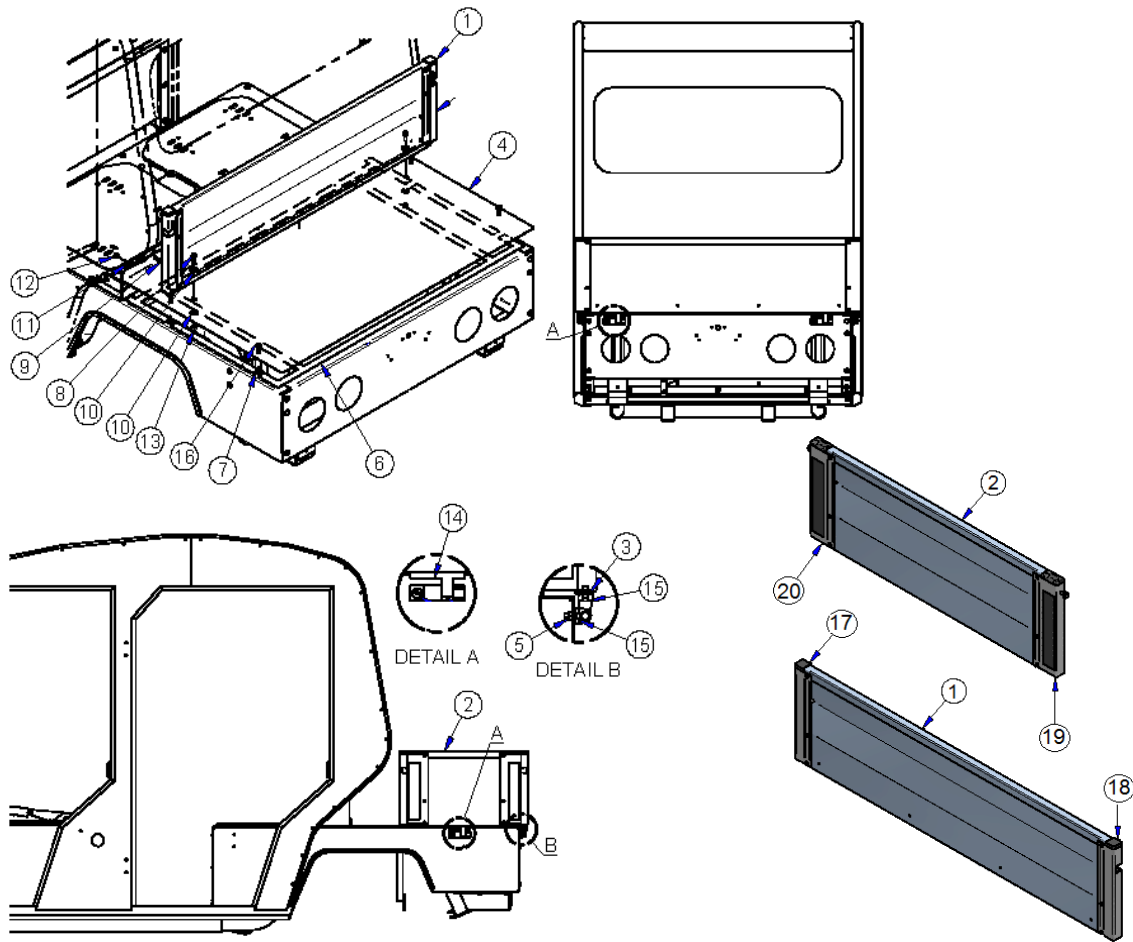
## DROPSIDE- SUV-L EXT



	CPC P/N	DESCRIPTION	QTY	SEATS P/N
1	51413-14	DROPSIDE END PANEL	2	468809
2	51416-14	DROPSIDE SIDE PANEL	2	468812
3	50167-14	HINGE PLATE	6	512268
4	50165-14	DECK	1	515723
5	7542	NUT, M8-1.25 L/N NYLOCK	12	708528
6	49713-08	FOAM TAPE 1/8X1.236	383"	709783
7	11735	NUT, TINNERMAN, J-TYPE	6	719537
8	8689	RIVET, #64X3/16, FBF STAINLESS STL	6	719947
9	72744-08	HINGE	6	760262
10	1788	SCREW, M8-1.25X25MM (Used with Item )	24	781411
11	2600	SCREW, 5/16-18X3/4, TSL,M/S, 18-8 S/S	6	781738
12	72908-13	LOCK, LEFT INNER PROFILE (Used with Item 1)	2	760353
13	72909-13	LOCK, RIGHT INNER PROFILE (Used with Item 1)	2	760354
14	72802-13	LOCK, DROPSIDE, RIGHT (Used with Item 2)	2	760308
15	72803-13	LOCK, DROPSIDE, LEFT (Used with Item 2)	2	760309



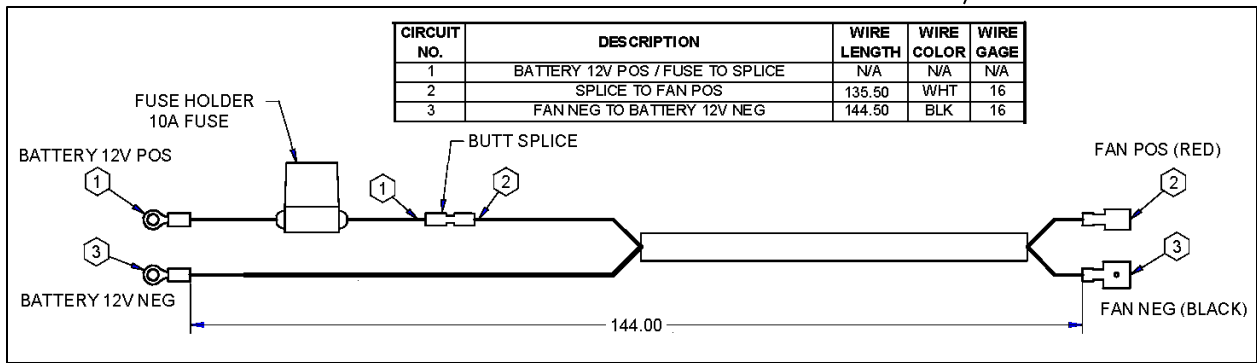
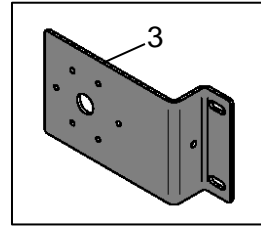
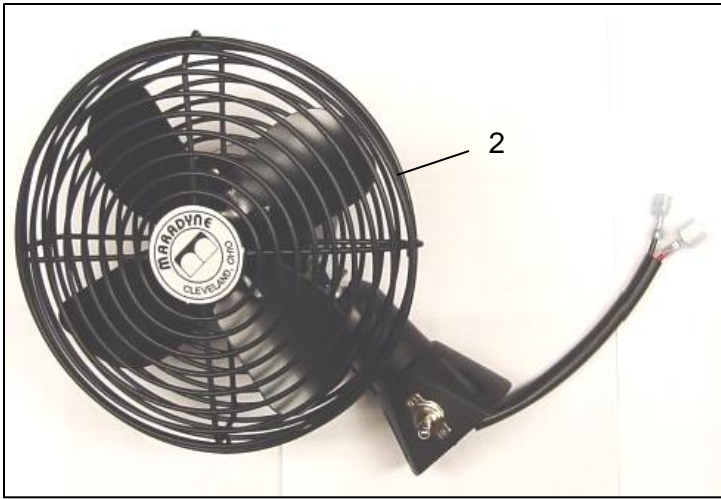
## DROPSIDE- SM4



	CPC P/N	DESCRIPTION	QTY	SEATS P/N
1	51413-14	DROPSIDE END PANEL	2	468809
2	51417-14	DROPSIDE SIDE PANEL	2	468813
3	50167-14	HINGE PLATE	4	512268
4	50166-14	DECK	1	515724
5	7542	NUT, M8-1.25 L/N NYLOCK	8	708528
6	49713-08	FOAM TAPE 1/8X1.236	179"	709783
7	11735	NUT, TINNERMAN, J-TYPE	4	719537
8	3991	SCREW, 5/16-18X7/8 HHCS, G5	2	719643
9	5405-B	SCREW, 1/4-20X3/5, CARR, G5	3	719747
10	6000-B	WASHER, 5/16, USS/STD, F/W	4	719771
11	6703-B	WASHER, 1/4 SAE	3	719811
12	7686	NUT, 1/4-20 NYLOCK, GA	3	719879
13	7739	NUT, 5/16-18, L/N, NYLOCK NE, GA	2	719892
14	72744-08	HINGE	6	760262
15	1788	SCREW, M8-1.25X25MM (Used with Item )	24	781411
16	2600	SCREW, 5/16-18X3/4, TSL,M/S, 18-8 S/S	4	781738
17	72908-13	LOCK, LEFT INNER PROFILE (Used with Item 1)	2	760353
18	72909-13	LOCK, RIGHT INNER PROFILE (Used with Item 1)	2	760354
19	72802-13	LOCK, DROPSIDE, RIGHT (Used with Item 2)	2	760308
20	72803-13	LOCK, DROPSIDE, LEFT (Used with Item 2)	2	760309



## CAB FAN – SMT/SUV



ITEM	CPC P/N	DESCRIPTION	QTY	SEATS P/N
1	75626-10	FAN WIRE HARNESS	1	467432
2	75625-10	FAN	1	467433
3	75322-00	FAN MOTOR BRACKET	1	516067
4*	10020	CABLE TIE	2	719503
5*	10043	CABLE TIE 11 3/4"	2	719504
6*	2646	SCREW 6-32X5/8 PPHM	4	719581
7*	3787-B	SCREW, 1/4-20X3/4 HHCS G5	3	719636
8*	6703-B	WASHER 1/4	6	719811
9*	7592	NUT 6-32 GR A, NYLOCK	4	719866
10*	7686	NUT, 1/4-20 NYLOCK, GA	3	719879
-	75323-08	FAN GROUP (Includes above)	1	190762U

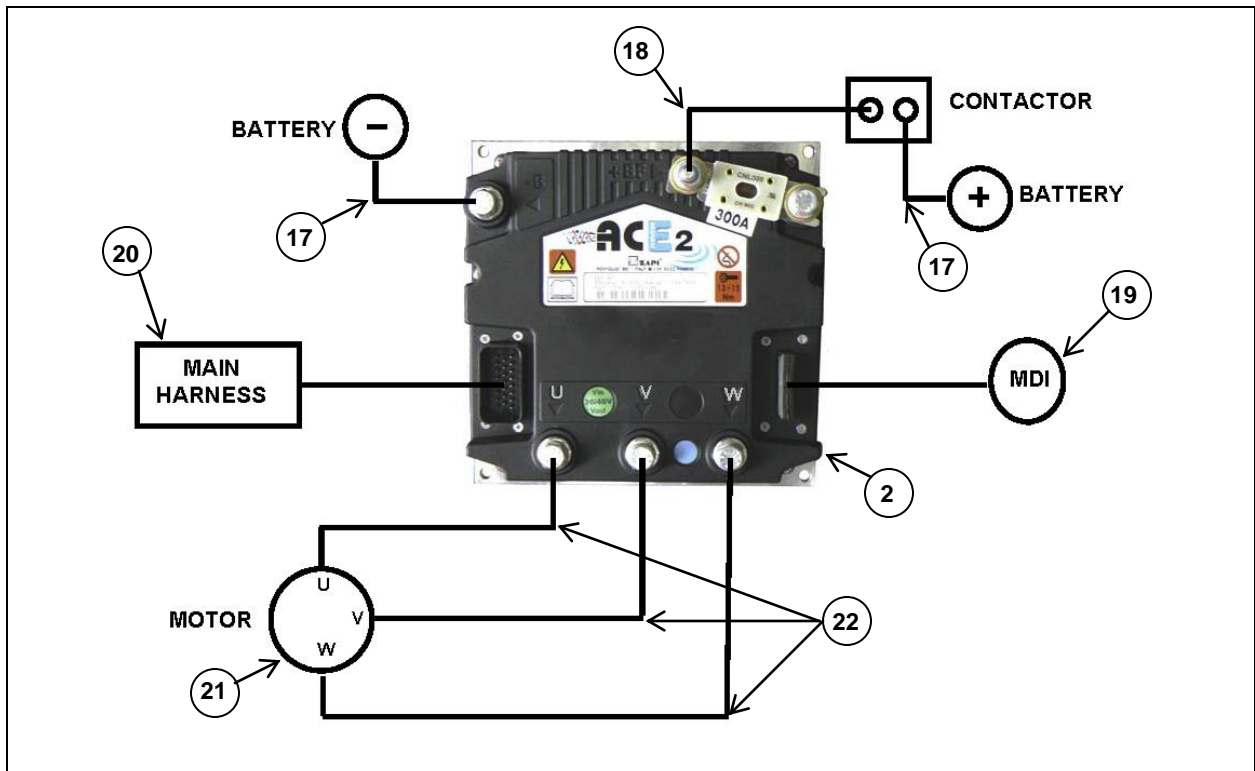
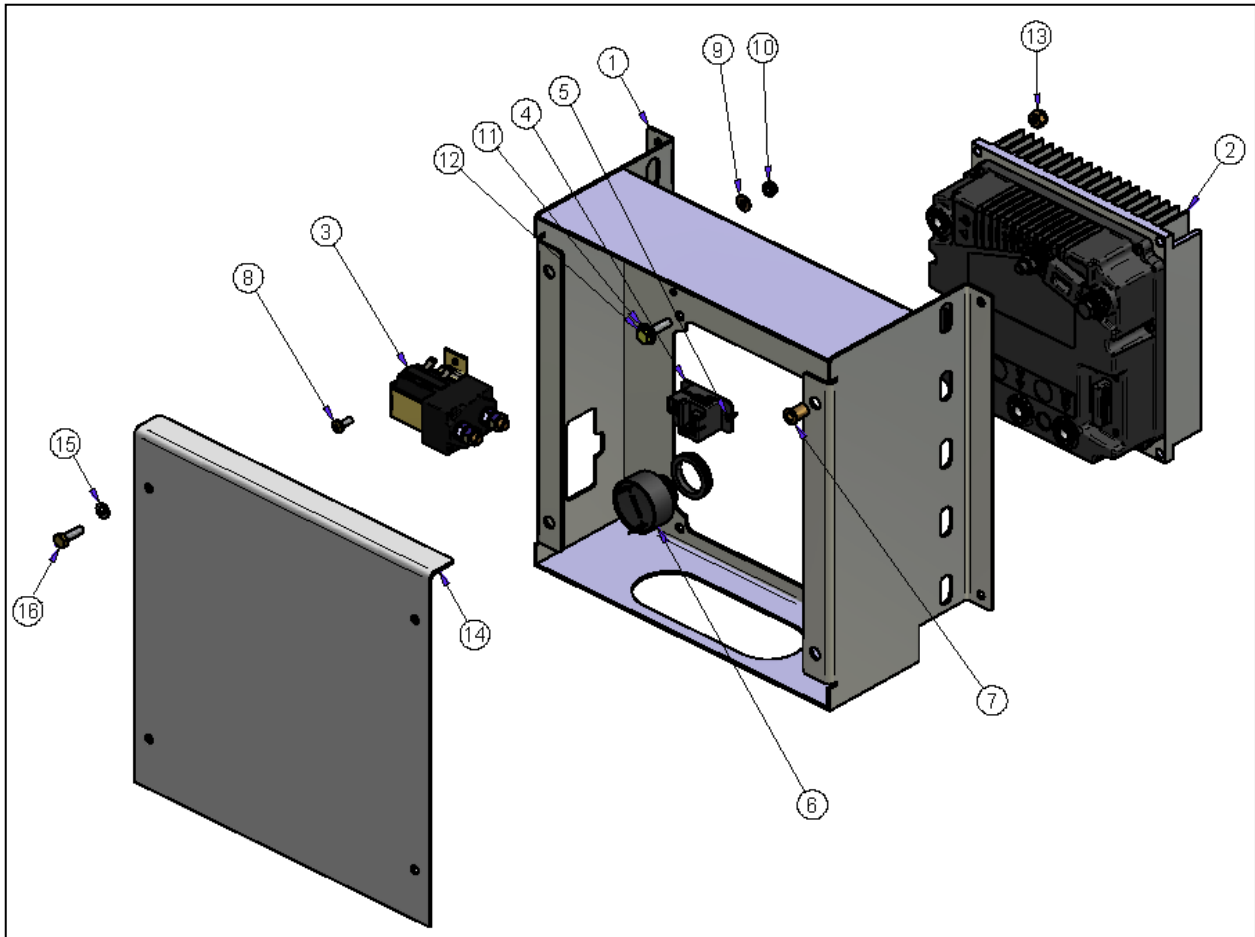
\* NOT SHOWN

# Summit Parts Manual

## Section 8

### AC Power Systems

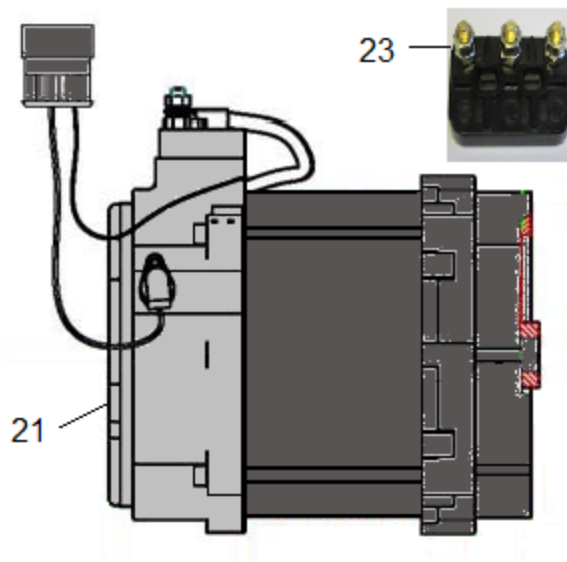
# POWER SYSTEM & CONNECTIONS – SUV/SMT



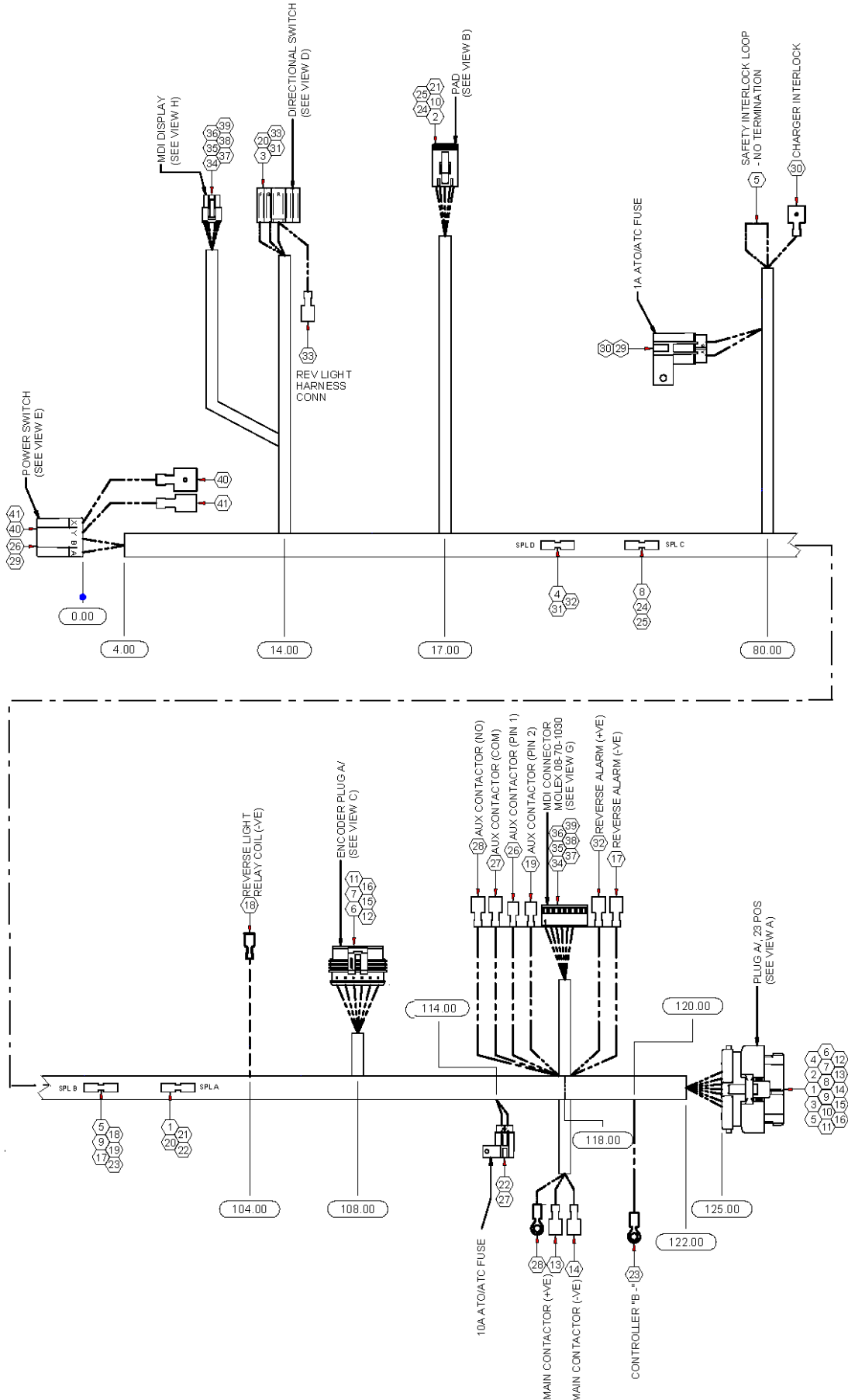
## POWER SYSTEM & CONNECTIONS – SUV/SMT

ITEM	CPC P/N	DESCRIPTION	QTY	SEATS P/N
1	*	CONTROL BOX - ZAPI AC SYS	1	310477
2	47897-14	CONTROLLER, ZAPI 450A AC (Programed 760571 with instructions)	1	192656U
3	71466-02	CONTACTOR, SINGLE - 48V COIL	1	709590
4	66555-00	RELAY, 48VDC, SPSTNO, 20	1	759829
5	N/A	THREAD-FORMING SCREW 4-24 (Included w/Item 4)	2	N/A
6	71412-07	AUDIBLE ALARM - 12/48 VDC	1	759790
7	46264-10	INSERT, ALS2-610-4.2 6X1.0, YWZC	4	781423
8	2592	SCREW, 10-24 X 1/2 PHILLIPS PHM	2	719566
9	6716	WASHER,#10,SAE,F/W,BLK MAX	2	719812
10	7624	NUT 10-24 GR A NM MACH NYLOCK	2	719870
11	6703-B	WASHER,1/4,SAE,F/W,BLK MAX	4	719811
12	2551-W	SCREW, 1/4-20 X 1 GRD 5 HHC YEL 150	4	719564
13	7686	NUT 1/4-20 GR A NE NYLOCK	4	719879
14	*	COVER, AC CONTROL PANEL	1	513895
15	46265-08	WASHER,6MM,F/W,ZC	4	781406
16	5100	SCREW,M6X20,HHCS,ZC	4	781440
17	70105-89	CABLE, 4GAX61.5, 5/16" TERM	2	709411
18	70099-88	CABLE, 4GAX8.75, 5/16" TERM	1	709004
19	69611-09	MULTIFUNCTIONAL DIGITAL INDICATOR (MDI)	1	760574
20	*	AC HARNESS	1	760712
21	39100-10	MOTOR, 5KW AC	1	760569
22	69610-10	CABLE, MOTOR, AC DRIVE 25.5"	3	760704
23	39101-14	SUPPORT, POST POWER AC (Item 21 replacement part )	1	761053

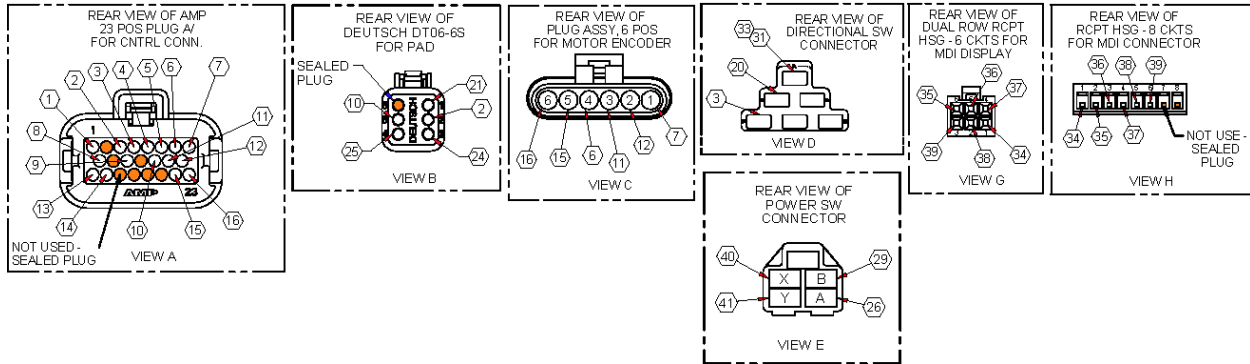
\* SPECIAL ORDER



# AC HARNESS – SUV/SMT



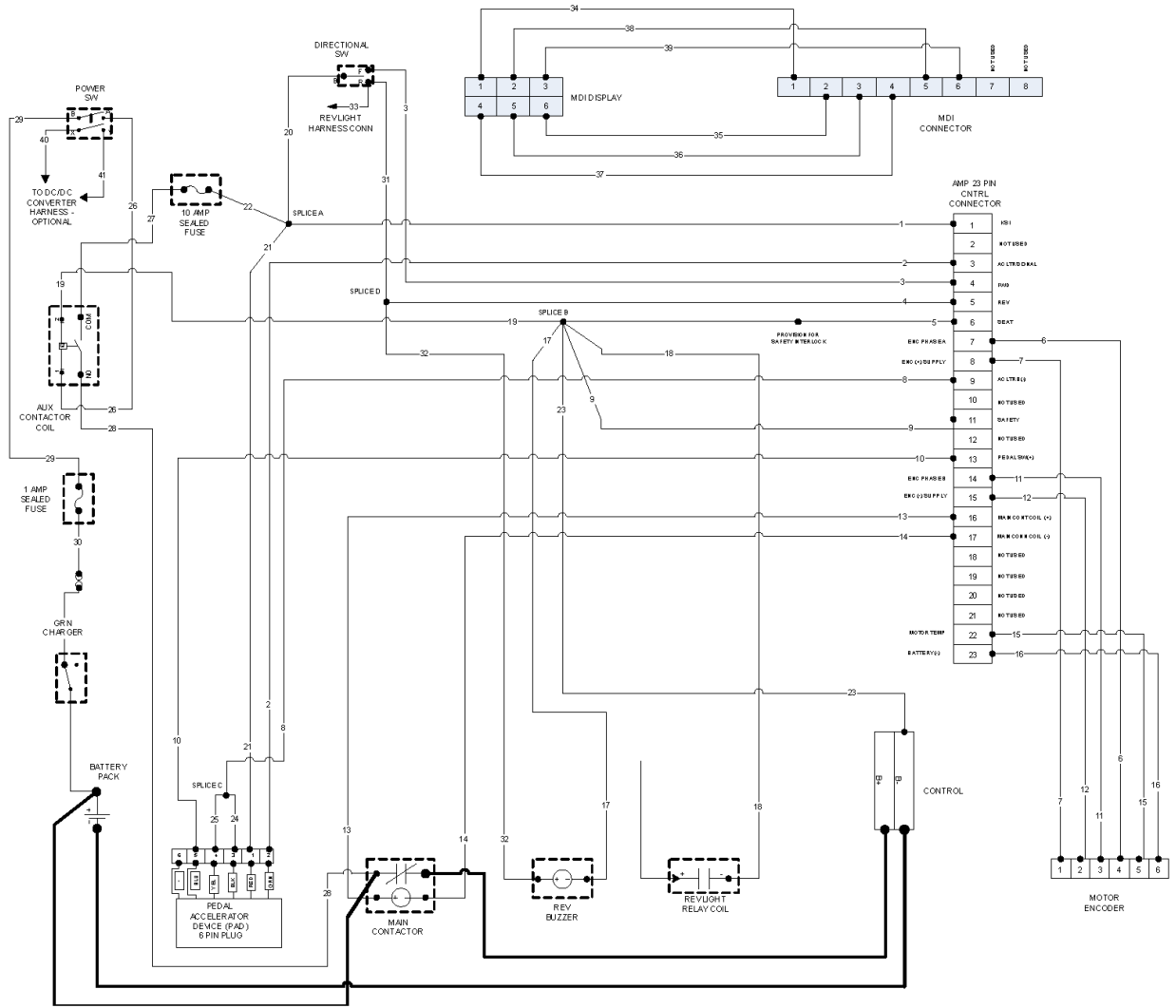
## AC HARNESS – SUV/SMT (Cont.)



ITEM	DESCRIPTION	CIRCUIT NO.	WIRE LENGTH *	WIRE COLOR	WIRE GAGE
1	CONTROL PIN 1 (POWER INPUT) TO SPLICE A	1	25	RED	18
2	CONTROL PIN 3 (PEDAL SIGNAL) TO PAD PLUG PIN 2	2	123	GRN	20
3	CONTROL PIN 4 (FWD) TO DIRECTIONAL SWTCH "F"	3	124	GRN	18
4	CONTROL PIN 5 (REV) TO SPLICE D	4	51	GRAY	18
5	CONTROL PIN 6 (SEAT SW) TO SPLICE B	5	111	BLK	18
6	CONTROL PIN 7 (ENC PHASE A) TO ENCODER PLUG (PIN 4)	6	26	WHT	20
7	CONTROL PIN 8 (ENC +VE SUPPLY) TO ENCODER PLUG (PIN 1)	7	26	RED	20
8	CONTROL PIN 9 (PEDAL B-) TO SPLICE C	8	49	BLK	20
9	CONTROL PIN 11 (SAFETY IN) TO SPLICE B	9	27	BLK	18
10	CONTROL PIN 13 (PEDAL SW +VE) TO PAD PLUG PIN 5	10	123	BLU	20
11	CONTROL PIN 14 (ENC PHASE B) TO ENCODER PLUG (PIN 3)	11	26	BLU	20
12	CONTROL PIN 15 (ENC -VE SUPPLY) TO ENCODER PLUG (PIN 2)	12	26	BLK	20
13	CONTROL PIN 16 TO MAIN COIL (POS)	13	13	RED	20
14	CONTROL PIN 17 TO MAIN COIL (NEG)	14	13	RED	20
15	CONTROL PIN 22 (MOTOR TEMP) TO ENCODE PLUG (PIN 5)	15	26	YLW	20
16	CONTROL PIN 23 (BTRY -VE) TO ENCODER PLUG (PIN 6)	16	26	GRN	20
17	SPLICE B TO REVERSE ALARM (-VE)	17	31	BLK	18
18	SPLICE B TO REVLIGHT RELAY COIL (-VE)	18	11	BLK	18
19	SPLICE B TO AUX CONTACTOR (PIN 2)	19	31	BLK	18
20	DIRECTIONAL SWITCH "B" TO SPLICE A	20	99	RED	18
21	SPLICE A TO PAD PLUG PIN 1	21	98	RED	20
22	SPLICE A TO FUSE 10A	22	16	RED	18
23	SPLICE B TO CONTROL "B"	23	27	BLK	18
24	SPLICE C TO PAD PLUG PIN 3	24	74	YLW	20
25	SPLICE C TO PAD PLUG PIN 4	25	74	BLK	20
26	AUX CONTACTOR COIL (PIN 1) TO POWER SWITCH "A"	26	129	RED	20
27	FUSE 10 A TO AUX CONTACTOR (COM)	27	17	RED	18
28	AUX CONTACTOR (NO) TO MAIN CONTACTOR (POS)	28	17	RED	18
29	POWER SWITCH "B" TO FUSE 1A	29	101	RED	20
30	FUSE 1A TO CHARGER INTERLOCK (CONTROL +)	30	6	RED	20
31	DIRECTIONAL SWITCH "R" TO SPLICE D	31	73	GRAY	18
32	SPLICE D TO REVERSE ALARM (+VE)	32	55	GRAY	18
33	DIR SW "R" TO REVLIGHT HARNESS CONN	33	6	GRAY	20
34	MDI CONTACTOR PIN 1 TO MDI DISPLAY PIN 1	34	128	ORNG	20
35	MDI CONTACTOR PIN 2 TO MDI DISPLAY PIN 6	35	128	BLU	20
36	MDI CONTACTOR PIN 3 TO MDI DISPLAY PIN 5	36	128	GRN	20
37	MDI CONTACTOR PIN 4 TO MDI DISPLAY PIN 4	37	128	YLW	20
38	MDI CONTACTOR PIN 5 TO MDI DISPLAY PIN 2	38	128	BLK	20
39	MDI CONTACTOR PIN 6 TO MDI DISPLAY PIN 3	39	128	RED	20
40	POWER SWITCH "X" TO BTRY POS FROM 10 A FUSE	40	3	RED	18
41	POWER SWITCH "Y" TO DC/DC CONVERTER (+IN)	41	3	RED	18



# AC HARNESS – SUV/SMT (Cont.)



CIRCUIT NO.	WIRE COLOR	CIRCUIT NO.	WIRE COLOR	CIRCUIT NO.	WIRE COLOR	CIRCUIT NO.	WIRE COLOR
1	RED	11	BLU	21	RED	31	GRAY
2	GRN	12	BLK	22	RED	32	GRAY
3	GRN	13	RED	23	BLK	33	GRAY
4	GRAY	14	RED	24	YEL	34	ORG
5	BLK	15	YEL	25	BLK	35	BLU
6	WHT	16	GRN	26	RED	36	GRN
7	RED	17	BLK	27	RED	37	YEL
8	BLK	18	BLK	28	RED	38	BLK
9	BLK	19	BLK	29	RED	39	RED
10	BLU	20	RED	30	RED	40	RED
						41	RED



**Columbia ParCar Corp.**

1115 Commercial Avenue • Reedsburg, WI 53959  
Phone: (608) 524-8888 • (800) 222-4653 • Web: [www.parcars.com](http://www.parcars.com)

Columbia / ParCar OEM Parts  
**evtechnicalservices.com**

