



TOMBERLIN



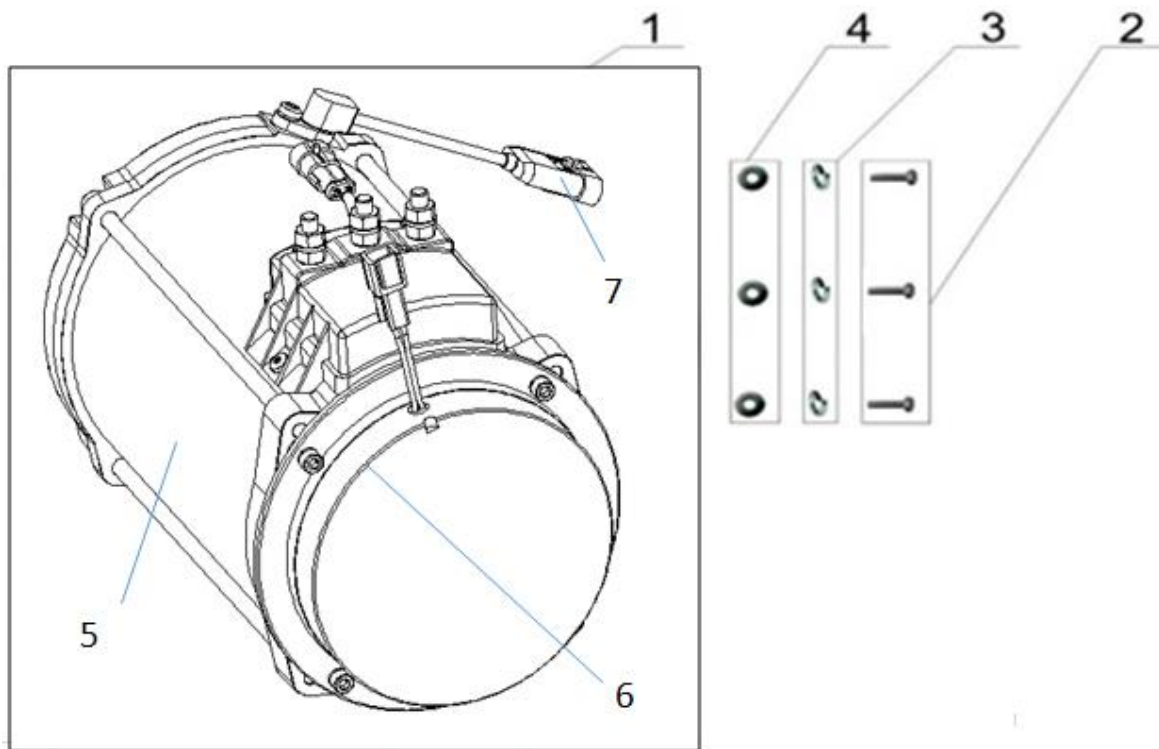
JOURNEYMAN

CONTENTS

Section

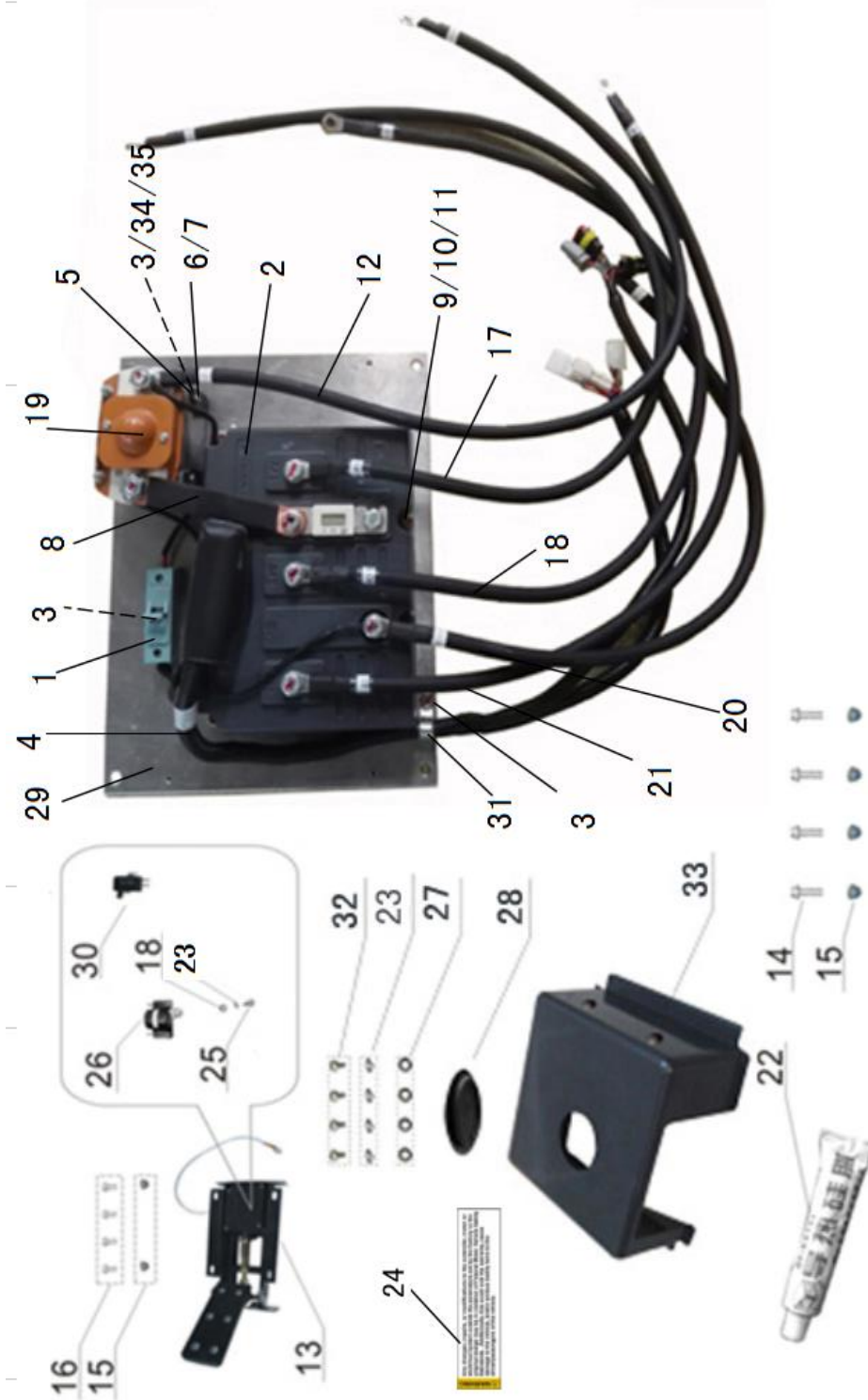
Motor assembly	1
Control system assembly	2
Rear axle assembly	3
Frame assembly	4
Front shaft	5
Steering system assembly	6
Tire assembly	7
Brake system assembly	8
Electric system assembly	9
Headlight assembly	10
Front body assembly	11
Side body assembly	12
Rear body assembly	13
Canopy assembly	14
Canopy bar assembly	15
Seat assembly	16
Rear suspension assembly	17
Accessories	18
EPS assembly	19
Windshield Wiper Kit & Owner's Manual	20

SECTION 1 – MOTOR ASSEMBLY



Item #	Part #	Description	Quantity
1-1	1008719	Letrika 5KW motor with E-brake	1
1-2	1007001	Hex-head bolt M6x40 (Stainless)	3
1-3	1007346	Lock washer M6(Stainless)	3
1-4	1007360	Flat washer M6 (Stainless)	3
1-5	1017223	Motor body	1
1-6	1017224	E-brake device	1
1-7	1017225	Speed sensor	1

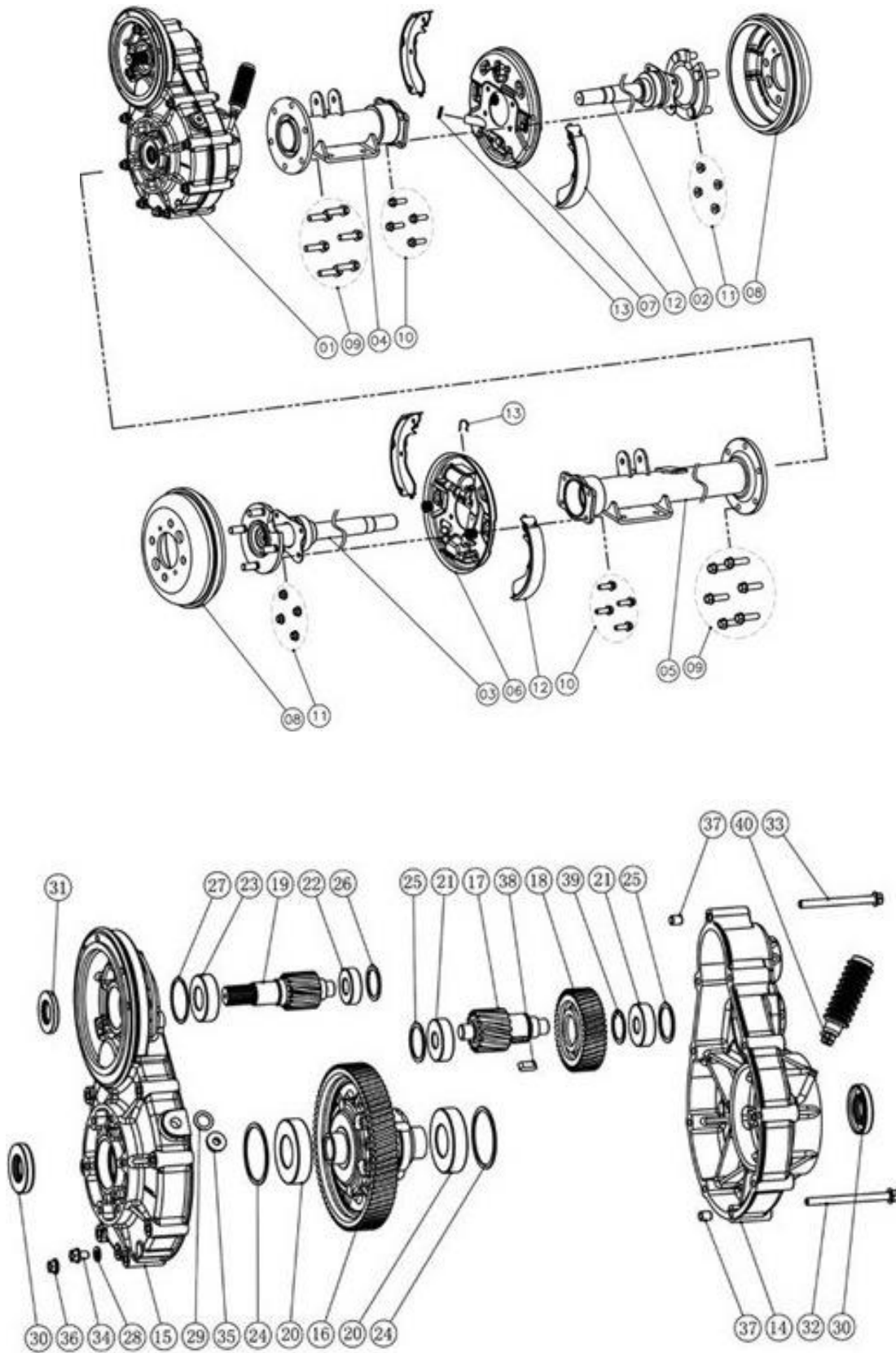
SECTION 2 – CONTROL SYSTEM ASSEMBLY



SECTION 2 – CONTROL SYSTEM ASSEMBLY (CONTINUED)

Item #	Part #	Description	Quantity
2-1	1008723	Fuse (380V/10A)	1
2-2	1008710	Controller (450A 48V)	1
2-3	1008724	Screw, Phillips Truss-Head M5x10	1
2-4	1017000	Controller wire harness	1
2-5	1017001	Bracket, Solenoid	2
2-6	1017227	Screw, Phillips Truss-Head M5x12	2
2-7	1007242	Plate washer M5	2
2-8	1008708	Copper Bus Bar	1
2-9	1008722	Screw, Phillips Truss-Head M6x25	4
2-10	1007002	Lock washer M6	4
2-11	1007003	Plate washer M6	4
2-12	1008612	Battery Positive input wire(900mm)	1
2-13	1008285	Accelerator assembly	1
2-14	1007019	Bolt, Hex flange M8x25	4
2-15	1007020	Self-locking nut M8	6
2-16	1007021	Bolt, Hex-Head Flange M8x20	4
2-17	1017002	Connected wire Motor(1000mm)	1
2-18	1017003	Connected wire Motor(900mm)	1
2-19	1008149	Solenoid(MZJ400S/48.48A5)	1
2-20	1008612	Battery Negative input wire(650mm)	1
2-21	1017004	Connected wire Motor(800mm)	1
2-22	1007886	Heat sink compound	25g
2-23	1007257	Lock washer M4	5
2-24	1017008	Warning label, electrical	1
2-25	1007899	Screw, Phillips Truss-Head M4x8	1
2-26	1008284	Hall effect sensor	1
2-27	1007023	Flat washer M4	5
2-28	1007017	Seal cover, controller	1
2-29	1008601	Aluminum plate(345x270x8mm)	1
2-30	1008085	Throttle assembly - micro switch	1
2-31	1017007	Wire Clamp	1
2-32	1007022	Screw, Phillips Truss-Head M4x12	4
2-33	1007501	Sealed cover, controller	1
2-34	1007346	Lock washer M6	2

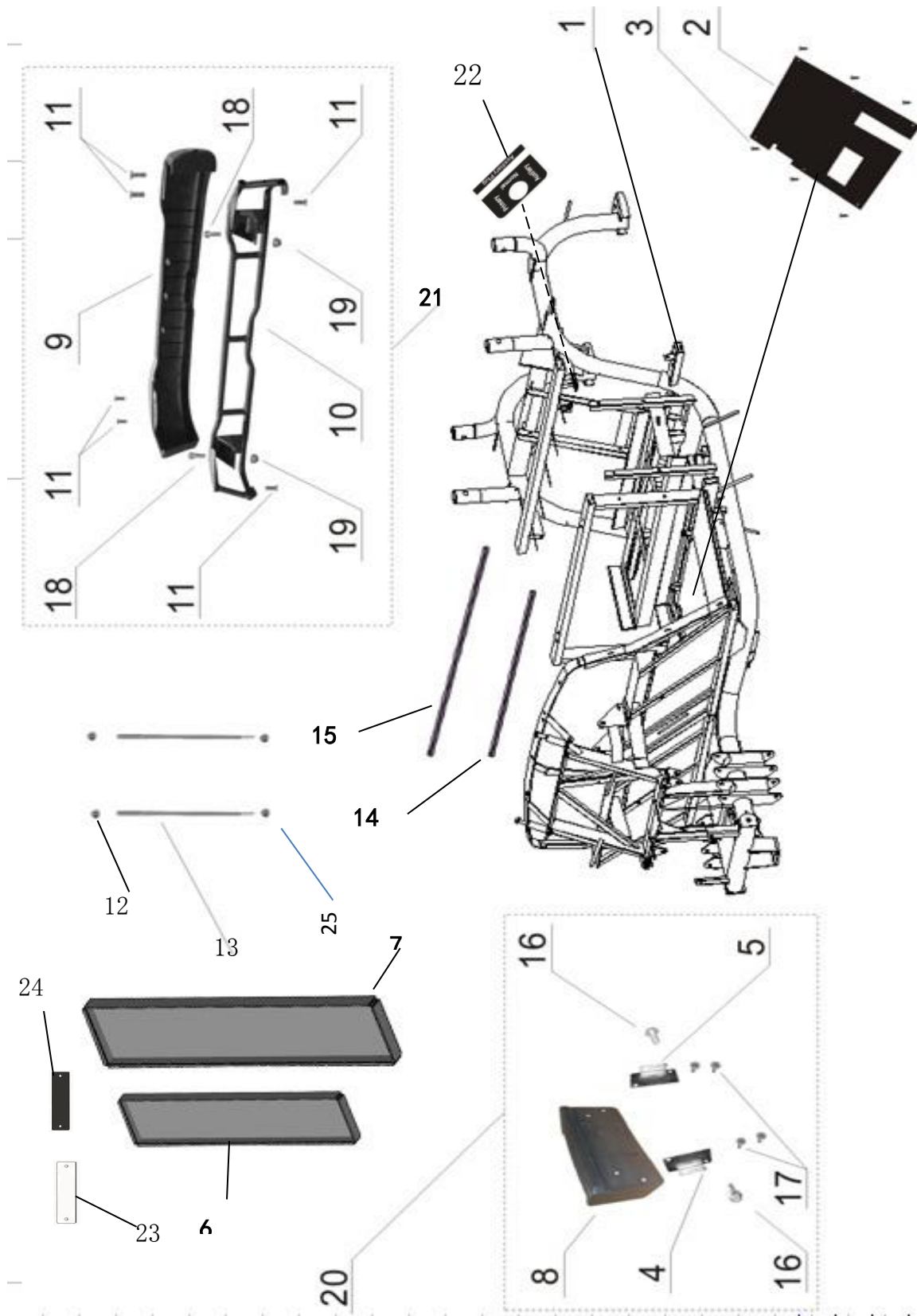
SECTION 3 – REAR AXLE ASSEMBLY



SECTION 3 – REAR AXLE ASSEMBLY (CONTINUED)

Item #	Part #	Description	Quantity
3-1	1017010	Gear Box	1
3-2	1017231	Shaft (Passenger)	1
3-3	1017232	Shaft (Driver)	1
3-4	1008614	Sleeve, Shaft (Passenger)	1
3-5	1008615	Sleeve, Shaft (Driver)	1
3-6	1008616	Backing Plate Brake (Driver)	1
3-7	1008617	Backing Plate Brake (Passenger)	1
3-8	1008618	Brake Drum AC NKL	2
3-9	1008619	Hex Head Screw M10x1.25x35	12
3-10	1008620	Hex Head Screw M8x1.25x25	8
3-11	1008621	Serrated Lock Nut M8	8
3-12	1008622	Brake Shoe	4
3-13	1008623	Brake cable clip	2
3-14	1008624	Gear Case RH	1
3-15	1008625	Gear Case LH	1
3-16	1008626	Planet Gear Assembly 70T	1
3-17	1008627	Helical Gear and Shaft 15T	1
3-18	1008628	Helical Gear 42T	1
3-19	1008629	Input Shaft and Gear 16T	1
3-20	1008630	Bearing-NO.6207	2
3-21	1008631	Bearing-NO.6303	2
3-22	1008632	Bearing-NO.6203	1
3-23	1008633	Bearing-NO.6205	1
3-24	1008634	Gasket-Φ61 x Φ69 x 1.5t (S)	2
3-25	1008635	Gasket-Φ36 x Φ44 x 1.5t (S)	2
3-26	1008636	Gasket-Φ32 x Φ40 x 1.0t (S)	1
3-27	1008637	Gasket-Φ45 x Φ51 x 1.5t (S)	1
3-28	1008638	Gasket-Φ8.2 x Φ16 x 2.0t (W)	1
3-29	1008639	Gasket-Φ14.5 x Φ22 x 1.0t (W)	1
3-30	1008640	Seal-TCΦ28 x Φ55 x 9h	2
3-31	1008641	Seal-TCΦ25 x Φ47 x 6h	1
3-32	1008642	Hex Head Screw-M8 x1.25 x100	7
3-33	1008643	Hex Head Screw-M8 x1.25 x90	3
3-34	1008644	Hex Head Screw-M8 x1.25 x12	1
3-35	1008645	Fill Plug-M14x1.25	1
3-36	1008646	Hex Nut-M8x1.25	10
3-37	1008647	Positioning Bushing-Φ8.2 x Φ10 x 12L	2
3-38	1008648	Parallel Key	2
3-39	1008649	C-type buckle - Shaft 32	1
3-40	1008650	Expansion Bellows	1
3-41	1008613	Rear Axle assembly 12.25:1	1

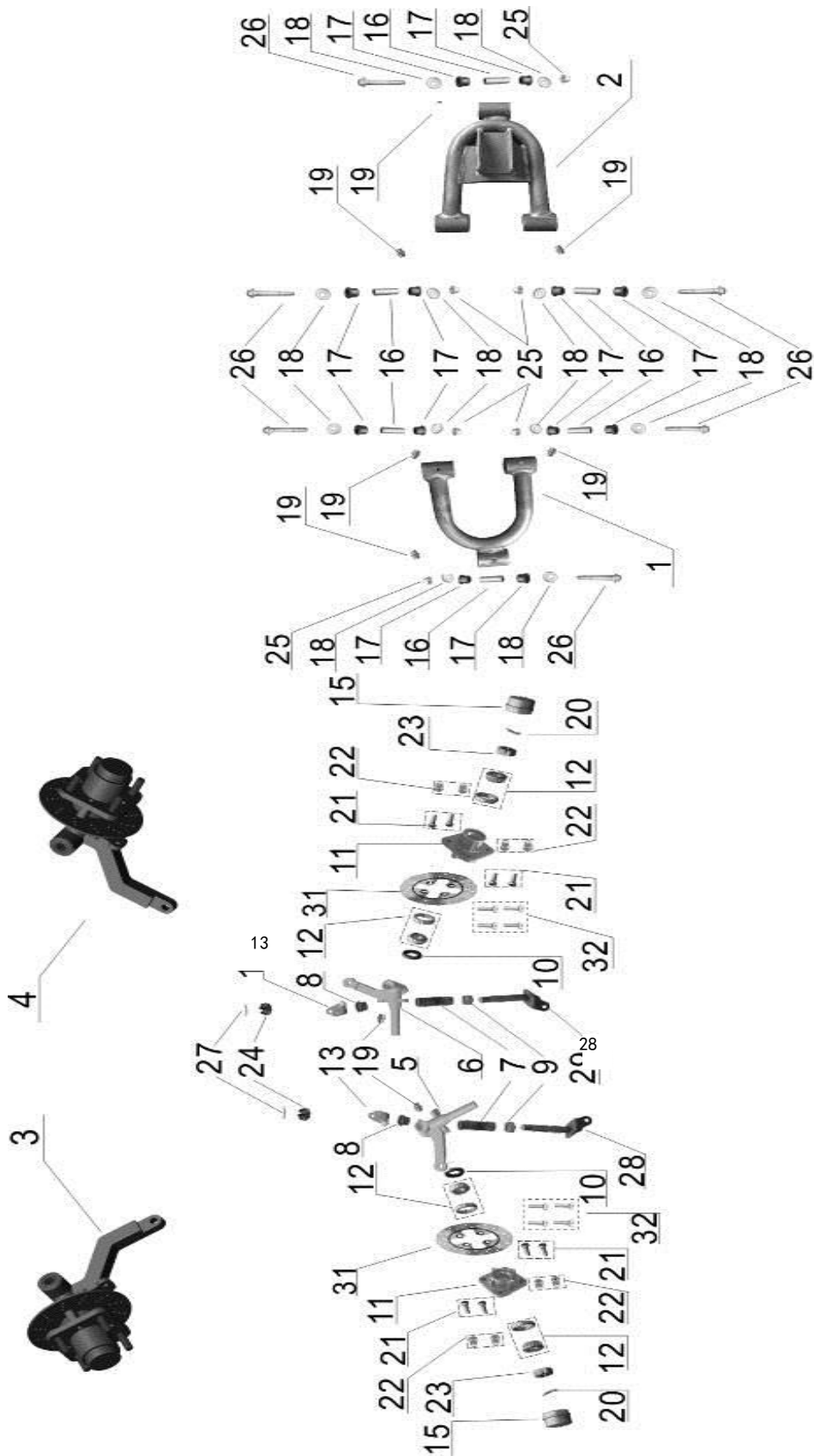
SECTION 4 – FRAME ASSEMBLY



SECTION 4 – FRAME ASSEMBLY (CONTINUED)

Item #	Part #	Description	Quantity
4-1	1008651	Frame assembly (black)	1
4-2	1007096	Access panel	1
4-3	1007097	Rubber screw A0031	6
4-4	1007098	Clevis, front bumper (driver side)	1
4-5	1007099	Clevis, front bumper (passenger side)	1
4-6	1008653	Holder I, battery	1
4-7	1008652	Holder II, battery	1
4-8	1007102	Front bumper	1
4-9	1007103	Rear bumper	1
4-10	1007104	Supporting rack rear bumper(black)	1
4-11	1007105	Screw Phillips Flat-Head M6x20	6
4-12	1017011	Flange Nut M8	4
4-13	1007878	Stud bolt (275mm)	4
4-14	1008655	Pressing plate, battery	1
4-15	1008657	Pressing plate II battery	1
4-16	1007110	Bolt, hex-head flange M10x20	2
4-17	1007328	Screw Phillips Flat-Head M6x12	4
4-18	1007111	Bolt, Hex flange M10x1.25x25	2
4-19	1007112	Self-locking nut M10x1.25	2
4-20	1007113	Front bumper kit (4, 5, 8,16,17)	1
4-21	1007114	Rear bumper kit (9,10,11,18,19)	1
4-22	1017013	Sticker, switch instruction	1
4-23	1017014	Plate board, SN (Silver)	1
4-24	1017015	Plate board, VIN (Black)	1
4-25	1007020	Self-locking nut M8	4

SECTION 5 - FRONT SHAFT



SECTION 5 – FRONT SHAFT (CONTINUED)

Item #	Part #	Description	Quantity
5-1	1008132	Upper swing arm, front axle	2
5-2	1017172	Lower swing arm, front axle	2
5-3	1008130	Spindle assembly, front axle (driver side)	1
5-4	1008134	Spindle assembly, front axle (passenger side)	1
5-5	1008155	Spindle, front axle (driver side)	1
5-6	1008156	Spindle, front axle (passenger side)	1
5-7	1007133	Inner spacer, spindle	2
5-8	1007134	Inner bushing, spindle(top)	2
5-9	1007135	Inner bushing, spindle(bottom)	2
5-10	1007136	Cover, oil seal	2
5-11	1007137	Connecting plate, front wheel	2
5-12	1007138	Connecting plate bearing	4
5-13	1007820	Clevis, upper swing arm (Driver)	2
5-15	1007141	Dustproof cover	2
5-16	1007142	Inner gasket, swing arm	12
5-17	1007143	Nylon gasket, swing arm	24
5-18	1007144	Dust cover, swing arm	24
5-19	1007145	Grease jet	14
5-20	1007885	Spindle plug cotter pin	2
5-21	1007148	Scrw, Connecting plate M12x1.25x25	8
5-22	1008084	Chrome lug nuts	8
5-23	1007150	Slotted nut, spindle M24	2
5-24	1007151	Nut, slotted hex M16x1.5	2
5-25	1007112	Self-locking nut M10x1.25	12
5-26	1007152	Bolt, hex-head flange M10x75x1.25	12
5-27	1007885	Pin, cotter 3.2x32	2
5-28	1007822	Clevis, lower swing arm (Driver)	2
5-31	1007186	Brake disc	2
5-32	1007199	Connecting bolt, disc brake	8

SECTION 6 – STEERING SYSTEM ASSEMBLY



SECTION 6 – STEERING SYSTEM ASSEMBLY (CONTINUED)

Item #	Part #	Description	Quantity
6-1	1017187	Steering wheel (14")	1
6-2	1017199	Logo Sticker, Steering wheel (14")	1
6-3	1017190	Holder, Steering wheel (14") (Fixing Sleeve)	1
6-4	1008100	Assembly, steering gear box	1
6-5	1007161	Steering shaft	1
6-6	1007854	Jacket tube(black)	1
6-7	1007163	Steering shaft bearing 61904-2Z	1
6-8	1007164	Inner Snap Ring Strng shaft bearing	1
6-9	1007165	Outer, Snap Ring Strng shaft bearing	1
6-10	1007166	Fixed seat, steering column (driver side)	1
6-11	1007167	Fixed seat, steering column (passenger side)	1
6-12	1017022	Rubber, lock hole	1
6-13	1007169	Bolt, Hex-Head Flange M8x45	2
6-14	1007170	Bolt, Hex-Head Flange M10x150x1.25	2
6-15	1007112	Self-locking nut M10x1.25	2
6-16	1007124	Self-locking nut M12x1.25	1
6-17	1007198	Flange bolt M10x1.25x30	3
6-18	1017023	Cover, steering column (upper)	1
6-19	1007825	Inner Snap Ring Strng shaft bearing	1
6-20	1007885	Pin, cotter 3.2x32	1
6-21	1017021	Screw M6x16	3
6-22	1017024	Self-tapping screw ST4.2x9.5	8
6-23	1017025	Steering shaft bearing(ϕ 20x ϕ 35-8)	1
6-25	1017173	Warning Label, Steering Wheel	1
6-26	1017026	Flat washer M12	2
6-27	1017017	Screw M4x6	1
6-28	1017018	Screw M4x10	2
6-29	1017019	Return board	1
6-30	1017020	Cover, Steering Column (Lower)	1

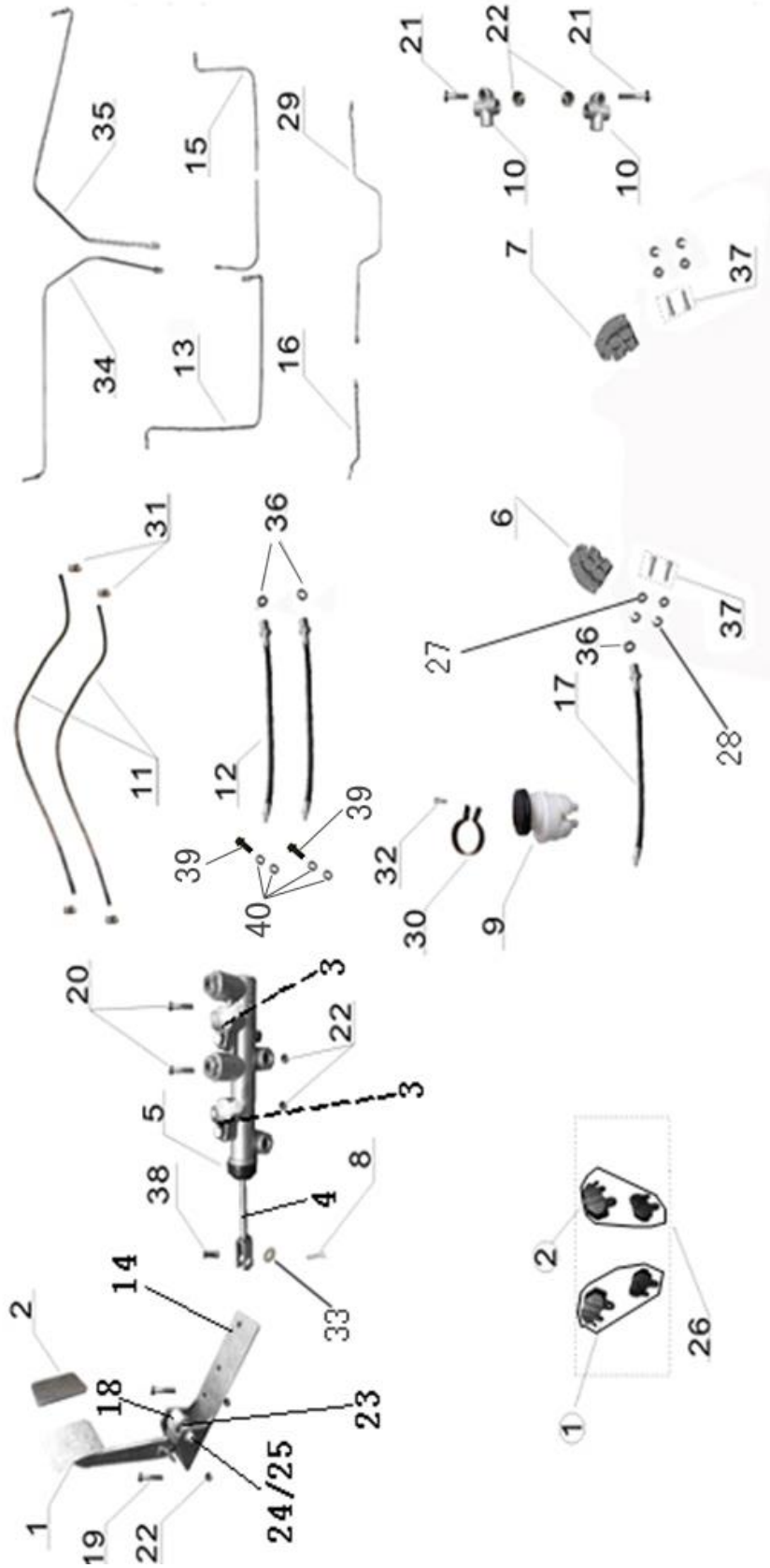
SECTION 7 – TIRE ASSEMBLY



Item #	Part #	Description	Quantity
7-1	1017180	Tire 14"	4
7-2	1017164	Aluminum wheel 14"	4
7-3	1008143	Center cap 09	4
7-4	1007178	Stem, valve	4

THIS PAGE INTENTIONALLY LEFT BLANK

SECTION 8 – BRAKE SYSTEM ASSEMBLY



SECTION 8 – BRAKE SYSTEM ASSEMBLY (CONTINUED)

Item #	Part #	Description	Quantity
8-1	1017029	Brake pedal	1
8-2	1007180	Rubber cover, pedal	1
8-3	1017030	Pressured board	2
8-4	1017031	Pushrod	1
8-5	1007840	Brake master cylinder assembly	1
8-6	1007870	Caliper for disc brake (driver side)	1
8-7	1007871	Caliper for disc brake (passenger side)	1
8-8	1007464	Spindle plug	1
8-9	1007187	Fluid reservoir	1
8-10	1007188	Tee	2
8-11	1007536	OIL Tube (1100* ϕ 13.5* ϕ 7.5)	2
8-12	1017033	Front Flexible Brake Line	2
8-13	1007192	Steel bake line (front of cylinder)	1
8-14	1017034	Holder, brake pedal	1
8-15	1007827	Steel brake line (rear of cylinder)	1
8-16	1007194	Steel brake line (left rear)	1
8-17	1008003	Rear Flexible Brake Line	1
8-18	1017035	Spring, brake pedal	1
8-19	1007111	Bolt, Hex-Head Flange M10x25	2
8-20	1007201	Bolt, Hex-Head Flange M10x65x1.25	2
8-21	1007198	Bolt, Hex-Head Flange M10x35x1.25	2
8-22	1007112	Self-locking nut M10x1.25	6
8-23	1017036	Spacer, brake pedal	1
8-24	1007152	Bolt, Hex-Head Flange M10x75x1.25	1
8-25	1007112	Self-locking nut M10x1.25	1
8-26	1007213	Front brake pads kit	4
8-26-①	1017236	Front brake pads kit (lift)	1
8-26-②	1017237	Front brake pads kit (right)	1
8-27	1007211	Flat washer M8	4
8-28	1007458	Lock washer M8	4
8-29	1007202	Steel brake line (right rear)	1
8-30	1007203	Oil cup clip	1
8-31	1007204	Clip, brake line	4
8-32	1017238	Screw Phillips Flat-Head M6x12	1
8-33	1007211	Flat washer M8	1
8-34	1007207	Steel brake line (driver's side)	1
8-35	1007208	Steel brake line (passenger's side)	1
8-36	1007209	Hex nut M16	3
8-37	1007210	Bolt, Hex-Head inside M8x20	4
8-38	1008006	Master cylinder connecting pin	1
8-39	1017213	Bolt, Brake Line	2
8-40	1017214	Copper washer	4

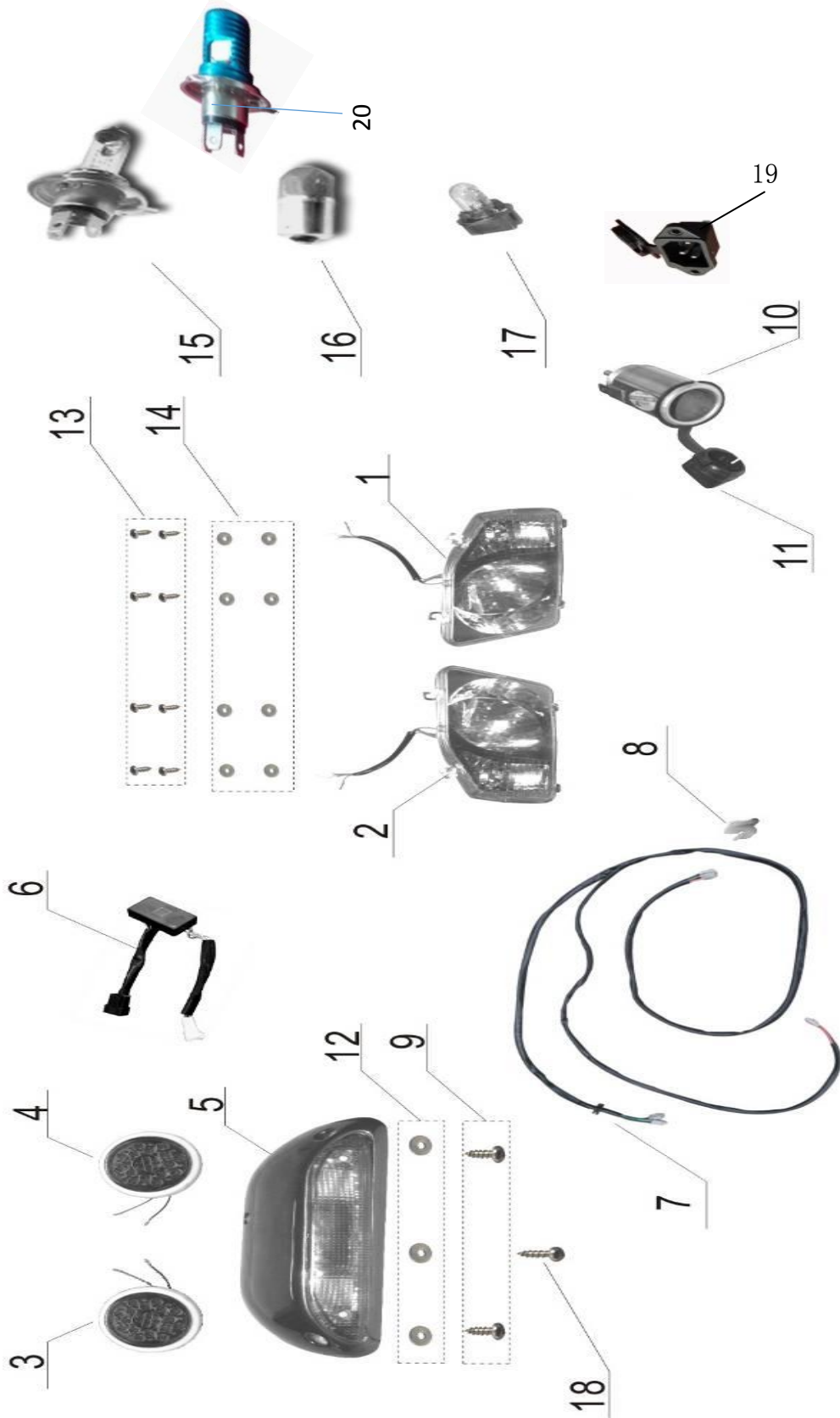
SECTION 9 – ELECTRIC SYSTEM ASSEMBLY



SECTION 9 – ELECTRIC SYSTEM ASSEMBLY (CONTINUED)

Item #	Part #	Description	Quantity
9-1	1017037	Battery cable (short)	7
9-3	1017038	Holder, switch	1
9-4	1007217	Battery power level indicator	1
9-5	1007218	Switch, forward/reverse	1
9-5	1017178	Switch, forward/reverse (FWD is on green cover position)	1
9-6	1017039	High/low speed switch	1
9-7	1017040	Turn signal stalk	1
9-8	1007221	Horn	1
9-9	1017166	DC converter (EPS)	1
9-10	1007223	Brake switch	1
9-11	1008103	Wire harness	1
9-11	1017165	Main harness (new FWD//REV switch)	1
9-13	1007229	Buzzer, reverse	1
9-14	1017110	Speedometer	1
9-15	1008714	On-board charger(Lester)	1
9-16	1008161	Screw Phillips Flat-Head M6x30	2
9-17	1007891	Hex bolt M6x16	2
9-18	1007883	Screw Phillips Flat-Head M5x16	4
9-19	1007232	Bolt, hex-head flange M6x20	1
9-20	1008712	Bracket, charge plug	1
9-21	1007299	Self-tapping screw ST4.2x9.5 (SS)	3
9-22	1007494	Clamping piece nut	3
9-23	1007808	Box, charger plug	1
9-24	1007108	Self-locking nut M6	5
9-25	1007882	Self-tapping screw ST4.2x16 (SS)	2
9-26	1007859	Fuse box	1
9-27	1008068	Bulb, Indicator light(3.4W/13V)	3
9-28	1008069	Bulb, Park Brk Ind (3.4W/48V)	1
9-29	1017111	Switch, Emergency Flasher	1
9-30	1008124	headlight switch	1
9-33	1007015	Switch, Tow/Run	1
9-34	1008705	Board charge status	1
9-35	1017113	Screw M5x10	2
9-36	1017114	Nut M5	2
9-37	1017116	Key Switch, Power, Locking	1
9-38	1017042	Sticker, power lock	1
9-39	1017043	Plug, auxiliary power	1
9-40	1017115	Wiring sticker, charge signal	1

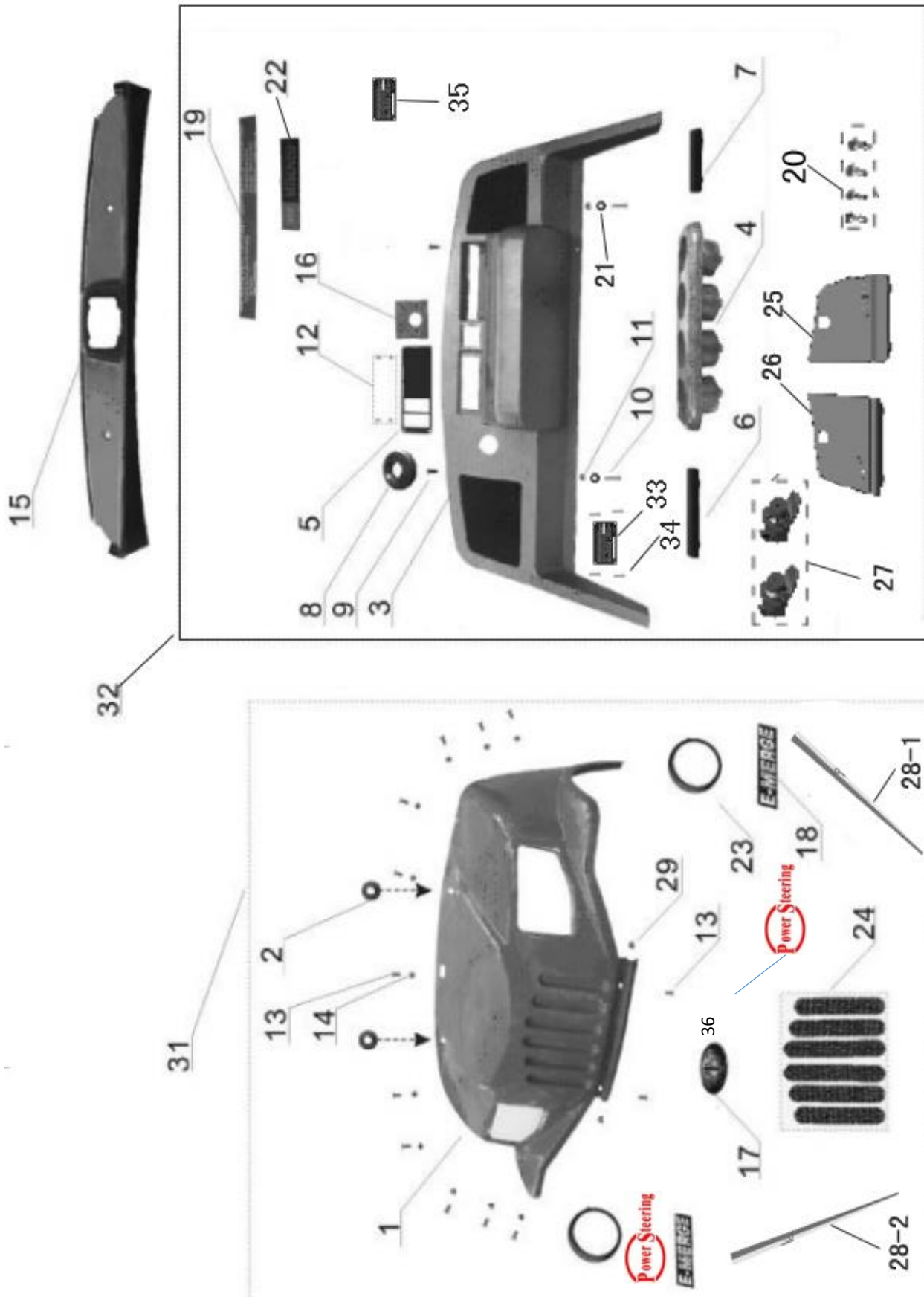
SECTION 10 – HEADLIGHT ASSEMBLY



SECTION 10 – HEADLIGHT ASSEMBLY (CONTINUED)

Item #	Part #	Description	Quantity
10-1	1008104	Headlight assembly (driver side)	1
10-2	1017239	Headlight assembly (passenger side)	1
10-3	1008106	Tail light assembly (driver side)	1
10-4	1008107	Tail light assembly (passenger side)	1
10-5	1017167	Center high mount stop lamp (red)	1
10-6	1008127	Strobes	1
10-7	1008128	Wires for center high mount stop lamp	1
10-8	1007253	Clip adhesive backed	15
10-9	1007255	Self-tapping screw ST6.3x20	2
10-10	1007259	Multifunctional receptacle	1
10-11	1007260	Cap, multifunctional receptacle	1
10-12	1007360	Flat washer M6(stainless)	3
10-13	1007884	Self-tapping screw ST6.3x16	8
10-14	1007107	Big flat washer M6	8
10-15	1007263	Head light replacement bulb (HS1 12v 35/35w)	2
10-16	1007264	Turning bulb (Osram 12v 10w)	2
10-17	1008151	Bulb, center high mount stop lamp	1
10-18	1007468	Self-tapping screw ST6.3x25	1
10-19	1017043	Plug, auxiliary power	1
10-20	1017159	Head light replacement bulb (LED HS1 12v 35/35w)	2

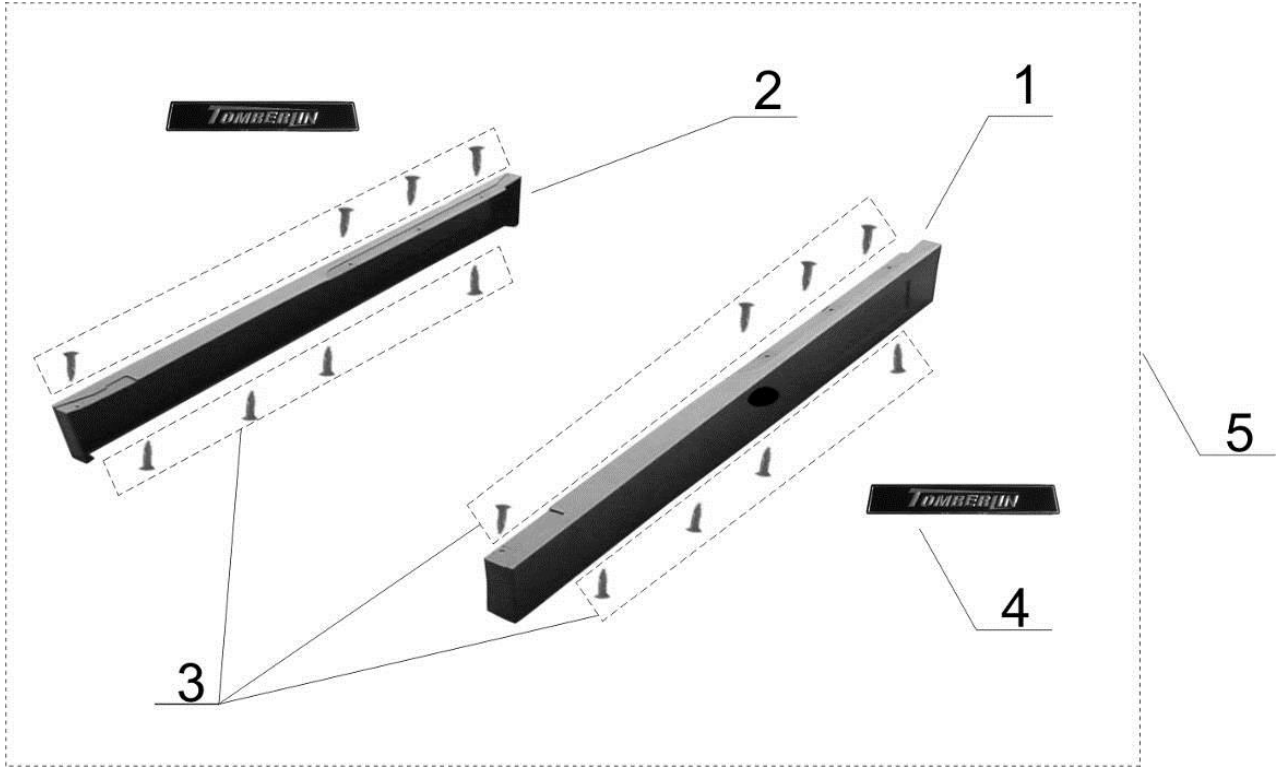
SECTION 11 – FRONT BODY ASSEMBLY



SECTION 11 – FRONT BODY ASSEMBLY (CONTINUED)

Item #	Part #	Description	Quantity
11-1	1017168	Painted Front body (lollipop red)	1
11-2	1007290	Grommet front body	2
11-3	1007291	dash	1
11-4	1017104	Cup holder, carbon fiber	1
11-5	1008138	Back plate, instrument switch	1
11-6	1007294	Capped edge, dash (driver side)	1
11-7	1007295	Capped edge, dash (passenger side)	1
11-8	1007296	Boot, steering column	1
11-9	1008005	Rubber screw	2
11-10	1007298	Bolt, Hex Big Flat-Head inside M8x40	2
11-11	1007020	Self-locking nut M8	2
11-12	1007299	Self-tapping screw, Phillips Truss-head ST4.2x9.5 (stainless)	4
11-13	1007300	Screw, Phillips Flat-Head M6x16	13
11-14	1007109	Anti-slip nut M6	11
11-15	1007301	Instrument panel	1
11-16	1007302	Fixed seat for multifunctional receptacle	1
11-17	1008075	Decal, Tomberlin Logo	1
11-18	1007267	Chrome E-merge decal	2
11-19	1007268	Dash Warning Decal	1
11-20	1008281	Self-tapping screw ST4.2x13	4
11-21	1007343	Big flat washer M8	2
11-22	1007280	Speed warning decal	1
11-23	1007285	Front reflectors/side (DOT, Yellow)	2
11-24	1007213	Decal for grill	1
11-25	1008163	Cover of glove box (passenger side)	1
11-26	1008162	Cover of glove box (driver side)	1
11-27	1008164	Lock of glove box	2
11-28-2	1017176	Sticker, Front Cover, RH	1
11-29	1007108	Self-locking nut M6	2
11-30	1008186	Self-tapping screw, Phillips Truss-head ST4.8x13	4
11-31	1008139	Front body kit (includes items 1,2,13,14,17,18,23,24,28,29)	1
11-32	1008179	Dash kit (includes items 4,5,6,7,8,9,10,11,12,16,19,20,21,22)	1
11-33	1017065	Plate, SN	
11-34	1017066	Rivet	4
11-35	1017133	Plate, VIN	
11-36	1017200	EPS sticker	2

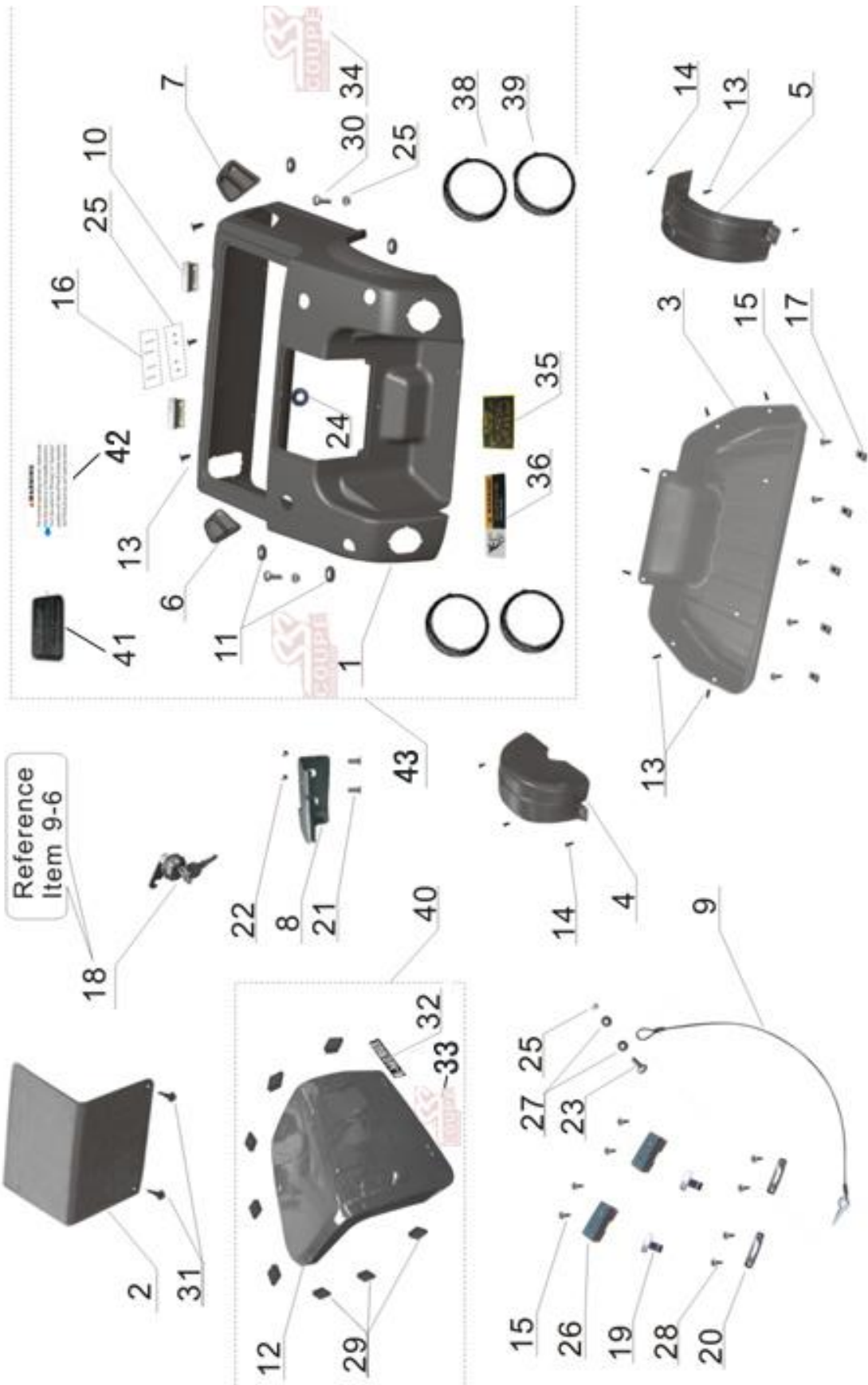
SECTION 12 – SIDE BODY ASSEMBLY



Item #	Part #	Description	Quantity
12-1	1007303	Body side trim (on driver's side)	1
12-2	1007304	Body side trim (on passenger's side)	1
12-3	1008724	Bolt, Phillips Truss-Head M5x10	16
12-4	1008074	Tomberlin Brand side board	2
12-5	1008140	Body side trim kit (includes 1-4)	1

THIS PAGE INTENTIONALLY LEFT BLANK

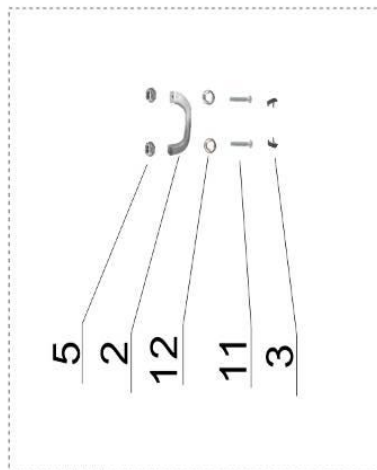
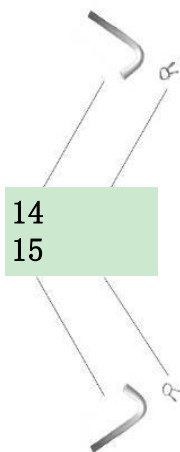
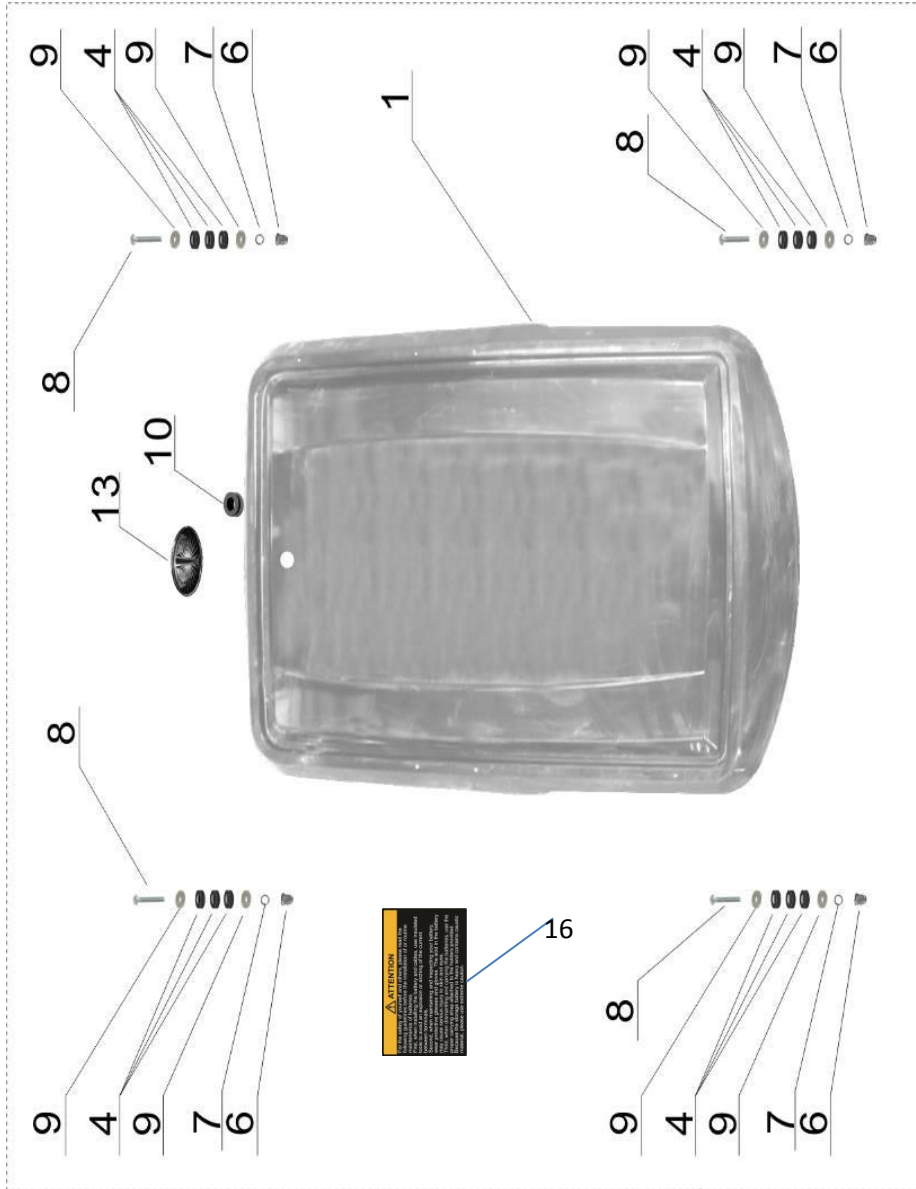
SECTION 13 – REAR BODY ASSEMBLY



SECTION 13 – REAR BODY ASSEMBLY (CONTINUED)

Item #	Part #	Description	Quantity
13-1	1017169	Painted Rear body (lollipop red)	1
13-2	1007309	Access panel	1
13-3	1007310	Bagwell protector	1
13-4	1007311	Inner fender (driver side)	1
13-5	1007312	Inner fender (passenger side)	1
13-6	1007313	Body vent (driver side)	1
13-7	1007314	Body vent (passenger side)	1
13-8	1008278	Latch, Lock Rear Trunk	1
13-9	1007316	Rear trunk lanyard	2
13-10	1007317	Seat hinge body	2
13-11	1007318	Grommets rear body	4
13-12	1017170	Painted Trunk (lollipop red)	1
13-13	1007874	Rubber screw	11
13-14	1008005	Rubber screw	4
13-15	1007882	Self-tapping screw ST4.2x16 (SS)	9
13-16	1007880	Hex bolt M6x35 (SS)	4
13-17	1007494	Clamping piece nut	5
13-18	1008270	Rear Trunk Lock	1
13-19	1007326	Rear Trunk upper bracket	2
13-20	1007327	Rear Trunk Lower Bracket	2
13-21	1007300	Screw Phillips Flat-Head M6x16	2
13-22	1007109	Anti-slip nut M6	2
13-23	1007551	Pan head shoulder bolt M6x10	2
13-24	1007290	Grommet front body	1
13-25	1007108	Self-locking nut M6	8
13-26	1007331	Rear Trunk Upper Bracket Cover	2
13-27	1007206	Big flat washer M6 (stainless)	4
13-28	1007299	Screw, Phillips Truss, ST4.2x9.5 (SS)	4
13-29	1007483	Foam trim, trunk cover	8
13-30	1008166	Screw- Pan Head (with flat washer)	2
13-31	1007097	Rubber screw A0015	2
13-32	1007267	Chrome E-merge decal	1
13-33	1017174	Sticker, Crystal, SS COUPE (SM)	1
13-34	1017177	Sticker, Crystal, SS COUPE (BIG)	2
13-35	1007273	Battery warning decal	1
13-36	1007274	Warning decal Do not sit or stand	1
13-37	1007276	Battery maintenance decal	1
13-38	1007283	Rear reflectors, Side (DOT, Red)	2
13-39	1007283	Rear reflectors, Back (DOT, Red)	2
13-40	1008023	Trunk kit (includes 12、 29、 32 、 33)	1
13-41	1008024	Rear body kit (includes items1, 6-7, 10-11,13,16, 23-25, 30, 33-39,42)	1
14-42	1017086	Warning label, switch	1

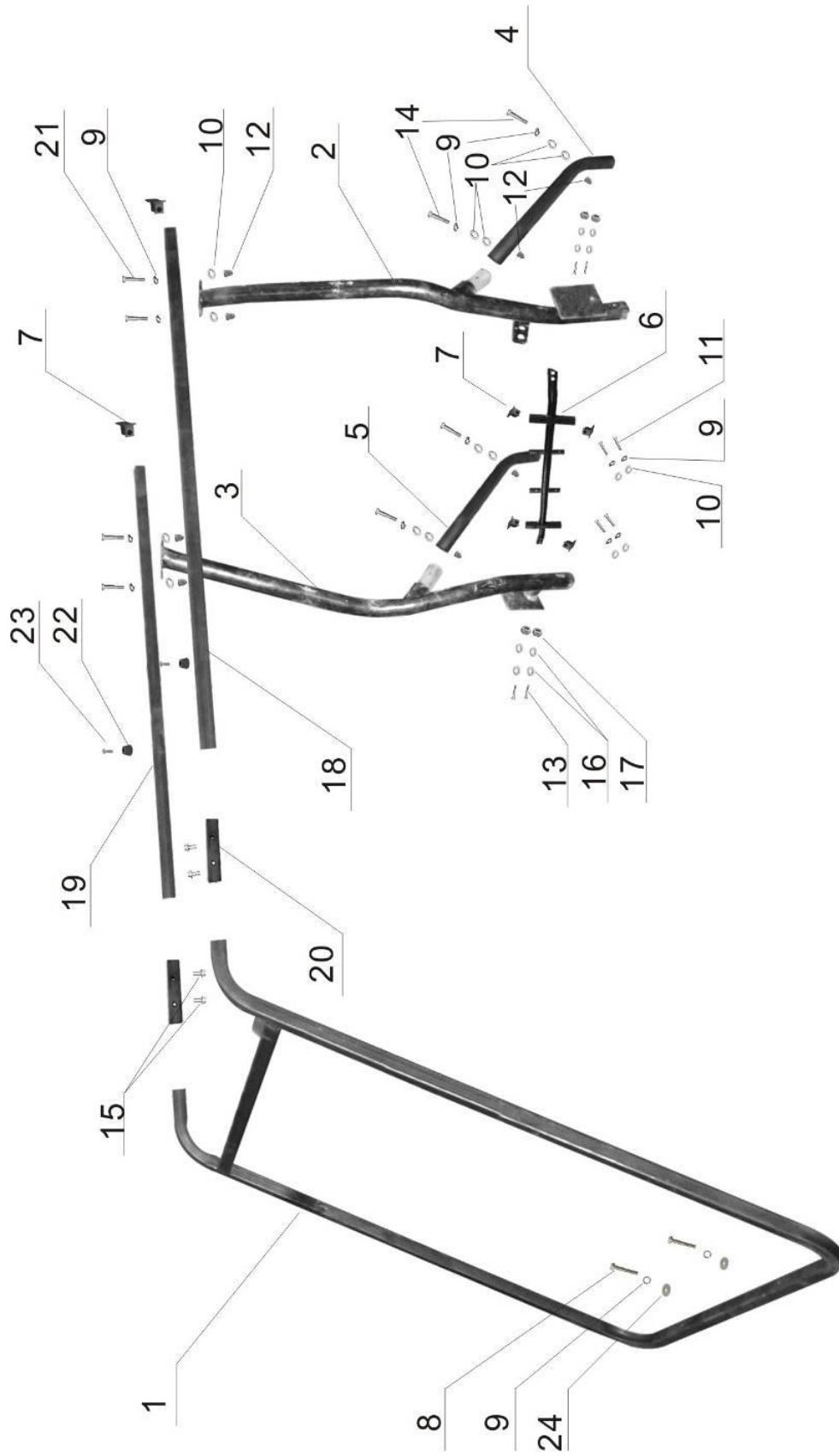
SECTION 14 – CANOPY ASSEMBLY



SECTION 14 – CANOPY ASSEMBLY (CONTINUED)

Item #	Part #	Description	Quantity
14-1	1017171	Painted Canopy (lollipop red)	1
14-2	1007336	Handle	1
14-3	1007337	Handle cover, canopy	2
14-4	1007338	Small rubber washer	12
14-5	1007108	Self-locking nut M6	2
14-6	1007340	Cap nut M6 (SS)	4
14-7	1007346	Lock washer M6 (SS)	4
14-8	1007881	Bolt, Phillips Truss-Head M6x55 (SS)	4
14-9	1007206	Big flat washer M6 (SS)	8
14-10	1007149	Rubber bushing	1
14-11	1007453	Bolt, Phillips Truss-Head M6x40	2
14-12	1007003	Flat washer M6	2
14-13	1008075	Tomberlin Brand Logo	1
14-14	1007608	Water drain, canopy	2
14-15	1007348	Water drain, clamp	2
14-16	1008272	Warning sticker	1

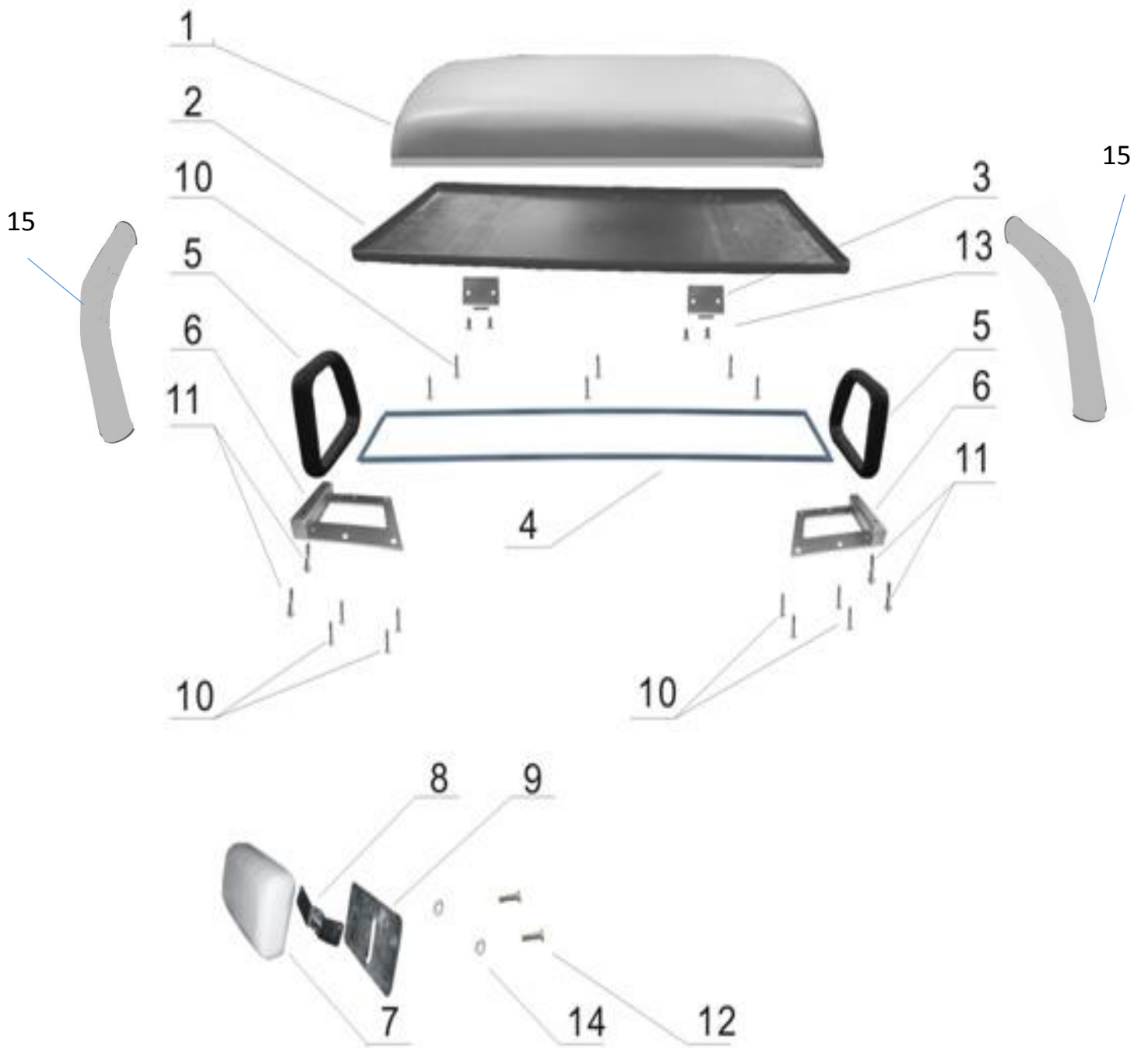
SECTION 15 – CANOPY BAR ASSEMBLY



SECTION 15 – CANOPY BAR ASSEMBLY (CONTINUED)

Item #	Part #	Description	Quantity
15-1	1008041	Windshield frame(black)	1
15-2	1007351	Rear Pillar (driver side) Φ 45x2mm	1
15-3	1007352	Rear Pillar (passenger side) Φ 45x2mm	1
15-4	1007354	Pillar Support (on driver's side)	1
15-5	1007354	Pillar support (on passenger's side)	1
15-6	1007355	Seatback support (black)	1
15-7	1007356	Rubber stop, Canopy Support	6
15-8	1007349	Hex bolt M8x50 (stainless)	2
15-9	1007344	Lock washer M8 (stainless)	14
15-10	1007345	Flat washer M8 (stainless)	16
15-11	1007357	Flange bolt M8x45 (stainless)	4
15-12	1007339	Cap nut M8 (stainless)	8
15-13	1007001	Hex bolt M6x40(stainless)	4
15-14	1007359	Hex bolt M8x55 (stainless)	4
15-15	1007300	Screw, Phillips Flat-Head M6x16	4
15-16	1007360	Flat washer M6 (stainless)	8
15-17	1007361	Nut, nylon Lock M6 (stainless)	4
15-18	1007362	Bracket, rear canopy(black) (Passenger side) 25x25x2mm	1
15-19	1007363	Bracket, rear canopy(black) (on driver's side)25x25x2mm	1
15-20	1007364	Connecting Insert, Canopy Bracket	2
15-21	1007454	Hex bolt M8x40	4
15-22	1007455	Rubber bushing	2
15-23	1007391	Bolt, Phillips Truss-Head M5x14	2
15-24	1007343	Flat Washer, Fender M8	2

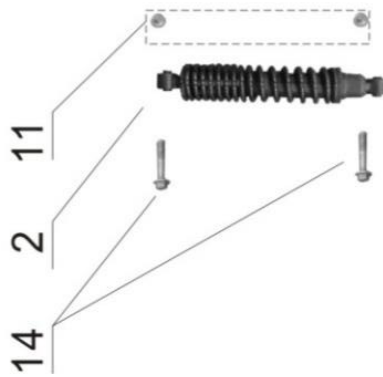
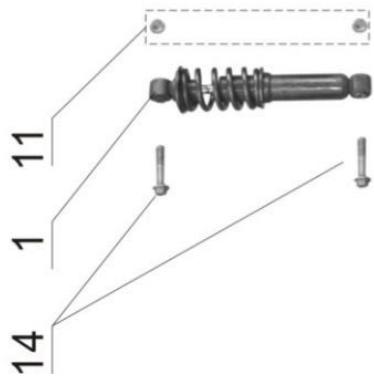
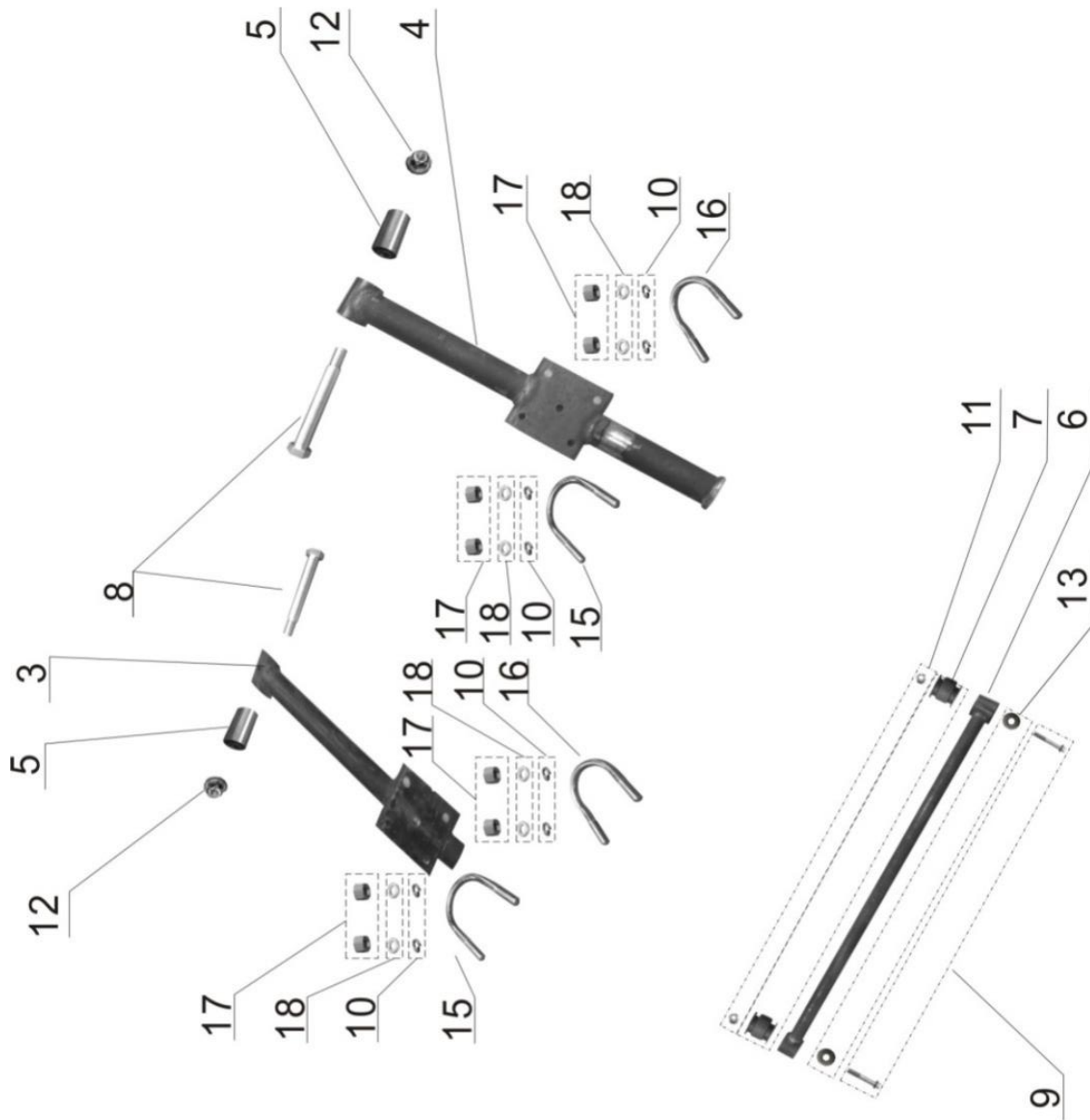
SECTION 16 – SEAT ASSEMBLY



SECTION 16 – SEAT ASSEMBLY (CONTINUED)

Item #	Part #	Description	Quantity
16-1	1017196	Seat(white leather white edge)	1
16-2	1007366	Seat bottom	1
16-3	1007367	Plate, seat hinge, stainless steel	2
16-4	1007507	Dash, rubber trim of the baseboard of seat	3
16-5	1007369	Armrest of seat	2
16-6	1007370	Armrest bracket	2
16-7	1017197	Backrest (white leather white edge)	2
16-8	1007372	Supporting board, backrest	2
16-9	1007373	Baseboard of backrest	2
16-10	1007374	Bolt, Hex Big Flat-Head inside M8x30	14
16-11	1007375	Bolt, Hex-Head Flange M8x40	4
16-12	1007376	Flange bolt M8x35	4
16-13	1007205	Screw, Phillips Flat-Head M6x12	4
16-14	1007343	Big flat washer M8	4
16-15	1017198	Sheath, Armrest of seat (white leather white edge)	2

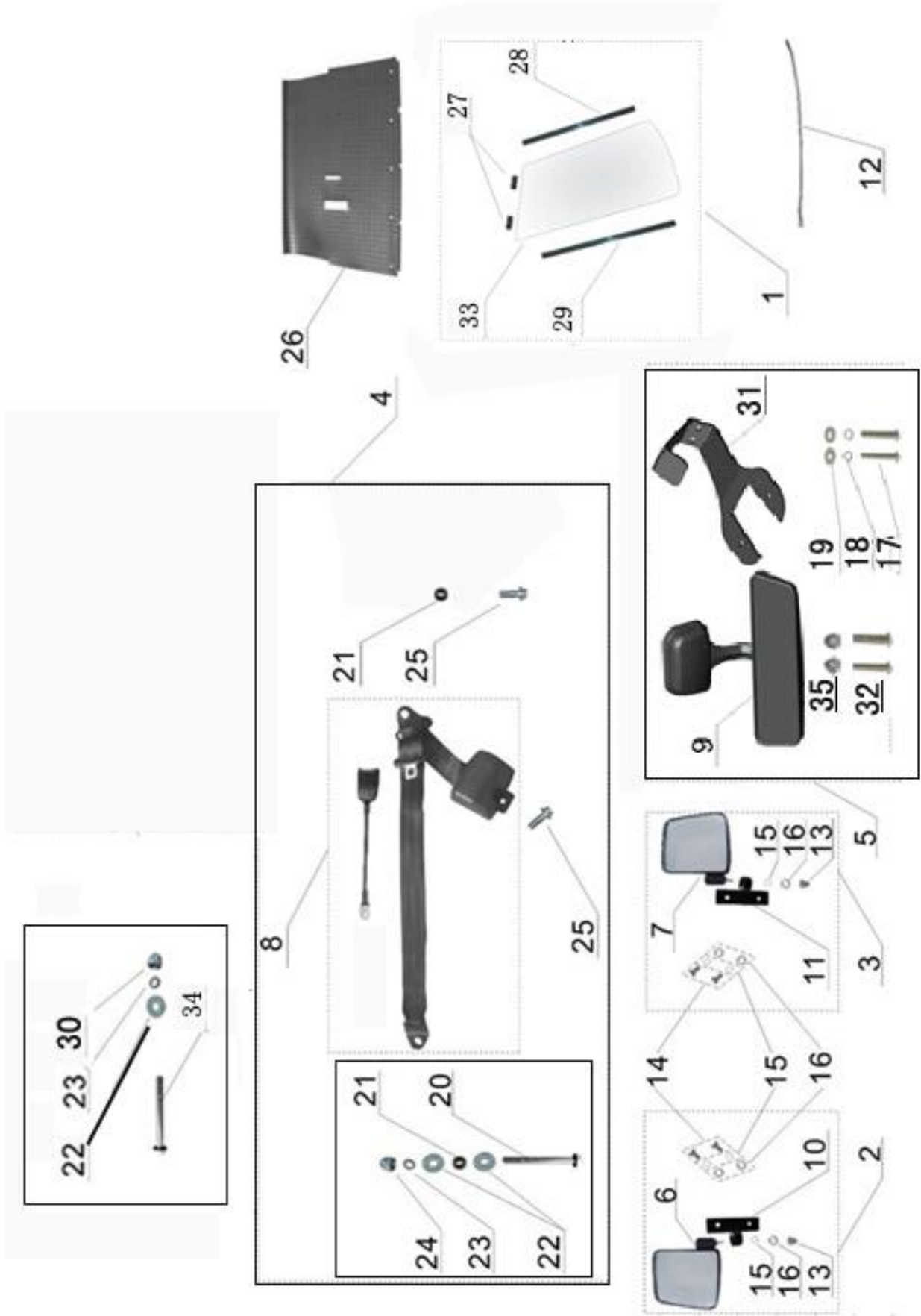
SECTION 17 – REAR SUSPENSION ASSEMBLY



SECTION 17 – REAR SUSPENSION ASSEMBLY (CONTINUED)

Item #	Part #	Description	Quantity
17-1	1017179	Front shock Absorber (300mm E2)	2
17-2	1017101	Rear shock Absorber (318mm E4)	2
17-3	1007813	Black rear swing frame (driver side)	1
17-4	1007118	Black rear swing frame (passenger side)	1
17-5	1007119	Buffering sleeve, rear swing frame	2
17-6	1007120	Equalizer(black)	1
17-7	1007121	Buffering gasket, equalizer	2
17-8	1007122	Fixing bolt, rear swing frame	2
17-9	1007126	Bolt, Hex-Head Flange M10x60x1.25	2
17-10	1007459	Lock washer M10	8
17-11	1007112	Self-locking nut M10x1.25	10
17-12	1007124	Self-locking nut M12x1.25	2
17-13	1007879	Big flat washer M10	2
17-14	1007126	Bolt, Hex-Head Flange M10x1.25x55	8
17-15	1007814	U-Bolt, (Equal)	2
17-16	1007815	U-Bolt, (Raise)	2
17-17	1007864	Thick nut M10x1.25	8
17-18	1007865	Flat washer M10	8

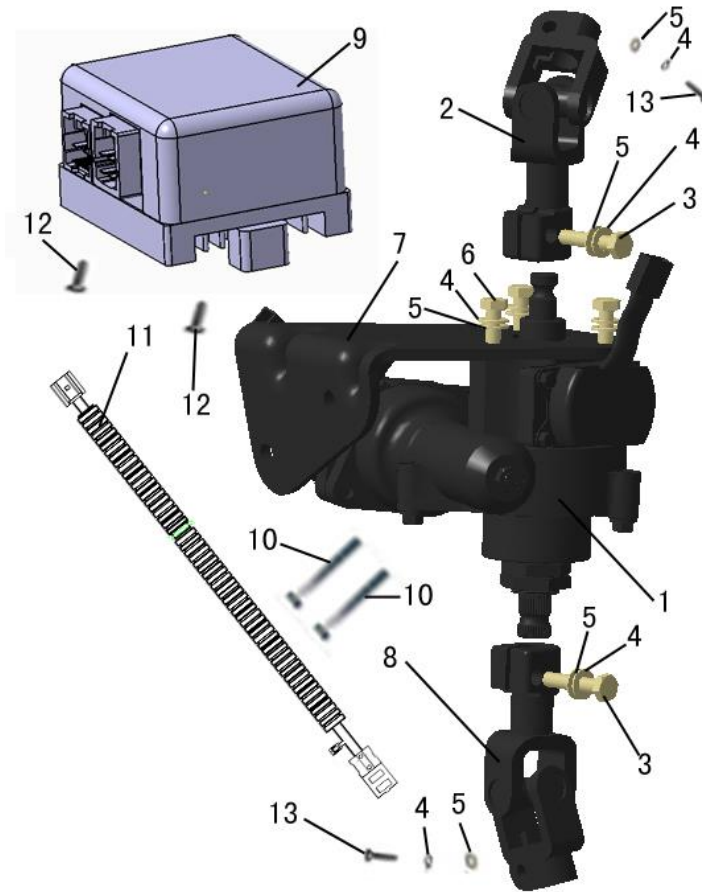
SECTION 18 – ACCESSORIES



SECTION 18 – ACCESSORIES (CONTINUED)

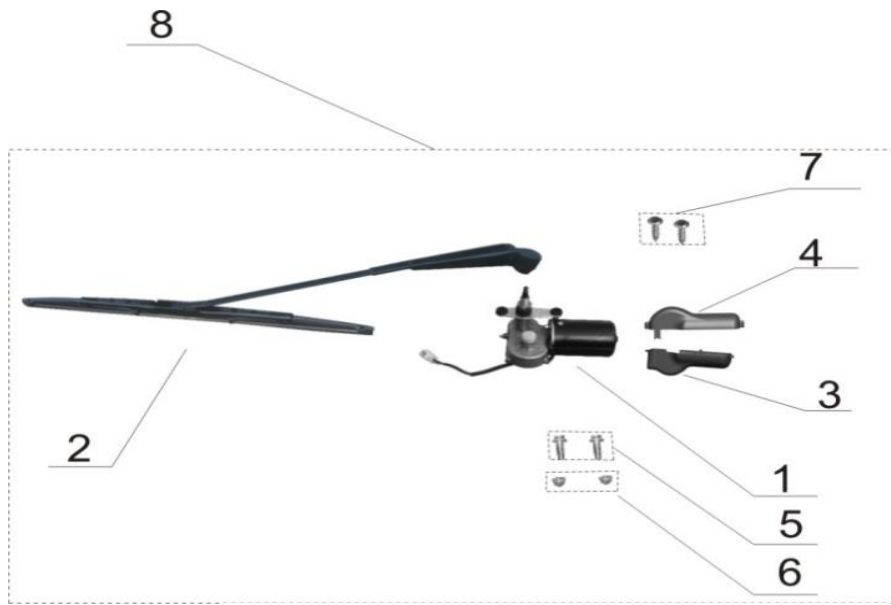
Item #	Part #	Description	Quantity
18-1	1007378	Windshield kit (includes 27,28,29,33)	1
18-2	1007379	Rear view mirror kit (driver side) (Includes 6,10,13,14,15,16)	1
18-3	1007531	Rear view mirror kit (passenger side) (Includes 7,11,13,14,15,16)	1
18-4	1007380	Seat belt kit (Includes 8,20,21,22,23,24,25)	1
18-5	1008178	Inner mirror kit (Includes 9,17,18,19,31,32,35)	1
18-6	1007382	Rear view mirror (driver side)	1
18-7	1007383	Rear view mirror (passenger side)	1
18-8	1007380A	Seat belt (LH)	1
18-8	1007380B	Seat belt (RH)	1
18-9	1008137	Inner mirror	1
18-10	1007386	Bracket for rear view mirror (driver side)	1
18-11	1007387	Bracket for rear view mirror (passenger side)	1
18-12	1007388	Tape	28
18-13	1007340	Cap nut M6 (stainless)	2
18-14	1007389	Screw, Phillip truss-head M6x14 (SS)	4
18-15	1007346	Lock washer M6 (SS)	6
18-16	1007360	Flat washer M6 (SS)	6
18-17	1007391	Screw, Phillips Truss-Head M5x14	4
18-18	1007346	Lock washer M5	4
18-19	1007107	Flat, Washer M5	4
18-20	1007201	Bolt, hex-head flange M10 – 1.25x65	2
18-21	1007393	Bush	4
18-22	1007394	Flat washer M10 (SS)	8
18-23	1007395	lock washer M10 (SS)	4
18-24	1007550	Cap nut M10	4
18-25	1007397	Bolt, hex-head flange M10x25	4
18-26	1007490	Floor mat	1
18-27	1007402	Channel, Windshield	2
18-28	1007833	Windshield Side Channel (driver side)	1
18-29	1007834	Channel on the side of windshield (passenger side)	1
18-30	1007112	Self-locking nut M10x1.25	1
18-31	1008043	Mounting bracket, inner mirror (black)	1
18-32	1007205	Screw Phillips Flat-Head M6x12	2
18-33	1017094	Windshield	1
18-34	1007201	Bolt, Hex-Head Flange M10x60x1.25	2
18-35	1007108	Self-locking nut M6	2

SECTION 19 – EPS ASSEMBLY



Item #	Part #	Description	Quantity
19-1	1017191	Motor, EPS	1
19-2	1017195	Compound steering joint (UPPER)	1
19-3	1007392	Bolt, Hex-Head Flange M8x30	2
19-4	1007458	Lock washer M8	7
19-5	1007211	Flat washer M8	7
19-6	1007021	Bolt, Hex-Head Flange M8x20	3
19-7	1017189	Holder, EPS (Fixing Plate)	1
19-8	1017194	Compound steering joint (LOWER)	1
19-9	1017192	ECU, EPS	1
19-10	1017183	Bolt, hex-head flange M10x60x1.25	2
19-11	1017204	Wire harness, EPS	1
19-12	1007205	Screw Phillips Flat-Head M6x12	2
19-13	1007487	Flange bolt M8x25	2

SECTION 20 – WINDSHIELD WIPER KIT & OWNER’S MANUAL



Item #	Part #	Description	Quantity
20-1	1017095	Motor for the windshield wiper	1
20-2	1007407	Windshield Wiper Blade and Arm assembly	1
20-3	1007806	Lower cover, windshield wiper motor	1
20-4	1007805	Upper cover, windshield wiper motor	1
20-5	1007232	Bolt, hex-head flange M6x20	2
20-6	1007108	Self-locking nut M6	2
20-7	1007482	Self-tapping screw ST3.5x13	2
20-8	1008177	Windshield wiper kit (include 4,5,6,7,8,10,11)	1
20-9	1017096	Operator's manual box	1
20-10	1017097	Operator's manual	1

COLUMBIA VEHICLE GROUP

2505 Industrial Street Leesburg, Florida 34748

www.columbiausa.com

352.323.4966