



# **COLUMBIA**

## SUMMIT UTILITRUCK

### PARTS MANUAL JULY 2018



*Columbia Vehicle Group, Inc.*

A Nordic Group Company | Business Ventures Since 1947



**COLUMBIA**



**TOMBERLIN**

## PREFACE

Welcome, and congratulations on your choice of vehicle from Columbia Vehicle Group! Your vehicle has been designed and manufactured to conform to applicable sections of ANSI B56.8. Your safe use and operation of your vehicle is important to us. Any alteration of your Columbia vehicle that results in the vehicle being in noncompliance with applicable ANSI standards is strictly prohibited. Columbia Vehicle Group is not responsible or liable for any damage that results from any such alteration, and all warranties for any such altered vehicles are null and void.

Personal Transport Vehicles (PTV) are not designed for over-the-road use. They do not conform to Federal Motor Vehicle Safety Standards or EPA regulations, and are not equipped for operation on public streets, roads, or highways.

Low Speed Vehicles (LSV) commonly referred to as NEV or Neighborhood Electric Vehicles meet the requirements of the National Highway Traffic & Safety Administration (NHTSA) as stated in the Code of Federal Regulations, Title 49, Part 571, Standard 500, Low Speed Vehicles.

To the best knowledge of Columbia Vehicle Group, the material contained herein is accurate as of the date this publication was approved for printing. Columbia Vehicle Group is not liable for errors in this manual or for incidental or consequential damages that result from the use of the material in this manual. Columbia Vehicle Group reserves the right to change specifications, equipment or designs at any time without notice and without incurring obligation.

This manual contains proprietary information that is protected by copyright. All rights are reserved. No part of this manual may be photocopied, reproduced, or translated to another language without the written consent of Columbia Vehicle Group. Columbia Vehicle Group products are manufactured under one or more of the following U.S. Patents - 2986162, 2987934, 3116089, 3144631, 3144860, 3229792, 3434887, 3559773, 3673359, 3680403, 3683716, 3709317, 4648473, Des. 225626.



# Table of Contents

**Section  
Tab**      **Page**

---

---

## **SECTION 1 BRAKES**

---

---

Brake Pedal	1.02	8
Master Cylinder Assembly	1.03	9
Brake Lines & Valve	1.04	10
Front Brake Hub	1.05	11
Front Brake Assembly	1.06	12
Rear Brake Hub	1.07	13

---

---

## **SECTION 2 FRONT SUSPENSION / STEERING**

---

---

A-Arms	2.02	16
Front Suspension	2.03	17
Steering	2.04	19
Steering Shaft	2.05	20
Steering Column Assembly	2.06	21

---

---

## **SECTION 3 REAR SUSPENSION / DRIVE TRAIN**

---

---

Axle Shaft Components	3.02	24
Axle Gearbox Components	3.03	25
5KW Motor	3.04	26
8KW Motor	3.05	27
Rear Suspension and 5KW motor	3.06	28
Rear Suspension and 8KW motor	3.07	29
Rear Suspension Springs	3.08	31

---

---

## **SECTION 4 WHEELS**

---

---

Wheels	4.02	34
--------	------	----

---

---

## **SECTION 5 BODY**

---

---

Front Fascia	5.02	37
Front Body	5.03	38
Body	5.04	39
Body with 2nd Row Seating	5.05	40
Rear Body Panels 36" & 48"	5.06	41
36" Deck	5.07	42

48" Deck	5.08	43
Rear Body Panels 60" & 72"	5.09	44
60" Deck	5.10	45
72" Deck	5.11	46
Bucket Seat	5.12	47
Folding Seat	5.13	48
Folding Latching Seat	5.14	49
Fixed Seat	5.15	50
Bench Seat	5.16	51
Three Point Seatbelts	5.17	52
Two Point Seatbelts	5.18	53

---

<b>SECTION 6 ELECTRICAL</b>	6.01	55
-----------------------------	------	----

---

AC Display Panels	6.02	56
AC Dashmount Display	6.03	57
Keyswitch Assembly	6.04	58
48V AC Wire Harness	6.05	59
12V Accesory Wire Harness	6.06	63
AC Power System 275A/450A	6.07	67
AC Controller Box Assembly 275A/450A	6.08	68
AC Control Heatsink	6.09	69
12V Accesory Panel with Single/Duel Convertor	6.10	70
High/Low Headlights & LED Back-Up Lights	6.11	71
Deluxe/LED Lights,Single/Dual Converter	6.12	72
Battery and Hardware	6.13	73
48V Charger	6.14	75
48V Charger with 2nd Row Seating	6.15	76
48V Charger Cord Reel	6.16	77

---

<b>SECTION 7 ACCESSORIES</b>	7.01	79
------------------------------	------	----

---

Front Utility Bumper	7.02	80
Hitches	7.03	81
Rear Hitch Receivers	7.04	82
Front Roof & Structure	7.05	83
Cab Windshield	7.06	84
Lower Bulkhead & Upper Bulkhead	7.07	85
Full Bulkhead	7.08	86
Cab Doors and Components	7.09	87
Cargo Top 60" Deck	7.10	88
Cargo Top 60" Rack	7.11	89
Ladder Rack for 60" Deck	7.12	90
Ladder Rack for 72" Deck	7.13	91
Ladder Rack Van 60"	7.14	92
Ladder Rack Van 72"	7.15	93

Adjustable, Cab, & 5 Panel Rear View Mirriors	7.16	94
Grab Handles Two & Four Passenger	7.17	95
10" Drop Side 32" Deck	7.18	96
10" Drop Side 48" Deck	7.19	97
10" Drop Side 60" Deck	7.20	98
10" Drop Side 72" Deck	7.21	99
Sides Rails, 2nd Seat	7.22	100
Sides Rails, 2nd Seat, Fixed	7.23	101
Sides Rails, 2nd Seat, Flipped	7.24	102
Sides Rails, 18", 2nd Seat, Fixed	7.25	103
Van 48" Deck	7.26	104
Van 60" Deck	7.27	105
Van 72" Deck	7.28	106
Floor Mat	7.29	107
Hood Locking Latch & 12V Power Outlet	7.30	108
Amber Strobe	7.31	109
Dome Light	7.32	110
License Plate with light	7.33	111
Windshield Washer	7.34	112
Heater/Blower	7.35	113
Trailer Brake	7.36	114
Rear Bumper	7.37	115
Footrest/Cargo	7.38	116
Charging cord	7.39	117
Rear Visibility Camera	7.40	118

NOTE: Items with \* in tables indicates parts not shown in drawing.

*Columbia Vehicle Group, Inc.*

A Nordic Group Company | Business Ventures Since 1947



**COLUMBIA**



**TOMBERLIN**



# **COLUMBIA**

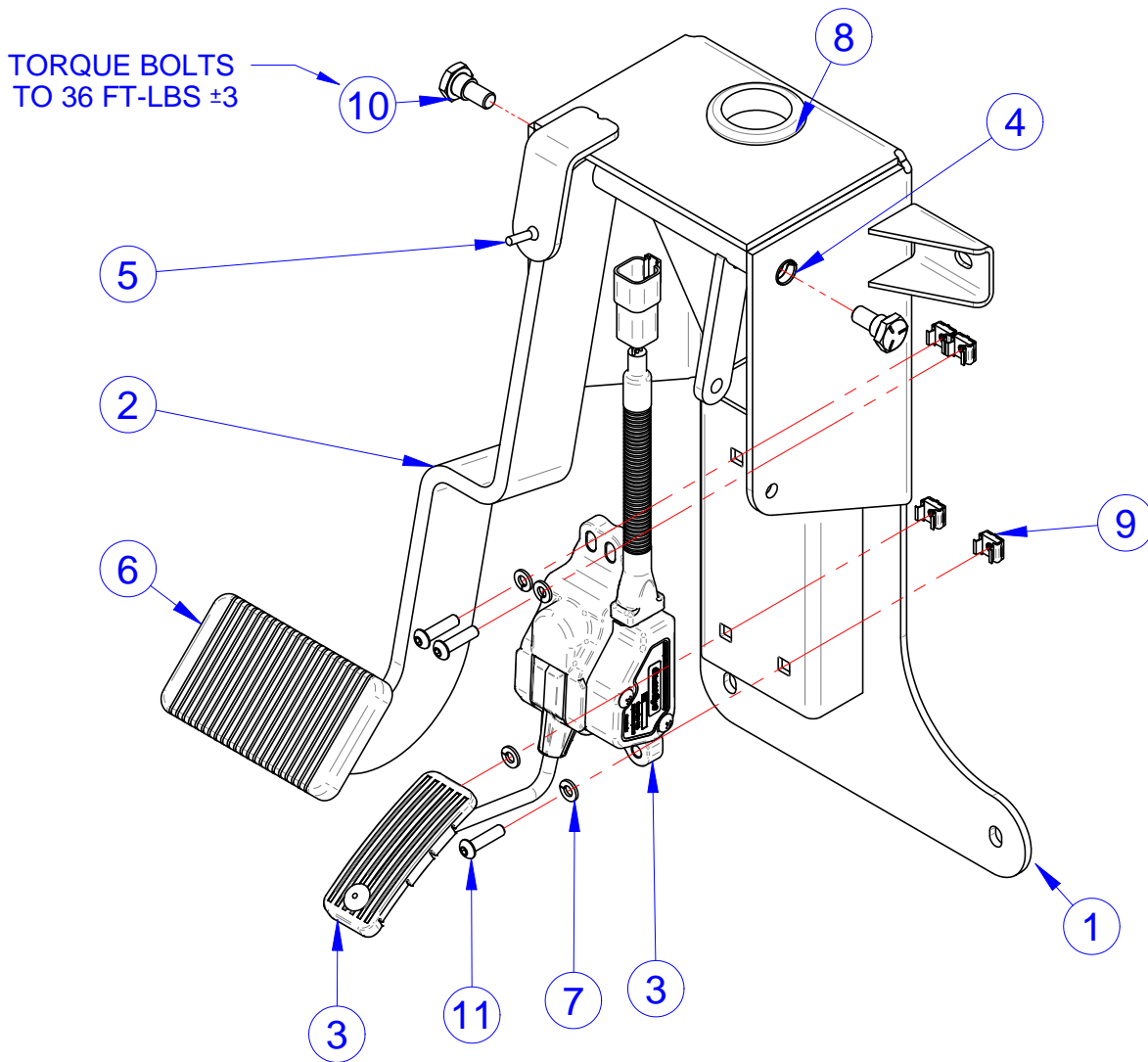
## SUMMIT UTILITRUCK

### PARTS MANUAL SECTION 1

### BRAKES



## BRAKE PEDAL

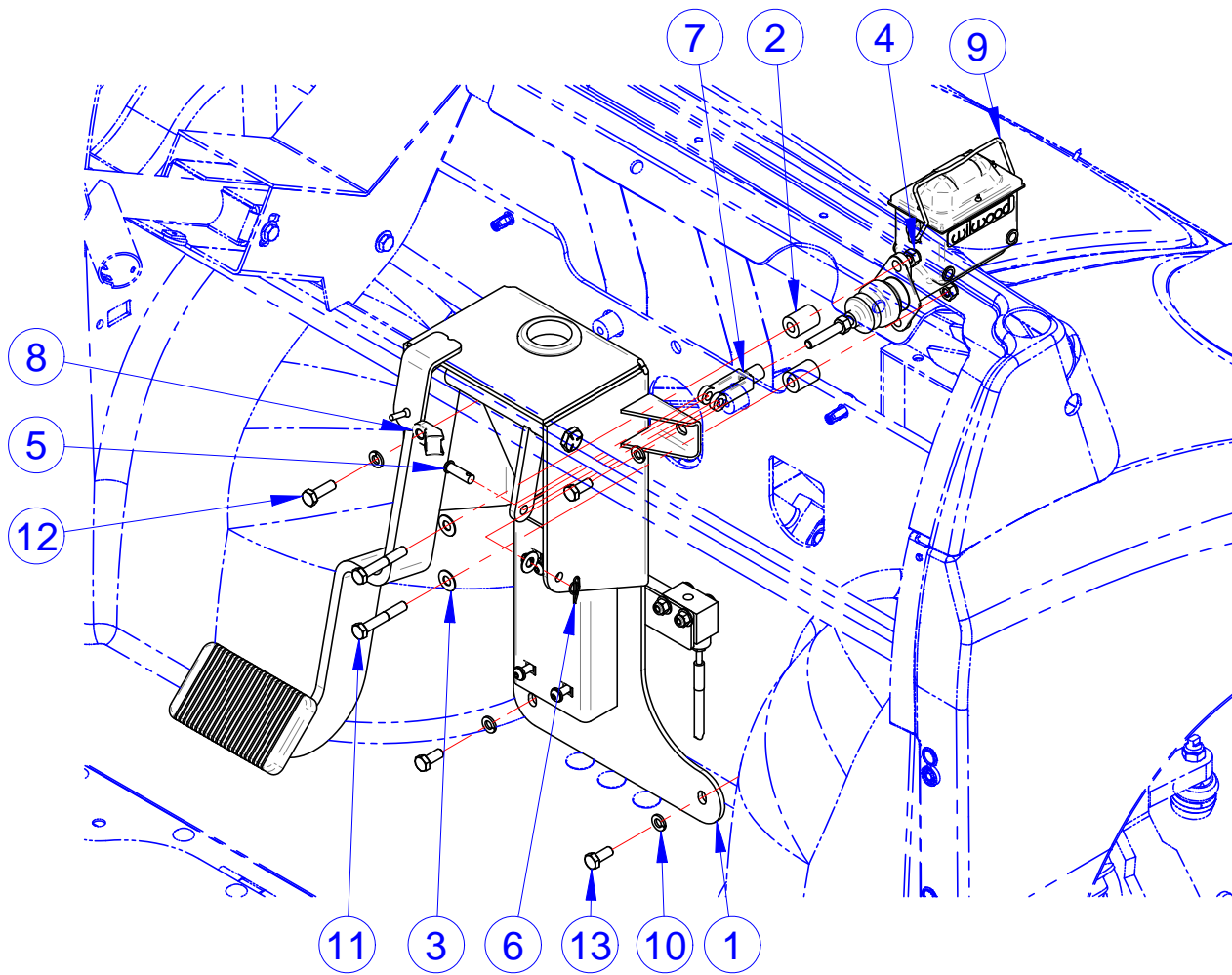


ITEM	CVG PN	DESCRIPTION	QTY	REF #
1	CVG313410	WLDMT, PEDAL HOUSING	1	313410
2	CVG313414	WLDMT, BRAKE PEDAL	1	313414
3	CVG468204	ASSY, PAD, SUSPENDED, SU5-2	1	468204
4	CVG707850	BUSHING, FLANGED, 0.500ID, 0.561OD	2	707850
5	CVG709011	BOOT, RUBBER BUMPER	1	709011
6	CVG709807	PAD, BRAKE PEDAL	1	709807
7	CVG719378	WSHR, 1/4 (M6), L/W, SPLIT, 18-8, S/S	4	719378
8	CVG719523	GROMMET, 2775 EPDM 3/16 GROOVE	1	719523
9	CVG782339	NUT, 1/4-20, CAGE, 0.093-0.126, MAGNI 525	4	782339
10	CVG782655	SCREW, 3/8-16x.62, HH, G5, .50 ODx.299 SHR, MAGNI525	2	782655
11	CVG782719	SCR, 1/4-20 X 1, BSHCS, 18-8, S/S	4	782719

NOTE: Items with \* in tables indicates parts not shown in drawing.



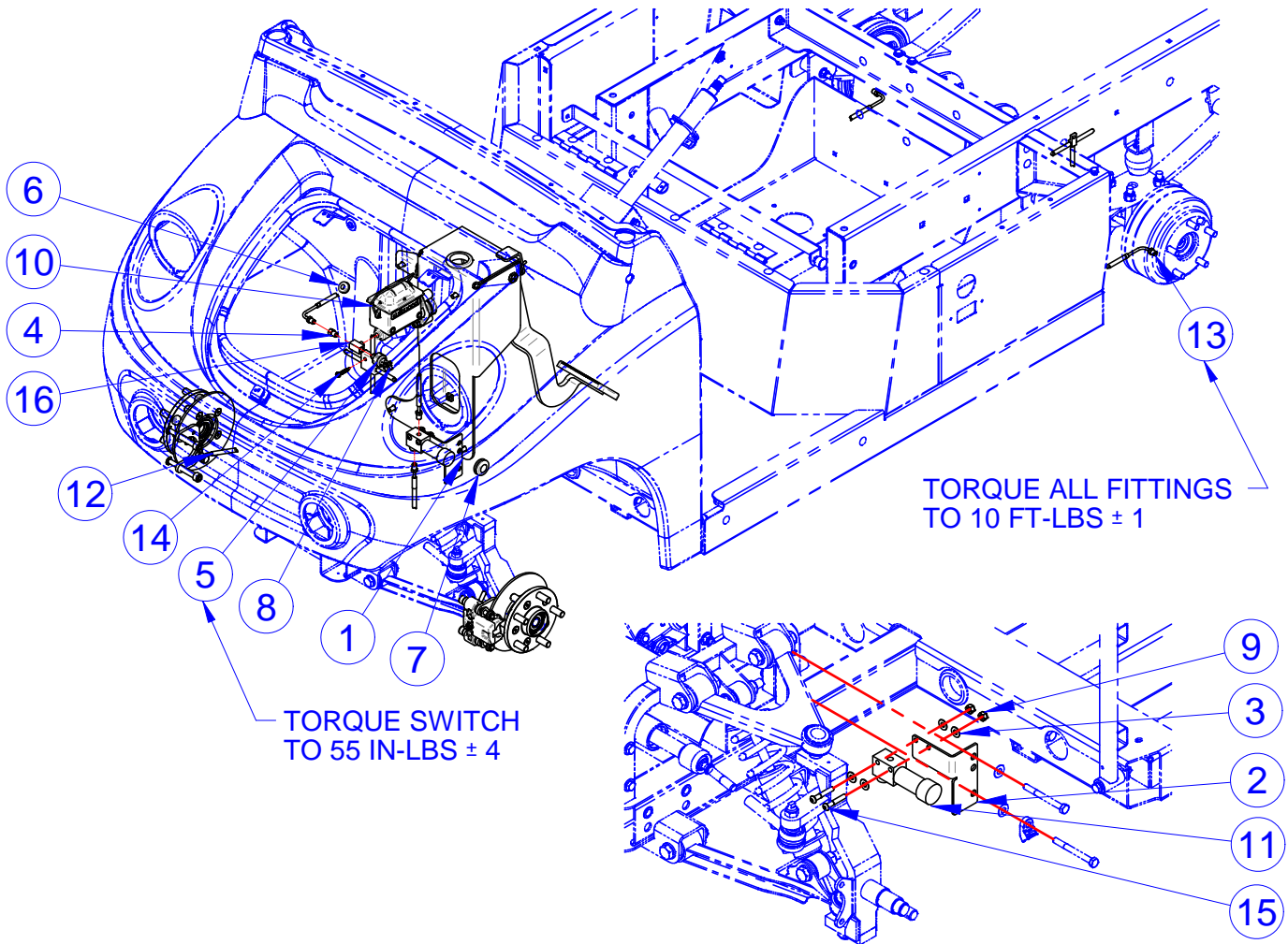
## MASTER CYLINDER ASSEMBLY



ITEM	CVG PN	DESCRIPTION	QTY	REF #
1	CVG468160	ASSY, PEDALS, SU5-2	1	468160
2	CVG515790B	SPACER, 0.344ID X 0.75OD X 1	2	515790
3	CVG719375	WSHR,5/16X0.75X0.040,F/W,18-8S/S	3	719375
4	CVG719377	NUT, 5/16-18, L/N, NYL, NE, 18-8, S/S	2	719377
5	CVG719709	PIN, 5/16 X 1, CLEVIS, MAGNI 525	1	719709
6	CVG719752	PIN, 5/16, COTTER, RUE RING, S/S	1	719752
7	CVG719852	CLEVIS,#52,5/16-24,ADJ YOKE END,ZC	1	719852
8	CVG760122	HEAVY-DUTY CABLE TIE MOUNT	1	760122
9	CVG760318	MASTER CYLINDER, 3/4 BORE	1	760318
10	CVG781621	WSHR, 5/16, L/W, SPLIT, 18-8, S/S	4	781621
11	CVG782298	SCR, 5/16-18 X 2, HHCS, 18-8, S/S	2	782298
12	CVG782720	SCR, 5/16-18 X 1, HHCS, 18-8, S/S	1	782720
13	CVG782721	SCR, 5/16-18 X 0.75, HHCS, 18-8, S/S	3	782721

NOTE: Items with \* in tables indicates parts not shown in drawing.

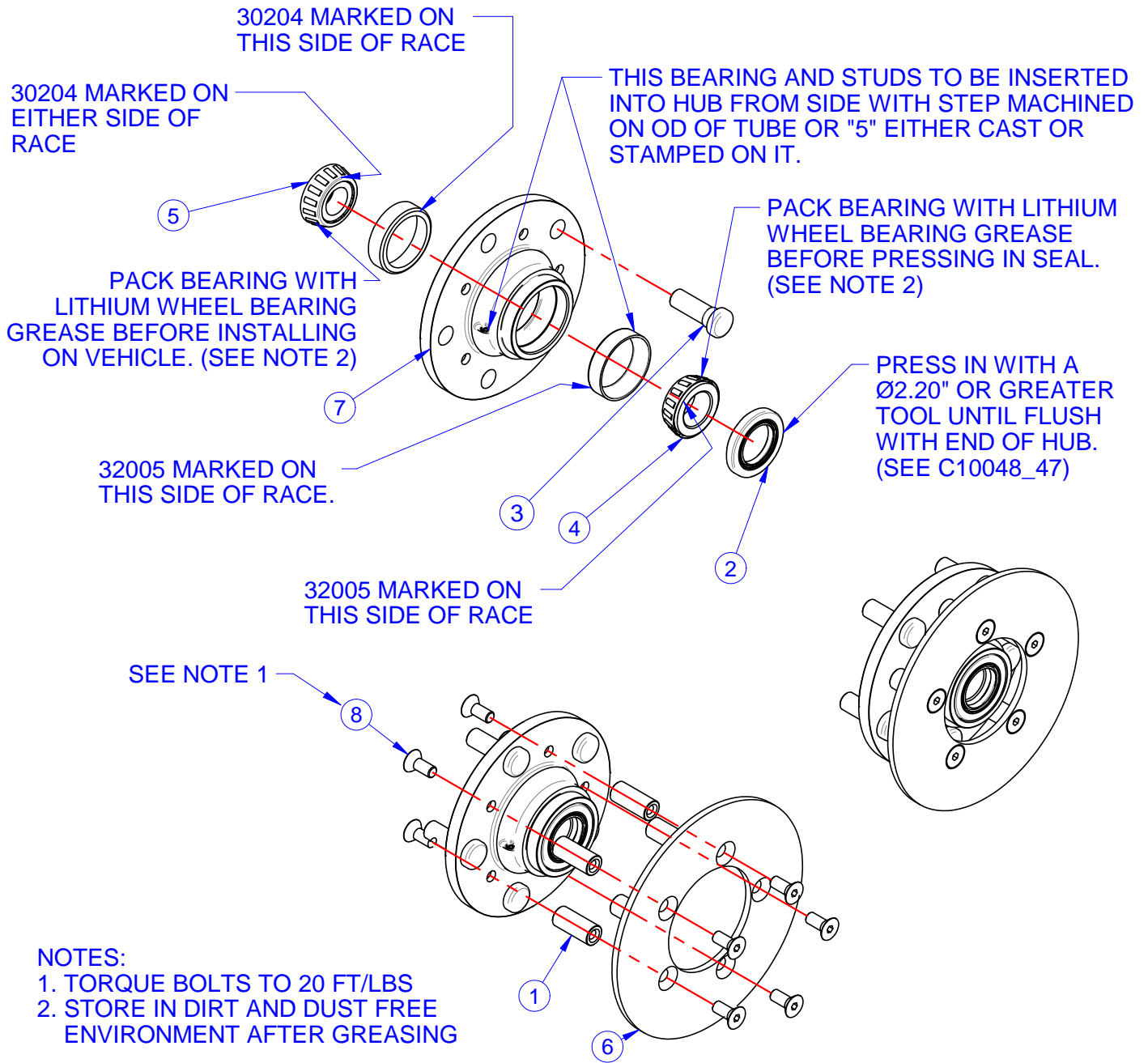
## BRAKES LINES AND VALVE



ITEM	CVG PN	DESCRIPTION	QTY	REF #
1	CVG468160	ASSY, PEDALS, SU5-2	1	468160
2	CVG515781	BRKT, BRAKE VALVE MNT	1	515781
3	CVG708511	WASHER, FLAT 1/4" 18-8 SS	4	708511
4	CVG709618	CONNECTOR, BRASS, 3-1/2 MALE	1	709618
5	CVG709749	SWITCH, BRAKE LIGHT	1	709749
6	CVG719522	GROMMET, 3/8 X 7/8	1	719522
7	CVG719528	GROMMET, 11/16 A2766S RUBBER	1	719528
8	CVG719825	TERMINAL,#10 STUD-TO-1/4 MALE TAB	2	719825
9	CVG719876	NUT, 1/4-20, L/N, NYL, NE, 316, S/S	2	719876
10	CVG760318	MASTER CYLINDER, 3/4 BORE	1	760318
11	CVG761056	VALVE, PROPORIONING,BRAKE	1	761056
12	CVG761262	HARNESS, BRAKE, FRONT, SU5	1	761262
13	CVG761263	HARNESS, BRAKE, REAR, SU5-S	1	761263
14	CVG782233	SCR, #10-16 X 1.25, HWH, T/S, MAGNI 525	1	782233
15	CVG782707	SCR, 1/4-20 X 1.5, BSHCS, 18-8, S/S	2	782707
16	CVG782879	FITTING, MALE BRANCH TEE, 1/8 F, 1/8 M	1	782879

NOTE: Items with \* in tables indicates parts not shown in drawing.

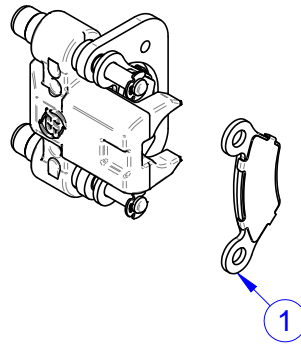
## FRONT BRAKE HUB



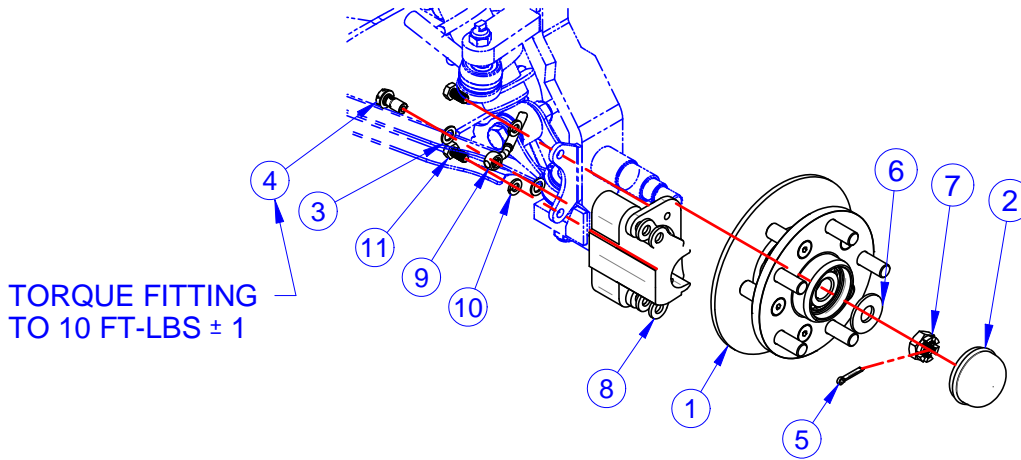
ITEM	CVG PN	DESCRIPTION	QTY	REF #
1-8	CVG468826	ASSY, HUB, OFFSET DISC, 5-BOLT		468826
1	NONE	THREADED SPACER, BRAKE DISC	5	515762
2	CVG709017	SEAL, OIL	1	709017
3	CVG719655	WHEEL BOLT, 1/2-20 X 1-1/2 G5 YELLOW	5	719655
4	CVG759843	TAPERED RLR BEARING, INNER, 25MM ID (32005X)	1	759843
5	CVG759844	TAPERED RLR BEARING, OUTER, 20MM ID (30204)	1	759844
6	CVG761068	DISC, BRAKE, 6.75 OD, 5-BOLT	1	761068
7	CVG761069	MACHINED, HUB, 5-HOLE	1	761069
8	NONE	5/16-18 x 3/4" FSHCS BO, PATCH	10	782192

NOTE: Items with \* in tables indicates parts not shown in drawing.

## FRONT BRAKE ASSEMBLY



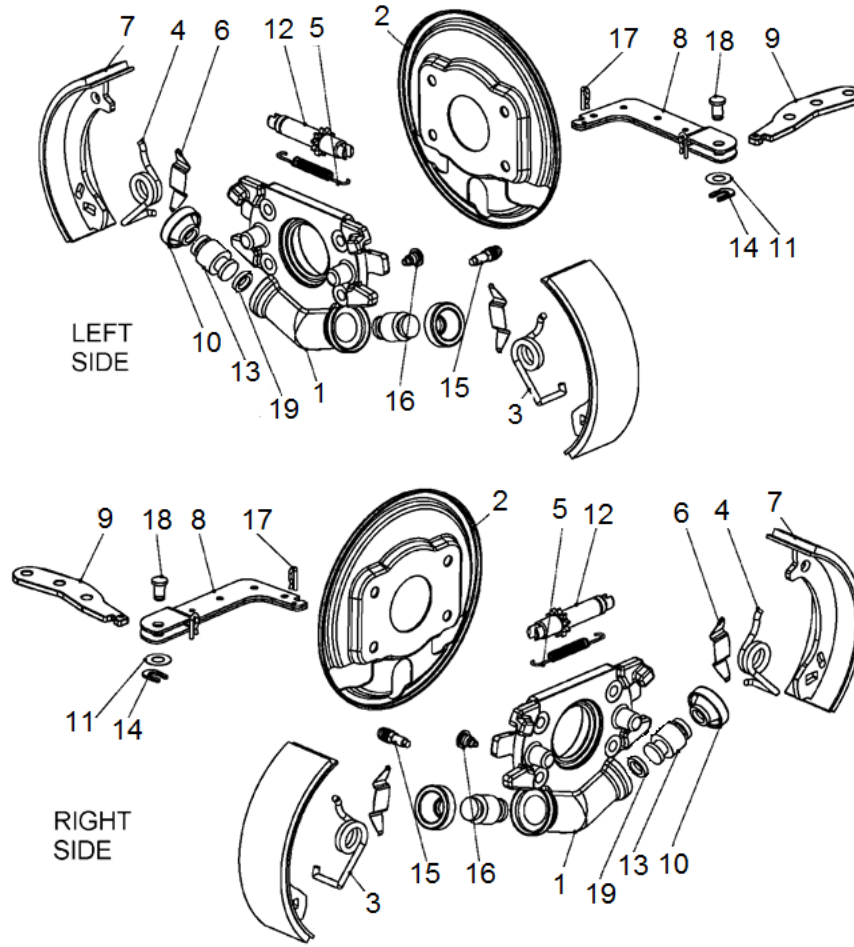
ITEM	CVG PN	DESCRIPTION	QTY	REF #
1	CVG761232	BRAKE PAD, ORGANIC	1	761232



ITEM	CVG PN	DESCRIPTION	QTY	REF #
1	CVG468826	ASSY, HUB, OFFSET DISC, 5-BOLT	2	468826
2	CVG709018	HUB GREASE CAP	2	709018
3	CVG709387	GASKET-BRAKE FITTING, COPPER	4	709387
4	CVG719423	BOLT, BANJO, M10 X 1.25 X 20 MM	2	719423
5	CVG719728	PIN, 1/8X1, COTTER, YWZC150	2	719728
6	CVG719808	WSHR, 9/16 (M14), F/W, USS, G8, MAGNI 525	2	719808
7	CVG719915	NUT, 5/8-18, CASTLE, MAGNI 525	2	719915
8	CVG761212	ASSY, CALIPER, RAZORBACK, FRONT, ORGANIC	2	761212
9	CVG761262	HARNESS, BRAKE, FRONT, SU5	1	761262
10	CVG781621	WSHR, 5/16, L/W, SPLIT, 18-8, S/S	8	781621
11	CVG782727	SCR, M8-1.25 X 16 MM, HHCS, A2, S/S	4	782727

NOTE: Items with \* in tables indicates parts not shown in drawing.

## REAR BRAKE HUBS



NOTES: (1) Due to pressed on bearings at the shaft, when replacing items 1 or 2, or parts showing no CVG PN, replace complete axle shaft assembly as shown on axle parts brake down.

ITEM	CVG PN	DESCRIPTION	QTY	REF #
1	CVG760979	MAIN BODY(See Note 1)	1	760979
2	CVG760980	COVER(See Note 1)	1	760980
3	CVG760981	SPRIN(BLUE)	1	760981
4	CVG760982	SPRING(YELLOW)	1	760982
5	NONE	SPRING(See Note 1)	1	NONE
6	NONE	SPRING PIECE(See Note 1)	2	NONE
7	CVG760928	SHOES,REAR BRAKE(PAIR)	2	760928
8	NONE	L-TYPE LEVER(See Note 1)	1	NONE
9	NONE	LEVER(See Note 1)	1	NONE
10	CVG192943U	DUSTPROOF COVER KIT	1	192943U
11	NONE	WASHER(See Note 1)	1	NONE
12A	CVG760984	ADJUSTMENT ASSY L (Includes Items 12-19)	1	760984
12B	CVG760985	ADJUSTMENT ASSY R (Includes Items 12-19)	1	760985
13	NONE	PISTON ASSY(See Item 12)	2	NONE
14	NONE	CARCLIP(See Item 12)	1	NONE
15	NONE	BLEEDER SCREW(See Item 12)	1	NONE
16	NONE	BUSHING(See Item 12)	1	NONE
17	NONE	COTTER PIN(See Item 12)	1	NONE
18	NONE	PIN(See Item 12)	1	NONE
19	NONE	OIL SEAL(See Item 12)	2	NONE

NOTE: Items with \* in tables indicates parts not shown in drawing.

NOTE: Items with \* in tables indicates parts not shown in drawing.

*Columbia Vehicle Group, Inc.*

A Nordic Group Company | Business Ventures Since 1947



**COLUMBIA**



**TOMBERLIN**



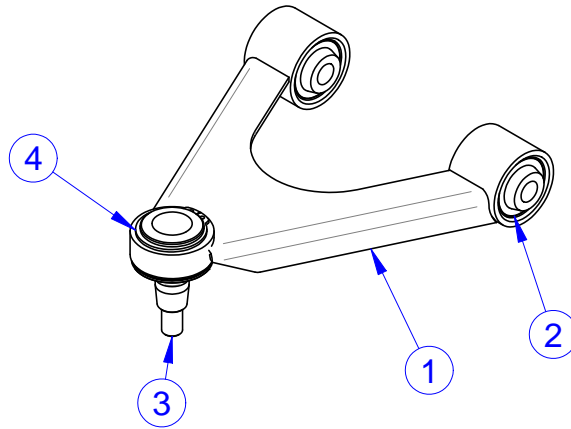
# **COLUMBIA**

## SUMMIT UTILITRUCK

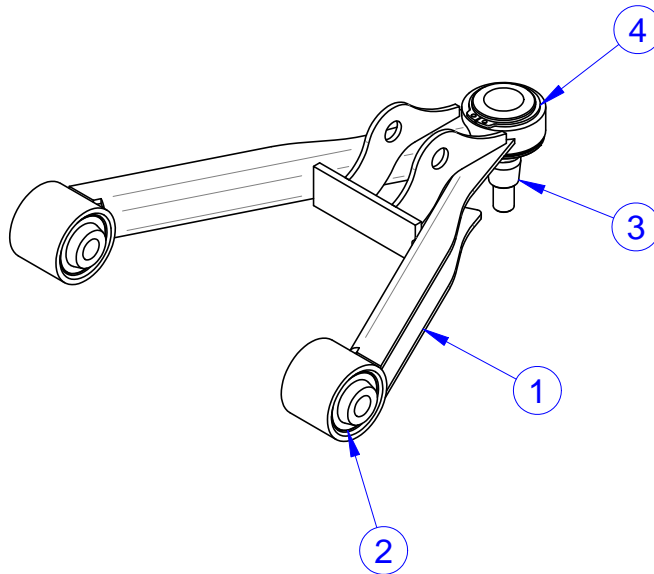
### PARTS MANUAL SECTION 2

## FRONT SUSPENSION & STEERING

## A-ARMS



ITEM	CVG PN	DESCRIPTION	QTY	REF #
1-4	CVG468148	ASSY, UPPER A-ARM, SU5-2		468148
1	NONE	WLDMT, UPPER A-ARM	1	313379
2	CVG760800	BUSHING, A-ARM	2	760800
3	CVG761281	BALL JOINT, TAPERED	1	761281
4	NONE	R-RING,31.5MM,EXT,BLK PHOS	1	782693

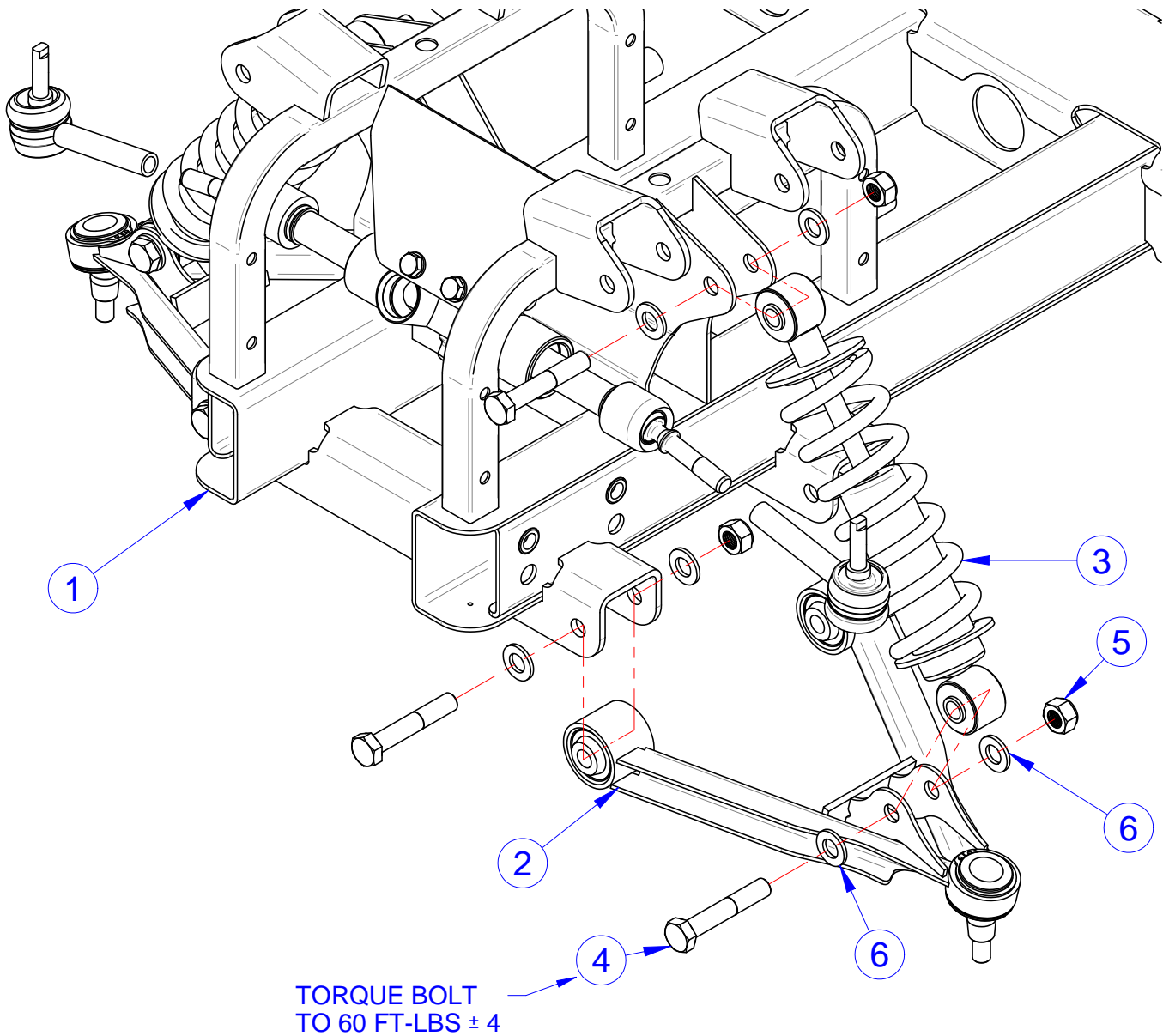


ITEM	CVG PN	DESCRIPTION	QTY	REF #
1-4	CVG468162	ASSY, LOWER A-ARM, SU5-2		468162
1	NONE	WLDMT, LOWER A-ARM	1	313428
2	CVG760800	BUSHING, A-ARM	2	760800
3	CVG761281	BALL JOINT, TAPERED	1	761281
4	NONE	R-RING,31.5MM,EXT,BLK PHOS	1	782693

NOTE: Items with \* in tables indicates parts not shown in drawing.



## FRONT SUSPENSION



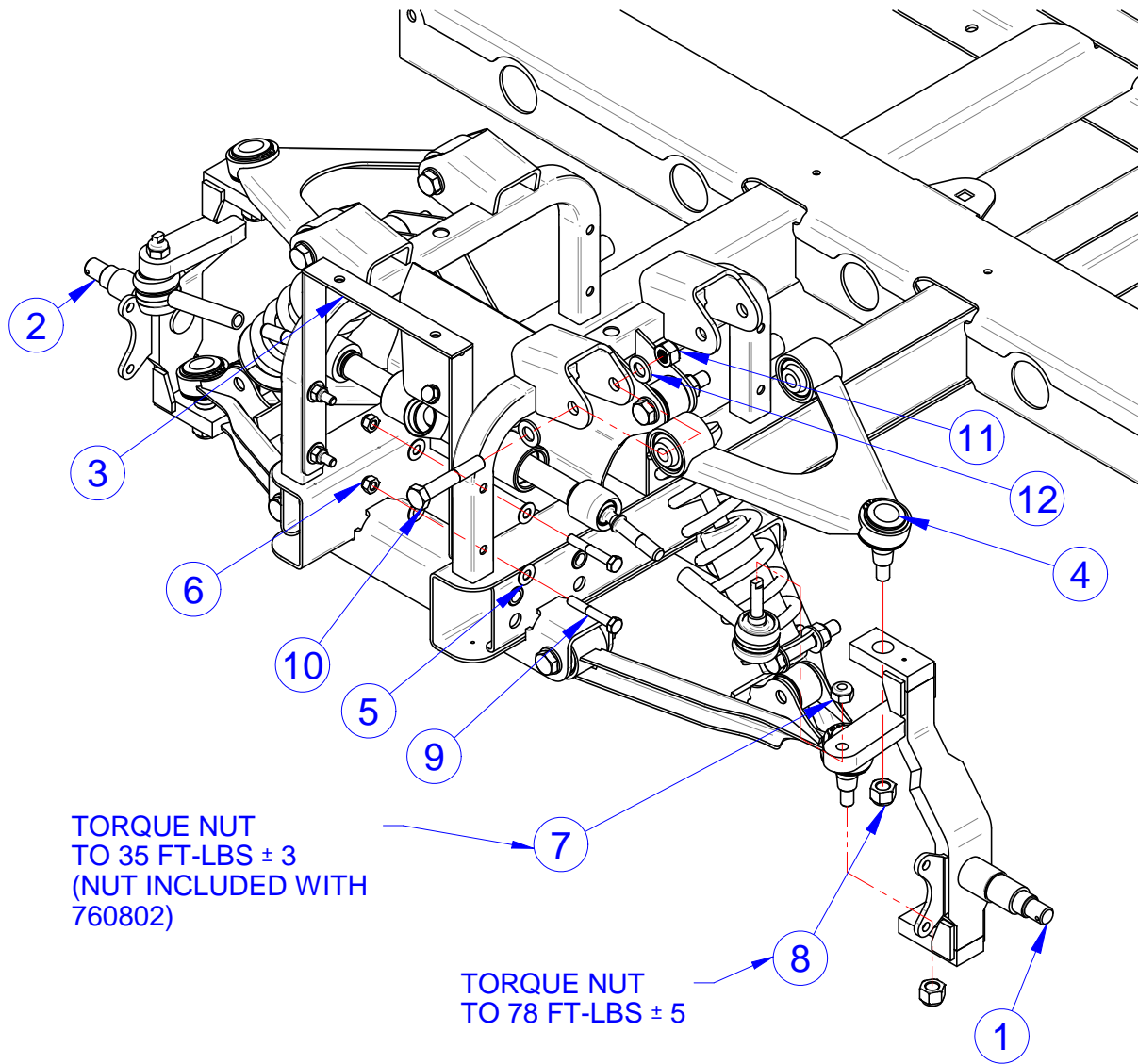
ITEM	CVG PN	DESCRIPTION	QTY	REF #
1	CVG314015B	WLDMT, FR CHASSIS MODULE	1	314015
2	CVG468162	ASSY, LOWER A-ARM, SU5-2	2	468162
3	CVG761187	SHOCK, COIL OVER, 350 LBS	2	761187
4	CVG782698	SCR, M12-1.5 X 70MM, HHCS, C10.9, MAGNI 525	8	782698
5	CVG782701	NUT, M12-1.5, L/N, NYL, C10, MAGNI 525	8	782701
6	CVG782702	WSHR, M12X24X2.50, F/W, C10.9, MAGNI 525	16	782702

NOTE: Items with \* in tables indicates parts not shown in drawing.

Columbia Vehicle Group, Inc.  
A Nordic Group Company | Business Ventures Since 1947



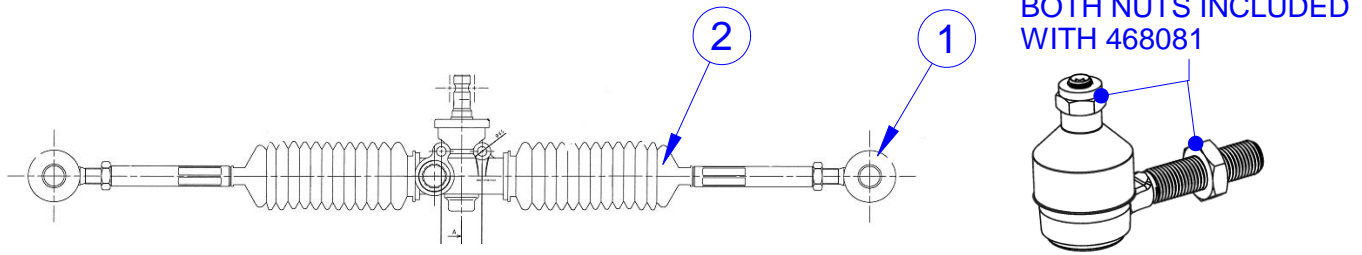
## FRONT SUSPENSION



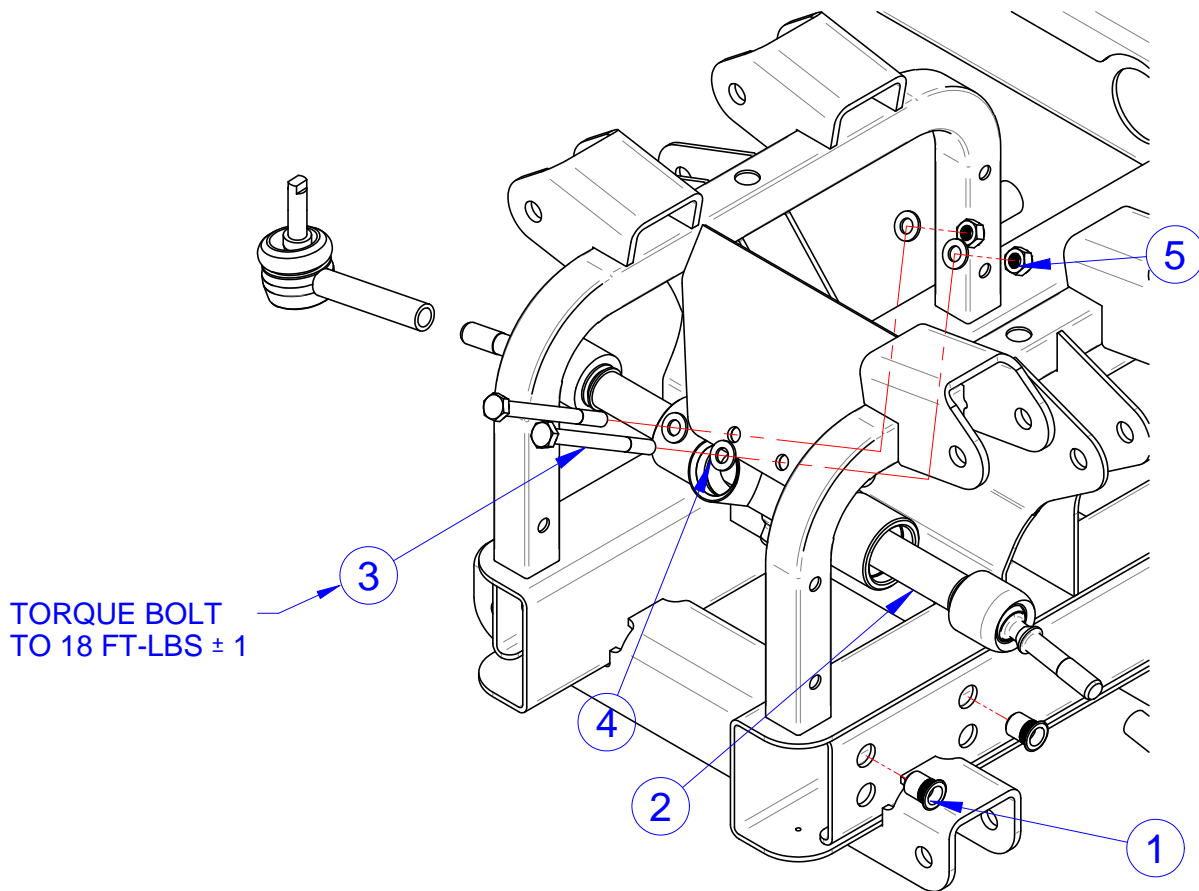
ITEM	CVG PN	DESCRIPTION	QTY	REF #
1	CVG313380WX	WLDMT, STEERING KNUCKLE, LH	1	313380
2	CVG313381WX	WLDMT, STEERING KNUCKLE, RH	1	313381
3	CVG313716	WLDMT, FRONT BODY SPRT BRKT	1	313716
4	CVG468148	ASSY, UPPER A-ARM, SU5-2	2	468148
5	CVG719375	WSHR,5/16X0.750X0.040,F/W,18-8S/S	8	719375
6	CVG719377	NUT, 5/16-18, L/N, NYL, NE, 18-8, S/S	4	719377
7	CVG760802	STEERING RACK	1	760802
8	CVG760944	NUT, 1/2-20, L/N, NYL, NE, G8, MAGNI 525	4	760944
9	CVG782298	SCR, 5/16-18 X 2, HHCS, 18-8, S/S	4	782298
10	CVG782698	SCR, M12-1.5 X 70MM, HHCS, C10.9, MAGNI 525	4	782698
11	CVG782701	NUT, M12-1.5, L/N, NYL, C10, MAGNI 525	4	782701
12	CVG782702	WSHR,M12X24X2.50,F/W,C10.9,MAGNI 525	8	782702

NOTE: Items with \* in tables indicates parts not shown in drawing.

## STEERING



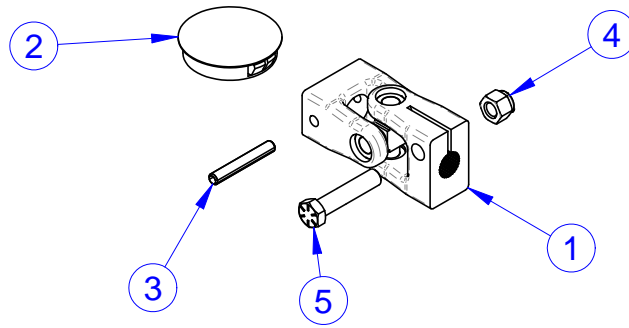
ITEM	CVG PN	DESCRIPTION	QTY	REF #
N/A	CVG760802	RACK,STEERING	1	760802
1	CVG468081	ASSY, TIE ROD END	2	468081
2	CVG760819	BELLOW,STEERING RACK	2	760819



ITEM	CVG PN	DESCRIPTION	QTY	REF #
1	CVG719929	NUT, 5/16-18, RIVET, KNURLED, 0.027-0.150, MAGNI 525	4	719929
2	CVG760802	STEERING RACK	1	760802
3	CVG782097	SCR, M8-1.25 X 90MM, HHCS, C10.9, MAGNI 525	2	782097
4	CVG782699	WSHR, M8 X 16MM X 1.60MM, F/W, C10.9, MAGNI 525	4	782699
5	CVG782700	NUT, M8-1.25, L/N, NYL, C10, MAGNI 525	2	782700

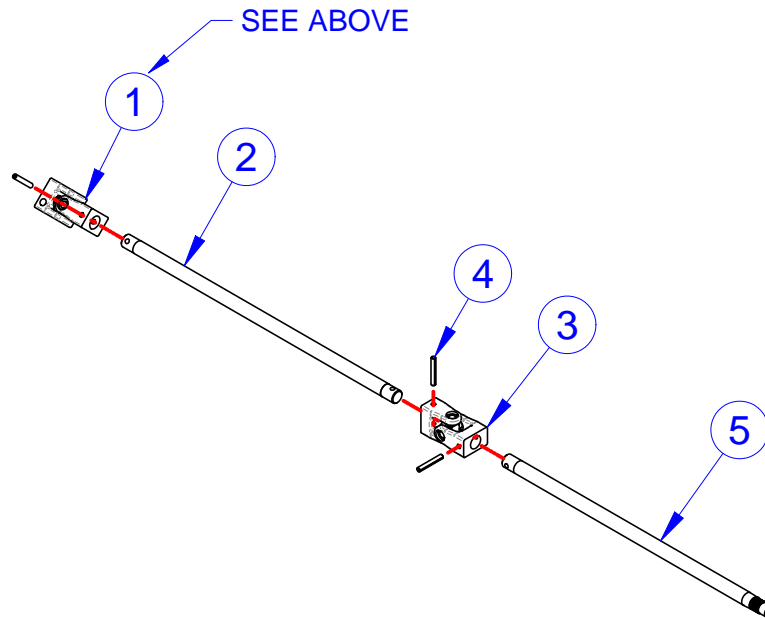
NOTE: Items with \* in tables indicates parts not shown in drawing.

## STEERING SHAFT



SEE SB15-012 FOR  
ASSEMBLY INSTRUCTIONS

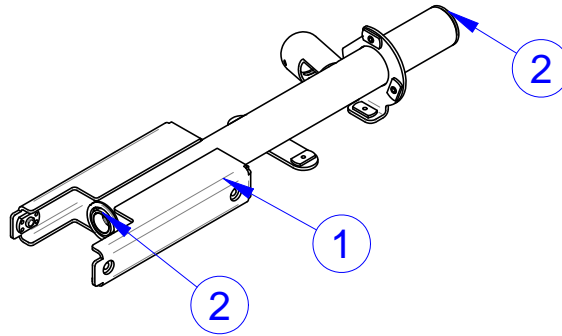
ITEM	CVG PN	DESCRIPTION	QTY	REF #
1-5	CVG193010U	P&A KIT, P5 YOKE ASSY, BOLT+WELD		193010U
1	NONE	MACH,YOKE,P5 STRG SHAFT,BOLT+WELD	1	516543
2	CVG719214	DOME PLUG, BLACK (FITS 2.00" HOLE)	1	719214
3	CVG760010	ROLL PIN, 1/4 X 1 3/4"	2	760010
4	CVG782118	NUT,3/8-16,L/N,NYL,NE,G8,MAGNI525	1	782118
5	CVG782651	SCREW,3/8-16X1-3/4,HHCS,G8,MAGNI525	1	782651



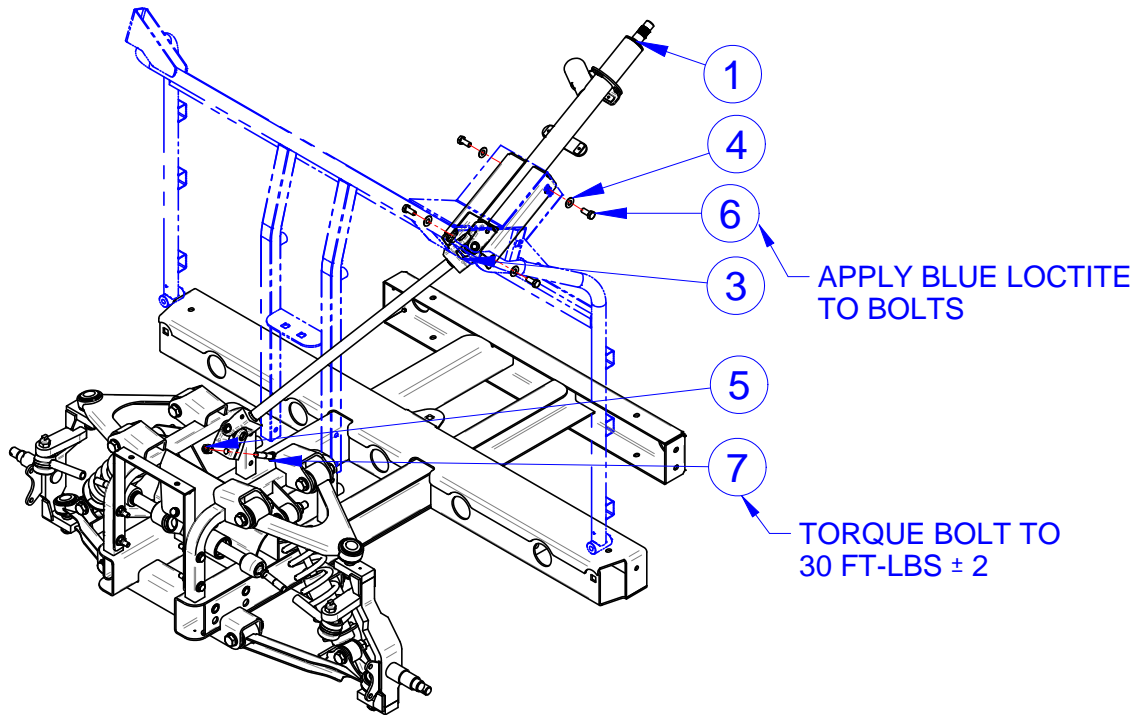
ITEM	CVG PN	DESCRIPTION	QTY	REF #
1-5	CVG468163	ASSY, STEERING SHAFT, SU5-2		468163
1	NONE	MACH,YOKE,P5 STRG SHAFT,BOLT+WELD	1	516543
2	NONE	STEERING SHAFT, INTERMEDIATE	1	517036
3	CVG759917	YOKE ASSY,STEERING SHAFT,WELD+WELD	1	759917
4	CVG760010	ROLL PIN, 1/4 X 1 3/4"	3	760010
5	CVG761669	SHAFT,SPLINED,STEERING,19.344"	1	761669

NOTE: Items with \* in tables indicates parts not shown in drawing.

## STEERING COLUMN ASSEMBLY



ITEM	CVG PN	DESCRIPTION	QTY	REF #
1-2	CVG467868	ASSY, SHORT STEERING COLUMN		467868
1	NONE	SHORT STEERING COLUMN	1	311143EC
2	CVG709023	BALL BEARING, 0.75" ID - STEERING COL	2	709023



ITEM	CVG PN	DESCRIPTION	QTY	REF #
1	CVG467868	ASSY, SHORT STEERING COLUMN	1	467868
2	NONE	ASSY, FRONT SUSPENSION, SU5-2	1	468128
3	CVG468163	ASSY, STEERING SHAFT, SU5-2	1	468163
4	CVG719375	WSHR, 5/16X0.75X0.040, F/W, 18-8S/S	4	719375
5	CVG782118	NUT, 3/8-16, L/N, NYL, NE, G8, MAGNI525	1	782118
6	CVG782721	SCR, 5/16-18 X 0.75, HHCS, 18-8, S/S	4	782721
7	CVG782730	SCR, 3/8-16 X 1.75, HHCS, G8, MAGNI 525	1	782730

NOTE: Items with \* in tables indicates parts not shown in drawing.

NOTE: Items with \* in tables indicates parts not shown in drawing.

*Columbia Vehicle Group, Inc.*

A Nordic Group Company | Business Ventures Since 1947



**COLUMBIA**



**TOMBERLIN**



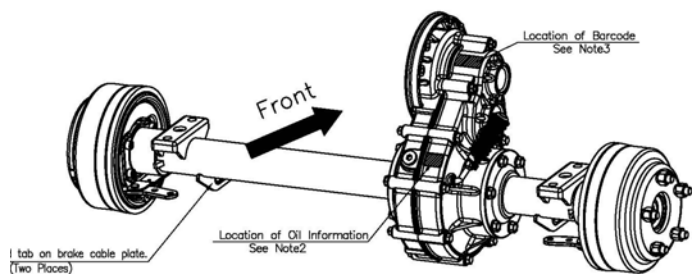
# **COLUMBIA**

## SUMMIT UTILITRUCK

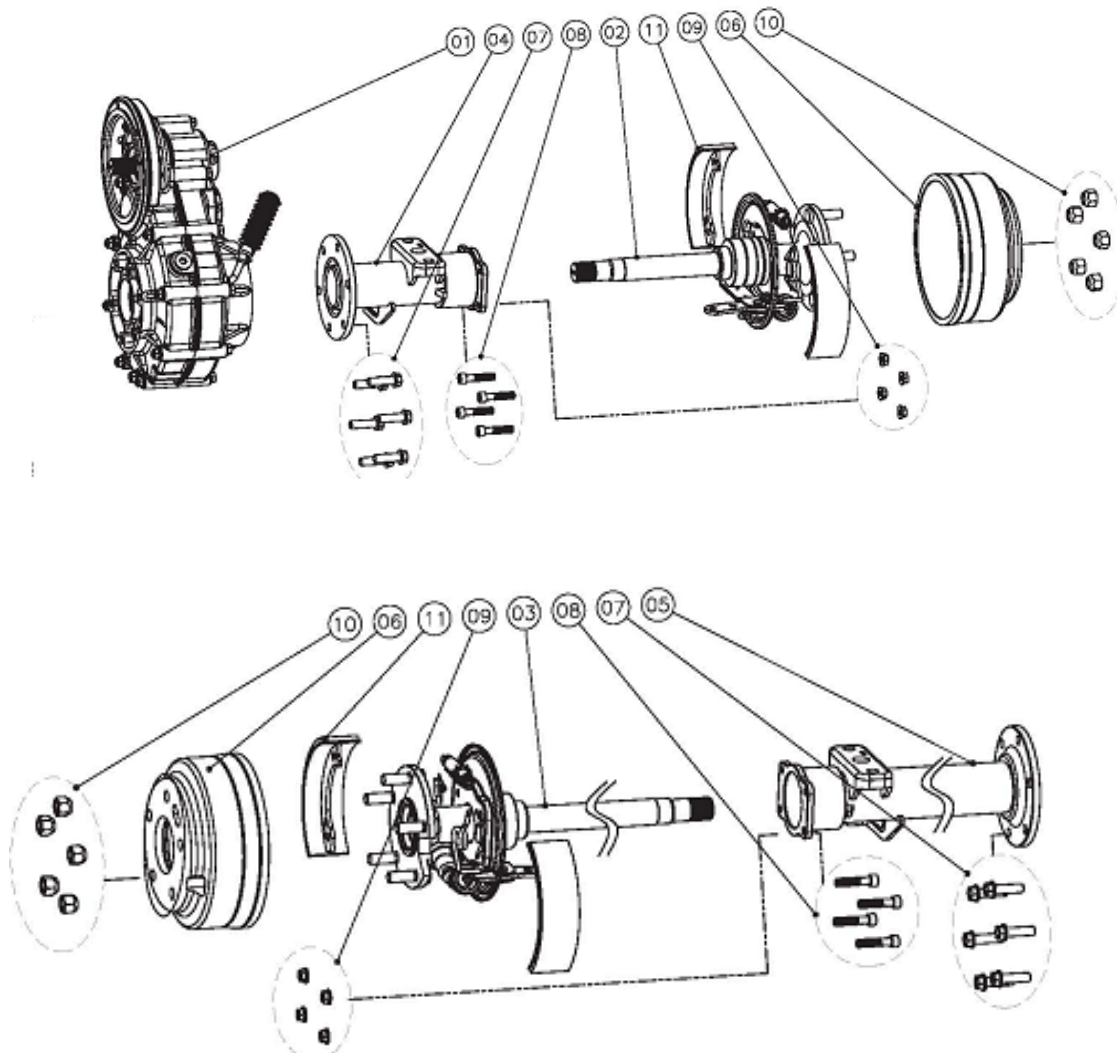
### PARTS MANUAL SECTION 3

## REAR SUSPENSION & DRIVE

## AXLE SHAFT COMPONENTS



Gear Oil SAE #80  
Draining 600ml  
Disassembly 800ml



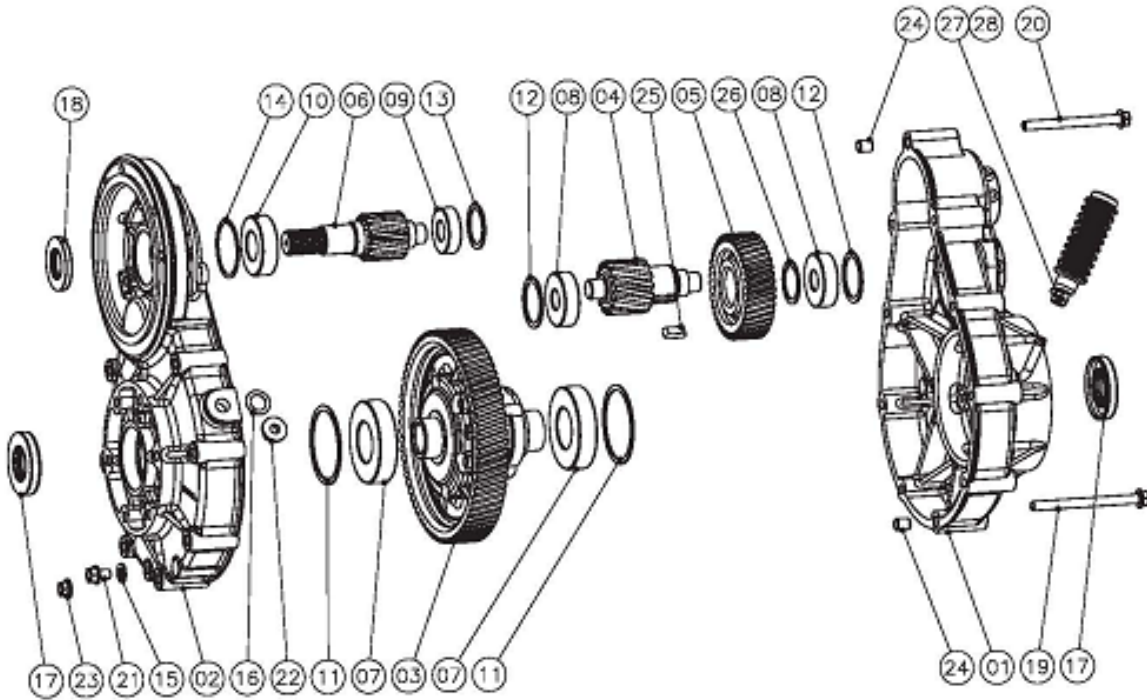
BOTH 10.37 AND 16.77 AXLES USE THE SAME AXLE SHAFT COMPONENTS

ITEM	CVG PN	DESCRIPTION	QTY	REF #
1-11	CVG760733	AXLE,HD,NKL 16.77:1	1	760733
1-11	CVG760734	AXLE,HD,NKL 10.37:1	1	760734
2	CVG760986	AXLE SHAFT ASSY-R (SHORT) W/SHOES	1	760986
3	CVG760987	AXLE SHAFT ASSY-L (LONG) W/SHOES	1	760987
6	CVG760927	DRUM,REAR BRAKE (EITHER SIDE)	1	760927
11	CVG760928	SHOES,REAR BRAKE(PAIR)	2	760928

NOTE: Items with \* in tables indicates parts not shown in drawing.



## AXLE GEARBOX COMPONENTS

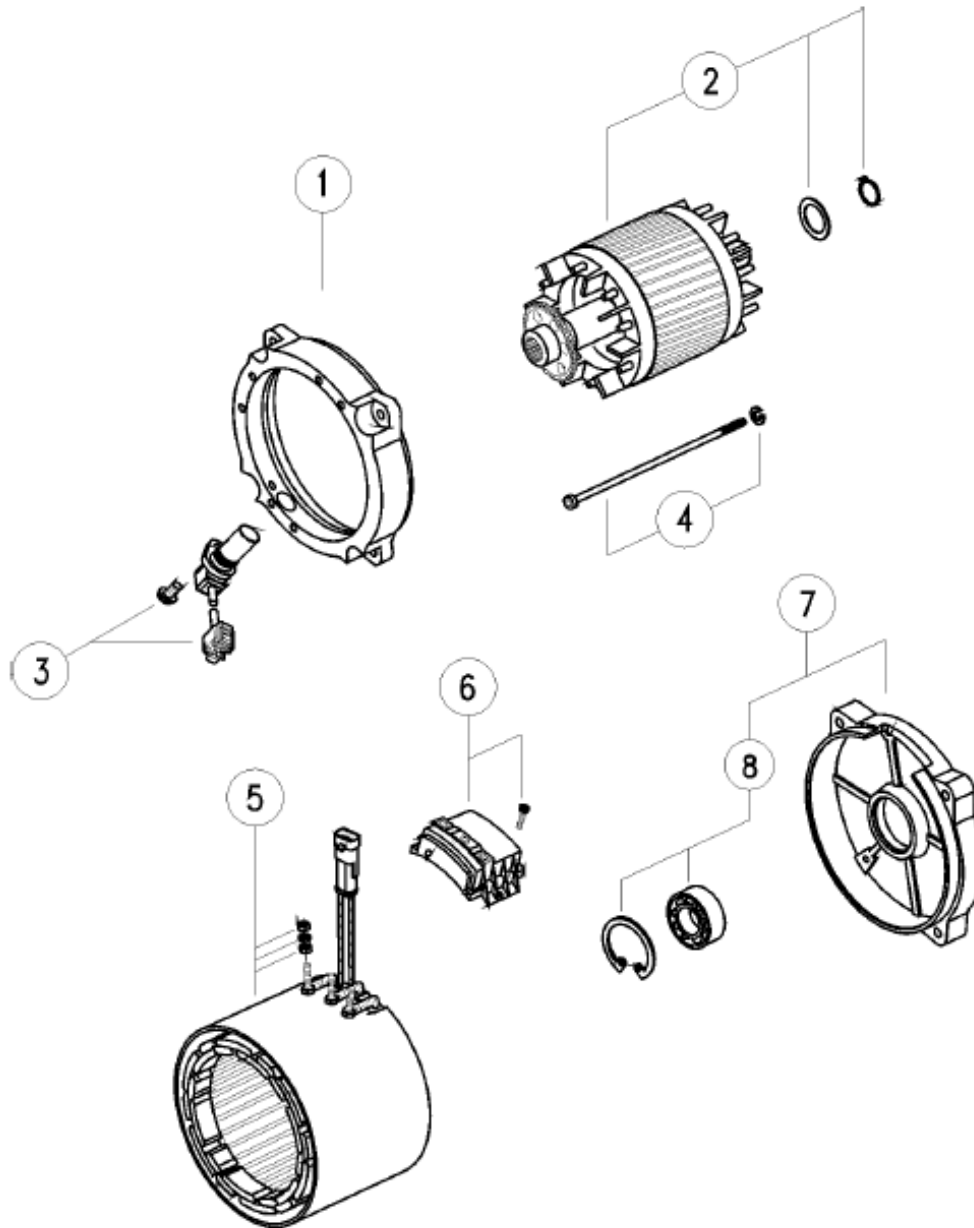


### NOTE DESCRIPTION FOR 10.37 VS 16.77

ITEM	CVG PN	DESCRIPTION	QTY	REF #
7	CVG760926	BALL BEARING 6207	2	760926
8	CVG760918	BALL BEARING 6303	2	760918
9	CVG760921	BALL BEARING 6203	1	760921
10	CVG760922	BALL BEARING 6205	1	760922
11	CVG760925	SHIM 61X69X1.5t	2	760925
12	CVG760919	SHIM 36X44X1.5t	2	760919
13	CVG760920	SHIM 32X40X1.0t	1	760920
14	CVG760923	SHIM 45X51X1.5t	1	760923
17	CVG760924	SEAL 28X55X9h	2	760924
18	CVG760933	SEAL 25X47X6h	1	760933
26	CVG760917	CIRCLIP-SHAFT 32	1	760917
29	CVG760939	CARRIER GEAR ASSY 10.37:1 (INCLUDES ITEMS 3,7 & 11)	1	760939
30	CVG760934	INTERM. GEAR ASSY 10.37:1 (INCLUDES ITEMS 4,8,12,25 & 25)	1	760934
31	CVG760938	INPUT GEAR ASSY 10.37:1 (INCLUDES ITEMS 6,9,10,13 & 14)	1	760938
32	CVG760935	CARRIER GEAR ASSY 16.77:1 (INCLUDES ITEMS 3,7 & 11)	1	760935
33	CVG760936	INTERM. GEAR ASSY 16.77:1 (INCLUDES ITEMS 4,8,12,25 & 26)	1	760936
34	CVG760937	INPUT GEAR ASSY 16.77:1 (INCLUDES ITEMS 6,9,10,13 & 14)	1	760937

NOTE: Items with \* in tables indicates parts not shown in drawing.

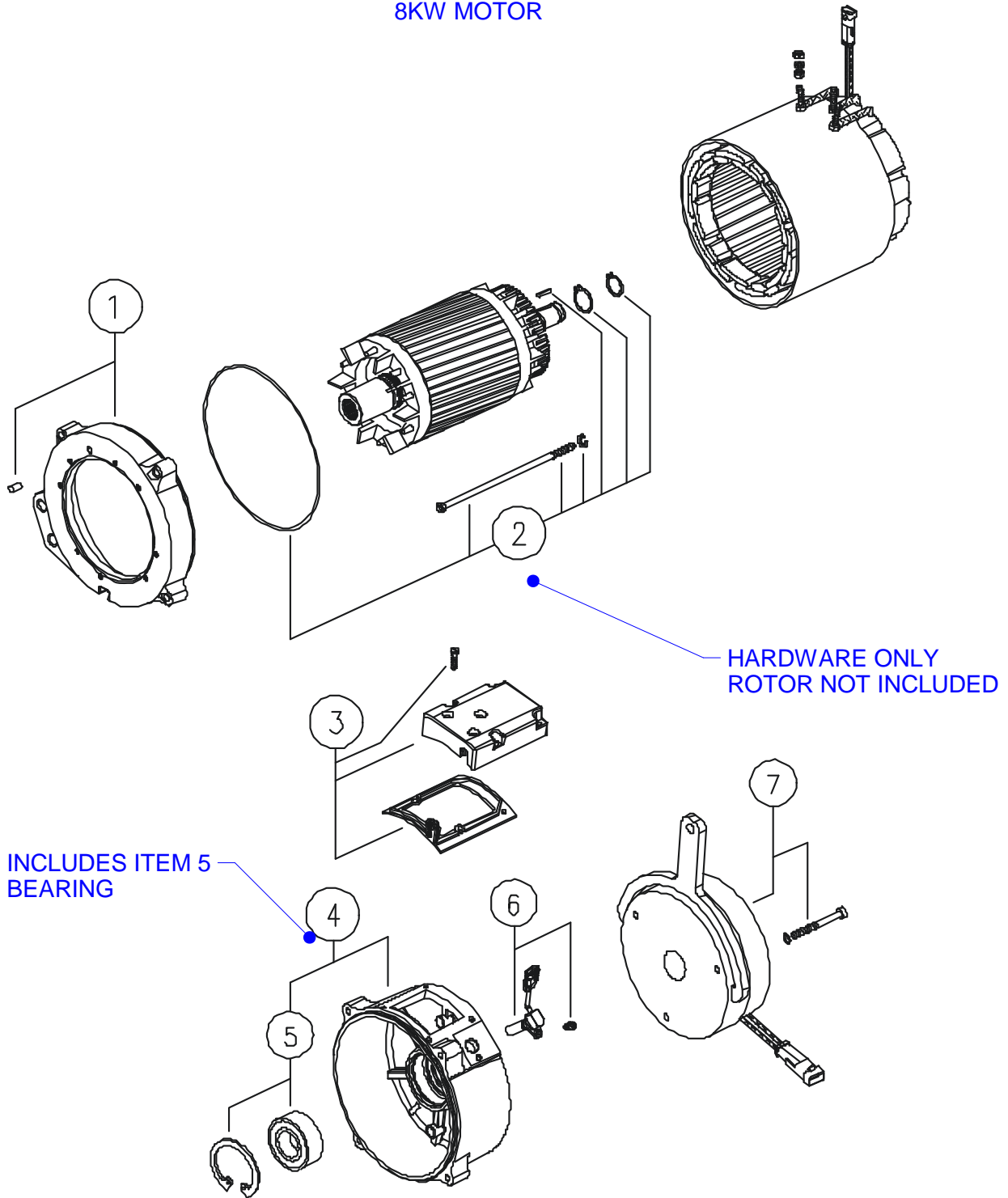
## 5KW MOTOR



ITEM	CVG P/N	DESCRIPTION	QTY	REF #
1-9	CVG761248	MOTOR, AC, 5KW W/EM BRAKE	1	761248
1	CVG761670	BRKT, DRIVE END, 5KW	1	761670
2	CVG761671	ARMATURE, 5KW	1	761671
3	CVG761258	SENSOR, MOTOR SPEED	1	761258
4	CVG761676	BOLT, MOTOR STAY, 5KW	1	761676
5	N/A	STATOR	1	N/A
6	CVG761675	PLATE, CONNECTION, 5KW	1	761675
7	CVG761674	BRACKET, REAR END, 5KW	1	761674
8	CVG761673	BEARING	1	761673
9*	CVG761672	EM BRAKE, 5KW	1	761672

NOTE: Items with \* in tables indicates parts not shown in drawing.

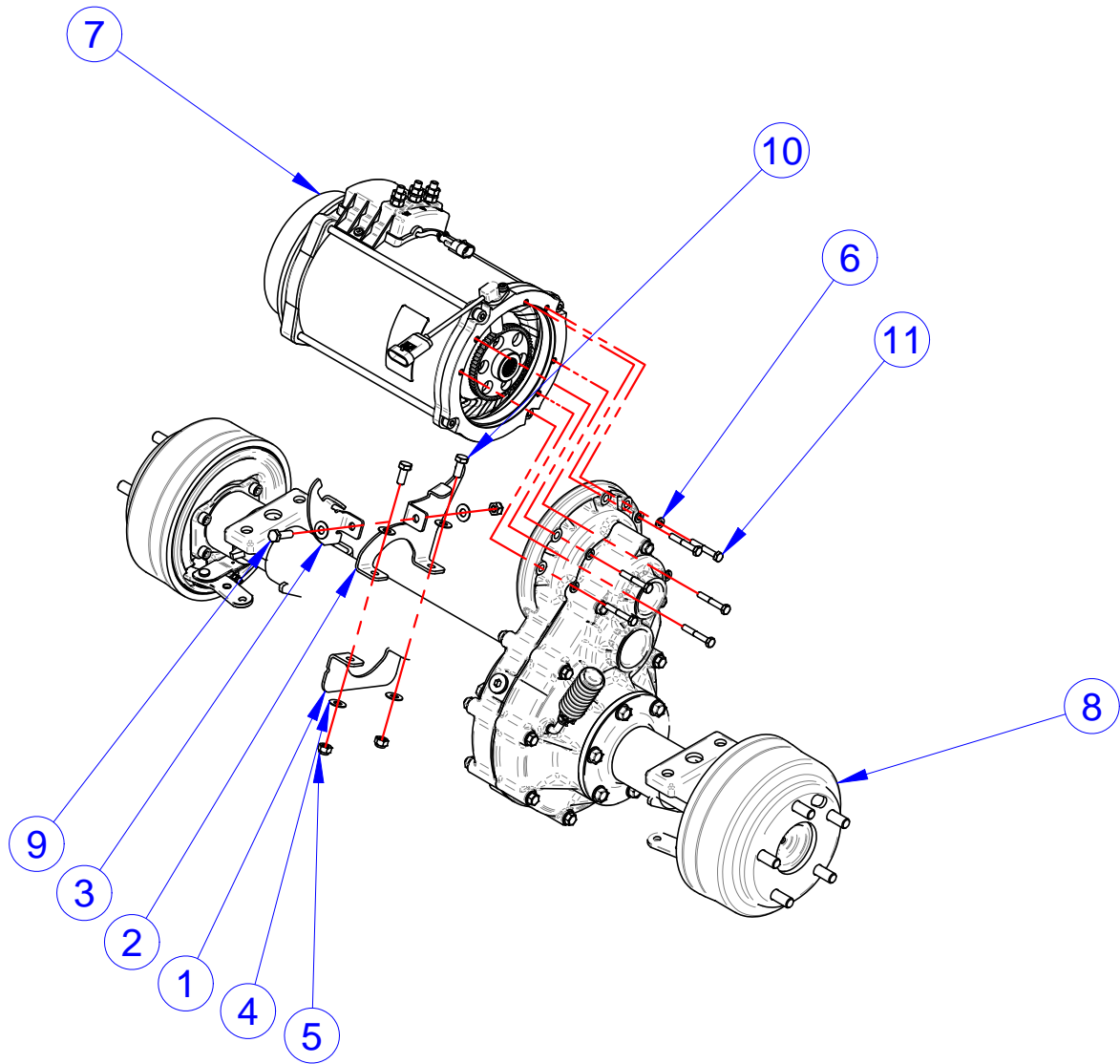
# 8KW MOTOR



ITEM	CVG P/N	DESCRIPTION	QTY	REF #
1-7	CVG761247	MOTOR, 8KW AC, W/EM BRAKE	1	761247
1	CVG761620	BRACKET,DRIVE END	1	761620
2	CVG761621	FIXING SET	1	761621
3	CVG761625	PLATE,CONNECTION	1	761625
4	CVG761621	BRACKET,REAR END	1	761621
5	CVG761622	BEARING,8KW MOTOR	1	761622
6	CVG761623	SENSOR,MOTOR SPEED	1	761623
7	CVG761624	BRAKE,8KW MOTOR	1	761624

NOTE: Items with \* in tables indicates parts not shown in drawing.

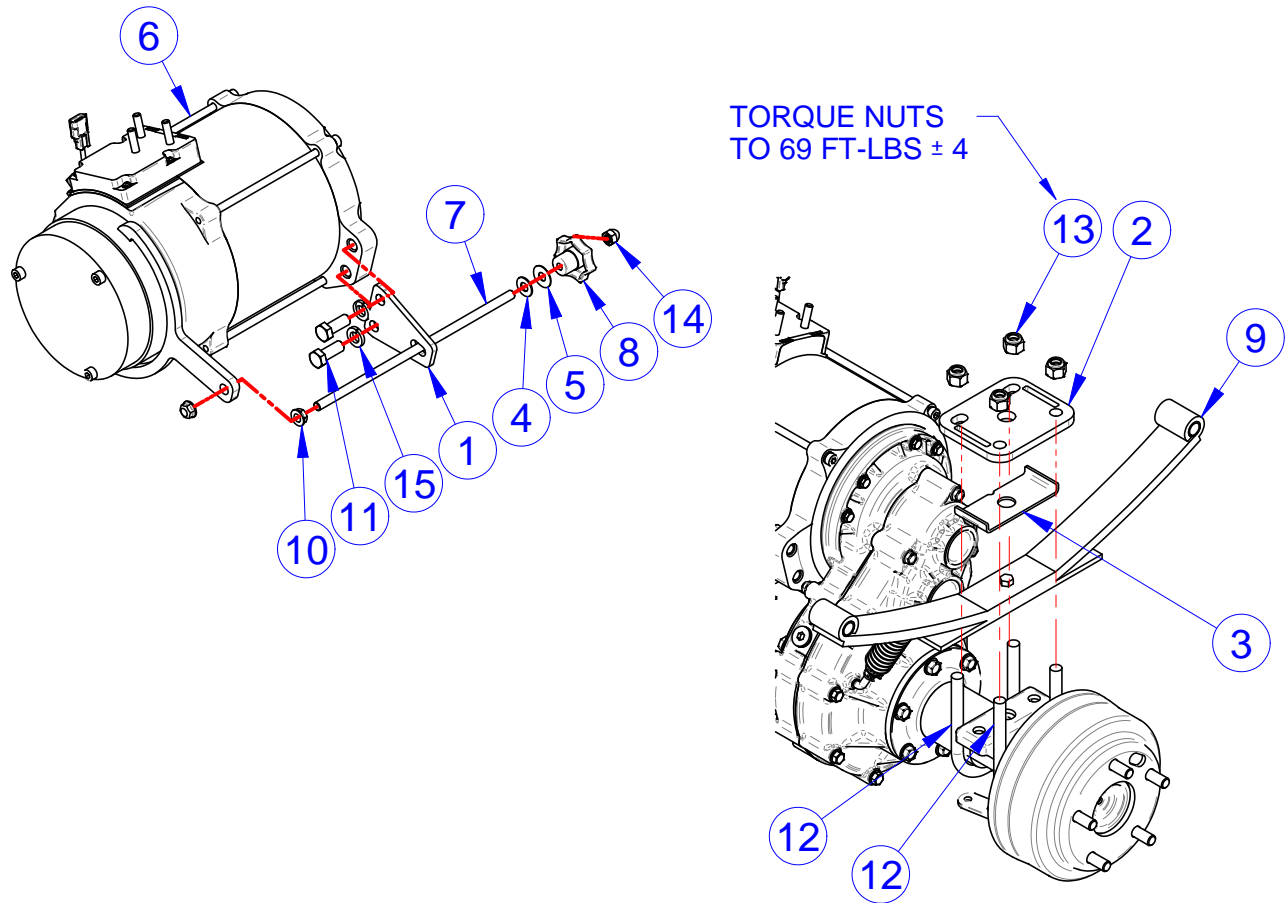
## REAR SUSPENSION AND 5KW MOTOR



ITEM	CVG PN	DESCRIPTION	QTY	REF #
1	CVG517869	BRKT, MOTOR SPRT, 8KW, LOWER, LT	1	517869
2	CVG518064	MOTOR SPRT, 5KW, UPPER, LT	1	518064
3	CVG518067	MOTOR SPRT, 5KW, UPPER	1	518067
4	CVG719375	WSHR, 5/16X0.75X0.040, F/W, 18-8S/S	6	719375
5	CVG719377	NUT, 5/16-18, L/N, NYL, NE, 18-8, S/S	3	719377
6	CVG719378	WSHR, 1/4 (M6), L/W, SPLIT, 18-8, S/S	6	719378
7	CVG761248	MOTOR, AC, 5KW W/EM BRAKE	1	761248
8	CVG761739	AXLE, NKL HDLT, 16.77:1	1	761739
9	CVG782720	SCR, 5/16-18 X 1, HHCS, 18-8, S/S	1	782720
10	CVG782721	SCR, 5/16-18 X 0.75, HHCS, 18-8, S/S	2	782721
11	CVG782735	SCR, M6-1.0 X 40MM, HHCS, A2, S/S	6	782735

NOTE: Items with \* in tables indicates parts not shown in drawing.

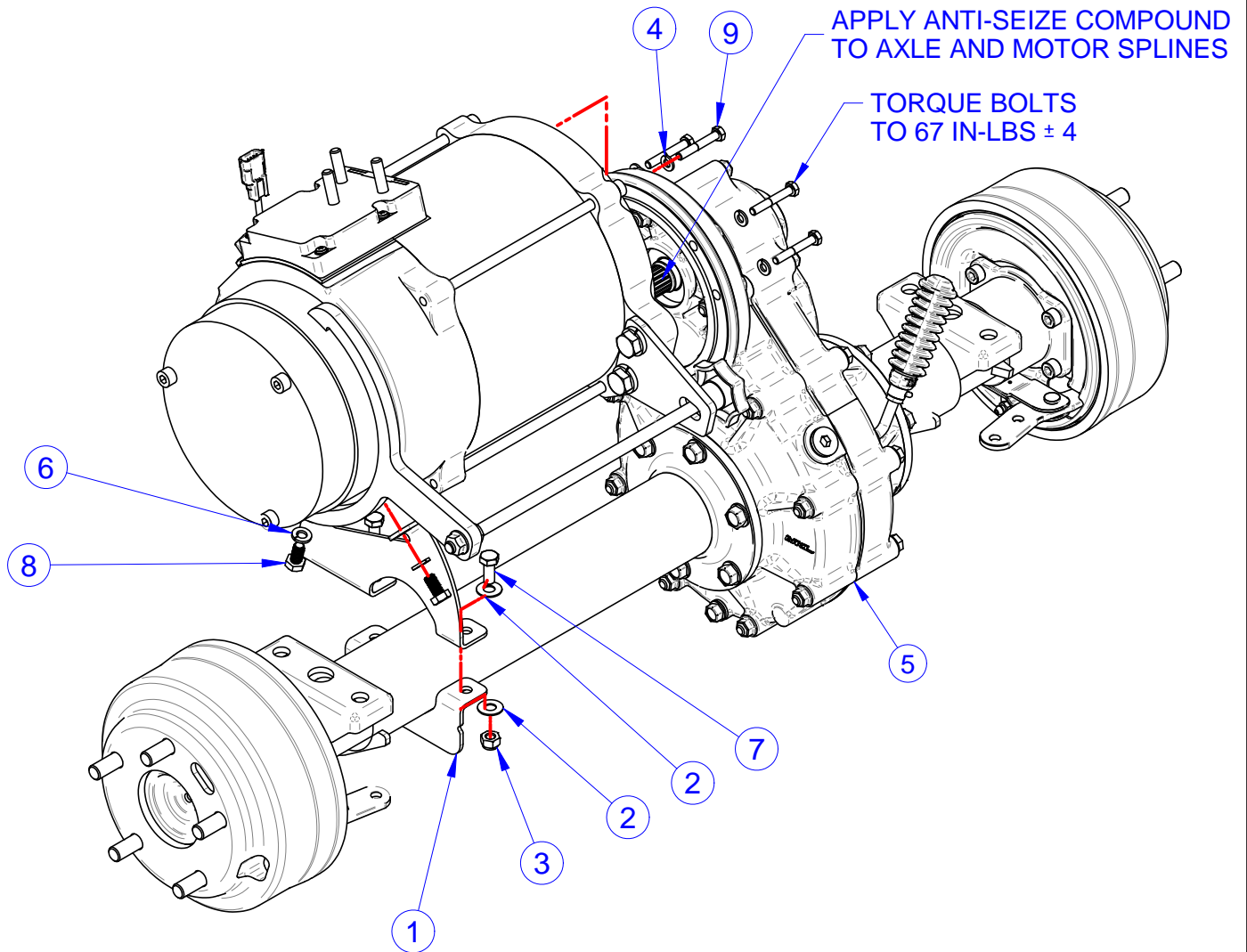
## REAR SUSPENSION AND 8KW MOTOR



ITEM	CVG PN	DESCRIPTION	QTY	REF #
1	CVG517073	BRKT, BRAKE RELEASE	1	517073
2	CVG517871	PLATE, AXLE MT, ST/LT	2	517871
3	CVG518063	PLATE, AXLE SPACER	2	518063
4	CVG708859	WASHER, 3/8, STD, FW, 18-8SS	1	708859
5	CVG719667	WASHER, 0.390 X 1.000 X 0.030, F/W, NYL	1	719667
6	CVG761247	MOTOR, 8KW AC W/ BRAKE	1	761247
7	CVG761286	ROD, BRAKE RELEASE	1	761286
8	CVG761290	KNOB, STAR, 50MM OD, 3/8-16 THRU	1	761290
9	CVG761753	SPRING, LEAF, 3, 850 LB	2	761753
10	CVG781701	NUT, 3/8-16 FLANGE 2-WAY LOCK, S/S	2	781701
11	CVG782247	SCREW, M12-1.75X30MM, HHCS, 10.9, BLK M	2	782247
12	CVG782695	U BOLT 1/2-13 X 5.25"IL X 2.81, MAGNI 525	4	782695
13	CVG782739	NUT, 1/2-13, L/N, NYL, NE, G8, MAGNI 525	8	782739
14	CVG782761	NUT, 3/8-16, ACORN, 18-8, S/S	1	782761
15	CVG782762	WSHR, 1/2, (M12), L/W, SPLIT, HEAVY, MAGNI 525	2	782762

NOTE: Items with \* in tables indicates parts not shown in drawing.

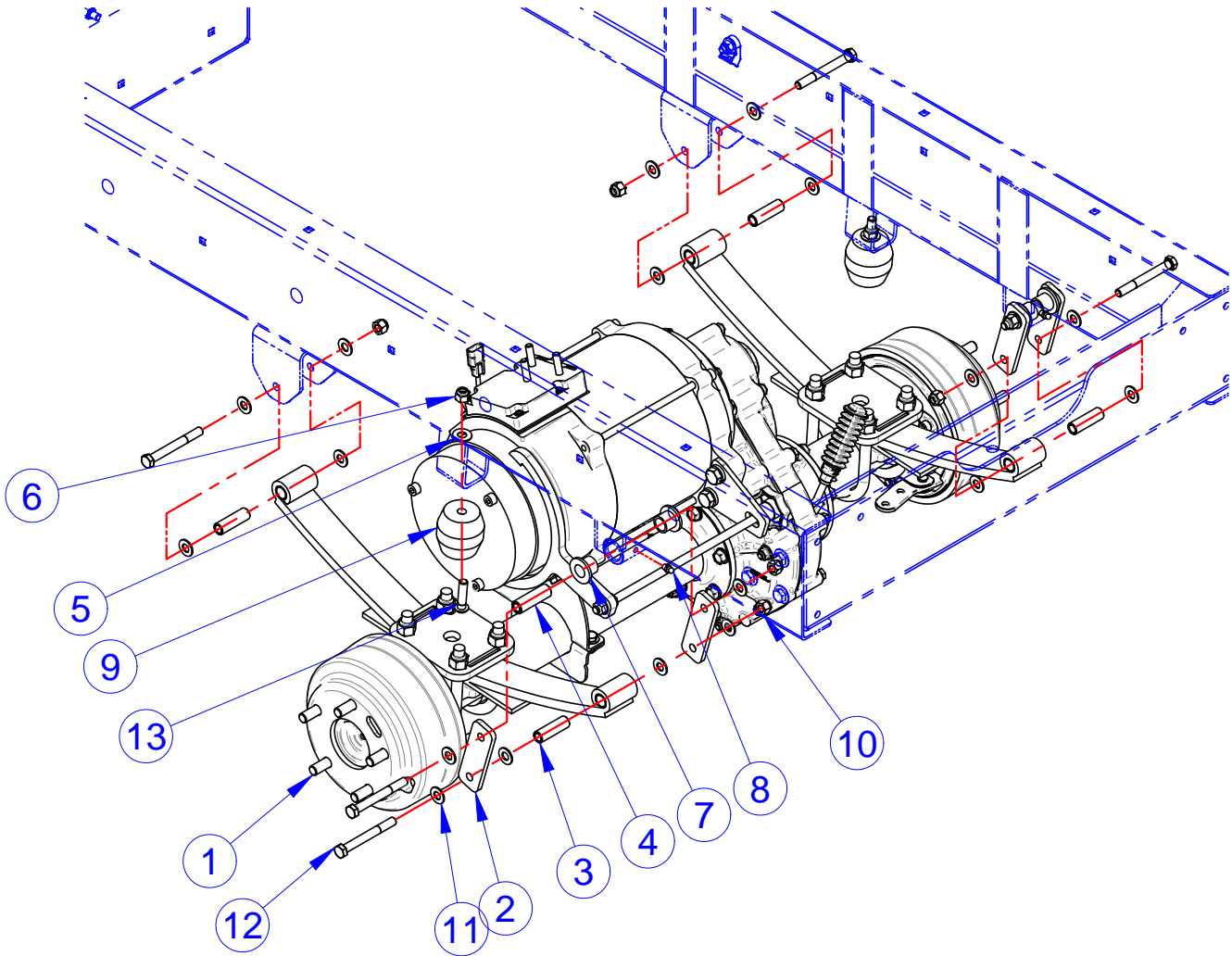
## REAR SUSPENSION AND 8KW MOTOR



ITEM	CVG PN	DESCRIPTION	QTY	REF #
1-10	NONE	ASSY, REAR SPNSN, 16.77, 8KW, SU5-2		468099
	NONE	ASM, REAR SUSPSN, 10.37, 8KW, SU5-2		468096
1	CVG517869	BRKT, MOTOR SPRT, 8KW, LOWER, LT	1	517869
2	CVG719375	WSHR, 5/16X0.750X0.040, F/W, 18-8S/S	4	719375
3	CVG719377	NUT, 5/16-18, L/N, NYL, NE, 18-8, S/S	2	719377
4	CVG719378	WSHR, 1/4 (M6), L/W, SPLIT, 18-8, S/S	6	719378
5	CVG760734	AXLE, HD, NKL 10.37:1	1	760734
	CVG761739	AXLE, NKL HDLT, 16.77:1	1	761739
6	CVG781621	WSHR, 5/16, L/W, SPLIT, 18-8, S/S	2	781621
7	CVG782721	SCR, 5/16-18 X 0.75, HHCS, 18-8, S/S	2	782721
8	CVG782727	SCR, M8-1.25 X 16 MM, HHCS, A2, S/S	2	782727
9	CVG782735	SCR, M6-1.0 X 40MM, HHCS, A2, S/S	6	782735

NOTE: Items with \* in tables indicates parts not shown in drawing.

## REAR SUSPENSION SPRINGS



ITEM	CVG PN	DESCRIPTION	QTY	REF #
1	NONE	ASSY, REAR SUSPENSION, 16.77, 5KW, SU5-2	1	468095
	NONE	ASSY, REAR SPNSN, 10.37, 8KW, SU5-2	1	468096
	NONE	ASSY, REAR SUSPENSION, 16.77, 8KW, SU5-2	1	468099
2	CVG517065	SHACKLE STRAP	4	517065
3	CVG517066	SPACER, REAR SUSPENSION	4	517066
4	CVG518166	SPACER, SHACKLE MTG	2	518166
5	CVG708859	WASHER, 3/8, STD, FW, 18-8SS	2	708859
6	CVG708860	NUT, 3/8-16, L/N, NYL, NE, 18-8, S/S	2	708860
7	CVG709005	BUSHING, .62" ID, SINTERED METAL	4	709005
8	CVG709110	GREASE FITTING, 1/4" DRIVE, STRAIGHT	2	709110
9	CVG761036	AEON RUBBER SPRING 155-45	2	761036
10	CVG782118	NUT, 3/8-16, L/N, NYL, NE, G8, MAGNI525	6	782118
11	CVG782740	WSHR, 3/8(M10), SAE, F/W, G8, MAGNI525	20	782740
12	CVG782743	SCR, 3/8-16 X 3.25, HHCS, G8, MAGNI 525	6	782743
13	CVG782763	SCR, 3/8-16 X 1.5, BSHCS, 18-8, S/S	2	782763

NOTE: Items with \* in tables indicates parts not shown in drawing.

NOTE: Items with \* in tables indicates parts not shown in drawing.

*Columbia Vehicle Group, Inc.*

A Nordic Group Company | Business Ventures Since 1947



**COLUMBIA**



**TOMBERLIN**





# **COLUMBIA**

## SUMMIT UTILITRUCK

### PARTS MANUAL SECTION 4

### WHEELS

*Columbia Vehicle Group, Inc.*

A Nordic Group Company | Business Ventures Since 1967

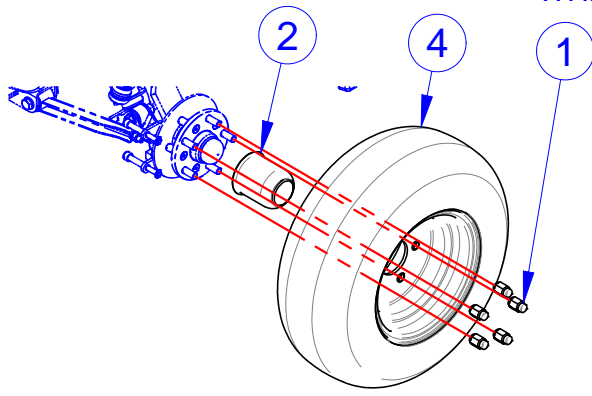


**COLUMBIA**

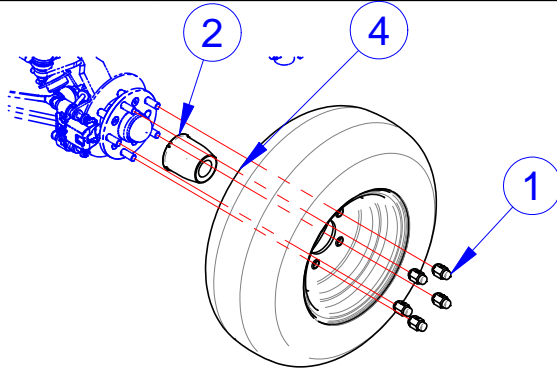


**TIMBERLIN**

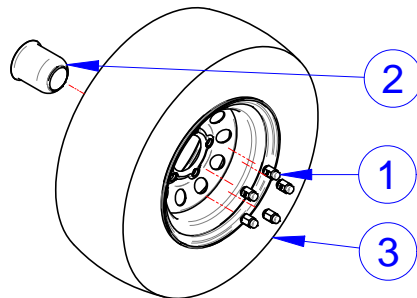
WHEELS



ITEM	CVG PN	DESCRIPTION	QTY	REF #
1	CVG719332	NUT, CHROME LUG 1/2-20	20	719332
2	CVG760621	WHEEL CENTER CAP, CHROME/BLACK, 3.19"	4	760621
3*	CVG761166	TIRE PRESSURE LABEL, 45PSI	4	761166
4	CVG761662	ASSY, TIRE/WHEEL, 205/65-10, 5-BOLT, SILVER AL	4	761662



ITEM	CVG PN	DESCRIPTION	QTY	REF #
1	CVG719332	NUT, CHROME LUG 1/2-20	20	719332
2	CVG719387	CAP, CHROME CENTER, 13" ALUM WHEEL	4	719387
3*	CVG761166	TIRE PRESSURE LABEL, 45PSI	4	761166
4	CVG761197	ASSY, TIRE/WHEEL, 205/65-10, 5-BOLT	4	761197



ITEM	CVG PN	DESCRIPTION	QTY	REF #
1	CVG719332	NUT, CHROME LUG 1/2-20	20	719332
2	CVG760621	WHEEL CENTER CAP, CHROME/BLACK, 3.19"	4	760621
3	CVG761209	ASSY, TIRE/WHEEL, 23X8.5-12, SPR TURF	4	761209

NOTE: Items with \* in tables indicates parts not shown in drawing.

NOTE: Items with \* in tables indicates parts not shown in drawing.

*Columbia Vehicle Group, Inc.*

A Nordic Group Company | Business Ventures Since 1947



**COLUMBIA**



**TOMBERLIN**



# **COLUMBIA**

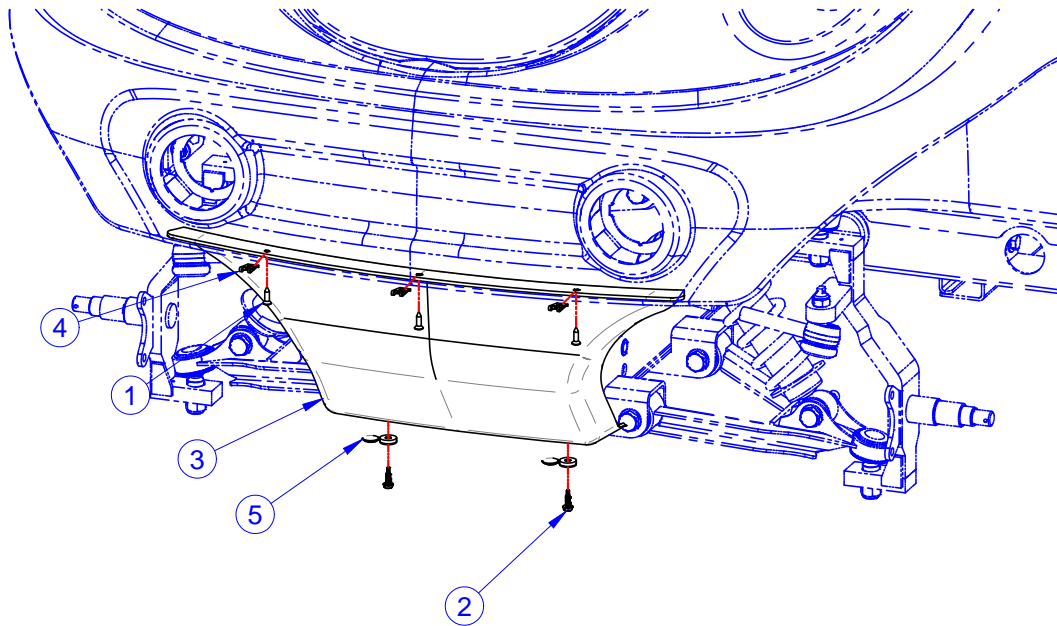
## SUMMIT UTILITRUCK

### PARTS MANUAL SECTION 5

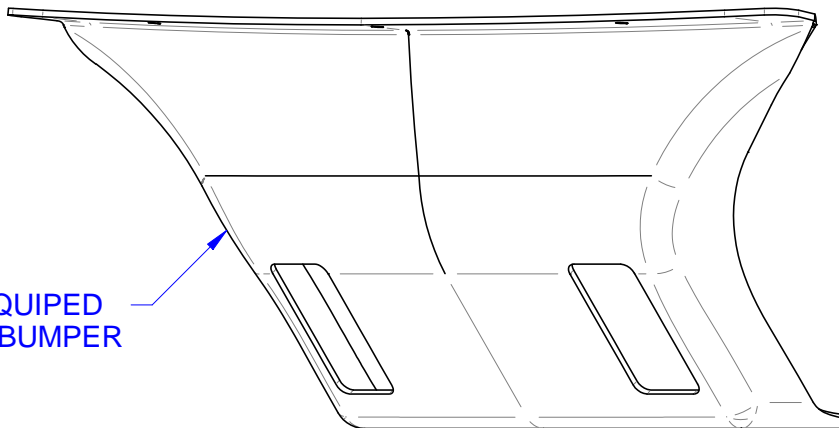
### BODY



# FRONT FASICA



ITEM	CVG PN	DESCRIPTION	QTY	REF #
1	CVG719429	SCREW, #10X3/4, POH, T/S, TA, SS18-8	3	719429
2	CVG719583	SCREW, 10-16X3/4, HWH, TEK, MAG525	2	719583
3	CVG760859	FASCIA, FRONT LOWER	1	760859
4	CVG760899	NUT, #10, SPRING, 0.025-0.150, 0.563, MAGNI 525	3	760889
5	CVG782411	COVER, SCREW, 1/4-20, BLACK	2	782411

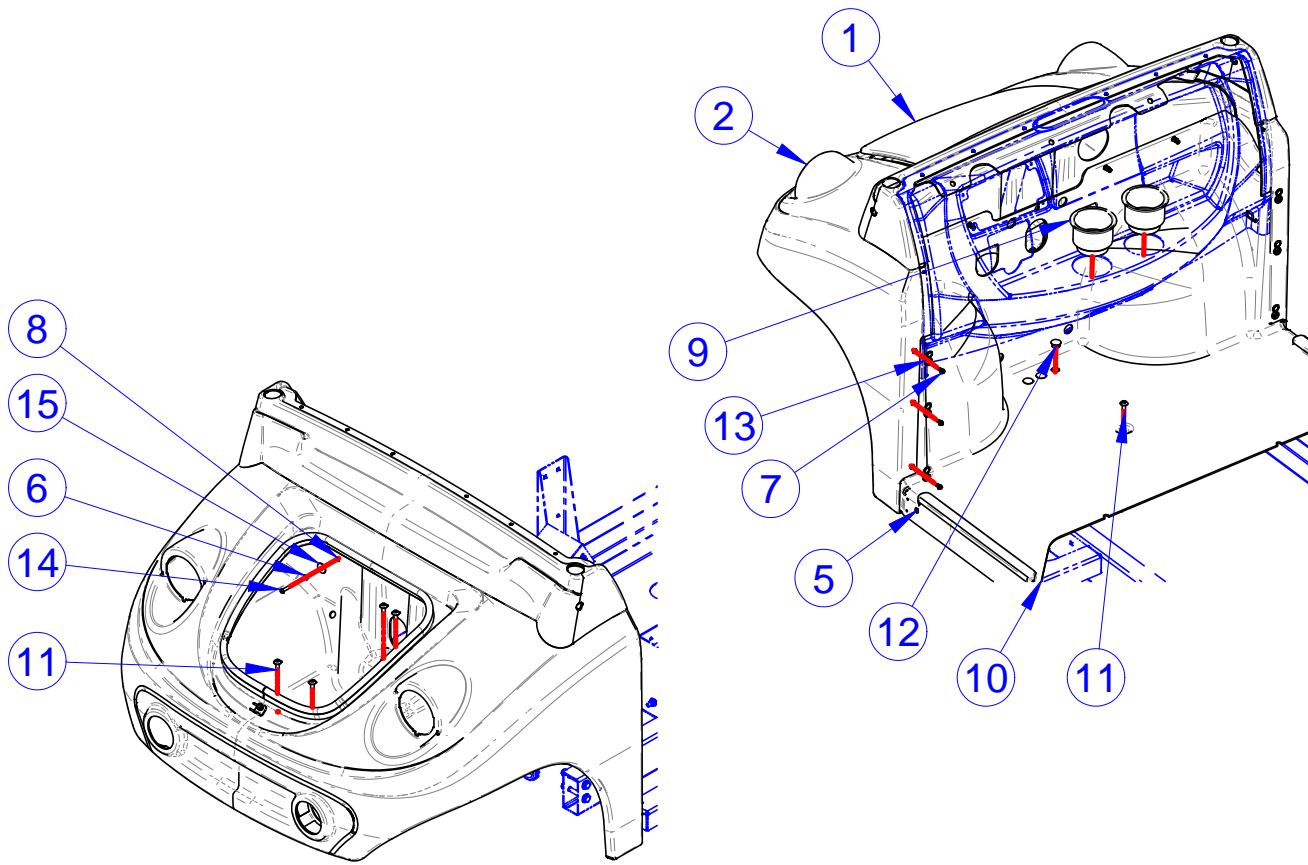


USE WHEN EQUIPED WITH FRONT BUMPER

ITEM	CVG PN	DESCRIPTION	QTY	REF #
	CVG515820	FRNT LWR FACIA W/ BUMPER SLOT		515820

NOTE: Items with \* in tables indicates parts not shown in drawing.

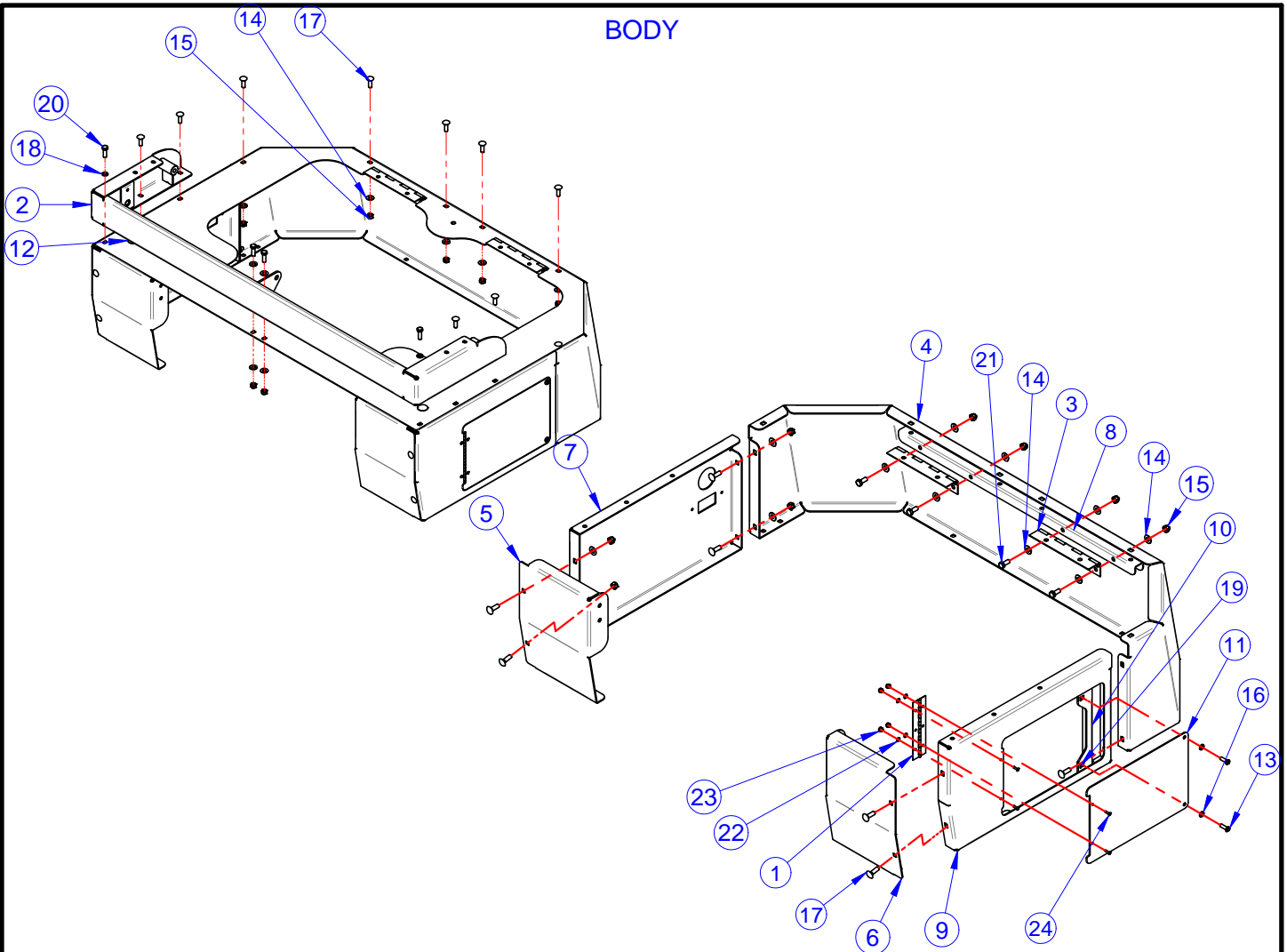
## FRONT BODY



ITEM	CVG PN	DESCRIPTION	QTY	REF #
1	CVG467907%	PAINTED, HOOD, P5	1	467907
2	CVG467923%	ASSY, FRONT MODULE, PAINTED	1	467923
3*	CVG709206	TRIM SEAL, 3/8" BULB, 1/16" EDGE, A	8	709206
4*	CVG709783	FOAM TAPE, 1/8 X 1	9	709783
5	CVG719375	WSHR, 5/16X0.750X0.040, F/W, 18-8S/S	2	719375
6	CVG719378	WSHR, 1/4 (M6), L/W, SPLIT, 18-8, S/S	4	719378
7	CVG719583	SCREW, 10-16X3/4, HWH, TEK, MAG525	6	719583
8	CVG719717	NUT, 1/4-20, JACK, 0.188-0.375, MAGNI 525	4	719717
9	CVG729533	CUP HOLDER	2	729553
10	CVG761235	FLOORBOARD, SU5	1	761235
11	CVG781738	SCR, 5/16-18 X 0.75, PTH, M/S, 18-8, S/S	5	781738
12	CVG782212	PLUG, 3/4 DOME, BLACK NYLON	3	782212
13	CVG782411	COVER, SCREW, 1/4-20, BLACK	6	782411
14	CVG782719	SCR, 1/4-20 X 1, BSHCS, 18-8, S/S	2	782719
15	CVG782731	WSHR, 1/4 (M6) X 1.000 X 0.062, FENDER, 18-8, S/S	2	782731

NOTE: Items with \* in tables indicates parts not shown in drawing.

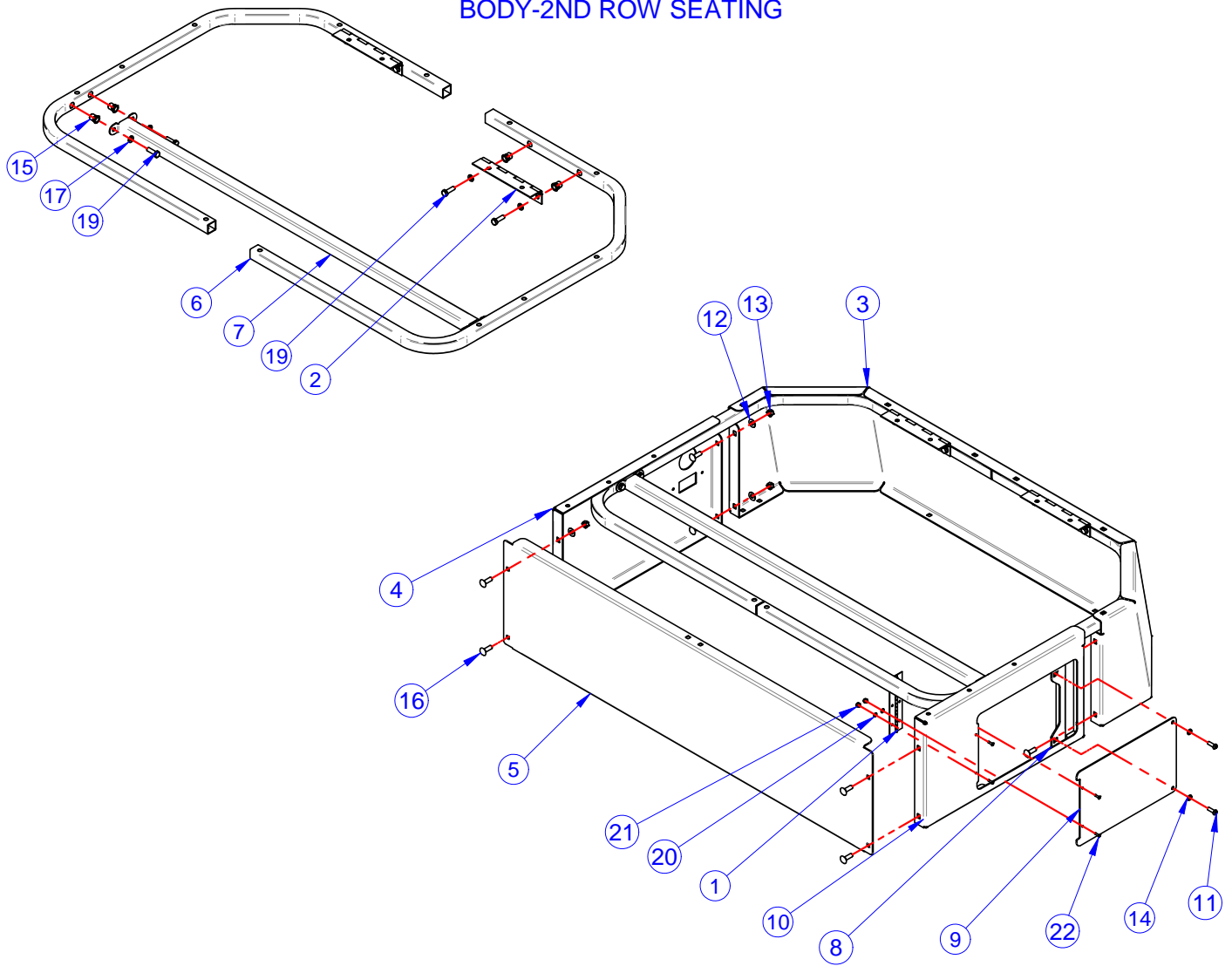
# BODY



ITEM	CVG PN	DESCRIPTION	QTY	REF #
1	CVG309105B	HINGE SEAT - EXPEDITER	1	309105
2	CVG313448TB	WLDMT, SEAT BASE FILLER	1	313448
3	CVG516899	HINGE, SEAT	2	516899
4	CVG517046%	PANEL, MID-BODY	1	517046
5	CVG517057%	PANEL, MID-BODY, REAR, LH	1	517057
6	CVG517058%	PANEL, MID-BODY, REAR, RH	1	517058
7	CVG517082%	PANEL, MID-BODY, LH	1	517082
8	CVG517086	CHAN, HINGE MTG	1	517086
9	CVG517527%	PANEL, MID-BODY, CONTROLLER DOOR, RH	1	517527
10	CVG517528	BRKT, CONTROLLER DOOR STOP	1	517528
11	CVG517529%	PANEL, CONTROLLER DOOR	1	517529
12	NONE	HOLE PLUG, 7/8, BLACK	2	719362
13	CVG719374	SCREW, 1/4-20X3/4", BHCS, 18-8SS	2	719374
14	CVG719375	WSHR, 5/16X0.750X0.040, F/W, 18-8S/S	50	719375
15	CVG719377	NUT, 5/16-18, L/N, NYL, NE, 18-8, S/S	44	719377
16	CVG719378	WSHR, 1/4 (M6), L/W, SPLIT, 18-8, S/S	4	719378
17	CVG761292	SCR, 5/16-18X1.0, CARR, 18-8S/S	28	761292
18	CVG781621	WSHR, 5/16, L/W, SPLIT, 18-8, S/S	2	781621
19	CVG782339	NUT, 1/4-20, CAGE, 0.093-0.126, MAGNI 525	2	782339
20	CVG782720	SCR, 5/16-18 X 1, HHCS, 18-8, S/S	4	782720
21	CVG782721	SCR, 5/16-18 X 0.75, HHCS, 18-8, S/S	4	782721
22	CVG782737	WSHR, #6 X 0.375 X 0.031, F/W, 18-8 S/S	4	782737
23	CVG782738	NUT, #6-32, L/N, NYL, NM, 18-8, S/S	4	782738
24	CVG782744	SCR, #6-32 X 0.5, BSHCS, 18-8, S/S	4	782744

NOTE: Items with \* in tables indicates parts not shown in drawing.

## BODY-2ND ROW SEATING



ITEM	CVG PN	DESCRIPTION	QTY	REF #
1	CVG309105B	HINGE SEAT - EXPEDITER	1	309105
2	CVG516899	HINGE, SEAT	2	516899
3	CVG517046%	PANEL, MID-BODY	1	517046
4	CVG517047%	PANEL, MID-BODY, 2ND SEAT, LH	1	517047
5	CVG517049%	PANEL, KICK, FRONT	1	517049
6	CVG517068EC	TUBE, SEAT BASE	2	517068
7	CVG517070	CHAN, SEAT BASE	1	517070
8	CVG517528	BRKT, CONTROLLER DOOR STOP	1	517528
9	CVG517529%	PANEL, CONTROLLER DOOR	1	517529
10	CVG517530%	PANEL, MID-BODY, 2ND SEAT, CONTROLLER DOOR, RH	1	517530
11	CVG719374	SCREW, 1/4-20X3/4", BHCS, 18-8SS	2	719374
12	CVG719375	WSHR, 5/16X0.75X0.040, F/W, 18-8S/S	8	719375
13	CVG719377	NUT, 5/16-18, L/N, NYL, NE, 18-8, S/S	8	719377
14	CVG719378	WSHR, 1/4 (M6), L/W, SPLIT, 18-8, S/S	2	719378
15	CVG719929	NUT, 5/16-18, RIVET, KNURLED, 0.027-0.150, YWZC	8	719929
16	CVG761292	SCR, 5/16-18X1.0, CARR, 18-8S/S	8	761292
17	CVG781621	WSHR, 5/16, L/W, SPLIT, 18-8, S/S	8	781621
18*	CVG782339	NUT, 1/4-20, CAGE, 0.093-0.126, MAGNI 525	2	782339
19	CVG782720	SCR, 5/16-18 X 1, HHCS, 18-8, S/S	8	782720
20	CVG782737	WSHR, #6 X 0.375 X 0.031, F/W, 18-8 S/S	4	782737
21	CVG782738	NUT, #6-32, L/N, NYL, NM, 18-8, S/S	4	782738
22	CVG782744	SCR, #6-32 X 0.5, BSHCS, 18-8, S/S	4	782744

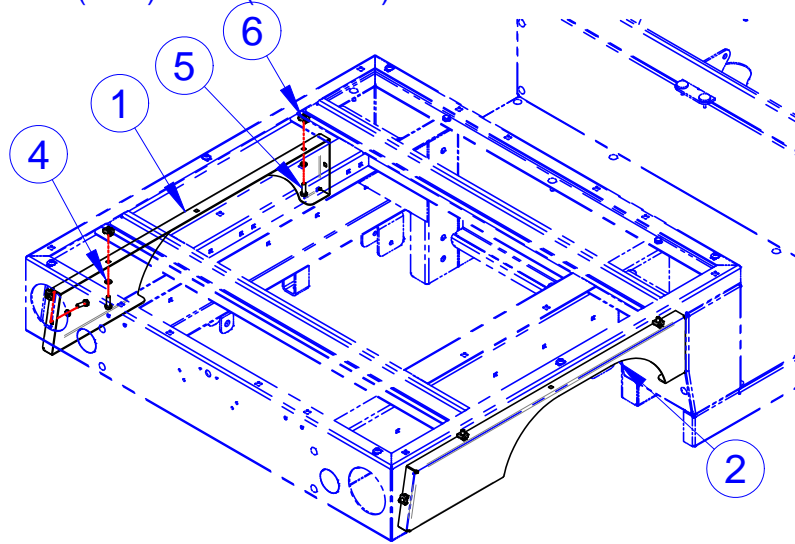
NOTE: Items with \* in tables indicates parts not shown in drawing.

Columbia Vehicle Group, Inc.  
A Nordic Group Company | Business Ventures Since 1947

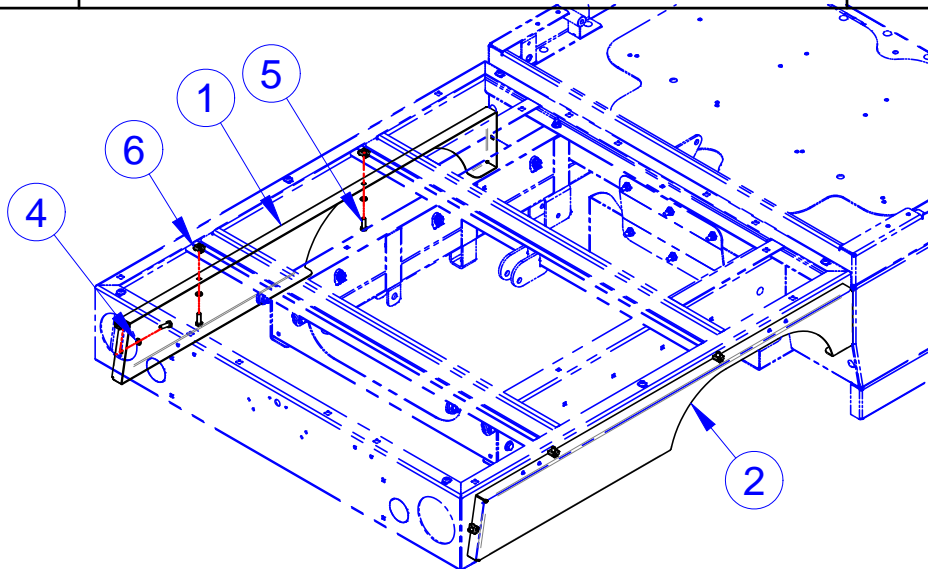




36" (TOP) & 48" (BOTTOM) REAR BODY PANELS



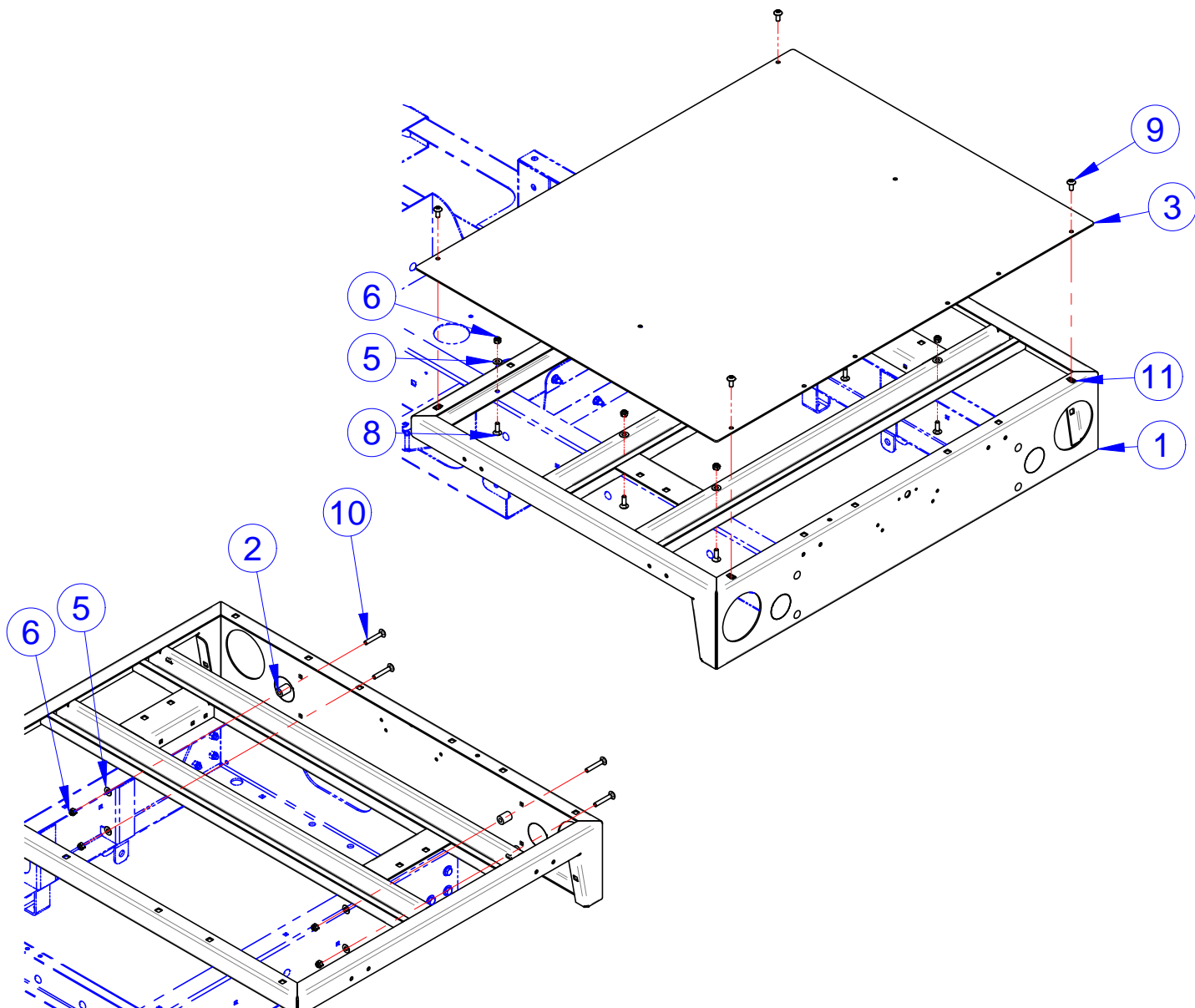
ITEM	CVG PN	DESCRIPTION	QTY	REF #
1	CVG517279	PANEL, REAR BODY PANEL, 2ND SEAT/36" DECK, LH	1	517279
2	CVG517280	PANEL, REAR BODY PANEL, 2ND SEAT/36" DECK, RH	1	517280
3*	CVG760694	FOAM TAPE, 1/8 X 3/4	1	760694
4	CVG781621	WSHR, 5/16, L/W, SPLIT, 18-8, S/S	6	781621
5	CVG782720	SCR, 5/16-18 X 1, HHCS, 18-8, S/S	6	782720
6	CVG782757	NUT, 5/16-18, CAGE, 0.093-0.126, MAGNI 525	6	782757



ITEM	CVG PN	DESCRIPTION	QTY	REF #
1	CVG517281	PANEL, REAR BODY PANEL, 48" DECK, LH	1	517281
2	CVG517282	PANEL, REAR BODY PANEL, 48" DECK, RH	1	517282
3*	CVG760694	FOAM TAPE, 1/8 X 3/4	1	760694
4	CVG781621	WSHR, 5/16, L/W, SPLIT, 18-8, S/S	6	781621
5	CVG782720	SCR, 5/16-18 X 1, HHCS, 18-8, S/S	6	782720
6	CVG782757	NUT, 5/16-18, CAGE, 0.093-0.126, MAGNI 525	6	782757

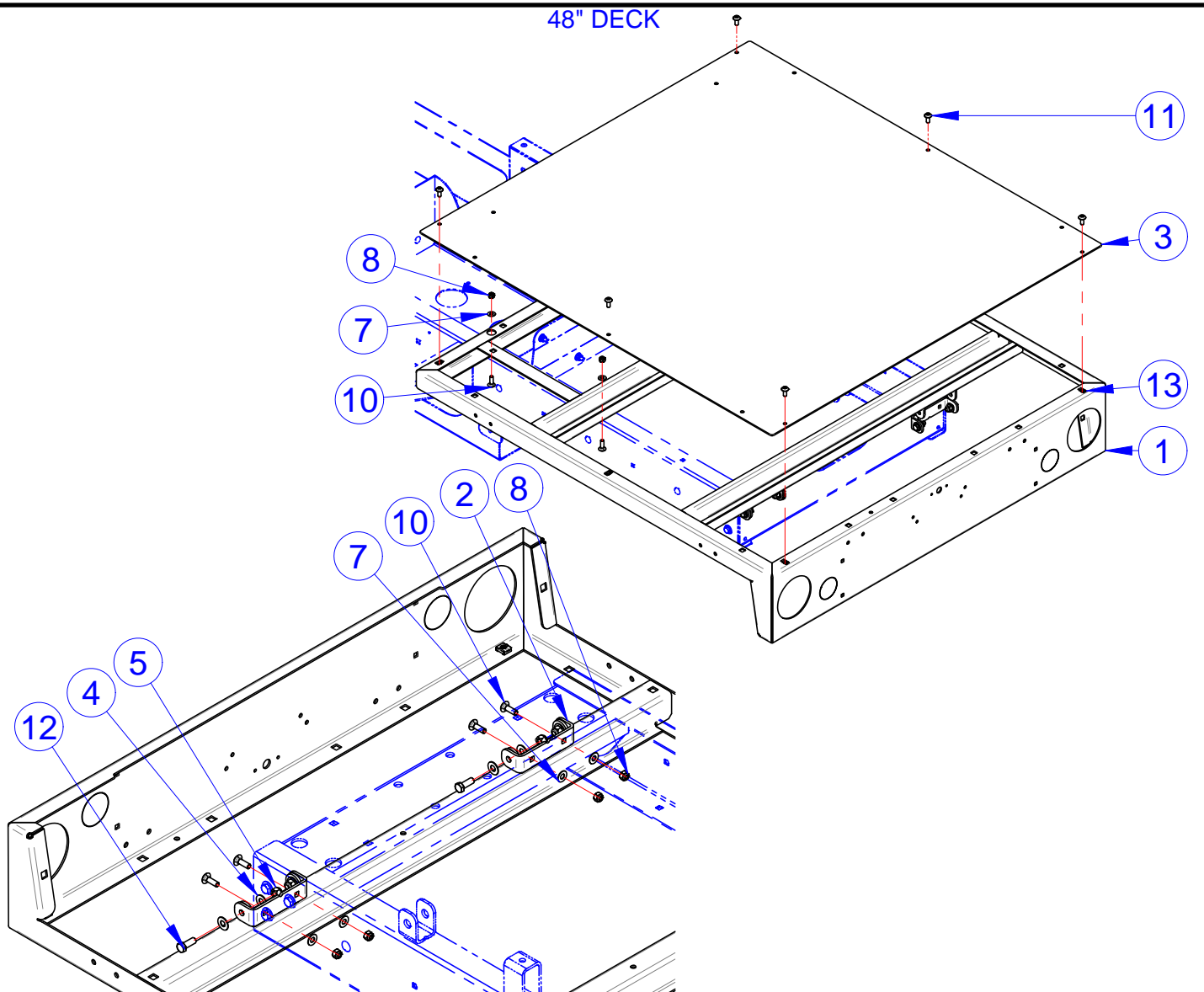
NOTE: Items with \* in tables indicates parts not shown in drawing.

### 36" DECK



ITEM	CVG PN	DESCRIPTION	QTY	REF #
1	CVG313538TB	WLDMT, 36" DECK	1	313538
2	CVG515790B	SPACER, 0.344ID X 0.75OD X 1	4	515790
3	CVG517199	PLATE, 36" DECK	1	517199
4*	CVG709783	FOAM TAPE, 1/8 X 1	13	709783
5	CVG719375	WSHR, 5/16X0.750X0.040, F/W, 18-8S/S	10	719375
6	CVG719377	NUT, 5/16-18, L/N, NYL, NE, 18-8, S/S	10	719377
7*	CVG760694	FOAM TAPE, 1/8 X 3/4	14	760694
8	CVG761292	SCR, 5/16-18X1.0, CARR, 18-8S/S	6	761292
9	CVG781738	SCR, 5/16-18 X 0.75, PTH, M/S, 18-8, S/S	4	781738
10	CVG782715	SCR, 5/16-18 X 2, CARR, 18-8, S/S	4	782715
11	CVG782757	NUT, 5/16-18, CAGE, 0.093-0.126, MAGNI 525	4	782757

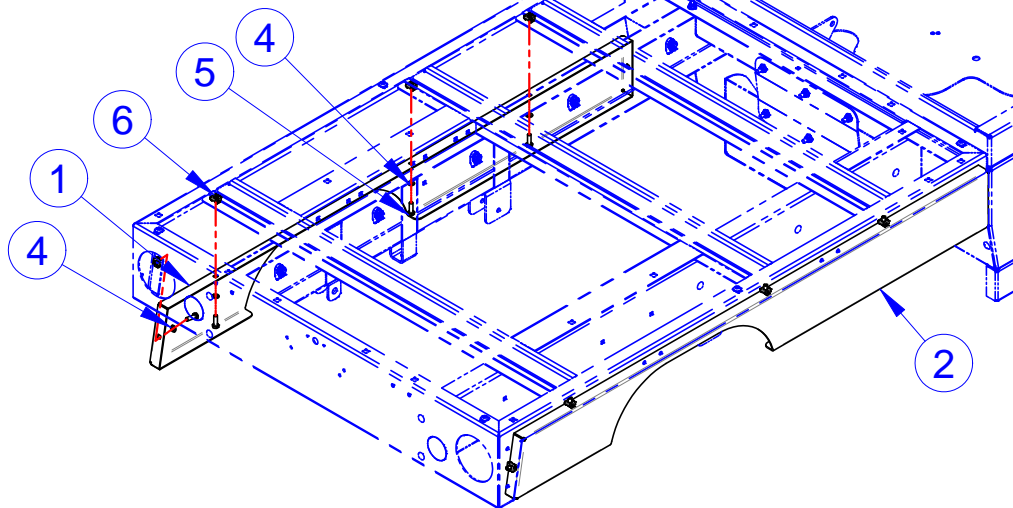
NOTE: Items with \* in tables indicates parts not shown in drawing.



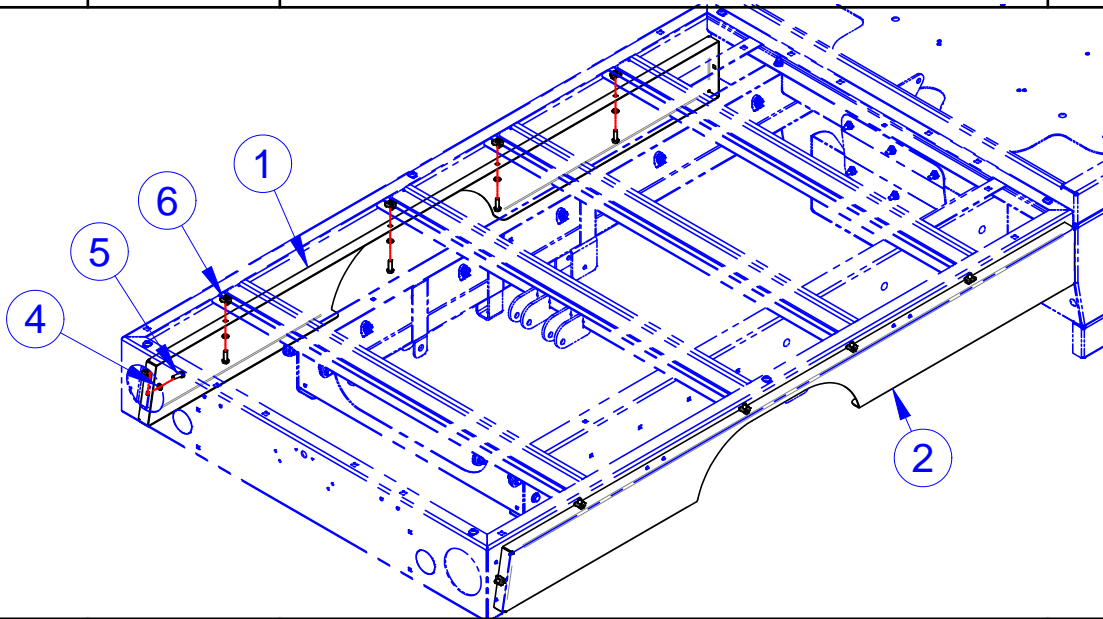
ITEM	CVG PN	DESCRIPTION	QTY	REF #
1	CVG313590TB	WLDMT, 48" DECK	1	313590
2	CVG517200	BRKT, DECK EXT MTG	2	517200
3	CVG517264TB	PLATE, 48" DECK	1	517264
4	CVG708859	WASHER,3/8,STD,FW,18-8SS	8	708859
5	CVG708860	NUT, 3/8-16, L/N, NYL, NE, 18-8, S/S	4	708860
6*	CVG709783	FOAM TAPE, 1/8 X 1	14	709783
7	CVG719375	WSHR,5/16X0.750X0.040,F/W,18-8S/S	8	719375
8	CVG719377	NUT, 5/16-18, L/N, NYL, NE, 18-8, S/S	8	719377
9*	CVG760694	FOAM TAPE, 1/8 X 3/4	14	760694
10	CVG761292	SCR,5/16-18X1.0,CARR,18-8S/S	8	761292
11	CVG781738	SCR, 5/16-18 X 0.75, PTH, M/S, 18-8, S/S	6	781738
12	CVG781786	SCR, 3/8-16 X 1, HHCS, 18-8, S/S	4	781786
13	CVG782757	NUT, 5/16-18, CAGE, 0.093-0.126, MAGNI 525	6	782757

NOTE: Items with \* in tables indicates parts not shown in drawing.

60" (TOP) & 72" (BOTTOM) REAR BODY PANELS



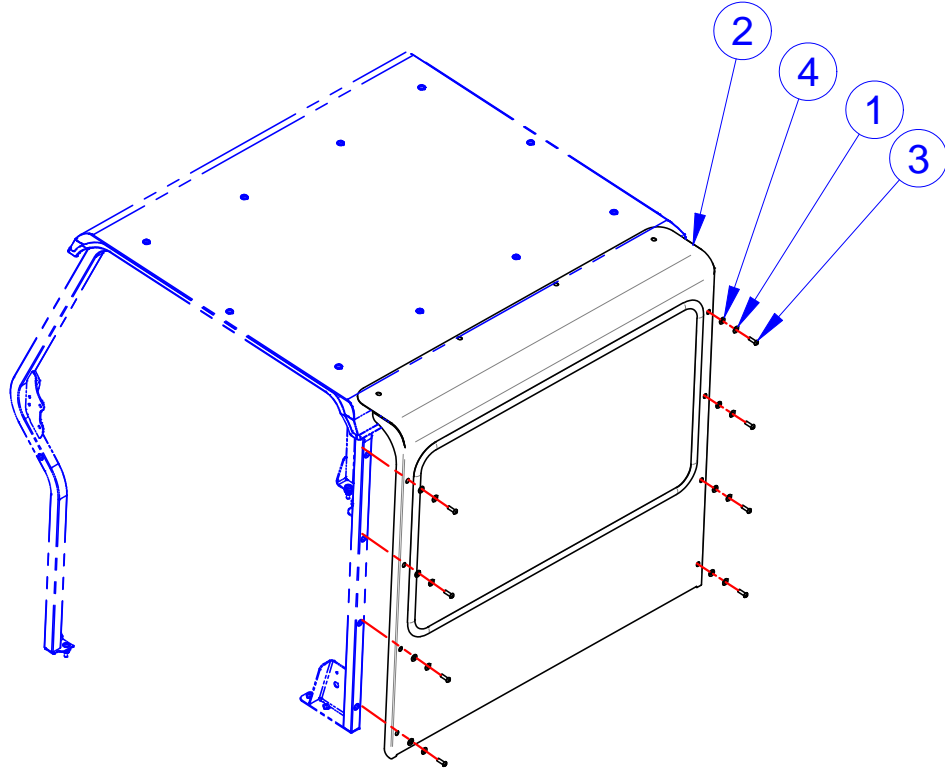
ITEM	CVG PN	DESCRIPTION	QTY	REF #
1	CVG517275	PANEL, REAR BODY PANEL, 60" DECK, LH	1	517275
2	CVG517276	PANEL, REAR BODY PANEL, 60" DECK, RH	1	517276
3*	CVG760694	FOAM TAPE, 1/8 X 3/4	1	760694
4	CVG781621	WSHR, 5/16, L/W, SPLIT, 18-8, S/S	8	781621
5	CVG782720	SCR, 5/16-18 X 1, HHCS, 18-8, S/S	8	782720
6	CVG782757	NUT, 5/16-18, CAGE, 0.093-0.126, MAGNI 525	8	782757



ITEM	CVG PN	DESCRIPTION	QTY	REF #
1	CVG517277	PANEL, REAR BODY PANEL, 72" DECK, LH	1	517277
2	CVG517278	PANEL, REAR BODY PANEL, 72" DECK, RH	1	517278
3*	CVG760694	FOAM TAPE, 1/8 X 3/4	1	760694
4	CVG781621	WSHR, 5/16, L/W, SPLIT, 18-8, S/S	10	781621
5	CVG782720	SCR, 5/16-18 X 1, HHCS, 18-8, S/S	10	782720
6	CVG782757	NUT, 5/16-18, CAGE, 0.093-0.126, MAGNI 525	10	782757

NOTE: Items with \* in tables indicates parts not shown in drawing.

# REAR PANEL



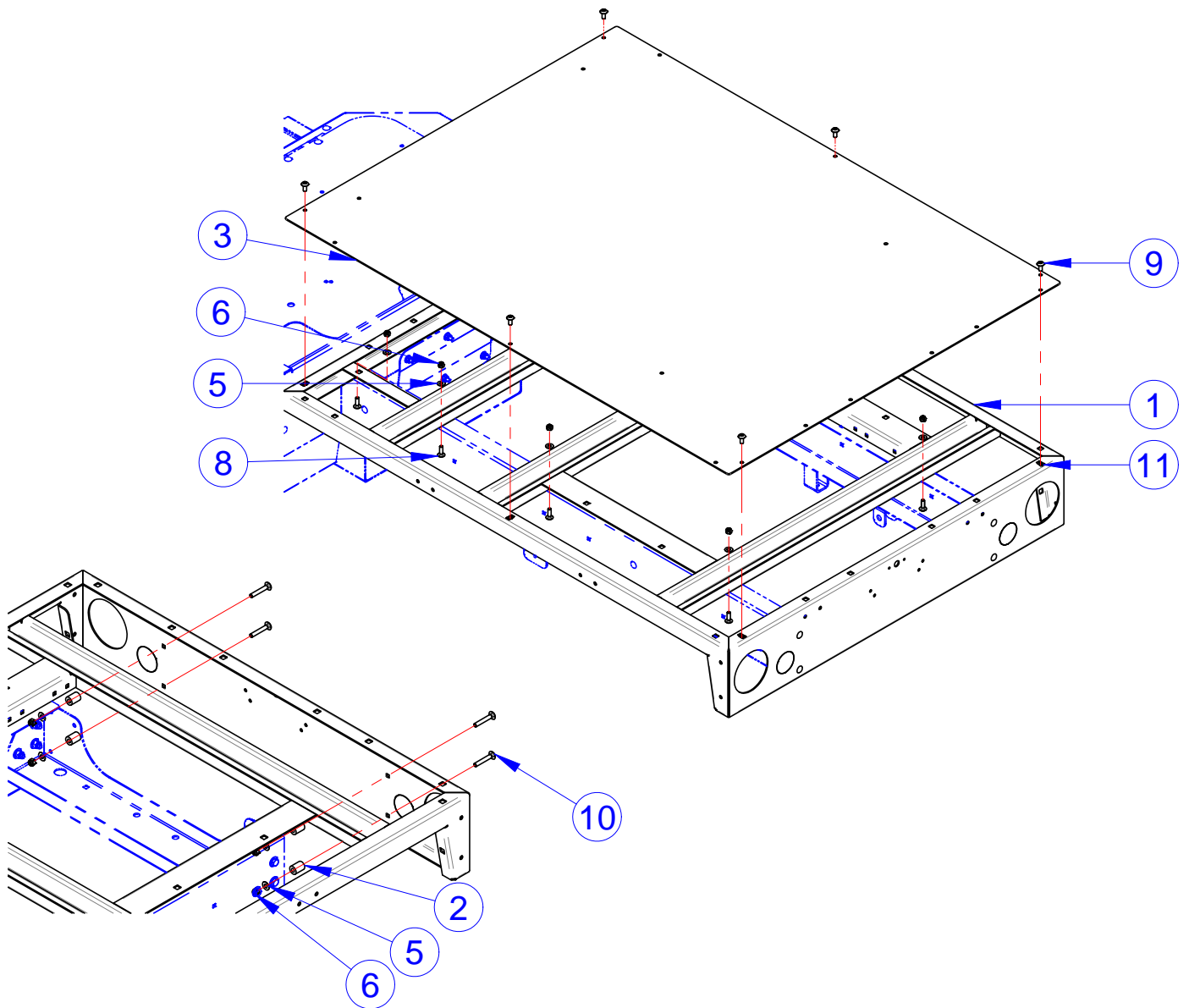
ITEM	CVG PN	DESCRIPTION	QTY	REF #
1	CVG719375	WSHR, 5/16X0.750X0.040, F/W, 18-8S/S	8	719375
2	NONE	KIT, REAR PANEL, SU5	1	761087
3	CVG782748	SCR, 5/16-18 X 1, BSHCS, 18-8, S/S	8	782748
4	CVG782861	WSHR, 0.375 X 0.750 X 0.062, F/W, BLACK NYLON	8	782861

NOTE: Items with \* in tables indicates parts not shown in drawing.

Columbia Vehicle Group, Inc.  
A Nordic Group Company | Business Ventures Since 1947

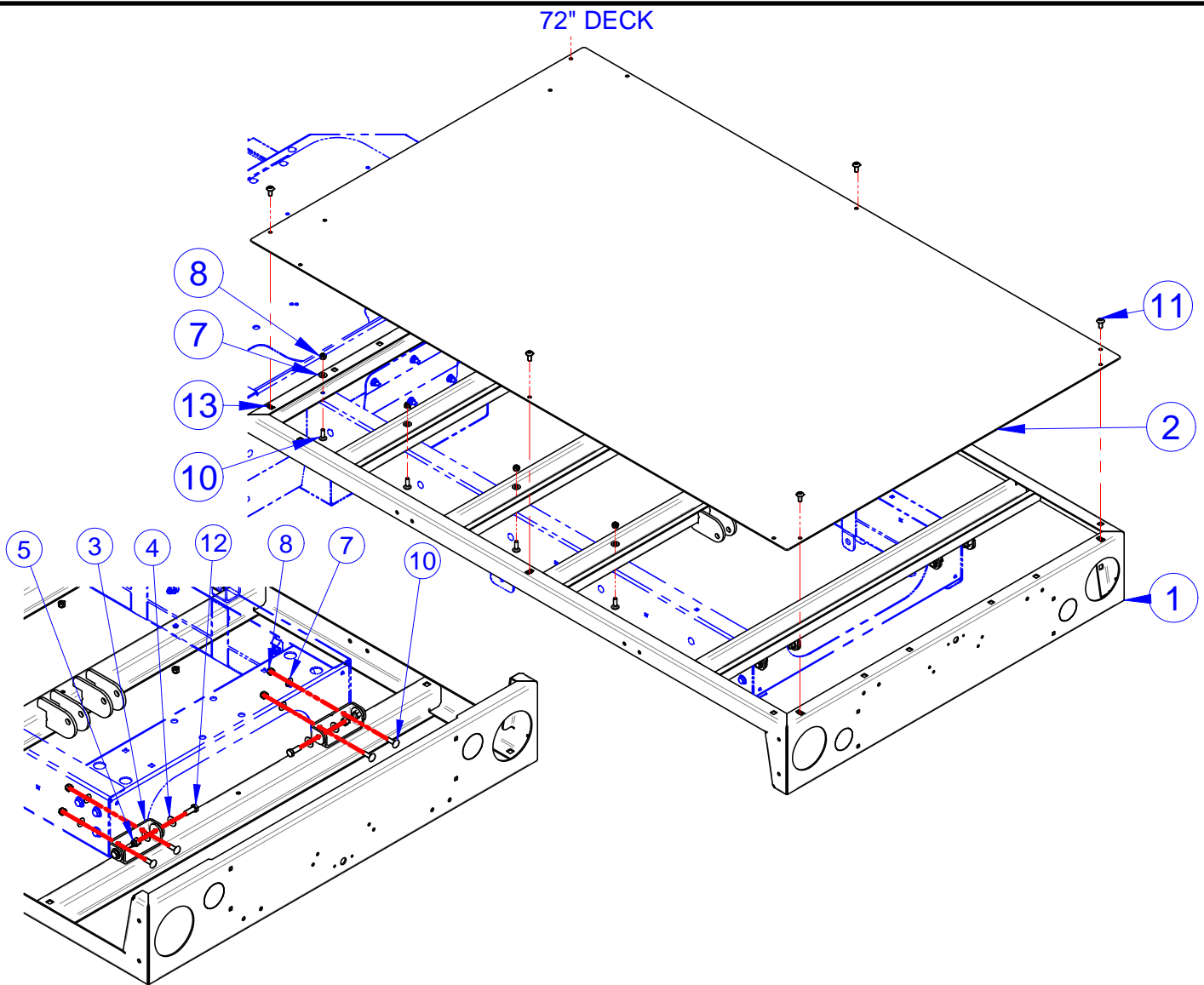


60" DECK



ITEM	CVG PN	DESCRIPTION	QTY	REF #
1	CVG313463TB	WLDMT, 60" DECK	1	313463
2	CVG515790B	SPACER, 0.344ID X 0.75OD X 1	4	515790
3	CVG517111TB	PLATE, 60" DECK	1	517111
4*	CVG709783	FOAM TAPE, 1/8 X 1	25	709783
5	CVG719375	WSHR, 5/16X0.75X0.040, F/W, 18-8S/S	12	719375
6	CVG719377	NUT, 5/16-18, L/N, NYL, NE, 18-8, S/S	12	719377
7*	CVG760694	FOAM TAPE, 1/8 X 3/4	21	760694
8	CVG761292	SCR, 5/16-18X1.0, CARR, 18-8S/S	8	761292
9	CVG781738	SCR, 5/16-18 X 0.75, PTH, M/S, 18-8, S/S	6	781738
10	CVG782715	SCR, 5/16-18 X 2, CARR, 18-8, S/S	4	782715
11	CVG782757	NUT, 5/16-18, CAGE, 0.093-0.126, MAGNI 525	6	782757

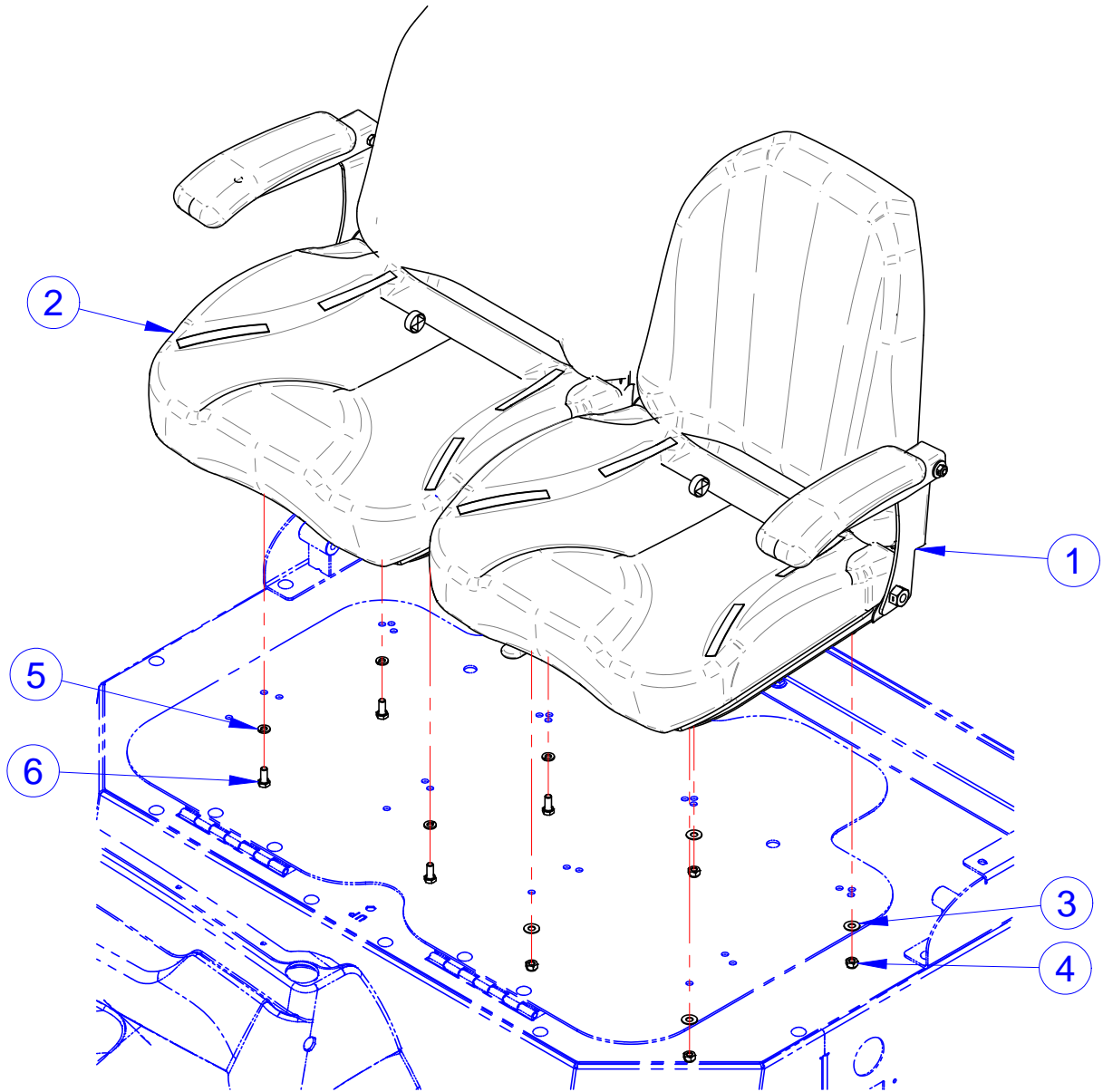
NOTE: Items with \* in tables indicates parts not shown in drawing.



ITEM	CVG PN	DESCRIPTION	QTY	REF #
1	CVG313441TB	WLDMT, 72" DECK	1	313441
2	CVG517053TB	PLATE, 72" DECK	1	517053
3	CVG517200	BRKT, DECK EXT MTG	2	517200
4	CVG708859	WASHER,3/8,STD,FW,18-8SS	8	708859
5	CVG708860	NUT, 3/8-16, L/N, NYL, NE, 18-8, S/S	4	708860
6*	CVG709783	FOAM TAPE, 1/8 X 1	18	709783
7	CVG719375	WSHR,5/16X0.75X0.040,F/W,18-8S/S	12	719375
8	CVG719377	NUT, 5/16-18, L/N, NYL, NE, 18-8, S/S	12	719377
9*	CVG760694	FOAM TAPE, 1/8 X 3/4	28	760694
10	CVG761292	SCR,5/16-18X1.0,CARR,18-8S/S	12	761292
11	CVG781738	SCR, 5/16-18 X 0.75, PTH, M/S, 18-8, S/S	6	781738
12	CVG781786	SCR, 3/8-16 X 1, HHCS, 18-8, S/S	4	781786
13	CVG782757	NUT, 5/16-18, CAGE, 0.093-0.126, MAGNI 525	6	782757

NOTE: Items with \* in tables indicates parts not shown in drawing.

## BUCKET SEATS



ITEM	CVG PN	DESCRIPTION	QTY	REF #
1	CVG313604LA	907 SEAT-4"TRACK,LH ARM	1	313604LA
2	CVG313605RA	907 SEAT-NO TRACK,RH ARM	1	313605RA
3	CVG719375	WSHR,5/16X0.750X0.040,F/W,18-8S/S	4	719375
4	CVG719377	NUT, 5/16-18, L/N, NYL, NE, 18-8, S/S	4	719377
5	CVG781621	WSHR, 5/16, L/W, SPLIT, 18-8, S/S	4	781621
6	CVG782721	SCR, 5/16-18 X 0.75, HHCS, 18-8, S/S	4	782721

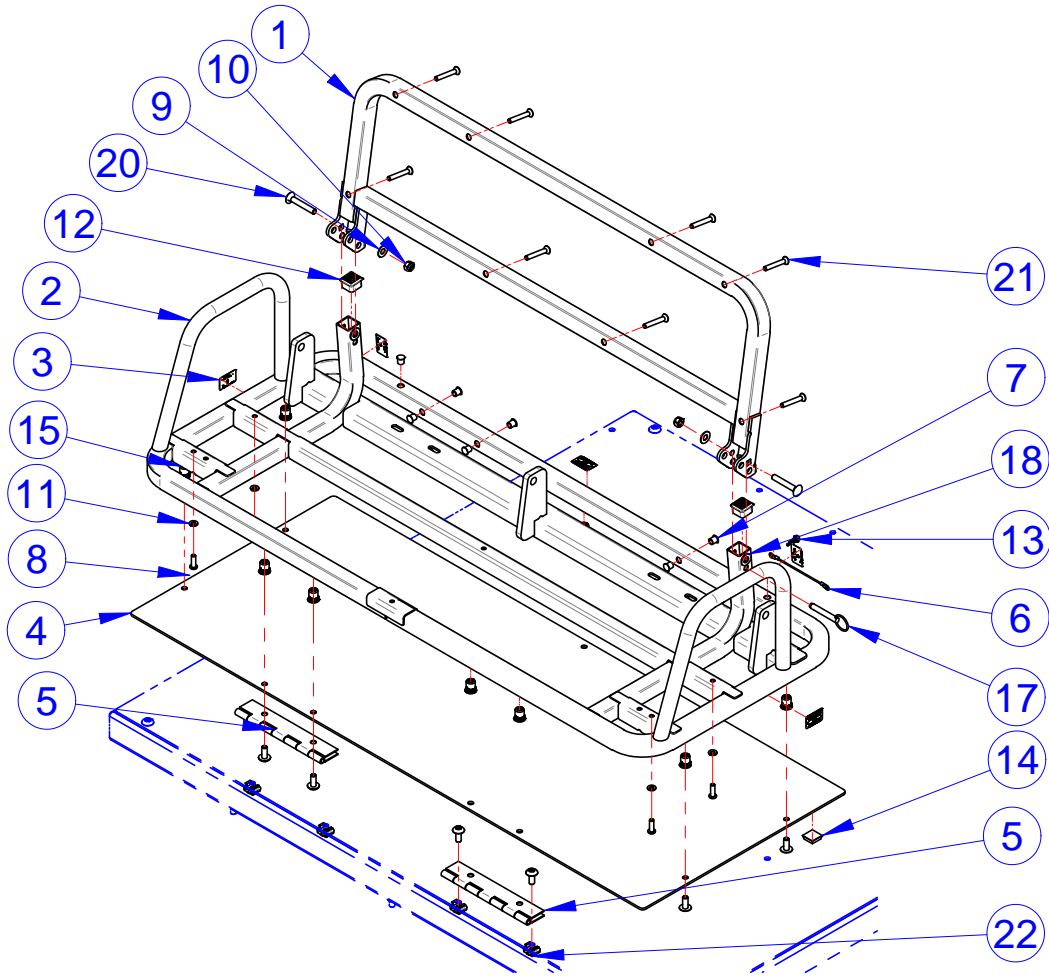
NOTE: Items with \* in tables indicates parts not shown in drawing.

Columbia Vehicle Group, Inc.  
A Nordic Group Company | Business Ventures Since 1947





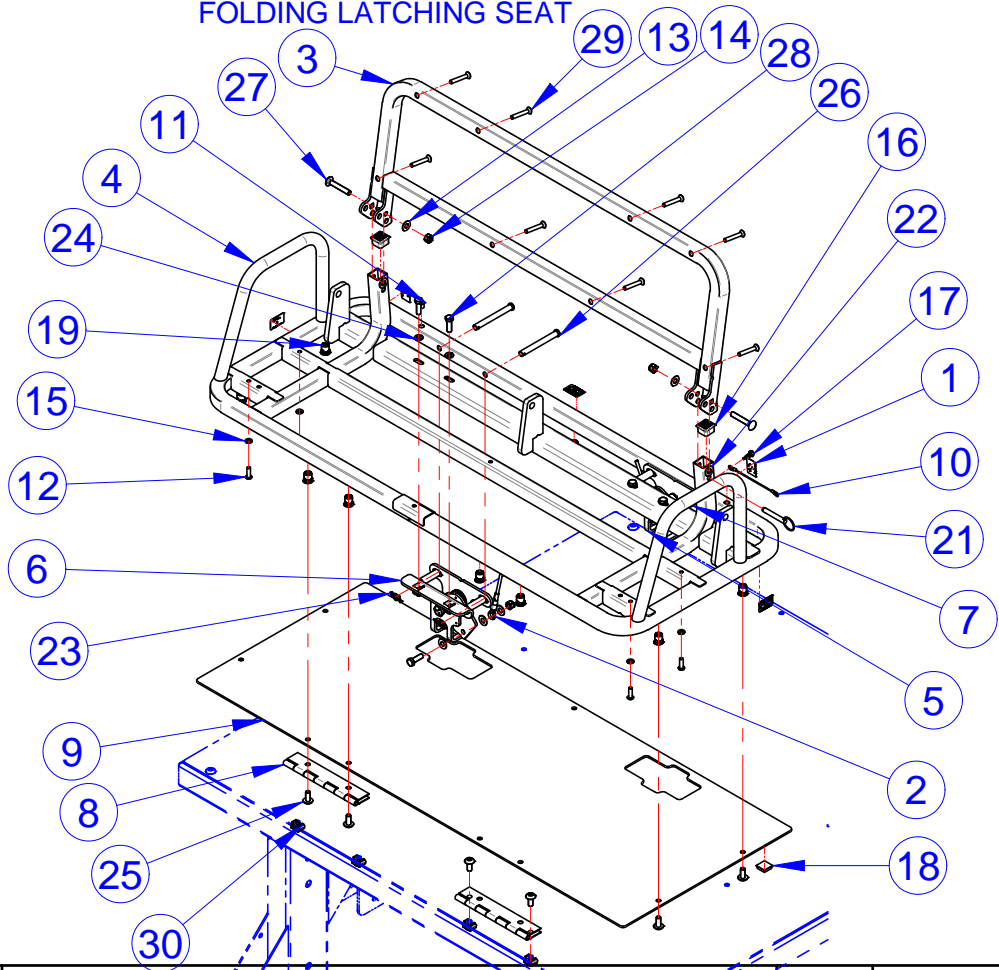
## FOLDING SEAT



ITEM	CVG PN	DESCRIPTION	QTY	REF #
1	NONE	WLDMT, BACKREST	1	312498
2	NONE	WLDMT, SEAT BASE, FOLDING	1	313303
3	CVG507980	PINCH WARNING	5	507980
4	NONE	PLATE, DECK, SEAT BASE	1	516896
5	CVG516899	HINGE, SEAT	2	516899
6	CVG709767	LANYARD, HITCH PIN, 4" LONG	1	709767
7	CVG719363	HOLE PLUG, 3/8, BLACK	10	719363
8	CVG719374	SCREW, 1/4-20X3/4", BHCS, 18-8SS	4	719374
9	CVG719375	WSHR, 5/16X0.750X0.040, F/W, 18-8S/S	2	719375
10	CVG719377	NUT, 5/16-18, L/N, NYL, NE, 18-8, S/S	2	719377
11	CVG719378	WSHR, 1/4 (M6), L/W, SPLIT, 18-8, S/S	4	719378
12	CVG719526	CAPLUG, FP-165, 1" SQ X .063 WALL	2	719526
13	CVG719583	SCREW, 10-16X3/4, HWH, TEK, MAG525	1	719583
14	CVG719738	BUMPER BLACK 3M#SJ5023	2	719738
15	CVG719929	NUT, 5/16-18, RIVET, KNURLED, 0.027-0.150, YWZC	9	719929
16*	CVG760694	FOAM TAPE, 1/8 X 3/4	9	760694
17	NONE	PIN, 5/16 X 1.63, HITCH, COTTERLESS DETENT, S/S	1	761320
18	CVG781161	WASHER, .382X.750X.066, F/W, NYLON	4	781161
19*	CVG781738	SCR, 5/16-18 X 0.75, PTH, M/S, 18-8, S/S	13	781738
20	CVG782715	SCR, 5/16-18 X 2, CARR, 18-8, S/S	2	782715
21	CVG782725	SCR, 1/4-20 X 1.75, POH, M/S, 18-8, S/S	8	782725
22	CVG782757	NUT, 5/16-18, CAGE, 0.093-0.126, MAGNI 525	4	782757

NOTE: Items with \* in tables indicates parts not shown in drawing.

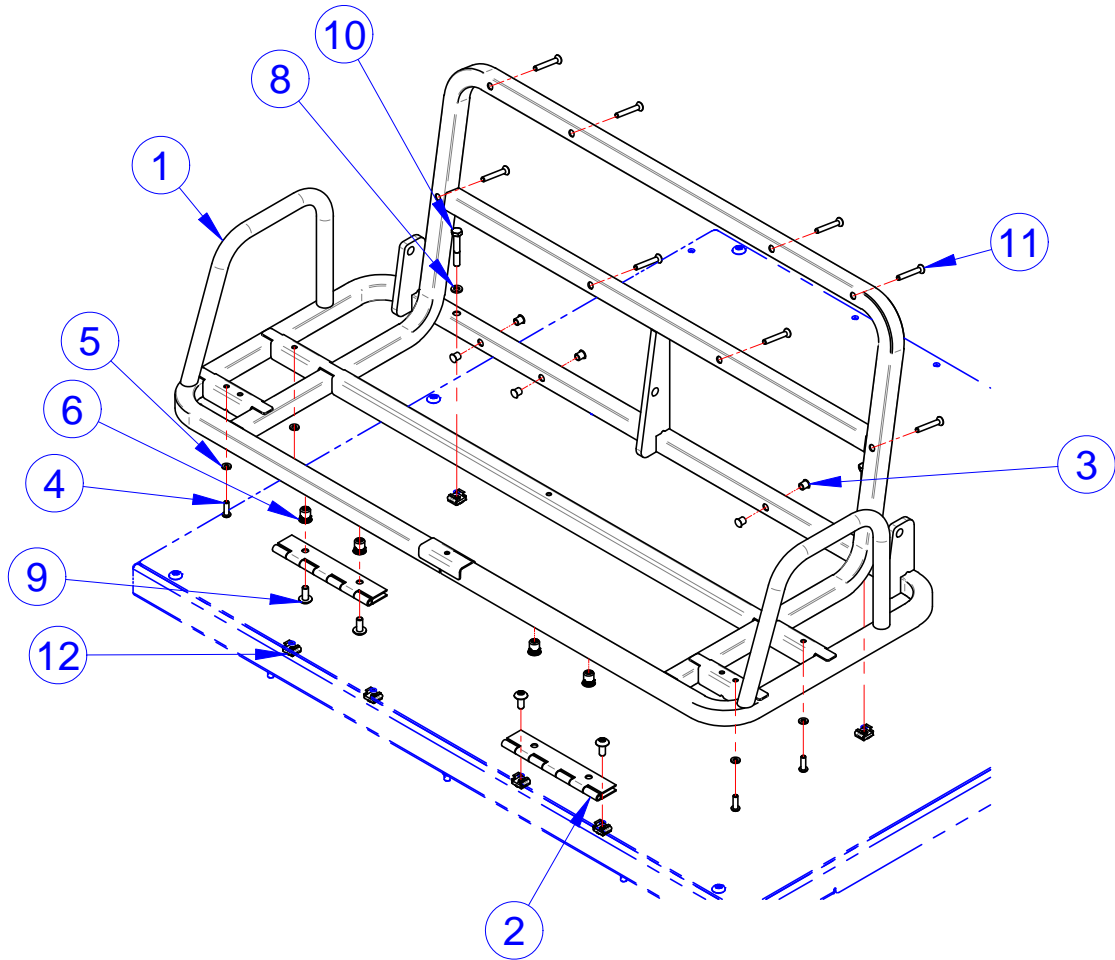
## FOLDING LATCHING SEAT



ITEM	CVG PN	DESCRIPTION	QTY	REF #
1	NONE	ASSY, RELEASE CABLE	1	468139
2	NONE	WLDMT, BACKREST	1	312498
3	NONE	WLDMT, SEAT BASE, FOLDING	1	313303
4	NONE	ASSY, LATCH, LH	1	468082
5	NONE	ASSY, LATCH, RH	1	468083
6	CVG507980	PINCH WARNING	5	507980
7	NONE	TUBE, SPACER	4	516526
8	CVG516899	HINGE, SEAT	2	516899
9	NONE	PLATE, DECK, SEAT BASE, LATCHING	1	516948
10	CVG709767	LANYARD, HITCH PIN, 4" LONG	1	709767
11	CVG719363	HOLE PLUG, 3/8, BLACK	2	719363
12	CVG719374	SCREW, 1/4-20X3/4", BHCS, 18-8SS	4	719374
13	CVG719375	WSHR, 5/16X0.750X0.040, F/W, 18-8S/S	8	719375
14	CVG719377	NUT, 5/16-18, L/N, NYL, NE, 18-8, S/S	4	719377
15	CVG719378	WSHR, 1/4 (M6), L/W, SPLIT, 18-8, S/S	4	719378
16	CVG719526	CAPLUG, FP-165, 1" SQ X .063 WALL	2	719526
17	CVG719583	SCREW, 10-16X3/4, HWH, TEK, MAG525	1	719583
18	CVG719738	BUMPER BLACK 3M#SJ5023	2	719738
19	CVG719929	NUT, 5/16-18, RIVET, KNURLED, 0.027-0.150, MAGNI 525	9	719929
20*	CVG760694	FOAM TAPE, 1/8 X 3/4	9	760694
21	NONE	PIN, 5/16 X 1.63, HITCH, COTTERLESS DETENT, S/S	1	761320
22	CVG781161	WASHER, .382X.750X.066, F/W, NYLON	4	781161
23	CVG781267	PIN, COTTER, RUE-14 RING, ZC	4	781267
24	CVG781621	WSHR, 5/16, L/W, SPLIT, 18-8, S/S	4	781621
25	CVG781738	SCR, 5/16-18 X 0.75, PTH, M/S, 18-8, S/S	13	781738
26	CVG782470	PIN, 3/8 X 3.5, CLEVIS, MAGNI 525	4	782470
27	CVG782715	SCR, 5/16-18 X 2, CARR, 18-8, S/S	2	782715
28	CVG782720	SCR, 5/16-18 X 1, HHCS, 18-8, S/S	6	782720
29	CVG782725	SCR, 1/4-20 X 1.75, POH, M/S, 18-8, S/S	8	782725
30	CVG782757	NUT, 5/16-18, CAGE, 0.093-0.126, MAGNI 525	4	782757

NOTE: Items with \* in tables indicates parts not shown in drawing.

## FIXED SEAT



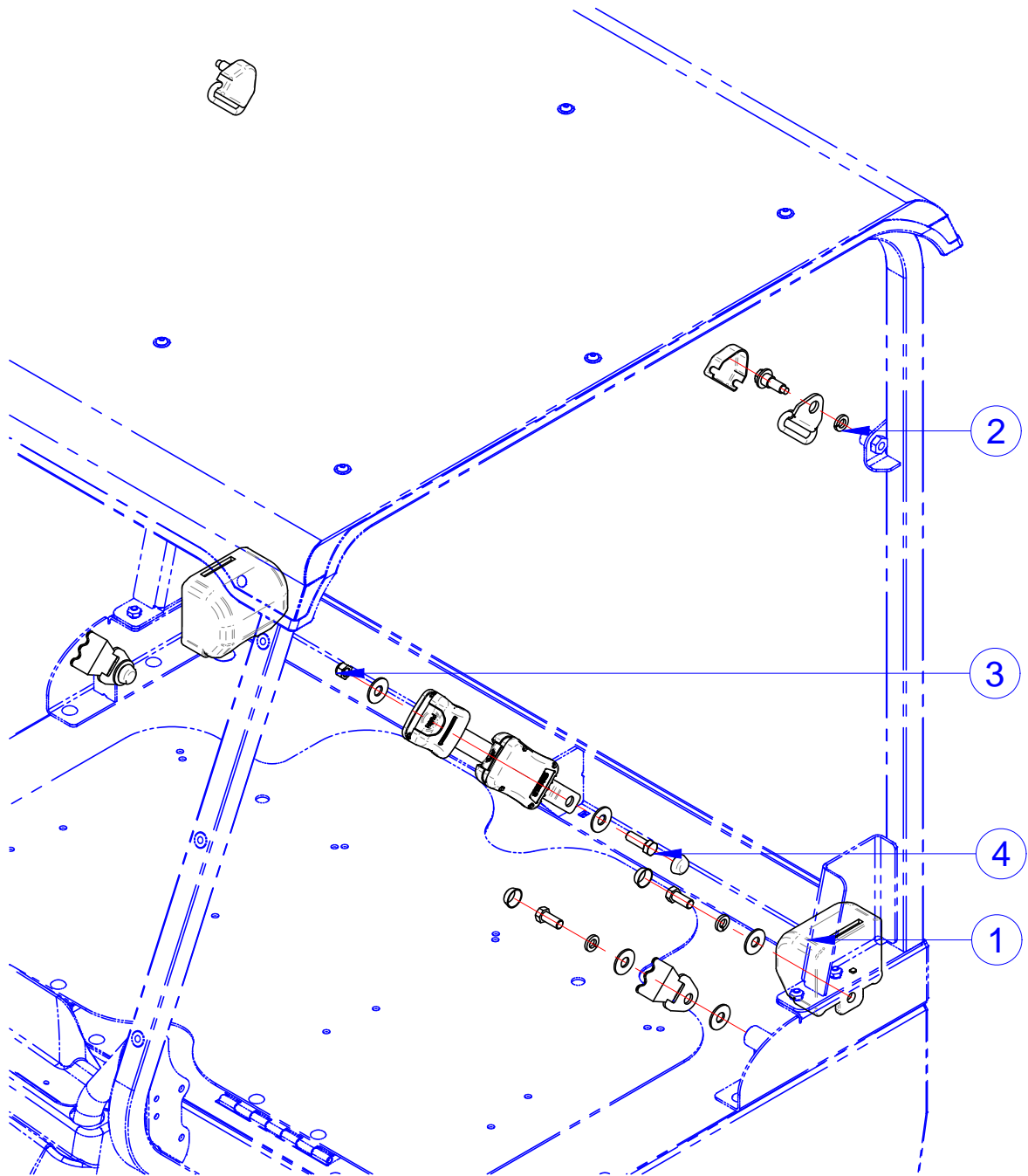
ITEM	CVG PN	DESCRIPTION	QTY	REF #
1	NONE	WLDMT, SEAT FRAME, FIXED	1	313304
2	CVG516899	HINGE, SEAT	2	516899
3	CVG719363	HOLE PLUG, 3/8, BLACK	8	719363
4	CVG719374	SCREW, 1/4-20X3/4",BHCS,18-8SS	4	719374
5	CVG719378	WSHR, 1/4 (M6), L/W, SPLIT, 18-8, S/S	4	719378
6	CVG719929	NUT, 5/16-18, RIVET, KNURLED, 0.027-0.150, YWZC	4	719929
7*	CVG760694	FOAM TAPE, 1/8 X 3/4	9	760694
8	CVG781621	WSHR, 5/16, L/W, SPLIT, 18-8, S/S	2	781621
9	CVG781738	SCR, 5/16-18 X 0.75, PTH, M/S, 18-8, S/S	8	781738
10	CVG782298	SCR, 5/16-18 X 2, HHCS, 18-8, S/S	2	782298
11	CVG782725	SCR, 1/4-20 X 1.75, POH, M/S, 18-8, S/S	8	782725
12	CVG782757	NUT, 5/16-18, CAGE, 0.093-0.126, MAGNI 525	6	782757

NOTE: Items with \* in tables indicates parts not shown in drawing.

Columbia Vehicle Group, Inc.  
A Nordic Group Company | Business Ventures Since 1947



## THREE POINT SEAT BELTS



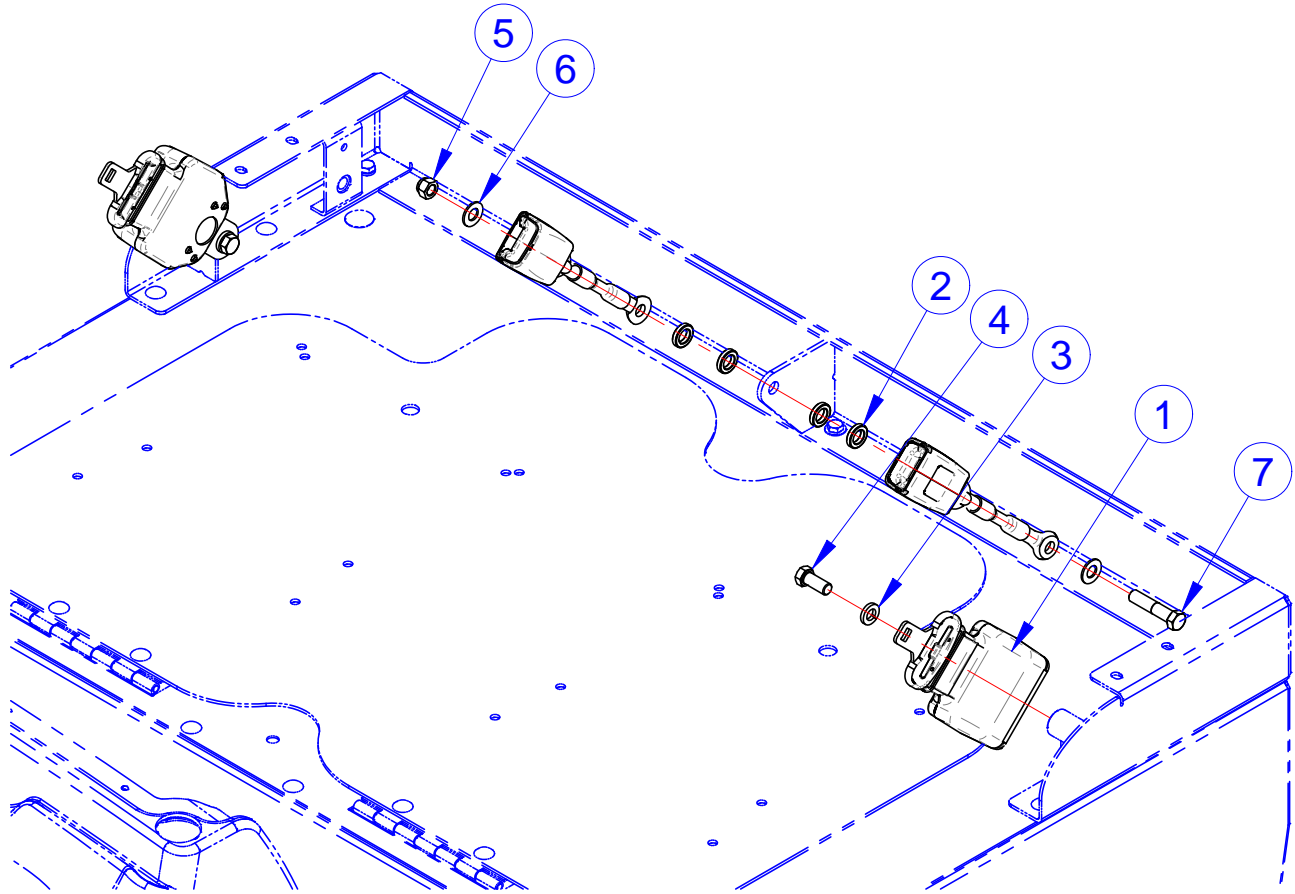
ITEM	CVG PN	DESCRIPTION	QTY	REF #
1	CVG760585	SEAT BELT, 3-PT, KIT	2	760585
2	CVG782749	WSHR, 7/16 (M11), L/W, SPLIT, HEAVY, MAGNI 525	6	782749
3	CVG782751	NUT, 7/16-20, L/N, NYL, NE, G8, MAGNI 525	1	782751
4	CVG782755	SCR, 7/6-20 X 1.25, HHCS, G8, MAGNI 525	1	782755

NOTE: Items with \* in tables indicates parts not shown in drawing.

Columbia Vehicle Group, Inc.  
A Nordic Group Company | Business Ventures Since 1947



## TWO POINT SEAT BELTS



ITEM	CVG PN	DESCRIPTION	QTY	REF #
1	NONE	SEAT BELT,2X48,2-TTH ALR,H2, CABLE	2	781923
2	CVG782300	SPACER,.875X.531X.187	4	782300
3	CVG782749	WSHR, 7/16 (M11), L/W, SPLIT, HEAVY, MAGNI 525	2	782749
4	CVG782750	SCR, 7/6-20 X 1, HHCS, G8, MAGNI 525	2	782750
5	CVG782751	NUT, 7/16-20, L/N, NYL, NE, G8, MAGNI 525	1	782751
6	CVG782752	WSHR, 7/16 (M11), SAE, F/W, G8, MAGNI 525	2	782752
7	CVG782753	SCR, 7/6-20 X 2, HHCS, G8, MAGNI 525	1	782753

NOTE: Items with \* in tables indicates parts not shown in drawing.

Columbia Vehicle Group, Inc.  
A Nordic Group Company | Business Ventures Since 1947



NOTE: Items with \* in tables indicates parts not shown in drawing.

*Columbia Vehicle Group, Inc.*

A Nordic Group Company | Business Ventures Since 1947



**COLUMBIA**



**TOMBERLIN**



# **COLUMBIA**

## **SUMMIT UTILITRUCK**

### **PARTS MANUAL SECTION 6**

### **ELECTRICAL**

*Columbia Vehicle Group, Inc.*

A Nordic Group Company | Business Ventures Since 1947

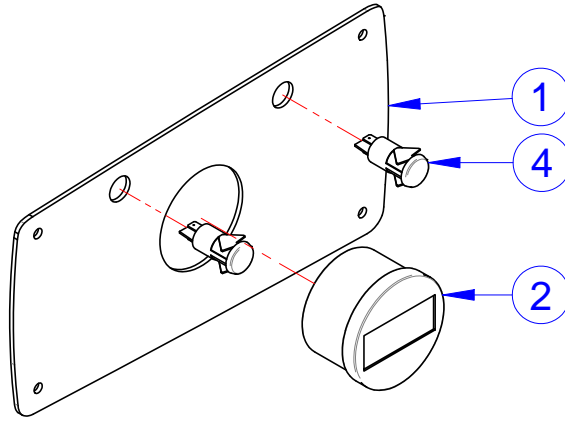


**COLUMBIA**

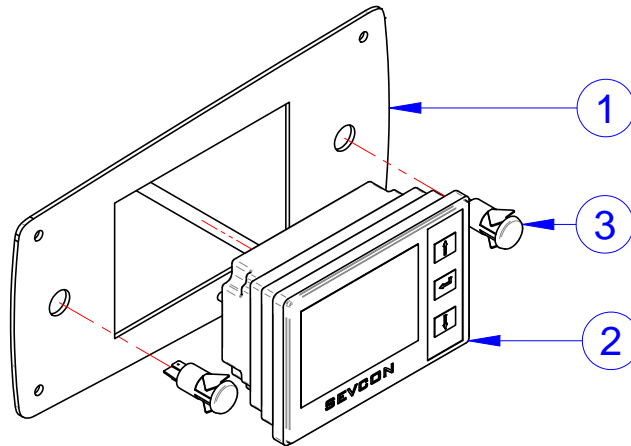


**TOMBERLIN**

### AC DISPLAY PANELS



ITEM	CVG PN	DESCRIPTION	QTY	REF #
1	CVG516128TB	PANEL, SMARTVIEW DISPLAY	1	516128
2	CVG761154	DISPLAY,SMART VIEW	1	761154
3*	CVG761157	HARNESS, DISPLAY ADAPTER, AC DR	1	761157
4	CVG761689	LIGHT,DASH SIGNAL INDICATOR, GREEN	2	761689

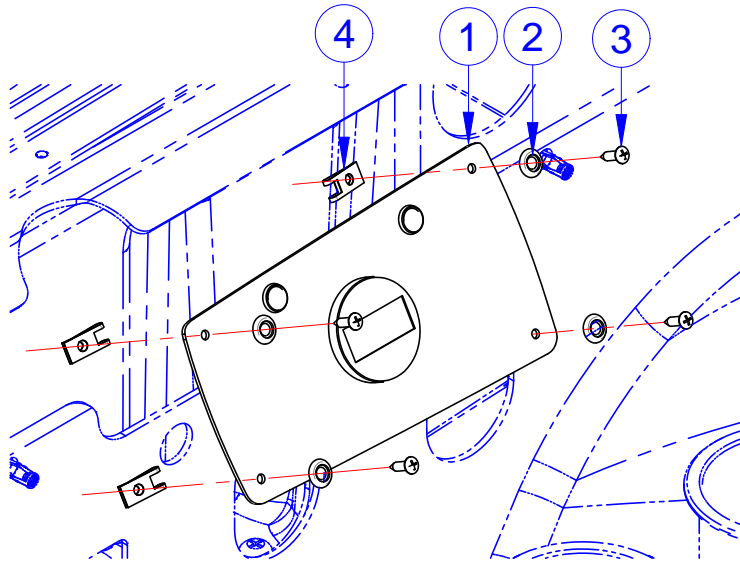


ITEM	CVG PN	DESCRIPTION	QTY	REF #
1	CVG515268TB	PANEL, DASH, SEVCON AC	1	515268
2	CVG760958	DISPLAY, CLEARVIEW, SEVCON	1	760958
3	CVG761689	LIGHT,DASH SIGNAL INDICATOR, GREEN	2	761689

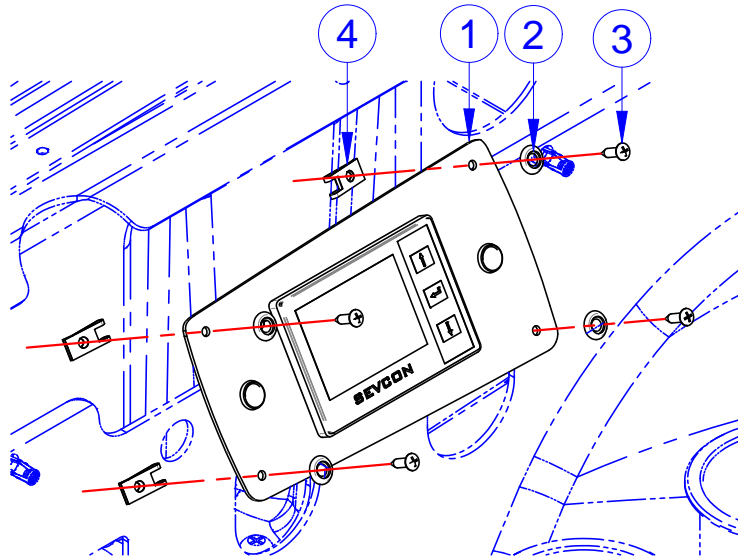
NOTE: Items with \* in tables indicates parts not shown in drawing.



## AC DASHMOUNT DISPLAY PANELS



ITEM	CVG PN	DESCRIPTION	QTY	REF #
1	CVG468030	ASSY, DISPLAY PANEL, SMARTVIEW, P5/SU5	1	468030
2	CVG719428	WASHER,#10,C/W,SS	4	719428
3	CVG719429	SCREW,#10X3/4,POH,T/S,TA,SS18-8	4	719429
4	CVG760899	NUT, #10, SPRING, 0.025-0.150, 0.563, MAGNI 525	4	760889

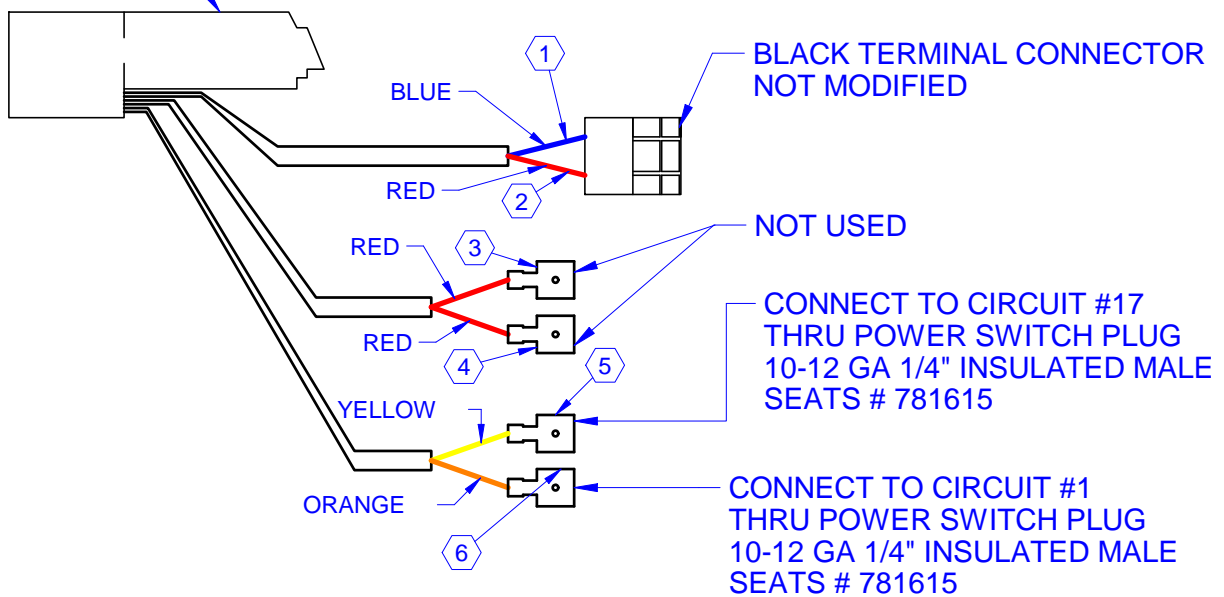


ITEM	CVG PN	DESCRIPTION	QTY	REF #
1	CVG468161	ASSY, DISPLAY PANEL, CLEARVIEW, SU5-2	1	468161
2	CVG719428	WASHER,#10,C/W,SS	4	719428
3	CVG719429	SCREW,#10X3/4,POH,T/S,TA,SS18-8	4	719429
4	CVG760899	NUT, #10, SPRING, 0.025-0.150, 0.563, MAGNI 525	4	760889

NOTE: Items with \* in tables indicates parts not shown in drawing.

SEATS PN 761268

KEYSWITCH ASSEMBLY



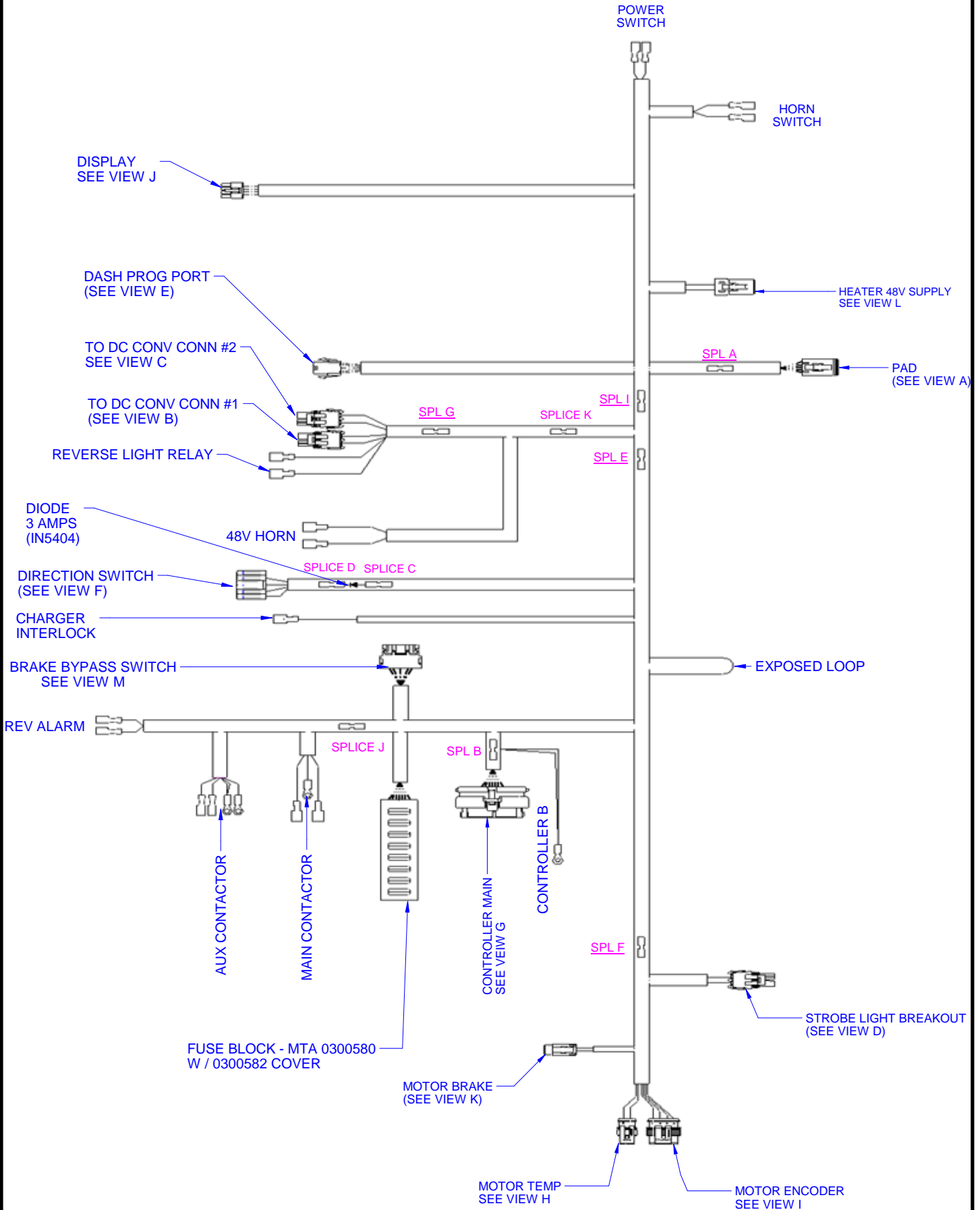
Circuit	DESCRIPTION	Wire Color
1	TIE WIRING BACK,CIRCUIT NOT UTILIZED	BLUE
2	TIE WIRING BACK,CIRCUIT NOT UTILIZED	RED
3	TIE WIRING BACK,CIRCUIT NOT UTILIZED	RED
4	TIE WIRING BACK,CIRCUIT NOT UTILIZED	RED
5	KEYSWITCH TO MAIN HARNESS,CIRCUIT WIRE #17	YELLOW
6	KEYSWITCH TO MAIN HARNESS,CIRCUIT WIRE #1	ORANGE



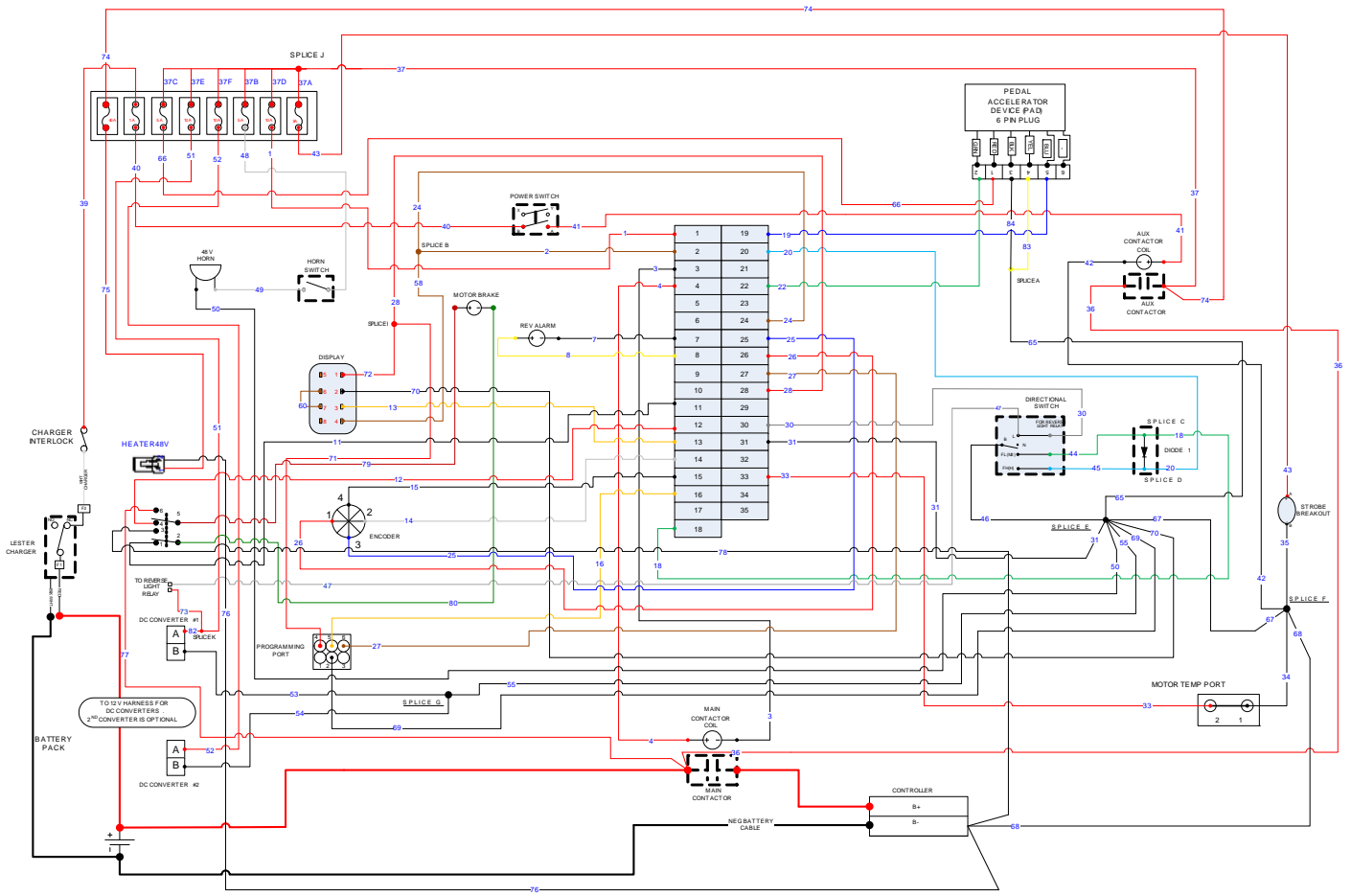
ITEM	CVG PN	DESCRIPTION	QTY	REF #
1	CVG468125	KEYSWITCH ASSY,INCLUDES 2 PRECUT KEYS	1	468125
3	NONE	KEY BLANK (WILL REQUIRECUTTING LOCALLY)	1	719642
2	CVG761242	TERMINAL,CRIMP ON 1/4" TAB, MALE , 12-10 AWG	2	761242

NOTE: Items with \* in tables indicates parts not shown in drawing.

# 48V AC Wire Harness



# 48V AC Wire Harness



CONTROLLER PIN DESCRIPTIONS		CONTROLLER PIN DESCRIPTIONS	
PIN #	DESCRIPTION	PIN #	DESCRIPTION
1	KEYSWITCH INPUT	21	NOT USED
2	CAN BUS TERMINATION	22	PEDAL SIGNAL
3	MAIN CONTRACTOR (-) SUPPLY	23	NOT USED
4	MAIN CONTRACTOR (+) SUPPLY	24	CAN LOW (DISPLAY)
5	NOT USED	25	ENCODER PHASE B
6	NOT USED	26	ENCODER (+) SUPPLY
7	REVERSE ALARM (-) SUPPLY	27	CAN LOW (PROGRAMMING)
8	REVERSE ALARM (+) SUPPLY	28	DISPLAY (+) SUPPLY
9	NOT USED	29	NOT USED
10	NOT USED	30	REVERSE
11	EM BRAKE NEGATIVE	31	SAFETY OUT
12	EM BRAKE POSITIVE	32	NOT USED
13	CAN HIGH (DISPLAY)	33	MOTOR TEMP (+) SUPPLY
14	ENCODER PHASE A	34	NOT USED
15	ENCODER (-) SUPPLY	35	NOT USED
16	CAN HIGH (PROGRAMMING)		
17	NOT USED		
18	FORWARD		
19	FS1 (+) SUPPLY		
20	CUTBACK SWITCH		

NOTE: The underlined splices are negative.

# 48V AC Wire Harness

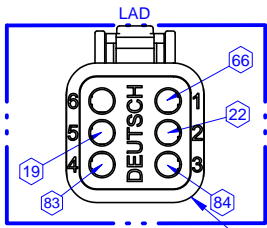
CIRCUIT NO.	DESCRIPTION	FIRST TERMINAL	SECOND TERMINAL	WIRE LENGTH *	WIRE COLOR	WIRE GAGE
1	CONTROL PIN 1 TO FUSE BLOCK 10A	AMP (1)	1/4 BLADE 16-18 GA F.I.F.	21.00	RED	18
2	CONTROL PIN 2 (CAN TERMINATION) TO SPLICE B	AMP (1)	10-12 GA SPLICE	2.00	BRWN	18
3	CONTROL PIN 3 TO MAIN CONTACTOR COIL (NEG)	AMP (1)	1/4 BLADE 16-18 GA F.I.F.	30.00	BLK	18
4	CONTROL PIN 4 TO MAIN CONTACTOR COIL (POS)	AMP (1)	1/4 BLADE 16-18 GA F.I.F.	30.00	RED	18
7	CONTROL PIN 7 TO REVERSE ALARM (NEG)	AMP (1)	1/4 BLADE 16-18 GA F.I.F.	33.00	BLK	18
8	CONTROL PIN 8 TO REVERSE ALARM (POS)	AMP (1)	1/4 BLADE 16-18 GA F.I.F.	33.00	YLW	18
11	CONTROL PIN 11 TO BRAKE BYPASS SWITCH PIN 1	AMP (1)	DELPHI (9)	23.00	BLK	16
12	CONTROL PIN 12 TO BRAKE BYPASS SWITCH PIN 4	AMP (1)	DELPHI (9)	23.00	RED	16
13	CONTROL PIN 13 (CAN HIGH) TO DISPLAY PIN 3	AMP (1)	MOLEX (2)	141.00	ORG	18
14	CONTROL PIN 14 (ENC PHASE A) TO MOTOR ENCODER PIN 2	AMP (1)	AMP (3)	62.00	WHT	16
15	CONTROL PIN 15 (ENCODER -VE) TO MOTOR ENCODER PIN 4	AMP (1)	AMP (3)	62.00	BLK	16
16	CONTROL PIN 16 (CAN HIGH) TO PROGRAMMING PORT PIN 5	AMP (1)	MOLEX (4)	122.00	ORG	18
18	CONTROL PIN 18 (FWD) TO DIODE SPLICE C	AMP (1)	10-12 GA SPLICE	79.00	GRN	18
19	CONTROL PIN 19 (FS1) TO LAD PIN 3	AMP (1)	AMP (5)	118.00	BLU	18
20	CONTROL PIN 20 (FWD HIGH) TO DIODE SPLICE D	AMP (1)	10-12 GA SPLICE	81.00	LT BLU	18
22	CONTROL PIN 22 (ACLTR SIGNAL) TO LAD PIN 2	AMP (1)	AMP (5)	118.00	GRN	18
24	CONTROL PIN 24 (CAN LOW) TO SPLICE B	AMP (1)	2ND CIRCUIT SPLICE B	2.00	BRWN	18
25	CONTROL PIN 25 (ENC PHASE B) TO MOTOR ENCODER PIN 3	AMP (1)	AMP (3)	62.00	BLU	16
26	CONTROL PIN 26 (ENCODER +VE) TO MOTOR ENCODER PIN 1	AMP (1)	AMP (3)	62.00	RED	16
27	CONTROL PIN 27 (CAN LOW) TO PROGRAMMING PORT PIN 6	AMP (1)	MOLEX (4)	122.00	BRWN	18
28	CONTROL PIN 28 (DISPLAY +VE) TO SPLICE I	AMP (1)	14-16 GA SPLICE	105.00	RED	18
30	CONTROL PIN 30 (REV) TO DIRECTIONAL SWITCH "L"	AMP (1)	DELPHI (13)	85.00	GRY	18
31	CONTROL PIN 31 (SEAT SWITCH) TO SPLICE E	AMP (1)	10-12 GA SPLICE	90.00	BLK	18
33	CONTROL PIN 33 (MOTOR TEMP +VE) TO MOTOR TEMP PIN 2 (+VE)	AMP (1)	AMP (3)	62.00	RED	18
34	MOTOR TEMP PIN 1 (-VE) TO SPLICE F	AMP (3)	10-12 GA SPLICE	42.50	BLK	18
35	STROBE BREAKOUT PIN B (NEG) TO SPLICE F	DELPHI (7)	2ND CIRCUIT SPLICE F	18.50	BLK	18
36	MAIN CONTACTOR COMMON TO AUX CONTACTOR COMMON	10-12 GA 5/16 RING TERM (10)	10-12 GA 1/4 RING TERM (10)	13.00	RED	10
37	AUX CONTACTOR SWITCHED TO SPLICE J	8 GA 1/4 RING TERM (10)	10-12 GA SPLICE	11.00	RED	10
37A	SPLICE J TO FUSE BLOCK 5A	2ND CIRCUIT SPLICE J	1/4 BLADE 16-18 GA F.I.F.	9.00	RED	18
37B	SPLICE J TO FUSE BLOCK 5A	3RD CIRCUIT SPLICE J	1/4 BLADE 16-18 GA F.I.F.	9.00	RED	18
37C	SPLICE J TO FUSE BLOCK 5A	4TH CIRCUIT SPLICE J	1/4 BLADE 16-18 GA F.I.F.	9.00	RED	18
37D	SPLICE J TO FUSE BLOCK 10A	5TH CIRCUIT SPLICE J	1/4 BLADE 16-18 GA F.I.F.	9.00	RED	16
37E	SPLICE J TO FUSE BLOCK 10A	6TH CIRCUIT SPLICE J	1/4 BLADE 16-18 GA F.I.F.	9.00	RED	16
37F	SPLICE J TO FUSE BLOCK 10A	7TH CIRCUIT SPLICE J	1/4 BLADE 16-18 GA F.I.F.	9.00	RED	16
39	CHARGER INTERLOCK TO FUSE BLOCK 1 A	1/4 BLADE 16-18 GA F.I.M.	1/4 BLADE 16-18 GA F.I.F.	83.00	RED	18
40	FUSE BLOCK 1A TO POWER SWITCH COMMON	1/4 BLADE 16-18 GA F.I.F.	1/4 BLADE 16-18 F.I.M.	160.00	RED	18
41	POWER SW. SWITCHED TO AUX CONT COIL POS	1/4 BLADE 16-18 GA F.I.F.	1/4 BLADE 16-18 GA F.I.F.	172.00	RED	18
42	AUX CONTACTOR COIL (NEG) TO SPLICE F	1/4 BLADE 16-18 GA F.I.F.	3RD CIRCUIT SPLICE F	44.50	BLK	18
43	FUSE BLOCK 5A TO STROBE BREAKOUT PIN A (POS)	1/4 BLADE 16-18 GA F.I.F.	DELPHI (7)	51.00	RED	18
44	DIODE SPLICE C TO DIRECTIONAL SWITCH PIN M2 ("FL")	2ND CIRCUIT SPLICE C	DELPHI (6)	6.00	GRN	18
45	DIODE SPLICE D TO DIRECTIONAL SWITCH PIN H ("FH")	2ND CIRCUIT SPLICE D	DELPHI (6)	4.00	LT BLU	18
46	DIRECTIONAL SWITCH COMMON "B" TO SPLICE E	DELPHI (6)	2ND CIRCUIT SPLICE E	65.00	BLK	16
47	DIRECTIONAL SWITCH "L" TO REVERSE LIGHT RELAY COIL	2ND TERM CIRCUIT 30	3/16 BLADE 16-18 GA FIF	93.00	GRY	18
48	FUSE BLOCK 5A TO HORN SWITCH	1/4 BLADE 16-18 GA F.I.F.	1/4 BLADE 16-18 GA F.I.F.	150.00	WHT	18
49	HORN SWITCH TO 48V HORN (POS)	1/4 BLADE 16-18 GA F.I.F.	1/4 BLADE 16-18 GA F.I.F.	52.00	WHT	18
50	48V HORN (NEG) TO SPLICE E	1/4 BLADE 16-18 GA F.I.F.	3RD CIRCUIT SPLICE E	25.00	BLK	18
51	FUSE BLOCK 10A TO DC CONV. CONN #1 PIN A	1/4 BLADE 16-18 GA F.I.F.	10-12 SPLICE	115.50	RED	16
52	FUSE BLOCK 10A TO DC CONV. CONN #2 PIN A	1/4 BLADE 16-18 GA F.I.F.	DELPHI (8)	128.00	RED	16
53	DC CONV. CONN #1 PIN B TO SPLICE G	DELPHI (8)	10-12 SPLICE	7.00	BLK	16
54	DC CONV. CONN #2 PIN B TO SPLICE G	DELPHI (8)	2ND CIRCUIT SPLICE G	7.00	BLK	16
55	SPLICE G TO SPLICE E	3RD CIRCUIT SPLICE G	4TH CIRCUIT SPLICE E	18.00	BLK	10
58	SPLICE B TO DISPLAY PIN 4	3RD CIRCUIT SPLICE B	MOLEX (2)	139.00	BRWN	18
60	DISPLAY PIN 6 TO DISPLAY PIN 7 (CAN TERMINATION)	MOLEX (2)	MOLEX (2)	2.00	BRWN	18
65	SPLICE A TO SPLICE E	10-12 GA SPLICE	5TH CIRCUIT SPLICE E	24.00	BLK	18
66	LAD PIN 4 (+VE) TO FUSE 5A	AMP (5)	1/4 BLADE 16-18 GA F.I.F.	131.00	RED	18
67	SPLICE E TO SPLICE F	6TH CIRCUIT SPLICE E	4TH CIRCUIT SPLICE F	85.50	BLK	10
68	SPLICE F TO BATTERY NEGATIVE	5TH CIRCUIT SPLICE F	3RD TERM CIRCUIT 76	21.50	BLK	10
69	PROGRAMMING PORT PIN 2 (B-) TO SPLICE E	MOLEX (4)	7TH CIRCUIT SPLICE E	32.00	BLK	18
70	DISPLAY PIN 2 (-VE) TO SPLICE E	MOLEX (2)	8TH CIRCUIT SPLICE E	51.00	BLK	18
71	SPLICE I TO PROGRAMMING PORT PIN 4	2ND CIRCUIT SPLICE I	MOLEX (4)	17.00	RED	18
72	SPLICE I TO DISPLAY PIN 1	3RD CIRCUIT SPLICE I	MOLEX (2)	36.00	RED	18
73	SPLICE K TO REVERSE LIGHT RELAY COIL	2ND CIRCUIT SPLICE K	3/16 BLADE 16-18 GA FIF	15.50	RED	18
74	AUX CONTACTOR SWITCHED TO FUSE BLOCK PIN 8	2ND TERM CIRCUIT 37	1/4 BLADE 10-12GA FIF	20.00	RED	10
75	FUSE BLOCK PIN 8 TO HEATER CONN PIN 1	1/4 BLADE 10-12GA FIF	DEUTSCH (12)	131.00	RED	10
76	HEATER CONNECTOR PIN 2 TO CONTROLLER B(-)	DEUTSCH (12)	10-12GA 5/16 RING TERM	124.00	BLK	10
77	BRAKE BYPASS SWITCH PIN 6 TO MAIN CONTACTOR BATT SIDE	DELPHI (9)	2ND TERM CIRCUIT 36	17.00	RED	18
78	BRAKE BYPASS SWITCH PIN 3 TO CONTROLLER B(-)	DELPHI (9)	2ND TERM CIRCUIT 76	29.00	BLK	18
79	BRAKE BYPASS SWITCH PIN 5 TO MOTOR BRAKE PIN 1	DELPHI (9)	DEUTSCH (11)	78.00	BRWN	18
80	BRAKE BYPASS SWITCH PIN 2 TO MOTOR BRAKE PIN 2	DELPHI (9)	DEUTSCH (11)	78.00	GRN	18
82	SPLICE K TO DC CONVERT CONNECTOR #1	3RD CIRCUIT SPLICE K	DELPHI 8	12.50	RED	18

F.I.F. = FULLY INSULATED FEMALE QUICK CONNECT  
 F.I.M. = FULLY INSULATED MALE QUICK CONNECT  
 (1) = AMP 770520-1  
 (2) = MOLEX 39-00-0039  
 (3) = AMP 282110-1  
 (4) = MOLEX 44478-3112  
 (5) = AMP 250919-03  
 (6) = DELPHI 12124512  
 (7) = DELPHI 12089188  
 (8) = DELPHI 12124580  
 (9) = DELPHI 12015869  
 (10) = KV 10-516RT  
 5/16 RING EYELET PREINSULATED  
 1/4 RING EYELET PREINSULATED  
 - DO NOT DEVIATE -  
 (11) DEUTSCH 1062-20-0122 SOCKET  
 (12) DEUTSCH 1062-12-0222 SOCKET  
 (13) DELPHI 12124520  
 (14) DEUTSCH 1062-16-0122

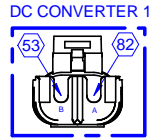
NOTE: Items with \* in tables indicates parts not shown in drawing.



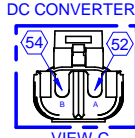
# 48V AC Wire Harness



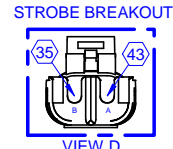
**VIEW A**  
 DEUTSCH DT06-6S  
 CONTACT 1062-16-0122  
 WEDGELOCK W6S  
 SEAL PLUG 0413-217-1605



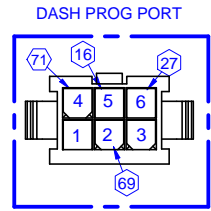
**VIEW B**  
 DELPHI 12015792  
 CONTACT 12124580  
 SEAL 15324982



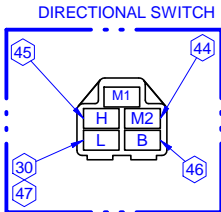
**VIEW C**  
 DELPHI 12015792  
 CONTACT 12124580  
 SEAL 15324982



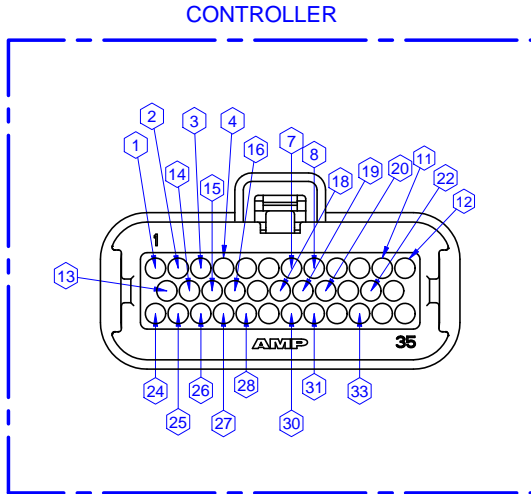
**VIEW D**  
 DELPHI 12015792  
 CONTACT 12089188  
 SEAL 15324982



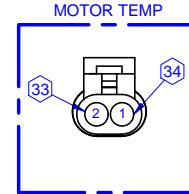
**VIEW E**  
 MOLEX 39-01-2061  
 CONTACT 44478-1112



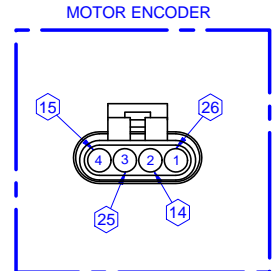
**VIEW F**  
 DELPHI 2973422  
 CONTACT 12124512  
 (CIRCUITS 30 & 47 12124520)



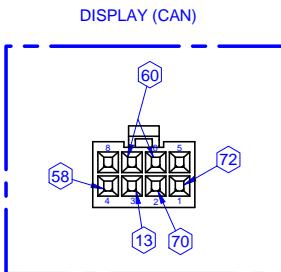
**VIEW G**  
 AMP 776164-1  
 CONTACT 770520-1



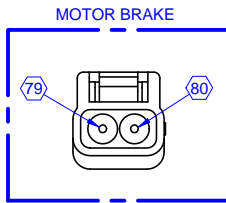
**VIEW H**  
 AMP SUPERSEAL 282080-1  
 CONTACT 282110-1



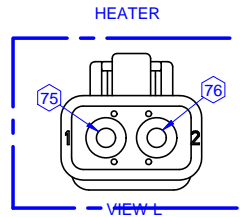
**VIEW I**  
 AMP SUPERSEAL 282088-1  
 CONTACT 282110-1



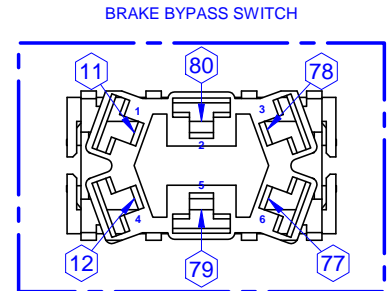
**VIEW J**  
 MOLEX 39-01-2080 PLUG  
 CONTACT 39-00-0039



**VIEW K**  
 DEUTSCH DTM06-2S  
 CONTACT 1062-20-0122  
 WEDGE LOCK WM-2S



**VIEW L**  
 DEUTSCH DTP06-2S  
 CONTACT 1062-12-0222  
 WEDGE LOCK WP-2S

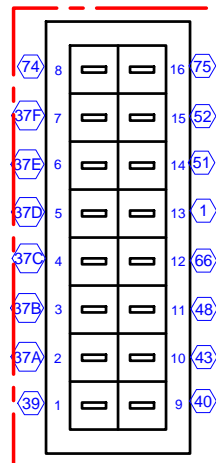


**VIEW M**  
 EATON 28-3426  
 PIN - DELPHI 12015869  
 CONNECTOR BACK SHELL REMOVED  
 FOR ILLUSTRATION PURPOSES.

## FUSE DESCRIPTIONS

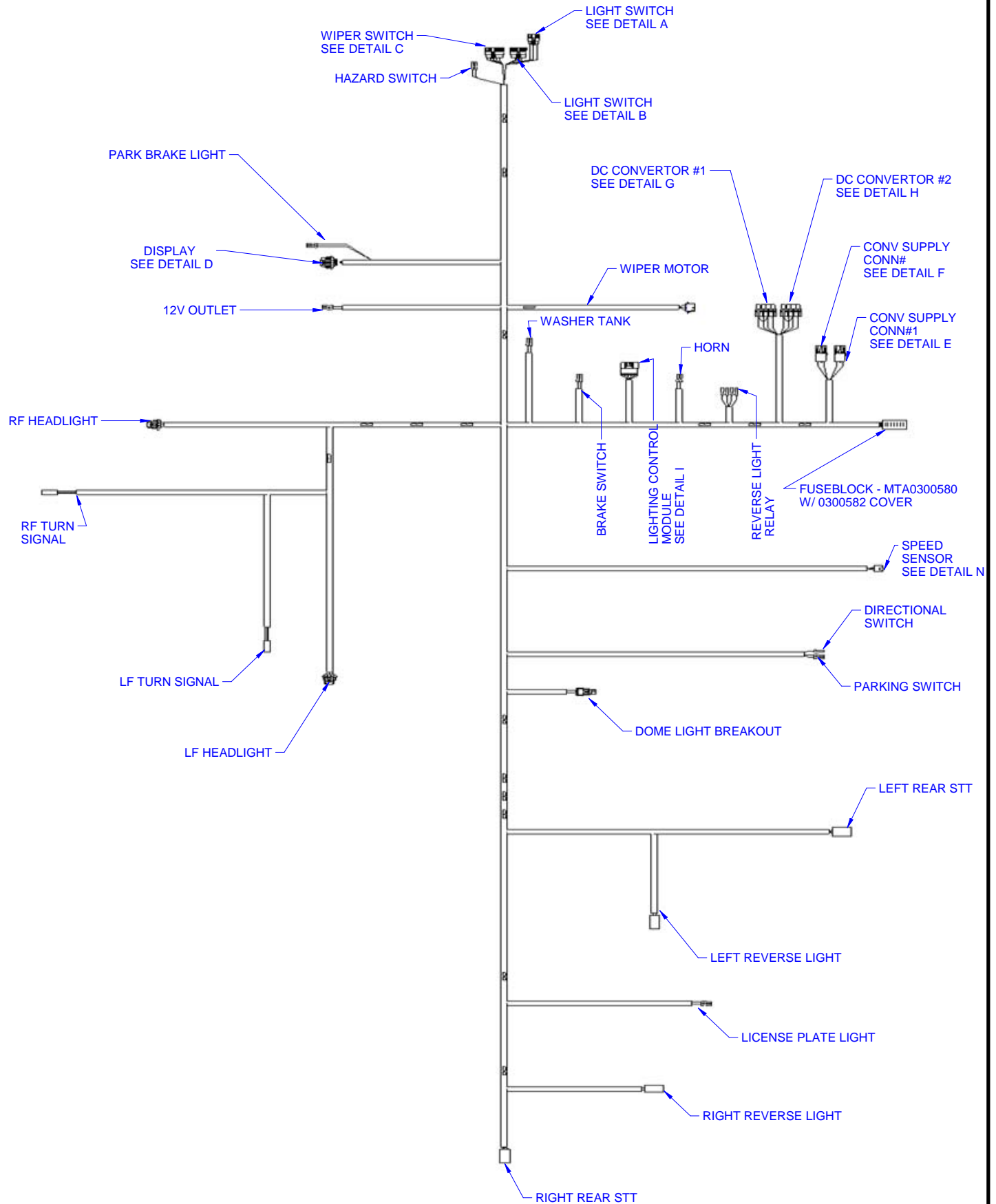
	HEATER ELEMENT
	DC CONVERTER #2
	DC CONVERTER #1
	CONTROLLER
	LAD
	48V HORN
	STROBE
	CHARGER INTERLOCK

## REAR VIEW OF FUSE BLOCK

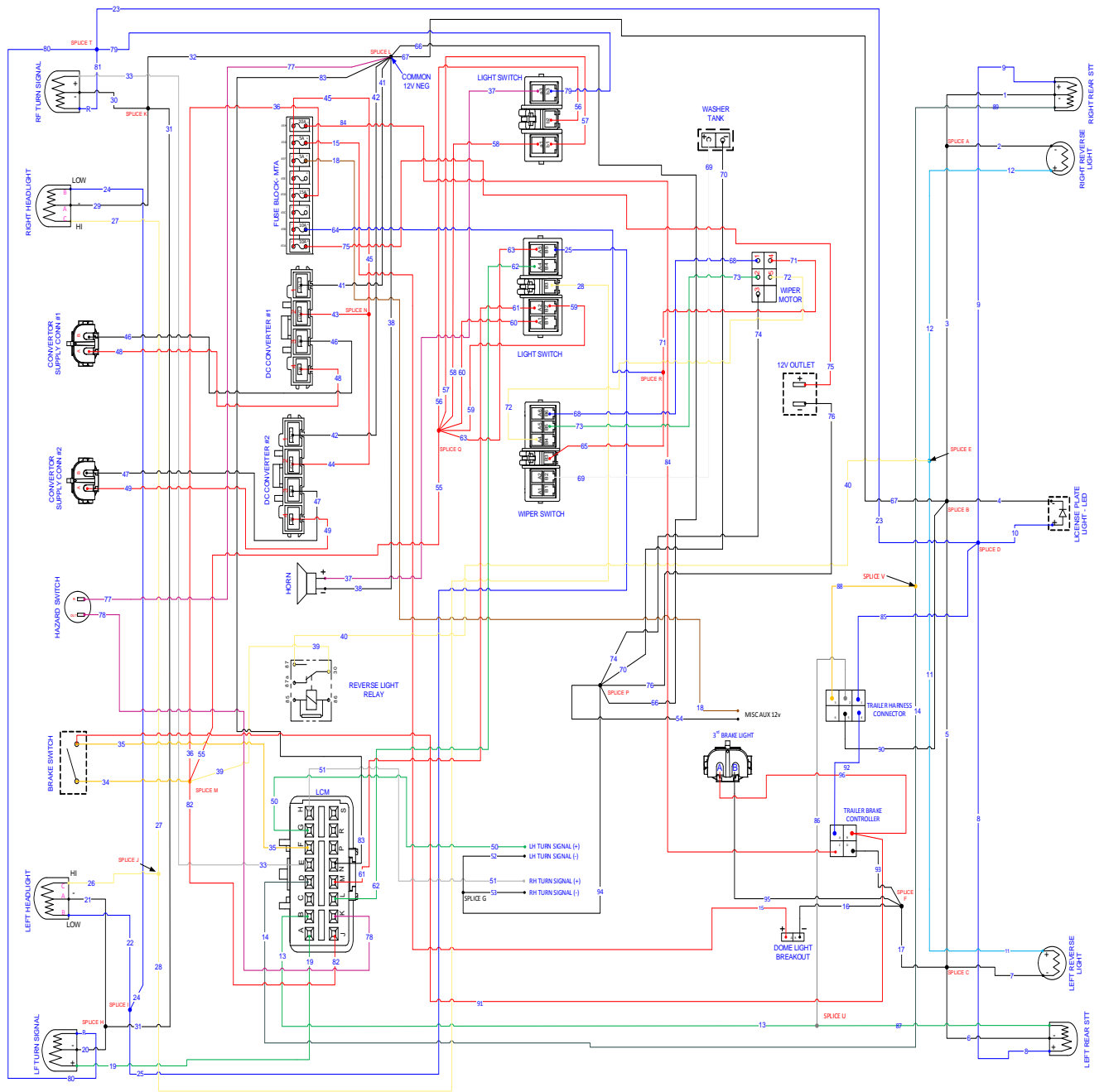


NOTE: Items with \* in tables indicates parts not shown in drawing.

# 12V ACCESSORY WIRE HARNESS



# 12V ACCESSORY WIRE HARNESS



**SCHEMATIC SHOWS ALL  
OPTIONS INCLUDED. VEHICLE  
MAY VARY BASED ON OPTIONS  
SELECTED.**

NOTE: Items with \* in tables indicates parts not shown in drawing.

Columbia Vehicle Group, Inc.  
A Nordic Group Company | Business Ventures Since 1947





# 12V ACCESSORY WIRE HARNESS

ITEM	DESCRIPTION	CIRCUIT NO.	FIRST TERMINAL	SECOND TERMINAL	WIRE LENGTH*	WIRE COLOR	WIRE GAGE
1	RT REAR TAIL (NEG) PIN 1 TO SPLICE A	1	FEDERAL MOGUL (11)	10-12 GA SPLICE	17.00	BLK	18
2	RT REVERSE LIGHT (NEG) PIN 1 TO SPLICE A	2	FEDERAL MOGUL (13)	2ND TERM CIRCUIT 1	15.00	BLK	18
3	SPLICE A TO SPLICE B	3	2ND TERM CIRCUIT 1	10-12 GA SPLICE	18.00	BLK	14
4	LIC PLATE LIGHT (NEG) TO SPLICE B	4	1/4 BLADE FIF	2ND TERM CIRCUIT 3	18.00	BLK	18
5	SPLICE B TO SPLICE C	5	2ND TERM CIRCUIT 3	10-12 GA SPLICE	19.00	BLK	14
6	LT REAR TAIL (NEG) PIN 1 TO SPLICE C	6	FEDERAL MOGUL (11)	2ND TERM CIRCUIT 5	29.00	BLK	18
7	LEFT REVERSE LIGHT (NEG) PIN 1 TO SPLICE C	7	FEDERAL MOGUL (13)	2ND TERM CIRCUIT 5	24.00	BLK	18
8	LT REAR TAIL (POS) PIN 2 TO SPLICE D	8	FEDERAL MOGUL (11)	10-12 GA SPLICE	32.00	BLU	18
9	RT REAR TAIL (POS) PIN 2 TO SPLICE D	9	FEDERAL MOGUL (11)	2ND TERM CIRCUIT 8	57.00	BLU	18
10	LIC PLATE LIGHT (POS) TO SPLICE D	10	1/4 BLADE FIF	2ND TERM CIRCUIT 8	40.00	BLU	18
11	LT REVERSE LIGHT (POS) PIN 3 TO SPLICE E	11	FEDERAL MOGUL (13)	10-12 GA SPLICE	30.00	LT BLU	18
12	RT REVERSE LIGHT (POS) PIN 3 TO SPLICE E	12	FEDERAL MOGUL (13)	2ND TERM CIRCUIT 11	58.00	LT BLU	18
13	LT REAR TURN LIGHT PIN 3 TO LCM PIN B	13	FEDERAL MOGUL (11)	DELPHI (3)	152.00	GRN	18
14	RT REAR TURN LIGHT PIN 3 TO LCM PIN D	14	FEDERAL MOGUL (11)	DELPHI (3)	177.00	GRY	18
15	DOME LIGHT BREAKOUT (POS) TO FUSE BLOCK 5A	15	DELPHI (10)	MTA (1)	86.00	RED	18
16	DOME LIGHT BREAKOUT (NEG) TO SPLICE F	16	DELPHI (10)	10-12 GA SPLICE	35.00	BLK	18
17	SPLICE C TO SPLICE F	17	2ND TERM CIRCUIT 5	2ND TERM CIRCUIT 16	22.00	BLK	14
18	PARK BRAKE SW INPUT TO FUSE BLOCK 1A	18	1/4 BLADE FIF	MTA (1)	108.00	BRWN	18
19	PARK BRAKE SW OUTPUT TO PARK BRAKE LIGHT POS	19	1/4 BLADE FIF	1/4 BLADE FIF	115.00	BRWN	18
20	DIRECTIONAL SWITCH REV TO REV LIGHT RELAY COIL PIN 86 (NEG)	20	1/4 BLADE FIF	1/4 BLADE FIF	98.00	GRY	18
21	SPEED SENSOR PIN A (POS) TO FUSE BLOCK 5A	20	DEUTSCH (4)	MTA (1)	75.00	RED	18
22	SPEED SENSOR PIN B (NEG) TO SPLICE F	22	DEUTSCH (4)	2ND TERM CIRCUIT 5	99.00	BLK	18
24	SPEED SENSOR SIGNAL PIN C TO DISPLAY PIN H	24	DEUTSCH (4)	DELPHI (5)	76.00	VO	18
25	LF TURN SIGNAL (POS) PIN 3 TO LCM PIN A	25	FEDERAL MOGUL (11)	DELPHI (3)	56.00	GRN	18
26	LF TURN (NEG) PIN 1 TO SPLICE H	26	FEDERAL MOGUL (11)	10-12 GA SPLICE	23.00	BLK	18
27	LF HEAD LIGHT (NEG) TO SPLICE H	27	DELPHI (5)	2ND TERM CIRCUIT 26	77.00	BLK	18
28	LH HEADLIGHT LOW BEAM TO SPLICE I	28	DELPHI (5)	10-12 GA SPLICE	88.00	BLU	18
29	RUNNING LIGHT SPLICE T TO TAIL LIGHT SPLICE D	29	2ND TERM CIRCUIT 88	2ND TERM CIRCUIT 8	133.00	BLU	18
30	RH HEADLIGHT LOW BEAM TO SPLICE I	30	DELPHI (5)	2ND TERM CIRCUIT 28	52.00	BLU	18
31	LOW BEAM OUTPUT SWITCH B5 TO LOW BEAM CIRCUIT SPLICE I	31	TYCO (9)	2ND TERM CIRCUIT 28	50.00	BLU	16
32	LF HEAD LIGHT HIGH BEAM TO SPLICE J	32	DELPHI (5)	10-12 GA SPLICE	84.00	YLW	18
33	RF HEAD LIGHT HIGH BEAM TO SPLICE J	33	DELPHI (5)	2ND TERM CIRCUIT 32	48.00	YLW	18
34	HIGH BEAM OUTPUT SWITCH B3 TO HIGH BEAM CIRCUIT SPLICE J	34	TYCO (9)	2ND TERM CIRCUIT 32	54.00	YLW	16
35	RF HEAD LIGHT (NEG) TO SPLICE K	35	DELPHI (5)	10-12 GA SPLICE	24.00	BLK	18
36	RF TURN LIGHT (NEG) PIN 1 TO SPLICE K	36	FEDERAL MOGUL (11)	2ND TERM CIRCUIT 35	70.00	BLK	18
37	SPLICE H TO SPLICE K	37	2ND TERM CIRCUIT 26	2ND TERM CIRCUIT 35	15.00	BLK	16
38	SPLICE K TO SPLICE L	38	2ND TERM CIRCUIT 35	10-12 GA SPLICE	23.00	BLK	16
39	RF TURN LIGHT (POS) PIN 3 TO LCM PIN E	39	FEDERAL MOGUL (11)	DELPHI (3)	56.00	GRY	18
40	BRAKE INPUT SWITCH TO SPLICE M 12V POS	40	1/4 BLADE FIF	10-12 GA SPLICE	22.00	ORG	18
41	BRAKE OUTPUT SWITCH TO LCM PIN F BRAKE INPUT	41	1/4 BLADE FIF	DELPHI (3)	13.00	ORG	18
42	FUSE BLOCK 15A TO SPLICE M	42	MTA (1)	2ND TERM CIRCUIT 40	6.00	RED	14
43	HORN (POS) TO HORN OUTPUT SWITCH (a3)	43	1/4 BLADE FIF	TYCO (9)	62.00	VO	18
44	HORN (NEG) TO SPLICE L	44	1/4 BLADE FIF	2ND TERM CIRCUIT 38	10.00	BLK	18
45	SPLICE M TO REV LIGHT RELAY COIL PIN 85 (POS)	45	2ND TERM CIRCUIT 38	1/4 BLADE FIF	8.00	RED	18
46	SPLICE M TO REV LIGHT RELAY COMMON PIN 30	46	2ND TERM CIRCUIT 38	1/4 BLADE FIF	8.00	YLW	18
47	REV LIGHT RELAY SWITCHED PIN 87 TO SPLICE E	47	1/4 BLADE FIF	2ND TERM CIRCUIT 11	122.00	YLW	16
48	DC CONVERTER 1 PIN 1 (NEG) OUT TO SPLICE L	48	MOLEX (6)	10-12 GA SPLICE	12.00	BLK	12
49	DC CONVERTER 2 PIN 1 (NEG) OUT TO SPLICE L	49	MOLEX (6)	2ND TERM CIRCUIT 48	12.00	BLK	12
50	DC CONVERTER 1 PIN 2 (POS) OUT TO SPLICE N	50	MOLEX (6)	10-12 GA SPLICE	16.00	RED	12
51	DC CONVERTER 2 PIN 2 (POS) OUT TO SPLICE N	51	MOLEX (6)	2ND TERM CIRCUIT 50	16.00	RED	12
52A	SPLICE N TO FUSE BLOCK 10A	52A	3RD CIRCUIT SPLICE N	MTA (1)	14.00	RED	16
52B	SPLICE N TO FUSE BLOCK 10A	52B	4TH CIRCUIT SPLICE N	MTA (1)	14.00	RED	16
52C	SPLICE N TO FUSE BLOCK 5A	52C	5TH CIRCUIT SPLICE N	MTA (1)	14.00	RED	18
52D	SPLICE N TO FUSE BLOCK 15A	52D	6TH CIRCUIT SPLICE N	MTA (1)	14.00	RED	16
52E	SPLICE N TO FUSE BLOCK 5A	52E	7TH CIRCUIT SPLICE N	MTA (1)	14.00	RED	18
52F	SPLICE N TO FUSE BLOCK 1A	52F	8TH CIRCUIT SPLICE N	MTA (1)	14.00	RED	18
52G	SPLICE NE TO FUSE BLOCK 5A	52G	9TH CIRCUIT SPLICE N	MTA (1)	14.00	RED	18
53	DC CONVERTER 1 PIN 3 (NEG) IN TO CONV SUPPLY CONN 1 PIN B	53	MOLEX (6)	DELPHI (7)	19.00	BLK	16
54	DC CONVERTER 2 PIN 3 (NEG) IN TO CONV SUPPLY CONN 2 PIN B	54	MOLEX (6)	DELPHI (7)	19.00	BLK	16
55	DC CONVERTER 1 PIN 4 (POS) IN TO CONV SUPPLY CONN 1 PIN A	55	MOLEX (6)	DELPHI (7)	19.00	RED	16
56	DC CONVERTER 2 PIN 4 (POS) IN TO CONV SUPPLY CONN 2 PIN A	56	MOLEX (6)	DELPHI (7)	19.00	RED	16
57	CONV SUPPLY CONN 1 (POS) PIN A TO DISPLAY PIN D	57	SECOND TERM CIRCUIT 55	DELPHI (5)	62.00	RED	18
58	CONV SUPPLY CONN 1 (NEG) PIN B TO DISPLAY PIN C	58	SECOND TERM CIRCUIT 53	DELPHI (5)	62.00	BLK	18
59	LEFT TURN INDICATOR LCM PIN G TO DISPLAY PIN A LEFT INDICATOR	59	DELPHI (3)	DELPHI (5)	46.00	GRN	18
60	RIGHT TURN INDICATOR LCM PIN H TO DISPLAY PIN B RIGHT INDICATOR	60	DELPHI (3)	DELPHI (5)	46.00	GRY	18
61	FUSE BLOCK 5 A TO DISPLAY PIN E 12V POS INPUT	61	MTA (1)	DELPHI (5)	61.00	ORG	18
62	DISPLAY PIN F (12V NEG) TO SPLICE P	62	DELPHI (5)	10-12 GA SPLICE	21.00	BLK	18
63	PARK BRAKE LIGHT NEG TO SPLICE P	63	1/4 BLADE FIF	2ND TERM CIRCUIT 62	27.00	BLK	18
64	SPLICE Q TO SPLICE M	64	10-12 GA SPLICE	2ND TERM CIRCUIT 40	58.00	RED	16
65	12V POS SPLICE Q TO RUNNING LIGHT POS INPUT SWITCH (b2)	65	1ST TERM CIRCUIT 64	TYCO (9)	10.00	RED	18
66	12V POS SPLICE Q TO LOW BEAM INPUT SWITCH (b1)	66	1ST TERM CIRCUIT 64	TYCO (9)	10.00	RED	16
67	12V POS SPLICE Q TO HORN INPUT SWITCH (a1)	67	1ST TERM CIRCUIT 64	TYCO (9)	10.00	RED	18
68	12V POS SPLICE Q TO HIGH BEAM INPUT SWITCH (B2)	68	1ST TERM CIRCUIT 64	TYCO (9)	9.00	RED	16
69	12V POS SPLICE Q TO FLASH TO PASS INPUT SWITCH (A1)	69	1ST TERM CIRCUIT 64	TYCO (9)	9.00	RED	16
70	RIGHT TURN SIGNAL SWITCH (A2) TO LCM PIN M RIGHT TURN SIGNAL INPUT	70	TYCO (9)	DELPHI (3)	58.00	GRY	18
71	LEFT TURN SIGNAL SWITCH (A4) TO LCM PIN L LEFT TURN SIGNAL INPUT	71	TYCO (9)	DELPHI (3)	58.00	GRN	18
72	TURN SIGNAL INPUT SWITCH (A5) TO 12V POS SPLICE Q	72	TYCO (9)	2ND TERM CIRCUIT 62	9.00	RED	16
73	10A FUSE BLOCK 12V POS TO SPLICE R (WASHER/WIPER CKT) POS	73	MTA (1)	10-12 GA SPLICE	45.00	RED	16
74	ER/WIPER 12V POS COMMON INPUT SWITCH (B3) TO SPLICE R (WASHER/WIPER CKT)	74	TYCO (9)	2ND TERM CIRCUIT 74	32.00	RED	18
75	SPLICE L TO SPLICE P	75	2ND TERM CIRCUIT 38	2ND TERM CIRCUIT 62	30.00	BLK	14
76	SPLICE L TO SPLICE B	76	2ND TERM CIRCUIT 38	2ND TERM CIRCUIT 3	147.00	BLK	14
77	WIPER HIGH SPEED OUTPUT SWITCH (B6) TO WIPER MOTOR PIN 1 HIGH SPEED	77	TYCO (9)	MOLEX (12)	44.00	BLU	18
78	WASHER SWITCH (B2) TO WASHER TANK MOTOR (POS)	78	TYCO (9)	1/4 BLADE FIF	77.00	WHT	18
79	WASHER TANK (NEG) TO SPLICE P	79	1/4 BLADE FIF	2ND TERM CIRCUIT 62	44.00	BLK	18
80	12V POS SPLICE R TO WIPER MOTOR PIN 4, 12V POS SUPPLY	80	2ND TERM CIRCUIT 74	MOLEX (12)	12.00	RED	18
81	WIPER PARK OUTPUT SWITCH (A5) TO WIPER MOTOR PIN 5 PARK	81	TYCO (9)	MOLEX (12)	44.00	YEL	18
82	WIPER LOW SPEED OUTPUT SWITCH (B5) TO WIPER MOTOR PIN 2 LOW SPEED	82	TYCO (9)	MOLEX (12)	44.00	GRN	18
83	12V NEG WIPER MOTOR PIN 3 TO SPLICE P	83	MOLEX (12)	2ND TERM CIRCUIT 62	17.00	BLK	18
84	12V OUTLET (POS) TO FUSE BLOCK 10A	84	1/4 BLADE FIF	MTA (1)	56.00	RED	18
85	12V OUTLET (NEG) TO SPLICE P	85	1/4 BLADE FIF	2ND TERM CIRCUIT 62	16.00	BLK	18
86	HAZARD SWITCH INPUT TO SPLICE L	86	1/4 BLADE FIF	2ND TERM CIRCUIT 40	61.00	VO	18
87	HAZARD SWITCH OUTPUT TO LCM PIN K	87	1/4 BLADE FIF	DELPHI (3)	56.00	VO	18
88	RUNNING LIGHT SWITCH (b3) TO RUNNING & TAIL LIGHT CKT SPLICE T	88	TYCO (9)	10-12 GA SPLICE	16.00	BLU	18
89	LT TURN SIGNAL @ PIN 2 TO SPLICE T	89	FEDERAL MOGUL (11)	2ND TERM CIRCUIT 88	69.00	BLU	18
90	RT TURN SIGNAL (R) PIN 2 TO SPLICE T	90	FEDERAL MOGUL (11)	2ND TERM CIRCUIT 88	69.00	BLU	18
91	DC CONVERTER 1 PIN 1 (NEG) OUT TO DC CONVERTER 1 PIN 3 (NEG) IN	91	OLEX 6 (1ST TERM CIRCUIT 4)	OLEX 6 (1ST TERM CIRCUIT 5)	4.00	BLK	16
92	DC CONVERTER 2 PIN 1 (NEG) OUT TO DC CONVERTER 2 PIN 3 (NEG) IN	92	OLEX 6 (1ST TERM CIRCUIT 4)	OLEX 6 (1ST TERM CIRCUIT 5)	4.00	BLK	16
93	BATTERY (B+) LCM PIN J TO SPLICE M 12V POS	93	DELPHI (3)	2ND TERM CIRCUIT 40	19.00	RED	18
94	GROUND LCM PIN N TO SPLICE L	94	DELPHI (3)	2ND TERM CIRCUIT 38	15.00	BLK	18

\* WIRE LENGTH FOR REFERENCE USE ONLY  
 F.I.F. = FULLY INSULATED FEMALE QUICK CONNECT  
 F.I.M. = FULLY INSULATED MALE QUICK CONNECT  
 (1) MTA UNIF630 BUS  
 (2) MTA UNIF630 BUS  
 (3) DELPHI 15304701  
 (4) DEUTSCH 1062-20-0122  
 (5) DELPHI 12048074  
 (6) MOLEX 42815-0011  
 (7) DELPHI 12146576  
 (8) PACKARD 2971962-L  
 (9) TYCO 144180-1  
 (10) DELPHI 12089188  
 (11) FEDERAL MOGUL ZFJ00703UA  
 (12) MOLEX 02-06-1101  
 (13) FEDERAL MOGUL ZFJ00702UA

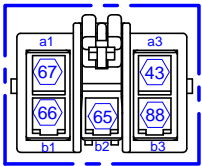
(R) - RUNNING

NOTE: Items with \* in tables indicates parts not shown in drawing.

Columbia Vehicle Group, Inc.  
 A Nordic Group Company | Business Ventures Since 1947



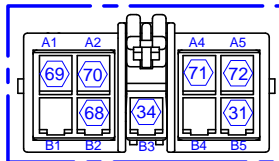
**LIGHT SWITCH**



DETAIL A  
TYCO 144518-1  
CONTACT 144180-1

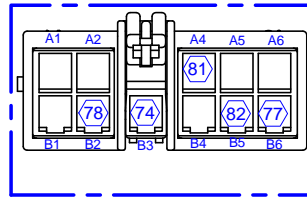
**12V ACCESSORY WIRE HARNESS**

**LIGHT SWITCH**



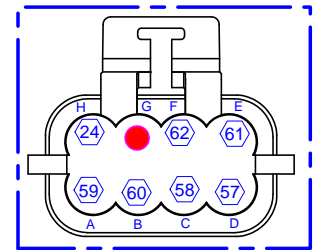
DETAIL B  
TYCO 144518-2  
CONTACT 144180-1

**WIPER SWITCH**



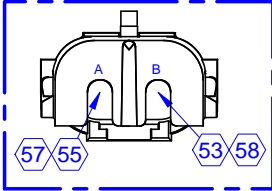
DETAIL C  
TYCO 144521-4  
CONTACT 144180-1

**DISPLAY**



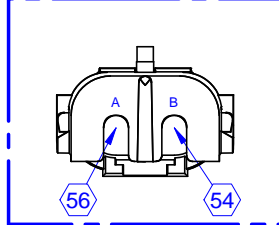
DETAIL D  
DELPHI 12047937  
CONTACT 12048074

**DC CONVERTER CONNECTOR #1**



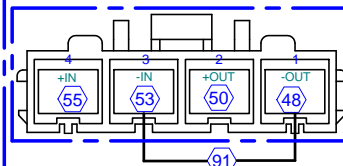
DETAIL E  
DELPHI 12010973  
CONTACT 12124582

**DC CONVERTER CONNECTOR #2**



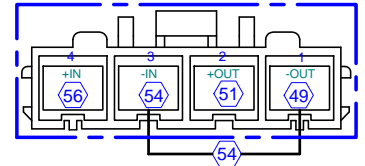
DETAIL F  
DELPHI 12010973  
CONTACT 12124582

**DC CONVERTER #1**



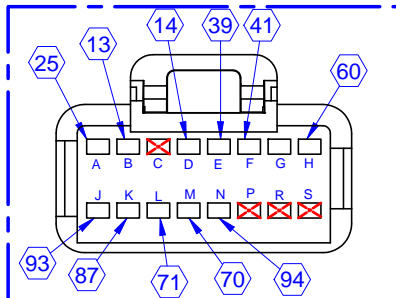
DETAIL G  
MOLEX 42816-0412  
CONTACT 42815-0011

**DC CONVERTER #2**



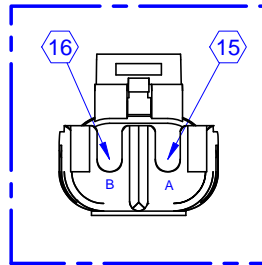
DETAIL H  
MOLEX 42816-0412  
CONTACT 42815-0011

**LIGHT CONTROL MODULE**



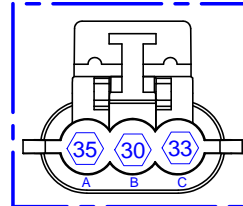
DETAIL I  
DELPHI 15332177  
CONTACT 12191811

**DOME LIGHT BREAKOUT**



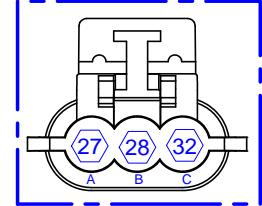
DETAIL J  
DELPHI 12015792  
CONTACT 12124581

**RF HEADLIGHT**



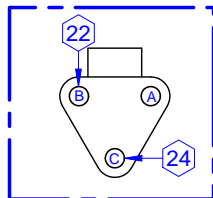
DETAIL K  
DELPHI 12015792  
CONTACT 12124581

**LF HEADLIGHT**



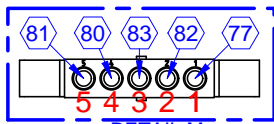
DETAIL L  
DELPHI 12110293  
CONTACT 12048074

**SPEED SENSOR**

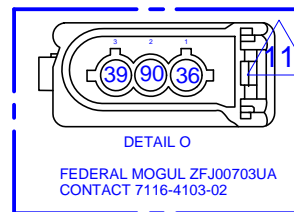


DETAIL N  
DEUTSCH DT06-3S  
CONTACT 1062-20-0122

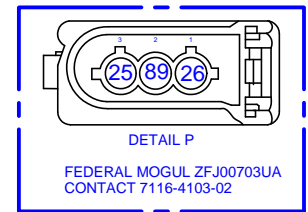
**WIPER MOTOR**



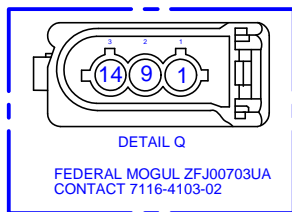
DETAIL M  
MOLEX 03-06-1055  
CONTACT 02-06-1101



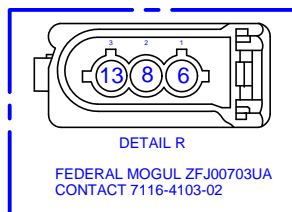
DETAIL O  
FEDERAL MOGUL ZFJ00703UA  
CONTACT 7116-4103-02



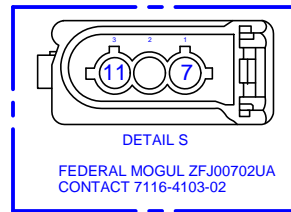
DETAIL P  
FEDERAL MOGUL ZFJ00703UA  
CONTACT 7116-4103-02



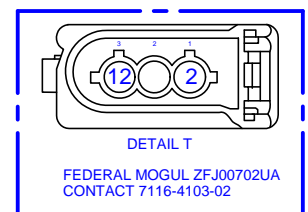
DETAIL Q  
FEDERAL MOGUL ZFJ00703UA  
CONTACT 7116-4103-02



DETAIL R  
FEDERAL MOGUL ZFJ00703UA  
CONTACT 7116-4103-02



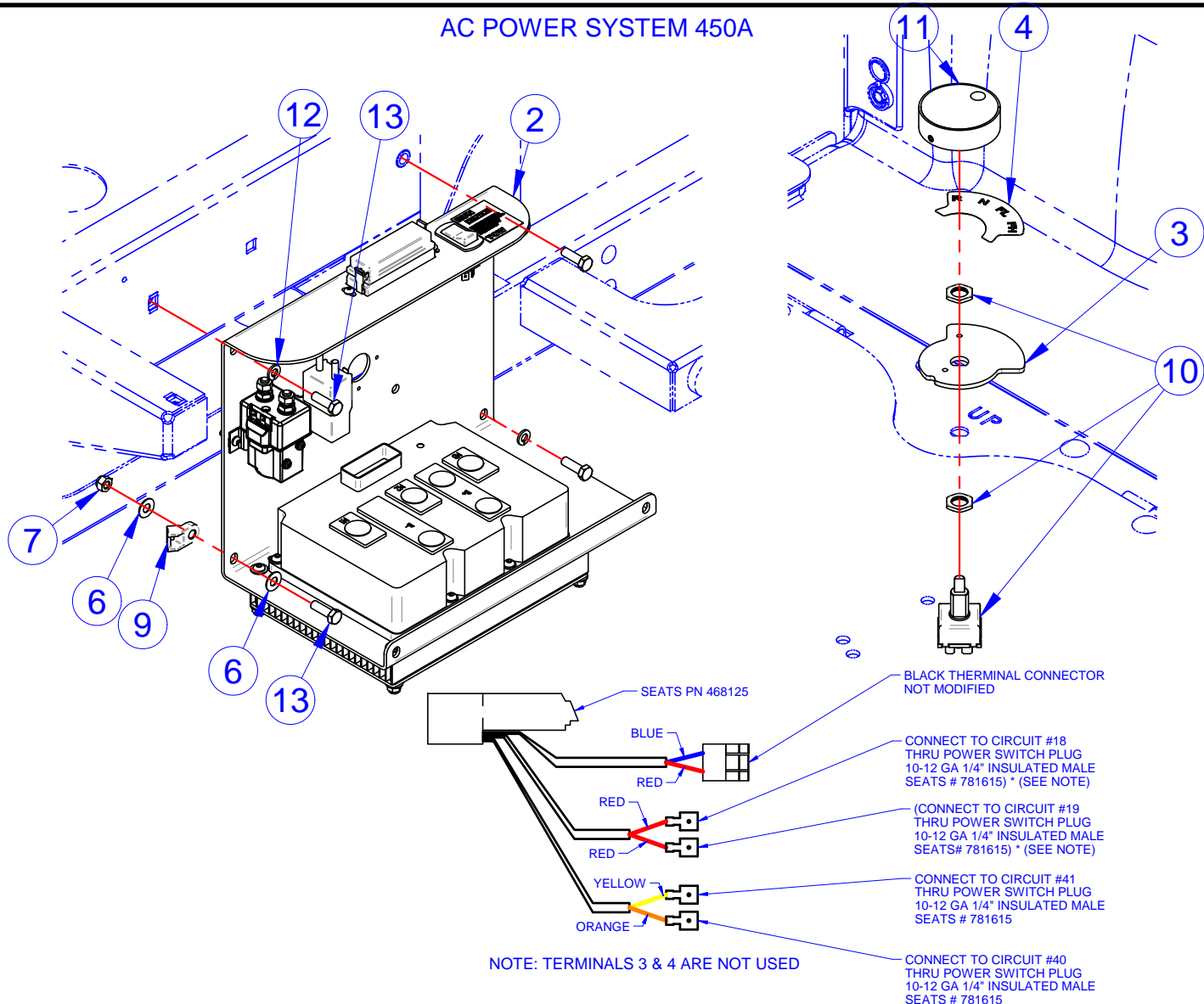
DETAIL S  
FEDERAL MOGUL ZFJ00702UA  
CONTACT 7116-4103-02



DETAIL T  
FEDERAL MOGUL ZFJ00702UA  
CONTACT 7116-4103-02

NOTE: Items with \* in tables indicates parts not shown in drawing.

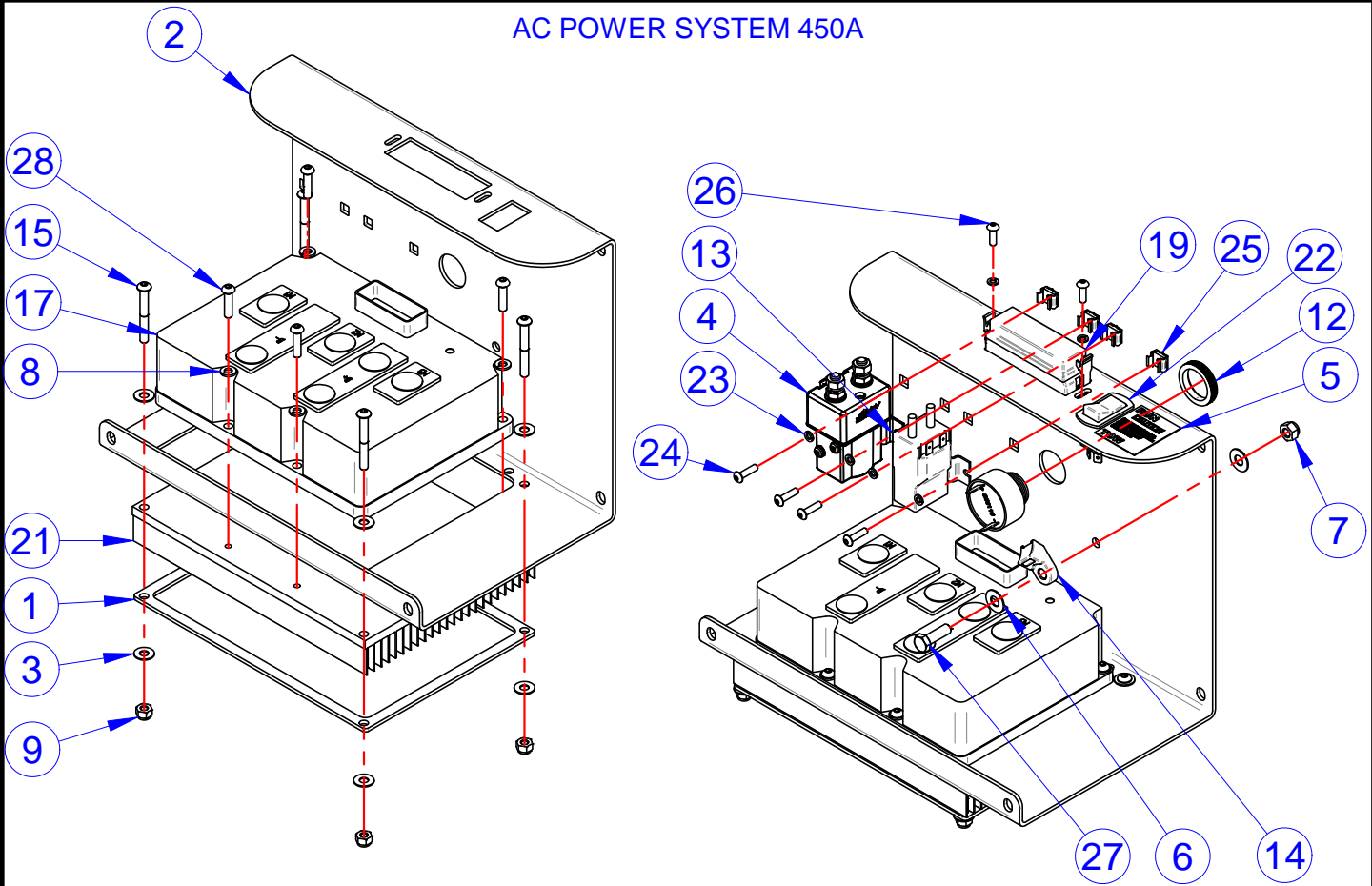
# AC POWER SYSTEM 450A



ITEM	CVG PN	DESCRIPTION	QTY	REF #
1*	CVG468125	ASSY, LOCK STEERING KEYSWITCH	1	468125
2	NONE	ASSY, AC CNTRL, HEATSINK, SU5-L-2	1	468214
3	CVG515352	BRKT, DIRECTION KNOB	1	515352
4	CVG712278	DECAL, DIRECTIONAL SWITCH	1	712278
5*	CVG719355	MOLDING, BLACK	1	719355
6	CVG719375	WSHR,5/16X0.750X0.040,F/W,18-8S/S	2	719375
7	CVG719377	NUT, 5/16-18, L/N, NYL, NE, 18-8, S/S	1	719377
8*	NONE	CABLE TIE, 0.30 X 8, 120 LB	1	760121
9	CVG760122	HEAVY-DUTY CABLE TIE MOUNT	1	760122
10	CVG760833	SWITCH, DIRECTIONAL	1	760833
11	CVG760888	KNOB, DIRECTIONAL SWITCH	1	760888
12	CVG781621	WSHR, 5/16, L/W, SPLIT, 18-8, S/S	3	781621
13	CVG782720	SCR, 5/16-18 X 1, HHCS, 18-8, S/S	4	782720

NOTE: Items with \* in tables indicates parts not shown in drawing.

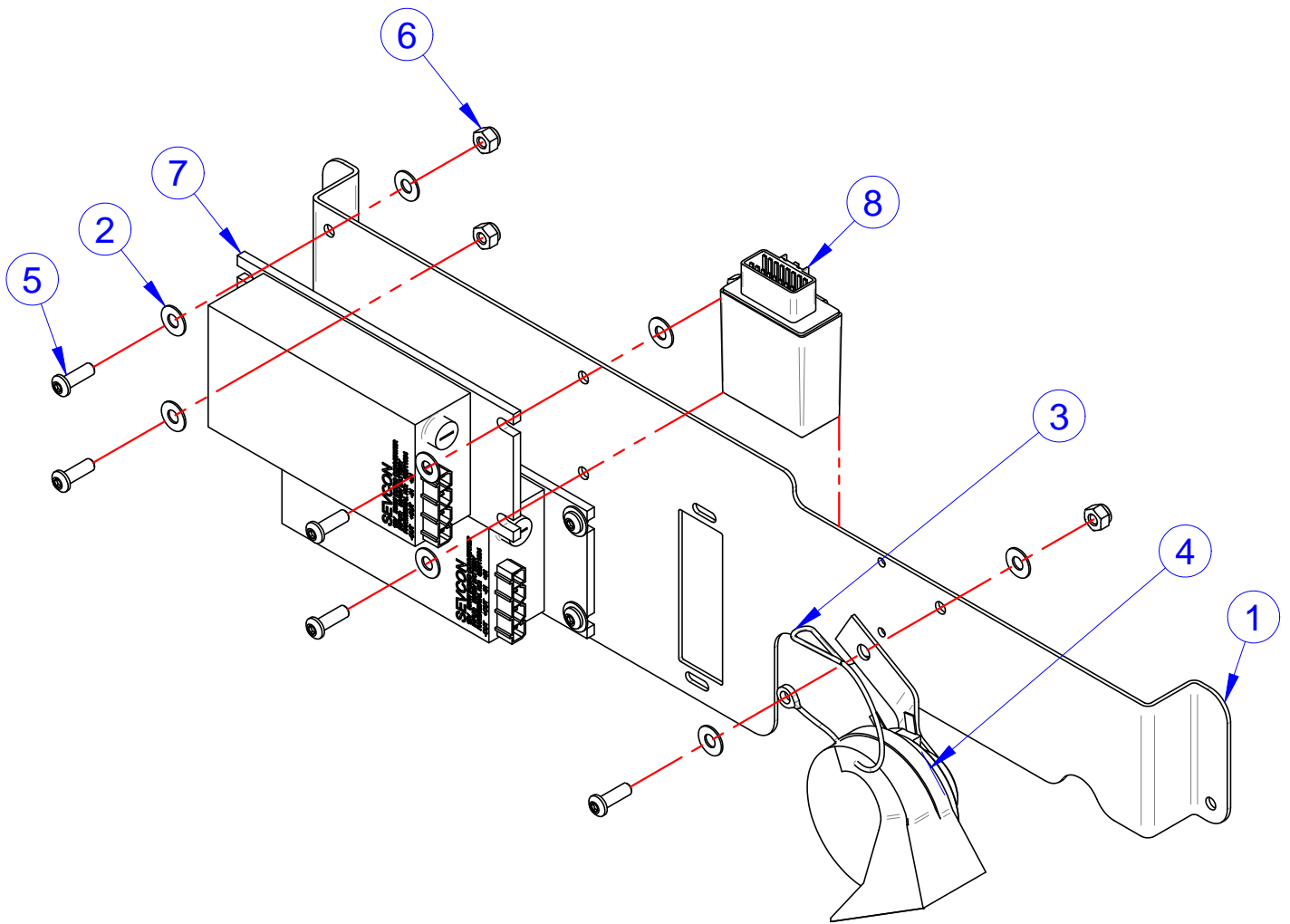
## AC POWER SYSTEM 450A



ITEM	CVG PN	DESCRIPTION	QTY	REF #
1	CVG517586	PLATE, RETAINER, HEATSINK	1	517586
2	CVG517722	BRKT, CONTROLLER, HEATSINK	1	517722
3	CVG708511	WASHER, FLAT 1/4" 18-8 SS	8	708511
4	CVG709590	CONTACTOR, SINGLE- 48V COILS	1	709590
5	NONE	LABEL, RUN/TOW, SU5-2	1	712417
6	CVG719375	WSHR, 5/16X0.750X0.040, F/W, 18-8S/S	2	719375
7	CVG719377	NUT, 5/16-18, L/N, NYL, NE, 18-8, S/S	1	719377
8	CVG719378	WSHR, 1/4 (M6), L/W, SPLIT, 18-8, S/S	4	719378
9	CVG719876	NUT, 1/4-20, L/N, NYL, NE, 316, S/S	4	719876
10*	CVG749180	WIRE MARKER, POSITIVE	1	749180
11*	CVG749181	WIRE MARKER, NEGATIVE	1	749181
12	CVG759790	AUDIBLE ALARM - 12/48 VDC	1	759790
13	CVG760008	CONT, SW60, 48V COIL	1	760008
14	CVG760122	HEAVY-DUTY CABLE TIE MOUNT	1	760122
15	CVG760693	SCR, 1/4-20 X 2, BSHCS, 18-8, S/S	4	760693
16*	CVG760766	CABLE, BTRY, 2GA, 5/16 TERM, 9"	1	760766
17	CVG760956	GEN4 CONTROLLER - SEVCON 450A	1	760956
18*	CVG761063	CABLE, MOTOR, SEVCON AC, 25.5"	2	761063
19	CVG761250	48V POWER HARNESS, P5/SU5, AC DRIVE, 2017	1	761250
20*	CVG761274	CABLE, 2 GA X 72.00, 5/16 TERMINALS	3	761274
21	CVG761697	HEATSINK, FINNED	1	761697
22	CVG761702	SWITCH, BRK BYPASS, SEALED	1	761702
23	CVG782706	WSHR, #10, L/W, SPLIT, 18-8, S/S	6	782706
24	CVG782708	SCR, #10-32 X 0.75, BSHCS, 18-8, S/S	4	782708
25	CVG782710	NUT, 10-32, CAGE, 0.093-0.126, MAGNI 525	4	782710
26	CVG782711	SCR, M5-0.8 X 16MM, BSHCS, A2, S/S	2	782711
27	CVG782720	SCR, 5/16-18 X 1, HHCS, 18-8, S/S	1	782720
28	CVG782925	SCR, M6-1.0 X 25MM, BSHCS, A2, S/S	4	782925

NOTE: Items with \* in tables indicates parts not shown in drawing.

## 12V ACCESSORY PANEL WITH SINGLE/DUAL CONVERTER



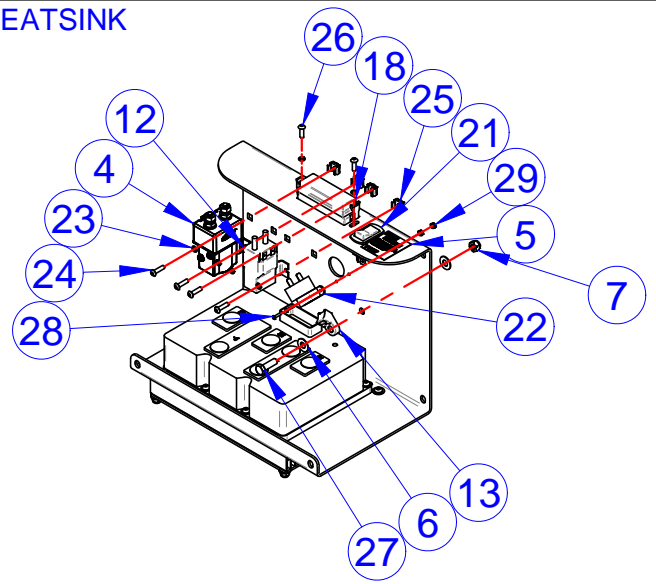
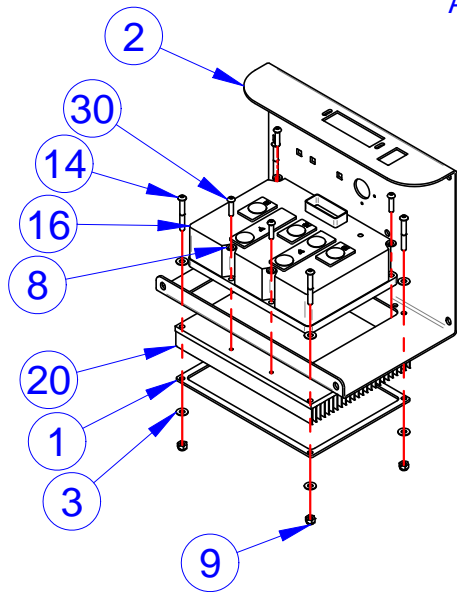
ITEM	CVG PN	DESCRIPTION	QTY	REF #
1	NONE	PANEL, 12V ACCESSORY	1	515678
2	CVG708511	WASHER, FLAT 1/4" 18-8 SS	18	708511
3	CVG708865	LANYARD,NYLON .093X8 TY 2 FIX END	1	708865
4	CVG709089	HORN,12V (2 TERMINAL)	1	709089
5	CVG719374	SCREW,1/4-20X3/4",BHCS,18-8SS	9	719374
6	CVG719876	NUT, 1/4-20, L/N, NYL, NE, 316, S/S	9	719876
7	CVG760378	DC/DC CONVERTER - 12V OUT/INP 36/48V	2	760378
8	CVG760829	FLASHER,TURN/HZD/DRL/BRK	1	760829

NOTE: Items with \* in tables indicates parts not shown in drawing.

Columbia Vehicle Group, Inc.  
A Nordic Group Company | Business Ventures Since 1947



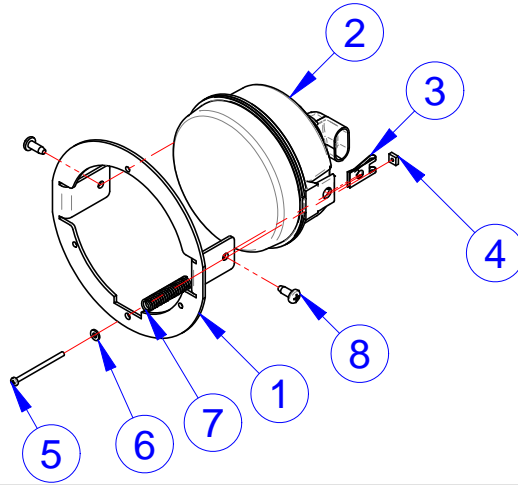
## AC CONTROL, HEATSINK



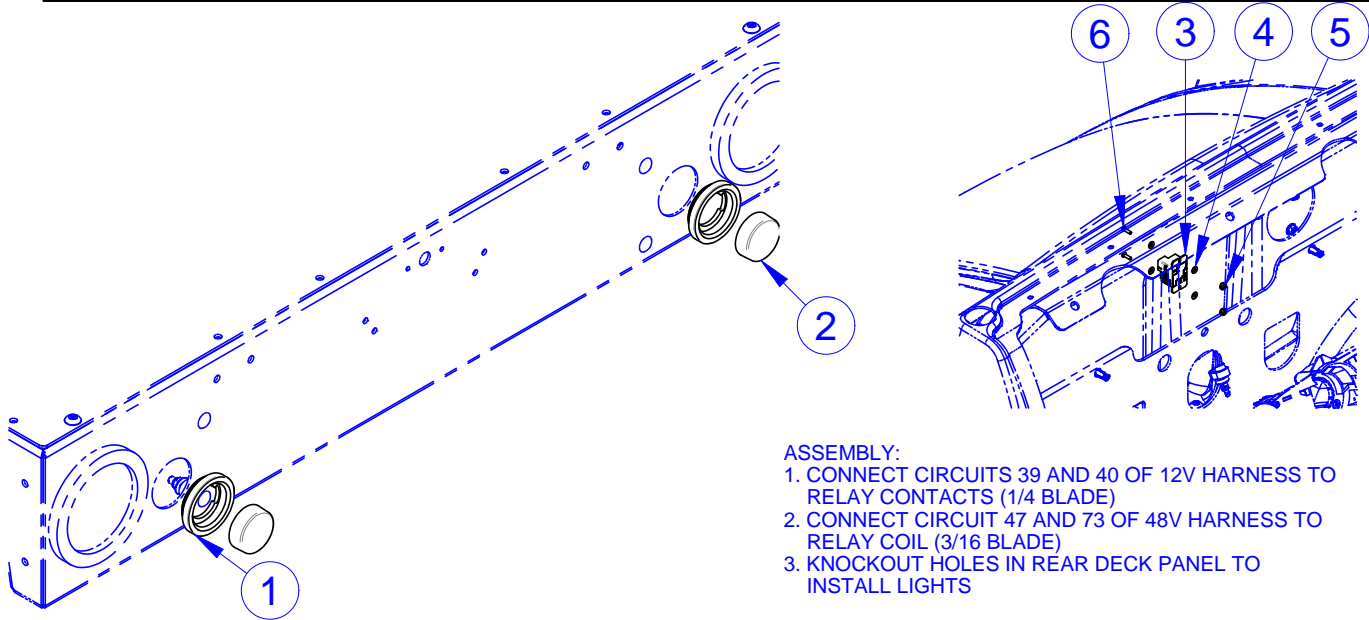
ITEM	DESCRIPTION	QTY	REF #
1	CVG517586 PLATE, RETAINER, HEATSINK	1	517586
2	CVG517722 BRKT, CNTRL, HEATSINK	1	517722
3	CVG708511 WASHER, FLAT 1/4" 18-8 SS	8	708511
4	CVG709590 CONTACTOR, SINGLE- 48V COILS	1	709590
5	NONE LABEL, RUN/TOW, SU5-2	1	712417
6	CVG719375 WSHR,5/16X0.750X0.040,F/W,18-8S/S	2	719375
7	CVG719377 NUT, 5/16-18, L/N, NYL, NE, 18-8, S/S	1	719377
8	CVG719378 WSHR, 1/4 (M6), L/W, SPLIT, 18-8, S/S	4	719378
9	CVG719876 NUT, 1/4-20, L/N, NYL, NE, 316, S/S	4	719876
10*	CVG749180 WIRE MARKER, POSITIVE	1	749180
11*	CVG749181 WIRE MARKER, NEGATIVE	1	749181
12	CVG760008 CONT, SW60, 48V COIL	1	760008
13	CVG760122 HEAVY-DUTY CABLE TIE MOUNT	1	760122
14	CVG760693 SCR, 1/4-20 X 2, BSHCS, 18-8, S/S	4	760693
15*	CVG760766 CABLE, BTRY, 2GA, 5/16 TERM, 9"	1	760766
16	CVG760956 GEN4 CONTROLLER - SEVCON 450A	1	760956
17*	CVG761063 CABLE, MOTOR, SEVCON AC, 25.5"	2	761063
18	CVG761250 48V POWER HARNESS, P5/SU5, AC DRIVE, 2017	1	761250
19*	CVG761274 CABLE, 2 GA X 72.00, 5/16 TERMINALS, SU5-L-2	3	761274
	CVG761295 CABLE, MOTOR, 2GA, 5/16 TERM, 45", SU5-S-2	3	761295
20	CVG761697 HEATSINK ,FINNED	1	761697
21	CVG761702 SWITCH, BRK BYPASS, SEALED	1	761702
22	CVG761720 BUZZER, REVERSE, CONT	1	761720
23	CVG782706 WSHR, #10, L/W, SPLIT, 18-8, S/S	6	782706
24	CVG782708 SCR, #10-32 X 0.75, BSHCS, 18-8, S/S	4	782708
25	CVG782710 NUT, 10-32, CAGE, 0.093-0.126, MAGNI 525	4	782710
26	CVG782711 SCR, M5-0.8 X 16MM, BSHCS, A2, S/S	2	782711
27	CVG782720 SCR, 5/16-18 X 1, HHCS, 18-8, S/S	1	782720
28	CVG782883 SCR, #4-40 X 0.5, BSHCS, 18-8, S/S	2	782883
29	CVG782884 NUT, #4-40, L/N, NYL, NM, 18-8, S/S	2	782884
30	CVG782925 SCR, M6-1.0 X 25MM, BSHCS, A2, S/S	4	782925

NOTE: Items with \* in tables indicates parts not shown in drawing.

## HIGH/ LOW HEADLIGHTS & LED BACK-UP LIGHTS



ITEM	CVG PN	DESCRIPTION	QTY	REF #
1	CVG514923	HEADLIGHT BRKT	1	514923
2	CVG760579	HEADLIGHT - HIGH/LOW	1	760579
3	CVG760899	NUT, #10, SPRING, 0.025-0.150, 0.563, MAGNI 525	2	760889
4	CVG781594	NUT, SQ, #4-40, S/S	1	781594
5	CVG781595	SCREW, #4-40 X 1-3/4 PPH, S/S	1	781595
6	CVG781596	WASHER, FLAT, #4, S/S	1	781596
7	CVG781597	SPRING, COMP, .343 OD X .047 WIRE X 1.5 LONG, ZC	1	781597
8	CVG782728	SCR, #10-16 X 0.50, PPH, SMS, TB, 18-8, S/S	2	782728



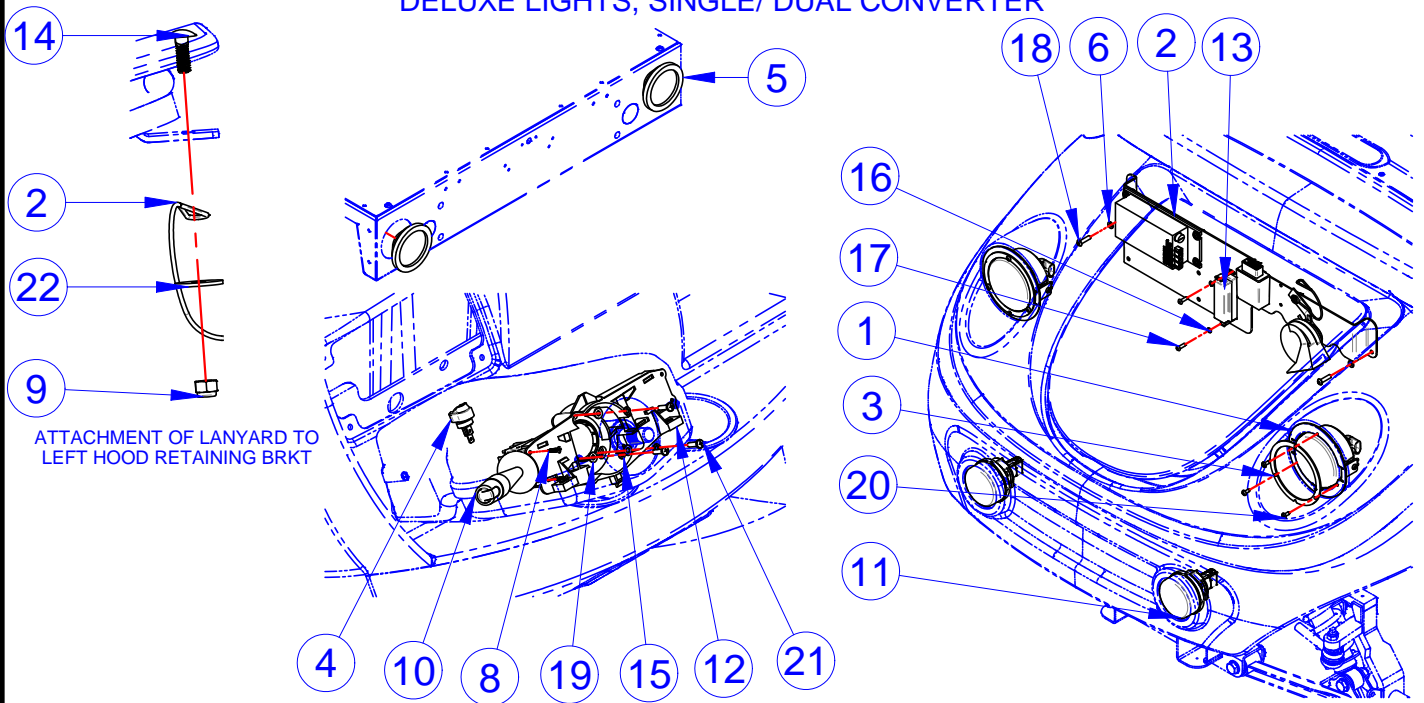
**ASSEMBLY:**

1. CONNECT CIRCUITS 39 AND 40 OF 12V HARNESS TO RELAY CONTACTS (1/4 BLADE)
2. CONNECT CIRCUIT 47 AND 73 OF 48V HARNESS TO RELAY COIL (3/16 BLADE)
3. KNOCKOUT HOLES IN REAR DECK PANEL TO INSTALL LIGHTS

ITEM	CVG PN	DESCRIPTION	QTY	REF #
1	CVG719319	GROMMET, 2" LIGHT	2	719319
2	CVG719320	LIGHT, 2" CLEAR	2	719320
3	CVG759829	RELAY, 48VDC, SPSTNO, 20	1	759829
4	CVG782737	WSHR, #6 X 0.375 X 0.031, F/W, 18-8 S/S	4	782737
5	CVG782738	NUT, #6-32, L/N, NYL, NM, 18-8, S/S	2	782738
6	CVG782744	SCR, #6-32 X 0.5, BSHCS, 18-8, S/S	2	782744

NOTE: Items with \* in tables indicates parts not shown in drawing.

## DELUXE LIGHTS, SINGLE/ DUAL CONVERTER

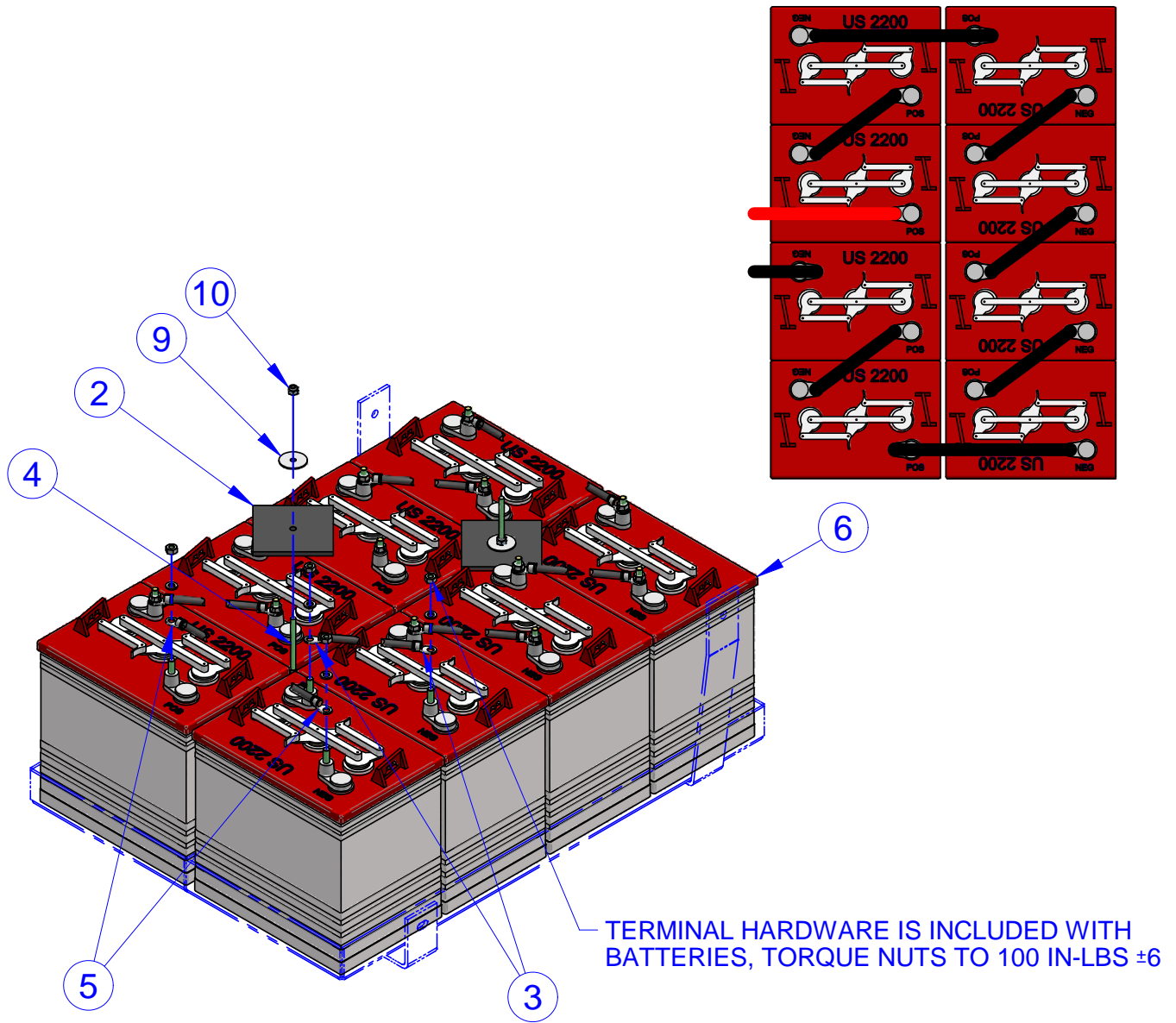


ITEM	CVG PN	DESCRIPTION	QTY	REF #
1	CVG467928	ASSY, HIGH/LOW HEADLIGHT, P5/SU5	2	467928
2	CVG468802	ASSY, 12V ACCY PANEL, SINGLE DC/DC CONV	1	468802
3	CVG515563	HEADLIGHT TRIM BRKT	2	515563
4	CVG709412	SWITCH, ROCKER, ILLUMINATED SPST	1	709412
5	CVG719368	LIGHT, LED, RED 4" RND	2	719368
6	CVG719378	WSHR, 1/4 (M6), L/W, SPLIT, 18-8, S/S	2	719378
7*	CVG719504	CABLE TIE, BLACK, .18X11-3/4, STD, 50LB	10	719504
8	CVG719577	SCR, #6-20 X 0.75, PPH, T/S, #2, MAGNI 525	2	719577
9	CVG719876	NUT, 1/4-20, L/N, NYL, NE, 316, S/S	1	719876
10	CVG760162	SWITCH, LIGHT	1	760162
11	NONE	LIGHT, FRONT TURN SIGNAL	2	760822
12	CVG760891	WIPER/LIGHT HOUSING - PLASTIC	1	760891
13	CVG761251	HARNESS, 12V ACC, SU5, 2017	1	761251
14	CVG781739	SCR, 1/4-20 X 0.75, CARR, 18-8, S/S	1	781739
15	CVG782706	WSHR, #10, L/W, SPLIT, 18-8, S/S	3	782706
16	CVG782709	WSHR, M5, L/W, SPLIT, A2, S/S	2	782709
17	CVG782711	SCR, M5-0.8 X 16MM, BSHCS, A2, S/S	2	782711
18	CVG782719	SCR, 1/4-20 X 1, BSHCS, 18-8, S/S	2	782719
19	CVG782722	WSHR, #10 X 0.438 X 0.031, F/W, 18-8, S/S	3	782722
20	CVG782728	SCR, #10-16 X 0.50, PPH, SMS, TB, 18-8, S/S	6	782728
21	CVG782729	SCR, #10-24 X 0.75, PPH, M/S, 18-8, S/S	3	782729
22	CVG782731	WSHR, 1/4 (M6) X 1.000 X 0.062, FENDER, 18-8, S/S	1	782731

NOTE: Items with \* in tables indicates parts not shown in drawing.



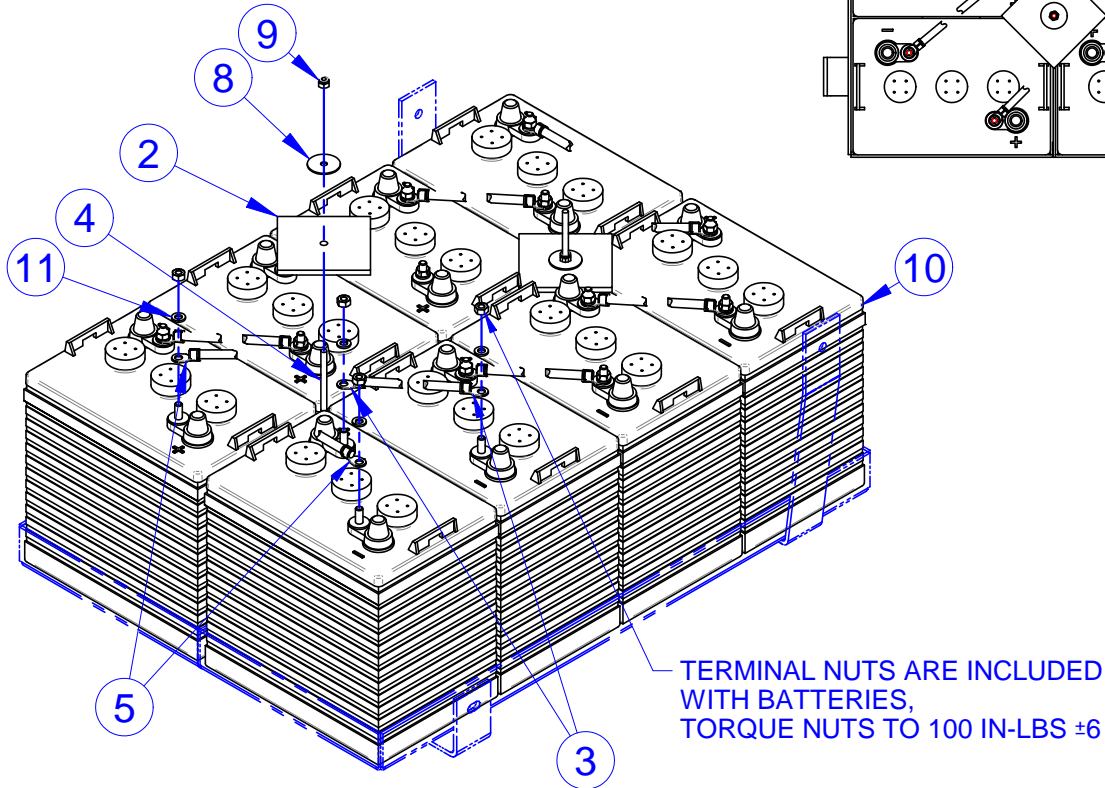
## BATTERY AND HARDWARE



ITEM	CVG PN	DESCRIPTION	QTY	REF #
1*	CVG512059	LABEL, SMALL VIN	8	512059
2	CVG513002	PLATE, BATTERY HOLD DOWN	2	513002
3	CVG709004	CABLE, 4 GA X 8.75, 5/16 TERMINALS	5	709004
4	CVG709059	ROD, BATTERY HOLD DOWN	2	709059
5	70351-88	CABLE, 4 GA X 16.75, 5/16 TERMINALS	2	709600
6A	CVG719229	BATTERY, 6V, DEEP CYCLE, (US-2200)	8	719229
6B		BATTERY, 6V, DEEP CYCLE, (US-145)	8	719231
7*	NONE	TAG, XP+,W/WIRE,#8,13-PT,YELLOW	1	719236
8*	CVG719504	CABLE TIE,BLACK,.18X11-3/4,STD,50LB	6	719504
9	CVG719786	WASHER FLT STAINLESS .28X1.375X.06	2	719786
10	CVG719876	NUT, 1/4-20, L/N, NYL, NE, 316, S/S	2	719876

NOTE: Items with \* in tables indicates parts not shown in drawing.

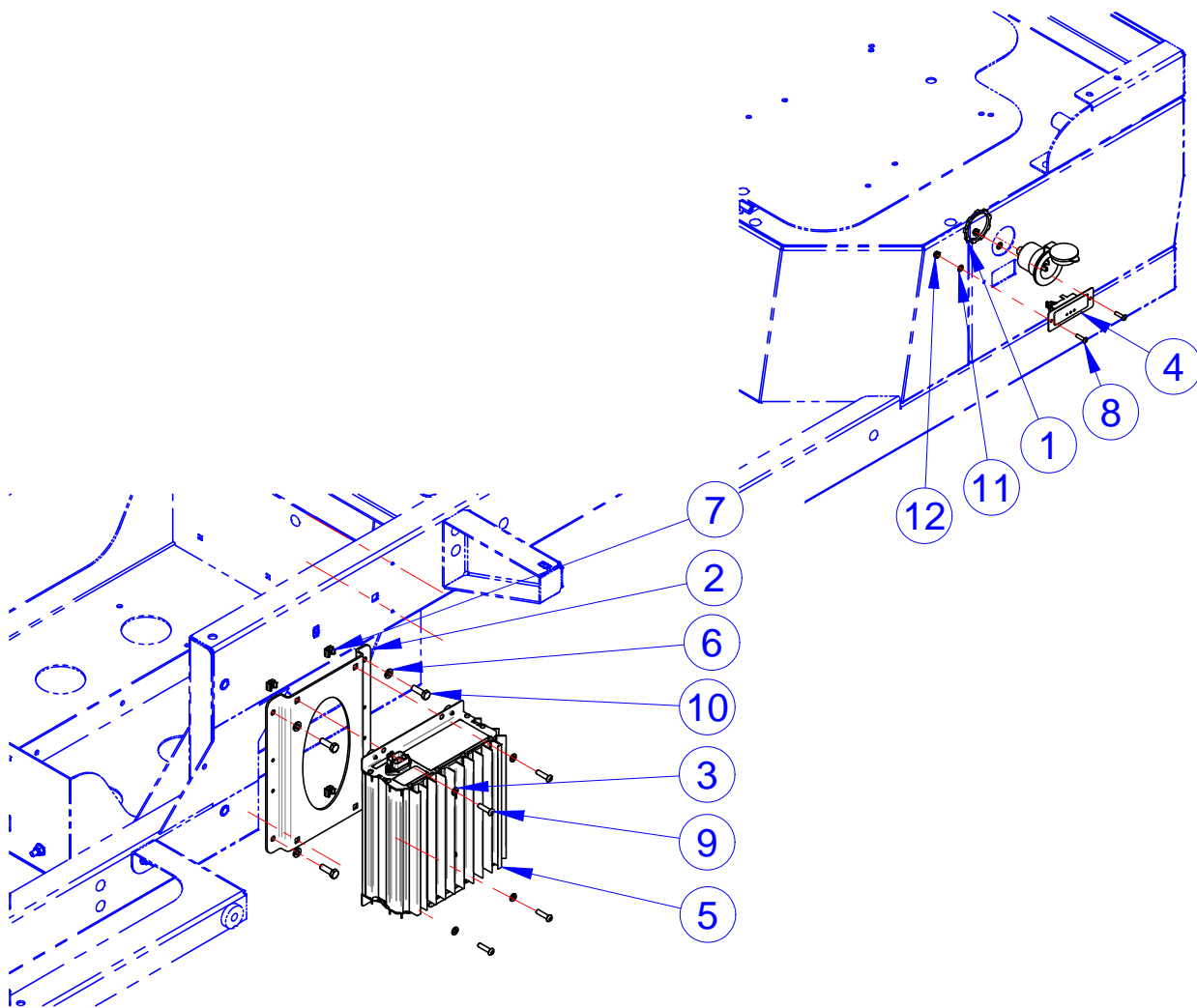
## BATTERY AND HARDWARE



ITEM	CVG PN	DESCRIPTION	QTY	REF #
1*	CVG512059	LABEL, SMALL VIN	8	512059
2	CVG513002	PLATE, BATTERY HOLD DOWN	2	513002
3	CVG709004	CABLE, 4 GA X 8.75, 5/16 TERMINALS	5	709004
4	CVG709059	ROD, BATTERY HOLD DOWN	2	709059
5	70351-88	CABLE, 4 GA X 16.75, 5/16 TERMINALS	2	709600
6*	NONE	TAG, XP+,W/WIRE,#8,13-PT,YELLOW	1	719236
7*	CVG719504	CABLE TIE,BLACK, .18X11-3/4,STD,50LB	6	719504
8	CVG719786	WASHER FLT STAINLESS .28X1.375X.06	2	719786
9	CVG719876	NUT, 1/4-20, L/N, NYL, NE, 316, S/S	2	719876
10	CVG760586	BTRY, 6 VDC, AGM, GC2, SEALED	8	760586
11	CVG781621	WSHR, 5/16, L/W, SPLIT, 18-8, S/S	16	781621

NOTE: Items with \* in tables indicates parts not shown in drawing.

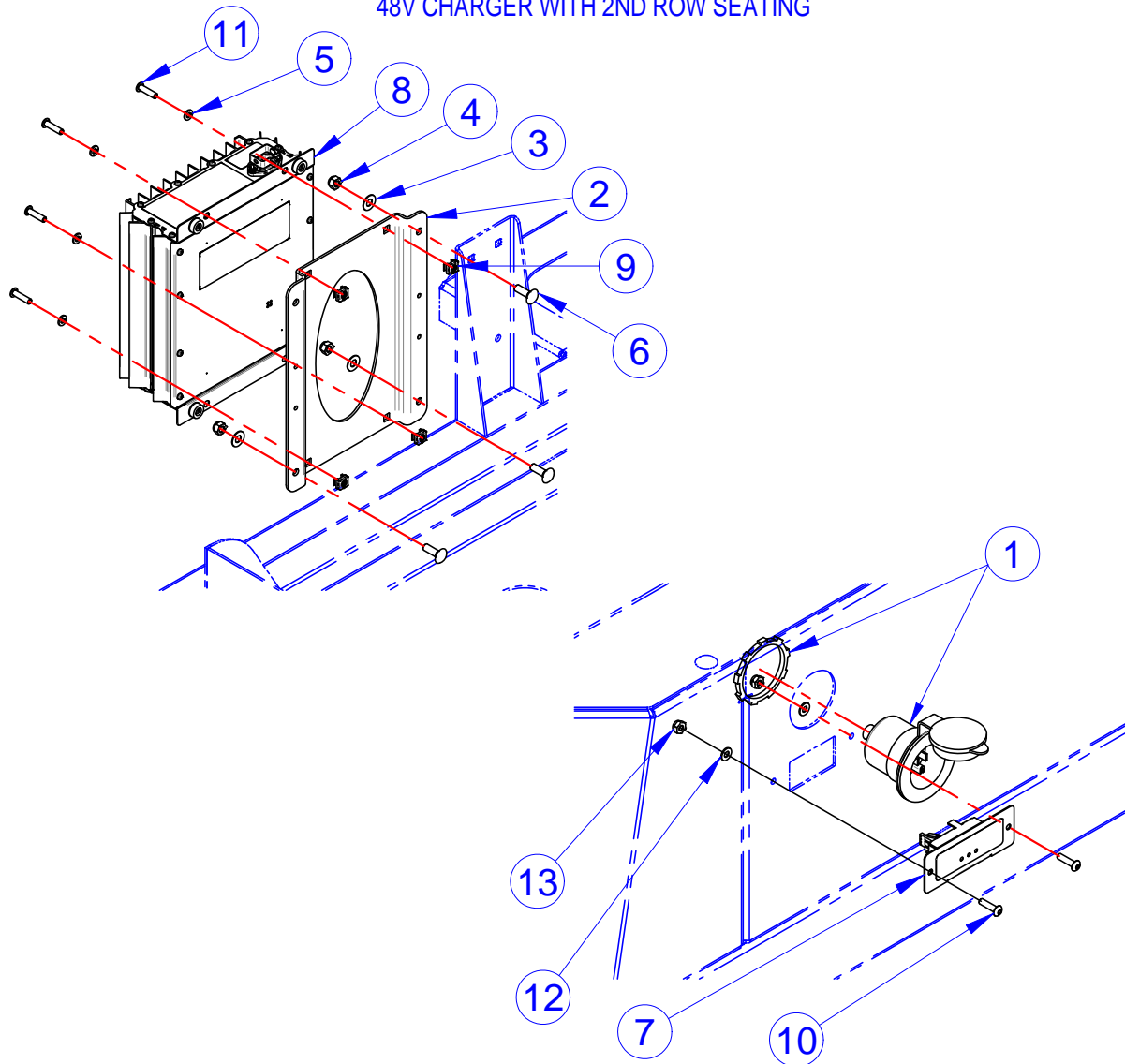
## 48V CHARGER



ITEM	CVG PN	DESCRIPTION	QTY	REF #
1	CVG468176	ASM, CHARGER CORD, 90 DEG PLUG	1	468176
2	CVG516985	BRKT, CHARGER, SU5-2	1	516985
3	CVG719378	WSHR, 1/4 (M6), L/W, SPLIT, 18-8, S/S	4	719378
4	CVG761750	DISPLAY, LESTER, SUMMIT II	1	761750
5A	CVG468196	CHARGER, PROGRAMMED CHARGER, LESTER, 48V AGM	1	468196
5B	CVG761752	CHARGER, LESTER, SUMMIT II, SU5-2/P5	1	761752
6	CVG781621	WSHR, 5/16, L/W, SPLIT, 18-8, S/S	3	781621
7	CVG782339	NUT, 1/4-20, CAGE, 0.093-0.126, MAGNI 525	4	782339
8	CVG782708	SCR, #10-32 X 0.75, BSHCS, 18-8, S/S	2	782708
9	CVG782719	SCR, 1/4-20 X 1, BSHCS, 18-8, S/S	4	782719
10	CVG782720	SCR, 5/16-18 X 1, HHCS, 18-8, S/S	3	782720
11	CVG782722	WSHR, #10 X 0.438 X 0.031, F/W, 18-8, S/S	2	782722
12	CVG782723	NUT, #10-32, L/N, NYL, NM, 18-8, S/S	2	782723

NOTE: Items with \* in tables indicates parts not shown in drawing.

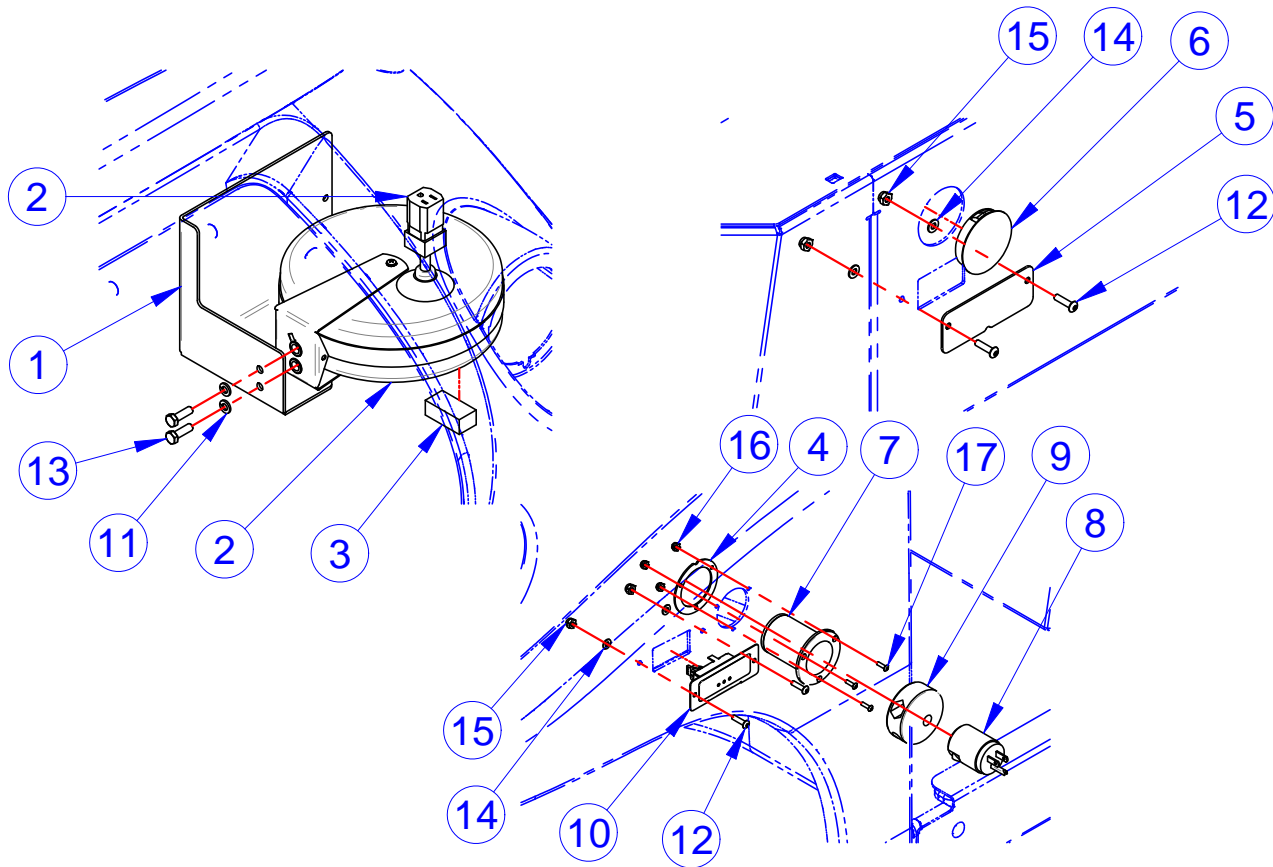
48V CHARGER WITH 2ND ROW SEATING



ITEM	CVG PN	DESCRIPTION	QTY	REF #
1	CVG468176	ASM, CHARGER CORD, 90 DEG PLUG	1	468176
2	CVG516985	BRKT, CHARGER, SU5-2	1	516985
3	CVG719375	WSHR,5/16X0.750X0.040,F/W,18-8S/S	3	719375
4	CVG719377	NUT, 5/16-18, L/N, NYL, NE, 18-8, S/S	3	719377
5	CVG719378	WSHR, 1/4 (M6), L/W, SPLIT, 18-8, S/S	4	719378
6	CVG761292	SCR,5/16-18X1.0,CARR,18-8S/S	3	761292
7	CVG761750	DISPLAY, LESTER, SUMMIT II	1	761750
8A	CVG468196	CHARGER, PROGRAMMED CHARGER, LESTER, 48V AGM	1	468196
8B	CVG761752	CHARGER, LESTER, SUMMIT II, SU5-2/P5	1	761752
9	CVG782339	NUT, 1/4-20, CAGE, 0.093-0.126, MAGNI 525	4	782339
10	CVG782708	SCR, #10-32 X 0.75, BSHCS, 18-8, S/S	2	782708
11	CVG782719	SCR, 1/4-20 X 1, BSHCS, 18-8, S/S	4	782719
12	CVG782722	WSHR, #10 X 0.438 X 0.031, F/W, 18-8, S/S	2	782722
13	CVG782723	NUT, #10-32, L/N, NYL, NM, 18-8, S/S	2	782723

NOTE: Items with \* in tables indicates parts not shown in drawing.

## 48V CHARGER CORD REEL



ITEM	CVG PN	DESCRIPTION	QTY	REF #
1	CVG312809	WLDMT, SU5 CORD REEL BRKT	1	312809
2	CVG468080	ASSY, CORD REEL	1	468080
3	NONE	1"X3/4"X2" FOAM TAPE	1	513383
4	CVG516497	PLATE, BACKING, PLUG HOLDER	1	516497
5	CVG517427TB	PLATE, CHARGER DISPLAY COVER	1	517427
6	CVG719214	DOME PLUG, BLACK (FITS 2.00" HOLE)	1	719214
7	CVG761237	PLUG HOLDER	1	761237
8	CVG761239	PLUG, MALE, 15A	1	761239
9	CVG761259	STOP, CORD REEL	1	761259
10	CVG761750	DISPLAY, LESTER, SUMMIT II	1	761750
11	CVG781621	WSHR, 5/16, L/W, SPLIT, 18-8, S/S	1	781621
12	CVG782708	SCR, #10-32 X 0.75, BSHCS, 18-8, S/S	2	782708
13	CVG782720	SCR, 5/16-18 X 1, HHCS, 18-8, S/S	1	782720
14	CVG782722	WSHR, #10 X 0.438 X 0.031, F/W, 18-8, S/S	2	782722
15	CVG782723	NUT, #10-32, L/N, NYL, NM, 18-8, S/S	2	782723
16	CVG782738	NUT, #6-32, L/N, NYL, NM, 18-8, S/S	1	782738
17	CVG782744	SCR, #6-32 X 0.5, BSHCS, 18-8, S/S	1	782744

NOTE: Items with \* in tables indicates parts not shown in drawing.

NOTE: Items with \* in tables indicates parts not shown in drawing.

*Columbia Vehicle Group, Inc.*

A Nordic Group Company | Business Ventures Since 1947



**COLUMBIA**



**TOMBERLIN**



# **COLUMBIA**

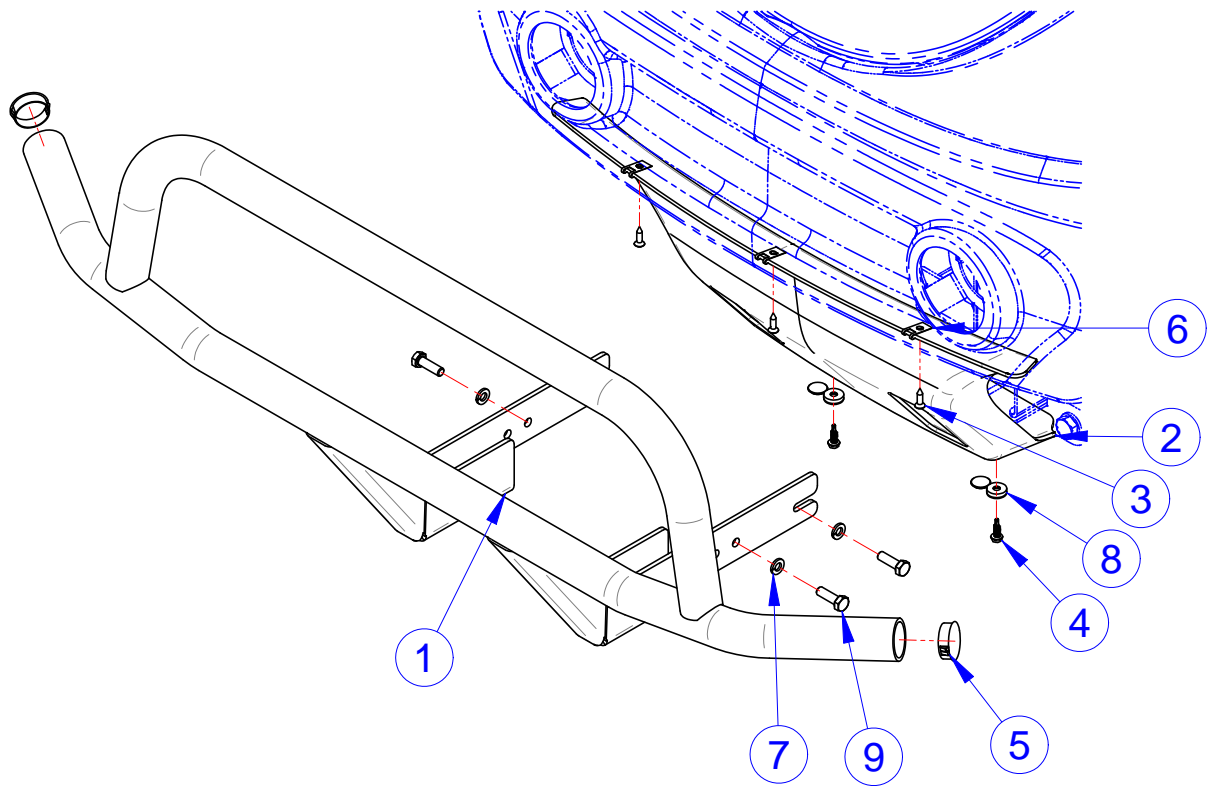
## SUMMIT UTILITRUCK

### PARTS MANUAL SECTION 7

### ACCESSORIES



## FRONT UTILITY BUMPER

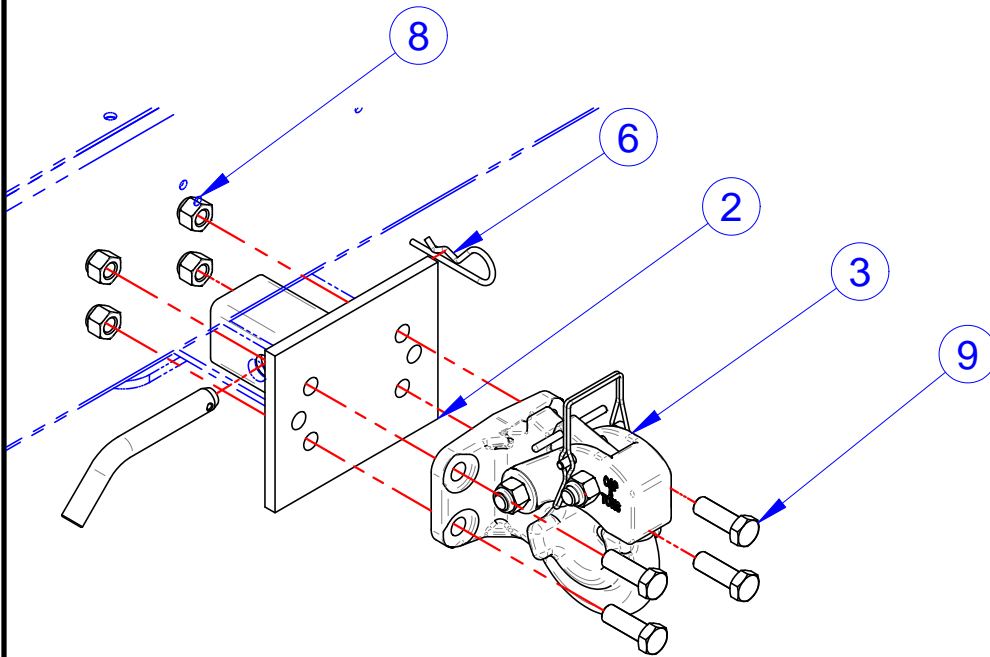
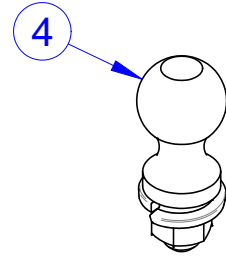
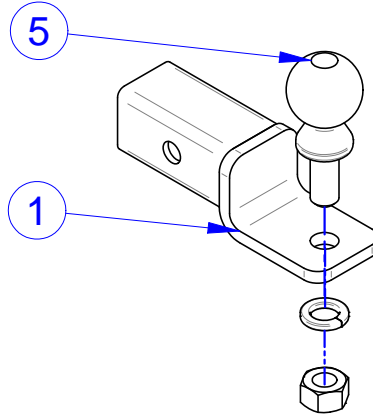


ITEM	CVG PN	DESCRIPTION	QTY	REF #
1	CVG311882TB	WLDMT, FRONT BUMPER, UTILITY	1	311882
2	CVG515820	FRNT LWR FACIA W/ BUMPER SLOT	1	515820
3	CVG719429	SCREW, #10X3/4, POH, T/S, TA, SS18-8	3	719429
4	CVG719583	SCREW, 10-16X3/4, HWH, TEK, MAG525	2	719583
5	CVG719803	PLUG, 1.25" BLACK PLASTIC	2	719803
6	CVG760899	NUT, #10, SPRING, 0.025-0.150, 0.563, MAGNI 525	3	760889
7	CVG781621	WSHR, 5/16, L/W, SPLIT, 18-8, S/S	4	781621
8	CVG782411	COVER, SCREW, 1/4-20, BLACK	2	782411
9	CVG782720	SCR, 5/16-18 X 1, HHCS, 18-8, S/S	4	782720

NOTE: Items with \* in tables indicates parts not shown in drawing.



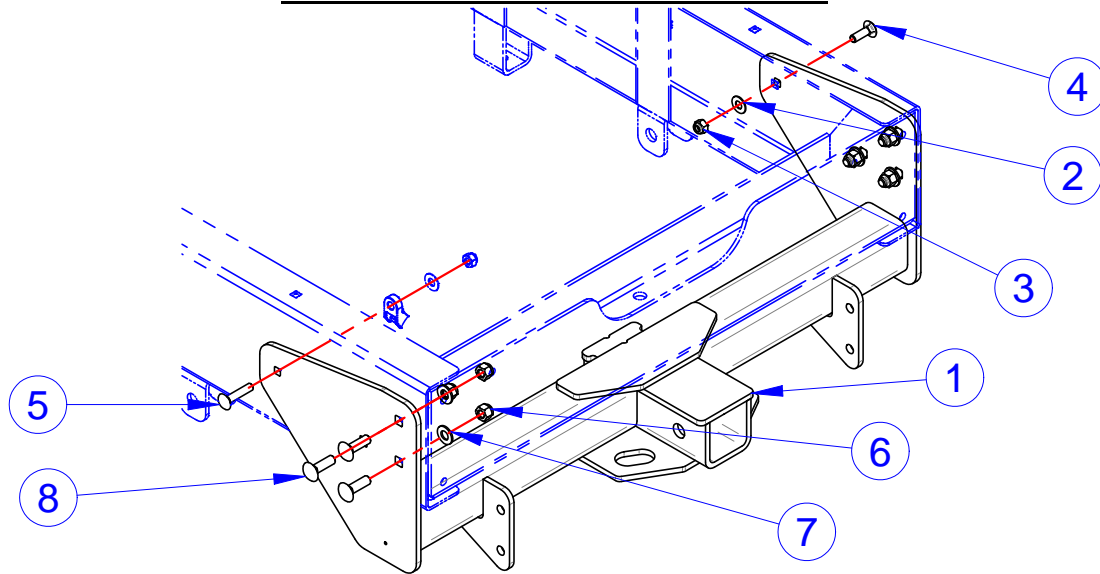
## HITCHES



ITEM	CVG PN	DESCRIPTION	QTY	REF #
1	CVG306922	CPC BALLMOUNT 2" RECEIVER	1	306922
2	CVG307716	CPC HITCH PLT EX21 WLDMNT	1	307716
3	CVG709833	HITCH, PINTLE HOOK, RIGID	1	709833
4	CVG719008	TRAILER HITCH BALL - CHROME 1-7/8"	1	719008
5	CVG719207	BALL HITCH, 2.00"	1	719207
6	CVG719210	HITCH PIN, 5/8" OD, W/ CLIP	1	719210
7	CVG761083	HITCH, PINTLE/2" BALL, COMBO	1	761083
8	CVG782739	NUT, 1/2-13, NYLOCK NE, GE, MAGNI 525	1	782739
9	NONE	SCREW, 1/2-13X1-1/2 HHCS, G8, MAGNI525	1	782769

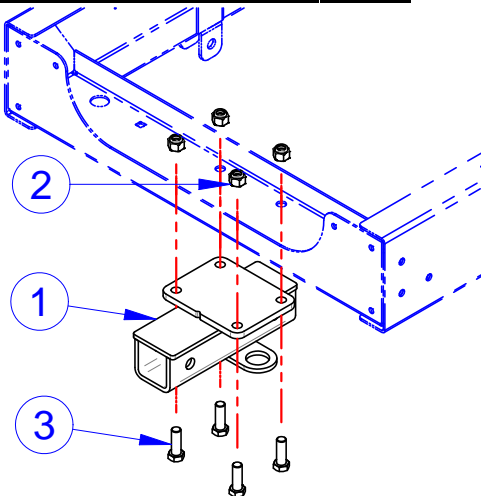
NOTE: Items with \* in tables indicates parts not shown in drawing.

**REAR HITCH RECIEVERS  
RATED FOR 300LBS TONGUE WEIGHT**



ITEM	CVG PN	DESCRIPTION	QTY	REF #
1	CVG313764TB	WLDMT, 2" RECEIVER, SU5-2	1	313764
2	CVG719375	WSHR,5/16X0.750X0.040,F/W,18-8S/S	1	719375
3	CVG719377	NUT, 5/16-18, L/N, NYL, NE, 18-8, S/S	1	719377
4	CVG761292	SCR,5/16-18X1.0,CARR,18-8S/S	1	761292
5	CVG781787	SCREW,5/16-18X1-1/2,CARR,18-8 SS	1	781787
6	CVG782118	NUT,3/8-16,L/N,NYL,NE,G8,MAGNI525	6	782118
7	CVG782740	WSHR,3/8(M10),SAE,F/W,G8,MAGNI525	6	782740
8	CVG782870	SCR, 3/8-16 X 1.25, CARR, G8, MAGNI 525	6	782870

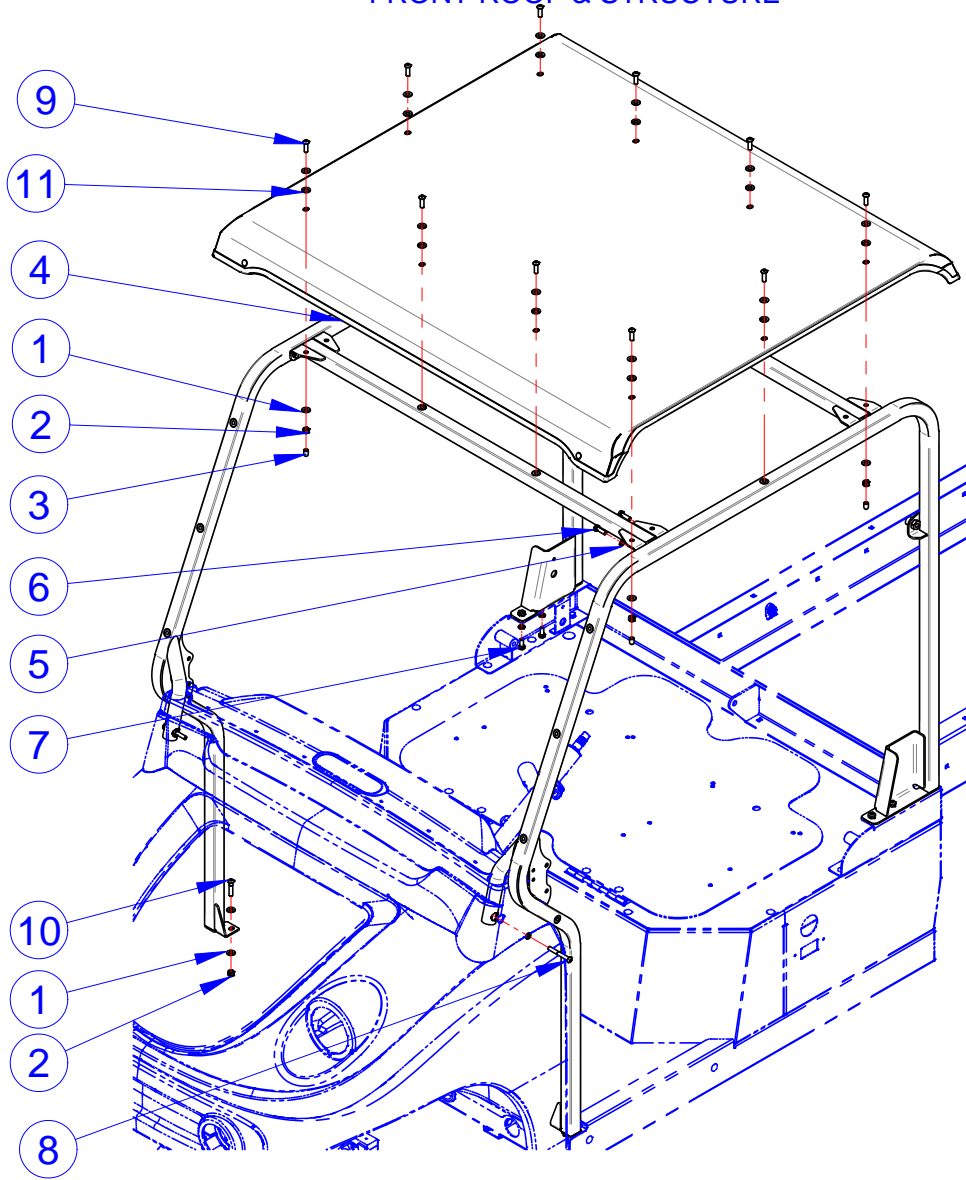
**RATED FOR 150LBS TONGUE WEIGHT**



ITEM	CVG PN	DESCRIPTION	QTY	REF #
1	CVG313552TB	WLDMT, SU5-2 RECEIVER	1	313552
2	CVG782739	NUT, 1/2-13, L/N, NYL, NE, G8, MAGNI 525	4	782739
3	CVG782769	SCREW, 1/2-13 X 1-1/2, HHCS, G8, MAGNI 525	4	782769

NOTE: Items with \* in tables indicates parts not shown in drawing.

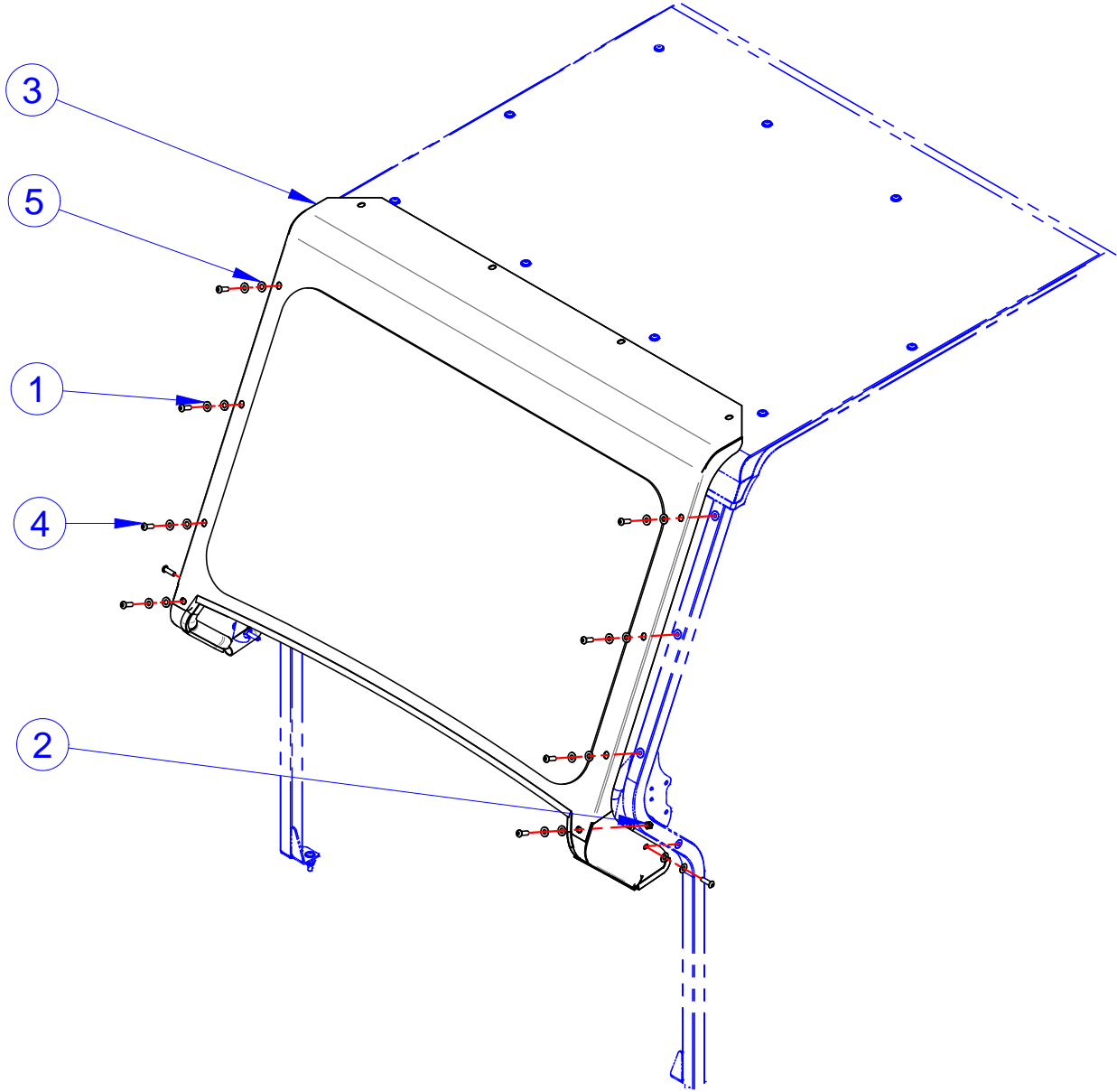
## FRONT ROOF & STRUCTURE



ITEM	CVG PN	DESCRIPTION	QTY	REF #
1	CVG719375	WSHR,5/16X0.750X0.040,F/W,18-8S/S	18	719375
2	CVG719377	NUT, 5/16-18, L/N, NYL, NE, 18-8, S/S	6	719377
3	CVG719527	CAP, BLACK VINYL - DM-0234-1/2	4	719527
4	NONE	KIT, OPERATOR TOP, SU5	1	761084
5	CVG781621	WSHR, 5/16, L/W, SPLIT, 18-8, S/S	14	781621
6	CVG782720	SCR, 5/16-18 X 1, HHCS, 18-8, S/S	8	782720
7	CVG782721	SCR, 5/16-18 X 0.75, HHCS, 18-8, S/S	4	782721
8*	CVG782747	SCR, 5/16-18 X 2.5, BSHCS, 18-8, S/S	2	782747
9	CVG782748	SCR, 5/16-18 X 1, BSHCS, 18-8, S/S	10	782748
10	CVG782795	SCR, 5/16-18 X 1.5, BSHCS, 18-8, S/S	2	782795
11	CVG782861	WSHR, 0.375 X 0.750 X 0.062, F/W, BLACK NYLON	10	782861

NOTE: Items with \* in tables indicates parts not shown in drawing.

# CAB WINDSHIELD



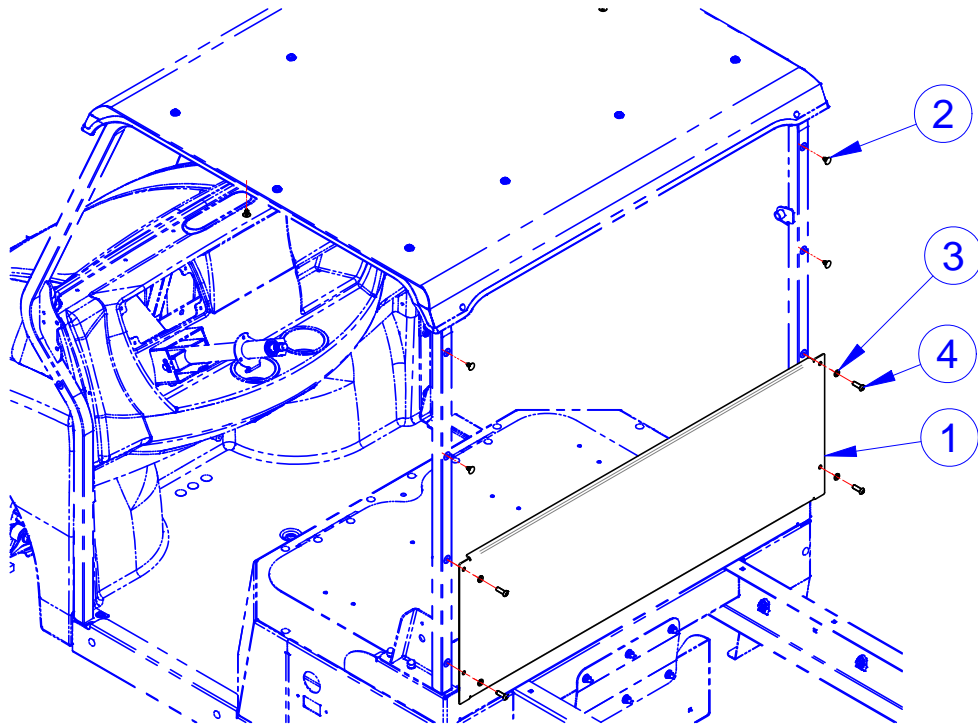
ITEM	CVG PN	DESCRIPTION	QTY	REF #
1	CVG719375	WSHR,5/16X0.750X0.040,F/W,18-8S/S	12	719375
2	CVG719377	NUT, 5/16-18, L/N, NYL, NE, 18-8, S/S	2	719377
3	NONE	KIT, WINDSHIELD, AS1, SU5	1	761085
4	CVG782748	SCR, 5/16-18 X 1, BSHCS, 18-8, S/S	10	782748
5	CVG782861	WSHR, 0.375 X 0.750 X 0.062, F/W, BLACK NYLON	10	782861

NOTE: Items with \* in tables indicates parts not shown in drawing.

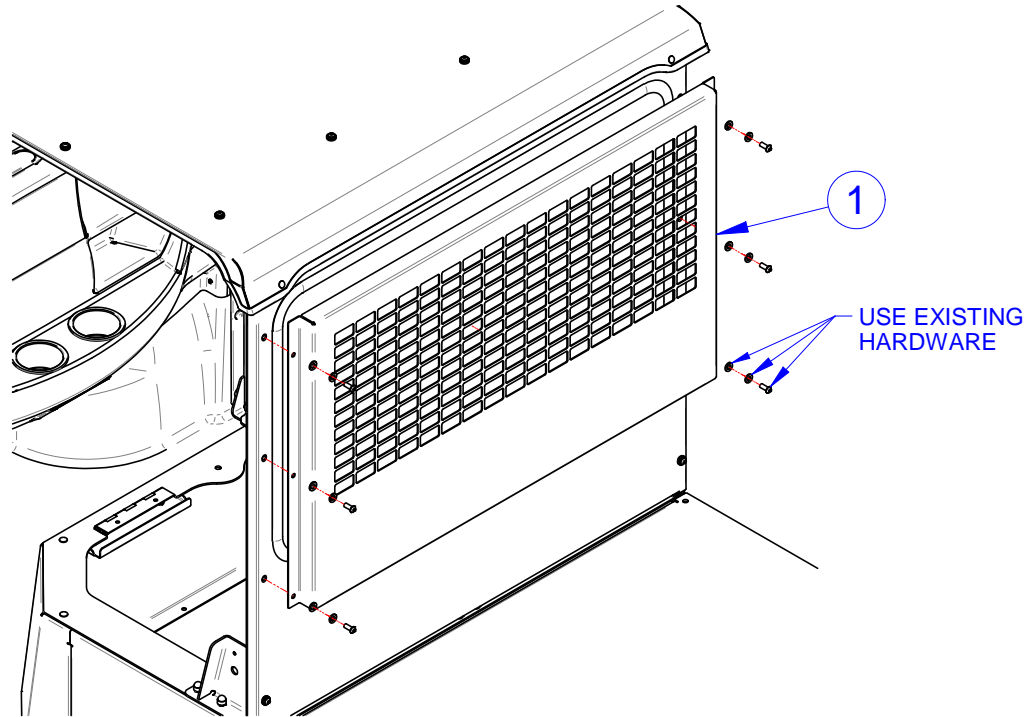
Columbia Vehicle Group, Inc.  
A Nordic Group Company | Business Ventures Since 1947



### BULKHEAD, LOWER (TOP) & UPPER (BOTTOM)



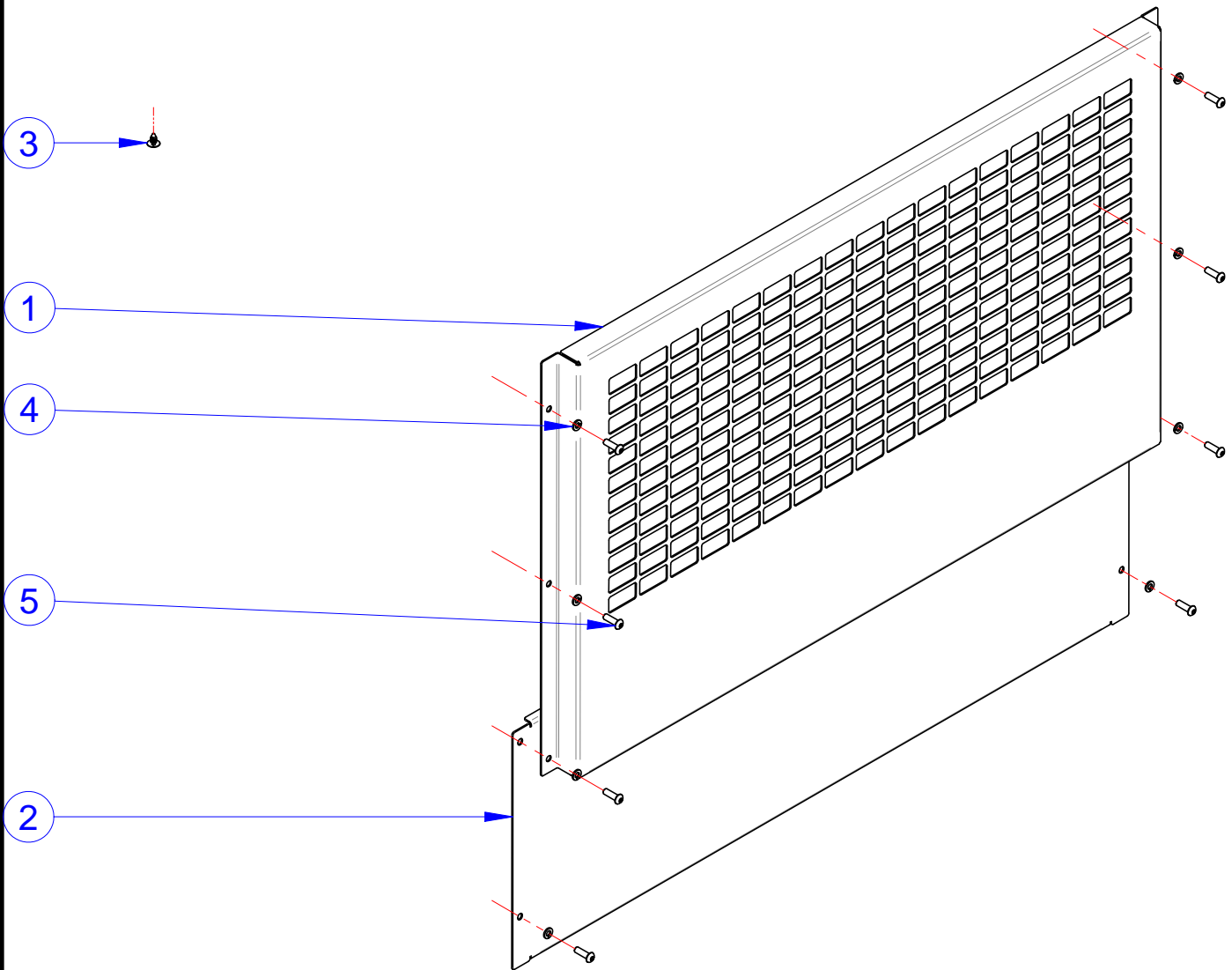
ITEM	CVG PN	DESCRIPTION	QTY	REF #
1	CVG516034TB	BULKHEAD, SU5, LOWER	1	516034
2	CVG719926	FASTENER, PUSHPNL, .25 X .6875 X .625	6	719926
3	CVG781621	WSHR, 5/16, L/W, SPLIT, 18-8, S/S	4	781621
4	CVG782748	SCR, 5/16-18 X 1, BSHCS, 18-8, S/S	4	782748



ITEM	CVG PN	DESCRIPTION	QTY	REF #
1	CVG516033TB	BULKHEAD, SU5, UPPER	1	516033

NOTE: Items with \* in tables indicates parts not shown in drawing.

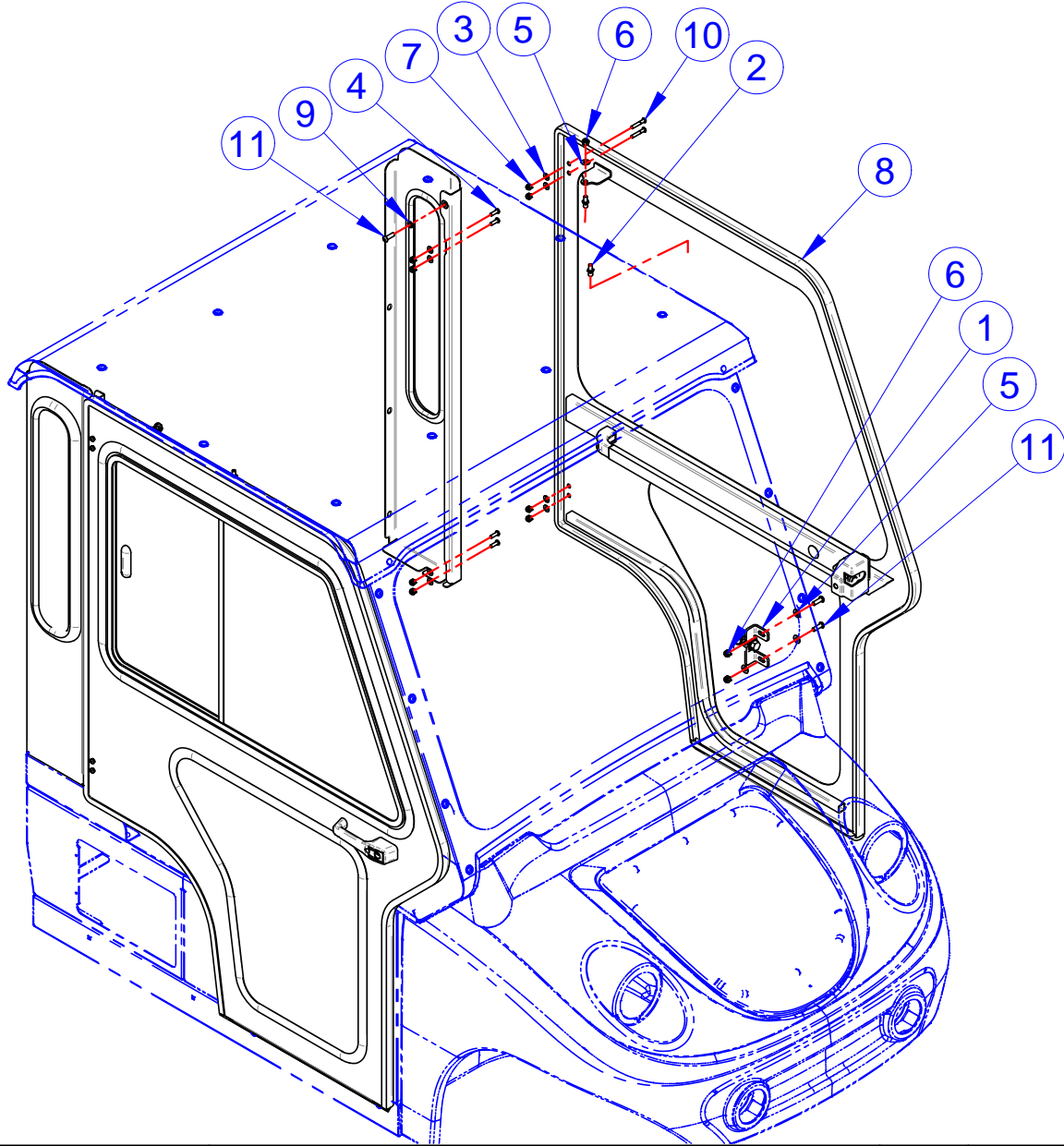
# FULL BULKHEAD



ITEM	CVG PN	DESCRIPTION	QTY	REF #
1	CVG516033TB	BULKHEAD, SU5, UPPER	1	516033
2	CVG516034TB	BULKHEAD, SU5, LOWER	1	516034
3	CVG719926	FASTENER, PUSHPNL, .25 X .6875 X .625	2	719926
4	CVG781621	WSHR, 5/16, L/W, SPLIT, 18-8, S/S	8	781621
5	CVG782748	SCR, 5/16-18 X 1, BSHCS, 18-8, S/S	8	782748

NOTE: Items with \* in tables indicates parts not shown in drawing.

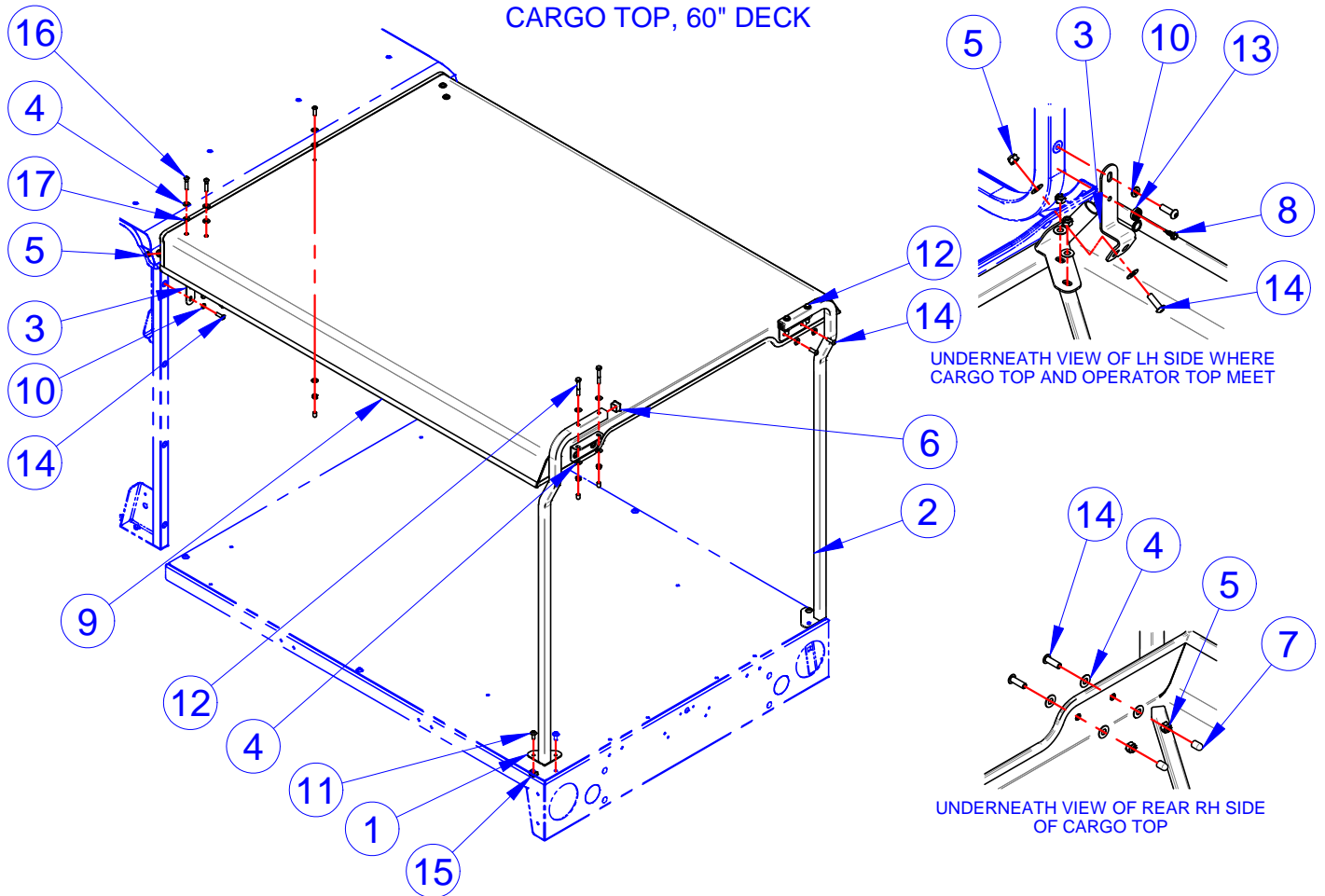
### CAB DOORS & COMPONENTS



ITEM	CVG PN	DESCRIPTION	QTY	REF #
1	CVG517354TB	BRKT, STRIKER BOLT	2	517354
2	CVG708302	BALL STUD	4	708302
3	CVG708511	WASHER, FLAT 1/4" 18-8 SS	16	708511
4	CVG719374	SCREW, 1/4-20X3/4", BHCS, 18-8SS	8	719374
5	CVG719375	WSHR, 5/16X0.750X0.040, F/W, 18-8S/S	10	719375
6	CVG719377	NUT, 5/16-18, L/N, NYL, NE, 18-8, S/S	6	719377
7	CVG719876	NUT, 1/4-20, L/N, NYL, NE, 316, S/S	16	719876
8	NONE	KIT, DOORS, LH & RH, SU5	1	761086
9	CVG781621	WSHR, 5/16, L/W, SPLIT, 18-8, S/S	2	781621
10	CVG782707	SCR, 1/4-20 X 1.5, BSHCS, 18-8, S/S	8	782707
11	CVG782748	SCR, 5/16-18 X 1, BSHCS, 18-8, S/S	6	782748

NOTE: Items with \* in tables indicates parts not shown in drawing.

CARGO TOP, 60" DECK

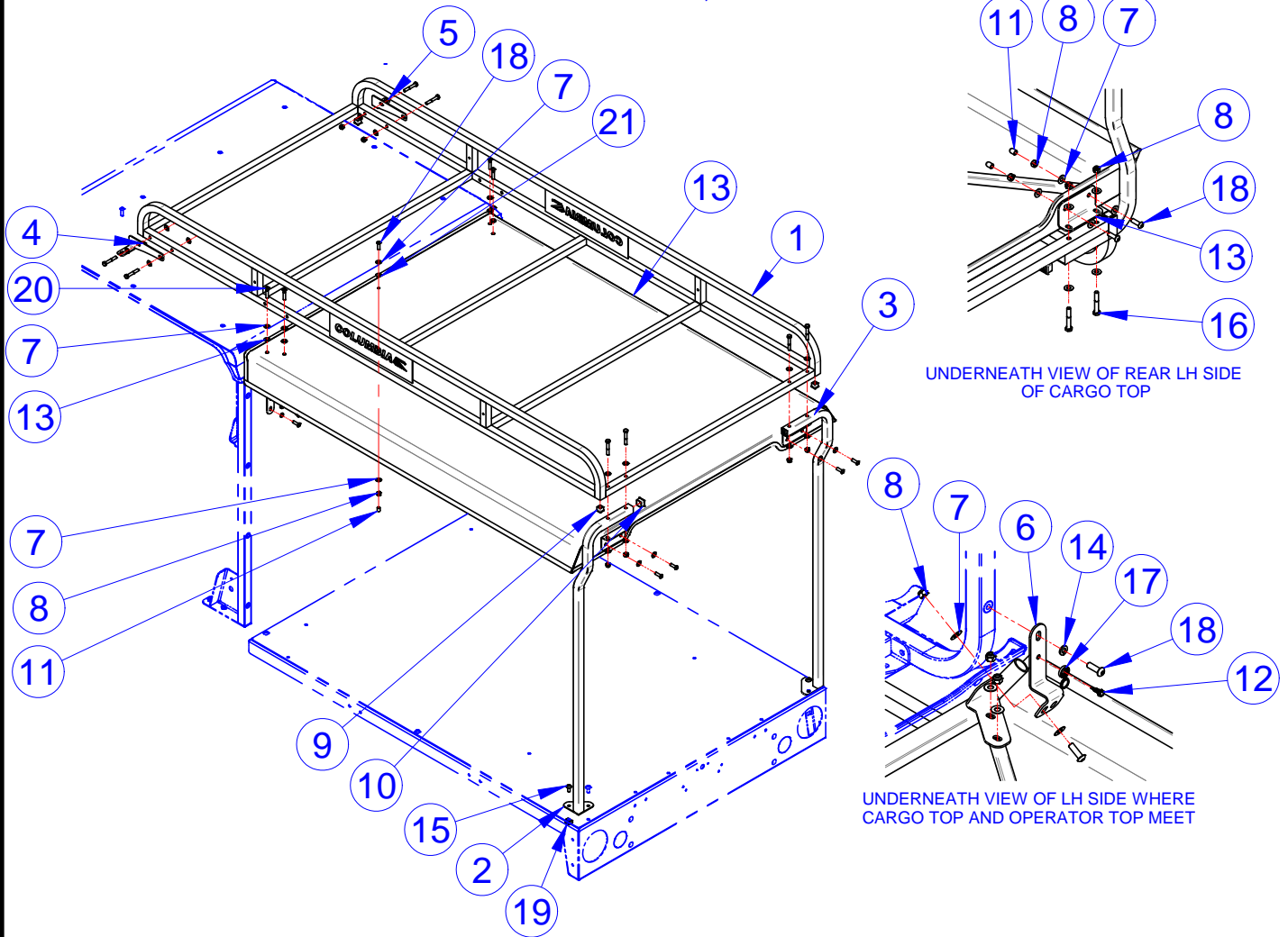


ITEM	CVG PN	DESCRIPTION	QTY	REF #
1	NONE	WLDMT, CARGO TOP UPRIGHT, LH	1	313296
2	NONE	WLDMT, CARGO TOP UPRIGHT, RH	1	313297
3	CVG516698TB	BRKT, REAR CARGO TOP	2	516698
4	CVG719375	WSHR,5/16X0.750X0.040,F/W,18-8S/S	30	719375
5	CVG719377	NUT, 5/16-18, L/N, NYL, NE, 18-8, S/S	15	719377
6	CVG719526	PLUG, 1" SQ X 0.065 WALL	2	719526
7	CVG719527	CAP, BLACK VINYL - DM-0234-1/2	9	719527
8	CVG719583	SCREW,10-16X3/4,HWH,TEK,MAG525	2	719583
9	NONE	KIT, CARGO TOP, SU5-L	1	761088
10	CVG781621	WSHR, 5/16, L/W, SPLIT, 18-8, S/S	2	781621
11	CVG781738	SCR, 5/16-18 X 0.75, PTH, M/S, 18-8, S/S	2	781738
12	CVG782298	SCR, 5/16-18 X 2, HHCS, 18-8, S/S	4	782298
13	CVG782411	COVER, SCREW, 1/4-20, BLACK	2	782411
14	CVG782748	SCR, 5/16-18 X 1, BSHCS, 18-8, S/S	9	782748
15	CVG782757	NUT, 5/16-18, CAGE, 0.093-0.126, MAGNI 525	2	782757
16	CVG782795	SCR, 5/16-18 X 1.5, BSHCS, 18-8, S/S	4	782795
17	CVG782861	WSHR, 0.375 X 0.750 X 0.062, F/W, BLACK NYLON	5	782861

NOTE: Items with \* in tables indicates parts not shown in drawing.



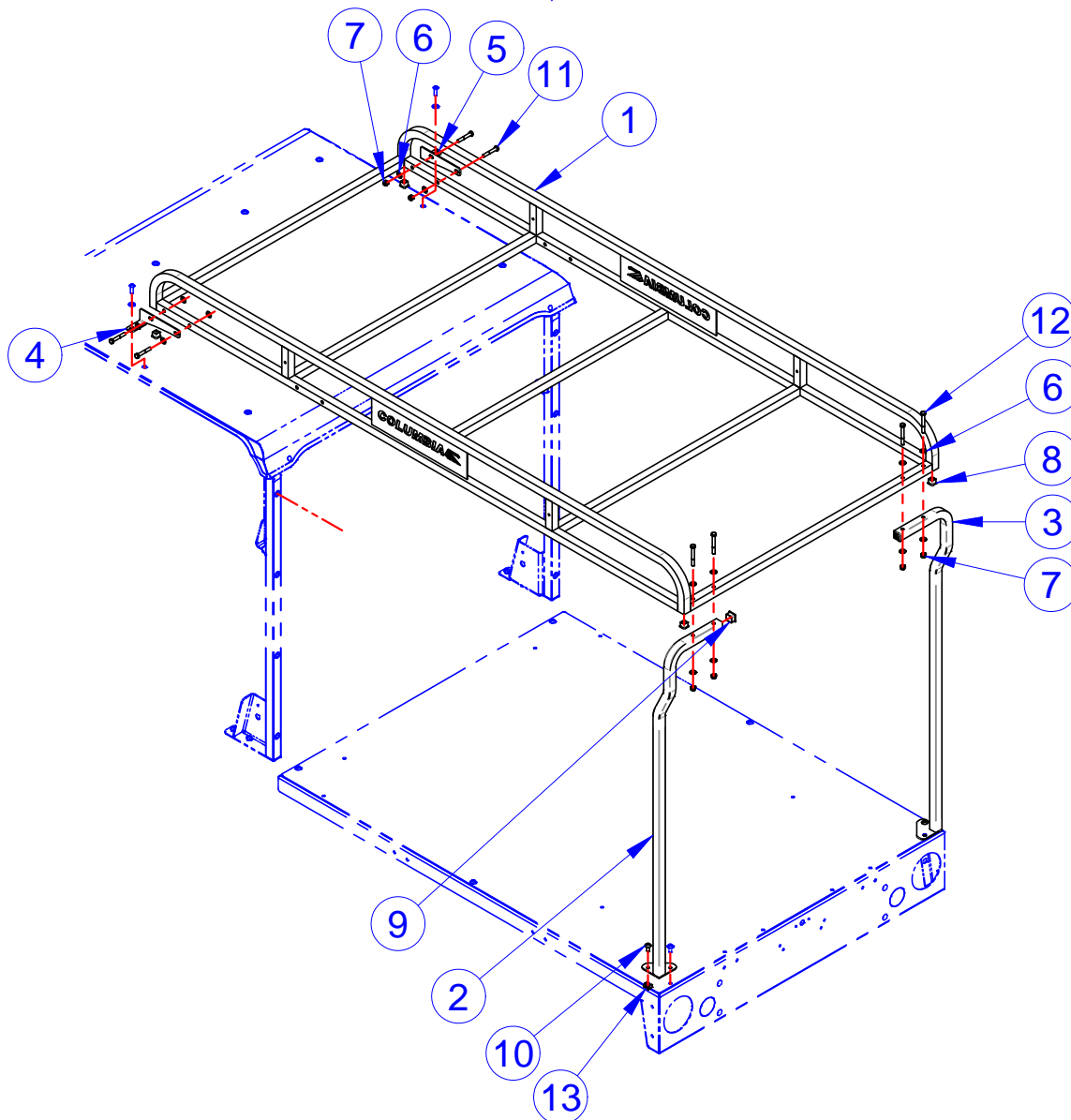
CARGO TOP RACK, 60" DECK



ITEM	CVG PN	DESCRIPTION	QTY	REF #
1	CVG311556TB	WLDMT, OVERHEAD RACK	1	311556
2	NONE	WLDMT, CARGO TOP UPRIGHT, LH	1	313296
3	NONE	WLDMT, CARGO TOP UPRIGHT, RH	1	313297
4	CVG515988TB	BRKT, FWD RACK MNT, LH, SU5	1	515988
5	CVG515989TB	BRKT, FWD RACK MNT, RH, SU5	1	515989
6	CVG516698TB	BRKT, REAR CARGO TOP	2	516698
7	CVG719375	WSHR, 5/16X0.750X0.040, F/W, 18-8S/S	38	719375
8	CVG719377	NUT, 5/16-18, L/N, NYL, NE, 18-8, S/S	19	719377
9	CVG719525	PLUG, 1" SQ X 0.120 WALL	4	719525
10	CVG719526	PLUG, 1" SQ X 0.065 WALL	2	719526
11	CVG719527	CAP, BLACK VINYL - DM-0234-1/2	5	719527
12	CVG719583	SCREW, 10-16X3/4, HWH, TEK, MAG525	2	719583
13	NONE	KIT, CARGO TOP, SU5-L	1	761088
14	CVG781621	WSHR, 5/16, L/W, SPLIT, 18-8, S/S	2	781621
15	CVG781738	SCR, 5/16-18 X 0.75, PTH, M/S, 18-8, S/S	2	781738
16	CVG782298	SCR, 5/16-18 X 2, HHCS, 18-8, S/S	8	782298
17	CVG782411	COVER, SCREW, 1/4-20, BLACK	2	782411
18	CVG782748	SCR, 5/16-18 X 1, BSHCS, 18-8, S/S	9	782748
19	CVG782757	NUT, 5/16-18, CAGE, 0.093-0.126, MAGNI 525	2	782757
20	CVG782795	SCR, 5/16-18 X 1.5, BSHCS, 18-8, S/S	4	782795
21	CVG782861	WSHR, 0.375 X 0.750 X 0.062, F/W, BLACK NYLON	5	782861

NOTE: Items with \* in tables indicates parts not shown in drawing.

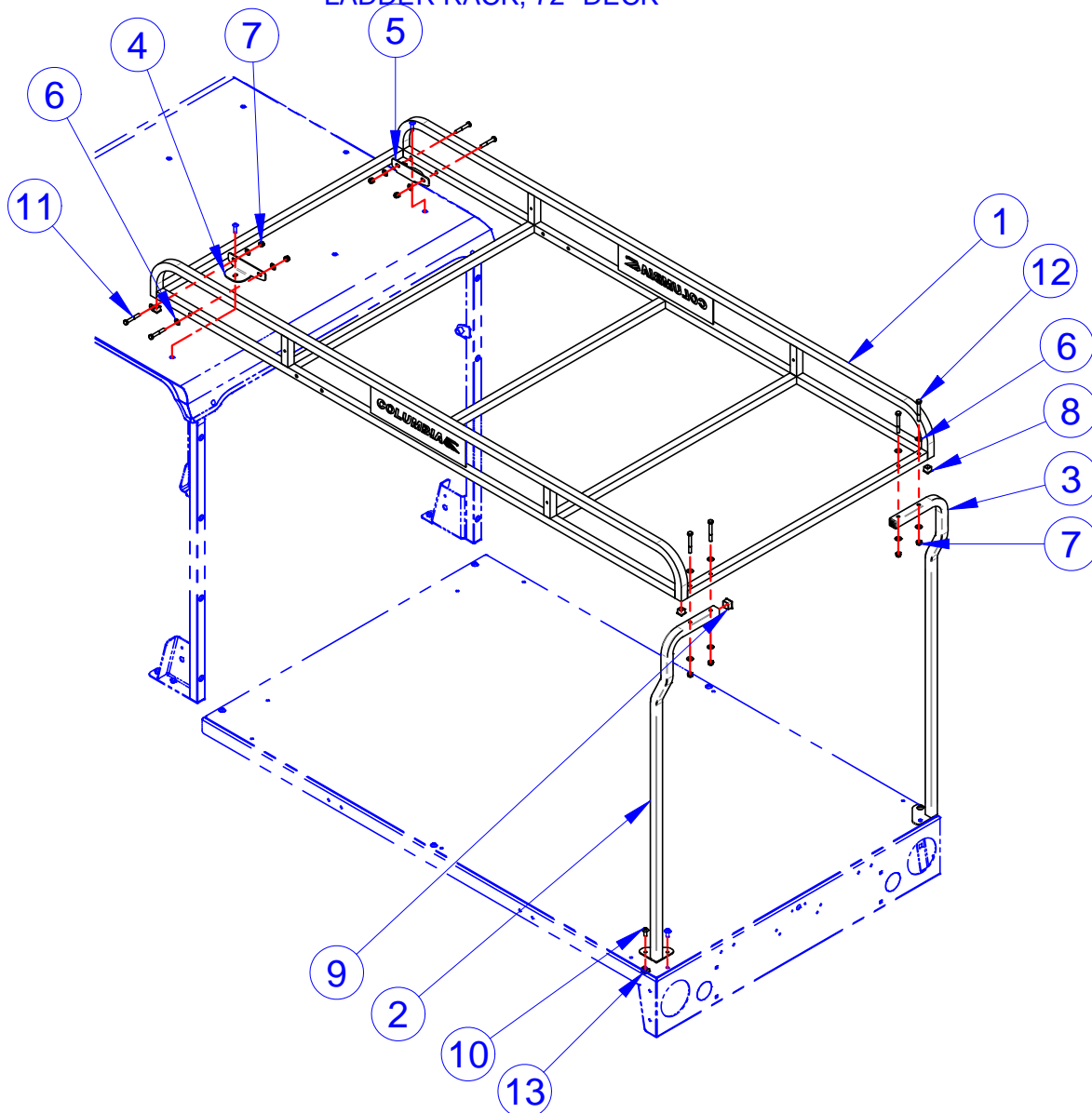
LADDER RACK, 60" DECK



ITEM	CVG PN	DESCRIPTION	QTY	REF #
1	CVG311556TB	WLDMT, OVERHEAD RACK	1	311556
2	NONE	WLDMT, CARGO TOP UPRIGHT, LH	1	313296
3	NONE	WLDMT, CARGO TOP UPRIGHT, RH	1	313297
4	CVG515988TB	BRKT, FWD RACK MNT, LH, SU5	1	515988
5	CVG515989TB	BRKT, FWD RACK MNT, RH, SU5	1	515989
6	CVG719375	WSHR, 5/16X0.75X0.040, F/W, 18-8S/S	16	719375
7	CVG719377	NUT, 5/16-18, L/N, NYL, NE, 18-8, S/S	8	719377
8	CVG719525	PLUG, 1" SQ X 0.120 WALL	4	719525
9	CVG719526	PLUG, 1" SQ X 0.065 WALL	2	719526
10	CVG781738	SCR, 5/16-18 X 0.75, PTH, M/S, 18-8, S/S	2	781738
11	CVG782298	SCR, 5/16-18 X 2, HHCS, 18-8, S/S	4	782298
12	CVG782714	SCR, 5/16-18 X 2.5, HHCS, 18-8, S/S	4	782714
13	CVG782757	NUT, 5/16-18, CAGE, 0.093-0.126, MAGNI 525	2	782757

NOTE: Items with \* in tables indicates parts not shown in drawing.

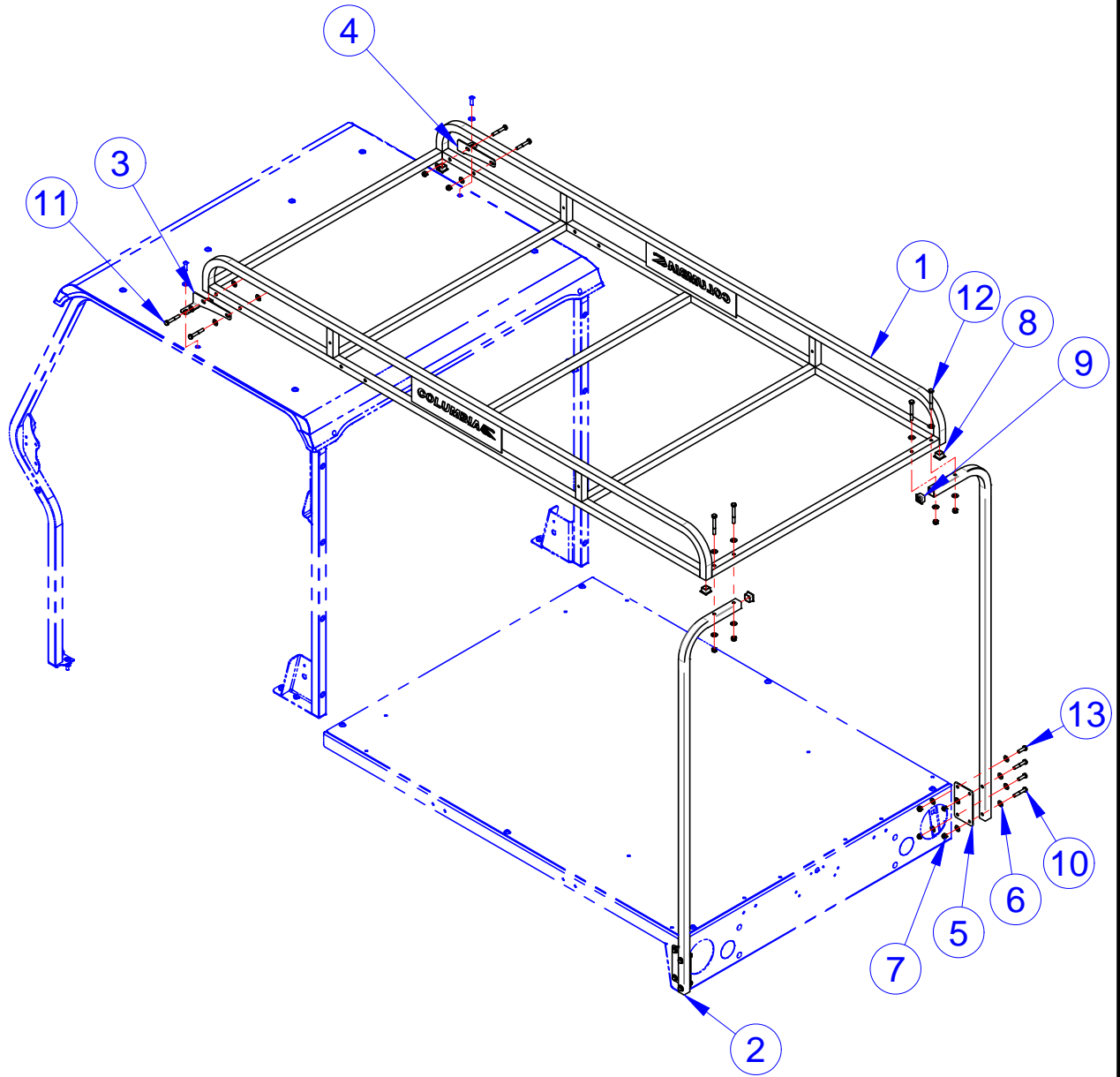
### LADDER RACK, 72" DECK



ITEM	CVG PN	DESCRIPTION	QTY	REF #
1	CVG311556TB	WLDMT, OVERHEAD RACK	1	311556
2	NONE	WLDMT, CARGO TOP UPRIGHT, LH	1	313296
3	NONE	WLDMT, CARGO TOP UPRIGHT, RH	1	313297
4	CVG516301TB	BRKT, FWD RACK MNT, LH, SU5	1	516301
5	CVG516302TB	BRKT, FWD RACK MOUNT RH, SU5	1	516302
6	CVG719375	WSHR, 5/16X0.750X0.040, F/W, 18-8S/S	16	719375
7	CVG719377	NUT, 5/16-18, L/N, NYL, NE, 18-8, S/S	8	719377
8	CVG719525	PLUG, 1" SQ X 0.120 WALL	4	719525
9	CVG719526	PLUG, 1" SQ X 0.065 WALL	2	719526
10	CVG781738	SCR, 5/16-18 X 0.75, PTH, M/S, 18-8, S/S	2	781738
11	CVG782298	SCR, 5/16-18 X 2, HHCS, 18-8, S/S	4	782298
12	CVG782714	SCR, 5/16-18 X 2.5, HHCS, 18-8, S/S	4	782714
13	CVG782757	NUT, 5/16-18, CAGE, 0.093-0.126, MAGNI 525	2	782757

NOTE: Items with \* in tables indicates parts not shown in drawing.

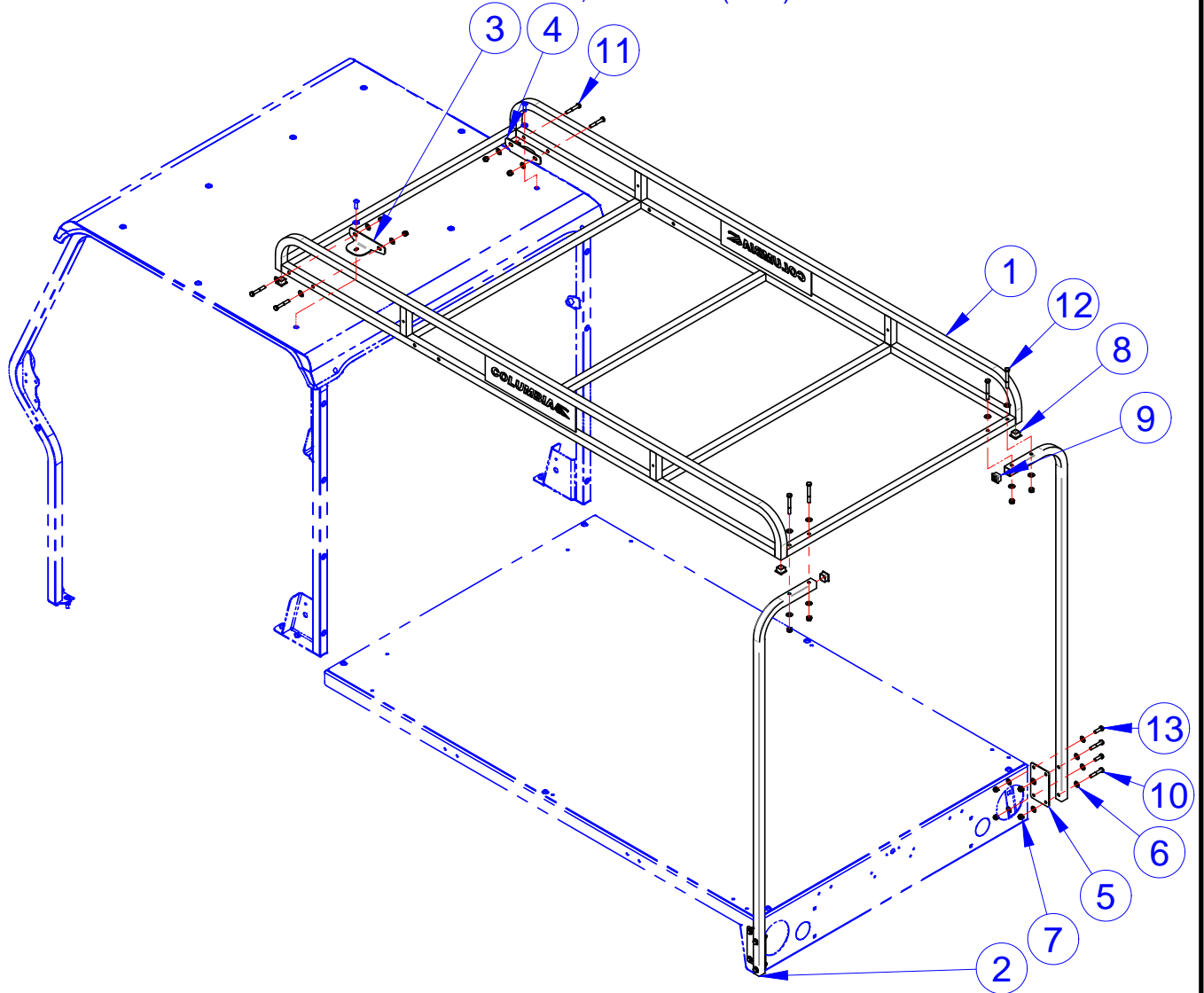
## LADDER RACK VAN, 60" DECK



ITEM	CVG PN	DESCRIPTION	QTY	REF #
1	CVG311556TB	WLDMT, OVERHEAD RACK	1	311556
2	CVG515919TB	TUBE, REAR UPRIGHT, BC TOP	2	515919
3	CVG515988TB	BRKT, FWD RACK MNT, LH, SU5	1	515988
4	CVG515989TB	BRKT, FWD RACK MNT, RH, SU5	1	515989
5	CVG517285TB	BRKT, RACK SPRT	2	517285
6	CVG719375	WSHR, 5/16X0.750X0.040, F/W, 18-8S/S	32	719375
7	CVG719377	NUT, 5/16-18, L/N, NYL, NE, 18-8, S/S	16	719377
8	CVG719525	PLUG, 1" SQ X 0.120 WALL	4	719525
9	CVG719526	PLUG, 1" SQ X 0.065 WALL	2	719526
10	CVG761648	SCREW, 5/16-18X1-3/4, HHCS, 18-8SS	4	761648
11	CVG782298	SCR, 5/16-18 X 2, HHCS, 18-8, S/S	4	782298
12	CVG782714	SCR, 5/16-18 X 2.5, HHCS, 18-8, S/S	4	782714
13	CVG782720	SCR, 5/16-18 X 1, HHCS, 18-8, S/S	4	782720

NOTE: Items with \* in tables indicates parts not shown in drawing.

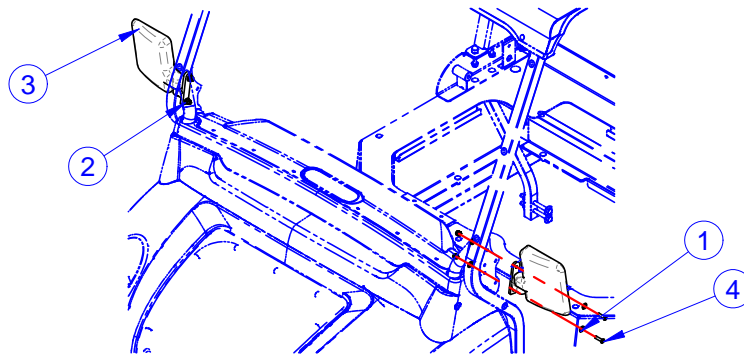
### LADDER RACK VAN, 72" DECK (VAN)



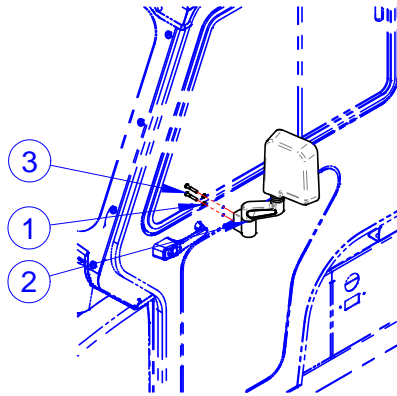
ITEM	CVG PN	DESCRIPTION	QTY	REF #
1	CVG311556TB	WLDMT, OVERHEAD RACK	1	311556
2	CVG515919TB	TUBE, REAR UPRIGHT, BC TOP	2	515919
3	CVG516301TB	BRKT, FWD RACK MNT, LH, SU5	1	516301
4	CVG516302TB	BRKT, FWD RACK MOUNT RH, SU5	1	516302
5	CVG517285TB	BRKT, RACK SPRT	2	517285
6	CVG719375	WSHR, 5/16X0.750X0.040, F/W, 18-8S/S	32	719375
7	CVG719377	NUT, 5/16-18, L/N, NYL, NE, 18-8, S/S	16	719377
8	CVG719525	PLUG, 1" SQ X 0.120 WALL	4	719525
9	CVG719526	PLUG, 1" SQ X 0.065 WALL	2	719526
10	CVG761648	SCREW, 5/16-18X1-3/4, HHCS, 18-8SS	4	761648
11	CVG782298	SCR, 5/16-18 X 2, HHCS, 18-8, S/S	4	782298
12	CVG782714	SCR, 5/16-18 X 2.5, HHCS, 18-8, S/S	4	782714
13	CVG782720	SCR, 5/16-18 X 1, HHCS, 18-8, S/S	4	782720

NOTE: Items with \* in tables indicates parts not shown in drawing.

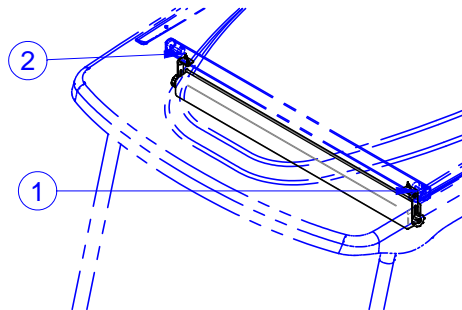
MIRRIORS, ADJUSTABLE (TOP), CAB SIDE (MIDDLE), & 5 PANEL REAR VIEW (BOTTOM)



ITEM	CVG PN	DESCRIPTION	QTY	REF #
1	CVG708511	WASHER, FLAT 1/4" 18-8 SS	8	708511
2	CVG719876	NUT, 1/4-20, L/N, NYL, NE, 316, S/S	4	719876
3	CVG761093	SIDE-VIEW MIRROR SET, ADJUSTABLE	1	761093
4	CVG782719	SCR, 1/4-20 X 1, BSHCS, 18-8, S/S	4	782719



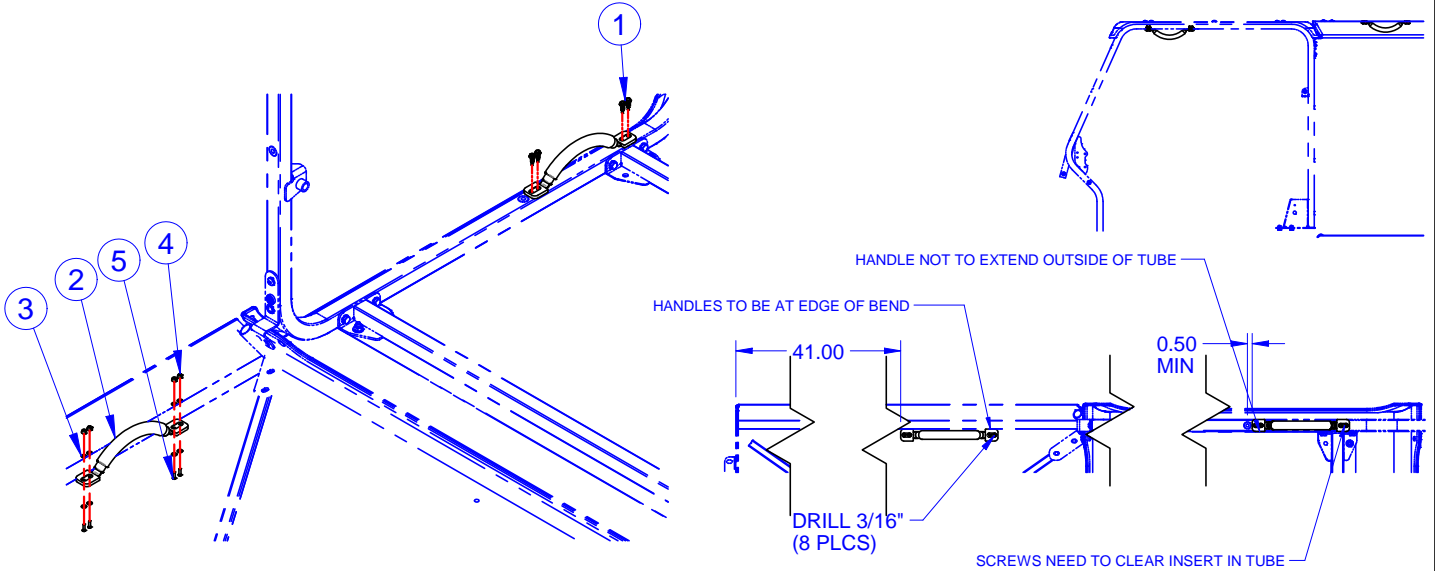
ITEM	CVG PN	DESCRIPTION	QTY	REF #
1	CVG719378	WSHR, 1/4 (M6), L/W, SPLIT, 18-8, S/S	4	719378
2	NONE	KIT, SIDE MIRRORS, SU5 CAB	1	761089
3	CVG782707	SCR, 1/4-20 X 1.5, BSHCS, 18-8, S/S	4	782707



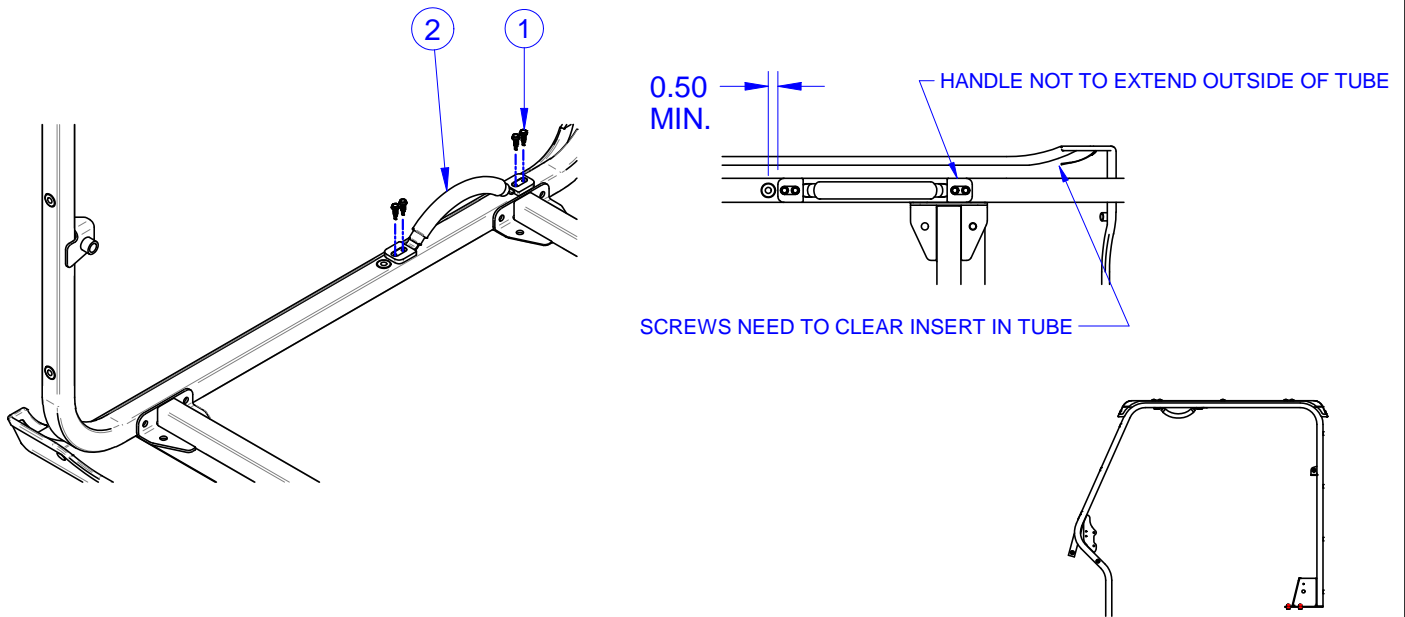
ITEM	CVG PN	DESCRIPTION	QTY	REF #
1	CVG709408	5 PANEL MIRROR	1	709408
2	CVG719583	SCREW, 10-16X3/4, HWH, TEK, MAG525	4	719583

NOTE: Items with \* in tables indicates parts not shown in drawing.

## GRAB HANDLES, FOUR PASSENGER (TOP) & TWO PASSENGER (BOTTOM)



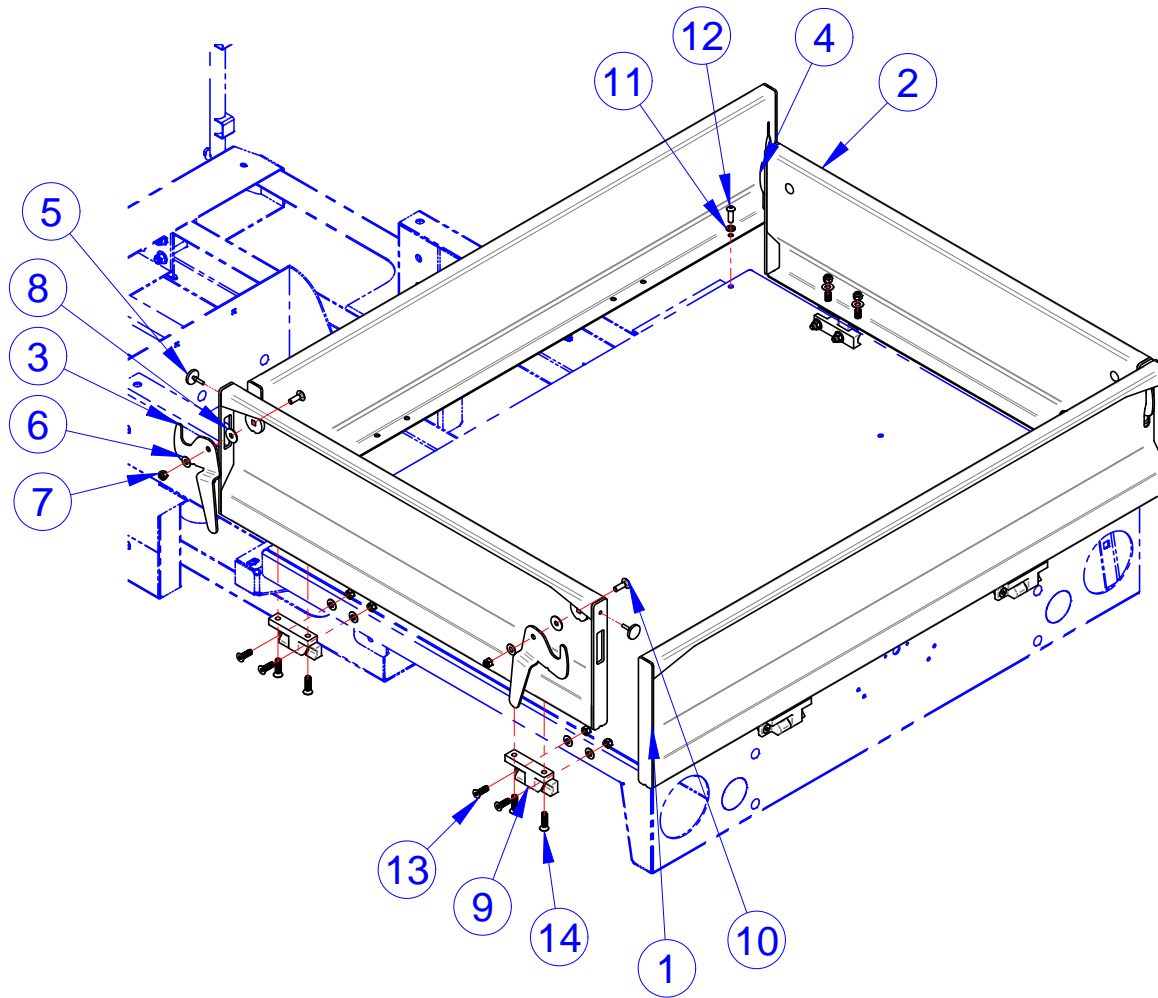
ITEM	CVG PN	DESCRIPTION	QTY	REF #
1	CVG719583	SCREW, 10-16X3/4, HWH, TEK, MAG525	8	719583
2	CVG761014	HANDLE, GRAB, COMFORT GRIP	4	761014
3	CVG782737	WSHR, #6 X 0.375 X 0.031, F/W, 18-8 S/S	16	782737
4	CVG782738	NUT, #6-32, L/N, NYL, NM, 18-8, S/S	8	782738
5	CVG782744	SCR, #6-32 X 0.5, BSHCS, 18-8, S/S	8	782744



ITEM	CVG PN	DESCRIPTION	QTY	REF #
1	CVG719583	SCREW, 10-16X3/4, HWH, TEK, MAG525	8	719583
2	CVG761014	HANDLE, GRAB, COMFORT GRIP	2	761014

NOTE: Items with \* in tables indicates parts not shown in drawing.

10" DROP SIDES, 36" DECK

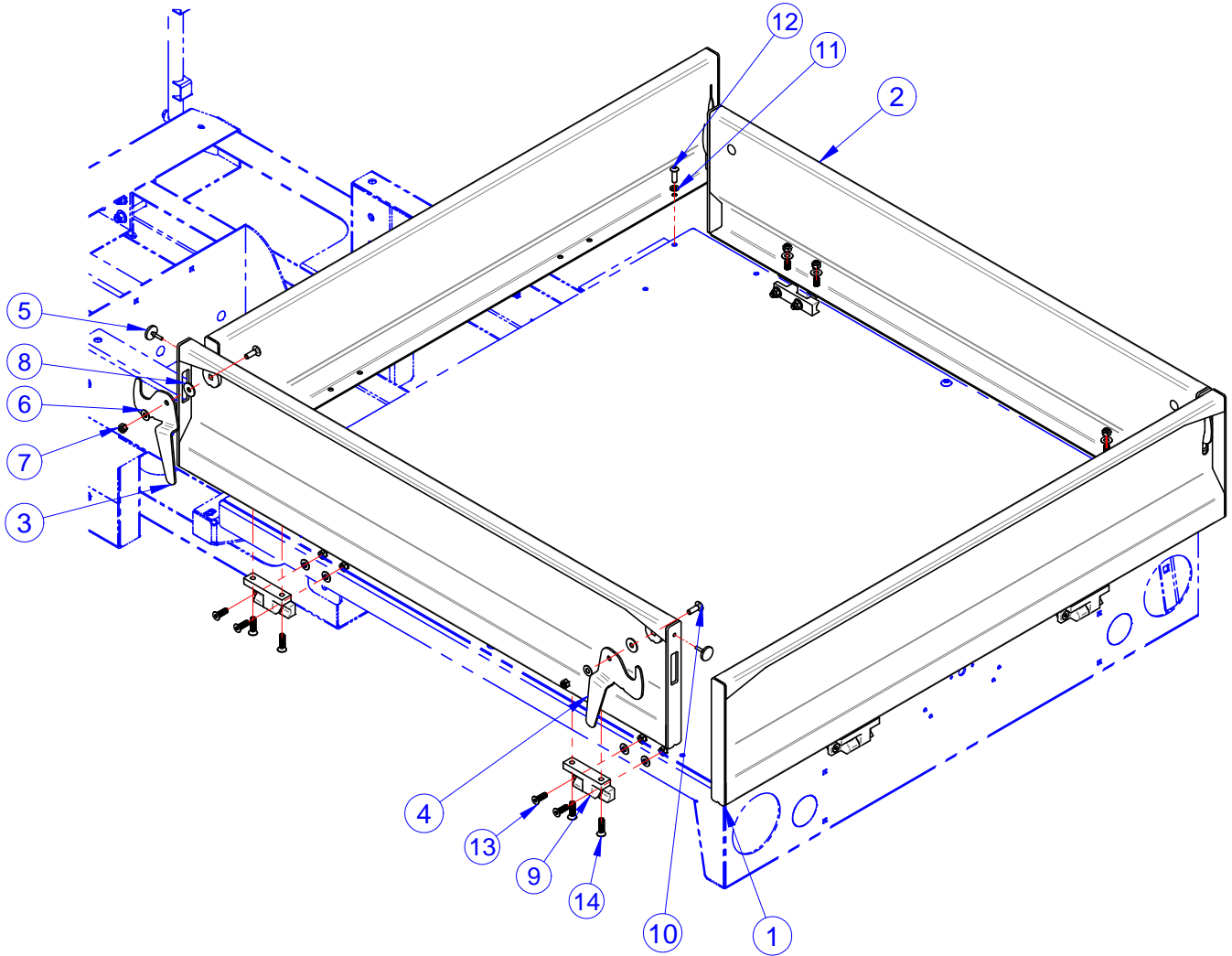


ITEM	CVG PN	DESCRIPTION	QTY	REF #
1	CVG313029TB	WLDMT, DROP SIDE, END	2	313029
2	CVG313030TB	WLDMT, DROP SIDE, 36" DECK	2	313030
3	CVG516687TB	LATCH, DROP SIDE, LH	2	516687
4	CVG516688TB	LATCH, DROP SIDE, RH	2	516688
5	CVG709011	BOOT, RUBBER BUMPER	4	709011
6	CVG719375	WSHR,5/16X0.750X0.040,F/W,18-8S/S	28	719375
7	CVG719377	NUT, 5/16-18, L/N, NYL, NE, 18-8, S/S	28	719377
8	CVG719816	WASHER,5/16X1X.062,F/W,NYL	4	719816
9	CVG761261	ASSY, HINGE, DROP SIDE	6	761261
10	CVG761292	SCR,5/16-18X1.0,CARR,18-8S/S	4	761292
11	CVG781621	WSHR, 5/16, L/W, SPLIT, 18-8, S/S	2	781621
12	CVG782748	SCR, 5/16-18 X 1, BSHCS, 18-8, S/S	2	782748
13	CVG782756	SCR, 5/16-18 X 1, FSHCS, 18-8, S/S	12	782756
14	CVG782845	SCR, 5/16-18 X 1.25, FSHCS, 18-8, S/S	12	782845

NOTE: Items with \* in tables indicates parts not shown in drawing.



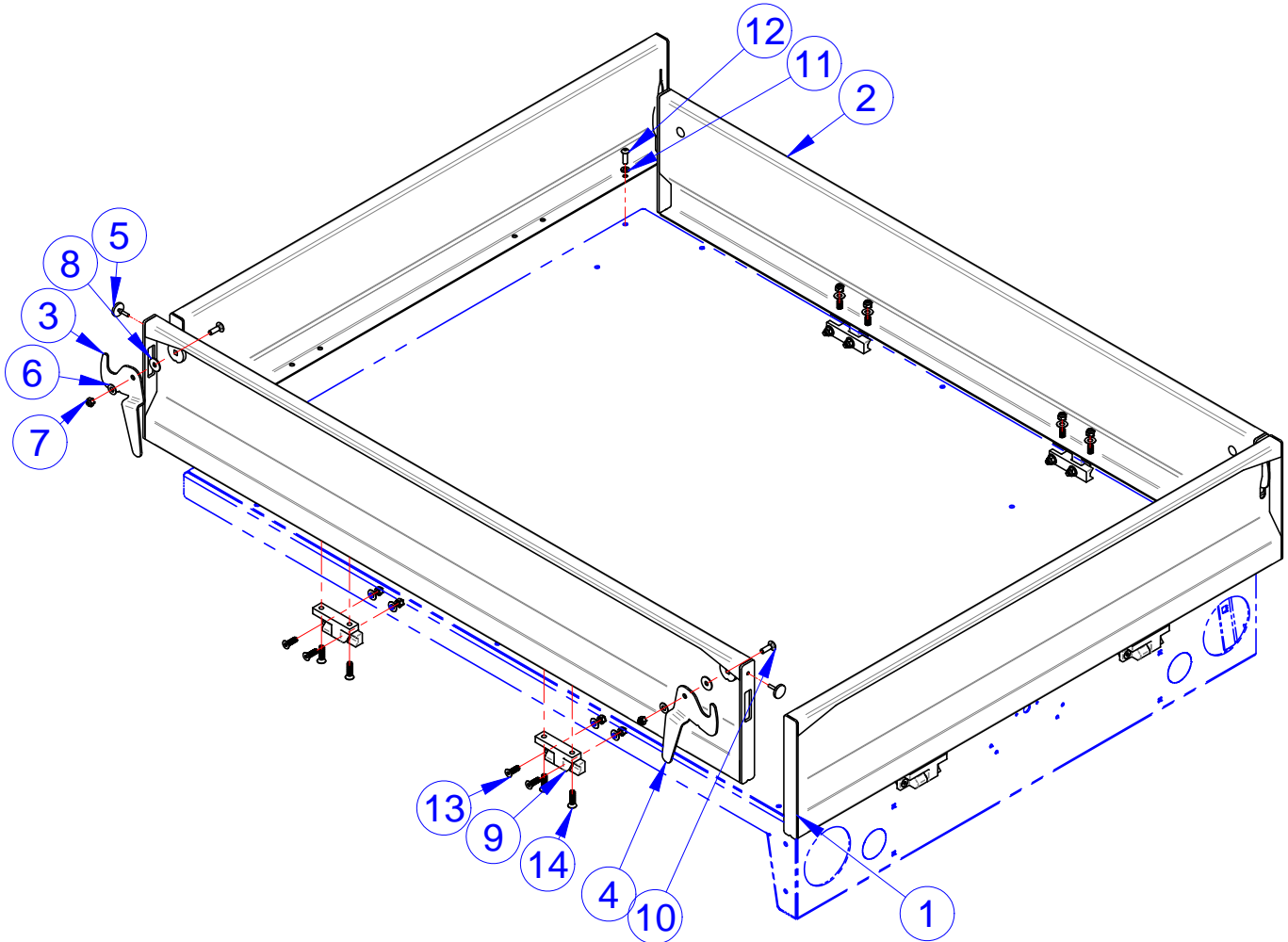
10" DROP SIDES, 48" DECK



ITEM	CVG PN	DESCRIPTION	QTY	REF #
1	CVG313029TB	WLDMT, DROP SIDE, END	2	313029
2	CVG313047TB	WLDMT, DROP SIDE, 48" DECK	2	313047
3	CVG516687TB	LATCH, DROP SIDE, LH	2	516687
4	CVG516688TB	LATCH, DROP SIDE, RH	2	516688
5	CVG709011	BOOT, RUBBER BUMPER	4	709011
6	CVG719375	WSHR,5/16X0.750X0.040,F/W,18-8S/S	28	719375
7	CVG719377	NUT, 5/16-18, L/N, NYL, NE, 18-8, S/S	28	719377
8	CVG719816	WASHER,5/16X1X.062,F/W,NYL	4	719816
9	CVG761261	ASSY, HINGE, DROP SIDE	6	761261
10	CVG761292	SCR,5/16-18X1.0,CARR,18-8S/S	4	761292
11	CVG781621	WSHR, 5/16, L/W, SPLIT, 18-8, S/S	2	781621
12	CVG782748	SCR, 5/16-18 X 1, BSHCS, 18-8, S/S	2	782748
13	CVG782756	SCR, 5/16-18 X 1, FSHCS, 18-8, S/S	12	782756
14	CVG782845	SCR, 5/16-18 X 1.25, FSHCS, 18-8, S/S	12	782845

NOTE: Items with \* in tables indicates parts not shown in drawing.

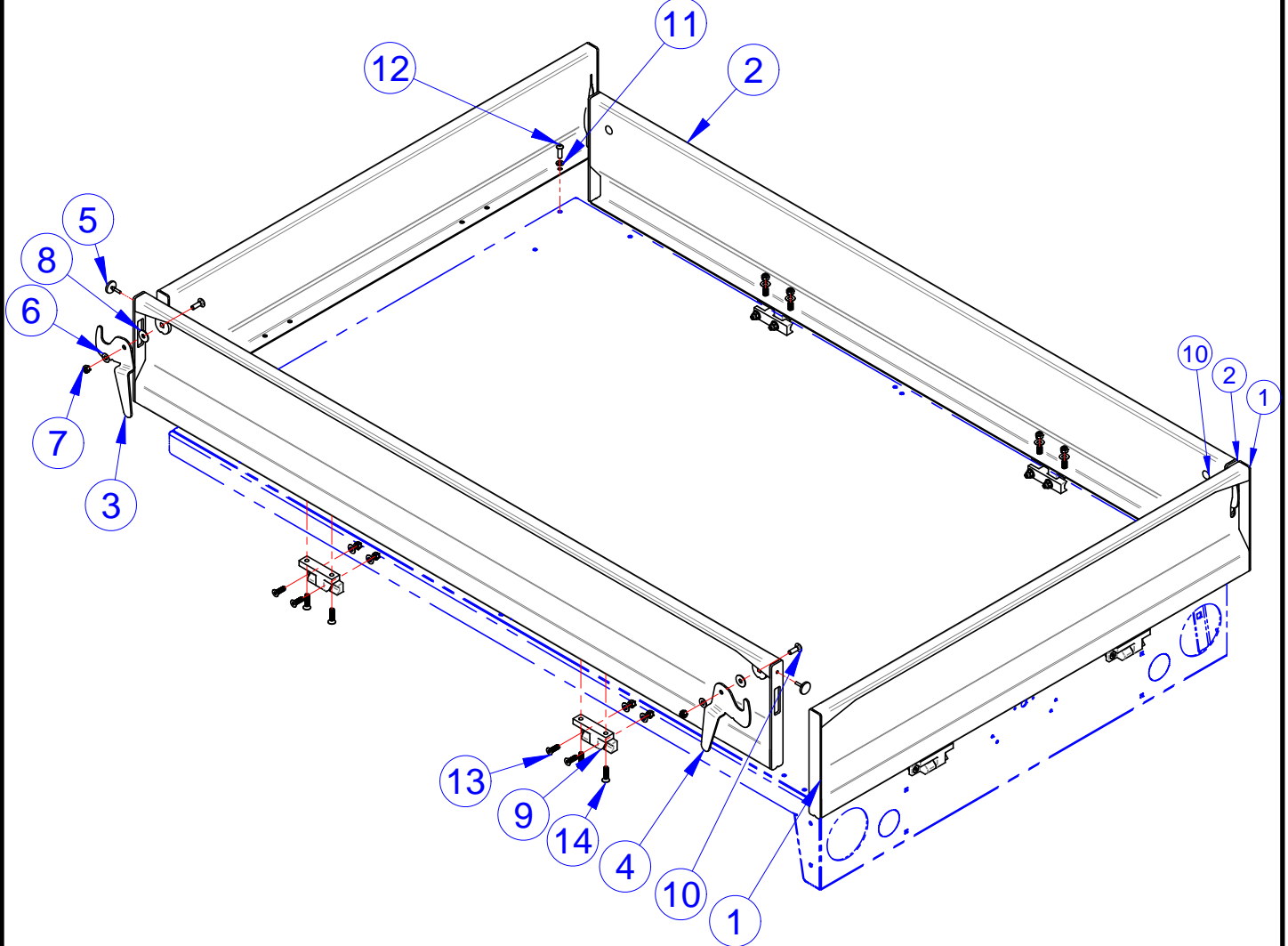
10" DROP SIDES, 60" DECK



ITEM	CVG PN	DESCRIPTION	QTY	REF #
1-14	CVG193077U	P&A KIT, DROPSIDES 60" DECK SU5-L-2	KIT	193077U
1	CVG313029TB	WLDMT, DROP SIDE, END	2	313029
2	CVG313281TB	WLDMT, DROP SIDE, 60" DECK	2	313281
3	CVG516687TB	LATCH, DROP SIDE, LH	2	516687
4	CVG516688TB	LATCH, DROP SIDE, RH	2	516688
5	CVG709011	BOOT, RUBBER BUMPER	4	709011
6	CVG719375	WSHR,5/16X0.750X0.040,F/W,18-8S/S	28	719375
7	CVG719377	NUT, 5/16-18, L/N, NYL, NE, 18-8, S/S	28	719377
8	CVG719816	WASHER,5/16X1X.062,F/W,NYL	4	719816
9	CVG761261	ASSY, HINGE, DROP SIDE	6	761261
10	CVG761292	SCR,5/16-18X1.0,CARR,18-8S/S	4	761292
11	CVG781621	WSHR, 5/16, L/W, SPLIT, 18-8, S/S	2	781621
12	CVG782748	SCR, 5/16-18 X 1, BSHCS, 18-8, S/S	2	782748
13	CVG782756	SCR, 5/16-18 X 1, FSHCS, 18-8, S/S	12	782756
14	CVG782845	SCR, 5/16-18 X 1.25, FSHCS, 18-8, S/S	12	782845

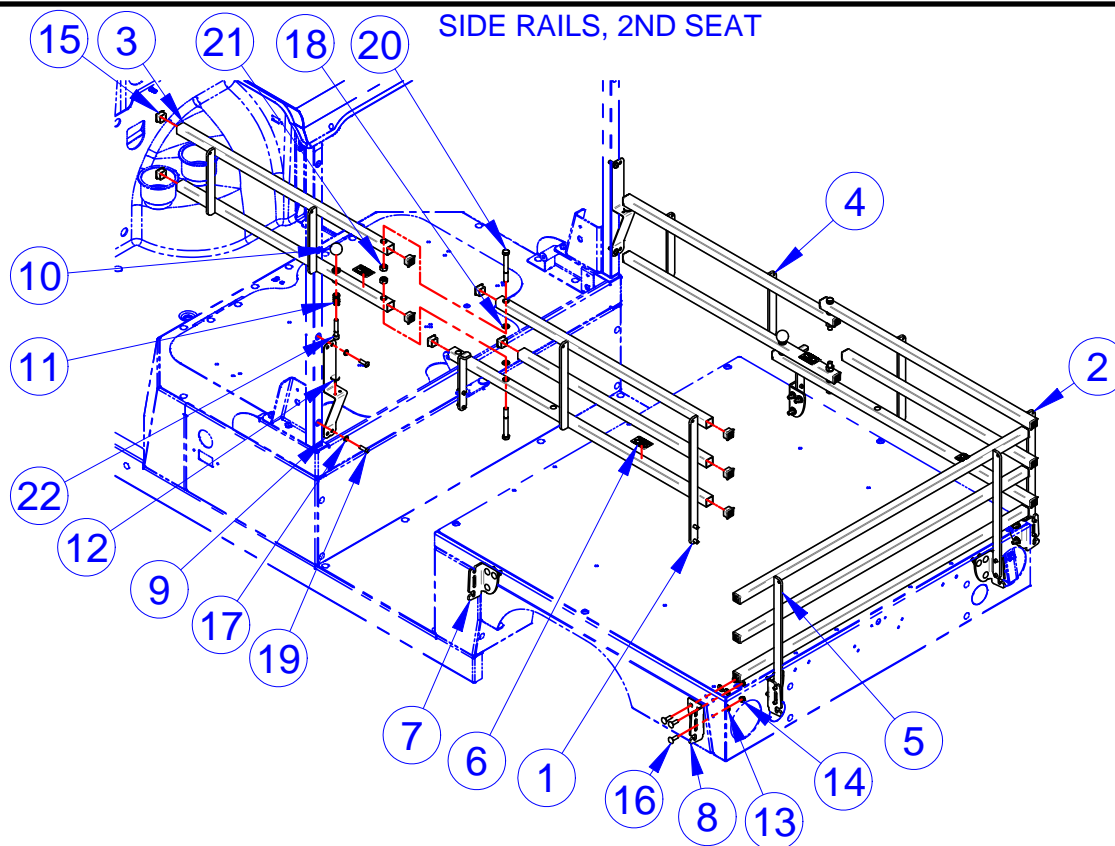
NOTE: Items with \* in tables indicates parts not shown in drawing.

10" DROP SIDES, 72" DECK



ITEM	CVG PN	DESCRIPTION	QTY	REF #
1	CVG313029TB	WLDMT, DROP SIDE, END	2	313029
2	CVG313177TB	WLDMT, DROP SIDE, 72" DECK	2	313177
3	CVG516687TB	LATCH, DROP SIDE, LH	2	516687
4	CVG516688TB	LATCH, DROP SIDE, RH	2	516688
5	CVG709011	BOOT, RUBBER BUMPER	4	709011
6	CVG719375	WSHR,5/16X0.750X0.040,F/W,18-8S/S	28	719375
7	CVG719377	NUT, 5/16-18, L/N, NYL, NE, 18-8, S/S	28	719377
8	CVG719816	WASHER,5/16X1X.062,F/W,NYL	4	719816
9	CVG761261	ASSY, HINGE, DROP SIDE	6	761261
10	CVG761292	SCR,5/16-18X1.0,CARR,18-8S/S	4	761292
11	CVG781621	WSHR, 5/16, L/W, SPLIT, 18-8, S/S	2	781621
12	CVG782748	SCR, 5/16-18 X 1, BSHCS, 18-8, S/S	2	782748
13	CVG782756	SCR, 5/16-18 X 1, FSHCS, 18-8, S/S	12	782756
14	CVG782845	SCR, 5/16-18 X 1.25, FSHCS, 18-8, S/S	12	782845

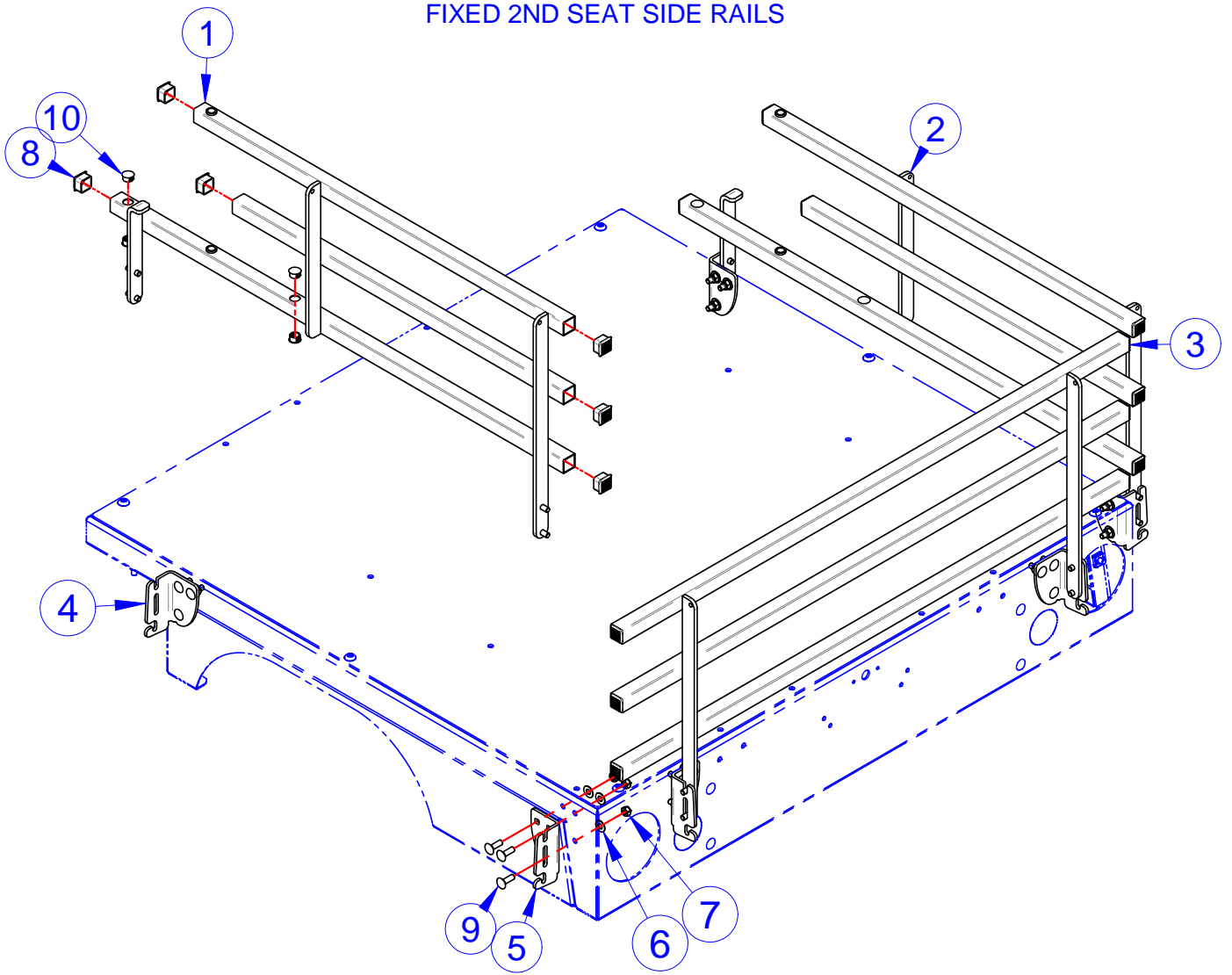
NOTE: Items with \* in tables indicates parts not shown in drawing.



ITEM	CVG PN	DESCRIPTION	QTY	REF #
1	CVG312268TB	WLDMT, SIDE RAIL, 2ND, LH REAR, 13"	1	312268
2	CVG312269TB	WLDMT, SIDE RAIL, 2ND, RH REAR, 13"	1	312269
3	CVG312270TB	WLDMT, SIDE RAIL, 2ND, LH FRONT, 13"	1	312270
4	CVG312271TB	WLDMT, SIDE RAIL, 2ND, RH FRONT, 13"	1	312271
5	CVG314249TB	WLDMT, SIDE RAIL, TAILGATE, SU5-2	1	314249
6	CVG507980	PINCH WARNING	4	507980
7	CVG517862TB	BRKT, SIDE RAIL, "A", SU5-2	3	517862
8	CVG517863TB	BRKT, SIDE RAIL, "B", SU5-2	3	517863
9	CVG517864TB	BRKT, RAIL SPRT, SU5-2	2	517864
10	CVG707783	KNOB, 1 1/4" BALL, 3/8-16 THD	2	707783
11	CVG708058	SPRING COMPRESSION .48ID 1.25LG MUS	2	708058
12	CVG709011	BUMPER, RUBBER BOOT	2	709011
13	CVG719375	WSHR, 5/16X0.750X0.040, F/W, 18-8S/S	18	719375
14	CVG719377	NUT, 5/16-18, L/N, NYL, NE, 18-8, S/S	18	719377
15	CVG719526	CAPLUG, 7/8 SQ, FP-165	26	719526
16	CVG761292	SCR, 5/16-18X1.0, CARR, 18-8S/S	18	761292
17	CVG781621	WSHR, 5/16, L/W, SPLIT, 18-8, S/S	4	781621
18	CVG782003	WASHER, 0.440 X 0.750 X 0.093, F/W, BLK NYL	4	782003
19	CVG782748	SCR, 5/16-18 X 1, BSHCS, 18-8, S/S	4	782748
20	CVG782798	SCREW, 7/16-20X3-1/2, HHCS, 18-8 SS	4	782798
21	CVG782801	NUT, 7/16-20, NYLOCK, NE, SS	4	782801
22	CVG782804	SCREW, 3/8-16X2, SHCS, 18-8 SS	2	782804

NOTE: Items with \* in tables indicates parts not shown in drawing.

## FIXED 2ND SEAT SIDE RAILS

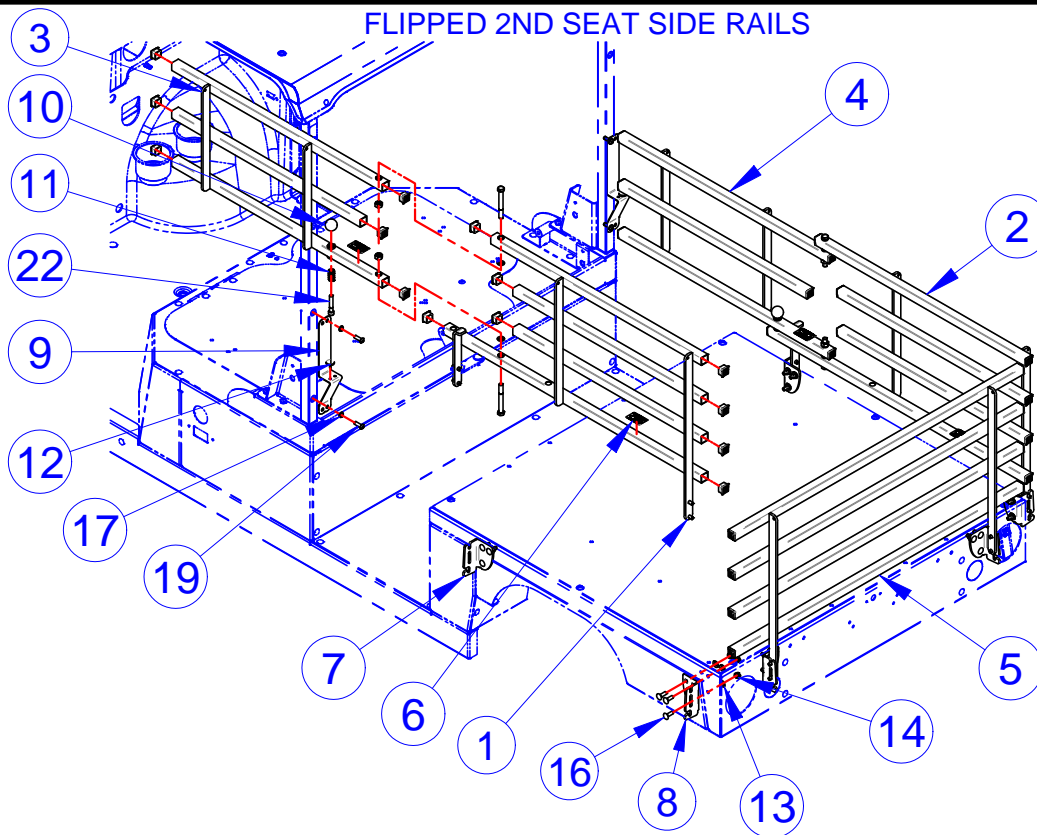


ITEM	CVG PN	DESCRIPTION	QTY	REF #
1	CVG312268TB	WLDMT, SIDE RAIL, 2ND, LH REAR, 13"	1	312268
2	CVG312269TB	WLDMT, SIDE RAIL, 2ND, RH REAR, 13"	1	312269
3	CVG314249TB	WLDMT, SIDE RAIL, TAILGATE, SU5-2	1	314249
4	CVG517862TB	BRKT, SIDE RAIL, "A", SU5-2	3	517862
5	CVG517863TB	BRKT, SIDE RAIL, "B", SU5-2	3	517863
6	CVG719375	WSHR,5/16X0.750X0.040,F/W,18-8S/S	18	719375
7	CVG719377	NUT, 5/16-18, L/N, NYL, NE, 18-8, S/S	18	719377
8	CVG719526	CAPLUG, 7/8 SQ, FP-165	18	719526
9	CVG761292	SCR,5/16-18X1.0,CARR,18-8S/S	18	761292
10	CVG782140	PLUG, .625 DOME, BLACK NYLON	8	782140

NOTE: Items with \* in tables indicates parts not shown in drawing.

Columbia Vehicle Group, Inc.  
A Nordic Group Company | Business Ventures Since 1947

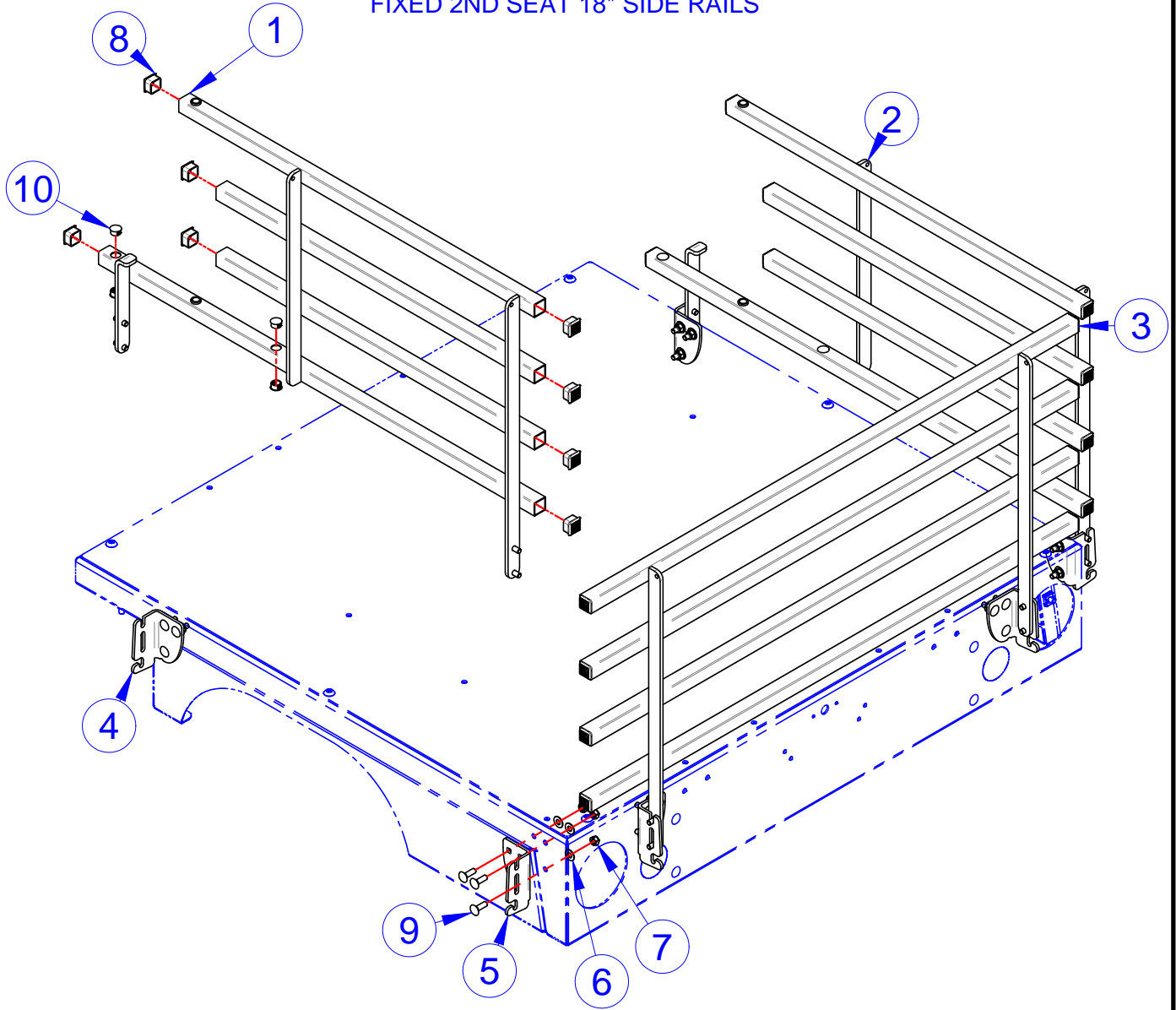




ITEM	CVG PN	DESCRIPTION	QTY	REF #
1	CVG312273TB	WLDMT, SIDE RAIL, 2ND, LH REAR, 18"	1	312273
2	CVG312274TB	WLDMT, SIDE RAIL, 2ND, RH REAR, 18"	1	312274
3	CVG312275TB	WLDMT, SIDE RAIL, 2ND, LH FRONT, 18"	1	312275
4	CVG312276TB	WLDMT, SIDE RAIL, 2ND, RH FRONT, 18"	1	312276
5	CVG314594TB	WLDMT, SIDE RAIL, TAILGATE, 18", SU	1	314594
6	CVG507980	PINCH WARNING	4	507980
7	CVG517862TB	BRKT, SIDE RAIL, "A", SU5-2	3	517862
8	CVG517863TB	BRKT, SIDE RAIL, "B", SU5-2	3	517863
9	CVG518185TB	BRKT, RAIL SPRT, 18", SU	2	518185
10	CVG707783	KNOB, 1 1/4" BALL, 3/8-16 THD	2	707783
11	CVG708058	SPRING COMPRESSION .48ID 1.25LG MUS	2	708058
12	CVG709011	BUMPER, RUBBER BOOT	2	709011
13	CVG719375	WSHR, 5/16X0.750X0.040, F/W, 18-8S/S	18	719375
14	CVG719377	NUT, 5/16-18, L/N, NYL, NE, 18-8, S/S	18	719377
15*	CVG719526	CAPLUG, 7/8 SQ, FP-165	36	719526
16	CVG761292	SCR, 5/16-18X1.0, CARR, 18-8S/S	18	761292
17	CVG781621	WSHR, 5/16, L/W, SPLIT, 18-8, S/S	4	781621
18*	CVG782003	WASHER, 0.440 X 0.750 X 0.093, F/W, BLK NYL	4	782003
19	CVG782748	SCR, 5/16-18 X 1, BSHCS, 18-8, S/S	4	782748
20*	CVG782798	SCREW, 7/16-20X3-1/2, HHCS, 18-8 SS	4	782798
21*	CVG782801	NUT, 7/16-20, NYLOCK, NE, SS	4	782801
22	CVG782804	SCREW, 3/8-16X2, SHCS, 18-8 SS	2	782804

NOTE: Items with \* in tables indicates parts not shown in drawing.

## FIXED 2ND SEAT 18" SIDE RAILS



ITEM	CVG PN	DESCRIPTION	QTY	REF #
1	CVG312273TB	WLDMT, SIDE RAIL, 2ND, LH REAR, 18"	1	312273
2	CVG312274TB	WLDMT, SIDE RAIL, 2ND, RH REAR, 18"	1	312274
3	CVG314594TB	WLDMT, SIDE RAIL, TAILGATE, 18", SU	1	314594
4	CVG517862TB	BRKT, SIDE RAIL, "A", SU5-2	3	517862
5	CVG517863TB	BRKT, SIDE RAIL, "B", SU5-2	3	517863
6	CVG719375	WSHR,5/16X0.750X0.040,F/W,18-8S/S	18	719375
7	CVG719377	NUT, 5/16-18, L/N, NYL, NE, 18-8, S/S	18	719377
8	CVG719526	CAPLUG, 7/8 SQ, FP-165	24	719526
9	CVG761292	SCR,5/16-18X1.0,CARR,18-8S/S	18	761292
10	CVG782140	PLUG, .625 DOME, BLACK NYLON	8	782140

NOTE: Items with \* in tables indicates parts not shown in drawing.

Columbia Vehicle Group, Inc.  
A Nordic Group Company | Business Ventures Since 1947



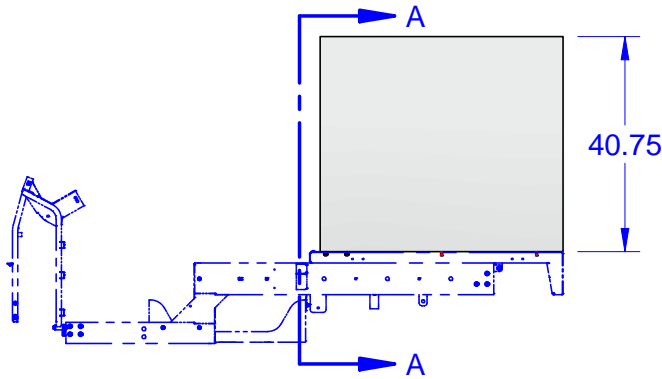
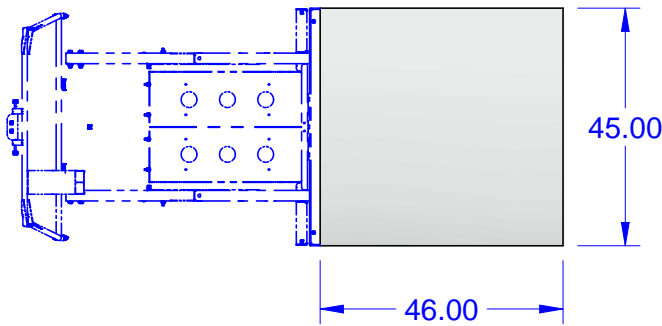
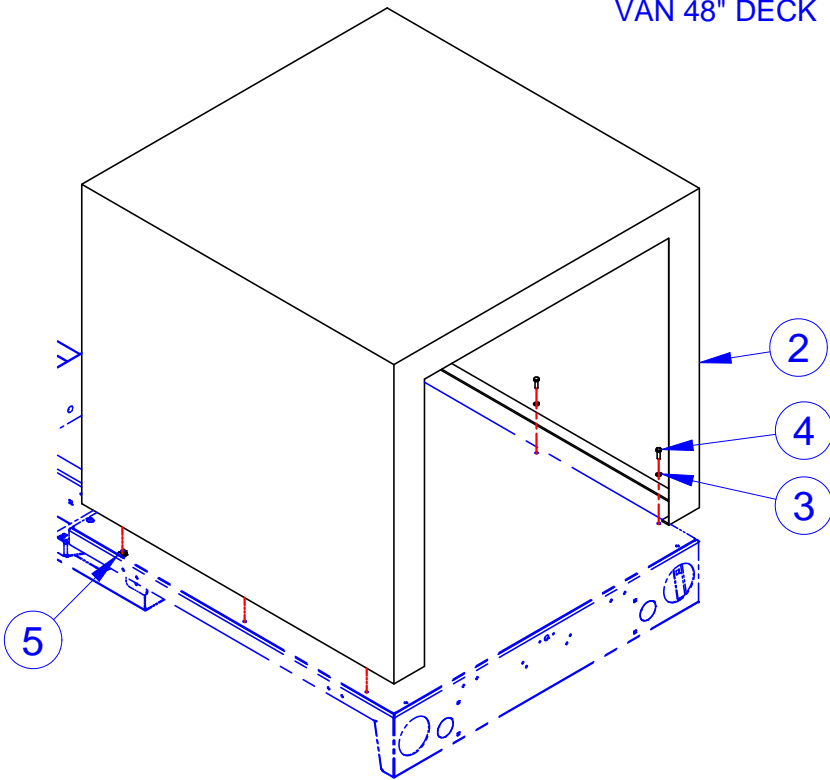
# VAN 48" DECK

**NOTES:**

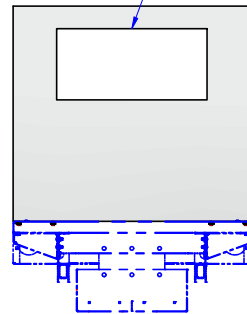
1. ASTERISKED ITEM NUMBER = PART NOT SHOWN
2. VAN IS SHOWN WITHOUT DOORS FOR VISIBILITY

**ASSEMBLY:**

1. USE DECK PLATE TO MARK HOLE LOCATIONS IN VAN AND DRILL 11/32" HOLES IN VAN.
2. INSTALL 5/16-18 CAGE NUTS INTO THE DECK FRAME - MOVE THE TWO STANDARD CAGE NUTS THAT NORMALLY ARE USED FOR THE REAR-MOST MOUNTING OF THE DECK PLATE TO BE USED FOR THE REAR-MOST MOUNTING OF THE VAN.
3. INSTALL FOAM TAPE ON DECK UNDER VAN.
4. VAN IS TO BE CENTERED LEFT AND RIGHT AND REAR OF VAN IS TO BE FLUSH WITH REAR OF VEHICLE.
5. SECURE VAN WITH HARDWARE - DO NOT INSTALL DECK SCREWS UNDER THE VAN.

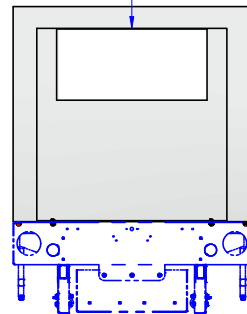


PICTURE WINDOW  
28.50"W x 13.50"H  
ROUGH OPENING



SECTION A-A

HATCHBACK DOOR, WITH WINDOW  
36.00"W x 36.63"H ROUGH OPENING  
WITH INNER DOOR PANEL



ITEM	CVG PN	DESCRIPTION	QTY	REF #
1*	CVG709783	FOAM TAPE, 1/8 X 1	11	709783
2	CVG761175	VAN ENCLOSURE, SU5-S EXT	1	761175
3	CVG781621	WSHR, 5/16, L/W, SPLIT, 18-8, S/S	8	781621
4	CVG782720	SCR, 5/16-18 X 1, HHCS, 18-8, S/S	8	782720
5	CVG782757	NUT, 5/16-18, CAGE, 0.093-0.126, MAGNI 525	4	782757

NOTE: Items with \* in tables indicates parts not shown in drawing.



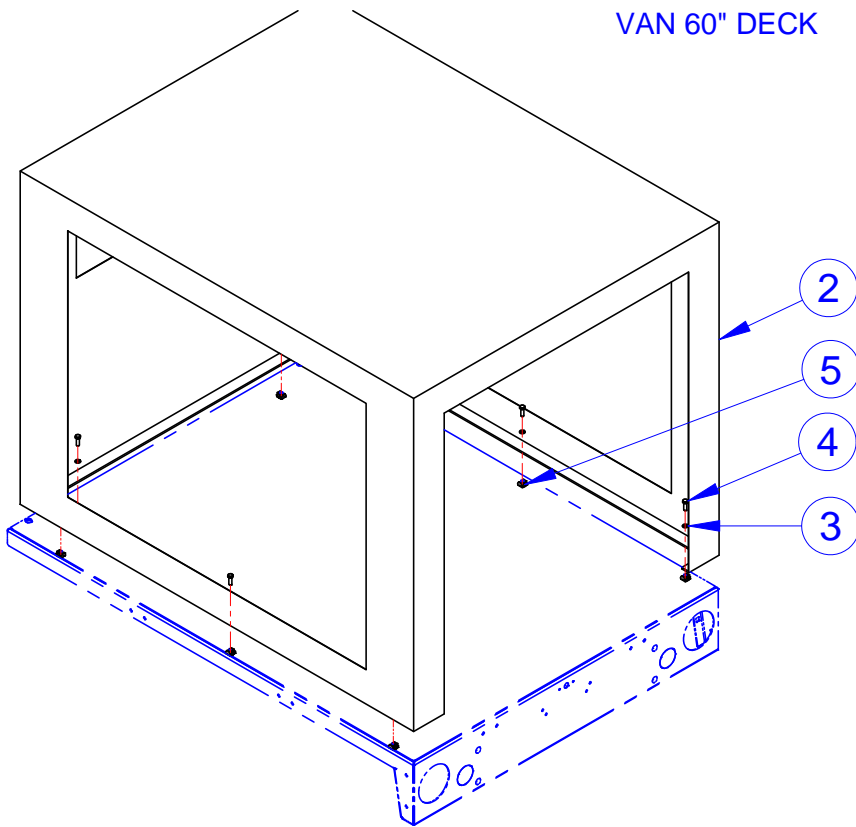
## VAN 60" DECK

**NOTES:**

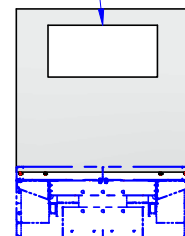
1. ASTERISKED ITEM NUMBER = PART NOT SHOWN
2. VAN IS SHOWN WITHOUT DOORS FOR VISIBILITY

**ASSEMBLY:**

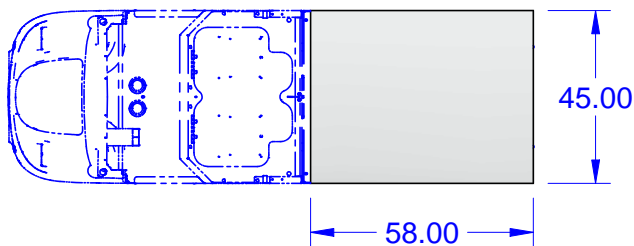
1. USE DECK PLATE TO MARK HOLE LOCATIONS IN VAN AND DRILL 11/32" HOLES IN VAN.
2. INSTALL 5/16-18 CAGE NUTS INTO THE DECK FRAME.
3. INSTALL FOAM TAPE ON DECK UNDER VAN.
4. VAN IS TO BE CENTERED LEFT AND RIGHT AND REAR OF VAN IS TO BE FLUSH WITH REAR OF VEHICLE.
5. SECURE VAN WITH HARDWARE.



PICTURE WINDOW  
28.50"W x 13.50"H  
ROUGH OPENING

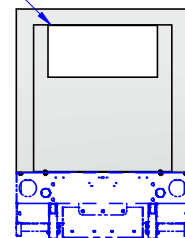
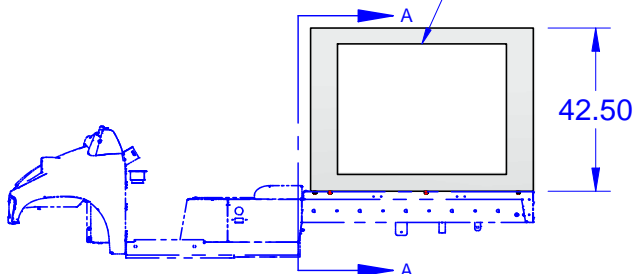


SECTION A-A



HATCHBACK DOOR, BOTH SIDES  
44.00"W x 34.00"H ROUGH OPENING  
WITH INNER DOOR PANEL

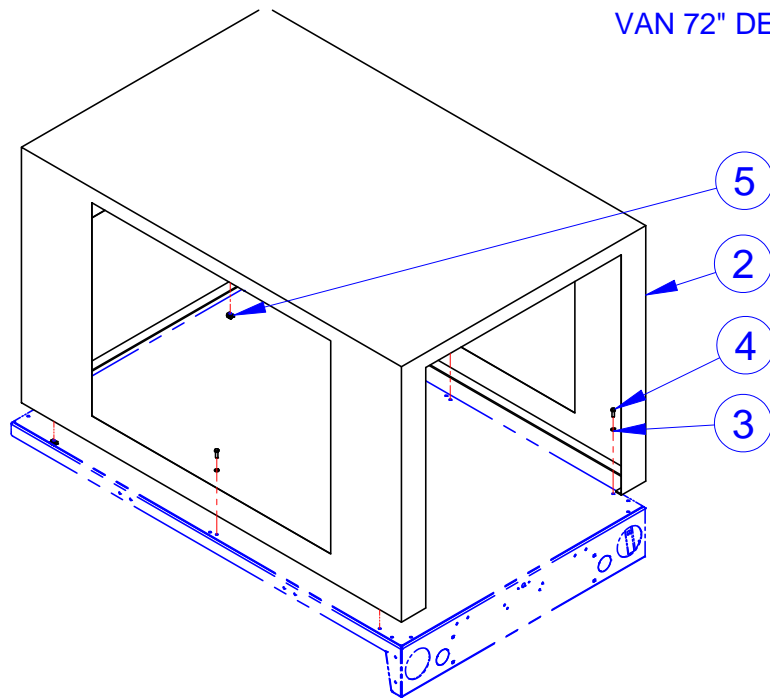
HATCHBACK DOOR, WITH WINDOW  
36.00"W x 38.38"H ROUGH OPENING  
WITH INNER DOOR PANEL



ITEM	CVG PN	DESCRIPTION	QTY	REF #
1*	CVG709783	FOAM TAPE, 1/8 X 1	13	709783
2	CVG761173	VAN ENCLOSURE, SU5-L	1	761173
3	CVG781621	WSHR, 5/16, L/W, SPLIT, 18-8, S/S	8	781621
4	CVG782720	SCR, 5/16-18 X 1, HHCS, 18-8, S/S	8	782720
5	CVG782757	NUT, 5/16-18, CAGE, 0.093-0.126, MAGNI 525	8	782757

NOTE: Items with \* in tables indicates parts not shown in drawing.

## VAN 72" DECK

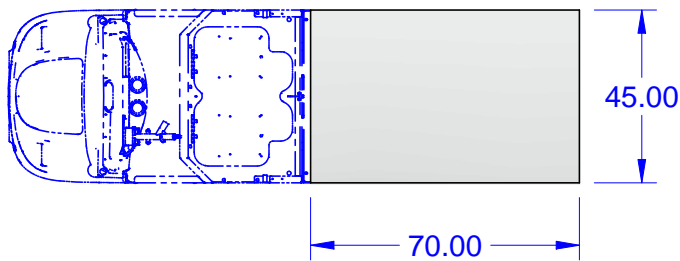


**NOTES:**

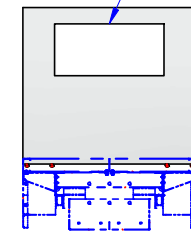
1. ASTERISKED ITEM NUMBER = PART NOT SHOWN
2. VAN IS SHOWN WITHOUT DOORS FOR VISIBILITY

**ASSEMBLY:**

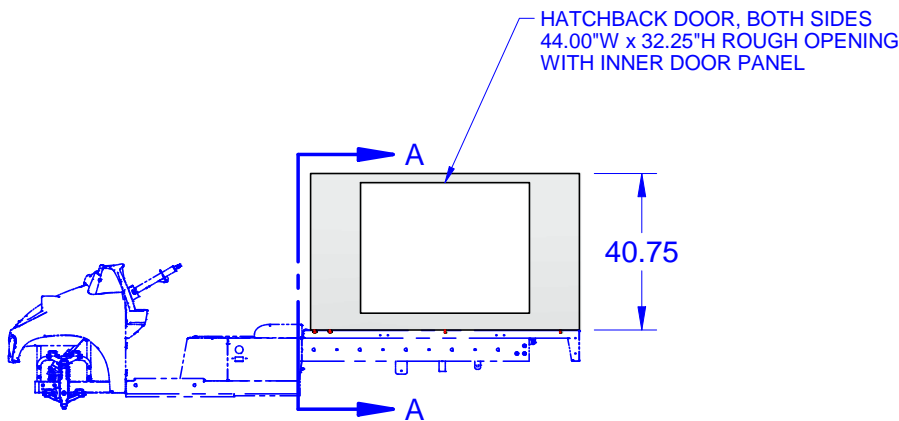
1. USE DECK PLATE TO MARK HOLE LOCATIONS IN VAN AND DRILL 11/32" HOLES IN VAN.
2. INSTALL 5/16-18 CAGE NUTS INTO THE DECK FRAME - MOVE THE FOUR STANDARD CAGE NUTS THAT NORMALLY ARE USED FOR THE MIDDLE AND REAR MOUNTING OF THE DECK PLATE TO BE USED FOR THE MIDDLE AND REAR MOUNTING OF THE VAN
3. INSTALL FOAM TAPE ON DECK UNDER VAN.
4. VAN IS TO BE CENTERED LEFT AND RIGHT AND REAR OF VAN IS TO BE FLUSH WITH REAR OF VEHICLE.
5. SECURE VAN WITH HARDWARE - DO NOT INSTALL DECK SCREWS UNDER THE VAN.



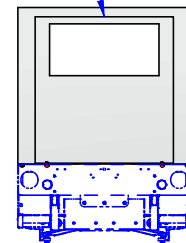
PICTURE WINDOW  
28.50"W x 13.50"H  
ROUGH OPENING



**SECTION A-A**



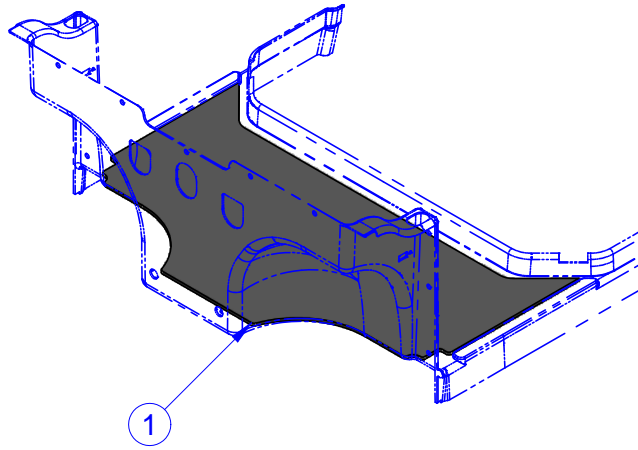
HATCHBACK DOOR, WITH WINDOW  
36.00"W x 38.38"H ROUGH OPENING  
WITH INNER DOOR PANEL



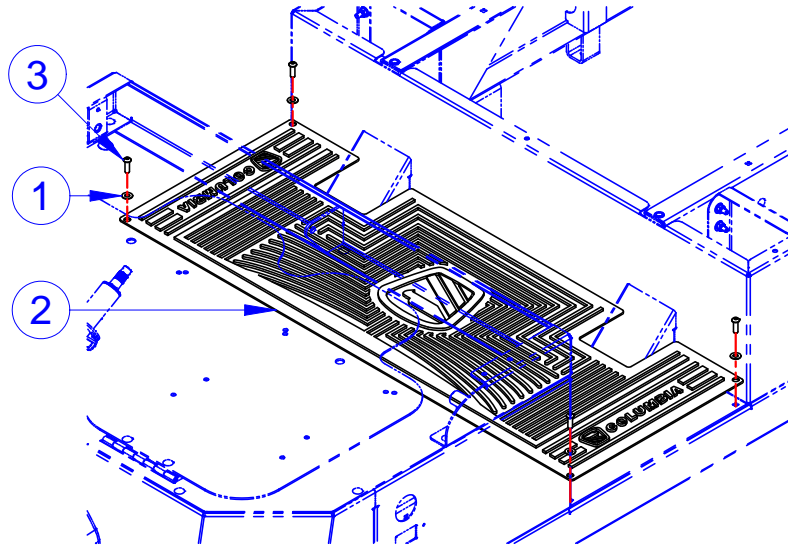
ITEM	CVG PN	DESCRIPTION	QTY	REF #
1*	CVG709783	FOAM TAPE, 1/8 X 1	15	709783
2	CVG761174	VAN ENCLOSURE, SU5-L EXT	1	761174
3	CVG781621	WSHR, 5/16, L/W, SPLIT, 18-8, S/S	8	781621
4	CVG782720	SCR, 5/16-18 X 1, HHCS, 18-8, S/S	8	782720
5	CVG782757	NUT, 5/16-18, CAGE, 0.093-0.126, MAGNI 525	4	782757

NOTE: Items with \* in tables indicates parts not shown in drawing.

## FLOOR MATS



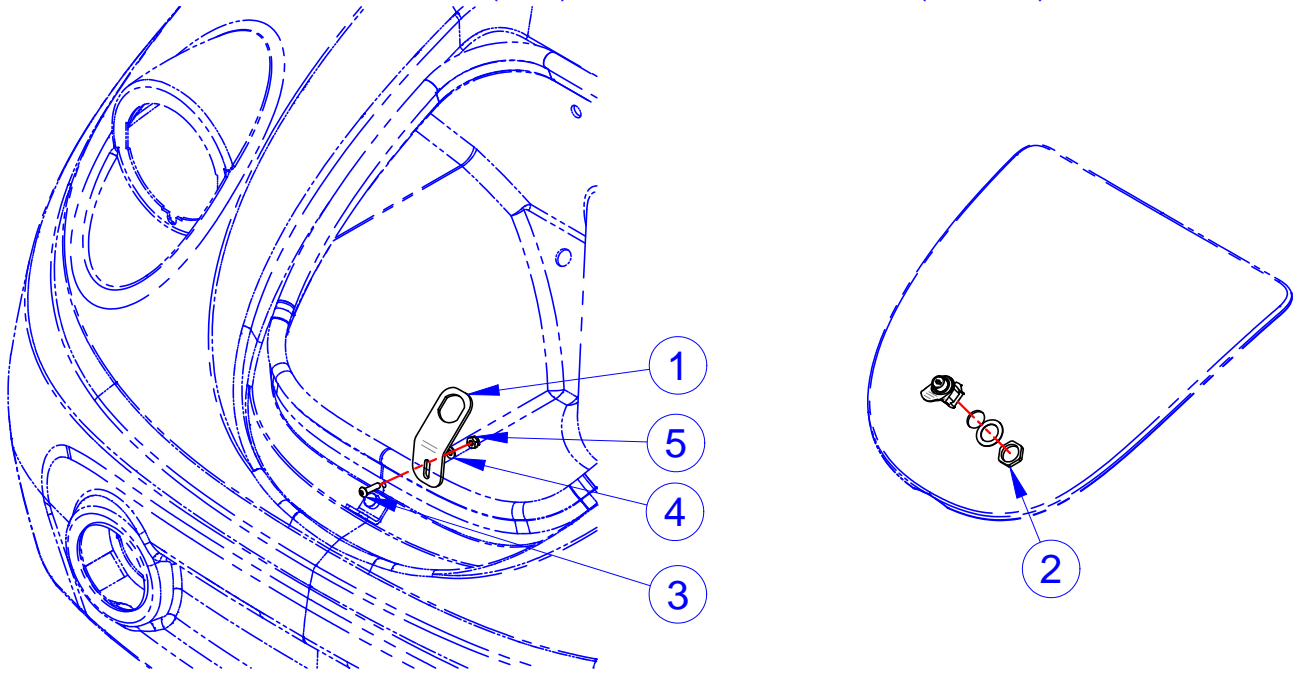
ITEM	CVG PN	DESCRIPTION	QTY	REF #
1		FLOOR MAT, P5	1	761052



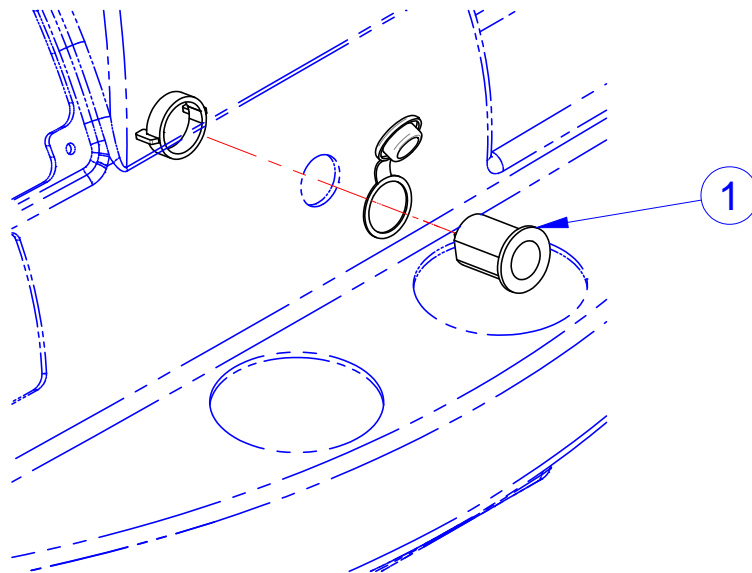
ITEM	CVG PN	DESCRIPTION	QTY	REF #
1	CVG719375	WSHR, 5/16X0.750X0.040, F/W, 18-8S/S	4	719375
2	CVG761643	FLOOR MAT, REAR, SU5-L-2	1	761643
3	CVG782748	SCR, 5/16-18 X 1, BSHCS, 18-8, S/S	4	782748

NOTE: Items with \* in tables indicates parts not shown in drawing.

HOOD LATCH (TOP) & 12V POWER OUTLET (LOWER)



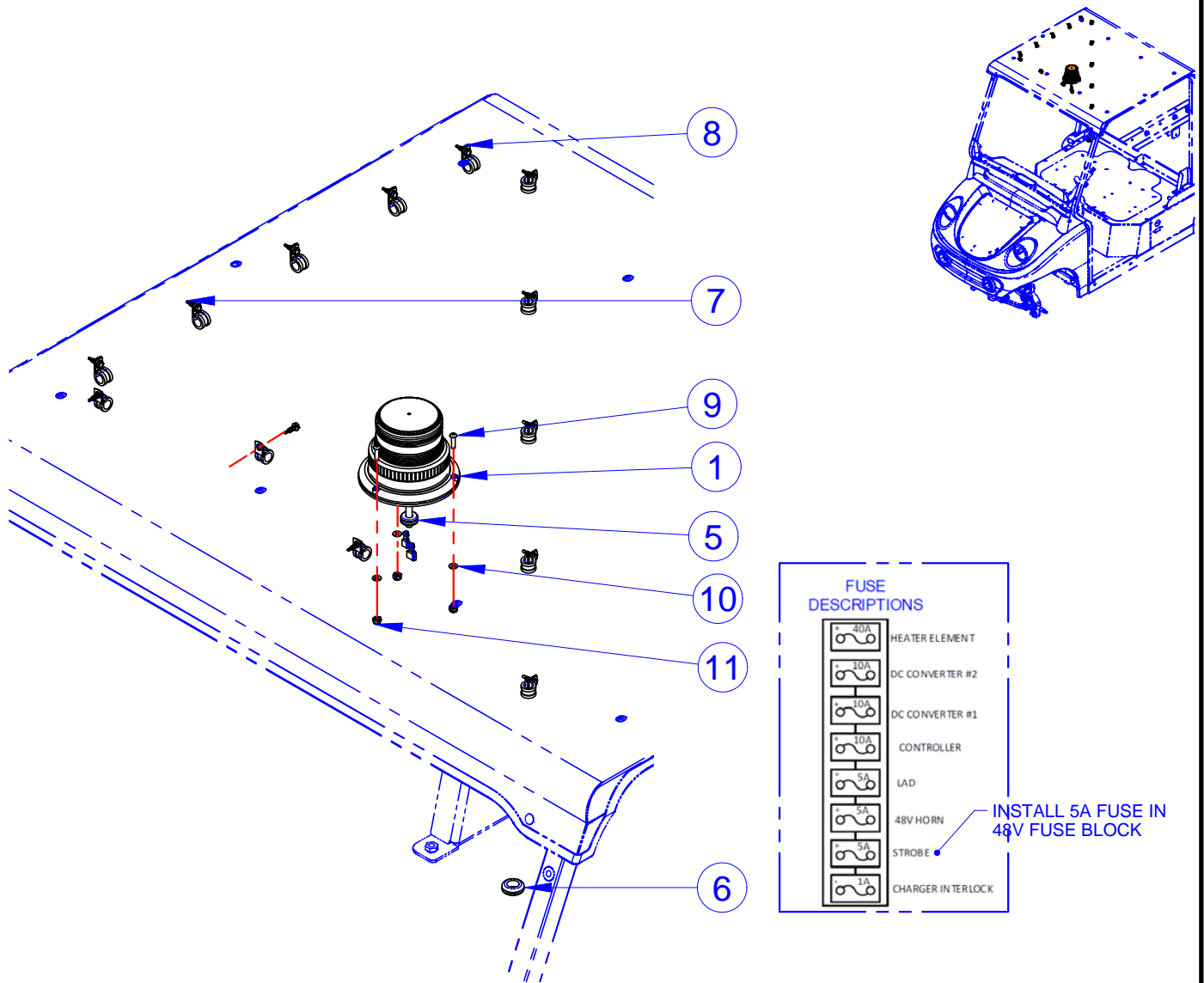
ITEM	CVG PN	DESCRIPTION	QTY	REF #
1	CVG515986	HOOD LOCKING LATCH	1	515986
2	CVG719723	PUSH TO CLOSE LATCH	1	719723
3	CVG782708	SCR, #10-32 X 0.75, BSHCS, 18-8, S/S	1	782708
4	CVG782722	WSHR, #10 X 0.438 X 0.031, F/W, 18-8, S/S	1	782722
5	CVG782723	NUT, #10-32, L/N, NYL, NM, 18-8, S/S	1	782723



ITEM	CVG PN	DESCRIPTION	QTY	REF #
1	CVG719342	RECEPTACLE, 12V, COVERED	1	719342

NOTE: Items with \* in tables indicates parts not shown in drawing.

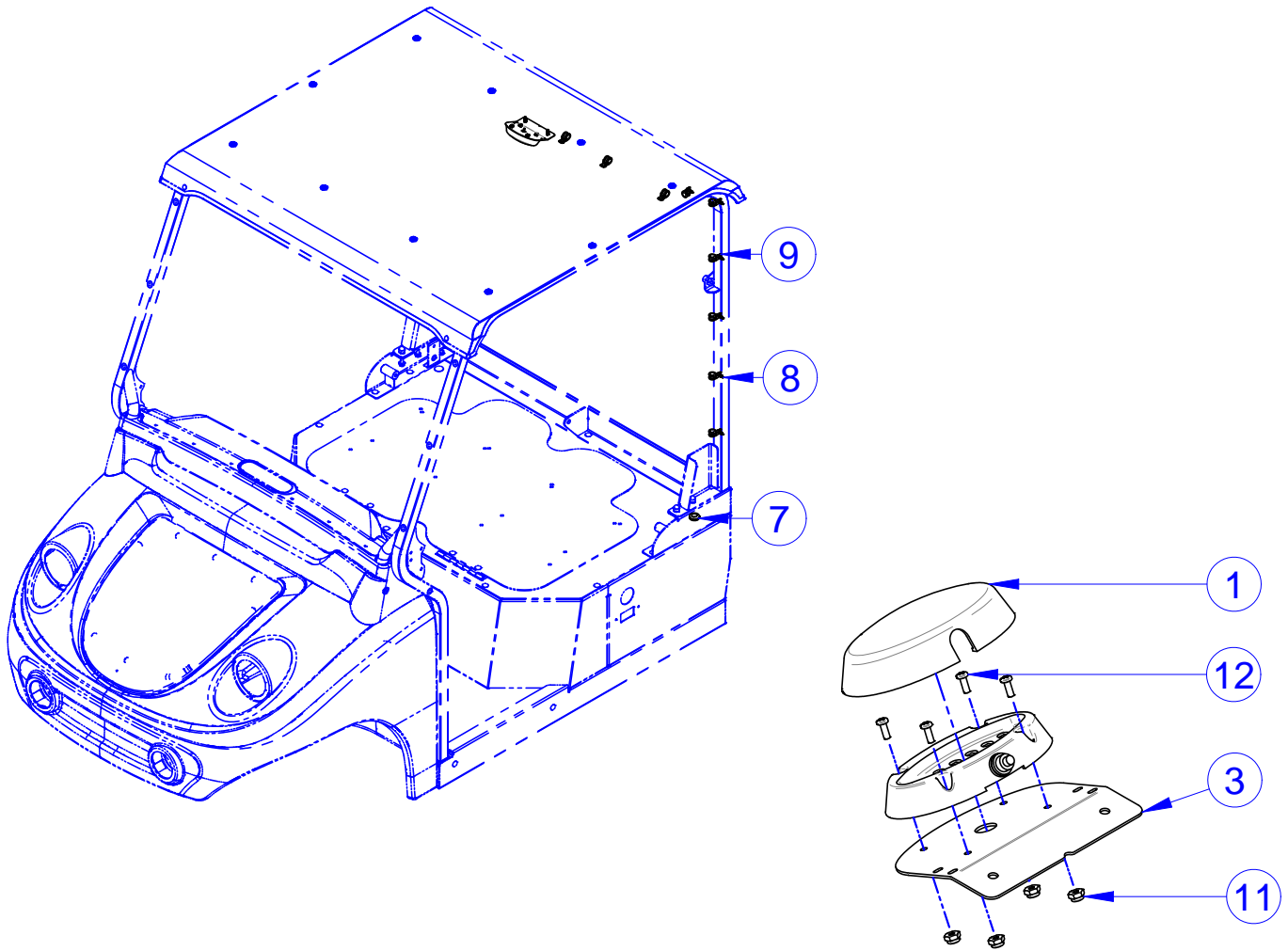
# AMBER STROBE LIGHT



ITEM	CVG PN	DESCRIPTION	QTY	REF #
1	CVG467408	ASM, STROBE LIGHT (AMBER)	1	467408
2*	CVG468838	HARNES, STROBE, SU5	1	468838
3*	CVG719381	LOOM, .375" ID, SLIT, BLACK	9	719381
4*	CVG719445	FUSE, 5A, ATO/ATC	1	719445
5	CVG719522	GROMMET, 3/8 X 7/8	1	719522
6	CVG719529	GROMMET, 5/8X1-1/8X3/8 1/8GR	1	719529
7	CVG719583	SCREW,10-16X3/4,HWH,TEK,MAG525	13	719583
8	CVG719602	CLAMP, 1/2" BLACK NYLON HEYCO 3358	13	719602
9	CVG782708	SCR, #10-32 X 0.75, BSHCS, 18-8, S/S	3	782708
10	CVG782722	WSHR, #10 X 0.438 X 0.031, F/W, 18-8, S/S	3	782722
11	CVG782723	NUT, #10-32, L/N, NYL, NM, 18-8, S/S	3	782723

NOTE: Items with \* in tables indicates parts not shown in drawing.

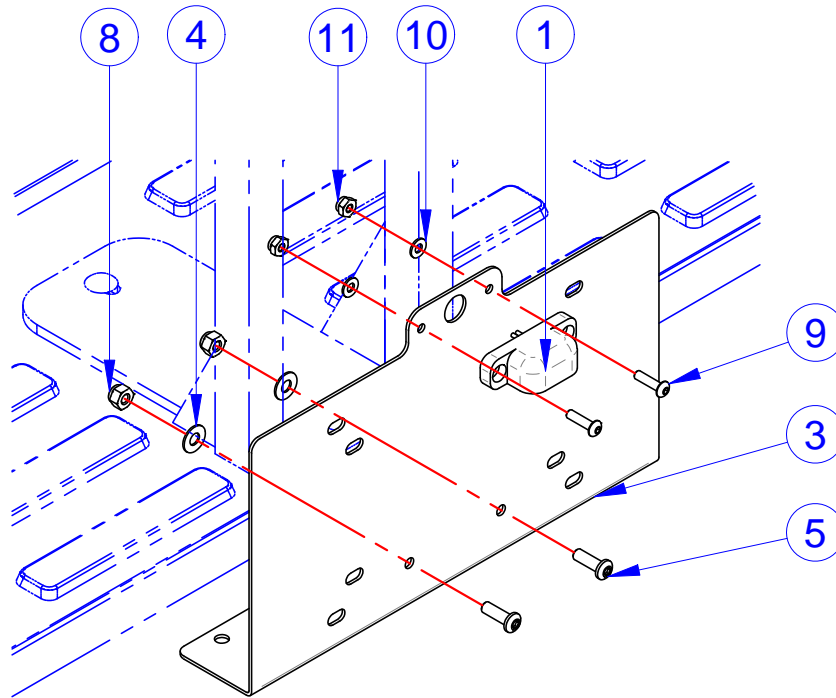
## DOME LIGHT



ITEM	CVG PN	DESCRIPTION	QTY	REF #
1	CVG468178	ASM, DOME LIGHT, LED	2	468178
2*	CVG468181	HARNESS, SU5 DOME LIGHT, CAB/VAN	1	468181
3	CVG517167	PLATE, MOUNT, DOME LIGHT	2	517167
4*	CVG719381	LOOM, .375" ID, SLIT, BLACK	6	719381
5*	CVG719504	CABLE TIE, BLACK, .18X11-3/4, STD, 50LB	6	719504
6*	CVG719522	GROMMET, 3/8 X 7/8	1	719522
7	CVG719529	GROMMET, 5/8X1-1/8X3/8 1/8GR	1	719529
8	CVG719583	SCREW, 10-16X3/4, HWH, TEK, MAG525	26	719583
9	CVG719602	CLAMP, 1/2" BLACK NYLON HEYCO 3358	9	719602
10*	CVG719756	CLAMP, 1/4", STL TUBE, VINYL CUSHION	13	719756
11	CVG782738	NUT, #6-32, L/N, NYL, NM, 18-8, S/S	8	782738
12	CVG782770	SCREW, #6-32X3/8, PPH, 18-8SS	8	782770

NOTE: Items with \* in tables indicates parts not shown in drawing.

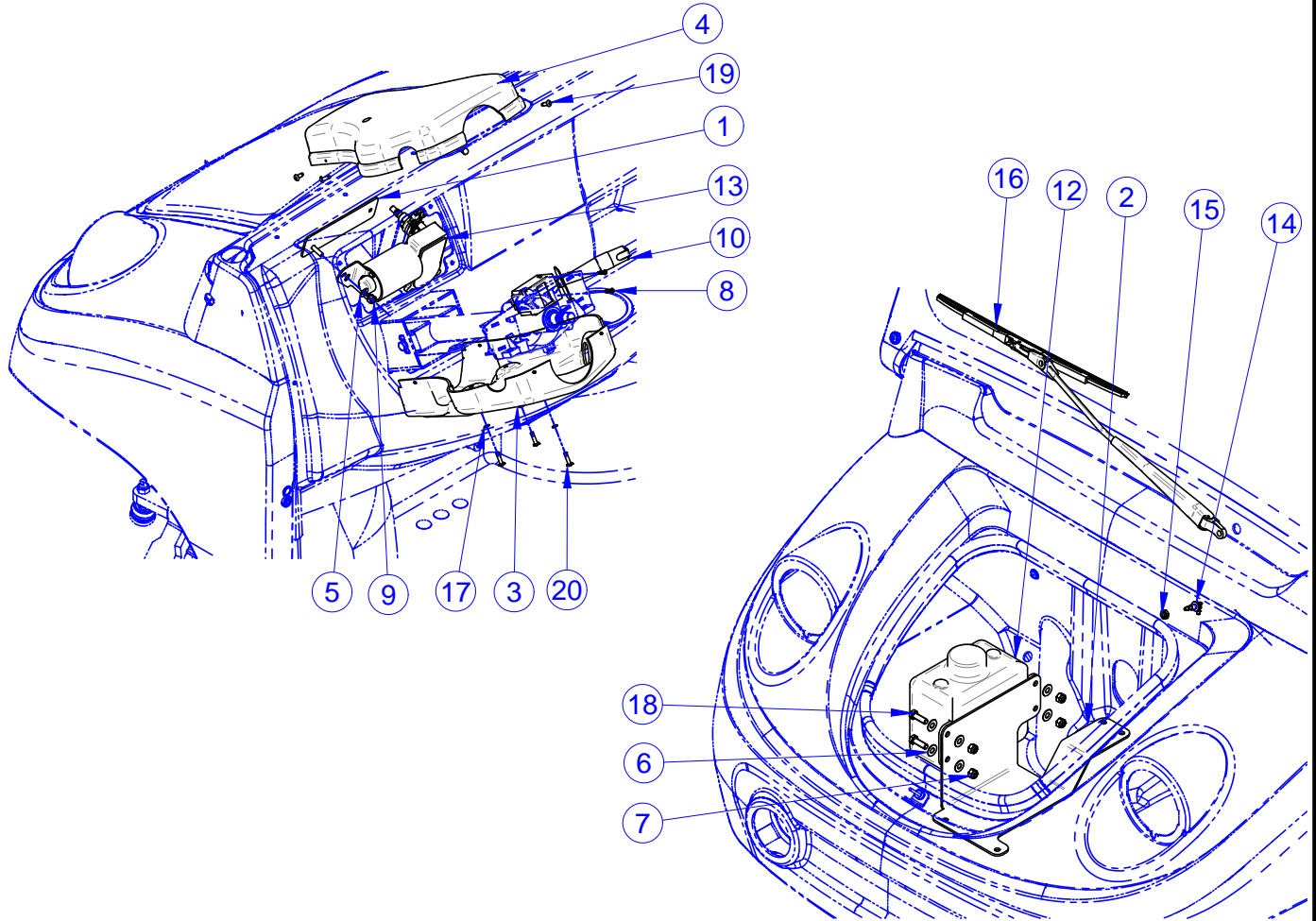
## LICENSE PLATE LIGHT



ITEM	CVG PN	DESCRIPTION	QTY	REF #
1	CVG467887	ASSY, LICENSE PLATE LIGHT	1	467887
2*	CVG468823	ASSY, HARNESS, LICENSE PLATE LIGHT, RFS	1	468823
3	CVG509726	BRK, LIGHT/LICENSE, E-COATED	1	509726EP
4	CVG708511	WASHER, FLAT 1/4" 18-8 SS	2	708511
5	CVG719374	SCREW, 1/4-20X3/4", BHCS, 18-8SS	2	719374
6*	CVG719503	CABLE TIE MNT BRKT BLACK W/3M	1	719503
7*	CVG719504	CABLE TIE, BLACK, .18X11-3/4, STD, 50LB	2	719504
8	CVG719876	NUT, 1/4-20, L/N, NYL, NE, 316, S/S	2	719876
9	CVG782708	SCR, #10-32 X 0.75, BSHCS, 18-8, S/S	2	782708
10	CVG782722	WSHR, #10 X 0.438 X 0.031, F/W, 18-8, S/S	2	782722
11	CVG782723	NUT, #10-32, L/N, NYL, NM, 18-8, S/S	2	782723

NOTE: Items with \* in tables indicates parts not shown in drawing.

## WINDSHIELD WASHER

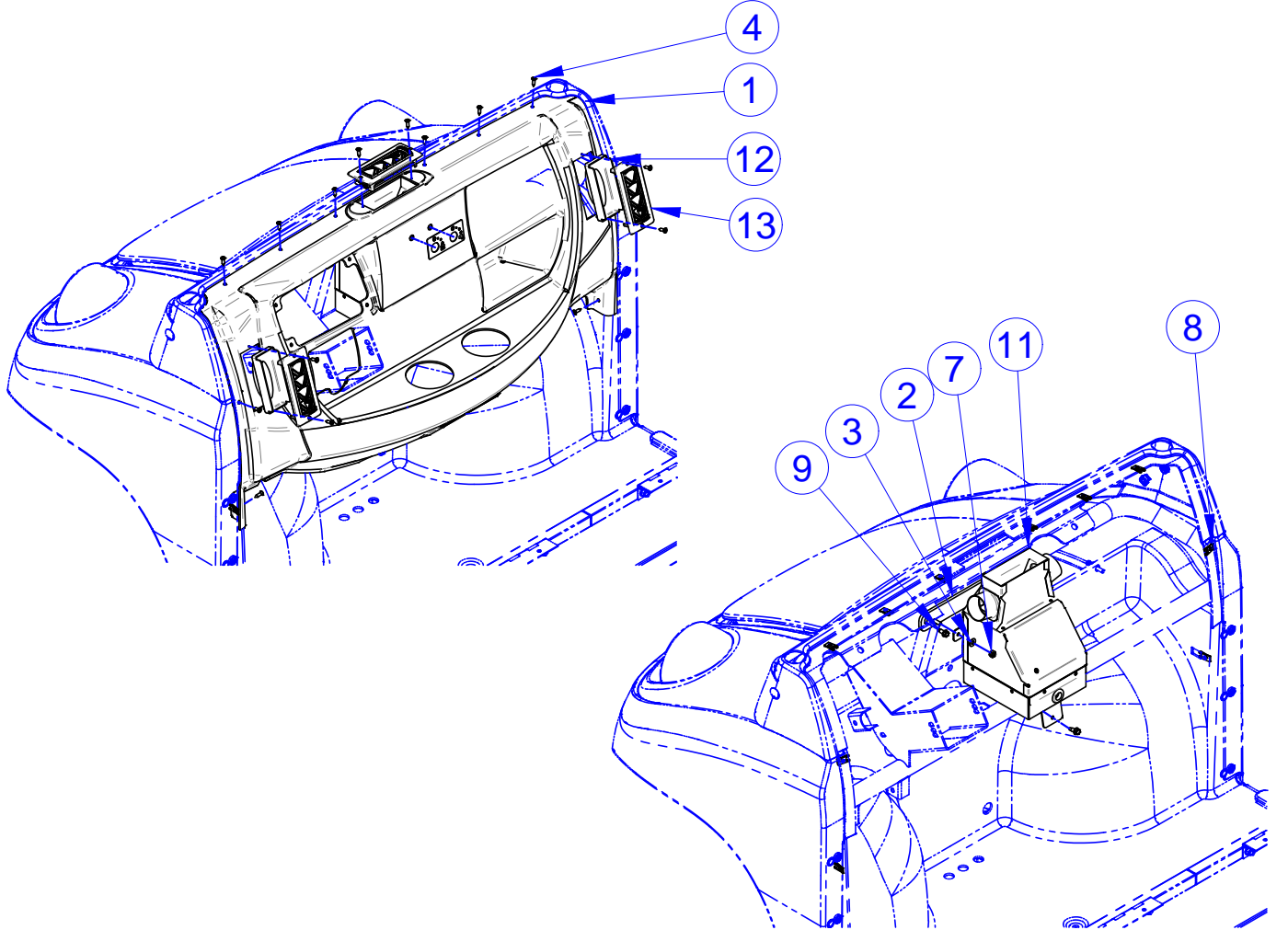


ITEM	CVG PN	DESCRIPTION	QTY	REF #
1	CVG515259	BRKT, WIPER MOTOR	1	515259
2	CVG515694	BRKT, WASHER TANK	1	515694
3	CVG515795	COVER, COLUMN LWR, WIPER	1	515795
4	CVG515796	COVER, COLUMN UPR, WIPER	1	515796
5	CVG708511	WASHER, FLAT 1/4" 18-8 SS	1	708511
6	CVG719375	WSHR, 5/16X0.750X0.040, F/W, 18-8S/S	8	719375
7	CVG719377	NUT, 5/16-18, L/N, NYL, NE, 18-8, S/S	4	719377
8	CVG719577	SCR, #6-20 X 0.75, PPH, T/S, #2, MAGNI 525	2	719577
9	CVG719876	NUT, 1/4-20, L/N, NYL, NE, 316, S/S	1	719876
10	CVG760362	WIPER SW - LOW/HI/PARK/WSHR	1	760362
11*	CVG760377	HOSE, WINDSHIELD WASHER, 5/32"	2	760377
12	CVG760587	RESERVOIR, WINDSHIELD WSHR FLUID, 2L	1	760587
13	CVG760953	WIPER MOTOR A/ - MODIFIED	1	760953
14	CVG761024	BARBED BULKHEAD ADAPTER	1	761024
15	CVG761037	NUT, 5/16-24, JAM, BLK NYL	1	761037
16	84254-14	KIT, WIPER ARM & BLADE, SU5	1	761092
17	CVG782706	WSHR, #10, L/W, SPLIT, 18-8, S/S	3	782706
18	CVG782720	SCR, 5/16-18 X 1, HHCS, 18-8, S/S	4	782720
19	CVG782728	SCR, #10-16 X 0.50, PPH, SMS, TB, 18-8, S/S	6	782728
20	CVG782729	SCR, #10-24 X 0.75, PPH, M/S, 18-8, S/S	3	782729

NOTE: Items with \* in tables indicates parts not shown in drawing.



## HEATER/BLOWER



LOCATE HEATER IN CENTER OF CUTOUTS AND FASTEN TO FRONT FRAME

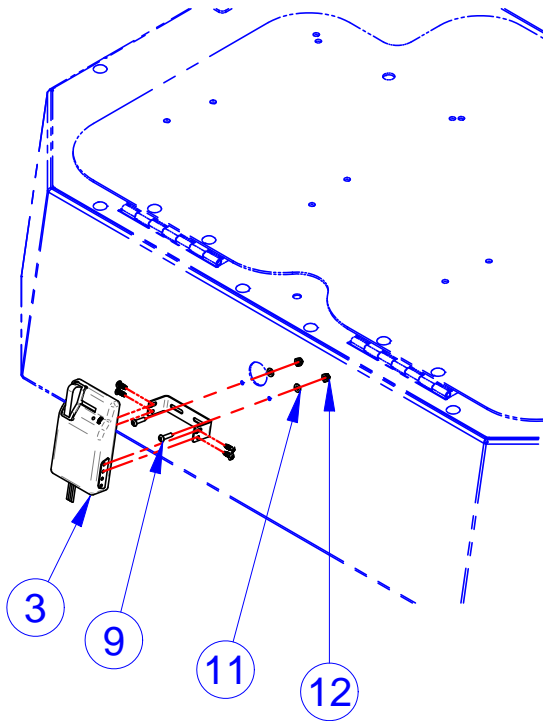
ITEM	CVG PN	DESCRIPTION	QTY	REF #
1	CVG468024	MACH, DASH, P5 MECH BRK/HEATER	1	468024
2	CVG517197	BRKT, HEATER	1	517197
3	CVG708511	WASHER, FLAT 1/4" 18-8 SS	2	708511
4	CVG719429	SCREW, #10X3/4, POH, T/S, TA, SS18-8	16	719429
5*	CVG719504	CABLE TIE, BLACK, .18X11-3/4, STD, 50LB	4	719504
6*	CVG719583	SCREW, 10-16X3/4, HWH, TEK, MAG525	4	719583
7	CVG719876	NUT, 1/4-20, L/N, NYL, NE, 316, S/S	2	719876
8	CVG760899	NUT, #10, SPRING, 0.025-0.150, 0.563, MAGNI 525	10	760889
9	CVG760906	SCR, 1/4-20 X 0.75, HWH, T/S, MAGNI 525	3	760906
10*	CVG760969	HOSE, 2.50" ID, REINFORCED THERMOPLASTIC RUBBER	4	760969
11	NONE	KIT, HEATER/BLOWER	1	761097
12	NONE	HOSE ADAPTER, PACIFICA LOUVER	2	761147
13	NONE	LOUVER, PACIFICA, WIDE FRAME	2	761192
14*	CVG761627	FUSE, 40A, ATC	1	761627

NOTE: Items with \* in tables indicates parts not shown in drawing.

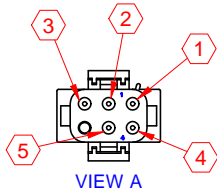
Columbia Vehicle Group, Inc.  
A Nordic Group Company | Business Ventures Since 1947



## TRAILER BRAKES

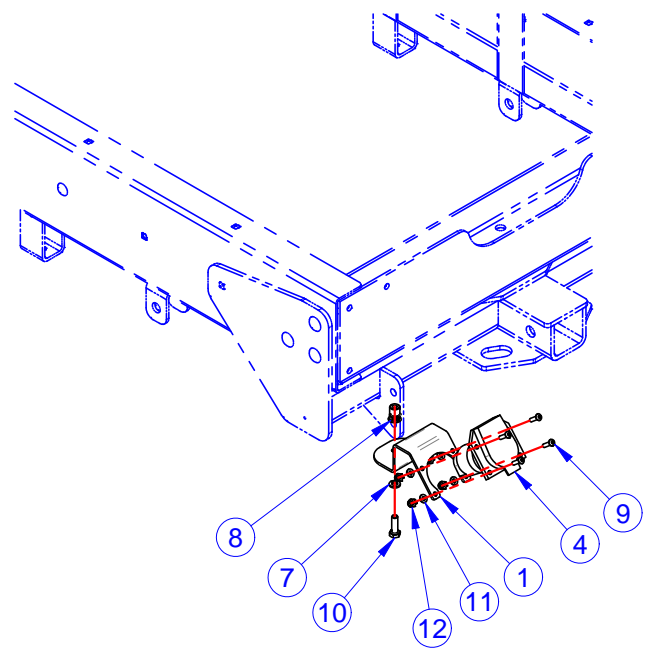


REAR VIEW OF AMP PLUG

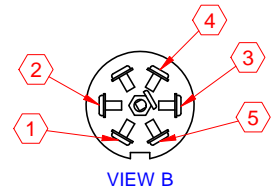


- 1 - TAIL
- 2 - LEFT TURN
- 3 - RIGHT TURN
- 4 - BRAKE
- 5 - NEGATIVE

VIEW A

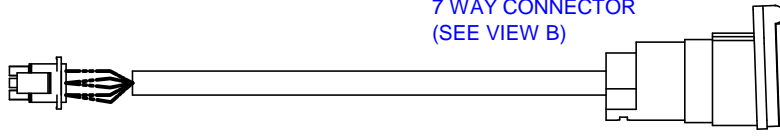


REAR VIEW OF 7-WAY ROUND SOCKET  
(RATED FOR 12 TO 24 V,  
20 A CONTINUOUS &  
30 A PEAK)



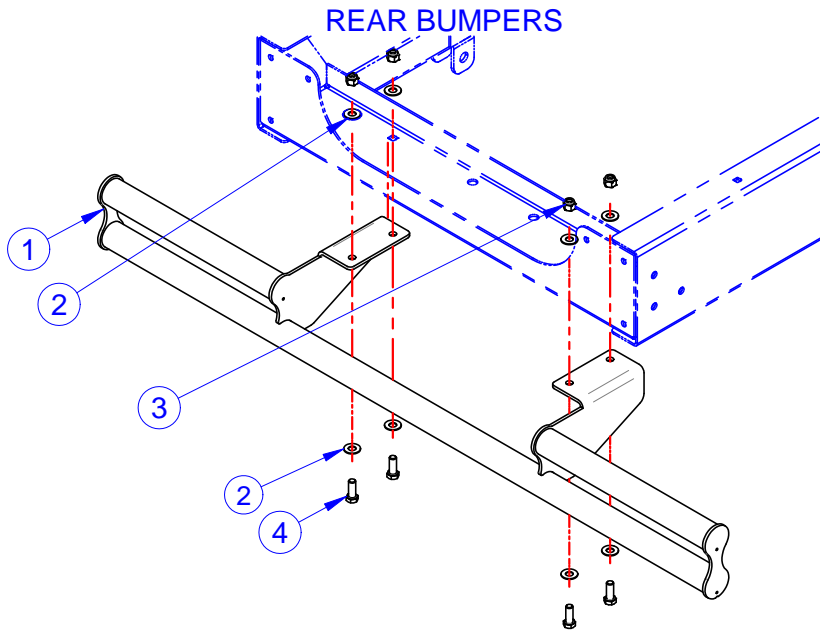
VIEW B

VEHICLE END SOCKET  
7 WAY CONNECTOR  
(SEE VIEW B)

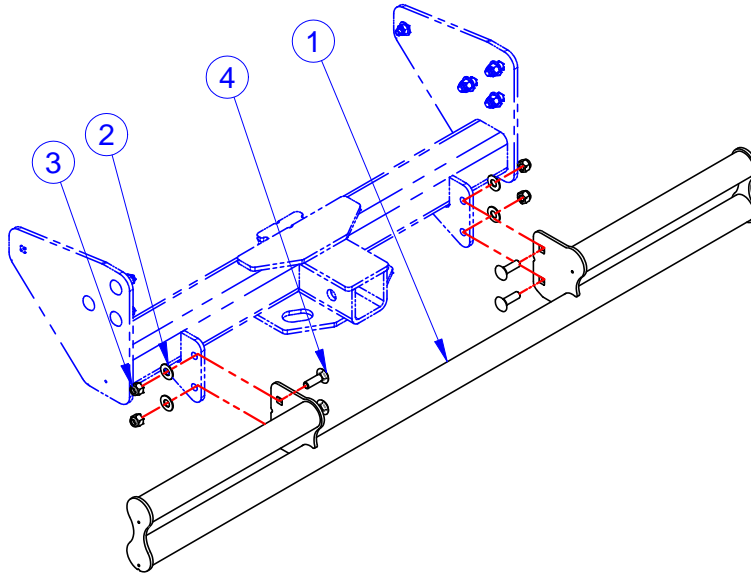


ITEM	CVG PN	DESCRIPTION	QTY	REF #
1	CVG517440	BRKT, TRAILER BRAKE PLUG	1	517440
2*	CVG719504	CABLE TIE, BLACK 11 3/4"	2	719504
3	CVG760531	BRAKE CONTROL SYSTEM	1	760531
4	CVG760572	WIRE HARNESS, MVP TRAILER RECPTACLE	1	760572
5*	CVG761148	TOWING SPECS	2	761148
6*	CVG761159	FUSE, 20A, ATC	1	761159
7	CVG781621	WSHR, 5/16, L/W, SPLIT, 18-8, S/S	1	781621
8	CVG782109	KNRL INSERT, 5/16-18, RNG .150"-.312", YWZC	1	782109
9	CVG782708	SCR, #10-32 X 0.75, BSHCS, 18-8, S/S	6	782708
10	CVG782720	SCR, 5/16-18 X 1, HHCS, 18-8, S/S	1	782720
11	CVG782722	WSHR, #10 X 0.438 X 0.031, F/W, 18-8, S/S	6	782722
12	CVG782723	NUT, #10-32, L/N, NYL, NM, 18-8, S/S	6	782723

NOTE: Items with \* in tables indicates parts not shown in drawing.



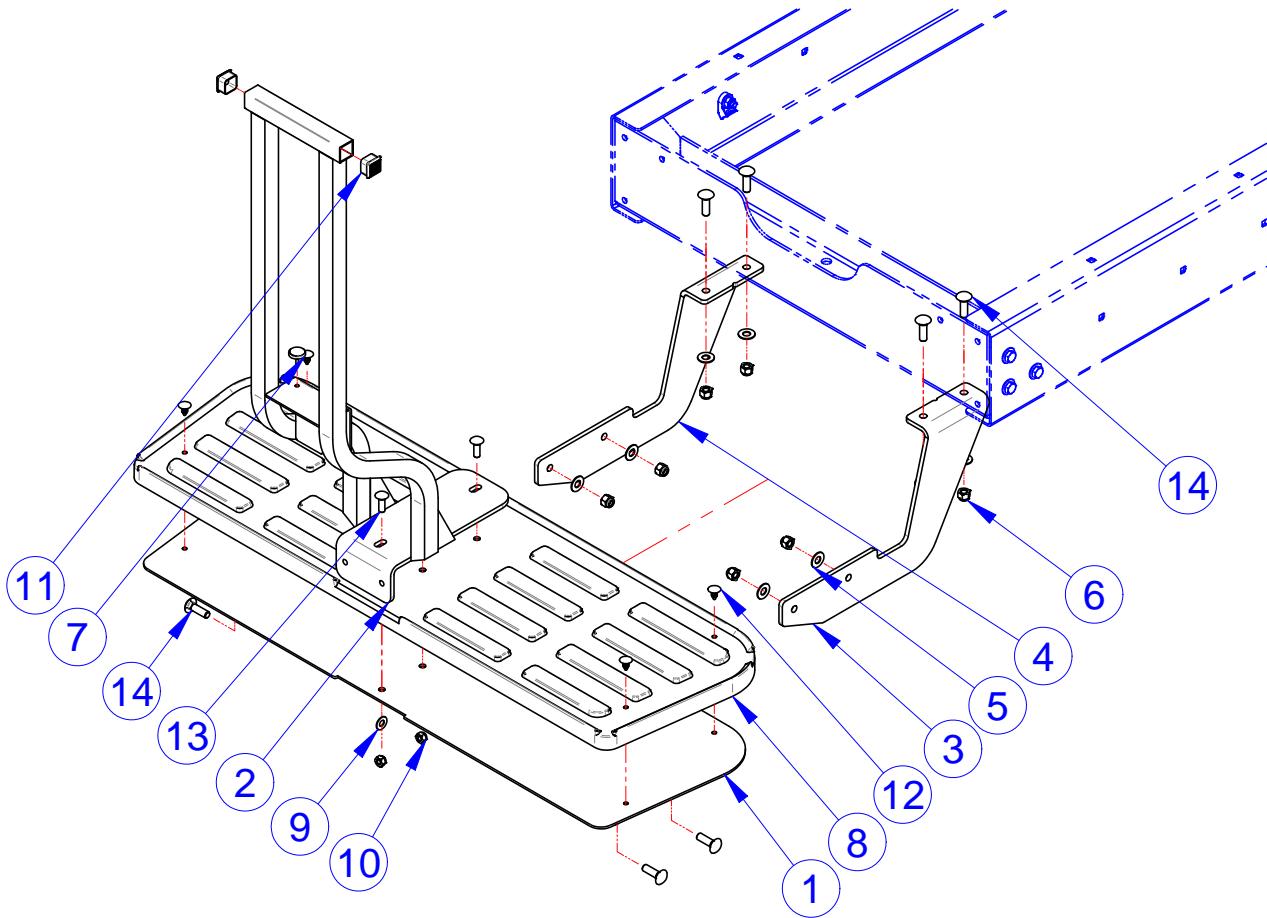
ITEM	CVG PN	DESCRIPTION	QTY	REF #
1	CVG313551TB	WLDMT, SU5-2 REAR BUMPER	1	313551
2	CVG708859	WASHER,3/8,STD,FW,18-8SS	8	708859
3	CVG708860	NUT, 3/8-16, L/N, NYL, NE, 18-8, S/S	4	708860
4	CVG781786	SCR, 3/8-16 X 1, HHCS, 18-8, S/S	4	781786



ITEM	CVG PN	DESCRIPTION	QTY	REF #
1	CVG313765TB	WLDMT, REAR BUMPER, RECEIVER MTG, SU5-2	1	313765
2	CVG708859	WASHER,3/8,STD,FW,18-8SS	4	708859
3	CVG708860	NUT, 3/8-16, L/N, NYL, NE, 18-8, S/S	4	708860
4	CVG782724	SCR, 3/8-16 X 1.25, CARR, 18-8, S/S	4	782724

NOTE: Items with \* in tables indicates parts not shown in drawing.

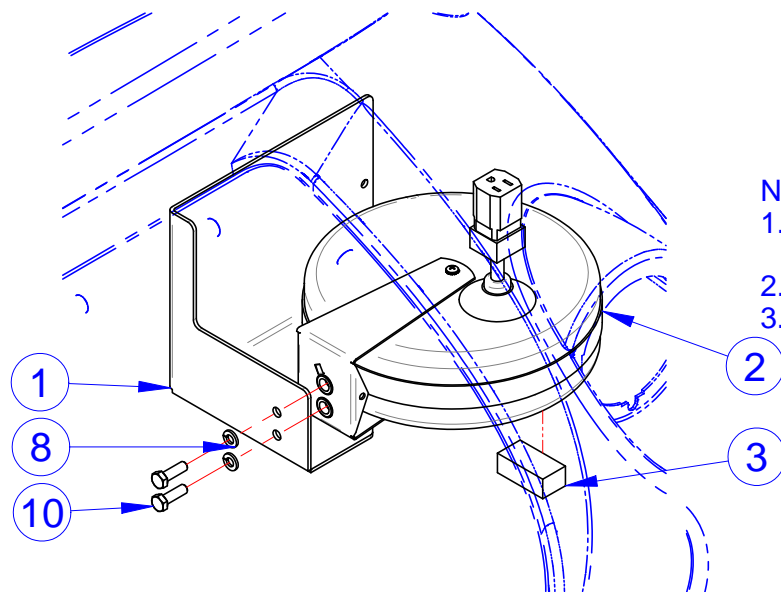
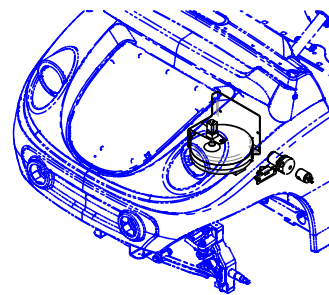
## FOOTREST



ITEM	CVG PN	DESCRIPTION	QTY	REF #
1	CVG313412TB	WLDMT, FOOTREST, SU5-2	1	313412
2	CVG313413TB	WLDMT, HANDRAIL, SU5-2	1	313413EC
3	CVG517008TB	MNT, LH, SU5-2 FOOTREST	1	517008
4	CVG517009TB	MNT, RH, SU5-2 FOOTREST	1	517009
5	CVG708859	WASHER, 3/8, STD, FW, 18-8SS	8	708859
6	CVG708860	NUT, 3/8-16, L/N, NYL, NE, 18-8, S/S	8	708860
7	CVG709011	BUMPER, RUBBER BOOT	2	709011
8	CVG709584	COVER, STBK, FOOTREST	1	709584
9	CVG719375	WSHR, 5/16X0.75X0.040, F/W, 18-8S/S	3	719375
10	CVG719377	NUT, 5/16-18, L/N, NYL, NE, 18-8, S/S	3	719377
11	CVG719526	CAPLUG, FP-165, 1" SQ X .063 WALL	2	719526
12	CVG719926	FASTENER, PUSHPNL, .25 X .6875 X .625	4	719926
13	CVG761292	SCR, 5/16-18X1.0, CARR, 18-8S/S	3	761292
14	CVG782724	SCR, 3/8-16 X 1.25, CARR, 18-8, S/S	8	782724

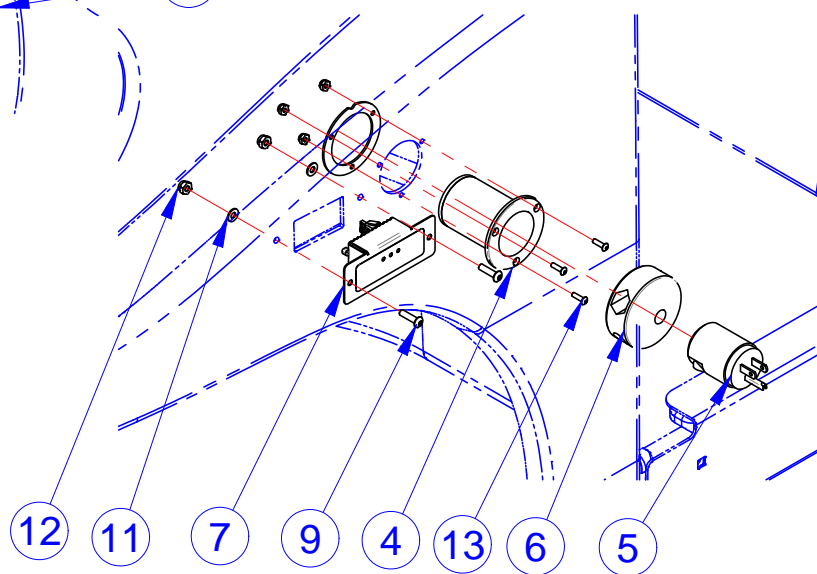
NOTE: Items with \* in tables indicates parts not shown in drawing.

# CHARGING CORD



### NOTES:

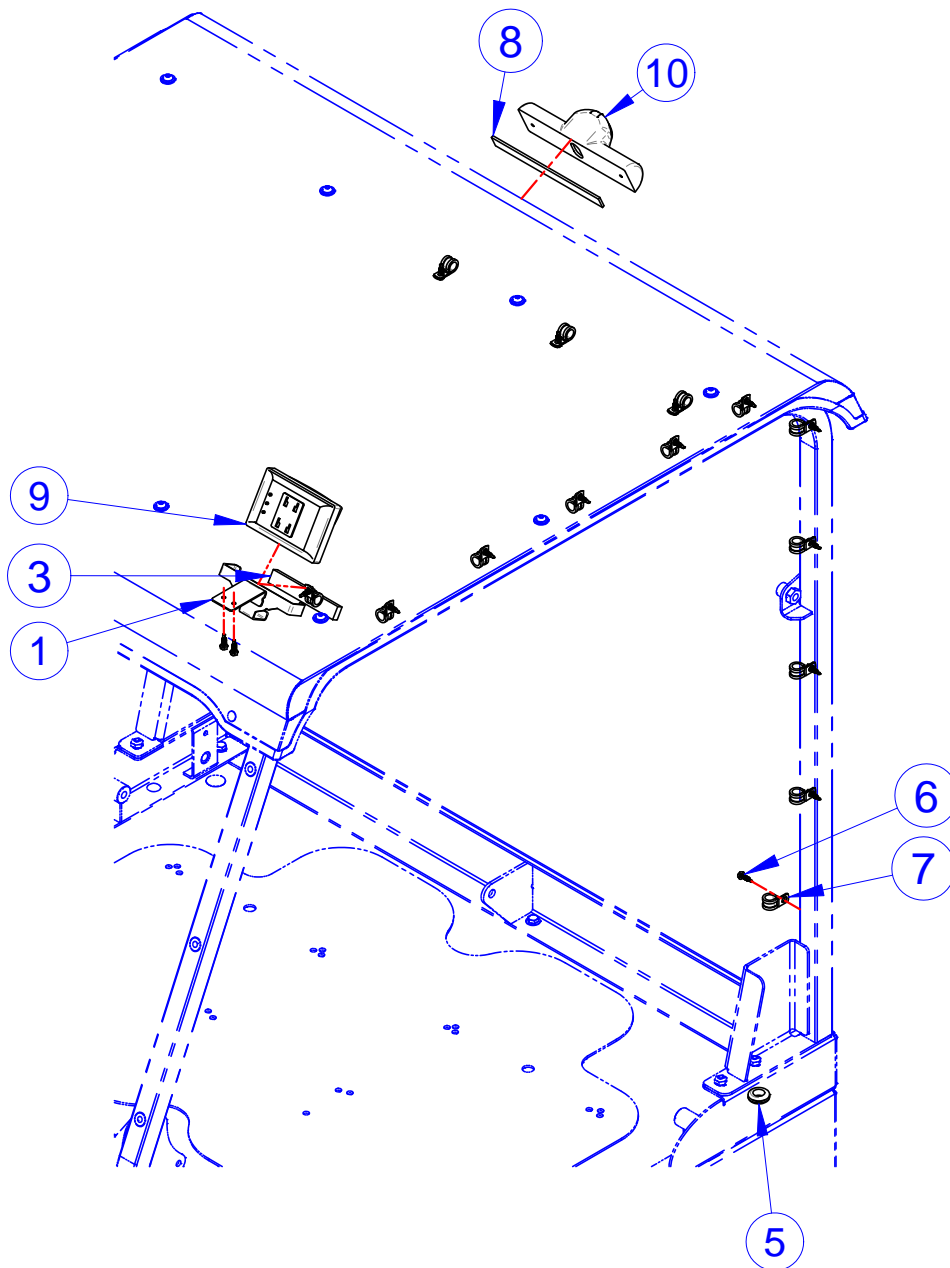
1. USE CORD INCLUDED WITH CHARGER TO CONNECT CORD REEL TO CHARGER
2. REMOVE CAP FROM HOUSING OF 761237
3. INSTALL 761259 2.00" FROM 761239



ITEM	CVG PN	DESCRIPTION	QTY	REF #
1	CVG312809	WLDMT, SU5 CORD REEL BRKT	1	312809
2	CVG468080	ASSY, CORD REEL	1	468080
3	NONE	1"X3/4"X2" FOAM TAPE	1	513383
4	CVG761237	PLUG HOLDER	1	761237
5	CVG761239	PLUG, MALE, 15A	1	761239
6	CVG761259	STOP, CORD REEL	1	761259
7	CVG761294	DISPLAY,REMOTE,LESTER SUMMIT	1	761294
8	CVG781621	WSHR, 5/16, L/W, SPLIT, 18-8, S/S	2	781621
9	CVG782708	SCR, #10-32 X 0.75, BSHCS, 18-8, S/S	6	782708
10	CVG782720	SCR, 5/16-18 X 1, HHCS, 18-8, S/S	2	782720
11	CVG782722	WSHR, #10 X 0.438 X 0.031, F/W, 18-8, S/S	8	782722
12	CVG782723	NUT, #10-32, L/N, NYL, NM, 18-8, S/S	6	782723
13	CVG782744	SCR, #6-32 X 0.5, BSHCS, 18-8, S/S	3	782744

NOTE: Items with \* in tables indicates parts not shown in drawing.

## REAR VISIBILITY CAMERA



ITEM	CVG PN	DESCRIPTION	QTY	REF #
1	CVG314534TB	WLDMT, REAR-VIEW DISPLAY, SU	1	314534
2*	CVG468263	HARNESS, REAR-VIEW CAMERA, SU	1	468263
3	NONE	FOAM TAPE, 3/8" X 3/4"	1	709615
4*	NONE	LOOM, .625"XSLIT,POLY,BLACK	3	719433
5	CVG719529	GROMMET, 5/8X1-1/8X3/8 1/8GR	1	719529
6	CVG719583	SCREW,10-16X3/4,HWH,TEK,MAG525	16	719583
7	CVG719602	CLAMP, 1/2" BLACK NYLON HEYCO 3358	14	719602
8	CVG760694	FOAM TAPE, 1/8" X 3/4"	1	760694
9	CVG761767	REAR-VIEW DISPLAY, 5" HD	1	761767
10	CVG761768	ASSY, BRAKE LIGHT / CAMERA	1	761768

NOTE: Items with \* in tables indicates parts not shown in drawing.

NOTE: Items with \* in tables indicates parts not shown in drawing.

*Columbia Vehicle Group, Inc.*

A Nordic Group Company | Business Ventures Since 1947



**COLUMBIA**



**TOMBERLIN**