



COLUMBIA

PAYLOADER

PARTS MANUAL OCTOBER 2018



Columbia Vehicle Group, Inc.
A Nordic Group Company | Business Ventures Since 1947



PREFACE

Welcome, and congratulations on your choice of vehicle from Columbia Vehicle Group! Your vehicle has been designed and manufactured to conform to applicable sections of ANSI B56.8. Your safe use and operation of your vehicle is important to us. Any alteration of your Columbia vehicle that results in the vehicle being in noncompliance with applicable ANSI standards is strictly prohibited. Columbia Vehicle Group is not responsible or liable for any damage that results from any such alteration, and all warranties for any such altered vehicles are null and void.

Personal Transport Vehicles (PTV) are not designed for over-the-road use. They do not conform to Federal Motor Vehicle Safety Standards or EPA regulations, and are not equipped for operation on public streets, roads, or highways.

Low Speed Vehicles (LSV) commonly referred to as NEV or Neighborhood Electric Vehicles meet the requirements of the National Highway Traffic & Safety Administration (NHTSA) as stated in the Code of Federal Regulations, Title 49, Part 571, Standard 500, Low Speed Vehicles.

To the best knowledge of Columbia Vehicle Group, the material contained herein is accurate as of the date this publication was approved for printing. Columbia Vehicle Group is not liable for errors in this manual or for incidental or consequential damages that result from the use of the material in this manual. Columbia Vehicle Group reserves the right to change specifications, equipment or designs at any time without notice and without incurring obligation.

This manual contains proprietary information that is protected by copyright. All rights are reserved. No part of this manual may be photocopied, reproduced, or translated to another language without the written consent of Columbia Vehicle Group. Columbia Vehicle Group products are manufactured under one or more of the following U.S. Patents - 2986162, 2987934, 3116089, 3144631, 3144860, 3229792, 3434887, 3559773, 3673359, 3680403, 3683716, 3709317, 4648473, Des. 225626.



Table of Contents

**Section
Tab**

Page

SECTION 1 BRAKES

1.01 7

Pedal Accelerator

1.02 8

Hydraulic Brake Components

1.03 9

Parking Brake

1.04 14

Handbrake

1.05 18

Front Brake Hub

1.06 20

Rear Brake Hub

1.07 21

Rear Brake

1.09 22

SECTION 2 FRONT SUSPENSION / STEERING

2.01 24

Front Suspension

2.02 25

Front Axle

2.03 27

Front Suspension Springs

2.04 29

Front Axle Assembly

2.05 30

Front Axle Steering

2.06 31

Steering Column Assembly

2.07 34

Steering Wheel

2.08 35

SECTION 3 REAR SUSPENSION / DRIVE TRAIN

3.01 39

Axle Shaft Components

3.02 40

Axle Gearbox Components

3.03 43

48V Motor

3.05 44

5KW Motor

3.04 45

8KW Motor

3.05 46

Rear Suspension Springs

3.06 47

SECTION 4 WHEELS

4.01 54

Wheels

4.02 55

SECTION 5 BODY

5.01 57

Cab

5.02 58

Cab Doors

5.03 61

Deck Cover

5.04 66

Bucket Seats

5.05 69

Cab Armrests	5.06	70
Folding Seat	5.07	71
Bench Seat	5.08	72
Seat Board	5.09	73
Seat Belts	5.10	74
Reflectors	5.11	75
Grip Mat	5.12	76
SECTION 6 ELECTRICAL	6.01	78
Speedometer	6.02	79
Non-Removable Key	6.03	80
Horn	6.04	81
Horn Switch	6.05	82
Lights	6.06	83
Charger Cord With Cleat	6.07	84
DC Panel	6.08	85
DC Control	6.09	86
AC Control	6.10	87
36V Charger	6.11	89
48V Charger	6.12	92
12V Power Outlet	6.13	97
Battery Watering System	6.14	98
36V Battery Tray	6.15	99
48V Battery Tray	6.16	100
Power Switch A	6.17	101
Power System	6.18	102
48V US2200 Batteries	6.19	105
48V Battery 12NXS186	6.20	106
48V Battery Hardware	6.21	107
DC/DC Converter	6.22	108
DC Control Channel Mount	6.23	109
SECTION 7 ACCESSORIES	7.01	111
Hitch Mounting Plate	7.02	112
Pintle Hitch	7.03	113
Ball-less Hitch	7.04	114
1 7/8" Ball	7.05	115
2" Ball	7.06	116
Front Reciever Hitch	7.07	117
Rear Hitch Receivers	7.08	118
5 Panel Rear View Mirriors	7.09	119
Side View Mirrors	7.10	121
Strobe Light	7.11	122
Cargo Van	7.12	126

Rear Fenders	7.13	127
Dome Light	7.14	128
UTX30 Scissor Lift	7.15	130
Dump Bed	7.16	131
Windshield Wiper	7.17	135
Heater/Blower	7.18	137
Overhead Rack, Cab	7.19	138
Rack, Full Top	7.20	140
Operator Top	7.21	143
Rack, Operator Top	7.22	144
Full Top	7.23	146
Steel Bulkhead	7.24	147
Folding Sides	7.25	149
Steel Wrapped Deck Board	7.26	154
Deluxe Lights & Horn	7.27	155
12V Power Outlet	7.28	156
Tinted Acrylic Windshield	7.30	157
Transfer Stand	7.31	158



NOTE: Items with * in tables indicates parts not shown in drawing

Columbia Vehicle Group, Inc.

A Nordic Group Company | Business Ventures Since 1947



COLUMBIA



TOMBERLIN



COLUMBIA

PAYLOADER

PARTS MANUAL SECTION 1

BRAKES

Columbia Vehicle Group, Inc.

A Nordic Group Company | Business Ventures Since 1947

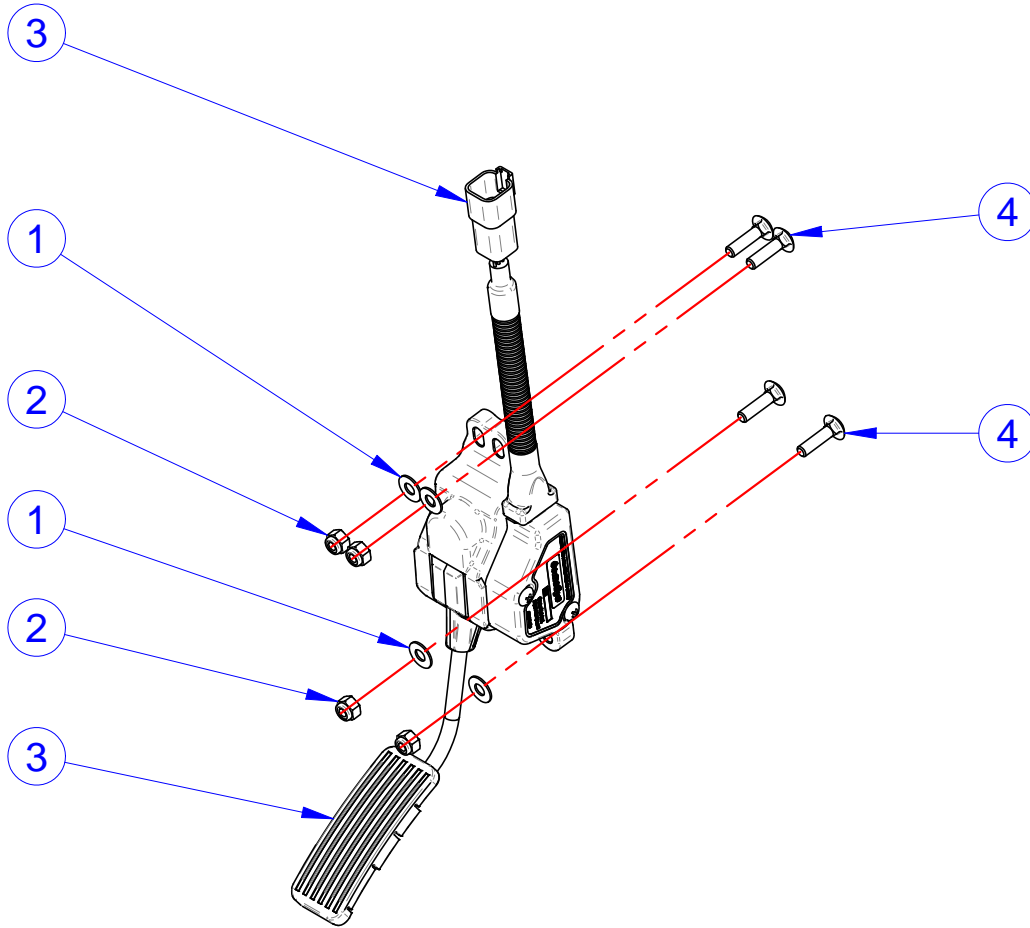


COLUMBIA



TOMBERLIN

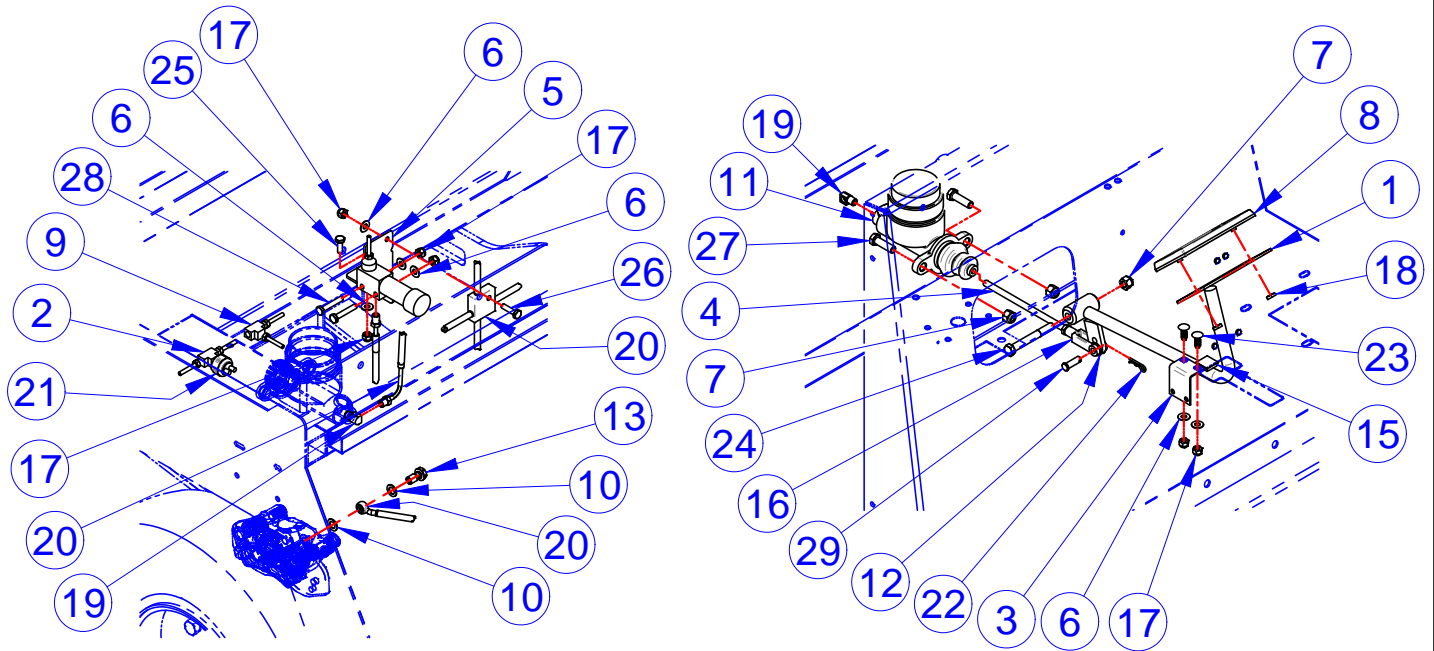
PEDAL ACCELERATOR



ITEM	CVG PN	DESCRIPTION	QTY	REF #
1	CVG708511	WASHER, FLAT, 1/4", 18-8SS	4	708511
2	CVG719876	NUT, 1/4-20, L/N, NYL, NE, 316, S/S	4	719876
3	CVG760635	PEDAL ASSY, ACCEL	1	760635
4	CVG782803	SCREW, 1/4-20X1, CARR, 18-8 SS	4	782803

NOTE: Items with * in tables indicates parts not shown in drawing

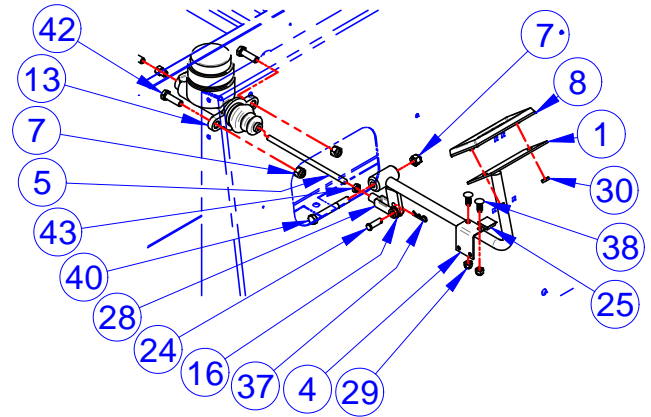
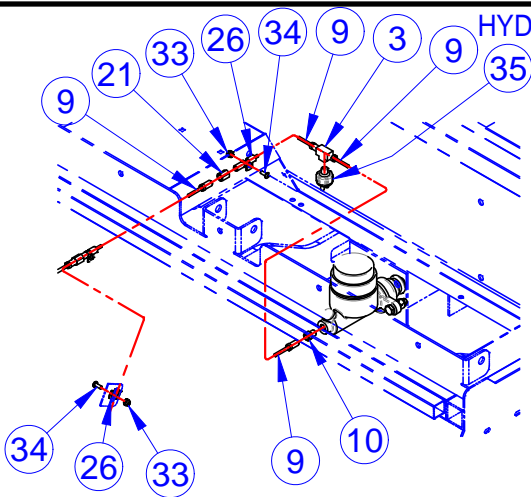
HYDRAULIC BRAKE COMPONENTS-2XL



ITEM	CVG PN	DESCRIPTION	QTY	REF #
1	CVG310828	WLDMT, BC BRAKE PEDAL	1	310828
2	CVG508959	CONNECTOR, 3-WAY SWITCH	1	508959
3	CVG510372	BRAKE SPR RETURN MTG. BRKT.	1	510372
4	CVG510408	ROD - LEVER ASSY TO MASTER CYLINDER	1	510408
5	CVG516897	BC BRAKE BRKT	1	516897
6	CVG708511	WASHER, FLAT, 1/4", 18-8SS	4	708511
7	CVG708860	NUT, 3/8-16, L/N, NYL, NE, 18-8, S/S	3	708860
8	CVG709048	PAD, BRAKE PEDAL "STOP"	1	709048
9	CVG709377	UNION TEE, 3/16", HYD BRAKE TUBE	1	709377
10	CVG709387	GASKET-BRAKE FITTING, COPPER	4	709387
11	CVG709780	MASTER CYLINDER, BC	1	709780
12	CVG719375	WSHR, 5/16X0.75X0.040, F/W, 18-8S/S	2	719375
13	CVG719423	BOLT, BANJO, M10 X 1.25 X 20 MM	2	719423
14	CVG719709	PIN, 5/16X1, CLEVIS, ZC	1	719709
15	CVG719738	BUMPER BLACK 3M#SJ5023	1	719738
16	CVG719852	CLEVIS, #52, 5/16-24, ADJ YOKE END, ZC	1	719852
17	CVG719876	NUT, 1/4-20, L/N, NYL, NE, 316, S/S	6	719876
18	CVG719922	NUT SELF-THR BLK ZINC PALNUT SR250	2	719922
19	CVG729907	ELBOW, #402X3, HEAVY WALL, MALE	1	729907
20	CVG761262	HARNESS, BRAKE, FRONT, SU5	1	761262
21	CVG761789	SWITCH, BRAKE LIGHT, HYD	1	761789
22	CVG781700	HAIR PIN CLIP, #13, SS	1	781700
23	CVG781739	SCR, 1/4-20 X 0.75, CARR, 18-8, S/S	2	781739
24	CVG782713	SCR, 3/8-16 X 3, HHCS, 18-8, S/S	1	782713
25	CVG782784	SCREW, 1/4-20X3/4, HHCS, 18-8SS	1	782784
26	CVG782785	SCREW, 1/4-20X1.0, HHCS, 18-8SS	1	782785
27	CVG782787	SCREW, 3/8-16X1.25, HHCS, 18-8SS	2	782787
28	CVG782792	SCREW, 1/4-20 X 1 1/2" HEX CAP SS 18-S	2	782792

NOTE: Items with * in tables indicates parts not shown in drawing

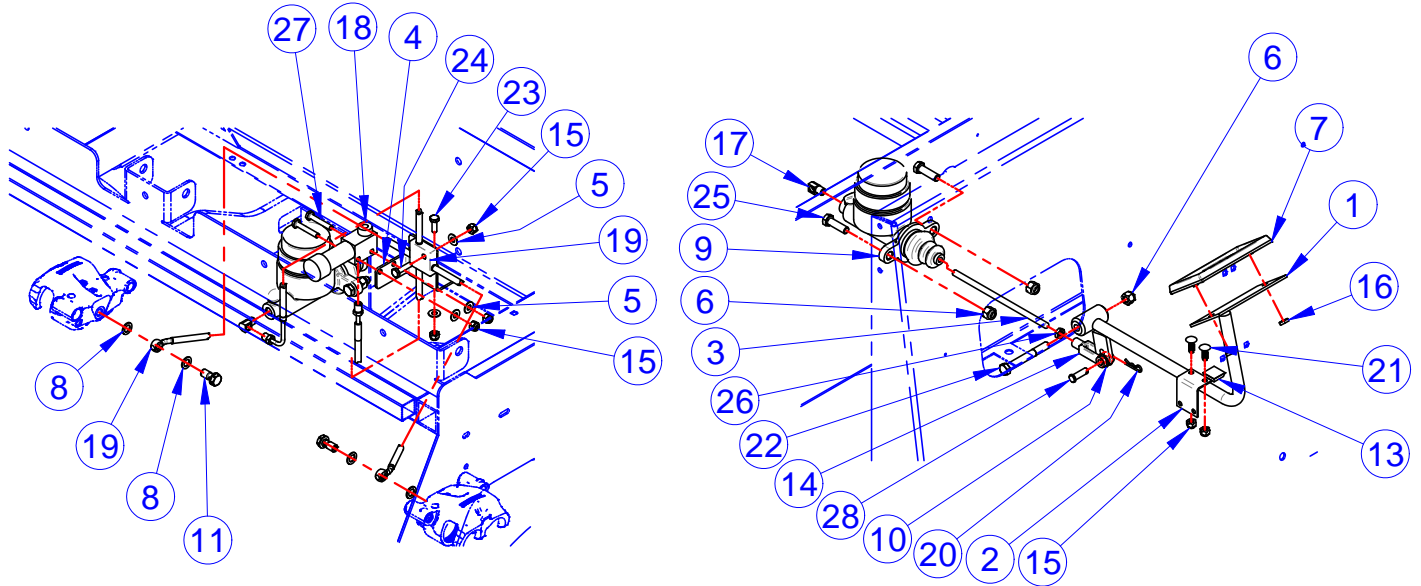
HYDRAULIC BRAKE COMPONENTS-4X



ITEM	CVG PN	DESCRIPTION	QTY	REF #
1	CVG310828	WLDMT, BC BRAKE PEDAL	1	310828
2*	CVG467344	ASM, CHARGER INTERLOCK EXTENSION	1	467344
3	CVG508959	CONNECTOR, 3-WAY SWITCH	1	508959
4	CVG510372	BRAKE SPR RETURN MTG. BRKT.	1	510372
5	CVG510408	ROD - LEVER ASSY TO MASTER CYLINDER	1	510408
6*	CVG708511	WASHER, FLAT, 1/4", 18-8SS	2	708511
7	CVG708860	NUT, 3/8-16, L/N, NYL, NE, 18-8, S/S	3	708860
8	CVG709048	PAD, BRAKE PEDAL "STOP"	1	709048
9	CVG709607	BRAKE LINE, 3/16 X 12	3	709607
10	CVG709618	CONNECTOR, BRASS, 3-1/2 MALE	1	709618
11*	CVG709727	BRAKE LINE, 3/16 X 60	1	709727
12*	CVG709745	SPRING, BRAKE RETURN, 3/4X5	1	709745
13	CVG709780	MASTER CYLINDER, BC	1	709780
14*	NONE	BRAKE FLUID, DOT 3	0.1	719056
15*	CVG719355	MOLDING, BLACK	1	719355
16	CVG719375	WSHR, 5/16X0.75X0.040, F/W, 18-8S/S	2	719375
17*	CVG719433	LOOM, .625" XSLIT, POLY, BLACK	1	719433
18*	CVG719504	CABLE TIE, BLACK, .18X11-3/4, STD, 50LB	19	719504
19*	CVG719516	E-RING, .625 PHOS	1	719516
20*	CVG719523	GROMMET, 1-1/2" ID, 3/16" X 1-3/4" HOLE	2	719523
21	CVG719657	FLARE, UNION INVERTED 3/16	2	719657
22*	NONE	WIRE, 10GA, BLACK	7	719690
23*	NONE	WIRE, 10GA, RED	3.5	719691
24	CVG719709	PIN, 5/16X1, CLEVIS, ZC	1	719709
25	CVG719738	BUMPER BLACK 3M#SJ5023	1	719738
26	CVG719756	CLAMP, 1/4", STL TUBE, VINYL CUSHION	6	719756
27*	CVG719831	TERMINAL 16/14 INS .156 FEM BULLET	2	719831
28	CVG719852	CLEVIS, #52, 5/16-24, ADJ YOKE END, ZC	1	719852
29	CVG719876	NUT, 1/4-20, L/N, NYL, NE, 316, S/S	4	719876
30	CVG719922	NUT SELF-THR BLK ZINC PALNUT SR250	2	719922
31*	NONE	BUTT SPLICE 12/10	5	719963
32*	CVG719971	TERMINAL, 12/10GA, 3/8 RING	1	719971
33	CVG761631	NUT, #10-24 GRD 18-8 NM SS NYLOCK	6	761631
34	CVG761632	SCREW, #10-24X1/2" PPH GRD 18-8 SS	6	761632
35	CVG761789	SWITCH, BRAKE LIGHT, HYD	1	761789
36*	CVG781502	PLUG, 1-1/2" SQ X 11GA	4	781502
37	CVG781700	HAIR PIN CLIP, #13, SS	1	781700
38	CVG781739	SCR, 1/4-20 X 0.75, CARR, 18-8, S/S	2	781739
39*	CVG782210	CLAMP, 3/8, STL TUBE, VINYL CUSHION	2	782210
40	CVG782713	SCR, 3/8-16 X 3, HHCS, 18-8, S/S	1	782713
41*	CVG782784	SCREW, 1/4-20X3/4, HHCS, 18-8SS	2	782784
42	CVG782787	SCREW, 3/8-16X1.25, HHCS, 18-8SS	2	782787
43	CVG782790	NUT, 5/16-24, JAM, 18-8SS	1	782790

NOTE: Items with * in tables indicates parts not shown in drawing

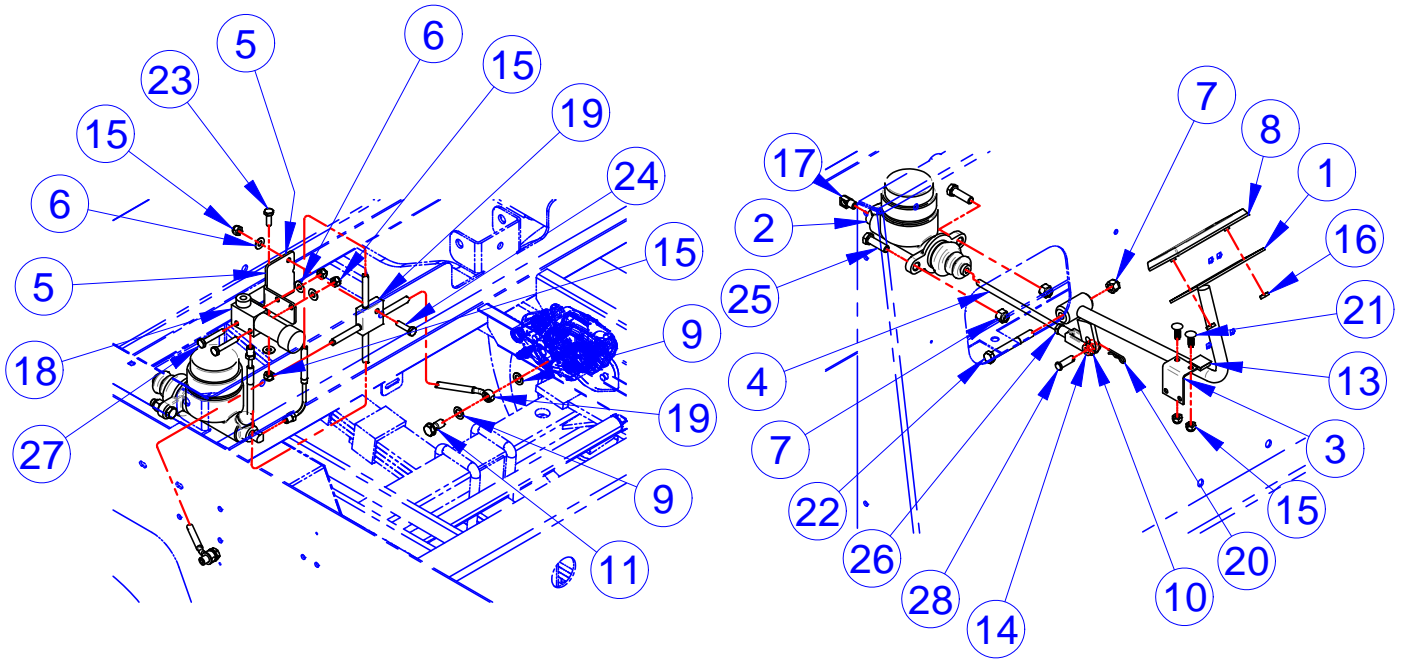
HYDRAULIC BRAKE COMPONENTS-4X



ITEM	CVG PN	DESCRIPTION	QTY	REF #
1	CVG310828	WLDMT, BC BRAKE PEDAL	1	310828
2	CVG510372	BRAKE SPR RETURN MTG. BRKT.	1	510372
3	CVG510408	ROD - LEVER ASSY TO MASTER CYLINDER	1	510408
4	CVG516897	BC BRAKE BRKT	1	516897
5	CVG708511	WASHER, FLAT, 1/4", 18-8SS	4	708511
6	CVG708860	NUT, 3/8-16, L/N, NYL, NE, 18-8, S/S	3	708860
7	CVG709048	PAD, BRAKE PEDAL "STOP"	1	709048
8	CVG709387	GASKET-BRAKE FITTING, COPPER	4	709387
9	CVG709780	MASTER CYLINDER, BC	1	709780
10	CVG719375	WSHR, 5/16X0.75X0.040, F/W, 18-8S/S	2	719375
11	CVG719423	BOLT, BANJO, M10 X 1.25 X 20 MM	2	719423
12	CVG719709	PIN, 5/16X1, CLEVIS, ZC	1	719709
13	CVG719738	BUMPER BLACK 3M#SJ5023	1	719738
14	CVG719852	CLEVIS, #52, 5/16-24, ADJ YOKE END, ZC	1	719852
15	CVG719876	NUT, 1/4-20, L/N, NYL, NE, 316, S/S	6	719876
16	CVG719922	NUT SELF-THR BLK ZINC PALNUT SR250	2	719922
17	CVG729907	ELBOW, #402X3, HEAVY WALL, MALE	1	729907
18	CVG761056	VALVE, PROPORTIONING, BRAKE	1	761056
19	CVG761262	HARNES, BRAKE, FRONT, SU5	1	761262
20	CVG781700	HAIR PIN CLIP, #13, SS	1	781700
21	CVG781739	SCR, 1/4-20 X 0.75, CARR, 18-8, S/S	2	781739
22	CVG782713	SCR, 3/8-16 X 3, HHCS, 18-8, S/S	1	782713
23	CVG782784	SCREW, 1/4-20X3/4, HHCS, 18-8SS	1	782784
24	CVG782785	SCREW, 1/4-20X1.0, HHCS, 18-8SS	1	782785
25	CVG782787	SCREW, 3/8-16X1.25, HHCS, 18-8SS	2	782787
26	CVG782790	NUT, 5/16-24, JAM, 18-8SS	1	782790
27	CVG782792	SCREW, 1/4-20 X 1 1/2" HEX CAP SS 18-S	2	782792

NOTE: Items with * in tables indicates parts not shown in drawing

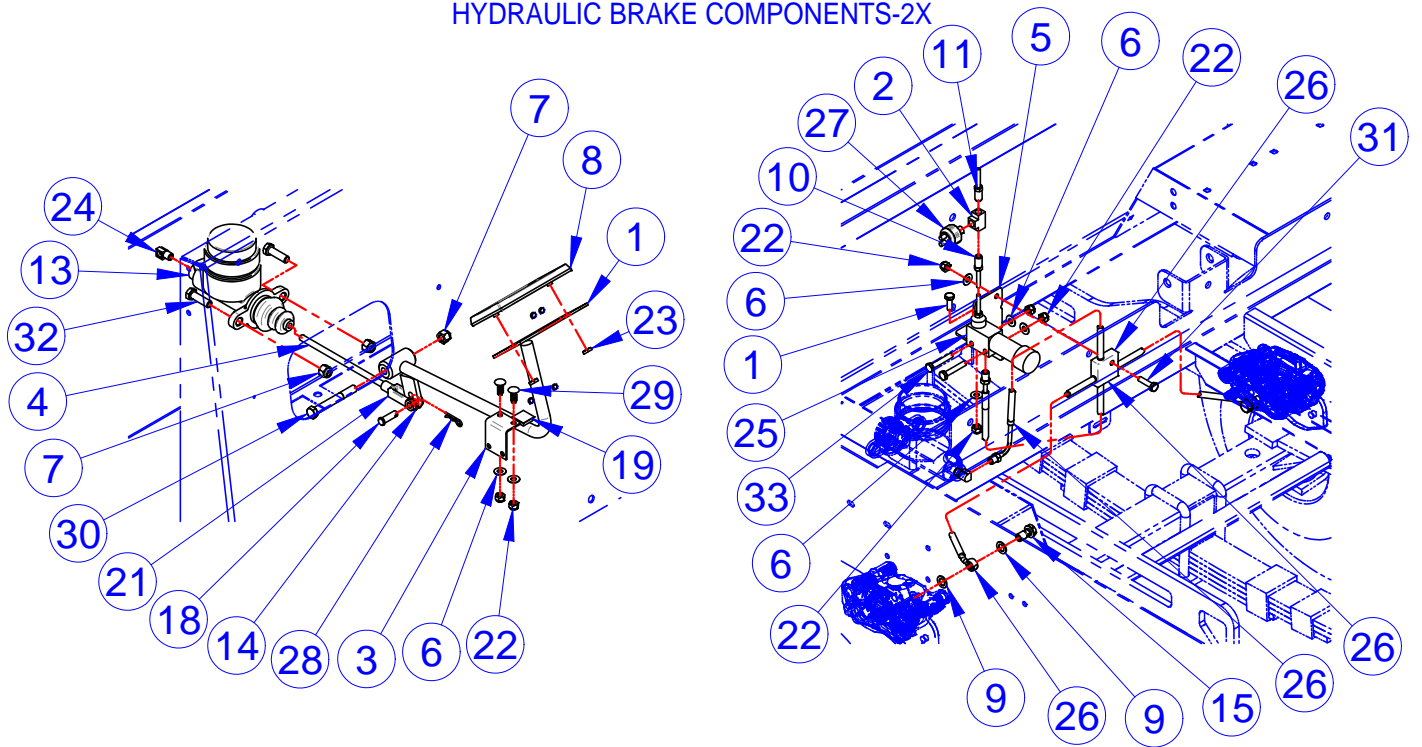
HYDRAULIC BRAKE COMPONENTS-2XL



ITEM	CVG PN	DESCRIPTION	QTY	REF #
1	CVG310828	WLDMT, BC BRAKE PEDAL	1	310828
2	CVG468123	P&A BC4 MASTER CYLINDER	1	468123
3	CVG510372	BRAKE SPR RETURN MTG. BRKT.	1	510372
4	CVG510408	ROD - LEVER ASSY TO MASTER CYLINDER	1	510408
5	CVG516897	BC BRAKE BRKT	1	516897
6	CVG708511	WASHER, FLAT, 1/4", 18-8SS	2	708511
7	CVG708860	NUT, 3/8-16, L/N, NYL, NE, 18-8, S/S	3	708860
8	CVG709048	PAD, BRAKE PEDAL "STOP"	1	709048
9	CVG709387	GASKET-BRAKE FITTING, COPPER	4	709387
10	CVG719375	WSHR, 5/16X0.750X0.040, F/W, 18-8S/S	2	719375
11	CVG719423	BOLT, BANJO, M10 X 1.25 X 20 MM	2	719423
12	CVG719709	PIN, 5/16X1, CLEVIS, ZC	1	719709
13	CVG719738	BUMPER BLACK 3M#SJ5023	1	719738
14	CVG719852	CLEVIS, #52, 5/16-24, ADJ YOKE END, ZC	1	719852
15	CVG719876	NUT, 1/4-20, L/N, NYL, NE, 316, S/S	6	719876
16	CVG719922	NUT SELF-THR BLK ZINC PALNUT SR250	2	719922
17	CVG729907	ELBOW, #402X3, HEAVY WALL, MALE	1	729907
18	CVG761056	VALVE, PROPORTIONING, BRAKE	1	761056
19	CVG761262	HARNES, BRAKE, FRONT, SU5	1	761262
20	CVG781700	HAIR PIN CLIP, #13, SS	1	781700
21	CVG781739	SCR, 1/4-20 X 0.75, CARR, 18-8, S/S	2	781739
22	CVG782713	SCR, 3/8-16 X 3, HHCS, 18-8, S/S	1	782713
23	CVG782784	SCREW, 1/4-20X3/4, HHCS, 18-8SS	1	782784
24	CVG782785	SCREW, 1/4-20X1.0, HHCS, 18-8SS	1	782785
25	CVG782787	SCREW, 3/8-16X1.25, HHCS, 18-8SS	2	782787
26	CVG782790	NUT, 5/16-24, JAM, 18-8SS	1	782790
27	CVG782792	SCREW, 1/4-20 X 1 1/2" HEX CAP SS 18-S	2	782792

NOTE: Items with * in tables indicates parts not shown in drawing

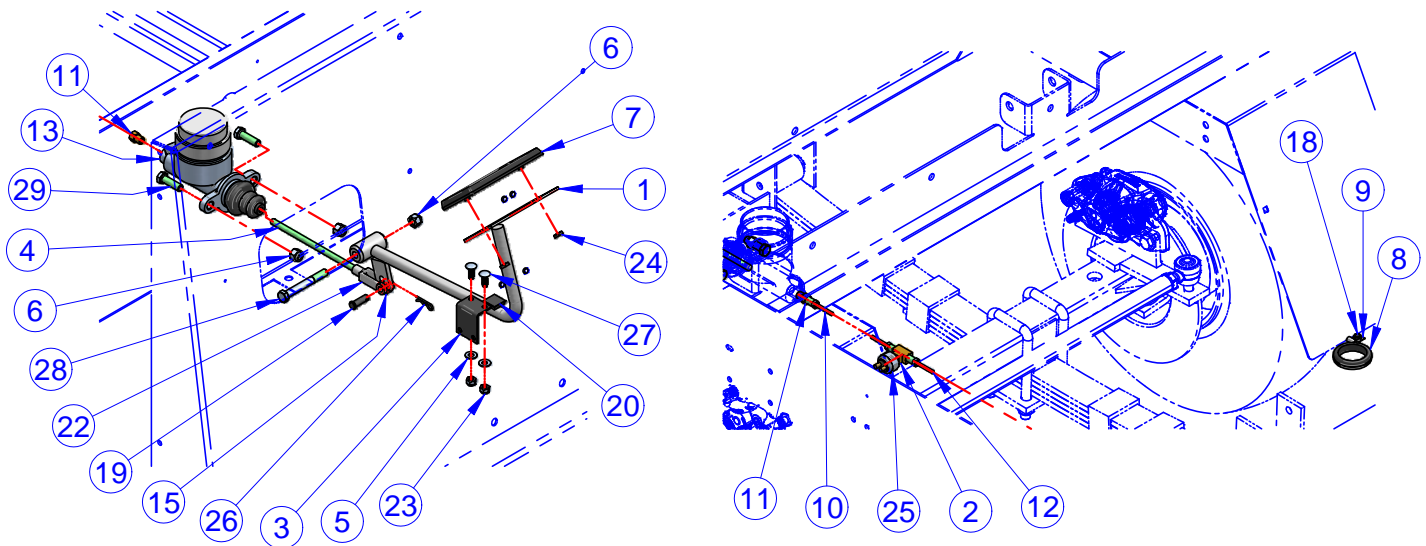
HYDRAULIC BRAKE COMPONENTS-2X



ITEM	CVG PN	DESCRIPTION	QTY	REF #
1	CVG310828	WLDMT, BC BRAKE PEDAL	1	310828
2	CVG508959	CONNECTOR, 3-WAY SWITCH	1	508959
3	CVG510372	BRAKE SPR RETURN MTG. BRKT.	1	510372
4	CVG510408	ROD - LEVER ASSYTO MASTER CYLINDER	1	510408
5	CVG516897	BC BRAKE BRKT	1	516897
6	CVG708511	WASHER, FLAT, 1/4", 18-8SS	6	708511
7	CVG708860	NUT, 3/8-16, L/N, NYL, NE, 18-8, S/S	3	708860
8	CVG709048	PAD, BRAKE PEDAL "STOP"	1	709048
9	CVG709387	GASKET-BRAKE FITTING, COPPER	4	709387
10	CVG709607	BRAKE LINE, 3/16 X 12	1	709607
11	CVG709727	BRAKE LINE, 3/16 X 60	1	709727
12*	CVG709745	SPRING, BRAKE RETURN, 3/4X5	1	709745
13	CVG709780	MASTER CYLINDER, BC	1	709780
14	CVG719375	WSHR,5/16X0.750X0.040,F/W,18-8S/S	2	719375
15	CVG719423	BOLT, BANJO, M10 X 1.25 X 20 MM	2	719423
16*	CVG719516	E-RING, .625 PHOS	2	719516
17*	CVG719523	GROMMET, 1-1/2"ID, 3/16"X1-3/4" HOLE	2	719523
18	CVG719709	PIN, 5/16 X 1, CLEVIS, MAGNI 525	1	719709
19	CVG719738	BUMPER BLACK 3M#SJ5023	1	719738
20*	N/A	TERMINAL 16/14 INS .156 FEM BULLET	2	719831
21	CVG719852	CLEVIS,#52,5/16-24,ADJ YOKE END,ZC	1	719852
22	CVG719876	NUT, 1/4-20, L/N, NYL, NE, 316, S/S	6	719876
23	CVG719922	NUT SELF-THR BLK ZINC PALNUT SR250	2	719922
24	CVG729907	ELBOW,#402X3,HEAVY WALL,MALE	1	729907
25	CVG761056	VALVE, PROPORTIONING,BRAKE	1	761056
26	CVG761262	HARNESS, BRAKE, FRONT, SU5	1	761262
27	CVG761789	SWITCH, BRAKE LIGHT, HYD	1	761789
28	CVG781700	HAIR PIN CLIP,#13,SS	1	781700
29	CVG781739	SCR, 1/4-20 X 0.75, CARR, 18-8, S/S	2	781739
30	CVG782713	SCR, 3/8-16 X 3, HHCS, 18-8, S/S	1	782713
31	CVG782785	SCREW,1/4-20X1.0,HHCS,18-8SS	1	782785
32	CVG782787	SCREW,3/8-16X1.25,HHCS,18-8SS	2	782787
33	CVG782792	SCREW, 1/4-20 X 1 1/2" HEX CAP SS 18-S	2	782792

NOTE: Items with * in tables indicates parts not shown in drawing

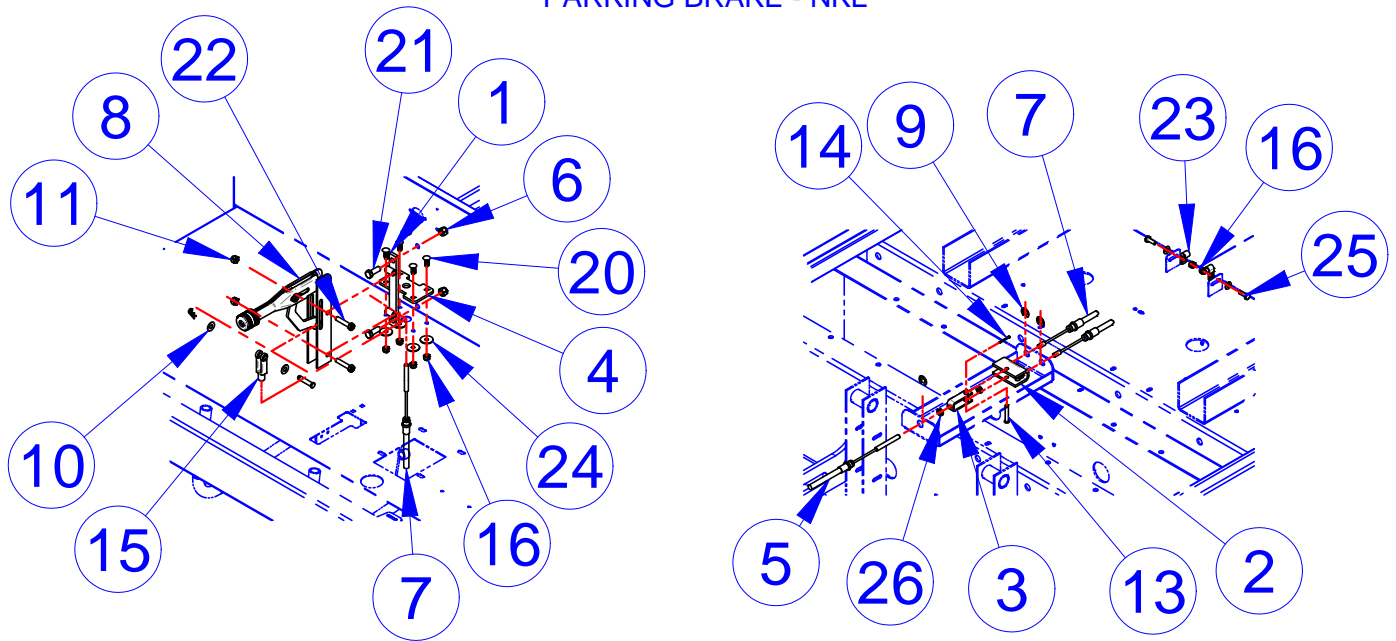
REAR BRAKES



ITEM	CVG PN	DESCRIPTION	QTY	REF #
1	CVG310828	WLDMT, BC BRAKE PEDAL	1	310828
2	CVG508959	CONNECTOR, 3-WAY SWITCH	1	508959
3	CVG510372	BRAKE SPR RETURN MTG. BRKT.	1	510372
4	CVG510408	ROD - LEVER ASSY TO MASTER CYLINDER	1	510408
5	CVG708511	WASHER, FLAT, 1/4", 18-8SS	2	708511
6	CVG708860	NUT, 3/8-16, L/N, NYL, NE, 18-8, S/S	3	708860
7	CVG709048	PAD, BRAKE PEDAL "STOP"	1	709048
8	CVG709346	GROMMET, 1-1/2"ID, 1/16"X1-3/4" HOLE	2	709346
9	CVG709409	PIPE STRAP	2	709409
10	CVG709601	BRAKE LINE, 3/16 X 8	1	709601
11	CVG709618	CONNECTOR, BRASS, 3-1/2 MALE	1	709618
12	CVG709727	BRAKE LINE, 3/16 X 60	1	709727
13	CVG709780	MASTER CYLINDER, BC	1	709780
14*	NONE	BRAKE FLUID, DOT 3	0.08	719056
15	CVG719375	WSHR, 5/16X0.750X0.040, F/W, 18-8S/S	2	719375
16*	CVG719516	E-RING, .625 PHOS	1	719516
17*	CVG719523	GROMMET, 1-1/2"ID, 3/16"X1-3/4" HOLE	2	719523
18	CVG719583	SCREW, 10-16X3/4, HWH, TEK, MAG525	2	719583
19	CVG719709	PIN, 5/16 X 1, CLEVIS, MAGNI 525	1	719709
20	CVG719738	BUMPER BLACK 3M#SJ5023	1	719738
21*	N/A	TERMINAL 16/14 INS .156 FEM BULLET	2	719831
22	CVG719852	CLEVIS, #52, 5/16-24, ADJ YOKE END, ZC	1	719852
23	CVG719876	NUT, 1/4-20, L/N, NYL, NE, 316, S/S	2	719876
24	CVG719922	NUT SELF-THR BLK ZINC PALNUT SR250	2	719922
25	CVG761789	SWITCH, BRAKE LIGHT, HYD	1	761789
26	CVG781700	HAIR PIN CLIP, #13, SS	1	781700
27	CVG781739	SCR, 1/4-20 X 0.75, CARR, 18-8, S/S	2	781739
28	CVG782713	SCR, 3/8-16 X 3, HHCS, 18-8, S/S	1	782713
29	CVG782787	SCREW, 3/8-16X1.25, HHCS, 18-8SS	2	782787

NOTE: Items with * in tables indicates parts not shown in drawing

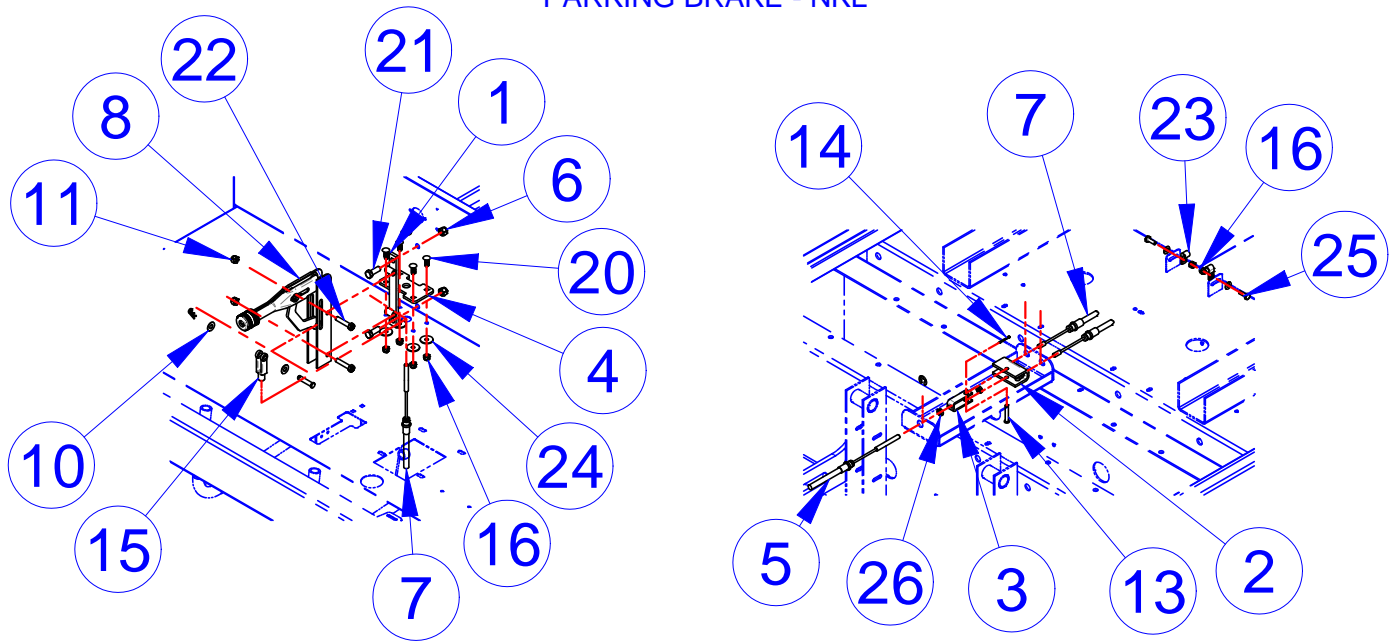
PARKING BRAKE - NKL



ITEM	CVG PN	DESCRIPTION	QTY	REF #
1	CVG306105	HAND BRAKE MTG. BRKT. ASSY.	1	306105
2	CVG509154	PLATED, BRAKE EQUALIZER	1	509154PL
3	CVG509240	CLEVIS-535	1	509240
4	CVG516714	BC PRK BRK PLATE	1	516714
5*	CVG708511	WASHER, FLAT, 1/4", 18-8SS	2	708511
6	CVG708860	NUT, 3/8-16, L/N, NYL, NE, 18-8, S/S	2	708860
7	CVG709375	BRAKE CABLE, 46.56"	1	709375
8	CVG709750	PARKING HAND BRAKE LEVER ASSY	1	709750
9	CVG709819	CABLE, BRAKE, 51"	2	709819
10	CVG719375	WSHR, 5/16X0.75X0.040, F/W, 18-8S/S	2	719375
11	CVG719377	NUT, 5/16-18, L/N, NYL, NE, 18-8SS	2	719377
12*	CVG719709	PIN, 5/16X1, CLEVIS, ZC	2	719709
13	CVG719715	PIN, 1/4X1-1/2, CLEVIS, BLK150	1	719715
14	CVG719743	PIN, 5/64X1, 18-8SS, COTTER, BLKZC	1	719743
15	CVG719852	CLEVIS, #52, 5/16-24, ADJ YOKE END, ZC	1	719852
16	CVG719876	NUT, 1/4-20, L/N, NYL, NE, 316, S/S	6	719876
17*	CVG761003	SPRT, BRAKE LINE	1	761003
18*	CVG761635	PIN, 1/8X1, COTTER, 18-8 SS	2	761635
19*	CVG781694	NUT, 5/16-18 HEX, FLANGE, SERR, S/S	2	781694
20	CVG781739	SCR, 1/4-20 X 0.75, CARR, 18-8, S/S	4	781739
21	CVG781786	SCR, 3/8-16 X 1, HHCS, 18-8SS	2	781786
22	CVG781924	SCREW, 5/16-18X1-1/2, HHCS, G8, MAG525	2	781924
23	CVG782210	CLAMP, 3/8, STL TUBE, VINYL CUSHION	2	782210
24	CVG782731	WSHR, 1/4 (M6) X 1.000 X 0.062, FENDER, 18-8, S/S	4	782731
25	CVG782784	SCREW, 1/4-20X3/4, HHCS, 18-8SS	2	782784
26	CVG782790	NUT, 5/16-24, JAM, 18-8SS	2	782790

NOTE: Items with * in tables indicates parts not shown in drawing

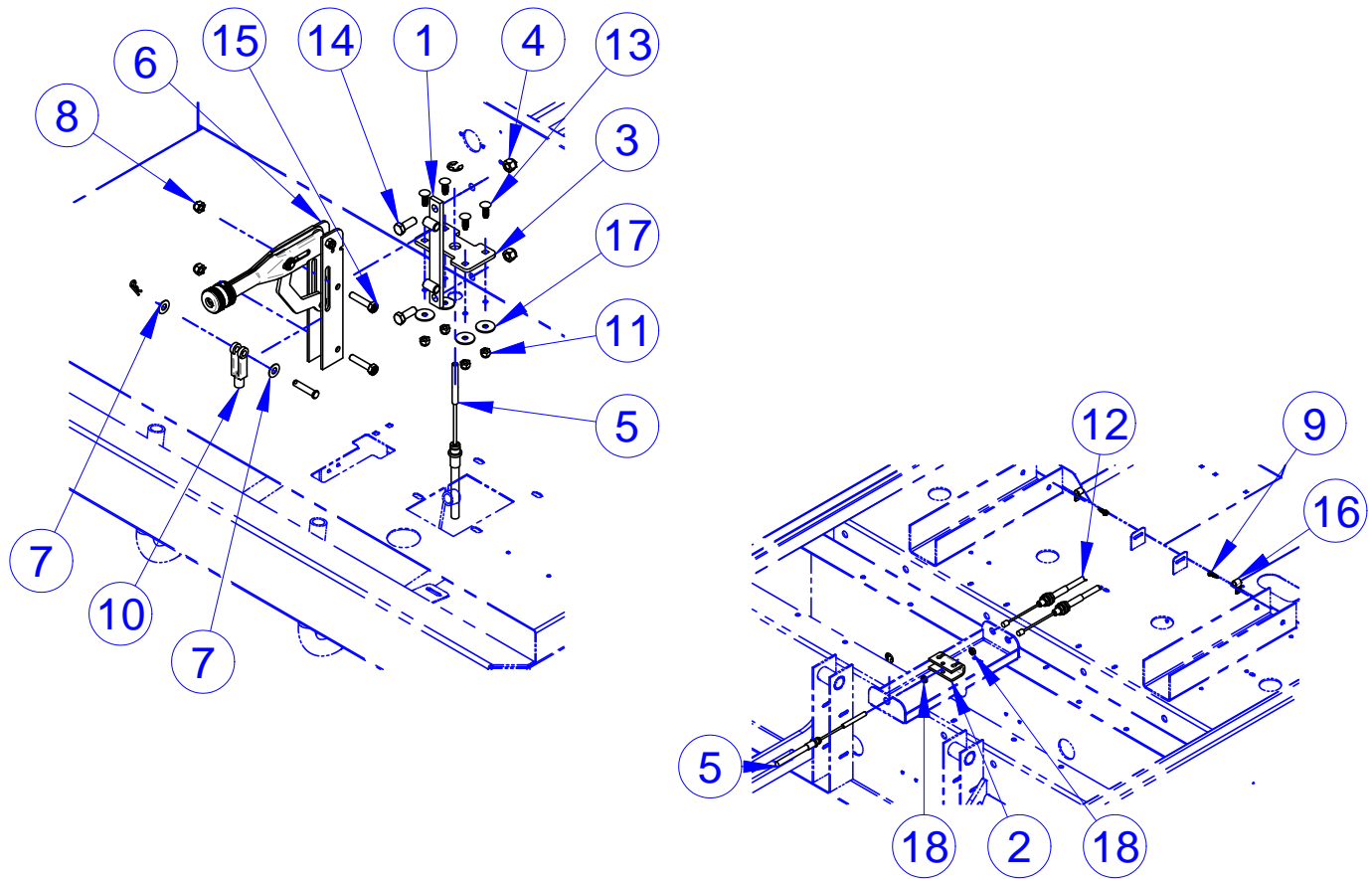
PARKING BRAKE - NKL



ITEM	CVG PN	DESCRIPTION	QTY	REF #
1	CVG306105	HAND BRAKE MTG. BRKT. ASSY.	1	306105
2	CVG509154	PLATED, BRAKE EQUALIZER	1	509154PL
3	CVG509240	CLEVIS-535	1	509240
4	CVG516714	BC PRK BRK PLATE	1	516714
5*	CVG708511	WASHER, FLAT, 1/4", 18-8SS	2	708511
6	CVG708860	NUT, 3/8-16, L/N, NYL, NE, 18-8, S/S	2	708860
7	CVG709375	BRAKE CABLE, 46.56"	1	709375
8	CVG709750	PARKING HAND BRAKE LEVER ASSY	1	709750
9	CVG709818	CABLE, BRAKE, 42"	2	709818
10	CVG719375	WSHR, 5/16X0.75X0.040, F/W, 18-8S/S	2	719375
11	CVG719377	NUT, 5/16-18, L/N, NYL, NE, 18-8SS	2	719377
12*	CVG719709	PIN, 5/16X1, CLEVIS, ZC	2	719709
13	CVG719715	PIN, 1/4X1-1/2, CLEVIS, BLK150	1	719715
14	CVG719743	PIN, 5/64X1, 18-8SS, COTTER, BLKZC	1	719743
15	CVG719852	CLEVIS, #52, 5/16-24, ADJ YOKE END, ZC	1	719852
16	CVG719876	NUT, 1/4-20, L/N, NYL, NE, 316, S/S	6	719876
17*	CVG761003	SPRT, BRAKE LINE	1	761003
18*	CVG761635	PIN, 1/8X1, COTTER, 18-8 SS	2	761635
19*	CVG781694	NUT, 5/16-18 HEX, FLANGE, SERR, S/S	2	781694
20	CVG781739	SCR, 1/4-20 X 0.75, CARR, 18-8, S/S	4	781739
21	CVG781786	SCR, 3/8-16 X 1, HHCS, 18-8SS	2	781786
22	CVG781924	SCREW, 5/16-18X1-1/2, HHCS, G8, MAG525	2	781924
23	CVG782210	CLAMP, 3/8, STL TUBE, VINYL CUSHION	2	782210
24	CVG782731	WSHR, 1/4 (M6) X 1.000 X 0.062, FENDER, 18-8, S/S	4	782731
25	CVG782784	SCREW, 1/4-20X3/4, HHCS, 18-8SS	2	782784
26	CVG782790	NUT, 5/16-24, JAM, 18-8SS	2	782790

NOTE: Items with * in tables indicates parts not shown in drawing

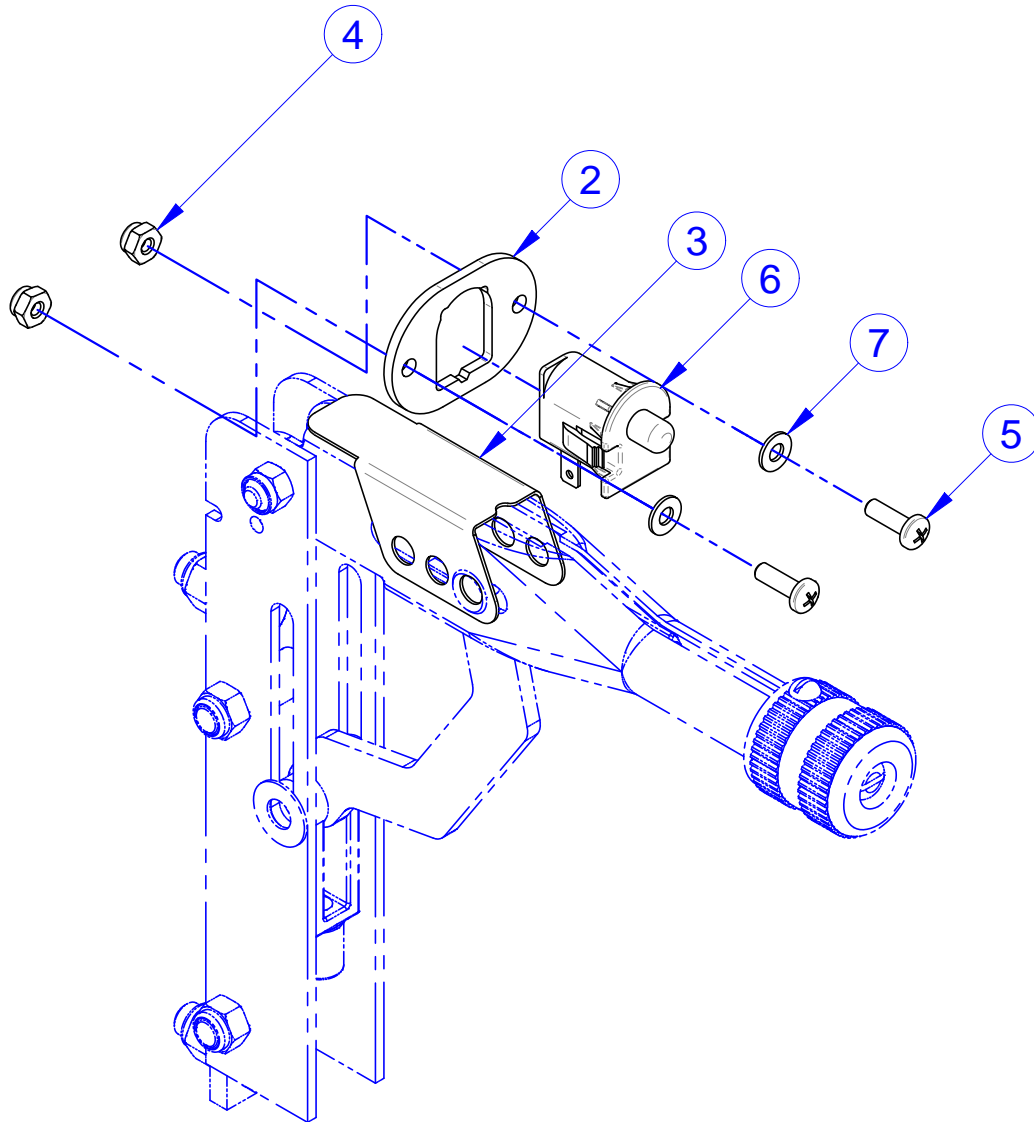
PARKING BRAKE



ITEM	CVG PN	DESCRIPTION	QTY	REF #
1	CVG306105	HAND BRAKE MTG. BRKT. ASSY.	1	306105
2	CVG509154PL	PLATED, BRAKE EQUALIZER	1	509154PL
3	CVG516714	BC PRK BRK PLATE	1	516714
4	CVG708860	NUT, 3/8-16, L/N, NYL, NE, 18-8, S/S	2	708860
5	CVG709375	BRAKE CABLE, 46.56"	1	709375
6	CVG709750	PARKING HAND BRAKE LEVER ASSY	1	709750
7	CVG719375	WSHR,5/16X0.750X0.040,F/W,18-8S/S	2	719375
8	CVG719377	NUT, 5/16-18, L/N, NYL, NE, 18-8SS	2	719377
9	CVG719583	SCREW,10-16X3/4,HWH,TEK,MAG525	2	719583
10	CVG719852	CLEVIS,#52,5/16-24,ADJ YOKE END,ZC	1	719852
11	CVG719876	NUT, 1/4-20, L/N, NYL, NE, 316, S/S	4	719876
12	CVG761058	CABLE, BRAKE, IMGTV, 42.5"	2	761058
13	CVG781739	SCR, 1/4-20 X 0.75, CARR, 18-8, S/S	4	781739
14	CVG781786	SCR, 3/8-16 X 1, HHCS, 18-8SS	2	781786
15	CVG781924	SCREW,5/16-18X1-1/2,HHCS,G8,MAG525	2	781924
16	CVG782210	CLAMP, 3/8, STL TUBE, VINYL CUSHION	2	782210
17	CVG782731	WSHR, 1/4 (M6) X 1.000 X 0.062, FENDER, 18-8, S/S	4	782731
18	CVG782790	NUT,5/16-24,JAM,18-8SS	2	782790

NOTE: Items with * in tables indicates parts not shown in drawing

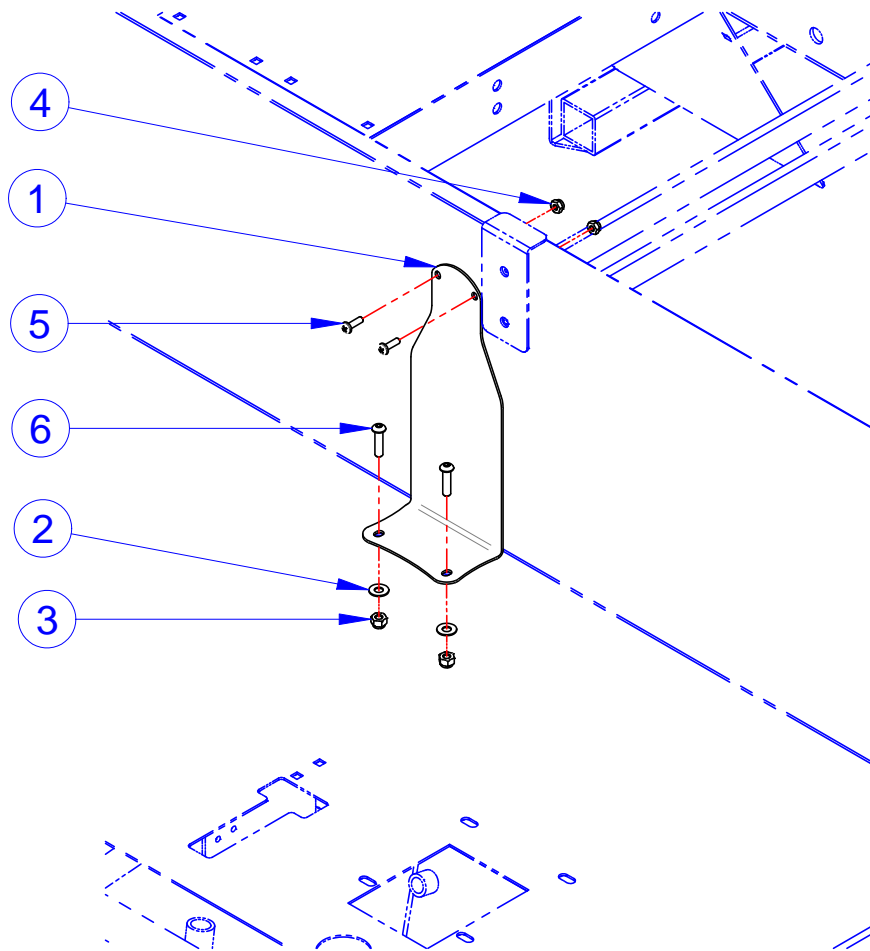
HANDBRAKE INTERLOCK SWITCH



ITEM	CVG PN	DESCRIPTION	QTY	REF #
1-7	CVG192712U	P&A, HANDBRAKE INTERLOCK, PL	KIT	192712A
1*	CVG468827	HARNES, BC HNDBRK INTRLK SWITCH	1	468827
2	CVG515776	PLATE, HNDBRK SW	1	515776
3	CVG516638	BRKT, HNDBRK SW STOP	1	516638
4	CVG761631	NUT, #10-24 GRD 18-8 NM SS NYLOCK	2	761631
5	CVG761633	SCREW, 10-24X5/8, PPHMS, 18-8SS	2	761633
6	CVG781580	SWITCH, PLUNGER, DELTA, NC, 6440-53	1	781580
7	CVG782722	WSHR, #10 X 0.438 X 0.031, F/W, 18-8SS	2	782722

NOTE: Items with * in tables indicates parts not shown in drawing

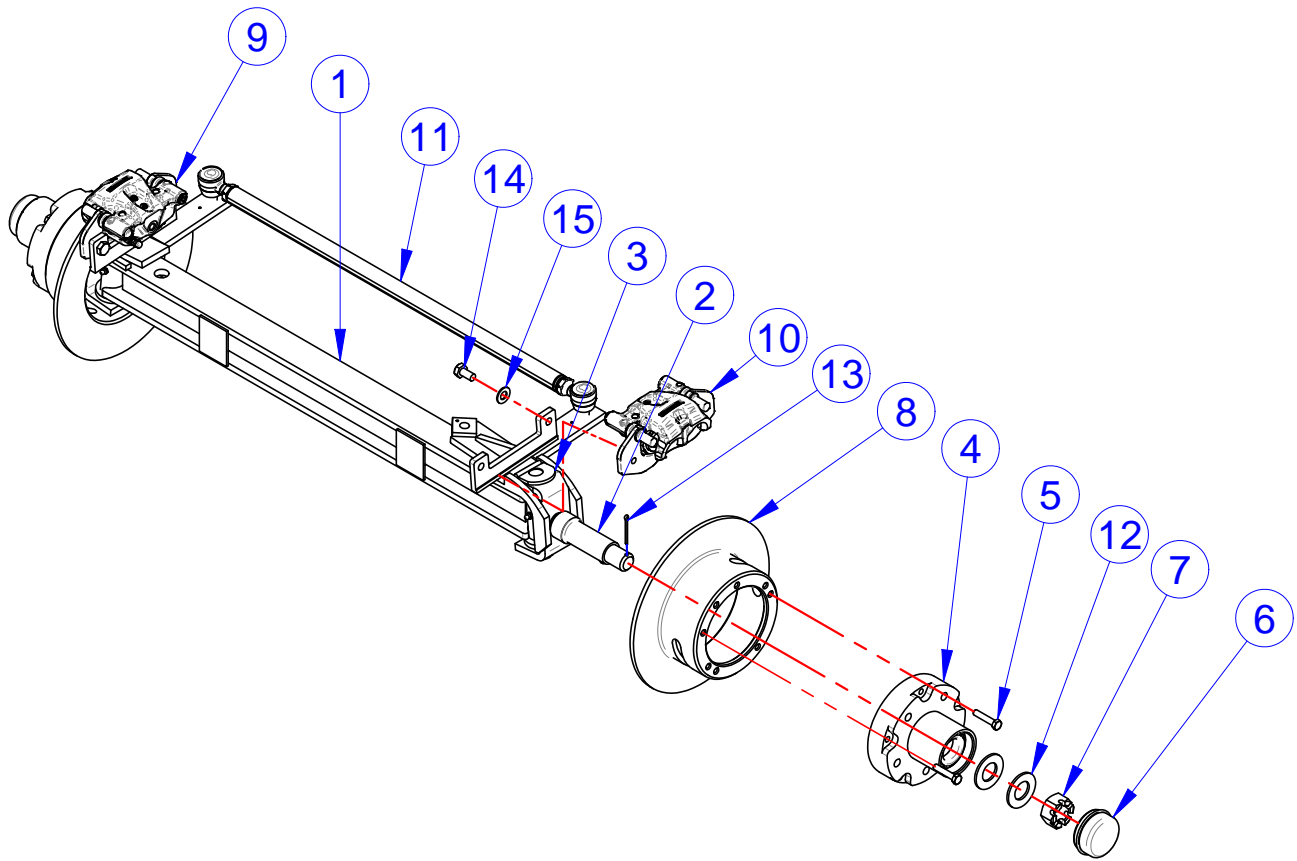
COVER, W/O HANDBRAKE



ITEM	CVG PN	DESCRIPTION	QTY	REF #
1	CVG517476	PYLDR, AC PRK BRK COVER	1	517476
2	CVG708511	WASHER, FLAT, 1/4", 18-8SS	2	708511
3	CVG719876	NUT, 1/4-20, L/N, NYL, NE, 316, S/S	2	719876
4	CVG761631	NUT, #10-24 GRD 18-8 NM SS NYLOCK	2	761631
5	CVG761633	SCREWR, 10-24X5/8, PPHMS, 18-8SS	2	761633
6	CVG782719	SCR, 1/4-20 X 1, BSHCS, 18-8, S/S	2	782719

NOTE: Items with * in tables indicates parts not shown in drawing

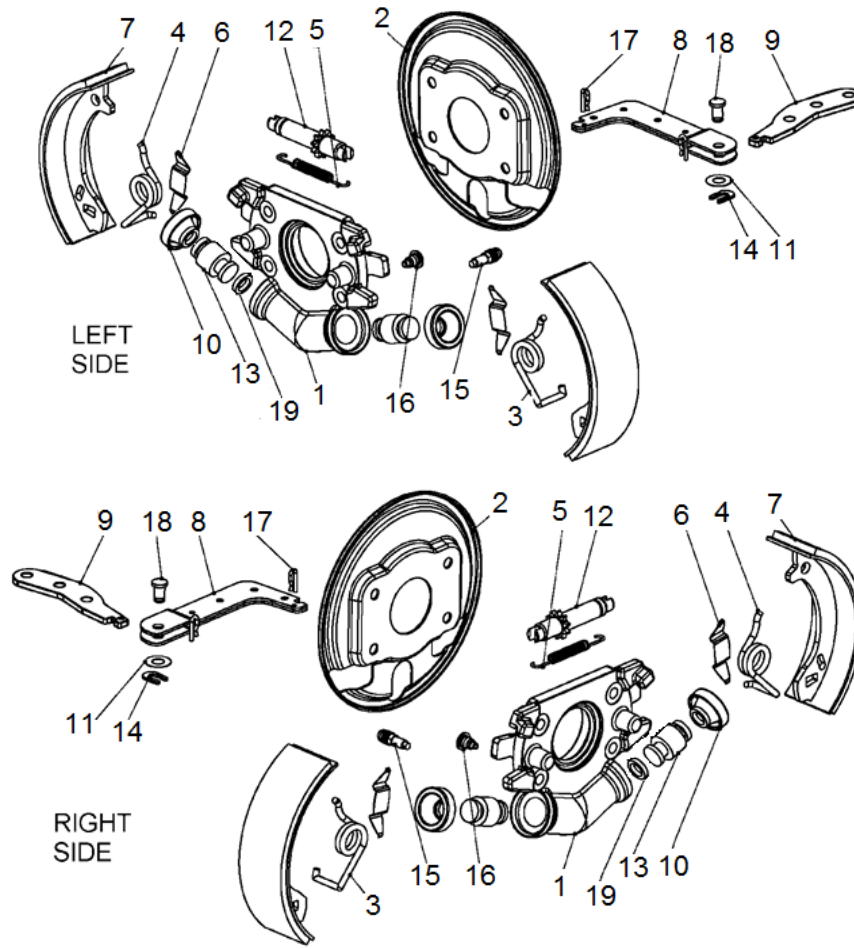
FRONT BRAKES & HUBS



ITEM	CVG PN	DESCRIPTION	QTY	REF #
1	CVG306096	WLDMT, FRONT AXLE ASSEMBLY	1	306096
2	CVG313159	SPINDLE WLDMT, LH, TSR MOUNT	1	313159
3	CVG467952	PNTD, KING PIN	2	467952
4	CVG468074	ASSY, HUB, BOLT ON DISC BRAKE	2	468074
5	CVG707457	SCREW, 5/16-18 X 1-1/2 HEX HEAD CAP WITH PATCH	10	707457
6	CVG709831	DUST CAP, 12842 HUB	2	709831
7	CVG719859	NUT 1-14 GR 5 SLOTTED HEX CLR ZINC	2	719859
8	CVG761179	ROTOR, DISC BRAKE - DUAL PATTERN	2	761179
9	CVG761269	TITAN, RH CALIPER, FRONT	1	761269
10	CVG761270	TITAN, LH CALIPER, FRONT	1	761270
11	CVG761609	BC TIE ROD ASM	1	761609
12	CVG761646	WASHER, 1", F/W, 18-8SS	4	761646
13	CVG761647	PIN, 1/8X1-1/2, COTTER, SS	2	761647
14	CVG782563	SCREW, M10X1.25X20MM 8.8 GRADE	4	782563
15	CVG782752	WSHR, 7/16 (M11), SAE, F/W, G8, MAGNI 525	4	782752

NOTE: Items with * in tables indicates parts not shown in drawing

REAR BRAKE HUBS FOR NKL REAR AXLE

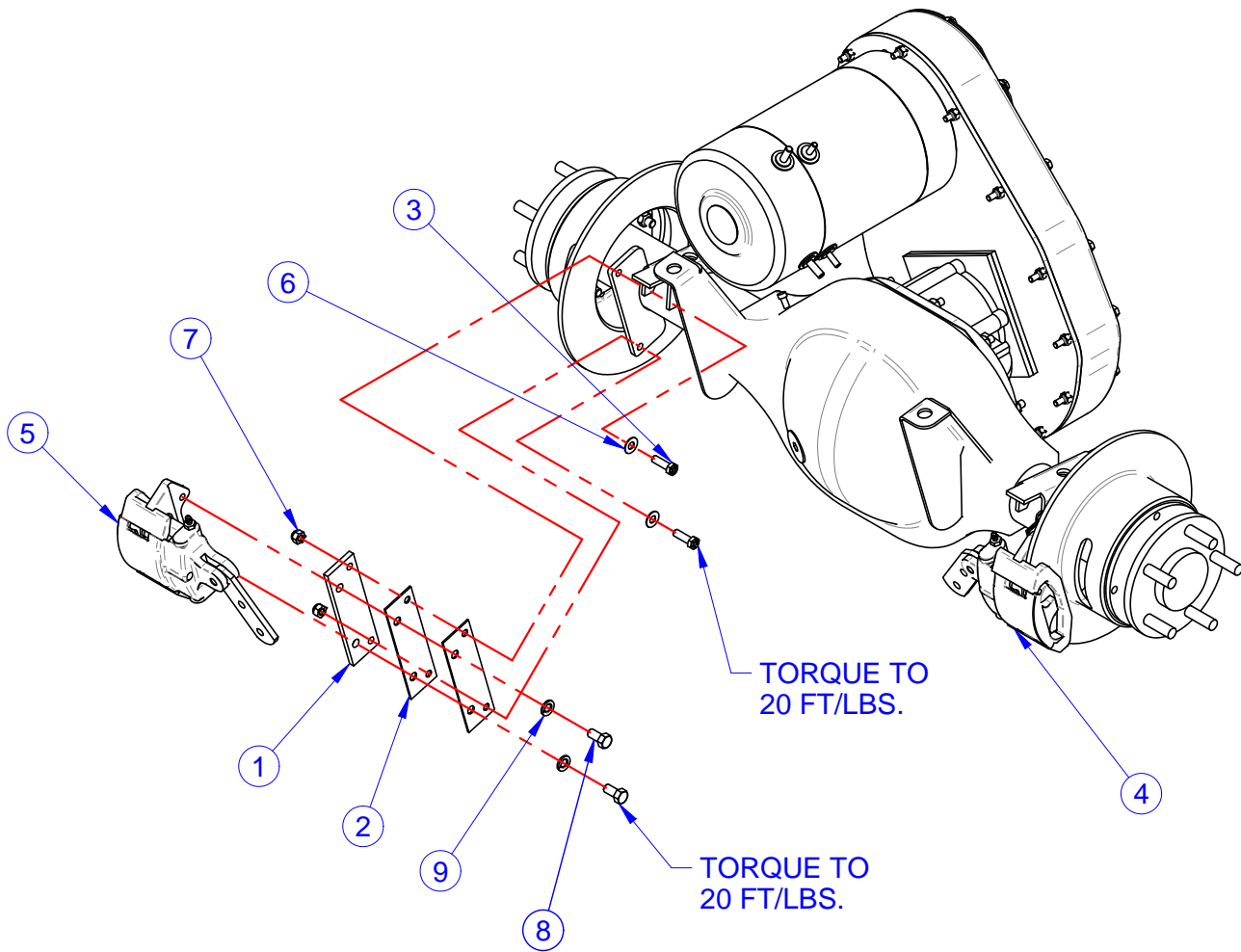


NOTES: (1) Due to pressed on bearings at the shaft, when replacing item 2, or parts showing no CVG PN, replace complete axle shaft assembly as shown on axle parts brake down. (2) Hubs are for 10.37 & 16.77 NKL rear axles.

ITEM	CVG PN	DESCRIPTION	QTY	REF #
1	NONE	MAIN BODY(See Note 1)	1	NONE
2	CVG760980	COVER(See Note 1)	1	760980
3	CVG760981	SPRIN(BLUE)	1	760981
4	CVG760982	SPRING(YELLOW)	1	760982
5	NONE	SPRING(See Note 1)	1	NONE
6	NONE	SPRING PIECE(See Note 1)	2	NONE
7	CVG760928	SHOES,REAR BRAKE(PAIR)	2	760928
8	NONE	L-TYPE LEVER(See Note 1)	1	NONE
9	NONE	LEVER(See Note 1)	1	NONE
10	CVG192943U	DUSTPROOF COVER KIT	1	192943U
11	NONE	WASHER(See Note 1)	1	NONE
12A	CVG760984	ADJUSTMENT ASSY L (Includes Items 12-19)	1	760984
12B	CVG760985	ADJUSTMENT ASSY R (Includes Items 12-19)	1	760985
13	NONE	PISTON ASSY(See Item 12)	2	NONE
14	NONE	CARCLIP(See Item 12)	1	NONE
15	NONE	BLEEDER SCREW(See Item 12)	1	NONE
16	NONE	BUSHING(See Item 12)	1	NONE
17	NONE	COTTER PIN(See Item 12)	1	NONE
18	NONE	PIN(See Item 12)	1	NONE
19	NONE	OIL SEAL(See Item 12)	2	NONE

NOTE: Items with * in tables indicates parts not shown in drawing

REAR BRAKES



ITEM	CVG PN	DESCRIPTION	QTY	REF #
1	CVG510378	CALIPER MOUNT, ADAPTER BRKT.	2	510378
2	CVG510809	CALIPER MOUNT, ADAPTER SHIM	4	510809
3	NONE	SCREW, 5/16-18X1, HHCS, G8, CLR96, ROHS	4	708085
4	CVG709133	BRAKE CALIPER, RH, REAR	1	709133
5	CVG709291	BRAKE CALIPER, LH, REAR	1	709291
6	CVG719375	WSHR, 5/16X0.750X0.040, F/W, 18-8S/S	4	719375
7	CVG719377	NUT, 5/16-18, L/N, NYL, NE, 18-8SS	4	719377
8	CVG719693	SCREW, 3/8-16X3/4, HHCS, G5, YWZC	4	719693
9	CVG782961	WSHR, (3/8) M10, MSLW, A2, SS	4	782961

NOTE: Items with * in tables indicates parts not shown in drawing

NOTE: Items with * in tables indicates parts not shown in drawing

Columbia Vehicle Group, Inc.

A Nordic Group Company | Business Ventures Since 1947



COLUMBIA



TOMBERLIN



COLUMBIA

PAYLOADER

PARTS MANUAL SECTION 2

FRONT SUSPENSION/ STEERING

Columbia Vehicle Group, Inc.

A Nordic Group Company | Business Ventures Since 1947

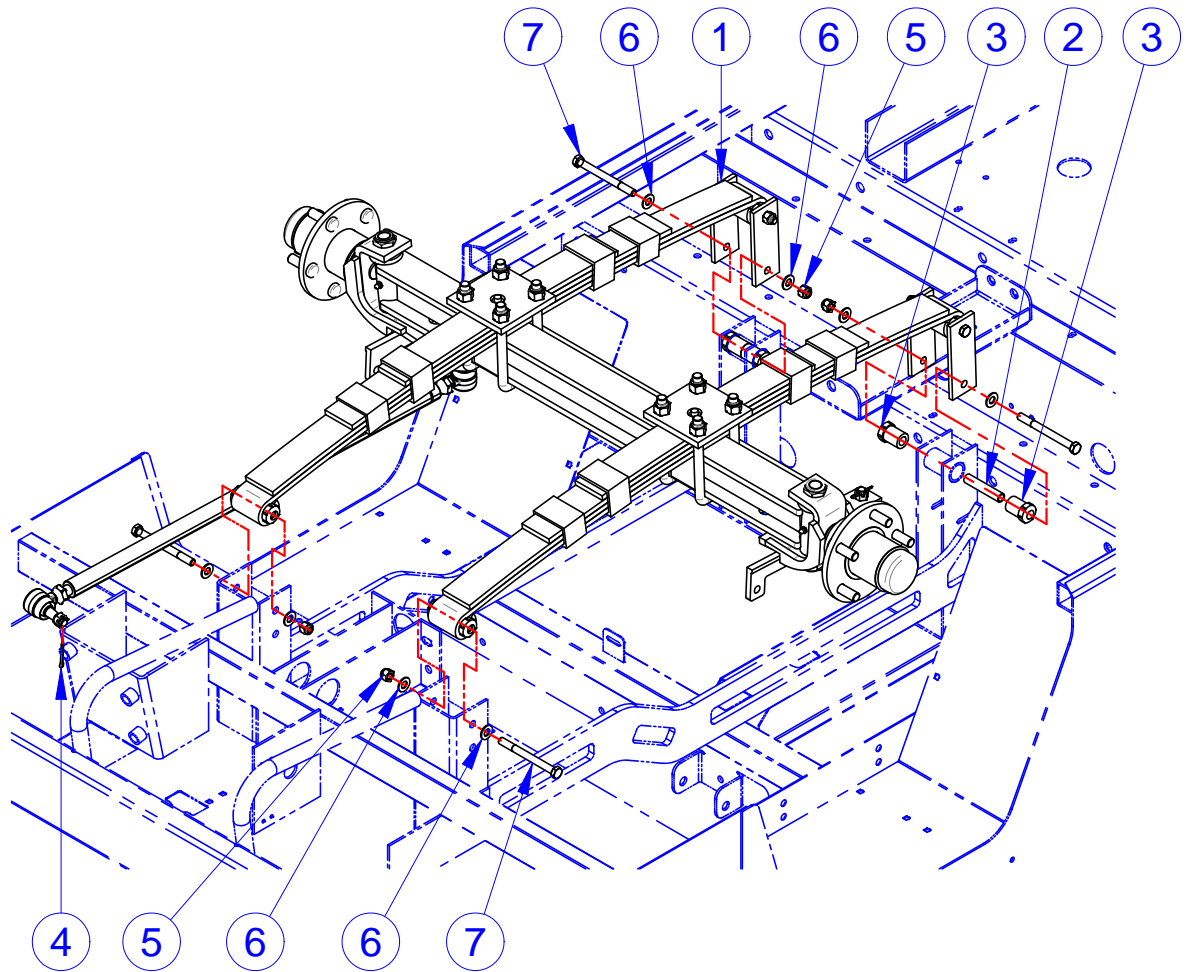


COLUMBIA



TIMBERLIN

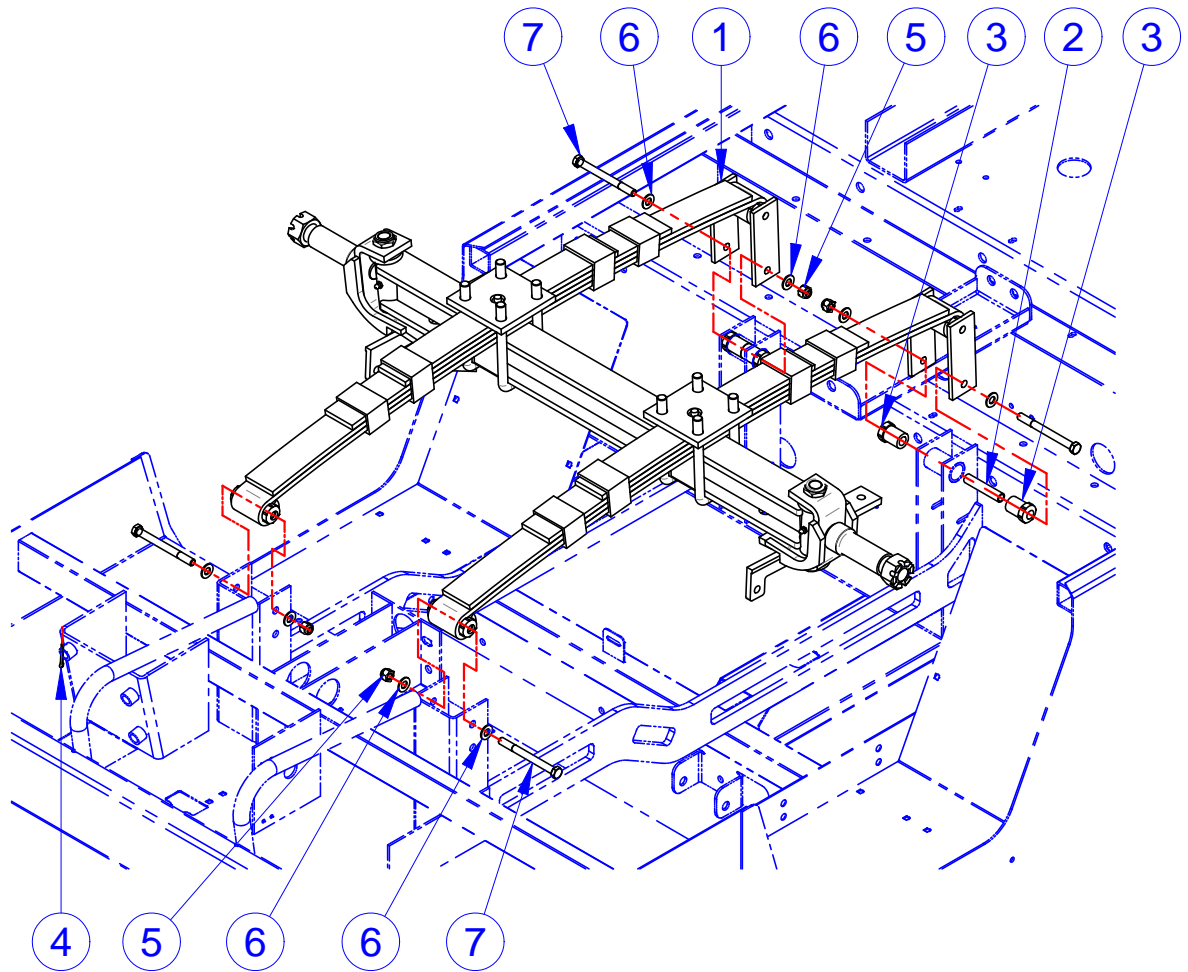
FRONT SUSPENSION



ITEM	CVG PN	DESCRIPTION	QTY	REF #
1	NONE	ASSY, FR AXLE, W/O BRAKE, BC2/BC3	1	467391
	NONE	ASSY, FRONT AXLE, W/ BRAKE, BC2/3	1	467392
	NONE	ASSY, FRONT AXLE, W/ BRAKE, BC4	1	467393
	NONE	ASSY, FRONT AXLE, W/ BRAKE, BC4SC	1	467394
2	CVG517946PL	SPACER, 0.50 X 2.50	2	517946
3	CVG709015	BUSHING, RUBBER, 1/2X 1-3/8	4	709015
4	CVG761636	PIN, 1/8X1, COTTER, EXT PRONG, 18-8 SS	1	761636
5	CVG782118	NUT, 3/8-16, L/N, NYL, NE, G8, MAGNI525	4	782118
6	CVG782740	WSHR, 3/8(M10), SAE, F/W, G8, MAGNI525	8	782740
7	CVG782963	SCR, 3/8-16 X 4, HHCS, G8, MAGNI 525	4	782963

NOTE: Items with * in tables indicates parts not shown in drawing

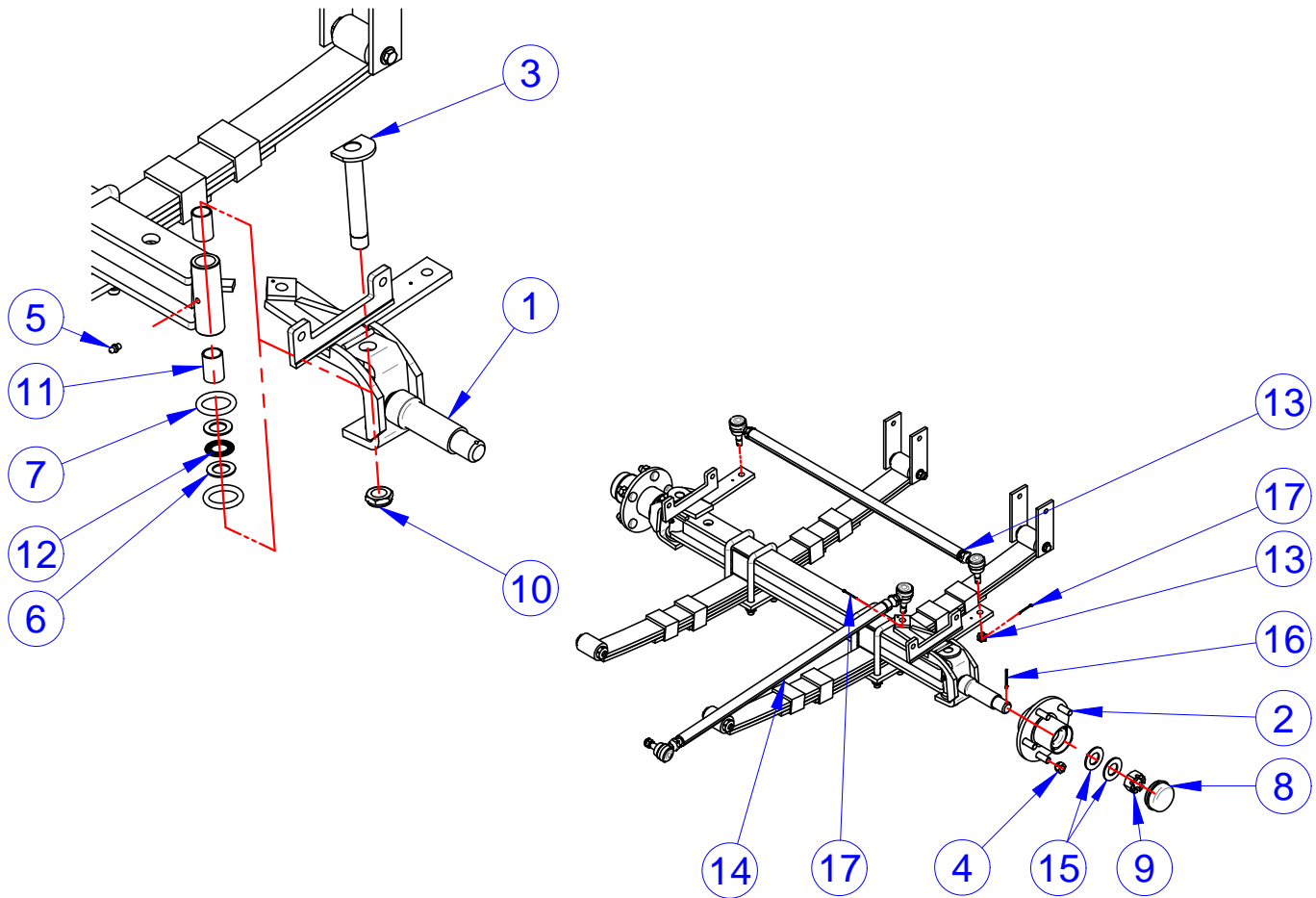
FRONT SUSPENSION, 4 WHEEL BRAKES



ITEM	CVG PN	DESCRIPTION	QTY	REF #
1	CVG467392	ASSY, FRONT AXLE, W/ BRAKE, BC2/3	1	467392
2	CVG517946PL	SPACER, 0.50 X 2.50	2	517946
3	CVG709015	BUSHING, RUBBER, 1/2X 1-3/8	4	709015
4	CVG761636	PIN, 1/8X1, COTTER, EXT PRONG, 18-8 SS	1	761636
5	CVG782118	NUT, 3/8-16, L/N, NYL, NE, G8, MAGNI525	4	782118
6	CVG782740	WSHR, 3/8(M10), SAE, F/W, G8, MAGNI525	8	782740
7	CVG782963	SCR, 3/8-16 X 4, HHCS, G8, MAGNI 525	4	782963

NOTE: Items with * in tables indicates parts not shown in drawing

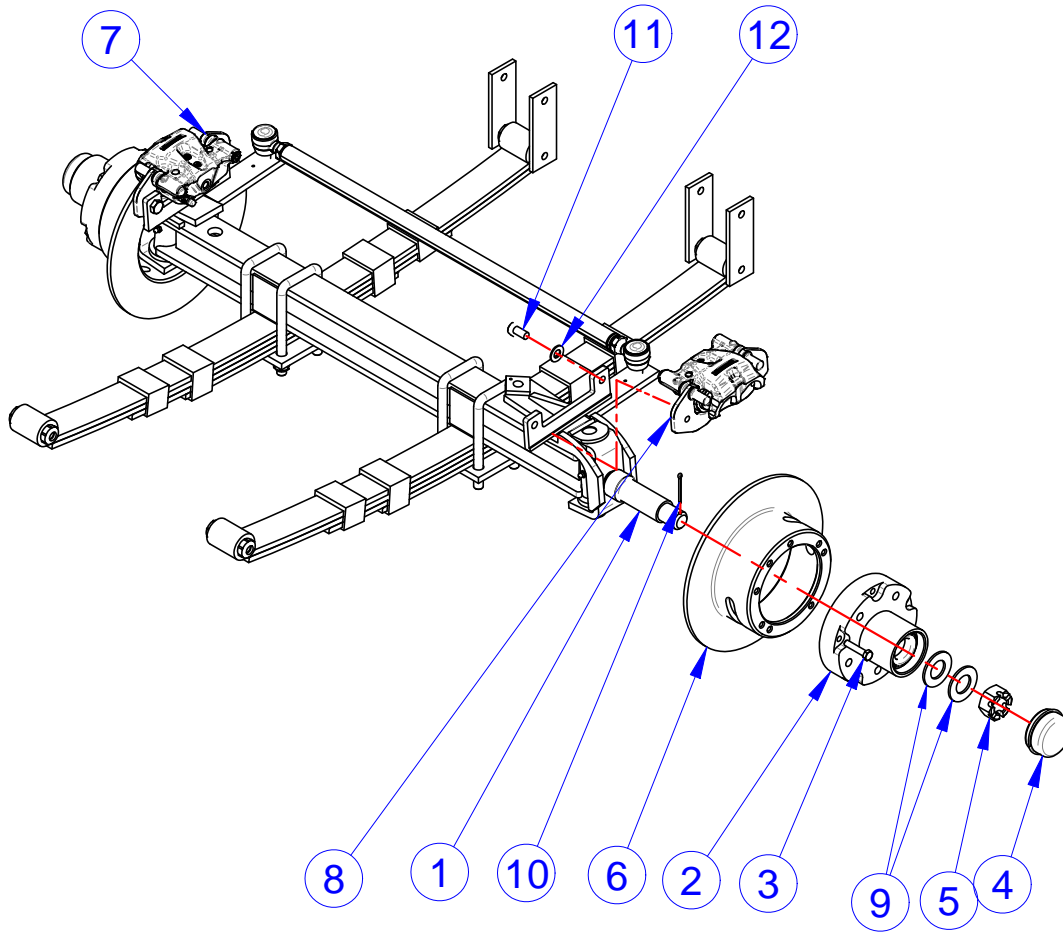
FRONT AXLE, NO BRAKES



ITEM	CVG PN	DESCRIPTION	QTY	REF #
1	CVG313159	SPINDLE WLDMT, LH, TSR MOUNT	1	313159
2	CVG467799	BC FRT HUB ASSY	2	467799
3	CVG467952	PNTD, KING PIN	2	467952
4	CVG709002	NUT, 1/2-20, TAPERED WHEEL	10	709002
5	CVG709110	GREASE FITTING, 1/4" DRIVE, STRAIGHT	2	709110
6	CVG709217	WASHER, NEEDLE THRUST	4	709217
7	CVG709218	O-RING,#332,1-1/4X1/4	4	709218
8	CVG709831	DUST CAP, 12842 HUB	2	709831
9	CVG719859	NUT 1-14 GR 5 SLOTTED HEX CLR ZINC	2	719859
10	CVG719861	NUT, 3/4-16 GR A NTE STYLE JAM NYLON	2	719861
11	CVG719961	BUSHING, .751 X .878 X 1.25 OILITE	4	719961
12	CVG719962	BEARING TORRINGTON NEEDLE THRUST	2	719962
13	CVG761609	BC TIE ROD ASM	1	761609
14	CVG761610	BC DRAG LINK ASM	1	761610
15	CVG761646	WASHER,1",F/W,18-8SS	4	761646
16	CVG761647	PIN,1/8X1-1/2,COTTER,SS	2	761647
17	CVG782952	PIN,3/32X1-1/4,COTTER,18-8 SS	3	782952

NOTE: Items with * in tables indicates parts not shown in drawing

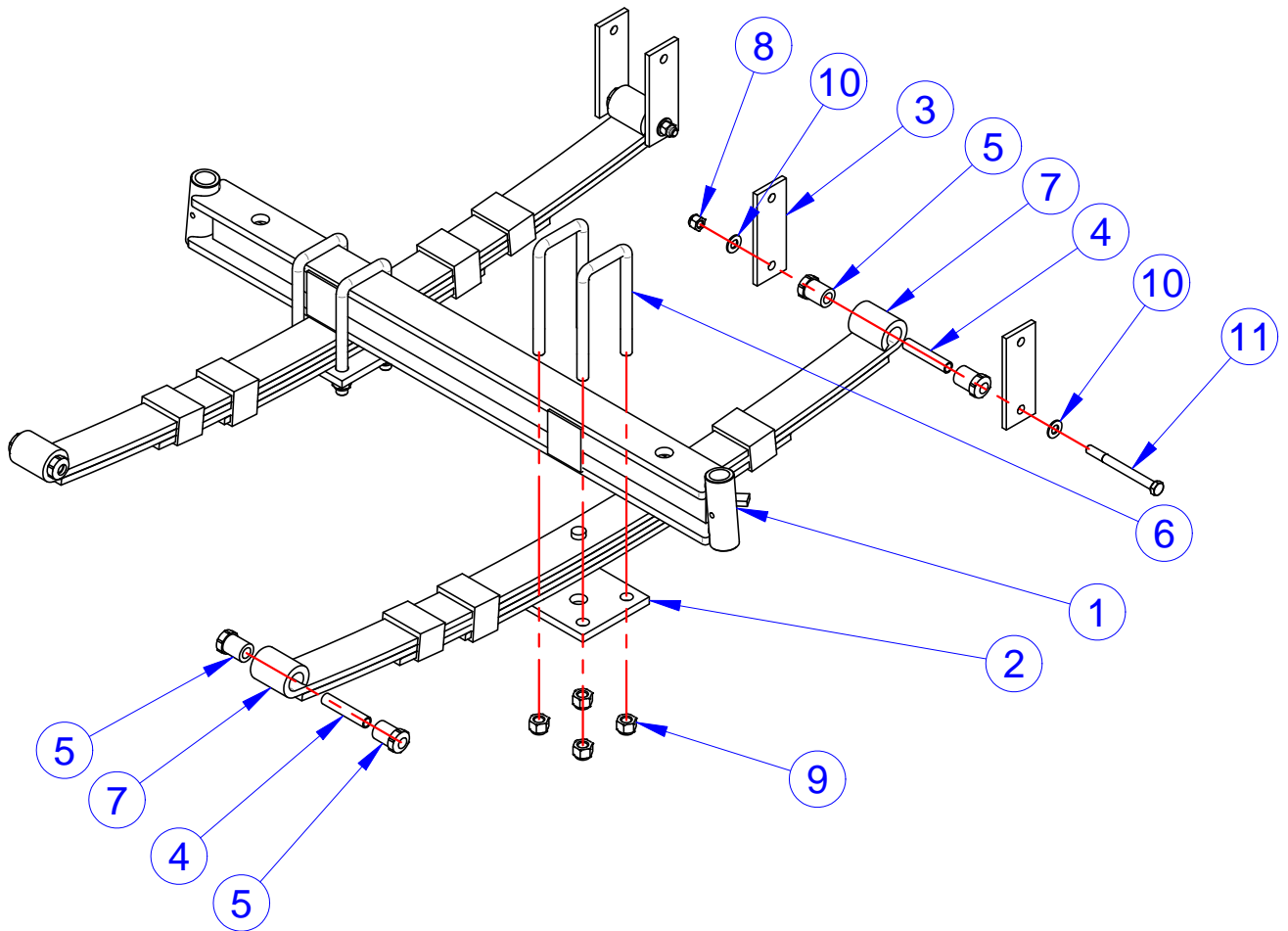
FRONT AXEL WITH BRAKE



ITEM	CVG PN	DESCRIPTION	QTY	REF #
1	CVG313159	SPINDLE WLDMT, LH, TSR MOUNT	1	313159
2	CVG468074	ASSY, HUB, BOLT ON DISC BRAKE	2	468074
3	CVG707457	SCREW, 5/16-18 X 1-1/2 HEX HEAD CAP WITH PATCH	10	707457
4	CVG709831	DUST CAP, 12842 HUB	2	709831
5	CVG719859	NUT 1-14 GR 5 SLOTTED HEX CLR ZINC	2	719859
6	CVG761179	ROTOR, DISC BRAKE - DUAL PATTERN	2	761179
7	CVG761269	TITAN, RH CALIPER, FRONT	1	761269
8	CVG761270	TITAN, LH CALIPER, FRONT	1	761270
9	CVG761646	WASHER, 1", F/W, 18-8SS	2	761646
10	CVG761647	PIN, 1/8X1-1/2, COTTER, SS	2	761647
11	CVG782563	SCREW, M10X1.25X20MM 8.8 GRADE	4	782563
12	CVG782752	WSHR, 7/16 (M11), SAE, F/W, G8, MAGNI 525	4	782752

NOTE: Items with * in tables indicates parts not shown in drawing

FRONT SUSPENSION SPRINGS



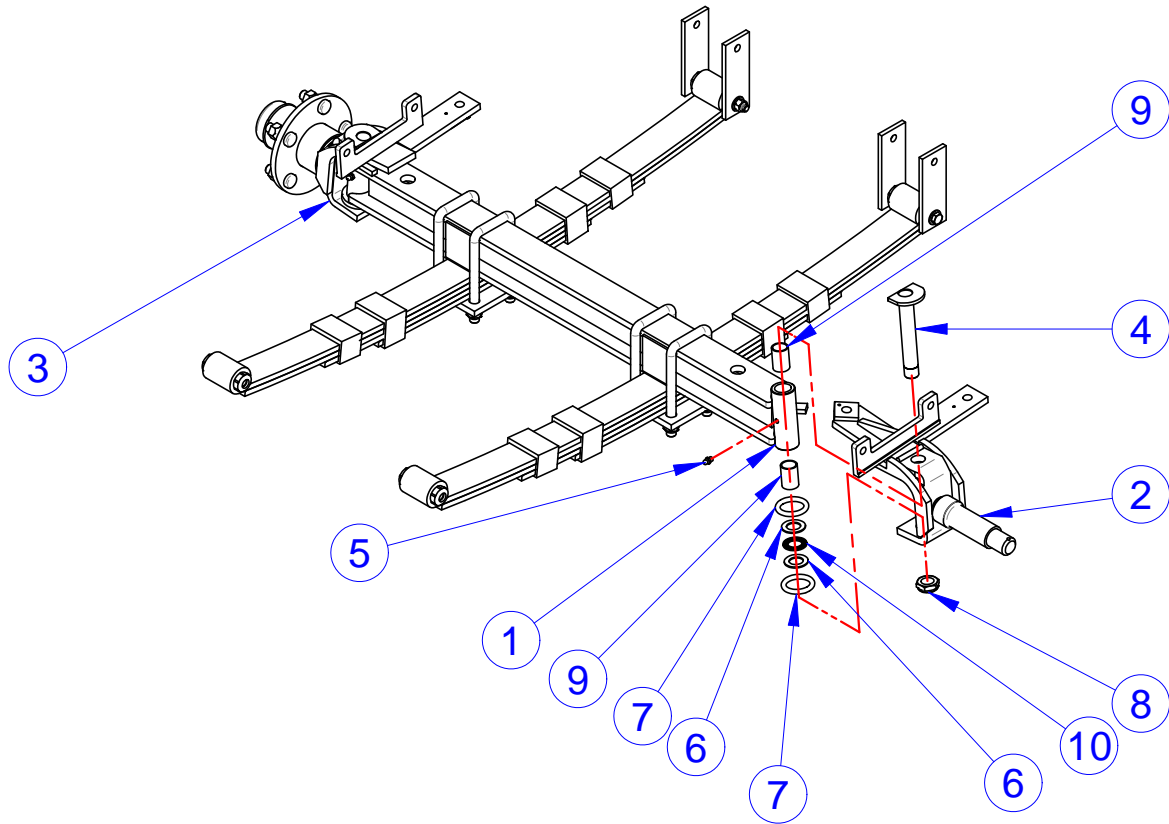
ITEM	CVG PN	DESCRIPTION	QTY	REF #
1	CVG306096	WLDMT, FRONT AXLE ASSEMBLY	1	306096
2	CVG510276	CPC FRONT AXLE SPRING PLATE	2	510276
3	CVG510364	SUSP SPR SHACKLE	4	510364
4	CVG517946PL	SPACER, 0.50 X 2.50	4	517946
5	CVG709015	BUSHING, RUBBER, 1/2X 1-3/8	8	709015
6	CVG709372	U-BOLT, 1/2-13X5-1/4, FRONT, MAGNI525BLK	4	709372
7	CVG709382	LEAF SPRING ASSY, 4-LEAF, SUSPENSION	2	709382
8	CVG782118	NUT, 3/8-16, L/N, NYL, NE, G8, MAGNI525	2	782118
9	CVG782739	NUT, 1/2-13, L/N, NYL, NE, G8, MAGNI 525	8	782739
10	CVG782740	WSHR, 3/8(M10), SAE, F/W, G8, MAGNI525	4	782740
11	CVG782963	SCR, 3/8-16 X 4, HHCS, G8, MAGNI 525	2	782963

NOTE: Items with * in tables indicates parts not shown in drawing

Columbia Vehicle Group, Inc.
A Nordic Group Company | Business Ventures Since 1947



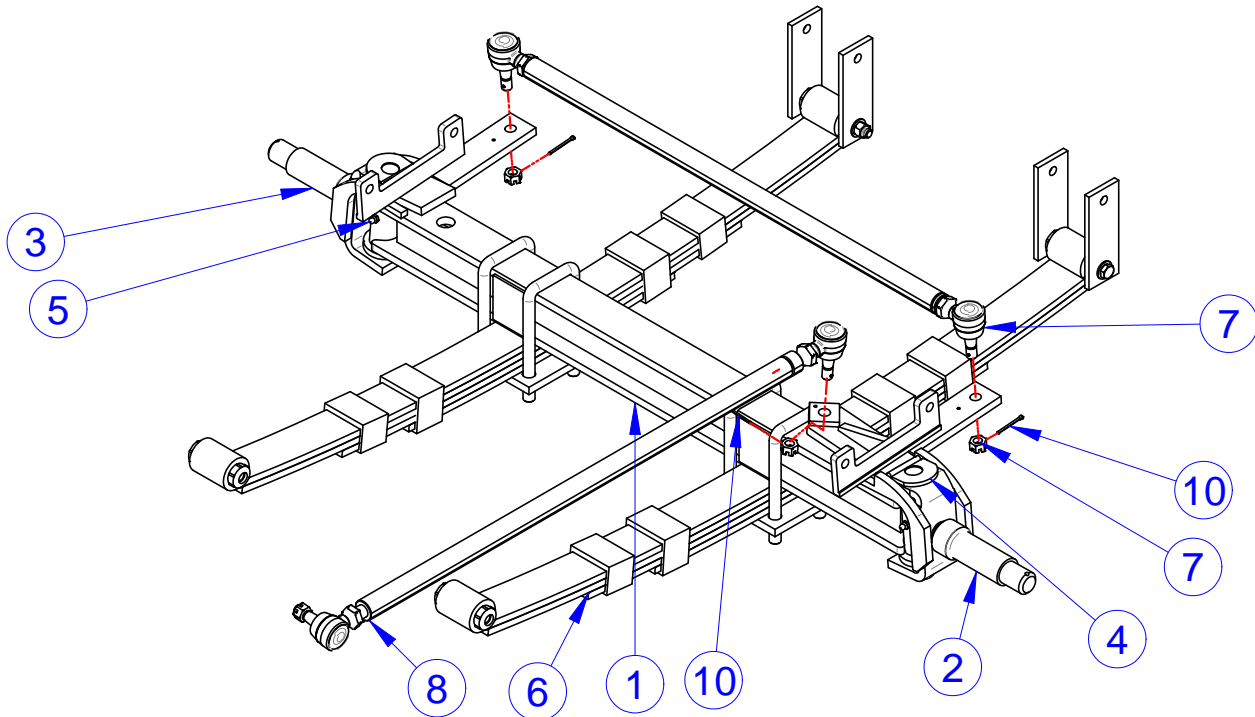
FRONT AXLE ASSEMBLY



ITEM	CVG PN	DESCRIPTION	QTY	REF #
1	CVG306096	WLDMT, FRONT AXLE ASSEMBLY	1	306096
2	CVG313159	SPINDLE WLDMT, LH, TSR MOUNT	1	313159
3	CVG313160	SPINDLE WLDMT, BC, RH, TSR MOUNT	1	313160
4	CVG467952	PNTD, KING PIN	2	467952
5	CVG709110	GREASE FITTING, 1/4" DRIVE, STRAIGHT	2	709110
6	CVG709217	WASHER, NEEDLE THRUST	4	709217
7	CVG709218	O-RING,#332,1-1/4X1/4	4	709218
8	CVG719861	NUT, 3/4-16 GR A NTE STYLE JAM NYLON	2	719861
9	CVG719961	BUSHING, .751 X .878 X 1.25 OILITE	4	719961
10	CVG719962	BEARING TORRINGTON NEEDLE THRUST	2	719962

NOTE: Items with * in tables indicates parts not shown in drawing

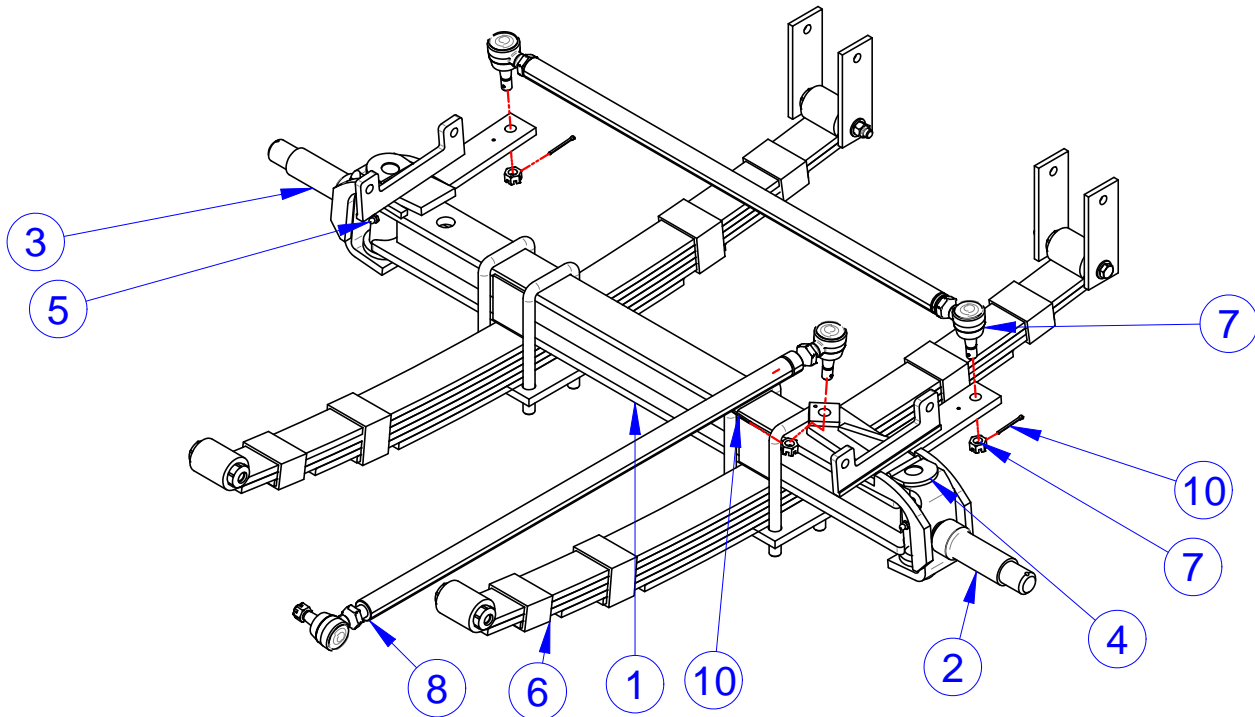
FRONT AXLE STEERING WITH BRAKES



ITEM	CVG PN	DESCRIPTION	QTY	REF #
1	CVG306096	WLDMT, FRONT AXLE ASSEMBLY	1	306096
2	CVG313159	SPINDLE WLDMT, LH, TSR MOUNT	1	313159
3	CVG313160	SPINDLE WLDMT, BC, RH, TSR MOUNT	1	313160
4	CVG467952	PNTD, KING PIN	2	467952
5	CVG709110	GREASE FITTING, 1/4" DRIVE, STRAIGHT	2	709110
6	CVG709382	LEAF SPRING ASSY,4-LEAF,SUSPENSION	2	709382
7	CVG761609	BC TIE ROD ASM	1	761609
8	CVG761610	BC DRAG LINK ASM	1	761610
9*	CVG761646	WASHER,1",F/W,18-8SS	2	761646
10	CVG782952	PIN,3/32X1-1/4,COTTER,18-8 SS	3	782952

NOTE: Items with * in tables indicates parts not shown in drawing

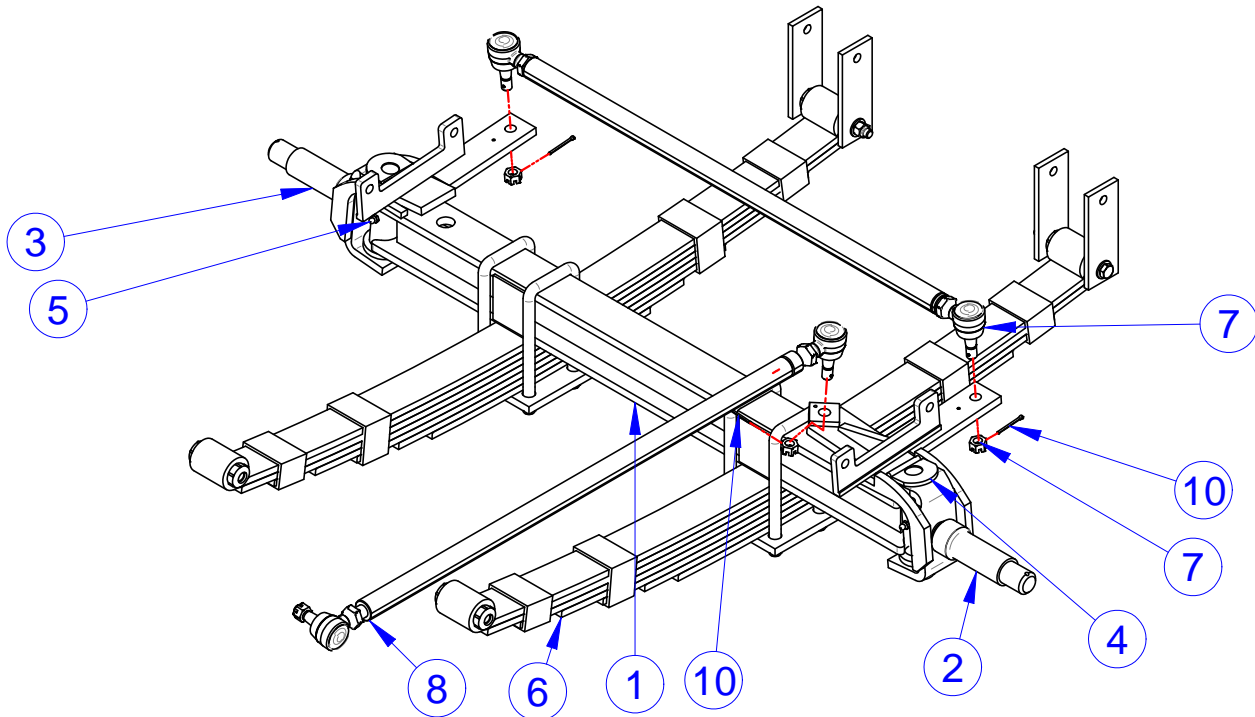
FRONT AXLE STEERING WITH BRAKES



ITEM	CVG PN	DESCRIPTION	QTY	REF #
1	CVG306096	WLDMT, FRONT AXLE ASSEMBLY	1	306096
2	CVG313159	SPINDLE WLDMT, LH, TSR MOUNT	1	313159
3	CVG313160	SPINDLE WLDMT, BC, RH, TSR MOUNT	1	313160
4	CVG467952	PNTD, KING PIN	2	467952
5	CVG709110	GREASE FITTING, 1/4" DRIVE, STRAIGHT	2	709110
6	CVG709540	LEAF SPRING ASSY, 6-LEAF SUSPENSION	2	709540
7	CVG761609	BC TIE ROD ASM	1	761609
8	CVG761610	BC DRAG LINK ASM	1	761610
9*	CVG761646	WASHER, 1", F/W, 18-8SS	2	761646
10	CVG782952	PIN, 3/32X1-1/4, COTTER, 18-8 SS	3	782952

NOTE: Items with * in tables indicates parts not shown in drawing

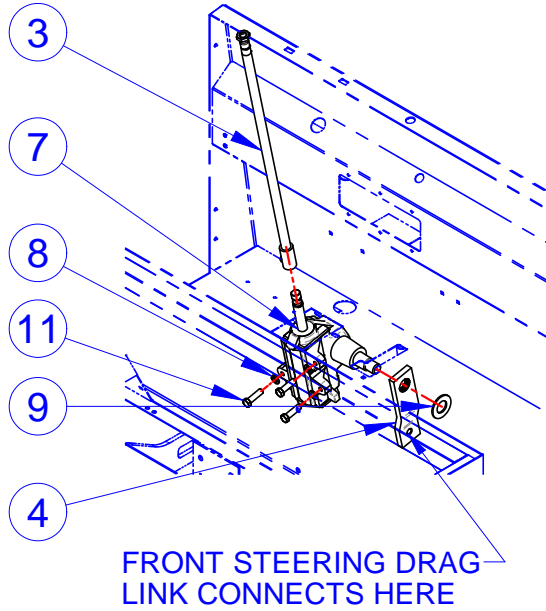
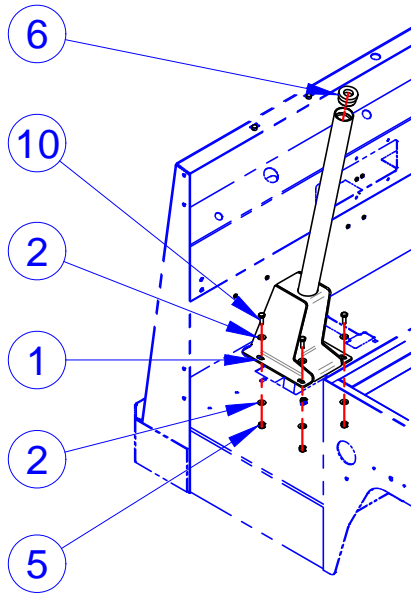
FRONT AXLE STEERING WITH BRAKES



ITEM	CVG PN	DESCRIPTION	QTY	REF #
1	CVG306096	WLDMT, FRONT AXLE ASSEMBLY	1	306096
2	CVG313159	SPINDLE WLDMT, LH, TSR MOUNT	1	313159
3	CVG313160	SPINDLE WLDMT, BC, RH, TSR MOUNT	1	313160
4	CVG467952	PNTD, KING PIN	2	467952
5	CVG709110	GREASE FITTING, 1/4" DRIVE, STRAIGHT	2	709110
6	CVG739587	LEAF SPRING, BC 7-LEAF	2	739587
7	CVG761609	BC TIE ROD ASM	1	761609
8	CVG761610	BC DRAG LINK ASM	1	761610
9*	CVG761646	WASHER,1",F/W,18-8SS	2	761646
10	CVG782952	PIN,3/32X1-1/4,COTTER,18-8 SS	3	782952

NOTE: Items with * in tables indicates parts not shown in drawing

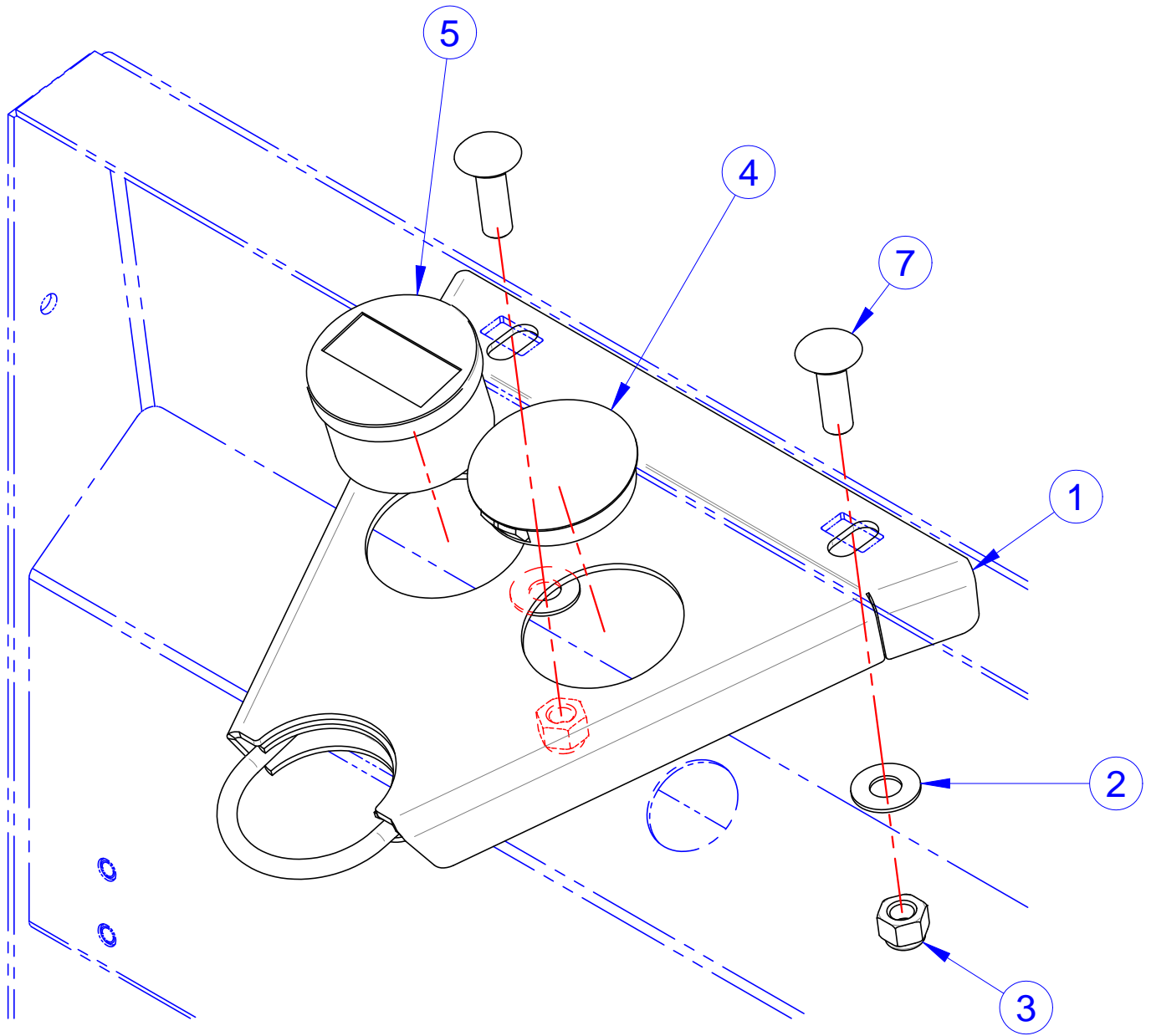
STEERING COLUMN



ITEM	CVG PN	DESCRIPTION	QTY	REF #
1	CVG311694TB	WLDMT, STEERING COLUMN, BC	1	311694
2	CVG708511	WASHER, FLAT 1/4" 18-8 SS	8	708511
3	CVG709718	STEERING SHAFT, 25" LONG W/NUT	1	709718
4	CVG719498	PITMAN ARM, BC, MAVAL BOX	1	719498
5	CVG719876	NUT, 1/4-20, L/N, NYL, NE, 316, S/S	4	719876
6	CVG739636	BEARING, COLUMN	1	739636
7	CVG759703	STEERING GEARBOX, MAVAL	1	759703
8	CVG761640	WASHER, 7/16 LOCK, S-SPLIT, L/W, 18-8 SS	3	761640
9	CVG761646	WASHER, 1", F/W, 18-8SS	1	761646
10	CVG782784	SCREW, 1/4-20X3/4, HHCS, 18-8SS	7	782784
11	CVG782791	SCREW, 7/16-14X1.50, HHCS, 18-8SS	3	782791

NOTE: Items with * in tables indicates parts not shown in drawing

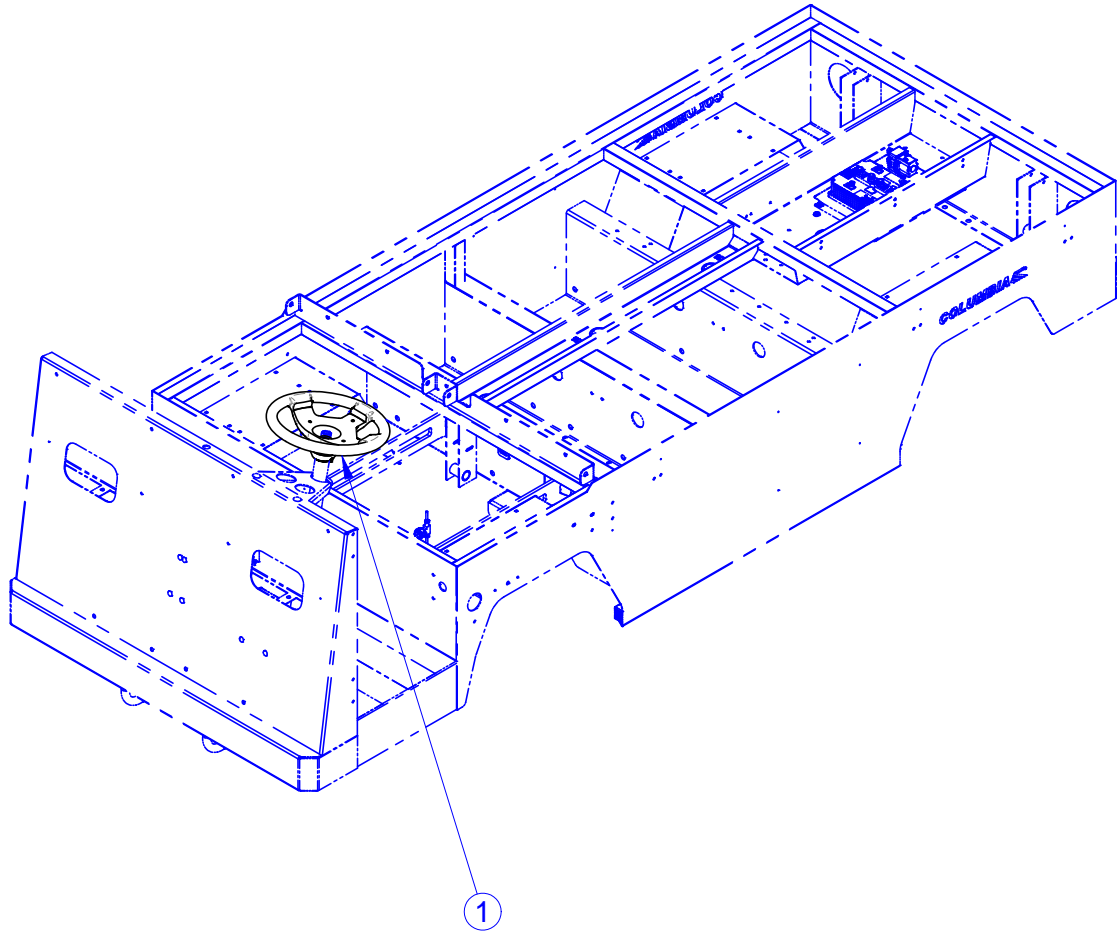
STEERING WHEEL, SMARTVIEW DISPLAY



ITEM	CVG PN	DESCRIPTION	QTY	REF #
1	CVG306117TB	WLDMT, UPR STRG CLMN SPRT	1	306117
2	CVG708859	WASHER, 3/8, STD, FW, 18-8SS	2	708859
3	CVG708860	NUT, 3/8-16, L/N, NYL, NE, 18-8, S/S	2	708860
4	CVG719214	DOME PLUG, BLACK (FITS 2.00" HOLE)	1	719214
5	CVG761154	DISPLAY, SMART VIEW	1	761154
6*	CVG761157	HARNESS, DISPLAY ADAPTER, AC DR	1	761157
7	CVG782724	SCR, 3/8-16 X 1.25, CARR, 18-8, S/S	2	782724

NOTE: Items with * in tables indicates parts not shown in drawing

STEERING WHEEL



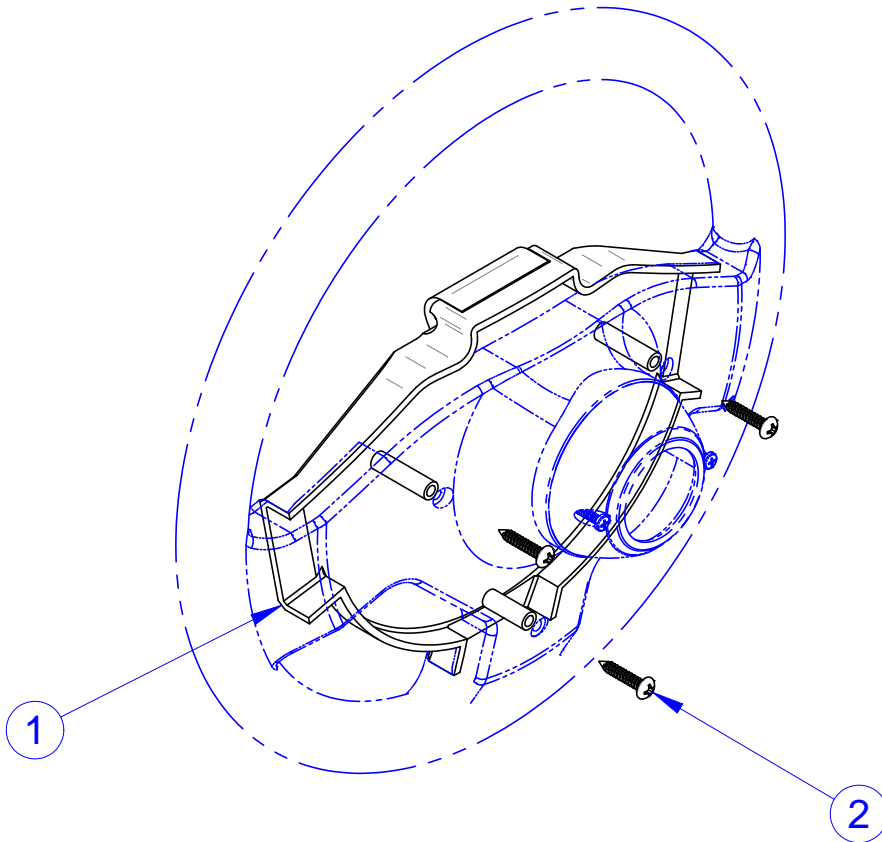
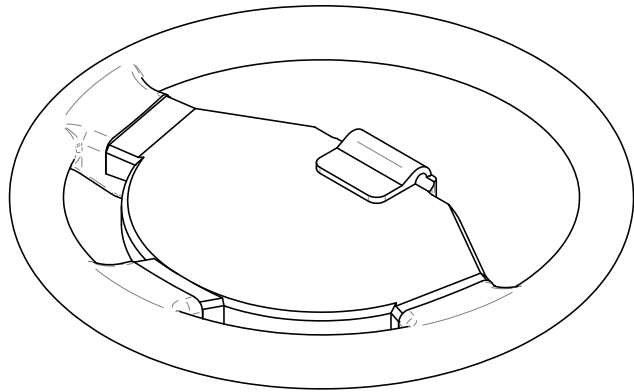
ITEM	CVG PN	DESCRIPTION	QTY	REF #
1	CVG463399	ASM, STEERING WHEEL, SPORT	1	463399

NOTE: Items with * in tables indicates parts not shown in drawing

Columbia Vehicle Group, Inc.
A Nordic Group Company | Business Ventures Since 1947



STEERING COVER, SCORECARD HOLDER



ITEM	CVG PN	DESCRIPTION	QTY	REF #
1	CVG709043	SCORECARD HOLDER	1	709043
2	CVG729263	SCREW #10X1,PPH,T/S,TA, MAGNI 525	3	729263

NOTE: Items with * in tables indicates parts not shown in drawing

Columbia Vehicle Group, Inc.
A Nordic Group Company | Business Ventures Since 1947



NOTE: Items with * in tables indicates parts not shown in drawing

Columbia Vehicle Group, Inc.

A Nordic Group Company | Business Ventures Since 1947



COLUMBIA



TOMBERLIN



COLUMBIA

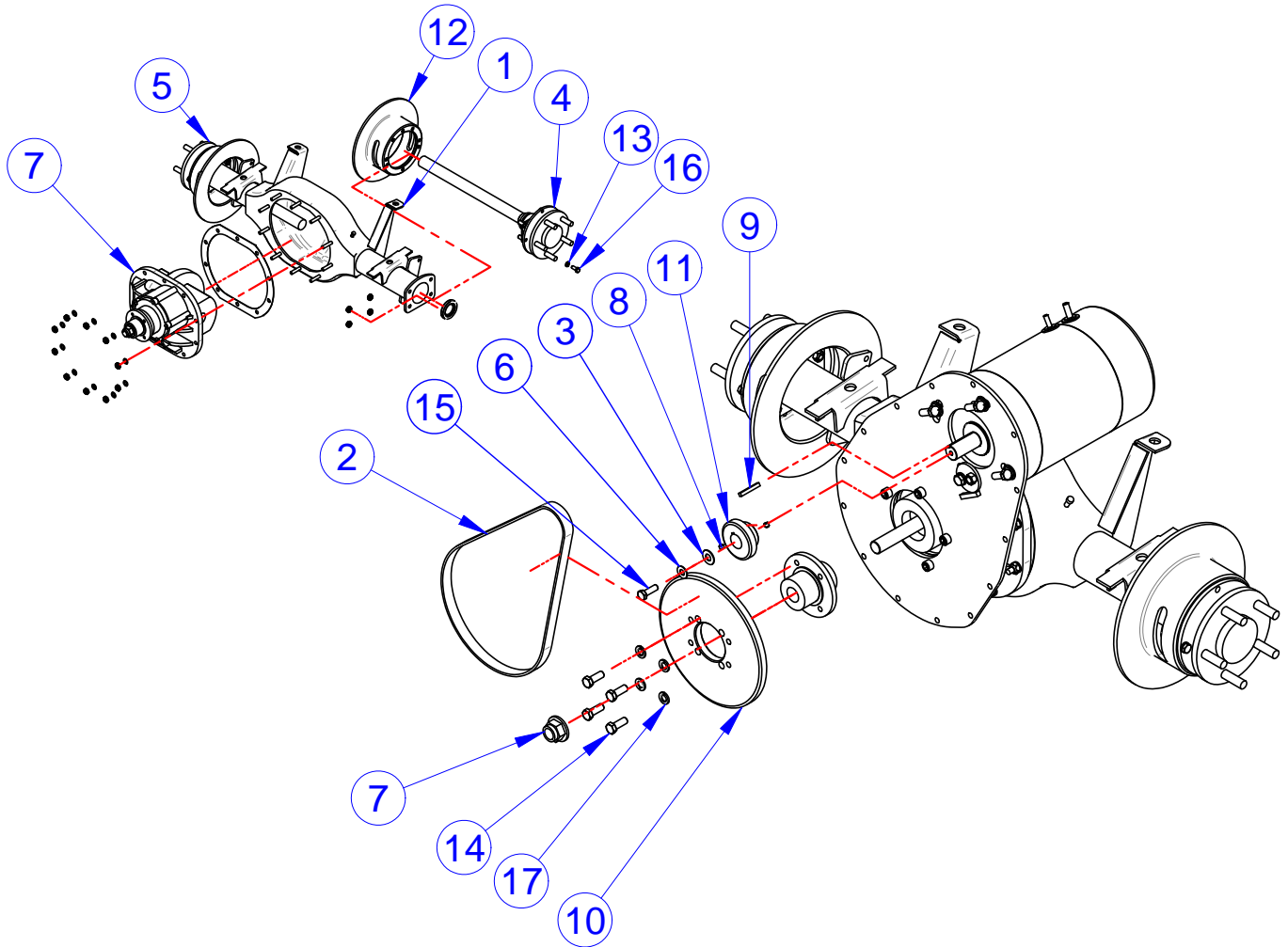
PAYLOADER

PARTS MANUAL SECTION 3

REAR SUSPENSION/ DRIVE TRAIN



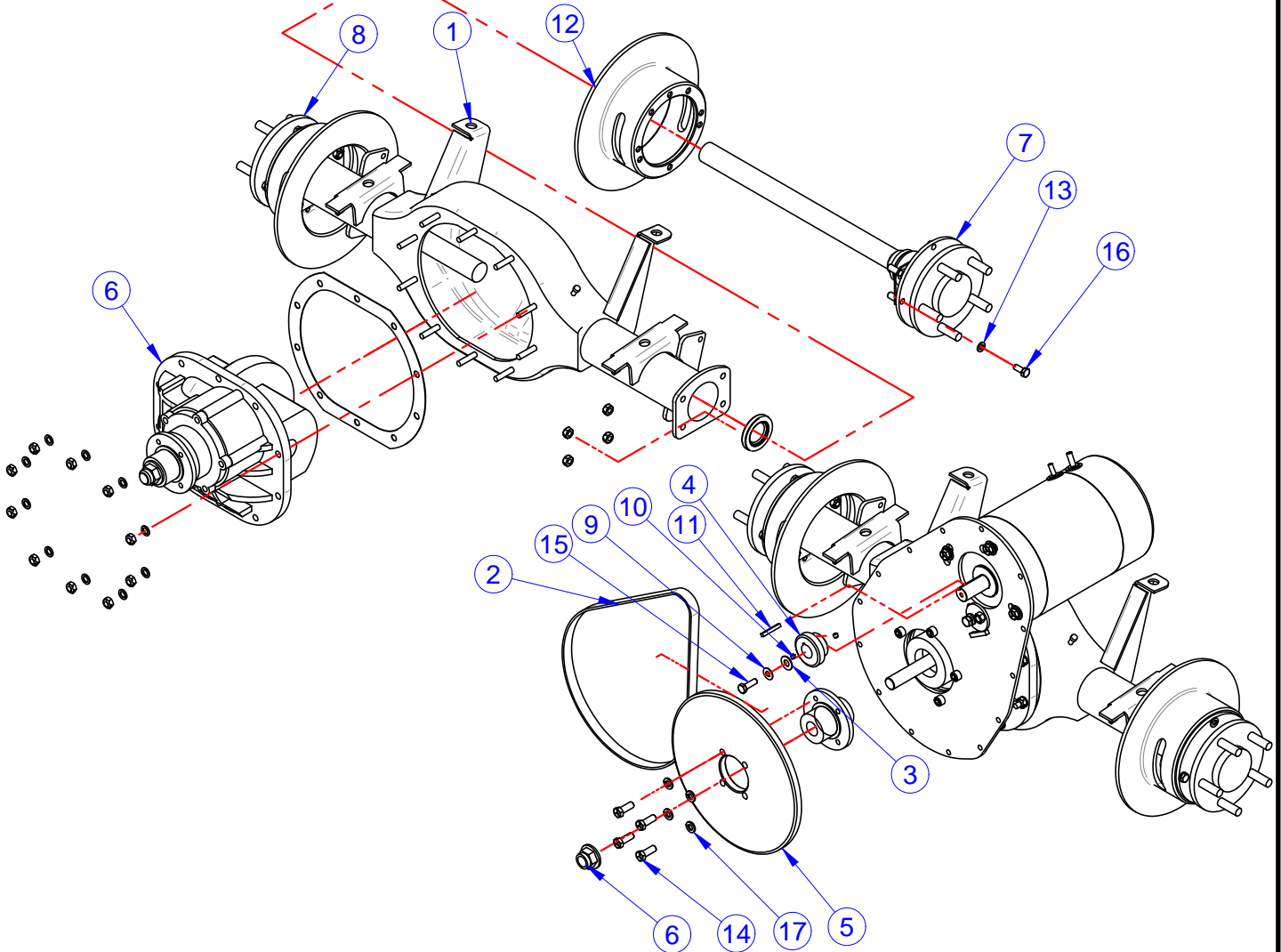
AXLE SHAFT COMPONENTS - 3.55



ITEM	CVG PN	DESCRIPTION	QTY	REF #
1	CVG307239	WLDMT, BC FORD AXLE HOUSING	1	307239
2	CVG467289	CHAIN, 47 LINK	1	467289
3	CVG708859	WASHER, 3/8, STD, FW, 18-8SS	1	708859
4	CVG719273	AXLE SHAFT, LH 20" BC FORD	1	719273
5	CVG719274	AXLE SHAFT, RH 16" BC FORD	1	719274
6	CVG719375	WSHR, 5/16X0.75X0.040, F/W, 18-8S/S	5	719375
7	CVG719492	ASSY, BC 3.55 FORD 8" AXLE CENTER	1	719492
8	CVG719550	SCREW, 1/4-20X1/4, SH, SET, UNPLT	2	719550
9	CVG719656	KEY, SQUARE PL, 3/16 X 1-7/16	1	719656
10	CVG729638	SPROCKET, 67 TOOTH	1	729638
11	CVG729662	SPROCKET, 19T, 7/8 B	1	729662
12	CVG761179	ROTOR, DISC BRAKE - DUAL PATTERN	2	761179
13	CVG781621	WSHR, 5/16, L/W, SPLIT, 18-8, S/S	8	781621
14	CVG781786	SCR, 3/8-16 X 1, HHCS, 18-8SS	7	781786
15	CVG782720	SCR, 5/16-18 X 1, HHCS, 18-8, S/S	1	782720
16	CVG782721	SCR, 5/16-18 X 0.75, HHCS, 18-8, S/S	8	782721
17	CVG782961	WSHR, (3/8) M10, MSLW, A2, SS	12	782961

NOTE: Items with * in tables indicates parts not shown in drawing

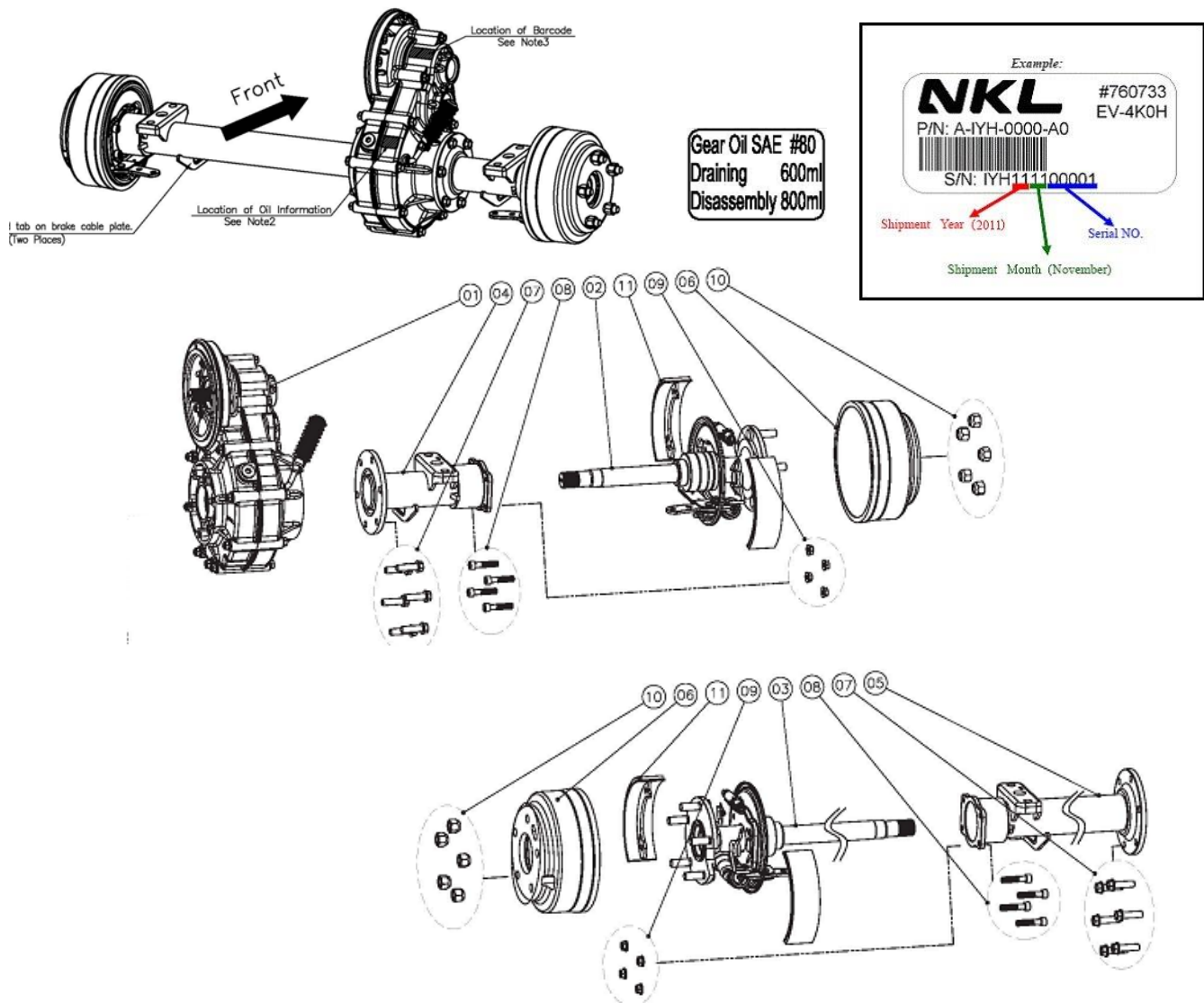
AXLE SHAFT COMPONENTS - 4.63



ITEM	CVG PN	DESCRIPTION	QTY	REF #
1	CVG307239	WLDMT, BC FORD AXLE HOUSING	1	307239
2	CVG461335	CHAIN, 52 LINK	1	461335
3	CVG708859	WASHER, 3/8, STD, FW, 18-8SS	1	708859
4	CVG709143	SPROCKET, 17T, 7/8 B	1	709143
5	CVG709145	SPROCKET, 86 TOOTH	1	709145
6	CVG719272	ASSY, BC 4.63 FORD 8" AXLE CENTER	1	719272
7	CVG719273	AXLE SHAFT, LH 20" BC FORD	1	719273
8	CVG719274	AXLE SHAFT, RH 16" BC FORD	1	719274
9	CVG719375	WSHR, 5/16X0.750X0.040, F/W, 18-8S/S	1	719375
10	CVG719550	SCREW, 1/4-20X1/4, SH, SET, UNPLT	2	719550
11	CVG719656	KEY, SQUARE PL, 3/16 X 1-7/16	1	719656
12	CVG761179	ROTOR, DISC BRAKE - DUAL PATTERN	2	761179
13	CVG781621	WSHR, 5/16, L/W, SPLIT, 18-8, S/S	8	781621
14	CVG781786	SCREW, 3/8-16X1, HHCS, 18-8 SS	11	781786
15	CVG782720	SCR, 5/16-18 X 1, HHCS, 18-8, S/S	1	782720
16	CVG782721	SCR, 5/16-18 X 0.75, HHCS, 18-8, S/S	8	782721
17	CVG782961	WSHR, 3/8 (M10), L/W, SPLIT, 18-8, S/S	12	782961

NOTE: Items with * in tables indicates parts not shown in drawing

AXLE SHAFT COMPONENTS

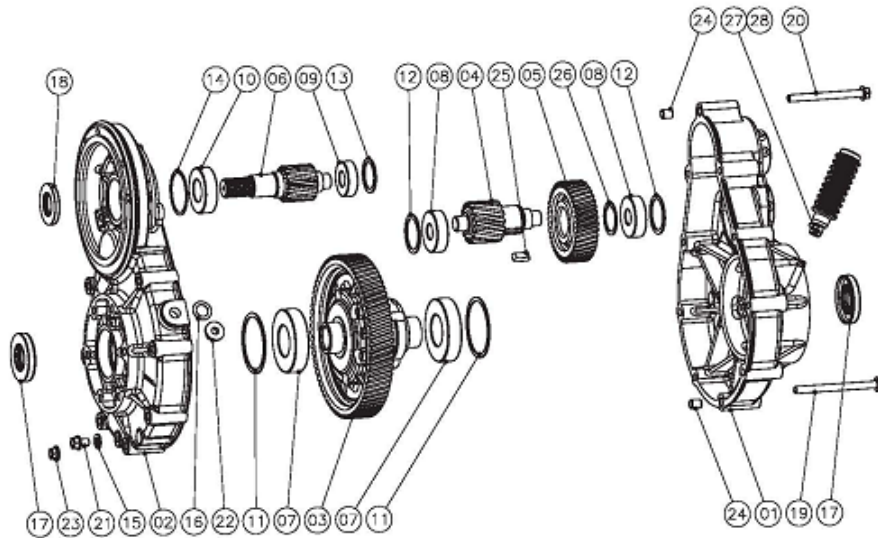


BOTH 10.37 AND 16.77 AXLES USE THE SAME AXLE SHAFT COMPONENTS

ITEM	CVG PN	DESCRIPTION	QTY	REF #
1-11	CVG760733	AXLE,HD,NKL 16.77:1	1	760733
1-11	CVG760734	AXLE,HD,NKL 10.37:1	1	760734
1	SPECIAL ORDER	GEAR BOX ASSY(CENTER SECTION)	1	NONE
2	CVG760986	AXLE SHAFT ASSY-R (SHORT) W/SHOES	1	760986
3	CVG760987	AXLE SHAFT ASSY-L (LONG) W/SHOES	1	760987
4	SPECIAL ORDER	AXLE TUBE ONLY-R (SHORT, PASSENGER SIDE)	1	NONE
5	SPECIAL ORDER	AXLE TUBE ONLY-L (LONG, DRIVER SIDE)	1	NONE
6	CVG760927	DRUM,REAR BRAKE (EITHER SIDE)	1	760927
7	SPECIAL ORDER	BOLT,TUBE TO CASE M10 X 1.25X 40L	12	NONE
8	SPECIAL ORDER	BOLT,TUBE TO BRAKE ASSY,M8X1.25X40L	8	NONE
9	SPECIAL ORDER	NUT,BRAKE ASSY, M8XP1.25	8	NONE
10	SPECIAL ORDER	NUT,WHEEL BOLT	10	NONE
11	CVG760928	SHOES,REAR BRAKE(PAIR)	2	760928

NOTE: Items with * in tables indicates parts not shown in drawing

AXLE GEARBOX COMPONENTS



NOTE PART DESCRIPTIONS FOR 10.37 VS 16.77

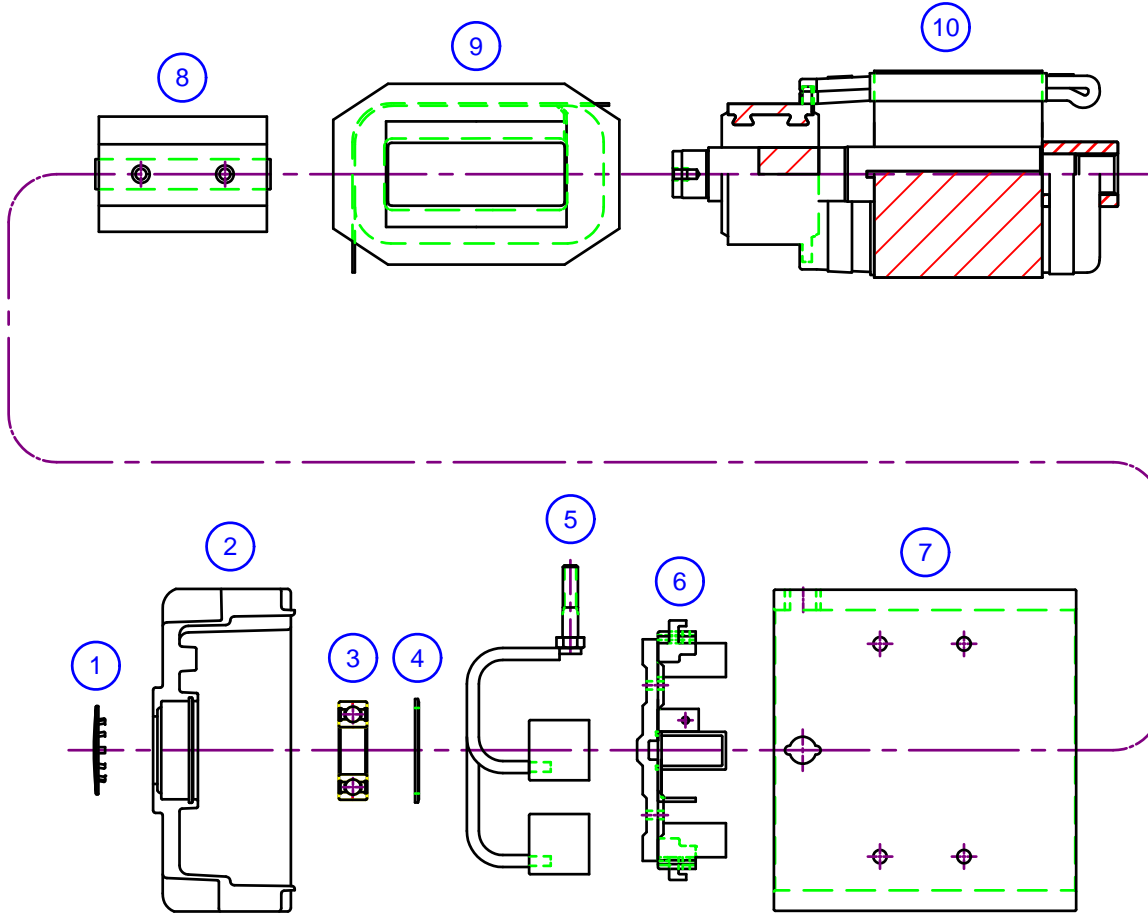
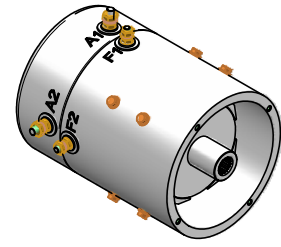
ITEM	CVG PN	DESCRIPTION	QTY	REF #
1	SPECIAL ORDER	COVER,CASE ASSY-R	1	NONE
2	SPECIAL ORDER	COVER,CASE ASSY-L	1	NONE
3	SPECIAL ORDER	GEAR,CARRIER ASSY,FINAL	1	NONE
4	SPECIAL ORDER	GEAR,INITIAL	1	NONE
5	SPECIAL ORDER	GEAR,INTERMEDIATE	1	NONE
6	SPECIAL ORDER	GEAR,PINION INPUT	1	NONE
7	CVG760926	BALL BEARING 6207	2	760926
8	CVG760918	BALL BEARING 6303	2	760918
9	CVG760921	BALL BEARING 6203	1	760921
10	CVG760922	BALL BEARING 6205	1	760922
11	CVG760925	SHIM 61X69X1.5t	2	760925
12	CVG760919	SHIM 36X44X1.5t	2	760919
13	CVG760920	SHIM 32X40X1.0t	1	760920
14	CVG760923	SHIM 45X51X1.5t	1	760923
15	SPECIAL ORDER	WASHER	1	NONE
16	SPECIAL ORDER	WASHER	1	NONE
17	CVG760924	SEAL 28X55X9h	2	760924
18	CVG760933	SEAL 25X47X6h	1	760933
19	SPECIAL ORDER	BOLT M8XP1.25X100L	7	NONE
20	SPECIAL ORDER	BOLT M8XP1.25X90L	3	NONE
21	SPECIAL ORDER	BOLT M8XP1.25X12L	1	NONE
22	SPECIAL ORDER	BOLT M14XP1.5X9.5L	1	NONE
23	SPECIAL ORDER	NUT M8XP1.25	10	NONE
24	SPECIAL ORDER	LOCATION PIN	2	NONE
25	SPECIAL ORDER	MACHINE KEY	1	NONE
26	CVG760917	CIRCLIP-SHAFT 32	1	760917
27	SPECIAL ORDER	BREATHER TUBE	1	NONE
28	SPECIAL ORDER	RING	1	NONE
29	CVG760939	CARRIER GEAR ASSY10.37:1 (INCLUDES ITEMS 3,7 & 11)	1	760939
30	CVG760934	INTERM. GEAR ASSY 10.37:1 (INCLUDES ITEMS 4,8,12,25 & 25)	1	760934
31	CVG760938	INPUT GEAR ASSY 10.37:1 (INCLUDES ITEMS 6,9,10,13 & 14)	1	760938
32	CVG760935	CARRIER GEAR ASSY 16.77:1 (INCLUDES ITEMS 3,7 & 11)	1	760935
33	CVG760936	INTERM. GEAR ASSY 16.77:1 (INCLUDES ITEMS 4,8,12,25 & 26)	1	760936
34	CVG760937	INPUT GEAR ASSY 16.77:1 (INCLUDES ITEMS 6,9,10,13 & 14)	1	760937

NOTE: Items with * in tables indicates parts not shown in drawing

Columbia Vehicle Group, Inc.
A Nordic Group Company | Business Ventures Since 1947



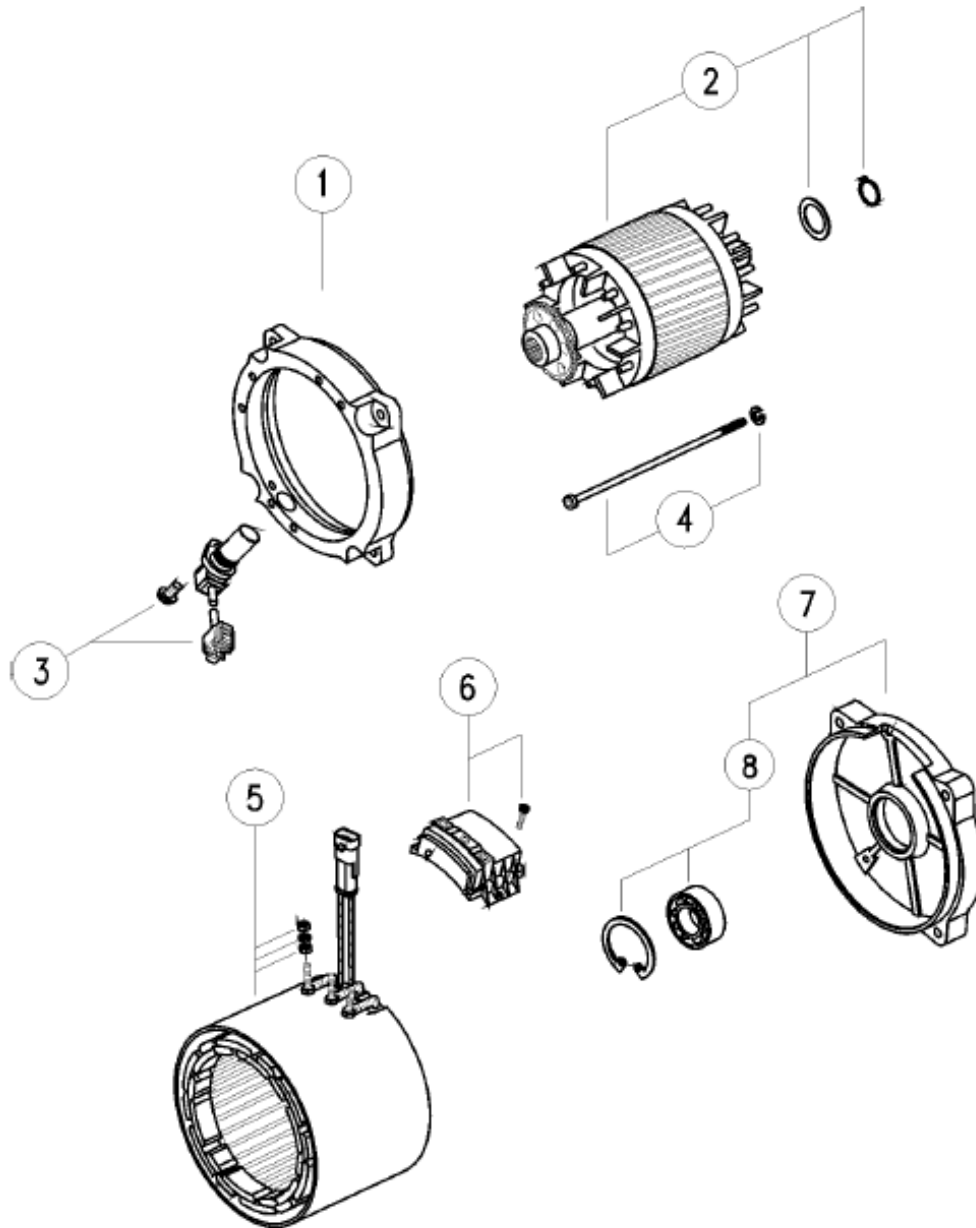
48V MOTOR



ITEM	CVG PN	DESCRIPTION	QTY	REF #
1	N/A	HOLE PLUG	1	N/A
2	N/A	CUMMUTATOR END HEAD	1	N/A
3	CVG759896	BEARING	1	759896
4	N/A	RETAINING RING	1	N/A
5	CVG759780	BRUSH ASSY.	2	759780
6	CVG759781	BRUSH BOX ASSY	1	759781
7	N/A	MOTOR FRAME	1	N/A
8	N/A	POLE SHOE ASSY.	4	N/A
9	N/A	SHUNT COIL ASSY	1	N/A
10	N/A	ARMATURE ASSY	1	N/A

NOTE: Items with * in tables indicates parts not shown in drawing

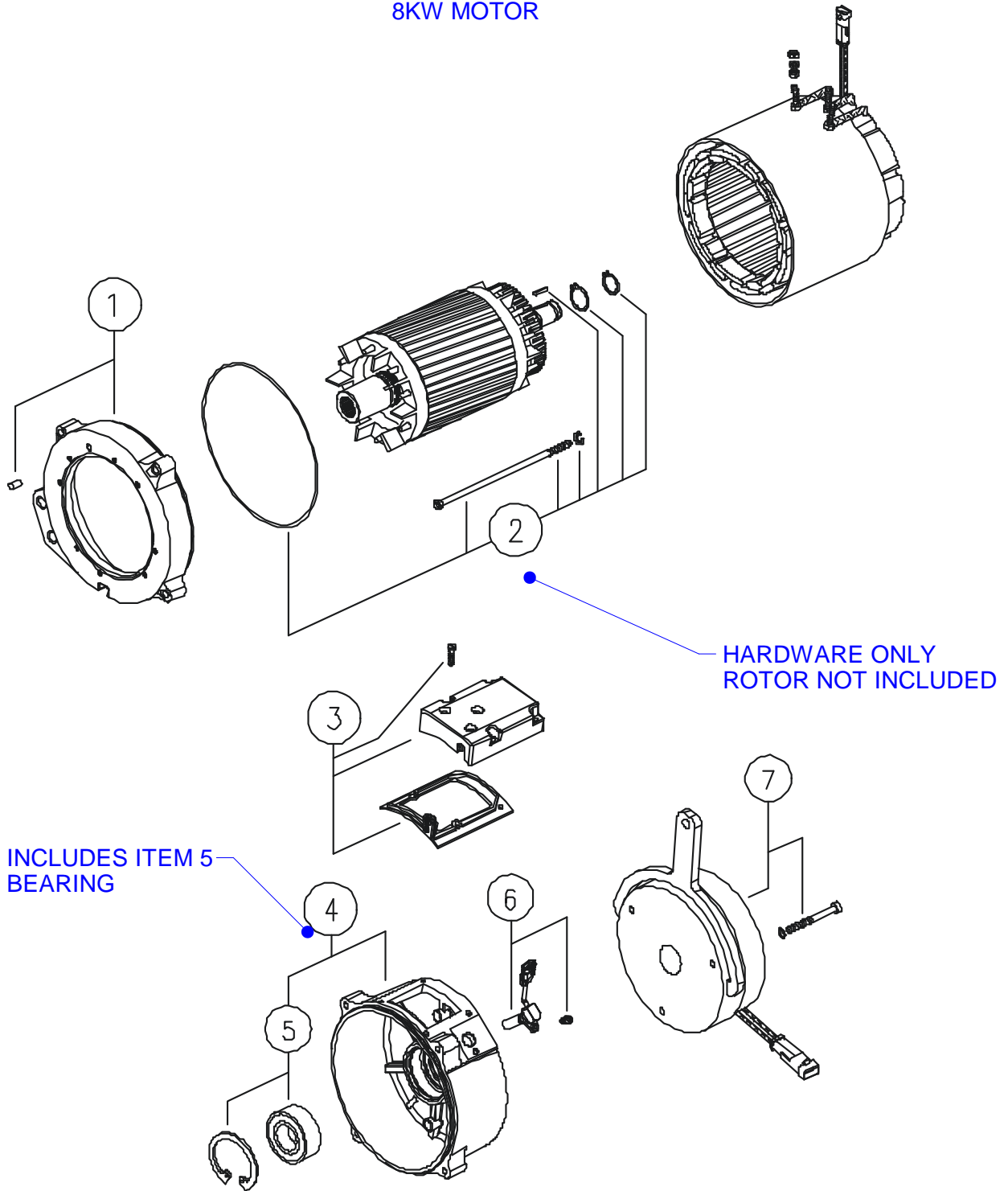
5KW MOTOR



ITEM	CVG P/N	DESCRIPTION	QTY	REF #
1-9	CVG761248	MOTOR, AC, 5KW W/EM BRAKE	1	761248
1	CVG761670	BRKT, DRIVE END, 5KW	1	761670
2	CVG761671	ARMATURE, 5KW	1	761671
3	CVG761258	SENSOR, MOTOR SPEED	1	761258
4	CVG761676	BOLT, MOTOR STAY, 5KW	1	761676
5	N/A	STATOR	1	N/A
6	CVG761675	PLATE, CONNECTION, 5KW	1	761675
7	CVG761674	BRACKET, REAR END, 5KW	1	761674
8	CVG761673	BEARING	1	761673
9*	CVG761672	EM BRAKE, 5KW	1	761672

NOTE: Items with * in tables indicates parts not shown in drawing

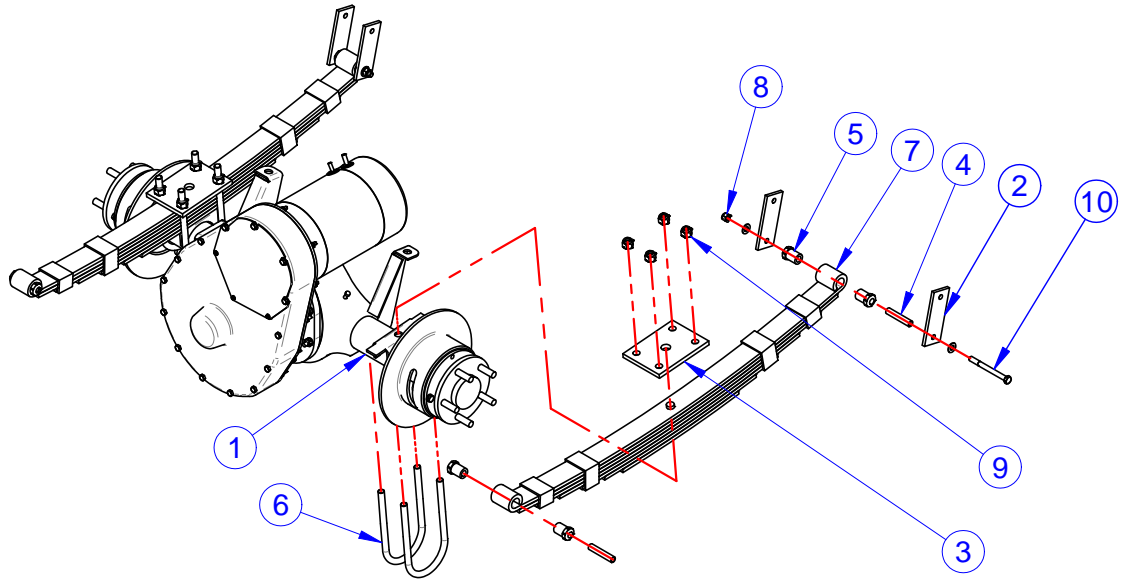
8KW MOTOR



ITEM	CVG P/N	DESCRIPTION	QTY	REF #
1-7	CVG761247	MOTOR, 8KW AC, W/EM BRAKE	1	761247
1	CVG761620	BRACKET,DRIVE END	1	761620
2	CVG761621	FIXING SET	1	761621
3	CVG761625	PLATE,CONNECTION	1	761625
4	CVG761621	BRACKET,REAR END	1	761621
5	CVG761622	BEARING,8KW MOTOR	1	761622
6	CVG761623	SENSOR,MOTOR SPEED	1	761623
7	CVG761624	BRAKE,8KW MOTOR	1	761624

NOTE: Items with * in tables indicates parts not shown in drawing

REAR SUSPENSION SPRINGS FOR 3.55



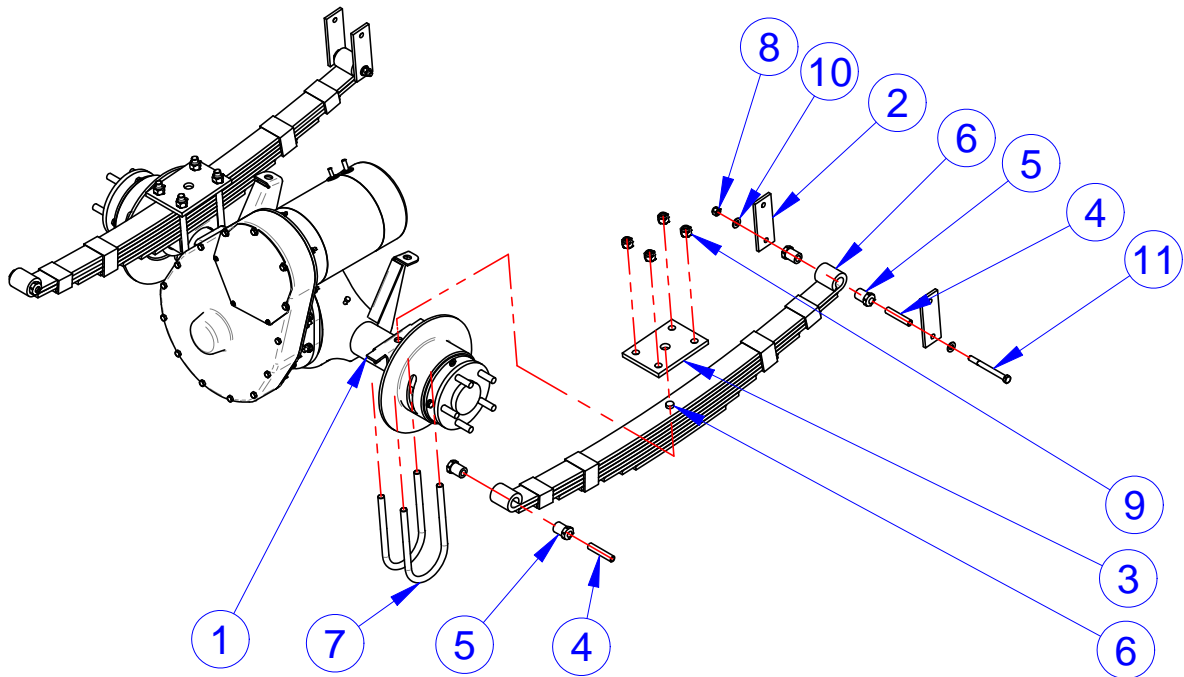
ITEM	CVG PN	DESCRIPTION	QTY	REF #
1	CVG307239	WLDMT, BC FORD AXLE HOUSING	1	307239
2	CVG510364	SUSP SPR SHACKLE	4	510364
3	CVG510370	AXLE SPRING RETAINER PLATE, REAR	2	510370
4	CVG517946PL	SPACER, 0.50 X 2.50	4	517946
5	CVG709015	BUSHING, RUBBER, 1/2X 1-3/8	8	709015
6	CVG709623	U-BOLT, 1/2-13, 3.50 X 7.93, UNPLTD	4	709623
7	CVG739587	LEAF SPRING, BC 7-LEAF	2	739587
8	CVG782118	NUT, 3/8-16, L/N, NYL, NE, G8, MAGNI525	2	782118
9	CVG782739	NUT, 1/2-13, L/N, NYL, NE, G8, MAGNI 525	8	782739
10	CVG782963	SCR, 3/8-16 X 4, HHCS, G8, MAGNI 525	2	782963

NOTE: Items with * in tables indicates parts not shown in drawing

Columbia Vehicle Group, Inc.
A Nordic Group Company | Business Ventures Since 1947



REAR SUSPENSION SPRINGS FOR 4.63



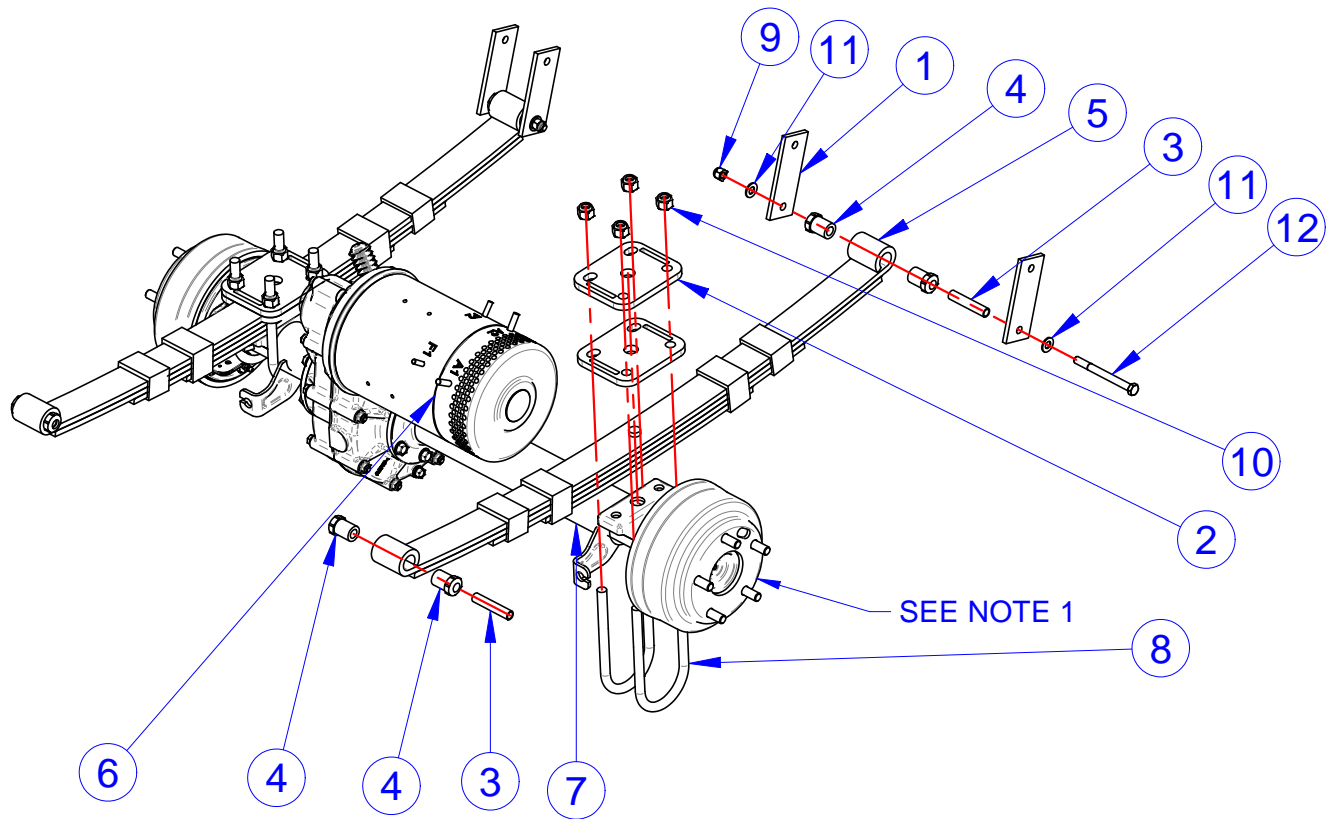
ITEM	CVG PN	DESCRIPTION	QTY	REF #
1	CVG307239	WLDMT, BC FORD AXLE HOUSING	1	307239
2	CVG510364	SUSP SPR SHACKLE	4	510364
3	CVG510370	AXLE SPRING RETAINER PLATE, REAR	2	510370
4	CVG517946PL	SPACER, 0.50 X 2.50	4	517946
5	CVG709015	BUSHING, RUBBER, 1/2X 1-3/8	8	709015
6	CVG709299	LEAF SPRING ASSY, 8-LEAF	2	709299
7	CVG709623	U-BOLT, 1/2-13, 3.50 X 7.93, UNPLTD	4	709623
8	CVG782118	NUT, 3/8-16, L/N, NYL, NE, G8, MAGNI525	2	782118
9	CVG782739	NUT, 1/2-13, L/N, NYL, NE, G8, MAGNI 525	8	782739
10	CVG782740	WSHR, 3/8(M10), SAE, F/W, G8, MAGNI525	4	782740
11	CVG782963	SCR, 3/8-16 X 4, HHCS, G8, MAGNI 525	2	782963

NOTE: Items with * in tables indicates parts not shown in drawing

Columbia Vehicle Group, Inc.
A Nordic Group Company | Business Ventures Since 1947



REAR SUSPENSION SPRINGS FOR 10.37

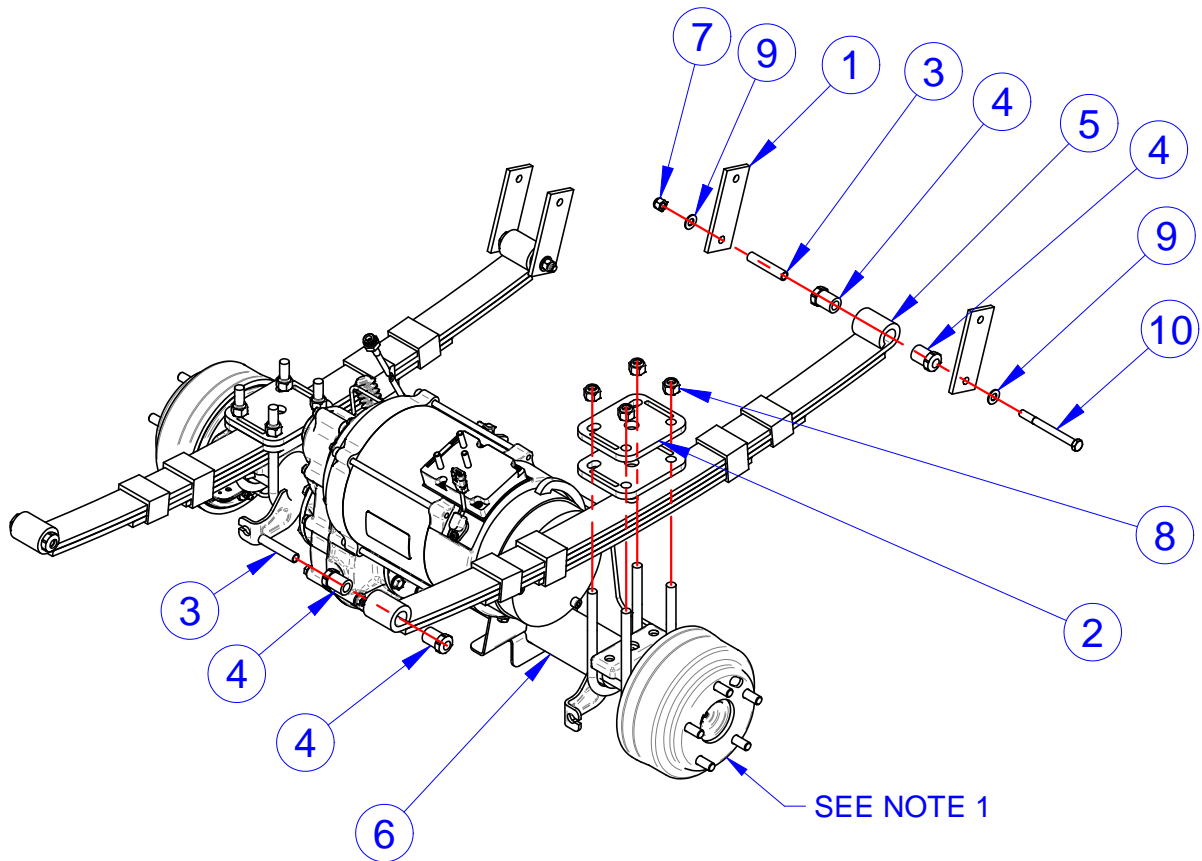


NOTES: (1) For brake hub replacement parts, see 'Rear Brake Hub' in 'Brake' section.

ITEM	CVG PN	DESCRIPTION	QTY	REF #
1	CVG510364	SUSP SPR SHACKLE	4	510364
2	CVG517871	PLATE, AXLE MT, ST/LT	4	517871
3	CVG517946PL	SPACER, 0.50 X 2.50	4	517946
4	CVG709015	BUSHING, RUBBER, 1/2X 1-3/8	8	709015
5	CVG709382	LEAF SPRING ASSY,4-LEAF,SUSPENSION	2	709382
6	CVG719339	MOTOR, ELEC 48V HD DIRECT W/TACH	1	719339
7	CVG761739	AXLE, NKL HDLT, 16.77:1	1	761739
8	CVG782102	U-BOLT, 1/2-13 X 6.75 IL X 2.81 IW, MAGNI 525	4	782102
9	CVG782118	NUT,3/8-16,L/N,NYL,NE,G8,MAGNI525	2	782118
10	CVG782739	NUT, 1/2-13, L/N, NYL, NE, G8, MAGNI 525	8	782739
11	CVG782740	WSHR,3/8(M10),SAE,F/W,G8,MAGNI525	4	782740
12	CVG782963	SCR, 3/8-16 X 4, HHCS, G8, MAGNI 525	2	782963

NOTE: Items with * in tables indicates parts not shown in drawing

16.77 REAR SUSPENSION SPRINGS

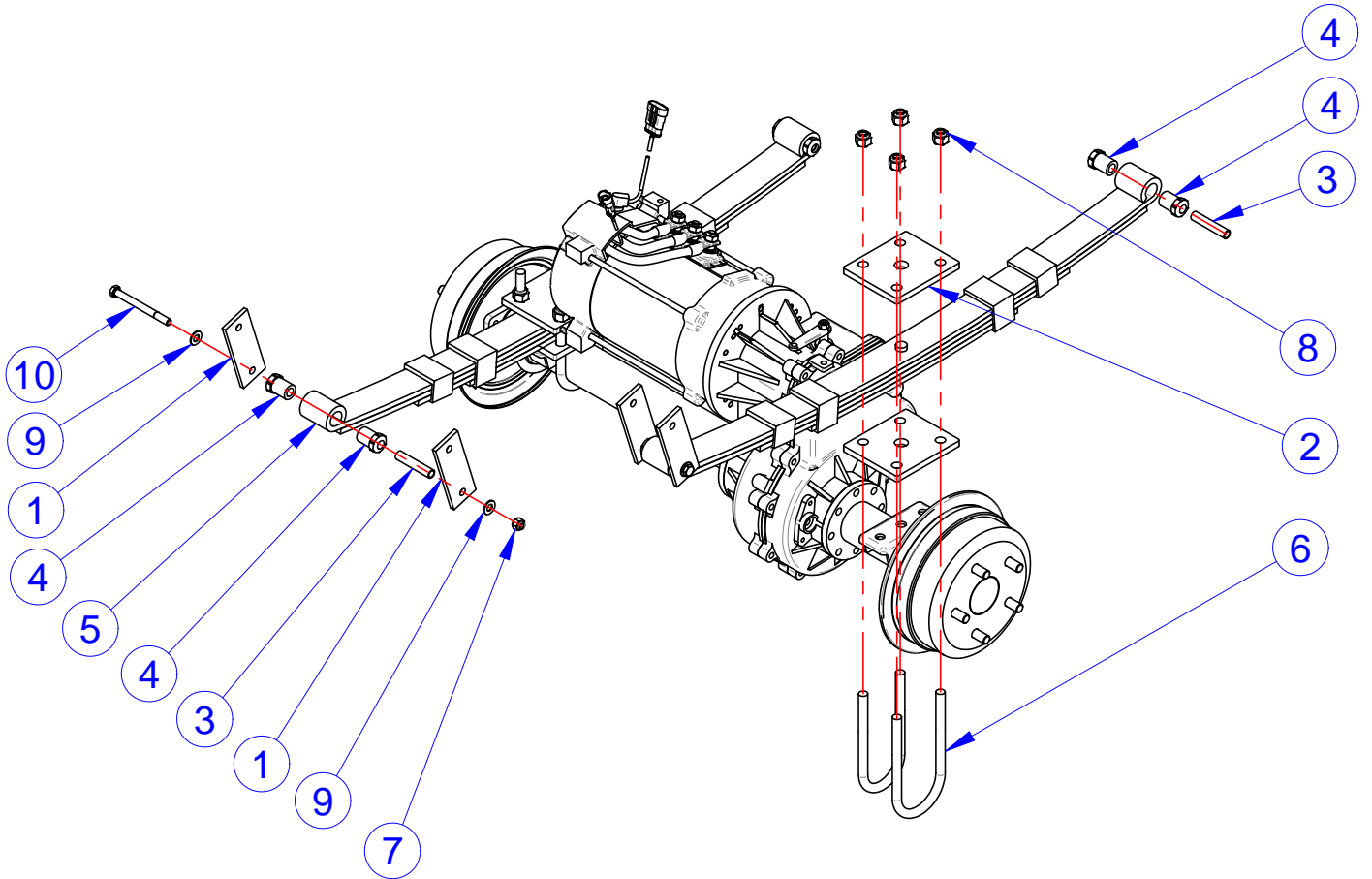


NOTES: (1) For brake hub replacement parts, see 'Rear Brake Hub' in 'Brake' section.

ITEM	CVG PN	DESCRIPTION	QTY	REF #
1	CVG510364	SUSP SPR SHACKLE	4	510364
2	CVG517871	PLATE, AXLE MT, ST/LT	4	517871
3	CVG517946PL	SPACER, 0.50 X 2.50	4	517946
4	CVG709015	BUSHING, RUBBER, 1/2X 1-3/8	8	709015
5	CVG709382	LEAF SPRING ASSY, 4-LEAF, SUSPENSION	2	709382
6	CVG761739	AXLE, NKL HDLT, 16.77:1	1	761739
7	CVG782118	NUT, 3/8-16, L/N, NYL, NE, G8, MAGNI525	2	782118
8	CVG782739	NUT, 1/2-13, L/N, NYL, NE, G8, MAGNI 525	8	782739
9	CVG782740	WSHR, 3/8(M10), SAE, F/W, G8, MAGNI525	4	782740
10	CVG782963	SCR, 3/8-16 X 4, HHCS, G8, MAGNI 525	2	782963

NOTE: Items with * in tables indicates parts not shown in drawing

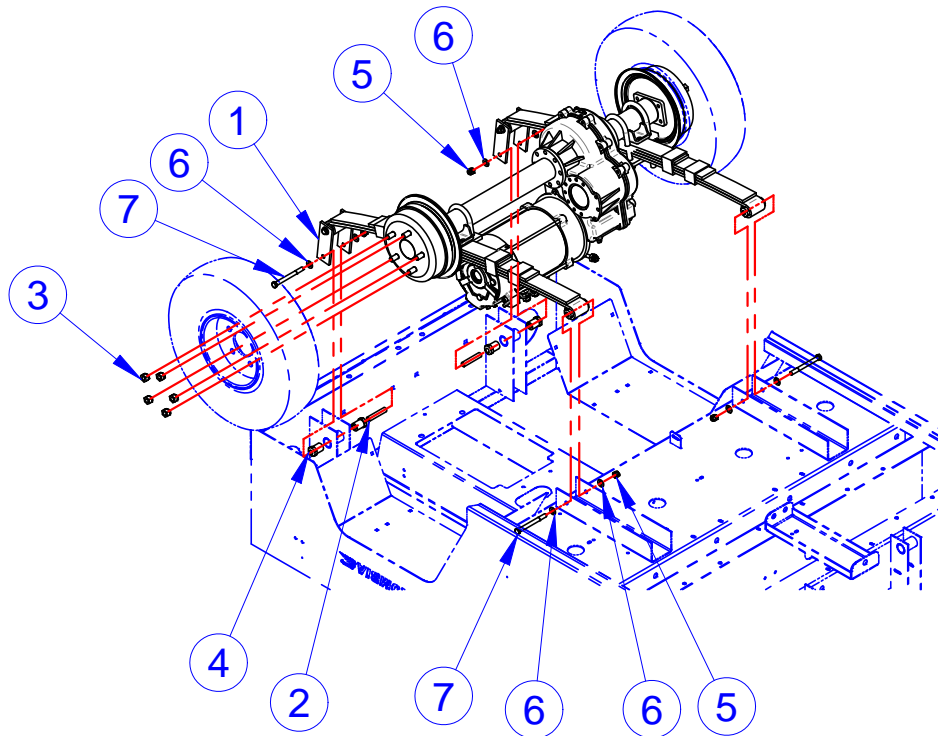
REAR SUSPENSION SPRINGS FOR 20:1



ITEM	CVG PN	DESCRIPTION	QTY	REF #
1	CVG510364	CPC SUSPENSION SPRING SHACKLE	4	510364
2	CVG516415	REAR SPRING PLATE, BC IMAG AXLES	4	516415
3	CVG517946PL	SPACER, 0.50 X 2.50	4	517946
4	CVG709015	BUSHING, RUBBER, 1/2X 1-3/8	8	709015
5	CVG709382	LEAF SPRING ASSY,4-LEAF,SUSPENSION	2	709382
6	CVG782102	U-BOLT, 1/2-13 X 6.75 IL X 2.81 IW, MAGNI 525	2	782102
7	CVG782118	NUT,3/8-16,L/N,NYL,NE,G8,MAGNI525	2	782118
8	CVG782739	NUT, 1/2-13, L/N, NYL, NE, G8, MAGNI 525	8	782739
9	CVG782740	WSHR,3/8(M10),SAE,F/W,G8,MAGNI525	4	782740
10	CVG782963	SCR, 3/8-16 X 4, HHCS, G8, MAGNI 525	2	782963

NOTE: Items with * in tables indicates parts not shown in drawing

REAR SUSPENSION



ITEM	DESCRIPTION	QTY	REF #	
1	NONE	ASSY, REAR SPNSN, 3.55 19/67, HD, BC4	1	467399
	NONE	ASSY, REAR SPNSN, 4.63 17/86, HD, BC4	1	467400
	NONE	ASSY, REAR SPNSN, 16.77, HD, BC3	1	467836
	NONE	ASSY, REAR SPNSN, 10.37, SD, BC2	1	467940
	NONE	ASSY, REAR SPNSN, 16.77, SD, BC2	1	467943
	NONE	ASSY, REAR SPNSN, 10.37 19/67, 5KW, BC2	1	468097
	NONE	ASSY, REAR SPNSN, 16.77 19/67, 8KW, BC3	1	468098
	NONE	ASSY, REAR SPNSN, 20:1, 8KW, BC4	1	468825
2	CVG517946PL	SPACER, 0.50 X 2.50	2	517946
3	CVG709002	NUT, 1/2-20, TAPERED WHEEL	10	709002
4	CVG709015	BUSHING, RUBBER, 1/2X 1-3/8	4	709015
5	CVG782118	NUT,3/8-16,L/N,NYL,NE,G8,MAGNI525	4	782118
6	CVG782740	WSHR,3/8(M10),SAE,F/W,G8,MAGNI525	8	782740
7	CVG782963	SCR, 3/8-16 X 4, HHCS, G8, MAGNI 525	4	782963

NOTE: Items with * in tables indicates parts not shown in drawing

NOTE: Items with * in tables indicates parts not shown in drawing

Columbia Vehicle Group, Inc.

A Nordic Group Company | Business Ventures Since 1947



COLUMBIA



TOMBERLIN



COLUMBIA

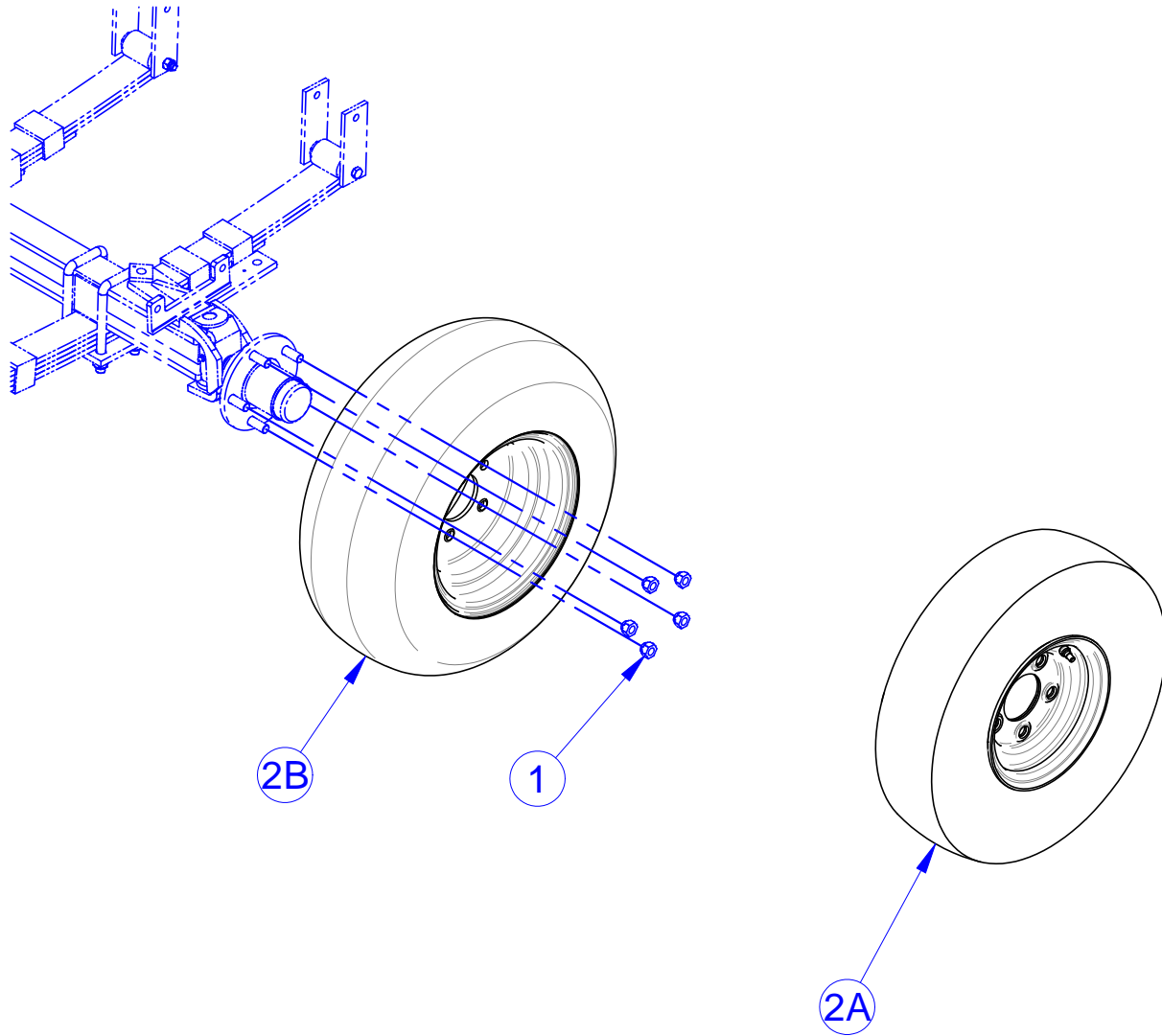
PAYLOADER

PARTS MANUAL SECTION 4

WHEELS



WHEELS



ITEM	CVG PN	DESCRIPTION	QTY	REF #
1	CVG709002	NUT, 1/2-20, TAPERED WHEEL	5	709002
2A	CVG719263	TIRES, 5.0-8, 10 PLY, WHITE STEEL WHEELS	4	719263
	CVG760325	TIRES, 5.7-8, 6 PLY, NON-MARKING, WHITE STEEL WHEELS	4	760325
	CVG709354	TIRES, 5.7-8, 8 PLY, WHITE STEEL WHEELS	4	709354
	CVG761740	TIRE/WHEEL, FF, 5.7X8, 8 PLY, 8X3.75, 5X4.5, WHITE	4	761740
2B	CVG761197	ASSY, TIRE/WHEEL, 205/65-10, 5-BOLT	4	761197

NOTE: Items with * in tables indicates parts not shown in drawing

NOTE: Items with * in tables indicates parts not shown in drawing

Columbia Vehicle Group, Inc.

A Nordic Group Company | Business Ventures Since 1947



COLUMBIA



TOMBERLIN



COLUMBIA

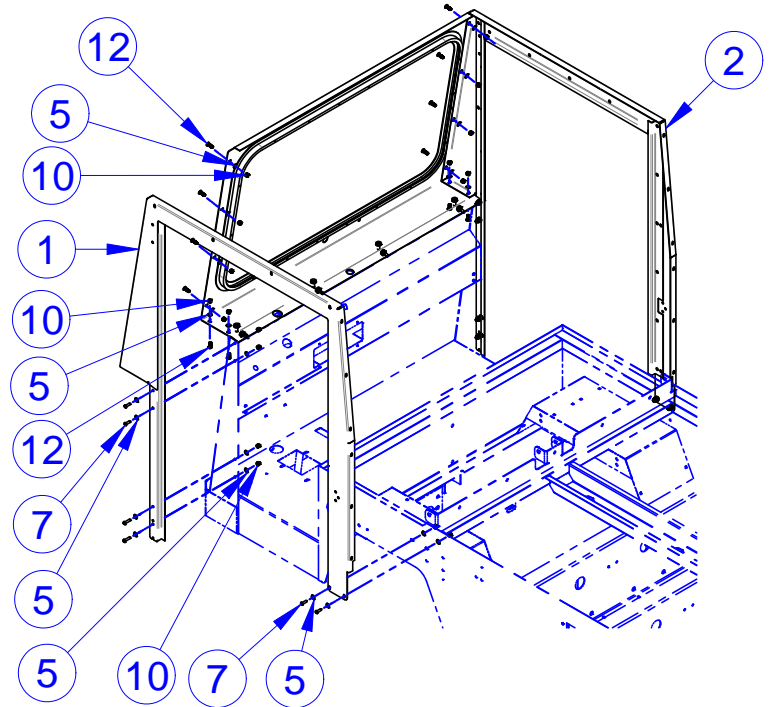
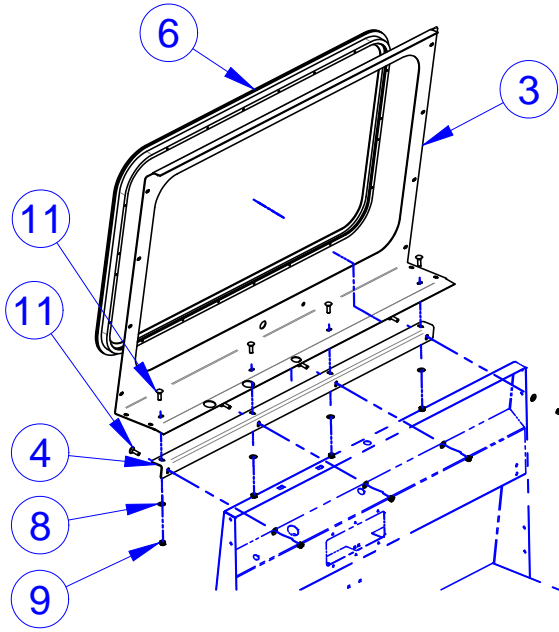
PAYLOADER

PARTS MANUAL SECTION 5

BODY



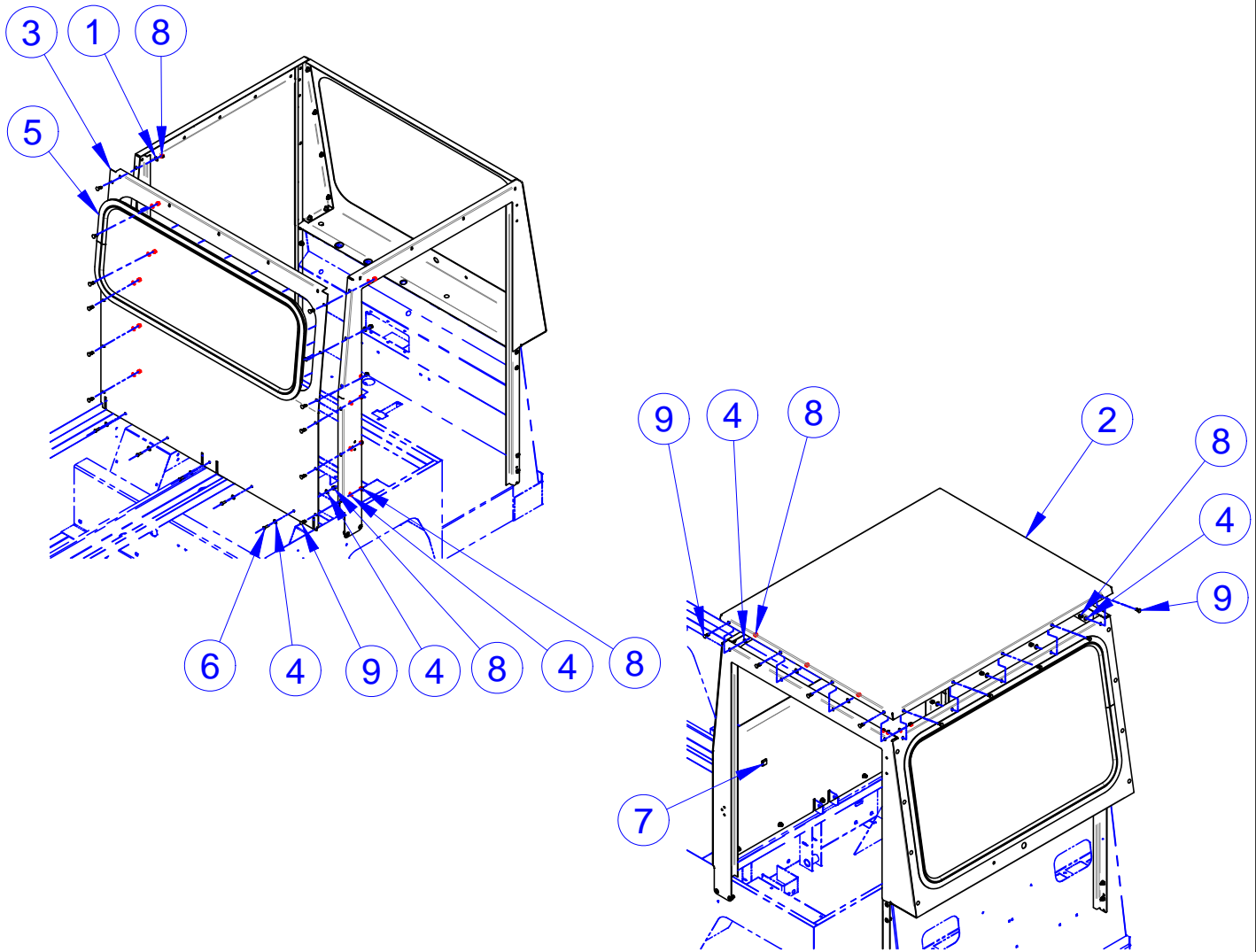
CAB



ITEM	CVG PN	DESCRIPTION	QTY	REF #
1	CVG308432T	SIDE PANEL, B.C. L.H. CAB	1	308432
2	CVG308433T	SIDE PANEL, CAB, BC R.H.	1	308433
3	CVG511221T	FRONT CAB PANEL	1	511221
4	CVG511225	BRKT, ATTCHMT - CAB FRONT	1	511225
5	CVG708511	WASHER, FLAT 1/4" 18-8 SS	5	708511
6	CVG709158	WINDOW, FRONT CAB ASSEMBLY	1	709158
7	CVG719374	SCREW, 1/4-20X3/4", BHCS, 18-8SS	2	719374
8	CVG719375	WSHR, 5/16X0.750X0.040, F/W, 18-8S/S	1	719375
9	CVG719377	NUT, 5/16-18, L/N, NYL, NE, 18-8, S/S	1	719377
10	CVG719876	NUT, 1/4-20, L/N, NYL, NE, 316, S/S	3	719876
11	CVG761292	SCR, 5/16-18X1.0, CARR, 18-8S/S	2	761292
12	CVG781739	SCR, 1/4-20 X 0.75, CARR, 18-8, S/S	2	781739

NOTE: Items with * in tables indicates parts not shown in drawing

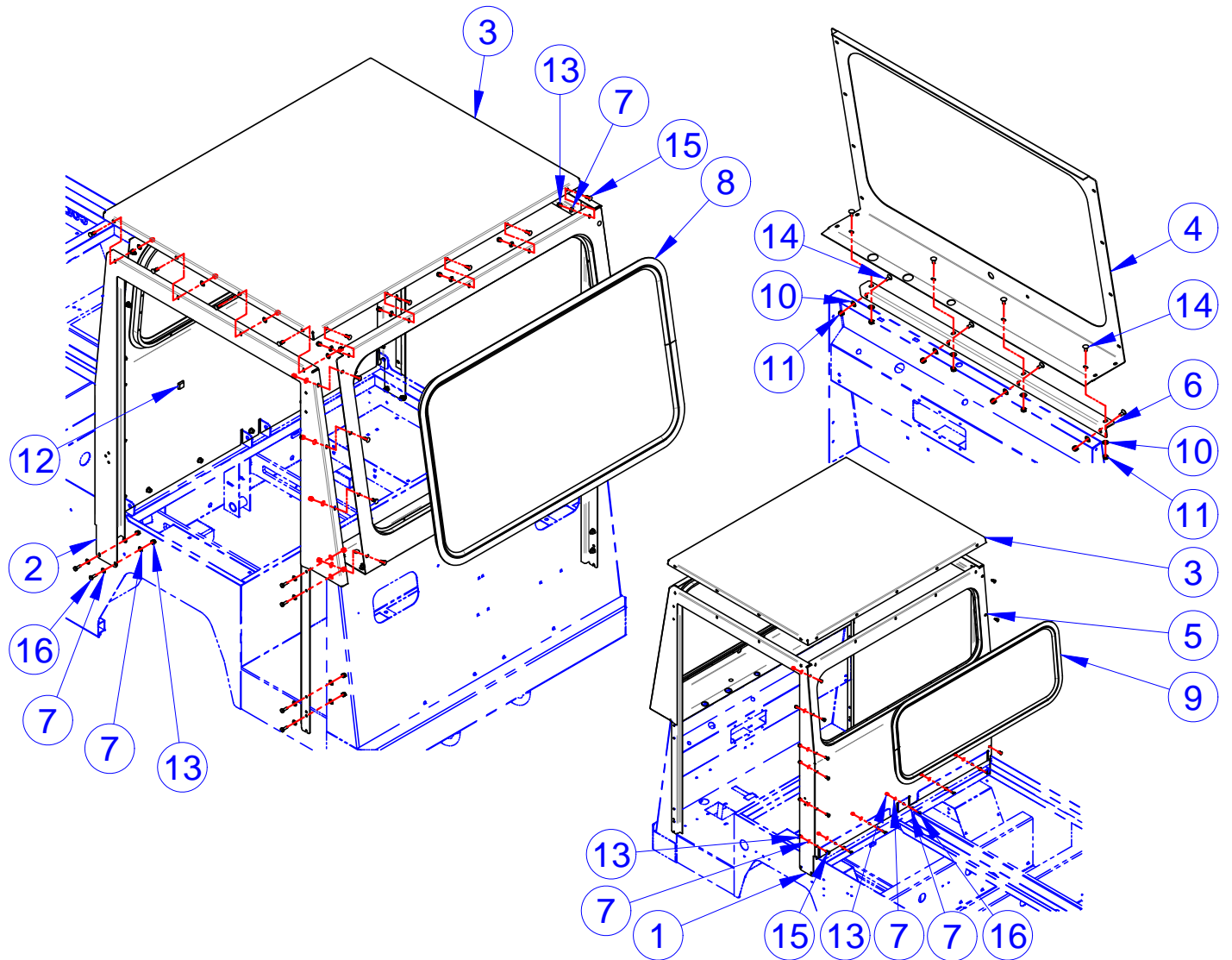
CAB



ITEM	CVG PN	DESCRIPTION	QTY	REF #
1	CVG308432T	SIDE PANEL, B.C. L.H. CAB	1	308432
2	CVG308473T	WLDMT PANEL TOP CAB BC	1	308473
3	CVG511222T	PANEL, CAB REAR	1	511222
4	CVG708511	WASHER, FLAT 1/4" 18-8 SS	5	708511
5	CVG709159	WINDOW, REAR, CAB ASSEMBLY	1	709159
6	CVG719374	SCREW, 1/4-20X3/4", BHCS, 18-8SS	1	719374
7	CVG719738	BUMPER BLACK 3M#SJ5023	1	719738
8	CVG719876	NUT, 1/4-20, L/N, NYL, NE, 316, S/S	5	719876
9	CVG781739	SCR, 1/4-20 X 0.75, CARR, 18-8, S/S	3	781739

NOTE: Items with * in tables indicates parts not shown in drawing

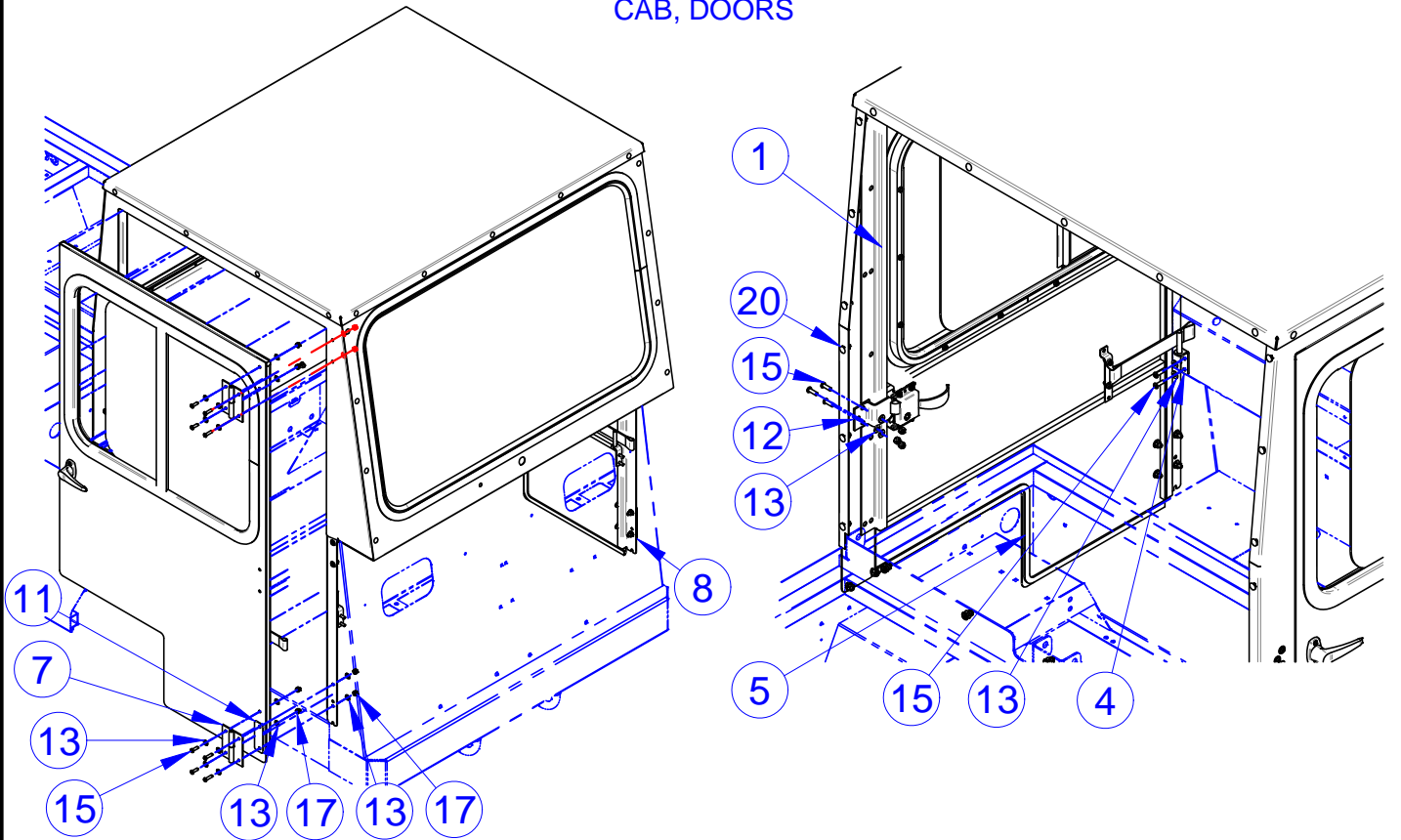
CAB WITHOUT DOORS



ITEM	CVG PN	DESCRIPTION	QTY	REF #
1	CVG308432TW	SIDE PANEL, B.C. L.H. CAB	1	308432
2	CVG308433TW	SIDE PANEL, CAB, BC R.H.	1	308433
3	CVG308473TW	WLDMT PANEL TOP CAB BC	1	308473
4	CVG511221TW	FRONT CAB PANEL	1	511221
5	CVG511222TW	PANEL, CAB REAR	1	511222
6	CVG511225	BRKT, ATTCHMT - CAB FRONT	1	511225
7	CVG708511	WASHER, FLAT, 1/4", 18-8SS	76	708511
8	CVG709158	WINDOW, FRONT CAB ASSEMBLY	1	709158
9	CVG709159	WINDOW, REAR, CAB ASSEMBLY	1	709159
10	CVG719375	WSHR, 5/16X0.75X0.040, F/W, 18-8S/S	8	719375
11	CVG719377	NUT, 5/16-18, L/N, NYL, NE, 18-8SS	8	719377
12	CVG719738	BUMPER BLACK 3M#SJ5023	2	719738
13	CVG719876	NUT, 1/4-20, L/N, NYL, NE, 316, S/S	59	719876
14	CVG761642	SCREW, 5/16-18-5/8, CARR, 18-8 SS	8	761642
15	CVG781739	SCR, 1/4-20 X 0.75, CARR, 18-8, S/S	42	781739
16	CVG782784	SCREW, 1/4-20X3/4, HHCS, 18-8SS	17	782784

NOTE: Items with * in tables indicates parts not shown in drawing

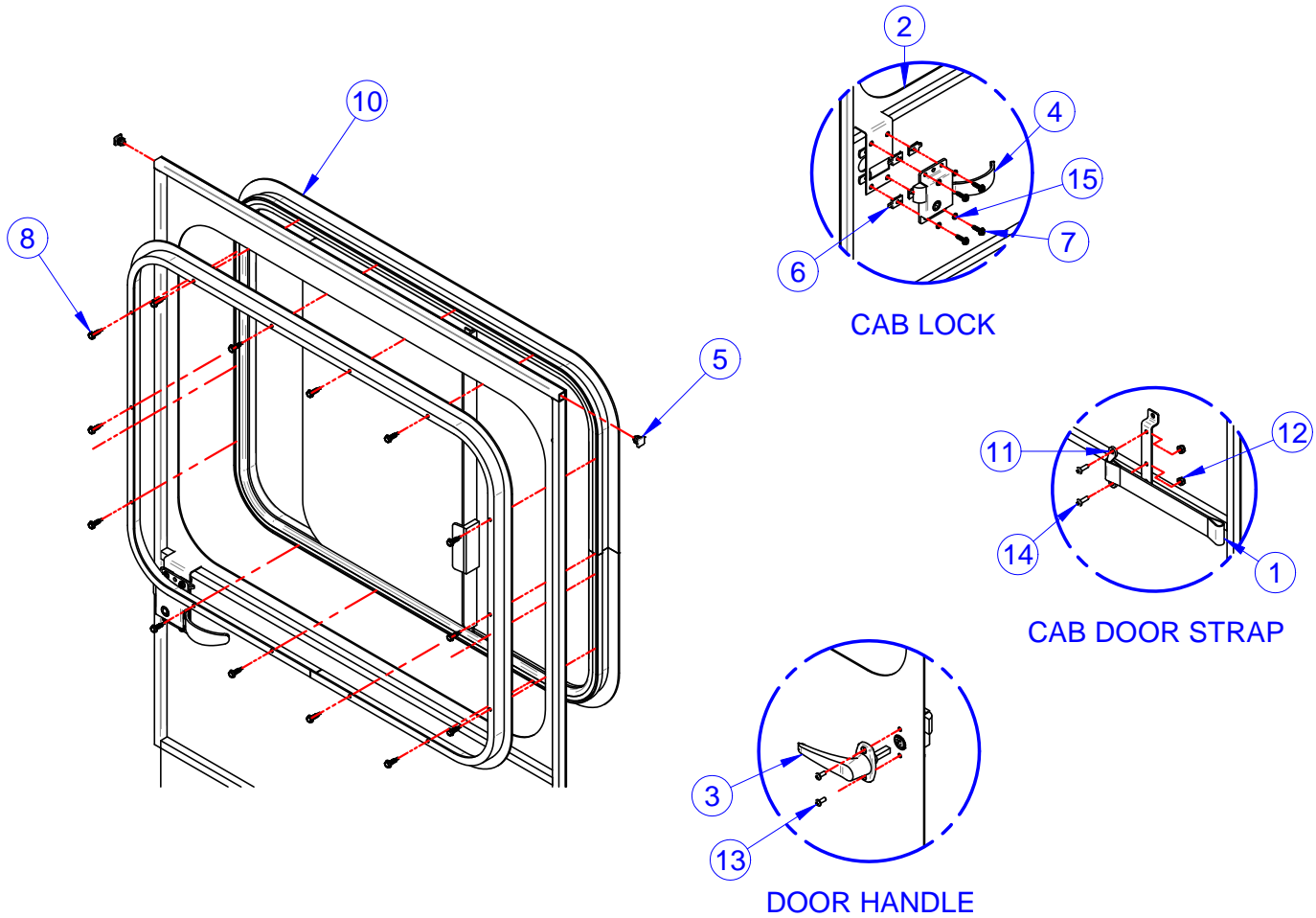
CAB, DOORS



ITEM	CVG PN	DESCRIPTION	QTY	REF #
1	CVG308432TW	SIDE PANEL, B.C. L.H. CAB	1	308432
2*	CVG308433TW	SIDE PANEL, CAB, BC R.H.	1	308433
3*	CVG308473TW	WLDMT PANEL TOP CAB BC	1	308473
4	CVG314294	WLDMT, DOOR STRAP HOOK	2	314294
5	NONE	ASM, BC LH CAB DOOR, STEEL	1	467859
6*	NONE	ASM, BC RH CAB DOOR, STEEL	1	467860
7	CVG509197	HINGE, LIFT-OFF, CAB RH	2	509197
8	CVG509198	HINGE, LIFT-OFF, CAB LH	2	509198
9*	CVG511221TW	FRONT CAB PANEL	1	511221
10*	CVG511225	BRKT, ATTCHMT - CAB FRONT	1	511225
11	CVG511269	PL, SPACER - DOOR HINGE	2	511269
12	CVG511827TW	LATCH, DOOR, STEEL CAB	2	511827
13	CVG708511	WASHER, FLAT 1/4" 18-8 SS	116	708511
14*	CVG709158	WINDOW, FRONT CAB ASSEMBLY	1	709158
15	CVG719374	SCREW, 1/4-20X3/4", BHCS, 18-8SS	31	719374
16*	CVG719375	WSHR, 5/16X0.75X0.040, F/W, 18-8S/S	8	719375
17	CVG719876	NUT, 1/4-20, L/N, NYL, NE, 316, S/S	77	719876
18*	CVG739272	TAPE, FOAM, 1/8 X 1/2 (10.0 ft)	2	739272
19*	CVG761292	SCR, 5/16-18X1.0, CARR, 18-8S/S	8	761292
20	CVG781739	SCR, 1/4-20 X 0.75, CARR, 18-8, S/S	42	781739
21*	CVG782719	SCR, 1/4-20 X 1, BSHCS, 18-8, S/S	8	782719

NOTE: Items with * in tables indicates parts not shown in drawing

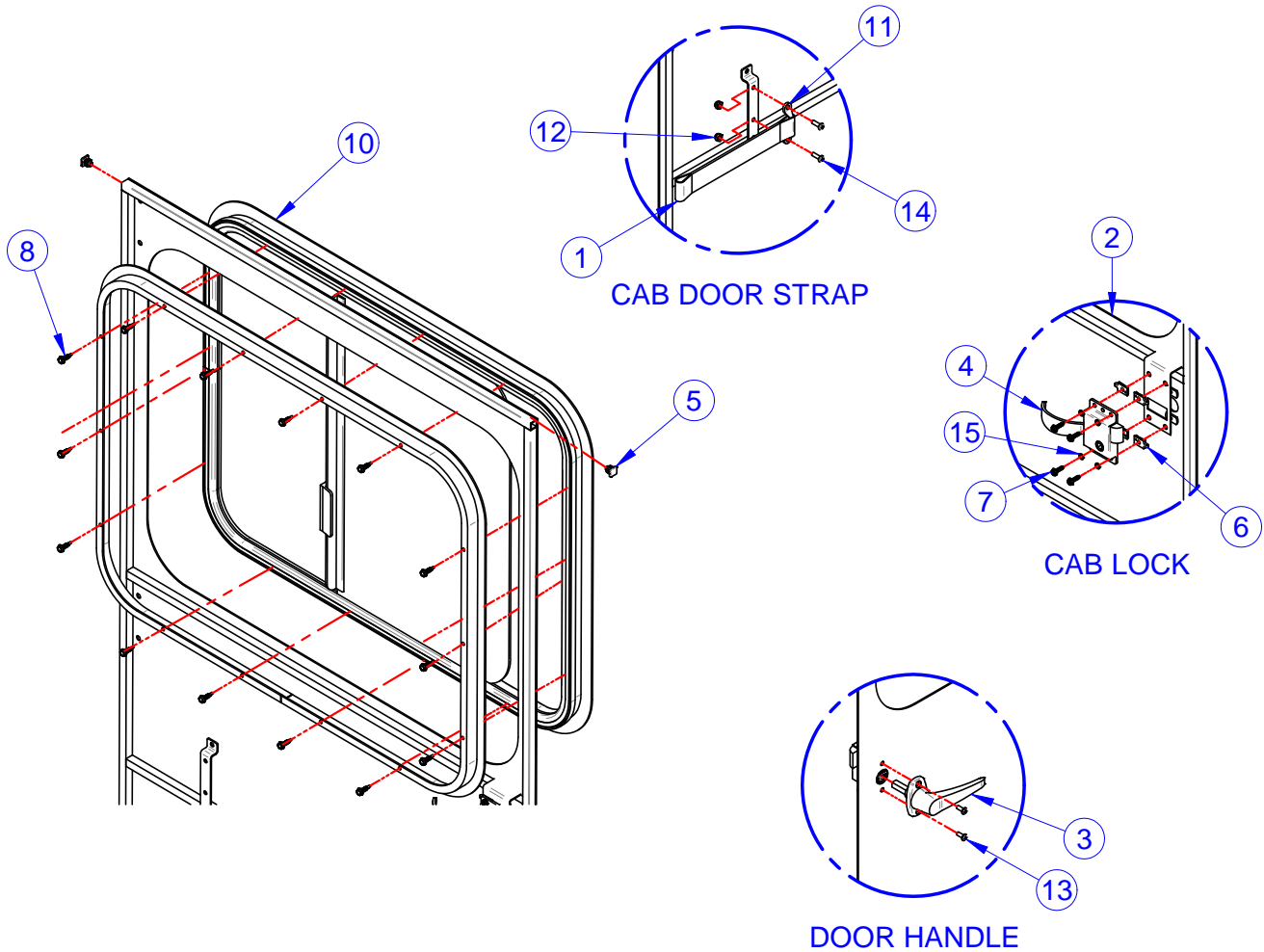
LEFT HAND CAB DOOR



ITEM	CVG PN	DESCRIPTION	QTY	REF #
1	CVG309370	STRAP, CAB DOOR	1	309370
2	CVG311087W	WLDMT, DOOR, LH	1	311087
3	CXVG709282	HANDLE, DOOR, CHROME, NON-LOCKING	1	709282
4	CVG709524	CAB LOCK, W/INSIDE HANDLE, LH	1	709524
5	CVG719425	PLUG, 1/2" SQ X 16-18GA	2	719425
6	CVG719538	NUT, TINNEMAN, #10 U-TYPE	4	719538
7	CVG719563	SCREW, #10X3/4, SHWH, T/S, TA, ZC	4	719563
8	CVG719583	SCREW, 10-16X3/4, HWH, TEK, MAG525	14	719583
9*	CVG467859	TAPE, FOAM, 1/8 X 1/2	1	739272
10	CVG749709	WINDOW, BC CAB, SLIDING LH	1	749709
11	CVG760404	FIXED STRAP RETAINER	1	760404
12	CVG761631	NUT, #10-24 GRD 18-8 NM SS NYLOCK	2	761631
13	CVG761632	SCREW, #10-24X1/2" PPH GRD 18-8 SS	2	761632
14	CVG761633	SCREW, 10-24X5/8, PPHMS, 18-8SS	2	761633
15	CVG782706	WSHR, #10, L/W, SPLIT, 18-8, S/S	4	782706

NOTE: Items with * in tables indicates parts not shown in drawing

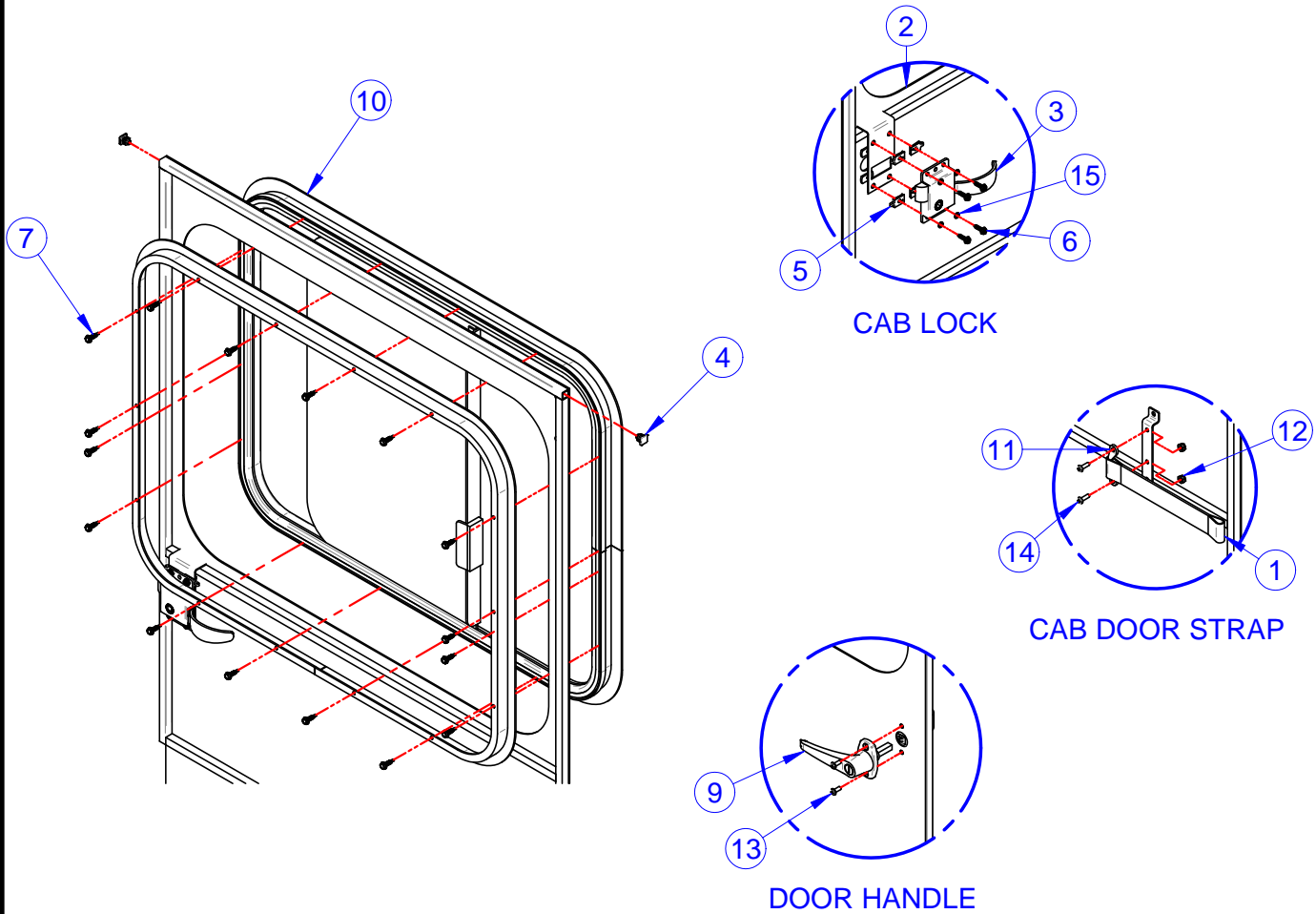
RIGHT HAND CAB DOOR



ITEM	CVG PN	DESCRIPTION	QTY	REF #
1	CVG309370	STRAP, CAB DOOR	1	309370
2	CVG311086	WLDMT, DOOR, RH	1	311086
3	CVG709282	HANDLE, DOOR, CHROME, NON-LOCKING	1	709282
4	CVG709523	CAB LOCK, W/INSIDE HANDLE, RH	1	709523
5	CVG719425	PLUG, 1/2" SQ X 16-18GA	2	719425
6	CVG719538	NUT, TINNERMAN, #10 U-TYPE	4	719538
7	CVG719563	SCREW, #10X3/4, SHWH, T/S, TA, ZC	4	719563
8	CVG719583	SCREW, 10-16X3/4, HWH, TEK, MAG525	14	719583
9*	CVG467859	TAPE, FOAM, 1/8 X 1/2	1	739272
10	CVG759743	WINDOW, BC CAB, SLIDING RH	1	759743
11	CVG760404	FIXED STRAP RETAINER	1	760404
12	CVG761631	NUT, #10-24 GRD 18-8 NM SS NYLOCK	2	761631
13	CVG761632	SCREW, #10-24X1/2" PPH GRD 18-8 SS	2	761632
14	CVG761633	SCREW, 10-24X5/8, PPHMS, 18-8SS	2	761633
15	CVG782706	WSHR, #10, L/W, SPLIT, 18-8, S/S	4	782706

NOTE: Items with * in tables indicates parts not shown in drawing

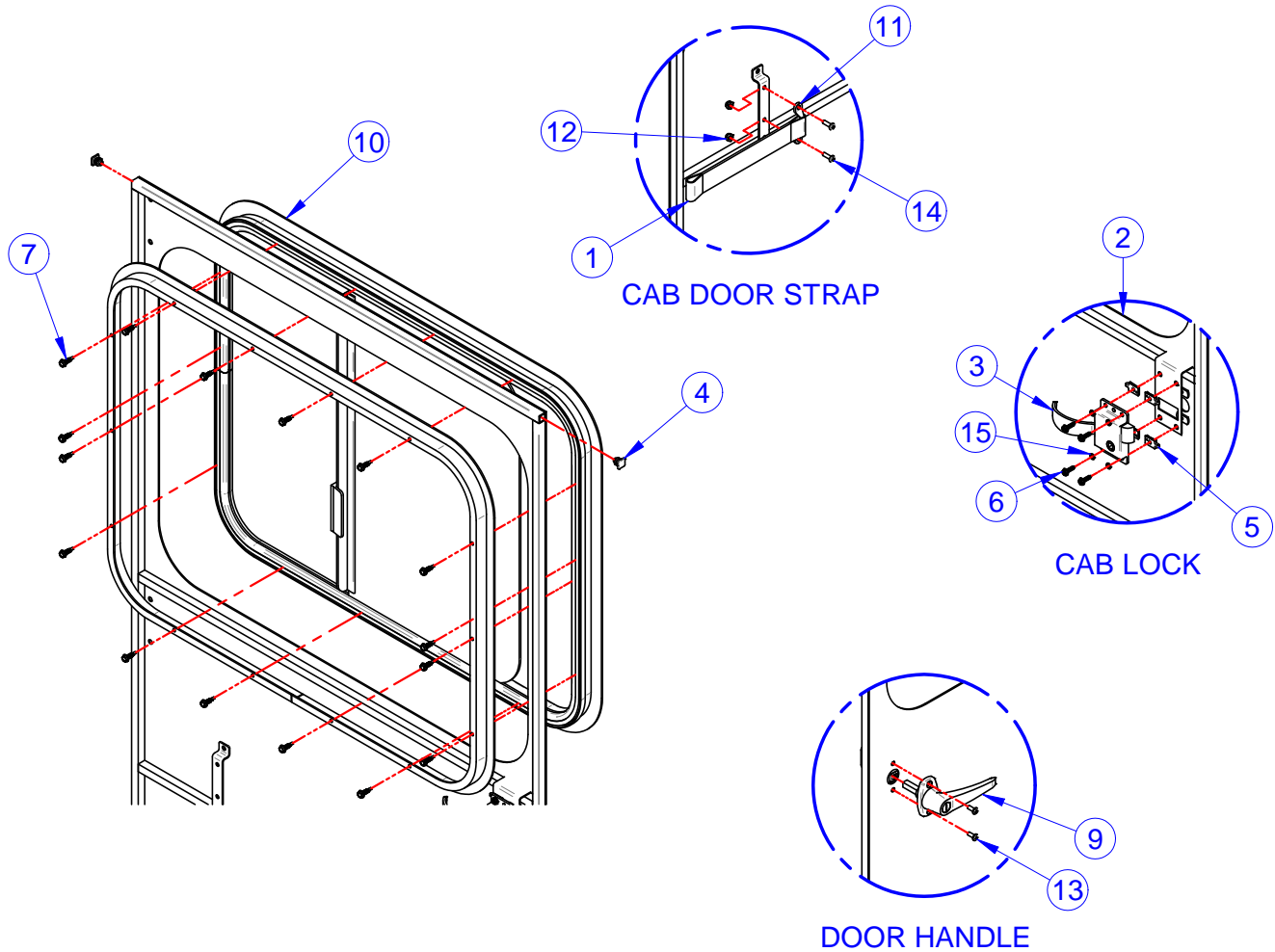
LEFT HAND LOCKING CAB DOOR



ITEM	CVG PN	DESCRIPTION	QTY	REF #
1	CVG309370	STRAP, CAB DOOR	1	309370
2	CVG311087W	WLDMT, DOOR, LH	1	311087
3	CVG709524	CAB LOCK, W/INSIDE HANDLE, LH	1	709524
4	CVG719425	PLUG, 1/2" SQ X 16-18GA	2	719425
5	CVG719538	NUT, TINNEMAN, #10 U-TYPE	4	719538
6	CVG719563	SCREW, #10X3/4, SHWH, T/S, TA, ZC	4	719563
7	CVG719583	SCREW, 10-16X3/4, HWH, TEK, MAG525	16	719583
8*	CVG467859	TAPE, FOAM, 1/8 X 1/2	1	739272
9	CVG739427	HANDLE, DOOR, CHROME, LOCKING	1	739427
10	CVG749709	WINDOW, BC CAB, SLIDING LH	1	749709
11	CVG760404	FIXED STRAP RETAINER	1	760404
12	CVG761631	NUT, #10-24 GRD 18-8 NM SS NYLOCK	2	761631
13	CVG761632	SCREW, #10-24X1/2" PPH GRD 18-8 SS	2	761632
14	CVG761633	SCREW, 10-24X5/8, PPHMS, 18-8SS	2	761633
15	CVG782706	WSHR, #10, L/W, SPLIT, 18-8, S/S	4	782706

NOTE: Items with * in tables indicates parts not shown in drawing

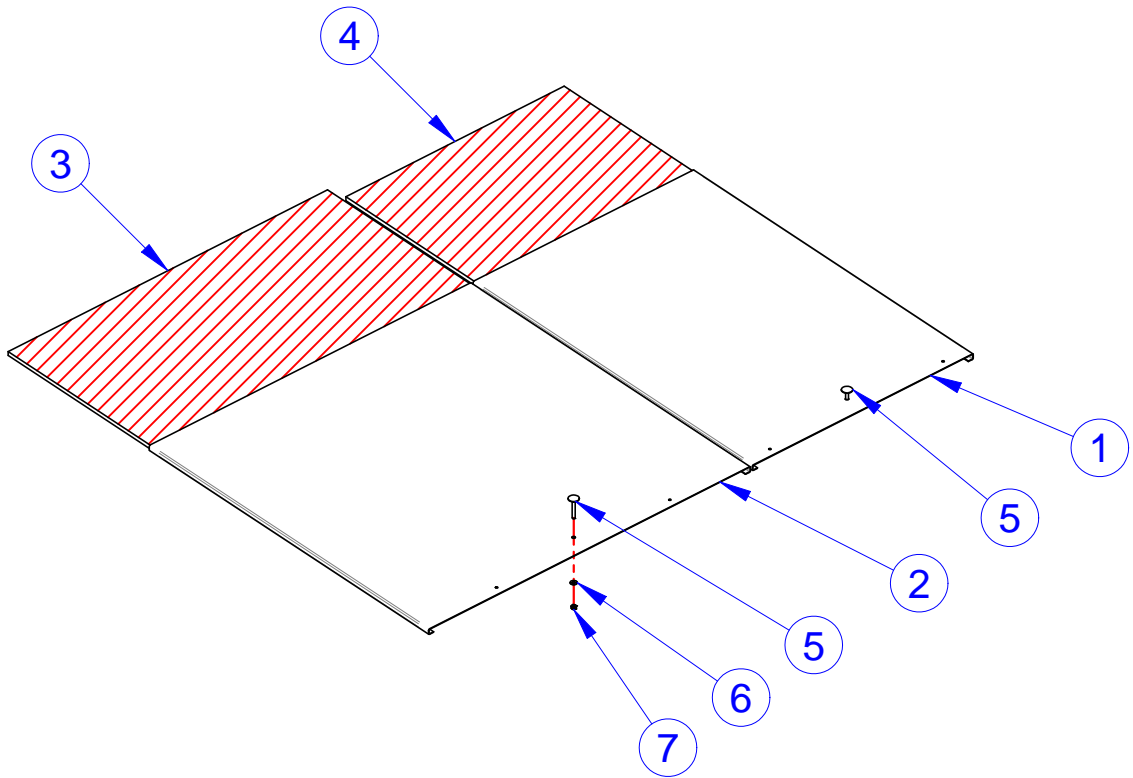
RIGHT HAND LOCKING CAB DOOR



ITEM	CVG PN	DESCRIPTION	QTY	REF #
1	CVG309370	STRAP, CAB DOOR	1	309370
2	CVG311086	WLDMT, DOOR, RH	1	311086
3	CVG709523	CAB LOCK, W/INSIDE HANDLE, RH	1	709523
4	CVG719425	PLUG, 1/2" SQ X 16-18GA	2	719425
5	CVG719538	NUT, TINNEMAN, #10 U-TYPE	4	719538
6	CVG719563	SCREW, #10X3/4, SHWH, T/S, TA, ZC	4	719563
7	CVG719583	SCREW, 10-16X3/4, HWH, TEK, MAG525	16	719583
8*	CVG467859	TAPE, FOAM, 1/8 X 1/2	1	739272
9	CVG739427	HANDLE, DOOR, CHROME, LOCKING	1	739427
10	CVG759743	WINDOW, BC CAB, SLIDING RH	1	759743
11	CVG760404	FIXED STRAP RETAINER	1	760404
12	CVG761631	NUT, #10-24 GRD 18-8 NM SS NYLOCK	2	761631
13	CVG761632	SCREW, #10-24X1/2" PPH GRD 18-8 SS	2	761632
14	CVG761633	SCREW, 10-24X5/8, PPHMS, 18-8SS	2	761633
15	CVG782706	WSHR, #10, L/W, SPLIT, 18-8, S/S	4	782706

NOTE: Items with * in tables indicates parts not shown in drawing

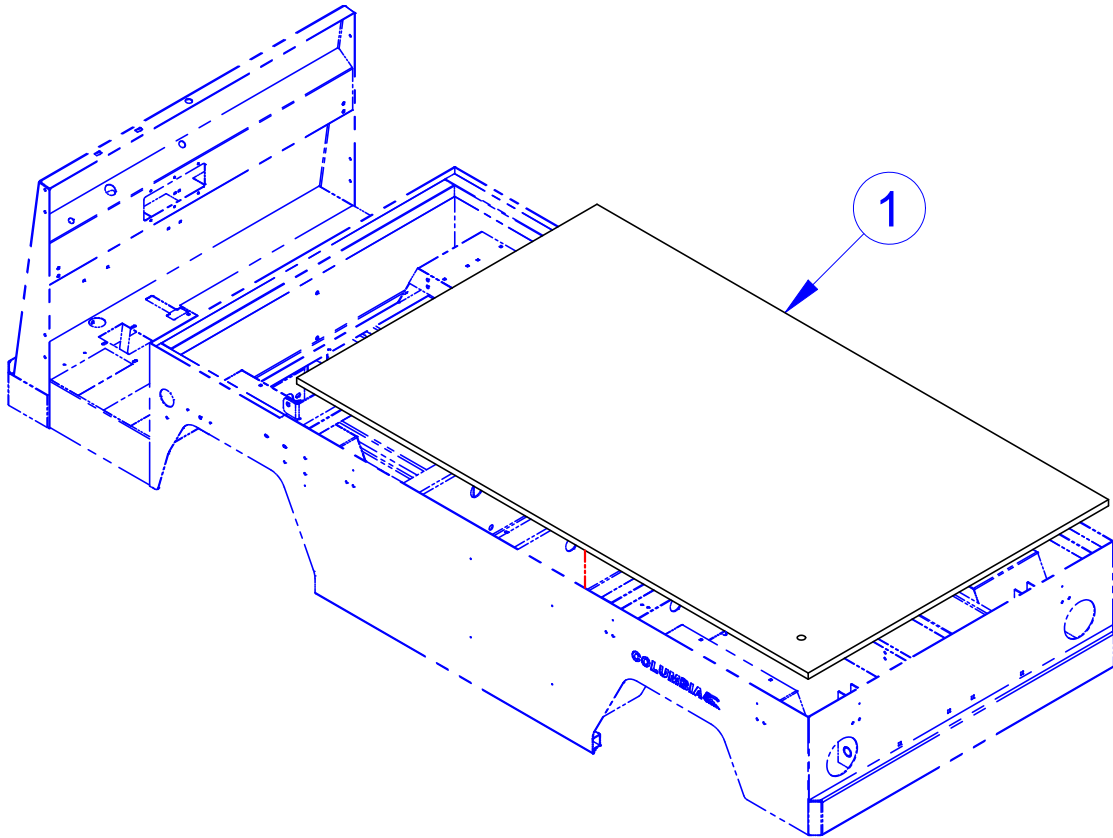
DECK COVER



ITEM	CVG PN	DESCRIPTION	QTY	REF #
1	CVG509377	DECK BOARD COVER, SHORT	1	509377
2	CVG509378	DECK BOARD COVER, LONG	1	509378
3	CVG510367	DECK BOARD, 44.25 X 44.00	1	510367
4	CVG510368	DECK BOARD, 30.25 X 44.00	1	510368
5	CVG709418	SCREW, 5/16-18 X 2 1/2< ELV BOLT, UNPLT	2	709418
6	CVG719375	WSHR,5/16X0.750X0.040,F/W,18-8S/S	2	719375
7	CVG719377	NUT, 5/16-18, L/N, NYL, NE, 18-8, S/S	2	719377

NOTE: Items with * in tables indicates parts not shown in drawing

MEZZTREAD DECK 2XL



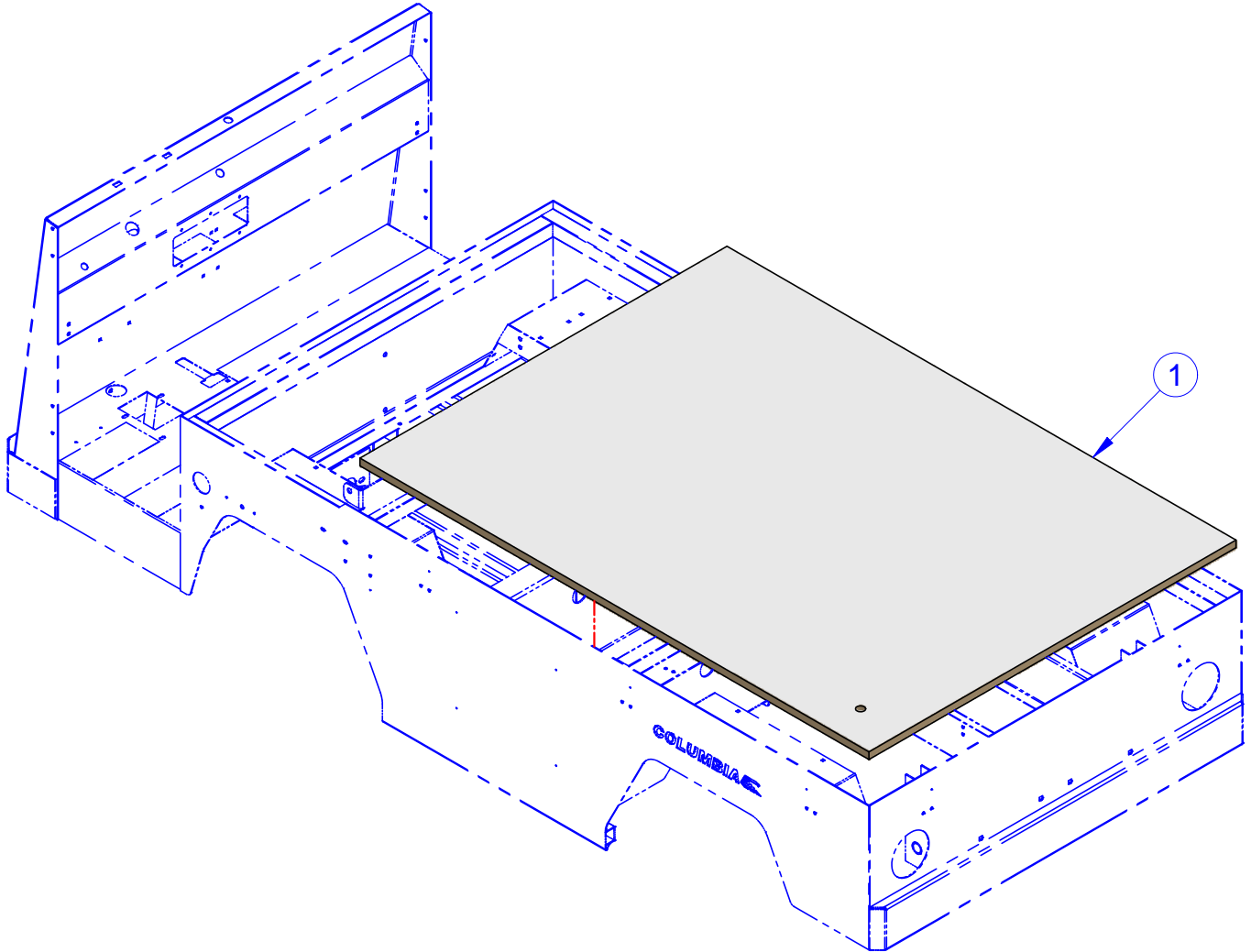
ITEM	CVG PN	DESCRIPTION	QTY	REF #
1	CVG513012	DECK, BC-L MEZZTREAD	1	513012

NOTE: Items with * in tables indicates parts not shown in drawing

Columbia Vehicle Group, Inc.
A Nordic Group Company | Business Ventures Since 1947



MEZZTREAD DECK 2X



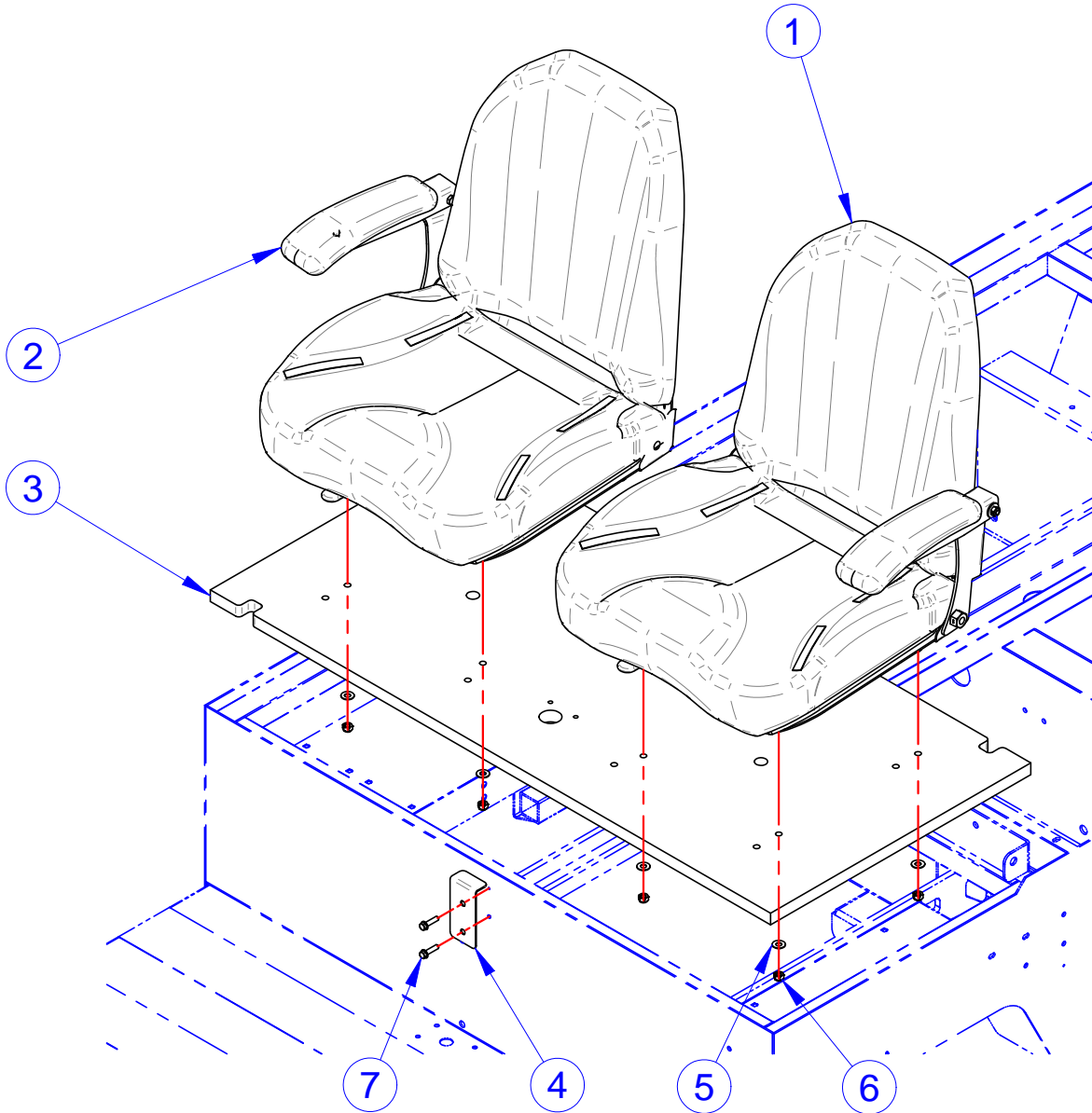
ITEM	CVG PN	DESCRIPTION	QTY	REF #
1	CVG513013	DECK, BC-S MEZZTREAD	1	513013

NOTE: Items with * in tables indicates parts not shown in drawing

Columbia Vehicle Group, Inc.
A Nordic Group Company | Business Ventures Since 1947



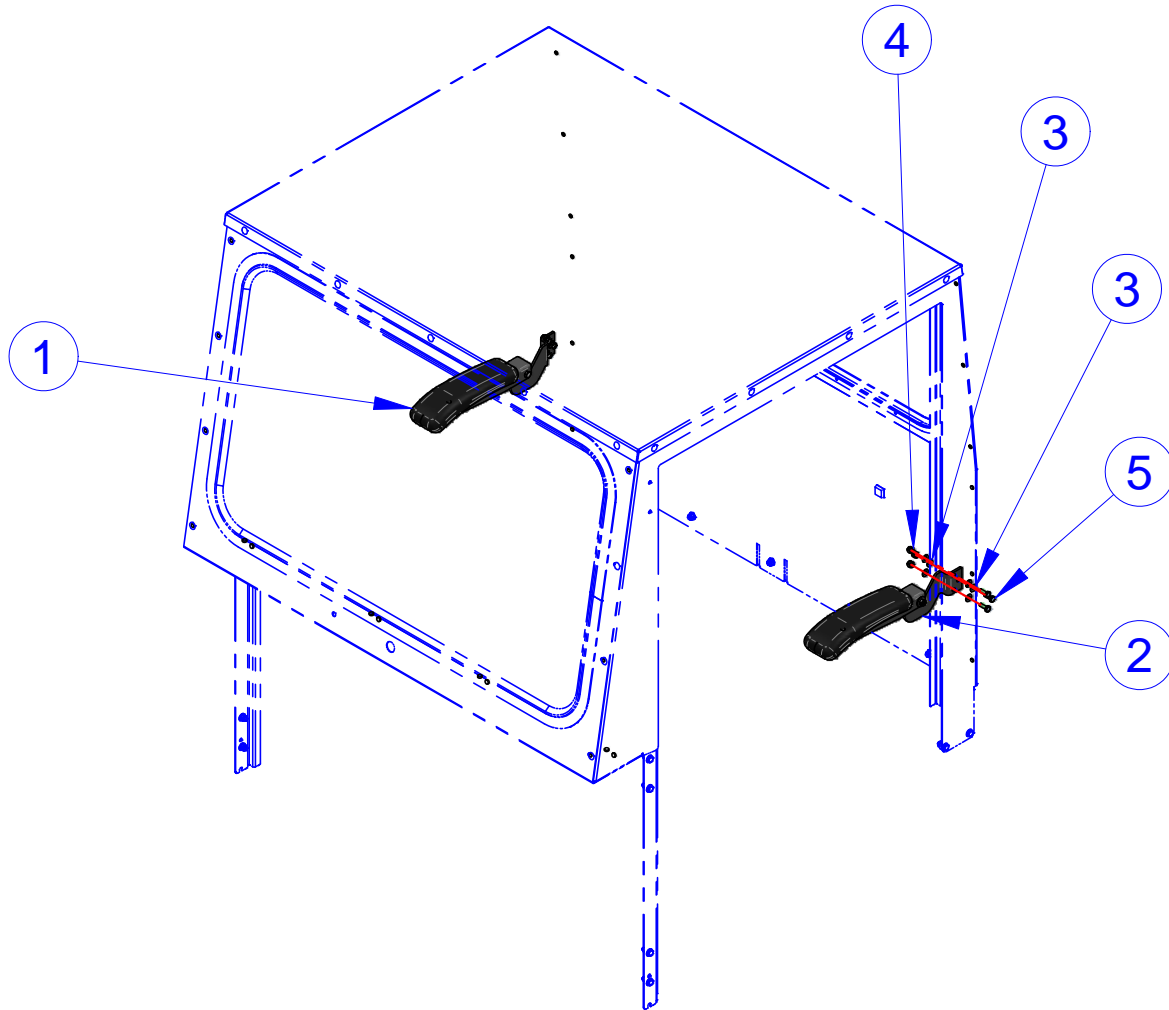
BUCKET SEATS



ITEM	CVG PN	DESCRIPTION	QTY	REF #
1	CVG313603LA	907 SEAT-4"TRACK,W/SW,LH ARM	1	313603LA
	CVG313603	907 SEAT-4"TRACK,W/SW,LH W/O ARMS	1	313603
2	CVG313604RA	907 SEAT-4"TRACK,RH ARM	1	313604RA
	CVG313604	907 SEAT-4"TRACK,RH W/O ARMS	1	313604
3	CVG513014	SEAT BOARD, MEZZ-TREAD, BC	1	513014
4	CVG514385	BRKT, SEAT HOLD DOWN, BC	1	514385
5	CVG719375	WSHR,5/16X0.750X0.040,F/W,18-8S/S	8	719375
6	CVG719377	NUT, 5/16-18, L/N, NYL, NE, 18-8, S/S	8	719377
7	CVG719560	SCREW, HX HD, .25 x 1,THRD FRMING	2	719560
8*	CVG468059	HARNESS, BC HANDBRAKE SWITCH	1	468059

NOTE: Items with * in tables indicates parts not shown in drawing

CAB ARMRESTS



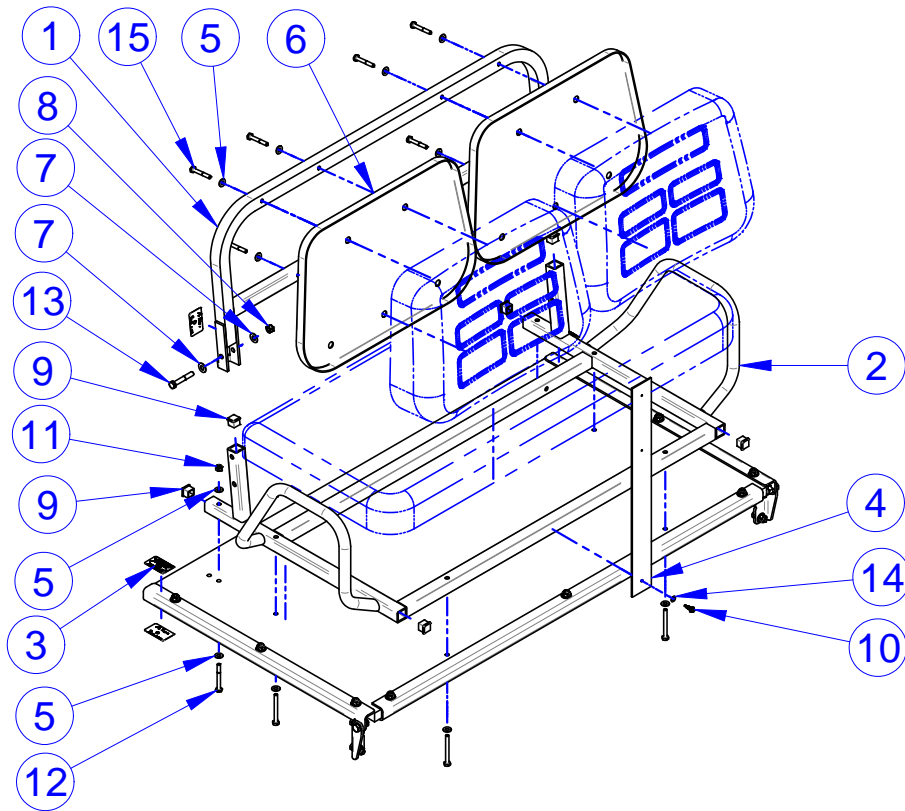
ITEM	CVG PN	DESCRIPTION	QTY	REF #
1	NONE	ASSY, CAB ARMREST, RH, PL	1	308752
2	NONE	ASSY, CAB ARMREST, LH, PL	1	308753
3	CVG708511	WASHER, FLAT, 1/4", 18-8SS	12	708511
4	CVG719876	NUT, 1/4-20, L/N, NYL, NE, 316, S/S	6	719876
5	CVG782784	SCREW, 1/4-20X3/4, HHCS, 18-8SS	6	782784

NOTE: Items with * in tables indicates parts not shown in drawing

Columbia Vehicle Group, Inc.
A Nordic Group Company | Business Ventures Since 1947

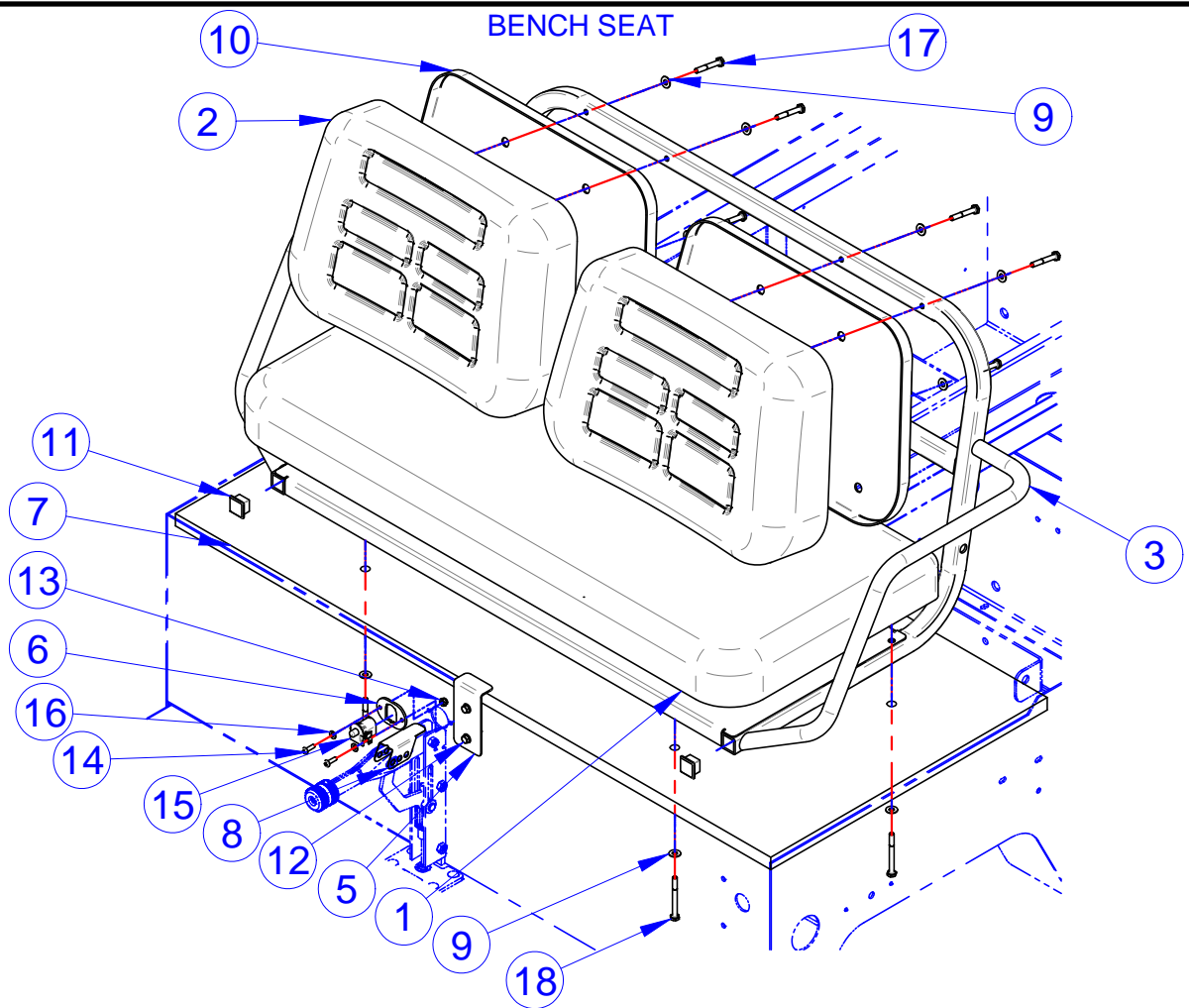


FOLDING SEAT



ITEM	CVG PN	DESCRIPTION	QTY	REF #
1	CVG308242	ASSY - SEAT BACK	1	308242
2	CVG312713	WLDMT, SEAT BASE	1	312713
3	CVG507980	PINCH WARNING	6	507980
4	CVG511384	STRAP, SEAT HOLD DOWN	1	511384
5	CVG708511	WASHER, FLAT 1/4" 18-8 SS	14	708511
6	CVG709025	COVER - SEAT, BACK	2	709025
7	CVG719375	WSHR,5/16X0.750X0.040,F/W,18-8S/S	17	719375
8	CVG719377	NUT, 5/16-18, L/N, NYL, NE, 18-8, S/S	15	719377
9	CVG719525	PLUG, 1" SQ X 0.120 WALL	8	719525
10	CVG719583	SCREW,10-16X3/4,HWH,TEK,MAG525	1	719583
11	CVG719876	NUT, 1/4-20, L/N, NYL, NE, 316, S/S	2	719876
12	CVG761650	SCREW,1/4-20X2-1/4,HHCS,G8,SS	2	761650
13	CVG782298	SCR, 5/16-18 X 2, HHCS, 18-8, S/S	2	782298
14	CVG782722	WSHR, #10 X 0.438 X 0.031, F/W, 18-8, S/S	1	782722
15	CVG782786	SCREW,1/4-20X1.75,HHSC,18-8SS	6	782786

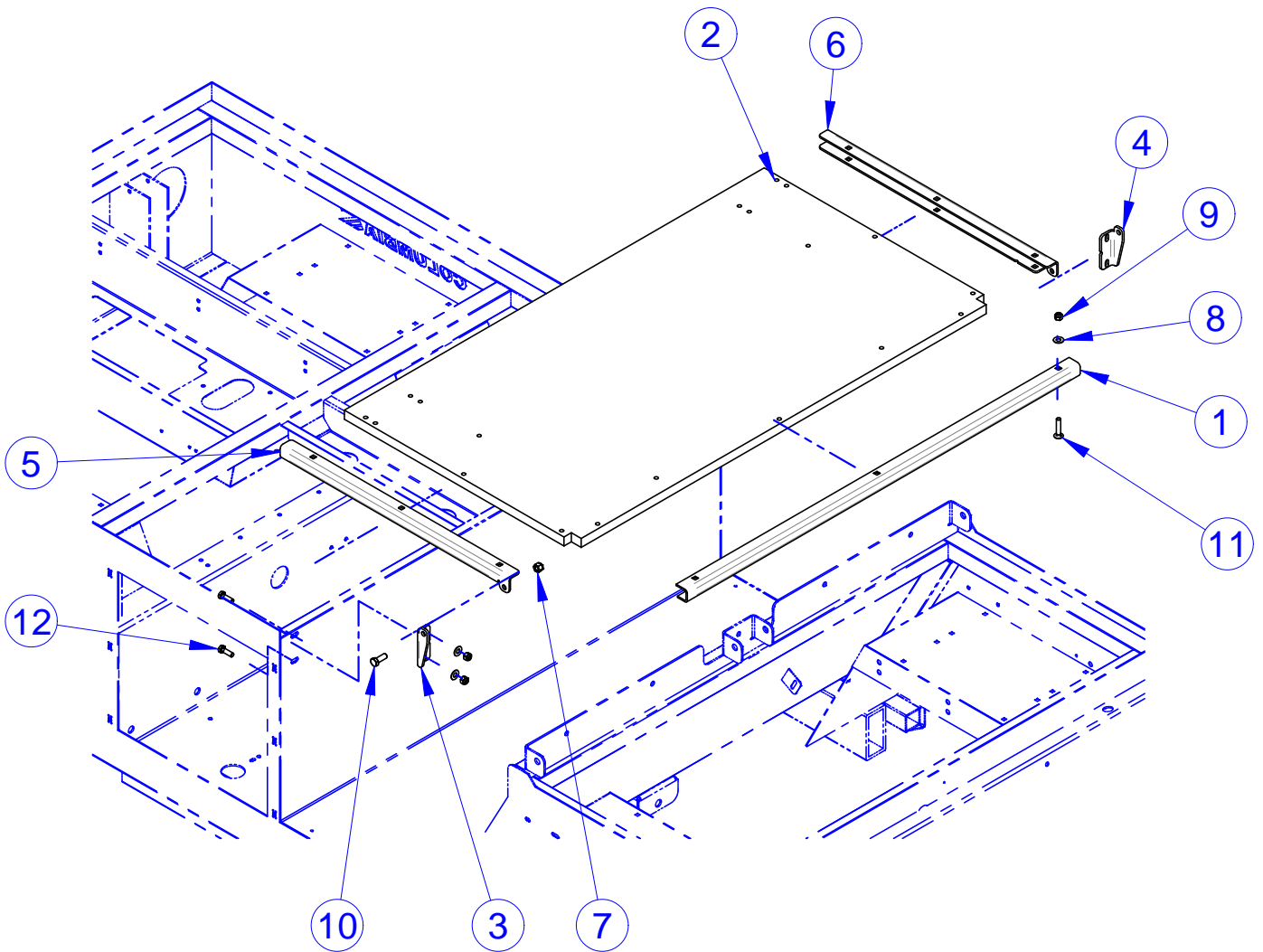
NOTE: Items with * in tables indicates parts not shown in drawing



ITEM	CVG PN	DESCRIPTION	QTY	REF #
1	CVG143993	CPC CUSH ASSY RFS, COVER PER ORDER	1	143993%
2	CVG304216	CPC BACK ASSY, COVER PER ORDER	2	304216%
3	CVG312655TB	WLDMT, SEAT FRAME, BC BENCH	1	312655
4*	CVG468059	HARNESS, BC HANDBRAKE SWITCH	1	468059
5	CVG514385	BRKT, SEAT HOLD DOWN, BC	1	514385
6	CVG515776	PLATE, HNDBRK SW	1	515776
7	CVG516384	SEAT BOARD, BC BENCH	1	516384
8	CVG516638	BRKT, HNDBRK SW STOP	1	516638
9	CVG708511	WASHER, FLAT, 1/4", 18-8SS	10	708511
10	CVG709025	COVER - SEAT, BACK	2	709025
11	CVG719525	CAPLUG, 3/4 SQ, FP-161	2	719525
12	CVG719560	SCREW, HX HD, .25 x 1, THRD FRMING	2	719560
13	CVG761631	NUT, #10-24 GRD 18-8 NM SS NYLOCK	2	761631
14	CVG761633	SCREW, 10-24X5/8, PPHMS, 18-8SS	2	761633
15	CVG781580	SWITCH, PLUNGER, DELTA, NC, 6440-53	1	781580
16	CVG782722	WSHR, #10 X 0.438 X 0.031, F/W, 18-8SS	2	782722
17	CVG782786	SCREW, 1/4-20X1.75, HHSC, 18-8SS	6	782786
18	CVG782936	SCR, 1/4-20 X 2.5, HHCS, 18-8, S/S	4	782936

NOTE: Items with * in tables indicates parts not shown in drawing

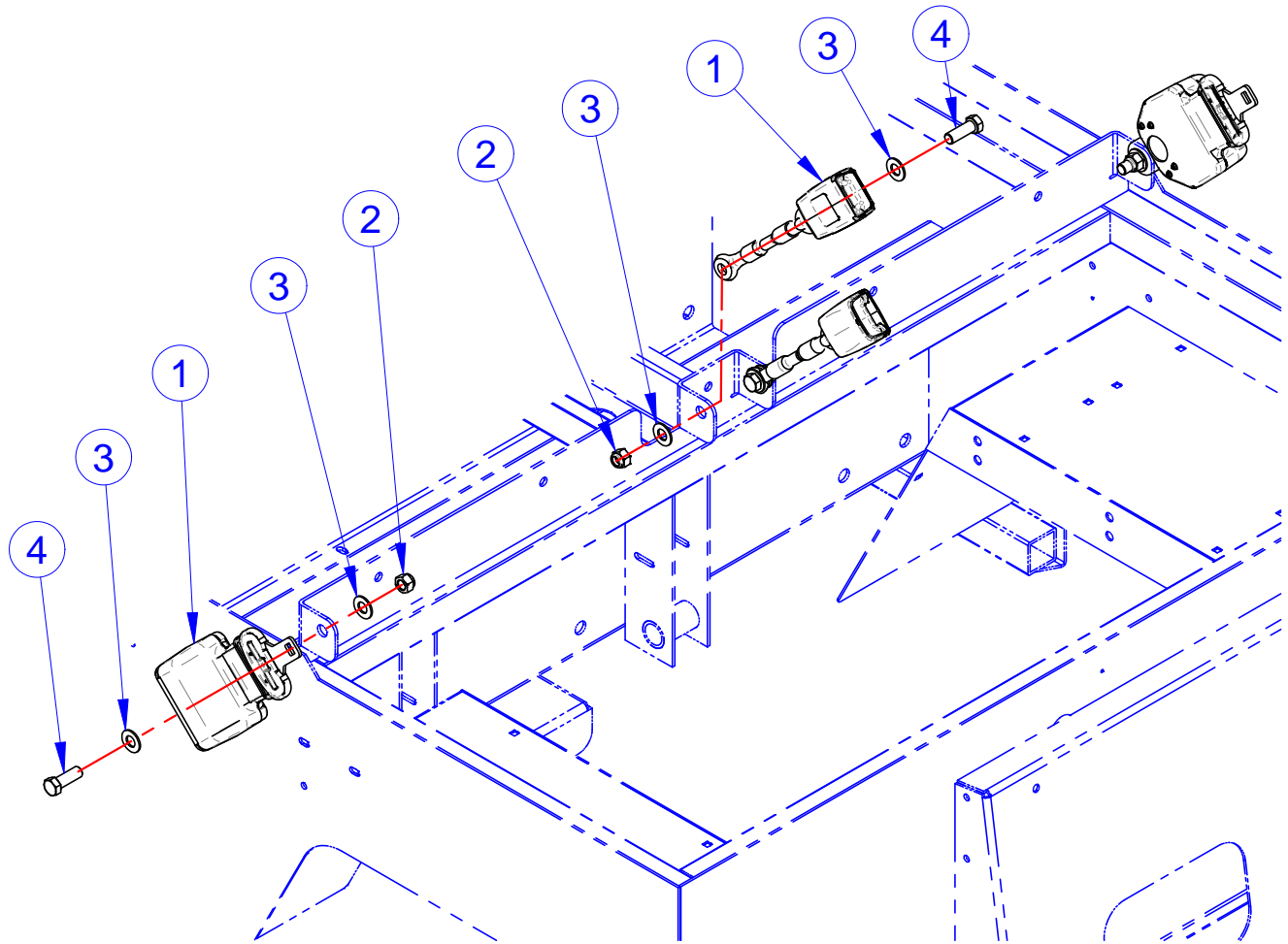
SEAT BOARD



ITEM	CVG PN	DESCRIPTION	QTY	REF #
1	CVG511341	CHANNEL - SEAT BRD REINF	1	511341
2	CVG513015	BOARD, 2ND SEAT, MEZZ-TREAD	1	513015
3	CVG516409	BRKT, HINGE, RH	1	516409
4	CVG516410	BRKT, HINGE, LH	1	516410
5	CVG516411	CHAN, SEAT PIVOT, RH	1	516411
6	CVG516412	CHAN, SEAT PIVOT, LH	1	516412
7	CVG708860	NUT, 3/8-16, L/N, NYL, NE, 18-8, S/S	1	708860
8	CVG719375	WSHR, 5/16X0.750X0.040, F/W, 18-8S/S	3	719375
9	CVG719377	NUT, 5/16-18, L/N, NYL, NE, 18-8, S/S	3	719377
10	CVG781786	SCR, 3/8-16 X 1, HHCS, 18-8, S/S	1	781786
11	CVG781787	SCREW, 5/16-18X1-1/2, CARR, 18-8 SS	1	781787
12	CVG782720	SCR, 5/16-18 X 1, HHCS, 18-8, S/S	2	782720

NOTE: Items with * in tables indicates parts not shown in drawing

SEAT BELTS, TWO-POINT



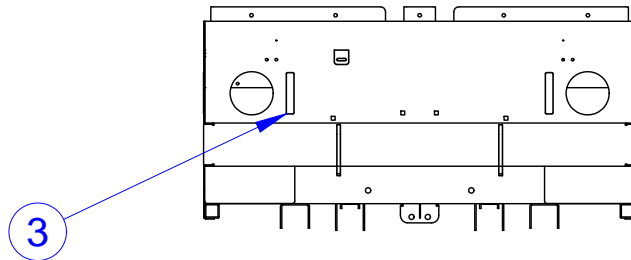
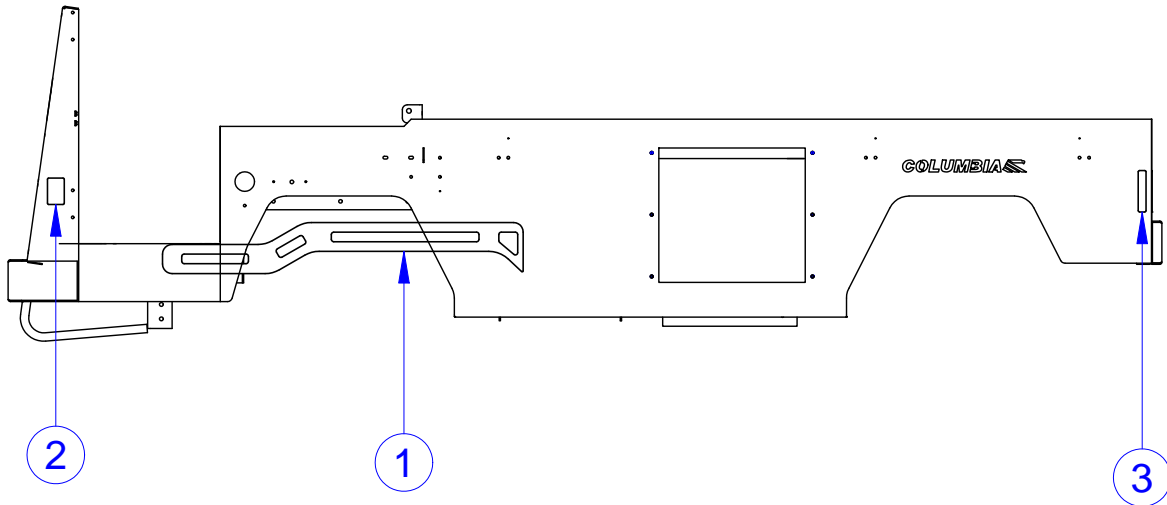
ITEM	CVG PN	DESCRIPTION	QTY	REF #
1	CVG781923	SEAT BELT,2X48,2-TTH ALR,H2, CABLE	2	781923
2	CVG782751	NUT, 7/16-20, L/N, NYL, NE, G8, MAGNI 525	4	782751
3	CVG782752	WSHR, 7/16 (M11), SAE, F/W, G8, MAGNI 525	8	782752
4	CVG782755	SCR, 7/6-20 X 1.25, HHCS, G8, MAGNI 525	4	782755

NOTE: Items with * in tables indicates parts not shown in drawing

Columbia Vehicle Group, Inc.
A Nordic Group Company | Business Ventures Since 1947



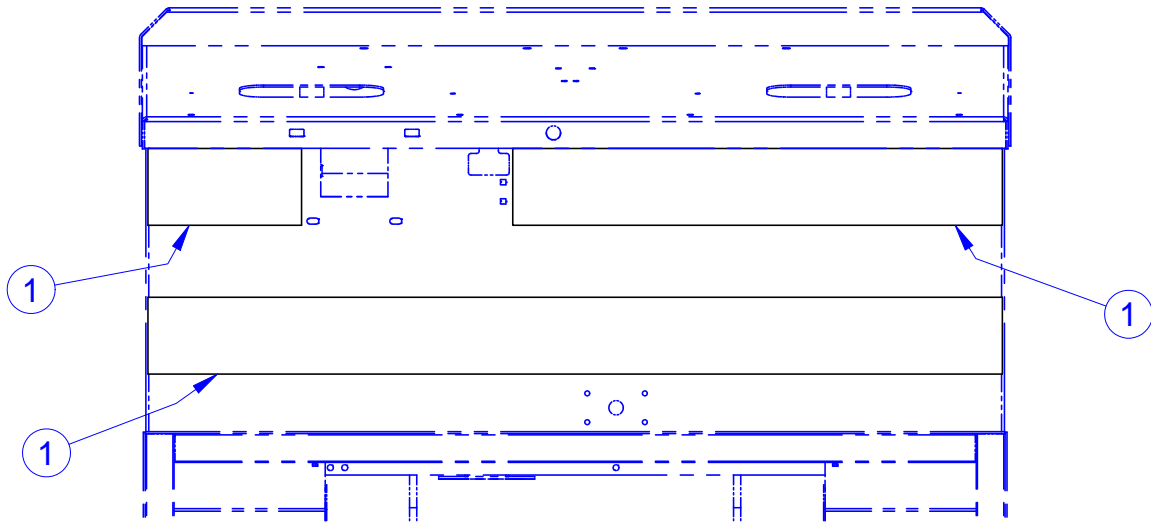
REFLECTORS



ITEM	CVG PN	DESCRIPTION	QTY	REF #
1	CVG467873	PAINTED, BC-L SMTH CHA, BTRY DOOR	1	467873
2	CVG719336	REFLECTOR, AMBER, 2-3/4"X1-3/4"	2	719336
3	CVG719337	REFLECTOR, RED, 4-5/16"X13/16"	4	719337

NOTE: Items with * in tables indicates parts not shown in drawing

GRIP MAT



ITEM	CVG PN	DESCRIPTION	QTY	REF #
1	CVG709933	MAT, ANTI-SLIP GRIP	6.5	709933

NOTE: Items with * in tables indicates parts not shown in drawing

Columbia Vehicle Group, Inc.
A Nordic Group Company | Business Ventures Since 1947



NOTE: Items with * in tables indicates parts not shown in drawing

Columbia Vehicle Group, Inc.

A Nordic Group Company | Business Ventures Since 1947



COLUMBIA



TOMBERLIN



COLUMBIA

PAYLOADER

PARTS MANUAL SECTION 6

ELECTRICAL

Columbia Vehicle Group, Inc.

A Nordic Group Company | Business Ventures Since 1947

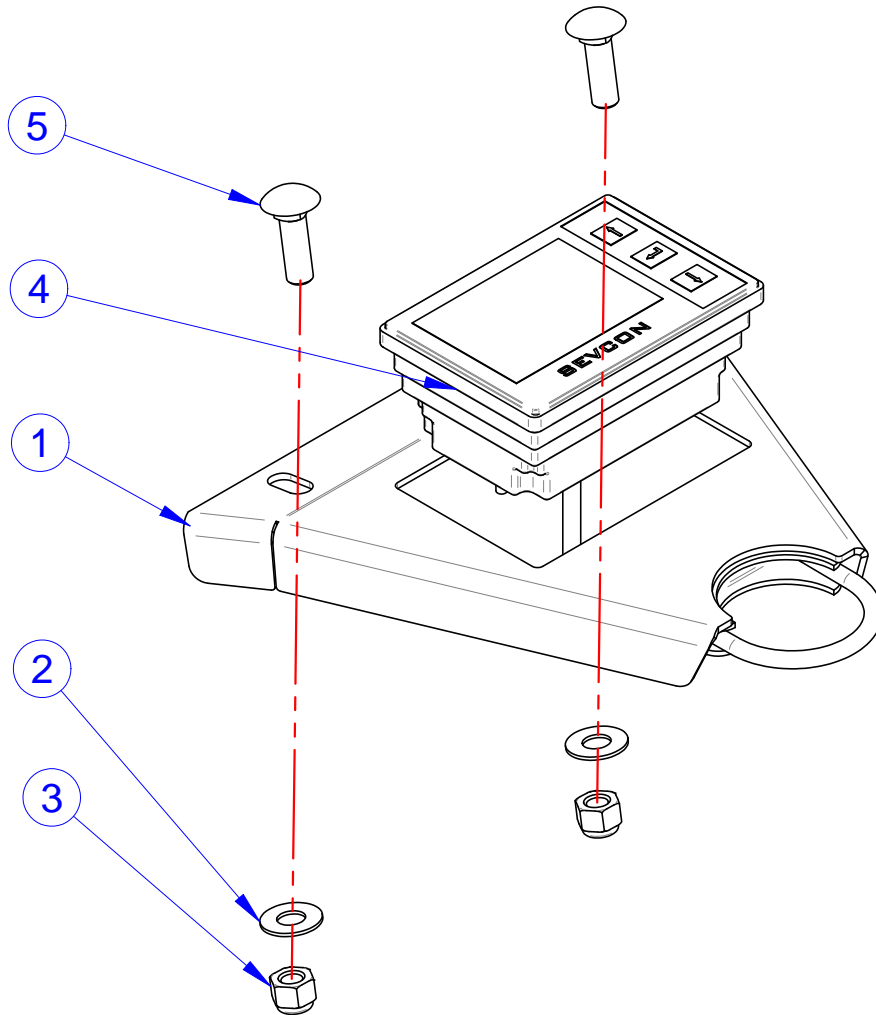


COLUMBIA



TOMBERLIN

SPEEDOMETER



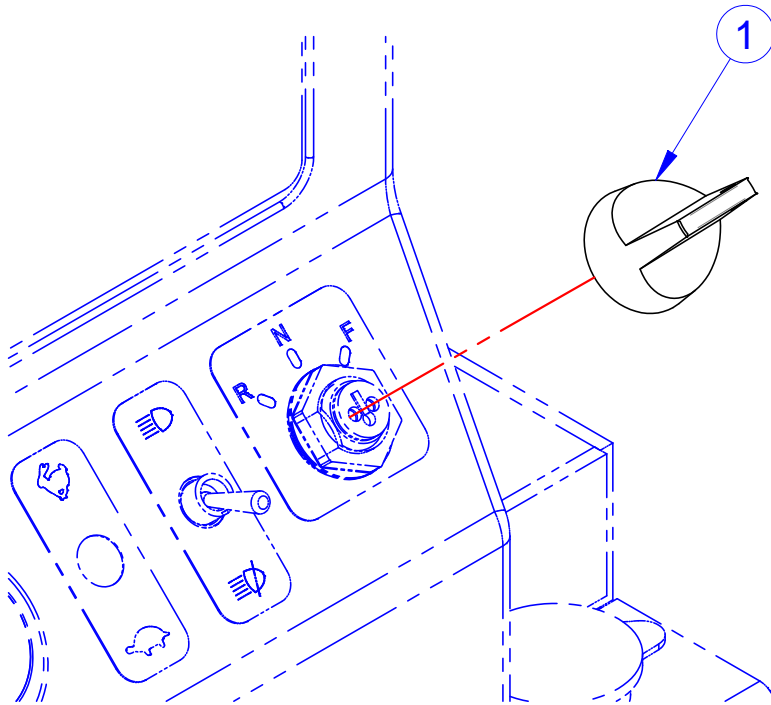
ITEM	CVG PN	DESCRIPTION	QTY	REF #
1	CVG312189	WLDMNT, UPR STRG COL SUPRT, BC AC DRIVE	1	312189
2	CVG708859	WASHER, 3/8, STD, FW, 18-8SS	2	708859
3	CVG708860	NUT, 3/8-16, L/N, NYL, NE, 18-8, S/S	2	708860
4	CVG760958	DISPLAY, CLEARVIEW, SEVCON	1	760958
5	CVG782870	SCR, 3/8-16 X 1.25, CARR, G8, MAGNI 525	2	782870

NOTE: Items with * in tables indicates parts not shown in drawing

Columbia Vehicle Group, Inc.
A Nordic Group Company | Business Ventures Since 1947



NON-REMOVABLE KEY, FWD / REV SWITCH



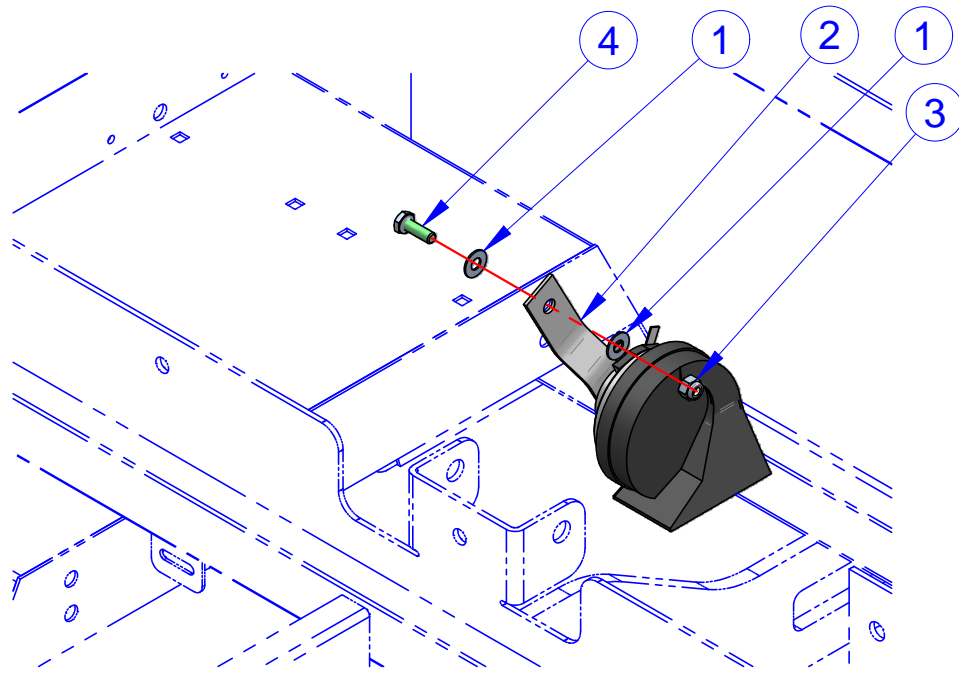
ITEM	CVG PN	DESCRIPTION	QTY	REF #
1	CVG719432	ASSY, KEY, NON-REMOVABLE, W/COVER	1	719432

NOTE: Items with * in tables indicates parts not shown in drawing

Columbia Vehicle Group, Inc.
A Nordic Group Company | Business Ventures Since 1947



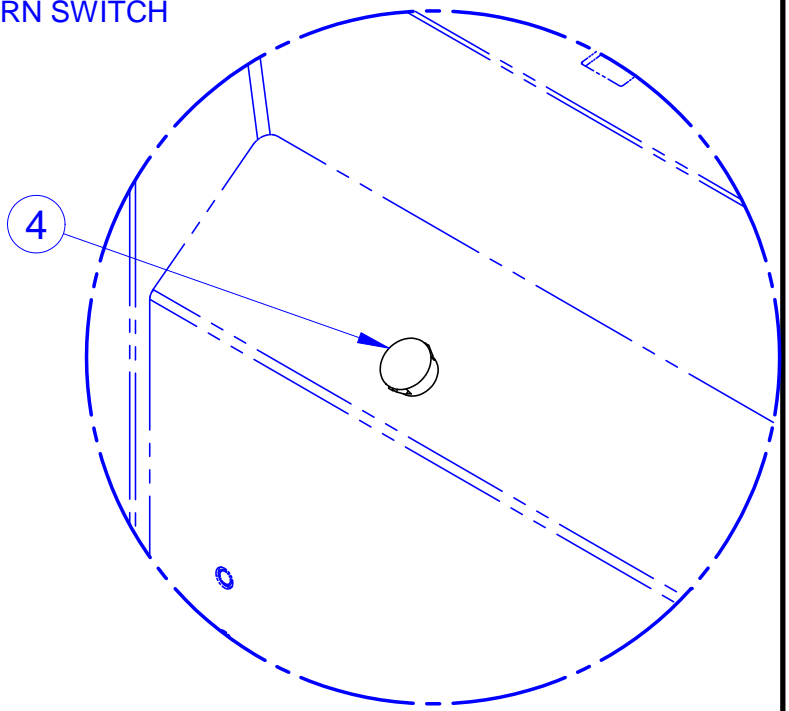
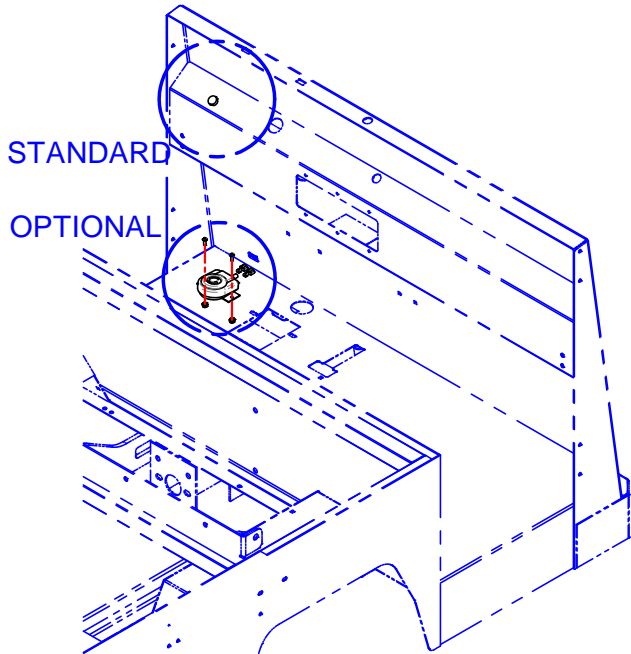
HORN



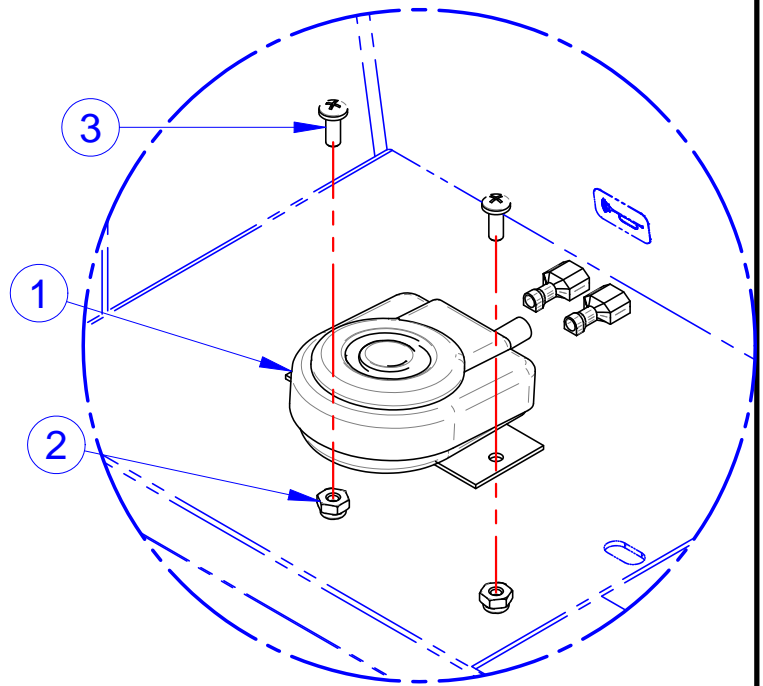
ITEM	CVG PN	DESCRIPTION	QTY	REF #
1	CVG708511	WASHER, FLAT, 1/4", 18-8SS	2	708511
2	CVG709089	HORN, 12V (2 TERMINAL)	1	709089
3	CVG719876	NUT, 1/4-20, L/N, NYL, NE, 316, S/S	1	719876
4	CVG782784	SCREW, 1/4-20X3/4, HHCS, 18-8SS	1	782784

NOTE: Items with * in tables indicates parts not shown in drawing

HORN SWITCH



STANDARD DETAIL

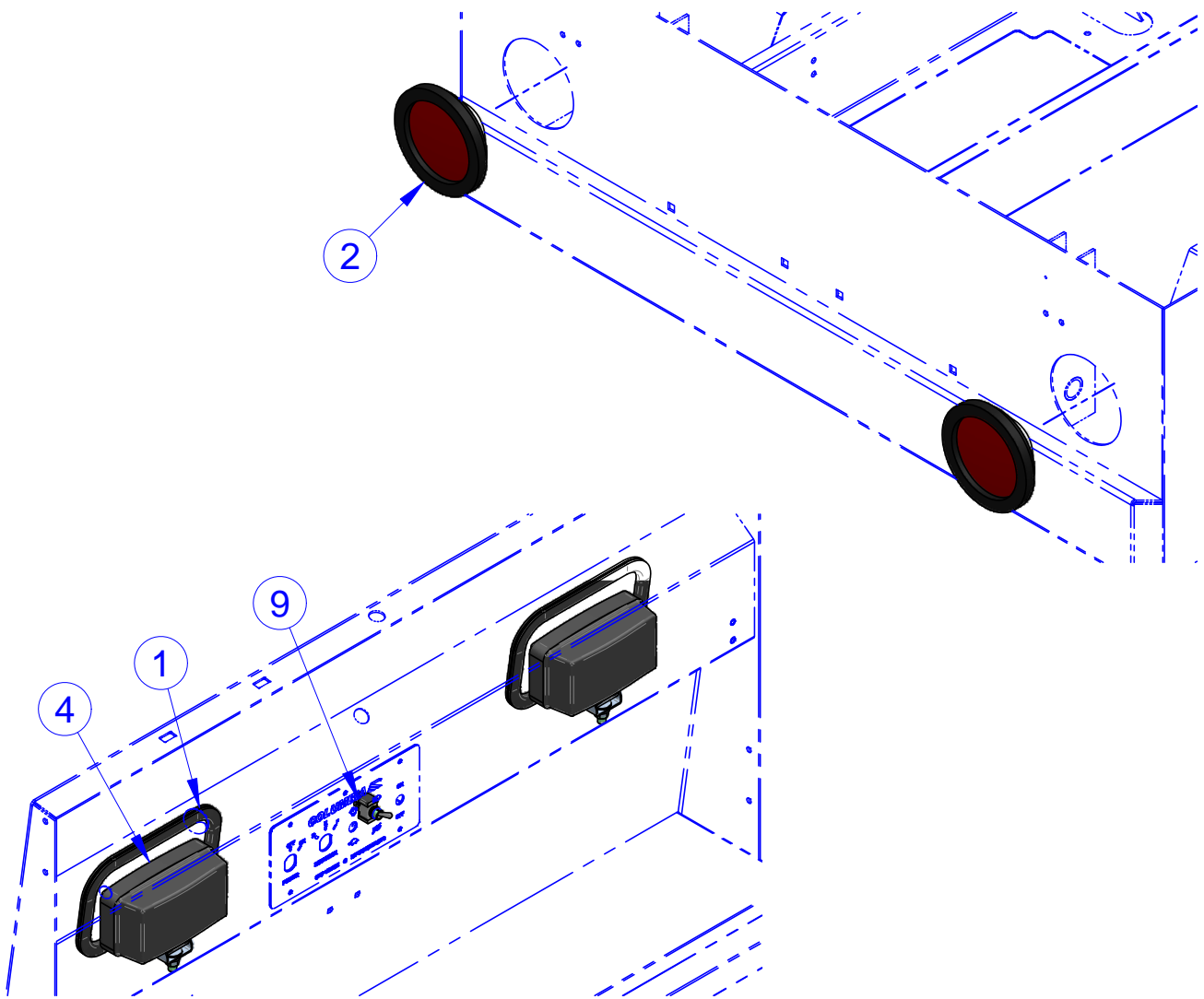


OPTIONAL DETAIL

ITEM	DESCRIPTION	QTY	REF #
1	CVG468835 ASM, SWITCH, HORN, FLOOR MNT	1	468835
2	CVG761631 NUT, #10-24 GRD 18-8 NM SS NYLOCK	2	761631
3	CVG761632 SCREW, #10-24X1/2" PPH GRD 18-8 SS	2	761632
4	CVG709385 AMS, SWITH, HORN, DASH MNT (STANDARD)	1	709385
	CVG782140 PLUG, .625 DOME, BLACK NYLON	1	782140

NOTE: Items with * in tables indicates parts not shown in drawing

LIGHTS



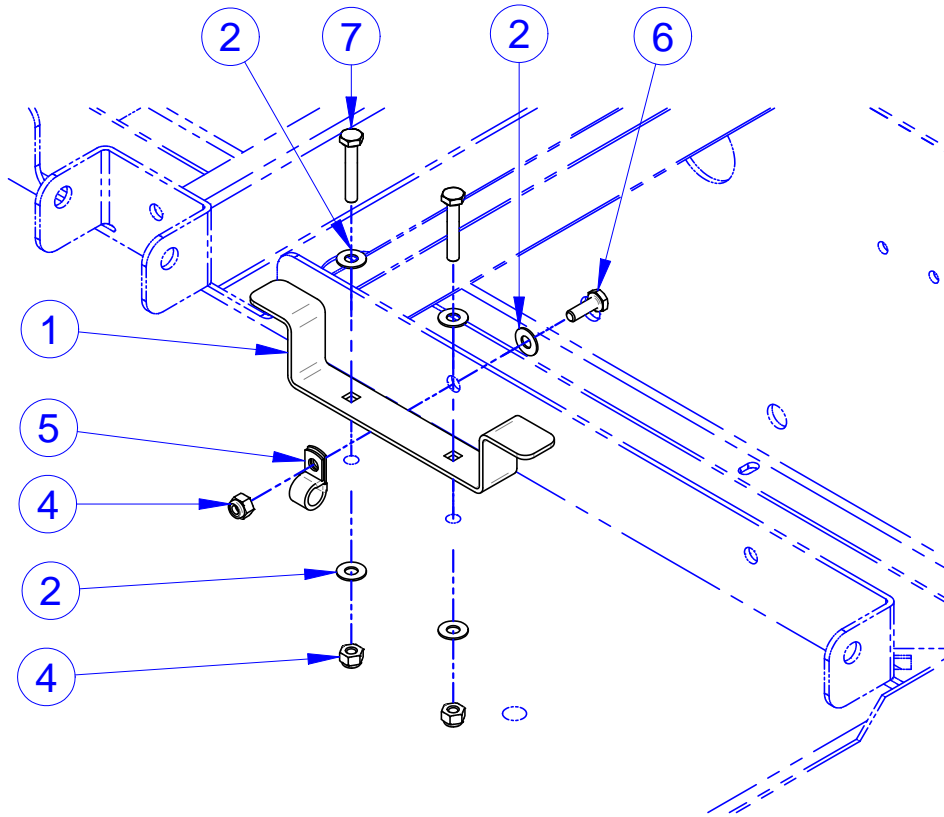
ITEM	CVG PN	DESCRIPTION	QTY	REF #
1	CVG709013	TRIM, PINCH WELT, 3/32", BLK	1	709013
2	CVG709109	4"RND TAIL LAMP ASSY W/PLUG, SEAL	2	709109
3*	CVG709252	WIRE HARNESS,BC,12V,ACC	1	709252
4	CVG709389	HEADLIGHT	2	709389
5*	CVG709861	WIRE HARNESS, TURN SIGNL BYPASS PLUG	1	709861
6*	CVG719502	CABLE TIE, BLACK 4"	1	719502
7*	CVG719503	CABLE TIE MNT BRKT BLACK W/3M	2	719503
8*	CVG719504	CABLE TIE,BLACK,.18X11-3/4,STD,50LB	1	719504
9	CVG760600	SWITCH, TOGGLE, LIGHTS ON-OFF	1	760600

NOTE: Items with * in tables indicates parts not shown in drawing

Columbia Vehicle Group, Inc.
A Nordic Group Company | Business Ventures Since 1947



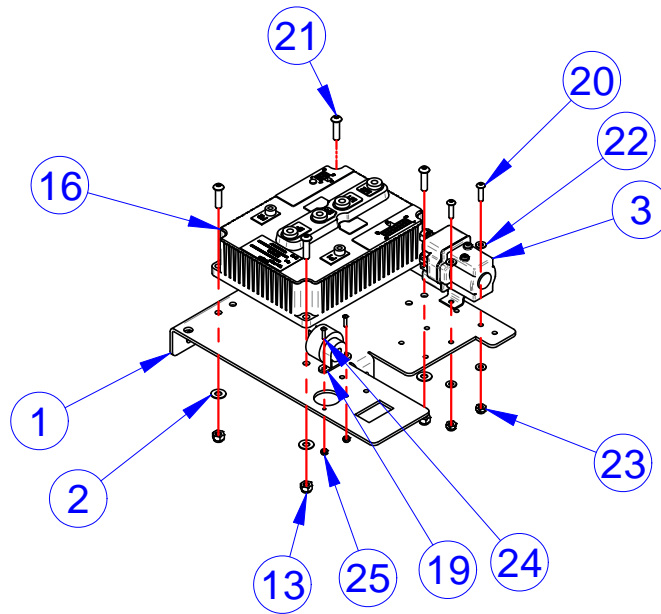
CHARGER CORD WITH CLEAT



ITEM	CVG PN	DESCRIPTION	QTY	REF #
1	CVG511253	CORD CLEAT - EX 21	1	511253
2	CVG708511	WASHER, FLAT 1/4" 18-8 SS	5	708511
3*	CVG709890	CORD, EXTENSION, CHARGER	1	709890
4	CVG719876	NUT, 1/4-20, L/N, NYL, NE, 316, S/S	3	719876
5	CVG761186	CLAMP, 7/16", STEEL TUBE, VINYL CUSH	1	761186
6	CVG782784	SCREW, 1/4-20X3/4, HHCS, 18-8SS	1	782784
7	CVG782792	SCREW, 1/4-20 X 1 1/2" HEX CAP SS 18-S	2	782792

NOTE: Items with * in tables indicates parts not shown in drawing

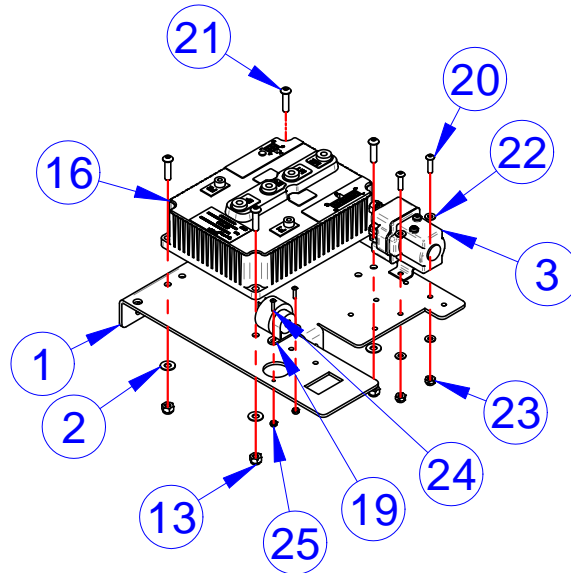
DC PANEL



ITEM	CVG PN	DESCRIPTION	QTY	REF #
1	CVG509231	CNTRL MT, PAYLOADER 4/5	1	509231
2	CVG708511	WASHER, FLAT, 1/4", 18-8SS	4	708511
3	CVG709166	CONTACTOR W. MTG BRKT - 24 V COIL	1	709166
4*	CVG709411	CABLE, 4GA X 61.50, 5/16 TERMINALS	2	709411
5*	CVG709600	CABLE, 4GA X 16.75" , 5/16" TERM	1	709600
6*	CVG709732	CABLE, 4 GA X 25.5, 5/16 TERMINALS	4	709732
7*	NONE	WIRE MARKER, F1, BRADY	1	719330
8*	NONE	WIRE MARKER, F2, BRADY	1	719331
9*	CVG719501	CABLE TIE, NATURAL 5 3/4"	2	719501
10*	CVG719504	CABLE TIE, BLACK, .18X11-3/4, STD, 50LB	1	719504
11*	NONE	WIRE MARKER, A2, BRADY	1	719600
12*	NONE	WIRE MARKER, A1, BRADY	1	719601
13	CVG719876	NUT, 1/4-20, L/N, NYL, NE, 316, S/S	4	719876
14*	CVG749180	WIRE MARKER, POSITIVE	1	749180
15*	CVG749181	WIRE MARKER, NEGATIVE	1	749181
16	CVG467696	CNTRL, SEVCON REGEN, B, HP, 24-48V	1	760576
17*	CVG760637	WIRE HARNESS, MAIN, BC, SEM, PWR W/IMP	1	760637
18*	NONE	LABEL, WHITE, 1.9" W X 50' L	1	760792
19	CVG761678	BUZZER, REVERSE	1	761678
20	CVG782708	SCR, #10-32 X 0.75, BSHCS, 18-8, S/S	2	782708
21	CVG782719	SCR, 1/4-20 X 1, BSHCS, 18-8, S/S	4	782719
22	CVG782722	WSHR, #10 X 0.438 X 0.031, F/W, 18-8SS	4	782722
23	CVG782723	NUT, #10-32, L/N, NYL, NM, 18-8, S/S	2	782723
24	CVG782883	SCR, #4-40 X 0.5, BSHCS, 18-8, S/S	2	782883
25	CVG782884	NUT, #4-40, L/N, NYL, NM, 18-8, S/S	2	782884

NOTE: Items with * in tables indicates parts not shown in drawing

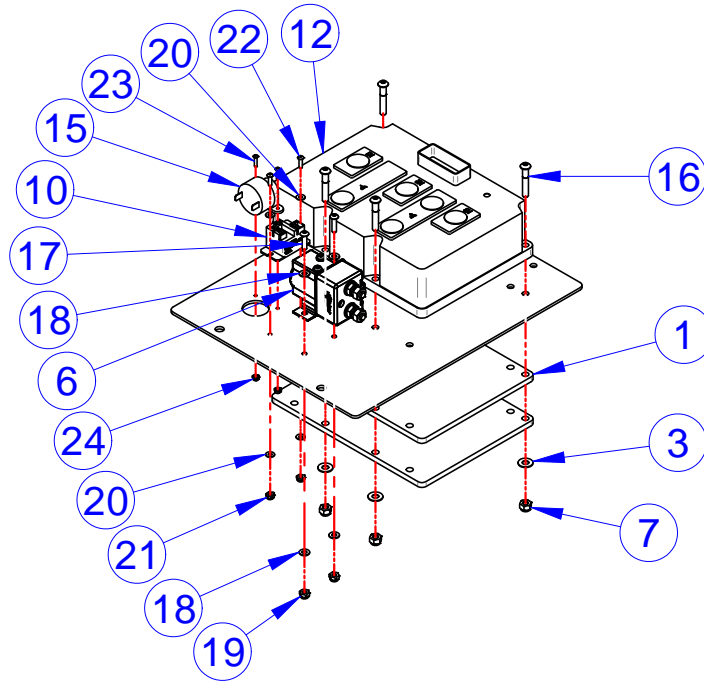
DC CONTROL



ITEM	CVG PN	DESCRIPTION	QTY	REF #
1	CVG509231	CNTRL MT, PAYLOADER 4/5	1	509231
2	CVG708511	WASHER, FLAT, 1/4", 18-8SS	4	708511
3	CVG709166	CONTACTOR W. MTG BRKT - 24 V COIL	1	709166
4*	CVG709411	CABLE, 4GA X 61.50, 5/16 TERMINALS	2	709411
5*	CVG709600	CABLE, 4GA X 16.75" , 5/16" TERM	1	709600
6*	CVG709732	CABLE, 4 GA X 25.5, 5/16 TERMINALS	4	709732
7*	NONE	WIRE MARKER, F1, BRADY	1	719330
8*	NONE	WIRE MARKER, F2, BRADY	1	719331
9*	CVG719501	CABLE TIE, NATURAL 5 3/4"	2	719501
10*	CVG719504	CABLE TIE, BLACK, .18X11-3/4, STD, 50LB	1	719504
11*	NONE	WIRE MARKER, A2, BRADY	1	719600
12*	NONE	WIRE MARKER, A1, BRADY	1	719601
13	CVG719876	NUT, 1/4-20, L/N, NYL, NE, 316, S/S	4	719876
14*	CVG749180	WIRE MARKER, POSITIVE	1	749180
15*	CVG749181	WIRE MARKER, NEGATIVE	1	749181
16	CVG467696	CNTRL, SEVCON REGEN, B, HP, 24-48V	1	760576
17*	CVG760637	WIRE HARNESS, MAIN, BC, SEM, PWR W/IMP	1	760637
18*	NONE	LABEL, WHITE, 1.9" W X 50' L	1	760792
19	CVG761678	BUZZER, REVERSE	1	761678
20	CVG782708	SCR, #10-32 X 0.75, BSHCS, 18-8, S/S	2	782708
21	CVG782719	SCR, 1/4-20 X 1, BSHCS, 18-8, S/S	4	782719
22	CVG782722	WSHR, #10 X 0.438 X 0.031, F/W, 18-8SS	4	782722
23	CVG782723	NUT, #10-32, L/N, NYL, NM, 18-8, S/S	2	782723
24	CVG782883	SCR, #4-40 X 0.5, BSHCS, 18-8, S/S	2	782883
25	CVG782884	NUT, #4-40, L/N, NYL, NM, 18-8, S/S	2	782884

NOTE: Items with * in tables indicates parts not shown in drawing

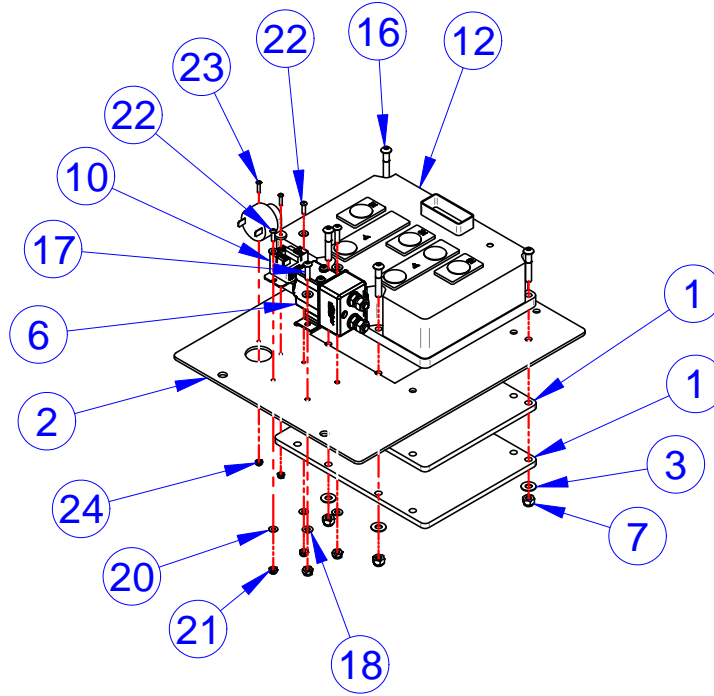
AC CONTROL, 450A



ITEM	CVG PN	DESCRIPTION	QTY	REF #
1	CVG515379	PLATE, HEAT SINK	2	515379
2*	NONE	PANEL, CNTLR, 450A AC, PL	1	515761
3	CVG708511	WASHER, FLAT, 1/4", 18-8SS	4	708511
4*	CVG709004	CABLE, 4GA X 8.75", 5/16" TERM	1	709004
5*	CVG709411	CABLE, 4GA X 61.50", 5/16" TERM	2	709411
6	CVG709590	CONTACTOR, SINGLE- 48V COILS	1	709590
7	CVG719876	NUT, 1/4-20, L/N, NYL, NE, 316, S/S	4	719876
8*	CVG749180	WIRE MARKER, POSITIVE	1	749180
9*	CVG749181	WIRE MARKER, NEGATIVE	1	749181
10	CVG759829	RELAY, 48VDC, SPSTNO, 20	1	759829
11*	NONE	LABEL, WHITE, 1.9" W X 50' L	1	760792
12	CVG760956	GEN4 CONTROLLER - SEVCON 450A	1	760956
13*	CVG761057	HARNESS - SEVCON AC, BC	1	761057
14*	CVG761063	CABLE, MOTOR, SEVCON AC, 25.5"	3	761063
15	CVG761720	BUZZER, REVERSE, CONT	1	761720
16	CVG782707	SCR, 1/4-20 X 1.5, BSHCS, 18-8, S/S	4	782707
17	CVG782708	SCR, #10-32 X 0.75, BSHCS, 18-8, S/S	2	782708
18	CVG782722	WSHR, #10 X 0.438 X 0.031, F/W, 18-8SS	4	782722
19	CVG782723	NUT, #10-32, L/N, NYL, NM, 18-8, S/S	2	782723
20	CVG782737	WSHR, #6 X 0.375 X 0.031, F/W, 18-8 S/S	4	782737
21	CVG782738	NUT, #6-32, L/N, NYL, NM, 18-8, S/S	2	782738
22	CVG782744	SCR, #6-32 X 0.5, BSHCS, 18-8, S/S	2	782744
23	CVG782883	SCR, #4-40 X 0.5, BSHCS, 18-8, S/S	2	782883
24	CVG782884	NUT, #4-40, L/N, NYL, NM, 18-8, S/S	2	782884

NOTE: Items with * in tables indicates parts not shown in drawing

AC CONTROL, 450A

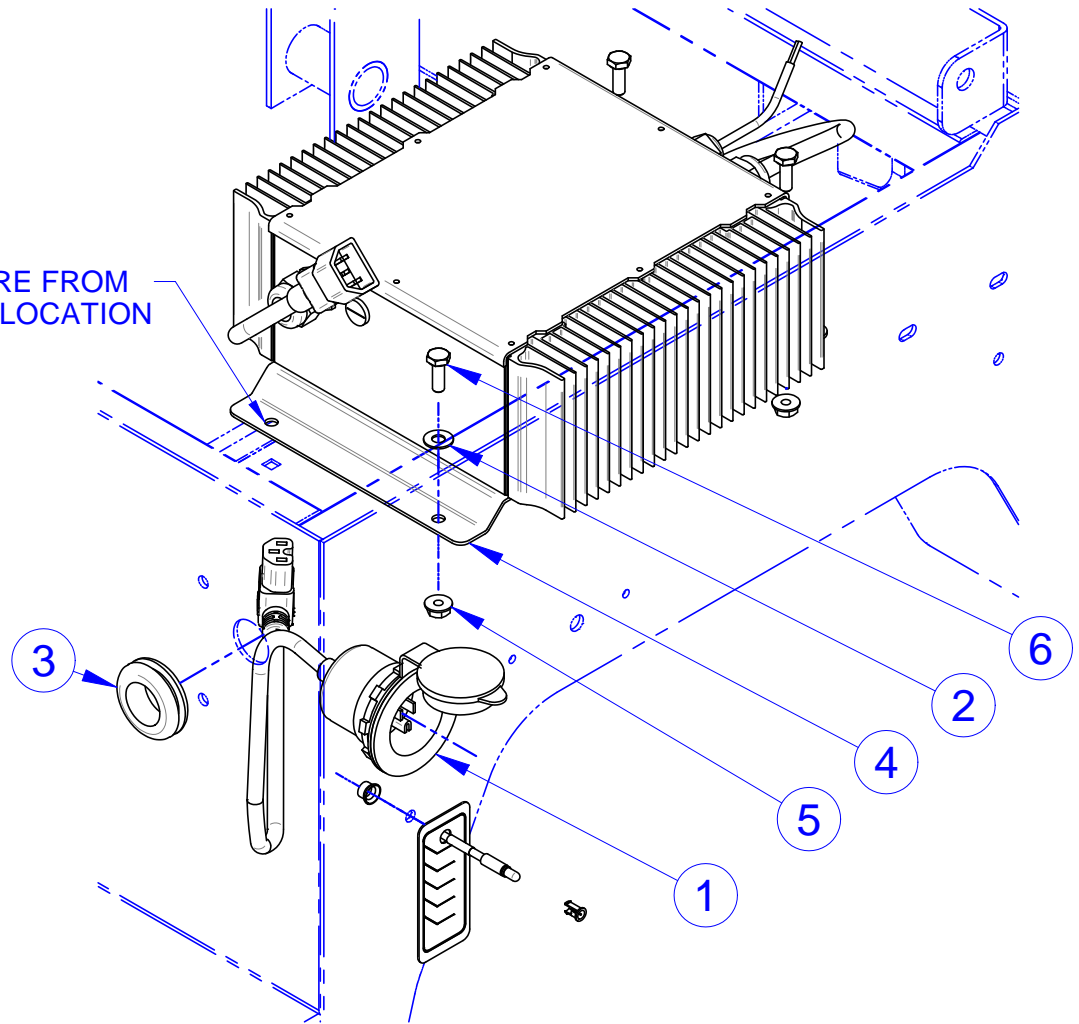


ITEM	CVG PN	DESCRIPTION	QTY	REF #
1	CVG515379	PLATE, HEAT SINK	2	515379
2	NONE	PANEL, CNTLR, 450A AC, PL	1	515761
3	CVG708511	WASHER, FLAT, 1/4", 18-8SS	4	708511
4*	CVG709004	CABLE, 4GA X 8.75", 5/16" TERM	1	709004
5*	CVG709411	CABLE, 4GA X 61.50", 5/16" TERM	2	709411
6	CVG709590	CONTACTOR, SINGLE- 48V COILS	1	709590
7	CVG719876	NUT, 1/4-20, L/N, NYL, NE, 316, S/S	4	719876
8*	CVG749180	WIRE MARKER, POSITIVE	1	749180
9*	CVG749181	WIRE MARKER, NEGATIVE	1	749181
10	CVG759829	RELAY, 48VDC, SPSTNO, 20	1	759829
11*	NONE	LABEL, WHITE, 1.9" W X 50' L	1	760792
12	CVG760956	GEN4 CONTROLLER - SEVCON 450A	1	760956
13*	CVG761063	CABLE, MOTOR, SEVCON AC, 25.5"	3	761063
14*	CVG761252	HARNESS, SEVCON AC, BC, 2017	1	761252
15*	CVG761720	BUZZER, REVERSE, CONT	1	761720
16	CVG782707	SCR, 1/4-20 X 1.5, BSHCS, 18-8, S/S	4	782707
17	CVG782708	SCR, #10-32 X 0.75, BSHCS, 18-8, S/S	2	782708
18	CVG782722	WSHR, #10 X 0.438 X 0.031, F/W, 18-8SS	4	782722
19*	CVG782723	NUT, #10-32, L/N, NYL, NM, 18-8, S/S	2	782723
20	CVG782737	WSHR, #6 X 0.375 X 0.031, F/W, 18-8 S/S	4	782737
21	CVG782738	NUT, #6-32, L/N, NYL, NM, 18-8, S/S	2	782738
22	CVG782744	SCR, #6-32 X 0.5, BSHCS, 18-8, S/S	2	782744
23	CVG782883	SCR, #4-40 X 0.5, BSHCS, 18-8, S/S	2	782883
24	CVG782884	NUT, #4-40, L/N, NYL, NM, 18-8, S/S	2	782884

NOTE: Items with * in tables indicates parts not shown in drawing

36V DELTA-Q CHARGER

USE HARDWARE FROM HORN IN THIS LOCATION



ITEM	CVG PN	DESCRIPTION	QTY	REF #
1	CVG468176	ASM, CHARGER CORD, 90 DEG PLUG	1	468176
2	CVG708511	WASHER, FLAT, 1/4", 18-8SS	3	708511
3	CVG719524	GROMMET, 1.00"IDX1.75"ODX.56", RUBBER	1	719524
4	CVG760743	CHARGER, DELTA Q - 36V SEALED, W/LED	1	760743
5	CVG761637	NUT, 1/4-20, SERRATED FLANGE, 18-8 SS	3	761637
6	CVG782784	SCREW, 1/4-20X3/4, HHCS, 18-8SS	3	782784

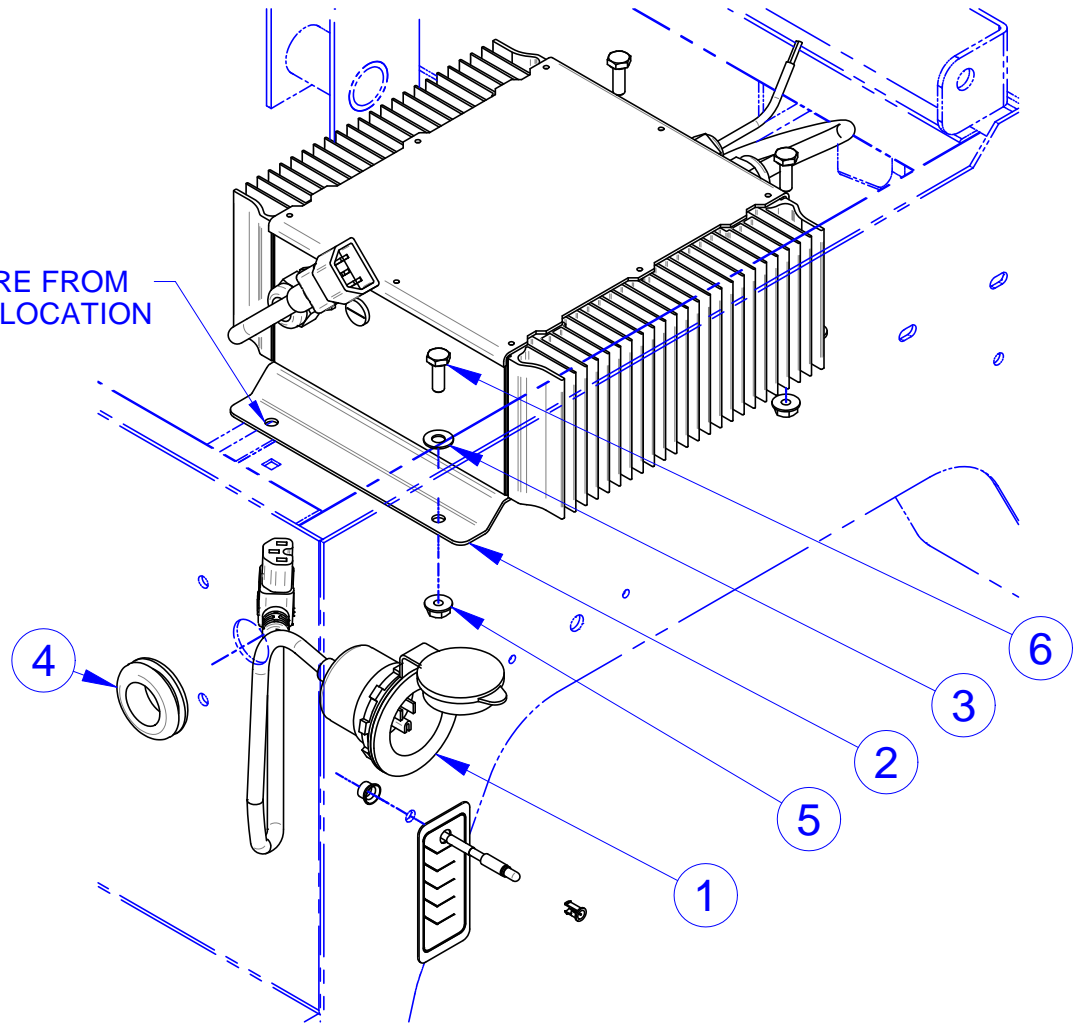
NOTE: Items with * in tables indicates parts not shown in drawing

Columbia Vehicle Group, Inc.
A Nordic Group Company | Business Ventures Since 1947



36V ALG1 DELTA-Q CHARGER

USE HARDWARE FROM HORN IN THIS LOCATION

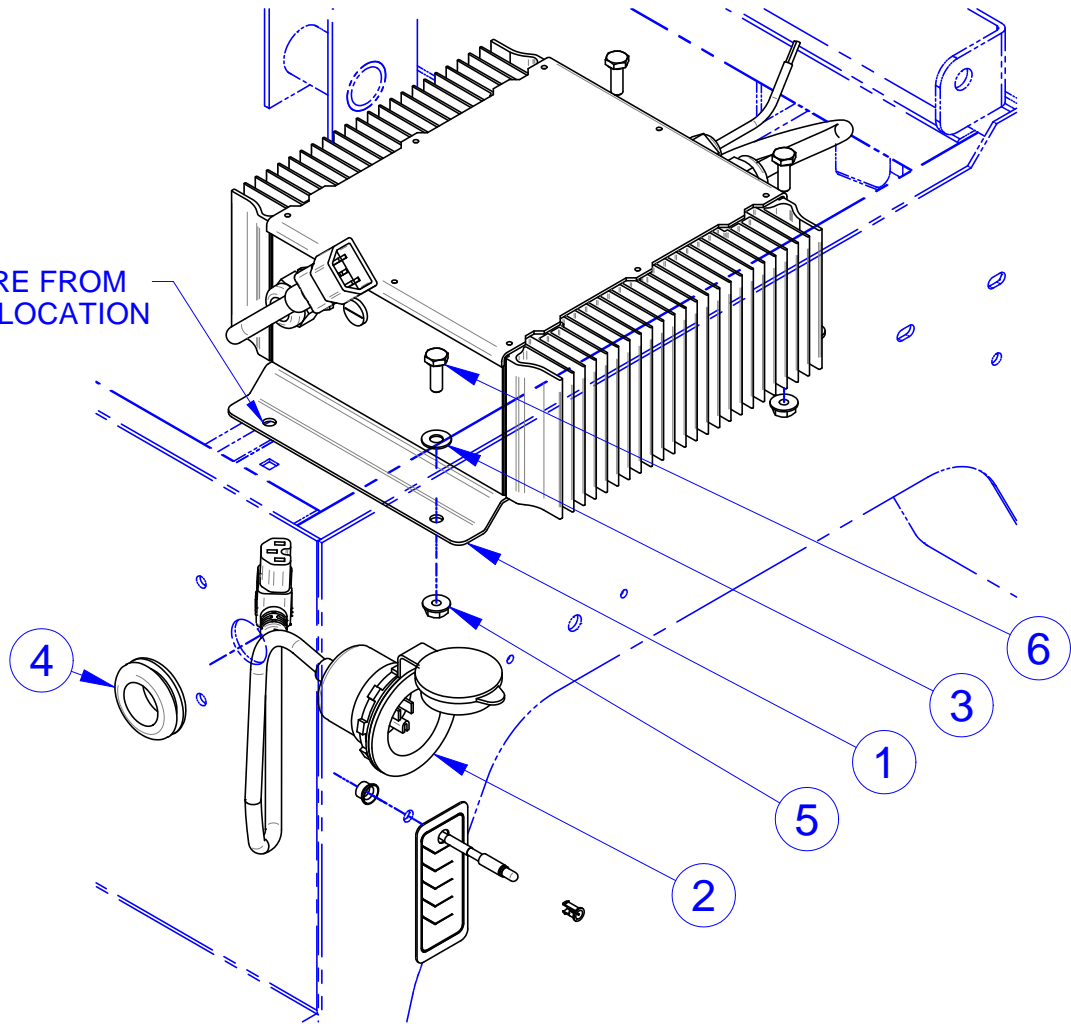


ITEM	CVG PN	DESCRIPTION	QTY	REF #
1	CVG468176	ASM, CHARGER CORD, 90 DEG PLUG	1	468176
2	CVG468277	PROG ALG1, 36V DELTA-Q CHARGER	1	468277
3	CVG708511	WASHER, FLAT, 1/4", 18-8SS	3	708511
4	CVG719524	GROMMET, 1.00"IDX1.75"ODX.56", RUBBER	1	719524
5	CVG761637	NUT, 1/4-20, SERRATED FLANGE, 18-8 SS	3	761637
6	CVG782784	SCREW, 1/4-20X3/4, HHCS, 18-8SS	3	782784

NOTE: Items with * in tables indicates parts not shown in drawing

36V ALG42 DELTA-Q CHARGER

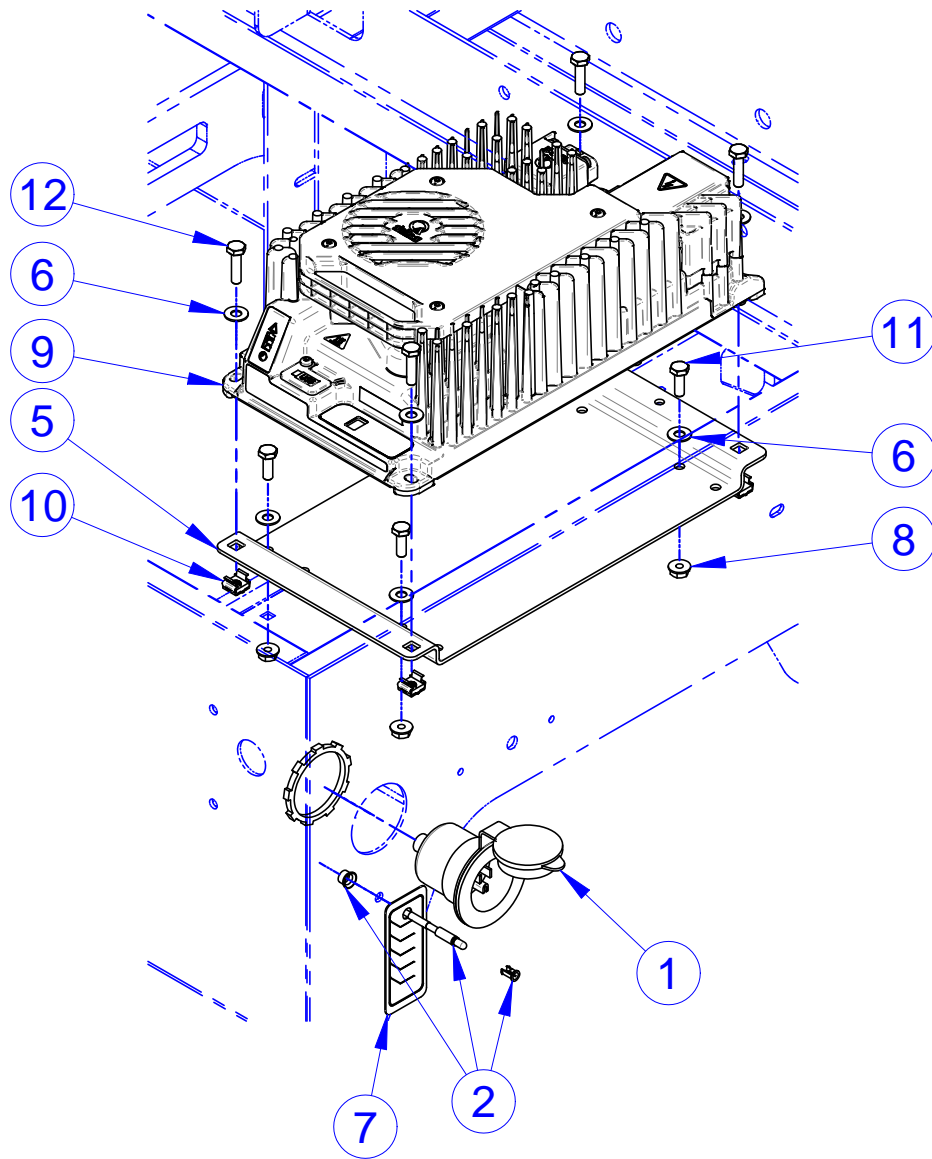
USE HARDWARE FROM HORN IN THIS LOCATION



ITEM	CVG PN	DESCRIPTION	QTY	REF #
1	CVG468055	PROG ALG42, 36V DELTA-Q CHARGER	1	468055
2	CVG468176	ASM, CHARGER CORD, 90 DEG PLUG	1	468176
3	CVG708511	WASHER, FLAT, 1/4", 18-8SS	3	708511
4	CVG719524	GROMMET, 1.00"IDX1.75"ODX.56", RUBBER	1	719524
5	CVG761637	NUT, 1/4-20, SERRATED FLANGE, 18-8 SS	3	761637
6	CVG782784	SCREW, 1/4-20X3/4, HHCS, 18-8SS	3	782784

NOTE: Items with * in tables indicates parts not shown in drawing

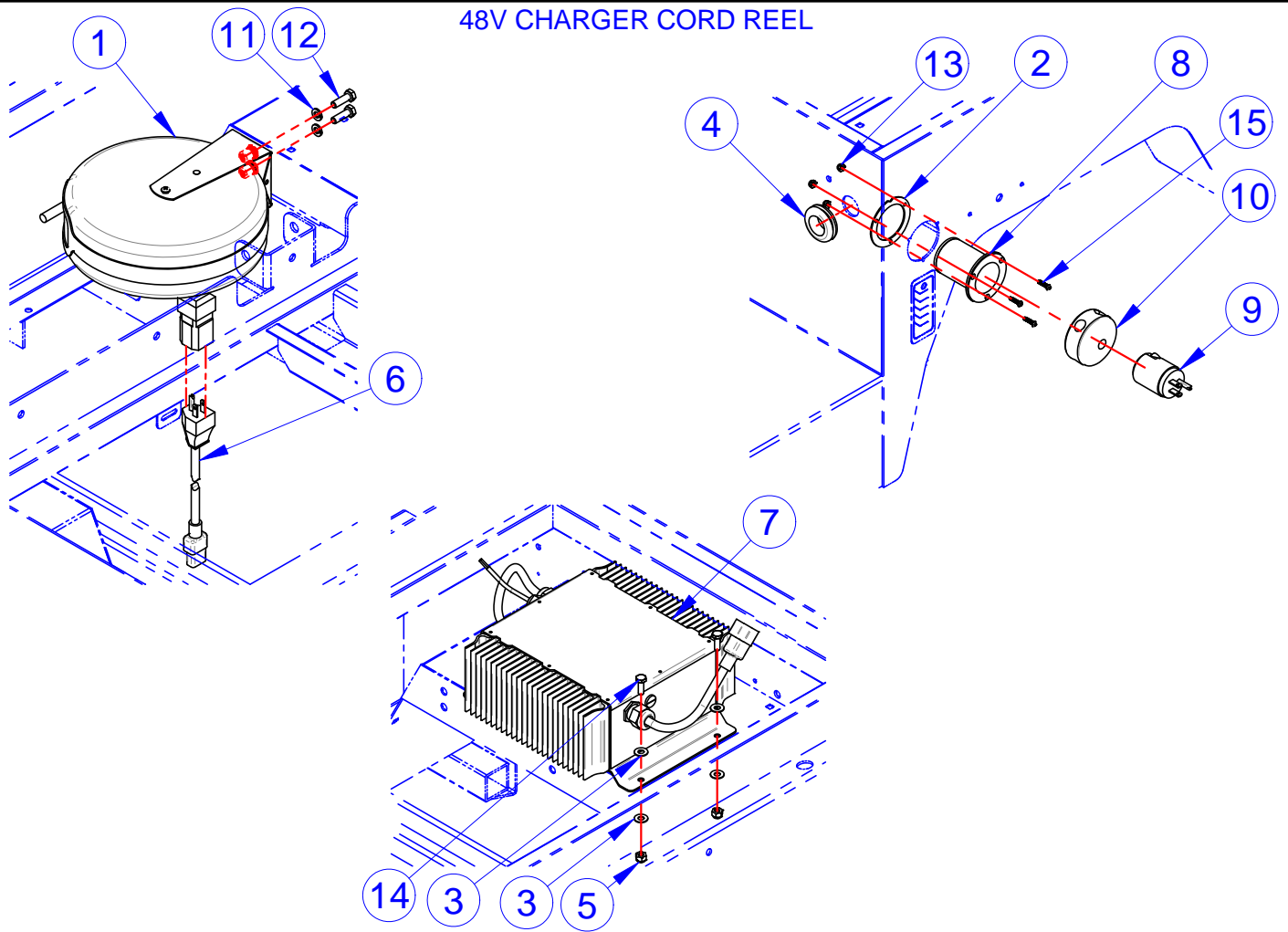
48V CHARGER



ITEM	CVG PN	DESCRIPTION	QTY	REF #
1	CVG467405	ASSY, CHARGER CORD W/ RECEPT	1	467405
2	CVG468250	ASM, LED, IC1200 REMOTE	1	468250
3*	CVG468251	HARNESS, BATTERY, IC1200, BC	1	468251
4*	CVG468252	HARNESS, INTERLOCK, IC1200, BC	1	468252
5	CVG517755	BRKT, BC IC1200 CHGR	1	517755
6	CVG708511	WASHER, FLAT, 1/4", 18-8SS	8	708511
7	CVG760754	LABEL, CHARGER LED	1	760754
8	CVG761637	NUT, 1/4-20, SERRATED FLANGE, 18-8 SS	4	761637
9	CVG761717	CHARGER, DELTA-Q, 48V, IC1200	1	761717
10	CVG782339	NUT, 1/4-20, CAGE, 0.093-0.126, MAGNI 525	4	782339
11	CVG782784	SCREW, 1/4-20X3/4, HHCS, 18-8SS	4	782784
12	CVG782785	SCREW, 1/4-20X1.0, HHCS, 18-8SS	4	782785

NOTE: Items with * in tables indicates parts not shown in drawing

48V CHARGER CORD REEL

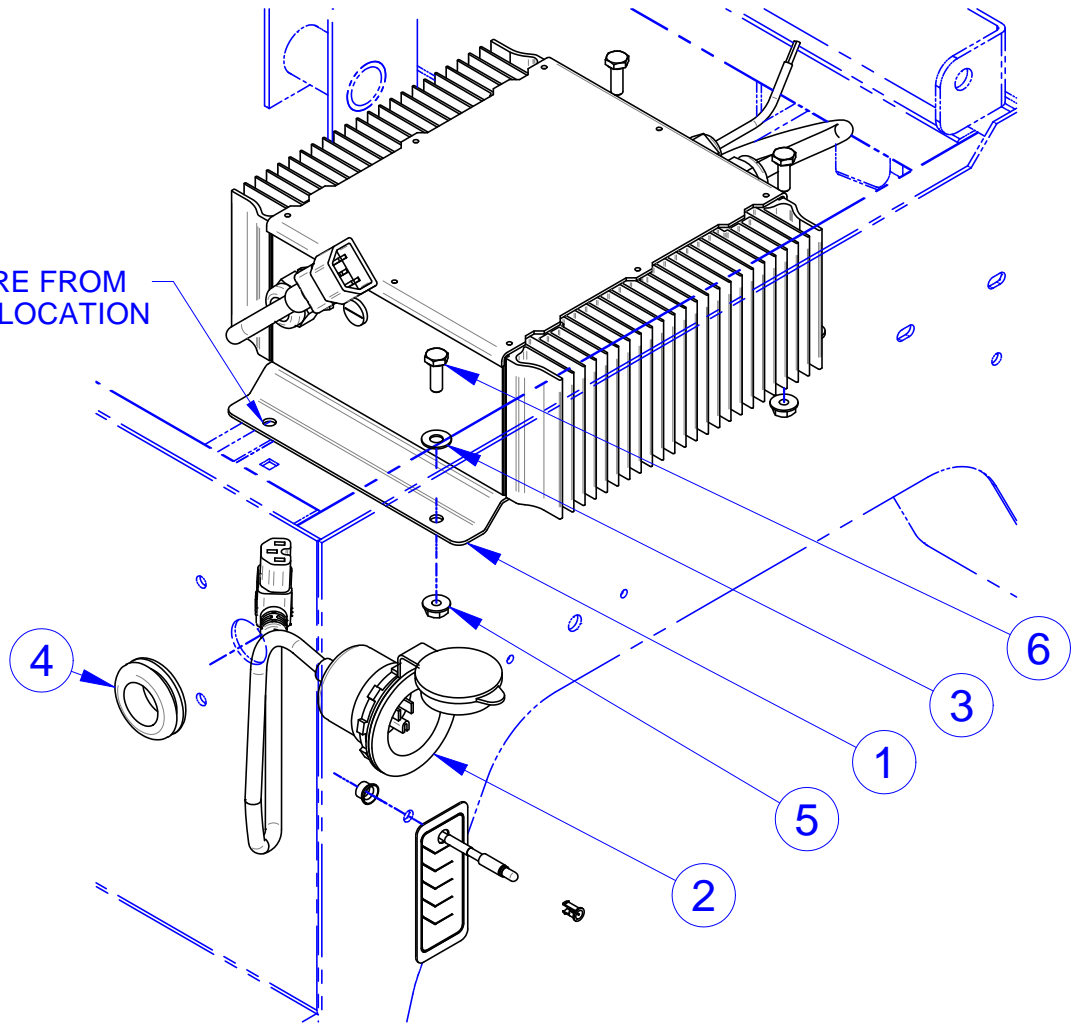


ITEM	CVG PN	DESCRIPTION	QTY	REF #
1	CVG468080	ASSY, CORD REEL	1	468080
2	CVG516497	PLATE, BACKING, PLUG HOLDER	1	516497
3	CVG708511	WASHER, FLAT, 1/4", 18-8SS	8	708511
4	CVG719524	GROMMET, 1.00"IDX1.75"ODX.56", RUBBER	1	719524
5	CVG719876	NUT, 1/4-20, L/N, NYL, NE, 316, S/S	4	719876
6	CVG760691	CHARGER CORD, 6.5FT, 14/3	1	760691
7	CVG760742	CHARGER, DELTA Q - 48V SEALED, W/LED	1	760742
8	CVG761237	PLUG HOLDER	1	761237
9	CVG761239	PLUG, MALE, 15A	1	761239
10	CVG761259	STOP, CORD REEL	1	761259
11	CVG781621	WSHR, 5/16, L/W, SPLIT, 18-8, S/S	2	781621
12	CVG782720	SCR, 5/16-18 X 1, HHCS, 18-8, S/S	2	782720
13	CVG782738	NUT, #6-32, L/N, NYL, NM, 18-8, S/S	3	782738
14	CVG782784	SCREW, 1/4-20X3/4, HHCS, 18-8SS	4	782784
15	CVG782816	SCREW, 6-32X5/8, PPHMS, 18-8 SS	3	782816

NOTE: Items with * in tables indicates parts not shown in drawing

48V ALG42 DELTA-Q CHARGER

USE HARDWARE FROM HORN IN THIS LOCATION

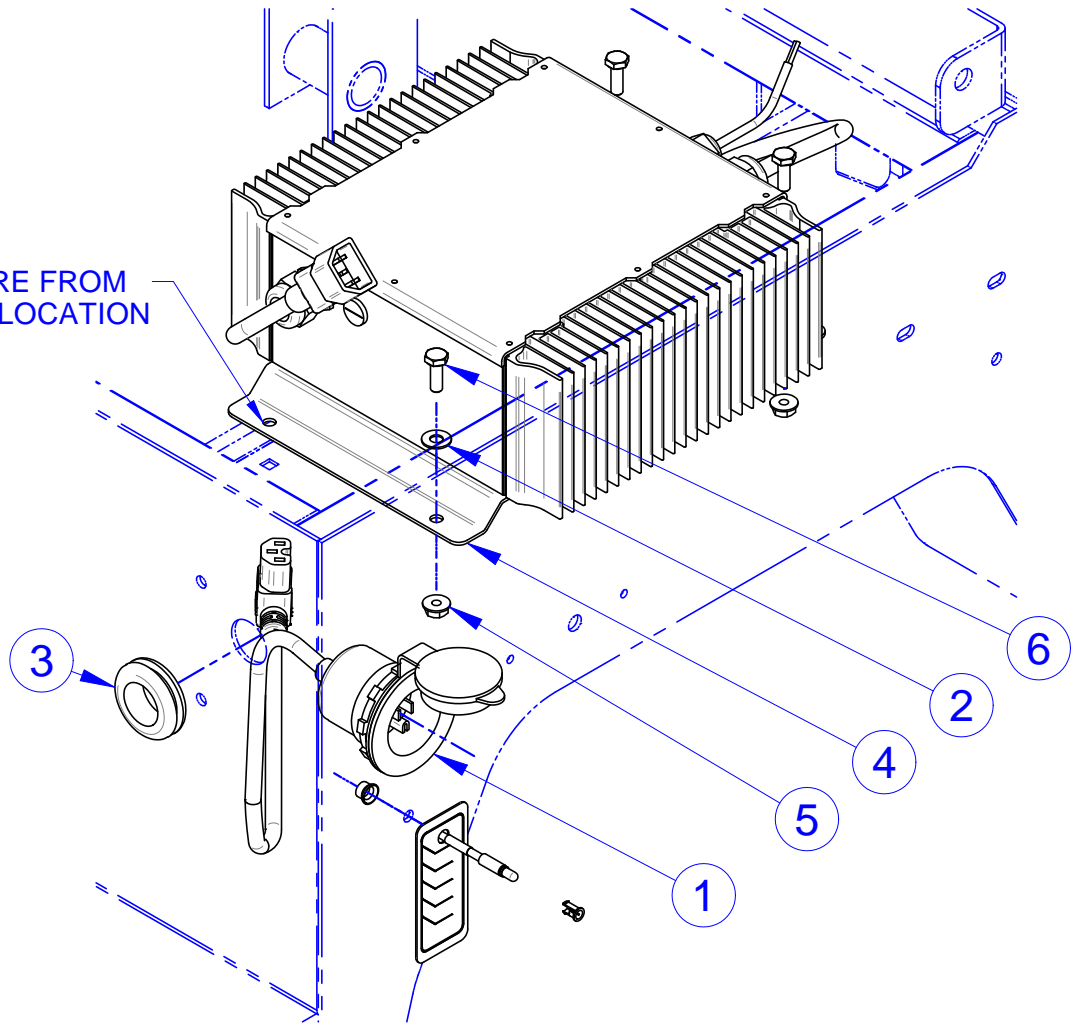


ITEM	CVG PN	DESCRIPTION	QTY	REF #
1	CVG467839	PROG ALG42, 48V DELTA-Q CHARGER	1	467839
2	CVG468176	ASM, CHARGER CORD, 90 DEG PLUG	1	468176
3	CVG708511	WASHER, FLAT, 1/4", 18-8SS	3	708511
4	CVG719524	GROMMET, 1.00"IDX1.75"ODX.56", RUBBER	1	719524
5	CVG761637	NUT, 1/4-20, SERRATED FLANGE, 18-8 SS	3	761637
6	CVG782784	SCREW, 1/4-20X3/4, HHCS, 18-8SS	3	782784

NOTE: Items with * in tables indicates parts not shown in drawing

48V DELTA-Q CHARGER

USE HARDWARE FROM HORN IN THIS LOCATION



ITEM	CVG PN	DESCRIPTION	QTY	REF #
1	CVG468176	ASM, CHARGER CORD, 90 DEG PLUG	1	468176
2	CVG708511	WASHER, FLAT, 1/4", 18-8SS	3	708511
3	CVG719524	GROMMET, 1.00"IDX1.75"ODX.56", RUBBER	1	719524
4	CVG760742	CHARGER, DELTA Q - 48V SEALED, W/LED	1	760742
5	CVG761637	NUT, 1/4-20, SERRATED FLANGE, 18-8 SS	3	761637
6	CVG782784	SCREW, 1/4-20X3/4, HHCS, 18-8SS	3	782784

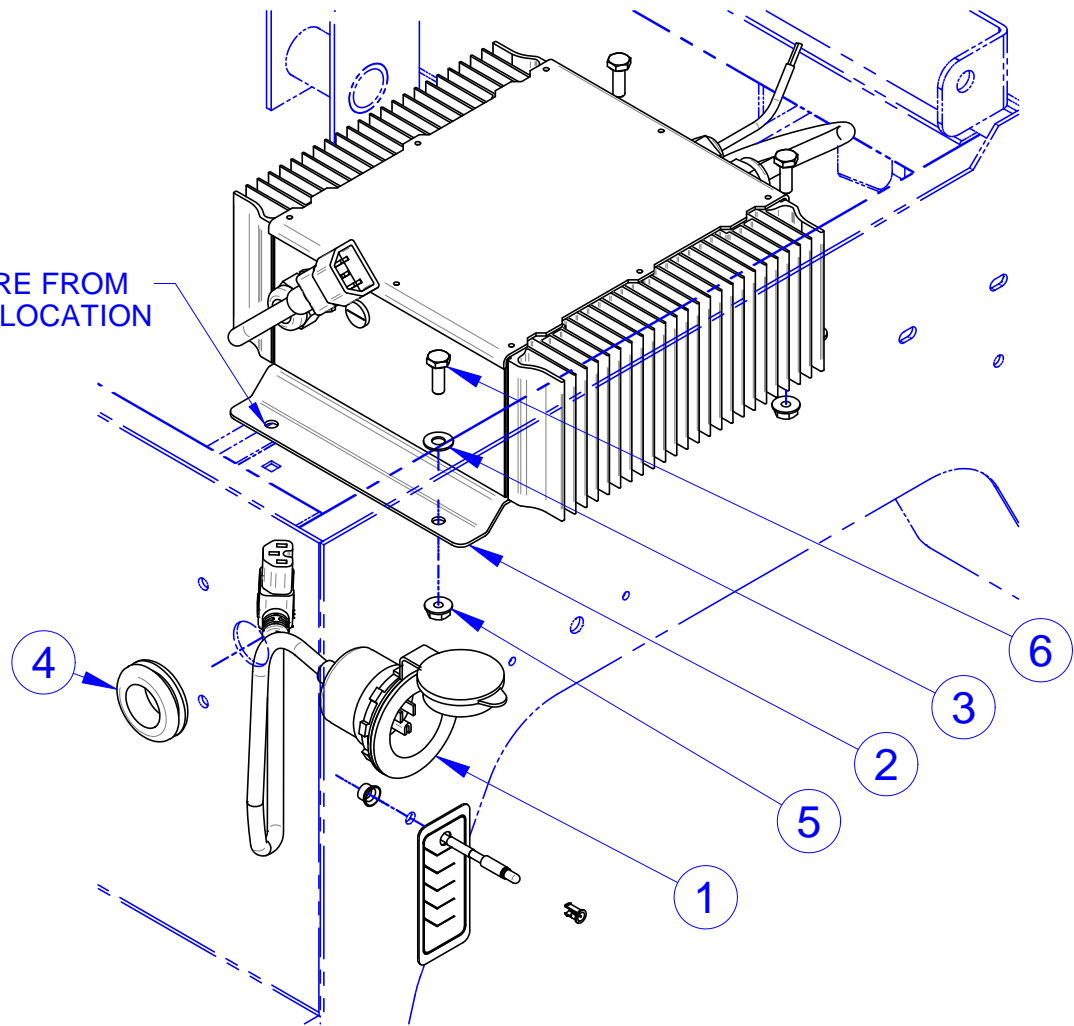
NOTE: Items with * in tables indicates parts not shown in drawing

Columbia Vehicle Group, Inc.
A Nordic Group Company | Business Ventures Since 1947



48V ALG1 DELTA-Q CHARGER

USE HARDWARE FROM HORN IN THIS LOCATION



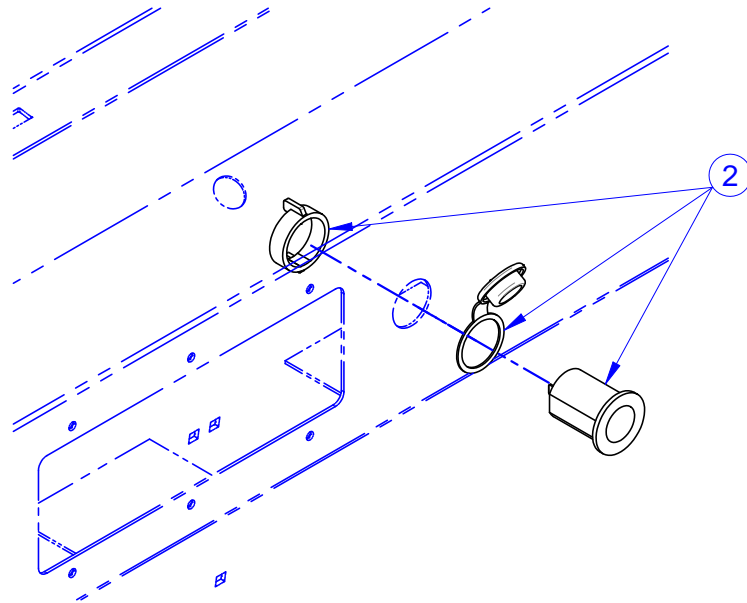
ITEM	CVG PN	DESCRIPTION	QTY	REF #
1	CVG468176	ASM, CHARGER CORD, 90 DEG PLUG	1	468176
2	CVG468275	PROG ALG1, 48V DELTA-Q CHARGER	1	468275
3	CVG708511	WASHER, FLAT, 1/4", 18-8SS	3	708511
4	CVG719524	GROMMET, 1.00"IDX1.75"ODX.56", RUBBER	1	719524
5	CVG761637	NUT, 1/4-20, SERRATED FLANGE, 18-8 SS	3	761637
6	CVG782784	SCREW, 1/4-20X3/4, HHCS, 18-8SS	3	782784

NOTE: Items with * in tables indicates parts not shown in drawing

Columbia Vehicle Group, Inc.
A Nordic Group Company | Business Ventures Since 1947



12V POWER OUTLET



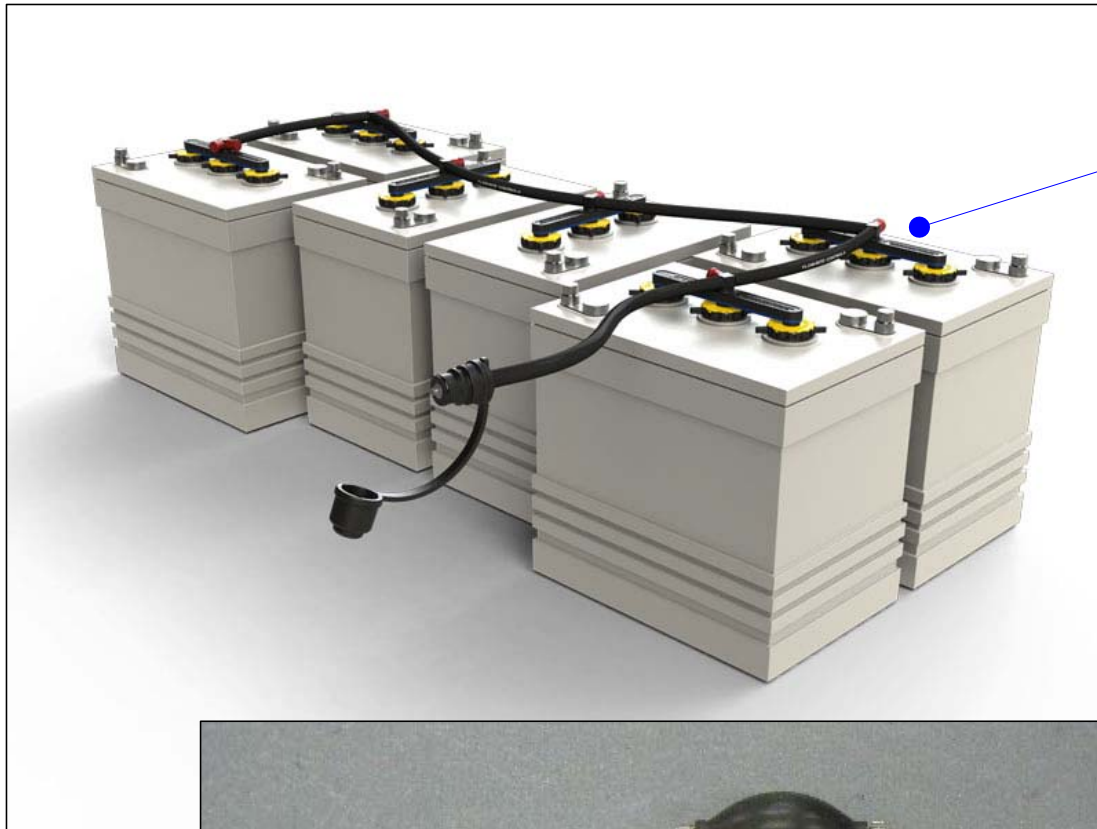
ITEM	CVG PN	DESCRIPTION	QTY	REF #
1*	CVG467619	HARNESS, BC 12V OUTLET	1	467619
2	CVG761729	RECEPTACLE, USB	1	761729

NOTE: Items with * in tables indicates parts not shown in drawing

Columbia Vehicle Group, Inc.
A Nordic Group Company | Business Ventures Since 1947



BATTERY WATERING SYSTEM



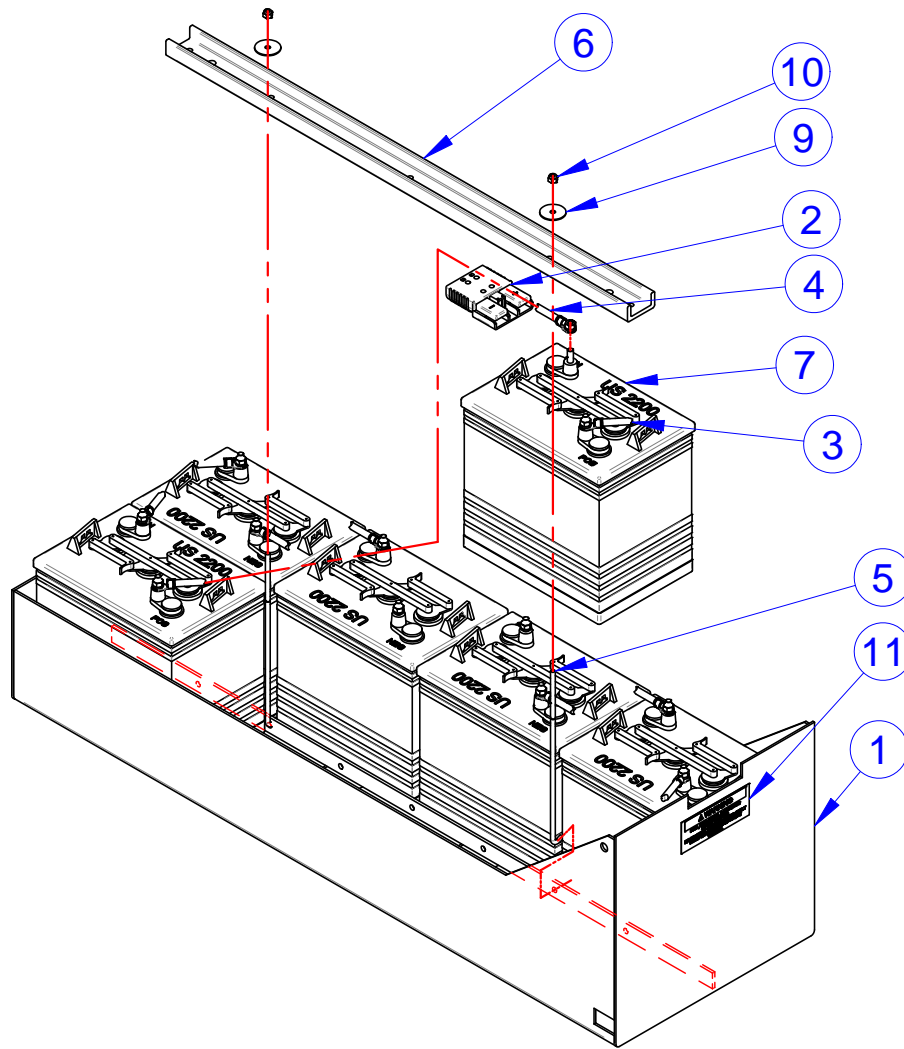
ITEM	CVG PN	DESCRIPTION	QTY	REF #
1	CVG759857	BATTERY WATERING SYSTEM CAPS,48V	1	759857
2	CVG759858	BATTERY WATERING SYSTEM HAND PUMP	1	759858

NOTE: Items with * in tables indicates parts not shown in drawing

Columbia Vehicle Group, Inc.
A Nordic Group Company | Business Ventures Since 1947



BATTERY TRAY, 36V



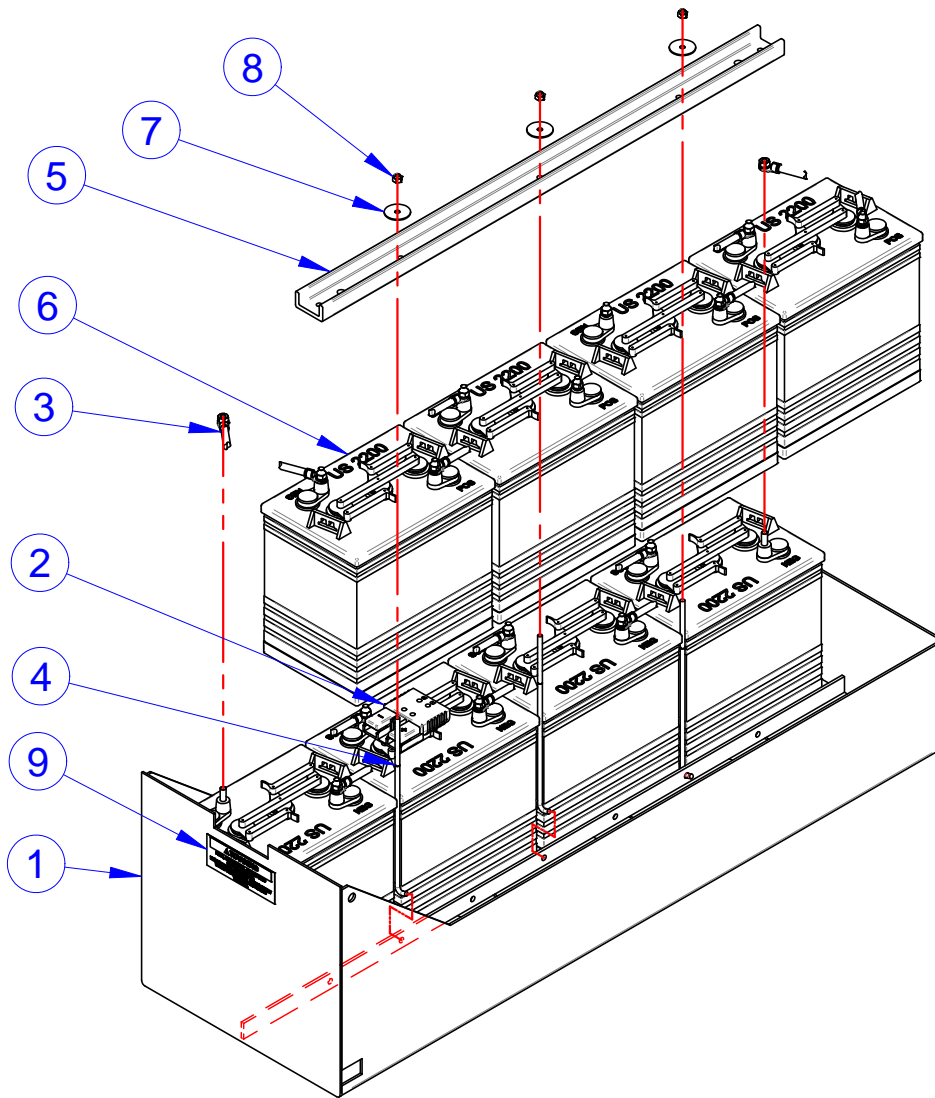
ITEM	CVG PN	DESCRIPTION	QTY	REF #
1	CVG310015	WLDMT, BATTERY BOX, ROLLOUT	1	310015
2	CVG467723	ASM, CONNECTOR, BC BATTERY	1	467723
3	CVG709004	CABLE, 4 GA X 8.75, 5/16 TERMINALS	4	709004
4	CVG709019	CABLE, 4GA X 37.00", 5/16" TERM	1	709019
5	CVG709059	ROD, BATTERY HOLD DOWN	2	709059
6	CVG709196	HOLD-DOWN, BATTERY	1	709196
7	CVG719229	BATTERY, 6V, DEEP CYCLE, (US-2200)	6	719229
8*	CVG719504	CABLE TIE, BLACK, .18X11-3/4, STD, 50LB	1	719504
9	CVG719786	WASHER FLT STAINLESS .28X1.375X.06	2	719786
10	CVG719876	NUT, 1/4-20, L/N, NYL, NE, 316, S/S	2	719876
11	CVG739546	DECAL BATTERY BOX WARNING	1	739546

NOTE: Items with * in tables indicates parts not shown in drawing

Columbia Vehicle Group, Inc.
A Nordic Group Company | Business Ventures Since 1947



BATTERY TRAY, 48V



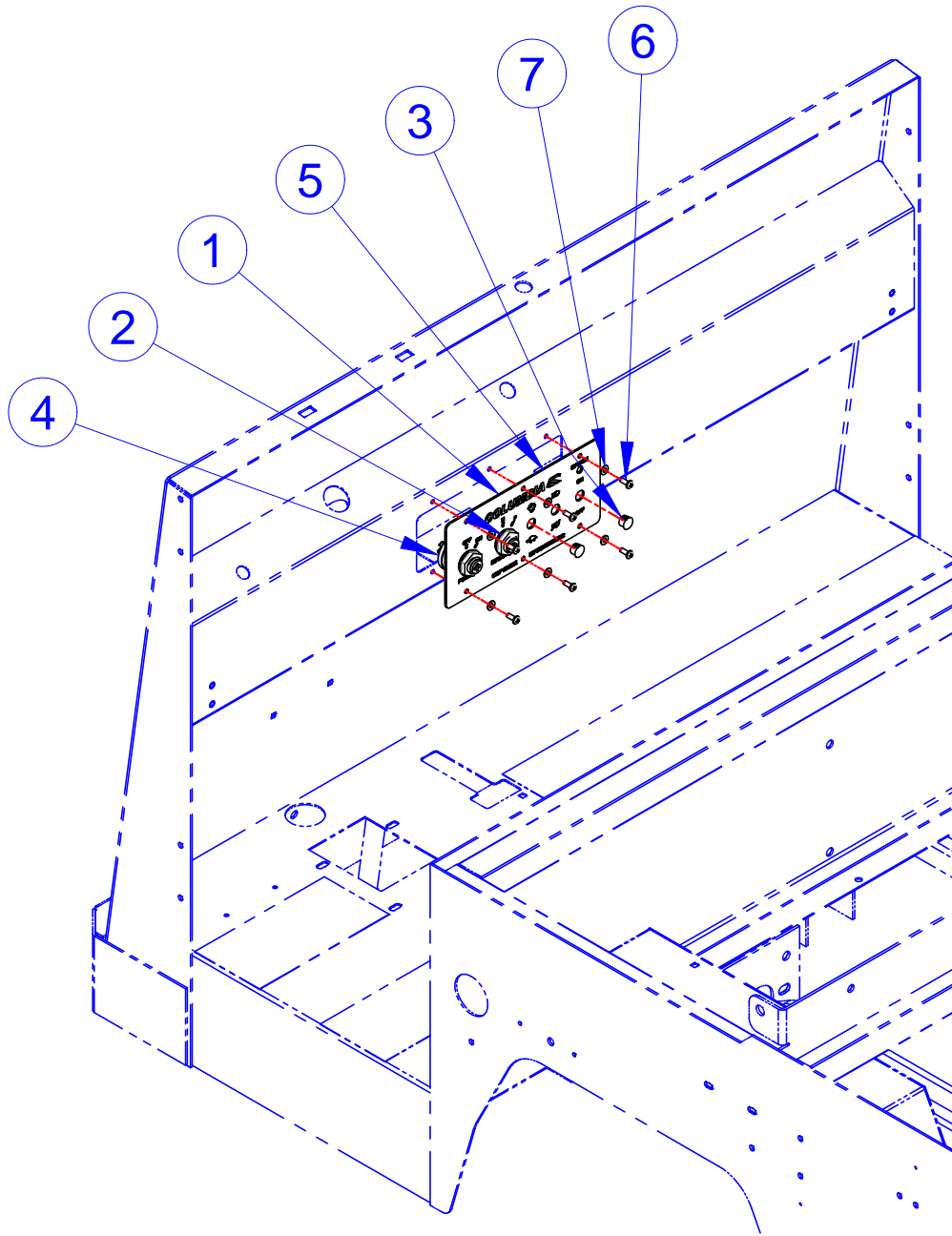
ITEM	CVG PN	DESCRIPTION	QTY	REF #
1	CVG310015	WLDMT, BATTERY BOX, ROLLOUT	1	310015
2	CVG467723	ASM, CONNECTOR, BC BATTERY	1	467723
3	CVG709004	CABLE, 4 GA X 8.75, 5/16 TERMINALS	7	709004
4	CVG709059	ROD, BATTERY HOLD DOWN	3	709059
5	CVG709196	HOLD-DOWN, BATTERY	1	709196
6	CVG719229	BATTERY, 6V, DEEP CYCLE, (US-2200)	8	719229
7	CVG719786	WASHER FLT STAINLESS .28X1.375X.06	3	719786
8	CVG719876	NUT, 1/4-20, L/N, NYL, NE, 316, S/S	3	719876
9	CVG739546	DECAL BATTERY BOX WARNING	1	739546

NOTE: Items with * in tables indicates parts not shown in drawing

Columbia Vehicle Group, Inc.
A Nordic Group Company | Business Ventures Since 1947



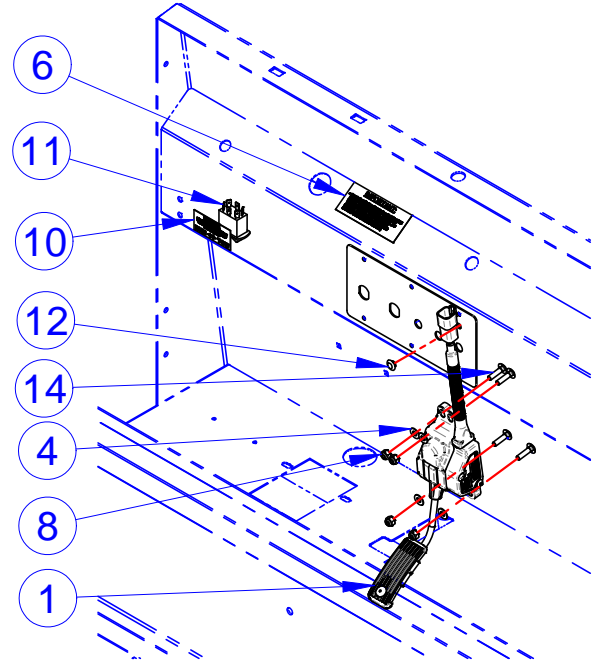
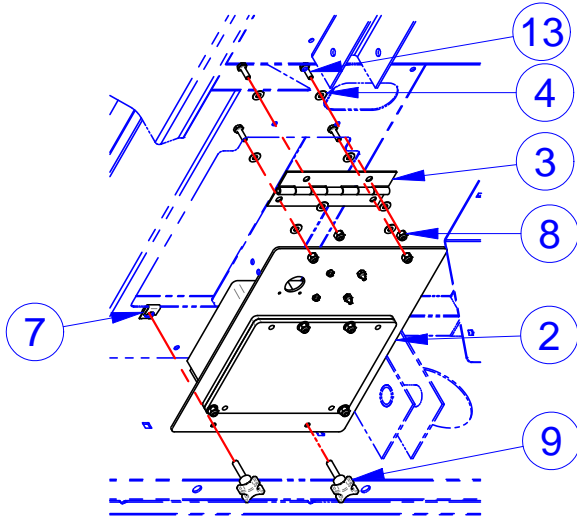
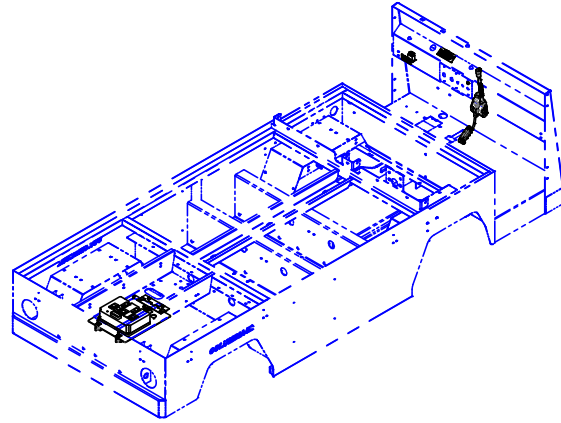
POWER SWITCH A



ITEM	CVG PN	DESCRIPTION	QTY	REF #
1	CVG514498	PANEL, DASH, BC, LED SYS LGHT	1	514498
2	CVG709040	KEYSWITCH, UNIVERSAL "A" W/HRDWR	1	709040
3	CVG719798	PLUG 1/2 HOLE BLACK HEYCO #2643	2	719798
4	CVG759706	KEYSWITCH, PWR, 2-POS, "A" W/HRDWR	1	759706
5	CVG760768	OVERLAY, DASHBOARD, BC, SEP EX, LED	1	760768
6	CVG761632	SCREW, #10-24X1/2" PPH GRD 18-8 SS	6	761632
7	CVG782722	WSHR, #10 X 0.438 X 0.031, F/W, 18-8SS	6	782722

NOTE: Items with * in tables indicates parts not shown in drawing

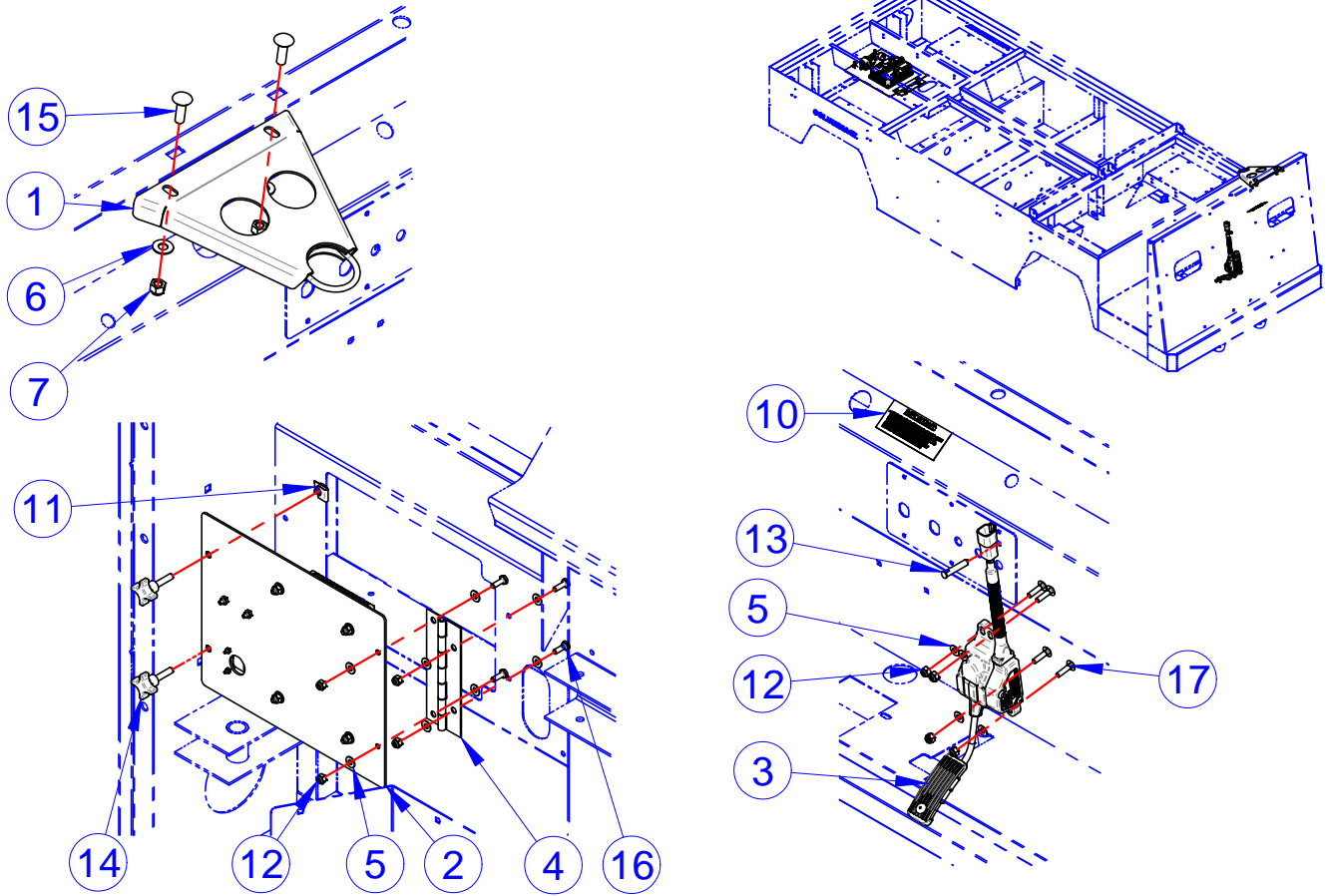
POWER SYSTEM, 450A AC



ITEM	CVG PN	DESCRIPTION	QTY	REF #
1	CVG468031	ASSY, PEDAL ACLTR DEVISE	1	468031
2	CVG468103	ASSY, 450A AC CNTLR, STD/MED PL	1	468103
3	CVG516899	HINGE, SEAT	1	516899
4	CVG708511	WASHER, FLAT, 1/4", 18-8SS	12	708511
5*	CVG709754	LABEL SET, BURDEN CARRIER	1	709754
6	CVG719426	DECAL, SWITCH SET POSITION	1	719426
7	CVG719537	NUT, TINNEMAN C33953-5618-4 ZINC	2	719537
8	CVG719876	NUT, 1/4-20, L/N, NYL, NE, 316, S/S	8	719876
9	CVG760023	KNOB - 5/16-18 X1 1/2 LG	2	760023
10	CVG761695	LABEL, RUN/TOW, BC	1	761695
11	CVG761702	SWITCH, BRK BYPASS, SEALED	1	761702
12	CVG781642	PIP PLUG, SAE 3/8"	1	781642
13	CVG782784	SCREW, 1/4-20X3/4, HHCS, 18-8SS	4	782784
14	CVG782803	SCREW, 1/4-20X1, CARR, 18-8 SS	4	782803

NOTE: Items with * in tables indicates parts not shown in drawing

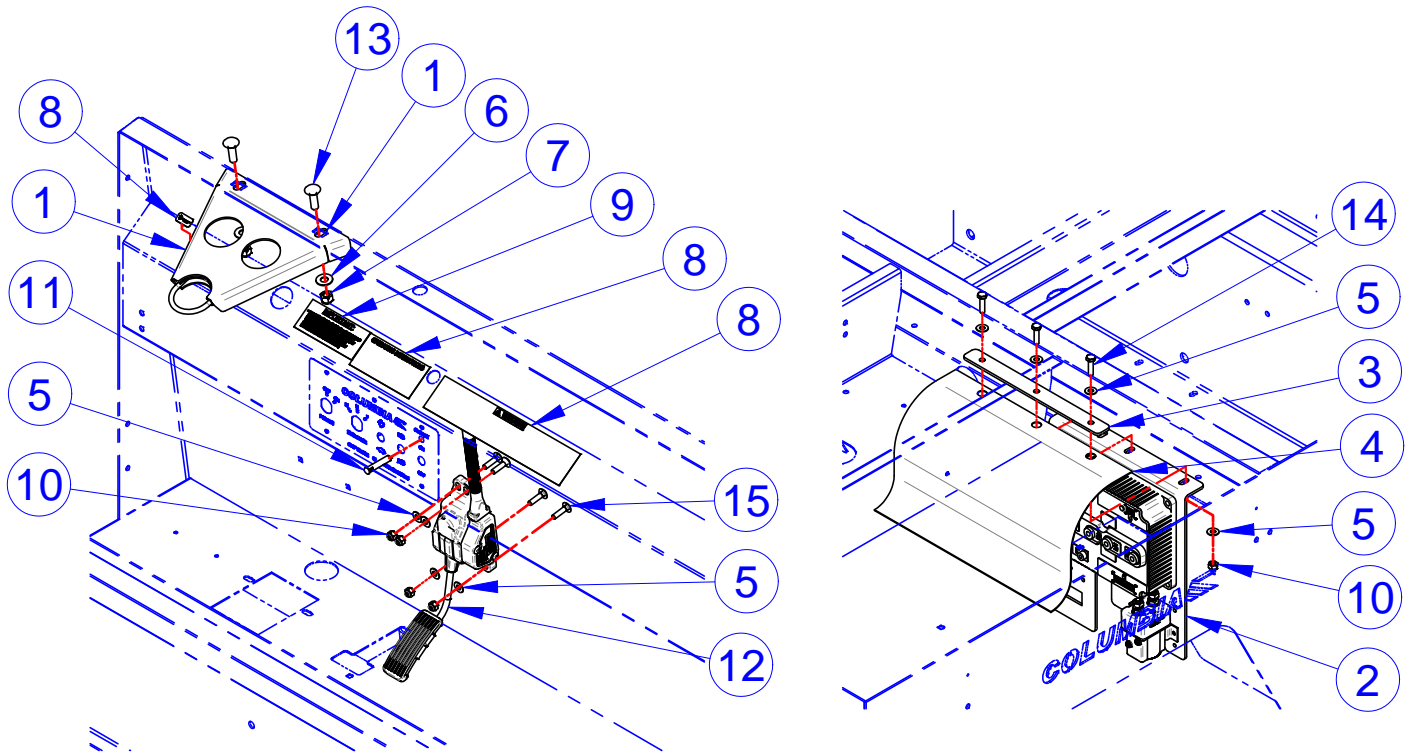
POWER SYSTEM, ACE+



ITEM	CVG PN	DESCRIPTION	QTY	REF #
1	CVG306117TB	WLDMT, UPR STRG CLMN SPRT	1	306117
2	NONE	ASSY, BC ACEPLUS PANEL, CHANNEL MNT	1	467858
3	CVG468031	ASSY, PEDAL ACLTR DEVISE	1	468031
4	CVG516899	HINGE, SEAT	1	516899
5	CVG708511	WASHER, FLAT 1/4" 18-8 SS	12	708511
6	CVG708859	WASHER, 3/8, STD, FW, 18-8SS	2	708859
7	CVG708860	NUT, 3/8-16, L/N, NYL, NE, 18-8, S/S	2	708860
8*	CVG709754	LABEL SET, BURDEN CARRIER	1	709754
9*	CVG719355	MOLDING, BLACK	2	719355
10	CVG719426	DECAL, SWITCH SET POSITION	1	719426
11	CVG719537	NUT, TINNEMAN, J-TYPE	2	719537
12	CVG719876	NUT, 1/4-20, L/N, NYL, NE, 316, S/S	8	719876
13	CVG759932	INDICATOR, LED, SERIES 22	1	759932
14	CVG760023	KNOB - 5/16-18 X1 1/2 LG	2	760023
15	CVG782724	SCR, 3/8-16 X 1.25, CARR, 18-8, S/S	2	782724
16	CVG782784	SCREW, 1/4-20X3/4, HHCS, 18-8SS	4	782784
17	CVG782803	SCREW, 1/4-20X1, CARR, 18-8 SS	4	782803

NOTE: Items with * in tables indicates parts not shown in drawing

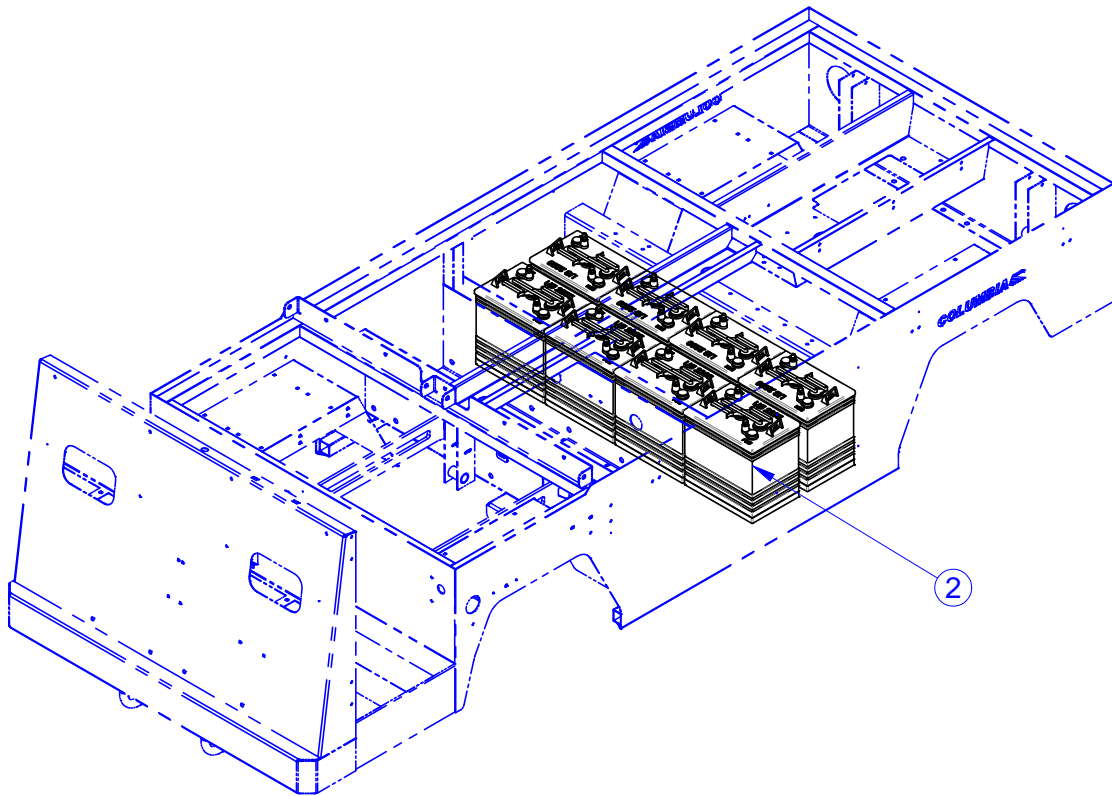
POWER SYSTEM, CHASSIS MOUNTING, ACE+



ITEM	CVG PN	DESCRIPTION	QTY	REF #
1	CVG306117TB	WLDMT, UPR STRG CLMN SPRT	1	306117
2	CVG467337	ASSY, DC CNTRL, PAYLOADER 4/5	1	467337
3	CVG510412	RETAINER, ZEV COMP COVER	1	510412
4	CVG513991	FLEXIBLE COVER PANEL,CONTROLLER	1	513991
5	CVG708511	WASHER, FLAT, 1/4", 18-8SS	10	708511
6	CVG708859	WASHER,3/8,STD,FW,18-8SS	2	708859
7	CVG708860	NUT, 3/8-16, L/N, NYL, NE, 18-8, S/S	2	708860
8	CVG709754	LABEL SET, BURDEN CARRIER	1	709754
9	CVG719426	DECAL, SWITCH SET POSITION	1	719426
10	CVG719876	NUT, 1/4-20, L/N, NYL, NE, 316, S/S	7	719876
11	CVG759932	INDICATOR, LED, SERIES 22	1	759932
12	CVG760635	PEDAL ASSY, ACCEL	1	760635
13	CVG782724	SCR, 3/8-16 X 1.25, CARR, 18-8, S/S	2	782724
14	CVG782785	SCREW,1/4-20X1.0,HHCS,18-8SS	3	782785
15	CVG782803	SCREW,1/4-20X1,CARR,18-8 SS	4	782803

NOTE: Items with * in tables indicates parts not shown in drawing

48V US2200 BATTERIES



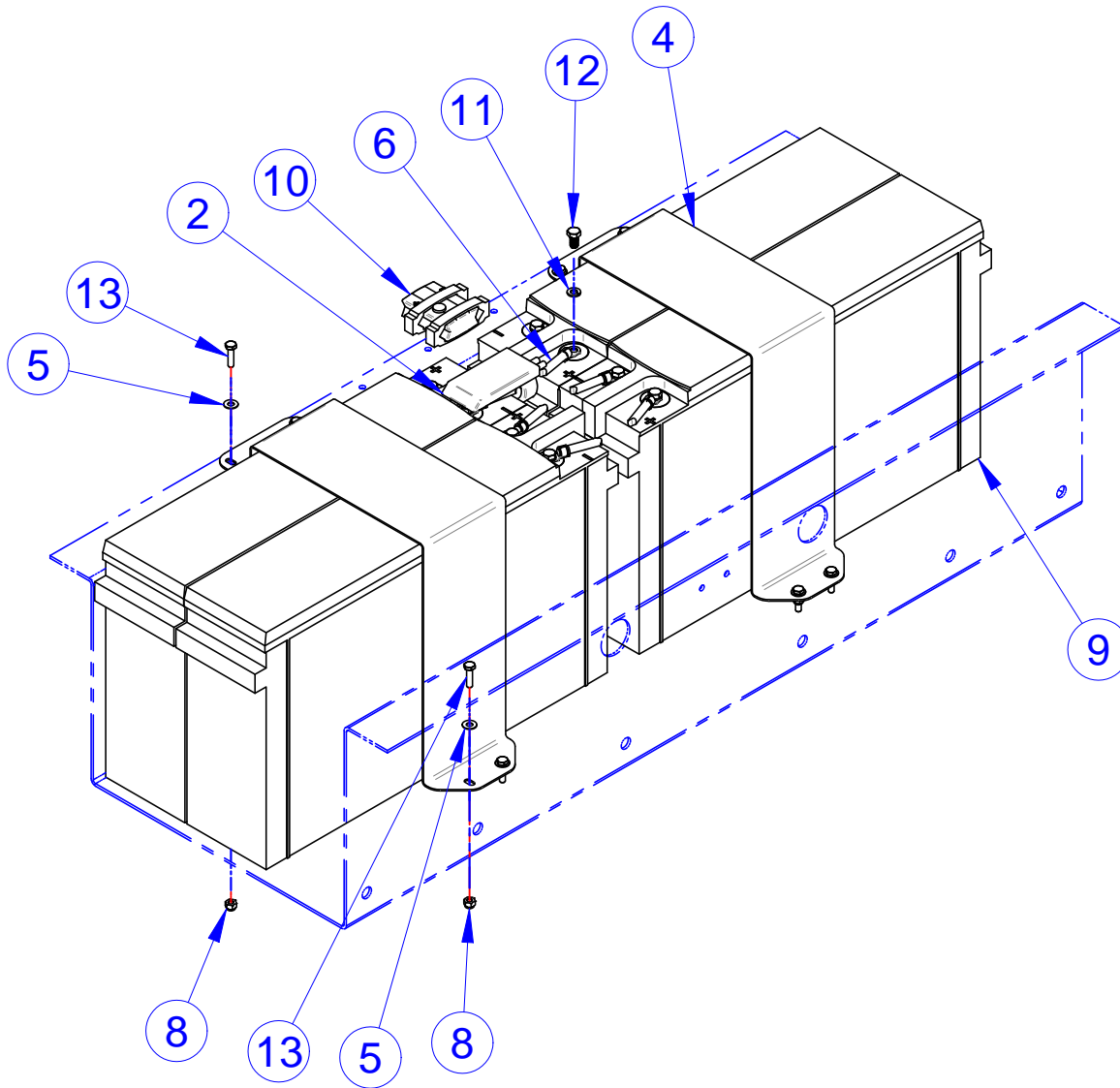
ITEM	CVG PN	DESCRIPTION	QTY	REF #
1*	CVG512059	LABEL, SMALL VIN	8	512059
2	CVG719229	BATTERY, 6V, DEEP CYCLE, (US-2200)	8	719229
3*	NONE	TAG, XP+, W/WIRE, #8, 13-PT, YELLOW	1	719236

NOTE: Items with * in tables indicates parts not shown in drawing

Columbia Vehicle Group, Inc.
A Nordic Group Company | Business Ventures Since 1947



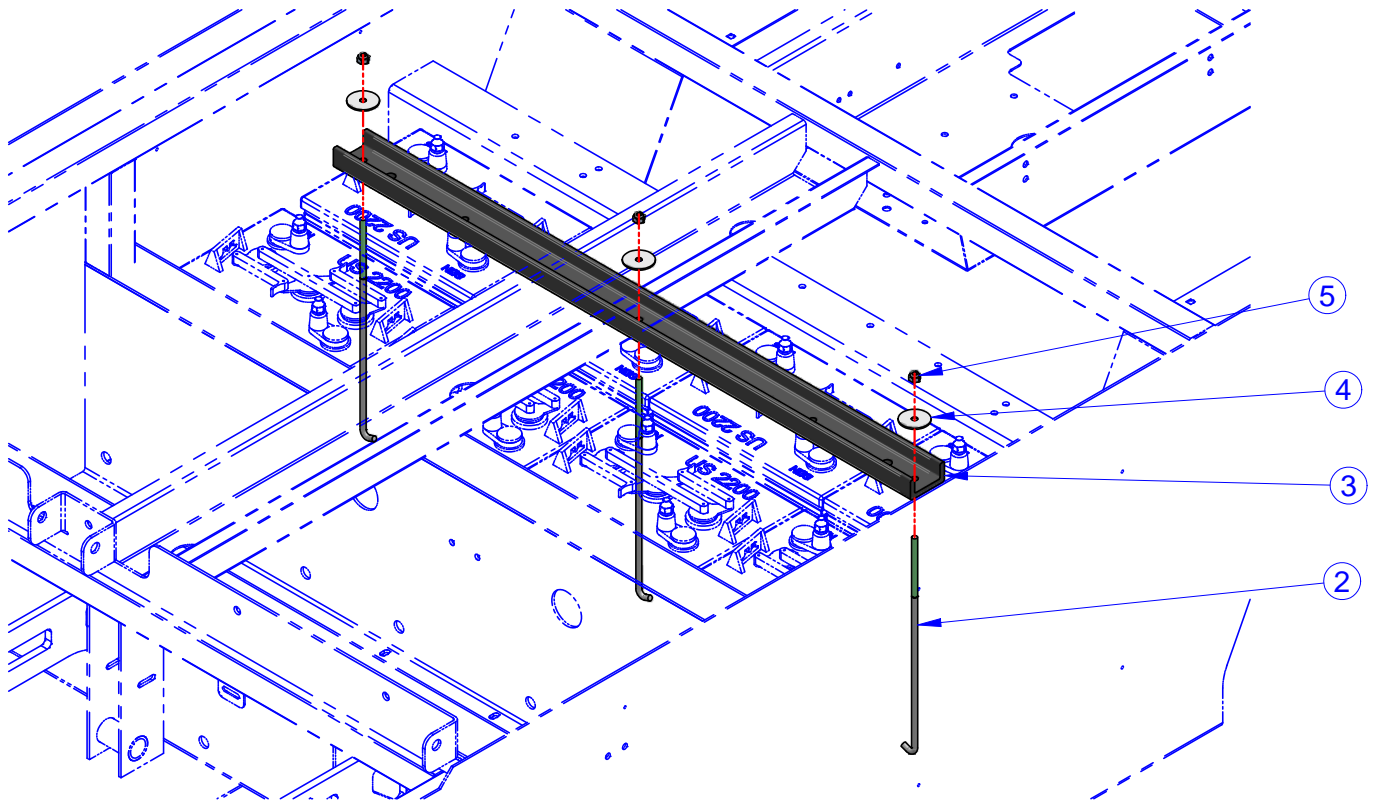
48V BATTERY 12NXS186



ITEM	CVG PN	DESCRIPTION	QTY	REF #
1*	NONE	HARNESS, CHARGER INTERLOCK BYPASS	1	468060
2	CVG468249	ASM, WI-IQ BATTERY MONITORING	1	468249
3*	CVG512059	LABEL, SMALL VIN	4	512059
4	CVG517774	BRKT, BC 12NXS186 TRY	2	517774
5	CVG708511	WASHER, FLAT, 1/4", 18-8SS	8	708511
6	CVG709004	CABLE, 4 GA X 8.75, 5/16 TERMINALS	3	709004
7*	NONE	TAG, XP+,W/WIRE,#8,13-PT,YELLOW	1	719236
8	CVG719876	NUT, 1/4-20, L/N, NYL, NE, 316, S/S	8	719876
9	CVG761715	BATTERY, NEXSYS, 12NXS186	4	761715
10	CVG761719	INDICATOR, POD OVER DISCHARGE	1	761719
11	CVG781621	WSHR, 5/16, L/W, SPLIT, 18-8, S/S	8	781621
12	CVG782727	SCR, M8-1.25 X 16 MM, HHCS, A2, S/S	8	782727
13	CVG782785	SCREW, 1/4-20X1.0, HHCS, 18-8SS	8	782785

NOTE: Items with * in tables indicates parts not shown in drawing

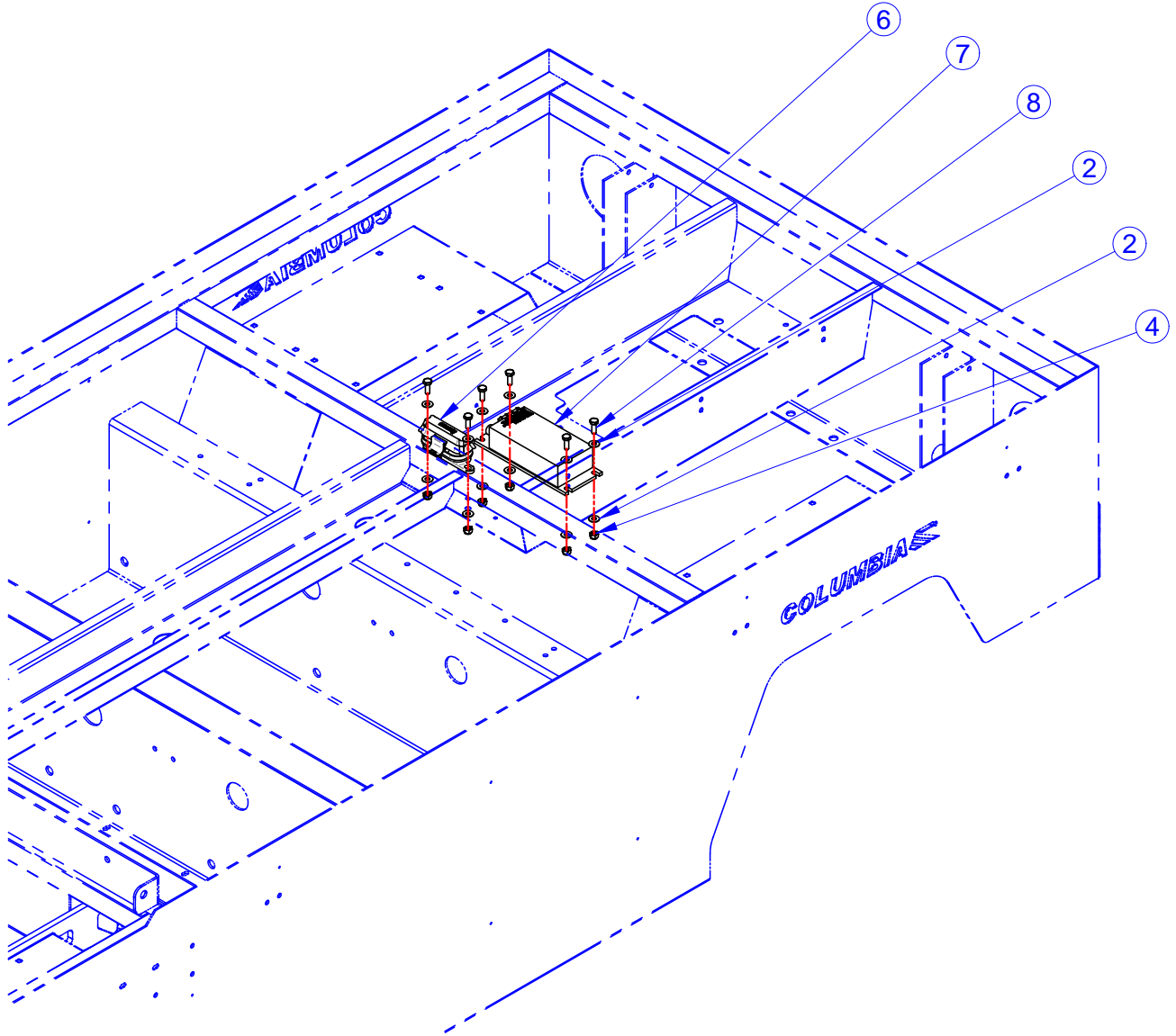
BATTERY HARDWARE 48V



ITEM	CVG PN	DESCRIPTION	QTY	REF #
1*	CVG709004	CABLE, 4GA X 8.75", 5/16" TERM	7	709004
2	CVG709059	ROD, BATTERY HOLD DOWN	3	709059
3	CVG709196	HOLD-DOWN, BATTERY	1	709196
4	CVG719786	WASHER FLT STAINLESS .28X1.375X.06	3	719786
5	CVG719876	NUT, 1/4-20, L/N, NYL, NE, 316, S/S	3	719876

NOTE: Items with * in tables indicates parts not shown in drawing

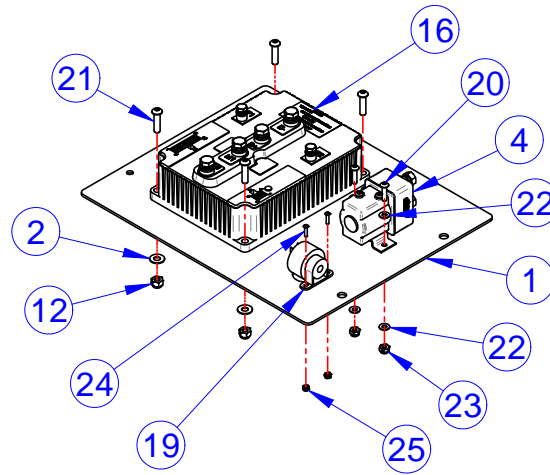
DC/DC CONVERTER



ITEM	CVG PN	DESCRIPTION	QTY	REF #
1-8	CVG191727U	P&A KIT, BC DC/DC CONVERTER	KIT	191727
1*	NONE	HARNESS, DC/DC EXTENSION, PL	1	467618
2	CVG708511	WASHER, FLAT, 1/4", 18-8SS	12	708511
3*	CVG719504	CABLE TIE, BLACK, .18X11-3/4, STD, 50LB	8	719504
4	CVG719876	NUT, 1/4-20, L/N, NYL, NE, 316, S/S	6	719876
5*	CVG759778	WIRE HARNESS, DC CONVERTER, SMT	1	759778
6	CVG759792	BLOCK, POWER DISTRIBUTION	1	759792
7	CVG760378	DC/DC CONVERTER - 12V OUT/INP 36/48V	1	760378
8	CVG782784	SCREW, 1/4-20X3/4, HHCS, 18-8SS	6	782784

NOTE: Items with * in tables indicates parts not shown in drawing

DC CONTROL CHANNEL MOUNT



ITEM	CVG PN	DESCRIPTION	QTY	REF #
1	NONE	PANEL, BC SEVCON DC	1	514351
2	CVG708511	WASHER, FLAT, 1/4", 18-8SS	4	708511
3*	CVG709033	CABLE, 6GA X 14.00", 5/16" TERM	1	709033
4	CVG709166	CONTACTOR W. MTG BRKT - 24 V COIL	1	709166
5*	CVG709411	CABLE, 4GA X 61.50, 5/16 TERMINALS	2	709411
6*	CVG709732	CABLE, 4 GA X 25.5, 5/16 TERMINALS	2	709732
7*	NONE	WIRE MARKER, F1, BRADY	1	719330
8*	NONE	WIRE MARKER, F2, BRADY	1	719331
9*	CVG719504	CABLE TIE, BLACK, .18X11-3/4, STD, 50LB	2	719504
10*	NONE	WIRE MARKER, A2, BRADY	1	719600
11*	NONE	WIRE MARKER, A1, BRADY	1	719601
12	CVG719876	NUT, 1/4-20, L/N, NYL, NE, 316, S/S	4	719876
13*	CVG749180	WIRE MARKER, POSITIVE	1	749180
14*	CVG749181	WIRE MARKER, NEGATIVE	1	749181
15*	CVG760222	CABLE ASSY, 10GAX28.0, 1/4" TERMS	2	760222
16	NONE	CNTRL, SEVCON REGEN, B, HP, 24-48V	1	760576
17*	CVG760637	WIRE HARNESS, MAIN, BC, SEM, PWR W/IMP	1	760637
18*	NONE	LABEL, WHITE, 1.9" W X 50' L	1	760792
19	CVG761678	BUZZER, REVERSE	1	761678
20	CVG782708	SCR, #10-32 X 0.75, BSHCS, 18-8, S/S	2	782708
21	CVG782719	SCR, 1/4-20 X 1, BSHCS, 18-8, S/S	4	782719
22	CVG782722	WSHR, #10 X 0.438 X 0.031, F/W, 18-8SS	4	782722
23	CVG782723	NUT, #10-32, L/N, NYL, NM, 18-8, S/S	2	782723
24	CVG782883	SCR, #4-40 X 0.5, BSHCS, 18-8, S/S	2	782883
25	CVG782884	NUT, #4-40, L/N, NYL, NM, 18-8, S/S	2	782884

NOTE: Items with * in tables indicates parts not shown in drawing

NOTE: Items with * in tables indicates parts not shown in drawing

Columbia Vehicle Group, Inc.

A Nordic Group Company | Business Ventures Since 1947



COLUMBIA



TOMBERLIN



COLUMBIA

PAYLOADER

PARTS MANUAL SECTION 7

ACCESSORIES

Columbia Vehicle Group, Inc.

A Nordic Group Company | Business Ventures Since 1947

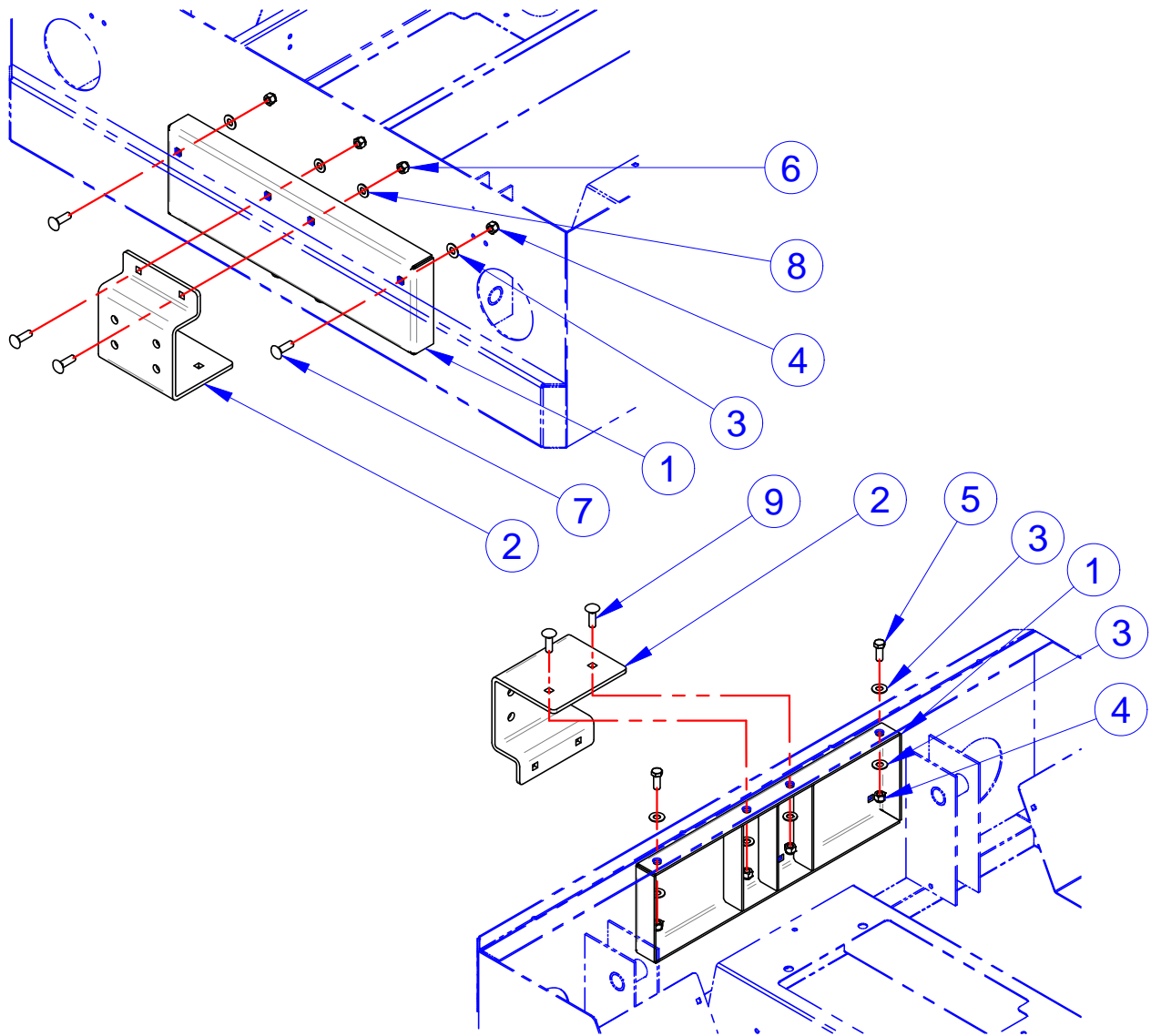


COLUMBIA



TOMBERLIN

HITCH MOUNTING PLATE



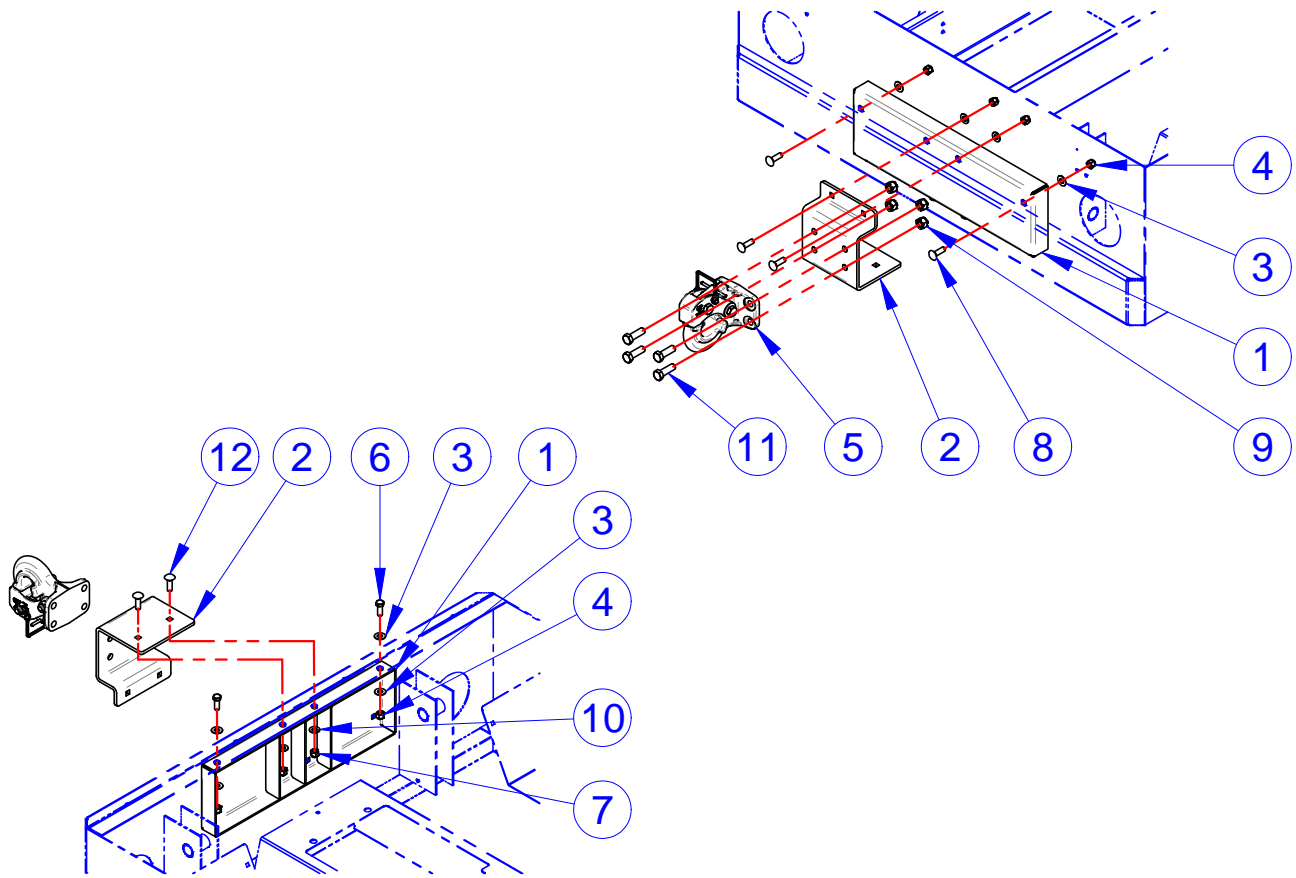
ITEM	CVG PN	DESCRIPTION	QTY	REF #
1-9	CVG190624U	P&A KIT, GRP, PL HITCH MNTING PLATE	KIT	190624A
1	CVG313819	WLDMNT, REINF MTG BRKT	1	313819
2	CVG515810TB	BRKT, BC HITCH MTG	1	515810
3	CVG708859	WASHER, 3/8, STD, FW, 18-8SS	6	708859
4	CVG708860	NUT, 3/8-16, L/N, NYL, NE, 18-8, S/S	4	708860
5	CVG781786	SCR, 3/8-16 X 1, HHCS, 18-8, S/S	2	781786
6	CVG782118	NUT, 3/8-16, L/N, NYL, NE, G8, MAGNI525	4	782118
7	CVG782724	SCR, 3/8-16 X 1.25, CARR, 18-8, S/S	2	782724
8	CVG782740	WSHR, 3/8(M10), SAE, F/W, G8, MAGNI525	4	782740
9	CVG782870	SCR, 3/8-16 X 1.25, CARR, G8, MAGNI 525	4	782870

NOTE: Items with * in tables indicates parts not shown in drawing

Columbia Vehicle Group, Inc.
A Nordic Group Company | Business Ventures Since 1947



PINTLE HITCH



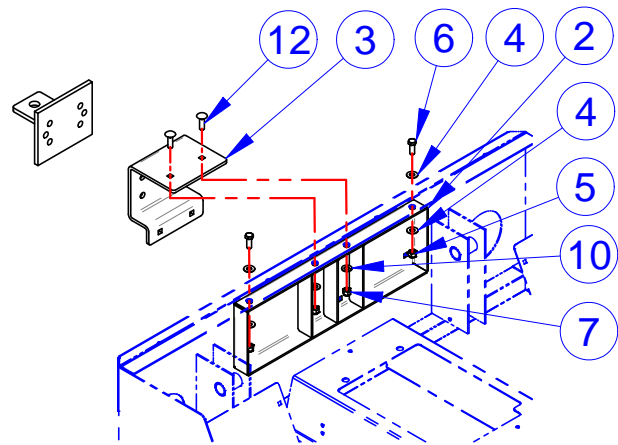
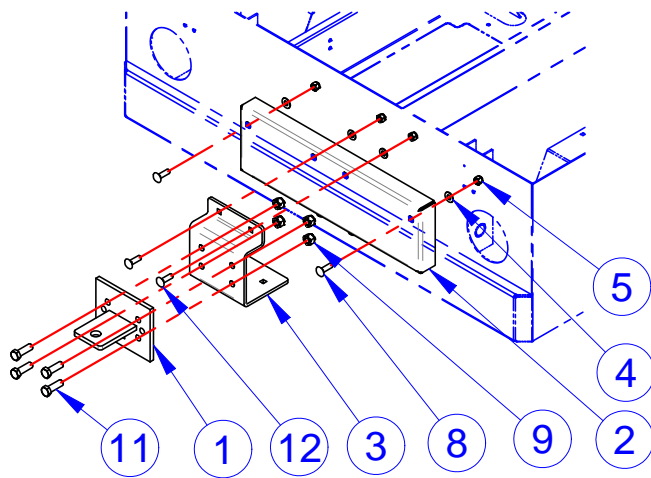
ITEM	CVG PN	DESCRIPTION	QTY	REF #
1-12	CVG190625U	P&A KIT, GRP, PL HITCH MNTING PLATE	KIT	190625A
1	CVG313819	WLDMNT, REINF MTG BRKT	1	313819
2	CVG515810TB	BRKT, BC HITCH MTG	1	515810
3	CVG708859	WASHER,3/8,STD,FW,18-8SS	6	708859
4	CVG708860	NUT, 3/8-16, L/N, NYL, NE, 18-8, S/S	4	708860
5	CVG709833	HITCH, PINTLE HOOK, RIGID	1	709833
6	CVG781786	SCR, 3/8-16 X 1, HHCS, 18-8SS	2	781786
7	CVG782118	NUT,3/8-16,L/N,NYL,NE,G8,MAGNI525	4	782118
8	CVG782724	SCR, 3/8-16 X 1.25, CARR, 18-8, S/S	2	782724
9	CVG782739	NUT, 1/2-13, L/N, NYL, NE, G8, MAGNI 525	4	782739
10	CVG782740	WSHR,3/8(M10),SAE,F/W,G8,MAGNI525	4	782740
11	CVG782769	SCREW, 1/2-13 X 1-1/2, HHCS, G8, MAGNI 525	4	782769
12	CVG782870	SCR, 3/8-16 X 1.25, CARR, G8, MAGNI 525	4	782870

NOTE: Items with * in tables indicates parts not shown in drawing

Columbia Vehicle Group, Inc.
A Nordic Group Company | Business Ventures Since 1947



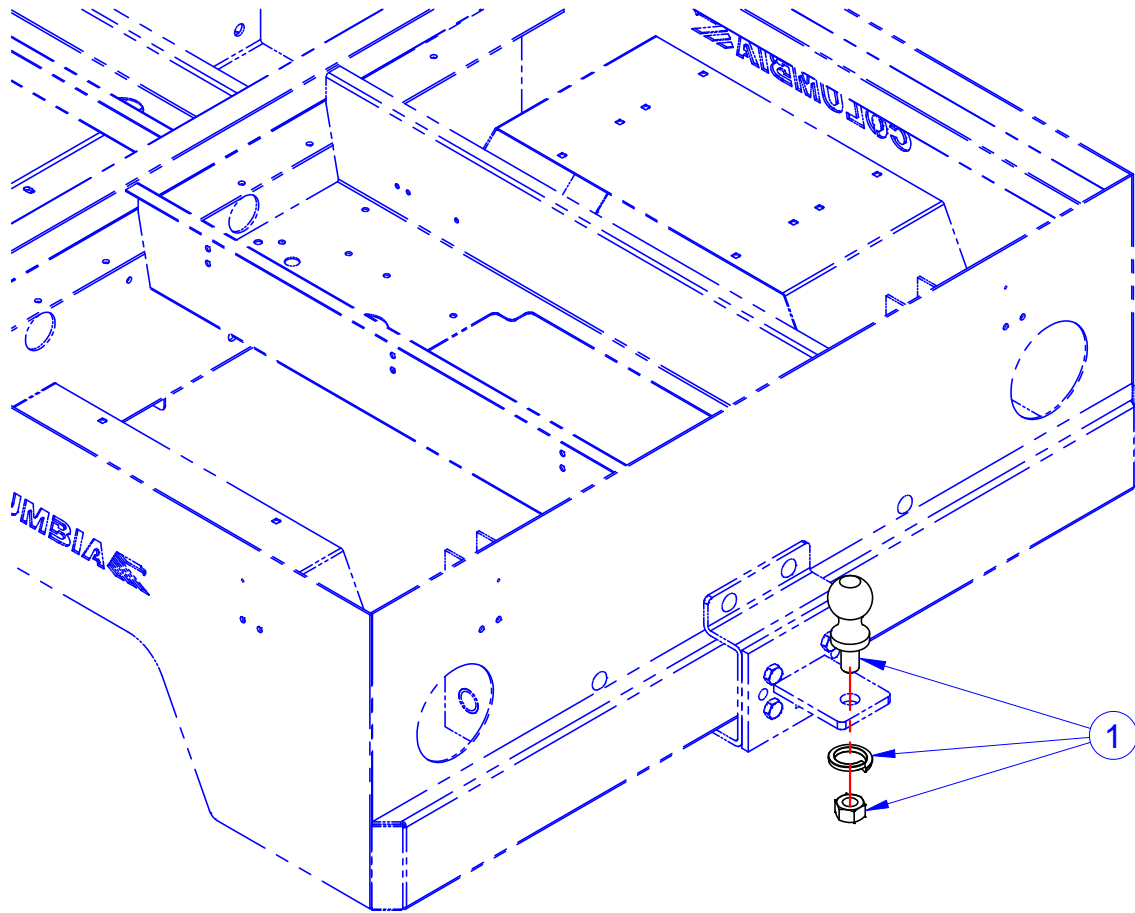
BALL-LESS HITCH



ITEM	CVG PN	DESCRIPTION	QTY	REF #
1-12	CVG191171U	P&A KIT, PL HITCH. W/O BALL	KIT	191171A
1	CVG307419	WLDMT, HITCH PLATE, BC	1	307419
2	CVG313819	WLDMNT, REINF MTG BRKT	1	313819
3	CVG515810TB	BRKT, BC HITCH MTG	1	515810
4	CVG708859	WASHER,3/8,STD,FW,18-8SS	6	708859
5	CVG708860	NUT, 3/8-16, L/N, NYL, NE, 18-8, S/S	4	708860
6	CVG781786	SCR, 3/8-16 X 1, HHCS, 18-8SS	2	781786
7	CVG782118	NUT,3/8-16,L/N,NYL,NE,G8,MAGNI525	4	782118
8	CVG782724	SCR, 3/8-16 X 1.25, CARR, 18-8, S/S	2	782724
9	CVG782739	NUT, 1/2-13, L/N, NYL, NE, G8, MAGNI 525	4	782739
10	CVG782740	WSHR,3/8(M10),SAE,F/W,G8,MAGNI525	4	782740
11	CVG782769	SCREW, 1/2-13 X 1-1/2, HHCS, G8, MAGNI 525	4	782769
12	CVG782870	SCR, 3/8-16 X 1.25, CARR, G8, MAGNI 525	4	782870

NOTE: Items with * in tables indicates parts not shown in drawing

1.875" BALL



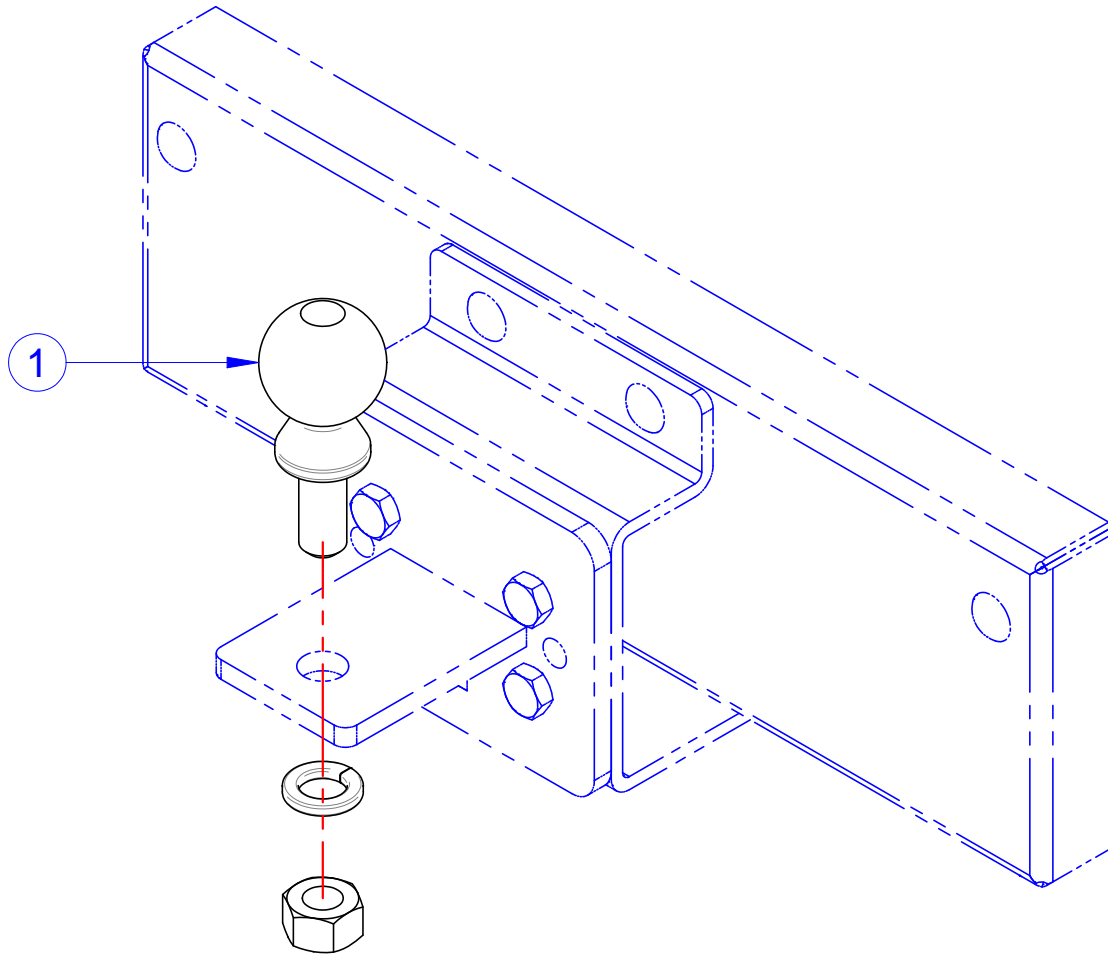
ITEM	CVG PN	DESCRIPTION	QTY	REF #
1	CVG719008	TRAILER HITCH BALL - CHROME	1	719008

NOTE: Items with * in tables indicates parts not shown in drawing

Columbia Vehicle Group, Inc.
A Nordic Group Company | Business Ventures Since 1947



2" BALL



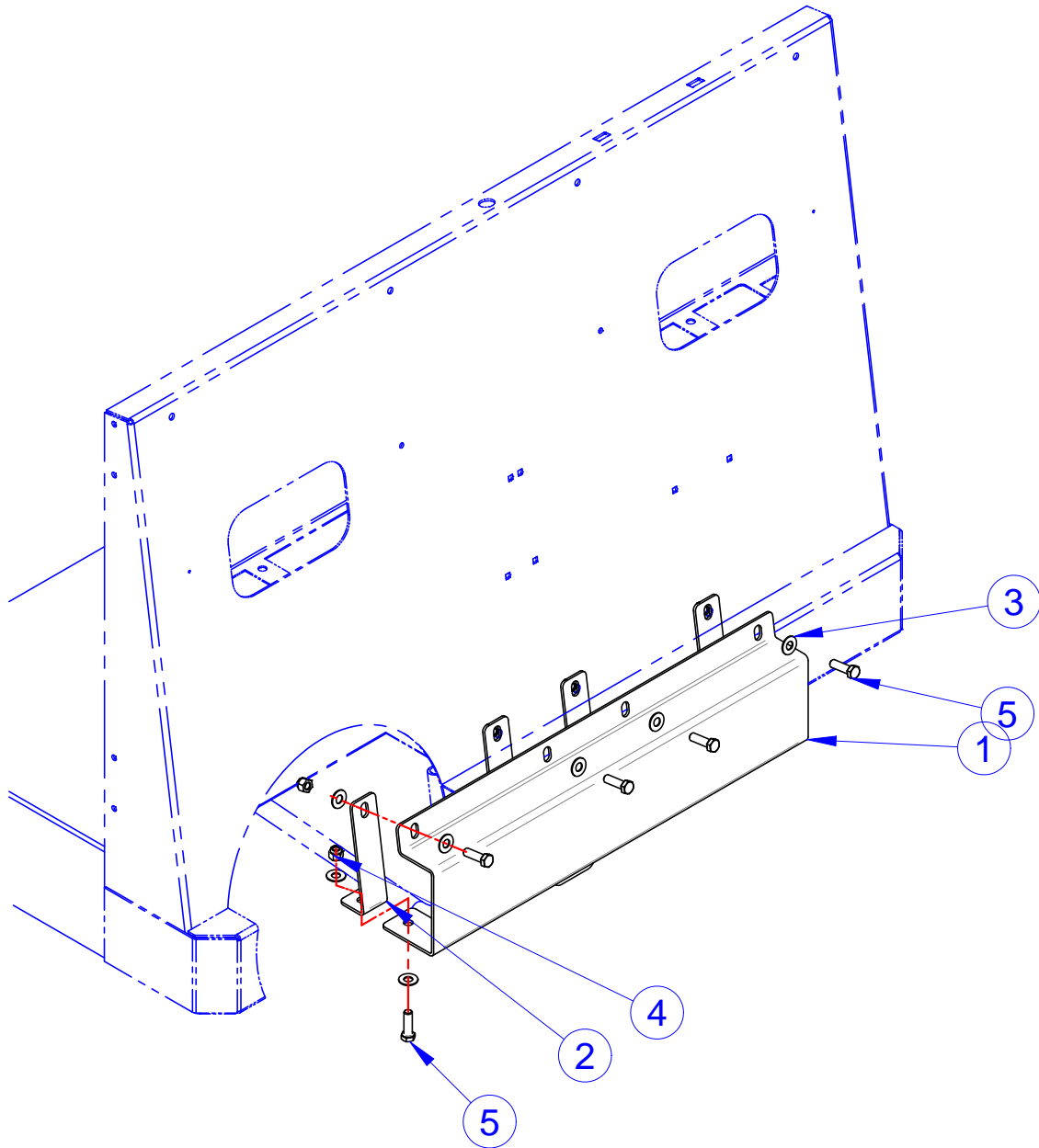
ITEM	CVG PN	DESCRIPTION	QTY	REF #
1	CVG719207	BALL HITCH, 2"	1	719207

NOTE: Items with * in tables indicates parts not shown in drawing

Columbia Vehicle Group, Inc.
A Nordic Group Company | Business Ventures Since 1947



FRONT RECIEVER HITCH



ITEM	CVG PN	DESCRIPTION	QTY	REF #
1-5	CVG192719U	P&A, PL FRONT RCVR HITCH	KIT	192719A
1	NONE	WLDMT, BC FRONT RCVR	1	312209
2	CVG515812	BRKT, SPRT, BC FRONT RCVR	4	515812
3	CVG708859	WASHER, 3/8, STD, FW, 18-8SS	16	708859
4	CVG708860	NUT, 3/8-16, L/N, NYL, NE, 18-8, S/S	8	708860
5	CVG782787	SCREW, 3/8-16X1.25, HHCS, 18-8SS	8	782787

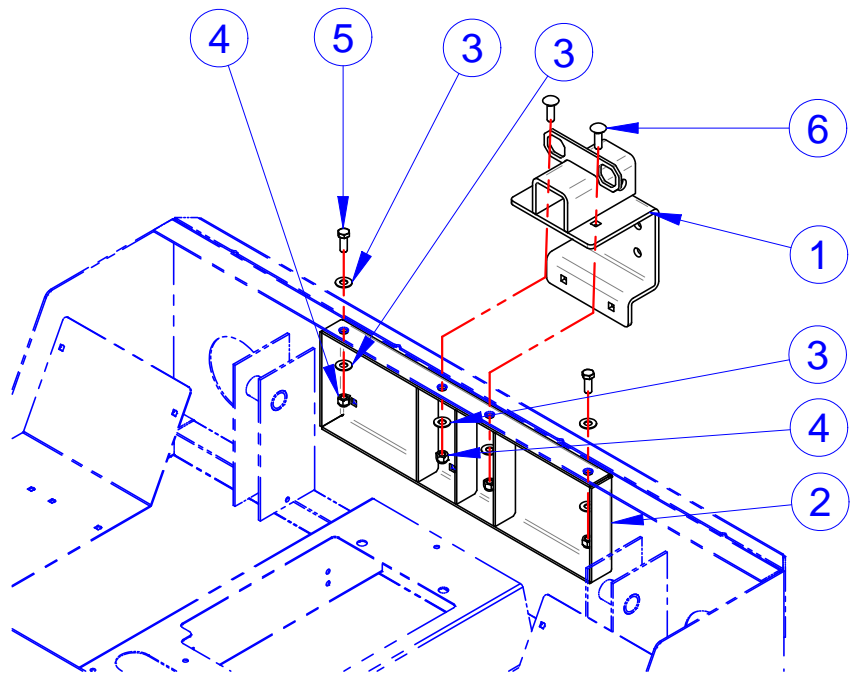
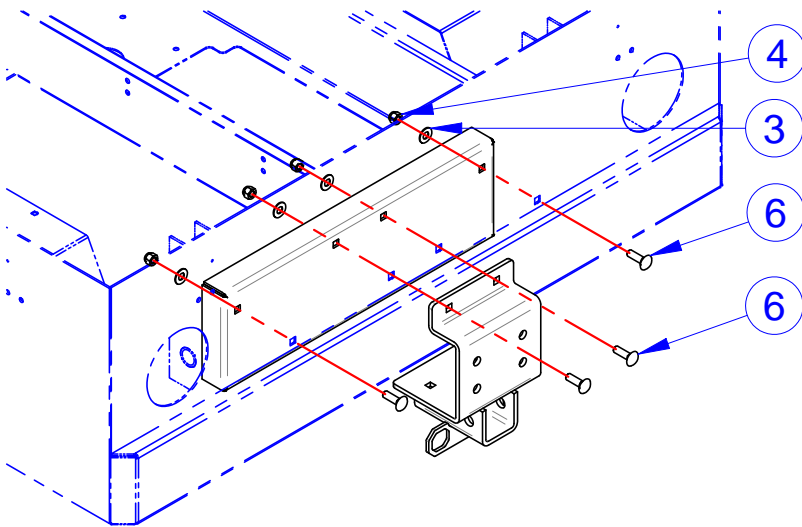
NOTE: Items with * in tables indicates parts not shown in drawing

Columbia Vehicle Group, Inc.
A Nordic Group Company | Business Ventures Since 1947



REAR HITCH RECEIVERS

RATED FOR 150LBS TONGUE WEIGHT



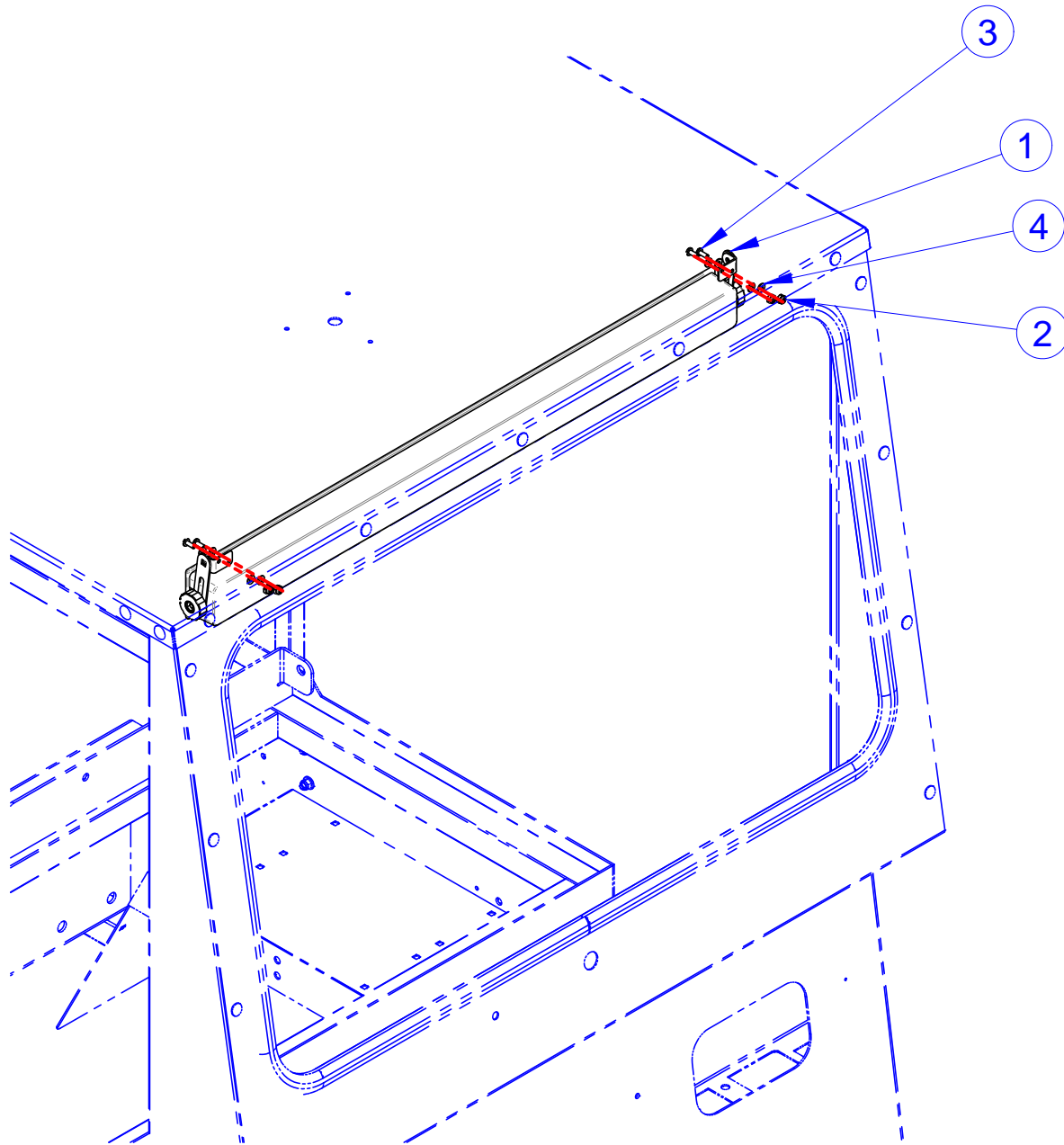
ITEM	CVG PN	DESCRIPTION	QTY	REF #
1-6	CVG192717U	P&A, REAR RCVR HITCH, PL	KIT	192717A
1	CVG312208	WLDMT, BC REAR RCVR	1	312208
2	CVG313819	WLDMNT, REINF MTG BRKT	1	313819
3	CVG708859	WASHER, 3/8, STD, FW, 18-8SS	10	708859
4	CVG708860	NUT, 3/8-16, L/N, NYL, NE, 18-8, S/S	8	708860
5	CVG781786	SCR, 3/8-16 X 1, HHCS, 18-8, S/S	2	781786
6	CVG782870	SCR, 3/8-16 X 1.25, CARR, G8, MAGNI 525	6	782870

NOTE: Items with * in tables indicates parts not shown in drawing

Columbia Vehicle Group, Inc.
A Nordic Group Company | Business Ventures Since 1947



REAR-VIEW MIRROR, 5-PANEL, FOR TOP



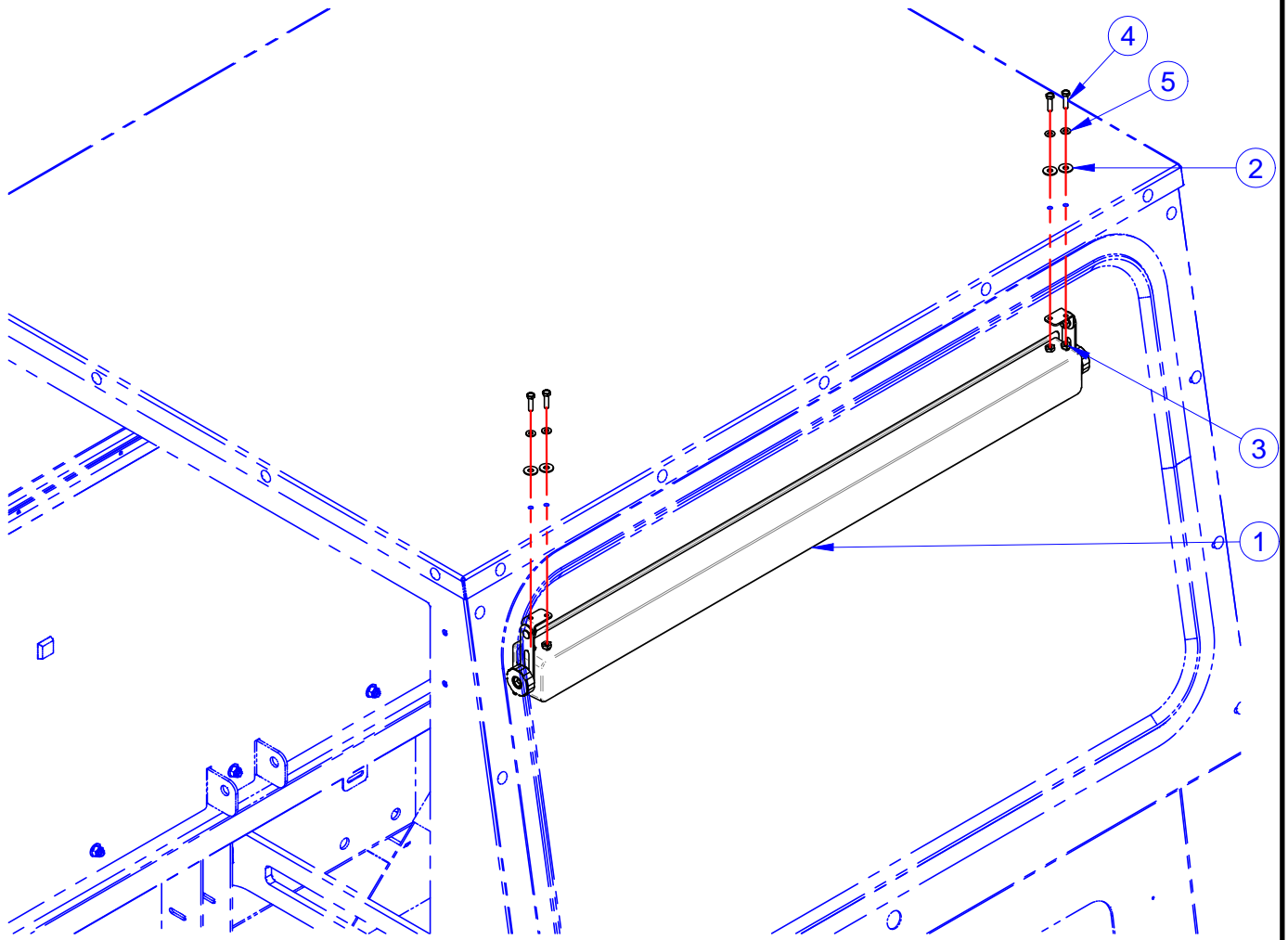
ITEM	CVG PN	DESCRIPTION	QTY	REF #
1-4	CVG192740U	P&A KIT, PL 5-PANEL MIRROR, TOP	KIT	192740A
1	CVG709408	5 PANEL MIRROR	1	709408
2	CVG761631	NUT, #10-24 GRD 18-8 NM SS NYLOCK	4	761631
3	CVG761632	SCREW, #10-24X1/2" PPH GRD 18-8 SS	4	761632
4	CVG782722	WSHR, #10 X 0.438 X 0.031, F/W, 18-8, S/S	8	782722

NOTE: Items with * in tables indicates parts not shown in drawing

Columbia Vehicle Group, Inc.
A Nordic Group Company | Business Ventures Since 1947



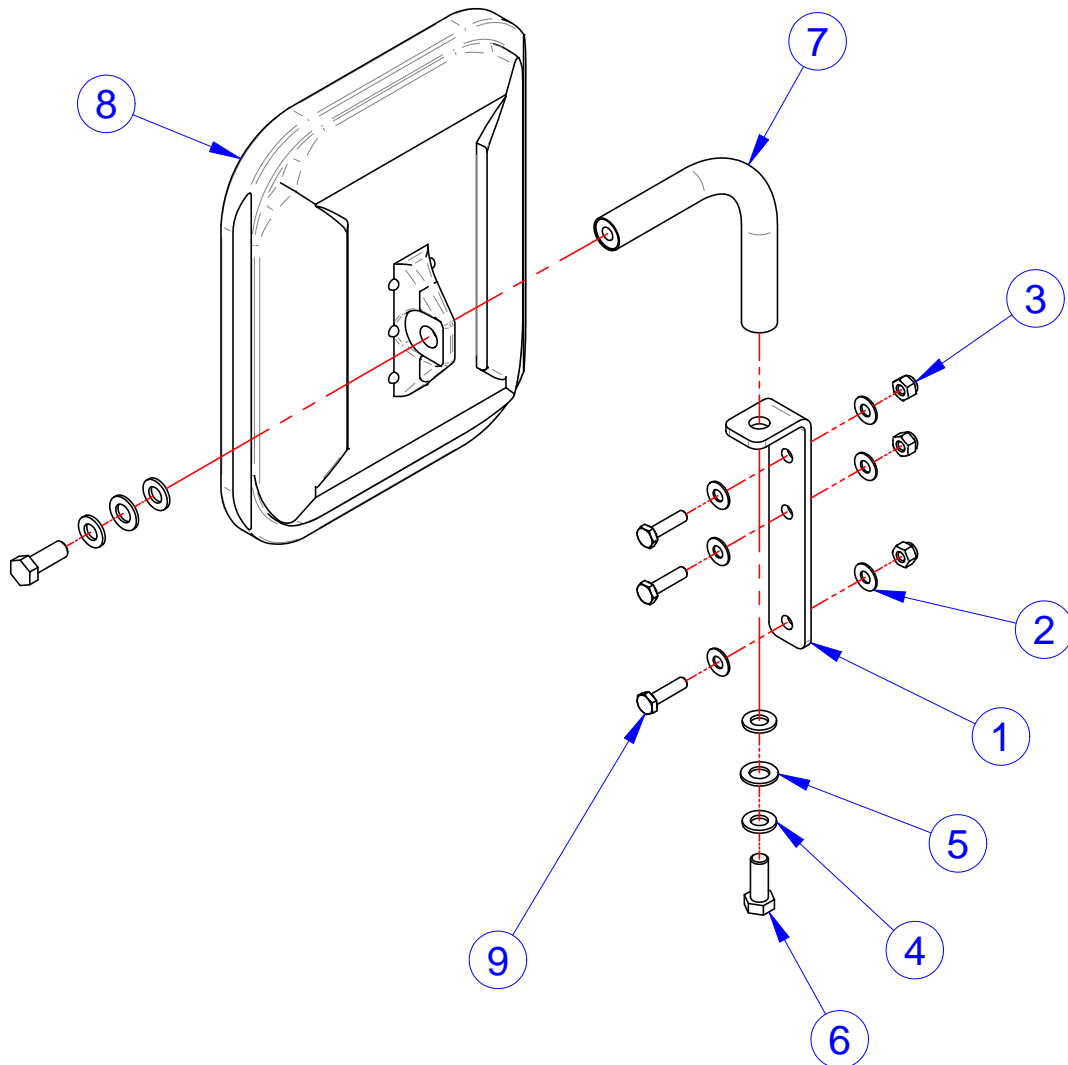
REAR-VIEW MIRROR, 5-PANEL, FOR CAB



ITEM	CVG PN	DESCRIPTION	QTY	REF #
1	CVG709408	5 PANEL MIRROR	1	709408
2	CVG719788	RUBBER WASHER, .25 ID	4	719788
3	CVG761631	NUT, #10-24 GRD 18-8 NM SS NYLOCK	4	761631
4	CVG761638	SCREW, 10-24X3/4, IHHMS, 18-8 SS	4	761638
5	CVG782722	WSHR, #10 X 0.438 X 0.031, F/W, 18-8SS	4	782722

NOTE: Items with * in tables indicates parts not shown in drawing

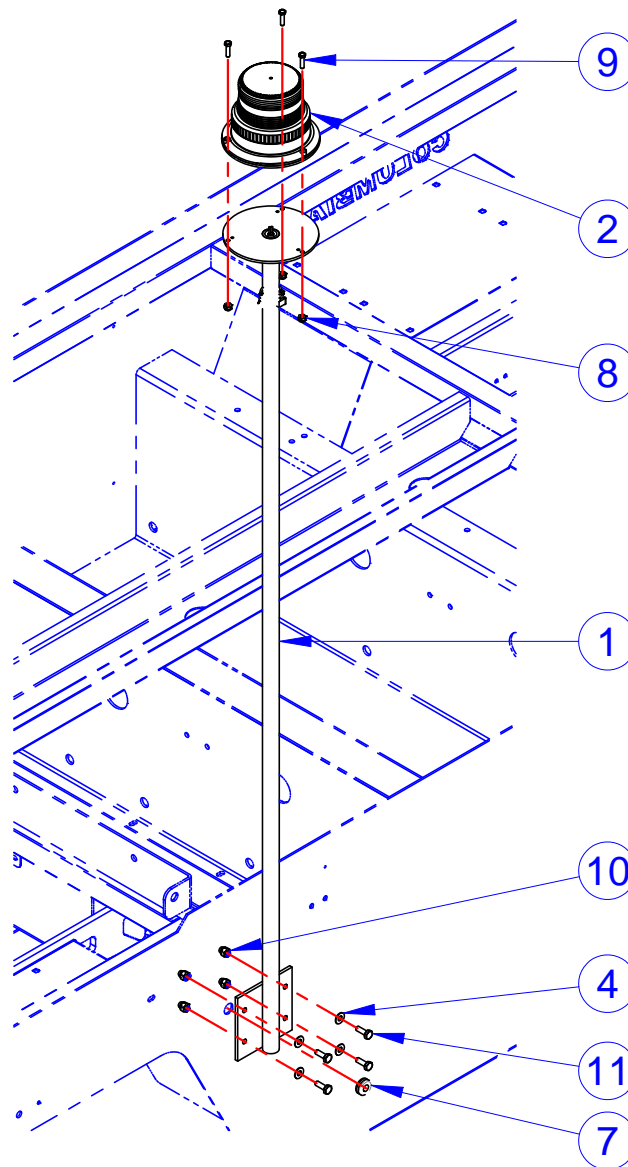
SIDE-VIEW MIRRORS



ITEM	CVG PN	DESCRIPTION	QTY	REF #
1	CVG510682	BRACKET, MIRROR - BC	2	510682
2	CVG708511	WASHER, FLAT, 1/4", 18-8SS	12	708511
3	CVG719876	NUT, 1/4-20, L/N, NYL, NE, 316, S/S	6	719876
4	CVG749775	WASHER, 3/8 FLAT	8	749775
5		WASHER, 3/8 NYLON	4	
6		SCREW, 3/8-16 X 1 HEX HEAD	4	
7		CURVED ARM	2	
8		MIRROR HEAD ASSEMBLY	2	
9	CVG782785	SCREW, 1/4-20X1.0, HHCS, 18-8SS	6	782785

NOTE: Items with * in tables indicates parts not shown in drawing

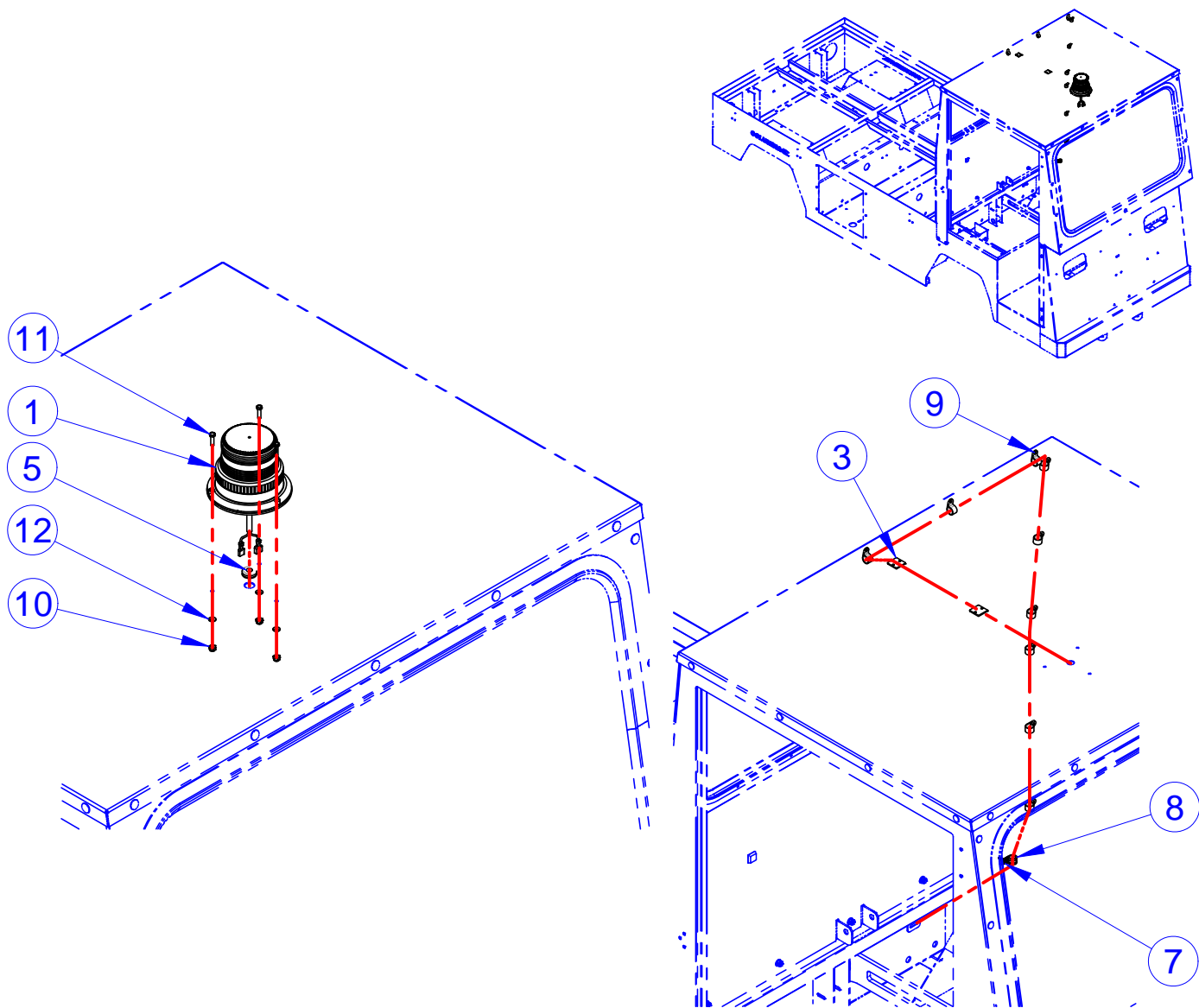
POLE AMBER STROBE



ITEM	CVG PN	DESCRIPTION	QTY	REF #
1-11	CVG190636U	P&A KIT, PL, POLE AMBER STROBE	KIT	190636A
1	CVG306164TB	WLDMT, BC STROBE POLE	1	306164
2	CVG467408	ASM, STROBE LIGHT (AMBER)	1	467408
3*	CVG467441	HARNESS, BC POLE STROBE LIGHT	1	467441
4	CVG708511	WASHER, FLAT, 1/4", 18-8SS	4	708511
5*	CVG719501	CABLE TIE, NATURAL 5 3/4"	2	719501
6*	CVG719503	CABLE TIE MNT BRKT BLACK W/3M	2	719503
7	CVG719522	GROMMET, 3/8 X 7/8	1	719522
8	CVG761631	NUT, #10-24 GRD 18-8 NM SS NYLOCK	3	761631
9	CVG761638	SCREW, 10-24X3/4, IHHMS, 18-8 SS	3	761638
10	CVG761641	NUT, 1/4-20, L/N, CAP, NYL, NKE, 18-8, S/S	4	761641
11	CVG782784	SCREW, 1/4-20X3/4, HHCS, 18-8SS	4	782784

NOTE: Items with * in tables indicates parts not shown in drawing

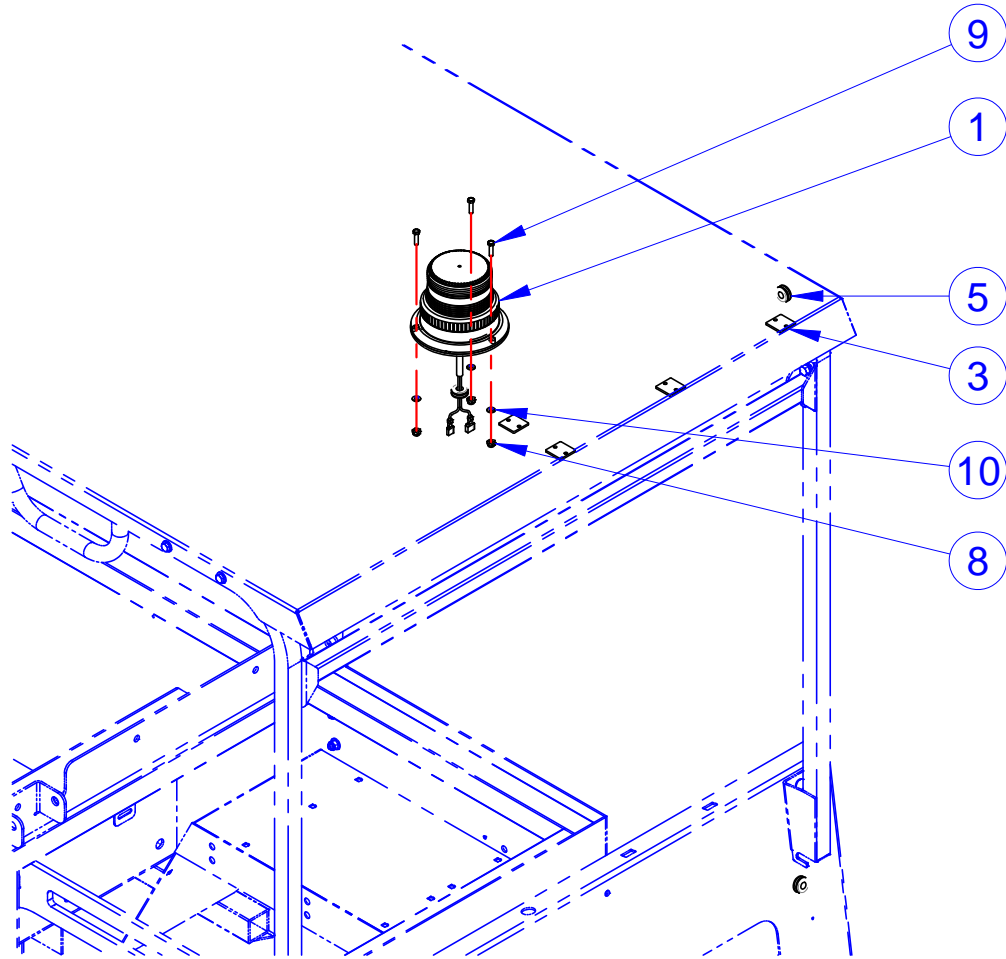
STROBE LIGHT, TOP



ITEM	CVG PN	DESCRIPTION	QTY	REF #
1-12	CVG190637U	P&A KIT , PL CAB AMBER STROBE	KIT	190637A
1	CVG467408	ASM, STROBE LIGHT (AMBER)	1	467408
2*	CVG467410	HARNESS, BC CAB STROBE LIGHT	1	467410
3	CVG719503	CABLE TIE MNT BRKT BLACK W/3M	2	719503
4*	CVG719504	CABLE TIE, BLACK, .18X11-3/4, STD, 50LB	2	719504
5	CVG719522	GROMMET, 3/8 X 7/8	1	719522
6*	CVG719557	LOOM, .413 X .594, SPLIT	1	719557
7	CVG719583	SCREW, 10-16X3/4, HWH, TEK, MAG525	1	719583
8	CVG719602	CLAMP, 1/2" BLACK NYLON HEYCO 3358	1	719602
9	CVG719604	CLAMP, 5/8" NYLON BLACK HEYCO 3380	9	719604
10	CVG761631	NUT, #10-24 GRD 18-8 NM SS NYLOCK	3	761631
11	CVG761638	SCREW, 10-24X3/4, IHHMS, 18-8 SS	3	761638
12	CVG782722	WSHR, #10 X 0.438 X 0.031, F/W, 18-8, S/S	3	782722

NOTE: Items with * in tables indicates parts not shown in drawing

STROBE LIGHT, TOP



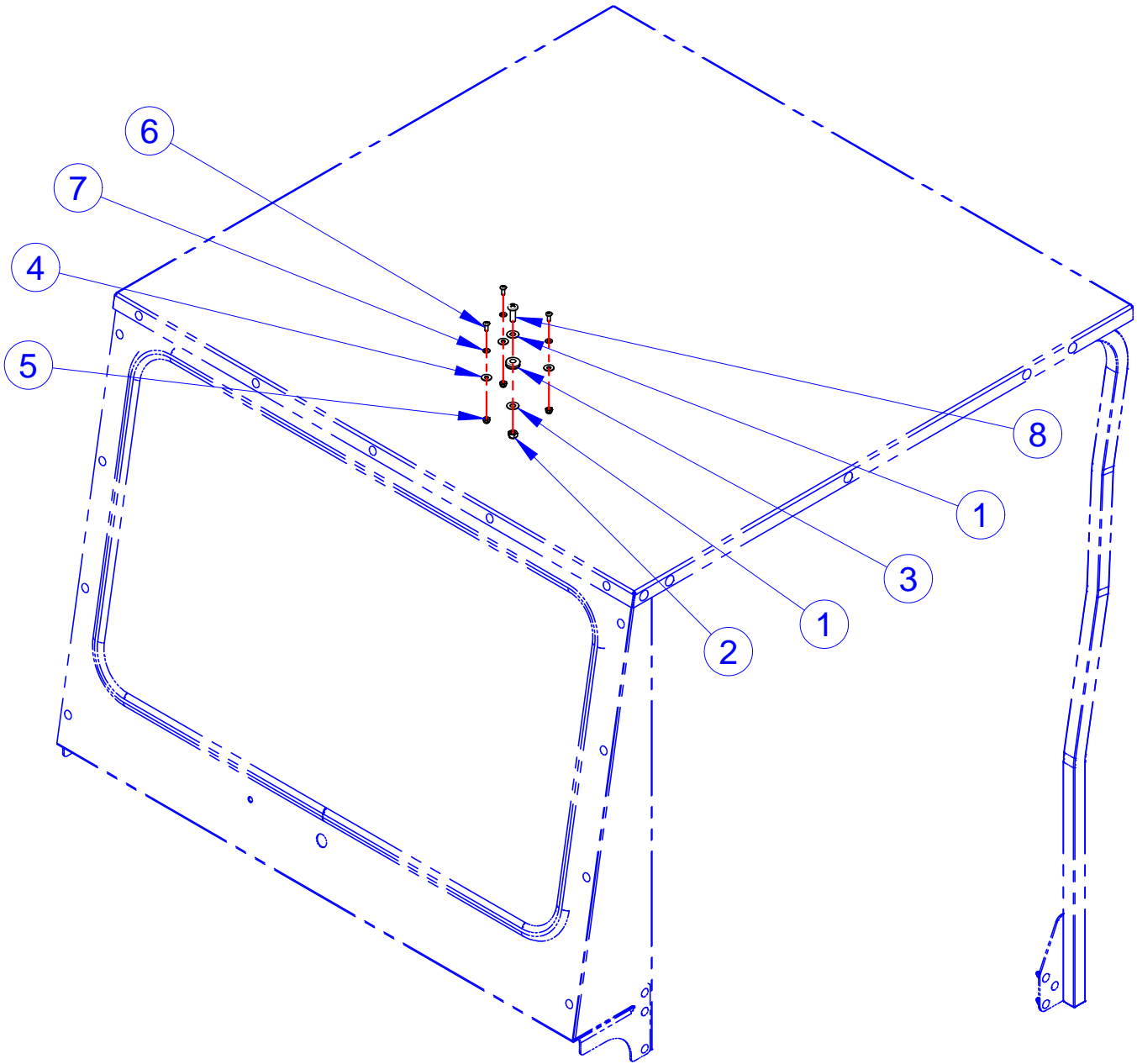
ITEM	CVG PN	DESCRIPTION	QTY	REF #
1	CVG467408	ASM, STROBE LIGHT (AMBER)	1	467408
2*	CVG467410	HARNESS, BC CAB STROBE LIGHT	1	467410
3	CVG719503	CABLE TIE MNT BRKT BLACK W/3M	4	719503
4*	CVG719504	CABLE TIE, BLACK, .18X11-3/4, STD, 50LB	4	719504
5	CVG719522	GROMMET, 3/8 X 7/8	3	719522
6*	CVG719557	LOOM, .413 X .594, SLIT, BLACK, 4.00" LG	1	719557
7*	CVG719557	LOOM, .413 X .594, SLIT, BLACK, 26.00" LG	1	719557
8	CVG761631	NUT, #10-24 GRD 18-8 NM SS NYLOCK	3	761631
9	CVG761638	SCREW, 10-24X3/4, IHHMS, 18-8 SS	3	761638
10	CVG782722	WSHR, #10 X 0.438 X 0.031, F/W, 18-8SS	3	782722

NOTE: Items with * in tables indicates parts not shown in drawing

Columbia Vehicle Group, Inc.
A Nordic Group Company | Business Ventures Since 1947



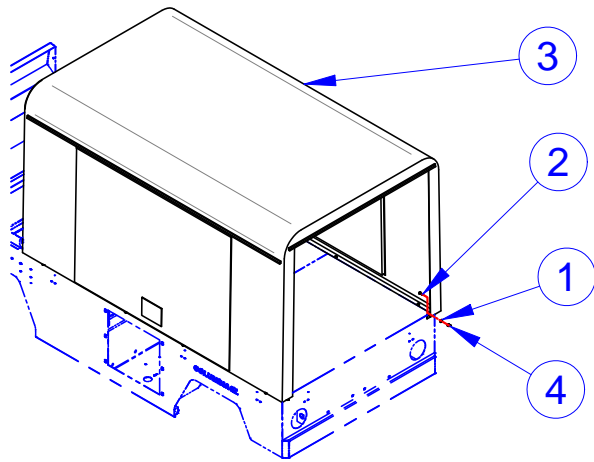
STROBE PLUGS



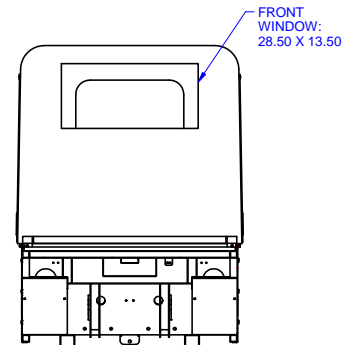
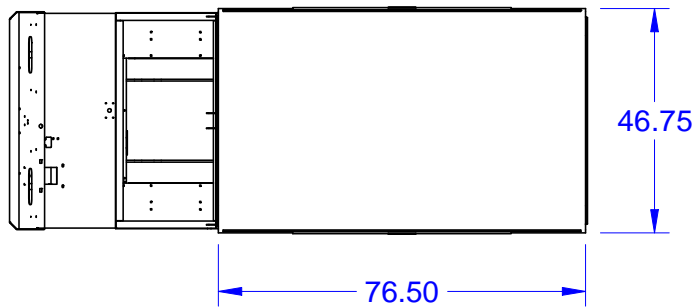
ITEM	CVG PN	DESCRIPTION	QTY	REF #
1	CVG719375	WSHR,5/16X0.750X0.040,F/W,18-8S/S	2	719375
2	CVG719377	NUT, 5/16-18, L/N, NYL, NE, 18-8SS	1	719377
3	CVG719522	GROMMET, 3/8 X 7/8	1	719522
4	CVG719788	RUBBER WASHER, .25 ID	3	719788
5	CVG761631	NUT, #10-24 GRD 18-8 NM SS NYLOCK	3	761631
6	CVG761632	SCREW, #10-24X1/2" PPH GRD 18-8 SS	3	761632
7	CVG782722	WSHR, #10 X 0.438 X 0.031, F/W, 18-8SS	3	782722
8	CVG782800	SCREW,5/16-18X1,PPHMS,18-8 SS	1	782800

NOTE: Items with * in tables indicates parts not shown in drawing

CARGO VAN

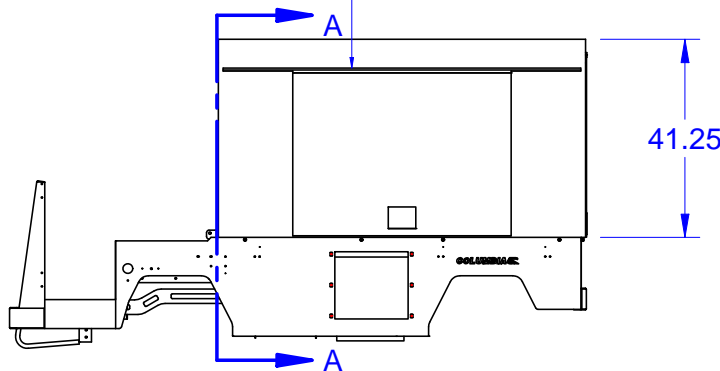


NOTES:
 1. ASTERISKED ITEM NUMBER = PART NOT SHOWN
 2. VAN IS SHOWN WITHOUT DOORS FOR VISIBILITY

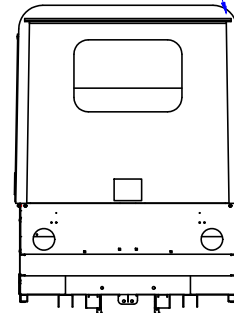


SECTION A-A

LIFT-UP SIDE DOOR, BOTH SIDES
 ROUGH DOOR OPENING:
 44.00 WIDE
 34.00 HIGH



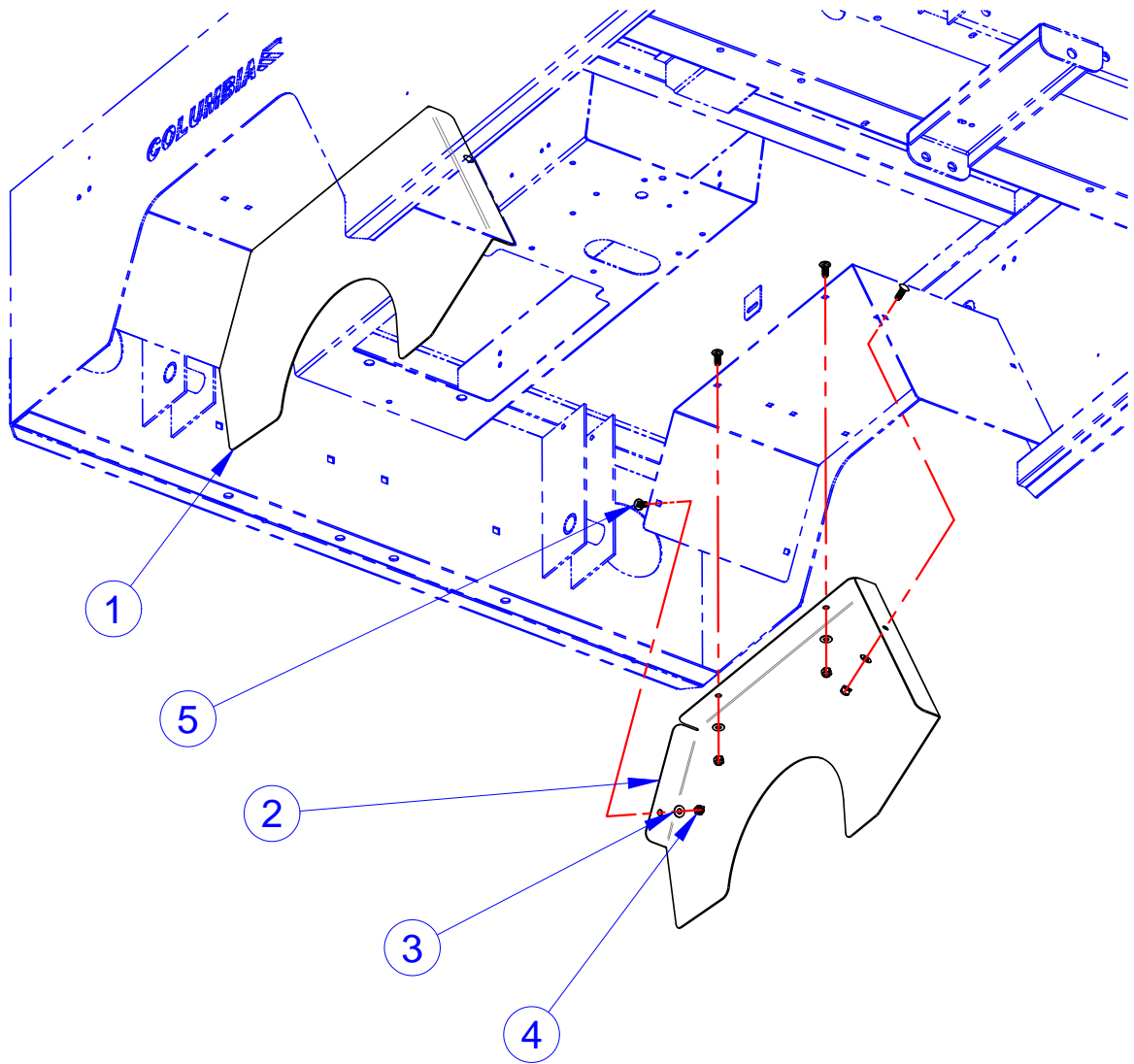
LIFT-UP REAR DOOR
 ROUGH DOOR OPENING:
 39.50 WIDE AT TOP,
 40.63 WIDE AT BOTTOM
 38.25 HIGH
 WITH WINDOW:
 22.50 X 15.00



ITEM	CVG PN	DESCRIPTION	QTY	REF #
1	CVG708511	WASHER, FLAT 1/4" 18-8 SS	10	708511
2	CVG719630	SCREW, 1/4-20X5/8, HHCS, G5, ZC	10	719630
3	CVG760718	VAN ENCL, BC-L, WHITE	1	760718
4	CVG761641	NUT, 1/4-20, L/N, CAP, NYL, NKE, 18-8, S/S	10	761641

NOTE: Items with * in tables indicates parts not shown in drawing

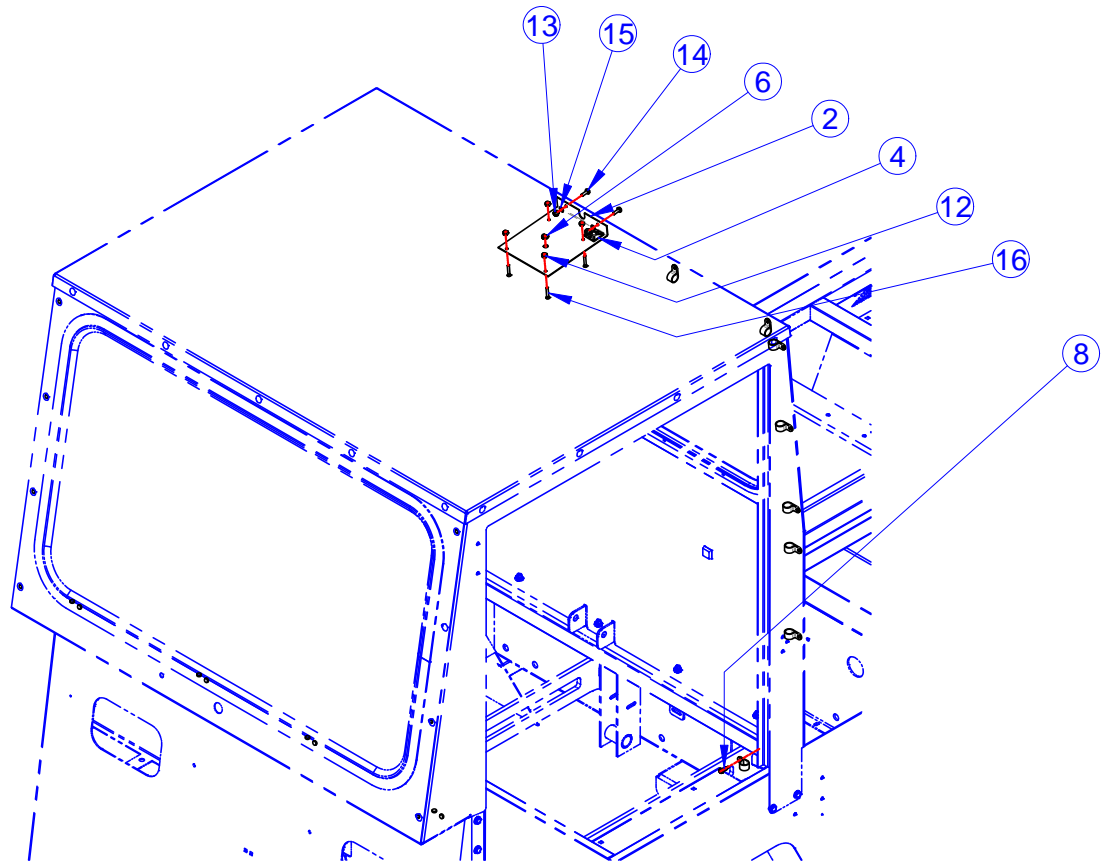
REAR INNER FENDERS



ITEM	CVG PN	DESCRIPTION	QTY	REF #
1-5	CVG192579U	P&A KIT, PL REAR FENDERS	KIT	192579A
1	CVG515166	INNER FENDER, BC RH	1	515166
2	CVG515167	INNER FENDER, BC LH	1	515167
3	CVG708511	WASHER, FLAT 1/4" 18-8 SS	8	708511
4	CVG719876	NUT, 1/4-20, L/N, NYL, NE, 316, S/S	8	719876
5	CVG781739	SCR, 1/4-20 X 0.75, CARR, 18-8, S/S	8	781739

NOTE: Items with * in tables indicates parts not shown in drawing

DOME LIGHT



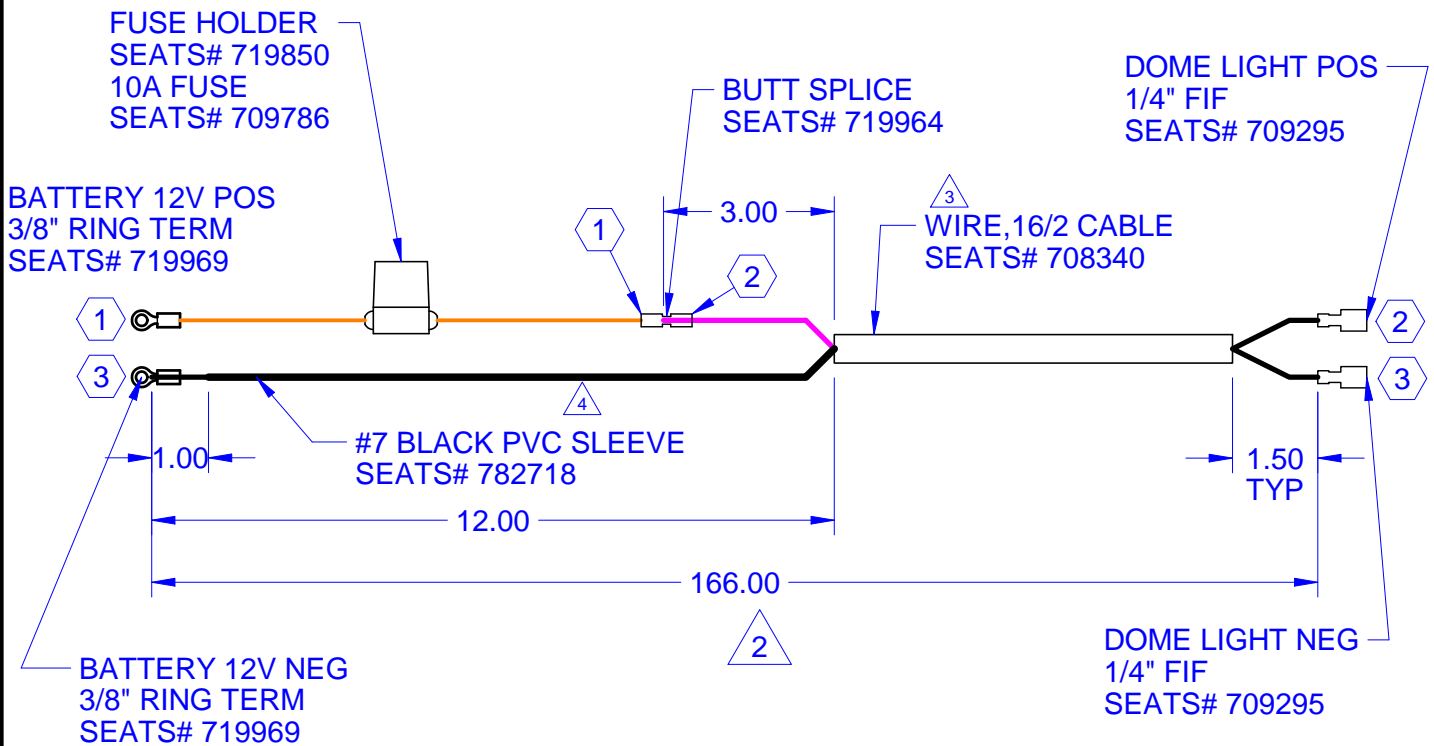
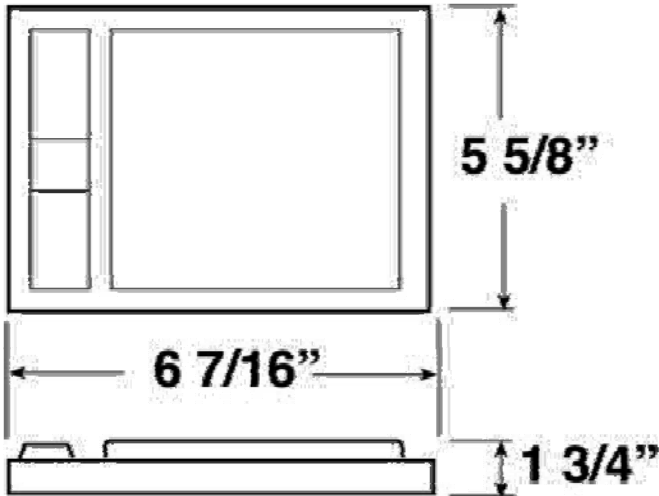
ITEM	CVG PN	DESCRIPTION	QTY	REF #
1*	CVG467700	HARNESS, DOME LIGHT, PL	1	467700
2	CVG510315	CPC DOME LIGHT MOUNT	1	510315
3*	CVG709920	ASSY, DOME LIGHT	1	709920
4	CVG719503	CABLE TIE MNT BRKT BLACK W/3M	1	719503
5*	CVG719504	CABLE TIE, BLACK, .18X11-3/4, STD, 50LB	1	719504
6	CVG719520	GROMMET, .25ID DELTA FLEX 2902	1	719520
7*	CVG719557	LOOM, .413 X .594, SPLIT	7	719557
8	CVG719583	SCREW, 10-16X3/4, HWH, TEK, MAG525	1	719583
9*	CVG719602	CLAMP, 1/2" BLACK NYLON HEYCO 3358	1	719602
10*	CVG719604	CLAMP, 5/8" NYLON BLACK HEYCO 3380	8	719604
11*	NONE	TERMINAL, 16/14 INS, 1/4 MALE TAB	2	719973
12	CVG761630	NUT, #8-32, NILN, 18-8, SS	4	761630
13	CVG761631	NUT, #10-24 GRD 18-8 NM SS NYLOCK	2	761631
14	CVG761652	SCREW, 10-24X5/8, HWHTR, SS	2	761652
15	CVG782722	WSHR, #10 X 0.438 X 0.031, F/W, 18-8SS	2	782722
16	CVG782885	SCR, #8-32 X 1, PFH, M/S, 18-8, S/S	4	782885

NOTE: Items with * in tables indicates parts not shown in drawing

Columbia Vehicle Group, Inc.
A Nordic Group Company | Business Ventures Since 1947



DOME LIGHT



CIRCUIT NO	DESCRIPTION	FIRST TERMINAL	SECOND TERMINAL	WIRE LENGTH*	WIRE COLOR	WIRE GAGE
1	BATTERY 12V POS / FUSE TO SPLICE	14-16 GA 3/8" RING TERM	14-16 GA BUTT SPLICE	N/A	N/A	N/A
2	SPLICE TO DOME LIGHT POS	2ND TERM CIR #1	14-16 GA 1/4" FIF	157.50 (1)	WHT	16
3	DOME LIGHT NEG TO BATTERY NEG	14-16 GA 1/4" FIF	14-16 GA 3/8" RING TERM	166.50 (1)	BLK	16

* WIRE LENGTH FOR REFERENCE USE ONLY

FIF = FULLY INSULATED FEMALE QUICK CONNECT

(1) = WIRE, 16/2 CABLE

NOTE: Items with * in tables indicates parts not shown in drawing

UTX30 SCISSOR LIFT



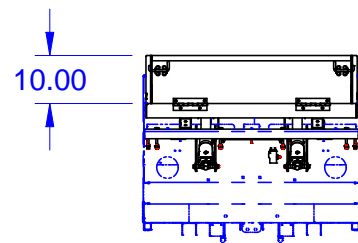
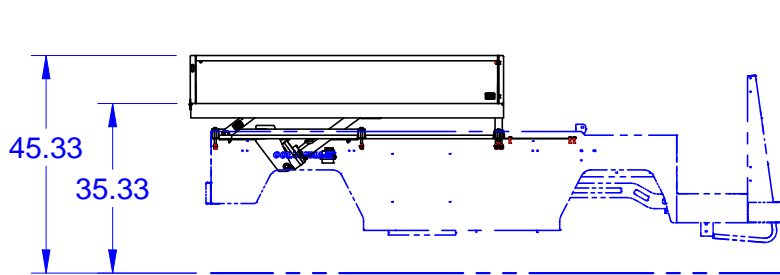
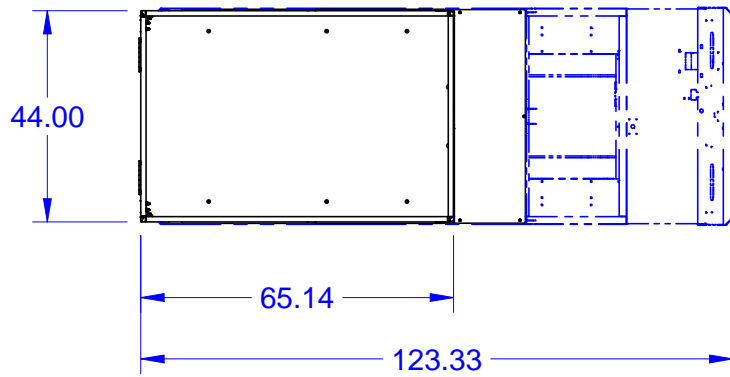
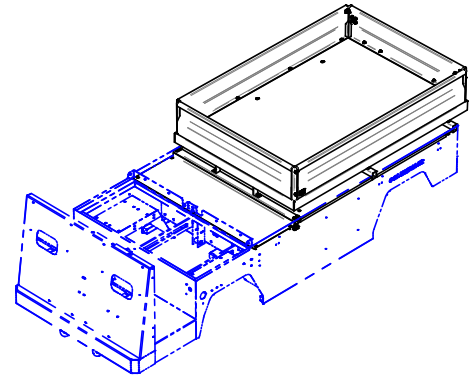
ITEM	CVG PN	DESCRIPTION	QTY	REF #
1	CVG719375	WSHR,5/16X0.750X0.040,F/W,18-8S/S	36	719375
2	CVG719377	NUT, 5/16-18, L/N, NYL, NE, 18-8SS	18	719377
3	CVG761734	KIT, UTX30 SCISSOR LIFT, YELLOW	1	761734
4	CVG782720	SCR, 5/16-18 X 1, HHCS, 18-8, S/S	16	782720

NOTE: Items with * in tables indicates parts not shown in drawing

Columbia Vehicle Group, Inc.
A Nordic Group Company | Business Ventures Since 1947



DUMP BED

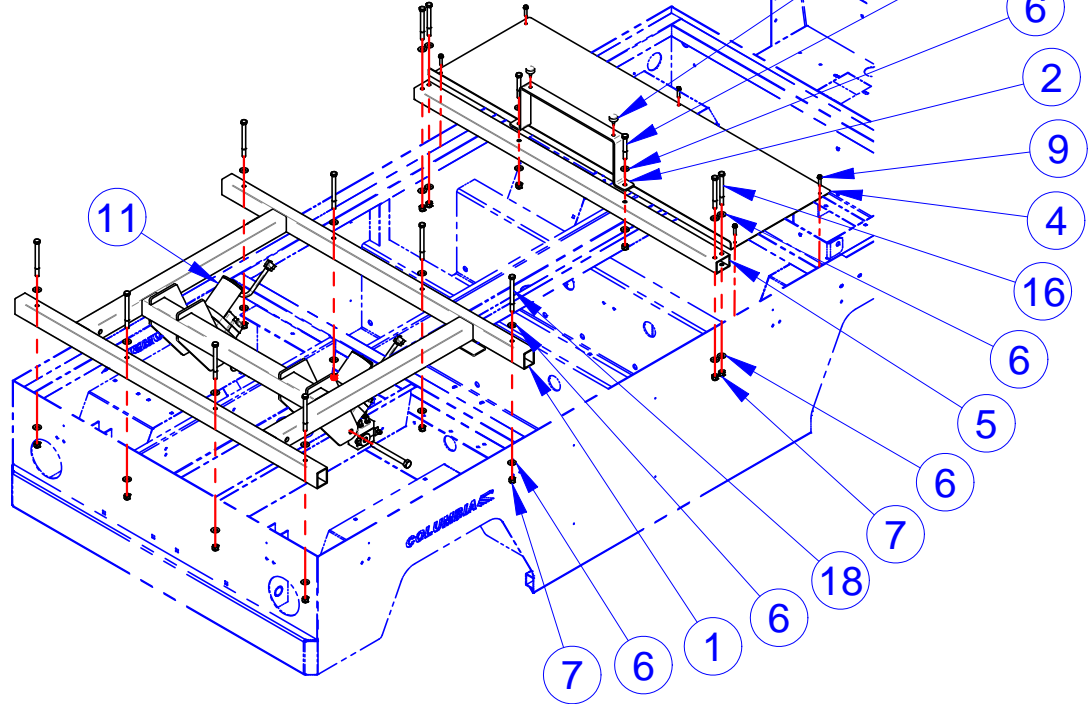
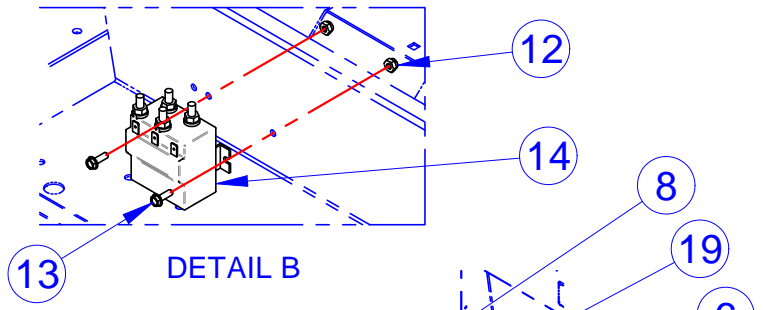
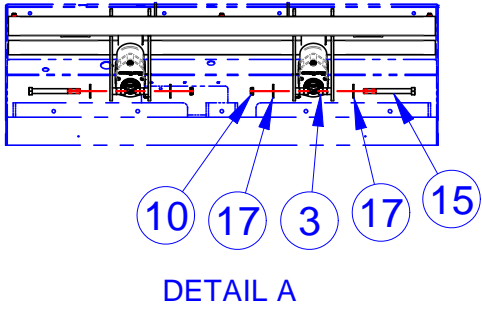


NOTE: Items with * in tables indicates parts not shown in drawing

Columbia Vehicle Group, Inc.
A Nordic Group Company | Business Ventures Since 1947



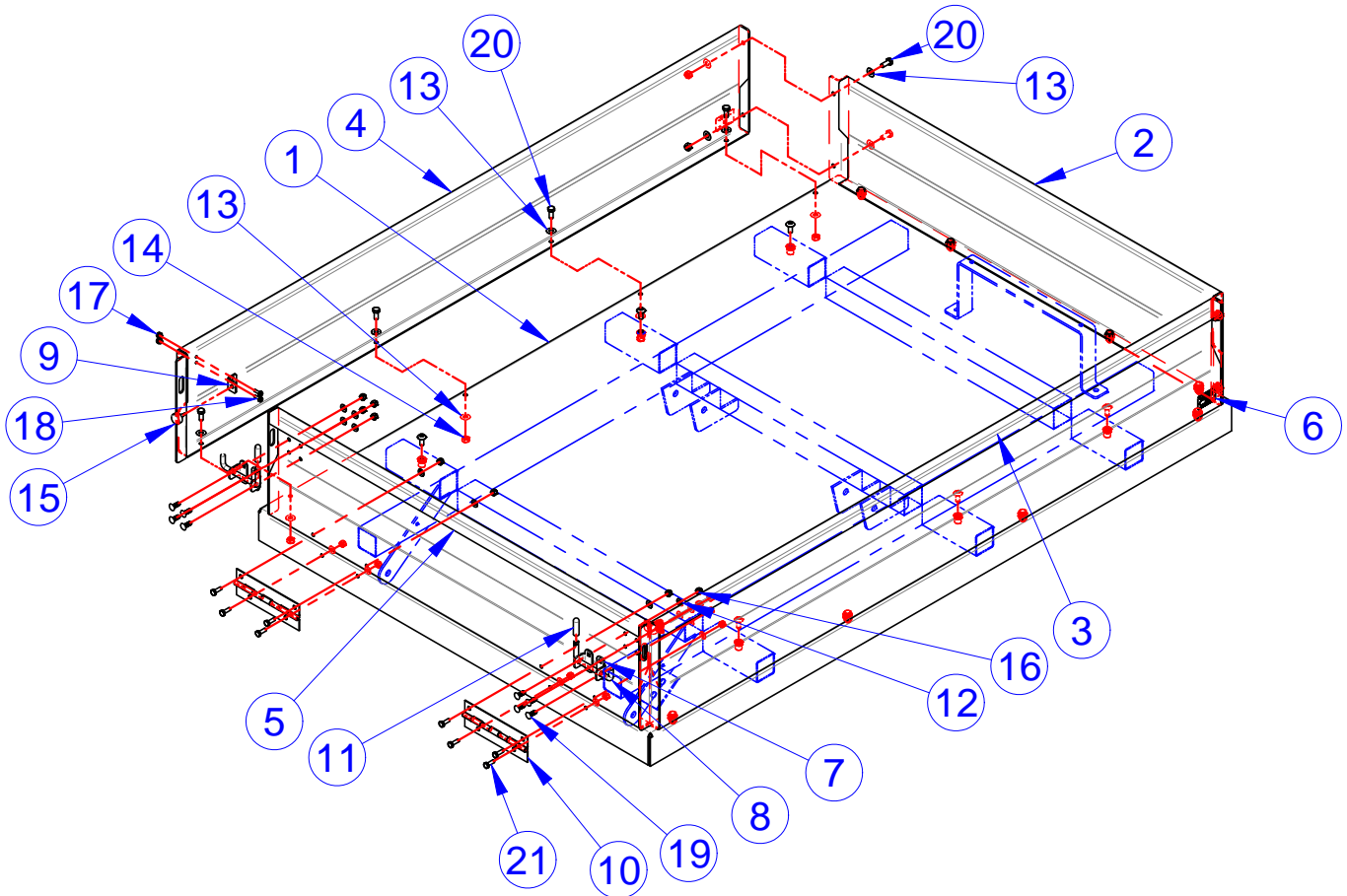
DUMP BED, SUBFRAME



ITEM	CVG PN	DESCRIPTION	QTY	REF #
1	CVG312242B	WLDMNT, BASE FRAME	1	312242
2	CVG515867	BRKT, DOWNSTOP BUMPER	1	515867
3	CVG515869	SPACER, BC/SU5 DUMP BED ACTUATOR	12	515869
4	CVG515870TB	COVER, BC DUMP BED	1	515870
5	CVG515877	TUBE, FRONT BUMPER SPRT	1	515877
6	CVG708859	WASHER, 3/8, STD, FW, 18-8SS	28	708859
7	CVG708860	NUT, 3/8-16, L/N, NYL, NE, 18-8, S/S	14	708860
8	CVG719519	BUMPER, 7/8 X 1.03 EPDM 70 DURO	2	719519
9	CVG719560	SCREW, HX HD, .25 x 1, THRD FRMING	5	719560
10	CVG719878	NUT 1/2-13, GR A, NYLON LOCK JAM	2	719878
11	CVG761071	48V ACTUATOR, 12" STROKE	2	761071
12	CVG761631	NUT, #10-24 GRD 18-8 NM SS NYLOCK	2	761631
13	CVG761652	SCREW, 10-24X5/8, HWHTR, SS	2	761652
14	CVG761668	CONTACTOR, SEALED, 48V	1	761668
15	CVG782362	SCREW, 1/2-13X5" HHCS, GR5, ZC	2	782362
16	CVG782789	SCR, 3/8-16 X 3.75, HHCS, 18-8, S/S	4	782789
17	CVG782821	WASHER, 1/2X1.375OD, F/W, ECOGUARD	4	782821
18	CVG782911	SCR, 3/8-16 X 4.25, HHCS, 18-8, S/S	8	782911
19	CVG783008	SCR, 3/8-16 X 2.75, HHCS, 18-8, S/S	2	783008

NOTE: Items with * in tables indicates parts not shown in drawing

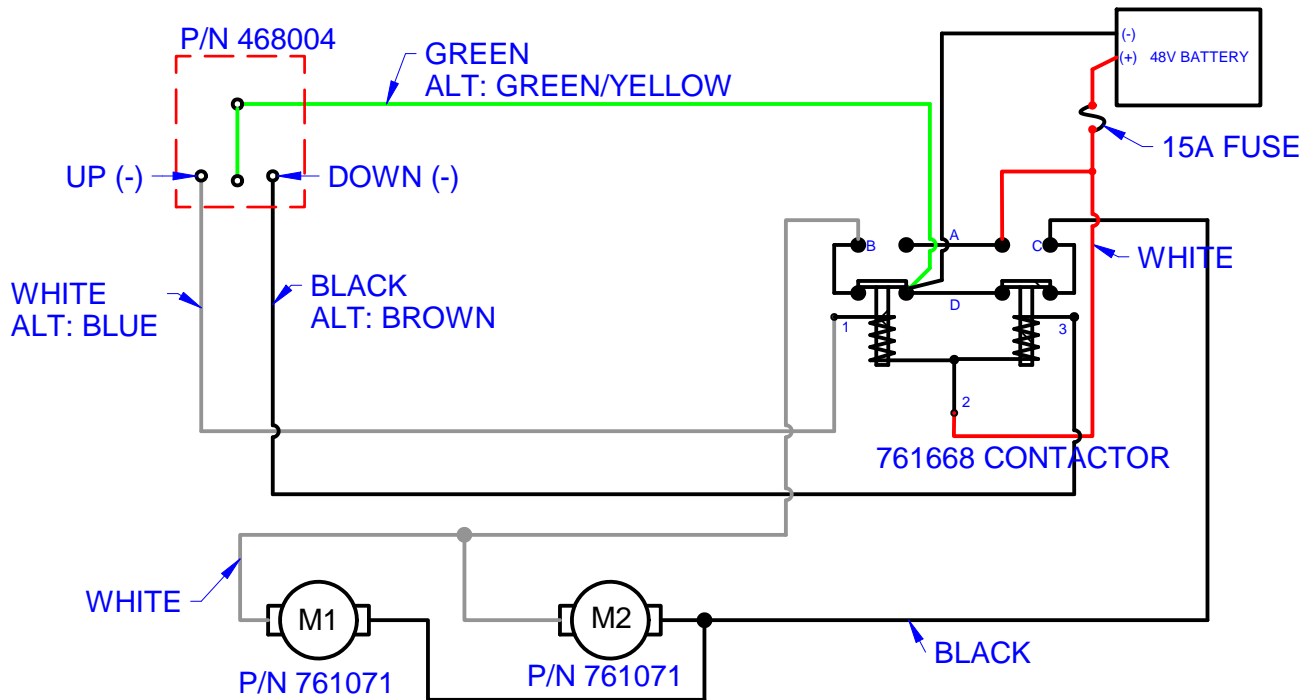
DUMP BOX, BOX ASSEMBLY



ITEM	CVG PN	DESCRIPTION	QTY	REF #
1	CVG312244TB	BC DUMP BED	1	312244
2	CVG312245TB	WLDMNT, BC/SU5 DUMP BED F PANEL	1	312245
3	CVG312246TB	WLDMNT, BC DUMP BED PANEL RH	1	312246
4	CVG312247TB	WLDMNT, BC DUMP BOX PANEL LH	1	312247
5	CVG312248TB	WLDMNT, BC DUMP BED TAILGATE	1	312248
6	CVG507980	PINCH WARNING	4	507980
7	CVG515865TB	BRKT, LATCH	4	515865
8	CVG515866TB	HANDLE, LATCH	2	515866
9	CVG515868TB	BRKT, BC/SU5 TAILGATE STOP	2	515868
10	CVG516899	HINGE, SEAT	2	516899
11	CVG707613	END TIP, BLK	2	707613
12	CVG708511	WASHER, FLAT, 1/4", 18-8SS	16	708511
13	CVG719375	WSHR, 5/16X0.75X0.040, F/W, 18-8S/S	32	719375
14	CVG719377	NUT, 5/16-18, L/N, NYL, NE, 18-8SS	16	719377
15	CVG719519	BUMPER, 7/8 X 1.03 EPDM 70 DURO	4	719519
16	CVG719876	NUT, 1/4-20, L/N, NYL, NE, 316, S/S	16	719876
17	CVG761631	NUT, #10-24 GRD 18-8 NM SS NYLOCK	6	761631
18	CVG761652	SCREW, 10-24X5/8, HWHTR, SS	6	761652
19	CVG781739	SCR, 1/4-20 X 0.75, CARR, 18-8, S/S	8	781739
20	CVG782721	SCR, 5/16-18 X 0.75, HHCS, 18-8, S/S	16	782721
21	CVG782784	SCREW, 1/4-20X3/4, HHCS, 18-8SS	8	782784

NOTE: Items with * in tables indicates parts not shown in drawing

DUMP BED

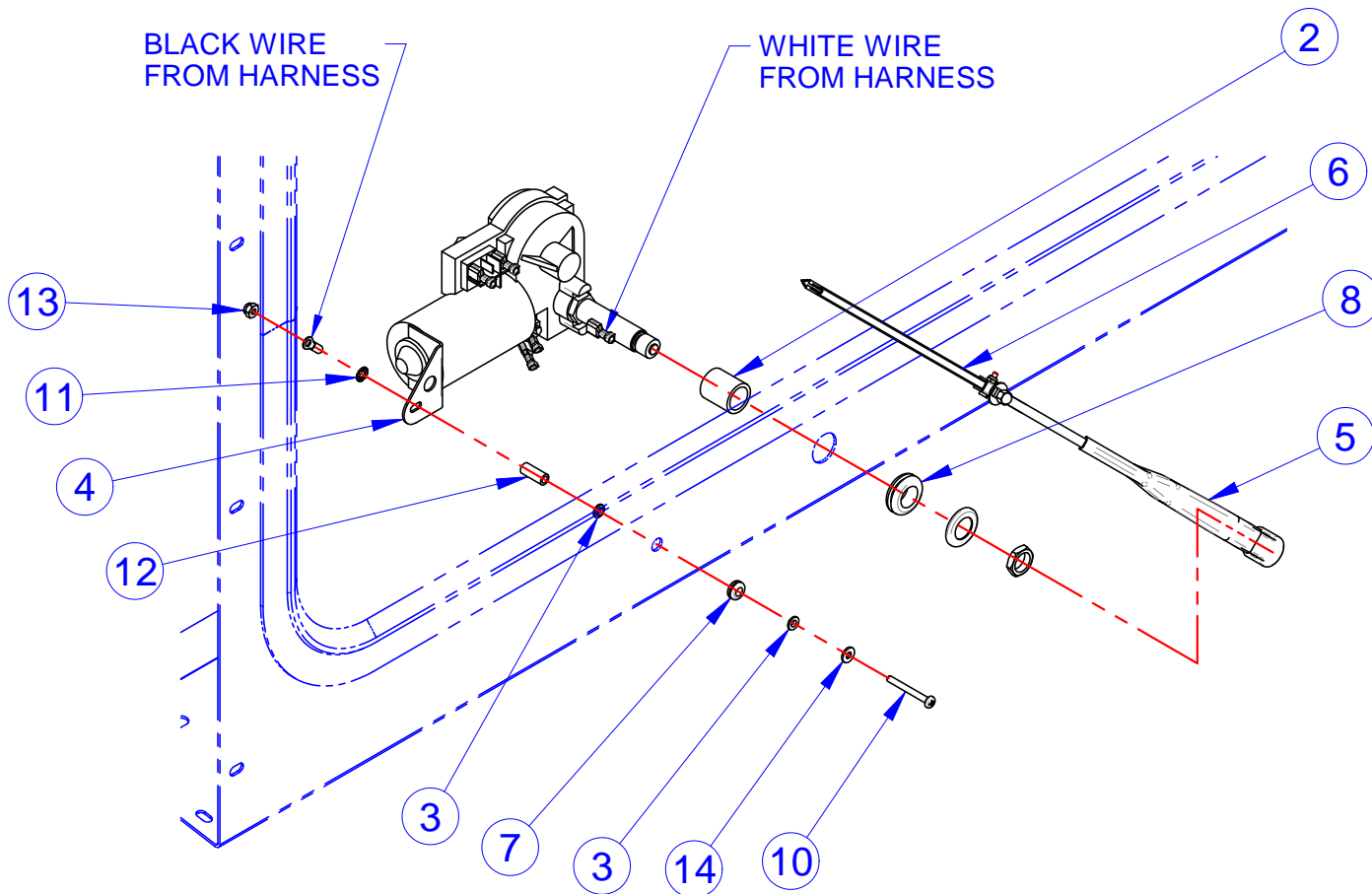


NOTE: Items with * in tables indicates parts not shown in drawing

Columbia Vehicle Group, Inc.
A Nordic Group Company | Business Ventures Since 1947



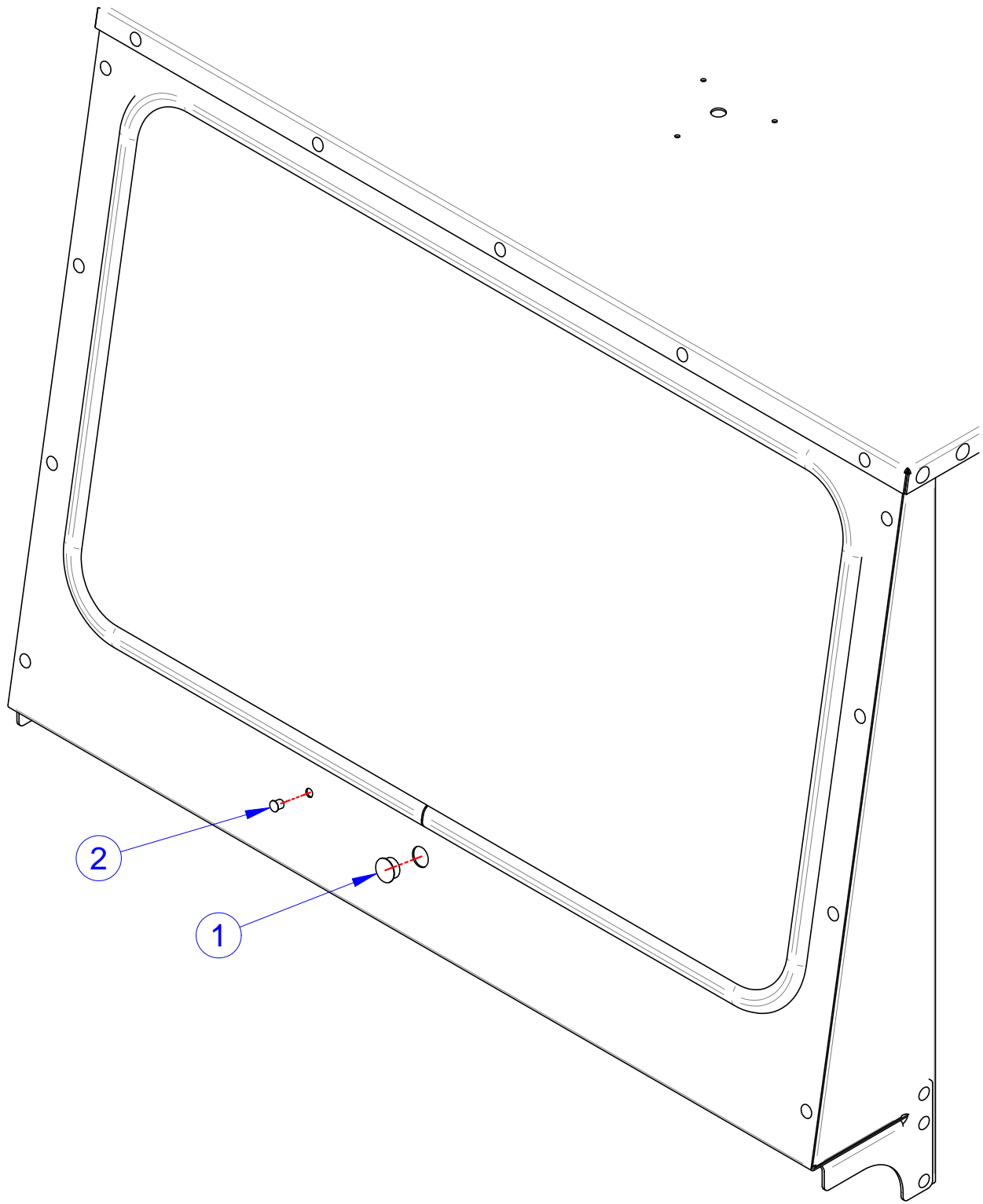
WINDSHIELD WIPER



ITEM	CVG PN	DESCRIPTION	QTY	REF #
1-14	CVG191275U	P&A KIT, BC WINDSHIELD WIPER	KIT	191275A
1*	CVG467407	HARNESS, BC WINDSHIELD WIPER	1	467407
2	CVG508993	WIPER SPACER	1	508993
3	CVG709362	NYLON BEARING	2	709362
4	CVG709592	MOTOR, WINDSHIELD WIPER	1	709592
5	CVG709790	ARM, WINDSHIELD WIPER	1	709790
6	CVG709791	BLADE, WINDSHIELD WIPER, 16"	1	709791
7	CVG719520	GROMMET, .25ID DELTA FLEX 2902	1	719520
8	CVG719529	GROMMET, 5/8X1-1/8X3/8 1/8GR	1	719529
9*	CVG719557	LOOM, .413 X .594, SPLIT	1	719557
10	CVG719572	SCREW, #8-32X1-1/2, PPH,M/S,YWZC	1	719572
11	CVG719851	WASHER LOCK #10 EXTERNAL TOOTH YWZC	1	719851
12	CVG759824	.313 OD X .194 ID X .75 LG SPACER - NYLON	1	759824
13	CVG761630	NUT, #8-32, NILN, 18-8, SS	1	761630
14	CVG782820	WASHER, #8X.438OD, SAE F/W, 18-8 SS	1	782820

NOTE: Items with * in tables indicates parts not shown in drawing

WINDSHIELD WIPER HOLE PLUGS



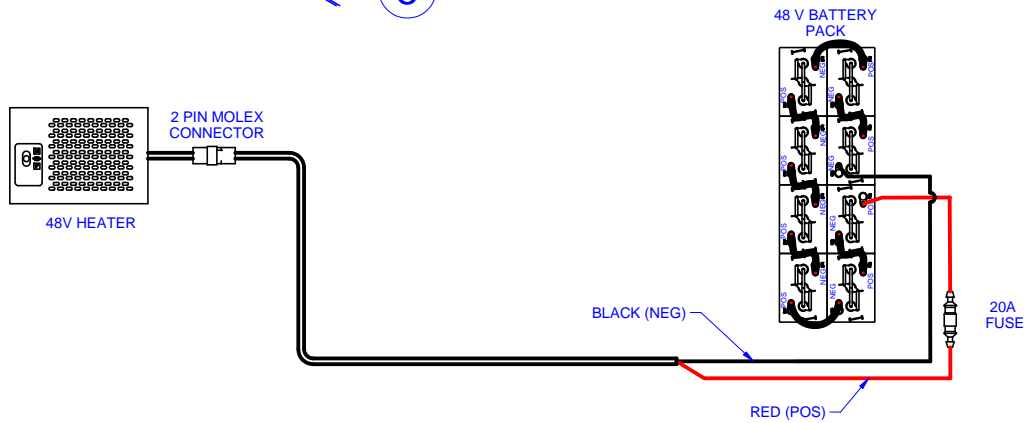
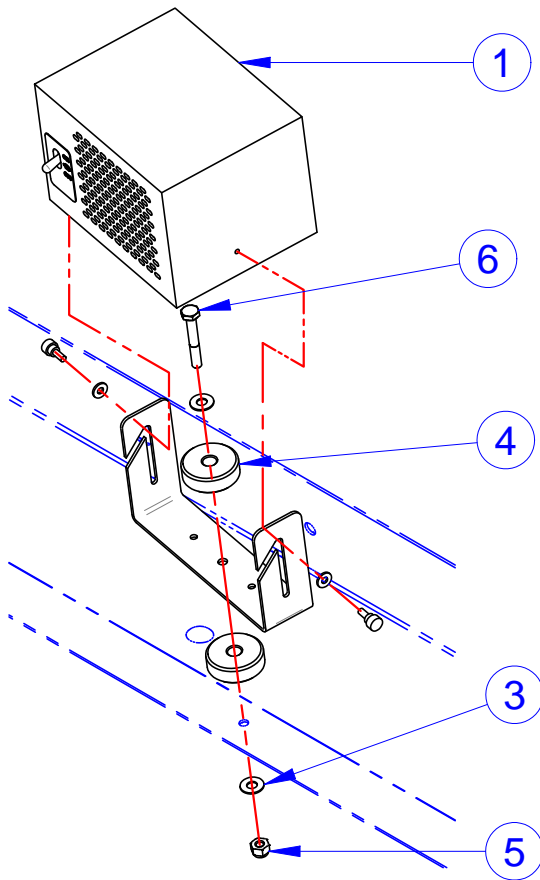
ITEM	CVG PN	DESCRIPTION	QTY	REF #
1	CVG719362	HOLE PLUG, 7/8, BLACK	1	719362
2	CVG719363	HOLE PLUG, 3/8, BLACK	1	719363

NOTE: Items with * in tables indicates parts not shown in drawing

Columbia Vehicle Group, Inc.
A Nordic Group Company | Business Ventures Since 1947



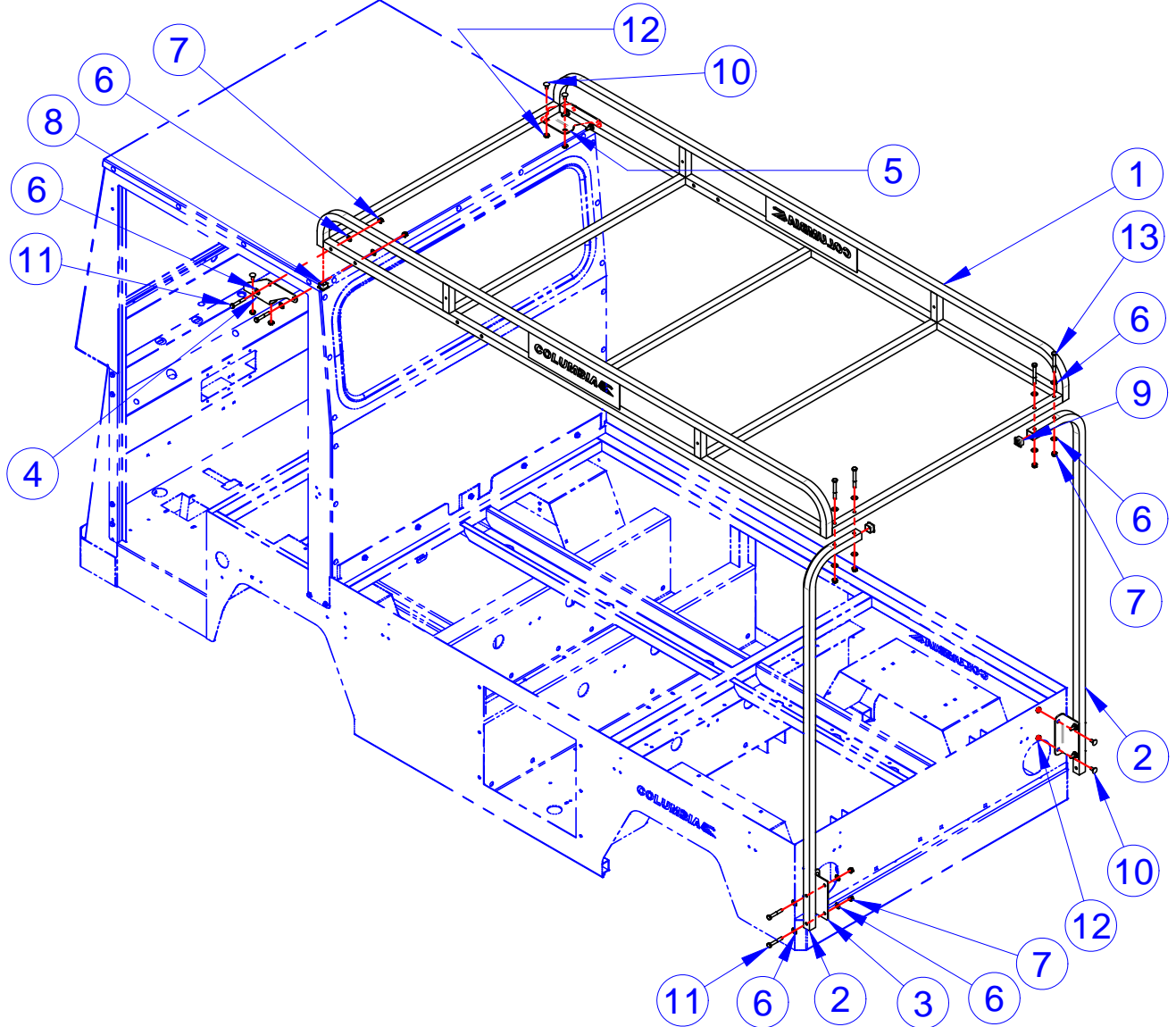
HEATER



ITEM	CVG PN	DESCRIPTION	QTY	REF #
1	SEE PRINT	HEATER, 48V, LESS HARNESS	1	467801
2*	SEE PRINT	HARNESS, BC HEATER, 48V	1	467802
3	CVG708511	WASHER, FLAT, 1/4", 18-8SS	2	708511
4	CVG719737	WASHER FLAT BLK DELRIN .375X1.5X.5	2	719737
5	CVG719876	NUT, 1/4-20, L/N, NYL, NE, 316, S/S	1	719876
6	CVG782786	SCREW, 1/4-20X1.75, HHSC, 18-8SS	1	782786

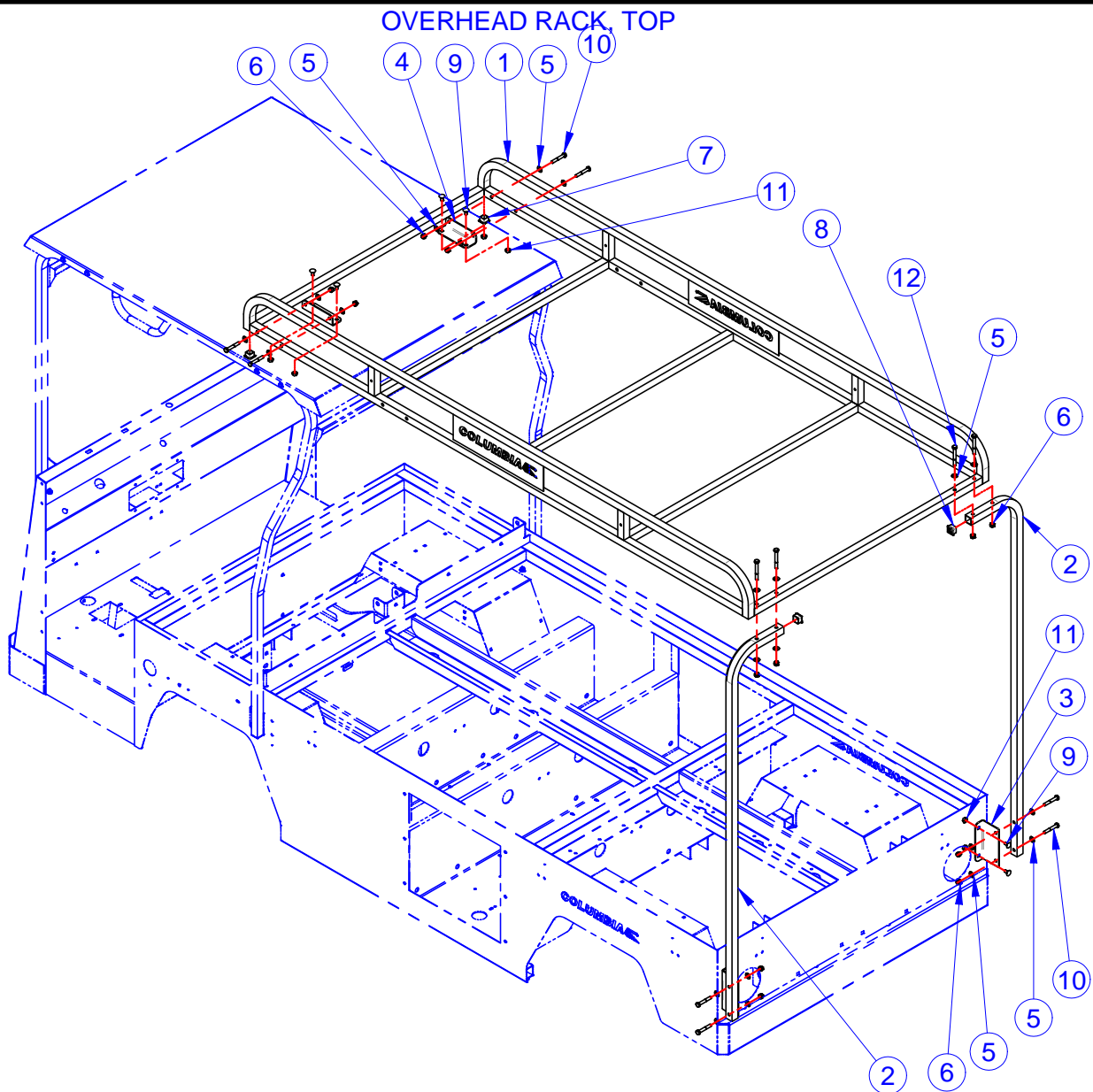
NOTE: Items with * in tables indicates parts not shown in drawing

OVERHEAD RACK, CAB



ITEM	CVG PN	DESCRIPTION	QTY	REF #
1-13	CVG192584U	P&A, KIT, OVERHEAD RACK, CAB, PL	KIT	192584
1	CVG311556TB	WLDMT, OVERHEAD RACK	1	311556
2	CVG515175TB	TUBE, UPRIGHT, BC OVERHEAD RACK	2	515175
3	CVG515176TB	BRKT, REAR, BC OVERHEAD RACK	2	515176
4	CVG515177	BRKT, FRONT LH, BC OVERHEAD RACK	1	515177
5	CVG515178	BRKT, FRONT RH, BC OVERHEAD RACK	1	515178
6	CVG719375	WSHR,5/16X0.750X0.040,F/W,18-8S/S	24	719375
7	CVG719377	NUT, 5/16-18, L/N, NYL, NE, 18-8, S/S	12	719377
8	CVG719525	PLUG, 1" SQ X 0.120 WALL	2	719525
9	CVG719526	PLUG, 1" SQ X 0.065 WALL	2	719526
10	CVG761642	SCREW,5/16-18-5/8,CARR,18-8 SS	8	761642
11	CVG782298	SCR, 5/16-18 X 2, HHCS, 18-8, S/S	8	782298
12	CVG782543	NUT,5/16-18,FLG,C-L/N,GF,"BLACK"	8	782543
13	CVG782714	SCR, 5/16-18 X 2.5, HHCS, 18-8, S/S	4	782714

NOTE: Items with * in tables indicates parts not shown in drawing



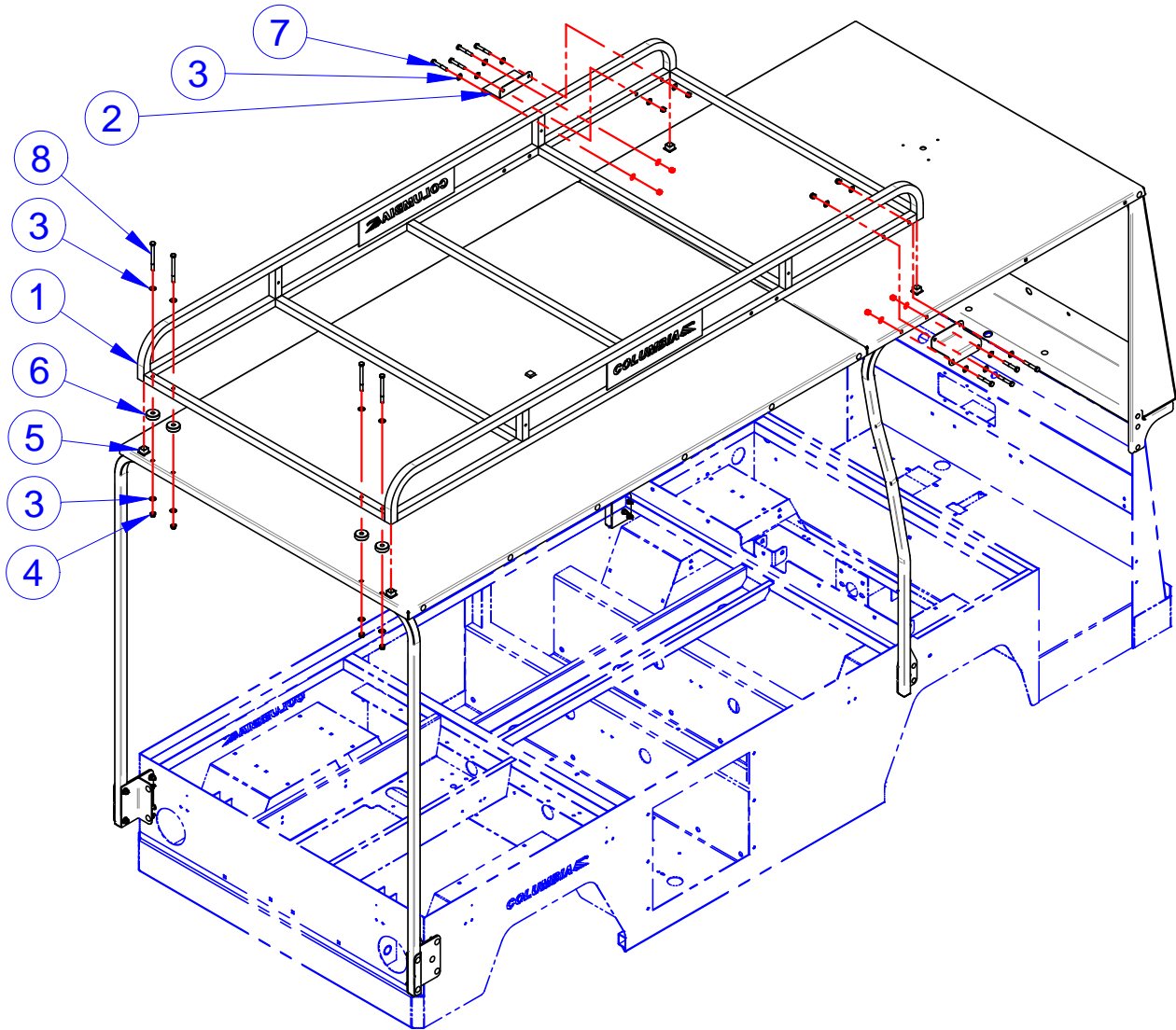
ITEM	CVG PN	DESCRIPTION	QTY	REF #
1-12	CVG192585U	P&A, KIT, OVERHEAD RACK/SUNTOP, PL	KIT	192858
1	CVG311556TB	WLDMT, OVERHEAD RACK	1	311556
2	CVG515175TB	TUBE, UPRIGHT, BC OVERHEAD RACK	2	515175
3	CVG515176TB	BRKT, REAR, BC OVERHEAD RACK	2	515176
4	CVG515179TB	BRKT, FRONT, BC OVERHEAD RACK	2	515179
5	CVG719375	WSHR, 5/16X0.750X0.040, F/W, 18-8S/S	24	719375
6	CVG719377	NUT, 5/16-18, L/N, NYL, NE, 18-8, S/S	12	719377
7	CVG719525	PLUG, 1" SQ X 0.120 WALL	2	719525
8	CVG719526	PLUG, 1" SQ X 0.065 WALL	2	719526
9	CVG761642	SCREW, 5/16-18-5/8, CARR, 18-8 SS	8	761642
10	CVG782298	SCR, 5/16-18 X 2, HHCS, 18-8, S/S	8	782298
11	CVG782543	NUT, 5/16-18, FLG, C-L/N, GF, "BLACK"	8	782543
12	CVG782714	SCR, 5/16-18 X 2.5, HHCS, 18-8, S/S	4	782714

NOTE: Items with * in tables indicates parts not shown in drawing

Columbia Vehicle Group, Inc.
A Nordic Group Company | Business Ventures Since 1947



RACK, FULL TOP

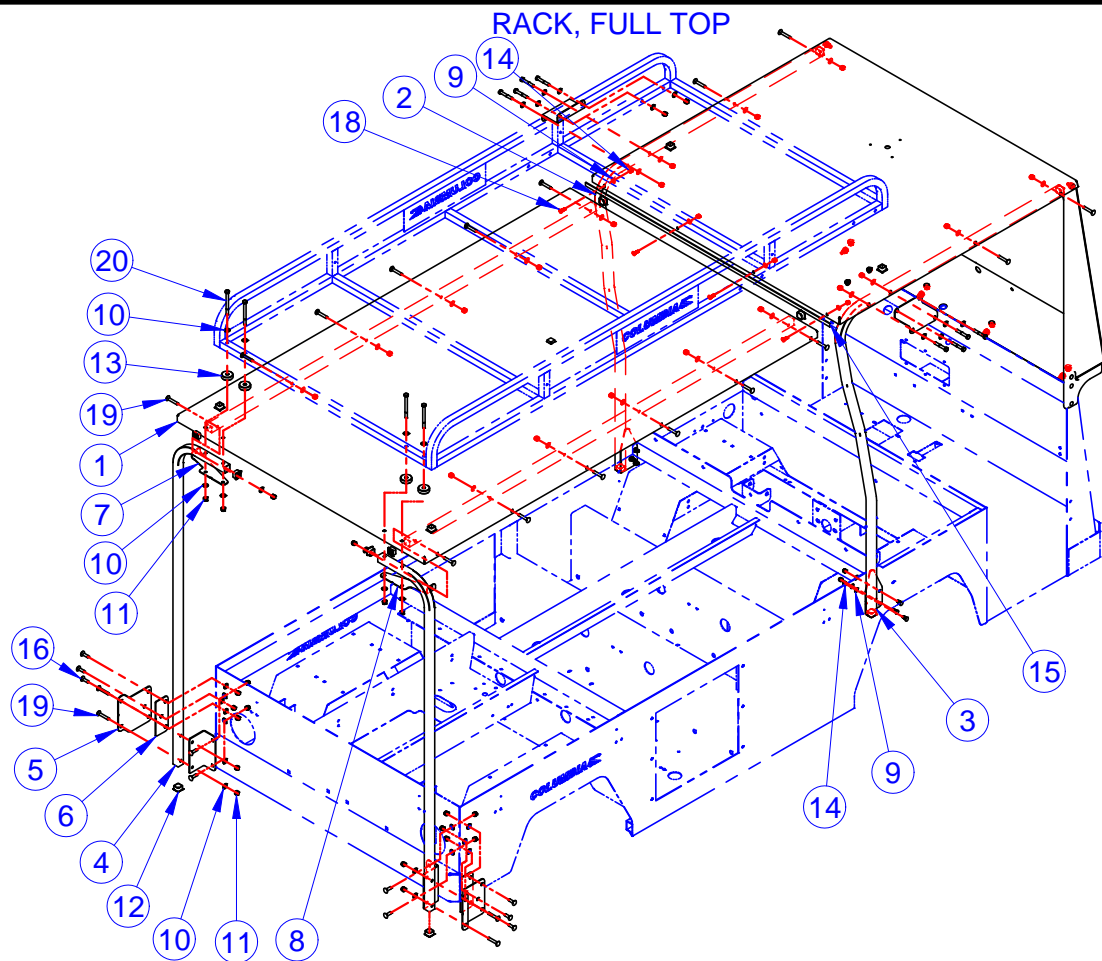


ITEM	CVG PN	DESCRIPTION	QTY	REF #
1-8	CVG192753U	P&A, FULL TOP W/RACK, BLK, PL	KIT	192753
1	CVG311556TB	WLDMT, OVERHEAD RACK	1	311556
2	CVG515922TB	BRKT, RACK MT, PAYLOADER	2	515922
3	CVG719375	WSHR,5/16X0.750X0.040,F/W,18-8S/S	24	719375
4	CVG719377	NUT, 5/16-18, L/N, NYL, NE, 18-8, S/S	12	719377
5	CVG719525	CAPLUG, 3/4 SQ, FP-161	4	719525
6	CVG719737	WASHER FLAT BLK DELRIN .375X1.5X.5	4	719737
7	CVG782298	SCR, 5/16-18 X 2, HHCS, 18-8, S/S	8	782298
8	CVG783053	SCR, 5/16-18 X 3.5, HHCS, 18-8, S/S	4	783053

NOTE: Items with * in tables indicates parts not shown in drawing

Columbia Vehicle Group, Inc.
A Nordic Group Company | Business Ventures Since 1947

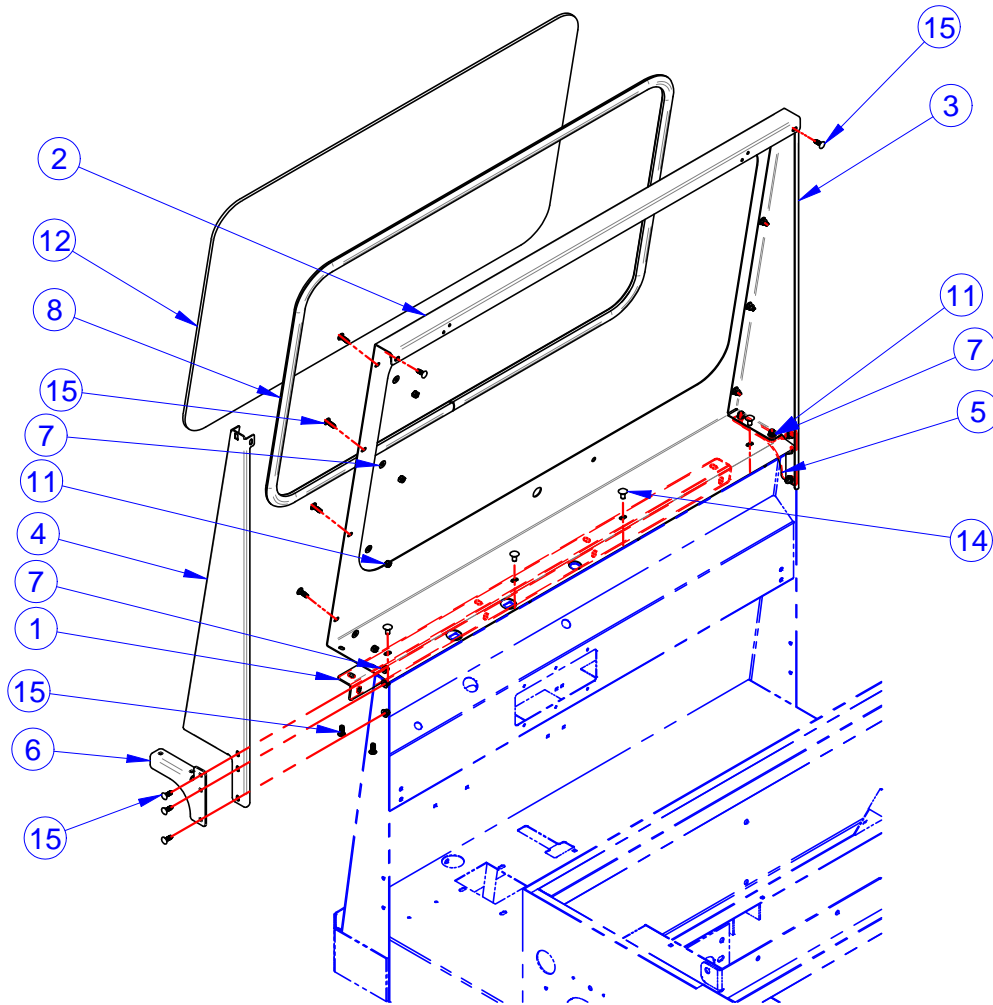




ITEM	CVG PN	DESCRIPTION	QTY	REF #
1-20	CVG192753U	P&A, FULL TOP W/RACK, BLK, PL	KIT	192753
1	CVG312259TB	WLDMT, EXT ROOF PANEL, BC TOP	1	312259
2	CVG314597TB	WLDMT, OPERATOR TOP TUBE, LH, PL	1	314597
3	CVG314598TB	WLDMT, OPERATOR TOP TUBE, RH, PL	1	314598
4	CVG515919TB	TUBE, REAR UPRIGHT, BC TOP	2	515919
5	CVG518186TB	BRKT, CARGO TOP TUBE SPRT	2	518186
6	CVG518187TB	SPACER, CARGO TOP TUBE SPRT	2	518187
7	CVG518188TB	BRKT, CARGO TOP SPRT, LH	1	518188
8	CVG518189TB	BRKT, CARGO TOP SPRT, RH	1	518189
9	CVG708511	WASHER, FLAT 1/4" 18-8 SS	4	708511
10	CVG719375	WSHR, 5/16X0.75X0.040, F/W, 18-8S/S	64	719375
11	CVG719377	NUT, 5/16-18, L/N, NYL, NE, 18-8, S/S	52	719377
12	CVG719526	CAPLUG, 7/8 SQ, FP-165	12	719526
13	CVG719737	WASHER FLAT BLK DELRIN .375X1.5X.5	4	719737
14	CVG719876	NUT, 1/4-20, L/N, NYL, NE, 316, S/S	8	719876
15	CVG739272	TAPE, FOAM, 1/8 X 1/2, 45" LONG	1	739272
16	CVG761292	SCR, 5/16-18X1.0, CARR, 18-8S/S	16	761292
17*	CVG761642	SCREW, 5/16-18-5/8, CARR, 18-8 SS	4	761642
18	CVG781739	SCR, 1/4-20 X 0.75, CARR, 18-8, S/S	11	781739
19	CVG783051	SCR, 5/16-18 X 1.75, CB, 18-8, SS	20	783051
20	CVG783053	SCR, 5/16-18 X 3.5, HHCS, 18-8, S/S	4	783053

NOTE: Items with * in tables indicates parts not shown in drawing

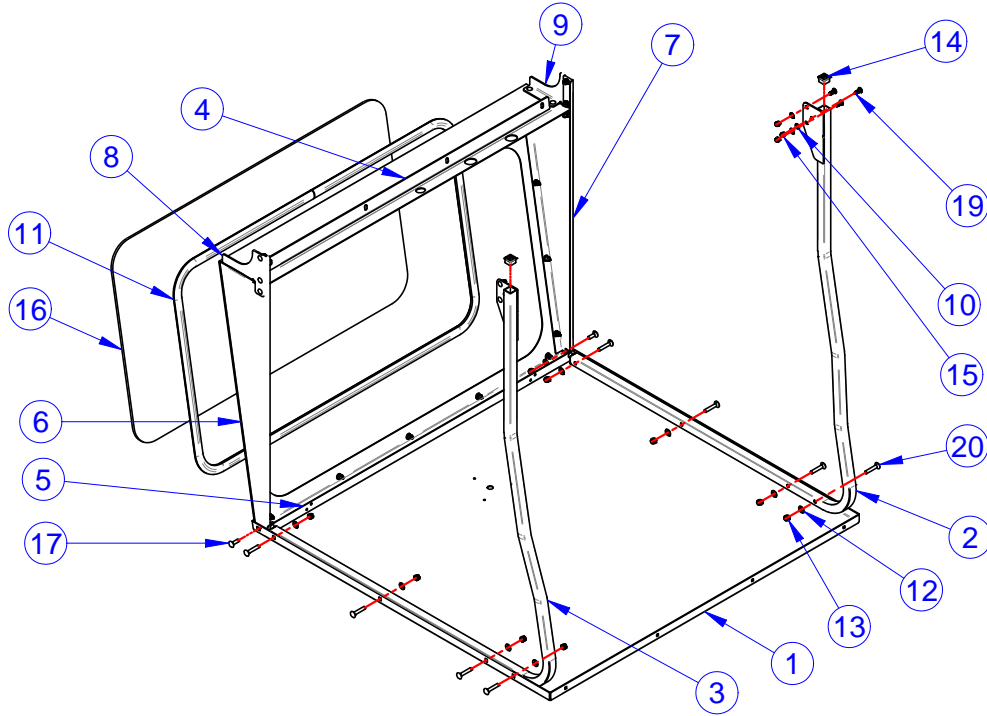
RACK, FULL TOP



ITEM	CVG PN	DESCRIPTION	QTY	REF #
1	CVG511225	BRKT, ATTCHMT - CAB FRONT	1	511225
2	CVG515911	PANEL, FRONT, BC TOP	1	515911
3	CVG515912	PANEL, TOP, RH	1	515912
4	CVG515913	PANEL, TOP, LH	1	515913
5	CVG516235TB	BRKT, TOP SPRT, RH	1	516235
6	CVG516236TB	BRKT, TOP SPRT, LH	1	516236
7	CVG708511	WASHER, FLAT 1/4" 18-8 SS	20	708511
8	CVG719163	WEATHER STRIPPING, SELF-SEALING, 126" LG	11	719163
9*	CVG719375	WSHR, 5/16X0.750X0.040, F/W, 18-8S/S	8	719375
10*	CVG719377	NUT, 5/16-18, L/N, NYL, NE, 18-8, S/S	8	719377
11	CVG719876	NUT, 1/4-20, L/N, NYL, NE, 316, S/S	20	719876
12	CVG468089	WINDSHIELD, GLASS, FR - MVP	1	760450
13*	CVG761292	SCR, 5/16-18X1.0, CARR, 18-8S/S	4	761292
14	CVG761642	SCREW, 5/16-18-5/8, CARR, 18-8 SS	4	761642
15	CVG781739	SCR, 1/4-20 X 0.75, CARR, 18-8, S/S	20	781739

NOTE: Items with * in tables indicates parts not shown in drawing

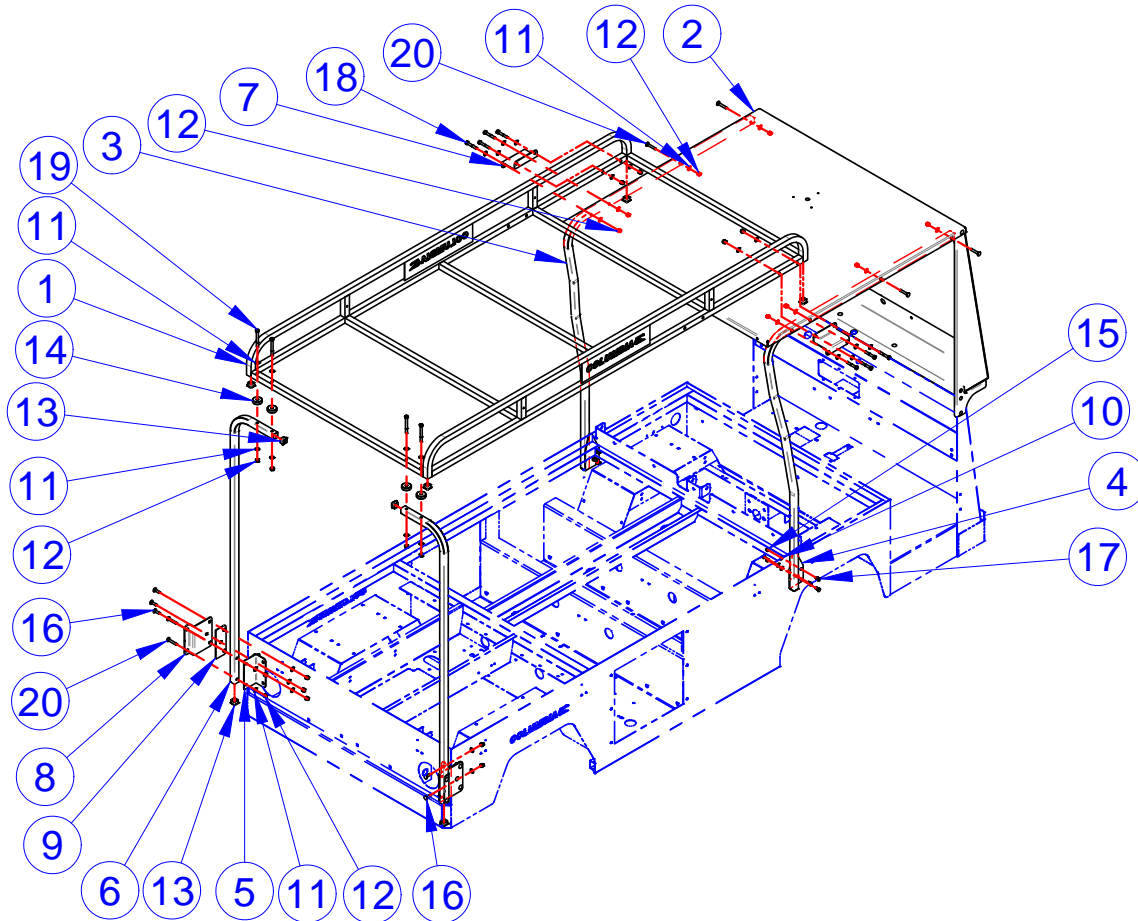
OPERATOR TOP



ITEM	CVG PN	DESCRIPTION	QTY	REF #
1-20	CVG192751U	P&A, OPERATOR TOP, BLK, PL	KIT	192751
1	CVG312256TB	WLDMT, ROOF PANEL, BC TOP	1	312256
2	CVG314597TB	WLDMT, OPERATOR TOP TUBE, LH, PL	1	314597
3	CVG314598TB	WLDMT, OPERATOR TOP TUBE, RH, PL	1	314598
4	CVG511225	BRKT, ATTCHMT - CAB FRONT	1	511225
5	CVG515911	PANEL, FRONT, BC TOP	1	515911
6	CVG515912	PANEL, TOP, RH	1	515912
7	CVG515913	PANEL, TOP, LH	1	515913
8	CVG516235TB	BRKT, TOP SPRT, RH	1	516235
9	CVG516236TB	BRKT, TOP SPRT, LH	1	516236
10	CVG708511	WASHER, FLAT 1/4" 18-8 SS	31	708511
11	CVG719163	WEATHER STRIPPING, SELF-SEALING, 126" LG	11	719163
12	CVG719375	WSHR,5/16X0.750X0.040,F/W,18-8S/S	18	719375
13	CVG719377	NUT, 5/16-18, L/N, NYL, NE, 18-8, S/S	18	719377
14	CVG719526	CAPLUG, 7/8 SQ, FP-165	4	719526
15	CVG719876	NUT, 1/4-20, L/N, NYL, NE, 316, S/S	31	719876
16	CVG468089	WINDSHIELD, GLASS, FR - MVP	1	760450
17	CVG761292	SCR,5/16-18X1.0,CARR,18-8S/S	6	761292
18*	CVG761642	SCREW,5/16-18-5/8,CARR,18-8 SS	4	761642
19	CVG781739	SCR, 1/4-20 X 0.75, CARR, 18-8, S/S	31	781739
20	CVG783051	SCR, 5/16-18 X 1.75, CB, 18-8, SS	8	783051

NOTE: Items with * in tables indicates parts not shown in drawing

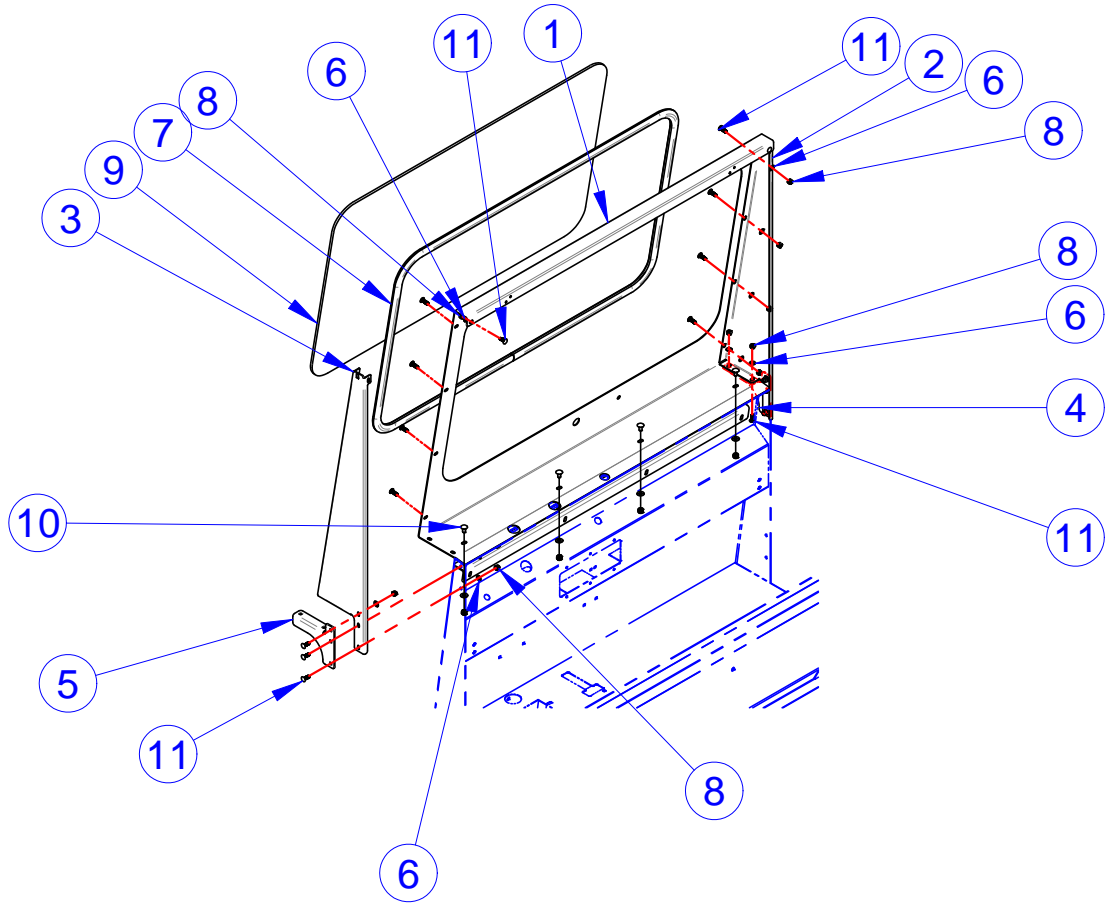
RACK, OPERATOR TOP



ITEM	CVG PN	DESCRIPTION	QTY	REF #
1-20	CVG192762U	P&A, OPER TOP W/RACK BLK, PL	KIT	192762U
1	CVG311556TB	WLDMT, OVERHEAD RACK	1	311556
2	CVG312256TB	WLDMT, ROOF PANEL, BC TOP	1	312256
3	CVG314597TB	WLDMT, OPERATOR TOP TUBE, LH, PL	1	314597
4	CVG314598TB	WLDMT, OPERATOR TOP TUBE, RH, PL	1	314598
5	CVG515918TB	BRKT, REAR UPRIGHT, BC TOP	1	515918
6	CVG515919TB	TUBE, REAR UPRIGHT, BC TOP	1	515919
7	CVG515922TB	BRKT, RACK MT, PAYLOADER	1	515922
8	CVG518186TB	BRKT, CARGO TOP TUBE SPRT	1	518186
9	CVG518187TB	SPACER, CARGO TOP TUBE SPRT	1	518187
10	CVG708511	WASHER, FLAT 1/4" 18-8 SS	6	708511
11	CVG719375	WSHR, 5/16X0.75X0.040, F/W, 18-8S/S	34	719375
12	CVG719377	NUT, 5/16-18, L/N, NYL, NE, 18-8, S/S	30	719377
13	CVG719526	CAPLUG, 7/8 SQ, FP-165	8	719526
14	CVG719737	WASHER FLAT BLK DELRIN .375X1.5X.5	4	719737
15	CVG719876	NUT, 1/4-20, L/N, NYL, NE, 316, S/S	6	719876
16	CVG761292	SCR, 5/16-18X1.0, CARR, 18-8S/S	10	761292
17	CVG781739	SCR, 1/4-20 X 0.75, CARR, 18-8, S/S	6	781739
18	CVG782298	SCR, 5/16-18 X 2, HHCS, 18-8, S/S	8	782298
19	CVG782717	SCR, 5/16-18 X 3, HHCS, 18-8, S/S	4	782717
20	CVG783051	SCR, 5/16-18 X 1.75, CB, 18-8, SS	8	783051

NOTE: Items with * in tables indicates parts not shown in drawing

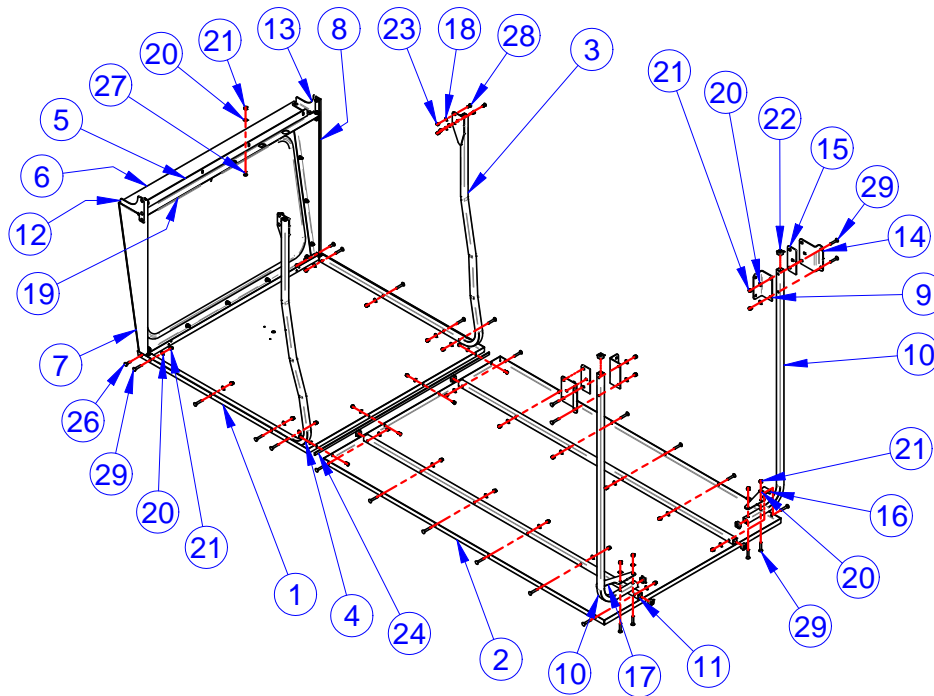
RACK, OPERATOR TOP



ITEM	CVG PN	DESCRIPTION	QTY	REF #
1	CVG515911	PANEL, FRONT, BC TOP	1	515911
2	CVG515912	PANEL, TOP, RH	1	515912
3	CVG515913	PANEL, TOP, LH	1	515913
4	CVG516235TB	BRKT, TOP SPRT, RH	1	516235
5	CVG516236TB	BRKT, TOP SPRT, LH	1	516236
6	CVG708511	WASHER, FLAT 1/4" 18-8 SS	29	708511
7	CVG719163	WEATHER STRIPPING, SELF-SEALING, 126" LG	11	719163
8	CVG719876	NUT, 1/4-20, L/N, NYL, NE, 316, S/S	27	719876
9	CVG468089	WINDSHIELD, GLASS, FR - MVP	1	760450
10	CVG761642	SCREW, 5/16-18-5/8, CARR, 18-8 SS	4	761642
11	CVG781739	SCR, 1/4-20 X 0.75, CARR, 18-8, S/S	22	781739

NOTE: Items with * in tables indicates parts not shown in drawing

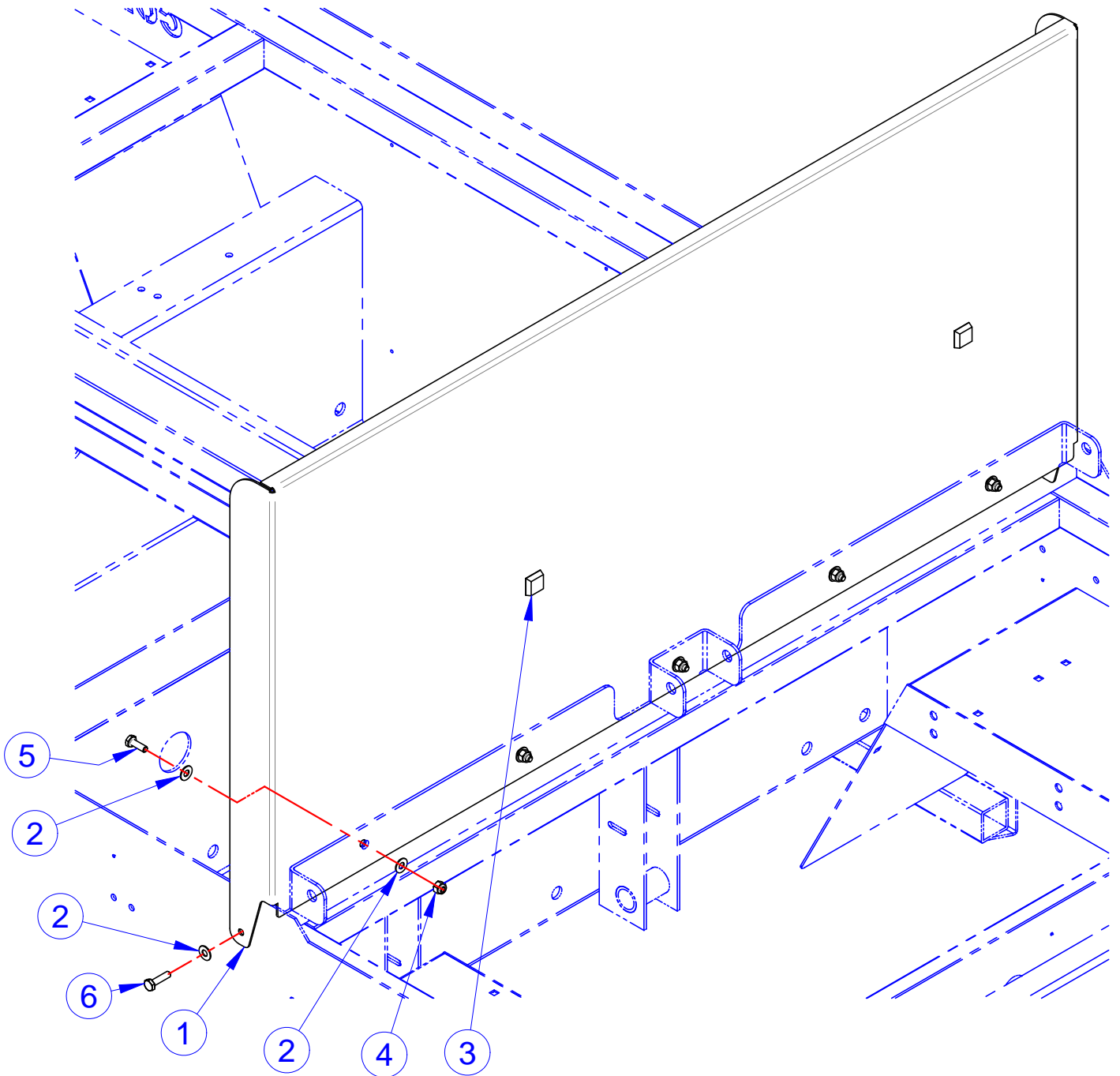
FULL TOP



ITEM	CVG PN	DESCRIPTION	QTY	REF #
1-25	CVG192752U	P&A, FULL TOP, BLK	KIT	192752A
1	CVG312256T	WLDMT, ROOF PANEL, BC TOP	1	312256
2	CVG312259T	WLDMT, EXT ROOF PANEL, BC TOP	1	312259
3	CVG314597T	WLDMT, OPERATOR TOP TUBE, LH, PL	1	314597
4	CVG314598T	WLDMT, OPERATOR TOP TUBE, RH, PL	1	314598
5	CVG511225	BRKT, ATTCHMT - CAB FRONT	1	511225
6	CVG515911	PANEL, FRONT, BC TOP	1	515911
7	CVG515912	PANEL, TOP, RH	1	515912
8	CVG515913	PANEL, TOP, LH	1	515913
9	CVG515918T	BRKT, REAR UPRIGHT, BC TOP	2	515918
10	CVG515919T	TUBE, REAR UPRIGHT, BC TOP	2	515919
11	CVG515921T	TUBE, EXT ROOF, BC TOP	2	515921
12	CVG516235T	BRKT, TOP SPRT, RH	1	516235
13	CVG516236T	BRKT, TOP SPRT, LH	1	516236
14	CVG518186T	BRKT, CARGO TOP TUBE SPRT	2	518186
15	CVG518187T	SPACER, CARGO TOP TUBE SPRT	2	518187
16	CVG518188T	BRKT, CARGO TOP SPRT, LH	1	518188
17	CVG518189T	BRKT, CARGO TOP SPRT, RH	1	518189
18	CVG708511	WASHER, FLAT, 1/4", 18-8SS	35	708511
19	CVG719163	WEATHER STRIPPING, SELF-SEALING, 126" LG	10.5	719163
20	CVG719375	WSHR, 5/16X0.750X0.040, F/W, 18-8S/S	48	719375
21	CVG719377	NUT, 5/16-18, L/N, NYL, NE, 18-8SS	48	719377
22	CVG719526	CAPLUG, 7/8 SQ, FP-165	12	719526
23	CVG719876	NUT, 1/4-20, L/N, NYL, NE, 316, S/S	35	719876
24	CVG739272	TAPE, FOAM, 1/8 X 1/2, 45" LONG	3.75	739272
25*	CVG468089	WINDSHIELD, GLASS, FR - MVP	1	760450
26	CVG761292	SCR, 5/16-18X1.0, CARR, 18-8S/S	16	761292
27	CVG761642	SCREW, 5/16-18-5/8, CARR, 18-8 SS	4	761642
28	CVG781739	SCR, 1/4-20 X 0.75, CARR, 18-8, S/S	35	781739
29	CVG783051	SCR, 5/16-18 X 1.75, CB, 18-8, SS	28	783051

NOTE: Items with * in tables indicates parts not shown in drawing

STEEL BULKHEAD



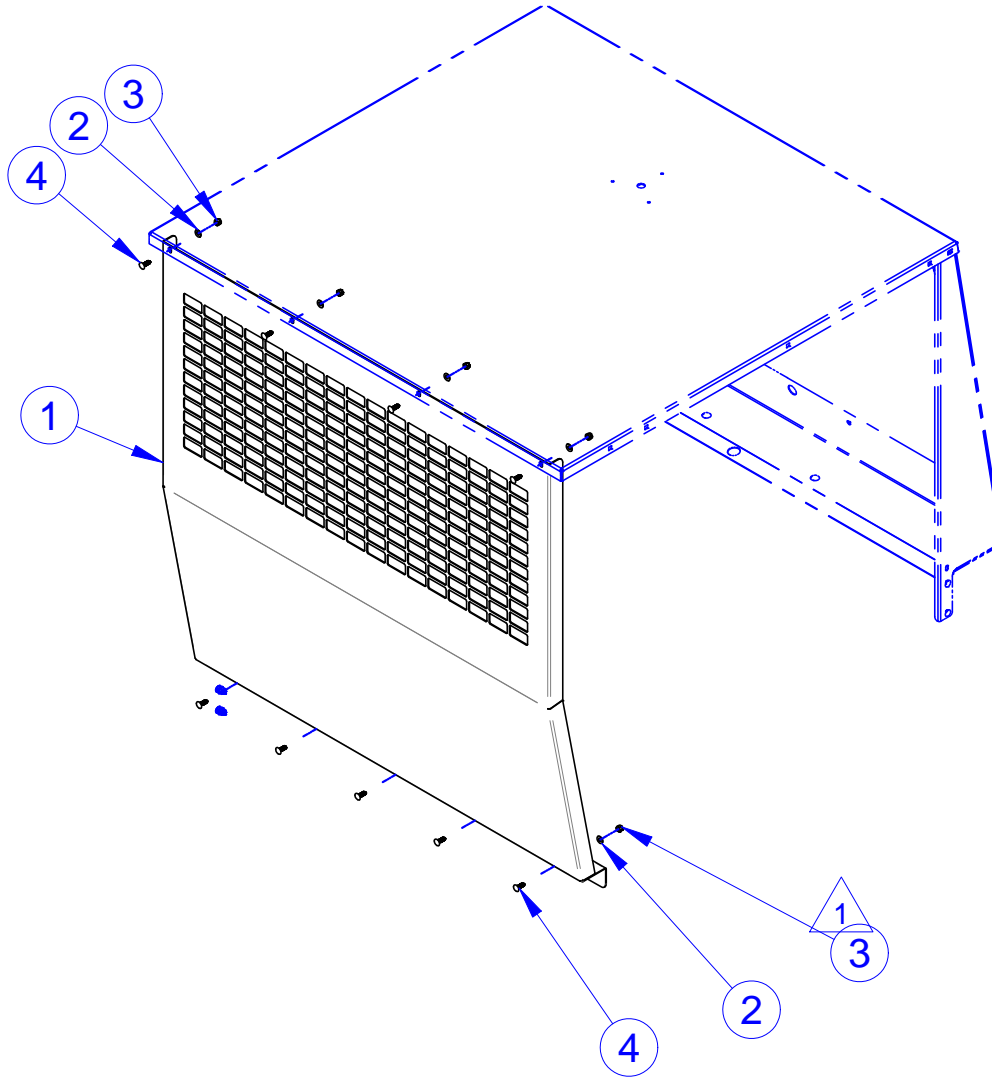
ITEM	CVG PN	DESCRIPTION	QTY	REF #
1-5	CVG191422U	P&A KIT, PL BULKHEAD	KIT	191422A
1	CVG310731TB	PANEL, BULKHEAD, PL	1	310731
2	CVG708511	WASHER, FLAT, 1/4", 18-8SS	12	708511
3	CVG719738	BUMPER BLACK 3M#SJ5023	2	719738
4	CVG719876	NUT, 1/4-20, L/N, NYL, NE, 316, S/S	5	719876
5	CVG782784	SCREW, 1/4-20X3/4, HHCS, 18-8SS	5	782784
6	CVG782785	SCREW, 1/4-20X1.0, HHCS, 18-8SS	2	782785

NOTE: Items with * in tables indicates parts not shown in drawing

Columbia Vehicle Group, Inc.
A Nordic Group Company | Business Ventures Since 1947



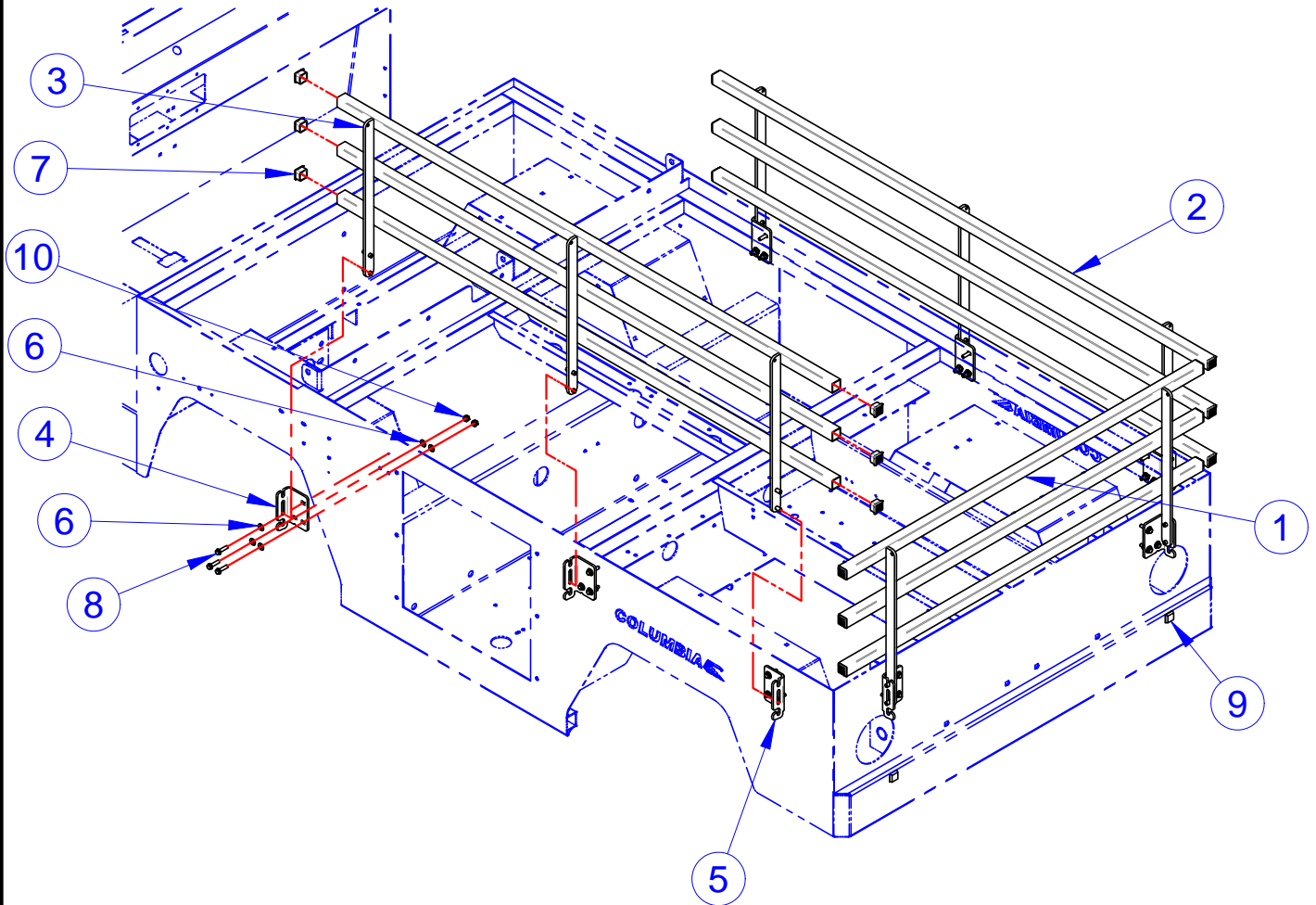
BULKHEAD/ REAR SCREEN



ITEM	CVG PN	DESCRIPTION	QTY	REF #
1	NONE	WLDMT, BULKHEAD, BC TOP	1	312260
2	CVG708511	WASHER, FLAT, 1/4", 18-8SS	9	708511
3	CVG719876	NUT, 1/4-20, L/N, NYL, NE, 316, S/S	9	719876
4	CVG781739	SCR, 1/4-20 X 0.75, CARR, 18-8, S/S	9	781739

NOTE: Items with * in tables indicates parts not shown in drawing

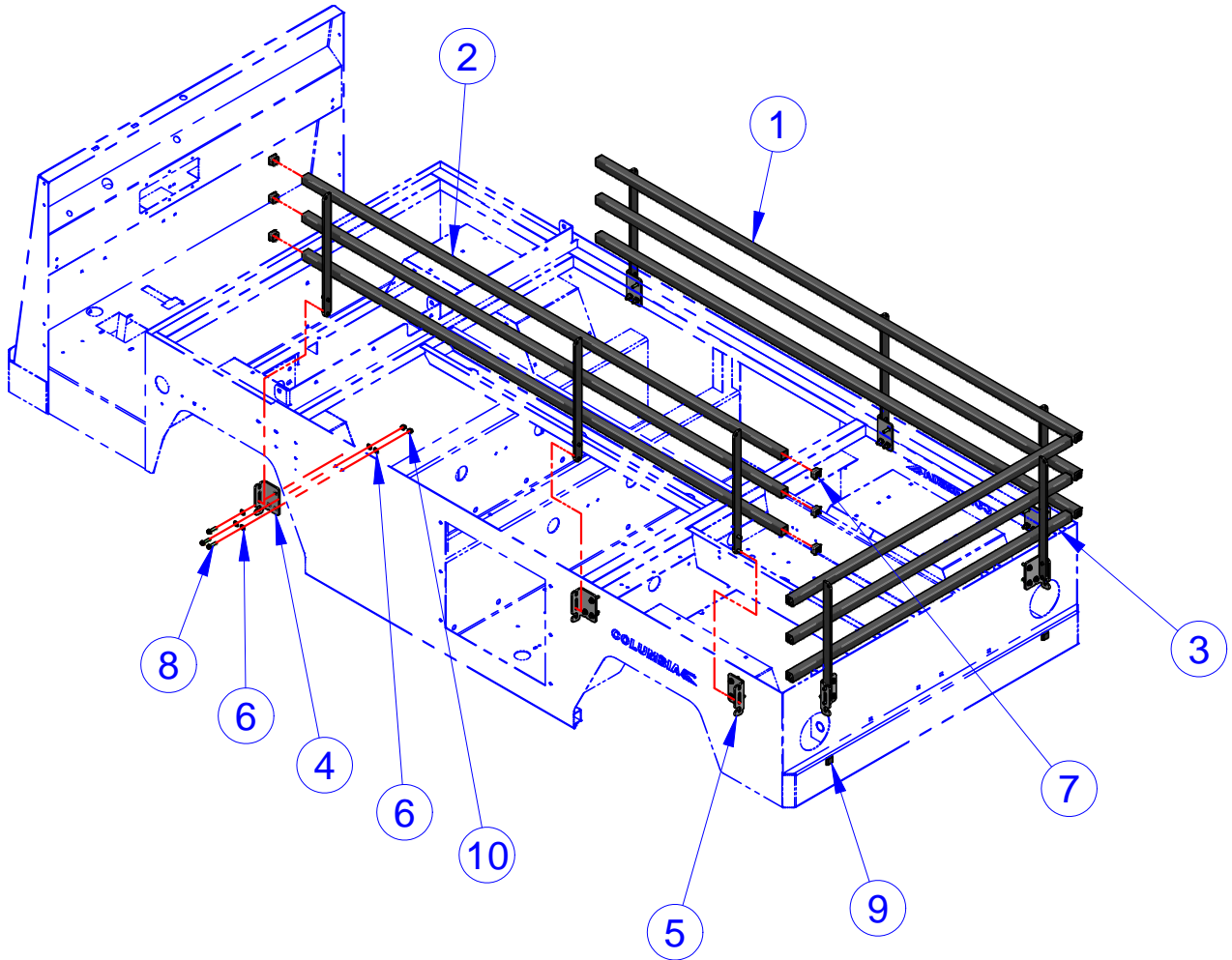
13" FOLDING SIDES, SHORT



ITEM	CVG PN	DESCRIPTION	QTY	REF #
1-10	CVG192383U	P&A KIT, BC-S 13" STL FOLDING SIDES	KIT	192383
1	CVG310680TB	WLDMT, BC FOLDING TAILGATE	1	310680
2	CVG310823TB	WLDMT, BC-S RH FOLDING SIDE	1	310823
3	CVG310824TB	WLDMT, BC-S LH FOLDING SIDE	1	310824
4	CVG515771TB	PLATE, MTG-A, RAIL	4	515771
5	CVG515772TB	PLATE, MTG-B, RAIL	4	515772
6	CVG708511	WASHER, FLAT, 1/4", 18-8SS	40	708511
7	CVG719526	CAPLUG, 7/8 SQ, FP-165	18	719526
8	CVG719560	SCREW, HX HD, .25 x 1, THRD FRMNG	24	719560
9	CVG719738	BUMPER BLACK 3M#SJ5023	2	719738
10	CVG719876	NUT, 1/4-20, L/N, NYL, NE, 316, S/S	16	719876

NOTE: Items with * in tables indicates parts not shown in drawing

13" FOLDING SIDES, LONG



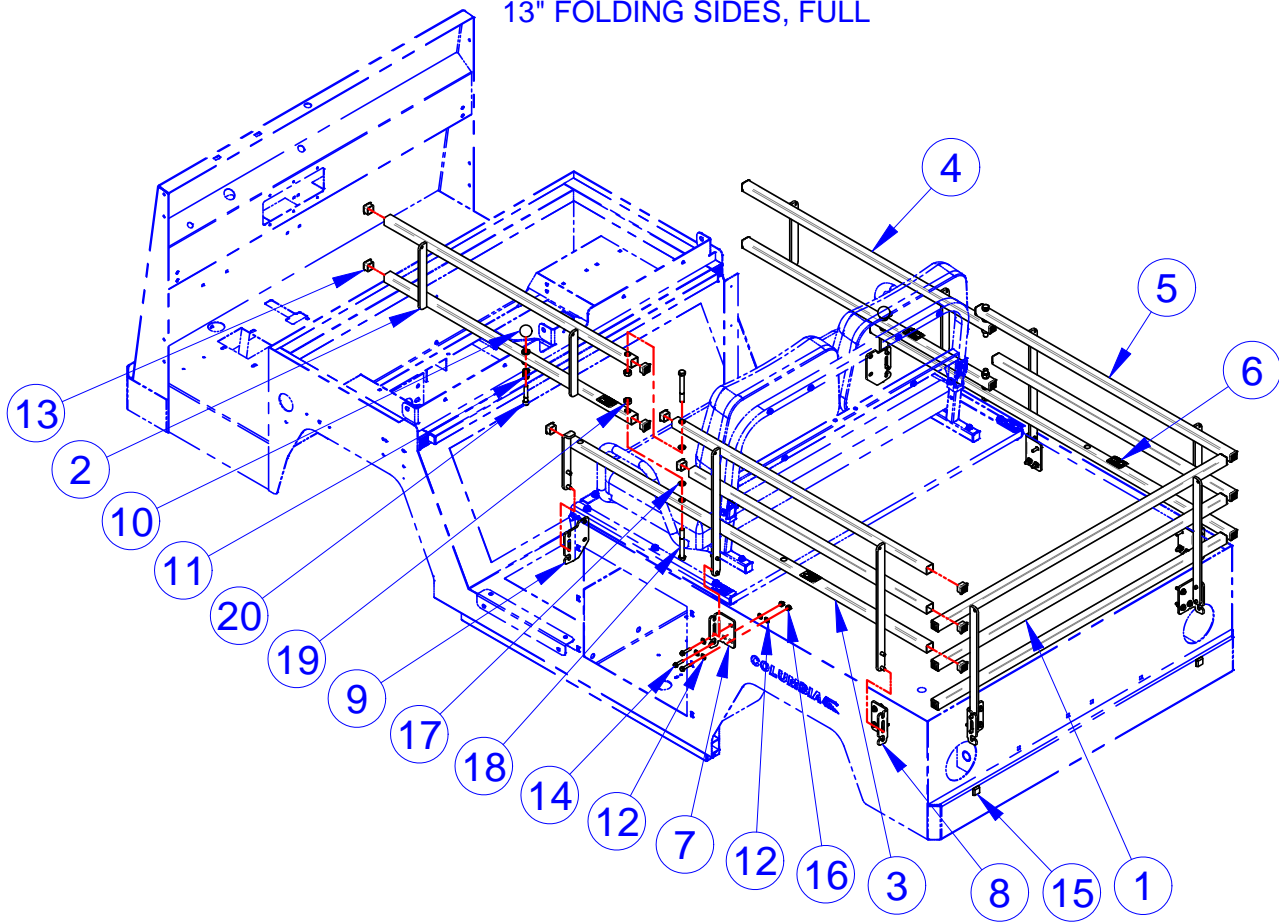
ITEM	CVG PN	DESCRIPTION	QTY	REF #
1-10	CVG192384U	P&A KIT, PL-L 13" STL FOLDING SIDES	KIT	192384
1	CVG310678TB	WLDMT, BC-L RH FOLDING SIDE	1	310678
2	CVG310679TB	WLDMT, BC-L LH FOLDING SIDE	1	310679
3	CVG310680TB	WLDMT, BC FOLDING TAILGATE	1	310680
4	CVG515771TB	PLATE, MTG-A, RAIL	4	515771
5	CVG515772TB	PLATE, MTG-B, RAIL	4	515772
6	CVG708511	WASHER, FLAT, 1/4", 18-8SS	40	708511
7	CVG719526	CAPLUG, 7/8 SQ, FP-165	18	719526
8	CVG719560	SCREW, HX HD, .25 x 1, THRD FRMING	24	719560
9	CVG719738	BUMPER BLACK 3M#SJ5023	2	719738
10	CVG719876	NUT, 1/4-20, L/N, NYL, NE, 316, S/S	16	719876

NOTE: Items with * in tables indicates parts not shown in drawing

Columbia Vehicle Group, Inc.
A Nordic Group Company | Business Ventures Since 1947



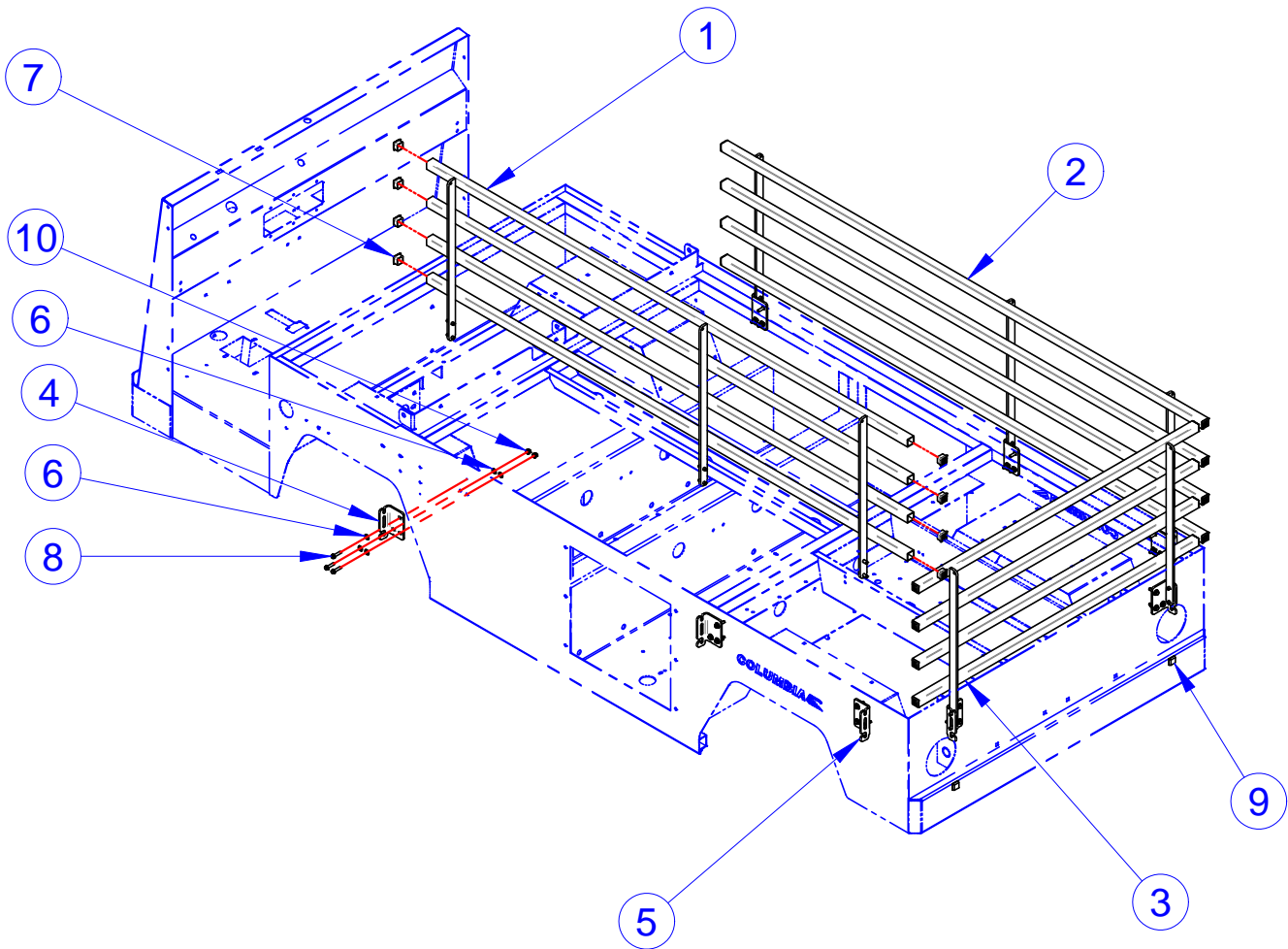
13" FOLDING SIDES, FULL



ITEM	CVG PN	DESCRIPTION	QTY	REF #
1-20	CVG192738U	P&A KIT, PL-2ND 13"STL FOLDNG SIDES	KIT	192738
1	CVG310680TB	WLDMT, BC FOLDING TAILGATE	1	310680
2	CVG312238TB	WLDMT, BC-2ND LF RAIL	1	312238
3	CVG312239TB	WLDMT, LR RAIL, BC-2ND	1	312239
4	CVG312240TB	WLDMT, BC-2ND RF RAIL	1	312240
5	CVG312241TB	WLDMT, RR RAIL, BC-2ND	1	312241
6	CVG507980	PINCH WARNING	4	507980
7	CVG515771TB	PLATE, MTG-A, RAIL	3	515771
8	CVG515772TB	PLATE, MTG-B, RAIL	3	515772
9	CVG515893	PLATE, MTG, BC-2ND SIDE RAILS	2	515893
10	CVG707783	KNOB, 1 1/4" BALL, 3/8-16 THD	2	707783
11	CVG708058	SPRING COMPRESSION .48ID 1.25LG MUS	2	708058
12	CVG708511	WASHER, FLAT, 1/4", 18-8SS	30	708511
13	CVG719526	CAPLUG, 7/8 SQ, FP-165	26	719526
14	CVG719560	SCREW, HX HD, .25 x 1, THRD FRMING	18	719560
15	CVG719738	BUMPER BLACK 3M#SJ5023	2	719738
16	CVG719876	NUT, 1/4-20, L/N, NYL, NE, 316, S/S	12	719876
17	CVG782003	WASHER, 0.440 X 0.750 X 0.093, F/W, BLK NYL	4	782003
18	CVG782798	SCREW, 7/16-20X3-1/2, HHCS, 18-8 SS	4	782798
19	CVG782801	NUT, 7/16-20, NYLOCK, NE, SS	4	782801
20	CVG782804	SCREW, 3/8-16X2, SHCS, 18-8 SS	2	782804

NOTE: Items with * in tables indicates parts not shown in drawing

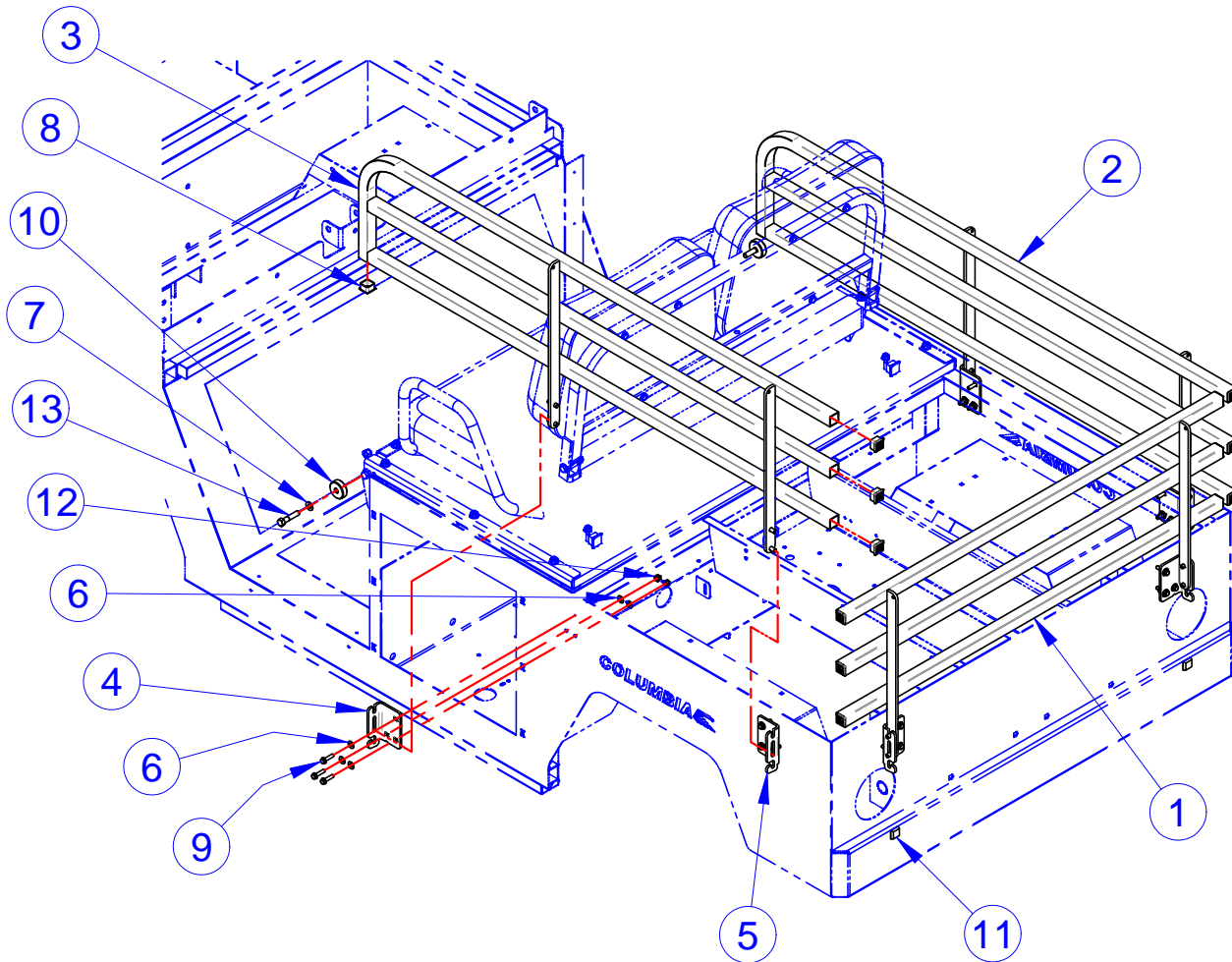
18" FOLDING SIDES



ITEM	CVG PN	DESCRIPTION	QTY	REF #
1-10	CVG192730U	P&A KIT, PL-L 18" STL FOLDING SIDES	KIT	192730
1	CVG312217TB	WLDMT, BC-L 18" LH FOLDING SIDE	1	312217
2	CVG312218TB	WLDMT, BC-L 18" RH FOLDING SIDE	1	312218
3	CVG312219TB	WLDMT, BC 18" FOLDING TAILGATE	1	312219
4	CVG515771TB	PLATE, MTG-A, RAIL	4	515771
5	CVG515772TB	PLATE, MTG-B, RAIL	4	515772
6	CVG708511	WASHER, FLAT, 1/4", 18-8SS	40	708511
7	CVG719526	CAPLUG, 7/8 SQ, FP-165	24	719526
8	CVG719560	SCREW, HX HD, .25 x 1, THRD FRMING	24	719560
9	CVG719738	BUMPER BLACK 3M#SJ5023	2	719738
10	CVG719876	NUT, 1/4-20, L/N, NYL, NE, 316, S/S	16	719876

NOTE: Items with * in tables indicates parts not shown in drawing

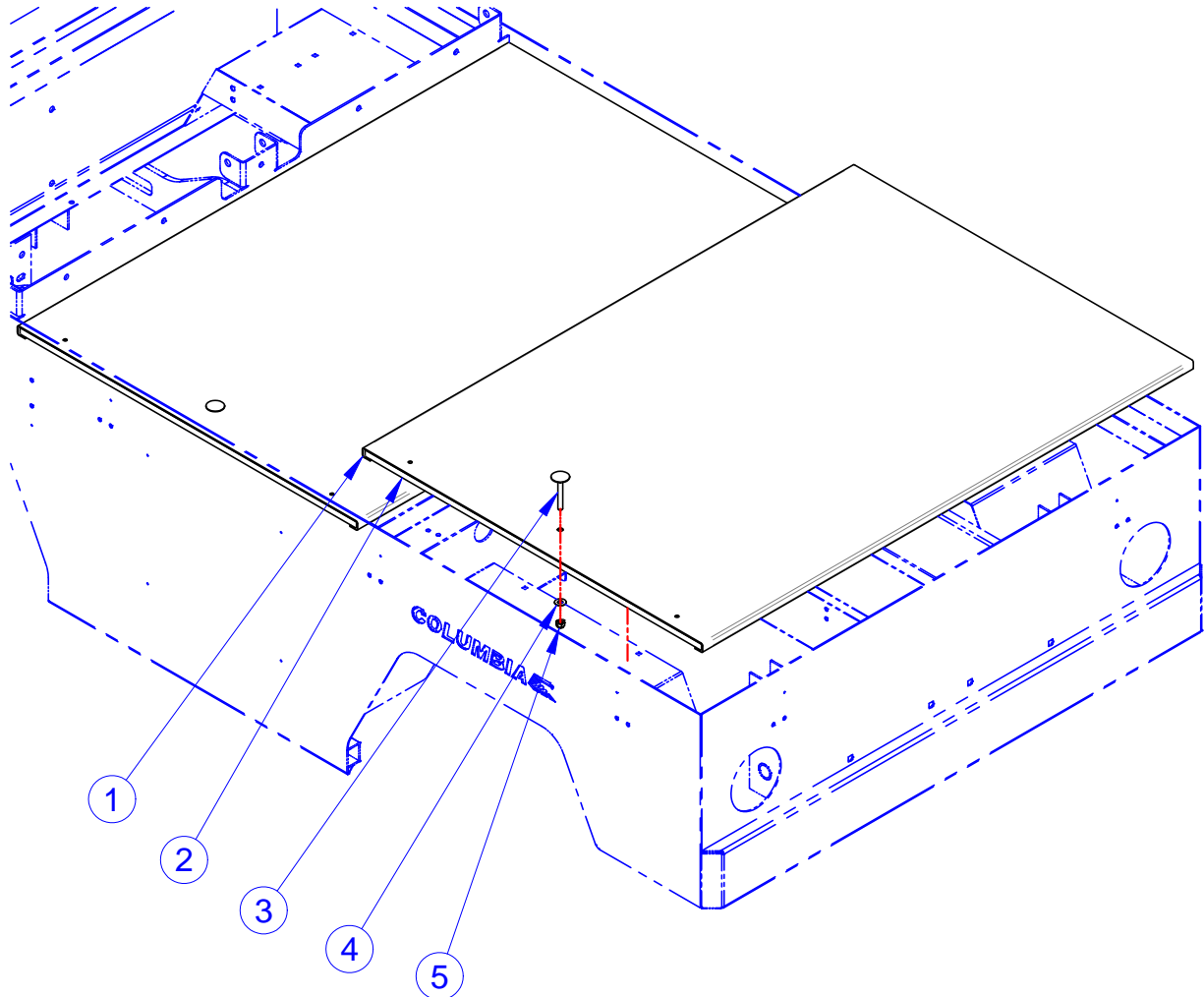
13" FOLDING SIDES WITH FOLDING 2ND ROW



ITEM	CVG PN	DESCRIPTION	QTY	REF #
1-13	CVG192385	P&A KIT, BC-2ND 13"STL FOLDNG SIDES	KIT	192385
1	CVG310680TB	WLDMT, BC FOLDING TAILGATE	1	310680
2	CVG310825	WLDMT, BC 2ND RH FOLDING SIDE	1	310825
3	CVG310826	WLDMT, BC 2ND LH FOLDING SIDE	1	310826
4	CVG515771TB	PLATE, MTG-A, RAIL	3	515771
5	CVG515772TB	PLATE, MTG-B, RAIL	3	515772
6	CVG708511	WASHER, FLAT, 1/4", 18-8SS	30	708511
7	CVG719375	WSHR,5/16X0.750X0.040,F/W,18-8S/S	2	719375
8	CVG719526	CAPLUG, 7/8 SQ, FP-165	14	719526
9	CVG719560	SCREW, HX HD, .25 x 1, THRD FRMING	18	719560
10	CVG719737	WASHER FLAT BLK DELRIN .375X1.5X.5	2	719737
11	CVG719738	BUMPER BLACK 3M#SJ5023	2	719738
12	CVG719876	NUT, 1/4-20, L/N, NYL, NE, 316, S/S	12	719876
13	CVG781788	SCREW,3/8-16X1-3/4,HHCS,18-8 SS	2	781788

NOTE: Items with * in tables indicates parts not shown in drawing

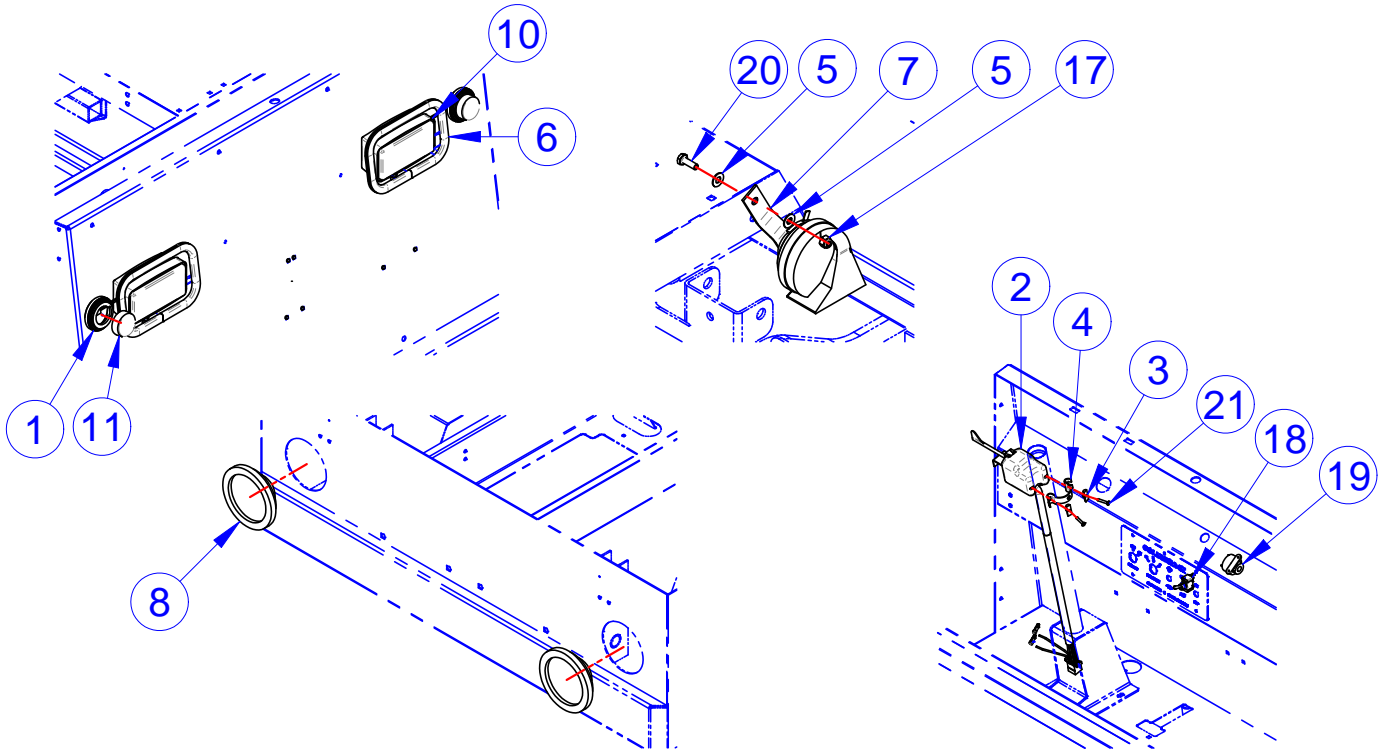
STEEL WRAPPED DECK BOARD



ITEM	CVG PN	DESCRIPTION	QTY	REF #
1-5	CVG190618U	P&A KIT, BC-S STEEL WRAPPED DECK	KIT	190618A
1	CVG509377	DECK BOARD COVER, SHORT	2	509377
2	CVG510368	DECK BOARD, 30.25 X 44.00	2	510368
3	CVG709418	SCREW, 5/16-18 X 2 1/2< ELV BOLT, UNPLT	2	709418
4	CVG719375	WSHR,5/16X0.750X0.040,F/W,18-8S/S	2	719375
5	CVG719377	NUT, 5/16-18, L/N, NYL, NE, 18-8SS	2	719377

NOTE: Items with * in tables indicates parts not shown in drawing

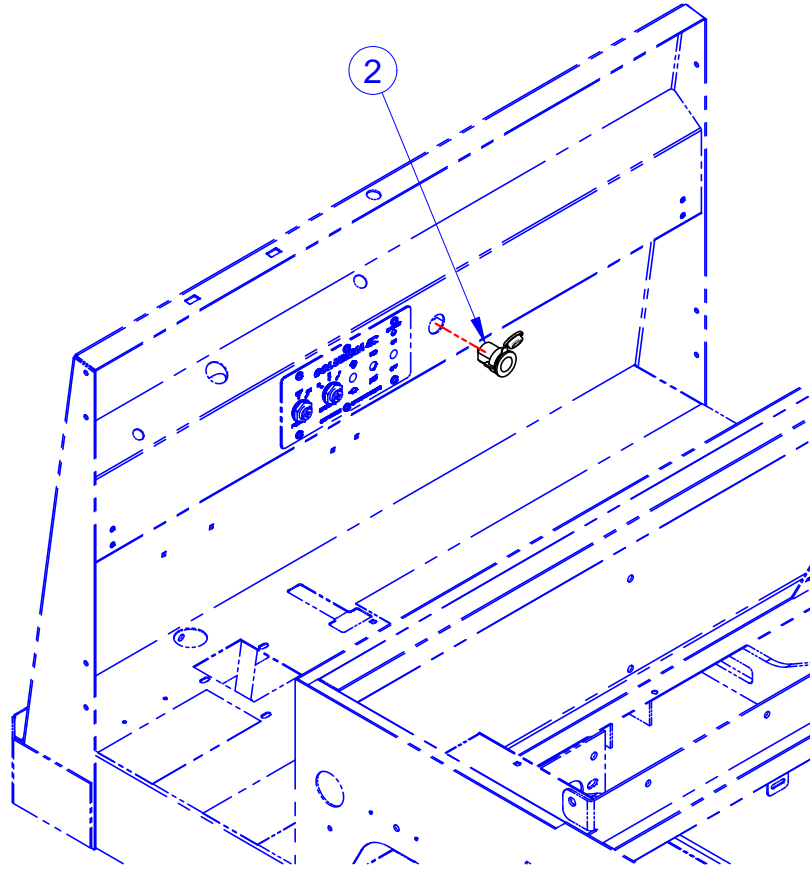
DELUXE LIGHTS & HORN



ITEM	CVG PN	DESCRIPTION	QTY	REF #
1	CVG463979	ASM, TRN LT PIGTAIL W/GROMMET	2	463979
2	CVG467279	ASSY, TURN SWITCH W/ BRKT W/O GROMMET	1	467279
3	CVG467385	PAINTED ROCKER, TURN SWITCH BRACKET	2	467385
4	CVG513705	CVG TURN SWITCH BRACKET	1	513705
5	CVG708511	WASHER, FLAT, 1/4", 18-8SS	2	708511
6	CVG709013	TRIM, PINCH WELT, 3/32", BLK	1	709013
7	CVG709089	HORN,12V (2 TERMINAL)	1	709089
8	CVG709109	4"RND TAIL LAMP ASSY W/PLUG, SEAL	2	709109
9*	CVG709252	WIRE HARNESS,BC,12V,ACC	1	709252
10	CVG709389	HEADLIGHT	2	709389
11	CVG709488	LIGHT, 2" AMBER	2	709488
12*	CVG709783	FOAM TAPE, 1/8 X 1	1	709783
13*	CVG719366	FLASHER, LED LIGHTS	1	719366
14*	CVG719502	CABLE TIE, BLACK 4"	7	719502
15*	CVG719503	CABLE TIE MNT BRKT BLACK W/3M	2	719503
16*	CVG719504	CABLE TIE,BLACK,.18X11-3/4,STD,50LB	6	719504
17	CVG719876	NUT, 1/4-20, L/N, NYL, NE, 316, S/S	1	719876
18	CVG760600	SWITCH, TOGGLE, LIGHTS ON-OFF	1	760600
19	CVG761720	BUZZER, REVERSE, CONT	1	761720
20	CVG782784	SCREW,1/4-20X3/4,HHCS,18-8SS	1	782784
21	CVG782885	SCR, #8-32 X 1, PFH, M/S, 18-8, S/S	2	782885

NOTE: Items with * in tables indicates parts not shown in drawing

12V OUTLET



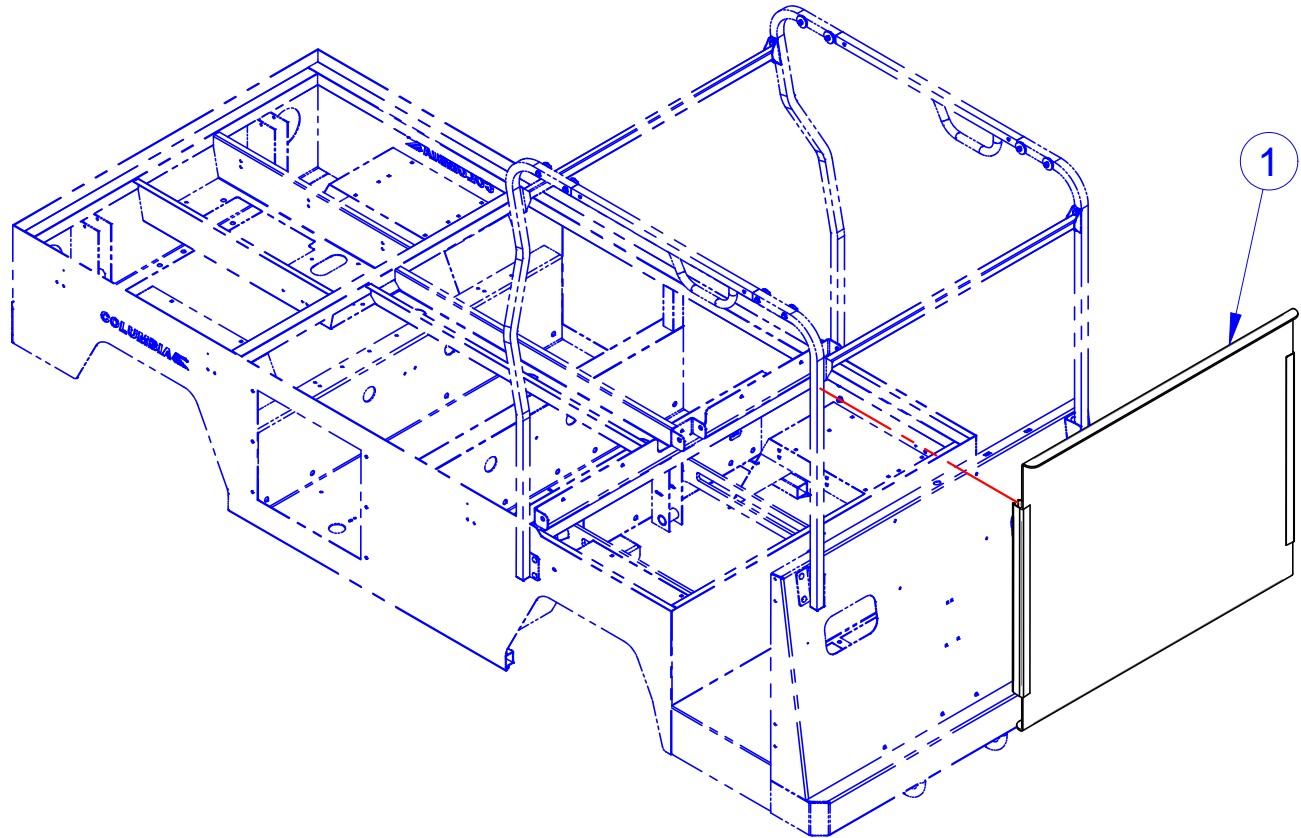
ITEM	CVG PN	DESCRIPTION	QTY	REF #
1-2	CVG191728U	P&A KIT, BC 12V OUTLET	KIT	191728A
1*	CVG467619	HARNESS, BC 12V OUTLET	1	467619
2	CVG719342	RECEPTACLE, 12V, COVERED	1	719342

NOTE: Items with * in tables indicates parts not shown in drawing

Columbia Vehicle Group, Inc.
A Nordic Group Company | Business Ventures Since 1947



WINDSHIELD, ACRYLIC, TINTED



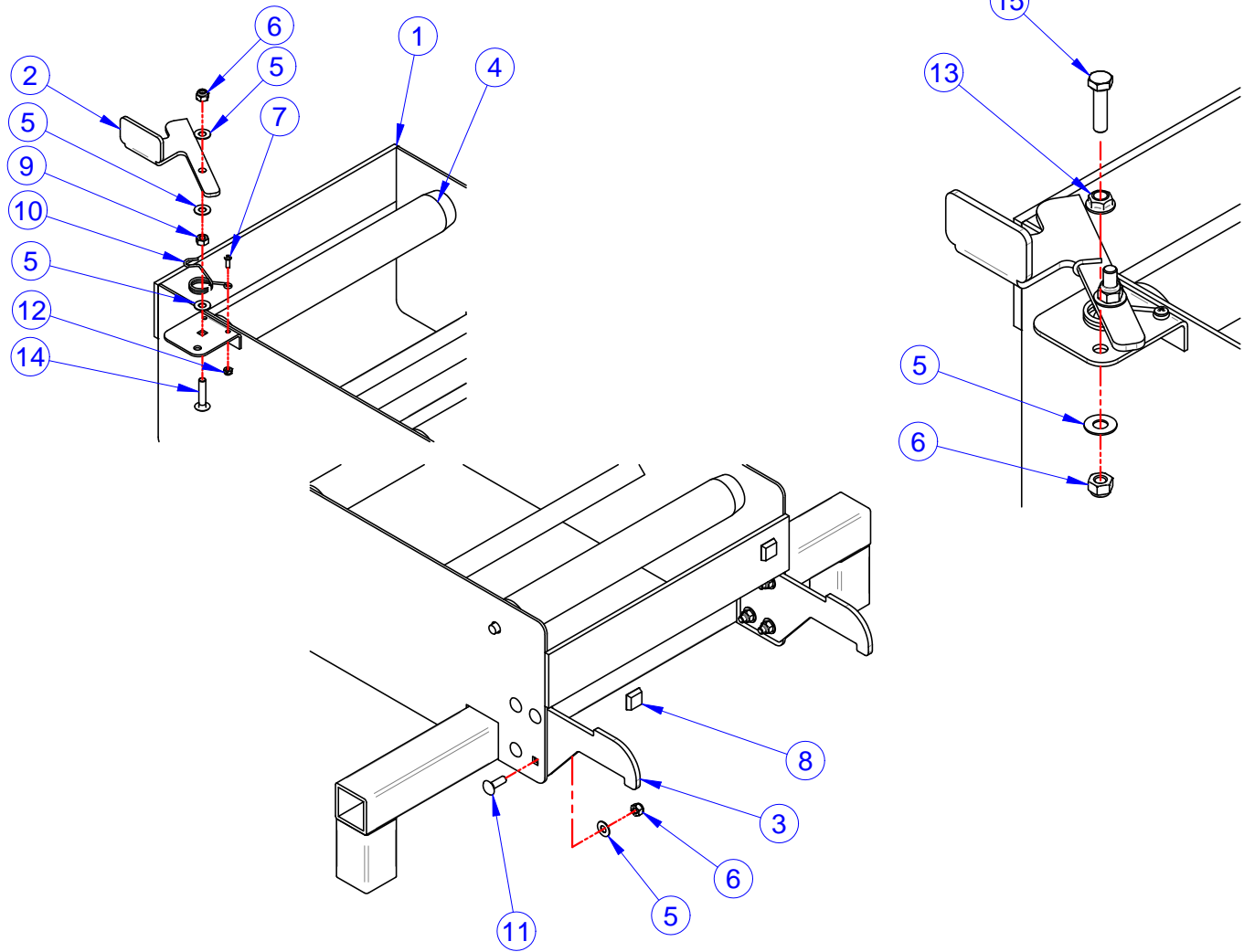
ITEM	CVG PN	DESCRIPTION	QTY	REF #
1	CVG760949	WINDSHIELD, BC, TINTED ACRYLIC	1	760949

NOTE: Items with * in tables indicates parts not shown in drawing

Columbia Vehicle Group, Inc.
A Nordic Group Company | Business Ventures Since 1947



TRANSFER STAND



ITEM	CVG PN	DESCRIPTION	QTY	REF #
1	NONE	TRANSFER STAND, BATTERY - BC	1	310248
2	NONE	LATCH, SAFETY, X-FER STAND	1	513397
3	NONE	CATCH, BC X-FER STAND	2	513683
4	CVG719156	ROLLER, GRAVITY - 15.25"	4	719156
5	CVG719375	WSHR,5/16X0.750X0.040,F/W,18-8S/S	12	719375
6	CVG719377	NUT, 5/16-18, L/N, NYL, NE, 18-8SS	10	719377
7	CVG719571	SCREW,#8-32X1/2,PPH,M/S,18-8,S/S	1	719571
8	CVG719738	BUMPER BLACK 3M#SJ5023	2	719738
9	CVG719896	NUT,5/16-18,HEX,FULL-FINISH,G2,BLK MAX	1	719896
10	CVG729083	SPRING ROTARY SWITCH	1	729083
11	CVG761292	SCR,5/16-18X1.0,CARR,18-8S/S	8	761292
12	CVG761630	NUT, #8-32, NILN, 18-8, SS	1	761630
13	CVG781694	NUT, 5/16-18 HEX, FLANGE, SERR, S/S	1	781694
14	CVG781787	SCREW,5/16-18X1-1/2,CARR,18-8 SS	1	781787
15	CVG782841	SCREW,5/16-18X1-1/4,HHCS, 18-8SS	1	782841

NOTE: Items with * in tables indicates parts not shown in drawing

NOTE: Items with * in tables indicates parts not shown in drawing

Columbia Vehicle Group, Inc.

A Nordic Group Company | Business Ventures Since 1947



COLUMBIA



TOMBERLIN