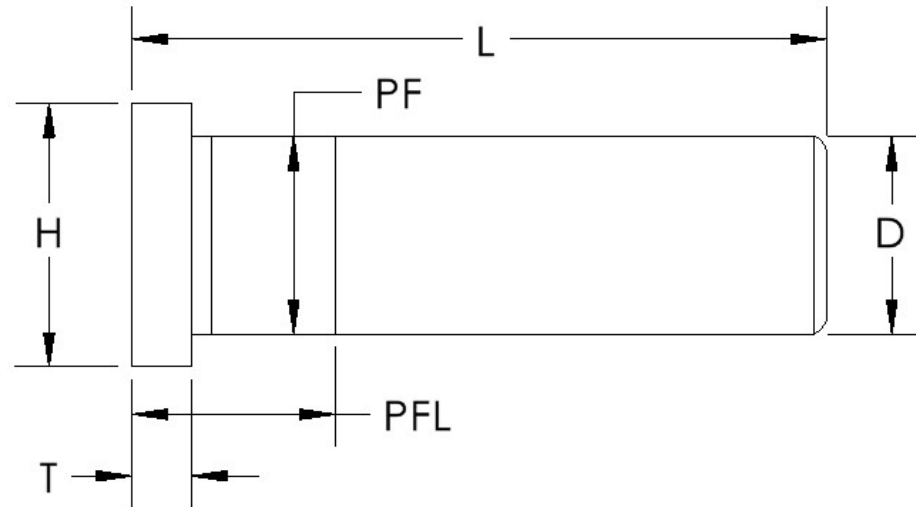



Straight Leader Pin

Standard Tolerances	
Head Diameter (H)	+0.000 -0.010
Head Thickness (T)	+0.000 -0.005
Pin Diameter (D)	+0.0000 -0.0005
Overall Length (L)	+0.030 -0.060
Press Fit Diameter (PF)	+0.0005 -0.0000



Raidus Angle Pin Design Table: Enter Custom Dimensions Below		Requested Tolerances
Pin Diameter (D)		
Head Diameter (H)		
Head Radius (R)		
Press Fit Diameter (PF)		
Press Fit Length (PFL)		
Overall Length (L)		
Quantity		N/A
Material		N/A
Hardness		N/A

M
C



sales@moldcomponentsllc.com