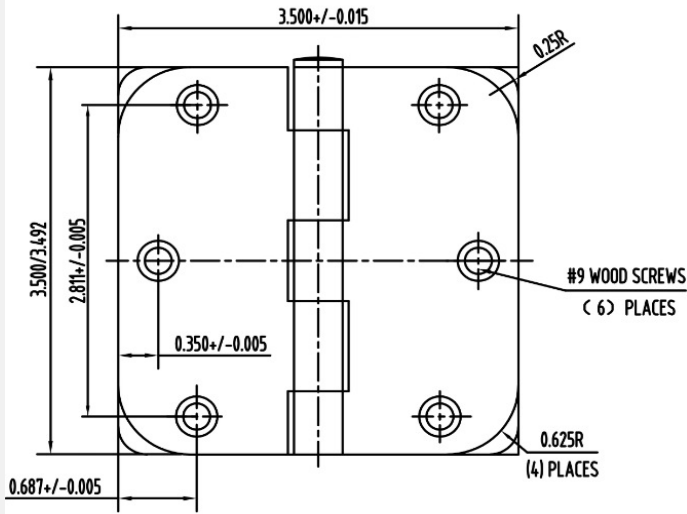
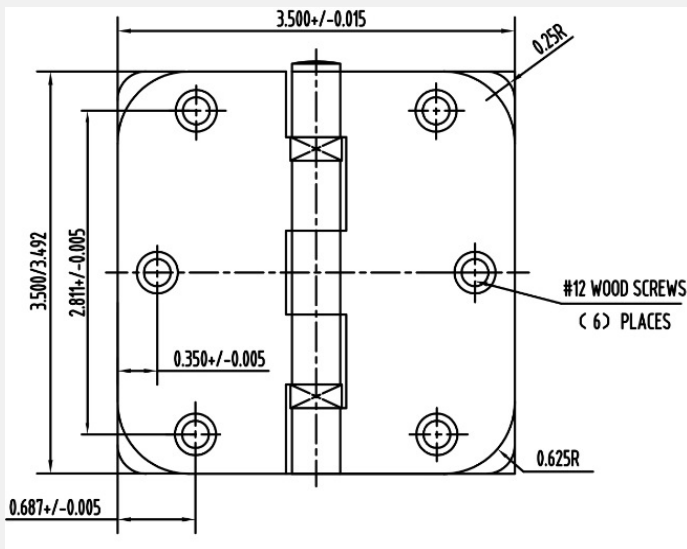


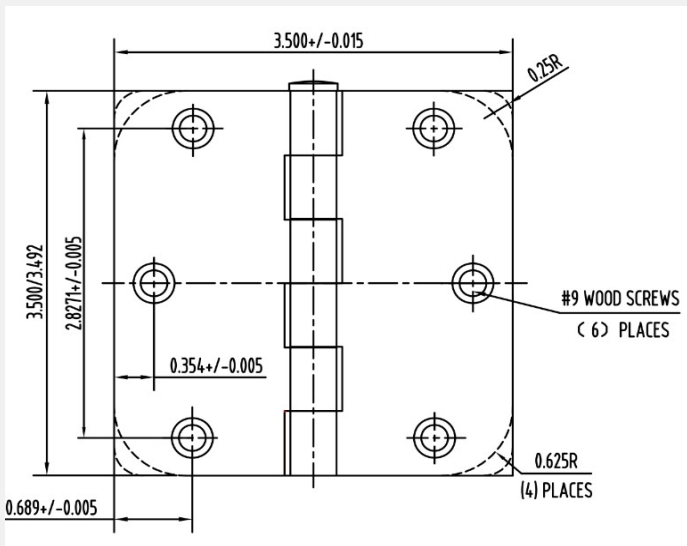
CAD Drawing & Sample Items

VP21-3.5"x2.2mm


Corner	Finish	Item#
5/8R	US2D	52163
5/8R	US3/4	42165
5/8R	US15	52152
1/4R	US26D	42149
1/4R	US15	42138
SQxSQ	US10C	42168

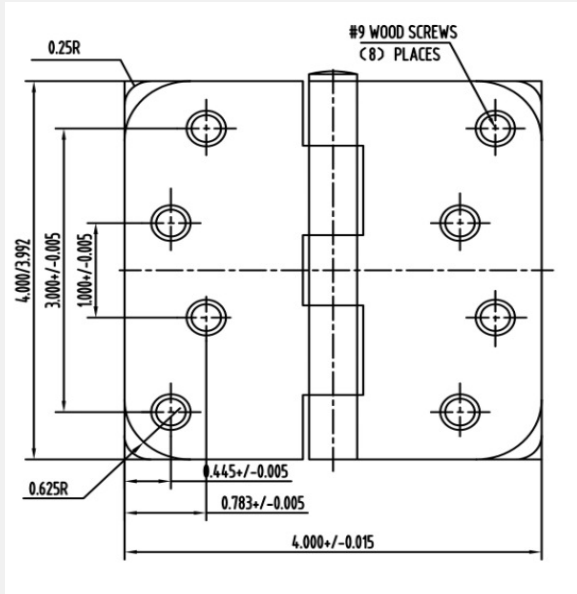

VP21-ABB-3.5"x2.2mm

Corner	Finish	Item#
5/8R	US3	42140
5/8R	US5	42171
5/8R	US15	42154
5/8R	US10C	42142
5/8R	US10R	42177


VP24-6Knuckle-3.5"x2.2mm

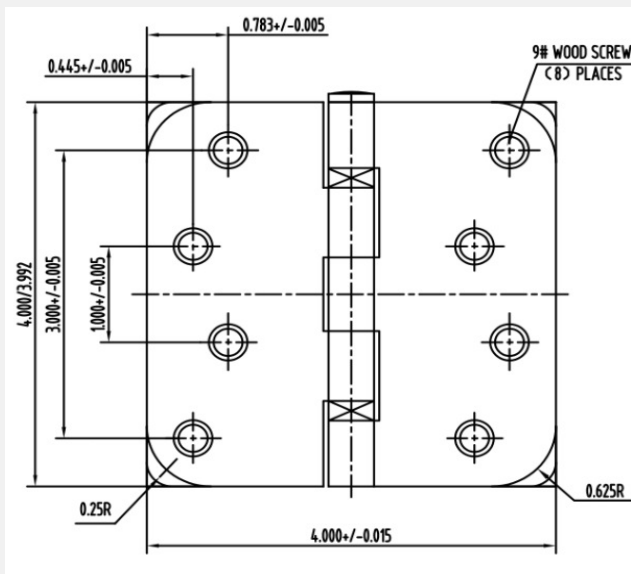
Corner	Finish	Item#
5/8R	US10C	52604
5/8R	US15	52601
5/8R	US3/4	52450
5/8R	US3/4	52452-UA
5/8R	US26D	52608

CAD Drawing & Sample Items


VP31-4"x2.2mm

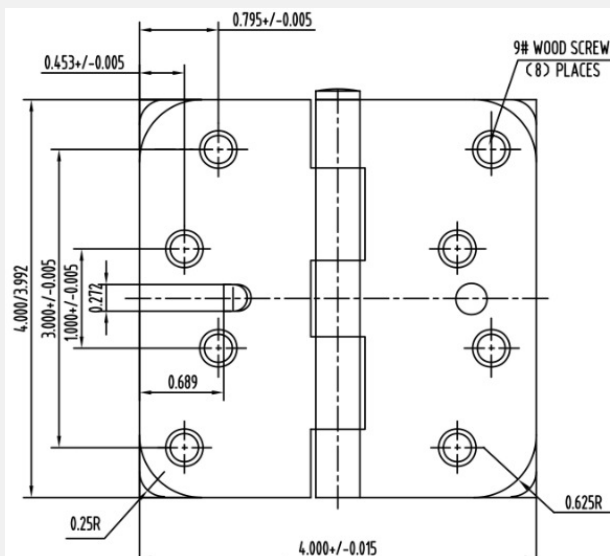
Corner	Finish	Item#
5/8R	US2D	53151
5/8R	US5	53146
5/8R	US15	53190
1/4R	US10C	53878
1/4R	US15	53127

* General Hole Pattern


VP31-ABB-4"x2.2mm

Corner	Finish	Item#
5/8R	US15S	43215
5/8R	US15A	43180
5/8R	US2D	53176
5/8R	US10C	43194
5/8R	US26	43200

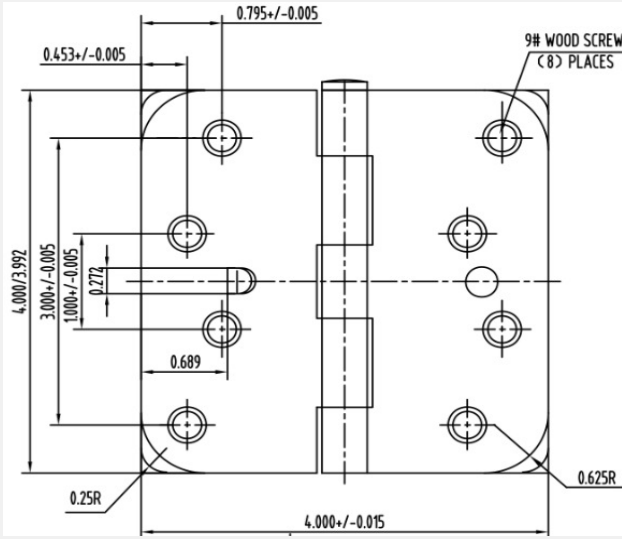
* General Hole Pattern


VP31-SB & NRP-4"x2.2mm

Corner	Finish	Item#
5/8R	USPP	53307-SB
5/8R	US2D	53196-NRP
1/4R	US15	43174-NRP
5/8RxSQ	US10B	53865-LH
5/8RxSQ	US10B	53866-RH

* General Hole Pattern

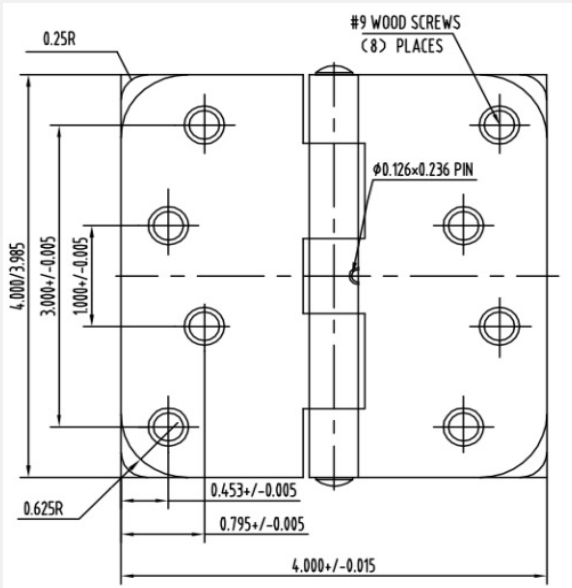
CAD Drawing & Sample Items



VP52-SB-4"x2.5mm

Corner	Finish	Item#
5/8R	US15S	45314
5/8R	US26	45320-ABB
5/8RxSQ	US2D	45208-LH
5/8RxSQ	US2D	45209-RH
5/8RxSQ	US2D	45210-UA

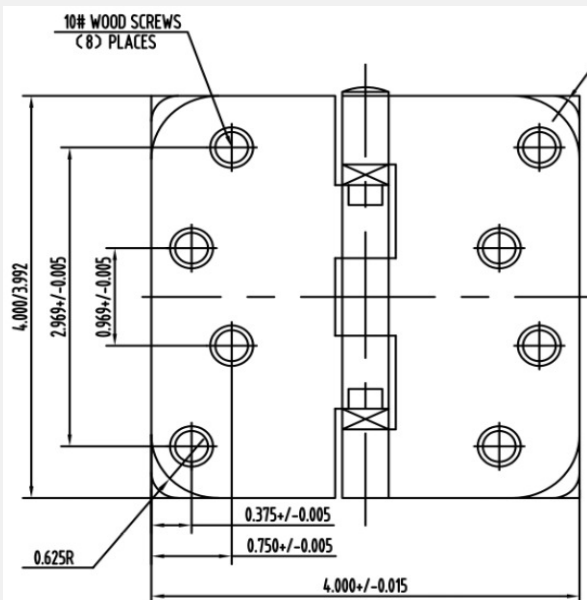
* General Hole Pattern



VP52-NRP-4"x2.5mm

Corner	Finish	Item#
5/8R	US10C	55550
5/8R	US15	55339
5/8RxSQ	US10C	45207
5/8RxSQ	US2D	45228
5/8RxSQ	US15	55361

* General Hole Patten

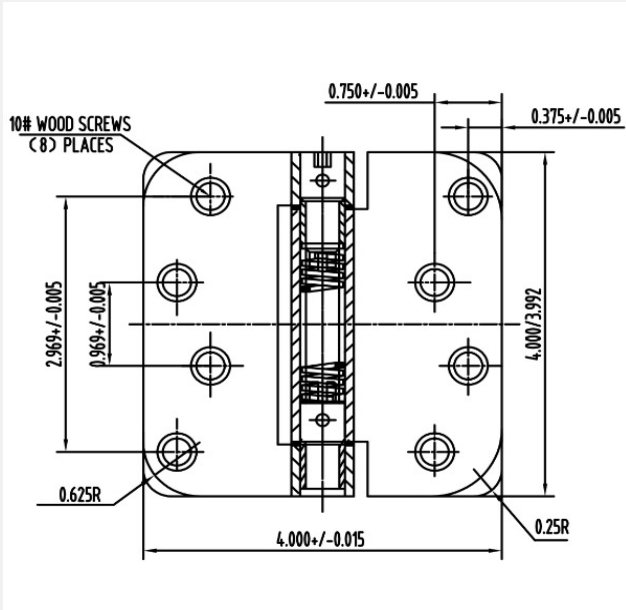


VP60-ABB-4"x2.5mm

Corner	Finish	Item#
5/8RxSQ	US2D	55995-LH
5/8RxSQ	US2D	55996-RH
5/8RxSQ	US15S	46195-LH
5/8RxSQ	US15S	46196-RH

** Castlegate Hole Patten

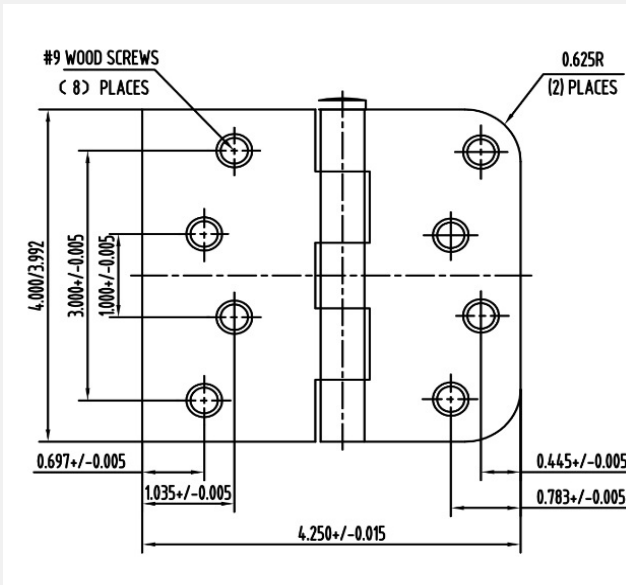
CAD Drawing & Sample Items



VP80-Spring-4"x2.5mm

Corner	Finish	Item#
5/8R	US10C	48003
5/8R	USPP	57125
1/4R	US10C	48006
5/8RxSQ	US26D	57148-LH
5/8RxSQ	US26D	57149-RH

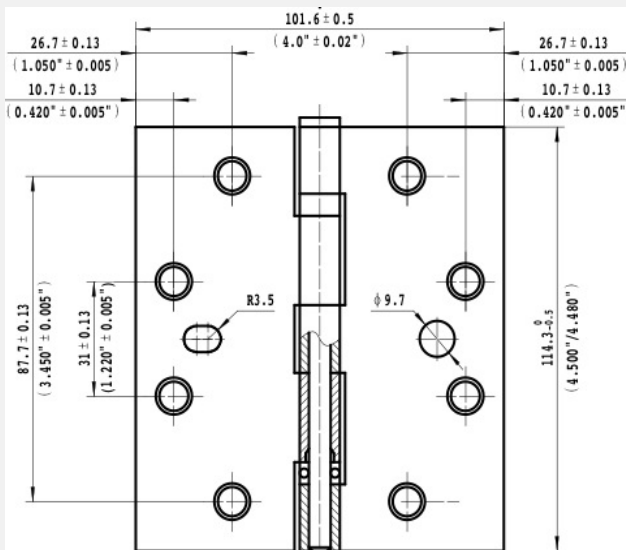
**Castlegate Hole Pattern



VP58-FGDH-4"x4.25"x2.5mm

Corner	Finish	Item#
5/8RxSQ	US15	45807-LH
5/8RxSQ	US15	45808-RH
5/8RxSQ	USPP	45825-ABB-LH
5/8RxSQ	USPP	45826-ABB-RH

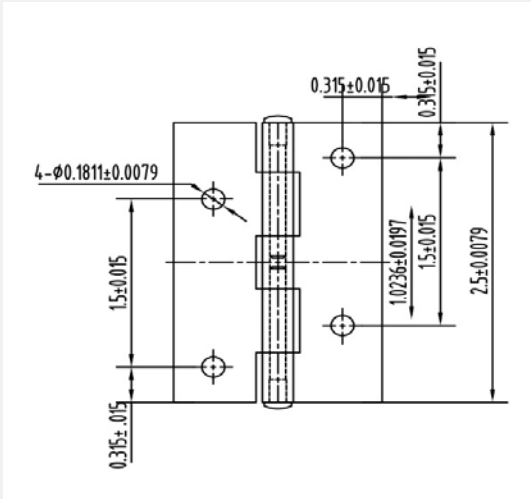
* General Hole Patten



VP73-ABB-4.5"x4"x2.5mm

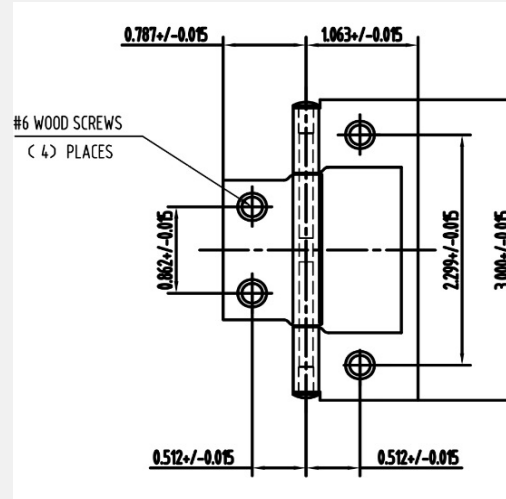
Corner	Finish	Item#
SQxSQ	US2D	73001
SQxSQ	US15S	73002
SQxSQ	US5	73003
SQxSQ	US10C	73004
SQxSQ	USPP	73007

CAD Drawing & Sample Items



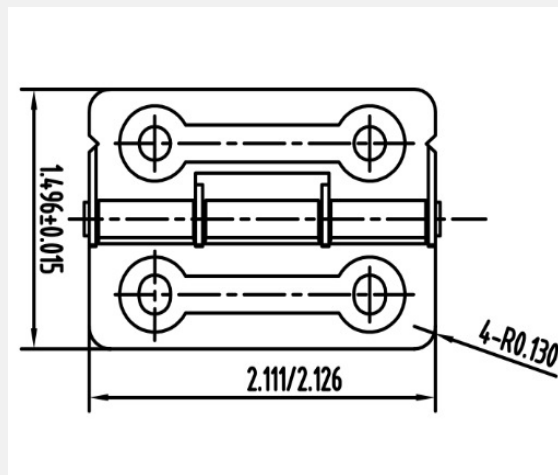
VP007-Flat Back Hinge

Size	Finish	Item #
2.5x1-5/8xSQx1.2	US2D	50627
2.5x1-5/8xSQx1.2	US2G	50628
#8x5/8"-PH	US2G	S01122400



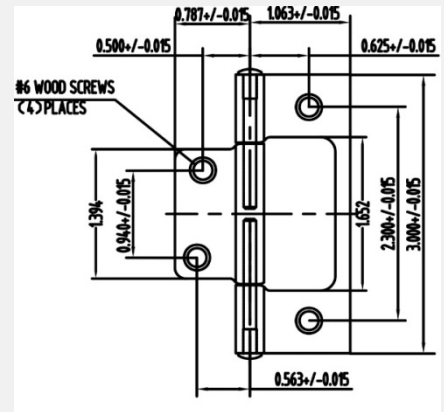
VP008-Inline-Bifold Hinge

Size	Finish	Item #
3x1-1/4xSQx1.52	US2G	57435
3x1-1/4xSQx1.52	US2G	57320-KN
#6x3/4"	US2G	S031208



VP012-Bifold Hinge

Size	Finish	Item #
2-1/8x1-1/2x1.2	US2G	57414-SL
2-1/8x1-1/2x1.2	US2G	57415
#8x5/8"-CT-PH	US2G	S0112224CT



VP009-Stagger-Bifold Hinge

Size	Finish	Item #
3x1-1/4xSQx1.52	US2D	57447
3x1-1/4xSQx1.52	US2G	57448
#6x3/4"	US2G	S031208