

Disbo-Extra

A distribution board you no longer need to hide!

Final Distribution Boards for Every Home



Make the most of your energySM

Schneider
ElectricTM

Disbo-Extra



Innovative design to fit all interiors



Unique

- Latest innovation from a world leader in power distribution .
- A professional attractive design (round shape door, color trims, lock, etc.)

Safe

- Designed according to the international standards (IEC 61439-1, 2, 3).
- Certified by a notified body of reputation (ASTA, KEMA).
- Manufactured by ISO 9001 certified factories.
- Equipped with completely insulated busbar, direct contact with live parts is prevented.

Easy to install

- Central hole in the box ensures easy installation in the wall.
- Cement spill protection preserves the interior until the components are fixed.
- Enough space is provided to give good visibility and ensure cable insertion is easy and effective.

Simple to choose

- A comprehensive range including DIN modules, vertical busbar, split DB's and accessories.
- Fully available from Schneider Electric official distributors.
- Dedicated

Disbo Extra, the state-of-the-art range for the final distribution boards.

Consists of a line of metallic enclosures with vertical moulded busbars which provide a high level of safety.

Specifically designed to accommodate Schneider Electric devices for protection of people and equipment.

Enriches your interior with a simple and original touch of distinction with its unique rounded door and attractive smooth surfaces, also available in a DIN rail version.

Where safety meets design.

Disbo-Extra

Fully renewed and type tested as per IEC 61439-1, 2 & 3

Disbo-Extra distribution system is re-engineered to meet all the latest market specifications, in addition incorporating all the technical requirements of the latest IEC 61439-1,2 & 3 standards.

Specifically designed to accommodate Schneider Electric devices for protection of people and equipment, through it's large choice of incomers (switch disconnecter, Miniature Circuit Breakers, Moulded Case Circuit Breakers) and outgoing Miniature Circuit Breaker.

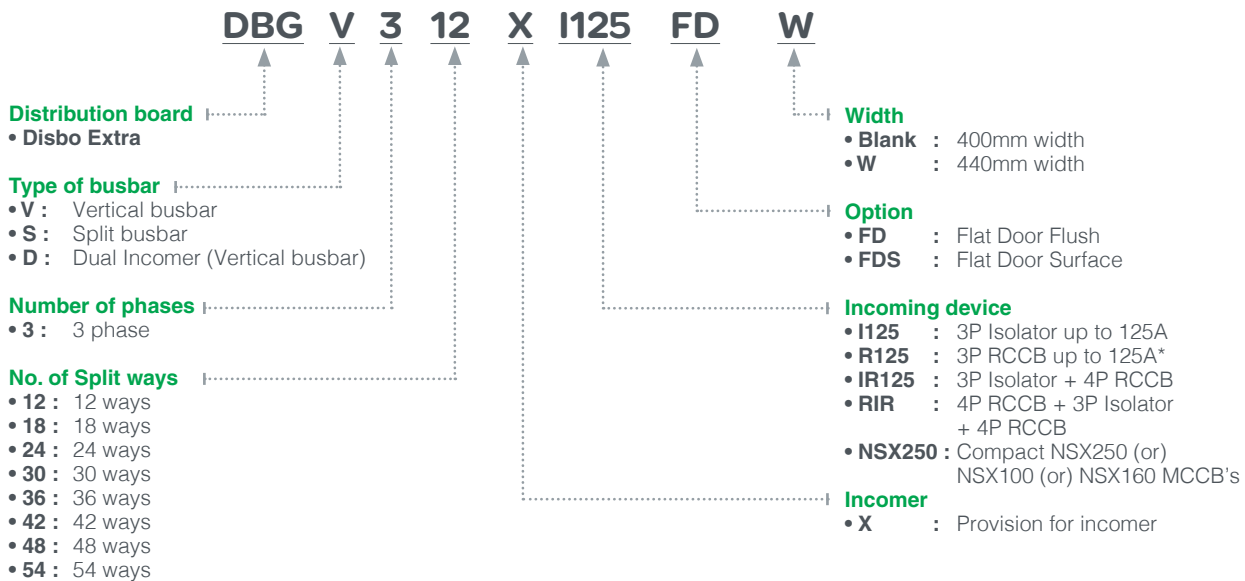


New history has been created in the Final distribution system with the main busbar tested for "Icw = 25kA, 0.5 sec."

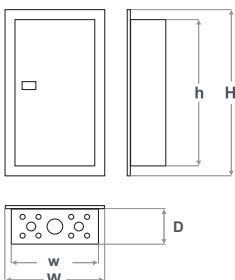
Technical Data

- Complies with IEC 61439-1, 2 & 3
- Current rating 125A & 250A
- Short-time withstand: 125A - 17kA, 0.25 sec./ 250A-25kA, 0.5 sec.
- Peak withstand current: 35kA
- Index of Protection: IP41
- Electrogalvanized sheet steel thickness 1.2mm
- Standard colour: RAL9002
- Temperature rise tested for 50°C ambient without derating.
- Flat door type only.

Define the distribution board you need



Dimensions (in mm)



Vertical Busbar, Dual Incomer No. of Ways	3P Isolator / 4P RCCB / 3P Isolator + 4P RCCB Incomer			NSX250 MCCB Incomer		
	w	D	h	w	D	h
12	400	117	440	400	140	660
18	400	117	545	400	140	660
24	400	117	545	400	140	710
30	400	117	660	400	140	760
36	400	117	660	400	140	830
42	400	117	710	400	140	950
48	400	117	760	400	140	950
54	400	117	830	400	140	950

Split Busbar No. of Split Ways	3P Isolator + 4 RCCB (2 Incomer)		
	w	D	h
06 + 06	400	117	545
06 + 12	400	117	545
12 + 12	400	117	660
12 + 18	400	117	660
12 + 24	400	117	710
18 + 18	400	117	710
12 + 30	400	117	760
18 + 24	400	117	760
12 + 36	400	117	830
18 + 30	400	117	830
18 + 36	400	117	830

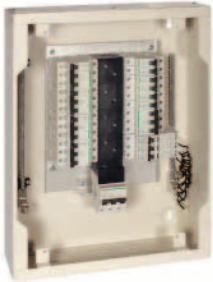
*Note: For Flush type add 25mm and for Surface type add 17mm to the width (w) and height (h) to get the overall width (W) and overall height (H) of the DB.

Disbo-Extra

Fully renewed and type tested
as per IEC 61439-1, 2 & 3



Reference list to order



DB Busbar Type	No of 1P 0/G ways	Type of Incomer	Mounting Type	Reference	
3 Phase Vertical Busbar	12	3P Isolator 125A DIN	Flush	DBGV312XI125FD	
			Surface	DBGV312XI125FDS	
			Flush	DBGV312XI125FDW	
			Surface	DBGV312XI125FDSW	
		4P RCCB 125A	Flush	DBGV312XR125FD	
			Surface	DBGV312XR125FDS	
		3P Isolator + 4P RCCB	Flush	DBGD312XIR125FD	
			Surface	DBGD312XIR125FDS	
		3P NSX250 MCCB	Flush	DBGV312XNSX250FD	
			Surface	DBGV312XNSX250FDS	
		18	3P Isolator 125A DIN	Flush	DBGV318XI125FD
				Surface	DBGV318XI125FDS
	Flush			DBGV318XI125FDW	
	Surface			DBGV318XI125FDSW	
	4P RCCB 125A		Flush	DBGV318XR125FD	
			Surface	DBGV318XR125FDS	
	3P Isolator + 4P RCCB		Flush	DBGD318XIR125FD	
			Surface	DBGD318XIR125FDS	
	3P, NSX250 MCCB		Flush	DBGV318XNSX250FD	
			Surface	DBGV318XNSX250FDS	
	24		3P Isolator 125A DIN	Flush	DBGV324XI125FD
				Surface	DBGV324XI125FDS
		Flush		DBGV324XI125FDW	
		Surface		DBGV324XI125FDSW	
4P RCCB 125A		Flush	DBGV324XR125FD		
		Surface	DBGV324XR125FDS		
3P Isolator + 4P RCCB		Flush	DBGD324XIR125FD		
		Surface	DBGD324XIR125FDS		
3P NSX250 MCCB		Flush	DBGV324XNSX250FD		
		Surface	DBGV324XNSX250FDS		
30		3P Isolator 125A DIN	Flush	DBGV330XI125FD	
			Surface	DBGV330XI125FDS	
	Flush		DBGV330XI125FDW		
	Surface		DBGV330XI125FDSW		
	4P RCCB 125A	Flush	DBGV330XR125FD		
		Surface	DBGV330XR125FDS		
	3P Isolator + 4P RCCB	Flush	DBGD330XIR125FD		
		Surface	DBGD330XIR125FDS		
	3P NSX250 MCCB	Flush	DBGV330XNSX250FD		
		Surface	DBGV330XNSX250FDS		
	36	3P Isolator 125A DIN	Flush	DBGV336XI125FD	
			Surface	DBGV336XI125FDS	
Flush			DBGV336XI125FDW		
Surface			DBGV336XI125FDSW		
4P RCCB 125A		Flush	DBGV336XR125FD		
		Surface	DBGV336XR125FDS		
3P Isolator + 4P RCCB		Flush	DBGD336XIR125FD		
		Surface	DBGD336XIR125FDS		
3P NSX250 MCCB		Flush	DBGV336XNSX250FD		
		Surface	DBGV336XNSX250FDS		

Reference list to order

DB Busbar Type	No of 1P O/G ways	Type of Incomer	Mounting Type	Reference	
3 Phase Vertical Busbar	42	3P Isolator 125A DIN	Flush	DBGV342XI125FD	
			Surface	DBGV342XI125FDS	
			Flush	DBGV342XI125FDW	
			Surface	DBGV342XI125FDSW	
		4P RCCB 125A	Flush	DBGV342XR125FD	
			Surface	DBGV342XR125FDS	
		3P Isolator +4P RCCB	Flush	DBGD342XIR125FD	
			Surface	DBGD342XIR125FDS	
		3P NSX250 MCCB	Flush	DBGV342XNSX250FD	
			Surface	DBGV342XNSX250FDS	
		48	3P Isolator 125A DIN	Flush	DBGV348XI125FD
				Surface	DBGV348XI125FDS
	Flush			DBGV348XI125FDW	
	Surface			DBGV348XI125FDSW	
	4P RCCB 125A		Flush	DBGV348XR125FD	
			Surface	DBGV348XR125FDS	
	3P Isolator +4P RCCB		Flush	DBGD348XIR125FD	
			Surface	DBGD348XIR125FDS	
	3P NSX250 MCCB		Flush	DBGV348XNSX250FD	
			Surface	DBGV348XNSX250FDS	
	54		3P Isolator 125A DIN	Flush	DBGV354XI125FD
				Surface	DBGV354XI125FDS
		Flush		DBGV354XI125FDW	
		Surface		DBGV354XI125FDSW	
4P RCCB 125A		Flush	DBGV354XR125FD		
		Surface	DBGV354XR125FDS		
3P Isolator +4P RCCB		Flush	DBGD354XIR125FD		
		Surface	DBGD354XIR125FDS		
3P SX250 MCCB		Flush	DBGV354XNSX250FD		
		Surface	DBGV354XNSX250FDS		
3 Phase Split Busbar		06+06	3P Isolator + 2x4P RCCB 125A	Flush	DBGS30606XRIRFD
				Surface	DBGS30606XRIRFDS
	06+12	Flush		DBGS30612XRIRFD	
		Surface		DBGS30612XRIRFDS	
	12+12	Flush		DBGS31212XRIRFD	
		Surface		DBGS31212XRIRFDS	
	12+18	Flush		DBGS31218XRIRFD	
		Surface		DBGS31218XRIRFDS	
	12+24	Flush		DBGS31224XRIRFD	
		Surface		DBGS31224XRIRFDS	
	12+30	Flush		DBGS31230XRIRFD	
		Surface		DBGS31230XRIRFDS	
	12+36	Flush		DBGS31236XRIRFD	
		Surface		DBGS31236XRIRFDS	
	18+18	Flush		DBGS31818XRIRFD	
		Surface		DBGS31818XRIRFDS	
	18+24	Flush		DBGS31824XRIRFD	
		Surface		DBGS31824XRIRFDS	
	18+30	Flush		DBGS31830XRIRFD	
		Surface		DBGS31830XRIRFDS	
18+36	Flush	DBGS31836XRIRFD			
	Surface	DBGS31836XRIRFDS			



Functions and technical data

Disbo - Extra

Single phase busbar distribution board

Composition

Disbo-Extra distribution board



Reversible door

Large cabling scale

Removable pan assemble

Technical data

Distribution board	
Number of phase	1
Number of ways	6 to 18 (excluding Main incomer) SP ways
Current rating	100 A
Incomer provision	2P, Isolator or 2P RCCB up to 100A
Outgoer provision	MCB or RCBO
Gland plate for cable glanding	Top and bottom
Rated Short time withstand current (Icw)	10.2 kA, 250 msec.
Rated conditional with stand (Icc)	15 kA at 240V (N & PE busbar)
Index protection	IP40
Color	RAL 9002
Electrogalvanized sheet thickness	1.2 mm

Define the distribution board you need

DBG 1 6 X RI FD

Distribution board
• Disbo Extra

Number of phases
• 1: 1 phase

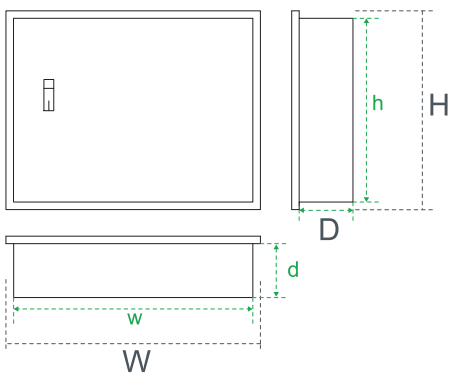
No. of Split ways
• 6: 6 ways
• 8: 8 ways
• 10: 10 ways
• 12: 12 ways
• 16: 14 ways
• 12: 16 ways
• 18: 18 ways

Options

- **FD:** Flat Door Flush
- **FDS:** Flat Door Surface
- **RI: 2P RCCB or 2P Isolators Incomer provision to fit**

Provision for Incomer

- **X :** Provision only



Flush

Cat. no.	Number of SP ways	Dimensions (mm)					
		Outside			Wall		
		H	W	D	h	w	d
DBG16XRIFD	6	264	338	110	240	314	110
DBG18XRIFD	8	264	410	110	240	386	110
DBG110XRIFD	10	264	410	110	240	386	110
DBG112XRIFD	12	264	482	110	240	458	110
DBG114XRIFD	14	264	482	110	240	458	110
DBG116XRIFD	16	264	554	110	240	530	110
DBG118XRIFD	18	264	554	110	240	530	110

Surface

DBG16XRIFDS	6	245	319	110	240	314	110
DBG18XRIFDS	8	245	391	110	240	386	110
DBG110XRIFDS	10	245	391	110	240	386	110
DBG112XRIFDS	12	245	463	110	240	458	110
DBG114XRIFDS	14	245	463	110	240	458	110
DBG116XRIFDS	16	245	535	110	240	530	110
DBG118XRIFDS	18	245	535	110	240	530	110

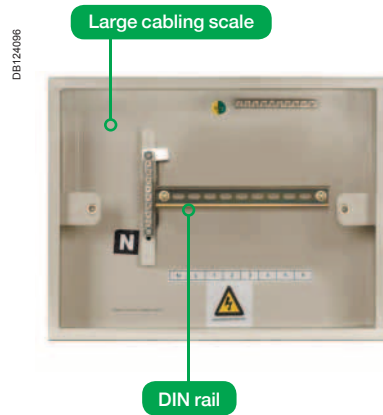
Functions and technical data

Disbo - Extra

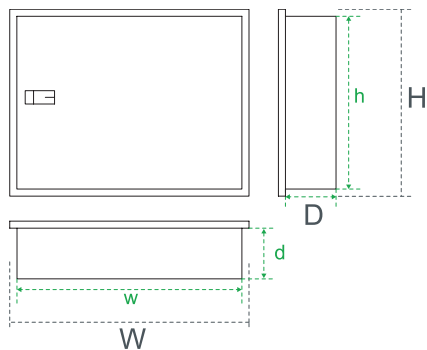
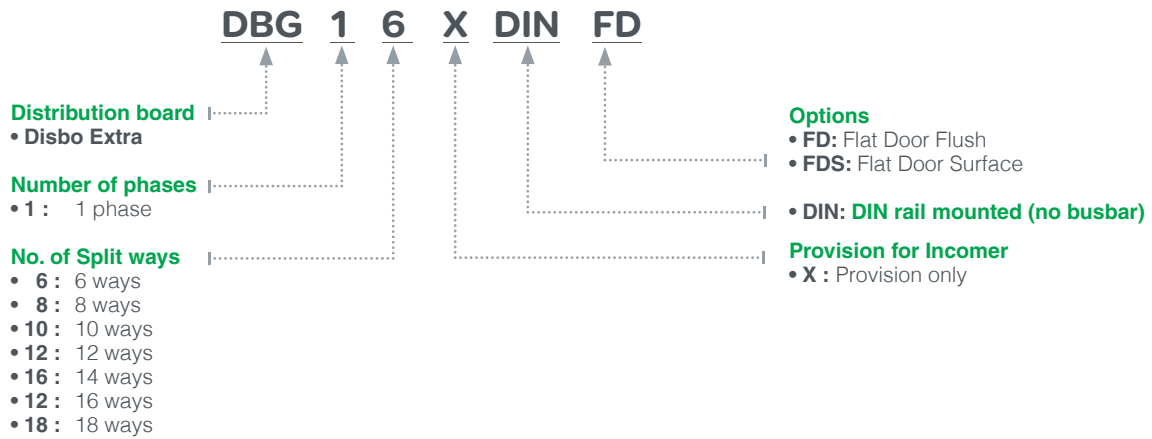
Single phase DIN distribution board

Composition

Disbo-Extra single DIN version consist of DIN rail only suitable to mount DIN components. There is no busbar in this type of distribution board.



Define the distribution board you need



Flush

Cat. no.	Number of SP ways	Dimensions (mm)					
		Outside			Wall		
		H	W	D	h	w	d
DBG18XDINFD	8	264	338	110	240	314	110
DBG110XDINFD	10	264	410	110	240	386	110
DBG112XDINFD	12	264	410	110	240	386	110
DBG114XDINFD	14	264	482	110	240	458	110
DBG116XDINFD	16	264	482	110	240	458	110
DBG118XDINFD	18	264	554	110	240	530	110
DBG120XDINFD	20	264	554	110	240	530	110

Surface single-phase

DBG18XDINFDS	8	245	319	110	240	314	110
DBG110XDINFDS	10	245	391	110	240	386	110
DBG112XDINFDS	12	245	391	110	240	386	110
DBG114XDINFDS	14	245	463	110	240	458	110
DBG116XDINFDS	16	245	463	110	240	458	110
DBG118XDINFDS	18	245	535	110	240	530	110
DBG120XDINFDS	20	245	535	110	240	530	110

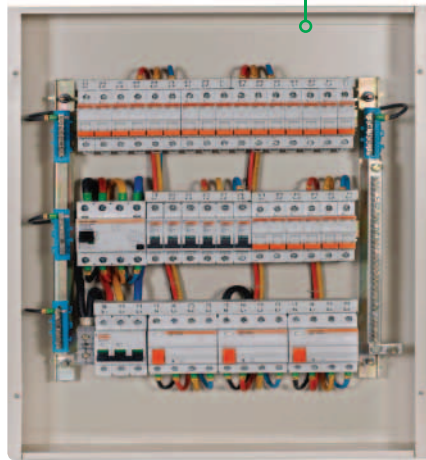
• The number of ways in DIN version is the total number of ways available to mount in the distribution board.

Functions and technical data

Disbo - Extra ROW distribution board



DB124088

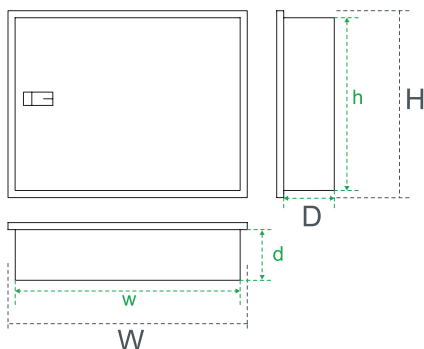
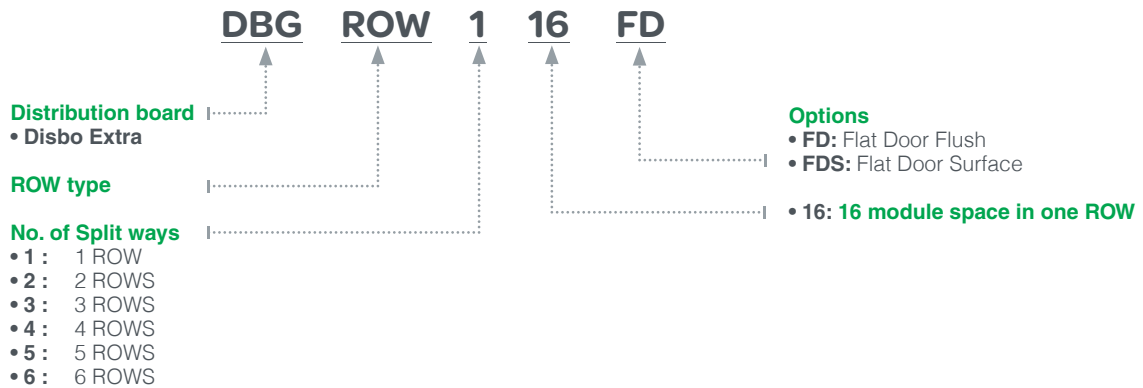


Large cabling scale

Technical data

Distribution board	
Standard	IEC61439-1&2
Electrogalvanized sheet thickness	1 mm
Color	RAL 9002
Number of module per row	16
Number of row	1 to 6

Define the ROW type distribution board you need



Flush

Cat. no.	Number of SP ways	Dimensions (mm)					
		Outside			Wall		
		H	W	D	h	w	d
DBGROW116FD	16	295	425	112	270	400	110
DBGROW216FD	32	445	425	112	420	400	110
DBGROW316FD	48	595	425	112	570	400	110
DBGROW416FD	64	725	425	112	720	400	110
DBGROW516FD	80	895	425	112	870	400	110
DBGROW616FD	96	1045	425	112	1020	400	110

Surface

Cat. no.	Number of SP ways	Dimensions (mm)					
		Outside			Wall		
		H	W	D	h	w	d
DBGROW116FDS	16	275	405	112	270	400	110
DBGROW216FDS	32	425	405	112	420	400	110
DBGROW316FDS	48	575	405	112	570	400	110
DBGROW416FDS	64	725	405	112	720	400	110
DBGROW516FDS	80	875	405	112	870	400	110
DBGROW616FDS	96	1025	405	112	1020	400	110

KEMA Quality Test Certification

TEST CERTIFICATE

Issued to: Schneider Electric FZE
P.O. Box: 17192
Dubai
United Arab Emirates

For the product: Low-voltage switchgear and controlgear assembly

Trade name: Schneider Electric

Type/Model: 'Disbo Extra' DB - Split Busbar & Vertical Busbar

Ratings: In 125 A, Icw 17 kA – 0,25 s, Icc up to 10 kA at 415 V (incoming switch-disconnector/RCCB and outgoing MCBs), Ue 415 V, Ui 415 V, Uimp 6 kV, for more details see annex

Manufactured by: Schneider Electric FZE
P.O. Box: 17192
Dubai
United Arab Emirates

Subject: Type test

Requirements: IEC 61439-2:2011
Clauses 10.2.2, 10.2.3, 10.3 – 10.5, 10.9, 10.10.2.3.5, 10.11, 10.13

Remarks: -

This Test Certificate is granted on account of an examination by DEKRA, the results of which are laid down in report no. 2144037.07-INC, dated 8 December, 2011.

The examination has been carried out on one single specimen of the product, submitted by the manufacturer. The Attestation does not include an assessment of the manufacturer's production. Conformity of his production with the specimen tested by DEKRA is not the responsibility of DEKRA.

Arnhem, 8 December, 2011

Number: 2144037.106

DEKRA Certification B.V.

H.L. Schendstok
Certification Manager

© Integral publication of this certificate and adjoining reports is allowed

All testing, inspection, auditing and certification activities of the former KEMA Quality are an integral part of the DEKRA Certification Group.

DEKRA Certification B.V. Utrechtseweg 10, 6800 AR Arnhem P.O. Box 5185, 6802 ED Arnhem, The Netherlands
T +31 26 356 2000 F +31 26 352 5800 www.dekra-certification.com Company registration 09085396

Become an energy champion today!

Because saving energy is everyone's business

- > Free Energy Efficiency courses for you and your staff
- > On-demand training takes less than an hour
- > More than 50,000 courses completed to date
- > Courses now available in multiple languages: Arabic, English, Chinese, Spanish, Italian, Russian, Brazilian Portuguese, German, Dutch, French, Japanese, Korean and Turkish.
- > More than 30,000 registered users from 120 plus countries



Enroll TODAY!

Classes are **FREE**, for a limited time only!
Visit www.MyEnergyUniversity.com
and enter the key code **32323P**

Stay connected all the time. Join us!

★ "Like" and "Follow" **Schneider Electric** on     
or visit www.schneider-electric.com/ae

Make the most of your energySM

Schneider Electric FZE

E Wing, Level 4, Dubai Silicon Oasis Headquarters,
P.O. Box 341057, Dubai, United Arab Emirates
Phone: + 971 (4) 709 91 00
Fax: + 971 (4) 709 91 01
www.schneider-electric.com/ae

Schneider Electric
Customer Care Center

UAE/Pakistan/Yemen	+971 4 7099333
Bahrain	+973 17 213277
Kuwait	+965 22494604
Oman	800 73666
Qatar	+974 44553010
Saudi Arabia	920 011101
Fax	+971 4 7099399

E-mail: ae-ccc-gulf@schneider-electric.com
www.schneider-electric.com/ae

Due to evolution of standards and equipment, the characteristics indicated in texts and images of this document do not constitute a commitment on our part without confirmation.

Designed by: Dax Gaudiel - Marketing Communications,
Schneider Electric Gulf & Pakistan