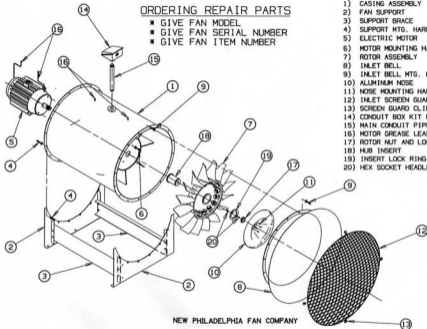


J0108

**STANDARD ADJUSTABLE PITCH FAN**ITEM NUMBERSORDERING REPAIR PARTS

- GIVE FAN MODEL
- GIVE FAN SERIAL NUMBER
- GIVE FAN ITEM NUMBER

- 1) CASING ASSEMBLY
- 2) FAN SUPPORT
- 3) SUPPORT BRACE
- 4) SUPPORT MTG. HARDWARE
- 5) ELECTRIC MOTOR
- 6) MOTOR MOUNTING HARDWARE
- 7) ROTOR ASSEMBLY
- 8) INLET BELL
- 9) INLET BELL MTG. HARDWARE
- 10) ALUMINUM NOSE
- 11) NOSE MOUNTING HARDWARE
- 12) INLET SCREEN GUARD
- 13) SCREEN GUARD CLIP
- 14) CONDUIT BOX KIT PARTS
- 15) MAIN CONDUIT PIPE
- 16) MOTOR GREASE LEADS
- 17) ROTOR NUT AND LOCKWASHER
- 18) HUB INSERT
- 19) INSERT LOCK RING
- 20) HEX SOCKET HEADLESS SET SCREW



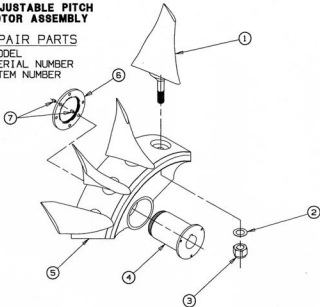
NEW PHILADELPHIA FAN COMPANY

JO19A

# STANDARD ADJUSTABLE PITCH ALUMINUM ROTOR ASSEMBLY

## ORDERING REPAIR PARTS

- \* GIVE FAN MODEL
- \* GIVE FAN SERIAL NUMBER
- \* GIVE FAN ITEM NUMBER



## ITEM NUMBERS

- 1) A.P. BLADE
- 2) WASHER
- 3) BLADE NUT
- 4) HUB INSERT
- 5) HUB
- 6) INSERT LOCK RING
- 7) HEX SOCKET HEADLESS SET SCREW

## NOTE:

HUB SIZES 14", 17 $\frac{1}{2}$ ", 21" AND 30" ITEMS 4, 6 AND 7 INSTALLED AS SHOWN

HUB SIZES 26 $\frac{1}{2}$ " ITEMS 4, 6 AND 7 INSTALLED OPPOSITE AS SHOWN

NEW PHILADELPHIA FAN COMPANY