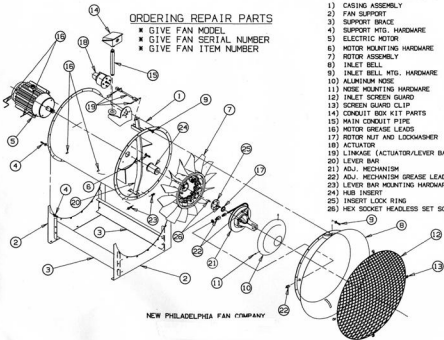


J0098

**CONTROLLABLE PITCH LEVER ARM IN CASING FAN**ITEM NUMBERSORDERING REPAIR PARTS

- ✱ GIVE FAN MODEL
- ✱ GIVE FAN SERIAL NUMBER
- ✱ GIVE FAN ITEM NUMBER

- 1) CASING ASSEMBLY
- 2) FAN SUPPORT
- 3) SUPPORT BRACE
- 4) SUPPORT MTG. HARDWARE
- 5) ELECTRIC MOTOR
- 6) MOTOR MOUNTING HARDWARE
- 7) ROTOR ASSEMBLY
- 8) INLET BELL
- 9) INLET BELL MTG. HARDWARE
- 10) ALUMINUM NOSE
- 11) NOSE MOUNTING HARDWARE
- 12) INLET SCREEN GUARD
- 13) SCREEN GUARD CLIP
- 14) CONDUIT BOX KIT PARTS
- 15) MAIN CONDUIT PIPE
- 16) MOTOR GREASE LEADS
- 17) ROTOR NUT AND LOCKWASHER
- 18) ACTUATOR
- 19) LINKAGE (ACTUATOR/LEVER BAR)
- 20) LEVER BAR
- 21) ADJ. MECHANISM
- 22) ADJ. MECHANISM GREASE LEADS
- 23) LEVER BAR MOUNTING HARDWARE
- 24) HUB INSERT
- 25) INSERT LOCK RING
- 26) HEX SOCKET HEADLESS SET SCREW

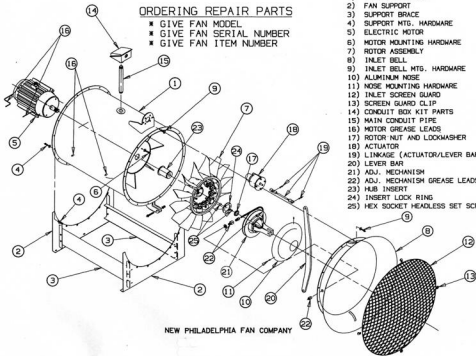


NEW PHILADELPHIA FAN COMPANY

**STANDARD CONTROLLABLE PITCH FAN** ITEM NUMBERSORDERING REPAIR PARTS

- ✦ GIVE FAN MODEL
- ✦ GIVE FAN SERIAL NUMBER
- ✦ GIVE FAN ITEM NUMBER

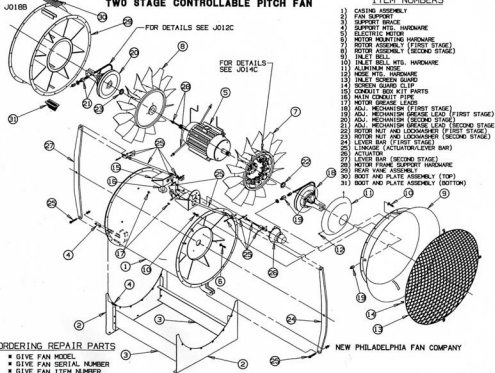
- 1) CASING ASSEMBLY
- 2) FAN SUPPORT
- 3) SUPPORT BRACE
- 4) SUPPORT MTG. HARDWARE
- 5) ELECTRIC MOTOR
- 6) MOTOR MOUNTING HARDWARE
- 7) ROTOR ASSEMBLY
- 8) INLET BELL
- 9) INLET BELL MTG. HARDWARE
- 10) ALUMINUM NOSE
- 11) NOSE MOUNTING HARDWARE
- 12) INLET SCREEN GUARD
- 13) SCREEN GUARD CLIP
- 14) CONDUIT BOX KIT PARTS
- 15) MAIN CONDUIT PIPE
- 16) MOTOR GREASE LEADS
- 17) ROTOR NUT AND LOCKWASHER
- 18) ACTUATOR
- 19) LINKAGE (ACTUATOR/LEVER BAR)
- 20) LEVER BAR
- 21) ADJ. MECHANISM
- 22) ADJ. MECHANISM GREASE LEADS
- 23) HUB INSERT
- 24) INSERT LOCK RING
- 25) HEX SOCKET HEADLESS SET SCREW



NEW PHILADELPHIA FAN COMPANY

## ITEM NUMBERS

## J018B TWO STAGE CONTROLLABLE PITCH FAN



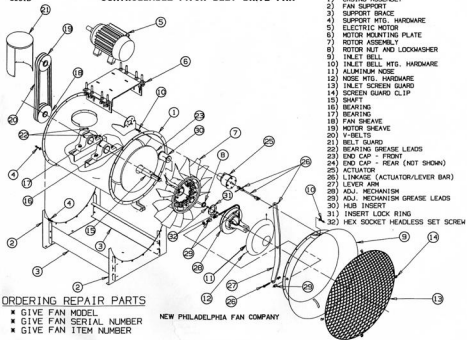
- 1) CASING ASSEMBLY
- 2) FAN SUPPORT
- 3) SUPPORT BRACE
- 4) SUPPORT MTG. HARDWARE
- 5) ELECTRIC MOTOR
- 6) MOTOR MOUNTING HARDWARE
- 7) ROTOR ASSEMBLY (FIRST STAGE)
- 8) ROTOR ASSEMBLY (SECOND STAGE)
- 9) INLET BELL
- 10) INLET BELL MTG. HARDWARE
- 11) ALUMINUM NOSE
- 12) NOSE MTG. HARDWARE
- 13) INLET SCREEN GUARD
- 14) SCREEN GUARD CLIP
- 15) CONDUIT BOX KIT PARTS
- 16) MAIN CONDUIT PIPE
- 17) MOTOR GREASE LEAD
- 18) ADJ. MECHANISM (FIRST STAGE)
- 19) ADJ. MECHANISM GREASE LEAD (FIRST STAGE)
- 20) ADJ. MECHANISM (SECOND STAGE)
- 21) ADJ. MECHANISM GREASE LEAD (SECOND STAGE)
- 22) ROTOR NUT AND LOCKWASHER (FIRST STAGE)
- 23) ROTOR NUT AND LOCKWASHER (SECOND STAGE)
- 24) LEVER BAR (FIRST STAGE)
- 25) LINKAGE (ACTUATOR/LEVER BAR)
- 26) ACTUATOR
- 27) LEVER BAR (SECOND STAGE)
- 28) MOTOR FRAME SUPPORT HARDWARE
- 29) REAR VANE ASSEMBLY
- 30) BOOT AND PLATE ASSEMBLY (TOP)
- 31) BOOT AND PLATE ASSEMBLY (BOTTOM)

## CONTROLLABLE PITCH BELT DRIVE FAN

J001B

## ITEM NUMBERS

- 1) CASING ASSEMBLY
- 2) FAN SUPPORT
- 3) SUPPORT BRACE
- 4) SUPPORT MTG. HARDWARE
- 5) ELECTRIC MOTOR
- 6) MOTOR MOUNTING PLATE
- 7) ROTOR ASSEMBLY
- 8) ROTOR NUT AND LOCKWASHER
- 9) INLET BELL
- 10) INLET BELL MTG. HARDWARE
- 11) ALUMINUM NOSE
- 12) NOSE MTG. HARDWARE
- 13) INLET SCREEN GUARD
- 14) SCREEN GUARD CLIP
- 15) SHAFT
- 16) BEARING
- 17) BEARING
- 18) FAN SHEAVE
- 19) MOTOR SHEAVE
- 20) V-BELTS
- 21) BELT GUARD
- 22) BEARING GREASE LEADS
- 23) END CAP - FRONT
- 24) END CAP - REAR (NOT SHOWN)
- 25) ACTUATOR
- 26) LINKAGE (ACTUATOR/LEVER BAR)
- 27) LEVER ARM
- 28) ADJ. MECHANISM
- 29) ADJ. MECHANISM GREASE LEADS
- 30) HUB INSERT
- 31) INSERT LOCK RING
- 32) HEX SOCKET HEADLESS SET SCREW



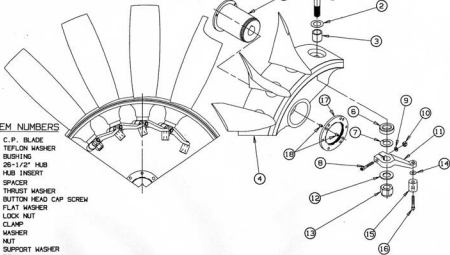
## ORDERING REPAIR PARTS

- GIVE FAN MODEL
- GIVE FAN SERIAL NUMBER
- GIVE FAN ITEM NUMBER

NEW PHILADELPHIA FAN COMPANY

**CONTROLLABLE PITCH ROTOR ASSY****17 $\frac{1}{2}$ " , 21" AND 26 $\frac{1}{2}$ " HUB****ORDERING REPAIR PARTS**

- ✱ GIVE FAN MODEL
- ✱ GIVE FAN SERIAL NUMBER
- ✱ GIVE FAN ITEM NUMBER

**ITEM NUMBERS**

- 1) C.P. BLADE
- 2) TEFLON WASHER
- 3) BUSHING
- 4) 26-1/2" HUB
- 5) HUB INSERT
- 6) SPACER
- 7) THRUST WASHER
- 8) BUTTON HEAD CAP SCREW
- 9) FLAT WASHER
- 10) LOCK NUT
- 11) CLAMP
- 12) WASHER
- 13) NUT
- 14) SUPPORT WASHER
- 15) ROLLER
- 16) SOCKET HEAD SHOULDER SCREW
- 17) INSERT LOCK RING
- 18) HEX SOCKET HEADLESS SET SCREW

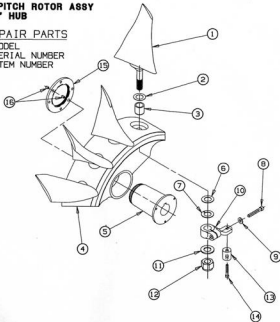
NEW PHILADELPHIA FAN COMPANY

JO178

# CONTROLLABLE PITCH ROTOR ASBY 30° HUB

## ORDERING REPAIR PARTS

- ✱ GIVE FAN MODEL
- ✱ GIVE FAN SERIAL NUMBER
- ✱ GIVE FAN ITEM NUMBER



## ITEM NUMBERS

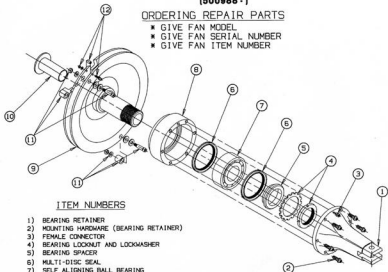
- 1) C.P. BLADE
- 2) TEFLON WASHER
- 3) BUSHING
- 4) 30° HUB
- 5) TAPERED HUB INSERT
- 6) WEAR WASHER
- 7) THRUST WASHER
- 8) KNURLED SOCKET HEAD CAP SCREW
- 9) FLAT WASHER
- 10) TORQUE CLAMP WITH HELI-COIL
- 11) WASHER
- 12) LOCKNUT
- 13) ROLLER
- 14) SOCKET HEAD SHOULDER SCREW
- 15) INSERT LOCK RING
- 16) HEX SOCKET HEADLESS SET SCREW

NEW PHILADELPHIA FAN COMPANY

# CONTROLLABLE PITCH ADJUSTING MECHANISM (500988 - )

## ORDERING REPAIR PARTS

- ✱ GIVE FAN MODEL
- ✱ GIVE FAN SERIAL NUMBER
- ✱ GIVE FAN ITEM NUMBER



## ITEM NUMBERS

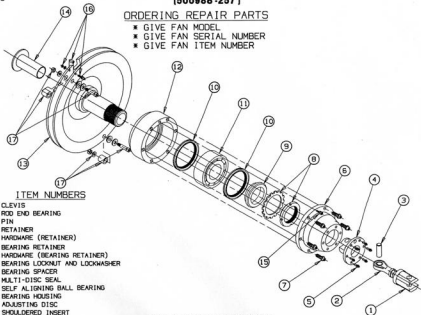
- 1) BEARING RETAINER
- 2) MOUNTING HARDWARE (BEARING RETAINER)
- 3) FEMALE CONNECTOR
- 4) BEARING LOCKNUT AND LOCKWASHER
- 5) BEARING SPACER
- 6) MULTI-DISC SEAL
- 7) SELF ALIGNING BALL BEARING
- 8) BEARING HOUSING
- 9) ADJUSTING DISC
- 10) SHOULDERS INSERT
- 11) ANTI-ROTATION ROLLER ASSEMBLY
- 12) ANTI-ROTATION PIN ASSEMBLY

NEW PHILADELPHIA FAN COMPANY

# CONTROLLABLE PITCH ADJUSTING MECHANISM [500988-257]

## ORDERING REPAIR PARTS

- ✱ GIVE FAN MODEL
- ✱ GIVE FAN SERIAL NUMBER
- ✱ GIVE FAN ITEM NUMBER



### ITEM NUMBERS

- 1) CLEVIS
- 2) ROD END BEARING
- 3) PIN
- 4) RETAINER
- 5) HARDWARE (RETAINER)
- 6) BEARING RETAINER
- 7) HARDWARE (BEARING RETAINER)
- 8) BEARING LOCKNUT AND LOCKWASHER
- 9) BEARING SPACER
- 10) MULTI-DISC SEAL
- 11) SELF ALIGNING BALL BEARING
- 12) BEARING HOUSING
- 13) ADJUSTING DISC
- 14) SHOULDERS INSERT
- 15) FEMALE CONNECTOR
- 16) ANTI-ROTATION PIN ASSEMBLY
- 17) ANTI-ROTATION ROLLER ASSEMBLY

NEW PHILADELPHIA FAN COMPANY