

SEACHROME

1906 East Dominguez Street, Long Beach, CA 90810

Phone: 310-427-8010 / 800-955-2476

Fax: 310-427-8005 / 800-444-3380

www.seachrome.com

LIST PRICE SHEET

NOVEMBER 2018

TABLE OF CONTENTS

Signature Series - Grab Bar Flange Designs	2
Signature Series - Value Line Stainless Steel Grab Bars	3
Signature Series - Satin Stainless - Domestic Grab Bars	4 - 6
Signature Series - Decorative Finishes - Domestic Grab Bars	7
Signature Series - Polished Brass - Powder Coated Domestic Grab Bars	8
Signature Series - Custom Grab Bars	8
Signature Series - Institutional Ligature Resistant Grab Bars	9
Signature Series - Copper Alloy Grab Bars with CuVerro® surfaces	9
Signature Series - Shower Rods, Flanges, Curtains & Rings	10 - 11
Signature Series - ADA Reversible Shower Transfer Seats	12
Signature Series - ADA Accessibility Shower Seats	13 - 16
Lifestyle & Wellness® Series - Silhouette Shower Seat	17
Lifestyle & Wellness® Series - Seats / Corner Shower Shelves	18
Lifestyle & Wellness® Series - Grab Bars	19 - 20
Coronado Series - Grab Bars	21
Coronado 700 Series - Bath Accessories	22 - 23
Coronado 711 Series - Bath Accessories	24
Bath Accessories - 15000 Series Stainless	25
Bath Accessories - 5000 Series Contemporary / 900 Series Economy	26
CAL Series - Commercial Washroom Accessories	27
CAL Series - Commercial Accessory Line - Hospitality	28 - 29
Terms and Conditions	30

SIGNATURE SERIES GRAB BARS

MADE IN THE USA



ALL "EW" & "CR" FLANGE, STAINLESS BARS MEET FEDERAL SPECIFICATION WW-P-541/8b, AMENDMENT 1, 16 APRIL 1990; ANSI 117.1, AND ALL A.D.A. (Americans with Disabilities Act) CODE REQUIREMENTS.

THESE BARS, WHEN PROPERLY INSTALLED, MEET THE DOWNWARD PULL REQUIREMENT FOR FEDERAL SPECIFICATION WORK, F.H.A., V.A., HOSPITAL CODES AND PRIVATE CONSTRUCTION.



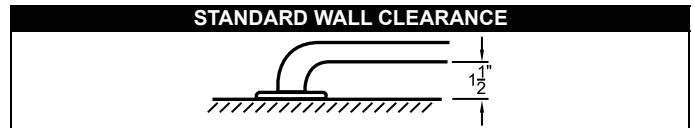
FLANGE CONFIGURATIONS

CONCEALED SCREW FLANGES **CR**

EXPOSED SCREW FLANGES **EW**

MATERIAL & FINISH SERIES	
"GS"	Satin #304 Stainless Steel
"GX"	Polished #304 Stainless Steel
"GY"	Peened with Satin Ends #304 Stainless Steel
"GZ"	Peened with Polished Ends #304 Stainless Steel
"GB"	Polished #260 Solid Brass
"GP"	Powder Coated #304 Stainless Steel

BAR DIAMETERS	
"H"	1-1/2" diameter x .049" (18 gauge)
"Q"	1-1/4" diameter x .049" (18 gauge)



TO ORDER - SPECIFY			
Example	Series	Dimension	Flange
GST-240360-HCR2 =	GS + T	240360 + H + CR2	
	Configuration	Bar Diameter	

Seachrome includes 6 - #10-2 1/2" Stainless Steel Phillips Head mounting screws packaged with each grab bar.

DECORATIVE CONCEALED FLANGE COVERS
Add \$5.00 List per flange

ROPE "2" **RIDGE "3"** **STEP "4"** **BAND "5"**

SEACHROME SPECIALIZES IN CUSTOM SIZES AND CONFIGURATIONS
** CALL FOR TECHNICAL ASSISTANCE & COMPETITIVE PRICE QUOTES **

SIGNATURE SERIES - VALUE LINE - STAINLESS STEEL GRAB BARS

VALUE LINE STAINLESS STEEL GRAB BARS

Fabricated using #304 Stainless Steel with concealed flanges, our **VALUE LINE SERIES** satisfies ADA Guidelines and Federal Specification WW-P-541/8b.

Our **VALUE LINE SERIES** of Grab Bars will satisfy every ADA project and budget.

**SATIN STAINLESS / "IGSS" Series
"Q" 1-1/4" TUBE DIAMETER**

Item #	Size	List
IGSS-120-QCR	12"	22.80
IGSS-160-QCR	16"	23.45
IGSS-180-QCR	18"	25.70
IGSS-240-QCR	24"	27.50
IGSS-300-QCR	30"	29.70
IGSS-320-QCR	32"	31.40
IGSS-360-QCR	36"	32.85
IGSS-420-QCR	42"	38.10
IGSS-480-QCR	48"	41.90

**SATIN STAINLESS / "IGSS" Series
"H" 1-1/2" TUBE DIAMETER**

Item #	Size	List
IGSS-120-HCR	12"	25.30
IGSS-160-HCR	16"	26.50
IGSS-180-HCR	18"	27.10
IGSS-240-HCR	24"	30.85
IGSS-300-HCR	30"	33.20
IGSS-320-HCR	32"	35.40
IGSS-360-HCR	36"	38.00
IGSS-420-HCR	42"	40.70
IGSS-480-HCR	48"	46.45

**POLISHED STAINLESS / "IGXS" Series
"Q" 1-1/4" TUBE DIAMETER**

Item #	Size	List
IGXS-120-QCR	12"	33.10
IGXS-160-QCR	16"	37.30
IGXS-180-QCR	18"	38.45
IGXS-240-QCR	24"	40.05
IGXS-300-QCR	30"	44.80
IGXS-320-QCR	32"	45.65
IGXS-360-QCR	36"	48.55
IGXS-420-QCR	42"	52.35
IGXS-480-QCR	48"	55.80

**POLISHED STAINLESS / "IGXS" Series
"H" 1-1/2" TUBE DIAMETER**

Item #	Size	List
IGXS-120-HCR	12"	35.10
IGXS-160-HCR	16"	37.50
IGXS-180-HCR	18"	38.75
IGXS-240-HCR	24"	42.85
IGXS-300-HCR	30"	48.10
IGXS-320-HCR	32"	49.20
IGXS-360-HCR	36"	52.40
IGXS-420-HCR	42"	56.60
IGXS-480-HCR	48"	60.70

**PEENED with SATIN ENDS / "IGYS" Series
"Q" 1-1/4" TUBE DIAMETER**

Item #	Size	List
IGYS-120-QCR	12"	29.30
IGYS-160-QCR	16"	31.80
IGYS-180-QCR	18"	33.20
IGYS-240-QCR	24"	33.90
IGYS-300-QCR	30"	41.60
IGYS-320-QCR	32"	42.95
IGYS-360-QCR	36"	45.75
IGYS-420-QCR	42"	46.60
IGYS-480-QCR	48"	49.90

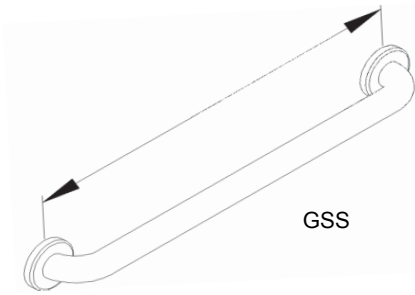
**PEENED with SATIN ENDS / "IGYS" Series
"H" 1-1/2" TUBE DIAMETER**

Item #	Size	List
IGYS-120-HCR	12"	31.70
IGYS-160-HCR	16"	33.90
IGYS-180-HCR	18"	34.80
IGYS-240-HCR	24"	39.65
IGYS-300-HCR	30"	43.55
IGYS-320-HCR	32"	45.15
IGYS-360-HCR	36"	47.90
IGYS-420-HCR	42"	50.25
IGYS-480-HCR	48"	54.80

**PEENED with POLISHED ENDS / "IGZS" Series
"Q" 1-1/4" TUBE DIAMETER**

Item #	Size	List
IGZS-120-QCR	12"	36.05
IGZS-160-QCR	16"	38.35
IGZS-180-QCR	18"	39.45
IGZS-240-QCR	24"	43.45
IGZS-320-QCR	32"	49.50
IGZS-360-QCR	36"	52.35
IGZS-420-QCR	42"	60.10
IGZS-480-QCR	48"	65.10

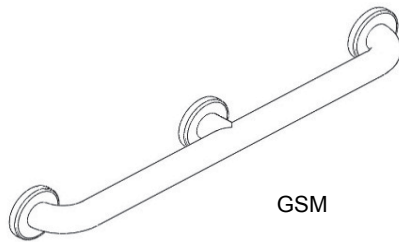
SIGNATURE SERIES - SATIN STAINLESS - DOMESTIC GRAB BARS **MADE IN THE USA**



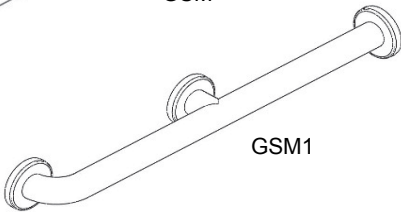
GSS

"S" STRAIGHT BARS

Item #	Length	QEW	HEW	QCR	HCR
GSS-120	12"	40.30	44.00	41.00	44.90
GSS-160	16"	42.45	44.85	43.20	45.60
GSS-180	18"	44.00	46.65	44.90	47.40
GSS-240	24"	47.40	52.80	48.30	53.80
GSS-300	30"	51.55	55.65	52.75	56.75
GSS-320	32"	54.50	58.90	55.65	60.10
GSS-360	36"	56.45	62.10	57.50	63.35
GSS-420	42"	61.00	65.10	62.10	65.10
GSS-480	48"	63.70	70.10	64.85	71.40



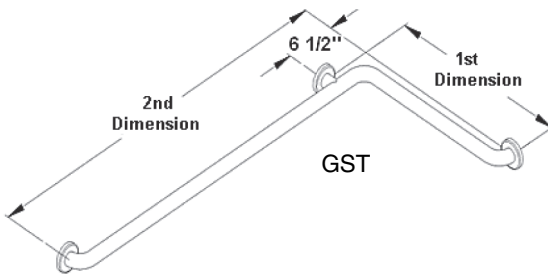
GSM



GSM1

"M" STRAIGHT BARS WITH CENTER POST (GSM & GSM1)

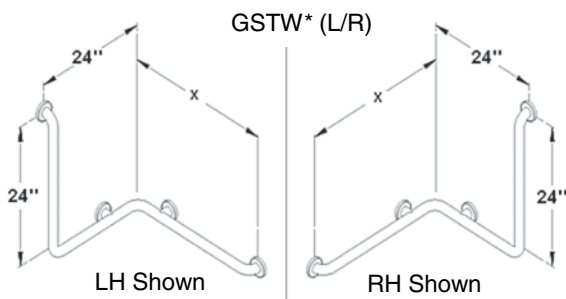
Item #	Length	QEW	HEW	QCR	HCR
GSM-360	36"	79.10	86.40	79.10	86.40
GSM-420	42"	92.20	95.95	92.20	95.95
GSM-480	48"	95.80	103.95	95.80	103.95
GSM-520	52"	99.30	108.75	99.30	108.75
GSM-540	54"	101.90	110.60	101.90	110.60
GSM-600	60"	106.00	116.45	106.00	116.45



GST

"T" TUB & SHOWER BARS (REVERSIBLE)

Item #	Length	QEW	HEW	QCR	HCR
GST-160160	16"x16"	115.85	136.70	115.85	136.70
GST-160320	16"x32"	122.40	140.85	122.40	140.85
GST-240240	24"x24"	122.40	140.85	122.40	140.85
GST-200400	20"x40"	134.85	159.75	134.85	159.75
GST-240360	24"x36"	134.85	159.75	134.85	159.75
GST-240480	24"x48"	149.15	172.60	149.15	172.60
GST-300300	30"x30"	134.85	159.75	134.85	159.75
GST-360360	36"x36"	149.15	172.60	149.15	172.60
GST-360480	36"x48"	162.80	183.85	162.80	183.85
GST-360540	36"x54"	169.45	189.60	169.45	189.60



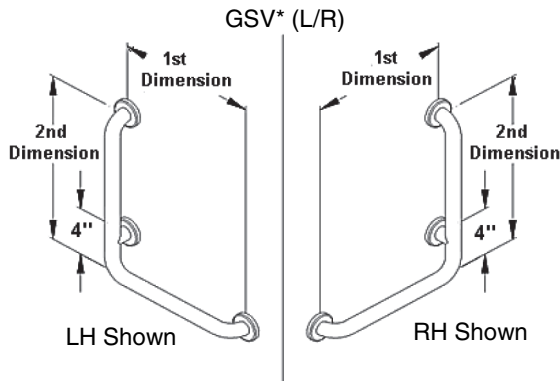
GSTW* (L/R)

LH Shown

RH Shown

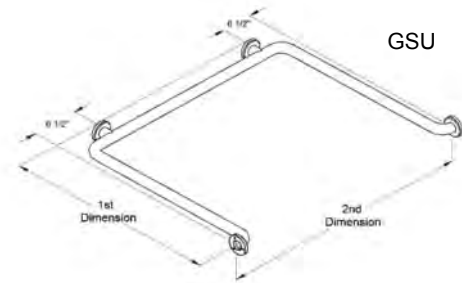
"2 WAY" TUB / SHOWER BAR *(DESIGNATE LH or RH)

Item #	Length	QEW	HEW	QCR	HCR
GSTW*(L/R)-360240	36"x24"x24"	307.45	322.40	307.45	322.40
GSTW*(L/R)-480240	48"x24"x24"	337.75	352.60	337.75	352.60
GSTW*(L/R)-540240	54"x24"x24"	353.65	369.05	353.65	369.05



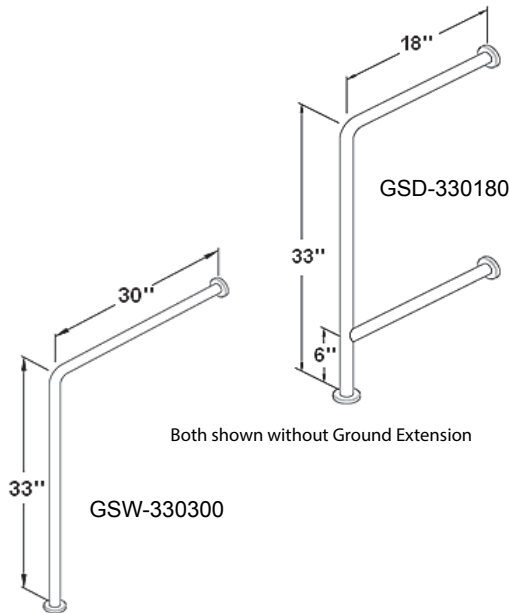
"V" VERTICAL ANGLE BARS *(DESIGNATE LH or RH)

Item #	Length	QEW	HEW	QCR	HCR
GSV* (L/R)-160160	16"x16"	115.85	136.70	115.85	136.70
GSV*(L/R)-200200	20"x20"	118.05	139.00	118.05	139.00
GSV*(L/R)-240240	24"x24"	122.40	140.85	122.40	140.85
GSV*(L/R)-300300	30"x30"	134.85	159.75	134.85	159.75
GSV*(L/R)-160320	16"x32"	122.40	140.85	122.40	140.85



"U" U-SHAPED SHOWER BARS

Item #	Length	QEW	HEW	QCR	HCR
GSU-300360	30"x36"x30"	294.95	310.65	294.95	310.65
GSU-300480	30"x48"x30"	310.65	324.40	310.65	324.40
GSU-300540	30"x54"x30"	324.45	340.15	324.45	340.15
GSU-300600	30"x60"x30"	343.95	359.90	343.95	359.90

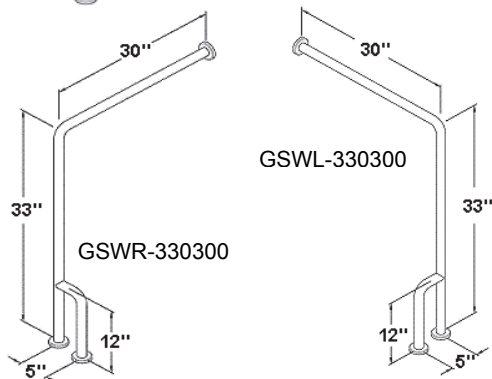


"D" DRINKING FOUNTAIN BAR - WITHOUT GROUND EXTENSION

Item #	Length	QEW	HEW	QCR	HCR
GSD-330180	33"x18"	172.25	184.50	172.25	184.50

"D" DRINKING FOUNTAIN BAR - WITH GROUND EXTENSION

Item #	Length	QEW	HEW	QCR	HCR
GSDBG-330180	33"x18"	184.25	196.50	184.25	196.50



"W" WALL-TO-FLOOR BAR - WITHOUT GROUND EXTENSION

Item #	Length	QEW	HEW	QCR	HCR
GSW-330300	33"x30"	133.60	157.20	133.60	157.20

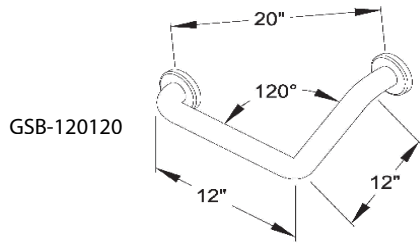
"W" WALL-TO-FLOOR BAR - WITH GROUND EXTENSION

Item #	Length	QEW	HEW	QCR	HCR
GSWBG-330300	33"x30"	145.60	169.20	145.60	169.20

"WL" (LH) or "WR" (RH) WALL-TO-FLOOR BARS with Side Leg

Item #	Length	QEW	HEW	QCR	HCR
GSWL-330300	33"x30"	222.10	246.25	222.10	246.25
GSWR-330300	33"x30"	222.10	246.25	222.10	246.25

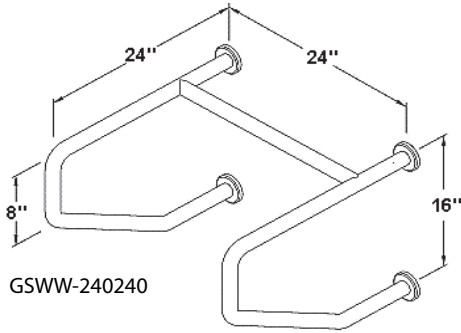
SIGNATURE SERIES - SATIN STAINLESS - DOMESTIC GRAB BARS **MADE IN THE USA**



GSB-120120

BOOMERANG

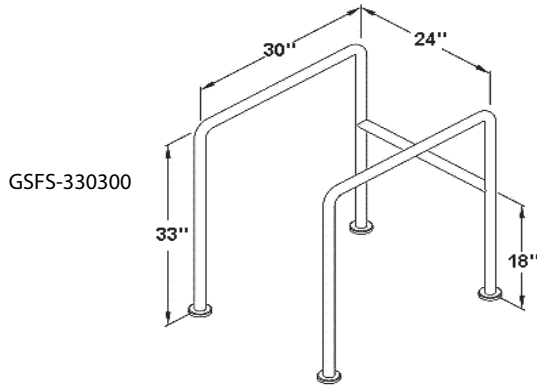
Item #	Length	QEW	HEW	QCR	HCR
GSB-120120	12"x12"	75.35	82.25	75.35	82.25



GSWW-240240

WALL TO WALL STRADDLE

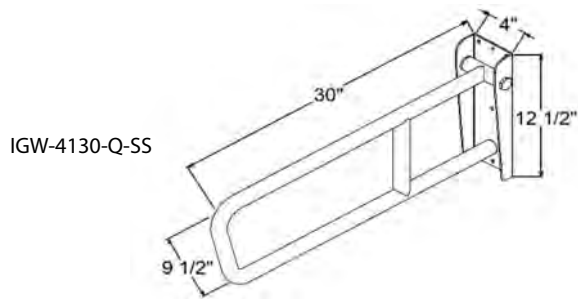
Item #	Length	QEW	HEW	QCR	HCR
GSWW-240240	24"x24"	380.30	397.30	380.30	397.30



GSFS-330300

FLOOR TO FLOOR STRADDLE

Item #	Length	QEW	HEW	QCR	HCR
GSFS-330300	33"x30"	527.80	551.40	527.85	551.40



IGW-4130-Q-SS

IMPORT SWING-UP GRAB BAR - 30" OVERALL

Item #	Length	Q-SS
IGW-4130	30" X 9.5"	145.00

WINGIT FASTENERS
 SCW-RESGBW35
 SCW-GBW40



SCW-RESGBW35



SCW-GBW40

GRAB BARS: ADDITIONAL ITEMS

- | | |
|--------------|--|
| SCW-RESGBW35 | GRAB BAR WINGIT FASTENER |
| SCW-GBW40 | COMMERCIAL STANDARD GRAB BAR WINGIT FASTENER |
| | SIDE LEG SUPPORT |
| | QCR/HCR WALL MOUNT SUPPORT - GRAB BARS |
| | STAINLESS STEEL WELDED END CAPS |

LIST PRICE

- | | |
|---------|------|
| \$25.75 | PAIR |
| \$59.00 | EACH |
| \$75.00 | EACH |
| \$55.00 | EACH |
| \$32.00 | EACH |

SIGNATURE SERIES - DECORATIVE FINISHES STAINLESS - DOMESTIC GRAB BARS

MADE IN THE USA

**POLISHED STAINLESS
"GX" SERIES**

"Q" 1-1/4" TUBE DIAMETER

Item #	Size	List
"S" STRAIGHT		
GXS-120-QCR	12"	57.00
GXS-160-QCR	16"	65.00
GXS-180-QCR	18"	69.55
GXS-240-QCR	24"	82.00
GXS-300-QCR	30"	94.85
GXS-320-QCR	32"	100.75
GXS-360-QCR	36"	108.55
GXS-420-QCR	42"	121.80
GXS-480-QCR	48"	133.50
"T" TUB & SHOWER		
GXT-160160-QCR	16"x16"	149.25
GXT-160320-QCR	16"x32"	173.50
GXT-240240-QCR	24"x24"	173.50
GXT-200400-QCR	20"x40"	202.45
GXT-240360-QCR	24"x36"	202.45
GXT-240480-QCR	24"x48"	229.60
GXT-300300-QCR	30"x30"	202.45
GXT-360360-QCR	36"x36"	229.60
GXT-360480-QCR	36"x48"	259.35
GXT-360540-QCR	36"x54"	272.70
"V" VERTICAL ANGLE * (Designate L or R)		
GXV*-160160-QCR	16"x16"	149.25
GXV*-200200-QCR	20"x20"	161.30
GXV*-240240-QCR	24"x24"	173.50
GXV*-300300-QCR	30"x30"	202.45
GXV*-160320-QCR	16"x32"	173.50

"H" 1-1/2" TUBE DIAMETER

Item #	Size	List
"S" STRAIGHT		
GXS-120-HCR	12"	60.70
GXS-160-HCR	16"	67.35
GXS-180-HCR	18"	71.90
GXS-240-HCR	24"	86.95
GXS-300-HCR	30"	98.65
GXS-320-HCR	32"	104.95
GXS-360-HCR	36"	113.95
GXS-420-HCR	42"	125.90
GXS-480-HCR	48"	139.70
"T" TUB & SHOWER		
GXT-160160-HCR	16"x16"	168.75
GXT-160320-HCR	16"x32"	199.50
GXT-240240-HCR	24"x24"	199.50
GXT-200400-HCR	20"x40"	225.75
GXT-240360-HCR	24"x36"	225.75
GXT-240480-HCR	24"x48"	252.85
GXT-300300-HCR	30"x30"	225.75
GXT-360360-HCR	36"x36"	252.90
GXT-360480-HCR	36"x48"	278.60
GXT-360540-HCR	36"x54"	291.40
"V" VERTICAL ANGLE * (Designate L or R)		
GXV*-160160-HCR	16"x16"	168.75
GXV*-200200-HCR	20"x20"	180.90
GXV*-240240-HCR	24"x24"	199.50
GXV*-300300-HCR	30"x30"	225.75
GXV*-160320-HCR	16"x32"	199.50

**PEENED with SATIN ENDS
"GY" SERIES**

"Q" 1-1/4" TUBE DIAMETER

Item #	Size	List
"S" STRAIGHT		
GYS-120-QCR	12"	43.50
GYS-160-QCR	16"	48.30
GYS-180-QCR	18"	50.95
GYS-240-QCR	24"	58.00
GYS-300-QCR	30"	65.90
GYS-320-QCR	32"	69.75
GYS-360-QCR	36"	74.10
GYS-420-QCR	42"	82.10
GYS-480-QCR	48"	88.60
"T" TUB & SHOWER		
GYT-160160-QCR	16"x16"	122.70
GYT-160320-QCR	16"x32"	136.40
GYT-240240-QCR	24"x24"	136.40
GYT-200400-QCR	20"x40"	156.60
GYT-240360-QCR	24"x36"	156.60
GYT-240480-QCR	24"x48"	175.45
GYT-300300-QCR	30"x30"	156.60
GYT-360360-QCR	36"x36"	175.45
GYT-360480-QCR	36"x48"	196.00
GYT-360540-QCR	36"x54"	205.70
"V" VERTICAL ANGLE * (Designate L or R)		
GYV*-160160-QCR	16"x16"	122.70
GYV*-200200-QCR	20"x20"	137.60
GYV*-240240-QCR	24"x24"	136.40
GYV*-300300-QCR	30"x30"	156.60
GYV*-160320-QCR	16"x32"	136.40

"H" 1-1/2" TUBE DIAMETER

Item #	Size	List
"S" STRAIGHT		
GYS-120-HCR	12"	46.80
GYS-160-HCR	16"	50.30
GYS-180-HCR	18"	53.10
GYS-240-HCR	24"	62.65
GYS-300-HCR	30"	69.30
GYS-320-HCR	32"	73.65
GYS-360-HCR	36"	79.05
GYS-420-HCR	42"	85.86
GYS-480-HCR	48"	94.30
"T" TUB & SHOWER		
GYT-160160-HCR	16"x16"	141.30
GYT-160320-HCR	16"x32"	154.60
GYT-240240-HCR	24"x24"	154.60
GYT-200400-HCR	20"x40"	178.80
GYT-240360-HCR	24"x36"	178.80
GYT-240480-HCR	24"x48"	197.40
GYT-300300-HCR	30"x30"	178.80
GYT-360360-HCR	36"x36"	197.40
GYT-360480-HCR	36"x48"	214.85
GYT-360540-HCR	36"x54"	223.60
"V" VERTICAL ANGLE * (Designate L or R)		
GYV*-160160-HCR	16"x16"	141.30
GYV*-200200-HCR	20"x20"	148.10
GYV*-240240-HCR	24"x24"	154.60
GYV*-300300-HCR	30"x30"	178.80
GYV*-160320-HCR	16"x32"	154.60

**PEENED with POLISHED ENDS
"GZ" SERIES**

"Q" 1-1/4" TUBE DIAMETER

Item #	Size	List
"S" STRAIGHT		
GZS-120-QCR	12"	49.95
GZS-160-QCR	16"	54.60
GZS-180-QCR	18"	58.00
GZS-240-QCR	24"	64.35
GZS-300-QCR	30"	72.80
GZS-320-QCR	32"	76.10
GZS-360-QCR	36"	80.40
GZS-420-QCR	42"	87.85
GZS-480-QCR	48"	93.75
"T" TUB & SHOWER		
GZT-160160-QCR	16"x16"	134.00
GZT-160320-QCR	16"x32"	153.30
GZT-240240-QCR	24"x24"	153.30
GZT-200400-QCR	20"x40"	177.70
GZT-240360-QCR	24"x36"	177.70
GZT-240480-QCR	24"x48"	200.90
GZT-300300-QCR	30"x30"	177.70
GZT-360360-QCR	36"x36"	200.90
GZT-360480-QCR	36"x48"	225.40
GZT-360540-QCR	36"x54"	237.25
"V" VERTICAL ANGLE * (Designate L or R)		
GZV*-160160-QCR	16"x16"	134.00
GZV*-200200-QCR	20"x20"	143.60
GZV*-240240-QCR	24"x24"	153.30
GZV*-300300-QCR	30"x30"	177.70
GZV*-160320-QCR	16"x32"	153.30

"H" 1-1/2" TUBE DIAMETER

Item #	Size	List
"S" STRAIGHT		
GZS-120-HCR	12"	52.60
GZS-160-HCR	16"	56.55
GZS-180-HCR	18"	60.10
GZS-240-HCR	24"	68.80
GZS-300-HCR	30"	76.10
GZS-320-HCR	32"	79.65
GZS-360-HCR	36"	86.40
GZS-420-HCR	42"	91.20
GZS-480-HCR	48"	98.90
"T" TUB & SHOWER		
GZT-160160-HCR	16"x16"	152.40
GZT-160320-HCR	16"x32"	171.45
GZT-240240-HCR	24"x24"	171.45
GZT-200400-HCR	20"x40"	199.90
GZT-240360-HCR	24"x36"	199.90
GZT-240480-HCR	24"x48"	222.75
GZT-300300-HCR	30"x30"	199.90
GZT-360360-HCR	36"x36"	222.75
GZT-360480-HCR	36"x48"	244.20
GZT-360540-HCR	36"x54"	255.00
"V" VERTICAL ANGLE * (Designate L or R)		
GZV*-160160-HCR	16"x16"	152.40
GZV*-200200-HCR	20"x20"	162.20
GZV*-240240-HCR	24"x24"	171.45
GZV*-300300-HCR	30"x30"	199.90
GZV*-160320-HCR	16"x32"	171.45

SIGNATURE SERIES - POLISHED BRASS - POWDER COAT - DOMESTIC GRAB BARS **MADE IN THE USA**

**POLISHED BRASS
"GB SERIES"**

**POWDER COATED STAINLESS
"GP SERIES"**

"Q" 1-1/4" TUBE DIAMETER

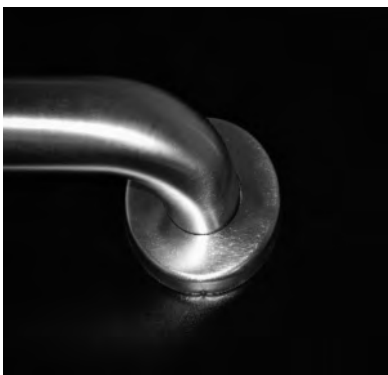
"Q" 1-1/4" TUBE DIAMETER

"H" 1-1/2" TUBE DIAMETER

Item #	Size	List
"S" STRAIGHT		
GBS-120-QCB-BB	12"	92.90
GBS-160-QCB-BB	16"	86.90
GBS-180-QCB-BB	18"	89.45
GBS-240-QCB-BB	24"	102.35
GBS-300-QCB-BB	30"	114.45
GBS-320-QCB-BB	32"	117.30
GBS-360-QCB-BB	36"	128.80
GBS-420-QCB-BB	42"	146.65
GBS-480-QCB-BB	48"	178.10
"T" TUB & SHOWER		
GBT-160160-QCB-BB	16"x16"	187.85
GBT-160320-QCB-BB	16"x32"	243.50
GBT-240240-QCB-BB	24"x24"	243.50
GBT-200400-QCB-BB	20"x40"	313.15
GBT-240360-QCB-BB	24"x36"	313.15
GBT-240480-QCB-BB	24"x48"	375.70
GBT-300300-QCB-BB	30"x30"	313.15
GBT-360360-QCB-BB	36"x36"	375.70
GBT-360480-QCB-BB	36"x48"	438.40
GBT-360540-QCB-BB	36"x54"	466.15
"V" VERTICAL ANGLE * (Designate L or R)		
GBV*-160160-QCB-BB	16"x16"	187.85
GBV*-200200-QCB-BB	20"x20"	215.70
GBV*-240240-QCB-BB	24"x24"	243.50
GBV*-300300-QCB-BB	30"x30"	313.15
GBV*-160320-QCB-BB	16"x32"	243.50

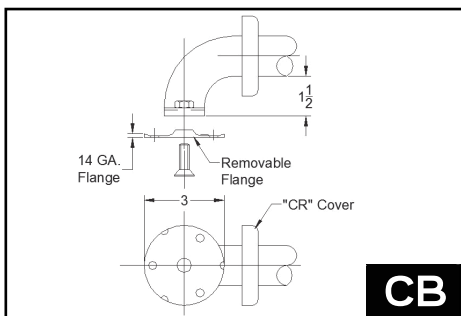
Item #	Size	List
"S" STRAIGHT		
GPS-120-QCR	12"	56.25
GPS-160-QCR	16"	60.50
GPS-180-QCR	18"	63.35
GPS-240-QCR	24"	71.80
GPS-300-QCR	30"	80.25
GPS-320-QCR	32"	83.10
GPS-360-QCR	36"	87.25
GPS-420-QCR	42"	94.35
GPS-480-QCR	48"	102.65
"T" TUB & SHOWER		
GPT-160160-QCR	16"x16"	125.50
GPT-160320-QCR	16"x32"	144.10
GPT-240240-QCR	24"x24"	144.10
GPT-200400-QCR	20"x40"	167.70
GPT-240360-QCR	24"x36"	167.70
GPT-240480-QCR	24"x48"	190.15
GPT-300300-QCR	30"x30"	167.70
GPT-360360-QCR	36"x36"	190.15
GPT-360480-QCR	36"x48"	213.45
GPT-360540-QCR	36"x54"	224.45
"V" VERTICAL ANGLE * (Designate L or R)		
GPV*-160160-QCR	16"x16"	125.50
GPV*-200200-QCR	20"x20"	134.75
GPV*-240240-QCR	24"x24"	144.10
GPV*-300300-QCR	30"x30"	167.70
GPV*-160320-QCR	16"x32"	144.10

Item #	Size	List
"S" STRAIGHT		
GPS-120-HCR	12"	63.10
GPS-160-HCR	16"	68.80
GPS-180-HCR	18"	71.65
GPS-240-HCR	24"	90.30
GPS-300-HCR	30"	94.05
GPS-320-HCR	32"	96.15
GPS-360-HCR	36"	100.40
GPS-420-HCR	42"	107.55
GPS-480-HCR	48"	116.05
"T" TUB & SHOWER		
GPT-160160-HCR	16"x16"	141.95
GPT-160320-HCR	16"x32"	160.20
GPT-240240-HCR	24"x24"	160.20
GPT-200400-HCR	20"x40"	187.50
GPT-240360-HCR	24"x36"	187.50
GPT-240480-HCR	24"x48"	209.80
GPT-300300-HCR	30"x30"	187.50
GPT-360360-HCR	36"x36"	209.85
GPT-360480-HCR	36"x48"	230.15
GPT-360540-HCR	36"x54"	240.40
"V" VERTICAL ANGLE * (Designate L or R)		
GPV*-160160-HCR	16"x16"	141.95
GPV*-200200-HCR	20"x20"	147.50
GPV*-240240-HCR	24"x24"	160.20
GPV*-300300-HCR	30"x30"	187.50
GPV*-160320-HCR	16"x32"	160.20



POWDER COAT (PC) OPTIONS:

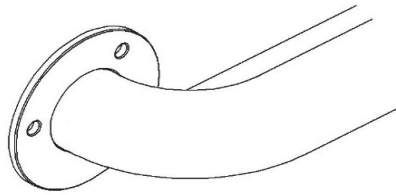
- | | |
|---------------------|---------------------|
| AL = Almond | MB = Matte Black |
| AW = Almond Wrinkle | PB = Polished Brass |
| BI = Biscuit | SN = Satin Nickel |
| BK = Black | WT = White |
| BR = Bronze | WW = White Wrinkle |



SIGNATURE SERIES - CUSTOM GRAB BARS

Seachrome can manufacture your custom size grab bar in any number of configurations, sizes, and finishes. Please contact Seachrome and speak with your Account Manager for information on pricing and lead times. All custom grab bars are manufactured to meet Federal Specifications and ADA Requirements.

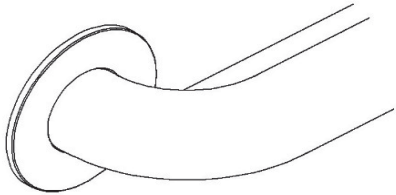
SIGNATURE SERIES - INSTITUTIONAL LIGATURE RESISTANT GRAB BARS **MADE IN THE USA**



HEW Configuration

LIGATURE RESISTANT GRAB BARS - CONTINUOUS WELD

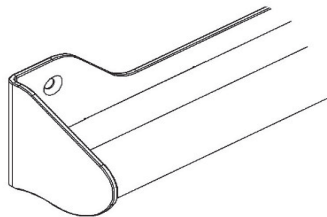
Item #	Length	HEW	HEO
GSSI-160	16"	115.40	113.75
GSSI-180	18"	122.70	121.05
GSSI-240	24"	148.05	146.40
GSSI-300	30"	170.00	168.40
GSSI-320	32"	176.45	174.80
GSSI-360	36"	193.55	193.70
GSSI-420	42"	217.35	215.70
GSSI-480	48"	246.10	244.40



HEO Configuration

LIGATURE RESISTANT GRAB BARS - STITCH WELD

Item #	Length	HEW	HEO
GSSIS-160	16"	105.00	103.35
GSSIS-180	18"	110.25	108.60
GSSIS-240	24"	127.35	125.65
GSSIS-300	30"	141.00	139.35
GSSIS-320	32"	148.35	146.70
GSSIS-360	36"	153.90	152.25
GSSIS-420	42"	175.90	174.25
GSSIS-480	48"	204.60	202.90



QWB Configuration

LIGATURE RESISTANT GRAB BARS - FLANGELESS BRACKET - STITCH WELD

Item #	Length	QWB
GSSIS-160	16"	136.15
GSSIS-180	18"	144.80
GSSIS-240	24"	174.70
GSSIS-300	30"	200.65
GSSIS-320	32"	208.20
GSSIS-360	36"	228.40
GSSIS-420	42"	256.50
GSSIS-480	48"	290.35

SIGNATURE SERIES - COPPER ALLOY GRAB BARS **MADE IN THE USA**



GCSS-120-QCR

Seachrome Copper Alloy Grab Bars are manufactured using CuVerro® Bactericidal Copper surfaces. CuVerro® surfaces kill bacteria that cause infections and is an effective supplement to existing infection control practices. CuVerro® is EPA-registered and is 100% recyclable made from post and pre-consumer materials. Available in both satin and peened finishes. Please allow 6 to 8 weeks for fabrication. Custom sizes and configurations are available.

COPPER ALLOY GRAB BARS - MANUFACTURED WITH CUVERRO®

Item #	Length	Description	QCR	HCR
GCSS-120	12"	12" Straight Grab Bar, CuVerro® antimicrobial copper alloy	154.72	160.90
GCSS-180	18"	18" Straight Grab Bar, CuVerro® antimicrobial copper alloy	185.60	193.00
GCSS-240	24"	24" Straight Grab Bar, CuVerro® antimicrobial copper alloy	216.48	225.15
GCSS-300	30"	30" Straight Grab Bar, CuVerro® antimicrobial copper alloy	247.35	257.25
GCSS-360	36"	36" Straight Grab Bar, CuVerro® antimicrobial copper alloy	278.22	289.35
GCSS-420	42"	42" Straight Grab Bar, CuVerro® antimicrobial copper alloy	309.10	321.47
GCSS-480	48"	48" Straight Grab Bar, CuVerro® antimicrobial copper alloy	341.05	353.58

CuVerro® is a registered trademark of GBC Metals, LLC and is used with permission.

SIGNATURE SERIES - SHOWER RODS - FLANGES - SHOWER CURTAINS - CURTAIN RINGS

SR20-60.000



1" OD Stainless Steel Shower Rods

----Finish Options---

#304 Stainless Steel Shower Rods 1" OD X .035" (20 gauge) Wall			PS	PC
SR20-36.000		36" Straight	19.05	---
SR20-48.000		48" Straight	22.90	---
SR20-60.000		60" Straight	28.55	---
SR20-72.000		72" Straight	38.15	---

#304 Stainless Steel Shower Rods 1" OD X .049" (18 gauge) Wall			SS	PS	PC
SR18-36.000		36" Straight	22.25	24.70	44.15
SR18-48.000		48" Straight	26.65	31.10	51.00
SR18-60.000		60" Straight	33.30	38.85	60.60
SR18-72.000		72" Straight	44.25	51.60	73.15



SCM-61-F

SCM-63-F

SRF-510

SCM-52-F

SCM-54-F

SRF-514

Shower Rod Flanges for 1" Diameter Rods		SS	PS	PC
SCM-61-F (SRF-500)	Concealed Flange & Hanger, 2-1/2" Diameter, Triple Chrome Plated Steel	3.25	3.25	7.30
SCM-63-F (SRF-500MD)	Exposed Screw, 2-1/4" Diameter, Chrome Plated Zamac	---	6.50	---
SRF-510	Exposed Flange, 22 Gauge x 1/2" Deep Stainless Steel, 3" Diameter	9.00	9.45	14.90
SCM-52-F (SRF-501)	Adjustable Jiffy-On, Polished Aluminum Finish	---	6.75	---
SCM-54-F (SRF-501C)	Adjustable Jiffy-On, Chrome Plated Plastic	---	2.05	2.85
SRF-514	Concealed Flange, 22 Gauge Snap-On Cover, 3" Diameter	15.60	18.20	25.90

1-1/4" OD Stainless Steel Shower Rods

#304 Stainless Steel Shower Rods 1-1/4" OD x .049" (18 gauge) Wall			SS	PS	PC
SR18Q-36.000		36" Straight	27.75	32.75	50.90
SR18Q-48.000		48" Straight	33.35	39.30	59.10
SR18Q-60.000		60" Straight	46.80	46.80	70.70
SR18Q-72.000		72" Straight	51.00	60.15	81.50



SRF-511

SRF-515

Shower Rod Flanges for 1-1/4" Diameter Rods		SS	PS	PC
SRF-511	Exposed Flange, 22 Gauge x 1/2" Deep Stainless Steel, 3" Diameter	7.90	9.25	14.65
SRF-515	Concealed Flange, 22 Gauge Snap-On Cover, 3" Diameter	16.10	18.50	25.40

CALL FOR PRICE & AVAILABILITY ON CUSTOM SIZES

SIGNATURE SERIES - SHOWER RODS - FLANGES - SHOWER CURTAINS - CURTAIN RINGS



----Finish Options---

Curved Chrome Shower Rod Kit 1" OD X .025" Wall		PS	PC
SRSCF-B60BS6	60" Curved Shower Rod Set (Includes Pivoting Flange), Polished Chrome	80.90	---

#304 Stainless Steel Curved Shower Rods 1" OD X .035" (20 gauge) Wall		PS	PC
SR20-C60.000	60" Curved (use # SRF-555 or # SRF-551 Flanges)	42.10	---
SR20-C72.000	72" Curved (use # SRF-555 or # SRF-551 Flanges)	50.15	---

#304 Stainless Steel Curved Shower Rods 1" OD X .049" (18 gauge) Wall		SS	PS	PC
SR18-C60.000	60" Curved (use # SRF-555 or # SRF-551 Flanges)	42.50	47.30	91.25
SR18-C72.000	72" Curved (use # SRF-555 or # SRF-551 Flanges)	53.25	59.20	98.40

Shower Rod Flanges for 1" Diameter Curved Shower Rods		SS	PS	PC
SRF-555	Pivoting Flange (for 1" Curved Rod) - #304 Stainless	28.60	31.75	---
SRF-551	Fixed Flange (for 1" Curved Rod) - #304 Stainless	22.15	24.60	32.75



#304 Stainless Steel L-Shaped Shower Rods 1" OD X .049" (18 gauge) Wall		SS	PS	PC
SR18-L6036	60"x 36" L-Shape Rod with Welded Concealed Flanges (use # SR-CSJ24 Ceiling Support)	122.00	135.55	181.45
SR18-L7236	72"x 36" L-Shape Rod with Welded Concealed Flanges (use # SR-CSJ24 Ceiling Support)	127.10	141.25	189.10

Shower Rod Ceiling Support for 1" Diameter L-Shaped Shower Rods		SS	PS	PC
SR-CSJ24	Ceiling Support (for 1" L-Shaped Rod) 24" Hanger with J-Hook	29.00	32.25	50.10

Shower Curtains (Heavy Duty 0.010" White Vinyl)			
SHC-H04872-WU	Heavy-Duty 48" x 72" White Curtain with Brass/Nickel Grommets on 6" Centers, Un-Weighted	36.60	---
SHC-H07272-WU	Heavy-Duty 72" x 72" White Curtain with Brass/Nickel Grommets on 6" Centers, Un-Weighted	49.35	---

Shower Curtain Rings			
SRC-100-MT	Curtain Ring, Nickel Plated (ea.)	0.85	---
SRC-100-SS	Curtain Ring, Stainless Steel (ea.)	1.15	---

CALL FOR PRICE & AVAILABILITY ON CUSTOM SIZES

SIGNATURE SERIES - ADA REVERSIBLE SHOWER TRANSFER SEATS **MADE IN THE USA**

ADA REVERSIBLE TRANSFER SHOWER SEATS

The Seachrome Reversible Transfer Shower Seat is available in both the Yoke style in 4 widths and the Swing Down Leg style in 5 widths. These seats allow for maximum flexibility when ordering. All Seachrome Reversible Shower Seats are fabricated using Seachrome's patented *Lift-Assist Technology* (Patent # US 9,844,272 B1).

SEAT TOP MATERIAL OPTIONS	
PAS	Phenolic Almond One-Piece Solid
PTS	Phenolic Teak One-Piece Solid
PWS	Phenolic White One-Piece Solid

FEATURES
• One Piece welded frame ensures durability
• Seat top is countersunk on both sides
• Available in 3 seat top colors
• Seat top comes unattached for easy installation

All Seachrome seats meet Federal Specification WW-P-541/8b and all ADA code requirements (250 lbs. of force) when properly installed.

For EXTRA HEAVY load requirements select SLR2 Models which have been tested to withstand 1,000 lbs. of force when properly installed.

All Seachrome seats meet ADA Code Operation 309.4 which requires 5 lbs. of force or less to lift the seat.



REVERSIBLE TRANSFER SEATS (PAS, PTS or PWS ONLY)

Item #	Description	Cube	Lbs	PAS / PTS / PWS
SLR-260225	LH/RH L-Shaped Shower Seat 26" x 22.5"	3.31	24	390.55
SLR-280225	LH/RH L-Shaped Shower Seat 28" x 22.5"	3.31	24	401.20
SLR-320225	LH/RH L-Shaped Shower Seat 32" x 22.5"	3.31	25	413.25
SLR-345225	LH/RH L-Shaped Shower Seat 34.5" x 22.5"	3.31	27	445.70



REVERSIBLE TRANSFER SEATS WITH SWING DOWN LEGS (PAS, PTS or PWS ONLY)

Item #	Description	Cube	Lbs	PAS / PTS / PWS
SLR2-260225	LH/RH L-Shaped Shower Seat (with swing down legs) 26" x 22.5"	3.22	26	482.50
SLR2-280225	LH/RH L-Shaped Shower Seat (with swing down legs) 28" x 22.5"	3.22	27	493.85
SLR2-320225	LH/RH L-Shaped Shower Seat (with swing down legs) 32" x 22.5"	3.22	28	505.20
SLR2-345225	LH/RH L-Shaped Shower Seat (with swing down legs) 34.5" x 22.5"	3.22	30	531.15
SLR2-420225	LH/RH L-Shaped Shower Seat (with swing down legs) 42" x 22.5"	3.22	32	663.65

SIGNATURE SERIES - ACCESSIBILITY SEATS **MADE IN THE USA**

SEAT TOP MATERIAL OPTIONS	
NA	Naugahyde Almond Cushion
NW	Naugahyde White Cushion
PA	Phenolic Almond 3" Slats
PT	Phenolic Teak 3" Slats
PW	Phenolic White 3" Slats
PAS	Phenolic Almond One-Piece Solid
PTS	Phenolic Teak One-Piece Solid
PWS	Phenolic White One-Piece Solid
HW	White HDPE One-Piece Solid

All Seachrome seats meet Federal Specification WW-P-541/8b and all ADA code requirements (250 lbs. of force) when properly installed.

For EXTRA HEAVY load requirements, select SSR2, SSL2, or SSB2 Models, which have been tested to withstand 1,000 lbs. of force when properly installed

All Seachrome seats meet ADA Code Operation 309.4 which require 5 lbs. of force or less to lift the seat

SEACHROME CAN MANUFACTURE CUSTOM SIZE SEATS TO MEET ANY NEED - CONTACT US FOR INFORMATION



SSB-180150-PWS



SSB-180150-NW

BENCH SEATS

----- Seat Top Material Options -----

Item #	Description	Cube	Lbs	NA / NW	PA / PT PW	PAS / PTS PWS / HW
SSB-180150	Bench Style Shower Seat 18" x 15"	3.31	16	324.70	389.45	389.45
SSB-220150	Bench Style Shower Seat 22" x 15"	3.31	18	359.90	425.70	425.70
SSB-240150	Bench Style Shower Seat 24" x 15"	3.31	19	378.10	442.75	442.75
SSB-280150	Bench Style Shower Seat 28" x 15"	3.31	20	407.60	472.25	472.25
SSB-300150	Bench Style Shower Seat 30" x 15"	3.31	21	425.70	501.80	501.80
SSB-320150	Bench Style Shower Seat 32" x 15"	3.31	22	442.75	520.00	520.00



SSL-260225-NW



SSR-320225-PT

TRANSFER SEATS

----- Seat Top Material Options -----

Item #	Description	Cube	Lbs	NA / NW	PA / PT PW	PAS / PTS PWS / HW
SSL-260225	LH L-Shaped Shower Seat 26" x 22.5"	3.31	24	454.10	506.30	506.30
SSR-260225	RH L-Shaped Shower Seat 26" x 22.5"	3.31	24	454.10	506.30	506.30
SSL-280225	LH L-Shaped Shower Seat 28" x 22.5"	3.31	24	466.55	518.20	518.25
SSR-280225	RH L-Shaped Shower Seat 28" x 22.5"	3.31	24	466.55	518.20	518.25
SSL-320225	LH L-Shaped Shower Seat 32" x 22.5"	3.31	25	479.10	530.15	530.15
SSR-320225	RH L-Shaped Shower Seat 32" x 22.5"	3.31	25	479.10	530.15	530.15

SEACHROME SHOWER AND TUB SEATS MEET ALL REQUIREMENTS FOR ADA COMPLIANCE. INCLUDING ADA CODE 309.4 WHICH REQUIRES 5 LBS. OF FORCE OR LESS TO LIFT THE SEAT.

SIGNATURE SERIES - ACCESSIBILITY SEATS **MADE IN THE USA**



SSB2- 240150 -NW



SSB2-480240-PWS

BENCH SEATS WITH SWING DOWN LEGS

----- Seat Top Material Options -----

Item #	Description	Cube	Lbs	NA / NW	PA / PT PW	PAS / PTS PWS / HW
SSB2-180150	Bench Style Shower Seat (with swing down legs) 18" x 15"	3.31	19	447.15	492.75	492.75
SSB2-220150	Bench Style Shower Seat (with swing down legs) 22" x 15"	3.31	20	485.90	523.15	523.15
SSB2-240150	Bench Style Shower Seat (with swing down legs) 24" x 15"	3.31	22	504.10	541.35	541.35
SSB2-280150	Bench Style Shower Seat (with swing down legs) 28" x 15"	3.31	26	535.60	571.40	571.40
SSB2-300150	Bench Style Shower Seat (with swing down legs) 30" x 15"	3.31	27	554.95	595.70	595.70
SSB2-320150	Bench Style Shower Seat (with swing down legs) 32" x 15"	3.31	28	573.20	620.00	620.00
SSB2-420200	Bench Style Shower Seat (with swing down legs) 42" x 20"	8.00	39	754.00	---	922.70
SSB2-480240	Bench Style Shower Seat (with swing down legs) 48" x 24"	8.00	53	962.85	---	1086.00



SSL2-320225-PWS



SSR2-320225-NW

TRANSFER SEATS WITH SWING DOWN LEGS

----- Seat Top Material Options -----

Item #	Description	Cube	Lbs	NA / NW	PA / PT PW	PAS / PTS PWS / HW
SSL2-260225	LH L-Shaped Shower Seat (with swing down legs) 26" x 22.5"	3.22	26	559.90	614.20	614.20
SSR2-260225	RH L- Shaped Shower Seat (with swing down legs) 26" x 22.5"	3.22	26	559.90	614.20	614.20
SSL2-280225	LH L- Shaped Shower Seat (with swing down legs) 28" x 22.5"	3.22	27	571.40	625.75	625.75
SSR2-280225	RH L- Shaped Shower Seat (with swing down legs) 28" x 22.5"	3.22	27	571.40	625.75	625.75
SSL2-320225	LH L- Shaped Shower Seat (with swing down legs) 32" x 22.5"	3.22	28	584.10	637.30	637.30
SSR2-320225	RH L- Shaped Shower Seat (with swing down legs) 32" x 22.5"	3.22	28	584.10	638.30	637.30
SSL2-360225	LH L-Shaped Shower Seat (with swing down legs) 36" x 22.5"	3.22	32	596.70	652.00	652.00
SSR2-360225	RH L-Shaped Shower Seat (with swing down legs) 36" x 22.5"	3.22	32	596.70	652.00	652.00
SSL2-420225	LH L-Shaped Shower Seat (with swing down legs) 42" x 22.5"	3.22	38	615.60	---	675.30
SSR2-420225	RH L-Shaped Shower Seat (with swing down legs) 42" x 22.5"	3.22	38	615.60	---	675.30

SEACHROME SHOWER AND TUB SEATS MEET ALL REQUIREMENTS FOR ADA COMPLIANCE. INCLUDING ADA CODE 309.4 WHICH REQUIRES 5 LBS. OF FORCE OR LESS TO LIFT THE SEAT.

SIGNATURE SERIES - ACCESSIBILITY SEATS **MADE IN THE USA**

SEAT TOP MATERIAL OPTIONS	
NA	Naugahyde Almond Cushion
NW	Naugahyde White Cushion
PA	Phenolic Almond 3" Slats
PT	Phenolic Teak 3" Slats
PW	Phenolic White 3" Slats
PAS	Phenolic Almond One-Piece Solid
PTS	Phenolic Teak One-Piece Solid
PWS	Phenolic White One-Piece Solid
MW	Blow Molded White HDPE Plastic
SS	Satin Stainless Steel



TFRS-290150-MW

All Seachrome seats meet Federal Specification WW-P-541/8b and all ADA code requirements (250 lbs. of force) when properly installed.



STE1-320135-PT



STR-290165-PTS

TUB SEATS

----- Seat Top Material Options -----

Item #	Description	Cube	Lbs	MW	NA / NW	PA / PT PW	PAS / PTS PWS
STE-320135	End-Hung Folding Tub Seat, 32" x 13.5" Frameless	2.13	13	----	----	----	327.90
STE1-320135	End-Hung Folding Tub Seat, 32" x 13.5" with SS Frame	2.13	16	----	354.50	447.40	----
STE-320160	End-Hung Folding Tub Seat, 32" x 16" Frameless	2.20	17	----	---	----	344.90
STE1-320160	End-Hung Folding Tub Seat, 32" x 16" with SS Frame	2.20	20	----	342.00	----	----
STR-290165	Rear-Hung Folding Tub Seat, 29" x 16.5" Frameless	2.13	16	----	---	----	354.50
STR1-290165	Rear-Hung Folding Tub Seat, 29" x 16.5" with SS Frame	2.13	19	----	381.00	474.00	----
TFRS-290150	End-Hung Tri-Fold , Removable TubSeat, 29" x 15"	2.13	12	169.85	---	----	----



STPQ-265160-PWS



STPQ2-435150-PWS



SHPQ-265150-PTS

PORTABLE TUB SEATS

Item #	Description	Cube	Lbs	MW	NA / NW	PA / PT PW	PAS / PTS PWS
STPQ-265160	Edge - Mounted Portable Tub Seat, 26.5" x 16"	2.13	14	---	---	---	392.30
STPQ2-435150	Edge - Mounted Portable Tub Seat with Dual Fold Down Adjustable Legs, 43.5" x 15"	4.00	25	----	----	----	656.80
SHPQ-265150	Edge - Mounted Portable Tub Seat with Dual Clamps and Quick-Release Pin, 26.5" x 15"	2.50	20	---	---	---	601.50

SEACHROME SHOWER AND TUB SEATS MEET ALL REQUIREMENTS FOR ADA COMPLIANCE. INCLUDING ADA CODE 309.4 WHICH REQUIRES 5 LBS. OF FORCE OR LESS TO LIFT THE SEAT.

SIGNATURE SERIES - ACCESSIBILITY SEATS **MADE IN THE USA**

SEAT TOP MATERIAL OPTIONS	
PAS	Phenolic Almond One-Piece Solid
PTS	Phenolic Teak One-Piece Solid
PWS	Phenolic White One-Piece Solid
SS	Satin Stainless Steel



SRDY-320225-SS



SBB3-360180-PWS



SBDY-320150-SS



SSBB-420200-PTS

Seachrome Institutional, Bariatric and Stationary Bench Seats have been tested to withstand over 1,500 lbs. of force when properly installed.

INSTITUTIONAL, BARIATRIC & STATIONARY BENCH SEATS

----- Seat Top Material Options -----

Item #	Description	Cube	Lbs	Stainless Steel (SS)	PAS / PTS PWS
SLDY-320225	LH Transfer Seat (with Dual Yoke), 32" x 22.5" One-Piece Stainless Steel Seat Top	3.31	32	1,287.25	----
SRDY-320225	RH Transfer Seat (with Dual Yoke), 32" x 22.5" One-Piece Stainless Steel Seat Top	3.31	32	1,287.25	----
SBDY-320150	Bench Seat (with Dual Yoke), 32" x 15" One-Piece Stainless Steel Seat Top	3.31	32	1,287.25	----
SBB3-360180	Bariatric Bench Seat (with swing down legs), 36" x 18"	7.00	40	---	930.45
SSBB-420200	Stationary Bench Seat (with Back Rest), 42" x 20"	-----	125	---	1,181.25
SSBB-480240	Stationary Bench Seat (with Back Rest), 48" x 24"	-----	145	---	1,352.40

ACCESSIBILITY SEATS - ADDITIONAL ITEMS

Item #	Description	Price	Item #	Description	Price
	Powder Coat (PC) Seat Frame	Add 230.00	P-GB-SS	Slide / Guide Bracket for Wall Mount Seats, Stainless Steel, Each (with hardware)	23.40
	Polished Stainless (PS) Seat Frame	Add 290.00			
P-2SDL-SS	1" Threaded Seat Leg Bolt (Standard Leveling Foot) Stainless Steel / Black, Each	7.00	P-4C10-2	#10 x 2 1/2" Stainless Steel mounting screws for Grab Bars and/or #12 x 2 1/2" Stainless Steel mounting screws for Seats. Each pack contains 6 mounting screws.	2.30
S-LSF-SS	3" Seat Leg Support Flange with Threaded Stud (Leveling Foot), Stainless Steel / Black, Each	27.50	P-WSH-SS	Wall - Mount Support Hook Stainless Steel, Each	35.50
REPLACEMENT SEAT TOPS - BENCH SEATS			REPLACEMENT SEAT TOPS - TRANSFER SEATS		
NA/NW CUSHION			NA/NW CUSHION		
	18" - 22" - 24" Wide x 13.5"	190.00		26" - 28" - 32" Wide x 21"	235.00
	28" - 30" - 32" Wide x 13.5"	220.00			
PAS/PWS/PTS PHENOLIC One-PIECE SOLID			PAS/PWS/PTS PHENOLIC One-PIECE SOLID		
	18" - 22" - 24" Wide x 13.5"	210.00		26" - 28" - 32" Wide x 21"	245.00
	28" - 30" - 32" Wide x 13.5"	230.00			
				CUSTOM "WAVE" SLOTS	Add 45.00

ACCESSIBILITY SEATS - ADDITIONAL NOTES

SEACHROME RECOMMENDS THAT ALL ACCESSIBILITY SEATS, AS WELL AS GRAB BARS, BE INSTALLED USING 2" MINIMUM THICKNESS "IN-WALL" SOLID WOOD BACKING MATERIAL WITH THE APPROPRIATE STAINLESS STEEL, PHILLIPS HEAD SCREWS (INCLUDED).

LIFESTYLE & WELLNESS® SERIES - SILHOUETTE SHOWER SEAT

MADE IN THE USA

FRAME FINISH OPTIONS	
PC	Powder Coat

SEAT TOP MATERIAL OPTIONS	
PWS	Phenolic White One-Piece Solid
PAS	Phenolic Almond One-Piece Solid
PTS	Phenolic Teak One-Piece Solid

SEAT DESIGN OPTIONS	
S	Standard Drain Slots
C	Champagne Drain Slots
L	Lotus Drain Slots

POWDER COAT (PC) OPTIONS
AL = Almond
AW = Almond Wrinkle
BI = Biscuit
BK = Black
BR = Bronze
MB = Matte Black
PB = Polished Brass
SL = Silver
WT = White
WW = White Wrinkle

Seachrome Silhouette Shower Seats meet Federal Specification WW-P-541/8b and all ADA code requirements (250 lbs. of force) when properly installed. Seachrome recommends a minimum 2" of solid wood in-wall backing for all shower seat installations.

Silhouette Shower Seats feature an easy to remove back piece to allow cleaning of the shower wall behind the seat.



SHAF-185155-PWS-S-SL



SHAF-185155-PWS-C-WT



SHAF-185155-PAS-L-BR

----- Frame Finish Options -----

Item #	Description	PC
SHAF-185155-PAS-S SHAF-185155-PWS-S SHAF-185155-PTS-S	Silhouette Bench Seat 19-3/8" W x 15-1/2" D with 12-3/4" Backrest with 1/2" One-Piece Solid Phenolic Seat Top available in White (PWS), Almond (PAS), or Teak (PTS), Aluminum Extruded Frame / Standard Drain Slots	496.00
SHAF-185155-PAS-C SHAF-185155-PWS-C SHAF-185155-PTS-C	Silhouette Bench Seat 19-3/8" W x 15-1/2" D with 12-3/4" Backrest with 1/2" One-Piece Solid Phenolic Seat Top available in White (PWS), Almond (PAS), or Teak (PTS), Aluminum Extruded Frame / Champagne Drain Slots	599.90
SHAF-185155-PAS-L SHAF-185155-PWS-L SHAF-185155-PTS-L	Silhouette Bench Seat 19-3/8" W x 15-1/2" D with 12-3/4" Backrest with 1/2" One-Piece Solid Phenolic Seat Top available in White (PWS), Almond (PAS), or Teak (PTS), Aluminum Extruded Frame / Lotus Drain Slots	599.90



SHAF-185155-PTS-S-SL

----- Frame Finish Options -----

Item #	Description	PC
SHAF-185155-PAS-S SHAF-185155-PWS-S SHAF-185155-PTS-S	Silhouette Bench Seat 19-3/8" W x 15-1/2" D with 14-3/4" Arched Backrest with 1/2" One-Piece Solid Phenolic Seat Top available in White (PWS), Almond (PAS), or Teak (PTS), Aluminum Extruded Frame / Standard Drain Slots	529.90

THE ABOVE MODELS ARE JUST A FEW OF OUR MOST POPULAR DESIGNS
SEACHROME CAN CUSTOMIZE OUR SILHOUETTE DRAIN SLOTS TO MATCH ANY DESIGN OR LOGO
CALL FOR A QUOTATION

LIFESTYLE & WELLNESS® SERIES - SEATS / CORNER SHOWER SHELVES

MADE IN THE USA

SEAT TOP MATERIAL OPTIONS

PA	Phenolic Almond 3" Slats
PW	Phenolic White 3" Slats
PT	Phenolic Teak 3" Slats
PAS	Phenolic Almond One-Piece Solid
PWS	Phenolic White One-Piece Solid
PTS	Phenolic Teak One-Piece Solid



PROFILE BENCH SEAT
S5GBH-180160-PT



BRIDGEPORT REMOVABLE TUB SEAT
STSA-270155-PWS



CONTOUR SHOWER SEAT
SSC-180180-PWS

PROFILE & CONTOUR SHOWER SEATS / BRIDGEPORT REMOVABLE TUB SEAT

----- Seat Top Material Options -----

Item #	Description	PA / PW / PT	PAS / PWS / PTS
S5GBH-180160	Profile Bench Seat, Grab Bar (Hung with Backrest and Legs) 18" W x 20-5/8" D, 1-1/4" O.D. Frame with Phenolic Almond (PA or PAS), White (PW or PWS) or Teak (PT or PTS) Seat Top Satin SS Frame - 1 each GSS-180-QCR included with each Profile Shower Seat -	526.80	526.80
SSC-180180	Contour Shower Seat 26-1/2" W x 16-1/2" D, One-Piece Solid Phenolic Seat Top available in Almond (PAS), White (PWS), or Teak (PTS) with Standard Drain Slots, 18" Radius Clear Coated Aluminum Frame**	----	173.25
STSA-270155	Bridgeport Removable Tub Seat 27" x 15-1/2", One-Piece Solid Phenolic Seat Top available in Almond (PAS), White (PWS), or Teak (PTS) with Standard Drain Slots, Adjustable Stabilizing Posts Satin SS Frame	----	313.50

** See matching Contour Shower Shelf (SCS-090090) below.

FINISH OPTIONS FOR CORNER SHELVES

SS = Satin Stainless Finish
PS = Polished Stainless Finish
PC = Powder Coat Finish



W-SC306-1406-PS



W-SC300-0909-PS



720-9016-PS



SCS-090090-PWS

CORNER SHOWER SHELVES

---- Finish Options ----

---- Shelf Top Material Options ----

Item #	Description	SS	PS	PC	PAS / PWS / PTS
W-SC306-1406	Corner Shower Shelf, 14-1/8" W x 8-1/2" D with 14" Handle #304 Stainless Steel	130.00	157.30	140.80	----
W-SC300-0909	Corner Shower Shelf with Rail, 13-1/4" W x 6-7/8" D #304 Stainless Steel	104.50	131.00	119.45	----
720-9016	Rectangular Sundries Shelf with Rail, 16" W x 6-1/8" D #304 Stainless Steel	128.65	173.00	149.65	----
SCS-090090	Contour Shower Shelf, 12-5/8" W x 9" D, One-Piece Solid Phenolic available in Almond (PAS), White (PWS), or Teak (PTS) with Standard Drain Slots, 18" Radius Clear Coated Aluminum Frame**	----	----	----	103.90

** See matching Contour Shower Seat (SSC-180180) above.

LIFESTYLE & WELLNESS® SERIES - GRAB BARS

MADE IN THE USA

FINISH OPTIONS

SS = Satin Stainless Finish
 PS = Polished Stainless Finish
 PC = Powder Coat Finish

POWDER COAT (PC) OPTIONS

AL = Almond MB = Matte Black
 AW = Almond Wrinkle PB = Polished Brass
 BI = Biscuit SN = Satin Nickel
 BK = Black WT = White
 BR = Bronze WW = White Wrinkle

QCR = 1-1/4" O.D. Bar / Concealed Flange

HCR = 1-1/2" O.D. Bar / Concealed Flange

Lifestyle & Wellness® Grab Bars meet Federal Specification WW-P-541/8b and all ADA code requirements (250 lbs. of force) when properly installed. Seachrome recommends a minimum 2" of solid wood in-wall backing for all grab bar installations.



GW-3016-SERIES



GW-3518-SERIES
 GW-3524-SERIES
 GW-3536-SERIES
 GW-3548-SERIES



GWL-3638-SERIES

Item #	Description	SS - QCR	SS - HCR	PS - QCR	PS-HCR	PC-QCR	PC-HCR
GW-3016	Wedge Bar 16" x 16"	120.75	126.25	143.80	150.40	143.80	150.40
GW-3518	Wave Bar 18" Overall	106.50	109.75	139.45	144.90	139.45	144.90
GW-3524	Wave Bar 24" Overall	109.80	115.30	143.80	150.40	143.80	150.40
GW-3536	Wave Bar 36" Overall	117.50	123.50	151.50	157.00	151.50	157.00
GW-3548	Wave Bar 48" Overall	126.25	131.80	160.25	165.75	160.25	165.75
GWL-3638	LH Zuma Bar 16" x 11-3/4" x 16"	137.25	144.90	169.10	176.70	169.10	176.70
GWR-3638	RH Zuma Bar 16" x 11-3/4" x 16"	137.25	144.90	169.10	176.70	169.10	176.70



GW-3130-SERIES



GW-3430-SERIES

Item #	Description	SS - QCR	SS - HCR	PS - QCR	PS-HCR	PC-QCR	PC-HCR
GW-3130	Maverick Double Arched Grab Bar 30" Overall	137.25	144.90	169.05	176.70	169.05	176.70
GW-3430	Crescent Grab Bar 30"	137.25	144.90	169.05	176.70	169.05	176.70



GW-3230-SERIES



GW-3930-SERIES

Item #	Description	SS - QCR	SS - HCR	PS - QCR	PS-HCR	PC-QCR	PC-HCR
GW-3230	Half-Moon Bay Curved Grab Bar with Towel Bar 30"	148.20	155.90	182.25	191.05	182.25	191.50
GW-3930	Newport Grab Bar with Towel Bar 30" Overall	120.75	136.20	144.90	160.25	144.90	160.25

LIFESTYLE & WELLNESS® SERIES - GRAB BARS **MADE IN THE USA**



GWR-3330-SERIES



GWR-3730-SERIES

Item #	Description	SS - QCR	SS - HCR	PS - QCR	PS-HCR	PC-QCR	PC-HCR
GWL-3330	LH Pismo Curved Grab Bar with Toilet Paper Holder 30"	153.70	159.20	183.35	193.20	183.35	193.20
GWR-3330	RH Pismo Curved Grab Bar with Toilet Paper Holder 30"	153.70	159.20	183.35	193.20	183.35	193.20
GWL-3730	LH Piano Curved Grab Bar with Towel Bar 30"	164.70	170.15	194.35	194.45	194.35	194.45
GWR-3730	RH Piano Curved Grab Bar with Towel Bar 30"	164.70	170.15	194.35	194.45	194.35	194.45



GWR-3830-SERIES



GW-4412-QNT-SERIES

Item #	Description	SS - QCR	SS - HCR	PS - QCR	PS-HCR	PC-QCR	PC-HCR
GWL-3830	LH U-Bar with Towel Bar - 30" X 11"	137.25	----	161.40	----	161.40	----
GWR-3830	RH U-Bar with Towel Bar - 30" X 11"	137.25	----	161.40	----	161.40	----
GW-4412-QNT	Huntington Shower Valve Grab Bar 12" Front Mount	126.25	----	146.00	----	153.75	----



GW-4130-Q-SERIES



GW-4236-Q-SERIES



GW-4339-Q-SERIES

Item #	Description	SS - QCR	SS - HCR	PS - QCR	PS-HCR	PC-QCR	PC-HCR
GW-4130-Q	Swing-Up Grab Bar 30" Overall	338.10	----	466.70	----	466.70	----
GW-4236-Q	Wall-To-Wall Swing-Away Grab Bar	399.65	----	535.70	----	535.70	----
GW-4339-Q	Wall-To-Floor Swing-Away Grab Bar	433.65	----	576.35	----	576.35	----

**THE ABOVE MODELS REPRESENT OUR STANDARD LIFESTYLE & WELLNESS® SERIES.
 SEACHROME DESIGNS, ENGINEERS AND MANUFACTURES CUSTOM SIZES AND STYLES.
 CUSTOM FINISHES ARE ALSO AVAILABLE
 CALL FOR A QUOTATION**

CORONADO SERIES - GRAB BARS **MADE IN THE USA**

FINISH OPTIONS

SS = Satin Stainless Finish
 PS = Polished Stainless Finish
 PC = Powder Coat Finish

POWDER COAT (PC) OPTIONS

AL = Almond
 AW = Almond Wrinkle
 BI = Biscuit
 BK = Black
 BR = Bronze

MB = Matte Black
 PB = Polished Brass
 SN = Satin Nickel
 WT = White
 WW = White Wrinkle

Grab Bar Series Features:

- * 304 Stainless Steel
- * Welded Construction
- * Custom finishes and colors available
- * 3" Round Concealed Flanges
- * Available in decorative flange designs

All Coronado Series Grab Bars meet Federal Specification WW-P-541/8b for welded construction and withstanding 250 lbs. of force when properly installed.



790-240-QCR-PS

790 - 791 SERIES - CORONADO

-----Finish Options -----

Item #	Description	SS	PS	PC
790-180-QCR	18" Grab Bar, 1-1/4" O.D., Concealed Flanges	99.50	117.55	117.55
790-240-QCR	24" Grab Bar, 1-1/4" O.D., Concealed Flanges	113.05	137.85	137.85
790-360-QCR	36" Grab Bar, 1-1/4" O.D., Concealed Flanges	125.50	162.75	162.75
790-420-QCR	42" Grab Bar, 1-1/4" O.D., Concealed Flanges	145.80	191.05	191.05
<hr/>				
790-180-HCR	18" Grab Bar, 1-1/2" O.D., Concealed Flanges	113.05	130.00	130.00
790-240-HCR	24" Grab Bar, 1-1/2" O.D., Concealed Flanges	128.85	153.95	153.95
790-360-HCR	36" Grab Bar, 1-1/2" O.D., Concealed Flanges	142.45	180.80	180.80
790-420-HCR	42" Grab Bar, 1-1/2" O.D., Concealed Flanges	167.25	212.45	212.45



791-240-QCR-PS

-----Finish Options -----

Item #	Description	SS	PS	PC
791-180-QCR	18" Grab Bar, 1-1/4" O.D., Concealed Flanges	124.30	146.95	146.95
791-240-QCR	24" Grab Bar, 1-1/4" O.D., Concealed Flanges	141.35	162.35	162.35
791-360-QCR	36" Grab Bar, 1-1/4" O.D., Concealed Flanges	155.95	203.45	203.45
791-420-QCR	42" Grab Bar, 1-1/4" O.D., Concealed Flanges	180.80	237.35	237.35

NOTE: 791 SERIES GRAB BARS AVAILABLE IN 1 1/4" O.D. ONLY



GSO-240-HCR-PS

OVAL SERIES

-----Finish Options -----

Item #	Description	SS	PS	PC
GSO-180-HCR	18" Oval Grab Bar - Mitred Corners, 1-1/2" O.D., Concealed Flanges	142.95	163.35	163.35
GSO-240-HCR	24" Oval Grab Bar - Mitred Corners, 1-1/2" O.D., Concealed Flanges	156.50	183.65	183.65
GSO-360-HCR	36" Oval Grab Bar - Mitred Corners, 1-1/2" O.D., Concealed Flanges	169.00	208.50	208.50
GSO-420-HCR	42" Oval Grab Bar - Mitred Corners, 1-1/2" O.D., Concealed Flanges	189.30	236.75	236.75

NOTE: OVAL SERIES GRAB BARS AVAILABLE IN 1-1/2" O.D. ONLY



GSSO-240-QCR-PS

OVAL SERIES

-----Finish Options -----

Item #	Description	SS	PS	PC
GSSO-180-HCR	18" Oval Grab Bar - Coronado Style, 1-1/2" O.D., Concealed Flanges	131.70	152.05	152.05
GSSO-240-HCR	24" Oval Grab Bar - Coronado Style, 1-1/2" O.D., Concealed Flanges	145.20	172.40	172.40
GSSO-360-HCR	36" Oval Grab Bar - Coronado Style, 1-1/2" O.D., Concealed Flanges	157.65	197.25	197.25
GSSO-420-HCR	42" Oval Grab Bar - Coronado Style, 1-1/2" O.D., Concealed Flanges	178.00	225.50	225.50

NOTE: OVAL SERIES GRAB BARS AVAILABLE IN 1-1/2" O.D. ONLY

BATH ACCESSORIES - 700 SERIES - CORONADO **MADE IN THE USA**

FINISH OPTIONS
 SS = Satin Stainless Finish
 PS = Polished Stainless Finish
 PC = Powder Coat Finish

POWDER COAT (PC) OPTIONS
 AL= Almond
 AW = Almond Wrinkle
 BI= Biscuit
 BK = Black
 BR = Bronze
 MB = Matte Black
 PB = Polished Brass
 SN = Satin Nickel
 WT = White
 WW = White Wrinkle

700 Series Features:
 * 3/4" Round Crosspiece
 * 1" Round Post
 * 2-1/2" Round Concealed Flanges
 * Available in decorative step flange design

**FABRICATED OF TYPE 304, 18-8 ALLOY, STAINLESS STEEL
 RATED TO EXCEED 100 LB LOAD CAPACITY WHEN PROPERLY INSTALLED**



700-00



700-10



700-13



700-14

700 SERIES - CORONADO

-----Finish Options -----

Item #	Description	SS	PS	PC
700-00	Soap Holder (without holes), 4-5/16" Dia. Dish	51.90	57.85	57.85
700-10	Toothbrush Tumbler Holder, 4-5/16" Dia. Dish	51.90	57.85	57.85
700-13	Door Bumper, 1-1/2" Dia. x 3" D, Exposed Mounting Flange	38.60	42.35	42.35
700-14	Door Bumper / Coat Hanger, 1-1/2" Dia. x 3-1/2" D, Exposed Mounting Flange	42.40	46.70	46.70



700-2018
700-2024



700-2018-2
700-2024-2



700-2030
700-2036

-----Finish Options -----

Item #	Description	SS	PS	PC
700-2018	18" Towel Bar Set (3/4" Rd.), 18" Mounting Centers x 3-1/2" D	76.65	84.50	84.50
700-2018-2	18" Double Towel Bar Set (3/4" Rd.), 18" Mounting Centers x 6-3/4" D	96.55	104.40	104.40
700-2024	24" Towel Bar Set (3/4" Rd.), 24" Mounting Centers x 3-1/2" D	81.70	89.70	89.70
700-2024-2	24" Double Towel Bar Set (3/4" Rd.), 24" Mounting Centers x 6-3/4" D	102.15	110.30	110.30
700-2030	30" Towel Bar Set (3/4" Rd.), 30" Mounting Centers x 3-1/2" D	87.05	95.50	95.50
700-2036	36" Towel Bar Set (3/4" Rd.), 36" Mounting Centers x 3-1/2" D	94.40	103.15	103.15



700-31



700-31-2



700-33



700-33-2



700-35

-----Finish Options -----

Item #	Description	SS	PS	PC
700-31	Single Paper Holder, White Roller, 6-1/4" Mounting Centers x 3-1/2" D	73.25	79.60	79.60
700-31-2	Double Paper Holder, White Roller, 12-1/2" Mounting Centers x 3-1/2" D	100.45	108.95	108.95
700-33	"Post-Style" Single Paper Holder, 6" Center to End x 4-1/8" D	88.70	95.10	95.10
700-33-2	"Post-Style" Double Paper Holder, 11-1/2" Overall x 4-1/8" D	103.95	112.45	112.45
700-35	Rectangular Toilet Paper & Towel Holder, 6-1/2" W x 5-1/2" H x 3-3/8" D	74.85	82.10	82.10

BATH ACCESSORIES - 700 SERIES - CORONADO

FINISH OPTIONS
 SS = Satin Stainless Finish
 PS = Polished Stainless Finish
 PC = Powder Coat Finish

POWDER COAT (PC) OPTIONS
 AL = Almond
 AW = Almond Wrinkle
 BI = Biscuit
 BK = Black
 BR = Bronze
 MB = Matte Black
 PB = Polished Brass
 SN = Satin Nickel
 WT = White
 WW = White Wrinkle



700-40



700-40-2



700-46

Item #	Description	-----Finish Options -----		
		SS	PS	PC
700-40	Single Robe Hook, 2-1/2" W x 2-1/2" D	47.45	51.40	51.40
700-40-2	Double Robe Hook, 3-1/2" W x 3-1/4" D	52.35	55.10	55.10
700-46	Towel Ring, 6-3/8" Dia. x 2-1/2" D	61.70	68.25	68.25



700-8018



700-8024

Item #	Description	-----Finish Options -----		
		SS	PS	PC
700-8018	18" Towel Shelf and Bar, 18" Mounting Centers x 9-1/4" D	112.70	123.50	123.50
700-8024	24" Towel Shelf and Bar, 24" Mounting Centers x 9-1/4" D	117.90	132.50	132.05



W-SC300-0909



720-9016

Item #	Description	-----Finish Options -----		
		SS	PS	PC
W-SC300-0909	13-1/4" W x 6-7/8" D Triangular / Corner Shower Shelf with Rail	104.50	131.00	119.45
720-9016	16" W x 6-1/8" D Rectangular Sundries Shelf with Rail	128.65	173.00	149.65

BATH ACCESSORIES - 711 SERIES - CORONADO **MADE IN THE USA**

FINISH OPTIONS
 SS = Satin Stainless Finish
 PS = Polished Stainless Finish
 PC = Powder Coat Finish

POWDER COAT (PC) OPTIONS
 AL= Almond MB = Matte Black
 AW = Almond Wrinkle PB = Polished Brass
 Bl= Biscuit SN = Satin Nickel
 BK = Black WT = White
 BR = Bronze WW = White Wrinkle

711 Series Features:
 * 7/8" round crosspiece
 * 7/8" round post
 * 2-1/2" round concealed flanges
 * Available in decorative step flange design

**FABRICATED OF TYPE 304, 18-8 ALLOY, STAINLESS STEEL
 RATED TO EXCEED 100 LB LOAD CAPACITY WHEN PROPERLY INSTALLED**



711-00



711-10



711-13



711-14

711 SERIES - CORONADO

-----Finish Options -----

Item #	Description	SS	PS	PC
711-00	Soap Dish Holder, 4-5/16" Dia. Dish	51.90	57.85	57.85
711-10	Toothbrush Holder, 4-5/16" Dia. Dish	51.90	57.85	57.85
711-13	Door Bumper, 1-1/2" Dia. x 3" D, Exposed Mounting Flange	38.30	42.35	42.35
711-14	Door Bumper/Coat Hanger, 1-1/2" Dia. x 3" D, Exposed Mounting Flange	42.40	46.70	46.70



711-2018
 711-2024
 711-2030
 711-2036

-----Finish Options -----

Item #	Description	SS	PS	PC
711-2018	18" Towel Bar Set, 18" Overall, 15" Mounting Centers	96.95	114.10	114.10
711-2024	24" Towel Bar Set, 24" Overall, 21" Mounting Centers	104.40	122.75	122.75
711-2030	30" Towel Bar Set, 30" Overall, 27" Mounting Centers	110.50	128.65	128.65
711-2036	36" Towel Bar Set, 36" Overall, 33" Mounting Centers	120.50	133.10	133.10



711-31



711-31-2



711-33



711-33-2



711-35

-----Finish Options -----

Item #	Description	SS	PS	PC
711-31	Single Paper Holder, White Roller, 6-1/4" Mounting Centers x 3-1/2" D	73.25	79.60	79.60
711-31-2	Double Paper Holder, White Roller, 12-1/2" Mounting Centers x 3-1/2" D	100.45	108.95	108.95
711-33	Euro Paper Holder, 6" Center to End x 4-1/8" D	88.70	95.10	95.10
711-33-2	Double Euro Paper Holder, 11-1/2" Overall x 4-1/8" D	103.95	112.45	112.45
711-35	Toilet Paper Holder / Towel Ring, 6" W x 5-1/4" H x 3-3/8" D	74.85	82.10	82.10



711-40



711-41



711-46

-----Finish Options -----

Item #	Description	SS	PS	PC
711-40	Single Robe Hook, 2-1/2" W x 2-1/2" D	47.50	51.40	51.40
711-41	Double Robe Hook, 3-1/2" W x 3-1/4" D	52.35	55.10	55.10
711-46	Towel Ring, 6-3/8" Dia. x 2-1/2" D	61.70	68.25	68.25

BATH ACCESSORIES - 15000 SERIES STAINLESS

FABRICATED OF TYPE 304, 18-8 ALLOY, STAINLESS STEEL
FOR HOTEL / MOTEL, HEALTHCARE, HOSPITALS,
GOVERNMENT & COMMERCIAL PROJECTS

FINISH OPTIONS
SS = Satin Stainless Finish
PS = Polished Stainless Finish



15600



15601



15610

15000 SERIES - STAINLESS

Item #	Description	Case Qty	Lbs / Case	----Finish Options----	
				SS	PS
15600	Soap Holder without drain holes 4-1/4" W x 2-1/8" H x 4-1/4" D	50	22	13.95	13.95
15601	Soap Holder with drain holes 4-1/4" W x 2-1/8" H x 4-1/4" D	50	21	13.95	13.95
15610	Toothbrush / Tumbler Holder 4-1/4" W x 2" H x 4" D	50	18	13.95	13.95



15620-SQ-Series



15620-RD-Series



15910-24

Item #	Description	Case Qty	Lbs / Case	----Finish Options----	
				SS	PS
15620-18SQ	18" Towel Bar Set (3/4" Sq.), 18" End to End	100	75	28.35	28.35
15620-24SQ	24" Towel Bar Set (3/4" Sq.), 24" End to End	100	84	30.60	30.60
15620-30SQ	30" Towel Bar Set (3/4" Sq.), 30" End to End	100	89	33.10	33.10
15620-18RD	18" Towel Bar Set (3/4" Rd.), 18" End to End	100	68	27.85	27.85
15620-24RD	24" Towel Bar Set (3/4" Rd.), 24" End to End	100	75	29.00	29.00
15620-30RD	30" Towel Bar Set (3/4" Rd.), 30" End to End	100	82	30.35	30.35
15910-24	24" Towel Shelf with Bar, 24" End to End x 8-3/4" D	20	41	65.25	65.25



15631



15640



15642



15643



15646



15631-2



15641

Item #	Description	Case Qty	Lbs / Case	----Finish Options----	
				SS	PS
15631	Single Paper Holder, Plastic Spring Loaded White Roller, 7-1/2" W x 2" H x 3-7/8" D	60	35	22.25	22.25
15631-2	Double Paper Holder, Plastic Spring Loaded White Roller, 13" W x 2" H x 3-7/8" D	40	34	29.80	29.40
15640	Single Robe Hook, 2" W x 1-9/16" D	50	11	9.00	9.00
15641	Double Robe Hook, 4" W x 1-3/4" D	50	15	9.95	9.95
15642	Towel Pin, 2" W x 4-1/2" D	50	16	9.45	9.45
15643	Hat and Robe Hook, 2" W x 6-1/4" H x 4" D	50	24	----	25.20
15646	Towel Ring, 5-3/8" Dia. x 2-3/8" D	50	22	13.45	20.70

BATH ACCESSORIES - CONTEMPORARY SERIES / ECONOMY SERIES



SCM-P5030



SCM-P5118
SCM-P5124
SCM-P5130



SCM-P5500
SCM-P5860



SCM-P5050
SCM-P5080



SCM-P5340



SCM-P5360

5000 SERIES - CONTEMPORARY

Item #	Description	Die Cast Zinc Alloy Chrome Plated
SCM-P5030	Double Robe Hook, 2-3/8" W x 1-3/4" D, Concealed Screw Mounting	4.20
SCM-P5050	Single Paper Holder with Plastic Spring Loaded Chrome Roller, 7-1/2" W x 3" D, Concealed Screw Mounting	9.00
SCM-P5080	Single Paper Holder with Plastic Spring Loaded White Roller, 7-1/2" W x 3" D, Concealed Screw Mounting	7.65
SCM-P5118	18" Towel Bar Set (3/4" Sq.), 18" Mounting Centers x 3" D, Concealed Screw Mounting	9.35
SCM-P5124	24" Towel Bar Set (3/4" Sq.), 24" Mounting Centers x 3" D, Concealed Screw Mounting	10.55
SCM-P5130	30" Towel Bar Set (3/4" Sq.), 30" Mounting Centers x 3" D, Concealed Screw Mounting	10.55
SCM-P5340	Wall Mounted Toothbrush Holder, 4-1/4" W x 3-1/4" D, Concealed Screw Mounting	5.15
SCM-P5360	Wall Mounted Soap Holder, 4-1/4" W x 3-1/4" D, Concealed Screw Mounting	6.15
SCM-P5500	Towel Ring with Clear Acrylic Ring, 6" Dia. x 3-3/8" D, Concealed Screw Mounting	7.45
SCM-P5860	Towel Ring with Aluminum Ring, 6" Dia. x 3-3/8" D, Concealed Screw Mounting	8.75



SCM-902



SCM-908



SCM-910



SCM-950



SCM-934



SCM-936



SCM-910A18
SCM-910A24

900 SERIES - ECONOMY

Item #	Description	Die Cast Zinc Alloy Chrome Plated
SCM-902	Metal Single Robe Hook, 1-3/8" Mounting Centers x 1-1/2" D, Exposed Screw Mounting	2.75
SCM-908	Metal Paper Holder with Plastic Spring Loaded White Roller, 1-1/4" Mounting Centers x 2-3/4" D, Exposed Screw Mounting	5.35
SCM-910	Metal 5/8" Square Towel Bar Posts Only, 1-1/4" Mounting Centers x 2-3/4" D, Exposed Screw Mounting (Pair)	4.95
SCM-910A18	18" Towel Bar Set (5/8" Sq.), 18" Mounting Centers x 2-3/4" D, Exposed Screw Mounting	7.25
SCM-910A24	24" Towel Bar Set (5/8" Sq.), 24" Mounting Centers x 2-3/4" D, Exposed Screw Mounting	7.90
SCM-934	Metal Toothbrush Holder, 3-7/8" W x 3-1/4" D, Exposed Screw Mounting	4.45
SCM-936	Metal Soap Holder, 3-7/8" W x 3-1/4" D, Exposed Screw Mounting	5.35
SCM-950	Metal Towel Ring with Clear Acrylic Ring, 5-7/8" W x 1-7/8" D, Exposed Screw Mounting	5.45

CAL SERIES - COMMERCIAL ACCESSORY LINE - WASHROOM



SCAL-124



SCAL-126



SCAL-200-3016
SCAL-200-3018

---- Case ----

Item#	Description	Detail	Comparables	Qty	Lbs/Case	Price/each
SCAL-124	Horizontal Wall-Mount Liquid Soap Dispenser	#304 Satin Stainless Overall: 8-1/4" W x 4-3/4" H x 3-3/4" D Capacity: 40 Ounces	#2112-BOB #6542-BRAD #0345-ASI	24	17	53.00
SCAL-126	Vertical Wall-Mount Liquid Soap Dispenser	#304 Satin Stainless Overall: 4-3/4" W x 8-1/4" H x 3-3/4" D Capacity: 40 Ounces	#2111-BOB #6562-BRAD #0347-ASI	24	17	53.00
SCAL-200-3016	Wall-Mount Utility Shelf	#304 Satin Stainless Overall: 16" W x 4" H x 6" D	#290-16-BOB #296-16-BRAD #0692-ASI	10	20	72.00
SCAL-200-3018	Wall-Mount Utility Shelf	#304 Satin Stainless Overall: 18" W x 4" H x 6" D	#290-18-BOB #296-18-BRAD #0690-ASI	12	33	80.00



SCAL-112



SCAL-113



SCAL-188

---- Case ----

Item#	Description	Detail	Comparables	Qty	Lbs/Case	Price/each
SCAL-112	Wall-Mount Dual Toilet Tissue Dispenser	Cast Aluminum / Paint Color-Silver No Waste - Rocking Action Plastic Spindles Overall : 13-1/8" W x 1-3/4" H x 4" D Capacity : 2 Standard Rolls Toilet Tissue	#274-BOB #5241-BRAD #0264-1-ASI	21	12	25.40
SCAL-113	Wall-Mount Dual Toilet Tissue Dispenser with Utility Shelf	#304 Satin Stainless Steel / 2 Plastic Rollers Overall: 14-3/4" W x 4-1/8" H x 5-1/16" D Capacity: 2 Standard Rolls Toilet Tissue	#2840-BOB #-----BRAD #-----ASI	12	36	92.20
SCAL-188	Locking Surface-Mount Dual Roll Toilet Tissue Dispenser	#304 Satin Stainless Steel / 2 Plastic Rollers Auto Drop Down Overall : 6" W x 11" H x 5-3/4" D Capacity : 2 Standard Rolls Toilet Tissue	#2888-BOB #5402-BRAD #9030-ASI	12	24	124.75



SCAL-130



SCAL-170



SCAL-162

---- Case ----

Item#	Description	Detail	Comparables	Qty	Lbs/Case	Price/each
SCAL-130	Wall-Mount Toilet Seat Cover Dispenser	#304 Satin Stainless Steel Overall: 15-5/8" W x 11-1/2" H x 1-7/8" D Capacity: 500 Single or Half Fold Seat Covers	#221-BOB #5831-BRAD #4775M-ASI	12	15	50.95
SCAL-170	Surface Mount Sanitary Napkin Disposal	#304 Satin Stainless Steel Overall: 8" W x 11" H x 4" D Capacity: 1 Gallon Receptacle	#270-BOB #4781-15-BRAD #852-ASI	12	18	58.45
SCAL-162	Locking Wall-Mount Paper Towel Dispenser	#304 Satin Stainless Steel Overall: 11-1/4" W x 14-1/2" H x 4-1/8" D Capacity: 400 C-Fold / 525 Multi-Fold Paper Towels	#262-BOB #250-15-BRAD #210-ASI	6	13	66.10

CAL SERIES - COMMERCIAL ACCESSORY LINE - HOSPITALITY

CONSULT FACTORY FOR ADDITIONAL ITEMS NOT SHOWN



15820-18-PS
15820-24-PS



SCM R5519



15840-30-SS

-- Case --

Item #	Description	Qty	Lbs / Ea.	Price
15820-18-PS	18" Heavy Duty Towel Shelf with Bar, 18" Mounting Centers - #304 Stainless Heliarc Welded / Polished SS	1	8	139.55
15820-24-PS	24" Heavy-Duty Towel Shelf with Bar, 24" Mounting Centers - #304 Stainless Heliarc Welded / Polished SS	1	10	153.45
SCM-R5519	24" Towel Shelf with Bar and Support Brackets, 24" Mounting Centers Chrome Plated Brackets, Polished SS Rods	10	3	83.60
15840-30-SS	30" Sturdy Towel Shelf, 29" Mounting Centers 30" W x 8" H x 12" D - # 304 Stainless / Satin SS	1	15	272.95
15840-31-SS	30" Sturdy Towel Shelf with Robe Hook Rack, 29" Mounting Centers 30" W x 8" H x 12" D - # 304 Stainless / Satin SS	1	15	323.20

CUSTOM TOWEL SHELF DESIGNS & FINISHES AVAILABLE. CALL FOR A QUOTATION.



SCA-U811



SCA-U812



SCA-U813



SCA-U814

-- Case --

Item #	Description	Qty	Lbs / Ea.	Price
SCA-U811	Classic Surface Mount Single Paper Holder, Controlled Release 6" W x 2-3/4" H x 4-1/4" D / Chrome Plated	48	1	19.70
SCA-U812	Classic Surface Mount Double Paper Holder, Controlled Release 12-1/4" W x 2-3/4" H x 4-1/4" D / Chrome Plated	24	2	35.80
SCA-U813	Premiere Surface Mount Single Paper Holder - Concealed Hinge, Controlled Release 5-1/2" W x 2-3/4" H x 4-1/4" D / Chrome Plated	1	2	37.65
SCA-U814	Premiere Surface Mount Double Paper Holder - Concealed Hinge, Controlled Release 10-1/2" W x 2-3/4" H x 4-1/4" D / Chrome Plated	1	4	49.90



SCM-RR120CH



SCM-RR5506HD



SCM-5520NC



SCM-RR5520SS

-- Case --

Item #	Description	Qty	Lbs / Ea.	Price
SCM-RR120CH	Liquid Soap Dispenser - Wall Mount - Chrome with Plastic Globe 3-5/8" W x 6-3/4" H x 5-3/8" D	24	1	18.10
SCM-RR5506HD	Retractable Clothesline with 10' Spring Loaded Nylon Cord, 3-5/8" Dia. x 3-1/4" D Chrome Plated Cover and Flange	60	1	43.40
SCM-5520NC	Recessed Facial Tissue Box - No Cover Wall Opening 10-1/2" W x 5" H x 2-1/4" D	24	1	22.75
SCM-RR5520SS	Recessed Facial Tissue Box with Stainless Cover Wall Opening 10-1/2" W x 5" H x 2-1/4" D	25	1	37.95

CAL SERIES - COMMERCIAL ACCESSORY LINE - HOSPITALITY

PRICES DO NOT INCLUDE MOUNTING CLAMP
MOUNTING CLAMP SOLD SEPARATELY



SCM-5571



SCM-5577



SCM-R5580

---- Case ----				
Item #	Description	Qty	Lbs / Ea.	Price
SCM-5571	Extra Roll Recessed Paper Holder - Plastic, Spring Loaded White Roller Chrome Trim, Wall Opening 5-1/4" Sq. x 4" D	20	2	42.50
SCM-5577	Double Recessed Paper Holder - Plastic, Spring Loaded Chrome Rollers Wall Opening 11-1/4" W x 5-1/4" H x 1-3/4" D	20	4	76.00
SCM-R5580	Double Surface Paper Holder - Plastic, Spring Loaded Chrome Rollers Chrome Plated Brackets, 13" W x 2-1/2" H x 3-1/8" D	24	2	43.30

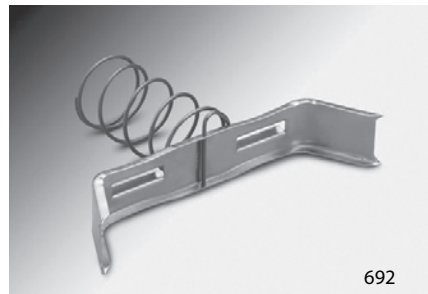


660L-PS



681-PS

---- Case ----				
Item #	Description	Qty	Lbs / Ea.	Price
660L-PS	Soap or Tumbler Holder with Metal Lip, 6-1/4" Sq. x 2" D	40	1	35.80
	Wall Opening 5-1/4" Sq. x 2" D - #304 Stainless / Polished SS			
681-PS	Paper Holder - Plastic, Spring Loaded White Roller, 6-1/4" Sq. x 2" D	40	1	35.80
	Wall Opening 5-1/4" Sq. x 2" D - #304 Stainless / Polished SS			



692

MOUNTING CLAMP

---- Case ----				
Item #	Description	Qty	Lbs / Ea.	Price
692	Mounting Clamp with Retention Spring, 7" W x 1-1/2" H x 4-5/8" D	---	1	6.75

TERMS AND CONDITIONS

PAYMENT

NET 30 DAYS. All accounts, payable in U.S. funds, are due within 30 days after delivery of goods to Buyer or any common or contract carrier, whichever occurs first. Payments by check, draft, or any mode other than cash is conditional and for Buyer's convenience and is not deemed payment until cash or solvent credit is received and accepted by Seachrome.

FREIGHT TERMS

All orders F.O.B. Long Beach, CA.

Shipments consigned outside the continental U.S. will be shipped to the nearest U.S. port. Prepaid freight terms may vary on a product-by-product basis. Please call the factory for freight terms on your particular order.

MINIMUM ORDER

Minimum order requirement is \$50.00. Any order received for merchandise with a net amount less than \$50.00 will be invoiced at \$50.00, plus any applicable freight charges.

ORDER REQUIREMENTS

All telephone orders must be confirmed in writing. Seachrome will not assume errors in telephone orders unless written or faxed confirmation is received.

RETURNS

Returns will only be accepted with written authorization. A 30% restocking charge shall be assessed on all returns.

A Return Merchandise Authorization (RMA) number must accompany all returned goods. All returned goods are to be shipped to Seachrome prepaid.

CLAIMS

Claims for shortage, loss, or damage in transit must be submitted within 48 hours of delivery.

LIMITED WARRANTY

All Seachrome products will be replaced within one year of shipment if defective in workmanship or material. Seachrome will not be liable for any labor, damage or other expense of any kind incurred in connection with the sale or use of Seachrome products. There is no warranty as to the durability of finishes.

PRODUCT CARE

The durability of finishes can be preserved by cleaning only with a wet soft cloth or ammonia cleaner. No chlorine cleaners or abrasives. No guarantee is given as to custom finish items.

ADJUSTMENTS AND BUYER REMEDIES

All claims for defective workmanship or material must be made within 30 days after claim arises and must be in writing. Seachrome excludes any warranty of fitness for a particular purpose. Buyer's exclusive remedy for the furnishing of materials not conforming to any contract shall be at Seachrome's option to secure the replacement thereof or payment of the claim, which shall not exceed the price of the sale in respect of which such claim is made. In no event shall Seachrome be liable for any special, indirect, incidental or consequential damages.

DELAYS

Every order is accepted subject to, and Seller is excused for a delay in performance caused by accidents, strikes, riots, labor stoppage, car shortage, climate conditions, unavoidable casualties, or other causes interfering, obstructing or blocking the usual routes of transportation, whether similar or dissimilar to those mentioned above, and no claim for loss or damages shall be allowed Buyer in consequence thereof. Seller may rescind any order without liability after acceptance for any of said causes.

CANCELLATIONS

Orders shall not be cancelled except upon mutual agreement. Orders for custom merchandise cannot be cancelled.

RIGHT TO REFUSE TO MAKE SHIPMENT

Seller may, at any time, decline to make any shipment or delivery or perform any work except upon receipt of full cash payment.

CREDIT POLICY

Initial orders for new accounts are cash or credit card with order. Accounts not paid by the due date will be charged an administrative late charge at the rate of one and one-half percent (1-1/2%) per month, applied against the previous balance after deducting payments and credits received prior to the due date. Buyer acknowledges that Seachrome will incur losses not easily ascertainable in advance in the event of late payment by Buyer, and Buyer agrees to pay such late fee in order to compensate Seachrome for such damages as it may sustain. If it is necessary to employ an attorney or incur any other cost to collect this account, Buyer shall pay all fees and costs in addition to any amounts due hereunder. Should any portion of Buyer's account become past due, Seachrome shall have the right to declare all invoices due and payable.



WARNING

If Seachrome products are not installed, operated, and maintained in accordance with the manufacturer's instructions, there is a potential risk of exposure to substances, including nickel, which are known to the State of California to cause cancer, birth defects or reproductive harm. For more information go to www.P65warnings.ca.gov.



SEACHROME

Our Commitment To Your Success.....

Seachrome owes much of its success to the personal relationships we've created with our customers. For over 50 years, we've proven our commitment to your success by providing world-class manufacturing and the highest quality standards, along with unparalleled customer service in ADA bath accessories to the OEM, hospitality, institutional, and assisted-living markets.

Our all-American approach to innovation in design, and commitment to excellence in production and service, means our work exceeds the standards set for bath products that serve special health needs. And our expertise in the guidelines set by the Americans with Disabilities Act is incorporated into our entire Signature Series of grab bars and accessibility seats...assuring safety and security with our "Made in the USA" pride in every product we manufacture. We've incorporated this same philosophy into our Lifestyle & Wellness® Series, where sleek and unique designs combine style with stability in every accessibility product we offer.

Additionally, we see ourselves as an extension of your company – as your partner in business. Everything we do is focused on providing personalized service to every customer...starting with careful attention to detail in concept and design on custom products, through tooling and production, to on-time delivery with every order. In a world where everyone is constantly striving to be better...Seachrome is dedicated to being the best.

Thank you to all our loyal customers for your partnership.

CA Pulone

Chris Pulone
President



1906 East Dominguez Street, Long Beach, CA 90810
Phone: 310-427-8010 / 800-955-2476
Fax: 310-427-8005 / 800-444-3380
www.seachrome.com