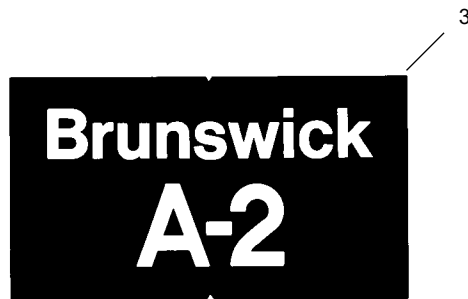
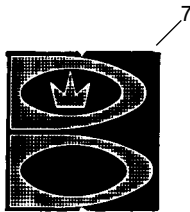
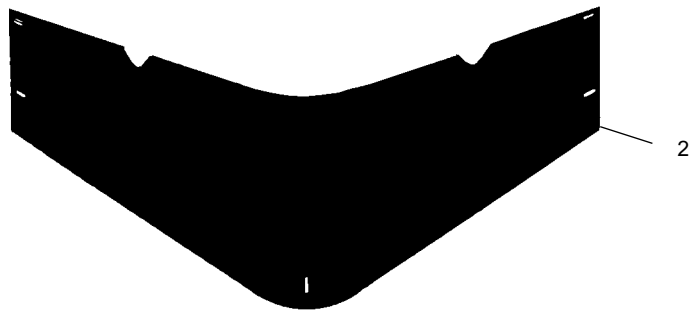
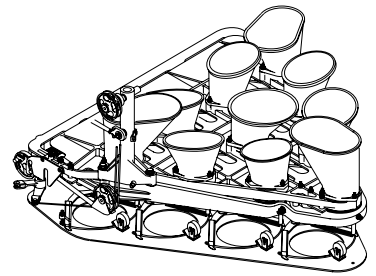


**Section D**

**Deck**

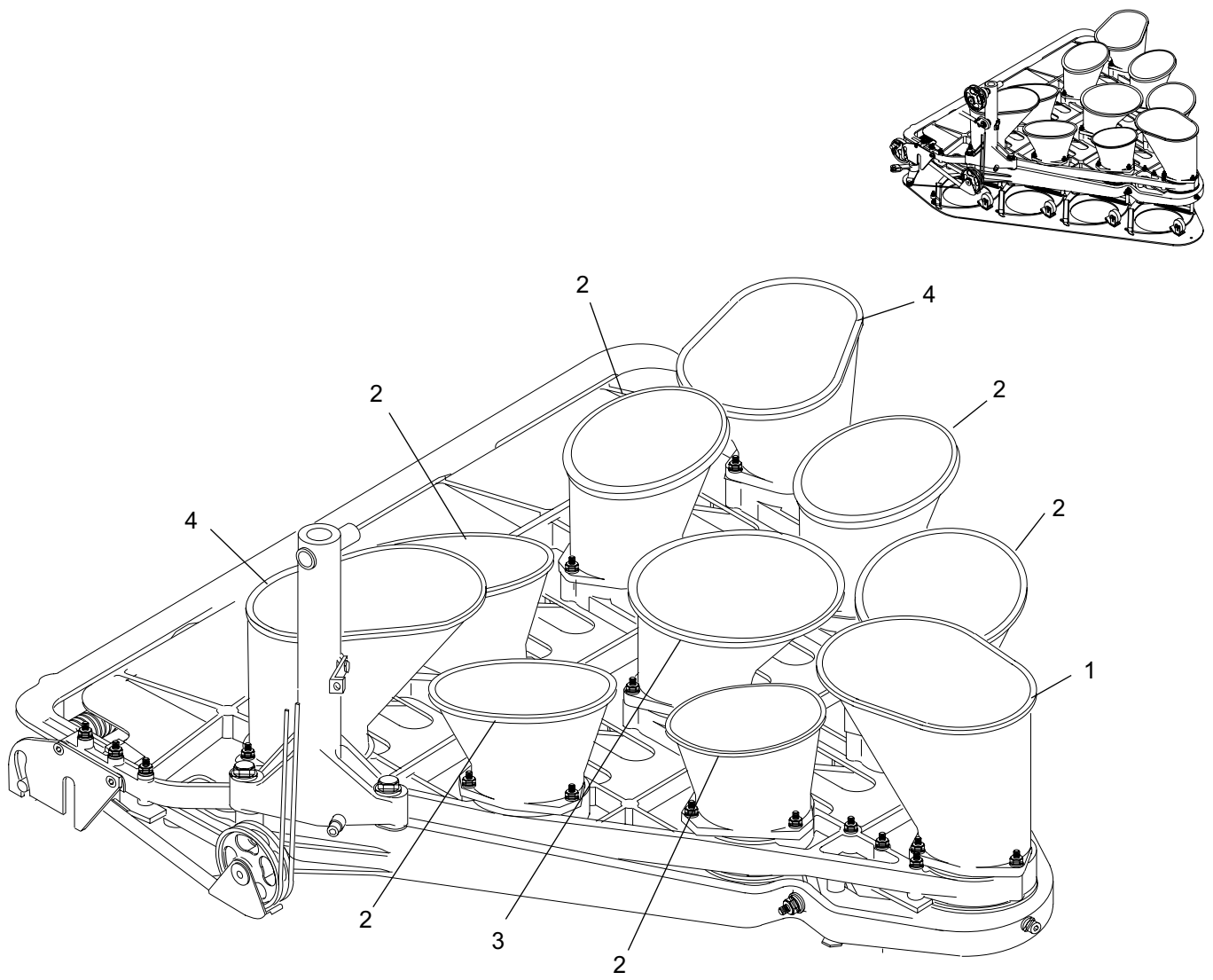
<b>Index</b>	<b>Part Number</b>	<b>Description</b>
1.	12-862037-010	Brown Deck Shield Assembly
2.	12-862037-002	Grey Deck Shield Assembly (w/o Decal)
3.	12-202194-000	Deck Shield Decal
4.	12-202177-000	Deck Shield Decal
5.	N.A.	Decal
6.	12-502418-000	Deck Shield Decal
7.	12-200142-000	Decal
8.	N.A.	Decal

*N.A. = No Longer Available*



Deck Shield

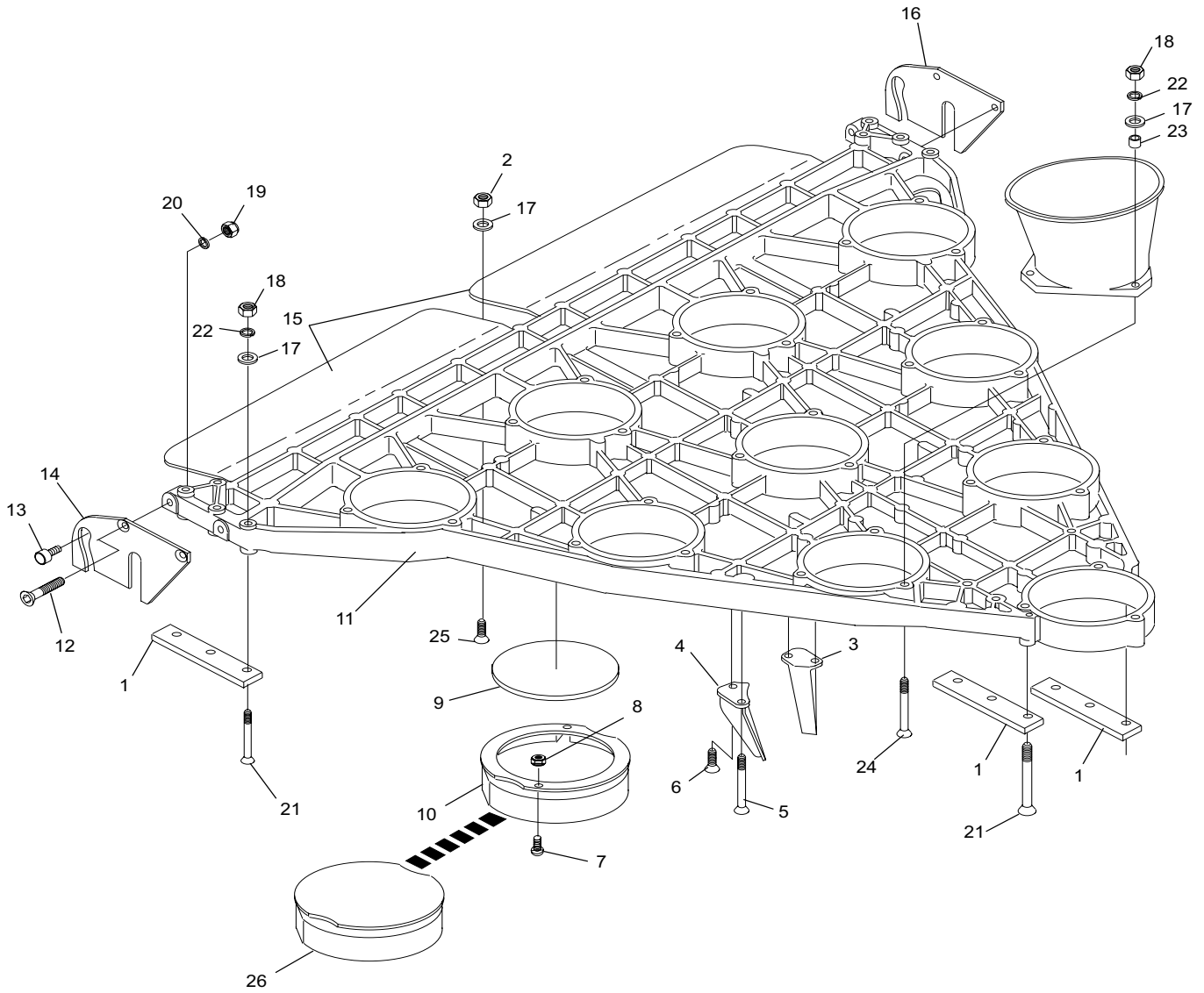
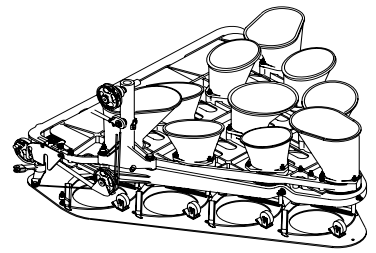
<b>Index</b>	<b>Part Number</b>	<b>Description</b>
1.	12-200808-602	AP Urethane Deck Chute (#1)
	12-200808-002	Rubber Deck Chute (#1)
	12-200864-002	Deck Chute (#1)
2.	12-200900-600	AP Urethane Multi-Position Deck Chute
	12-200900-000	Rubber Multi-Position Deck Chute
	12-200894-000	Deck Chute (#2, 3, 4, 6, 8, 9)
3.	12-200836-600	Urethane Deck Chute (#5)
	12-200837-000	Rubber Deck Chute (#5)
	12-200895-000	Deck Chute (#5)
4.	12-200808-603	AP Urethane Deck Chute (#7, 10)
	12-200808-003	Rubber Deck Chute (#7, 10)
	12-200864-003	Deck Chute (#7, 10)



## Deck Assembly

<b>Index</b>	<b>Part Number</b>	<b>Description</b>
1.	12-200089-000	Track
2.	11-170007-001	Hex Nut Nylock (1/4-20)
3.	12-200892-000	R.H. Spotting Finger
	90-200892-000	R.H. Nylon Spotting Finger
4.	12-200893-000	L.H. Spotting Finger
	90-200893-000	L.H. Nylon Spotting Finger
5.	11-007197-001	Flat Head Socket cap Screw (1/4-20 x 3-1/4")
	11-001198-001	Hex Head Cap Screw (1/4-20 x 3-1/2")
6.	11-007186-001	Flat Head Socket Cap Screw (1/4-20 x 1-1/4")
	11-001186-001	Hex Head Bolt (1/4-20 x 1-1/4")
7.	11-015165-001	Hex Head Socket Cap Screw (10-24 x 5/8")
	11-018087-001	Screw with Lock Washer Assembly (10-24 x 5/8"), for S/N 67499 and below
8.	11-176006-001	Keps Nut (#10-24)
9.	12-200162-000	Switch Plate
10.	12-860570-000	Non-Pinfinder Deck Pads (Pkg. of 10)
11.	12-862117-000	Moving Deck Assembly
12.	11-007352-001	Flat Head Socket Cap Screw (3/8-16 x 2")
13.	11-480001-000	Cam Follow Needle Bearing
14.	12-200035-000	L.H. Geneva Plate
15.	12-200862-000	Pin Deflector
16.	12-200036-000	R.H. Geneva Plate
17.	11-190010-001	Flat Washer (1/4)
18.	11-125100-001	Hex Nut (1/4-20)
19.	11-125104-001	Hex Nut (3/8-16)
20.	11-195016-001	Lockwasher (3/8)
21.	11-007195-001	Flat Head Socket Cap Screw (1/4-20 x 2-3/4")
22.	11-195014-001	Lockwasher (1/4)
23.	12-200047-003	Spacer
24.	11-001196-001	Hex Head Cap Screw (1/4-20 x 3")
25.	11-001185-001	Hex Head Cap Screw (1/4-20 x 1-1/8")
26.	12-860571-000	Pinfinder Deck Pads (Pkg. of 10)

## Moving Deck



## Moving Deck

Index	Part Number	Description	Index	Part Number	Description
1.	11-007182-001	Flat Head Socket Cap Screw (1/4-20 x 3/4")	44.	11-006182-001	Button Head Socket Cap Screw (1/4-20 x 3/4")
2.	12-200038-000	Roller Bracket	45.	11-006188-001	Button Head Socket Cap Screw (1/4-20 x 1-1/2")
3.	12-100166-031	Pin	46.	12-200863-000	Flanged Bearing
4.	11-230002-001	"X" Washer (5/32)	47.	11-006186-001	Button Head Socket Cap Screw (1/4-20 x 1-1/4")
5.	12-200023-000	Toggle Lever Assembly, See Note 1	48.	11-007186-001	Flat Head Socket Cap Screw (1/4-20 x 1-1/4")
6.	12-200120-004	Scissor Gripper Pad	49.	11-007188-001	Flat Head Hex Socket Cap Screw (1/4-20 x 1-1/2"), for machines with finishing washers
7.	12-200017-092	Scissor Arm Assembly	50.	11-006180-001	Button Head Socket Cap Screw (1/4-20 x 5/8")
8.	12-200026-000	Link (Scissor Arm)	51.	11-007180-001	Flat Head Socket Cap Screw (1/4-20 x 5/8")
9.	12-200105-000	Flanged Oilite Bearing	52.	11-420056-000	Bearing (.3775 I.D. X .5025 O.D.)
10.	12-200027-000	Shoulder Pin	53.	11-190010-000	Flat Washer (1/4)
11.	12-200020-000	Distributing Lever Assembly	54.	11-125100-001	Hex Nut (1/4-20)
12.	12-200109-000	Hardened Stud	55.	11-007198-001	Flat Head Socket Cap Screw (1/4-20 x 3-1/2")
13.	12-200081-003	Pin	56.	12-200896-000	Finishing Washer
14.	12-200061-000	Drag Link Pin	57.	11-007200-001	Flat Head Socket Cap Screw (1/4-20 x 4")
15.	12-200003-000	Scissor Deck, See Note 2	58.	11-199005-001	Internal Tooth Lockwasher (1/4)
16.	12-200016-091	Scissor Arm Assembly - Complete	59.	12-200103-000	Bearing
17.	12-200041-000	Spacer	60.	12-200110-000	Stud
18.	12-200032-000	Neoprene Stop	61.	12-200067-000	Scissor Cable Assembly
19.	12-200094-000	Wire	62.	12-200152-003	Knurled Pin
20.	12-200019-092	Scissor Arm	63.	12-200048-000	Wheel
21.	11-005182-001	HexHead Socket Cap Screw (1/4-20 x 3/4")	64.	12-200045-000	Link
22.	12-200051-000	Connecting Tube Assembly	65.	12-200081-002	Pin
23.	12-200170-000	Flanged Pin	66.	11-420007-000	Bearing (.3765 I.D. X .503 O.D.)
24.	11-420070-000	Sleve Oilite Bearing	67.	12-200014-000	Connecting Rod Assembly
	11-421006-000	Flanged Bronze Bearing	68.	12-200139-000	Connecting Rod Assembly
25.	11-230003-001	"X" Washer (3/16)	69.	12-200140-002	Spacer
26.	11-422002-000	Bearing (.510 I.D. X 1.000 O.D.)	70.	12-200140-003	Spacer
27.	11-483001-000	Needle Roller Bearing	71.	N.A.	Connecting Rod
28.	12-200865-000	Plate	72.	12-200012-000	Connecting Rod Assembly
29.	12-200031-003	Nylon Washer	73.	12-200013-000	Rod Assembly
	12-200031-004	Nylon Washer	74.	90-200114-600	A-2 Pinsetter Urethane Deck Bumper AP
30.	12-200039-000	Drag Link			
31.	12-200028-000	Shoulder Pin			
32.	12-200104-000	Flanged Oilite Bearing			
33.	12-200018-000	Scissor Arm Assembly			
34.	12-200016-000	Scissor Arm Assembly			
35.	12-200029-000	Stud			
36.	12-200059-002	Washer			
37.	11-198005-001	External Tooth Lockwasher (1/4)			
38.	11-420055-000	Bearing (.3155 I.D. X .4395 O.D.)			
39.	12-200114-000	Rubber Deck Roller Assembly			
	12-200115-000	Rubber Deck Roller Only			
	90-200114-000	Urethane Deck Roller			
40.	11-483000-000	Needle Roller Bearing			
41.	11-423000-000	Sleve Oilite Bearing			
42.	11-006218-000	Button Head Socket Cap Screw (1/4-28 x 1/2")			
43.	11-007216-001	Flat Head Socket Cap Screw (1/4-28 x 3/8")			

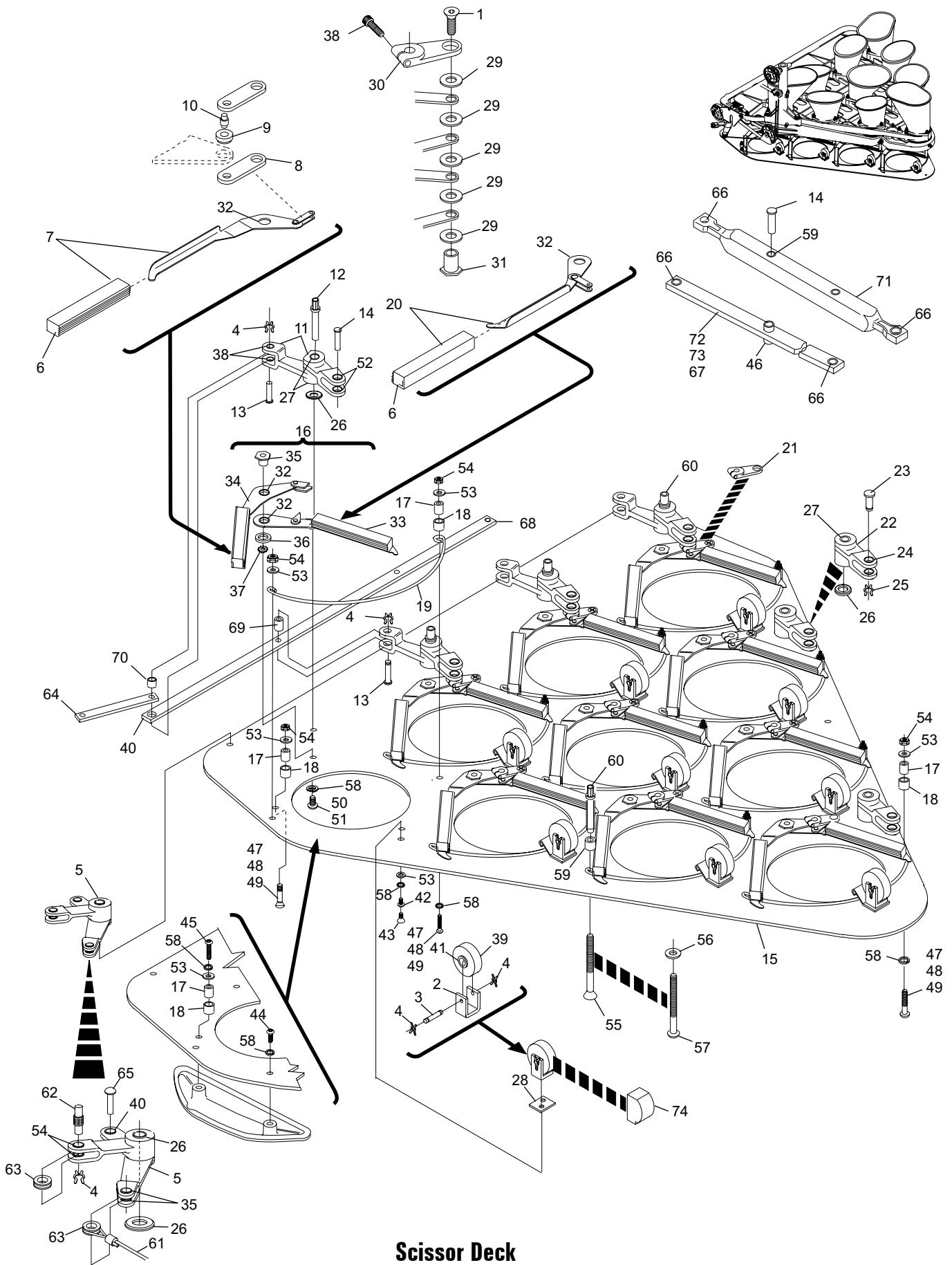
N.A. = No Longer Available

**NOTE 1:** Order 2 each 11-420070-000 Bearing and 2 each 11-200152-003 Knurled Pin.

**NOTE 2:** Need to order 10 of adapter plates 12-200865-000

## Scissor Deck





**Scissor Deck**

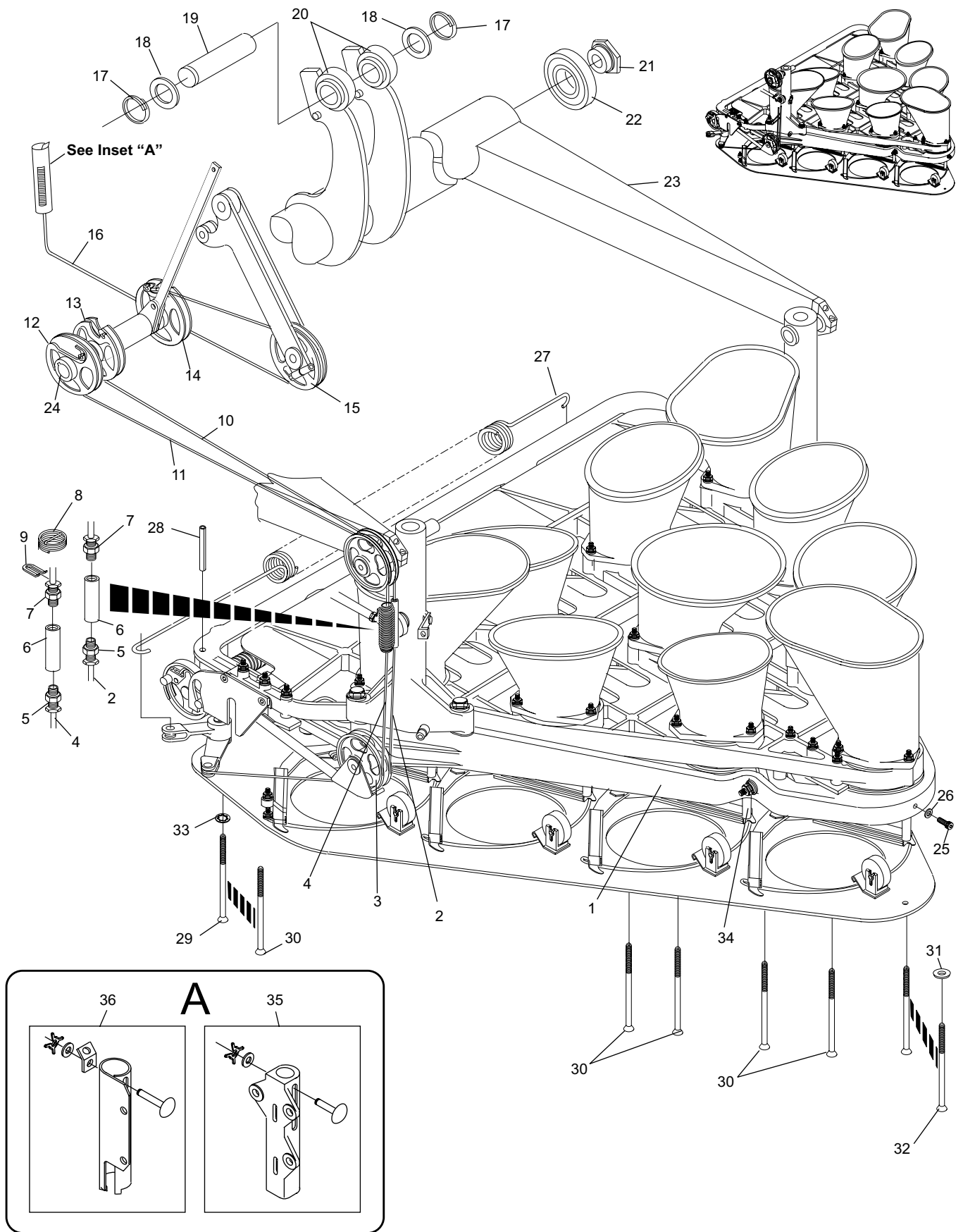
Index	Part Number	Description
1.	12-862117-000	Moving Deck Assembly
2.	12-200067-000	Scissor Cable Assembly
3.	12-200055-000	Pulley Assembly
4.	12-200066-004	Cable Assembly
5.	11-125259-001	Hex Jam Nut (1/2-20)
6.	12-200069-000	Barrel
7.	11-125209-001	Hex Jam Nut (1/2-20)
8.	12-200125-000	Keeper Spring
9.	12-200099-000	Spring Retainer
10.	12-200066-002	Cable Assembly
11.	12-200066-003	Cable Assembly
12.	12-350029-000	Moving Deck Pulley
13.	12-350033-000	Scissor Pulley Assembly, see page 14K for breakdown
14.	12-350030-000	Moving Deck Pulley
15.	12-100081-000	Pulley Assembly
16.	12-100280-000	Moving Deck Cable Assembly
17.	11-533512-000	External Spirol Retaining Ring
18.	12-100170-017	Washer
19.	12-350166-000	Shaft (4-13/16"), for machines 71,489 and up
	12-350035-000	Shaft (4-9/16"), for machines prior to 71,489
20.	11-461000-000	Needle Roller Bearing
21.	12-350009-000	Bearing Stud
22.	11-490001-000	Ball Bearing
23.	12-862581-000	Deck Lift Shaft Assembly
24.	12-350032-000	Pulley Shaft
25.	11-003182-000	Hex Socket Cap Screw
26.	11-190010-001	Flat Washer (1/4)
27.	12-200022-000	Scissor Spring
28.	11-345522-000	Roll Pin - (.375 x 2-1/2")
29.	N.A.	Button Head Socket Cap Screw, for machines prior to S/N 6140- See Note 1
30.	11-007198-001	Flat Head Socket Cap Screw (1/4-20 x 3-1/2")
31.	12-200896-000	Finishing Washer
32.	11-007200-001	Flat Head Socket Cap Screw (1/4-20 x 4")
33.	11-199005-001	Internal Tooth Lockwasher (1/4)
34.	12-200110-000	Stud
35.	N.A.	Spring Tube, See Note 2
	12-100078-000	Switch Actuator Pin
	11-190010-001	Flat Washer (1/4)
	11-230001-001	"X" Washer (1/8")
36.	12-100479-000	Spring Tube
	12-100483-000	Switch Actuator Pin
	11-190010-001	Flat Washer (1/4)
	11-230010-001	"X" Washer (1/8")

*N.A. = No Longer Available*

**NOTE 1:** Order 1 each 11-007200-000 and 1 each 12-200896-000.

**NOTE 2:** To replace order: (1) 12-100479-000, (1) 12-100481-000,  
(1) 12-100482-000, (1) 12-100483-000, and (1) 12-100478-000

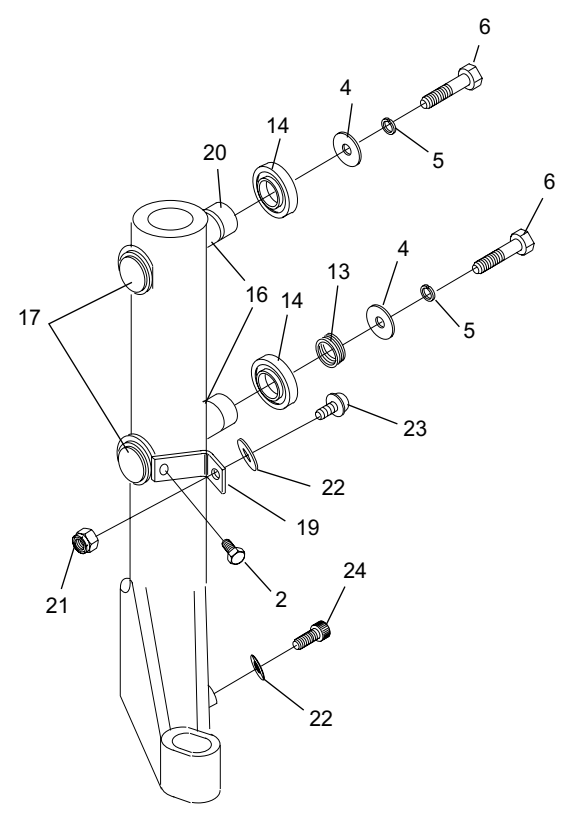
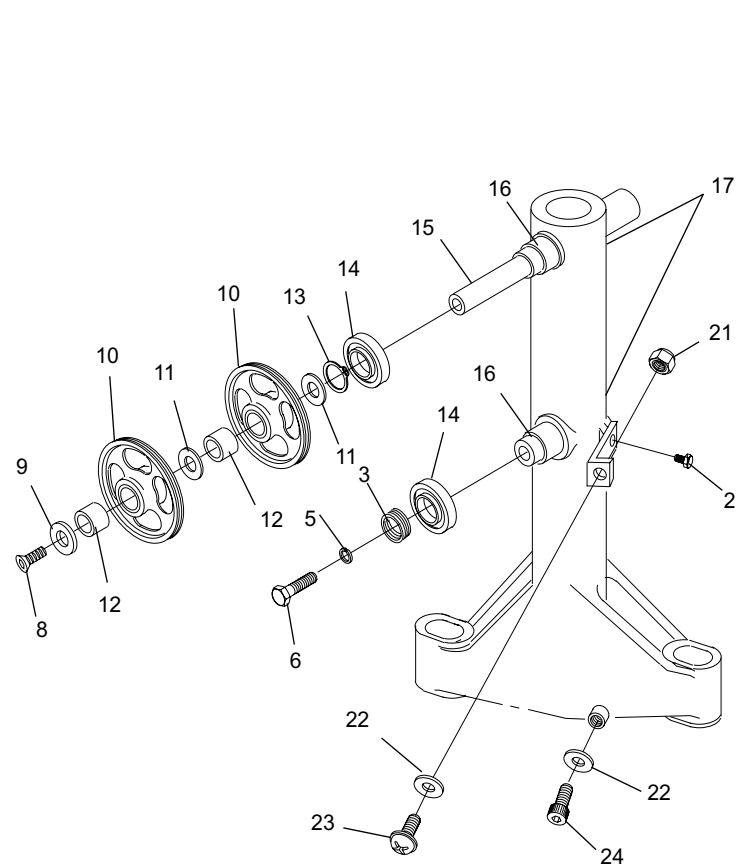
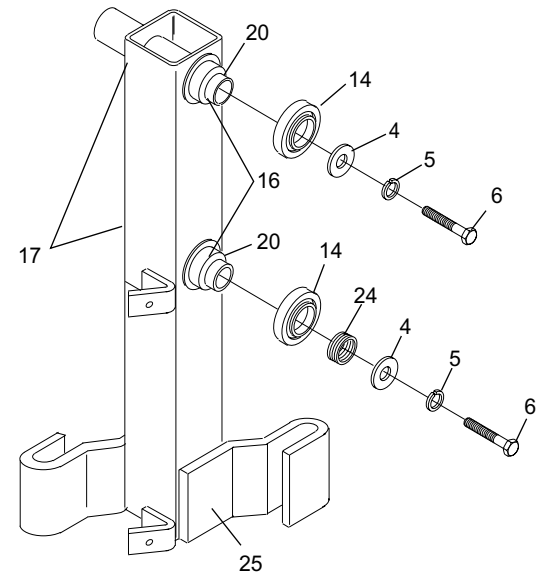
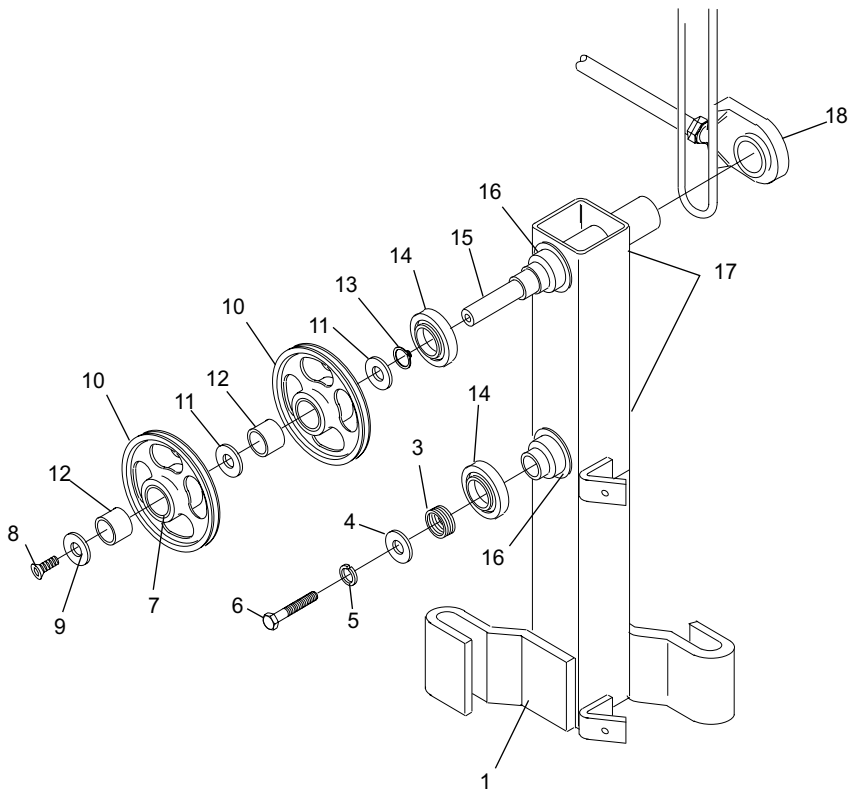
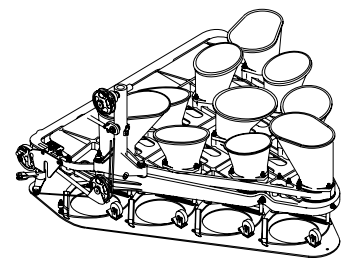
## Deck Assembly



## Deck Assembly

<b>Index</b>	<b>Part Number</b>	<b>Description</b>
1.	12-200135-000	L.H. Deck Post & Hardware
2.	11-001180-001	Hex Head Cap Screw (1/4 x 5/8")
3.	12-350122-005	Retaining Ring
4.	12-350128-000	Washer
5.	11-195016-001	Lockwasher (3/8)
6.	11-001344-001	Hex Head Cap Screw (3/8-16 x 1")
7.	11-484000-000	Bearing
8.	11-007180-001	Flat Head Socket Cap Screw (1/4-20 x 5/8")
9.	12-200065-002	Washer
10.	12-200055-000	Pulley Assembly
11.	12-200059-003	Washer
12.	11-450202-000	Ball Bearing
13.	11-530030-001	External Retaining Ring
14.	11-431000-000	Ball Bearing
15.	12-200129-000	Pin
16.	12-202188-000	Spacer
17.	11-530033-000	External Retaining Ring (.992 I.D.)
18.	12-350217-000	Stabilizer Assembly
19.	12-200124-000	Bracket
20.	12-200128-000	Pin
21.	11-170007-001	Hex Nut Nylock (1/4-20)
22.	11-190010-001	Flat Washer (1/4)
23.	11-020287-000	Truss Head Socket Cap Screw
24.	11-003182-000	Hex Socket Cap Screw
25.	12-200134-000	R.H. Deck Post & Hardware

## **Deck Posts**

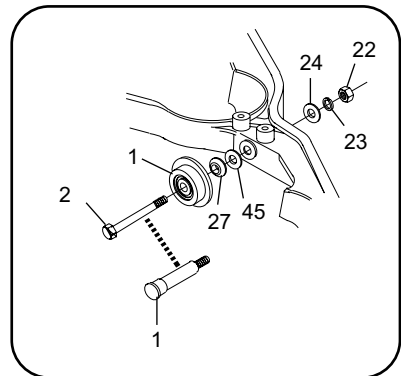
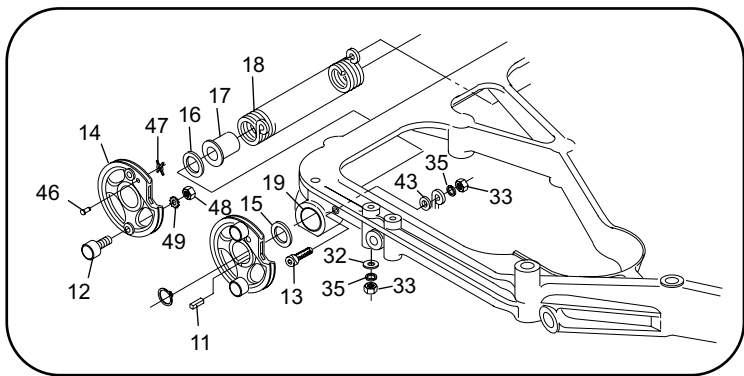
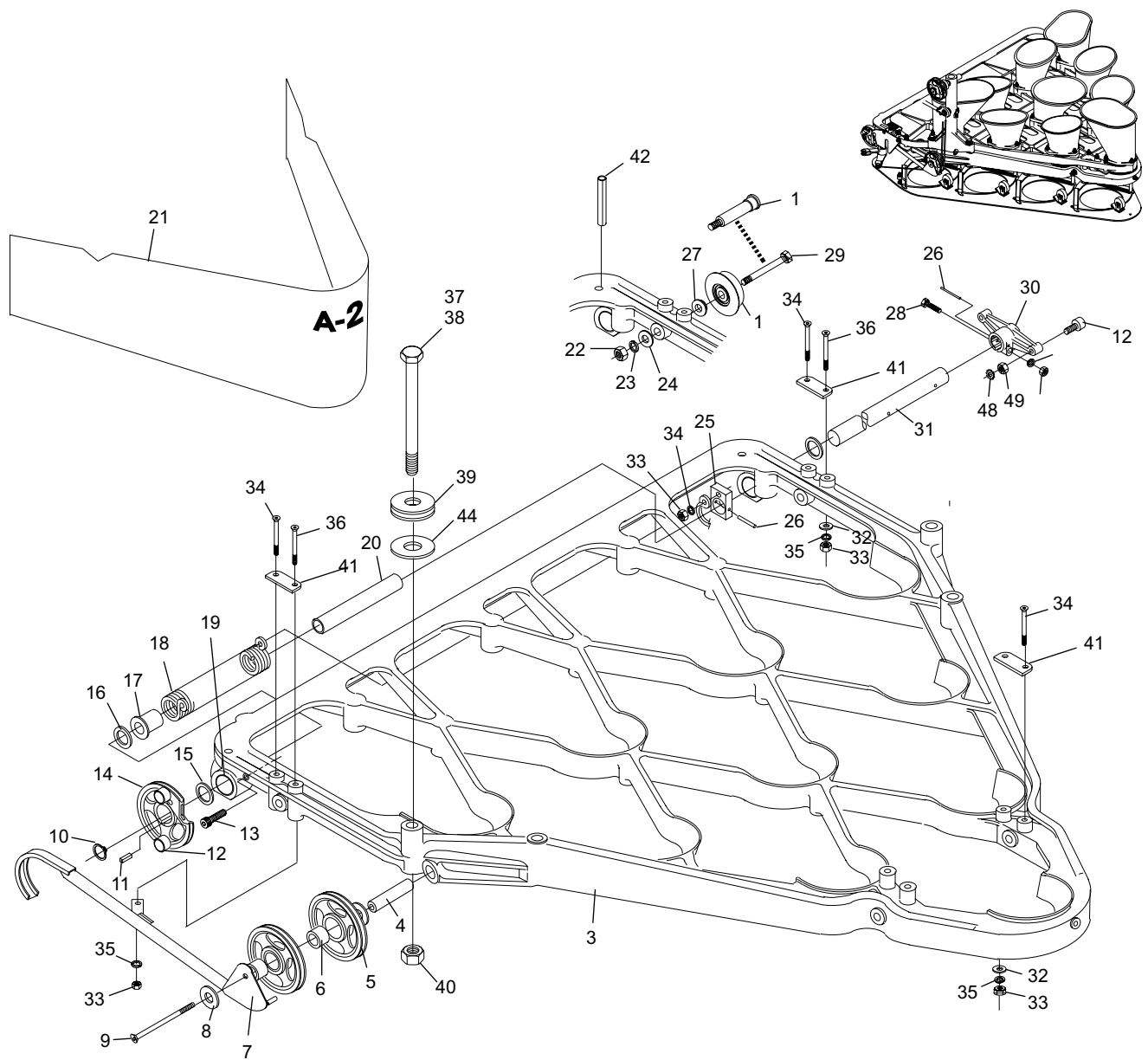


**Deck Posts**

<b>Index</b>	<b>Part Number</b>	<b>Description</b>
1.	12-200126-000	Wheel Assembly (For machines S/N #18001 & up)
	12-200133-000	Wheel & Screw Assembly (For machines prior to S/N 18001)
2.	11-001440-001	Hex Head Socket Cap Screw (7/16-14 x 4")
3.	12-200800-020	Deck & Stud Assembly
4.	12-200054-000	Stud
5.	12-200055-000	Pulley Assembly
6.	11-450202-000	Ball Bearing
7.	12-200097-000	Cable Guide Assembly
8.	12-200065-002	Washer
9.	11-007203-001	Flat Head Socket Cap Screw (1/4-20 x 4-3/4")
10.	11-530028-000	External Retaining Ring
11.	12-200084-002	Key
12.	11-480001-000	Cam Follow Needle Bearing
13.	11-005190-001	Hex Head Socket Cap Screw
14.	12-200011-000	Deck Drive Pulley
15.	11-422001-000	Bearing (.891 I.D. X 1.375 O.D.)
16.	12-200059-004	Washer
17.	11-421022-000	Bearing (.877 I.D. X 1.128 O.D.)
18.	12-200025-000	Torsion Spring
19.	11-483005-000	Needle Roller Bearing (7/8 I.D. X 1 1/8 O.D.)
20.	12-200136-000	Plastic Spring Tube
21.	12-862037-002	Grey Deck Shield Assembly
	12-862037-010	Brown Deck Shield Assembly
22.	11-125104-001	Hex Nut (3/8-16)
	N.A.	Hex Nut, for S/N 18,001 and up
23.	11-195016-001	Lockwasher (3/8)
24.	11-190014-001	Flat Washer (3/8)
25.	12-200053-000	Anchor
26.	11-345316-000	Roll Pin (3/16 x 1-1/2")
27.	12-200091-000	Spacer
28.	11-001272-001	Hex Head Cap Screw (5/16-18 x 2")
29.	12-200127-000	Special Hex Head Socket Cap Screw (5/8 x 3-1/16")
30.	12-200058-000	Deck Ball Crank
31.	12-200033-000	Shaft
32.	11-190010-001	Flat Washer (1/4)
33.	11-125100-001	Hex Nut (1/4-20)
34.	11-007195-001	Flat Head Socket Cap Screw (1/4-20 x 2-3/4")
35.	11-195014-001	Lockwasher (1/4)
36.	11-007197-001	Flat Head Socket Cap Screw (1/4-20 x 3-1/4")
37.	11-002383-000	Hex Head Socket Cap Screw (5/8-11 x 7")
38.	11-002389-000	Hex Head Socket Cap Screw (5/8-11 x 7-1/2")
39.	11-190022-001	Flat Washer (5/8)
40.	11-170019-001	Self-Locking Nut (5/8-11)
41.	12-200090-000	Plate
42.	11-345522-000	Roll Pin - (.375 x 2-1/2")
43.	N.A.	Washer
44.	N.A.	Shim .015 as Required
45.	12-200111-000	Deck Shim
46.	N.A.	X-Washer Pin - .250 x 1/2"
47.	11-230001-001	X-Washer (1/8)
48.	11-125101-001	Hex Nut (1/4-28)
49.	11-198005-001	External Tooth Lockwasher (1/4)

N.A. = No Longer Available

## Stationary Deck



### Stationary Deck