

**Section H**

**Elevator**

<b>Index No.</b>	<b>Part No.</b>	<b>Description</b>	<b>No.</b>	<b>Part No.</b>	<b>Description</b>
1.	11-125208-001	Hex Jam Nut (1/2-13)	31.	12-862579-000	"A-2" Ball Lift Rod Assembly
2.	12-400139-004	Washer		12-860579-000	Ball Lift Rod Assembly, for Model A
3.	12-400123-000	Rubber Bumper	32.	12-862866-000	Ball Lift Arm Rebuild Kit
	90-400123-000	Spring Rod Bushing	33.	11-420140-000	Bearing (1.504 I.D. X 1.755 O.D.)
4.	12-400803-000	Spring Rod Bushing	34.	11-195015-001	Lockwasher (5/16)
	90-400803-000	Delrin Spring Bushing	35.	12-402094-000	Spacer
5.	12-402121-000	Compression Spring	36.	12-402095-000	Thrust Washer
6.	11-190018-001	Flat Washer (1/2)	37.	12-402093-000	Sleeve
7.	12-400193-000	Spring Rod	38.	11-335263-001	Cotter Pin
8.	12-400051-000	Ball Lift Stud, Model A, See Note 1	39.	11-001263-001	Hex Head Cap Screw (5/16-18 x 7/8")
	12-402051-000	Ball Lift Stud, Model A-2, See Note 1	40.	N.A.	H-T Hex Head Bolt
9.	12-400300-000	Collar	41.	11-195016-001	Lockwasher (3/8)
10.	11-105208-001	Set Screw	42.	11-603201-000	Hose Clamp
11.	11-170108-001	Flexlock Hex Nut (5/16-18)			
12.	11-170014-001	Hex Nut Nylock (7/16-20)			
13.	12-400848-000	Shaft, For Steal Clapper Box, See Note 3			
	12-400053-000	Ball Lift Pin, For Cast Steel Clapper, See Note 2			
14.	12-402432-000	Bottom Front Rod Cover			
15.	11-191024-001	Flat Washer (3/4)			
16.	11-005183-001	Hex Head Socket Cap Screw (1/4-20 x 7/8")			
	11-005180-001	Hex Head Socket Cap Screw (1/4-20 x 5/8")			
17.	12-402096-000	Clamp, Model A-2			
	12-400096-000	Clamp, Model A			
18.	12-402053-000	Retaining Washer			
19.	12-402054-000	Spacer			
20.	12-400288-000	Ball Lift Arm Assembly			
21.	12-400289-000	Spacer			
22.	12-400199-000	Flanged Oilite Bearing, See Note 4			
23.	12-400149-000	Shaft			
24.	11-421041-000	Flanged Oilite Bearing, See Note 4			
25.	12-402425-000	Support Brace			
26.	12-402043-000	Top Rear Rod Cover, See Note 5			
27.	12-402042-000	Top Front Rod Cover, See Note 5			
28.	11-125204-001	Hex Jam Nut (3/8-16)			
29.	11-102262-001	Set Screw (3/8-16 x 2-3/4")			
30.	90-400048-000	Heavy-Duty Ball Lift Rod Cover (50' Red)			
	12-400048-091	Gum Rubber Ball Rod Cover (50' Tan)			
	12-400048-005	Rod Cover (90" Tan)			
	90-400048-005	Ball Rod Cover (18")			
		90-400048-600 AP Urethane Foam B/L Rod Cover (Pkg. of 3)			

N.A. = No Longer Available

**NOTE 1:** Order (2) 12-400300-00, (2) 11-170108-000, (2) 11-105208-000 in place of 11-532011-000 for machines prior to S/N 33937 and from S/N 50000 to 51014.

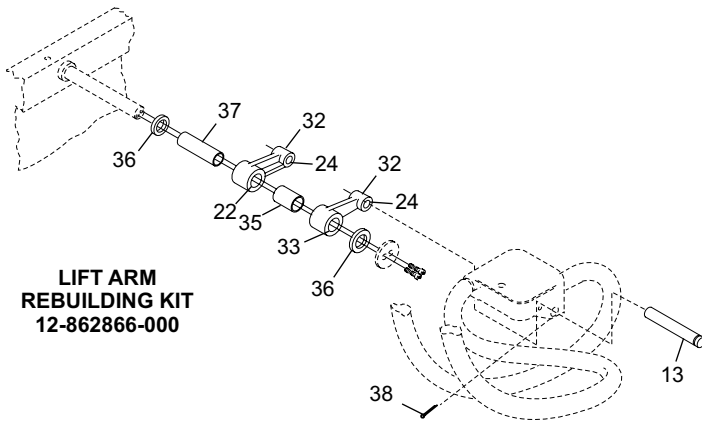
**NOTE 2:** Use Cotter Pin 11-335263-000.

**NOTE 3:** Use 11-002124-001 Bolt and 11-195016-001 lock washer.

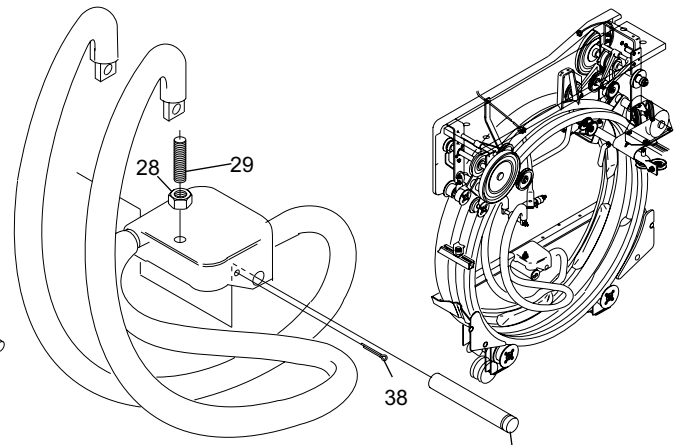
**NOTE 4:** This is an 18" split urethane rod cover for quick repair. Order (3) 11-603113-000 tie wrap for each 18" rod cover. Order 12-402042-000 Upper Rear Lift Rod Cap, for Model A

**NOTE 5:** Also can order 12-860614-000 "A" Cap Kit, which contains (3) 11-603201-000 Hose Clamp, (1) 11-603113-000 Cable Tie, (2) 12-402042-000 Front Rod Cover (Top), (1) 12-402432-000 Front Rod Cover (Bottom). For the A-2, please order 12-862860-000 "A-2" Cap Kit, which contains (3) 11-603201-000 Hose Clamp, (1) 11-603113-000 Cable Tie, (1) 12-402042-000 Front Rod Cover Top, (1) 12-402043-000 Rear Rod Cover Top, (1) Front Rod Cover Bottom.

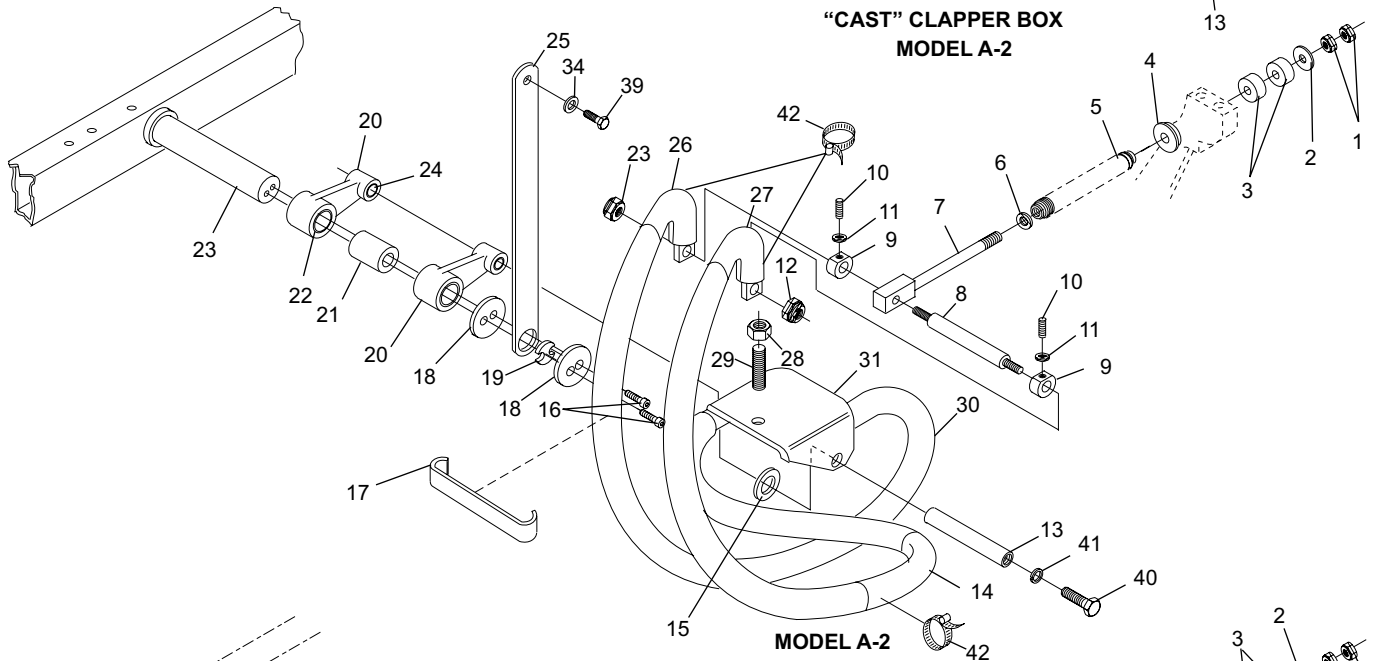
## Elevator - Ball Lift



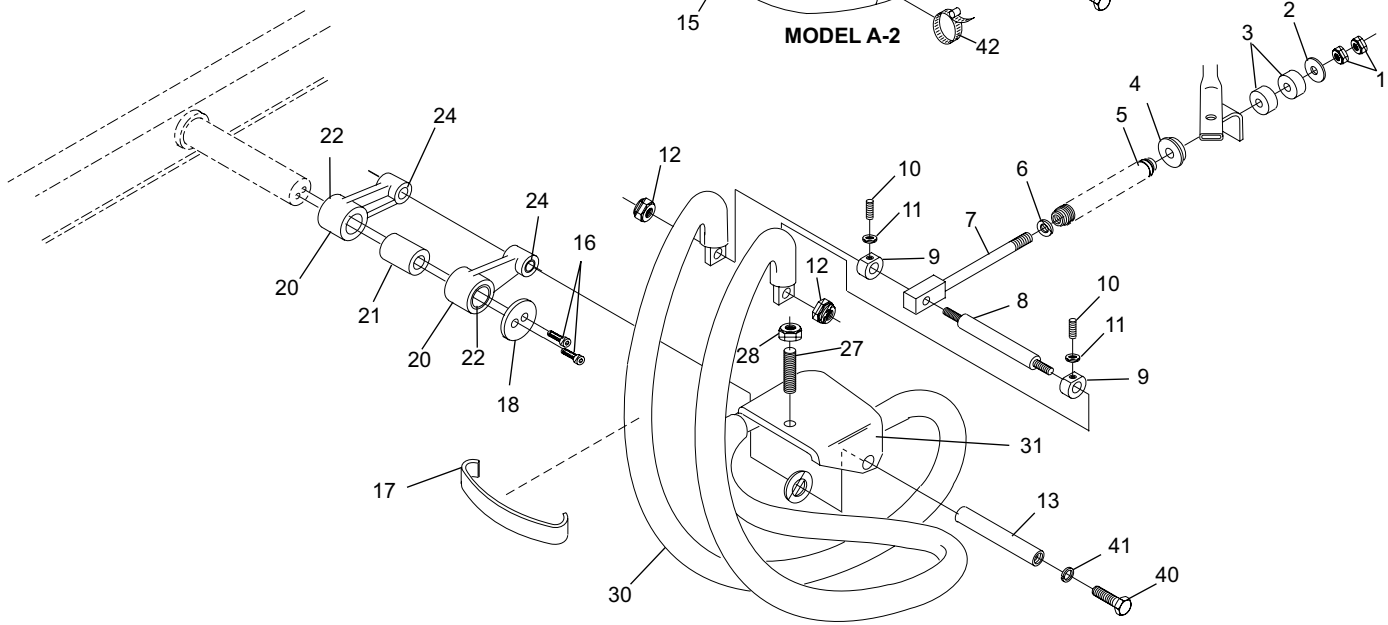
**LIFT ARM  
REBUILDING KIT  
12-862866-000**



**"CAST" CLAPPER BOX  
MODEL A-2**



**MODEL A-2**



**MODEL A**

**Elevator - Ball Lift**

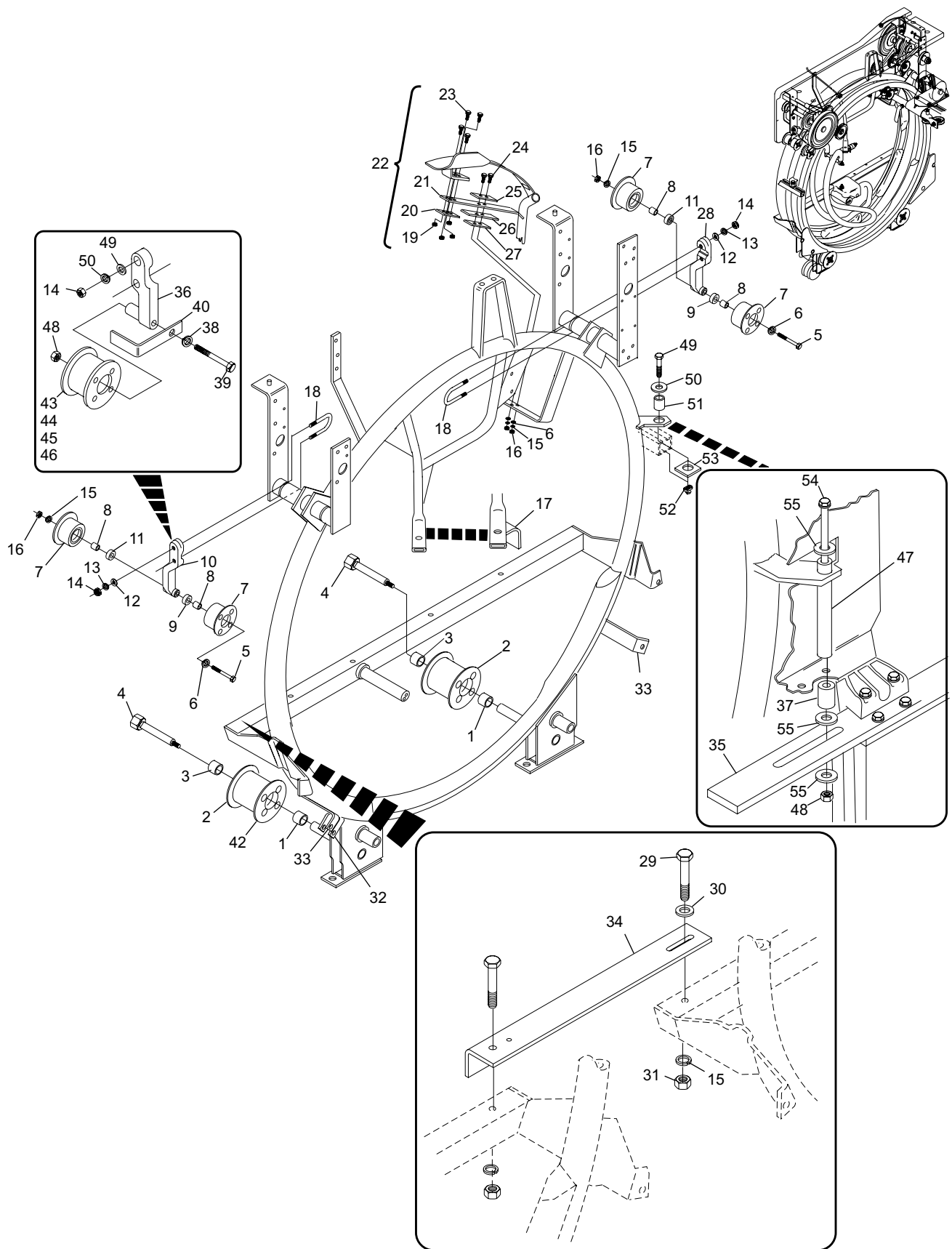
**Index**

<b>No.</b>	<b>Part No.</b>	<b>Description</b>
1.	12-400018-022	Spacer
2.	12-400263-000	Pin Wheel Roller Assembly
3.	12-400018-011	Spacer
4.	12-400284-00	0 Pin Wheel Roller Bolt
5.	11-001360-001	Hex Head Cap Screw (3/8-16 x 4")
6.	11-190014-001	Flat Washer (3/8)
7.	12-400266-000	Guide Roller Assembly - (Upper Pinwheel)
8.	12-400018-004	Spacer
9.	12-400018-021	Spacer
10.	12-400097-000	L.H. Guide Roll Arm, See Note 1
11.	12-400018-019	Spacer
	12-400018-015	Spacer
12.	11-190016-001	Flat Washer (7/16)
13.	11-195017-001	Lockwasher (7/16)
14.	11-125106-001	Hex Nut (7/16-14)
15.	11-195016-001	Lockwasher (3/8)
	11-195015-001	Lockwasher (5/16)
16.	11-125104-001	Hex Nut (3/8-16)
	11-125102-0	01 Hex Nut (5/16-18)
17.	N.A.	Bracket
18.	12-400285-000	U-Bolt
19.	11-170007-001	Hex Nut Nylock (1/4-20)
20.	12-400055-005	Plate
21.	12-400055-003	Spring Only
22.	12-400055-000	Wiper & Spring Assembly
23.	11-001183-001	Hex Head Cap Screw (1/4-20 x 7/8")
24.	11-002126-0	01 Hex Head Socket Cap Screw (3/8-16 x 1-1/2")
25.	12-400058-000	Plate
26.	12-400071-000	Pin Wiper Leaf Spring
27.	12-400225-000	Pin Wiper Shim
28.	12-400098-000	R.H. Guide Roll Arm
29.	11-001276-001	Hex Head Cap Screw (5/16-18 x 3")
30.	11-190012-001	Flat Washer - SAE (5/16)
31.	11-125009-001	Hex Nut (5/16-18)
32.	12-400328-000	Bracket
33.	12-400639-000	Bracket
34.	12-252348-000	Elevator Plate
35.	12-402039-000	Step Bar
36.	12-402110-000	Arm
37.	N.A.	Spacer
38.	11-195018-001	Lockwasher (1/2)
39.	11-001522-001	Hex Head Socket Cap Screw (1/2-13 x 4-1/2")
40.	12-402109-000	Guard - Pinwheel Guide Roller
41.	12-862823-000	Ball Guide Roller Assembly
42.	12-402107-000	Flange
43.	90-402108-000	Ball Wheel Guide Roller
44.	11-430007-000	Bearing (.6693 IDX1.5748 OD)
45.	12-402104-000	Bearing Shaft
46.	12-402105-000	Spacer
47.	12-400018-024	Spacer
48.	11-12108-001	Hex Nut (1/2-13)
49.	11-001515-000	Hex Head Socket Cap Screw (1/2-13 x 2-3/4")
	11-001517-001	Hex Head Socket Cap Screw (1/2-13 x 3-1/4")
50.	11-190022-001	Flat Washer (5/8)
51.	12-400018-006	Spacer
52.	11-180006-001	Clamping Nut & Spring (1/2-13)
53.	N.A.	Plate
54.	11-001531-001	Hex Head Socket Cap Screw (1/2-13 x 10-1/2")
55.	11-190521-001	Plain Washer

*N.A. = No Longer Available*

*NOTE 1: When Replacing Machines with Steel Roller, Order New Spacer 12-400018-015.*

## Elevator Frame



**Elevator Frame**

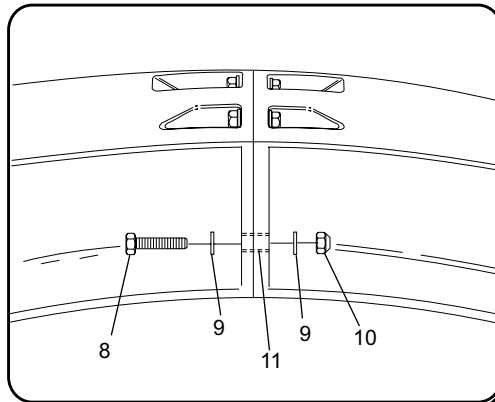
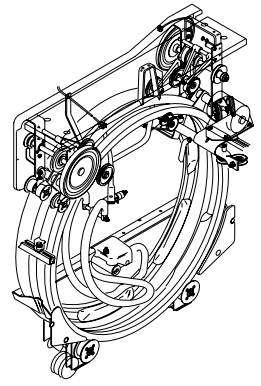
**Index**

<b>No.</b>	<b>Part No.</b>	<b>Description</b>
1.	N.A.	Pin Wheel Rear Bucket
2.	11-007264-001	Flat Head Socket Cap Screw (5/16-18 x 1")
3.	12-400183-000	Rubber Cord
4.	N.A.	Steel Pin Wheel
5.	12-400251-000	Rubber Cord
6.	12-400100-000	Button, Pin Wheel
7.	12-400104-000	Modular Pinwheel Segment
	12-860071-000	A2 Modular Pin Wheel with hardware
8.	11-001267-001	Hex Head Cap Screw (5/16-18 x 1-3/8"), See Note 1
9.	11-190012-001	Flat Washer - SAE (5/16)
10.	11-170009-001	Hex Nut Nylock (5/16-18)
11.	12-400335-000	Spacer

*N.A. = No Longer Available*

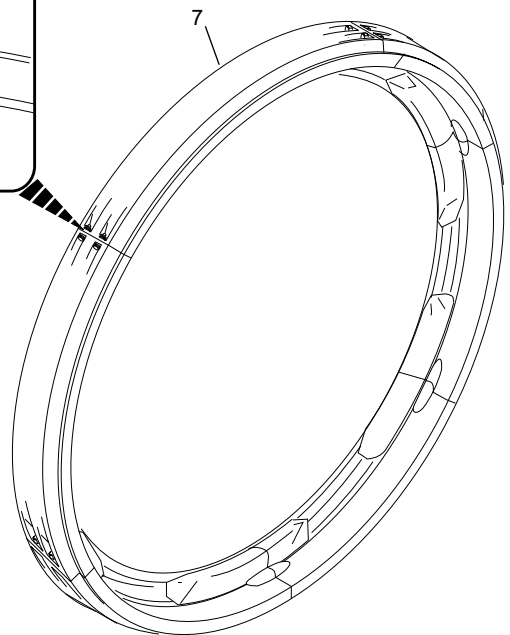
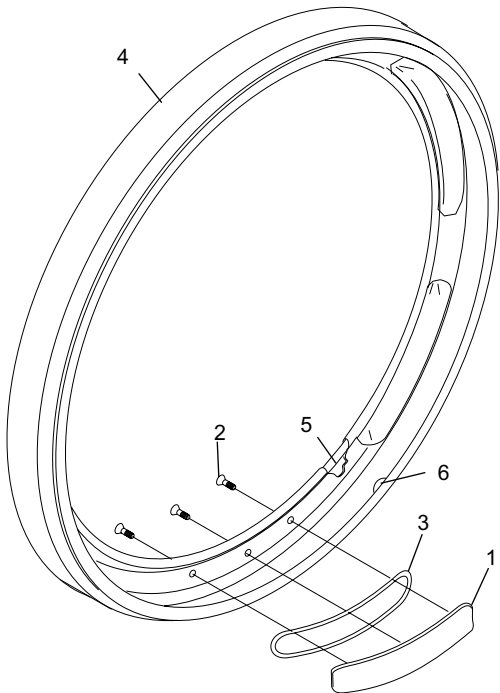
*NOTE 1: Order 12-860035-000 Hardware Kit for Complete Set of Modular Pinwheel Hardware.*

**Elevator Pin Wheel**



**ONE PIECE  
PIN WHEEL**

**MODULAR  
PIN WHEEL**



## Elevator Pin Wheel

**Index**

<b>No.</b>	<b>Part No.</b>	<b>Description</b>
1.	12-860662-000	Ball Wheel
2.	11-007344-001	Flat Head Socket Cap Screw (3/8-16 x 1"), See Note 1
3.	12-400191-000	Special Washer
4.	12-400240-000	L.H. Ball Wheel Roller
5.	12-400256-000	Shaft
6.	12-400139-006	Washer
7.	11-196024-001	High Collar Lockwasher (5/8")
8.	11-345520-001	Roll Pin (3/8 x 2")
9.	11-004714-001	Hex Head Socket Cap Screw (5/8-18 x 2-1/2")
10.	12-862823-000	Ball Guide Roller Assembly, See Note 2
11.	12-400272-000	Ballwheel Guide Roller Assembly
	90-400272-000	Ball Wheel Guide Roller
12.	12-400018-005	Spacer
13.	12-400097-000	L.H. Guide Roll Arm, See Note 3
14.	11-190016-001	Flat Washer (7/16)
15.	11-195017-001	Lockwasher (7/16)
16.	11-125106-001	Hex Nut (7/16-14)
17.	11-001354-001	Hex Head Cap Screw (3/8-16 x 2-1/2")
18.	12-400285-000	U-Bolt
19.	12-400098-000	R.H. Guide Roll Arm, See Note 3
20.	11-195016-001	Lockwasher (3/8)
	11-195015-001	Lockwasher (5/16)
21.	11-125102-001	Hex Nut (5/16-18)
	11-125104-001	Hex Nut (3/8-16)
22.	12-400293-002	Spacer
23.	12-400291-000	Staright Spacer
	12-400294-000	Tapered Spacer
24.	12-400293-003	Spacer
25.	12-400268-000	Ballwheel Roller Assembly
26.	11-170007-001	Hex Nut (1/4-20)
27.	N.A.	Rd. Hd. Screw
28.	N.A.	Bracket
29.	11-530030-001	Retaining Ring
30.	11-005515-001	Hex Head Screw
31.	11-196020-001	Hi-Collar Lockwasher
32.	12-400645-000	Shaft
33.	N.A.	Shaft
34.	N	.A. Rear Plate & Pad Assembly
35.	12-400263-000	Pin Wheel Roll Assembly

**NOTE 1:** Some mechanics use 11-007180-001 instead.

**NOTE 2:** Includes bracket guard and hardware.

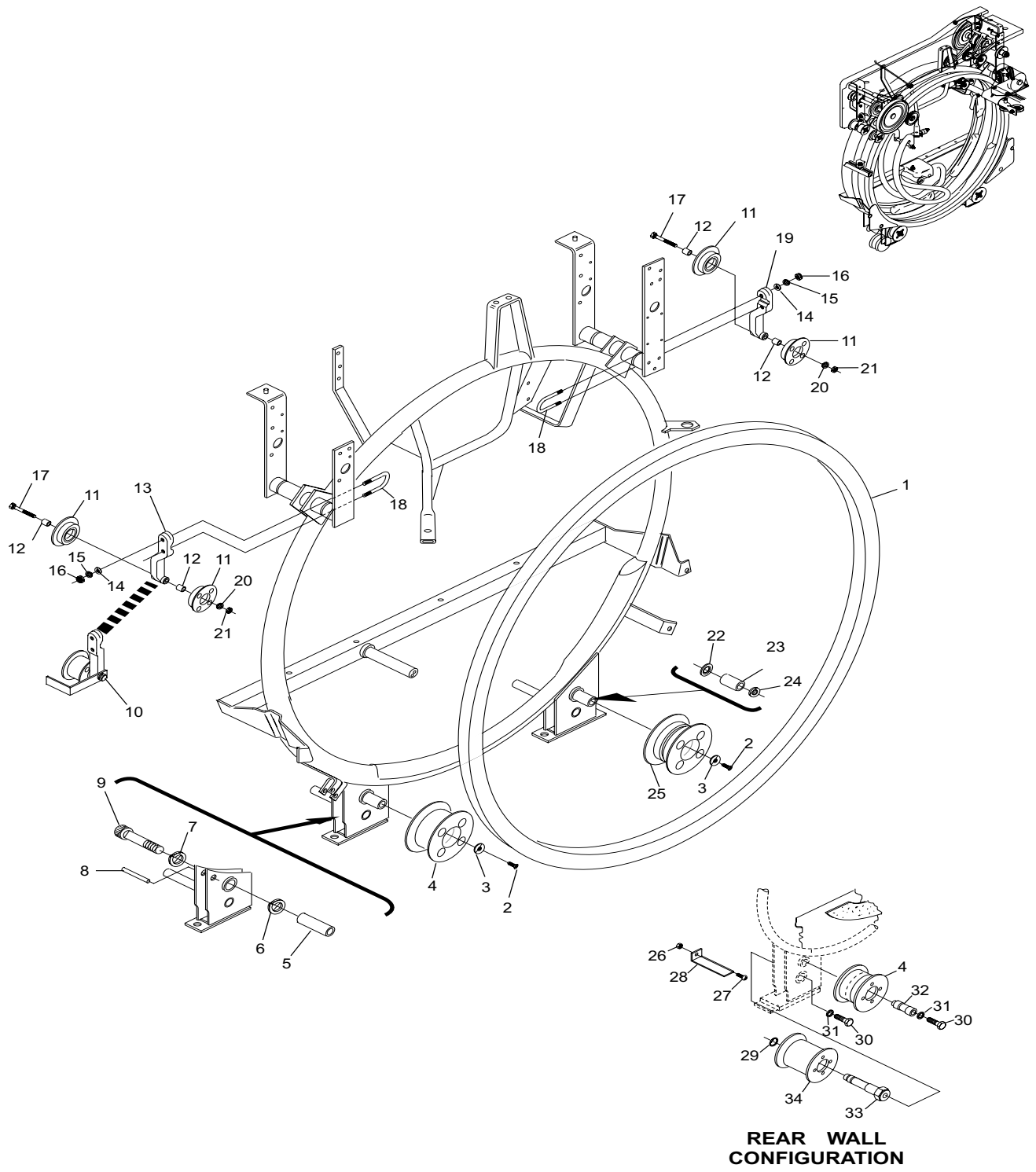
**NOTE 3:** When replacing in machines with steel roller, order new spacer 12-400018-015.

**NOTE 4:** Also order the following:

11-125104-001 Hex Nut (3/8-16")  
11-195016-001 Lockwasher (3/8")  
11-190014-001 Flat Washer (3/8")

**Elevator Frame**



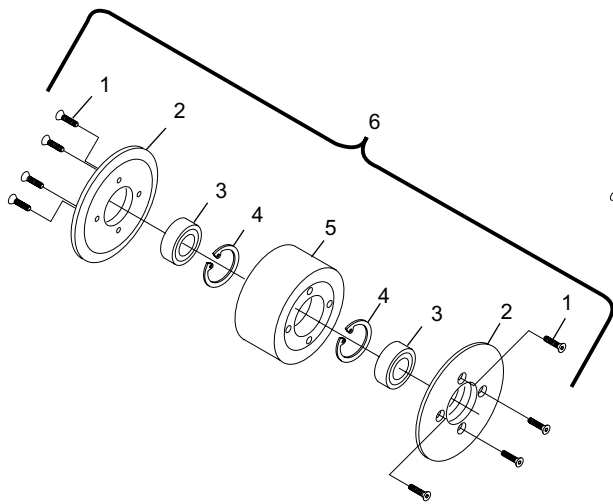


**Elevator Frame**

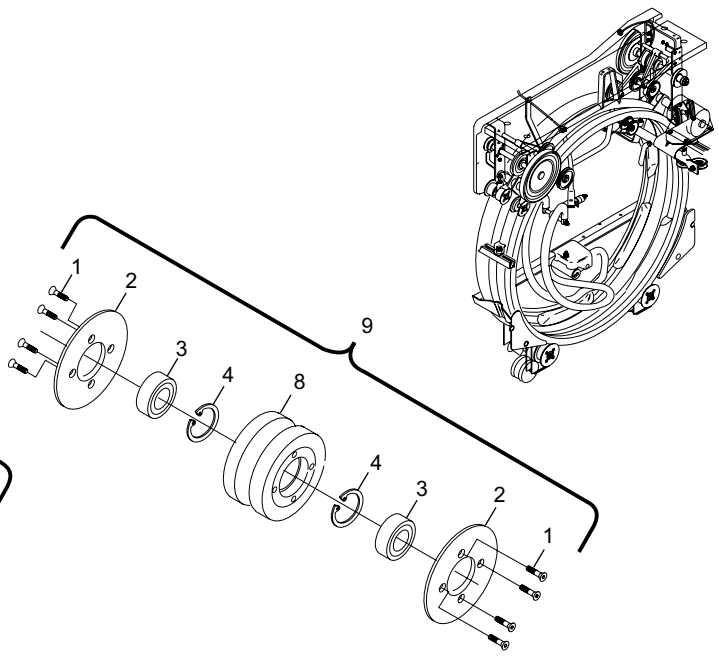
**Index**

<b>No.</b>	<b>Part No.</b>	<b>Description</b>
1.	11-007180-001	Flat Head Socket Cap Screw (1/4-20 x 5/8")
2.	12-40	0257-000 Flange
3.	11-430013-000	Ball Bearing
4.	11-531020-000	Inverted Internal Retaining Ring
5.	90-400258-000	L.H. Ball Wheel Roller
6.	12-400240-000	L.H. Ball Wheel Roller
7.	12-400262-000	Flange
8.	90-400260-000	R.H. Ball Wheel Roller
9.	12-400268-000	Ballwheel Roller Assembly
10.	90-400261-000	Hub & Tire - Lower Pin Wheel
11.	11-530522-000	Internal Retaining Ring
12.	12-400271-000	Hub & Tire - Upper Ballwheel Guide Roller
13.	11-430004-000	Ball Bearing
14.	12-400269-000	Flange
15.	12-400272-000	Ballwheel Guide Roller Assembly
16.	90-400272-000	Ball Wheel Guide Roller, Urethane- One Piece
17.	11-432000-000	Ball Bearing
18.	90-400264-000	Pin Wheel Guide Roller
19.	12-400265-000	Flange - (Upper Pinwheel Guide Roller)
20.	12-400266-000	Guide Roller Assembly - (Upper Pinwheel)
21.	12-400263-000	Pin Wheel Roller Assembly

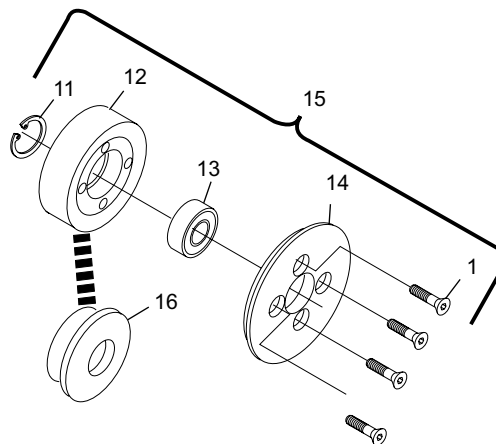
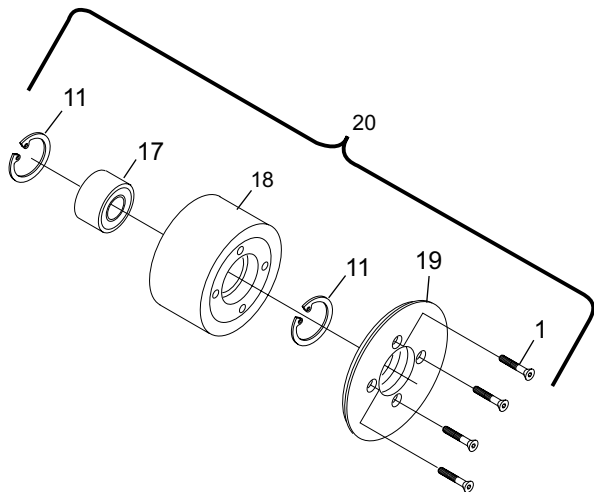
**Elevator Guide Rollers**



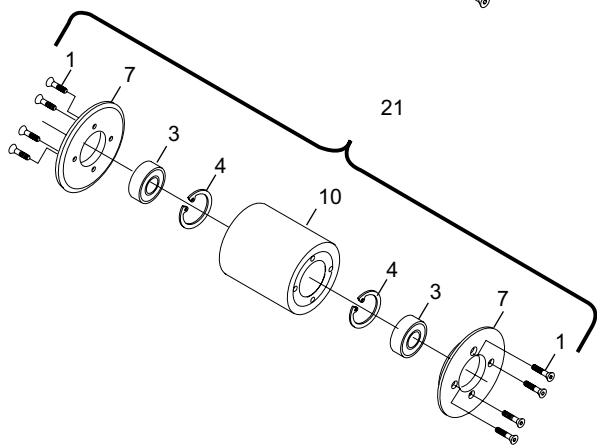
BALL WHEEL ROLLER ASSEMBLY LEFT-HAND



BALL WHEEL ROLLER ASSEMBLY RIGHT-HAND



BALL WHEEL GUIDE ROLLER ASSEMBLY



PIN WHEEL ROLLER ASSEMBLY

## Elevator Guide Rollers

**Index**

No.	Part No.	Description
1.	12-400018-002	Spacer
2.	12-400018-006	Spacer
3.	12-400018-007	Spacer
4.	12-400018-008	Spacer
5.	12-400281-000	Collar
6.	12-400018-016	Spacer
7.	12-400018-023	Spacer
8.	12-400018-017	Spacer
9.	12-400252-000	Torsion Spring
10.	11-105200-001	Set Screw - Headless (5/16-18 x 1/4")
11.	12-400810-000	Drive Shaft
12.	12-400254-000	Arm & Bearing Assembly
13.	12-400027-000	Idle Arm Stud
14.	12-400030-000	Bearing Bushing
15.	12-400031-002	Spring Post
16.	12-400031-003	Spring Post
17.	12-400031-004	Post
18.	12-400031-005	Post
19.	12-400033-000	Bearing Retainer
20.	12-400035-004	Sheave
21.	12-400035-003	Sheave
	12-400035-005	Sheave
22.	12-400035-006	Sheave
23.	12-400035-008	Sheave
24.	12-400035-009	Sheave
25.	12-400036-000	Bushing
26.	12-400046-000	Rear Guard Assembly
27.	12-400136-000	Plug
28.	12-252348-000	Elevator Plate
29.	12-400068-000	Bumper
30.	12-400219-000	Idle Pulley Assembly
31.	12-400221-000	Idle Pulley Assembly
32.	12-400837-000	L.H. Wheel Guard Assembly
	90-400840-000	Universal Ballwheel Guard
33.	12-402413-000	Pin Deflector
34.	11-007186-001	Flat Head Socket Cap Screw (1/4-20 x 1-1/4")
35.	11-190010-001	Flat Washer (1/4)
36.	11-170007-001	Hex Nut Nylock (1/4-20)
37.	11-001180-001	Hex Head Cap Screw (1/4 x 5/8")
38.	11-195014-001	Lockwasher (1/4)
39.	12-400838-000	R.H. Wheel Guard Assembly
	90-400840-000	Universal Ballwheel Guard
40.	12-400297-000	Idle Pulley Assembly
41.	12-862163-000	Magnetic Clutch Assembly
42.	11-430045-000	Ball Bearing
43.	12-400126-000	Pinwheel Drive Wheel Assembly
	12-402126-000	Pin Wheel Drive Pulley
44.	11-420045-000	Sleeve Oilite Bearing
45.	12-400209-000	Idle Pulley Assembly
46.	12-400302-000	Idle Pulley Bracket, See Note 1
47.	12-400138-002	Square Key
48.	12-400138-003	Key
49.	12-400138-004	Key
50.	12-400138-006	Key
51.	12-400139-003	Washer
52.	11-190024-001	Washer
53.	12-400804-000	Collar
54.	11-105201-001	Headless Set Screw (5/16-18 x 5/16")
55.	12-750071-000	Twist Lock Plug
56.	N.A.	Wire Nut
57.	11-001342-001	Hex Head Cap Screw (3/8-16 x 3/4")
58.	11-125102-000	Hex Nut (5/16-18)
59.	11-195015-001	Lockwasher (5/16)
60.	11-125104-001	Hex Nut (3/8-16)
61.	11-001344-001	Hex Head Cap Screw (3/8-16 x 1")
62.	N.A.	Plate
63.	11-001515-000	Hex Head Socket Cap Screw (1/2-13 x 2-3/4")
	11-001517-001	Hex Head Socket Cap Screw (1/2-13 x 3-1/4")
64.	11-002001-001	Hex Head Socket Cap Screw (1/4-20 x 5/8")
65.	11-005183-001	Hex Head Socket Cap Screw (1/4-20 x 7/8")

**Index**

No.	Part No.	Description
66.	11-002004-001	Hex Head Cap Screw (1/4-20 x 1")
67.	11-002247-000	Hex Head Socket Cap Screw (1/2-13 x 1-3/4")
68.	N.A.	Stripper Bolt
69.	11-001357-001	Hex Head Cap Screw (3/8-16 x 3-1/4"), See Note 3
70.	11-001359-001	Hex Head Cap Screw (3/8-16 x 3-3/4"), See Note 2
71.	11-106563-000	Stripper Bolt
72.	11-001354-001	Hex Head Cap Screw (3/8-16 x 2-1/2"), See Note 3
73.	11-001436-001	Hex Head Socket Cap Screw (7/16-14 x 3"), See Note 4
74.	11-125100-001	Hex Nut (1/4-20)
75.	11-125106-001	Hex Nut (7/16-14)
76.	11-125108-001	Hex Nut (1/2-13)
77.	12-400018-024	Spacer
78.	11-180006-001	Clamping Nut & Spring (1/2-13)
79.	11-190014-001	Flat Washer (3/8)
80.	11-190016-001	Flat Washer (7/16)
81.	11-190022-001	Flat Washer (5/8)
82.	11-190024-000	Plain Washer (7/8)
83.	10-050005-000	Eye Bolt
84.	11-125202-001	Hex Jam Nut (5/16-18)
85.	11-195016-001	Lockwasher (3/8)
86.	11-195017-001	Lockwasher (7/16)
87.	11-195018-001	Lockwasher (1/2)
88.	12-400018-025	Spacer
89.	11-421019-000	Flanged Oilite Bearing
90.	10-430001-000	Ball Bearing, w/ Snap Ring
91.	N.A.	Bearing, w/o Snap Ring
92.	11-651004-000	Grommet
93.	12-400273-000	Carriage Bolt (1/2-13 x 1-1/4"), See Note 2
94.	12-402422-000	Pin Wheel Brake
95.	11-606200-000	Pin Deflector Cord
96.	12-402429-000	Hook
97.	12-100185-014	Spacer
98.	11-125203-001	Hex Jam Nut (5/16-24)
99.	12-400323-000	Special Washer
100.	12-400317-002	Gear
101.	12-400322-000	Adjusting Nut
102.	11-195020-001	Lockwasher (5/8)
103.	12-400321-000	Spacer
104.	11-430007-000	Bearing (.6693 IDX1.5748 OD)
105.	11-360415-001	Spirol Pin (5/32 x 1-1/8")
106.	11-531511-001	Beveled Retaining Ring (1.693 O.D.)
107.	12-400320-000	Shaft
108.	12-400316-000	Bearing Housing
109.	11-190012-001	Flat Washer - SAE (5/16)
110.	11-190521-001	Plain Washer
111.	11-001262-000	Hex Head Cap Screw (5/16-18 x 3/4")
112.	12-400319-000	Spacer
113.	12-400035-012	Sheave (3.80" O.D.)
114.	12-400138-007	Square Key
115.	12-400138-008	Rectangular Key
116.	12-100170-012	Washer
117.	11-001531-001	Hex Head Socket Cap Screw (1/2-13 x 10-1/2")
118.	11-001222-001	Hex Head Socket Cap Screw (1/4-28 x 3/4")
119.	11-001346-001	Hex Head Cap Screw (3/8-16 x 1-1/4")
120.	11-006504-001	Button Head Socket Cap Screw (1/2-13 x 1")
121.	12-400318-000	Washer
122.	12-400317-003	Pinion
123.	12-400139-005	Special Washer
124.	12-400324-000	Shield Assembly

N.A. = No Longer Available

NOTE 1: When ordering Bracket P/N 12-400302-000 for machines prior to S/N 4501, also add Washer P/N

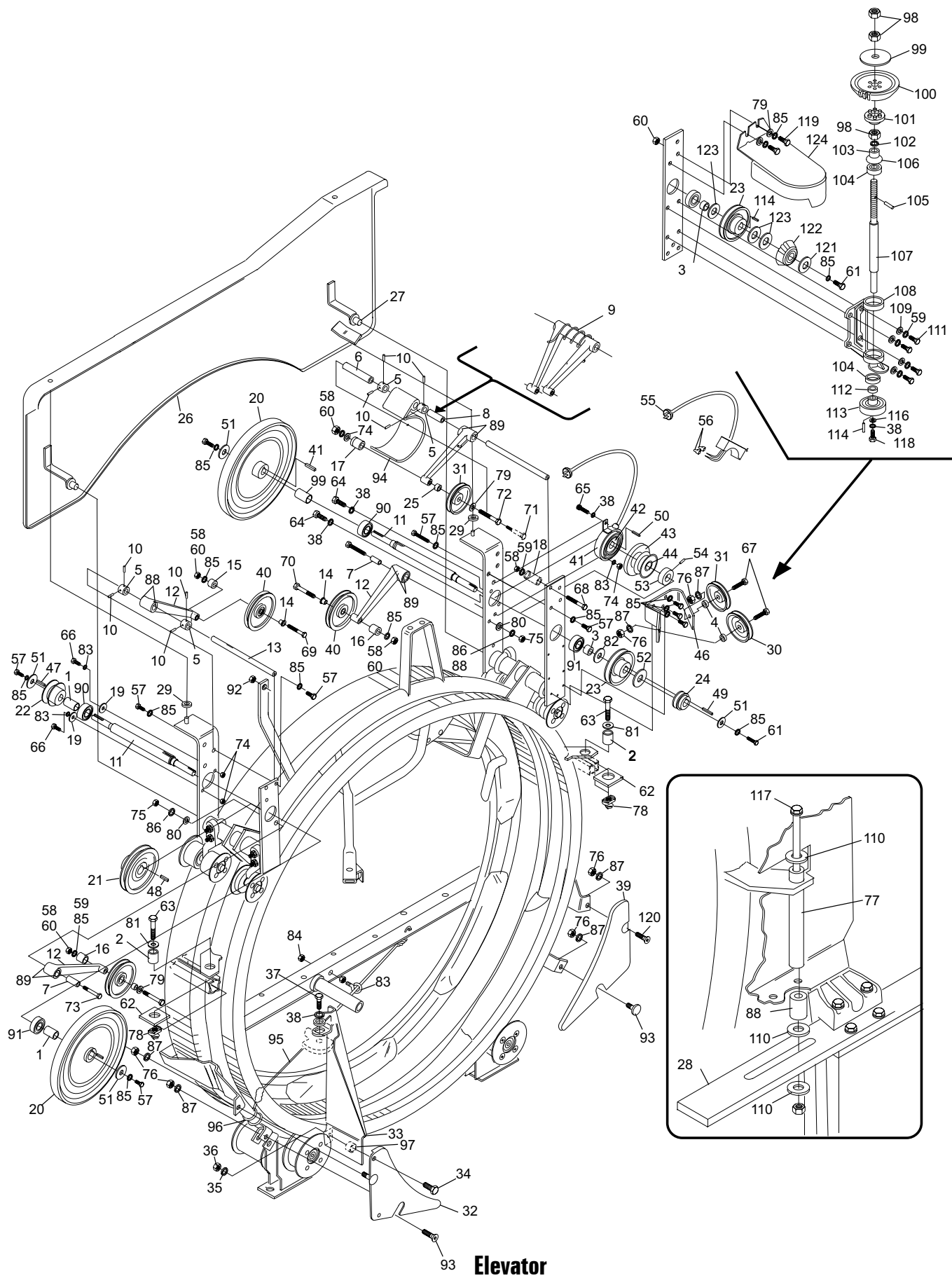
11-190024-000 behind Pulley P/N 12-400035-009.

NOTE 2: Also order 11-195016-000 Lockwasher and 11-125104-000 Nut.

NOTE 3: Also order 11-125104-000 Nut, 11-195016 Lockwasher, and 11-190014-000 Washer (2).

NOTE 4: Also order 11-195017-000 Lockwasher, 11-125106-000 Nut, 11-190016-000 Washer, and 12-400018-023 Spacer.

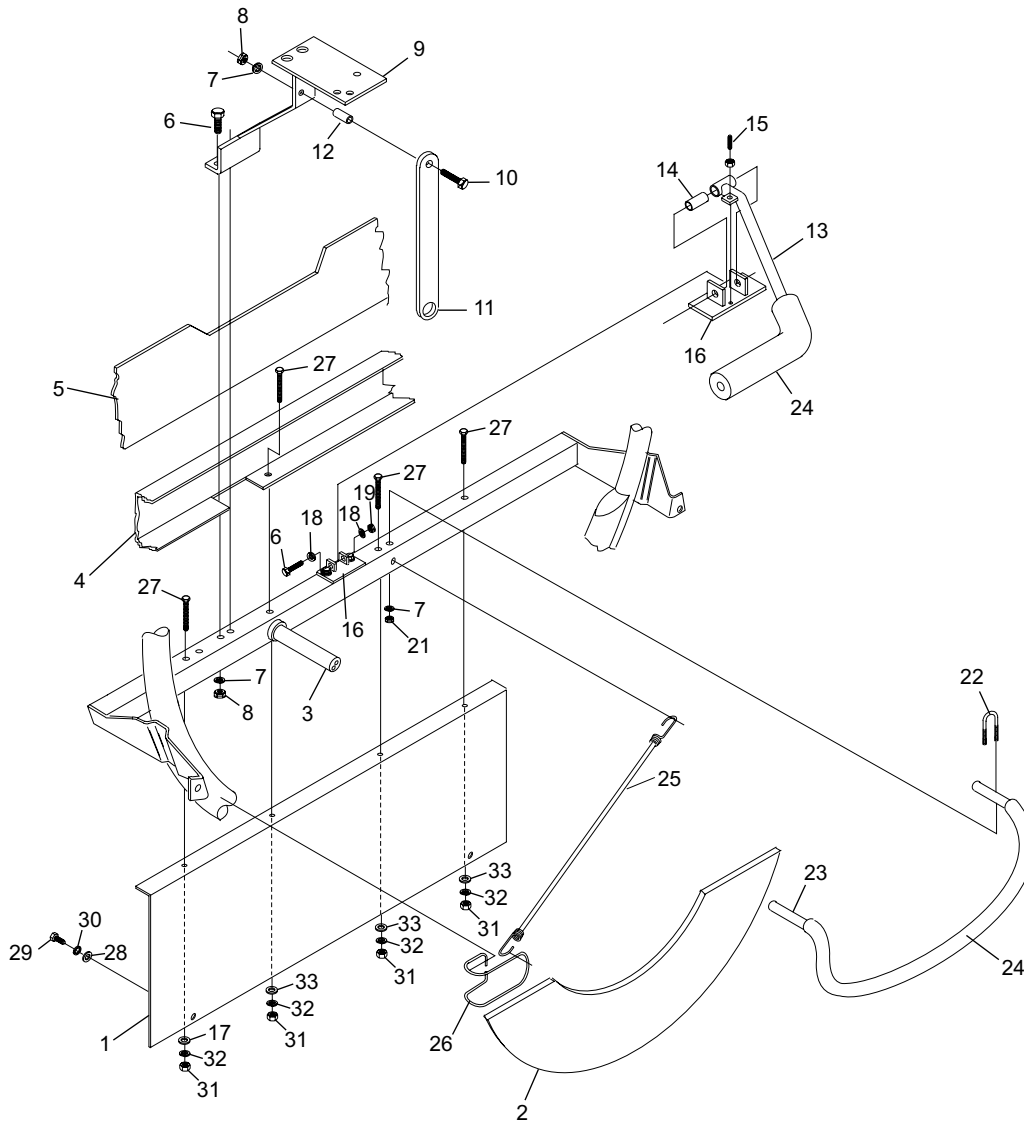
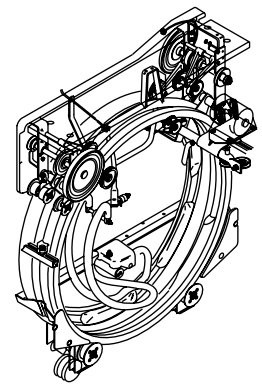
**Elevator**



**Index**

<b>No.</b>	<b>Part No.</b>	<b>Description</b>
1.	12-400805-000	Rear Plate & Pad
2.	12-400807-000	Rear Plate Pad
3.	12-400149-000	Shaft
4.	12-402401-000	Bracket Assembly
5.	12-402405-000	Rear Pin Deflector
6.	11-001275-001	Hex Head Cap Screw (5/16-18 x 2-3/4")
7.	11-195015-001	Lockwasher (5/16)
8.	11-125102-001	Hex Nut (5/16-18)
9.	12-862180-000	Support Arm Assembly
10.	11-001272-001	Hex Head Cap Screw (5/16-18 x 2")
11.	12-402425-000	Support Brace
12.	11-387264-002	Rolled Spacer (5/16 X 1")
13.	12-860229-600	Advanced Performance Ball Spinning/Jam Eliminator Kit
	12-860583-000	Spinning Ball Eliminator
14.	12-860583-002	Pivot Spacer
15.	11-102215-000	Headless Socket Set Screw
16.	12-860583-004	Mounting Plate Assembly
17.	11-190010-001	Flat Washer (1/4)
18.	11-190012-001	Flat Washer - SAE (5/16)
19.	11-170009-001	Hex Nut Nylock (5/16-18)
20.	11-195014-001	Lockwasher (1/4)
21.	11-170011-001	Hex Nut Nylock (3/8-16)
22.	12-502171-000	U-Bolt
23.	12-502172-000	Ball Guide Rod
24.	12-400048-005	Rod Cover (90" Tan)
	12-400048-091	Gum Rubber Ball Rod Cover (50' Tan)
	90-400048-000	Heavy-Duty Ball Lift Rod Cover (50' Red)
	90-400048-600	Advanced Performance Urethane Foam Rod Cover (3 per package)
	12-860583-003	Arm Cover SBE
25.	11-606200-000	Pin Deflector Cord
26.	12-402429-000	Hook
27.	11-001195-001	Hex Head Cap Screw (1/4-20 x 2-3/4")
28.	11-190014-001	Flat Washer (3/8)
29.	11-001342-001	Hex Head Cap Screw (3/8-16 x 3/4")
30.	11-195016-001	Lockwasher (3/8)
31.	11-125100-001	Hex Nut (1/4-20)

**Elevator Rear**



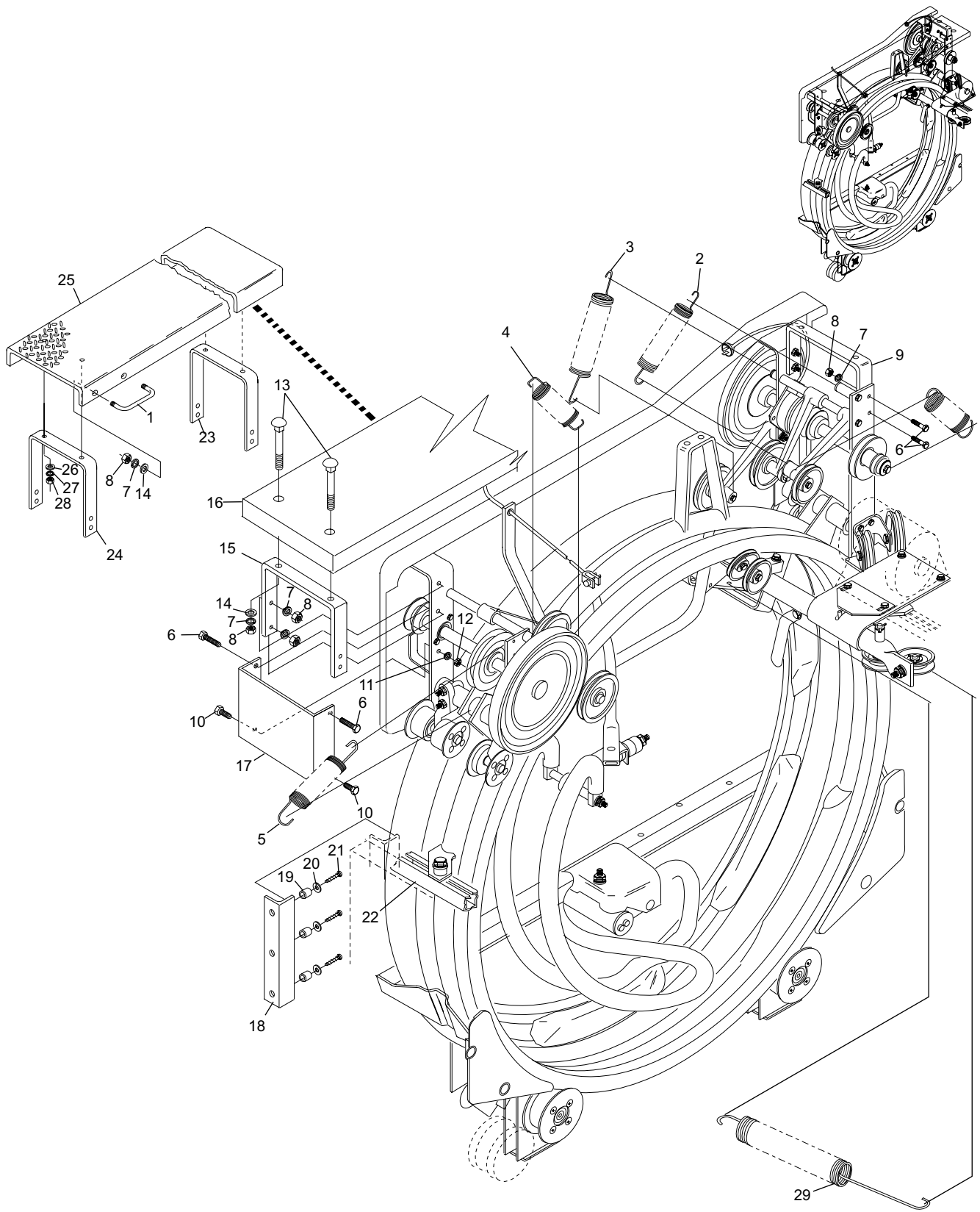
**Elevator - Rear**

**Index**

<b>No.</b>	<b>Part No.</b>	<b>Description</b>
1.	12-402076-000	Handle
2.	N.A.	Tension Spring
3.	12-400040-000	Tension Spring
4.	12-400194-000	Tension Spring
5.	12-400042-000	Tension Spring
6.	11-001344-001	Hex Head Cap Screw (3/8-16 x 1")
7.	11-195016-001	Lockwasher (3/8)
8.	11-125104-001	Hex Nut (3/8-16)
9.	N.A.	Bracket
10.	11-001182-001	Hex Head Cap Screw (1/4-20 x 3/4")
11.	11-195014-001	Lockwasher (1/4)
12.	11-125100-001	Hex Nut (1/4-20)
13.	12-400210-000	Step Bolt
14.	11-190014-001	Flat Washer (3/8)
15.	N.A.	Bracket
16.	N.A.	Board
17.	12-400216-000	Ball Wheel Guard Assembly
18.	N.A.	Guard
19.	N.A.	Spacer
20.	11-190006-001	Flat Washer - SAE (#10)
21.	11-042095-001	Round Head Slotted Wood Screw (#10 x 1")
22.	N.A.	Channel
23.	12-402072-000	R.H. Bracket (Steel Catwalk)
24.	12-402073-000	L.H. Bracket (Steel Catwalk)
25.	N.A.	Catwalk, Steel
26.	11-190012-001	Flat Washer - SAE (5/16)
27.	11-195015-001	Lockwasher (5/16)
28.	11-125009-001	Hex Nut (5/16-18)
29.	12-400806-002	Spring
	12-400806-003	Spring Hook

*N.A. = No Longer Available*





## Elevator Assembly

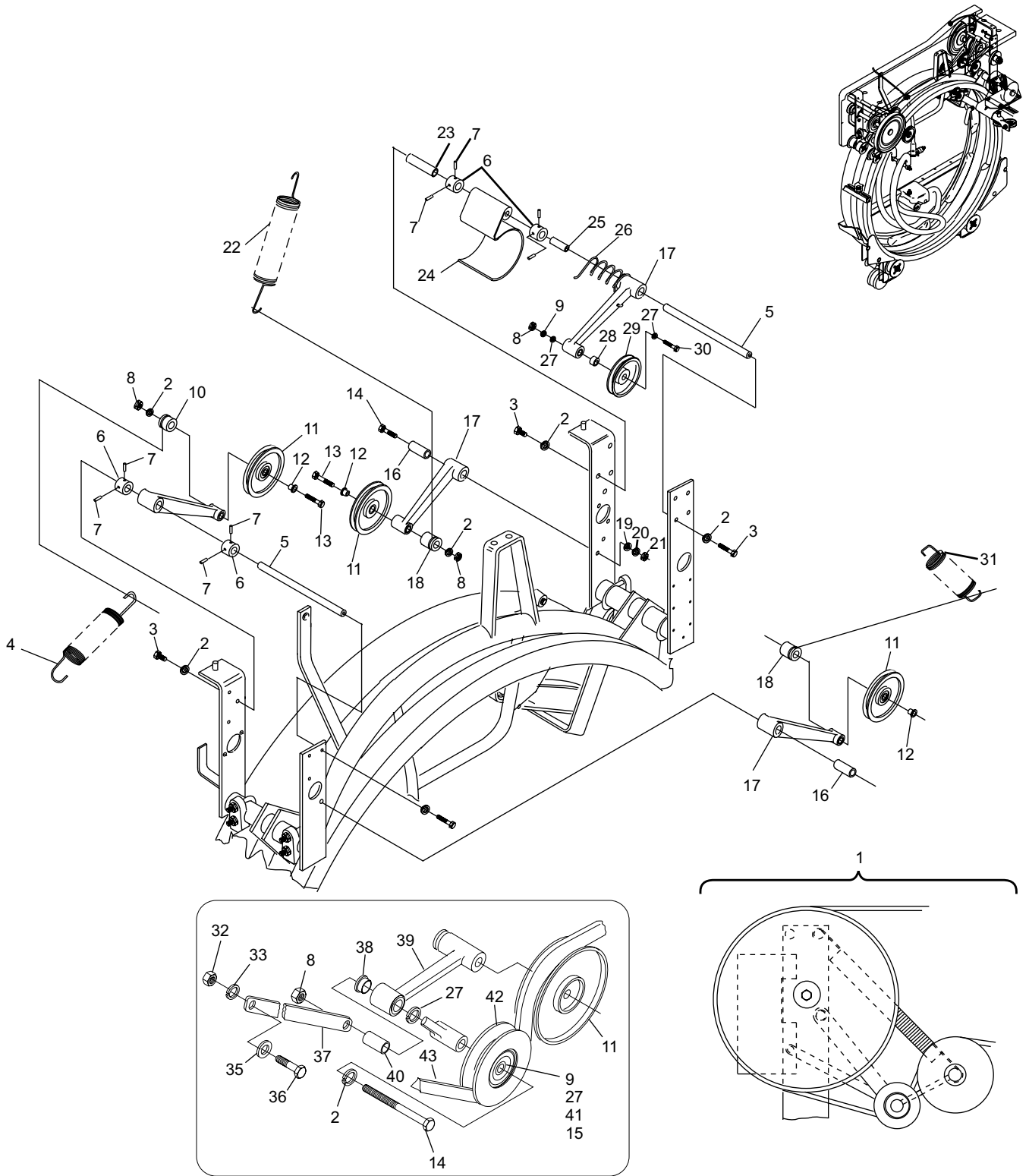
**Index**

<b>No.</b>	<b>Part No.</b>	<b>Description</b>
1.	N.A.	Motor to Elevator Belt Conversion Kit-See Note 1
2.	11-195016-001	Lockwasher (3/8)
3.	11-001342-001	Hex Head Cap Screw (3/8-16 x 3/4")
4.	12-400042-000	Tension Spring
5.	12-400027-000	Idler Arm Stud
6.	12-400281-000	Collar
7.	11-105200-001	Set Screw - Headless (5/16-18 x 1/4")
8.	11-125102-001	Hex Nut (5/16-18)
	11-125104-001	Hex Nut (3/8-16)
9.	53-520025-000	Idler Sheave Only
10.	12-400031-002	Spring Post
11.	12-400297-000	Idler Pulley Assembly
12.	12-400030-000	Bearing Bushing
13.	11-001357-001	Hex Head Cap Screw (3/8-16 x 3-1/4")
14.	11-001359-001	Hex Head Cap Screw (3/8-16 x 3-3/4")
15.	11-430028-000	Ball Bearing
16.	12-400018-023	Spacer
17.	12-400254-000	Arm & Bearing Assembly
18.	12-400031-003	Spring Post
19.	11-190016-001	Flat Washer (7/16)
20.	11-195017-001	Lockwasher (7/16)
21.	11-125106-001	Hex Nut (7/16-14)
22.	12-400040-000	Tension Spring
23.	12-400018-016	Spacer
24.	12-402422-000	Pin Wheel Brake
25.	12-400018-017	Spacer
26.	12-400252-000	Torsion Spring
27.	11-190014-001	Flat Washer (3/8)
28.	12-400036-000	Bushing
29.	12-400209-000	Idler Pulley Assembly
	12-400221-000	Idler Pulley Assembly
30.	11-001354-001	Hex Head Cap Screw (3/8-16 x 2-1/2")
31.	12-400194-000	Tension Spring
32.	11-125100-001	Hex Nut (1/4-20)
33.	11-195014-001	Lockwasher (1/4)
34.	12-402441-000	Bearing Bushing
35.	11-191010-001	Flat Washer (1/4)
36.	11-001183-001	Hex Head Cap Screw (1/4-20 x 7/8")
37.	12-402437-000	Support Brace
38.	11-421110-000	Flanged Oilite Bearing
39.	12-402442-000	Idler Pulley Assembly
40.	12-402445-000	Spacer
41.	11-530531-000	Internal Retaining Ring
42.	12-402443-000	Idler Pulley Assembly
43.	10-635315-000	V-Belt (Motor to Elevator)

*N.A. = No Longer Available*

*NOTE 1: When ordering Bracket P/N 12-400302-000 for machines prior to S/N 4501, also order Washer P/N 11-190025-000 and Behind Pulley P/N 12-400035-009.*

**Elevator Drive**



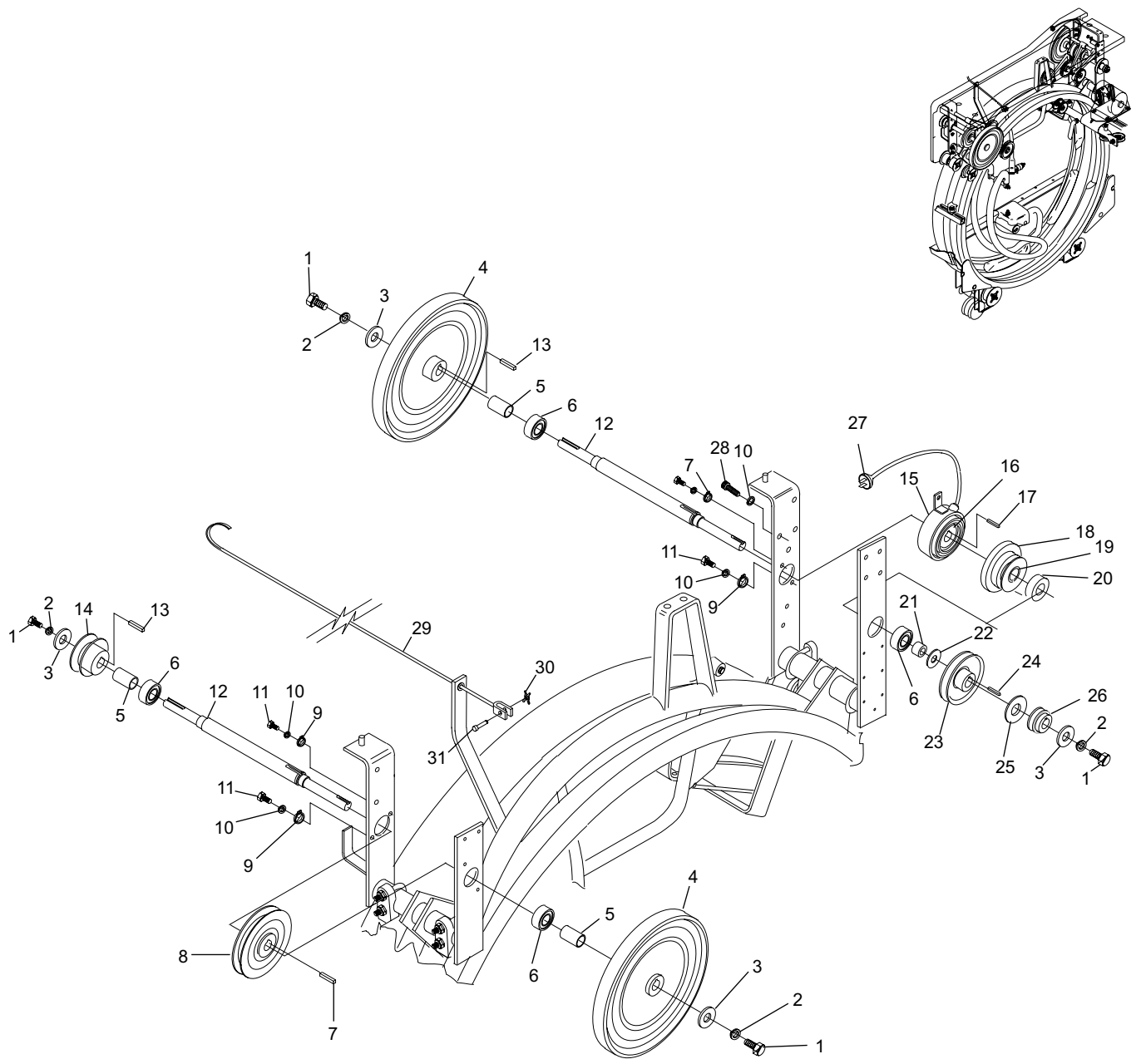
1  
MOTOR TO ELEVATOR BELT  
CONVERSION KIT

## Elevator Drive

**Index**

<b>No.</b>	<b>Part No.</b>	<b>Description</b>
1.	11-001342-001	Hex Head Cap Screw (3/8-16 x 3/4")
2.	11-195016-001	Lockwasher (3/8)
3.	12-400139-003	Washer
4.	12-400035-004	Sheave
5.	12-400018-002	Spacer
6.	10-430001-000	Ball Bearing, w/ Snap Ring
	11-430015-000	Ball Bearing
7.	12-400138-003	Key
8.	12-400035-003	Sheave
	12-400035-005	Sheave
9.	12-400033-000	Bearing Retainer
10.	11-195014-001	Lockwasher (1/4)
11.	11-002004-001	Hex Head Cap Screw (1/4-20 x 1")
12.	12-400810-000	Drive Shaft
13.	12-400138-002	Square Key
14.	12-400035-006	Sheave
15.	12-862163-000	Magnetic Clutch Assembly
16.	11-430045-000	Ball Bearing
17.	12-400138-006	Key
18.	12-402126-000	Pin Wheel Drive Pulley
	12-400126-000	Pinwheel Drive Wheel Assembly
19.	11-420045-000	Sleeve Oilite Bearing
20.	12-400804-000	Collar
21.	12-400018-007	Spacer
22.	12-400139-005	Special Washer
23.	12-400035-008	Sheave
24.	12-400138-004	Key
25.	11-190024-000	Plain Washer (7/8)
26.	12-400035-009	Sheave
27.	12-150071-000	Pin
28.	11-005183-001	Hex Head Socket Cap Screw (1/4-20 x 7/8")
29.	12-100213-000	Trip Rod Assembly
30.	11-230000-001	X-Washer (3/32)
31.	12-100318-003	X-Washer Pin

**Elevator Drive**



## Elevator Drive